

# ***RX & CX*** ***Shelbourne Header*** (1996)

***ADAPTOR PLATE & COMBINE FITTINGS***

***PARTS MANUAL***

***MASSEY FERGUSSON***



**Shelbourne Reynolds Inc.**  
**Colby PO box 607**  
**1250 S Country Club Drive**  
**Colby , Kansas 67701**  
**U.S.A.**  
**Telephone: (785) 462 6299**  
**Fax: (785) 462 6761**



**INVESTOR IN PEOPLE**

**Shelbourne Reynolds Engineering Ltd**  
**Stanton**  
**Bury St Edmunds**  
**Suffolk IP31 2AR**  
**England**  
**Telephone: (01359) 250415**  
**Fax: (01359) 250464**

**(Stores direct (01359) 251231)**  
**(Stores direct (01359) 252031)**

visit our website [www.shelbourne.com](http://www.shelbourne.com)

# MASSEY FERGUSSON

## Parts Manual

### Adaptor Plate

196517 08K	ADAPTOR PLATE ASSY-MF N.A
196517 09K	ADAPTOR PLATE ASSY-MF30-40(DRON)
196517 29K	ADAPTOR PLATE ASSY AGCO
196517 30K	ADAPTOR PLATE ASSY MF WORLDWIDE PICKUP

### Drive Kits

196534 104	DRIVE KIT-MF N.A. Rx48
196534 105	DRIVE KIT-MF N.A. Rx54
196534 106	DRIVE KIT-MF N.A. Rx60
196534 108	DRIVE KIT-MF N.A. Rx66, Cx72, Cx78 & Cx84
196534 115	DRIVE KIT-MF30-40 Rx54
196534 116	DRIVE KIT-MF30-40 Rx60
196534 118	DRIVE KIT-MF30-40 Rx66, Cx72, Cx78, & Cx84
196534 162	DRIVE KIT 3.6m DEUTZ-ALLIS (ALL)
196534 165	DRIVE KIT 5.4m DEUTZ-ALLIS (ALL)
196534 166	DRIVE KIT 6.0m DEUTZ-ALLIS (ALL)
196534 168	DRIVE KIT 6.6-8.4m DEUTZ-ALLIS (ALL)

### Hydraulic Fittings

KIT-01706	HYDRAULIC CONNECTOR MF N.A.(ERP)
KIT-01707	HYDRAULIC CONNECTOR MF30-40(DRON)
KIT-01709	HYDRAULIC CONNECTOR MF N.A. (USA)
KIT-01720	HYDRAULIC KIT DEUTZ-ALLIS/GLEANER

### Kit Options

KIT-00965	AUGER FLIGHT EXTENSIONS KIT
KIT-00970	Rx PROTECTION PANS (ALL WIDTHS)



**RX & CX SHELBOURNE HEADER**

**ADAPTOR PLATES**



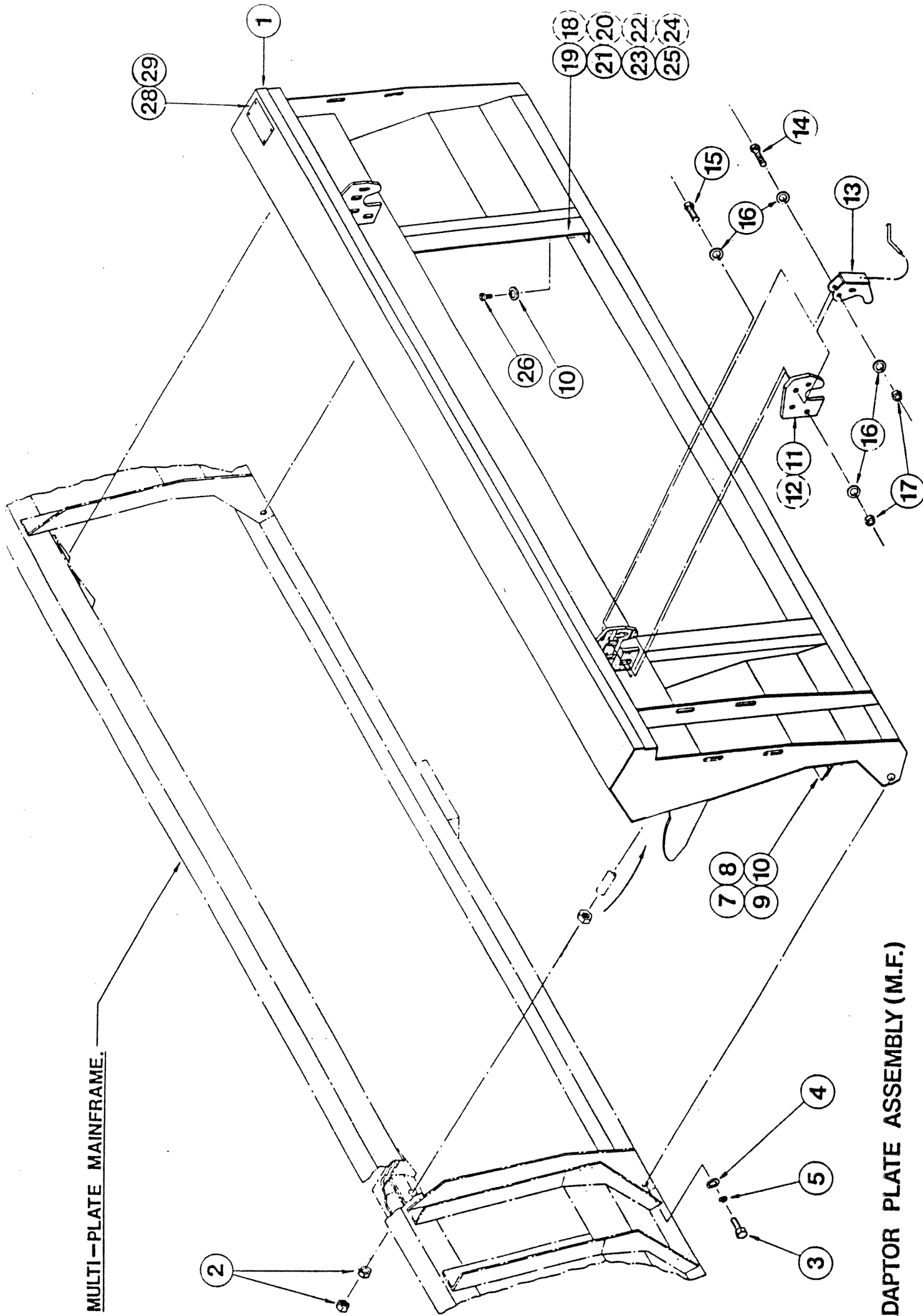
**Shelbourne Reynolds Engineering Limited**

ASSY NUMBER: 196517 08K		ASSY DESCRIPTION: ADAPTOR PLATE ASSY - MASSEY N/A					
ITEM	PART NO	DESCRIPTION	QTY	ITEM	PART NO	DESCRIPTION	QTY
	KIT-00608	ADAPTOR PLATE SUB	1				

**Shelbourne Reynolds Engineering Limited**

KIT-00608		SUB ASSY DESCRIPTION: ADAPTOR PLATE MF N/A (FROM 196517 08)	
ASSY NUMBER:	SUB ASSY DESCRIPTION: ADAPTOR PLATE MF N/A (FROM 196517 08)		
ITEM	PART NO	DESCRIPTION	QTY
1	191443 01	FRAME WELD ASSY	1
2	NUT-0190	NUT (M24)	6
3	HSS-0315	BOLT (M16X35)	2
4	WSH-0024	WASHER (M16)	2
5	WSH-0070	WASHER (M16 SPRING)	2
6			
7	191433 02	SCRAPER	2
8	BLT-4710	COACH BOLT (M8X20)	6
9	NUT-0263	NUT (M8 NYLOC)	6
10	WSH-0012	WSHER (M8 FLAT)	14
11	191440 01	ADJUSTER PLATE LH	1
12	191440 02	ADJUSTER PLATE RH	1
13	191442 01	LOCKING PLATE ASSY	2
14	BLT-2249	BOLT (M12X50)	2
15	BLT-2243	BOLT (M12X40)	4
16	WSH-0018	WASHER (M12 FLAT)	12
17	NUT-0269	NUT (M12 NYLOC)	6
18	191448 01	FILL IN PLATE LH	1
19	191448 02	FILL IN PLATE RH	1
20	191449 01	FILL IN PLATE LH	1
21	191449 02	FILL IN PLATE RH	1
22	191450 01	FILL IN PLATE LH	1
23	191450 02	FILL IN PLATE RH	1
24	191451 01	FILL IN PLATE LH	1
25	191451 02	FILL IN PLATE RH	1
26	SCW-3730	SCREW (M8X16 PAN HD)	8
28	POP-0006	POP RIVET (UPTO 2009)	4
29	134024 05	IDENTIFICATION PLATE (UPTO 2009)	1

MULTI-PLATE MAINFRAME.



ADAPTOR PLATE ASSEMBLY (M.F.)



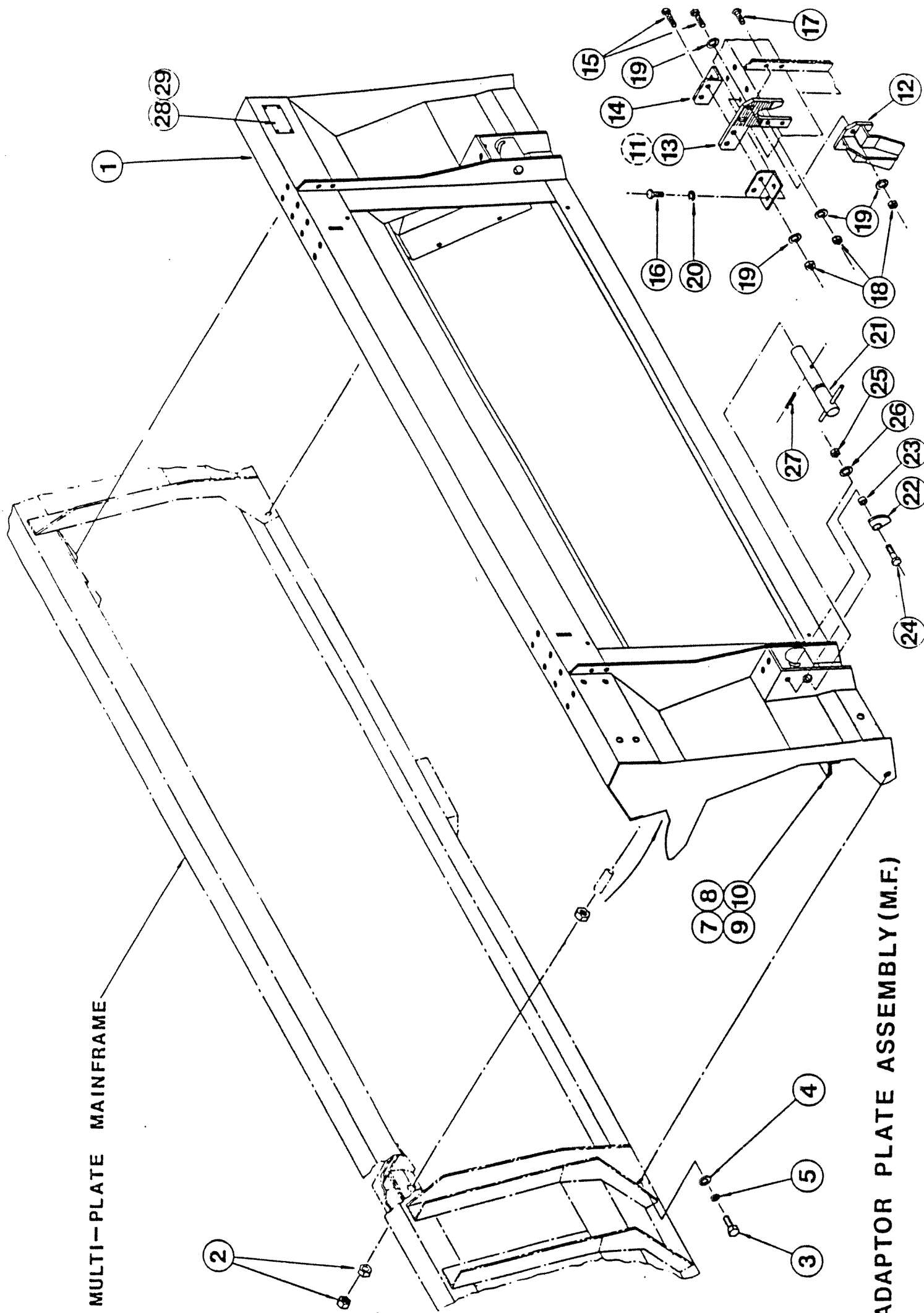
**Shelbourne Reynolds Engineering Limited**

ASSY NUMBER		ASSY DESCRIPTION: ADAPTOR PLATE ASSY - MF30-40 (DRON)					
ITEM	PART NO	DESCRIPTION	QTY	ITEM	PART NO	DESCRIPTION	QTY
	KIT-00603 KIT-00802	ADAPTOR PLATE SUB FIXING KIT	1 1				

**Shelbourne Reynolds Engineering Limited**

ASSY NUMBER:		KIT-00603		SUB ASSY DESCRIPTION: ADAPTOR PLATE MF(DRON)			
ITEM	PART NO	DESCRIPTION	QTY	ITEM	PART NO	DESCRIPTION	QTY
1	191090 01	FRAME WELD ASSY	1				
2	NUT-0190	PLAIN NUT (M24)	6				
3	HSS-0315	SET SCREW (M16x35mm)	2				
4	WSH-0024	PLAIN WASHER (16mm)	2				
5	WSH-0070	SPRING WASHER (16mm)	2				
6							
7	191160 02	SCRAPER	2				
8	BLT-4710	COACH BOLT (M8x20mm)	6				
9	NUT-0263	NYLOC NUT (M8)	6				
10	WSH-0012	PLAIN WASHER (8mm)	6				
28	POP-0006	POP RIVET	4				
29	134024 05	IDENTIFICATION PLATE	1				





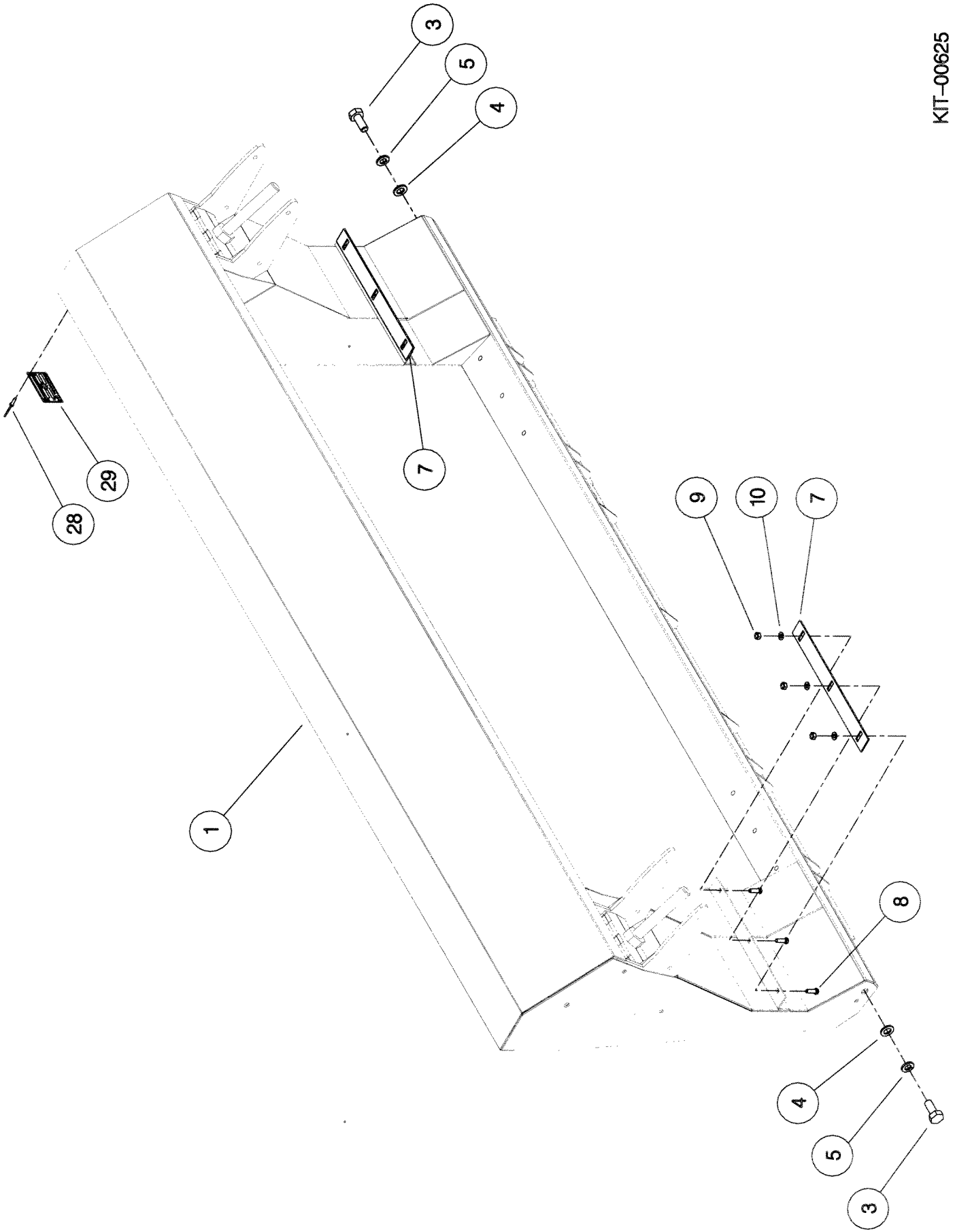


**Shelbourne Reynolds Engineering Limited**

ASSY NUMBER: 196517 30K		ASSY DESCRIPTION: ADAPT.PLT.ASSY MF WORLDWIDE PICKUP ERPN					
ITEM	PART NO	DESCRIPTION	QTY	ITEM	PART NO	DESCRIPTION	QTY
	KIT-00625 KIT-00812	ADAPTOR PLATE SUB FILL IN KIT	1 1				

**Shelbourne Reynolds Engineering Limited**

KIT-00625		SUB ASSY DESCRIPTION: ADAPTOR PLATE AGCO (R/CX)					
ASSY NUMBER:							
ITEM	PART NO	DESCRIPTION	QTY	ITEM	PART NO	DESCRIPTION	QTY
1	197682 01	FRAME WELD ASSY	1				
2							
3	HSS-0315	SET SCREW	2				
4	WSH-0024	PLAIN WASHER	2				
5	WSH-0070	SPRING WASHER	2				
6							
7	197684 01	SCRAPER	2				
8	BLT-4710	COACH BOLT	6				
9	NUT-0263	NYLOC NUT	6				
10	WSH-0012	PLAIN WASHER	6				
11							
12							
13							
14							
15							
16							
17							
18							
19							
20							
21							
22							
23							
24							
25							
26							
27							
28	POP-0006	POP RIVET (UPTO 2009)	4				
29	194565 01	IDENTIFICATION PLATE (UPTO 2009)	1				

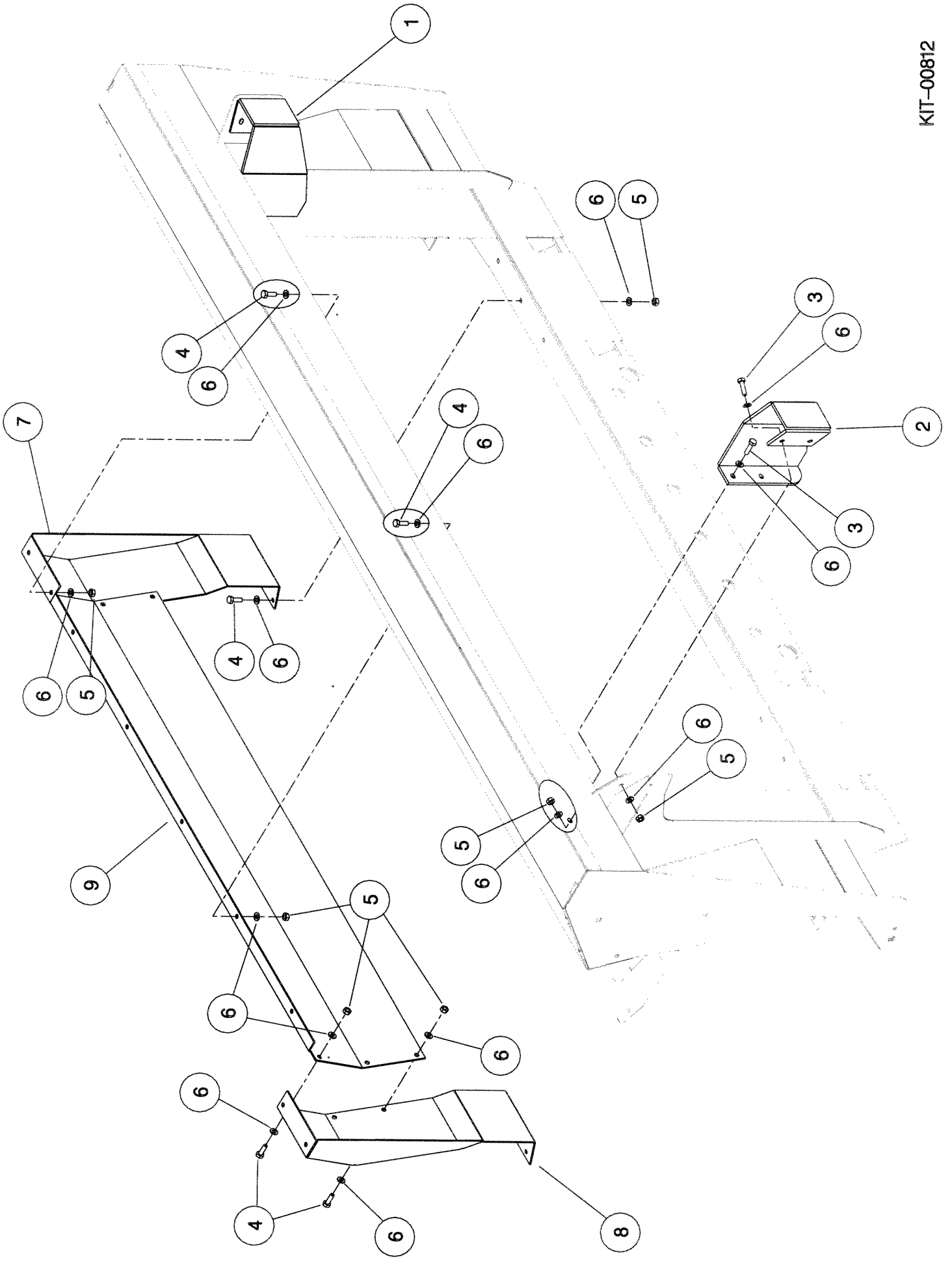


KIT-00625  
KIT-00643



**Shelbourne Reynolds Engineering Limited**

ASSY NUMBER: KIT-00812		SUB ASSY DESCRIPTION: FILL IN KIT MF WORLD WIDE PICK UP					
ITEM	PART NO	DESCRIPTION	QTY	ITEM	PART NO	DESCRIPTION	QTY
1	197667 01	LH GUIDE PLATE	1				
2	197667 02	RH GUIDE PLATE	1				
3	HSS-0150	BOLT	4				
4	HSS-0145	BOLT	23				
5	NUT-0263	NYLOC NUT	27				
6	WSH-0012	PLAIN WASHER	54				
7	197665 01	LH FILL IN PLATE	1				
8	197665 02	RH FILL IN PLATE	1				
9	197666 01	UPPER FILL IN PLATE	1				





**RX & CX SHELBOURNE HEADER**

**DRIVE KITS**



**Shelbourne Reynolds Engineering Limited**

ASSY NUMBER: 196534 104		ASSY DESCRIPTION: DRIVE KIT RX48 MASSEY N/A					
ITEM	PART NO	DESCRIPTION	QTY	ITEM	PART NO	DESCRIPTION	QTY
1	191804 29	SELECT GEAR 29T B	1				
2	191804 27	SELECT GEAR 27T T	1				
3	PTO-17017	FLEX POWER SHAFT	1				
4	191116 04	AUGER SPROCKET 18T	1				
5	CHN-01620	CHAIN	109				
6	CHN-01600	JOINING LINK	1				
7							
8	KIT-00305	BEARING BOX SUB	1				

**Shelbourne Reynolds Engineering Limited**

ASSY NUMBER:		196534 105		ASSY DESCRIPTION: DRIVE KIT 5.4M MASSEY N/A			
ITEM	PART NO	DESCRIPTION	QTY	ITEM	PART NO	DESCRIPTION	QTY
1	191804 29	SELECT GEAR 29T B	1				
OR	191804 30	SELECT GEAR 30T B	1				
2	191804 27	SELECT GEAR 27T T	1				
OR	191804 26	SELECT GEAR 26T T	1				
3	PTO-17013	FLEX POWER SHAFT	1				
4	192768 18	AUGER SPROCKET 18T	1				
OR	192768 06	AUGER SPROCKET 19T	1				
5	CHN-01920	CHAIN	95				
6	CHN-01901	JOINING LINK	1				
7							
8	KIT-00305	BEARING BOX SUB	1				

**Shelbourne Reynolds Engineering Limited**

ASSY NUMBER:		196534 106		ASSY DESCRIPTION: DRIVE KIT 6.0M MASSEY N/A			
ITEM	PART NO	DESCRIPTION	QTY	ITEM	PART NO	DESCRIPTION	QTY
1	191804 29	SELECT GEAR 29T B	1				
OR	191804 30	SELECT GEAR 30T B	1				
2	191804 27	SELECT GEAR 27T T	1				
OR	191804 26	SELECT GEAR 26T T	1				
3	PTO-17009	FLEX POWER SHAFT	1				
4	192768 18	AUGER SPROCKET 18T	1				
OR	192768 06	AUGER SPROCKET 19T	1				
5	CHN-01920	CHAIN	95				
6	CHN-01901	JOINING LINK	1				
7							
8	KIT-00305	BEARING BOX SUB	1				



**Shelbourne Reynolds Engineering Limited**

ASSY NUMBER: 196534 108		ASSY DESCRIPTION: DRIVE KIT 6.6-8.4M MASSEY N/A					
ITEM	PART NO	DESCRIPTION	QTY	ITEM	PART NO	DESCRIPTION	QTY
1	191804 29	SELECT GEAR 29T B	1				
OR	191804 30	SELECT GEAR 30T B	1				
2	191804 27	SELECT GEAR 27T T	1				
OR	191804 26	SELECT GEAR 26T T	1				
3	PTO-17005	FLEX POWER SHAFT	1				
4	192768 18	AUGER SPROCKET 18T	1				
OR	192768 06	AUGER SPROCKET 19T	1				
5	CHN-01920	CHAIN	95				
6	CHN-01901	JOINING LINK	1				
7							
8	KIT-00305	BEARING BOX SUB	1				



**Shelbourne Reynolds Engineering Limited**

ASSY NUMBER: 196534 115		ASSY DESCRIPTION: DRIVE KIT RX54 MF30-40 (DRON)					
ITEM	PART NO	DESCRIPTION	QTY	ITEM	PART NO	DESCRIPTION	QTY
1	191804 33	SELECT GEAR 33T B	1				
2	191804 23	SELECT GEAR 23T T	1				
3	PTO-17011	FLEX POWER SHAFT	1				
4	192768 12	AUGER SPROCKET	1				
5	CHN-01920	CHAIN	99				
6	CHN-01901	JOINING LINK	1				
7	KIT-00931	PTO SUPPORT KIT	1				

**Shelbourne Reynolds Engineering Limited**

ASSY NUMBER: 196534 116		ASSY DESCRIPTION: DRIVE KIT RX60 MF30-40 (DRON)					
ITEM	PART NO	DESCRIPTION	QTY	ITEM	PART NO	DESCRIPTION	QTY
1	191804 33	SELECT GEAR 33T B	1				
2	191804 23	SELECT GEAR 23T T	1				
3	PTO-17007	FLEX POWER SHAFT	1				
4	192768 12	AUGER SPROCKET	1				
5	CHN-01920	CHAIN	99				
6	CHN-01901	JOINING LINK	1				
7	KIT-00931	PTO SUPPORT KIT	1				

**Shelbourne Reynolds Engineering Limited**

ASSY NUMBER: 196534 118		ASSY DESCRIPTION: DRIVE KIT 6.6-8.4M MF30-40 (DRON)					
ITEM	PART NO	DESCRIPTION	QTY	ITEM	PART NO	DESCRIPTION	QTY
1	191804 33	SELECT GEAR 33T B	1				
2	191804 23	SELECT GEAR 23T T	1				
3	PTO-17003	FLEX POWER SHAFT	1				
4	192768 12	AUGER SPROCKET	1				
5	CHN-01920	CHAIN	99				
6	CHN-01901	JOINING LINK	1				
7	KIT-00931	PTO SUPPORT KIT	1				

**Shelbourne Reynolds Engineering Limited**

ASSY NUMBER: 196534 162		ASSY DESCRIPTION: DRIVE KIT 3.6M DEUTZ-ALLIS (ALL)					
ITEM	PART NO	DESCRIPTION	QTY	ITEM	PART NO	DESCRIPTION	QTY
1	191804 27	SELECT GEAR 27T	1				
2	191804 29	SELECT GEAR 29T	1				
3	PTO-05011	FLEX POWER SHAFT	1				
4	191116 08	AUGER SPROCKET	1				
5	CHN-01620	CHAIN	107				
6	CHN-01600	JOINING LINK	1				
7	KIT-00931	PTO SUPPORT KIT	1				

**Shelbourne Reynolds Engineering Limited**

ASSY NUMBER: 196534 165		ASSY DESCRIPTION: DRIVE KIT 5.4M DEUTZ-ALLIS (ALL)			QTY		
ITEM	PART NO	DESCRIPTION	QTY	ITEM	PART NO	DESCRIPTION	QTY
1	191804 27	SELECT GEAR 27T	1				
2	191804 29	SELECT GEAR 29T	1				
3	PTO-17012	FLEX POWER SHAFT	1				
4	192768 16	AUGER SPROCKET	1				
5	CHN-01920	CHAIN	93				
6	CHN-01901	JOINING	1				
7	KIT-00931	PTO SUPPORT KIT	1				

**Shelbourne Reynolds Engineering Limited**

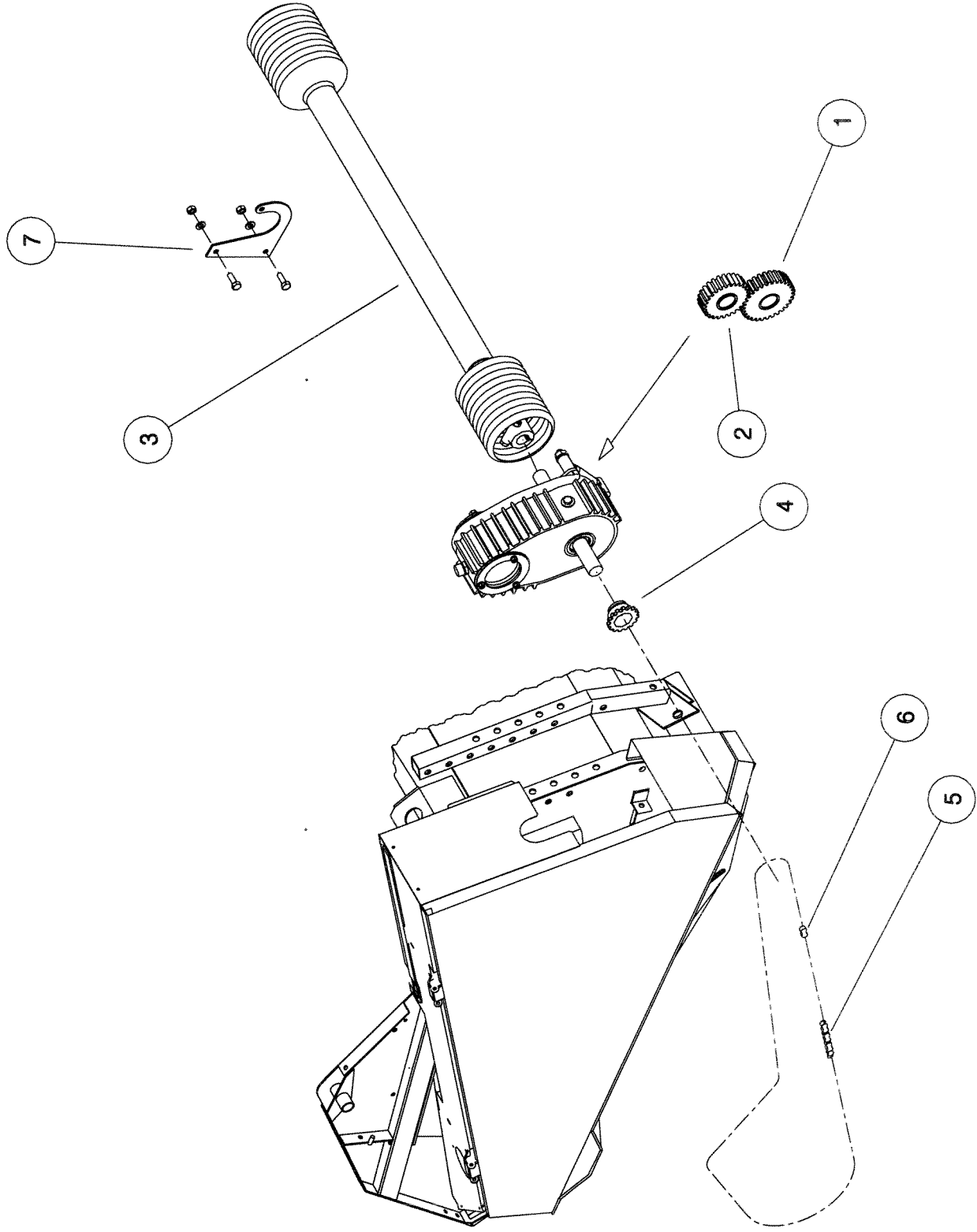
ASSY NUMBER: 196534 166		ASSY DESCRIPTION: DRIVE KIT 6.0M DEUTZ-ALLIS (ALL)					
ITEM	PART NO	DESCRIPTION	QTY	ITEM	PART NO	DESCRIPTION	QTY
1	191804 27	SELECT GEAR 27T (28t inv)B	1				
2	191804 29	SELECT GEAR 29T (28t inv)T	1				
3	PTO-17008	FLEX POWER SHAFT(2500SERIES 1 3/8" 6 SPLINE/21 SPLINE. FULL GUARD,CC1210.TUBE S4/\$5	1				
4	192768 16	AUGER SPROCKET(3/4"x15t)	1				
5	CHN-01920	CHAIN (3/4" PITCH ANSI)	93				
6	CHN-01901	JOINING LINK (3/4" PITCH)	1				
7	KIT-00931	PTO SUPPORT KIT	1				



**Shelbourne Reynolds Engineering Limited**

ASSY NUMBER: 196534 168		ASSY DESCRIPTION: DRIVE KIT 6.6-8.4M DEUTZ-ALLIS (ALL)					
ITEM	PART NO	DESCRIPTION	QTY	ITEM	PART NO	DESCRIPTION	QTY
1	191804 27	SELECT GEAR 27T (28t inv)B	1				
2	191804 29	SELECT GEAR 29T (28t inv)T	1				
3	PTO-17004	FLEX POWER SHAFT(2500SERIES 1 3/8" 6 SPLINE/21 SPLINE. FULL GUARD,CC1510.TUBE S4/\$5	1				
4	192768 16	AUGER SPROCKET(3/4"x15t)	1				
5	CHN-01920	CHAIN (3/4" PITCH ANSI)	93				
6	CHN-01901	JOINING LINK (3/4" PITCH)	1				
7	KIT-00931	PTO SUPPORT KIT	1				

RX HEADER ILLUSTRATED



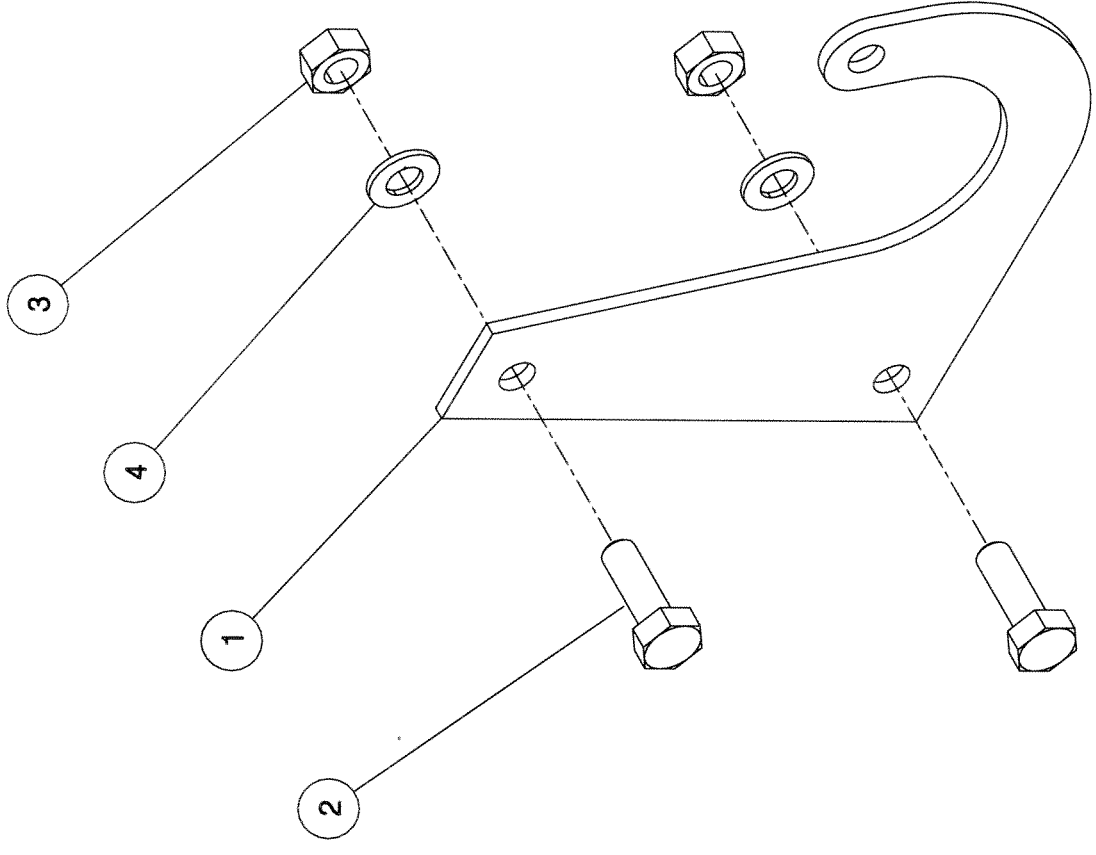
**Shelbourne Reynolds Engineering Limited**

KIT-00305		SUB ASSY DESCRIPTION: BEARING BOX ASSY (MASSEY N/A)102/106					
ASSY NUMBER:							
ITEM	PART NO	DESCRIPTION	QTY	ITEM	PART NO	DESCRIPTION	QTY
13	HSS-0238	SET SCREW (M12x30mm)	4				
14	NUT-0269	NYLOC NUT (M12)	4				
15	WSH-0019	PLAIN WASHER (12mm)	8				
16	191148 04	BEARING BOX ASSY	1				
17	BRG-3220	BEARING (PFD 35 FM)	2				
18	HSS-0191	SET SCREW (M10x25mm)	6				
19	NUT-0265	NYLOC NUT (M10)	6				
20	WSH-0015	PLAIN WASHER (10mm)	6				
21	190368 01	INPUT SHAFT	1				
22	K1008050	KEY (10x8x50mm)	1				
23	K0807030	KEY (8x7x30mm)	1				
24	WSH-1165	SPRING WASHER (7/8")	1				
25	NUT-1295	HALF NUT (7/8"BSF)	1				
26	131067	DRIVE CONNECTOR	1				
28	WSH-5075	PLAIN WASHER (7/8")	1				
58	191472 01	INPUT GUARD	1				
59	HIN-0100	HINGE (3" BUTT HINGE)	1				
60	SPG-0005	SPRING (TENSION S55)	1				
61	191378 01	BEARING BOX COVER PLATE	1				
62	191379 01	BEARING BOX COVER PLATE	1				
63	HSS-0087	SET SCREW (M6x12mm)	6				
64	HSS-0086	SET SCREW (M6x20mm)	2				
65	HSS-0084	SET SCREW (M6x16mm)	2				
66	WSH-0009	PLAIN WASHER (6mm)	12				
67	NUT-0260	NYLOC NUT (M6)	8				
68	NUT-0160	PLAIN NUT (M6)	2				
69	WSH-0056	SPRING WASHER (6mm)	2				



**Shelbourne Reynolds Engineering Limited**

KIT-00931		ASSY DESCRIPTION: PTO SUPPORT KIT					
ASSY NUMBER:							
ITEM	PART NO	DESCRIPTION	QTY	ITEM	PART NO	DESCRIPTION	QTY
1	191945 01	PTO SUPPORT	1				
2	HSS-0238	SET SCREW	2				
3	NUT-0269	NYLOC NUT	2				
4	WSH-0018	PLAIN WASHER	2				





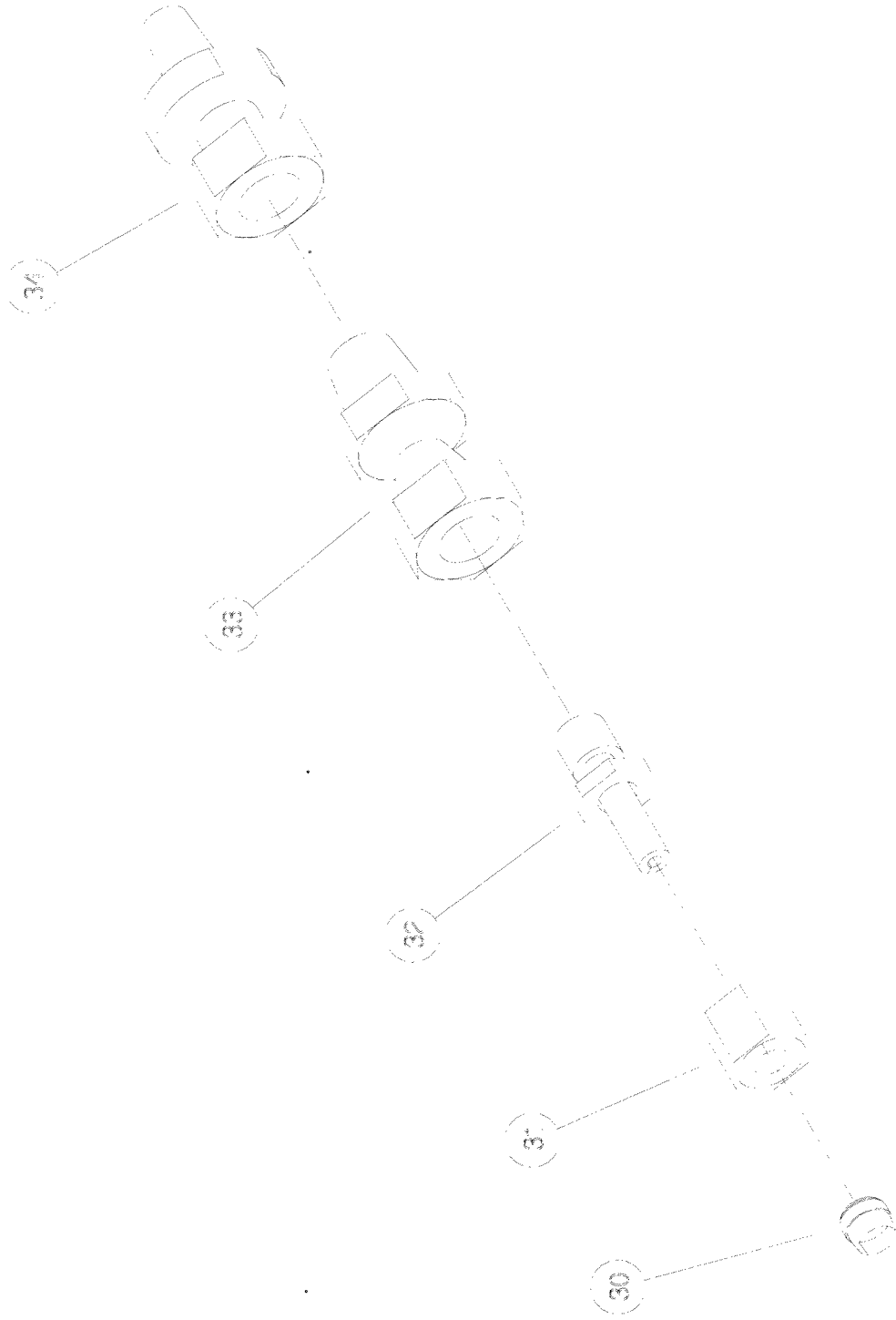
**RX & CX SHELBOURNE HEADER**

**HYDRAULIC**  
**FITTINGS**



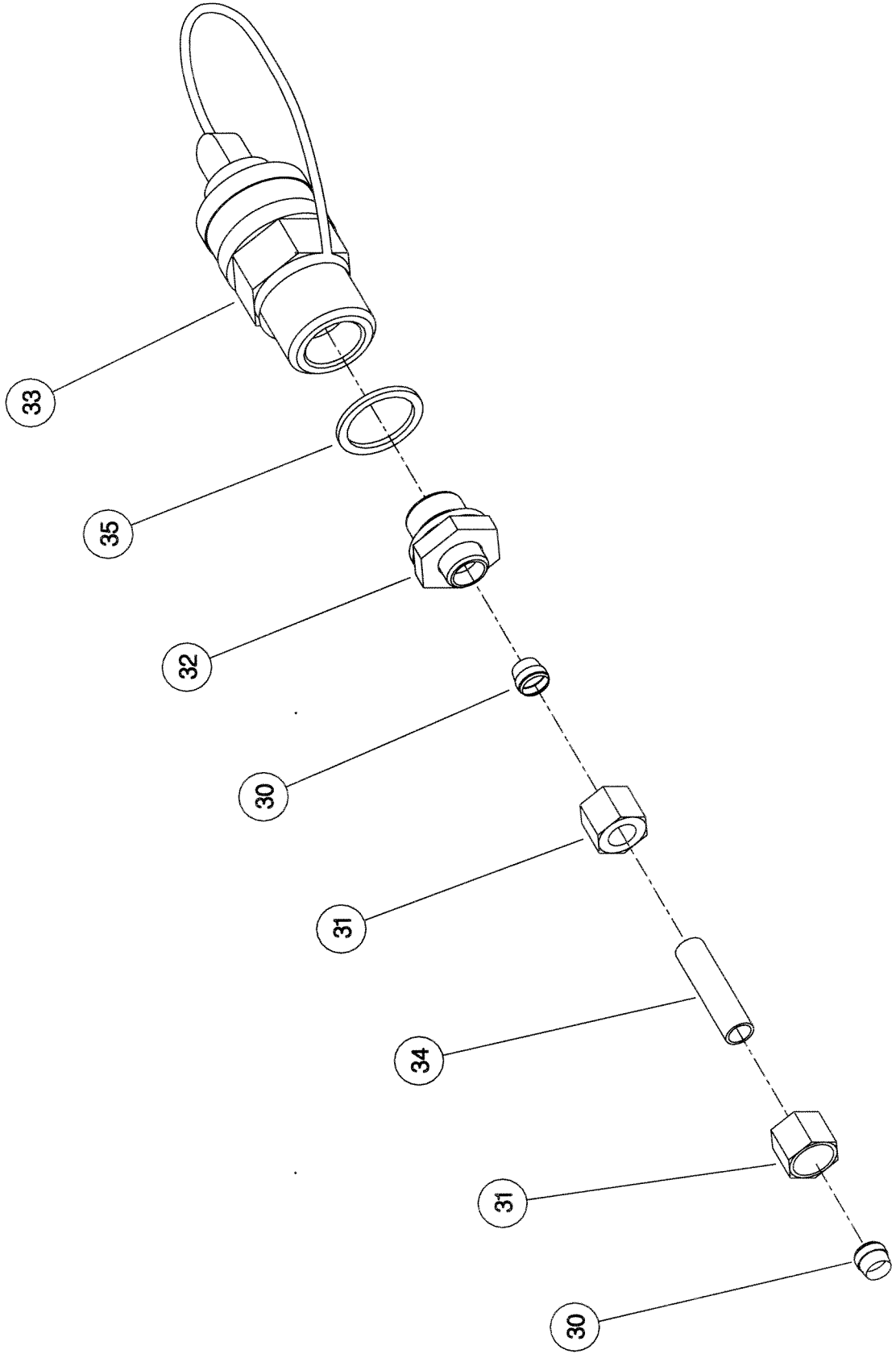
**Shelbourne Reynolds Engineering Limited**

ASSY NUMBER: KIT-01706		SUB ASSY DESCRIPTION: HYDRAULIC PROBE ADAPTOR					
ITEM	PART NO	DESCRIPTION	QTY	ITEM	PART NO	DESCRIPTION	QTY
30	FIT-0056	OLIVE	1				
31	FIT-0051	NUT	1				
32	FIT-0219	ADAPTOR	1				
33	FIT-0224	ADAPTOR	1				
34	COU-0195	PROBE COUPLING	1				



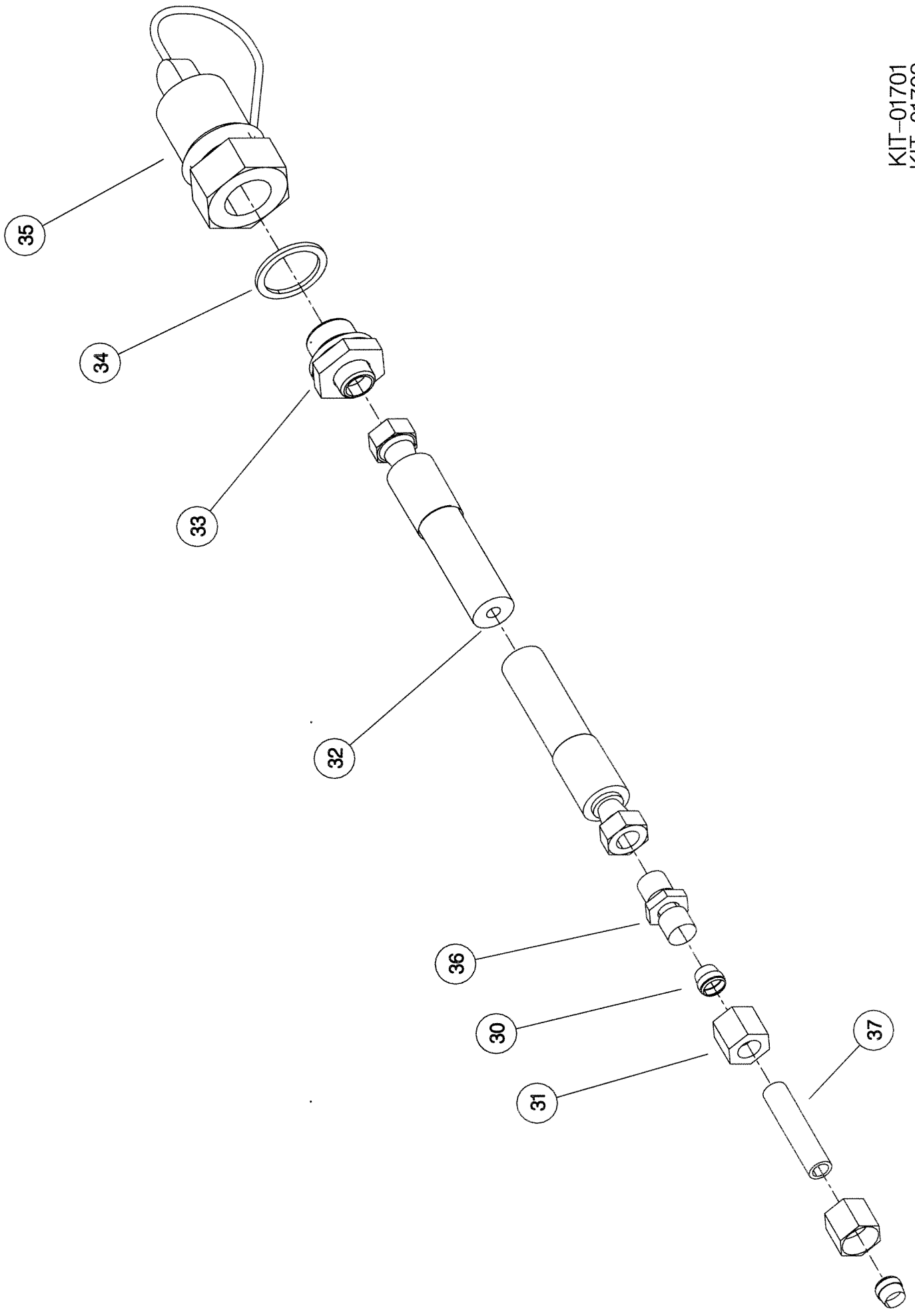
**Shelbourne Reynolds Engineering Limited**

ASSY NUMBER: KIT-01707		SUB ASSY DESCRIPTION: HYDRAULIC PROBE ADAPTOR					
ITEM	PART NO	DESCRIPTION	QTY	ITEM	PART NO	DESCRIPTION	QTY
30	FIT-0056	OLIVE	2				
31	FIT-0051	NUT	2				
32	FIT-0046	COUPLING	1				
33	COU-0128	PULL BRAKE COUPLING	1				
34	RP-100040	PIPE	1				
35	WSH-1015	DOWTY WASHER	1				



**Shelbourne Reynolds Engineering Limited**

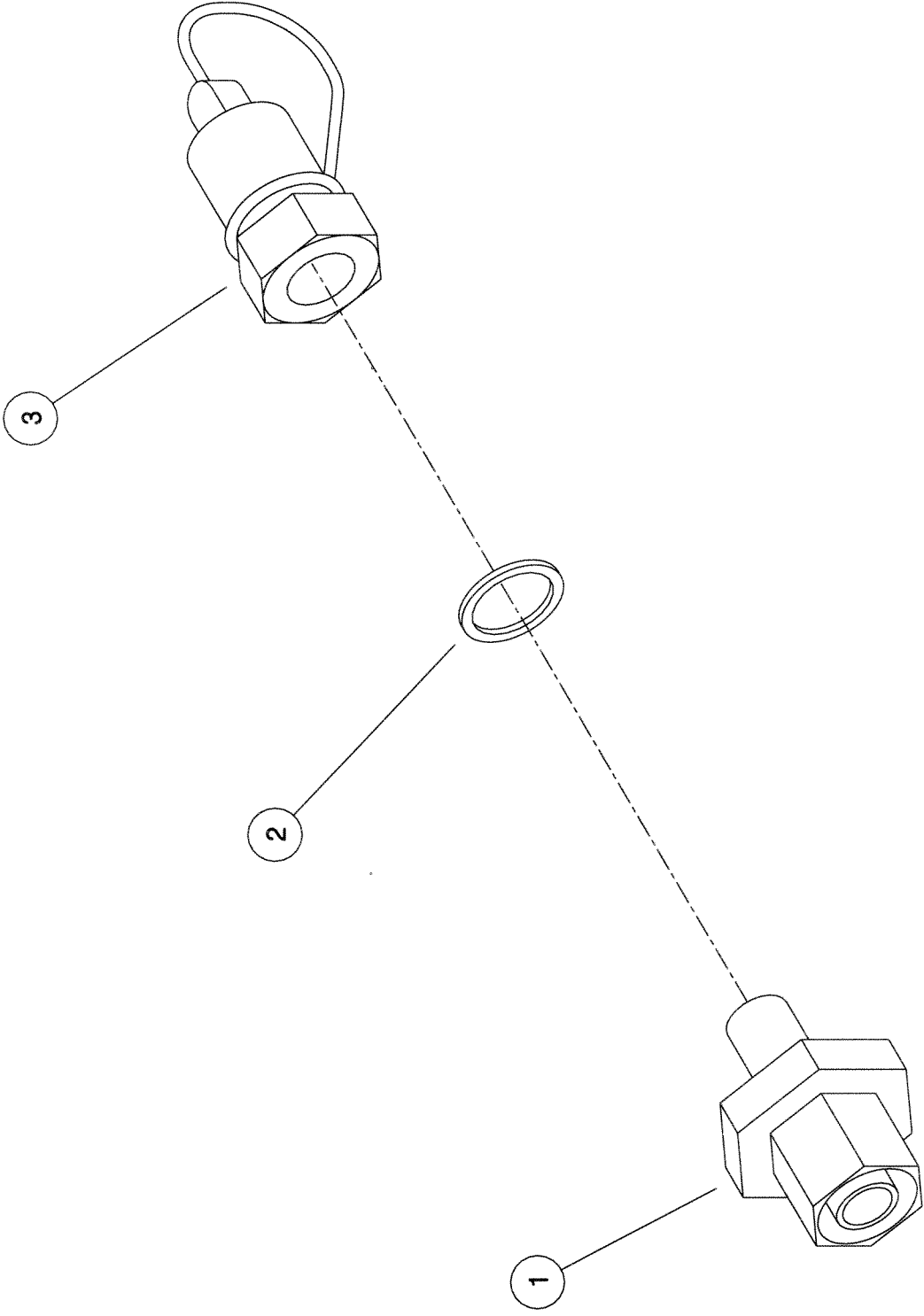
KIT-01709		SUB ASSY DESCRIPTION: HYDRAULIC PROBE ADAPTOR					
ASSY NUMBER:							
ITEM	PART NO	DESCRIPTION	QTY	ITEM	PART NO	DESCRIPTION	QTY
30	FIT-0056	OLIVE (UP TO 2005 ONLY)	2				
31	FIT-0051	NUT (UP TO 2005 ONLY)	1				
32	HHAC12010	HOSE (2005 & ON)	1				
OR	HHAC12005	HOSE (UP TO 2005 ONLY)	1				
33	HMA-0055	ADAPTOR	1				
34	WSH-1015	DOWTY WASHER	1				
35	COU-0162	PULL BRAKE COUPLING	1				
36	FIT-0047	FITTING (UP TO 2005 ONLY)	1				
37	RP100040	PIPE (UP TO 2005 ONLY)	1				



KIT-01701  
KIT-01709

**Shelbourne Reynolds Engineering Limited**

ASSY NUMBER: KIT-01720		SUB ASSY DESCRIPTION: HYDRAULIC KIT (DEUTZ-ALLIS, GLEANER)					
ITEM	PART NO	DESCRIPTION	QTY	ITEM	PART NO	DESCRIPTION	QTY
1	FIT-0518	ADAPTOR	1				
2	WSH-1005	DOWTY WASHER	1				
3	HQR-00503	PROBE COUPLING	1				





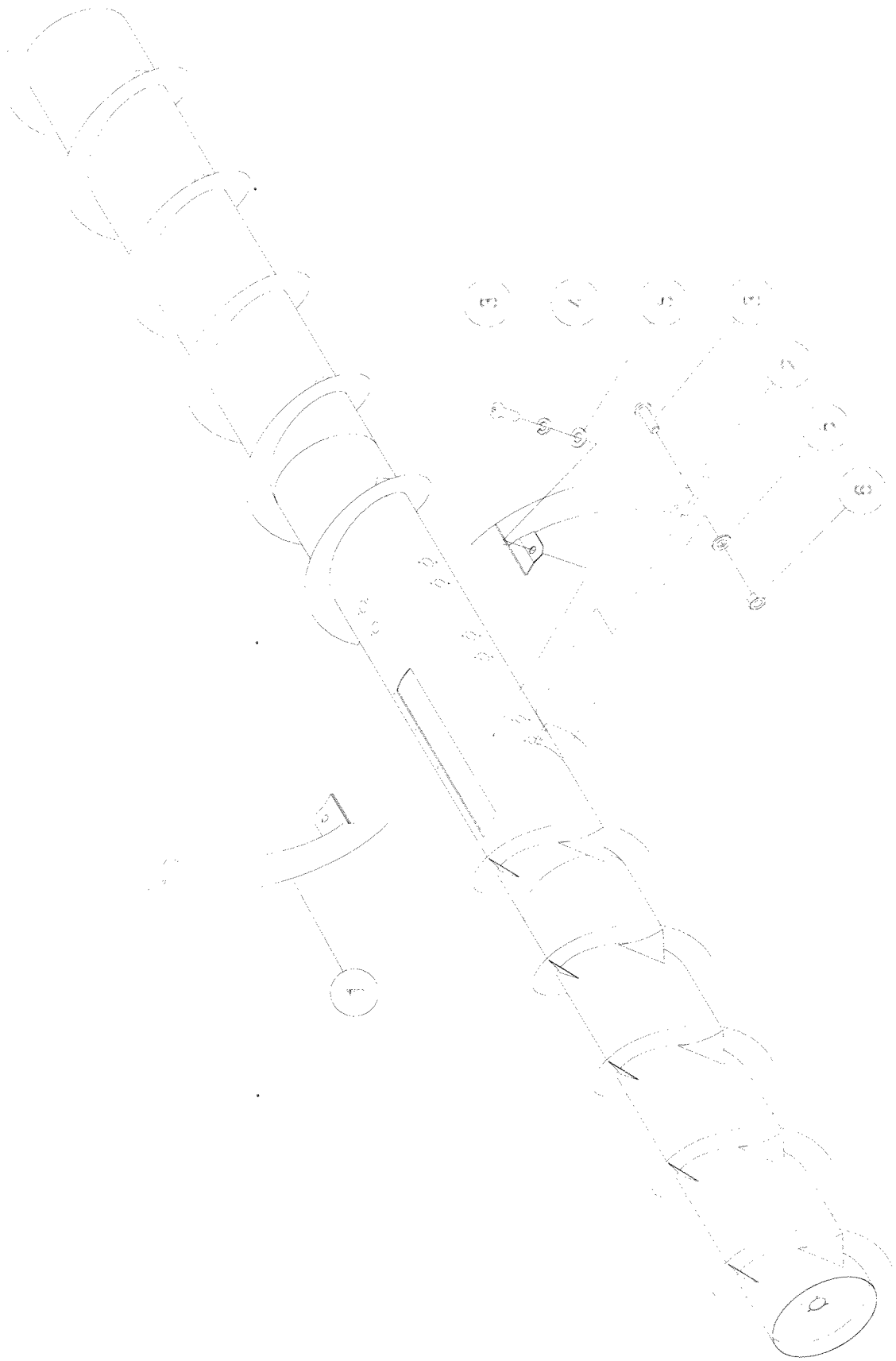


# RX & CX SHELBOURNE HEADER

# KIT OPTIONS

**Shelbourne Reynolds Engineering Limited**

KIT-00965		SUB ASSY DESCRIPTION: AUGER FLIGHT EXTENSIONS (RX/CX)					
ASSY NUMBER:	KIT-00965	SUB ASSY DESCRIPTION: AUGER FLIGHT EXTENSIONS (RX/CX)					
ITEM	PART NO	DESCRIPTION	QTY	ITEM	PART NO	DESCRIPTION	QTY
1	192227 01	AUGER FLIGHT EXT. L.H	1				
2	192227 02	AUGER FLIGHT EXT. R.H	1				
3	SCBA08172	BUT. SKT. HD SCREW (M8x25mm)	6				
4	WSH-0058	SPRING WASHER (8mm)	2				
5	WSH-0012	PLAIN WASHER (8mm)	6				
6	NUT-0263	NYLOC NUT (M8)	4				



**Shelbourne Reynolds Engineering Limited**

ASSY NUMBER: KIT-00970		SUB ASSY DESCRIPTION: PROTECTION PANS KIT					
ITEM	PART NO	DESCRIPTION	QTY	ITEM	PART NO	DESCRIPTION	QTY
1	192712 01	PROTECTION PAN (1 HOLE)	2				
2	HSS-0191	SET SCREW (M10x25)	6				
3	WSH-0015	WASHER (M10 PLAIN)	8				
4	NUT-0265	NUT (M10 NYLOC)	6				

