

RX & CX Shelbourne Header

ADAPTOR PLATE & COMBINE FITTINGS

PARTS MANUAL

CLAAS



Shelbourne Reynolds Engineering Ltd
Stanton
Bury St Edmunds
Suffolk IP31 2AR
England

Telephone: 01359 250415
Fax. No: 01359 250464

(Stores direct 01359 251231)
(Stores direct 01359 252031)

CLAAS PARTS MANUAL

ADAPTOR PLATE

- | | | |
|----|------------|--|
| 1. | 196517 04k | ADAPTOR PLATE ASSY-STD |
| 2. | 196517 17k | ADAPTOR PLATE ASSY-AUTO CONTOUR |
| 3. | 196517 19k | ADAPTOR PLATE ASSY-LEXION (ALL MODELS) |

DRIVE OPTION

- | | | |
|----|------------|--|
| 1. | 196534 012 | DRIVE KIT-CLAAS RX 3.6 MT |
| 2. | 196534 013 | DRIVE KIT-CLAAS RX 4.2 MT |
| 3. | 196534 014 | DRIVE KIT-CLAAS RX 4.8 MT |
| 4. | 196534 015 | DRIVE KIT-CLAAS 5.4 MT |
| 5. | 196534 016 | DRIVE KIT-CLAAS 6.0 MT |
| 6. | 196534 018 | DRIVE KIT-CLAAS 6.6,7.27.8 & 8.4 MT |
| 7. | 196534 185 | DRIVE KIT-CLAAS/ LEXION 5.4 MT |
| 8. | 196534 186 | DRIVE KIT-CLAAS/ LEXION 6.0 MT |
| 9. | 196534 188 | DRIVE KIT-CLASS/ LEXION 6.6,7.2,7.8 & 8.4 MT |

HYDRAULIC KIT

- | | | |
|----|-----------|-----------------------------------|
| 1. | KIT-01702 | HYDRAULIC CONNECTOR CLAAS (SCREW) |
| 2. | KIT-01704 | HYDRAULIC CONNECTOR CLAAS (3/8") |
| 3. | KIT-01705 | HYDRAULIC CONNECTOR CLAAS (1/2") |
| 4. | KIT-01717 | HYDRAULIC CONNECTOR CLAAS LEXION |

KIT OPTION

- | | | |
|----|-----------|---------------------------------|
| 1. | KIT-00932 | THROTTLE VALVE KIT |
| 2. | KIT-00965 | AUGER FLIGHT EXTENSIONS KIT |
| 3. | KIT-00970 | RX PROTECTION PANS 9ALL WIDTHS) |

RX & CX Shelbourne Header

ADAPTOR PLATES

Shelbourne Reynolds Engineering Limited

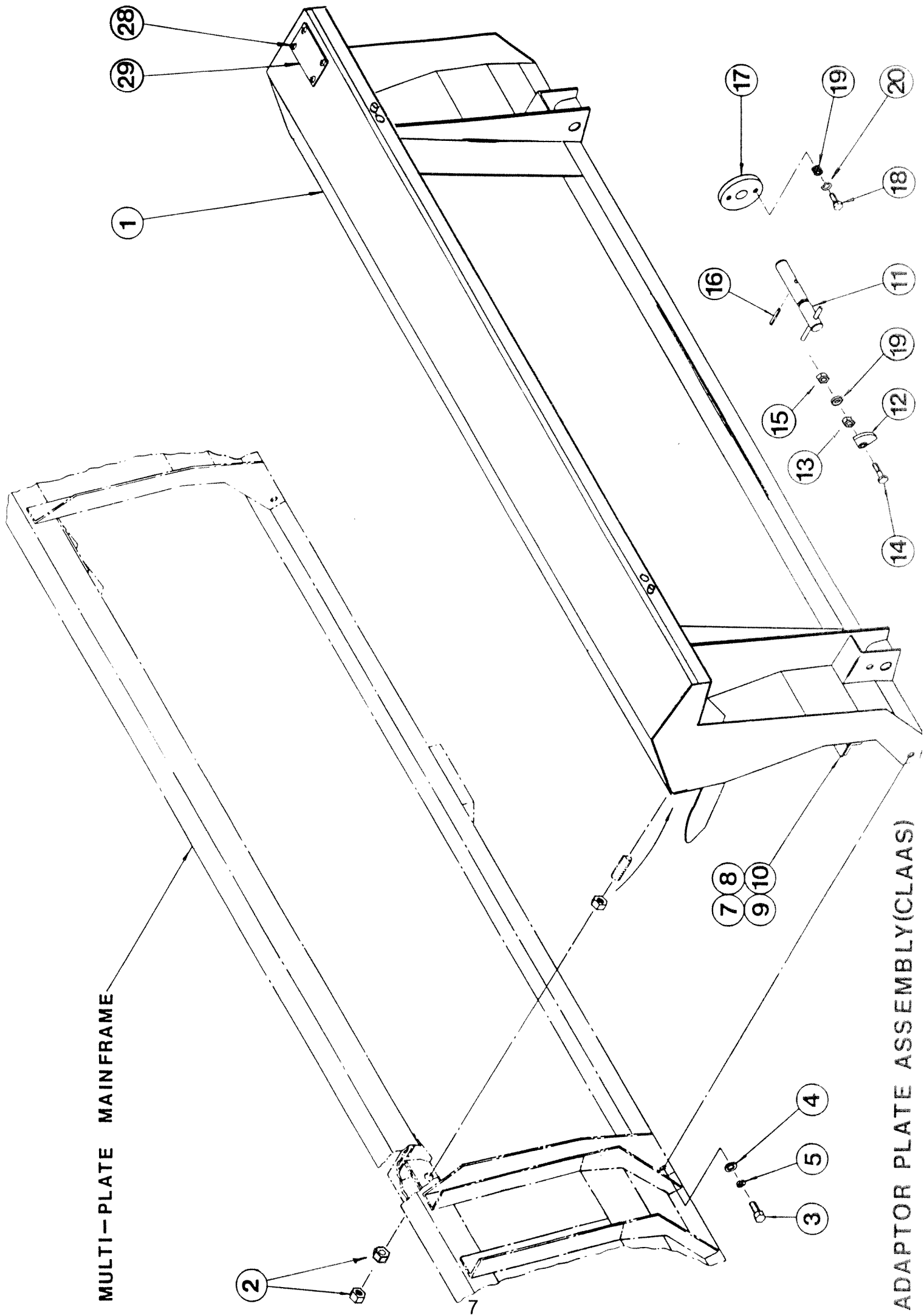
ASSY NUMBER: 196517 04K		ASSY DESCRIPTION: ADAPTOR PLATE ASSY - CLAAS (STD. ELEV.)					
ITEM	PART NO	DESCRIPTION	QTY	ITEM	PART NO	DESCRIPTION	QTY
	KIT-00604	ADAPTOR PLATE SUB	1				
	KIT-00807	FIXING KIT	1				

Shelbourne Reynolds Engineering Limited

ASSY NUMBER: KIT-00604		SUB ASSY DESCRIPTION: ADAPTOR PLATE CLAAS (FROM 196517 04)	
ITEM	PART NO	DESCRIPTION	QTY
1	191123 01	FRAME WELDED ASSY	1
2	NUT-0190	NUT	6
3	HSS-0315	SCREW	2
4	WSH-0024	WASHER	2
5	WSH-0070	SPRING WASHER	2
6			
7	191134 02	SCRAPER	2
8	BLT-4710	COACH BOLT	6
9	NUT-0263	NYLOC NUT	6
10	WSH-0012	FLAT WASHER	6
11			
12			
13			
14			
15			
16			
17			
18			
19			
28	POP-0006	POP RIVET	4
29	134024 05	IDENTIFICATION PLATE	1

Shelbourne Reynolds Engineering Limited

ASSY NUMBER: KIT-00807		SUB ASSY DESCRIPTION: FIXING KIT (CLAAS STD. ELEV.)					
ITEM	PART NO	DESCRIPTION	QTY	ITEM	PART NO	DESCRIPTION	QTY
11	130088 01	LOCKING HANDLE	2				
12	210125 01	LOCKING CAM	2				
13	NUT-0170	PLAIN NUT	2				
14	HSS-0250	SET SCREW	2				
15	NUT-0269	NYLOC NUT	2				
16	PIN-1935	ROLL PIN	2				
17	130112 01	GUIDE DISC	2				
18	SCW-0243	CAP HEAD SCREW	4				
19	WSH-0018	PLAIN WASHER	22				
20	WSH-0065	SPRING WASHER	4				



MULTI-PLATE MAINFRAME

ADAPTOR PLATE ASSEMBLY (CLAAS)

28

29

1

2

4

5

3

7

8

9

10

16

15

13

14

12

19

11

17

19

20

18

Shelbourne Reynolds Engineering Limited

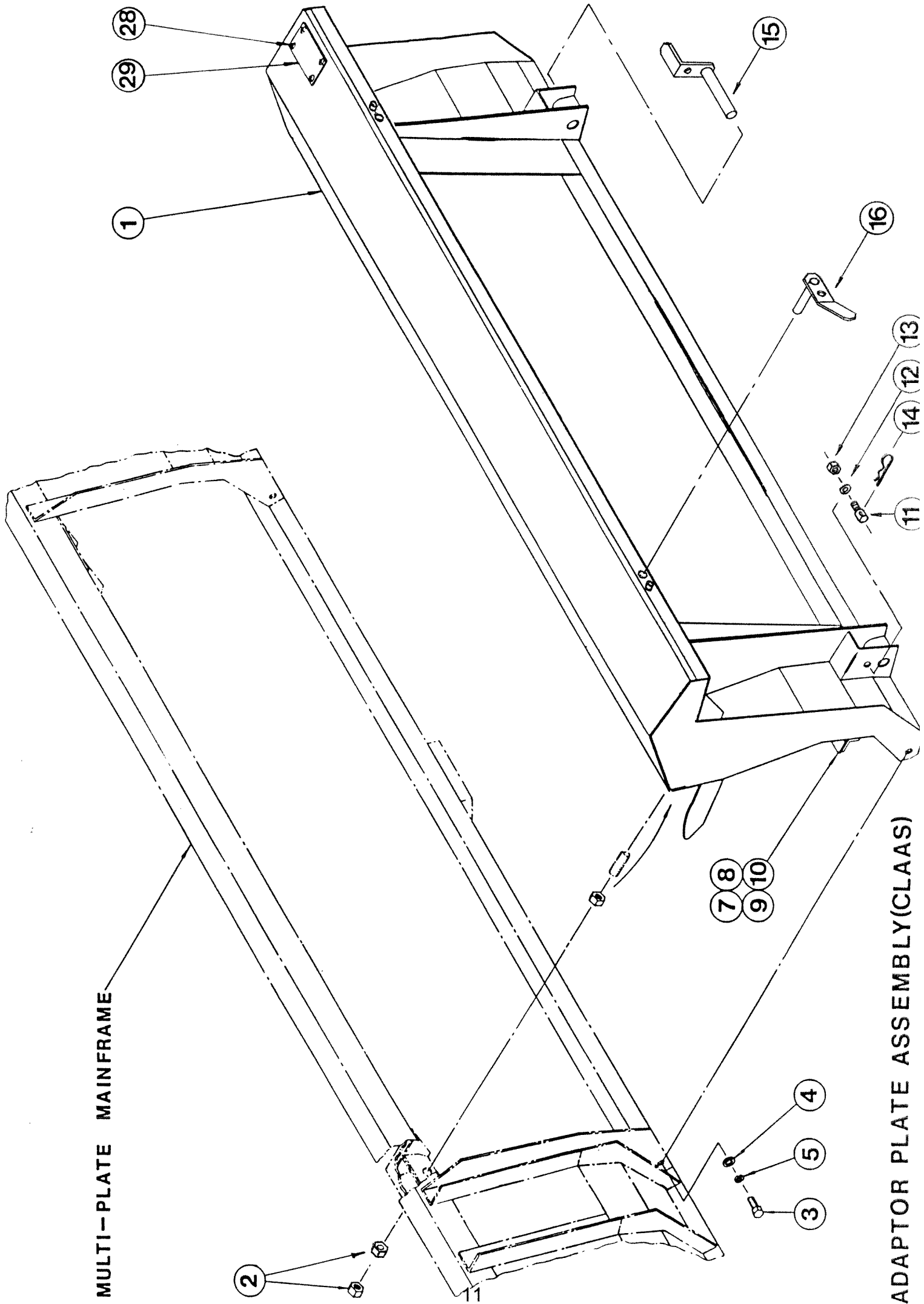
ASSY NUMBER: 196517 17K		ASSY DESCRIPTION: ADAPTOR PLATE ASSY - CLAAS(AUTO-CONT.)					
ITEM	PART NO	DESCRIPTION	QTY	ITEM	PART NO	DESCRIPTION	QTY
	KIT-00604	ADAPTOR PLATE SUB	1				
	KIT-00808	FIXING KIT	1				

Shelbourne Reynolds Engineering Limited

KIT-00604		SUB ASSY DESCRIPTION: ADAPTOR PLATE CLAAS (FROM 196517 04)	
ASSY NUMBER:	DESCRIPTION	QTY	ITEM
ITEM	PART NO	DESCRIPTION	PART NO
1	191123 01	FRAME WELDED ASSY	
2	NUT-0190	NUT	
3	HSS-0315	SCREW	
4	WSH-0024	WASHER	
5	WSH-0070	SPRING WASHER	
7	191134 02	SCRAPER	
8	BLT-4710	COACH BOLT	
9	NUT-0263	NYLOC NUT	
10	WSH-0012	FLAT WASHER	
11			
12			
13			
14			
15			
16			
17			
18			
19			
28	POP-0006	POP RIVET	
29	134024 05	IDENTIFICATION PLATE	

Shelbourne Reynolds Engineering Limited

ASSY NUMBER:		KIT-00808			SUB ASSY DESCRIPTION: FIXING KIT (CLAAS AUTO-CONT.)		
ITEM	PART NO	DESCRIPTION	QTY	ITEM	PART NO	DESCRIPTION	QTY
11	192204 01	PIN	2				
12	WSH-0018	PLAIN WASHER	2				
13	NUT-0269	NYLOC NUT	2				
14	RCL-0015	R CLIP	4				
15	192198 01	LOWER LOCKING PIN	2				
16	192201 01	TOP LOCKING PIN	2				



MULTI-PLATE MAINFRAME

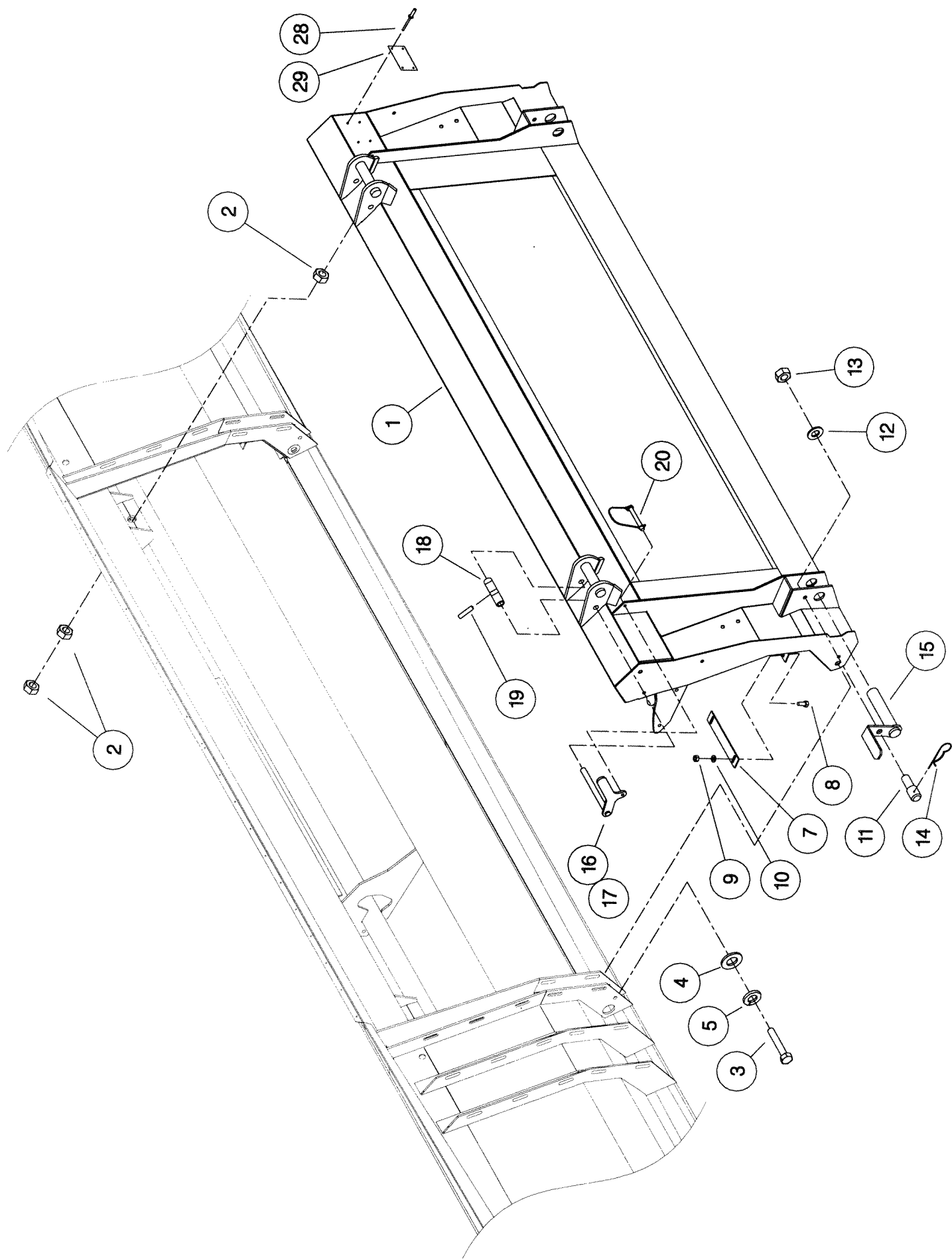
ADAPTOR PLATE ASSEMBLY(CLAAS)

Shelbourne Reynolds Engineering Limited

ASSY NUMBER: 196517 19K		ASSY DESCRIPTION: ADAPTOR PLATE ASSY - CLAAS (LEXION)					
ITEM	PART NO	DESCRIPTION	QTY	ITEM	PART NO	DESCRIPTION	QTY
	KIT-00613	ADAPTOR PLATE SUB	1				

Shelbourne Reynolds Engineering Limited

KIT-00613		SUB ASSY DESCRIPTION: ADAPTOR PLATE CLAAS (LEXION)					
ASSY NUMBER:							
ITEM	PART NO	DESCRIPTION	QTY	ITEM	PART NO	DESCRIPTION	QTY
1	193151 01	FRAME WELD ASSY	1				
2	NUT-0190	PLAIN NUT (M24)	6				
3	HSS-0315	SET SCREW (M16x35)	2				
4	WSH-0024	PLAIN WASHER (M16)	2				
5	WSH-0070	SPRING WASHER (M16)	2				
6							
7	193152 02	SCRAPER	2				
8	BLT-4710	COACH BOLT (M8x20)	4				
9	NUT-0263	NYLOC NUT (M8)	4				
10	WSH-0012	PLAIN WASHER (8mm)	4				
11	192204 01	PIN	2				
12	WSH-0018	PLAIN WASHER (12mm)	2				
13	NUT-0269	NYLOC NUT (M12)	2				
14	RCL-0015	R CLIP (1/8" DIA.WIRE)	2				
15	192198 04	LOWER LOCKING PIN	2				
16	193153 01	TOP LOCKING LEVER LH	1				
17	193153 02	TOP LOCKING LEVER RH	1				
18	193154 01	TOP LOCK	2				
19	PIN-1921	ROLL PIN (DIA.6mm x25mm)	2				
20	PIN-1720	SPRING "D" PIN	2				
21							
22							
23							
24							
25							
26							
27							
28	POP-0006	POP RIVET (3/16"x1/2") (UPTO 2009)	4				
29	134024 05	IDENTIFICATION PLATE (UPTO 2009)	1				



RX & CX Shelbourne Header

DRIVE KITS

Shelbourne Reynolds Engineering Limited

ASSY NUMBER: 196534 012		ASSY DESCRIPTION: DRIVE KIT RX36 CLAAS (ALL)			QTY	
ITEM	PART NO	DESCRIPTION	ITEM	PART NO	DESCRIPTION	QTY
1	191804 24	SELECT GEAR 24T B				1
2	191804 32	SELECT GEAR 32T T				1
3	PTO-18003	FLEX POWER SHAFT				1
4	191929 01	AUGER SPROCKET				1
5	CHN-01620	CHAIN				119
6	CHN-01600	JOINING LINK				1
7	KIT-00931	PTO SUPPORT KIT				1

Shelbourne Reynolds Engineering Limited

ASSY NUMBER: 196534 013		ASSY DESCRIPTION: DRIVE KIT RX42 CLAAS (ALL)					
ITEM	PART NO	DESCRIPTION	QTY	ITEM	PART NO	DESCRIPTION	QTY
1	191804 24	SELECT GEAR 24T B	1				
2	191804 32	SELECT GEAR 32T T	1				
3	PTO-18000	FLEX POWER SHAFT	1				
4	191929 01	AUGER SPROCKET	1				
5	CHN-01620	CHAIN	105				
6	CHN-01600	JOINING LINK	1				
7	KIT-00931	PTO SUPPORT KIT	1				

Shelbourne Reynolds Engineering Limited

ASSY NUMBER: 196534 014		ASSY DESCRIPTION: DRIVE KIT RX48 CLAAS (ALL)					
ITEM	PART NO	DESCRIPTION	QTY	ITEM	PART NO	DESCRIPTION	QTY
1	191804 24	SELECT GEAR 24T B	1				
2	191804 32	SELECT GEAR 32T T	1				
3	PTO-17015	FLEX POWER SHAFT	1				
4	192768 08	AUGER SPROCKET	1				
5	CHN-01920	CHAIN	91				
6	CHN-01901	JOINING LINK	1				
7	KIT-00931	PTO SUPPORT KIT	1				

Shelbourne Reynolds Engineering Limited

ASSY NUMBER: 196534 015		ASSY DESCRIPTION: DRIVE KIT RX54 CLAAS (ALL)					
ITEM	PART NO	DESCRIPTION	QTY	ITEM	PART NO	DESCRIPTION	QTY
1	191804 24	SELECT GEAR 24T (28t inv)	1				
2	191804 32	SELECT GEAR 32T (28t inv)	1				
3	PTO-17011	FLEX POWER SHAFT	1				
4	192768 08	AUGER SPROCKET	1				
5	CHN-01920	CHAIN	91				
6	CHN-01901	JOINING LINK	1				
7	KIT-00931	PTO SUPPORT KIT	1				

Shelbourne Reynolds Engineering Limited

ASSY NUMBER: 196534 016		ASSY DESCRIPTION: DRIVE KIT RX60 CLAAS (ALL)					
ITEM	PART NO	DESCRIPTION	QTY	ITEM	PART NO	DESCRIPTION	QTY
1	191804 24	SELECT GEAR 24T (28t inv)	1				
2	191804 32	SELECT GEAR 32T (28t inv)	1				
3	PTO-17007	FLEX POWER SHAFT	1				
4	192768 08	AUGER SPROCKET	1				
5	CHN-01920	CHAIN	91				
6	CHN-01901	JOINING LINK	1				
7	KIT-00931	PTO SUPPORT KIT	1				

Shelbourne Reynolds Engineering Limited

ASSY NUMBER: 196534 018		ASSY DESCRIPTION: DRIVE KIT RX66-CX84 CLAAS (ALL)					
ITEM	PART NO	DESCRIPTION	QTY	ITEM	PART NO	DESCRIPTION	QTY
1	191804 24	SELECT GEAR 24T (28t inv)	1				
2	191804 32	SELECT GEAR 32T (28t inv)	1				
3	PTO-17003	FLEX POWER SHAFT	1				
4	192768 08	AUGER SPROCKET	1				
5	CHN-01920	CHAIN	91				
6	CHN-01901	JOINING LINK	1				
7	KIT-00931	PTO SUPPORT KIT	1				

Shelbourne Reynolds Engineering Limited

ASSY NUMBER: 196534 185		ASSY DESCRIPTION: DRIVE KIT RX54 CLAAS (LEXION)					
ITEM	PART NO	DESCRIPTION	QTY	ITEM	PART NO	DESCRIPTION	QTY
1	191804 24	SELECT GEAR 24T (28t inv)	1				
2	191804 32	SELECT GEAR 32T (28t inv)	1				
3	PTO-17012	FLEX POWER SHAFT	1				
4	192768 08	AUGER SPROCKET	1				
5	CHN-01920	CHAIN	91				
6	CHN-01901	JOINING LINK	1				
7	KIT-00931	PTO SUPPORT KIT	1				

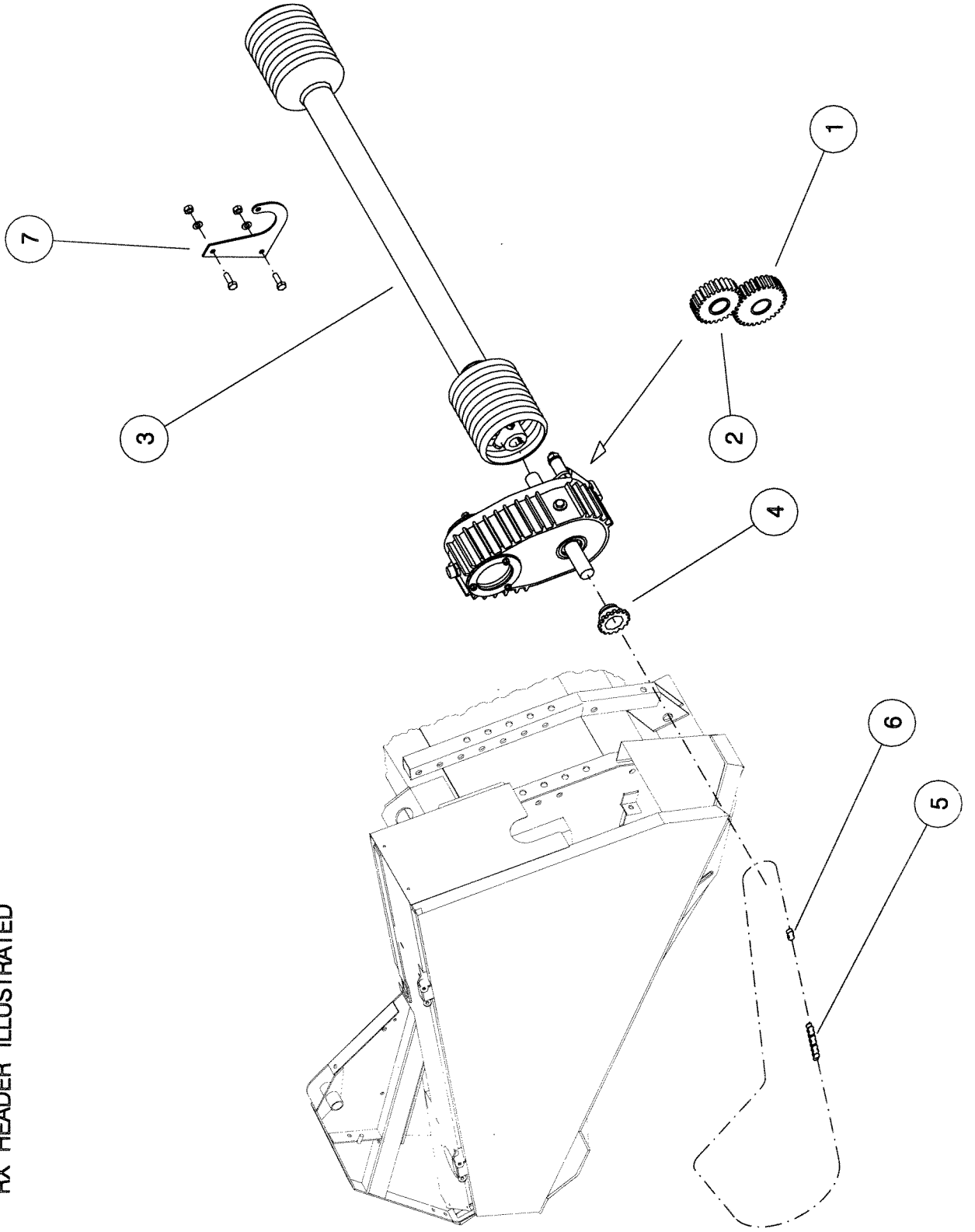
Shelbourne Reynolds Engineering Limited

ASSY NUMBER: 196534 186		ASSY DESCRIPTION: DRIVE KIT RX60 CLAAS (LEXION)					
ITEM	PART NO	DESCRIPTION	QTY	ITEM	PART NO	DESCRIPTION	QTY
1	191804 24	SELECT GEAR 24T (28t inv)	1				
2	191804 32	SELECT GEAR 32T (28t inv)	1				
3	PTO-17008	FLEX POWER SHAFT	1				
4	192768 08	AUGER SPROCKET	1				
5	CHN-01920	CHAIN	91				
6	CHN-01901	JOINING LINK	1				
7	KIT-00931	PTO SUPPORT KIT	1				

Shelbourne Reynolds Engineering Limited

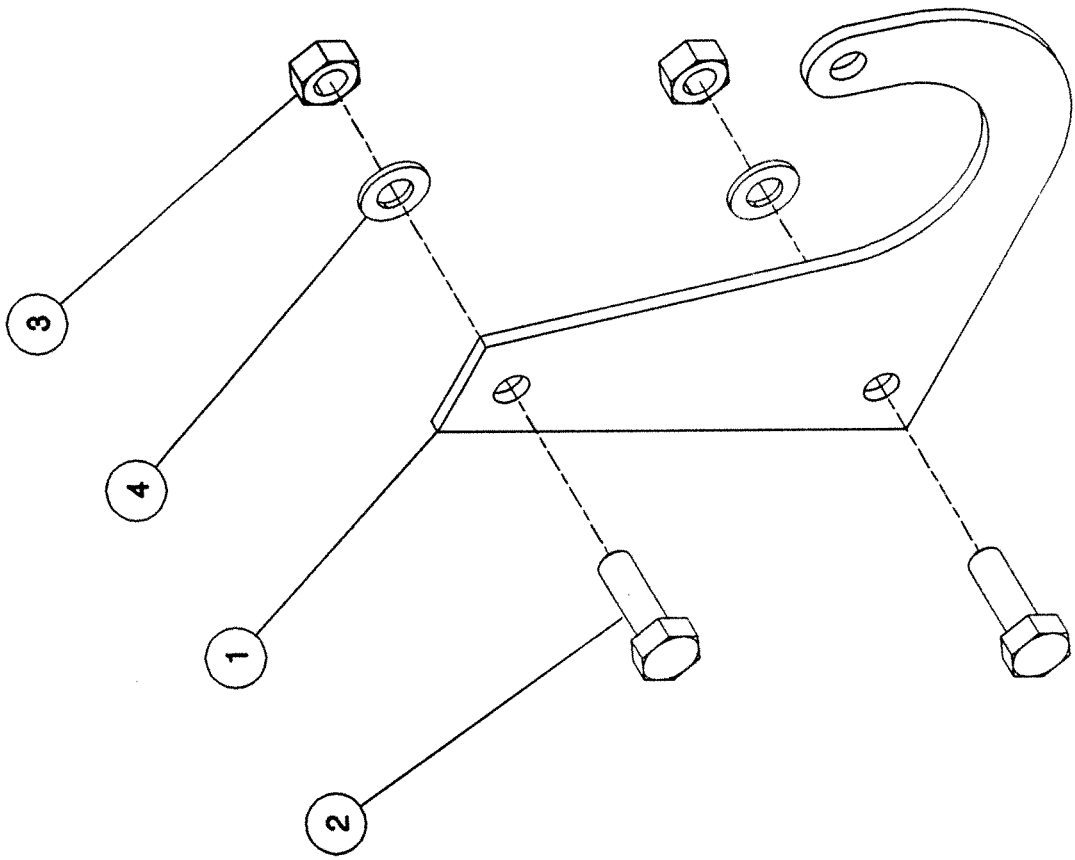
ASSY NUMBER: 196534 188		ASSY DESCRIPTION: DRIVE KIT RX66-CX84 CLAAS (LEXION)					
ITEM	PART NO	DESCRIPTION	QTY	ITEM	PART NO	DESCRIPTION	QTY
1	191804 24	SELECT GEAR 24T (28t inv)	1				
2	191804 32	SELECT GEAR 32T (28t inv)	1				
3	PTO-17004	FLEX POWER SHAFT	1				
4	192768 08	AUGER SPROCKET	1				
5	CHN-01920	CHAIN	91				
6	CHN-01901	JOINING LINK	1				
7	KIT-00931	PTO SUPPORT KIT	1				

RX HEADER ILLUSTRATED



Shelbourne Reynolds Engineering Limited

ASSY NUMBER:		KIT-00931				ASY DESCRIPTION: PTO SUPPORT KIT			
ITEM	PART NO	DESCRIPTION	QTY	ITEM	PART NO	DESCRIPTION	QTY		
1	191945 01	PTO SUPPORT	1						
2	HSS-0238	SET SCREW	2						
3	NUT-0269	NYLOC NUT	2						
4	WSH-0018	PLAIN WASHER	2						

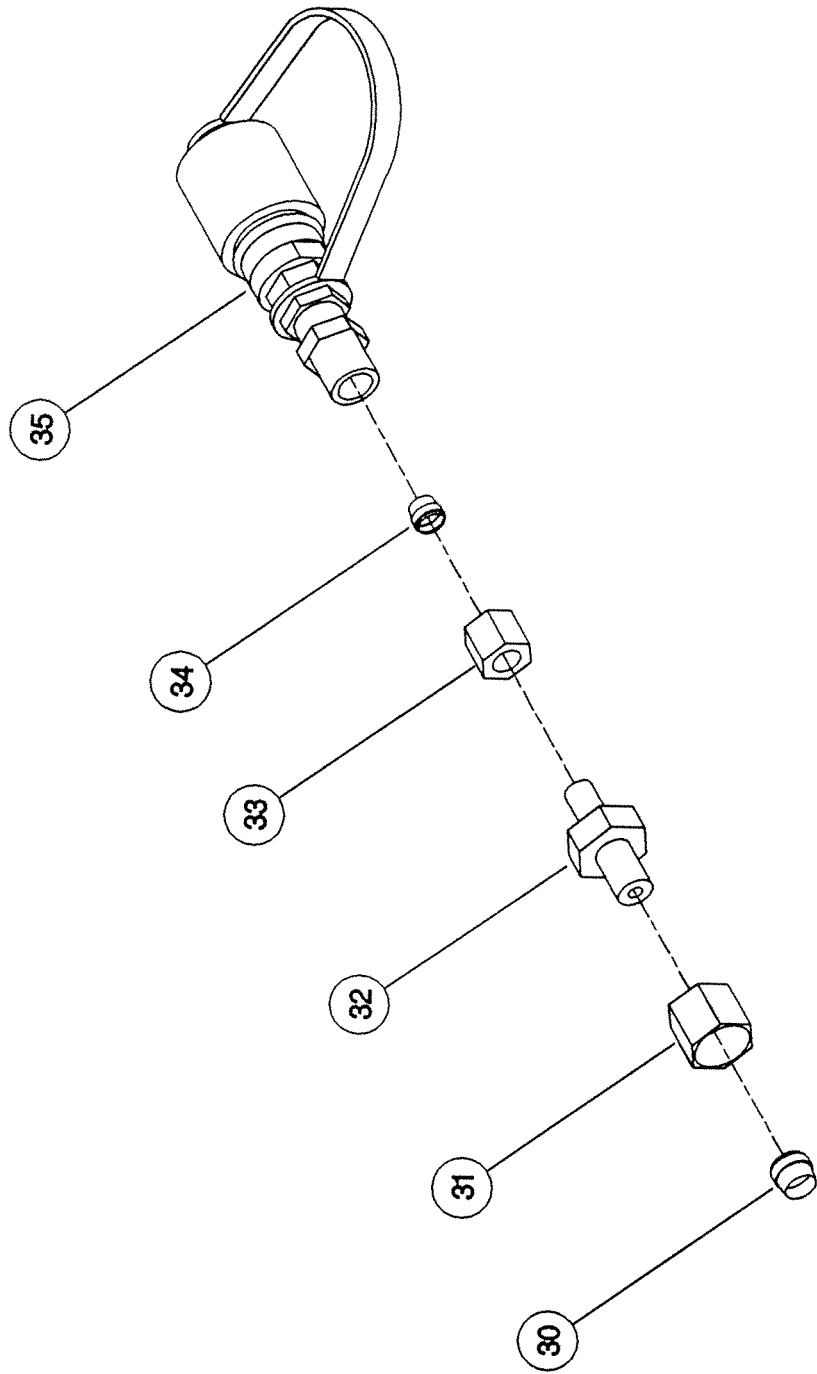


RX & CX Shelbourne Header

**HYDRAULIC
FITTINGS**

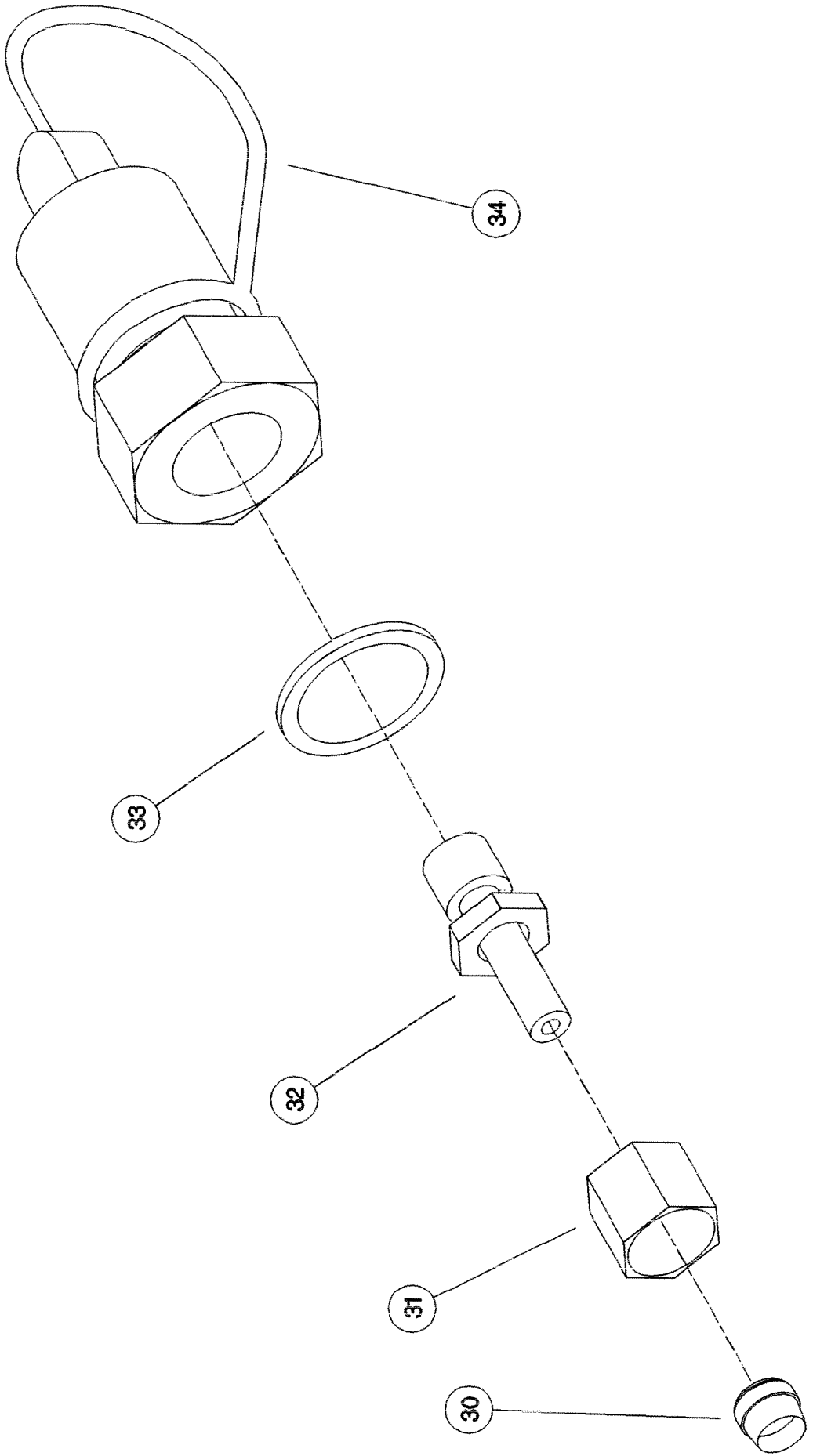
Shelbourne Reynolds Engineering Limited

ASSY NUMBER: KIT-01702		SUB ASSY DESCRIPTION: HYDRAULIC PROBE ADAPTOR					
ITEM	PART NO	DESCRIPTION	QTY	ITEM	PART NO	DESCRIPTION	QTY
30	FIT-0056	OLIVE	1				
31	FIT-0051	NUT	1				
32	190860 01	HYDRAULIC FITTING	1				
33	FIT-0050	NUT	1				
34	FIT-0055	OLIVE	1				
35	COU-0123	COUPLING	1				



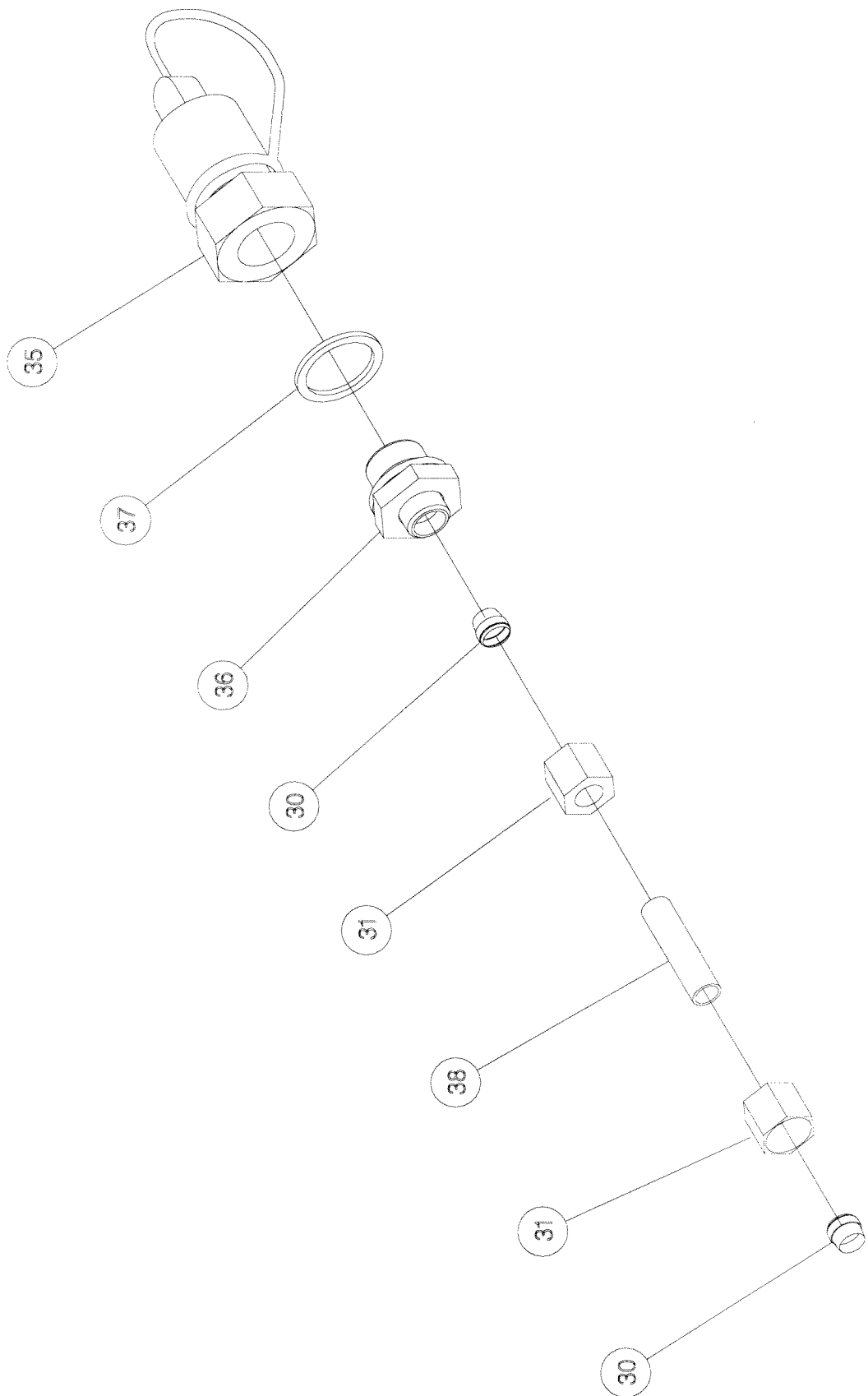
Shelbourne Reynolds Engineering Limited

ASSY NUMBER: KIT-01704		SUB ASSY DESCRIPTION: HYDRAULIC PROBE ADAPTOR					
ITEM	PART NO	DESCRIPTION	QTY	ITEM	PART NO	DESCRIPTION	QTY
30	FIT-0056	OLIVE (FROM 196517 04/07)	1				
31	FIT-0051	NUT (FROM 196517 04/07)	1				
32	FIT-0219	ADAPTOR (FROM 196517 04/07)	1				
33	WSH-1010	SEAL (FROM 196517 04/07)	1				
34	COU-0161	PROBE COUPLING (FROM 196517 04/07)	1				



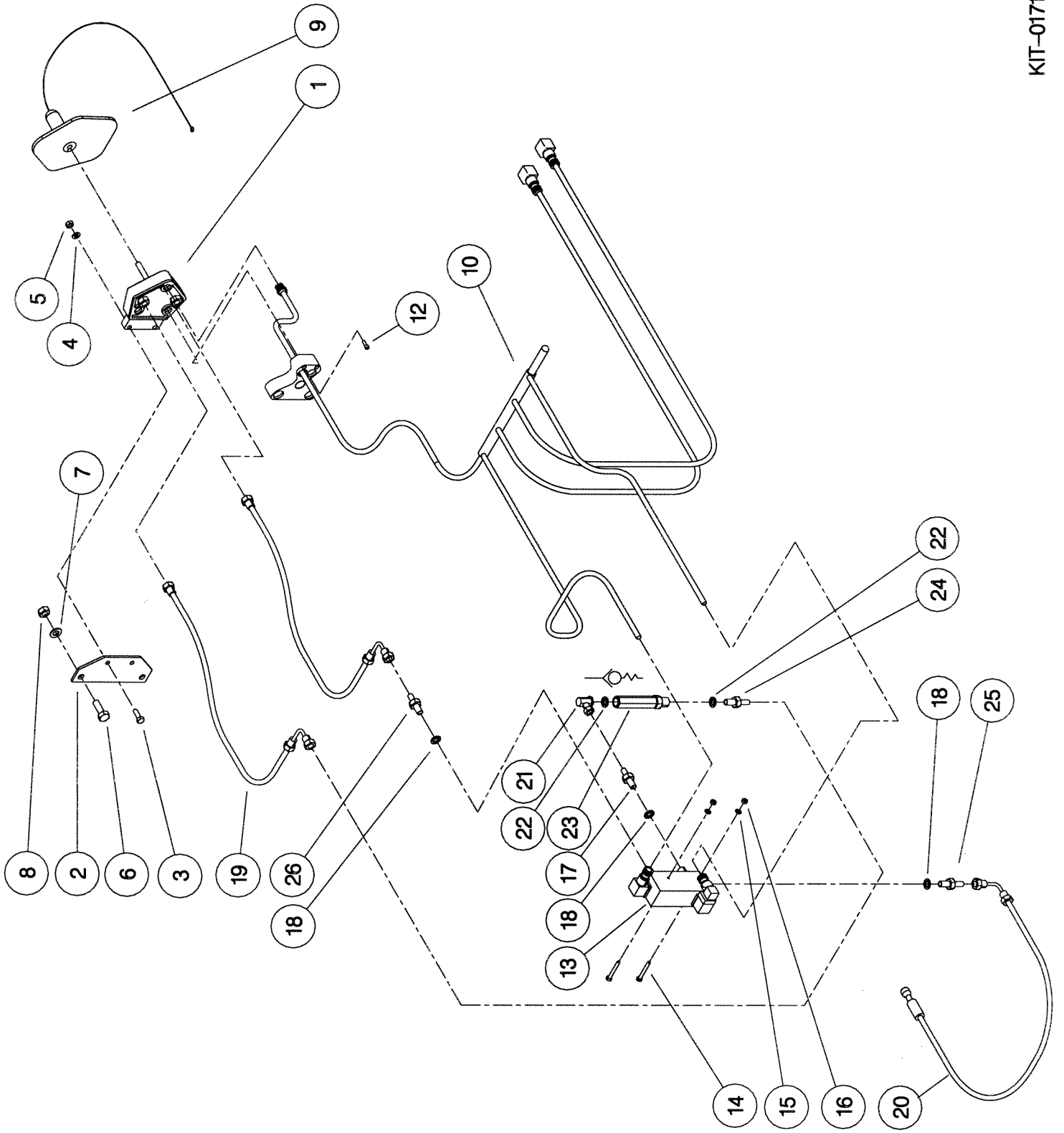
Shelbourne Reynolds Engineering Limited

ASSY NUMBER:		KIT-01705		SUB ASSY DESCRIPTION: HYDRAULIC PROBE ADAPTOR			
ITEM	PART NO	DESCRIPTION	QTY	ITEM	PART NO	DESCRIPTION	QTY
30	FIT-0056	OLIVE	2				
31	FIT-0051	NUT	2				
35	COU-0162	PROBE COUPLING	1				
36	HST-0021	ADAPTOR	1				
37	WSH-1015	SEAL	1				
38	RP-100040	PIPE	1				



Shelbourne Reynolds Engineering Limited

ASSY NUMBER: KIT-01717		SUB ASSY DESCRIPTION: HYDRAULIC FITTING KIT(CLAAS LEXION)					
ITEM	PART NO	DESCRIPTION	QTY	ITEM	PART NO	DESCRIPTION	QTY
1	CHP-05000	COUPLING	1				
2	193601 01	FIXING PLATE	1				
3	HSS-0150	SET SCREW	2				
4	WSH-0012	PLAIN WASHER	2				
5	NUT-0263	NYLOC NUT	2				
6	HSS-0238	SET SCREW	2				
7	WSH-0018	PLAIN WASHER	2				
8	NUT-0269	NYLOC NUT	2				
9	CHP-05005	GUARD CAP	1				
10	195076 01	WIRE LOOM (2001 & ON)	1				
OR	CHP-05010	WIRE LOOM (UP TO 2001)	1				
11							
12	SCCA05323	CAP HEAD SCREW (2001 & ON)	5				
OR	SCW-0064	CAP HEAD SCREW (UP TO 2001)	5				
13	HVB-12504	VALVE BLOCK (2002 & ON)	1				
OR	HVB-12501	VALVE BLOCK (UP TO 2002)	1				
14	BLTA06350	BOLT	2				
15	WSH-0009	PLAIN WASHER	2				
16	NUT-0260	NYLOC NUT	2				
17	FIT-0025	FITTING (2002 & ON, REF.ITEM 13) (UP TO 2002, REF.ITEM 13)	2				
18	WSH-1010	DOWTY WASHER	1				
19	HHBC05010	HYDRAULIC HOSE ASSY	3				
20	HHBC08510	HYDRAULIC HOSE ASSY	2				
21	HALAA0303	FITTING (UP TO 2002, REF.ITEM 13)	1				
22	WSH-1005	DOWTY WASHER	1				
23	HVB-20560	CHECK VALVE (UP TO 2002, REF.ITEM 13)	2				
24	HMA-0052	FITTING (UP TO 2002, REF.ITEM 13)	1				
25	HAQAA0305	STRAINER FITTING (UP TO 2002, REF.ITEM 13)	1				
26	HAPAA0305	RESTRICTOR (UP TO 2002, REF.ITEM 13)	1				

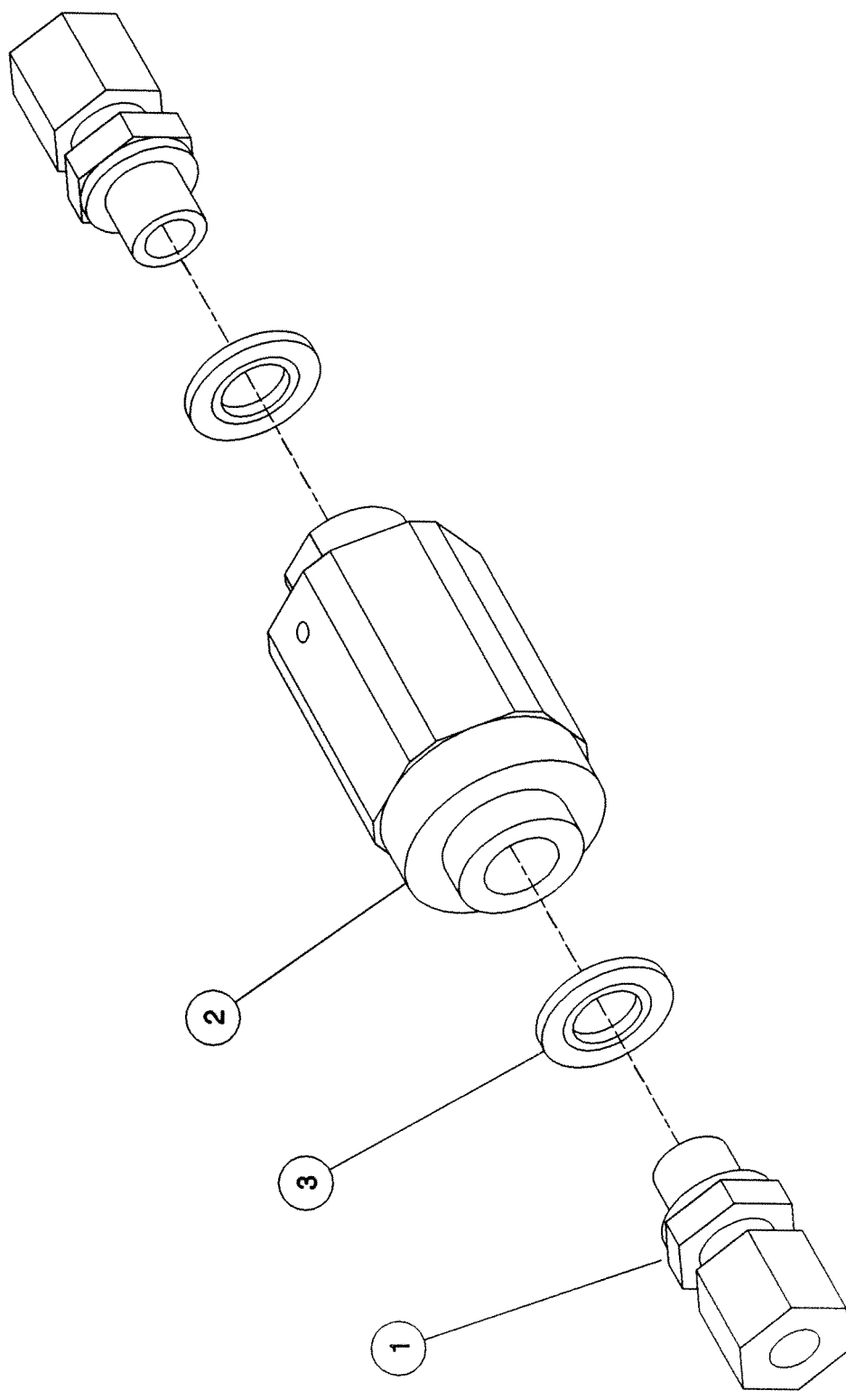


RX & CX Shelbourne Header

KIT OPTIONS

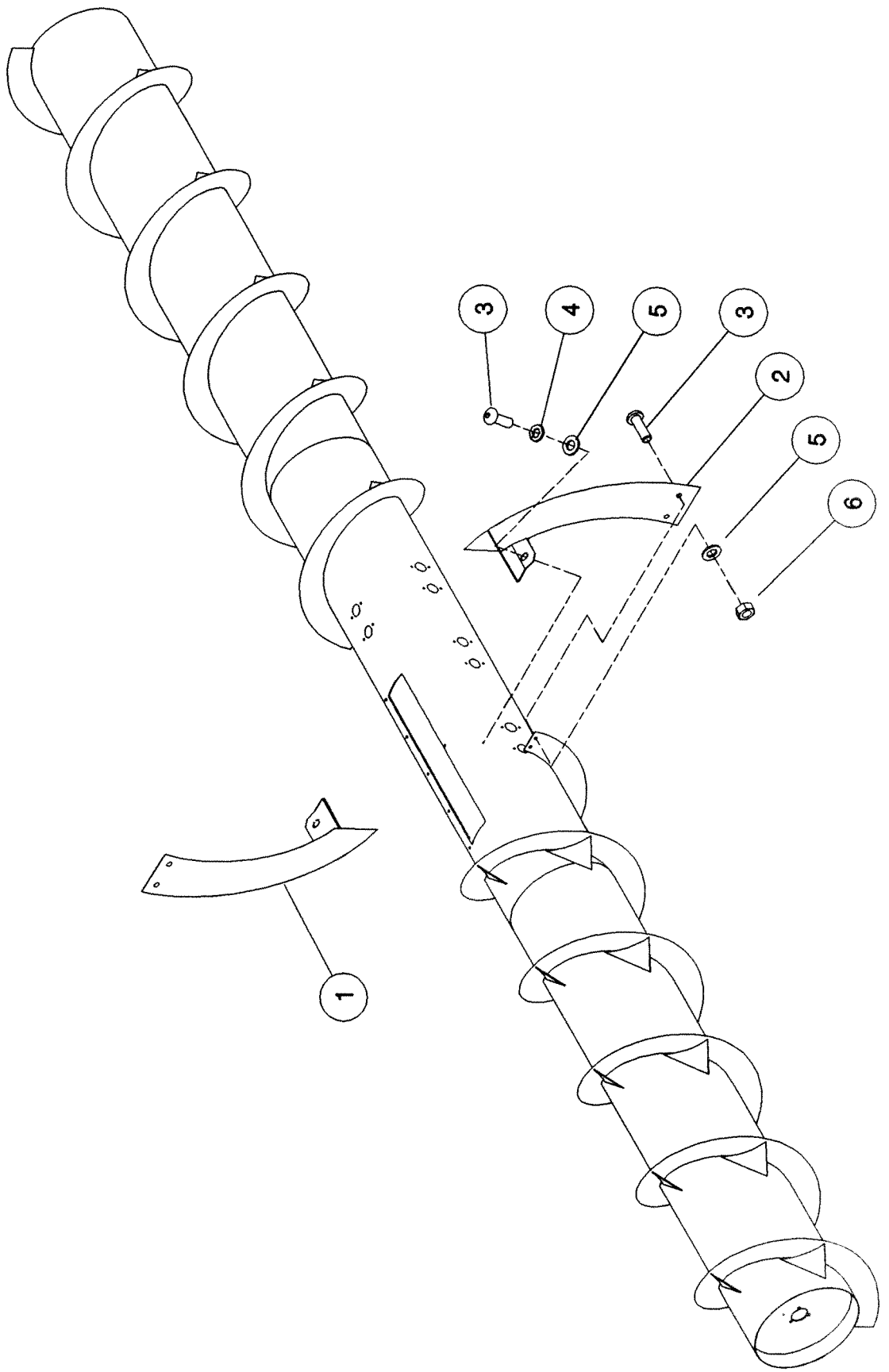
Shelbourne Reynolds Engineering Limited

ASSY NUMBER: KIT-00932		ASSY DESCRIPTION: THROTTLE VALVE KIT					
ITEM	PART NO	DESCRIPTION	QTY	ITEM	PART NO	DESCRIPTION	QTY
1	FIT-0552	MALE STUD COUPLING	2				
2	VAL-0120	FINE CONTROL THROTTLE VALVE	1				
3	WSH-1005	DOWTY WASHER	2				



Shelbourne Reynolds Engineering Limited

ASSY NUMBER: KIT-00965		SUB ASSY DESCRIPTION: AUGER FLIGHT EXTENSIONS (RX/CX)					
ITEM	PART NO	DESCRIPTION	QTY	ITEM	PART NO	DESCRIPTION	QTY
1	192227 01	AUGER FLIGHT EXT. L. H	1				
2	192227 02	AUGER FLIGHT EXT. R. H	1				
3	SCBA08172	BUT. SKT. HD SCREW	6				
4	WSH-0058	SPRING WASHER	2				
5	WSH-0012	PLAIN WASHER	6				
6	NUT-0263	NYLOC NUT	4				



Shelbourne Reynolds Engineering Limited

ASSY NUMBER: KIT-00970		SUB ASSY DESCRIPTION: PROTECTION PANS KIT					
ITEM	PART NO	DESCRIPTION	QTY	ITEM	PART NO	DESCRIPTION	QTY
1	192712 01	PROTECTION PAN (1 HOLE)	2				
2	HSS-0191	SET SCREW	6				
3	WSH-0015	WASHER	8				
4	NUT-0265	NUT	6				

