

RX & CX Shelbourne header

ADAPTOR PLATE & COMBINE FITTINGS

PARTS MANUAL

JOHN DEERE



Shelbourne Reynolds Engineering Ltd

Stanton

Bury St Edmunds

Suffolk IP31 2AR

England

Telephone: 01359 250415

(Stores direct 01359 251231)

Fax. No: 01359 250464

(Stores direct 01359 252031)

JOHN DEERE

Parts Manual

Adaptor Plate

196517 05K	ADAPTOR PLATE ASSY - J.D (ERP)
196517 14K	ADAPTOR PLATE ASSY - J.D (USA)
196517 18K	ADAPTOR PLATE ASSY - J.D (Z SERIES)

Drive Kits

	BELOW KITS FOR JD 9500,7720 & CTS
196534 003	DRIVE KIT - Rx42
196534 004	DRIVE KIT - Rx48
196534 005	DRIVE KIT - Rx54
196534 006	DRIVE KIT - Rx60
196534 008	DRIVE KIT - Rx66,Cx72,Cx78 & Cx84

	BELOW KITS FOR JD ERP
196534 035	DRIVE KIT - 5.4m
196534 038	DRIVE KIT - 6.0 - 8.4m

	BELOW KIT FOR JD 9600 & 8820
196534 155	DRIVE KIT - Rx54
196534 156	DRIVE KIT - Rx60
196534 158	DRIVE KIT - Rx66,Cx72,Cx78 & Cx84

	BELOW KITS FOR JD CONTOUR MASTER & Z SERIES
196534 175	DRIVE KIT - Rx54
196534 176	DRIVE KIT - Rx60
196534 178	DRIVE KIT - Rx66,Cx72,Cx78 & Cx84

Hydraulic Fittings

KIT-01702	HYDRAULIC CONNECTOR - (JD ERPN)
KIT-01707	HYDRAULIC CONNECTOR - (USA)
KIT-01714	HYDRAULIC CONNECTOR - (Z SERIES)

Kit Options

KIT-00965	AUGER FLIGHT EXTENSIONS KIT
KIT-00970	RX PROTECTION PANS (ALL WIDTHS)

RX & CX Shelbourne Header

ADAPTOR PLATES

Shelbourne Reynolds Engineering Limited

ASSY NUMBER: 196517 05K		ASSY DESCRIPTION: ADAPTOR PLATE ASSY - JOHN DEERE (ERP)					
ITEM	PART NO	DESCRIPTION	QTY	ITEM	PART NO	DESCRIPTION	QTY
	KIT-00605	ADAPTOR PLATE SUB	1				
	KIT-00805	FIXING KIT	1				

Shelbourne Reynolds Engineering Limited

ASSY NUMBER: 196517 14K		ASSY DESCRIPTION: ADAPTOR PLATE ASSY - JD (AMERICAN)					
ITEM	PART NO	DESCRIPTION	QTY	ITEM	PART NO	DESCRIPTION	QTY
	KIT-00605	ADAPTOR PLATE SUB	1				
	KIT-00804	LEVELLING KIT	1				

Shelbourne Reynolds Engineering Limited

ASSY NUMBER: 196517 18K		ASSY DESCRIPTION: ADAPTOR PLATE ASSY - JD (Z SERIES)					
ITEM	PART NO	DESCRIPTION	QTY	ITEM	PART NO	DESCRIPTION	QTY
	KIT-00612	ADAPTOR PLATE SUB	1				

Shelbourne Reynolds Engineering Limited

KIT-00605		SUB ASSY DESCRIPTION: ADAPTOR PLATE JOHN DEERE (FROM 196517 05)					
ASSY NUMBER:							
ITEM	PART NO	DESCRIPTION	QTY	ITEM	PART NO	DESCRIPTION	QTY
1	191216 01	FRAME WELD ASSY	1				
2	NUT-0190	PLAIN NUT (M24)	6				
3	HSS-0315	SET SCREW (M16x35)	2				
4	WSH-0024	PLAIN WASHER (16mm)	2				
5	WSH-0070	SPRING WASHER (16mm)	2				
6							
7	191223 02	SCRAPER	2				
8	BLT-4710	COACH BOLT (M8x20mm)	6				
9	NUT-0263	NYLOC NUT (M8)	6				
10	WSH-0012	PLAIN WASHER (8mm)	6				
11							
12							
13							
14							
15							
28	POP-0006	POP RIVET (3/16" DIA x 1/2") (UPTO 2009)	4				
29	134024 05	IDENTIFICATION PLATE (UPTO 2009)	1				
30	197208 01	PACKER PLATE	2				
31	SCW-1580	SCREW (M6x20)	6				
32	WSH-0009	PLAIN WASHER (M6)	6				
33	NUT-0260	NYLOC NUT (M6)	6				

Shelbourne Reynolds Engineering Limited

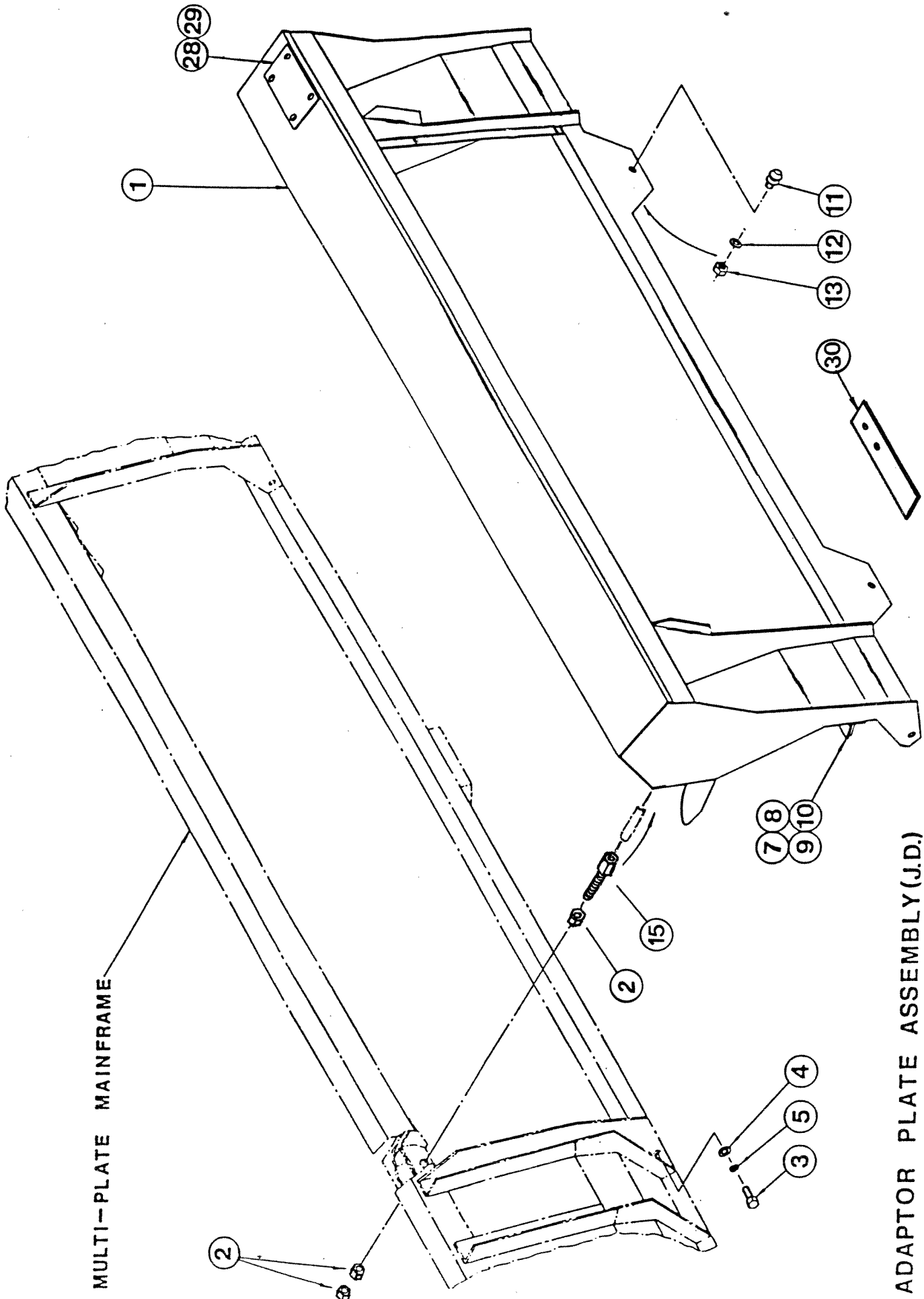
KIT-00612		SUB ASSY DESCRIPTION: ADAPTOR PLATE JD-Z SERIES (FROM 196517 18K)					
ASSY NUMBER:							
ITEM	PART NO	DESCRIPTION	QTY	ITEM	PART NO	DESCRIPTION	QTY
1	191216 01	FRAME WELD ASSY	1				
2	NUT-0190	PLAIN NUT (M24)	6				
3	HSS-0315	SET SCREW (M16x35)	2				
4	WSH-0024	PLAIN WASHER (M16)	2				
5	WSH-0070	SPRING WASHER (M16)	2				
6							
7	191223 02	SCRAPER	2				
8	BLT-4710	COACH BOLT (M8x20)	6				
9	NUT-0263	NYLOC NUT (M8)	6				
10	WSH-0012	PLAIN WASHER (8mm)	6				
11							
12							
13							
14							
15	192925 01	EXTENSION BOLT WELD ASSY	2				
28	POP-0006	POP RIVET (3/16"x1/2") (UPTO 2009)	4				
29	134024 05	IDENTIFICATION PLATE (UPTO 2009)	1				
30	197208 01	PACKER PLATE	6				
31	SCW-1580	SCREW (M6x20)	6				
32	WSH-0009	PLAIN WASHER (M6)	6				
33	NUT-0260	NYLOC NUT (M6)	6				

Shelbourne Reynolds Engineering Limited

KIT-00804		SUB ASSY DESCRIPTION: LEVELLING SPACERS (JD)					
ASSY NUMBER:	KIT-00804	SUB ASSY DESCRIPTION: LEVELLING SPACERS (JD)					
ITEM	PART NO	DESCRIPTION	QTY	ITEM	PART NO	DESCRIPTION	QTY
30	191595 01	SPACER	3				

Shelbourne Reynolds Engineering Limited

KIT-00805		SUB ASSY DESCRIPTION: BOTTOM PICK UP FIXING KIT JD (ERP)					
ASSY NUMBER:	KIT-00805 SUB ASSY DESCRIPTION: BOTTOM PICK UP FIXING KIT JD (ERP)						
ITEM	PART NO	DESCRIPTION	QTY	ITEM	PART NO	DESCRIPTION	QTY
11	130130	PICK UP PIN	2				
12	WSH-0075	SPRING WASHER	2				
13	NUT-0385	HALF NUT	2				



MULTI-PLATE MAINFRAME

ADAPTOR PLATE ASSEMBLY(J.D.)

RX & CX Shelbourne Header

DRIVE KITS

Shelbourne Reynolds Engineering Limited

ASSY NUMBER: 196534 003		ASSY DESCRIPTION: DRIVE KIT 4.2M CASEIH(ALL)/JD9500,7720					
ITEM	PART NO	DESCRIPTION	QTY	ITEM	PART NO	DESCRIPTION	QTY
1	191804 29	SELECT GEAR 29T	1				
2	191804 27	SELECT GEAR 27T	1				
3	PTO-05001	FLEX POWER SHAFT	1				
4	191116 04	AUGER SPROCKET 18T	1				
5	CHN-01620	CHAIN	109				
6	CHN-01600	JOINING LINK	1				
7	KIT-00931	PTO SUPPORT KIT	1				

Shelbourne Reynolds Engineering Limited

ASSY NUMBER: 196534 004		ASSY DESCRIPTION: DRIVE KIT 4.8M CASEIH (ALL) / JD9500, 7720					
ITEM	PART NO	DESCRIPTION	QTY	ITEM	PART NO	DESCRIPTION	QTY
1	191804 29	SELECT GEAR 29T	1				
2	191804 27	SELECT GEAR 27T	1				
3	PTO-17014	FLEX POWER SHAFT	1				
4	191116 04	AUGER SPROCKET 18T	1				
5	CHN-01620	CHAIN	109				
6	CHN-01600	JOINING LINK	1				
7	KIT-00931	PTO SUPPORT KIT	1				

Shelbourne Reynolds Engineering Limited

ASSY NUMBER: 196534 005		ASSY DESCRIPTION: DRIVE KIT 5.4M CASEIH(ALL) / JD9500,7720					
ITEM	PART NO	DESCRIPTION	QTY	ITEM	PART NO	DESCRIPTION	QTY
1	191804 29	SELECT GEAR 29T	1				
OR	191804 30	SELECT GEAR 30T	1				
2	191804 27	SELECT GEAR 27T	1				
OR	191804 26	SELECT GEAR 26T	1				
3	PTO-17010	FLEX POWER SHAFT	1				
4	192768 18	AUGER SPROCKET 18T	1				
OR	192768 06	AUGER SPROCKET 19T	1				
5	CHN-01920	CHAIN	95				
6	CHN-01901	JOINING LINK	1				
7	KIT-00931	PTO SUPPORT KIT	1				

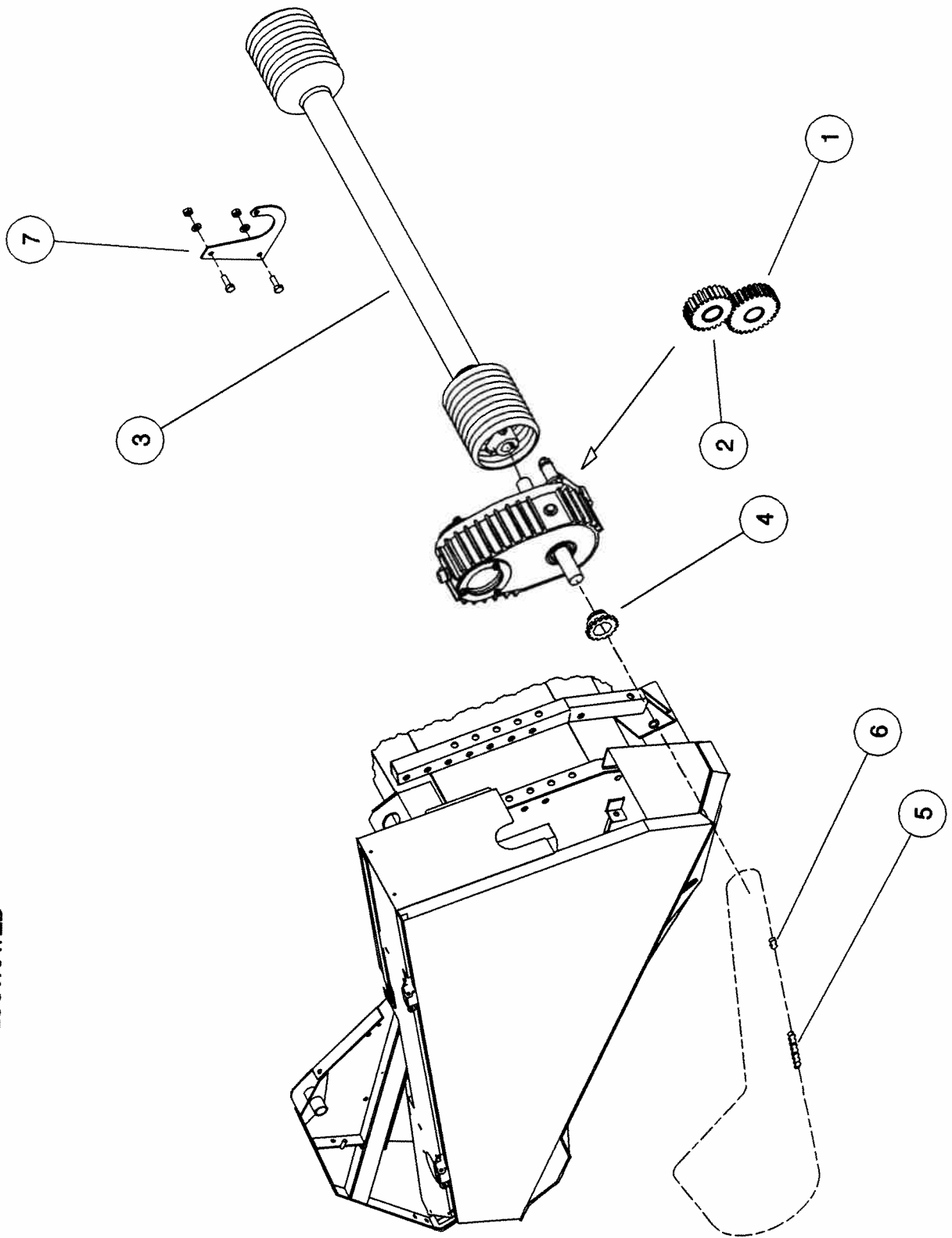
Shelbourne Reynolds Engineering Limited

ASSY NUMBER: 196534 006		ASSY DESCRIPTION: DRIVE KIT 6.0M CASEIH(ALL)/JD9500, 7720					
ITEM	PART NO	DESCRIPTION	QTY	ITEM	PART NO	DESCRIPTION	QTY
1	191804 29	SELECT GEAR 29T	1				
OR	191804 30	SELECT GEAR 30T	1				
2	191804 27	SELECT GEAR 27T	1				
OR	191804 26	SELECT GEAR 26T	1				
3	PTO-17006	FLEX POWER SHAFT	1				
4	192768 18	AUGER SPROCKET 18T	1				
OR	192768 06	AUGER SPROCKET 19T	1				
5	CHN-01920	CHAIN	95				
6	CHN-01901	JOINING LINK	1				
7	KIT-00931	PTO SUPPORT KIT	1				

Shelbourne Reynolds Engineering Limited

ASSY NUMBER: 196534 008		ASSY DESCRIPTION: DRIVE KIT 6.6-8.4M CASEIH/JD9500, 7720					
ITEM	PART NO	DESCRIPTION	QTY	ITEM	PART NO	DESCRIPTION	QTY
1	191804 29	SELECT GEAR 29T	1				
OR	191804 30	SELECT GEAR 30T	1				
2	191804 27	SELECT GEAR 27T	1				
OR	191804 26	SELECT GEAR 26T	1				
3	PTO-17002	FLEX POWER SHAFT	1				
4	192768 18	AUGER SPROCKET 18T	1				
OR	192768 06	AUGER SPROCKET 19T	1				
5	CHN-01920	CHAIN	95				
6	CHN-01901	JOINING LINK	1				
7	KIT-00931	PTO SUPPORT KIT	1				

RX HEADER ILLUSTRATED

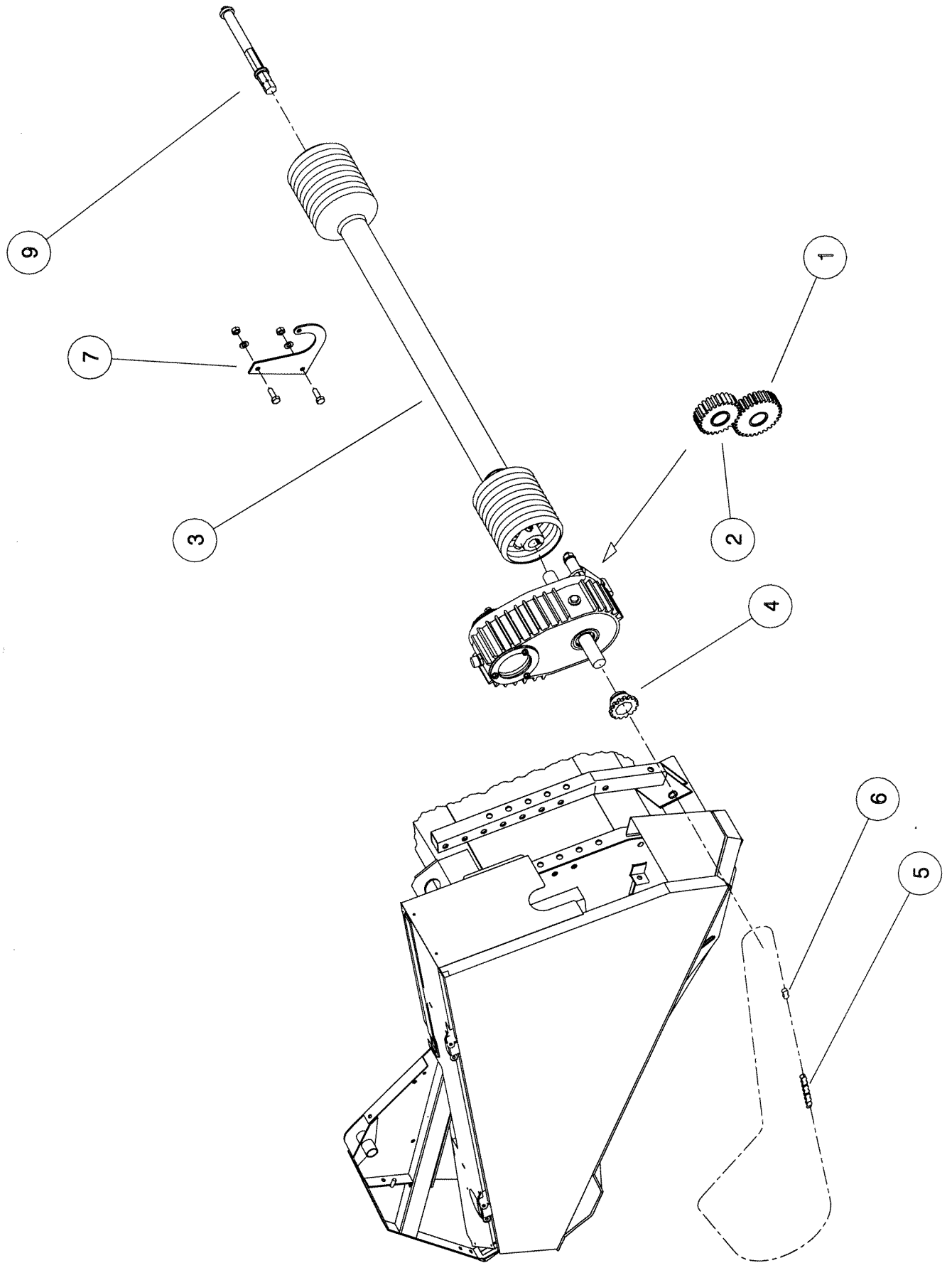


Shelbourne Reynolds Engineering Limited

ASSY NUMBER: 196534 035		ASSY DESCRIPTION: DRIVE KIT 5.4M JD (ERP)					
ITEM	PART NO	DESCRIPTION	QTY	ITEM	PART NO	DESCRIPTION	QTY
1	191804 30	SELECT GEAR 30T	1				
2	191804 26	SELECT GEAR 26T	1				
3	PTO-17006	FLEX POWER SHAFT	1				
4	192768 06	AUGER SPROCKET 19T	1				
5	CHN-01920	CHAIN	95				
6	CHN-01901	JOINING LINK	1				
7	KIT-00931	PTO SUPPORT KIT	1				
8							
9	KIT-01209	JD DRIVE SHAFT KIT	1				

Shelbourne Reynolds Engineering Limited

ASSY NUMBER: 196534 038		ASSY DESCRIPTION: DRIVE KIT 6.0-8.4M JD (ERP)					
ITEM	PART NO	DESCRIPTION	QTY	ITEM	PART NO	DESCRIPTION	QTY.
1	191804 30	SELECT GEAR 30T	1				
2	191804 26	SELECT GEAR 26T	1				
3	PTO-17002	FLEX POWER SHAFT	1				
4	192768 06	AUGER SPROCKET 19T	1				
5	CHN-01920	CHAIN	95				
6	CHN-01901	JOINING LINK	1				
7	KIT-00931	PTO SUPPORT KIT	1				
8							
9	KIT-01209	JD DRIVE ADAPTOR KIT	1				



Shelbourne Reynolds Engineering Limited

ASSY NUMBER: 196534 155		ASSY DESCRIPTION: DRIVE KIT 5.4M JD USA (9600/8820 ONLY)					
ITEM	PART NO	DESCRIPTION	QTY	ITEM	PART NO	DESCRIPTION	QTY
1	191804 29	SELECT GEAR 29T	1				
OR	191804 30	SELECT GEAR 30T	1				
2	191804 27	SELECT GEAR 27T	1				
OR	191804 26	SELECT GEAR 26T	1				
3	PTO-17010	FLEX POWER SHAFT	1				
4	192768 18	AUGER SPROCKET 18T	1				
OR	192768 06	AUGER SPROCKET 19T	1				
5	CHN-01920	CHAIN	95				
6	CHN-01901	JOINING LINK	1				
7	KIT-00931	PTO SUPPORT KIT	1				
8							
9	KIT-00975	JD DRIVE ADAPTOR KIT	1				

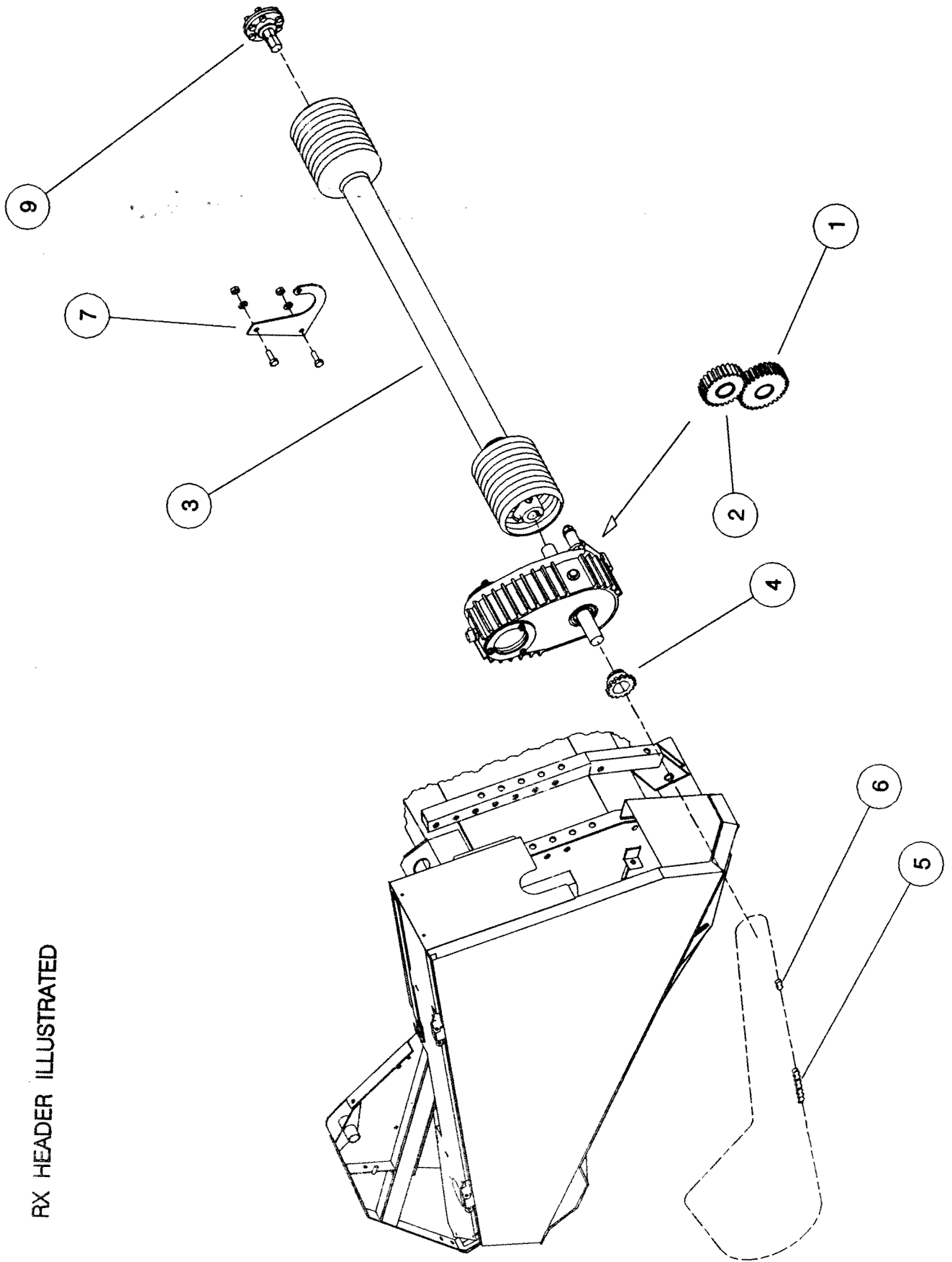
Shelbourne Reynolds Engineering Limited

ASSY NUMBER:		196534 156		ASSY DESCRIPTION: DRIVE KIT 6.0M JD USA (9600/8820 ONLY)			
ITEM	PART NO	DESCRIPTION	QTY	ITEM	PART NO	DESCRIPTION	QTY
1	191804 29	SELECT GEAR 29T	1				
OR	191804 30	SELECT GEAR 30T	1				
2	191804 27	SELECT GEAR 27T	1				
OR	191804 26	SELECT GEAR 26T	1				
3	PTO-17006	FLEX POWER SHAFT	1				
4	192768 18	AUGER SPROCKET 18T	1				
OR	192768 06	AUGER SPROCKET 19T	1				
5	CHN-01920	CHAIN	95				
6	CHN-01901	JOINING LINK	1				
7	KIT-00931	PTO SUPPORT KIT	1				
8							
9	KIT-00975	JD DRIVE ADAPTOR KIT	1				

Shelbourne Reynolds Engineering Limited

ASSY NUMBER:		196534 158					ASSY DESCRIPTION: DRIVE KIT 6.6-8.4M JD USA9600/8820 ONLY		
ITEM	PART NO	DESCRIPTION	QTY	ITEM	PART NO	DESCRIPTION	QTY		
1	191804 29	SELECT GEAR 29T	1						
OR	191804 30	SELECT GEAR 30T	1						
2	191804 27	SELECT GEAR 27T	1						
OR	191804 26	SELECT GEAR 26T	1						
3	PTO-17002	FLEX POWER SHAFT	1						
4	192768 18	AUGER SPROCKET 18T	1						
OR	192768 06	AUGER SPROCKET 19T	1						
5	CHN-01920	CHAIN	95						
6	CHN-01901	JOINING LINK	1						
7	KIT-00931	PTO SUPPORT KIT	1						
8									
9	KIT-00975	JD DRIVE ADAPTOR KIT	1						

RX HEADER ILLUSTRATED



Shelbourne Reynolds Engineering Limited

ASSY NUMBER:		196534 175		ASSY DESCRIPTION: DRIVE KIT 5.4M JD Z SERIES/USA TILT			
ITEM	PART NO	DESCRIPTION	QTY	ITEM	PART NO	DESCRIPTION	QTY
1	191804 29	SELECT GEAR 29T	1				
OR	191804 30	SELECT GEAR 30T	1				
2	191804 27	SELECT GEAR 27T	1				
OR	191804 26	SELECT GEAR 26T	1				
3	PTO-17012	FLEX POWER SHAFT	1				
4	192768 18	AUGER SPROCKET 18T	1				
OR	192768 06	AUGER SPROCKET 19T	1				
5	CHN-01920	CHAIN	95				
6	CHN-01901	JOINING LINK	1				
7	KIT-00931	PTO SUPPORT KIT	1				

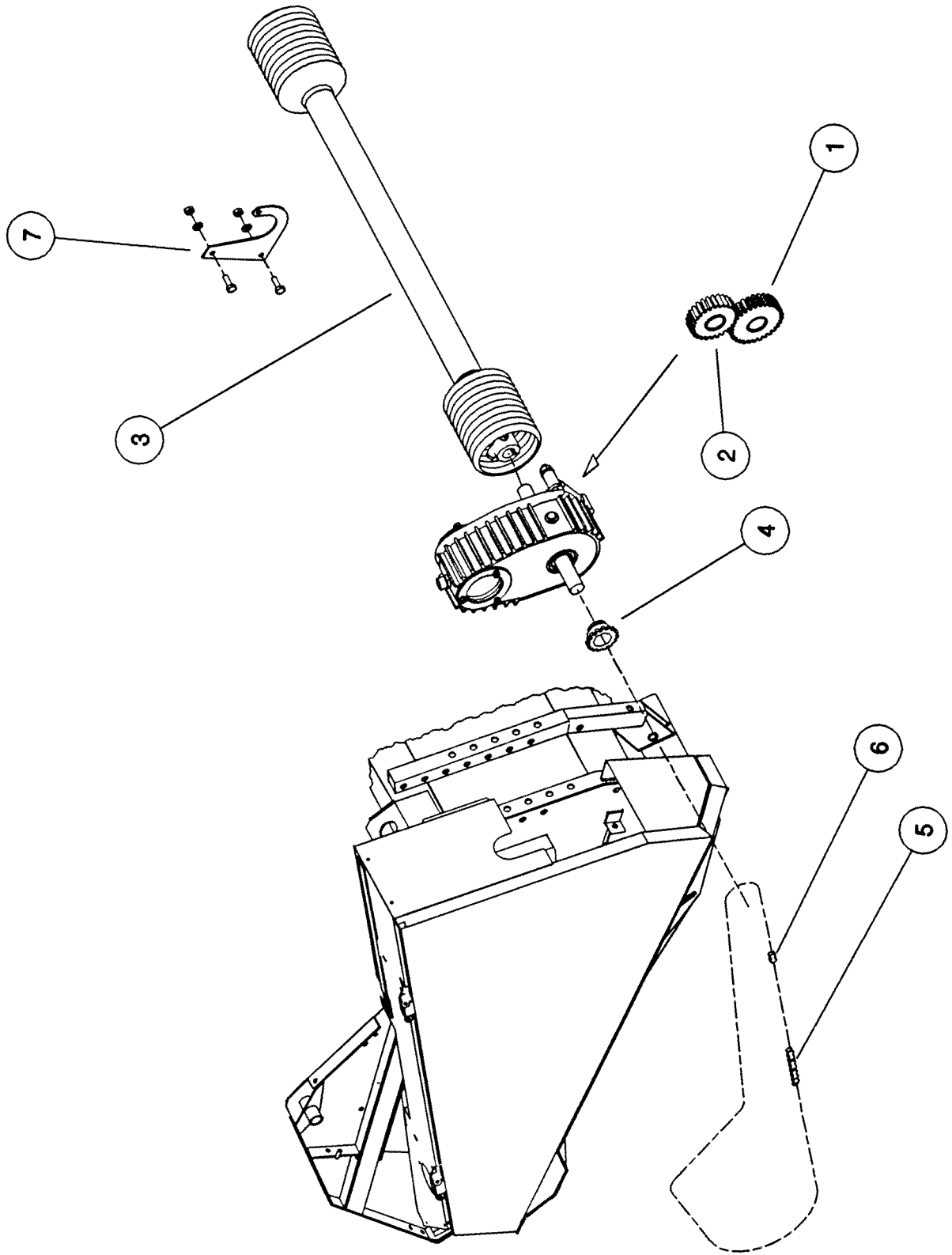
Shelbourne Reynolds Engineering Limited

ASSY NUMBER: 196534 176		ASSY DESCRIPTION: DRIVE KIT 6.0M JD Z SERIES/USA TILT	
ITEM	PART NO	DESCRIPTION	QTY
1	191804 29	SELECT GEAR 29T	1
OR	191804 30	SELECT GEAR 30T	1
2	191804 27	SELECT GEAR 27T	1
OR	191804 26	SELECT GEAR 26T	1
3	PTO-17008	FLEX POWER SHAFT	1
4	192768 18	AUGER SPROCKET 18T	1
OR	192768 06	AUGER SPROCKET 19T	1
5	CHN-01920	CHAIN	95
6	CHN-01901	JOINING LINK	1
7	KIT-00931	PTO SUPPORT KIT	1

Shelbourne Reynolds Engineering Limited

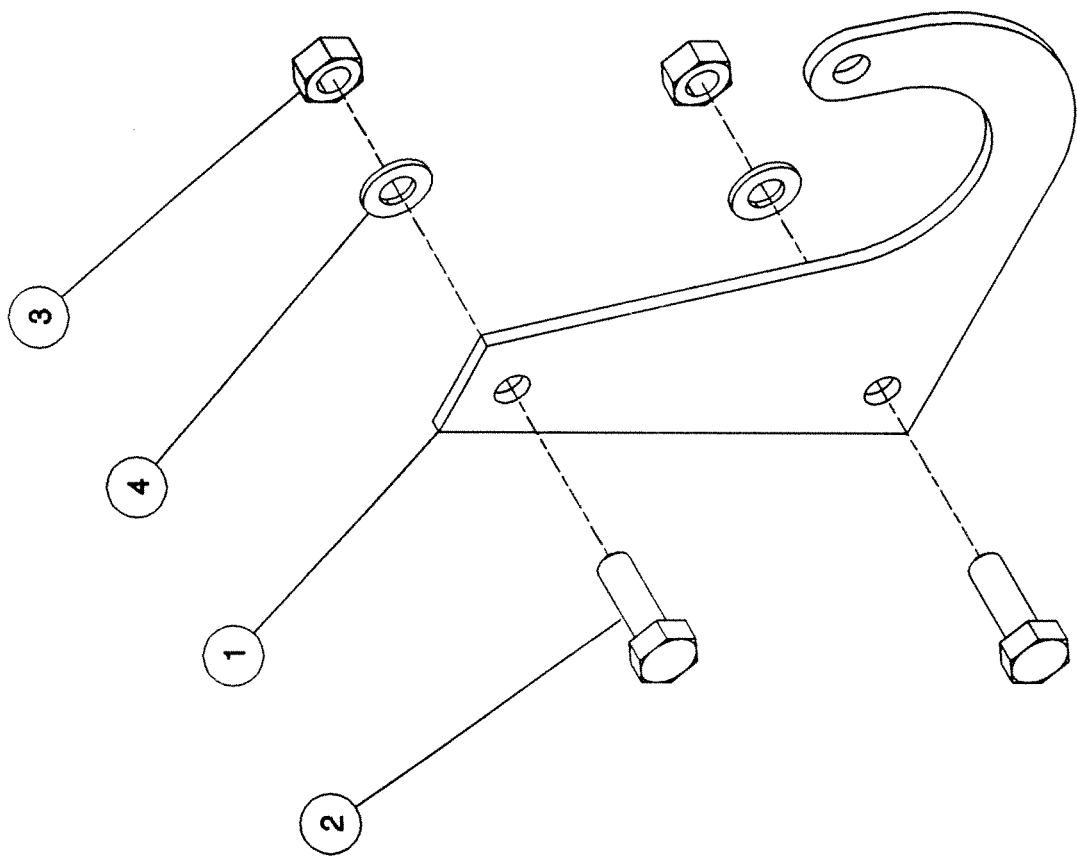
ASSY NUMBER: 196534 178		ASSY DESCRIPTION: DRIVE KIT 6.6-8.4M JD Z SERIES/USA TILT					
ITEM	PART NO	DESCRIPTION	QTY	ITEM	PART NO	DESCRIPTION	QTY
1	191804 29	SELECT GEAR 29T	1				
OR	191804 30	SELECT GEAR 30T	1				
2	191804 27	SELECT GEAR 27T	1				
OR	191804 26	SELECT GEAR 26T	1				
3	PTO-17004	FLEX POWER SHAFT	1				
4	192768 18	AUGER SPROCKET 18T	1				
OR	192768 06	AUGER SPROCKET 19T	1				
5	CHN-01920	CHAIN	95				
6	CHN-01901	JOINING LINK	1				
7	KIT-00931	PTO SUPPORT KIT	1				

RX HEADER ILLUSTRATED



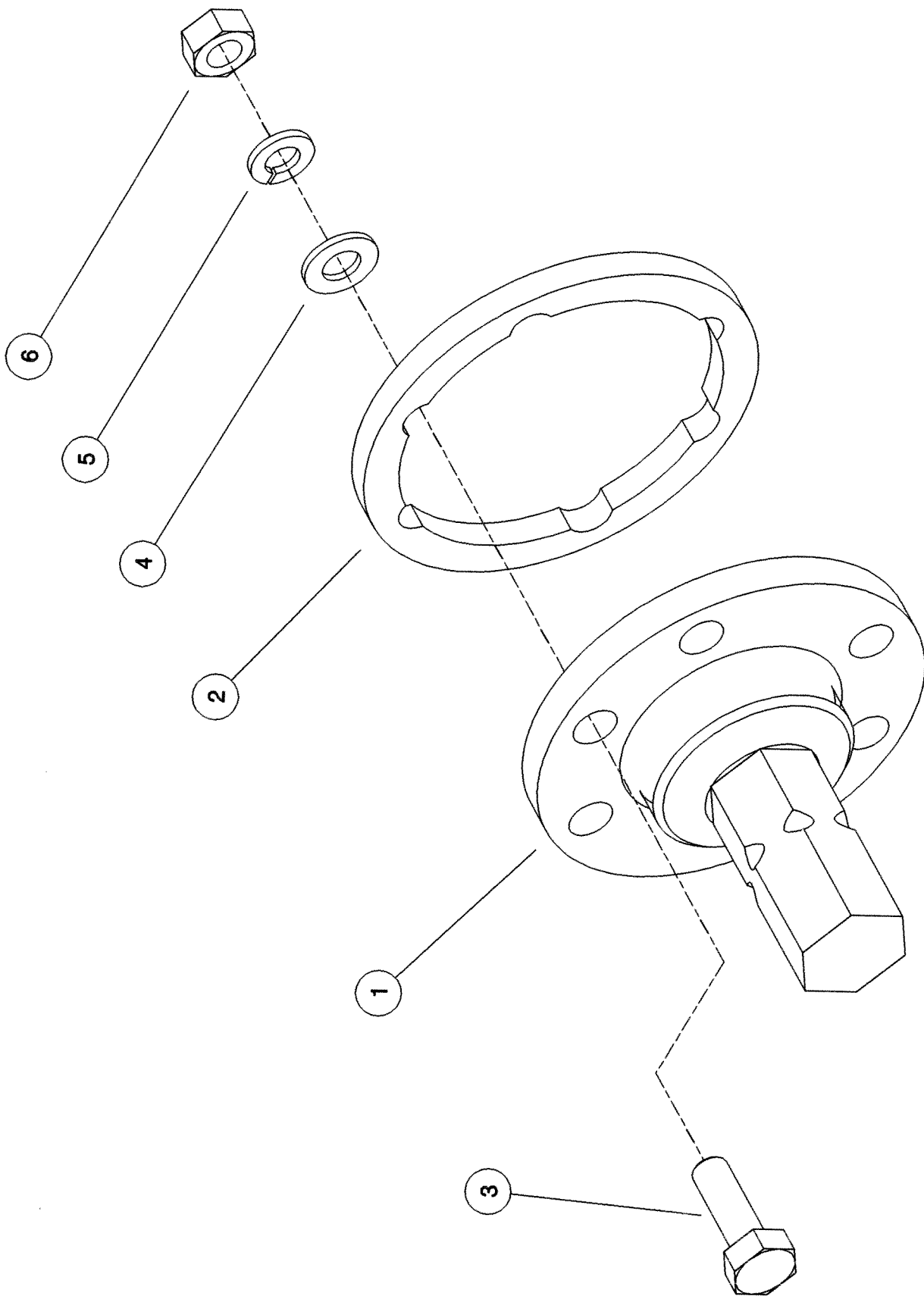
Shelbourne Reynolds Engineering Limited

ASSY NUMBER: KIT-00931		ASY DESCRIPTION: PTO SUPPORT KIT					
ITEM	PART NO	DESCRIPTION	QTY	ITEM	PART NO	DESCRIPTION	QTY
1	191945 01	PTO SUPPORT	1				
2	HSS-0238	SET SCREW	2				
3	NUT-0269	NYLOC NUT	2				
4	WSH-0018	PLAIN WASHER	2				



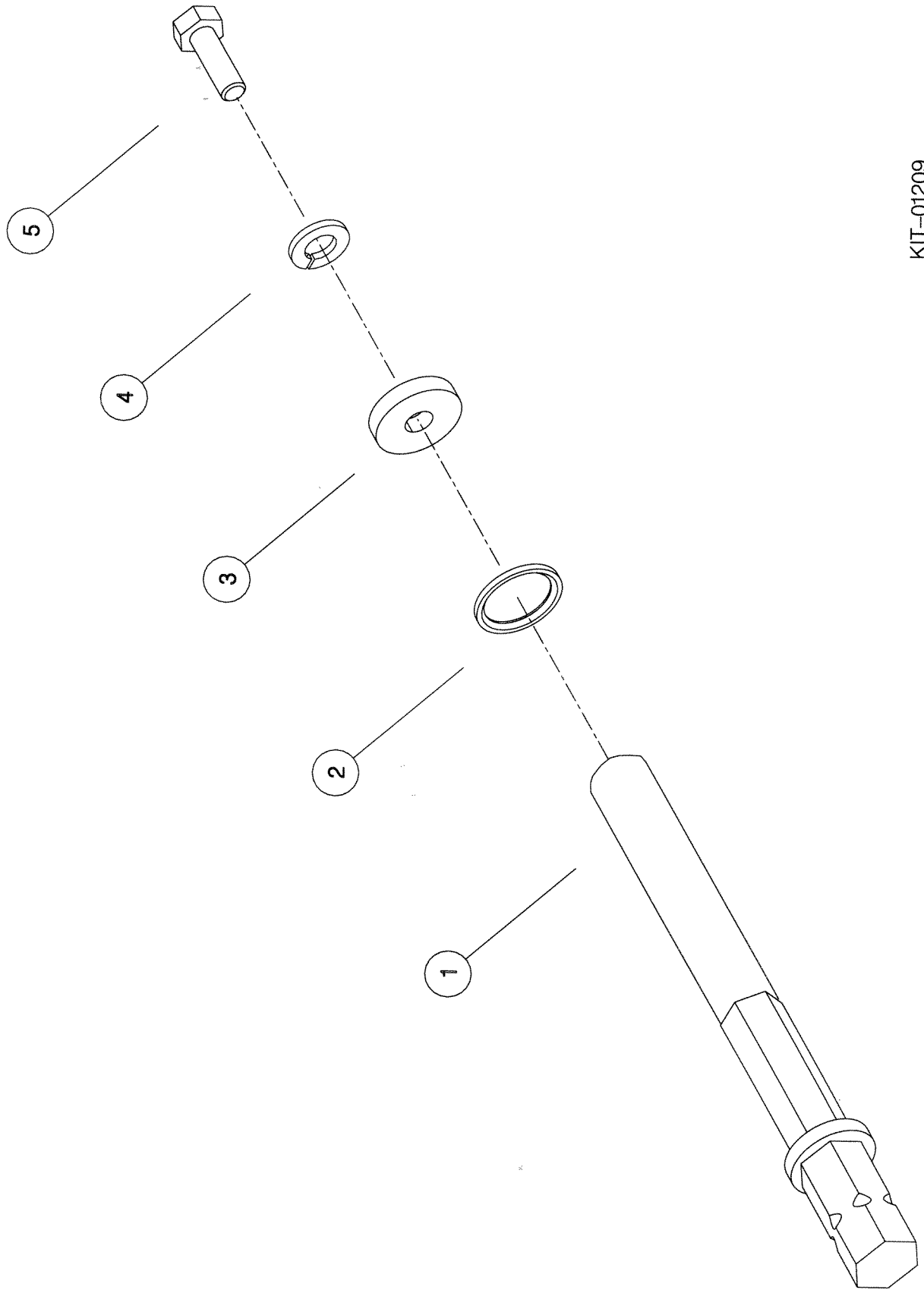
Shelbourne Reynolds Engineering Limited

KIT-00975		SUB ASSY DESCRIPTION: JD DRIVE COUPLING ADAPTOR KIT					
ASSY NUMBER:							
ITEM	PART NO	DESCRIPTION	QTY	ITEM	PART NO	DESCRIPTION	QTY
1	193092 01	JD DRIVE ADAPTOR	1				
2	193094 01	SPACER RING	1				
3	HSS-0241	SET SCREW	6				
4	WSH-0018	PLAIN WASHER	6				
5	WSH-0065	SPRING WASHER	6				
6	NUT-0170	PLAIN NUT	6				



Shelbourne Reynolds Engineering Limited

KIT-01209		SUB ASSY DESCRIPTION: JD DRIVE SHAFT KIT					
ASSY NUMBER:							
ITEM	PART NO	DESCRIPTION	QTY	ITEM	PART NO	DESCRIPTION	QTY
1	193417 01	DRIVE SHAFT	1				
2	193337 01	SPACER RING	1				
3	190119 13	WASHER	1				
4	HSSA12234	SETSCREW	1				
5	WSH-0065	SPRING WASHER	1				



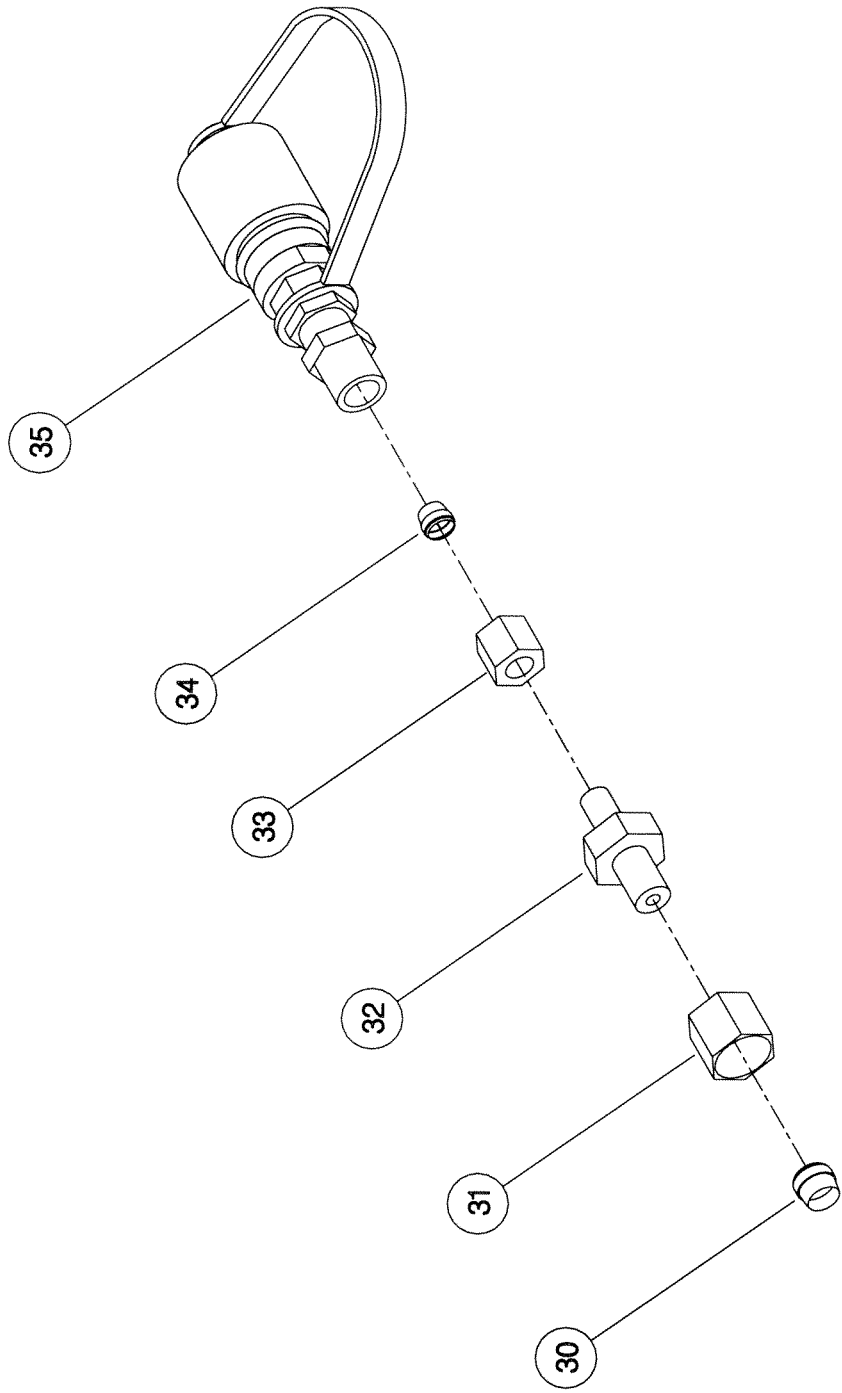
KIT-01209

RX & CX Shelbourne Header

**HYDRAULIC
FITTINGS**

Shelbourne Reynolds Engineering Limited

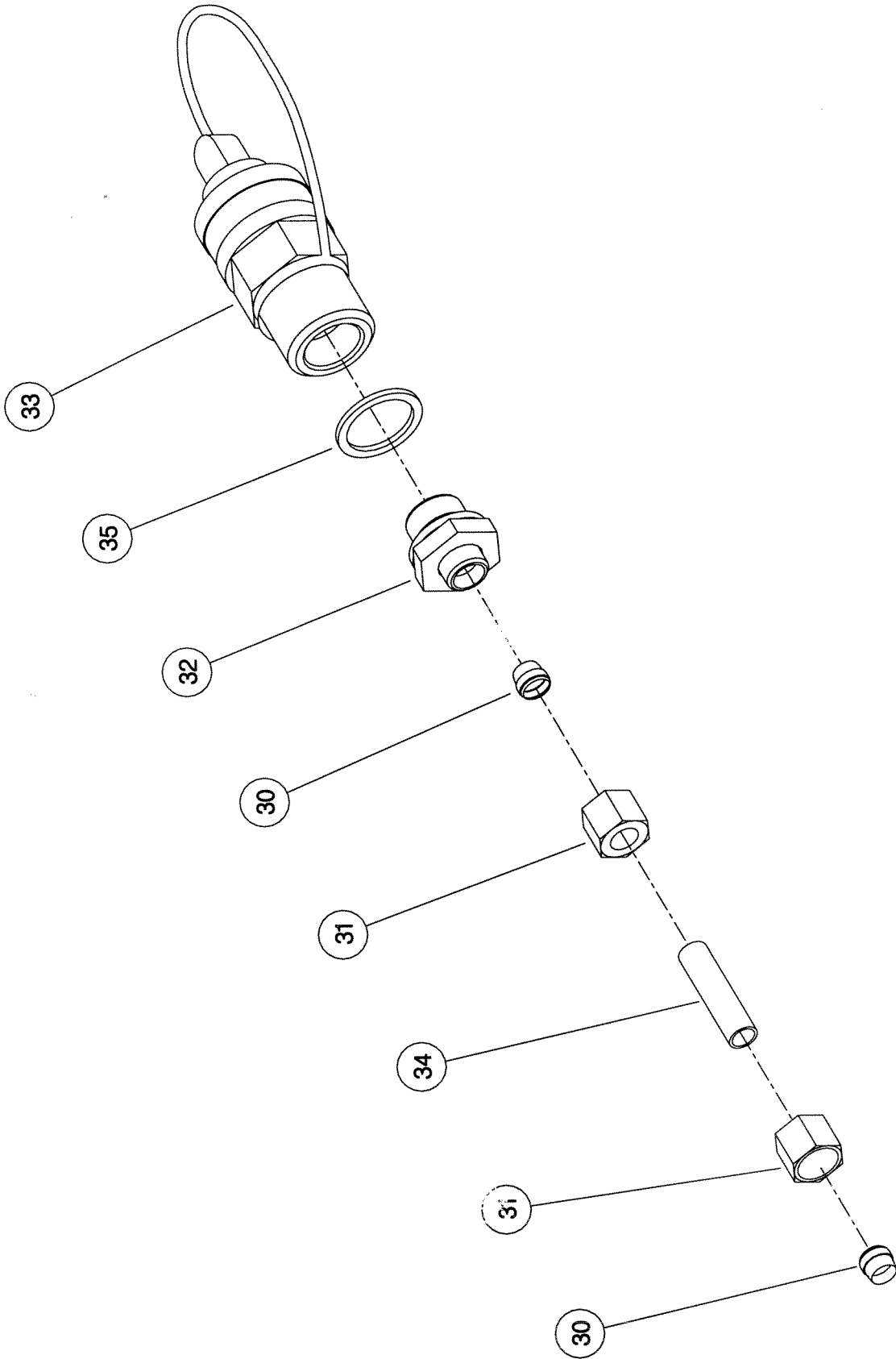
ASSY NUMBER: KIT-01702		SUB ASSY DESCRIPTION: HYDRAULIC PROBE ADAPTOR					
ITEM	PART NO	DESCRIPTION	QTY	ITEM	PART NO	DESCRIPTION	QTY
30	FIT-0056	OLIVE	1				
31	FIT-0051	NUT	1				
32	190860 01	HYDRAULIC FITTING	1				
33	FIT-0050	NUT	1				
34	FIT-0055	OLIVE	1				
35	COU-0123	COUPLING	1				



KIT-01702

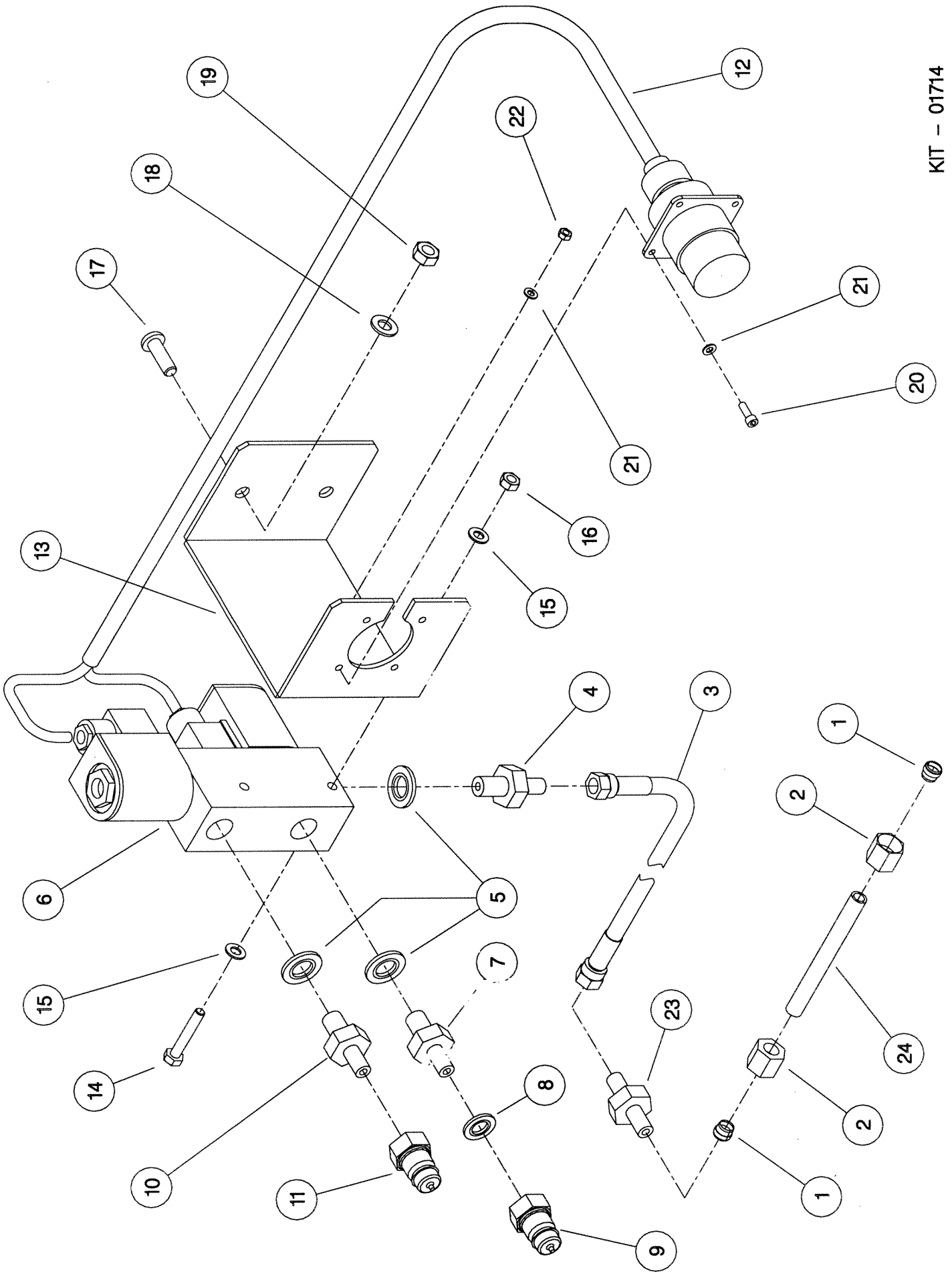
Shelbourne Reynolds Engineering Limited

ASSY NUMBER: KIT-01707		SUB ASSY DESCRIPTION: HYDRAULIC PROBE ADAPTOR					
ITEM	PART NO	DESCRIPTION	QTY	ITEM	PART NO	DESCRIPTION	QTY
30	FIT-0056	OLIVE	2				
31	FIT-0051	NUT	2				
32	FIT-0046	COUPLING	1				
33	COU-0128	PULL BRAKE COUPLING	1				
34	RP-100040	PIPE	1				
35	WSH-1015	DOWTY WASHER	1				



Shelbourne Reynolds Engineering Limited

ASSY NUMBER: KIT-01714		SUB ASSY DESCRIPTION: HYDRAULIC FITTING KIT (Z SERIES JD)					
ITEM	PART NO	DESCRIPTION	QTY	ITEM	PART NO	DESCRIPTION	QTY
1	FIT-0056	OLIVE	2				
2	FIT-0051	NUT	2				
3	HHAC07505	HOSE	1				
4	FIT-0025	FITTING	1				
OR	HAQAA0305	(2002 & ON, REF. ITEM 6) STRAINER FITTING (UP TO 2001, REF. ITEM 6)	1				
5	WSH-1010	DOWTY WASHER	3				
6	HVB-12504	VALVE BLOCK(2002 & ON)	1				
OR	HVB-12501	VALVE BLOCK(UP TO 2002)	1				
7	HMA-0065	FITTING	1				
8	WSH-1015	DOWTY WASHER	1				
9	COU-0162	PULLBRAKE COUPLING	1				
10	HAAAD0545	FITTING	1				
11	COU-0550	PULLBRAKE COUPLING	1				
12	192148 01	WIRING LOOM & PLUG ASSY.	1				
13	192149 01	MOUNTING BRACKET	1				
14	BLT-2095	BOLT	2				
15	WSH-0009	PLAIN WASHER	4				
16	NUT-0260	NYLOC NUT	2				
17	SCW-0525	SOC.HD.BUTTON SCREW	2				
18	WSH-0012	PLAIN WASHER	2				
19	NUT-0263	NYLOC NUT	2				
20	SCW-0035	CAP HD.SCREW	4				
21	WSH-0003	PLAIN WASHER	8				
22	NUT-0255	NYLOC NUT	4				
23	FIT-0047	FITTING	1				
24	RP100040	PIPE	1				

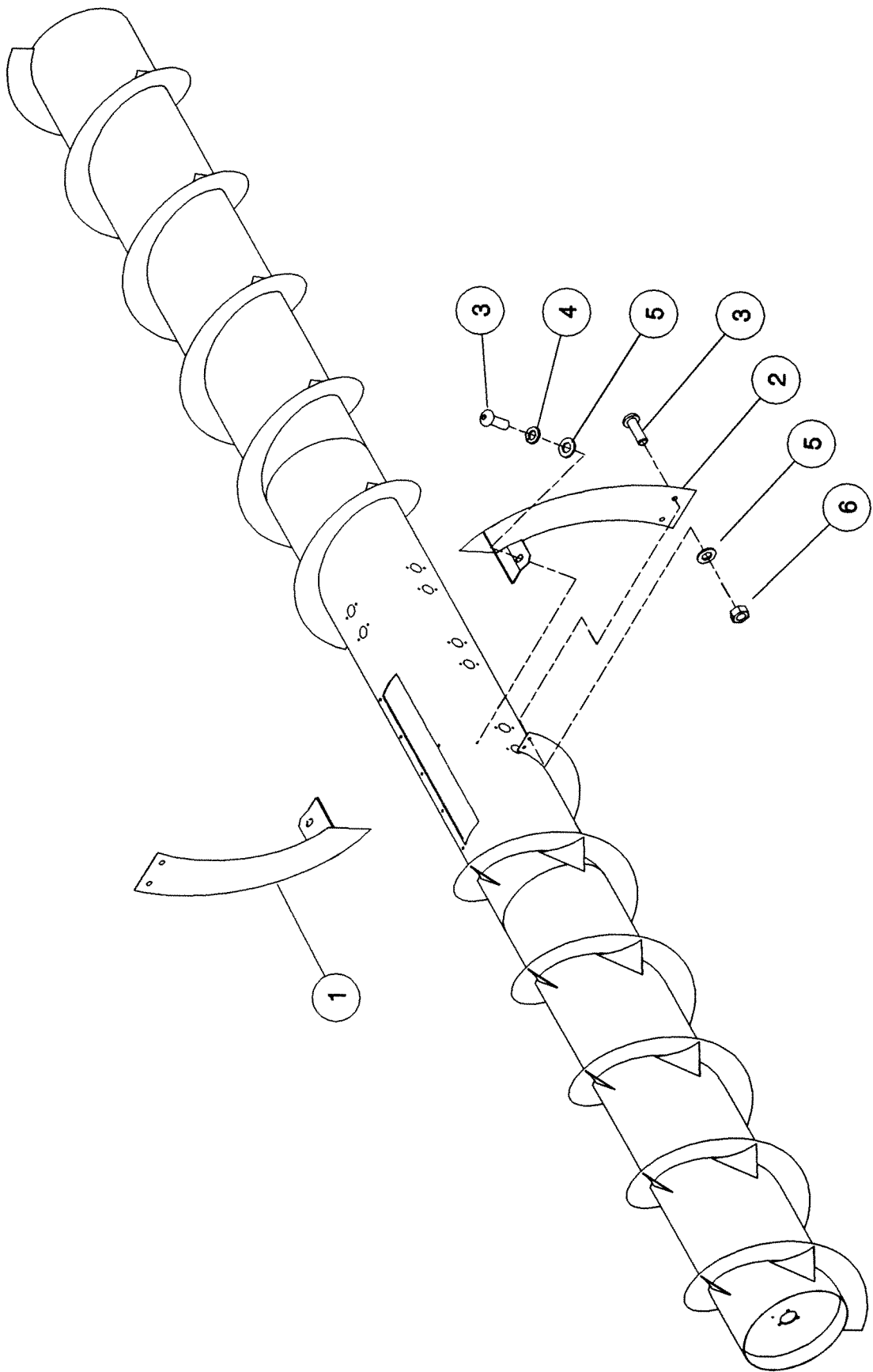


RX & CX Shelbourne Header

KIT OPTIONS

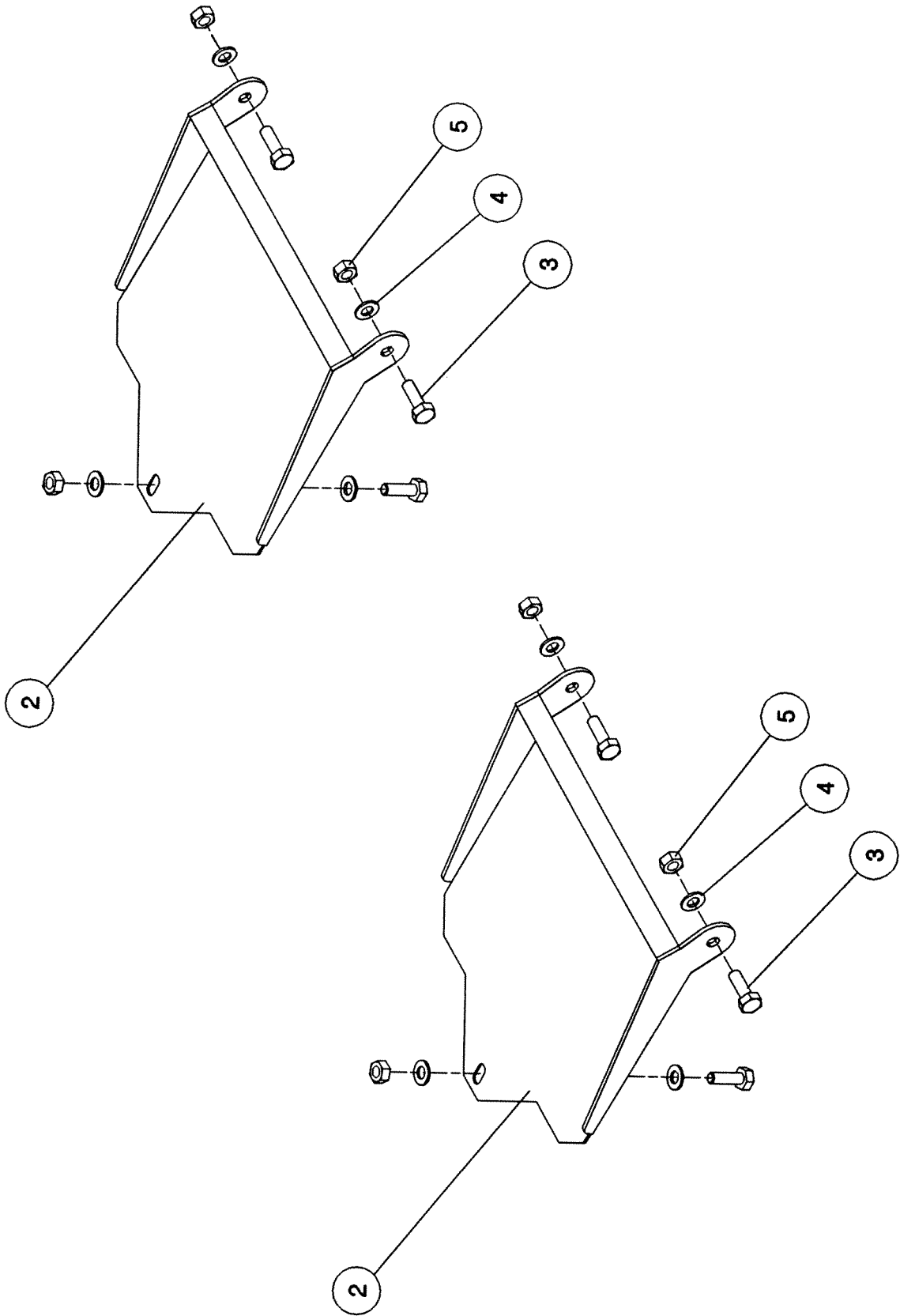
Shelbourne Reynolds Engineering Limited

ASSY NUMBER: KIT-00965		SUB ASSY DESCRIPTION: AUGER FLIGHT EXTENSIONS (RX/CX)					
ITEM	PART NO	DESCRIPTION	QTY	ITEM	PART NO	DESCRIPTION	QTY
1	192227 01	AUGER FLIGHT EXT. L. H	1				
2	192227 02	AUGER FLIGHT EXT. R. H	1				
3	SCBA08172	BUT. SKT. HD SCREW	6				
4	WSH-0058	SPRING WASHER	2				
5	WSH-0012	PLAIN WASHER	6				
6	NUT-0263	NYLOC NUT	4				



Shelbourne Reynolds Engineering Limited

ASSY NUMBER: KIT-00970		SUB ASSY DESCRIPTION: PROTECTION PANS KIT					
ITEM	PART NO	DESCRIPTION	QTY	ITEM	PART NO	DESCRIPTION	QTY
1	192712 01	PROTECTION PAN (1 HOLE)	2				
2	HSS-0191	SET SCREW	6				
3	WSH-0015	WASHER	8				
4	NUT-0265	NUT	6				



NUMERIC PARTS LIST

<u>PART No.</u>	<u>PAGE</u>	<u>PART No.</u>	<u>PAGE</u>	<u>PART No.</u>	<u>PAGE</u>
130130 01	14	192768 18	29	HVB-12501	48
134024 05	10		30	KIT-00605	7
	11		32		8
190119 13	40		33	KIT-00612	9
190860 01	44		34	KIT-00804	8
191116 04	18	192925 01	11	KIT-00805	7
	19	193092 01	38	KIT-00931	18
191216 01	10	193094 01	38		19
	11	193337 01	40		20
191223 02	10	193417 01	40		21
	11	BLT-4710	10		22
191595 01	12		11		25
191804 26	25	BLTA06350	48		26
	26	CHN-01600	18		28
191804 27	18		19		29
	19	CHN-01620	18		30
	20		19		32
	21	CHN-01990	20		33
	22		21		34
	28		22	KIT-00975	28
	29		25		29
	30		26		30
	32		28	KIT-01209	25
	33		29		26
	34		30	NUT-0170	38
191804 29	18		32	NUT-0190	10
	19		33		11
	20		34	NUT-0255	48
	21	COU-0123	44	NUT-0260	48
	22	COU-0128	46	NUT-0263	10
	28	COU-0162	48		11
	29	COU-0550	48		52
	30	FIT-0025	48		48
	32	FIT-0046	46	NUT-0265	54
	33	FIT-0047	48	NUT-0269	36
	34	FIT-0050	44	NUT-0385	14
191804 30	25	FIT-0051	44	POP-0006	10
	26		46		11
191945 01	36	FIT-0055	44	PTO-17002	22
192148 01	48	FIT-0056	44		26
192149 01	48		46		30
192227 01	52	HAAAD0545	48	PTO-17004	34
192227 02	52	HHAC07505	48	PTO-17006	21
192712 01	54	HMA-0065	48		25
192768 06	25	HSS-0191	54		29
	26	HSS-0238	36	PTO-17008	33
192768 18	20	HSS-0241	38	PTO-17010	20
	21	HSS-0315	10		28
	22		11	PTO-17012	32
	28	HSSA12234	40	PTO-17014	19

NUMERIC PARTS LIST

PART No.	PAGE
PTO-18002	18
RP-100040	46
.....	48
SCBA08172	52
SCW-0035	48
SCW-0525	48
WSH-0003	48
WSH-0009	48
WSH-0012	10
.....	11
.....	52
.....	48
WSH-0015	54
WSH-0018	36
.....	38
WSH-0024	10
.....	11
WSH-0058	52
WSH-0065	38
.....	40
WSH-0070	10
.....	11
WSH-0075	14
WSH-1010	48
WSH-1015	46
.....	48

PART No.

PAGE

PART No.

PAGE

