

RX & CX Shelbourne Header (1996)

ADAPTOR PLATE & COMBINE FITTINGS

PARTS MANUAL

NEW HOLLAND

Shelbourne
REYNOLDS

Shelbourne Reynolds Engineering Ltd

Stanton

Bury St Edmunds

Suffolk IP31 2AR

England

Telephone: 01359 250415

Fax. No: 01359 250464

(Stores direct 01359 251231)

(Stores direct 01359 252031)



1992

**THE QUEEN'S AWARD FOR
TECHNOLOGICAL ACHIEVEMENT**



1993

**THE QUEEN'S AWARD FOR
EXPORT ACHIEVEMENT**

NEW HOLLAND

Parts Manual

Adaptor Plate

196517 06K	ADAPTOR PLATE ASSY - NH (ERPN)
196517 15K	ADAPTOR PLATE ASSY - NH TR (USA)

Drive Kits

	BELOW KITS FOR NH PTO (ERPN)
196534 024	DRIVE KIT - Rx48
196534 025	DRIVE KIT - Rx54
196534 026	DRIVE KIT - Rx60
196534 028	DRIVE KIT - Rx66,Cx72,Cx78 & Cx84
	BELOW KITS FOR NH SQ.DRIVE (ERPN)
196534 074	DRIVE KIT - Rx48
196534 075	DRIVE KIT - Rx54
196534 076	DRIVE KIT - Rx60
196534 078	DRIVE KIT - Rx66,Cx72,Cx78 & Cx84
	BELOW KITS FOR NH TR (USA)
196534 125	DRIVE KIT - Rx54
196534 126	DRIVE KIT - Rx60
196534 128	DRIVE KIT - Rx66,Cx72,Cx78 & Cx84

Hydraulic Fittings

KIT-01702	HYDRAULIC CONNECTOR NH (ERPN)
KIT-01710	HYDRAULIC CONNECTOR NH TR (USA)

Kit Options

KIT-00965	AUGER FLIGHT EXTENSIONS KIT
KIT-00970	RX PROTECTION PANS (ALL WIDTHS)

RX & CX Shelbourne Header

ADAPTOR PLATES

Shelbourne Reynolds Engineering Limited

ASSY NUMBER: 196517 06K		ASSY DESCRIPTION: ADAPTOR PLATE ASSY - NEW HOLLAND					
I T E M	P A R T N O	D E S C R I P T I O N	Q T Y	I T E M	P A R T N O	D E S C R I P T I O N	Q T Y
	KIT-00606	ADAPTOR PLATE SUB	1				

Shelbourne Reynolds Engineering Limited

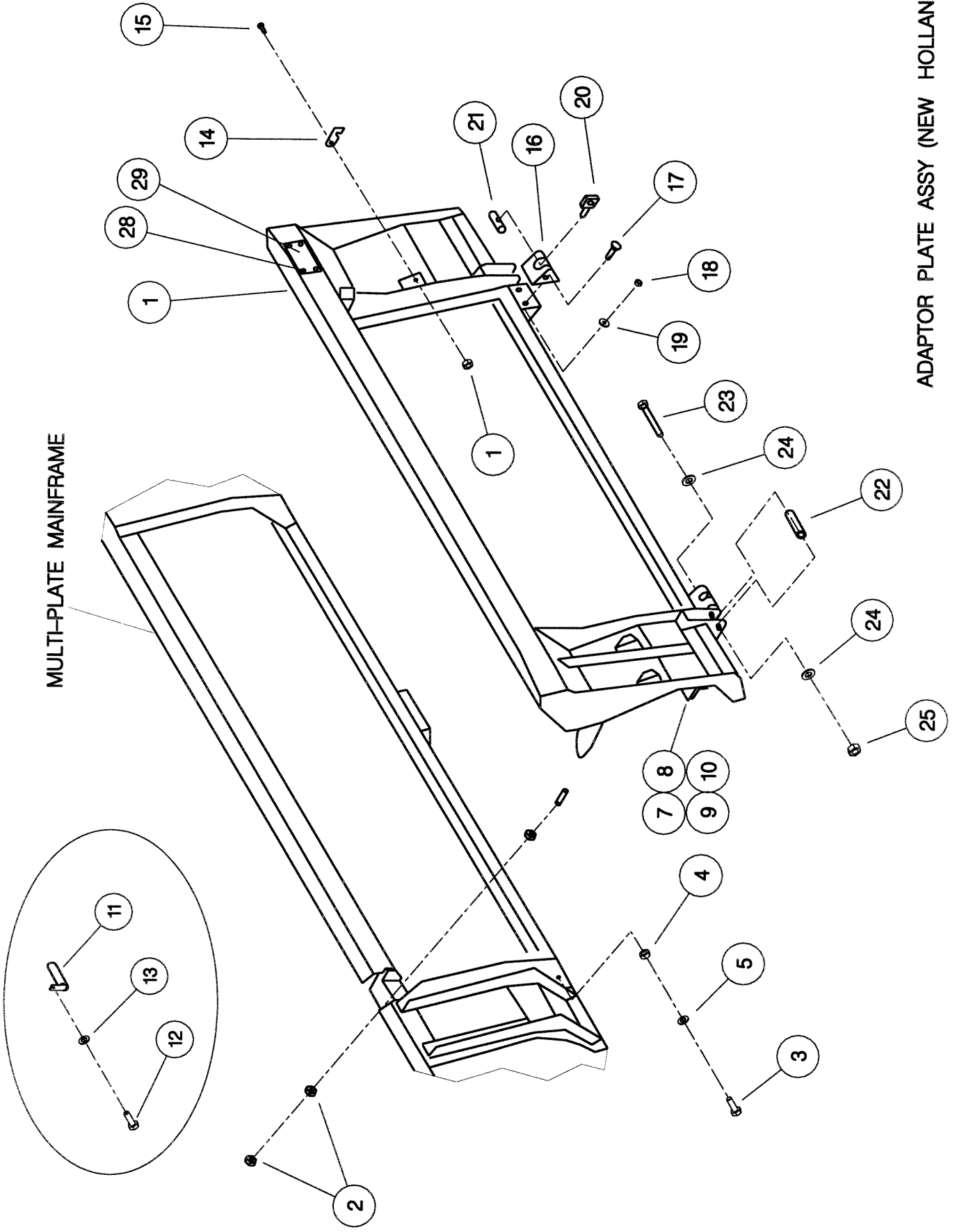
ASSY NUMBER: 196517 15K		ASSY DESCRIPTION: ADAPTOR PLATE ASSY NH TR					
ITEM	PART NO	DESCRIPTION	QTY	ITEM	PART NO	DESCRIPTION	QTY
	KIT-00606	ADAPTOR PLATE SUB	1				
	KIT-00803	FIXING KIT	1				

Shelbourne Reynolds Engineering Limited

KIT-00606		SUB ASSY DESCRIPTION: ADAPTOR PLATE NH (FROM 196517 06)					
ASSY NUMBER:							
ITEM	PART NO	DESCRIPTION	QTY	ITEM	PART NO	DESCRIPTION	QTY
1	191153 01	FRAME WELD ASSY	1				
2	NUT-0190	NUT (M24)	6				
3	HSS-0315	SCREW (M16X35)	2				
4	WSH-0024	WASHER (M16)	2				
5	WSH-0070	SPRING WASHER (M16)	2				
6							
7	191160 02	SCRAPER	2				
8	BLT-4710	COACH BOLT (M6X20)	6				
9	NUT-0263	NYLOC NUT (M8)	8				
10	WSH-0012	WASHER (M8)	10				
11	191172 01	PIN ASSY (PRE 2000)	2				
12	HSS-0082	SCREW (PRE 2000) (M6X12)	2				
13	WSH-0056	SPRING WASHER (PRE 2000) (M6)	2				
14	130111 01	RETAINING LUG	2				
15	HSS-0150	SCREW (M8X30)	2				
16							
17							
18							
19							
22	194312 01	TUBE (POST 2000)	2				
23	BLTA10620	BOLT (POST 2000) (M10X120)	2				
24	WSH-0015	WASHER (POST 2000) (M10)	4				
25	NUT-0265	NYLOC NUT (POST 2000) (M10)	2				
28	POP-0006	POP RIVET (UPTO 2009)	4				
29	134024 05	IDENTIFICATION PLATE (UPTO 2009)	1				

Shelbourne Reynolds Engineering Limited

KIT-00803		SUB ASSY DESCRIPTION: NH.TR. BOTTOM PICK UP FIXING KIT				
ASSY NUMBER:						
ITEM	PART NO	DESCRIPTION	QTY	ITEM PART NO	DESCRIPTION	QTY
16	191319 01	CRADLE ASSY	2			
17	SCW-1885	SCREW	4			
18	NUT-0265	NUT	4			
19	WSH-0015	WASHER	4			
20	191615 01	SECURING BLOCK	2			
21	191614 01	SECURING BAR	2			



ADAPTOR PLATE ASSY (NEW HOLLAND)

RX & CX Shelbourne Header

DRIVE KITS

Shelbourne Reynolds Engineering Limited

ASSY NUMBER: 196534 024		ASSY DESCRIPTION: DRIVE KIT RX48 NH (ERP) PTO					
ITEM	PART NO	DESCRIPTION	QTY	ITEM	PART NO	DESCRIPTION	QTY
1	191804 31	SELECT GEAR 31T B	1				
2	191804 25	SELECT GEAR 25T T	1				
3	PTO-17011	FLEX POWER SHAFT	1				
4	191116 14	AUGER SPROCKET	1				
5	CHN-01620	CHAIN	109				
6	CHN-01600	JOINING LINK	1				
7	KIT-00931	PTO SUPPORT KIT	1				

Shelbourne Reynolds Engineering Limited

ASSY NUMBER: 196534 025		ASSY DESCRIPTION: DRIVE KIT RX54 NH (ERP) PTO					
ITEM	PART NO	DESCRIPTION	QTY	ITEM	PART NO	DESCRIPTION	QTY
1	191804 31	SELECT GEAR 31T B	1				
2	191804 25	SELECT GEAR 25T T	1				
3	PTO-17011	FLEX POWER SHAFT	1				
4	192768 10	AUGER SPROCKET	1				
5	CHN-01920	CHAIN	97				
6	CHN-01901	JOINING LINK	1				
7	KIT-00931	PTO SUPPORT KIT	1				

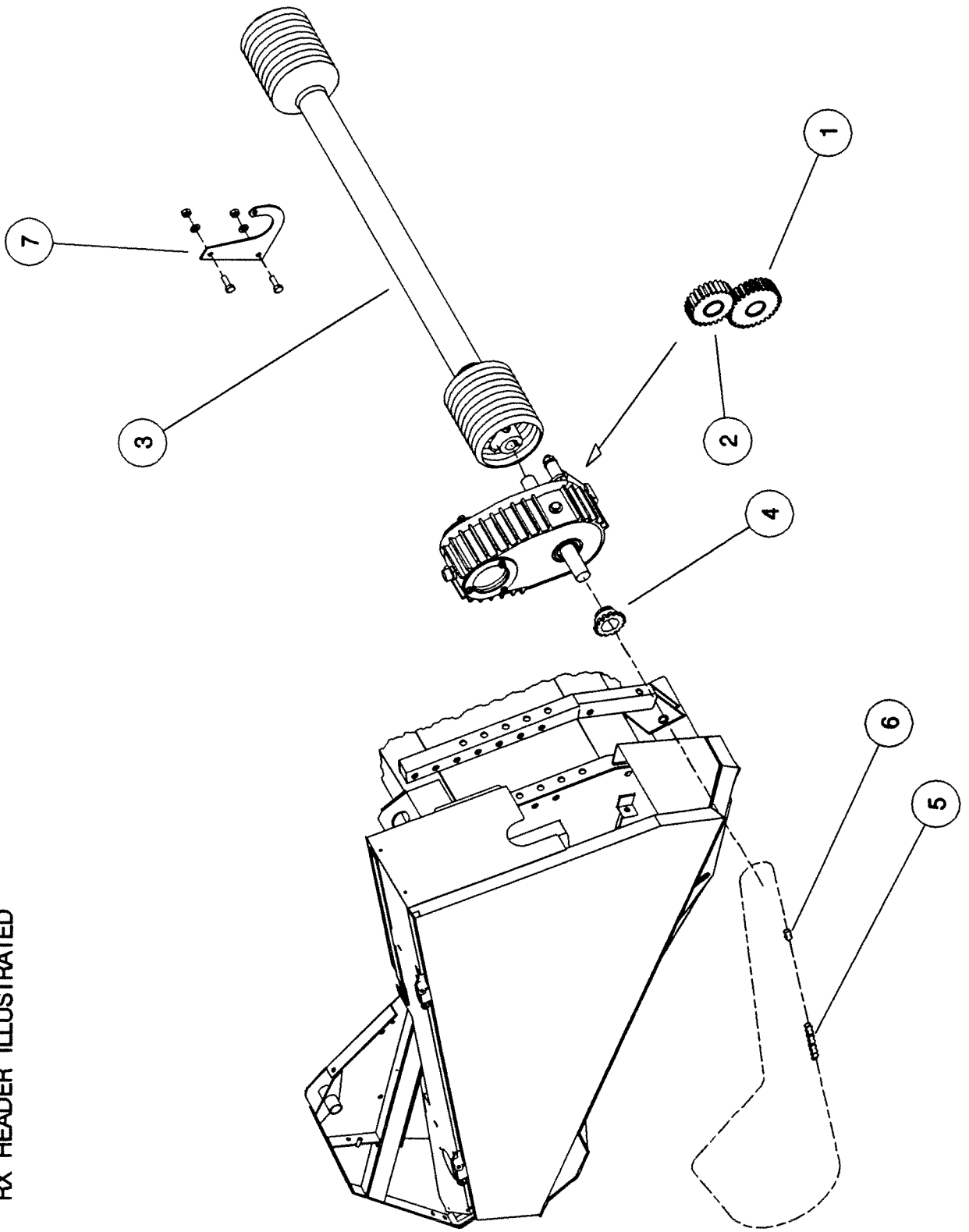
Shelbourne Reynolds Engineering Limited

ASSY NUMBER: 196534 026		ASSY DESCRIPTION: DRIVE KIT RX60 NH (ERP) PTO					
ITEM	PART NO	DESCRIPTION	QTY	ITEM	PART NO	DESCRIPTION	QTY
1	191804 31	SELECT GEAR 31T (28t inv)	1				
2	191804 25	SELECT GEAR 25T (28t inv)	1				
3	PTO-17007	FLEX POWER SHAFT	1				
4	192768 10	AUGER SPROCKET	1				
5	CHN-01920	CHAIN	97				
6	CHN-01901	JOINING LINK	1				
7	KIT-00931	PTO SUPPORT KIT	1				

Shelbourne Reynolds Engineering Limited

ASSY NUMBER: 196534 028		ASSY DESCRIPTION: DRIVE KIT RX66-CX84 NH (ERP) PTO					
ITEM	PART NO	DESCRIPTION	QTY	ITEM	PART NO	DESCRIPTION	QTY
1	191804 31	SELECT GEAR 31T (28t inv)	1				
2	191804 25	SELECT GEAR 25T (28t inv)	1				
3	PTO-17003	FLEX POWER SHAFT	1				
4	192768 10	AUGER SPROCKET	1				
5	CHN-01920	CHAIN	97				
6	CHN-01901	JOINING LINK	1				
7	KIT-00931	PTO SUPPORT KIT	1				

RX HEADER ILLUSTRATED



Shelbourne Reynolds Engineering Limited

ASSY NUMBER: 196534 074		ASSY DESCRIPTION: DRIVE KIT 4.8M NH (ERP) SQDR					
ITEM	PART NO	DESCRIPTION	QTY	ITEM	PART NO	DESCRIPTION	QTY
1	191804 31	SELECT GEAR 31T B	1				
2	191804 25	SELECT GEAR 25T T	1				
3	PTO-17017	FLEX POWER SHAFT	1				
4	191116 14	AUGER SPROCKET	1				
5	CHN-01620	CHAIN	109				
6	CHN-01600	JOINING LINK	1				
7							
8	KIT-00302	BEARING BOX SUB	1				

Shelbourne Reynolds Engineering Limited

ASSY NUMBER: 196534 075		ASSY DESCRIPTION: DRIVE KIT RX54 NH (ERP) SQDR					
ITEM	PART NO	DESCRIPTION	QTY	ITEM	PART NO	DESCRIPTION	QTY
1	191804 31	SELECT GEAR 31T B	1				
2	191804 25	SELECT GEAR 25T T	1				
3	PTO-17013	FLEX POWER SHAFT	1				
4	192768 10	AUGER SPROCKET	1				
5	CHN-01920	CHAIN	97				
6	CHN-01901	JOINING LINK	1				
7							
8	KIT-00302	BEARING BOX SUB	1				

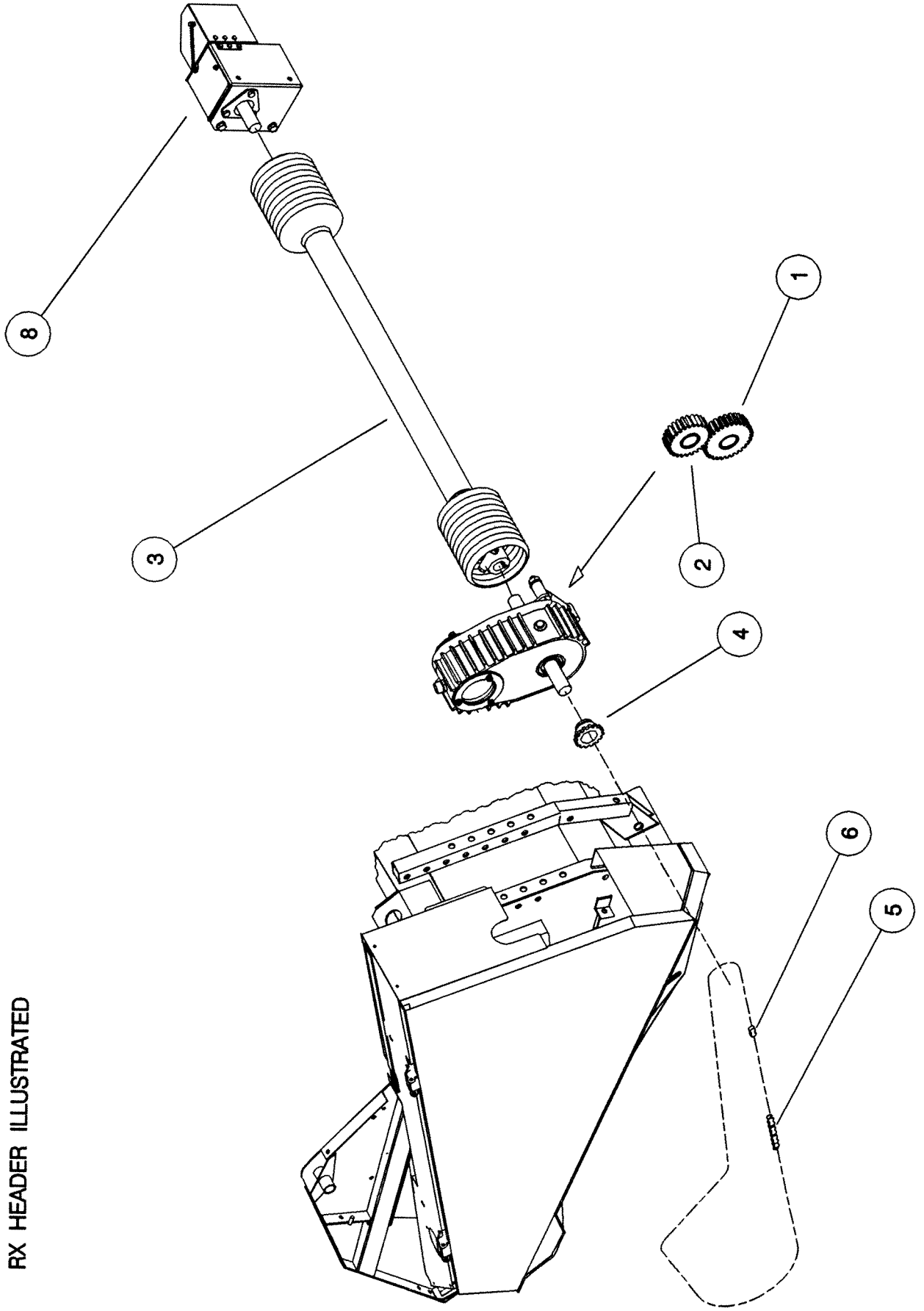
Shelbourne Reynolds Engineering Limited

ASSY NUMBER: 196534 076		ASSY DESCRIPTION: DRIVE KIT RX60 NH (ERPN) SQDR					
ITEM	PART NO	DESCRIPTION	QTY	ITEM	PART NO	DESCRIPTION	QTY
1	191804 31	SELECT GEAR 31T (28t inv)	1				
2	191804 25	SELECT GEAR 25T (28t inv)	1				
3	PTO-17009	FLEX POWER SHAFT	1				
4	192768 10	AUGER SPROCKET	1				
5	CHN-01920	CHAIN	97				
6	CHN-01901	JOINING LINK	1				
7							
8	KIT-00302	BEARING BOX SUB	1				

Shelbourne Reynolds Engineering Limited

ASSY NUMBER: 196534 078		ASSY DESCRIPTION: DRIVE KIT RX66-CX84 NH (ERP) SQDR					
ITEM	PART NO	DESCRIPTION	QTY	ITEM	PART NO	DESCRIPTION	QTY
1	191804 31	SELECT GEAR 31T (28t inv)	1				
2	191804 25	SELECT GEAR 25T (28t inv)	1				
3	PTO-17005	FLEX POWER SHAFT	1				
4	192768 10	AUGER SPROCKET	1				
5	CHN-01920	CHAIN	97				
6	CHN-01901	JOINING LINK	1				
7							
8	KIT-00302	BEARING BOX SUB	1				

RX HEADER ILLUSTRATED



Shelbourne Reynolds Engineering Limited

ASSY NUMBER:		196534 125			ASSY DESCRIPTION: DRIVE KIT RX54 NH TR		
ITEM	PART NO	DESCRIPTION	QTY	ITEM	PART NO	DESCRIPTION	QTY
1	191804 27	SELECT GEAR 27T (28t inv)	1				
2	191804 29	SELECT GEAR 29T (28t inv)	1				
3	PTO-17011	FLEX POWER SHAFT	1				
4	192768 04	AUGER SPROCKET	1				
5	CHN-01920	CHAIN	93				
6	CHN-01901	JOINING LINK	1				
7	KIT-00931	PTO SUPPORT KIT	1				

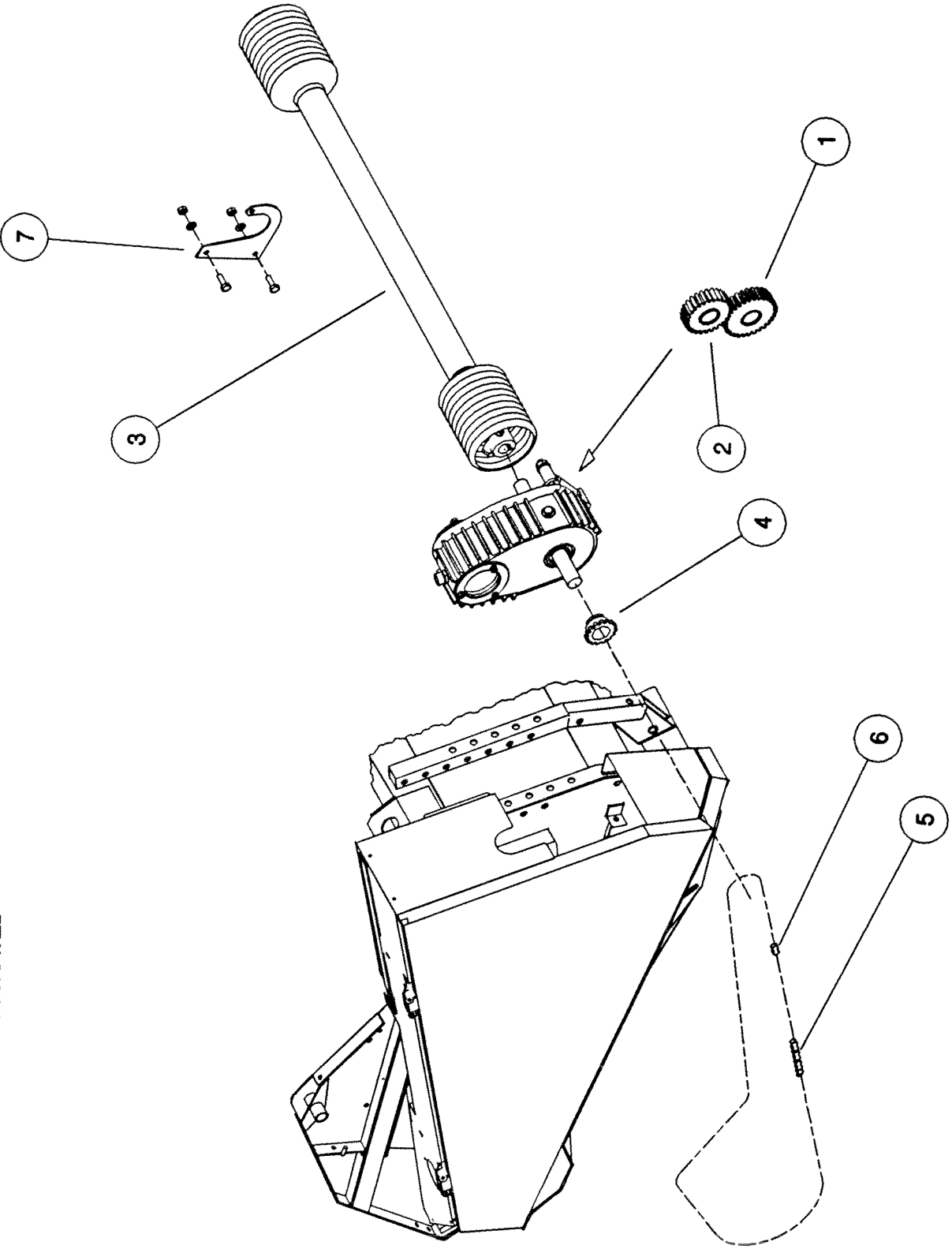
Shelbourne Reynolds Engineering Limited

ASSY NUMBER: 196534 126		ASSY DESCRIPTION: DRIVE KIT RX60 NH TR					
ITEM	PART NO	DESCRIPTION	QTY	ITEM	PART NO	DESCRIPTION	QTY
1	191804 27	SELECT GEAR 27T (28t inv)	1				
2	191804 29	SELECT GEAR 29T (28t inv)	1				
3	PTO-17007	FLEX POWER SHAFT	1				
4	192768 04	AUGER SPROCKET	1				
5	CHN-01920	CHAIN	93				
6	CHN-01901	JOINING LINK	1				
7	KIT-00931	PTO SUPPORT KIT	1				

Shelbourne Reynolds Engineering Limited

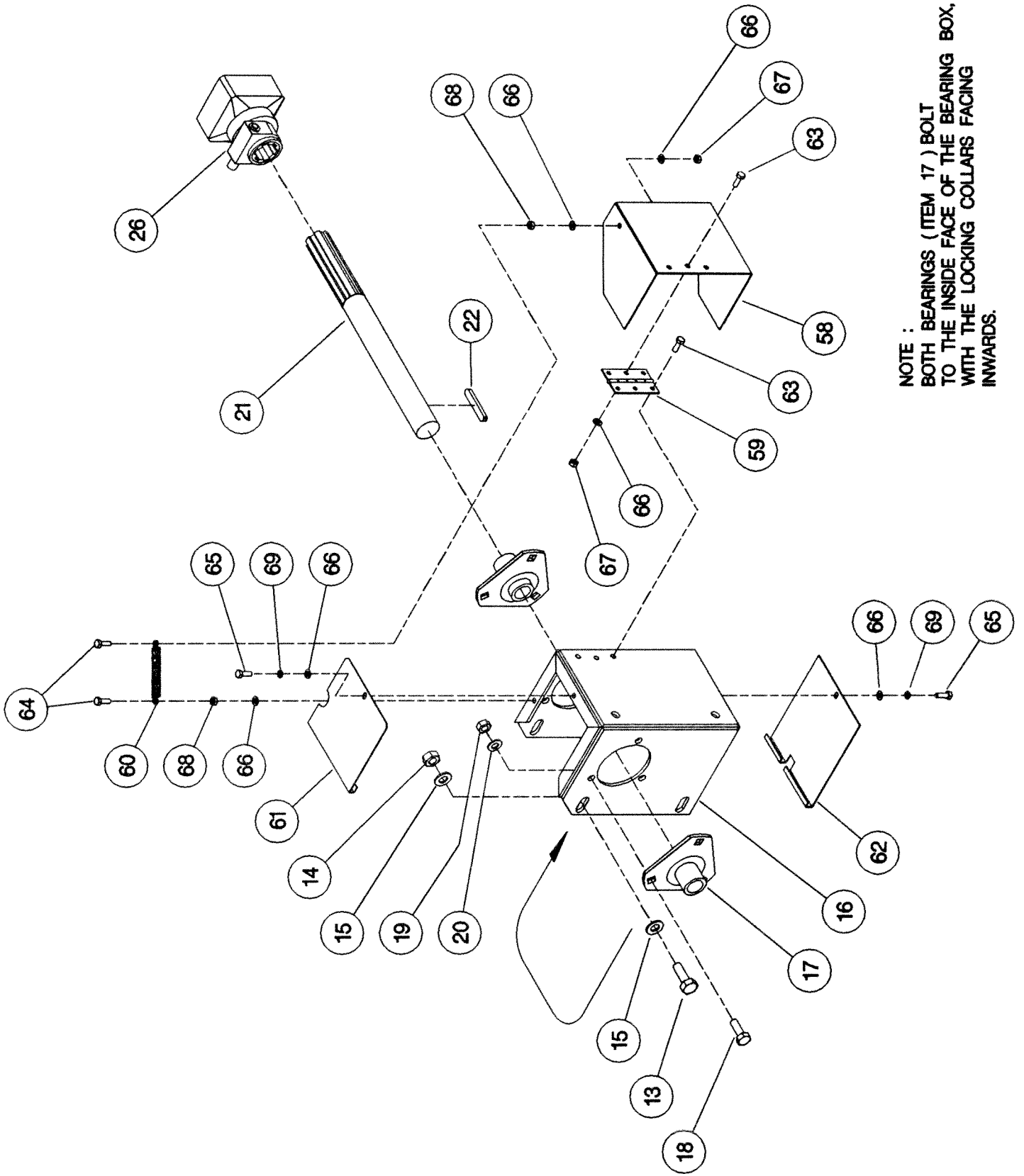
ASSY NUMBER: 196534 128		ASSY DESCRIPTION: DRIVE KIT RX66-CX84 NH TR					
ITEM	PART NO	DESCRIPTION	QTY	ITEM	PART NO	DESCRIPTION	QTY
1	191804 27	SELECT GEAR 27T (28t inv)	1				
2	191804 29	SELECT GEAR 29T (28t inv)	1				
3	PTO-17003	FLEX POWER SHAFT	1				
4	192768 04	AUGER SPROCKET	1				
5	CHN-01920	CHAIN	93				
6	CHN-01901	JOINING LINK	1				
7	KIT-00931	PTO SUPPORT KIT	1				

RX HEADER ILLUSTRATED



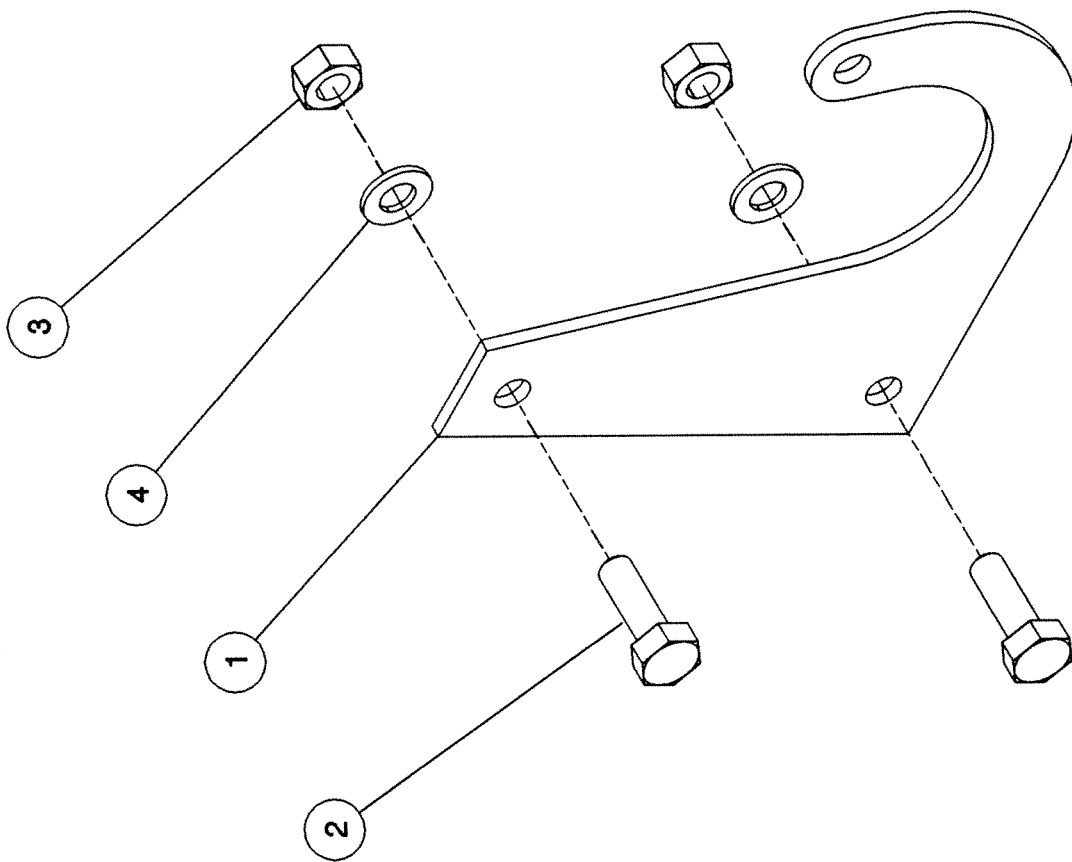
Shelbourne Reynolds Engineering Limited

KIT-00302		SUB ASSY DESCRIPTION: BEARING BOX ASSY (NH SQDRV) (072/076)				
ASSY NUMBER:	DESCRIPTION	QTY	ITEM	PART NO	DESCRIPTION	QTY
13	SET SCREW	4				
14	NYLOC NUT	4				
15	PLAIN WASHER	4				
16	BEARING BOX	1				
17	BEARING	2				
18	SET SCREW	6				
19	NYLOC NUT	6				
20	PLAIN WASHER	6				
21	INPUT SHAFT	1				
22	KEY	1				
26	DRIVE COUPLING	1				
58	COUPLING COVER	1				
59	HINGE	1				
60	SPRING	1				
61	COVER PLATE	1				
62	COVER PLATE	1				
63	SET SCREW	6				
64	SET SCREW	2				
65	SET SCREW	2				
66	PLAIN WASHER	12				
67	NYLOC NUT	8				
68	PLAIN NUT	2				
69	SPRING WASHER	2				



Shelbourne Reynolds Engineering Limited

ASSY NUMBER: KIT-00931		ASY DESCRIPTION: PTO SUPPORT KIT					
ITEM	PART NO	DESCRIPTION	QTY	ITEM	PART NO	DESCRIPTION	QTY
1	191945 01	PTO SUPPORT	1				
2	HSS-0238	SET SCREW	2				
3	NUT-0269	NYLOC NUT	2				
4	WSH-0018	PLAIN WASHER	2				

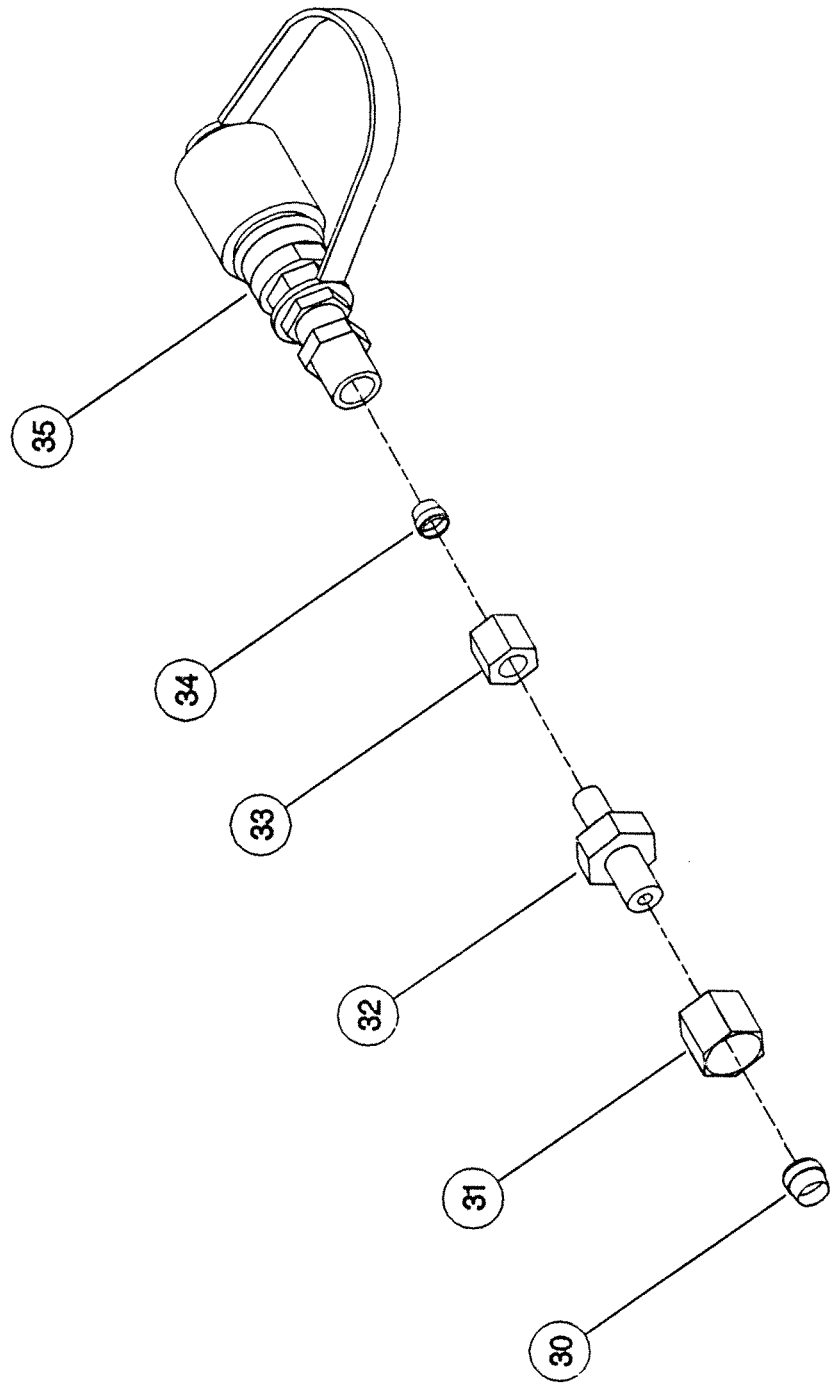


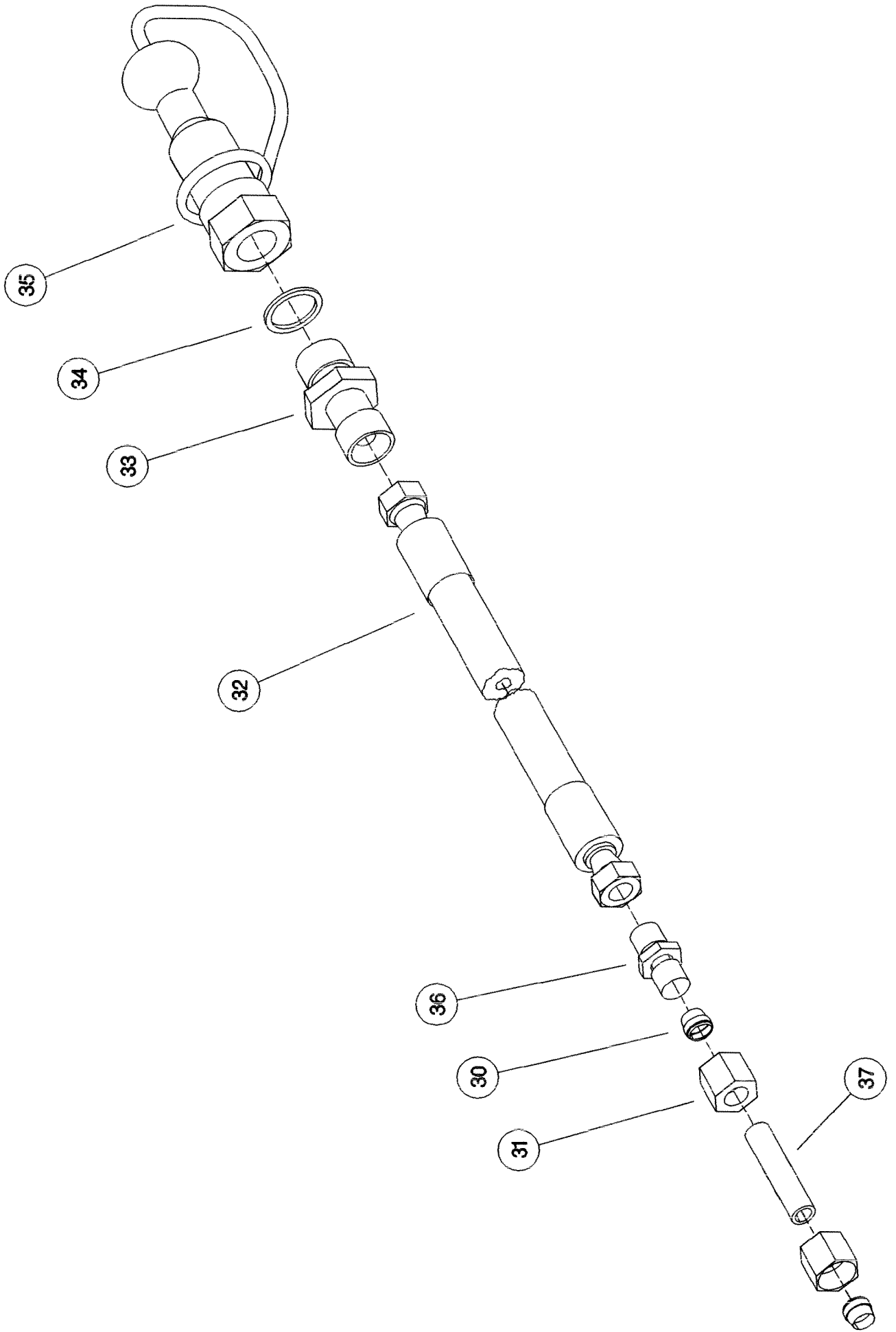
RX & CX Shelbourne Header

**HYDRAULIC
FITTINGS**

Shelbourne Reynolds Engineering Limited

ASSY NUMBER: KIT-01702		SUB ASSY DESCRIPTION: HYDRAULIC PROBE ADAPTOR					
ITEM	PART NO	DESCRIPTION	QTY	ITEM	PART NO	DESCRIPTION	QTY
30	FIT-0056	OLIVE	1				
31	FIT-0051	NUT	1				
32	190860 01	HYDRAULIC FITTING	1				
33	FIT-0050	NUT	1				
34	FIT-0055	OLIVE	1				
35	COU-0123	COUPLING	1				



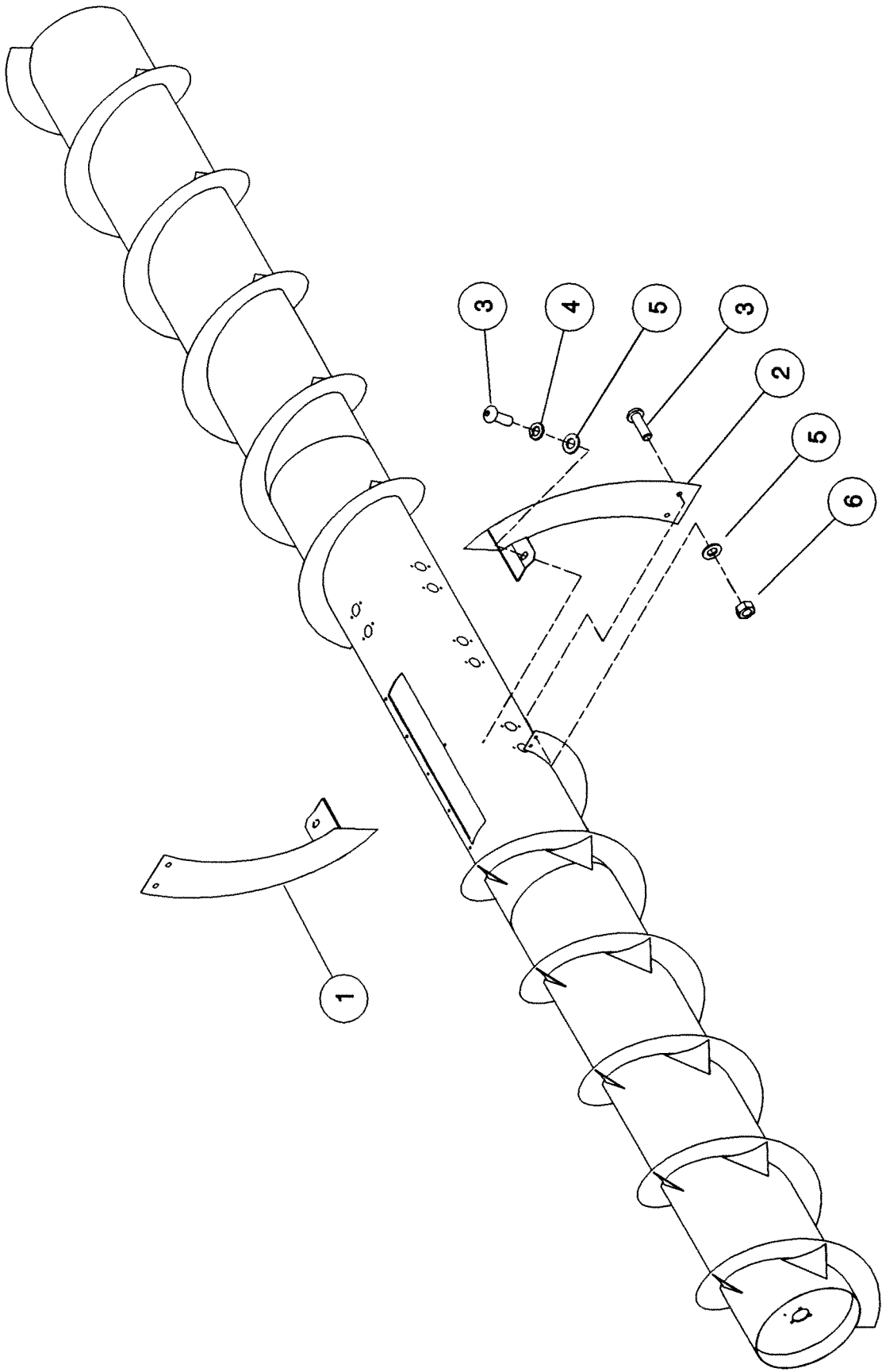


RX & CX Shelbourne Header

KIT OPTIONS

Shelbourne Reynolds Engineering Limited

ASSY NUMBER: KIT-00965		SUB ASSY DESCRIPTION: AUGER FLIGHT EXTENSIONS (RX/CX)					
ITEM	PART NO	DESCRIPTION	QTY	ITEM	PART NO	DESCRIPTION	QTY
1	192227 01	AUGER FLIGHT EXT. L. H	1				
2	192227 02	AUGER FLIGHT EXT. R. H	1				
3	SCBA08172	BUT. SKT. HD SCREW	6				
4	WSH-0058	SPRING WASHER	2				
5	WSH-0012	PLAIN WASHER	6				
6	NUT-0263	NYLOC NUT	4				



Shelbourne Reynolds Engineering Limited

ASSY NUMBER: KIT-00970		SUB ASSY DESCRIPTION: PROTECTION PANS KIT					
ITEM	PART NO	DESCRIPTION	QTY	ITEM	PART NO	DESCRIPTION	QTY
1	192712 01	PROTECTION PAN (1 HOLE)	2				
2	HSS-0191	SET SCREW	6				
3	WSH-0015	WASHER	8				
4	NUT-0265	NUT	6				

