

# *RX & CX Shelbourne Header* (1996)

**ADAPTOR PLATE & COMBINE FITTINGS**

**PARTS MANUAL**

**DEUTZ-ALLIS (GLENER)**

*Shelbourne*  
**REYNOLDS**

**Shelbourne Reynolds Engineering Ltd**

**Stanton**

**Bury St Edmunds**

**Suffolk IP31 2AR**

**England**

**Telephone: 01359 250415**

**Fax. No: 01359 250464**

**(Stores direct 01359 251231)**

**(Stores direct 01359 252031)**



**THE QUEEN'S AWARD FOR  
TECHNOLOGICAL ACHIEVEMENT**



**THE QUEEN'S AWARD FOR  
EXPORT ACHIEVEMENT**



## **DEUTZ ALLIS(GLEANER) PARTS MANUAL**

### **ADAPTOR PLATE**

- |    |            |                                      |
|----|------------|--------------------------------------|
| 1. | 196517 16k | ADAPTOR PLATE ASSY-DEUTZ ALLIS       |
| 2. | 196517 29K | ADAPTOR PLATE ASSY-AGCO              |
| 3. | 196517 31K | ADAPTOR PLATE ASSY-GLEANER (R65 &75) |

### **DRIVE OPTION**

- |    |            |                                     |
|----|------------|-------------------------------------|
| 1. | 196534 162 | DRIVE KIT-DEUTZ ALLIS RX 3.6 MT     |
| 2. | 196534 165 | DRIVE KIT-DEUTZ ALLIS RX 5.4 MT     |
| 3. | 196534 166 | DRIVE KIT-DEUTZ ALLIS RX 6.0 MT     |
| 4. | 196534 168 | DRIVE KIT-DEUTZ ALLIS RX 6.6-8.4 MT |

### **HYDRAULIC KIT**

- |    |           |                     |
|----|-----------|---------------------|
| 1. | KIT-01720 | HYDRAULIC CONNECTOR |
|----|-----------|---------------------|

### **KIT OPTION**

- |    |           |                                |
|----|-----------|--------------------------------|
| 1. | KIT-00809 | STRAW DEFLECTOR KIT            |
| 2. | KIT-00914 | R70 CONCAVE KIT FOR RICE       |
| 3. | KIT-00965 | AUGER FLIGHT EXTENSIONS KIT    |
| 4. | KIT-00970 | RX PROTECTION PANS ALL WIDTHS) |



*RX & CX Shelbourne Header*

**ADAPTOR PLATES**



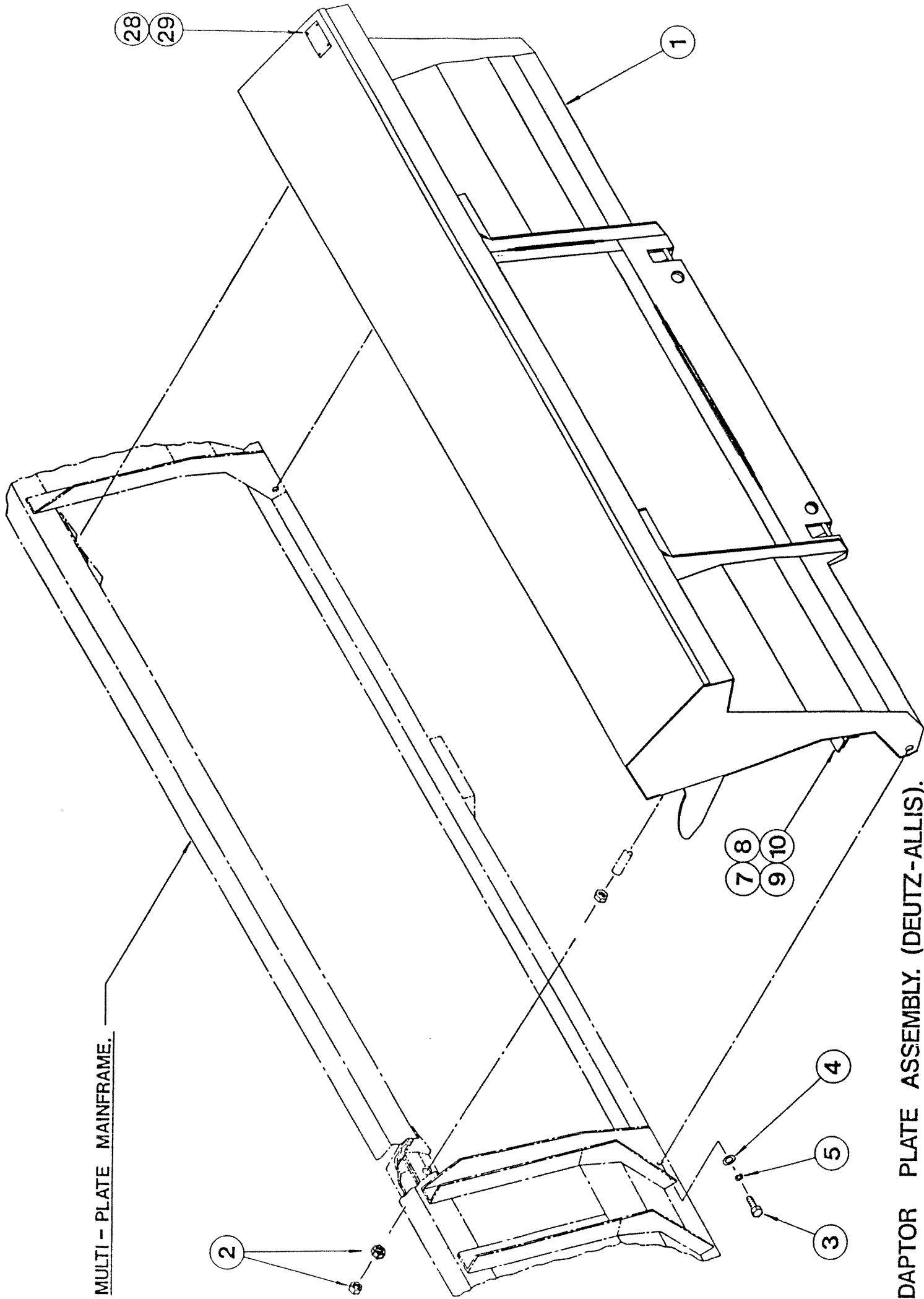
*Shelbourne Reynolds Engineering Limited*

| ASSY NUMBER: 196517 16K |           | ASSY DESCRIPTION: ADAPTOR PLATE ASSY DEUTZ-ALLIS |     |      |         |             |     |
|-------------------------|-----------|--|-----|------|---------|-------------|-----|
| ITEM                    | PART NO   | DESCRIPTION                                      | QTY | ITEM | PART NO | DESCRIPTION | QTY |
|                         | KIT-00611 | ADAPTOR PLATE SUB                                | 1   |      |         |             |     |

**Shelbourne Reynolds Engineering Limited**

| KIT-00611    |             | SUB ASSY DESCRIPTION: ADAPTOR PLATE DEUTZ-ALLIS (FROM 196517 16) |                                       |
|--------------|-------------|--|---------------------------------------|
| ASSY NUMBER: | DESCRIPTION | QTY  | DESCRIPTION                           |
| ITEM         | PART NO     | QTY  | DESCRIPTION                           |
| 1            | 191753 01   | 1  | FRAME WELD ASSY                       |
| 2            | NUT-0190    | 6  | PLAIN NUT (M24)                       |
| 3            | HSS-0315    | 2  | SET SCREW (M16x35)                    |
| 4            | WSH-0024    | 2  | PLAIN WASHER (M16)                    |
| 5            | WSH-0070    | 2  | SPRING WASHER (M16)                   |
| 6            |             |  |                                       |
| 7            | 191185 02   | 2  | SCRAPER                               |
| 8            | BLT-4710    | 6  | COACH BOLT (M8x20)                    |
| 9            | NUT-0263    | 6  | NYLOC NUT (M8)                        |
| 10           | WSH-0012    | 6  | PLAIN WASHER (8mm)                    |
| 11           |             |  |                                       |
| 12           |             |  |                                       |
| 13           |             |  |                                       |
| 28           | POP-0006    | 4  | POP RIVET (3/16"x1/2")<br>(UPTO 2009) |
| 29           | 134024 05   | 1  | IDENTIFICATION PLATE<br>(UPTO 2009)   |





MULTI - PLATE MAINFRAME.

ADAPTOR PLATE ASSEMBLY. (DEUTZ - ALLIS).

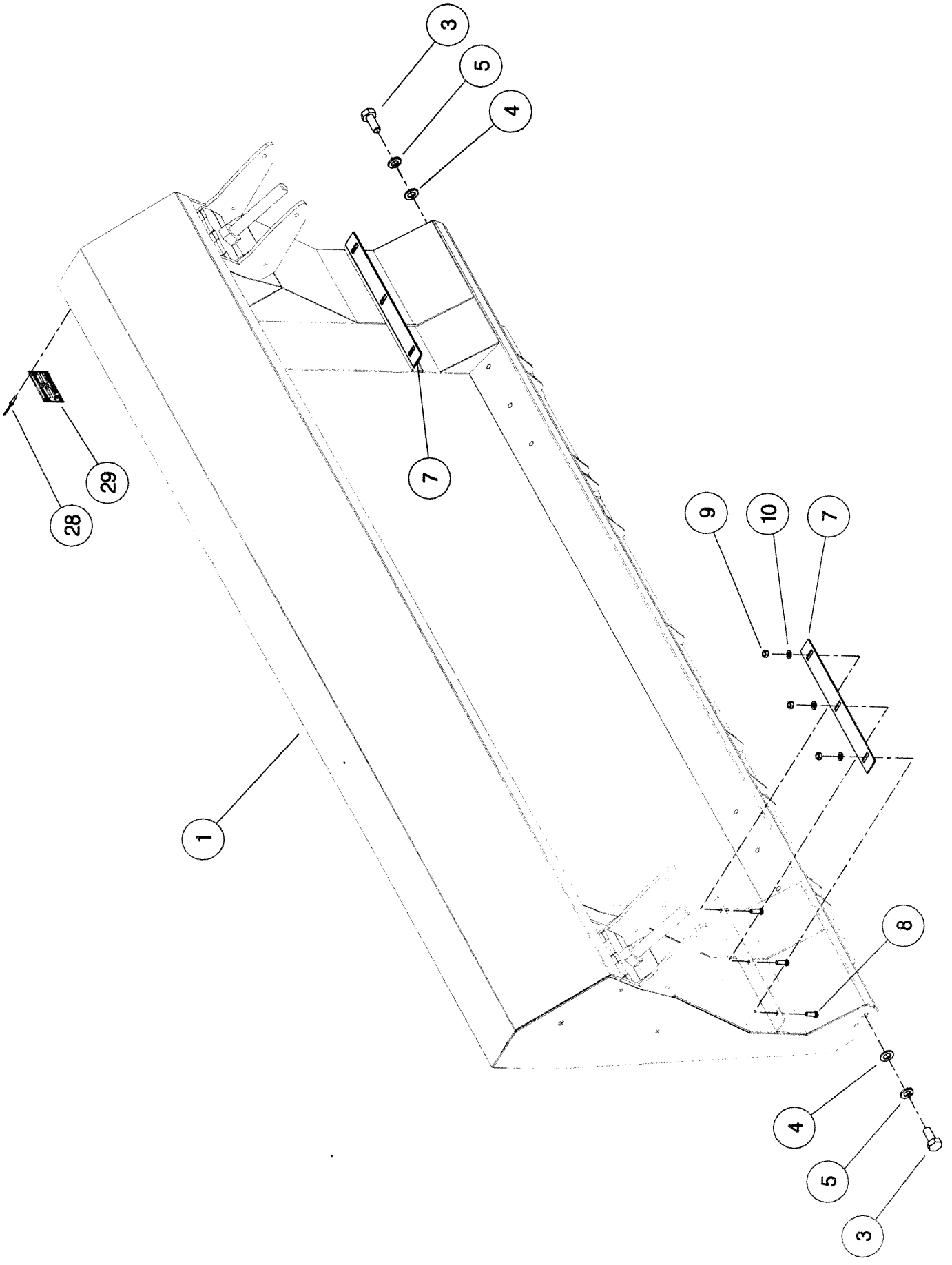
**Shelbourne Reynolds Engineering Limited**

| ASSY NUMBER: 196517 29K |           | ASSY DESCRIPTION: ADAPT. PLT. ASSY AGCO<br>(NON LATERAL TILT MODELS MUST HAVE LARGE HORNS) |     |      |         |             |     |
|-------------------------|-----------|--|-----|------|---------|-------------|-----|
| ITEM                    | PART NO   | DESCRIPTION  | QTY | ITEM | PART NO | DESCRIPTION | QTY |
|                         | KIT-00625 | ADAPTOR PLATE SUB  | 1   |      |         |             |     |



**Shelbourne Reynolds Engineering Limited**

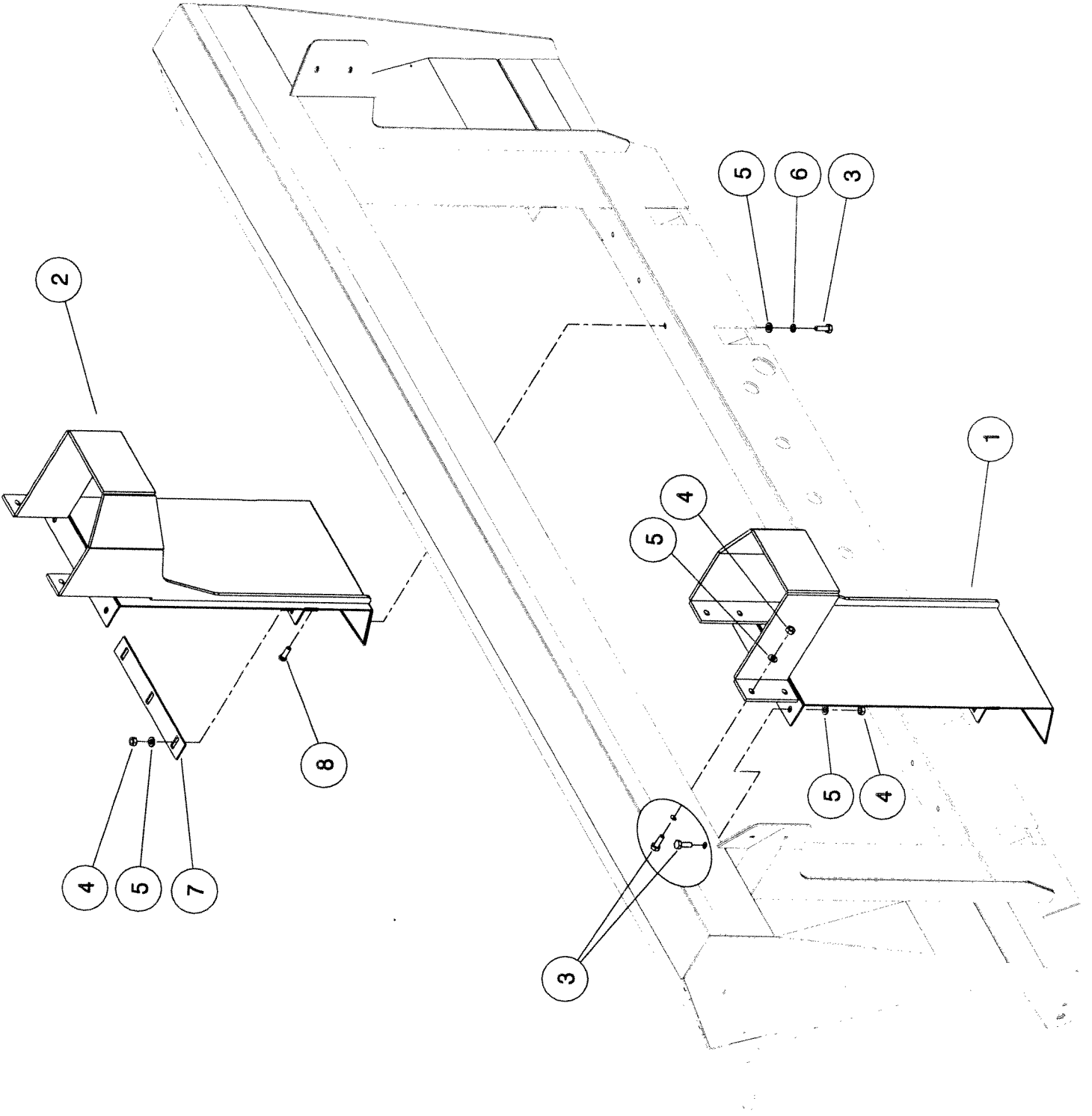
| KIT-00625    |           | SUB ASSY DESCRIPTION: ADAPTOR PLATE AGCO (R/CX) |     |      |         |             |     |
|--------------|-----------|---|-----|------|---------|-------------|-----|
| ASSY NUMBER: |           |   |     |      |         |             |     |
| ITEM         | PART NO   | DESCRIPTION                                     | QTY | ITEM | PART NO | DESCRIPTION | QTY |
| 1            | 197682 01 | FRAME WELD ASSY                                 | 1   |      |         |             |     |
| 2            |           |   |     |      |         |             |     |
| 3            | HSS-0315  | SET SCREW                                       | 2   |      |         |             |     |
| 4            | WSH-0024  | PLAIN WASHER                                    | 2   |      |         |             |     |
| 5            | WSH-0070  | SPRING WASHER                                   | 2   |      |         |             |     |
| 6            |           |   |     |      |         |             |     |
| 7            | 197684 01 | SCRAPER   | 2   |      |         |             |     |
| 8            | BLT-4710  | COACH BOLT                                      | 6   |      |         |             |     |
| 9            | NUT-0263  | NYLOC NUT                                       | 6   |      |         |             |     |
| 10           | WSH-0012  | PLAIN WASHER                                    | 6   |      |         |             |     |
| 11           |           |   |     |      |         |             |     |
| 12           |           |   |     |      |         |             |     |
| 13           |           |   |     |      |         |             |     |
| 14           |           |   |     |      |         |             |     |
| 15           |           |   |     |      |         |             |     |
| 16           |           |   |     |      |         |             |     |
| 17           |           |   |     |      |         |             |     |
| 18           |           |   |     |      |         |             |     |
| 19           |           |   |     |      |         |             |     |
| 20           |           |   |     |      |         |             |     |
| 21           |           |   |     |      |         |             |     |
| 22           |           |   |     |      |         |             |     |
| 23           |           |   |     |      |         |             |     |
| 24           |           |   |     |      |         |             |     |
| 25           |           |   |     |      |         |             |     |
| 26           |           |   |     |      |         |             |     |
| 27           |           |   |     |      |         |             |     |
| 28           | POP-0006  | POP RIVET<br>(UPTO 2009)                        | 4   |      |         |             |     |
| 29           | 194565 01 | IDENTIFICATION PLATE<br>(UPTO 2009)             | 1   |      |         |             |     |



KIT-00625  
KIT-00643

**Shelbourne Reynolds Engineering Limited**

| ASSY NUMBER: KIT-00813 |           | SUB ASSY DESCRIPTION: FILL IN KIT GLEANER (R/Cx) |     |      |         |             |     |
|------------------------|-----------|--|-----|------|---------|-------------|-----|
| ITEM                   | PART NO   | DESCRIPTION                                      | QTY | ITEM | PART NO | DESCRIPTION | QTY |
| 1                      | 197687 01 | FILL IN PLATE ASSY LH                            | 1   |      |         |             |     |
| 2                      | 197687 02 | FILL IN PLATE ASSY RH                            | 1   |      |         |             |     |
| 3                      | HSS-0145  | BOLT   | 14  |      |         |             |     |
| 4                      | NUT-0263  | NYLOC NUT  | 14  |      |         |             |     |
| 5                      | WSH-0012  | PLAIN WASHER                                     | 20  |      |         |             |     |
| 6                      | WSH-0058  | SPRING WASHER                                    | 6   |      |         |             |     |
| 7                      | 197664 01 | SCRAPER PLATE                                    | 2   |      |         |             |     |
| 8                      | BLT-4710  | COACH BOLT                                       | 6   |      |         |             |     |







*RX & CX Shelbourne Header*

**DRIVE KITS**



**Shelbourne Reynolds Engineering Limited**

| ASSY NUMBER: |           | 196534 162       |     | ASSY DESCRIPTION: DRIVE KIT 3.6M DEUTZ-ALLIS (ALL) |         |             |     |
|--------------|-----------|------------------|-----|--|---------|-------------|-----|
| ITEM         | PART NO   | DESCRIPTION      | QTY | ITEM   | PART NO | DESCRIPTION | QTY |
| 1            | 191804 27 | SELECT GEAR 27T  | 1   |  |         |             |     |
| 2            | 191804 29 | SELECT GEAR 29T  | 1   |  |         |             |     |
| 3            | PTO-05011 | FLEX POWER SHAFT | 1   |  |         |             |     |
| 4            | 191116 08 | AUGER SPROCKET   | 1   |  |         |             |     |
| 5            | CHN-01620 | CHAIN            | 107 |  |         |             |     |
| 6            | CHN-01600 | JOINING LINK     | 1   |  |         |             |     |
| 7            | KIT-00931 | PTO SUPPORT KIT  | 1   |  |         |             |     |

**Shelbourne Reynolds Engineering Limited**

| ASSY NUMBER: 196534 165 |           | ASSY DESCRIPTION: DRIVE KIT 5.4M DEUTZ-ALLIS (ALL) |      |         | QTY         |     |
|-------------------------|-----------|--|------|---------|-------------|-----|
| ITEM                    | PART NO   | DESCRIPTION  | ITEM | PART NO | DESCRIPTION | QTY |
| 1                       | 191804 27 | SELECT GEAR 27T                                    |      |         |             | 1   |
| 2                       | 191804 29 | SELECT GEAR 29T                                    |      |         |             | 1   |
| 3                       | PTO-17012 | FLEX POWER SHAFT                                   |      |         |             | 1   |
| 4                       | 192768 16 | AUGER SPROCKET                                     |      |         |             | 1   |
| 5                       | CHN-01920 | CHAIN  |      |         |             | 93  |
| 6                       | CHN-01901 | JOINING  |      |         |             | 1   |
| 7                       | KIT-00931 | PTO SUPPORT KIT                                    |      |         |             | 1   |

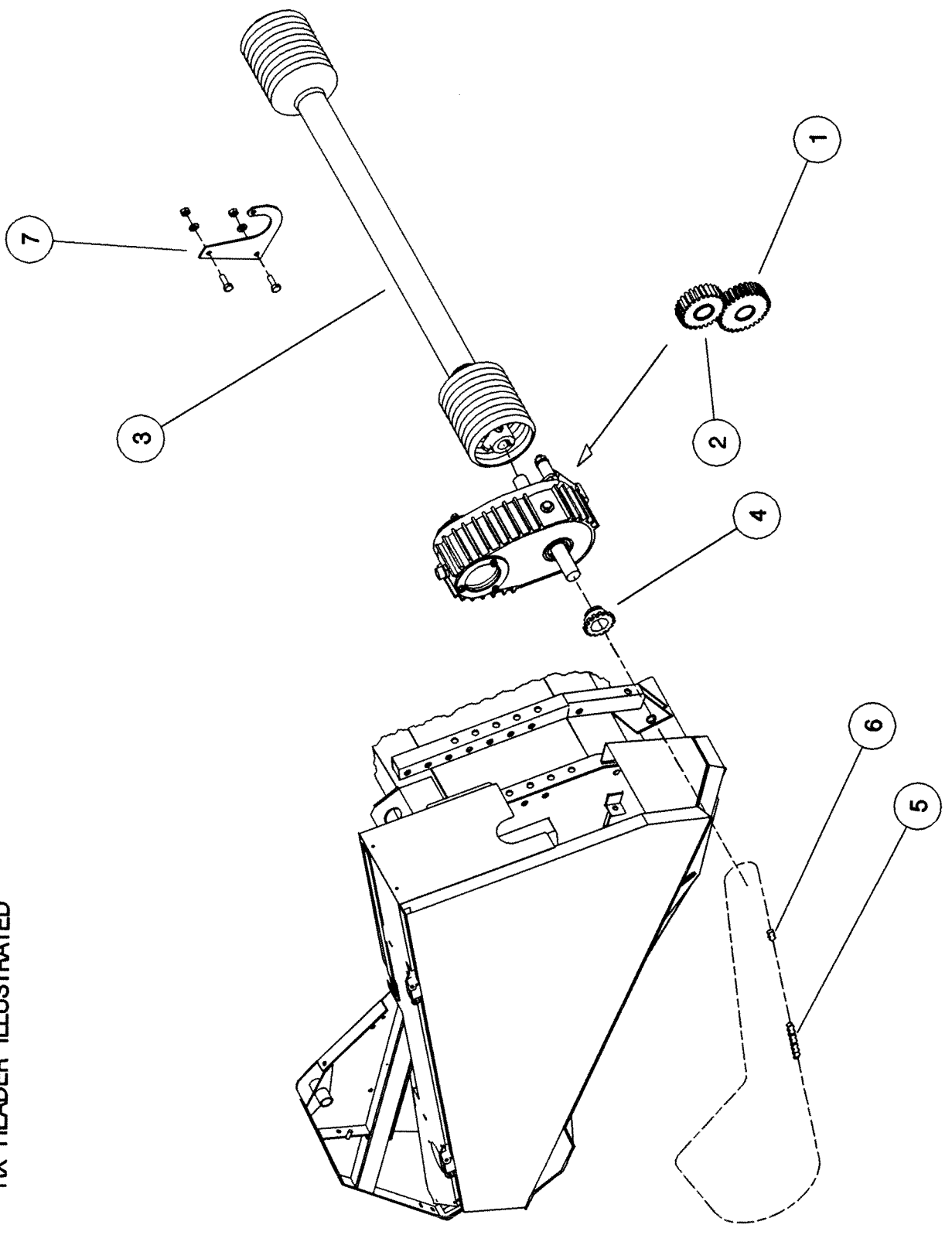
Shelbourne Reynolds Engineering Limited

| ASSY NUMBER: 196534 166 |           | ASSY DESCRIPTION: DRIVE KIT 6.0M DEUTZ-ALLIS (ALL) |     |      |         |             |     |
|-------------------------|-----------|--|-----|------|---------|-------------|-----|
| ITEM                    | PART NO   | DESCRIPTION  | QTY | ITEM | PART NO | DESCRIPTION | QTY |
| 1                       | 191804 27 | SELECT GEAR 27T (28t inv)                          | 1   |      |         |             |     |
| 2                       | 191804 29 | SELECT GEAR 29T (28t inv)                          | 1   |      |         |             |     |
| 3                       | PTO-17008 | FLEX POWER SHAFT                                   | 1   |      |         |             |     |
| 4                       | 192768 16 | AUGER SPROCKET                                     | 1   |      |         |             |     |
| 5                       | CHN-01920 | CHAIN  | 93  |      |         |             |     |
| 6                       | CHN-01901 | JOINING LINK                                       | 1   |      |         |             |     |
| 7                       | KIT-00931 | PTO SUPPORT KIT                                    | 1   |      |         |             |     |

*Shelbourne Reynolds Engineering Limited*

| ASSY NUMBER: 196534 168 |           | ASSY DESCRIPTION: DRIVE KIT 6.6-8.4M DEUTZ-ALLIS (ALL) |     |      |         |             |     |
|-------------------------|-----------|--|-----|------|---------|-------------|-----|
| ITEM                    | PART NO   | DESCRIPTION  | QTY | ITEM | PART NO | DESCRIPTION | QTY |
| 1                       | 191804 27 | SELECT GEAR 27T (28t inv)                              | 1   |      |         |             |     |
| 2                       | 191804 29 | SELECT GEAR 29T (28t inv)                              | 1   |      |         |             |     |
| 3                       | PTO-17004 | FLEX POWER SHAFT                                       | 1   |      |         |             |     |
| 4                       | 192768 16 | AUGER SPROCKET   | 1   |      |         |             |     |
| 5                       | CHN-01920 | CHAIN  | 93  |      |         |             |     |
| 6                       | CHN-01901 | JOINING LINK   | 1   |      |         |             |     |
| 7                       | KIT-00931 | PTO SUPPORT KIT  | 1   |      |         |             |     |

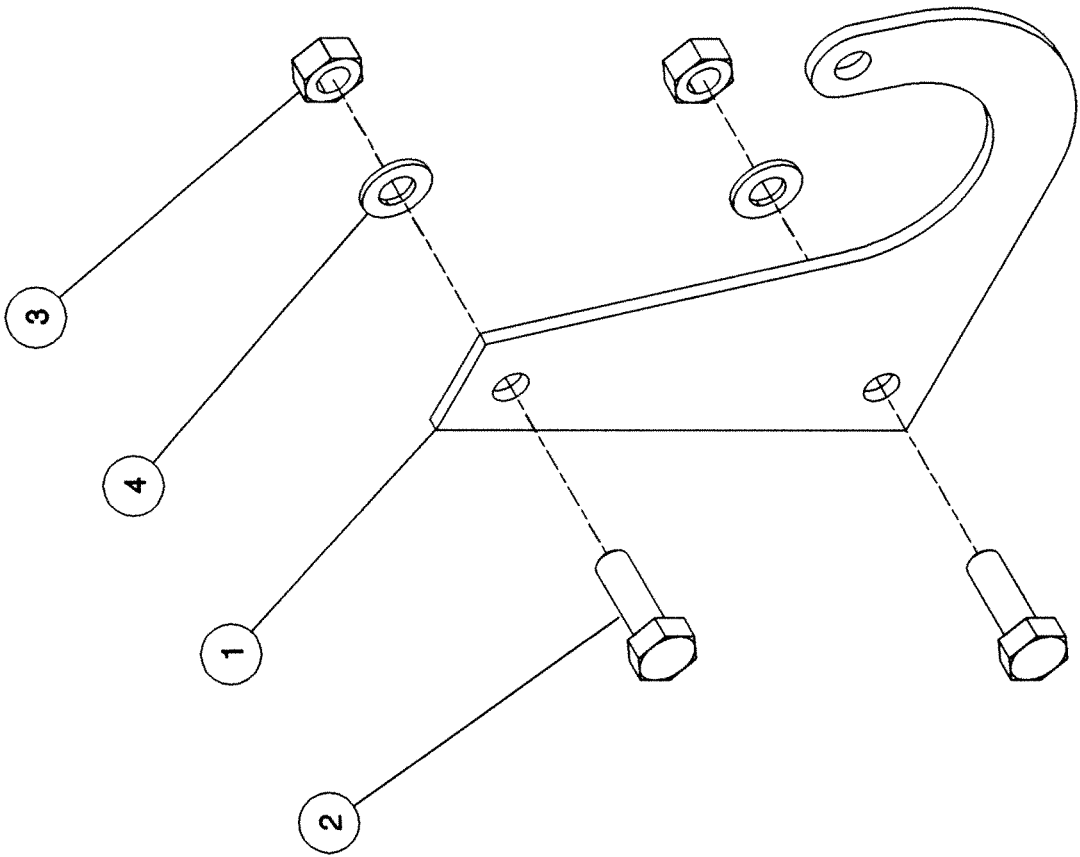
RX HEADER ILLUSTRATED



**Shelbourne Reynolds Engineering Limited**

| ASSY NUMBER: KIT-00931 |           | ASY DESCRIPTION: PTO SUPPORT KIT |     |      |         |             |     |
|------------------------|-----------|----------------------------------|-----|------|---------|-------------|-----|
| ITEM                   | PART NO   | DESCRIPTION                      | QTY | ITEM | PART NO | DESCRIPTION | QTY |
| 1                      | 191945 01 | PTO SUPPORT                      | 1   |      |         |             |     |
| 2                      | HSS-0238  | SET SCREW                        | 2   |      |         |             |     |
| 3                      | NUT-0269  | NYLOC NUT                        | 2   |      |         |             |     |
| 4                      | WSH-0018  | PLAIN WASHER                     | 2   |      |         |             |     |





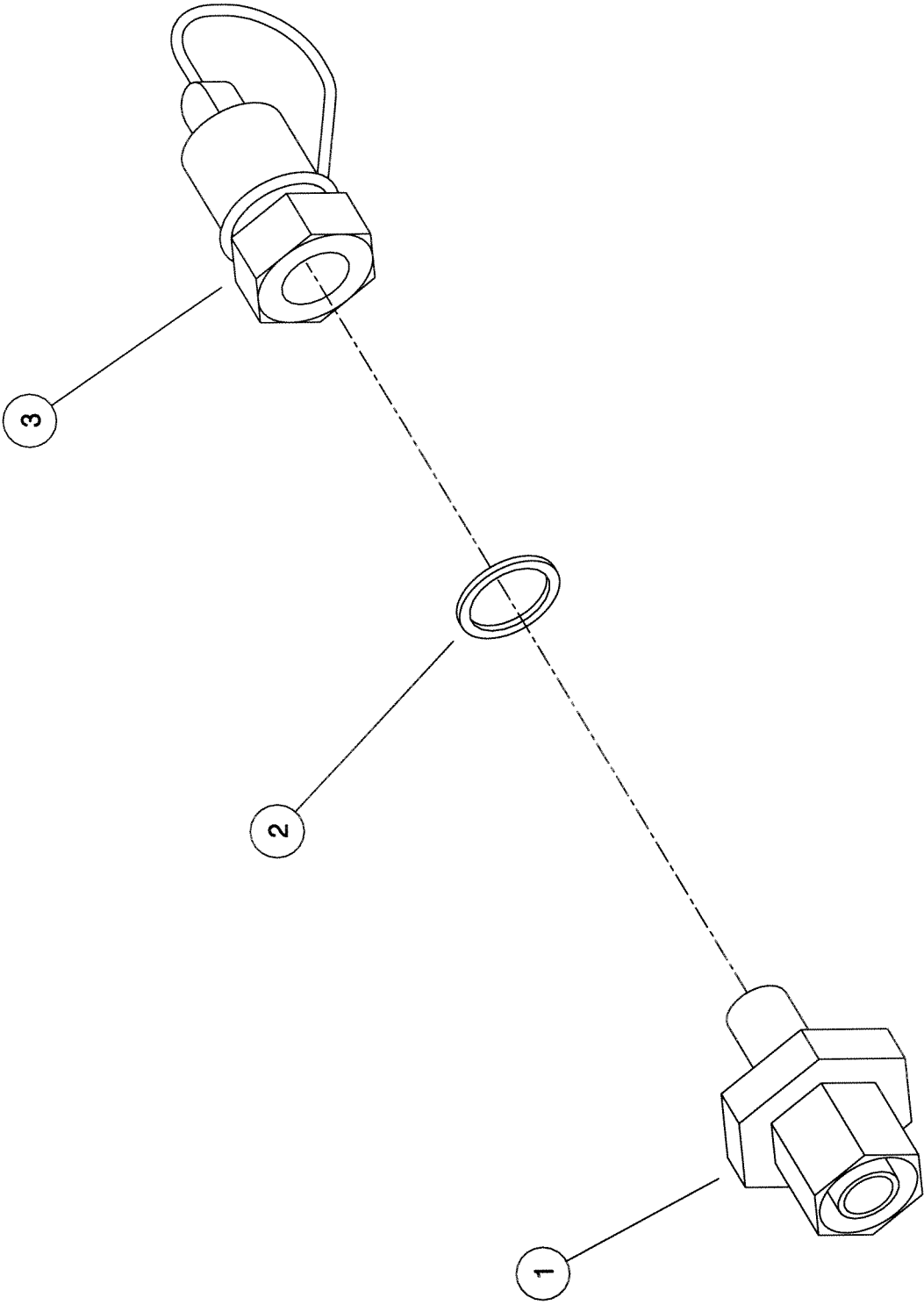


# ***RX & CX Shelbourne Header***

**HYDRAULIC  
FITTINGS**

**Shelbourne Reynolds Engineering Limited**

| ASSY NUMBER: KIT-01720 |           | SUB ASSY DESCRIPTION: HYDRAULIC KIT |     |      |         |             |     |
|------------------------|-----------|-------------------------------------|-----|------|---------|-------------|-----|
| ITEM                   | PART NO   | DESCRIPTION                         | QTY | ITEM | PART NO | DESCRIPTION | QTY |
| 1                      | FIT-0518  | ADAPTOR                             | 1   |      |         |             |     |
| 2                      | WSH-1005  | DOWTY WASHER                        | 1   |      |         |             |     |
| 3                      | HQR-00503 | PROBE COUPLING                      | 1   |      |         |             |     |





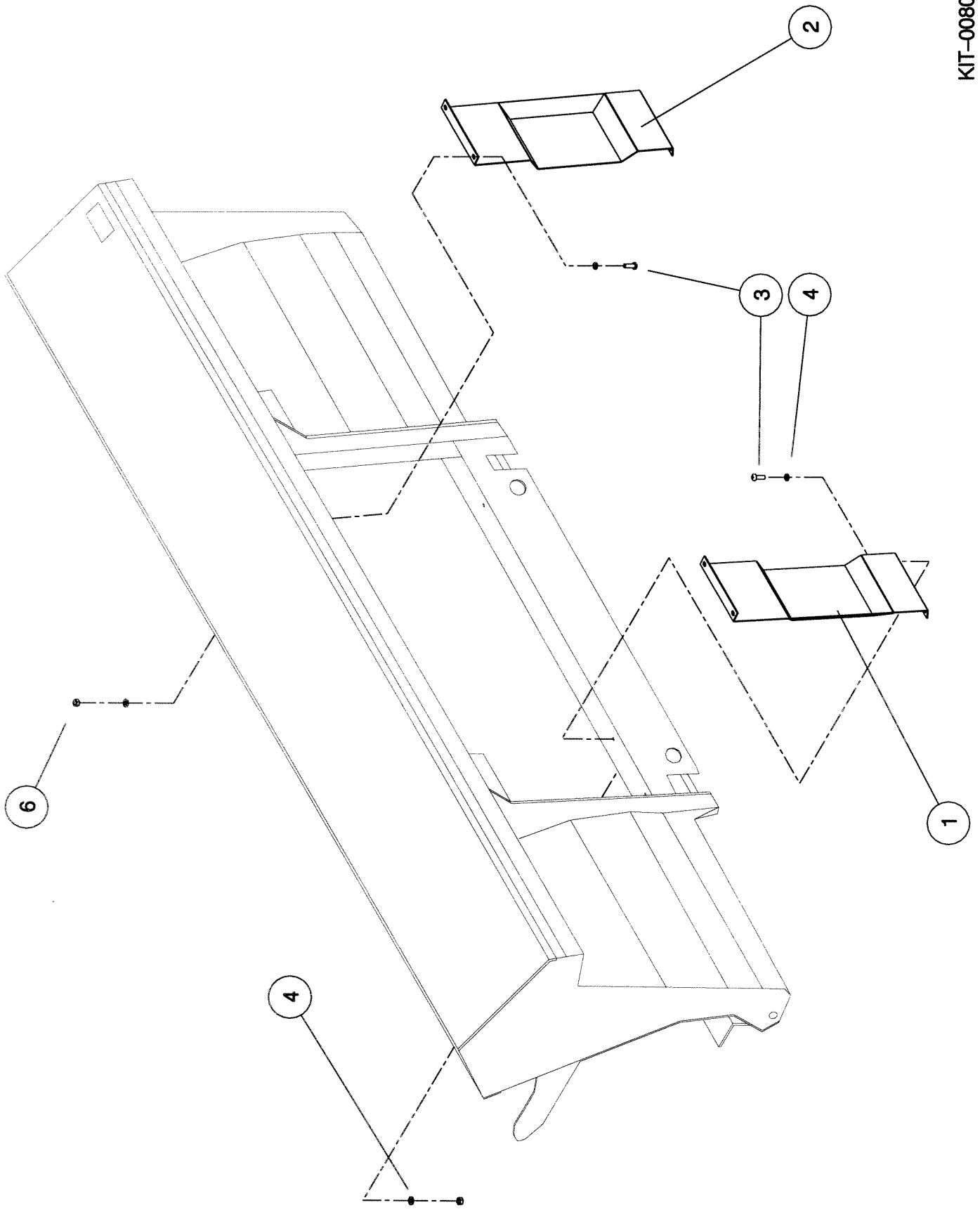
# **RX & CX Shelbourne Header**

**KIT  
OPTIONS**

**Shelbourne Reynolds Engineering Limited**

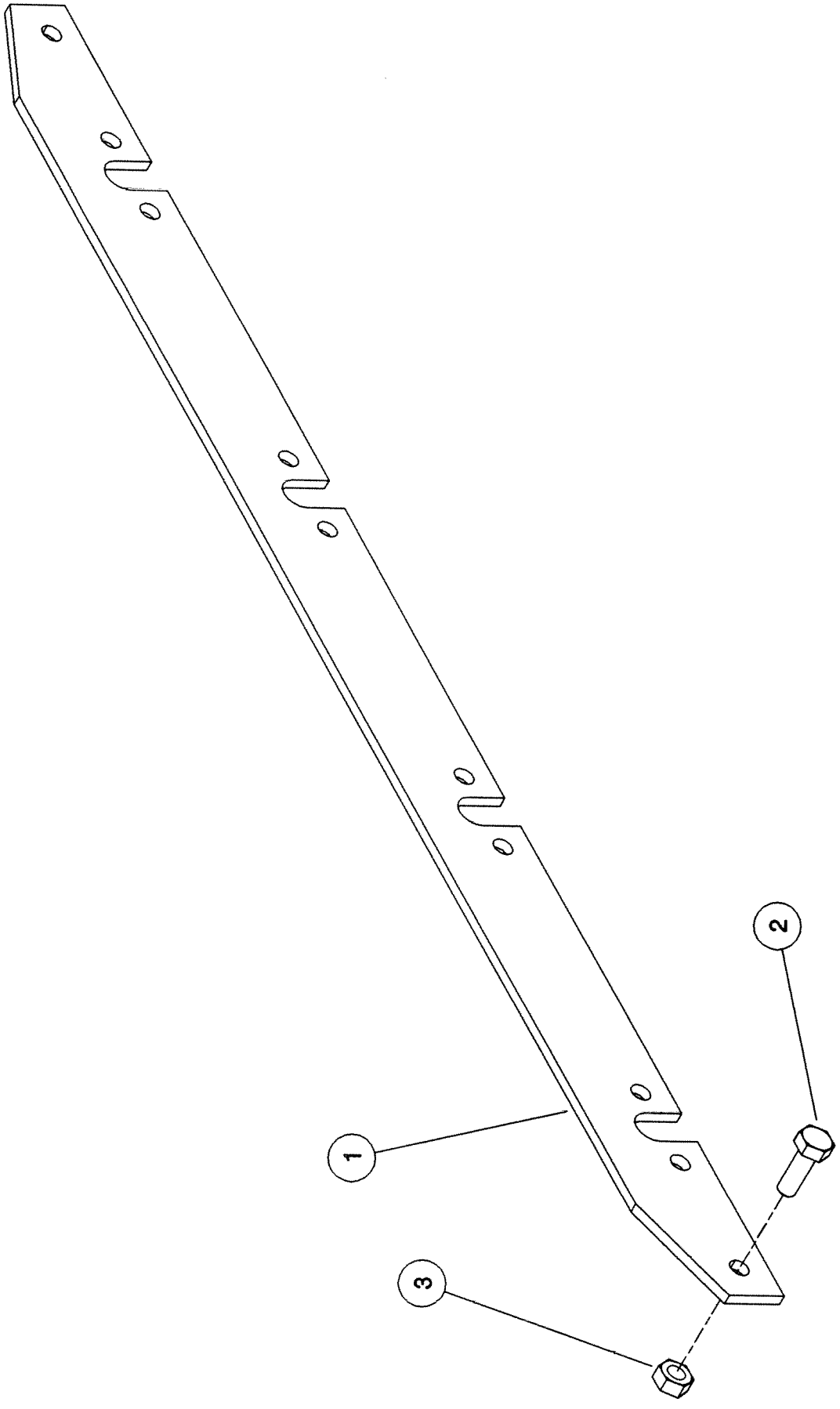
| ASSY NUMBER: KIT-00809 |           | SUB ASSY DESCRIPTION: STRAW DEFLECTOR KIT (DEUTZ ALLIS) |     |      |         |             |     |
|------------------------|-----------|---|-----|------|---------|-------------|-----|
| ITEM                   | PART NO   | DESCRIPTION   | QTY | ITEM | PART NO | DESCRIPTION | QTY |
| 1                      | 193396 01 | STRAW DEFLECTOR LH                                      | 1   |      |         |             |     |
| 2                      | 193396 02 | STRAW DEFLECTOR RH                                      | 1   |      |         |             |     |
| 3                      | SCW-0525  | SCKT BUTTON HD  | 8   |      |         |             |     |
| 4                      | WSH-0012  | PLAIN WASHER  | 16  |      |         |             |     |
| 5                      |           |   |     |      |         |             |     |
| 6                      | NUT-0263  | NYLOC NUT   | 8   |      |         |             |     |





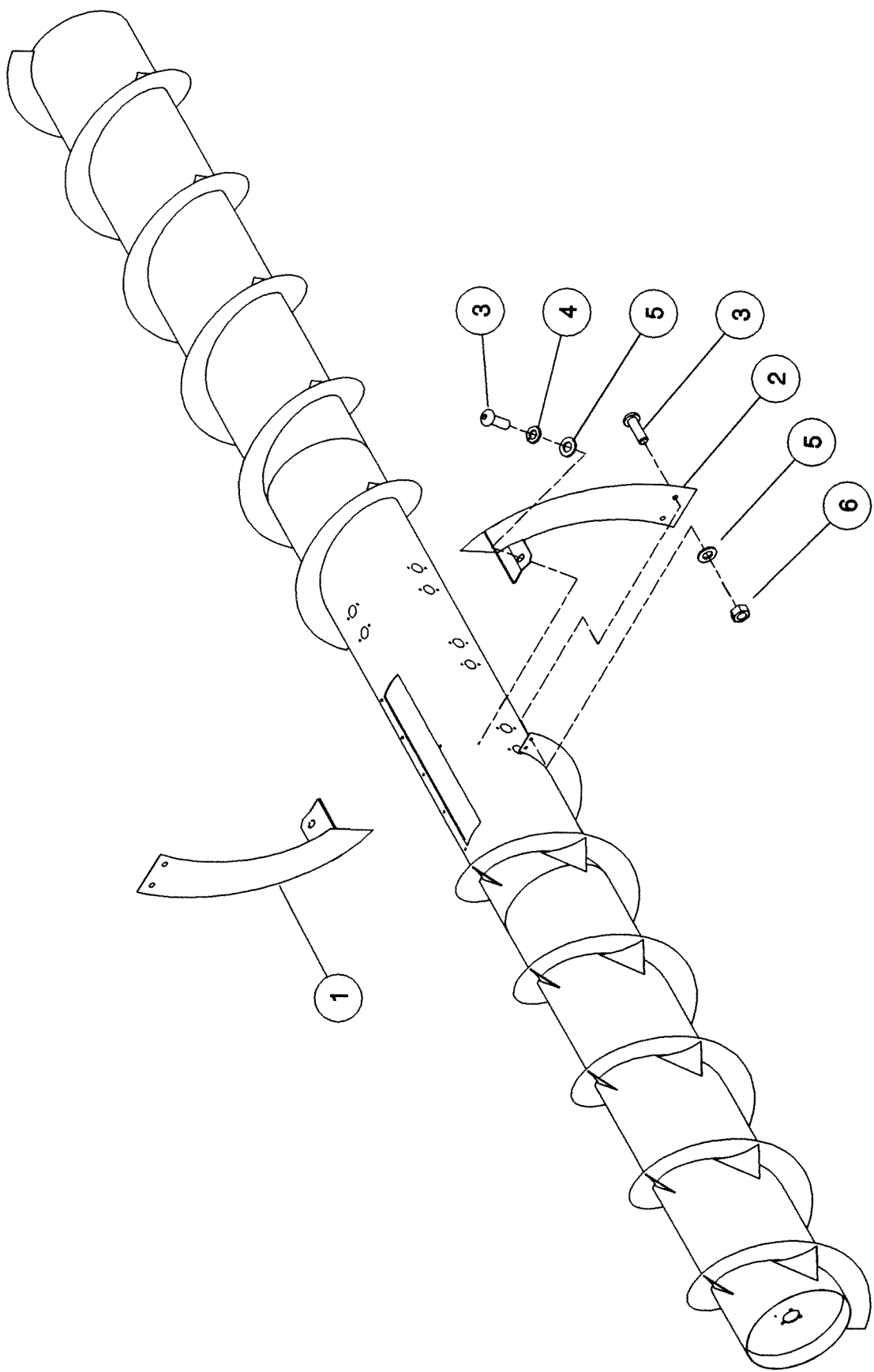
**Shelbourne Reynolds Engineering Limited**

| KIT-00914    |           | SUB ASSY DESCRIPTION: DEUTZ ALLIS (R60/R70) RICE KIT |     |      |         |             |     |
|--------------|-----------|--|-----|------|---------|-------------|-----|
| ASSY NUMBER: |           |  |     |      |         |             |     |
| ITEM         | PART NO   | DESCRIPTION  | QTY | ITEM | PART NO | DESCRIPTION | QTY |
| 1            | 191842 01 | EXTENSION BAR  | 13  |      |         |             |     |
| 2            | HSS-1054  | SET SCREW  | 130 |      |         |             |     |
| 3            | NUT-0217  | WILLOCK NUT  | 130 |      |         |             |     |



**Shelbourne Reynolds Engineering Limited**

| ASSY NUMBER: KIT-00965 |           | SUB ASSY DESCRIPTION: AUGER FLIGHT EXTENSIONS (RX/CX) |     |      |         |             |     |
|------------------------|-----------|---|-----|------|---------|-------------|-----|
| ITEM                   | PART NO   | DESCRIPTION   | QTY | ITEM | PART NO | DESCRIPTION | QTY |
| 1                      | 192227 01 | AUGER FLIGHT EXT. L. H                                | 1   |      |         |             |     |
| 2                      | 192227 02 | AUGER FLIGHT EXT. R. H                                | 1   |      |         |             |     |
| 3                      | SCBA08172 | BUT. SKT. HD SCREW                                    | 6   |      |         |             |     |
| 4                      | WSH-0058  | SPRING WASHER   | 2   |      |         |             |     |
| 5                      | WSH-0012  | PLAIN WASHER  | 6   |      |         |             |     |
| 6                      | NUT-0263  | NYLOC NUT   | 4   |      |         |             |     |



**Shelbourne Reynolds Engineering Limited**

| ASSY NUMBER: |           | KIT-00970                 |     | SUB ASSY DESCRIPTION: PROTECTION PANS KIT |         |             |     |
|--------------|-----------|---------------------------|-----|---|---------|-------------|-----|
| ITEM         | PART NO   | DESCRIPTION               | QTY | ITEM                                      | PART NO | DESCRIPTION | QTY |
| 1            | 192712 01 | PROTECTION PAN ( 1 HOLE ) | 2   |   |         |             |     |
| 2            | HSS-0191  | SET SCREW                 | 6   |   |         |             |     |
| 3            | WSH-0015  | WASHER                    | 8   |   |         |             |     |
| 4            | NUT-0265  | NUT                       | 6   |   |         |             |     |

