

# *RX & CX Shelbourne Header*

**ADAPTOR PLATE & COMBINE FITTINGS**

**PARTS MANUAL**

**CASE IH**



**Shelbourne Reynolds Engineering Ltd**

**Stanton**

**Bury St Edmunds**

**Suffolk IP31 2AR**

**England**

**Telephone: 01359 250415**

**(Stores direct 01359 251231)**

**Fax. No: 01359 250464**

**(Stores direct 01359 252031)**



# CASE IH (Axial Flow) Parts Manual

## Adaptor Plate

196517 01K	ADAPTOR PLATE ASSY - CASE IH
196517 23K	ADAPTOR PLATE ASSY - CASE IH(1998)

## Drive Kits

196534 005	DRIVE KIT - CASE IH Rx54
196534 006	DRIVE KIT - CASE IH Rx60
196534 008	DRIVE KIT - CASE IH Rx66,Cx72,Cx78 & Cx84

## Hydraulic Fittings

KIT-01701	BELOW KIT FOR CASE IH 1440,1460,1640, 1660 HYDRAULIC CONNECTOR
KIT-01709	BELOW KIT FOR CASE IH 1480,1680, 1688, 2166, 2188 HYDRAULIC CONNECTOR

## Kit Options

KIT-00903	ROTOR GRATE KIT CASE IH 1480, 1680, 1688, 2188
KIT-00932	THROTTLE VALVE KIT
KIT-00965	AUGER FLIGHT EXTENSIONS KIT
KIT-00970	RX PROTECTION PANS (ALL WIDTHS)
KIT-01216	ROTOR GRATE KIT CASE IH 1640,1660, 2166

.

.

.

.

.

.

.

.

*RX & CX Shelbourne Header*

**ADAPTOR PLATES**



*Shelbourne Reynolds Engineering Limited*

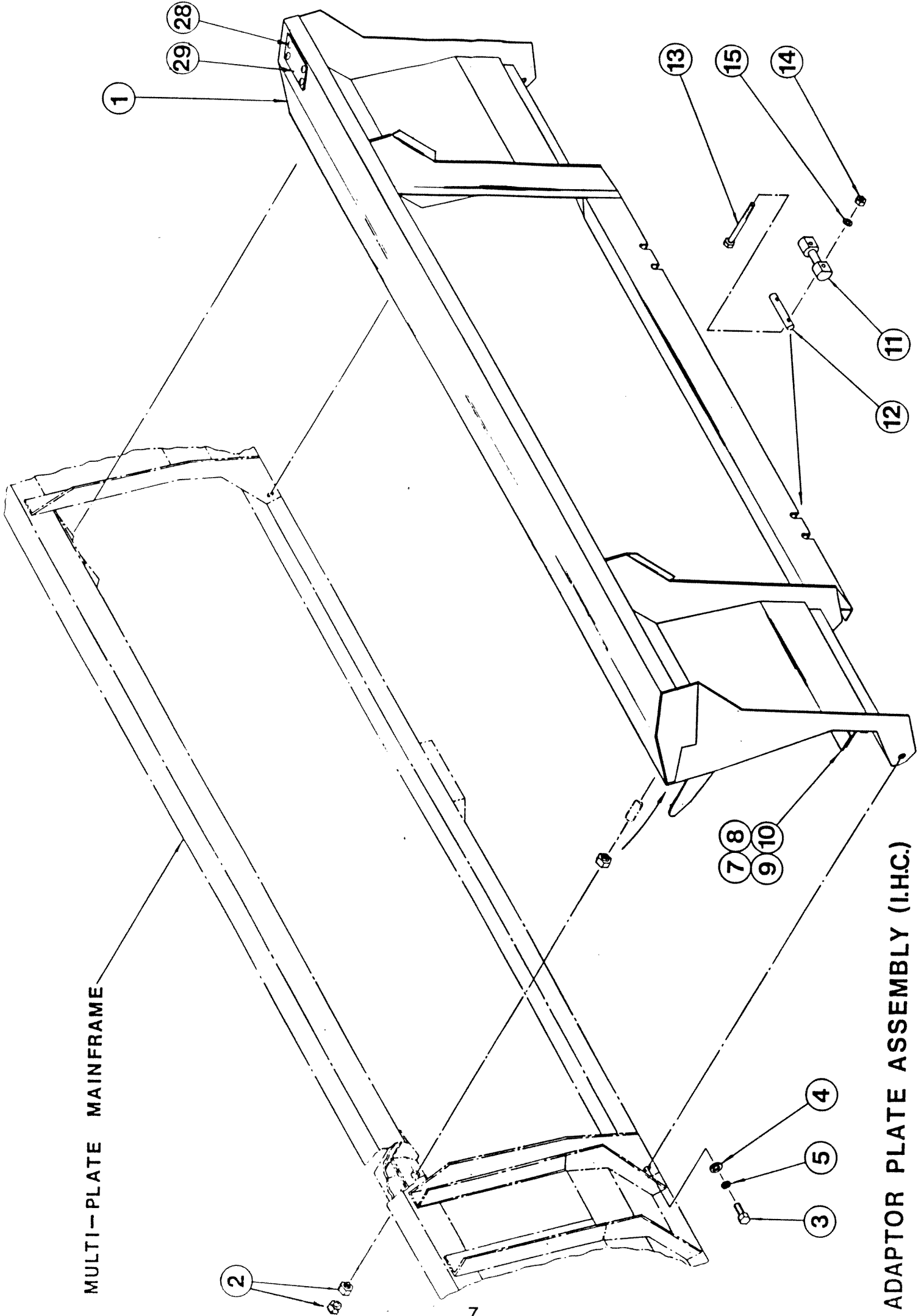
ASSY NUMBER: 196517 01K		ASSY DESCRIPTION: ADAPTOR PLATE ASSY IHC					
ITEM	PART NO	DESCRIPTION	QTY	ITEM	PART NO	DESCRIPTION	QTY
	KIT-00601	ADAPTOR PLATE SUB	1				

**Shelbourne Reynolds Engineering Limited**

ASSY NUMBER: KIT-00601		SUB ASSY DESCRIPTION: ADAPTOR PLATE IHC (FROM ASSY 196517 01)	
ITEM	PART NO	DESCRIPTION	QTY
1	191051 01	FRAME WELD ASSY	1
2	NUT-0190	PLAIN NUT	6
3	HSS-0315	SET SCREW	2
4	WSH-0024	PLAIN WASHER	2
5	WSH-0070	SPRING WASHER	2
6			
7	191063 02	SCRAPER	2
8	BLT-4710	COACH BOLT	6
9	NUT-0263	NYLOC NUT	6
10	WSH-0012	PLAIN WASHER	6
11	130236 01	PICK UP BAR	2
12	130237 01	FIXING BAR	2
13	BLT-2273	BOLT	4
14	NUT-0269	NYLOC NUT	4
15	WSH-0018	PLAIN WASHER	8
28	POP-0006	POP RIVET	4
29	134024 05	IDENTIFICATION PLATE	1



MULTI-PLATE MAINFRAME



ADAPTOR PLATE ASSEMBLY (I.H.C.)

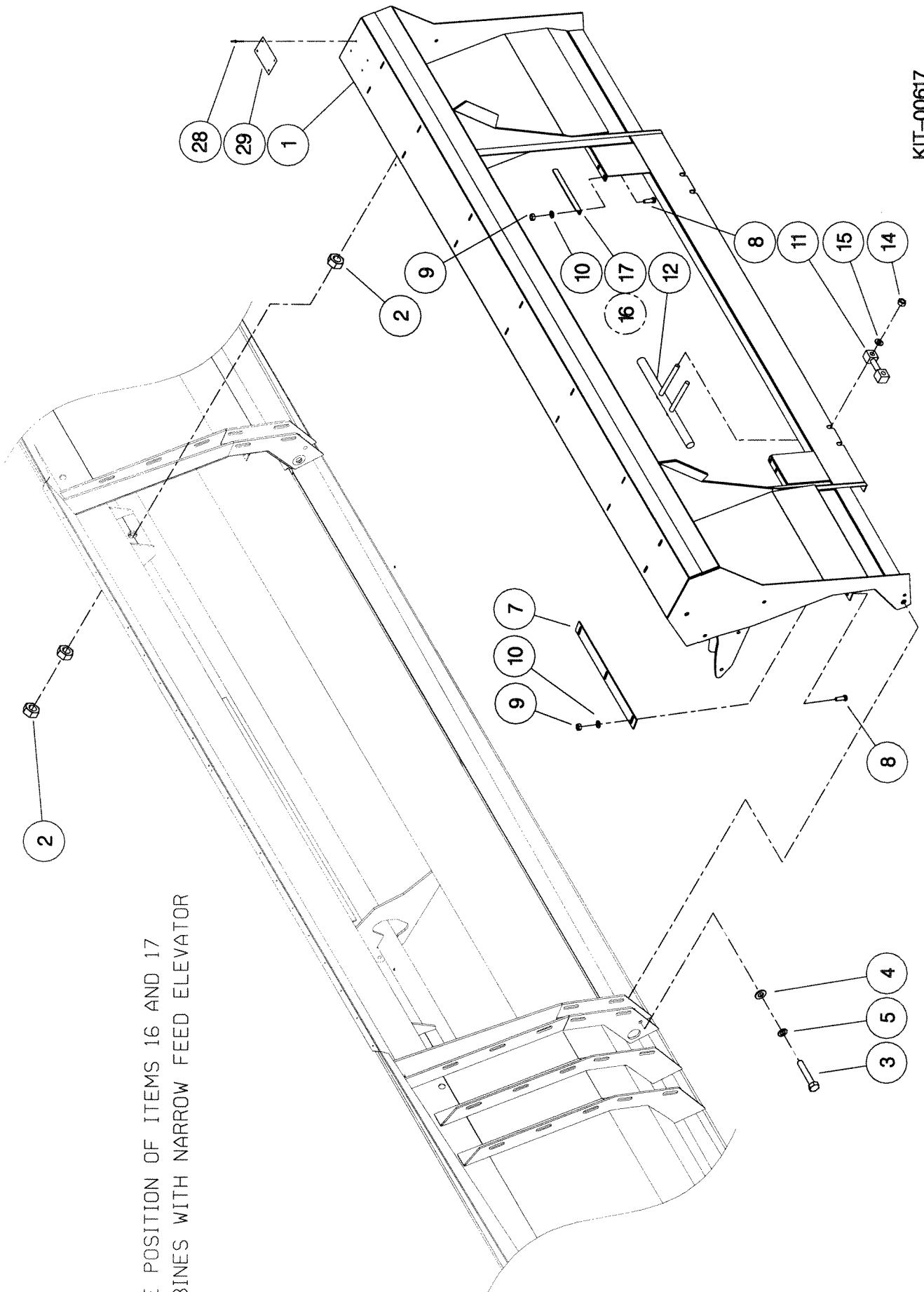


**Shelbourne Reynolds Engineering Limited**

ASSY NUMBER: 196517 23K		ASSY DESCRIPTION: ADAPTOR PLATE ASSY CASE IH (1998)					
ITEM	PART NO	DESCRIPTION	QTY	ITEM	PART NO	DESCRIPTION	QTY
	KIT-00617	ADAPTOR PLATE SUB	1				

**Shelbourne Reynolds Engineering Limited**

KIT-00617		SUB ASSY DESCRIPTION: ADAPTOR PLATE CASE IH (1998)					
ASSY NUMBER:							
ITEM	PART NO	DESCRIPTION	QTY	ITEM	PART NO	DESCRIPTION	QTY
1	193475 01	FRAME WELD ASSY	1				
2	NUT-0190	PLAIN NUT (M24)	6				
3	HSS-0315	SET SCREW (M16x35mm)	2				
4	WSH-0024	PLAIN WASHER (16mm)	2				
5	WSH-0070	SPRING WASHER (16mm)	2				
6							
7	191063 02	SCRAPER	2				
8	BLT-4710	COACH BOLT (M8x20mm)	10				
9	NUT-0263	NYLOC NUT (M8)	10				
10	WSH-0012	PLAIN WASHER (8mm)	10				
11	130236 01	PICK UP BAR	2				
12	193473 01	FIXING BAR	2				
13							
14	NUT-0269	NYLOC NUT (M12)	4				
15	WSH-0018	PLAIN WASHER (12mm)	4				
16	193595 01	SCRAPER EXTENSION LH	1				
17	193595 02	SCRAPER EXTENSION RH	1				
28	POP-0006	POP RIVET (3/16" DIA x 1/2") (UPTO 2009)	4				
29	134024 05	IDENTIFICATION PLATE (UPTO 2009)	1				



CHANGE POSITION OF ITEMS 16 AND 17  
FOR COMBINES WITH NARROW FEED ELEVATOR

KIT-00617



## *RX & CX Shelbourne Header*

**DRIVE KITS**

Shelbourne Reynolds Engineering Limited

ASSY NUMBER: 196534 005		ASSY DESCRIPTION: DRIVE KIT 5.4M CASEIH(ALL)/JD9500, 7720					
ITEM	PART NO	DESCRIPTION	QTY	ITEM	PART NO	DESCRIPTION	QTY
1	191804 29	SELECT GEAR 29T	1				
OR	191804 30	SELECT GEAR 30T	1				
2	191804 27	SELECT GEAR 27T	1				
OR	191804 26	SELECT GEAR 26T	1				
3	PTO-17010	FLEX POWER SHAFT	1				
4	192768 18	AUGER SPROCKET 18T	1				
OR	192768 06	AUGER SPROCKET 19T	1				
5	CHN-01920	CHAIN	95				
6	CHN-01901	JOINING LINK	1				
7	KIT-00931	PTO SUPPORT KIT	1				



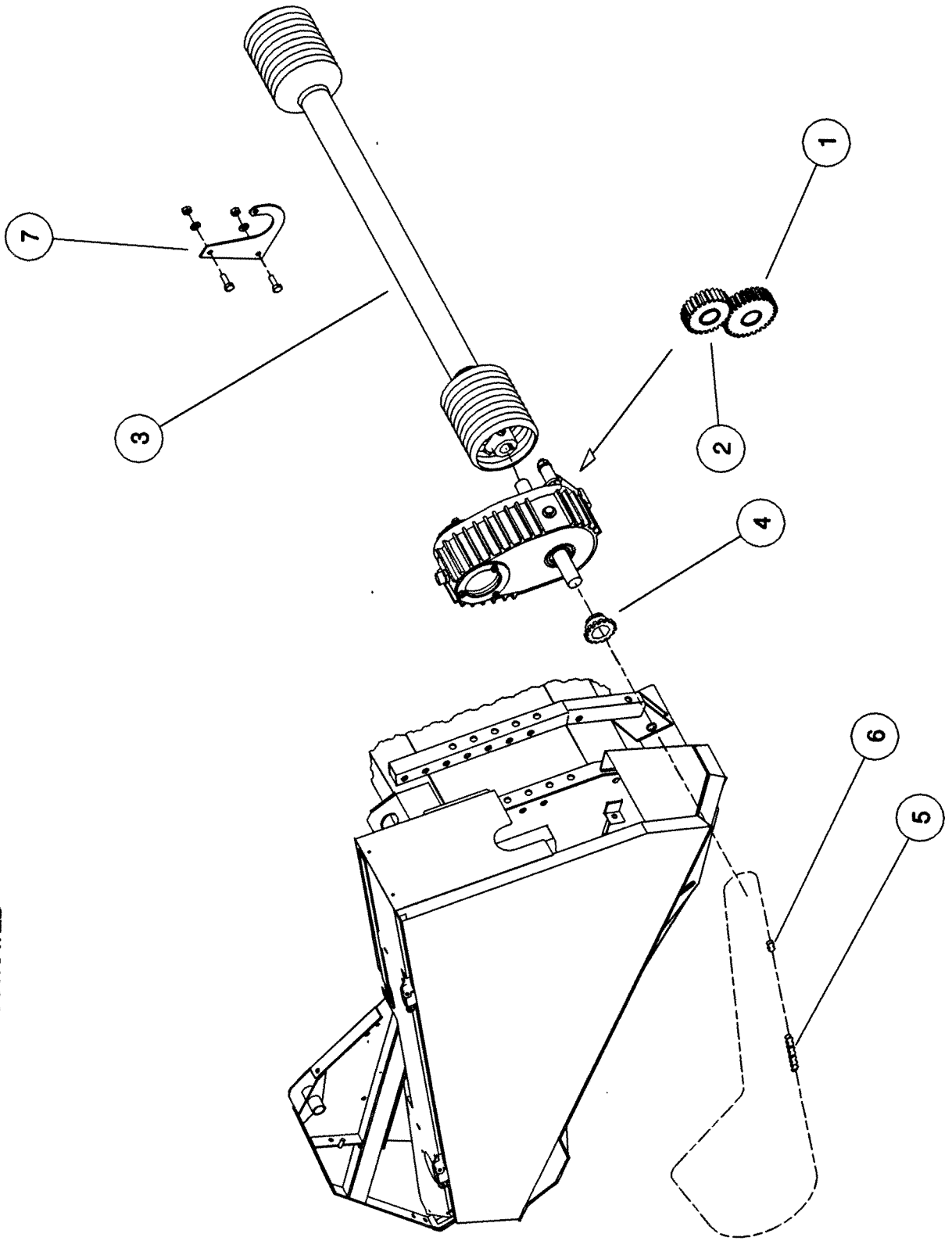
Shelbourne Reynolds Engineering Limited

ASSY NUMBER:		196534 006		ASSY DESCRIPTION: DRIVE KIT 6.0M CASEIH(ALL)/JD9500, 7720			
ITEM	PART NO	DESCRIPTION	QTY	ITEM	PART NO	DESCRIPTION	QTY
1	191804 29	SELECT GEAR 29T	1				
OR	191804 30	SELECT GEAR 30T	1				
2	191804 27	SELECT GEAR 27T	1				
OR	191804 26	SELECT GEAR 26T	1				
3	PTO-17006	FLEX POWER SHAFT	1				
4	192768 18	AUGER SPROCKET 18T	1				
OR	192768 06	AUGER SPROCKET 19T	1				
5	CHN-01920	CHAIN	95				
6	CHN-01901	JOINING LINK	1				
7	KIT-00931	PTO SUPPORT KIT	1				

Shelbourne Reynolds Engineering Limited

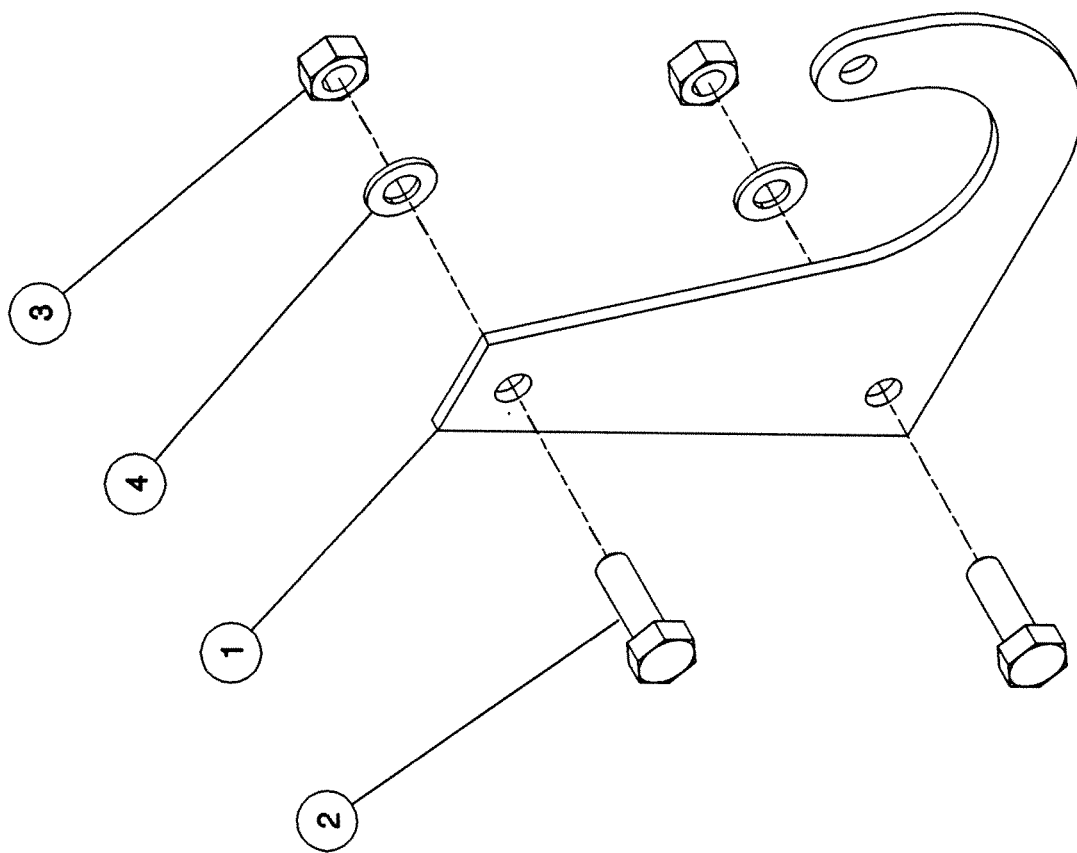
ASSY NUMBER:		196534 008		ASSY DESCRIPTION: DRIVE KIT 6.6-8.4M CASEIH/JD9500, 7720			
ITEM	PART NO	DESCRIPTION	QTY	ITEM	PART NO	DESCRIPTION	QTY
1	191804 29	SELECT GEAR 29T	1				
OR	191804 30	SELECT GEAR 30T	1				
2	191804 27	SELECT GEAR 27T	1				
OR	191804 26	SELECT GEAR 26T	1				
3	PTO-17002	FLEX POWER SHAFT	1				
4	192768 18	AUGER SPROCKET 18T	1				
OR	192768 06	AUGER SPROCKET 19T	1				
5	CHN-01920	CHAIN	95				
6	CHN-01901	JOINING LINK	1				
7	KIT-00931	PTO SUPPORT KIT	1				

RX HEADER ILLUSTRATED



**Shelbourne Reynolds Engineering Limited**

ASSY NUMBER:		KIT-00931				ASY DESCRIPTION: PTO SUPPORT KIT		
ITEM	PART NO	DESCRIPTION	QTY	ITEM	PART NO	DESCRIPTION	QTY	
1	191945 01	PTO SUPPORT	1					
2	HSS-0238	SET SCREW	2					
3	NUT-0269	NYLOC NUT	2					
4	WSH-0018	PLAIN WASHER	2					





*RX & CX Shelbourne Header*

**HYDRAULIC  
FITTINGS**



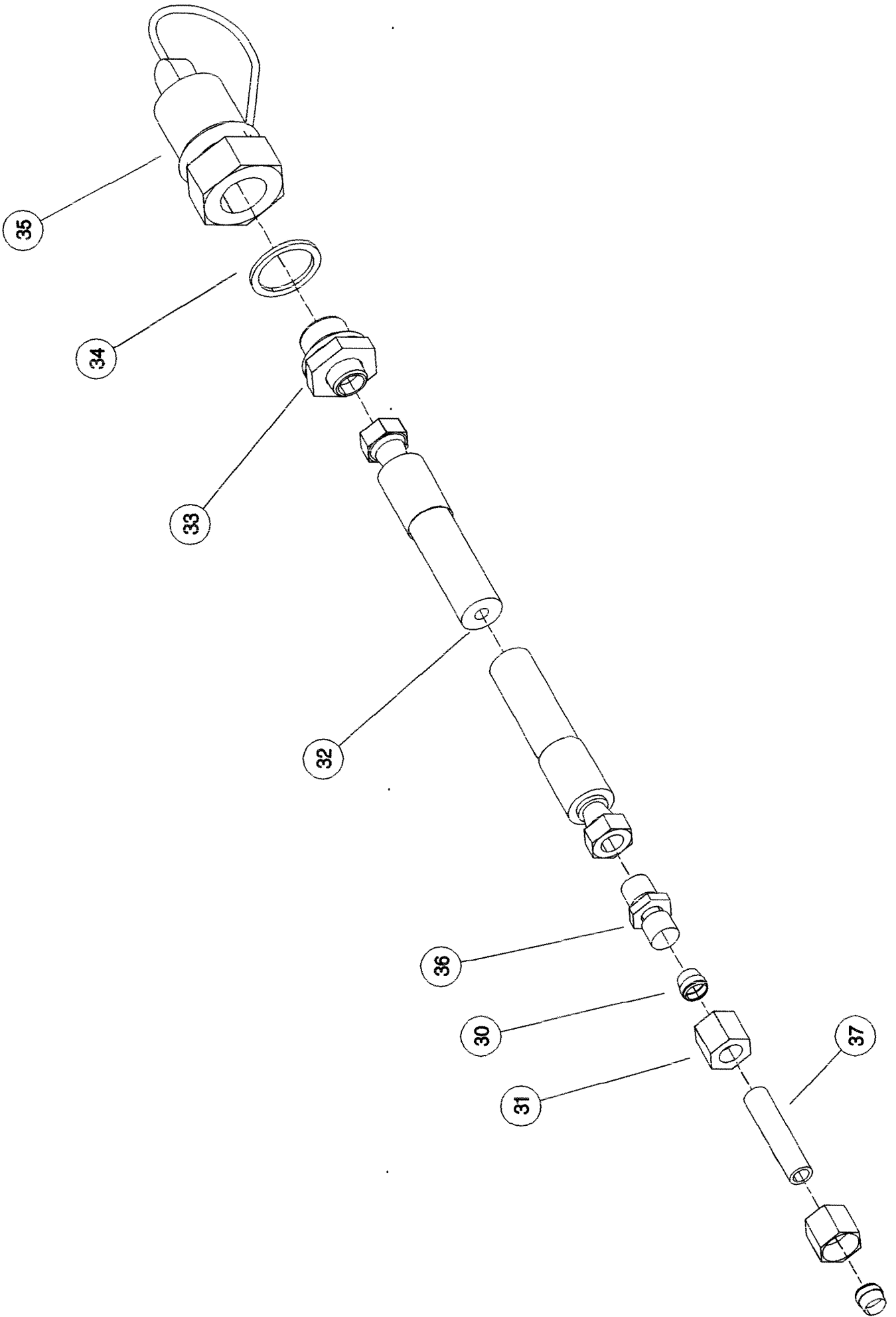


**Shelbourne Reynolds Engineering Limited**

ASSY NUMBER: KIT-01701		SUB ASSY DESCRIPTION: HYDRAULIC PROBE CONNECTOR (FROM 196517 01)					
ITEM	PART NO	DESCRIPTION	QTY	ITEM	PART NO	DESCRIPTION	QTY
30	FIT-0056	OLIVE	2				
31	FIT-0051	NUT	2				
32	HHAC12005	HOSE	1				
33	FIT-0025	ADAPTOR	1				
34	WSH-1010	DOWTY WASHER	1				
35	COU-0161	PULL BRAKE COUPLING	1				
36	FIT-0047	FITTING	1				
37	RP100040	PIPE	1				

**Shelbourne Reynolds Engineering Limited**

ASSY NUMBER: KIT-01709		SUB ASSY DESCRIPTION: HYDRAULIC PROBE ADAPTOR					
ITEM	PART NO	DESCRIPTION	QTY	ITEM	PART NO	DESCRIPTION	QTY
30	FIT-0056	OLIVE	2				
31	FIT-0051	NUT	2				
32	HHAC12005	HOSE	1				
33	HMA-0055	ADAPTOR	1				
34	WSH-1015	DOWTY WASHER	1				
35	COU-0162	PULL BRAKE COUPLING	1				
36	FIT-0047	FITTING	1				
37	RP100040	PIPE	1				



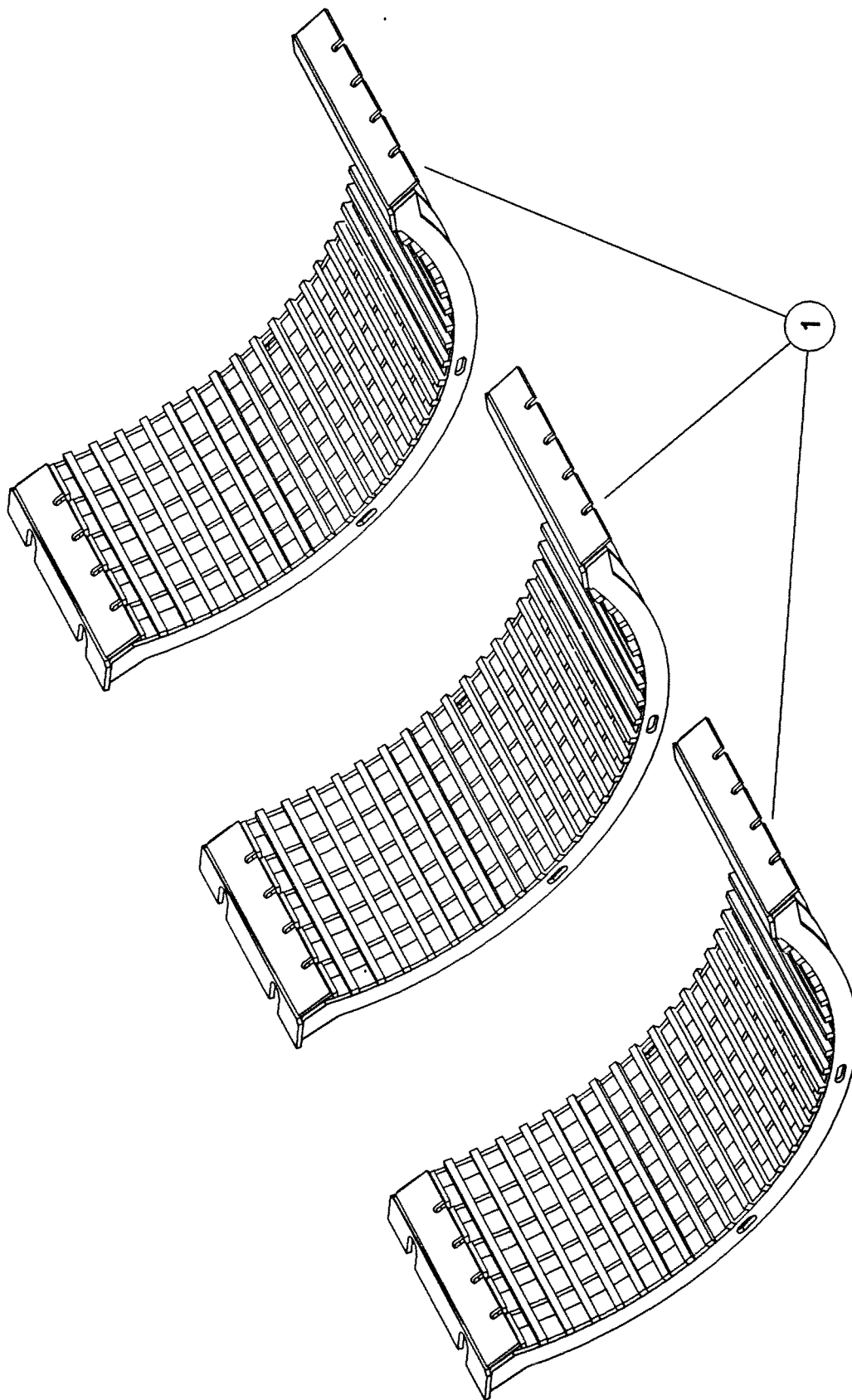


## *RX & CX Shelbourne Header*

**KIT OPTIONS**

**Shelbourne Reynolds Engineering Limited**

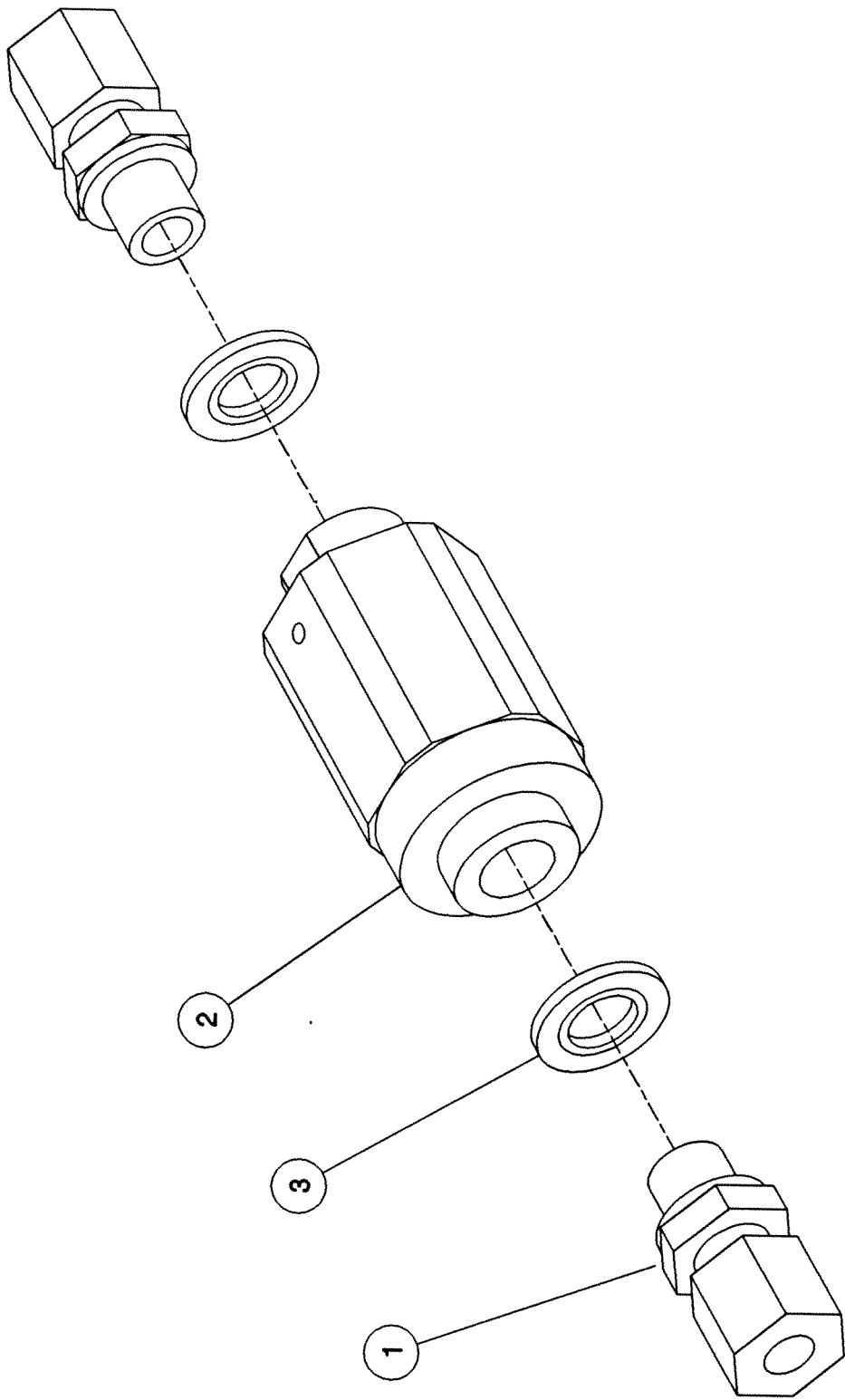
KIT-00903		SUB ASSY DESCRIPTION:		IHC 1680/1480 SPLTY RTR GRATE KIT			
ASSY NUMBER:	KIT-00903	SUB ASSY DESCRIPTION:	IHC 1680/1480 SPLTY RTR GRATE KIT				
ITEM	PART NO	DESCRIPTION	QTY	ITEM	PART NO	DESCRIPTION	QTY
1	191660 01	GRATE ASSY	3				



**Shelbourne Reynolds Engineering Limited**

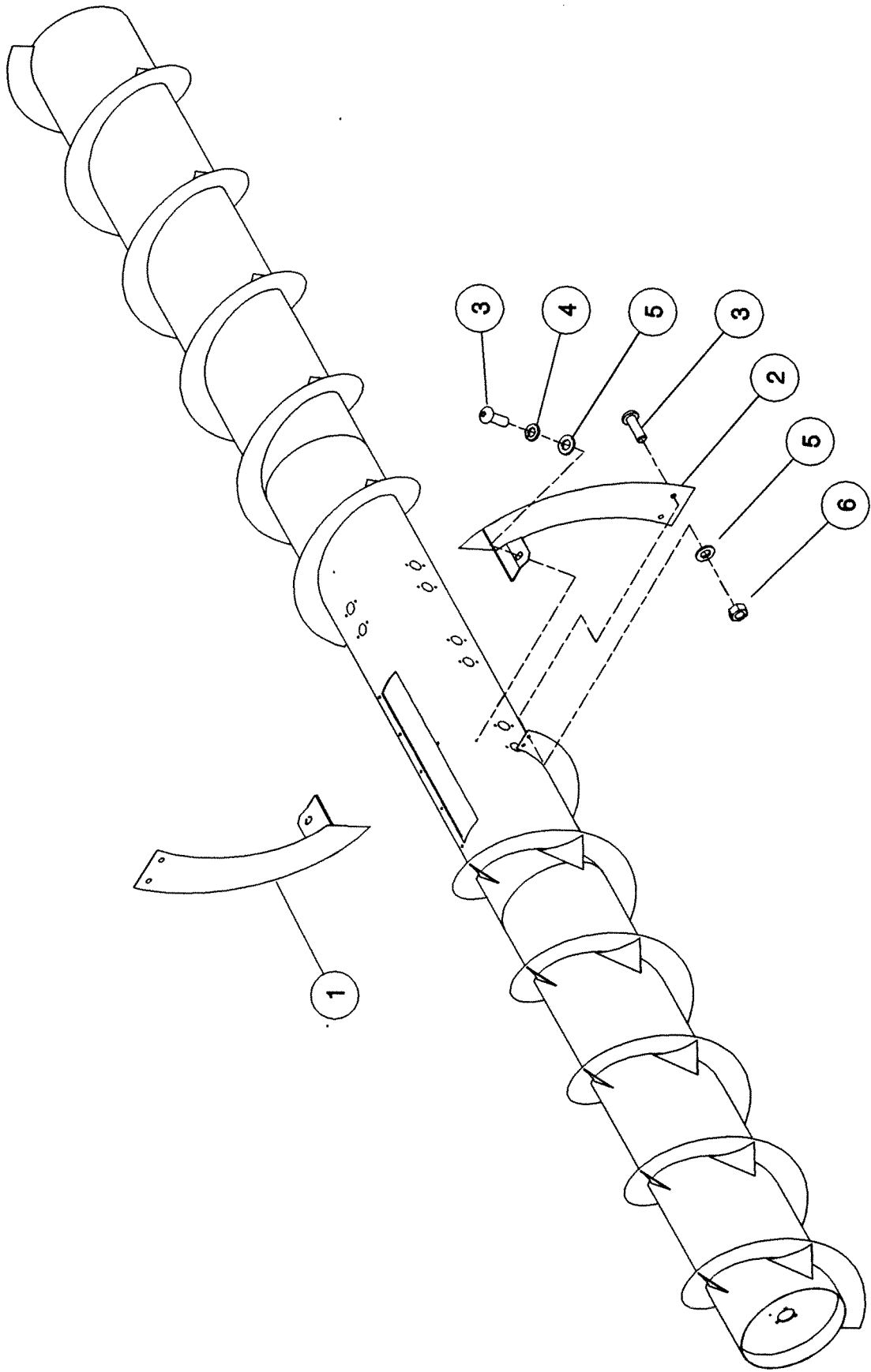
ASSY NUMBER:		KIT-00932					ASSY DESCRIPTION: THROTTLE VALVE KIT		
ITEM	PART NO	DESCRIPTION	QTY	ITEM	PART NO	DESCRIPTION	QTY		
1	FIT-0552	MALE STUD COUPLING	2						
2	VAL-0120	FINE CONTROL THROTTLE VALVE	1						
3	WSH-1005	DOWTY WASHER	2						





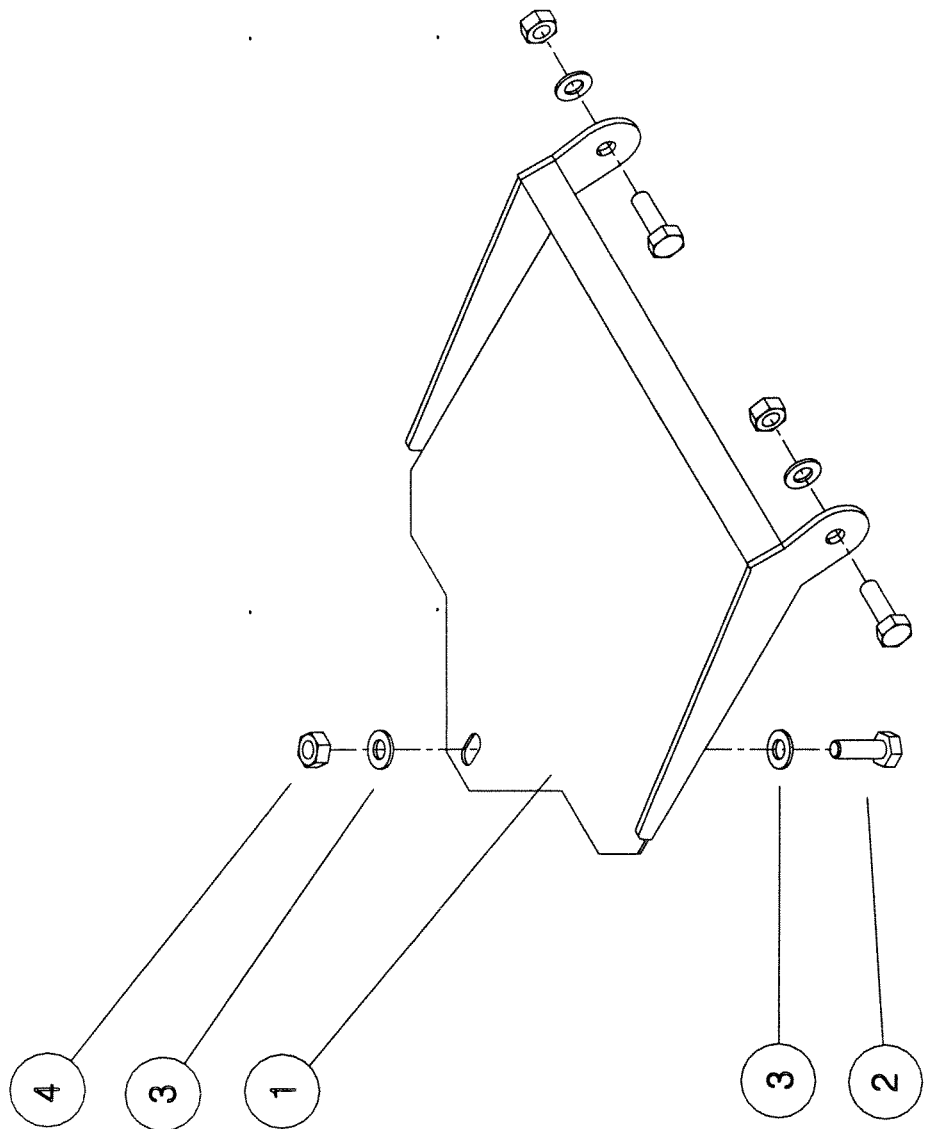
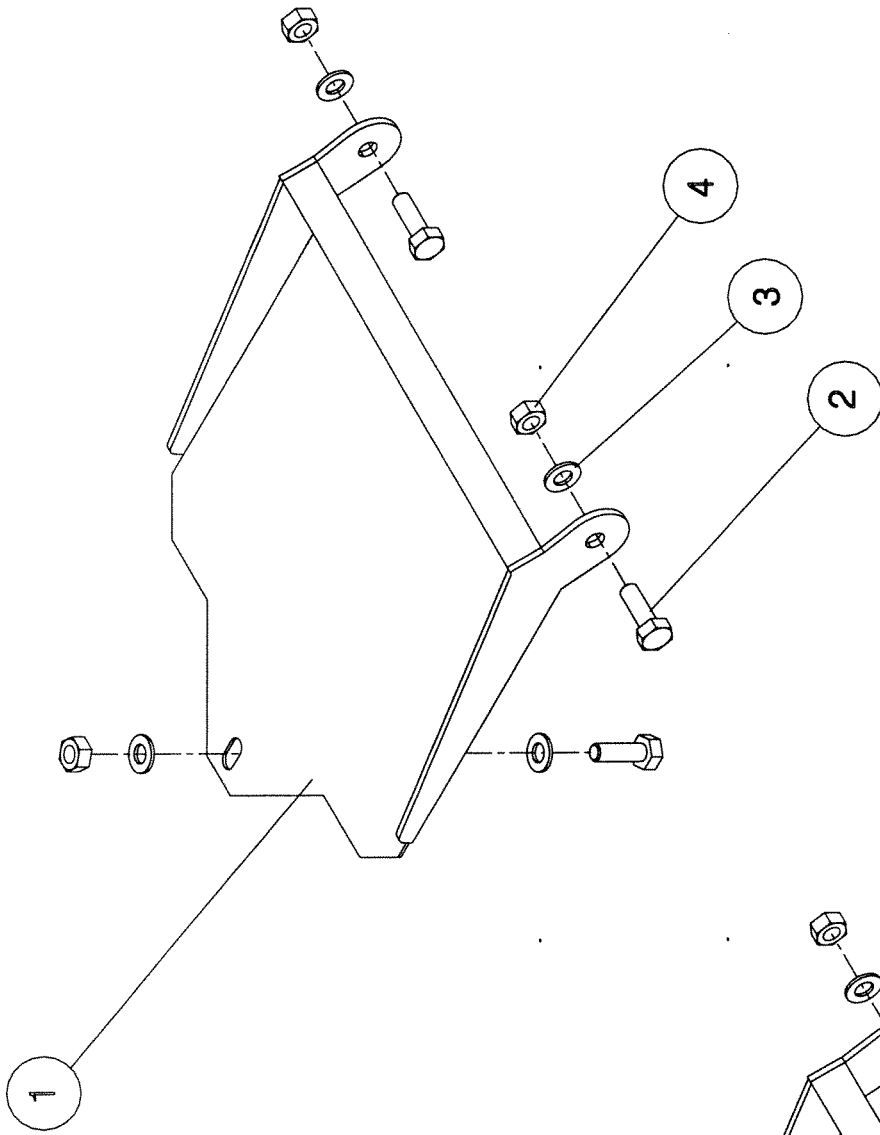
**Shelbourne Reynolds Engineering Limited**

ASSY NUMBER: KIT-00965		SUB ASSY DESCRIPTION: AUGER FLIGHT EXTENSIONS (RX/CX)					
ITEM	PART NO	DESCRIPTION	QTY	ITEM	PART NO	DESCRIPTION	QTY
1	192227 01	AUGER FLIGHT EXT. L. H	1				
2	192227 02	AUGER FLIGHT EXT. R. H	1				
3	SCBA08172	BUT. SKT. HD SCREW	6				
4	WSH-0058	SPRING WASHER	2				
5	WSH-0012	PLAIN WASHER	6				
6	NUT-0263	NYLOC NUT	4				



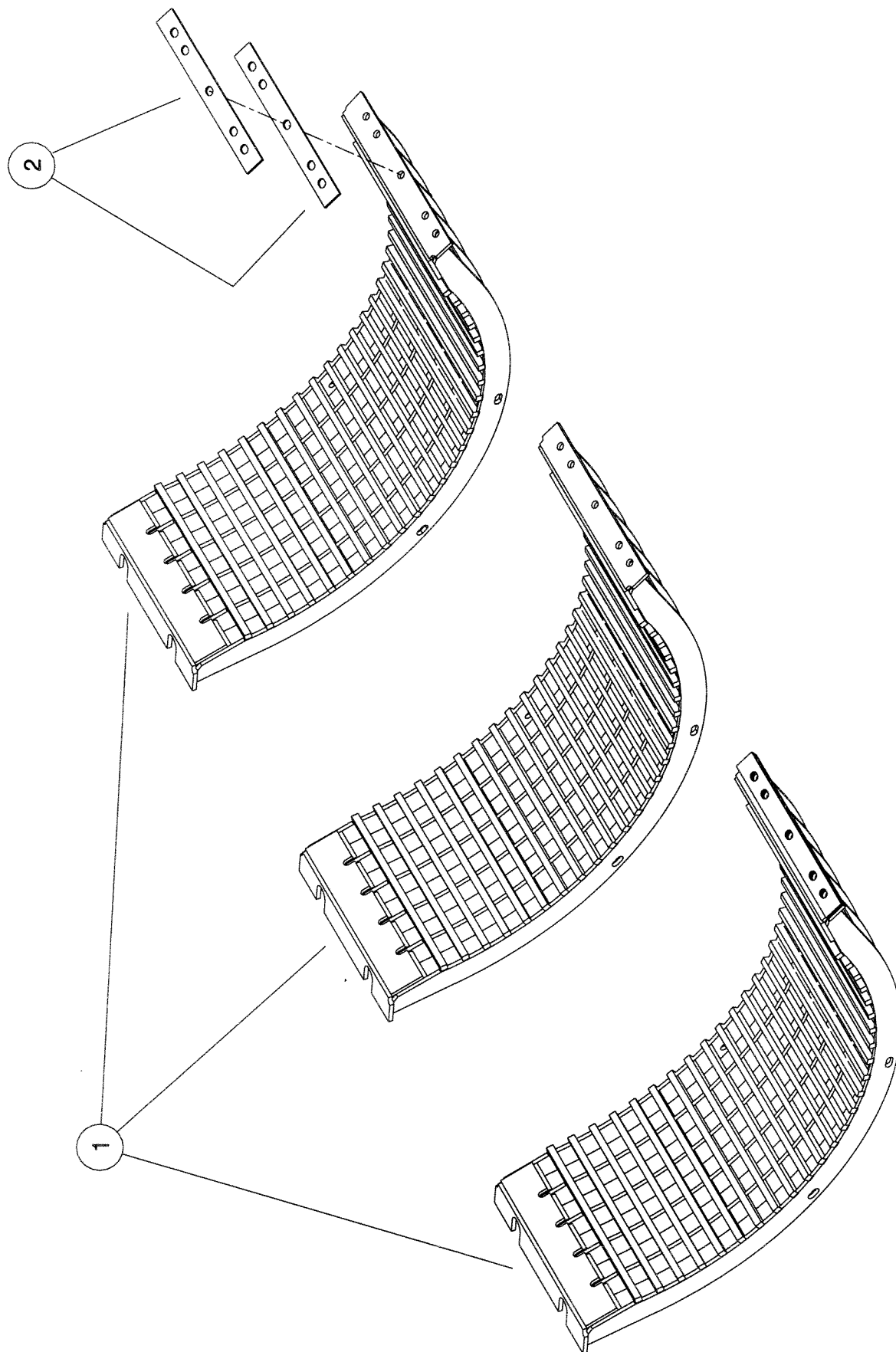
**Shelbourne Reynolds Engineering Limited**

ASSY NUMBER:		KIT-00970		SUB ASSY DESCRIPTION: PROTECTION PANS KIT			
ITEM	PART NO	DESCRIPTION	QTY	ITEM	PART NO	DESCRIPTION	QTY
1	192712 01	PROTECTION PAN ( 1 HOLE )	2				
2	HSS-0191	SET SCREW	6				
3	WSH-0015	WASHER	8				
4	NUT-0265	NUT	6				



**Shelbourne Reynolds Engineering Limited**

ASSY NUMBER: KIT-00903		SUB ASSY DESCRIPTION: IHC 1680/1480 SPLTY RTR CONCAVE KIT					
ITEM	PART NO	DESCRIPTION	QTY	ITEM	PART NO	DESCRIPTION	QTY
1	191660 01	CONCAVE ASSY (UP TO SERIAL NO 3126610)	3				
OR	194563 01	CONCAVE ASSY (FROM 2000/01)	3				
2	194368 01	SPACER PLATE	6				







## NUMERIC PARTS LIST

<u>PART No.</u>	<u>PAGE</u>	<u>PART No.</u>	<u>PAGE</u>
130236 01	6	KIT-00931	16
	10	NUT-0190	6
130237 01	6		10
134024 05	6	NUT-0263	6
	10		10
191051 01	6		32
191063 02	6	NUT-0265	34
	10	NUT-0269	6
191660 01	28		10
191804 27	14		18
	15	POP-0006	6
	16		10
191804 29	14	PTO-17002	16
	15	PTO-17006	15
	16	PTO-17010	14
191945 01	18	RP-100040	23
192227 01	32		24
192227 02	32	SCBA08172	32
192712 01	34	VAL-0120	30
192768 18	14	WSH-0012	6
	15		10
	16		32
193473 01	10	WSH-0015	34
193475 01	10	WSH-0018	6
193564 01	36		10
193595 01	10		18
193595 02	10	WSH-0024	6
BLT-2273	6		10
BLT-4710	6	WSH-0058	32
	10	WSH-0070	6
CHN-01990	14		10
	15	WSH-1005	30
	16	WSH-1010	23
COU-0161	23	WSH-1015	24
COU-0162	24		
FIT-0025	23		
FIT-0047	23		
	24		
FIT-0552	30		
HHAC12005	23		
	24		
HMA-0055	24		
HSS-0191	34		
HSS-0238	18		
HSS-0315	6		
	10		
KIT-00601	5		
KIT-00617	9		
KIT-00931	14		
	15		

