

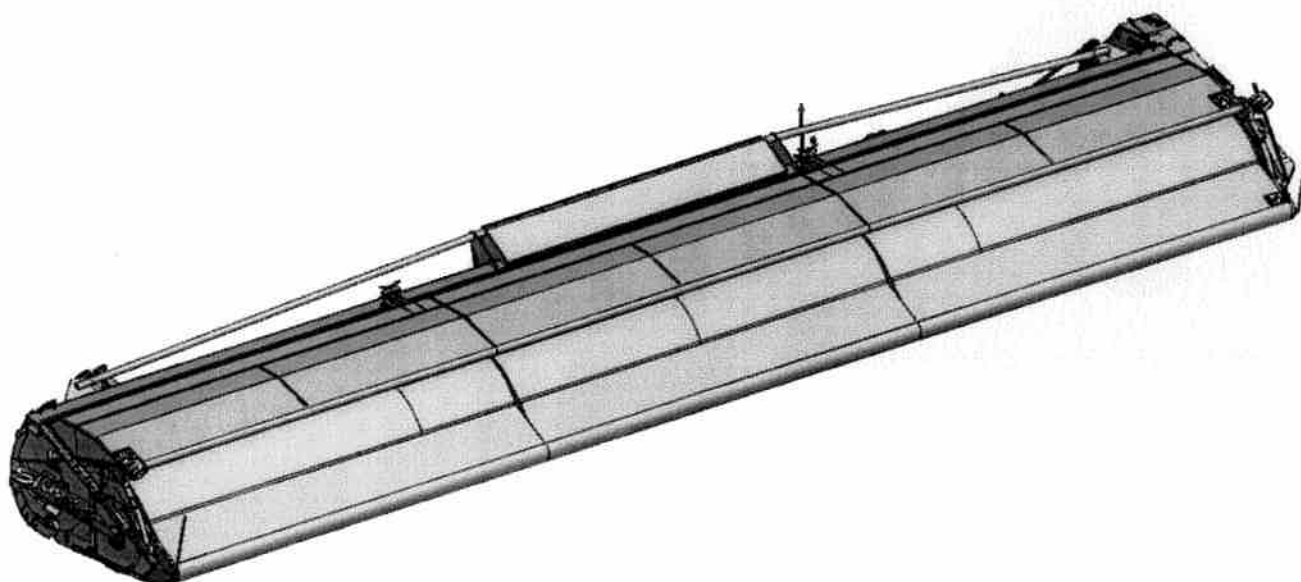
Shelbourne

REYNOLDS

Shelbourne Header

MF/DRON 30-40 SERIES AUTO LEVEL

DRIVE & ADAPTOR PLATE PARTS MANUAL



Shelbourne Reynolds Inc.
Colby PO box 607
1250 S Country Club Drive
Colby , Kansas 67701
U.S.A.
Telephone: (785) 462 6299
Fax: (785) 462 6761

Shelbourne Reynolds Engineering Ltd
Stanton
Bury St Edmunds
Suffolk IP31 2AR
England
Telephone: (01359) 250415
Fax: (01359) 250464

(Stores direct (01359) 251231)
(Stores direct (01359) 252031)

ISSUE...7

18.10.2012

visit our website www.shelbourne.com

LIST OF KIT NUMBERS
FOR C/Rvs & Rsd MF/DRON 30-40 (Auto Level) Machines

ADAPTOR PLATE

1.	196555 02	ADAPTOR PLATE ASSY MF/DRON 30-40 Auto Level
2`	196555 17	ADAPTOR PLATE ASSY AGCO
3	196555 18	ADAPTOR PLATE ASSY MF WORLDWIDE PICKUP ERPN
4	KIT-00631	ADAPTOR PLATE MF-30-40(AUTO,1996)
5	KIT-00643	ADAPTOR PLATE AGCO (C/RVS RSD)
6	KIT-00812	FILL IN KIT MF WORLDWIDE PICKUP ERPN

DRIVE OPTION

1.	196549 115B	DRIVE KIT ASSY MF/DRON 30-40 (Auto Level) C/Rvs & Rsd 16/18' (Without Rotor Gearbox)
2	196549 165	DRIVE KIT DEUTZ-ALLIS C/RVS(18') (With rotor gearbox)
3	196549 165B	DRIVE KIT DEUTZ-ALLIS C/RVS(18') (Without rotor gearbox)
4	196549 166	DRIVE KIT DEUTZ-ALLIS C/RVS(20') (With rotor gearbox)
5	196549 166B	DRIVE KIT DEUTZ-ALLIS C/RVS(20') (Without rotor gearbox)
6	196549 168	DRIVE KIT DEUTZ-ALLISC/RVS(22-32') (With rotor gearbox)
7	196549 168B	DRIVE KIT DEUTZ-ALLIS C/RVS(22-32') (Without rotor gearbox)
8.	KIT-00931	PTO SUPPORT KIT

HYDRAULIC KIT

1.	KIT-01707	HYDRAULIC CONNECTOR MF/DRON 30-40 (Auto Level)
2	KIT-01720	HYDRAULIC KIT DEUTZ-ALLIS/GLEANER
3.	KIT-01731	HYDRAULIC KIT AGCO MULTICOUPLER

Shelbourne Header C/Rvs & Rsd Range

Adaptor Plate

Shelbourne Reynolds Engineering Limited

ASSY NUMBER:		196555 02		ASSY DESCRIPTION: ADAPTOR PLATE ASSY MF DRON (AUTO LEVEL)			
ITEM	PART NO	DESCRIPTION	QTY	ITEM	PART NO	DESCRIPTION	QTY
	KIT-00631	ADAPTOR PLATE SUB	1				

Shelbourne Reynolds Engineering Limited

ASSY NUMBER: 196555 17		ASSY DESCRIPTION: ADAPT.PLT.ASSY AGCO (NON LATERAL TILT MODELS MUST HAVE LARGE HORNS)					
ITEM	PART NO	DESCRIPTION	QTY	ITEM	PART NO	DESCRIPTION	QTY
	KIT-00643	ADAPTOR PLATE SUB	1				

Shelbourne Reynolds Engineering Limited

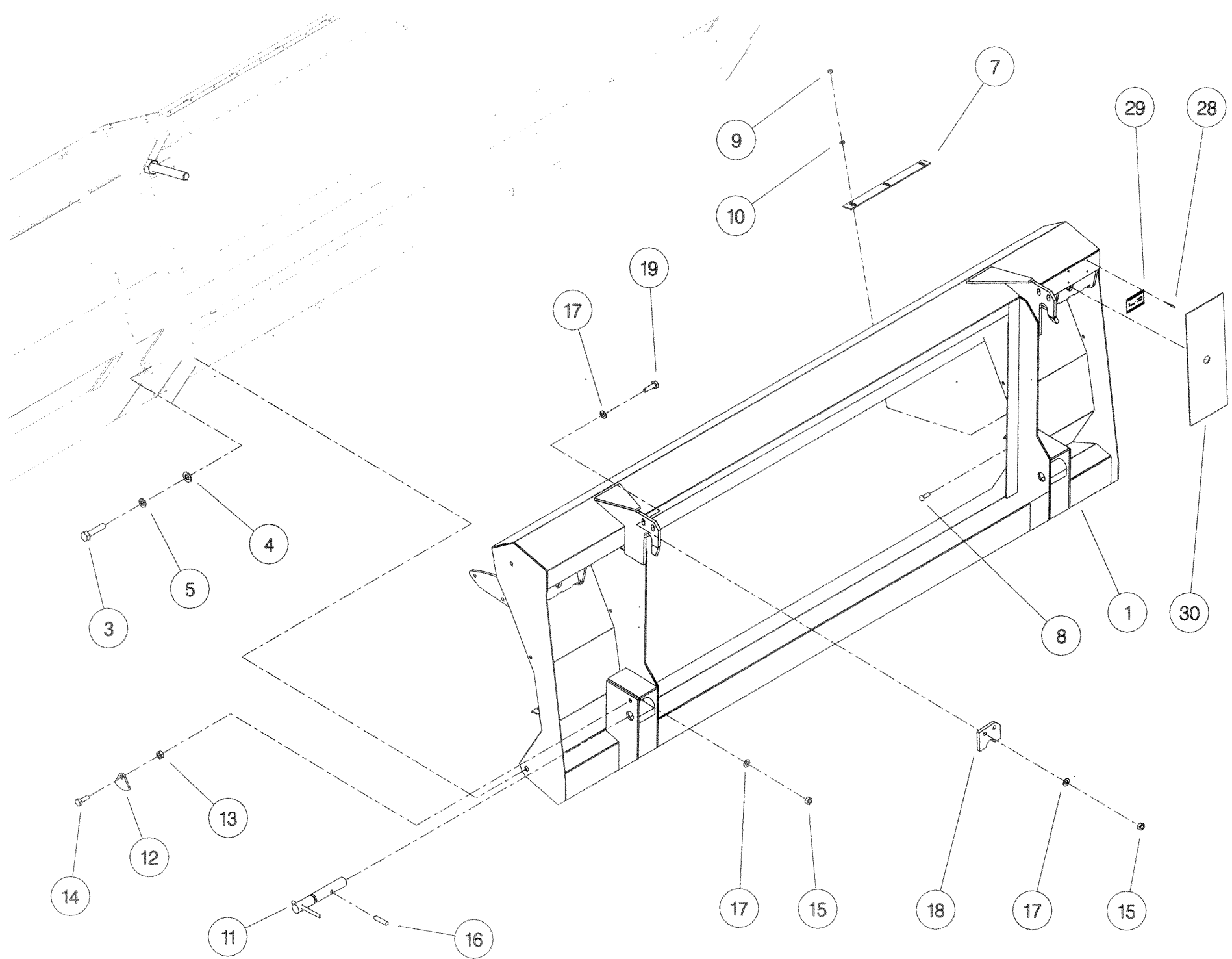
ASSY NUMBER: 196555 18

ASSY DESCRIPTION: ADAPT.PLT.ASSY MF WORLDWIDE PICKUP ERPN

ITEM	PART NO	DESCRIPTION	QTY	ITEM	PART NO	DESCRIPTION	QTY
	KIT-00643	ADAPTOR PLATE SUB	1				
	KIT-00812	FILL IN KIT	1				

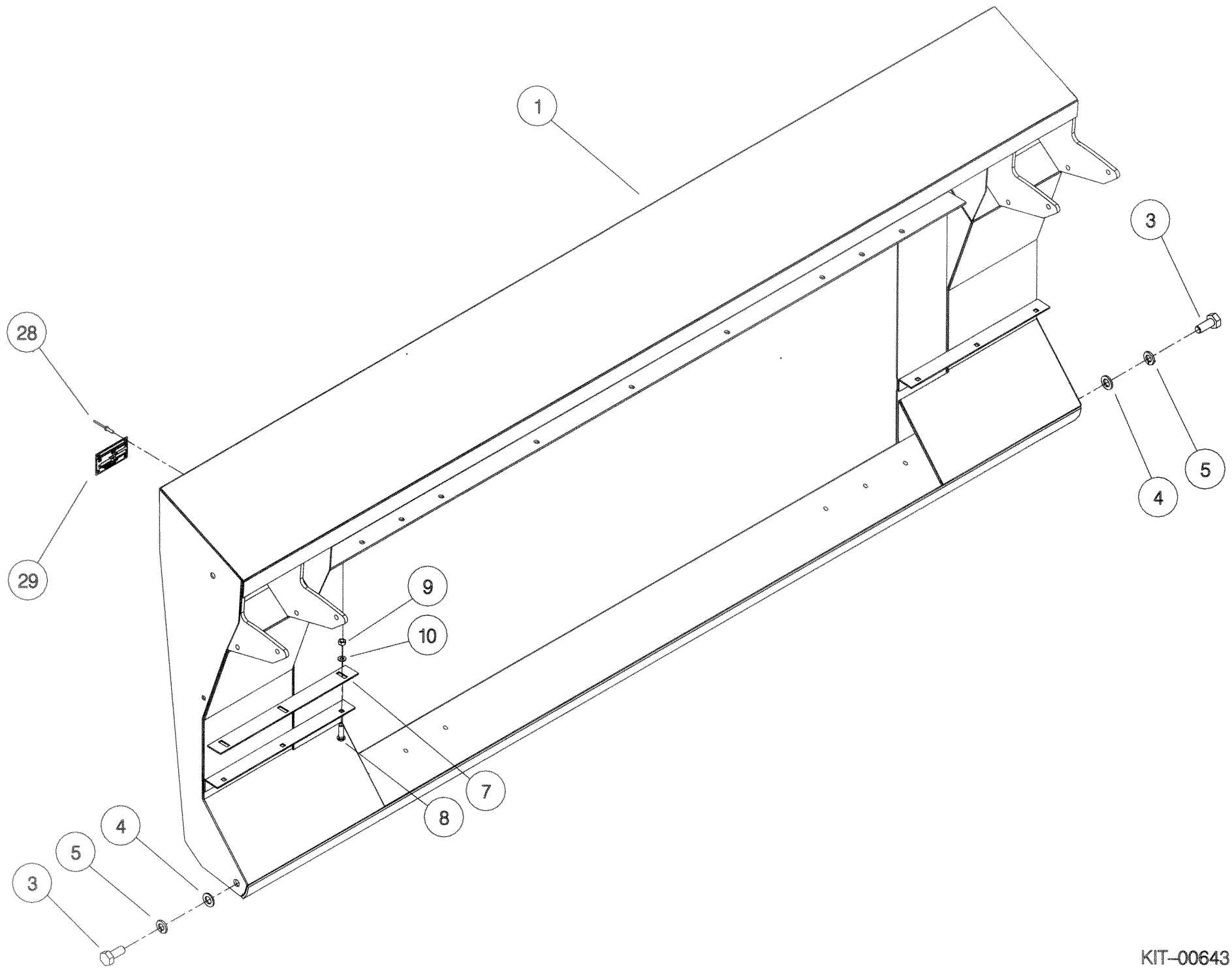
Shelbourne Reynolds Engineering Limited

ASSY NUMBER:		KIT-00631		SUB ASSY DESCRIPTION: ADAPTOR PLATE MF-30-40 (AUTO,1996)			
ITEM	PART NO	DESCRIPTION	QTY	ITEM	PART NO	DESCRIPTION	QTY
1	194262 01	FRAME WELD ASSY	1				
2							
3	HSS-0315	SET SCREW	2				
4	WSH-0024	PLAIN WASHER	2				
5	WSH-0070	SPRING WASHER	2				
6							
7	194261 02	SCRAPER (UPTO 2009)	2				
8	BLT-4710	COACH BOLT (UPTO 2009)	6				
9	NUT-0263	NYLOC NUT (UPTO 2009)	6				
10	WSH-0012	PLAIN WASHER (UPTO 2009)	6				
11	130088 01	LOCKING HANDLE	2				
12	210125 01	LOCKING CAM	2				
13	NUT-0170	PLAIN NUT	2				
14	HSS-0250	SET SCREW	2				
15	NUT-0269	NYLOC NUT	4				
16	PIN-1935	ROLL PIN	2				
17	WSH-0018	PLAIN WASHER	6				
18	191459 01	ADJUSTER PLATE	1				
19	BLTA12290	BOLT	2				
20							
21							
22							
23							
24							
25							
26							
27							
28	POP-0006	POP RIVET	4				
29	134024 05	IDENTIFICATION PLATE	1				
30	195093 01	DUST COVER	2				



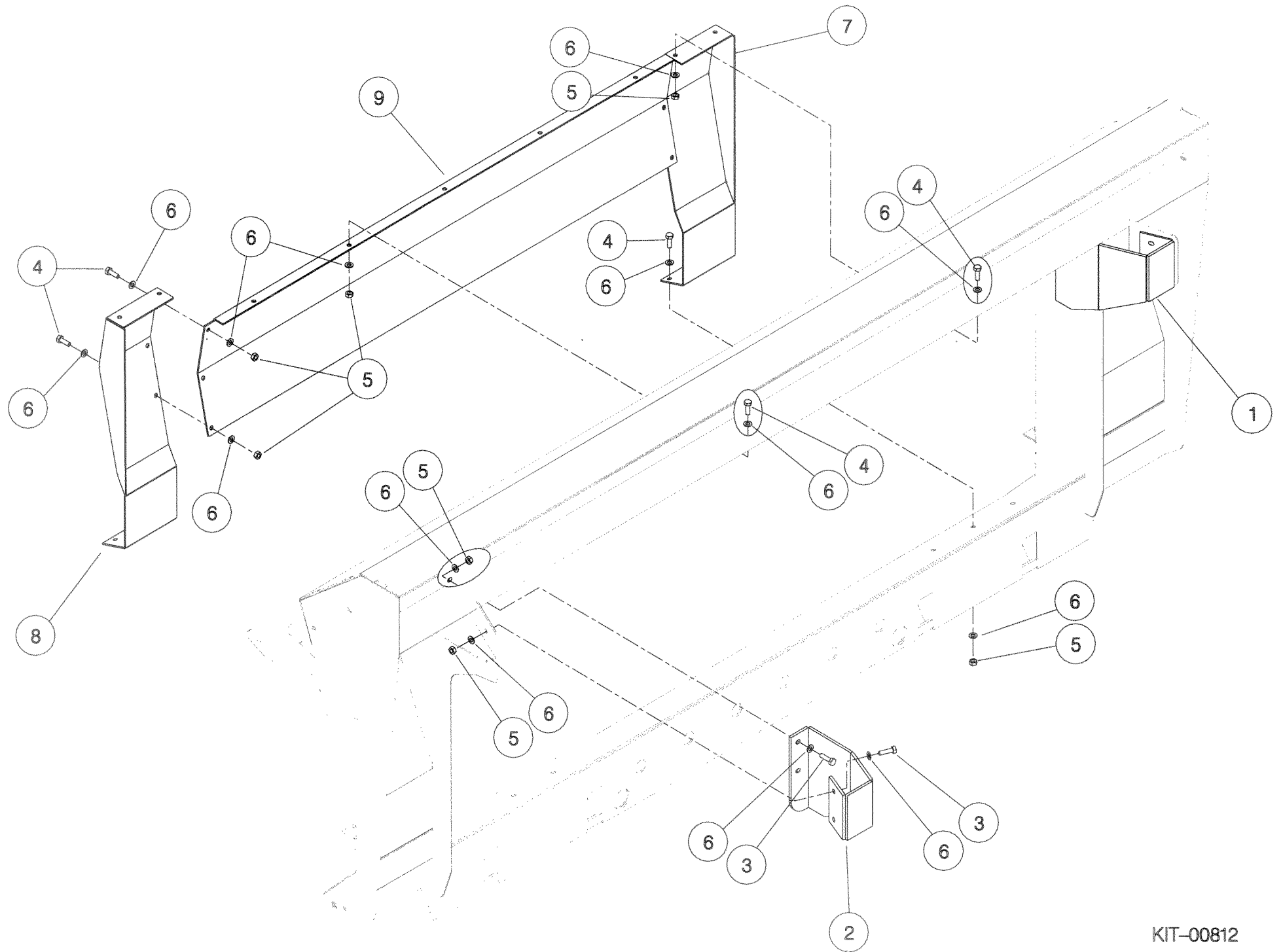
Shelbourne Reynolds Engineering Limited

ASSY NUMBER:		KIT-00643		SUB ASSY DESCRIPTION: ADAPTOR PLATE AGCO (R/CVS RSD)			
ITEM	PART NO	DESCRIPTION	QTY	ITEM	PART NO	DESCRIPTION	QTY
1	197657 01	FRAME WELD ASSY	1				
2							
3	HSS-0315	SET SCREW	2				
4	WSH-0024	PLAIN WASHER	2				
5	WSH-0070	SPRING WASHER	2				
6							
7	197658 01	SCRAPER (UPTO 2009)	2				
8	BLT-4710	COACH BOLT (UPTO 2009)	6				
9	NUT-0263	NYLOC NUT (UPTO 2009)	6				
10	WSH-0012	PLAIN WASHER (UPTO 2009)	6				
11							
12							
13							
14							
15							
16							
17							
18							
19							
20							
21							
22							
23							
24							
25							
26							
27							
28	POP-0006	POP RIVET (UPTO 2009)	4				
29	194565 01	IDENTIFICATION PLATE (UPTO 2009)	1				



Shelbourne Reynolds Engineering Limited

ASSY NUMBER:		KIT-00812		SUB ASSY DESCRIPTION: FILL IN KIT MF WORLD WIDE PICK UP			
ITEM	PART NO	DESCRIPTION	QTY	ITEM	PART NO	DESCRIPTION	QTY
1	197667 01	LH GUIDE PLATE	1				
2	197667 02	RH GUIDE PLATE	1				
3	HSS-0150	BOLT	4				
4	HSS-0145	BOLT	23				
5	NUT-0263	NYLOC NUT	27				
6	WSH-0012	PLAIN WASHER	54				
7	197665 01	LH FILL IN PLATE	1				
8	197665 02	RH FILL IN PLATE	1				
9	197666 01	UPPER FILL IN PLATE	1				



Shelbourne Header C/Rvs & Rsd Range

Drive Option

Shelbourne Reynolds Engineering Limited

ASSY NUMBER:		196549 115		ASSY DESCRIPTION:DRIVE KIT MF DRON/JD(BR)Cvs/Rsd 16/18'			
ITEM	PART NO	DESCRIPTION	QTY	ITEM	PART NO	DESCRIPTION	QTY
1a OR 1b	192592 01	INPUT GEAR (42t) WITHOUT ROTOR GEARBOX	1				
2a OR 2b	193599 01	PINION (27t) WITHOUT ROTOR GEARBOX	1				
3	PTO-26013	PTO	1				
3A	PTO-00080	PTO YOKE-COMBINE (SPARES)	1				
3B	PTO-00083	PTO CROSS BEARING (SPARES)	A/R				
3C	PTO-00119	PTO CLUTCH-HEADER (SPARES)	1				
3D	PTO-00093	PTO GUARD ASSY (SPARES)	1				
3E	BLTA10380	SHEARBOLT	A/R				
3F	NUT-0265	NYLOC NUT	A/R				
4	192768 10	SPROCKET	1				
5	CHN-01920	CHAIN (FIXED GEARBOX MACHINES)	105				
OR	CHN-01920	CHAIN (PIVOTING GEARBOX MACHINES)	111				
6	CHN-01901	JOINING LINK	1				
7	KIT-00931	PTO SUPPORT KIT	1				

Shelbourne Reynolds Engineering Limited

ASSY NUMBER:		196549 165	ASSY DESCRIPTION:DRIVE KIT DEUTZ-ALLIS C/RVs(18')				
ITEM	PART NO	DESCRIPTION	QTY	ITEM	PART NO	DESCRIPTION	QTY
1a	192592 07	INPUT GEAR (45t)	1				
OR		WITH ROTOR GEARBOX					
1b	192592 11	INPUT GEAR (35t)	1				
		WITHOUT ROTOR GEARBOX					
2a	193599 07	PINION (24t)	1				
OR		WITH ROTOR GEARBOX					
2b	193599 11	PINION (34t)	1				
OR		WITHOUT ROTOR GEARBOX					
2e	198999 11	PINION (34t)	1				
		65mm SHAFT					
3	PTO-26009	PTO	1				
3A	PTO-00082	PTO YOKE-COMBINE (SPARES)	1				
3B	PTO-00083	PTO CROSS BEARING (SPARES)	A/R				
3C	PTO-00119	PTO CLUTCH-HEADER (SPARES)	1				
3D	PTO-00093	PTO GUARD ASSY (SPARES)	1				
3E	BLTA10380	SHEARBOLT	A/R				
3F	NUT-0265	NYLOC NUT	A/R				
4	192768 16	SPROCKET	1				
5	CHN-01920	CHAIN	93				
		(FIXED GEARBOX MACHINES)					
OR	CHN-01920	CHAIN	101				
		(PIVOTING GEARBOX MACHINES)					
6							
7	KIT-00931	PTO SUPPORT KIT	1				

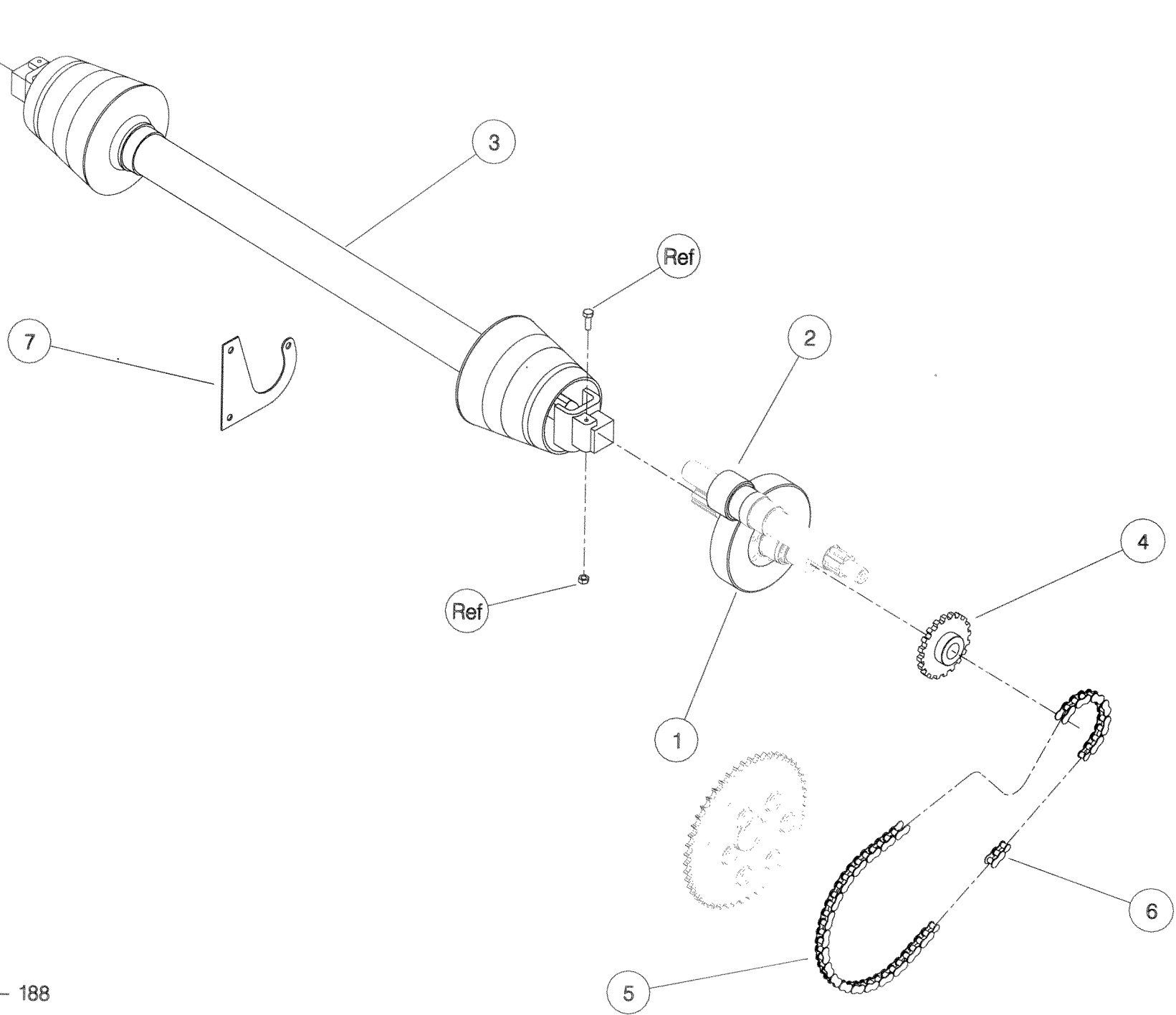
Shelbourne Reynolds Engineering Limited

ASSY NUMBER:		196549 166		ASSY DESCRIPTION:DRIVE KIT DEUTZ-ALLIS C/RVs (20')			
ITEM	PART NO	DESCRIPTION	QTY	ITEM	PART NO	DESCRIPTION	QTY
1a	192592 07	INPUT GEAR (45t)	1				
OR		WITH ROTOR GEARBOX					
1b	192592 11	INPUT GEAR (35t)	1				
		WITHOUT ROTOR GEARBOX					
2a	193599 07	PINION (24t)	1				
OR		WITH ROTOR GEARBOX					
2b	193599 11	PINION (34t)	1				
OR		WITHOUT ROTOR GEARBOX					
2e	198999 11	PINION (34t)	1				
		65mm SHAFT					
3	PTO-26010	PTO	1				
3A	PTO-00082	PTO YOKE-COMBINE (SPARES)	1				
3B	PTO-00083	PTO CROSS BEARING (SPARES)	A/R				
3C	PTO-00119	PTO CLUTCH-HEADER (SPARES)	1				
3D	PTO-00093	PTO GUARD ASSY (SPARES)	1				
3E	BLTA10380	SHEARBOLT	A/R				
3F	NUT-0265	NYLOC NUT	A/R				
4	192768 16	SPROCKET	1				
5	CHN-01920	CHAIN	93				
		(FIXED GEARBOX MACHINES)					
OR	CHN-01920	CHAIN	101				
		(PIVOTING GEARBOX MACHINES)					
6							
7	KIT-00931	PTO SUPPORT KIT	1				

Shelbourne Reynolds Engineering Limited

ASSY NUMBER:		196549 168		ASSY DESCRIPTION:DRIVE KIT DEUTZ-ALLIS C/RVs (22-32')			
ITEM	PART NO	DESCRIPTION	QTY	ITEM	PART NO	DESCRIPTION	QTY
1a	192592 07	INPUT GEAR (45t)	1				
OR		WITH ROTOR GEARBOX					
1b	192592 11	INPUT GEAR (35t)	1				
		WITHOUT ROTOR GEARBOX					
2a	193599 07	PINION (24t)	1				
OR		WITH ROTOR GEARBOX					
2b	193599 11	PINION (34t)	1				
OR		WITHOUT ROTOR GEARBOX					
2e	198999 11	PINION (34t)	1				
		65mm SHAFT					
3	PTO-26001	PTO	1				
3A	PTO-00082	PTO YOKE-COMBINE (SPARES)	1				
3B	PTO-00083	PTO CROSS BEARING (SPARES)	A/R				
3C	PTO-00119	PTO CLUTCH-HEADER (SPARES)	1				
3D	PTO-00093	PTO GUARD ASSY (SPARES)	1				
3E	BLTA10380	SHEARBOLT	A/R				
3F	NUT-0265	NYLOC NUT	A/R				
4	192768 16	SPROCKET	1				
5	CHN-01920	CHAIN	93				
		(FIXED GEARBOX MACHINES)					
OR	CHN-01920	CHAIN	101				
		(PIVOTING GEARBOX MACHINES)					
6							
7	KIT-00931	PTO SUPPORT KIT	1				

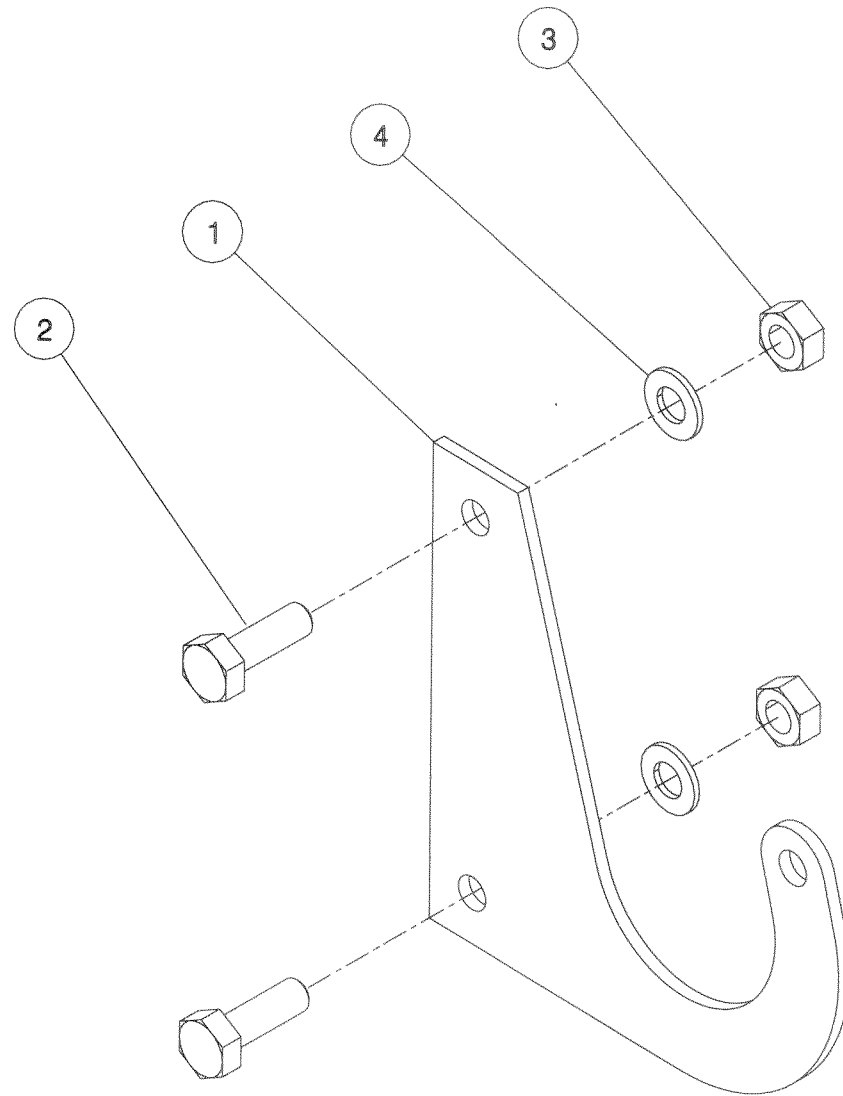
196549 155 - 158
JD ONLY



196549 005 - 188

Shelbourne Reynolds Engineering Limited

ASSY NUMBER:		KIT-00931		ASSY DESCRIPTION: PTO SUPPORT KIT			
ITEM	PART NO	DESCRIPTION	QTY	ITEM	PART NO	DESCRIPTION	QTY
1	191945 01	PTO SUPPORT	1				
2	HSS-0238	SET SCREW	2				
3	NUT-0269	NYLOC NUT	2				
4	WSH-0018	PLAIN WASHER	2				



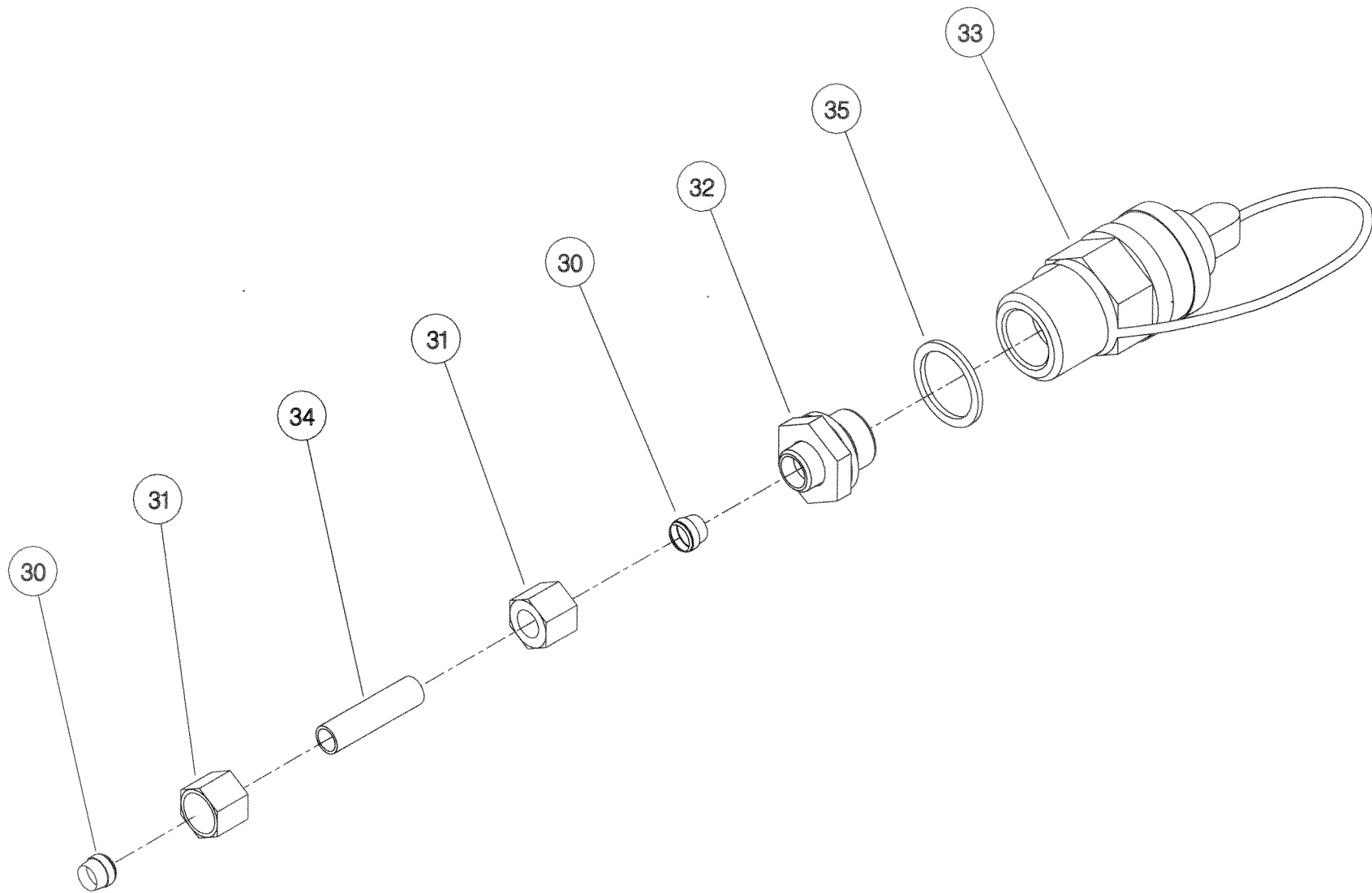
KIT-00931

Shelbourne Header C/Rvs & Rsd Range

Hydraulic Kit

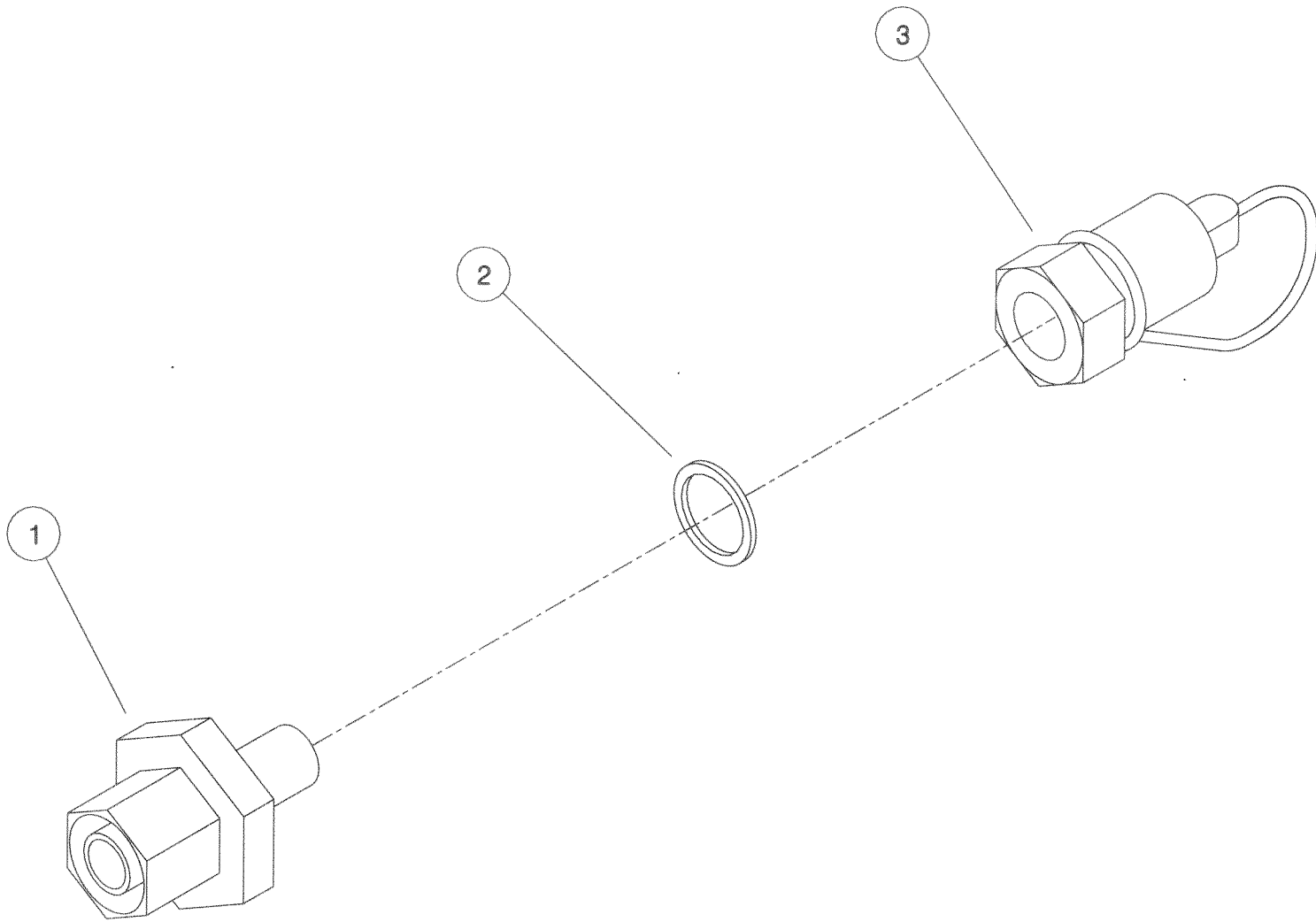
Shelbourne Reynolds Engineering Limited

ASSY NUMBER:		KIT-01707		SUB ASSY DESCRIPTION: HYDRAULIC PROBE ADAPTOR			
ITEM	PART NO	DESCRIPTION	QTY	ITEM	PART NO	DESCRIPTION	QTY
30	FIT-0056	OLIVE	2				
31	FIT-0051	NUT	2				
32	FIT-0046	COUPLING	1				
33	COU-0128	PULL BRAKE COUPLING	1				
34	RP-100040	PIPE	1				
35	WSH-1015	DOWTY WASHER	1				



Shelbourne Reynolds Engineering Limited

ASSY NUMBER:		KIT-01720		SUB ASSY DESCRIPTION: HYDRAULIC KIT (DEUTZ-ALLIS, GLEANER)			
ITEM	PART NO	DESCRIPTION	QTY	ITEM	PART NO	DESCRIPTION	QTY
1	FIT-0518	ADAPTOR	1				
2	WSH-1005	DOWTY WASHER	1				
3	HQR-00503	PROBE COUPLING	1				



KIT- 01720

Shelbourne Reynolds Engineering Limited

ASSY NUMBER:		KIT-01731		SUB ASSY DESCRIPTION: HYDRAULIC KIT AGCO MULTICOUPLER			
ITEM	PART NO	DESCRIPTION	QTY	ITEM	PART NO	DESCRIPTION	QTY
1	197812 01	ELECTRICAL/HYD ADAPTOR	1				
2	198278 01	LOOM & PLUG ASSY	1				
3	CIR-0450	CIRCLIP	1				
4	HQR-13026	COUPLING	1				
5	CLP-00230	SNAP RING	1				
6	HAAAK0327	HYD ADAPTOR	1				
7	HHAC12010	HYD HOSE ASSY	1				
8	197766 01	PARKING BRACKET	1				
9	HSS-0238	SETSCREW	2				
10	WSH-0018	WASHER	2				
11	NUT-0269	NYLOC NUT	2				
12	197248 01	LOCATING BOSS	2				
13	SCW-0190	SCREW CAP HEAD	2				
14							

