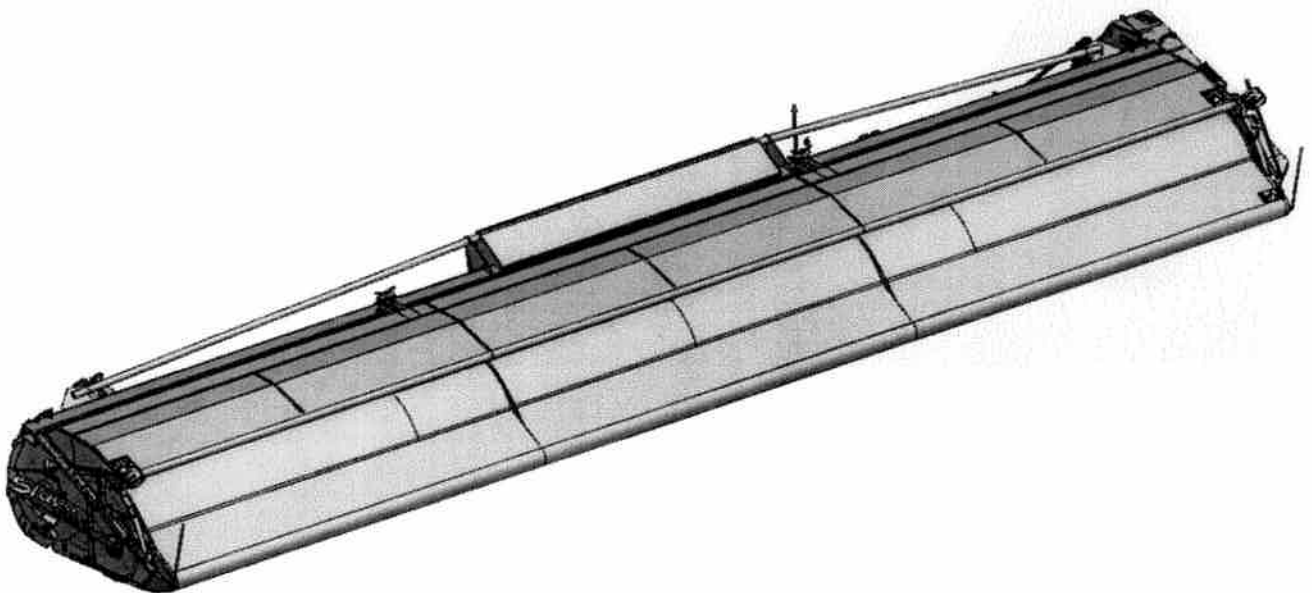


**Shelbourne**  
REYNOLDS

# **Shelbourne Header**

## **Gleaner/Deutz Allis**

**DRIVE & ADAPTOR PLATE PARTS MANUAL**



**Shelbourne Reynolds Inc.**  
Colby PO box 607  
1250 S Country Club Drive  
Colby , Kansas 67701  
U.S.A.

Telephone: (785) 462 6299  
Fax: (785) 462 6761

**Shelbourne Reynolds Engineering Ltd**  
Stanton  
Bury St Edmunds  
Suffolk IP31 2AR  
England

Telephone: (01359) 250415  
Fax: (01359) 250464

(Stores direct (01359) 251231)  
(Stores direct (01359) 252031)

ISSUE...8

18.10.2012

LIST OF KIT NUMBERS  
FOR C/Rvs DEUTZ ALLIS MACHINES

**ADAPTOR PLATE**

- |    |           |                                |
|----|-----------|--------------------------------|
| 1. | 196555 09 | ADAPTOR PLATE ASSY DEUTZ ALLIS |
| 2. | KIT-00635 | ADAPTOR PLATE SUB              |
| 3. | 196555 17 | ADAPTOR PLATE ASSY AGCO        |
| 4. | 196555 19 | ADAPTOR PLATE ASSY GLEANER     |
| 5. | KIT-00643 | ADAPTOR PLATE SUB AGCO         |
| 6. | KIT-00814 | FILL IN KIT GLEANER            |

**DRIVE OPTION**

- |    |            |   |
|----|------------|---|
| 1. | 196549 165 | DRIVE KIT ASSY DEUTZ ALLIS C/Rvs 18'    |
| 2. | 196549 166 | DRIVE KIT ASSY DEUTZ ALLIS C/Rvs 20'    |
| 3. | 196549 168 | DRIVE KIT ASSY DEUTZ ALLIS C/Rvs 22-32' |
| 4. | KIT-00931  | PTO SUPPORT KIT                         |

**HYDRAULIC KIT**

- |    |           |                                 |
|----|-----------|---------------------------------|
| 1. | KIT-01720 | HYDRAULIC CONNECTOR             |
| 2. | KIT-01731 | HYDRAULIC KIT AGCO MULTICOUPLER |



# **Shelbourne Header Cvs Range**

**Adaptor Plate**

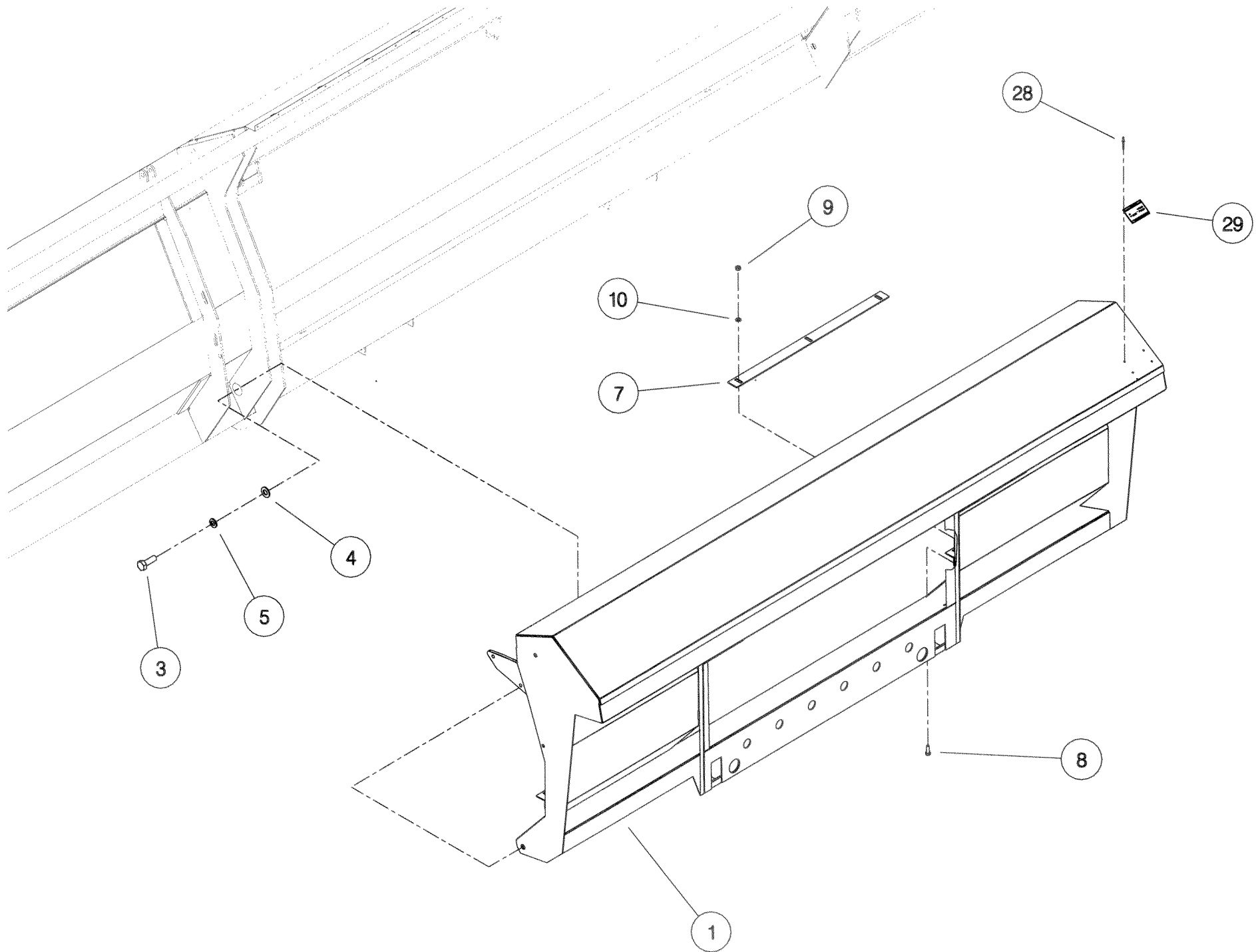


**Shelbourne Reynolds Engineering Limited**

ASSY NUMBER: 196555 09				ASSY DESCRIPTION: ADAPTOR PLATE ASSY DEUTZ ALLIS			
ITEM	PART NO	DESCRIPTION	QTY	ITEM	PART NO	DESCRIPTION	QTY
	KIT-00635	ADAPTOR PLATE SUB	1				

**Shelbourne Reynolds Engineering Limited**

ASSY NUMBER:		KIT-00635		SUB ASSY DESCRIPTION: ADAPTOR PLATE DEUTZ-ALLIS			
ITEM	PART NO	DESCRIPTION	QTY	ITEM	PART NO	DESCRIPTION	QTY
1	194327 01	FRAME WELD ASSY	1				
2							
3	HSS-0315	SET SCREW	2				
4	WSH-0024	PLAIN WASHER	2				
5	WSH-0070	SPRING WASHER	2				
6							
7	194326 02	SCRAPER(UPTO 2009)	2				
8	BLT-4710	COACH BOLT	6				
9	NUT-0263	NYLOC NUT	6				
10	WSH-0012	PLAIN WASHER	6				
11							
12							
13							
14							
15							
16							
17							
18							
19							
20							
21							
22							
23							
24							
25							
26							
27							
28	POP-0006	POP RIVET (UPTO 2009)	4				
29	134024 05	IDENTIFICATION PLATE (UPTO 2009)	1				



KIT - 00635



**Shelbourne Reynolds Engineering Limited**

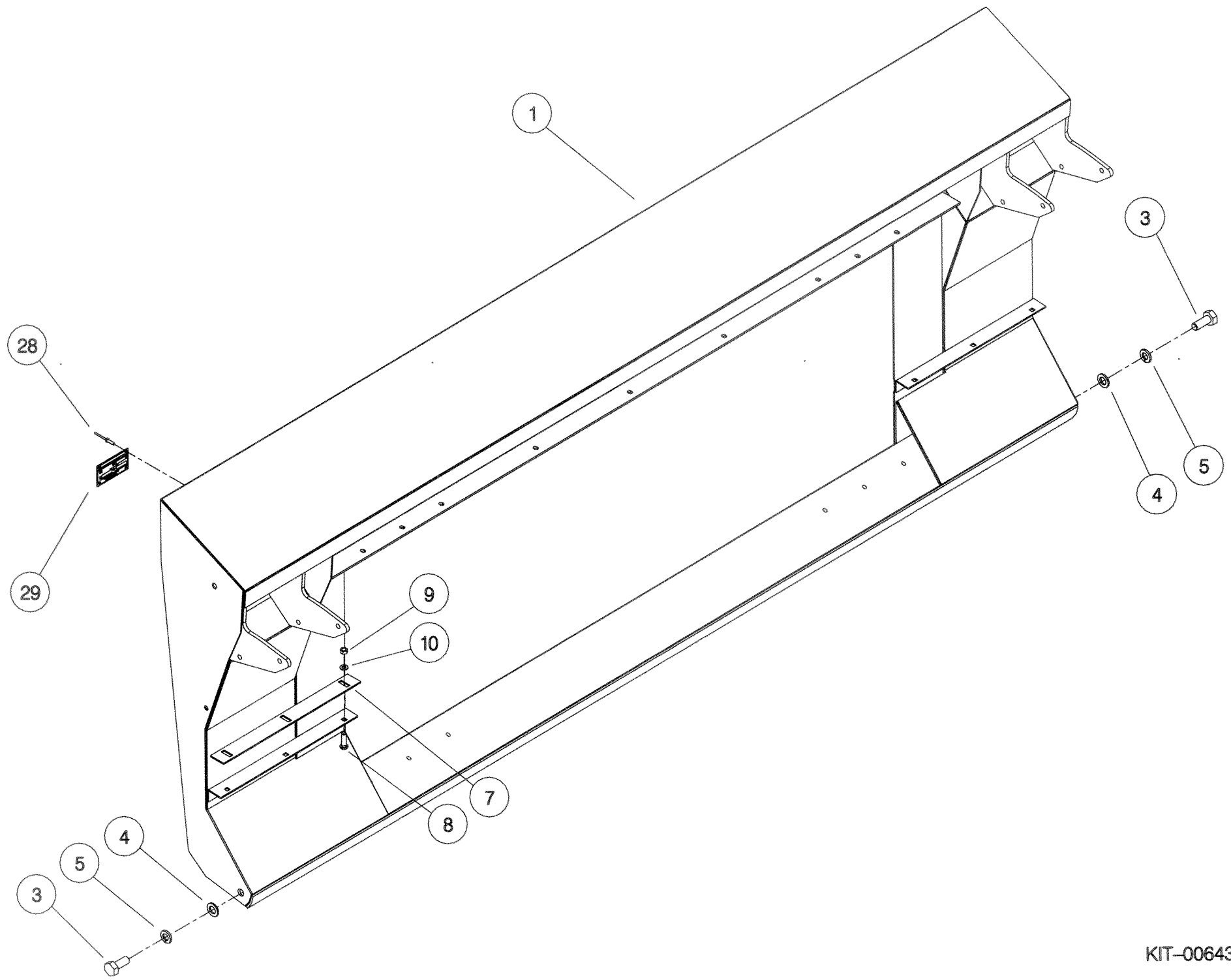
ASSY NUMBER:		196555 17		ASSY DESCRIPTION: ADAPT.PLT.ASSY AGCO (NON LATERAL TILT MODELS MUST HAVE LARGE HORNS)			
ITEM	PART NO	DESCRIPTION	QTY	ITEM	PART NO	DESCRIPTION	QTY
	KIT-00643	ADAPTOR PLATE SUB	1				

**Shelbourne Reynolds Engineering Limited**

ASSY NUMBER:		196555 19		ASSY DESCRIPTION: ADAPT.PLT.ASSY GLEANER (R65 & 75)			
				<del>(NON LATERAL TILIT MODELS MUST HAVE LARGE HORNS)</del>			
ITEM	PART NO	DESCRIPTION	QTY	ITEM	PART NO	DESCRIPTION	QTY
	KIT-00643	ADAPTOR PLATE SUB	1				
	KIT-00814	FILL IN KIT	1				

**Shelbourne Reynolds Engineering Limited**

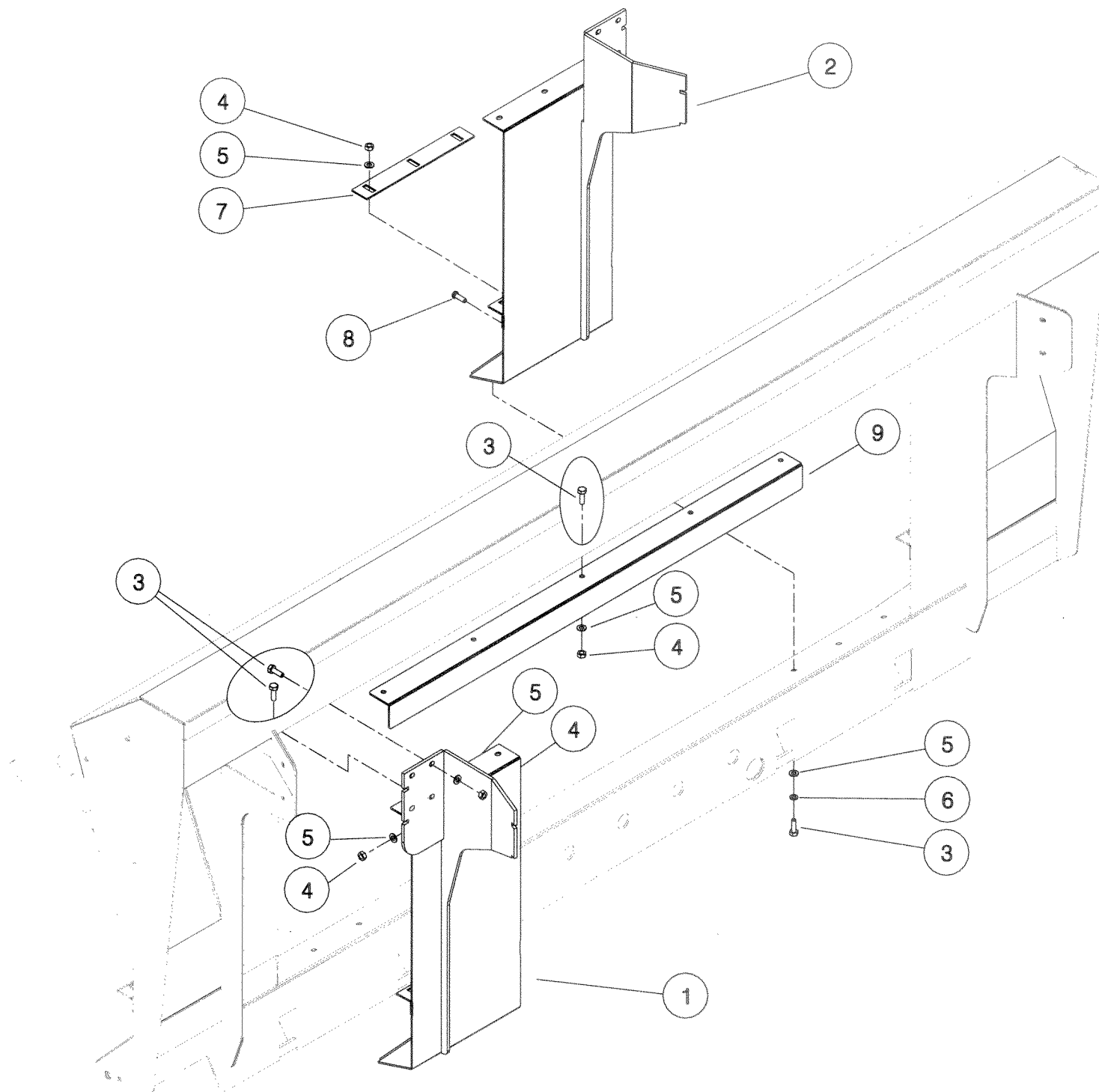
ASSY NUMBER:		KIT-00643		SUB ASSY DESCRIPTION: ADAPTOR PLATE AGCO (R/CVS RSD)			
ITEM	PART NO	DESCRIPTION	QTY	ITEM	PART NO	DESCRIPTION	QTY
1	197657 01	FRAME WELD ASSY	1				
2							
3	HSS-0315	SET SCREW	2				
4	WSH-0024	PLAIN WASHER	2				
5	WSH-0070	SPRING WASHER	2				
6							
7	197658 01	SCRAPER (UPTO 2009)	2				
8	BLT-4710	COACH BOLT(UPTO 2009)	6				
9	NUT-0263	NYLOC NUT (UPTO 2009)	6				
10	WSH-0012	PLAIN WASHER (UPTO 2009)	6				
11							
12							
13							
14							
15							
16							
17							
18							
19							
20							
21							
22							
23							
24							
25							
26							
27							
28	POP-0006	POP RIVET (UPTO 2009)	4				
29	194565 01	IDENTIFICATION PLATE (UPTO 2009)	1				



KIT-00643

**Shelbourne Reynolds Engineering Limited**

ASSY NUMBER:		KIT-00814		SUB ASSY DESCRIPTION: FILL IN KIT GLEANER (R/Cvs,Rsd)			
ITEM	PART NO	DESCRIPTION	QTY	ITEM	PART NO	DESCRIPTION	QTY
1	197663 01	FILL IN PLATE ASSY LH	1				
2	197663 02	FILL IN PLATE ASSY RH	1				
3	HSS-0145	BOLT	19				
4	NUT-0263	NYLOC NUT	19				
5	WSH-0012	PLAIN WASHER	30				
6	WSH-0058	SPRING WASHER	6				
7							
8							
9	197991 01	COVER PLATE	1				



KIT-00813  
KIT-00814



# **Shelbourne Header Cvs Range**

**Drive Kit**



**Shelbourne Reynolds Engineering Limited**

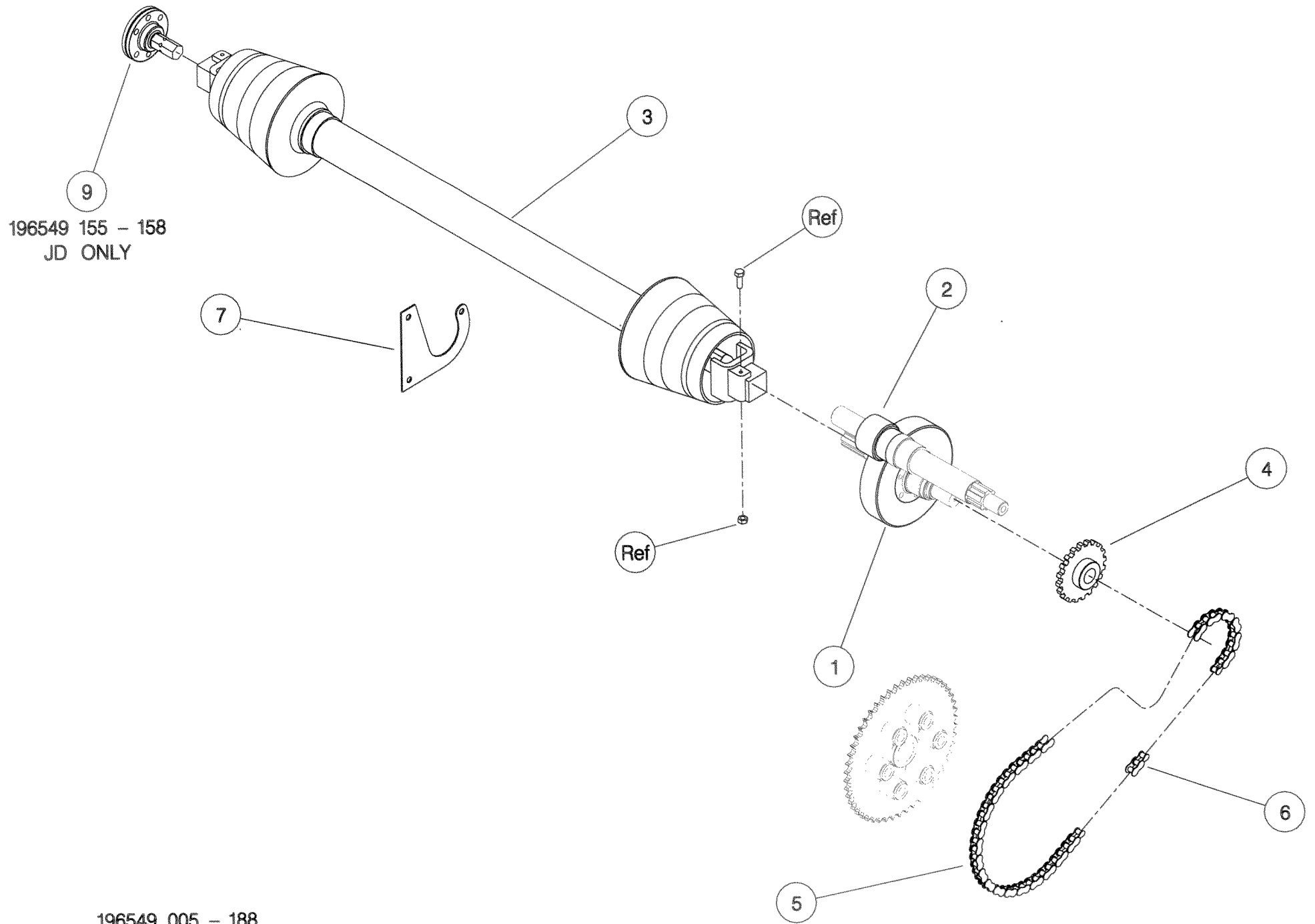
ASSY NUMBER: 196549 165		ASSY DESCRIPTION: DRIVE KIT DEUTZ-ALLIS C/RVs (18')					
ITEM	PART NO	DESCRIPTION	QTY	ITEM	PART NO	DESCRIPTION	QTY
1a	192592 07	INPUT GEAR (45t)	1				
OR		WITH ROTOR GEARBOX					
1b	192592 11	INPUT GEAR (35t)	1				
		WITHOUT ROTOR GEARBOX					
2a	193599 07	PINION (24t)	1				
OR		WITH ROTOR GEARBOX					
2b	193599 11	PINION (34t)	1				
OR		WITHOUT ROTOR GEARBOX					
2e	198999 11	PINION (34t)	1				
		65mm SHAFT					
3	PTO-26009	PTO	1				
3A	PTO-00082	PTO YOKE-COMBINE (SPARES)	1				
3B	PTO-00083	PTO CROSS BEARING (SPARES)	A/R				
3C	PTO-00119	PTO CLUTCH-HEADER (SPARES)	1				
3D	PTO-00093	PTO GUARD ASSY (SPARES)	1				
3E	BLTA10380	SHEARBOLT	A/R				
3F	NUT-0265	NYLOC NUT	A/R				
4	192768 16	SPROCKET	1				
5	CHN-01920	CHAIN	93				
		(FIXED GEARBOX MACHINES)					
OR	CHN-01920	CHAIN	101				
		(PIVOTING GEARBOX MACHINES)					
6							
7	KIT-00931	PTO SUPPORT KIT	1				

**Shelbourne Reynolds Engineering Limited**

ASSY NUMBER:		196549 166		ASSY DESCRIPTION:DRIVE KIT DEUTZ-ALLIS C/RVs (20')			
ITEM	PART NO	DESCRIPTION	QTY	ITEM	PART NO	DESCRIPTION	QTY
1a	192592 07	INPUT GEAR (45t)	1				
OR		WITH ROTOR GEARBOX					
1b	192592 11	INPUT GEAR (35t)	1				
		WITHOUT ROTOR GEARBOX					
2a	193599 07	PINION (24t)	1				
OR		WITH ROTOR GEARBOX					
2b	193599 11	PINION (34t)	1				
OR		WITHOUT ROTOR GEARBOX					
2e	198999 11	PINION (34t)	1				
		65mm SHAFT					
3	PTO-26010	PTO	1				
3A	PTO-00082	PTO YOKE-COMBINE (SPARES)	1				
3B	PTO-00083	PTO CROSS BEARING (SPARES)	A/R				
3C	PTO-00119	PTO CLUTCH-HEADER (SPARES)	1				
3D	PTO-00093	PTO GUARD ASSY (SPARES)	1				
3E	BLTA10380	SHEARBOLT	A/R				
3F	NUT-0265	NYLOC NUT	A/R				
4	192768 16	SPROCKET	1				
5	CHN-01920	CHAIN	93				
		(FIXED GEARBOX MACHINES)					
OR	CHN-01920	CHAIN	101				
		(PIVOTING GEARBOX MACHINES)					
6							
7	KIT-00931	PTO SUPPORT KIT	1				

**Shelbourne Reynolds Engineering Limited**

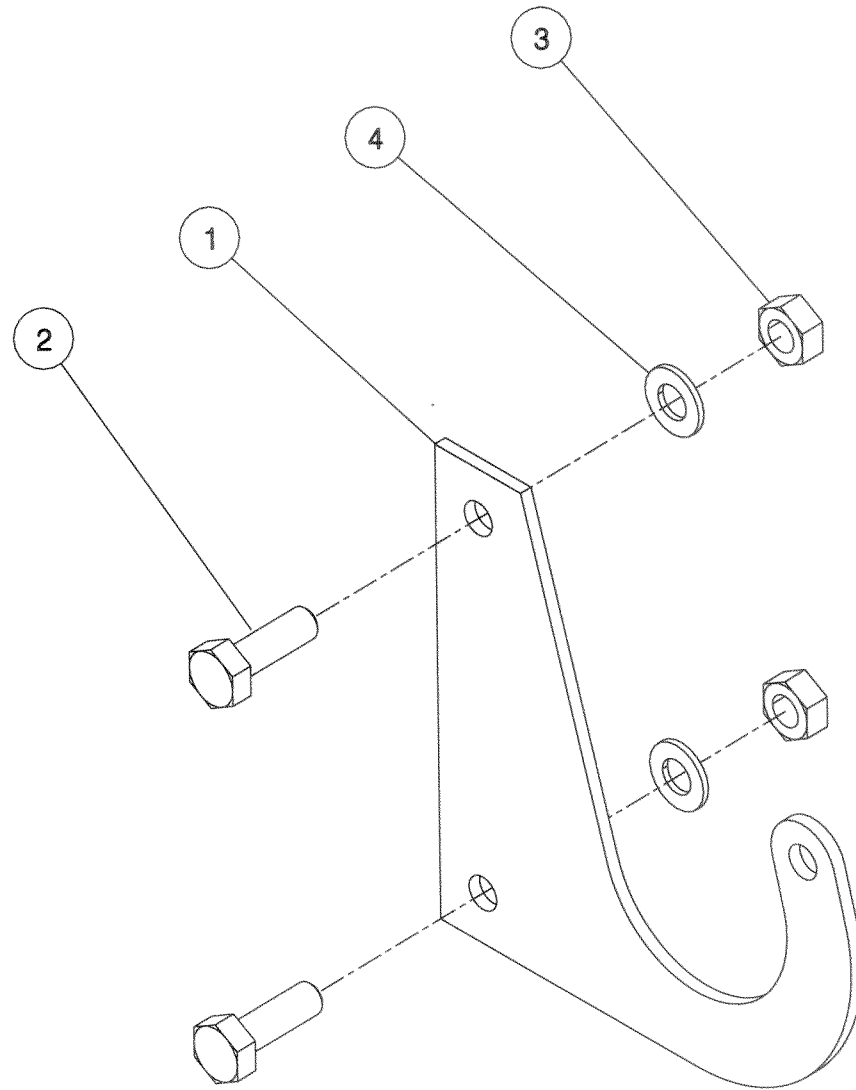
ASSY NUMBER:		196549 168		ASSY DESCRIPTION:DRIVE KIT DEUTZ-ALLIS C/RVs (22-32')			
ITEM	PART NO	DESCRIPTION	QTY	ITEM	PART NO	DESCRIPTION	QTY
1a	192592 07	INPUT GEAR (45t)	1				
OR		WITH ROTOR GEARBOX					
1b	192592 11	INPUT GEAR (35t)	1				
		WITHOUT ROTOR GEARBOX					
2a	193599 07	PINION (24t)	1				
OR		WITH ROTOR GEARBOX					
2b	193599 11	PINION (34t)	1				
OR		WITHOUT ROTOR GEARBOX					
2e	198999 11	PINION (34t)	1				
		65mm SHAFT					
3	PTO-26001	PTO	1				
3A	PTO-00082	PTO YOKE-COMBINE (SPARES)	1				
3B	PTO-00083	PTO CROSS BEARING (SPARES)	A/R				
3C	PTO-00119	PTO CLUTCH-HEADER (SPARES)	1				
3D	PTO-00093	PTO GUARD ASSY (SPARES)	1				
3E	BLTA10380	SHEARBOLT	A/R				
3F	NUT-0265	NYLOC NUT	A/R				
4	192768 16	SPROCKET	1				
5	CHN-01920	CHAIN	93				
		(FIXED GEARBOX MACHINES)					
OR	CHN-01920	CHAIN	101				
		(PIVOTING GEARBOX MACHINES)					
6							
7	KIT-00931	PTO SUPPORT KIT	1				



196549 155 - 158  
 JD ONLY

**Shelbourne Reynolds Engineering Limited**

ASSY NUMBER: KIT-00931		ASSY DESCRIPTION: PTO SUPPORT KIT					
ITEM	PART NO	DESCRIPTION	QTY	ITEM	PART NO	DESCRIPTION	QTY
1	191945 01	PTO SUPPORT	1				
2	HSS-0238	SET SCREW	2				
3	NUT-0269	NYLOC NUT	2				
4	WSH-0018	PLAIN WASHER	2				



KIT-00931



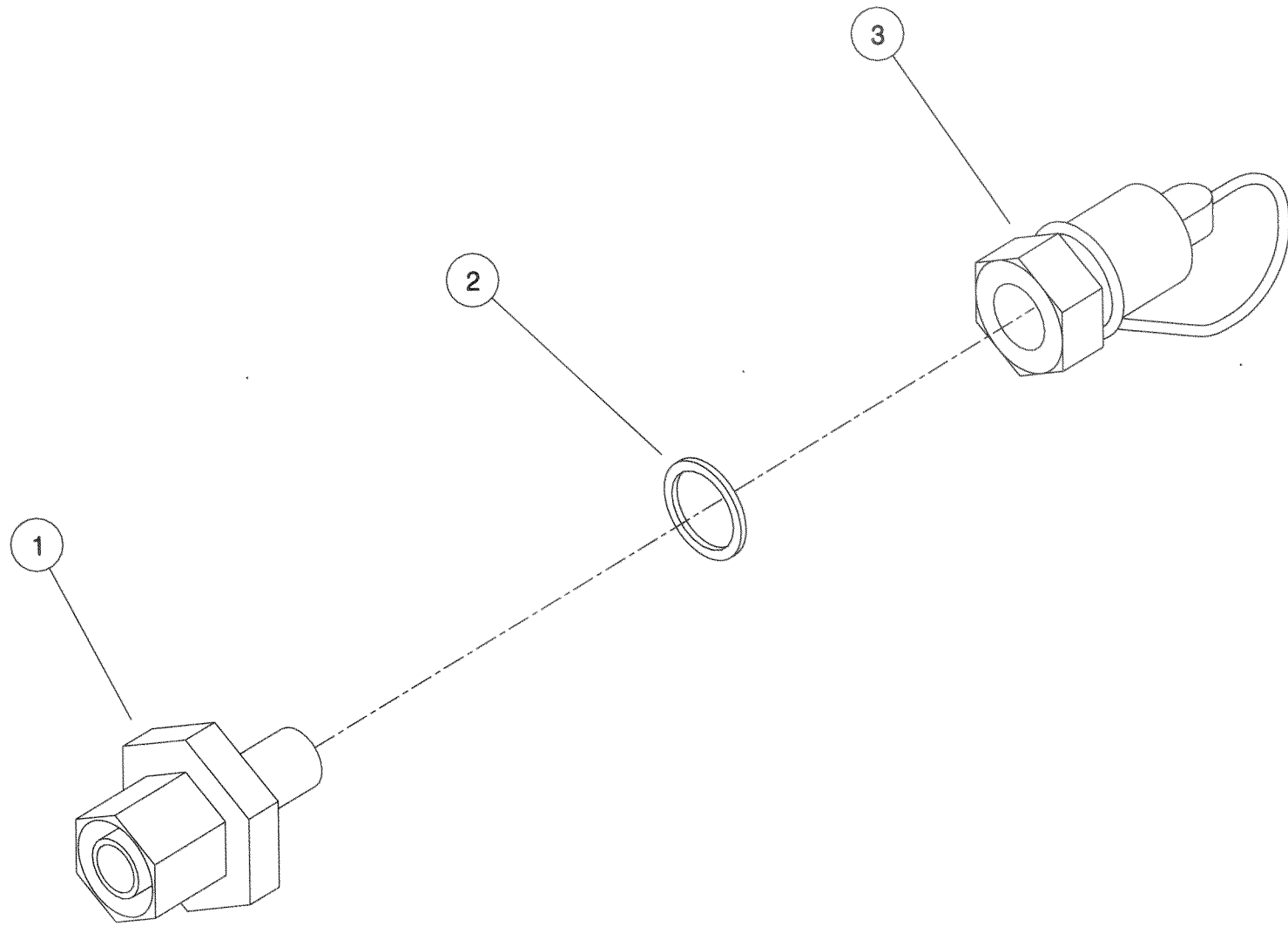
# **Shelbourne Header Cvs Range**

**Hydraulic Option**



**Shelbourne Reynolds Engineering Limited**

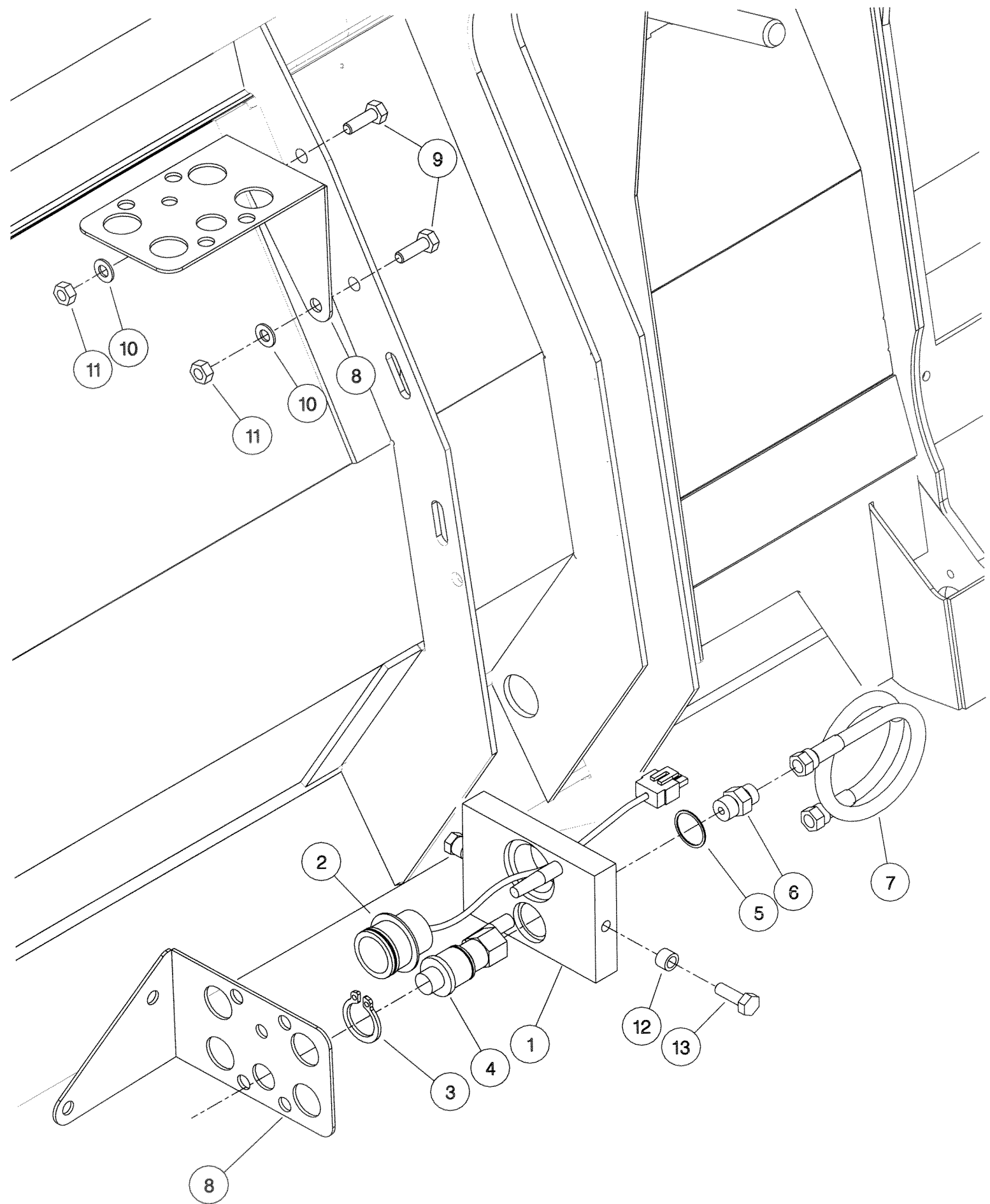
ASSY NUMBER: KIT-01720		SUB ASSY DESCRIPTION: HYDRAULIC KIT (DEUTZ-ALLIS, GLEANER)					
ITEM	PART NO	DESCRIPTION	QTY	ITEM	PART NO	DESCRIPTION	QTY
1	FIT-0518	ADAPTOR	1				
2	WSH-1005	DOWTY WASHER	1				
3	HQR-00503	PROBE COUPLING	1				



KIT- 01720

**Shelbourne Reynolds Engineering Limited**

ASSY NUMBER: KIT-01731		SUB ASSY DESCRIPTION: HYDRAULIC KIT AGCO MULTICOUPLER					
ITEM	PART NO	DESCRIPTION	QTY	ITEM	PART NO	DESCRIPTION	QTY
1	197812 01	ELECTRICAL/HYD ADAPTOR	1				
2	198278 01	LOOM & PLUG ASSY	1				
3	CIR-0450	CIRCLIP	1				
4	HQR-13026	COUPLING	1				
5	CLP-00230	SNAP RING	1				
6	HAAAK0327	HYD ADAPTOR	1				
7	HHAC12010	HYD HOSE ASSY	1				
8	197766 01	PARKING BRACKET	1				
9	HSS-0238	SETSCREW	2				
10	WSH-0018	WASHER	2				
11	NUT-0269	NYLOC NUT	2				
12	197248 01	LOCATING BOSS	2				
13	SCW-0190	SCREW CAP HEAD	2				
14							



KIT-01731