

Shelbourne

REYNOLDS

4.2m & 4.8m OPERATORS MANUAL (2018 & ON) ORIGINAL INSTRUCTIONS



Shelbourne Reynolds Engineering Ltd
Stanton
Bury St Edmunds
Suffolk
IP31 2AR
England

Telephone: 01359 250415
Fax: 01359 250464

Stores Direct : 01359 251231
Stores Direct: 01359 252031

Issue 3

11/04/2023

www.shelbourne.com



MECHANICAL PICK UP HEADER

This page is left intentionally blank

WARRANTY POLICY (ALL PRODUCTS)

MACHINE REGISTRATION

To qualify for the full benefit of the warranty set out in this warranty policy (the “**Warranty**”), it is the purchaser’s responsibility to ensure that the Shelbourne authorised dealer has completed the warranty registration details and that they are submitted to Shelbourne Reynolds Engineering Ltd. within 15 days from the date of delivery. If the warranty registration has not been completed and returned to warranty@shelbourne.com before the expiration of 15 days from the date of delivery, any claims made will be refused.

Using the machine implies the knowledge and acceptance of these warranty terms.

1. LIMITED WARRANTIES

1.5 NEW MACHINE WARRANTY

All new machines supplied by **Shelbourne Reynolds Engineering Ltd. (“Shelbourne”)**, are warranted to the original purchaser, under normal use and service, to be free from defects in material and workmanship for a period of 12 months from the date of delivery to the original purchaser (the **Warranty Period**), subject to the terms set out in this warranty policy.

No other warranty is given by Shelbourne regarding the machine, and no person has any authority to give any such warranty for or on behalf of Shelbourne, other than were given in writing signed by a director of Shelbourne.

1.2 WARRANTY ON SPARE PARTS

Shelbourne warrants that any spare part or component supplied by Shelbourne or the Shelbourne authorised dealer in accordance with this limited warranty are free from defects in material or workmanship from the date of sale to the original purchaser for 6 months, subject to the conditions and limitations in clauses 2 to 5 of this warranty policy. Shelbourne will at its option, either repair or replace the defective part free of charge providing that any warranty claim is supported with a copy of the invoice to the end user for the failed part. No claims will be considered for which sales invoices are not provided. Original Purchaser shall be responsible for labour and all freight charges to and from the place where the warranty work is performed.

Shelbourne Reynolds Engineering Ltd. cannot be held responsible for any failures or safety implications arising from the use of non-genuine parts. Use of non-genuine parts may seriously affect the machine’s performance and safety.

1.3 WARRANTY ON DEALER STOCK MACHINES

No warranty is available or will be given on machines held in dealer stock for more than 6 months before sale.

1.4 TRANSFER OF WARRANTY

Shelbourne may at its sole discretion allow this warranty to be transferred to a subsequent owner of the machinery for the balance of the Warranty Period, subject to all the warranty conditions being met and only with Shelbourne giving prior written consent.

1.5 EXTENDED WARRANTY - Only available on the following Trimmer & Powermix Ranges

Trimmer – 7000 & 8000 Series

Shelbourne will provide an extended Warranty on certain parts of the 7000 and 8000 Trimmer ranges for an additional 12 months, beyond the initial Warranty Period. This is indicated in the table below and is subject to all the other terms and conditions of this warranty policy. This is a conditional extended warranty offered solely at the discretion of Shelbourne and is on a parts only basis.

	Standard (0-12 months)	Extended (12-24 months)
Gearbox	✓	✓
Hydraulic Valves	✓	✓
Hydraulic Pump	✓	✓
Hydraulic Motor	✓	✓
Hydraulic Cylinders	✓	✓
Booms/Main Frame	✓	✓
PTO Shaft	✓	X
Electronic Controls	✓	✓
Hoses	✓	X
Joystick	✓	X

X = Not Covered **✓ = Covered**

Note: Components not indicated have a Shelbourne standard 12 months warranty and are subject to all other terms and conditions of this warranty policy.

Powermix - All Models

Shelbourne will provide an extended Warranty on certain parts of all Powermix models for an additional 12 months and 24 months beyond the initial Warranty Period. This is indicated in the table below, and subject to all the other terms and conditions of this warranty policy.

This is a conditional extended warranty offered solely at the discretion of Shelbourne and is on a parts only basis. It is contingent on the recommended service schedule outlined in the operator's manual being followed and in the event of a claim proof of servicing will be required.

	Standard (0 - 12 months)	Extended (12 - 24 months)	Extended (24 – 36 months)
PTO Shaft	✓	X	X
Planetary Gearbox	✓	✓	✓
2 Speed Gearbox	✓	✓	✓
Hoses	✓	X	X
Scale Head	✓	✓	X
Electronic Controls	✓	X	X
Load Cells	✓	X	X
Valve Block	✓	X	X
Conveyor Belt	✓	X	X

X = Not Covered **✓ = Covered**

Note: Components not indicated have a Shelbourne standard 12 months warranty and are subject to all other terms and conditions of this warranty policy.

2. EXCLUSIONS

Shelbourne will not be liable for the machine's failure to comply with the Warranty in any of the following circumstances:

- 1) damage due to improper use or abusive operation
- 2) damage or depreciation caused by normal wear and tear.
- 3) the machine been subjected to alteration, modification, or fitment of non-genuine Shelbourne parts without the prior consent of Shelbourne.
- 4) wilful or accidental damage, including (but not limited to) damage caused by contact with overhead power lines, damage caused by foreign objects (e.g., stones, metals, and any materials other than vegetation).
- 5) the machine has not been maintained and serviced fully in accordance with the details and maintenance schedule set out in the Shelbourne Operators Manual, and only using Shelbourne genuine parts. Proof of service work may be requested prior to approval of any claim under the Warranty.
- 6) failure due to use of incorrect oil or lubricants, contamination of the oil, or oil which has served its useful life or failure to carry out proper maintenance as recommended in the Shelbourne Operators Manual.
- 7) the original purchaser failed to follow Shelbourne's oral or written instructions (including instructions in the Shelbourne Operators Manual) for the transportation, storage, commissioning, installation, use and maintenance of the machine or (if there are none) good trade practice regarding the same.
- 8) where the original purchaser has continued to use the machine after they became (or should reasonably have become) aware of the defect with the machine. **Continued use of the machine after a defect is discovered could cause further failures for which Shelbourne cannot be held liable and may also have safety implications.**
- 9) the Shelbourne serial number plate on the machine has been removed or altered.
- 10) failure by the customer to release the machine for repair will not be accepted as a reason for delay in repair or submitting warranty claims.
- 11) the product is attached to, connected with, or used in conjunction with, any other product which it is not compatible for use with (whether that other product is a Shelbourne or non-Shelbourne product);

In addition, it is the purchaser's responsibility to ensure that where the purchased Shelbourne product is to be attached to a tractor or other vehicle, the product falls within the carrying capacity as well as compatibility of the tractor or machinery which it is to be mounted on or to. Acceptance of an order and the supply of a product by Shelbourne does not indicate Shelbourne's approval of the purchaser's intended choice of tractor or machinery for installation, nor its compatibility with the purchased Shelbourne product.

The Warranty shall not apply in respect of any:

- 1) wearing items including but not limited to drive belts, conveyor belts, conveyor rollers, rubber flaps, flails, skids, bearings, pins, bushes, blades, pneumatic tyres, or any other items which are soil engaging or normal wearing or consumable items
- 2) hoses that have suffered external damage. Complete hoses must be returned for warranty within this period. Any which have been cut or repaired will be rejected.
- 3) repeat or additional repairs resulting from incorrect diagnostics, unless advised by Shelbourne.
- 4) poor-quality previous repair work (unless carried out by Shelbourne).

3. LIMITATIONS OF LIABILITY

Shelbourne and the Shelbourne authorised dealer shall not be liable to the original purchaser under any circumstance for injuries, death, property damage or damages of any kind whatsoever directly, consequential, or contingent to any person or property caused by the use of the machine.

Shelbourne shall not be liable for any consequential loss such as the following costs or types of loss (whether direct or indirect):

- 1) Loss of profit;
- 2) Loss of or damage to goodwill;
- 3) Loss of sales or business;
- 4) Loss of agreements or contracts or business opportunity;
- 5) The cost of lost consumables (such as oil);
- 6) Any loss or costs arising from the inability to use the machine due to any defect with the machine, and during the time taken to repair or replace the machine;
- 7) The cost of hire or purchase of any replacement machine;
- 8) Recovery of broken-down machine;
- 9) Damage to or loss of crops or vegetation;
- 10) Labour cost;
- 11) Damage to carrying tractor;
- 12) Damage caused by exceeding the tractor OEM (original equipment manufacturers) specification for implement mounting and hitch capability; and
- 13) Any other indirect or consequential loss.

In view of the Warranty given by Shelbourne, the terms implied by sections 13 to 15 of the Sale of Goods Act 1979, and all other implied warranties or conditions regarding the quality or suitability of the machine, are, to the fullest extent permitted by law, excluded from this warranty policy and any contract or agreement between Shelbourne and either the original purchaser or the Shelbourne authorised dealer.

The liability of Shelbourne for any failure by the machine to comply with the Warranty shall be limited to repair or replacement of the product, or refund of the purchase price, of the product as set out in clause 4 of this warranty policy.

Nothing in this warranty policy limits any liability which cannot legally be limited, including liability for:

- 1) death or personal injury caused by negligence.
- 2) fraud or fraudulent misrepresentation.

- 3) breach of the terms implied by section 12 of the Sale of Goods Act 1979 (title and quiet possession); and
- 4) breach of section 2 of the Consumer Protection Act 1987.

4. WARRANTY CLAIMS

All claims must be submitted by a Shelbourne authorised dealer on behalf of the original purchaser, providing that the original purchaser has:

- 1) given notice in writing with full information regarding the failure, to Shelbourne (or the Shelbourne authorised dealer) during the Warranty Period, and within 15 days of discovery of the failure. The Shelbourne authorised dealer will be responsible for forwarding the claim to Shelbourne directly, and where appropriate, the Shelbourne authorised dealer may be responsible for dealing with warranty claims as directed by Shelbourne;
- 2) given Shelbourne (or the Shelbourne authorised dealer) a reasonable opportunity to examine the machine or the damaged or defective parts; and
- 3) if requested by Shelbourne (or the Shelbourne authorised dealer), returned the damaged or defective parts (via the original Shelbourne authorised dealer) within 30 days of notification of a defect, as long as the request by Shelbourne (or the Shelbourne authorised dealer) is made within that time frame, otherwise, within a time frame as specified by Shelbourne (or the Shelbourne authorised dealer).

then Shelbourne shall, at its option, repair or replace the defective parts, or refund the price of the defective parts or approve that the Shelbourne authorised dealer does the same.

5. REPAIR COSTS

The original purchaser or Shelbourne authorised dealer shall not repair, or arrange for a repair, of the machine without the prior written authority of Shelbourne. Such authority may only be given by Shelbourne service personnel. **Shelbourne will not be liable for the cost of any repairs carried out without its prior written consent to the work being done.**

If Shelbourne authorises a repair of the machine, all claims for repair costs must be submitted to Shelbourne by a Shelbourne authorised dealer within 15 days of the date of repair on a Shelbourne Warranty Claim Form (in accordance with clause 7 of this warranty policy).

Repairs should only be completed by a Shelbourne authorised dealer (or another repairer with the prior written consent of Shelbourne).

The submission of a claim is not a guarantee of payment. Shelbourne will only reimburse the reasonable costs and expenses incurred in connection with any repair. The decision reached by Shelbourne is final.

6. DAMAGE TO NEW MACHINES

All goods must be examined on receipt, please examine all machines and packages, if there is any damage or short shipment sign 'Damaged' or 'Detail any item not received' and notify both Shelbourne Reynolds warranty department by phone or E Mail and the carrier within 24 hours of any damage or missing parts. **No claims will be accepted after this time.**

7. CLAIMS PROCEEDURE

All claims must be submitted by a Shelbourne authorised dealer. Full information relating to the failure must be submitted using the claim form available on the Shelbourne website under the "Support" section, with all required fields completed with the relevant information and then emailed to warranty@shelbourne.com. Full information on warranty claim submission can be found set out in the warranty procedures document.

Where repairs are completed by a Shelbourne authorised dealer (or another repairer with the prior written consent of Shelbourne), then completed form(s) must be received by Shelbourne **NOT LATER THAN 15 DAYS** from the date of repair. When requested by Shelbourne, additional information or failed parts must be received by Shelbourne **WITHIN 15 DAYS** of claim submission.

If in exceptional circumstances a non-Shelbourne part is used for a repair, warranty reimbursement will be at no more than Shelbourne's standard dealer cost for the genuine part.

If parts are returned and the claim is subsequently rejected and you require the parts sent back to you, please notify Shelbourne within 7 days of receiving rejection notification.

Following examination of the claim and parts, Shelbourne will pay at their discretion, for any valid claim the invoiced cost of any parts supplied by Shelbourne and appropriate labour and mileage allowances if applicable. **Maximum mileage per claim is capped at 80 miles unless otherwise pre-authorised and confirmed in writing by the Shelbourne Reynolds Service Manager.**

For any claims submitted, which are intentionally misleading or fraudulent, Shelbourne shall be entitled to charge an appropriate hourly rate to recover any costs incurred as a result.

8. FAILED PARTS

Ensure that all hydraulic ports on returned components are drained of oil and securely and appropriately plugged with the caps that came fitted to the replacement components to avoid oil leakage and contamination entering the assemblies. Hydraulic cylinders must be cleaned of oil and fully retracted.

Electrical items being returned must be suitably packaged and protected to reduce the risk of transportation damage.

Due to strict time constraints enforced by our suppliers, you must immediately return any failed hydraulic components such as pumps, motors, cylinders, valves, and hoses; electrical components, such as solenoid valves, control boxes, sensors/switches; or driveline components such as gearboxes, PTOs, and bearings if the machine is still within its relevant warranty period.

Hydraulic parts such as pumps, motors and cylinders, and driveline parts such as gearboxes must be returned to us unopened and unexamined. With hydraulic valve blocks and electrical control boxes there is the ability to replace specific serviceable components within them, such as valve cartridges, spool assemblies, circuit boards, relays, switches, and joystick should the need arise to resolve a fault within.

Any parts replaced under warranty remain the property of Shelbourne. They must be returned to Shelbourne on request. In all other cases, unless informed otherwise, they must be retained for a period of 90 days after such time they must be destroyed and rendered physically unusable and not sold or reconditioned for sale to a third party.

9. REIMBURSEMENT

All claims, to the extent which it has been agreed by Shelbourne that a refund will be made, will be settled with the Shelbourne dealer, by credit memo, within 30 days of acceptance of the claim.

10. EXPORT CUSTOMERS

If you are based outside of the UK, warranty terms and conditions outlined above may differ depending on your market. Please contact Shelbourne Reynolds Engineering Ltd. for further information.

Dear Customer,

Parts manuals are not supplied with this machine but they can be ordered from your Shelbourne Reynolds dealer or alternatively downloaded from the Shelbourne Reynolds website (www.shelbourne.com) Manuals are located through the Parts and Service section followed by Manuals and then to Pick Up Header Manuals. Here you will find Operators and Parts manuals for various years' models. The Machine and Parts Manual Number for your machine is -

Tick	Machine No.	Manual No.	Machine Description
	249904 02	MAN-04110	4.2m Pick Up Header assy, Standard build parts
	249904 03	MAN-04110	4.8m Pick Up Header assy, Standard build parts

Pick Up Header Serial Number

PUH

ORDERING SPARE PARTS

To ensure that you order the correct part from your SRE dealer please use the following procedure.

ALWAYS QUOTE THE MACHINE AND SERIAL NUMBERS WHEN ORDERING.

Refer to the Parts Manuals front page/s, listing the machine assemblies. Select the correct machine assembly number which is printed in the top left corner of the page (starting with 2099__ 01), This machine number is listed above or can be taken off the Pick Up Header identification plate.

Looking down the page, select the relevant sub assembly that your required part falls within. Sub assemblies start from 2090 __ 01. Note the year or serial number of the machine may determine a correct sub assembly if more than one is listed.

Continue through the manual and find the relevant sub assembly parts listing. Again the number will be printed in the top left corner; the sub-assemblies are in numerical order.

Having found the correct parts list, you will find the corresponding drawing by either looking at the facing page or progressing through the manual to the next drawing. The drawings indicate the components by item numbers, which you will find, are repeated in the left-hand side of your parts listing, and therefore referring to the correct part.

Note all parts will not be found from the sub assemblies listed below the machine number. Other parts could be from specific optional kits. These kits will be found in numerical order further through the manual and start with KIT- _ _ _ _ _.

The list on the following pages highlights the optional build kits that also make up your exact configuration of machine.

Sub assemblies and optional build kits.

Tick	Part No.	Description
Optional Items		
	196190 SB1	16 Auger fingers (hard)
	196190 SB2	20 Auger fingers (hard)
	196190 SB3	24 Auger fingers (hard)
	209016 00SB1	16 Auger fingers
	209016 00SB2	20 Auger fingers
	209016 00SB3	24 Auger fingers
	209022 01	Draper skids & support chains
	209023 01	Draper wheels & springs
	209030 01	Draper wheels & springs (USA only)
	209024 02	Crop slides 4.2m
	209024 03	Crop slides 4.8m
	209028 02	Header lights sub 4.2m Case IH
	209028 02JD	Header lights sub 4.2m John Deere
	209028 03	Header lights sub 4.8m Case IH
	209028 03JD	Header lights sub 4.8m John Deere
Draper belts & tines		
	209000 06	4.2m Draper Belt with plastic tines
	209000 07	4.8m Draper Belt with plastic tines
	KIT-01605A	4.2m Draper Belt with metal tine & slats
	KIT-01606A	4.8m Draper Belt with metal tine & slats
Drive Kits		
	209905 001A	4.2m on JD9500/7720 only
	209905 001B	4.2m on Case/IH 4.8m on JD9500/7720
	209905 001C	4.8m on Case IH
	209905 111A	MF Dronn 30-40 4.2m all models
	209905 111B	MF Dronn 30-40 4.8m all models
	209905 121A	NH TR,CX & CR 4.2m (6 spline) all models
	209905 121B	NH TR,CX & CR 4.8m (6 spline) all models
	209905 121C	NH TR,CX & CR 4.2m (21 spline) all models
	209905 121D	NH TR,CX & CR 4.8m (21 spline) all models
	209905 161A	AGCO (MF,Fendt & Challenger) 4.2m
	209905 161B	AGCO (MF,Fendt & Challenger) 4.2m
	209905 171A	JD contour master 4.2m
	209905 171B	JD contour master 4.8m
	209905 181A	Claas Lexion 4.2m
	209905 181B	Class Lexion 4.8m
Draper hydraulic connector kits		
	KIT-01773	Case IH
	KIT-01774	Case JD
	KIT-01775	JD 60 series
	KIT-01776	NH CX/CR & CNH AFX

	KIT-01777	Claas Lexion 500 series
	KIT-01778	AGCO Multi Coupler
Adaptor plate assembly		
	196555 01	Claas Lexion (400,500 & 600 series)
	196555 03	John Deere USA
	196555 12	New Holland CX/CR 700/800
	196555 13	Case 8010
	196555 18	MF worldwide hook-up ERPN, CEREAL 2007

EC Declaration of conformity for machinery

(Machinery Directive 2006/42/EC, Annex II, sub. A)

Manufacturer: Shelbourne Reynolds Engineering Ltd.

Address: Shepherds Grove Industrial estate,
Stanton,
Bury St Edmunds,
Suffolk.
England.
IP31 2AR

Name and address of the person (*established in the European Community/EEA*)
authorised to compile the technical file (*to the authorities on request*):

Name: Mr Neil Smith

Address: As stated above.

Herewith we declare that:

DESIGNATION:

PICK-UP HEADER

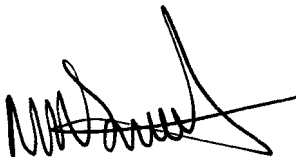
MODEL:

TYPE:

MACHINE No.:

SERIAL No.:

- is in conformity with the relevant provisions of the Machinery Directive (2006/42/EC)



Neil Smith
Director

Place: **Stanton, England.**

Date:

This page is left intentionally blank

OPERATORS MANUAL

CONTENTS

Section 1	INTRODUCTION
1.1	Foreword
1.2	Improvements and changes
1.3	Service Parts
1.4	Machine Identification
Section 2	SAFETY PROCEDURES
2.1	Accident prevention
2.2	Before starting the machine
2.3	The machine in the field
2.4	Leaving the machine
2.5	Servicing the pick up header
2.6	Header attachment and detachment
Section 3	SPECIFICATION AND DESCRIPTION
Section 4	TRANSPORTATION
Section 5	PREPARATION FOR USE
5.1	Mounting the pick up header
5.2	Levelling the header
5.3	Angle of pick up header
5.4	Aligning header drive
5.5	Draper hydraulic supply
5.6	Draper position settings
5.7	Draper skid settings (optional equipment)
5.8	Draper wheels and float springs settings (optional equipment)
5.9	Setting the draper to the optimum angle
5.10	Stripper plate settings
5.11	Header skids
5.12	Header height indicator
5.13	Auger flight and flight extensions
5.14	Crop slides (optional equipment)
Section 6	FIELD OPERATION
6.1	Direction of travel
6.2	Header / draper height settings
6.3	Forward speed
6.4	Draper speed
6.5	Auger / finger position
6.6	Auger blockage / reversing

- 6.7 Picking up the swath
- 6.8 Adjustment / troubleshooting charts

Section 7 ADJUSTMENTS AND MAINTENANCE

- 7.1 Angle of pick up header
- 7.2 Aligning header drive
- 7.3 Draper position
- 7.4 Draper skid settings (optional equipment)
- 7.5 Draper wheels settings (optional equipment)
- 7.6 Setting draper to optimum angle (optional skids fitted)
- 7.7 Setting draper springs and angular movement (optional wheels and springs fitted)
- 7.8 Draper belt tensioning
- 7.9 Draper belt tracking
- 7.10 Changing draper belt
- 7.11 Changing draper plastic pick up tines
- 7.12 Stripper plate settings
- 7.13 Header skids
- 7.14 Auger position / float settings
- 7.15 Auger fingers
- 7.16 Auger stripper plates
- 7.17 Auger flight extensions
- 7.18 Auger slip clutch setting
- 7.19 Auger chain tension
- 7.20 Draper metal tines and slats (optional equipment)
- 7.21 Crop slides (optional equipment)

Section 8 LUBRICATION

Section 9 MACHINE STORAGE

SECTION 1

INTRODUCTION

1.1 FOREWORD

This manual will assist the operator in setting the pick up header and combine combination to give optimum throughputs and loss levels in particular crops. It should be read carefully before putting the machine to work.



1.2 IMPROVEMENTS AND CHANGES

Shelbourne Reynolds Engineering are continually improving their products to meet the farmers needs and therefore reserve the right to make improvements and changes when practical to do so, without incurring any obligation to make changes and additions to equipment which has been sold previously.

1.3 SERVICE PARTS

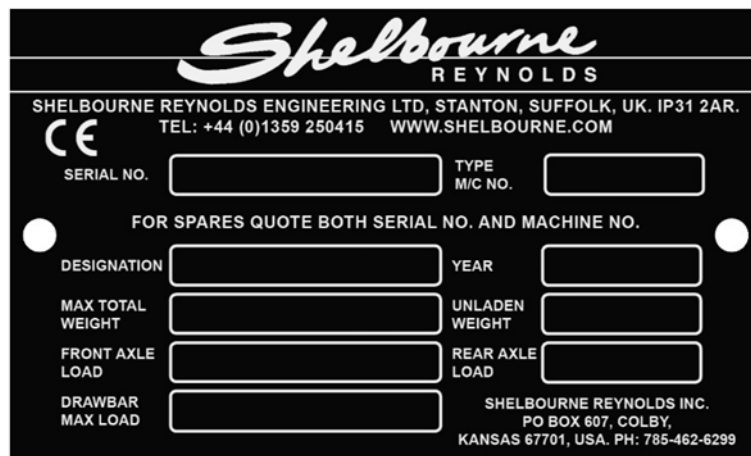
Use guaranteed and genuine Shelbourne Reynolds Engineering service parts on Shelbourne Reynolds machinery to ensure maximum life and best performance. These are available through your Shelbourne Reynolds Engineering dealer.

When ordering service parts always quote the model, serial number and machine number.

1.4 MACHINE IDENTIFICATION

The serial and machine numbers of the pick up header are printed on a plate located on the right hand side sheet of the mainframe.

The machine number of the adaptor plate is printed on a plate located on the top right hand corner of the adaptor plate.



The image shows a black identification plate with white text and fields. At the top, the 'Shelbourne REYNOLDS' logo is displayed. Below the logo, the company name 'SHELBOURNE REYNOLDS ENGINEERING LTD, STANTON, SUFFOLK, UK. IP31 2AR.' is printed, along with a CE mark, telephone number '+44 (0)1359 250415', and website 'WWW.SHELBOURNE.COM'. The plate contains several input fields for identification: 'SERIAL NO.', 'TYPE M/C NO.', 'DESIGNATION', 'YEAR', 'MAX TOTAL WEIGHT', 'UNLADEN WEIGHT', 'FRONT AXLE LOAD', 'REAR AXLE LOAD', and 'DRAWBAR MAX LOAD'. A central instruction reads 'FOR SPARES QUOTE BOTH SERIAL NO. AND MACHINE NO.'. At the bottom right, the contact information for 'SHELBOURNE REYNOLDS INC.' is provided, including 'PO BOX 607, COLBY, KANSAS 67701, USA. PH: 785-462-6299'.

SECTION 2

SAFETY PROCEDURES

2.1 ACCIDENT PREVENTION

The following safety instructions are applicable for all chapters of this manual.

Careful heed must be paid not only to the safety instructions contained in this operating manual but also to the accident prevention regulations governing the operation of agricultural machinery.

Accident programmes can only prevent accidents with the co-operation of the persons responsible for the operation of the equipment.

For safety of yourself and others, operate equipment with care and do not take unnecessary risks which could cause an accident.

The combine manufacturer's operator's manual safety precautions should be adhered to along with the following additional safety precautions listed when using a pick up header

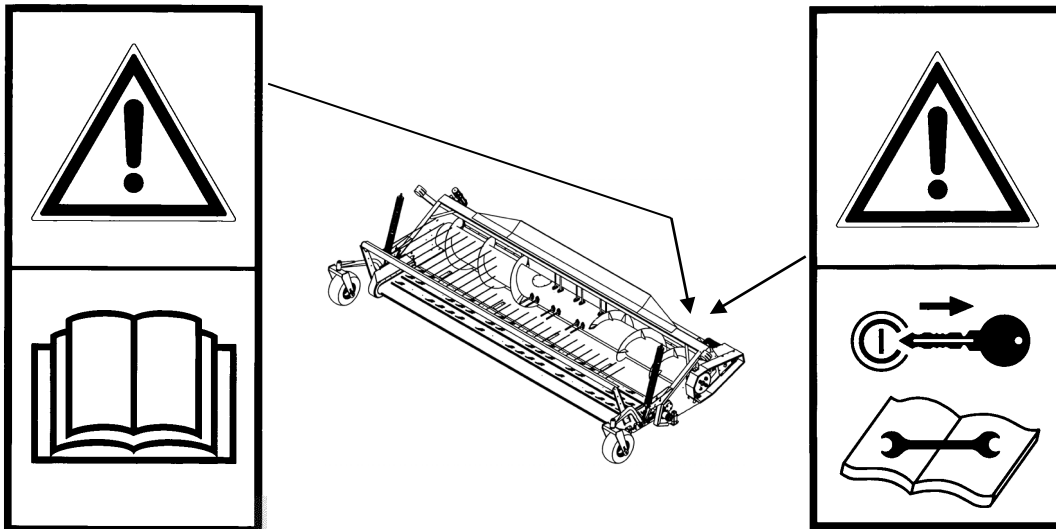
CAUTION



In addition to the following list, this symbol will appear throughout this manual whenever your safety is involved.

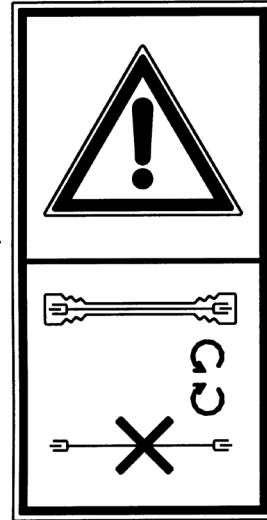
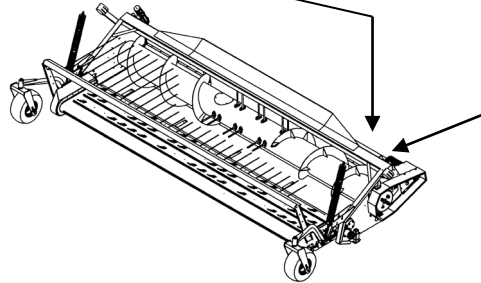
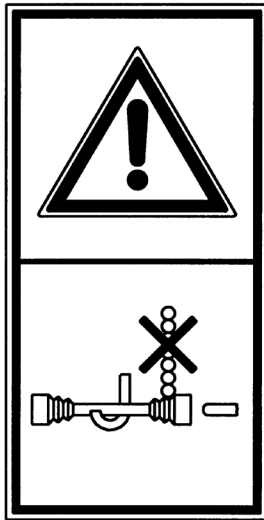
DANGER SYMBOLS

On the machine - the following symbols appear on the machine and are for your safety and the safety of other people. Ensure that you identify each symbol and understand its warning.



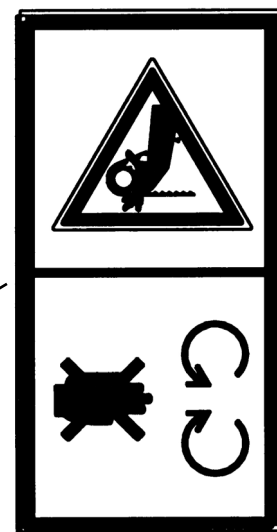
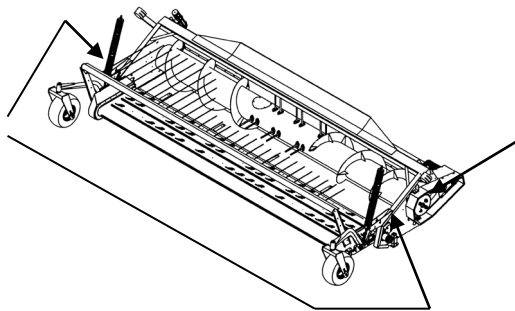
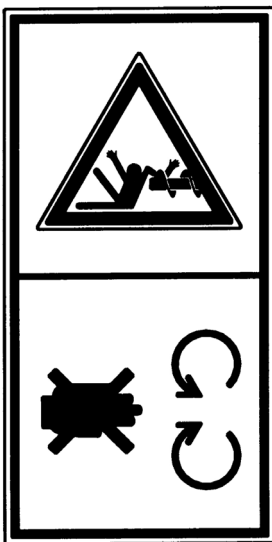
Carefully read the operating manual before handling the machine.

Stop the engine and remove the key from the tractor before carrying-out any work on the machine.



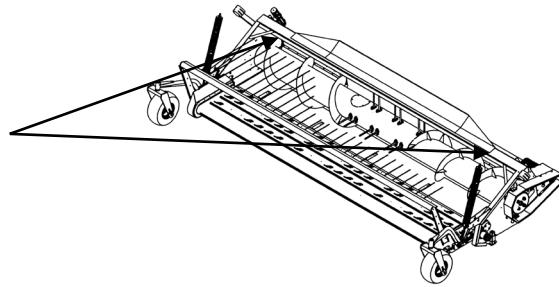
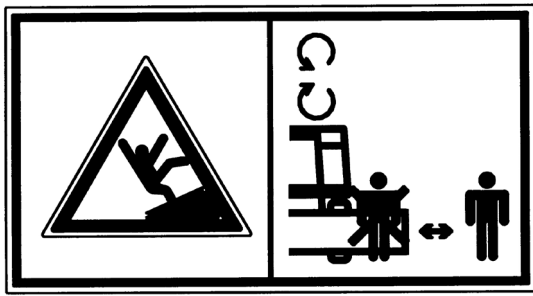
When the PTO drive shaft is disconnected
It must be supported on its correct support.
It must not be hung on its chain.

All PTO guards must be securely in-place
before the engine is started. Do not
Remove any guard whilst the engine is running.
Severe injury may result from moving and
rotating parts.



Beware of rotating auger and draper belt.
Severe injury may result from falling onto
the auger or the draper belt.

All guards must be securely in-place before
the engine is started. Do not remove any
guard whilst the engine is running. Severe
Injury may result from moving and rotating
parts.



Do not stand in front of header.
Stand clear of header.

Disengage header drive, shut off engine and remove key before servicing or unclogging header.

GENERAL SAFETY

Please read all safety instructions contained in this operating manual with the utmost care and also observe all warning signs attached to the Pick up header. These warning signs must be kept in a legible condition and must be replaced if missing or damaged. This is especially the case when whole sections are replaced when making repairs. Warning signs are available from your dealer or importer.

Follow these instructions to prevent accidents. These instructions must also be made available to all other users. You are advised to refrain from any working methods which may be hazardous.

PROPER USE

Shelbourne Reynolds Pick-up Headers are based on state-of-the-art technology and are manufactured in accordance with recognised safety requirements. Nevertheless the use of the header does not preclude the risk of injury to the user or third parties and / or the risk of damage to the header itself or to other materials or items of equipment.

Always make sure that the **Shelbourne Reynolds Pick-up Header** is in a technically perfect condition and that it is used properly and for its intended purpose and entirely in accordance with the instructions given in this manual. Any malfunctions or defects which might affect the safe operation or the header must be immediately eliminated.

The **Shelbourne Reynolds Pick-up Header** must be used, maintained and repaired only by persons who are familiar with its working and have been made fully conversant with the risks involved.

OEM replacement parts and accessories from Shelbourne Reynolds have been specially designed for use with the **Shelbourne Reynolds Pick-up Header**. Any replacement parts and accessories not supplied by Shelbourne Reynolds have not been tested and approved by us. The installation and/or the use of non-Shelbourne Reynolds products may under certain circumstances have a negative influence on the given design features of your header and may therefore adversely affect its safe and reliable operation and your safety. Shelbourne Reynolds cannot therefore be held liable for damage or injury caused by the use of non-OEM replacement parts or accessories.

The **Shelbourne Reynolds Pick-up Header** is intended for use on typical farms and to be employed in picking up suitable swathed crops. Any uses other than those for which the header is intended, such as transportation, will automatically exempt Shelbourne Reynolds or the supplier from their liability in respect of ensuing damage. Such cases of improper use will therefore be entirely at the user's own risk.

All relevant accident prevention regulations, as well as other generally acknowledged health and safety regulations and road traffic regulations must be strictly observed.

Improper use also comprises failure to observe the instructions given in this operating manual and the manufacturer's maintenance and servicing requirements.

OPERATIONAL SAFETY

The **Shelbourne Reynolds Pick-up Header** must not be put into operation until the user has been given proper initial instructions either by the dealer or by one of Shelbourne Reynolds' representatives or employees.

The **Shelbourne Reynolds Pick-up Header** may be used only if all safety devices, e.g. detachable guards, are fitted and in proper working order.

Nuts and bolts should be checked at regular intervals and tightened if necessary.

Tyre pressures must also be checked regularly.

In the event of a malfunction, immediately cease operation and secure the **Shelbourne Reynolds Pick-up Header** in its stationary position. Malfunctions must be eliminated immediately.

No liability for consequential damage

Even though your **Shelbourne Reynolds Pick-up Header** has been manufactured with the utmost care and you are using it properly, fluctuations in performance may still occur.

It is the duty of the operator / users to ensure that foreign objects, e.g. stones, metal objects etc. are not allowed to enter the header. Failure to observe this may result in damage to the header and / or injury to the operator / user and / or damage to the combine.

Any claims for damages not directly incurred by the **Shelbourne Reynolds Pick-up Header** cannot be accepted. By the same token, Shelbourne Reynolds cannot be held liable for any consequential damage resulting from incorrect use of the header.

ROAD SAFETY

Road traffic regulations must be observed when taking the **Shelbourne Reynolds Pick-up Header** on roads, paths and other public places. The header must be in a road-worthy condition.

Observe the maximum permissible width for road transport and fit all necessary warning signs and guards.

Fully secure guards and covers so that they cannot cause injury or damage to other users of the public place.

Use only the approved Shelbourne Reynolds trailer for transporting the **Shelbourne Reynolds Pick-up-Header** header and attach it securely to the tow hitch on the towing vehicle.

Ensure that all braking systems and lighting systems on the combine or towing vehicle (if using a trailer) are in full working order and that they can be fully and correctly operated.

Disconnect all hydraulic connections and / or the PTO drive shaft from the header so that it cannot be inadvertently operated if transported on combine.

No person other than the operator may be allowed to ride on the combine's

When coupling the Shelbourne Reynolds Pick-up Header to the combine.

The coupling and uncoupling of the header is the same as for the combine's cutter bar. Follow the procedure outlined in the manufacturer's operator's book also.

When using the PTO shaft

Use only the universal joint shaft which is supplied with the **Shelbourne Reynolds Pick-up Header** and is intended for use with it. Ensure that it is fitted with the prescribed protective equipment (protective tube and funnel-shaped PTO shaft guard must be fitted). Make sure that the combine engine and the PTO shaft are switched off before proceeding to fit the universal joint shaft.

Do not modify the length of the supplied PTO shaft, guard cones and tubes. Ensure the guards are secured in such a way that they cannot rotate with the shaft.

Be absolutely sure that there is nobody standing in dangerous proximity to the header or combine when you switch on the PTO shaft.

When using the hydraulic system

Do not connect the hydraulic hoses to the combine's hydraulic system until you have made sure that the system is at zero pressure on both the combine and the header.

The hydraulic system generates extremely high pressures. All piping, hoses and connections must therefore be checked regularly for leakage and visible external damage. Use proper and thorough means of searching for leakage and repair all damage immediately. Spurting hydraulic oil can cause injuries and fires. Call a doctor immediately in the event of injury.

2.2 BEFORE STARTING THE MACHINE

1. Read the manual thoroughly.
2. Check that all guards are properly secured.
3. Ensure that no person is working on or inside the machine.
4. Check that all observers are clear of the machine. Warn bystanders by sounding the horn several times.

2.3 THE MACHINE IN THE FIELD

5. Do not permit anyone other than the operator to ride on the combine.
6. Always stop the engine and apply handbrake before removing or opening any guards or clearing a blockage.
7. Do not go under the pick up header unless it is securely blocked or the header safety latch is lowered onto the lifting cylinder
8. NEVER go in front of the machine whilst the header is running.
9. Always replace all guards after making any adjustments or lubricating the machine. Replace or repair any damaged or missing guards immediately.
10. Do not work around the machine in loose clothing that might get caught in moving parts.
11. Keep hands away from moving parts.
12. Keep children away from and off the machine at all times.

2.4 LEAVING THE MACHINE

13. Park the machine on reasonably level ground.
14. Apply the parking brake.
15. Lower the header to the ground.
16. Stop the engine and remove ignition key.

2.5 SERVICING THE PICK UP HEADER

17. Ensure that the header is on the ground or if in the raised position, that it is securely blocked or the header safety latch is lowered onto the lifting cylinder.
18. Stop engine and apply handbrake before performing any adjustments or lubrication and before opening or removing any guard.
19. Always re-install all safety guards on completion of servicing.

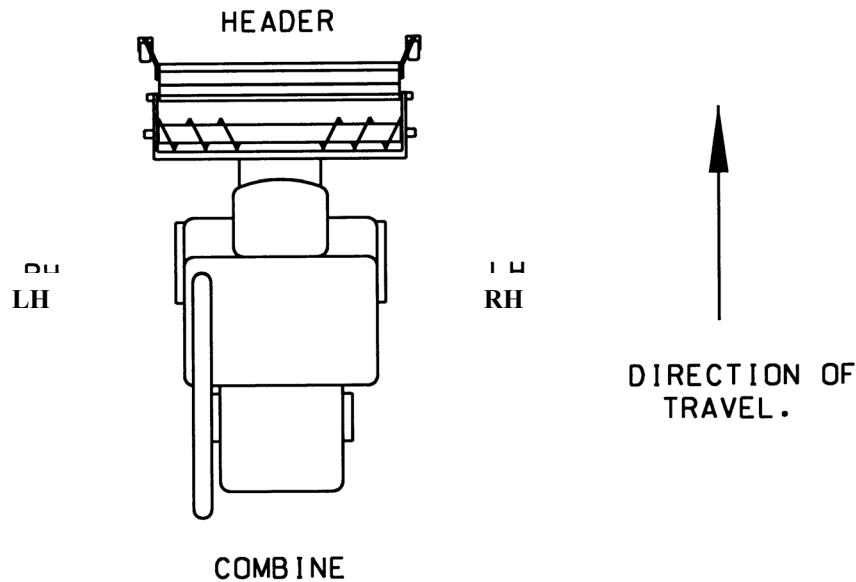
2.6 HEADER ATTACHMENT AND DETACHMENT

20. Follow the procedure described in the combine operators manual for header attachment and detachment.

SECTION 3

SPECIFICATION & DESCRIPTION

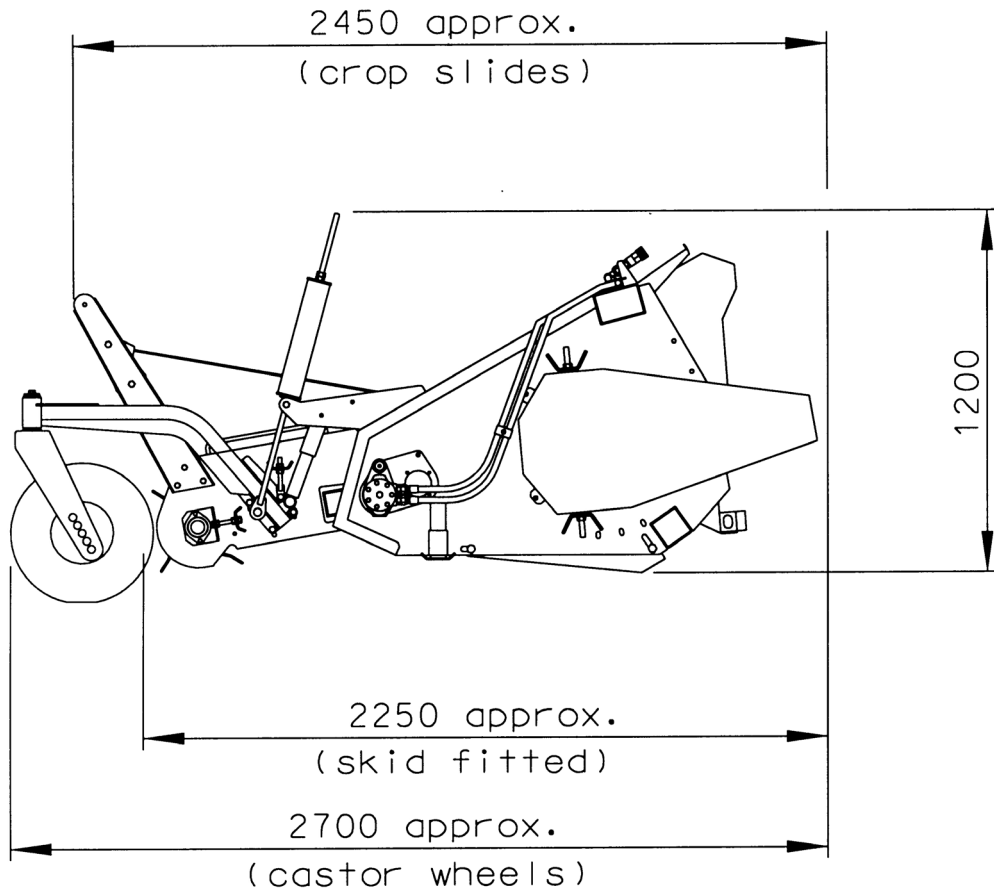
RIGHT AND LEFT HAND OF THE MACHINE AS TERMED IN THE MANUAL IS AS VIEWED WHEN IN THE DRIVERS SEAT.



ALL MACHINES

- Multi-plate - Interchangeable adaptor plates and drive kits for mounting pick up header to other popular combine types.
- Auger - Mechanical drive with a fixed speed of approximately 180rpm
Diameter 610mm over flights with adjustable retractable fingers and stripping plates.
Outside retractable fingers and two stage bolt on flight extensions to allow for width variations in combine feed elevators
Auger can have float facility to accommodate lumps in swath.
Auger and drive protected by a slip clutch.
Auger reverse function used off the combine.
- Draper - Direct hydraulic drive using combine's variable speed hydraulic reel drive, giving a range between 0 to 400 rpm. (Approx. depending on combine make)
One piece draper belt constructed out of a low maintenance PVC, fitted with flights and plastic tines.
Belt tensioning and tracking from sides of draper.
Draper belt fitted with adjustable rubber side seals.
Canvas edged stripper plate fitted.
- Adjustable - skids Mounted under header mainframe to control ground height.
- Optional equipment Draper skids and support chains.
Draper wheels and float springs.
Crop slides.
Metal tines and slats.
Header marker lights. (USA only)

TECHNICAL SPECIFICATIONS:



Model	Effective pick up width	Overall width (Castor wheels)	Overall width (Skids fitted)	Weight
4.2Mt (13')	3916mm (12'10")	4930mm (16'2")	4580mm (15')	1060 kg
4.8Mt (15')	4516mm (14'10")	5530mm (18'2")	5180mm (17')	1220 kg

SECTION 4

TRANSPORTATION

To prevent damage to the pick up header, the machine should be moved only by one of the following methods:

- Attaching to combine
- By slinging the mainframe using the two designated sling points for overhead lifting.
- On a trailer which gives suitable support in the correct positions of the header and provides adequate stability.



DO NOT

- Attempt to lift under the header with a forklift, unless the header is on an adequately supportive pallet.
- Remove header onto floor without lowering parking stands positioned at the front corners of the machine.

This page is left intentionally blank

SECTION 5

PREPARATION FOR USE



Read this section carefully and carry out settings listed before field use. If in any doubt of adjusting the following, consult your dealer.

5.1 MOUNTING THE PICK UP HEADER.

The header mounts onto the combine in the same manner as the normal cutting platform. Refer to combine operator's books for fitting details.

5.2 LEVELLING THE HEADER

The header should be parallel with the front axle of the combine, if it is not, then it should be adjusted according to the combine operator's manual, as adjustment method is the same as that for the conventional cutter bar.

5.3 ANGLE OF PICK UP HEADER

The angle of the pick up header is adjustable. This allows the header to be tipped forwards or backwards on the adaptor plate. This enables the front, flat area of the auger pan to be set level or slightly sloping down to the auger trough, when the header is in the harvesting height position.

See pick up header adjustments and maintenance section.

5.4 ALIGNING HEADER DRIVE

See pick up header adjustments and maintenance section.

5.5 DRAPER HYDRAULIC SUPPLY.

The header will be supplied with the correct quick release couplings to connect to the combine's hydraulic reel drive. Simply connect up and ensure that the draper turns the correct direction.



Initially remove the stripper plate to avoid damage to belt and tines if rotation is incorrect.

5.6 DRAPER POSITION SETTINGS.

The draper can be set in two different positions within the mainframe depending upon the crop type being harvested. For crops, which are bulky (i.e. winter and spring oil seed rape), use the front position. The rear position would therefore be used for crops of less bulk (i.e. clover, grass etc.)

See pick up header adjustment and maintenance section.

5.7 DRAPER SKID SETTINGS (OPTIONAL EQUIPMENT)

On both the front corners of the draper frame adjustable skids can be fitted. These are to restrict the fingers from touching the ground when harvesting. They should initially be set so that when the skids touch, the fingers are approximately 50mm (2") above the ground.

See pick up header adjustment and maintenance section.

5.8 DRAPER WHEELS AND FLOAT SPRINGS SETTINGS (OPTIONAL EQUIPMENT)

On both the front corners of the draper frame height adjustable wheels and variable float springs can be fitted. These are to control the height of the draper fingers in relation to the ground when harvesting. The wheels should initially be set in the middle adjustment hole. The float springs should be set so that they carry 95% of the draper weight. By this the draper can be raised using hand force only and when released it should return to its lowest position on the stop. The amount of float movement can also be adjusted. See pick up header adjustment and maintenance section.

5.9 SETTING THE DRAPER TO THE OPTIMUM ANGLE

The draper assembly pivots around the drive roller within the pick up header mainframe. This therefore allows the draper to have a variable angle to the ground. For the least swath disturbance this angle needs to be as acute as possible. This angle needs initial setting if draper skids are fitted. See pick up header adjustment and maintenance section. If draper wheels are installed then the angle does not need setting, as it is variable in use.

5.10 STRIPPER PLATE SETTING

The stripper plate can be set in two positions of which generally it will be used in the most forward. This also has an adjustable canvas and steel edging strip. Its purpose is to wipe the pick up fingers clean of crop and at the same time retain any loose seed. To adjust see pick up header adjustment and maintenance section.

5.11 HEADER SKIDS

Underneath the header mainframe two adjustable skids are fitted. In operation the header will normally be carried, but it could on occasion touch the ground. The skids will protect the bottom of the mainframe and assist the operator. Initially the skids can be set in there fully raised position. See pick up header adjustment and maintenance section.

5.12 HEADER HEIGHT INDICATOR

This should be set as described in the combine operator's manual.

5.13 AUGER FINGERS AND FLIGHT EXTENSIONS

Different combines have different width feed elevators. To accommodate this, the pick up header has removable retractable fingers, and flight extensions so feed adjustment can be made.

To prevent auger plugging and uneven feed, it is important to ensure that the outer retractable fingers are not feeding in a position wider than the feed elevator of the combine. The outer fingers should be removed until the outermost finger is inboard of the feed chain by at least 100mm (4"), otherwise wrap in the ends of the elevator roller may occur. The auger flights should pass the end of the combine feeder chain by at least 75mm. See pick up header adjustment and maintenance section.

5.14 CROP SLIDES (OPTIONAL EQUIPMENT)

The crop slides functions are to hold light fluffy crop down onto the draper as well as help the swath's presentation under the auger.

The kit consists of a tube, supported off the draper side plates, running across the width of the header positioned above and in front of the front draper roller. From this tube spring steel wires are fixed. These point backwards towards the auger over the draper assembly. The tube can be fitted in three height settings and the angle of the wires is also adjustable to suit all crop conditions.

Final setting should be done in field to suit conditions.
See pick up header adjustment and maintenance section.

This page is left intentionally blank

SECTION 6

FIELD OPERATION

OPERATING THE PICK UP HEADER.

Read this manual carefully before operating the pick up header in the field.

To get optimum performance from your Shelbourne Reynolds pick up header the operator should keep to the following procedures of operation. The main objective is to lift the swath off the stubble and feed it to the combine with the least disturbance possible, several factors can affect this.

6.1 DIRECTION OF TRAVEL.

The direction of travel is important when picking up the swath. To obtain the best crop movement on to the draper the combine should travel in the same direction as the swather. Travelling the opposite direction has a tendency of excessive crop disturbance, which will effect the efficiency of the machine.

6.2 HEADER / DRAPER HEIGHT SETTINGS.

The height of the header is adjusted from the combine cab by the operator using the header height hydraulic adjusting lever or switch.

Generally the header height needs to be as low as possible to the crop, but not too low so that the skids are grounding constantly. This will therefore allow the draper to be set to a shallow angle.

Draper skids (optional equipment)

Once the draper optimum angle has been set then the header height will also control that of the draper.

Obviously draper height needs to be just low enough to recover the crop. When in operation the draper skids should be clear of the ground most of the time allowing the support chains to be taught

Draper wheels and float springs (optional equipment)

The wheels setting in the castor yoke set the draper's front roller height to the ground.

The draper height needs to be just low enough to recover the crop.

During harvesting the operator would simply lower the header, firstly allowing the draper's wheels to contact the ground, then to lower further to allow the draper to be in a mid travel float position to the header.

(Note with the draper frame being torsional strong, along with the float springs, it can allow only one wheel touching the ground at times when on changeable ground.)

This height setting can be repeated by noting the header height off the combine's header height indicator.

With the draper in a mid float position, as the ground contour changes then the draper can pivot in the mainframe still keeping a constant tine height to the ground.

6.3 FORWARD SPEED.

This is dependent upon size and capacity of the combine being used. The maximum speed will be governed either by the amount of acceptable combine loss levels or a facility, which is overloaded. To maximise efficiency the fastest forward speed possible should be used.

6.4 DRAPER SPEED.

This needs to be directly related to the ground speed. In operation the swath being lifted and transported by the draper needs the least disturbance possible. By this the draper linear belt speed needs to be equal or very slightly faster than ground speed. The speed is adjusted from the combine's hydraulic reel drive speed controller and will need adjusting every time the forward speed is varied.

6.5 AUGER / FINGER POSITION SETTINGS.

The auger is mounted into the mainframe by the use of bolt on side plates. The design of these allows the auger to have a vertical float facility to accommodate gaps and lumps within the swath. The float is totally adjustable and can also be locked off. The auger will be factory set with float giving a 20mm min. and 40mm max. auger clearance. The augers horizontal position is also adjustable. In field operation, the auger could possibly require adjusting to suit a condition. The position of the auger finger retraction is also adjustable. This is factory set to a standard position. See pick up header adjustment and maintenance section.

6.6 AUGER BLOCKAGE / REVERSING.

If at any time the auger gets blocked and stalls during operation then the combine's auger reversing feature should be activated. If this occurs firstly stop all forward movement of the combine immediately, then engage reverser following the procedure described in the combine's manufacturer's manual.

If for some other reason it still blocks, totally shut down the combine, lower the header to the ground and investigate blockage.

6.7 PICKING UP THE SWATH.

Follow in order the following procedure and checks to set the pick up header -

1. Ensure that all previous preparations have been carried out.
2. Begin to pick up the swath keeping a close watch on crop movement in the header. Set speeds to keep crop flow smooth and undisturbed.
3. When at a convenient stage stop machine and inspect area where swath had laid.
4. Any alterations to settings should be made with reference to adjustment charts on the following pages.
5. Continue harvesting but once again check for improvement.

6.8

ADJUSTMENT CHARTS**PROBLEM****CAUSE****REMEDY**

CROP LOSS AT FRONT OF DRAPERHeads shattering
or breaking offDraper speed too
fast for ground
speedDecrease draper
speed.
see section 6.4Draper speed too
slow for ground
speed.Increase draper
speed.
see section 6.4Draper and / or
header height too
high.Lower draper and / or
header height.
see section 6.2Direction of travel
incorrect.Change direction of
travel.
see section 6.1Draper angle
too greatLessen draper angle.
see section 7.6 / 7.7Seeds rolling off
front of draper.Damaged conveyor
flights.Replace draper belt.
see section 7.10

CROP LOSS AT REAR OF DRAPERCrop being pulled
forwards under
draperStripper plate not set
correctly.Re-set stripper
plate
see section 7.12Auger not clearing crop
satisfactorilySet auger fingers.
see section 7.15Set auger position.
see section 7.14Loose seed falling
in front of
stripper plateStripper plate not set
forward.Set stripper plate
forward.
see section 7.12Stripper plate spring
retainers broken or
set incorrectly.Set or replace.
see section 7.12Header frame angle not
set in correct position.Set angle.
see section 7.1

PROBLEM	CAUSE	REMEDY
IRREGULAR FEEDING THROUGH HEADER.		
Crop not moving smoothly on draper	Pick up tines broken or damaged.	Replace see section 7.11
	Draper speed to ground speed incorrectly set.	Adjust speed from Combine's reel control.
	Crop slides not set correctly	Adjust crop slides see section 7.21
Draper loosing speed	Draper jammed	Clear object
	Draper belt slipping	Tension draper belt see section 7.8
	Draper belt too low in tall stubble	Set skids or wheels height see section 7.4 or 7.5
	Combine's reel drive relief valve set incorrectly.	Check reel drive relief valve pressure setting. see combine manual.
	Hydraulic component failure.	Contact SRE dealer.
Irregular crop flow between draper and auger	Draper position in main frame incorrect.	Set position for crop type. see section 5.6 / 7.3
	Auger set too low	Adjust auger height. see section 7.14
	Draper angle too great	Lessen draper angle. see section 7.6 / 7.7
Auger speed reducing	Auger overloaded.	Reduce forward speed
	Auger set too low. and float locked off	Adjust auger. see section 7.14

MECHANICAL PROBLEMS

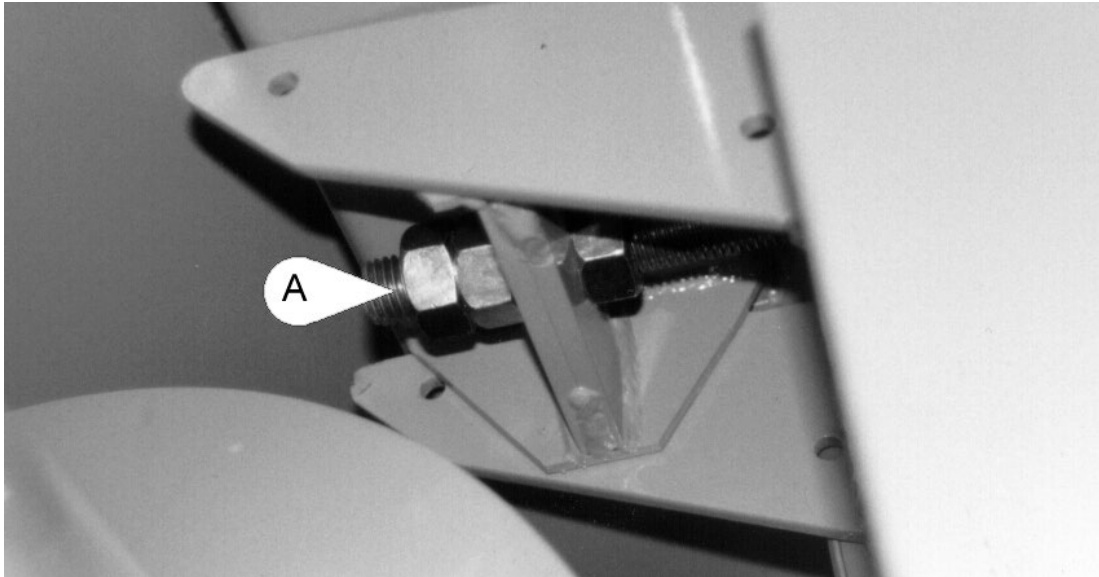
Draper always runs to one side.	Contamination inside draper.	Clear contamination.
	Belt tension incorrect	Set tension. see section 7.8
	Rollers not parallel.	Adjust accordingly. see section 7.8 / 7.9
	Draper tracking needs adjusting.	Adjust to track the belt. see section 7.9

SECTION 7 PICK UP HEADER ADJUSTMENTS AND MAINTENANCE

7.1 ANGLE OF PICK UP HEADER.

The angle of the pick up header is adjustable. The bolt in adaptor plate attaching the pick up header to your combine has two fixing studs (A) Fig.1 located just under the top beam near the centre opening. These fixing studs are adjustable and will therefore adjust the angle of the pick up header.

FIG 1.



To correctly set :-

1. Set the pick up header skids in the fully raised position.



Fully raise header and engage safety latch.

2. On level concrete lower the pick up header, so that the rear corner of the skid is approx..100-150mm (4-6") above the ground
3. At this stage the flat front section of the auger pan should be horizontal or slightly sloping back to the auger trough.
4. If adjustment is required, before adjusting the studs, the bolts securing the auger stripper plates on the adaptor plate only should be loosened to prevent jamming.
5. Adjust the studs (A) Fig.1. of the adaptor plate equal amounts until the setting is approximately correct.
6. Lock the adjusting stud nuts.
7. Re-set the auger stripper plates to give approx. 5mm clearance from the auger flights.

NOTE:- When making this adjustment the auger to feed elevator clearance will also change. Before operating the machine, check that the auger and feed elevator do not hit each other, re-adjust the auger, or elevator if necessary.

7.2 ALIGNING HEADER DRIVE

Most modern combine's use a standard PTO shaft from the combine's elevator to the header. With this system no shaft adjustment is required for alignment.

To fit the shaft simply press in the button of the coupling and push onto shaft. Ensure that the coupling seats correctly i.e. when the pin pops out again

The PTO shafts length is factory cut to suit the combine make and model, to ensure at least minimum engagements are obtained. If a fitted PTO shaft seems to have minimal tube engagements or you need to modify the length contact Shelbourne Reynolds.



Keep all PTO guards in place when operating.

Do not hang the shaft from the guard chain, use the support hook provided

JD American combine's.

9610, 9600 and 8820. To facilitate the use of a direct coupled PTO shaft a drive adaptor has to be fitted to the sprocket output on the feed elevator (KIT-00975).

This simply bolts onto the sprocket and has an 1 & 1/8" A/F hexagonal stub ready to accept a PTO yoke.

9510, 9500, CTS and 7720. The drive arrangement on the header for these models once again uses a PTO shaft with an 1 & 1/8" A/F hexagonal yoke.

To enable this to couple to the feed elevators header drive shaft the sliding sprocket arrangement has to be removed. This will then expose an 1 & 1/8" A/F hexagonal shaft. A groove then needs to be filed or ground into the shaft to accept the PTO yokes quick release mechanism.

(Ref. Bulletin TSB-01051 and grinding jig kit KIT-00978)

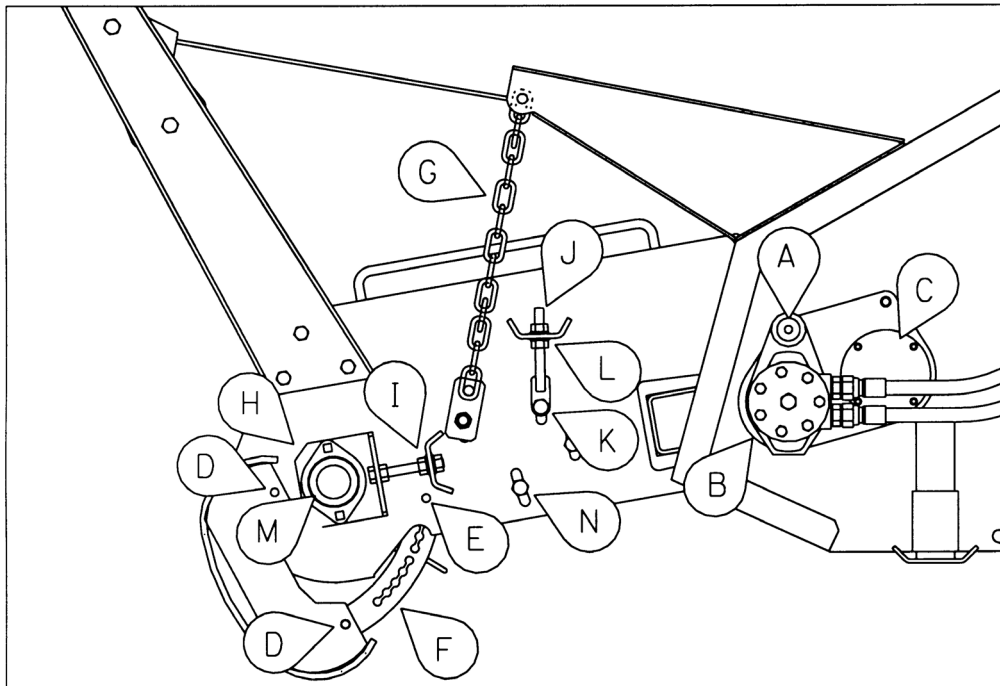
DRAPER

7.3 DRAPER POSITION.

As previously mentioned the draper can be set in two different positions. The following procedure should be used to change position ; (See Fig 2 and 3)

1. Remove draper drive motor, by simply removing mounting plate fixing bolt (fig 2 A) and then withdrawing motor and plate assembly from drive roller.
2. Remove stripper plate assembly from rear of draper (see section 7.12).
3. Support draper assembly with blocks or similar
4. If draper springs and wheels are fitted loosen and remove shock absorber and strap's top fastener (fig 3 A) from support bracket. Keep springs still attached and carrying most of the weight.
If chains fitted leave chain still attached also.
5. Loosen and remove the fasteners (fig 2 B) that hold the draper bearing supports on to both ends of the mainframe side sheets. Withdraw the bearing supports from the mainframe allowing the draper to be released.
6. Remove the cover plates fitted to the second position (fig 2 C).

FIG 2



7. Align the draper drive roller with this different position and insert bearing supports. Secure with fasteners.
8. Fit shock absorber and strap's top fastener into support bracket's second position.(fig 3 B)
9. Re fit stripper plate assembly, fitting spring hold down clips in second position
10. Fit draper drive motor in new position.
11. Replace cover plates to position now not used.
12. Adjust draper optimum angle if required if support chains fitted.

7.4 DRAPER SKID SETTINGS (OPTIONAL EQUIPMENT).

The draper skids fitted to the front corners of the draper frame can easily be adjusted to various heights.

They should be set to give a minimum distance of 50mm (2") from pick up tine tip to the ground when the skid is on the ground.

To adjust (see fig 2) -

1. With the machine on level concrete lower the header fully so that the skids touch the ground and the support chains are slack.
2. Check distance of pick up tine tip to ground level.



Support draper with something at this stage.

3. Loosen the two fasteners (D) slightly and remove fastener (E) on both ends of draper.
4. Using a different hole in the skid adjuster bar (F), move the skid to the height required.
5. Tighten fasteners.(D) and (E)

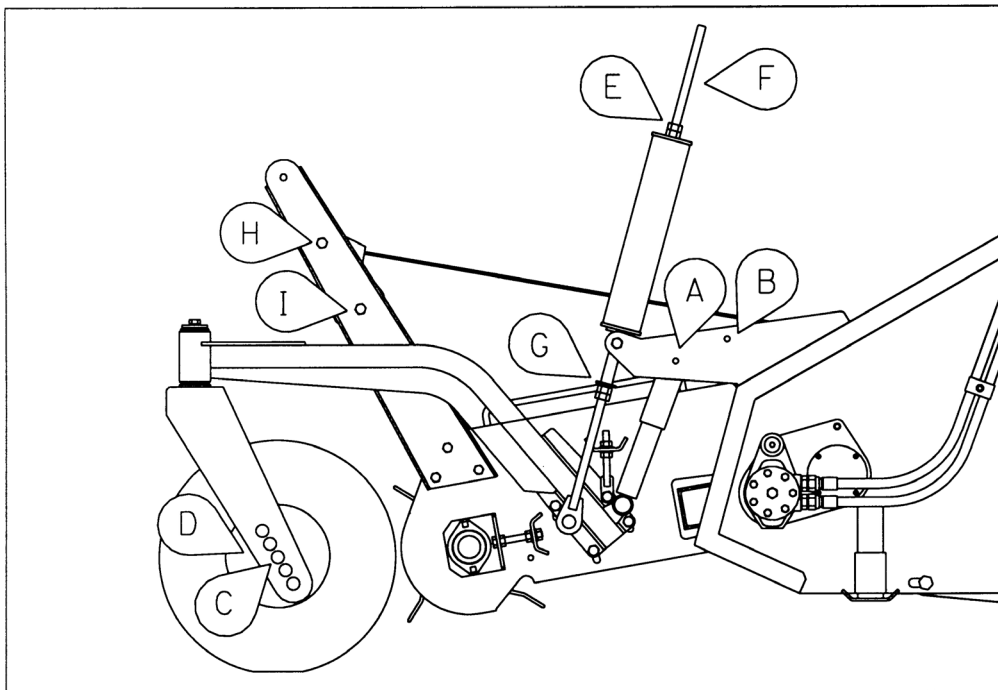
7.5 DRAPER WHEELS SETTINGS (OPTIONAL EQUIPMENT)

The draper wheels controlling the height of the tine to the ground can easily be adjusted. There are 5 height positions for the wheel but initially it should be in the mid position which should give approximately 50mm (2").

To adjust (see fig.3)

1. Lift header fully and engage header lift cylinder stops. Failing this lift until wheels come clear of the ground and then block header for safety reasons.
2. Loosen and remove fastener (C) and spacer tubes (D). At this stage the wheel will need supporting.
3. Move wheel assembly to new position.
4. Secure wheel with fasteners and spacer tubes. Tighten fasteners.

FIG 3



7.6 SETTING DRAPER TO OPTIMUM ANGLE (OPTIONAL SKIDS FITTED).

The draper angle can be adjusted by increasing or decreasing the length of the support chains.

To set angle (see fig 2):-

1. Ensure that the header skids are in their fully raised position and the header is level fore and aft. (as discribed in section 7.1)
2. On level concrete lower the header so that the header skids are approx..100-150mm (4-6") above the ground.
3. Now adjust the support chain assemblies (G) so that both the draper skids just touch the ground.

IMPORTANT - Adjusting the angle of the draper could also adjust the tracking of the belt if both support chains are not adjusted exactly the same amount.
See draper belt tracking (section 7.9).

7.7 SETTING DRAPER SPRINGS AND ANGULAR MOVEMENT (OPTIONAL WHEELS AND SPRINGS FITTED).

(See fig.3)

As previously explained the purpose of the springs is to carry 95% the weight of the draper assembly. The belts tracking is very sensitive to twisting of the two rollers within the draper frame. To allow the strong frame to remain as rigid as possible the springs relieve the weight. As it only takes hand force to lift the draper, shock absorbers are also fitted to dampen any bouncing effect.

The downward movement of the draper is limited by the strap fitted along side the shock absorber.

The upwards movement of the draper is adjustable.

Setting procedure -

1. Ensure that the draper assembly is fully down in the mainframe so that the strap alongside both the shock absorbers are taking the weight.
2. Set the amount of spring force by winding down the nuts (E) at the top of the stud adjuster (F)
The amount of spring force required varies on the width of the header and also if crop slides and steel tines are fitted or not.
Basically the springs need to take as much weight as possible but when raised and released the draper assembly needs to return to the fully down position
Below is a guide for a header with crop slides and plastic tines fitted.
Final adjustments might need making.

Header width	Spring compressed length (draper fully down position)
4.8Mt. (15')	355mm (14")
4.2Mt. (13')	390mm (15.25")
3.6Mt. (11')	430mm (17")

Note – Ensure both springs are adjusted to the same length.

A mechanical stop is built in to eliminate over compressing spring further than 340mm

3. After adjusting lock up nuts (E)
4. The amount of upwards travel is governed by the position of the sleeve assembly (G). This can simply be adjusted by un locking the lower nut and then turning the sleeve assembly up or down the stud adjuster.
Generally set the sleeve so that from draper fully down position the sleeve allows 100mm of upwards spring movement. This will allow the draper to rise to a horizontal position.
If ever stripping down the spring assembly **never** remove the top locknuts (E) without firstly relieving the spring tension by moving the sleeve assembly (G) as far down the stud adjuster as possible (F)
Strip down spring assembly off the header.



7.8 DRAPER BELT TENSIONING.

The conveyor belt is tensioned by adjusting the position of the idle roller within the draper frame. (See fig 2). Tension is applied by loosening all fasteners holding adjusting plate (H) to the draper frame and then adjusting the position of the nuts on the studding (I). When the belt is tensioned correctly it should experience 0.3 - 0.4 % elongation. By this if the belt in the relaxed untensioned state is marked in two places exactly 0.5 metre apart. Then when tensioned the marks should be 501 - 502mm apart.

Ensure that both ends of the belt are tensioned to the same amount.

The draper belt is fitted with side seals which fit to the draper side plates on slotted brackets. These seals continue around the front roller. If the belt tension is adjusted the seals should also be moved. Set the seals so that the front section just clears the belt by 1-2mm (1/16").



Note – failure to move the seals will cause belt damage !

7.9 DRAPER BELT TRACKING.

Belt tracking is controlled by three factors on the pick up header ; (See fig 2)

1. Tensioning devices on both ends of idle roller (H & I).
Ensure that the idle roller when in correct tension is parallel to the drive roller.
2. Crowned drive roller.
This means that the belt is always influenced to track to the centre by using a crowned drive roller. The roller has tapered end sections leaving a parallel middle portion. This feature is not adjustable by the operator.
3. Tracking adjuster stud (J).
This adjuster has the effect of twisting the front roller in relation to the rear roller. If skids are fitted firstly ensure that the support chains (G) are identical in length. Run the header in a raised position so that the draper support chains are taught or the wheels (if fitted) are clear of the ground and draper is fully down on stops.
If the belt moves to one side and is forced onto the roller disc, track the belt to the centre by slightly increasing the distance between the adjuster pivot (K) and the adjuster locknuts (L). This will have the effect of lifting the front roller on the adjusted side. (Obviously the opposite adjustment on the other end side plate would have the same effect)
Allow the belt time to re-track and adjust again if necessary. Ensure that if the belt is moving away from one end roller disc, it is moving closer to the opposite end I.E. check that the complete belt is moving and not just compressing in width from one side. Finally run draper to max..speed and check belt tracking

This principal will mean that when picking up a swath if only one draper skid happens to ground the belt will adjust its tracking. When that skid then clears the ground and the support chain goes taught the belt will re-track to the middle again.

With the wheels fitted the tracking should not adjust.

7.10 CHANGING DRAPER BELT.

If at some time it is required to remove or replace the draper belt use the following procedure ;

1. Remove the draper drive motor by removing the mounting plate fixing bolt (fig 2 A), then withdraw motor and plate assembly from the drive roller.
2. Support draper assembly with blocks or similar. If wheels are fitted ensure draper assembly is fully raised then blocked.

3. Remove the crop slides if fitted
4. Remove the support chains or the spring and shock absorber fixing to the draper.
5. Loosen and remove the fasteners that hold the draper bearing supports (fig 2. B) on to both ends of the mainframe side sheets. Withdraw the bearing supports, allowing the complete draper assembly to be separated from the mainframe.
6. Remove draper belt tension using opposite procedure as previously described in section 7.8
7. Remove the stripper plate as described in section 7.12.
8. From one end of the draper only, remove ;
 - (a) the idle roller bearing locking ring (see fig 2. M)
 - (b) the draper belt side seal and bracket.
 - (c) the fasteners (x5) holding the side plate to the draper frame (see fig 2. N)
9. This will allow the draper side sheet to be withdrawn from the draper frame and rollers. The belt can then be removed.

IMPORTANT - Ensure that the pick up tines are previously fitted to the replacement belt prior to re-assembly.

10. Install new belt onto rollers and reassemble in reverse order of the above, ensuring correct orientation of tines.
11. Tension and track the belt as described in sections 7.8 & 7.9.

7.11 CHANGING DRAPER PLASTIC PICK UP TINES

If a plastic draper finger is damaged or needs replacing ensure that the removal is carried out when the tine is positioned on one of the rollers. The reason for this is that the finger is simply secured to the belt by means of a large flat headed bolt. If a finger is removed between rollers the bolt will fall into the draper and cannot easily be re-positioned.

Ensure that when fitting fingers the square shank on the bolt engages into the square hole on the finger.

7.12 STRIPPER PLATE SETTINGS.



Fully raise header and engage safety latch.

The stripper plate is mounted to the rear of the draper side sheets. It is mounted on bushes to allow it to pivot. The back of the stripper plate is forced down onto the auger pan by five spring plates.

To move the position of the stripper plate ;

1. Firstly remove the spring plates.
2. Remove the fasteners through the bush where the stripper fixes to the draper side plates.
3. Re-fit stripper into different position using reverse procedure.
4. Re-fit the spring plates.

NOTE - The spring plates have two sets of fixing holes. These would be used when the draper

position is moved to the rear setting.

On to the stripper plate is bolted a canvas edging strip. This strip has slots punched into it so that it can be moved closer to the fingers when it gets worn.

7.13 HEADER SKIDS.

Both header skids are secured to the mainframe by fasteners through slotted holes. This will allow the skids to be adjustable in height.

Ensure both skids are set to the same setting.

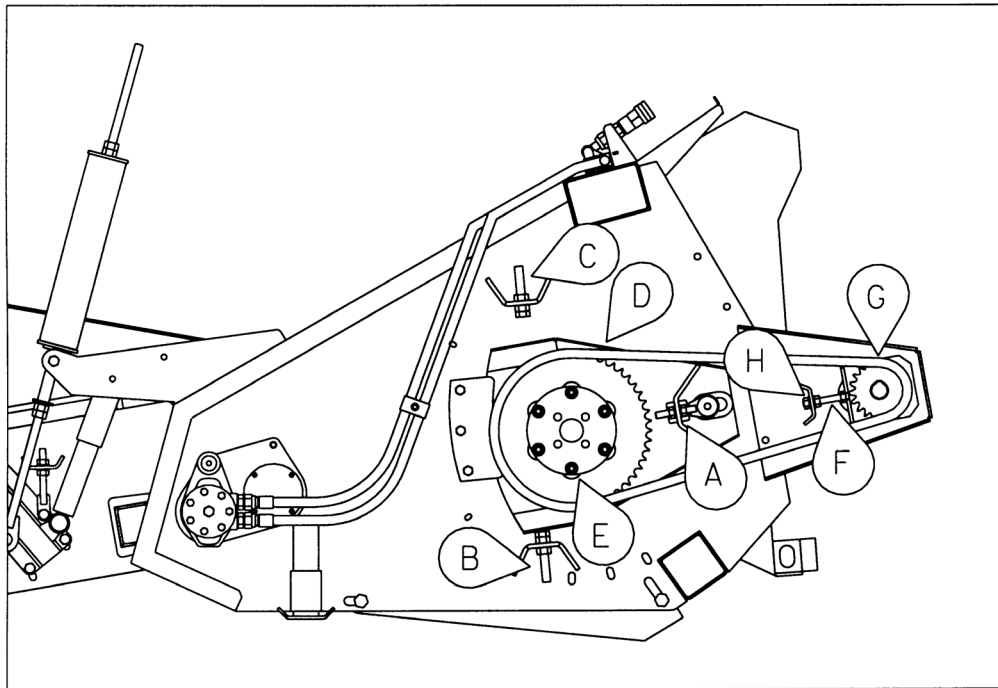


When setting skids always have header in the fully raised position and engage lift cylinder safety latch's.

7.14 AUGER POSITION / FLOAT SETTING

The auger position is factory set with float giving 20mm min and 40mm max. auger clearance. This pre-set position should be suitable for most crops and conditions, however, if the position needs to be altered the auger can be adjusted. (see fig 4)

FIG 4.



Note - Slacken all stripper plate securing bolts if auger is moved back. Moving auger forwards will tension the drive chain. Relieve tension before moving auger forwards, See section 7.19

1. Adjuster (A) will move the augers fore and aft position. Simply adjust the locking nuts position. Adjust both ends of the auger to equal amounts.
2. The minimum auger clearance is set by the adjuster (B) and the maximum clearance is set on adjuster (C). To move simply adjust the locking nuts equally both sides
3. To lock off the auger float simply set the minimum clearance and then adjust (C) to touch the top of the auger support plate (D).
4. Tighten lock nuts when adjustment is complete.

5. Check and reset auger stripper plates.
6. Check and reset auger drive chain tension (See section 7.19)

IMPORTANT.

After adjusting the auger, it should be rotated by hand to ensure that nothing on the auger fouls.

7.15 AUGER FINGERS

The position of the auger finger retraction is pre-set at the factory. It is adjusted by moving the handle situated on the right hand side of the mainframe. To adjust it, slackening off the bolt on the handle and move the handle to the required position.

7.16 AUGER STRIPPER PLATES

The stripper plates (B) are behind the auger across the width of the machine, except for the centre opening (See fig 5). These should be set approximately 5mm from the auger flight. They are adjusted by slackening all the bolts (A) on the stripper plate and moving it on the slots before re-tightening. The stripper plate on the adaptor plate is adjusted independently to the same clearance.

FIG 5.



7.17 AUGER FINGERS AND FLIGHT EXTENSIONS

To remove the fingers; see fig 6.

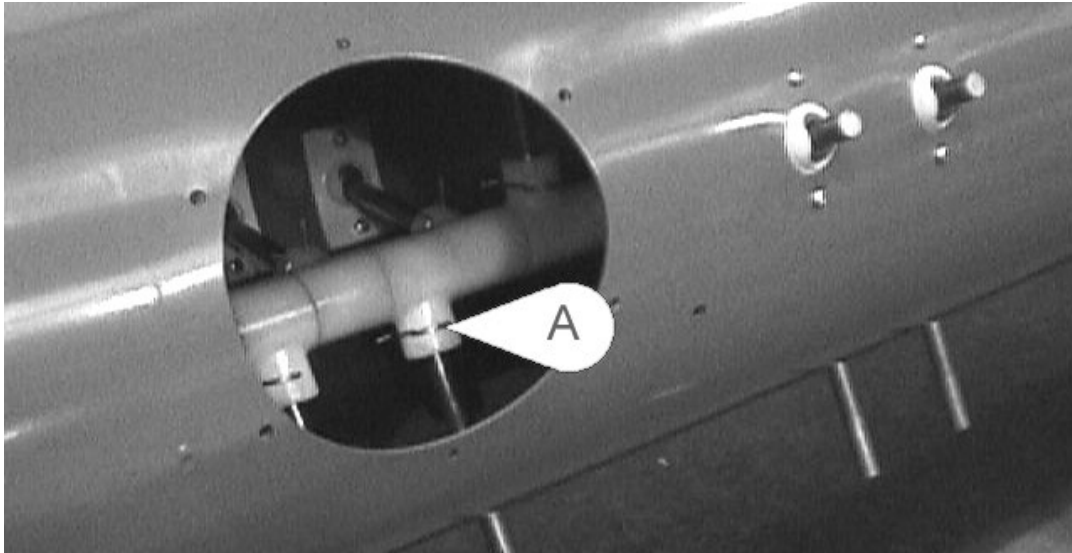
1. Remove the cover plates near the auger centre.
2. Remove the 'R' clip (A) securing the finger in the plastic holder, and pull the finger out of the holder.
3. To prevent dust and particles filling the auger tube through the remaining hole, remove the ball guide from the auger tube and replace with a blanking plate.
(Pt No. 190735 01)
4. When enough fingers have been removed, replace the auger cover plates.

The header is supplied with bolt on 90 degree flight extensions. For combines with wide feed elevators they should be removed. The fasteners that fix the extensions to the auger tube should be replaced, once the flight extensions have been removed, to fill the fixing holes.

If the auger flights need extending in further than the 90 degree extension then a 180 degree extension is available to fit in its place. These are available through your SRE dealer and are part no's

200328 01 - LH flight extension.
200328 02 - RH flight extension.

FIG 6.



7.18 AUGER SLIP CLUTCH SETTING

Both width headers have an auger drive clutch fitted with 6 compression springs. The spring length is pre-set by a spacer.

Never modify the length of the spacer.

To check the adjustment of the springs:-

1. Firstly remove chain guard.
2. Loosen the outer lock nut on each bolt. See fig 4. (E).
3. Turn the inner nut until the spring is compressed to the length of the spacer.
4. Tighten the outer lock nut.



Replace guard afterwards.

Note;

If the clutch has slipped excessively the clutch plate teeth may be worn, in which case they must both be replaced.

7.19 AUGER CHAIN TENSIONING

The chain is tensioned by moving the position of the rear shaft backwards. The rear shaft has been positioned so that where ever the auger floats too it makes no variation in the chain length.

To adjust tension; See fig 4.

1. Remove chain guard from header.
2. Loosen 2 of bearing fixing bolts (G) on both drive support plate.
3. Tension chain by moving shaft by adjusting lock nuts (H) on adjuster (F).
Note – Ensure that both drive support plate adjusters are moved to equal amounts to keep sprocket alignment correct.
3. When correct tension is achieved tighten lock nuts (H) and bolts (G)



Replace guard afterwards.

7.20 DRAPER METAL TINES AND SLATS (OPTIONAL EQUIPMENT).

The pick up header has plastic draper tines fitted as standard. These are the preferred tine system. If a condition is experienced when the tines are not aggressive enough and do not recover all the swath then steel tines and slats can be fitted instead. Contact your SRE dealer if required.

KIT-01605	4.2Mt (13')
KIT-01606	4.8Mt (15')

To change over remove a complete row of plastic tines (while positioned on the front roller)
See section 7.11

Position on the metal slat over the existing bolts, ensuring the longer over 90 degrees folded flange is the leading face.

Note both width headers use a slat plus an extra piece to make up the headers width.

In this situation, the gap between slat and extra piece needs to alternate from one end of the header to the other on each row.

Fit metal tine, cup washer and existing nut and tighten.

7.21 CROP SLIDES (OPTIONAL EQUIPMENT)

Crop slides can be fitted to the draper side frame.

The spring steel wires are simply clamped to the cross tube assembly and have a swollen end to stop them from being pulled out

This cross tube can be positioned in three different height settings depending on how bulky the swath is.

The angle of the wires to the belt is also adjustable.

(See fig 3)

1. To adjust angle loosen fastener (H) at both ends and remove (I).
2. Rotate crop slides to new position and replace fastener (I).
Tighten all fasteners.



If moving height position adjust one end at a time. Loosen fastener at other end first.

This page is left intentionally blank

SECTION 8

LUBRICATION

Your Shelbourne Reynolds Pick up Header is designed to reduce down time and therefore requires the minimum amount of lubrication.

Most of the bearings are of the sealed type, requiring no maintenance.



CAUTION - Stop engine before lubricating.

CHAIN

The auger drive chain should be lubricated daily and after work so that the oil will adhere to the chain to provide good lubrication.

Use an aerosol chain lubricant or SAE 90 gear oil.

Grease the following points at 10 hour intervals:

1. PTO universal joints.

Grease the following points at 50 hour intervals:

1. Draper wheels castor yoke pivot (optional equipment if fitted).

NOTE:- Grade of grease to be used - Mobilux EP3 or equivalent.

This page is left intentionally blank

SECTION 9

STORAGE OF THE HEADER

The following procedure should be followed prior to off-season storage of your pick up header to preserve and protect your machine.

1. Remove the pick up header from the combine feeder housing, either onto a trailer or on adequately supportive blocks to prevent header damage.
2. Thoroughly clean the interior and exterior of the header, as any chaff, straw and dirt left on the machine will draw moisture and cause corrosion.
3. Remove conveyor belt tension to prevent it from taking a permanent set.
4. Lubricate the machine thoroughly as described in the lubrication section of this manual.
5. Coat all the bright parts with paint or anti-rust preservative to protect them.

IMPORTANT; DO NOT PUT ANY OIL, PAINT, PRESERVATIVE ETC ON THE PLASTIC BELTING OR FINGERS AS IT MAY DAMAGE THEM

6. Store the header in a dry place protected from the weather and rodents.
7. Use the combine operators manual for storage procedure of your combine.

This page is left intentionally blank