

MAN - 04100

Shelbourne

REYNOLDS

Hydraulic Pick Up Header

3.6m - 4.2m - 4.8m

ADAPTORS AND DRIVE KITS PARTS MANUAL

(2000)



Shelbourne Reynolds Engineering Ltd
Stanton
Bury St Edmunds
Suffolk IP31 2AR
England

Telephone: 01359 250415
Fax. No: 01359 250464

(Stores direct 01359 251231)
(Stores direct 01359 252031)

ISSUE .7

10.06.2013

Visit our website www.shelbourne.com

Parts Manual

Hydraulic Pick Up Header

Adaptor Plates

196555 01	CLAAS LEXION
196555 02	MF DRONN 30-40 AUTO LEVEL TYPE
196555 03	JOHN DEERE (USA)
196555 04	JOHN DEERE ERPN (PRE 2000, 'Z SERIES)
196555 05	JOHN DEERE (2000 'Z SERIES & ON)
196555 06	NEW HOLLAND ERPN
196555 08	CASE IH
196555 10	CLAAS DOM (STANDARD)
196555 11	CLAAS DOM (AUTO)
196555 12	NEW HOLLAND CX 700/800
196555 13	CASE 8010 SERIES
196555 14	NH 2004 TX/CT MODELS
196555 18	MF WORLD PICK UP ERPN

Drive Kits

CASE IH

209906 001A	CASE IH 3.6M
209906 001B	CASE IH 4.2M & 4.8M
209906 002	CASE IH 4.2M & 4.8M
209906 011	CLAAS DOM
209906 012	CLAAS DOM (4.2M & 4.8M)

NEW HOLLAND (TX, TF, TC & CX)

209906 021A	NH (TX.TF, TC & CX), 3.6M ON 6 WALKER MODELS
209906 021B	NH (TX.TF, TC & CX), 3.6M ON 5 WALKER & 4.2M ON 6 WALKER MODELS
209906 021C	NH (TX.TF, TC & CX), 4.2M ON 5 WALKER & 4.8M ON ALL WALKER MODELS

209906 022A	NH (TX,TF, TC & CX), 4.2M ON 6 WALKER MODELS
209906 022B	NH (TX,TF, TC & CX), 4.2M ON 5 WALKER &4.8M ON 6 WALKER MODELS
209906 022C	NH (TX,TF, TC & CX), 4.8M ON 5 WALKER

NEW HOLLAND (SQUARE DRIVE)

209906 071A	NH 80 (SQ. DRIVE) 3.6M ON ALL MODELS
209906 071B	NH 80 (SQ. DRIVE) 4.2M ON ALL MODELS
209906 071C	NH 80 (SQ. DRIVE) 4.8M ON ALL MODELS
209906 072	NH80 9(SQ DRIVE) 4.2M / 4.8M

MASSEY FERGUSON (AUTO LEVEL)

209906 111A	MF 30-40 (AUTO LEVEL) 3.6M ON ALL MODELS
209906 111B	MF 30-40 (AUTO LEVEL) 4.2M ON ALL MODELS
209906 111C	MF 30-40 (AUTO LEVEL) 4.8M ON ALL MODELS
209906 112	MF 30-40 (AUTO LEVEL) 4.2M / 4.8M
209906 113	MF (CEREA/BETA 2007) 3.6M ON ALL MODELS
209906 114	MF (CEREA/BETA 2007) 4.2M & 4.8M ON ALL MODELS

JOHN DEERE (LEVEL LAND)

209906 171A	JD Z SERIES (LEVEL LAND) 3.6M ON 6 WALKER MODELS
209906 171B	JD Z SERIES (LEVEL LAND) 3.6M ON 5 WALKER MODELS
209906 171C	JD Z SERIES (LEVEL LAND) 4.2M ON ALL MODELS
209906 171D	JD Z SERIES (LEVEL LAND) 4.8M ON ALL MODELS
209906 173 A	JD Z SERIES (LEVEL LAND) 4.2M ON 6 WALKER MODELS
209906 173 B	JD Z SERIES (LEVEL LAND) 4.2M ON 5 WALKER MODELS
209906 173 C	JD Z SERIES (LEVEL LAND) 4.2M / 4.8M ON ALL MODELS

JOHN DEERE (HILL MASTER)

209906 172A	JD Z SERIES (HILL MASTER) 3.6M ON 6 WALKER MODELS
209906 172B	JD Z SERIES (HILL MASTER) 3.6M ON 5 WALKER

MODELS

209906 172C JD Z SERIES (HILL MASTER) 4.2M ON ALL MODELS
209906 172D JD Z SERIES (HILL MASTER) 4.8M ON ALL MODELS
209906 174 A JD Z SERIES (HILL MASTER) 4.2M ON 6 WALKER

MODELS

209906 174 B JD Z SERIES (HILL MASTER) 4.2M ON 5 WALKER

MODELS

209906 174 C JD Z SERIES (HILL MASTER) 4.2M ON ALL MODELS

CLAAS LEXION

209906 181A CLAAS LEXION 3.6M ON 6 WALKER MODELS
209906 181B CLAAS LEXION 3.6M ON 5 WALKER &
4.2M ON 6 WALKER MODELS

209906 181C CLAAS LEXION 4.2M ON 5 WALKER &
4.8M ON ALL MODELS

209906 182 CLASS LEXION 4.2M / 4.8M

Hydraulic Pick Up Header

**ADAPTOR PLATE
TYPES**

Shelbourne Reynolds Engineering Limited

ASSY NUMBER:

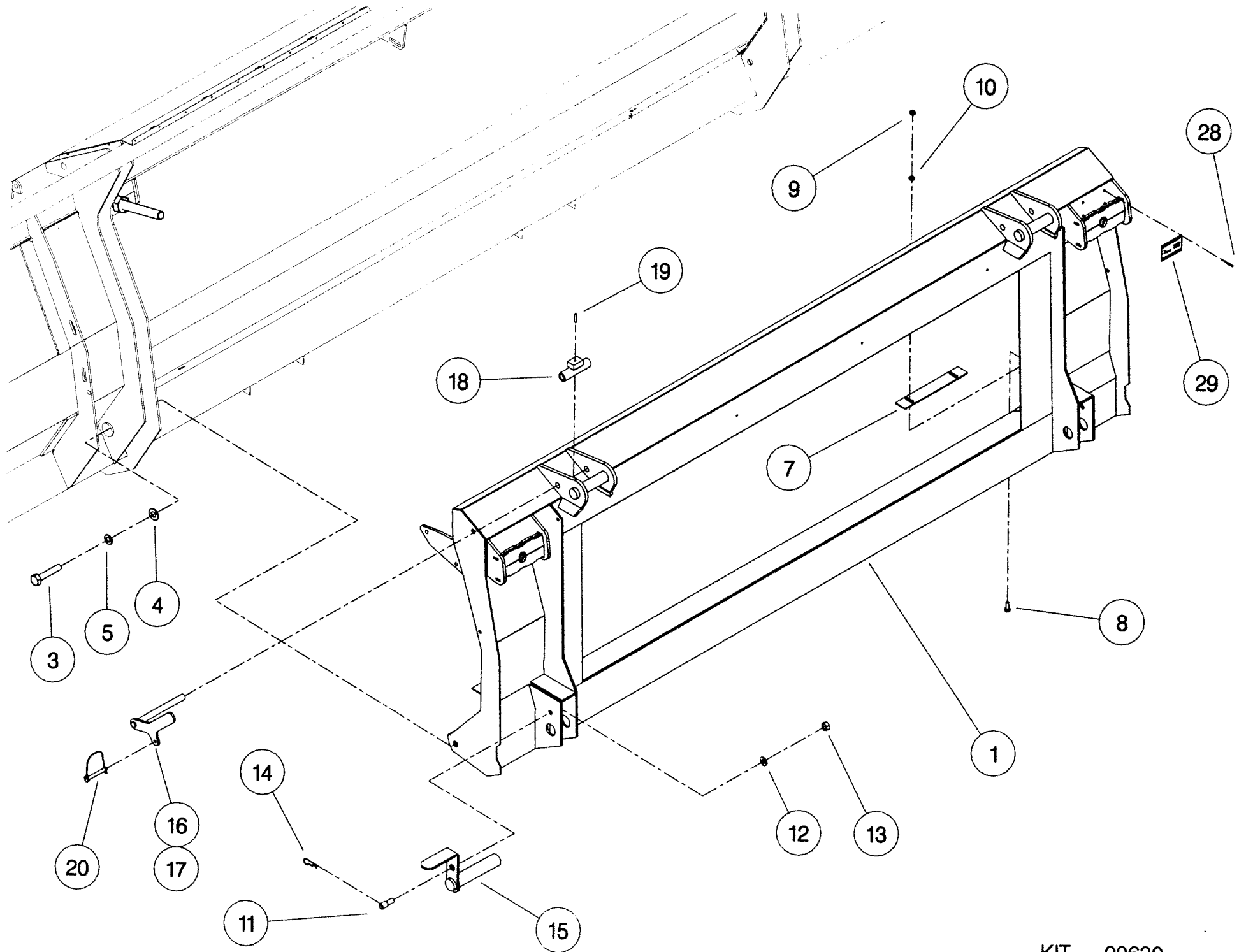
196555 01

ASSY DESCRIPTION: ADAPTOR PLATE ASSY CLAAS LEXION

ITEM	PART NO	DESCRIPTION	QTY	ITEM	PART NO	DESCRIPTION	QTY
	KIT-00630	ADAPTOR PLATE SUB	1				

Shelbourne Reynolds Engineering Limited

ASSY NUMBER:		KIT-00630		SUB ASSY DESCRIPTION: ADAPTOR PLATE CLAAS (LEXION)			
ITEM	PART NO	DESCRIPTION	QTY	ITEM	PART NO	DESCRIPTION	QTY
1	194246 01	FRAME WELD ASSY	1				
2							
3	HSS-0315	SET SCREW	2				
4	WSH-0024	PLAIN WASHER	2				
5	WSH-0070	SPRING WASHER	2				
6							
7	194239 02	SCRAPER	2				
8	BLT-4710	COACH BOLT	4				
9	NUT-0263	NYLOC NUT	4				
10	WSH-0012	PLAIN WASHER	4				
11	192204 01	PIN	2				
12	WSH-0018	PLAIN WASHER	2				
13	NUT-0269	NYLOC NUT	2				
14	RCL-0015	R CLIP	2				
15	192198 04	LOWER LOCKING PIN	2				
16	193153 01	TOP LOCKING LEVER LH	1				
17	193153 02	TOP LOCKING LEVER RH	1				
18	193154 01	TOP LOCK	2				
19	PIN-1921	ROLL PIN	2				
20	PIN-1720	SPRING "D" PIN	2				
21							
22							
23							
24							
25							
26							
27							
28	POP-0006	POP RIVET	4				
29	134024 05	IDENTIFICATION PLATE	1				



KIT - 00630

Shelbourne Reynolds Engineering Limited

ASSY NUMBER:

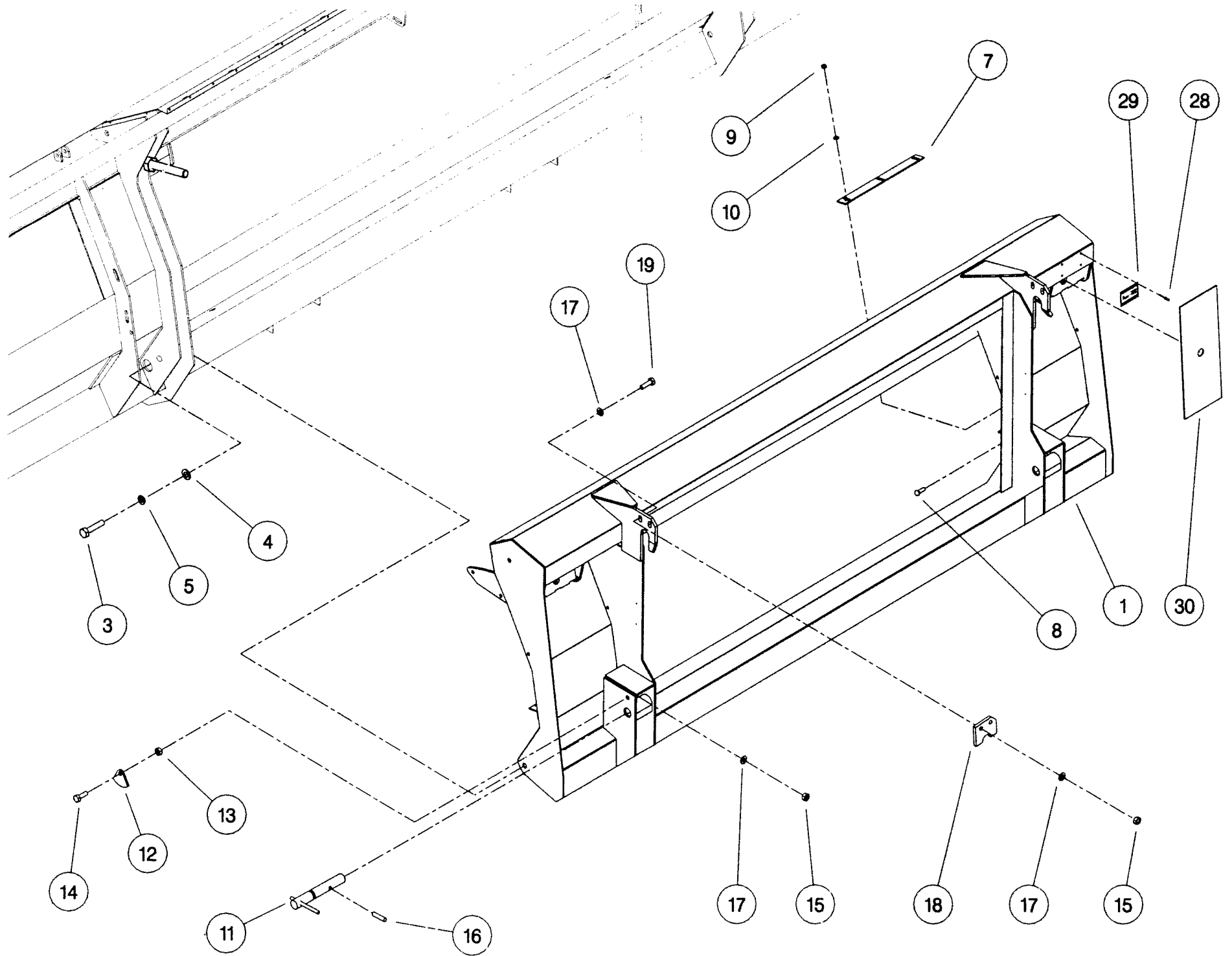
196555 02

ASSY DESCRIPTION: ADAPTOR PLATE ASSY MF DRON(AUTO LEVEL)

ITEM	PART NO	DESCRIPTION	QTY	ITEM	PART NO	DESCRIPTION	QTY
	KIT-00631	ADAPTOR PLATE SUB	1				

Shelbourne Reynolds Engineering Limited

ASSY NUMBER:		KIT-00631		SUB ASSY DESCRIPTION: ADAPTOR PLATE MF-30-40 (AUTO, 1996)			
ITEM	PART NO	DESCRIPTION	QTY	ITEM	PART NO	DESCRIPTION	QTY
1	194262 01	FRAME WELD ASSY	1				
2							
3	HSS-0315	SET SCREW	2				
4	WSH-0024	PLAIN WASHER	2				
5	WSH-0070	SPRING WASHER	2				
6							
7	194261 02	SCRAPER	2				
8	BLT-4710	COACH BOLT	6				
9	NUT-0263	NYLOC NUT	6				
10	WSH-0012	PLAIN WASHER	6				
11	130088 01	LOCKING HANDLE	2				
12	210125 01	LOCKING CAM	2				
13	NUT-0170	PLAIN NUT	2				
14	HSS-0250	SET SCREW	2				
15	NUT-0269	NYLOC NUT	4				
16	PIN-1935	ROLL PIN	2				
17	WSH-0018	PLAIN WASHER	6				
18	191459 01	ADJUSTER PLATE	1				
19	BLTA12290	BOLT	2				
20							
21							
22							
23							
24							
25							
26							
27							
28	POP-0006	POP RIVET	4				
29	134024 05	IDENTIFICATION PLATE	1				
30	195093 01	DUST COVER	2				

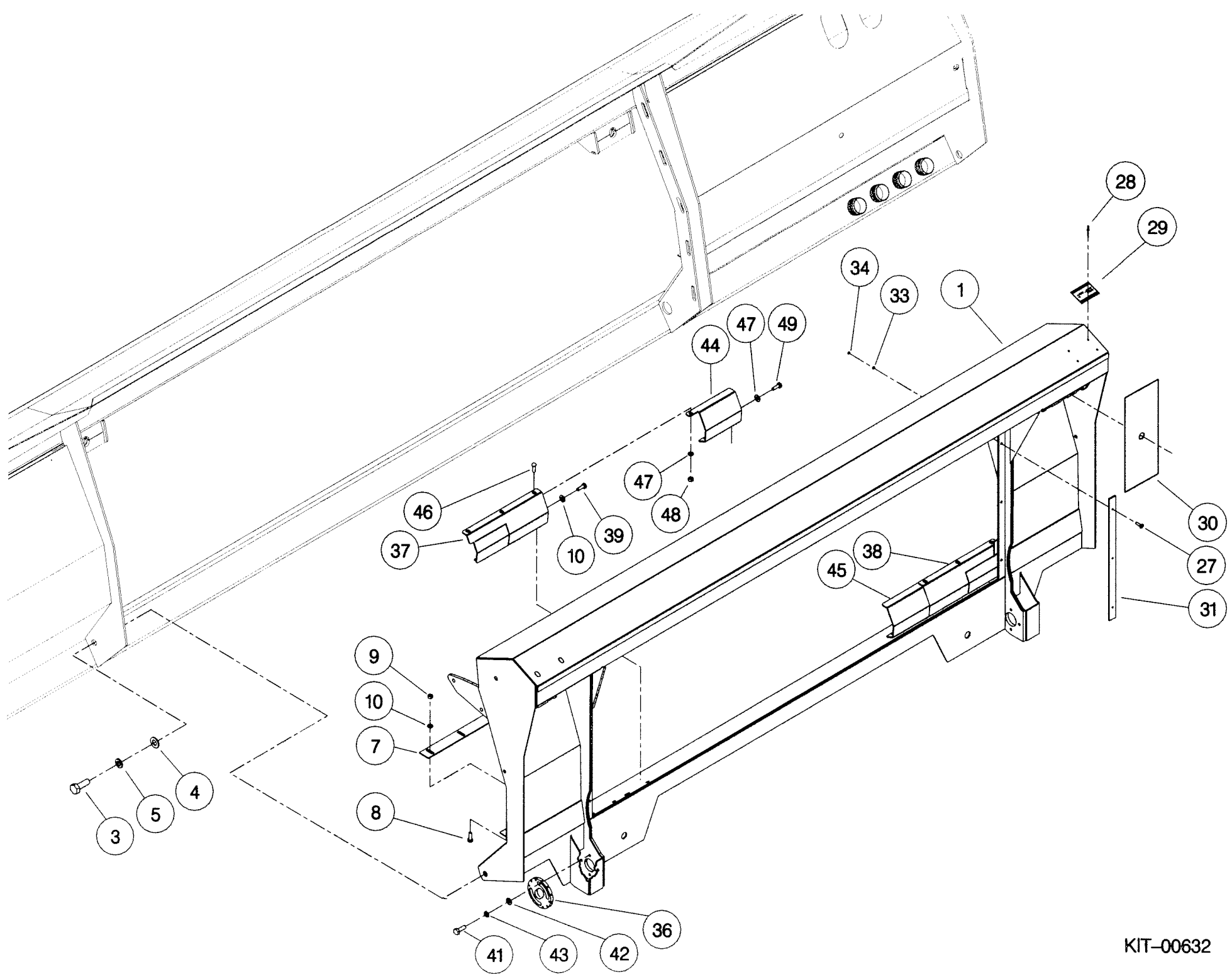


Shelbourne Reynolds Engineering Limited

ASSY NUMBER:		196555 03		ASSY DESCRIPTION: ADAPTOR PLATE ASSY JD (USA)			
ITEM	PART NO	DESCRIPTION	QTY	ITEM	PART NO	DESCRIPTION	QTY
1	KIT-00632	ADAPTOR PLATE SUB	1				
2	KIT-00804	LEVELLING SPACER KIT	1				

Shelbourne Reynolds Engineering Limited

ASSY NUMBER:		KIT-00632		SUB ASSY DESCRIPTION: ADAPTOR PLATE JOHN DEERE			
ITEM	PART NO	DESCRIPTION	QTY	ITEM	PART NO	DESCRIPTION	QTY
1	197310 01	FRAME WELD ASSY (FROM 2005)	1	31	197208 01	PACKER PLATE	2
OR	194292 01	FRAME WELD ASSY (UPTO 2004)	1	32	SCW-1600	SKT CSK HD(UPTO 2010)	6
2				33	WSH-0009	WASHER (EARLY 2010 & ON)	6
3	HSS-0315	SET SCREW	2	OR	WSH-0009	WASHER (UPTO EARLY 2010)	8
4	WSH-0024	PLAIN WASHER	2	34	NUT-0260	NYLOC NUT(EARLY 2010 & ON)	6
5	WSH-0070	SPRING WASHER	2	OR	NUT-0260	NYLOC NUT(UPTO EARLY 2010)	8
6				35			
7	197313 01	SCRAPER (2005-2008)	2	36	197312 01	ADJUSTMENT PLATE(FROM 2005)	2
OR	194284 02	SCRAPER (UPTO 2004)	2	37	198282 01	SCRAPER EXT LH(EARLY 2010 & ON)	1
8	BLT-4710	COACH BOLT (2009& ON)	2	OR	197311 01	SCRAPER EXT LH(2005-EARLY 2010)	1
OR	BLT-4710	COACH BOLT (UPTO 2009)	6	38	198282 02	SCRAPER EXT RH(EARLY 2010 & ON)	1
9	NUT-0263	NYLOC NUT (2009 & ON)	6	OR	197311 02	SCRAPER EXT RH(2005-EARLY 2010)	1
OR	NUT-0263	NYLOC NUT (UPTO 2009)	10	39	HSS-0145	SETSCREW	4
10	WSH-0012	PLAIN WASHER (2009& ON)	6	40			
OR	WSH-0012	PLAIN WASHER (UPTO 2009)	10	41	HSS-0191	SETSCREW	4
11				42	WSH-0015	PLAIN WASHER	4
12				43	WSH-0061	SPRING WASHER	4
13				44	198284 01	SCRAPER EXTENSION LH	A/R
14				45	198284 01	SCRAPER EXTENSION RH	A/R
15				46	BLT-4710	COACH BOLT	A/R
16				47	WSH-0012	PLAIN WASHER	A/R
17				48	NUT-0263	NYLOC NUT	A/R
18				49	HSS-0145	SETSCREW	A/R
19							
20							
21							
22							
23							
24							
25							
26							
27	SCW-1580	SKT CSK HD(EARLY 2010&ON)	6				
OR	SCW-1580	SKT CSK HD(UPTO EARLY 2010)	2				
28	POP-0006	POP RIVET (UPTO 2009)	4				
29	134024 05	IDENTIFICATION PLATE (UPTO 2009)	1				
30	195093 01	DUST COVER	2				

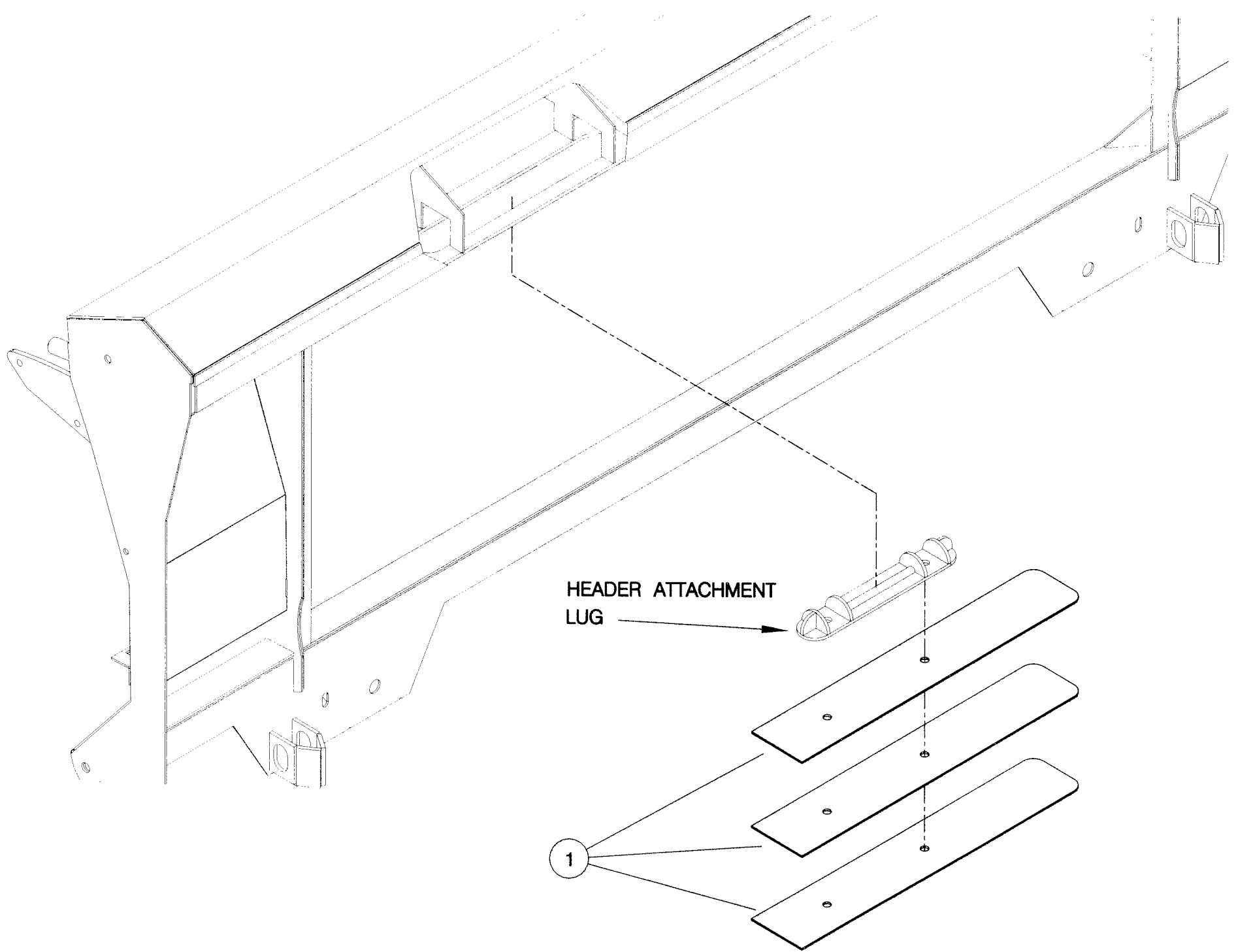


KIT-00632

Shelbourne Reynolds Engineering Limited

ASSY NUMBER: KIT-00804 SUB ASSY DESCRIPTION: LEVELLING SPACERS (JD)

ITEM	PART NO	DESCRIPTION	QTY	ITEM	PART NO	DESCRIPTION	QTY
1	191595 01	SPACER	3				

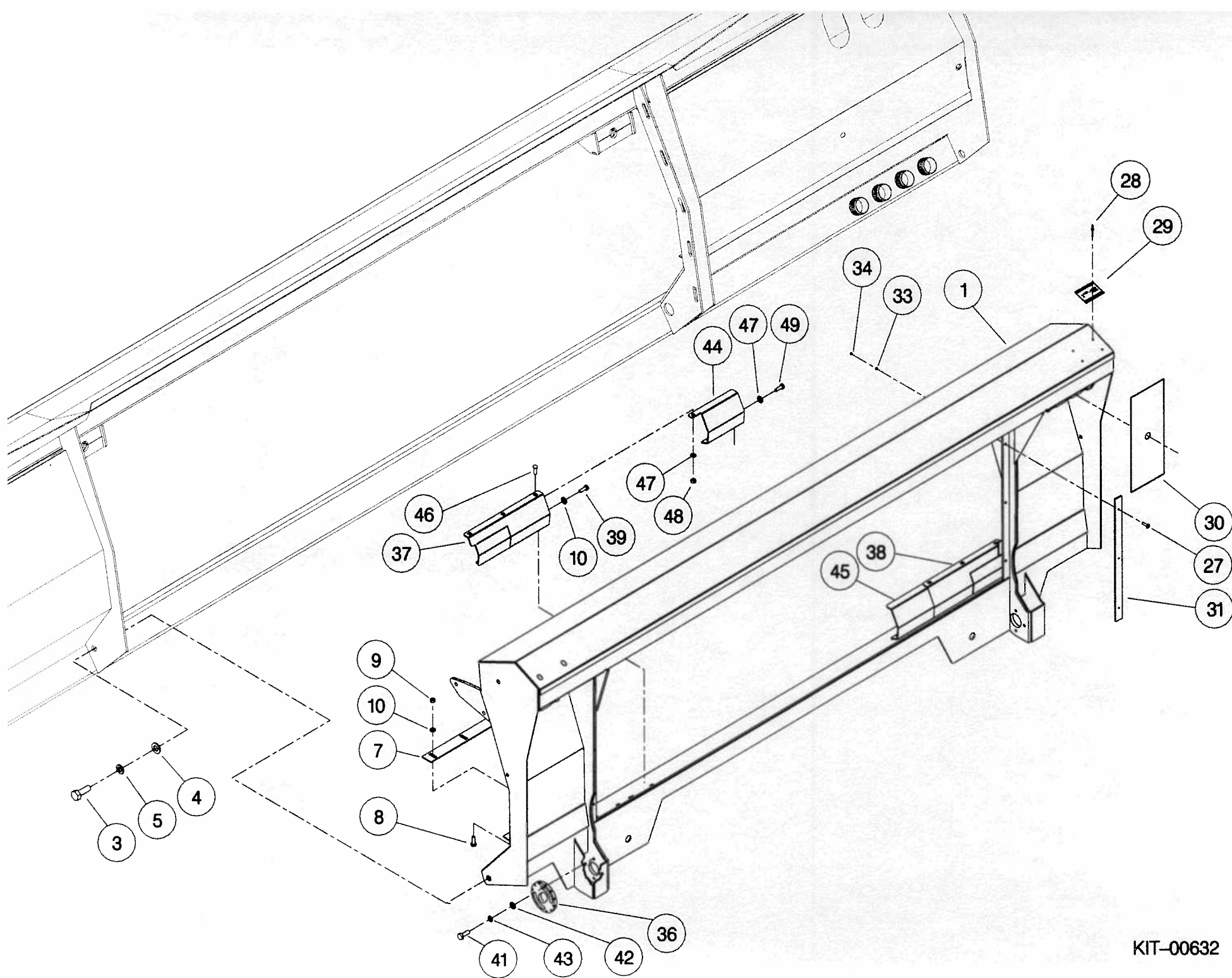


Shelbourne Reynolds Engineering Limited

ASSY NUMBER:		196555 04		ASSY DESCRIPTION: ADAPTOR PLATE ASSY JD (ERP)			
ITEM	PART NO	DESCRIPTION	QTY	ITEM	PART NO	DESCRIPTION	QTY
	KIT-00632	ADAPTOR PLATE SUB	1				
	KIT-00805	FIXING KIT	1				

Shelbourne Reynolds Engineering Limited

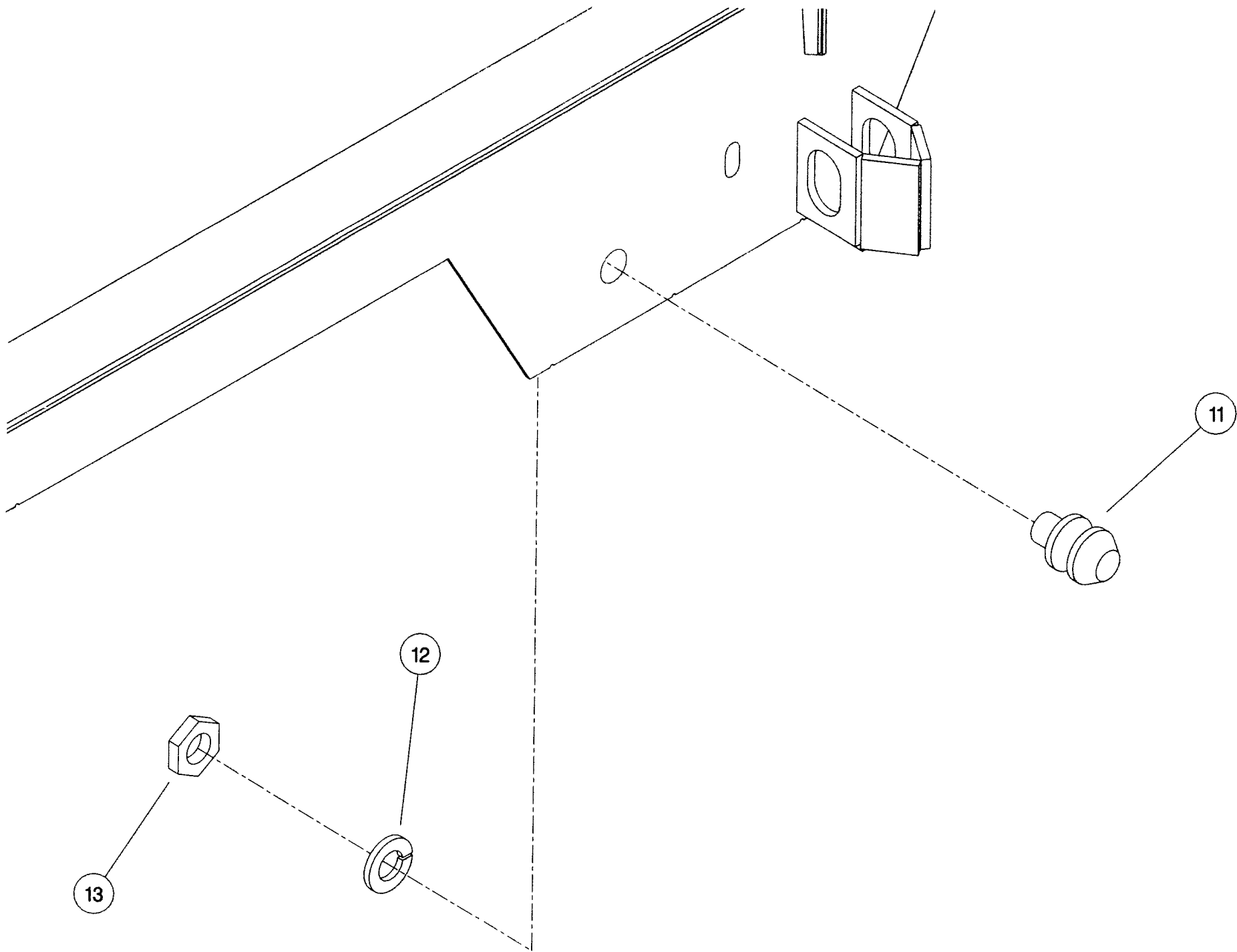
ASSY NUMBER:		KIT-00632		SUB ASSY DESCRIPTION: ADAPTOR PLATE JOHN DEERE			
ITEM	PART NO	DESCRIPTION	QTY	ITEM	PART NO	DESCRIPTION	QTY
1	197310 01	FRAME WELD ASSY (FROM 2005)	1	31	197208 01	PACKER PLATE	2
OR	194292 01	FRAME WELD ASSY (UPTO 2004)	1	32	SCW-1600	SKT CSK HD(UPTO 2010)	6
2				33	WSH-0009	WASHER (EARLY 2010 & ON)	6
3	HSS-0315	SET SCREW	2	OR	WSH-0009	WASHER (UPTO EARLY 2010)	8
4	WSH-0024	PLAIN WASHER	2	34	NUT-0260	NYLOC NUT(EARLY 2010 & ON)	6
5	WSH-0070	SPRING WASHER	2	OR	NUT-0260	NYLOC NUT(UPTO EARLY 2010)	8
6				35			
7	197313 01	SCRAPER (2005-2008)	2	36	197312 01	ADJUSTMENT PLATE(FROM 2005)	2
OR	194284 02	SCRAPER (UPTO 2004)	2	37	198282 01	SCRAPER EXT LH(EARLY 2010 & ON)	1
8	BLT-4710	COACH BOLT (2009& ON)	2	OR	197311 01	SCRAPER EXT LH(2005-EARLY 2010)	1
OR	BLT-4710	COACH BOLT (UPTO 2009)	6	38	198282 02	SCRAPER EXT RH(EARLY 2010 & ON)	1
9	NUT-0263	NYLOC NUT (2009 & ON)	6	OR	197311 02	SCRAPER EXT RH(2005-EARLY 2010)	1
OR	NUT-0263	NYLOC NUT (UPTO 2009)	10	39	HSS-0145	SETSCREW	4
10	WSH-0012	PLAIN WASHER (2009& ON)	6	40			
OR	WSH-0012	PLAIN WASHER (UPTO 2009)	10	41	HSS-0191	SETSCREW	4
11				42	WSH-0015	PLAIN WASHER	4
12				43	WSH-0061	SPRING WASHER	4
13				44	198284 01	SCRAPER EXTENSION LH	A/R
14				45	198284 01	SCRAPER EXTENSION RH	A/R
15				46	BLT-4710	COACH BOLT	A/R
16				47	WSH-0012	PLAIN WASHER	A/R
17				48	NUT-0263	NYLOC NUT	A/R
18				49	HSS-0145	SETSCREW	A/R
19							
20							
21							
22							
23							
24							
25							
26							
27	SCW-1580	SKT CSK HD(EARLY 2010&ON)	6				
OR	SCW-1580	SKT CSK HD(UPTO EARLY 2010)	2				
28	POP-0006	POP RIVET (UPTO 2009)	4				
29	134024 05	IDENTIFICATION PLATE (UPTO 2009)	1				
30	195093 01	DUST COVER	2				



KIT-00632

Shelbourne Reynolds Engineering Limited

ASSY NUMBER:		KIT-00805						ASSY DESCRIPTION: BOTTOM PICK UP FIXING KIT JD (ERP)	
ITEM	PART NO	DESCRIPTION	QTY	ITEM	PART NO	DESCRIPTION	QTY		
11	130130	PICK UP PIN	2						
12	WSH-0075	SPRING WASHER	2						
13	NUT-0385	HALF NUT	2						



KIT - 00805

Shelbourne Reynolds Engineering Limited

ASSY NUMBER:

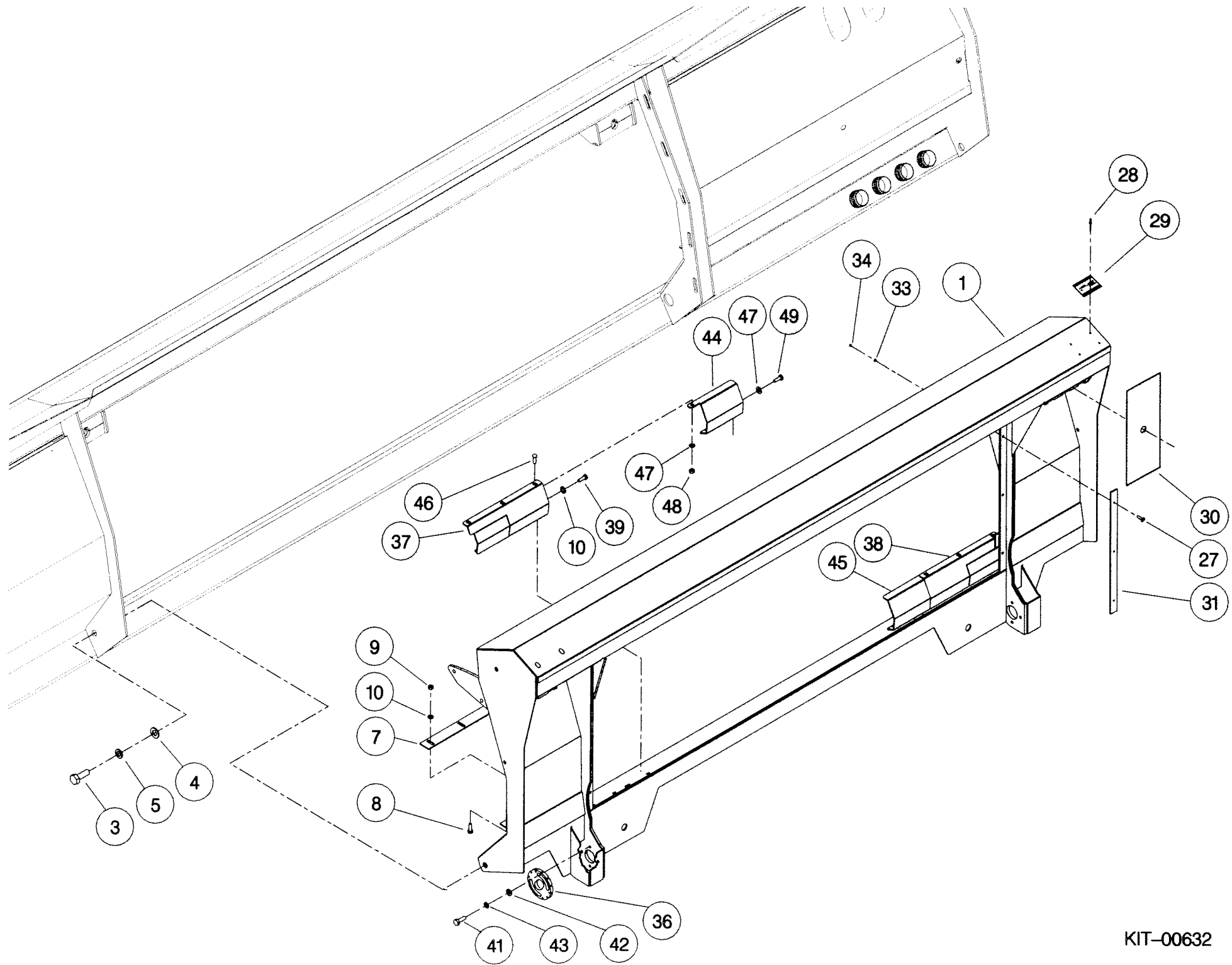
196555 05

ASSY DESCRIPTION: ADAPTOR PLATE ASSY JD (Z SREIES)

ITEM	PART NO	DESCRIPTION	QTY	ITEM	PART NO	DESCRIPTION	QTY
	KIT-00632	ADAPTOR PLATE SUB	1				

Shelbourne Reynolds Engineering Limited

ASSY NUMBER:		KIT-00632		SUB ASSY DESCRIPTION: ADAPTOR PLATE JOHN DEERE			
ITEM	PART NO	DESCRIPTION	QTY	ITEM	PART NO	DESCRIPTION	QTY
1	197310 01	FRAME WELD ASSY (FROM 2005)	1	31	197208 01	PACKER PLATE	2
OR	194292 01	FRAME WELD ASSY (UPTO 2004)	1	32	SCW-1600	SKT CSK HD(UPTO 2010)	6
2				33	WSH-0009	WASHER (EARLY 2010 & ON)	6
3	HSS-0315	SET SCREW	2	OR	WSH-0009	WASHER (UPTO EARLY 2010)	8
4	WSH-0024	PLAIN WASHER	2	34	NUT-0260	NYLOC NUT(EARLY 2010 & ON)	6
5	WSH-0070	SPRING WASHER	2	OR	NUT-0260	NYLOC NUT(UPTO EARLY 2010)	8
6				35			
7	197313 01	SCRAPER (2005-2008)	2	36	197312 01	ADJUSTMENT PLATE(FROM 2005)	2
OR	194284 02	SCRAPER (UPTO 2004)	2	37	198282 01	SCRAPER EXT LH(EARLY 2010 & ON)	1
8	BLT-4710	COACH BOLT (2009& ON)	2	OR	197311 01	SCRAPER EXT LH(2005-EARLY 2010)	1
OR	BLT-4710	COACH BOLT (UPTO 2009)	6	38	198282 02	SCRAPER EXT RH(EARLY 2010 & ON)	1
9	NUT-0263	NYLOC NUT (2009 & ON)	6	OR	197311 02	SCRAPER EXT RH(2005-EARLY 2010)	1
OR	NUT-0263	NYLOC NUT (UPTO 2009)	10	39	HSS-0145	SETSCREW	4
10	WSH-0012	PLAIN WASHER (2009& ON)	6	40			
OR	WSH-0012	PLAIN WASHER (UPTO 2009)	10	41	HSS-0191	SETSCREW	4
11				42	WSH-0015	PLAIN WASHER	4
12				43	WSH-0061	SPRING WASHER	4
13				44	198284 01	SCRAPER EXTENSION LH	A/R
14				45	198284 01	SCRAPER EXTENSION RH	A/R
15				46	BLT-4710	COACH BOLT	A/R
16				47	WSH-0012	PLAIN WASHER	A/R
17				48	NUT-0263	NYLOC NUT	A/R
18				49	HSS-0145	SETSCREW	A/R
19							
20							
21							
22							
23							
24							
25							
26							
27	SCW-1580	SKT CSK HD(EARLY 2010&ON)	6				
OR	SCW-1580	SKT CSK HD(UPTO EARLY 2010)	2				
28	POP-0006	POP RIVET (UPTO 2009)	4				
29	134024 05	IDENTIFICATION PLATE (UPTO 2009)	1				
30	195093 01	DUST COVER	2				



Shelbourne Reynolds Engineering Limited

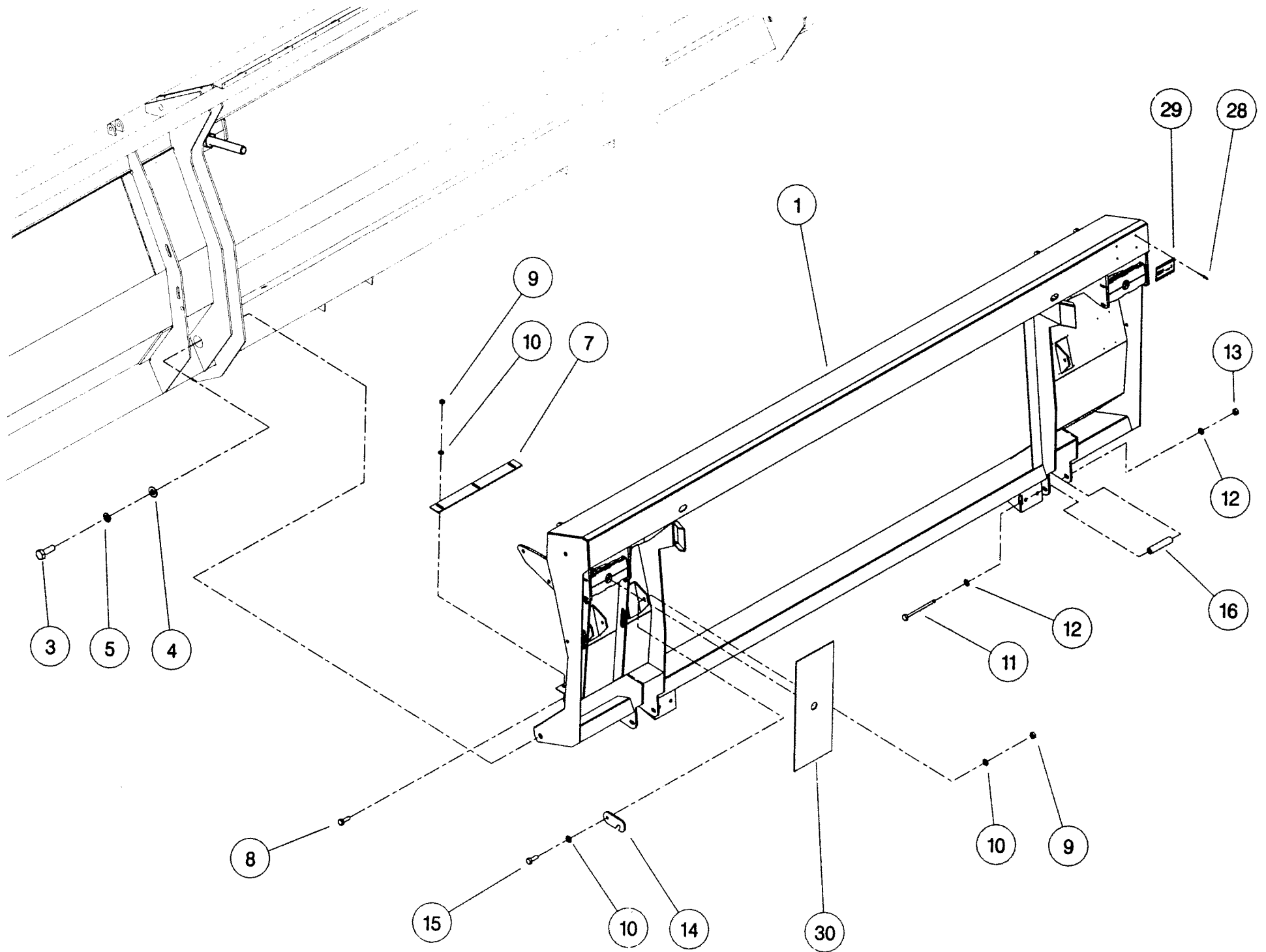
ASSY NUMBER: 196555 06

ASSY DESCRIPTION: ADAPTOR PLATE ASSY NH (ERPN)

ITEM	PART NO	DESCRIPTION	QTY	ITEM	PART NO	DESCRIPTION	QTY
	KIT-00633	ADAPTOR PLATE SUB	1				

Shelbourne Reynolds Engineering Limited

ASSY NUMBER:		KIT-00633		SUB ASSY DESCRIPTION: ADAPTOR PLATE NEW HOLLAND			
ITEM	PART NO	DESCRIPTION	QTY	ITEM	PART NO	DESCRIPTION	QTY
1	194311 01	FRAME WELD ASSY	1				
2							
3	HSS-0315	SET SCREW	2				
4	WSH-0024	PLAIN WASHER	2				
5	WSH-0070	SPRING WASHER	2				
6							
7	194308 02	SCRAPER	2				
8	BLT-4710	COACH BOLT	6				
9	NUT-0263	NYLOC NUT	8				
10	WSH-0012	PLAIN WASHER	10				
11	BLTA10620	BOLT	2				
12	WSH-0015	PLAIN WASHER	4				
13	NUT-0265	NYLOC NUT	2				
14	130111 01	RETAINING LUG	2				
15	HSS-0150	SET SCREW	2				
16	194312 01	TUBE	2				
17							
18							
19							
20							
21							
22							
23							
24							
25							
26							
27							
28	POP-0006	POP RIVET	4				
29	134024 05	IDENTIFICATION PLATE	1				
30	195093 01	DUST COVER	2				



KIT - 00633

Shelbourne Reynolds Engineering Limited

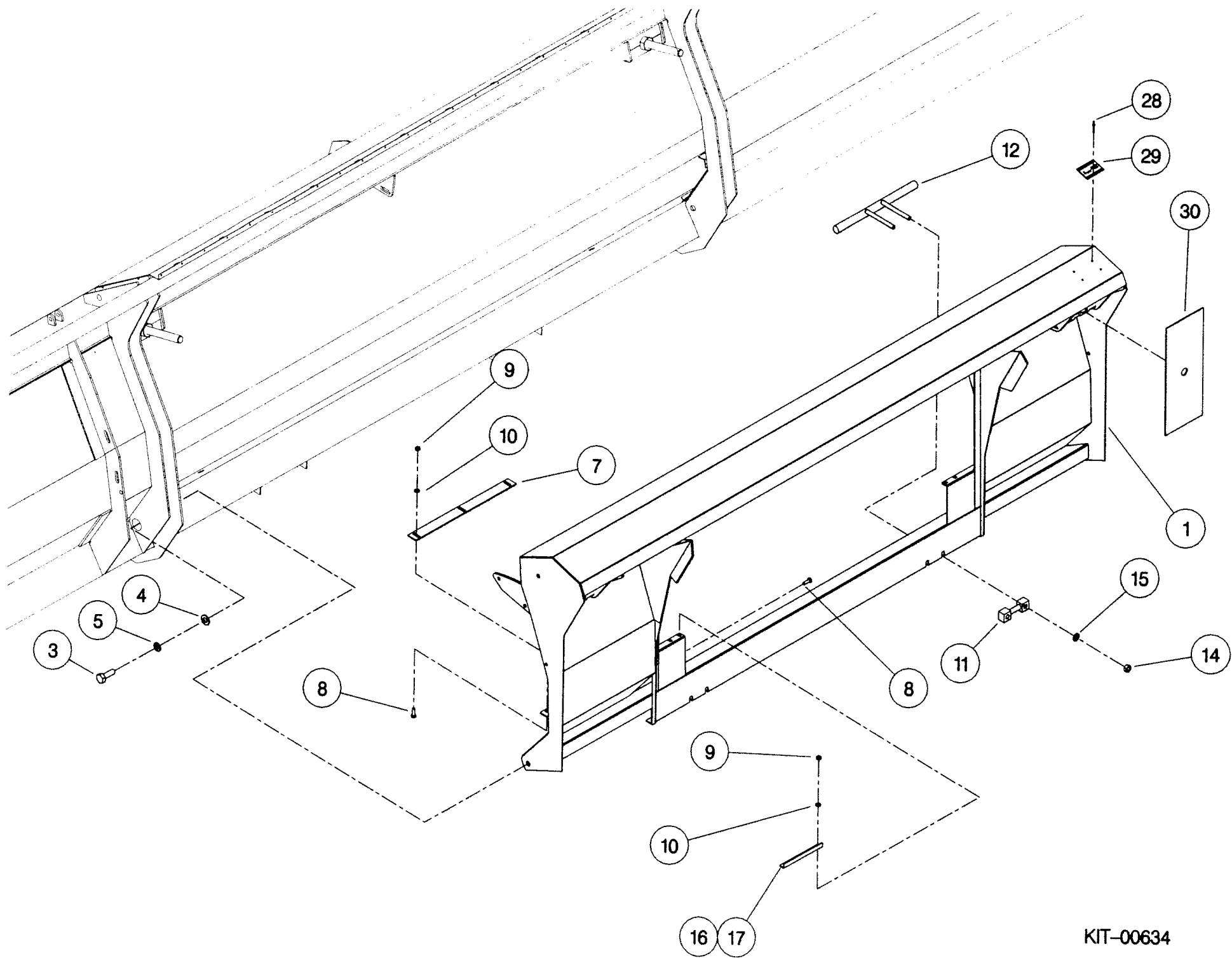
ASSY NUMBER: 196555 08

ASSY DESCRIPTION: ADAPTOR PLATE ASSY CASE IH

ITEM	PART NO	DESCRIPTION	QTY	ITEM	PART NO	DESCRIPTION	QTY
	KIT-00634	ADAPTOR PLATE SUB	1				

Shelbourne Reynolds Engineering Limited

ASSY NUMBER:		KIT-00634		SUB ASSY DESCRIPTION: ADAPTOR PLATE CASE IH			
ITEM	PART NO	DESCRIPTION	QTY	ITEM	PART NO	DESCRIPTION	QTY
1	194277 01	FRAME WELD ASSY	1				
2							
3	HSS-0315	SET SCREW	2				
4	WSH-0024	PLAIN WASHER	2				
5	WSH-0070	SPRING WASHER	2				
6							
7	194275 03	SCRAPER	2				
8	BLT-4710	COACH BOLT	10				
9	NUT-0263	NYLOC NUT	10				
10	WSH-0012	PLAIN WASHER	10				
11	130236 01	PICK UP BAR	2				
12	193473 01	FIXING BAR	2				
13							
14	NUT-0269	NYLOC NUT	4				
15	WSH-0018	PLAIN WASHER	4				
16	193595 01	SCRAPER EXTENSION LH	1				
17	193595 02	SCRAPER EXTENSION RH	1				
18							
19							
20							
21							
22							
23							
24							
25							
26							
27							
28	POP-0006	POP RIVET	4				
29	134024 05	IDENTIFICATION PLATE	1				
30	195093 01	DUST COVER	2				



KIT-00634

Shelbourne Reynolds Engineering Limited

ITEM		PART NO	DESCRIPTION	QTY	ITEM	PART NO	DESCRIPTION	QTY
		KIT-00638	ADAPTOR PLATE SUB	1				
		KIT-00807	FIXING KIT	1				

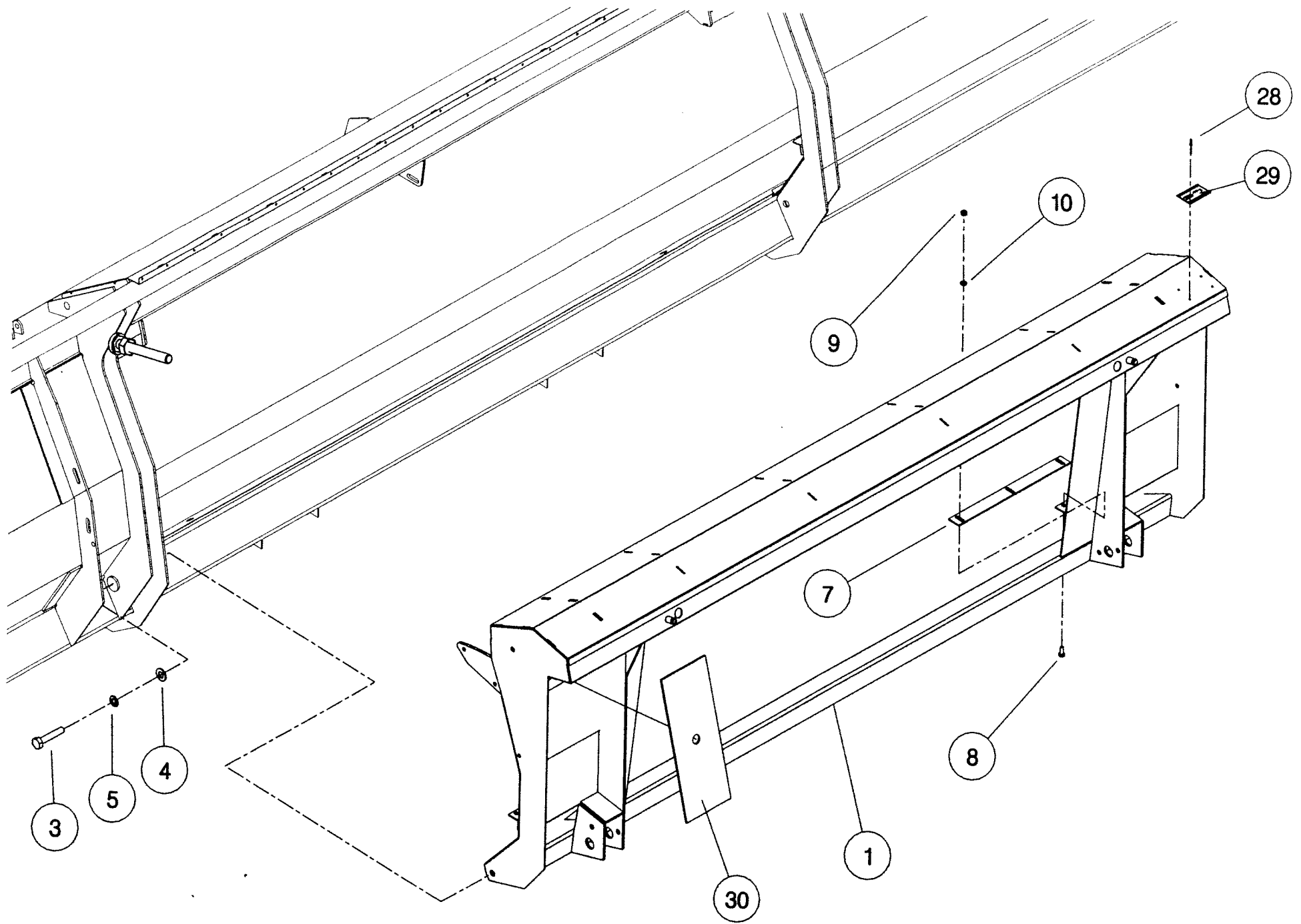
ASSY NUMBER:

196555 10

ASSY DESCRIPTION: ADAPTOR PLATE ASSY CLAAS (DOM) STANDARD

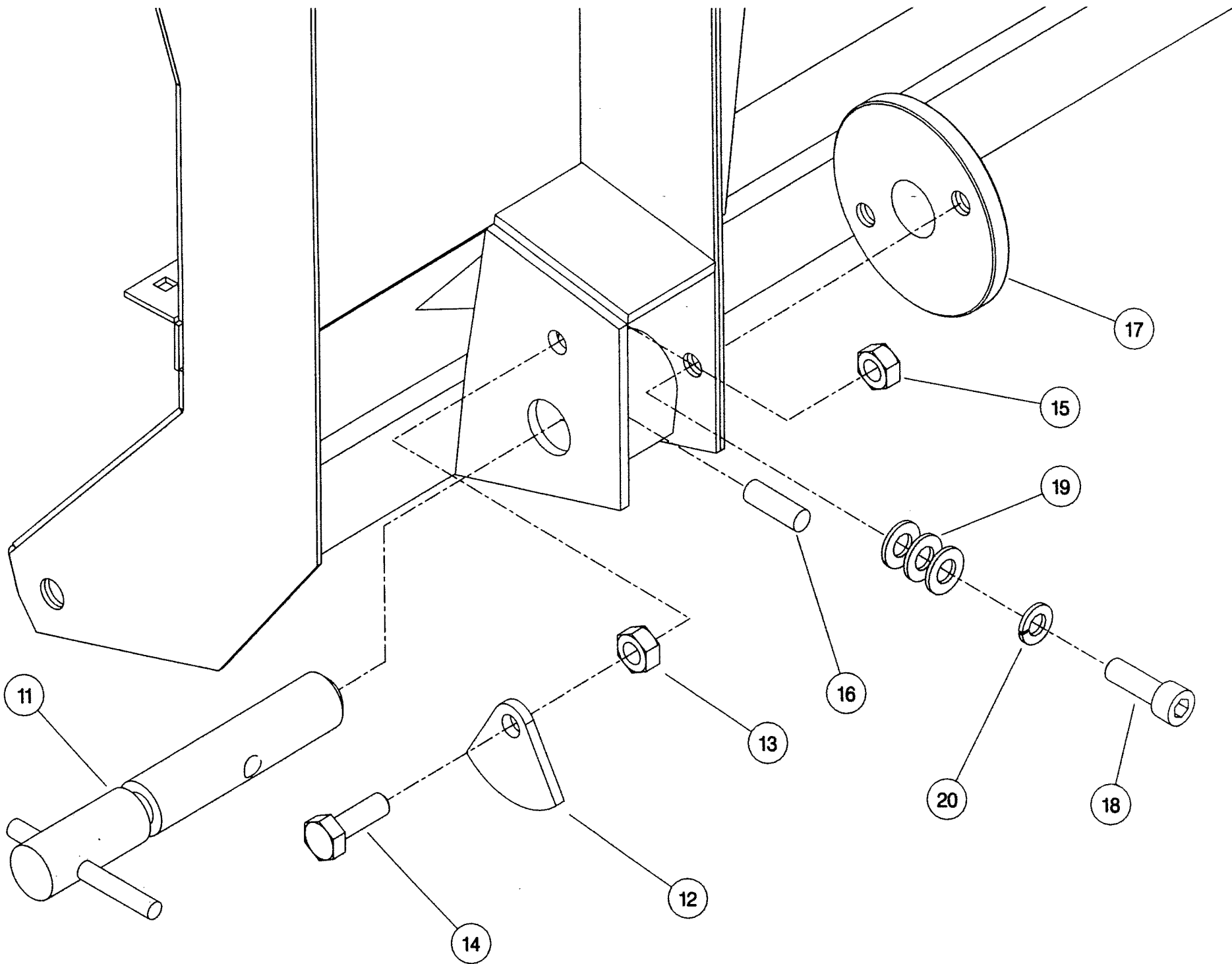
Shelbourne Reynolds Engineering Limited

ASSY NUMBER:		KIT-00638		SUB ASSY DESCRIPTION: ADAPTOR PLATE CLAAS (DOM)			
ITEM	PART NO	DESCRIPTION	QTY	ITEM	PART NO	DESCRIPTION	QTY
1	195342 01	FRAME WELDED ASSY	1				
2							
3	HSS-0315	SCREW	2				
4	WSH-0024	WASHER	2				
5	WSH-0070	SPRING WASHER	2				
6							
7	195330 01	SCRAPER	2				
8	BLT-4710	COACH BOLT	6				
9	NUT-0263	NYLOC NUT	6				
10	WSH-0012	FLAT WASHER	6				
11							
12							
13							
14							
15							
16							
17							
18							
19							
28	POP-0006	POP RIVET	4				
29	134024 05	IDENTIFICATION PLATE	1				
30	195093 01	DUST COVER	2				



Shelbourne Reynolds Engineering Limited

ASSY NUMBER:		KIT-00807		SUB ASSY DESCRIPTION: FIXING KIT (CLAAS STD.ELEV.)			
ITEM	PART NO	DESCRIPTION	QTY	ITEM	PART NO	DESCRIPTION	QTY
11	130088 01	LOCKING HANDLE	2				
12	210125 01	LOCKING CAM	2				
13	NUT-0170	PLAIN NUT	2				
14	HSS-0250	SET SCREW	2				
15	NUT-0269	NYLOC NUT	2				
16	PIN-1935	ROLL PIN	2				
17	130112 01	GUIDE DISC	2				
18	SCW-0243	CAP HEAD SCREW	4				
19	WSH-0018	PLAIN WASHER	22				
20	WSH-0065	SPRING WASHER	4				

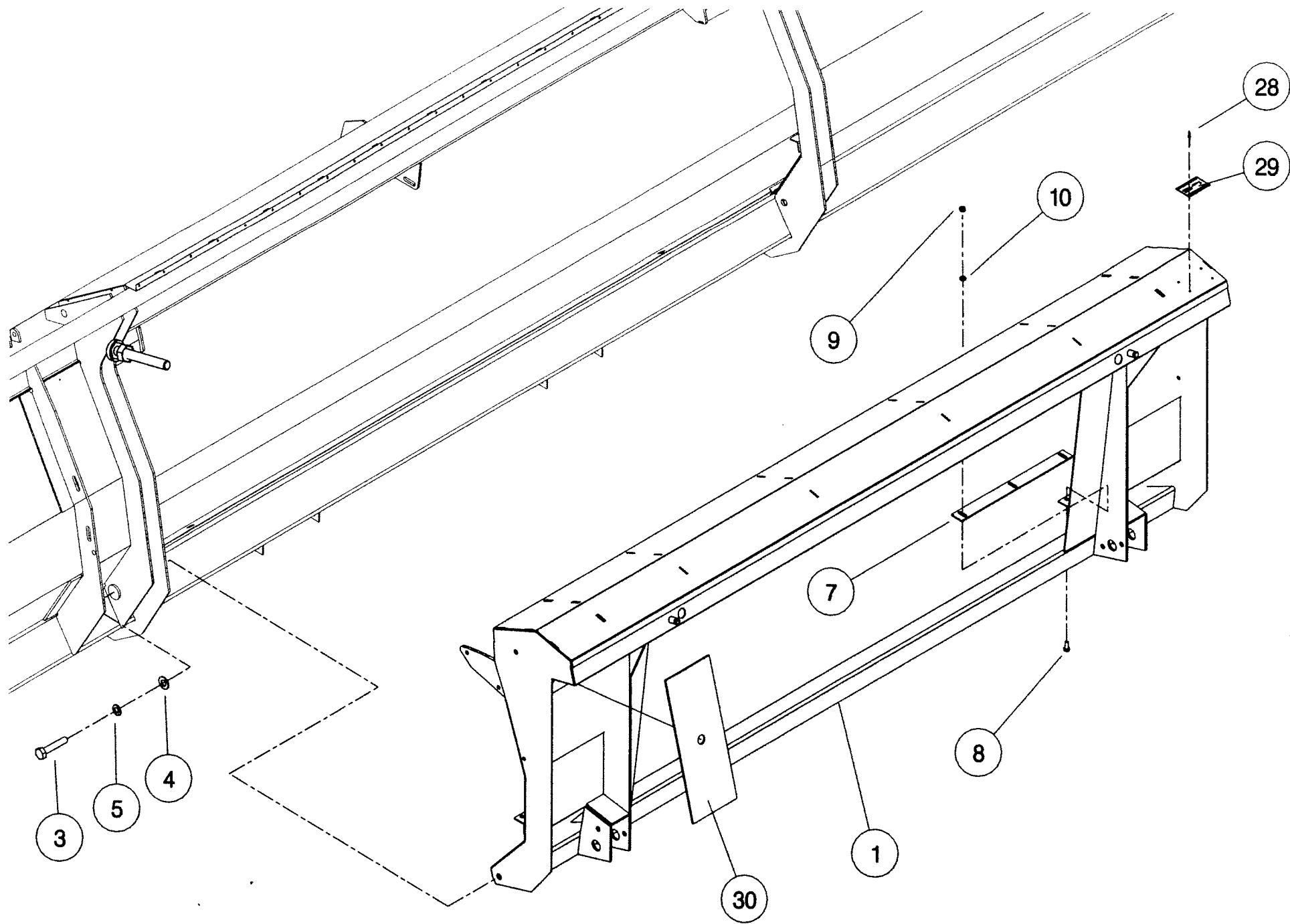


Shelbourne Reynolds Engineering Limited

ASSY NUMBER: 196555 11		ASSY DESCRIPTION: ADAPTOR PLATE ASSY CLAAS (DOM) AUTO CONT					
ITEM	PART NO	DESCRIPTION	QTY	ITEM	PART NO	DESCRIPTION	QTY
	KIT-00638	ADAPTOR PLATE SUB	1				
	KIT-00808	FIXING KIT	1				

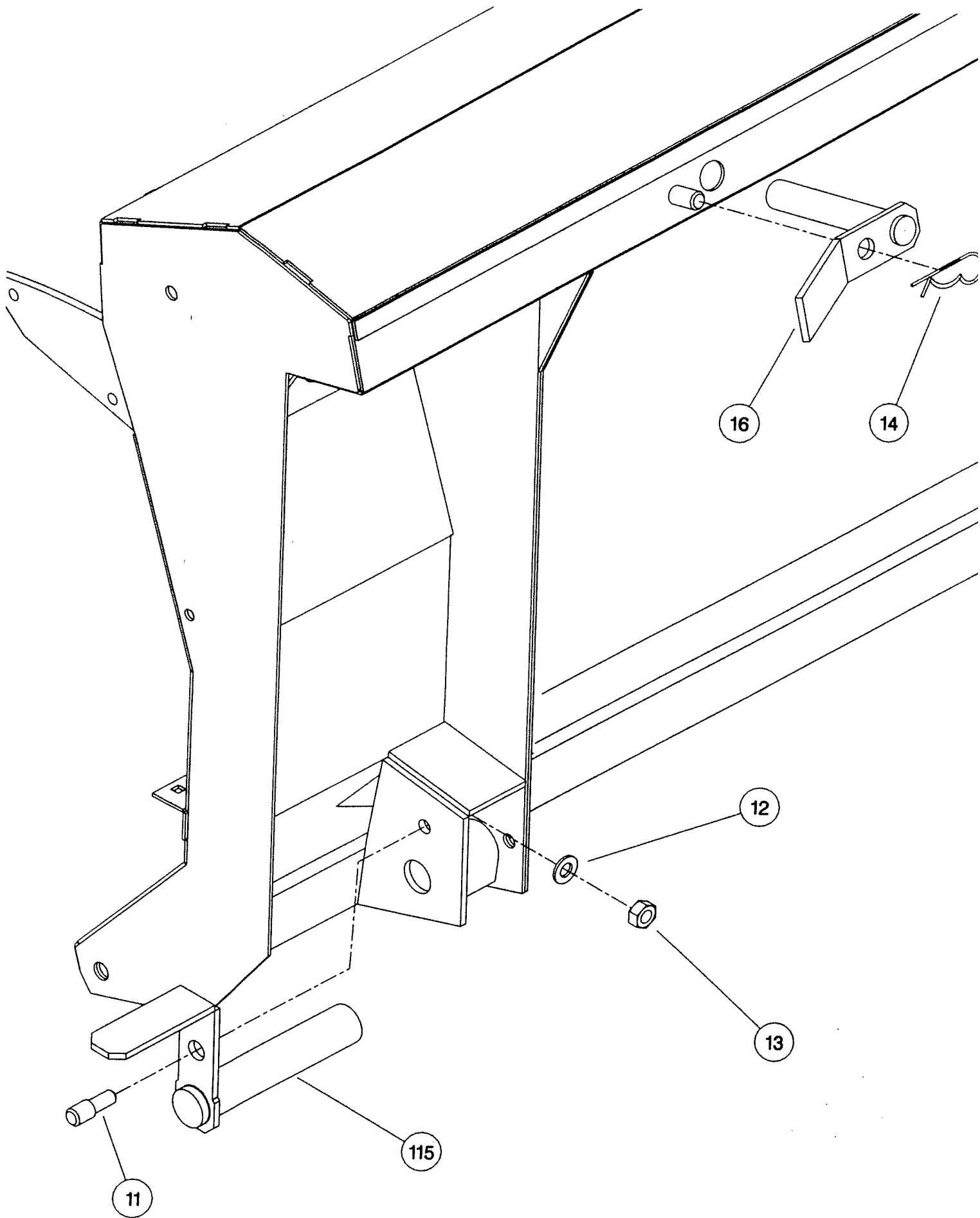
Shelbourne Reynolds Engineering Limited

ASSY NUMBER:		KIT-00638		SUB ASSY DESCRIPTION: ADAPTOR PLATE CLAAS (DOM)			
ITEM	PART NO	DESCRIPTION	QTY	ITEM	PART NO	DESCRIPTION	QTY
1	195342 01	FRAME WELDED ASSY	1				
2							
3	HSS-0315	SCREW	2				
4	WSH-0024	WASHER	2				
5	WSH-0070	SPRING WASHER	2				
6							
7	195330 01	SCRAPER	2				
8	BLT-4710	COACH BOLT	6				
9	NUT-0263	NYLOC NUT	6				
10	WSH-0012	FLAT WASHER	6				
11							
12							
13							
14							
15							
16							
17							
18							
19							
28	POP-0006	POP RIVET	4				
29	134024 05	IDENTIFICATION PLATE	1				
30	195093 01	DUST COVER	2				



Shelbourne Reynolds Engineering Limited

ASSY NUMBER:		KIT-00808		SUB ASSY DESCRIPTION: FIXING KIT (CLAAS AUTO-CONT.)			
ITEM	PART NO	DESCRIPTION	QTY	ITEM	PART NO	DESCRIPTION	QTY
11	192204 01	PIN	2				
12	WSH-0018	PLAIN WASHER	2				
13	NUT-0269	NYLOC NUT	2				
14	RCL-0015	R CLIP	4				
15	192198 01	LOWER LOCKING PIN	2				
16	192201 01	TOP LOCKING PIN	2				



KIT - 00808

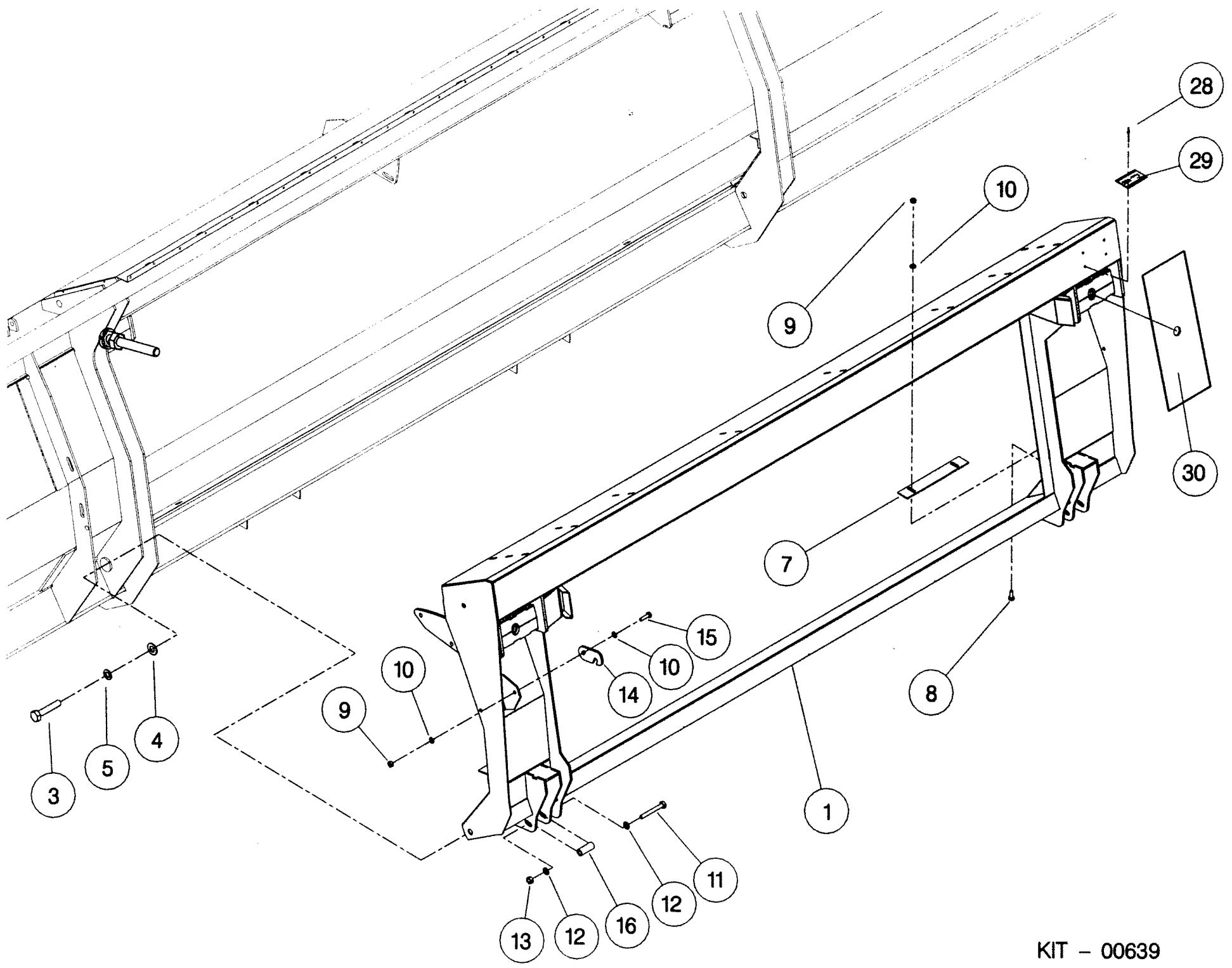
Shelbourne Reynolds Engineering Limited

ASSY NUMBER: 196555 12 ASSY DESCRIPTION: ADAPTOR PLATE ASSY NEW HOLLAND CX

ITEM	PART NO	DESCRIPTION	QTY	ITEM	PART NO	DESCRIPTION	QTY
	KIT-00639	ADAPTOR PLATE SUB	1				

Shelbourne Reynolds Engineering Limited

ASSY NUMBER:		KIT-00639		SUB ASSY DESCRIPTION: ADAPTOR PLATE NEW HOLLAND CX			
ITEM	PART NO	DESCRIPTION	QTY	ITEM	PART NO	DESCRIPTION	QTY
1	195530 01	FRAME WELD ASSY	1				
2							
3	HSS-0315	SET SCREW	2				
4	WSH-0024	PLAIN WASHER	2				
5	WSH-0070	SPRING WASHER	2				
6							
7	194239 02	SCRAPER	2				
8	BLT-4710	COACH BOLT	4				
9	NUT-0263	NYLOC NUT	5				
10	WSH-0012	PLAIN WASHER	6				
11	BLTA10520	BOLT	2				
12	WSH-0015	PLAIN WASHER	4				
13	NUT-0265	NYLOC NUT	2				
14	130111 01	RETAINING LUG	1				
15	HSS-0150	SET SCREW	1				
16	194312 02	TUBE	2				
17							
18							
19							
20							
21							
22							
23							
24							
25							
26							
27							
28	POP-0006	POP RIVET	4				
29	134024 05	IDENTIFICATION PLATE	1				
30	195093 01	DUST COVER	2				



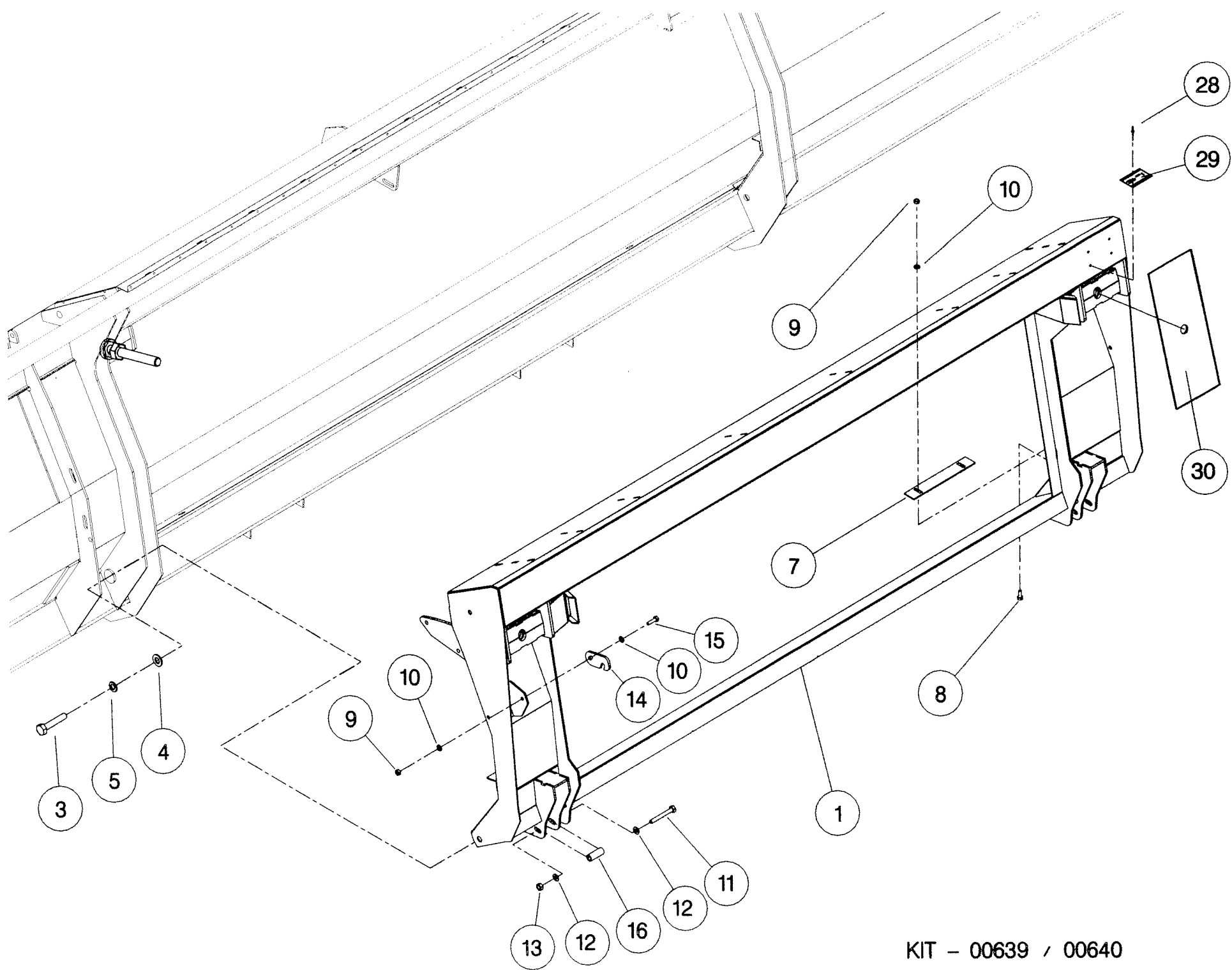
KIT - 00639

Shelbourne Reynolds Engineering Limited

ASSY NUMBER: 196555 13		ASSY DESCRIPTION: ADAPTOR PLATE ASSY CASE 8010 SERIES					
ITEM	PART NO	DESCRIPTION	QTY	ITEM	PART NO	DESCRIPTION	QTY
1	KIT-00640	ADAPTOR PLATE SUB	1				

Shelbourne Reynolds Engineering Limited

ASSY NUMBER:		KIT-00640		SUB ASSY DESCRIPTION: ADAPTOR PLATE CASE 8010 Cvs/Rvs			
ITEM	PART NO	DESCRIPTION	QTY	ITEM	PART NO	DESCRIPTION	QTY
1	197148 01	FRAME WELD ASSY	1				
2	198811 01	SPACER TUBE (2011 & ON)	1				
3	HSS-0315	SET SCREW	2				
4	WSH-0024	PLAIN WASHER	2				
5	WSH-0070	SPRING WASHER	2				
6	198807 01	TORSION SPRING (2011 & ON)	1				
7	194239 02	SCRAPER (UPTO 2009)	2				
8	BLT-4710	COACH BOLT (UPTO 2009)	4				
9	NUT-0269	NYLOC NUT (2011 & ON)	1				
OR	NUT-0263	NYLOC NUT (2009 -2010)	1				
OR	NUT-0263	NYLOC NUT(M8) (UPTO 2009)	5				
10	WSH-0018	PLAIN WASHER(2011& ON)	2				
OR	WSH-0012	PLAIN WASHER(2009-2010)	2				
OR	WSH-0012	PLAIN WASHER(UPTO 2009)	6				
11	BLTA10520	BOLT	2				
12	WSH-0015	PLAIN WASHER	4				
13	NUT-0265	NYLOC NUT	2				
14	198802 01	LOCKING PLATE (2011 & ON)	1				
OR	130111 01	RETAINING LUG (UPTO 2011)	1				
15	BLTA12350	HEX HD BOLT(2011&ON)	1				
OR	HSS-0150	SET SCREW(UPTO 2011)	1				
16	194312 02	TUBE	2				
17	198789 01	TUBE (2011 & ON)	1				
18							
19							
20							
21							
22							
23							
24							
25							
26							
27							
28	POP-0006	POP RIVET (UPTO 2009)	4				
29	134024 05	IDENTIFICATION PLATE (UPTO 2009)	1				
30	195093 01	DUST COVER	2				



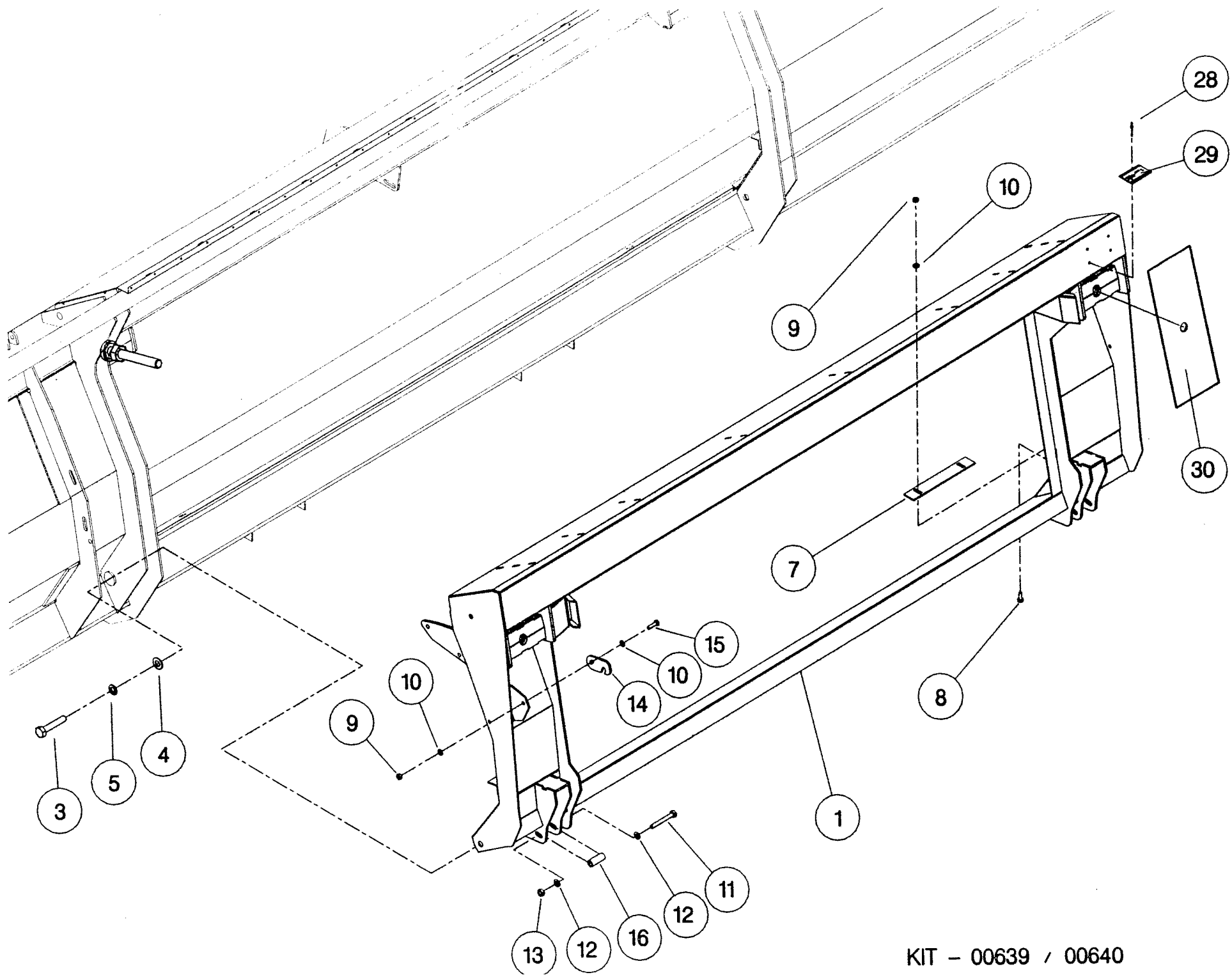
KIT - 00639 / 00640

Shelbourne Reynolds Engineering Limited

ASSY NUMBER: 196555 14		ASSY DESCRIPTION: ADPTR PLT ASSY NH 2004 TX/CT MODELS					
ITEM	PART NO	DESCRIPTION	QTY	ITEM	PART NO	DESCRIPTION	QTY
	KIT-00639	ADAPTOR PLATE SUB	1				
	KIT-00811	FILL IN PLATE ASSY	1				

Shelbourne Reynolds Engineering Limited

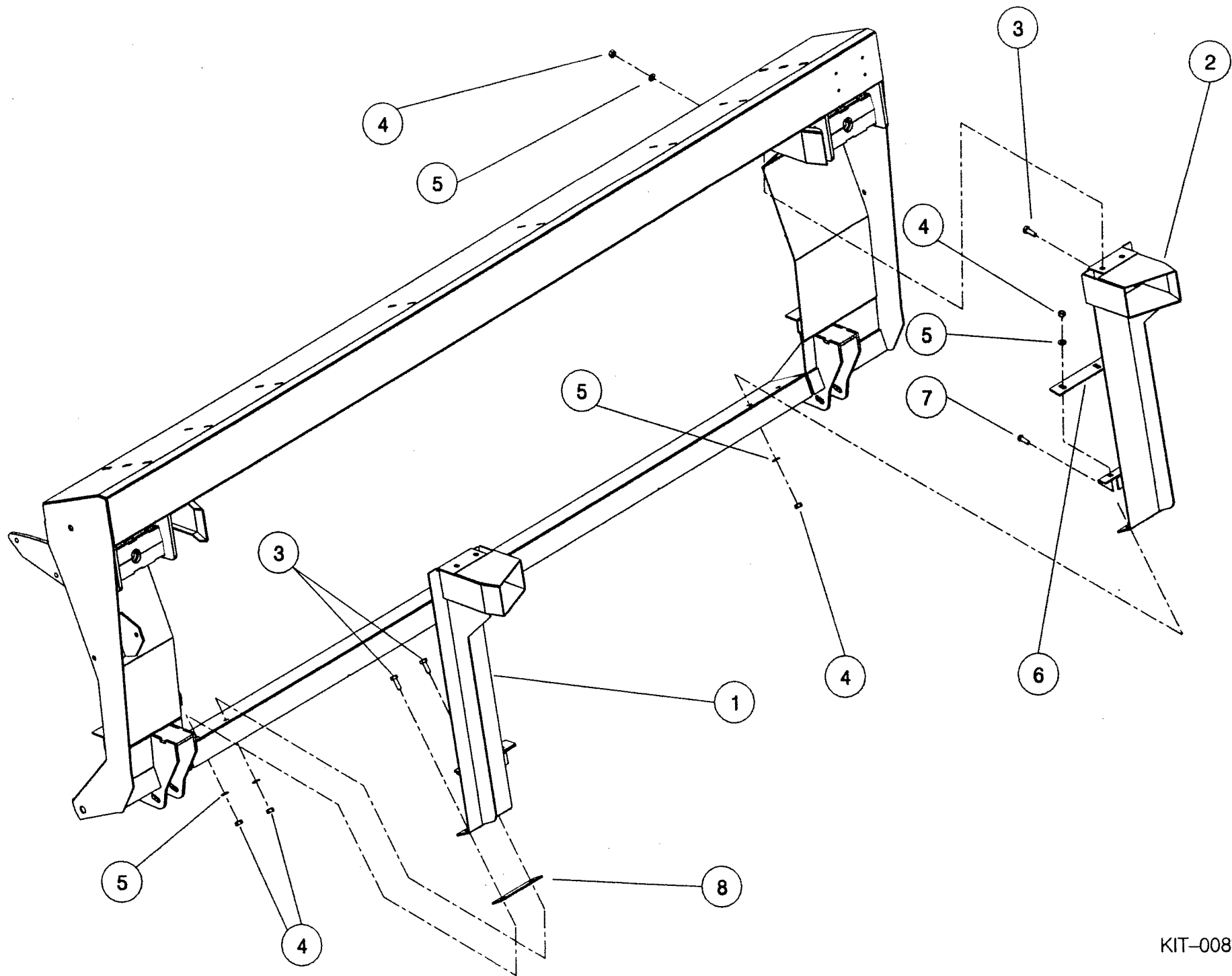
ASSY NUMBER:		KIT-00639		SUB ASSY DESCRIPTION: ADAPTOR PLATE NEW HOLLAND CX			
ITEM	PART NO	DESCRIPTION	QTY	ITEM	PART NO	DESCRIPTION	QTY
1	195530 01	FRAME WELD ASSY	1				
2							
3	HSS-0315	SET SCREW	2				
4	WSH-0024	PLAIN WASHER	2				
5	WSH-0070	SPRING WASHER	2				
6							
7	194239 02	SCRAPER	2				
8	BLT-4710	COACH BOLT	4				
9	NUT-0263	NYLOC NUT	5				
10	WSH-0012	PLAIN WASHER	6				
11	BLTA10520	BOLT	2				
12	WSH-0015	PLAIN WASHER	4				
13	NUT-0265	NYLOC NUT	2				
14	130111 01	RETAINING LUG	1				
15	HSS-0150	SET SCREW	1				
16	194312 02	TUBE	2				
17							
18							
19							
20							
21							
22							
23							
24							
25							
26							
27							
28	POP-0006	POP RIVET	4				
29	134024 05	IDENTIFICATION PLATE	1				
30	195093 01	DUST COVER	2				



KIT - 00639 / 00640

Shelbourne Reynolds Engineering Limited

ASSY NUMBER:		KIT-00811		SUB ASSY DESCRIPTION: FILL IN KIT NH 2004 CT/TX MODELS			
ITEM	PART NO	DESCRIPTION	QTY	ITEM	PART NO	DESCRIPTION	QTY
1	197234 01	FILL IN PLATE ASSY LH	1				
2	197234 02	FILL IN PLATE ASSY RH	1				
3	HSS-0145	BOLT	8				
4	NUT-0263	NYLOC NUT	12				
5	WSH-0012	PLAIN WASHER	20				
6	197241 01	SCRAPER PLATE	2				
7	BLT-4710	COACH BOLT	2				
8	197242 01	OPT BOTTOM PACKER PLATE	2				



Shelbourne Reynolds Engineering Limited

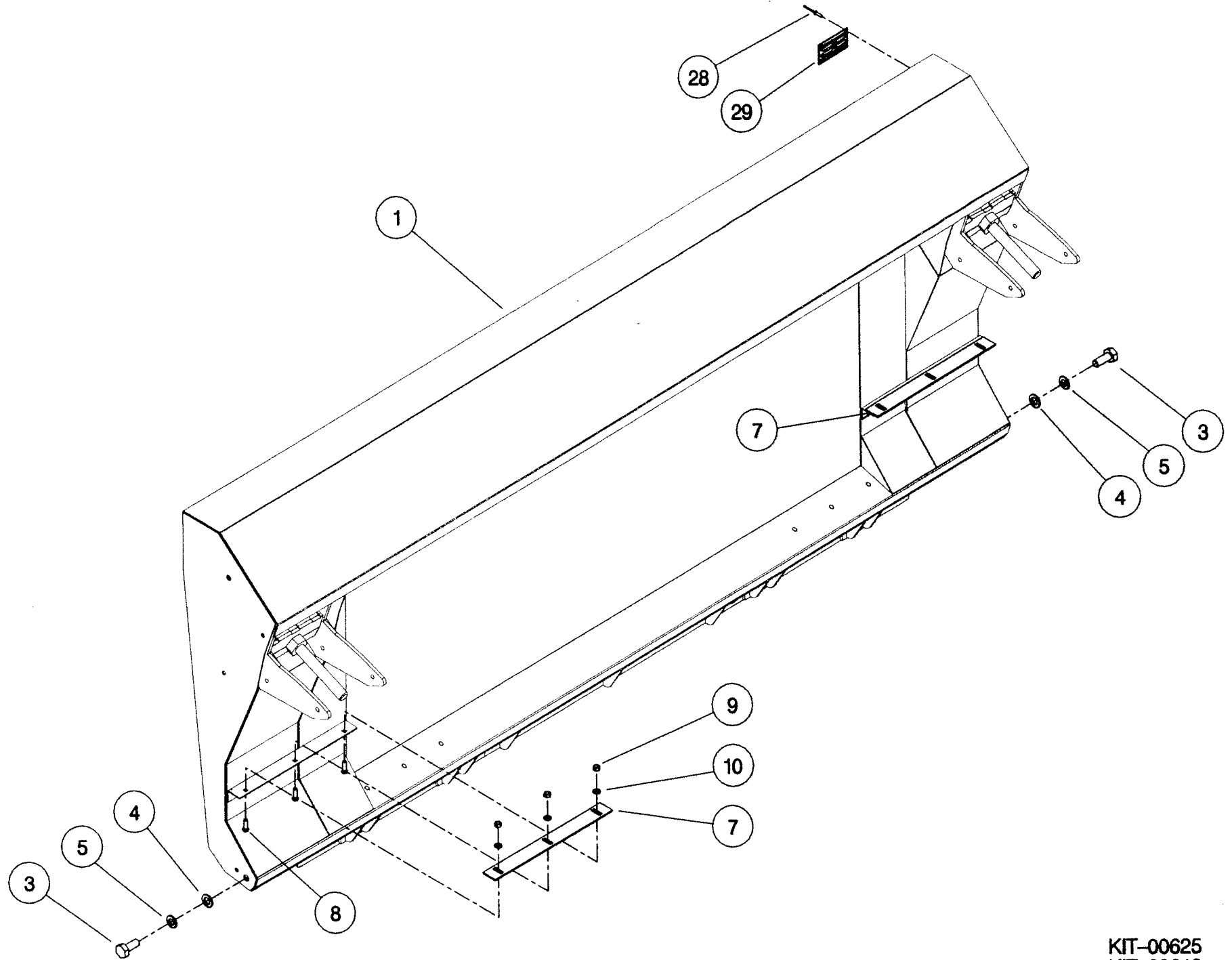
ASSY NUMBER: 196555 18

ASSY DESCRIPTION: ADAPT.PLT.ASSY MF WORLDWIDE PICKUP ERPN

ITEM	PART NO	DESCRIPTION	QTY	ITEM	PART NO	DESCRIPTION	QTY
	KIT-00643	ADAPTOR PLATE SUB	1				
	KIT-00812	FILL IN KIT	1				

Shelbourne Reynolds Engineering Limited

ASSY NUMBER:		KIT-00643		SUB ASSY DESCRIPTION: ADAPTOR PLATE AGC0 (R/CVS RSD)			
ITEM	PART NO	DESCRIPTION	QTY	ITEM	PART NO	DESCRIPTION	QTY
1	197657 01	FRAME WELD ASSY	1				
2							
3	HSS-0315	SET SCREW	2				
4	WSH-0024	PLAIN WASHER	2				
5	WSH-0070	SPRING WASHER	2				
6							
7	197658 01	SCRAPER	2				
8	BLT-4710	COACH BOLT	6				
9	NUT-0263	NYLOC NUT	6				
10	WSH-0012	PLAIN WASHER	6				
11							
12							
13							
14							
15							
16							
17							
18							
19							
20							
21							
22							
23							
24							
25							
26							
27							
28	POP-0006	POP RIVET	4				
29	194565 01	IDENTIFICATION PLATE	1				



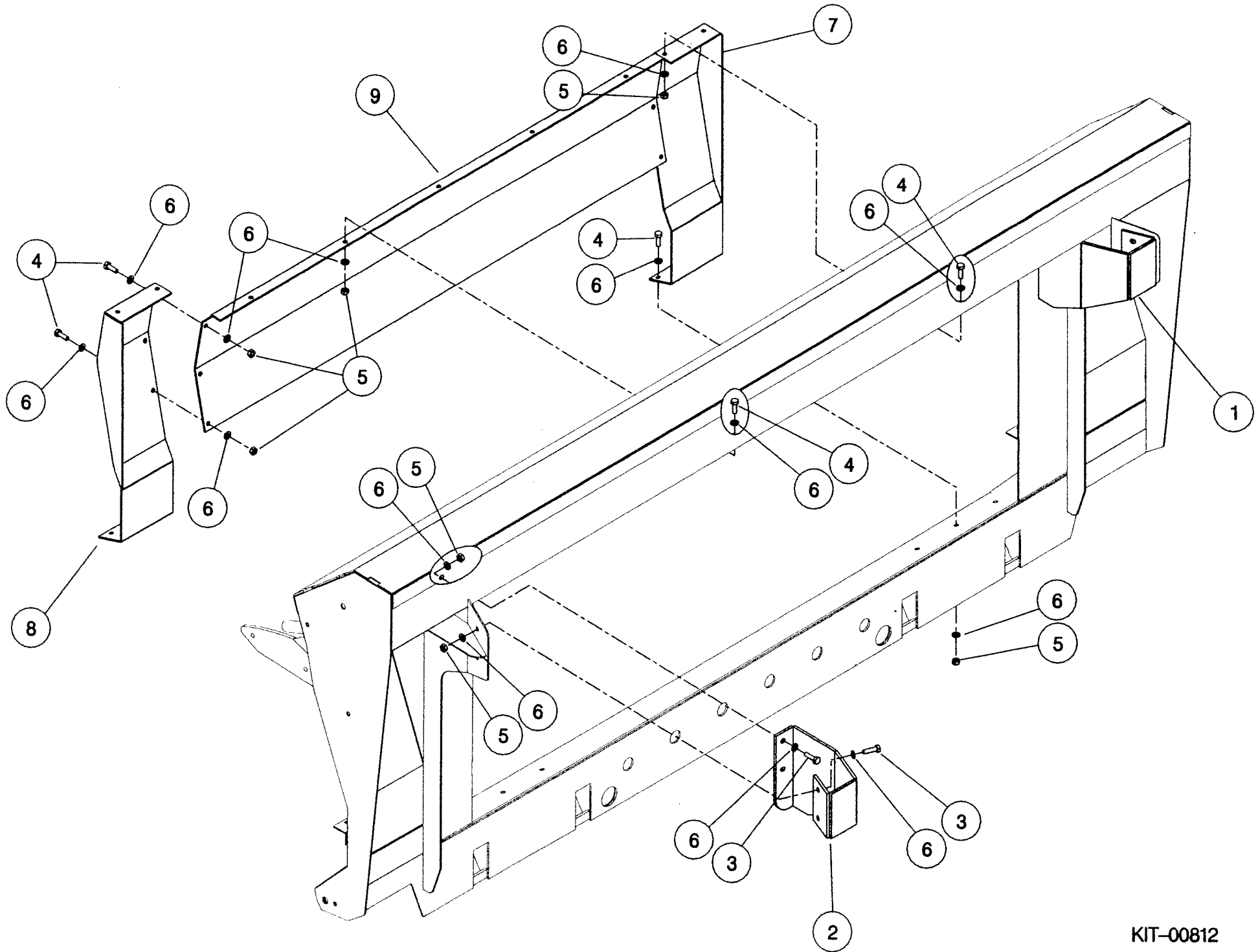
KIT-00625
KIT-00643

Shelbourne Reynolds Engineering Limited

ASSY NUMBER: KIT-00812

SUB ASSY DESCRIPTION: FILL IN KIT MF WORLD WIDE PICK UP

ITEM	PART NO	DESCRIPTION	QTY	ERP#			QTY
				ITEM	PART NO	DESCRIPTION	
1	197667 01	LH GUIDE PLATE	1				
2	197667 02	RH GUIDE PLATE	1				
3	HSS-0150	BOLT	4				
4	HSS-0145	BOLT	23				
5	NUT-0263	NYLOC NUT	27				
6	WSH-0012	PLAIN WASHER	54				
7	197665 01	LH FILL IN PLATE	1				
8	197665 02	RH FILL IN PLATE	1				
9	197666 01	UPPER FILL IN PLATE	1				



Hydraulic Pick Up Header

DRIVE KIT TYPES

Shelbourne Reynolds Engineering Limited

ASSY DESCRIPTION: HYD PUM DRIVE KIT - CASE IH (4.2/4.8M)

ASSY NUMBER: 209906 002

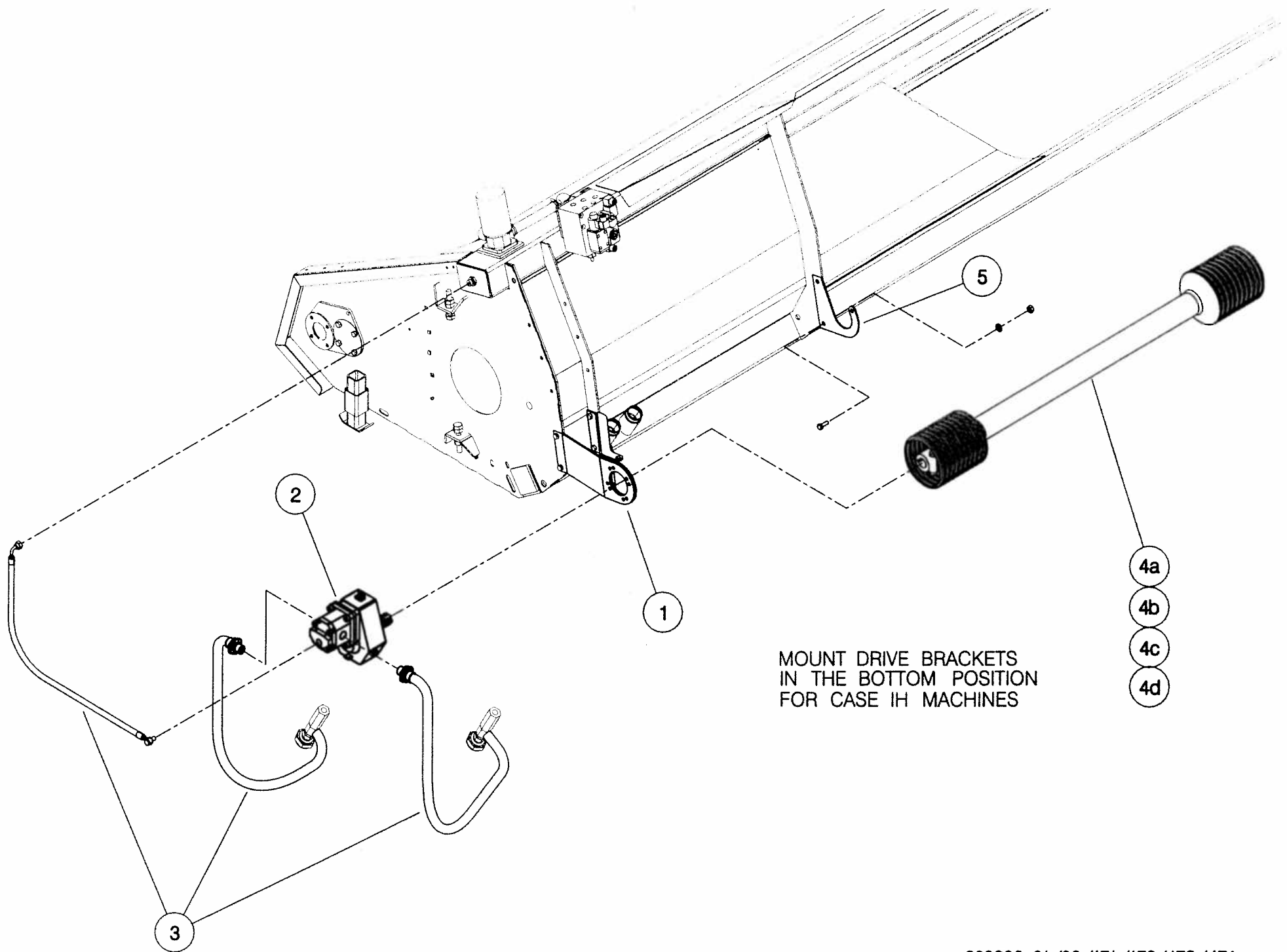
ITEM	PART NO	DESCRIPTION	QTY	ITEM	PART NO	DESCRIPTION	QTY
1	KIT-00224	INBOARD SHORT BRKT.KIT.	1				
2	KIT-02406	HYD.PUMP & GEARBOX ASSY	1				
3	KIT-02530	HYD.HOSE KIT	1				
4A	PTO-21012	PTO SHAFT ASSY	1				
OR		4.2M HEAD ON ALL MODELS					
4B	PTO-21009	PTO SHAFT ASSY	1				
		4.8M HEAD ON ALL MODELS					
5	KIT-00931	PTO SUPPORT KIT	1				
		<u>DRIVE KIT FOR :</u>					
		<u>4.2 & 4.8M HEADERS 2001 &</u>					
		<u>ONWARDS PRODUCTION ONLY.</u>					

Shelbourne Reynolds Engineering Limited

ASSY NUMBER: 209906 001

ASSY DESCRIPTION: HYD PUH DRIVE KIT - CASE IH

ITEM	PART NO	DESCRIPTION	QTY	ITEM	PART NO	DESCRIPTION	QTY
1	KIT-00220	SHORT DRIVE SUPP.BRKT.KIT.	1				
2	KIT-02406	HYD.PUMP & GEARBOX ASSY	1				
3	KIT-02530	HYD.HOSE KIT	1				
4A	PTO-21012	PTO SHAFT ASSY	1				
OR		ALL 3.6M HEAD ON ALL MODELS					
4B	PTO-21009	PTO SHAFT ASSY	1				
		4.2/4.8M HEAD ON ALL MODELS					
5	KIT-00931	PTO SUPPORT KIT	1				
		<u>DRIVE KIT FOR :</u>					
		<u>ALL YEARS 3.6M HEADERS</u>					
		<u>4.2 & 4.8M HEADERS UP TO YEAR</u>					
		<u>2001 PRODUCTION ONLY.</u>					
		<u>NOTE DRIVE BRACKET CHANGE.</u>					



MOUNT DRIVE BRACKETS
 IN THE BOTTOM POSITION
 FOR CASE IH MACHINES

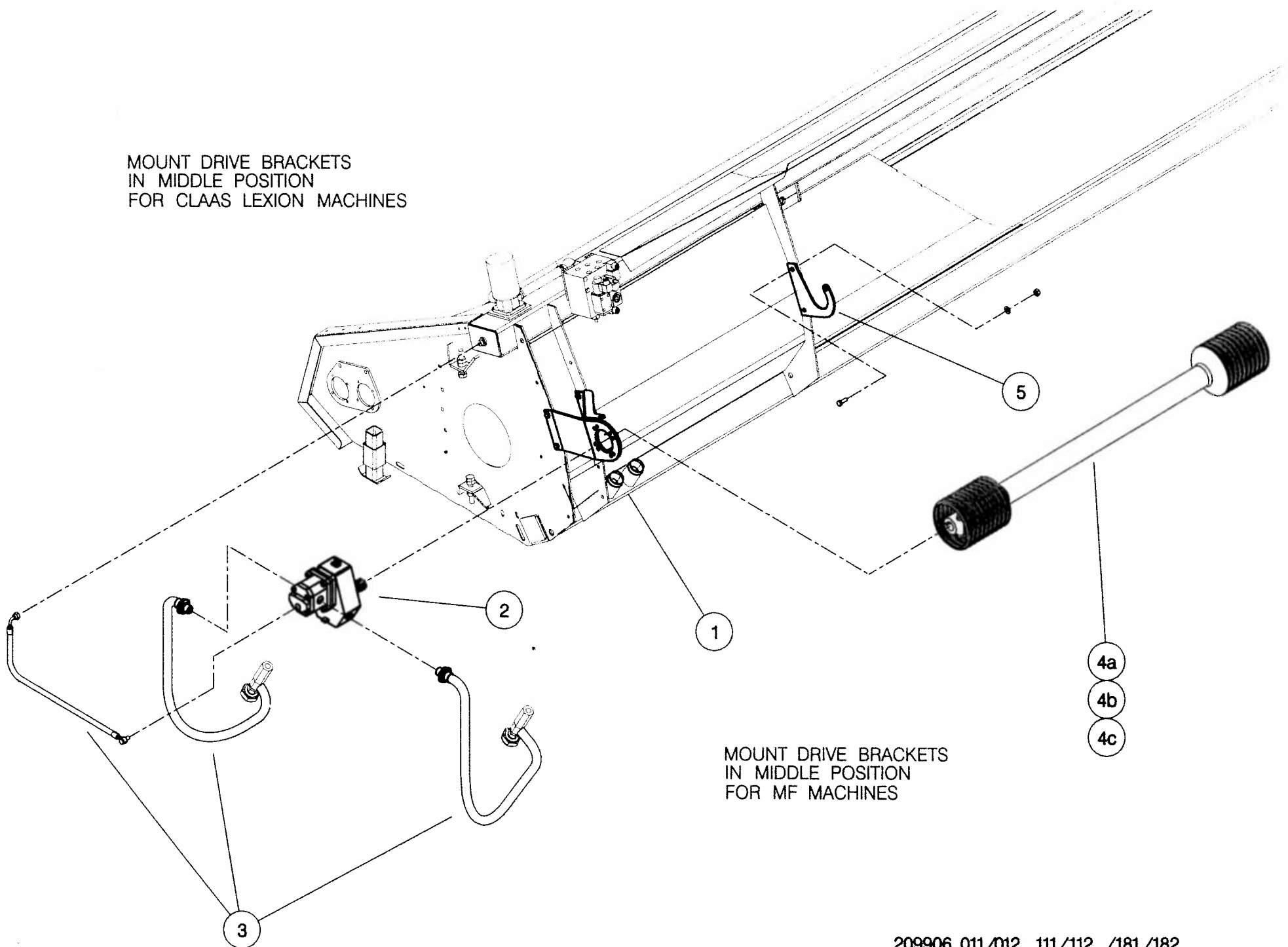
Shelbourne Reynolds Engineering Limited

ASSY NUMBER: 209906 012		ASSY DESCRIPTION: HYD PUH DRIVE KIT-CLAAS DOM. 4.2/4.8M					
ITEM	PART NO	DESCRIPTION	QTY	ITEM	PART NO	DESCRIPTION	QTY
1	KIT-00225	INBOARD LONG BRKT.KIT.	1				
2	KIT-02407	HYD.PUMP & GEARBOX ASSY	1				
3	KIT-02530	HYD.HOSE KIT	1				
4A	PTO-21000	PTO SHAFT ASSY	1				
OR		4.2M HEAD ON ALL MODELS					
4B	PTO-21011	PTO SHAFT ASSY	1				
		4.8M HEAD ON ALL MODELS					
5	KIT-00931	PTO SUPPORT KIT	1				
		<u>DRIVE KIT FOR :</u>					
		<u>4.2 & 4.8M HEADERS 2001 &</u>					
		<u>ONWARDS PRODUCTION ONLY.</u>					

Shelbourne Reynolds Engineering Limited

ASSY NUMBER: 209906 011		ASSY DESCRIPTION: HYD PUH DRIVE KIT - CLAAS DOMINATOR					
ITEM	PART NO	DESCRIPTION	QTY	ITEM	PART NO	DESCRIPTION	QTY
1	KIT-00221	LONG DRIVE SUPP.BRKT.KIT.	1				
2	KIT-02407	HYD.PUMP & GEARBOX ASSY	1				
3	KIT-02530	HYD.HOSE KIT	1				
4A	PTO-21000	PTO SHAFT ASSY	1				
		ALL 3.6M HEAD ON ALL MODELS					
5	KIT-00931	PTO SUPPORT KIT	1				
		<u>DRIVE KIT FOR :</u>					
		<u>ALL YEARS 3.6M HEADERS</u>					

MOUNT DRIVE BRACKETS
IN MIDDLE POSITION
FOR CLAAS LEXION MACHINES



MOUNT DRIVE BRACKETS
IN MIDDLE POSITION
FOR MF MACHINES

Shelbourne Reynolds Engineering Limited

ASSY NUMBER: 209906 021		ASSY DESCRIPTION: HYD PUH DRIVE KIT - NH TX,TF,TC,CX					
ITEM	PART NO	DESCRIPTION	QTY	ITEM	PART NO	DESCRIPTION	QTY
1	KIT-00220	SHORT DRIVE SUPP.BRKT.KIT.	1				
2	KIT-02406	HYD.PUMP & GEARBOX ASSY	1				
3	KIT-02530	HYD.HOSE KIT	1				
4A	PTO-21000	PTO SHAFT ASSY ALL 3.6M HEADS ON 6 WALKER MODELS	1				
OR 4B	PTO-21011	PTO SHAFT ASSY ALL 3.6M HEADS ON 5 WALKER MODELS	1				
OR 4C	PTO-21008	4.2M HEAD ON 6 WALKER MODEL PTO SHAFT ASSY 4.2M HEAD ON 5 WALKER MODEL 4.8M HEAD ON ALL MODELS	1				
5	KIT-00931	PTO SUPPORT KIT	1				
		<u>DRIVE KIT FOR :</u>					
		<u>ALL YEARS 3.6M HEADERS</u>					
		<u>4.2 & 4.8M HEADERS UP TO YEAR</u>					
		<u>2001 PRODUCTION ONLY.</u>					
		<u>NOTE DRIVE BRACKET CHANGE</u>					

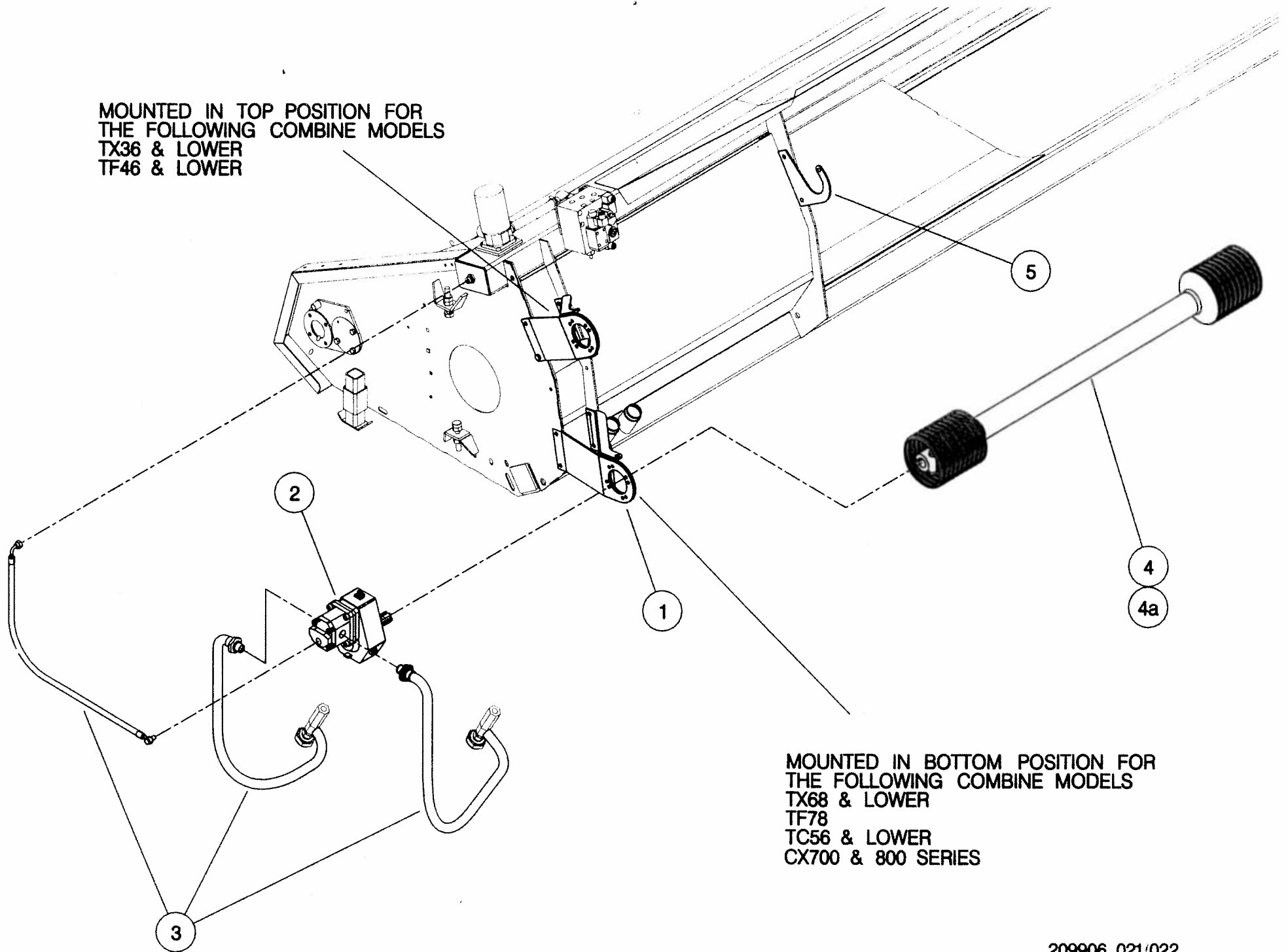
Shelbourne Reynolds Engineering Limited

ASSY NUMBER: 209906 022

ASSY DESCRIPTION:HYD PUH DRIVE KIT-NH TX,TF,TC,CX-4.2/4.8

ITEM	PART NO	DESCRIPTION	QTY	ITEM	PART NO	DESCRIPTION	QTY
1	KIT-00224	INBOARD SHORT BRKT.KIT.	1				
2	KIT-02406	HYD.PUMP & GEARBOX ASSY	1				
3	KIT-02530	HYD.HOSE KIT	1				
4A	PTO-21000	PTO SHAFT ASSY	1				
OR		4.2M HEAD ON 6 WALKER MODEL					
4B	PTO-21011	PTO SHAFT ASSY	1				
		4.2M HEAD ON 5 WALKER MODEL					
4C	PTO-21008	PTO SHAFT ASSY	1				
		4.8M HEAD ON 6 WALKER MODEL					
5	KIT-00931	PTO SUPPORT KIT	1				
		<u>DRIVE KIT FOR :</u>					
		<u>4.2 & 4.8M HEADERS 2001 &</u>					
		<u>ONWARDS PRODUCTION ONLY.</u>					

MOUNTED IN TOP POSITION FOR
THE FOLLOWING COMBINE MODELS
TX36 & LOWER
TF46 & LOWER



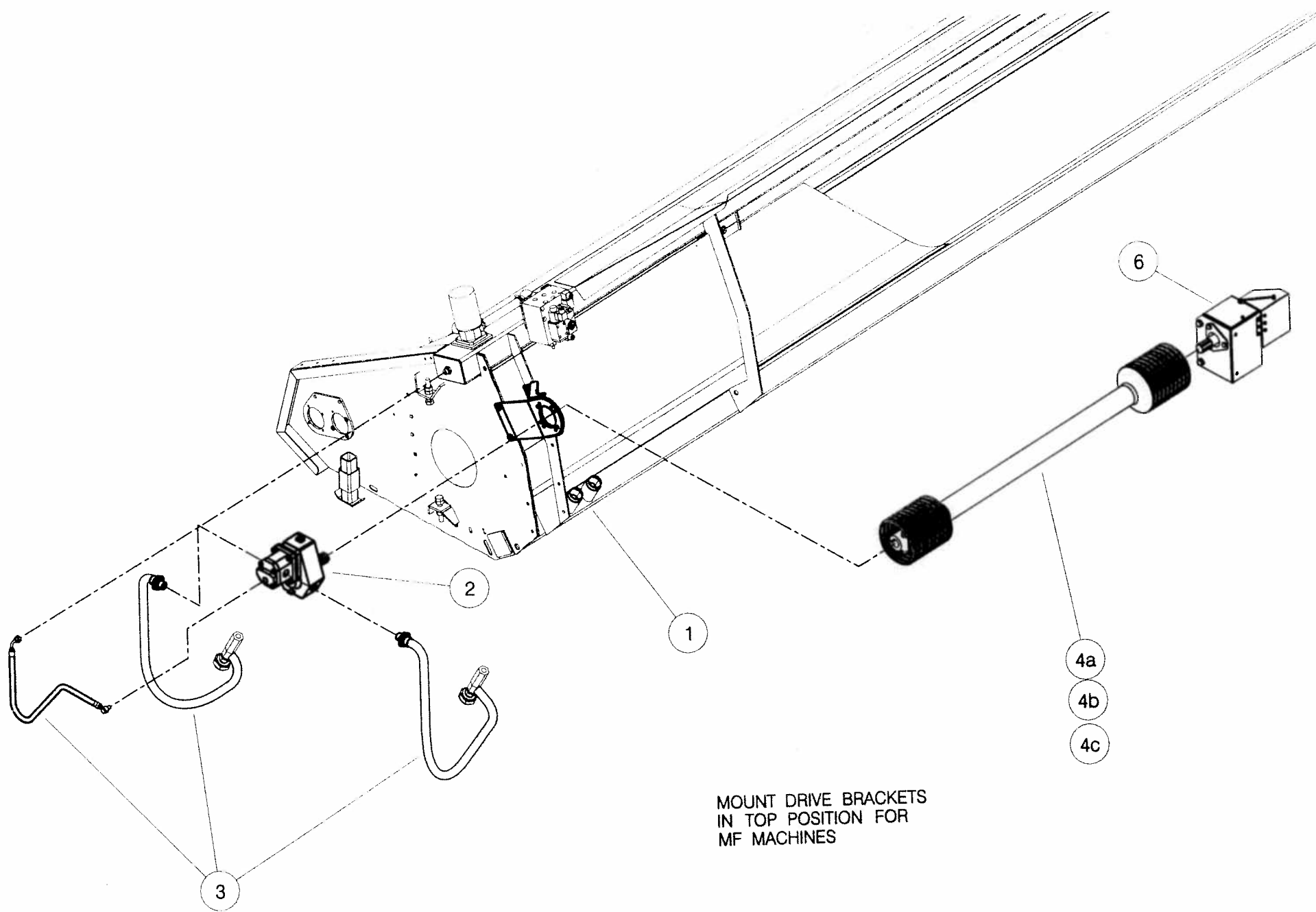
MOUNTED IN BOTTOM POSITION FOR
THE FOLLOWING COMBINE MODELS
TX68 & LOWER
TF78
TC56 & LOWER
CX700 & 800 SERIES

Shelbourne Reynolds Engineering Limited

ASSY NUMBER: 209906 071		ASSY DESCRIPTION: HYD PUH DRIVE KIT - NH80__ (SQ.DRIVE)					
ITEM	PART NO	DESCRIPTION	QTY	ITEM	PART NO	DESCRIPTION	QTY
1	KIT-00220	SHORT DRIVE SUPP.BRKT.KIT.	1				
2	KIT-02406	HYD.PUMP & GEARBOX ASSY	1				
3	KIT-02530	HYD.HOSE KIT	1				
4A	PTO-21002	PTO SHAFT ASSY	1				
OR		ALL 3.6M HEAD ON ALL MODELS					
4B	PTO-21011	PTO SHAFT ASSY	1				
OR		4.2M HEAD ON ALL MODELS					
4C	PTO-21008	PTO SHAFT ASSY	1				
		4.8M HEAD ON ALL MODELS					
5							
6	KIT-00312	BEARING BOX ASSY	1				
		<u>DRIVE KIT FOR :</u>					
		<u>ALL YEARS 3.6M HEADERS</u>					
		<u>4.2 & 4.8M HEADERS UP TO YEAR</u>					
		<u>2001 PRODUCTION ONLY.</u>					
		<u>NOTE DRIVE BRACKET CHANGE.</u>					

Shelbourne Reynolds Engineering Limited

ASSY NUMBER: 209906 072		ASSY DESCRIPTION: HYD PUH DRIVE KIT-NH80-SQ.DR. (4.2/4.8)					
ITEM	PART NO	DESCRIPTION	QTY	ITEM	PART NO	DESCRIPTION	QTY
1	KIT-00224	INBOARD SHORT BRKT.KIT.	1				
2	KIT-02406	HYD.PUMP & GEARBOX ASSY	1				
3	KIT-02530	HYD.HOSE KIT	1				
4A	PTO-21002	PTO SHAFT ASSY	1				
OR		4.2M HEAD ON ALL MODELS					
4B	PTO-21011	PTO SHAFT ASSY	1				
		4.8M HEAD ON ALL MODELS					
5							
6	KIT-00312	BEARING BOX ASSY	1				
		<u>DRIVE KIT FOR :</u>					
		<u>4.2 & 4.8M HEADERS 2001 &</u>					
		<u>ONWARDS PRODUCTION ONLY.</u>					



MOUNT DRIVE BRACKETS
IN TOP POSITION FOR
MF MACHINES

Shelbourne Reynolds Engineering Limited

ASSY NUMBER: 209906 111 ASSY DESCRIPTION: HYD PUH DRIVE KIT - MF(30-40 AUTO LEV)

ITEM	PART NO	DESCRIPTION	QTY	ITEM	PART NO	DESCRIPTION	QTY
1	KIT-00221	LONG DRIVE SUPP.BRKT.KIT.	1				
2	KIT-02408	HYD.PUMP & GEARBOX ASSY	1				
3	KIT-02530	HYD.HOSE KIT	1				
4A	PTO-21000	PTO SHAFT ASSY	1				
OR		ALL 3.6M HEAD ON ALL MODELS					
4B	PTO-21011	PTO SHAFT ASSY	1				
OR		4.2M HEAD ON ALL MODELS					
4C	PTO-21008	PTO SHAFT ASSY	1				
		4.8M HEAD ON ALL MODELS					
5	KIT-00931	PTO SUPPORT KIT	1				
		<u>DRIVE KIT FOR ;</u>					
		<u>ALL YEARS 3.6M HEADERS</u>					
		<u>4.2 & 4.8M HEADERS UP TO YEAR</u>					
		<u>2001 PRODUCTION ONLY.</u>					
		<u>NOTE DRIVE BRACKET CHANGE.</u>					

Shelbourne Reynolds Engineering Limited

ASSY NUMBER: 209906 112		ASSY DESCRIPTION: HYD PUH DRIVE KIT-MF 30-40 A.L(4.2/4.8)					
ITEM	PART NO	DESCRIPTION	QTY	ITEM	PART NO	DESCRIPTION	QTY
1	KIT-00225	INBOARD LONG BRKT.KIT.	1				
2	KIT-02408	HYD.PUMP & GEARBOX ASSY	1				
3	KIT-02530	HYD.HOSE KIT	1				
4A	PTO-21000	PTO SHAFT ASSY	1				
OR		ALL 4.2M HEAD ON ALL MODELS					
4B	PTO-21011	PTO SHAFT ASSY	1				
		4.8M HEAD ON ALL MODELS					
5	KIT-00931	PTO SUPPORT KIT	1				
		<u>DRIVE KIT FOR :</u>					
		<u>4.2 & 4.8M HEADERS 2001 &</u>					
		<u>ONWARDS PRODUCTION ONLY.</u>					

Shelbourne Reynolds Engineering Limited

ASSY NUMBER: 209906 113		ASSY DESCRIPTION: HYD PUH DRIVE KIT - MF CEREAL/BETA 2007					
ITEM	PART NO	DESCRIPTION	QTY	ITEM	PART NO	DESCRIPTION	QTY
1	KIT-00220	SHORT DRIVE SUPP.BRKT.KIT.	1				
2	KIT-02409	HYD.PUMP & GEARBOX ASSY	1				
3	KIT-02530	HYD.HOSE KIT	1				
4A	PTO-21006	PTO SHAFT ASSY	1				
5	KIT-00931	ALL 3.6M HEAD ON ALL MODELS PTO SUPPORT KIT	1				
		<u>DRIVE KIT FOR ;</u>					
		<u>ALL YEARS 3.6M HEADERS</u>					

Shelbourne Reynolds Engineering Limited

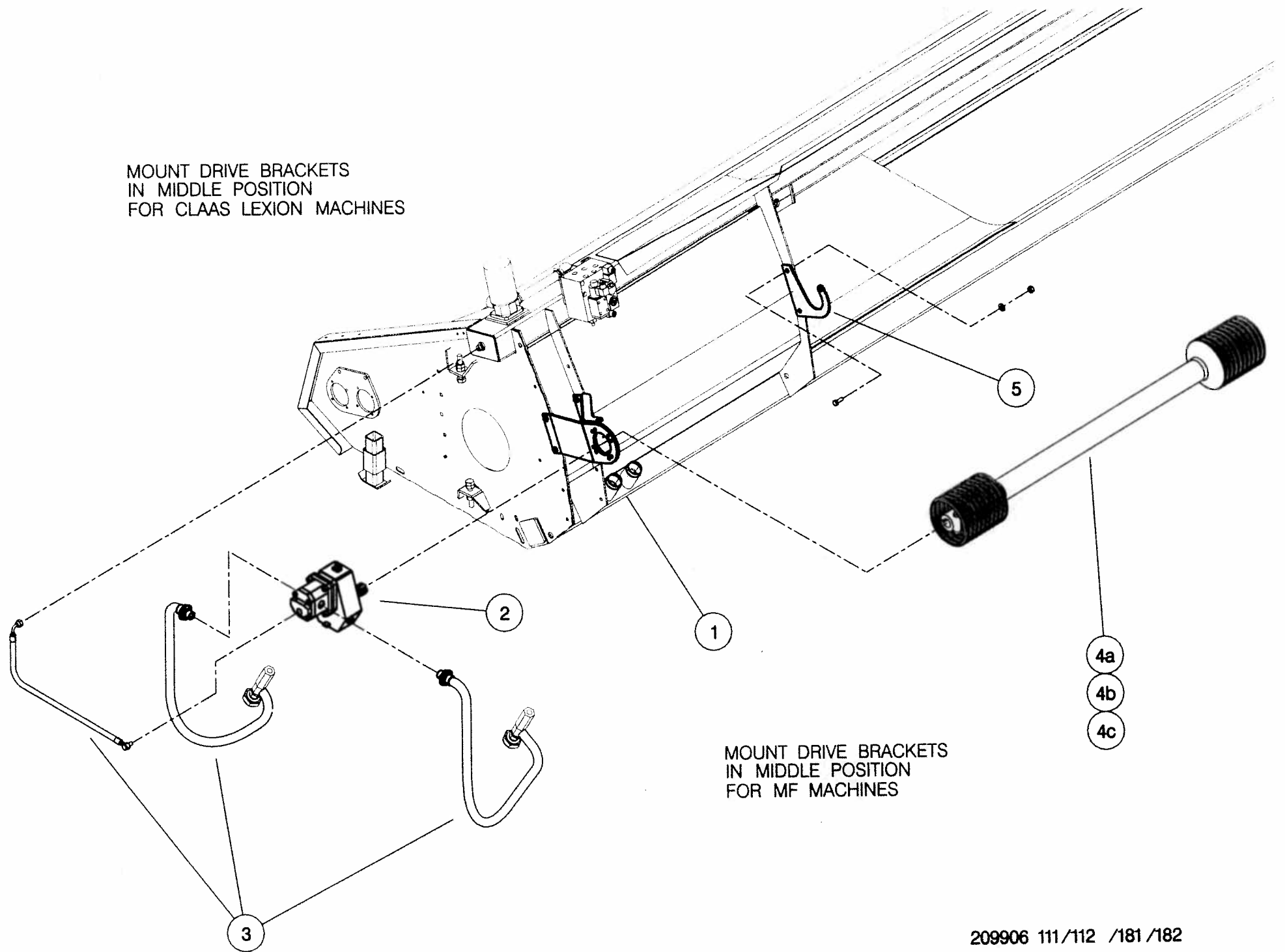
ASSY NUMBER:

209906 114

ASSY DESCRIPTION: HYD PUH DRIVE KIT - MF CERA/BETA 2007

ITEM	PART NO	DESCRIPTION	QTY	ITEM	PART NO	DESCRIPTION	QTY
1	KIT-00224	INBOARD SHORT BRKT.KIT.	1				
2	KIT-02409	HYD.PUMP & GEARBOX ASSY	1				
3	KIT-02530	HYD.HOSE KIT	1				
4A	PTO-21006	PTO SHAFT ASSY	1				
OR		4.2M HEAD ON ALL MODELS					
4B	PTO-21013	PTO SHAFT ASSY	1				
		4.8M HEAD ON ALL MODELS					
5	KIT-00931	PTO SUPPORT KIT	1				
		<u>DRIVE KIT FOR ;</u>					
		<u>4.2 & 4.8M HEADERS 2001 &</u>					
		<u>ONWARDS PRODUCTION ONLY.</u>					

MOUNT DRIVE BRACKETS
IN MIDDLE POSITION
FOR CLAAS LEXION MACHINES



MOUNT DRIVE BRACKETS
IN MIDDLE POSITION
FOR MF MACHINES

Shelbourne Reynolds Engineering Limited

ASSY NUMBER: 209906 171		ASSY DESCRIPTION: HYD PUH DRIVE KIT-JD'Z'SERIES LEV.LAND					
ITEM	PART NO	DESCRIPTION	QTY	ITEM	PART NO	DESCRIPTION	QTY
1	KIT-00220	SHORT DRIVE SUPP.BRKT.KIT.	1				
2	KIT-02406	HYD.PUMP & GEARBOX ASSY	1				
3	KIT-02530	HYD.HOSE KIT	1				
4A	PTO-21003	PTO SHAFT ASSY	1				
OR		ALL 3.6M HEAD ON 6 WALK.MOD.					
4B	PTO-21006	PTO SHAFT ASSY	1				
OR		ALL 3.6M HEAD ON 5 WALK.MOD.					
4C	PTO-21013	PTO SHAFT ASSY	1				
OR		4.2M HEAD ON ALL MODELS					
4D	PTO-21010	PTO SHAFT ASSY	1				
		4.8M HEAD ON ALL MODELS					
5	KIT-00931	PTO SUPPORT KIT	1				
		<u>DRIVE KIT FOR :</u>					
		<u>ALL YEARS 3.6M HEADERS</u>					
		<u>4.2 & 4.8M HEADERS UP TO YEAR</u>					
		<u>2001 PRODUCTION ONLY.</u>					
		<u>NOTE DRIVE BRACKET CHANGE.</u>					

Shelbourne Reynolds Engineering Limited

ASSY NUMBER: 209906 172		ASSY DESCRIPTION: HYD PUH DRIVE KIT-JD'Z'SERIES H.MASTER					
ITEM	PART NO	DESCRIPTION	QTY	ITEM	PART NO	DESCRIPTION	QTY
1	KIT-00221	LONG DRIVE SUPP.BRKT.KIT.	1				
2	KIT-02406	HYD.PUMP & GEARBOX ASSY	1				
3	KIT-02530	HYD.HOSE KIT	1				
4A	PTO-21003	PTO SHAFT ASSY	1				
OR		ALL 3.6M HEAD ON 6 WALK.MOD.					
4B	PTO-21006	PTO SHAFT ASSY	1				
OR		ALL 3.6M HEAD ON 5 WALK.MOD.					
4C	PTO-21013	PTO SHAFT ASSY	1				
OR		4.2M HEAD ON ALL MODELS					
4D	PTO-21010	PTO SHAFT ASSY	1				
		4.8M HEAD ON ALL MODELS					
5	KIT-00931	PTO SUPPORT KIT	1				
		<u>DRIVE KIT FOR ;</u>					
		<u>ALL YEARS 3.6M HEADERS</u>					
		<u>4.2 & 4.8M HEADERS UP TO YEAR</u>					
		<u>2001 PRODUCTION ONLY.</u>					
		<u>NOTE DRIVE BRACKET CHANGE.</u>					

Shelbourne Reynolds Engineering Limited

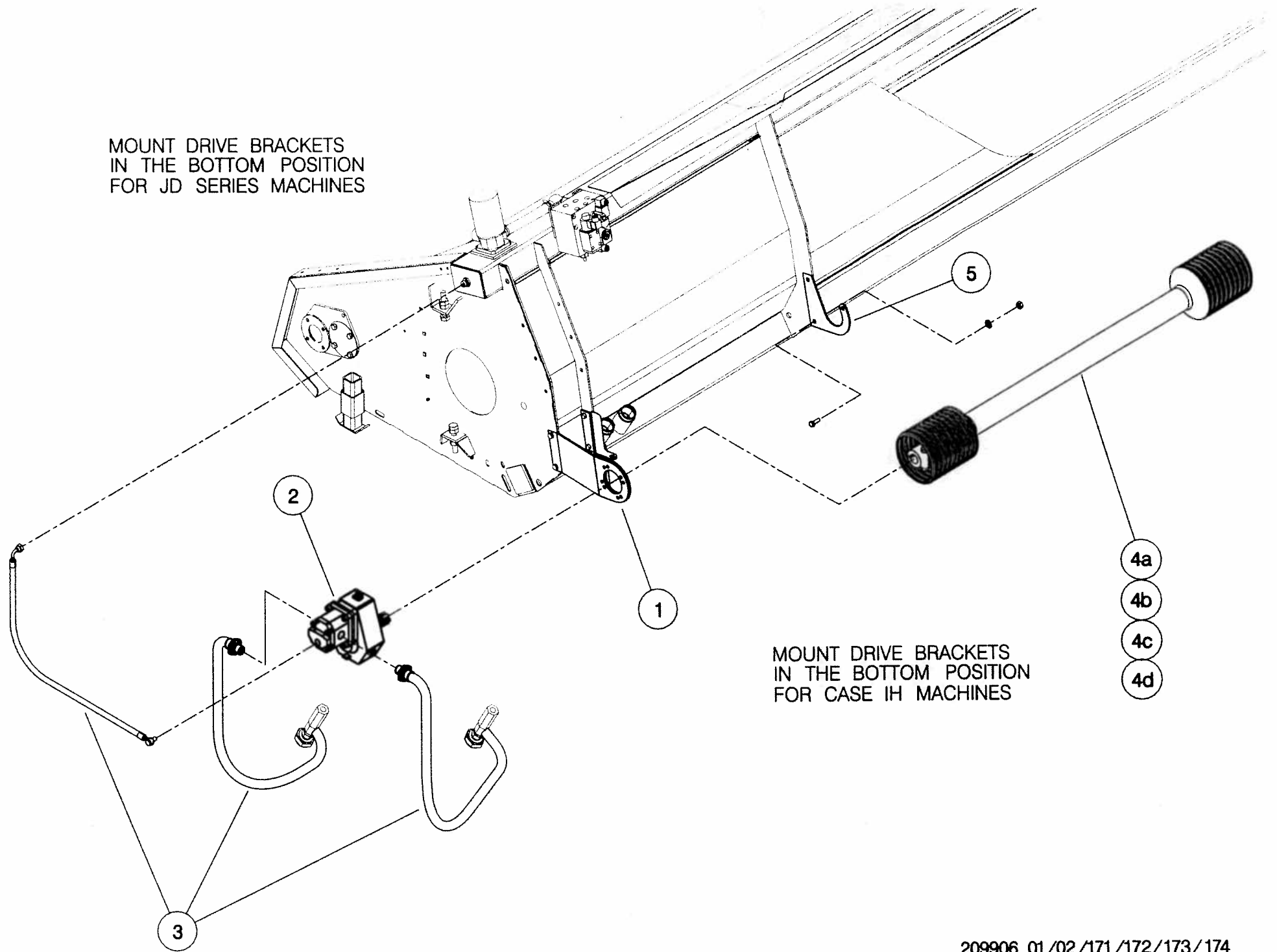
ASSY NUMBER: 209906 173		ASSY DESCRIPTION: HYD PUH DRIVE KIT-JD'Z'SER. LL 4.2/4.8M					
ITEM	PART NO	DESCRIPTION	QTY	ITEM	PART NO	DESCRIPTION	QTY
1	KIT-00224	INBOARD SHORT BRKT.KIT.	1				
2	KIT-02406	HYD.PUMP & GEARBOX ASSY	1				
3	KIT-02530	HYD.HOSE KIT	1				
4A	PTO-21003	PTO SHAFT ASSY	1				
OR		4.2M HEAD ON 6 WALKER.MODEL					
4B	PTO-21006	PTO SHAFT ASSY	1				
OR		4.2M HEAD ON 5 WALKER MODEL					
4C	PTO-21013	PTO SHAFT ASSY	1				
		4.8M HEAD ON ALL MODELS					
5	KIT-00931	PTO SUPPORT KIT	1				
		<u>DRIVE KIT FOR :</u>					
		<u>4.2 & 4.8M HEADERS 2001 &</u>					
		<u>ONWARDS PRODUCTION ONLY.</u>					

Shelbourne Reynolds Engineering Limited

ASSY NUMBER: 209906 174 ASSY DESCRIPTION: HYD PUH DRIVE KIT-JD'Z'SER. HM 4.2/4.8M

ITEM	PART NO	DESCRIPTION	QTY	ITEM	PART NO	DESCRIPTION	QTY
1	KIT-00225	INBOARD LONG BRKT.KIT.	1				
2	KIT-02406	HYD.PUMP & GEARBOX ASSY	1				
3	KIT-02530	HYD.HOSE KIT	1				
4A	PTO-21003	PTO SHAFT ASSY	1				
OR		4.2M HEAD ON 6 WALKER MODEL					
4B	PTO-21006	PTO SHAFT ASSY	1				
OR		4.2M HEAD ON 5 WALKER MODEL					
4C	PTO-21013	PTO SHAFT ASSY	1				
		4.8M HEAD ON ALL MODELS					
5	KIT-00931	PTO SUPPORT KIT	1				
		<u>DRIVE KIT FOR :</u>					
		<u>4.2 & 4.8M HEADERS 2001 &</u>					
		<u>ONWARDS PRODUCTION ONLY.</u>					

MOUNT DRIVE BRACKETS
IN THE BOTTOM POSITION
FOR JD SERIES MACHINES

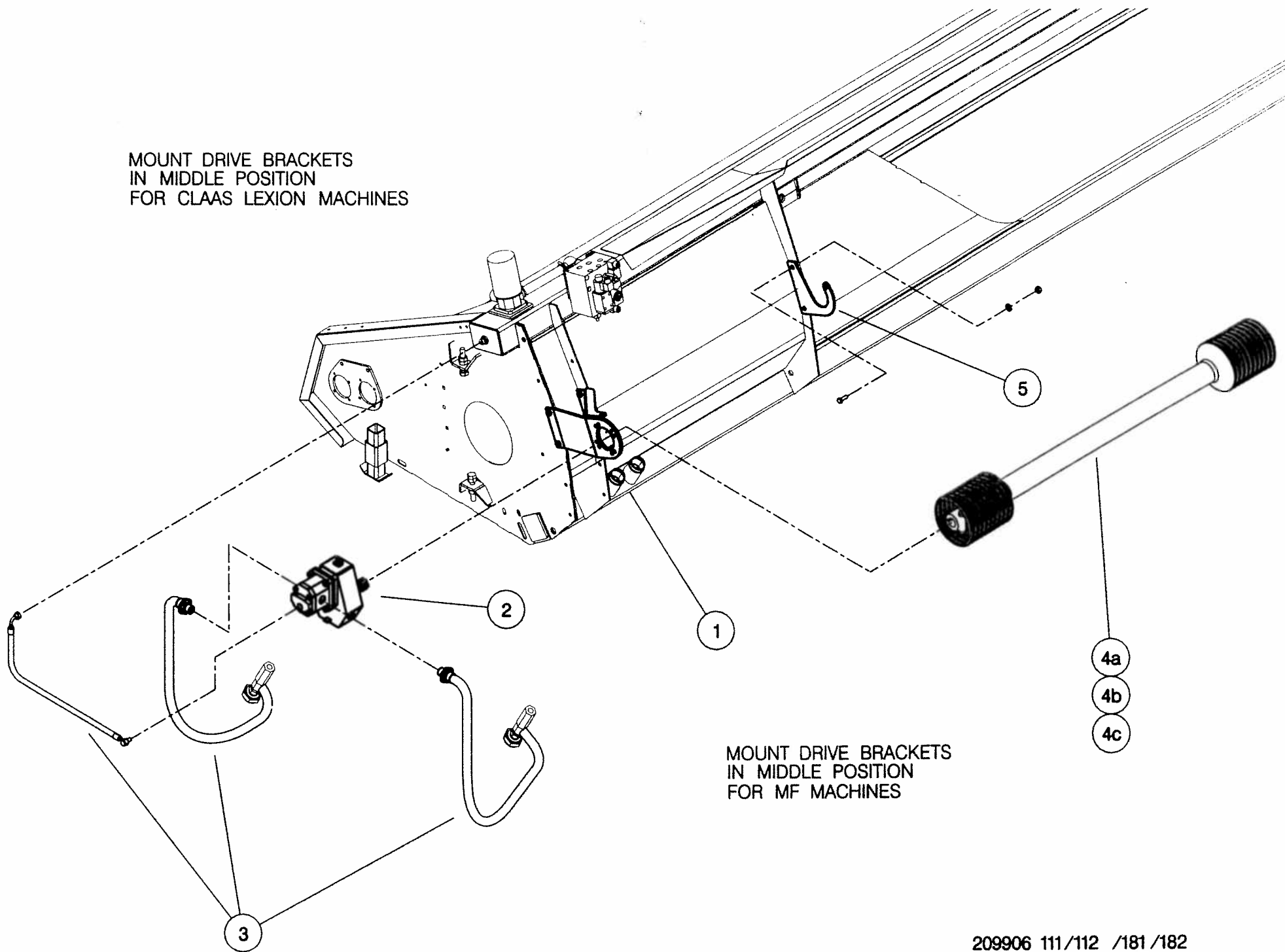


MOUNT DRIVE BRACKETS
IN THE BOTTOM POSITION
FOR CASE IH MACHINES

Shelbourne Reynolds Engineering Limited

ASSY NUMBER: 209906 181		ASSY DESCRIPTION: HYD PUH DRIVE KIT - CLAAS LEXION					
ITEM	PART NO	DESCRIPTION	QTY	ITEM	PART NO	DESCRIPTION	QTY
1	KIT-00221	LONG DRIVE SUPP.BRKT.KIT.	1				
2	KIT-02407	HYD.PUMP & GEARBOX ASSY	1				
3	KIT-02530	HYD.HOSE KIT	1				
4A	PTO-21006	PTO SHAFT ASSY	1				
OR		ALL 3.6M HEAD ON 6 WALK.MOD.					
4B	PTO-21013	PTO SHAFT ASSY	1				
		ALL 3.6M HEAD ON 5 WALK.AND					
OR		4.2M HEAD ON 6 WALKER MODELS					
4C	PTO-21010	PTO SHAFT ASSY	1				
		4.2M HEAD ON 5 WALKER AND					
		4.8M HEAD ON ALL MODELS					
5	KIT-00931	PTO SUPPORT KIT	1				
		<u>DRIVE KIT FOR :</u>					
		<u>ALL YEARS 3.6M HEADERS</u>					
		<u>4.2 & 4.8M HEADERS UP TO YEAR</u>					
		<u>2001 PRODUCTION ONLY.</u>					
		<u>NOTE DRIVE BRACKET CHANGE.</u>					

MOUNT DRIVE BRACKETS
IN MIDDLE POSITION
FOR CLAAS LEXION MACHINES



MOUNT DRIVE BRACKETS
IN MIDDLE POSITION
FOR MF MACHINES

Shelbourne Reynolds Engineering Limited

ASSY NUMBER:

KIT-00220

SUB ASSY DESCRIPTION: SHORT DRIVE SUPPORT BRKT KIT

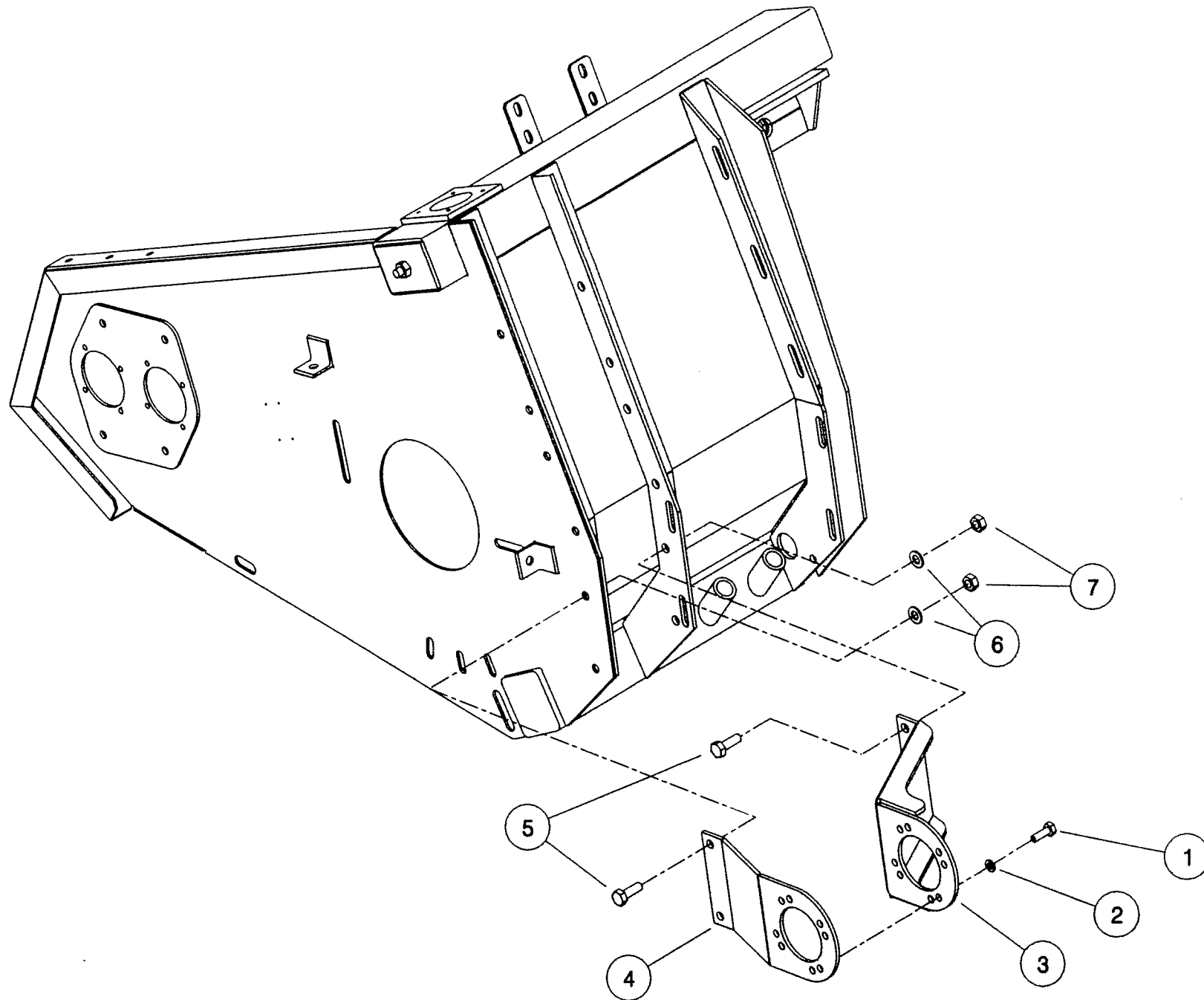
ITEM	PART NO	DESCRIPTION	QTY	ITEM	PART NO	DESCRIPTION	QTY
1	HSS-0191	SETSCREW	4				
2	WSH-0061	WASHER	4				
3	200285 01	SHORT OUTER GBOX BRKT	1				
4	200286 01	SHORT INNER GBOX BRKT	1				
5	HSS-0241	SETSCREW	4				
6	WSH-0018	WASHER	4				
7	NUT-0269	NUT	4				

Shelbourne Reynolds Engineering Limited

ASSY NUMBER:		KIT-00221		SUB ASSY DESCRIPTION: LONG DRIVE SUPPORT BRKT KIT			
ITEM	PART NO	DESCRIPTION	QTY	ITEM	PART NO	DESCRIPTION	QTY
1	HSS-0191	SETSCREW	4				
2	WSH-0061	WASHER	4				
3	200283 01	LONG OUTER GBOX BRKT	1				
4	200284 01	LONG INNER GBOX BRKT	1				
5	HSS-0241	SETSCREW	4				
6	WSH-0018	WASHER	4				
7	NUT-0269	NUT	4				

Shelbourne Reynolds Engineering Limited

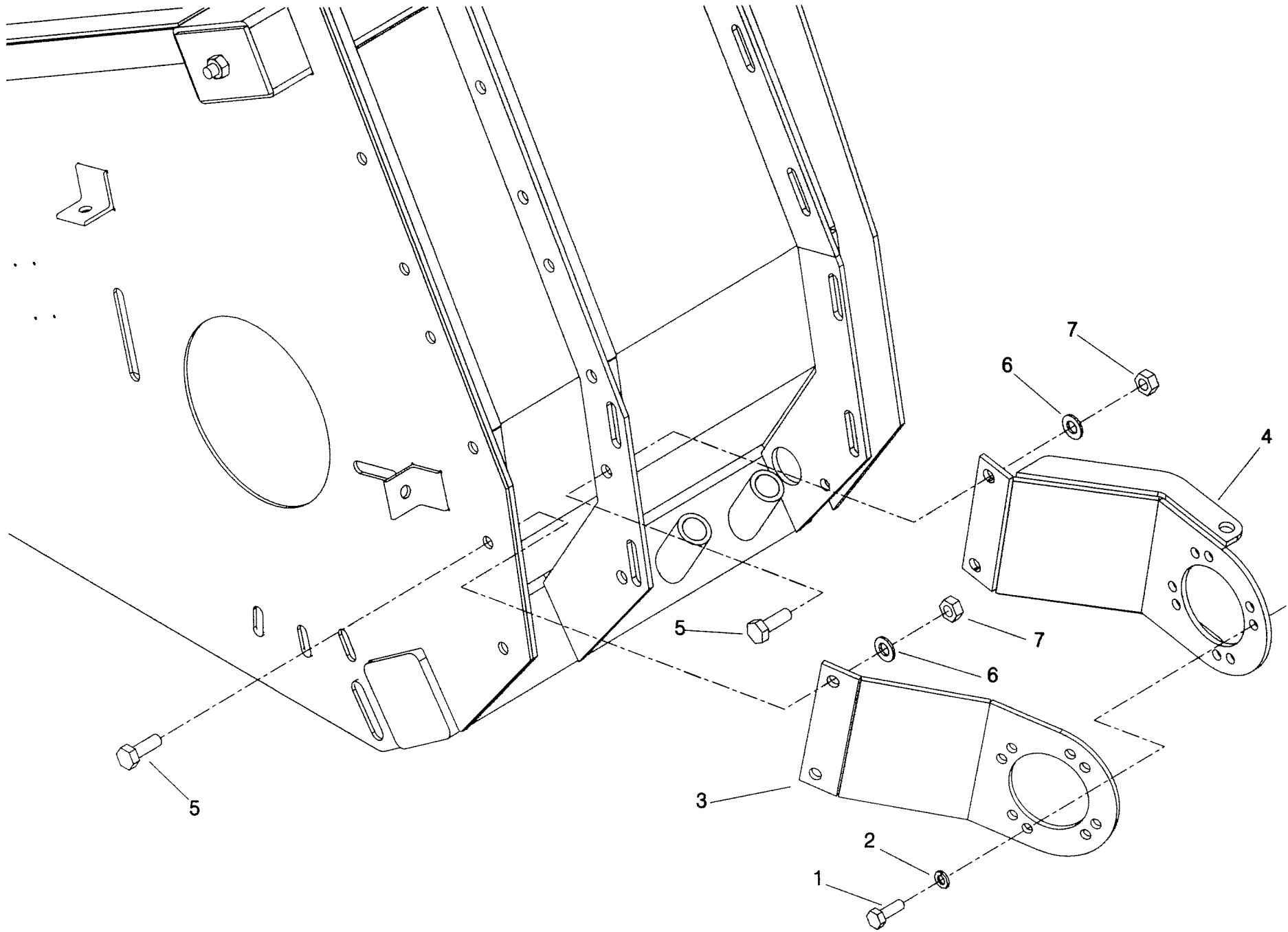
ASSY NUMBER:		KIT-00225		SUB ASSY DESCRIPTION: INBOARD LONG DRIVE SUPPORT BRKT KIT			
ITEM	PART NO	DESCRIPTION	QTY	ITEM	PART NO	DESCRIPTION	QTY
1	HSS-0191	SETSCREW	4				
2	WSH-0061	WASHER	4				
3	200550 01	LONG OUTER GBOX BRKT	1				
4	200553 01	LONG INNER GBOX BRKT	1				
5	HSS-0241	SETSCREW	4				
6	WSH-0018	WASHER	4				
7	NUT-0269	NUT	4				



KIT-00220 / KIT-00221 / KIT-00222 / KIT-00225

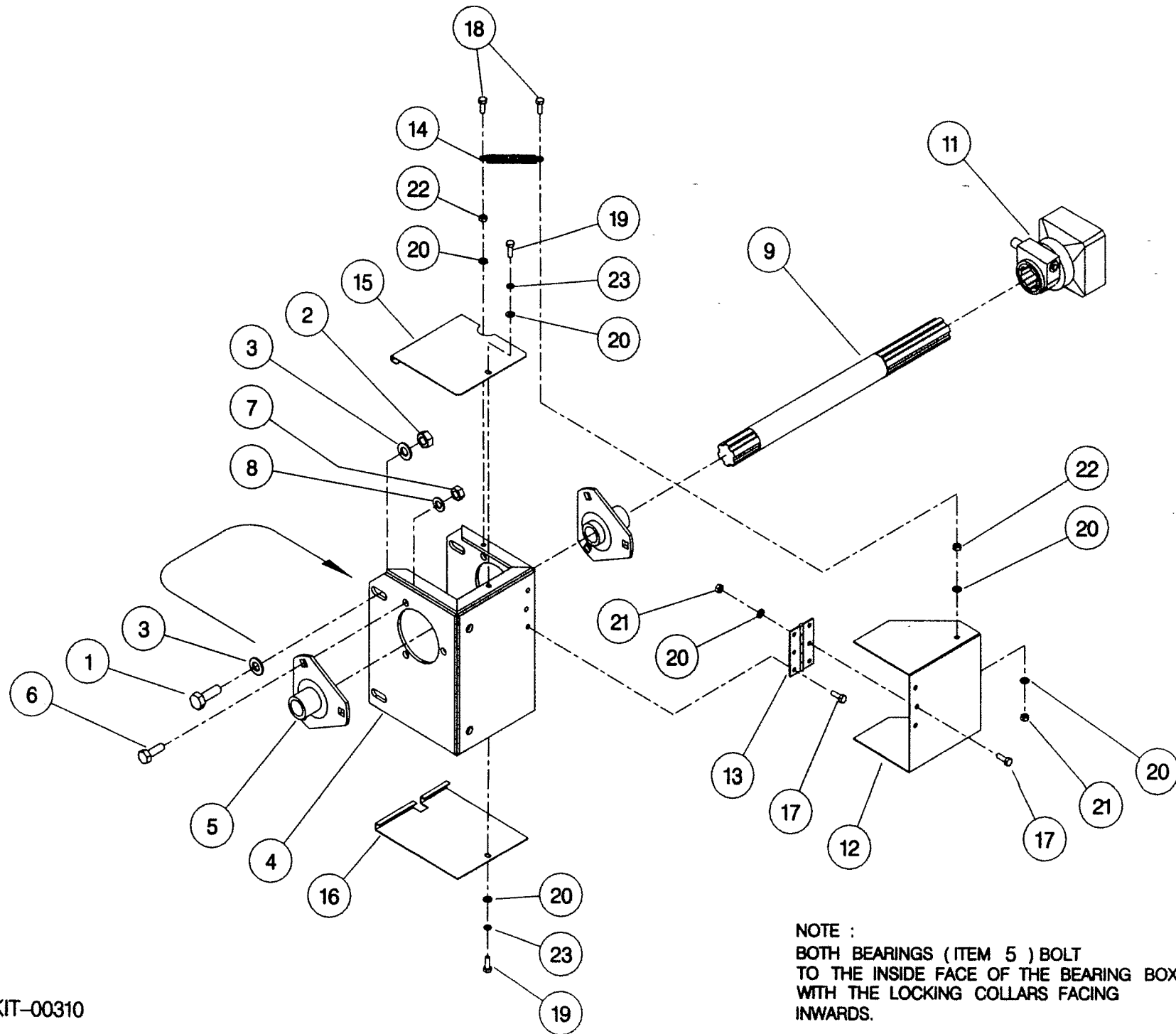
Shelbourne Reynolds Engineering Limited

ASSY NUMBER:		KIT-00224		SUB ASSY DESCRIPTION: INBOARD SHORT DRIVE SUPP.BRKT KIT			
ITEM	PART NO	DESCRIPTION	QTY	ITEM	PART NO	DESCRIPTION	QTY
1	HSS-0191	SETSCREW	4				
2	WSH-0061	WASHER	4				
3	200546 01	SHORT OUTER GBOX BRKT	1				
4	200552 01	SHORT INNER GBOX BRKT	1				
5	HSS-0241	SETSCREW	4				
6	WSH-0018	WASHER	4				
7	NUT-0269	NUT	4				



Shelbourne Reynolds Engineering Limited

ASSY NUMBER:		KIT-00310		SUB ASSY DESCRIPTION: BEARING BOX ASSY (NH SQ.DRV.)			
ITEM	PART NO	DESCRIPTION	QTY	ITEM	PART NO	DESCRIPTION	QTY
1	HSS-0238	SET SCREW	4				
2	NUT-0269	NYLOC NUT	4				
3	WSH-0015	PLAIN WASHER	4				
4	191148 04	BEARING BOX	1				
5	BRG-3220	BEARING	2				
6	HSS-0191	SET SCREW	6				
7	NUT-0265	NYLOC NUT	6				
8	WSH-0015	PLAIN WASHER	6				
9	190767 01	INPUT SHAFT	1				
10							
11	190597 01	DRIVE COUPLING	1				
12	190938 01	COUPLING COVER	1				
13	HIN-0100	HINGE	1				
14	SPG-0005	SPRING	1				
15	191378 01	COVER PLATE	1				
16	191379 01	COVER PLATE	1				
17	HSS-0082	SET SCREW	6				
18	HSS-0086	SET SCREW	2				
19	HSS-0084	SET SCREW	2				
20	WSH-0009	PLAIN WASHER	12				
21	NUT-0260	NYLOC NUT	8				
22	NUT-0160	PLAIN NUT	2				
23	WSH-0056	SPRING WASHER	2				



NOTE :
 BOTH BEARINGS (ITEM 5) BOLT
 TO THE INSIDE FACE OF THE BEARING BOX,
 WITH THE LOCKING COLLARS FACING
 INWARDS.

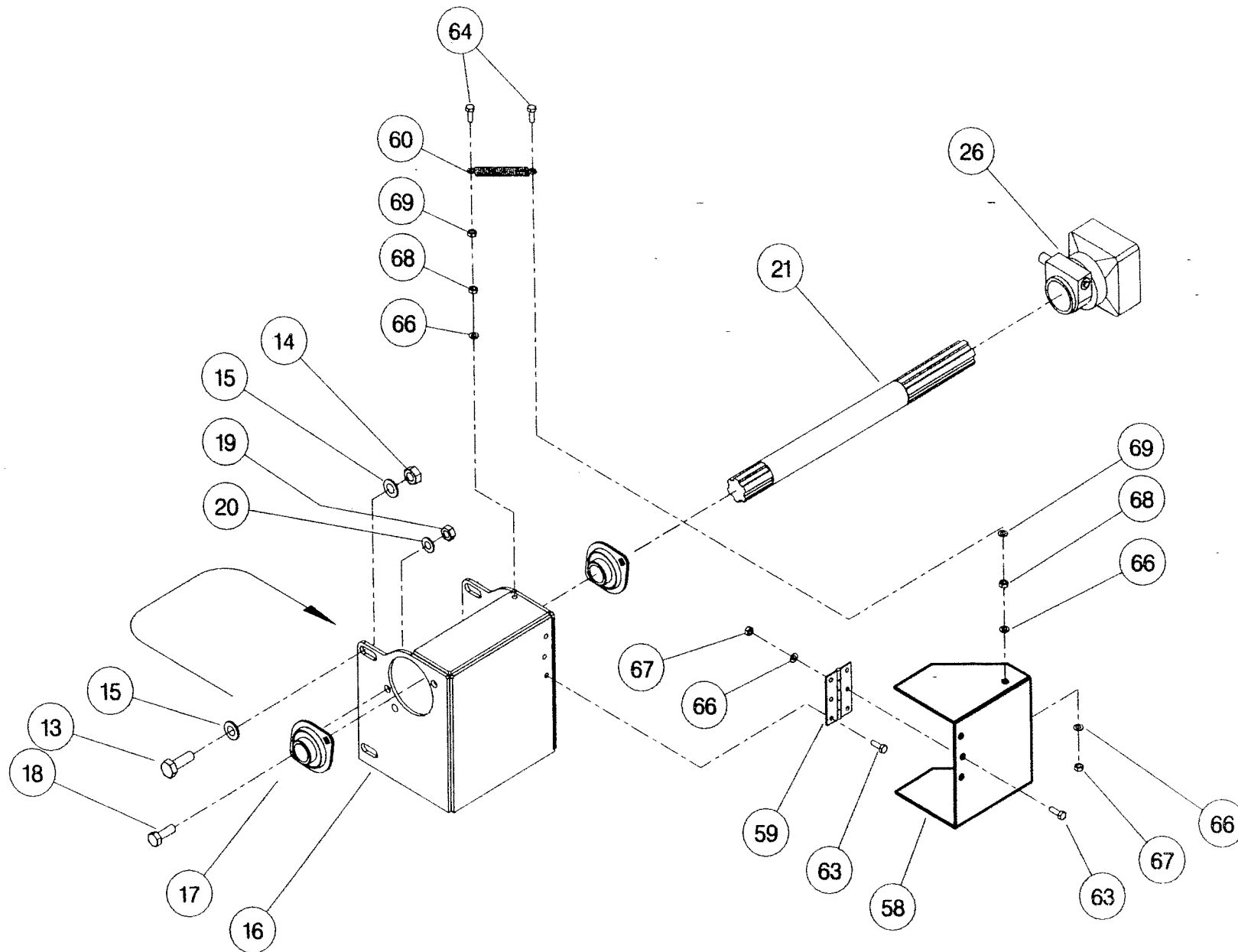
Shelbourne Reynolds Engineering Limited

ASSY NUMBER:

KIT-00312

SUB ASSY DESCRIPTION: BEARING BOX ASSY (NH SQDRV)

ITEM	PART NO	DESCRIPTION	QTY	ITEM	PART NO	DESCRIPTION	QTY
13	HSS-0238	SET SCREW	4				
14	NUT-0269	NYLOC NUT	4				
15	WSH-0015	PLAIN WASHER	4				
16	195822 01	BEARING BOX	1				
17	BRG-23510	BEARING	2				
18	HSS-0191	SET SCREW	4				
19	NUT-0265	NYLOC NUT	4				
20	WSH-0015	PLAIN WASHER	4				
21	195823 01	INPUT SHAFT	1				
22							
26	190597 01	DRIVE COUPLING	1				
58	190938 01	COUPLING COVER	1				
59	HIN-0100	HINGE	1				
60	SPG-0005	SPRING	1				
61							
62							
63	HSS-0082	SET SCREW	6				
64	HSS-0086	SET SCREW	2				
65							
66	WSH-0009	PLAIN WASHER	8				
67	NUT-0260	NYLOC NUT	8				
68	NUT-0160	PLAIN NUT	2				
69	WSH-0056	SPRING WASHER	2				

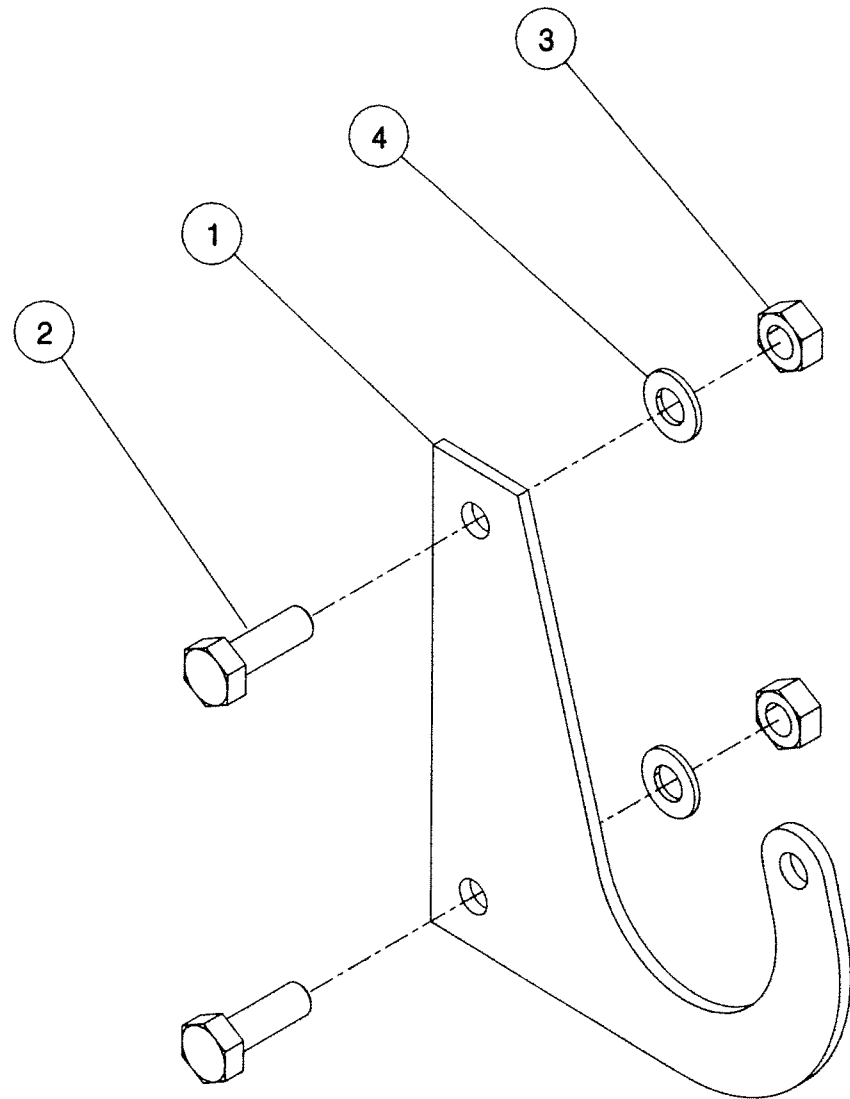


KIT - 00312

NOTE :
 BOTH BEARINGS (ITEM 17) BOLT
 TO THE INSIDE FACE OF THE BEARING BOX,
 WITH THE LOCKING COLLARS FACING
 INWARDS.

Shelbourne Reynolds Engineering Limited

ASSY NUMBER:		KIT-00931		ASY DESCRIPTION: PTO SUPPORT KIT			
ITEM	PART NO	DESCRIPTION	QTY	ITEM	PART NO	DESCRIPTION	QTY
1	191945 01	PTO SUPPORT	1				
2	HSS-0238	SET SCREW	2				
3	NUT-0269	NYLOC NUT	2				
4	WSH-0018	PLAIN WASHER	2				



KIT-00931

Shelbourne Reynolds Engineering Limited

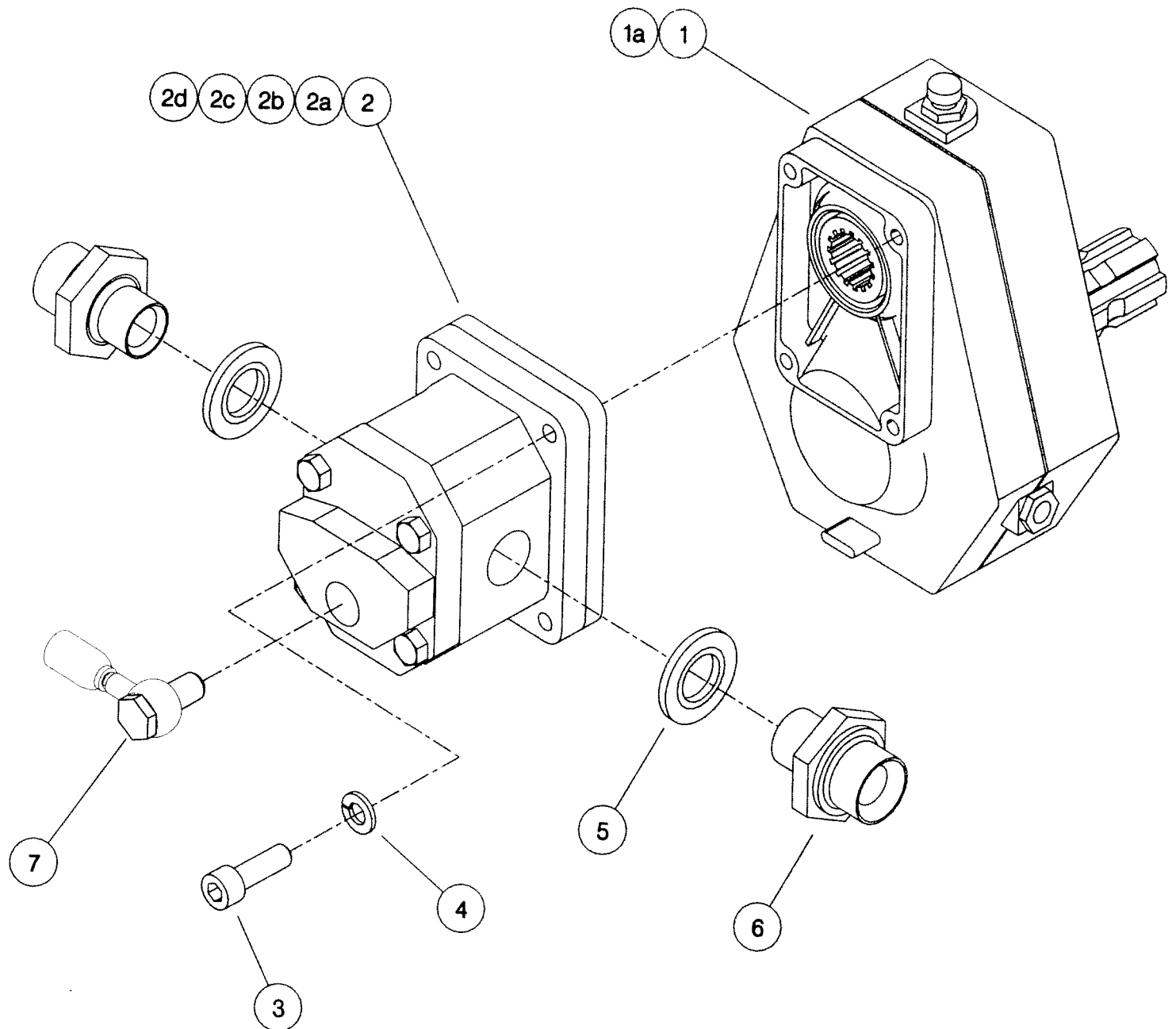
ASSY NUMBER:		KIT-02406		ASSY DESCRIPTION: HYD.PUMP & GEARBOX ASSY. (MED)			
ITEM	PART NO	DESCRIPTION	QTY	ITEM	PART NO	DESCRIPTION	QTY
1	GEA-0020	GEARBOX	1				
1a	GEA-1400	GEARBOX/PUMP COUPLING	1				
2	PUM100180	HYD.PUMP	1				
2a	HPS-00005	HYD.PUMP SEAL KIT	1				
2b	GEA-1405	NUT	1				
2c	GEA-1410	TAB WASHER	1				
2d	GEA-1415	WOODRUFF KEY	1				
3	SCW-0136	CAP HD SCREW	4				
4	WSH-0058	SPRING WASHER	4				
5	WSH-1020	DOWTY WASHER	2				
6	HMA-0075	FITTING	2				
7	HFAW50003	BANJO BOLT & SEAL	1				

Shelbourne Reynolds Engineering Limited

ASSY NUMBER:		KIT-02407		ASSY DESCRIPTION: HYD.PUMP & GEARBOX ASSY. (FAST)			
ITEM	PART NO	DESCRIPTION	QTY	ITEM	PART NO	DESCRIPTION	QTY
1	GEA-0020	GEARBOX	1				
1a	GEA-1400	GEARBOX/PUMP COUPLING	1				
2	PUM100110	HYD.PUMP	1				
2a	HPS-00005	HYD.PUMP SEAL KIT	1				
2b	GEA-1405	NUT	1				
2c	GEA-1410	TAB WASHER	1				
2d	GEA-1415	WOODRUFF KEY	1				
3	SCW-0136	CAP HD SCREW	4				
4	WSH-0058	SPRING WASHER	4				
5	WSH-1015	DOWTY WASHER	2				
6	FIT-0246	FITTING	2				
7	HFAW50003	BANJO BOLT & SEAL	1				

Shelbourne Reynolds Engineering Limited

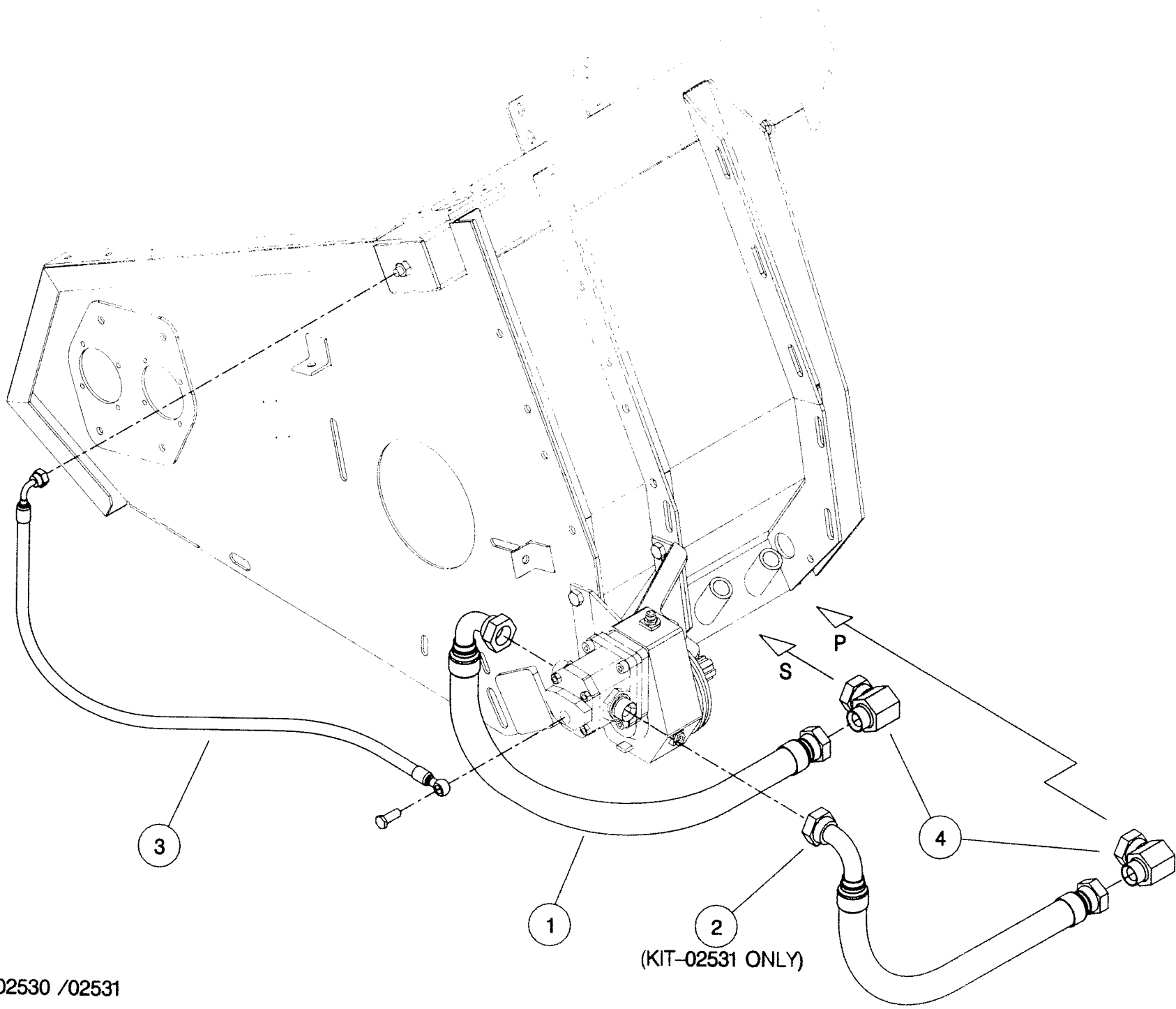
ASSY NUMBER:		KIT-02408		ASSY DESCRIPTION: HYD.PUMP & GEARBOX ASSY. (SLOW)			
ITEM	PART NO	DESCRIPTION	QTY	ITEM	PART NO	DESCRIPTION	QTY
1	GEA-0020	GEARBOX	1				
1a	GEA-1400	GEARBOX/PUMP COUPLING	1				
2	PUM100230	HYD.PUMP	1				
2a	HPS-00005	HYD.PUMP SEAL KIT	1				
2b	GEA-1405	NUT	1				
2c	GEA-1410	TAB WASHER	1				
2d	GEA-1415	WOODRUFF KEY	1				
3	SCW-0136	CAP HD SCREW	4				
4	WSH-0058	SPRING WASHER	4				
5	WSH-1020	DOWTY WASHER	2				
6	HMA-0075	FITTING	2				
7	HFAW50003	BANJO BOLT & SEAL	1				



KIT-02406/7/8

Shelbourne Reynolds Engineering Limited

ASSY NUMBER:		KIT-02530		ASSY DESCRIPTION:		HYD.HOSE KIT	
ITEM	PART NO	DESCRIPTION	QTY	ITEM	PART NO	DESCRIPTION	QTY
1	HHBI07505	HOSE	2				
2							
3	HHLC09040	HOSE	1				
4	FIT-0547	ELBOW FITTING	2				



(KIT-02531 ONLY)

KIT-02530 /02531