

Shelbourne

REYNOLDS

4.2m And 4.8m

ADAPTORS AND DRIVE KITS

PARTS MANUAL (2000)



Shelbourne Reynolds Engineering Ltd
Stanton
Bury St Edmunds
Suffolk
IP31 2AR
England

Telephone: 01359 250415
Fax: 01359 250464

Stores Direct : 01359 251231
Stores Direct: 01359 252031

Issue 11 27/07/2022

PICK UP HEADER

www.shelbourne.com



List Of Kit Numbers

Adaptor Plate Types 5

196555 01	Adaptor Plate Assembly Claas Lexion	7
KIT-00630	Adaptor Plate Claas Lexion	8
196555 02	Adaptor Plate Assembly MF Dron (Auto level)	11
KIT-00631	Adaptor Plate MF-30-40 (Auto, 1996)	12
196555 03	Adaptor Plate Assembly John Deere (USA)	15
KIT-00632	Adaptor Plate Sub Assembly John Deere	16
196555 07	Adaptor Plate Assembly New Holland (USA)	21
KIT-00633	Adaptor Plate New Holland	22
KIT-00803	NH.TR Bottom Pick Up Fixing Kit	24
196555 08	Adaptor Plate Assembly Case IH	27
KIT-00634	Adaptor Plate Case IH	28
196555 12	Adaptor Plate Assembly New Holland CX/CR	31
KIT-00639	Adaptor Plate New Holland CX	32
196555 13	Adaptor Plate Assembly Case 8010 Series	35
KIT-00640	Adaptor Plate Case 8010 Series	36
196555 17	Adaptor Plate Assembly AGCO (Non lateral Tilt)	39
KIT-00643	Adaptor Plate AGCO	40
196555 18	Adaptor Plate Assembly MF/AGCO/Worldwide	43
KIT-00643	Adaptor Plate AGCO	44
KIT-00812	Adaptor Plate MF/AGCO/Worldwide	46
196555 24	Adaptor Plate Assembly AGCO/IDEAL	49
KIT-00643	Adaptor Plate AGCO	50
KIT-19049	Adaptor Plate AGCO/IDEAL	52

Drive Kit Types 55

209905 001A	Drive Kit, Case IH/John Deere 4.2m (JD9500/7720)	56
209905 001B	Drive Kit, Case IH 4.2m & John Deere 4.8m (JD9500/7720)	56
209905 001C	Drive Kit, Case IH 4.8m	56
209905 111A	MF DRON (30-40) 4.2m	58
209905 111B	MF DRON (30-40) 4.8m	58
209905 121A	New Holland (CX & CR, TR USA), 4.2m - 6 Spline	60
209905 121B	New Holland (CX & CR, TR USA), 4.8m - 6 Spline	60
209905 121C	New Holland (CX & CR), 4.2m - 21 Spline	60
209905 121D	New Holland (CX & CR), 4.8m - 21 Spline	60
209905 151A	John Deere (9600/8820) 4.2m	62
209905 151B	John Deere (9600/8820) 4.8m	62
209905 161A	AGCO 4.2m	64
209905 161B	AGCO 4.8m	64

209905 171A	John Deere (Contour Master) 4.2m	66
209905 171B	John Deere (Contour Master) 4.8m	66
209905 181A	Claas Lexion 4.2m	68
209905 181B	Claas Lexion 4.8m	68

Draper Hydraulic Connecting Kits 71

KIT-01770A	Case IH 4.2m (Upto 2004)	72
KIT-01770B	Case IH 4.8m (Upto 2004)	72
KIT-01771A	John Deere 4.2m (Upto 2004)	74
KIT-01771B	John Deere 4.8m (Upto 2004)	74
KIT-01772A	New Holland TR 4.2m (Upto 2004)	76
KIT-01772B	New Holland TR 4.8m (Upto 2004)	76
KIT-01773	Case IH (2004 Onwards)	78
KIT-01774	John Deere (2004 Onwards)	80
KIT-01775	John Deere 60 Series (2004 Onwards)	82
KIT-01776	New Holland CX/CR & Case Multi Coupler (2004 Onwards)	84
KIT-01777	Claas Lexion 500 Series (2004 Onwards)	86
KIT-01778	AGCO/MF Multi	88
KIT-01779	MF/AGCO/IDEAL (2004 Onwards)	90

ADAPTOR PLATE TYPES

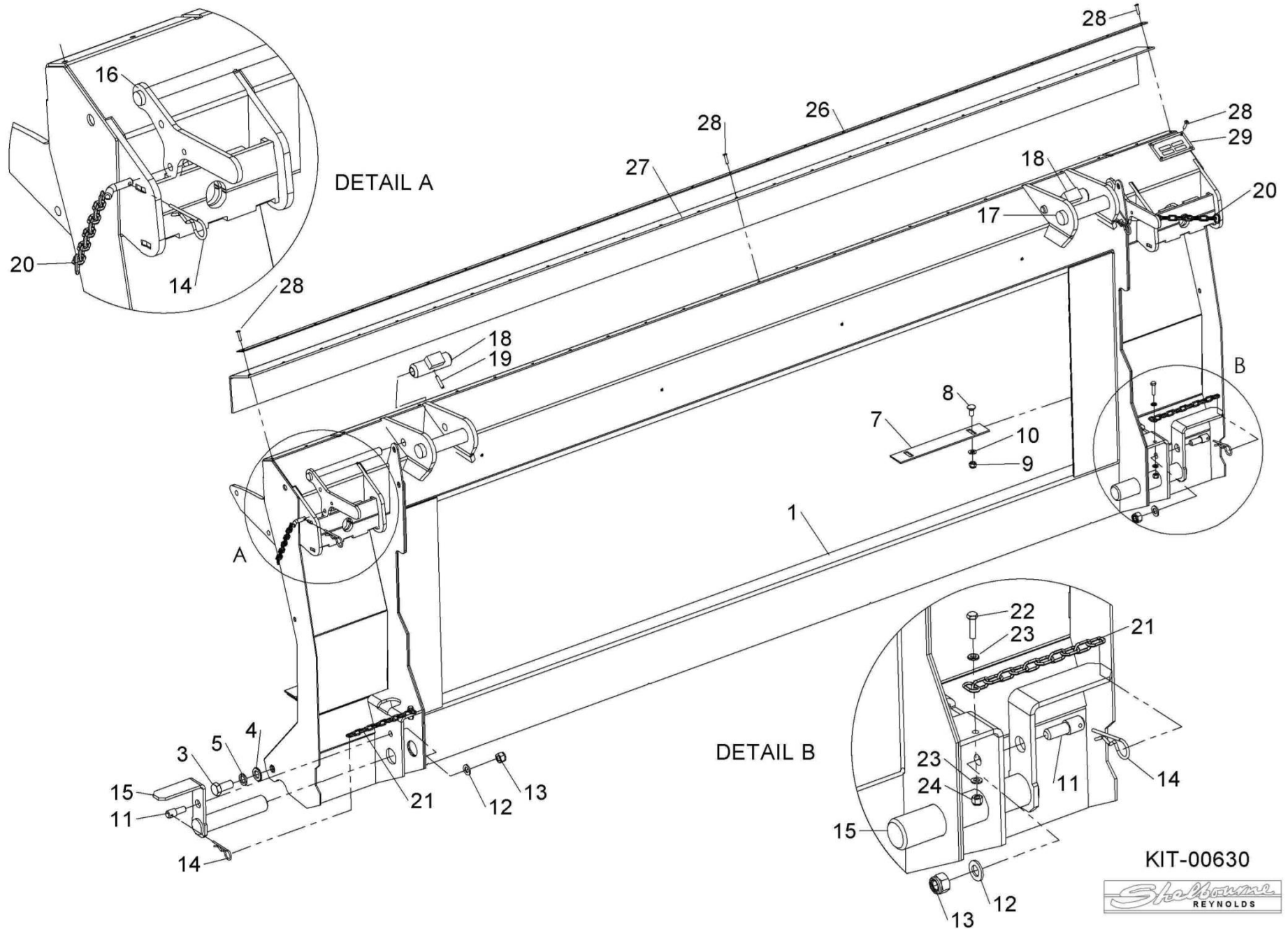
Shelbourne Reynolds Engineering Limited

ASSY NUMBER: 196555 01				ASSY DESCRIPTION: ADAPTOR PLATE ASSY CLAAS LEXION			
ITEM	PART NO	DESCRIPTION	QTY	ITEM	PART NO	DESCRIPTION	QTY
1	KIT-00630	ADAPTOR PLATE SUB	1				

Shelbourne Reynolds Engineering Limited

ASSY NUMBER: KIT-00630				ASSY DESCRIPTION: ADAPTOR PLATE CLAAS (LEXION)			
ITEM	PART NO	DESCRIPTION	QTY	ITEM	PART NO	DESCRIPTION	QTY
1	194246 01	FRAME WELD ASSY	1				
2							
3	HSS-0315	SET SCREW	2				
4	WSH-0024	PLAIN WASHER	2				
5	WSH-0070	SPRING WASHER	2				
6							
7	194239 02	SCRAPER (UP TO 2019)	2				
8	BLT-4710	COACH BOLT (UPTO 2019)	4				
9	NUT-0263	NYLOC NUT (UP TO 2019)	4				
10	WSH-0012	PLAIN WASHER (UP TO 2019)	4				
11	192204 01	PIN	2				
12	WSH-0018	PLAIN WASHER	2				
13	NUT-0269	NYLOC NUT	2				
14	RCL-0015	R CLIP	4				
15	192198 04	LOWER LOCKING PIN	2				
16	193153 01	TOP LOCKING LEVER LH	1				
17	193153 02	TOP LOCKING LEVER RH	1				
18	193154 01	TOP LOCK	2				
19	PIN-1923	ROLL PIN	2				
20	195878 01	LOCKING HANDLE ASSY	2				
21	CHN-0145	CHAIN	0.17m				
21	CHN-0145	CHAIN	0.17m				
21	CHN-0145	CHAIN	0.17m				
21	CHN-0145	CHAIN	0.17m				
22	HSS-0088	HEX HD BOLT	4				
23	WSH-0009	PLAIN WASHER	8				
24	NUT-0260	NYLOC NUT	4				
25							
26	194493 01	CLAMP STRIP (OPTIONAL)	1				
27	194545 01	RUBBER SEAL (OPTIONAL)	1				
28	POP-0006	POP RIVET (OPTIONAL)	25				
29	134024 05	IDENTIFICATION PLATE (UPTO 2019)	1				

Shelbourne Reynolds Engineering Limited



KIT-00630

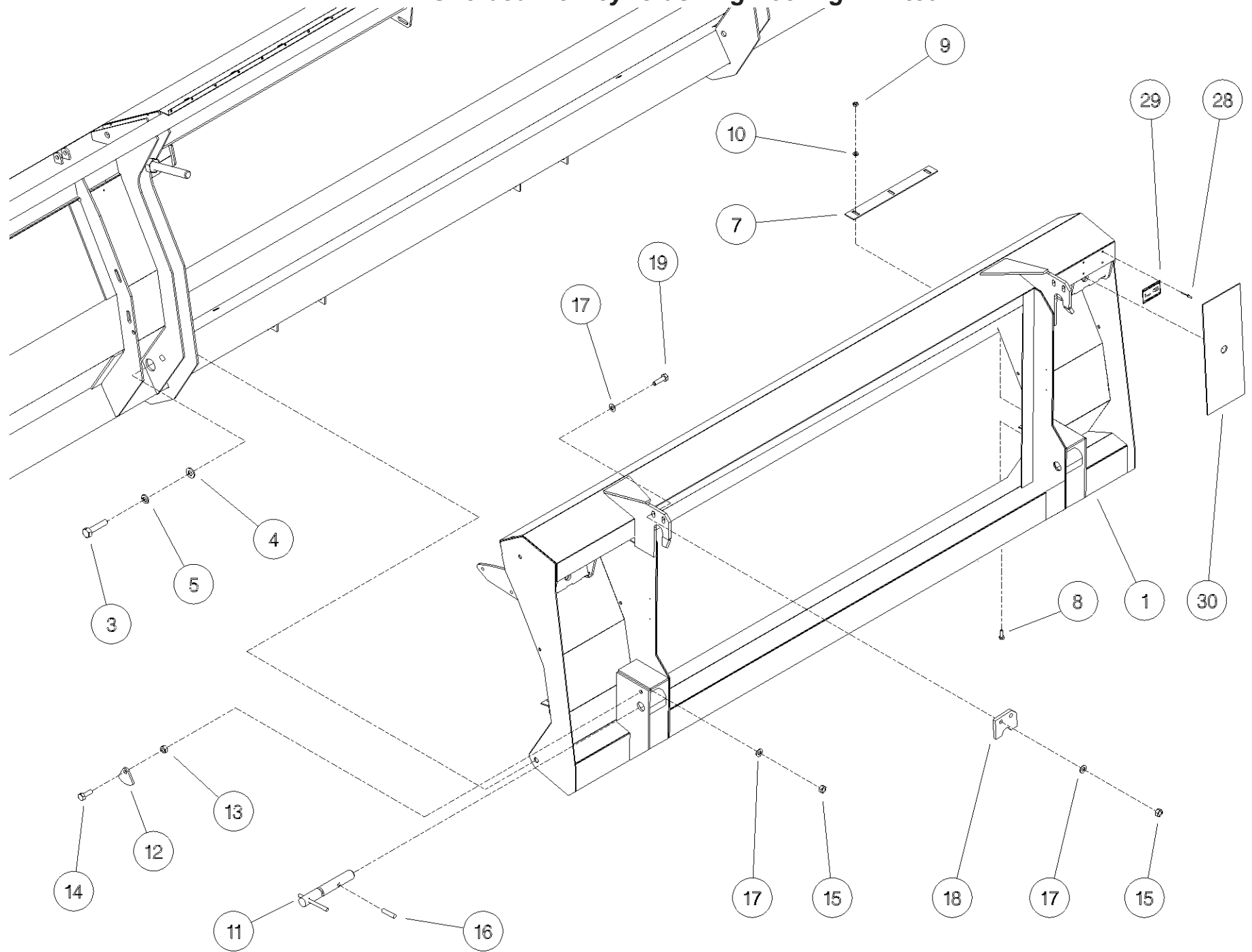


Shelbourne Reynolds Engineering Limited

ASSY NUMBER: 196555 02				ASSY DESCRIPTION: ADAPTOR PLATE ASSY MF DRON(AUTO LEVEL)			
ITEM	PART NO	DESCRIPTION	QTY	ITEM	PART NO	DESCRIPTION	QTY
1	KIT-00631	ADAPTOR PLATE SUB	1				

Shelbourne Reynolds Engineering Limited

ASSY NUMBER: KIT-00631				ASSY DESCRIPTION: ADAPTOR PLATE MF-30-40 (AUTO,1996)			
ITEM	PART NO	DESCRIPTION	QTY	ITEM	PART NO	DESCRIPTION	QTY
1	194262 01	FRAME WELD ASSY	1				
2							
3	HSS-0315	SET SCREW	2				
4	WSH-0024	PLAIN WASHER	2				
5	WSH-0070	SPRING WASHER	2				
6							
7	194261 02	SCRAPER (UPTO 2009)	2				
8	BLT-4710	COACH BOLT (UPTO 2009)	6				
9	NUT-0263	NYLOC NUT (UP TO 2099)	6				
10	WSH-0012	PLAIN WASHER (UP TO 2009)	6				
11	130088 01	LOCKING HANDLE	2				
12	210125 01	LOCKING CAM	2				
13	NUT-0270	PLAIN NUT	2				
14	HSS-0250	SET SCREW	2				
15	NUT-0269	NYLOC NUT	4				
16	PIN-1935	ROLL PIN	2				
17	WSH-0018	PLAIN WASHER	6				
18	191459 01	ADJUSTER PLATE	1				
19	BLTA12290	BOLT	2				
20							
21							
21							
21							
21							
22							
23							
24							
25							
26							
27							
28	POP-0006	POP RIVET	4				
29	134024 05	IDENTIFICATION PLATE	1				
30	195093 01	DUST COVER	2				



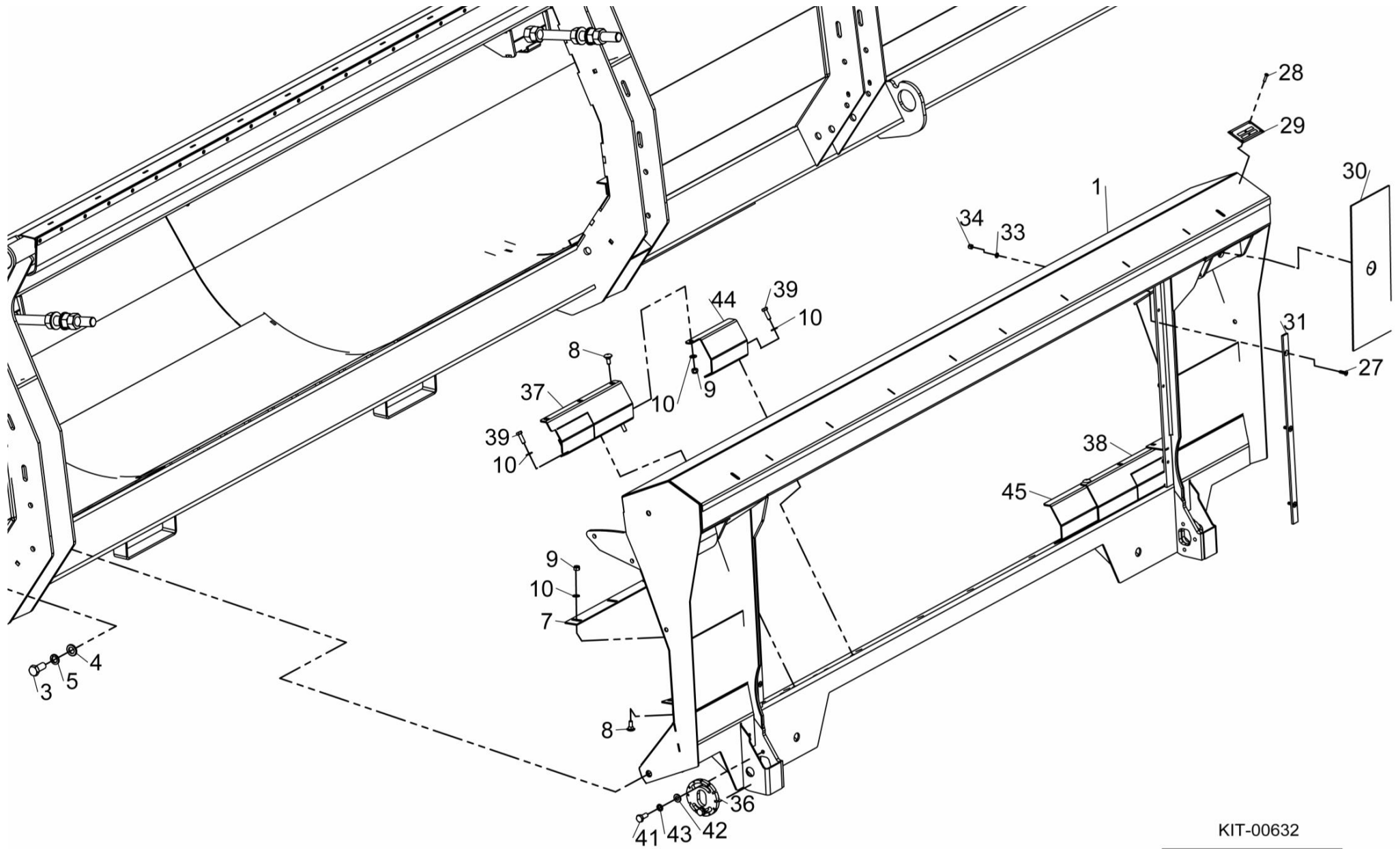
Shelbourne Reynolds Engineering Limited

ASSY NUMBER: 196555 03				ASSY DESCRIPTION: ADAPTOR PLATE ASSY JD (USA)			
ITEM	PART NO	DESCRIPTION	QTY	ITEM	PART NO	DESCRIPTION	QTY
1	KIT-00632	ADAPTOR PLATE SUB	1				
2	KIT-00804	LEVELLING SPACER KIT	A/R				

Shelbourne Reynolds Engineering Limited

ASSY NUMBER: KIT-00632				ASSY DESCRIPTION: ADAPT.PL.SUB ASSY-J.D.			
ITEM	PART NO	DESCRIPTION	QTY	ITEM	PART NO	DESCRIPTION	QTY
1	197310 01	FRAME WELD ASSY (FROM 2005)	1	34	NUT-0260	NYLOC NUT (EARLY 2010 & ON)	6
OR	194292 01	FRAME WELD ASSY (UPTO 2004)		OR	NUT-0260	NYLOC NUT (UPTO EARLY 2010)	8
2				35			
3	HSS-0315	SET SCREW	2	36	197312 01	ADJUSTER PLATE	2
4	WSH-0024	PLAIN WASHER	2	37	198282 01	SCRAPER EXT PLT LH	1
5	WSH-0070	SPRING WASHER	2	OR	197311 01	SCRAPER EXT (2005-EARLY 2010)	1
6				38	198282 02	SCRAPER EXT RH (EARLY 2010&ON)	1
7	197313 01	SCRAPER (2005-2008)	2	OR	197311 02	SCRAPER EXT RH (2005-EARLY	1
OR	194284 02	SCRAPER (UPTO 2004)	2	39	HSS-0145	SETSCREW	4
8	BLT-4710	COACH BOLT (2009& ON)	2	40			
OR	BLT-4710	COACH BOLT (UPTO 2009)	6	41	HSS-0191	SETSCREW	4
9	NUT-0263	NYLOC NUT (2009 & ON)	6	42	WSH-0015	PLAIN WASHER	4
OR	NUT-0263	NYLOC NUT (UPTO 2009)	10	43	WSH-0061	SPRING WASHER	4
10	WSH-0012	PLAIN WASHER (2009& ON)	6	44	198284 01	SCRAPER EXTENSION LH	A/R
OR	WSH-0012	PLAIN WASHER (UPTO 2009)	10	45	198284 01	SCRAPER EXTENSION RH	A/R
11				46	BLT-4710	COACH BOLT	A/R
12				47	WSH-0012	PLAIN WASHER	A/R
13				48	NUT-0263	NYLOC NUT	A/R
14				49	HSS-0145	SETSCREW	A/R
15							
16							
17							
18							
19							
20							
21							
22							
23							
24							
25							
26							
27	SCW-1580	SKT CSK HD (EARLY 2010&ON)	6				
OR	SCW-1580	SKT CSK HD (UPTO EARLY 2010)	2				
28	POP-0006	POP RIVET (UPTO 2009)	4				
29	134024 05	IDENTIFICATION PLT (UPTO 2009)	1				
30	195093 01	ADAPT.PLT.DUST COVER	2				
31	197208 01	PACKER PLATE	2				
32	SCW-1600	SKT CSK HD (UPTO 2010)	6				
33	WSH-0009	PLAIN WASHER (EARLY 2010&ON)	6				
OR	WSH-0009	PLAIN WASHER (UPTO EARLY 2010)	8				

Shelbourne Reynolds Engineering Limited

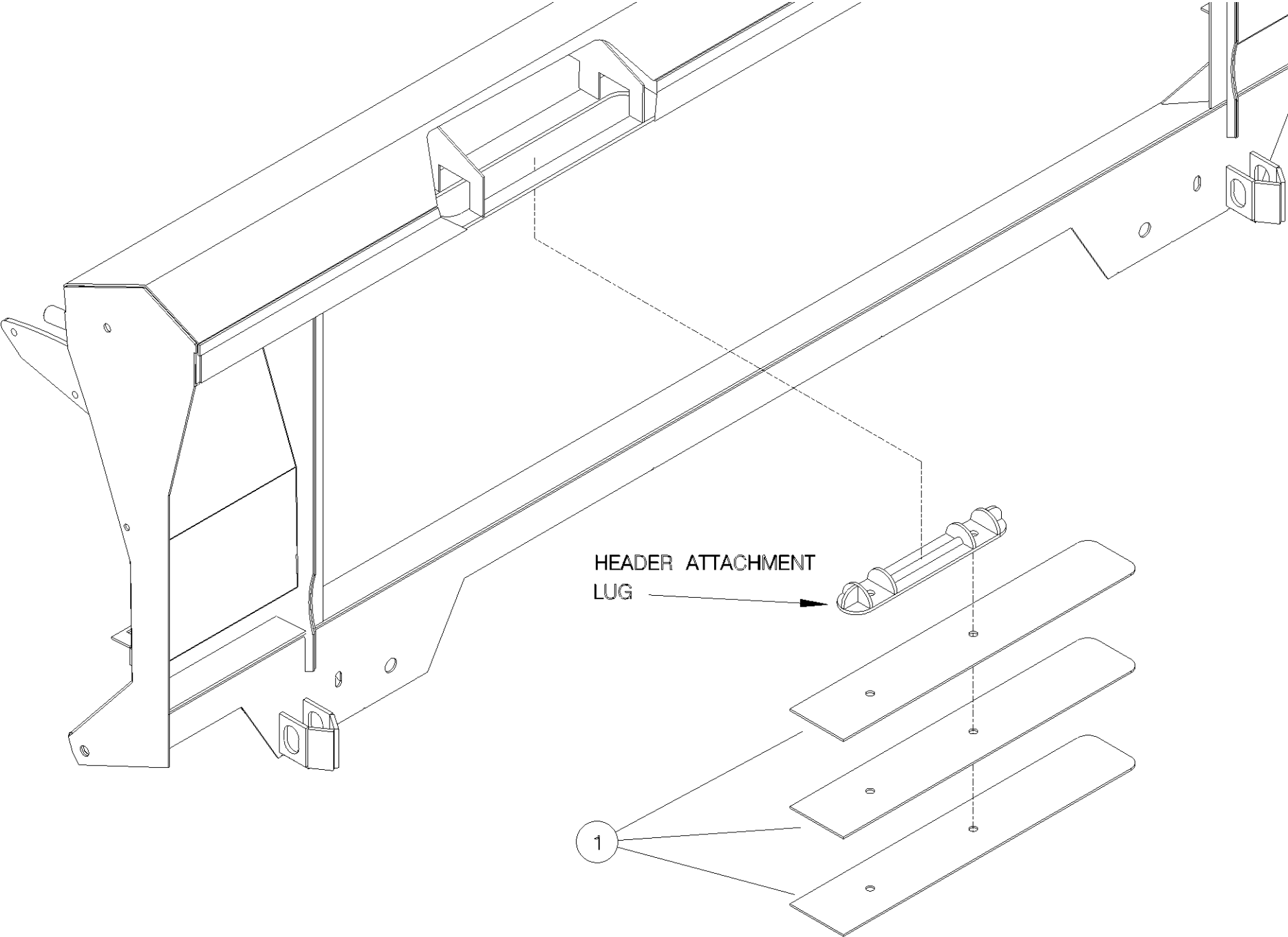


KIT-00632



Shelbourne Reynolds Engineering Limited

ASSY NUMBER: KIT-00804				ASSY DESCRIPTION: LEVELLING SPACERS (JD)			
ITEM	PART NO	DESCRIPTION	QTY	ITEM	PART NO	DESCRIPTION	QTY
1	191595 01	SPACER	3				

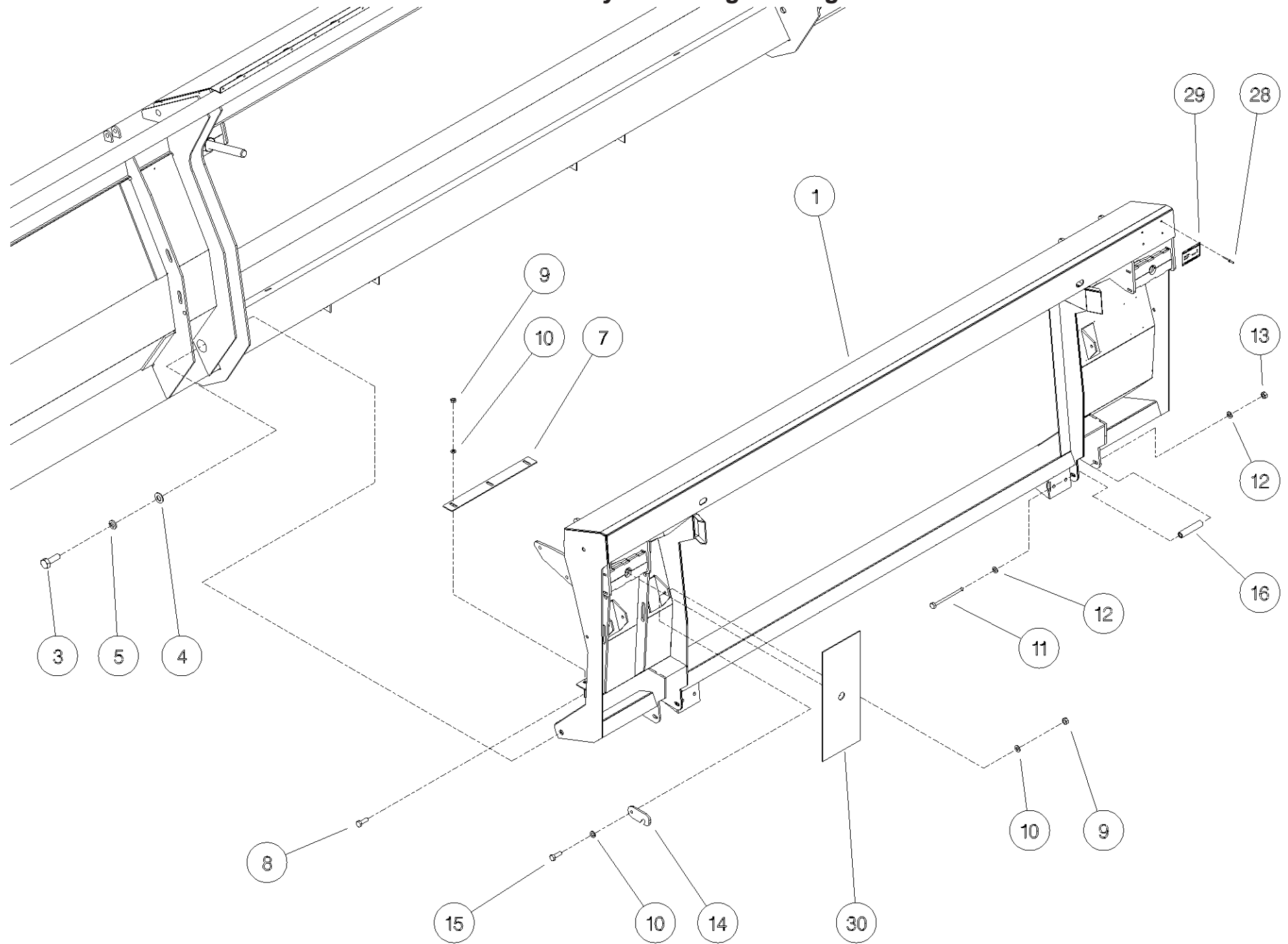


Shelbourne Reynolds Engineering Limited

ASSY NUMBER: 196555 07				ASSY DESCRIPTION: ADAPTOR PLATE ASSY NH (USA)			
ITEM	PART NO	DESCRIPTION	QTY	ITEM	PART NO	DESCRIPTION	QTY
1	KIT-00633	ADAPTOR PLATE SUB	1				
2	KIT-00803	FIXING KIT	1				

Shelbourne Reynolds Engineering Limited

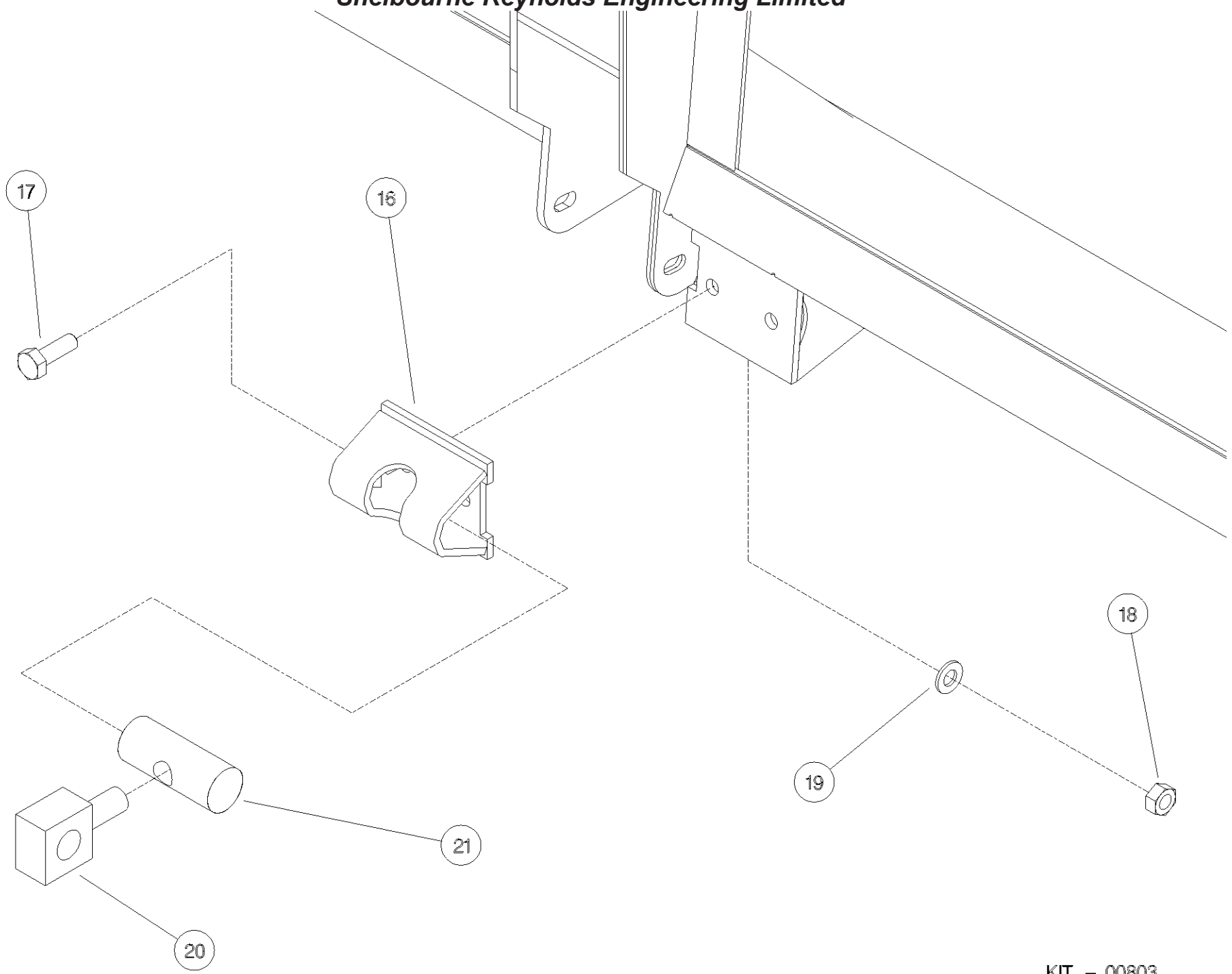
ASSY NUMBER: KIT-00633				ASSY DESCRIPTION: ADAPTOR PLATE NEW HOLLAND			
ITEM	PART NO	DESCRIPTION	QTY	ITEM	PART NO	DESCRIPTION	QTY
1	194311 01	FRAME WELD ASSY	1				
2							
3	HSS-0315	SET SCREW	2				
4	WSH-0024	PLAIN WASHER	2				
5	WSH-0070	SPRING WASHER	2				
6							
7	194308 02	SCRAPER (UPTO 2009)	2				
8	BLT-4710	COACH BOLT (UPTO 2009)	6				
9	NUT-0263	NYLOC NUT (2009 & ON)	2				
OR	NUT-0263	NYLOC NUT (UPTO 2009)	8				
10	WSH-0012	PLAIN WASHER (2009 & ON)	4				
OR	WSH-0012	PLAIN WASHER (UPTO 2009)	10				
11	BLTA10620	BOLT	2				
12	WSH-0015	PLAIN WASHER	4				
13	NUT-0265	NYLOC NUT	2				
14	130111 01	RETAINING LUG	2				
15	HSS-0150	SET SCREW	2				
16	194312 01	TUBE	2				
17							
18							
19							
20							
21							
22							
23							
24							
25							
26							
27							
28	POP-0006	POP RIVET (UPTO 2009)	4				
29	134024 05	IDENTIFICATION PLT (UPTO 2009)	1				
30	195093 01	DUST COVER	2				



KIT - 00633

Shelbourne Reynolds Engineering Limited

ASSY NUMBER: KIT-00803				ASSY DESCRIPTION: NH.TR. BOTTOM PICK UP FIXING KIT			
ITEM	PART NO	DESCRIPTION	QTY	ITEM	PART NO	DESCRIPTION	QTY
1							
2							
3							
4							
5							
6							
7							
8							
9							
10							
11							
12							
13							
14							
15							
16	191319 01	CRADLE ASSY	2				
17	SCW-1885	SCREW	4				
18	NUT-0265	NUT	4				
19	WSH-0015	WASHER	4				
20	191615 01	SECURING BLOCK	2				
21	191614 01	SECURING BAR	2				

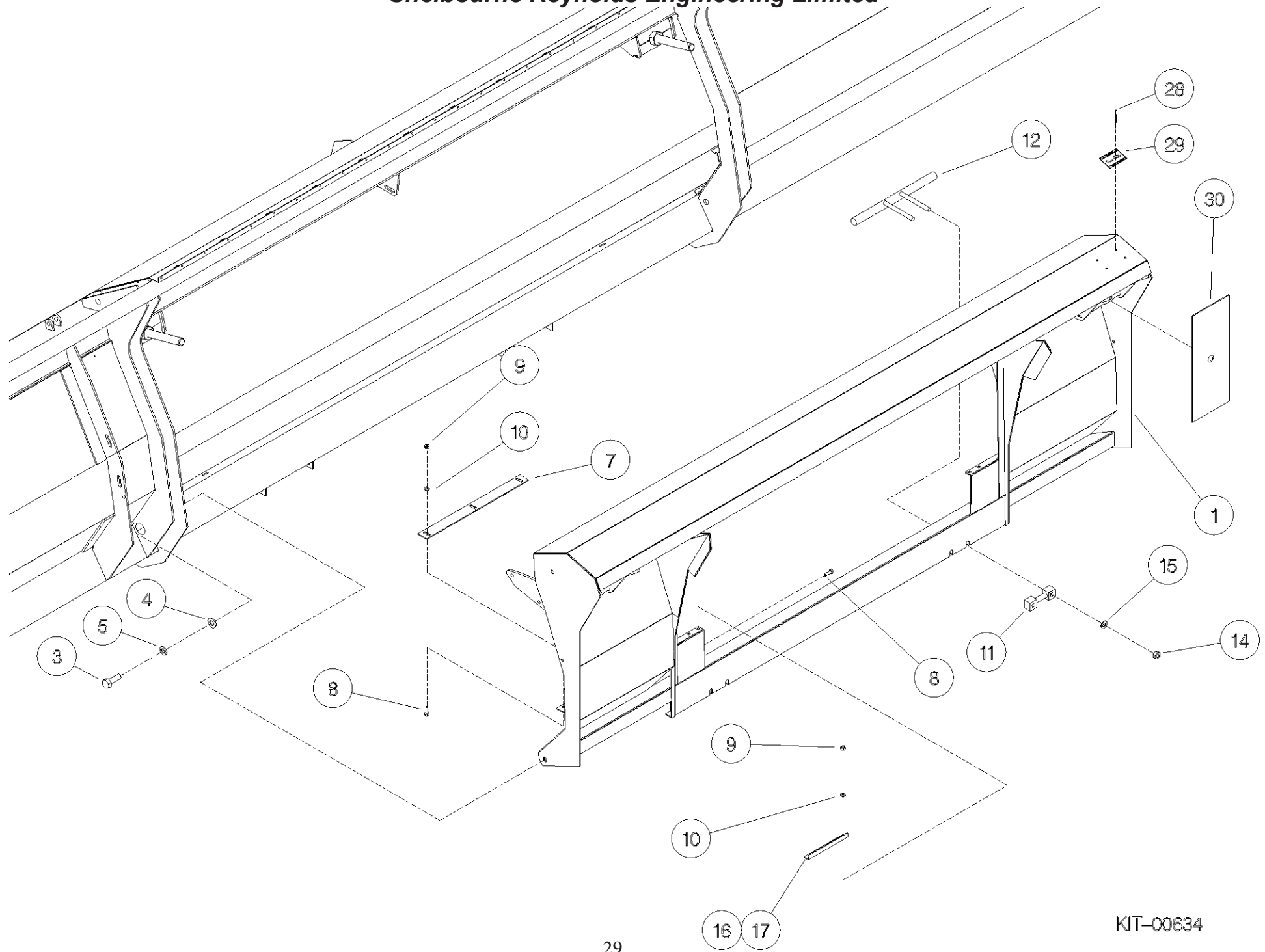


Shelbourne Reynolds Engineering Limited

ASSY NUMBER: 196555 08				ASSY DESCRIPTION: ADAPTOR PLATE ASSY CASE IH			
ITEM	PART NO	DESCRIPTION	QTY	ITEM	PART NO	DESCRIPTION	QTY
1	KIT-00634	ADAPTOR PLATE SUB	1				

Shelbourne Reynolds Engineering Limited

ASSY NUMBER: KIT-00634				ASSY DESCRIPTION: ADAPTOR PLATE CASE IH			
ITEM	PART NO	DESCRIPTION	QTY	ITEM	PART NO	DESCRIPTION	QTY
1	194277 01	FRAME WELD ASSY	1				
2							
3	HSS-0315	SET SCREW	2				
4	WSH-0024	PLAIN WASHER	2				
5	WSH-0070	SPRING WASHER	2				
6							
7	194275 03	SCRAPER (UPTO 2009)	2				
8	BLT-4710	COACH BOLT (UPTO 2009)	10				
9	NUT-0263	NYLOC NUT (UPTO 2009)	10				
10	WSH-0012	PLAIN WASHER (UPTO 2009)	10				
11	130236 01	PICK UP BAR	2				
12	193473 01	FIXING BAR	2				
13							
14	NUT-0269	NYLOC NUT	4				
15	WSH-0018	PLAIN WASHER	4				
16	193595 01	SCRAPER EXT. LH (UPTO 2009)	1				
17	193595 02	SCRAPER EXT. RH (UPTO 2009)	1				
18							
19							
20							
21							
22							
23							
24							
25							
26							
27							
28	POP-0006	POP RIVET (UPTO 2009)	4				
29	134024 05	IDENTIFICATION PLT (UPTO 2009)	1				
30	195093 01	DUST COVER	2				



Shelbourne Reynolds Engineering Limited

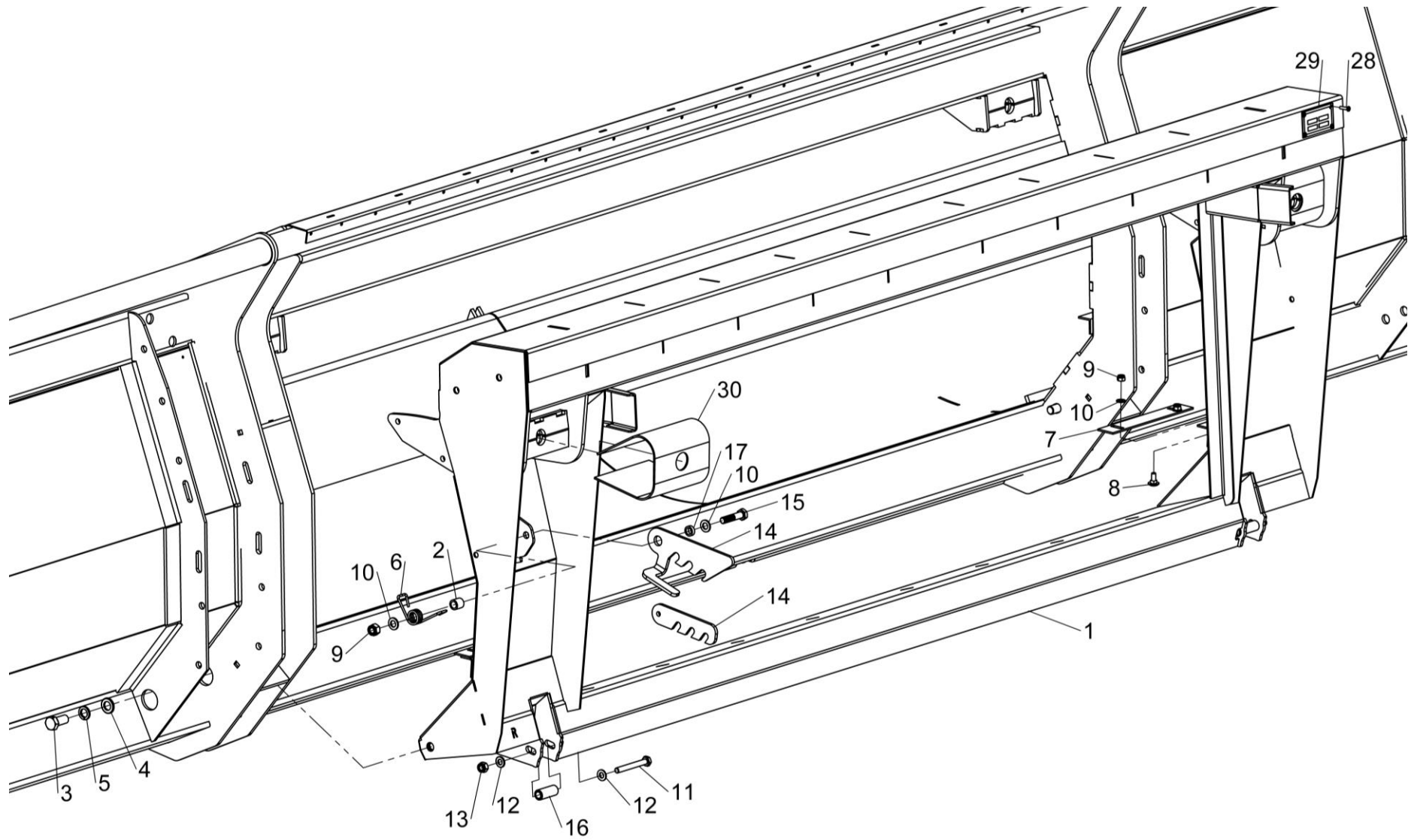
Shelbourne Reynolds Engineering Limited

ASSY NUMBER: 196555 12				ASSY DESCRIPTION: ADAPTOR PLATE ASSY NEW HOLLAND CX/CR			
ITEM	PART NO	DESCRIPTION	QTY	ITEM	PART NO	DESCRIPTION	QTY
1	KIT-00639	ADAPTOR PLATE SUB	1				

Shelbourne Reynolds Engineering Limited

ASSY NUMBER: KIT-00639				ASSY DESCRIPTION: ADAPTOR PLATE NEW HOLLAND CX			
ITEM	PART NO	DESCRIPTION	QTY	ITEM	PART NO	DESCRIPTION	QTY
1	195530 01	NH ADAPTOR PLATE ASSY	1				
2	198811 02	SPACER TUBE (2011 AND ON)	1				
3	HSS-0315	SET SCREW	2				
4	WSH-0024	PLAIN WASHER	2				
5	WSH-0070	SPRING WASHER	2				
6	198807 01	TORSION SPRING (2011 ON)	1				
7	194239 02	SCRAPER (UPTO 2009)	2				
8	BLT-4710	COACH BOLT (M8x20 (UPTO 2009)	4				
9	NUT-0269	NYLOC NUT (2011 ON)	1				
OR	NUT-0263	NYLOC NUT (2009-2010	1				
OR	NUT-0263	NYLOC NUT(M8) (UPTO 2009)	5				
10	WSH-0018	PLAIN WASHER (2001 ON)	2				
OR	WSH-0012	PLAIN WASHER (2009-2010)	2				
OR	WSH-0012	PLAIN WASHER (UPTO 2009)	6				
11	BLTA10520	HEX.HEAD BOLT	2				
12	WSH-0015	PLAIN WASHER	4				
13	NUT-0265	NYLOC NUT	2				
14	198802 01	LOCKING PLATE (2011 ON)	1				
OR	130111 01	RETAINING LUG (UPTO 2011)	1				
15	BLTA12350	HEX.HEAD BOLT(2011 ON)	1				
OR	HSS-0150	SET SCREW (UPTO 2011)	1				
16	194312 02	TUBE	2				
17	198789 01	SPACER TUBE (2011 ON)	1				
18							
19							
20							
21							
22							
23							
24							
25							
26							
27							
28	POP-0006	POP RIVET (UPTO 2009)	4				
29	134024 05	SERIAL NO PLATE (UPTO 2009)	1				
30	195093 01	ADAPT.PLT.DUST COVER	2				

Shelbourne Reynolds Engineering Limited



KIT-00639
KIT-00640

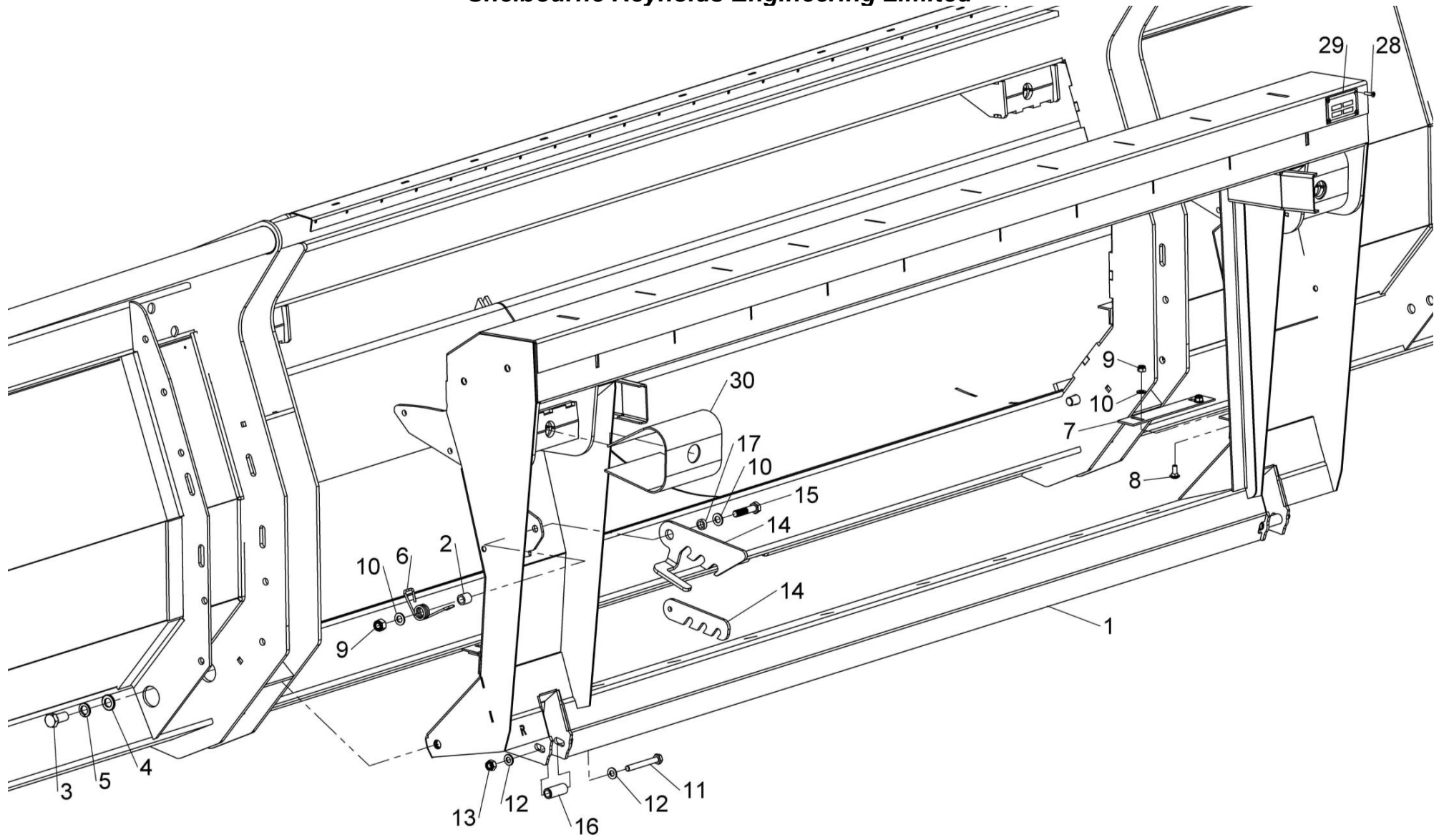


Shelbourne Reynolds Engineering Limited

ASSY NUMBER: 196555 13				ASSY DESCRIPTION: ADAPTOR PLATE ASSY CASE 8010 SERIES			
ITEM	PART NO	DESCRIPTION	QTY	ITEM	PART NO	DESCRIPTION	QTY
1	KIT-00640	ADAPTOR PLATE SUB	1				

Shelbourne Reynolds Engineering Limited

ASSY NUMBER: KIT-00640				ASSY DESCRIPTION: ADAPTOR PLATE CASE 8010 Cvs/Rvs			
ITEM	PART NO	DESCRIPTION	QTY	ITEM	PART NO	DESCRIPTION	QTY
1	197148 01	FRAME WELD ASSY	1				
2	198811 02	SPACER TUBE (2011 & ON)	1				
3	HSS-0315	SET SCREW	2				
4	WSH-0024	PLAIN WASHER	2				
5	WSH-0070	SPRING WASHER	2				
6	198807 01	TORSION SPRING (2011 & ON)	1				
7	194239 02	SCRAPER (UPTO 2009)	2				
8	BLT-4710	COACH BOLT(UPTO 2009)	4				
9	NUT-0269	NYLOC NUT (UPTO 2009)	1				
OR	NUT-0263	NYLOC NUT (2009 -2010) (M8)	1				
OR	NUT-0263	NYLOC NUT (2009 -2010) (M8)	5				
10	WSH-0018	PLAIN WASHER (2011 & ON)	2				
OR	WSH-0012	PLAIN WASHER(2009-2010)	2				
OR	WSH-0012	PLAIN WASHER(UPTO 2009)	6				
11	BLTA10520	BOLT	2				
12	WSH-0015	PLAIN WASHER	4				
13	NUT-0265	NYLOC NUT	2				
14	198802 01	LOCKING PLATE (2011 & ON)	1				
OR	130111 01	RETAINING LUG (UPTO 2011)	1				
15	BLTA12350	HEX HD BOLT(2011&ON)	1				
OR	HSS-0150	SET SCREW(UPTO 2011)	1				
16	194312 02	TUBE	2				
17	198789 01	TUBE (2011 & ON)	1				
18							
19							
20							
21							
22							
23							
24							
25							
26							
27							
28	POP-0006	POP RIVET (UPTO 2009)	4				
29	134024 05	IDENTIFICATION PLT(UPTO 2009)	1				
30	195093 01	DUST COVER	2				



KIT-00640

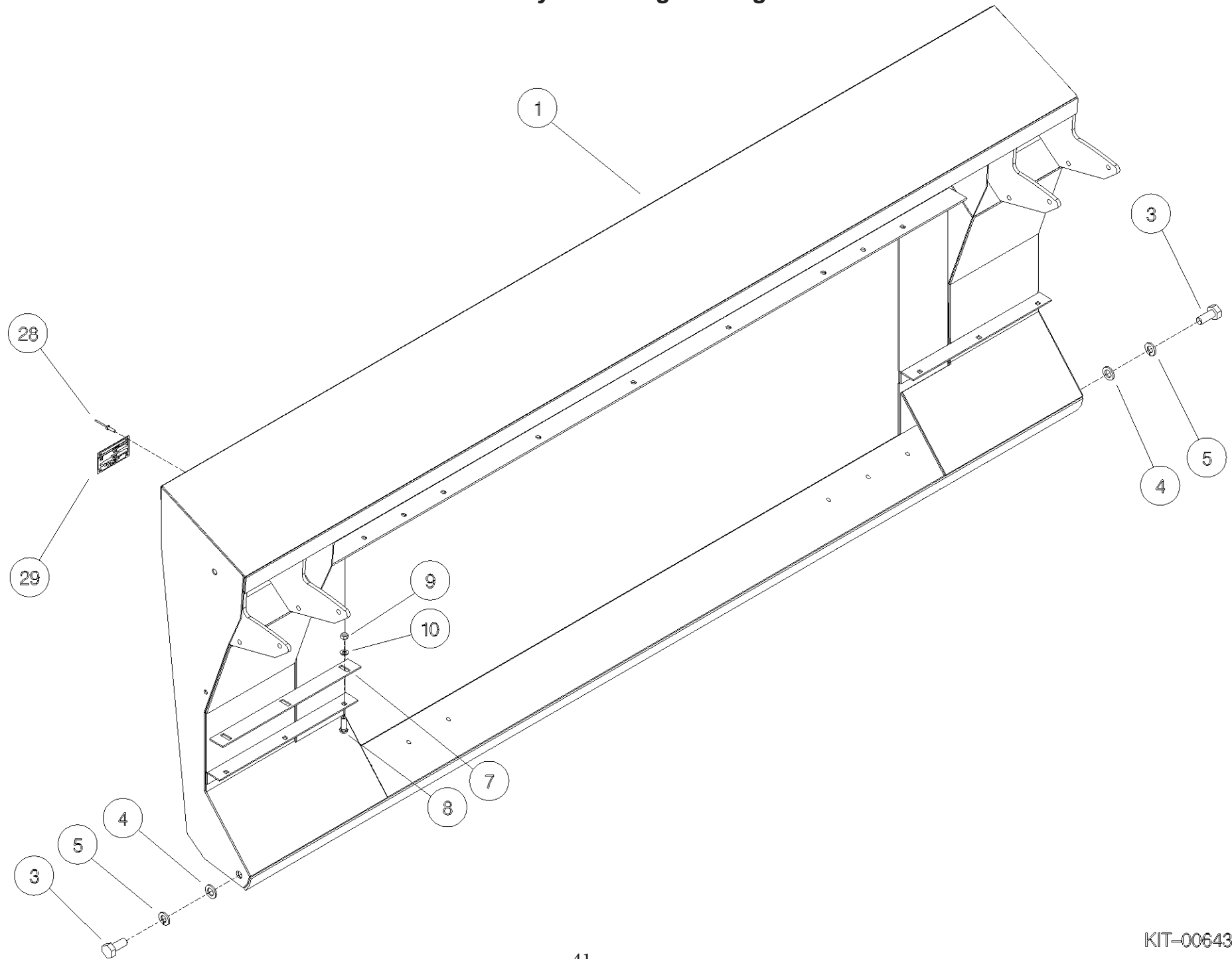


Shelbourne Reynolds Engineering Limited

ASSY NUMBER: 196555 17				ASSY DESCRIPTION: ADAPT.PLT.ASSY AGCO (NON LATERAL TILT MODELS MUST HAVE LARGE HORNS)			
ITEM	PART NO	DESCRIPTION	QTY	ITEM	PART NO	DESCRIPTION	QTY
1	KIT-00643	ADAPTOR PLATE SUB	1				

Shelbourne Reynolds Engineering Limited

ASSY NUMBER: KIT-00643				ASSY DESCRIPTION: ADAPTOR PLATE AGCO (R/CVS RSD)			
ITEM	PART NO	DESCRIPTION	QTY	ITEM	PART NO	DESCRIPTION	QTY
1	197657 01	FRAME WELD ASSY	1				
2							
3	HSS-0315	SET SCREW	2				
4	WSH-0024	PLAIN WASHER	2				
5	WSH-0070	SPRING WASHER	2				
6							
7	197658 01	SCRAPER (UPTO 2009)	2				
8	BLT-4710	COACH BOLT (UPTO 2009)	6				
9	NUT-0269	NYLOC NUT (UPTO 2009)	6				
10	WSH-0012	PLAIN WASHER (UPTO 2009)	6				
11							
12							
13							
14							
15							
16							
17							
18							
19							
20							
21							
22							
23							
24							
25							
26							
27							
28	POP-0006	POP RIVET (UPTO 2009)	4				
29	134024 05	IDENTIFICATION PLT (UPTO 2009)	1				
30	195093 01	DUST COVER	2				



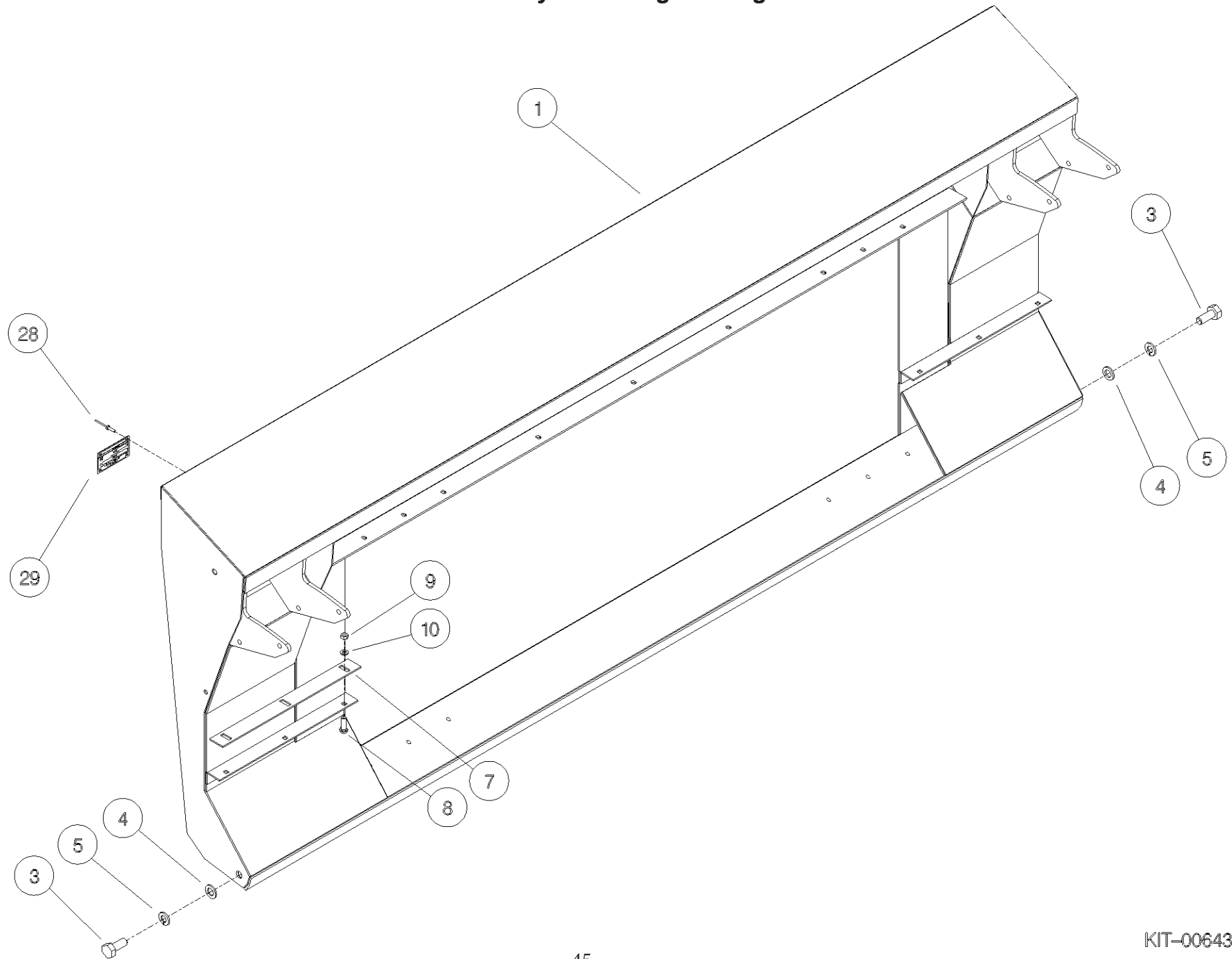
Shelbourne Reynolds Engineering Limited

Shelbourne Reynolds Engineering Limited

ASSY NUMBER: 196555 18				ASSY DESCRIPTION: ADAPT.PLT.ASSY MF WORLDWIDE PICKUP ERPN			
ITEM	PART NO	DESCRIPTION	QTY	ITEM	PART NO	DESCRIPTION	QTY
1	KIT-00643	ADAPTOR PLATE SUB	1				
2	KIT-00812	FILL IN KIT	1				

Shelbourne Reynolds Engineering Limited

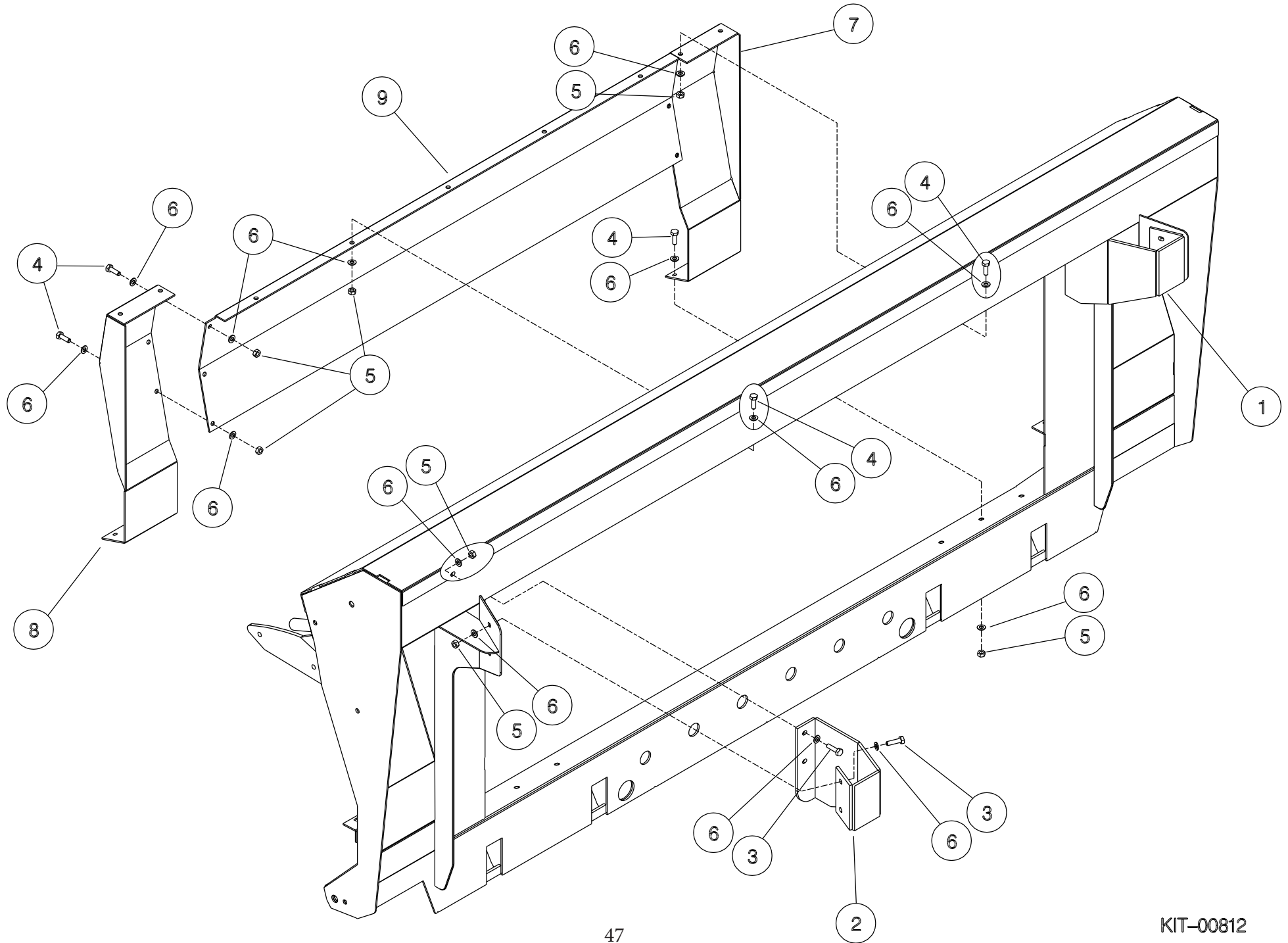
ASSY NUMBER: KIT-00643				ASSY DESCRIPTION: ADAPTOR PLATE AGCO (R/CVS RSD)			
ITEM	PART NO	DESCRIPTION	QTY	ITEM	PART NO	DESCRIPTION	QTY
1	197657 01	FRAME WELD ASSY	1				
2							
3	HSS-0315	SET SCREW	2				
4	WSH-0024	PLAIN WASHER	2				
5	WSH-0070	SPRING WASHER	2				
6							
7	197658 01	SCRAPER (UPTO 2009)	2				
8	BLT-4710	COACH BOLT (UPTO 2009)	6				
9	NUT-0269	NYLOC NUT (UPTO 2009)	6				
10	WSH-0012	PLAIN WASHER (UPTO 2009)	6				
11							
12							
13							
14							
15							
16							
17							
18							
19							
20							
21							
22							
23							
24							
25							
26							
27							
28	POP-0006	POP RIVET (UPTO 2009)	4				
29	134024 05	IDENTIFICATION PLT (UPTO 2009)	1				
30	195093 01	DUST COVER	2				



Shelbourne Reynolds Engineering Limited

ASSY NUMBER: KIT-00812				ASSY DESCRIPTION: FILL IN KIT MF WORLD WIDE PICK UP			
ITEM	PART NO	DESCRIPTION	QTY	ITEM	PART NO	DESCRIPTION	QTY
1	291086 01	LH GUIDE PLATE	1				
2	291086 02	RH GUIDE PLATE	1				
3	HSS-0150	BOLT	4				
4	HSS-0145	BOLT	23				
5	NUT-0263	NYLOC NUT	27				
6	WSH-0012	PLAIN WASHER	54				
7	197665 01	LH FILL IN PLATE	1				
8	197665 02	RH FILL IN PLATE	1				
9	197666 01	UPPER FILL IN PLATE	1				

Shelbourne Reynolds Engineering Limited



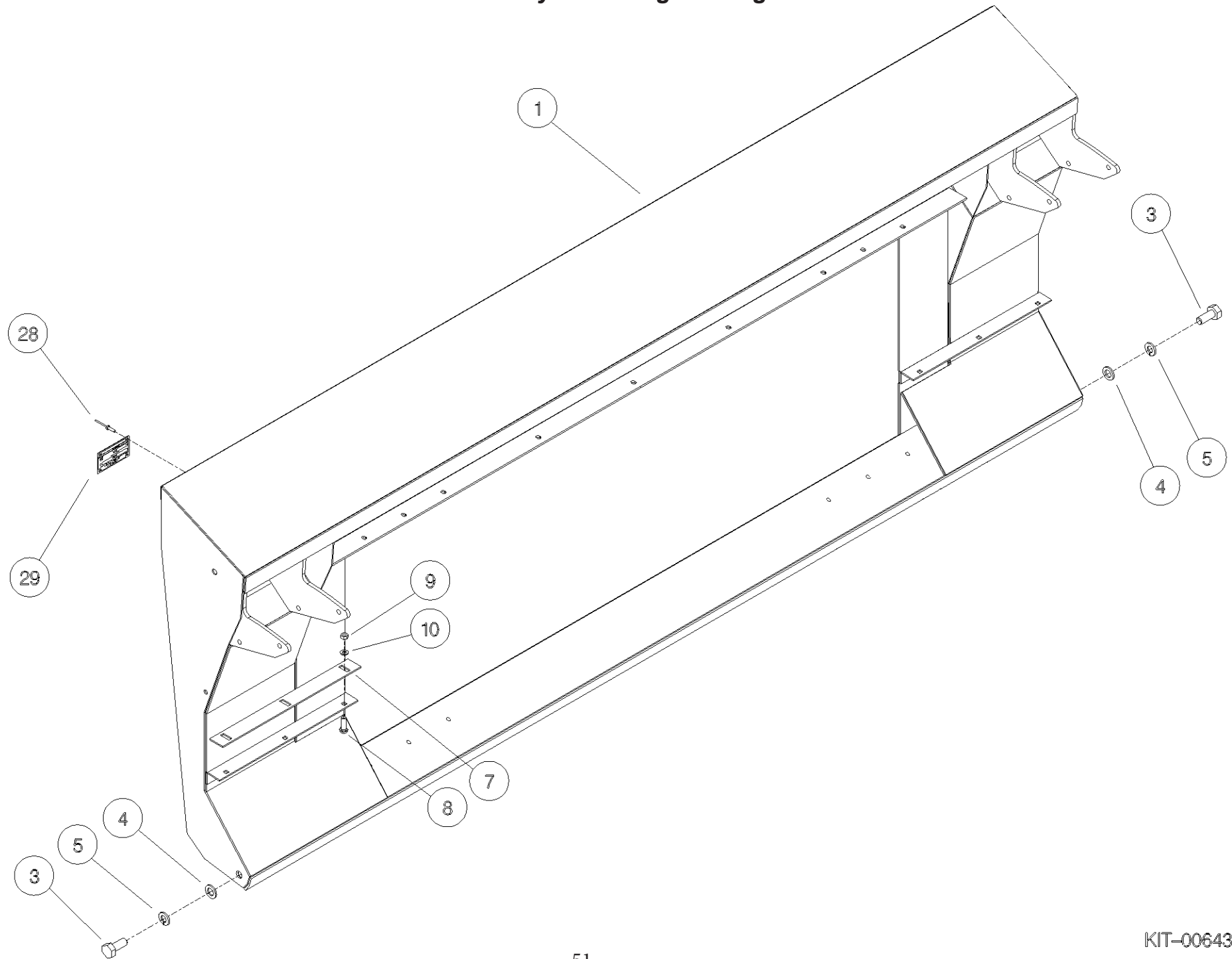
Shelbourne Reynolds Engineering Limited

Shelbourne Reynolds Engineering Limited

ASSY NUMBER: 196555 24				ASSY DESCRIPTION: ADAPT.PLT.ASSY			
ITEM	PART NO	DESCRIPTION	QTY	ITEM	PART NO	DESCRIPTION	QTY
1	KIT-00643	ADAPTOR PLATE SUB	1				
2	KIT-19049	AGCO IDEAL MOUNTING KIT	1				

Shelbourne Reynolds Engineering Limited

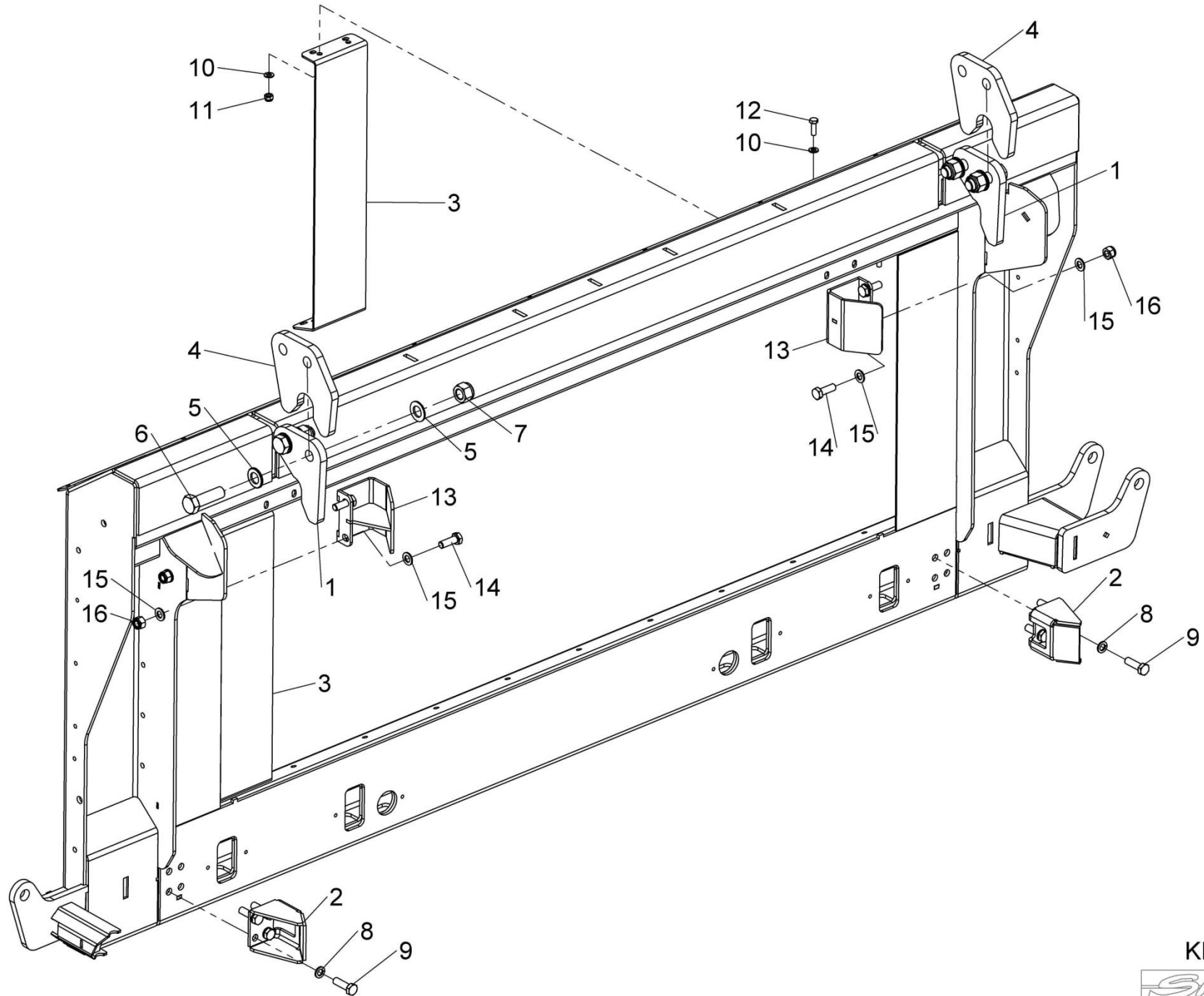
ASSY NUMBER: KIT-00643				ASSY DESCRIPTION: ADAPTOR PLATE AGCO (R/CVS RSD)			
ITEM	PART NO	DESCRIPTION	QTY	ITEM	PART NO	DESCRIPTION	QTY
1	197657 01	FRAME WELD ASSY	1				
2							
3	HSS-0315	SET SCREW	2				
4	WSH-0024	PLAIN WASHER	2				
5	WSH-0070	SPRING WASHER	2				
6							
7	197658 01	SCRAPER (UPTO 2009)	2				
8	BLT-4710	COACH BOLT (UPTO 2009)	6				
9	NUT-0269	NYLOC NUT (UPTO 2009)	6				
10	WSH-0012	PLAIN WASHER (UPTO 2009)	6				
11							
12							
13							
14							
15							
16							
17							
18							
19							
20							
21							
22							
23							
24							
25							
26							
27							
28	POP-0006	POP RIVET (UPTO 2009)	4				
29	134024 05	IDENTIFICATION PLT (UPTO 2009)	1				
30	195093 01	DUST COVER	2				



Shelbourne Reynolds Engineering Limited

ASSY NUMBER: KIT-19049				ASSY DESCRIPTION: AGCO IDEAL MOUNTING KIT			
ITEM	PART NO	DESCRIPTION	QTY	ITEM	PART NO	DESCRIPTION	QTY
1	291063 01	CLOSE LUG	2				
2	291062 01	LOCKING BRACKET	2				
3	291065 01	FILL PLATE	2				
4	291064 01	LIFTING LUG	2				
5	WSH-0030	WASHER	8				
6	HSSA20410	SETSCREW	4				
7	NUTA02200	NYLOC NUT	4				
8	WSH-0065	SPRING WASHER	8				
9	HSS-0250	SETSCREW	8				
10	WSH-0012	WASHER	16				
11	NUT-0263	NYLOC NUT	8				
12	HSS-0145	BOLT	8				
13	291113 01	GUIDE W/A	2				
14	HSS-0241	SETSCREW	4				
15	WSH-0018	WASHER	12				
16	NUT-0269	NYLOC NUT	8				

Shelbourne Reynolds Engineering Limited



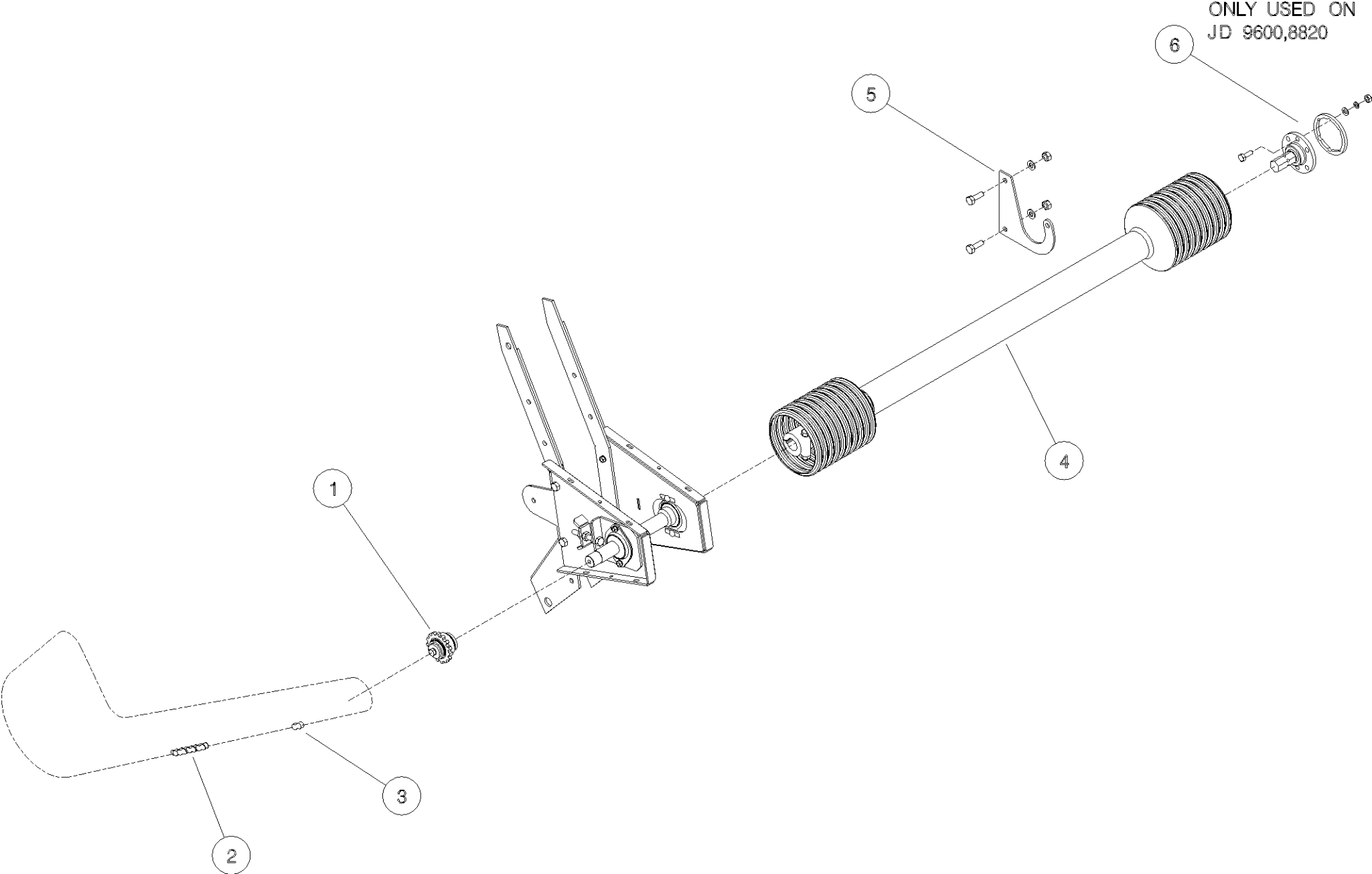
KIT-19049



DRIVE KIT TYPES

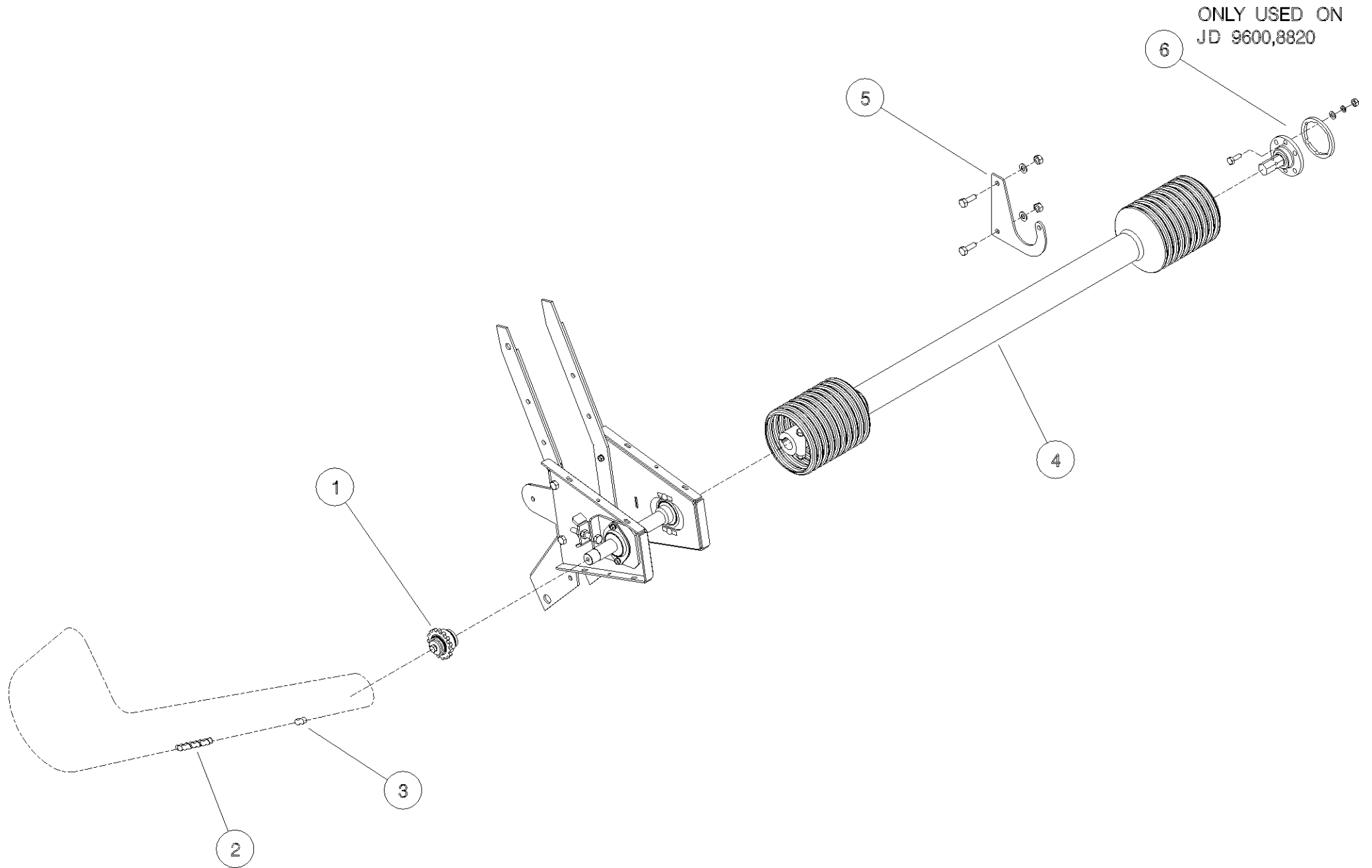
Shelbourne Reynolds Engineering Limited

ASSY NUMBER: 209905 001				ASSY DESCRIPTION: MECH.PUH DRIVE KIT-CASE IH/JD9500,7720			
ITEM	PART NO	DESCRIPTION	QTY	ITEM	PART NO	DESCRIPTION	QTY
1	192768 18	SPROCKET (18T)	1				
2	CHN-01920	CHAIN	95				
3	CHN-01901	CHAIN JOINER	1				
4	PTO-21001	PTO SHAFT ASSY	1				
OR		4.2M HEAD ON JD9500 OR 7720					
4B	PTO-21012	PTO SHAFT ASSY	1				
		4.2M HEAD ON CASE IH AND					
OR		4.8M HEAD ON JD9500 OR 7720					
4C	PTO-21009	PTO SHAFT ASSY	1				
		4.8M HEAD ON CASE IH					
5	KIT-00931	PTO SUPPORT KIT	1				



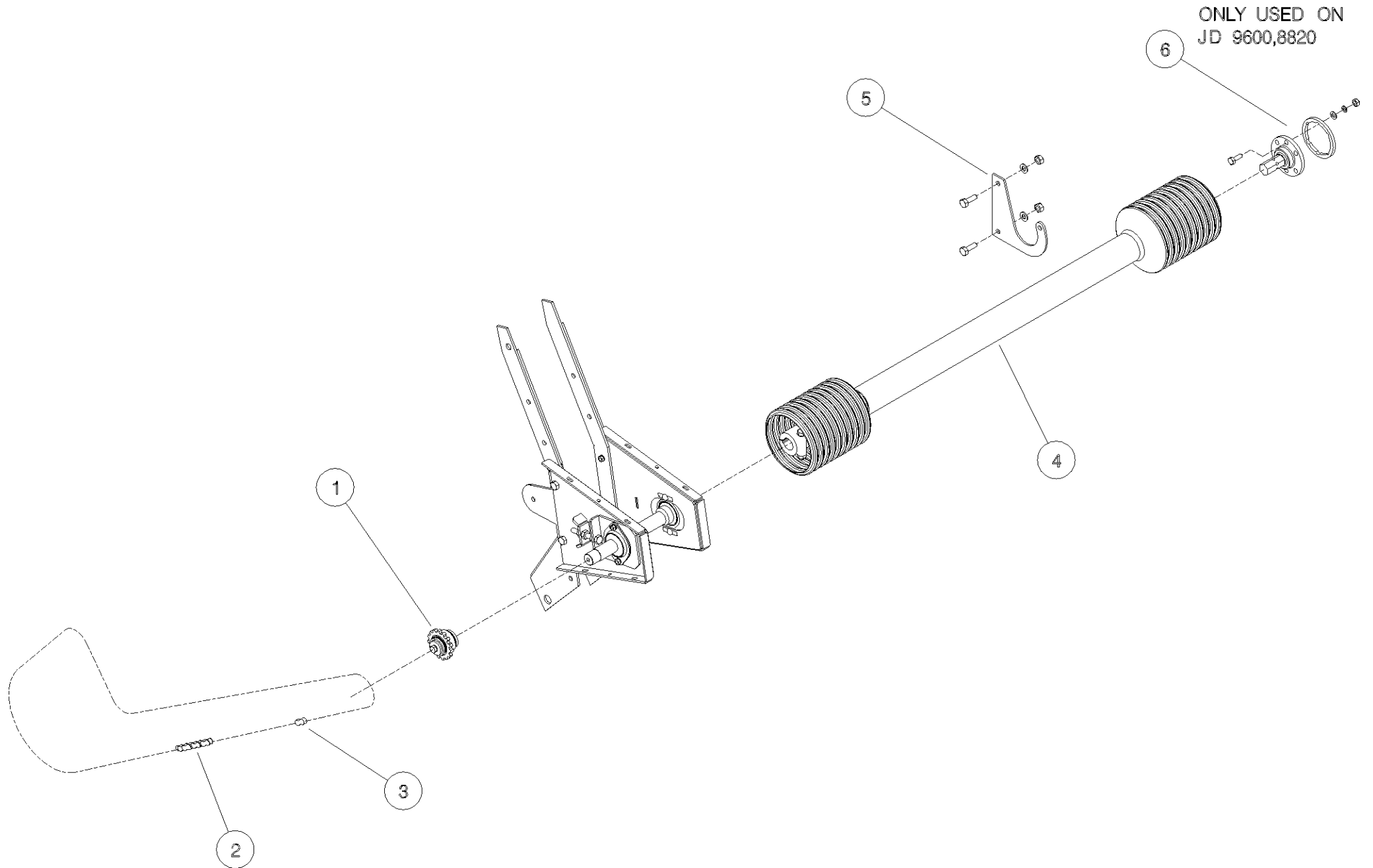
Shelbourne Reynolds Engineering Limited

ASSY NUMBER: 209905 111				ASSY DESCRIPTION: MECH.PUH DRIVE KIT - MF 30-40			
ITEM	PART NO	DESCRIPTION	QTY	ITEM	PART NO	DESCRIPTION	QTY
1	192768 12	SPROCKET (25T)	1				
2	CHN-01920	CHAIN	99				
3	CHN-01901	CHAIN JOINER	1				
4A	PTO-21011	PTO SHAFT ASSY	1				
OR		4.2M HEAD					
4B	PTO-21008	PTO SHAFT ASSY	1				
		4.8M HEAD					
5	KIT-00931	PTO SUPPORT KIT	1				



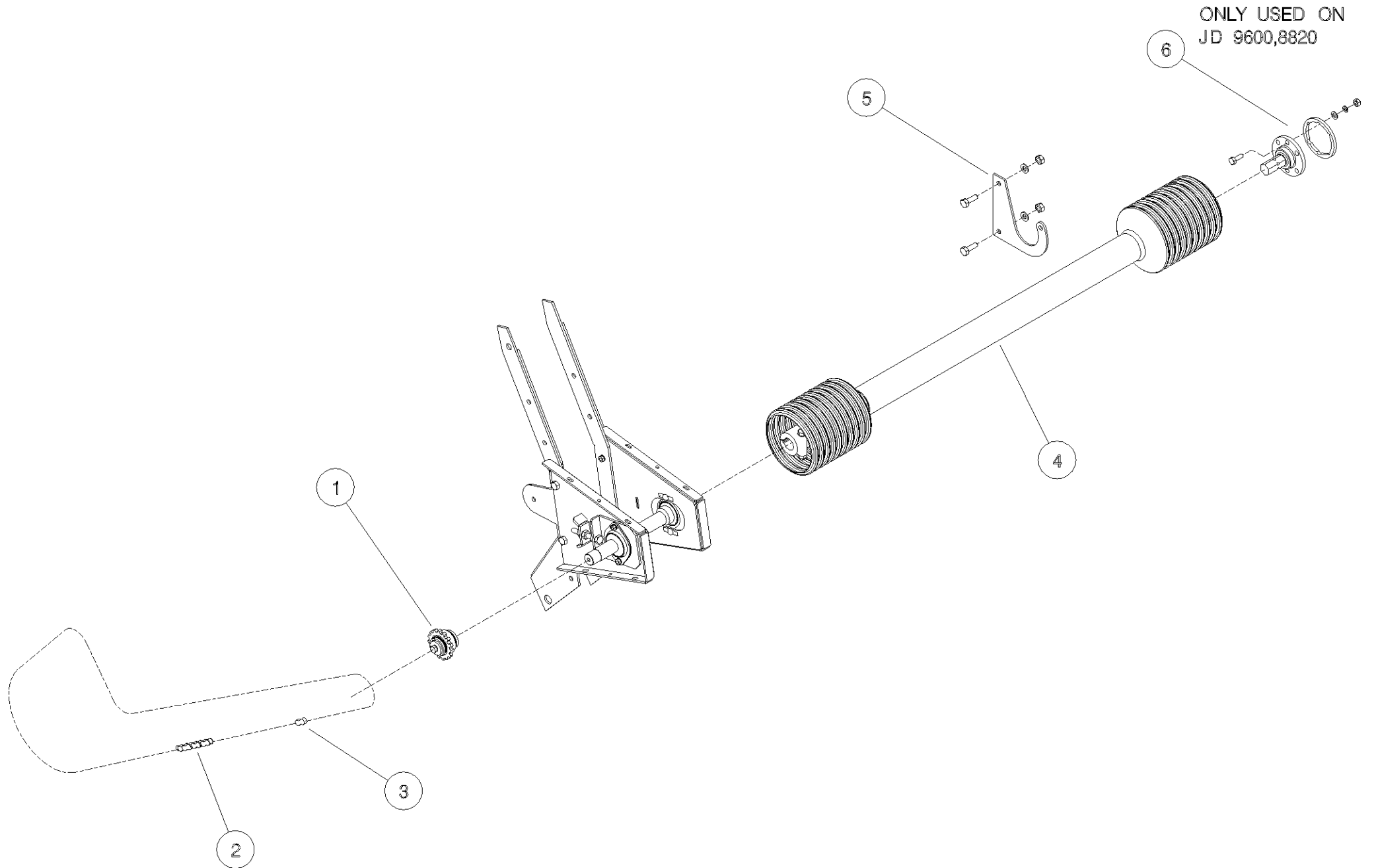
Shelbourne Reynolds Engineering Limited

ASSY NUMBER: 209905 121				ASSY DESCRIPTION: MECH.PUH DRIVE KIT - NH USA TR			
ITEM	PART NO	DESCRIPTION	QTY	ITEM	PART NO	DESCRIPTION	QTY
1	192784 04	SPROCKET (16T)	1				
2	CHN-01920	CHAIN	95				
3	CHN-01901	CHAIN JOINER	1				
4A	PTO-21011	PTO SHAFT ASSY	1				
OR		4.2M HEAD					
4B	PTO-21008	PTO SHAFT ASSY	1				
		4.8M HEAD					
5	KIT-00931	PTO SUPPORT KIT	1				



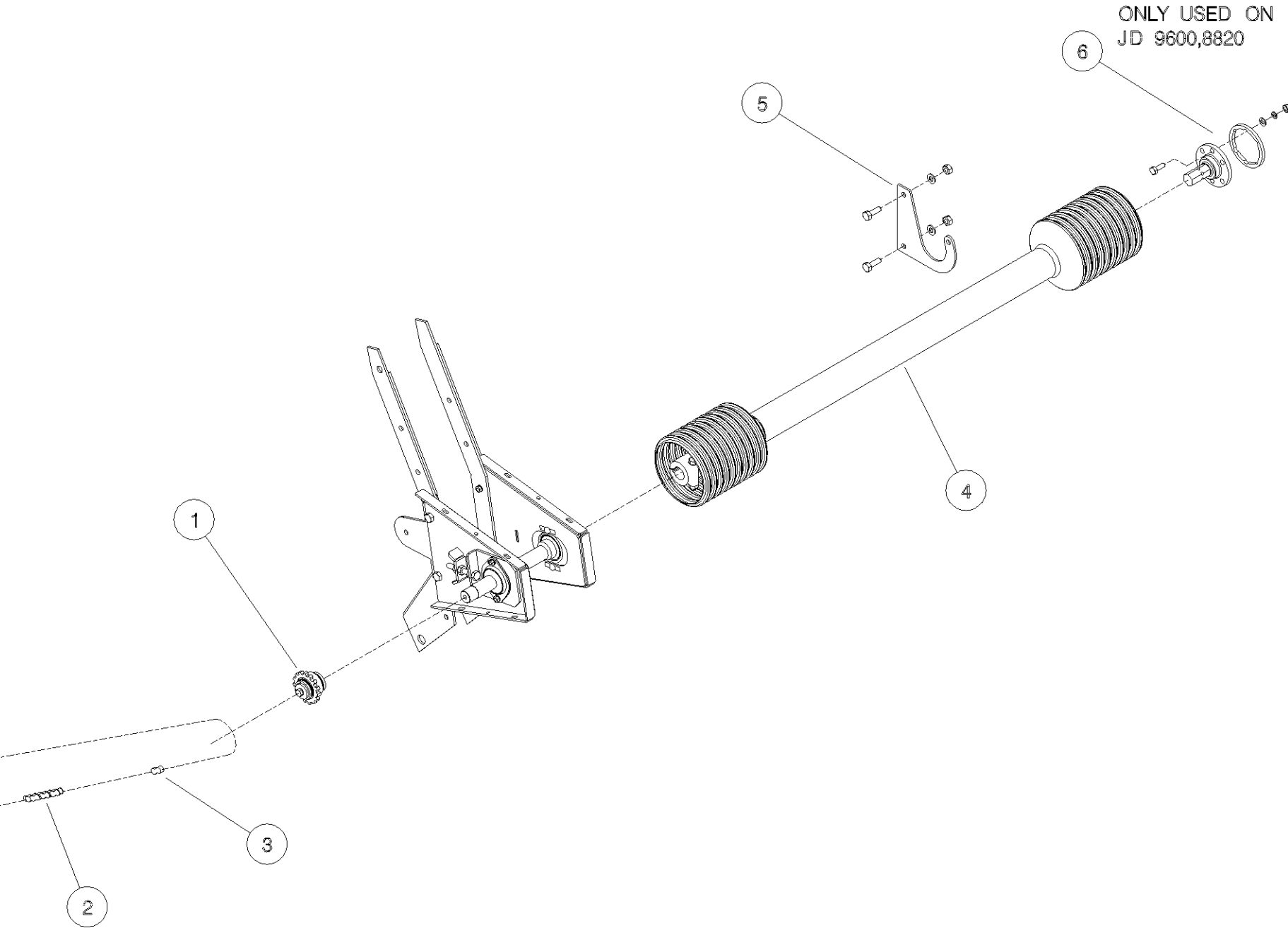
Shelbourne Reynolds Engineering Limited

ASSY NUMBER: 209905 151				ASSY DESCRIPTION: MECH.PUH DRIVE KIT - JD9600,8820			
ITEM	PART NO	DESCRIPTION	QTY	ITEM	PART NO	DESCRIPTION	QTY
1	192768 18	SPROCKET (18T)	1				
2	CHN-01920	CHAIN	95				
3	CHN-01901	CHAIN JOINER	1				
4A	PTO-21007	PTO SHAFT ASSY	1				
OR		4.2M HEAD					
4B	PTO-21012	PTO SHAFT ASSY	1				
		4.8M HEAD					
5	KIT-00931	PTO SUPPORT KIT	1				
6	KIT-00975	JD DRIVE ADAPTOR KIT	1				



Shelbourne Reynolds Engineering Limited

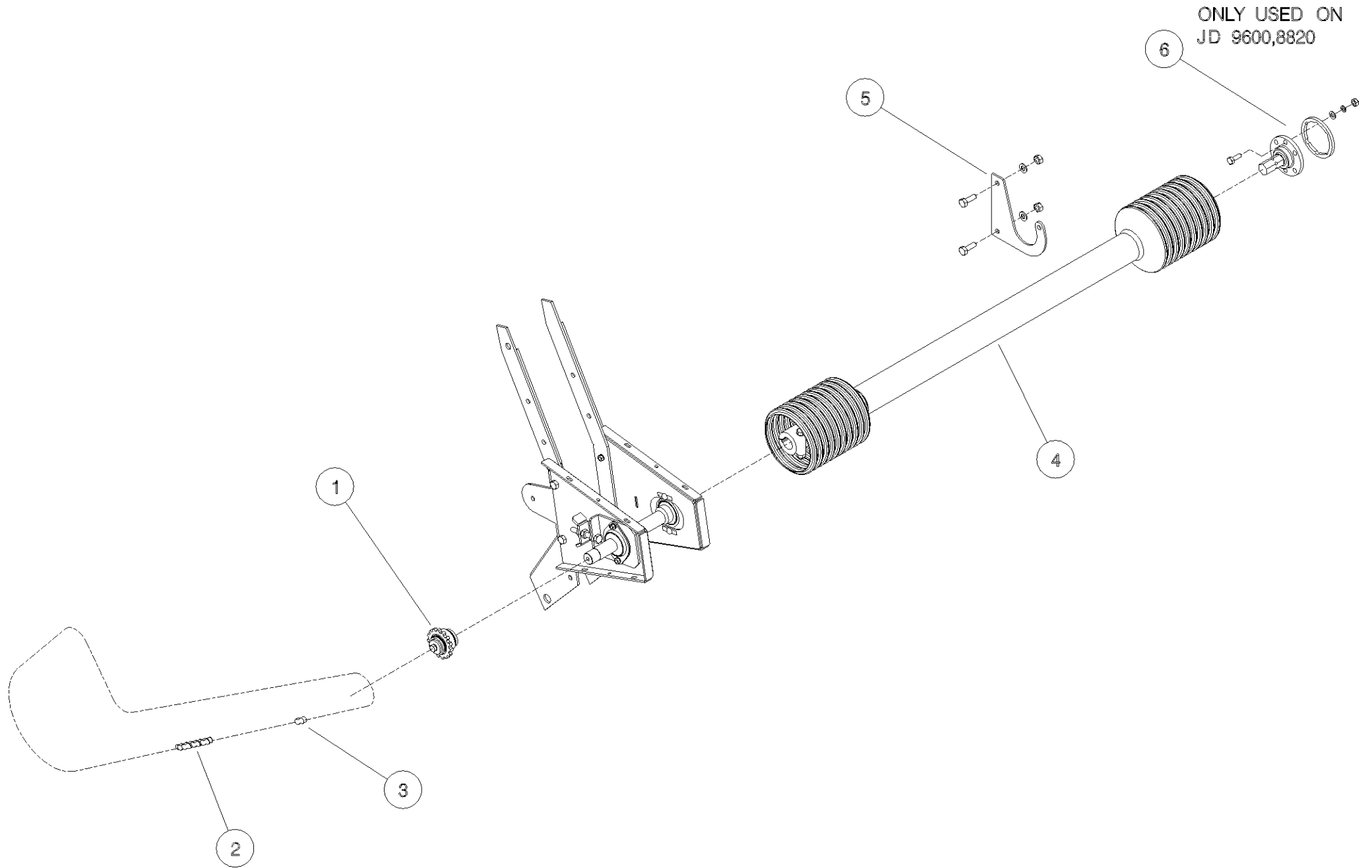
ASSY NUMBER: 209905 161				ASSY DESCRIPTION: MECH.PUH DRIVE KIT - AGCO			
ITEM	PART NO	DESCRIPTION	QTY	ITEM	PART NO	DESCRIPTION	QTY
1	192768 16	SPROCKET (15T)	1				
2	CHN-01920	CHAIN	95				
3	CHN-01901	CHAIN JOINER	1				
4A	PTO-21006	PTO SHAFT ASSY	1				
OR		4.2M HEAD					
4B	PTO-21013	PTO SHAFT ASSY	1				
		4.8M HEAD					
5	KIT-00931	PTO SUPPORT KIT	1				



Shelbourne Reynolds Engineering Limited

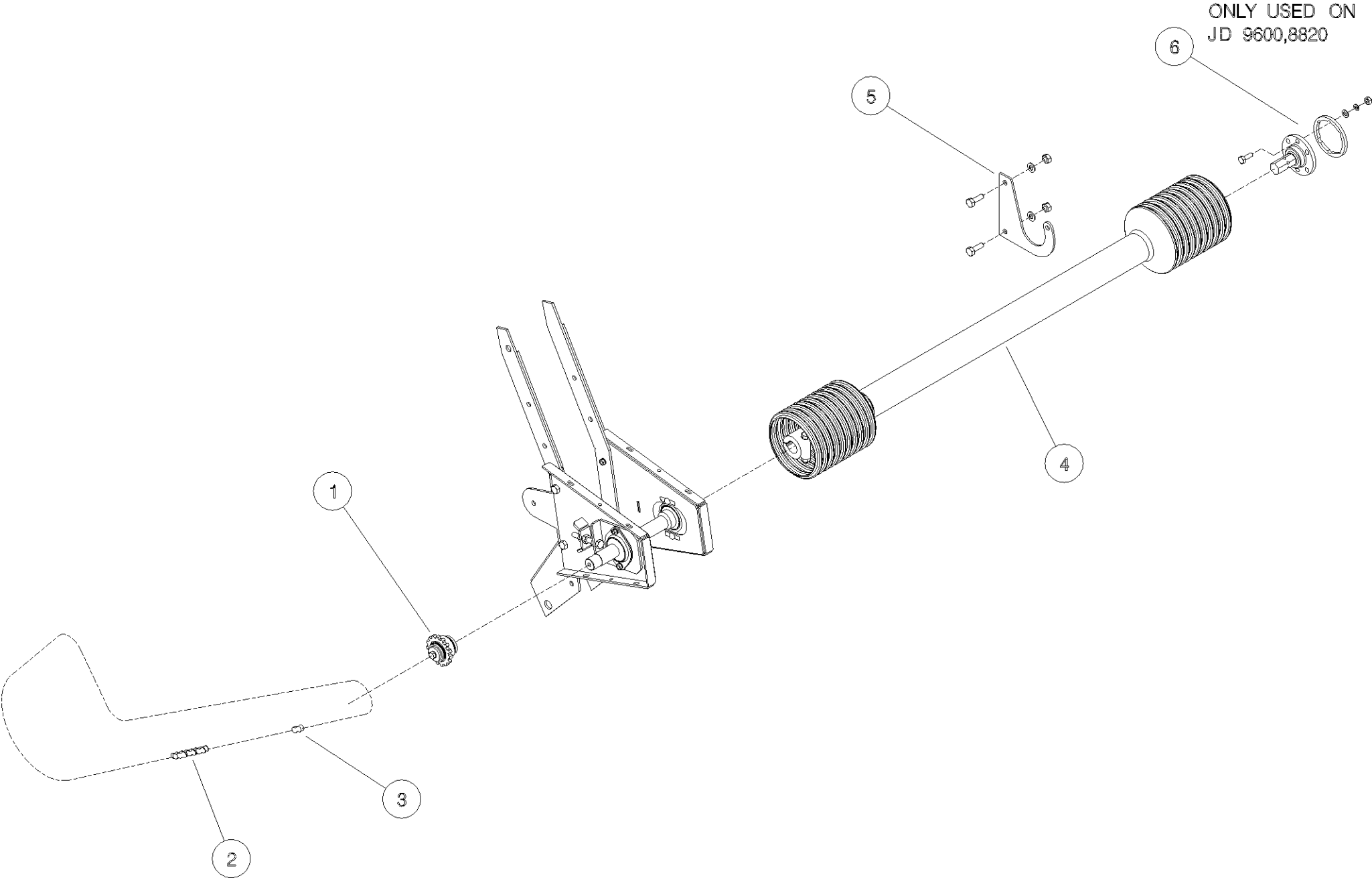
ASSY NUMBER: 209905 171				ASSY DESCRIPTION: MECH.PUH DRIVE KIT - JD CONT.MASTER			
ITEM	PART NO	DESCRIPTION	QTY	ITEM	PART NO	DESCRIPTION	QTY
1	192768 18	SPROCKET (18T)	1				
2	CHN-01920	CHAIN	95				
3	CHN-01901	CHAIN JOINER	1				
4A	PTO-21003	PTO SHAFT ASSY	1				
OR		4.2M HEAD					
4B	PTO-21013	PTO SHAFT ASSY	1				
		4.8M HEAD					
5	KIT-00931	PTO SUPPORT KIT	1				

Shelbourne Reynolds Engineering Limited



Shelbourne Reynolds Engineering Limited

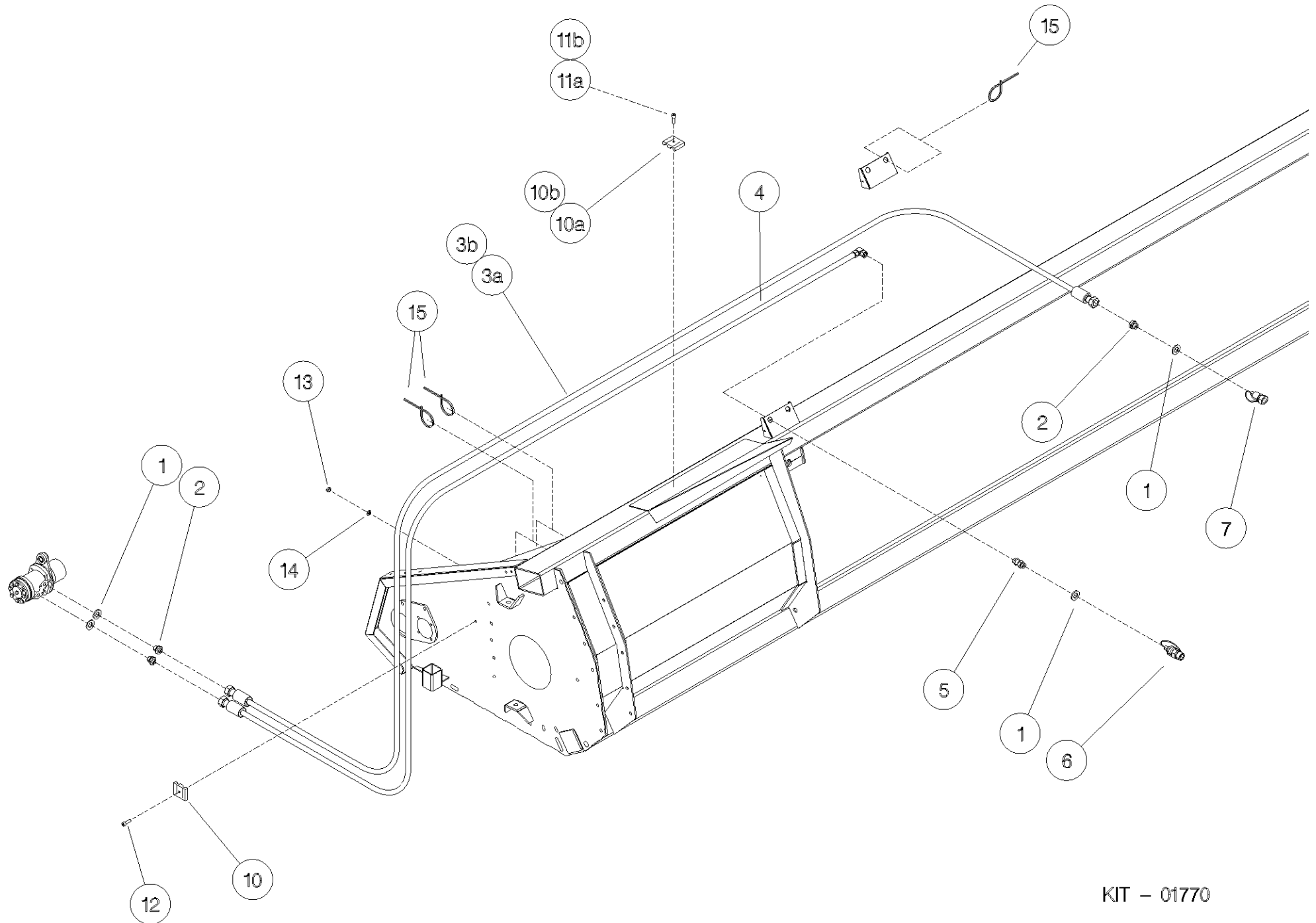
ASSY NUMBER: 209905 181				ASSY DESCRIPTION: MECH.PUH DRIVE KIT - CLAAS LEXION			
ITEM	PART NO	DESCRIPTION	QTY	ITEM	PART NO	DESCRIPTION	QTY
1	192768 20	SPROCKET (12T) 2021 & ON	1				
OR	192768 08	SPROCKET (13T) UPTO 2021	1				
2	CHN-01990	CHAIN (93+JOINER)	1				
3	CHN-01901	CHAIN JOINER-SPARE					
4A	PTO-21015	PTO SHAFT ASSY	1				
OR		4.2M HEAD, 5 & 6 WALKERS					
4B	PTO-21016	PTO SHAFT ASSY	1				
		4.8M HEAD, 5 & 6 WALKERS					
5	KIT-00931	PTO SUPPORT KIT	1				



DRAPER HYDRAULIC CONNECTING KITS

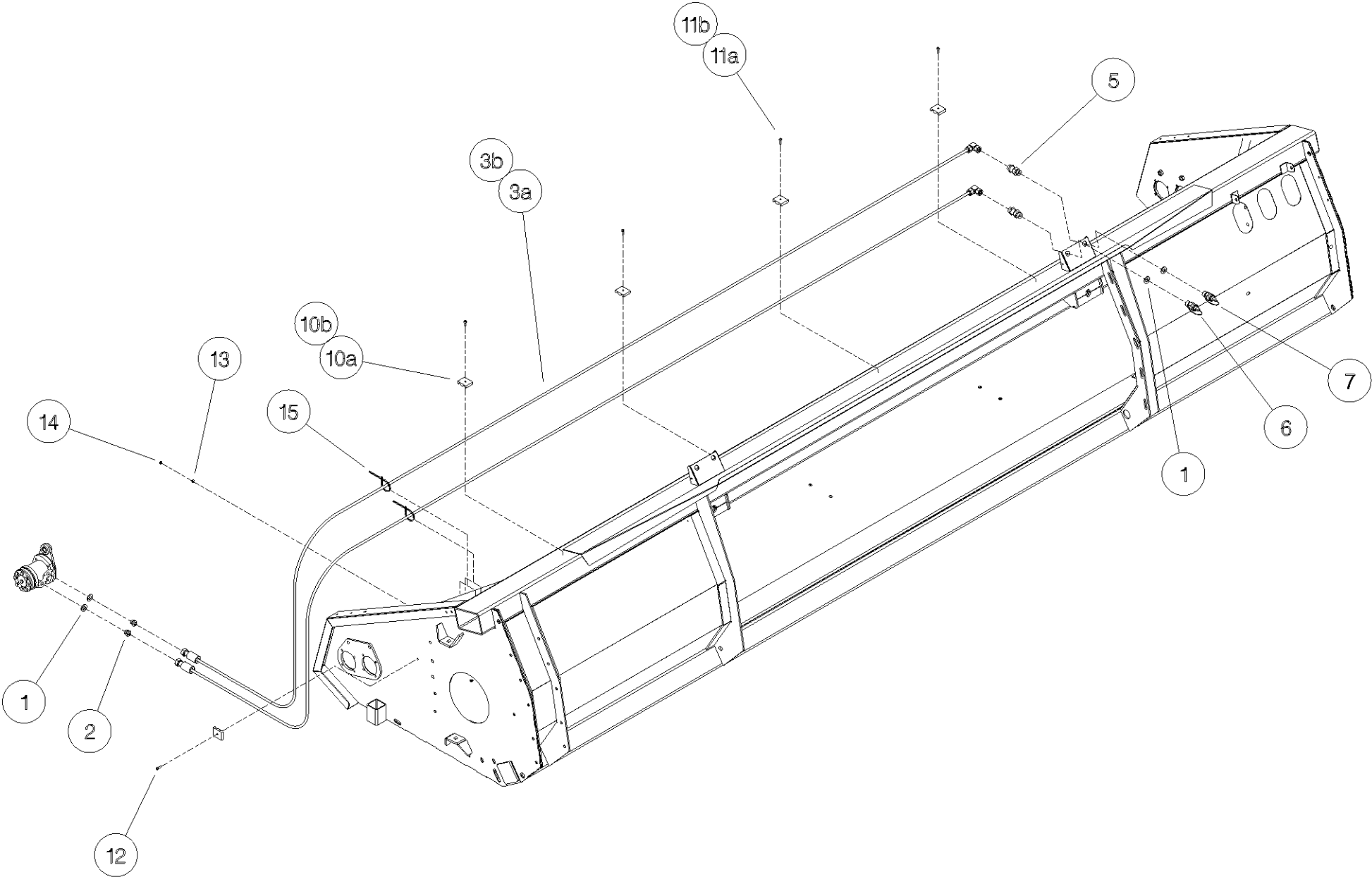
Shelbourne Reynolds Engineering Limited

ASSY NUMBER: KIT-01770				ASSY DESCRIPTION: DRAPER HYD.CONN. KIT-CASE			
ITEM	PART NO	DESCRIPTION	QTY	ITEM	PART NO	DESCRIPTION	QTY
1	WSH-1015	DOWTY WASHER	4				
2	HMA-0067	FITTING	3				
3A	HHAF32005	HYD HOSE ASSY(4.2M HEAD)	1				
3B	HHAF35005	HYD HOSE ASSY(4.8M HEAD)	1				
4A	HHBF19005	HYD HOSE ASSY(4.2M HEAD)	1				
4B	HHBF22005	HYD HOSE ASSY(4.8M HEAD)	1				
5	HAGAA0707	BULKHEAD FITTING	1				
6	COU-0128	FEMALE Q.R.COUPILING	1				
7	COU-0162	MALE Q.R.COUPILING	1				
8							
9							
10A	HCPD02000	DOUBLE PIPE CLAMP(4.2M HEAD)	2				
10B	HCPD02000	DOUBLE PIPE CLAMP(4.8M HEAD)	3				
11A	SCW-0136	CAP HEAD SCREW(4.2M HEAD)	1				
11B	SCW-0136	CAP HEAD SCREW(4.8M HEAD)	2				
12	SCW-0142	CAP HEAD SCREW	1				
13	WSH-0012	PLAIN WASHER	1				
14	NUT-0263	NYLOC NUT	1				
15	TIE-0004	TIE WRAP	3				



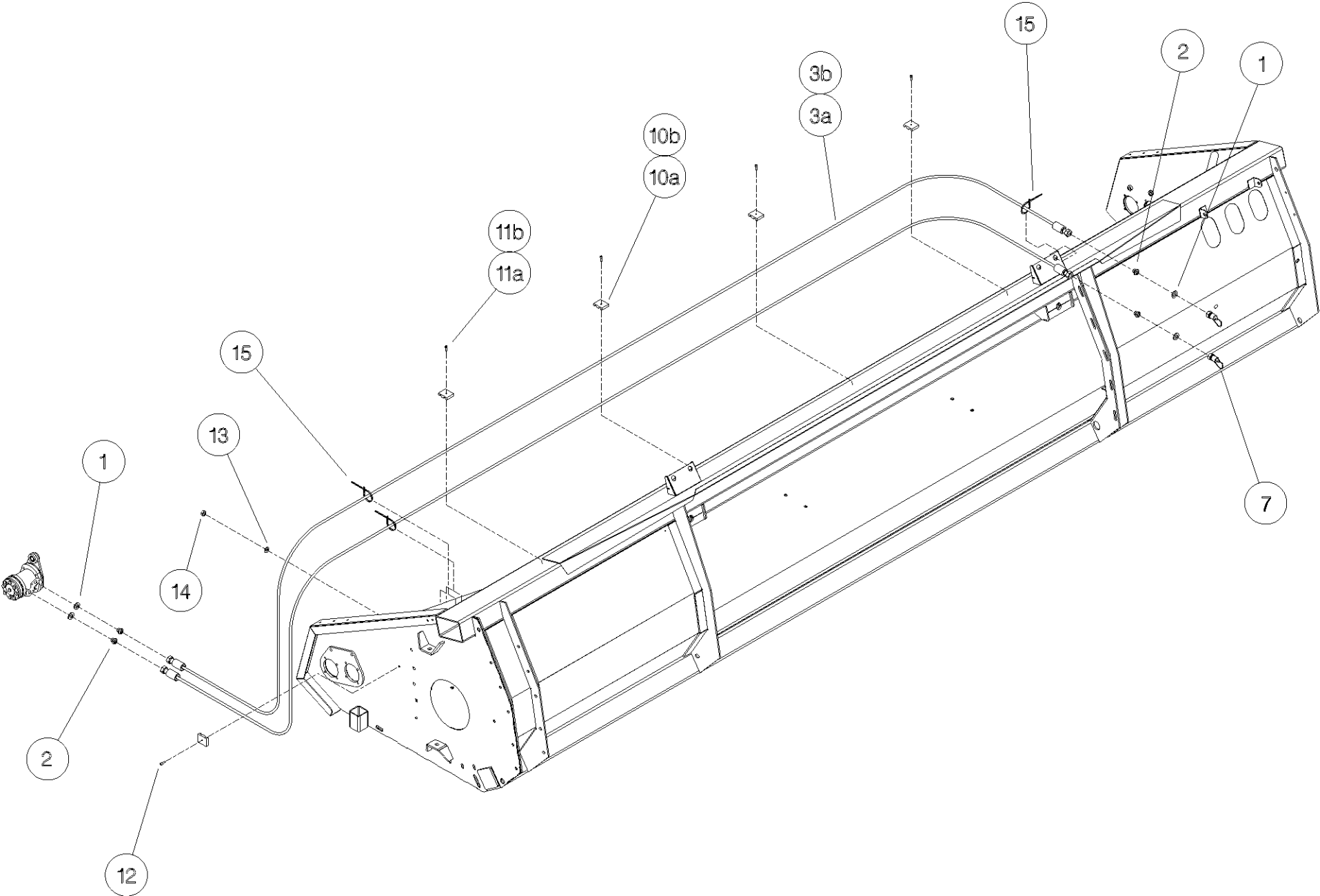
Shelbourne Reynolds Engineering Limited

ASSY NUMBER: KIT-01771				ASSY DESCRIPTION: DRAPER HYD.CONN. KIT-JD			
ITEM	PART NO	DESCRIPTION	QTY	ITEM	PART NO	DESCRIPTION	QTY
1	WSH-1015	DOWTY WASHER	4				
2	HMA-0067	FITTING	2				
3A	HHBF41505	HYD HOSE ASSY(4.2M HEAD)	2				
3B	HHBF44505	HYD HOSE ASSY(4.8M HEAD)	2				
4							
5	HAGAA0707	BULKHEAD FITTNG	2				
6	COU-0128	FEMALE Q.R.COUPILING	1				
7	COU-0162	MALE Q.R.COUPILING	1				
8							
9							
10A	HCPD02000	DOUBLE PIPE CLAMP(4.2M HEAD)	5				
10B	HCPD02000	DOUBLE PIPE CLAMP(4.8M HEAD)	6				
11A	SCW-0136	CAP HEAD SCREW(4.2M HEAD)	4				
11B	SCW-0136	CAP HEAD SCREW(4.8M HEAD)	5				
12	SCW-0142	CAP HEAD SCREW	1				
13	WSH-0012	PLAIN WASHER	1				
14	NUT-0263	NYLOC NUT	1				
15	TIE-0004	TIE WRAP	2				



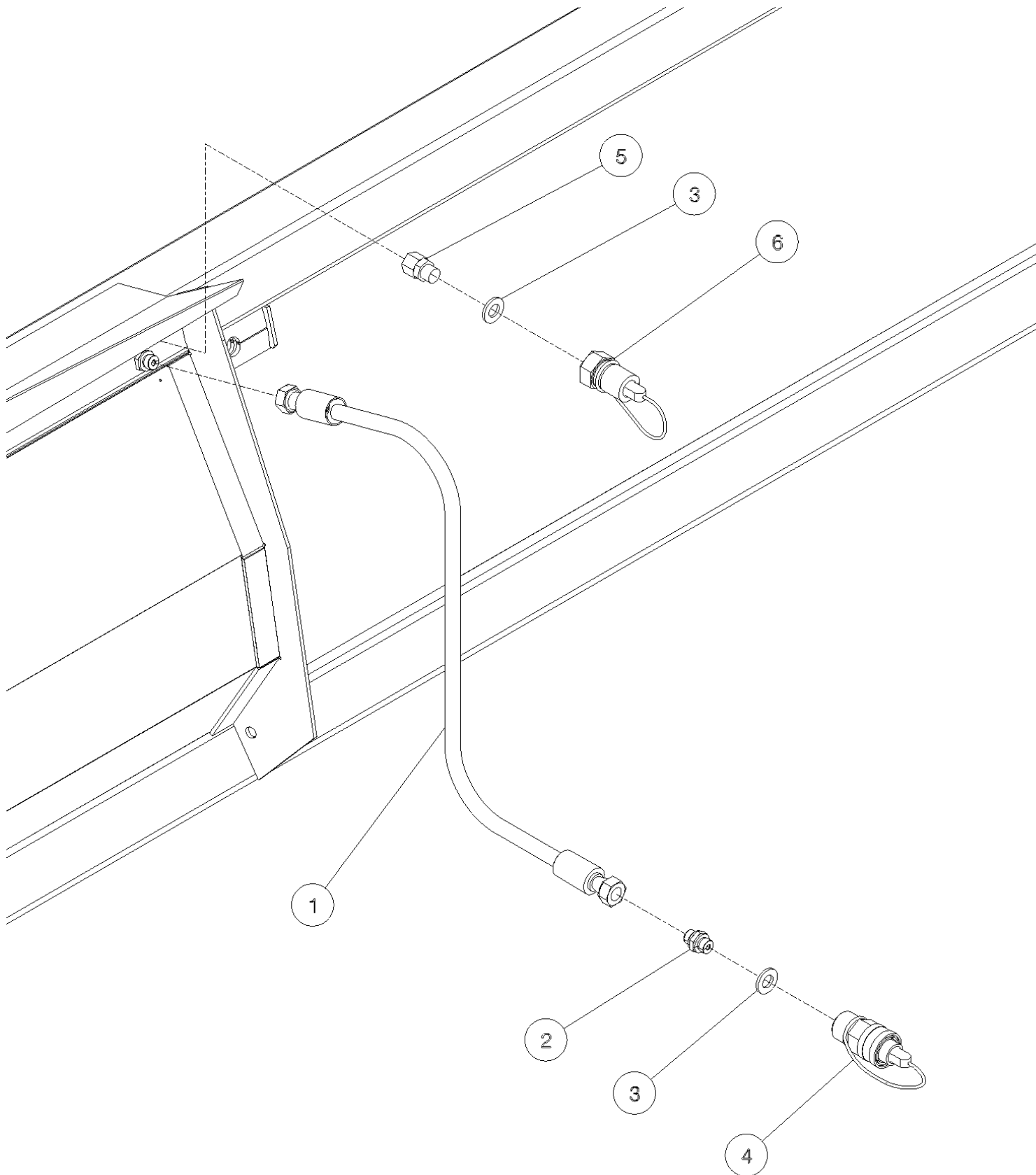
Shelbourne Reynolds Engineering Limited

ASSY NUMBER: KIT-01772				ASSY DESCRIPTION: DRAPER HYD.CONN. KIT-NH TR			
ITEM	PART NO	DESCRIPTION	QTY	ITEM	PART NO	DESCRIPTION	QTY
1	WSH-1015	DOWTY WASHER	4				
2	HMA-0067	FITTING	4				
3A	HHAF52005	HYD HOSE ASSY(4.2M HEAD)	2				
3B	HHAF55005	HYD HOSE ASSY(4.8M HEAD)	2				
4							
5							
6							
7	COU-0162	MALE Q.R.COUPLING	1				
8							
9							
10A	HCPD02000	DOUBLE PIPE CLAMP(4.2M HEAD)	5				
10B	HCPD02000	DOUBLE PIPE CLAMP(4.8M HEAD)	6				
11A	SCW-0136	CAP HEAD SCREW(4.2M HEAD)	4				
11B	SCW-0136	CAP HEAD SCREW(4.8M HEAD)	5				
12	SCW-0142	CAP HEAD SCREW	1				
13	WSH-0012	PLAIN WASHER	1				
14	NUT-0263	NYLOC NUT	1				
15	TIE-0004	TIE WRAP	3				



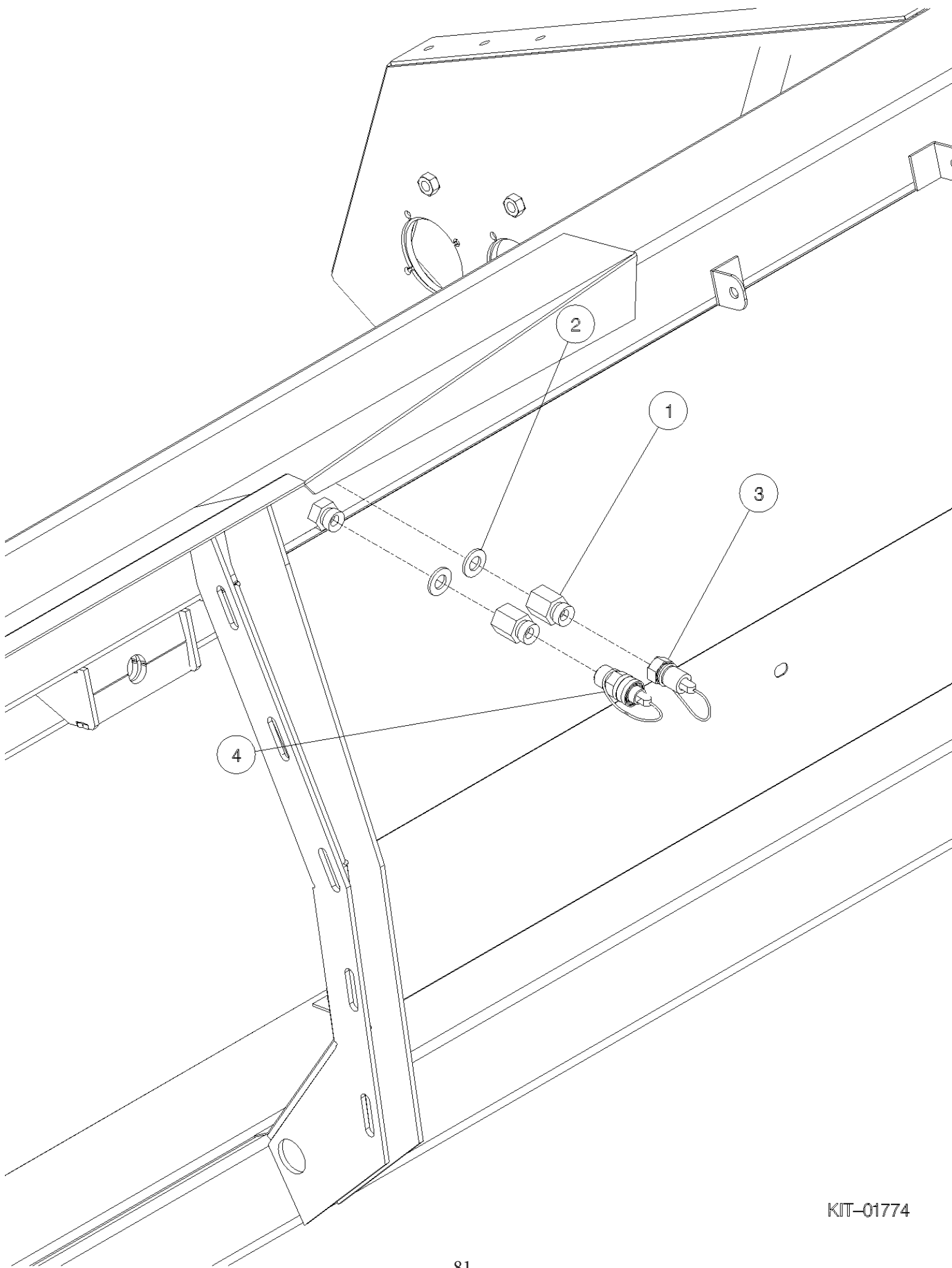
Shelbourne Reynolds Engineering Limited

ASSY NUMBER: KIT-01773				ASSY DESCRIPTION: DRAPER HYD.CONN.CASE IH			
ITEM	PART NO	DESCRIPTION	QTY	ITEM	PART NO	DESCRIPTION	QTY
1	HHAF12005	HYDRAULIC HOSE ASSY	1				
2	HMA-0067	ADAPTOR MALE/MALE	1				
3	WSH-1015	DOWTY WASHER 1/2"	2				
4	COU-0162	QUICK RELEASE COUPLING	1				
5	HMA-0115	1/2"*1/2"BSP M/F ADAPTOR	1				
6	COU-0128	QUICK RELEASE COUPLING	1				



Shelbourne Reynolds Engineering Limited

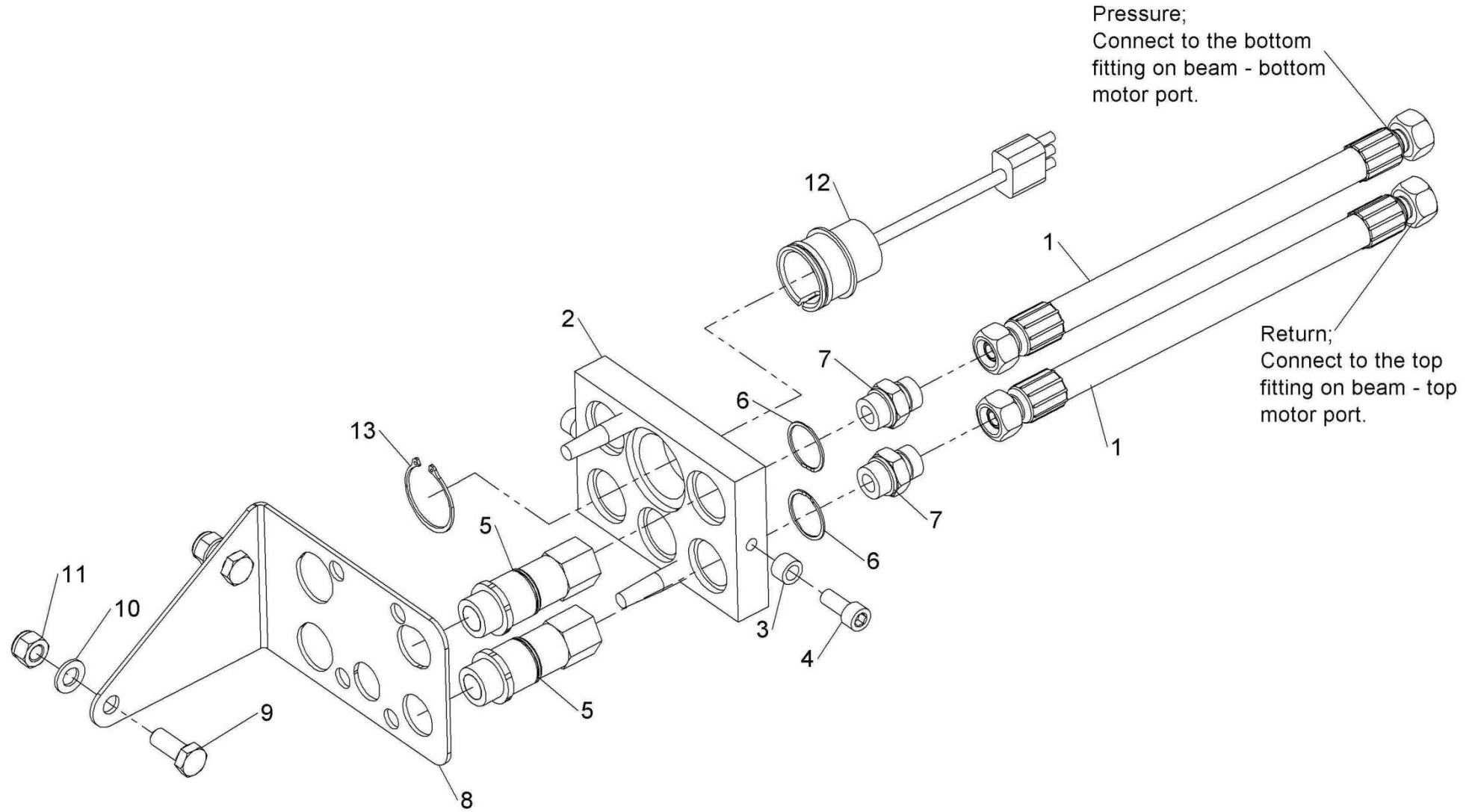
ASSY NUMBER: KIT-01774				ASSY DESCRIPTION: DRAPER HYD.CONN.JD			
ITEM	PART NO	DESCRIPTION	QTY	ITEM	PART NO	DESCRIPTION	QTY
1	HMA-0115	1/2"*1/2"BSP M/F ADAPTOR	2				
2	WSH-1015	DOWTY WASHER 1/2"	2				
3	COU-0128	QUICK RELEASE COUPLING	1				
4	COU-0162	QUICK RELEASE COUPLING	1				



Shelbourne Reynolds Engineering Limited

ASSY NUMBER: KIT-01775				ASSY DESCRIPTION: DRAPER HYD.CONN.JD __60			
ITEM	PART NO	DESCRIPTION	QTY	ITEM	PART NO	DESCRIPTION	QTY
1	HHAF12005	HYDRAULIC HOSE ASSY	2				
2	197145 04	HYD/ELEC ADAP (5 HOLE)	1				
3	197248 01	LOCATING BOSS	2				
4	SCW-0190	SOCKET CAP HEAD SCREW	2				
5	HQR-13027	COUPLING	2				
6	CLP-00230	SNAP RING	2				
7	HMA-0110	FITTING	2				
8	197766 01	PARKING BRACKET	1				
9	HSS-0238	BOLT	2				
10	WSH-0018	PLAIN WASHER	2				
11	NUT-0269	NYLOC NUT	2				
12	197146 01	LOOM & PLUG ASSY JD	1				
13	CIR-0450	EXTERNAL CIRCLIP	1				

Shelbourne Reynolds Engineering Limited

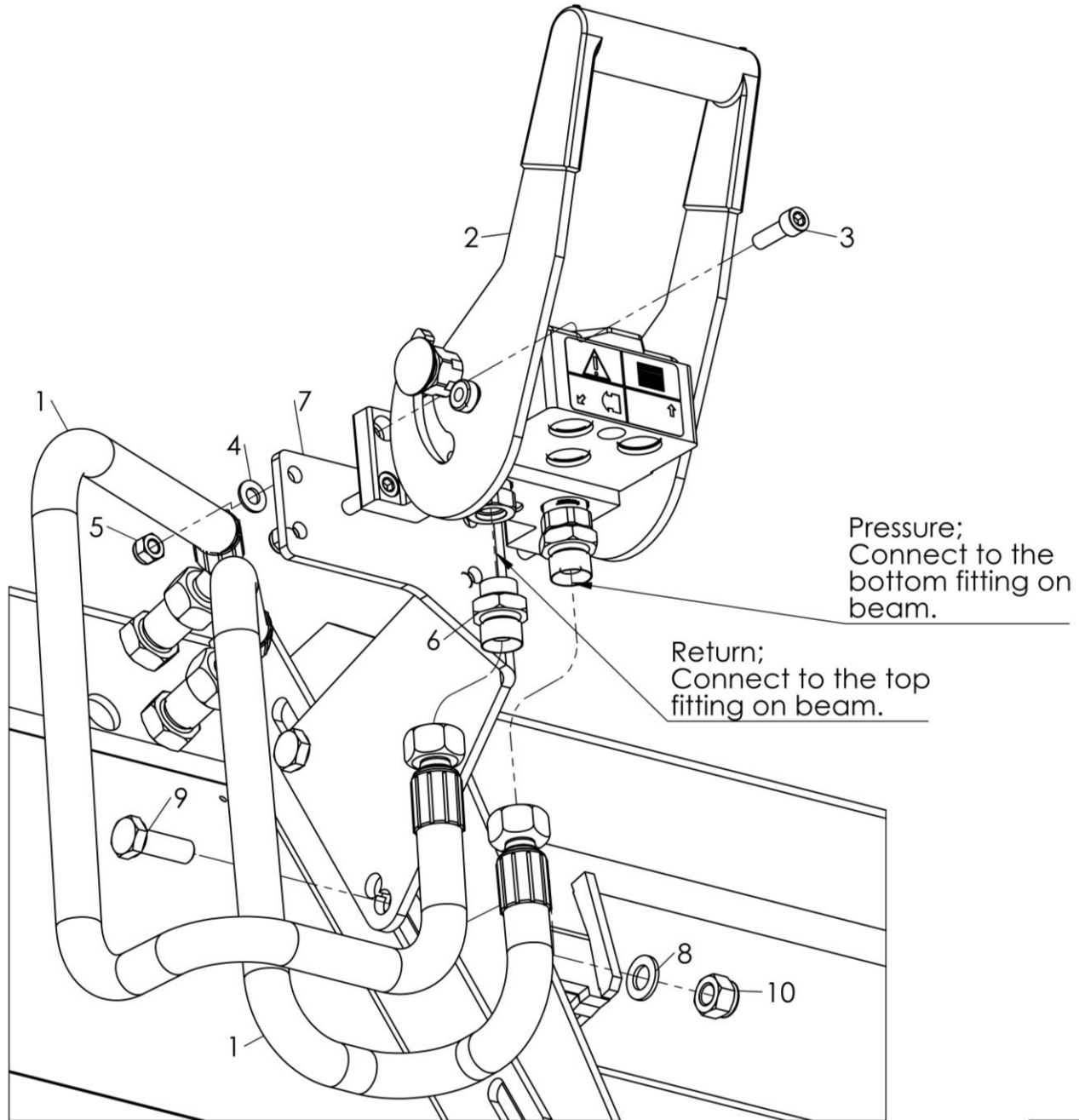


KIT-01775



Shelbourne Reynolds Engineering Limited

ASSY NUMBER: KIT-01776				ASSY DESCRIPTION: DRAPER HYD.CONN.NH CX/CR/CNH A			
ITEM	PART NO	DESCRIPTION	QTY	ITEM	PART NO	DESCRIPTION	QTY
1	HHDF06005	HYD.HOSE ASSY	2				
2	HQR-95030	FASTER MULTI COUPLER	1				
2a	HQR-15027	FEM COUPLING INSERT					
2b	HQR-95040	SPARE RED BUTTON KIT					
3	SCW-0136	HT CAP HEAD SCREW	4				
4	WSH-0012	PLAIN WASHER	4				
5	NUT-0263	NYLOC NUT	4				
6	HAAAK0727	HYD FITTING	2				
7	200597 01	MULTICOUPLER MTG PLT (2019&ON)	1				
8	WSH-0018	WASHER (2019 & ON)	2				
9	HSS-0241	BOLT (2019 & ON)	2				
10	NUT-0269	NYLOC NUT (2019 & ON)	2				

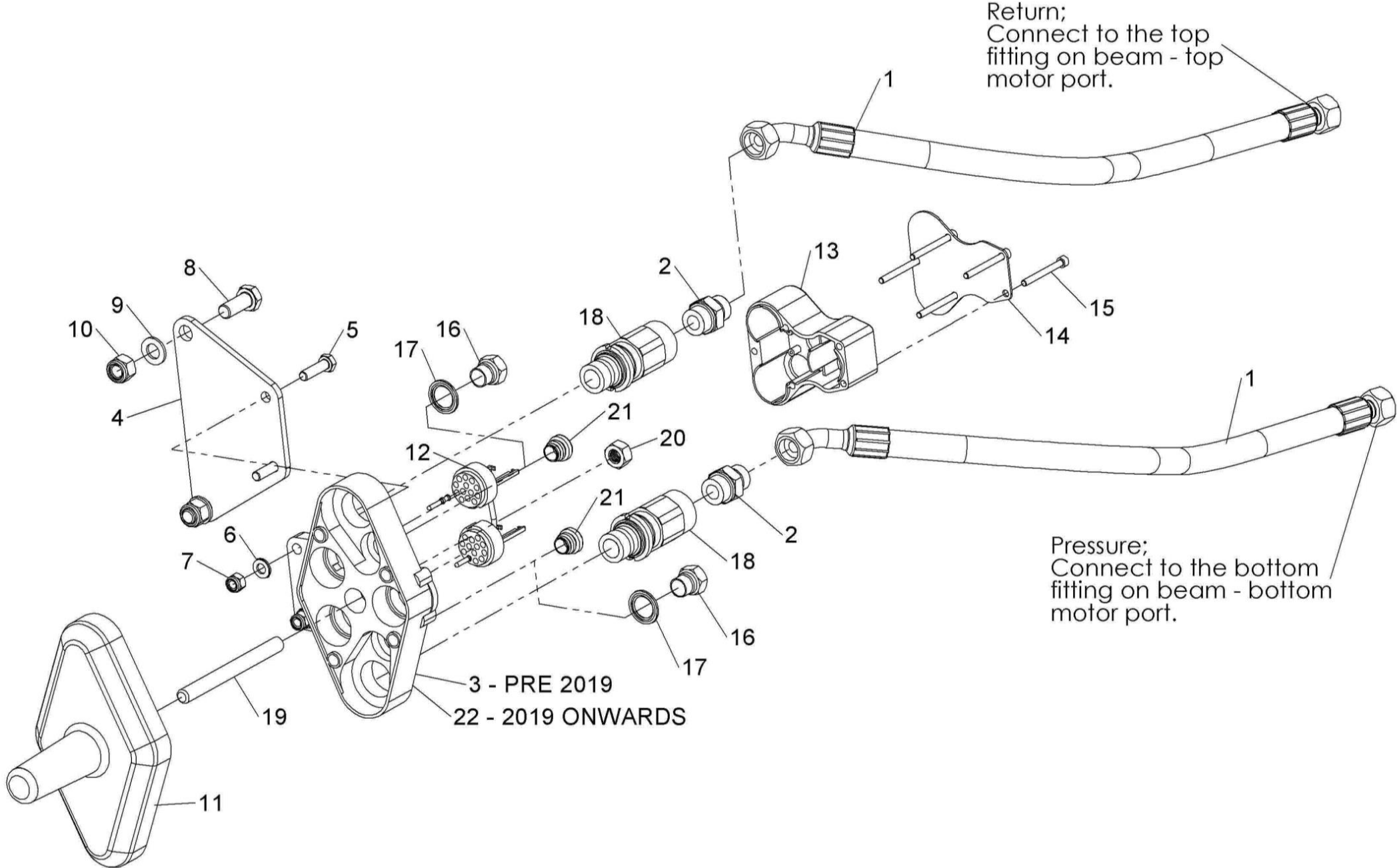


KIT-01776



Shelbourne Reynolds Engineering Limited

ASSY NUMBER: KIT-01777				ASSY DESCRIPTION: DRAPER HYD.CONN CLAAS LEXION			
ITEM	PART NO	DESCRIPTION	QTY	ITEM	PART NO	DESCRIPTION	QTY
1	HHDF06005	HYDRAULIC HOSE ASSY	2				
2	HMA-0110	FITTING	2				
3	CHP-05040	MULTICOUPLER ASSY (UPTO 2019)	1				
4	200576 01	FIXING PLATE	1				
5	HSS-0150	SET SCREW	2				
6	WSH-0012	PLAIN WASHER	2				
7	NUT-0263	NYLOC NUT	2				
8	HSS-0238	BOLT	2				
9	WSH-0018	PLAIN WASHER	2				
10	NUT-0269	NYLOC NUT	2				
11	CHP-05045	COVER/CAP FOR COUPLING	1				
12	200577 01	WIRE LOOM ASSY	1				
13	CHP-05015	HOUSING	1				
14	195077 02	COVER PLATE (WITHOUT HOLE)	1				
15	SCCA05323	CAP SOCKET HEAD SCREW	5				
16	FITC00303	BLANKING PLUG (UPTO 2019)	2				
17	WSH-1005	DOWTY WASHER (UPTO 2019)	2				
18	CHP-05043	MALE HYD COUPLING (2019 & ON)	2				
19	290835 01	THREADED ROD (2019 & ON)	1				
20	NUT-0170	PLAIN NUT (2019 & ON)	1				
21	PTF-00121	PLASTIC CAP INSERT (2019 & ON)	2				
22	CHP-05041	MULTICOUPLER HOUSING (2019&ON)	1				



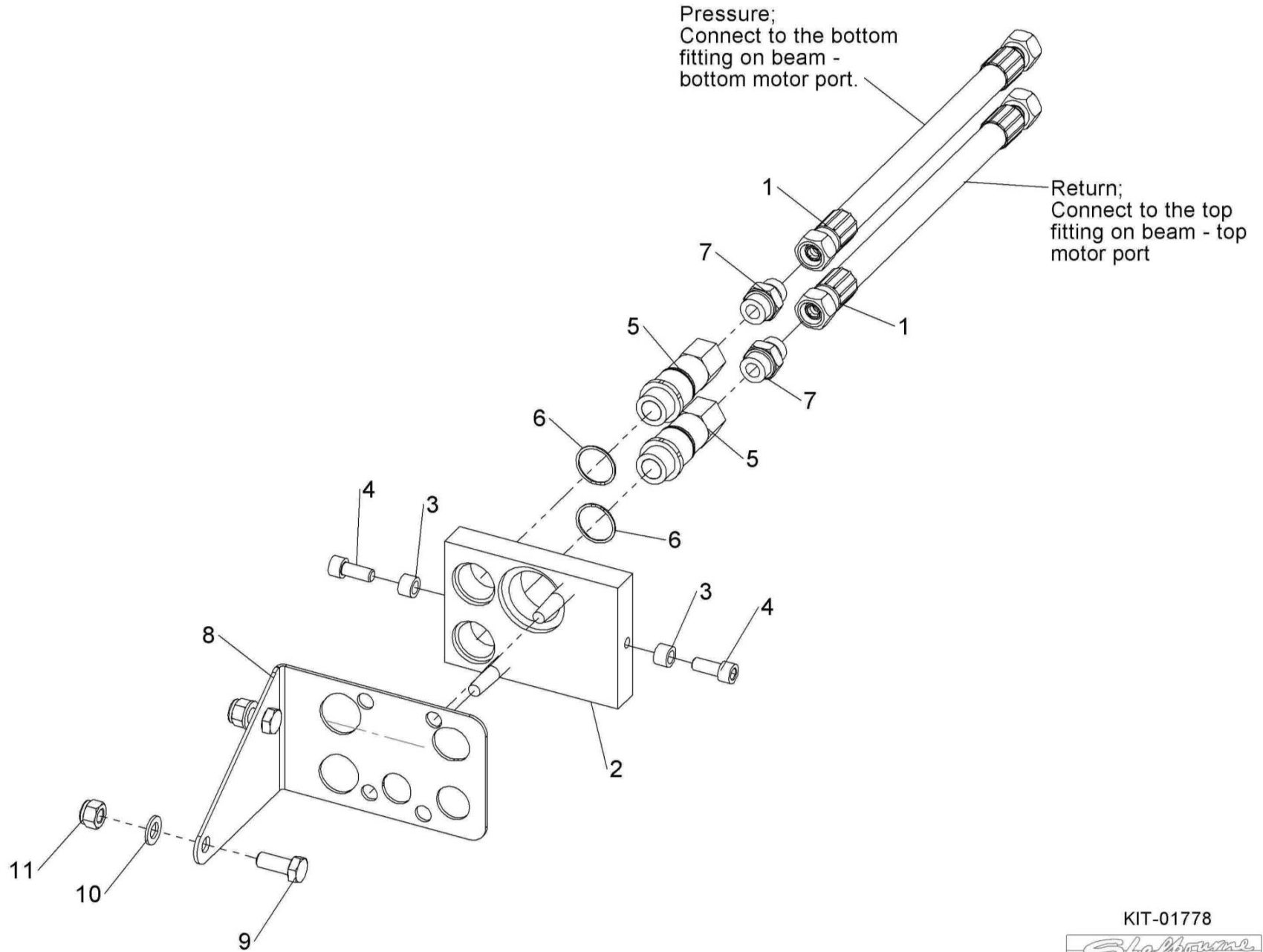
KIT-01777



Shelbourne Reynolds Engineering Limited

ASSY NUMBER: KIT-01778				ASSY DESCRIPTION: DRAPER HYD. CON. KIT-AGCO/ MF			
ITEM	PART NO	DESCRIPTION	QTY	ITEM	PART NO	DESCRIPTION	QTY
1	HHAF12005	HYDRAULIC HOSE ASSY	2				
2	199235 01	HYD ADAPTOR PLT	1				
3	197248 01	LOCATING BOSS	2				
4	SCW-0190	SOCKET CAP HEAD SCREW	2				
5	HQR-13027	COUPLING (JD 60 SERIES)	2				
6	CLP-00230	SNAP RING	2				
7	HMA-0110	FITTING	2				
8	197766 01	PARKING BRACKET	1				
9	HSS-0238	BOLT	2				
10	WSH-0018	PLAIN WASHER	2				
11	NUT-0269	NYLOC NUT	2				

Shelbourne Reynolds Engineering Limited



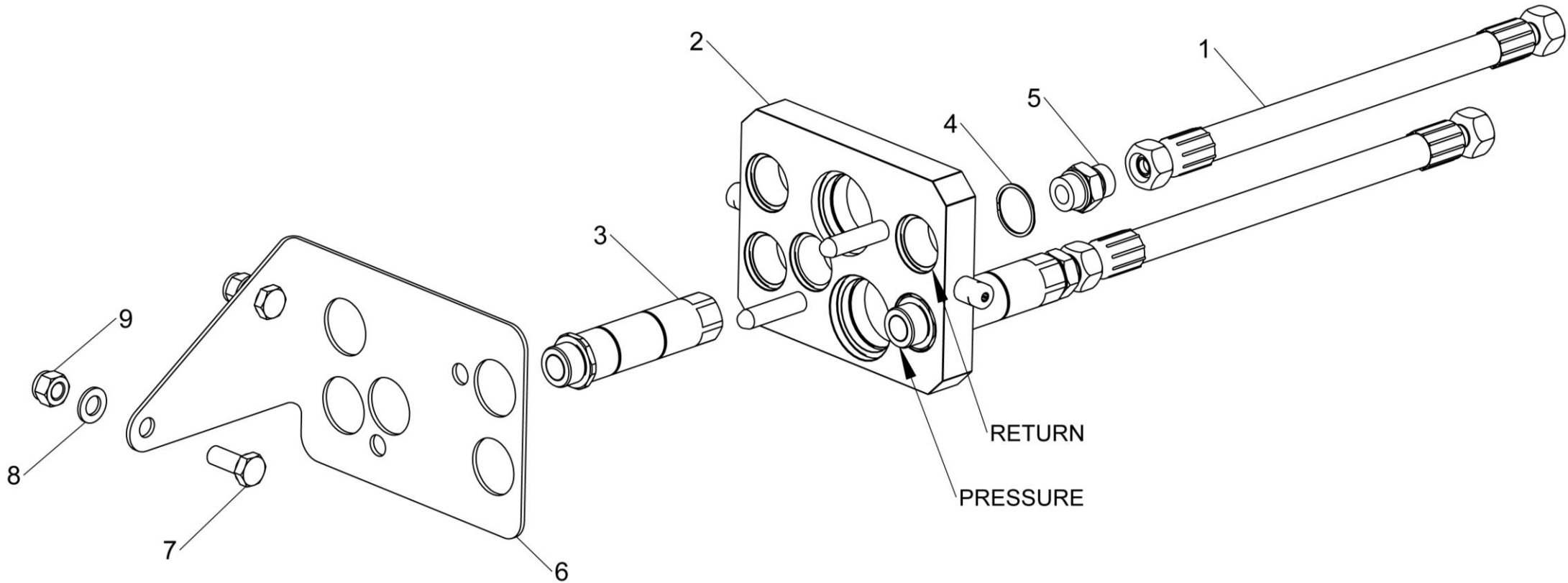
KIT-01778



Shelbourne Reynolds Engineering Limited

ASSY NUMBER: KIT-01779				ASSY DESCRIPTION: DRAPER HYD. CON. KIT-AGCO/IDEAL			
ITEM	PART NO	DESCRIPTION	QTY	ITEM	PART NO	DESCRIPTION	QTY
1	HHAF12005	HYDRAULIC HOSE ASSY	2				
2	HQR-93100	IDEAL MULTI COUPLER HOUSING	1				
3	HQR-13027A	COUPLING (JD 60 SERIES)	2				
4	CLP-00230	SNAP RING	2				
5	HMA-0110	FITTING	2				
6	292127 01	PARKING BRACKET	1				
7	HSS-0238	BOLT	2				
8	WSH-0018	PLAIN WASHER	2				
9	NUT-0269	NYLOC NUT	2				

Shelbourne Reynolds Engineering Limited



KIT-01779

