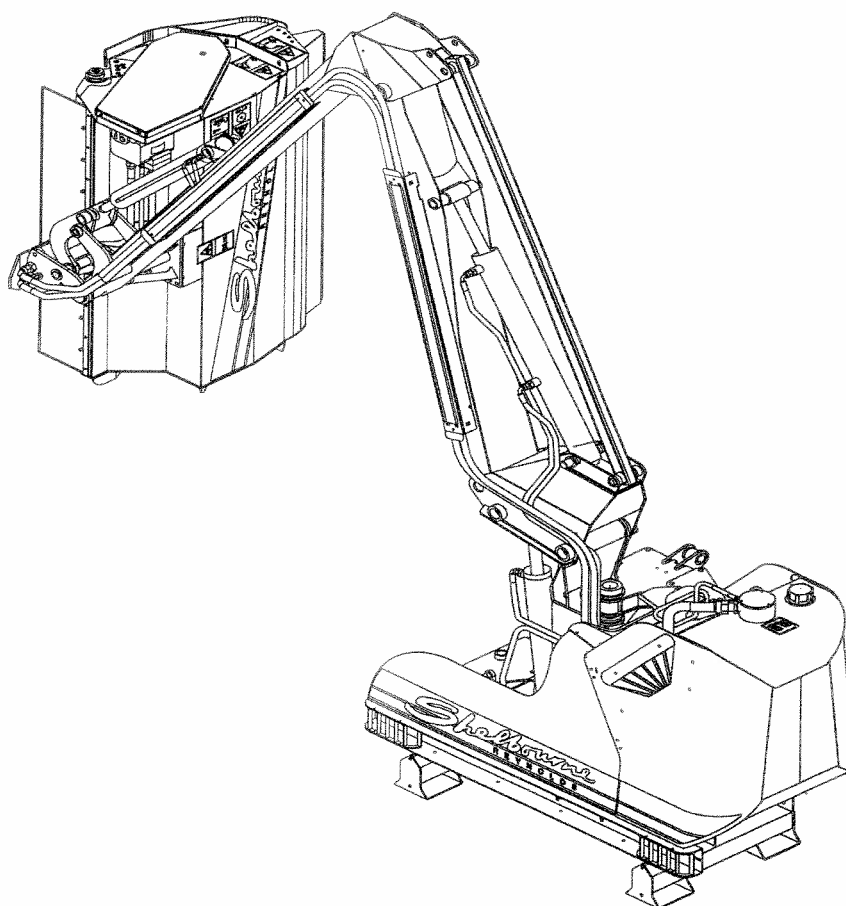


# Hedge trimmer

*4.6 – 6.7 Reach*

PARTS MANUAL



Shelbourne Reynolds Engineering Ltd

Stanton

Bury St Edmunds

Suffolk IP31 2AR

England

Telephone: (01359) 250415

(Stores direct (01359) 251231)

Fax: (01359) 250464

(Stores direct (01359) 252031)

ISSUE...5

17.07.2008

visit our website [www.shelbourne.com](http://www.shelbourne.com)

## PARTS LISTINGS

### MACHINE IDENTIFICATION

The Shelbourne Trimmer, serial identification numbers are engraved on a plate situated on the right-hand side of the "A" frame.

To ensure component parts are supplied correctly, we recommend that you record the serial no, machine no and any kit option numbers in the space below.

**TRIMMER SERIAL NUMBER** \_\_\_\_\_

**TRIMMER MACHINE NUMBER** 809900 01

KIT OPTION 08	KIT OPTION 08	KIT OPTION 08
KIT OPTION 08	KIT OPTION 08	KIT OPTION 08
KIT OPTION 08	KIT OPTION 08	KIT OPTION 08
KIT OPTION 08	KIT OPTION 08	KIT OPTION 08

### ORDERING SPARE PARTS

To ensure that you order the correct part from your SRE dealership please use the following procedure.

#### ALWAYS QUOTE THE MACHINE AND SERIAL NUMBERS WHEN ORDERING.

Refer to the front page of this parts list section (machine assemblies), listing all the sub assemblies.

The appropriate assemblies part number (in the top left-hand corner) will match the machine number from the Trimmer identification plate.

Use the following sub assembly numbers and descriptions to find the area of the machine that your part is required, i.e. if you need a part which is fitted to the hydraulic tank, your part will be in the hydraulic tank sub assembly parts list.

Having decided which sub-assembly your part should be under, use the number beside that sub-assembly description which will begin with 800-- -- to find the parts listing of the sub-assembly further on in the manual. The number will be printed in the top left-hand corner; the sub-assemblies are in numerical order.

Having found the correct parts list, you will find the corresponding drawing by either looking at the facing page or progressing through the manual to the next drawing.

The drawings indicate the components by item numbers, which you will find, are repeated in the left-hand side of your parts listing, and therefore referring to the correct part.

## LIST OF KIT NUMBERS

### TRIMMER COMMON SUB ASSY

1.	809900 01	TRIMMER ASSY
2.	809000 01	MAIN FRAME PARTS
3.	809001 01	FLAIL MOUNTING & DRIVE SUB ASSY
4.		
5.	809003 01	LIGHTING BOARD SUB
6.	809004 01	MISCELLANEOUS PARTS
7.	809005 01	HYDRAULIC SUB ASSY
8.	809006 01	TRANSFER SUB ASSY
9.	809007 01	FLAIL MOUNTING & DRIVE SUB ASSY

### TRIMMER KIT OPTIONS

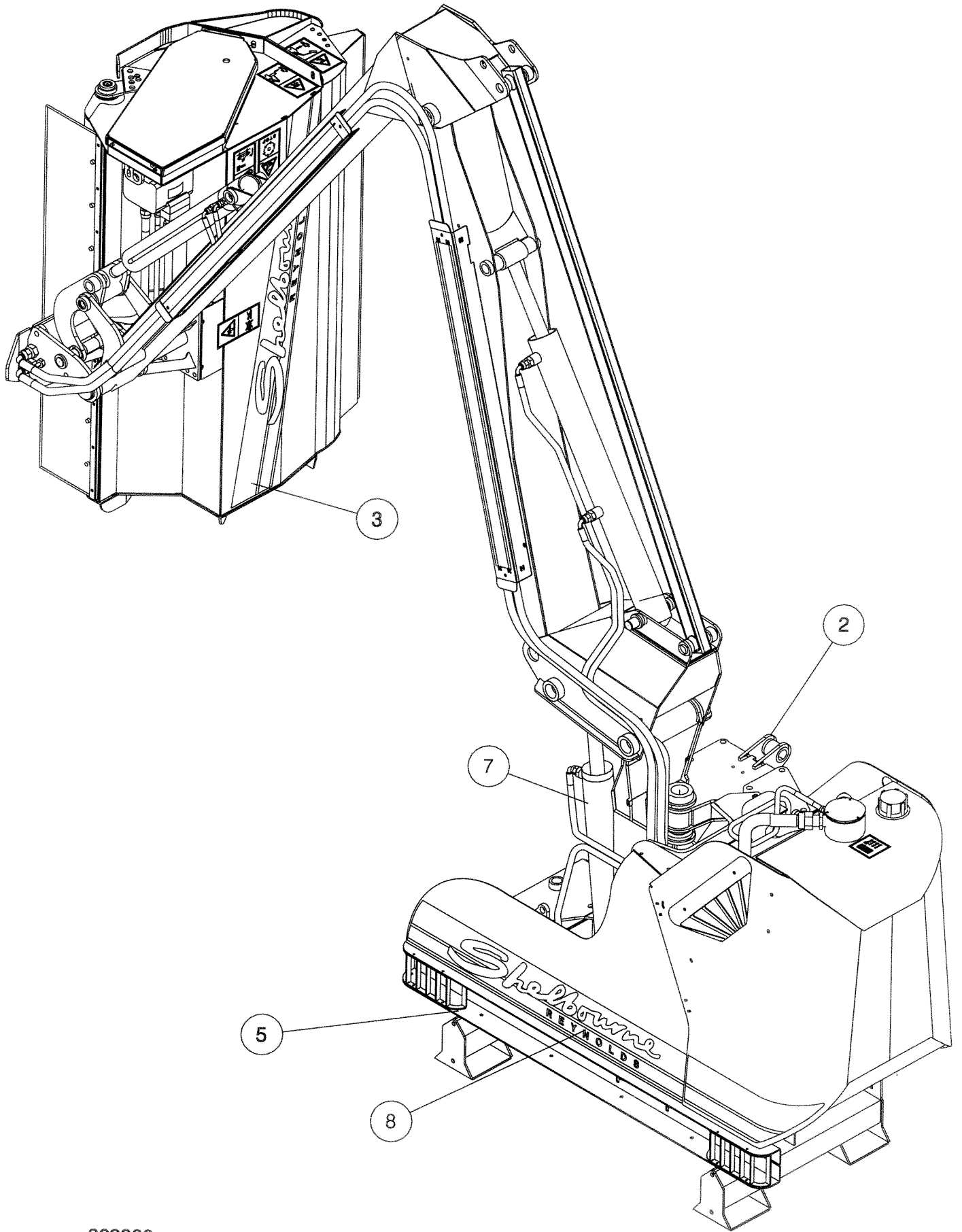
10.	KIT-08000	FLAIL ASSY 1.2m ALL TYPES
11.	KIT-08001	FLAIL ASSY 1.5m ALL TYPES
12.	KIT-08004	HEAD SHELL, NOSE AND ROLLER 1.2m (up to mid 2004)
13.	KIT-08005	HEAD SHELL, NOSE AND ROLLER 1.5m (up to mid 2004)
14.	KIT-08006	HEAD SIDE PARTS LH
15.	KIT-08007	HEAD SIDE PARTS RH
16.	KIT-08008	INNER BOOM PARTS 4.6m (up to 2003)
17.	KIT-08009	INNER BOOM PARTS 5.3m (up to 2003)
18.	KIT-08010	INNER BOOM PARTS 6.0m (up to 2003)
19.	KIT-08011	OUTER BOOM PARTS 4.6m (up to 2003)
20.	KIT-08012	OUTER BOOM PARTS 5.3m (up to 2003)
21.	KIT-08013	OUTER BOOM PARTS 6.0m (up to 2003)
22.	KIT-08014	STABILISERS – 3PT LINKAGE MOUNTING (up to 2004)
23.	KIT-08015	STABILISERS – AXLE MOUNTING
25	KIT-08016	STANDARD DRIVE (44 HP)
26	KIT-08017	HIGH POWERED DRIVE (66 HP)- (up to 2003)
27	KIT-08021	TELESCOPIC OUTER BOOM 4.6m – 5.3m (up to 2003)
28	KIT-08022	TELESCOPIC OUTER BOOM 5.3m – 6.0m (up to 2003)
29	KIT-08028	OIL/OIL CONTROLS TELESCOPIC
30	KIT-08030	HIGH POWER DRIVE PROP..CONT..(66 HP) (up to 2003)
31	KIT-08034	ADJUSTABLE ROLLER KIT (up to mid 2004)
32	KIT-08041	BOLTED ROLLER KIT (up to mid 2004)
33	KIT-08042	ELECTRIC SWITCHED CONTROL KIT, LH NON TELE
34	KIT-08043	ELECTRIC SWITCHED CONTROL KIT, LH TELE
35	KIT-08046	TANK KIT, STANDARD POWER
36	KIT-08047	TANK KIT, HIGH POWER
37	KIT-08048	MESH GUARD KIT
38	KIT-08050	HIGH POWER DRIVE (PROP CONTROLS) (2004 onwards)
39	KIT-08051	HIGH POWER DRIVE (CABLE/SW ELEC CONTROLS) (2004 onwards)
40	KIT-08062	INNER BOOM PARTS 4.6m (2004 onwards)
41	KIT-08063	INNER BOOM PARTS 5.3m (2004 onwards)

42 KIT-08064	INNER BOOM PARTS 6.0m (2004 onwards)
43 KIT-08065	OUTER BOOM PARTS 4.6m (2004 onwards)
44 KIT-08066	OUTER BOOM PARTS 5.3m (2004 onwards)
45 KIT-08067	OUTER BOOM PARTS 6.0m (2004 onwards)
46 KIT-08068	OUTER BOOM PARTS 5.3m TELESCOPIC (2004 onwards)
47 KIT-08069	OUTER BOOM PARTS 6.0m TELESCOPIC (2004 onwards)
48 KIT-08070	OUTER BOOM PARTS 6.7m TELESCOPIC (2004 onwards)
49 KIT-08071	HEAD, SHELL, NOSE & ROLLER KIT, 1.2mt (mid 2004 onwards)
50 KIT-08072	HEAD, SHELL, NOSE & ROLLER KIT, 1.5mt (mid 2004 onwards)
51 KIT-08073	ADJUSTABLE ROLLER KIT (mid 2004 onwards)
52 KIT-08074	ADJUSTABLE BUMP STOP (mid 2004 onwards)
53 KIT-08075	STABILISER KIT 3 POINT LINKAGE (for pre-mid 2005 machine)
54 KIT-08076	STABILISER KIT 3 POINT LINKAGE (2005 onwards)



**Shelbourne Reynolds Engineering Limited**

ASSY NUMBER:		809900 01		ASSY DESCRIPTION: TRIMMER ASSY (COMMON PARTS 2001)			
ITEM	PART NO	DESCRIPTION	QTY	ITEM	PART NO	DESCRIPTION	QTY
2	809000 01	MAIN FRAME PARTS	1				
3	809007 01	FLAIL MTG.AND DRIVE SUB (MC.NO.110454 & ONWARDS)	1				
OR	809001 01	FLAIL MTG.AND DRIVE SUB (UP TO MC.NO.110454)	1				
5	809003 01	LIGHTS SUB	1				
6	809004 01	MISCELLANEOUS PARTS	1				
7	809005 01	HYDRAULICS SUB	1				
8	809006 01	TRANSFER SUB	1				



809900



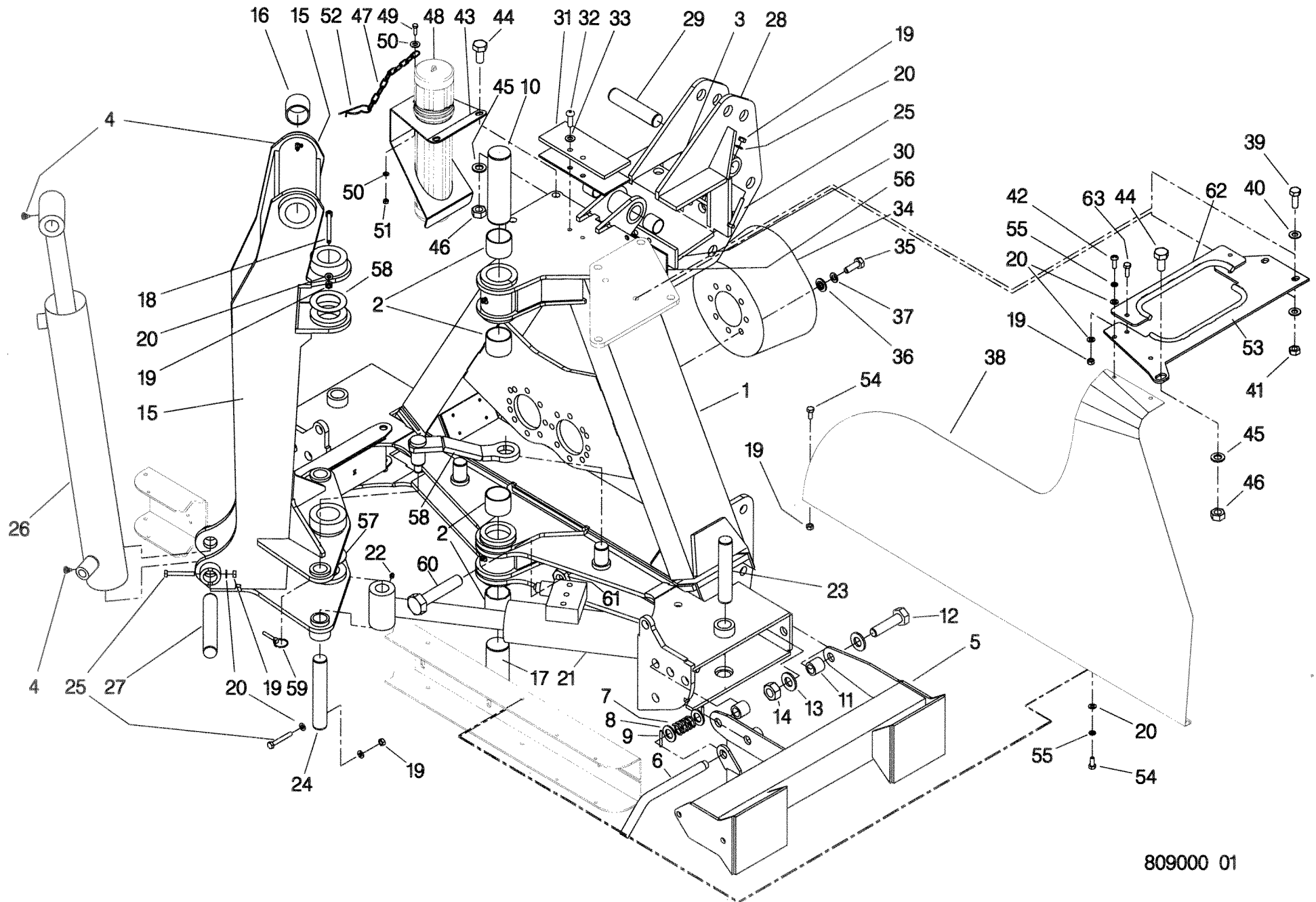


**Shelbourne Reynolds Engineering Limited**

ASSY NUMBER: 809000 01				ASSY DESCRIPTION: MAIN FRAME PARTS			
ITEM	PART NO	DESCRIPTION	QTY	ITEM	PART NO	DESCRIPTION	QTY
1	800770 01	A FRAME	1	OR	RMSK04040	FOR UP TO SERIAL NO.105451	
OR	800480 01	A FRAME (PREVIOUS)				SEAL KIT (SPARES ONLY)	
2	BSHA05062	BUSH	4	OR	RMSK00140	SEAL KIT (SPARES ONLY)	
3	BSH-3030	BUSH	2	27	800101 18	PIN 1 <sup>ST</sup> RAM CYL	1
4	NIP-00605	GREASE NIPPLE	7	OR	800101 08	PIN 1 <sup>ST</sup> RAM CYL (PREVIOUS)	
5	800379 01	STAND	2	28	800159 01	BRACKET TOP LINK	1
6	800368 01	PIN FOR STAND	2	29	800101 11	PIN TOP LINK BKT	1
7	SPGC32355	SPRING	2	30	800158 01	SHOCK ABSORBER PAD (200x50)	1
8	WSH-0030	PLAIN WASHER	2	31	800158 02	SHOCK ABSORBER PAD (200x80)	1
9	PIN-1775	ROLL PIN	2	32	SCW-0514	BUTTON HEAD SCREW	4
10	800141 02	PIN PILLAR PIVOT TOP	1	33	WSH-0015	PLAIN WASHER	4
OR	800141 01	PIN PILLAR PIVOT (PREVIOUS)		34	PTO-00903	MACHINE CONE	1
11	800382 02	COLLAR	4	35	HSS-0238	SETSCREW	4
12	BLTA20500	BOLT	4	36	800407 01	SPACER GEARBOX MTG	4
13	WSH-0030	PLAIN WASHER	8	37	WSH-0065	SPRING WASHER	4
14	NUTA02200	NYLOC NUT	4	38	REF	COVER (SEE KIT OPTION LH/RH)	1
15	800772 01	PILLAR	1	39	HSS-0241	BOLT	2
OR	800130 01	PILLAR (PREVIOUS)		40	WSH-0018	WASHER	4
16	BSHA04562	BUSH	2	41	NUT-0269	NYLOC NUT	2
17	800141 03	PIN PILLAR PIVOT BOTTOM	1	42	SCW-0525	SETSCREW BUTT HD	2
OR	800141 01	PIN PILLAR PIVOT (PREVIOUS)		43	800502 01	BRACKET MANUAL CANISTER	1
18	BLTA08560	BOLT	2	44	HSS-0315	SETSCREW	3
19	NUT-0263	NYLOC NUT	11	45	WSH-0024	PLAIN WASHER	3
20	WSH-0012	PLAIN WASHER	26	46	NUT-0271	NYLOC NUT	3
21	800807 01	CYLINDER BREAKBACK	1	47	CHN-0145	CHAIN	0.17m
OR	800084 01	CYLINDER BREAKBACK (PREVIOUS)		48	WDA-00025	MANUAL CANISTER	1
21A	RMSK04040	SEAL KIT (SPARES ONLY)	3	49	HSS-0086	SETSCREW	1
OR	RMSK00150	SEAL KIT (SPARES ONLY)	1	50	WSH-0009	PLAIN WASHER	2
22	NIP-00600	GREASE NIPPLE		51	NUT-0260	NYLOC NUT	1
23	800101 20	PIN BB RAM CYL	1	52	RCL-0015	R CLIP	1
OR	800101 09	PIN BB RAM CYL (PREVIOUS)		53	800903 01	REAR GUARD TOP (2005 & ON)	1
24	800101 19	PIN BB RAM ROD	4	OR	800509 01	REAR GUARD TOP (UP TO 2005)	1
OR	800101 10	PIN BB RAM ROD (PREVIOUS)	1	54	HSS-0140	SETSCREW	5
25	BLTA08380	BOLT		55	WSH-0058	SPRING WASHER	6
26	800081 01	CYLINDER LIFT		56	800521 01	SHIM, SHOCK PAD 1.2mm	AR
26A	RMSK00090	SEAL KIT (SPARES ONLY)		57	800781 01	SHIM	AR

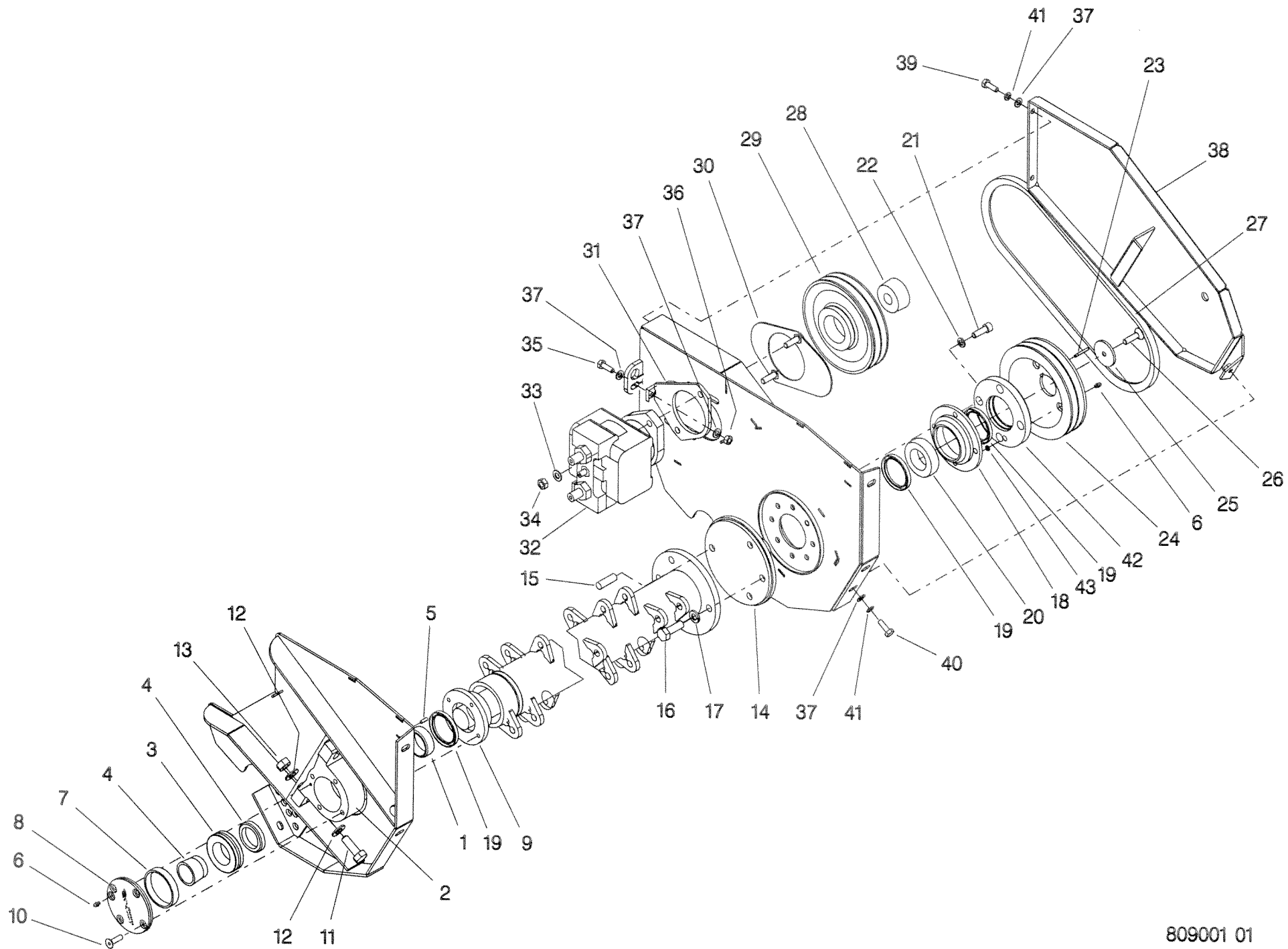
**Shelbourne Reynolds Engineering Limited**

ASSY NUMBER: 809000 01 CONT.				ASSY DESCRIPTION: MAIN FRAME PARTS			
ITEM	PART NO	DESCRIPTION	QTY	ITEM	PART NO	DESCRIPTION	QTY
58	800780 01	TRANSPORT LOCKING HATCH	1				
59	PIN-01601	LYNCH PIN	1				
60	HSSA24620	SETSCREW	2				
61	NUT-0390	HALF NUT	2				
62	800905 01	REAR GUARD STRIP(2005 & ON)	1				
63	HSS-0145	SETSCREW(2005 & ON)	2				
64							



**Shelbourne Reynolds Engineering Limited**

ASSY NUMBER:		809001 01		ASSY DESCRIPTION: FLAIL MOUNTING & DRIVE SUB ASSY			
ITEM	PART NO	DESCRIPTION	QTY	ITEM	PART NO	DESCRIPTION	QTY
1	800019 01	SLEEVE	1	39	HSS-0191	SET SCREW	2
2	800018 01	BEARING HOUSING	1	40	HSS-0198	SET SCREW	1
3	BRG-14580	BEARING	1	41	WSH-0061	SPRING WASHER	3
4	BRG-94521	BEARING SLEEVE	1	42	800701 01	BEARING RETAINER	1
5	SCW-4528	GRUB SCREW	1	43	ORA120080	O RING	1
6	NIP-00600	GREASE NIPPLE	2				
7	800067 01	SPACER	1				
8	800016 01	COVER	1				
9	800017 01	SLEEVE	1				
10	SCEA10473	CSK.SOC.HD SCREW	4				
11	BLT-2313	BOLT	2				
12	WSH-0024	PLAIN WASHER	4				
13	NUT-0271	NYLOC NUT	2				
14	800020 01	DRIVE FLANGE	1				
15	193079 01	DOWEL PIN	1				
16	HSSA16200	SET SCREW	3				
17	WSH-0070	SPRING WASHER	3				
18	800700 01	BEARING HOUSING	1				
19	SEAA06500	SHAFT SEAL	3				
20	BRG-15080	BEARING	1				
21	SCW-0243	SOC.CAP HD SCREW	4				
22	WSH-0065	SPRING WASHER	4				
23	K1409032	KEY	1				
24	800026 01	PULLEY	1				
25	800035 01	CSK WASHER	1				
26	SCW-1950	CSK.SOC.HD.SCREW	1				
27	BEL-10140	VEE BELT	2				
28	BSHZ14032	TAPERLOCK BUSH	1				
29	REF.	MOTOR PULLEY(SEE KIT OPT.)					
30	800023 01	FIXING BOLT ASSY	1				
31	800028 01	MOTOR MOUNTING PLATE	1				
32	REF.	HYD.MOTOR (SEE KIT OPT.)					
33	WSH-0018	PLAIN WASHER	2				
34	NUT-0269	NYLOC NUT	2				
35	HSSA10380	SET SCREW	1				
36	NUT-0167	PLAIN NUT	1				
37	WSH-0015	PLAIN WASHER	5				
38	800036 01	DRIVE COVER	1				

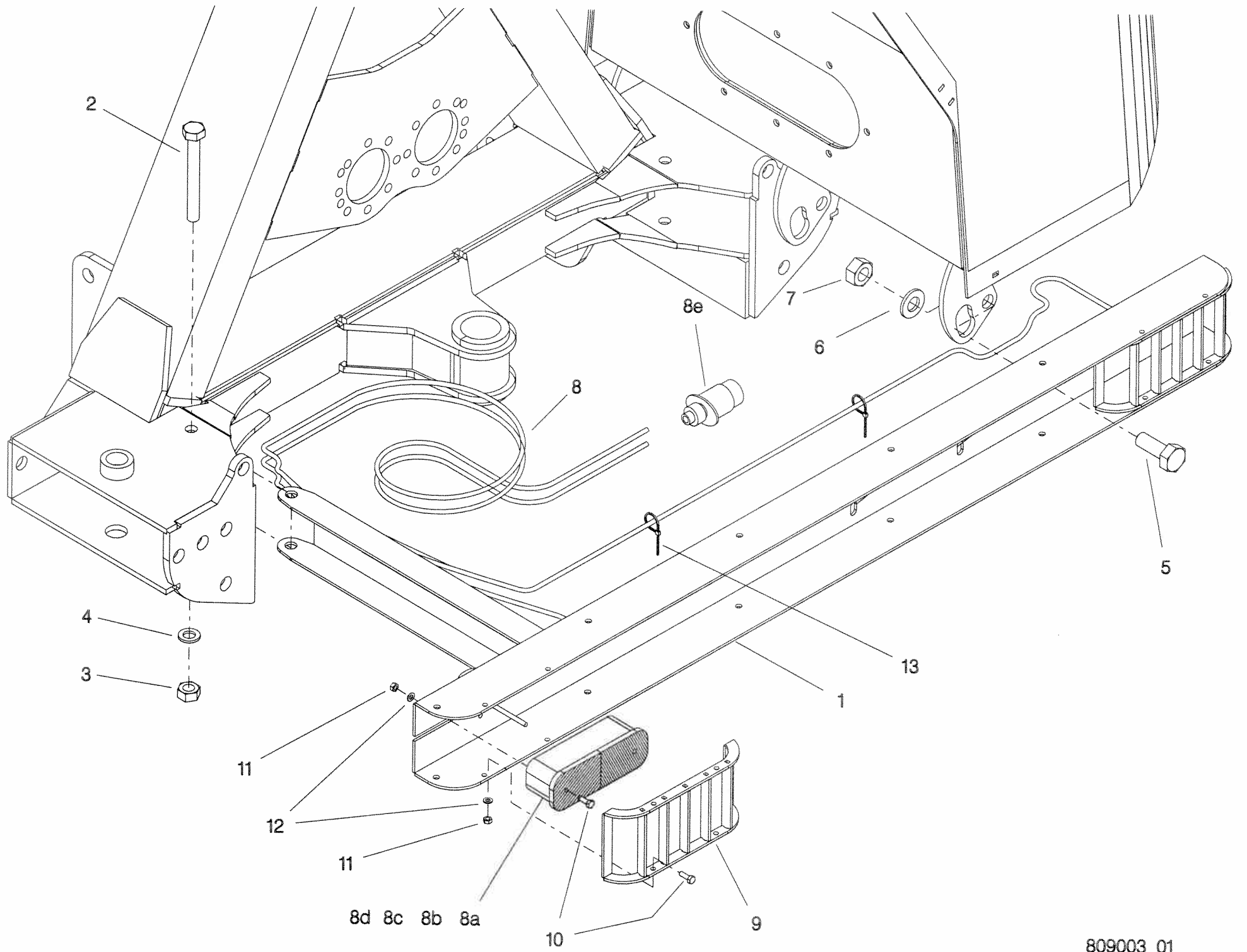


**Shelbourne Reynolds Engineering Limited**

ASSY NUMBER: 809003 01

ASSY DESCRIPTION: LIGHTING BOARD SUB

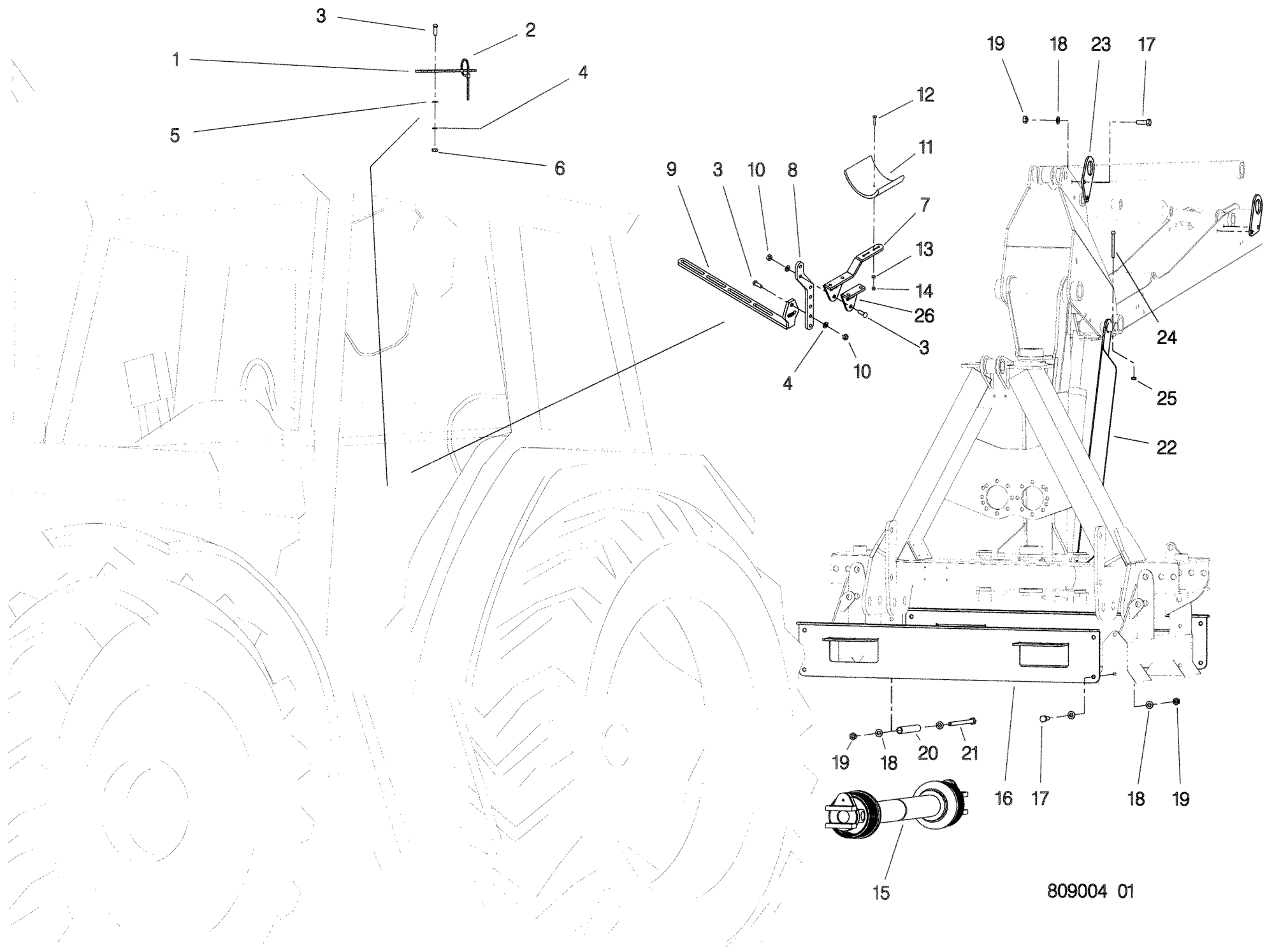
ITEM	PART NO	DESCRIPTION	QTY	ITEM	PART NO	DESCRIPTION	QTY
1	800365 01	LIGHTING BOARD CHANNEL	1				
2	BLTA16710	BOLT	1				
3	NUT-0271	NYLOC NUT	1				
4	WSH-0024	PLAIN WASHER	2				
5	HSS-0355	BOLT	3				
6	WSH-0036	PLAIN WASHER	3				
7	NUTA02200	NYLOC NUT	3				
8	REF	HARNESS (SEE KIT OPTION LH/RH)	1				
8A	LMP-10401	LAMP CLUSTER (SPARES ONLY)	2				
8B	LMP-10002	LENS (SPARES ONLY)	2				
8C	BLB-0015	BULB (INDICATOR) (SPARES ONLY)	2				
8D	BLB-0020	BULB (STOP/TAIL) (SPARES ONLY)	2				
8E	PLG-0005	7 PIN PLUG (SPARES ONLY)	1				
9	800327 01	LIGHT GUARD	2				
10	HSS-0086	SETSCREW	8				
11	NUT-0260	NYLOC NUT	8				
12	WSH-0009	PLAIN WASHER	16				
13	TIE-0004	TIE WRAP (MEDIUM)	10				



**Shelbourne Reynolds Engineering Limited**

ASSY NUMBER: 809004 01		ASSY DESCRIPTION: MISCELLANEOUS PARTS					
ITEM	PART NO	DESCRIPTION	QTY	ITEM	PART NO	DESCRIPTION	QTY
1	800200 01	CONTROLS FIXING BRACKET	1				
2	TIE-0012	CABLE TIE	3				
3	BLT-3750	COACHBOLT	6				
4	WSH-0015	PLAIN WASHER	6				
5	WSH-0061	SPRING WASHER	2				
6	NUT-0167	PLAIN NUT	2				
7	800410 01	CONTROLS SUPPORT TOP (UPTO 2005)	1				
8	800411 01	CONTROLS SUPPORT VERTICAL	1				
9	800412 01	CONTROLS SUPPORT SEAT BASE	1				
10	NUT-0265	NYLOC NUT	4				
11	SUP-0001	PAD, ARMREST (UP TO 2005)	1				
12	SCW-1610	SCREW(UP TO 2005)	1				
13	WSH-0009	WASHER(UP TO 2005)	1				
14	NUT-0260	NYLOC NUT (UPTO 2005)	1				
15	PTO-27000	PTO SHAFT	1				
16	800384 01	FORKLIFT PLATE	2				
17	HSS-0241	SETSCREW	11				
18	WSH-0018	PLAIN WASHER	24				
19	NUT-0269	NYLOC NUT	12				
20	800378 01	SPACER DELIVERY	1				
21	BLTA12860	BOLT	1				
22	800476 01	STRUT, DELIVERY	1				
23	800477 01	LIFTING LUG	2				
24	SCCA08503	CAP.SKT.HD.SCREW	2				
25	NUT-0263	NYLOC NUT	2				
26	800906 01	BRACKET (2005 & ON)	1				

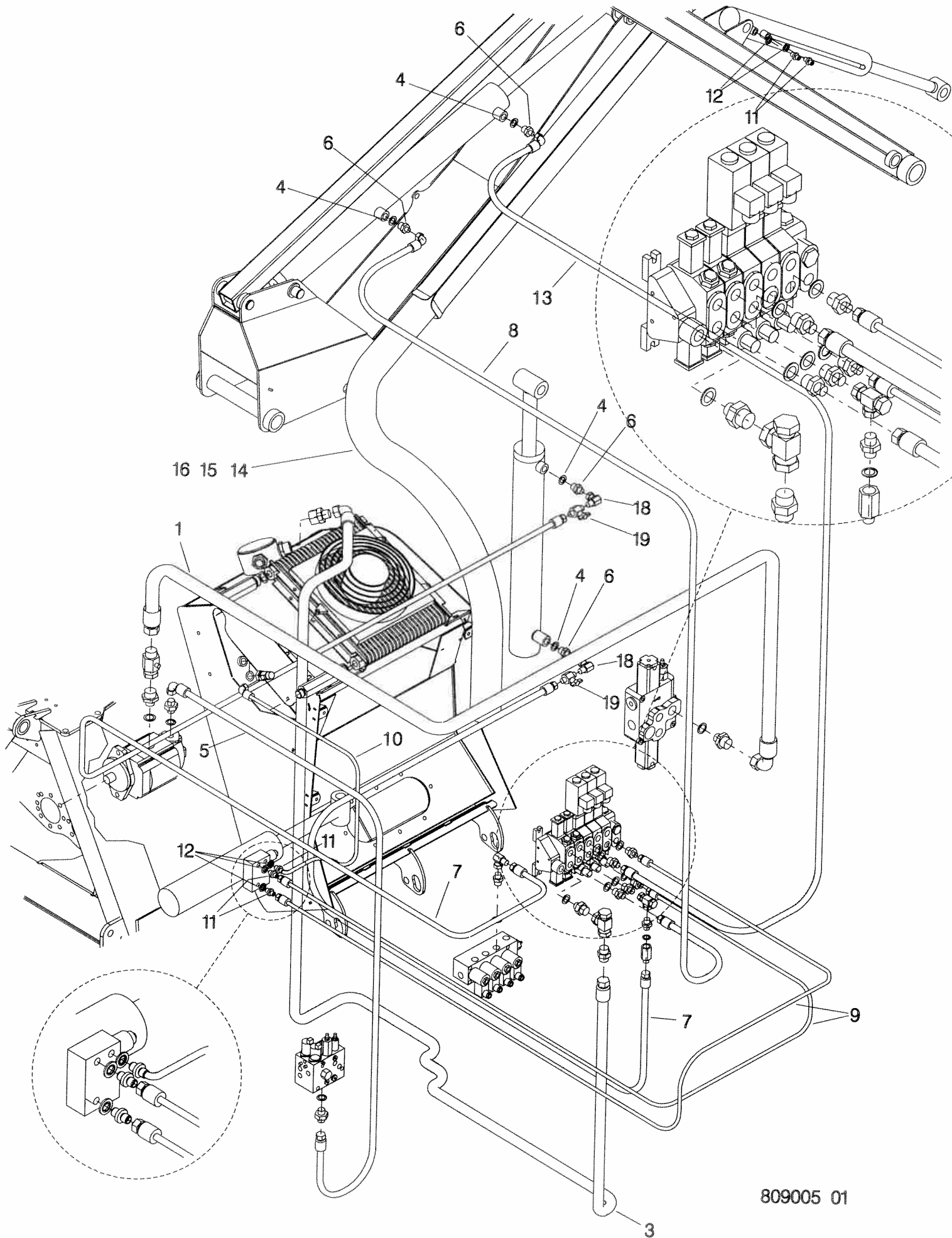




809004 01

**Shelbourne Reynolds Engineering Limited**

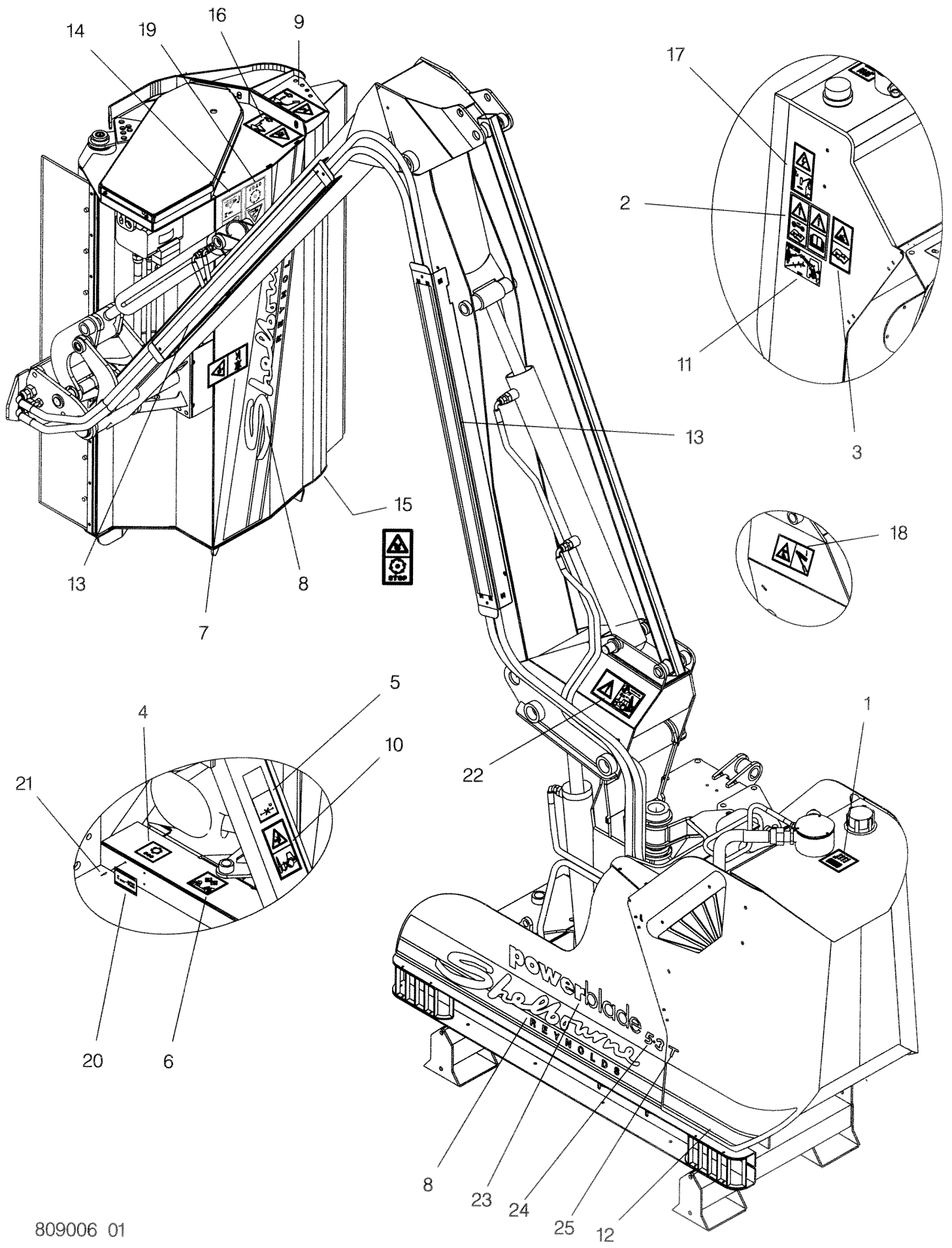
ASSY NUMBER:		809005 01		ASSY DESCRIPTION: HYDRAULIC SUB ASSY (COMMON PARTS)			
ITEM	PART NO	DESCRIPTION	QTY	ITEM	PART NO	DESCRIPTION	QTY
1	HHBI05005	HOSE	1				
2							
3	HHBH15505	HOSE	1				
4	WSH-1015	SEAL	5				
5	HHBF10005	HOSE	1				
6	HMA-0065	ADAPTOR	4				
7	HHDE12005	HOSE	2				
8	HHCE20505	HOSE	1				
9	HHAC09305	HOSE	2				
10	HHCC12805	HOSE	1				
11	HMA-0052	ADAPTOR	5				
12	WSH-1005	SEAL	5				
13	HHCE17505	HOSE	1				
14	HHS-05000	SLEEVING	0.9m				
15	HHS-05000	SLEEVING	1.7m				
16	HHS-05000	SLEEVING	1.2m				
17							
18	HAKAA0505	ELBOW FITTING	2				
19	HVB-02620	BALL VALVE	2				



809005 01

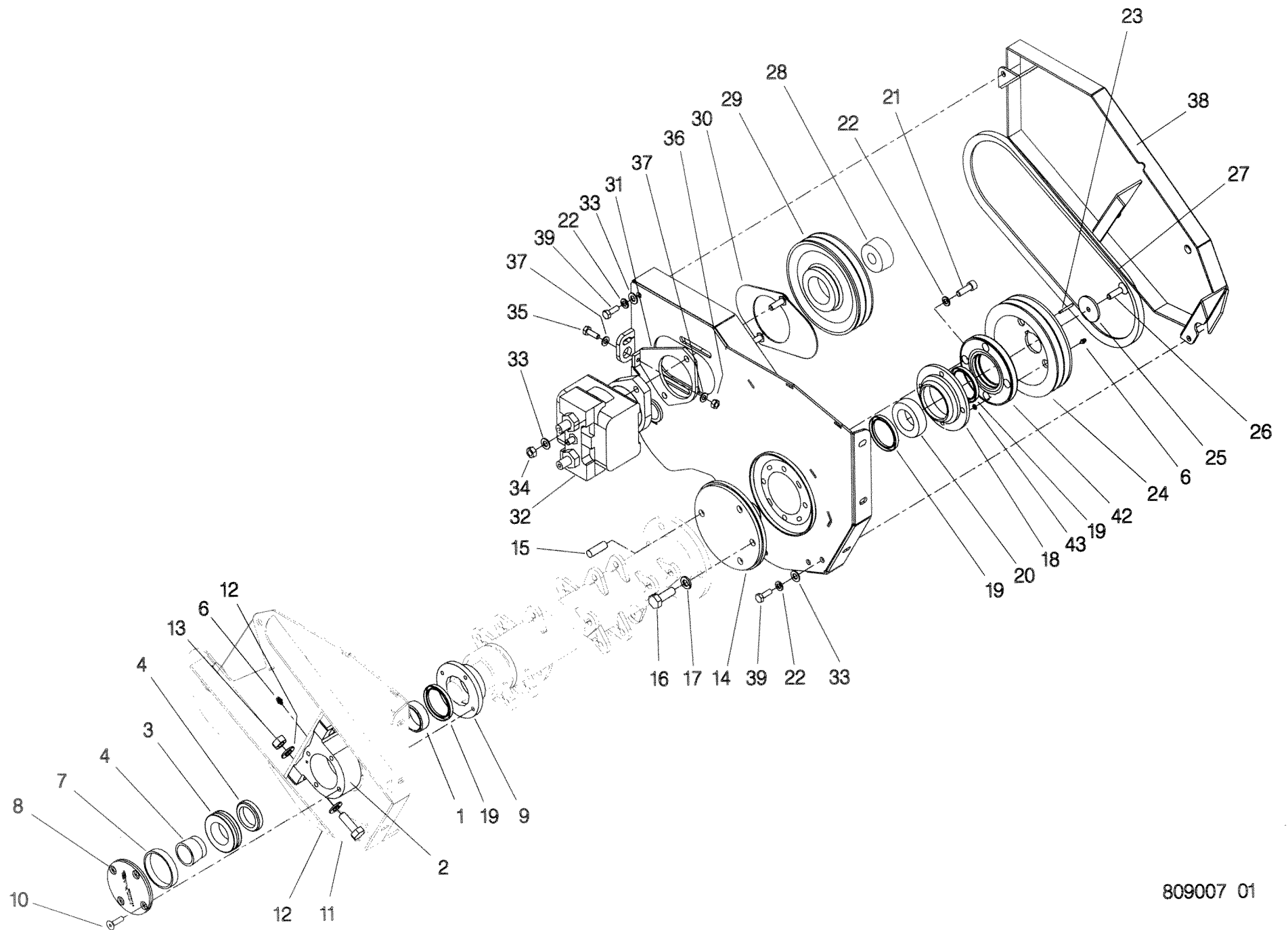
**Shelbourne Reynolds Engineering Limited**

ASSY NUMBER:		ASSY DESCRIPTION:					
809006 01		TRANSFERS SUB-ASSY (COMMON PARTS)					
ITEM	PART NO	DESCRIPTION	QTY	ITEM	PART NO	DESCRIPTION	QTY
1	800211 01	TRANSFER (CHANGE FILTER @)	1				
2	TNF-0011	TRANSFER (READ MANUAL)	1				
3	800221 01	TRANSFER (READ MANUAL/OIL)	1				
4	590475 01	TRANSFER (PTO SPEED540rpm)	1				
5	193391 01	TRANSFER (PTO GUARD)	1				
6	800212 01	TRANSFER (CHECK CHAINS)	1				
7	800215 01	TRANSFER (CRUSHING DANGER)	1				
8	191981 01	TRANSFER (SHELBOURNE)	2				
9	800217 01	TRANSFER (SAFE DIST. DROP)	1				
10	800219 01	TRANSFER (COUPLING UP)	1				
11	800310 01	TRANSFER LUBRICATION	1				
12	590000 01	TRANSFER	0.25				
13	210202 01	TRANSFER	2				
14	800213 01	TRANSFER (BELTS/BOLTS TIGHT)	1				
15	800222 01	TRANSFER (ALLOW TO STOP)	1				
16	800214 01	TRANSFER (THROWN OBJECTS)	1				
17	800220 01	TRANSFER (VOLTAGE HAZARD)	1				
18	210435 01	TRANSFER (LOCK CYLINDER)	1				
19	800218 01	TRANSFER (STOP BELT ENTANG)	1				
20	134024 05	IDENTIFICATION PLATE	1				
21	POP-0006	POP RIVET	4				
22	800878 01	TRANSFER (TRANSPORT MODE)	1				
23	800884 01	TRANSFER (POWERBLADE)	2				
24	800885 01	TRANSFER (4.6)	AR				
OR	800885 02	TRANSFER (5.3)	AR				
OR	800885 03	TRANSFER (6.0)	AR				
OR	800885 04	TRANSFER (6.7)	AR				
25	800885 05	TRANSFER (T)	AR				



**Shelbourne Reynolds Engineering Limited**

ASSY NUMBER:		809007 01		ASSY DESCRIPTION:		FLAIL MOUNTING & DRIVE SUB ASSY	
ITEM	PART NO	DESCRIPTION	QTY	ITEM	PART NO	DESCRIPTION	QTY
1	800019 01	SLEEVE	1	37	WSH-0015	PLAIN WASHER	2
2	800873 01	BEARING HOUSING	1	38	800843 01	DRIVE COVER	1
3	BRG-14580	BEARING	1	39	HSS-0238	SETSCREW	2
4	BRG-94521	BEARING SLEEVE	1	40			
5				41			
6	NIP-00600	GREASE NIPPLE	2	42	800701 01	BEARING RETAINER	1
7	800067 01	SPACER	1	43	ORA120080	O RING	1
8	800874 01	COVER	1				
9	800017 01	SLEEVE	1				
10	SCEA10473	CSK.SOC.HD SCREW	4				
11	BLT-2313	BOLT	2				
12	WSH-0024	PLAIN WASHER	4				
13	NUT-0271	NYLOC NUT	2				
14	800020 01	DRIVE FLANGE	1				
15	193079 01	DOWEL PIN	1				
16	HSSA16200	SETSCREW	3				
17	WSH-0070	SPRING WASHER	3				
18	800700 01	BEARING HOUSING	1				
19	SEAA06500	SHAFT SEAL	3				
20	BRG-15080	BEARING	1				
21	SCW-0243	SOC.CAP HD SCREW	4				
22	WSH-0065	SPRING WASHER	6				
23	K1409032	KEY	1				
24	800026 01	PULLEY	1				
25	800035 01	CSK WASHER (UPTO 2004)	1				
OR	190119 64	WASHER (2005 & ON)	1				
26	SCW-1950	CSK.SCREW(TO 2004)	1				
OR	HSSF12204	TENSILOCK BLT(2005 &ON)	1				
27	BEL-10140	VEE BELT	2				
28	BSHZ14032	TAPERLOCK BUSH	1				
29	REF.	MOTOR PULLEY(SEE KIT OPT.)					
30	800023 01	FIXING BOLT ASSY	1				
31	800028 01	MOTOR MOUNTING PLATE	1				
32	REF.	HYD.MOTOR (SEE KIT OPT.)					
33	WSH-0018	PLAIN WASHER	4				
34	NUT-0269	NYLOC NUT	2				
35	HSSA10380	SET SCREW	1				
36	NUT-0167	PLAIN NUT	1				



809007 01



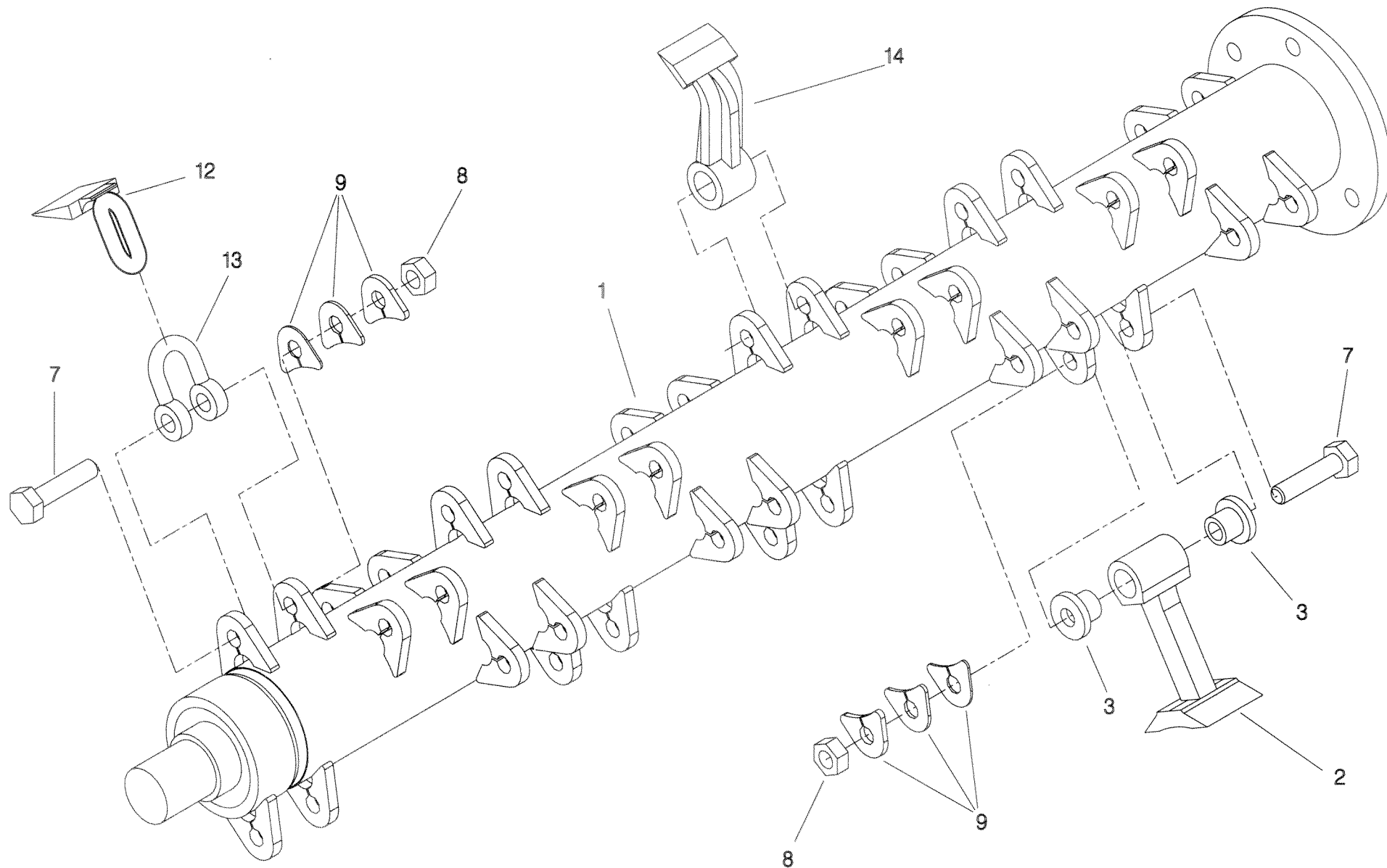


**Shelbourne Reynolds Engineering Limited**

ASSY NUMBER:		KIT-08000		ASSY DESCRIPTION: FLAIL ASSY (1.2M) ALL FLAIL TYPES			
ITEM	PART NO	DESCRIPTION	QTY	ITEM	PART NO	DESCRIPTION	QTY
1	800014 08	ROTOR ASSY (1.2M) (109456 & ON)	1				
OR	800014 01	ROTOR ASSY (1.2M) (UP TO 109456)	1			FOR COMPLETE FLAIL ASSEMBLY ORDER PART NO'S.:	
2	FLL-05000	T FLAIL (KIT-08000A ONLY)	24			KIT-08000A - T FLAILS	
3	800070 01	SPACER	48			KIT-08000B - BOOT FLAILS	
4						KIT-08000C-COMPETITION FLAIL	
5							
6							
7	BLTD16554	BOLT	24				
OR	BLTD16574	BOLT	AR				
OR	BLTD16604	BOLT	AR				
OR	BLTD16654	BOLT	AR				
8	NUTF15162	STOVER NUT(2006&ON)	24			** <u>IMPORTANT</u> **	
OR	NUTF02162	NYLOC NUT(UPTO 2006)	24			ENSURE BALANCE WEIGHTS ARE NOT MOVED WHEN REPLACING FLAILS.	
9	800274 01	BALANCE WEIGHT (20G)	AR			EXACT POSITIONING IS CRITICAL TO SMOOTH RUNNING	
OR	800274 02	BALANCE WEIGHT (30G)	AR				
OR	800274 03	BALANCE WEIGHT (50G)	AR				
10							
11							
12	FLL-10000	BOOT FLAIL (KIT-08000B ONLY)	24				
13	FLL-15000	SHACKLE (KIT-08000B ONLY)	24				
14	FLL-20000	COMP FLAIL (KIT-08000C ONLY)	24				

**Shelbourne Reynolds Engineering Limited**

ASSY NUMBER:		KIT-08001		ASSY DESCRIPTION: FLAIL ASSY (1.5M) ALL FLAIL TYPES				
ITEM	PART NO	DESCRIPTION	QTY	ITEM	PART NO	DESCRIPTION	QTY	
1	800015 08	ROTOR ASSY (1.5M) (109456 & ON)	1			FOR COMPLETE FLAIL ASSEMBLY ORDER PART NO'S.:  KIT-08001A-T FLAILS  KIT-08001B-BOOT FLAILS  KIT-08001C-COMPETITION - FLAIL  ** <u>IMPORTANT</u> **  ENSURE BALANCE WEIGHTS ARE NOT MOVED WHEN REPLACING FLAILS. EXACT POSITIONING IS CRITICAL TO SMOOTH RUNNING		
OR	800015 01	ROTOR ASSY (1.5M) (UP TO 109456)	1					
2	FLL-05000	T FLAIL (KIT-08001A ONLY)	30					
3	800070 01	SPACER	60					
4								
5								
6								
7	BLTD16554	BOLT	30					
OR	BLTD16574	BOLT	AR					
OR	BLTD16604	BOLT	AR					
OR	BLTD16654	BOLT	AR					
8	NUTF15162	STOVER NUT (2006&ON)	30					
OR	NUTF02162	NYLOC NUT (UPTO 2006)	30					
9	800274 01	BALANCE WEIGHT (20G)	AR					
OR	800274 02	BALANCE WEIGHT (30G)	AR					
OR	800274 03	BALANCE WEIGHT (50G)	AR					
10								
11								
12	FLL-10000	BOOT FLAIL (KIT-08001B ONLY)	30					
13	FLL-15000	SHACKLE (KIT-08001B ONLY)	30					
14	FLL-20000	COMP FLAIL (KIT-08001C ONLY)	30					



KIT-08000  
KIT-08001

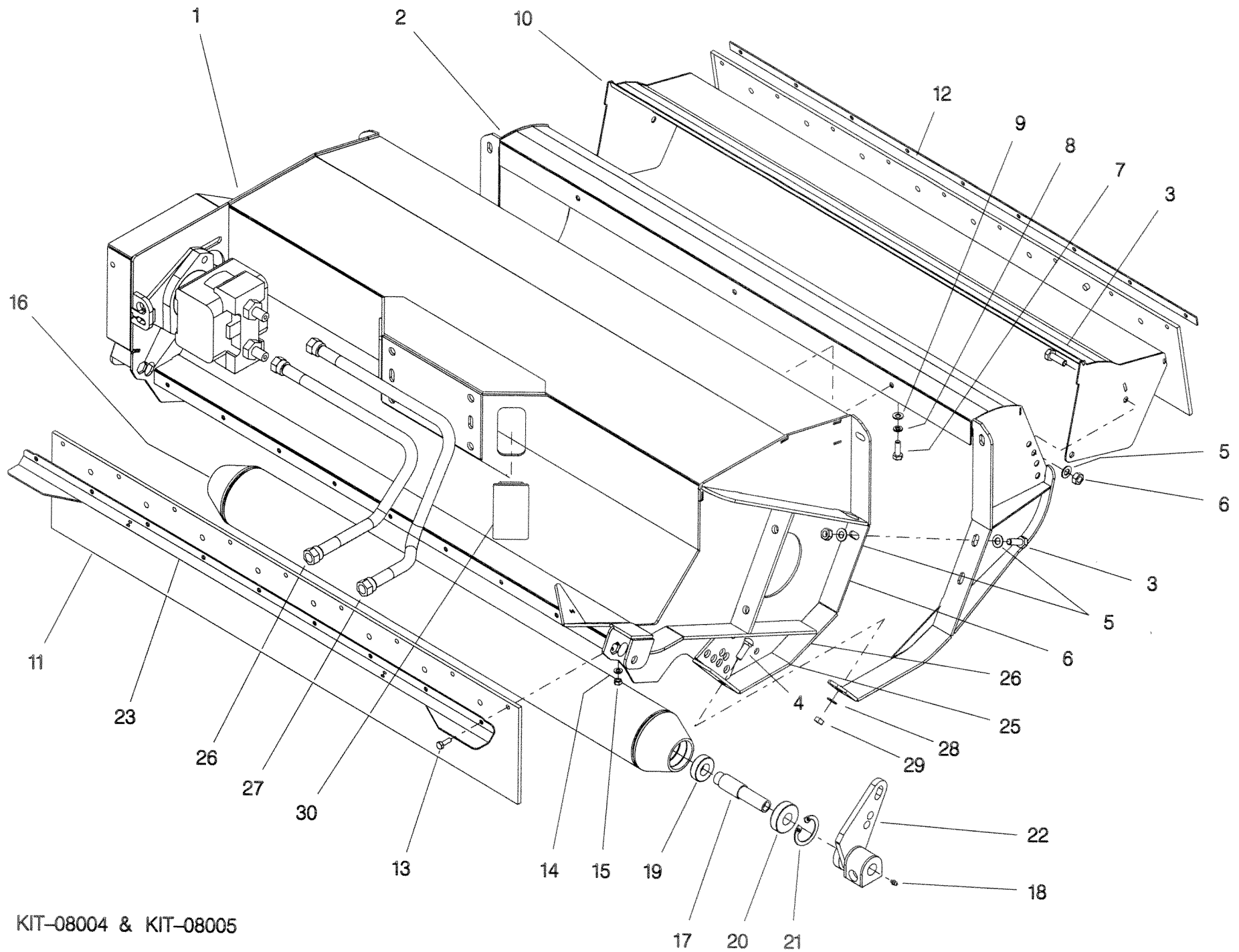


**Shelbourne Reynolds Engineering Limited**

ASSY NUMBER:		KIT-08004		ASSY DESCRIPTION: HEAD SHELL, NOSE AND ROLLER 1.2m			
ITEM	PART NO	DESCRIPTION	QTY	ITEM	PART NO	DESCRIPTION	QTY
1	800707 01	HEAD SHELL (1.2M)	1				
OR	800044 01	HEAD SHELL (1.2M 116453)	1				
2	800240 01	NOSE FIXED (1.2M)	1				
3	HSS-0238	SET SCREW	8				
4	BLTF12173	COACHBOLT	2				
5	WSH-0018	PLAIN WASHER	16				
6	NUT-0269	NYLOC NUT	8				
7	HSS-0188	SETSCREW	3				
8	WSH-0061	SPRING WASHER	3				
9	WSH-0015	PLAIN WASHER	3				
10	800245 01	NOSE MOVING (1.2m)	1				
11	800068 01	CURTAIN (1.2M)	2				
12	800069 01	FIXING STRIP (1.2M)	1				
13	HSS-0150	SETSCREW	18				
14	WSH-0012	PLAIN WASHER	36				
15	NUT-0263	NYLOC NUT	18				
16	800032 01	ROLLER (1.2M)	1				
17	800033 01	STUB SHAFT	2				
18	NIP-00600	GREASE NIPPLE	2				
19	BRG-4125	BEARING	2				
20	BRG-3358	BEARING	2				
21	CIR-0620	CIRCLIP	2				
22	REF	BKT ROLLER (SEE KIT OPTION)	2				
23	800069 03	FIXING STRIP REAR (1.2M)	1				
24							
25							
26	HHAI05605	HOSE	1				
27	HHAI06605	HOSE	1				
28	WSHA30121	WASHER SERRATED	2				
29	NUT-0170	PLAIN NUT	2				
30	CAP-0060	PLASTIC CAP	2				

**Shelbourne Reynolds Engineering Limited**

ASSY NUMBER:		KIT-08005		ASSY DESCRIPTION: HEAD SHELL, NOSE AND ROLLER 1.5m			
ITEM	PART NO	DESCRIPTION	QTY	ITEM	PART NO	DESCRIPTION	QTY
1	800707 02	HEAD SHELL (1.5M)	1				
OR	800044 02	HEAD SHELL (1.5M 102451)	1				
2	800240 02	NOSE FIXED (1.5M)	1				
3	HSS-0238	SET SCREW	8				
4	BLTF12173	COACHBOLT	2				
5	WSH-0018	PLAIN WASHER	16				
6	NUT-0269	NYLOC NUT	8				
7	HSS-0188	SETSCREW	3				
8	WSH-0061	SPRING WASHER	3				
9	WSH-0015	PLAIN WASHER	3				
10	800245 02	NOSE MOVING (1.5M)	1				
11	800068 02	CURTAIN (1.5M)	2				
12	800069 02	FIXING STRIP (1.5M)	1				
13	HSS-0150	SETSCREW	22				
14	WSH-0012	PLAIN WASHER	44				
15	NUT-0263	NYLOC NUT	22				
16	800032 02	ROLLER (1.5M)	1				
17	800033 01	STUB SHAFT	2				
18	NIP-00600	GREASE NIPPLE	2				
19	BRG-4125	BEARING	2				
20	BRG-3358	BEARING	2				
21	CIR-0620	CIRCLIP	2				
22	REF	BKT ROLLER (SEE KIT OPTION)	2				
23	800069 04	FIXING STRIP REAR (1.5M)	1				
24							
25							
26	HHAI07105	HOSE	1				
27	HHAI08105	HOSE	1				
28	WSHA30121	WASHER SERRATED	2				
29	NUT-0170	PLAIN NUT	2				
30	CAP-0060	PLASTIC CAP	2				



KIT-08004 & KIT-08005



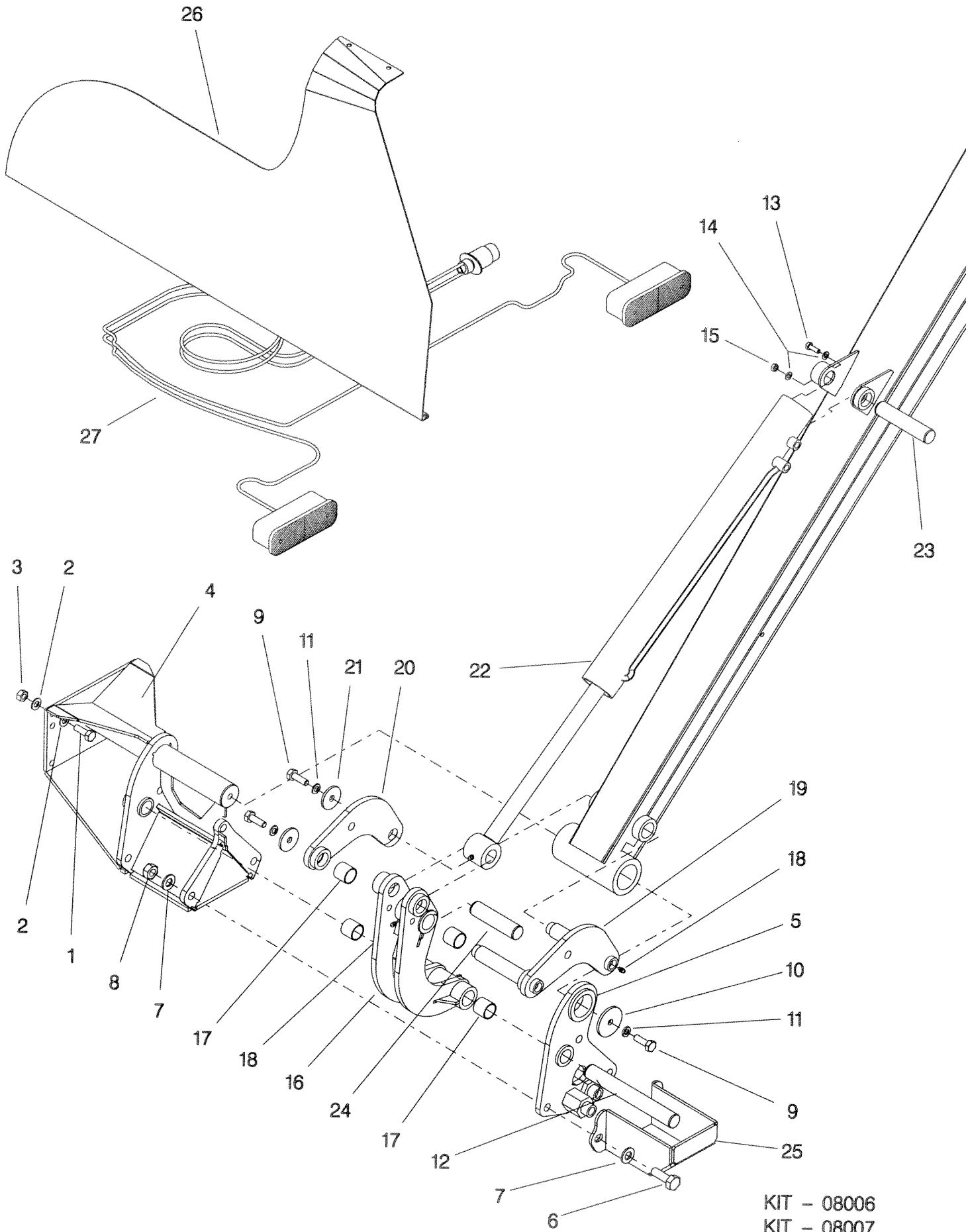


**Shelbourne Reynolds Engineering Limited**

ASSY NUMBER:		KIT-08006		ASSY DESCRIPTION: ANGLING PARTS LH			
ITEM	PART NO	DESCRIPTION	QTY	ITEM	PART NO	DESCRIPTION	QTY
1	HSS-0317	SETSCREW	4				
OR	HSS-0250	SETSCREW (116453)	6				
2	WSH-0018	PLAIN WASHER	0				
OR	WSH-0018	PLAIN WASHER (116453)	12				
3	NUT-0269	NYLOC NUT	0				
OR	NUT-0269	NYLOC NUT (116453)	6				
4	800703 01	PIVOT SHOE LH	1				
OR	800072 01	PIVOT SHOE LH (116453)	1				
5	800086 02	RADIUS PLATE	1				
6	HSS-0319	SETSCREW	3				
7	WSH-0024	PLAIN WASHER	14				
OR	WSH-0024	PLAIN WASHER (116453)	6				
8	NUT-0271	NYLOC NUT	7				
OR	NUT-0271	NYLOC NUT (116453)	3				
9	HSS-0235	SETSCREW	3				
10	190119 56	WASHER	1				
11	WSH-0065	SPRING WASHER	3				
12	800101 01	PIN HEAD ANGLING	1				
13	BLTA08350	BOLT	3				
14	WSH-0012	PLAIN WASHER	6				
15	NUT-0263	NYLOC NUT	3				
16	800090 01	2 <sup>ND</sup> CURVED LINK	1				
17	BSH-3030	BUSH	4				
18	NIP-00600	GREASE NIPPLE	4				
19	800097 01	1 <sup>ST</sup> CURVED LINK ASSY	1				
20	800098 01	1 <sup>ST</sup> CURVED PLATE ASSY	1				
21	190119 15	WASHER	2				
22	800083 01	CYLINDER HEAD ANGLE	1				
22A	RMSK04032	SEAL KIT (SPARES ONLY)					
23	800101 21	PIN ANGLING RAM CYL	1				
OR	800101 02	PIN ANG RAM CYL(116453)	1				
24	800101 03	PIN ANGLING RAM ROD	1				
25	800491 01	REAR PROTECTOR	1				
26	800512 01	COVER LH	1				
27	800387 01	LIGHTING HARNESS LH	1				
28	NIP-00605	GREASE NIPPLE	1				

**Shelbourne Reynolds Engineering Limited**

ASSY NUMBER:		KIT-08007		ASSY DESCRIPTION: ANGLING PARTS RH			
ITEM	PART NO	DESCRIPTION	QTY	ITEM	PART NO	DESCRIPTION	QTY
1	HSS-0316	SETSCREW	4				
2							
3							
4	800703 02	PIVOT SHOE RH	1				
5	800086 02	RADIUS PLATE	1				
6	HSS-0319	SETSCREW	3				
7	WSH-0024	PLAIN WASHER	14				
8	NUT-0271	NYLOC NUT	7				
9	HSS-0235	SETSCREW	3				
10	190119 56	WASHER	1				
11	WSH-0065	SPRING WASHER	3				
12	800101 01	PIN HEAD ANGLING	1				
13	BLTA08350	BOLT	3				
14	WSH-0012	PLAIN WASHER	6				
15	NUT-0263	NYLOC NUT	3				
16	800090 01	2 <sup>ND</sup> CURVED LINK	1				
17	BSH-3030	BUSH	4				
18	NIP-00600	GREASE NIPPLE	4				
19	800097 01	1 <sup>ST</sup> CURVED LINK ASSY	1				
20	800098 01	1 <sup>ST</sup> CURVED PLATE ASSY	1				
21	190119 15	WASHER	2				
22	800083 01	CYLINDER HEAD ANGLE	1				
22A	RMSK04032	SEAL KIT (SPARES ONLY)					
OR	RMSK00160	SEAL KIT (SPARES ONLY)					
23	800101 21	PIN ANGLING RAM CYL	1				
24	800101 03	PIN ANGLING RAM ROD	1				
25	800491 01	REAR PROTECTOR	1				
26	800512 02	COVER RH	1				
27	800387 02	LIGHTING HARNESS RH	1				
28	NIP-00605	GREASE NIPPLE	1				



KIT - 08006  
 KIT - 08007

**Shelbourne Reynolds Engineering Limited**

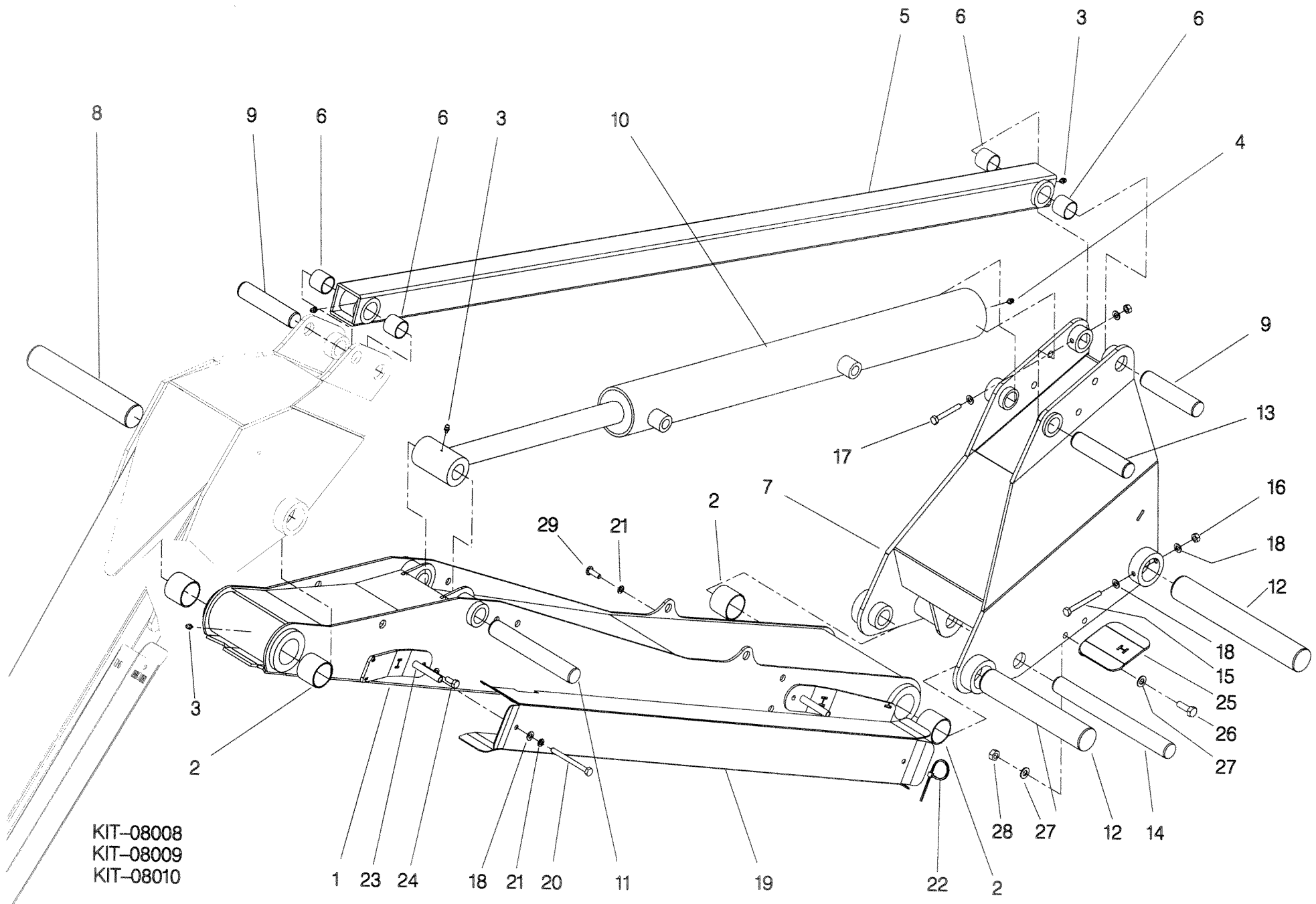
ASSY NUMBER:		KIT-08008		ASSY DESCRIPTION:		INNER BOOM PARTS 4.6m	
ITEM	PART NO	DESCRIPTION	QTY	ITEM	PART NO	DESCRIPTION	QTY
1	800114 01	FIRST BOOM 4.6m	1				
2	BSHA04562	BUSH	4				
3	NIP-00600	GREASE NIPPLE	5				
4	NIP-00605	GREASE NIPPLE	1				
5	800121 01	TIE ARM 4.6m	1				
6	BSH-3030	BUSH	4				
7	800124 01	ROCKER	1				
8	800102 01	PIN 2 <sup>ND</sup> / 1 <sup>ST</sup> BOOM	1				
9	800101 04	PIN TIE ARM TOP	2				
10	800082 01	CYLINDER REACH	1				
10A	RMSK04040	SEAL KIT (SPARES ONLY)					
OR	RMSK00170	SEAL KIT (SPARES ONLY)					
11	800101 05	PIN 2 <sup>ND</sup> RAM ROD	1				
12	800102 02	PIN 1 <sup>ST</sup> BOOM + ROCKER PIVOT	2				
13	800101 06	PIN 2 <sup>ND</sup> RAM CYL	1				
14	800101 07	PIN 1 <sup>ST</sup> RAM ROD	1				
15	BLTA08500	BOLT	3				
16	NUT-0263	NYLOC NUT	10				
17	BLTA08380	BOLT	5				
18	WSH-0012	PLAIN WASHER	18				
19	800236 01	COVER 1 <sup>ST</sup> BOOM 4.6m	1				
20	BLTA08620	BOLT	2				
21	WSH-0058	SPRING WASHER	8				
22	TIE-0012	TIE WRAP (LARGE)	2				
23	800478 03	CLIP FOR HOSES	2				
24	HSS-0140	BOLT	2				
25	800481 01	BRACKET, HOSES, ROCKER	1				
26	HSS-0194	BOLT	2				
27	WSH-0015	PLAIN WASHER	4				
28	NUT-0265	NYLOC NUT	2				
29	SCBA08172	BUTT HD SETSCREW	4				

**Shelbourne Reynolds Engineering Limited**

ASSY NUMBER:		KIT-08009		ASSY DESCRIPTION:		INNER BOOM PARTS 5.3m	
ITEM	PART NO	DESCRIPTION	QTY	ITEM	PART NO	DESCRIPTION	QTY
1	800114 02	FIRST BOOM 5.3m	1				
2	BSHA04562	BUSH	4				
3	NIP-00600	GREASE NIPPLE	5				
4	NIP-00605	GREASE NIPPLE	1				
5	800121 02	TIE ARM 5.3m	1				
6	BSH-3030	BUSH	4				
7	800124 01	ROCKER	1				
8	800102 01	PIN 2 <sup>ND</sup> / 1 <sup>ST</sup> BOOM	1				
9	800101 04	PIN TIE ARM TOP	2				
10	800082 01	CYLINDER REACH	1				
10A	RMSK04040	SEAL KIT (SPARES ONLY)					
OR	RMSK00170	SEAL KIT (SPARES ONLY)					
11	800101 05	PIN 2 <sup>ND</sup> RAM ROD	1				
12	800102 02	PIN 1 <sup>ST</sup> BOOM + ROCKER PIVOT	2				
13	800101 06	PIN 2 <sup>ND</sup> RAM CYL	1				
14	800101 07	PIN 1 <sup>ST</sup> RAM ROD	1				
15	BLTA08500	BOLT	3				
16	NUT-0263	NYLOC NUT	10				
17	BLTA08380	BOLT	5				
18	WSH-0012	PLAIN WASHER	18				
19	800236 02	COVER 1 <sup>ST</sup> BOOM 5.3m	1				
20	BLTA08620	BOLT	2				
21	WSH-0058	SPRING WASHER	8				
22	TIE-0012	TIE WRAP (LARGE)	2				
23	800478 03	CLIP FOR HOSES	2				
24	HSS-0140	BOLT	2				
25	800481 01	BRACKET, HOSES, ROCKER	1				
26	HSS-0194	BOLT	2				
27	WSH-0015	PLAIN WASHER	4				
28	NUT-0265	NYLOC NUT	2				
29	SCBA08172	BUTT HD SETSCREW	4				

**Shelbourne Reynolds Engineering Limited**

ASSY NUMBER:		KIT-08010		ASSY DESCRIPTION: INNER BOOM PARTS 6.0m			
ITEM	PART NO.	DESCRIPTION	QTY	ITEM	PART NO.	DESCRIPTION	QTY
1	800114 03	FIRST BOOM 6.0m	1				
2	BSHA04562	BUSH	4				
3	NIP-00600	GREASE NIPPLE	5				
4	NIP-00605	GREASE NIPPLE	1				
5	800121 03	TIE ARM 6.0m	1				
6	BSH-3030	BUSH	4				
7	800124 01	ROCKER	1				
8	800102 01	PIN 2 <sup>ND</sup> / 1 <sup>ST</sup> BOOM	1				
9	800101 04	PIN TIE ARM TOP	2				
10	800082 01	CYLINDER REACH	1				
10A	RMSK04040	SEAL KIT (SPARES ONLY)					
OR	RMSK00170	SEAL KIT (SPARES ONLY)					
11	800101 05	PIN 2 <sup>ND</sup> RAM ROD	1				
12	800102 02	PIN 1 <sup>ST</sup> BOOM + ROCKER PIVOT	2				
13	800101 06	PIN 2 <sup>ND</sup> RAM CYL	1				
14	800101 07	PIN 1 <sup>ST</sup> RAM ROD	1				
15	BLTA08500	BOLT	3				
16	NUT-0263	NYLOC NUT	10				
17	BLTA08380	BOLT	5				
18	WSH-0012	PLAIN WASHER	18				
19	800236 03	COVER 1 <sup>ST</sup> BOOM 6.0m	1				
20	BLTA08620	BOLT	2				
21	WSH-0058	SPRING WASHER	8				
22	TIE-0012	TIE WRAP (LARGE)	2				
23	800478 03	CLIP FOR HOSES	2				
24	HSS-0140	BOLT	2				
25	800481 01	BRACKET, HOSES, ROCKER	1				
26	HSS-0194	BOLT	2				
27	WSH-0015	PLAIN WASHER	4				
28	NUT-0265	NYLOC NUT	2				
29	SCBA08172	BUTT HD SETSCREW	4				



KIT-08008  
 KIT-08009  
 KIT-08010

1 23 24 18 21 20 11 19 22 2 28 27 12 14

**Shelbourne Reynolds Engineering Limited**

ASSY NUMBER: KIT-08011		ASSY DESCRIPTION: OUTER BOOM PARTS 4.6m					
ITEM	PART NO	DESCRIPTION	QTY	ITEM	PART NO	DESCRIPTION	QTY
1	800103 01	OUTER BOOM 4.6m	1				
2	BSHA05062	BUSH	2				
3	BSH-3030	BUSH	2				
4	NIP-00600	GREASE NIPPLE	1				
5	HHCC46905	HOSE	2				
6							
7							
8	WSH-0012	PLAIN WASHER	9				
9	NUT-0263	NYLOC NUT	5				
10	800237 01	COVER 2 <sup>ND</sup> BOOM 4.6m	1				
11	BLTA08620	BOLT	1				
12	WSH-0058	SPRING WASHER	8				
13	800335 01	BRACKET ADJ STRUT	2				
14	SCW-0518	BUTT HD SCREW	4				
15	WSH-0018	PLAIN WASHER	6				
16	WSH-0065	SPRING WASHER	4				
17	800336 01	BASE ADJ STRUT	1				
18	800339 01	PAD ADJ STRUT	1				
19	CLP-00106	R CLIP	2				
20	BLTA12440	BOLT	1				
21	NUT-0269	NYLOC NUT	1				
22	800191 01	RUBBER PAD FOR BOOMS	1				
23	800342 01	RUBBER PAD ADJ STRUT	1				
24	HSS-0150	SETSCREW	4				
25	HHBI55005	HOSE	2				
26	TIE-0012	TIE WRAP (LARGE)	3				
27	800478 03	CLIP FOR HOSES	1				
28	HSS-0140	BOLT	3				
29	800484 01	HOSE CLIP HEAD END	1				
30	SCBA08172	BUTT HD SCREW	4				

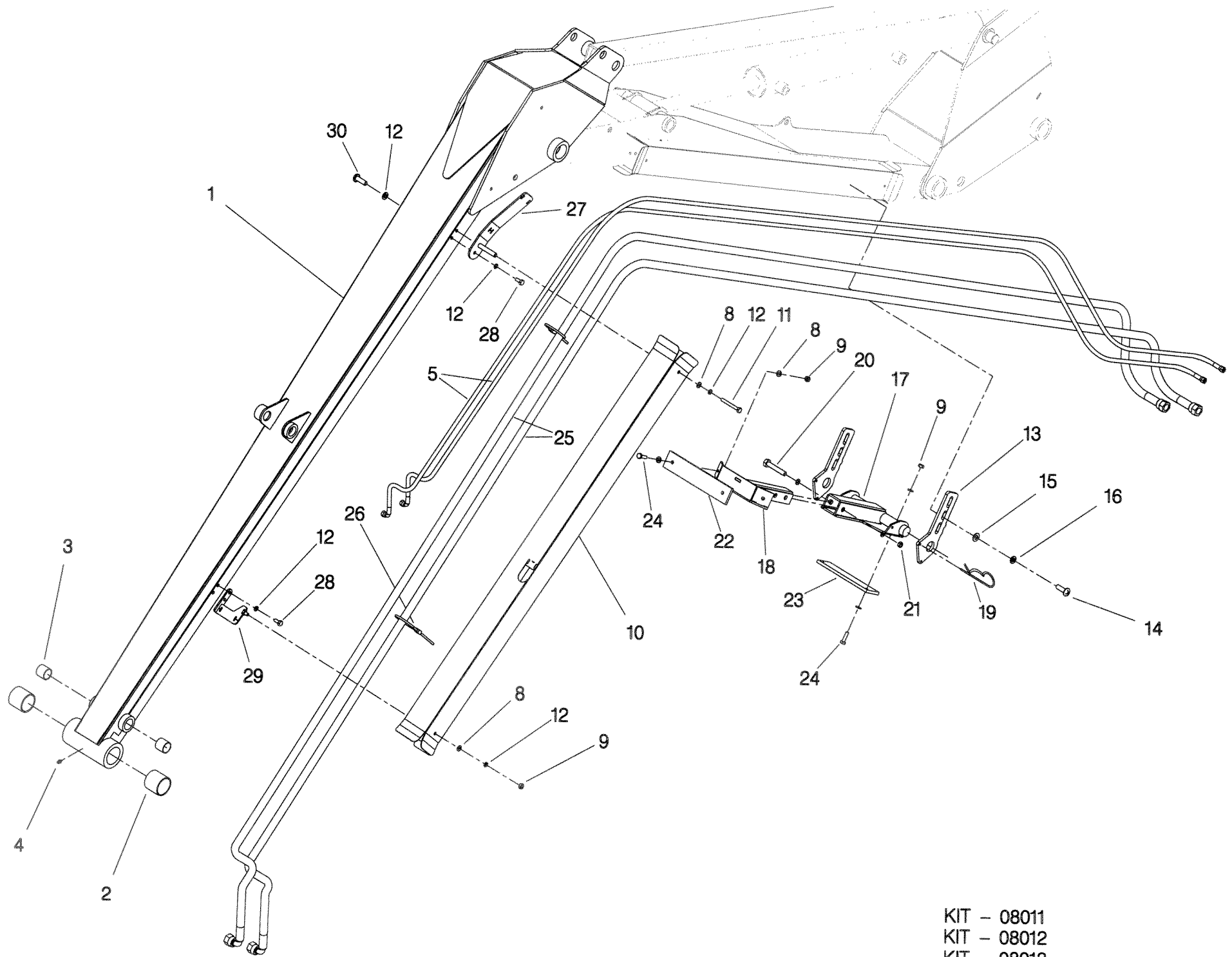


**Shelbourne Reynolds Engineering Limited**

ASSY NUMBER:		KIT-08012		ASSY DESCRIPTION: OUTER BOOM PARTS 5.3m			
ITEM	PART NO	DESCRIPTION	QTY	ITEM	PART NO	DESCRIPTION	QTY
1	800103 02	OUTER BOOM 5.3m	1				
2	BSHA05062	BUSH	2				
3	BSH-3030	BUSH	2				
4	NIP-00600	GREASE NIPPLE	1				
5	HHCC54705	HOSE	2				
6							
7							
8	WSH-0012	PLAIN WASHER	9				
9	NUT-0263	NYLOC NUT	5				
10	800237 02	COVER 2 <sup>ND</sup> BOOM 5.3m	1				
11	BLTA08620	BOLT	1				
12	WSH-0058	SPRING WASHER	8				
13	800335 01	BRACKET ADJ STRUT	2				
14	SCW-0518	BUTT HD SCREW	4				
15	WSH-0018	PLAIN WASHER	6				
16	WSH-0065	SPRING WASHER	4				
17	800336 01	BASE ADJ STRUT	1				
18	800339 01	PAD ADJ STRUT	1				
19	CLP-00106	R CLIP	2				
20	BLTA12440	BOLT	1				
21	NUT-0269	NYLOC NUT	1				
22	800191 01	RUBBER PAD FOR BOOMS	1				
23	800342 01	RUBBER PAD ADJ STRUT	1				
24	HSS-0150	SETSCREW	4				
25	HHBI62505	HOSE	2				
26	TIE-0012	TIE WRAP (LARGE)	3				
27	800478 03	CLIP FOR HOSES	1				
28	HSS-0140	BOLT	3				
29	800484 01	HOSE CLIP HEAD END	1				
30	SCBA08172	BUTT HD SCREW	4				

**Shelbourne Reynolds Engineering Limited**

ASSY NUMBER:		KIT-08013		ASSY DESCRIPTION: OUTER BOOM PARTS 6.0m			
ITEM	PART NO	DESCRIPTION	QTY	ITEM	PART NO	DESCRIPTION	QTY
1	800103 03	OUTER BOOM 6.0m	1				
2	BSHA05062	BUSH	2				
3	BSH-3030	BUSH	2				
4	NIP-00600	GREASE NIPPLE	1				
5	HHCC62505	HOSE	2				
6							
7							
8	WSH-0012	PLAIN WASHER	9				
9	NUT-0263	NYLOC NUT	5				
10	800237 03	COVER 2 <sup>ND</sup> BOOM 6.0m	1				
11	BLTA08620	BOLT	1				
12	WSH-0058	SPRING WASHER	8				
13	800335 01	BRACKET ADJ STRUT	2				
14	SCW-0518	BUTT HD SCREW	4				
15	WSH-0018	PLAIN WASHER	6				
16	WSH-0065	SPRING WASHER	4				
17	800336 01	BASE ADJ STRUT	1				
18	800339 01	PAD ADJ STRUT	1				
19	CLP-00106	R CLIP	2				
20	BLTA12440	BOLT	1				
21	NUT-0269	NYLOC NUT	1				
22	800191 01	RUBBER PAD FOR BOOMS	1				
23	800342 01	RUBBER PAD ADJ STRUT	1				
24	HSS-0150	SETSCREW	4				
25	HHBI70505	HOSE	2				
26	TIE-0012	TIE WRAP (LARGE)	3				
27	800478 03	CLIP FOR HOSES	1				
28	HSS-0140	BOLT	3				
29	800484 01	HOSE CLIP HEAD END	1				
30	SCBA08172	BUTT HD SCREW	4				

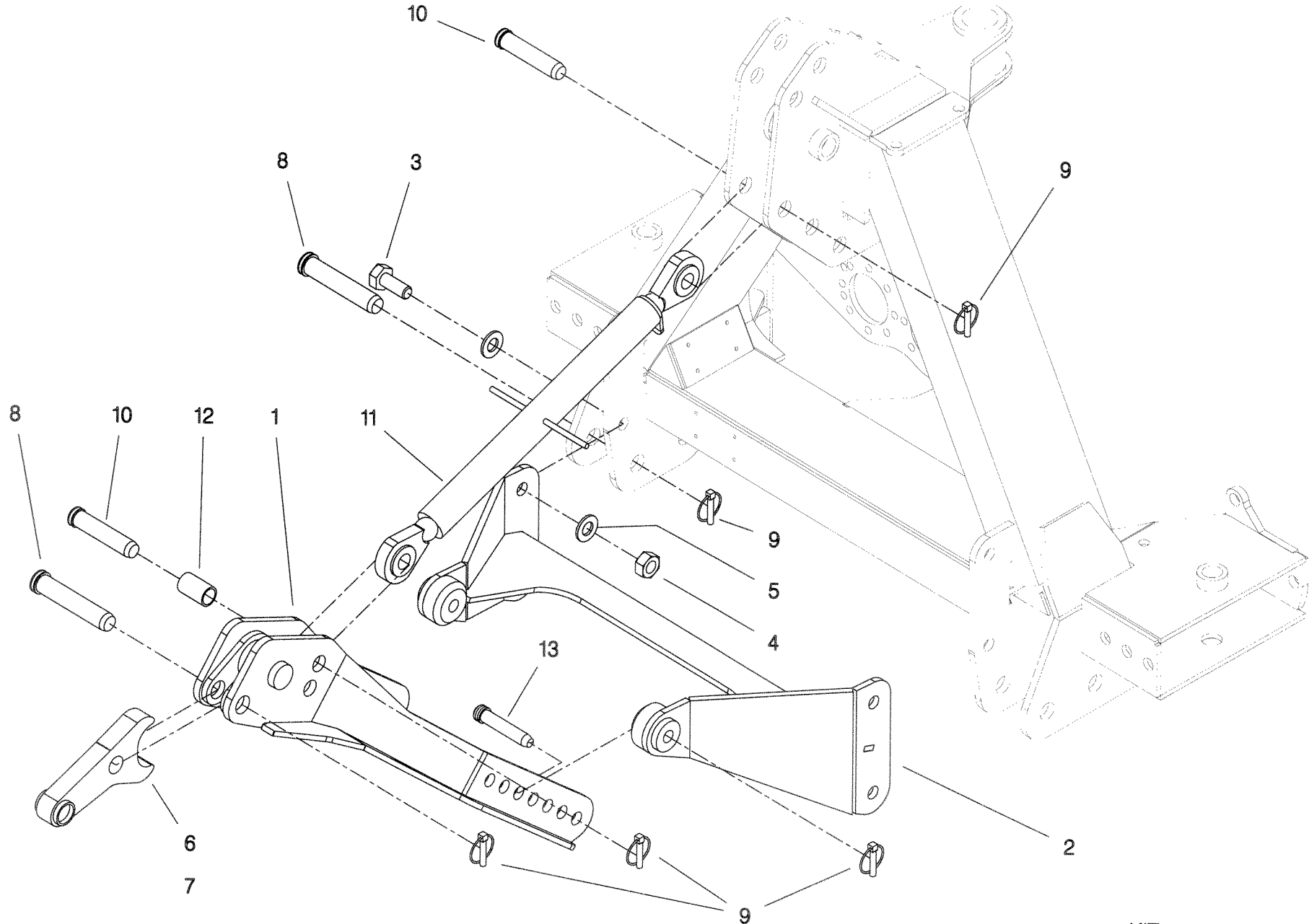


KIT - 08011  
KIT - 08012  
KIT - 08013

**Shelbourne Reynolds Engineering Limited**

ASSY NUMBER:           KIT-08014                                   ASSY DESCRIPTION:    STABILISERS - 3PT LINKAGE MTG

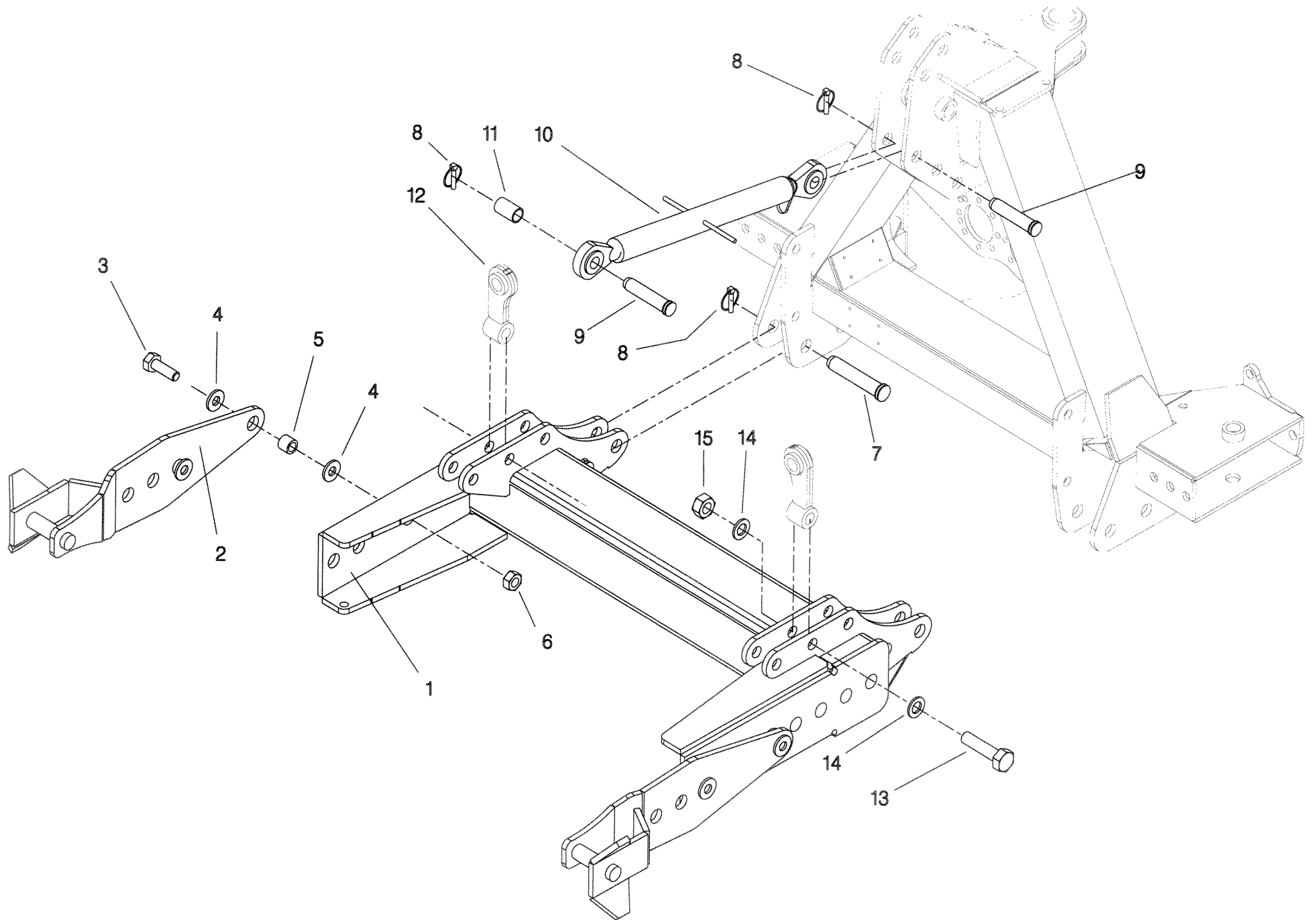
ITEM	PART NO	DESCRIPTION	QTY	ITEM	PART NO	DESCRIPTION	QTY
1	800439 01	STABILISER WA	1				
2	800435 01	STABILISER BAR	1				
3	HSS-0355	SETSCREW	4				
4	NUTA02200	NYLOC NUT	4				
5	WSH-0030	PLAIN WASHER	8				
6	800444 01	NOSE PIECE CAT2	1				
7	800444 02	NOSE PIECE CAT3	1				
8	800199 01	PIN	3				
9	PIN-01950	LYNCH PIN	7				
10	800198 01	PIN	2				
11	ADL-13570	TOP LINK ASSY	1				
12	800197 01	SPACER	1				
13	800447 01	PIN	2				



KIT-08014

**Shelbourne Reynolds Engineering Limited**

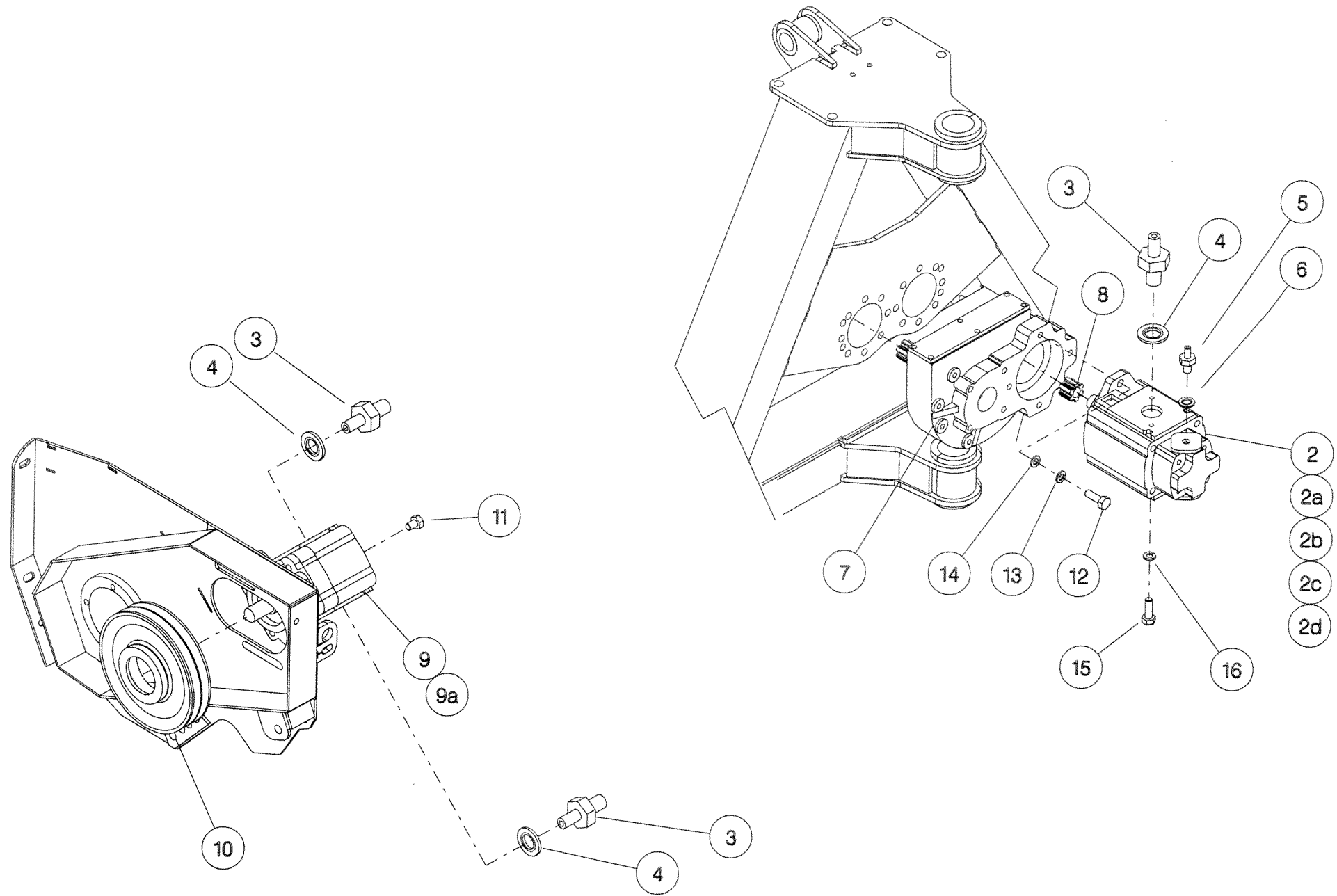
ASSY NUMBER:		KIT-08015		ASSY DESCRIPTION: STABILISERS - AXLE MOUNTING			
ITEM	PART NO	DESCRIPTION	QTY	ITEM	PART NO	DESCRIPTION	QTY
1	800223 01	HITCH SUBFRAME	1				
2	800227 01	PIN ARM	2				
3	BLT-2366	BOLT	4				
4	190119 47	WASHER	8				
5	800233 01	SPACER	4				
6	NUTA02200	NYLOC NUT	4				
7	800199 01	PIN	2				
8	PIN-01950	LYNCH PIN	4				
9	800198 01	PIN	2				
10	ADL-13570	TOP LINK ASSY	1				
11	800197 01	SPACER	1				
12A	800344 01	LINK (NH TS155, MF 4245...)	2 or			REQUIRED LINKS MAY VARY NOT ONLY BETWEEN MODELS IN A TRACTOR RANGE, BUT ALSO ACCORDING TO THE YEAR OF MANUFACTURE OF THE TRACTOR. IDEALLY, WHERE REPLACEMENT OR ADDITIONAL LINKS ARE REQUIRED, PLEASE SUPPLY US WITH HOLE DIAMETER AND THICKNESS OF THE TRACTOR LINK ARMS AT THE POINT WHERE THE DROP LINK ATTACHES (IE DOWN FROM THE LEVELLING BOX)	
12B	800344 05	LINK (CASE MX135, JD 8310...)	2 or				
12C	800344 07	LINK (JD CAT3 LINKS...)	2 or				
12D	800344 09	LINK (CASE 4230, MF 390T...)	2 or				
12E	800344 11	LINK (McC CX80...)	2 or				
12F	800344 13	LINK (JD CAT2, MF30**...)	2 or				
12G	800344 15	LINK (CASE 1056...)	2 or				
12H	800344 17	LINK (MF 6150...)	2				
13	BLTA24560	BOLT	2				
14	WSH-0036	PLAIN WASHER	4				
15	NUT-0275	NYLOC NUT	2				



**Shelbourne Reynolds Engineering Limited**

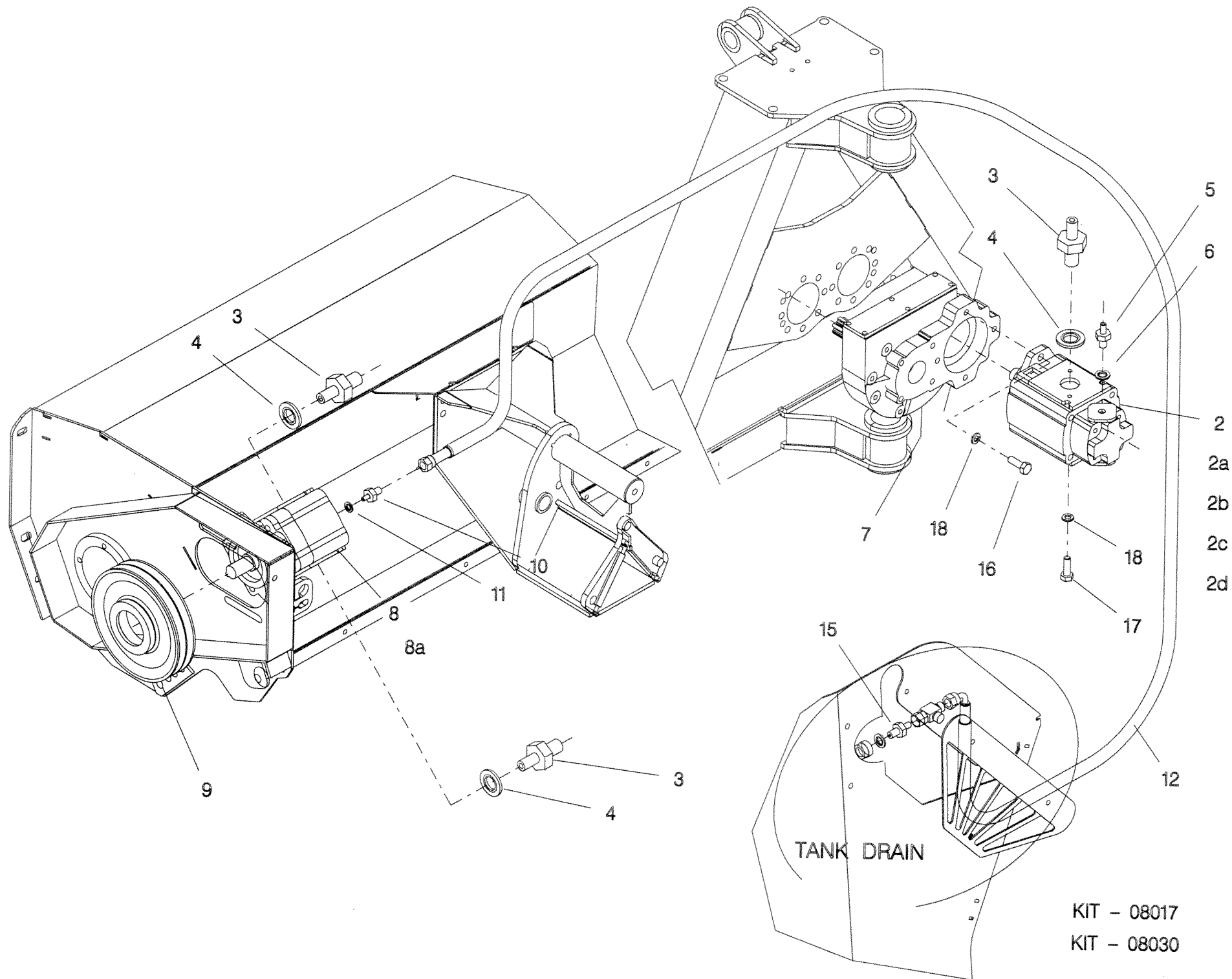
ASSY NUMBER:		KIT-08016		ASSY DESCRIPTION: DRIVE STANDARD POWER			
ITEM	PART NO	DESCRIPTION	QTY	ITEM	PART NO	DESCRIPTION	QTY
1							
2	PUM090450	TANDEM PUMP SET(STD POWER)	1				
2A	PUM-	PUMP-MOTOR DRIVE (SPARES)					
2B	HPS-03600	PUMP SEAL KIT-MOTOR(SPARES)					
2C	PUM-	PUMP-CYLINDERS (SPARES)					
2D	HPS-00900	PUMP SEAL KIT-CYL.(SPARES)					
3	HMA-0075	ADAPTOR	3				
4	WSH-1020	BONDED SEAL	3				
5	HMA-0067	ADAPTOR	1				
6	WSH-1015	BONDED SEAL	1				
7	GEA-0025	GEARBOX (STD POWER)	1				
8	GEA-1401	GEARBOX COUPLING(STD.POWER)	1				
9	MOTH02600	MOTOR (STD POWER)	1				
9A	HMS-02600	MOTOR SEAL KIT(SPARES ONLY)					
10	800027 01	PULLEY MOTOR	1				
11	FIT-0217	MALE BLANK PLUG	1				
12	SCW-0196	SOC. CAP HD SCREW	4				
13	WSH-0061	SPRING WASHER	4				
14	WSH-0015	PLAIN WASHER	4				
15	HSS-0250	SETSCREW	4				
16	WSH-0065	SPRING WASHER	4				





**Shelbourne Reynolds Engineering Limited**

ASSY NUMBER: KIT-08017		ASSY DESCRIPTION: DRIVE HIGH POWER (CABLE/SW CONTS)					
ITEM	PART NO	DESCRIPTION	QTY	ITEM	PART NO	DESCRIPTION	QTY
1							
2	PUM090620	TANDEM PUMP SET(HIGH POWER)	1				
2A	PUM-	PUMP-MOTOR DRIVE (SPARES)					
2B	HPS-05200	PUMP SEAL KIT-MOTOR(SPARES)					
2C	PUM-	PUMP-CYLINDERS (SPARES)					
2D	HPS-00900	PUMP SEAL KIT-CYL. (SPARES)					
3	FIT-0546	ADAPTOR	3				
4	WSH-1025	BONDED SEAL	3				
5	HMA-0060	ADAPTOR	1				
6	WSH-1020	BONDED SEAL	1				
7	GEA-0035	GEARBOX (HIGH POWER)	1				
8	MOTH04000	MOTOR (HIGH POWER)	1				
8A	HMS-04005	MOTOR SEAL KIT(SPARES ONLY)					
9	800027 02	PULLEY MOTOR	1				
10	HMA-0055	ADAPTOR	1				
11	WSH-1005	BONDED SEAL	1				
12	HHBF86505	HOSE	1				
13							
14							
15	HMA-0067	ADAPTOR	1				
16	HSS-0241	SETSCREW	2				
17	BLT-0240	BOLT	4				
18	WSH-0065	SPRING WASHER	6				



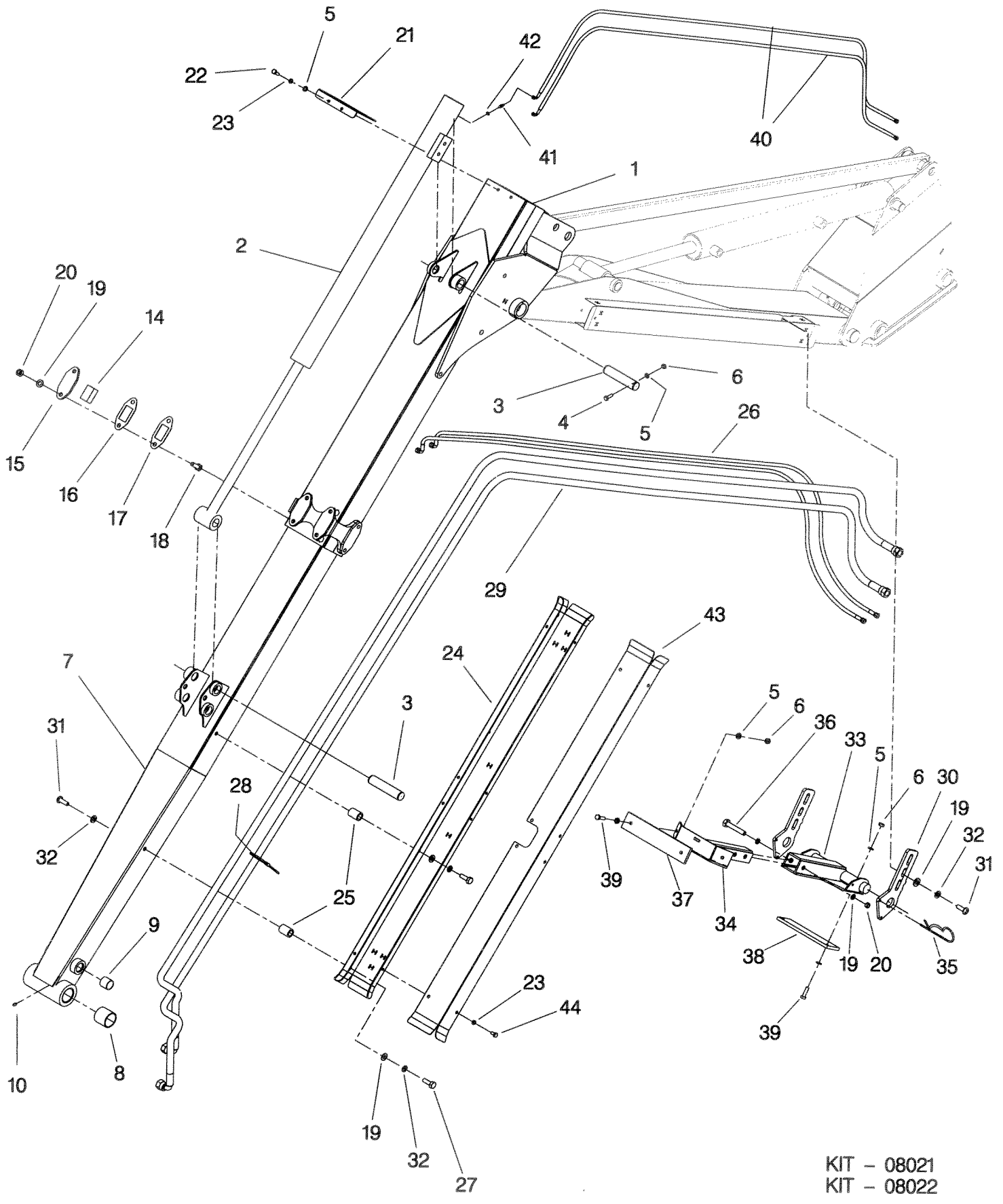


**Shelbourne Reynolds Engineering Limited**

ASSY NUMBER:		KIT-08021		ASSY DESCRIPTION:		OUTER BOOM PARTS 5.3m TELESCOPIC	
ITEM	PART NO	DESCRIPTION	QTY	ITEM	PART NO	DESCRIPTION	QTY
1	800251 01	TELE BOOM MC.SIDE 5.3m	1	38	800342 01	RUBBER PAD ADJ STRUT	1
2	800250 01	HYDRAULIC CYLINDER	1	39	HSS-0150	SETSCREW	4
2A	RMSK04032	SEAL KIT (SPARES ONLY)		40	HHCC39105	HOSE	2
3	800101 02	PIN ANGLING RAM CYL	2	41	HMA-0052	ADAPTOR	2
4	BLTA08350	BOLT	2	42	WSH-1005	BONDED SEAL	2
5	WSH-0012	PLAIN WASHER	22	43	800490 01	HOSE COVER TELE BOOM 5.3m	1
6	NUT-0263	NYLOC NUT	6	44	HSS-0135	SETSCREW	8
7	800260 01	TELE BOOM HD.SIDE 5.3m	1				
8	BSHA05062	BUSH	2				
9	BSH-3030	BUSH	2				
10	NIP-00600	GREASE NIPPLE	1				
11							
12							
13							
14	800267 01	WEAR PAD	12				
15	800265 01	BACKING PLATE	12				
16	800265 02	SHIM 2mm	12				
17	800265 03	SHIM 1mm	12				
18	BLTA12290	BOLT	24				
19	WSH-0018	PLAIN WASHER	32				
20	NUT-0269	NYLOC NUT	25				
21	800266 01	COVER PLATE	1				
22	HSS-0145	SETSCREW	2				
23	WSH-0058	SPRING WASHER	10				
24	800304 01	HOSE SUPPT TELE BOOM 5.3m	1				
25	800306 01	SPACER LONG	2				
26	HHCC54705	HOSE	2				
27	BLTA12380	BOLT	2				
28	TIE-0012	CABLE TIE (LARGE)	6				
29	HHBI62505	HOSE	2				
30	800335 01	BRACKET ADJ STRUT	2				
31	SCW-0518	BUTT HD SCREW	6				
32	WSH-0065	SPRING WASHER	8				
33	800336 01	BASE ADJ STRUT	1				
34	800339 01	PAD ADJ STRUT	1				
35	CLP-00106	R CLIP	2				
36	BLTA12440	BOLT	1				
37	800191 01	RUBBER PAD FOR BOOM	1				

**Shelbourne Reynolds Engineering Limited**

ASSY NUMBER:		KIT-08022		ASSY DESCRIPTION:		OUTER BOOM PARTS 6.0m TELESCOPIC	
ITEM	PART NO	DESCRIPTION	QTY	ITEM	PART NO	DESCRIPTION	QTY
1	800251 02	TELE BOOM MC.SIDE 6.0m	1	38	800342 01	RUBBER PAD ADJ STRUT	1
2	800250 01	HYDRAULIC CYLINDER	1	39	HSS-0150	SETSCREW	4
2A	RMSK04032	SEAL KIT (SPARES ONLY)		40	HHCC46905	HOSE	2
3	800101 02	PIN ANGLING RAM CYL	2	41	HMA-0052	ADAPTOR	2
4	BLTA08350	BOLT	2	42	WSH-1005	BONDED SEAL	2
5	WSH-0012	PLAIN WASHER	26	43	800490 02	HOSE COVER TELE BOOM 6.0m	1
6	NUT-0263	NYLOC NUT	6	44	HSS-0135	SETSCREW	12
7	800260 02	TELE BOOM HD.SIDE 6.0/6.7m	1				
8	BSHA05062	BUSH	2				
9	BSH-3030	BUSH	2				
10	NIP-00600	GREASE NIPPLE	1				
11							
12							
13							
14	800267 01	WEAR PAD	12				
15	800265 01	BACKING PLATE	12				
16	800265 02	SHIM 2mm	12				
17	800265 03	SHIM 1mm	12				
18	BLTA12290	BOLT	24				
19	WSH-0018	PLAIN WASHER	32				
20	NUT-0269	NYLOC NUT	25				
21	800266 01	COVER PLATE	1				
22	HSS-0145	SETSCREW	2				
23	WSH-0058	SPRING WASHER	14				
24	800304 02	HOSE SUPPT TELE BOOM 6.0m	1				
25	800306 01	SPACER LONG	2				
26	HHCC62505	HOSE	2				
27	BLTA12380	BOLT	2				
28	TIE-0012	CABLE TIE (LARGE)	6				
29	HHBI70505	HOSE	2				
30	800335 01	BRACKET ADJ STRUT	2				
31	SCW-0518	BUTT HD SCREW	6				
32	WSH-0065	SPRING WASHER	8				
33	800336 01	BASE ADJ STRUT	1				
34	800339 01	PAD ADJ STRUT	1				
35	CLP-00106	R CLIP	2				
36	BLTA12440	BOLT	1				
37	800191 01	RUBBER PAD FOR BOOMS	1				



KIT - 08021  
 KIT - 08022

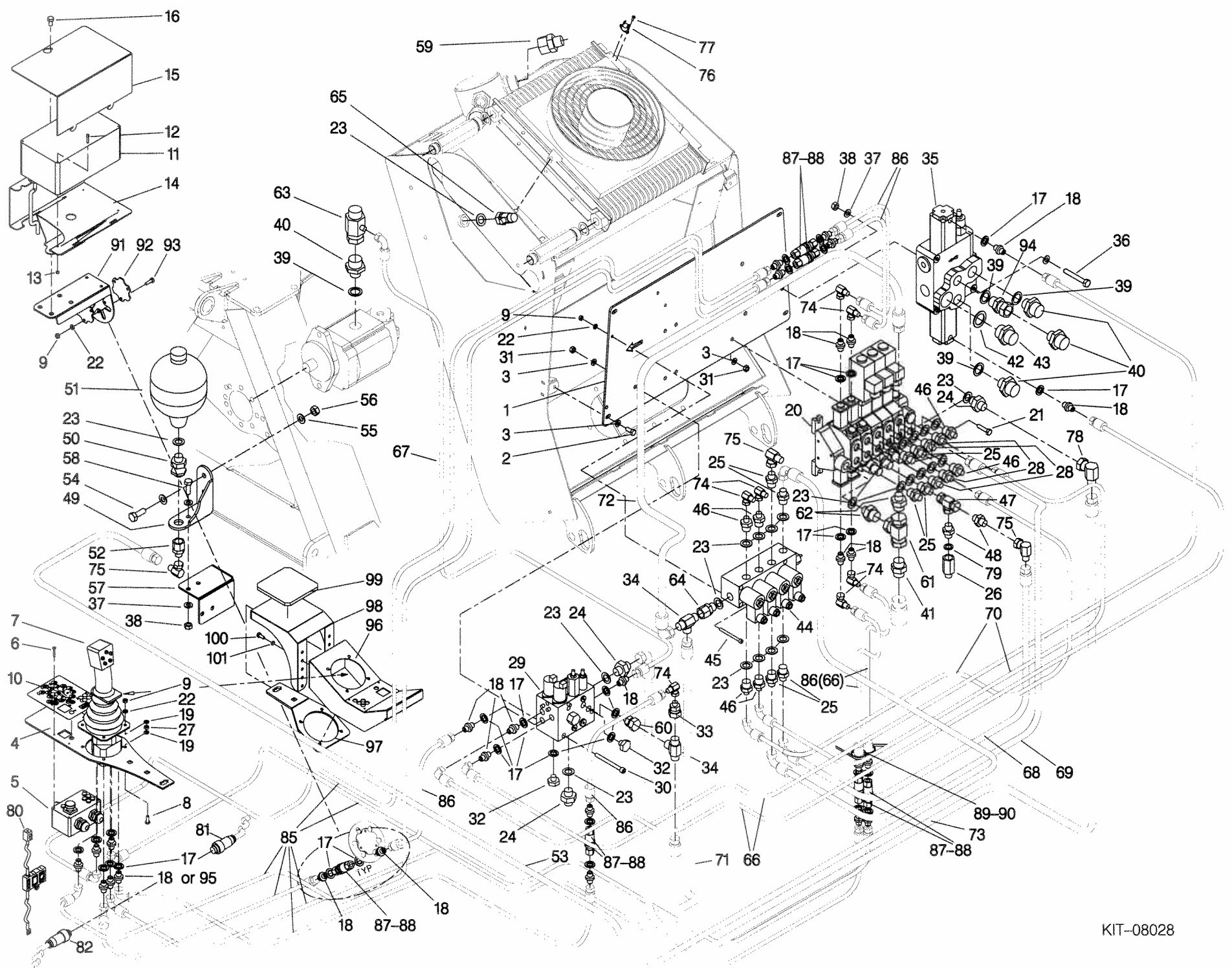
**Shelbourne Reynolds Engineering Limited**

ASSY NUMBER:		KIT-08028		ASSY DESCRIPTION: REMOTE OIL CONTROLS, VFR/TELE			
ITEM	PART NO	DESCRIPTION	QTY	ITEM	PART NO	DESCRIPTION	QTY
1	800400 01	VALVE PLATE REM OIL	1	24	HMA-0067	ADAPTOR	3
2	HSS-0140	SETSCREW	4	25	HMA-0065	ADAPTOR	8
3	WSH-0012	PLAIN WASHER	14	26	HVB-23000	VALVE	1
4	800311 01	MTG BRKT JOYSTICK(UPTO 2005)	1	27	NUT-0160	PLAIN NUT(102454 & ON)	4
5	800402 01	CONTROL/DISPLAY UNIT	1	28	HAPAA0307	ADAPTOR	2
5A	PCB-00015	PRINTED CIRCUIT BOARD	(1)			(2005 & ON)	
5B		LED (RED)	(6)	OR	HAPAA0307	ADAPTOR	4
5C		EMERGENCY STOP SWITCH	(1)			(UP TO 2005)	
6	SCFC04170	PAN HEAD SCREW	4	29	HVB-49005	PILOT GEN/MOTOR CONTROL	1
7	JOY-10000	JOYSTICK	1	30	SCCA08533	CAP SOCK HD SCREW	2
7A		HANDLE FOR JOYSTICK (ONLY)	(1)	31	NUT-0263	NYLOC NUT	6
8	HSS-0092	SETSCREW(102454 & ON)	4	32	FITC00303	BLANKING PLUG	2
OR	SCW-4960	BUT.HD.SCREW(UP TO 102454)	4	33	HACAA0307	ADAPTOR	1
9	NUT-0260	NYLOC NUT	11	34	HMT-0020	TEE	2
10	800308 01	TRANSFER CONTROLS LH	1	35	HVB-29005	VALVE BLOCK MOTOR SPOOL	1
11	800403 01	WIRING HARN./RETURN SENSOR	1	35A	HVB-90036	HYDRAULIC ACTUATOR KIT	(2)
11A	PCB-00010	PRINTED CIRCUIT BOARD	(1)	36	BLTA10530	BOLT	3
11B		RELAY, OIL COOLER	(1)	37	WSH-0015	PLAIN WASHER	14
11C		SENSOR, AUTORETURN	(1)	38	NUT-0265	NYLOC NUT	7
12	SCW-0035	CAP SOCK HD SCREW	4	39	WSH-1020	BONDED SEAL	3
13	NUT-0255	NYLOC NUT	4	40	HMA-0075	ADAPTOR	3
14	800861 01	MTG BKT, CON.BOX(102454 & ON)	1	41	HMA-0074	ADAPTOR	1
OR	800432 01	MTG BKT, CON.BOX(UP TO 102454)	1	42	WSH-1025	BONDED SEAL	1
15	800864 01	COVER, CON.BOX (102454 & ON)	1	43	FIT-0546	ADAPTOR	1
OR	800433 01	COVER, CON.BOX(UP TO 102454))	1	44	HVB-49010	VALVE HEAD/ARM FLOAT	1
16	HSSG08114	SETSCREW(102454 & ON)	1	45	SCCA06443	CAP SOCK HD SCREW	4
OR	SCW-5180	SCREW S/T(UP TO 102454)	4	46	HMA-0055	ADAPTOR	8
17	WSH-1005	BONDED SEAL	30			(2005&ON)	
18	HMA-0052	ADAPTOR	25	OR	HMA-0055	ADAPTOR	6
19	190119 44	WASHER (102454 & ON)	8			(UP TO 2005)	
20	HVB-49000	VALVE BLOCK CYLINDERS	1	47	FITA10240	TEE	1
20A		SEAL KIT SECTION	(5)	48	HMA-0057	ADAPTOR	2
20B		MAIN RELIEF CARTRIDGE	(1)	49	800334 01	BRACKET ACCUMULATOR	1
20C		SERVICE LINE RELIEF	(1)	50	HAGAA0707	BULKHEAD ADAPTOR	1
20D		SERVICE LINE ANTICAV CHECK	(3)	51	HYA-01400	ACCUMULATOR	1
21	HSS-0152	SETSCREW	4	52	FIT-0240	ADAPTOR	1
22	WSH-0009	PLAIN WASHER	15	53	HHCE11005	HOSE	1
23	WSH-1015	BONDED SEAL	24	54	HSS-0241	BOLT	2
				55	WSH-0018	WASHER	4

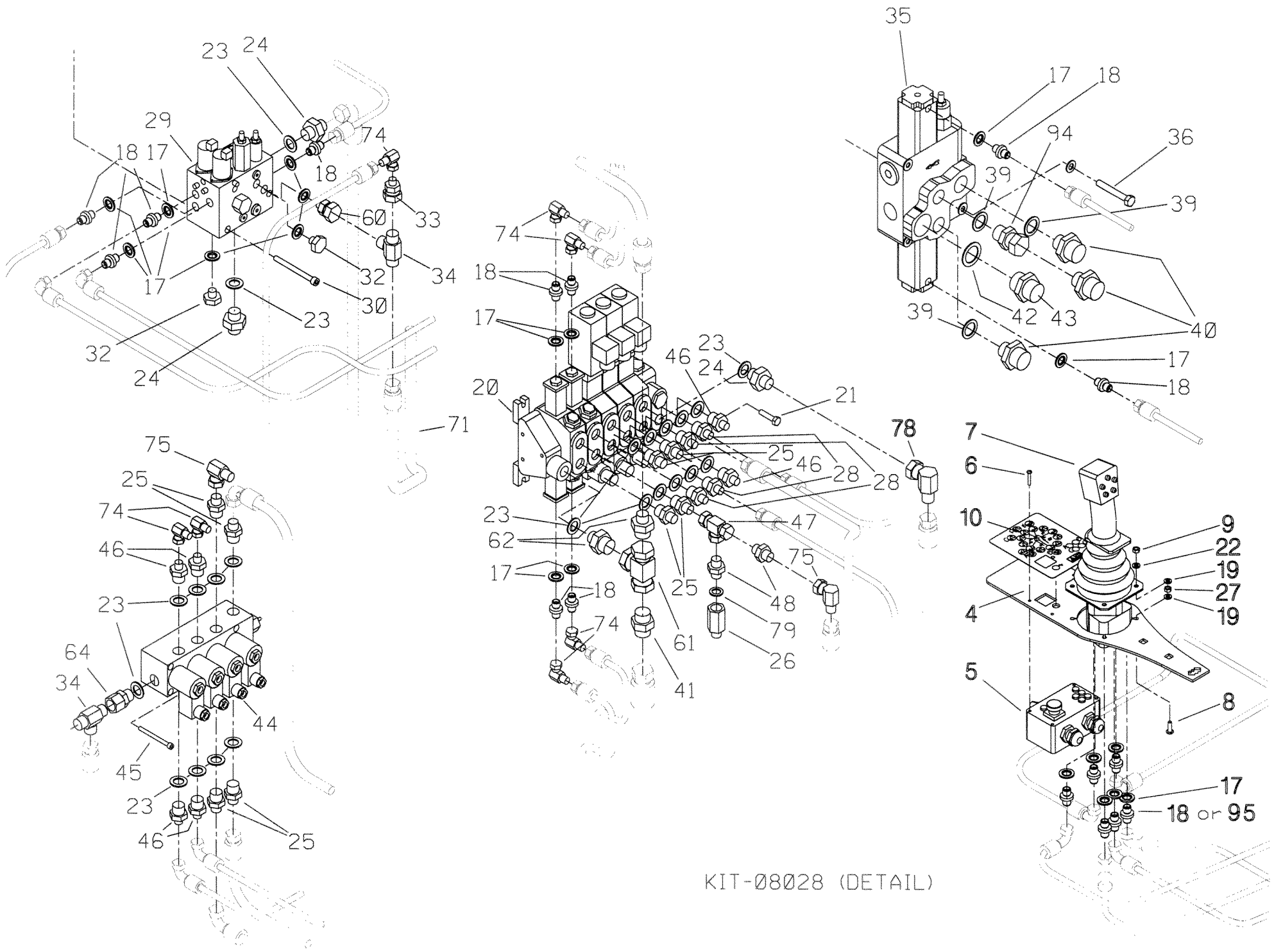


**Shelbourne Reynolds Engineering Limited**

ASSY NUMBER:		KIT-08028 cont		ASSY DESCRIPTION: REMOTE OIL CONTROLS, VFR/TELE (CONT)			
ITEM	PART NO	DESCRIPTION	QTY	ITEM	PART NO	DESCRIPTION	QTY
56	NUT-0269	NYLOC NUT	2	86	HHCC06005	HOSE (102454 & ON)	4
57	800415 01	BRACKET AUTORETURN SENSOR	1				
58	HSS-0194	BOLT	4	OR	HHAC15005	HOSE (UP TO 102454)	6
59	HACAA1113	ADAPTOR	1				
60	800879 01	FITTING MOD.	1	87	HQR-02003	Q.R.PROBE(M)	6
61	FITA10270	TEE	1	88	HQR-12003	Q.R.CARR.(F)	6
62	HMA-0060	ADAPTOR	2	89	TIE-0013	TIE WRAP RED	4
63	FITA10440	TEE	1	90	TIE-0014	TIE WRAP BLUE	4
64	HMA-0115	ADAPTOR	1	91	800877 01	FIXING BRKT.(102454 & ON)	1
65	FITA10420	TEE	1	OR	800810 01	SPACER PLATE(UP TO 102454)	1
66	HHCC08005	HOSE (UP TO 102454)	2	92	800811 01	CLAMP PLATE	2
OR	HHCC08005	HOSE (102454 & ON)	4	93	HSS-0086	SET SCREW (M6x20mm)	3
				94	HACAA1111	ADAPTOR(2005&ON)	1
67	HHBC06405	HOSE	1	95	HBK-0010	BULKHEAD ADAPTOR	3
68	HHBE04005	HOSE	1	96	800911 01	JOYSTICK CONSOLE (2005 & ON)	1
69	HHBE03005	HOSE	1	97	800914 01	MOUNTING PLATE (2005 & ON)	1
70	HHBC04605	HOSE	2	98	800913 01	ARM REST (2005 & ON)	1
71	HHAF05005	HOSE	1	99	800915 01	PAD (2005 & ON)	1
72	HHBF05505	HOSE	1	100	HSS-0084	SETSCREW (2005 & ON)	2
73	HHBF06005	HOSE	1	101	WSH-0056	SPRING WASHER (2005&ON)	2
74	HALAA0303	ADAPTOR (UP TO 102454 ONLY)	8				
75	HALAA0505	ADAPTOR	3				
76	SWT-32500	THERMAL SWITCH	1				
77	SCW-5104	SCREW S/T	2				
78	HAAJAA0707	ELBOW(102454 & ON)	1				
79	WSH-1010	BONDED SEAL	1				
80	800809 01	BATTERY CONNECTION KIT	1				
80A	FUS-00129	FUSE (20A					
81	ECN-00230	PLUG 4 WAY (TRIMMER)	1				
82	ECN-00240	SOCKET 4 WAY (TRACTOR)	1				
83	ECN-09000	DUST CAP (PLUG) (TRIMMER)	1				
84	ECN-09010	DUST CAP (SOCKET) (TRACTOR)	1				
85	HHBC23505	HOSE (102454 & ON)	6				
OR	HHBC17505	HOSE (UP TO 102454)	6				



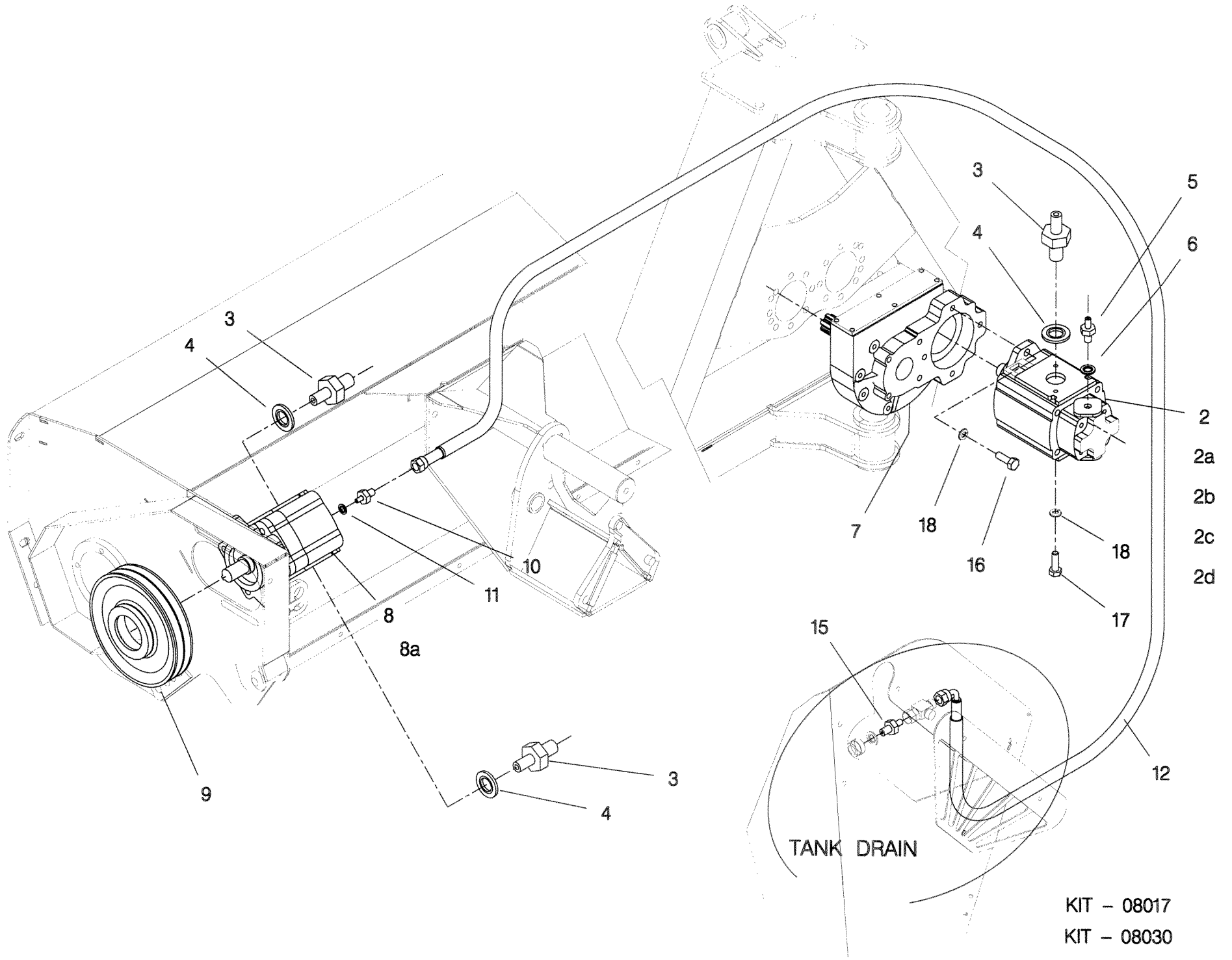
KIT-08028



KIT-08028 (DETAIL)

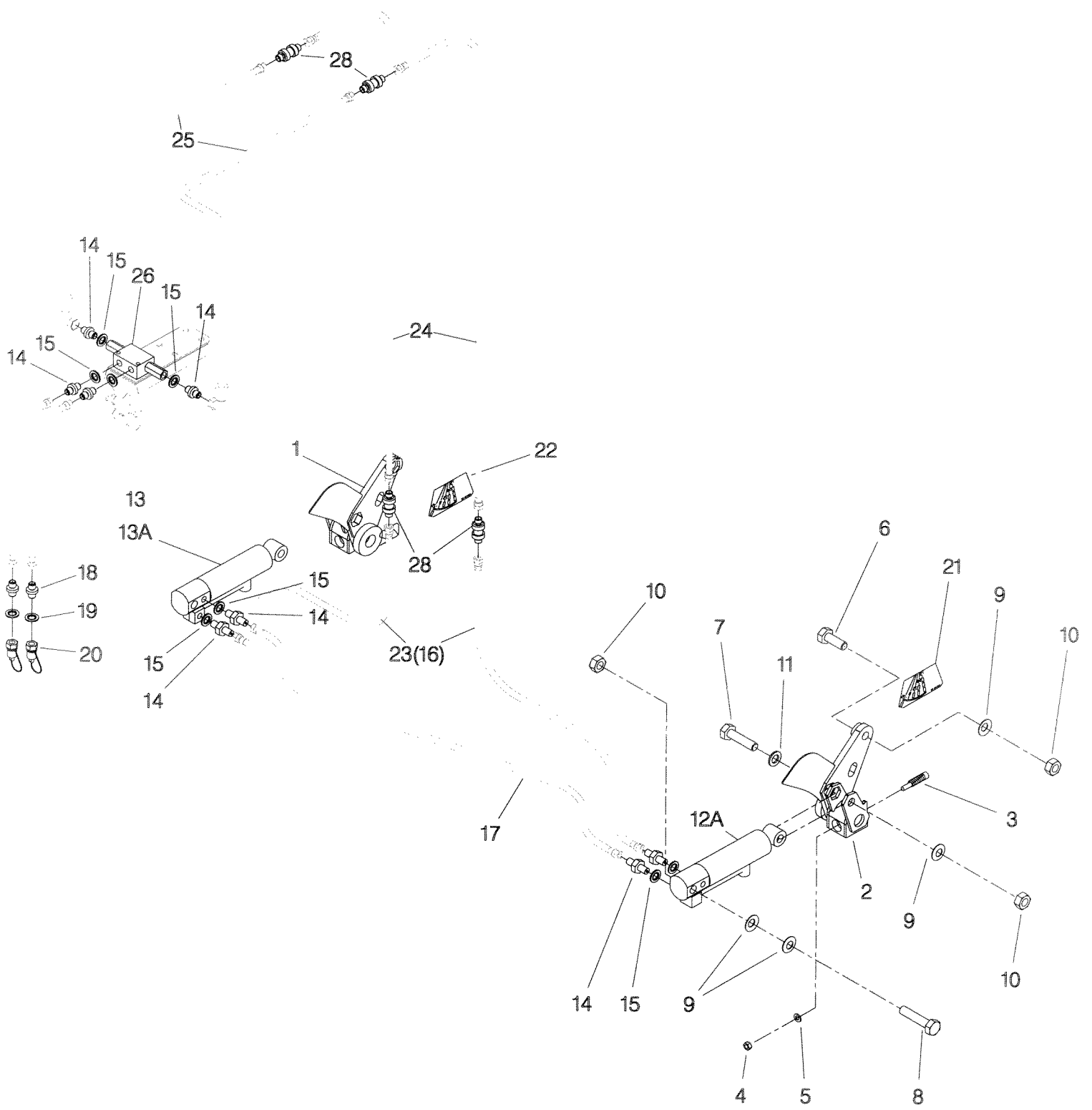
**Shelbourne Reynolds Engineering Limited**

ASSY NUMBER:		KIT-08030		ASSY DESCRIPTION: DRIVE HIGH POWER (PROP CONTROLS)			
ITEM	PART NO	DESCRIPTION	QTY	ITEM	PART NO	DESCRIPTION	QTY
1							
2	PUM090710	TANDEM PUMP SET(HIGH POWER)	1				
2A	PUM-	PUMP-MOTOR DRIVE (SPARES)					
2B	HPS-	PUMP SEAL KIT-MOTOR(SPARES)					
2C	PUM-	PUMP-CYLINDERS (SPARES)					
2D	HPS-	PUMP SEAL KIT-CYL.(SPARES)					
3	FIT-0546	ADAPTOR	3				
4	WSH-1025	BONDED SEAL	3				
5	HMA-0060	ADAPTOR	1				
6	WSH-1020	BONDED SEAL	1				
7	GEA-0035	GEARBOX (HIGH POWER)	1				
8	MOTH04000	MOTOR (HIGH POWER)	1				
8A	HMS-	MOTOR SEAL KIT(SPARES ONLY)					
9	800027 02	PULLEY MOTOR	1				
10	HMA-0055	ADAPTOR	1				
11	WSH-1005	BONDED SEAL	1				
12	HHBF86505	HOSE	1				
13							
14							
15	HMA-0067	ADAPTOR	1				
16	HSS-0241	SETSCREW	2				
17	BLT-0240	BOLT	4				
18	WSH-0065	SPRING WASHER	6				



**Shelbourne Reynolds Engineering Limited**

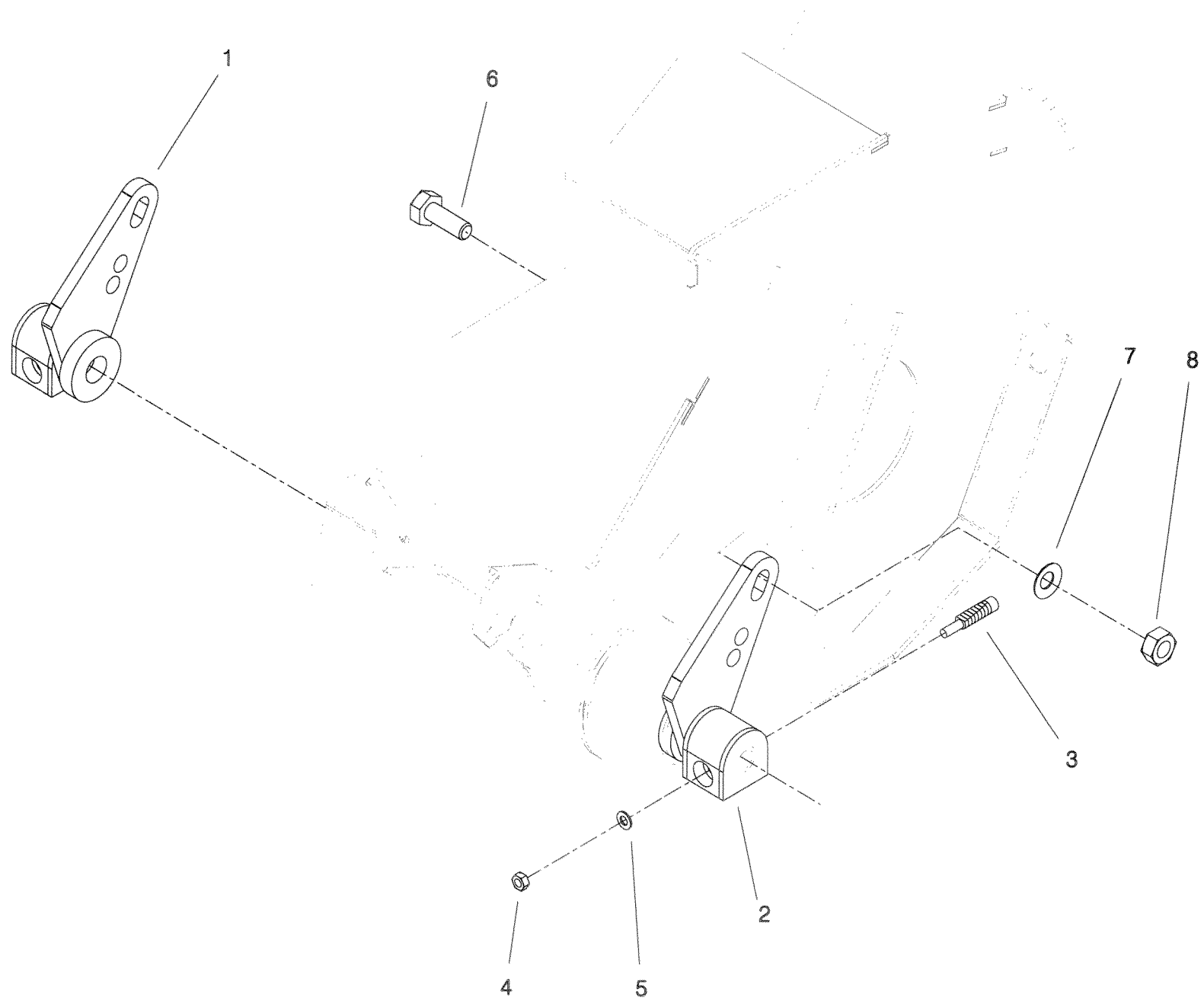
ASSY NUMBER:		KIT-08034		ASSY DESCRIPTION:		ADJUSTABLE ROLLER KIT	
ITEM	PART NO	DESCRIPTION	QTY	ITEM	PART NO	DESCRIPTION	QTY
1	800451 01	BRACKET ADJ ROLLER LH	1	26	HVB-27000	VALVE DOUBLE PO CHECK	1
2	800451 02	BRACKET ADJ ROLLER RH	1	27	HHAC03005	HOSE	2
3	800450 01	COTTER PIN	2	28	800715 02	ADAPTOR 1/4" SPECIAL	4
4	NUT-0263	NYLOC NUT	2				
5	WSH-0012	WASHER	2				
6	800458 01	BOLT SPECIAL	2				
7	800458 02	BOLT SPECIAL	2				
8	800458 03	BOLT SPECIAL	2				
9	SPGI10116	DISC SPRING	8				
10	NUT-0271	NYLOC NUT	6				
11	WSH-0024	WASHER	2				
12	800448 01	CYLINDER 40 BORE	1				
12A	RMSK00100	SEAL KIT (SPARES ONLY)					
OR	RMSK00190	SEAL KIT (SPARES ONLY)					
13	800449 01	CYLINDER 1.1/4 BORE	1				
13A	RMSK00110	SEAL KIT (SPARES ONLY)					
OR	RMSK00200	SEAL KIT (SPARES ONLY)					
14	HMA-0052	ADAPTOR	8				
15	WSH-1005	BONDED SEAL	8				
16	HHCC96505	HOSE	2				
		(16=PREVIOUS ONE PIECE HOSE SYSTEM)					
17	HHAC13005	HOSE (1.2M)	1				
OR	HHAC16005	HOSE (1.5M)	1				
18	HMA-0055	ADAPTOR	2				
19	WSH-1015	BONDED SEAL	2				
20	COU-0162	QUICK REL COUPLING	2				
21	800461 01	TRANSFER CUT HEIGHT	1				
22	800461 02	TRANSFER CUT HEIGHT	1				
23	HHAC18505	HOSE 1.2m HEAD	2				
OR	HHAC20005	HOSE 1.5m HEAD	2				
24	HHAC17105	HOSE 4.6m OUTER	2				
OR	HHAC21005	HOSE 5.3m OUTER	2				
OR	HHAC25005	HOSE 6.0 & 5.3mT OUTER	2				
OR	HHAC29105	HOSE 6.0mT OUTER	2				
OR	HHAC33005	HOSE 6.7mT OUTER	2				
25	HHCC42205	HOSE 4.6m INNER	2				
OR	HHCC46105	HOSE 5.3m INNER	2				
OR	HHCC50005	HOSE 6.0m INNER	2				



**Shelbourne Reynolds Engineering Limited**

ASSY NUMBER:		KIT-08041		ASSY DESCRIPTION: BOLTED ROLLER			
ITEM	PART NO	DESCRIPTION	QTY	ITEM	PART NO	DESCRIPTION	QTY
1	800482 01	BRACKET ROLLER LH	1				
2	800482 02	BRACKET ROLLER RH	1				
3	800450 01	COTTER PIN	2				
4	NUT-0263	NYLOC NUT	2				
5	WSH-0012	WASHER	2				
6	HSS-0317	SETSCREW	4				
7	WSH-0024	PLAIN WASHER	4				
8	NUT-0271	NYLOC NUT	4				





KIT-08041



**Shelbourne Reynolds Engineering Limited**

ASSY NUMBER:		KIT-08042		ASSY DESCRIPTION:		LH SWITCHED ELECTRIC, STD OUTER BOOM	
ITEM	PART NO	DESCRIPTION	QTY	ITEM	PART NO	DESCRIPTION	QTY
1	800494 01	MTG PLATE	1	22	WSH-1015	BONDED SEAL	4
2	800499 01	TRANSFER CONTROLS LH	1	23	HMA-0067	ADAPTOR	2
3	800503 01	DISPLAY UNIT	1	24	HALAA0707	ADAPTOR	1
3A		LED (RED)	(3)	25	HMA-0055	ADAPTOR	1
3B		EMERGENCY STOP SWITCH	(1)	26	WSH-1010	BONDED SEAL	11
4	JOY-05010	JOYSTICK	1	27	HMA-0057	ADAPTOR	2
5	SCFC04170	PAN HEAD SCREW	4	28	HAPAA0505	ADAPTOR	2
6	800364 01	BRACKET ROTOR CONTROL	1	29	FIT-0025	ADAPTOR	2
7	BLTA06380	BOLT	2	30	HSS-0194	SETSCREW	2
8	HVB-90017	KNOB AND LENS	1	31	190859 01	ADAPTOR	4
9	800216 07	TRANSFER (ROTOR)	1	32	HHBF11005	HOSE	1
10	800504 01	WIRING HARNESS	1	33	HACAA0713	ADAPTOR	1
10A		CIRCUIT BOARD LARGE	(1)	34	FITA10420	TEE	1
10B		CIRCUIT BOARD SMALL	(1)	35	HVB-09055	VALVE BLOCK c/w CABLE (MOTOR DRIVE)	1
10C		RELAY, OIL COOLER	(1)	35A		RELIEF CART (240 BAR)	(1)
11	SCW-0035	CAP SOCK HD SCREW	4	35B		LEVER	(1)
12	NUT-0255	NYLOC NUT	4	35C	HVB-90028	CONTROLLER BAULK LOCK	(1)
13	800861 01	MTG BKT, CONTROL BOX (2004 + ON)	1	35D		CONNECTION KIT - CONTROLLER	(1)
OR	800432 01	MTG BKT, CONTROL BOX (PRE 2004)	1	35E		CABLE	(1)
14	800864 01	COVER, CONTROL BOX (2004 + ON)	1	35F	HVB-90027	CONNECTION KIT - VALVE	(1)
OR	800433 01	COVER, CONTROL BOX (PRE 2004)	1	36	WSH-0009	PLAIN WASHER	4
15	HSSG08114	SETSCREW (2004 + ON)	1	37	NUT-0260	NYLOC NUT	2
OR	SCW-5180	SCREW S/T (PRE 2004)	4	38	BLTA10530	BOLT	3
16	800523 01	VALVE PLATE SW ELECTRIC	1	39	WSH-0015	PLAIN WASHER	7
17	HSS-0140	SETSCREW	4	40	NUT-0265	NYLOC NUT	5
18	WSH-0012	PLAIN WASHER	6	41	WSH-1020	BONDED SEAL	3
19	HVB-19040	VALVE BLOCK CONTROLS	1	42	HMA-0075	ADAPTOR	3
19A		CETOP SECTION	(5)	43	WSH-1025	BONDED SEAL	1
19B		COIL FOR CETOP	(10)	44	FIT-0546	ADAPTOR	1
19C		CARTRIDGE ON-OFF NC	(4)	45	800334 01	BRACKET ACCUMULATOR	1
19D		CARTRIDGE ON-OFF NO	(1)	46	HAGAA0707	BULKHEAD ADAPTOR	1
19E		COIL FOR ON-OFF	(5)	47	HYA-01400	ACCUMULATOR	1
19F		RELIEF CARTRIDGE (200 BAR)	(1)	48	FIT-0240	ADAPTOR	1
19G		RELIEF CARTRIDGE (30 BAR)	(1)	49	HHCE11005	HOSE	1
19H		FLOW CONT CARTRIDGE	(1)	50	HSS-0241	BOLT	2
19J		CHECK CARTRIDGE	(1)	51	WSH-0018	WASHER	2
20	SCCA08533	CAP SOCK HD SCREW	2	52	NUT-0269	NYLOC NUT	2
21	NUT-0263	NYLOC NUT	2	53	SWT-32500	THERMAL SWITCH	1

**Shelbourne Reynolds Engineering Limited**

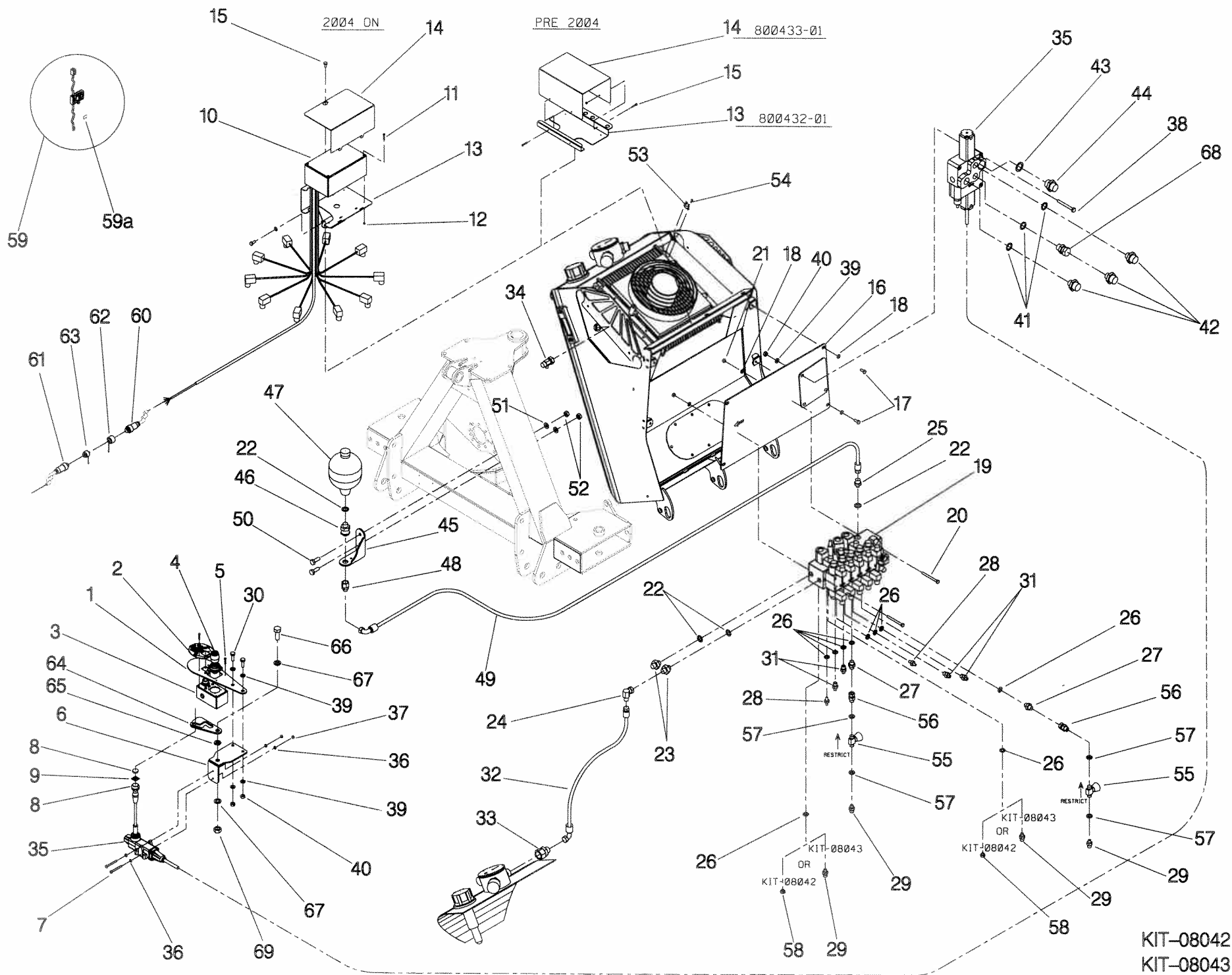
ASSY NUMBER:		KIT-08042 CONT		ASSY DESCRIPTION:		LH SWITCHED ELECTRIC, STD OUTER BOOM	
ITEM	PART NO	DESCRIPTION	QTY	ITEM	PART NO	DESCRIPTION	QTY
54	SCW-5104	SCREW S/T	2				
55	HVB-04005	ADJ REST	2				
56	HACAA0305	ADAPTOR	2				
57	WSH-1005	BONDED SEAL	4				
58	FIT-0251	PLUG	2				
59	800809 01	BATTERY CONNECTION KIT	1				
59A	FUS-00129	FUSE 20A					
60	ECN-00230	PLUG 4 WAY	1				
61	ECN-00240	SOCKET 4 WAY	1				
62	ECN-09000	DUST CAP (PLUG)	1				
63	ECN-09010	DUST CAP (SOCKET)	1				
64	800758 01	DRIVE CONTROL GATE	1				
65	SPGI10116	DISC SPRING	1				
66	HSS-0317	SETSCREW	1				
67	WSH-0024	PLAIN WASHER	2				
68	HACAA1111	ADAPTOR	1				
69	NUT-0271	NUT	1				

**Shelbourne Reynolds Engineering Limited**

ASSY NUMBER:		KIT-08043		ASSY DESCRIPTION: LH SWITCHED ELECTRIC, VFR/TELESCOPIC			
ITEM	PART NO	DESCRIPTION	QTY	ITEM	PART NO	DESCRIPTION	QTY
1	800494 01	MTG PLATE	1	22	WSH-1015	BONDED SEAL	4
2	800499 01	TRANSFER CONTROLS LH	1	23	HMA-0067	ADAPTOR	2
3	800503 01	DISPLAY UNIT	1	24	HALAA0707	ADAPTOR	1
3A		LED (RED)	(3)	25	HMA-0055	ADAPTOR	1
3B		EMERGENCY STOP SWITCH	(1)	26	WSH-1010	BONDED SEAL	11
4	JOY-05010	JOYSTICK	1	27	HMA-0057	ADAPTOR	2
5	SCFC04170	PAN HEAD SCREW	4	28	HAPAA0505	ADAPTOR	2
6	800364 01	BRACKET ROTOR CONTROL	1	29	FIT-0025	ADAPTOR	4
7	BLTA06380	BOLT	2	30	HSS-0194	SETSCREW	2
8	HVB-90017	KNOB AND LENS	1	31	190859 01	ADAPTOR	4
9	800216 07	TRANSFER (ROTOR)	1	32	HHBF11005	HOSE	1
10	800504 01	WIRING HARNESS	1	33	HACAA0713	ADAPTOR	1
10A		CIRCUIT BOARD LARGE	(1)	34	FITA10420	TEE	1
10B		CIRCUIT BOARD SMALL	(1)	35	HVB-09055	VALVE BLOCK MOTOR DRIVE	1
10C		RELAY, OIL COOLER	(1)	35A		RELIEF CART (240 BAR)	(1)
11	SCW-0035	CAP SOCK HD SCREW	4	35B		LEVER	(1)
12	NUT-0255	NYLOC NUT	4	35C	HVB-90028	CONTROLLER BAULK LOCK	(1)
13	800861 01	MTG BKT, CONTROL BOX (2004 + ON)	1	35D		CONNECTION KIT CONTROLLER	(1)
OR	800432 01	MTG BKT, CONTROL BOX (PRE 2004)	1	35E		CABLE	(1)
14	800864 01	COVER, CONTROL BOX (2004 + ON)	1	35F	HVB-90027	CONNECTION KIT VALVE	(1)
OR	800433 01	COVER, CONTROL BOX (PRE 2004)	1	36	WSH-0009	PLAIN WASHER	2
15	HSSG08114	SETSCREW (2004 + ON)	1	37	NUT-0260	NYLOC NUT	2
OR	SCW-5180	SCREW S/T (PRE 2004)	4	38	BLTA10530	BOLT	3
16	800523 01	VALVE PLATE SW ELECTRIC	1	39	WSH-0015	PLAIN WASHER	7
17	HSS-0140	SETSCREW	4	40	NUT-0265	NYLOC NUT	5
18	WSH-0012	PLAIN WASHER	6	41	WSH-1020	BONDED SEAL	3
19	HVB-19040	VALVE BLOCK CONTROLS	1	42	HMA-0075	ADAPTOR	3
19A		CETOP SECTION	(5)	43	WSH-1025	BONDED SEAL	1
19B		COIL FOR CETOP	(10)	44	FIT-0546	ADAPTOR	1
19C		CARTRIDGE ON-OFF NC	(4)	45	800334 01	BRACKET ACCUMULATOR	1
19D		CARTRIDGE ON-OFF NO	(1)	46	HAGAA0707	BULKHEAD ADAPTOR	1
19E		COIL FOR ON-OFF	(5)	47	HYA-01400	ACCUMULATOR	1
19F		RELIEF CARTRIDGE (200 BAR)	(1)	48	FIT-0240	ADAPTOR	1
19G		RELIEF CARTRIDGE (30 BAR)	(1)	49	HHCE11005	HOSE	1
19H		FLOW CONT CARTRIDGE	(1)	50	HSS-0241	BOLT	2
19J		CHECK CARTRIDGE	(1)	51	WSH-0018	WASHER	2
20	SCCA08533	CAP SOCK HD SCREW	2	52	NUT-0269	NYLOC NUT	2
21	NUT-0263	NYLOC NUT	2	53	SWT-32500	THERMAL SWITCH	1

**Shelbourne Reynolds Engineering Limited**

ASSY NUMBER:		KIT-08043 CONT		ASSY DESCRIPTION:		LH SWITCHED ELECTRIC, VFR/TELESCOPIC	
ITEM	PART NO	DESCRIPTION	QTY	ITEM	PART NO	DESCRIPTION	QTY
54	SCW-5104	SCREW S/T	2				
55	HVB-04005	ADJ REST	2				
56	HACAA0305	ADAPTOR	2				
57	WSH-1005	BONDED SEAL	4				
58							
59	800809 01	BATTERY CONNECTION KIT	1				
59A	FUS-00129	FUSE 20A					
60	ECN-00230	PLUG 4 WAY	1				
61	ECN-00240	SOCKET 4 WAY	1				
62	ECN-09000	DUST CAP (PLUG)	1				
63	ECN-09010	DUST CAP (SOCKET)	1				
64	800758 01	DRIVE CONTROL GATE	1				
65	SPGI10116	DISC SPRING	1				
66	HSS-0317	SETSCREW	1				
67	WSH-0024	PLAIN WASHER	2				
68	HACAA1111	ADAPTOR	1				
69	NUT-0271	NUT	1				

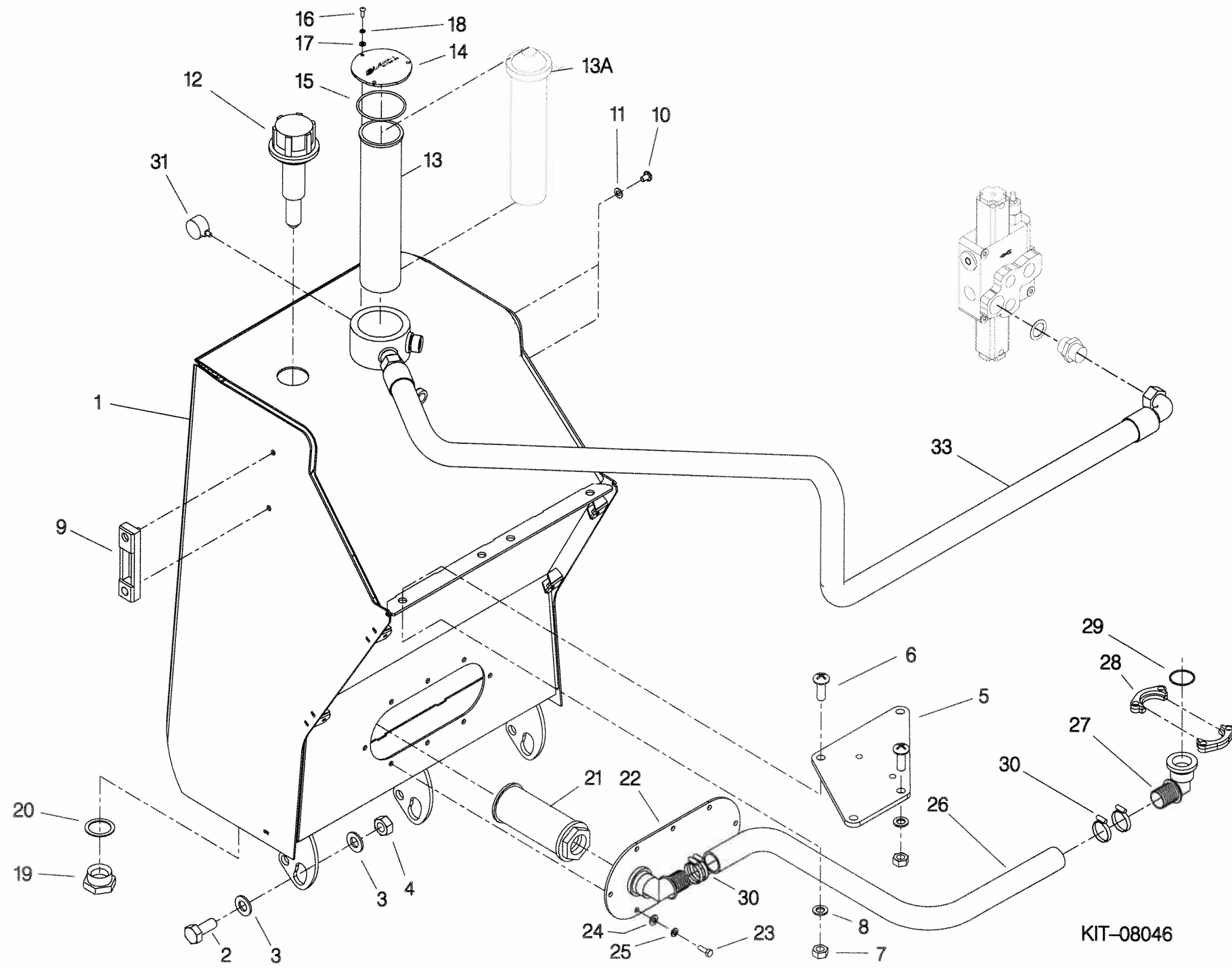


KIT-08042  
KIT-08043

**Shelbourne Reynolds Engineering Limited**

ASSY NUMBER:		KIT-08046		ASSY DESCRIPTION: HYDRAULIC TANK KIT STD POWER DRIVE			
ITEM	PART NO	DESCRIPTION	QTY	ITEM	PART NO	DESCRIPTION	QTY
1	800375 01	TANK	1				
2	HSS-0355	BOLT	2				
3	WSH-0030	PLAIN WASHER	4				
4	NUTA02200	NYLOC NUT	2				
5	800176 01	TANK SUPPORT STRUT	1				
6	HSS-0317	SETSCREW	4				
7	NUT-0271	NYLOC NUT	4				
8	WSH-0024	PLAIN WASHER	4				
9	GAU-0010	FLUID LEVEL TEMP GAUGE	1				
10	SCBA10114	BUTT.SKT.HD.SCREW	2				
11	WSHA00106	COPPER WASHER	2				
12	FIL-0180	FILLER BREATHER	1				
13	FIL-0190	FILTER HOLDER & FILTER	1				
13A	FIL-0200	FILTER ELEMENT(SPARES ONLY)					
14	800174 01	CAP FOR FILTER	1				
15	ORA260900	O RING	1				
16	SCW-4959	BUTT.SKT.HD.SCREW	3				
17	WSH-0009	PLAIN WASHER	3				
18	WSH-0056	SPRING WASHER	3				
19	FITC00317	DRAIN PLUG	2				
20	DWS-00055	BONDED SEAL	2				
21	SUC-0110	SUCTION ELEMENT	1				
22	800408 01	PLATE SUCTION ELEMENT	1				
23	HSS-0191	SETSCREW	8				
24	WSH-0015	PLAIN WASHER	8				
25	WSH-0061	SPRING WASHER	8				
26	HOS-1044	SUCTION HOSE	0.8m				
27	800183 01	SUCTION ELBOW	1				
28	HFKY60080	FLANGE HALVES(PAIR OF)	1				
29	ORA260450	'O' RING	1				
30	CLP-0075	JUBILEE CLIP	4				
31	FIL-0210	FILTER VISUAL INDICATOR	1				
32	OIL-0027	OIL ISO VG 46 (BARREL)	1.08				
33	HHBI17505	HOSE	1				

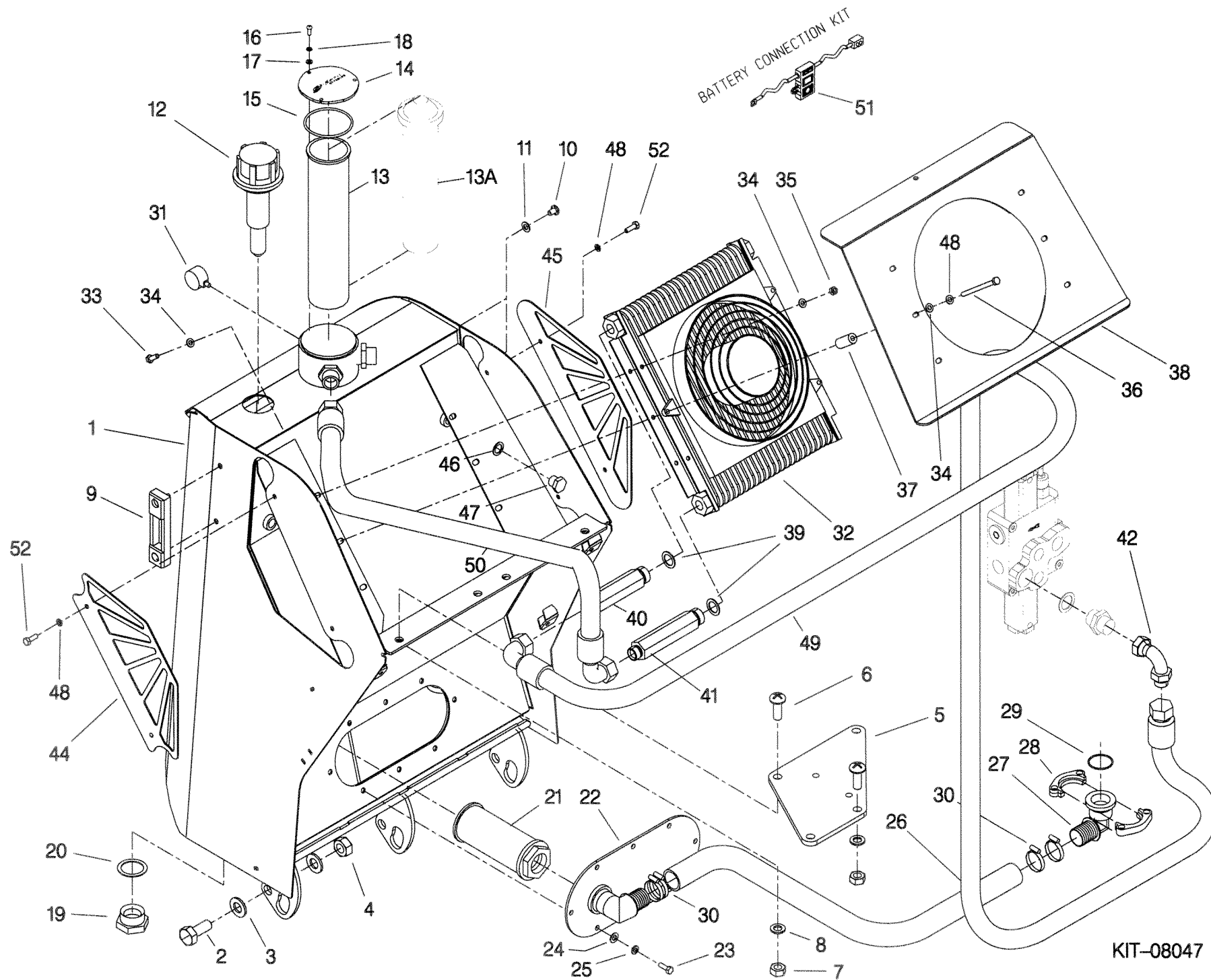




KIT-08046

**Shelbourne Reynolds Engineering Limited**

ASSY NUMBER:		KIT-08047		ASSY DESCRIPTION: HYDRAULIC TANK KIT HIGH POWER DRIVE			
ITEM	PART NO	DESCRIPTION	QTY	ITEM	PART NO	DESCRIPTION	QTY
1	800462 01	TANK	1	36	BLTA08620	BOLT (UPTO 2004)	3
2	HSS-0355	BOLT	2	OR	HSS-0145	SETSCREW (2005 & ON)	6
3	WSH-0030	PLAIN WASHER	4	37	800473 01	SPACER,COVER (UPTO 2004)	3
4	NUTA02200	NYLOC NUT	2	OR	800897 01	THREADED SPACER(2005 & ON)	3
5	800176 01	TANK SUPPORT STRUT	1	38	800475 01	COVER, COOLER	1
6	HSS-0317	SETSCREW	4	39	WSH-1020	BONDED SEAL	2
7	NUT-0271	NYLOC NUT	4	40	800492 01	ADAPTOR	1
8	WSH-0024	PLAIN WASHER	4	41	800492 02	ADAPTOR	1
9	GAU-0010	FLUID LEVEL TEMP GAUGE	1	42	HAJAA1313	ADAPTOR	1
10	SCBA10114	BUTT.SKT.HD.SCREW	2	43	OIL-0027	OIL ISO VG 46 (BARREL)	0.83
11	WSHA00106	COPPER WASHER	2	44	800487 01	COVER FRONT	1
12	FIL-0180	FILLER BREATHER	1	45	800487 02	COVER REAR	1
13	FIL-0190	FILTER HOLDER & FILTER	1	46	WSH-1015	BONDED SEAL	1
13A	FIL-0200	FILTER ELEMENT (SPARES ONLY)	1	47	FIT-0217	MALE BLANK PLUG	1
14	800174 01	CAP FOR FILTER	1	48	WSH-0058	SPRING WASHER(UPTO 2004)	4
15	ORA260900	O RING	1	OR	WSH-0058	SPRING WASHER(2005&ON)	10
16	SCW-4959	BUTT.SKT.HD.SCREW	3	49	HHBI06505	HOSE	1
17	WSH-0009	PLAIN WASHER	3	50	HHBI13005	HOSE	1
18	WSH-0056	SPRING WASHER	3	51	800809 01	BATTERY CONNECTION KIT	1
19	FITC00317	DRAIN PLUG	2	51A	FUS-00129	FUSE 20A MAXI (SPARES ONLY)	1
20	DWS-00055	BONDED SEAL	2	52	HSSG08114	SETSCREW	4
21	SUC-0110	SUCTION ELEMENT	1				
22	800408 01	PLATE SUCTION ELEMENT	1				
23	HSS-0191	SETSCREW	8				
24	WSH-0015	PLAIN WASHER	8				
25	WSH-0061	SPRING WASHER	8				
26	HOS-1044	SUCTION HOSE	0.8m				
27	800183 01	SUCTION ELBOW	1				
28	HFKY60080	FLANGE HALVES (PAIR OF)	1				
29	ORA260450	'O' RING	1				
30	CLP-0075	JUBILEE CLIP	4				
31	FIL-0210	FILTER VISUAL INDICATOR	1				
32	HOC-00010	OIL COOLER	1				
32A	HOC-90005	FAN (SPARES ONLY)	(1)				
32B	HOC-90015	THERMOSWITCH (SPARES ONLY)	(1)				
33	HSS-0145	SETSCREW	3				
34	WSH-0012	PLAIN WASHER	12				
35	NUT-0263	NYLOC NUT (UPTO 2004)	6				
OR	NUT-0263	NYLOC NUT (2005 & ON)	3				

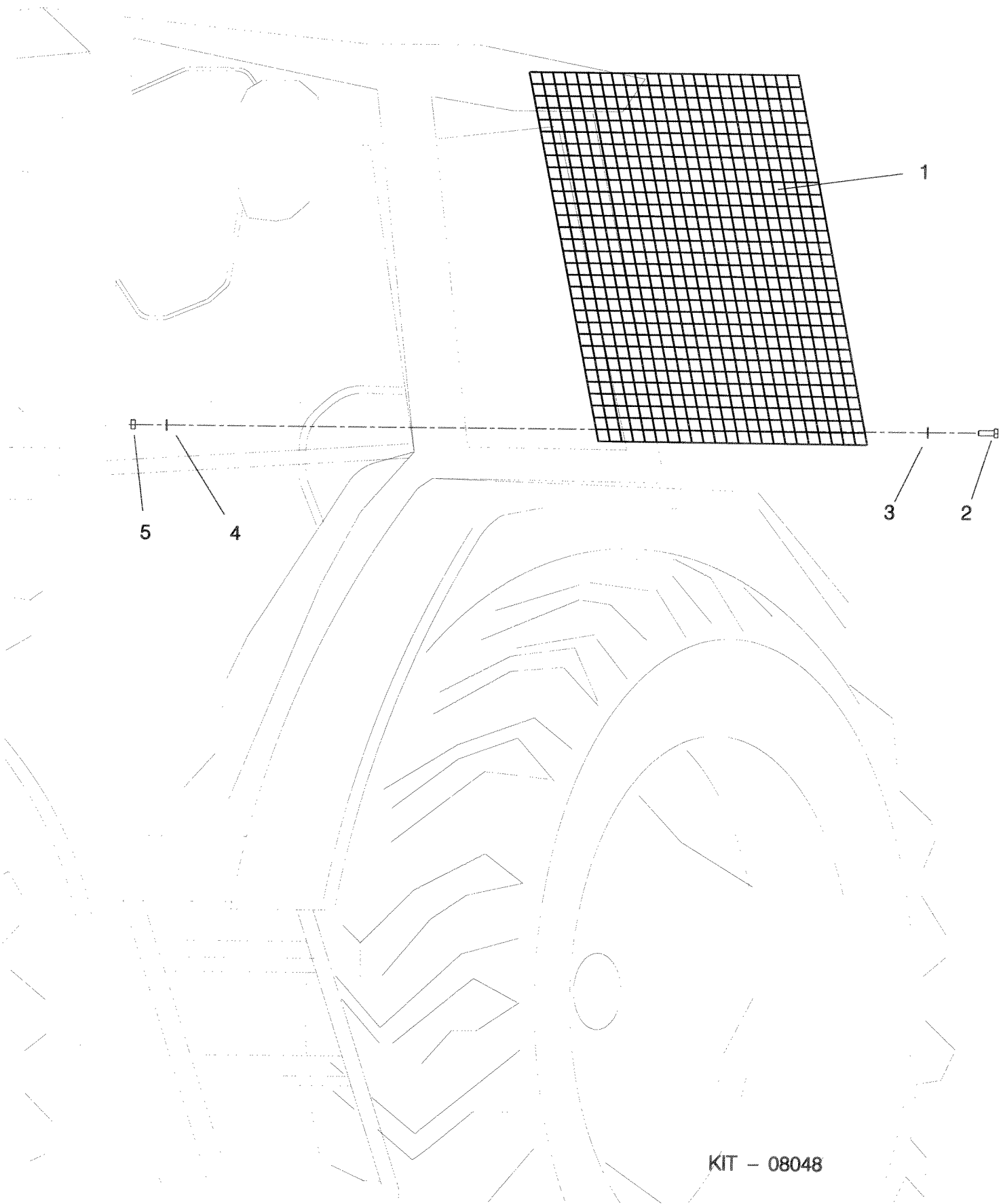


KIT-08047

### **Shelbourne Reynolds Engineering Limited**

ASSY NUMBER:           KIT-08048                                   ASSY DESCRIPTION:    MESH GUARD KIT

ITEM	PART NO	DESCRIPTION	QTY	ITEM	PART NO	DESCRIPTION	QTY
1	800071 01	MESH GUARD	1				
2	BLTA10290	BOLT	4				
3	190119 05	WASHER	4				
4	WSH-0012	PLAIN WASHER	4				
5	NUT-0263	NYLOC NUT	4				



KIT - 08048



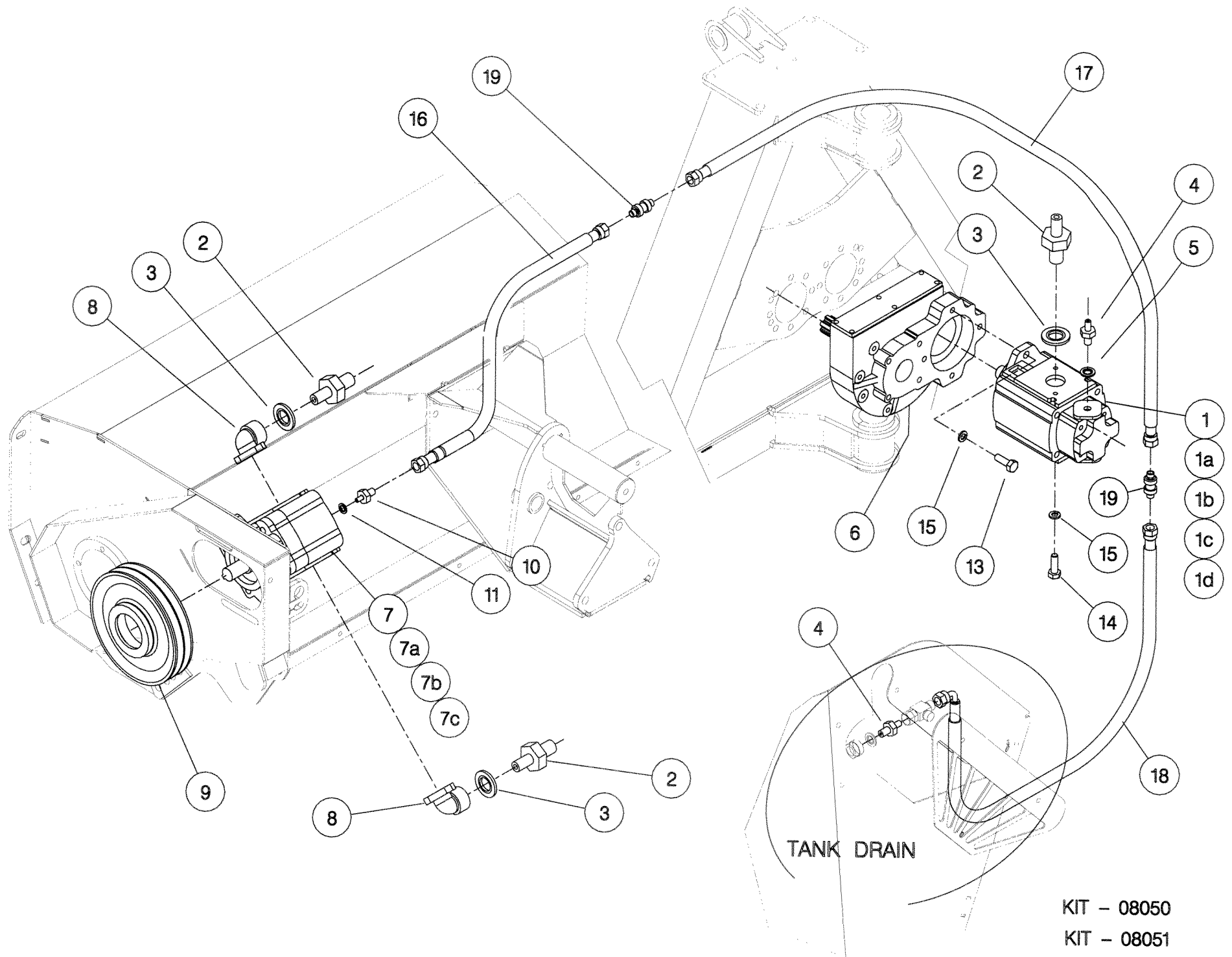
**Shelbourne Reynolds Engineering Limited**

ASSY NUMBER:		KIT-08050		ASSY DESCRIPTION: DRIVE HIGH POWER (PROP. CONTROLS)			
ITEM	PART NO	DESCRIPTION	QTY	ITEM	PART NO	DESCRIPTION	QTY
1	PUM090650	TANDEM PUMP SET(HIGH POWER)	1				
1A	PUM-	PUMP-MOTOR DRIVE (SPARES)					
1B	HPS-06500	PUMP SEAL KIT-BOTH(SPARES)					
1C	PUM-	PUMP-CYLINDERS (SPARES)					
1D							
2	FIT-0546	ADAPTOR	3				
3	WSH-1025	BONDED SEAL	3				
4	HMA-0067	ADAPTOR	2				
5	WSH-1015	BONDED SEAL	1				
6	GEA-0035	GEARBOX (HIGH POWER)	1				
7	MOTH03801	MOTOR INC.VALVE (HIGH POWER)	1				
7A	HMS-03800	MOTOR SEAL KIT(SPARES ONLY)					
7B		RELIEF CARTRIDGE (SPARES)					
7C		CHECK CARTRIDGE (SPARES)					
8	FITF00005	THREAD ELBOW C/W FITTINGS	2				
9	800027 02	PULLEY MOTOR	1				
10	HMA-0065	ADAPTOR	1				
11	WSH-1010	BONDED SEAL	1				
12	HHBF86505	HOSE	1				
		(12=PREVIOUS ONE PIECE HOSE SYSTEM)					
13	HSS-0241	SETSCREW	2				
14	BLT-0240	BOLT	4				
15	WSH-0065	SPRING WASHER	6				
		ITEMS 16-19 REPLACE ITEM 12 -					
16	HHAF17005	HOSE 1.2m HEAD	1				
OR	HHAF18305	HOSE 1.5m HEAD	1				
17	HHAF16505	HOSE 4.6m OUTER	1				
OR	HHAF20405	HOSE 5.3m OUTER	1				
OR	HHAF24405	HOSE 6.0 & 5.3mT OUTER	1				
OR	HHAF28505	HOSE 6.0mT OUTER	1				
OR	HHAF32405	HOSE 6.7mT OUTER	1				
18	HHBF35705	HOSE 4.6m INNER	1				
OR	HHBF39605	HOSE 5.3m INNER	1				
OR	HHBF43505	HOSE 6.0m INNER	1				
19	800715 01	ADAPTOR ½" SPECIAL	2				

**Shelbourne Reynolds Engineering Limited**

ASSY NUMBER:		KIT-08051		ASSY DESCRIPTION: DRIVE HIGH POWER (CABLE/SW ELEC.)			
ITEM	PART NO	DESCRIPTION	QTY	ITEM	PART NO	DESCRIPTION	QTY
1	PUM090590	TANDEM PUMP SET(HIGH POWER)	1		KIT-08051B		
1A	PUM-	PUMP-MOTOR DRIVE (SPARES)					
1B	HPS-06500	PUMP SEAL KIT-BOTH(SPARES)					
1C	PUM-	PUMP-CYLINDERS (SPARES)					
1D							
2	FIT-0546	ADAPTOR	3				
3	WSH-1025	BONDED SEAL	3				
4	HMA-0067	ADAPTOR	2				
5	WSH-1015	BONDED SEAL	1				
6	GEA-0035	GEARBOX (HIGH POWER)	1				
7	MOTH03801	MOTOR INC.VALVE (HIGH POWER)	1				
7A	HMS-03800	MOTOR SEAL KIT(SPARES ONLY)					
7B		RELIEF CARTRIDGE (SPARES)					
7C		CHECK CARTRIDGE (SPARES)					
8	FITF00005	THREAD ELBOW C/W FITTINGS	2				
9	800027 02	PULLEY MOTOR	1				
10	HMA-0065	ADAPTOR	1				
11	WSH-1010	BONDED SEAL	1				
12	HHBF86505	HOSE	1				
		(12=PREVIOUS ONE PIECE HOSE SYSTEM)					
13	HSS-0241	SETSCREW	2				
14	BLT-0240	BOLT	4				
15	WSH-0065	SPRING WASHER	6				
		ITEMS 16-19 REPLACE ITEM 12 -					
16	HHAF17005	HOSE 1.2m HEAD	1				
OR	HHAF18305	HOSE 1.5m HEAD	1				
17	HHAF16505	HOSE 4.6m OUTER	1				
OR	HHAF20405	HOSE 5.3m OUTER	1				
OR	HHAF24405	HOSE 6.0 & 5.3mT OUTER	1				
OR	HHAF28505	HOSE 6.0mT OUTER	1				
OR	HHAF32405	HOSE 6.7mT INNER	1				
18	HHBF35705	HOSE 4.6m INNER	1				
OR	HHBF39605	HOSE 5.3m INNER	1				
OR	HHBF43505	HOSE 6.0m INNER	1				
19	800715 01	ADAPTOR ½" SPECIAL	2				





KIT - 08050  
 KIT - 08051

**Shelbourne Reynolds Engineering Limited**

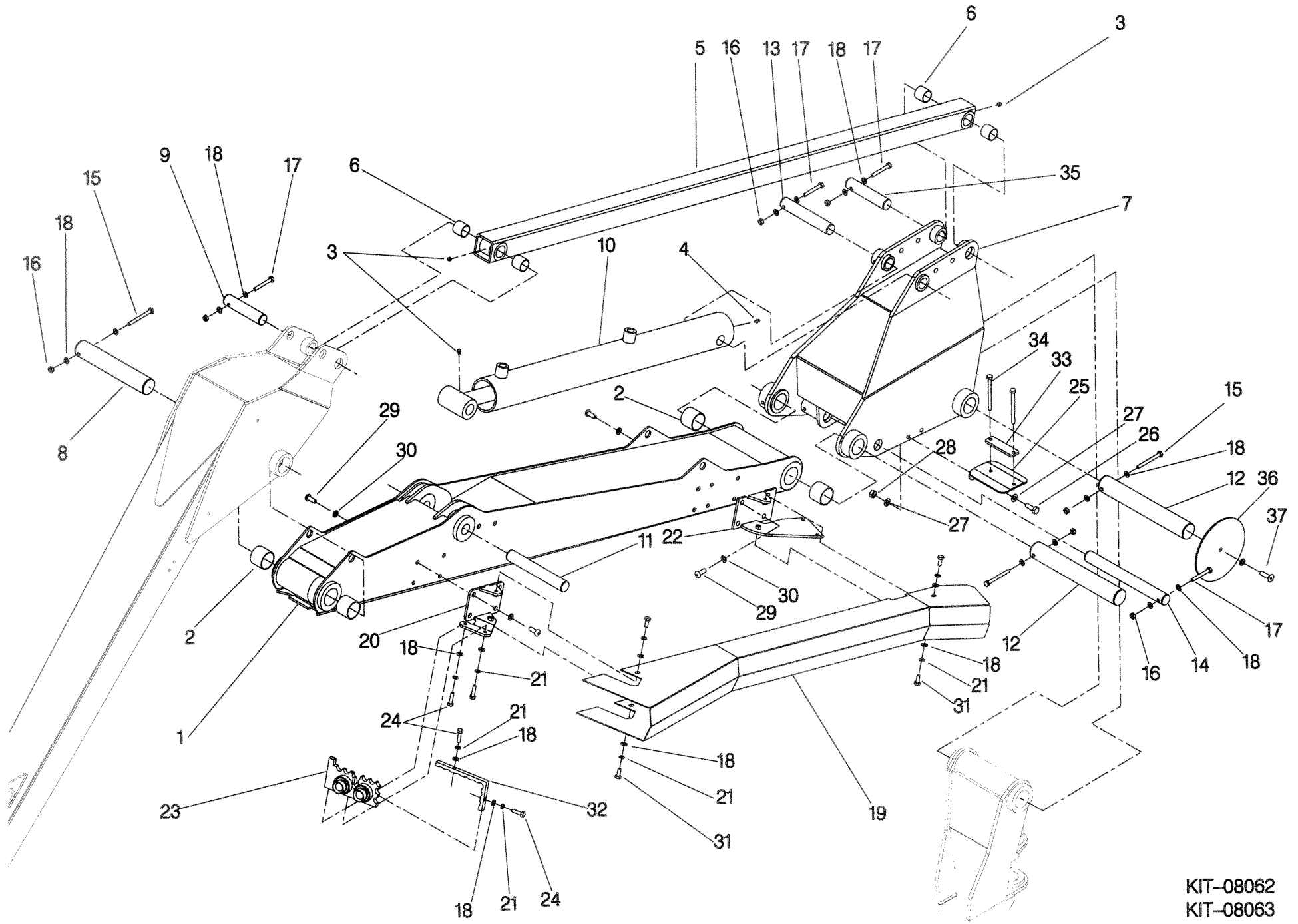
ASSY NUMBER:		KIT-08062		ASSY DESCRIPTION:		INNER BOOM PARTS 4.6m	
ITEM	PART NO	DESCRIPTION	QTY	ITEM	PART NO	DESCRIPTION	QTY
1	800747 01	FIRST BOOM 4.6m	1	32	800716 02	CLAMP PLATE INNER BOOM	1
2	BSHA04562	BUSH	4	33	800727 01	CLAMP PLATE (2005 & ON)	1
3	NIP-00600	GREASE NIPPLE	3	OR	800727 01	CLAMP PLATE (UP TO 2005)	2
4	NIP-00605	GREASE NIPPLE	3	34	BLTA08560	BOLT (2005 & ON)	2
5	800121 01	TIE ARM 4.6m	1	OR	BLTA08560	BOLT (UP TO 2005)	4
6	BSH-3030	BUSH	4	35	800101 23	PIN TIE ARM BASE	1
7	800789 01	ROCKER	1	36	800912 01	DISC (2005 & ON)	1
8	800102 01	PIN 2 <sup>ND</sup> / 1 <sup>ST</sup> BOOM	1	37	SCW-1730	CSK.SOC HEAD SCREW (2005 & ON)	1
9	800101 04	PIN TIE ARM TOP	1				
10	800082 01	CYLINDER REACH	1				
10A	RMSK04040	SEAL KIT (SPARES ONLY)					
OR	RMSK00170	SEAL KIT (SPARES ONLY)					
11	800101 05	PIN 2 <sup>ND</sup> RAM ROD	1				
12	800102 09	PIN 1 <sup>ST</sup> BOOM + ROCKER PIVOT	2				
13	800101 06	PIN 2 <sup>ND</sup> RAM CYL	1				
14	800101 07	PIN 1 <sup>ST</sup> RAM ROD	1				
15	BLTA08500	BOLT	3				
16	NUT-0263	NYLOC NUT (2005 & ON)	10				
OR	NUT-0263	NYLOC NUT (UP TO 2005)	12				
17	BLTA08380	BOLT	5				
18	WSH-0012	PLAIN WASHER (2005 & ON)	28				
OR	WSH-0012	PLAIN WASHER (UP TO 2005)	32				
19	800743 01	COVER 1 <sup>ST</sup> BOOM 4.6m	1				
20	800739 01	MOUNTING BRACKET	1				
21	WSH-0058	SPRING WASHER	8				
22	800742 01	CLAMP/SUPPORT	1				
23	800740 01	HOSE JOINING BRACKET	1				
24	HSS-0140	BOLT	4				
25	800741 01	BRACKET, HOSES, ROCKER (UP TO 2005 ONLY)	1				
26	HSS-0194	BOLT (UP TO 2005 ONLY)	2				
27	WSH-0015	PLAIN WASHER (M10) (UP TP 2005 ONLY)	4				
28	NUT-0265	NYLOC NUT (UP TO 2005 ONLY)	2				
29	SCW-0514	BUTT HD SCREW	16				
30	WSH-0061	SPRING WASHER	16				
31	HSS-0150	SETSCREW	4				

**Shelbourne Reynolds Engineering Limited**

ASSY NUMBER:		KIT-08063		ASSY DESCRIPTION:		INNER BOOM PARTS 5.3m	
ITEM	PART NO	DESCRIPTION	QTY	ITEM	PART NO	DESCRIPTION	QTY
1	800747 02	FIRST BOOM 5.3m	1	32	800716 02	CLAMP PLATE INNER BOOM	1
2	BSHA04562	BUSH	4	33	800727 01	CLAMP PLATE (2005 & ON)	1
3	NIP-00600	GREASE NIPPLE	3	OR	800727 01	CLAMP PLATE (UP TO 2005)	2
4	NIP-00605	GREASE NIPPLE	3	34	BLTA08560	BOLT (2005 & ON)	2
5	800121 02	TIE ARM 5.3m	1	OR	BLTA08560	BOLT (UP TO 2005)	4
6	BSH-3030	BUSH	4	35	800101 23	PIN TIE ARM BASE	1
7	800789 01	ROCKER	1	36	800912 01	DISC (2005 & ON)	1
8	800102 01	PIN 2 <sup>ND</sup> / 1 <sup>ST</sup> BOOM	1	37	SCW-1730	CSK.SOC HEAD SCREW (2005 & ON)	1
9	800101 04	PIN TIE ARM TOP	1				
10	800082 01	CYLINDER REACH	1				
10A	RMSK04040	SEAL KIT (SPARES ONLY)					
OR	RMSK00170	SEAL KIT (SPARES ONLY)					
11	800101 05	PIN 2 <sup>ND</sup> RAM ROD	1				
12	800102 09	PIN 1 <sup>ST</sup> BOOM + ROCKER PIVOT	2				
13	800101 06	PIN 2 <sup>ND</sup> RAM CYL	1				
14	800101 07	PIN 1 <sup>ST</sup> RAM ROD	1				
15	BLTA08500	BOLT	3				
16	NUT-0263	NYLOC NUT (2005 & ON)	10				
OR	NUT-0263	NYLOC NUT (UP TO 2005)	12				
17	BLTA08380	BOLT	5				
18	WSH-0012	PLAIN WASHER (2005 & ON)	28				
OR	WSH-0012	PLAIN WASHER (UP TO 2005)	32				
19	800743 02	COVER 1 <sup>ST</sup> BOOM 5.3m	1				
20	800739 01	MOUNTING BRACKET	1				
21	WSH-0058	SPRING WASHER	8				
22	800742 01	CLAMP/SUPPORT	1				
23	800740 01	HOSE JOINING BRACKET	1				
24	HSS-0140	BOLT	4				
25	800741 01	BRACKET, HOSES, ROCKER (UP TO 2005 ONLY)	1				
26	HSS-0194	BOLT (UP TO 2005 ONLY)	2				
27	WSH-0015	PLAIN WASHER (UP TO 2005 ONLY)	4				
28	NUT-0265	NYLOC NUT (UP TO 2005 ONLY)	2				
29	SCW-0514	BUTT HD SETSCREW	16				
30	WSH-0061	SPRING WASHER	16				
31	HSS-0150	SETSCREW	4				

**Shelbourne Reynolds Engineering Limited**

ASSY NUMBER:		KIT-08064		ASSY DESCRIPTION:		INNER BOOM PARTS 6.0m	
ITEM	PART NO	DESCRIPTION	QTY	ITEM	PART NO	DESCRIPTION	QTY
1	800747 03	FIRST BOOM 6.0m	1	32	800716 02	CLAMP PLATE INNER BOOM	1
2	BSHA04562	BUSH	4	33	800727 01	CLAMP PLATE(2005 & ON)	1
3	NIP-00600	GREASE NIPPLE	3	OR	800727 01	CLAMP PLATE(UP TO 2005)	2
4	NIP-00605	GREASE NIPPLE	3	34	BLTA08560	BOLT (2005 & ON)	2
5	800121 03	TIE ARM 6.0m	1	OR	BLTA08560	BOLT (UP TO 2005)	4
6	BSH-3030	BUSH	4	35	800101 23	PIN TIE ARM BASE	1
7	800789 01	ROCKER	1	36	800912 01	DISC (2005 & ON)	1
8	800102 01	PIN 2 <sup>ND</sup> / 1 <sup>ST</sup> BOOM	1	37	SCW-1730	CSK.SOC HEAD SCREW (2005 & ON)	1
9	800101 04	PIN TIE ARM TOP	1				
10	800082 01	CYLINDER REACH	1				
10A	RMSK04040	SEAL KIT (SPARES ONLY)					
OR	RMSK00170	SEAL KIT (SPARES ONLY)					
11	800101 05	PIN 2 <sup>ND</sup> RAM ROD	1				
12	800102 09	PIN 1 <sup>ST</sup> BOOM + ROCKER PIVOT	2				
13	800101 06	PIN 2 <sup>ND</sup> RAM CYL	1				
14	800101 07	PIN 1 <sup>ST</sup> RAM ROD	1				
15	BLTA08500	BOLT	3				
16	NUT-0263	NYLOC NUT(2005 & ON)	10				
OR	NUT-0263	NYLOC NUT(UP TO 2005)	12				
17	BLTA08380	BOLT	5				
18	WSH-0012	PLAIN WASHER(2005 & ON)	28				
OR	WSH-0012	PLAIN WASHER(UP TO 2005)	32				
19	800743 03	COVER 1 <sup>ST</sup> BOOM 6.0m	1				
20	800739 01	MOUNTING BRACKET	1				
21	WSH-0058	SPRING WASHER	8				
22	800742 01	CLAMP/SUPPORT	1				
23	800740 01	HOSE JOINING BRACKET	1				
24	HSS-0140	BOLT	4				
25	800741 01	BRACKET,HOSES,ROCKER (UP TO 2005 ONLY)	1				
26	HSS-0194	BOLT (UP TO 2005 ONLY)	2				
27	WSH-0015	PLAIN WASHER (UP TO 2005 ONLY)	4				
28	NUT-0265	NYLOC NUT (UP TO 2005 ONLY)	2				
29	SCW-0514	BUTT HD SCREW	16				
30	WSH-0061	SPRING WASHER	16				
31	HSS-0150	SETSCREW	4				



KIT-08062  
 KIT-08063  
 KIT-08064

**Shelbourne Reynolds Engineering Limited**

ASSY NUMBER:		KIT-08065		ASSY DESCRIPTION:		OUTER BOOM PARTS 4.6m	
ITEM	PART NO	DESCRIPTION	QTY	ITEM	PART NO	DESCRIPTION	QTY
1	800803 01	OUTER BOOM 4.6m	1	37	HHBI08205	HOSE SHOE	2
2	BSHA05062	BUSH	2	38	WSH-0030	PLAIN WASHER	2
3	BSH-3030	BUSH	2	39	NUTA02200	NYLOC NUT (M20)	1
4	NIP-00600	GREASE NIPPLE	1	40	HSS-0150	SET SCREW	2
5	HHCC15805	HOSE	2	41	190548 38	WASHER	2
6	HHBC26005	HOSE INNER BOOM	2				
7	800740 02	HOSE JOINING BKT (OUTER)	1	43	613419 01	SECURING PIN (2005 & ON)	1
8	WSH-0012	PLAIN WASHER	6				
9	NUT-0263	NYLOC NUT	2				
10	800749 01	COVER 2 <sup>ND</sup> BOOM 4.6m	1				
11	800727 01	CLAMP PLATE	1				
12	WSH-0058	SPRING WASHER	8				
13	800899 01	BRKT.ADJ STRUT(2005 & ON)	2				
OR	800335 01	BRKT.ADJ STRUT(UP TO 2005)	2				
14	SCW-0518	BUTT HD SCREW	4				
15	WSH-0018	PLAIN WASHER	6				
16	WSH-0065	SPRING WASHER	4				
17	800898 01	BASE ADJ STRUT(2005 & ON)	1				
OR	800336 01	BASE ADJ STRUT(UP TO 2005)	1				
18	800850 01	BRACKET FOR ROLLER	1				
19	CLP-00106	R CLIP (2005 & ON)	1				
OR	CLP-00106	R CLIP (UP TO 2005)	2				
20	BLTA12440	BOLT	1				
21	NUT-0269	NYLOC NUT	1				
22	800853 01	BUSH FOR ROLLER	1				
23	800854 01	ROLLER NYLON	1				
24	BLTA20950	BOLT	1				
25	HHAI16405	HOSE OUTER BOOM	2				
26	BLTA08560	BOLT	2				
27	800742 01	CLAMP/SUPPORT	1				
28	HSS-0140	SET SCREW	6				
29	800739 01	MOUNTING BRACKET	1				
30	SCW-0514	BUTT HD SCREW	16				
31	WSH-0061	SPRING WASHER	16				
32							
33			8				
34	800716 03	CLAMP PLATE	1				
35	HHDI25205	HOSE INNER BOOM	2				
36	800715 02	ADAPTOR ¼" SPECIAL	2				

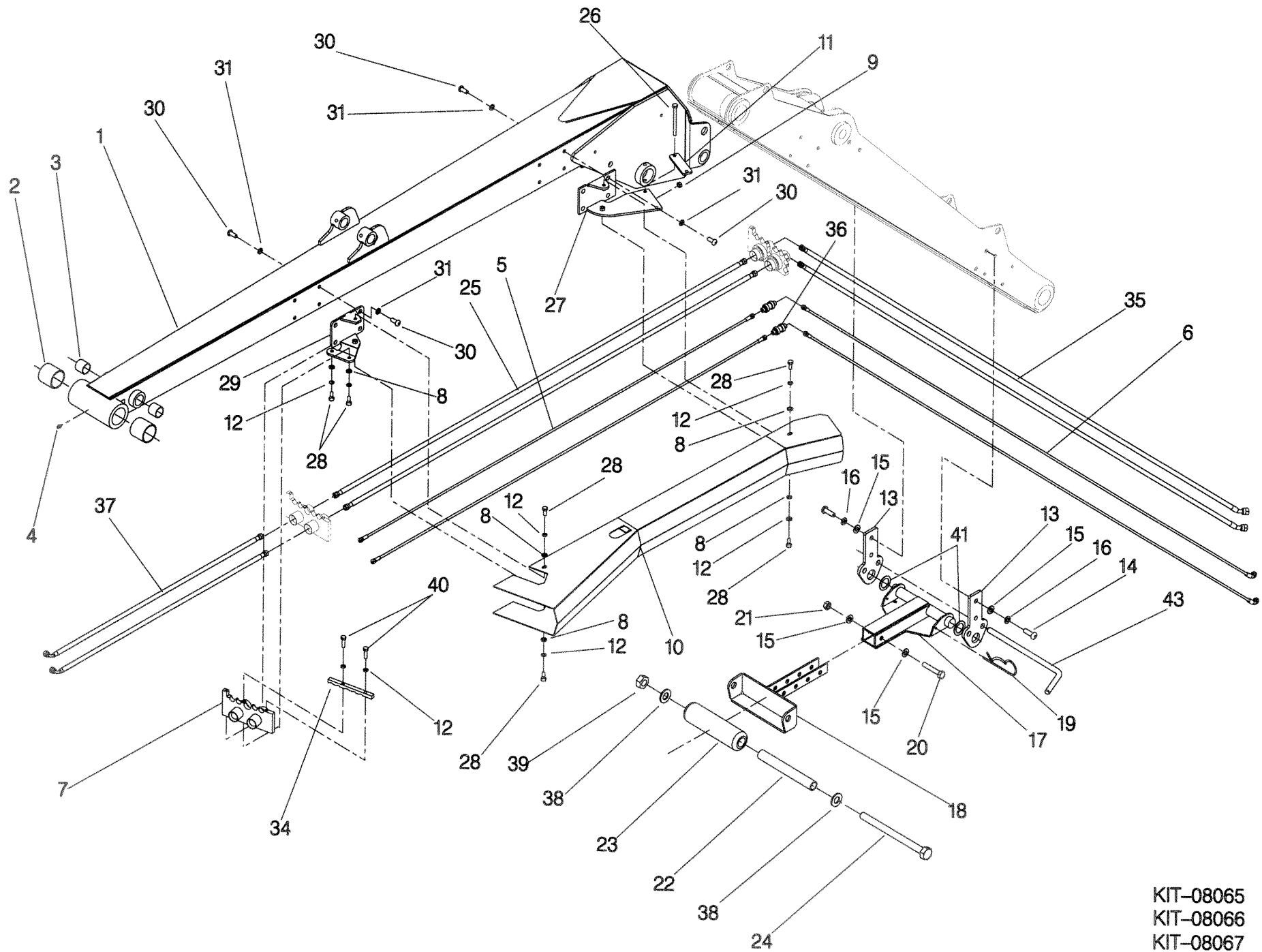
**Shelbourne Reynolds Engineering Limited**

ASSY NUMBER:		KIT-08066		ASSY DESCRIPTION:		OUTER BOOM PARTS 5.3m	
ITEM	PART NO	DESCRIPTION	QTY	ITEM	PART NO	DESCRIPTION	QTY
1	800803 02	OUTER BOOM 5.3m	1	37	HHBI08205	HOSE SHOE	2
2	BSHA05062	BUSH	2	38	WSH-0030	PLAIN WASHER	2
3	BSH-3030	BUSH	2	39	NUTA02200	NYLOC NUT	1
4	NIP-00600	GREASE NIPPLE	1	40	HSS-0150	SETSCREW	2
5	HHCC19705	HOSE	2	41	190548 38	WASHER	2
6	HHBC30005	HOSE INNER BOOM	2				
7	800740 02	HOSE JOINING BKT (OUTER)	1	43	613419 01	SECURING PIN (2005 & ON)	1
8	WSH-0012	PLAIN WASHER	6				
9	NUT-0263	NYLOC NUT	2				
10	800749 02	COVER 2 <sup>ND</sup> BOOM 5.3m	1				
11	800727 01	CLAMP PLATE	1				
12	WSH-0058	SPRING WASHER	8				
13	800899 01	BRKT.ADJ STRUT(2005 & ON)	2				
OR	800335 01	BRKT ADJ STRUT(UP TO 2005)	2				
14	SCW-0518	BUTT HD SCREW	4				
15	WSH-0018	PLAIN WASHER	6				
16	WSH-0065	SPRING WASHER	4				
17	800898 01	BASE ADJ STRUT(2005 & ON)	1				
OR	800336 01	BASE ADJ STRUT(UP TO 2005)	1				
18	800850 01	BRACKET FOR ROLLER	1				
19	CLP-00106	R CLIP (2005 & ON)	1				
OR	CLP-00106	R CLIP (UP TO 2005)	2				
20	BLTA12440	BOLT	1				
21	NUT-0269	NYLOC NUT	1				
22	800853 01	BUSH FOR ROLLER	1				
23	800854 01	ROLLER NYLON	1				
24	BLTA20950	BOLT	1				
25	HHAI20305	HOSE OUTER BOOM	2				
26	BLTA08560	BOLT	2				
27	800742 01	CLAMP/SUPPORT	1				
28	HSS-0140	SET SCREW	6				
29	800739 01	MOUNTING BRACKET	1				
30	SCW-0514	BUTT HD SCREW	16				
31	WSH-0061	SPRING WASHER	16				
32							
33							
34	800716 03	CLAMP PLATE	1				
35	HHDI29105	HOSE INNER BOOM	2				
36	800715 02	ADAPTOR ¼" SPECIAL	2				

**Shelbourne Reynolds Engineering Limited**

ASSY NUMBER:		KIT-08067		ASSY DESCRIPTION:		OUTER BOOM PARTS 6.0m	
ITEM	PART NO	DESCRIPTION	QTY	ITEM	PART NO	DESCRIPTION	QTY
1	800803 03	OUTER BOOM 6.0m	1	37	HHBI08205	HOSE SHOE	2
2	BSHA05062	BUSH	2	38	WSH-0030	PLAIN WASHER	2
3	BSH-3030	BUSH	2	39	NUTA02200	NYLOC NUT (M20)	1
4	NIP-00600	GREASE NIPPLE	1	40	HSS-0150	SET SCREW	2
5	HHCC23905	HOSE	2	41	190548 38	WASHER	2
6	HHBC34005	HOSE INNER BOOM	2				
7	800740 02	HOSE JOINING BKT (OUTER)	1	43	613419 01	SECURING PIN (2005 & ON)	1
8	WSH-0012	PLAIN WASHER	6				
9	NUT-0263	NYLOC NUT	2				
10	800749 03	COVER 2 <sup>ND</sup> BOOM 6.0m	1				
11	800727 01	CLAMP PLATE	1				
12	WSH-0058	SPRING WASHER	8				
13	800899 01	BRKT.ADJ STRUT(2005 & ON)	2				
OR	800335 01	BRKT.ADJ STRUT(UP TO 2005)	2				
14	SCW-0518	BUTT HD SCREW	4				
15	WSH-0018	PLAIN WASHER	6				
16	WSH-0065	SPRING WASHER	4				
17	800898 01	BASE ADJ STRUT(2005 & ON)	1				
OR	800336 01	BASE ADJ STRUT(UP TO 2005)	1				
18	800850 01	BRACKET FOR ROLLER	1				
19	CLP-00106	R CLIP (UP TO 2005)	1				
OR	CLP-00106	R CLIP (UP TO 2005)	2				
20	BLTA12440	BOLT	1				
21	NUT-0269	NYLOC NUT	1				
22	800853 01	BUSH FOR ROLLER	1				
23	800854 01	ROLLER NYLON	1				
24	BLTA20950	BOLT	1				
25	HHAI24505	HOSE OUTER BOOM	2				
26	BLTA08560	BOLT	2				
27	800742 01	CLAMP/SUPPORT	1				
28	HSS-0140	SET SCREW	6				
29	800739 01	MOUNTING BRACKET	1				
30	SCW-0514	BUTT HD SCREW	8				
31	WSH-0061	SPRING WASHER	16				
32							
33							
34	800716 03	CLAMP PLATE	1				
35	HHDI33005	HOSE INNER BOOM	2				
36	800715 02	ADAPTOR ¼" SPECIAL	2				





KIT-08065  
 KIT-08066  
 KIT-08067

**Shelbourne Reynolds Engineering Limited**

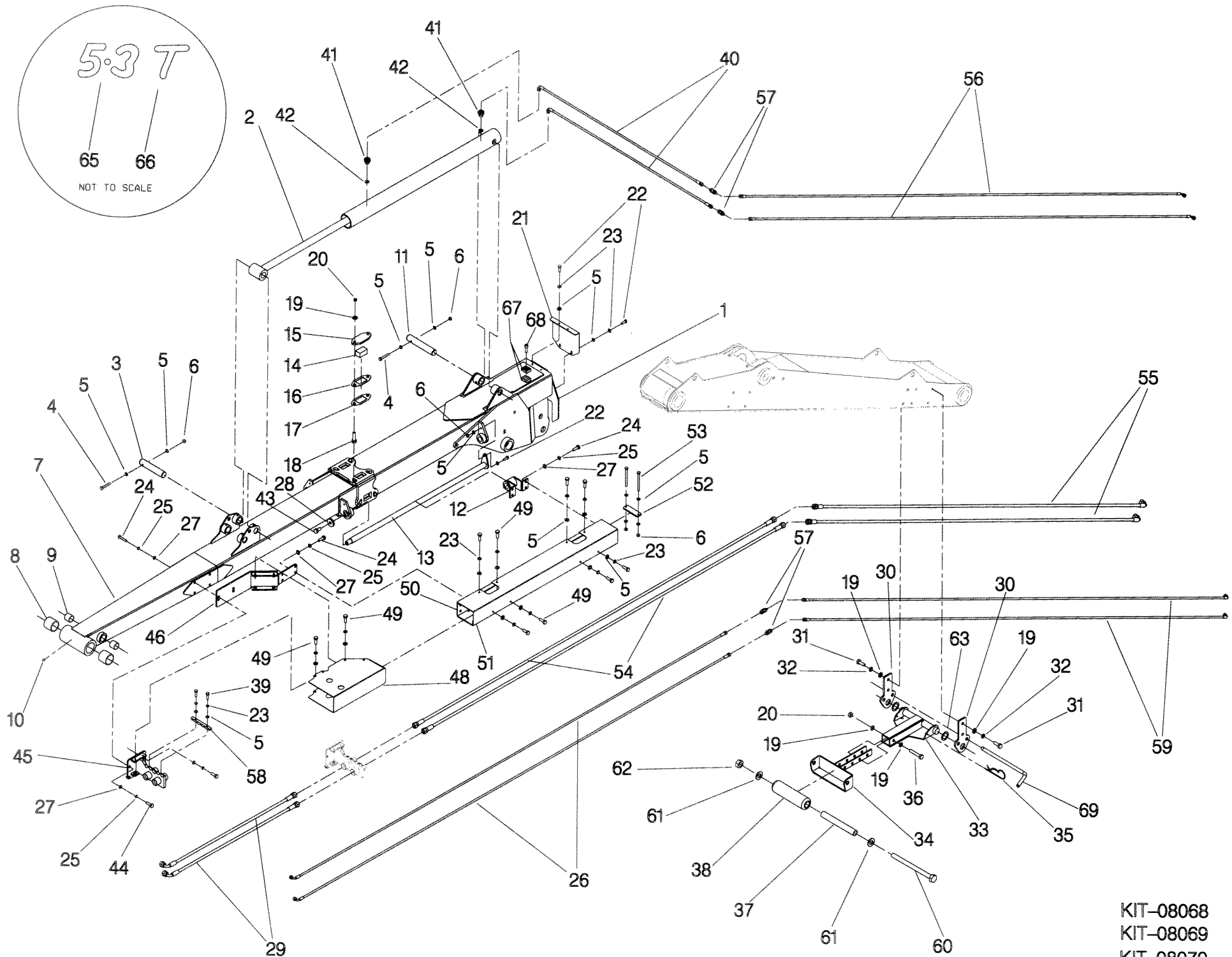
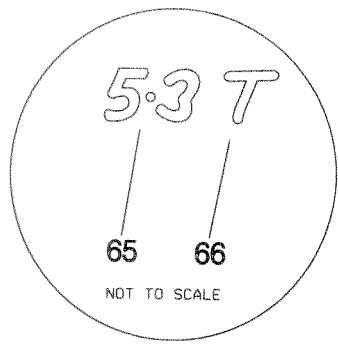
ASSY NUMBER:		KIT-08068		ASSY DESCRIPTION:		OUTER BOOM PARTS 5.3m TELESCOPIC	
ITEM	PART NO	DESCRIPTION	QTY	ITEM	PART NO	DESCRIPTION	QTY
1	800731 01	TELE BOOM MC.SIDE 5.3m	1	35	CLP-00106	R CLIP (2005 & ON)	1
2	800250 01	HYDRAULIC CYLINDER	1	OR	CLP-00106	R CLIP (2005 & ON)	2
2A	RMSK04032	SEAL KIT (SPARES ONLY)		36	BLTA12440	BOLT	1
OR	RMSK00180	SEAL KIT (SPARES ONLY)	1	37	800853 01	BUSH FOR ROLLER	1
3	800101 22	PIN TELE RAM CYL	2	38	800854 01	ROLLER NYLON	1
4	BLTA08350	BOLT	32	39	HSS-0150	SETSCREW	2
5	WSH-0012	PLAIN WASHER	5	40	HHCC08905	HOSE	2
6	NUT-0263	NYLOC NUT	1	41	HMA-0052	ADAPTOR	2
7	800728 01	TELE BOOM HD.SIDE 5.3m	2	42	WSH-1005	BONDED SEAL	2
8	BSHA05062	BUSH	2	43	HSS-0235	SETSCREW	1
9	BSH-3030	BUSH	2	44	SCW-0515	BUTT HD SCREW	4
10	NIP-00600	GREASE NIPPLE	1	45	800711 01	HOSE JOINING BRACKET	1
11	800101 21	PIN ANGLING RAM CYL	1	46	800718 01	COVER MOUNTING BRACKET	1
12	800722 01	SLIDING BOSS	1	47	NUT-0265	NYLOC NUT	1
13	800736 01	SLIDING PIN	12	48	800721 01	COVER GUARD	1
14	800267 01	WEAR PAD	12	49	HSS-0135	SETSCREW	16
15	800265 01	BACKING PLATE	12	50	800725 01	HOSE SUPPT TELE BOOM 5.3m	1
16	800265 02	SHIM 2mm	24	51	800726 01	HOSE COVER TELE BOOM 5.3m	1
17	800265 03	SHIM 1mm	25	52	800727 01	CLAMP PLATE	1
18	BLTA12290	BOLT	27	53	BLTA08650	BOLT	2
19	WSH-0018	PLAIN WASHER	25	54	HHAI24505	HOSE OUTER BOOM	2
20	NUT-0269	NYLOC NUT	1	55	HHD125205	HOSE INNER BOOM	2
21	800799 01	COVER PLATE	5			(2005 & ON)	
22	HSS-0145	SETSCREW	22	OR	HHAI27205	HOSE INNER BOOM (UP TO	2
23	WSH-0058	SPRING WASHER	12			2005)	
24	SCW-0514	BUTT HD SCREW	8	56	HHAC27205	HOSE INNER BOOM TL	2
25	WSH-0061	SPRING WASHER	2	57	800715 02	ADAPTOR ¼" SPECIAL	4
26	HHCC23905	HOSE	8	58	800716 01	CLAMP PLATE OUTER TELE	1
27	WSH-0015	PLAIN WASHER	1	59	HHBC26005	HOSE INNER BOOM HA	2
28	190119 13	WASHER	2	60	BLTA20950	BOLT	1
29	HHBI08205	HOSE SHOE	2	61	WSH-0030	PLAIN WASHER	2
30	800899 01	BRKT.ADJ STRUT(2005 & ON)	2	62	NUTA02200	NYLOC NUT	1
OR	800335 01	BRKT.ADJ STRUT(UP TO 2005)	6	63	190548 38	WASHER	2
31	SCW-0518	BUTT HD SCREW	7	64			
32	WSH-0065	SPRING WASHER	1	65	800885 02	TRANSFER (BOOM SIZE 5.3)	1
33	800898 01	BASE ADJ STRUT(2005 & ON)	1	66	800885 05	TRANSFER (TELESCOPIC 'T')	1
OR	800336 01	BASE ADJ STRUT(UP TO 2005)	1	67			
34	800850 01	BRACKET FOR ROLLER		68			
				69	613419 01	SECURING PIN (2005 & ON)	1

**Shelbourne Reynolds Engineering Limited**

ASSY NUMBER:		KIT-08069		ASSY DESCRIPTION: OUTER BOOM PARTS 6.0m TELESCOPIC			
ITEM	PART NO	DESCRIPTION	QTY	ITEM	PART NO	DESCRIPTION	QTY
1	800731 02	TELE BOOM MC.SIDE 6.0m	1	35	CLP-00106	R CLIP (2005 & ON) (6mm)	1
2	800250 01	HYDRAULIC CYLINDER	1	OR	CLP-00106	R CLIP (UP TO 2005) (6mm)	2
2A	RMSK04032	SEAL KIT (SPARES ONLY)		36	BLTA12440	BOLT	1
OR	RMSK00180	SEAL KIT (SPARES ONLY)		37	800853 01	BUSH FOR ROLLER	1
3	800101 22	PIN TELE RAM CYL	1	38	800854 01	ROLLER NYLON	1
4	BLTA08350	BOLT	2	39	HSS-0150	SETSCREW	2
5	WSH-0012	PLAIN WASHER	34	40	HHCC12805	HOSE	2
6	NUT-0263	NYLOC NUT	5	41	HMA-0052	ADAPTOR	2
7	800728 02	TELE BOOM HD.SIDE 6.0m	1	42	WSH-1005	BONDED SEAL	2
8	BSHA05062	BUSH	2	43	HSS-0235	SETSCREW	1
9	BSH-3030	BUSH	2	44	SCW-0515	BUTT HD SCREW	4
10	NIP-00600	GREASE NIPPLE	2	45	800711 01	HOSE JOINING BRACKET	1
11	800101 21	PIN ANGLING RAM CYL	1	46	800718 01	COVER MOUNTING BRACKET	1
12	800722 01	SLIDING BOSS	1	47	NUT-0265	NYLOC NUT	8
13	800736 01	SLIDING PIN	1	48	800721 01	COVER GUARD	1
14	800267 01	WEAR PAD	12	49	HSS-0135	SETSCREW	18
15	800265 01	BACKING PLATE	12	50	800725 02	HOSE SUPPT TELE BOOM 6.0m	1
16	800265 02	SHIM 2mm	12	51	800726 02	HOSE COVER TELE BOOM 6.0m	1
17	800265 03	SHIM 1mm	24	52	800727 01	CLAMP PLATE	1
18	BLTA12290	BOLT	25	53	BLTA08650	BOLT	2
19	WSH-0018	PLAIN WASHER	27	54	HHAI28405	HOSE OUTER BOOM	2
20	NUT-0269	NYLOC NUT	25	55	HHDI29105	HOSE INNER BOOM	2
21	800799 01	COVER PLATE	1			(2005 & ON)	
22	HSS-0145	SETSCREW	5	OR	HHAI31105	HOSE INNER BOOM	2
23	WSH-0058	SPRING WASHER	24			(UP TO 2005)	
24	SCW-0514	BUTT HD SCREW	12	56	HHAC31005	HOSE INNER BOOM TL	2
25	WSH-0061	SPRING WASHER	8	57	800715 02	ADAPTOR ¼" SPECIAL	4
26	HHCC27805	HOSE	2	58	800716 01	CLAMP PLATE OUTER TELE	1
27	WSH-0015	PLAIN WASHER	8	59	HHBC30005	HOSE INNER BOOM HA	2
28	190119 13	WASHER	1	60	BLTA20950	BOLT	1
29	HHBI08205	HOSE SHOE	2	61	WSH-0030	PLAIN WASHER	2
30	800899 01	BRKT.ADJ STRUT(2005 & ON)	2	62	NUTA02200	NYLOC NUT	1
OR	800335 01	BRKT ADJ STRUT(UP TO 2005)	2	63	190548 38	WASHER	2
31	SCW-0518	BUTT HD SCREW	6	65	800885 03	TRANSFER (BOOM SIZE 6.0)	1
32	WSH-0065	SPRING WASHER	7	66	800885 05	TRANSFER (TELESCOPIC 'T')	1
33	800898 01	BASE ADJ STRUT(2005 & ON)	1	67	HCPD01200	HYD. PIPE CLAMP	1
OR	800336 01	BASE ADJ STRUT(UP TO 2005)	1	68	SCW-0083	CAP HEAD SCREW	1
34	800850 01	BRACKET FOR ROLLER	1	69	613419 01	SECURING PIN (2005 & ON)	1

**Shelbourne Reynolds Engineering Limited**

ASSY NUMBER: KIT-08070				ASSY DESCRIPTION: OUTER BOOM PARTS 6.7m TELESCOPIC			
ITEM	PART NO	DESCRIPTION	QTY	ITEM	PART NO	DESCRIPTION	QTY
1	800731 03	TELE BOOM MC.SIDE 6.7m	1	35	CLP-00106	R CLIP (2005 & ON)	1
2	800250 01	HYDRAULIC CYLINDER	1	OR	CLP-00106	R CLIP (UP TO 2005)	2
2A	RMSK04032	SEAL KIT (SPARES ONLY)		36	BLTA12440	BOLT	1
OR	RMSK00180	SEAL KIT (SPARES ONLY)		37	800853 01	BUSH FOR ROLLER	1
3	800101 22	PIN TELE RAM CYL	1	38	800854 01	ROLLER NYLON	1
4	BLTA08350	BOLT	2	39	HSS-0150	SETSCREW	2
5	WSH-0012	PLAIN WASHER	36	40	HHCC16705	HOSE	2
6	NUT-0263	NYLOC NUT	5	41	HMA-0052	ADAPTOR	2
7	800728 03	TELE BOOM HD.SIDE 6.7m	1	42	WSH-1005	BONDED SEAL	2
8	BSHA05062	BUSH	2	43	HSS-0235	SETSCREW	1
9	BSH-3030	BUSH	2	44	SCW-0515	BUTT HD SCREW	4
10	NIP-00600	GREASE NIPPLE	2	45	800711 01	HOSE JOINING BRACKET	1
11	800101 21	PIN ANGLING RAM CYL	1	46	800718 01	COVER MOUNTING BRACKET	1
12	800722 01	SLIDING BOSS	1	47	NUT-0265	NYLOC NUT	8
13	800736 01	SLIDING PIN	1	48	800721 01	COVER GUARD	1
14	800267 01	WEAR PAD	12	49	HSS-0135	SETSCREW	20
15	800265 01	BACKING PLATE	12	50	800725 03	HOSE SUPPT TELE BOOM 6.7m	1
16	800265 02	SHIM 2mm	12	51	800726 03	HOSE COVER TELE BOOM 6.7m	1
17	800265 03	SHIM 1mm	24	52	800727 01	CLAMP PLATE	1
18	BLTA12290	BOLT	25	53	BLTA08650	BOLT	2
19	WSH-0018	PLAIN WASHER	27	54	HHAI32305	HOSE OUTER BOOM	2
20	NUT-0269	NYLOC NUT	25	55	HHDI33005	HOSE INNER BOOM	2
21	800799 01	COVER PLATE	1			(2005 & ON)	
22	HSS-0145	SETSCREW	5	OR	HHAI35005	HOSE INNER BOOM	2
23	WSH-0058	SPRING WASHER	26			(UP TO 2005)	
24	SCW-0514	BUTT HD SCREW	12	56	HHAC35005	HOSE INNER BOOM TL	2
25	WSH-0061	SPRING WASHER	8	57	800715 02	ADAPTOR ¼" SPECIAL	4
26	HHCC31705	HOSE	2	58	800716 01	CLAMP PLATE OUTER TELE	1
27	WSH-0015	PLAIN WASHER	8	59	HHBC34005	HOSE INNER BOOM HA	2
28	190119 13	WASHER	1	60	BLTA20950	BOLT	1
29	HHBI08205	HOSE SHOE	2	61	WSH-0030	PLAIN WASHER	2
30	800899 01	BRKT.ADJ STRUT(2005 & ON)	2	62	NUTA02200	NYLOC NUT	1
OR	800335 01	BRKT.ADJ STRUT(UP TO 2005)	2	63	190548 38	WASHER	2
31	SCW-0518	BUTT HD SCREW	6	65	800885 04	TRANSFER (BOOM SIZE 6.7)	1
32	WSH-0065	SPRING WASHER	7	66	800885 05	TRANSFER (TELESCOPIC 'T')	1
33	800898 01	BASE ADJ STRUT(2005 & ON)	1	67	HCPD01200	HYD. PIPE CLAMP	2
OR	800336 01	BASE ADJ STRUT(UP TO 2005)	1	68	SCW-0083	CAP HEAD SCREW	2
34	800850 01	BRACKET FOR ROLLER	1	69	613419 01	SECURING PIN (2005 & ON)	1



KIT-08068  
KIT-08069  
KIT-08070



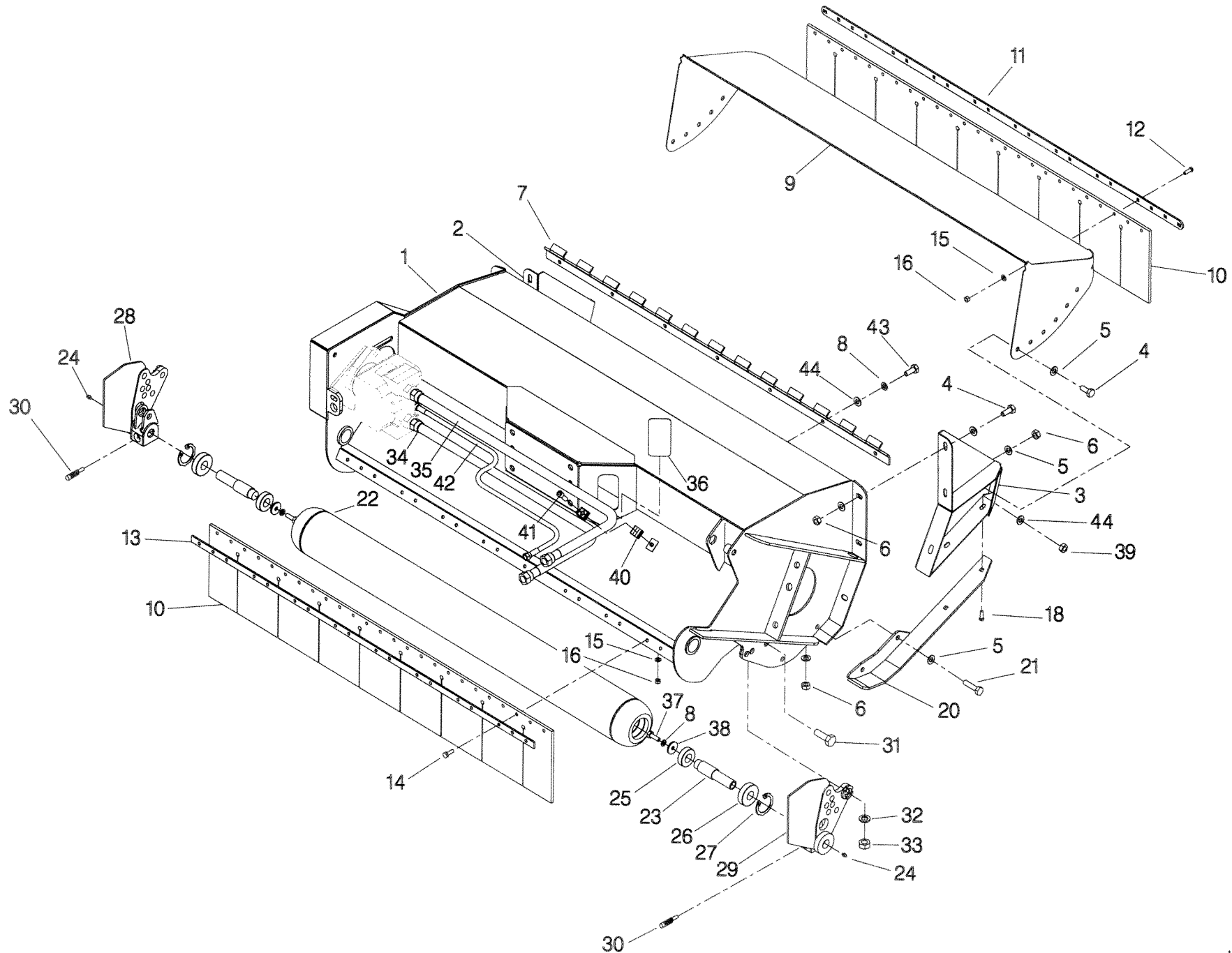
**Shelbourne Reynolds Engineering Limited**

ASSY NUMBER:		KIT-08071		ASSY DESCRIPTION: HEAD SHELL, NOSE AND ROLLER 1.2m			
ITEM	PART NO	DESCRIPTION	QTY	ITEM	PART NO	DESCRIPTION	QTY
1	800830 01	HEAD SHELL (1.2M)	1	35	HHAI07105	HOSE (105456 & ON)	1
2	800815 01	NOSE SIDE PANEL LH	1	OR	HHAI07305	HOSE (109454-104456)	1
3	800815 02	NOSE SIDE PANEL RH	1	OR	HHAI07105	HOSE (UPTO 108454)	1
4	HSS-0235	SETSCREW	8	36	CAP-0060	PLASTIC CAP	2
5	WSH-0018	PLAIN WASHER	28	37	HSS-0188	SETSCREW	2
6	NUT-0269	NYLOC NUT	12	38	190119 09	WASHER	2
7	800812 01	HINGE PLATE (1.2M)	1	39	NUT-0265	NYLOC NUT	4
8	WSH-0061	SPRING WASHER	9	40	HCPD01400	HYD.PIPE CLAMP (109456 & ON)	1
9	800820 01	NOSE (1.2m)	1	OR	HCPD01200	HYD.PIPE CLAMP (UPTO 108456)	1
10	800068 01	CURTAIN (1.2M)	2	41	SCW-0136	CAP HEAD SCREW (109456 & ON)	1
11	800825 01	FIXING STRIP (1.2M)	1	OR	SCW-0083	CAP HEAD SCREW (UPTO 108456)	1
12	BLTF08173	COACHBOLT	20	42	HHAF17605	HOSE (109455 & ON)	1
13	800069 01	FIXING STRIP (1.2M)	1	43	HSS-0194	SETSCREW	7
14	HSS-0145	SETSCREW	18	44	WSH-0015	PLAIN WASHER	11
15	WSH-0012	PLAIN WASHER	38				
16	NUT-0263	NYLOC NUT	38				
17							
18	BLT-3745	COACHBOLT	4				
19	800881 01	SKID W/A LH	1				
20	800881 02	SKID W/A RH	1				
21	HSS-0250	SETSCREW	4				
22	800826 01	ROLLER (1.2M)	1				
23	800033 01	STUB SHAFT	2				
24	NIP-00600	GREASE NIPPLE	2				
25	BRG-4125	BEARING	2				
26	BRG-3358	BEARING	2				
27	CIR-0620	CIRCLIP	2				
28	800838 03	BRACKET ADJUSTABLE LH	1				
29	800838 04	BRACKET ADJUSTABLE RH	1				
30	800450 01	COTTER PIN	2				
31	HSS-0318	SETSCREW	4				
32	WSH-0024	PLAIN WASHER	4				
33	NUT-0271	NYLOC NUT	4				
34	HHAI05805	HOSE (105456 & ON)	1				
OR	HHAI06005	HOSE (109454-104456)	1				
OR	HHAI05605	HOSE (UPTO 108454)	1				

**Shelbourne Reynolds Engineering Limited**

ASSY NUMBER:		KIT-08072		ASSY DESCRIPTION: HEAD SHELL, NOSE AND ROLLER 1.5m			
ITEM	PART NO	DESCRIPTION	QTY	ITEM	PART NO	DESCRIPTION	QTY
1	800830 02	HEAD SHELL (1.5M)	1	35	HHAI08605	HOSE (105456 & ON)	1
2	800815 01	NOSE SIDE PANEL LH	1	OR	HHAI08805	HOSE (109454-104456)	1
3	800815 02	NOSE SIDE PANEL RH	1	OR	HHAI08605	HOSE (UPTO 108454)	1
4	HSS-0235	SETSCREW	8	36	CAP-0060	PLASTIC CAP	2
5	WSH-0018	PLAIN WASHER	28	37	HSS-0188	SETSCREW	2
6	NUT-0269	NYLOC NUT	12	38	190119 09	WASHER	2
7	800812 02	HINGE PLATE (1.5M)	1	39	NUT-0265	NYLOC NUT	4
8	WSH-0061	SPRING WASHER	11	40	HCPD01400	HYD.PIPE CLAMP (109456 & ON)	1
9	800820 02	NOSE (1.5m)	1	OR	HCPD01200	HYD.PIPE CLAMP (UPTO 108456)	1
10	800068 02	CURTAIN (1.5M)	2	41	SCW-0136	CAP HEAD SCREW (109456 & ON)	1
11	800825 02	FIXING STRIP (1.5M)	1	OR	SCW-0083	CAP HEAD SCREW (UPTO 108456)	1
12	BLTF08173	COACHBOLT	24	42	HHAF19105	HOSE (109455 & ON)	1
13	800069 02	FIXING STRIP (1.5M)	1	43	HSS-0194	SETSCREW	9
14	HSS-0145	SETSCREW	22	44	WSH-0015	PLAIN WASHER	13
15	WSH-0012	PLAIN WASHER	46				
16	NUT-0263	NYLOC NUT	46				
17							
18	BLT-3745	COACHBOLT	4				
19	800881 01	SKID W/A LH	1				
20	800881 02	SKID W/A RH	1				
21	HSS-0250	SETSCREW	4				
22	800826 02	ROLLER (1.5M)	1				
23	800033 01	STUB SHAFT	2				
24	NIP-00600	GREASE NIPPLE	2				
25	BRG-4125	BEARING	2				
26	BRG-3358	BEARING	2				
27	CIR-0620	CIRCLIP	2				
28	800838 03	BRACKET ADJUSTABLE LH	1				
29	800838 04	BRACKET ADJUSTABLE RH	1				
30	800450 01	COTTER PIN	2				
31	HSS-0318	SETSCREW	4				
32	WSH-0024	PLAIN WASHER	4				
33	NUT-0271	NYLOC NUT	4				
34	HHAI07305	HOSE (105456 & ON)	1				
OR	HHAI07505	HOSE (109454-104456)	1				
OR	HHAI07105	HOSE (UPTO 108454)	1				

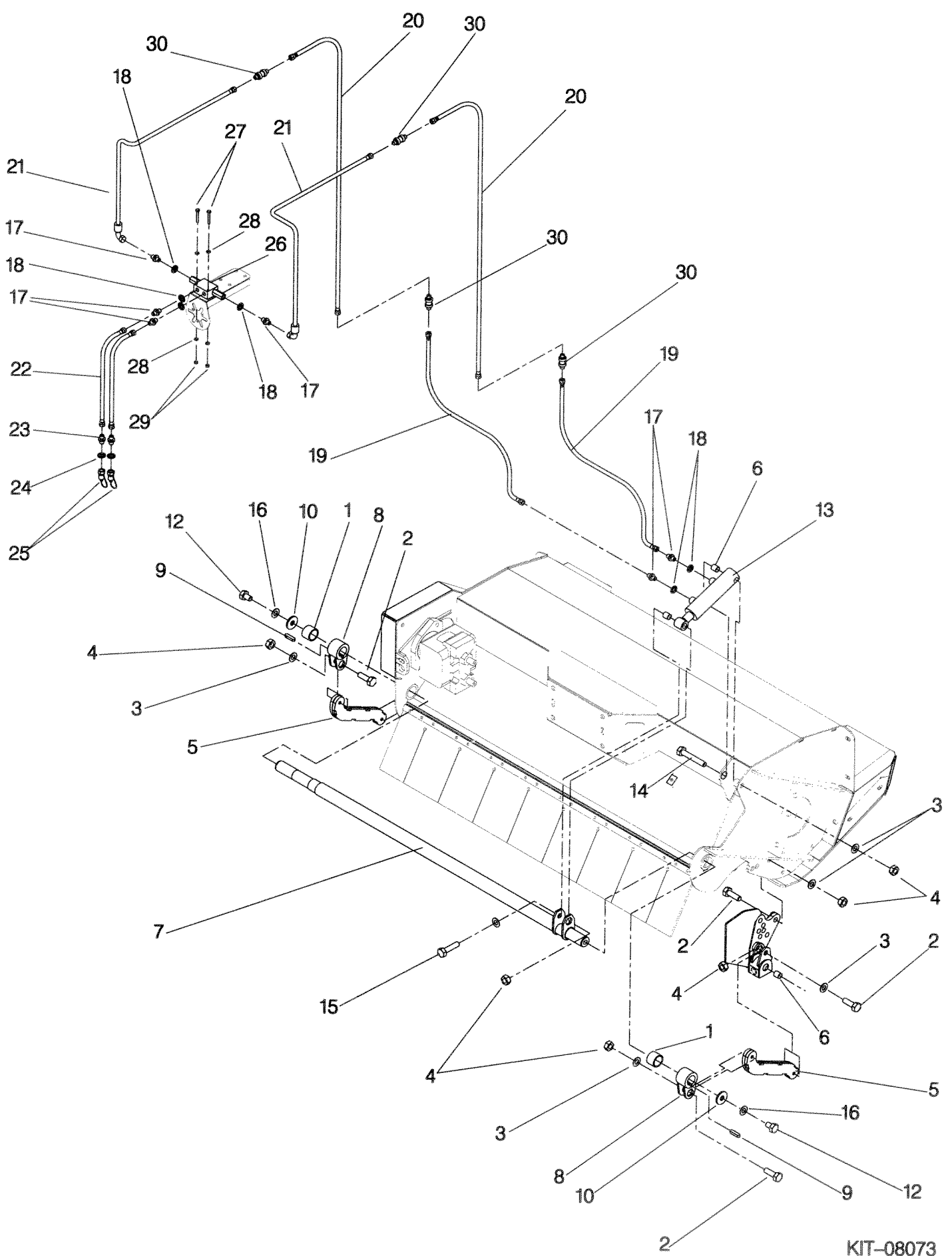




KIT-08071  
 KIT-08072

**Shelbourne Reynolds Engineering Limited**

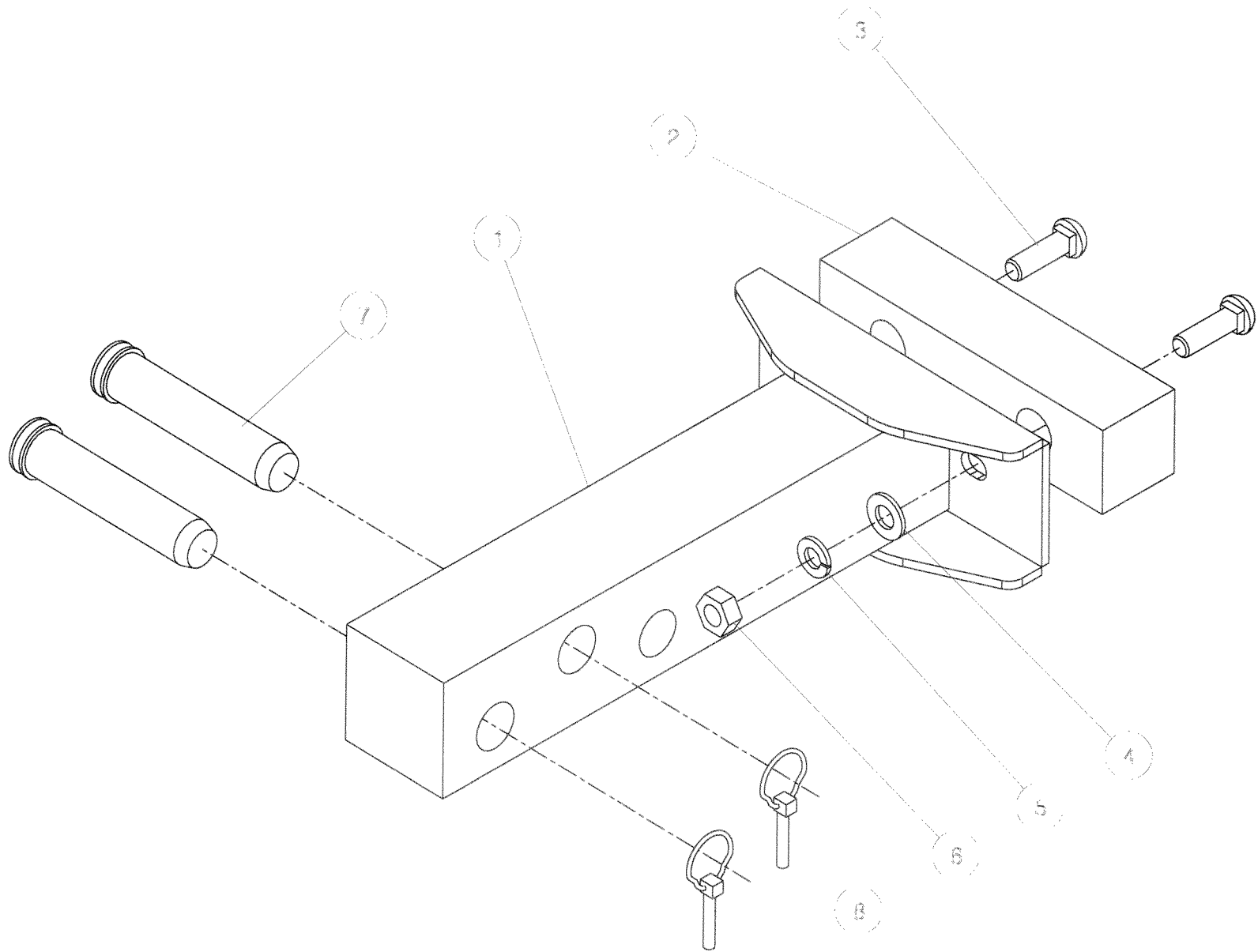
ASSY NUMBER:		KIT-08073		ASSY DESCRIPTION:		ADJUSTABLE ROLLER KIT	
ITEM	PART NO	DESCRIPTION	QTY	ITEM	PART NO	DESCRIPTION	QTY
1	BSHA03556	BUSH	2	30	800715 02	ADAPTOR (1/4" SPECIAL)	4
2	800458 04	BOLT SPECIAL (M16x50)	6				
3	SPGI10116	DISC SPRING	8				
4	NUT-0271	NYLOCNUT	8				
5	800872 01	CRANKED ARM	2				
6	BSH-3035	BUSH	4				
7	800865 01	SHAFT (1.2m)	1				
OR	800865 02	SHAFT (1.5m)	1				
8	800869 01	ARM	2				
9	K1008040	KEY (10x8x40)	2				
10	190119 07	WASHER	2				
11	WSH-0070	SPRING WASHER	2				
12	HSS-0312	SETSCREW	2				
13	800875 01	CYLINDER 40 BORE	1				
13A	RMSK	SEAL KIT (SPARES ONLY)					
OR	RMSK00190	SEAL KIT (SPARES ONLY)					
14	BLT-2320	BOLT	1				
15	800458 02	BOLT SPECIAL	1				
16	WSH-0024	PLAIN WASHER	2				
17	HMA-0052	ADAPTOR	6				
18	WSH-1005	BONDED SEAL	6				
19	HHAC18505	HOSE 1.2m HEAD	2				
OR	HHAC20005	HOSE 1.5m HEAD	2				
20	HHAC17105	HOSE 4.6m OUTER	2				
OR	HHAC21005	HOSE 5.3m OUTER	2				
OR	HHAC25005	HOSE 6.0 & 5.3mT OUTER	2				
OR	HHAC29105	HOSE 6.0mT OUTER	2				
OR	HHAC33005	HOSE 6.7mT OUTER	2				
21	HHCC30205	HOSE 4.6m INNER	2				
OR	HHCC34105	HOSE 5.3m INNER	2				
OR	HHCC38005	HOSE 6.0m INNER	2				
22	HHAC08505	HOSE	2				
23	HMA-0055	ADAPTOR	2				
24	WSH-1015	BONDED SEAL	2				
25	COU-0162	QUICK REL COUP.	2				
26	HVB-27000	VALVE DOUBLE PO CHECK	1				
27	HSSA06290	SETSCREW	2				
28	WSH-0009	PLAIN WASHER	4				
29	NUT-0260	NYLOC NUT	2				



KIT-08073

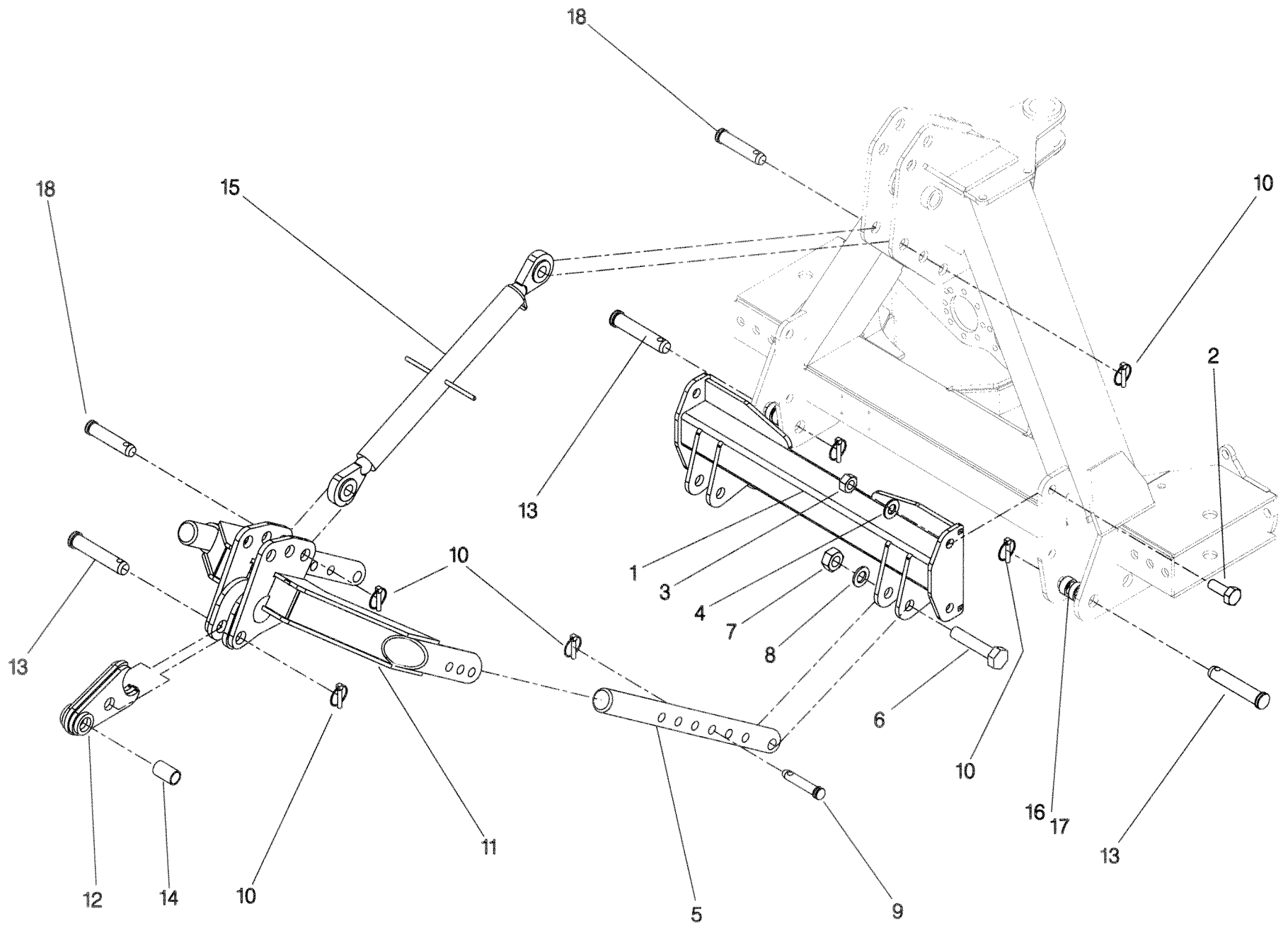
**Shelbourne Reynolds Engineering Limited**

ASSY NUMBER:		KIT-08074		ASSY DESCRIPTION: ADJUSTABLE BUMP STOP			
ITEM	PART NO	DESCRIPTION	QTY	ITEM	PART NO	DESCRIPTION	QTY
1	800886 01	BOOM STOP W/A	1				
2	RUB-0310	RUBBER BUFFER	1				
3	BLT-3800	COACH BOLT	2				
4	WSH-0018	PLAIN WASHER	2				
5	WSH-0065	SPRING WASHER	2				
6	NUT-0170	PLAIN NUT	2				
7	800198 01	TOP LINK PIN	2				
8	PIN-01950	LYNCH PIN	2				



**Shelbourne Reynolds Engineering Limited**

ASSY NUMBER:		KIT-08075		ASSY DESCRIPTION:		STABILISER KIT-3 POINT LINKAGE-V2A	
ITEM	PART NO	DESCRIPTION	QTY	ITEM	PART NO	DESCRIPTION	QTY
1	800927 01	3-POINT CROSS MEMBER	1				
2	HSS-0355	SETSCREW	4				
3	NUTA02200	NYLOC NUT	4				
4	WSH-0030	PLAIN WASHER	4				
5	800929 01	3-POINT SHAFT	2				
6	BLTA24620	BOLT	2				
7	NUT-0275	NYLOC NUT	2				
8	WSH-0036	PLAIN WASHER	4				
9	800933 01	PIN	2				
10	PIN-01950	LYNCH PIN	7				
11	800921 01	3-POINT YOKE	1				
12	800930 01	ROCKER	1				
13	800199 01	PIN	3				
14	800197 01	SPACER	1				
15	ADL-11540	TOP LINK	1				
16	800934 01	16mm SPACER	4				
17	800934 02	13mm SPACER	4				
18	800198 01	PIN	2				
<b>THIS KIT ONLY FOR MACHINES</b> SERIAL No. UP TO AND INC. 103455							



KIT-08075

**Shelbourne Reynolds Engineering Limited**

ASSY NUMBER:		KIT-08076		ASSY DESCRIPTION:		STABILISER KIT-3 POINT LINKAGE-V2B	
ITEM	PART NO	DESCRIPTION	QTY	ITEM	PART NO	DESCRIPTION	QTY
1	800929 01	3-POINT SHAFT	2				
2	BLTA24620	BOLT	2				
3	NUT-0275	NYLOC NUT	2				
4	WSH-0036	PLAIN WASHER	4				
5	800933 01	PIN	2				
6	PIN-01950	LYNCH PIN	7				
7	800921 01	3-POINT YOKE	1				
8	800930 01	ROCKER	1				
9	800199 01	PIN	3				
10	800197 01	SPACER	1				
11	ADL-11540	TOP LINK	1				
12	800934 01	16mm SPACER	4				
13	800934 02	13mm SPACER	4				
14	800198 01	PIN	2				
<p><b>THIS KIT ONLY FOR MACHINES</b>            SERIAL No. FROM AND INC.            104455</p>							



