

Shelbourne

REYNOLDS

HD700 SERIES PARTS MANUAL



POWERBLADE

Shelbourne Reynolds Engineering Ltd
Stanton
Bury St Edmunds
Suffolk
IP31 2AR
England

Telephone: 01359 250415
Fax: 01359 250464

Stores Direct : 01359 251231
Stores Direct: 01359 252031

Issue 40 06/07/2023

www.shelbourne.com



 YouTube

ORDERING SPARE PARTS

IMPORTANT

Your PowerBlade is made up of a Machine assembly number (common parts), specific sub assemblies and also customer optional build kits. The machine, sub assemblies and optional kit numbers are listed in the front pages of your Operators manual, part no. MAN-10200.

If you do not have these numbers please contact Shelbourne Reynolds Parts Department direct on (telephone) 01359 251231.

To ensure that you order the correct part from your SRE dealer please use the following procedure.

ALWAYS QUOTE THE MACHINE AND SERIAL NUMBERS WHEN ORDERING.

Refer to the Parts Manuals front page/s, listing the machine assemblies. Select the correct machine assembly number which is printed in the top left corner of the page (starting with 8099__ 01), This machine number can also be taken off the PowerBlade identification plate located on the front of the main chassis beam.

On this page you will find the parts listing for the common parts for every configuration of that machine assembly number.

You will find the corresponding drawing by either looking at the facing page or progressing through the manual to the next drawing.

The drawings indicate the components by item numbers, which you will find, are repeated in the left-hand side of your parts listing, and therefore referring to the correct part.

Note all parts will not be found listed below the machine number. Other parts will be from specific sub assemblies and optional kits. These sub assemblies and kits will be found in numerical order further through the manual.

Sub assemblies start with 8090__ 01 and kits start with KIT- _____.

List Of Kit Numbers

809901 01	Trimmer Assembly	1
809902 01	1.2m Head Assembly	3
809902 02	1.5m Head Assembly	5
809902 04	1.2m Head Assembly RH Drive	7
809902 05	1.5m Head Assembly RH Drive	9
809907 01	Trimmer Assembly LH Build	11
809907 02	Trimmer Assembly RH Build	13
809908 01	Trimmer Assembly 8.0m LH Build	15
809909 01	Frame And Tank Assembly	17
809909 01BG	Frame And Tank Assembly (Blue And Grey)	19
809913 01	1.2m LH Drive Head Assembly	21
809913 02	1.2m RH Drive Head Assembly	23
809006 01	Transfers Sub-Assembly	25
809008 01	Main Frame Assembly	28
809009 01	Tank Assembly	31
809009 01BG	Tank Assembly (Blue And Grey)	33
809010 01	Flail Mounting And Drive Sub Assembly	35
809010 01BG	Flail Mounting And Drive Sub Assembly	37
809019 01	Mainframe Sub Assembly	40
809021 01	Mainframe Sub Assembly	44
809021 01BG	Mainframe Sub Assembly (Blue And Grey)	48
809028 01	Flail Drive Sub Assembly	51

Kit Options 54

KIT-08000	1.2m Flail Assembly	55
KIT-08001	1.5m Flail Assembly	57
KIT-08015	Stabilisers Axle Mounting	59
KIT-08015G	Grey Stabilisers Axle Mounting	61
KIT-08071	1.2m Head Shell Nose And Roller	63
KIT-08072	1.5m Head Shell Nose And Roller	65
KIT-08076	3 Point Stabiliser Kit	67
KIT-08076G	3 Point Stabiliser Kit (Grey)	69
KIT-08077	Electronic Proportional Controls	72
KIT-08079	6.0m Inner Boom	75
KIT-08080	7.0m Inner Boom	77
KIT-08082	6.0m Telescopic Outer Boom	79
KIT-08083	7.0m Telescopic Outer Boom	81
KIT-08084	Left Hand Parts	83
KIT-08085	Right Hand Parts	85
KIT-08086	Adjustable Roller	87

KIT-08088	5.5m Fixed Outer Boom	89
KIT-08090	VFR Outer Boom	91
KIT-08094	Head Skid Cover Kit	93
KIT-08100	Active Electronic Float With Adjustable Roller	95
KIT-08106	Narrow Lane Bracket	97
KIT-08111	Highways Kit	99
KIT-08113	6.0m Telescopic Outer Boom	102
KIT-08114	7.0m Telescopic Outer Boom	106
KIT-08115	Head Skid Wear Kit	109
KIT-08116	1.2m Head Shell Nose And Roller	111
KIT-08117	Active Electronic Float With Adjustable Roller	113
KIT-08118	1.2m Head Shell Nose And Roller	115
KIT-08120	Adjustable Roller	117
KIT-08121	1.5m Head Shell Nose And Roller	119
KIT-08131	Kirogn Head Bracket Kit	121
KIT-08141	6.7m VFR Outer Boom	123
KIT-08142	6.7m Inner Boom	125
KIT-08156	Head Bracket Kit	127
KIT-08159	Trimmer Blower Kit	129
KIT-08160	Adjustable Roller	131
KIT-08161	Hydraulics For Adjustable Roller	133
KIT-08163	8.0m Telescopic Outer Boom	135
KIT-08164	8.0m Inner Boom	139
KIT-08165	Head Transfer Kit	141
KIT-08166	Transfers Blue	144
KIT-08167	Adjustable Roller With Active Float	147
KIT-08176	Hydraulic Adjustable Roller	149
KIT-08177	1.2m Head Shell Nose And Roller	151
KIT-08177BG	1.2m Head Shell Nose And Roller (Blue And Grey)	153
KIT-08178	1.5m Head Shell Nose And Roller	155
KIT-08178BG	1.5m Head Shell Nose & Roller (Blue And Grey)	157
KIT-08179	Active Electronic Float Kit	159
KIT-08182	1.2m Flail Assembly	161
KIT-08186	6.7m VFRT Outer Boom	163
KIT-08193	VFRT Outer Boom Kit	165
KIT-08197	Inner Boom Kit	169
KIT-08206	Head Fixing Kit	171
KIT-08213	VFRT Valves And Controls	173
KIT-08213BG	VFRT Valves And Controls (Blue And Grey)	175
KIT-08219	6.0m Inner Boom VFRT Kit	177
KIT-08219BG	6.0m Inner Boom VFRT Kit (Blue And Grey)	179
KIT-08220	6.0m VFRT Outer Boom Kit	182
KIT-08220BG	6.0m VFRT Outer Boom Kit (Blue And Grey)	188
KIT-08221	7.0m Inner Boom VFRT Kit	193
KIT-08221BG	7.0m Inner Boom VFRT Kit (Blue And Grey)	195

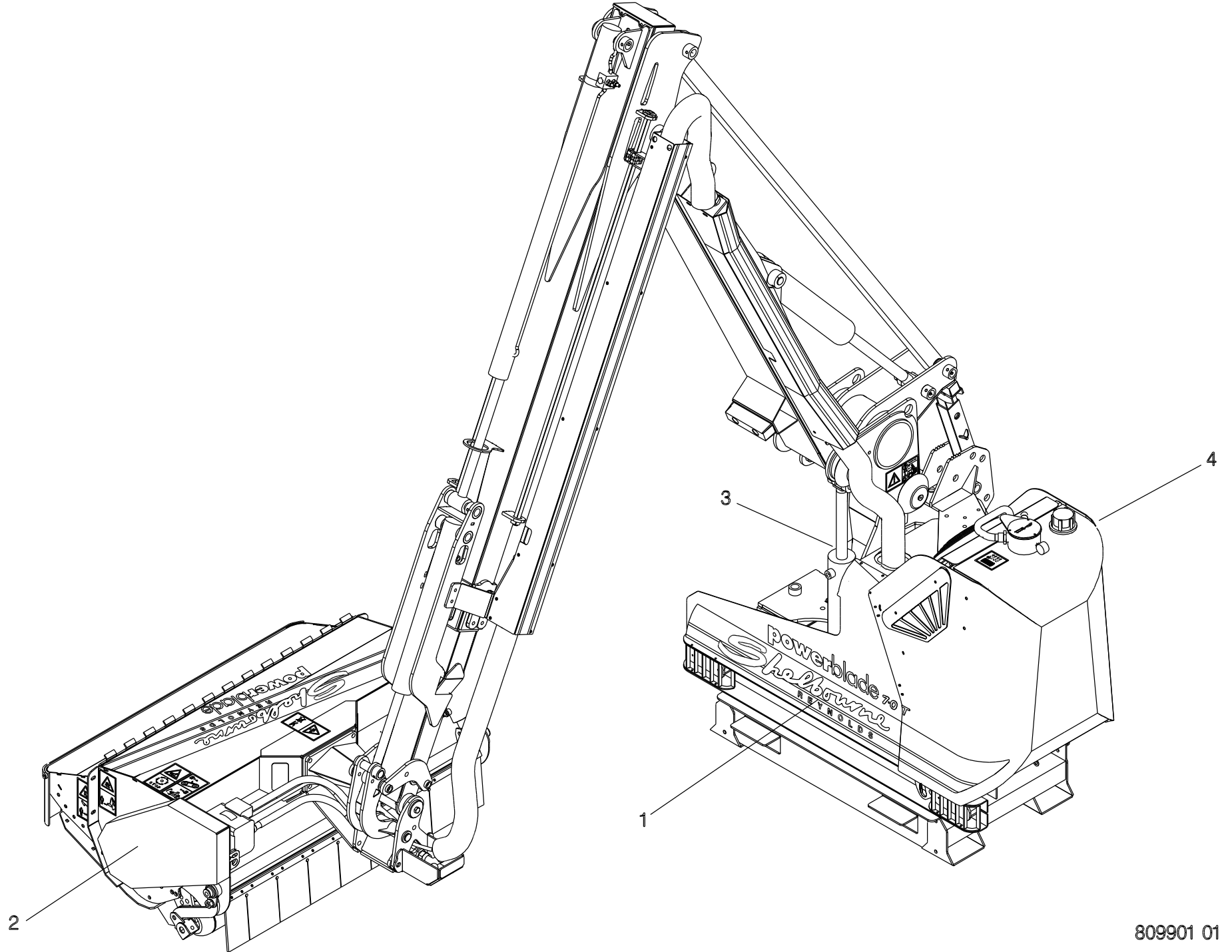
KIT-08222	7.0m VFRT Outer Boom Kit	198
KIT-08222BG	7.0m VFRT Outer Boom Kit (Blue And Grey)	204
KIT-08223	Hydraulic Nose Kit	209
KIT-08226	1.2m Head Shell Nose And Roller	211
KIT-08237	3 Point Stabiliser Kit	213
KIT-08247	1.2m Head Hydraulics	216
KIT-08248	1.5m Head Hydraulics	220
KIT-08249	1.2m Head Hydraulics For HD7X5/8X5 VFRT	224
KIT-08250	1.5m Head Hydraulics For HD7X5/8X5 VFRT	228
KIT-08251	Twin Accumulator Kit	231
KIT-08262	Head Bracket Kit	233
KIT-08277	Hydraulic Nose Kit	235
KIT-08283	Drawbar Kit	237
KIT-08298	1.2m Head Hydraulics	240
KIT-08301	1.5m Head Hydraulics	244
KIT-08316	Medium Outrigger Kit Head 600, HD700/800	247
KIT-08323	800RPM Higher Power Drive Kit	249
KIT-08324	Standard Drive Kit	251
KIT-08352	Blower Sub Assembly Kit	253
KIT-08357	1.2m Head Hydraulics	255
KIT-08358	1.5m Head Hydraulics	257
KIT-08400	Blower Kit	259
KIT-08441	HD Head Standard Power Kit	261
KIT-08442	HD Head Higher Power Kit	263
GEA-0183	Gearbox	265

Breakdown Pages 268

801118 01	Electronic Control Unit	269
801119 01	Electronic Joystick Unit	271
HVB-19085	Valve Block Cylinders	273
HVB-19090	Rotor Control Valve	275
HVB-19120	Rotor Control Valve	277
HVB-19145	Valve Block Cylinders	279

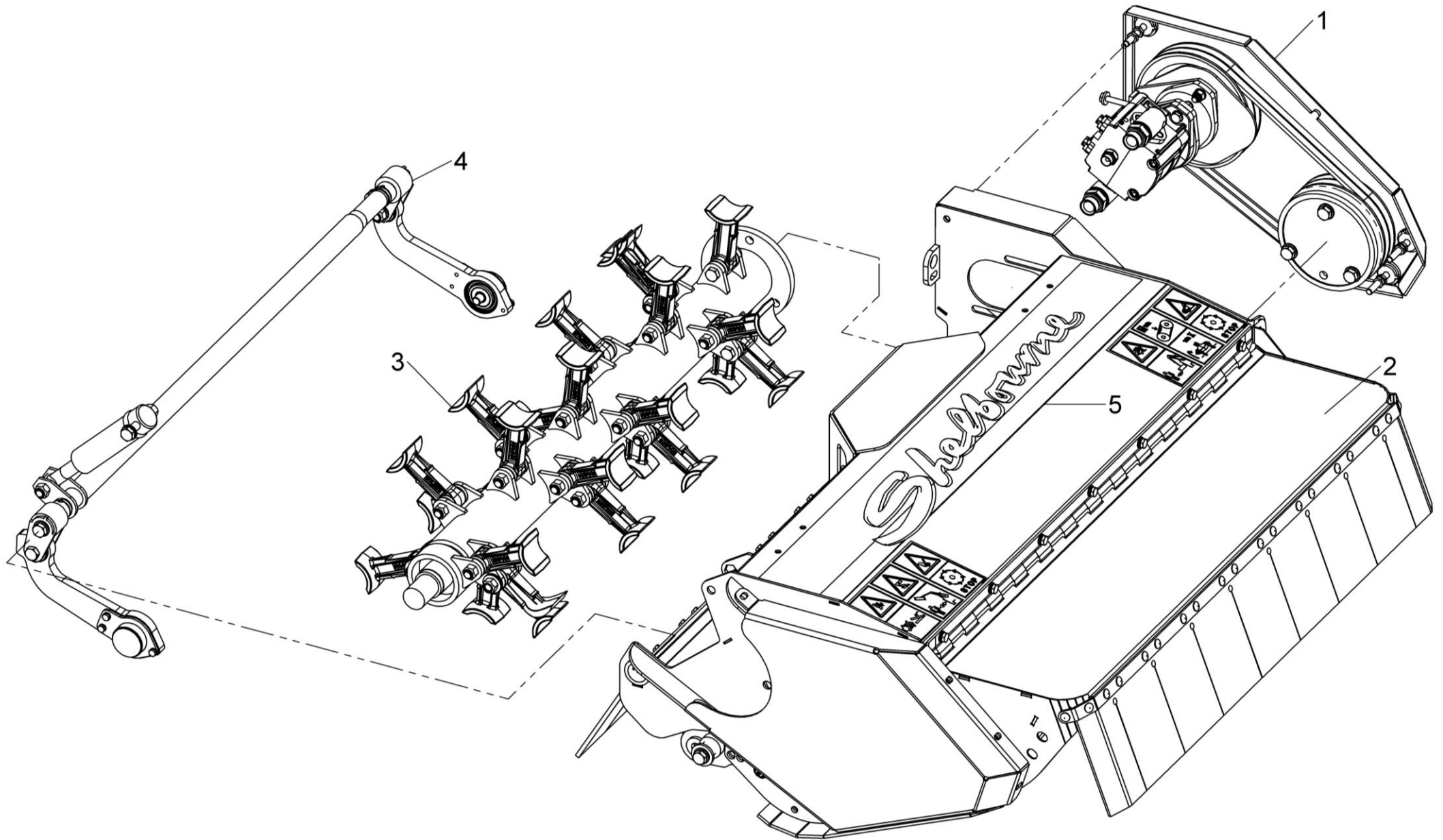
Shelbourne Reynolds Engineering Limited

ASSY NUMBER:		809901 01		ASSY DESCRIPTION:		TRIMMER ASSY, COMMON PARTS	
ITEM	PART NO	DESCRIPTION	QTY	ITEM	PART NO	DESCRIPTION	QTY
1	809006 01	TRANSFERS	1				
2	809010 01	DRIVE & FLAIL MOUNTING ASSY	1				
3	809008 01	MAIN FRAME ASSY	1				
4	809009 01	TANK ASSY	1				



Shelbourne Reynolds Engineering Limited

ASSY NUMBER: 809902 01				ASSY DESCRIPTION: 1.2 M HEAD ASSY, COMPLETE (LH DRIVE HEAD)			
ITEM	PART NO	DESCRIPTION	QTY	ITEM	PART NO	DESCRIPTION	QTY
1	809028 01	FLAIL MTG. & DRIVE SUB ASSY (PBXXX170760 & ON)	1				
OR	809010 01	FLAIL MTG. & DRIVE SUB ASSY (UP TO PBXXX170760)	1				
OR	809010 01BG	FLAIL MTG & DRIVE SUB ASSY BLUE & GREY (UP TO	1				
2	KIT-08177	1.2Mt HEAD (LH/OUTBOARD DRIVE) 2013 & ON	1				
OR	KIT-08177BG	1.2Mt HEAD (LH/OUTBOARD DRIVE) BLUE & GREY	1				
OR	KIT-08118	1.2Mt HEAD (LH/OUTBOARD DRIVE) UPTO 2013	1				
3	KIT-08000D	T FLAIL ASSY (1.2M) DROP (2018 & ON)	1				
OR	KIT-08000A	T FLAIL ASSY (CAST) (1.2M) (2013 UP TO 2018)	1				
4	KIT-08176A	1.2Mt ADJ ROLLER LINKAGE (LH DRIVE) BEARING TYPE(2013)	1				
OR	KIT-08176AB	1.2Mt ADJ ROLLER LINKAGE (LH DRIVE) BLUE	1		809902 01BG	1.2mt COMPLETE HEAD (LH DRIVE HEAD) - BLUE	
OR	KIT-08160A	1.2Mt ADJ ROLLER LINKAGE (LH DRIVE) (UPTO 2013)	1				
5	KIT-08165	HEAD TRANSFERS - BLUE UP TO 2016 ONLY	1				
OR	KIT-08165G	HEAD TRANSFERS - GREY	1				

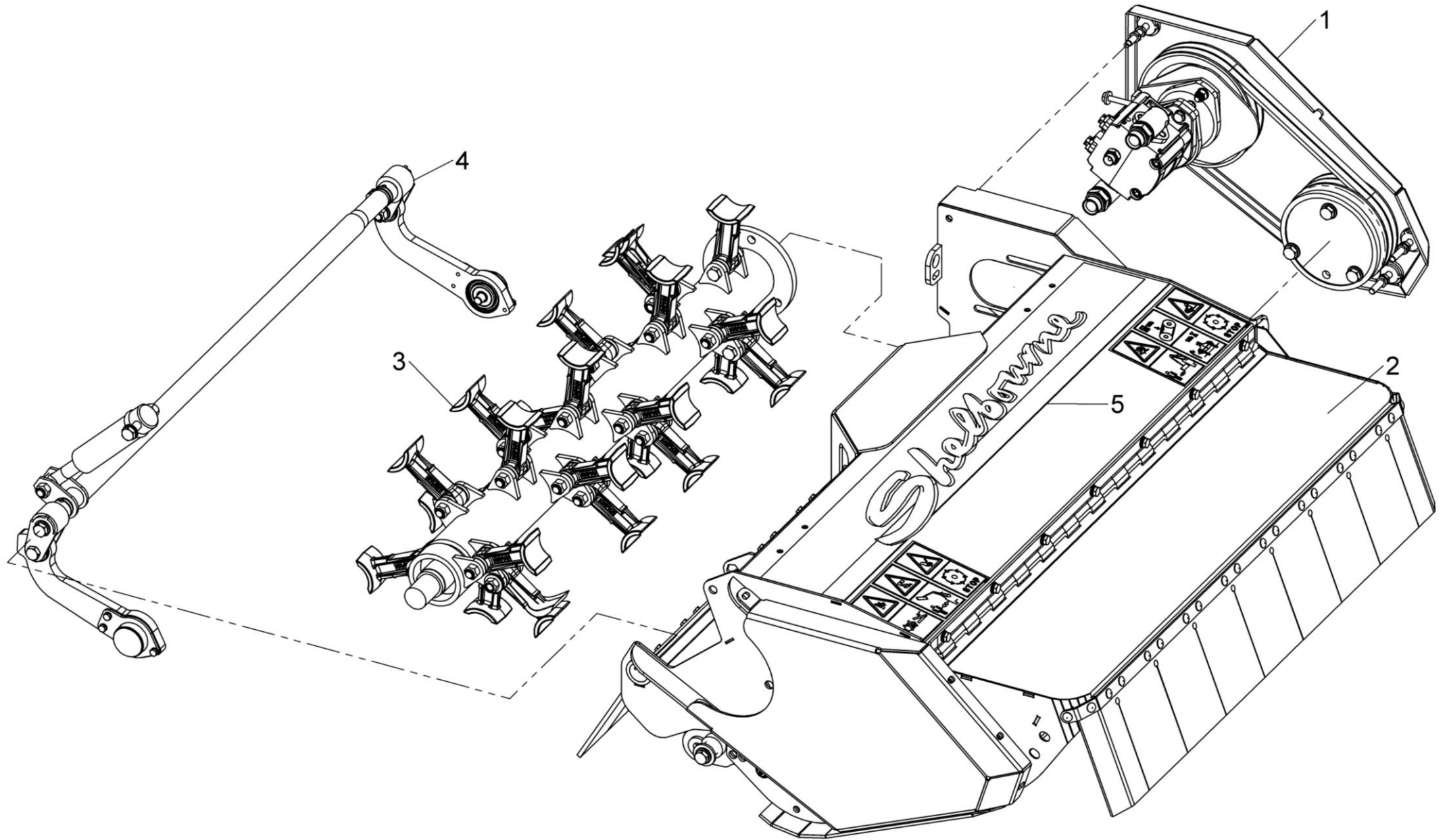


809902 01



Shelbourne Reynolds Engineering Limited

ASSY NUMBER: 809902 02				ASSY DESCRIPTION: 1.5 M HEAD ASSY, COMPLETE			
ITEM	PART NO	DESCRIPTION	QTY	ITEM	PART NO	DESCRIPTION	QTY
1	809028 01A	FLAIL MTG & DRIVE SUB ASSY (PBXXX170760 & ON)	1				
OR	809010 01A	FLAIL MTG & DRIVE SUB ASSY (UP TO PBXXX170760)					
OR	809010 01ABG	FLAIL MTG & DRIVE - BLUE/GREY (UP TO PBXXX170760)					
2	KIT-08178	1.5Mt HEAD (LH/OUTBOARD DRIVE) 2013 & ON	1				
OR	KIT-08178BG	1.5Mt HEAD (LH/OUTBOARD DRIVE) BLUE/GREY					
OR	KIT-08121	1.5Mt HEAD (LH/OUTBOARD DRIVE) UPTO 2013					
3	KIT-08001D	T FLAIL ASSY (1.5M) DROP FORGED (2018 & ON)	1				
OR	KIT-08001A	T FLAIL ASSY (1.5M) (CAST) (2013 UP TO 2018)	1				
4	KIT-08176C	1.5Mt ADJ ROLLER LINKAGE BEARING TYPE (LH DRIVE) 2013 & ON	1				
OR	KIT-08176B	1.5Mt ADJ ROLLER LINKAGE BEARING TYPE (LH DRIVE) BLUE			809902 02BG	1.5mt COMPLETE HEAD (LH DRIVE HEAD) - BLUE	
OR	KIT-08160C	1.5Mt ADJ ROLLER LINKAGE LH DRIVE UPTO 2013					
5	KIT-08165	HEAD TRANSFERS - BLUE UP TO 2016 ONLY	1				
OR	KIT-08165G	HEAD TRANSFERS - GREY					

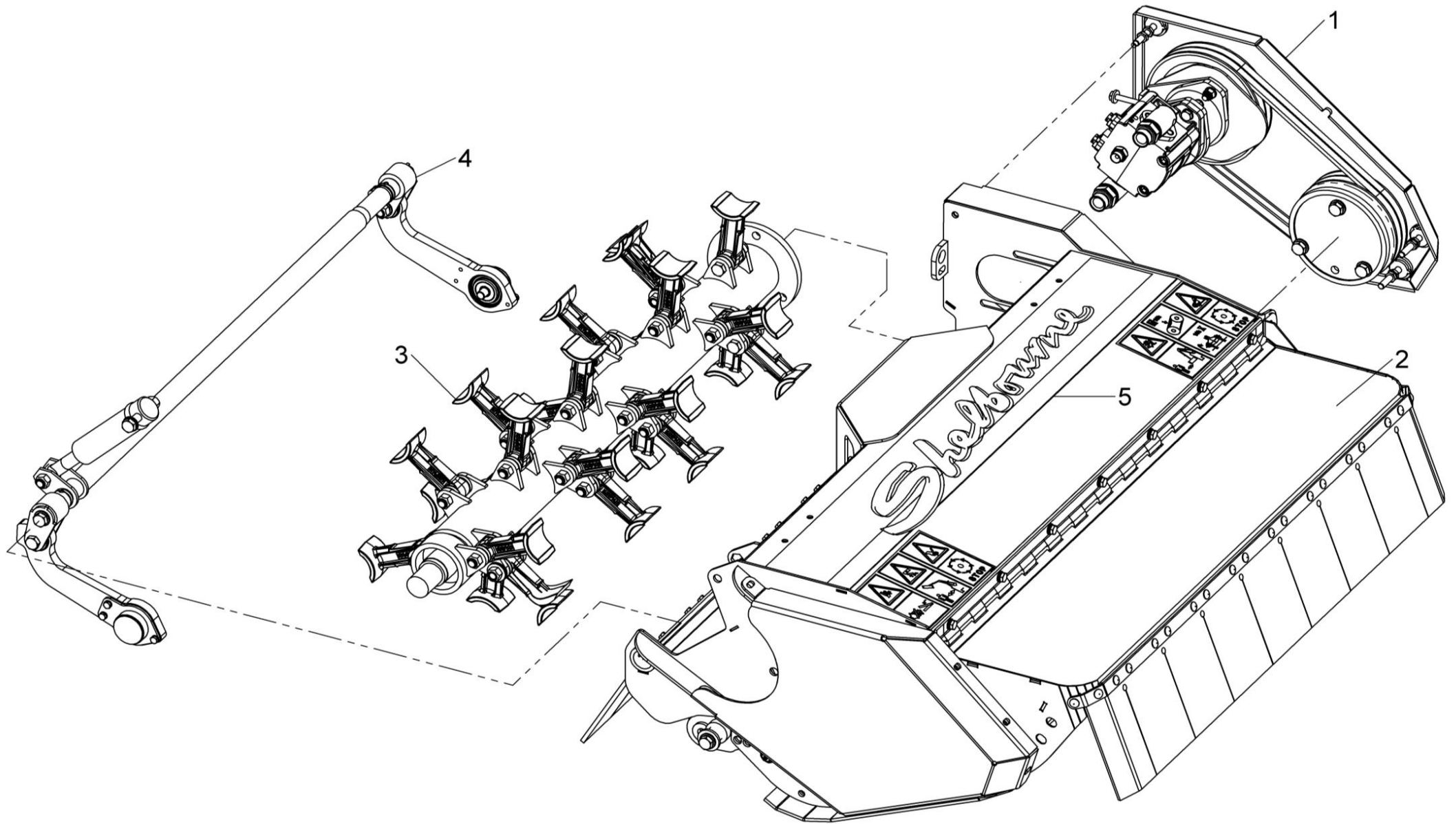


809902 02



Shelbourne Reynolds Engineering Limited

ASSY NUMBER: 809902 04				ASSY DESCRIPTION: 1.2 M HEAD ASSY RH DRIVE INBOARD, COMPLETE			
ITEM	PART NO	DESCRIPTION	QTY	ITEM	PART NO	DESCRIPTION	QTY
1	809028 01R	FLAIL MTG AND DRIVE (PBXXX170760 & ON)	1				
OR	809010 01R	FLAIL MTG AND DRIVE (UP TO PBXXX170760)					
OR	809010 01RBG	FLAIL MTG AND DRIVE BLUE & GREY (UP TO					
2	KIT-08177R	1.2Mt HEAD (RH/INBOARD DRIVE) 2013 & ON	1				
OR	KIT-08177RBG	1.2Mt HEAD (RH/INBOARD DRIVE) BLUE & GREY					
OR	KIT-08118R	1.2Mt HEAD (RH/INBOARD DRIVE) UPTO 2013					
3	KIT-08000D	T FLAIL ASSY (1.2M) DROP (2018 & ON)	1				
OR	KIT-08000A	T FLAIL ASSY (CAST) (1.2M) (2013 UP TO 2018)	1				
OR	KIT-08176BB	1.2Mt ADJ ROLLER LINKAGE (RH DRIVE) BLUE	1		809902 04BG	1.2mt COMPLETE HEAD (RH/INBOARD) - BLUE & GREY	
OR	KIT-08160B	1.2Mt ADJ ROLLER LINKAGE (RH DRIVE) UPTO 2013					
4	KIT-08176B	1.2Mt ADJ ROLLER LINKAGE	3				
5	KIT-08165	HEAD TRANSFERS - BLUE UP TO 2016 ONLY	1				
OR	KIT-08165G	HEAD TRANSFERS - GREY					

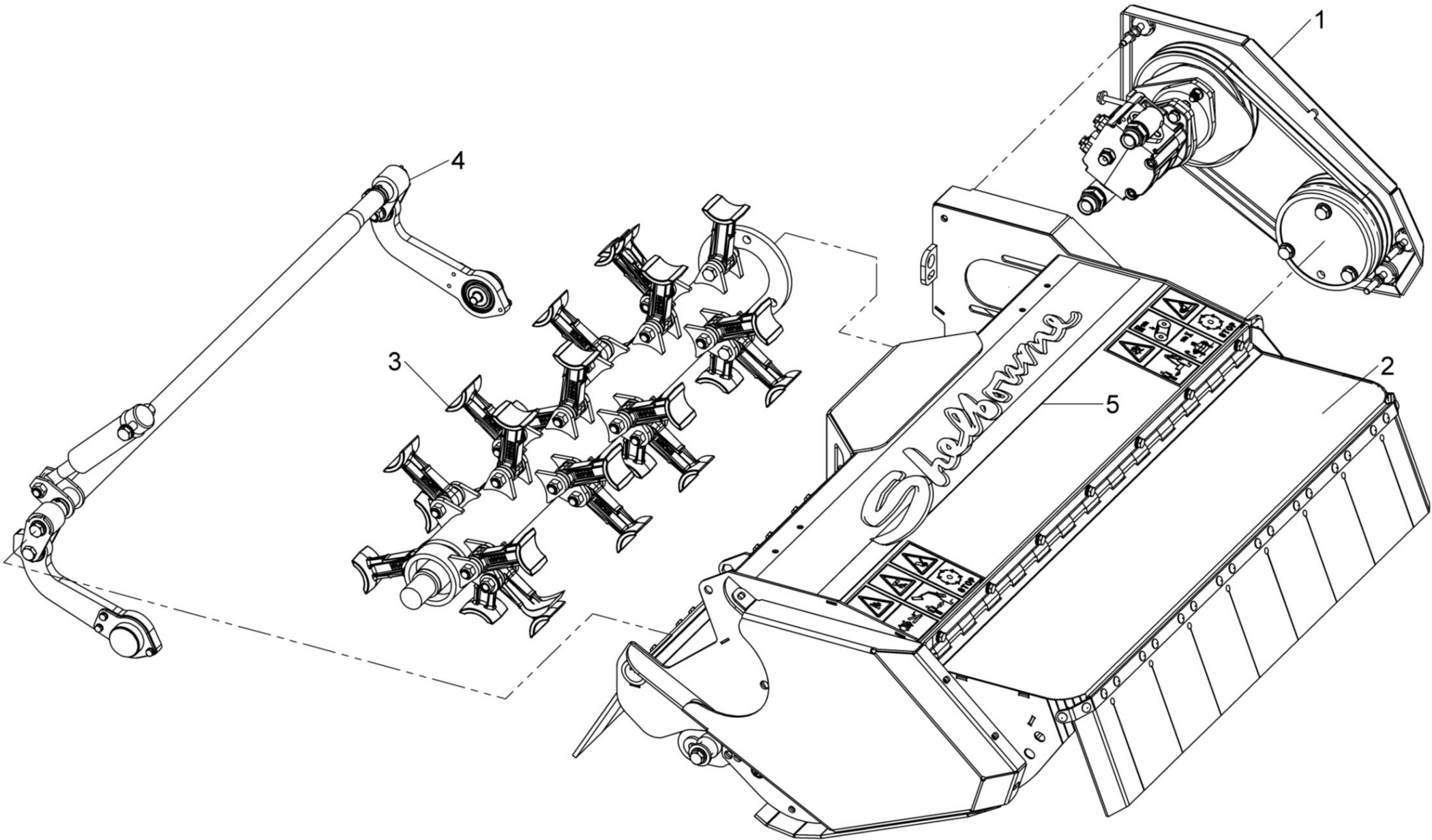


809902 04



Shelbourne Reynolds Engineering Limited

ASSY NUMBER: 809902 05				ASSY DESCRIPTION: 1.5 M HEAD ASSY RH DRIVE (INBOARD), COMPLETE			
ITEM	PART NO	DESCRIPTION	QTY	ITEM	PART NO	DESCRIPTION	QTY
1	809028 01AR	FLAIL MTG AND DRIVE (PBXXX170760 & ON)	1				
OR	809010 01AR	FLAIL MTG AND DRIVE (UP TO PBXXX170760)					
OR	809010 01ARBG	FLAIL MTG AND DRIVE BLUE & GREY (UP TO					
2	KIT-08178R	1.5Mt HEAD (RH/INBOARD DRIVE) 2013 & ON	1				
OR	KIT-08178RBG	1.5Mt HEAD (RH/INBOARD DRIVE) BLUE & GREY					
OR	KIT-08121R	1.5Mt HEAD (RH/INBOARD DRIVE) UPTO 2013					
3	KIT-08001D	T FLAIL ASSY (1.5M) DROP (2018 & ON)	1				
OR	KIT-08001A	T FLAIL ASSY (1.5M) (CAST) (2013 UP TO 2018)	1				
4	KIT-08176D	1.5Mt ADJ ROLLER LINKAGE (RH DRIVE) 2013 & ON	1				
OR	KIT-08176DB	1.5Mt ADJ ROLLER LINKAGE (RH DRIVE) BLUE			809902 05BG	1.5Mt HEAD COMPLETE (RH/INBOARD DRIVE) BLUE & GREY	
OR	KIT08160D	1.5Mt ADJ ROLLER LINKAGE (RH DRIVE) UPTO 2013					
5	KIT-08165	HEAD TRANSFERS - BLUE UP TO 2016 ONLY	1				
OR	KIT-08165G	HEAD TRANSFERS - GREY					

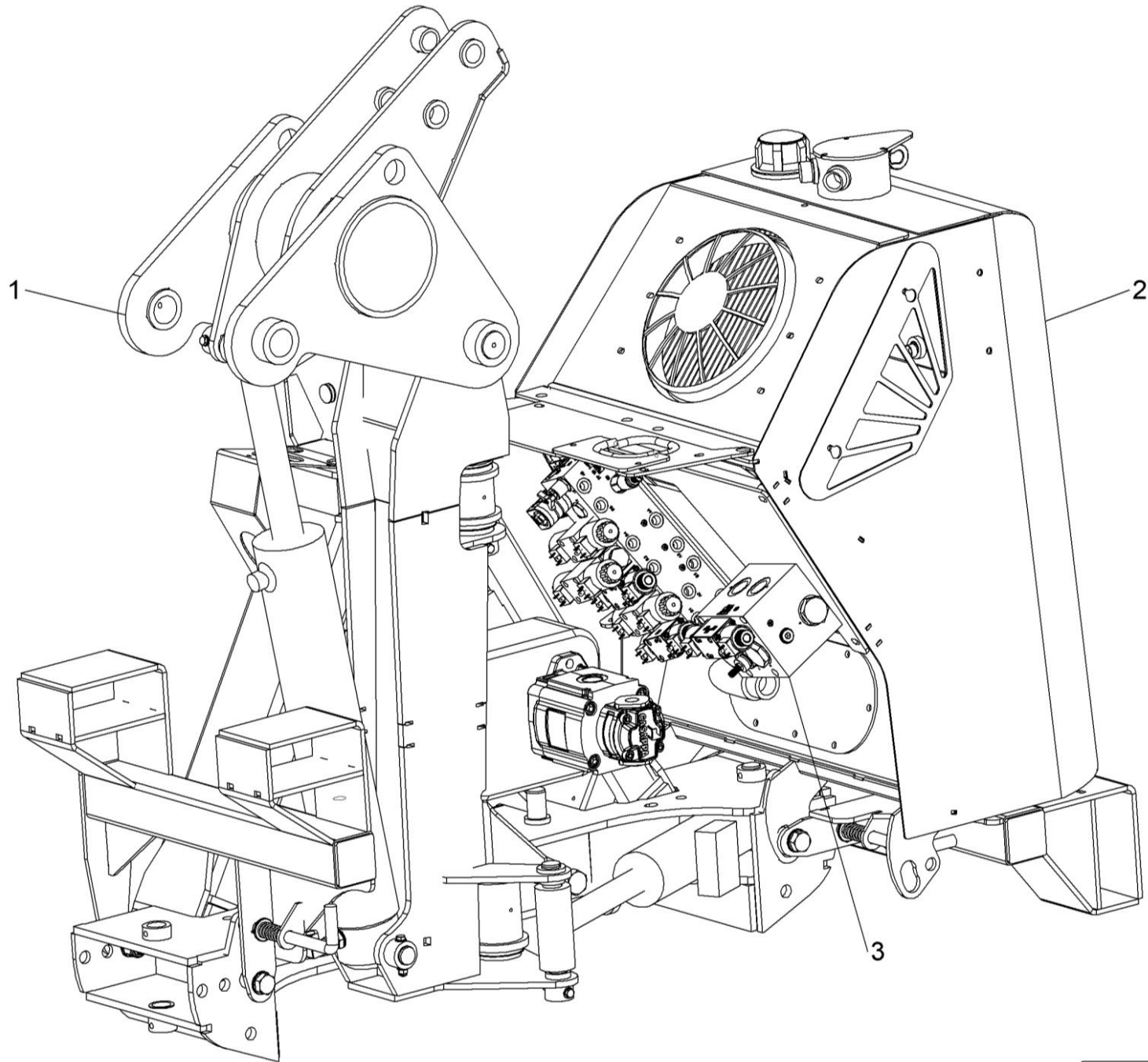


809902 05



Shelbourne Reynolds Engineering Limited

ASSY NUMBER: 809907 01				ASSY DESCRIPTION: TRIMMER ASSEMBLY (LH)			
ITEM	PART NO	DESCRIPTION	QTY	ITEM	PART NO	DESCRIPTION	QTY
1	809008 01	MAIN FRAME ASSEMBLY	1				
2	809009 01	TANK ASSEMBLY	1				
3	KIT-08077L	ELECTRIC PROPORTIONAL CONTROLS	1				

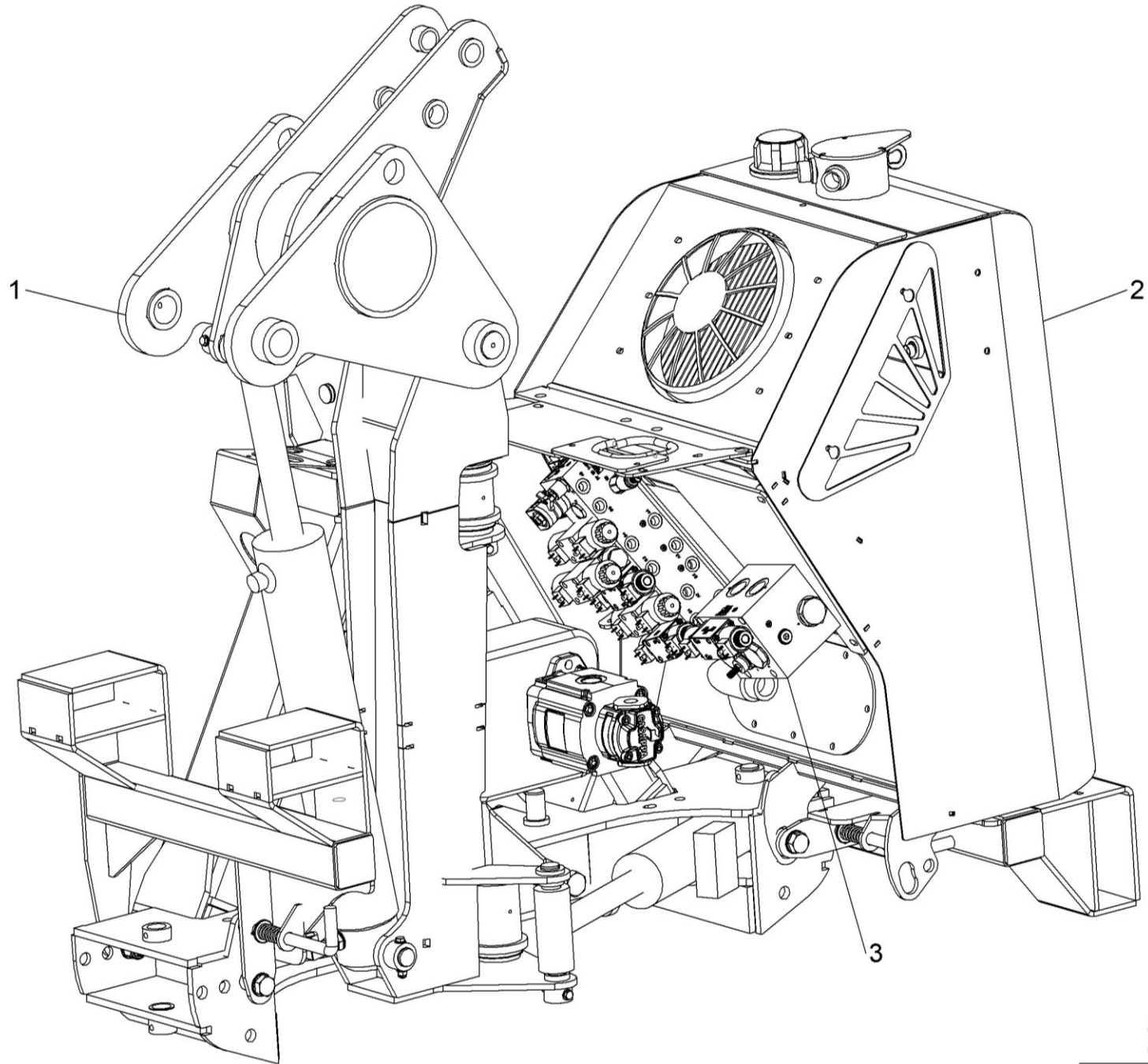


809907 01
809907 02



Shelbourne Reynolds Engineering Limited

ASSY NUMBER: 809907 02				ASSY DESCRIPTION: TRIMMER ASSEMBLY (RH)			
ITEM	PART NO	DESCRIPTION	QTY	ITEM	PART NO	DESCRIPTION	QTY
1	809008 01	MAIN FRAME ASSEMBLY	1				
2	809009 01	TANK ASSEMBLY	1				
3	KIT-08077R	ELECTRIC PROPORTIONAL CONTROLS	1				

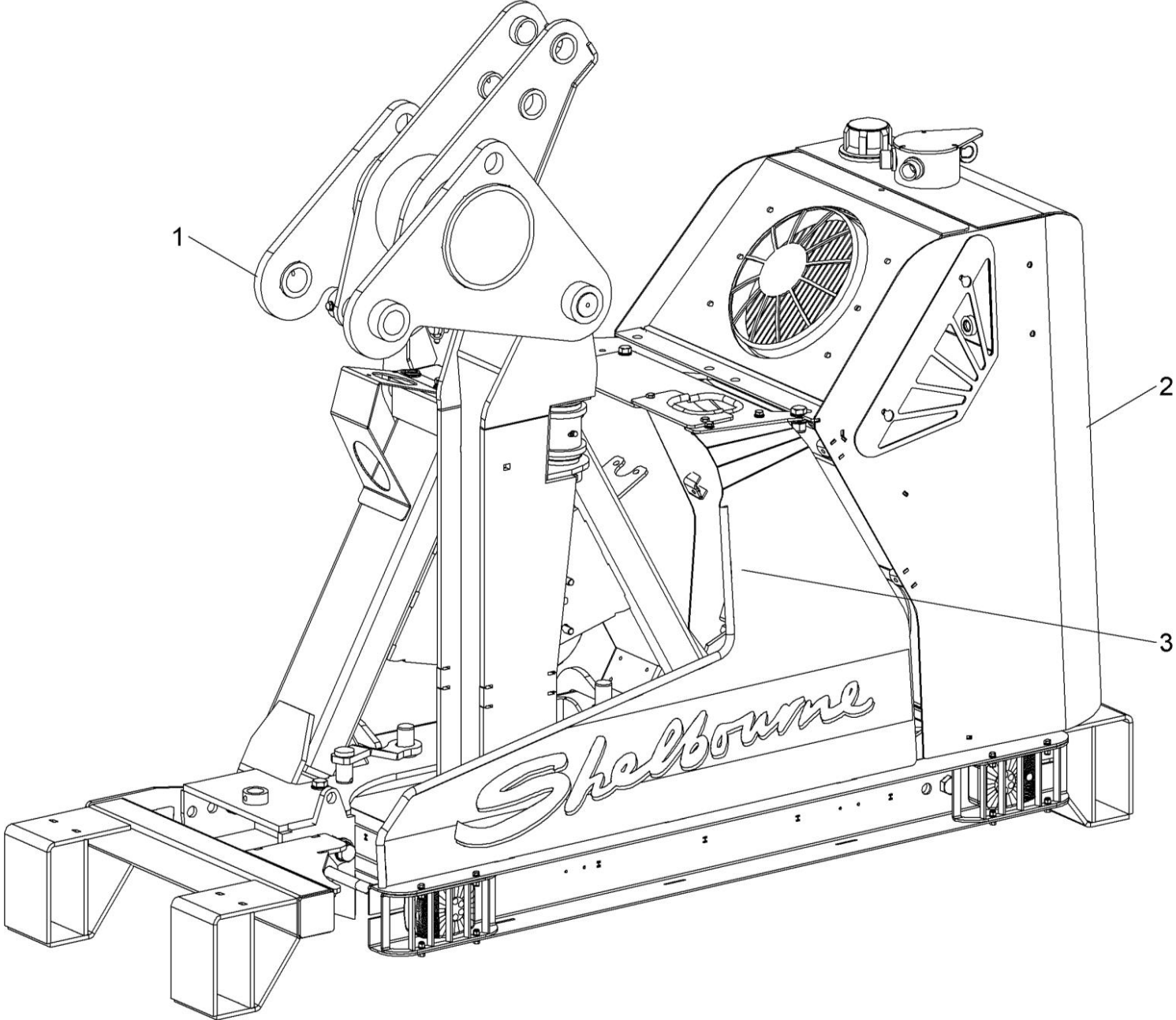


809907 01
809907 02



Shelbourne Reynolds Engineering Limited

ASSY NUMBER: 809908 01				ASSY DESCRIPTION: TRIMMER ASSEMBLY 8.0m (LH BUILD)			
ITEM	PART NO	DESCRIPTION	QTY	ITEM	PART NO	DESCRIPTION	QTY
1	809019 01	MAIN FRAME ASSEMBLY	1				
2	809009 01	TANK ASSEMBLY	1				
3	KIT-08077L	ELECTRIC PROPORTIONAL CONTROLS	1				

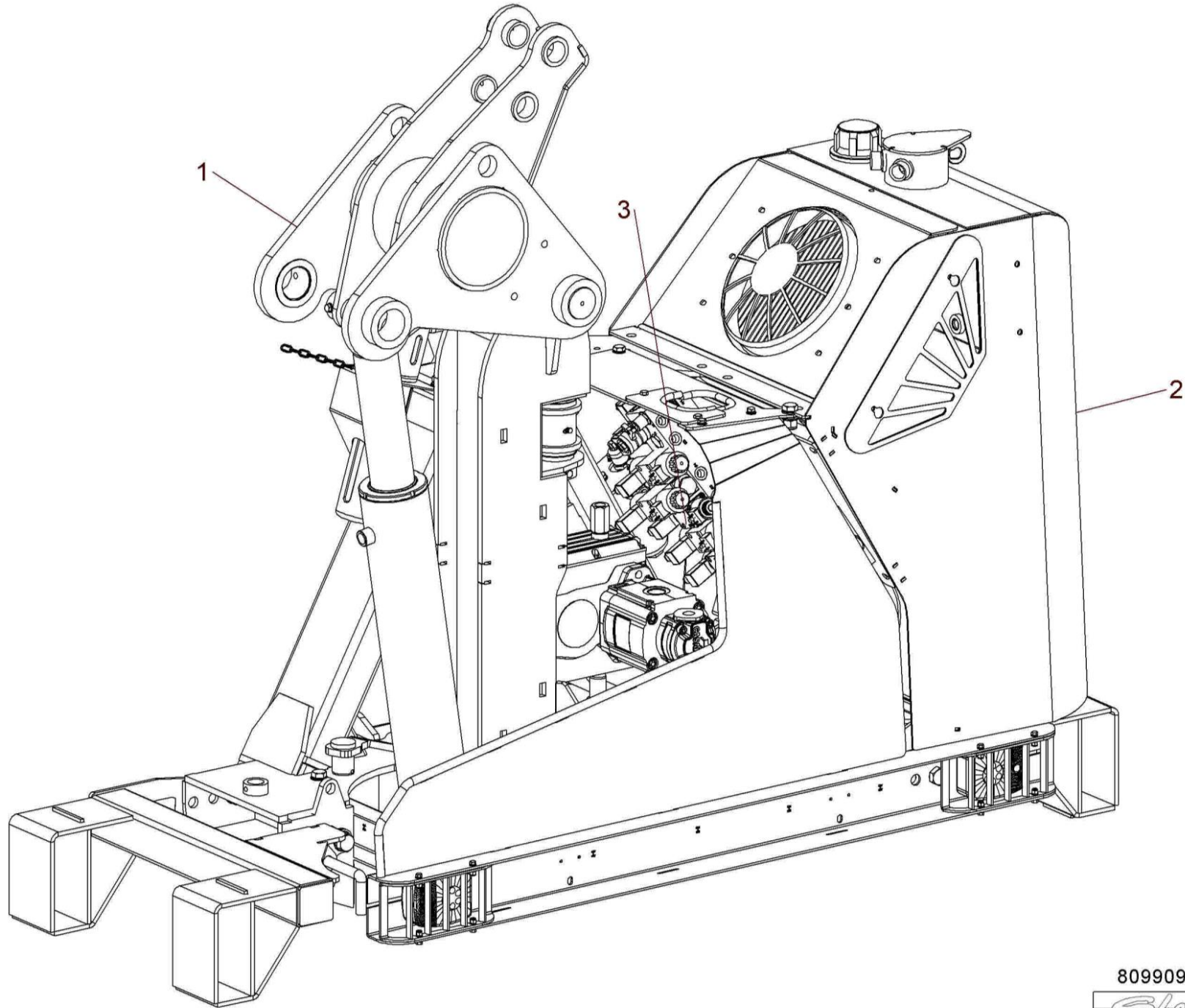


809908 01



Shelbourne Reynolds Engineering Limited

ASSY NUMBER: 809909 01				ASSY DESCRIPTION: FRAME AND TANK ASSEMBLY			
ITEM	PART NO	DESCRIPTION	QTY	ITEM	PART NO	DESCRIPTION	QTY
1	809021 01	MAIN FRAME ASSEMBLY	1				
2	809009 01	TANK ASSEMBLY	1				
3	KIT-08213	VFRT VALVES AND CONTROLS	1				

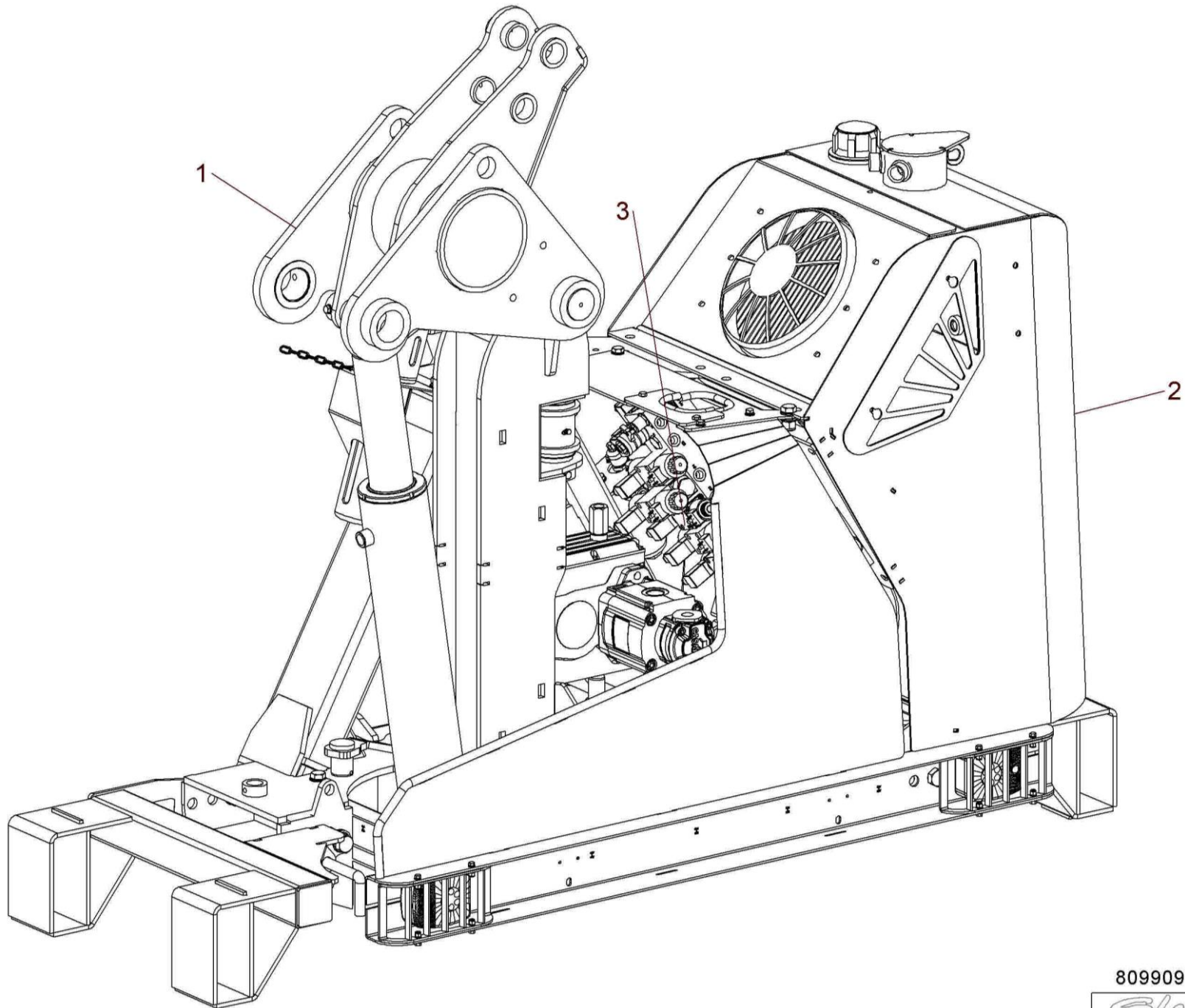


809909 01



Shelbourne Reynolds Engineering Limited

ASSY NUMBER: 809909 01BG				ASSY DESCRIPTION: FRAME AND TANK ASSEMBLY (BLUE AND GREY)			
ITEM	PART NO	DESCRIPTION	QTY	ITEM	PART NO	DESCRIPTION	QTY
1	809021 01BG	MAIN FRAME ASSEMBLY	1				
2	809009 01BG	TANK ASSEMBLY	1				
3	KIT-08213BG	VFRT VALVES AND CONTROLS	1				

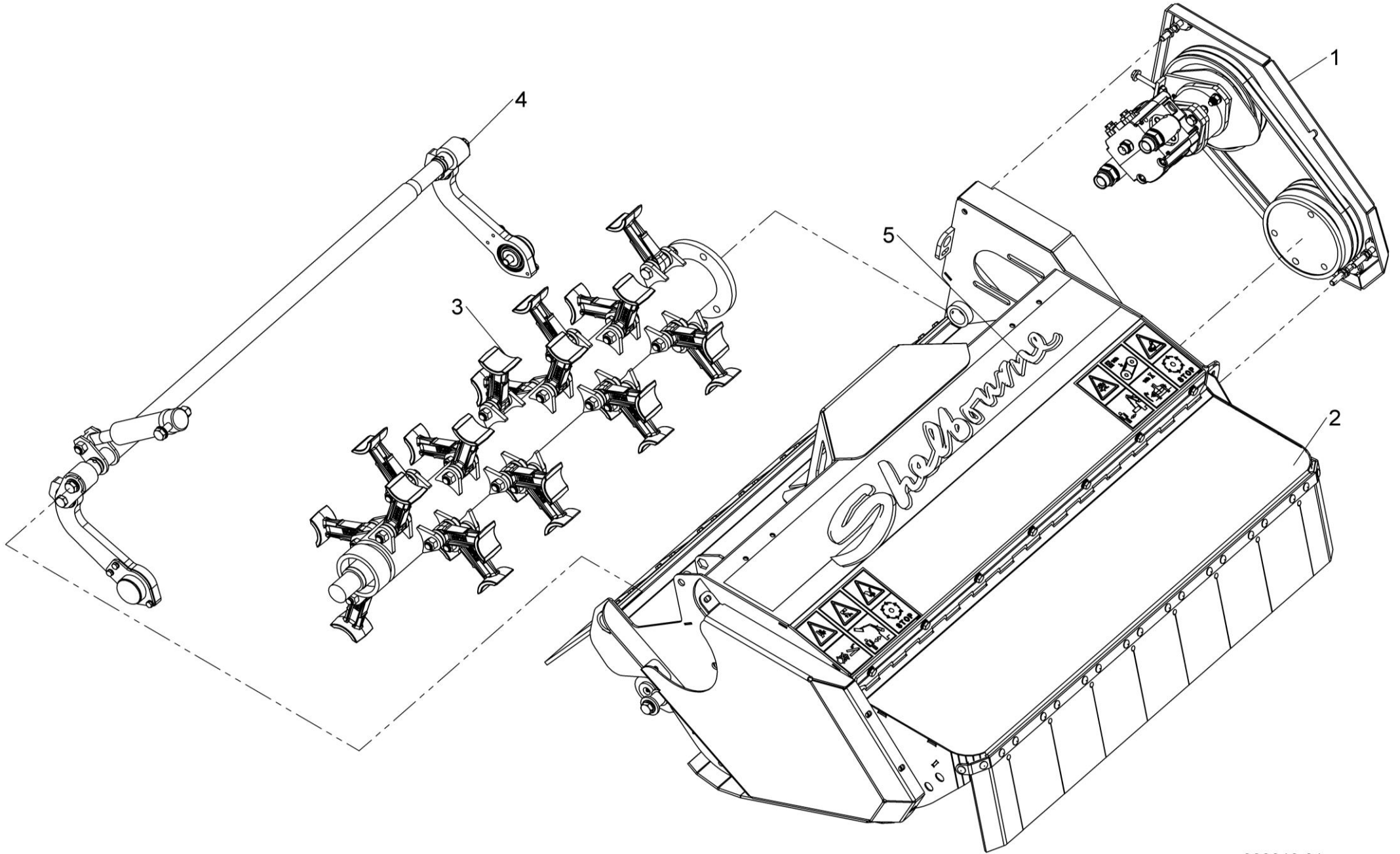


809909 01



Shelbourne Reynolds Engineering Limited

ASSY NUMBER: 809913 01				ASSY DESCRIPTION: 1.2 LH DRIVE (VERGE MOWING) HEAD ASSY			
ITEM	PART NO	DESCRIPTION	QTY	ITEM	PART NO	DESCRIPTION	QTY
1	809028 01	FLAIL MTG. & DRIVE SUB ASSY (PBXXX170760 & ON)	1				
OR	809010 01	FLAIL MTG. & DRIVE SUB ASSY (UP TO PBXXX170760)	1				
2	KIT-08226S	LH 1.2m NOSE & STEEL ROLLER	1				
3	KIT-08000D	T FLAIL ASSY(1.2M) DROP FORGED (2018 & ON)	1				
OR	KIT-08182	1.2m 32 FLAIL ASSY	1				
4	KIT-08176A	1.2m ADJ ROLLER LINKAGE (LH D)	1				
5	KIT-08165	HEAD TRANSFERS - BLUE UP TO 2016 ONLY					

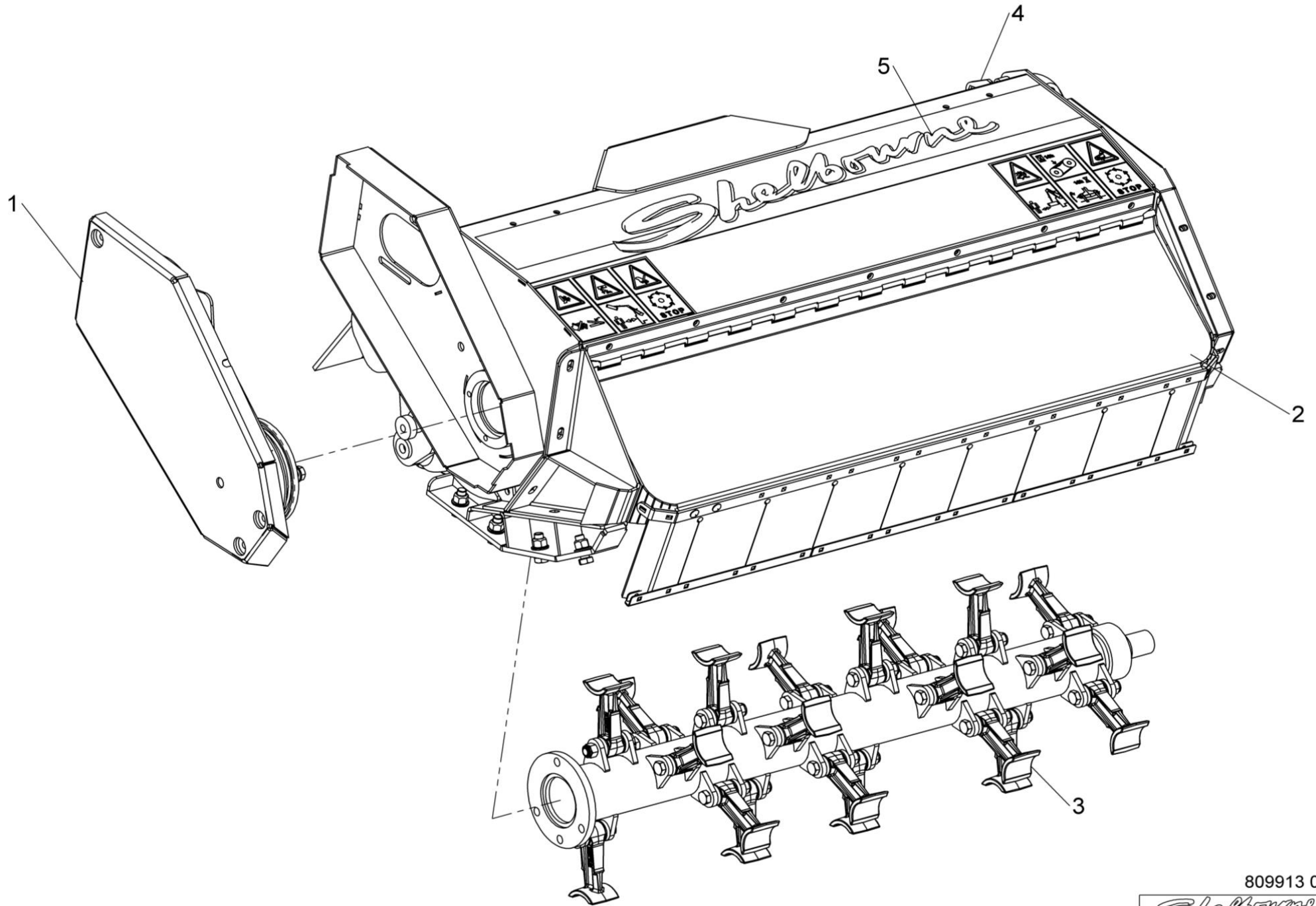


809913 01



Shelbourne Reynolds Engineering Limited

ASSY NUMBER: 809913 02				ASSY DESCRIPTION: 1.2 RH DRIVE (VERGE MOWING) HEAD ASSY			
ITEM	PART NO	DESCRIPTION	QTY	ITEM	PART NO	DESCRIPTION	QTY
1	809028 01R	FLAIL MTG AND DRIVE (PBXXX170760 & ON)	1				
OR	809010 01R	FLAIL MTG AND DRIVE (UP TO PBXXX170760)	1				
2	KIT-08226SR	RH 1.2m NOSE & STEEL ROLLER	1				
3	KIT-08000D	T FLAIL ASSY(1.2M) DROP FORGED 2018 & ON	1				
OR	KIT-08182	1.2m 32 FLAIL ASSY	1				
4	KIT-08176B	1.2m ADJ ROLLER LINKAGE (RH)	1				
5	KIT-08165	HEAD TRANSFERS - BLUE UP TO 2016 ONLY					

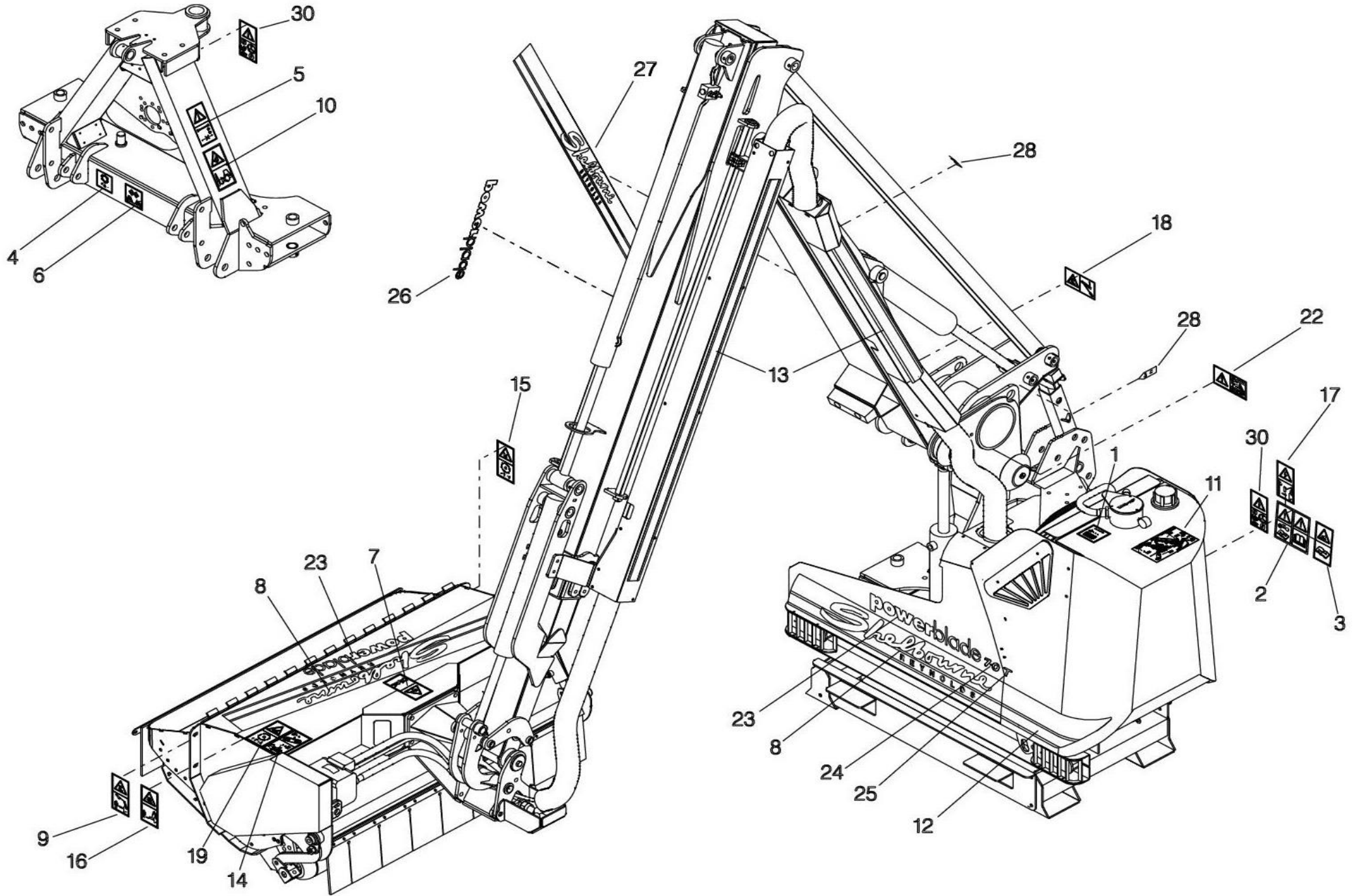


809913 02



Shelbourne Reynolds Engineering Limited

ASSY NUMBER: 809006 01				ASSY DESCRIPTION: TRANSFERS SUB-ASSY (COMMON PARTS)			
ITEM	PART NO	DESCRIPTION	QTY	ITEM	PART NO	DESCRIPTION	QTY
1	800211 01	TRANSFER (CHANGE FILTER)	1			(MID 2009 & ON)	
2	TNF-0011	TRANSFER (READ MANUAL)	1	OR	801403 07	TRANSFER (HD67VFR WHITE)	AR
3	800221 01	TRANSFER (READ MANUAL/OIL)	1	OR	800885 01	TRANSFER (4.6 RED)	AR
4	590475 01	TRANSFER (PTO SPEED540rpm)	1	OR	800885 02	TRANSFER (5.3 RED)	AR
5	193391 01	TRANSFER (PTO GUARD)	1	OR	800885 03	TRANSFER (6.0 RED)	AR
6	800212 01	TRANSFER (CHECK CHAINS)	1	OR	800885 04	TRANSFER (6.7 RED)	AR
7	800215 01	TRANSFER (CRUSHING DANGER)	1	OR	800886 06	TRANSFER (7.0 RED)	AR
8	801453 01	TRANSFER (SHELBOURNE) BLK/GRY (MID 2009 & ON)	2	OR	800885 07	TRANSFER (5.5 RED) (UPTO MID 2009)	AR
OR	191981 01	TRANSFER (SHELBOURNE) BL/BL/RD (UPTO MID 2009)		25	800885 05	TRANSFER (T) (UPTO MID2009)	AR
9	800217 01	TRANSFER (SAFE DIST. DROP)	1	26	801402 01	TRANSFER (POWERBLADE BLK) (MID 2009 & ON)	1
10	800219 01	TRANSFER (COUPLING UP)	1	OR	800884 02	TRANSFER (POWERBLADE BL) (UPTO MID 2009)	-
11	801480 01	TRANSFER LUBRICATION	1	27	801454 01	TRANSFER (SHELBOURNE) (MID 2009 & ON)	1
12	801451 01	TRANSFER (MID 2009 & ON)	1	OR	801042 01	TRANSFER (SHELBOURNE) (UPTO MID 2009)	-
OR	590000 02	TRANSFER (UPTO MID 2009)		28	190702 04	TRANSFER (SLING POINT)	4
13	801452 01	TRANSFER (MID 2009 & ON)	2	29			
OR	210202 01	TRANSFER (UPTO MID 2009)		30	801422 01	TRANSFER (ACCUMLATOR)	1
14	800213 01	TRANSFER (BELTS/BOLTS TIGHT)	1				
15	800222 01	TRANSFER (ALLOW TO STOP)	1				
16	800214 01	TRANSFER (THROWN OBJECTS)	1				
17	800220 01	TRANSFER (VOLTAGE HAZARD)	1				
18	210435 01	TRANSFER (LOCK CYLINDER)	1				
19	800218 01	TRANSFER (STOP BELT ENTANG)	1				
20							
21							
22	800878 01	TRANSFER (TRANSPORT MODE)	1				
23	800884 01	TRANSFER (UPTO MID2009)	2				
24	801403 03	TRANSFER (HD55 WHITE)	AR				
OR	801403 04	TRANSFER (HD60T WHITE)	AR				
OR	801403 05	TRANSFER (HD70T WHITE)	AR				
OR	801403 06	TRANSFER (HD62VFR WHITE)	AR				



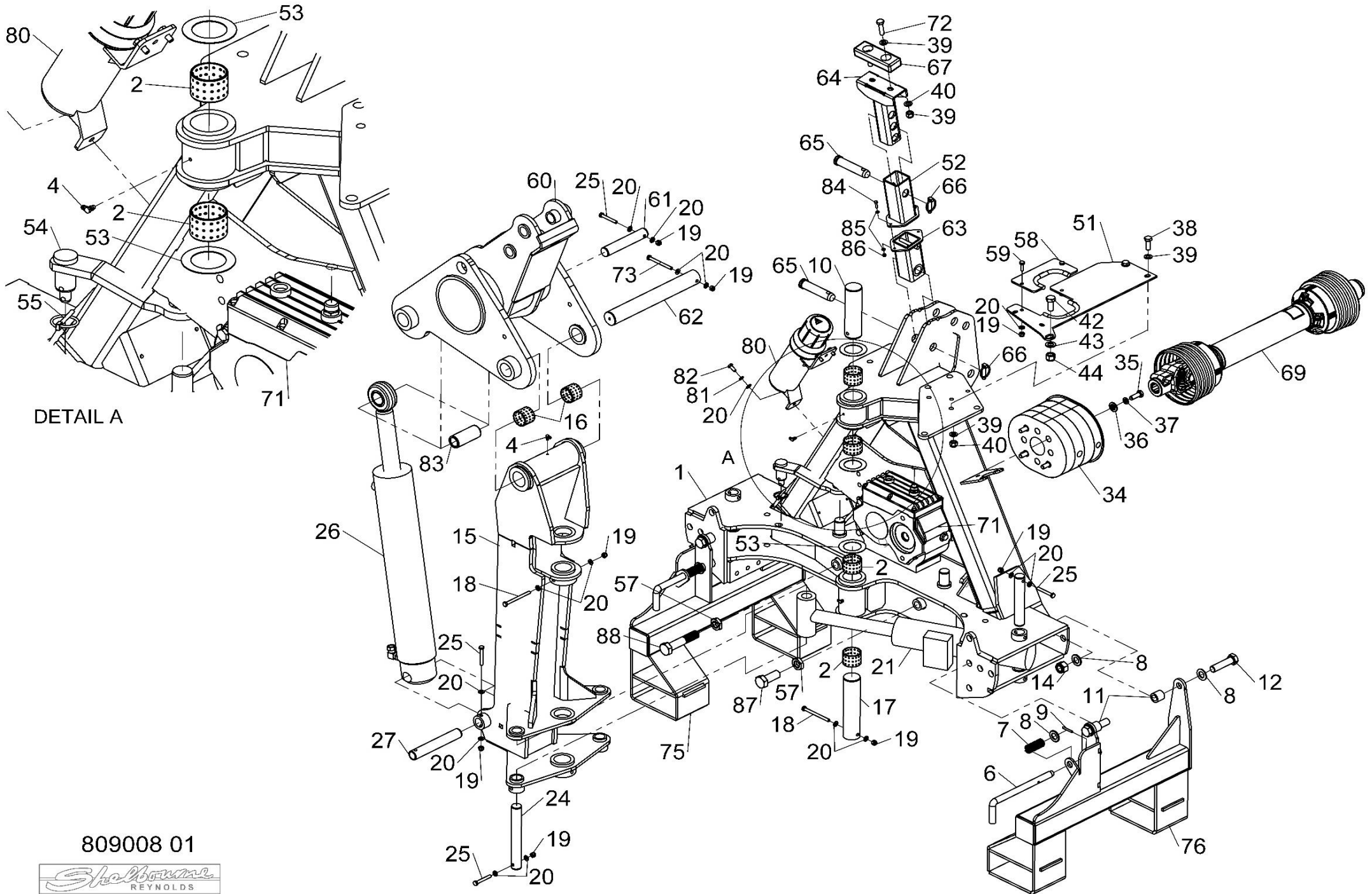
Shelbourne Reynolds Engineering Limited

ASSY NUMBER:		809008 01		ASSY DESCRIPTION:		MAIN FRAME ASSY (2006 & ON)	
ITEM	PART NO	DESCRIPTION	QTY	ITEM	PART NO	DESCRIPTION	QTY
1	800770 01	A FRAME	1	27	800987 12	PIN 1 ST RAM CYL	1
2	BSHO05062	BUSH	4	28	800159 01	BKT TOP LINK(UPTO MID2009)	1
3	BSH-3030	BUSH(UPTO MID2009)	2	29	800101 09	PIN TOP LINK BKT	1
4	NIP-00605	GREASE NIPPLE	6			(S/N: 117458 TO MID 2009)	
5	800379 08	TALL STAND(2008-MID 2012)	2	OR	800101 11	PIN TOP LINK BKT	1
OR	800379 01	SHORT STAND(UPTO 2008)	2			(UPTO S/N: 117458)	
6	800368 01	PIN FOR STAND	2	30	800158 01	SHOCK ABSORBER PAD	1
7	SPGC32355	SPRING	2			(UPTO MID 2009)	
8	WSH-0030	PLAIN WASHER	10	31	801158 02	SHOCK ABSORBER PAD	1
9	PIN-1775	ROLL PIN	2			(UPTO MID 2009)	
10	800141 02	PIN PILLAR PIVOT TOP	1	32	SCW-0514	BUTTON HEAD SCREW	4
11	800382 02	COLLAR	4			(UPTO MID 2009)	
12	BLTA20500	BOLT	4	33	WSH-0015	PLAIN WASHER	4
14	NUTA02200	NYLOC NUT	4			(UPTO MID 2009)	
15	800772 01	PILLAR	1	34	PTO-00903	MACHINE CONE	1
16	BSHO04562	BUSH	2	35	HSS-0241	SETSCREW	4
17	800141 03	PIN PILLAR PIVOT BOTTOM	1	36	800407 01	SPACER GEARBOX MOUNTING	4
18	BLTA08560	BOLT	2	37	WSH-0065	SPRING WASHER	4
19	NUT-0263	NYLOC NUT	12	38	HSS-0241 WSH-	BOLT	4
20	WSH-0012	PLAIN WASHER	23	39	0018 NUT-0269	WASHER	4
21	800807 01	CYLINDER BREAKBACK	1	40	800502 01	NYLOC NUT (PRE 2016)	4
21A	RMSK00220	SEAL KIT (SPARES ONLY)	-	41	HSS-0315	CANISTER BRACKET (PRE 2016)	1
21B	BSH-3030	BUSH (SPARES ONLY)	-	42	WSH-0024	SETSCREW	1
22	NIP-00600	GREASE NIPPLE	3	43	NUT-0271	PLAIN WASHER	1
23	800101 20	PIN BB RAM CYL	1	44	CHN-0145	NYLOC NUT	1
24	800101 19	PIN BB RAM ROD	1	45	WDA-00025	CHAIN (PRE 2016)	0.17m
25	BLTA08380	BOLT	4	46	HSS-0086	MANUAL CANISTER (PRE 2016)	1
26	806288 01	CYLINDER LIFT, 100mm BORE PB7XX201274 & ON	1	47	WSH-0009	SETSCREW (PRE 2016)	1
OR	801225 01	CYLINDER LIFT, 100mm BORE (105458 UPTO PB7XX201274)	1	48	NUT-0260	PLAIN WASHER (PRE 2016)	2
OR	800945 01	CYLINDER LIFT, 90mm BORE (UP TO 105458)	1	49	RCL-0015	NYLOC NUT (PRE 2016)	1
				50	801447 01	R CLIP (PRE 2016)	1
				51	804872 01	REAR GUARD TOP	1
26A	RMSK00330	SEAL KIT(100mm, SPARESONLY)	-	52	800781 01	TOP BUMP(PB7**170733 & ON)	1
OR	RMSK00280	SEAL KIT(90mm, SPARESONLY)	-	53	800780 01	SHIM	AR
26B	BSH-3030	BUSH (SPARES ONLY)	-	54	PIN-01601	TRANSPORT LOCKING LATCH	1
				55		LYNCH PIN	1

Shelbourne Reynolds Engineering Limited

ASSY NUMBER:		809008 01		ASSY DESCRIPTION:		MAIN FRAME ASSY (2006 & ON)	
ITEM	PART NO	DESCRIPTION	QTY	ITEM	PART NO	DESCRIPTION	QTY
57	NUT-0390	HALF NUT	2	86	NUT-0258	NYLOC NUT SETSCREW	2
58	801449 01	REAR GUARD STRIP	1	87	HSSA24620	SETSCREW	1
59	HSS-0145	SETSCREW	2	88	HSSA24380		1
60	800974 01	ROCKER	1				
61	800987 12	PIN - LIFT RAM TOP	1				
62	800102 12	PIN - ROCKER PIVOT	1				
63	804869 01	BOTTOM BUMP (PB7**170733 ON)	1				
OR	801037 01	BUMPSTOP PLATE (TO 104456)					
OR	801110 01	BUMPSTOP (104456 TO					
64	801038 01	PB7**170733)	1				
65	800198 01	BUMPSTOP	2				
66	PIN-01950	PIN	2				
67	801367 01	LYNCH PIN	1				
OR	RUB-0310	RUBBER BUFFER (105456 &ON)	1				
69	PTO-37000	RUBBER BUFFER (TO 104456)	1				
OR	PTO-27000WE	PTO SHAFT 2019 & ON	1				
OR	PTO-27000	PTO SHAFT (PB7XX140351- 2019)	1				
70	800384 01	PTO SHAFT (UPTO PB7XX140351)	2				
71	-	FORKLIFT PLT (UPTO MID 2012)	-				
OR	GEA-0183	NOW SEE DRIVE KITGEARBOX	1				
OR	GEA-0038	PB7XX140351 TO 900	1				
OR	GEA-0035	GEARBOX (105456 TO PB7XX140351)	1				
72	BLTA12290	GEARBOX (UPTO 104456)	2				
73	BLTA08530	BOLT	1				
74	801502 01	BOLT	AR				
75	802731 01	SHIM	1				
76	802731 02	LIFTING BRACKET (LH)	1				
77		LIFTING BRACKET (RH)					
78	HMA-0067		1				
79		ADAPTOR M/M					
80	PCN-00100		1				
81	WSH-0058	MANUAL CANISTER	3				
82	HSS-0140	SPRING WASHER	3				
83	806317 01	SET SCREW	1				
84	HSS-0065	SPACER BOSS	2				
85	WSH-0006	SET SCREW	4				
		PLAIN WASHER					

Shelbourne Reynolds Engineering Limited



DETAIL A

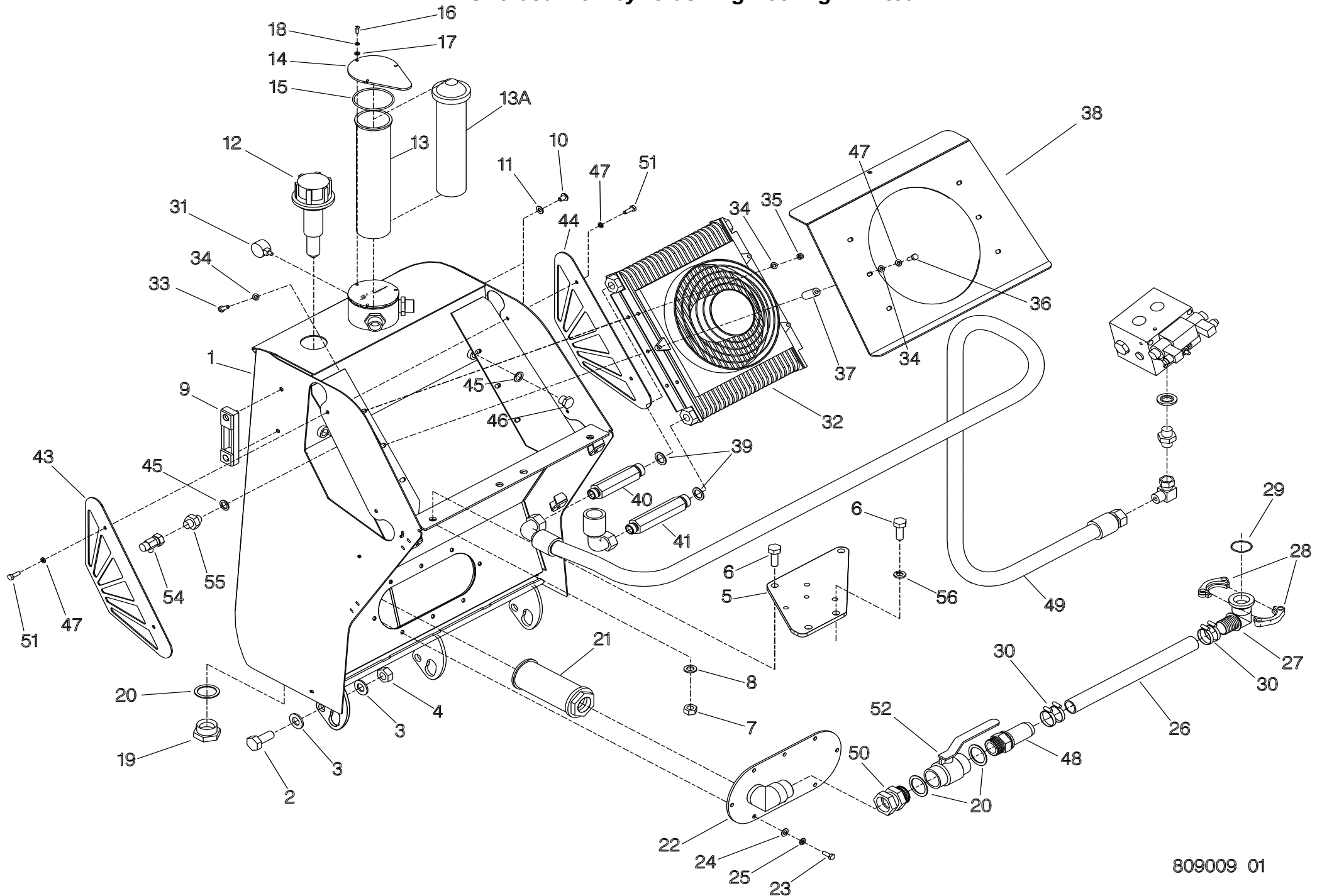
809008 01



Shelbourne Reynolds Engineering Limited

ASSY NUMBER:		809009 01		ASSY DESCRIPTION:		TANK ASSY	
ITEM	PART NO	DESCRIPTION	QTY	ITEM	PART NO	DESCRIPTION	QTY
1	800462 01	TANK	1	32	HOC-00010	OIL COOLER	1
2	HSS-0355	BOLT	2	32A	HOC-90005	FAN (SPARES ONLY)	(1)
3	WSH-0030	PLAIN WASHER	4	32B	HOC-90015	THERMOSWITCH (SPARES ONLY)	(1)
4	NUTA02200	NYLOC NUT	2	33	HSS-0145	SETSCREW	3
5	801041 01	TANK SUPPORT STRUT	1	34	WSH-0012	PLAIN WASHER	12
6	HSS-0316	SETSCREW	4	35	NUT-0263	NYLOC NUT	3
7	NUT-0271	NYLOC NUT	4	36	HSS-0145	SETSCREW	6
8	WSH-0024	PLAIN WASHER	4	37	800897 01	THREADED SPACER	3
9	GAU-0010	FLUID LEVEL TEMP GAUGE	1	38	800475 01	COVER, COOLER	1
10	SCBA10114	BUTT.SKT.HD.SCREW	2	39	WSH-1020	BONDED SEAL	2
11	WSHA00106	COPPER WASHER	2	40	800492 01	ADAPTOR	1
12	FIL-0180	FILLER BREATHER	1	41	800492 02	ADAPTOR	1
13	FIL-0190A	FILTER HOLDER	1	42	OIL-0027	OIL ISO VG 46 (BARREL)	250L
13A	FIL-0200A	FILTER ELEMENT (SPARES ONLY)	1	43	800487 01	COVER FRONT	1
14	800174 01	CAP FOR FILTER	1	44	800487 02	COVER REAR	1
15	ORA260900	O RING	1	45	WSH-1015	BONDED SEAL	2
16	SCW-4959	BUTT.SKT.HD.SCREW	3	46	FIT-0217	MALE BLANK PLUG	1
17	WSH-0009	PLAIN WASHER	3	47	WSH-0058	SPRING WASHER	10
18	WSH-0056	SPRING WASHER	3	48	HFAD05017	HOSE FITTING	1
19	FITC00317	DRAIN PLUG	1	49	HHBI14005	HOSE	1
20	DWS-00055	BONDED SEAL	3	50	HACAA1717	FITTING	1
21	SUC-0110	SUCTION ELEMENT	1	51	HSSG08114	SETSCREW	4
22	801020 01	PLATE SUCTION ELEMENT	1	52	HVB-02610	BALL VALVE	1
23	HSS-0191	SETSCREW	8	53			
24	WSH-0015	PLAIN WASHER	8	54	FITA10420	TEE	1
25	WSH-0061	SPRING WASHER	8	55	HMA-0067	ADAPTER	1
26	HOS-1044	SUCTION HOSE	0.64m	56	WSH-0070	SPRING WASHER	1
27	HFKR05080	SUCTION ELBOW	1				
28	HFKY60080	FLANGE HALVES (PAIR OF)	1				
29	ORA260450	'O' RING	1				
30	CLP-0075	JUBILEE CLIP	4				
31	FIL-0210	FILTER IND	1				

Shelbourne Reynolds Engineering Limited

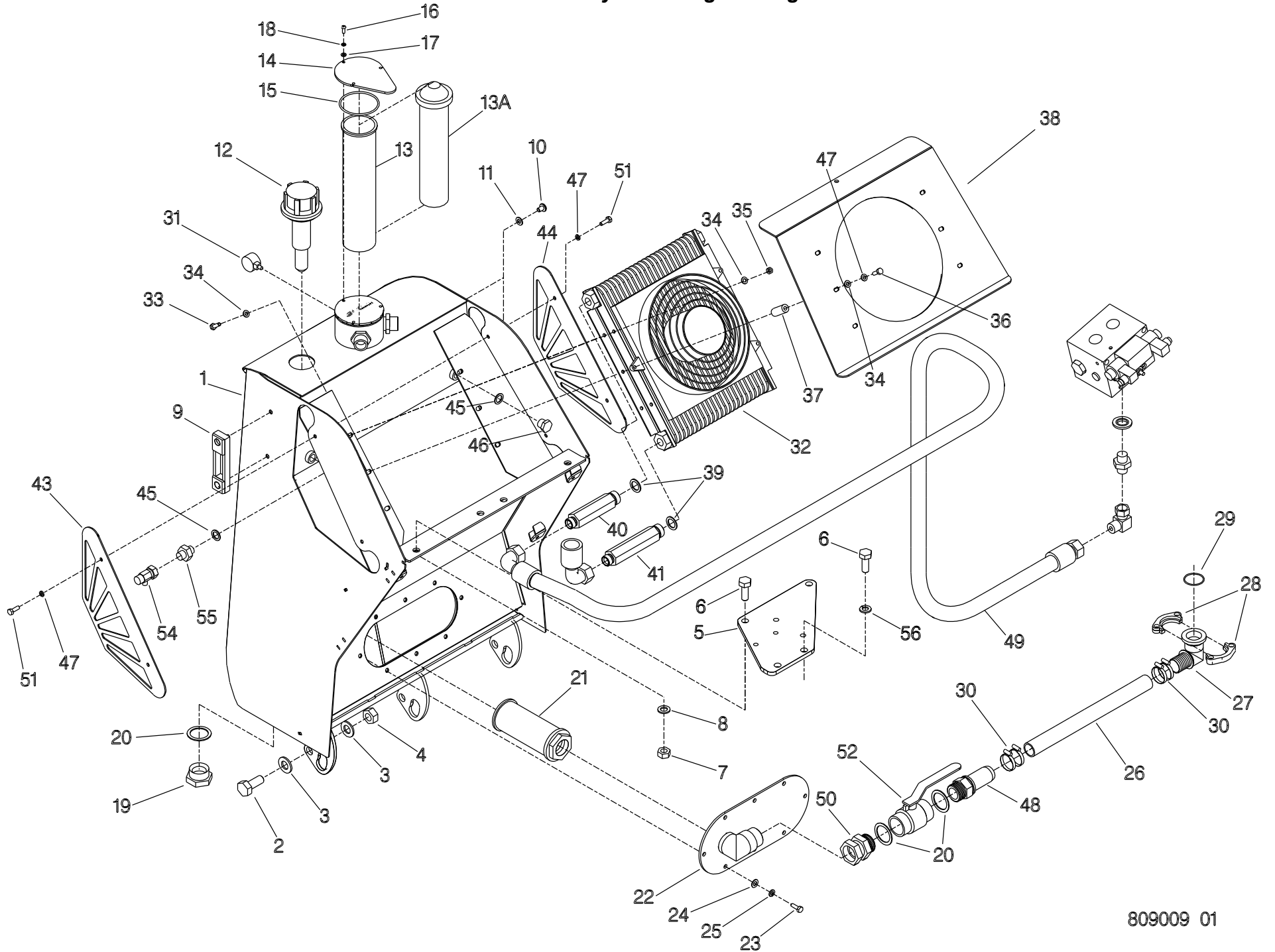


809009 01

Shelbourne Reynolds Engineering Limited

ASSY NUMBER:		809009 01BG		ASSY DESCRIPTION:		TANK ASSY BLUE & GREY	
ITEM	PART NO	DESCRIPTION	QTY	ITEM	PART NO	DESCRIPTION	QTY
1	800462 01B	TANK	1	32	HOC-00010	OIL COOLER	1
2	HSS-0355	BOLT	2	32A	HOC-90005	FAN (SPARES ONLY)	(1)
3	WSH-0030	PLAIN WASHER	4	32B	HOC-90015	THERMOSWITCH (SPARES ONLY)	(1)
4	NUTA02200	NYLOC NUT	2	33	HSS-0145	SETSCREW	3
5	801041 01B	TANK SUPPORT STRUT	1	34	WSH-0012	PLAIN WASHER	12
6	HSS-0316	SETSCREW	4	35	NUT-0263	NYLOC NUT	3
7	NUT-0271	NYLOC NUT	4	36	HSS-0145	SETSCREW	6
8	WSH-0024	PLAIN WASHER	4	37	800897 01	THREADED SPACER	3
9	GAU-0010	FLUID LEVEL TEMP GAUGE	1	38	800475 01B	COVER, COOLER	1
10	SCBA10114	BUTT.SKT.HD.SCREW	2	39	WSH-1020	BONDED SEAL	2
11	WSHA00106	COPPER WASHER	2	40	800492 01	ADAPTOR	1
12	FIL-0180	FILLER BREATHER	1	41	800492 02	ADAPTOR	1
13	FIL-0190A	FILTER HOLDER	1	42	OIL-0027	OIL ISO VG 46 (BARREL)	250L
13A	FIL-0200A	FILTER ELEMENT (SPARES ONLY)		43	800487 01G	COVER FRONT	1
14	800174 01B	CAP FOR FILTER	1	44	800487 02G	COVER REAR	1
15	ORA260900	O RING	1	45	WSH-1015	BONDED SEAL	2
16	SCW-4959	BUTT.SKT.HD.SCREW	3	46	FIT-0217	MALE BLANK PLUG	1
17	WSH-0009	PLAIN WASHER	3	47	WSH-0058	SPRING WASHER	10
18	WSH-0056	SPRING WASHER	3	48	HFAD05017	HOSE FITTING	1
19	FITC00317	DRAIN PLUG	1	49	HHBI14005	HOSE	1
20	DWS-00055	BONDED SEAL	3	50	HACAA1717	FITTING	1
21	SUC-0110	SUCTION ELEMENT	1	51	HSSG08114	SETSCREW	4
22	801020 01B	PLATE SUCTION ELEMENT	1	52	HVB-02610	BALL VALVE	1
23	HSS-0191	SETSCREW	8	53			
24	WSH-0015	PLAIN WASHER	8	54	FITA10420	TEE	1
25	WSH-0061	SPRING WASHER	8	55	HMA-0067	ADAPTER	1
26	HOS-1044	SUCTION HOSE	0.7m	56	WSH-0070	SPRING WASHER	1
27	800183 01	SUCTION ELBOW	1				
28	HFKY60080	FLANGE HALVES (PAIR OF)	1				
29	ORA260450	'O' RING	1				
30	CLP-0075	JUBILEE CLIP	4				
31	FIL-0210A	FILTER IND	1				

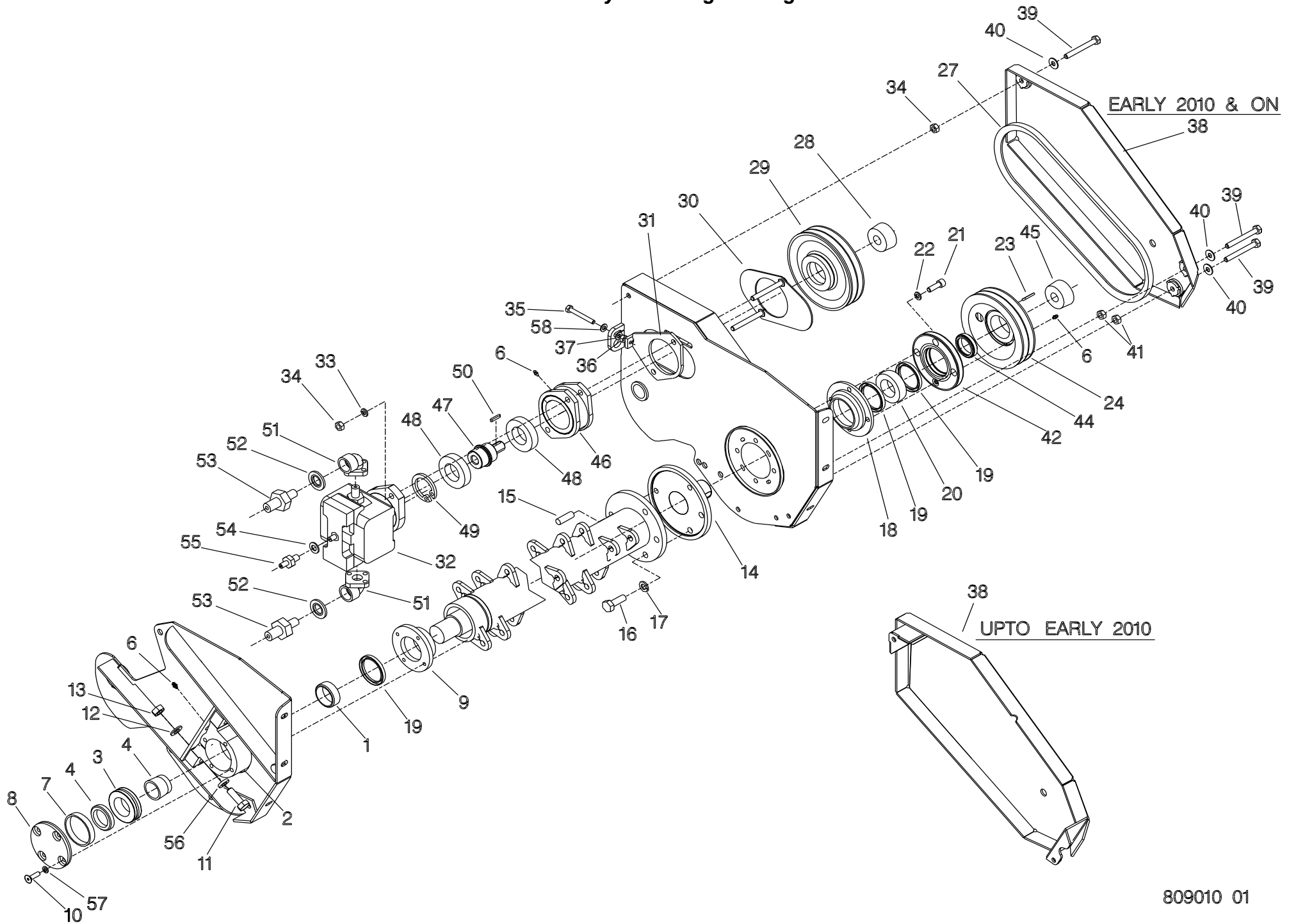
Shelbourne Reynolds Engineering Limited



809009 01

Shelbourne Reynolds Engineering Limited

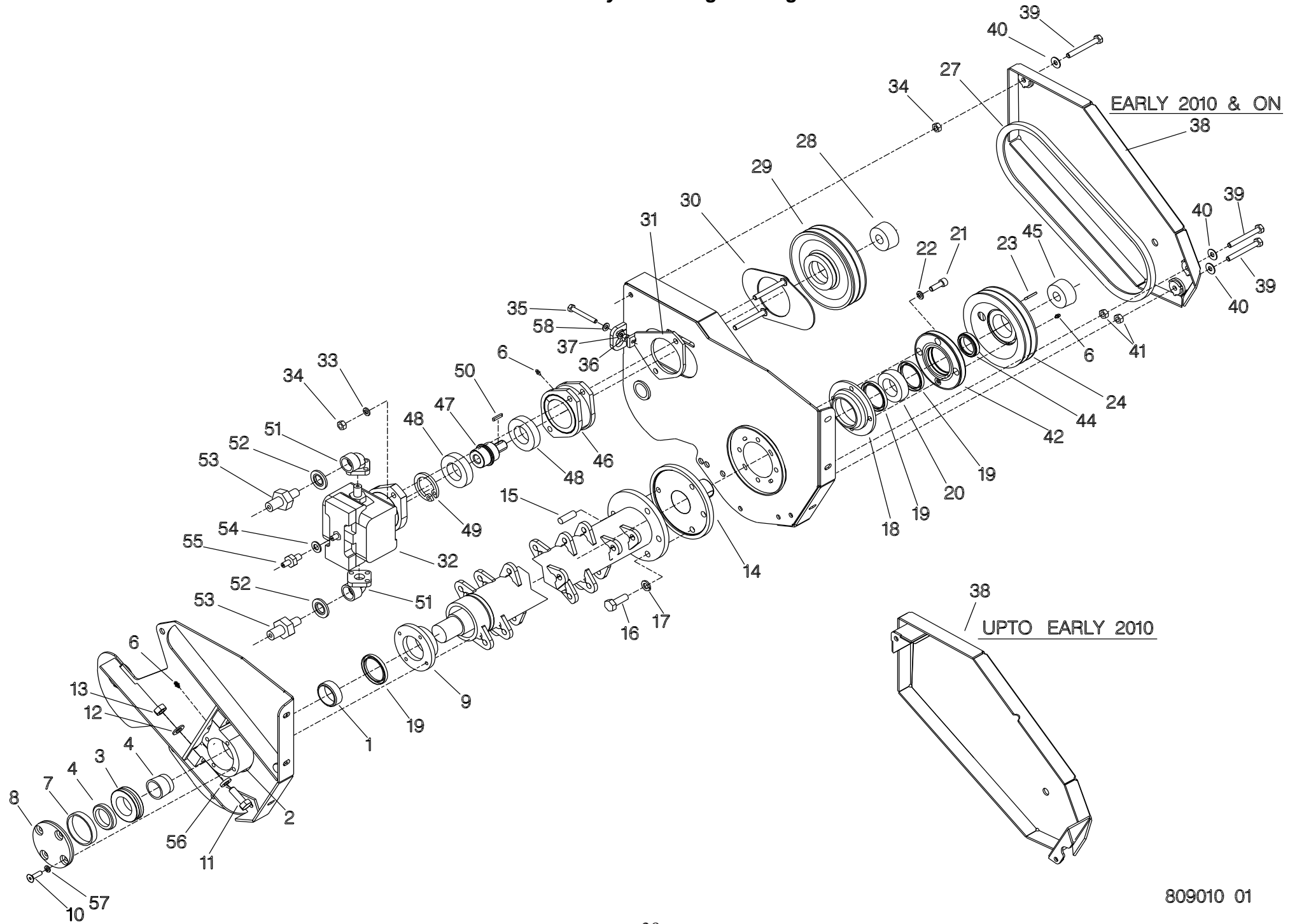
ASSY NUMBER: 809010 01				ASSY DESCRIPTION: FLAIL MTG.& DRIVE ASSY (UPTO PBXXX170760)			
ITEM	PART NO	DESCRIPTION	QTY	ITEM	PART NO	DESCRIPTION	QTY
1	800019 01	SLEEVE	1	35	HSSA10500	SET SCREW	1
2	800873 01	BEARING HOUSING	1	36	NUT-0167	PLAIN NUT	1
3	BRG-14580	BEARING	1	37	WSH-0015	PLAIN WASHER	1
4	BRG-94521	BEARING SLEEVE	1	38	801553 01	DRIVE COVER	1
5				OR	801553 02	DRIVE COVER RH HEAD DRIVE	1
6	NIP-00600	GREASE NIPPLE	3	39	HSSA12500	SETSCREW	3
7	800067 01	SPACER	1	40	WSHA30121	WASHER	3
8	802219 01	COVER(2012 & ON)	1	41			
OR	800874 01	COVER (UPTO 2012)	1	42	801064 02	BEARING RETAINER	1
9	800017 01	SLEEVE (1.2Mt)	1	43			
OR	804742 01	SLEEVE (1.5Mt)	1	44	801066 01	PULLEY SPACER	1
10	BLTA10440	HEX.HEAD BOLT	4	45	BSHZ05056	TAPER LOCK BUSH	1
OR	SCEA10473	CSK.SCREW (UPTO 2012)	1	46	801116 01	OUTRIGGER HOUSING WA	1
11	BLTA16474	BOLT	2	47	801104 01	OUTRIGGER SHAFT	1
12	WSHA30161	WASHER	3	48	BRG-15050	SUPPORT	2
13	NUTA15162	STOVER NUT	2	49	CIR010090	CIRCLIP INT	1
14	801067 01	DRIVE FLANGE	1	50	KEYB20000	KEY	1
15	193079 01	DOWEL PIN	1	51	FITF00005	FLANGE ELBOW CONNECTOR	2
16	HSSA16200	SETSCREW	3	52	WSH-1025	DOWTY WASHER (1")	2
17				53	FIT-0546	ADAPTOR	2
18	800700 02	BEARING HOUSING	1	54	WSH-1010	DOWTY WASHER	1
19	SEAA06500	SHAFT SEAL	3	55	HMA-0065	ADAPTOR	1
20	BRG-15080	BEARING	1	56	190119 85	WASHER	2
21	SCW-0245	SOC CAP HD SCREW	4	57	WSH-0061	SPRING WASHER	4
22	WSH-0065	SPRING WASHER	3	58	190119 11	WASHER	1
23	K1409032	KEY	1				
24	803097 01	DRIVE PULLEY PB7XX140345 & ON	1				
OR	801065 01	DRIVE PULLEY UPTO PB7XX140345	1				
25							
26							
27	BEL-10140	V-BELT	2				
28	BSHZ14032	TAPERLOCK BUSH	1				
29	800027 02	MOTOR PULLEY	1				
30	800023 02	RETAINING RING	1				
OR	800023 06	RETAINING RING RH HEAD DRIVE	1				
31	800028 01	MOTOR MTG.PLATE	1				
32	MOTH03900	HYD MOTOR	1				
32A	HMS03900	MOTOR SEAL KIT					
33	WSH-0018	PLAIN WASHER	2				
34	NUT-0269	NYLOC NUT	5				



Shelbourne Reynolds Engineering Limited

ASSY NUMBER: 809010 01BG				ASSY DESCRIPTION: FLAIL MTG.& DRIVE SUB ASSY (UPTO PBXXX170760)			
ITEM	PART NO	DESCRIPTION	QTY	ITEM	PART NO	DESCRIPTION	QTY
1	800019 01	SLEEVE	1	35	HSSA10500	SET SCREW	1
2	800873 01B	BEARING HOUSING	1	36	NUT-0167	PLAIN NUT	1
3	BRG-14580	BEARING	1	37	WSH-0015	PLAIN WASHER	1
4	BRG-94521	BEARING SLEEVE	1	38	801553 01G	DRIVE COVER	1
5				OR	801553 02G	DRIVE COVER RH HEAD DRIVE	1
6	NIP-00600	GREASE NIPPLE	3	39	HSSA12500	SETSCREW	3
7	800067 01	SPACER	1	40	WSHA30121	WASHER	3
8	802219 01B	COVER(2012 & ON)	1	41			
OR	800874 01	COVER (UPTO 2012)	1	42	801064 02	BEARING RETAINER	1
9	800017 01	SLEEVE	1	43			
10	BLTA10440	HEX.HEAD BOLT	4	44	801066 01	PULLEY SPACER	1
OR	SCEA10473	CSK.SCREW (UPTO 2012)	1	45	BSHZ05056	TAPER LOCK BUSH	1
11	BLTA16474	BOLT	2	46	801116 01	OUTRIGGER HOUSING WA	1
12	WSHA30161	WASHER	3	47	801104 01	OUTRIGGER SHAFT	1
13	NUTA15162	STOVER NUT	2	48	BRG-15050	SUPPORT	2
14	801067 01	DRIVE FLANGE	1	49	CIR010090	CIRCLIP INT	1
15	193079 01	DOWEL PIN	1	50	KEYB20000	KEY	1
16	HSSA16200	SETSCREW	3	51	FITF00005	FLANGE ELBOW CONNECTOR	2
17				52	WSH-1025	DOWTY WASHER (1")	2
18	800700 02	BEARING HOUSING	1	53	FIT-0546	ADAPTOR	2
19	SEAA06500	SHAFT SEAL	3	54	WSH-1010	DOWTY WASHER	1
20	BRG-15080	BEARING	1	55	HMA-0065	ADAPTOR	1
21	SCW-0245	SOC CAP HD SCREW	4	56	190119 85	WASHER	2
22	WSH-0065	SPRING WASHER	3	57	WSH-0061	SPRING WASHER	4
23	K1409032	KEY	1	58	190119 11	WASHER	1
24	803097 01	DRIVE PULLEY PB7XX140345 & ON	1				
OR	801065 01	DRIVE PULLEY UPTO PB7XX140345	1				
25							
26							
27	BEL-10140	V-BELT	2				
28	BSHZ14032	TAPERLOCK BUSH	1				
29	800027 02	MOTOR PULLEY	1				
30	800023 02	RETAINING RING	1				
OR	800023 06	RETAINING RING RH HEAD DRIVE	1				
31	800028 01B	MOTOR MTG.PLATE	1				
32	MOTH03900	HYD MOTOR	1				
32A	HMS03900	MOTOR SEAL KIT					
33	WSH-0018	PLAIN WASHER	2				
34	NUT-0269	NYLOC NUT	5				

Shelbourne Reynolds Engineering Limited



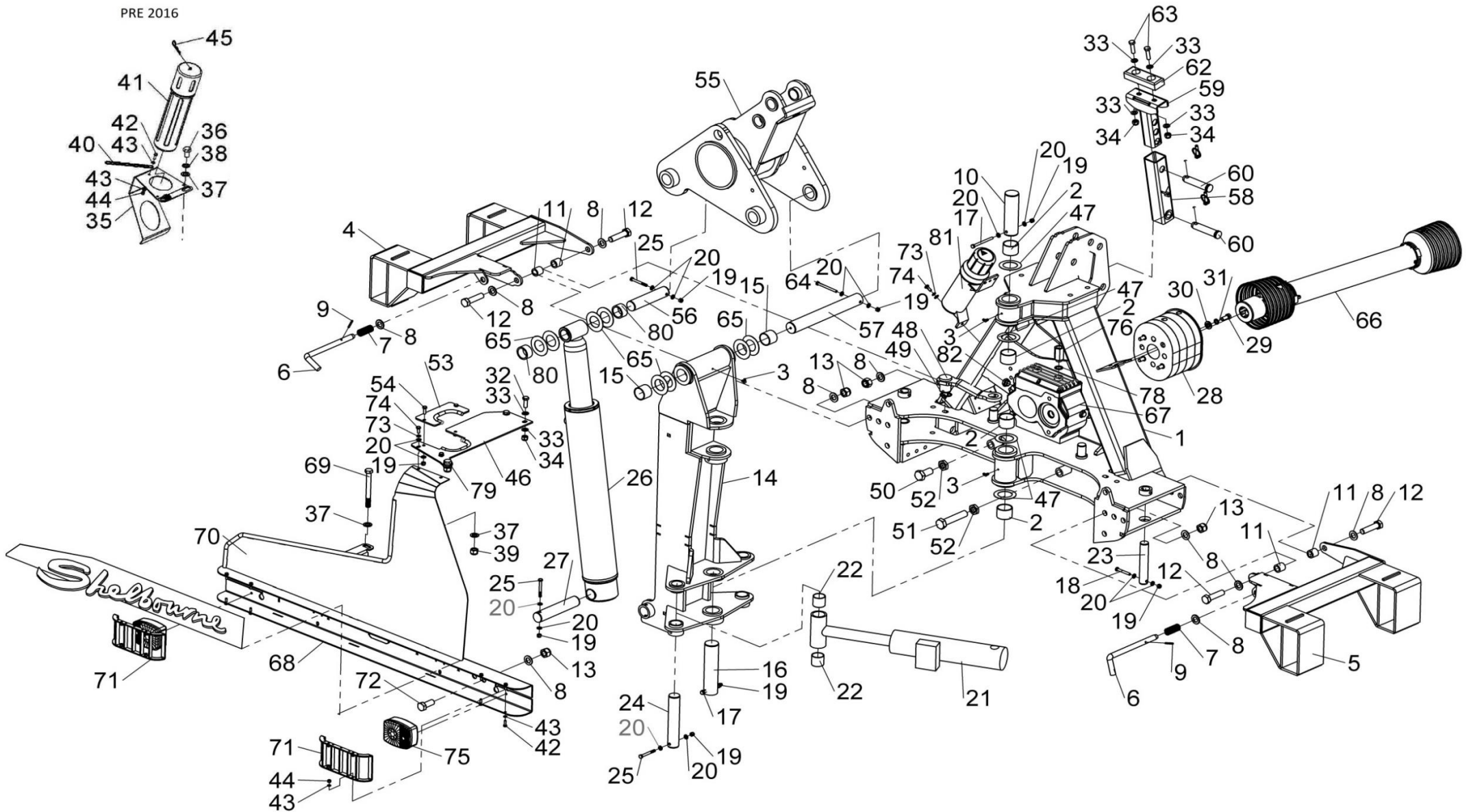
Shelbourne Reynolds Engineering Limited

ASSY NUMBER: 809019 01				ASSY DESCRIPTION: MAINFRAME SUB ASSY (LH VERSION)			
ITEM	PART NO	DESCRIPTION	QTY	ITEM	PART NO	DESCRIPTION	QTY
1	800770 01	A FRAME W/A	1	39	NUT-0271	NUT	2
2	802852 03	OILON BUSH	4	40	CHN-0145	CHAIN (PRE 2016)	0.17m
3	NIP-00605	GREASE NIPPLE	3	41	WDA-00025	MANUAL CANISTER (PRE 2016)	1
4	802731 01	TRIMMER LIFTING BRKT LH	1	42	HSS-0086	SETSCREW	8
5	802731 02	TRIMMER LIFTING BRKT RH	1	43	WSH-0009	WASHER	16
6	800368 01	STAND PIN	2	44	NUT-0260	NUT	8
7	SPGC32355	COMPRESSION SPRING	2	45	CLP-00103	R CLIP (PRE 2016)	1
8	WSH-0030	WASHER	11	46	801447 01	REAR GUARD TOP	1
9	PIN-1775	ROLL PIN	2	47	800781 01	SHIM	8
10	800141 02	PIN P ILLAR PIVOT TOP	1	48	803075 01	TRANSPORT LOCKING LATCH	1
11	800382 02	COLLAR	4	49	PIN-01601	LYNCH PIN	1
12	BLTA20500	BOLT	4	50	HSS-0400	SETSCREW	1
13	NUTA02200	NUT	5	51	HSSA24620	SETSCREW	1
14	802828 01	PILLAR W/A	1	52	NUT-0390	HALF NUT	2
15	802852 02	OILON BUSH	2	53	801449 01	REAR GUARD STRIP	1
16	800141 03	PIN PILLAR PIVOT BOTTOM	1	54	HSS-0145	SETSCREW	2
17	BLTA08560	BOLT	2	55	802837 01	ROCKER W/A	1
18	BLTA08380	BOLT	1	56	802839 01	PIN - LIFT CYLINDER TOP	1
19	NUT-0263	NUT	9	57	800102 12	PIN - ROCKER PIVOT	1
20	WSH-0012	WASHER	21	58	801110 01	BUMPSTOP MOUNT	1
21	802866 01	CYLINDER BREAKBACK	1	59	801038 01	BUMPSTOP	1
21a	RMSK00220	SEAL KIT	-	60	800198 01	PIN	2
22	802852 05	OILON BUSH	2	61	PIN-01950	LYNCH PIN	2
23	800101 20	PIN BB RAM CYL	1	62	801367 01	RUBBER BUFFER	1
24	802839 05	PIN BB RAM ROD	1	63	BLTA12290	BOLT	2
25	BLTA08440	BOLT	3	64	BLTA08530	BOLT	1
26	803625 01	LIFT CYLINDER PB7XX140326 & ON	1	65	801502 01	SHIM	8
OR	802811 01	LIFT CYLINDER UPTO PB7XX140326	1	66	PTO-27000WE	PTO SHAFT PB7XX140351 & ON	1
27	802839 02	PIN LIFT RAM CYLINDER END	1	OR	PTO-27000	PTO SHAFT UPTO PB7XX140351	1
28	PTO-00903	GUARD CONE	1	67	GEA-0183	GEARBOX PB7XX140351 & ON	1
29	HSS-0238	SETSCREW	4	OR	GEA-0038	GEARBOX UPTO PB7XX140351	1
30	800407 01	SPACER GEARBOX MTG	4	68	802722 01	LIGHTING BOARD W/A	1
31	WSH-0065	WASHER	4	69	BLTA16710	BOLT	1
32	HSS-0241	SETSCREW	2	70	801021 01	COVER LH	1
33	WSH-0018	WASHER	8	71	800327 01	LIGHT GUARD	2
34	NUT-0269	NUT	4	72	HSS-0355	SETSCREW	1
35	800502 01	CANNISTER BRACKET (PRE 2016)	1	73	WSH-0058	WASHER	5
36	HSS-0312	SETSCREW (PRE 2016)	2	74	HSS-0140	SETSCREW	5
37	WSH-0024	WASHER	4	75	800387 14	LIGHTS ASSY S/N PB***150490ON	1
38	WSH-0070	WASHER (PRE 2016)	2	or	800387 11	PRE S/N PB***150490	

Shelbourne Reynolds Engineering Limited

ASSY NUMBER: 809019 01				ASSY DESCRIPTION: MAINFRAME SUB ASSY (LH VERSION)			
ITEM	PART NO	DESCRIPTION	QTY	ITEM	PART NO	DESCRIPTION	QTY
76	803078 01	BREATHER EXTENSION	1				
77							
78	WSH-1015	DOWTY WASHER	1				
79	HSS-0315	SETSCREW	1				
80	803627 01	SPACER	2				
81	PLN-00100	MANUAL CANISTER	1				
82	FITD00007	BULLS EYE LEVEL GAUGE	1				

PRE 2016



809019 01



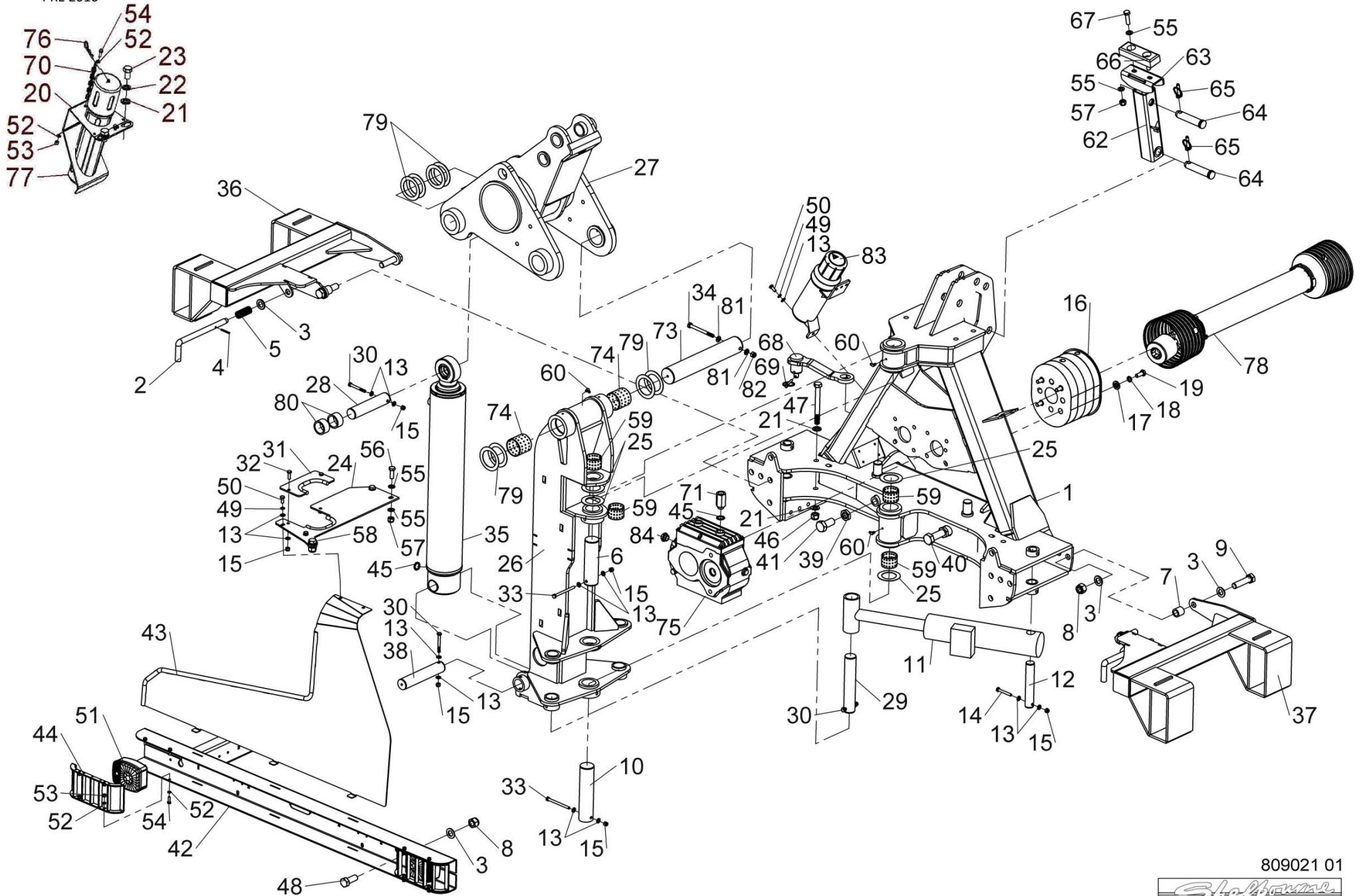
Shelbourne Reynolds Engineering Limited

ASSY NUMBER: 809021 01				ASSY DESCRIPTION: MAINFRAME SUB ASSY			
ITEM	PART NO	DESCRIPTION	QTY	ITEM	PART NO	DESCRIPTION	QTY
1	800770 01	A FRAME W/A	1	40	HSSA24620	SET SCREW	1
2	800368 01	PIN FOR STAND	2	41	HSS-0400	SET SCREW	1
3	WSH-0030	PLAIN WASHER	11	42	802722 01	LIGHTING BOARD W/A	1
4	PIN-1775	ROLL PIN	2	43	801021 01	REAR COVER WA.	1
5	SPGC32355	COMPRESSION SPRING	2	44	800327 01	LIGHT GUARD	2
6	800141 02	PIN PILLAR PIVOT (TOP)	1	45	WSH-1015	DOWTY WASHER	2
7	800382 02	COLLAR (PLATED)	4	46	NUT-0271	NYLOC NUT	2
8	NUTA02200	NYLOC NUT	5	47	BLTA16710	HEX HEAD BOLT	1
9	BLTA20500	HEX HEAD BOLT	4	48	HSS-0355	SETSCREW	1
10	800141 03	PIN PILLAR PIVOT (BOT)	1	49	WSH-0058	SPRING WASHER	5
11	802866 01	BREAKBACK CYLINDER	1	50	HSS-0140	BOLT	5
12	800101 20	PIN - BB RAM CYL.	1	51	800387 14	LIGHTS ASSY S/N PB***150490 ON	1
13	WSH-0012	PLAIN WA SHER	20	or	800387 11	PRE S/N PB***150490	
14	BLTA08380	HEX.HEAD BOLT	1	52	WSH-0009	PLAIN WASHER	16
15	NUT-0263	NYLOC NUT	8	53	NUT-0260	NYLOC NUT	8
16	PTO-00903	PTO MACHINE CONE	1	54	HSS-0086	SET SCREW	8
17	800407 01	SPACER-GEARBOX MOUNT.	4	55	WSH-0018	PLAIN WASHER	8
18	WSH-0065	SPRING WASHER	4	56	HSS-0241	SET SCREW	2
19	HSS-0238	BOLT	4	57	NUT-0269	NYLOC NUT	4
20	800502 01	CANISTER BRACKET (PRE 2016)	1	58	HSS-0315	SET SCREW	1
21	WSH-0024	PLAIN WASHER FORM A (PRE 2016)	6	59	BSHO05062	BUSH PBXXX140362&ON	4
22	WSH-0070	SPRING WASHER (PRE 2016)	2	OR	802852 03	BUSH UPTO PBXXX140362	-
23	HSS-0312	SET SCREW (PRE 2016)	2	60	NIP-00605	GREASE NIPPLE	3
24	801447 01	REAR TOP GUARD	1	61			
25	800781 01	SHIM	4	62	801110 01	BUMP STOP BOX	1
26	803316 01	PILLAR W/ASSY	1	63	801038 01	BUMPSTOP WA	1
27	803309 01	ROCKER W/ASSY	1	64	800198 01	PIN	2
28	802839 01	PIN	1	65	PIN-01950	LYNCH PIN	2
29	802839 05	PIN	1	66	801367 01	BUFFER	1
30	BLTA08440	HEX.HEAD BOLT	3	67	BLTA12290	HEX.HEAD BOLT	2
31	801449 01	REAR GUARD STRIP	1	68	803075 01	LOCKING STRUT W/A	1
32	HSS-0145	BOLT	2	69	PIN-01601	LYNCH PIN	1
33	BLTA08560	HEX.HEAD BOLT	2	70	CHN-0145	CHAIN (PRE 2016)	0.17mt
34	BLTA10590	BOLT	1	71	803078 01	BREATHER EXTENSION	1
35	803625 01	CYLINDER LIFT PB7XX140326 & ON	1	72			
OR	802811 01	CYLINDER LIFT UPTO PB7XX140326	1	73	803240 03	PIN	1
36	802731 01	TRIMMER LIFTING BRACKET LH	1	74	BSHO06071	BUSH PBXXX140362&ON	2
37	802731 02	TRIMMER LIFTING BRACKET RH	1	OR	802852 08	BUSH UPTO PBXXX140362	2
38	802839 02	PIN	1	75	GEA-0183	GEARBOX PB7XX140351 & ON	1
39	NUT-0390	HALF NUT	2	OR	GEA-0038	GEARBOX UPTO PB7XX140351	1

Shelbourne Reynolds Engineering Limited

ASSY NUMBER: 809021 01				ASSY DESCRIPTION: MAINFRAME SUB ASSY			
ITEM	PART NO	DESCRIPTION	QTY	ITEM	PART NO	DESCRIPTION	QTY
76	CLP-00103	R CLIP (PRE 2016)	1				
77	WDA-00025	MANUAL CANNISTER (PRE 2016)	1				
78	PTO-27000WE	PTO SHAFT PB7XX140351 & ON	1				
OR	PTO-27000	PTO SHAFT UPTO PB7XX140351	1				
79	803327 01	SHIM	8				
80	803627 01	SPACER	2				
81	WSH-0015	WASHER	2				
82	NUT-0265	NUT	1				
83	PCN-00100	MANUAL CANISTER	1				
84	FITD00007	BULLS EYE LEVEL GAUGE	1				

PRE 2016



809021 01



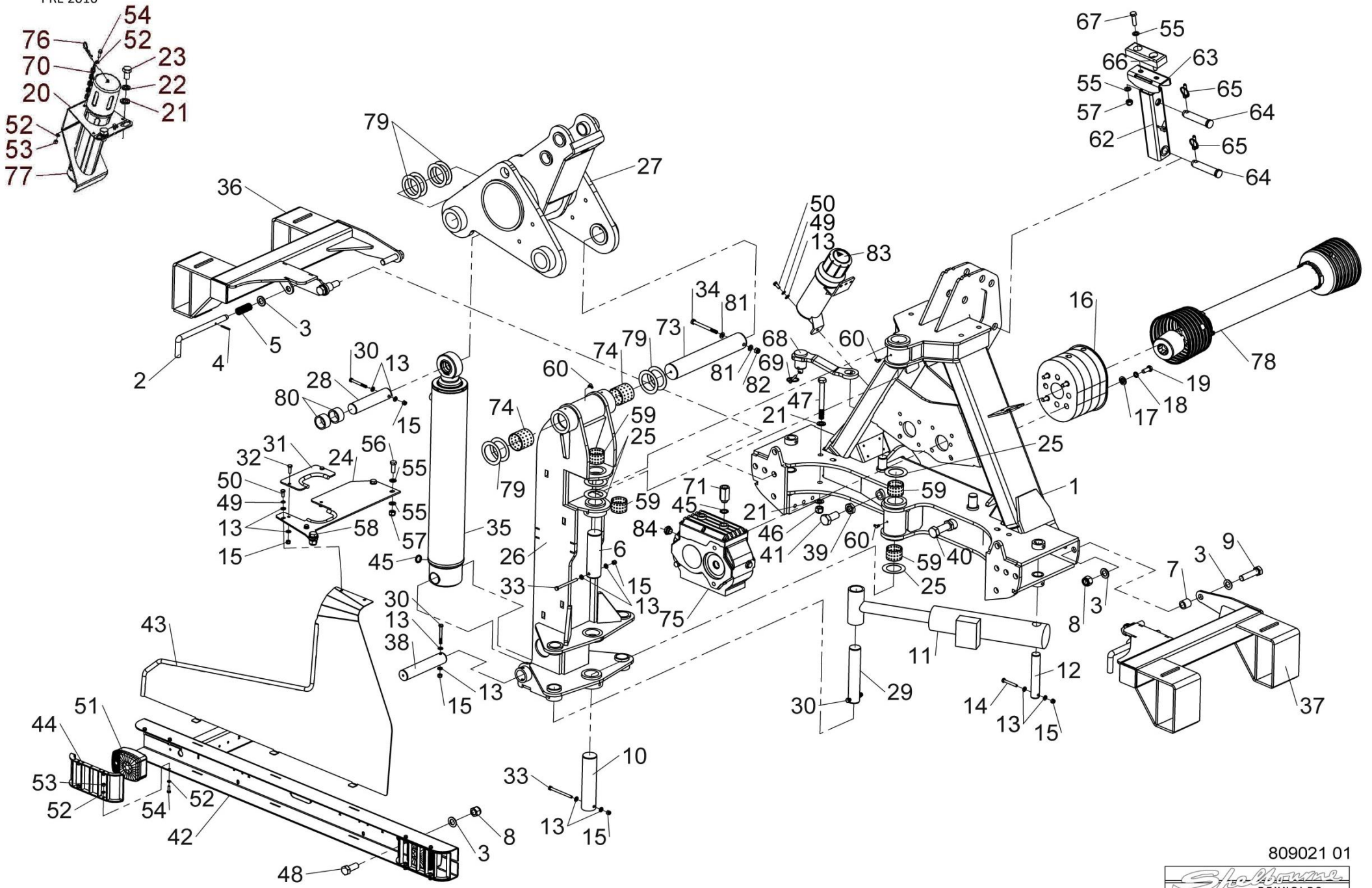
Shelbourne Reynolds Engineering Limited

ASSY NUMBER: 809021 01BG				ASSY DESCRIPTION: MAINFRAME SUB ASSY BLUE & GREY			
ITEM	PART NO	DESCRIPTION	QTY	ITEM	PART NO	DESCRIPTION	QTY
1	800770 01B	A FRAME W/A	1	40	HSSA24620	SET SCREW	1
2	800368 01	PIN FOR STAND	2	41	HSS-0400	SET SCREW	1
3	WSH-0030	PLAIN WASHER	11	42	802722 01G	LIGHTING BOARD W/A	1
4	PIN-1775	ROLL PIN	2	43	801021 01B	REAR COVER WA.	1
5	SPGC32355	COMPRESSION SPRING	2	44	800327 01G	LIGHT GUARD	2
6	800141 02	PIN PILLAR PIVOT (TOP)	1	45	WSH-1015	DOWTY WASHER	2
7	800382 02	COLLAR (PLATED)	4	46	NUT-0271	NYLOC NUT	2
8	NUTA02200	NYLOC NUT	5	47	BLTA16710	HEX HEAD BOLT	1
9	BLTA20500	HEX HEAD BOLT	4	48	HSS-0355	SETSCREW	1
10	800141 03	PIN PILLAR PIVOT (BOT)	1	49	WSH-0058	SPRING WASHER	2
11	802866 01	BREAKBACK CYLINDER	1	50	HSS-0140	BOLT	2
12	800101 20	PIN - BB RAM CYL.	1	51	800387 11	LIGHTING HARNESS (LEFT HAND)	1
13	WSH-0012	PLAIN WASHER	18	52	WSH-0009	PLAIN WASHER	18
14	BLTA08380	HEX.HEAD BOLT	1	53	NUT-0260	NYLOC NUT	9
15	NUT-0263	NYLOC NUT	9	54	HSS-0086	SET SCREW	9
16	PTO-00903	PTO MACHINE CONE	1	55	WSH-0018	PLAIN WASHER	8
17	800407 01	SPACER-GEARBOX MOUNT.	4	56	HSS-0241	SET SCREW	2
18	WSH-0065	SPRING WASHER	4	57	NUT-0269	NYLOC NUT	4
19	HSS-0238	BOLT	4	58	HSS-0315	SET SCREW	1
20	800502 01B	MAN CANISTER BRACKET	1	59	BSHO05062	BUSH PBXXX140362&ON	4
21	WSH-0024	PLAIN WASHER FORM A	6	OR	802852 03	BUSH UPTO PBXXX140362	-
22	WSH-0070	SPRING WASHER	2	60	NIP-00605	GREASE NIPPLE	3
23	HSS-0312	SET SCREW	2	61			
24	801447 01B	REAR TOP GUARD	1	62	801110 01B	BUMP STOP BOX	1
25	800781 01	SHIM	4	63	801038 01B	BUMPSTOP WA	1
26	803316 01B	PILLAR W/ASSY	1	64	800198 01	PIN	2
27	803309 02	ROCKER W/ASSY	1	65	PIN-01950	LYNCH PIN	2
28	802839 01	PIN	1	66	801367 01	BUFFER	1
29	802839 05	PIN	1	67	BLTA12290	HEX.HEAD BOLT	2
30	BLTA08440	HEX.HEAD BOLT	3	68	803075 01	LOCKING STRUT W/A	1
31	801449 01B	REAR GUARD STRIP	1	69	PIN-01601	LYNCH PIN	1
32	HSS-0145	BOLT	2	70	CHN-0145	CHAIN	0.17mt
33	BLTA08560	HEX.HEAD BOLT	2	71	803078 01	BREATHER EXTENSION	1
34	BLTA08590	BOLT	1	72			
35	803625 01	CYLINDER LIFT PB7XX140326 & ON	1	73	803240 03	PIN	1
OR	802811 01	CYLINDER LIFT UPTO PB7XX140326	1	74	BSHO06071	BUSH PBXXX140362&ON	2
36	802731 01G	TRIMMER LIFTING BRACKET LH	1	OR	802852 08	BUSH UPTO PBXXX140362	2
37	802731 02G	TRIMMER LIFTING BRACKET RH	1	75	GEA-0183	GEARBOX PB7XX140351 & ON	1
38	802839 02	PIN	1	OR	GEA-0038	GEARBOX UPTO PB7XX140351	1
39	NUT-0390	HALF NUT	2				

Shelbourne Reynolds Engineering Limited

ASSY NUMBER: 809021 01BG				ASSY DESCRIPTION: MAINFRAME SUB ASSY BLUE & GREY			
ITEM	PART NO	DESCRIPTION	QTY	ITEM	PART NO	DESCRIPTION	QTY
76	CLP-00103	R CLIP	1				
77	WDA-00025	CANNISTER FOR MANUALS	1				
78	PTO-27000WE	PTO SHAFT PB7XX140351 & ON	1				
OR	PTO-27000	PTO SHAFT UPTO PB7XX140351	1				
79	803327 01	SHIM	8				
80	803627 01	SPACER	2				
81	WSH-0015	WASHER	2				
82	NUT-0265	NUT	1				
83							
84	FITD00007	BULLS EYE LEVEL GAUGE	1				

PRE 2016

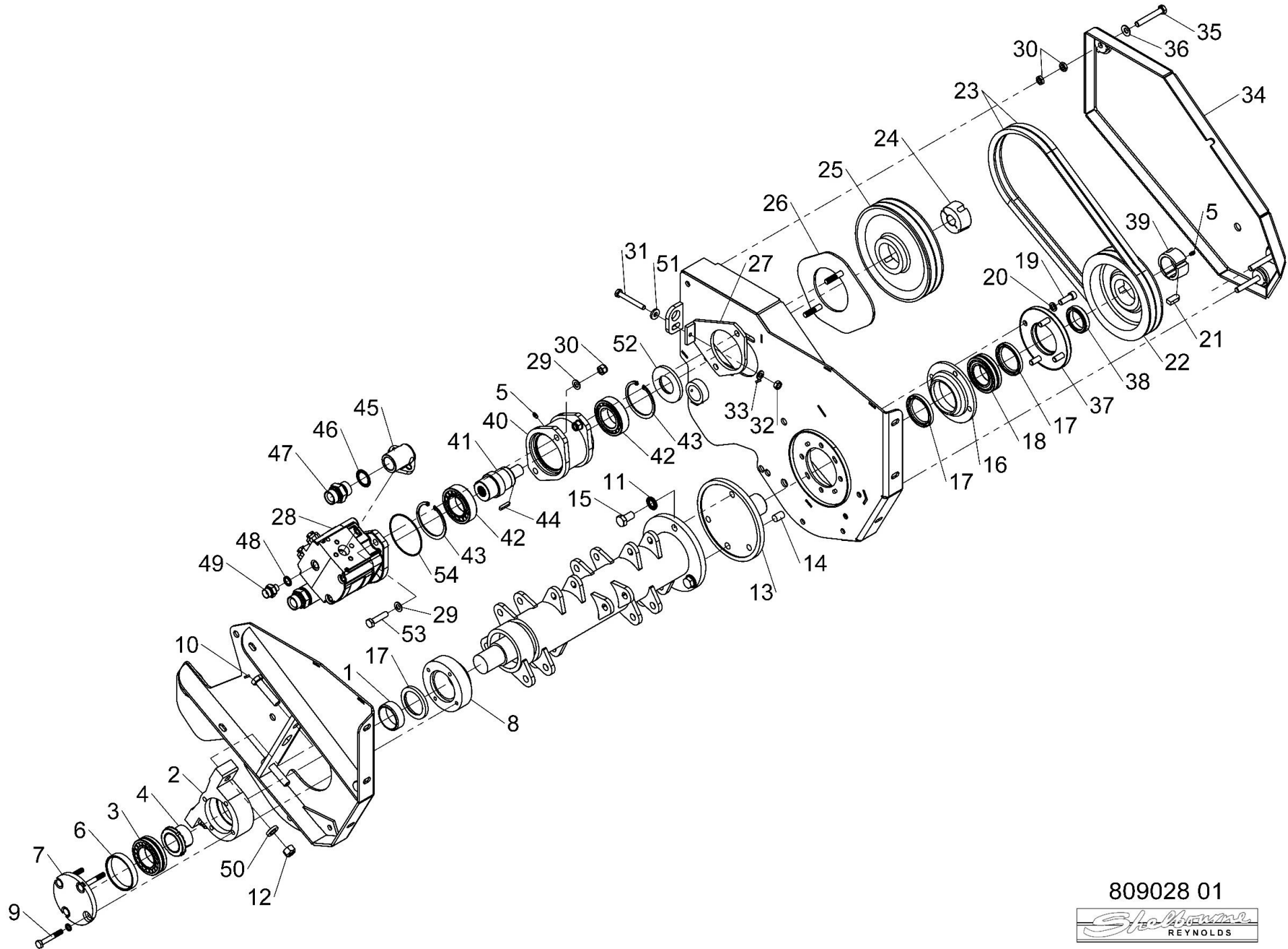


809021 01



Shelbourne Reynolds Engineering Limited

ASSY NUMBER: 809028 01				ASSY DESCRIPTION: FLAIL MTG&DRIVE SUB ASSY (PBXXX170760 & ON)			
ITEM	PART NO	DESCRIPTION	QTY	ITEM	PART NO	DESCRIPTION	QTY
1	800019 01	SLEEVE	1	OR	801553 02	DRIVE COVER RH HEAD DRIVE	1
2	800873 01	BEARING HOUSING	1	35	HSSA12500	SETSCREW	3
3	BRG-14580	BEARING	1	36	WSHA30121	WASHER	3
4	BRG-94521	BEARING SLEEVE	1	37	801064 02	BEARING RETAINER	1
5	NIP-00600	GREASE NIPPLE	3	38	801066 01	PULLEY SPACER	1
6	800067 01	SPACER	1	39	BSHZ05056	TAPER LOCK BUSH	1
7	802219 01	COVER	1	40	804790 01	OUTRIGGER HOUSING W/A	1
8	800017 01	SLEEVE (1.2Mt)	1	41	804793 01	OUTRIGGER SHAFT	1
OR	804742 01	SLEEVE (1.5Mt)	1	42	BRG-15082	CYLINDRICAL ROLLER BEARING	2
9	BLTA10440	HEX.HEAD BOLT	4	43	CIR010090	CIRCLIP INT	2
10	BLTA16474	BOLT	2	44	KEYB20000	KEY	1
11	WSHA30161	WASHER	3	45	FITF00005	FLANGE ELBOW CONNECTOR	2
12	NUTA15162	STOVER NUT	2	46	WSH-1025	DOWTY WASHER (1")	2
13	801067 01	DRIVE FLANGE	1	47	FIT-0546	ADAPTOR	2
14	193079 01	DOWEL PIN	1	48	WSH-1010	DOWTY WASHER	1
15	HSSA16200	SETSCREW	3	49	HMA-0065	ADAPTOR	1
16	800700 02	BEARING HOUSING	1	50	190119 85	WASHER	2
17	SEAA06500	SHAFT SEAL	3	51	190119 11	WASHER	1
18	BRG-15080	BEARING	1	52	SEAA05090	RADIAL SHAFT SEAL	1
19	SCW-0245	SOC CAP HD SCREW	4	53	HSS-0260	BOLT	2
20	WSH-0065	SPRING WASHER	3	54	ORA161000	O RING	1
21	K1409032	KEY	1				
22	803097 01	DRIVE PULLEY	1				
23	BEL-10140	V-BELT	2				
24	BSHZ14032	TAPERLOCK BUSH	1		809010 01HYD	HYDRAULICS KIT	
25	-	NOW SEE DRIVE KIT	-				
OR	800027 02	MOTOR PULLEY UPTO PBXXX180900	1		809028 01	1.2m LH HEAD DRIVE	
26	803572 01	RETAINING RING LH HEAD DRIVE	1			FLAIL MTG.& DRIVE SUB ASSY	
OR	803572 02	RETAINING RING RH HEAD DRIVE	1		809028 01A	1.5m LH HEAD DRIVE	
27	800028 01	MOTOR MTG.PLATE LH HEAD DRIVE	1			FLAIL MTG.& DRIVE SUB ASSY	
OR	800028 04	MOTOT MTG PLATE RH HEAD DRIVE	1		809028 01R	1.2m RH HEAD DRIVE	
28	-	NOW SEE DRIVE KIT	-			FLAIL MTG.& DRIVE SUB ASSY	
OR	MOTH03900	HYD MOTOR UPTO PBXXX180900	1		809028 01AR	1.5m RH HEAD DRIVE	
28A	HMS03900	MOTOR SEAL KIT				FLAIL MTG.& DRIVE SUB ASSY	
29	WSH-0018	PLAIN WASHER	6				
30	NUT-0269	NYLOC NUT	7				
31	HSSA10500	SET SCREW	1				
32	NUT-0167	PLAIN NUT	1				
33	WSH-0015	PLAIN WASHER	1				
34	801553 01	DRIVE COVER LH HEAD DRIVE	1				



809028 01

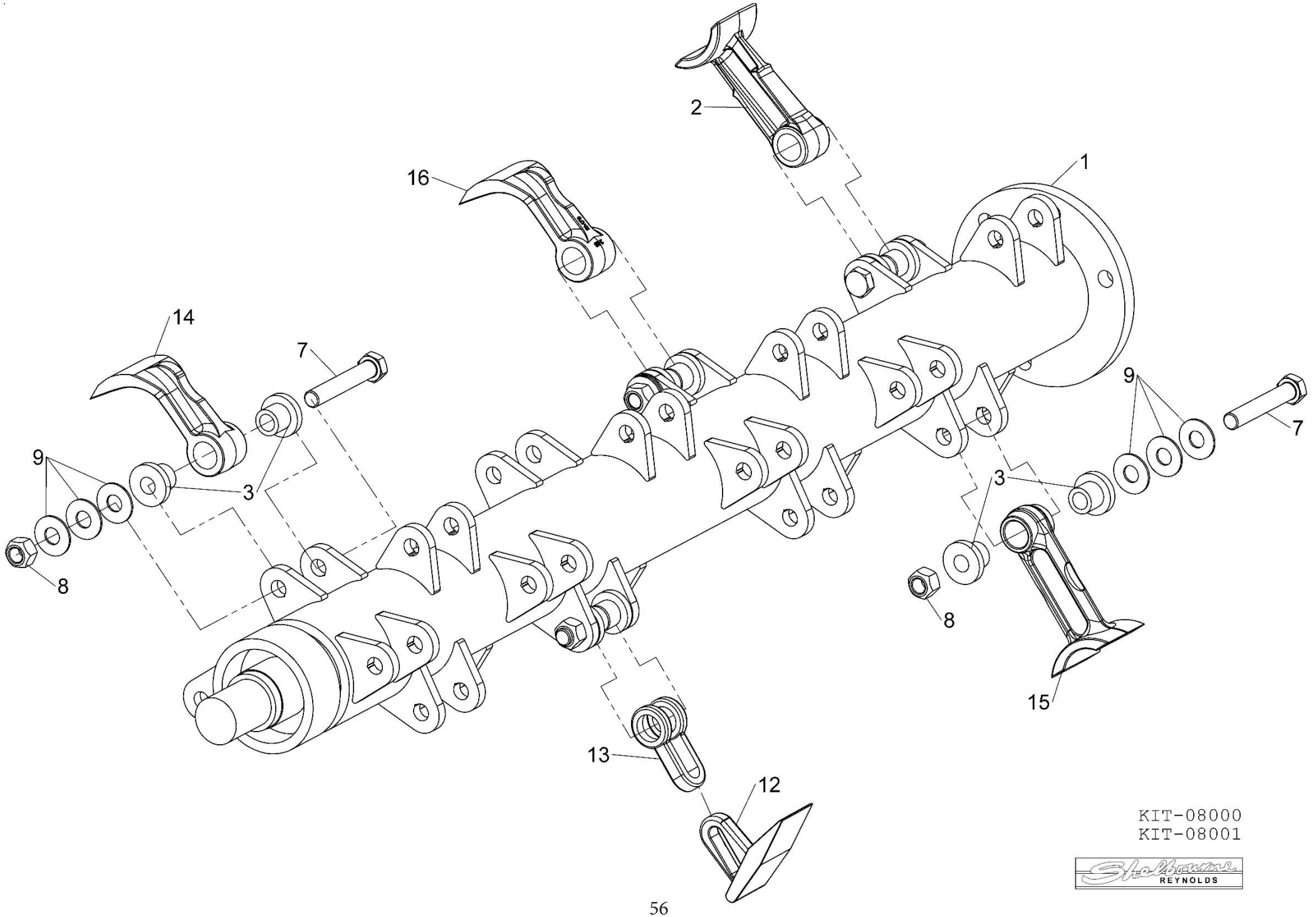


Kit Options

Shelbourne Reynolds Engineering Limited

ASSY NUMBER:		KIT-08000		ASSY DESCRIPTION:		FLAIL ASSY (1.2M) ALL FLAIL TYPES	
ITEM	PART NO	DESCRIPTION	QTY	ITEM	PART NO	DESCRIPTION	QTY
1	801470 01	ROTOR ASSY (1.2M)	1				
OR	800014 08	ROTOR ASSY (1.2M)	1			FOR COMPLETE FLAIL ASSEMBLY	
		(109456 & ON)				ORDER PART NO'S.:	
OR	800014 01	ROTOR ASSY (1.2M)	1			KIT-08000A -T FLAILS (CAST)	
		(UP TO 109456)				UP TO 2018	
2	FLL-05000	T FLAIL (CAST) (KIT-08000A ONLY)	24			KIT-08000B - BOOT FLAILS	
3	805046 01	SPACER	48			KIT-08000C-COMPETITION	
4						FLAIL	
5							
6							
7	BLTD16554	BOLT	24				
OR	BLTD16574	BOLT	AR				
OR	BLTD16604	BOLT	AR			KIT-08000D - T FLAIL (DROP	
OR	BLTD16654	BOLT	AR			FORGED) 2018 & ON	
8	NUTF15162	STOVER NUT (2006&ON)	24				
OR	NUTF02162	NYLOC NUT (UPTO 2006)	24				
9	800274 01	BALANCE WEIGHT (20G)	AR			KIT-08000E - COMPETITION FLAIL	
OR	800274 02	BALANCE WEIGHT (30G)	AR			(DROP FORGED)	
OR	800274 03	BALANCE WEIGHT (50G)	AR				
10						** <u>IMPORTANT</u> **	
11							
12	FLL-10000	BOOT FLAIL (KIT-08000B ONLY)	24			ENSURE BALANCE WEIGHTS ARE NOT	
13	FLL-15000	SHACKLE (KIT-08000B ONLY) COMP	24			MOVED WHEN REPLACING FLAILS.	
14	FLL-20000	FLAIL (KIT-08000C ONLY)	24			EXACT POSITIONING IS CRITICAL	
15	FLL-05005S	T FLAIL (DROP FORGED) (KIT-	24			TO SMOOTH RUNNING	
16	FLL-20005S	08000D) COMP FLAIL (DROP FORGED)	24				

Shelbourne Reynolds Engineering Limited

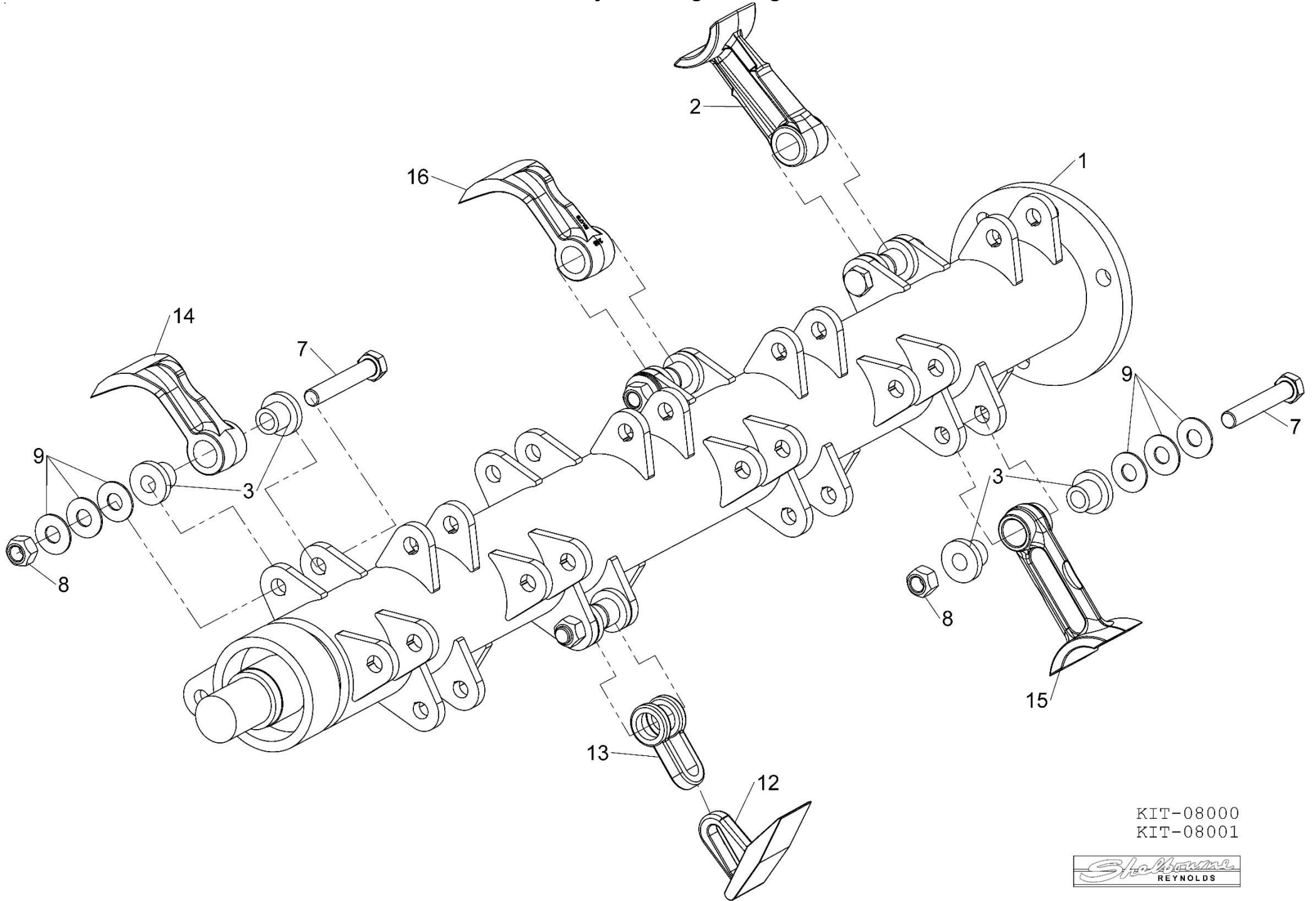


KIT-08000
KIT-08001



Shelbourne Reynolds Engineering Limited

ASSY NUMBER:		KIT-08001		ASSY DESCRIPTION:		FLAIL ASSY (1.5M) ALL FLAIL TYPES	
ITEM	PART NO	DESCRIPTION	QTY	ITEM	PART NO	DESCRIPTION	QTY
1	802049 01	ROTOR ASSY (1.5M) (EARLY 2013 & ON)	1			FOR COMPLETE FLAIL ASSEMBLY	
OR	801471 01	ROTOR ASSY (1.5M) (UP TO EARLY 2013)	1			ORDER PART NO'S.:	
OR	800015 08	ROTOR ASSY (1.5M) (109456 & ON)	1			KIT-08001A-T FLAILS (CAST)	
OR	800015 01	ROTOR ASSY (1.5M) (UP TO 109456)	1			UP TO 2018	
2	FLL-05000	T FLAIL (CAST) (KIT-08001A ONLY)	30			KIT-08001B-BOOT FLAILS	
3	805046 01	SPACER	60			KIT-08001C-COMPETITION FLAIL	-
4							
5							
6						KIT-08001D T FLAIL	
7	BLTD16554	BOLT	30			(DROP FORGED) 2018 & ON	
OR	BLTD16574	BOLT	AR				
OR	BLTD16604	BOLT	AR			KIT-08001E - COMPETITION FLAIL	
OR	BLTD16654	BOLT	AR			(DROP FORGED)	
8	NUTF15162	STOVER NUT (2006&ON)	30				
OR	NUTF02162	NYLOC NUT (UPTO 2006)	30			** <u>IMPORTANT</u> **	
9	800274 01	BALANCE WEIGHT (20G)	AR				
OR	800274 02	BALANCE WEIGHT (30G)	AR			ENSURE BALANCE WEIGHTS ARE NOT	
OR	800274 03	BALANCE WEIGHT (50G)	AR			MOVED WHEN REPLACING FLAILS.	
10						EXACT POSITIONING IS CRITICAL	
11						TO SMOOTH RUNNING	
12	FLL-10000	BOOT FLAIL (KIT-08001B ONLY)	30				
13	FLL-15000	SHACKLE (KIT-08001B ONLY)	30				
14	FLL-20000	COMP FLAIL (KIT-08001C ONLY)	30				
15	FLL-05005S	T FLAIL (DROP FORGED) (KIT-	30				
16	FLL-20005S	08000D) COMP FLAIL (DROP FORGED)	30				

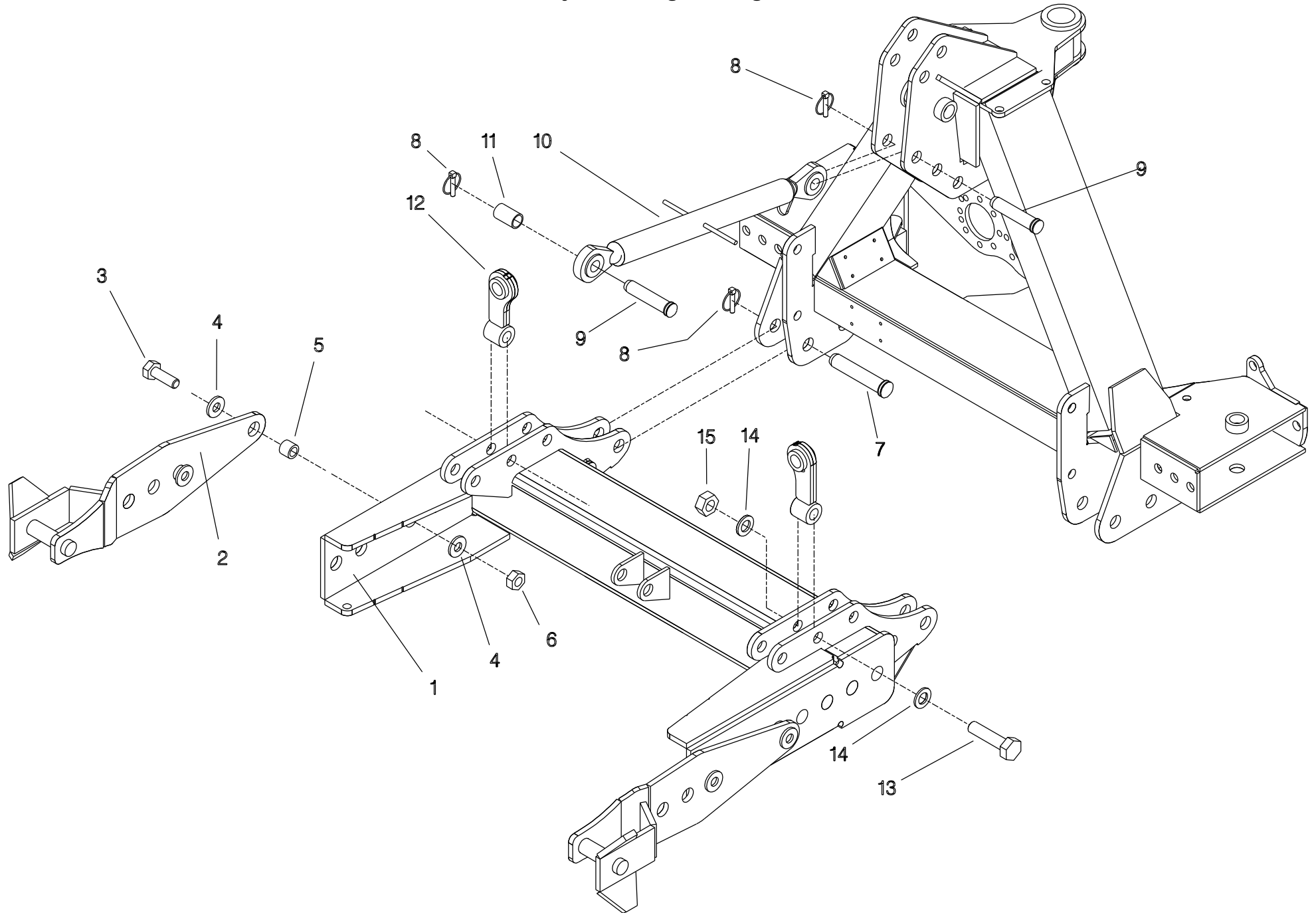


KIT-08000
KIT-08001



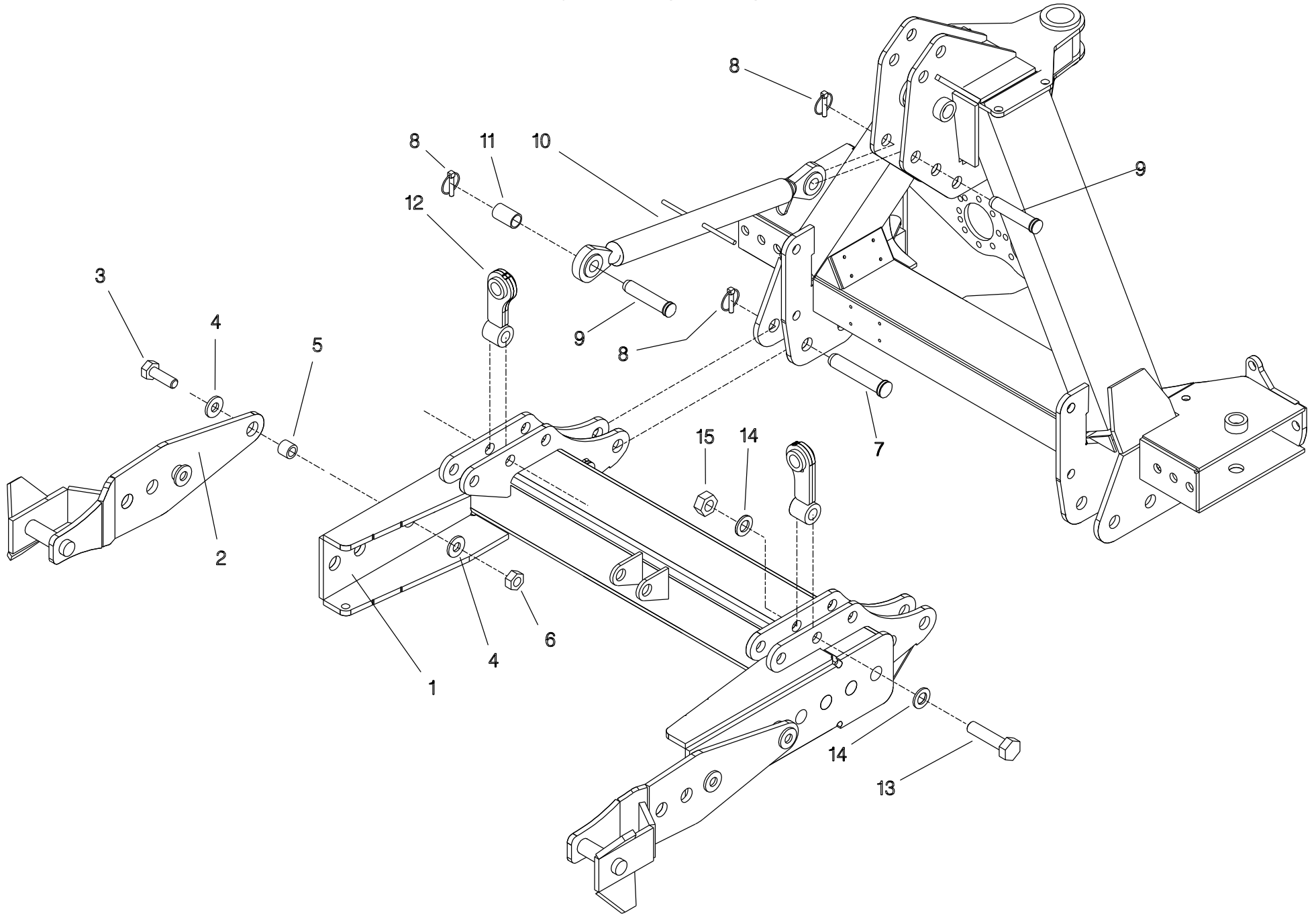
Shelbourne Reynolds Engineering Limited

ASSY NUMBER:		KIT-08015		ASSY DESCRIPTION:		STABILISERS - AXLE MOUNTING	
ITEM	PART NO	DESCRIPTION	QTY	ITEM	PART NO	DESCRIPTION	QTY
1	800223 01	HITCH SUBFRAME	1				
2	800227 01	PIN ARM	2				
3	BLT-2366	BOLT	6				
4	190119 47	WASHER	12				
5	800233 01	SPACER	6				
6	NUTA02200	NYLOC NUT	6				
7	800199 01	PIN	2				
8	PIN-01950	LYNCH PIN	6				
9	800198 01	PIN	2				
10	ADL-13570	TOP LINK ASSY	1				
11	800197 01	SPACER	1				
12A	800344 01	LINK (NH TS155, MF 4245...)	2 or			REQUIRED LINKS MAY VARY NOT ONLY BETWEEN MODELS IN A TRACTOR RANGE, BUT ALSO ACCORDING TO THE YEAR OF MANUFACTURE OF THE TRACTOR. IDEALLY, WHERE REPLACEMENT OR ADDITIONAL LINKS ARE REQUIRED, PLEASE SUPPLY US WITH HOLE DIAMETER AND THICKNESS OF THE TRACTOR LINK ARMS AT THE POINT WHERE THE DROP LINK ATTACHES (IE DOWN FROM THE LEVELLING BOX)	
12B	800344 05	LINK (CASE MX135, JD 8310...)	2 or				
12C	800344 07	LINK (JD CAT3 LINKS...)	2 or				
12D	800344 09	LINK (CASE 4230, MF 390T...)	2 or				
12E	800344 11	LINK (McC CX80...)	2 or				
12F	800344 13	LINK (JD CAT2, MF30**...)	2 or				
12G	800344 15	LINK (CASE 1056...)	2 or				
12H	800344 17	LINK (MF 6150...)	2 or				
12I	800344 19	LINK (FORD 8670)	2 or				
12J	800344 21	LINK (CASE CVX1135)	2 or				
12K	800344 23	LINK (McCORMICK XTX200)	2 or				
13	BLTA24590	BOLT	2				
14	WSH-0036	PLAIN WASHER	4				
15	NUT-0275	NYLOC NUT	2				



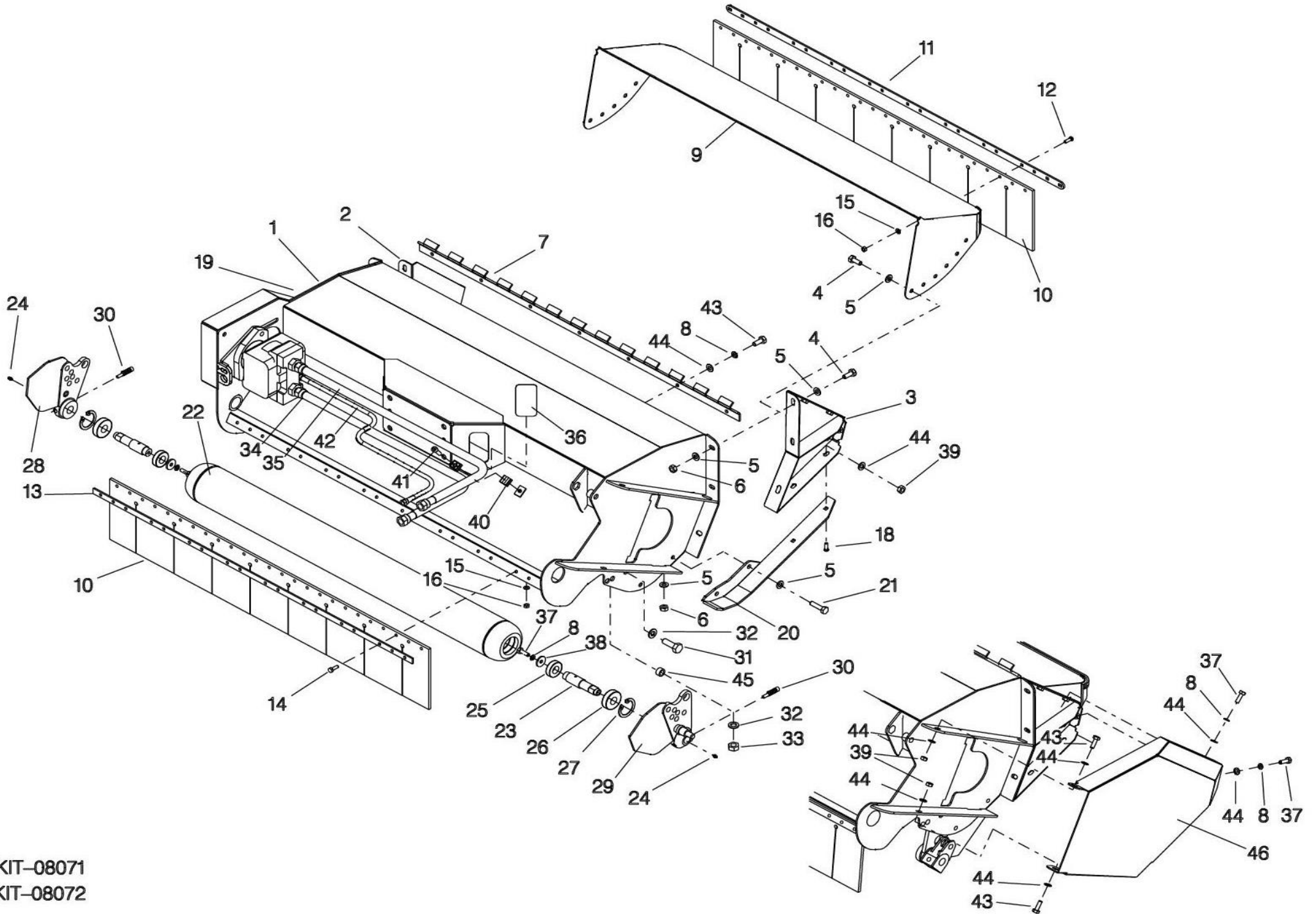
Shelbourne Reynolds Engineering Limited

ASSY NUMBER:		KIT-08015G		ASSY DESCRIPTION:		GREY STABILISERS - AXLE MOUNTING	
ITEM	PART NO	DESCRIPTION	QTY	ITEM	PART NO	DESCRIPTION	QTY
1	800223 01G	HITCH SUBFRAME	1				
2	800227 01G	PIN ARM	2				
3	BLT-2366	BOLT	4				
4	190119 47	WASHER	8				
5	800233 01	SPACER	4				
6	NUTA02200	NYLOC NUT	4				
7	800199 01	PIN	2				
8	PIN-01950	LYNCH PIN	4				
9	800198 01	PIN	2				
10	ADL-13570	TOP LINK ASSY	1				
11	800197 01	SPACER	1				
12A	800344 01G	LINK (NH TS155, MF 4245...)	2 or			REQUIRED LINKS MAY VARY NOT ONLY BETWEEN MODELS IN A TRACTOR RANGE, BUT ALSO ACCORDING TO THE YEAR OF MANUFACTURE OF THE TRACTOR. IDEALLY, WHERE REPLACEMENT OR ADDITIONAL LINKS ARE REQUIRED, PLEASE SUPPLY US WITH HOLE DIAMETER AND THICKNESS OF THE TRACTOR LINK ARMS AT THE POINT WHERE THE DROP LINK ATTACHES (IE DOWN FROM THE LEVELLING BOX)	
12B	800344 05G	LINK (CASE MX135, JD 8310...)	2 or				
12C	800344 07G	LINK (JD CAT3 LINKS...)	2 or				
12D	800344 09G	LINK (CASE 4230, MF 390T...)	2 or				
12E	800344 11G	LINK (McC CX80...)	2 or				
12F	800344 13G	LINK (JD CAT2, MF30**...)	2 or				
12G	800344 15G	LINK (CASE 1056...)	2 or				
12H	800344 17G	LINK (MF 6150...)	2 or				
12I	800344 19G	LINK (FORD 8670)	2 or				
12J	800344 21G	LINK (CASE CVX1135)	2 or				
12K	800344 23G	LINK (McCORMICK XTX200)	2 or				
13	BLTA24590	BOLT	2				
14	WSH-0036	PLAIN WASHER	4				
15	NUT-0275	NYLOC NUT	2				



Shelbourne Reynolds Engineering Limited

ASSY NUMBER: KIT-08071				ASSY DESCRIPTION: HEAD SHELL, NOSE AND ROLLER 1.2m			
ITEM	PART NO	DESCRIPTION	QTY	ITEM	PART NO	DESCRIPTION	QTY
1	800830 01	HEAD SHELL (1.2M)	1			(MID 2009 & ON)	
OR	800830 33	RH HEAD SHELL (1.2M)		OR	800838 04	BRACKET ADJUSTABLE RH	
2	800815 01	LH NOSE SIDE PANEL,LH HEAD	1			(UPTO EARLY 2009)	
OR	800815 02	RH NOSE SIDE PANEL,RH HEAD		30	800450 01	COTTER PIN	2
3	801212 01	NOSE SIDE PANEL RH	1	31	HSS-0318	SETSCREW	4
		(EARLY 2010 & ON)		32	WSH-0024	PLAIN WASHER	4
OR	800815 02	NOSE SIDE PANEL RH		33	NUT-0271	NYLOC NUT	4
		(UPTO EARLY 2010)		34	HHAI05805	HOSE (105456 & ON)	1
4	HSS-0235	SETSCREW	8	OR	HHAI06005	HOSE (109454-104456)	1
5	WSH-0018	PLAIN WASHER	26	OR	HHAI05605	HOSE (UPTO 108454)	1
6	NUT-0269	NYLOC NUT	10	35	HHAI07105	HOSE (105456 & ON)	1
7	800812 01	HINGE PLATE (1.2M)	1	OR	HHAI07305	HOSE (109454-104456)	1
8	WSH-0061	SPRING WASHER	12	OR	HHAI07105	HOSE (UPTO 108454)	1
9	800820 01	NOSE (1.2m)	1	36	CAP-0060	PLASTIC CAP	2
10	800068 01	CURTAIN (1.2M)	2	37	HSS-0188	SETSCREW	5
11	800825 01	FIXING STRIP (1.2M)	1	38	190119 09	WASHER	2
12	BLTF08173	COACHBOLT	20	39	NUT-0265	NYLOC NUT	2
13	800069 01	FIXING STRIP (1.2M)	1	40	HCPD01400	HYD.PIPE CLAMP	6
14	HSS-0145	SETSCREW	18			(109456 & ON)	
15	WSH-0012	PLAIN WASHER	38	OR	HCPD01200	HYD.PIPE CLAMP	1
16	NUT-0263	NYLOC NUT	38			(UPTO 108456)	
17				41	SCW-0136	CAP HEAD SCREW	1
18	BLT-3745	COACHBOLT	4			(109456 & ON)	
19	800881 01	SKID W/A LH	1	OR	SCW-0083	CAP HEAD SCREW	1
20	800881 02	SKID W/A RH	1	42	HHAF17605	HOSE (109455 & ON)	1
21	HSS-0250	SETSCREW	4	43	HSS-0194	SETSCREW	9
22	800826 01	ROLLER (1.2M)	1	44	WSH-0015	PLAIN WASHER	18
23	801445 01	STUB SHAFT (133LG)	2	45	801436 01	SPACER(MID 2009 & ON)	2
		(MID 2009 & on)		46	801213 01	HEAD SKID COVER (LH DRIVE)	1
OR	800033 01	STUB SHAFT (166LG)				(EARLY 2010 & ON)	
		(UPTO EARLY 2009)		OR	801213 02	HEAD SKID COVER (RH DRIVE)	1
24	NIP-00600	GREASE NIPPLE	2			(EARLY 2010 & ON)	
25	BRG-4125	BEARING	2				
26	BRG-3358	BEARING	2				
27	CIR-0620	CIRCLIP	2				
28	801435 02	BRACKET ADJUSTABLE LH	1				
		(MID 2009 & ON)					
OR	800838 03	BRACKET ADJUSTABLE LH	1				
		(UPTO EARLY 2009)					
29	801435 01	BRACKET ADJUSTABLE RH	1				

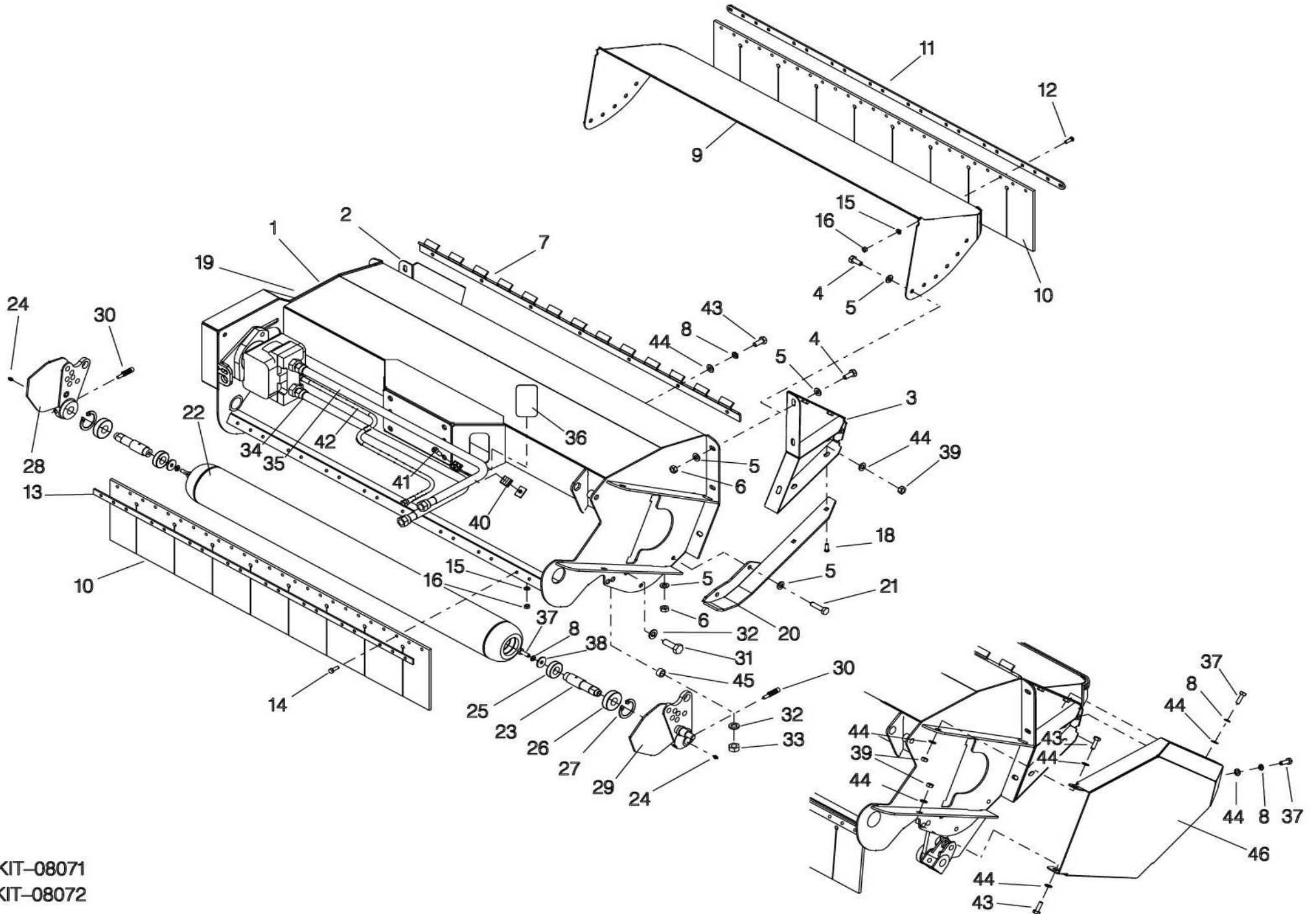


KIT-08071
KIT-08072

Shelbourne Reynolds Engineering Limited

ASSY NUMBER: KIT-08072				ASSY DESCRIPTION: HEAD SHELL, NOSE AND ROLLER 1.5m			
ITEM	PART NO	DESCRIPTION	QTY	ITEM	PART NO	DESCRIPTION	QTY
1	800830 02	HEAD SHELL (1.5M)	1			(UPTO EARLY 2009)	
OR	800830 34	RH HEAD SHELL (1.5M)		29	801435 01	BRACKET ADJUSTABLE RH	1
2	800815 01	LH NOSE SIDE PANEL,LH HEAD	1			(MID 2009 & ON)	
OR	800815 02	RH NOSE SIDE PANEL,RH HEAD		OR	800838 04	BRACKET ADJUSTABLE RH	
3	801212 01	NOSE SIDE PANEL RH	1			(UPTO EARLY 2009)	
		(EARLY 2010 & ON)		30	800450 01	COTTER PIN	2
OR	800815 02	NOSE SIDE PANEL RH		31	HSS-0318	SETSCREW	4
		(UPTO EARLY 2010)		32	WSH-0024	PLAIN WASHER	4
4	HSS-0235	SETSCREW	8	33	NUT-0271	NYLOC NUT	4
5	WSH-0018	PLAIN WASHER	26	34	HHAI07305	HOSE (105456 & ON)	1
6	NUT-0269	NYLOC NUT	10	OR	HHAI07505	HOSE (109454-104456)	1
7	800812 01	HINGE PLATE (1.5M)	1	OR	HHAI07105	HOSE (UPTO 108454)	1
8	WSH-0061	SPRING WASHER	14	35	HHAI08605	HOSE (105456 & ON)	1
9	800820 02	NOSE (1.5M)	1	OR	HHAI08805	HOSE (109454-104456)	1
10	800068 02	CURTAIN (1.5M)	2	OR	HHAI08605	HOSE (UPTO 108454)	1
11	800825 02	FIXING STRIP (1.5M)	1	36	CAP-0060	PLASTIC CAP	2
12	BLTF08173	COACHBOLT	24	37	HSS-0188	SETSCREW	5
13	800069 02	FIXING STRIP (1.5M)	1	38	190119 09	WASHER	2
14	HSS-0145	SETSCREW	22	39	NUT-0265	NYLOC NUT	6
15	WSH-0012	PLAIN WASHER	46	40	HCPD01400	HYD.PIPE CLAMP	1
16	NUT-0263	NYLOC NUT	46			(109456 & ON)	
17				OR	HCPD01200	HYD.PIPE CLAMP	1
18	BLT-3745	COACHBOLT	4			(UPTO 108456)	
19	800881 01	SKID W/A LH	1	41	SCW-0136	CAP HEAD SCREW	1
20	800881 02	SKID W/A RH	1			(109456 & ON)	
21	HSS-0250	SETSCREW	4	OR	SCW-0083	CAP HEAD SCREW	1
22	800826 01	ROLLER (1.5M)	1	42	HHAF19105	HOSE (109455 & ON)	1
23	801445 01	STUB SHAFT (133LG)	2	43	HSS-0194	SETSCREW	11
		(MID 2009 & on)		44	WSH-0015	PLAIN WASHER	20
OR	800033 01	STUB SHAFT (166LG)		45	801436 01	SPACER(MID 2009 & ON)	2
		(UPTO EARLY 2009)		46	801213 01	HEAD SKID COVER (LH DRIVE)	1
24	NIP-00600	GREASE NIPPLE	2			(EARLY 2010 & ON)	
25	BRG-4125	BEARING	2	OR	801213 02	HEAD SKID COVER (RH DRIVE)	1
26	BRG-3358	BEARING	2			(EARLY 2010 & ON)	
27	CIR-0620	CIRCLIP	2				
28	801435 02	BRACKET ADJUSTABLE LH	1				
		(MID 2009 & ON)					
OR	800838 03	BRACKET ADJUSTABLE LH					

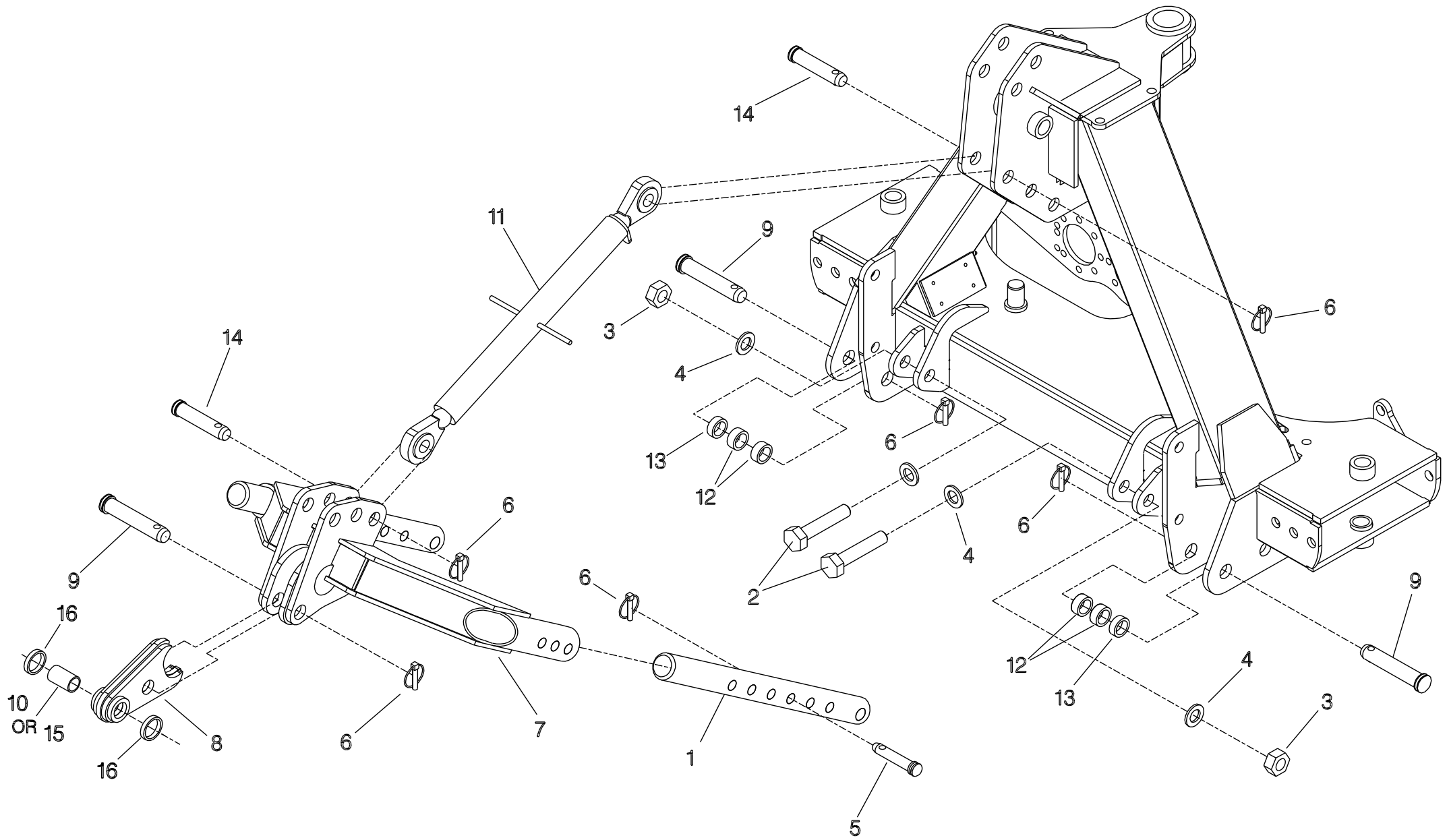
Shelbourne Reynolds Engineering Limited



KIT-08071
KIT-08072

Shelbourne Reynolds Engineering Limited

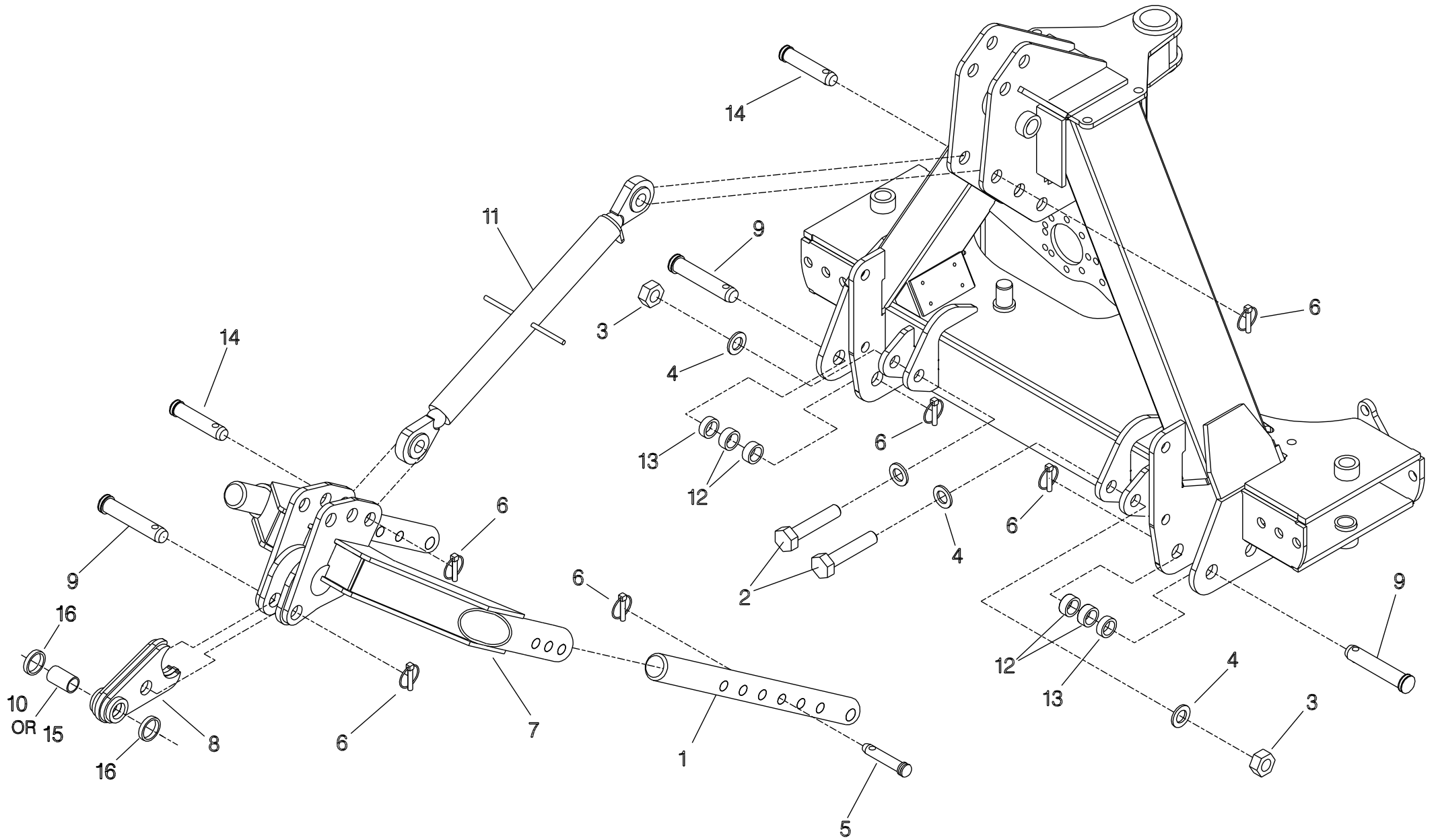
ASSY NUMBER: KIT-08076				ASSY DESCRIPTION: STABILISER KIT-3 POINT LINKAGE-V2B UPTO PBXXX170661			
ITEM	PART NO	DESCRIPTION	QTY	ITEM	PART NO	DESCRIPTION	QTY
1	800929 01	3-POINT SHAFT	2	8A	801361 01	ROCKER LONG	
2	BLTA24620	BOLT	2			OPTION INSTEAD OF 800930 01	
3	NUT-0275	NYLOC NUT	2				
4	WSH-0036	PLAIN WASHER	4				
5	21728202	PIN	2				
6	PIN-01950	LYNCH PIN	7				
7	800921 01	3-POINT YOKE	1				
8	800930 01	ROCKER	1				
9	800199 01	PIN	3				
10	800197 01	SPACER	1				
11	ADL-11540	TOP LINK	1				
12	800934 01	16mm SPACER	4				
13	800934 02	13mm SPACER	2				
14	800198 01	PIN	2				
15	800197 02	SPACER	1				
16	802609 01	TOP LINK SPACER	2				



Shelbourne Reynolds Engineering Limited

ASSY NUMBER:	KIT-08076G	ASSY DESCRIPTION:	GREY - STABILISER KIT-3 POINT LINKAGE-V2B UPTO PBXXX170661
--------------	------------	-------------------	---

ITEM	PART NO	DESCRIPTION	QTY	ITEM	PART NO	DESCRIPTION	QTY
1	800929 01	3-POINT SHAFT	2	8A	801361 01	TOCKER LONG	
2	BLTA24620	BOLT	2			OPTION INSTEAD OF 800930 01	
3	NUT-0275	NYLOC NUT	2				
4	WSH-0036	PLAIN WASHER	4				
5	21728202	PIN	2				
6	PIN-01950	LYNCH PIN	7				
7	800921 01G	3-POINT YOKE	1				
8	800930 01G	ROCKER	1				
9	800199 01	PIN	3				
10	800197 01	SPACER	1			-	
11	ADL-11540	TOP LINK	1				
12	800934 01	16mm SPACER	4				
13	800934 02	13mm SPACER	2				
14	800198 01	PIN	2				
15	800197 02	SPACER	1				
16	802609 01	TOP LINK SPACER	2				



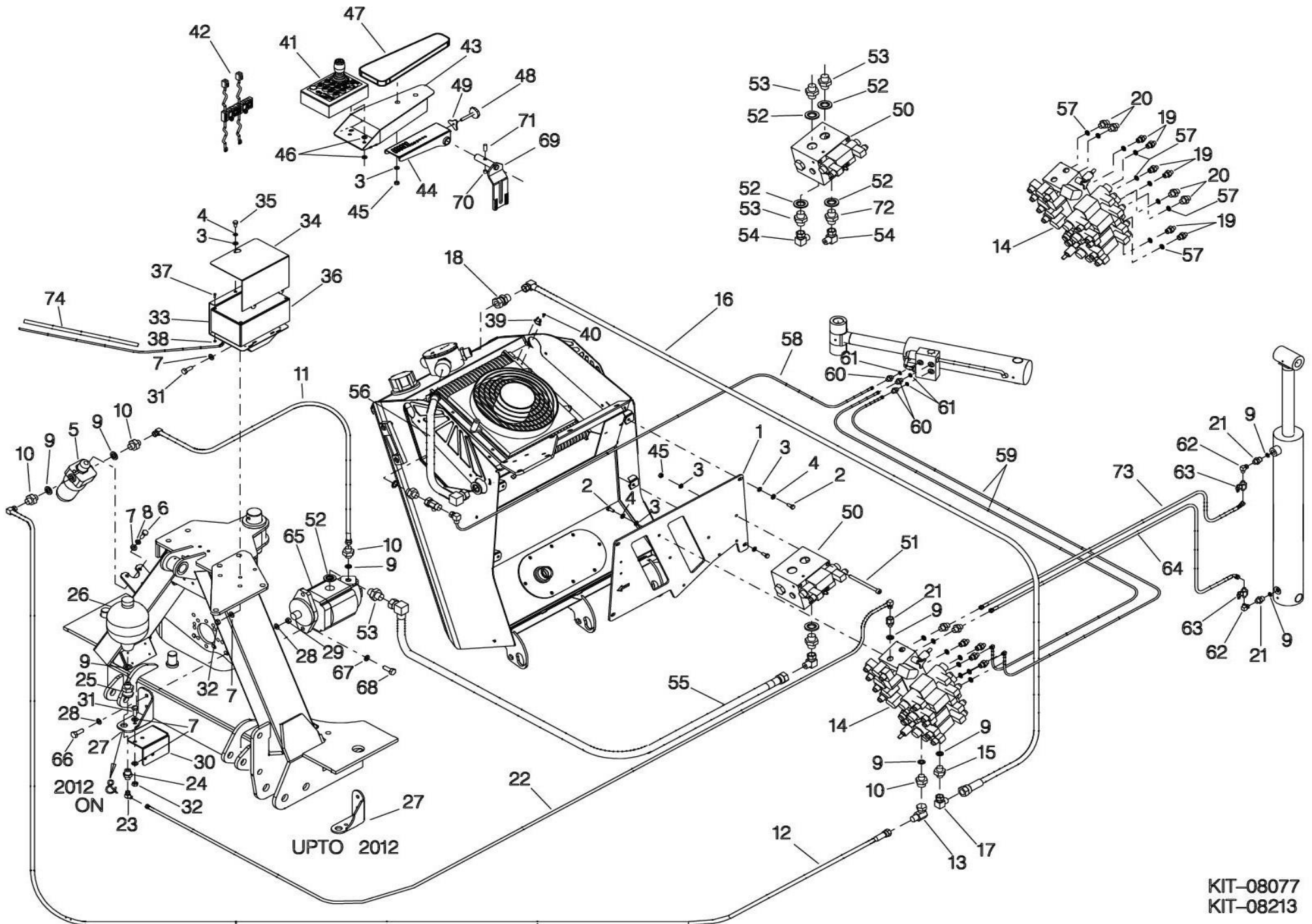
Shelbourne Reynolds Engineering Limited

ASSY NUMBER: KIT-08077				ASSY DESCRIPTION: ELECTRONIC PROPORTIONAL CONTROLS			
ITEM	PART NO	DESCRIPTION	QTY	ITEM	PART NO	DESCRIPTION	QTY
1	801063 01	MOUNTING PLATE (LH ARM)	1	OR	800415 01	BKT AR SENSOR UPTO EARLY 2013	1
OR	801063 02	MOUNTING PLATE (RH ARM)	1	31	HSS-0194	BOLT	4
2	HSS-0140	SETSCREW	9	32	NUT-0265	NYLOC NUT	4
3	WSH-0012	PLAIN WASHER	13	33	801072 01	CONTROL BOX MOUNT	1
4	WSH-0058	SPRING WASHER	7	34	801049 01	CONTROL BOX COVER	1
5	FIL-0220A	FILTER PB7xx140351 & ON	1	35	HSSG08114	SETSCREW	1
OR	FIL-0220	FILTER UPTO PB7xx140351	1	36	801118 01	ELECTRONIC CONTROL UNIT	1
5A	FIL-0230A	FILTER ELEMENT-REPLACEMENT	1			(109456 & ON)	
OR	FIL-0230	FILTER ELEMENT-REPLACEMENT	1	OR	801061 01	ELECTRONIC CONTROL UNIT	1
6	HSS-0191	SETSCREW	3			(UP TO 108456)	
7	WSH-0015	PLAIN WASHER	11	36A	FUS-00539	FUSE 1.25A (UP TO 108456)	
8	WSH-0061	SPRING WASHER	3	37	SCW-0035	CAP HEAD SCREW	4
9	WSH-1015	BONDED SEAL	9	38	NUT-0255	NYLOC NUT	4
10	HMA-0067	ADAPTER	4	39	SWT-32500	THERMAL SWITCH	1
11	HHBF09005	HOSE	1	40	SCW-5104	SCREW S/T	2
12	HHBF06005	HOSE	1	41	801119 01	ELECTRONIC JOYSTICK UNIT	1
13	HAAJAA0707	ADAPTER (LH ARM)	1			(109456 & ON)	
OR	HAAJAA0707	ADAPTER (RH ARM)	2	OR	801060 01	ELECTRONIC JOYSTICK UNIT	
14	HVB-19145	VALVE BLOCK	1			(UP TO 108456)	
		(PBXXX150434 & ON)		41A	JOY-05020	JOYSTICK (FOR SPARES TO	
OR	HVB-19085	VALVE BLOCK	1	42	801127 01	POWER CONNECTION KIT	1
		(UPTOPBXXX150434)		43	802239 01	JOYSTICK MTG (2012 & ON)	1
15	HMA-0060	ADAPTER	1	OR	801102 01	JOYSTICK CRADEL (UPTO 2012)	
16	HHBH15505	HOSE	1	44	802218 01	ARMREST W/A (2012 & ON)	1
17	HAAJAA1111	ADAPTER	1	OR	801101 01	ARMREST MOUNT (UPTO 2012)	
18	HACAA1113	ADAPTER	1	45	NUT-0263	NYLOC NUT	8
19	FIT-0025	ADAPTER	6	46	WSH-1038	LOADSPREAD WASHER	6
20	HMA-0057	ADAPTER	4	47	802242 01	FOAM PADDING (2012 & ON)	1
21	HMA-0065	ADAPTER	3	OR	801113 01	FOAM PADDING (UPTO 2012)	
22	HHBE10105	HOSE	1	48	KNO-0002	KNOB	1
23	HALAA0505	ADAPTER	1	49	801100 01	LOCK	1
24	FIT-0240	ADAPTER	1				
25	HAGAA0707	BULKHEAD	1				
26	HYA-01440	ACCUMULATOR	1				
27	800334 01	BRACKET ACCUMULATOR (LH)	1				
OR	800334 02	BRACKET ACCUMULATOR (RH)	1				
28	WSH-0018	PLAIN WASHER	4				
29	NUT-0269	NYLOC NUT	2				
30	803183 01	LH BKT AR SENSOR 2013 & ON	1				
OR	803183 02	RH BKT AR SENSOR 2013 & ON	1				

Shelbourne Reynolds Engineering Limited

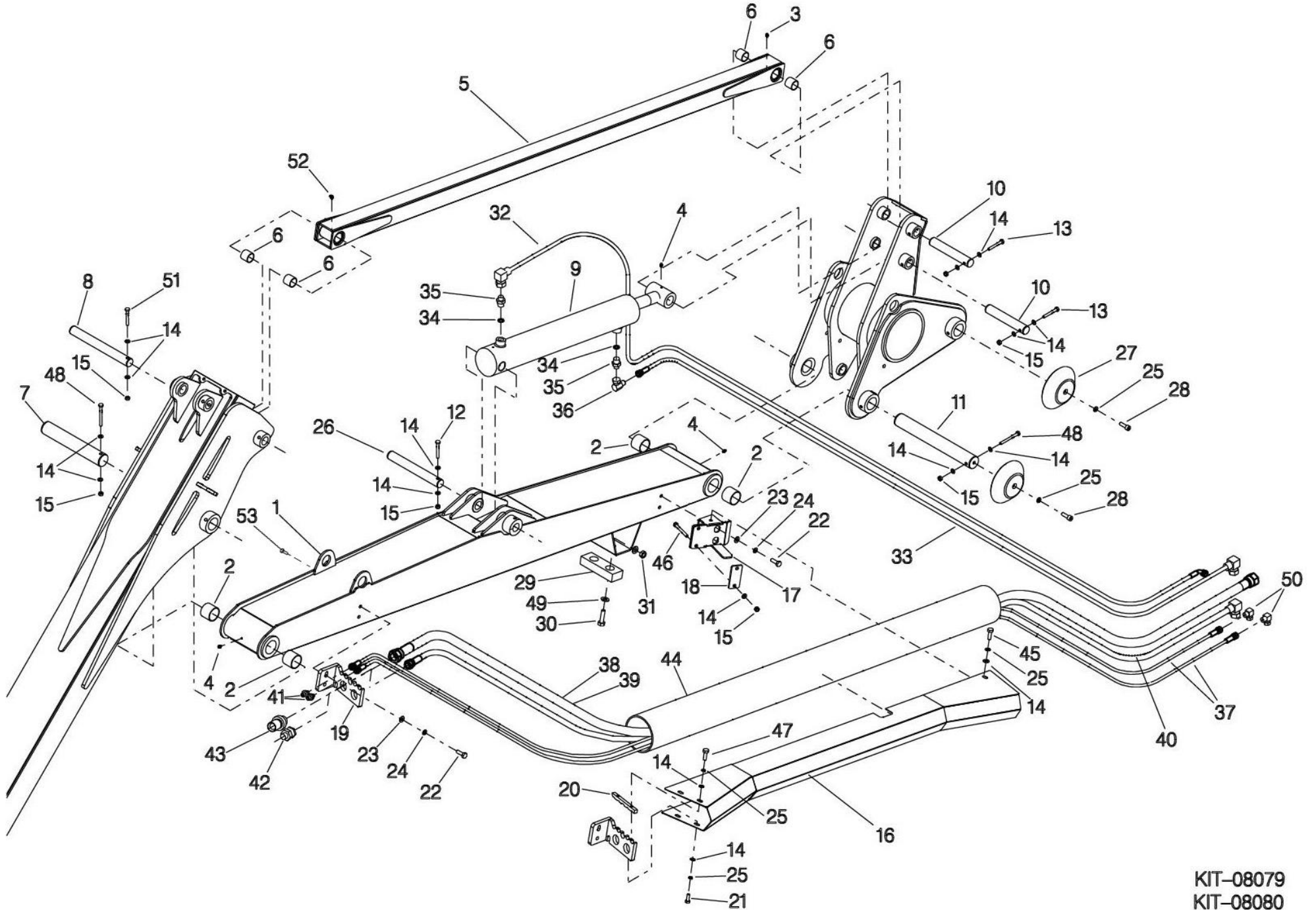
ASSY NUMBER: KIT-08077				ASSY DESCRIPTION: ELECTRONIC PROPORTIONAL CONTROLS			
ITEM	PART NO	DESCRIPTION	QTY	ITEM	PART NO	DESCRIPTION	QTY
50	HVB-19120	ROTOR CONTROL VALVE (PBXXX150434 & ON)	1				
OR	HVB-19090	ROTOR CONTROL VALVE (UPTO PBXXX150434)	1				
51	SCCA08683	CAP HEAD SCREW	4				
52	WSH-1025	BONDED SEAL	6				
53	FIT-0546	ADAPTER	4				
54	HAJAA1313	ADAPTER	2				
55	HHBI05805	HOSE 2019 & ON	1				
OR	HHBI06005	HOSE UPTO 2019					
56	HHBI06505	HOSE	1				
57	WSH-1010	BONDED SEAL	10				
58	HHCC12805	HOSE	1				
59	HHCC10005	HOSE	2				
60	HMA-0052	ADAPTER	3				
61	WSH-1005	BONDED SEAL	3				
62	HAKAA0505	ADAPTER	2				
63	HVB-02620	TAP	2				
64	HHDE14805	HOSE	1				
65	-	NOW SEE DRIVE KIT	-				
OR	PUM090661	TANDEM PUMP 106457 TO PBXXX180900 & 104456	1				
OR	PUM090660	TANDEM PUMP (105456 TO 105457) NOT INC 110456 ALSO 130458 136458	1				
OR	PUM090650	TANDEM PUMP (109455 TO 104456)	1				
66	HSS-0241	BOLT	2				
67	WSHA15141	SPRING WASHER	2				
68	HSSA14200	SET SCREW	2				
69	801121 01	ARMREST FIXING BRACKET	1				
70	SCW-4590	GRUBSCREW	1				
71	SCGA10178	GRUBSCREW	1				
72	HAGAA1313	BULKHEAD	1				
73	HHBE14805	HOSE	1				
74	SLV-00300	SPIRAL TUBING	4m				

Shelbourne Reynolds Engineering Limited



Shelbourne Reynolds Engineering Limited

ASSY NUMBER: KIT-08079				ASSY DESCRIPTION: 6.0m INNER BOOM			
ITEM	PART NO	DESCRIPTION	QTY	ITEM	PART NO	DESCRIPTION	QTY
1	800960 02	INNER BOOM 6.0M	1	31	NUT-0269	NYLOC NUT	2
2	BSHO04562	BUSH	4	32	HHME23205	HOSE (LH ARM)	1
3	NIP-00600	GREASE NIPPLE	1	OR	HHCE29205	HOSE (RH ARM)	1
4	NIP-00605	GREASE NIPPLE	3	33	HHDE23205	HOSE (LH ARM)	1
5	802628 01	TIE ARM	1	OR	HHAE29205	HOSE (RH ARM)	1
6	BSHO03056	BUSH	4	34	WSH-1015	BONDED SEAL	2
7	801406 01	PIN OUTER BOOM	1	35	HMA-0065	ADAPTER	2
8	800987 17	PIN (NO GREASER) (2012 ON)	1	36	HALAA0505	ADAPTER	1
OR	800987 02	PIN WITH GREASER (2009-12)		37	HHAC25105	HOSE (LH ARM)	2
9	801303 01	CYLINDER REACH, 50mm ROD (105458 & ON)	1	OR	HHAC31005	HOSE (RH ARM)	2
OR	800943 01	CYLINDER REACH, 45mm ROD (UP TO 105458)	1	OR	HHAI22905	HOSE 2019 & ON	1
9A	RMSK00340	SEAL KIT		OR	HHAI23105	HOSE UPTO 2019	
OR	RMSK00260	SEAL KIT		39	HHAI23205	HOSE 2019 & ON	1
10	800987 18	PIN (NO GREASER) (2012 ON)	2	OR	HHAI23505	HOSE UPTO 2019	
OR	800987 03	PIN WITH GREASER (2009-12)		40	HHBF33005	HOSE	1
11	800102 12	PIN OUTER BOOM	1	41	HBK-0010	BULKHEAD	2
12	BLTA08500	BOLT	1	42	HAGAA0707	BULKHEAD	1
13	BLTA08380	BOLT	2	43	HAGAA1313	BULKHEAD	2
14	WSH-0012	PLAIN WASHER	24	44	HHS-05010	HOSE SLEEVING	1.5m
15	NUT-0263	NYLOC NUT	8	45	HSS-0140	BOLT	2
16	800991 02	INNER BOOM HOSE COVER	1	46	BLTA08620	BOLT	2
17	801043 01	SUPPORT BRACKET LH (LH ARM)	1	47	HSS-0150	BOLT	2
OR	801043 02	SUPPORT BRACKET RH (RH ARM)	1	48	BLTA08530	BOLT	2
18	801047 01	CLAMP PLATE	1	49	WSH-0018	BOLTWASHER	4
19	804705 01	HOSE JOIN.BRKT.LH (LH ARM)	1	50	HALAA0303	M/F ADAPTER	2
OR	800997 02	HOSE JOIN.BRKT.RH (RH ARM)	1	51	BLTA08410	BOLT	1
20	800998 01	CLAMP PLATE (PRE 2017)		52	NIP-00610	GREASE NIPPLE	1
21	HSS-0135	BOLT	2	53	SCBA10114	BUTTON HEAD SCREW	4
22	HSS-0198	BOLT	4			NOTE -	
23	WSH-0015	PLAIN WASHER	4			AS HANDED HOSE BRACKETS USE	
24	WSH-0061	SPRING WASHER	4			KIT-08079L FOR LH SIDE UP TO 2019	
25	WSH-0058	SPRING WASHER	8			KIT-08079R FOR RH SIDE UP TO 2019	
26	800101 01	PIN REACH RAM ROD	1			KIT-08079LH FOR LH SIDE 2019 & ON	
27	800912 01	DISC	2			KIT-08079RH FOR RH SIDE 2019 & ON	
28	SCBA08112	BUTTON HEAD SCREW	2				
29	801367 02	RUBBER BUFFER	1				
30	BLTA12290	BOLT	2				

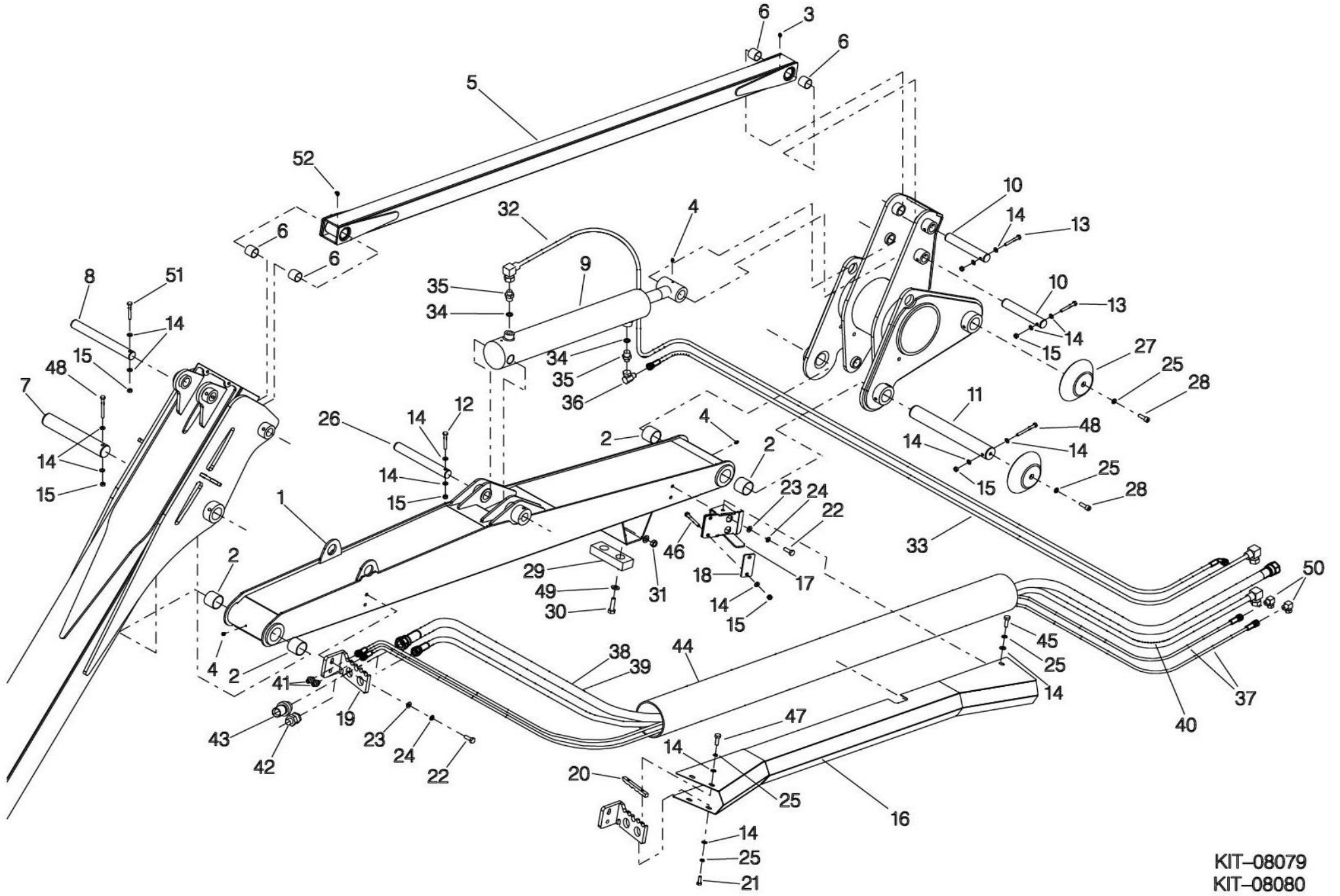


KIT-08079
KIT-08080
KIT-08142

Shelbourne Reynolds Engineering Limited

ASSY NUMBER: KIT-08080				ASSY DESCRIPTION: 7.0m INNER BOOM			
ITEM	PART NO	DESCRIPTION	QTY	ITEM	PART NO	DESCRIPTION	QTY
1	800960 01	INNER BOOM 7.0m	1	31	NUT-0269	NYLOC NUT	2
2	BSHO04562	BUSH	4	32	HHME23205	HOSE (LH ARM)	1
3	NIP-00600	GREASE NIPPLE	1	OR	HHCE29205	HOSE (RH ARM)	1
4	NIP-00605	GREASE NIPPLE	3	33	HHDE23205	HOSE (LH ARM)	1
5	802629 01	TIE ARM	1	OR	HHAE29205	HOSE (RH ARM)	1
6	BSHO03056	BUSH	4	34	WSH-1015	BONDED SEAL	1
7	801406 01	PIN OUTER BOOM	1	35	HMA-0065	ADAPTER	2
8	800987 17	PIN (NO GREASER) (2012 ON)	1	36	HALAA0505	ADAPTER	1
OR	800987 02	PIN WITH GREASER (2009-12)		37	HHAC28705	HOSE (LH ARM)	1
9	801303 01	CYLINDER REACH, 50mm ROD (105458 & ON)	1	OR	HHAC35005	HOSE (RH ARM)	2
OR	800943 01	CYLINDER REACH, 45mm ROD (UP TO 105458)	1	38	HHAI26605	HOSE 2019 & ON	1
9A	RMSK00340	SEAL KIT		OR	HHAI26805	HOSE UPTO 2019	
OR	RMSK00260	SEAL KIT		39	HHAI27005	HOSE 2019 & ON	1
10	800987 18	PIN (NO GREASER) (2012 ON)	2	OR	HHAI27205	HOSE UPTO 2019	
OR	800987 03	PIN WITH GREASER (2009-12)		40	HHBF36705	HOSE	1
11	800102 12	PIN OUTER BOOM	1	41	HBK-0010	BULKHEAD	2
12	BLTA08500	BOLT	1	42	HAGAA0707	BULKHEAD	1
13	BLTA08380	BOLT	2	43	HAGAA1313	BULKHEAD	2
14	WSH-0012	PLAIN WASHER	24	44	HHS-05010	HOSE SLEEVING	1.5m
15	NUT-0263	NYLOC NUT	8	45	HSS-0140	BOLT	2
16	800991 01	INNER BOOM HOSE COVER	1	46	BLTA08620	BOLT	2
17	801043 01	SUPPORT BRACKET LH (LH ARM)	1	47	HSS-0150	BOLT	2
OR	801043 02	SUPPORT BRACKET RH (RH ARM)	1	48	BLTA08530	BOLT	2
18	801047 01	CLAMP PLATE	1	49	WSH-0018	BOLTWASHER	4
19	804705 01	HOSE JOIN.BRKT.LH (LH ARM)	1	50	HALAA0303	M/F ADAPTER	2
OR	800997 02	HOSE JOIN.BRKT.RH (RH ARM)	1	51	BLTA08410	BOLT	1
20	800998 01	CLAMP PLATE (PRE 2017)		52	NIP-00610	GREASE NIPPLE	1
21	HSS-0135	BOLT	2			NOTE -	
22	HSS-0198	BOLT	4			AS HANDED HOSE BRACKETS USE	
23	WSH-0015	PLAIN WASHER	4			KIT-08080L FOR LH SIDE UP TO 2019	
24	WSH-0061	SPRING WASHER	4			KIT-08080R FOR RH SIDE UP TO 2019	
25	WSH-0058	SPRING WASHER	8			KIT-08080LH FOR LH SIDE 2019 & ON	
26	800101 01	PIN REACH RAM ROD	1			KIT-08080RH FOR RH SIDE 2019 & ON	
27	800912 01	DISK	2				
28	SCBA08112	BUTTON HEAD SCREW	2				
29	801367 02	RUBBER BUFFER	1				
30	BLTA12290	BOLT	2				

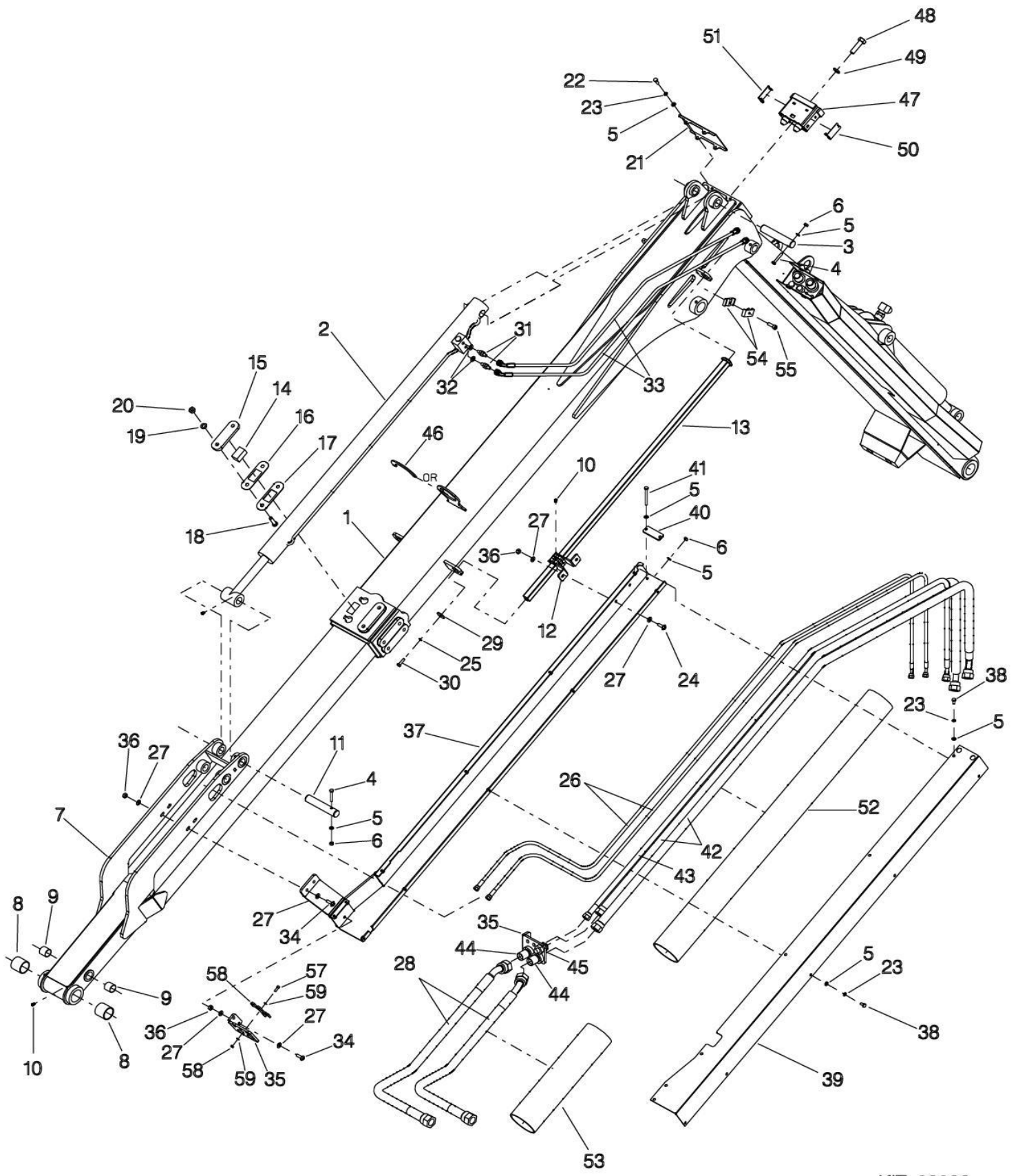
Shelbourne Reynolds Engineering Limited



KIT-08079
KIT-08080
KIT-08142

Shelbourne Reynolds Engineering Limited

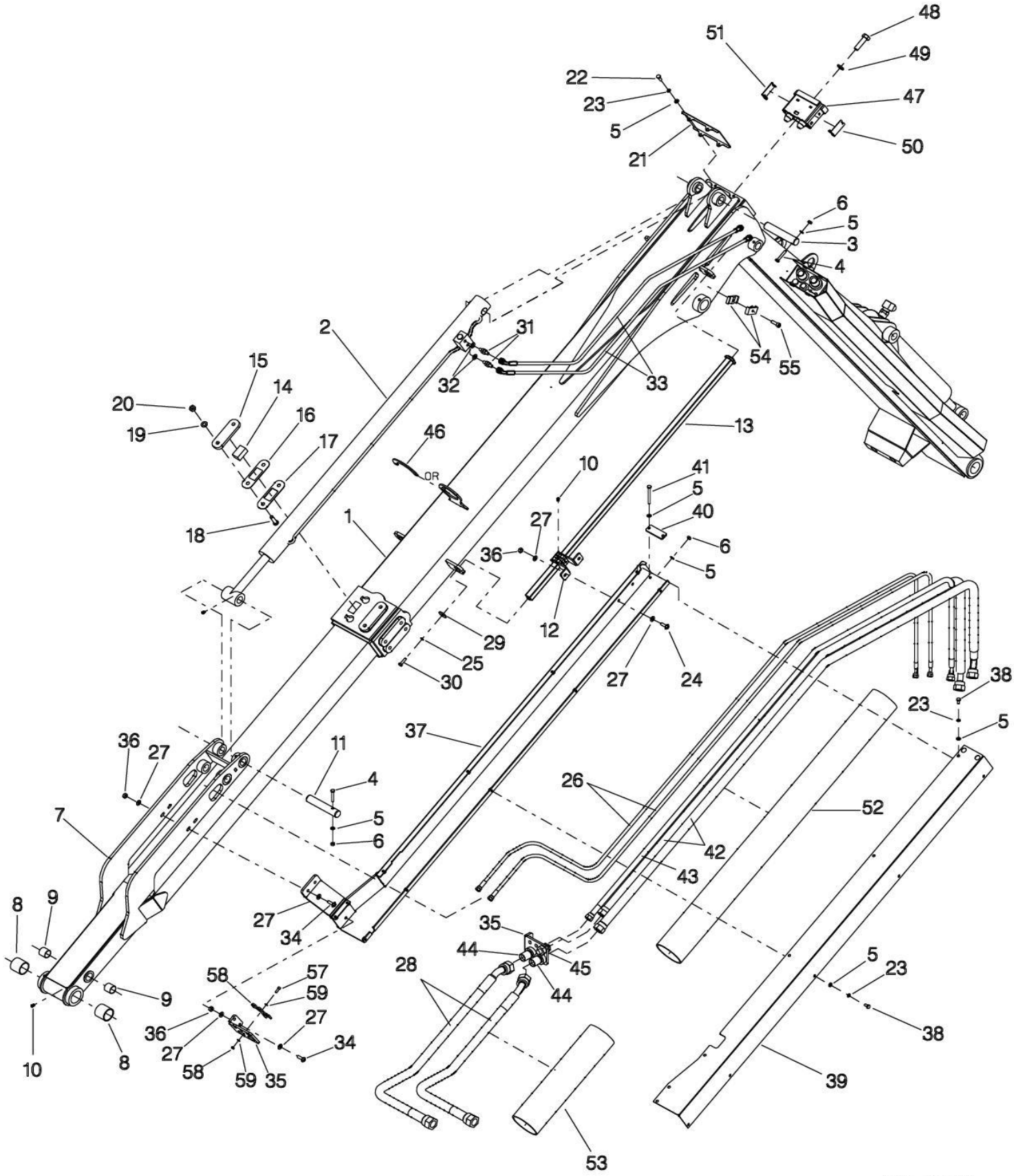
ASSY NUMBER: KIT-08082				ASSY DESCRIPTION: 6.0m TELE OUTER BOOM			
ITEM	PART NO	DESCRIPTION	QTY	ITEM	PART NO	DESCRIPTION	QTY
1	800975 02	TELE BOOM MC. SIDE 6.0m	1	35	800959 01	HOSE BRACKET LH (LH ARM)	1
2	801235 01	TELE CYLINDER 35mm ROD	1	OR	800959 02	HOSE BRACKET RH (RH ARM)	1
		(127458 & ON)		36	NUT-0265	NYLOC NUT	6
OR	800942 01	TELE CYLINDER 32mm ROD	1	37	800990 01	HOSE COVER INNER LH (LH ARM)	1
		(UPTO 127458)		OR	800990 07	HOSE COVER INNER RH (RH ARM)	1
2A	RMSK00390	SEAL KIT 35mm ROD		38	HSS-0135	SETSCREW	11
OR	RMSK00250	SEAL KIT 32mm ROD		39	800958 01	HOSE COVER OUTER LH (LH ARM)	1
3	800987 08	PIN TELE CYL	1	OR	800958 03	HOSE COVER OUTER RH (RH ARM)	1
4	BLTA08410	BOLT	2	40	801002 01	CLAMP PLATE	1
5	WSH-0012	PLAIN WASHER	21	41	BLTA08530	BOLT	2
6	NUT-0263	NYLOC NUT	4	42	HHDI30005	HOSE	2
7	800946 02	TELE BOOM (HEAD SIDE) 6.0m	1	43	HHDF31005	HOSE	1
8	BSHA05062	BUSH	2	44	HAGAA1313	BULKHEAD	2
9	BSH-3030	BUSH	2	45	HAGAA0707	BULKHEAD	1
10	NIP-00600	GREASE NIPPLE	2	46	801055 01	CYL CLAMP (UPTO 104456)	1
11	800101 25	PIN TELE RAM	1	47	801090 01	WEAR PAD RETAINER	1
12	800992 01	SLIDING BOSS	1	48	BLT-2312	BOLT	1
13	800994 01	SLIDE SHAFT	1	49	WSH-0070	SPRING WASHER	1
14	800267 01	WEAR PAD	14	50	801093 01	SHIM 1MM	AR
15	800988 01	BACKING PLATE	8	51	801093 02	SHIM 2MM	AR
16	800988 02	SHIM 1mm	8	52	HHS-05010	HOSE SLEEVING - BOOMS	1.7m
17	800988 03	SHIM 2mm	8	53	HHS-05010	HOSE SLEEVING - HEAD	1.0m
18	BLT-3807	COACH BOLT	16	54	HCPD01400	HYD. PIPE CLAMP	1
19	WSH-0018	PLAIN WASHER	16	55	SCW-0136	CAP HEAD SCREW	1
20	NUT-0269	NYLOC NUT	16	56	801238 01	BULKHEAD RETAINER	1
21	800989 01	COVER PLATE	1	57	SCW-0086	CAP HEAD SCREW	1
22	HSS-0145	SETSCREW	4	58	NUT-0260	NYLOC NUT	1
23	WSH-0058	SPRING WASHER	16	59	WSH-0009	WASHER	2
24	SCW-0514	BUTT HD SCREW	2				
25	WSH-0061	SPRING WASHER (M10)	1				
26	HHMC32005	HOSE	2				
27	WSH-0015	PLAIN WASHER	12				
28	HHBI09405	HOSE	2				
29	190119 09	WASHER	1				
30	HSS-0194	SETSCREW	1				
31	HMA-0052	ADAPTER	2				
32	WSH-1005	BONDED SEAL	2				
33	HHHC36005	HOSE (LH ARM)	2				
OR	HHDC42005	HOSE (RH ARM)	2				
34	HSS-0202	SETSCREW	4				



KIT-08082
KIT-08083

Shelbourne Reynolds Engineering Limited

ASSY NUMBER: KIT-08083				ASSY DESCRIPTION: 7.0m TELE OUTER BOOM			
ITEM	PART NO	DESCRIPTION	QTY	ITEM	PART NO	DESCRIPTION	QTY
1	800975 03	TELE BOOM MC. SIDE 6.0m	1	35	800959 01	HOSE BRACKET LH (LH ARM)	1
2	801235 02	TELE CYLINDER 35mm ROD	1	OR	800959 02	HOSE BRACKET RH (RH ARM)	1
OR	800942 02	TELE CYLINDER 32mm ROD (127458 & ON)	1	36	NUT-0265	NYLOC NUT	6
2A	RMSK00380	SEAL KIT 35mm ROD		37	800990 02	HOSE COVER INNER LH (LH ARM)	1
OR	RMSK00250	SEAL KIT 32mm ROD		OR	800990 08	HOSE COVER INNER RH (RH ARM)	1
3	800987 08	PIN TELE CYLINDER	1	38	HSS-0135	SETSCREW	11
4	BLTA08410	BOLT	2	39	800958 02	HOSE COVER OUTER LH (LH ARM)	1
5	WSH-0012	PLAIN WASHER	21	OR	800958 04	HOSE COVER OUTER RH (RH ARM)	1
6	NUT-0263	NYLOC NUT	4	40	801002 01	CLAMP PLATE	1
7	800946 01	TELE BOOM (HEAD SIDE) 6.0m	1	41	BLTA08530	BOLT	2
8	BSHA05062	BUSH	2	42	HHDI36305	HOSE	2
9	BSH-3030	BUSH	2	43	HHDF37305	HOSE	1
10	NIP-00600	GREASE NIPPLE	2	44	HAGAA1313	BULKHEAD	2
11	800101 25	PIN TELE RAM	1	45	HAGAA0707	BULKHEAD	1
12	800992 01	SLIDING BOSS	1	46	801055 01	CYL CLAMP (UPTO 104456)	1
13	800994 02	SLIDE SHAFT	1	47	801090 01	WEAR PAD RETAINER	1
14	800267 01	WEAR PAD	14	48	BLT-2312	BOLT	1
15	800988 01	BACKING PLATE	8	49	WSH-0070	SPRING WASHER	1
16	800988 02	SHIM 1mm	8	50	801093 01	SHIM 1MM	AR
17	800988 03	SHIM 2mm	8	51	801093 02	SHIM 2MM	AR
18	BLT-3807	COACH BOLT	16	52	HHS-05010	HOSE SLEEVING - BOOMS	2.0m
19	WSH-0018	PLAIN WASHER	16	53	HHS-05010	HOSE SLEEVING - HEAD	1.0m
20	NUT-0269	NYLOC NUT	16	54	HCPD01400	HYD. PIPE CLAMP	1
21	800989 01	COVER PLATE	1	55	SCW-0136	CAP HEAD SCREW	1
22	HSS-0145	SETSCREW	4	56	801238 01	BULKHEAD RETAINER	1
23	WSH-0058	SPRING WASHER	16	57	SCW-0086	CAP HEAD SCREW	1
24	SCW-0514	BUTT HD SCREW	2	58	NUT-0260	NYLOC NUT	1
25	WSH-0061	SPRING WASHER (M10)	1	59	WSH-0009	WASHER	2
26	HHMC38405	HOSE	2				
27	WSH-0015	PLAIN WASHER	12				
28	HHBI09405	HOSE	2				
29	190119 09	WASHER	1				
30	HSS-0194	SETSCREW	1				
31	HMA-0052	ADAPTER	2				
32	WSH-1005	BONDED SEAL	2				
33	HHHC39705	HOSE (LH ARM)	2				
OR	HHDC45705	HOSE (RH ARM)	2				
34	HSS-0202	SETSCREW	4				

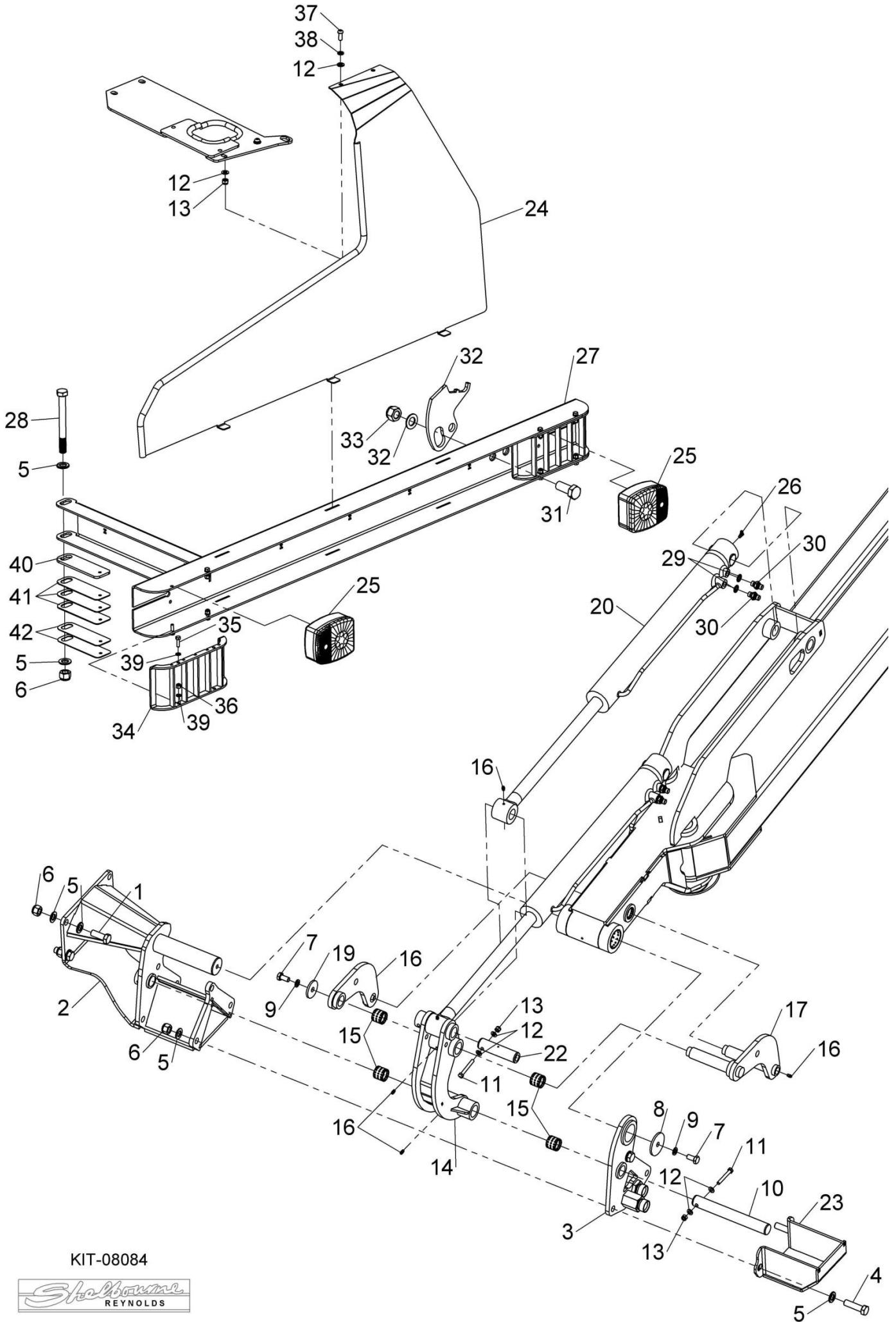


KIT-08082
KIT-08083

Shelbourne Reynolds Engineering Limited

ASSY NUMBER: KIT-08084				ASSY DESCRIPTION: LEFT HAND PARTS			
ITEM	PART NO	DESCRIPTION	QTY	ITEM	PART NO	DESCRIPTION	QTY
1	HSS-0317	SETSCREW	4	25E	PLG-0005	7 PIN PLUG (SPARES)	
2	801050 01	PIVOT SHOE LH	1	26	NIP-00605	GREASE NIPPLE	1
3	800086 02	RADIUS PLATE	1	27	802722 01	LIGHT BOARD	1
4	HSS-0319	SETSCREW	3	28	BLTA16710	BOLT	1
5	WSH-0024	PLAIN WASHER	16	29	WSH-1005	DOWTY WASHER	2
6	NUT-0271	NYLOC NUT	8	30	HMA-0052	ADAPTOR	2
7	HSS-0235	SETSCREW	3	31	HSS-0355	SETSCREW	1
8	190119 56	WASHER	1	32	WSH-0030	PLAIN WASHER	1
9	WSH-0065	SPRING WASHER	3	33	NUTA02200	NYLOC NUT	1
10	800101 01	PIN HEAD ANGLING	1	34	800327 01	LIGHT GUARD	2
11	BLTA08350	BOLT	2	35	HSS-0086	SETSCREW	8
12	WSH-0012	PLAIN WASHER	8	36	NUT-0260	NYLOC NUT	8
13	NUT-0263	NYLOC NUT	4	37	SCW-0525	SETSCREW BUTTON HEAD	2
14	800090 01	2 ND CURVED LINK	1	38	WSH-0058	SPRING WASHER	2
15	BSHO03056	BUSH	4	39	WSH-0009	PLAIN WASHER	16
16	NIP-00600	GREASE NIPPLE	4	40	805610 01	SPACER	1
17	800097 01	1 ST CURVED LINK ASSY	1	41	805775 01	SPACER	3
18	800098 01	1 ST CURVED PLATE ASSY	1	42	805776 01	SPACER	2
19	190119 15	WASHER	2				
20	801236 01	CYLINDER HEAD ANG.35mm ROD (110457, 112457 & ON)	1				
OR	800083 01	CYLINDER HEAD ANG.32mm ROD (UP TO 109457 & 111457)	1				
20A	RMSK00320	SEAL KIT,35mm ROD (SPARES)					
OR	RMSK00290	SEAL KIT,32mm ROD (SPARES)					
20B	BSH-3030	BUSH (SPARES ONLY, BOTH)					
21							
22	800101 03	PIN ANGLING RAM ROD	1				
23	800491 01	REAR PROTECTOR	1				
24	801021 01	COVER LH	1				
25	800387 14	LIGHTS ASSY (S/N PB***150490 ON)	1				
OR	800387 11	LIGHTS ASSY (12 TO S/N PB**150490)					
OR	800387 01	LIGHTING HARNESS LH (UPTO 2012)					
25A	LMP-10411	LAMP CLUSTER (SPARE S/N PB**150490&ON)					
OR	LMP-10409	LAMP CLUSTER (SPARE 12 TO PB**150490)					
OR	LMP-10401	LAMP CLUSTER (SPARES UPTO 2012)					
25B	LMP-10002	LENS (SPARES UPTO 2012)					
25C	BLB-0015	BULB-INDICATOR (SPARES UPTO 2012)					
25D	BLB-0020	BULB-STOP/TAIL (SPARES UPTO 2012)					

Shelbourne Reynolds Engineering Limited



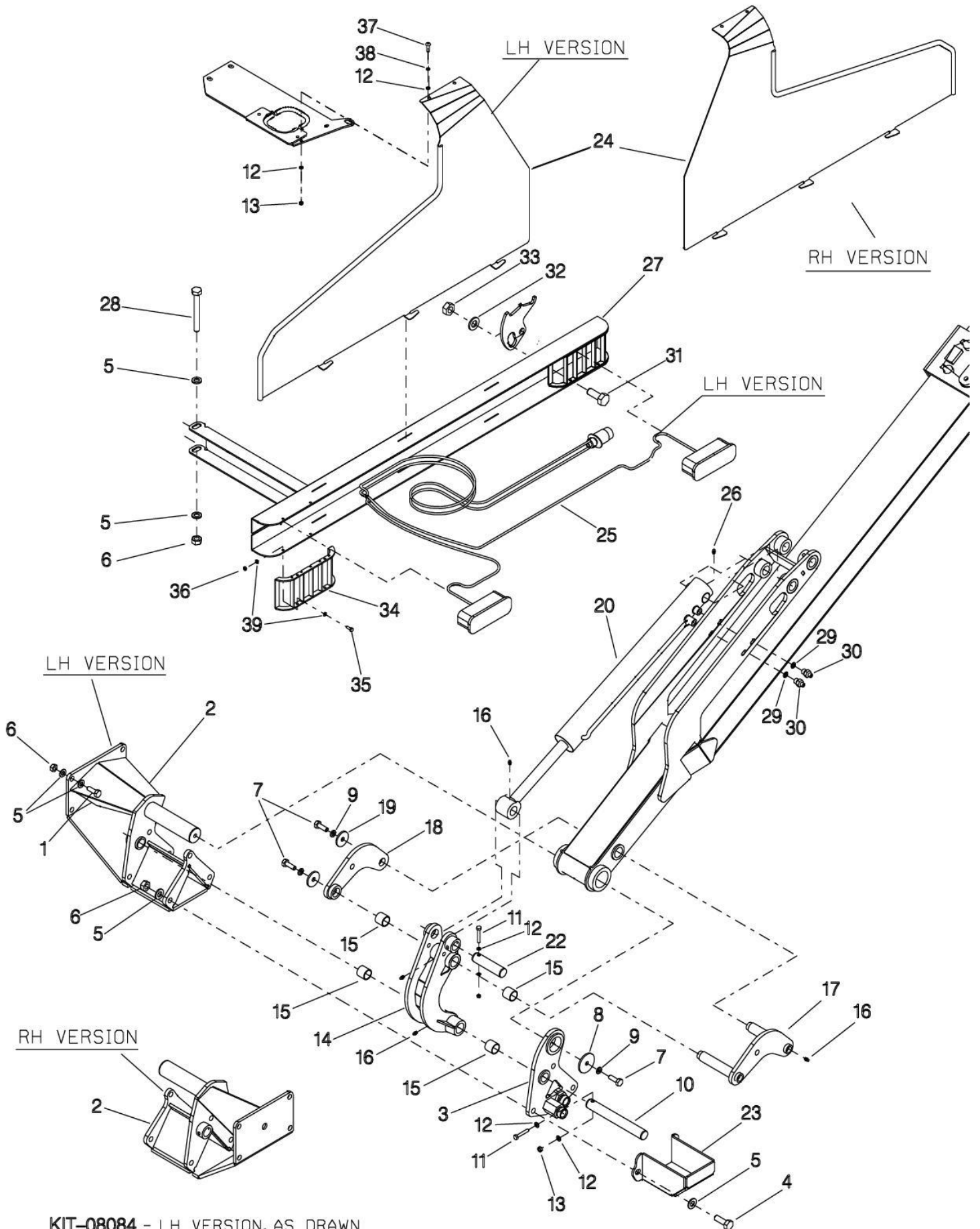
KIT-08084



Shelbourne Reynolds Engineering Limited

ASSY NUMBER: KIT-08085				ASSY DESCRIPTION: RIGHT HAND PARTS			
ITEM	PART NO	DESCRIPTION	QTY	ITEM	PART NO	DESCRIPTION	QTY
1	HSS-0317	SETSCREW	4	26	NIP-00605	GREASE NIPPLE	1
2	801050 02	PIVOT SHOE RH	1	27	802722 01	LIGHT BOARD	1
3	800086 02	RADIUS PLATE	1	28	BLTA16710	BOLT	1
4	HSS-0319	SETSCREW	3	29	WSH-1005	DOWTY WASHER	2
5	WSH-0024	PLAIN WASHER	16	30	HMA-0052	ADAPTOR	2
6	NUT-0271	NYLOC NUT	8	31	HSS-0355	SETSCREW	1
7	HSS-0235	SETSCREW	3	32	WSH-0030	PLAIN WASHER	1
8	190119 56	WASHER	1	33	NUTA02200	NYLOC NUT	1
9	WSH-0065	SPRING WASHER	3	34	800327 01	LIGHT GUARD	2
10	800101 01	PIN HEAD ANGLING	1	35	HSS-0086	SETSCREW	8
11	BLTA08350	BOLT	2	36	NUT-0260	NYLOC NUT	8
12	WSH-0012	PLAIN WASHER	8	37	SCW-0525	SETSCREW BUTTON HEAD	2
13	NUT-0263	NYLOC NUT	4	38	WSH-0058	SPRING WASHER	2
14	800090 01	2 ND CURVED LINK	1	39	WSH-0009	PLAIN WASHER	16
15	BSHO03056	BUSH	4				
16	NIP-00600	GREASE NIPPLE	4				
17	800097 01	1 ST CURVED LINK ASSY	1				
18	800098 01	1 ST CURVED PLATE ASSY	1				
19	190119 15	WASHER	2				
20	801236 01	CYLINDER HEAD ANG.35mm ROD (110457, 112457 & ON)	1				
OR	800083 01	CYLINDER HEAD ANG.32mm ROD (UP TO 109457 & 111457)	1				
20A	RMSK00320	SEAL KIT,35mm ROD (SPARES)					
OR	RMSK00290	SEAL KIT,32mm ROD (SPARES)					
20B	BSH-3030	BUSH (SPARES ONLY, BOTH)					
21							
22	800101 03	PIN ANGLING RAM ROD	1				
23	800491 01	REAR PROTECTOR	1				
24	801021 02	COVER LH	1				
25	800387 15	LIGHTS ASSY(S/N PB***150490 ON)					
OR	800387 12	LIGHTS ASSY(12 TO S/N PB***150490)	1				
OR	800387 02	LIGHTS ASSY(UP TO 2012)					
25A	LMP-10411	LAMP CLUSTER(SPARE S/N PB***150490 ON)					
OR	LMP-10409	LAMP CLUSTER(SPARE 12 TO S/N PB***150490)					
OR	LMP-10401	LAMP CLUSTER(SPARES UPTO 2012)					
25B	LMP-10002	LENS (SPARES UPTO 2012)					
25C	BLB-0015	BULB-INDICATOR(SPARES UPTO 2012)					
25D	BLB-0020	BULB-STOP/TAIL(SPARES UPTO 2012)					
25E	PLG-0005	7 PIN PLUG (SPARES)					

Shelbourne Reynolds Engineering Limited

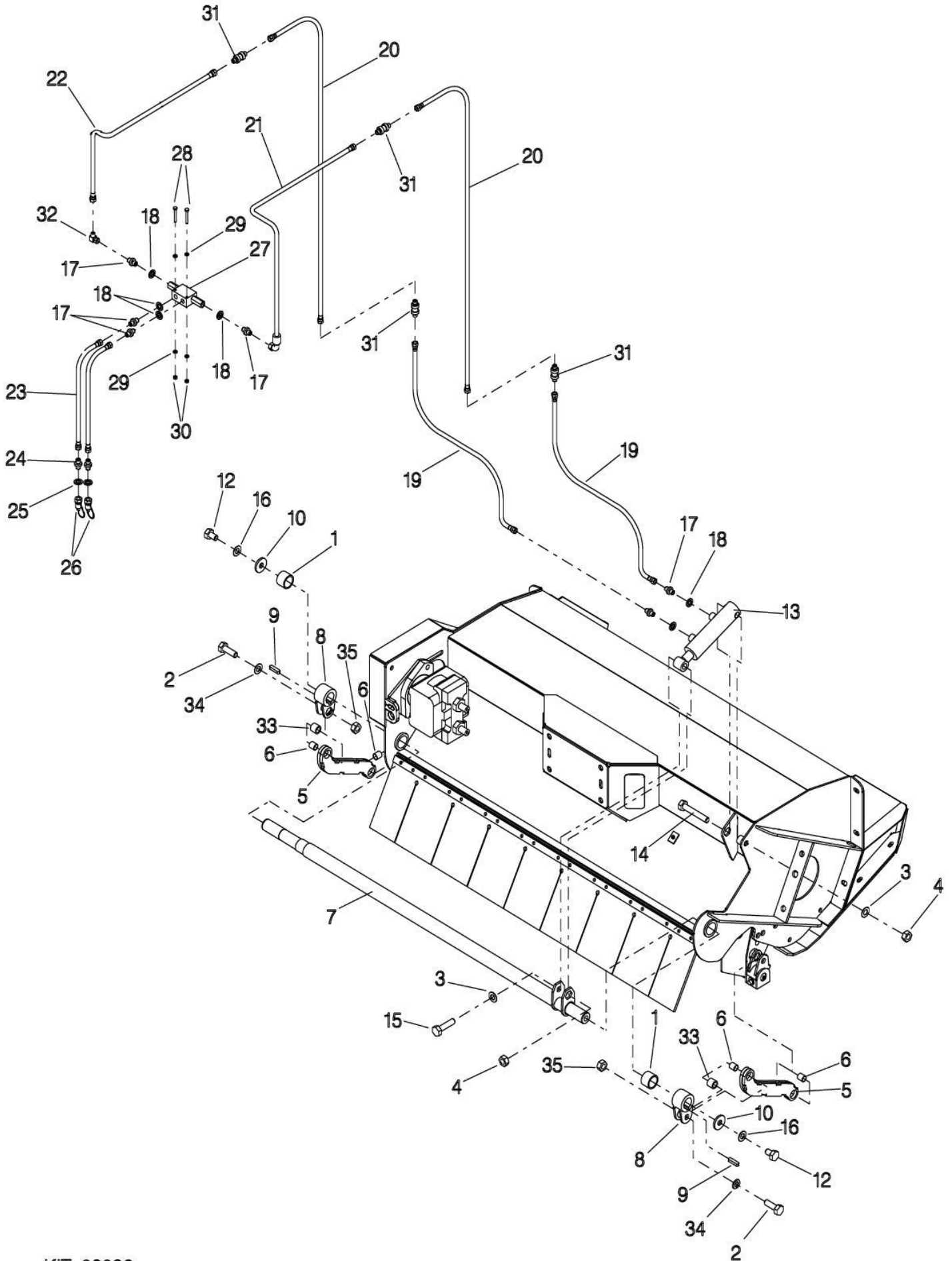


KIT-08084 - LH VERSION, AS DRAWN

KIT-08085 - RH VERSION

Shelbourne Reynolds Engineering Limited

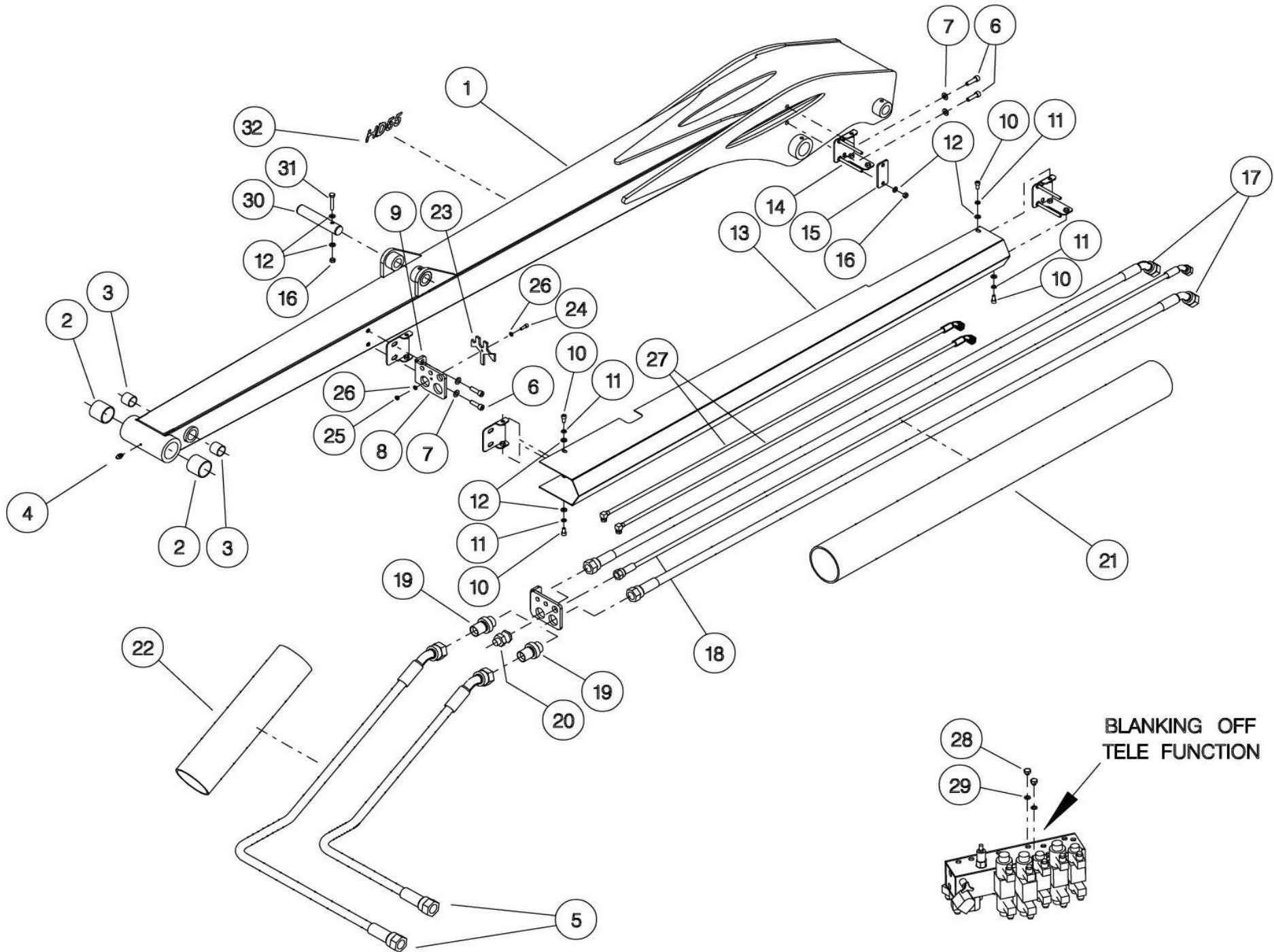
ASSY NUMBER: KIT-08086				ASSY DESCRIPTION: ADJUSTABLE ROLLER			
ITEM	PART NO	DESCRIPTION	QTY	ITEM	PART NO	DESCRIPTION	QTY
1	BSHA03556	BUSH	2	26	COU-0162	QUICK REL COUP.	2
2	HSS-0316	BOLT	2	27	HVB-27000	VALVE DOUBLE PO CHECK	1
3	SPGI10116	DISC SPRING	2	28	SCW-0098	SETSCREW	2
4	NUT-0271	NYLOCNUT	4	29	WSH-0009	PLAIN WASHER	4
5	800872 04	CRANKED ARM(152459&ON)	2	30	NUT-0260	NYLOC NUT	2
OR	800872 01	CRANKED ARM(UPTO 152459)		31	HBK-0010	BULKHEAD	4
6	21172420	BUSH (152459&ON)	4	32	HALAA0303	ELBOW FITTING	1
OR	BSH-3035	BUSH (UPTO 152459)		33	801436 02	SPACER	2
7	800865 01	SHAFT (1.2m)	1	34	WSHA30161	WASHER	2
OR	800865 09	RH HEAD SHAFT (1.2m)		35	NUT-0180	PLAIN NUT	2
OR	800865 02	SHAFT (1.5m)					
OR	800865 10	RH HEAD SHAFT (1.5m)					
8	800869 01	ARM	2				
9	K1008040	KEY	2				
10	190119 07	WASHER	2				
11	WSH-0070	SPRING WASHER	2				
12	HSS-0312	SETSCREW	2				
13	800875 01	CYLINDER	1				
13A	RMSK00360	SEAL KIT(SPARES) CHANGED 2008 RAM S/N 129676 & ON					
OR	RMSK00230	SEAL KIT(SPARES) CHANGED 2008 UPTO RAM S/N 129676					
14	BLT-2320	BOLT	1				
15	800458 02	BOLT SPECIAL	1				
16	WSH-0024	PLAIN WASHER	2				
17	HMA-0052	ADAPTOR	6				
18	WSH-1005	BONDED SEAL	6				
19	HHAC20005	HOSE 1.2m HEAD	2				
OR	HHAC21505	HOSE 1.5m HEAD	2				
20	HHDC31505	HOSE 6.0mT OUTER	2				
OR	HHDC37805	HOSE 7.0mT OUTER	2				
21	HHCC29005	HOSE 6.0mT INNER	1				
OR	HHCC32705	HOSE 7.0mT INNER	1				
22	HHAC27505	HOSE 6.0mT INNER	1				
OR	HHAC31205	HOSE 7.0mT INNER	1				
23	HHAC10005	HOSE	2				
24	HMA-0055	ADAPTOR	2				
25	WSH-1015	BONDED SEAL	2				



KIT-08086

Shelbourne Reynolds Engineering Limited

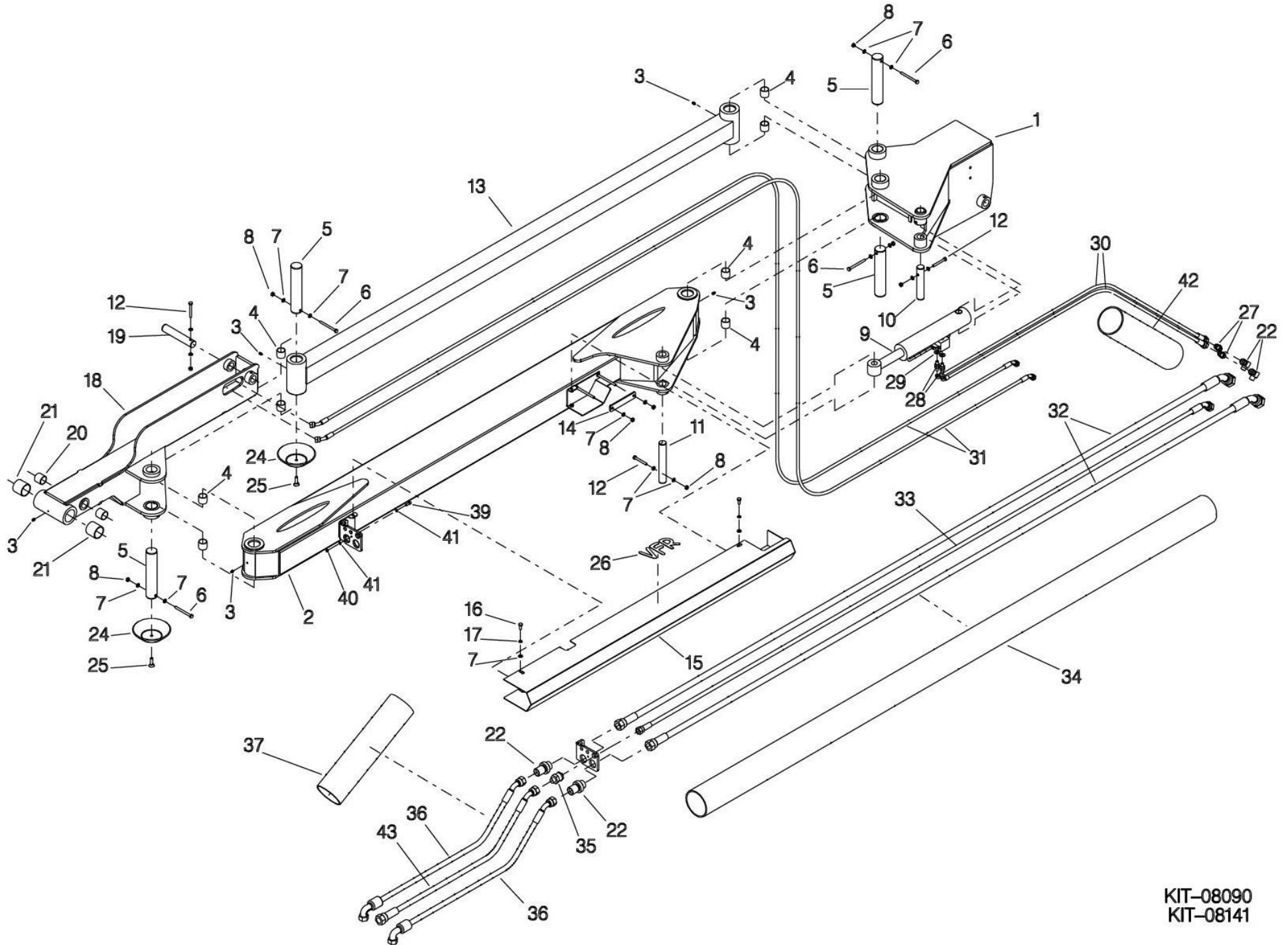
ASSY NUMBER: KIT-08088				ASSY DESCRIPTION: 5.5m FIXED OUTER BOOM			
ITEM	PART NO	DESCRIPTION	QTY	ITEM	PART NO	DESCRIPTION	QTY
1	801129 01	FIXED BOOM	1	32	802567 05	TRANSFER (HD755) MID 2012 & ON	2
2	BSH005062	BUSH	2	OR	801403 03	TRANSFER(HD55)MID 2009 & MID	
3	BSH003056	BUSH	2	OR	800885 07	TRANSFER (5.5)UPTO MID 2009	
4	NIP-00600	GREASE NIPPLE	1				
5	HHBI09105	HOSE 2019 & ON	2				
OR	HHBI09405	HOSE UPTO 2019					
6	SCW-0196	CAP HEAD SCREW	4				
7	WSH-0015	PLAIN WASHER	4				
8	804712 01	HOSE BRACKET LH(LH ARM) (2017 ON)	1				
OR	800959 01	HOSE BRACKET LH(LH ARM) (PRE 2017)	1				
OR	800959 02	HOSE BRACKET RH(RH ARM)	1				
9	801136 01	GUARD FRONT BRACKET	1				
10	SCW-0130	CAP HEAD SCREW	5				
11	WSH-0058	SPRING WASHER	5				
12	WSH-0012	PLAIN WASHER	9				
13	801140 01	FIXED BOOM HOSE GUARD LH	1				
OR	801140 02	FIXED BOOM HOSE GUARD RH	1				
14	801138 01	GUARD REAR BRACKET LH	1				
OR	801138 02	GUARD REAR BRACKET RH	1				
15	801047 01	CLAMP PLATE	1				
16	NUT-0263	NYLOC NUT	3				
17	HHDI29705	HOSE 2019 & ON	2				
OR	HHDI30005	HOSE UPTO 2019					
18	HHDF31005	HOSE	1				
19	HAGAA1313	BULKHEAD	2				
20	HAGAA0707	BULKHEAD	1				
21	HHS-05010	HOSE SLEEVING - BOOMS	2.0m				
22	HHS-05010	HOSE SLEEVING - HEAD	1.0m				
23	801238 01	BULKHEAD RETAINER (PRE 2017)	1				
24	SCW-0086	CAP HEAD SCREW	1				
25	NUT-0260	NYLOC NUT	1				
26	WSH-0009	WASHER	2				
27	HHMC30005	HOSE	2				
28	FIT-0251	BLANKING PLUG	2				
29	WSH-1010	DOWTY WASHER	2				
30	800101 25	PIN	1				
31	BLTA08350	BOLT	1				
		PARTS DRWN ON TRANSFER SUB					



Shelbourne Reynolds Engineering Limited

ASSY NUMBER: KIT-08090				ASSY DESCRIPTION: VFR OUTER BOOM			
ITEM	PART NO	DESCRIPTION	QTY	ITEM	PART NO	DESCRIPTION	QTY
1	801188 01	TOP 'VFR' OUTER BOOM	1	29	WSH-1005	DOWTY WASHER	4
2	801195 01	MIDDLE 'VFR' OUTER BOOM	1	30	HHCC42805	HOSE	2
3	NIP-00600	GREASE NIPPLE	3	31	HHMC38405	HOSE (2
4	BSHO04562	BUSH	8	32	HHDI29705	HOSE	2
5	800102 13	PIN	4	OR	HHDI30005	HOSE	
6	BLTA08530	BOLT	4	33	HHDF31005	HOSE	1
7	WSH-0012	WASHER	16	34	HHS-05010	HOSE SLEEVING - BOOMS	2.0m
8	NUT-0263	NUT	9	35	HAGAA0707	BULKHEAD	1
9	801210 01	'VFR' CYLINDER	1	36	HHKI09005	HOSE 2019 & ON	2
9a	RMSK00370	SEAL KIT		OR	HHKI09405	HOSE UPTO 2019	
10	800987 06	PIN	1	37	HHS-05010	HOSE SLEEVING - HEAD	1.0m
11	800987 07	PIN	1				
12	BLTA06410	BOLT	3	39	SCW-0086	CAP HEAD SCREW	1
13	801200 01	'VFR' TIE ARM	1	40	NUT-0260	NYLOC NUT	1
14	801196 01	CLAMP PLATE	1	41	WSH-0009	WASHER	2
15	801198 01	HOSE GUARD	1	42	HHS-05005	HOSE SLEAVING	1.0m
16	HSS-0140	SETSCREW	4	43	HHDF19105	HYD.HOSE	1
17	WSH-0058	SPRING WASHER	4	44	NIP-00605	GREASE NIPPLE	2
18	803194 01	BOTTOM 'VFR' OUTER BOOM PB762140349 & ON	1				
OR	801205 01	BOTTOM 'VFR' OUTER BOOM UPTO PB762140349	1				
19	800101 25	PIN PB762140349 + ON	1				
OR	800987 08	PIN UP TO PB762140349	1				
20	BSHO03056	BUSH	2				
21	BSHO05062	BUSH	2				
22	HAGAA1313	BULKHEAD	2				
23	HALAA0303	ELBOW	2				
24	800912 01	DISK	2				
25	SCEA08083	CSK.HEAD SCREW	2				
26	802567 08	TRANSFERMID 2012 & ON	2				
OR	801403 06	TRANSFERMID 2009 & MID 2012					
OR	800885 08	TRANSFERUPTO MID 2009					
27	190859 01	ADAPTOR	2				
28	HMA-0052	ADAPTER	2				

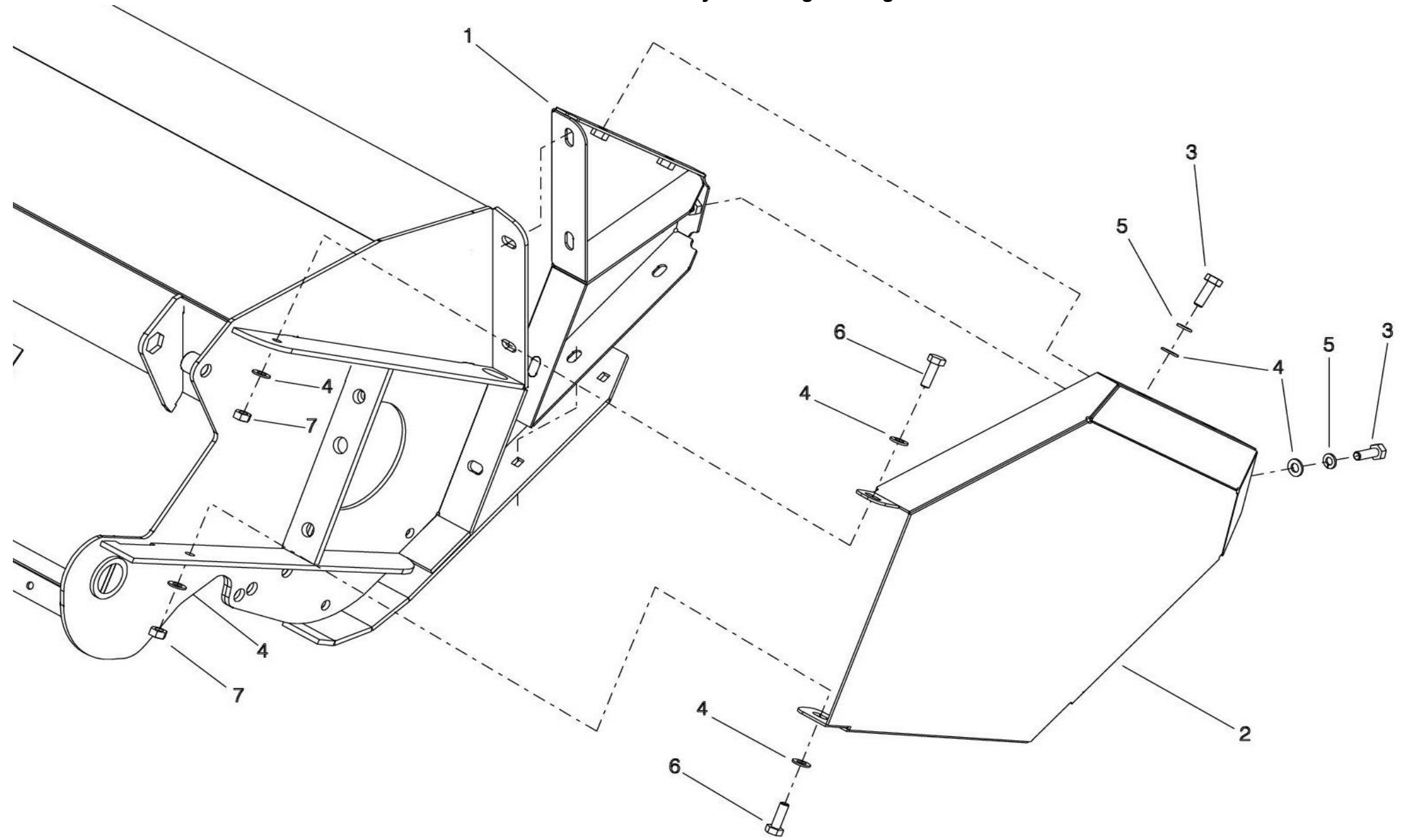
Shelbourne Reynolds Engineering Limited



KIT-08090
KIT-08141

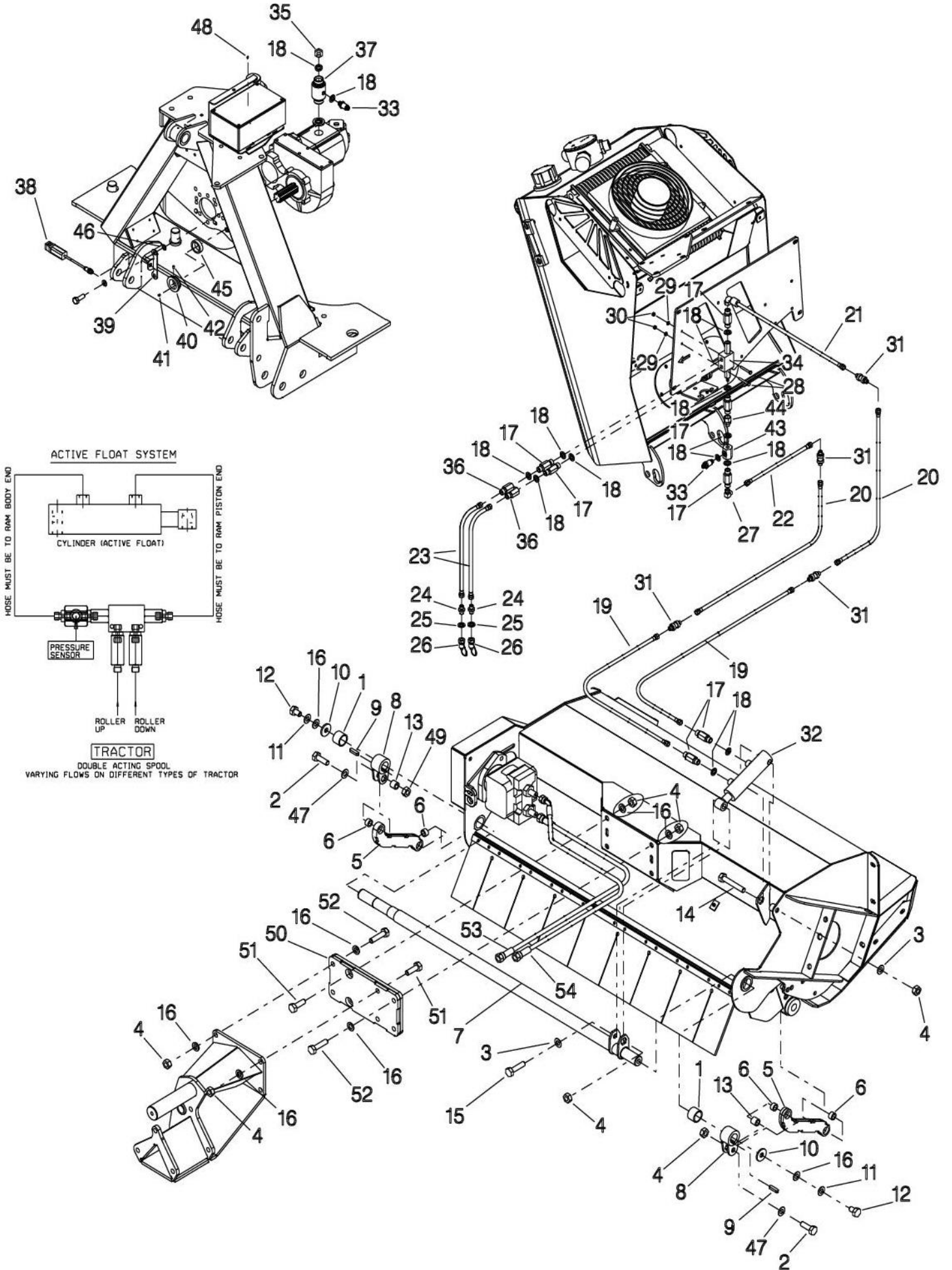
Shelbourne Reynolds Engineering Limited

ASSY NUMBER: KIT-08094				ASSY DESCRIPTION: HEAD SKID COVER KIT			
ITEM	PART NO	DESCRIPTION	QTY	ITEM	PART NO	DESCRIPTION	QTY
1	801212 01	LH HEAD SIDE PANEL	1				
OR	801212 06	RH HEAD SIDE PANEL	1				
2	801213 01	LH HEAD SKID COVER	1				
OR	801213 02	RH HEAD SKID COVER	1				
3	HSS-0188	SETSCREW	3				
4	WSH-0015	WASHER	7				
5	WSH-0061	WASHER SPRING	3				
6	HSS-0194	SETSCREW	2				
7	NUT-0265	NUT	2				



Shelbourne Reynolds Engineering Limited

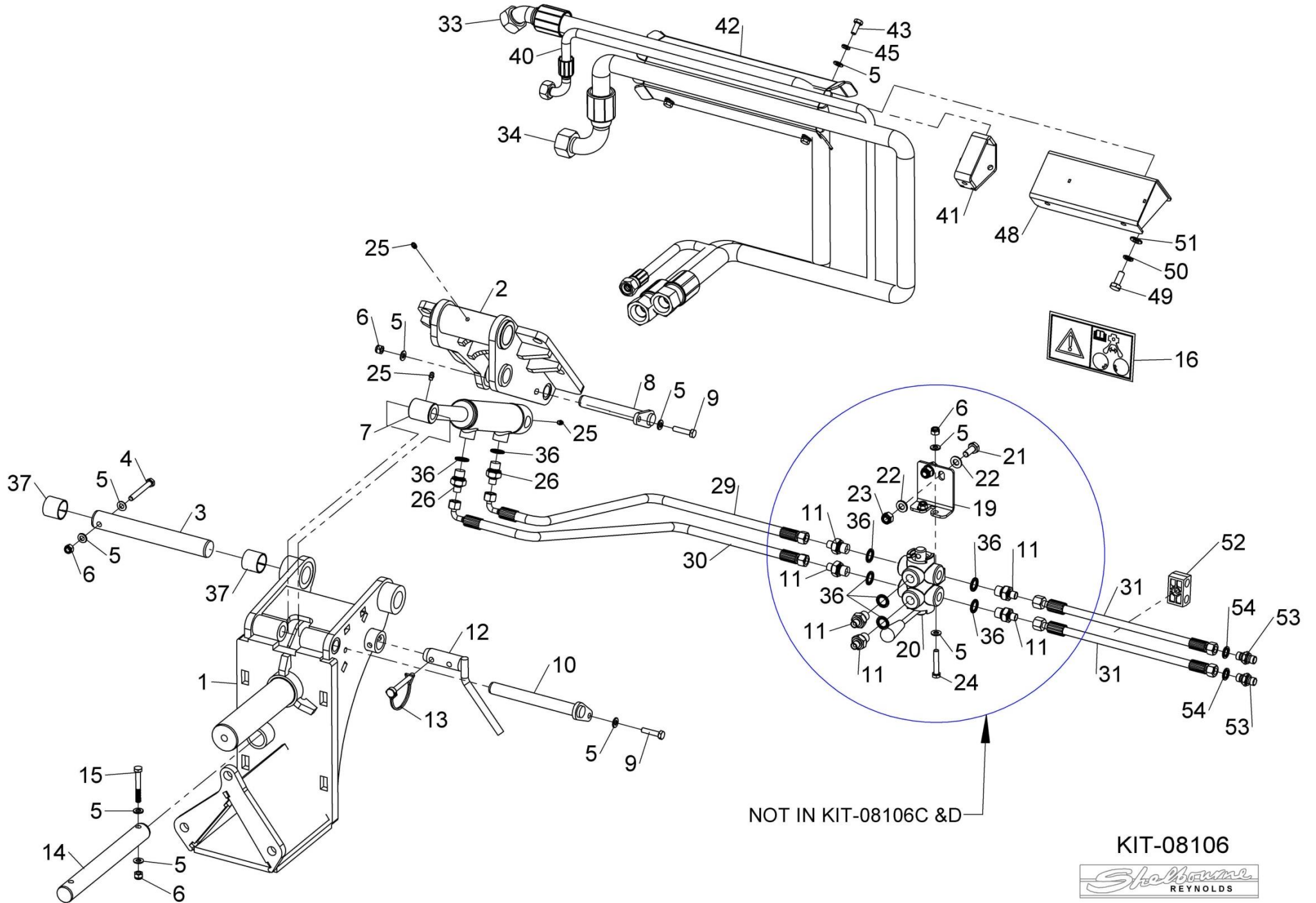
ASSY NUMBER: KIT-08100				ASSY DESCRIPTION: ACTIVE ELECTRONIC FLOAT WITH ADJUSTABLE ROLLER			
ITEM	PART NO	DESCRIPTION	QTY	ITEM	PART NO	DESCRIPTION	QTY
1	BSHA03556	BUSH		33	PRT25000	PRESSURE SENSOR	
2	HSS-0316	BOLT		34	HVB-27000	DOUBLE PO CHECK BLOCK	
3	SPGI10116	DISC SPRING		35	FITC00303	PLUG	
4	NUT-0271	NYLOC NUT		36	HVB-93000	FLOW CONTROL RESTRICTOR	
5	800872 04	CRANKED ARM		37	801155 01	PUMP PRESS SENSOR MOUNTG	
6	21172420	BUSH		38	801191 01	SPEED SENSOR	
7	800865 01	SHAFT (1.2m)		39	801152 01	SPEED SENSOR BRACKET	
OR	800865 02	SHAFT (1.5m)		40	801153 01	SPEED SENSOR RING	
8	800869 01	ARM		41	MAG-0003	DISC MAGNET	
9	K1008040	KEY		42	SCW-4530	GRUB SCREW	
10	190119 07	WASHER		43	801326 01	PRESSURE SENSOR FITTING	
11	WSH-0070	SPRING WASHER		44	FIT-0520	FITTING	
12	HSS-0312	SETSCREW		45	190548 75	WASHER	
13	801436 02	SPACER		46	801206 01	GEARBOX SPACER	
14	BLT-2320	BOLT		47	WSHA30161	WASHER	
15	800458 02	BOLT SPECIAL		48	PIC-0000	JUMPER CONECTION	
16	WSH-0024	PLAIN WASHER		49	NUT-0180	PLAIN NUT	
17	HMA-0052	ADAPTOR		50	801421 01	OFFSET HEAD BRACKET	
18	WSH-1005	BONDED SEAL		51	BLTA16322	BOLT	
19	HHAC20005	HOSE 1.2m HEAD		52	BLTA16411	BOLT	
OR	HHAC21505	HOSE 1.5m HEAD		53	HHAI05305	HOSE 1.2m HEAD	
20	HHDC31505	HOSE 6.0mT OUTER		OR	HHAI06605	HOSOE 1.5m HEAD	
OR	HHDC37805	HOSE 7.0mT OUTER		54	HHDI05505	HOSE 1.2m HEAD	
21	HHCC29005	HOSE 6.0mT INNER		OR	HHAI07505	HOSE 1.5m HEAD	
OR	HHCC32705	HOSE 7.0mT INNER					
22	HHAC27505	HOSE 6.0mT INNER					
OR	HHAC31205	HOSE 7.0mT INNER					
23	HHAC10005	HOSE					
24	HMA-0055	ADAPTOR					
25	WSH-1015	BONDED SEAL					
26	COU-0162	QUICK REL COUP.					
27	HALAA0303	ELBOW FITTING					
28	SCW-0098	HEX.HEAD					
29	WSH-0009	PLAIN WASHER					
30	NUT-0260	NYLOC NUT					
31	HBK-0010	BULKHEAD					
32	800875 02	CYLINDER (ACTIVE FLOAT)					
32A	RMSK00350	SEAL KIT (SPARES ONLY)					



Shelbourne Reynolds Engineering Limited

ASSY NUMBER: KIT-08106				ASSY DESCRIPTION: NARROW LANE BRACKET			
ITEM	PART NO	DESCRIPTION	QTY	ITEM	PART NO	DESCRIPTION	QTY
1	801343 01	BOOM MTG BRACKET	1	OR	HHBI18205	HOSE (1.2m) UP TO 2019	-
2	801336 01	HEAD MOUNT BRACKET	1	OR	HHBI19705	HOSE (1.5m) UP TO 2019	-
3	800101 19	PIN NARROW LANE	1	35			
4	BLTA08410	BOLT	1	36	WSH-1010	DOWTY WASHER	2
5	WSH-0012	WASHER	12	37	BSH-3030	BUSH	2
6	NUT-0263	NUT	6	38			
7	RAM-0002	DOUBLE ACTING RAM	1	39			
8	801346 02	NARROW LANE PIN (TOP)	1	40	HHBF30005	HOSE (1.2m)	1
9	HSS-0152	SETSCREW	2	OR	HHBF31505	HOSE (1.5m)	-
10	801346 01	NARROW LANE PIN (BOT)	1	41	802612 01	BRACKET (UP TO MID 2019)	2
11	FIT-0025	FITTING M/M	6	42	805078 01	HOSE GUARD PB660170814 & ON	1
12	801319 01	MD LOCKING PIN	1	OR	802613 01	HOSE GUARD UPTO PB660170814	-
13	PIN-1720	DEE CLIP	1	43	HSS-0140	SETSCREW	4
14	800101 17	PIN	1	44			
15	BLTA08380	BOLT	1	45	WSH-0058	SPRING WASHER	4
16	803152 01	TRANSFER	1	46	HHBC17005	HOSE	2
17				47	HHAC21505	HOSE HYD ROLLER 1.2m	2
18				OR	HHAC23005	HOSEHYD ROLLER 1.5m	2
19	801347 01	VALVE BRACKET	1	48	805902 01	HEAD HOSE CLAMP (DEC18 & ON)	1
20	HVB-01540	6 WAY FLOW DIVIDER	1	OR	805902 02	HEAD HOSE CLAMP (DEC18 & ON)	1
21	HSS-0191	SETSCREW	2	49	HSS-0191	SETSCREW(DEC18 & ON)	3
22	WSH-0015	WASHER	4	50	WSH-0061	SPRING WASHER(DEC18 & ON)	3
23	NUT-0265	NYLOCK NUT	2	51	WSH-0015	WASHER (DEC18 & ON)	3
24	HSS-0155	SETSCREW	2	52	HCPD01400	HYDRAULIC PIPE CLAMP	1
25	NIP-00600	GREASE NIPPLE	3	53	HMA-0052	ADAPTOR	2
26	190859 01	ADAPTOR	2	54	WSH-1005	DOWTY WASHER	2
27					KIT-08106A	FOR 1.2m HEAD WITH 6 WAY VALVE	
28						UP TO PB660160519	
29	HHBC03605	HOSE	1		KIT-08106B	FOR 1.5m HEAD WITH 6 WAY VALVE	
30	HHBC04605	HOSE	1			UP TO PB760150411	
31	HHAC01905	HOSE (1.2m)	2		KIT-08106C	1.2m LH HEAD(DIRECT TRACTOR HOSES)	
OR	HHAC03305	HOSE (1.5m)	-		KIT-08106CR	1.2m RH HEAD(DIRECT TRACTOR HOSES)	
32					KIT-08106D	1.5m LH HEAD(DIRECT TRACTOR HOSES)	
33	HHDI16705	HOSE (1.2m) 2019 & ON	1		KIT-08106DR	1.5m RH HEAD(DIRECT TRACTOR HOSES)	
OR	HHDI18205	HOSE (1.5m) 2019 & ON	-				
OR	HHDI17005	HOSE (1.2m) UP TO 2019	-		KIT-08106C HYD	HYDRAULICS KIT 1.2m UP TO 2019	
OR	HHDI18505	HOSE (1.5m) UP TO 2019	-		KIT-08106D HYD	HYDRAULICS KIT 1.5m UP TO 2019	
34	HHBI17905	HOSE (1.2m) 2019 & ON	1		KIT-08106E HYD	HYDRAULICS KIT 1.2m 2019 & ON	
OR	HHBI19405	HOSE (1.5m) 2019 & ON	-		KIT-08106F HYD	HYDRAULICS KIT 1.5m 2019 & ON	

Shelbourne Reynolds Engineering Limited

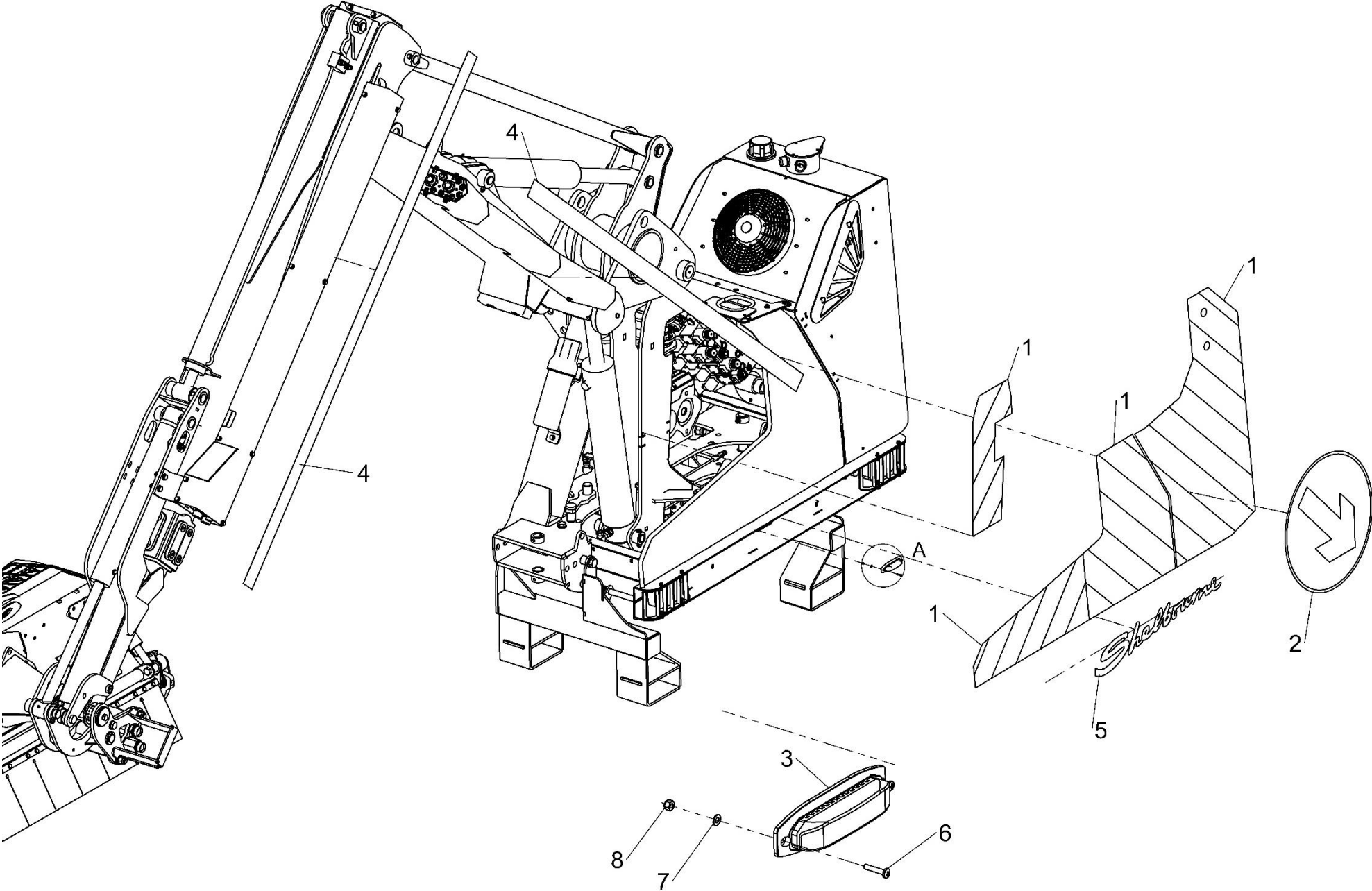


KIT-08106



Shelbourne Reynolds Engineering Limited

ASSY NUMBER: KIT-08111				ASSY DESCRIPTION: HIGHWAYS KIT			
ITEM	PART NO	DESCRIPTION	QTY	ITEM	PART NO	DESCRIPTION	QTY
1	801974 01	4PIECE CHEVRON KIT	1				
2	801977 01	MAGNETIC TRAFFIC ARROW	1				
3	804684 01	WARNING LIGHT	1				
4	802084 01	FLORESCENT BOOM TRANSFER	2				
5	804561 01	TRANSFER SHELBOURNE	1				
6	SCFC03110	SCREW	2				
7	WSH-0001	WASHER	2				
8	NUTA02030	NUT	1				



DETAIL A

KIT-08111



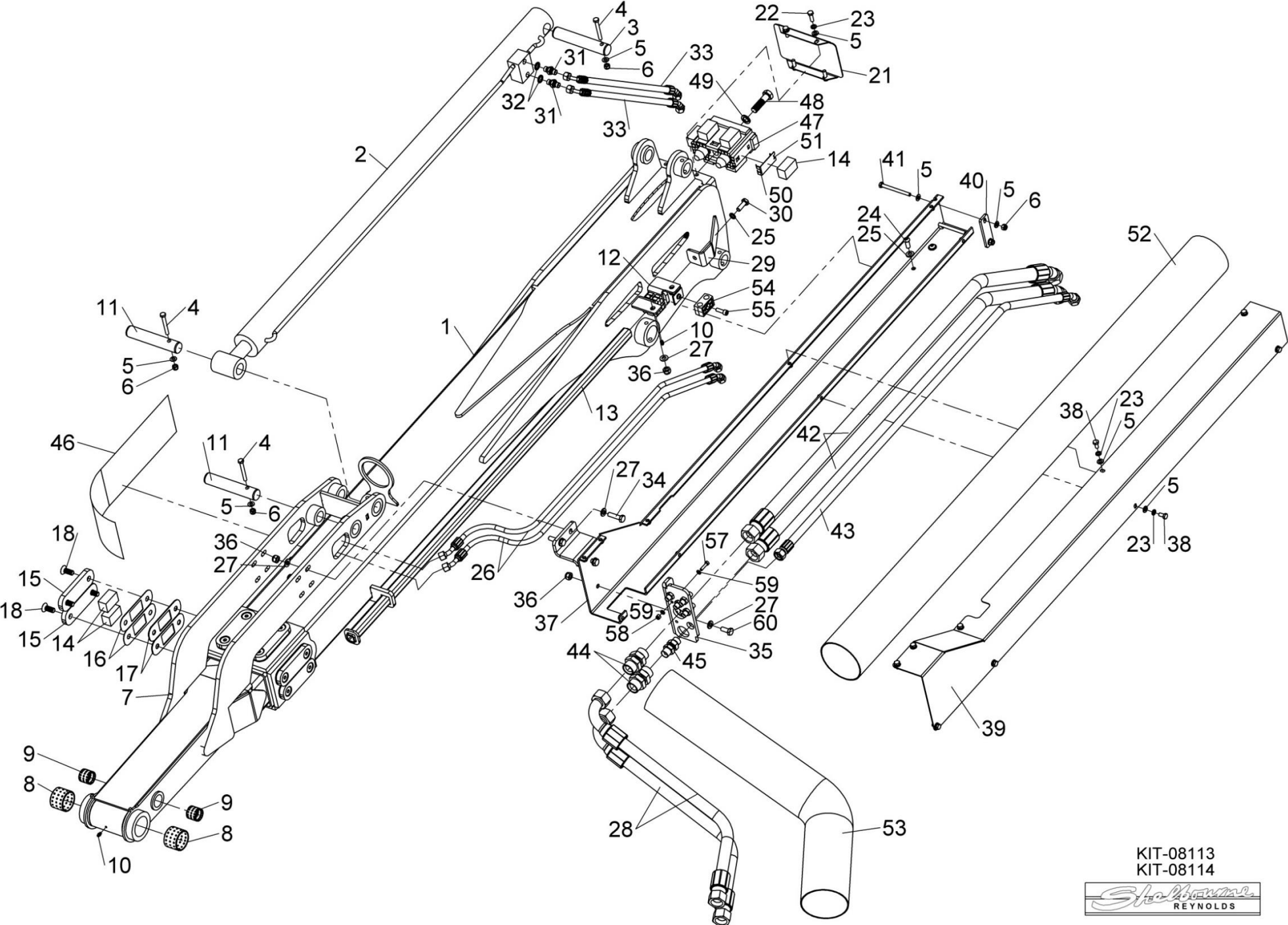
Shelbourne Reynolds Engineering Limited

ASSY NUMBER:		KIT-08113		ASSY DESCRIPTION:		6.0M TELE OUTER BOOM (MID 2009 & ON)	
ITEM	PART NO	DESCRIPTION	QTY	ITEM	PART NO	DESCRIPTION	QTY
1	801495 01	TELE BOOM MC. SIDE 6.0m	1	33	HHKC36005	HOSE (LH ARM)	2
2	801235 01	TELE CYLINDER 35mm ROD (127458 & ON)	1	OR	HHDC42005	HOSE (RH ARM)	2
OR	800942 01	TELE CYLINDER 32mm ROD (UPTO 127458)	1	34	HSS-0202	SETSCREW HOSE BKT(LH ARM) 2017 ON	2
2A	RMSK00390	SEAL KIT 35mm ROD(SPARES)	-	35	804702 01	HOSE BKT(LH ARM)PB760130247 TO 2017	1
OR	RMSK00250	SEAL KIT 32mm ROD(SPARES)	-	OR	802862 01	HOSE BKT(RH ARM)PB760130247 & ON	1
3	800987 08	PIN TELE CYL	1	OR	802862 02	HOSE BKT(LH ARM)UPTO PB760130247	1
4	BLTA08410	BOLT	3	OR	801482 01	HOSE BKT(RH ARM)UPTO PB760130247	1
5	WSH-0012	PLAIN WASHER	23	OR	801482 02	NYLOC NUT	1
6	NUT-0263	NYLOC NUT	5	36	NUT-0265	COVER INNER(LH ARM)PB760130247 & ON	6
7	800946 02	TELE BOOM (HEAD SIDE) 6.0m	1	37	803064 01	COVER INNER(RH ARM)PB760130247 & ON	1
8	BSHO05062	BUSH	2	OR	803064 02	COVER INNER(LH ARM)UPTO PB760130247	1
9	BSHO03056	BUSH	2	OR	801485 01	COVER INNER(RH ARM)UPTO PB760130247	1
10	NIP-00600	GREASE NIPPLE	2	OR	801485 02	SETSCREW	1
11	800101 25	PIN TELE RAM	2	38	HSS-0135	COVER OUTER(LH ARM)PB760130247 & ON	9
12	801459 01	SLIDING BOSS	1	39	803066 01	COVER OUTER(RH ARM)PB760130247 & ON	1
13	800994 01	SLIDE SHAFT	1	OR	803066 02	COVER OUTER(LH ARM)UPTO PB760130247	1
14	800267 01	WEAR PAD	14	OR	801488 01	COVER OUTER(RH ARM)UPTO PB760130247	1
15	801461 01	BACKING PLATE	8	OR	801488 02	CLAMP PLATE	1
16	800988 02	SHIM 1mm	8	40	801002 01	BOLT	1
17	800988 03	SHIM 2mm	8	41	BLTA08530	HOSE	2
18	SCW-1950	CSK.SCREW	16	42	HHDI29705	HOSE	2
19				OR	HHDI30005	HOSE	
20				43	HHDF31005	BULKHEAD	1
21	800989 01	COVER PLATE	1	44	HAGAA1313	BULKHEAD	2
22	HSS-0145	SETSCREW	4	45	HAGAA0707	TRANSFER(HD760T) MID2012 & ON	1
23	WSH-0058	SPRING WASHER	16	46	802567 06	TRANSFER(HD60T)UPTO MID2012	2
24	SCW-0514	BUTT HD SCREW	2	OR	801403 04	WEAR PAD RETAINER	-
25	WSH-0061	SPRING WASHER (M10)	1	47	801090 01	BOLT	1
26	HHHC32005	HOSE	2	48	BLT-2312	SPRING WASHER	1
27	WSH-0015	PLAIN WASHER	12	49	WSH-0070	SHIM 1MM	1
28	HHBI09105	HOSE	2	50	801093 01	SHIM 2MM	AR
OR	HHBI09405	HOSE DEFLECTOR PLT PB760130247		51	801093 02	HOSE SLEEVING - BOOMS	AR
29	803076 01	& ON	1	52	HHS-05010	HOSE SLEEVING - HEAD	1.7m
OR	190119 09	WASHER UPTO PB760130247	1	53	HHS-05010	HYD. PIPE CLAMP	1.0m
30	HSS-0194	SETSCREW	1	54	HCPD01400	CAP HEAD SCREW	1
31	HMA-0052	ADAPTER	2	55	SCW-0136		1
32	WSH-1005	BONDED SEAL	2				

Shelbourne Reynolds Engineering Limited

ASSY NUMBER:		KIT-08113		ASSY DESCRIPTION:		6.0M TELE OUTER BOOM (MID 2009 & ON) CONTINUED	
ITEM	PART NO	DESCRIPTION	QTY	ITEM	PART NO	DESCRIPTION	QTY
56	802864 01	BULKHEAD PLT PB760130247 TO 2017	1				
OR	801481 01	BULKHEAD PLT UPTO PB760130247	1				
57	SCW-0086	CAP HEAD SCREW	1				
58	NUT-0260	NYLOC NUT	1				
59	WSH-0009	WASHER	2				
60	HSS-0191	SETSCREW	2				

Shelbourne Reynolds Engineering Limited



KIT-08113
KIT-08114



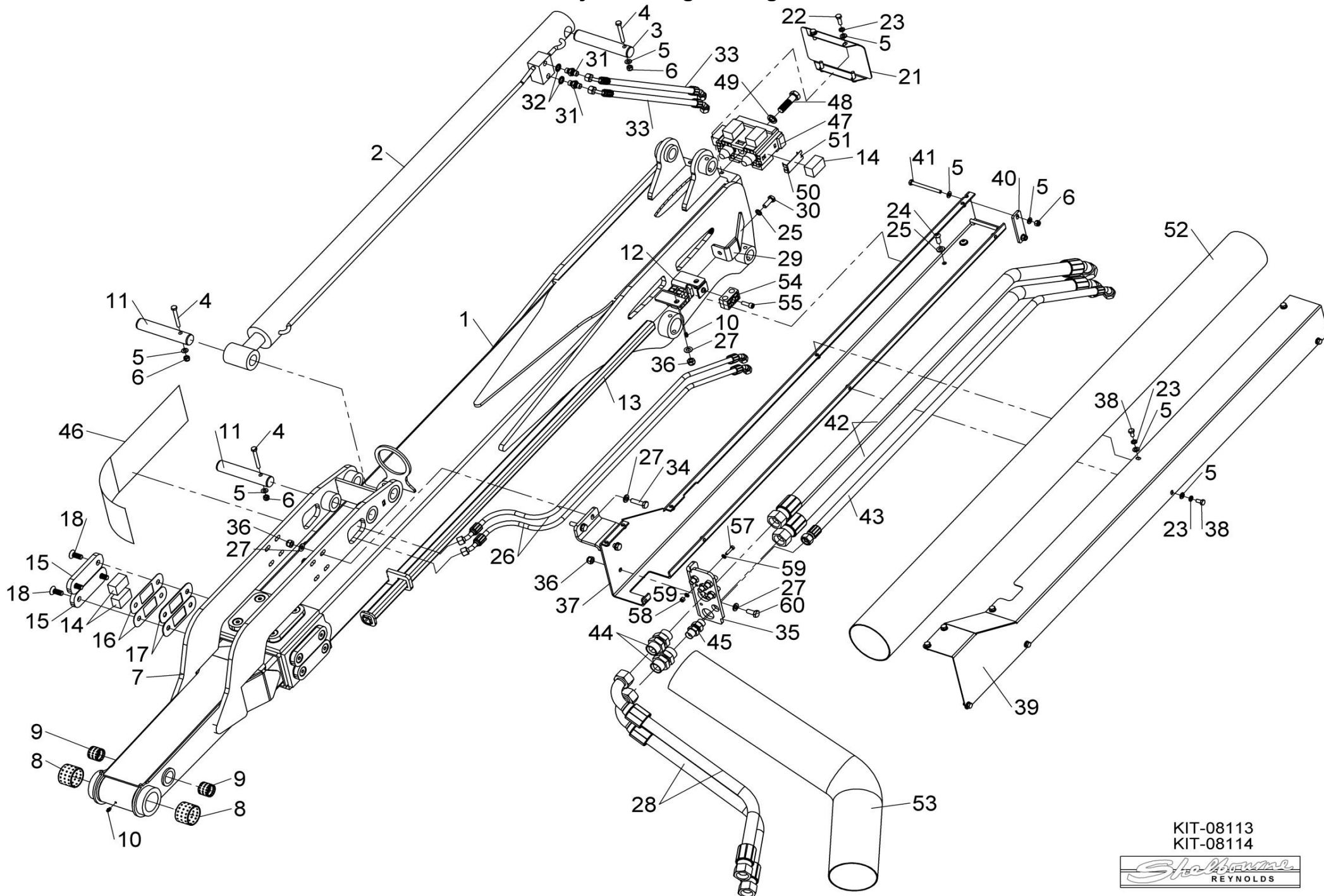
Shelbourne Reynolds Engineering Limited

ASSY NUMBER:		KIT-08114		ASSY DESCRIPTION:		7.0M TELE OUTER BOOM (MID 2009 & ON)	
ITEM	PART NO	DESCRIPTION	QTY	ITEM	PART NO	DESCRIPTION	QTY
1	801495 02	TELE BOOM MC. SIDE 7.0m	1	29	803076 01	DEFLECTOR PLT PB760130247 & ON	1
2	801235 02	TELE CYLINDER 35mm ROD (113458 & ON)	1	OR	190119 09	WASHERUPTO PB760130247	1
OR	800942 02	TELE CYLINDER 32mm ROD (UPTO 113458)	1	30	HSS-0194	SETSCREW	1
2A	RMSK00380	SEAL KIT 35mm ROD	-	31	HMA-0052	ADAPTER	2
OR	RMSK00250	SEAL KIT 32mm ROD	-	32	WSH-1005	BONDED SEAL	2
3	800987 08	PIN TELE CYL	1	33	HHKC39705	HOSE (LH ARM)	2
4	BLTA08410	BOLT	3	OR	HHDC45705	HOSE (RH ARM)	2
5	WSH-0012	PLAIN WASHER	23	34	HSS-0202	SETSCREW	2
6	NUT-0263	NYLOC NUT	5	35	804702 01	HOSE BKT(LH ARM) 2017 ON	1
7	800946 01	TELE BOOM (HEAD SIDE) 7.0m	1	OR	802862 01	HOSE BKT(LH ARM) PB760130247 TO 2017	1
8	BSHA05062	BUSH	2	OR	802862 02	HOSE BKT(RH ARM) PB760130247 & ON	1
9	BSH-3030	BUSH	2	OR	801482 01	HOSE BKT(LH ARM)UPTO PB760130247	1
10	NIP-00600	GREASE NIPPLE	2	OR	801482 02	HOSE BKT(RH ARM)UPTO PB760130247	1
11	800101 25	PIN TELE RAM	2	36	NUT-0265	NYLOC NUT	6
12	801459 01	SLIDING BOSS	1	37	803070 01	COVER INNER(LH ARM) PB760130247 & ON	1
13	800994 02	SLIDE SHAFT	1	OR	803070 02	COVER INNER(RH ARM) PB760130247 & ON	1
14	800267 01	WEAR PAD	14	OR	801497 01	COVER INNER(LH ARM)UPTO PB760130247	1
15	801461 01	BACKING PLATE	8	OR	801497 02	COVER INNER(RH ARM)UPTO PB760130247	1
16	800988 02	SHIM 1mm	8	38	HSS-0135	SETSCREW	9
17	800988 03	SHIM 2mm	8	39	803072 01	COVER OUTER(LH ARM) PB760130247 & ON	1
18	SCW-1950	CSK SCREW	16	OR	803072 02	COVER OUTER(RH ARM) PB760130247 & ON	1
19				OR	801499 01	COVER OUTER(LH ARM)UPTO PB760130247	1
20				OR	801499 02	COVER OUTER(RH ARM)UPTO PB760130247	1
21	800989 01	COVER PLATE	1	40	801002 01	CLAMP PLATE	1
22	HSS-0145	SETSCREW	4	41	BLTA08530	BOLT	2
23	WSH-0058	SPRING WASHER	16	42	HHDI36305	HOSE	2
24	SCW-0514	BUTT HD SCREW	4	43	HHDF37305	HOSE	1
25	WSH-0061	SPRING WASHER	1	44	HAGAA1313	BULKHEAD	2
26	HHHC38405	HOSE	2	45	HAGAA0707	BULKHEAD	1
27	WSH-0015	PLAIN WASHER	12	46	802567 07	TRANSFER (HD70T)2012 & ON	2
28	HHBI09405	HOSE	2	OR	801403 05	TRANSFER (HD70T)UPTO MID2012	-
				47	801090 01	WEAR PAD RETAINER	1
				48	BLT-2312	BOLT)	1
				49	WSH-0070	SPRING WASHER	1
				50	801093 01	SHIM 1MM	AR
				51	801093 02	SHIM 2MM	AR

Shelbourne Reynolds Engineering Limited

ASSY NUMBER:		KIT-08114		ASSY DESCRIPTION:		7.0M TELE OUTER BOOM (MID 2009 & ON) CONTINUED	
ITEM	PART NO	DESCRIPTION	QTY	ITEM	PART NO	DESCRIPTION	QTY
52	HHS-05010	HOSE SLEEVING - BOOMS	2.0m				
53	HHS-05010	HOSE SLEEVING - HEAD	1.0m				
54	HCPD01400	HYD. PIPE CLAMP	1				
55	SCW-0136	CAP HEAD SCREW	1				
56	802864 01	BULKHEAD PLT PB760130247 TO 2017	1				
OR	801481 01	BULKHEAD PLT UPTO PB760130247	1				
57	SCW-0086	CAP HEAD SCREW	1				
58	NUT-0260	NYLOC NUT	1				
59	WSH-0009	WASHER	2				
60	HSS-0191	SETSCREW	2				

Shelbourne Reynolds Engineering Limited

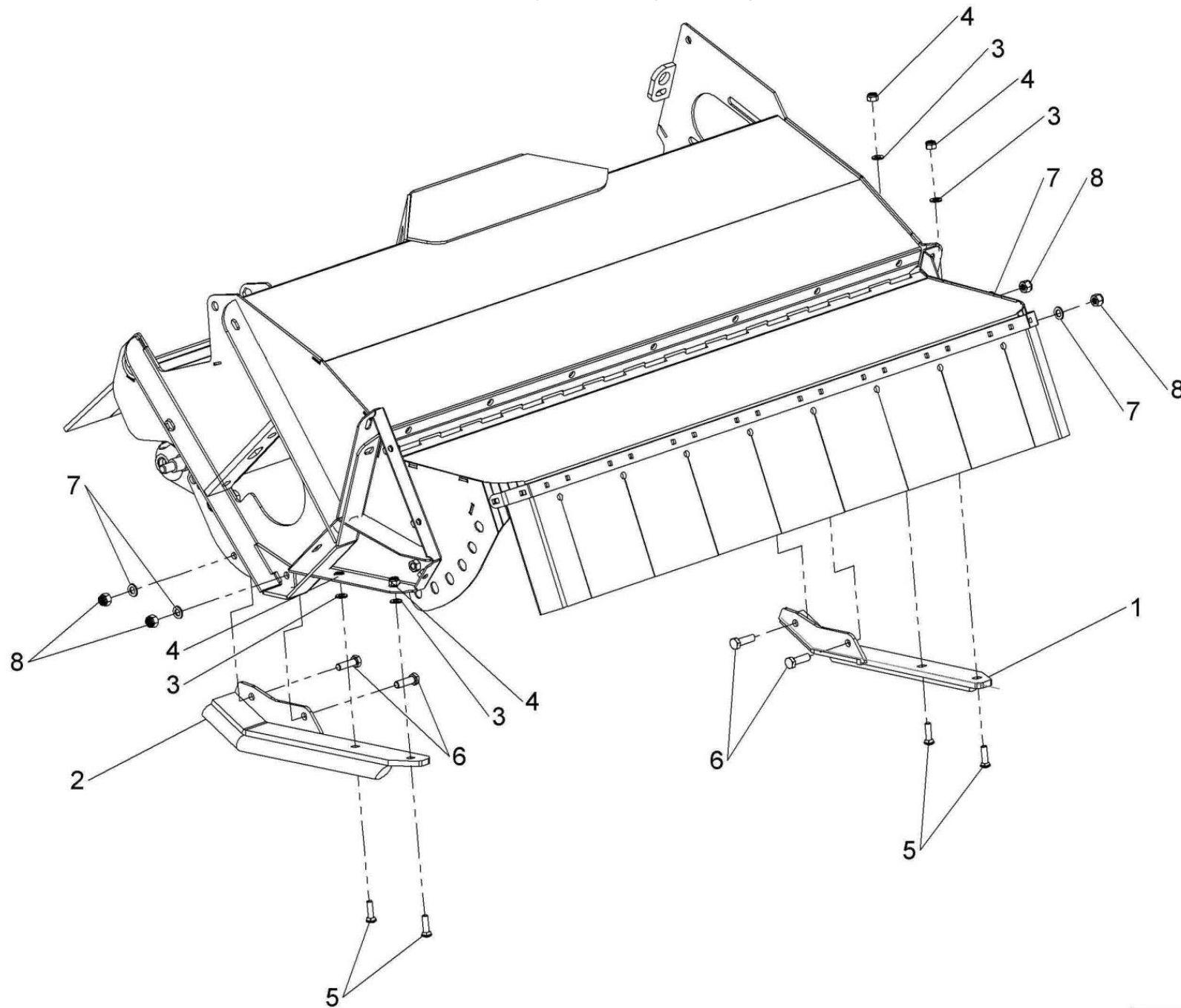


KIT-08113
KIT-08114



Shelbourne Reynolds Engineering Limited

ASSY NUMBER: KIT-08115		ASSY DESCRIPTION:		HEAD SKID WEAR KIT			
ITEM	PART NO	DESCRIPTION	QTY	ITEM	PART NO	DESCRIPTION	QTY
1	801533 01	LH SKID W/A	1				
2	801533 02	RH SKID W/A	1				
3	WSH-0015	PLAIN WASHER	4				
4	NUT-0265	NYLOC NUT	4				
5	BLTF10231	COACH BOLT	4				
6	HSS-0250	SETSCREW	4				
7	WSH-0018	PLAIN WASHER	4				
8	NUT-0269	NYLOC NUT	4				



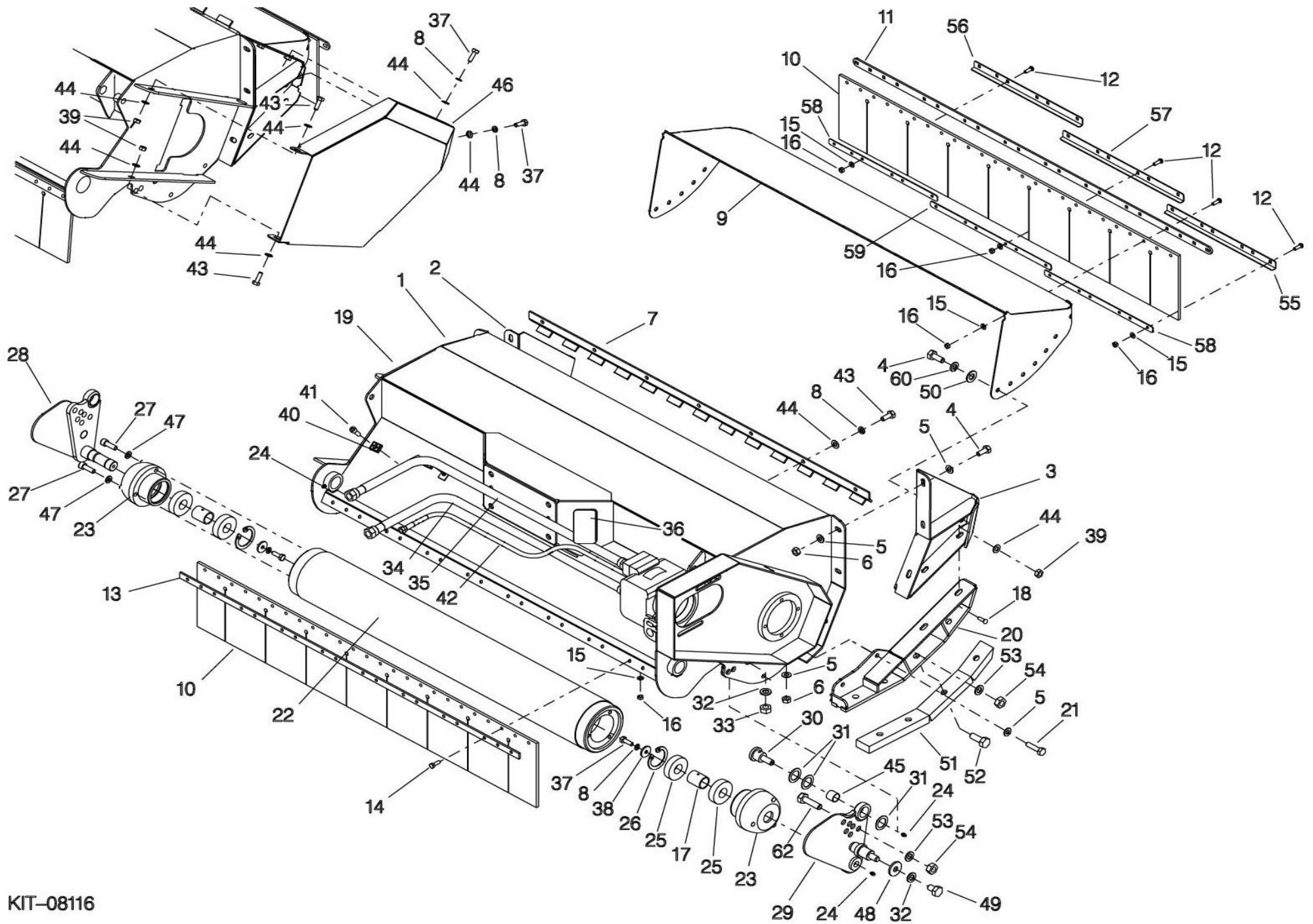
KIT-08115



Shelbourne Reynolds Engineering Limited

ASSY NUMBER: KIT-08116				ASSY DESCRIPTION: HEAD SHELL NOSE AND ROLLER 1.2m			
ITEM	PART NO	DESCRIPTION	QTY	ITEM	PART NO	DESCRIPTION	QTY
1	801670 01	HEAD SHELL(1.2M) (LH DRIVE)	1	37	HSS-0188	SETSCREW	5
OR	801670 29	HEAD SHELL(1.2M) (RH DRIVE)	1	38	190548 01	WASHER	2
2	801686 02	NOSE SIDE PANEL (LH DRIVE)	1	39	NUT-0265	NYLOC NUT	6
OR	801686 01	NOSE SIDE PANEL (RH DRIVE)	1	40	HCPD01400	HYD.PIPE CLAMP	1
3	801689 02	NOSE SIDE PANEL (LH DRIVE)	1	41	SCW-0136	CAP HEAD SCREW	1
OR	801689 01	NOSE SIDE PANEL (RH DRIVE)	1	42	HHAF17605	HOSE	1
4	HSS-0235	SETSCREW	6	43	HSS-0194	SETSCREW	9
5	WSH-0018	PLAIN WASHER	24	44	WSH-0015	PLAIN WASHER	18
6	NUT-0269	NYLOC NUT	10	45	BSH-3070	BUSH	2
7	800812 01	HINGE PLATE (1.2M)	1	46	801213 01	HEAD SKID COVER (LH DRIVE)	1
8	WSH-0061	SPRING WASHER	12	OR	801213 02	HEAD SKID COVER (RH DRIVE)	1
9	801903 01	NOSE (1.2m)	1	47	WSH-0065	SPRING WASHER	6
10	800068 01	CURTAIN (1.2M)	2	48	190119 07	WASHER	2
11	800825 01	FIXING STRIP (1.2M)	1	49	HSS-0312	SETSCREW	2
12	BLT-2700	COACHBOLT	38	50	WSH-0024	WASHER	2
13	800069 01	FIXING STRIP (1.2M)	1	51	802709 01	SKID RUNNER	5
14	HSS-0150	SETSCREW	18	52	HSS-0317	SETSCREW	8
15	WSH-0012	PLAIN WASHER	56	53	WSHA 30161	WASHER	10
16	NUT-0263	NYLOC NUT	56	54	NUTA15162	NYLOC NUT	10
17	801950 01	SPACER TUBE	2	55	801993 01	WEAR STRIP RH	1
18	BLTF10231	COACHBOLT	4	56	801993 02	WEAR STRIP LH	1
19	802703 01	SKID PLATE W/A LH	1	57	801995 01	WEAR STRIP BALANCE WEIGHT	1
20	802703 02	SKID PLATE W/A RH	1	58	801994 01	BACKING STRIP	2
21	HSS-0250	SETSCREW	4	59	801996 01	BACKING STRIP	1
22	801945 01	RUBBER ROLLER	1	60	WSH-0070	WASHER	2
OR	801949 01	STEEL ROLLER (6INCH)		61	HSS-0315	SETSCREW	2
23	801944 01	END CAP	2	62	BLT-2311	BOLT	2
24	NIP-00600	GREASE NIPPLE	6				
25	BRG-13005	BEARING	4				
26	CIR-0720	CIRCLIP	2				
27	SCW-0243	CAP HEAD SCREW	6				
28	801933 02	BRACKET ADJUSTABLE LH	1				
29	801933 01	BRACKET ADJUSTABLE RH	1				
30	801939 01	STUB PIVOT	2				
31	190548 96	WASHER	6				
32	WSHA30201	PLAIN WASHER	4				
33	NUTA15202	NYLOC NUT	2				
34	HHAI05305	HOSE 1.2m	1				
35	HHDI05505	HOSE 1.2m	1				
36	CAP-0060	PLASTIC CAP	2				

Shelbourne Reynolds Engineering Limited



KIT-08116

Shelbourne Reynolds Engineering Limited

ASSY NUMBER: KIT-08117				ASSY DESCRIPTION: ACTIVE ELECTRONIC FLOAT WITH ADJUSTABLE ROLLER			
ITEM	PART NO	DESCRIPTION	QTY	ITEM	PART NO	DESCRIPTION	QTY
1	801973 01	BUSH	2	32	800875 02	CYLINDER (ACTIVE FLOAT)	1
2	800458 02	BOLT	2	32A	RMSK00350	SEAL KIT (SPARES ONLY)	
3	WSHA30161	WASHER	4	33	PRT25000	PRESSURE SENSOR	2
4	NUTA15162	STOVER NUT	4	34	HVB-27000	DOUBLE PO CHECK BLOCK	1
5	801935 01	LINK ARM	2	35	FITC00303	PLUG	1
6	BSH-3030	BUSH	4	36	HVB-93000	FLOW CONTROL RESTRICTOR	2
7	801972 01	SHAFT (1.2m LH DRIVE HEAD)	1	37	801155 01	PUMP PRESS SENSOR MOUNTG	1
OR	801926 01	SHAFT (1.2m RH DRIVE HEAD)	1	38	801191 01	SPEED SENSOR	1
OR	801972 02	SHAFT (1.5m LH DRIVE HEAD)	1	39	801152 01	SPEED SENSOR BRACKET	1
8	801930 01	ARM	2	40	801153 01	SPEED SENSOR RING	1
9	NIP-00600	GREASE NIPPLE	4	41	MAG-0003	DISC MAGNET	1
10	801206 01	GEARBOX SPACER	2	42	SCW-4530	GRUB SCREW	1
11	PIC-0000	JUMPER CONECTION	1	43	801326 01	PRESSURE SENSOR FITTING	1
12	HSS-0312	SETSCREW	2	44	HACAA0303	FITTING	1
13	801940 01	WEAR BUSH	2				
14	BLT-2320	BOLT	1				
15	800458 02	BOLT SPECIAL	1				
16	190548 75	WASHER	1				
17	HMA-0052	ADAPTOR	7				
18	WSH-1005	BONDED SEAL	13				
19	HHAC20005	HOSE 1.2m HEAD	2				
OR	HHAC21505	HOSE 1.5m HEAD	2				
20	HHDC31505	HOSE 6.0mT OUTER	2				
OR	HHDC37805	HOSE 7.0mT OUTER	2				
21	HHCC29005	HOSE 6.0mT INNER	1				
OR	HHCC32705	HOSE 7.0mT INNER	1				
22	HHAC27505	HOSE 6.0mT INNER	1				
OR	HHAC31205	HOSE 7.0mT INNER	1				
23	HHAC10005	HOSE	2				
24	HMA-0055	ADAPTOR	2				
25	WSH-1015	BONDED SEAL	2				
26	COU-0162	QUICK REL COUP.	2				
27	HALAA0303	ELBOW FITTING	1				
28	SCW-0098	HEX.HEAD	2				
29	WSH-0009	PLAIN WASHER	2				
30	NUT-0260	NYLOC NUT	2				
31	HBK-0010	BULKHEAD	4				

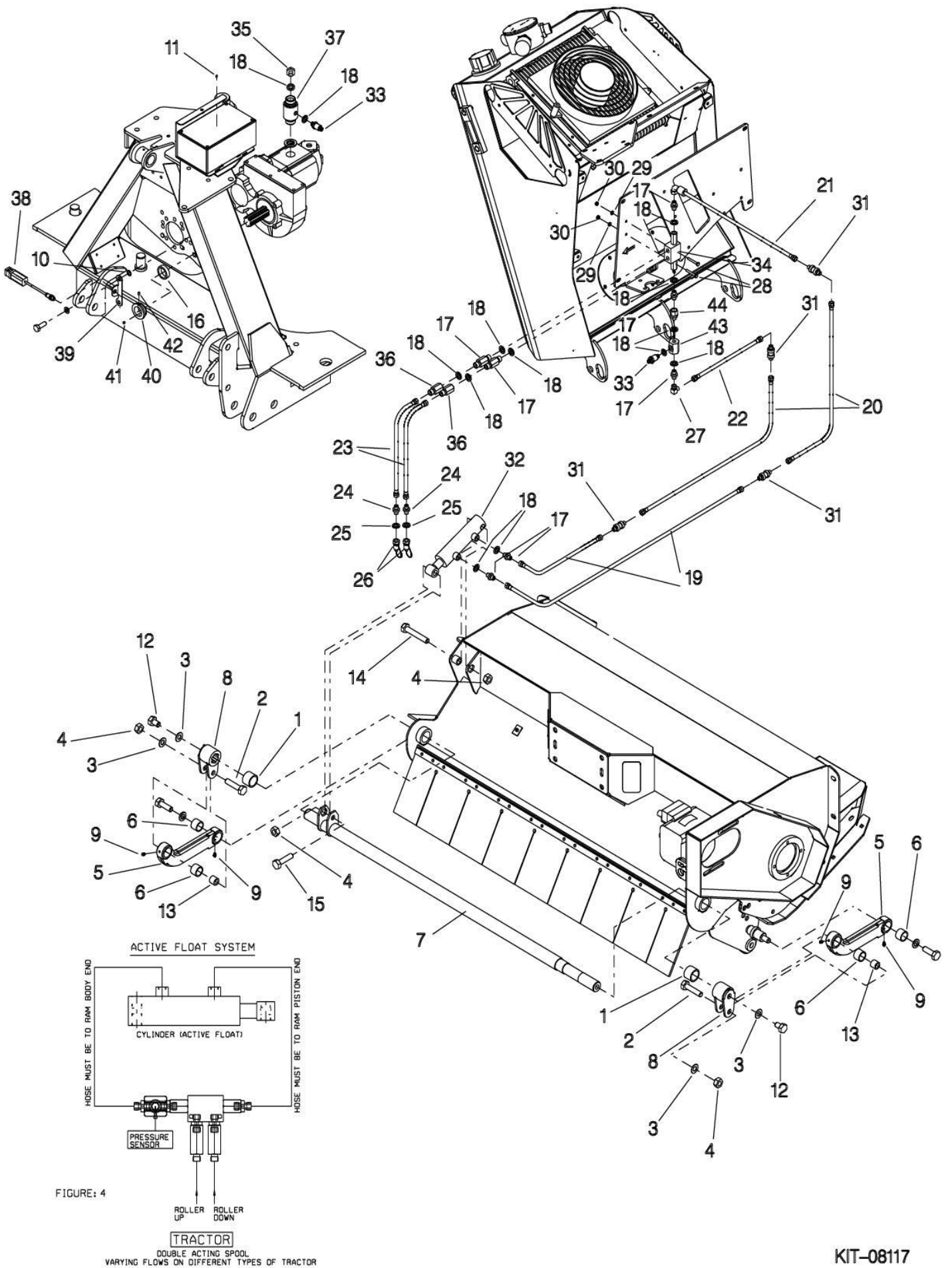


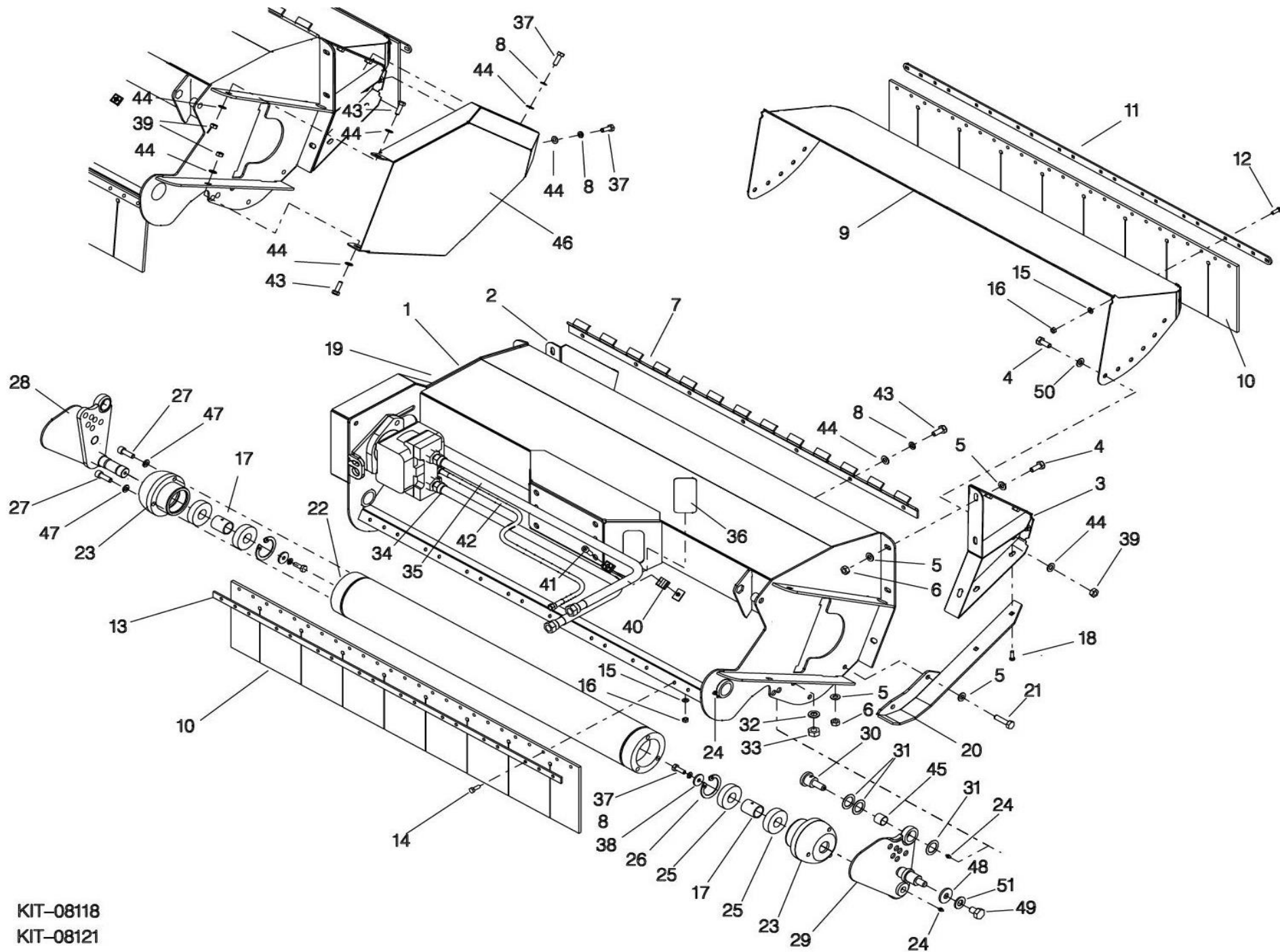
FIGURE: 4

KIT-08117

Shelbourne Reynolds Engineering Limited

ASSY NUMBER: KIT-08118				ASSY DESCRIPTION: HEAD SHELL, NOSE AND ROLLER 1.2m			
ITEM	PART NO	DESCRIPTION	QTY	ITEM	PART NO	DESCRIPTION	QTY
1	801670 01	HEAD SHELL (1.2M)LH DRIVE	1	35	HHDI05505	HOSE (LH DRIVE HEAD)	1
OR	801670 29	HEAD SHELL (1.2M)RH DRIVE	1	OR	HHDI05905	HOSE (RH DRIVE HEAD)	
2	800815 01	NOSE SIDE PANEL (LH DRIVE)	1	OR	HHDH05505	HOSE (MD ONLY)	1
OR	800815 02	NOSE SIDE PANEL (RH DRIVE)	1	36	CAP-0060	PLASTIC CAP	2
3	801212 01	NOSE SIDE PANEL (LH DRIVE)	1	37	HSS-0188	SETSCREW	5
OR	801212 06	NOSE SIDE PANEL (RH DRIVE)	1	38	190548 01	WASHER	2
4	HSS-0235	SETSCREW	8	39	NUT-0265	NYLOC NUT	6
5	WSH-0018	PLAIN WASHER	24	40	HCPD01400	HYD.PIPE CLAMP	1
6	NUT-0269	NYLOC NUT	10	41	SCW-0136	CAP HEAD SCREW	1
7	800812 01	HINGE PLATE (1.2M)	1	42	HHAF17605	HOSE (HD ONLY)	1
8	WSH-0061	SPRING WASHER	12	43	HSS-0194	SETSCREW	9
9	800820 01	NOSE (1.2m)	1	44	WSH-0015	WASHER	18
10	800068 01	CURTAIN (1.2M)	2	45	BSH-3070	BUSH	2
11	800825 01	FIXING STRIP (1.2M)	1	46	801213 01	HEAD SKID COVER(LH DRIVE)	1
12	BLT-2700	COACHBOLT	20	OR	801213 02	HEAD SKID COVER(RH DRIVE)	1
13	800069 01	FIXING STRIP (1.2M)	1	47	WSH-0065	SPRING WASHER	6
14	HSS-0150	SETSCREW	18	48	190119 07	WASHER	2
15	WSH-0012	PLAIN WASHER	38	49	HSS-0312	SETSCREW	2
16	NUT-0263	NYLOC NUT	38	50	190119 89	WASHER	2
17	801950 01	SPACER TUBE	2	51	WSHA30161	WASHER	2
18	BLT-3745	COACHBOLT	4				
19	800881 01	SKID W/A LH	1				
20	800881 02	SKID W/A RH	1				
21	HSS-0250	SETSCREW	4				
22	801971 01	ROLLER (1.2M)	1				
23	801944 01	END CAP	2				
24	NIP-00600	GREASE NIPPLE	6				
25	BRG-13005	BEARING	4				
26	CIR-0720	CIRCLIP	2				
27	SCW-0243	CAP HEAD SCREW	6				
28	801968 02	BRACKET ADJUSTABLE LH	1				
29	801968 01	BRACKET ADJUSTABLE RH	1				
30	801939 01	STUB PIVOT	2				
31	190548 96	WASHER	6				
32	WSHA30201	WASHER	2				
33	NUTA15202	STOVER NUT	2				
34	HHAI05305	HOSE (LH DRIVE HEAD)	1				
OR	HHAI05005	HOSE (RH DRIVE HEAD)					
OR	HHAH05305	HOSE (MD ONLY)	1				

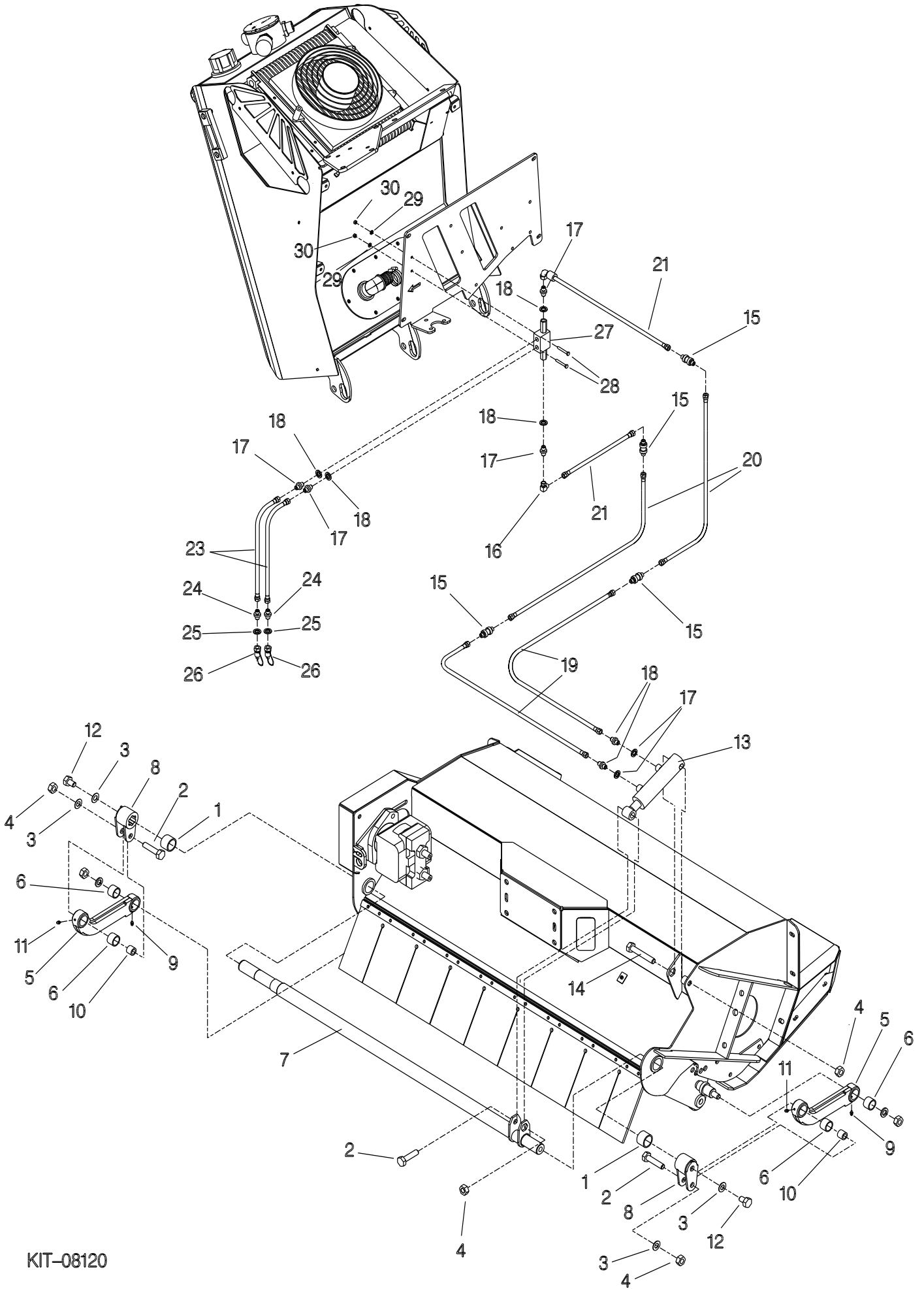
Shelbourne Reynolds Engineering Limited



KIT-08118
KIT-08121

Shelbourne Reynolds Engineering Limited

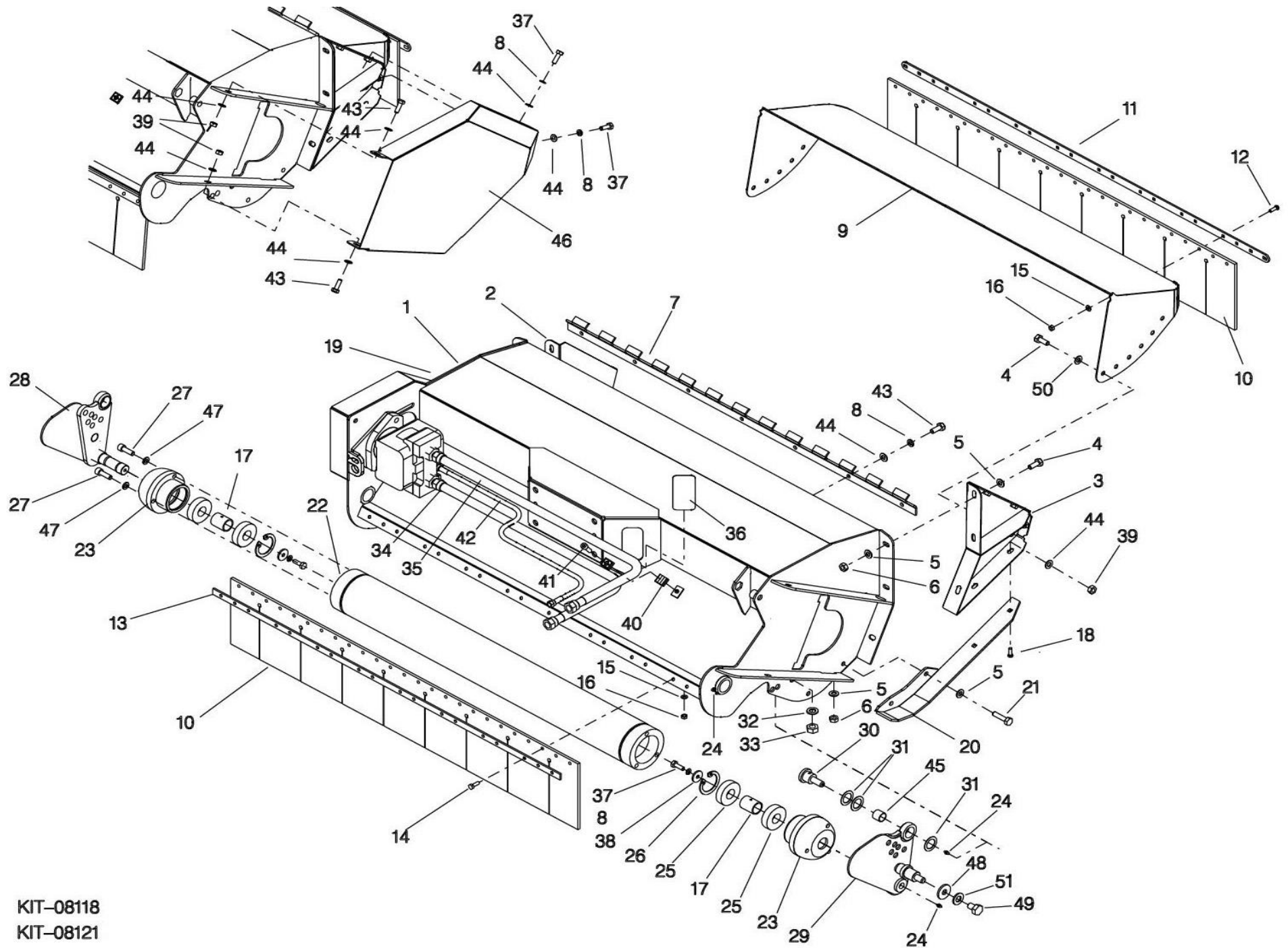
ASSY NUMBER:		KIT-08120		ASSY DESCRIPTION:		ADJUSTABLE ROLLER (2010 & ON)	
ITEM	PART NO	DESCRIPTION	QTY	ITEM	PART NO	DESCRIPTION	QTY
1	801973 01	BUSH	2	OR	HHCC35605	HOSE HD67VFR INNER	2
2	800458 02	BOLT	3				
3	WSHA30161	WASHER	4	22			
4	NUTA15162	STOVERNUT	4	23	HHAC10005	HOSE	2
5	801935 01	LINK ARM	2	OR	HHCC15005	HOSE MD/5xx ONLY	2
6	BSH-3030	BUSH	4	24	HMA-0055	ADAPTOR	2
7	801972 01	SHAFT (1.2m LH DRIVE HEAD)	1	25	WSH-1015	BONDED SEAL	2
OR	801926 01	SHAFT (1.2m RH DRIVE HEAD)	1	26	COU-0162	QUICK REL COUP.	2
OR	801972 02	SHAFT (1.5m LH DRIVE HEAD)	1	27	HVB-27000	VALVE DOUBLE PO CHECK	1
OR	801926 02	SHAFT (1.5m RH DRIVE HEAD)	1	28	SCW-0098	SETSCREW	2
8	801930 01	ARM	2	29	WSH-0009	PLAIN WASHER	4
9	NIP-00600	GREASE NIPPLE	2	30	NUT-0260	NYLOC NUT	2
10	801940 01	WEAR BUSH	2				
11	NIP-00610	GREASE NIPPLE	2				
12	HSS-0312	SETSCREW	2				
13	800875 01	CYLINDER	1				
13A	RMSK00360	SEAL KIT (SPARES) CHANGED 2008 RAM S/N 129676 & ON	-				
OR	RMSK00230	SEAL KIT (SPARES) CHANGED 2008 UPTO RAM S/N 129676	-				
14	BLT-2320	BOLT	1				
15	HBK-0010	BULKHEAD	4				
16	HALAA0303	ELBOW FITTING	1				
17	HMA-0052	ADAPTOR	6				
18	WSH-1005	BONDED SEAL	6				
19	HHAC20005	HOSE 1.2m HEAD	2				
OR	HHAC21505	HOSE 1.5m HEAD	2				
20	HHDC31505	HOSE HD60T & HD62VFR	2				
OR	HHDC37805	HOSE HD70T OUTER	2				
OR	HHDC20505	HOSE MD50 OUTER	2				
OR	HHDC24005	HOSE MD56 OUTER	2				
OR	HHDC34505	HOSE HD67VFR OUTER	2				
21	HHCC29005	HOSE MD50 & HD60T INNER	2				
OR	HHCC32705	HOSE MD56,HD70T & HD62VFR INNER	2				



Shelbourne Reynolds Engineering Limited

ASSY NUMBER: KIT-08121				ASSY DESCRIPTION: HEAD SHELL, NOSE AND ROLLER 1.5m			
ITEM	PART NO	DESCRIPTION	QTY	ITEM	PART NO	DESCRIPTION	QTY
1	801670 02	HEAD SHELL (1.5M)LH DRIVE	1	35	HHDI07505	HOSE (LH DRIVE HEAD)	1
OR	801670 30	HEAD SHELL (1.5M)RH DRIVE	1	OR	HHAI07905	HOSE (RH DRIVE HEAD)	
2	800815 01	NOSE SIDE PANEL (LH DRIVE)	1	OR	HHDH07505	HOSE (MD ONLY)	1
OR	800815 02	NOSE SIDE PANEL (RH DRIVE)	1	36	CAP-0060	PLASTIC CAP	2
3	801212 01	NOSE SIDE PANEL (LH DRIVE)	1	37	HSS-0188	SETSCREW	5
OR	801212 06	NOSE SIDE PANEL (RH DRIVE)	1	38	190548 01	WASHER	2
4	HSS-0235	SETSCREW	8	39	NUT-0265	NYLOC NUT	6
5	WSH-0018	PLAIN WASHER	24	40	HCPD01400	HYD.PIPE CLAMP	1
6	NUT-0269	NYLOC NUT	10	41	SCW-0136	CAP HEAD SCREW	1
7	800812 02	HINGE PLATE (1.5M)	1	42	HHAF17605	HOSE (HD ONLY)	1
8	WSH-0061	SPRING WASHER	12	43	HSS-0194	SETSCREW	9
9	800820 02	NOSE (1.5m)	1	44	WSH-0015	WASHER	18
10	800068 02	CURTAIN (1.5M)	2	45	BSH-3070	BUSH	2
11	800825 02	FIXING STRIP (1.5M)	1	46	801213 01	HEAD SKID COVER(LH DRIVE)	1
12	BLT-2700	COACHBOLT	20	OR	801213 02	HEAD SKID COVER(RH DRIVE)	1
13	800069 01	FIXING STRIP (1.2M)	1	47	WSH-0065	SPRING WASHER	6
14	HSS-0150	SETSCREW	18	48	190119 07	WASHER	2
15	WSH-0012	PLAIN WASHER	38	49	HSS-0312	SETSCREW	2
16	NUT-0263	NYLOC NUT	38	50	190119 89	WASHER	2
17	801950 01	SPACER TUBE	2				2
18	BLT-3745	COACHBOLT	4				
19	800881 01	SKID W/A LH	1				
20	800881 02	SKID W/A RH	1				
21	HSS-0250	SETSCREW	4				
22	801976 01	ROLLER (1.5M)	1				
23	801944 01	END CAP	2				
24	NIP-00600	GREASE NIPPLE	6				
25	BRG-13005	BEARING	4				
26	CIR-0720	CIRCLIP	2				
27	SCW-0243	CAP HEAD SCREW	6				
28	801968 02	BRACKET ADJUSTABLE LH	1				
29	801968 01	BRACKET ADJUSTABLE RH	1				
30	801939 01	STUB PIVOT	2				
31	190548 96	WASHER	6				
32	WSHA30201	WASHER	2				
33	NUTA15202	STOVER NUT	2				
34	HHAI06605	HOSE (LH DRIVE HEAD)	1				
OR	HHAI06005	HOSE (RH DRIVE HEAD)					
OR	HHAH06605	HOSE (MD ONLY)	1				

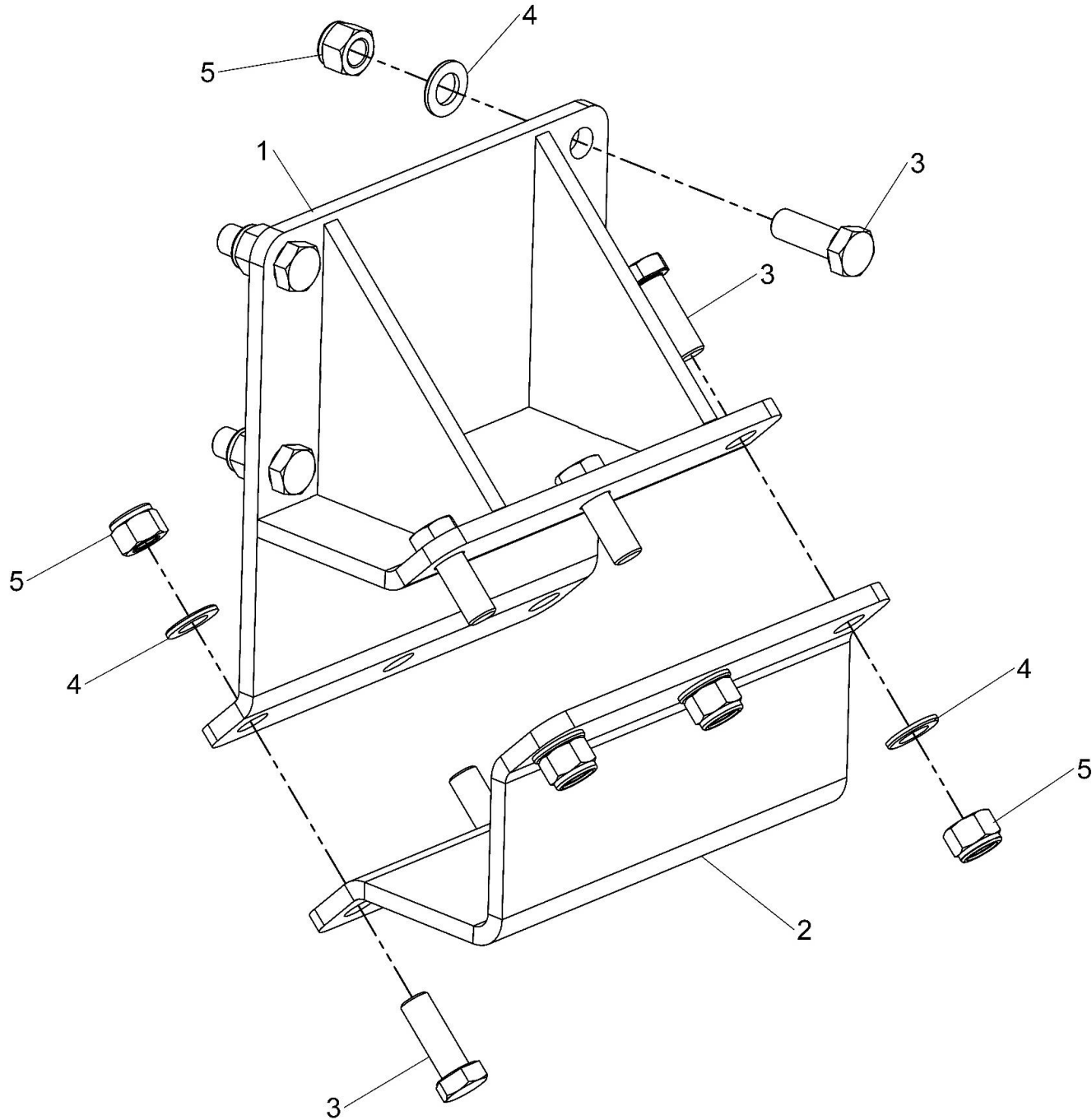
Shelbourne Reynolds Engineering Limited



KIT-08118
KIT-08121

Shelbourne Reynolds Engineering Limited

ASSY NUMBER: KIT-08131				ASSY DESCRIPTION: HEAD BRACKET KIT (100x100mm BOX)			
ITEM	PART NO	DESCRIPTION	QTY	ITEM	PART NO	DESCRIPTION	QTY
1	801141 01	BRACKET W/A	1				
2	801145 01	BOLTED PLATE	1				
3	HSS-0317	HEX HEAD BOLT	10				
4	WSH-0024	PLAIN WASHER	10				
5	NUT-0271	NYLOC NUT	10				



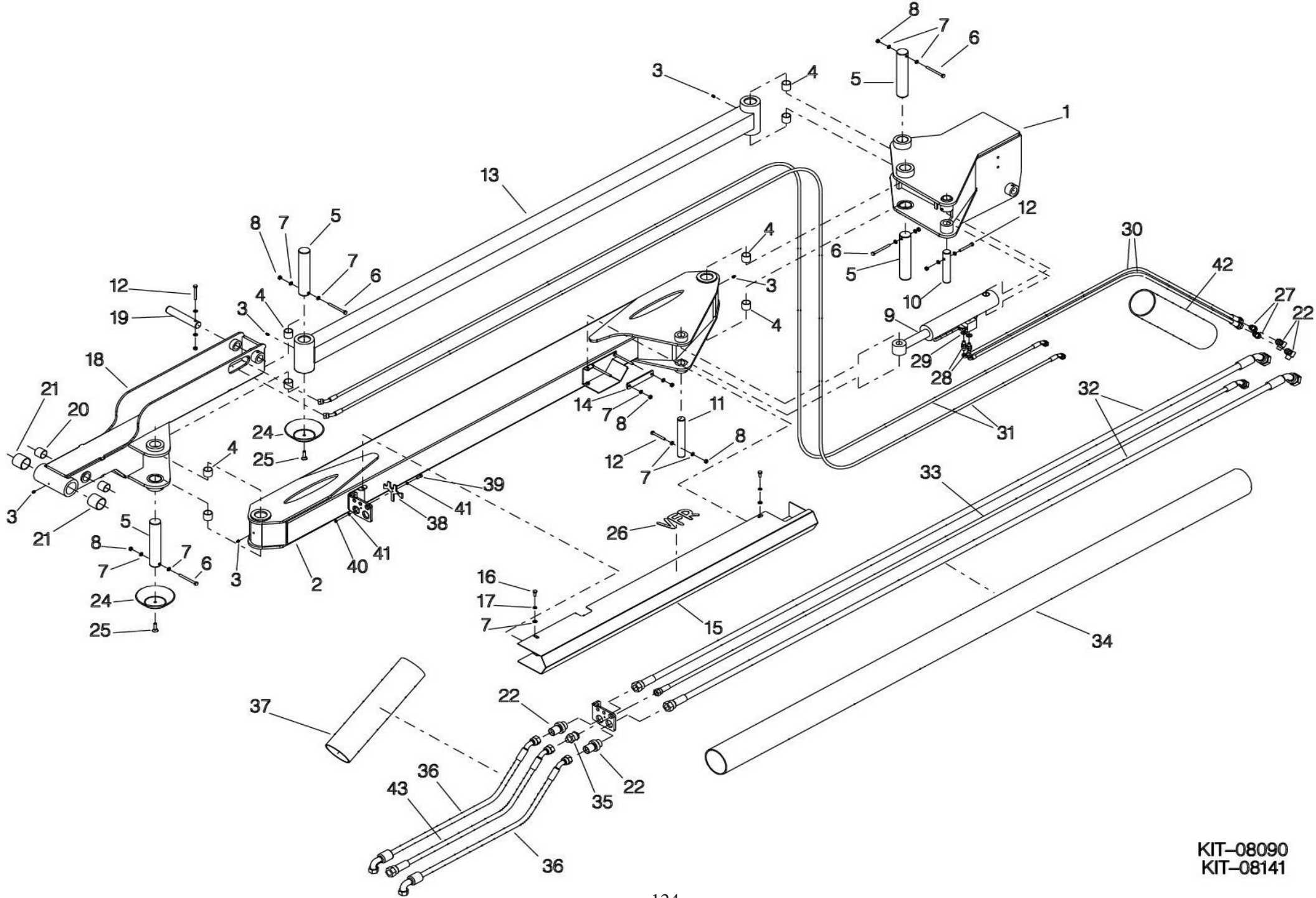
KIT-08131



Shelbourne Reynolds Engineering Limited

ASSY NUMBER: KIT-08141				ASSY DESCRIPTION: 6.7m VFR OUTER BOOMS			
ITEM	PART NO	DESCRIPTION	QTY	ITEM	PART NO	DESCRIPTION	QTY
1	801188 01	TOP 'VFR' OUTER BOOM	1	38	801238 01	BULKHEAD RETAINER	1
2	802433 01	MIDDLE 'VFR' OUTER BOOM	1	39	SCW-0086	CAP HEAD SCREW	1
3	NIP-00600	GREASE NIPPLE	5	40	NUT-0260	NYLOC NUT	1
4	BSHA04562	BUSH	8	41	WSH-0009	WASHER	2
5	800102 13	PIN	4	42	HHS-05005	HOSE SLEAVING	1.0m
6	BLTA08530	BOLT	4	43	HHDF19105	HYD.HOSE	1
7	WSH-0012	WASHER	16				
8	NUT-0263	NUT	9				
9	801210 01	'VFR' CYLINDER	1				
9a	RMSK00370	SEAL KIT					
10	800987 06	PIN	1				
11	800987 07	PIN	1				
12	BLTA06410	BOLT	3				
13	802431 01	'VFR' TIE ARM	1				
14	801196 01	CLAMP PLATE	1				
15	802442 01	HOSE GUARD	1				
16	HSS-0140	SETSCREW	4				
17	WSH-0058	SPRING WASHER	4				
18	801205 01	BOTTOM 'VFR' OUTER BOOM	1				
19	800987 08	PIN	1				
20	BSH-3030	BUSH	2				
21	BSHA05062	BUSH	2				
22	HAGAA1313	BULKHEAD	2				
23	HALAA0303	ELBOW	2				
24	800912 01	DISC	2				
25	SCEA08083	CSK.HEAD SCREW	2				
26	802567 09	TRANSFER (HD767VFR) 2012 & ON	2				
OR	801403 07	TRANSFER (HD62VFR) UPTO MID2012					
27	190859 01	ADAPTOR	2				
28	HMA-0052	ADAPTER	2				
29	WSH-1005	DOWTY WASHER	4				
30	HHCC42805	HOSE	2				
31	HHMC41305	HOSE	2				
32	HHDI33005	HOSE	2				
33	HHDF33905	HOSE	1				
34	HHS-05010	HOSE SLEAVING - BOOMS	2.0m				
35	HAGAA0707	BULKHEAD	1				
36	HHKI09405	HOSE	2				
37	HHS-05010	HOSE SLEAVING - HEAD	1.0m				

Shelbourne Reynolds Engineering Limited

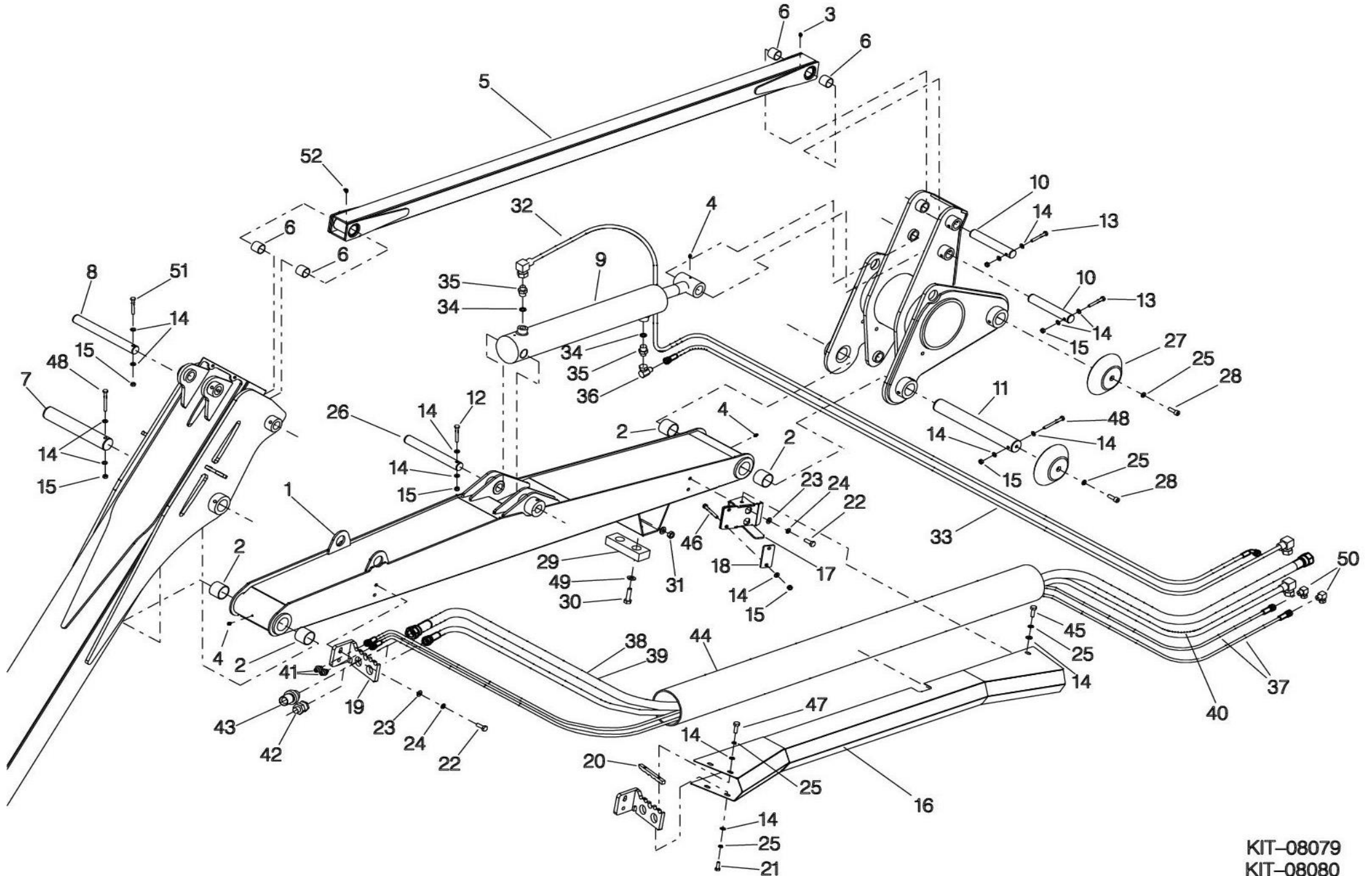


KIT-08090
KIT-08141

Shelbourne Reynolds Engineering Limited

ASSY NUMBER: KIT-08142				ASSY DESCRIPTION: 6.7m INNER BOOM			
ITEM	PART NO	DESCRIPTION	QTY	ITEM	PART NO	DESCRIPTION	QTY
1	802435 01	INNER BOOM 6.7M	1	35	HMA-0065	ADAPTER	2
2	BSHA04562	BUSH	4	36	HALAA0505	ADAPTER	1
3	NIP-00600	GREASE NIPPLE	1	37	HHAC32005	HOSE (LH ARM)	2
4	NIP-00605	GREASE NIPPLE	3	38	HHAI29705	HOSE	1
5	802438 01	TIE ARM	1	39	HHAI30105	HOSE	1
6	BSH-3030	BUSH	4	40	HHBF39605	HOSE	1
7	801406 01	PIN OUTER BOOM	1	41	HBK-0010	BULKHEAD	2
8	800987 17	PIN (NO GREASER) (2012 ON)	1	42	HAGAA0707	BULKHEAD	1
OR	800987 02	PIN WITH GREASER(2009-12)		43	HAGAA1313	BULKHEAD	2
9	801303 01	CYLINDER REACH, 50mm ROD	1	44	HHS-05010	HOSE SLEEVING	1.5m
9A	RMSK00340	SEAL KIT	1	45	HSS-0140	BOLT	2
10	800987 18	PIN (NO GREASER) (2012-ON)	2	46	BLTA08620	BOLT	2
OR	800987 03	PIN WITH GREASER(2009-12)		47	HSS-0150	BOLT	2
11	800102 12	PIN ROCKER PIVOT	1	48	BLTA08530	BOLT	2
12	BLTA08500	BOLT	1	49	WSH-0018	WASHER	4
13	BLTA08380	BOLT	2	50	HALAA0303	M/F ADAPTER	2
14	WSH-0012	PLAIN WASHER	24	51	BLTA08410	BOLT	1
15	NUT-0263	NYLOC NUT	8	52	NIP-00610	GREASE NIPPLE	1
16	802440 01	INNER BOOM HOSE COVER	1				
17	801043 01	SUPPORT BRACKET LH(LH ARM)	1				
OR	801043 02	SUPPORT BRACKET RH(RH ARM)	1				
18	801047 01	CLAMP PLATE	1				
19	800997 01	HOSE JOIN.BRKT.LH(LH ARM)	1				
OR	800997 02	HOSE JOIN.BRKT.RH(RH ARM)	1				
20	800998 01	CLAMP PLATE	1				
21	HSS-0135	BOLT	2				
22	HSS-0198	BOLT	4				
23	WSH-0015	PLAIN WASHER	4				
24	WSH-0061	SPRING WASHER	4				
25	WSH-0058	SPRING WASHER	8				
26	800101 01	PIN REACH RAM ROD	1				
27	800912 01	DISK	2				
28	SCBA08112	BUTTON HEAD SCREW	2				
29	801367 02	RUBBER BUFFER	1				
30	BLTA12290	BOLT	2				
31	NUT-0269	NYLOC NUT	2				
32	HHME23205	HOSE	1				
33	HHDE23205	HOSE	1				
34	WSH-1015	BONDED SEAL	2				

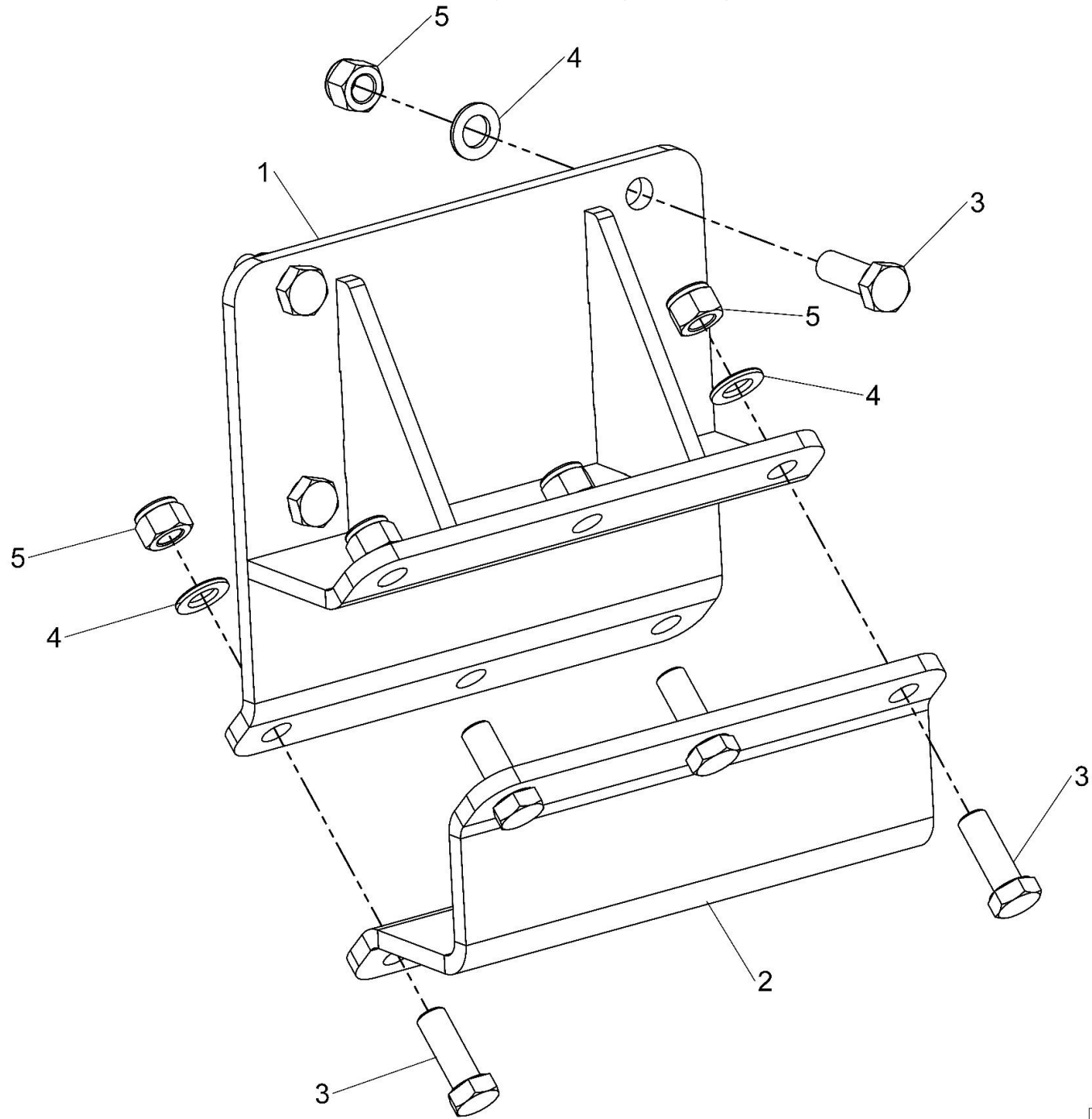
Shelbourne Reynolds Engineering Limited



KIT-08079
KIT-08080
KIT-08142

Shelbourne Reynolds Engineering Limited

ASSY NUMBER: KIT-08156				ASSY DESCRIPTION: HEAD BRACKET KIT (80x80mm BOX)			
ITEM	PART NO	DESCRIPTION	QTY	ITEM	PART NO	DESCRIPTION	QTY
1	802693 01	BRACKET W/A	1				
2	802692 01	BOLTED PLATE	1				
3	HSS-0317	SET SCREW	10				
4	WSH-0024	PLAIN WASHER FORM A	10				
5	NUT-0271	NYLOC NUT	10				



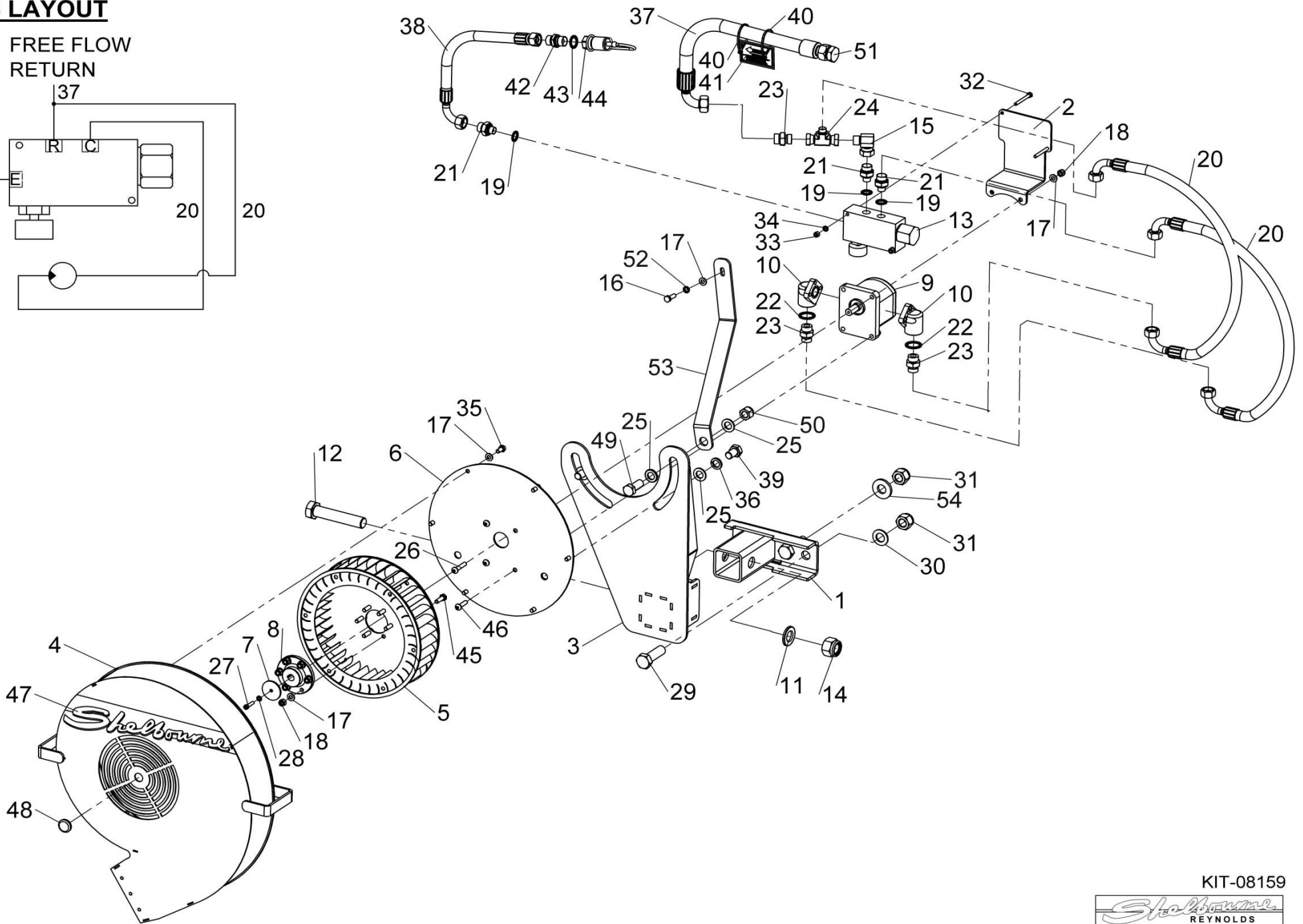
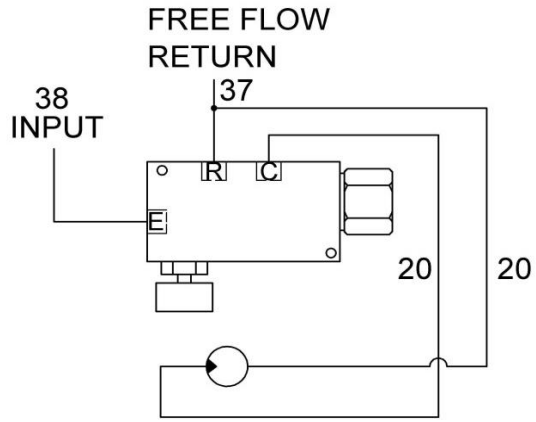
KIT-08156



Shelbourne Reynolds Engineering Limited

ASSY NUMBER: KIT-08159				ASSY DESCRIPTION: TRIMMER BLOWER KIT			
ITEM	PART NO	DESCRIPTION	QTY	ITEM	PART NO	DESCRIPTION	QTY
1	802762 01	LIGHTING BOARD MT W/A	1	41	612230 01	HYD RETURN LABEL	1
2	802755 01	FAN HYD VALVE MT	1	42	HMA-0067	M/M ADAPTER	1
3	802758 01	DEBRIS BLOWER PIVOTING MT W/A	1	43	WSH-1015	WASHER	1
4	802607 01	FAN HOUSING W/A	1	44	COU-0162	QUICK RELEASE COUPLING	1
5	802778 01	IMPELLER W/A	1	45	SCBA08172	BUTT SCREW	6
6	803109 01	MOTOR MTG PLT W/A	1	46	SCBA08202	BUTT SCREW	2
7	802779 01	TOP WASHER IMPELLER	1	47	802699 01	TRANSFER	1
8	803107 01	CENTRE HUB	1	48	BPG-00200	PLASTIC PLUG	1
9	MOTH00800	BI-DIRECTIONAL HYD MOTOR	1	49	HSS-0316	SETSCREW	1
10	PUM900430	FLANGE	2	50	NUT-0271	NUT	1
11	WSH-0036	PLAIN WASHER	1	51	FITC00311	HYD. BLANKING PLUG	1
12	HSSA24620	HEX HD SCREW	1	52	WSH-0058	WASHER	1
13	HVB-22115	FLOW CONTROL VALVE	1	53	803205 01	SUPPORT BRKT	1
14	NUT-0275	NYLOC NUT	1	54	190119 47	WASHER	1
15	HALAA0707	90 HYD ELBOW	1				
16	HSS-0145	HEX HD SCREW	1				
17	WSH-0012	PLAIN WASHER	17				
18	NUT-0263	NYLOC NUT	10				
19	WSH-1010	DOWTY WASHER	3				
20	HHEF07005	HYD HOSE ASSY	2				
21	HMA-0065	M/M ADAPTER	3				
22	WSH-1020	DOWTY WASHER	2				
23	HMA-0060	M/M ADAPTER	3				
24	FITA11407	TEE FIT F/F/M	1				
25	WSH-0024	PLAIN WASHER	4				
26	SCBA08260	BUTT SCREW	2				
27	SCW-0083	CAP HEAD SCW	1				
28	WSH-0056	SPRING WASHER	1				
29	HSSA20410	HEX HD SETSCREW	2				
30	WSH-0030	PLAIN WASHER	3				
31	NUTA02200	NYLOC NUT	2				
32	BLTA06350	HEX HD BOLT	2				
33	NUT-0260	NYLOC NUT	2				
34	WSH-0009	PLAIN WASHER	2				
35	HSS-0135	HEX HD BOLT	6				
36	WSH-0070	SPRING WASHER	2				
37	HHBH26805	HYD HOSE ASSY	1				
38	HHBF27505	HYD HOSE ASSY	1				
39	HSS-0312	HEX HD SETSCREW	2				
40	TIE-0004	TIE WRAPS	2				

ITEM 13 LAYOUT

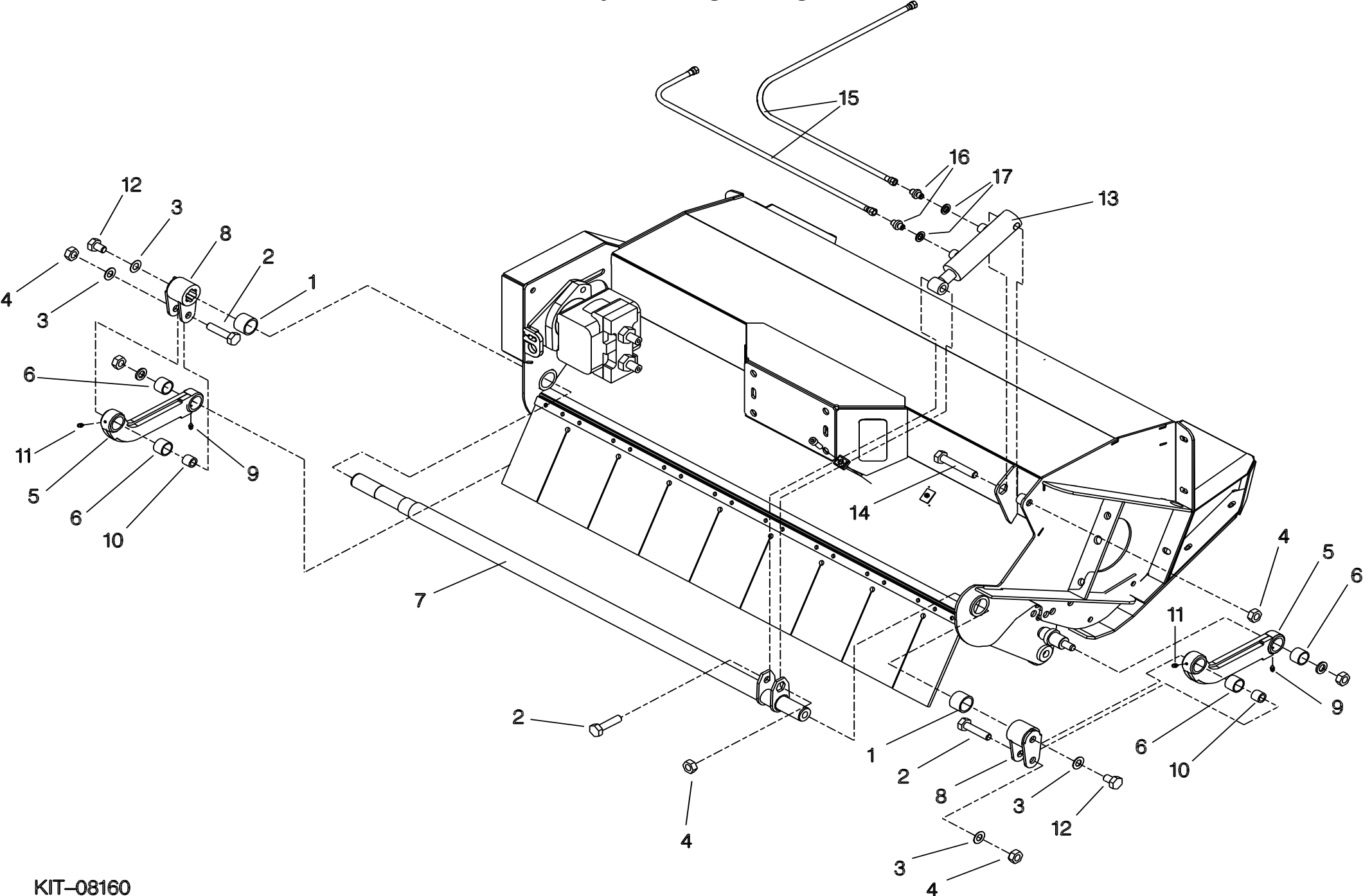


KIT-08159



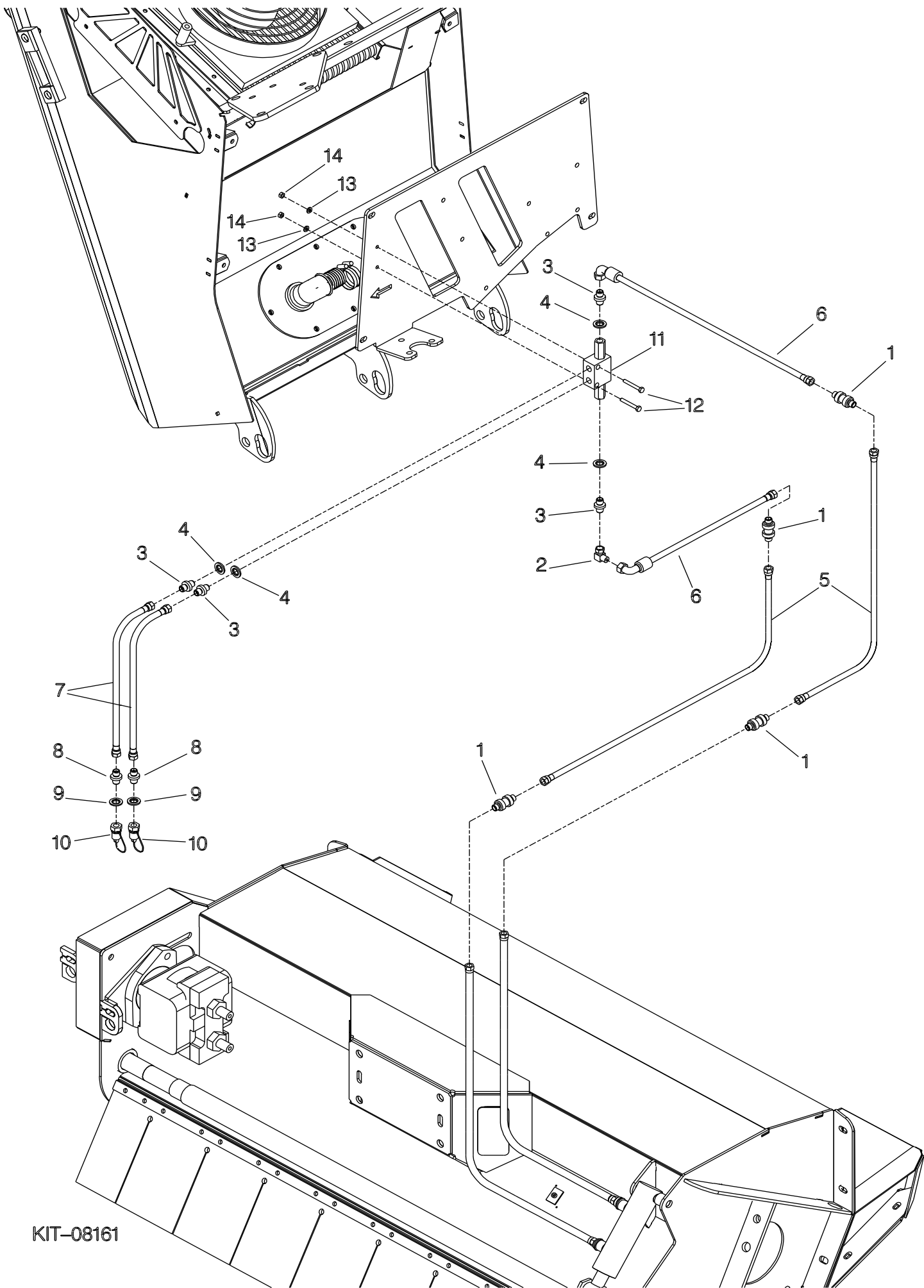
Shelbourne Reynolds Engineering Limited

ASSY NUMBER:		KIT-08160		ASSY DESCRIPTION:		ADJUSTABLE ROLLER	
ITEM	PART NO	DESCRIPTION	QTY	ITEM	PART NO	DESCRIPTION	QTY
1	801973 01	BUSH	2				
2	800458 02	BOLT	3				
3	WSHA30161	WASHER	4				
4	NUTA15162	STOVERNUT	4				
5	801935 01	LINK ARM	2				
6	BSH-3030	BUSH	4				
7	801972 01	SHAFT (1.2m LH DRIVE HEAD)	1		KIT-08160A		
OR	801926 01	SHAFT (1.2m RH DRIVE HEAD)	1		KIT-08160B		
OR	801972 02	SHAFT (1.5m LH DRIVE HEAD)	1		KIT-08160C		
OR	801926 02	SHAFT (1.5m RH DRIVE HEAD)	1		KIT-08160D		
8	801930 01	ARM	2				
9	NIP-00600	GREASE NIPPLE	2				
10	801940 01	WEAR BUSH	2				
11	NIP-00610	GREASE NIPPLE	2				
12	HSS-0312	SETSCREW	2				
13	800875 01	CYLINDER	1				
13A	RMSK00360	SEAL KIT (SPARES) CHANGED 2008 RAM S/N 129676 & ON	-				
OR	RMSK00230	SEAL KIT (SPARES) CHANGED 2008 UPTO RAM S/N 129676	-				
14	BLT-2320	BOLT	1				
15	HHAC20005	HOSE 1.2m LH DRIVE HEAD	2				
OR	HHAC21505	HOSE 1.5m LH & RH DRIVE 1.2Mt HEAD	2				
OR	HHAC23005	HOSE RH DRIVE 1.5m HEAD	2				
16	HMA-0052	ADAPTOR	2				
17	WSH-1005	BONDED SEAL	2				



Shelbourne Reynolds Engineering Limited

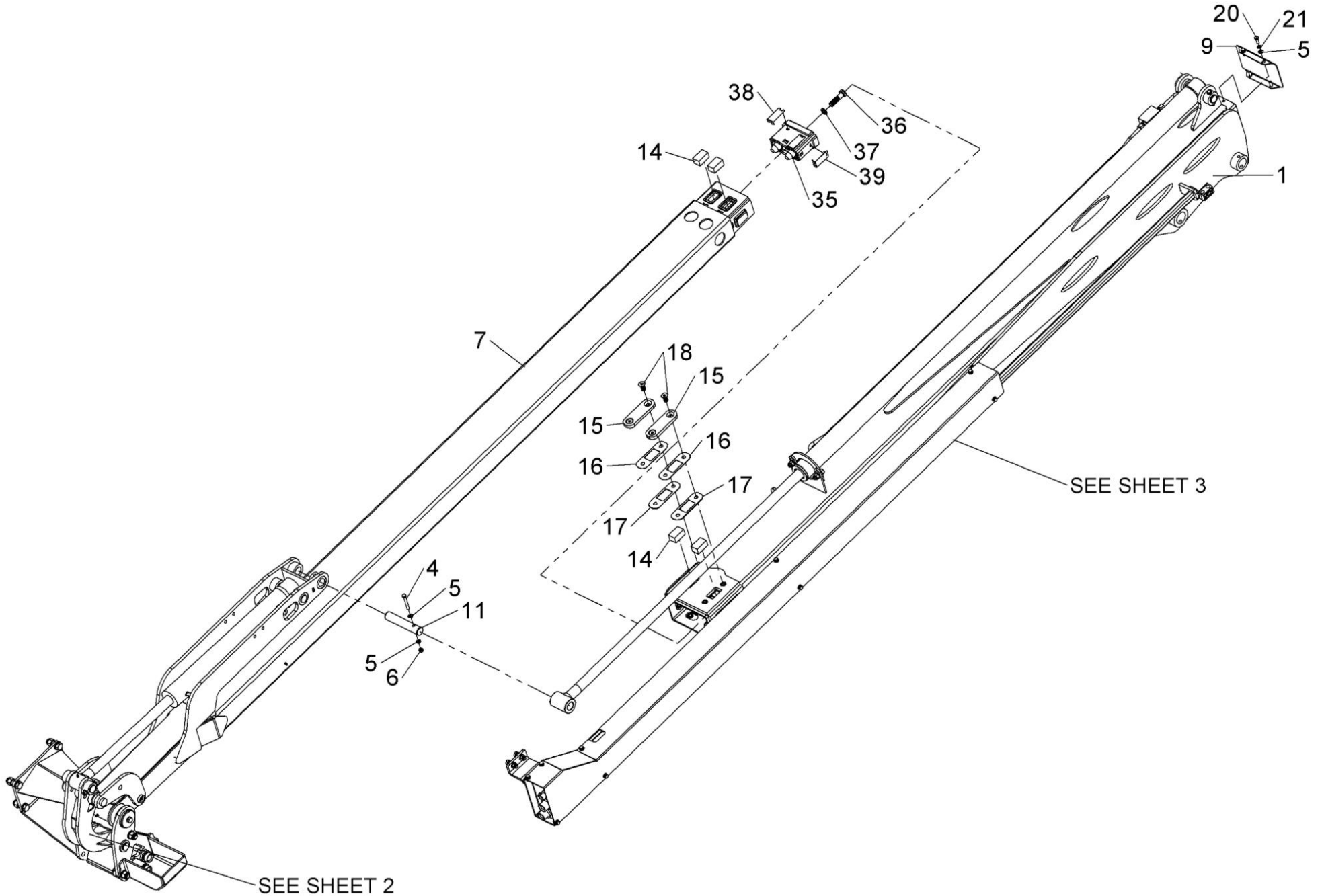
ASSY NUMBER: KIT-08161				ASSY DESCRIPTION: HYDRAULICS FOR ADJUSTABLE ROLLER			
ITEM	PART NO	DESCRIPTION	QTY	ITEM	PART NO	DESCRIPTION	QTY
1	HBK-0010	BULKHEAD	4				
2	HALAA0303	ELBOW FITTING	1				
3	HMA-0052	ADAPTOR	4				
4	WSH-1005	BONDED SEAL	4		KIT-08161A	FOR HD60T	
5	HHDC31505	HOSE HD60T & HD62VFR	2		KIT-08161B	FOR HD70T	
OR	HHDC37805	HOSE HD70T OUTER	2		KIT-08161C	FOT HD55 & HD62VFR	
OR	HHDC22005	HOSE 656 OUTER	2		KIT-08161D	FOR HD67VFR	
OR	HHDC34505	HOSE HD67VFR OUTER	2		KIT-08161E	FOR HD780T	
OR	HHDC46405	HOSE HD780T OUTER	2		KIT-08161F	FOR 656	
6	HHCC29005	HOSE HD60T INNER	2		KIT-08161G	FOR 660T	
OR	HHCC32705	HOSE HD70T/62VFR IN	2				
OR	HHCC35605	HOSE HD67VFR INNER	2				
OR	HHCC34105	HOSE 656	1				
OR	HHCC35305	HOSE 656 INNER	1				
OR	HHCC30205	HOSE INNER 660T	1				
OR	HHCC31705	HOSE INNER 660T	1				
7	HHAC12905	HOSE	2				
8	HMA-0055	ADAPTOR	2				
9	WSH-1015	BONDED DEAL	2				
10	COU-0162	QUICK REL COUP	2				
11	HVB-27000	VALVE DOUBLE PO CHECK	1				
12	SCW-0098	SETSCREW	2				
13	WSH-0009	PLAIN WASHER	4				
14	NUT-0260	NYLOC NUT	2				

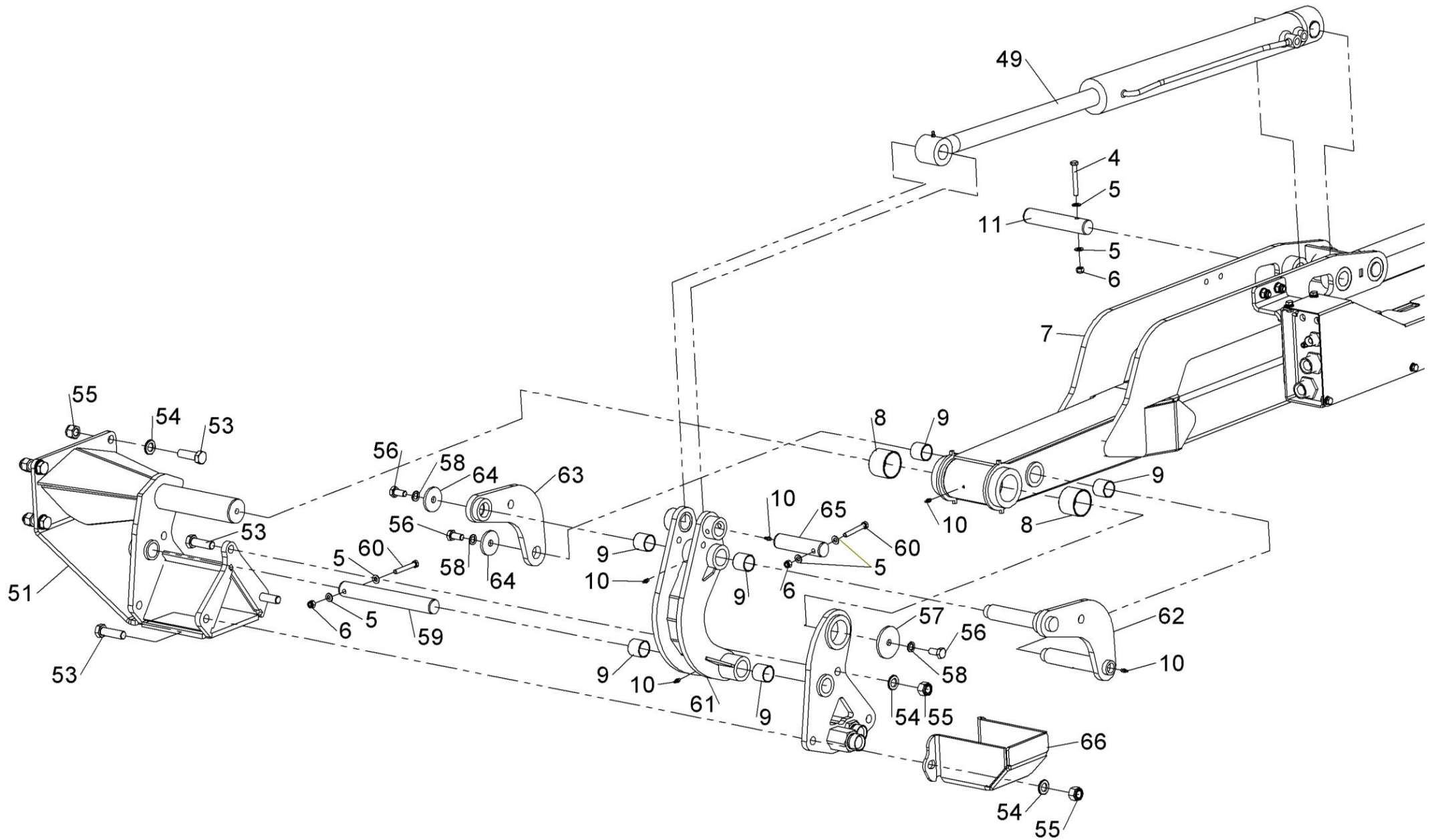


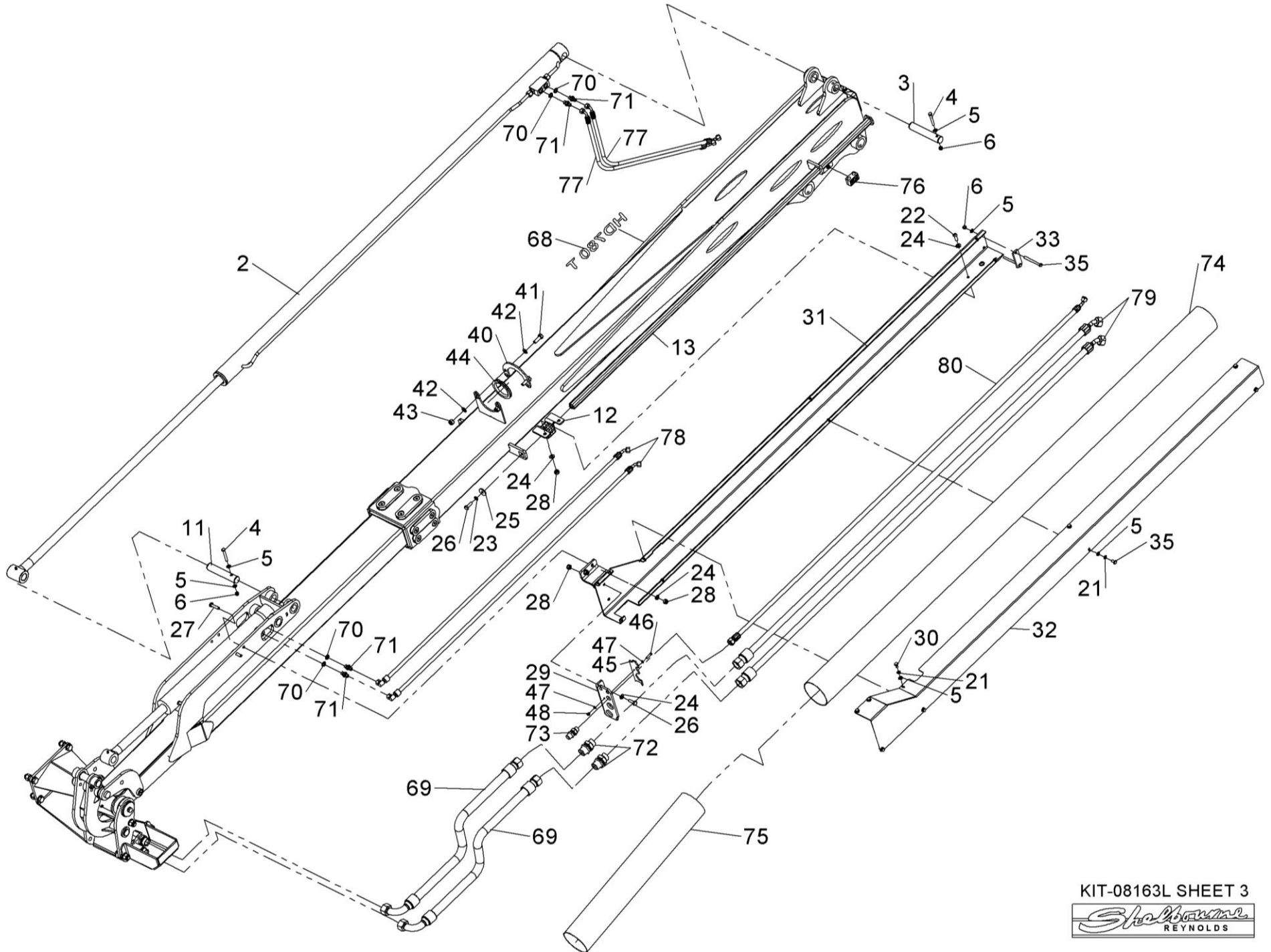
KIT-08161

Shelbourne Reynolds Engineering Limited

ASSY NUMBER: KIT-08163L				ASSY DESCRIPTION: 8.0m TELE OUTER BOOM			
ITEM	PART NO	DESCRIPTION	QTY	ITEM	PART NO	DESCRIPTION	QTY
1	802814 01	TELE BOOM - MC SIDE	1	41	HSS-0241	SETSCREW	2
2	802813 01	TELE CYLINDER	1	42	WSH-0018	WASHER	4
3	800987 08	PIN - OUTER BOOM	1	43	NUT-0269	NUT	2
4	BLTA08410	BOLT	3	44	EDS-11400	EDGE STRIP	0.2m
5	WSH-0012	WASHER	25	45	802864 01	BULKHEAD RETAINER	1
6	NUT-0263	NUT	7	46	SCW-0086	CP HD SCREW	1
7	802819 01	TELE BOOM - HEAD SIDE	1	47	WSH-0009	WASHER	2
8	802852 03	OILON BUSH	2	48	NUT-0260	NUT	1
9	802852 04	OILON BUSH	6	49	801236 01	CYLINDER - HEAD ANGLE	1
10	NIP-00600	GREASE NIPPLE	5	50	HSS-0317	SETSCREW	4
11	800101 25	PIN - TELE CYLINDER ROD	2	51	801050 01	PIVOT SHOE LH	1
12	801459 01	SLIDING BOSS	1	52	800086 02	RADIUS PLATE	1
13	800994 07	SLIDE SHAFT 8m	1	53	HSS-0319	SETSCREW	2
14	800267 01	WEAR PAD	14	54	WSH-0024	WASHER	11
15	801461 01	BACKING PLATE	8	55	NUT-0271	NUT	7
16	800988 02	SHIM (1mm)	8	56	HSS-0235	SETSCREW	3
17	800988 03	SHIM (2mm)	8	57	190119 56	WASHER	1
18	SCW-1950	CSK SCREW	16	58	WSH-0065	WASHER	3
19	800989 01	COVER PLATE	1	59	800101 01	PIN - HEAD ANGLING	1
20	HSS-0145	SETSCREW	4	60	BLTA08380	BOLT	2
21	WSH-0058	WASHER	13	61	800090 01	2 ND CURVED LINK	1
22	SCW-0516	BUTT HD SCREW	2	62	800097 01	1 ST CURVED LINK ASSY	1
23	WSH-0061	WASHER	1	63	800098 01	1 ST CURVED PLATE ASSY	1
24	WSH-0015	WASHER	10	64	190119 15	WASHER	2
25	190119 09	WASHER	1	65	800101 03	PIN - HEAD ANGLE ROD END	1
26	HSS-0194	SETSCREW	3	66	800491 01	REAR PROTECTOR	1
27	HSS-0202	SETSCREW	2	67	HSS-0318	SETSCREW	1
28	NUT-0265	NUT	6	68	802567 10	EMBLEM (HD780T)	2
29	802862 01	HOSE BRACKET LH	1	69	HHBI09405	HYD HOSE	2
30	HSS-0135	SETSCREW	9	70	WSH-1005	DOWTY WASHER	4
31	802821 01	HOSE COVER INNER LH	1	71	HMA-0052	ADAPTOR	4
32	802824 01	HOSE COVER OUTER LH	1	72	HAGAA1313	BULKHEAD	2
33	801002 01	CLAMP PLATE	1	73	HAGAA0707	BULKHEAD	1
34	BLTA08530	BOLT	2	74	HHS-05010	HYDRAULIC HOSE SLEEVING	2.5m
35	801090 01	WEAR PAD RETAINER	1	75	HHS-05010	HYDRAULIC HOSE SLEEVING	1m
36	BLT-2312	BOLT	1	76	HCPD01400	HYDRAULIC PIPE CLAMP	1
37	WSH-0070	WASHER	1	77	HHKC42505	HYD HOSE	2
38	801093 01	WEAR PAD SHIM (1.2mm)	6	78	HHHC47005	HYD HOSE	2
39	801093 02	WEAR PAD SHIM (2mm)	6	79	HHDI44905	HYD HOSE	2
40	802843 01	CYLINDER BODY SUPPORT	1	80	HHDF45905	HYD HOSE	1

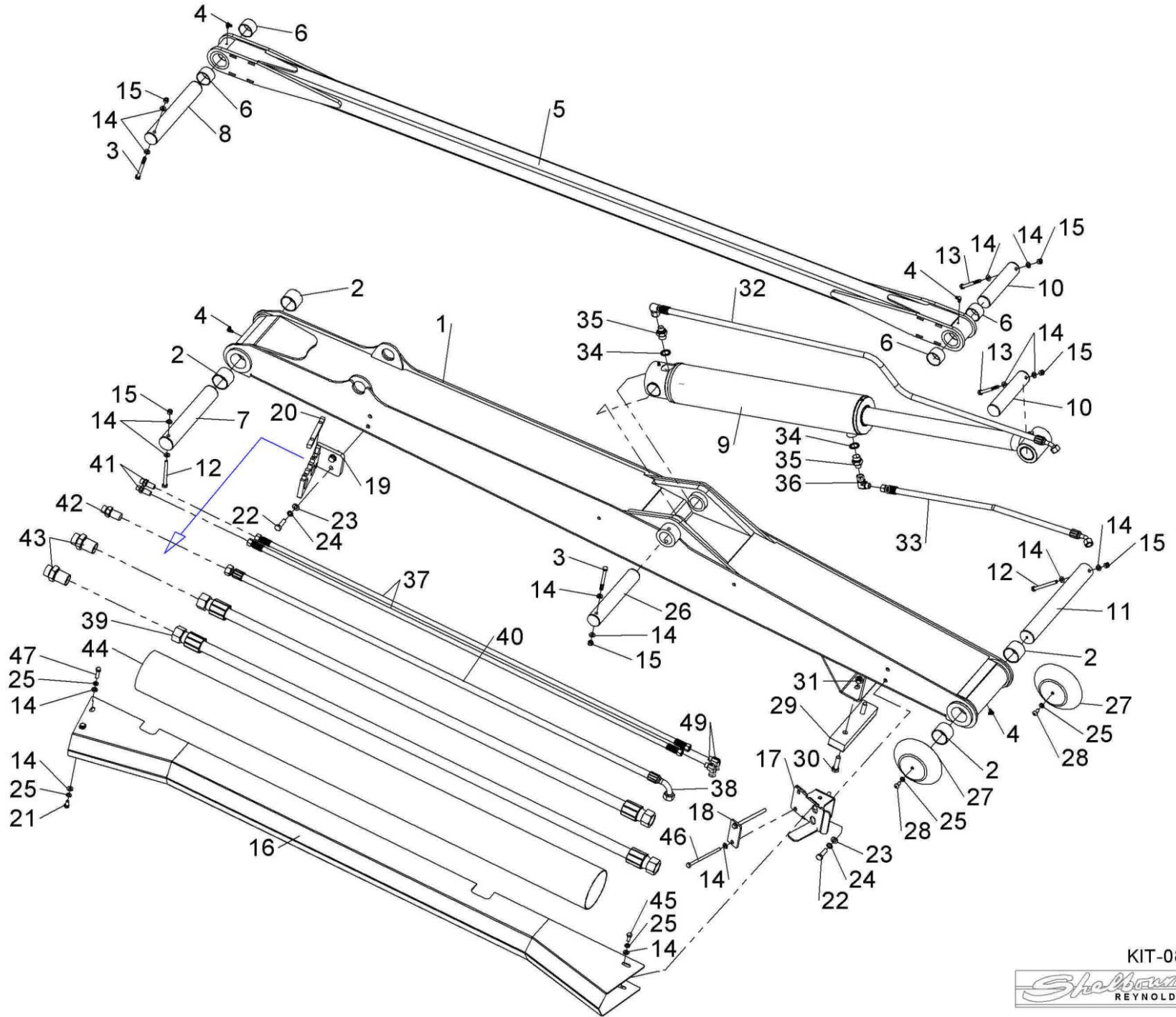






Shelbourne Reynolds Engineering Limited

ASSY NUMBER: KIT-08164				ASSY DESCRIPTION: 8.0Mt INNER BOOM			
ITEM	PART NO	DESCRIPTION	QTY	ITEM	PART NO	DESCRIPTION	QTY
1	802841 01	INNER BOOM W/A	1	37	HHAC32005	HOSE (LH ARM)	2
2	802852 02	BUSH	4	OR	HHAC38305	HOSE (RH ARM)	-
3	BLTA08500	BOLT	2	38	HHAI29705	HOSE	1
4	NIP-00605	GREASE NIPPLE	4	39	HHAI30105	HOSE	1
5	802840 01	TIE ARM 6.7/8Mt	1	40	HHBF39605	HOSE	1
6	802852 01	BUSH	4	41	HBK-0010	BULKHEAD	2
7	801406 01	PIN OUTER BOOM	1	42	HAGAA0707	BULKHEAD	1
8	802839 03	PIN	1	43	HAGAA1313	BULKHEAD	2
9	802812 01	CYLINDER REACH	1	44	HHS-05010	HOSE SLEEVING	1.5m
10	802839 01	PIN	2	45	HSS-0140	BOLT	2
11	800102 12	PIN ROCKER PIVOT	1	46	BLTA08620	BOLT	2
12	BLTA08530	BOLT	2	47	HSS-0150	BOLT	2
13	BLTA08440	BOLT	2	48	WSH-0018	WASHER	4
14	WSH-0012	PLAIN WASHER	18	49	HALAA0303	ADAPTER M/F	2
15	NUT-0263	NYLOC NUT	8				
16	802440 01	INNER BOOM HOSE COVER	1				
17	801043 01	SUPPORT BRACKET LH (LH ARM)	1				
OR	801043 02	SUPPORT BRACKET RH (RH ARM)	-				
18	801047 01	CLAMP PLATE	1				
19	800997 01	HOSE JOIN.BKT.LH (LH ARM)	1				
OR	800997 02	HOSE JOIN.BKT.RH (RH ARM)	-				
20	800998 01	CLAMP PLATE	1				
21	HSS-0135	BOLT	2				
22	HSS-0198	BOLT	4				
23	WSH-0015	PLAIN WASHER	4				
24	WSH-0061	SPRING WASHER	4				
25	WSH-0058	SPRING WASHER	8				
26	802839 04	PIN REACH	1				
27	800912 01	DISK	2				
28	SCBA08112	BUTTON HD SCREW	2				
29	801367 02	RUBBER BUFFER	1				
30	BLTA12290	BOLT	2				
31	NUT-0170	NYLOC NUT	2				
32	HHME23205	HOSE (LH ARM)	1				
OR	HHCE29205	HOSE (RH ARM)	-				
33	HHDE23205	HOSE (LH ARM)	1				
OR	HHAE29205	HOSE (RH ARM)	-				
34	WSH-1015	BONDED SEAL	2				
35	HMA-0065	ADAPTER	2				
36	HALAA0505	ADAPTER	1				

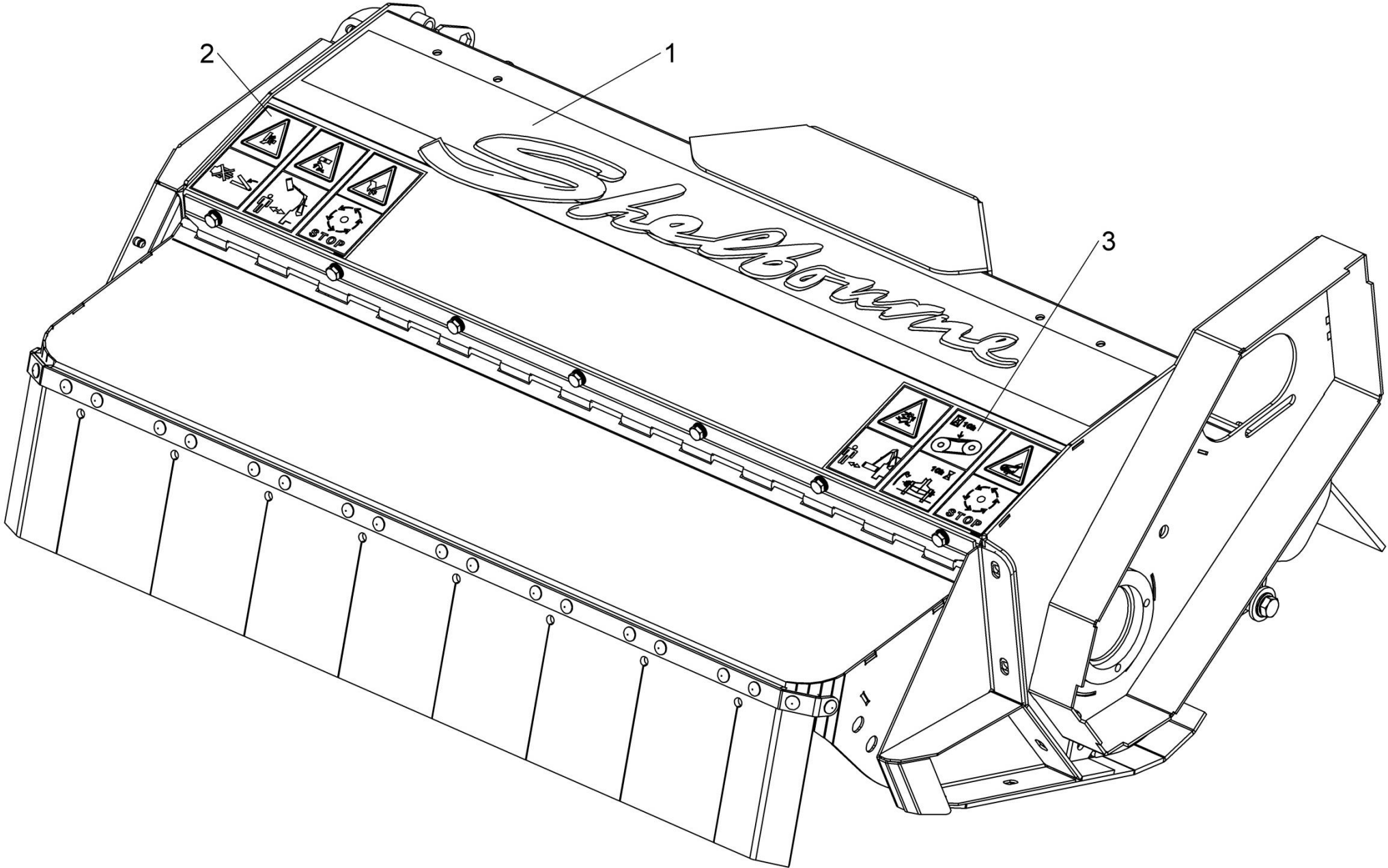


KIT-08164



Shelbourne Reynolds Engineering Limited

ASSY NUMBER: KIT-08165				ASSY DESCRIPTION: HEAD TRANSFER KIT			
ITEM	PART NO	DESCRIPTION	QTY	ITEM	PART NO	DESCRIPTION	QTY
1	260228 01	TRANSFER - SHELBOURNE (BLUE)	1				
OR	198764 01	TRANSFER - SHELBOURNE (GREY)	-				
2	805600 01	MULTI-TRANSFER 2019 & ON	1				
OR	800215 01	TRANSFER (CRUSH DANG) UPTO 2019	1				
OR	800217 01	TRANSFER (SAFE DIST) UPTO 2019	1				
OR	800222 01	TRANSFER (STOP) UPTO 2019	1				
3	805601 01	MULTI-TRANSFER 2019 & ON	1				
OR	800214 01	TRANSFER (FLY OBJ) UPTO 2019	1				
OR	800213 01	TRANSFER (BELT/BOLTS) UPTO 2019	1				
OR	800218 01	TRANSFER (STOP) UPTO 2019	1				
					KIT-08165	HEAD TRANSFER KIT - BLUE	
					KIT-08165G	HEAD TRANSFER KIT - GREY	

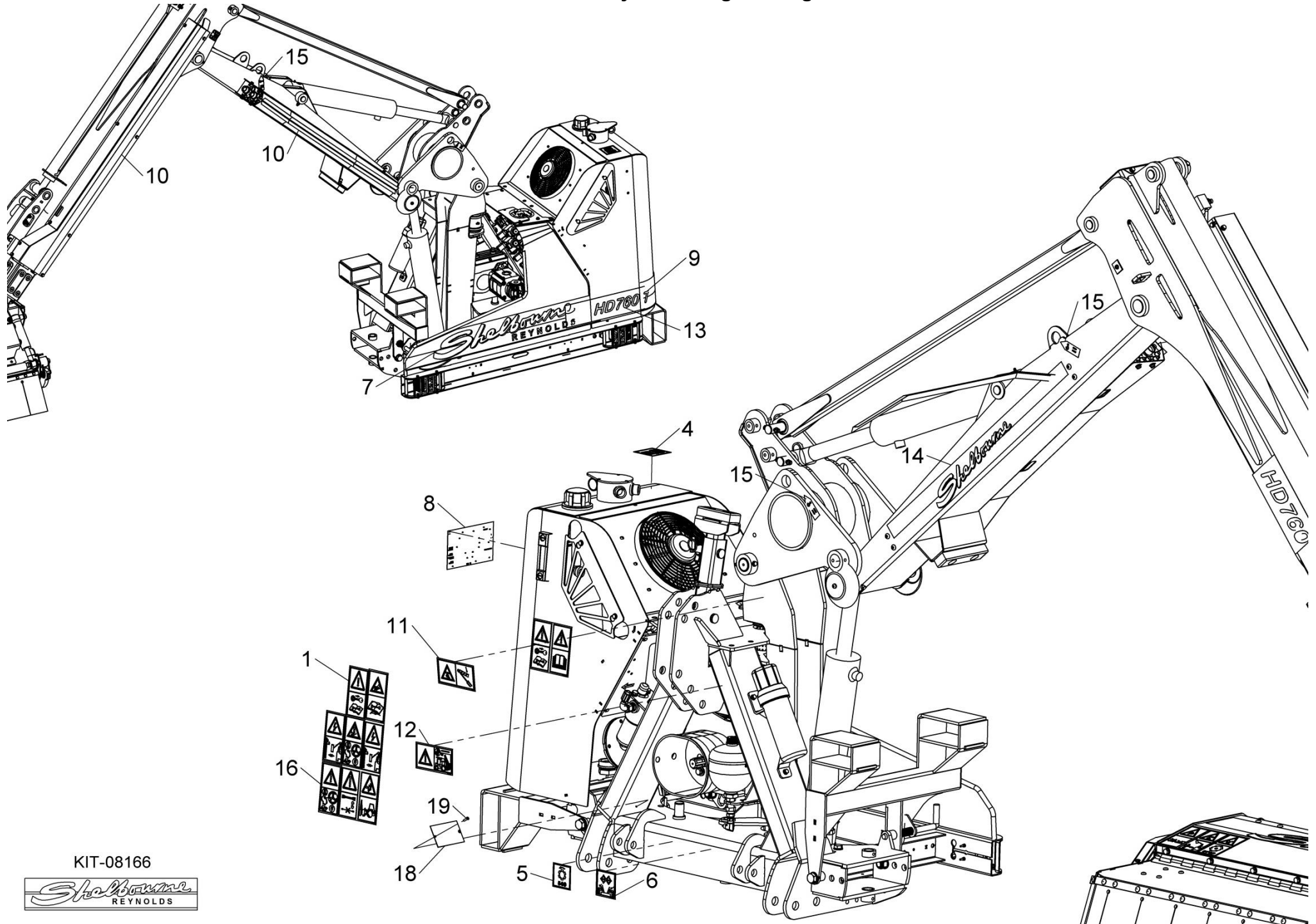


KIT-08165



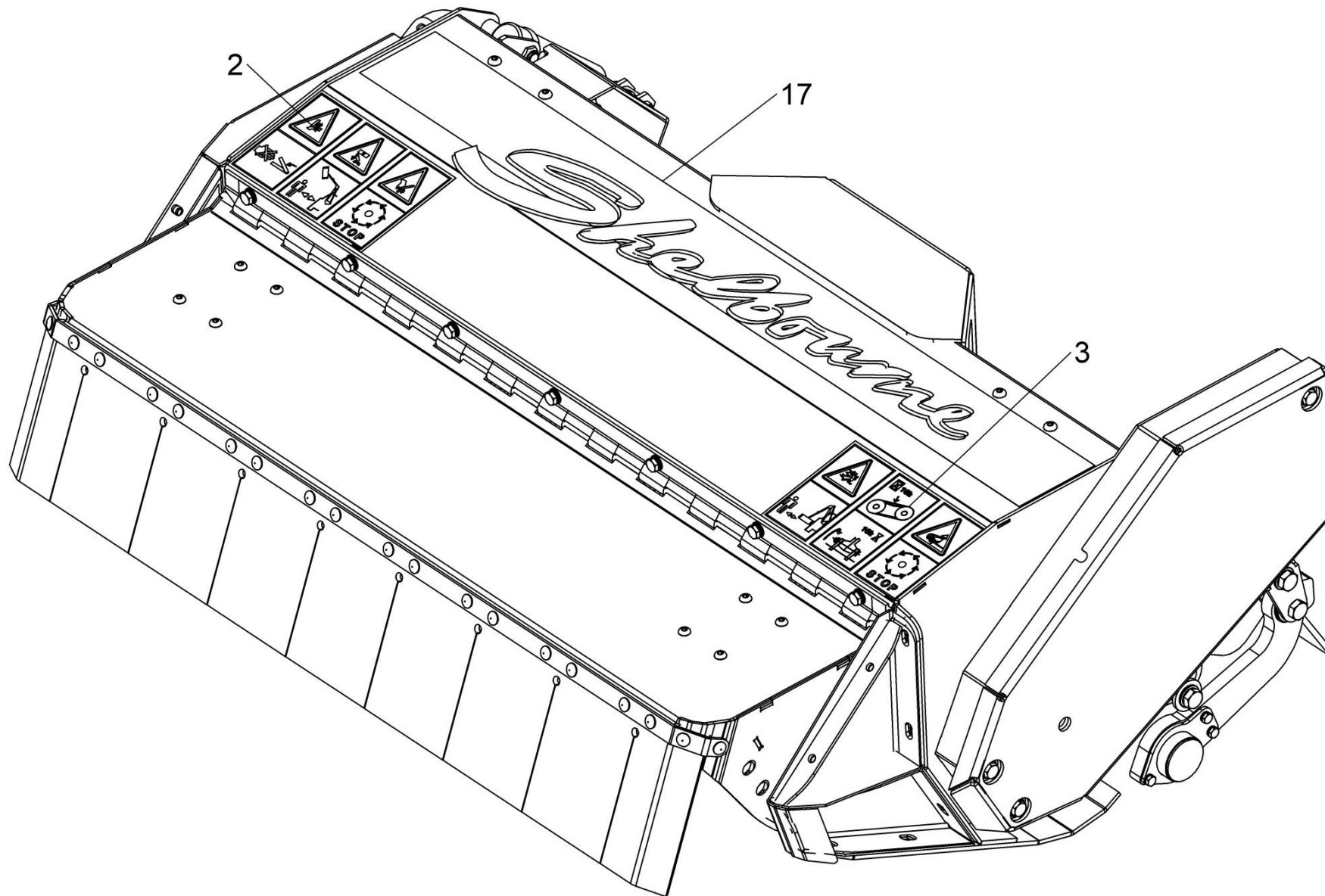
Shelbourne Reynolds Engineering Limited

ASSY NUMBER: KIT-08166				ASSY DESCRIPTION: TRANSFERS - BLUE			
ITEM	PART NO	DESCRIPTION	QTY	ITEM	PART NO	DESCRIPTION	QTY
1	805599 01	MULTI-TRANSFER 2019 & ON	1				
OR	TNF-0011	TRANSFER BLOCK UPTO 2019	1				
OR	800221 01	TRANSFER (MANUAL/OIL) UPTO 2019	1				
OR	800220 01	TRANSFER (VOLT HZD) UPTO 2019	1				
OR	193391 01	TRANSFER (PTO GUARD) UPTO 2019	1				
OR	800219 01	TRANSFER (COUPLING) UPTO 2019	1				
2	805600 01		1				
OR	800215 01	TRANSFER (CRUSH DANG) UPTO 2019	1				
OR	800217 01	TRANSFER (SAFE DIST) UPTO 2019	1				
OR	800222 01	TRANSFER (STOP) UPTO 2019	1				
3	805601 01	MULTI-TRANSFER 2019 & ON	1				
OR	800214 01	TRANSFER (FLY OBJ) UPTO 2019	1				
OR	800213 01	TRANSFER (BELT/BOLTS) UPTO 2019	1				
OR	800218 01	TRANSFER (STOP) UPTO 2019	1				
4	800211 01	TRANSFER (CHANGE FILTER)	1				
5	590475 01	TRANSFER (PTO 540RPM)	AR				
OR	590475 03	TRANSFER (PTO 800RPM)	AR				
6	800212 01	TRANSFER (CHECK CHAINS)	1				
7	260228 01	TRANSFER (SHELBOURNE BLUE)	1				
OR	198764 01	TRANSFER (SHELBOURNE GREY)	1				
8	801480 01	TRANSFER (LUBRICATION)	1				
9	802568 01	TRANSFER (BL)	1				
10	802671 01	TRANSFER (BL)	2				
11	210435 01	TRANSFER (LOCK CYLINDERS)	1				
12	800878 01	TRANSFER (TRANSPORT MODE)	1				
13	802567 05	TRANSFER (HD755)	AR				
OR	802567 06	TRANSFER (HD760 T)	AR				
OR	802567 07	TRANSFER (HD770 T)	AR				
OR	802567 08	TRANSFER (HD762 VFR)	AR				
OR	802567 09	TRANSFER (HD767 VFR)	AR				
OR	802567 10	TRANSFER (HD780 T)	AR				
OR	802567 11	TRANSFER (HD775 VFRT)	AR				
OR	802567 13	TRANSFER (HD765 VFRT)	AR				
14	802670 01	TRANSFER (SHELBOURNE BLUE)	1				
OR	802670 02	TRANSFER (SHELBOURNE GREY)	1				
15	190702 04	TRANSFER (SLING POINT)	4				
16	801422 01	TRANSFER (ACCUMULATOR)	1				
17	260228 01	TRANSFER (SHELBOURNE BLUE)	1				
18	290526 01	SERIAL NO. PLATE	1				
19	POP-0006	POP RIVET	2				
					KIT-08166G	TRANSFERS - GREY	



KIT-08166





Shelbourne Reynolds Engineering Limited

ASSY NUMBER: KIT-08167				ASSY DESCRIPTION: ADJUSTABLE ROLLER WITH ACTIVE FLOAT			
ITEM	PART NO	DESCRIPTION	QTY	ITEM	PART NO	DESCRIPTION	QTY
1	801973 01	BUSH	2	31	FITC00303	PLUG	1
2	800458 02	BOLT	3	32			
3	WSHA30161	WASHER	4				
4	NUTA15162	STOVER NUT	4				
5	801935 01	LINK ARM	2				
6	BSH-3030		4				
7	801972 01	SHAFT(1.2m LH DRIVE HEAD)	1				
OR	801926 01	SHAFT(1.2m RH DRIVE HEAD)	1				
OR	801972 02	SHAFT(1.5m LH DRIVE HEAD)	1				
OR	801926 02	SHAFT(1.5m RH DRIVE HEAD)	1				
8	801930 01	ARM	2				
9	NIP-0001	GREASE NIPPLE (2013 ON)	2		KIT-08167A	FOR 1.2Mt LH HEAD	
OR	NIP-00600	GREASE NIPPLE (PRE 2013)			KIT-08167B	FOR 1.2Mt RH HEAD	
10	801940 01	WEAR BUSH	2		KIT-08167C	FOR 1.5Mt LH HEAD	
11	NIP-0207	GREASE NIPPLE (2013 ON)	2		KIT-08167D	FOR 1.5Mt RH HEAD	
OR	NIP-00610	GREASE NIPPLE (PRE 2013)					
12	HSS-0312	SETSCREW	2				
13	800875 02	AEF CYLINDER	1				
14	BLT-2320	BOLT	1				
15	HHAC20005	HOSE 1.2m LH DRIVE HD	2				
OR	HHAC21505	HOSE 1.5m LH & RH DRIVE 1.2m HEAD	2				
OR	HHAC23005	HOSE RH DRIVE 1.5m HEAD	2				
16	HMA-0052	ADAPTOR	3				
17	WSH-1005	BONDED SEAL	9				
18	801206 01	GEARBOX SPACER	2				
19	PIC-0000	JUMPER CONECTION	1				
20	190548 75	WASHER	1				
21	PRT25000	PRESSURE SENSOR	2				
22	HVB-93000	FLOW CONTROL RESTRICTOR	2				
23	801155 01	PUMP PRESS SENSOR MTG	1				
24	801191 01	SPEED SENSOR	1				
25	801152 01	SPEED SENSOR BKT	1				
26	801153 01	SPEED SENSOR RING	1				
27	MAG-0003	DISC MAGNET	1				
28	SCW-4530	GRUB SCREW	1				
29	801326 01	PRESSURE SENSOR FIT	1				
30	HACAA0303	FITTING	1				

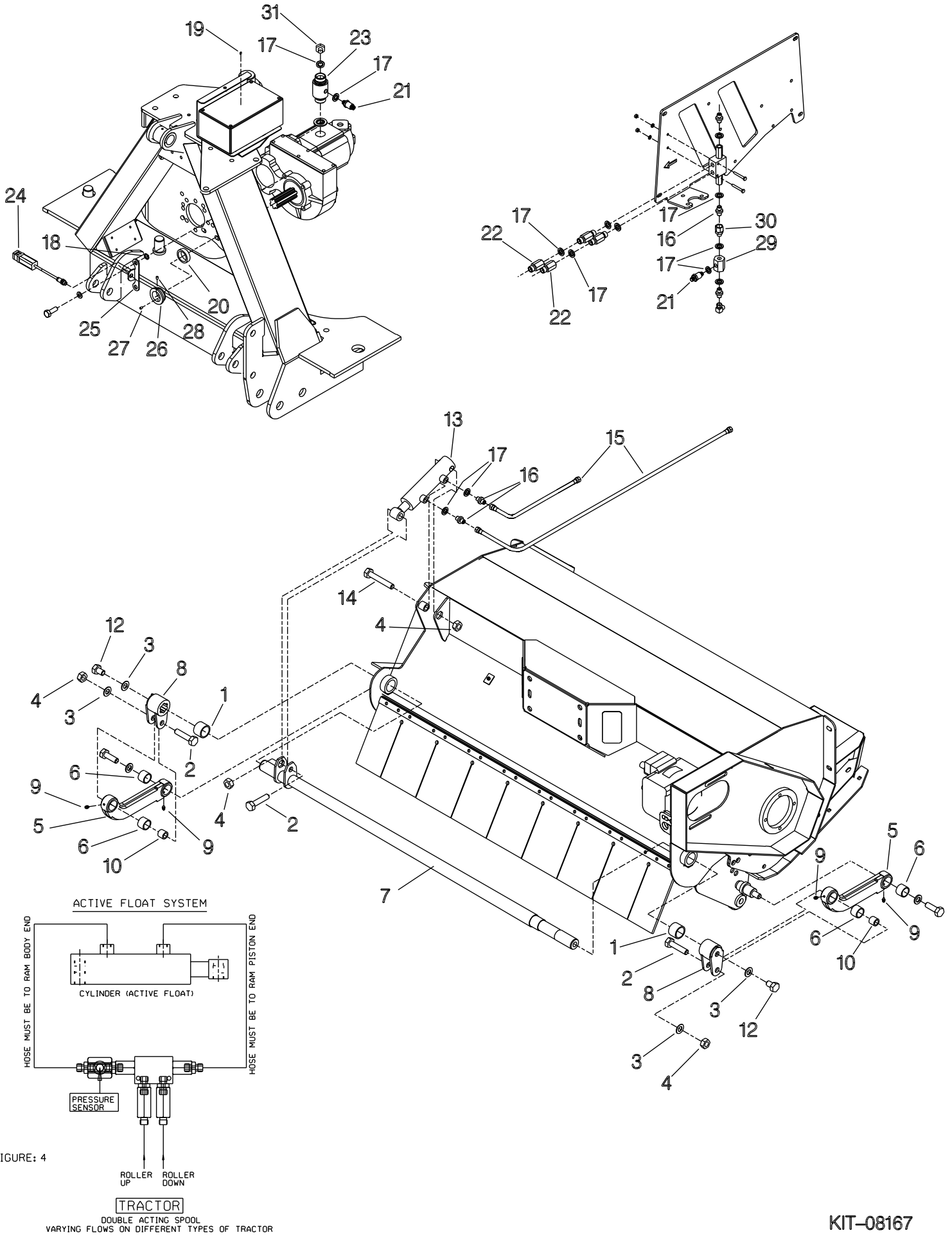


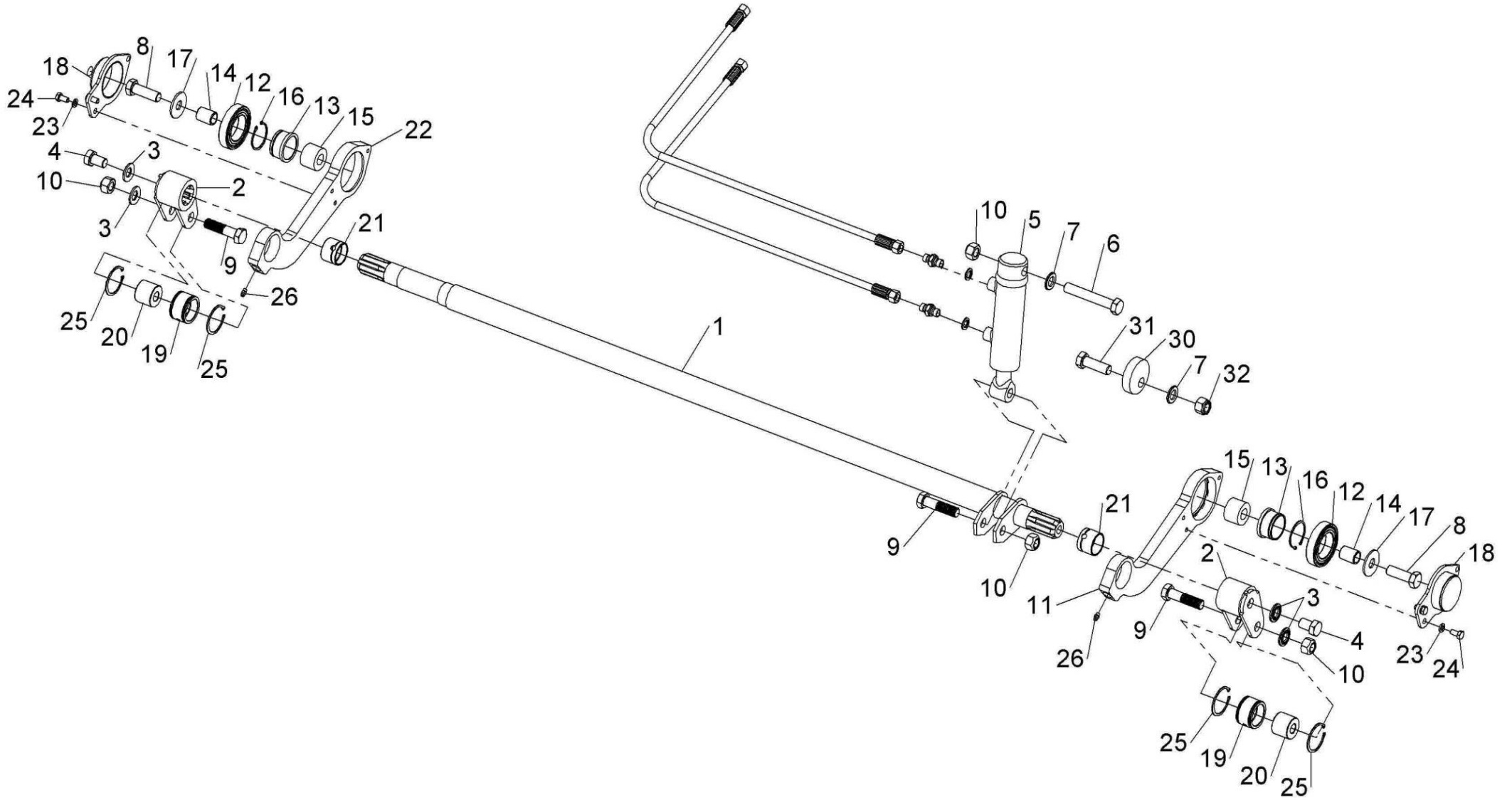
FIGURE: 4

Shelbourne Reynolds Engineering Limited

ASSY NUMBER: KIT-08176				ASSY DESCRIPTION: HYD ADJUSTABLE ROLLER (BEARING TYPE) 2013 & ON			
ITEM	PART NO	DESCRIPTION	QTY	ITEM	PART NO	DESCRIPTION	QTY
1	802684 01(B)	SHAFT 1.2Mt (LH DRIVE HEAD)	1				
OR	803058 01(B)	SHAFT 1.2Mt (RH DRIVE HEAD)	1		KIT-08176A	FOR 1.2MT LH DRIVE HEAD	
OR	802684 02(B)	SHAFT 1.5Mt (LH DRIVE HEAD)	1		KIT-08176B	FOR 1.2MT RH DRIVE HEAD	
OR	803058 02(B)	SHAFT 1.5Mt (RH DRIVE HEAD)	1		KIT-08176C	FOR 1.5MT LH DRIVE HEAD	
2	801930 01	ARM	2		KIT-08176D	FOR 1.5MT RH DRIVE HEAD	
3	WSHA30161	WASHER	4				
4	HSS-0312	SET SCREW	2				
5	800875 01	CYLINDER	1		KIT-08176AB	FOR 1.2MT LH DRIVE HEAD	
5A	RMSK00360	SEAL KIT	-		KIT-08176BB	FOR 1.2MT RH DRIVE HEAD	
6	BLT-2320	BOLT	1		KIT-08176CB	FOR 1.5MT LH DRIVE HEAD	
7	WSH-0024	WASHER	3		KIT-08176DB	FOR 1.5MT RH DRIVE HEAD	
8	HSS-0930	SET SCREW	2				
9	BLT-2313	BOLT	3				
10	NUTA15162	STOVER NUT	4				
11	802880 01(B)	LINK PLATE RIGHT HAND	1				
12	BRG-14590	DEEP GROOVE BALL BEARING (SING	2				
13	802677 01	BEARING MOUNT	2				
14	802678 01	SPACER	2				
15	805747 01	WEAR BUSH	2				
16	CIR-0450	EXTERNAL CIRCLIP 45mm	2				
17	198800 54	WASHER	2				
18	804614 01	RETAINING W/A	2				
19	802681 01	BUSH	2				
20	802682 01	BUSH	2				
21	802683 01	TORSION BUSH	2				
22	802881 01(B)	LINK PLATE LEFT HAND	1				
23	WSH-0058	SPRING WASHER	6				
24	HSS-0135	SETSCREW	6				
25	CIR020047	CIRCLIP (EXTERNAL) FOR 47mm DI	4				
26	NIP-00600	GREASE NIP(C'BORE TYP)	2				
OR	NIP-0001	GREASE NIP(TUBE TYP)	2				
27							
28							
29							
30	803204 01(B)	CAM PLATE	2				
31	HSS-0318	SET SCREW	2				
32	NUT-0271	NUT	2				

PART No B FOR BLUE MACHINES

REFER TO KIT-08247 & KIT-08248 FOR HYDRAULICS



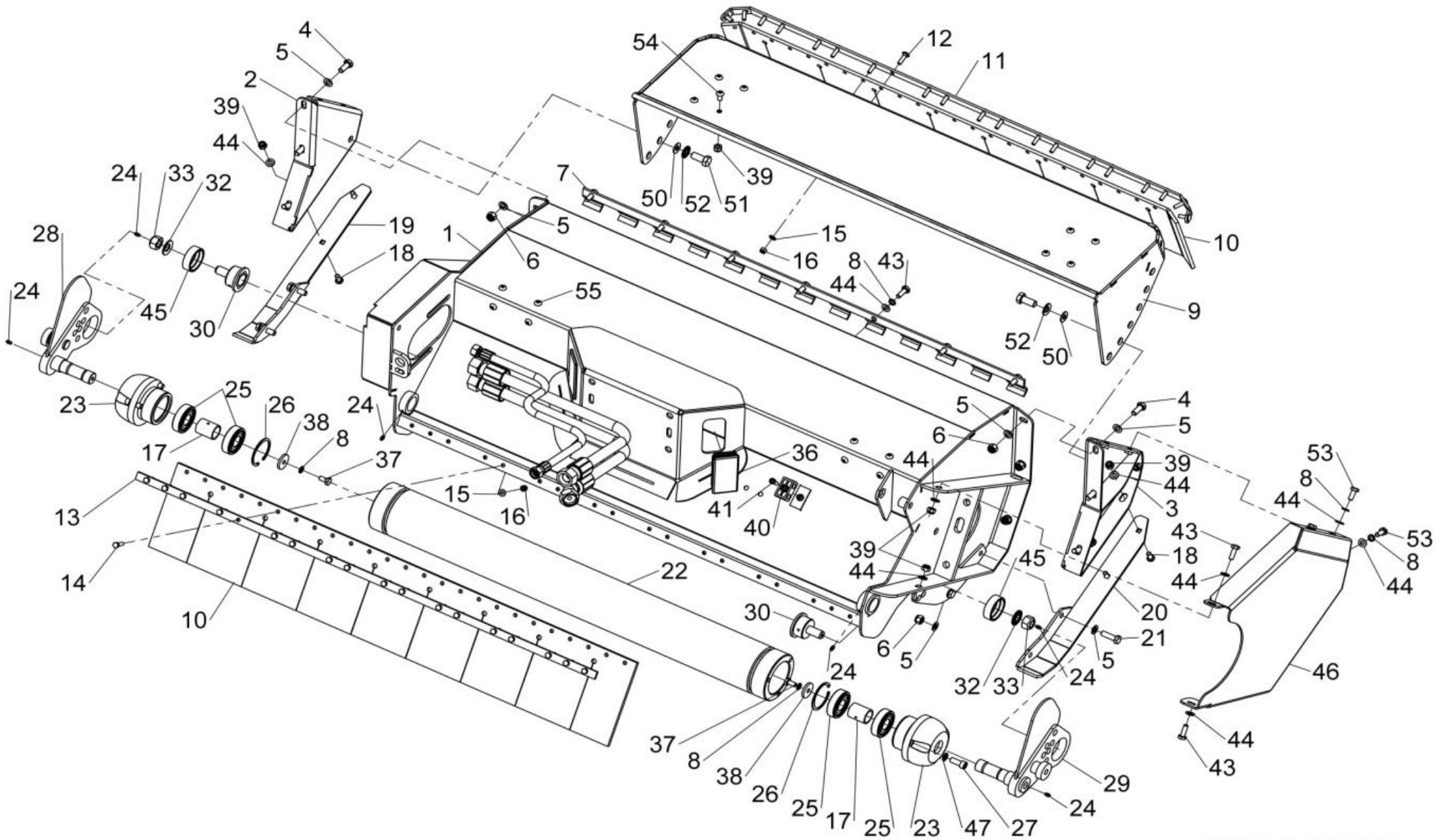
KIT-08176



Shelbourne Reynolds Engineering Limited

ASSY NUMBER: KIT-08177				ASSY DESCRIPTION: HEAD SHELL, NOSE AND ROLLER 1.2m (2013 & ON)			
ITEM	PART NO	DESCRIPTION	QTY	ITEM	PART NO	DESCRIPTION	QTY
1	801670 01	HEAD SHELL (1.2M) LH DRIVE	1	30	802669 01	STUB PIVOT	2
OR	801670 29	HEAD SHELL (1.2M) RH DRIVE	1	31			
2	801689 01	NOSE SIDE PBXXX150404 & ON	1	32	WSHA30201	WASHER	2
OR	800815 01	NOSE SIDE (LH DRIVE) UPTO PBXXX150404	1	33	NUTA15202	STOVER NUT	2
OR	800815 02	NOSE SIDE (RH DRIVE) UPTO PBXXX150404	1	34			
3	801689 02	NOSE SIDE PANEL PBXXX150404 & ON	1	35			
OR	801212 01	NOSE SIDE (LH DRIVE) UPTO PBXXX150404	1	36	CAP-0060	PLASTIC CAP	2
OR	801212 06	NOSE SIDE (RH DRIVE) UPTO PBXXX150404	1	37	HSS-0188	SETSCREW	2
4	HSS-0238	SETSCREW	6	38	190548 01	WASHER	2
5	WSH-0018	PLAIN WASHER	24	39	NUT-0265	NYLOC NUT	16
6	NUT-0269	NYLOC NUT	10	40			
7	803713 01	HINGE PLATE (1.2M)	1	41	SCW-0136	CAP HEAD SCREW	1
8	WSH-0061	SPRING WASHER	12	42			
9	803781 01	NOSE (1.2m) PBXXX160631 & ON	1	43	HSS-0194	SETSCREW	9
OR	801903 01	NOSE (1.2m) PBXXX150404 TO 160631	1	44	WSH-0015	WASHER	18
OR	800820 01	NOSE (1.2m) UPTO PBXXX150404	1	45	802667 01	BUSH	2
10	800068 01	CURTAIN (1.2M)	2	46	801213 01	HEAD SKID COVER (LH DRIVE)	1
11	800825 01	FIXING STRIP (1.2M)	1	OR	801213 02	HEAD SKID COVER (RH DRIVE)	1
12	BLT-2700	COACHBOLT	20	47	WSH-0065	SPRING WASHER	6
13	800069 01	FIXING STRIP (1.2M)	1	48			
14	HSS-0150	SETSCREW	18	49			
15	WSH-0012	PLAIN WASHER	38	50			
16	NUT-0263	NYLOC NUT	38	51	HSS-0315	SETSCREW	2
17	801950 01	SPACER TUBE	2	52	WSHA30161	WASHER PBXXX150404 & ON	2
18	BLT-3745	COACHBOLT	4	OR	WSHA30121	WASHER UPTO PBXXX150404	2
19	800881 01	SKID W/A LH	1	53	HSS-0191	SETSCREW	3
20	800881 02	SKID W/A RH	1	54	SCW-0514	CAP HEAD SCREW	8
21	HSS-0250	SETSCREW	4	55	SCBA10114	CAP HEAD SCREW	11
22	801971 01	ROLLER (1.2M)	1				
23	801944 01	END CAP	2				
24	NIP-00600	GREASE NIPPLE	6				
25	BRG-13005	BEARING	4				
26	CIR-0720	CIRCLIP	2				
27	SCW-0243	CAP HEAD SCREW	6				
28	802664 02	BRACKET ADJUSTABLE LH	1				
29	802664 01	BRACKET ADJUSTABLE RH	1				

**REFER TO KIT-08247 FOR
HYDRAULICS**



KIT-08177 KIT-08178

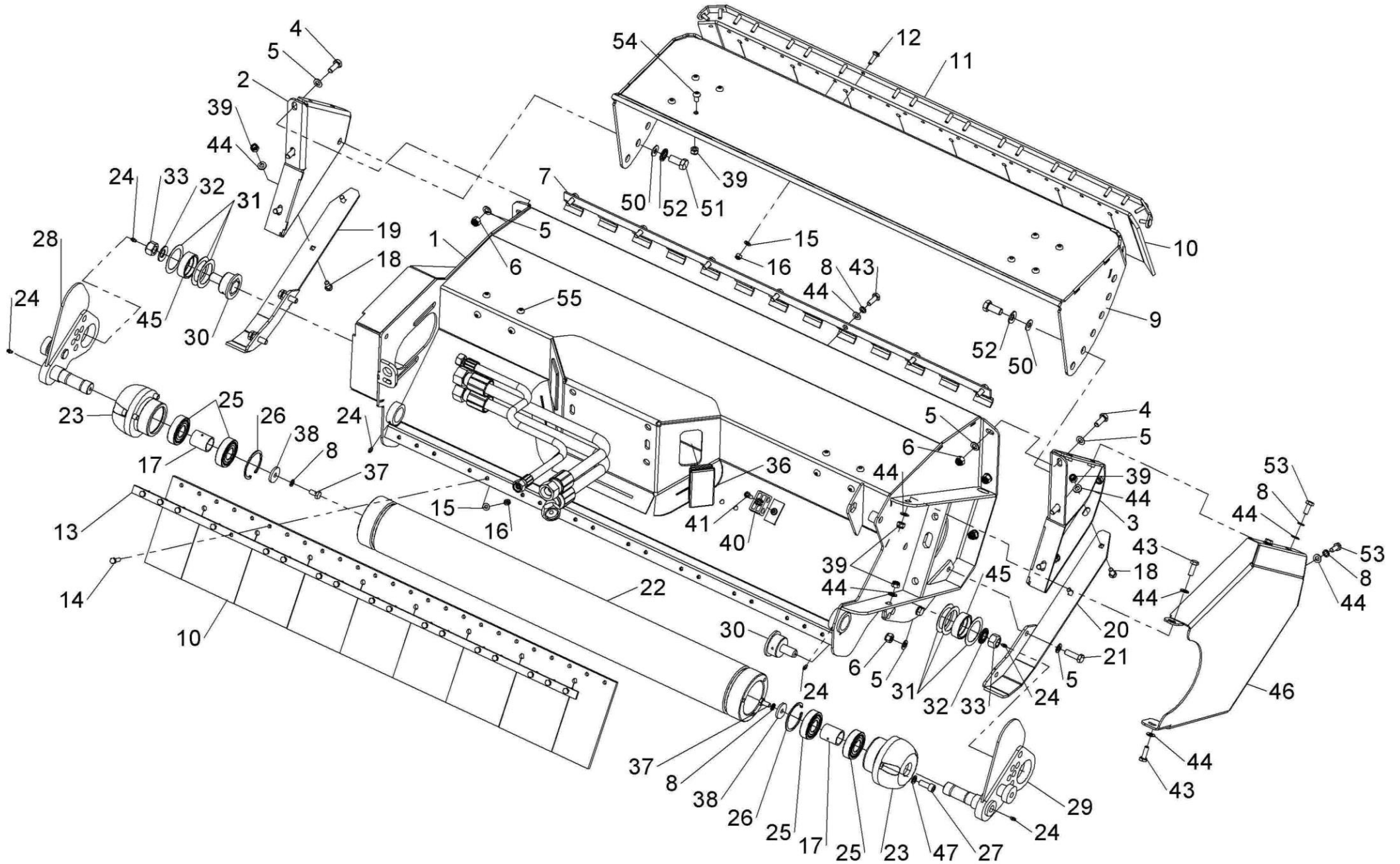


Shelbourne Reynolds Engineering Limited

ASSY NUMBER:		KIT-08177BG		ASSY DESCRIPTION:		HEAD SHELL, NOSE AND ROLLER 1.2m BLUE & GREY	
ITEM	PART NO	DESCRIPTION	QTY	ITEM	PART NO	DESCRIPTION	QTY
1	801670 01B	HEAD SHELL (1.2M) LH DRIVE	1	33	NUA15202	STOVER NUT	2
OR	801670 29B	HEAD SHELL (1.2M) RH DRIVE	1	34			
2	800815 01G	NOSE SIDE PANEL (LH DRIVE)	1	35			
OR	800815 02G	NOSE SIDE PANEL (RH DRIVE)	1	36	CAP-0060	PLASTIC CAP	2
3	801212 01G	NOSE SIDE PANEL (LH DRIVE)	1	37	HSS-0188	SETSCREW	2
OR	801212 06G	NOSE SIDE PANEL (RH DRIVE)	1	38	190548 01	WASHER	2
4	HSS-0238	SETSCREW	8	39	NUT-0265	NYLOC NUT	6
5	WSH-0018	PLAIN WASHER	24	40			
6	NUT-0269	NYLOC NUT	10	41	SCW-0136	CAP HEAD SCREW	1
7	803713 01B	HINGE PLATE (1.2M)	1	42			
8	WSH-0061	SPRING WASHER	12	43	HSS-0194	SETSCREW	9
9	800820 01G	NOSE (1.2m)	1	44	WSH-0015	WASHER	18
10	800068 01	CURTAIN (1.2M)	2	45	802667 01	BUSH	2
11	800825 01	FIXING STRIP (1.2M)	1	46	801213 01G	HEAD SKID COVER (LH DRIVE)	1
12	BLT-2700	COACHBOLT	20	OR	801213 02G	HEAD SKID COVER (RH DRIVE)	1
13	800069 01	FIXING STRIP (1.2M)	1	47	WSH-0065	SPRING WASHER	6
14	HSS-0150	SETSCREW	18	48			
15	WSH-0012	PLAIN WASHER	38	49			
16	NUT-0263	NYLOC NUT	38	50	190119 89	WASHER	2
17	801950 01	SPACER TUBE	2	51			
18	BLT-3745	COACHBOLT	4	52	WSHA30121	WASHER	2
19	800881 01G	SKID W/A LH	1	53	HSS-0191	SETSCREW	3
20	800881 02G	SKID W/A RH	1				
21	HSS-0250	SETSCREW	4				
22	801971 01	ROLLER (1.2M)	1				
23	801944 01	END CAP	2				
24	NIP-00600	GREASE NIPPLE	6				
25	BRG-13005	BEARING	4				
26	CIR-0720	CIRCLIP	2				
27	SCW-0243	CAP HEAD SCREW	6				
28	802664 02B	BRACKET ADJUSTABLE LH	1				
29	802664 01B	BRACKET ADJUSTABLE RH	1				
30	802669 01	STUB PIVOT	2				
31							
32	WSHA30201	WASHER	2				

REFER TO KIT-08249 FOR HYDRAULICS

Shelbourne Reynolds Engineering Limited



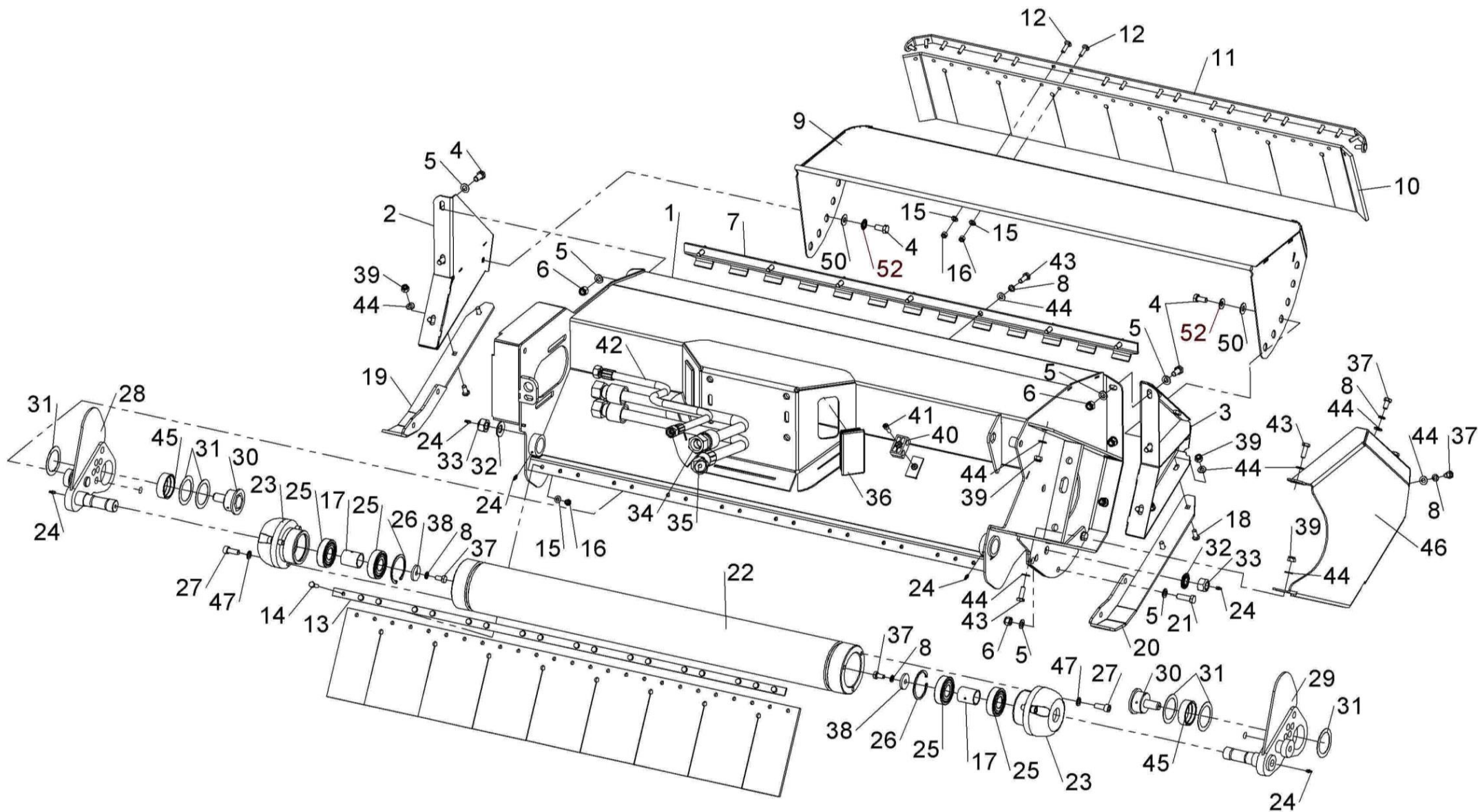
KIT-08177 KIT-08178



Shelbourne Reynolds Engineering Limited

ASSY NUMBER:		KIT-08178		ASSY DESCRIPTION:		HEAD SHELL, NOSE AND ROLLER 1.5m (2013 & ON)	
ITEM	PART NO	DESCRIPTION	QTY	ITEM	PART NO	DESCRIPTION	QTY
1	801670 02	HEAD SHELL (1.5M) LH DRIVE	1	30	802669 01	STUB PIVOT	2
OR	801670 30	HEAD SHELL (1.5M) RH DRIVE	1	31			
2	801689 01	NOSE SIDE PBXXX150404 & ON	1	32	WSHA30201	WASHER	2
OR	800815 01	NOSE SIDE (LH DRIVE) UPTO PBXXX150404	1	33	NUTA15202	STOVER NUT	2
OR	800815 02	NOSE SIDE (RH DRIVE) UPTO PBXXX150404	1	34			
3	801689 02	NOSE SIDE PBXXX150404 & ON	1	35			
OR	801212 01	NOSE SIDE (LH DRIVE) UPTO PBXXX150404	1	36	CAP-0060	PLASTIC CAP	2
OR	801212 06	NOSE SIDE (RH DRIVE) UPTO PBXXX150404	1	37	HSS-0188	SETSCREW	2
4	HSS-0238	SETSCREW	6	38	190548 01	WASHER	2
5	WSH-0018	PLAIN WASHER	24	39	NUT-0265	NYLOC NUT	16
6	NUT-0269	NYLOC NUT	10	40			
7	803714 01	HINGE PLATE (1.5M)	1	41	SCW-0136	CAP HEAD SCREW	1
8	WSH-0061	SPRING WASHER	12	42			
9	803779 01	NOSE (1.5m) PBXXX160631) & ON	1	43	HSS-0194	SETSCREW	9
OR	802447 01	NOSE (1.5m) PBXXX(150404) TO (160631)	1	44	WSH-0015	WASHER	18
OR	800820 02	NOSE (1.5m) UPTO PBXXX150404	1	45	802667 01	BUSH	2
10	800068 02	CURTAIN (1.5M)	2	46	801213 01	HEAD SKID COVER (LH DRIVE)	1
11	800825 02	FIXING STRIP (1.5M)	1	OR	801213 02	HEAD SKID COVER (RH DRIVE)	1
12	BLT-2700	COACHBOLT	20	47	WSH-0065	SPRING WASHER	6
13	800069 02	FIXING STRIP (1.5M)	1	48			
14	HSS-0150	SETSCREW	18	49			
15	WSH-0012	PLAIN WASHER	38	50			
16	NUT-0263	NYLOC NUT	38	51	HSS-0315	SETSCREW	2
17	801950 01	SPACER TUBE	2	52	WSHA30161	WASHER PBXXX150404 & ON	2
18	BLT-3745	COACHBOLT	4	OR	WSHA30121	WASHER UPTO PBXXX150404	2
19	800881 01	SKID W/A LH	1	53	HSS-0191	SETSCREW	3
20	800881 02	SKID W/A RH	1	54	SCW-0514	CAP HEAD SCREW	8
21	HSS-0250	SETSCREW	4	55	SCBA10114	CAP HEAD SCREW	11
22	801976 01	ROLLER (1.5M)	1				
23	801944 01	END CAP	2				
24	NIP-00600	GREASE NIPPLE	6				
25	BRG-13005	BEARING	4				
26	CIR-0720	CIRCLIP	2				
27	SCW-0243	CAP HEAD SCREW	6				
28	802664 02	BRACKET ADJUSTABLE LH	1				
29	802664 01	BRACKET ADJUSTABLE RH	1				

**REFER TO KIT-08248 FOR
HYDRAULICS**



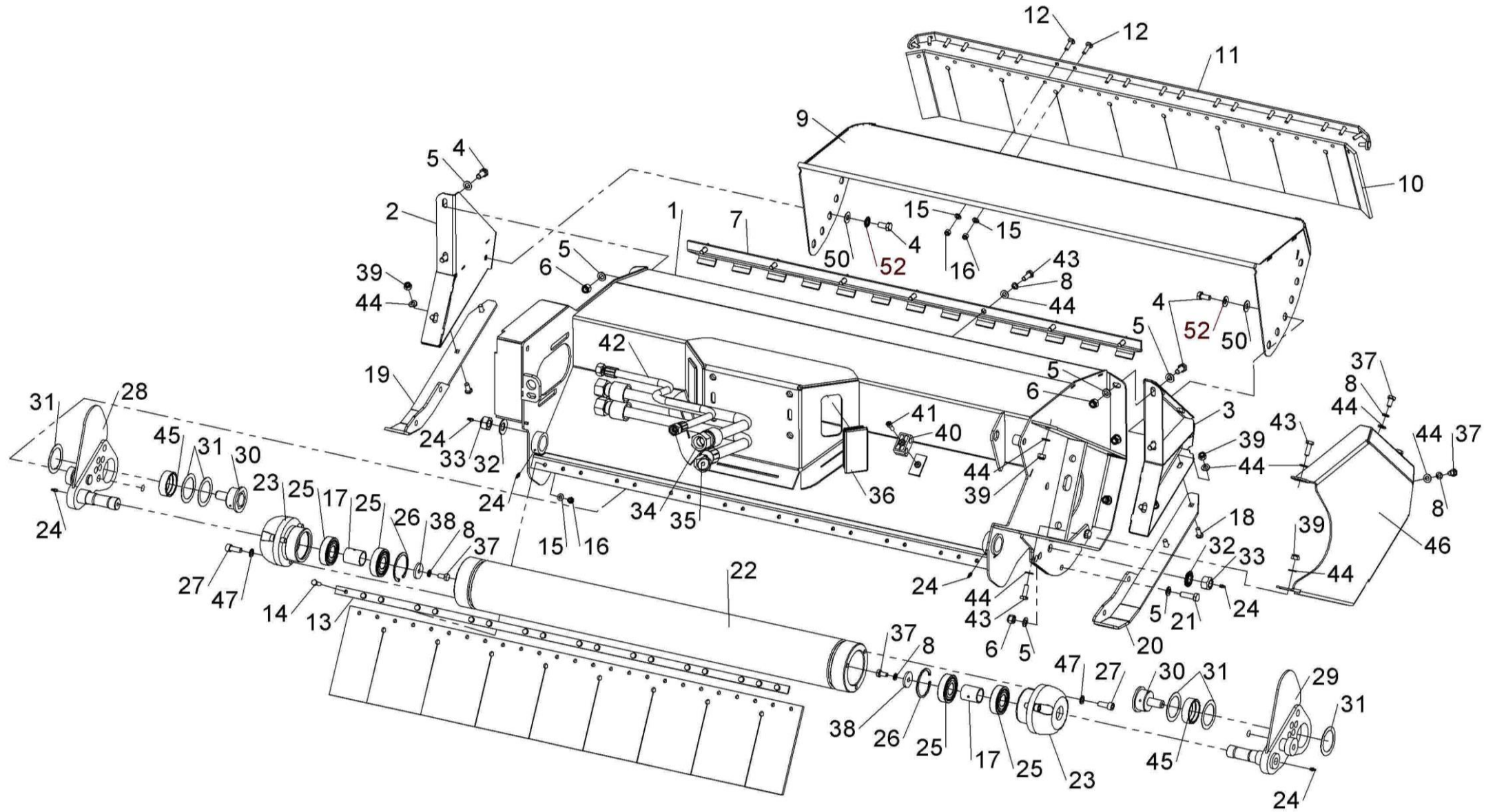
KIT-08178
KIT-08177



Shelbourne Reynolds Engineering Limited

ASSY NUMBER:		KIT-08178BG		ASSY DESCRIPTION:		HEAD SHELL, NOSE AND ROLLER 1.5m BLUE & GREY	
ITEM	PART NO	DESCRIPTION	QTY	ITEM	PART NO	DESCRIPTION	QTY
1	801670 02B	HEAD SHELL (1.5M) LH DRIVE	1	33	NUTA15202	STOVER NUT	2
OR	801670 30B	HEAD SHELL (1.5M) RH DRIVE	1	34			
2	800815 01G	NOSE SIDE PANEL (LH DRIVE)	1	35			
OR	800815 02G	NOSE SIDE PANEL (RH DRIVE)	1	36	CAP-0060	PLASTIC CAP	2
3	801212 01G	NOSE SIDE PANEL (LH DRIVE)	1	37	HSS-0188	SETSCREW	2
OR	801212 06G	NOSE SIDE PANEL (RH DRIVE)	1	38	190548 01	WASHER	2
4	HSS-0238	SETSCREW	8	39	NUT-0265	NYLOC NUT	6
5	WSH-0018	PLAIN WASHER	24	40			
6	NUT-0269	NYLOC NUT	10	41	SCW-0136	CAP HEAD SCREW	1
7	803714 01B	HINGE PLATE (1.5M)	1	42			
8	WSH-0061	SPRING WASHER	12	43	HSS-0194	SETSCREW	9
9	800820 02G	NOSE (1.5m)	1	44	WSH-0015	WASHER	18
10	800068 02	CURTAIN (1.5M)	2	45	802667 01	BUSH	2
11	800825 02	FIXING STRIP (1.5M)	1	46	801213 01G	HEAD SKID COVER (LH DRIVE)	1
12	BLT-2700	COACHBOLT	20	OR	801213 02G	HEAD SKID COVER (RH DRIVE)	1
13	800069 02	FIXING STRIP (1.5M)	1	47	WSH-0065	SPRING WASHER	6
14	HSS-0150	SETSCREW	18	48			
15	WSH-0012	PLAIN WASHER	38	49			2
16	NUT-0263	NYLOC NUT	38	50	190119 89	WASHER	2
17	801950 01	SPACER TUBE	2	51			
18	BLT-3745	COACHBOLT	4	52	WSHA30121	WASHER	2
19	800881 01G	SKID W/A LH	1	53	HSS-0191	SETSCREW	3
20	800881 02G	SKID W/A RH	1				
21	HSS-0250	SETSCREW	4				
22	801976 01	ROLLER (1.5M)	1				
23	801944 01	END CAP	2				
24	NIP-00600	GREASE NIPPLE	6				
25	BRG-13005	BEARING	4				
26	CIR-0720	CIRCLIP	2				
27	SCW-0243	CAP HEAD SCREW	6				
28	802664 02B	BRACKET ADJUSTABLE LH	1				
29	802664 01B	BRACKET ADJUSTABLE RH	1				
30	802669 01	STUB PIVOT	2				
31							
32	WSHA30201	WASHER	2				

REFER TO KIT-08250 FOR HYDRAULICS



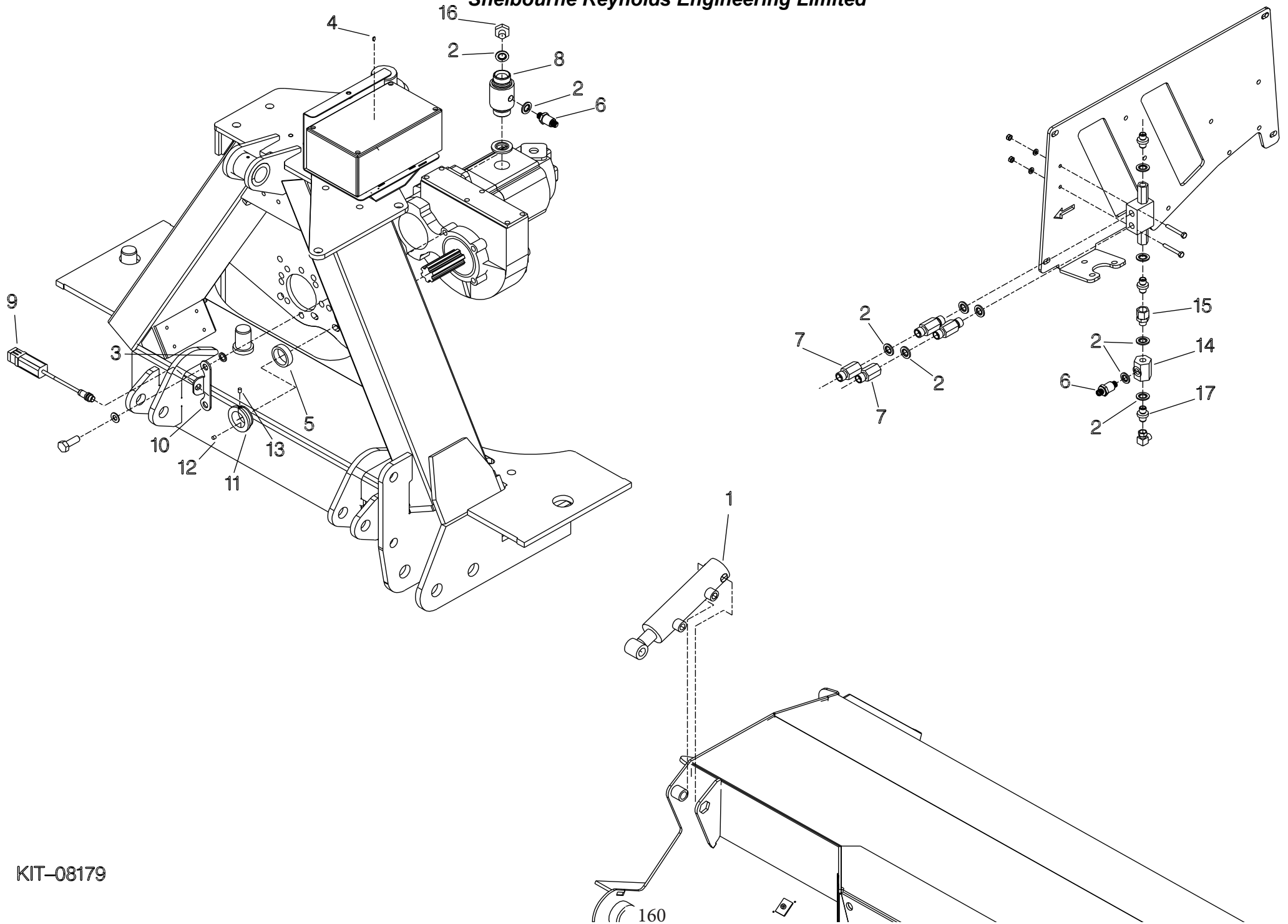
KIT-08178
KIT-08177



Shelbourne Reynolds Engineering Limited

ASSY NUMBER: KIT-08179				ASSY DESCRIPTION: ACTIVE ELECTRONIC FLOAT KIT			
ITEM	PART NO	DESCRIPTION	QTY	ITEM	PART NO	DESCRIPTION	QTY
1	800875 02	AEF CYLINDER	1				
2	WSH-1005	BONDED SEAL	7				
3	801206 01	GEARBOX SPACER	2				
4	PIC-0000	JUMPER CONECTION	1				
5	190548 75	WASHER	1				
6	PRT25000	PRESSURE SENSOR	2				
7	HVB-93000	FLOW CONTROL RESTRICTOR	2				
8	801155 01	PUMP PRESS SENSOR MTG	1				
9	801191 01	SPEED SENSOR	1				
10	801152 01	SPEED SENSOR BKT	1				
11	801153 01	SPEED SENSOR RING	1				
12	MAG-0003	DISC MAGNET	1				
13	SCW-4530	GRUB SCREW	1				
14	801326 01	PRESSURE SENSOR FIT	1				
15	HACAA0303	FITTING	1				
16	FITC00303	PLUG	1				
17	HMA-0052	ADAPTOR	1				

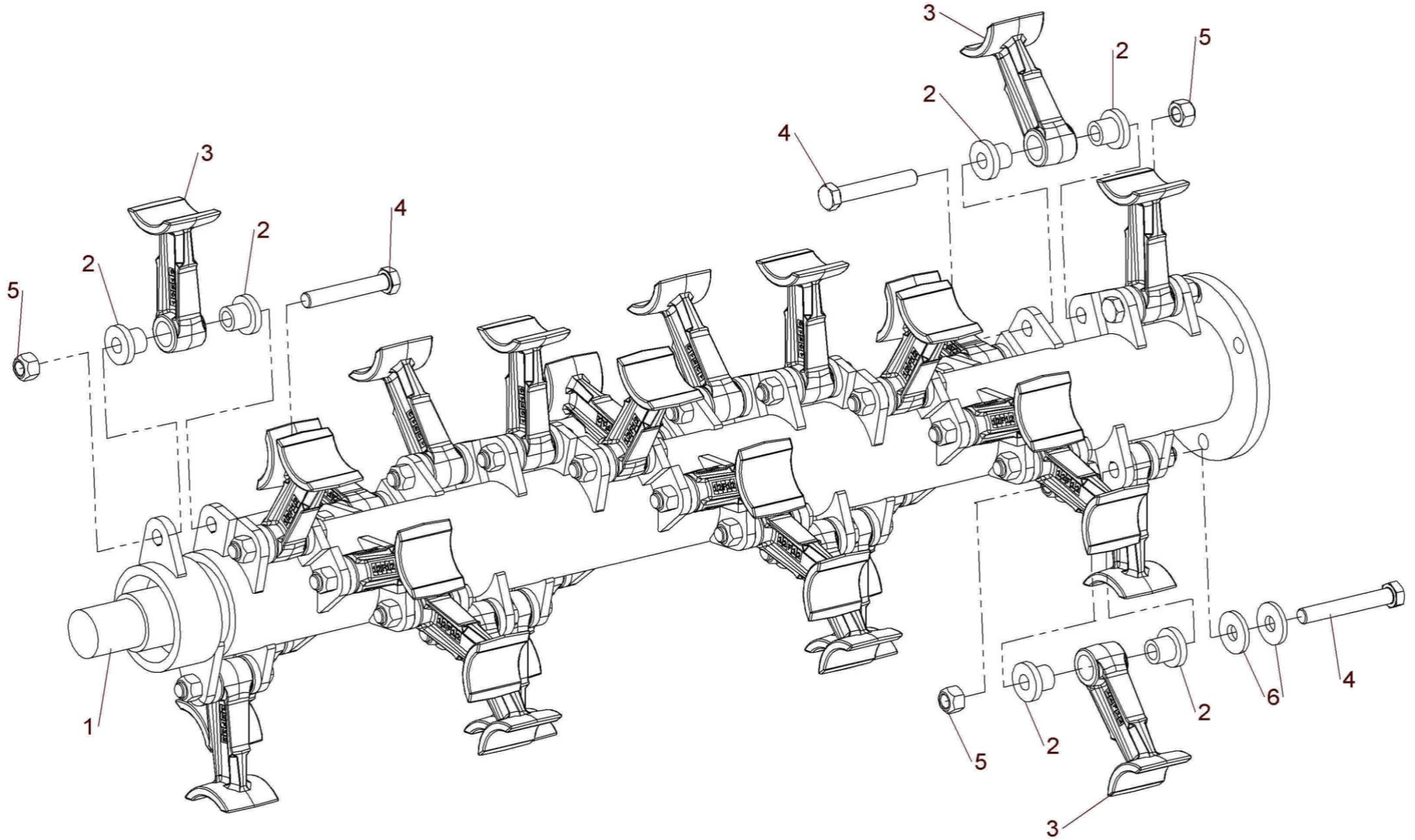
Shelbourne Reynolds Engineering Limited



KIT-08179

Shelbourne Reynolds Engineering Limited

ASSY NUMBER: KIT-08182				ASSY DESCRIPTION: 1.2mt FLAIL ASSY (10 POS)			
ITEM	PART NO	DESCRIPTION	QTY	ITEM	PART NO	DESCRIPTION	QTY
1	803096 01	1.2mt ROTOR W/ASSY (10 POS)	1				
2	805046 01	SPACER	64				
3	FLL-05005S	T FLAIL	32				
4	BLTD16554	BOLT	32				
5	NUTF15162	STOVER NUT	32				
6	800274 01	BALANCE WEIGHT (20G)	AR				
OR	800274 02	BALANCE WEIGHT (30G)	AR				
OR	800274 03	BALANCE WEIGHT (50G)	AR				

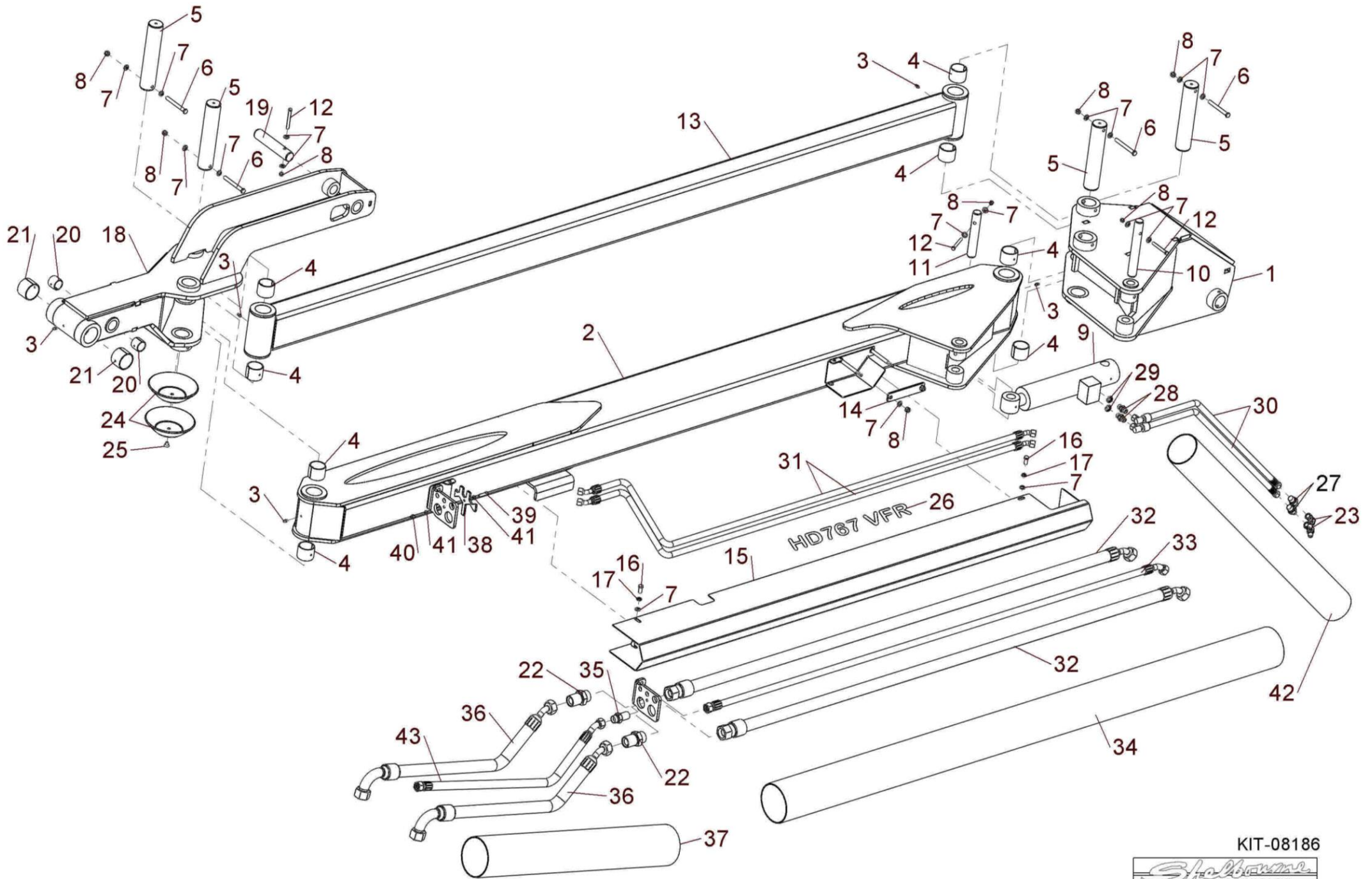


KIT-08182



Shelbourne Reynolds Engineering Limited

ASSY NUMBER:		KIT-08186		ASSY DESCRIPTION:		6.7 MT 'VFR' (VARIABLE FORWARD REACH) OUTER BOOMS	
ITEM	PART NO	DESCRIPTION	QTY	ITEM	PART NO	DESCRIPTION	QTY
1	803184 01	TOP 'VFR' OUTER BOOM	1	34	HHS-05010	HOSE SLEEVING - BOOMS	2.0m
2	802433 01	MIDDLE 'VFR' OUTER BOOM	1	35	HAGAA0707	BULKHEAD	1
3	NIP-00600	GREASE NIPPLE	3	36	HHKI09405	HOSE	2
4	BSHA04562	BUSH	8	37	HHS-05010	HOSE SLEEVING - HEAD	1.0m
5	800102 13	PIN	4	38	801238 01	BULKHEAD RETAINER	1
6	BLTA08530	BOLT	4	39	SCW-0086	CAP HEAD SCREW	1
7	WSH-0012	WASHER	16	40	NUT-0260	NYLOC NUT	1
8	NUT-0263	NUT	9	41	WSH-0009	WASHER	2
9	801210 01	'VFR' CYLINDER	1	42	HHS-05005	HOSE SLEEVING	1.0m
9a	RMSK00370	SEAL KIT	-	43	HHDF19105	HYD.HOSE	1
10	800987 06	PIN	1	44	NIP-00605	GREASE NIPPLE	2
11	800987 07	PIN	1				
12	BLTA06410	BOLT	3				
13	802431 01	'VFR' TIE ARM	1				
14	801196 01	CLAMP PLATE	1				
15	802442 01	HOSE GUARD	1				
16	HSS-0140	SETSCREW	4				
17	WSH-0058	SPRING WASHER	4				
18	803194 01	BOTTOM 'VFR' OUTER BOOM	1				
19	800101 25	PIN	1				
20	BSH-3030	BUSH	2				
21	BSHA05062	BUSH	2				
22	HAGAA1313	BULKHEAD	2				
23	HALAA0303	ELBOW	2				
24	800912 01	DISK	2				
25	SCEA08083	CSK.HEAD SCREW	2				
26	802567 09	TRANSFER (HD767VFR) 2012 & ON	2				
27	190859 01	ADAPTOR	2				
28	HMA-0052	ADAPTER	2				
29	WSH-1005	DOWTY WASHER	4				
30	HHCC42805	HOSE	2				
31	HHMC41305	HOSE	2				
32	HHDI33005	HOSE	2				
33	HHDF33905		1				



KIT-08186

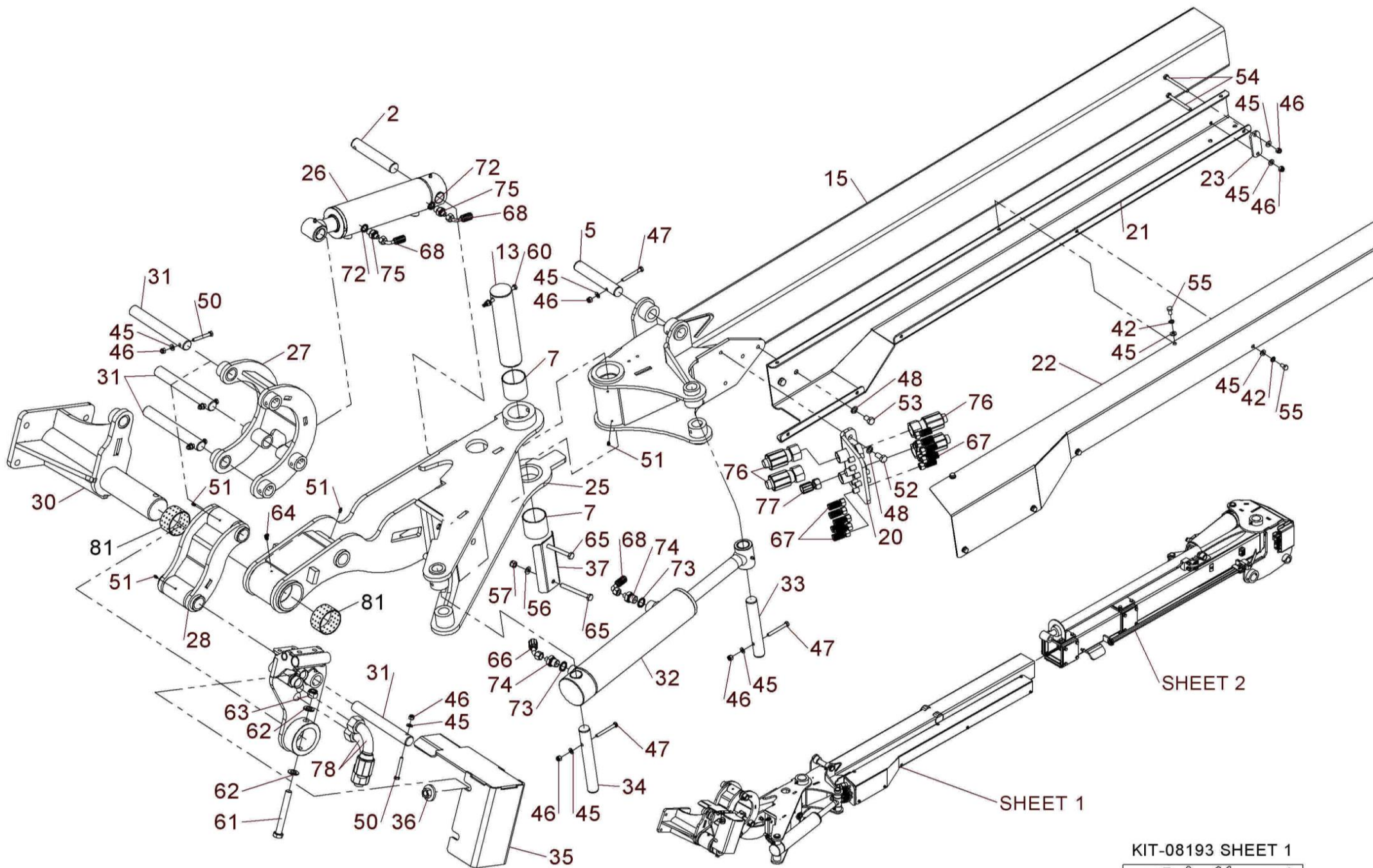


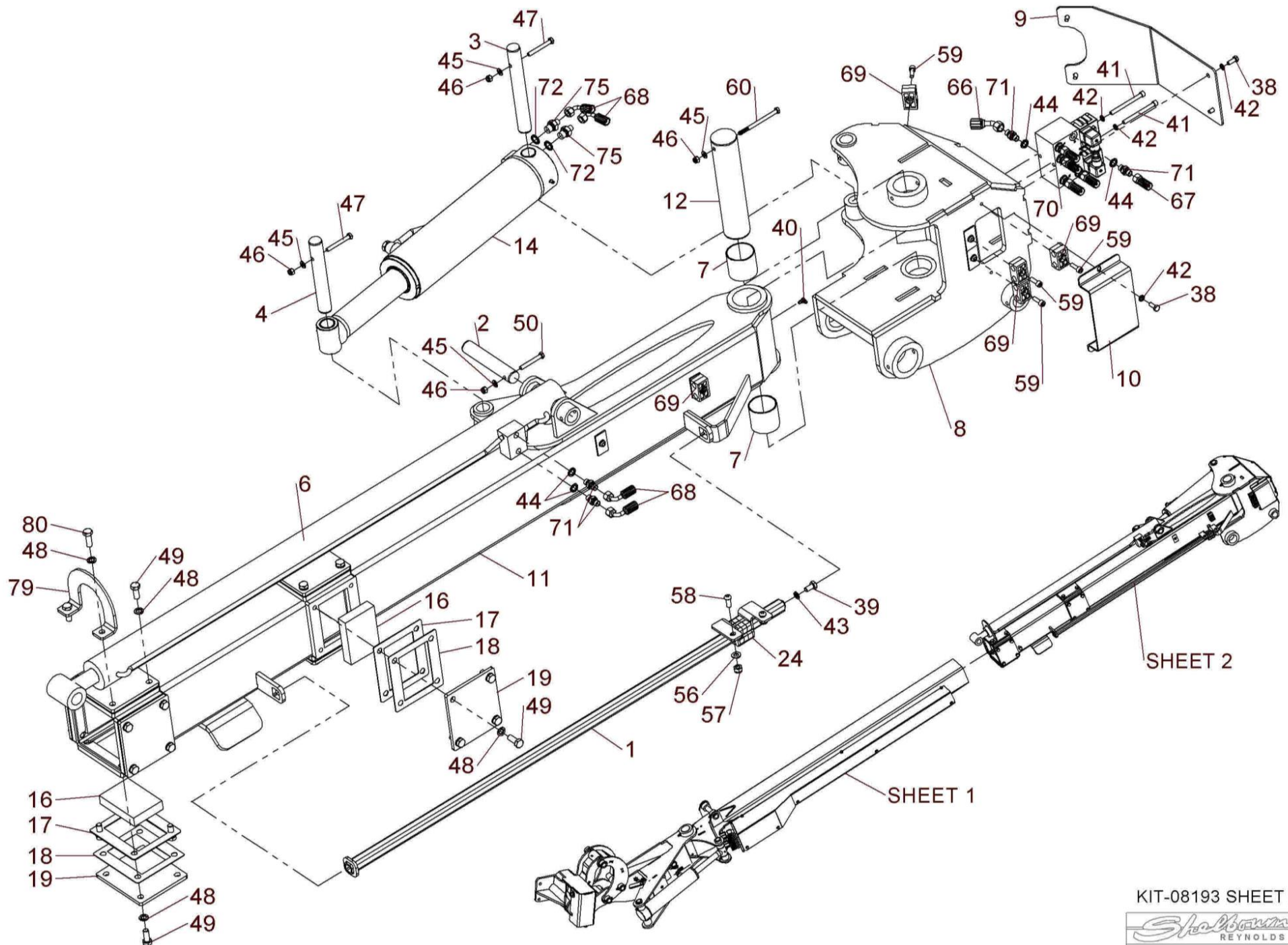
Shelbourne Reynolds Engineering Limited

ASSY NUMBER: KIT-08193				ASSY DESCRIPTION: VFRT OUTER BOOM KIT			
ITEM	PART NO	DESCRIPTION	QTY	ITEM	PART NO	DESCRIPTION	QTY
1	800994 01	SLIDE TUBE WA	1	41	SCCA08533	CAP SOCKET HEAD SCREW	2
2	800987 08	PIN VFR OUTER BOOM	2	42	WSH-0058	SPRING WASHER	16
3	800987 20	BOOM PIN	1	43	WSH-0061	SPRING WASHER	1
4	800987 21	BOOM PIN	1	44	WSH-1005	DOWTY WASHER	8
5	800987 22	BOOM PIN	1	45	WSH-0012	PLAIN WASHER	25
6	801235 01	TELE CYLINDER	1	46	NUT-0263	NYLOC NUT	14
7	802852 08	BUSH	4	47	BLTA08410	HEX.HEAD BOLT	5
8	803220 01	TOP HEAD STOCK W/ASSY	1	48	WSH-0065	SPRING WASHER	36
9	803231 01	BACK COVER PLATE	1	49	HSS-0238	BOLT	32
10	803232 01	GUARD PLATE	1	50	BLTA08380	HEX.HEAD BOLT	5
11	803233 01	TOP TELE BEAM SECTION	1	51	NIP-00600	GREASE NIPPLE	5
12	803240 01	PIN	1	52	HSS-0235	SET SCREW	2
13	803240 02	PIN	1	53	HSS-0232	SET SCREW	2
14	803254 01	HYDRAULIC RAM	1	54	BLTA08530	HEX.HEAD BOLT	2
15	803255 01	LOWER TELE BOOM	1	55	HSS-0135	SETSCREW	8
16	803264 01	LARGE WEAR PAD	8	56	WSH-0015	PLAIN WASHER	4
17	803265 01	2mm SHIM	8	57	NUT-0265	NYLOC NUT	4
18	803266 01	1mm SHIM	8	58	SCW-0514	BUTTON SKT HD SCREW	2
19	803267 01	WEAR PLATE RETAINER	8	59	SCW-0136	HT CAP HEAD	5
20	803269 01	BULKHEAD W/ASSY	1	60	BLTA08590	HEX.HEAD BOLT	2
21	803280 01	HOSE GUARD W/ASSY	1	61	BLTD16654	HEX.HEAD BOLT	1
22	803285 01	GUARD COVER W/ASSY	1	62	WSH-0024	PLAIN WASHER	2
23	803286 01	HOSE GUIDE PLATE	1	63	NUT-0271	NYLOC NUT	1
24	801459 01	SLIDING BOSS	1	64	NIP-00610	GREASE NIPPLE	1
25	803288 01	LOWER ARM KNOCKEL JOINT	1	65	BLTA10560	HEX.HEAD BOLT	2
26	803260 01	HYDRAULIC RAM	1	66	HFAH71003	FEM.45 DEG.END FITTING	2
27	803126 01	LARGE HEAD ROTATOR W/A	1	67	HFAF71003	FEM.STR END FITTING	17
28	803129 01	SMALL HEAD ROTATOR W/A	1	68	HFAG71003	FEM.90 DEG END FITTING	7
29	803133 01	HYDRAULIC GUARD MOUNT W/A	1	69	HCPD01400	HYDRAULIC PIPE CLAMP	5
30	803139 01	TRIMMER HEAD MOUNT W/A	1	70	HVB-19115	6 WAY DUAL OVERCENTRED	1
31	800101 38	PIN	4	71	HMA-0052	ADAPTOR M/M	8
32	803298 01	HYDRAULIC RAM	1	72	WSH-1010	DOWTY WASHER	4
33	800987 23	TELE BOOM PIN	1	73	WSH-1015	DOWTY WASHER	2
34	800101 27	PIN LIFT RAM	1	74	HMA-0055	ADAPTOR M/M	2
35	803299 01	HOSE GUARD W/ASSY	1	75	FIT-0025	ADAPTOR M/M	4
36	803306 01	FIXING DISC W/ASSY	2	76	HFAF74013	FEM.STR END FITTING	4
37	803308 01	HOSE GUIDE	1	77	HFAF72507	FEM.STR END FITTING	2
38	HSS-0140	BOLT	6	78	HFAG74013	FEM.90 DEG END FITTING	2
39	HSS-0188	SET SCREW	1	79	803403 01	TELE RAM RETAINER	1
40	NIP-00605	GREASE NIPPLE	1	80	HSS-0241	BOLT	2

Shelbourne Reynolds Engineering Limited

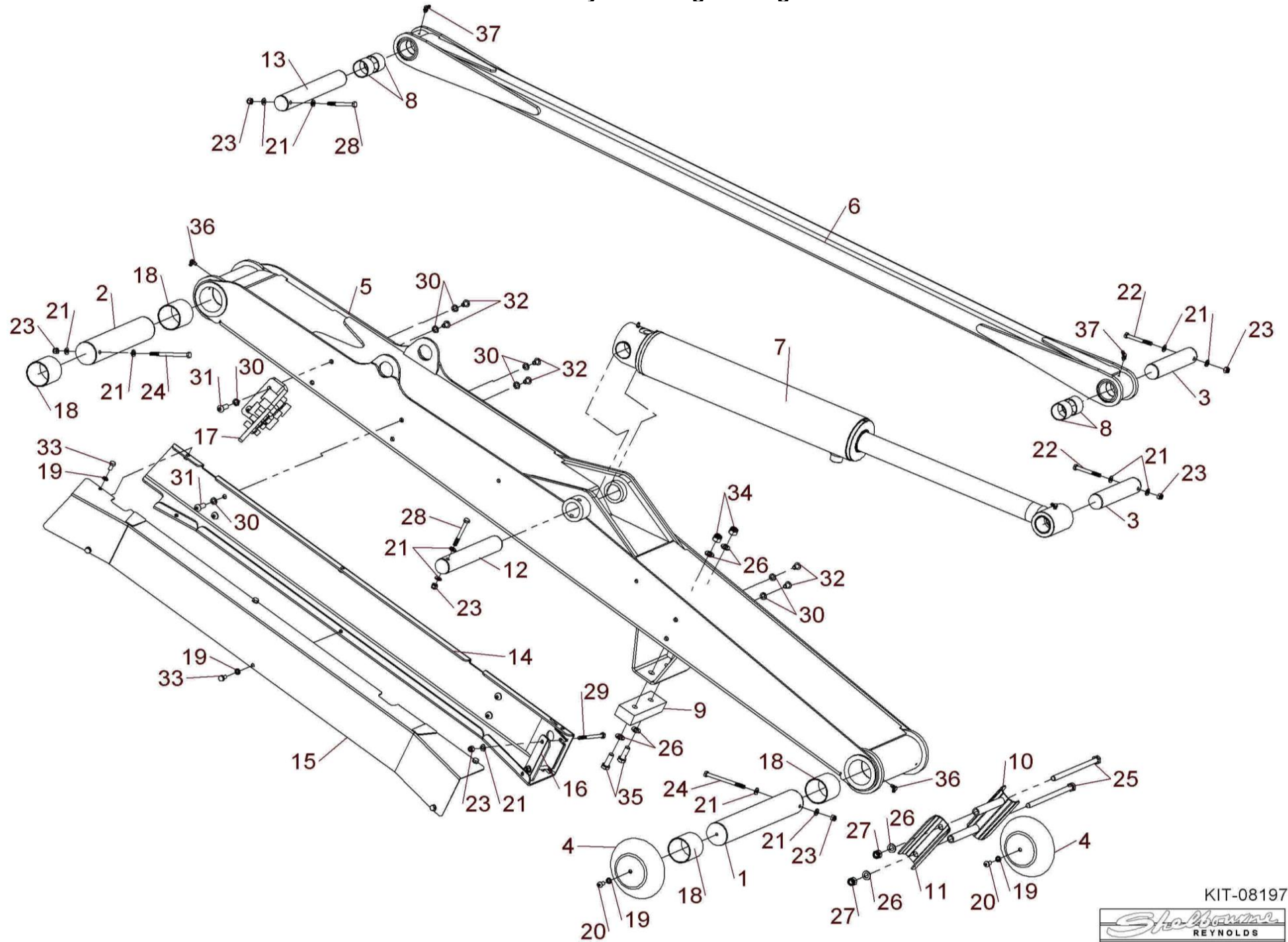
ASSY NUMBER: KIT-08193				ASSY DESCRIPTION: VFRT OUTER BOOM KIT			
ITEM	PART NO	DESCRIPTION	QTY	ITEM	PART NO	DESCRIPTION	QTY
81	BSH007062	HEAD ANGLING PIVOT BUSH	2				





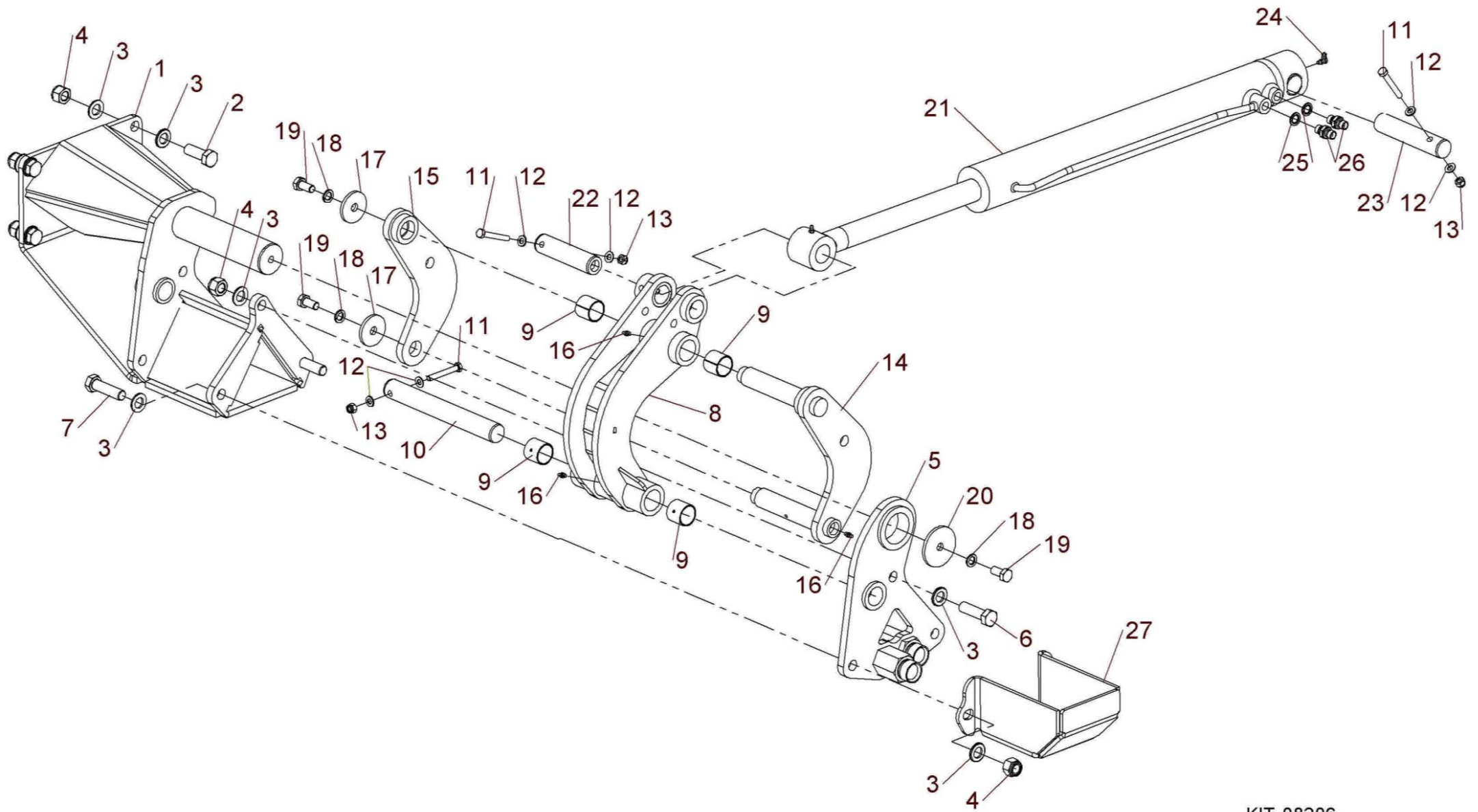
Shelbourne Reynolds Engineering Limited

ASSY NUMBER: KIT-08197				ASSY DESCRIPTION: INNER BOOM KIT			
ITEM	PART NO	DESCRIPTION	QTY	ITEM	PART NO	DESCRIPTION	QTY
1	803240 03	PIN	1				
2	803240 01	PIN	1				
3	802839 01	PIN	2				
4	800912 01	DISC	2				
5	803311 01	INNER BOOM W/ASSY	1				
6	803325 01	TIE ARM W/ASSY	1				
7	802812 01	CYLINDER REACH	1				
8	802852 01	BUSH	4				
9	801367 01	BUFFER	1				
10	803337 01	HOSE GUIDE W/ASSY	1				
11	803317 01	HOSE GUIDE PLATE	1				
12	802839 06	PIN	1				
13	802839 03	PIN	1				
14	803339 01	HOSE GUARD W/ASSY	1				
15	803341 01	HOSE GUARD W/ASSY	1				
16	803345 01	HOSE GUIDE PLATE	1				
17	803336 01	BULKHEAD W/ASSY	1				
18	802852 08	BUSH	4				
19	WSH-0058	SPRING WASHER	8				
20	SCBA08112	BUTTON HEAD SCREW	2				
21	WSH-0012	PLAIN WASHER	14				
22	BLTA08440	HEX.HEAD BOLT	2				
23	NUT-0263	NYLOC NUT	8				
24	BLTA08590	BOLT	2				
25	BLTA12830	HEX.HEAD BOLT	2				
26	WSH-0018	PLAIN WASHER	6				
27	NUT-0270	NYLOC NUT	2				
28	BLTA08470	HEX.HEAD BOLT	2				
29	BLTA08500	HEX.HEAD BOLT	2				
30	WSH-0061	SPRING WASHER	12				
31	SCBA10200	BUTTON HEAD SCREW	6				
32	SCBA10114	BUTTON HEAD SCREW	6				
33	HSS-0135	SETSCREW	6				
34	NUT-0269	NYLOC NUT	2				
35	HSSA12231	SET SCREW	2				
36	NIP-00605	GREASE NIPPLE	2				
37	NIP-00610	GREASE NIPPLE	2				



Shelbourne Reynolds Engineering Limited

ASSY NUMBER: KIT-08206				ASSY DESCRIPTION: HEAD FIXING KIT			
ITEM	PART NO	DESCRIPTION	QTY	ITEM	PART NO	DESCRIPTION	QTY
1	801050 01	PIVOT SHOE	1				
2	HSS-0317	SETSCREW	4				
3	WSH-0024	PLAIN WASHER	14				
4	NUT-0271	NYLOC NUT	7				
5	800086 02	RADIUS PLATE	1				
6	HSS-0319	SETSCREW	2				
7	HSS-0320	SETSCREW	1				
8	800090 01	2 nd CURVED LINK	1				
9	BSH-3030	BUSH	4				
10	800101 01	PIN HEAD ANGLING	1				
11	BLTA08380	BOLT	3				
12	WSH-0012	PLAIN WASHER	6				
13	NUT-0263	NYLOC NUT	3				
14	800097 01	1 ST CURVED LINK ASSY	1				
15	800098 01	1 ST CURVED PLATE ASSY	1				
16	NIP-00600	GREASE NIPPLE	4				
17	190119 15	WASHER	2				
18	WSH-0065	SPRING WASHER	3				
19	HSS-0235	SETSCREW	3				
20	190119 56	WASHER	1				
21	801236 01	CYLINDER HEAD ANGLE	1				
21A	RMSK00320	SEAL KIT (SPARES ONLY)	-				
21B	BSH-3030	BUSH (SPARES ONLY)	-				
22	800101 03	PIN ANGLING RAM ROD	1				
23	800101 23	PIN ANGLING RAM CYLINDER	1				
24	NIP-00605	GREASE NIPPLE	1				
25	WSH-1005	DOWTY WASHER	2				
26	HMA-0052	M/M ADAPTOR	2				
27	800491 01	REAR PROTECTOR	1				



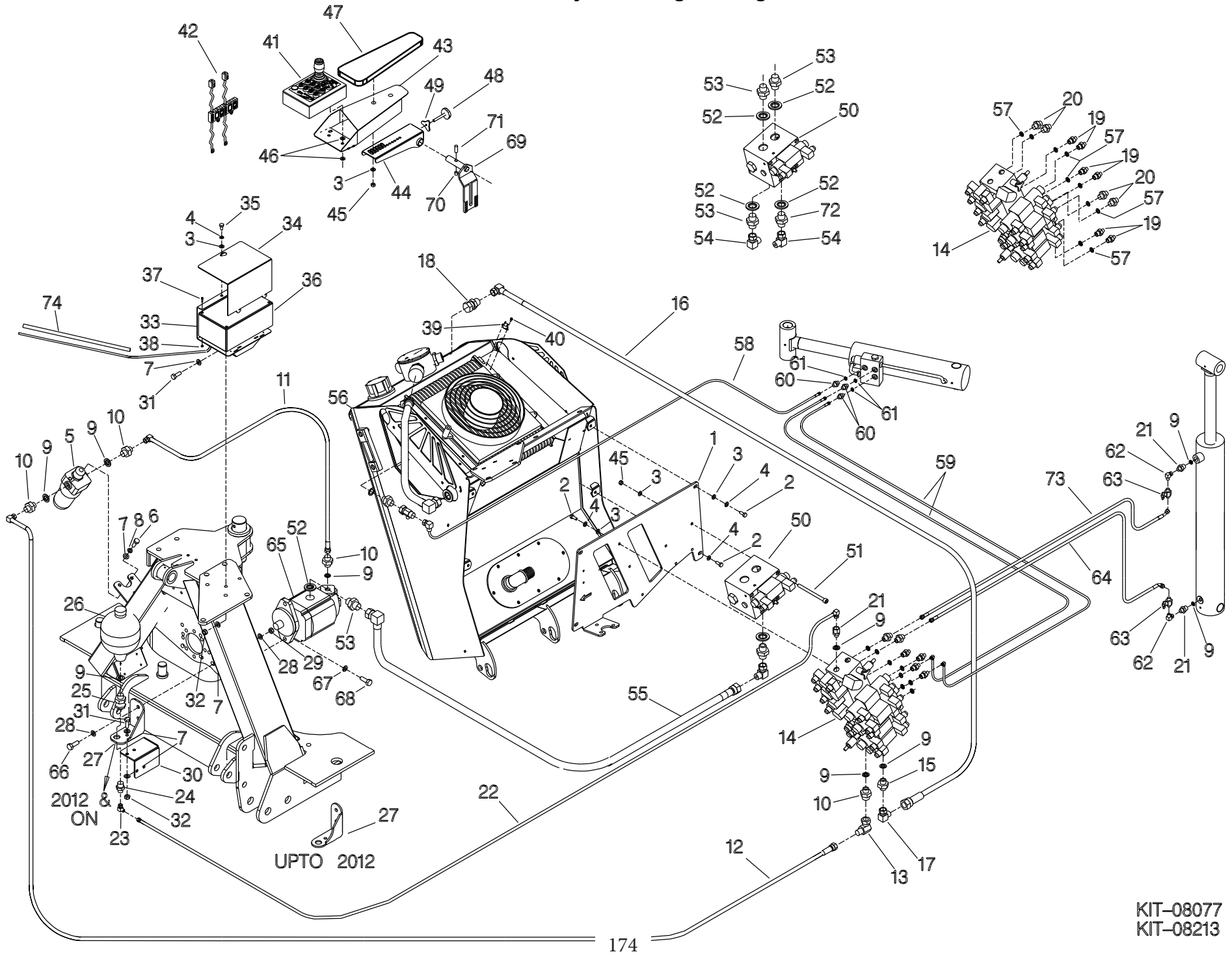
KIT-08206



Shelbourne Reynolds Engineering Limited

ASSY NUMBER: KIT-08213				ASSY DESCRIPTION: VFRT VALVES AND CONTROLS			
ITEM	PART NO	DESCRIPTION	QTY	ITEM	PART NO	DESCRIPTION	QTY
1	801063 01	VALVE MTG PLATE	1	40	SCW-5104	SCREW S/T	2
2	HSS-0140	SETSCREW	9	41	803349 01	VFRT ELECTRONIC CONTROL UNIT	1
3	WSH-0012	PLAIN WASHER	13	41A	JOY-05025	JOYSTICK WITH CONECTOR	1
4	WSH-0058	SPRING WASHER	7	42	801127 01	POWER CONNECTION KIT	1
5	FIL-0220A	IN-LINE PRESSURE	1	43	802239 01	JOYSTICK MTG	1
5A	FIL-0230A	FILTER ELEMENT-REPLACEMENT	1	44	802218 01	ARMREST W/A	1
6	HSS-0191	SETSCREW	3	45	NUT-0263	NYLOC NUT	8
7	WSH-0015	PLAIN WASHER	11	46	WSH-1038	LOADSPREAD WASHER	6
8	WSH-0061	SPRING WASHER	3	47	802242 01	FOAM PADDING	1
9	WSH-1015	BONDED SEAL	9	48	KNO-0002	KNOB	1
10	HMA-0067	ADAPTOR	4	49	801100 01	LOCK	1
11	HHBF09005	HOSE	1	50	HVB-19120	ROTOR CONTROL VALVE	1
12	HHBF06005	HOSE	1			(PBXXX150434 & ON)	
13	HAA0707	ADAPTOR (LH ARM)	1	OR	HVB-19090	ROTOR CONTROL VALVE	1
14	HVB-19145	VALVE BLOCK CYLINDERS	1			(UPTO PBXXX150434)	
15	HMA-0060	ADAPTOR	1	51	SCCA08683	CAP HEAD SCREW	4
16	HHBH15505	HOSE	1	52	WSH-1025	BONDED SEAL	6
17	HAA1111	ADAPTOR	1	53	FIT-0546	ADAPTOR	4
18	HACAA1113	ADAPTOR	1	54	HAA1313	ADAPTOR	2
19	FIT-0025	ADAPTOR	6	55	HHBI06005	HOSE	1
20	HMA-0057	ADAPTOR	4	56	HHBI06505	HOSE	1
21	HMA-0065	ADAPTOR	3	57	WSH-1010	BONDED SEAL	10
22	HHBE10105	HOSE	1	58	HHCC12805	HOSE	1
23	HALAA0505	ADAPTOR	1	59	HHCC10005	HOSE	2
24	FIT-0240	ADAPTOR	1	60	HMA-0052	ADAPTOR	3
25	HAGAA0707	BULKHEAD	1	61	WSH-1005	BONDED SEAL	3
26	HYA-01400	ACCUMULATOR	1	62	HAKAA0505	ADAPTOR	2
27	800334 01	BRACKET ACCUMULATOR (LH)	1	63	HVB-02620	TAP	2
28	WSH-0018	PLAIN WASHER	4	64	HHDE14805	HOSE	1
29	NUT-0269	NYLOC NUT	2	65	PUM090661	TANDEM PUMP	1
30	803183 01	LH BKT AR SENSOR	1	66	HSS-0241	BOLT	2
31	HSS-0194	BOLT	4	67	WSHA15141	SPRING WASHER	2
32	NUT-0265	NYLOC NUT	4	68	HSSA14200	SET SCREW	2
33	801072 01	CONTROL BOX MOUNT	1	69	801121 01	ARMREST BRACKET	1
34	801049 01	CONTROL BOX COVER	1	70	SCW-4590	GRUBSCREW	1
35	HSSG08114	SETSCREW	1	71	SCGA10178	GRUBSCREW	1
36	803350 01	ELECTRONIC CONTROL UNIT	1	72	HAGAA1313	HYD.BULKHEAD ADAPTOR	1
37	SCW-0035	CAP HEAD SCREW	4	73	HHBE14805	HOSE	1
38	NUT-0255	NYLOC NUT	4	74	SLV-00300	SPIRAL TUBING	4MT
39	SWT-32500	THERMAL SWITCH	1		KIT-08077L HYD	HYDRAULICS KIT FOR CONTROLS	

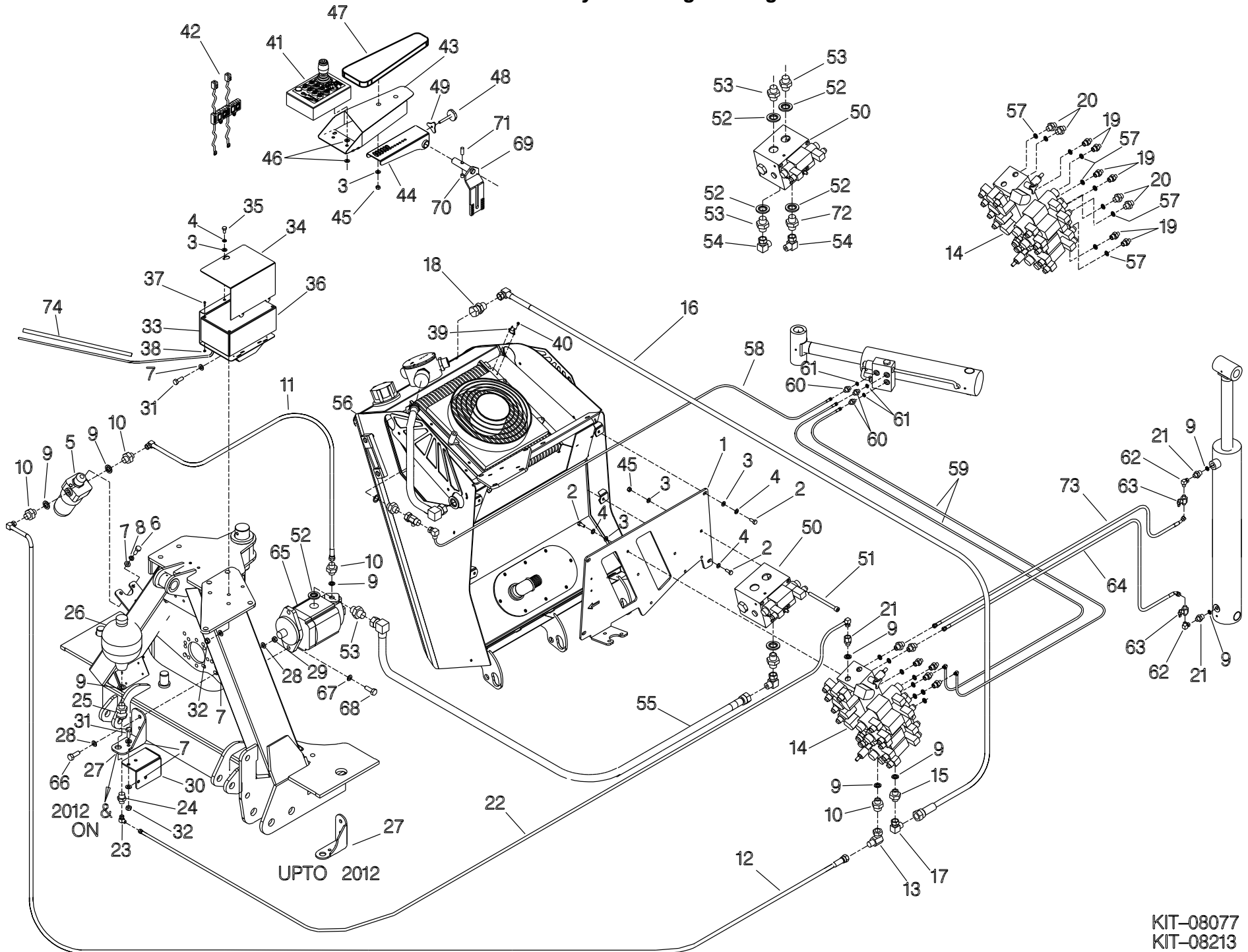
Shelbourne Reynolds Engineering Limited



Shelbourne Reynolds Engineering Limited

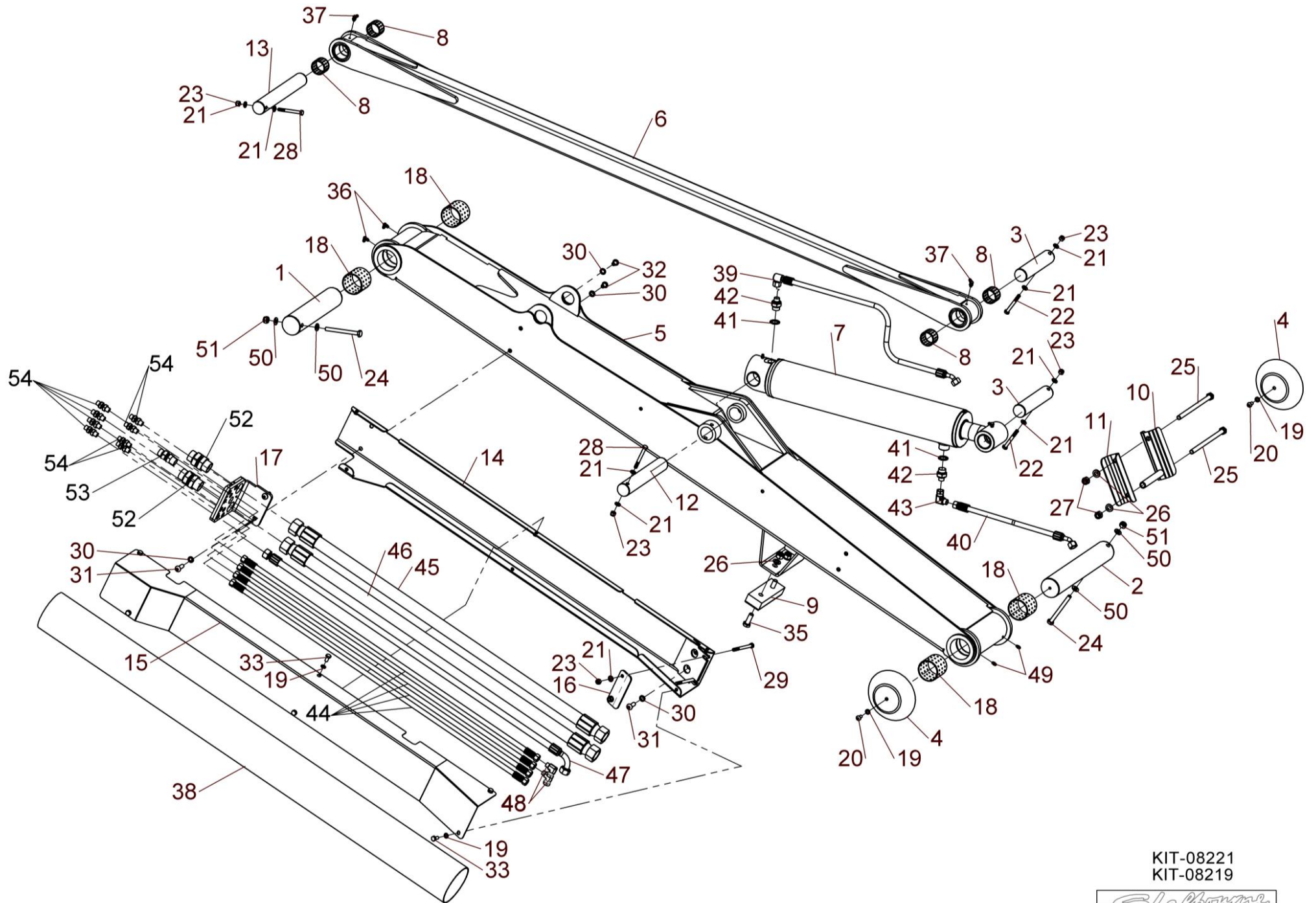
ASSY NUMBER: KIT-08213BG				ASSY DESCRIPTION: VFRT VALVES AND CONTROLS BLUE & GREY			
ITEM	PART NO	DESCRIPTION	QTY	ITEM	PART NO	DESCRIPTION	QTY
1	801063 01B	VALVE MTG PLATE	1	40	SCW-5104	SCREW S/T	2
2	HSS-0140	SETSCREW	9	41	803349 01	VFRT ELECTRONIC CONTROL UNIT	1
3	WSH-0012	PLAIN WASHER	13	41A	JOY-05025	JOYSTICK WITH CONECTOR	1
4	WSH-0058	SPRING WASHER	7	42	801127 01	POWER CONNECTION KIT	1
5	FIL-0220A	IN-LINE PRESSURE	1	43	802239 01	JOYSTICK MTG	1
5A	FIL-0230A	FILTER ELEMENT-REPLACEMENT	1	44	802218 01	ARMREST W/A	1
6	HSS-0191	SETSCREW	3	45	NUT-0263	NYLOC NUT	8
7	WSH-0015	PLAIN WASHER	11	46	WSH-1038	LOADSPREAD WASHER	6
8	WSH-0061	SPRING WASHER	3	47	802242 01	FOAM PADDING	1
9	WSH-1015	BONDED SEAL	9	48	KNO-0002	KNOB	1
10	HMA-0067	ADAPTOR	4	49	801100 01	LOCK	1
11	HHBF09005	HOSE	1	50	HBV-19120	ROTOR CONTROL VALVE	1
12	HHBF06005	HOSE	1			(PBXXX150434 & ON)	
13	HAJAA0707	ADAPTOR (LH ARM)	1	OR	HVB-19090	ROTOR CONTROL VALVE	1
14	HVB-19145	VALVE BLOCK CYLINDERS	1			(UPTO PBXXX150434)	
15	HMA-0060	ADAPTOR	1	51	SCCA08683	CAP HEAD SCREW	4
16	HHBH15505	HOSE	1	52	WSH-1025	BONDED SEAL	6
17	HAJAA1111	ADAPTOR	1	53	FIT-0546	ADAPTOR	4
18	HACAA1113	ADAPTOR	1	54	HAJAA1313	ADAPTOR	2
19	FIT-0025	ADAPTOR	6	55	HHBI06005	HOSE	1
20	HMA-0057	ADAPTOR	4	56	HHBI06505	HOSE	1
21	HMA-0065	ADAPTOR	3	57	WSH-1010	BONDED SEAL	10
22	HHBE10105	HOSE	1	58	HHCC12805	HOSE	1
23	HALAA0505	ADAPTOR	1	59	HHCC10005	HOSE (2
24	FIT-0240	ADAPTOR	1	60	HMA-0052	ADAPTOR	3
25	HAGAA0707	BULKHEAD	1	61	WSH-1005	BONDED SEAL	3
26	HYA-01400	ACCUMULATOR	1	62	HAKAA0505	ADAPTOR	2
27	800334 01B	BRACKET ACCUMULATOR (LH)	1	63	HVB-02620	TAP	2
28	WSH-0018	PLAIN WASHER	4	64	HHDE14805	HOSE	1
29	NUT-0269	NYLOC NUT	2	65	PUM090661	TANDEM PUMP	1
30	803183 01B	LH BKT AR SENSOR	1	66	HSS-0241	BOLT	2
31	HSS-0194	BOLT	4	67	WSHA15141	SPRING WASHER	2
32	NUT-0265	NYLOC NUT	4	68	HSSA14200	SET SCREW	2
33	801072 01B	CONTROL BOX MOUNT	1	69	801121 01	ARMREST BRACKET	1
34	801049 01B	CONTROL BOX COVER	1	70	SCW-4590	GRUBSCREW	1
35	HSSG08114	SETSCREW	1	71	SCGA10178	GRUBSCREW	1
36	803350 01	ELECTRONIC CONTROL UNIT	1	72	HAGAA1313	HYD.BULKHEAD ADAPTOR	1
37	SCW-0035	CAP HEAD SCREW	4	73	HHBE14805	HOSE	1
38	NUT-0255	NYLOC NUT	4	74	SLV-00300	SPIRAL TUBING	4MT
39	SWT-32500	THERMAL SWITCH	1		KIT-08077L HYD	HYDRAULICS KIT FOR CONTROLS	

Shelbourne Reynolds Engineering Limited



Shelbourne Reynolds Engineering Limited

ASSY NUMBER: KIT-08219				ASSY DESCRIPTION: 6.0mt INNER BOOM VFRT KIT			
ITEM	PART NO	DESCRIPTION	QTY	ITEM	PART NO	DESCRIPTION	QTY
1	803240 01	PIN	1	40	HHDE23205	HOSE	1
2	803240 03	PIN	1	41	WSH-1015	DOWTY WASHER	2
3	802839 01	PIN	2	42	HMA-0065	ADAPTOR M/M	2
4	800912 01	DISC	2	43	HALAA0505	ELBOW FITTING M/F	1
5	803591 01	INNER BOOM 6.0mt W/A	1	44	HHAC25105	HOSE	4
6	803595 01	TIE ARM W/A	1	45	HHAI23105	HOSE	1
7	802812 01	CYLINDER REACH	1	46	HHAI23505	HOSE	1
8	BSHO04056	BUSH	4	47	HHBF33005	HOSE	1
9	801367 01	BUFFER	1	48	HALAA0303	ELBOW FITTING M/F	2
10				49	NIP-00600	GREASE NIPPLE	2
11				50	WSH-0015	WASHER	4
12	802839 06	PIN	1	51	NUT-0265	NUT	2
13	802839 03	PIN	1	52	HAGAA1313	BULKHEAD ADAPTOR	2
14	803596 01	HOSE GUARD (6.0mt) W/A	1	53	HAGAA0707	BULKHEAD ADAPTOR	1
15	803656 01	HOSE GUARD (6.0mt) W/A	1	54	HBK-0010	BULKHEAD ADAPTOR	8
16	803345 01	HOSE GUIDE PLATE	1				
17	804122 01	BULKHEAD W/A PB7XX150466 & ON	1				
OR	803654 01	BULKHEAD W/A UPTO PB7XX150466	1				
18	BSHO06071	BUSH	4				
19	WSH-0058	SPRING WASHER	8				
20	SCBA08112	BUTTON HEAD SCREW	2				
21	WSH-0012	PLAIN WASHER	10				
22	BLTA08440	BOLT	2				
23	NUT-0263	NYLOC NUT	6				
24	BLTA10590	BOLT	2				
25							
26	WSH-0018	PLAIN WASHER	4				
27							
28	BLTA08470	BOLT	2				
29	BLTA08500	BOLT	2				
30	WSH-0061	SPRING WASHER	8				
31	SCBA10200	BUTTON HEAD SCREW	4				
32	SCBA10114	BUTTON HEAD SCREW	4				
33	HSS-0135	SETSCREW	6				
34	NUT-0269	NYLOC NUT	2				
35	HSS-0241	SETSCREW	2				
36	NIP-00605	GREASE NIPPLE	2				
37	NIP-00610	GREASE NIPPLE	2				
38	HHS-05010	HOSE SLEEVING	1.5mt				
39	HHME23205	HOSE	1				

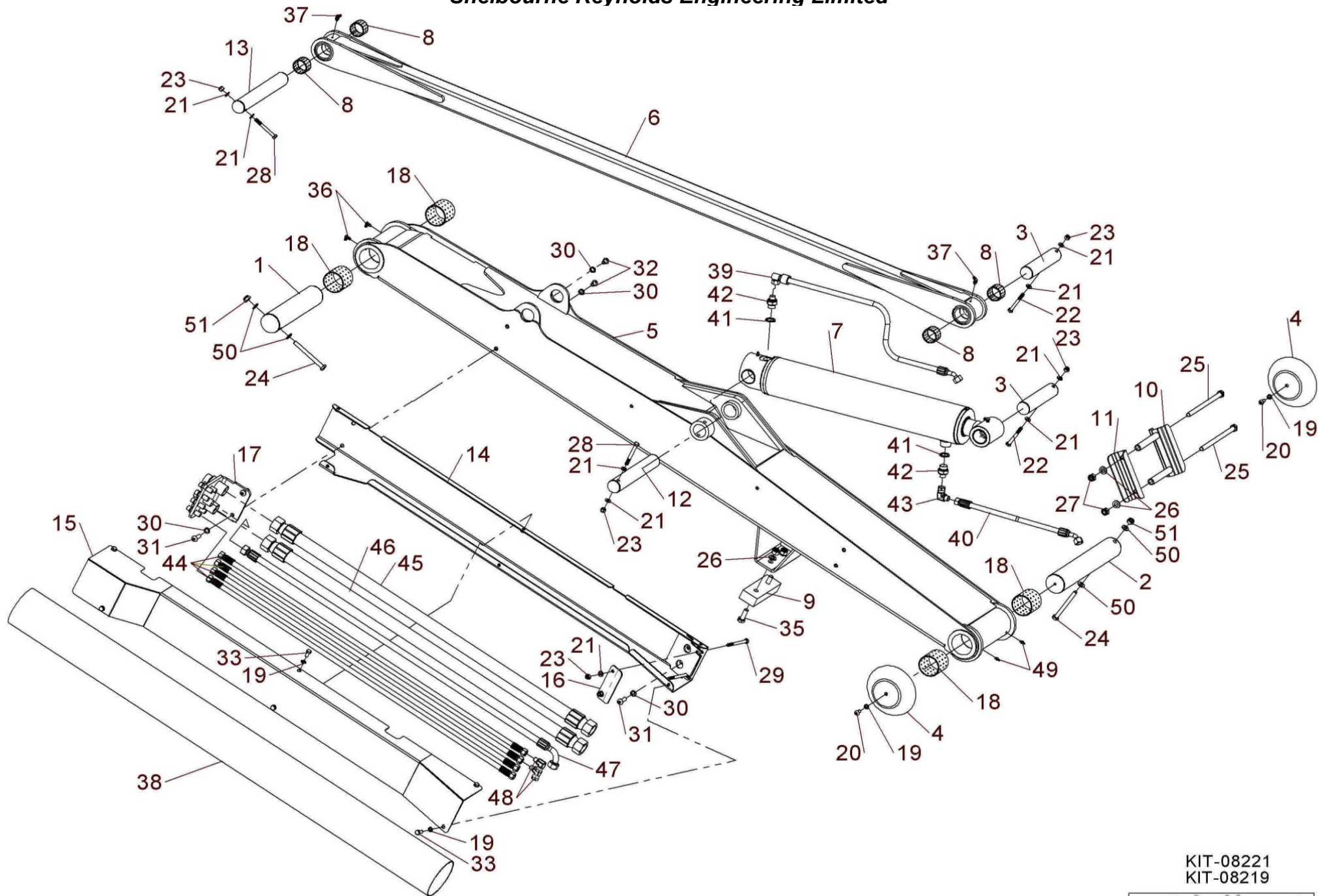


KIT-08221
KIT-08219



Shelbourne Reynolds Engineering Limited

ASSY NUMBER: KIT-08219BG				ASSY DESCRIPTION: 6.0mt INNER BOOM VFRT KIT BLUE & GREY			
ITEM	PART NO	DESCRIPTION	QTY	ITEM	PART NO	DESCRIPTION	QTY
1	803240 03	PIN	1	40	HHDE23205	HOSE	1
2	803240 01	PIN	1	41	WSH-1015	DOWTY WASHER	2
3	802839 01	PIN	2	42	HMA-0065	ADAPTOR M/M	2
4	800912 01G	DISC	2	43	HALAA0505	ELBOW FITTING M/F	1
5	803591 01B	INNER BOOM 6.0mt W/A	1	44	HHAC25105	HOSE	4
6	803595 01B	TIE ARM W/A	1	45	HHAI23105	HOSE	1
7	802812 01	CYLINDER REACH	1	46	HHAI23505	HOSE	1
8	BSHO04056	BUSH	4	47	HHBF33005	HOSE	1
9	801367 01	BUFFER	1	48	HALAA0303	ELBOW FITTING M/F	2
10	803337 01G	HOSE GUIDE W/A	1	49	NIP-00600	GREASE NIPPLE	2
11	803317 01B	HOSE GUIDE PLATE	1	50	WSH-0015	WASHER	4
12	802839 06	PIN	1	51	NUT-0265	NUT	2
13	802839 03	PIN	1				
14	803596 01G	HOSE GUARD (6.0mt) W/A	1				
15	803656 01G	HOSE GUARD (6.0mt) W/A	1				
16	803345 01G	HOSE GUIDE PLATE	1				
17	803654 01	BULKHEAD W/A	1				
18	BSHO06071	BUSH	4				
19	WSH-0058	SPRING WASHER	8				
20	SCBA08112	BUTTON HEAD SCREW	2				
21	WSH-0012	PLAIN WASHER	10				
22	BLTA08440	BOLT	2				
23	NUT-0263	NYLOC NUT	6				
24	BLTA10590	BOLT	2				
25	BLTA12830	BOLT	2				
26	WSH-0018	PLAIN WASHER	6				
27	NUT-0270	NYLOC NUT	2				
28	BLTA08470	BOLT	2				
29	BLTA08500	BOLT	2				
30	WSH-0061	SPRING WASHER	8				
31	SCBA10200	BUTTON HEAD SCREW	4				
32	SCBA10114	BUTTON HEAD SCREW	4				
33	HSS-0135	SETSCREW	6				
34	NUT-0269	NYLOC NUT	2				
35	HSS-0241	SETSCREW	2				
36	NIP-00605	GREASE NIPPLE	2				
37	NIP-00610	GREASE NIPPLE	2				
38	HHS-05010	HOSE SLEEVING	1.5mt				
39	HHME23205	HOSE	1				



KIT-08221
KIT-08219

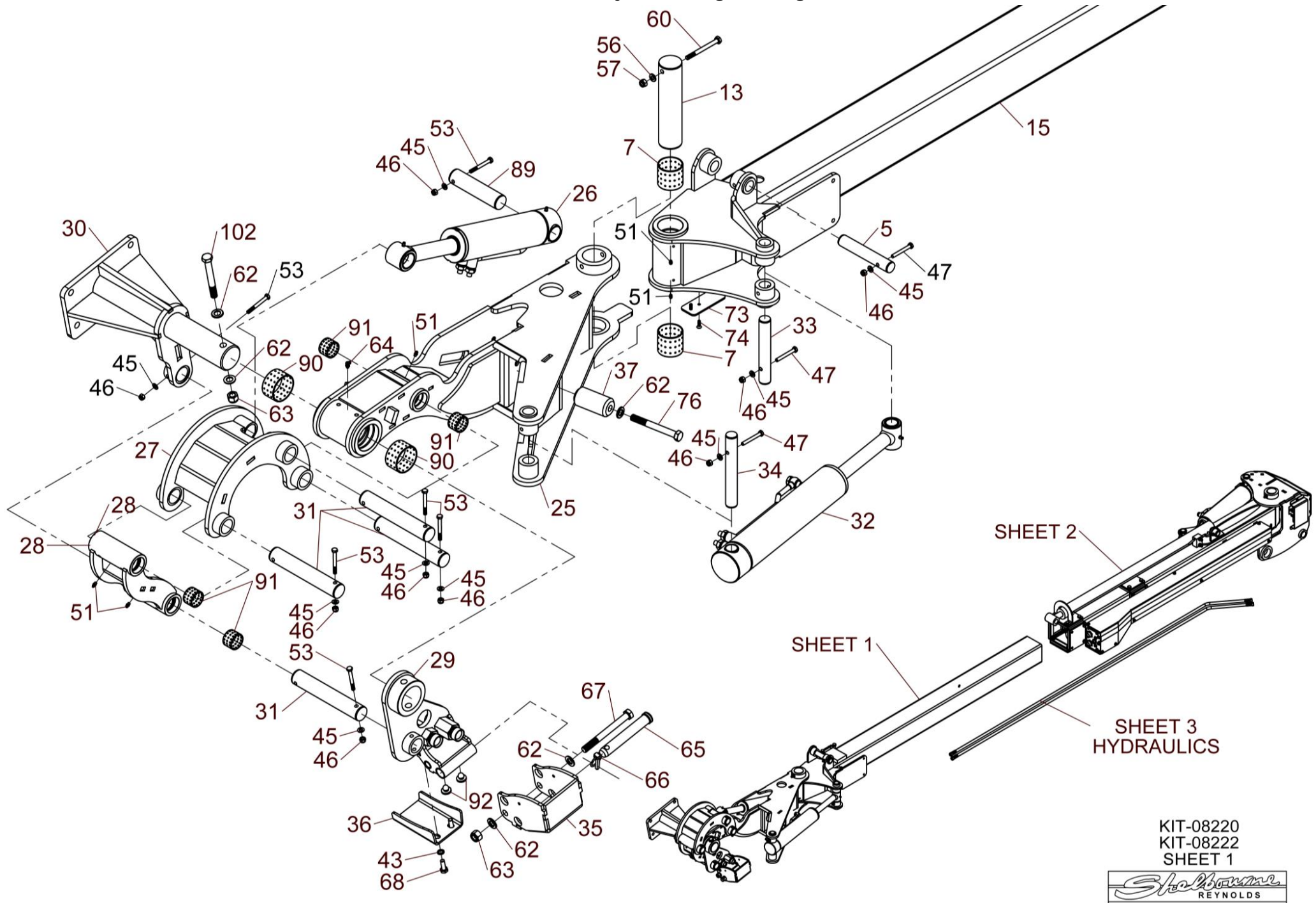


Shelbourne Reynolds Engineering Limited

ASSY NUMBER: KIT-08220				ASSY DESCRIPTION: 6.0mt VFRT OUTER BOOM KIT			
ITEM	PART NO	DESCRIPTION	QTY	ITEM	PART NO	DESCRIPTION	QTY
1	803609 01	SLIDE TUBE W/A	1	40	NIP-00605	GREASE NIPPLE	2
2	800987 08	PIN	1	41	SCCA08533	CAP SOCKET HD SCREW	2
3	800987 20	PIN	1	42	WSH-0058	SPRING WASHER	15
4	800987 21	PIN	1	43	WSH-0061	SPRING WASHER	3
5	800987 22	PIN	1	44	WSH-1005	DOWTY WASHER	8
6	801235 04	TELE CYLINDER	1	45	WSH-0012	PLAIN WASHER	21
7	BSH006071	BUSH	4	46	NUT-0263	NYLOC NUT	13
8	803220 01	TOP HEAD STOCK W/A	1	47	BLTA08410	HEX.HEAD BOLT	5
9	803231 01	BACK COVER PLATE	1	48	WSH-0065	SPRING WASHER	36
10	803232 01	GUARD PLATE	1	49	HSS-0238	BOLT	30
11	803607 01	TOP TELE BEAM SECTION	1	50	BLTA08380	HEX.HEAD BOLT	1
12	803240 01	PIN	1	51	NIP-00600	GREASE NIPPLE	9
13	803240 02	PIN	1	52	HSS-0235	SET SCREW	2
14	803254 01	HYDRAULIC RAM	1	53	BLTA08440	HEX.HEAD BOLT	6
15	803605 01	LOWER TELE BOOM	1	54	BLTA08530	HEX.HEAD BOLT	2
16	803264 01	LARGE WEAR PAD	8	55	HSS-0135	SETSCREW	7
17	803265 01	2mm SHIM	8	56	WSH-0015	PLAIN WASHER	8
18	803266 01	1mm SHIM	8	57	NUT-0265	NYLOC NUT	5
19	803267 01	WEAR PLATE RETAINER	8	58	SCW-0514	BUTTON HD SCREW	2
20	804125 01	BULKHEAD W/A PB7XX150466 & ON	1	59	SCW-0136	HT CAP HEAD SCREW	4
OR	803615 01	BULKHEAD W/A UPTO PB7xx150466	1	60	BLTA10590	HEX.HEAD BOLT	2
21	803611 01	6.0mt HOSE GUARD W/A	1	61	BLT-2334	HEX.HEAD BOLT	1
22	803613 01	6.0mt GUARD COVER W/A	1	62	WSH-0024	PLAIN WASHER	5
23	803620 01	HOSE GUIDE PLATE	1	63	NUT-0271	NYLOC NUT	2
24	801459 01	SLIDING BOSS	1	64	NIP-00610	GREASE NIPPLE	2
25	803636 01	LOWER ARM W/A	1	65	800198 02	PIN	1
26	803623 01	HEAD ANGLE CYLINDER	1	66	PIN-01950	LYNCH PIN	1
27	803643 01	CURVE LINK W/A	1	67	BLTA16740	BOLT	1
28	803645 01	2 ND CURVE LINK W/A	1	68	HSS-0194	SETSCREW	2
29	803630 01	GUARD MOUNT W/A	1	69	HCPD01400	HYDRAULIC PIPE CLAMP	4
30	803648 01	HEAD MOUNT W/A	1	70	HVB-19115	6 WAY DUAL OVERCENTRED	1
31	802839 08	PIN	4	71	HMA-0052	ADAPTOR MALE/MALE	8
32	803624 01	HYDRAULIC CYLINDER	1	72	WSH-1010	DOWTY WASHER	6
33	800987 23	TELE BOOM PIN	1	73	803622 01	GUIDE PLATE	1
34	800101 27	PIN LIFT RAM	1	74	SCW-1580	CSK SOCKET HD SCW	2
35	803628 01	PIVOT SHOE FOOT W/A	1	75	FIT-0025	ADAPTOR MALE/MALE	6
36	803629 01	GUARD PLATE	1	76	BLTA16710	BOLT	1
37	803621 01	HOSE ROLLER	1	77	HHBI17505	HOSE	2
38	HSS-0140	BOLT	6	78	HHDI30005	HOSE	2
39	HSS-0188	SET SCREW	1				

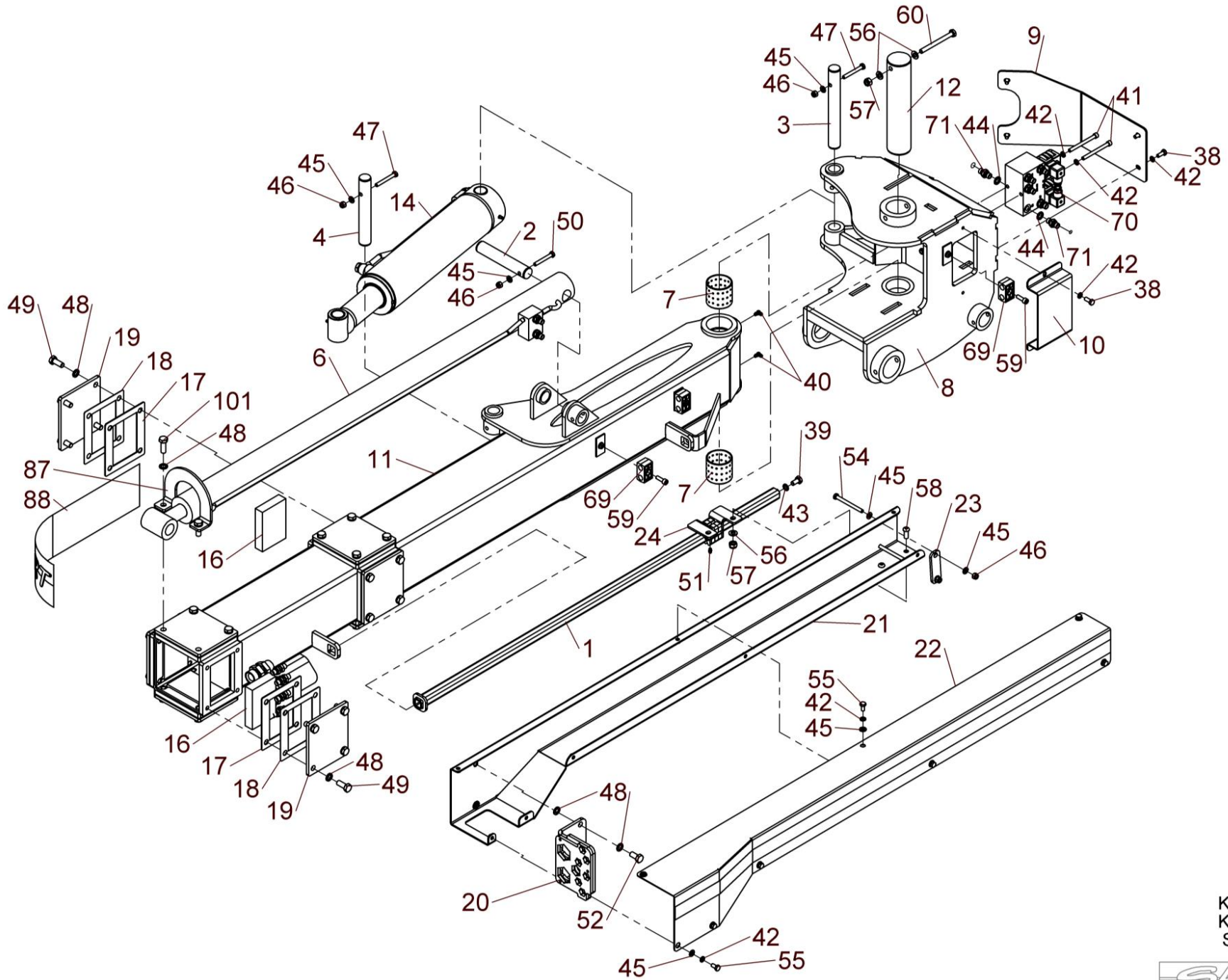
Shelbourne Reynolds Engineering Limited

ASSY NUMBER: KIT-08220				ASSY DESCRIPTION: 6.0mt VFRT OUTER BOOM KIT			
ITEM	PART NO	DESCRIPTION	QTY	ITEM	PART NO	DESCRIPTION	QTY
79	HHS-05010	HOSE SLEEVING	1.3MT				
80	HHS-05010	HOSE SLEEVING	1.9MT				
81	HHDF31005	HOSE	1				
82	HHDC31505	HOSE	2				
83	HHS-05005	HOSE SLEEVING	1.0m				
84	HHBC10905	HOSE	1				
85	HHBC11405	HOSE	1				
86							
87	803403 01	RETAINING RING	1				
88	802567 13	TRANSFER - HD765 VFRT	2				
89	802839 07	PIN	1				
90	BSH007062	BUSH	2				
91	BSH004056	BUSH	6				
92	RUB-0330	RUBBER FOOT	2				
93	HHDC10105	HOSE	1				
94	HHDC09405	HOSE	1				
95	HHCC02305	HOSE	1				
96	HHCC42805	HOSE	1				
97	HHAC38305	HOSE	1				
98	HHCC10005	HOSE	2				
99	HHCC08905	HOSE	1				
100	HHCC09505	HOSE	1				
101	HAGAA1313	BULKHEAD ADAPTOR	2				
102	HAGAA0707	BULKHEAD ADAPTOR	1				
103	HBK-0010	BULKHEAD ADAPTOR	6				



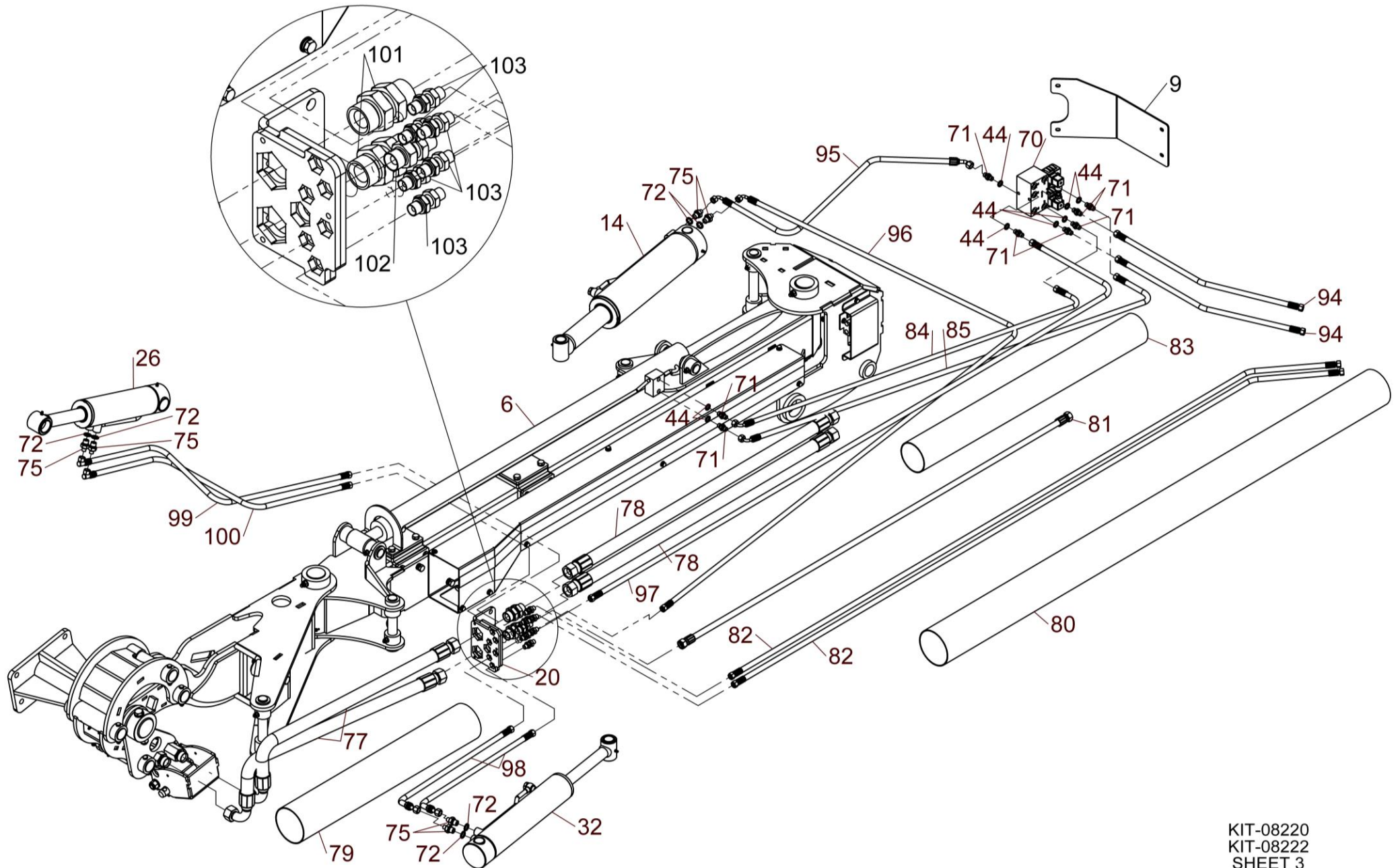
KIT-08220
KIT-08222
SHEET 1





KIT-08222
KIT-08220
SHEET 2





KIT-08220
KIT-08222
SHEET 3



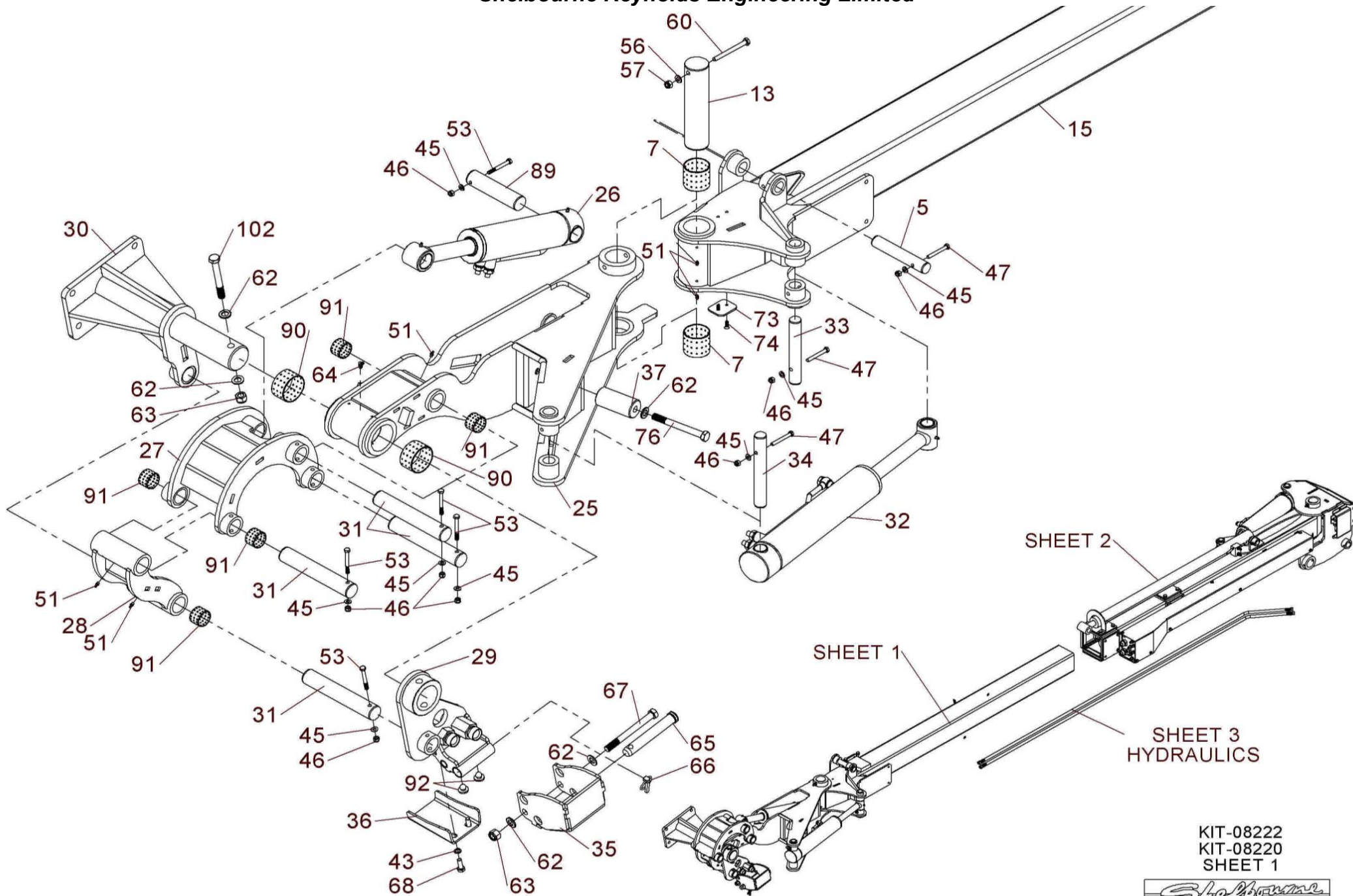
Shelbourne Reynolds Engineering Limited

ASSY NUMBER: KIT-08220BG				ASSY DESCRIPTION: 6.0mt VFRT OUTER BOOM KIT BLUE & GREY			
ITEM	PART NO	DESCRIPTION	QTY	ITEM	PART NO	DESCRIPTION	QTY
1	803609 01	SLIDE TUBE W/A	1	41	SCCA08533	CAP SOCKET HD SCREW	2
2	800987 08	PIN	1	42	WSH-0058	SPRING WASHER	15
3	800987 20	PIN	1	43	WSH-0061	SPRING WASHER	3
4	800987 21	PIN	1	44	WSH-1005	DOWTY WASHER	8
5	800987 22	PIN	1	45	WSH-0012	PLAIN WASHER	20
6	801235 04	TELE CYLINDER	1	46	NUT-0263	NYLOC NUT	12
7	BSH006071	BUSH	4	47	BLTA08410	HEX.HEAD BOLT	5
8	803220 01B	TOP HEAD STOCK W/A	1	48	WSH-0065	SPRING WASHER	36
9	803231 01B	BACK COVER PLATE	1	49	HSS-0238	BOLT	30
10	803232 01B	GUARD PLATE	1	50	BLTA08380	HEX.HEAD BOLT	1
11	803607 01B	TOP TELE BEAM SECTION	1	51	NIP-00600	GREASE NIPPLE	6
12	803240 01	PIN	1	52	HSS-0235	SET SCREW	2
13	803240 02	PIN	1	53	BLTA08440	HEX.HEAD BOLT	5
14	803254 01	HYDRAULIC RAM	1	54	BLTA08530	HEX.HEAD BOLT	2
15	803605 01B	LOWER TELE BOOM	1	55	HSS-0135	SETSCREW	7
16	803264 01	LARGE WEAR PAD	8	56	WSH-0015	PLAIN WASHER	8
17	803265 01B	2mm SHIM	8	57	NUT-0265	NYLOC NUT	5
18	803266 01B	1mm SHIM	8	58	SCW-0514	BUTTON HD SCREW	2
19	803267 01B	WEAR PLATE RETAINER	8	59	SCW-0136	HT CAP HEAD SCREW	4
20	803615 01	BULKHEAD W/A	1	60	BLTA10590	HEX.HEAD BOLT	2
21	803611 01G	6.0mt HOSE GUARD W/A	1	61	BLT-2334	HEX.HEAD BOLT	1
22	803613 01G	6.0mt GUARD COVER W/A	1	62	WSH-0024	PLAIN WASHER	5
23	803620 01G	HOSE GUIDE PLATE	1	63	NUT-0271	NYLOC NUT	2
24	801459 01	SLIDING BOSS	1	64	NIP-00610	GREASE NIPPLE	1
25	803636 01B	LOWER ARM W/A	1	65	800198 02	PIN	1
26	803623 01	HEAD ANGLE CYLINDER	1	66	PIN-01950	LYNCH PIN	1
27	803643 01B	CURVE LINK W/A	1	67	BLTA16740	BOLT	1
28	803645 01B	2 ND CURVE LINK W/A	1	68	HSS-0194	SETSCREW	2
29	803630 01B	GUARD MOUNT W/A	1	69	HCPD01400	HYDRAULIC PIPE CLAMP	4
30	803648 01B	HEAD MOUNT W/A	1	70	HVB-19115	6 WAY DUAL OVERCENTRED	1
31	802839 08	PIN	4	71	HMA-0052	ADAPTOR MALE/MALE	8
32	803624 01	HYDRAULIC CYLINDER	1	72	WSH-1010	DOWTY WASHER	6
33	800987 23	TELE BOOM PIN	1	73	803622 01G	GUIDE PLATE	1
34	800101 27	PIN LIFT RAM	1	74	SCW-1580	CSK SOCKET HD SCW	2
35	803628 01B	PIVOT SHOE FOOT W/A	1	75	FIT-0025	ADAPTOR MALE/MALE	6
36	803629 01B	GUARD PLATE	1	76	BLTA16710	BOLT	1
37	803621 01	HOSE ROLLER	1	77	HHBI17505	HOSE	2
38	HSS-0140	BOLT	6	78	HHDI30005	HOSE	2
39	HSS-0188	SET SCREW	1				
40	NIP-00605	GREASE NIPPLE	2				

Shelbourne Reynolds Engineering Limited

ASSY NUMBER: KIT-08220BG				ASSY DESCRIPTION: 6.0mt VFRT OUTER BOOM KIT BLUE & GREY			
ITEM	PART NO	DESCRIPTION	QTY	ITEM	PART NO	DESCRIPTION	QTY
79	HHS-05010	HOSE SLEEVING	1.3MT				
80	HHS-05010	HOSE SLEEVING	1.9MT				
81	HHDF31005	HOSE	1				
82	HHDC31505	HOSE	2				
83	HHS-05005	HOSE SLEEVING	1.0m				
84	HHBC10905	HOSE	1				
85	HHBC11405	HOSE	1				
86							
87	803403 01B	RETAINING RING	1				
88	802567 13	TRANSFER - HD765 VFRT	2				
89	802839 07	PIN	1				
90	BSH007062	BUSH	2				
91	BSH004056	BUSH	6				
92	RUB-0330	RUBBER FOOT	2				
93	HHDC10105	HOSE	1				
94	HHDC09405	HOSE	1				
95	HHCC02305	HOSE	1				
96	HHCC42805	HOSE	1				
97	HHAC38305	HOSE	1				
98	HHCC10005	HOSE	2				
99	HHCC08905	HOSE	1				
100	HHCC09505	HOSE	1				

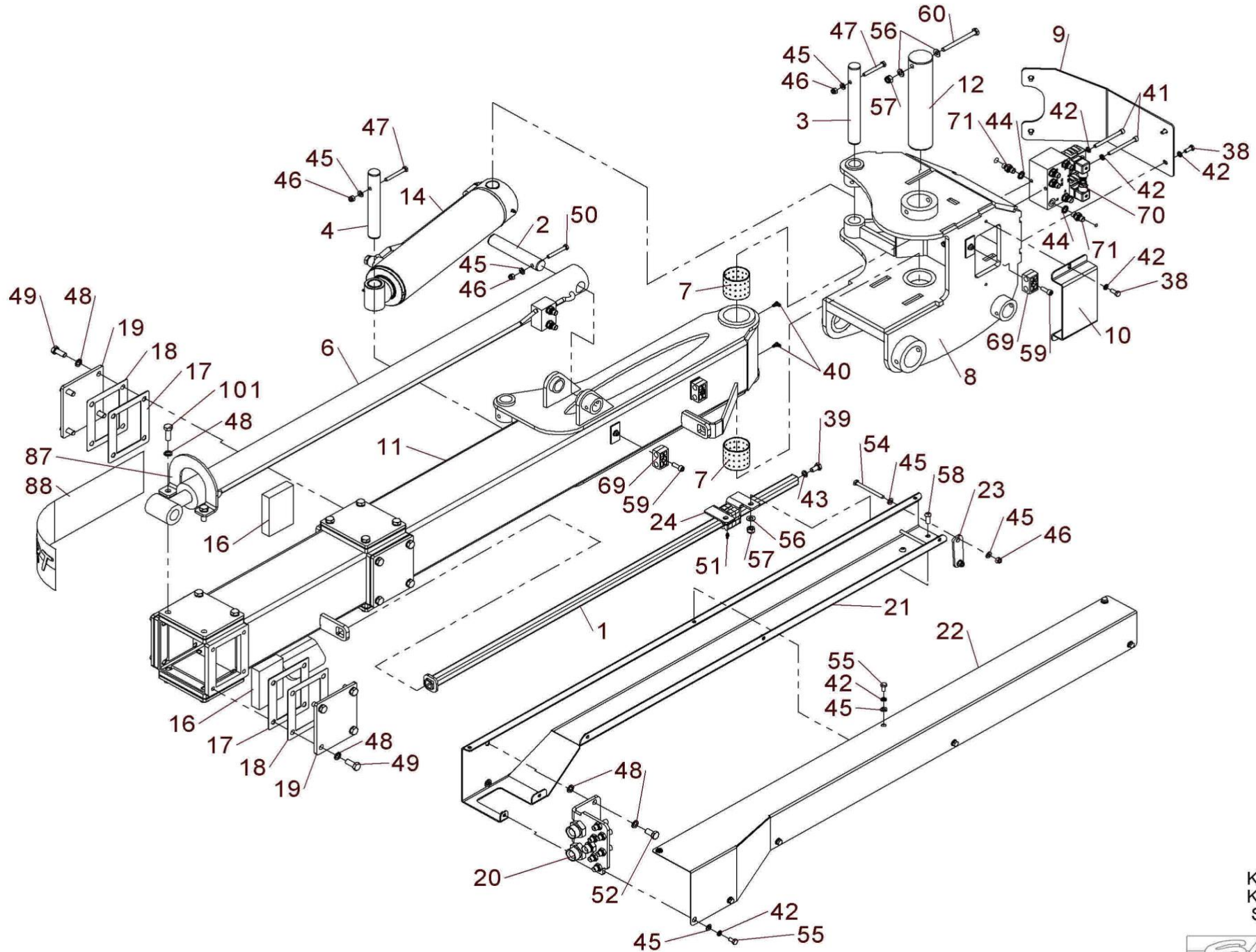
Shelbourne Reynolds Engineering Limited



KIT-08222
KIT-08220
SHEET 1

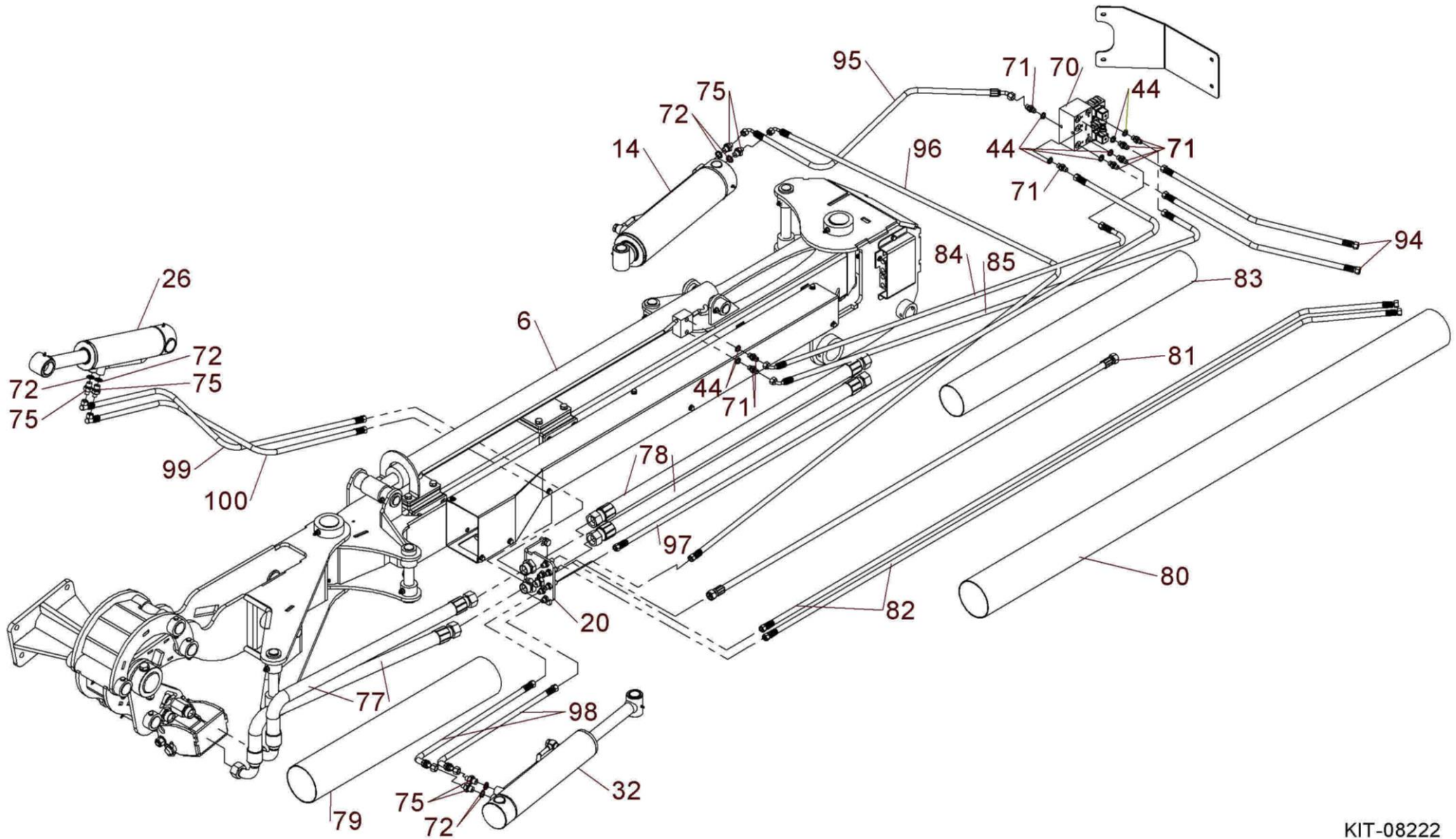


Shelbourne Reynolds Engineering Limited



KIT-08222
KIT-08220
SHEET 2



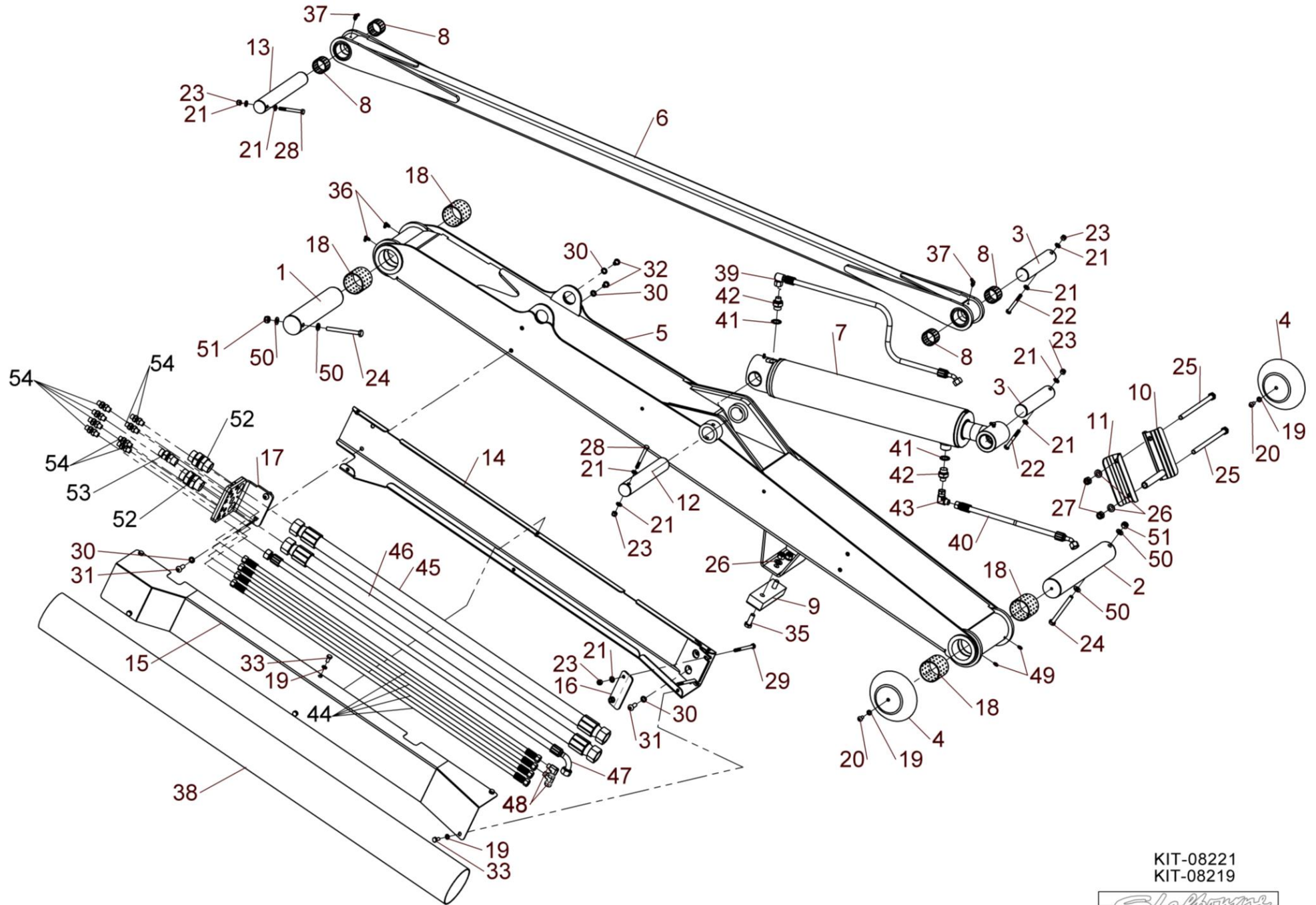


KIT-08222
KIT-08220
SHEET 3



Shelbourne Reynolds Engineering Limited

ASSY NUMBER: KIT-08221				ASSY DESCRIPTION: 7.0mt INNER BOOM VFRT KIT			
ITEM	PART NO	DESCRIPTION	QTY	ITEM	PART NO	DESCRIPTION	QTY
1	803240 01	PIN	1				
2	803240 03	PIN	1	40	HHDE23205	HOSE	1
3	802839 01	PIN	2	41	WSH-1015	DOWTY WASHER	2
4	800912 01	DISC	2	42	HMA-0065	ADAPTOR M/M	2
5	803672 01	INNER BOOM 7.0mt W/A	1	43	HALAA0505	ELBOW FITTING M/F	1
6	803325 01	TIE ARM W/A	1	44	HHAC28705	HOSE	4
7	802812 01	CYLINDER REACH	1	45	HHAI26805	HOSE	1
8	BSHO04056	BUSH	4	46	HHAI27205	HOSE	1
9	801367 01	BUFFER	1	47	HHBF36705	HOSE	1
10				48	HALAA0303	ELBOW FITTING M/F	2
11				49	NIP-00600	GREASE NIPPLE	2
12	802839 06	PIN	1	50	NUT-0265	NUT	2
13	802839 03	PIN	1	51	WSH-0015	WASHER	4
14	803662 01	HOSE GUARD (7.0mt) W/A	1	52	HAGAA1313	BULKHEAD ADAPTOR	2
15	803663 01	HOSE GUARD (7.0mt) W/A	1	53	HAGAA0707	BULKHEAD ADAPTOR	1
16	803345 01	HOSE GUIDE PLATE	1	54	HBK-0010	BULKHEAD ADAPTOR	8
17	804122 01	BULKHEAD W/A PB7XX150466 & ON	1				
OR	803654 01	BULKHEAD W/A UPTO PB7XX150466	1				
18	BSHO06071	BUSH	4				
19	WSH-0058	SPRING WASHER	8				
20	SCBA08112	BUTTON HEAD SCREW	2				
21	WSH-0012	PLAIN WASHER	10				
22	BLTA08440	BOLT	2				
23	NUT-0263	NYLOC NUT	6				
24	BLTA10590	BOLT	2				
25							
26	WSH-0018	PLAIN WASHER	4				
27							
28	BLTA08470	BOLT	2				
29	BLTA08500	BOLT	2				
30	WSH-0061	SPRING WASHER	8				
31	SCBA10200	BUTTON HEAD SCREW	4				
32	SCBA10114	BUTTON HEAD SCREW	4				
33	HSS-0135	SETSCREW	6				
34	NUT-0269	NYLOC NUT	2				
35	HSS-0241	SETSCREW	2				
36	NIP-00605	GREASE NIPPLE	2				
37	NIP-00610	GREASE NIPPLE	2				
38	HHS-05010	HOSE SLEEVING	1.5mt				
39	HHME23205	HOSE	1				

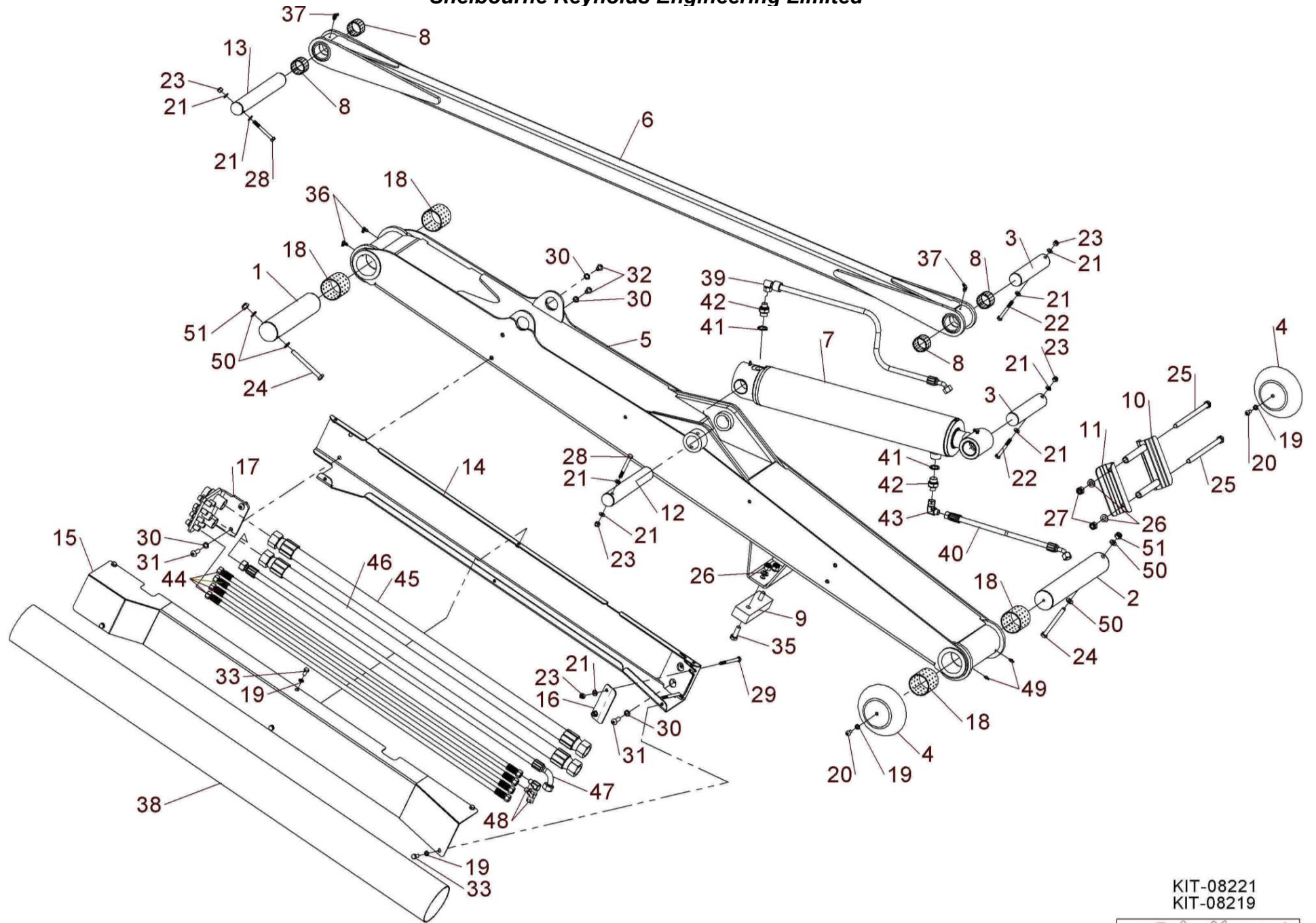


KIT-08221
KIT-08219



Shelbourne Reynolds Engineering Limited

ASSY NUMBER: KIT-08221BG				ASSY DESCRIPTION: 7.0mt INNER BOOM VFRT KIT BLUE & GREY			
ITEM	PART NO	DESCRIPTION	QTY	ITEM	PART NO	DESCRIPTION	QTY
1	803240 03	PIN	1	40	HHDE23205	HOSE	1
2	803240 01	PIN	1	41	WSH-1015	DOWTY WASHER	2
3	802839 01	PIN	2	42	HMA-0065	ADAPTOR M/M	2
4	800912 01G	DISC	2	43	HALAA0505	ELBOW FITTING M/F	1
5	803672 01B	INNER BOOM 7.0mt W/A	1	44	HHAC28705	HOSE	4
6	803325 01B	TIE ARM W/A	1	45	HHAI26805	HOSE	1
7	802812 01	CYLINDER REACH	1	46	HHAI27205	HOSE	1
8	BSHO04056	BUSH	4	47	HHBF36705	HOSE	1
9	801367 01	BUFFER	1	48	HALAA0303	ELBOW FITTING M/F	2
10	803337 01G	HOSE GUIDE W/A	1	49	NIP-00600	GREASE NIPPLE	2
11	803317 01B	HOSE GUIDE PLATE	1	50	NUT-0265	NUT	2
12	802839 06	PIN	1	51	WSH-0015	WASHER	4
13	802839 03	PIN	1				
14	803662 01G	HOSE GUARD (7.0mt) W/A	1				
15	803663 01G	HOSE GUARD (7.0mt) W/A	1				
16	803345 01G	HOSE GUIDE PLATE	1				
17	803654 01	BULKHEAD W/A	1				
18	BSHO06071	BUSH	4				
19	WSH-0058	SPRING WASHER	8				
20	SCBA08112	BUTTON HEAD SCREW	2				
21	WSH-0012	PLAIN WASHER	10				
22	BLTA08440	BOLT	2				
23	NUT-0263	NYLOC NUT	6				
24	BLTA10590	BOLT	2				
25	BLTA12830	BOLT	2				
26	WSH-0018	PLAIN WASHER	6				
27	NUT-0270	NYLOC NUT	2				
28	BLTA08470	BOLT	2				
29	BLTA08500	BOLT	2				
30	WSH-0061	SPRING WASHER	8				
31	SCBA10200	BUTTON HEAD SCREW	4				
32	SCBA10114	BUTTON HEAD SCREW	4				
33	HSS-0135	SETSCREW	6				
34	NUT-0269	NYLOC NUT	2				
35	HSS-0241	SETSCREW	2				
36	NIP-00605	GREASE NIPPLE	2				
37	NIP-00610	GREASE NIPPLE	2				
38	HHS-05010	HOSE SLEEVING	1.5mt				
39	HHME23205	HOSE	1				



KIT-08221
KIT-08219

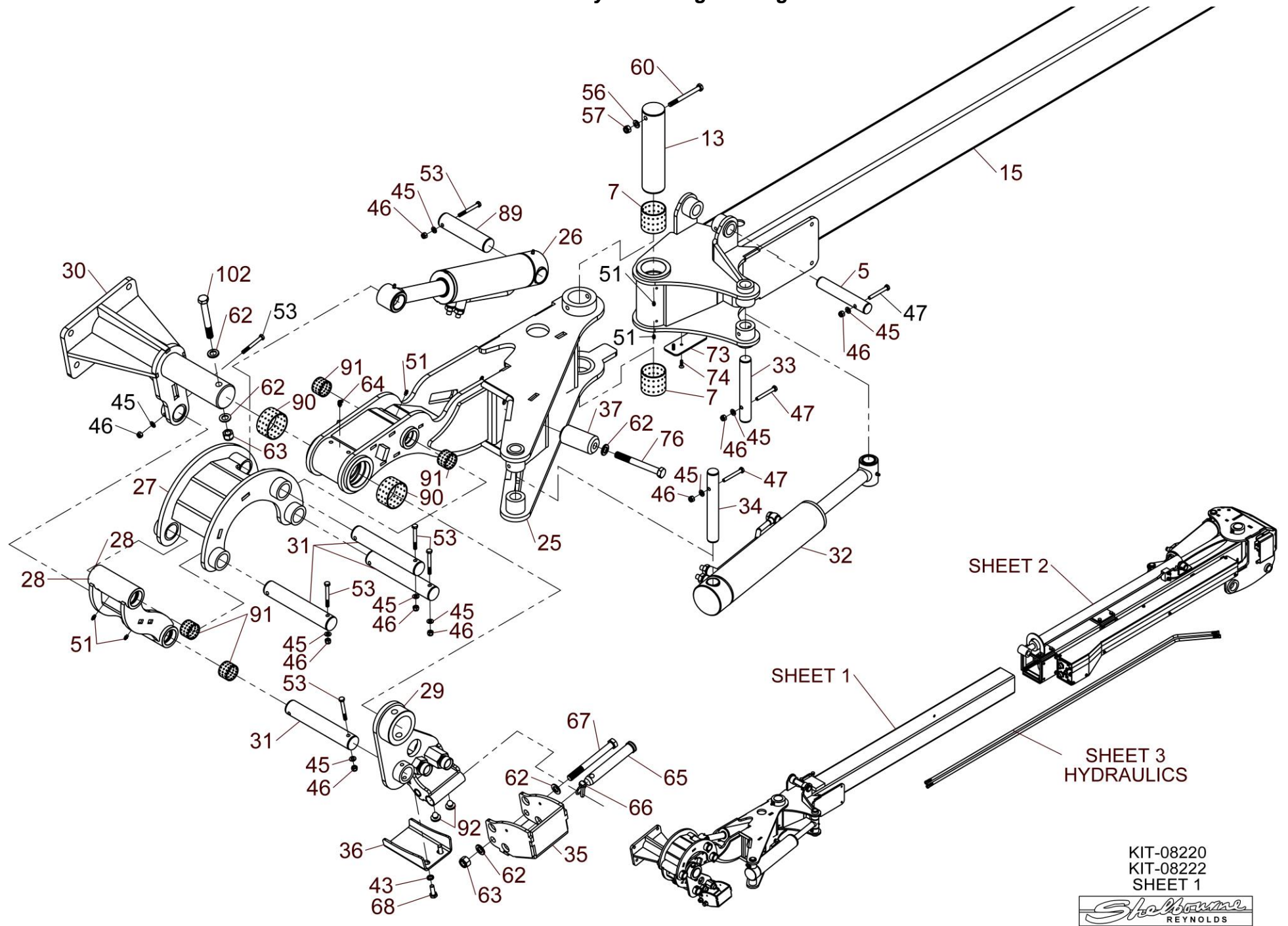


Shelbourne Reynolds Engineering Limited

ASSY NUMBER: KIT-08222				ASSY DESCRIPTION: 7.0mt VFRT OUTER BOOM KIT			
ITEM	PART NO	DESCRIPTION	QTY	ITEM	PART NO	DESCRIPTION	QTY
1	800994 01	SLIDE TUBE WA	1	40	NIP-00605	GREASE NIPPLE	2
2	800987 08	PIN	1	41	SCCA08533	CAP SOCKET HD SCREW	2
3	800987 20	PIN	1	42	WSH-0058	SPRING WASHER	16
4	800987 21	PIN	1	43	WSH-0061	SPRING WASHER	3
5	800987 22	PIN	1	44	WSH-1005	DOWTY WASHER	8
6	801235 01	TELE CYLINDER	1	45	WSH-0012	PLAIN WASHER	23
7	BSH006071	BUSH	4	46	NUT-0263	NYLOC NUT	14
8	803220 01	TOP HEAD STOCK W/ASSY	1	47	BLTA08410	HEX.HEAD BOLT	5
9	803231 01	BACK COVER PLATE	1	48	WSH-0065	SPRING WASHER	36
10	803232 01	GUARD PLATE	1	49	HSS-0238	BOLT	30
11	803233 01	TOP TELE BEAM SECTION	1	50	BLTA08380	HEX.HEAD BOLT	1
12	803240 01	PIN	1	51	NIP-00600	GREASE NIPPLE	9
13	803240 02	PIN	1	52	HSS-0235	SET SCREW	2
14	803254 01	HYDRAULIC RAM	1	53	BLTA08440	HEX.HEAD BOLT	6
15	803667 01	LOWER TELE BOOM	1	54	BLTA08530	HEX.HEAD BOLT	2
16	803264 01	LARGE WEAR PAD	8	55	HSS-0135	SETSCREW	8
17	803265 01	2mm SHIM	8	56	WSH-0015	PLAIN WASHER	6
18	803266 01	1mm SHIM	8	57	NUT-0265	NYLOC NUT	4
19	803267 01	WEAR PLATE RETAINER	8	58	SCW-0514	BUTTON HD SCREW	2
20	804125 01	BULKHEAD W/A PB7XX150466 & ON	1	59	SCW-0136	HT CAP HEAD SCREW	4
OR	803615 01	BULKHEAD W/A UPTO PB7XX150466	1	60	BLTA10590	HEX.HEAD BOLT	2
21	803665 01	7.0mt HOSE GUARD W/A	1	61	BLT-2334	HEX.HEAD BOLT	1
22	803670 01	7.0mt GUARD COVER W/A	1	62	WSH-0024	PLAIN WASHER	5
23	803620 01	HOSE GUIDE PLATE	1	63	NUT-0271	NYLOC NUT	2
24	801459 01	SLIDING BOSS	1	64	NIP-00610	GREASE NIPPLE	2
25	803636 01	LOWER ARM W/A	1	65	800198 02	PIN	1
26	803623 01	HEAD ANGLE CYLINDER	1	66	PIN-01950	LYNCH PIN	1
27	803643 01	CURVE LINK W/A	1	67	BLTA16740	BOLT	1
28	803645 01	2 ND CURVE LINK W/A	1	68	HSS-0194	SETSCREW	2
29	803630 01	GUARD MOUNT W/A	1	69	HCPD01400	HYDRAULIC PIPE CLAMP	4
30	803648 01	HEAD MOUNT W/A	1	70	HVB-19115	6 WAY DUAL OVERCENTRED	1
31	802839 08	PIN	4	71	HMA-0052	ADAPTOR MALE/MALE	8
32	803624 01	HYDRAULIC CYLINDER	1	72	WSH-1010	DOWTY WASHER	6
33	800987 23	TELE BOOM PIN	1	73	803622 01	GUIDE PLATE	1
34	800101 27	PIN LIFT RAM	1	74	SCW-1580	CSK SOCKET HD SCW	2
35	803628 01	PIVOT SHOE FOOT W/A	1	75	FIT-0025	ADAPTOR MALE/MALE	6
36	803629 01	GUARD PLT	1	76	BLTA16710	BOLT	1
37	803621 01	HOSE ROLLER	1	77	HHBI17505	HOSE	2
38	HSS-0140	BOLT	6	78	HHDI36305	HOSE	2
39	HSS-0188	SET SCREW	1				

Shelbourne Reynolds Engineering Limited

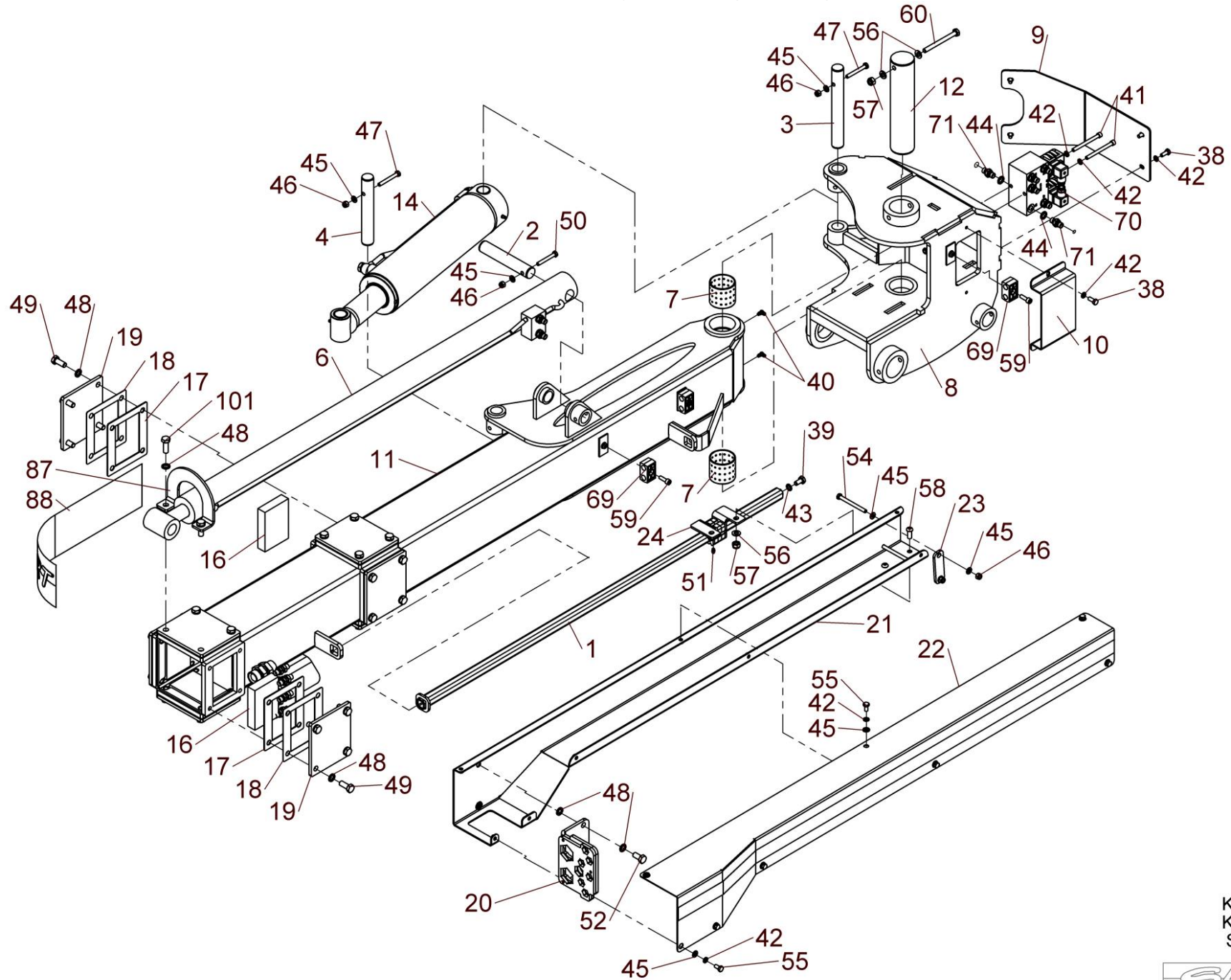
ASSY NUMBER: KIT-08222				ASSY DESCRIPTION: 7.0mt VFRT OUTER BOOM KIT			
ITEM	PART NO	DESCRIPTION	QTY	ITEM	PART NO	DESCRIPTION	QTY
79	HHS-05010	HOSE SLEEVING	1.3MT				
80	HHS-05010	HOSE SLEEVING	2.2MT				
81	HHDF37305	HOSE	1				
82	HHDC37805	HOSE	2				
83	HHS-05005	HOSE SLEEVING	1.0m				
84	HHBC10905	HOSE	1				
85	HHBC11405	HOSE	1				
86							
87	803403 01	RETAINING RING	1				
88	802567 11	TRANSFER HD775 VFRT	2				
89	802839 07	PIN	1				
90	BSH007062	BUSH	2				
91	BSH004056	BUSH	6				
92	RUB-0330	RUBBER FOOT	2				
93	HHDC10105	HOSE	1				
94	HHDC09405	HOSE	1				
95	HHCC02305	HOSE	1				
96	HHCC49005	HOSE	1				
97	HHAC44505	HOSE	1				
98	HHCC10005	HOSE	2				
99	HHCC08905	HOSE	1				
100	HHCC09505	HOSE	1				
101	HAGAA1313	BULKHEAD ADAPTOR	2				
102	HAGAA0707	BULKHEAD ADAPTOR	1				
103	HBK-0010	BULKHEAD ADAPTOR	6				



KIT-08220
KIT-08222
SHEET 1

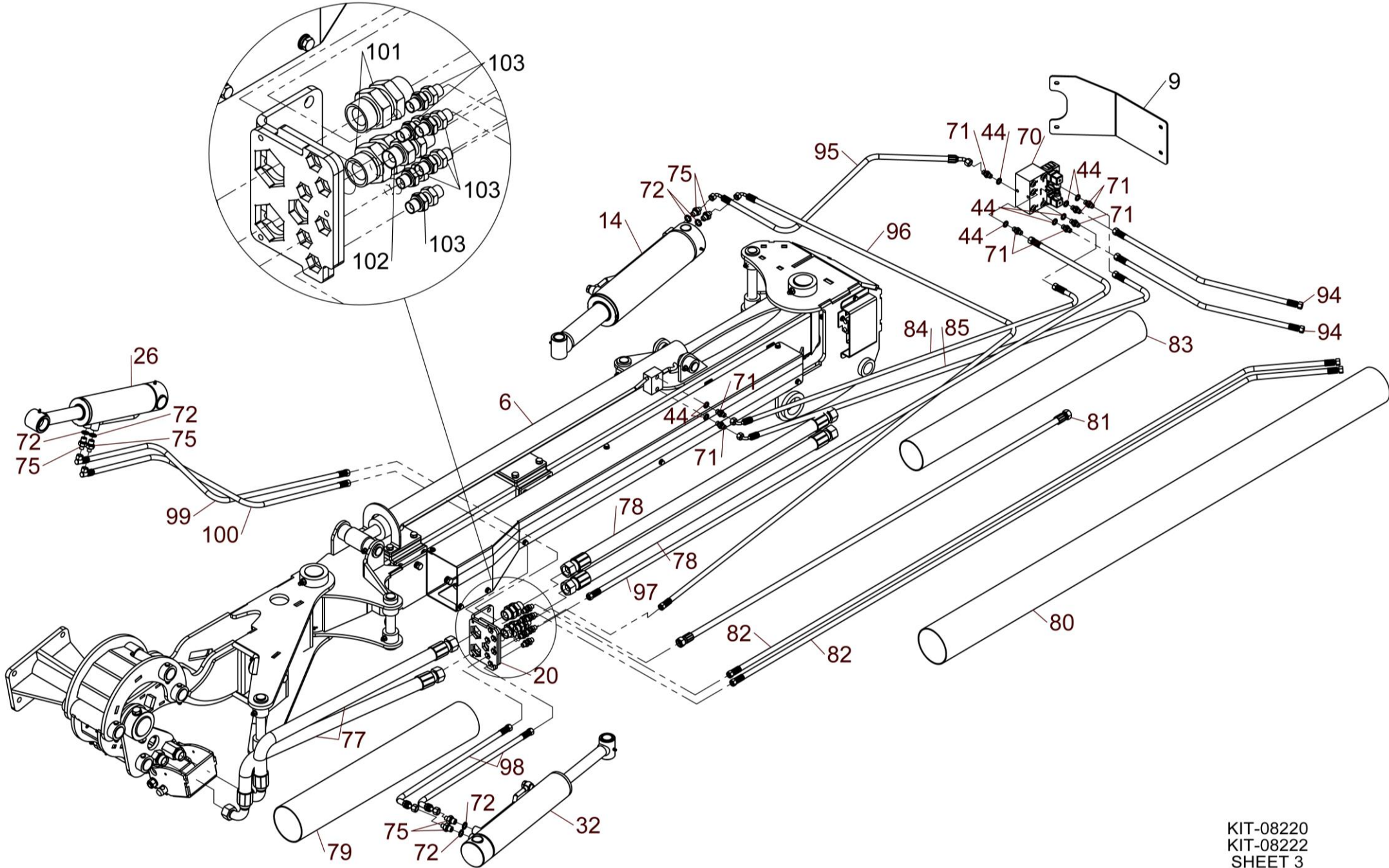


Shelbourne Reynolds Engineering Limited



KIT-08222
KIT-08220
SHEET 2





KIT-08220
KIT-08222
SHEET 3



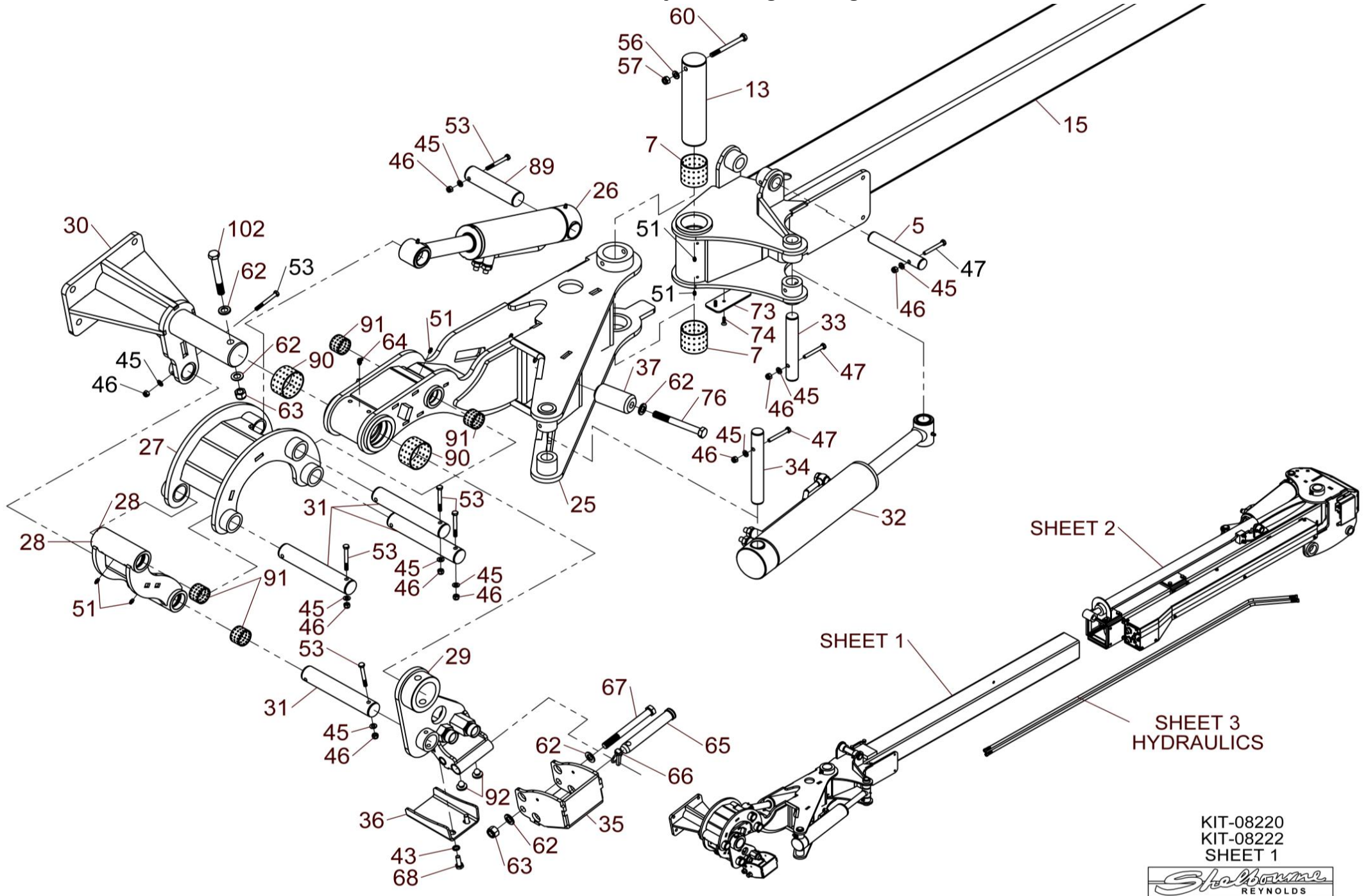
Shelbourne Reynolds Engineering Limited

ASSY NUMBER: KIT-08222BG				ASSY DESCRIPTION: 7.0mt VFRT OUTER BOOM KIT BLUE & GREY			
ITEM	PART NO	DESCRIPTION	QTY	ITEM	PART NO	DESCRIPTION	QTY
1	800994 01	SLIDE TUBE WA	1	41	SCCA08533	CAP SOCKET HD SCREW	2
2	800987 08	PIN	1	42	WSH-0058	SPRING WASHER	16
3	800987 20	PIN	1	43	WSH-0061	SPRING WASHER	3
4	800987 21	PIN	1	44	WSH-1005	DOWTY WASHER	8
5	800987 22	PIN	1	45	WSH-0012	PLAIN WASHER	22
6	801235 01	TELE CYLINDER	1	46	NUT-0263	NYLOC NUT	13
7	BSH006071	BUSH	4	47	BLTA08410	HEX.HEAD BOLT	5
8	803220 01B	TOP HEAD STOCK W/ASSY	1	48	WSH-0065	SPRING WASHER	36
9	803231 01B	BACK COVER PLATE	1	49	HSS-0238	BOLT	30
10	803232 01B	GUARD PLATE	1	50	BLTA08380	HEX.HEAD BOLT	1
11	803233 01B	TOP TELE BEAM SECTION	1	51	NIP-00600	GREASE NIPPLE	6
12	803240 01	PIN	1	52	HSS-0235	SET SCREW	2
13	803240 02	PIN	1	53	BLTA08440	HEX.HEAD BOLT	5
14	803254 01	HYDRAULIC RAM	1	54	BLTA08530	HEX.HEAD BOLT	2
15	803667 01B	LOWER TELE BOOM	1	55	HSS-0135	SETSCREW	8
16	803264 01	LARGE WEAR PAD	8	56	WSH-0015	PLAIN WASHER	6
17	803265 01B	2mm SHIM	8	57	NUT-0265	NYLOC NUT	4
18	803266 01B	1mm SHIM	8	58	SCW-0514	BUTTON HD SCREW	2
19	803267 01B	WEAR PLATE RETAINER	8	59	SCW-0136	HT CAP HEAD SCREW	4
20	803615 01	BULKHEAD W/A	1	60	BLTA10590	HEX.HEAD BOLT	2
21	803665 01G	7.0mt HOSE GUARD W/A	1	61	BLT-2334	HEX.HEAD BOLT	1
22	803670 01G	7.0mt GUARD COVER W/A	1	62	WSH-0024	PLAIN WASHER	5
23	803620 01G	HOSE GUIDE PLATE	1	63	NUT-0271	NYLOC NUT	2
24	801459 01	SLIDING BOSS	1	64	NIP-00610	GREASE NIPPLE	1
25	803636 01B	LOWER ARM W/A	1	65	800198 02	PIN	1
26	803623 01	HEAD ANGLE CYLINDER	1	66	PIN-01950	LYNCH PIN	1
27	803643 01B	CURVE LINK W/A	1	67	BLTA16740	BOLT	1
28	803645 01B	2 ND CURVE LINK W/A	1	68	HSS-0194	SETSCREW	2
29	803630 01B	GUARD MOUNT W/A	1	69	HCPD01400	HYDRAULIC PIPE CLAMP	4
30	803648 01B	HEAD MOUNT W/A	1	70	HVB-19115	6 WAY DUAL OVERCENTRED	1
31	802839 08	PIN	4	71	HMA-0052	ADAPTOR MALE/MALE	8
32	803624 01	HYDRAULIC CYLINDER	1	72	WSH-1010	DOWTY WASHER	6
33	800987 23	TELE BOOM PIN	1	73	803622 01G	GUIDE PLATE	1
34	800101 27	PIN LIFT RAM	1	74	SCW-1580	CSK SOCKET HD SCW	2
35	803628 01B	PIVOT SHOE FOOT W/A	1	75	FIT-0025	ADAPTOR MALE/MALE	6
36	803629 01B	GUARD PLT	1	76	BLTA16710	BOLT	1
37	803621 01	HOSE ROLLER	1	77	HHBI17505	HOSE	2
38	HSS-0140	BOLT	6	78	HHD136305	HOSE	2
39	HSS-0188	SET SCREW	1				
40	NIP-00605	GREASE NIPPLE	2				

Shelbourne Reynolds Engineering Limited

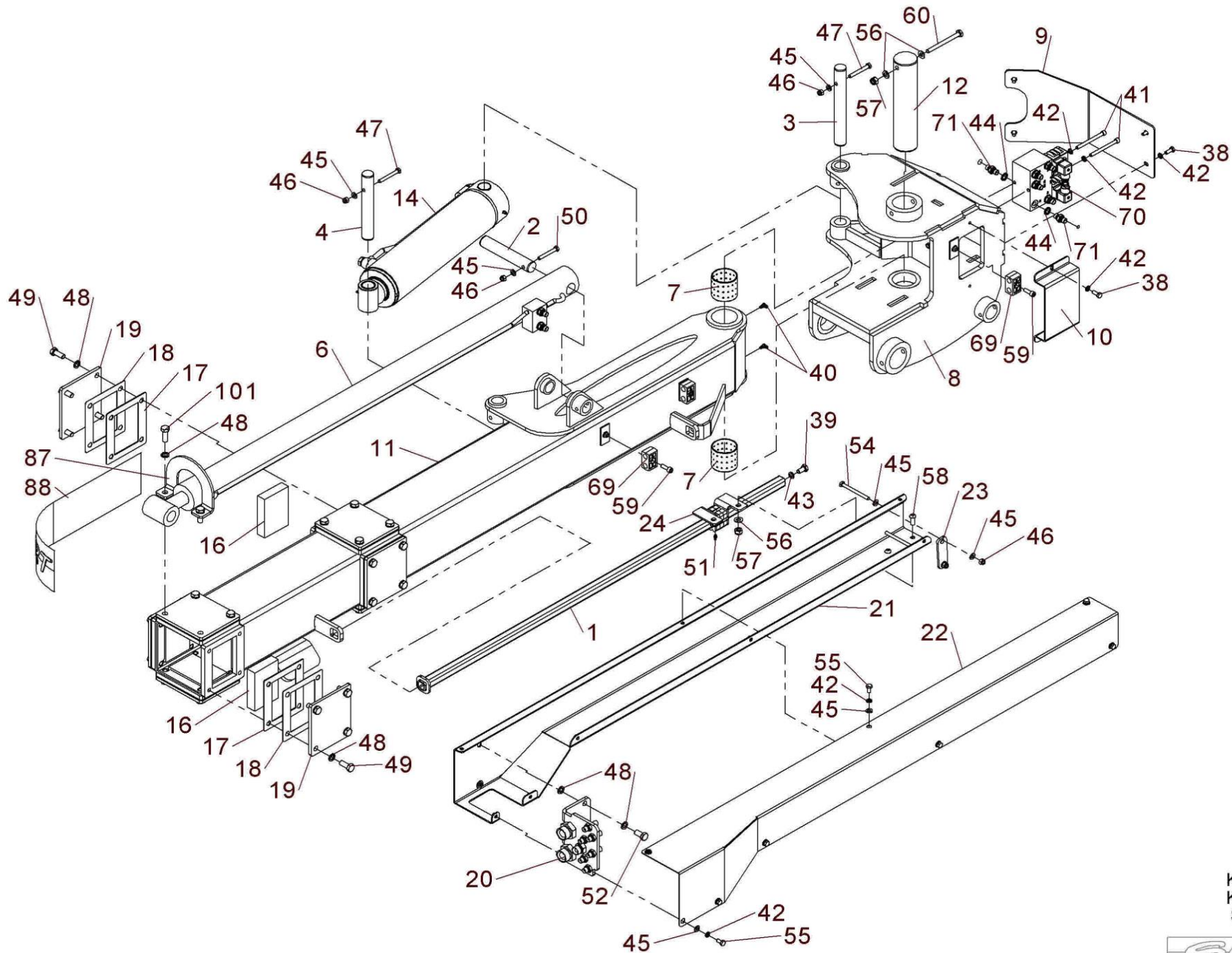
ASSY NUMBER: KIT-08222BG				ASSY DESCRIPTION: 7.0mt VFRT OUTER BOOM KIT BLUE & GREY			
ITEM	PART NO	DESCRIPTION	QTY	ITEM	PART NO	DESCRIPTION	QTY
79	HHS-05010	HOSE SLEEVING	1.3MT				
80	HHS-05010	HOSE SLEEVING	2.2MT				
81	HHDF37305	HOSE	1				
82	HHDC37805	HOSE	2				
83	HHS-05005	HOSE SLEEVING	1.0m				
84	HHBC10905	HOSE	1				
85	HHBC11405	HOSE	1				
86							
87	803403 01B	RETAINING RING	1				
88	802567 11	TRANSFER HD775 VFRT	2				
89	802839 07	PIN	1				
90	BSH007062	BUSH	2				
91	BSH004056	BUSH	6				
92	RUB-0330	RUBBER FOOT	2				
93	HHDC10105	HOSE	1				
94	HHDC09405	HOSE	1				
95	HHCC02305	HOSE	1				
96	HHCC49005	HOSE	1				
97	HHAC44505	HOSE	1				
98	HHCC10005	HOSE	2				
99	HHCC08905	HOSE	1				
100	HHCC09505	HOSE	1				

Shelbourne Reynolds Engineering Limited



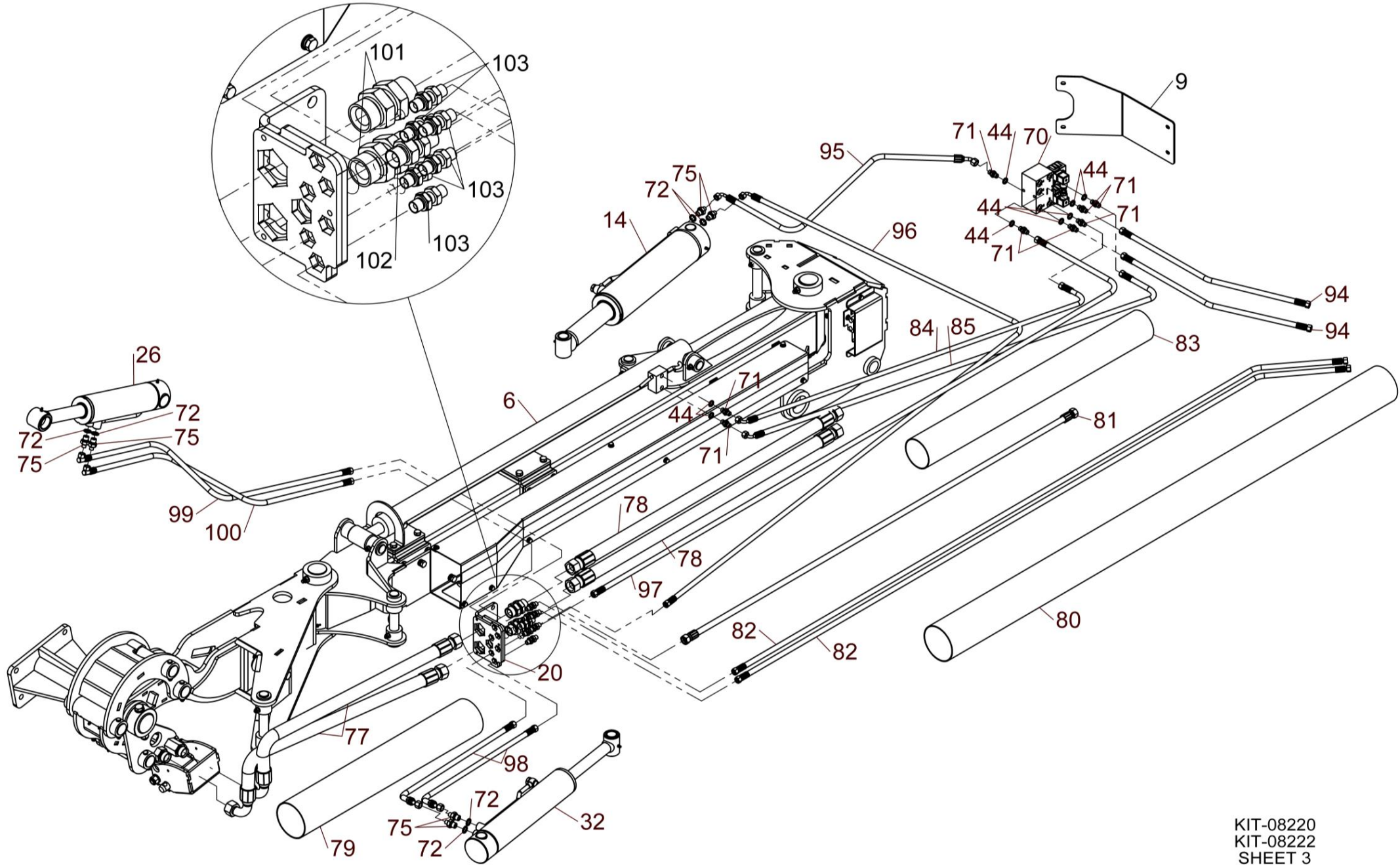
KIT-08220
KIT-08222
SHEET 1





KIT-08222
 KIT-08220
 SHEET 2





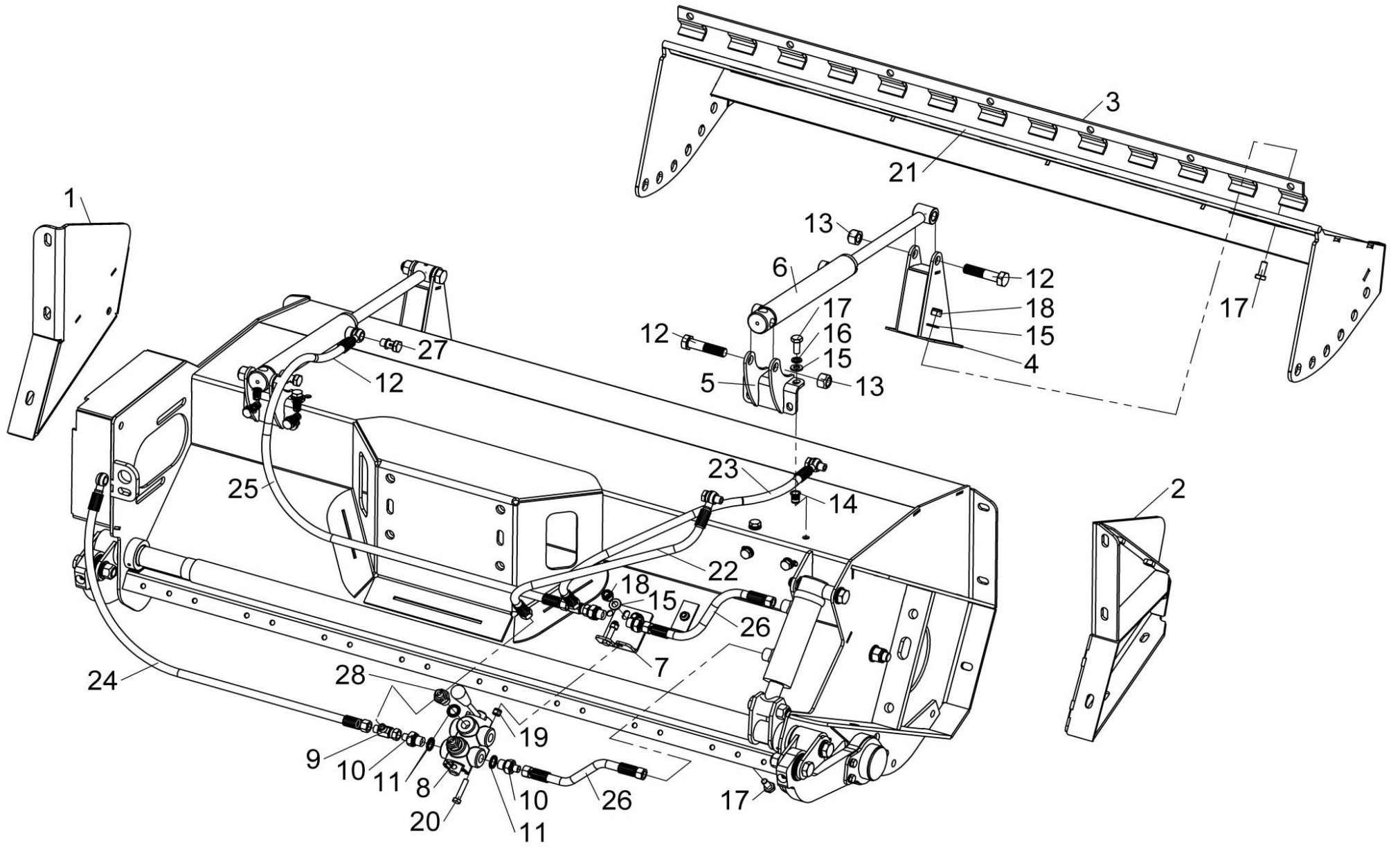
KIT-08220
KIT-08222
SHEET 3



Shelbourne Reynolds Engineering Limited

ASSY NUMBER: KIT-08223				ASSY DESCRIPTION: HYDRAULIC NOSE KIT 1.2m & 1.5m HEADS. LH & RH DRIVE.			
ITEM	PART NO	DESCRIPTION	QTY	ITEM	PART NO	DESCRIPTION	QTY
1	803706 01(G)	NOSE SIDE PANEL LH (LH DRIVE)	1				
OR	803706 02(G)	NOSE SIDE PANEL RH (RH DRIVE)	1				
2	803708 01(G)	NOSE SIDE PANEL RH (LH DRIVE)	1			KIT-08223(G) - 1.2m LH DRIVE	
OR	803708 02(G)	NOSE SIDE PANEL LH (RH DRIVE)	1			KIT-08223A(G) - 1.2m RH DRIVE	
3	803713 01(B)	HINGE PLATE (1.2m)	1			KIT-08223B(G) - 1.5m LH DRIVE	
OR	803714 01(B)	HINGE PLATE (1.5m)	1			KIT-08223C(G) - 1.5m RH DRIVE	
4	803697 01(G)	NOSE TO RAM BRACKET W/A	2				
5	803700 01(B)	HEAD TO RAM BRACKET W/A	2				
6	RAM-0025	DOUBLE ACTING RAM	2				
7	801347 01	VALVE BRACKET	1				
8	HVB-01540	VALVE	1				
9	FITA10480	HYD TEE FITTING	2				
10	FIT-0025	ADAPTER	4				
11	WSH-1010	DOWTY WASHER	6				
12	BLT-2314	BOLT	4				
13	NUTA15162	NUT	4				
14	NUTA13100	NUTSERT	8				
15	WSH-0015	WASHER	19				
16	WSH-0061	SPRING WASHER	8				
17	HSS-0191	BOLT	18				
18	NUT-0265	NUT	10				
19	NUT-0263	NUT	2				
20	HSS-0153	BOLT	2				
21	803781 01(G)	HYD NOSE (1.2m)	1				
OR	803779 01(G)	HYD NOSE (1.5m)	1				
22	HHLC04005	HOSE	1				
23	HHLC05905	HOSE	1				
24	HHLC07605	HOSE	1				
25	HHLC09805	HOSE	1				
26	HHAC01905	HOSE (1.2m)	2				
OR	HHAC03305	HOSE (1.5m)	2				
27	HFAW50003	BANJO BOLT AND SEALS	4				
28	190859 01	ADAPTER	2				

PART NO (G) OR (B) FOR GREY OR BLUE PARTS

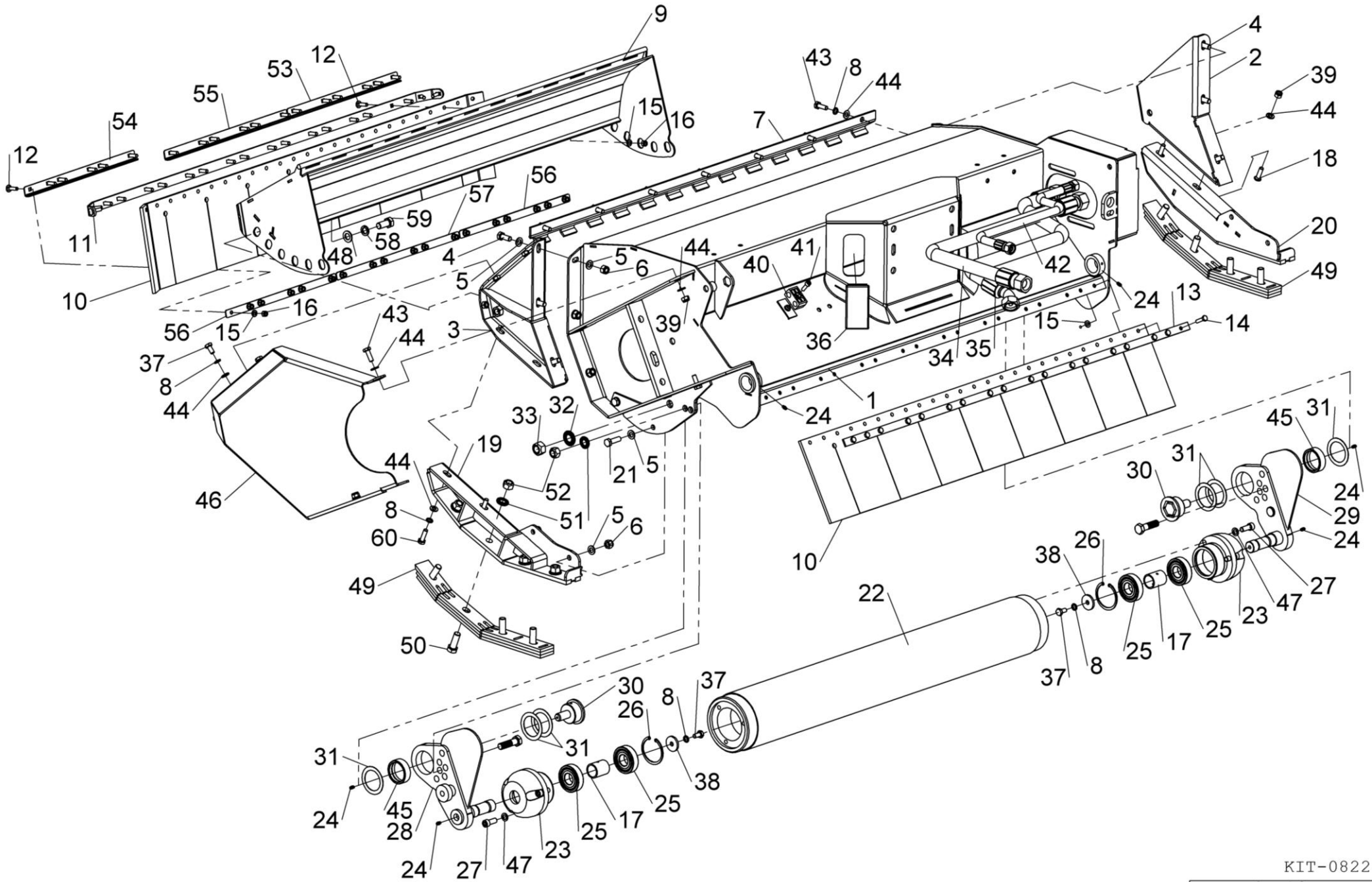


KIT-08223



Shelbourne Reynolds Engineering Limited

ASSY NUMBER: KIT-08226				ASSY DESCRIPTION: HEAD SHELL, NOSE AND ROLLER 1.2m. (VERGE MOWING) 2014 & ON			
ITEM	PART NO	DESCRIPTION	QTY	ITEM	PART NO	DESCRIPTION	QTY
1	801670 01	HEAD SHELL (1.2M) (LH DRIVE)	1	35			
OR	801670 29	HEAD SHELL (1.2M) (RH DRIVE)	1	36	CAP-0060	PLASTIC CAP	2
2	801686 02	NOSE SIDE PANEL (LH DRIVE)	1	37	HSS-0188	SETSCREW	5
OR	801686 01	NOSE SIDE PANEL (RH DRIVE)	1	38	190548 01	WASHER	2
3	801689 02	NOSE SIDE PANEL (LH DRIVE)	1	39	NUT-0265	NYLOC NUT	6
OR	801689 01	NOSE SIDE PANEL (RH DRIVE)	1	40			
4	HSS-0238	SETSCREW	6	41	SCW-0136	CAP HEAD SCREW	1
5	WSH-0018	PLAIN WASHER	24	42			
6	NUT-0269	NYLOC NUT	10	43	HSS-0194	SETSCREW	9
7	800812 01	HINGE PLATE (1.2M)	1	44	WSH-0015	PLAIN WASHER	18
8	WSH-0061	SPRING WASHER	14	45	802667 01	BUSH	2
9	801903 01	NOSE (1.2m)	1	46	801213 01	HEAD SKID COVER (LH DRIVE)	1
10	800068 01	CURTAIN (1.2M)	2	OR	801213 02	HEAD SKID COVER (RH DRIVE)	1
11	800825 01	FIXING STRIP (1.2M)	1	47	WSH-0065	SPRING WASHER	6
12	BLT-2700	COACHBOLT	38	48	WSH-0024	WASHER	2
13	800069 01	FIXING STRIP (1.2M)	1	49	805186 01	SKID RUNNER	2
14	HSS-0150	SETSCREW	18	50	HSS-0317	SETSCREW	8
15	WSH-0012	PLAIN WASHER	56	51	WSHA30161	WASHER	7
16	NUT-0263	NYLOC NUT	56	52	NUTA15162	NYLOC NUT	8
17	801950 01	SPACER TUBE	2	53	801993 01	WEAR STRIP RH	1
18	BLTF10231	COACHBOLT	2	54	801993 02	WEAR STRIP LH	1
19	802703 01	SKID PLATE W/A LH	1	55	801995 01	WEAR STRIP BALANCE WEIGHT	1
20	802703 02	SKID PLATE W/A RH	1	56	801994 01	BACKING STRIP	2
21	HSS-0250	SETSCREW	4	57	801996 01	BACKING STRIP	1
22	801945 01	RUBBER ROLLER	1	58	WSH-0070	WASHER	2
OR	801949 01	STEEL ROLLER (6INCH)	1	59	HSS-0315	SETSCREW	2
23	801944 01	END CAP	2	60	HSS-0198	SETSCREW	2
24	NIP-00600	GREASE NIPPLE	6				
25	BRG-13005	BEARING	4				
26	CIR-0720	CIRCLIP	2				
27	SCW-0243	CAP HEAD SCREW	6				
28	803734 01	BRACKET ADJUSTABLE LH	1				
29	803734 02	BRACKET ADJUSTABLE RH	1				
30	802669 01	STUB PIVOT	2				
31	802673 01	SHIM	6				
32	WSHA30201	PLAIN WASHER	4				
33	NUTA15202	NYLOC NUT	2				
34							

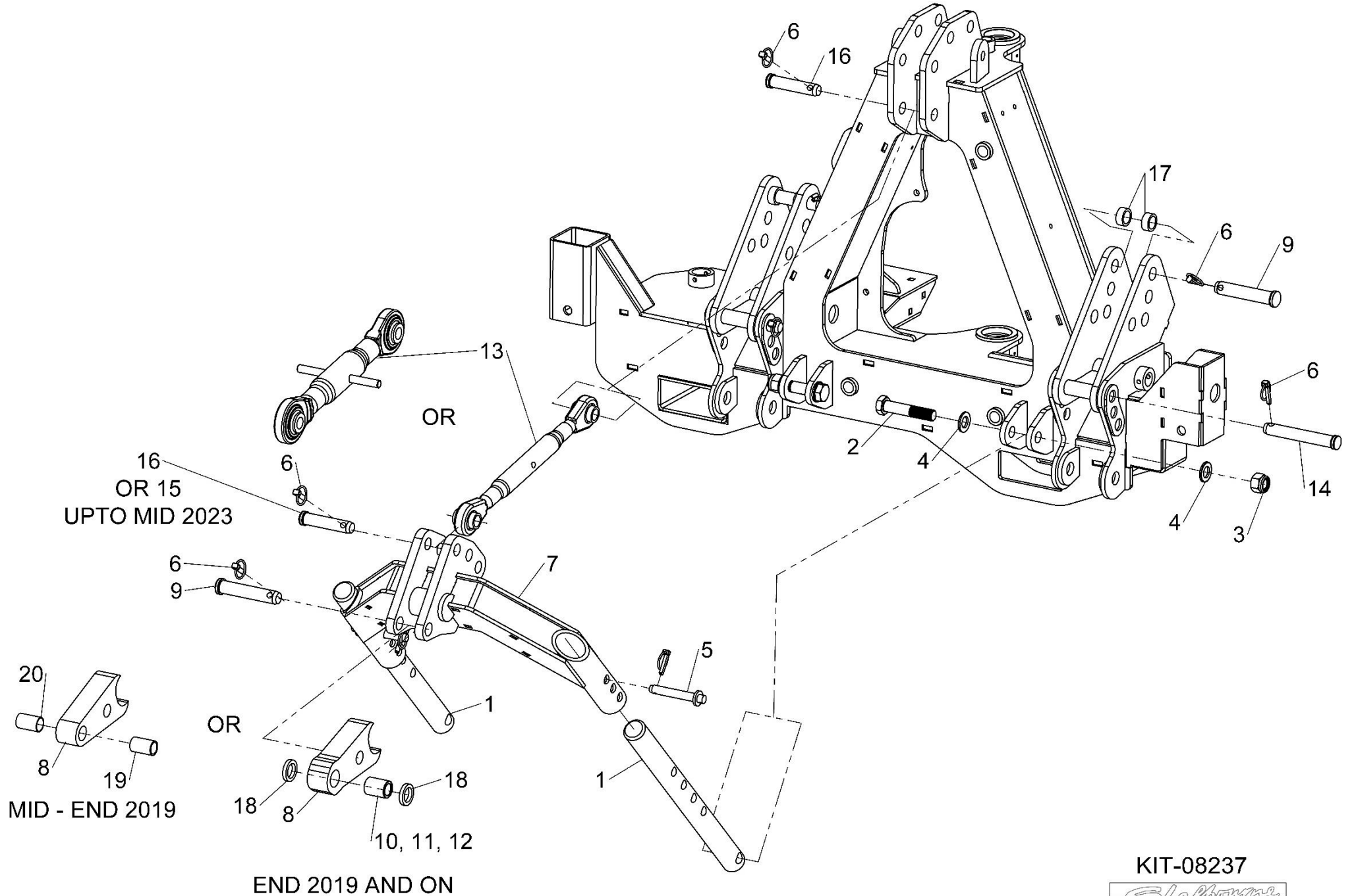


KIT-08226



Shelbourne Reynolds Engineering Limited

ASSY NUMBER:		KIT-08237		ASSY DESCRIPTION:		STABILISER KIT-3 POINT LINKAGE	
ITEM	PART NO	DESCRIPTION	QTY	ITEM	PART NO	DESCRIPTION	QTY
1	800929 01	3-POINT SHAFT	2				
2	BLTA24624	BOLT MID2023 & ON	2				
OR	BLTA24620	BOLT UPTO MID2023	2				
3	NUT-0275	NYLOC NUT	2				
4	WSH-0036	PLAIN WASHER	4				
5	21728202	PIN	2			KIT SUPPLIED ON 600/700 MODELS	
6	PIN-01950	LYNCH PIN	7			PBXXX170661 & ON	
7	803942 01	3-POINT YOKE	1				
8	806069 01	NOSE PLATE 38mm	1				
OR	805965 01	ROCKER 32mm MID-END 2019	1			KIT-08237 - STABILISER KIT-3	
OR	806071 01	LONGER NOSE PLATE 38mm	-			POINT LINKAGE (HD800 ONLY)	
		AVAILABLE FOR FENDT 5/700 & MF					
OR	807425 01	LONGER NOSE PLATE 40mm				KIT-08237A STABILISER KIT-3	
		AVAILABLE FOR FENDT 800/900				POINT LINKAGE (600 AND HD700	
9	800199 01	PIN	3			ONLY)	
10	803949 01	SPACER 38OD 32ID	1				
11	803949 02	SPACER 38OD 28ID	1				
12	803949 03	SPACER 38OD 26ID	1				
13	ADL-11600	TOP LINK MID2023 & ON 8000 ONLY	1				
OR	ADL-11540	TOP LINK (600 & HD700)	1				
14	800198 03	PIN8000/HD800 ONLY	2				
15	-	- MID 2023 & ON	-				
OR	800198 02	PIN UPTO MID 2023	1				
16	800198 01	PIN	2				
17	800934 01	SPACER	4				
18	802609 01	SPACER	2				
19	800197 01	SPACER 32OD 26ID MID-END 2019	1				
20	800197 02	SPACER 32OD 29ID MID-END 2019	1				

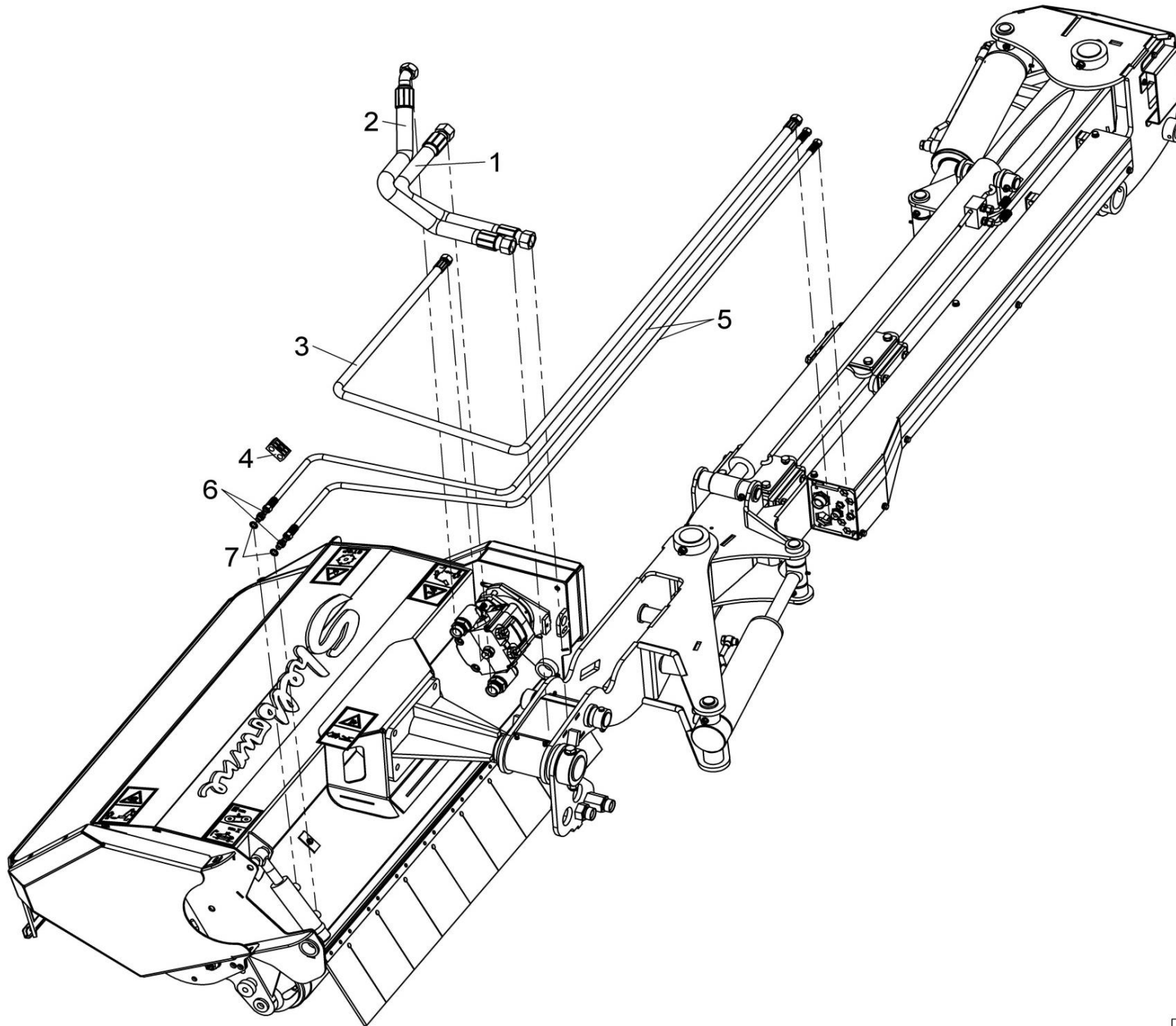


KIT-08237



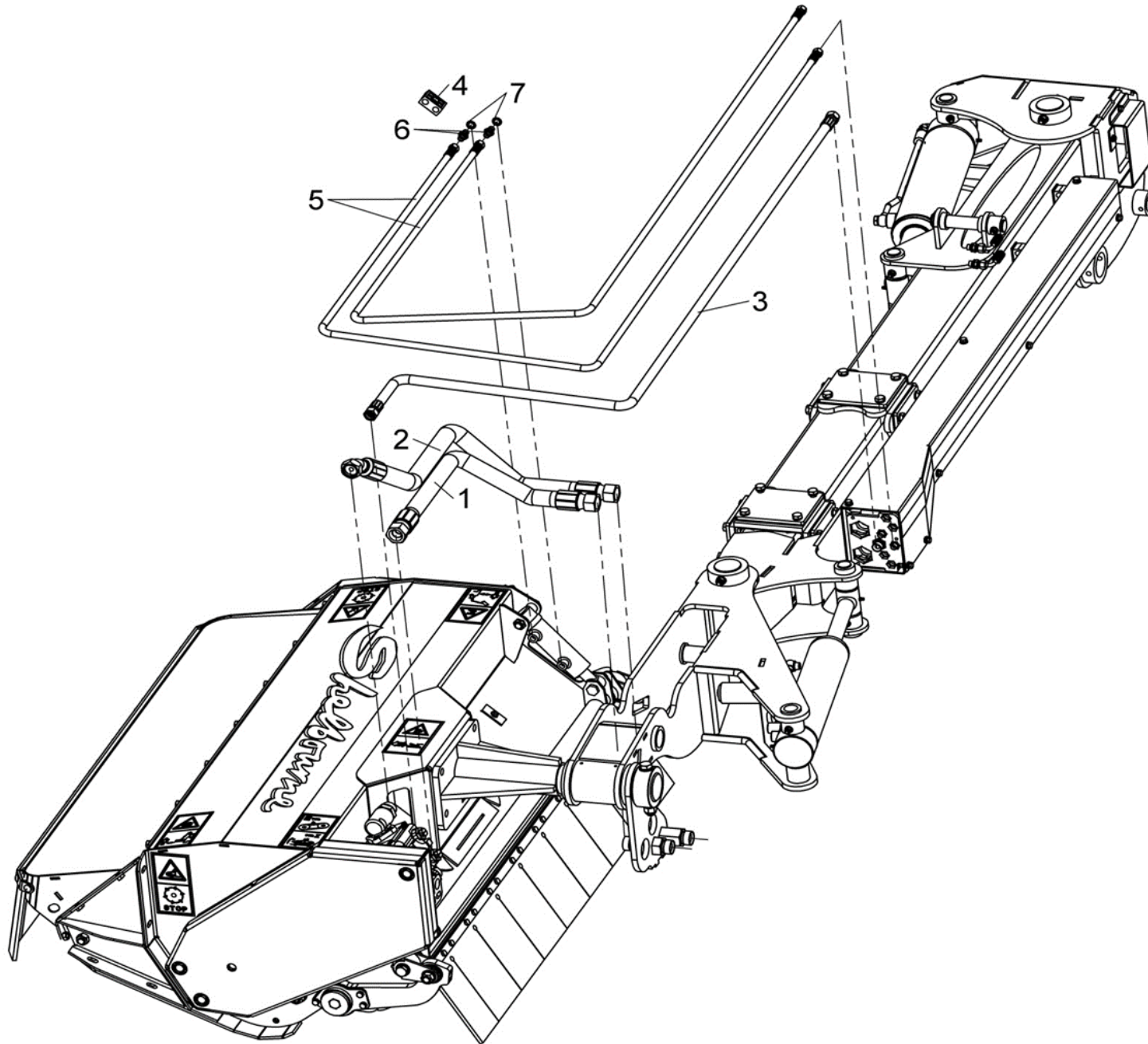
Shelbourne Reynolds Engineering Limited

ASSY NUMBER: KIT-08247				1.2MT HEAD HYDRAULICS FOR 600, HD755, ASSY DESCRIPTION: HD760T,770T, 762VFR & 767VFR UPTO PBXXX170760			
ITEM	PART NO	DESCRIPTION	QTY	ITEM	PART NO	DESCRIPTION	QTY
1	HHAI05305	HOSE (LH DRIVE HD)	1				
OR	HHAI05005	HOSE (RH DRIVE HD)	1				
2	HHDI05505	HOSE (LH DRIVE HD)	1				
OR	HHDI05905	HOSE (RH DRIVE HD)	1				
3	HHAF17605	HOSE (DRAIN)	1				
4	HCPD01400	HYD.PIPE CLAMP	1				
5	HHAC20005	HOSE (LH DRIVE HD)	2				
OR	HHAC21505	HOSE (RH DRIVE HD)	2				
6	HMA-0052	ADAPTOR	2				
7	WSH-1005	BONDED SEAL	2				



KIT-08247/48/49/50B



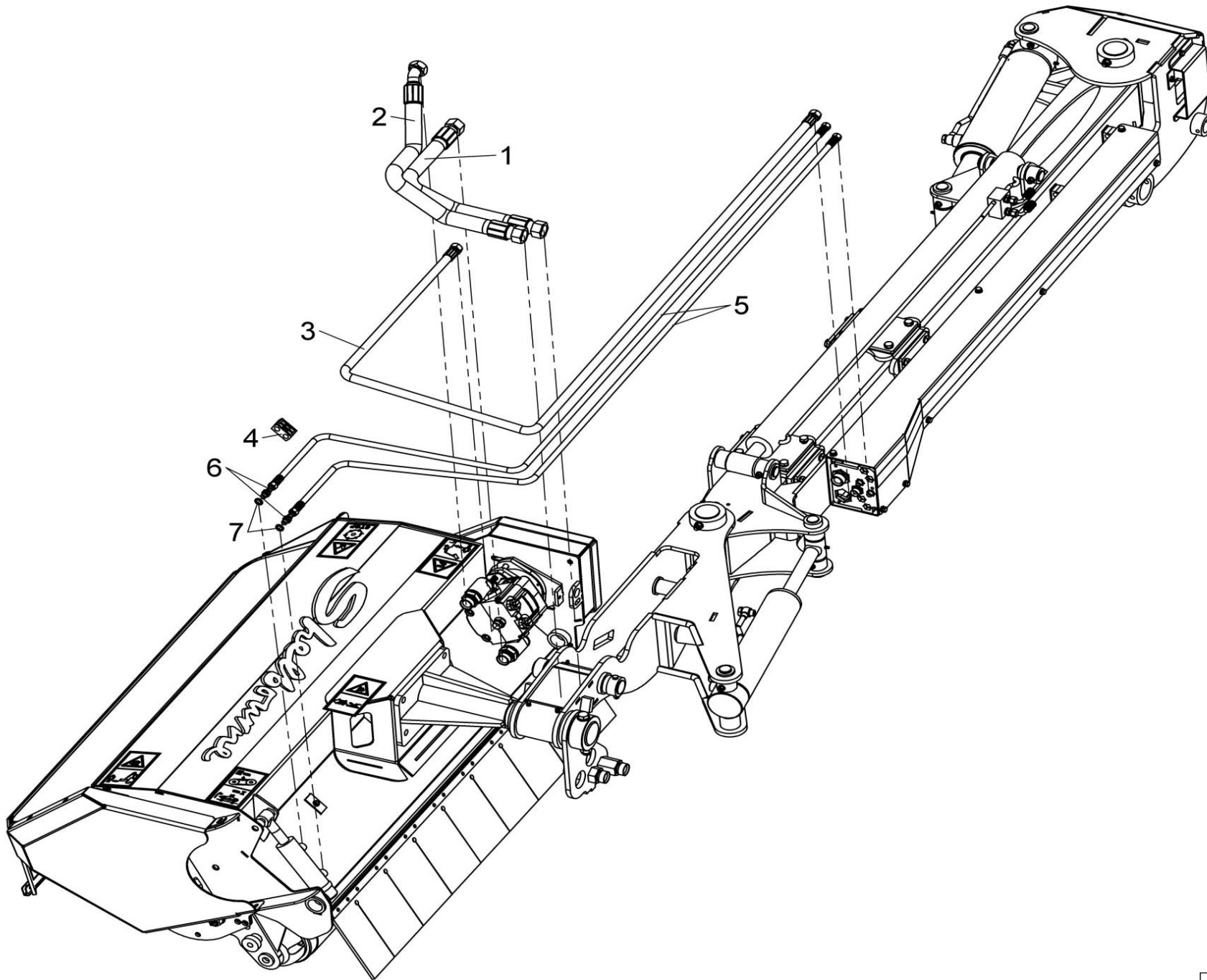


KIT-08247/48/49 & 50



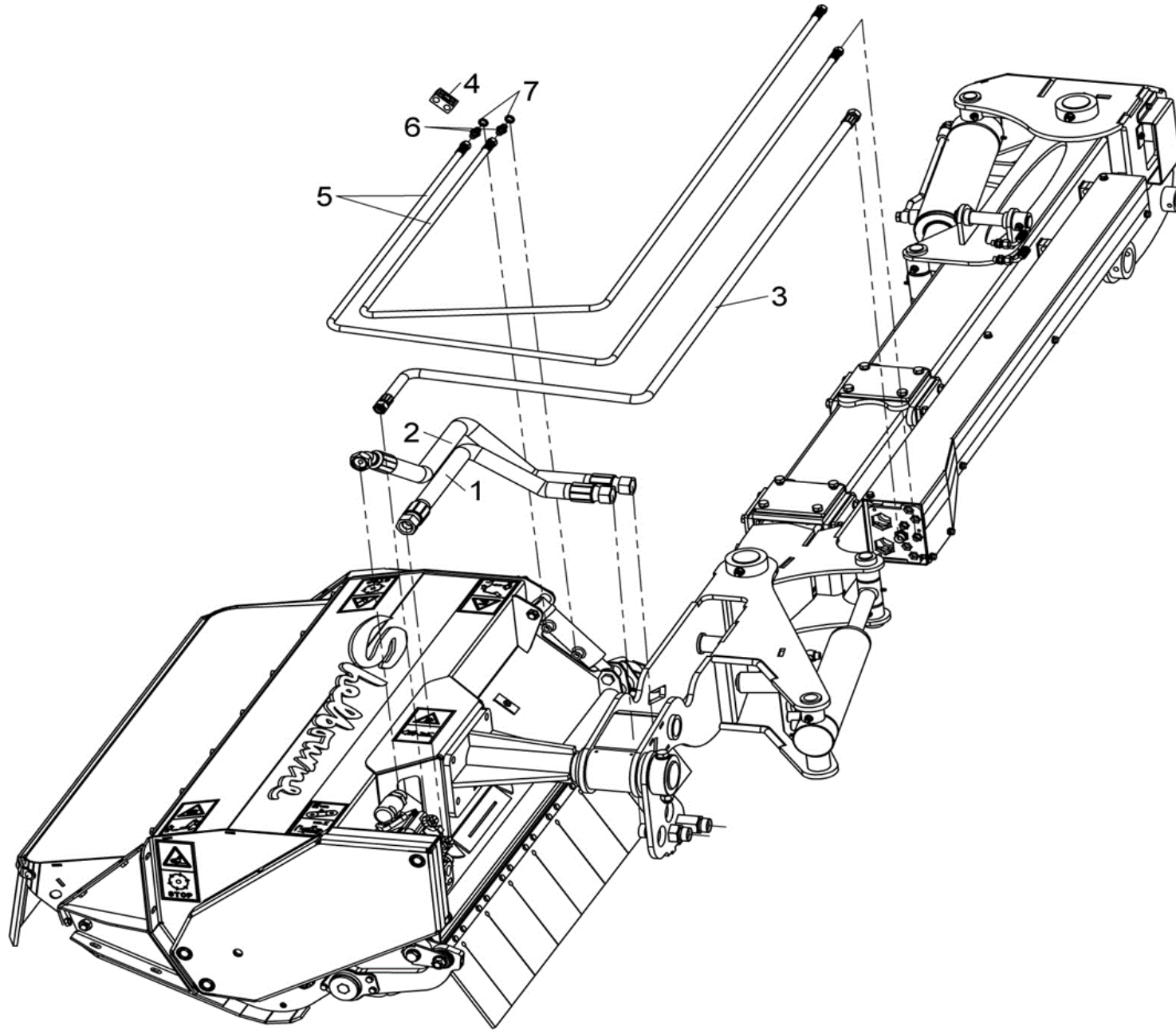
Shelbourne Reynolds Engineering Limited

ASSY NUMBER: KIT-08248				1.5MT HEAD HYDRAULICS FOR 600, HD755, ASSY DESCRIPTION: HD760T,770T, 762VFR & 767VFR UPTO PBXXX170760			
ITEM	PART NO	DESCRIPTION	QTY	ITEM	PART NO	DESCRIPTION	QTY
1	HHAI06605	HOSE (LH DRIVE HD)	1				
OR	HHAI06005	HOSE (RH DRIVE HD)	1				
2	HHAI07505	HOSE (LH DRIVE HD)	1				
OR	HHAI07905	HOSE (RH DRIVE HD)	1				
3	HHAF19105	HOSE (DRAIN)	1				
4	HCPD01400	HYD.PIPE CLAMP	1				
5	HHAC21505	HOSE (LH DRIVE HD)	2				
OR	HHAC23005	HOSE (RH DRIVE HD)	2				
6	HMA-0052	ADAPTOR	2				
7	WSH-1005	BONDED SEAL	2				



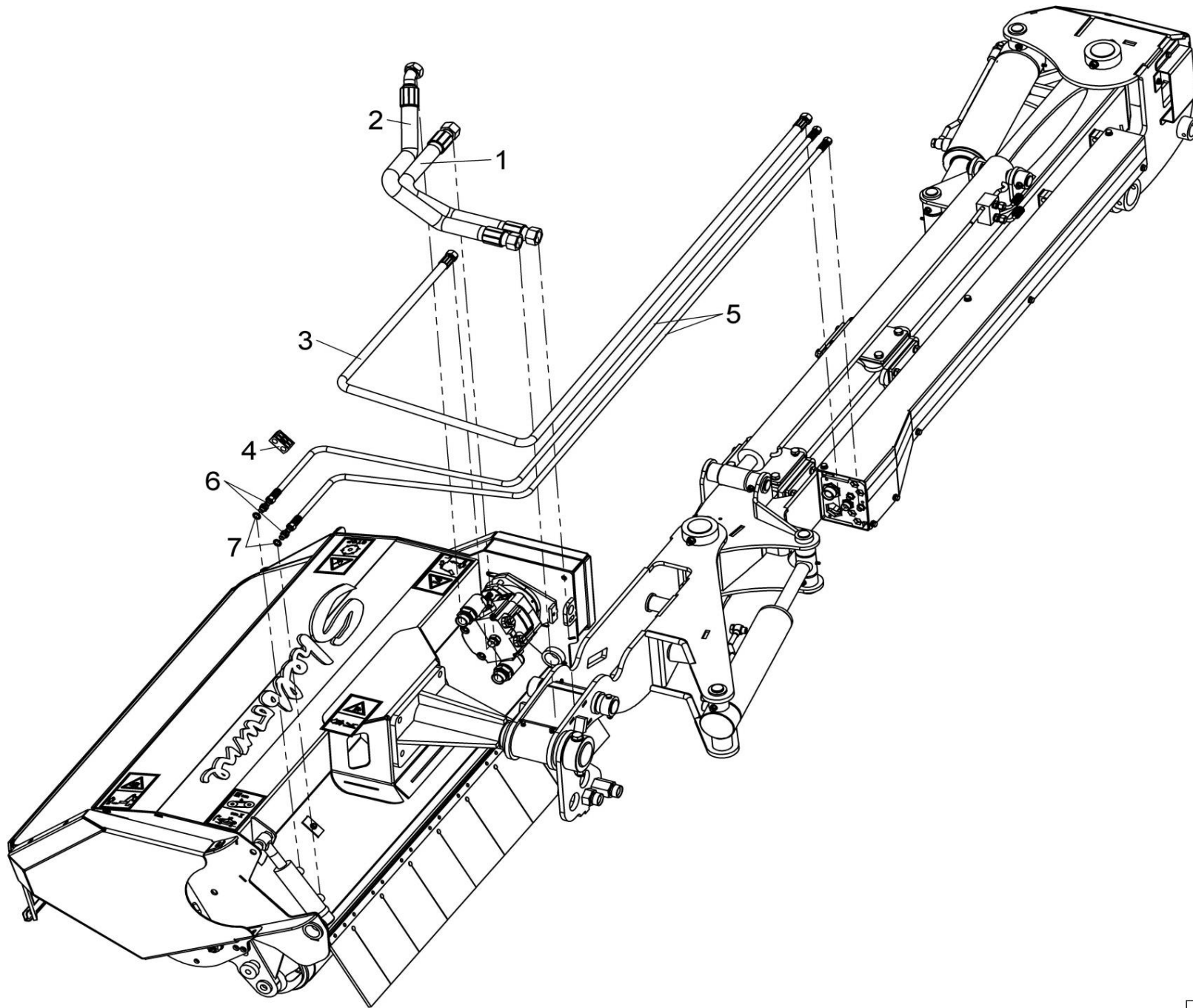
KIT-08247/48/49/50B





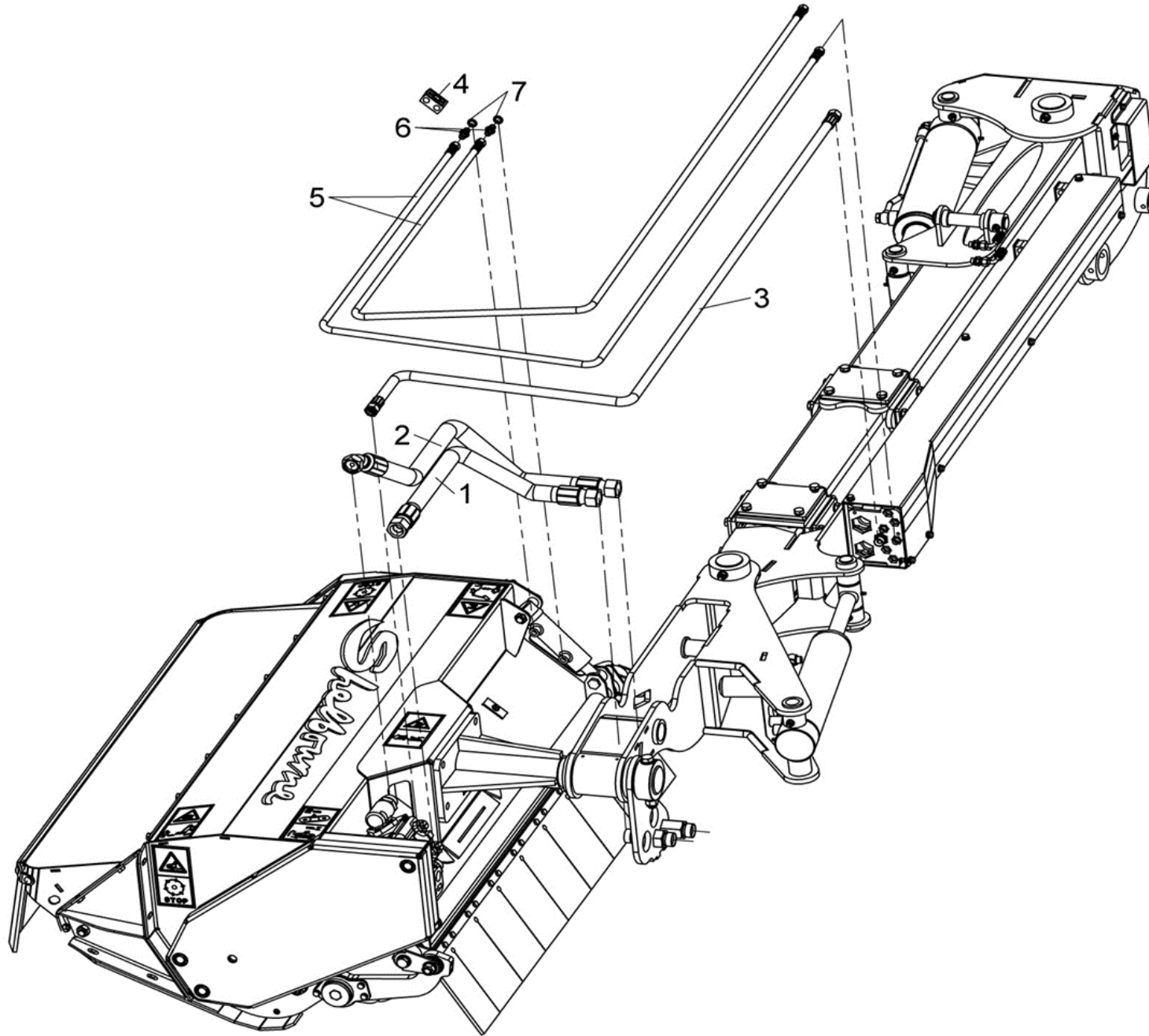
Shelbourne Reynolds Engineering Limited

ASSY NUMBER: KIT-08249				ASSY DESCRIPTION: 1.2MT HEAD HYDRAULICS FOR HD7X5 & 8X5 VFRT UPTO PBXXX170760			
ITEM	PART NO	DESCRIPTION	QTY	ITEM	PART NO	DESCRIPTION	QTY
1	HHAI05505	HOSE (LH DRIVE HD)	1				
OR	HHAI04605	HOSE (RH DRIVE HD)	1				
2	HHDI06605	HOSE (LH DRIVE HD)	1				
OR	HHDI05305	HOSE (RH DRIVE HD)	1				
3	HHAF25005	HOSE (DRAIN)	1				
4	HCPD01400	HYD PIPE CLAMP	1				
5	HHAC27505	HOSE	2				
6	HMA-0052	ADAPTOR	2				
7	WSH-1005	BONDED SEAL	2				



KIT-08247/48/49/50B



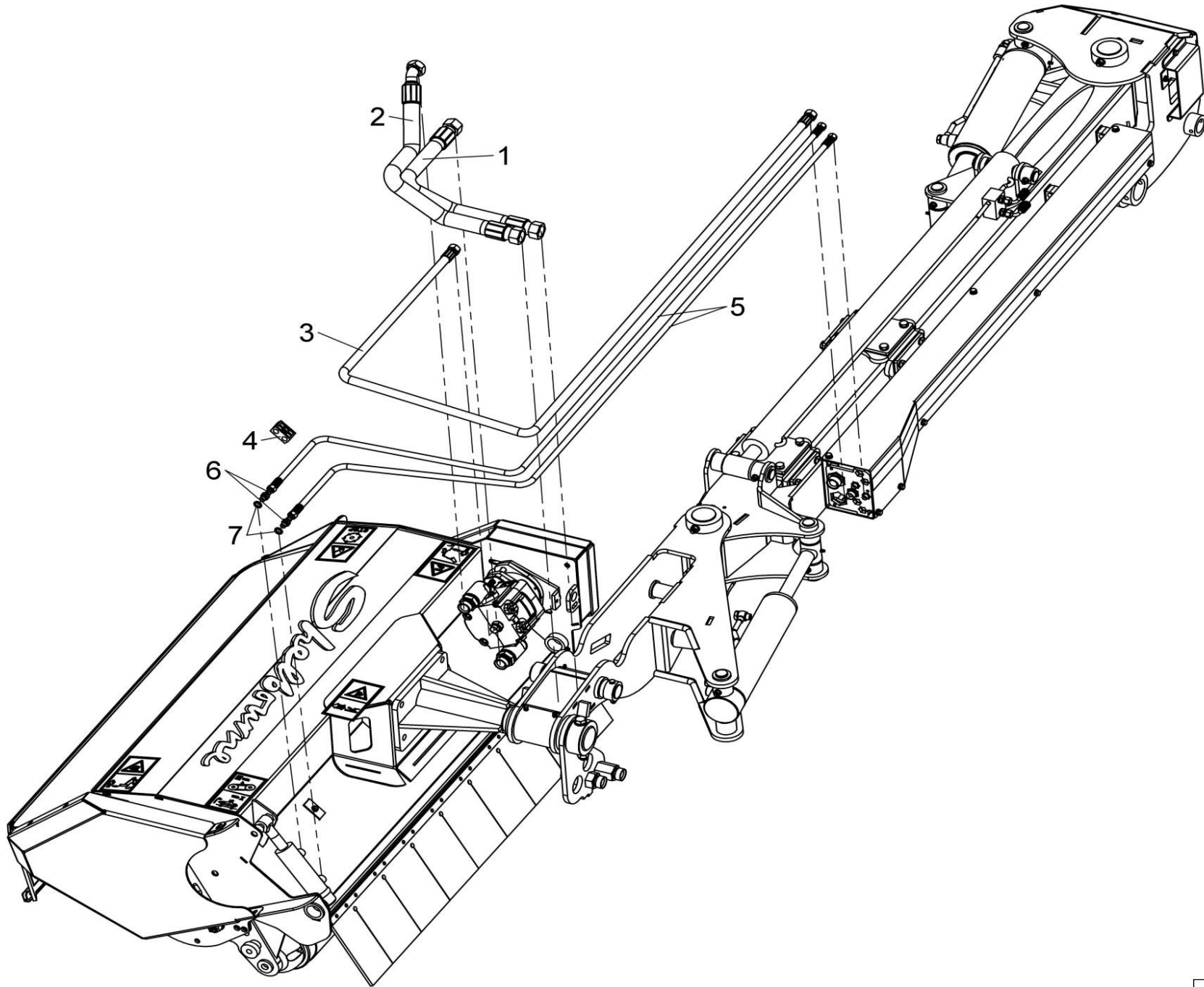


KIT-08247/48/49 & 50



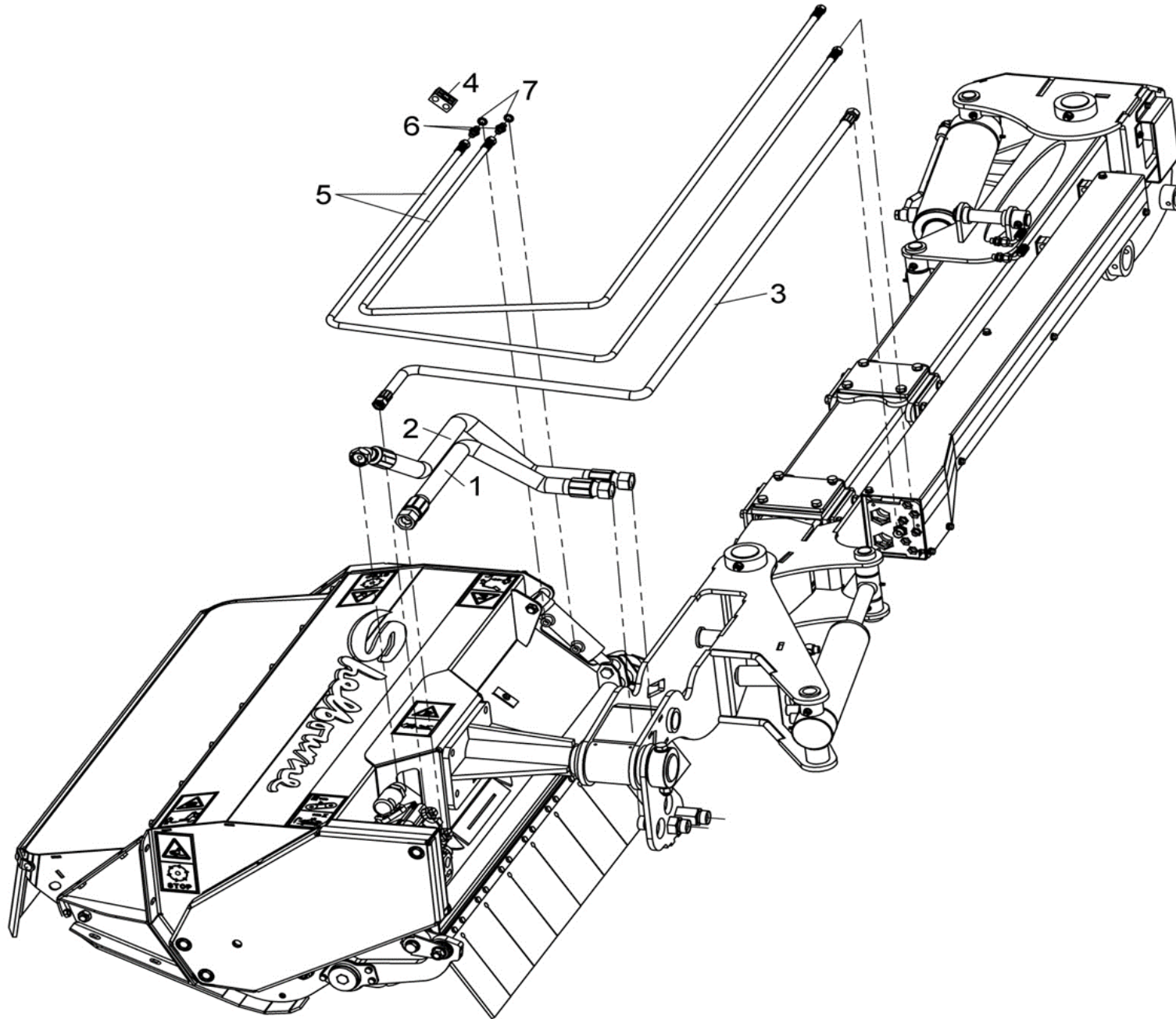
Shelbourne Reynolds Engineering Limited

ASSY NUMBER: KIT-08250				ASSY DESCRIPTION: 1.5MT HEAD HYDRAULICS FOR HD7X5 & 8X5 VFRT UPTO PBXXX170760			
ITEM	PART NO	DESCRIPTION	QTY	ITEM	PART NO	DESCRIPTION	QTY
1	HHAI07205	HOSE (LH DRIVE HD)	1				
OR	HHAI06005	HOSE (RH DRIVE HD)	1				
2	HHAI08305	HOSE (LH DRIVE HD)	1				
OR	HHAI07105	HOSE (RH DRIVE HD)	1				
3	HHAF26005	HOSE (LH DRIVE) (DRAIN)	1				
OR	HHAF27005	HOSE (RH DRIVE) (DRAIN)	1				
4	HCPD01400	HYD.PIPE CLAMP	1				
5	HHAC31005	HOSE	2				
6	HMA-0052	ADAPTOR	2				
7	WSH-1005	BONDED SEAL	2				



KIT-08247/48/49/50B



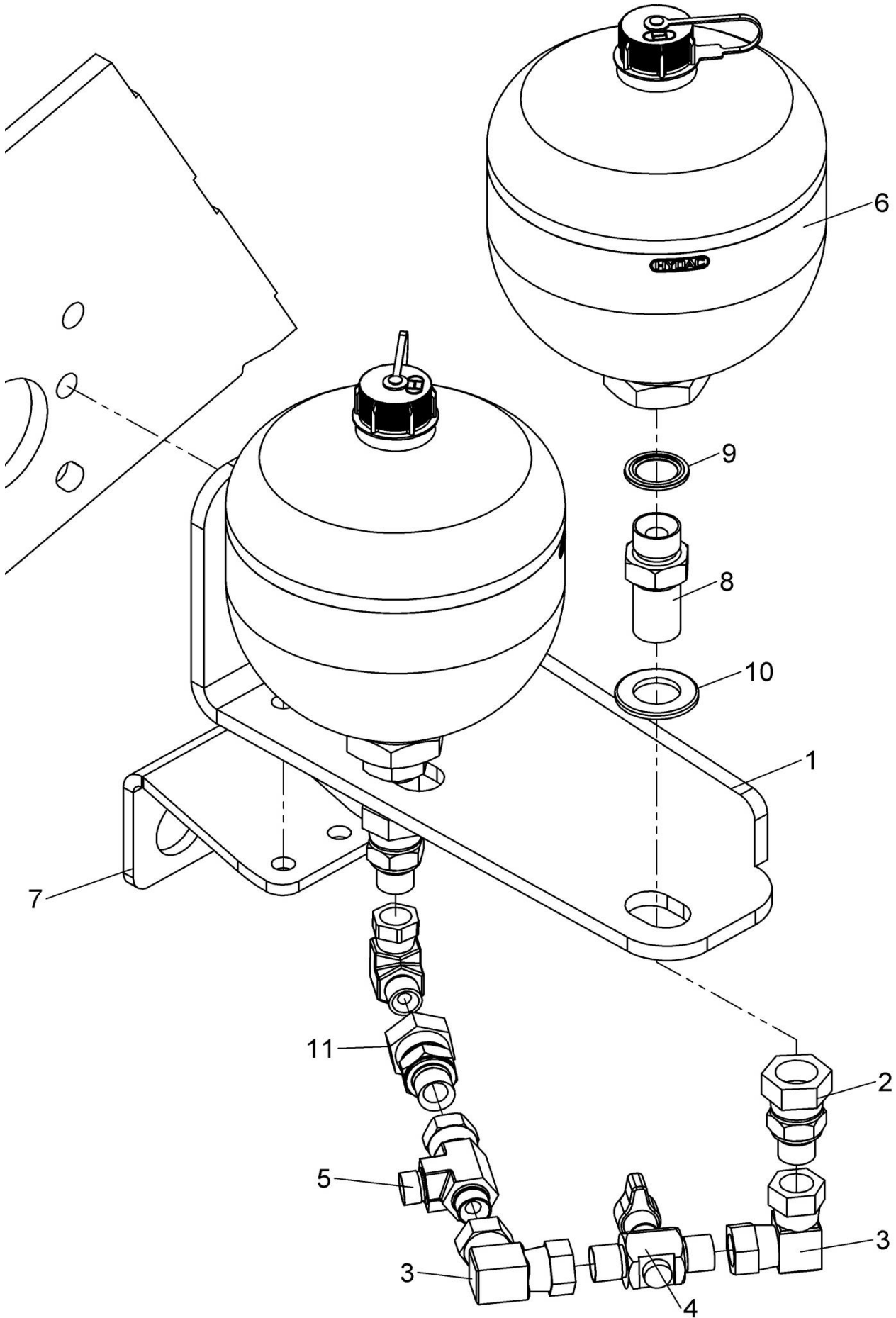


KIT-08247/48/49 & 50



Shelbourne Reynolds Engineering Limited

ASSY NUMBER: KIT-08251				ASSY DESCRIPTION: TWIN ACCUMULATOR KIT (HD700 SERIES)			
ITEM	PART NO	DESCRIPTION	QTY	ITEM	PART NO	DESCRIPTION	QTY
1	803777 01	TWIN ACCUMULATOR BRKT	1				
2	FIT-0240	ADAPTER	2				
3	HAKAA0505	ADAPTER	2				
4	HVB-02620	SHUT OFF VALVE	1				
5	FITA10410	TEE FITTING	1				
6	HYA-01430	ACCUMULATOR	1				
7	803778 01	LH BRACKET AR SENSOR	1				
8	HAGAA0707	BULKHEAD FITTING	1				
9	WSH-1015	DOWTY WASHER	1				
10	WSH-0030	PLAIN WASHER	1				
11	HACAA0505	ADAPTER	1				

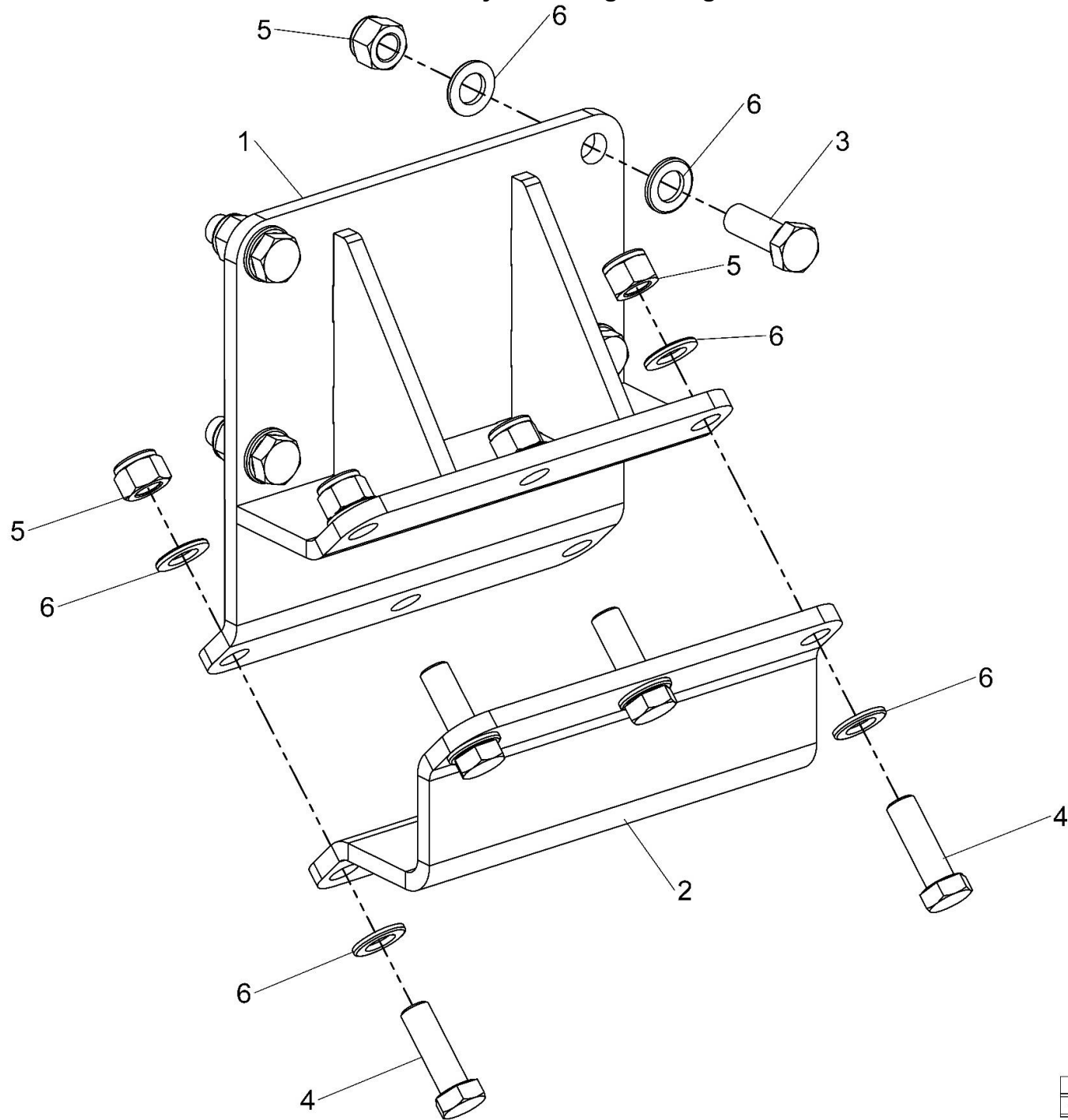


KIT-08251



Shelbourne Reynolds Engineering Limited

ASSY NUMBER: KIT-08262				ASSY DESCRIPTION: HEAD BRACKET KIT (70x70mm Box)			
ITEM	PART NO	DESCRIPTION	QTY	ITEM	PART NO	DESCRIPTION	QTY
1	804431 01	BRACKET W/ASSY (70mm)	1				
2	804435 01	CLAMP PLATE	1				
3	HSS-0317	SET SCREW	4				
4	HSS-0318	SET SCREW	6				
5	NUT-0271	NYLOC NUT	10				
6	WSH-0024	PLAIN WASHER	20				

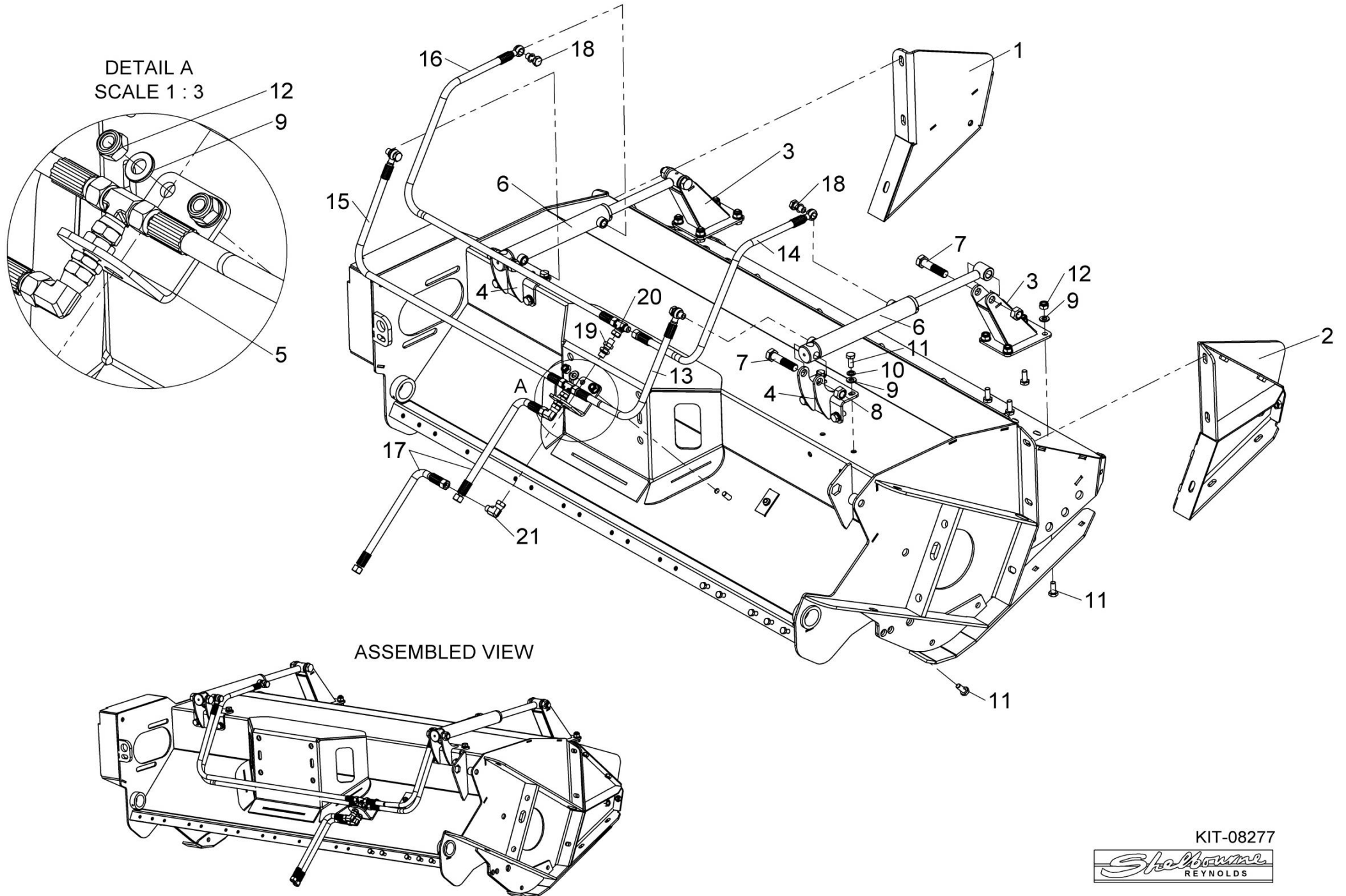


KIT-08262



Shelbourne Reynolds Engineering Limited

ASSY NUMBER: KIT-08277				ASSY DESCRIPTION: HYDRAULIC NOSE KIT 1.2m & 1.5m HEADS. LH & RH DRIVE.			
ITEM	PART NO	DESCRIPTION	QTY	ITEM	PART NO	DESCRIPTION	QTY
1	803706 01	NOSE SIDE PANEL LH (LH DRIVE)	1				
OR	803706 02	NOSE SIDE PANEL RH (RH DRIVE)	1				
2	803708 01	NOSE SIDE PANEL RH (LH DRIVE)	1				
OR	803708 02	NOSE SIDE PANEL LH (RH DRIVE)	1				
3	803697 01	NOSE TO RAM BRACKET W/A	2				
4	804728 01	HEAD TO RAM BRACKET W/A	2				
5	804730 01	BULKHEAD BRACKET	1			KIT-08277A(G) - 1.2/1.5m LH DRIVE 600/HD700/HD800	
6	RAM-0025	DOUBLE ACTING RAM	2			KIT-08277B(G) - 1.2/1.5m RH DRIVE 600/HD700/HD800	
7	BLT-2314	BOLT	4			KIT-08277C(G) -1.2/1.5m	
8	NUTA15162	NUT	4			LH DRIVE HD800 VFRT	
9	WSH-0015	WASHER	18			KIT-08277D(G) -1.2/1.5m	
10	WSH-0061	SPRING WASHER	8			RH DRIVE HD800 VFRT	
11	HSS-0191	BOLT	18				
12	NUT-0265	NUT	10				
13	HHLC04005	HOSE	1				
14	HHLC05905	HOSE	1				
15	HHLC09805	HOSE	1				
16	HHLC12005	HOSE	1				
17	HHAC18505	HOSE 1.2/1.5m TELE	2				
OR	HHAC23005	HOSE 1.2/1.5m VFRT	2				
18	HFAW50003	BANJO BOLT AND SEALS	4				
19	HBK-0010	BULKHEAD	2				
20	FITA10130	HYD TEE	2				
21	HALAA0303	HYD ELBOW 90	2				

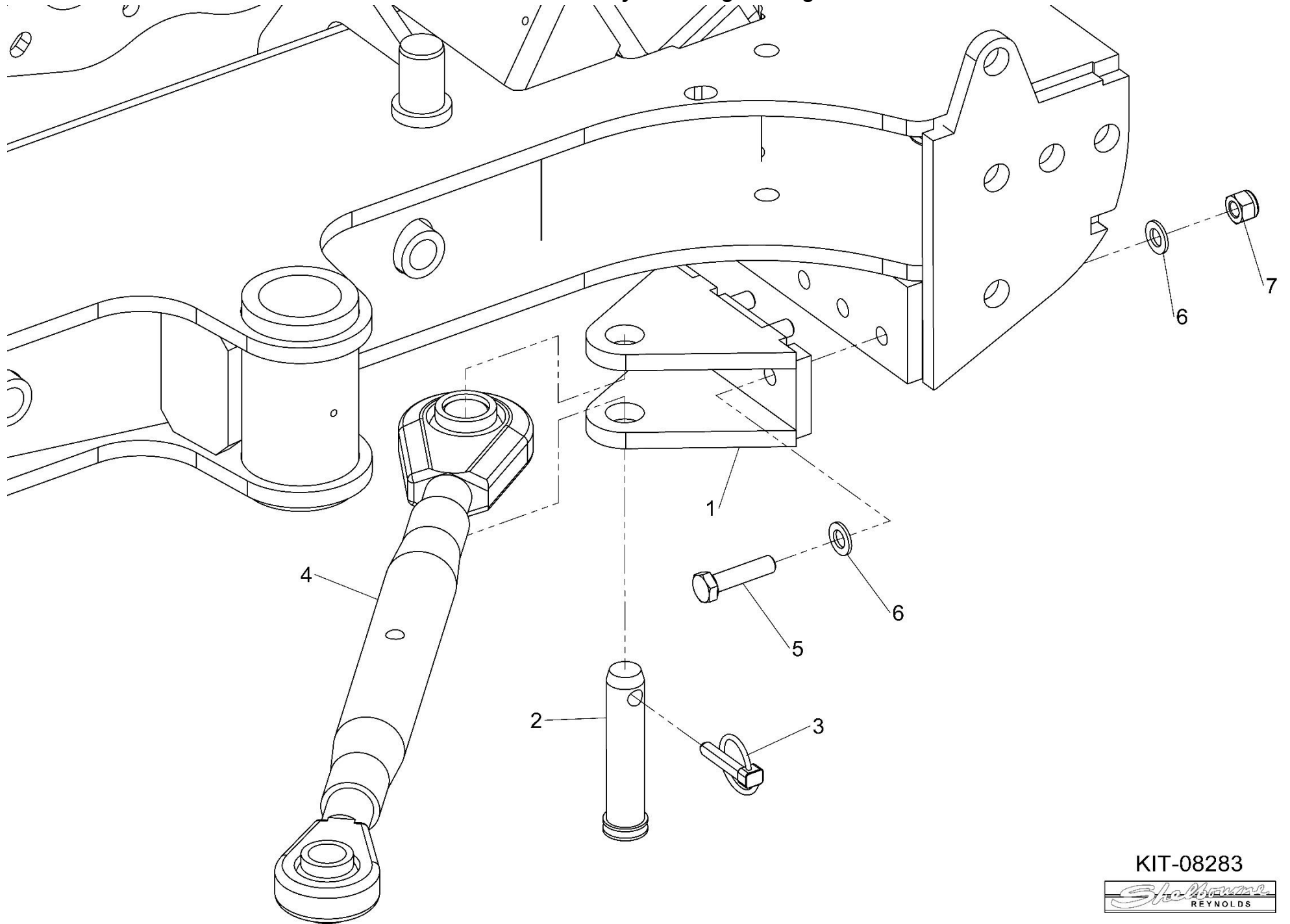


KIT-08277



Shelbourne Reynolds Engineering Limited

ASSY NUMBER: KIT-08283				ASSY DESCRIPTION: DRAWBAR KIT FOR 700 SERIES			
ITEM	PART NO	DESCRIPTION	QTY	ITEM	PART NO	DESCRIPTION	QTY
1	802986 01	BRACKET W/ASSY	1				
2	800198 01	TOP LINK PIN CAT II	1				
3	PIN-01950	LYNCH PIN	1				
4	ADL-13500	ADJUSTABLE TOP LINK	1				
OR	ADL-13570	ADJUSTABLE TOP LINK (LONGER)	AR				
5	HSS-0260	SET SCREW	3				
6	WSH-0018	PLAIN WASHER	6				
7	NUT-0269	NYLOC NUT	3				

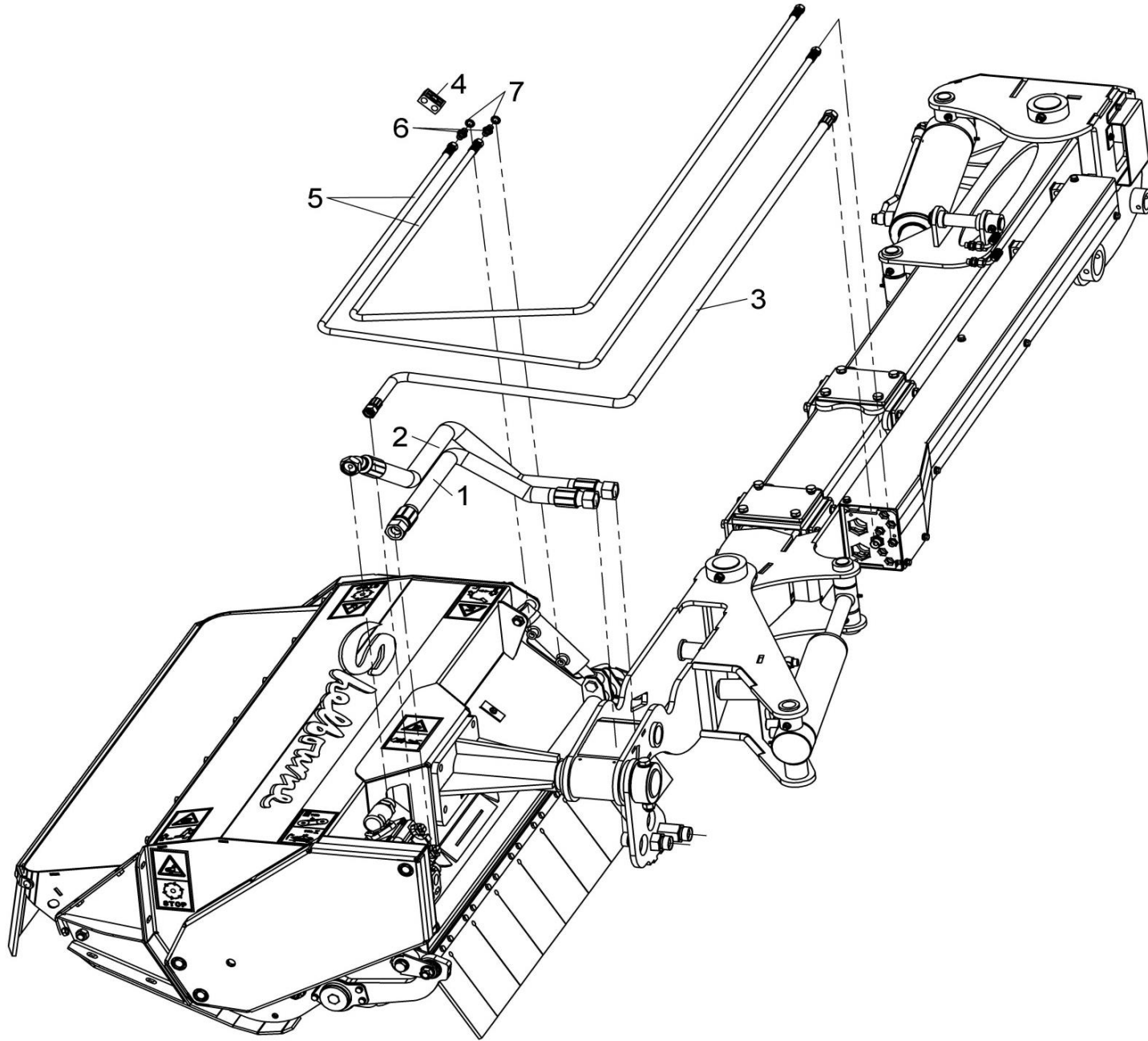


KIT-08283



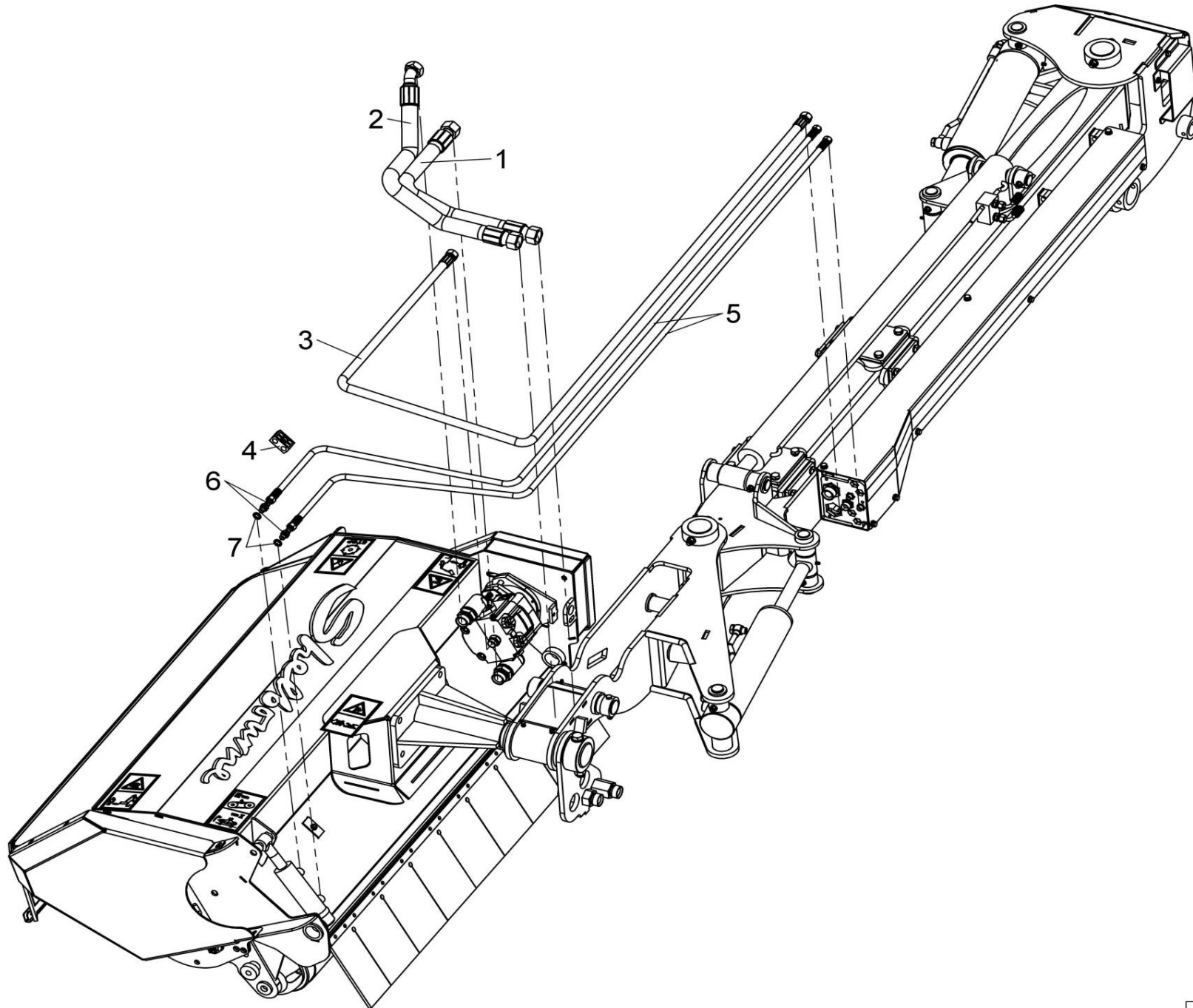
Shelbourne Reynolds Engineering Limited

ASSY NUMBER: KIT-08298				ASSY DESCRIPTION: 1.2MT HEAD HYDRAULICS FOR 600,HD755,HD760T 770T, 762VFR & 767VFR PBXXX170760 TO 2019			
ITEM	PART NO	DESCRIPTION	QTY	ITEM	PART NO	DESCRIPTION	QTY
1	HHAI05005	HOSE (LH DRIVE HD)	1				
OR	HHAI04505	HOSE (RH DRIVE HD)	1				
2	HHDI05305	HOSE (LH DRIVE HD)	1				
OR	HHDI05705	HOSE (RH DRIVE HD)	1				
3	HHAF17605	HOSE (DRAIN)	1				
4	HCPD01400	HYD.PIPE CLAMP	1				
5	HHAC20005	HOSE (LH DRIVE HD)	2				
OR	HHAC21505	HOSE (RH DRIVE HD)	2				
6	HMA-0052	ADAPTOR	2				
7	WSH-1005	BONDED SEAL	2				



KIT-08298



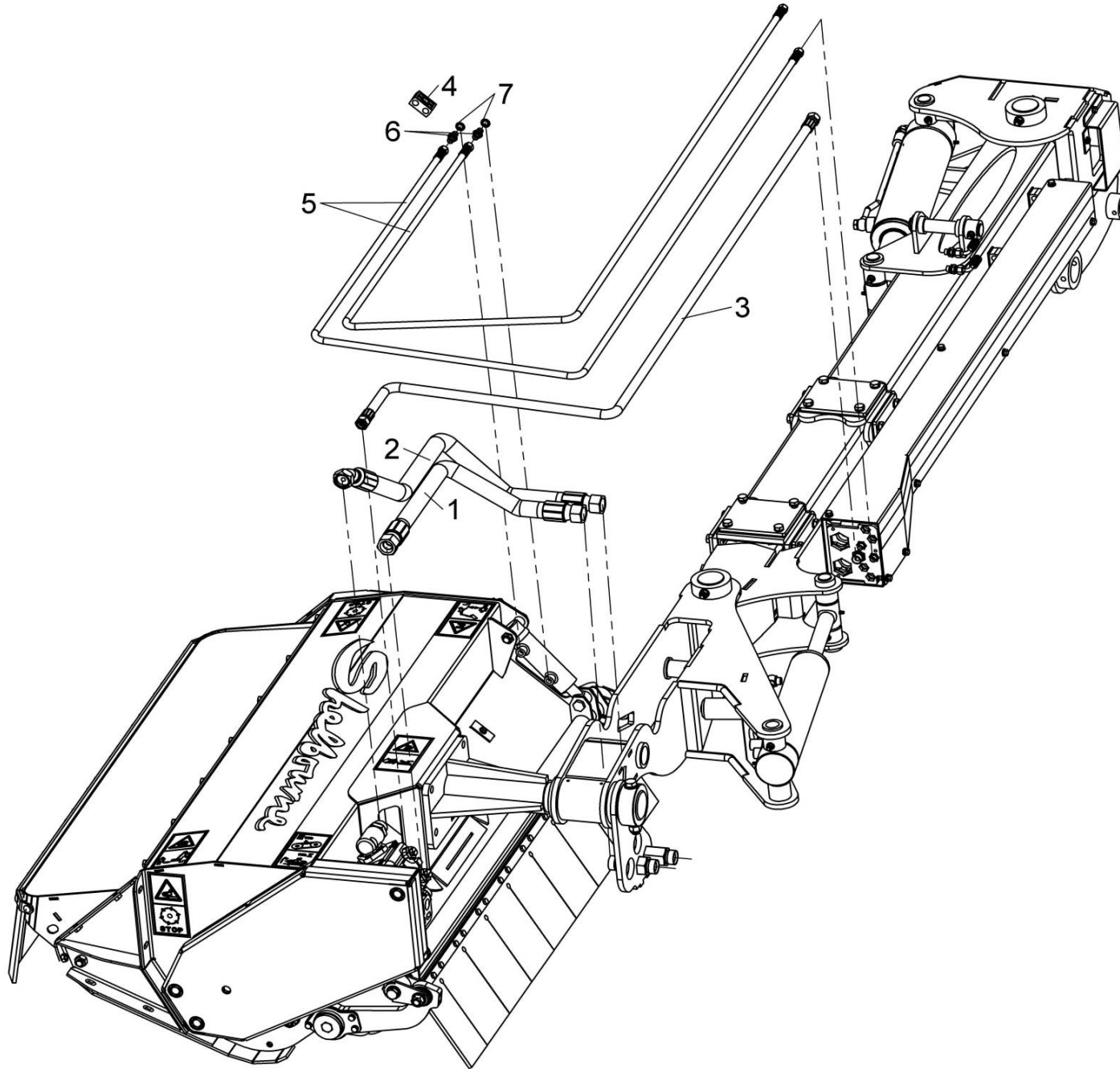


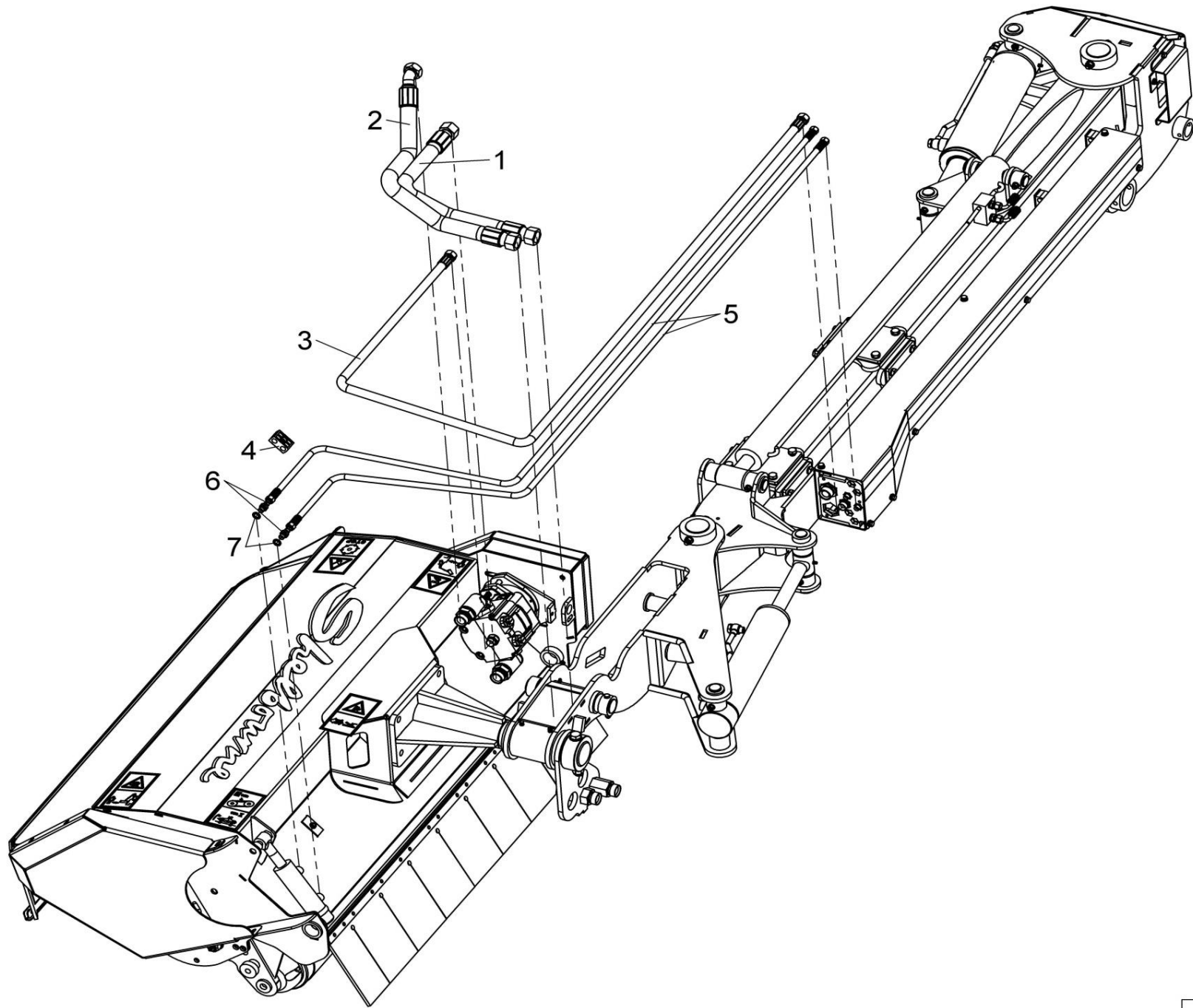
KIT-08298



Shelbourne Reynolds Engineering Limited

ASSY NUMBER: KIT-08301				ASSY DESCRIPTION: 1.5MT HEAD HYDRAULICS FOR 600,HD755 HD760T 770T, 762VFR & 767VFR PBXXX170760 TO 2019			
ITEM	PART NO	DESCRIPTION	QTY	ITEM	PART NO	DESCRIPTION	QTY
1	HHAI06305	HOSE (LH DRIVE HD)	1				
OR	HHAI05805	HOSE (RH DRIVE HD)	1				
2	HHAI07205	HOSE (LH DRIVE HD)	1				
OR	HHAI07505	HOSE (RH DRIVE HD)	1				
3	HHAF19105	HOSE (DRAIN)	1				
4	HCPD01400	HYD.PIPE CLAMP	1				
5	HHAC21505	HOSE (LH DRIVE HD)	2				
OR	HHAC23005	HOSE (RH DRIVE HD)	2				
6	HMA-0052	ADAPTOR	2				
7	WSH-1005	BONDED SEAL	2				



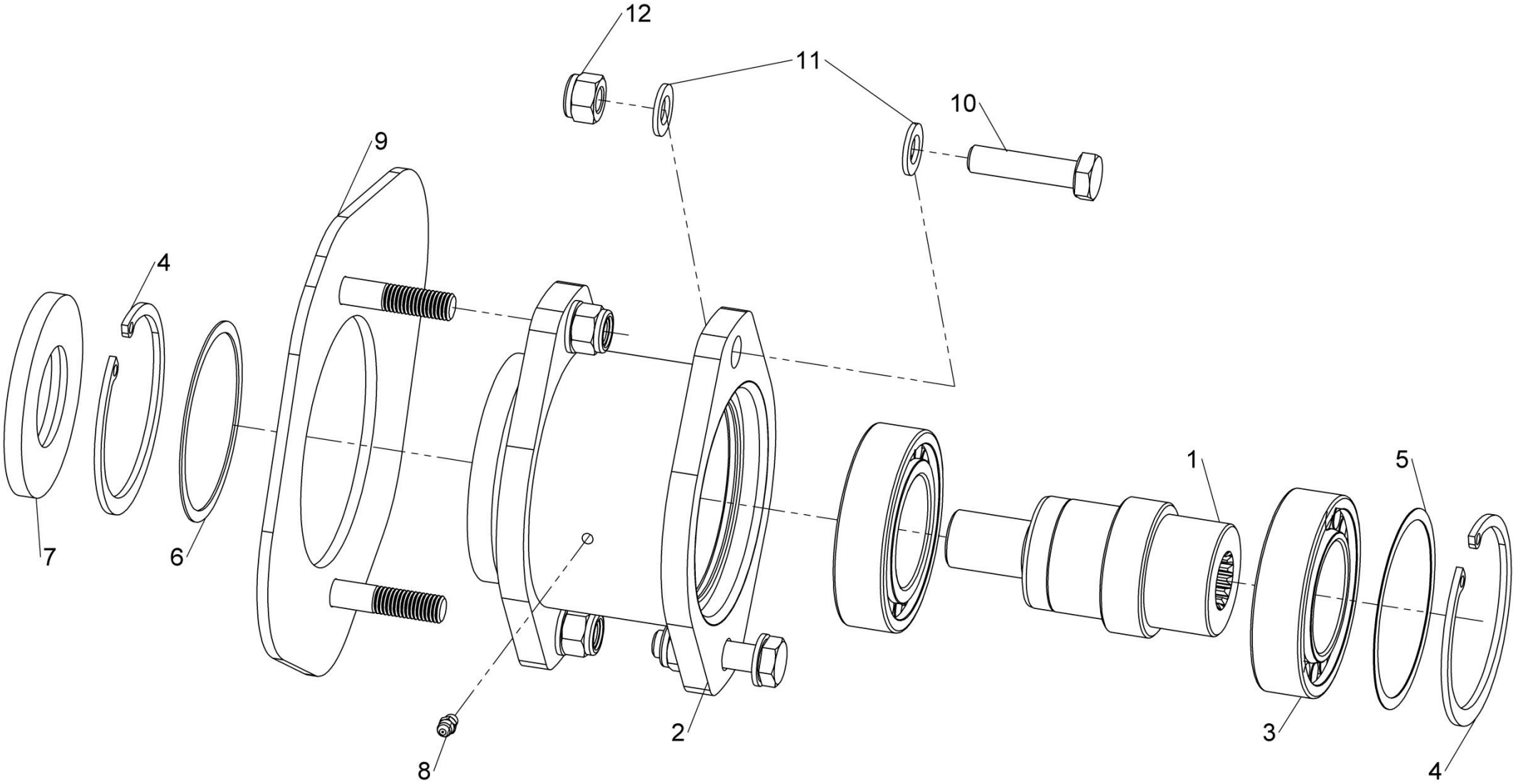


KIT-08301



Shelbourne Reynolds Engineering Limited

ASSY NUMBER: KIT-08316				ASSY DESCRIPTION: MEDIUM OUTRIGGER KIT HEAD 600, HD700 & HD800			
ITEM	PART NO	DESCRIPTION	QTY	ITEM	PART NO	DESCRIPTION	QTY
1	804793 01	OUTRIGGER SHAFT	1				
2	804790 01	OUTRIGGER HOUSING	1				
3	BRG-15082	BEARING	2				
4	CIR010090	CIRCLIP	2				
5	610864 01	SHIM 1mm	AR				
6	610864 02	SHIM 0.5mm	AR				
7	SEAA05090	SHAFT SEAL	1				
8	NIP-00600	NIPPLE	2				
9	803572 01	RETAINING PLATE LH DRIVE HEAD	1				
OR	803572 02	RETAINING PLATE RH DRIVE HEAD	1				
10	HSS-0260	SETSCREW	2		KIT-08316A	MEDIUM OUTRIGGER KIT LEFT HAND	
11	WSH-0018	WASHER	6			DRIVE HEAD	
12	NUT-0269	NUT	4		KIT-08316B	MEDIUM OUTRIGGER KIT RIGHT	
13	KEYB20000	KEY	1			HAND	
						HAND DRIVE HEAD	

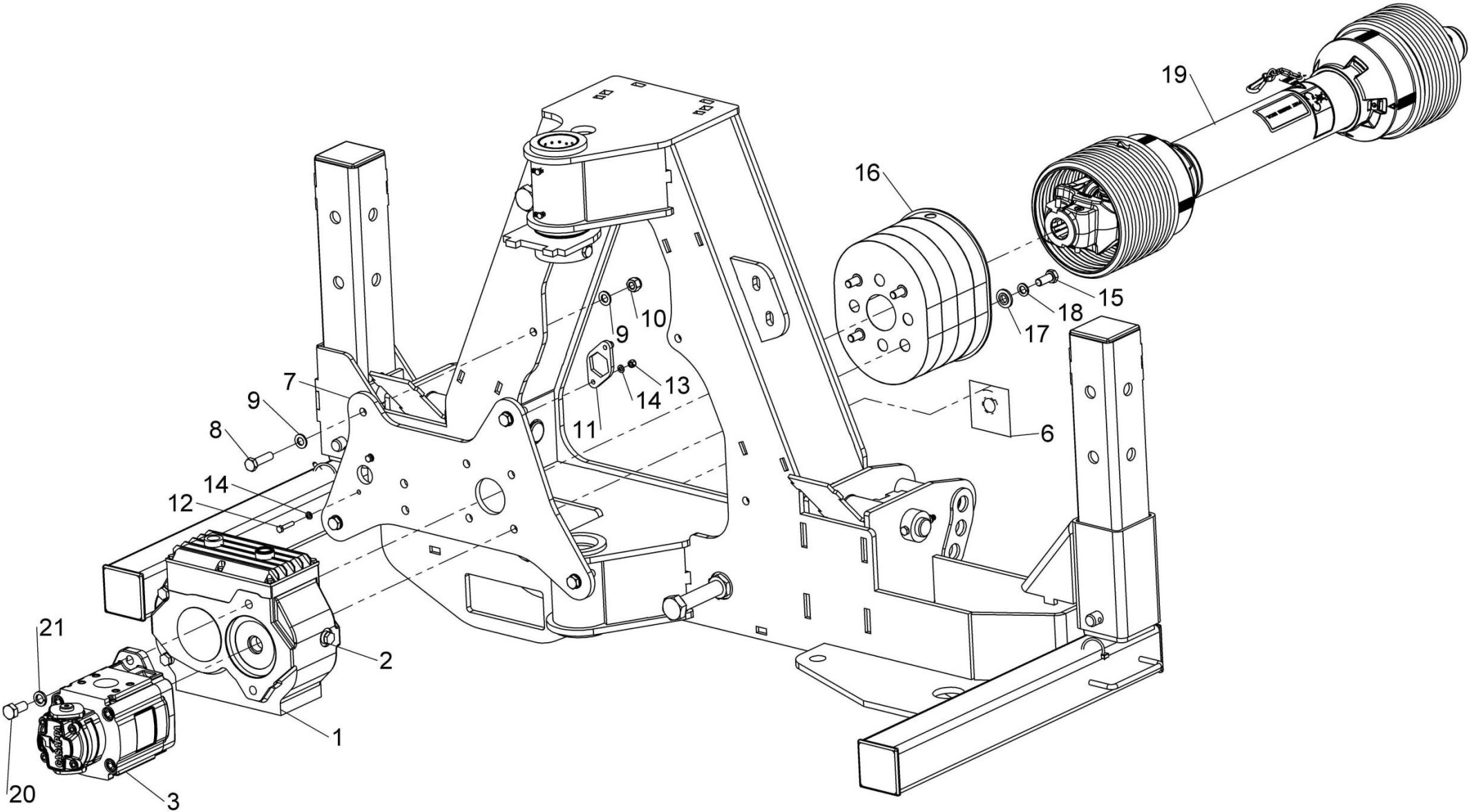


KIT-08316



Shelbourne Reynolds Engineering Limited

ASSY NUMBER: KIT-08323				ASSY DESCRIPTION: 800RPM HIGHER POWER DRIVE KIT 2018 & ON			
ITEM	PART NO	DESCRIPTION	QTY	ITEM	PART NO	DESCRIPTION	QTY
1	GEA-0183	GEARBOX	1				
2	OIL-0005	GEARBOX OIL	1.75L				
3	PUM090570	TANDEM PUMP	1				
4		*NOW SEE HEAD DRIVE KIT*					
5		*NOW SEE HEAD DRIVE KIT*					
6	590475 03	TRANSFER 800RPM	1				
7	804208 01	GEARBOX MOUNTING PLATE	1				
8	BLTA12290	BOLT	4				
9	WSH-0018	WASHER	8				
10	NUT-0269	NYLOC NUT	4				
11	804647 01	RETAINING RING	1				
12	HSS-0092	SETSCREW	2				
13	NUT-0260	NYLOC NUT	2				
14	WSH-0009	WASHER	4				
15	HSS-0238	SETSCREW	4				
16	PTO-00903	PTO CONE	1				
17	800407 01	SPACER-GEARBOX MOUNT.	4				
18	WSH-0065	SPRING WASHER	4				
19	PTO-37000	PTO SHAFT 2019 & ON	1				
20	HSSA14200	SETSCREW	2				
21	WSHA15141	SPRING WASHER	2				

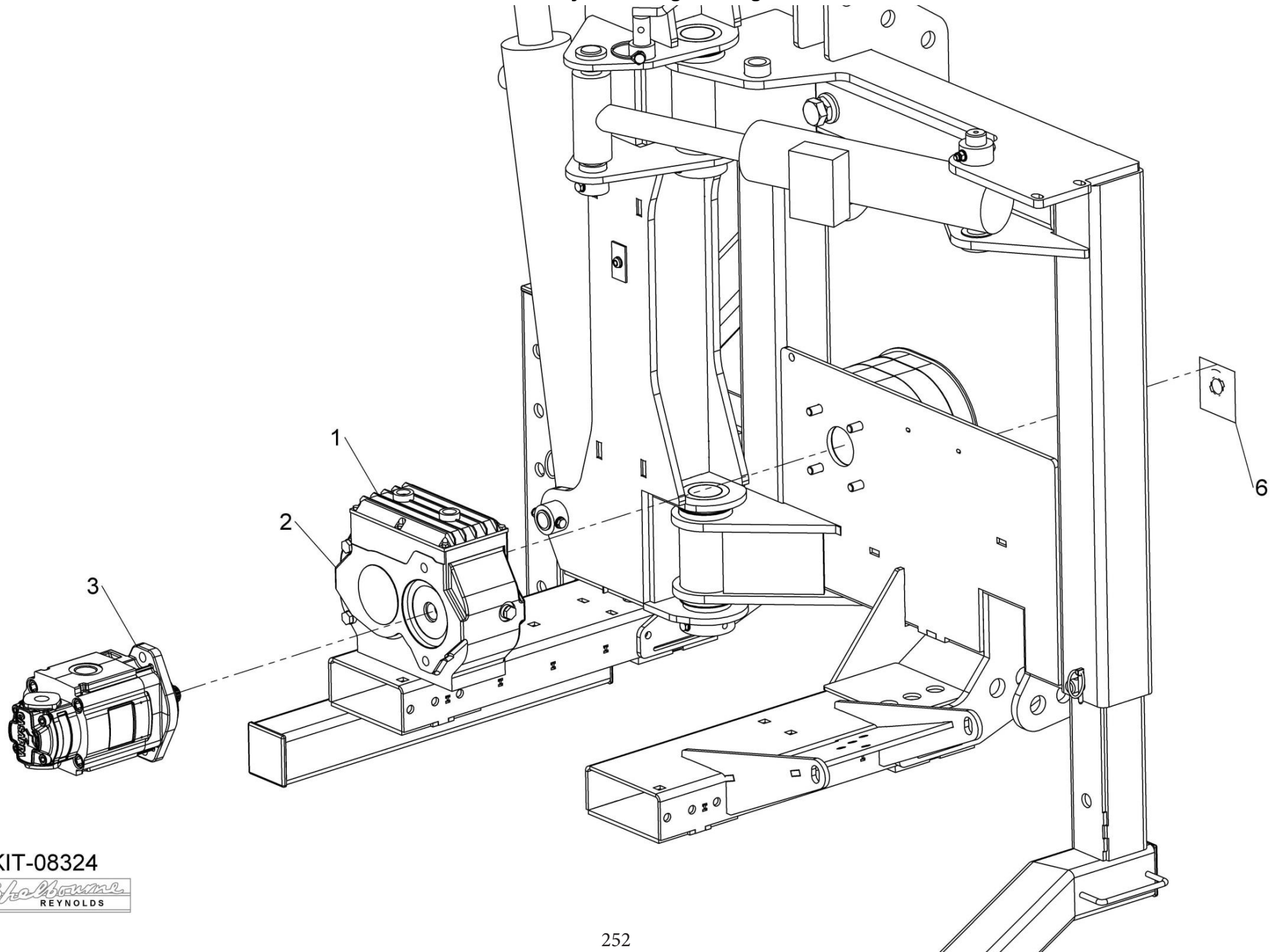


KIT-08321
KIT-08323



Shelbourne Reynolds Engineering Limited

ASSY NUMBER: KIT-08324				ASSY DESCRIPTION: STANDARD DRIVE KIT 600/HD700 TRIMMER 2018 & ON			
ITEM	PART NO	DESCRIPTION	QTY	ITEM	PART NO	DESCRIPTION	QTY
1	GEA-0183	GEARBOX	1				
2	OIL-0005	GEARBOX OIL	1.75L				
3	PUM090661	TANDEM PUMP	1				
4							
5							
6	590475 01	TRANSFER 540RPM	1				

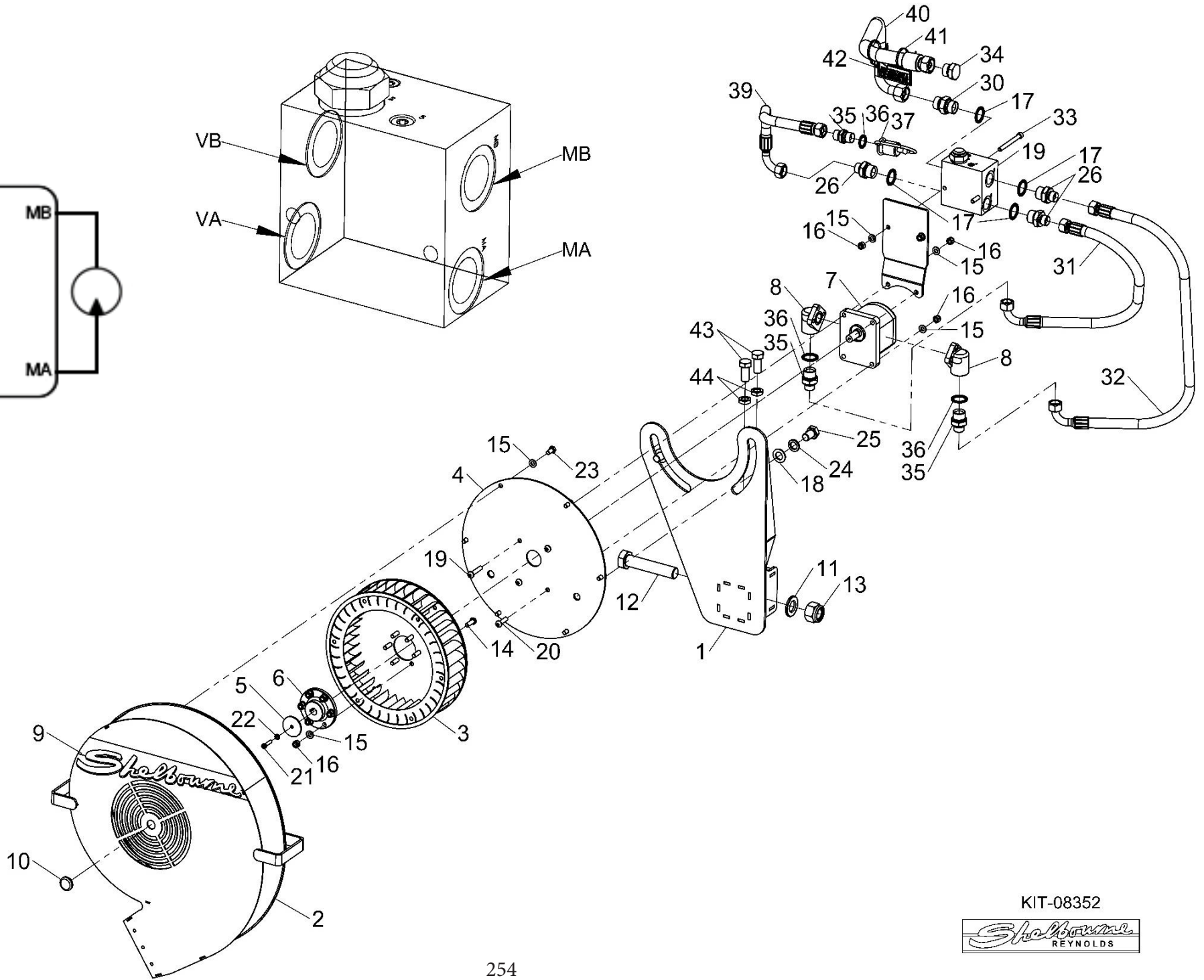
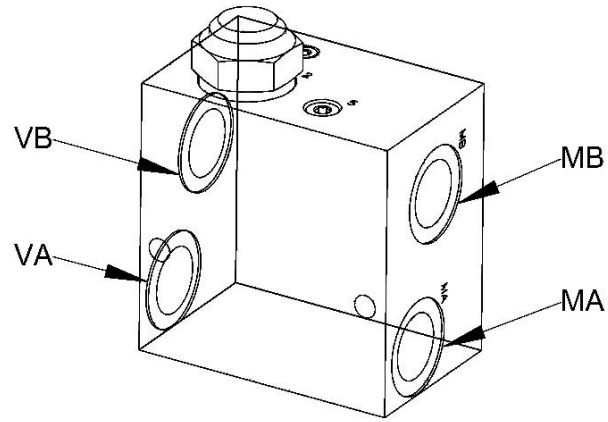
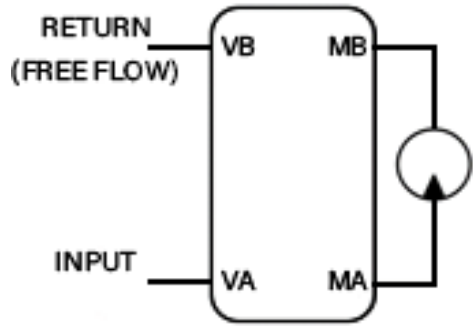


KIT-08324



Shelbourne Reynolds Engineering Limited

ASSY NUMBER: KIT-08352				ASSY DESCRIPTION: SUB ASSY TRIMMER BLOWER KIT			
ITEM	PART NO	DESCRIPTION	QTY	ITEM	PART NO	DESCRIPTION	QTY
1	802758 01	DEBRIS BLOWER PIVOTING MT W/A	1	41	TIE-0004	TIE WRAPS	2
2	802607 01	FAN HOUSING W/A	1	42	612230 01	HYD RETURN LABEL	1
3	802778 01	IMPELLER W/A	1	43	HSS-0315	BOLT	2
4	803109 01	MOTOR MTG PLATE W/A	1	44	NUT-0380	HALF NUT (M16)	2
5	802779 01	TOP WASHER IMPELLER	1				
6	803107 01	CENTRE HUB	1				
7	MOTH01100	BI DIRECTIONAL HYD MOTOR	1				
8	PUM990430	FLANGE	2				
9	802699 01	SHELBOURNE TRANSFER	1				
10	BPG-00200	PLASTIC BODY PLUG	1				
11	WSH-0036	WASHER	1		KIT-08352 HYD	HYDRAULICS FOR BLOWER KIT	
12	HSSA24620	SETSCREW	1				
13	NUT-0275	NYLOC NUT	1				
14	SCBA08172	BUTT SCREW	6				
15	WSH-0012	WASHER	19				
16	NUT-0263	NYLOC NUT	13				
17	WSH-1020	DOWTY WASHER	4				
18	WSH-0024	WASHER	2				
19	SCBA08260	BUTT SCREW	2				
20	SCBA08202	BUTT SCREW	2				
21	SCW-0086	CAP HD SCREW	1				
22	WSH-0056	SPRING WASHER	1				
23	HSS-0135	BOLT	6				
24	WSH-0070	SPRING WASHER	2				
25	HSS-0312	SETSCREW	2				
26	HMA-0060	M/M ADAPTER	3				
27							
28							
29	HVB-19160	MOTOR VALVE	1				
30	HMA-0074	M/M ADAPTER	1				
31	HHBF04705	HYD HOSE	1				
32	HHBF05505	HYD HOSE	1				
33	SCCA08503	CAP SOCKET HD SCREW	2				
34	FITC00311	BLANKING PLUG	1				
35	HMA-0067	M/M ADAPTER	3				
36	WSH-1015	DOWTY WASHER	3				
37	COU-0162	QUICK RELEASE COUPLING	1				
38	805691 01	SUPPORT BRACKET	1				
39	HHBF27505	HOSE ASSY P - VA	1				
40	HHBH26805	HOSE ASSY VB-TANK	1				

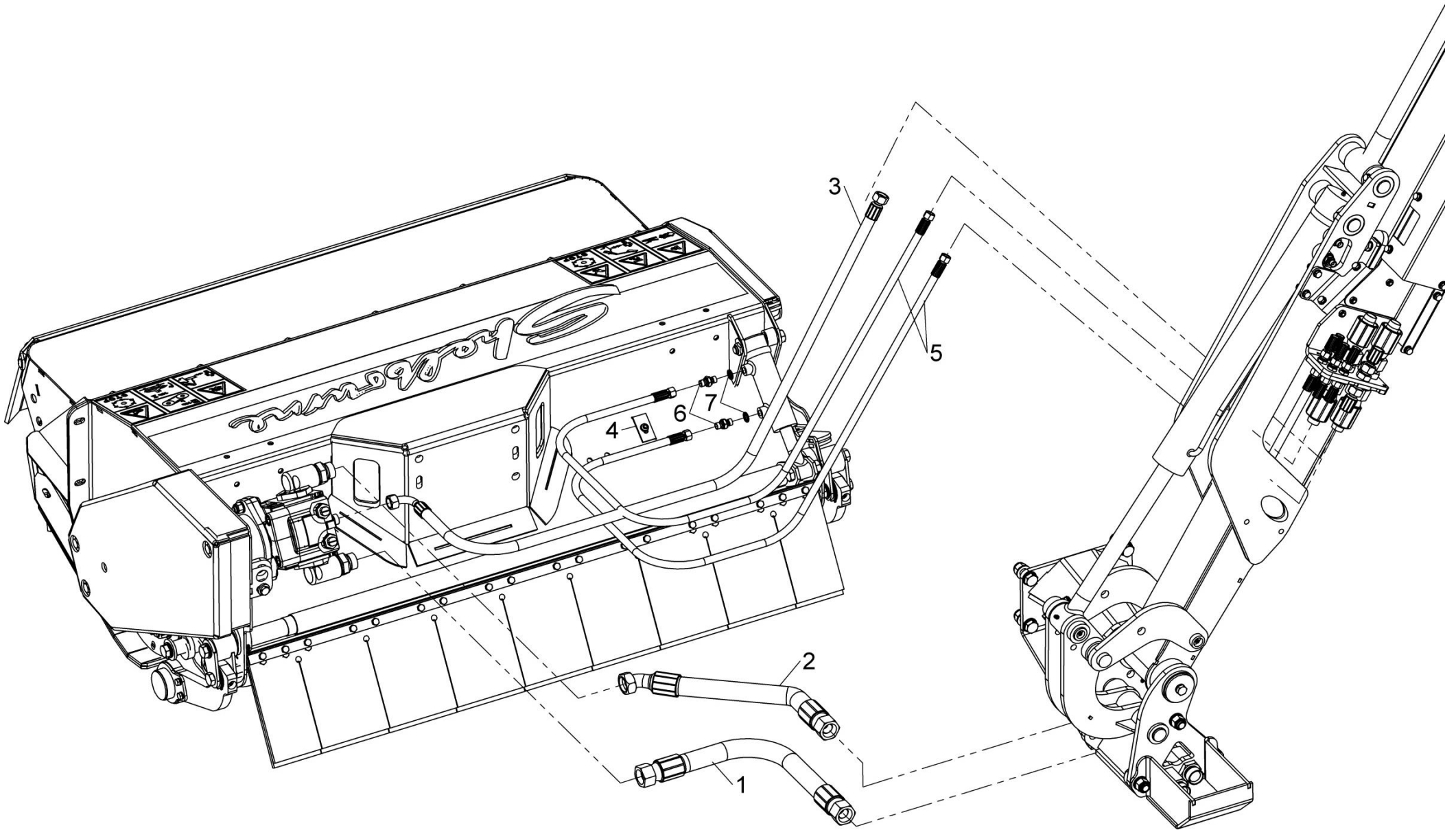


KIT-08352



Shelbourne Reynolds Engineering Limited

ASSY NUMBER: KIT-08357				ASSY DESCRIPTION: 1.2m HEAD HYDRAULICS FOR 600,HD755,HD760T 770T, 762VFR & 767VFR 2019 & ON			
ITEM	PART NO	DESCRIPTION	QTY	ITEM	PART NO	DESCRIPTION	QTY
1	HHAI04805	HOSE (LH DRIVE HD)	1				
OR	HHAI04305	HOSE (RH DRIVE HD)	1				
2	HHDI05005	HOSE (LH DRIVE HD)	1				
OR	HHDI05405	HOSE (RH DRIVE HD)	1				
3	HHAF17605	HOSE (DRAIN)	1				
4	HCPD01400	HYD.PIPE CLAMP	1				
5	HHAC20005	HOSE (LH DRIVE HD)	2				
OR	HHAC21505	HOSE (RH DRIVE HD)	2				
6	HMA-0052	ADAPTOR	2				
7	WSH-1005	BONDED SEAL	2				

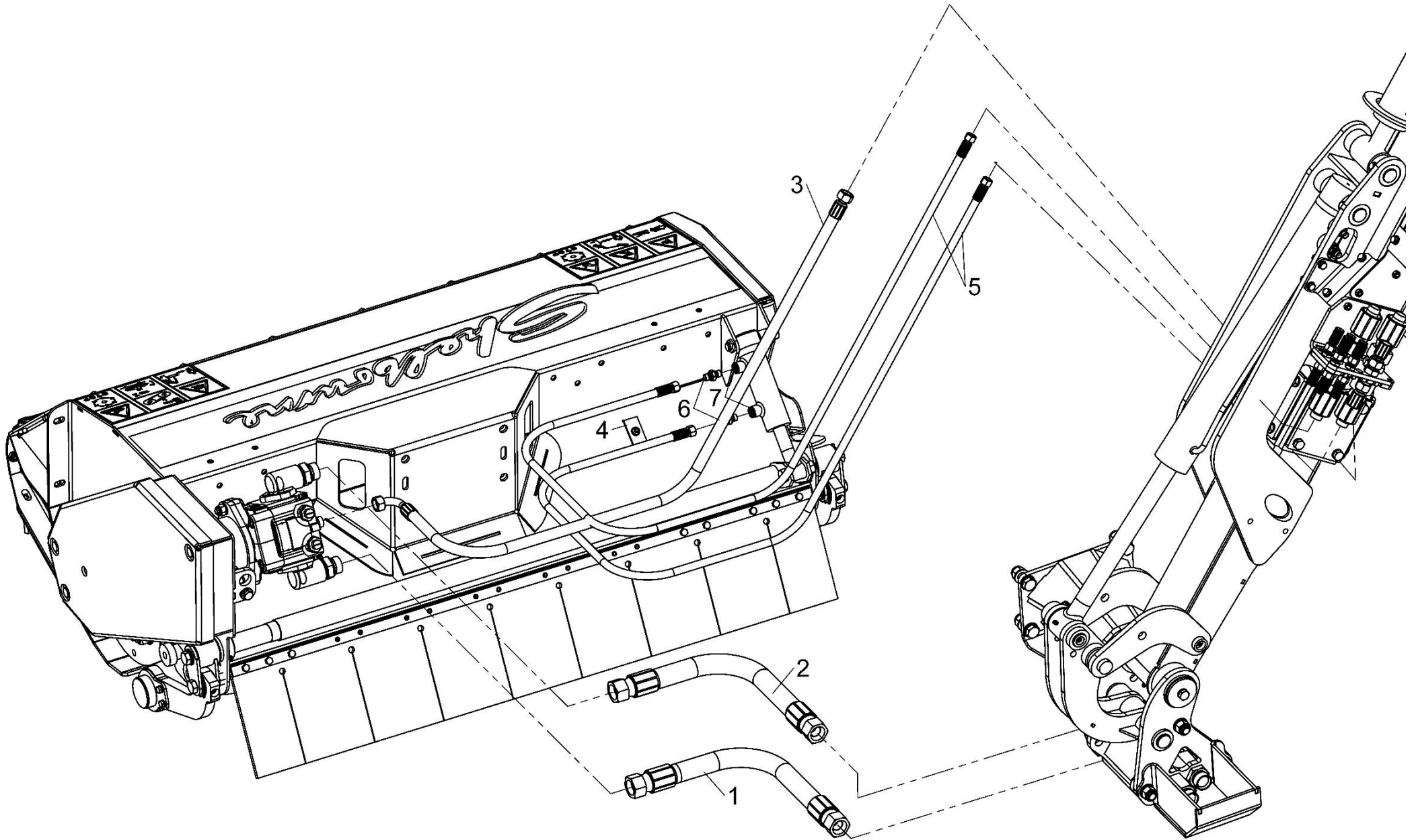


KIT-08357
KIT-08358



Shelbourne Reynolds Engineering Limited

ASSY NUMBER: KIT-08358				ASSY DESCRIPTION: 1.5m HEAD HYDRAULICS FOR 600,HD755 HD760T 770T, 762VFR & 767VFR 2019 & ON			
ITEM	PART NO	DESCRIPTION	QTY	ITEM	PART NO	DESCRIPTION	QTY
1	HHAI06105	HOSE (LH DRIVE HD)	1				
OR	HHAI05705	HOSE (RH DRIVE HD)	1				
2	HHAI07005	HOSE (LH DRIVE HD)	1				
OR	HHAI07405	HOSE (RH DRIVE HD)	1				
3	HHAF19105	HOSE (DRAIN)	1				
4	HCPD01400	HYD.PIPE CLAMP	1				
5	HHAC21505	HOSE (LH DRIVE HD)	2				
OR	HHAC23005	HOSE (RH DRIVE HD)	2				
6	HMA-0052	ADAPTOR	2				
7	WSH-1005	BONDED SEAL	2				

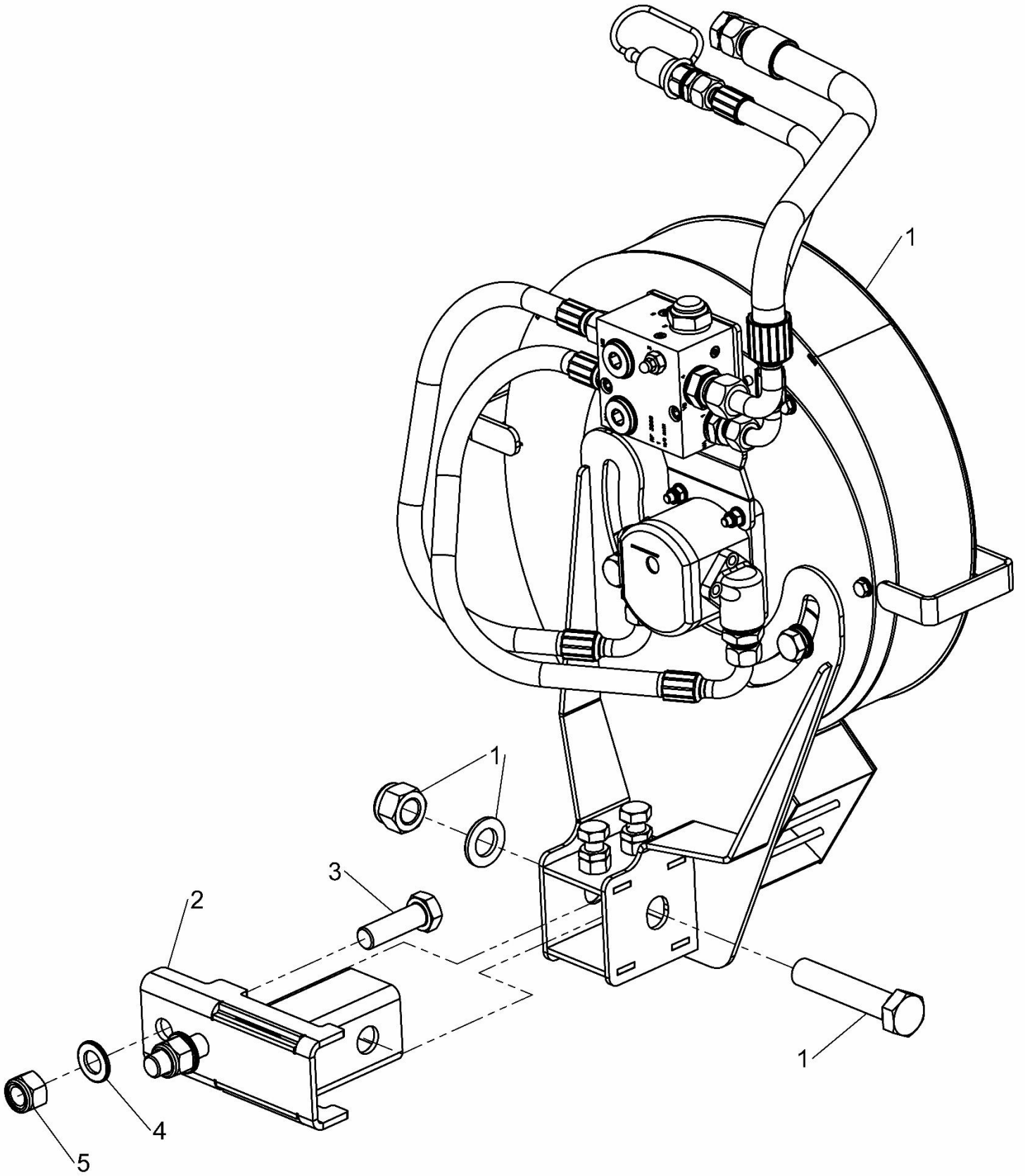


KIT-08358



Shelbourne Reynolds Engineering Limited

ASSY NUMBER: KIT-08400				ASSY DESCRIPTION: HD700 TRIMMER BLOWER KIT			
ITEM	PART NO	DESCRIPTION	QTY	ITEM	PART NO	DESCRIPTION	QTY
1	KIT-08352	SUB ASSY TRIMMER BLOWER KIT	1				
2	802762 01	LIGHTING BOARD MTG W/A	1				
3	HSSA20410	SETSCREW	2				
4	WSH-0030	WASHER	2				
5	NUTA02200	NYLOC NUT	2				

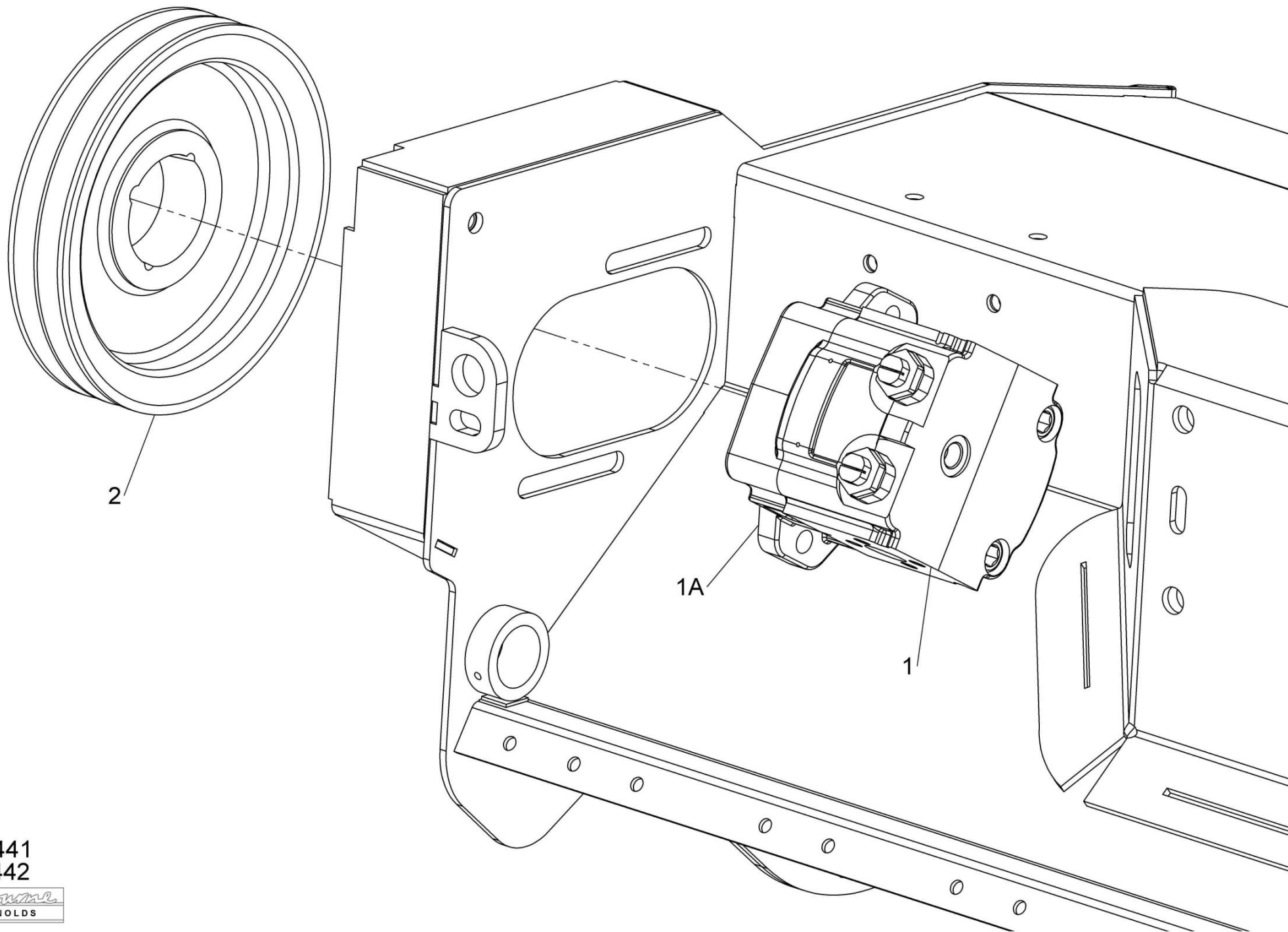


KIT-08400



Shelbourne Reynolds Engineering Limited

ASSY NUMBER: KIT-08441				ASSY DESCRIPTION: HD HEAD STANDARD POWER KIT			
ITEM	PART NO	DESCRIPTION	QTY	ITEM	PART NO	DESCRIPTION	QTY
1	MOTH03900	MOTOR	1				
1A	HMS-03900	MOTOR SEAL KIT					
2	800027 02	MOTOR PULLEY	1				

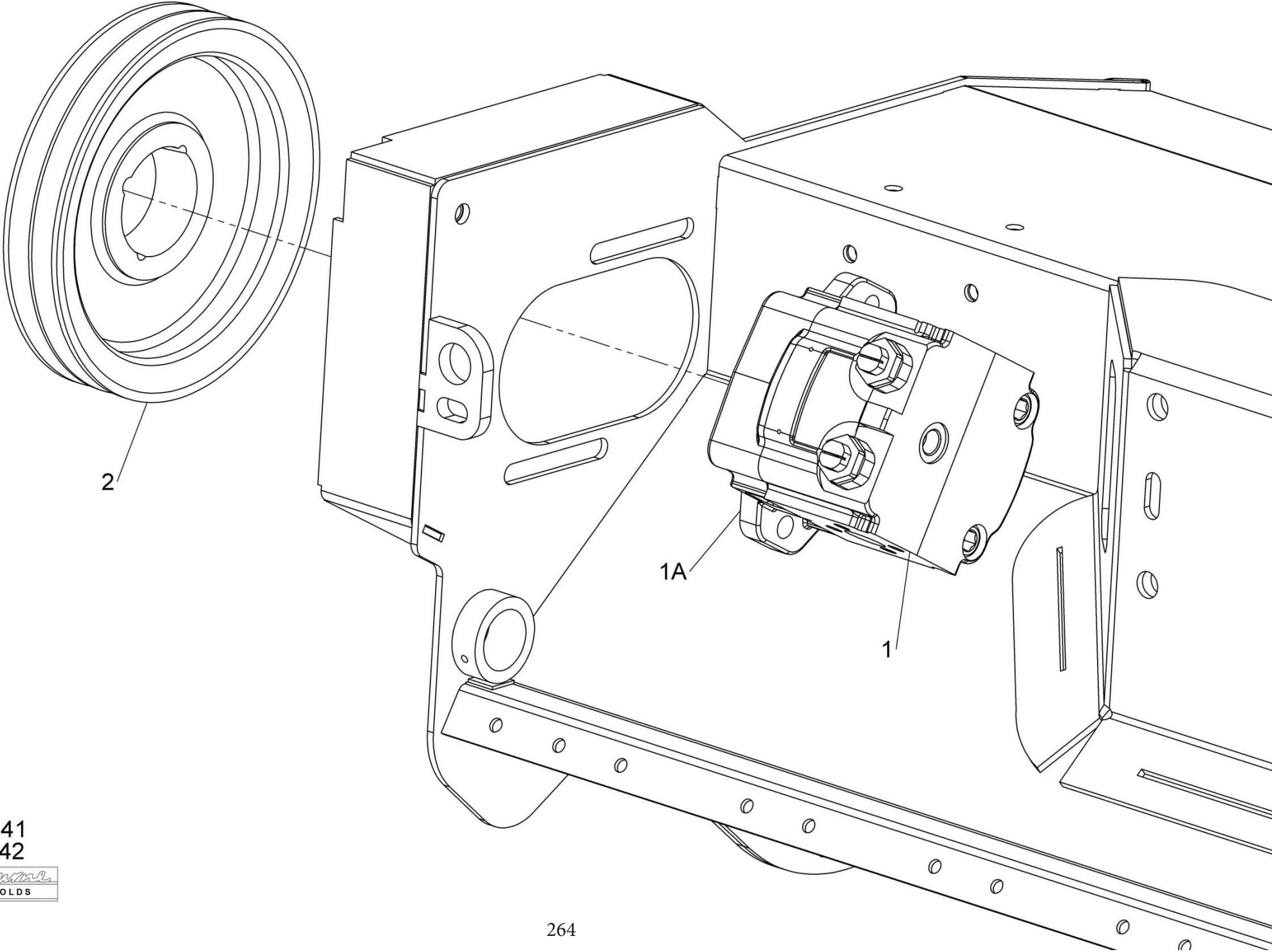


KIT-08441
KIT-08442



Shelbourne Reynolds Engineering Limited

ASSY NUMBER: KIT-08442				ASSY DESCRIPTION: HD HEAD HIGHER POWER KIT			
ITEM	PART NO	DESCRIPTION	QTY	ITEM	PART NO	DESCRIPTION	QTY
1	MOTH04300	MOTOR	1				
1A	HMS-04300	MOTOR SEAL KIT	-				
2	800027 01	MOTOR PULLEY	1				

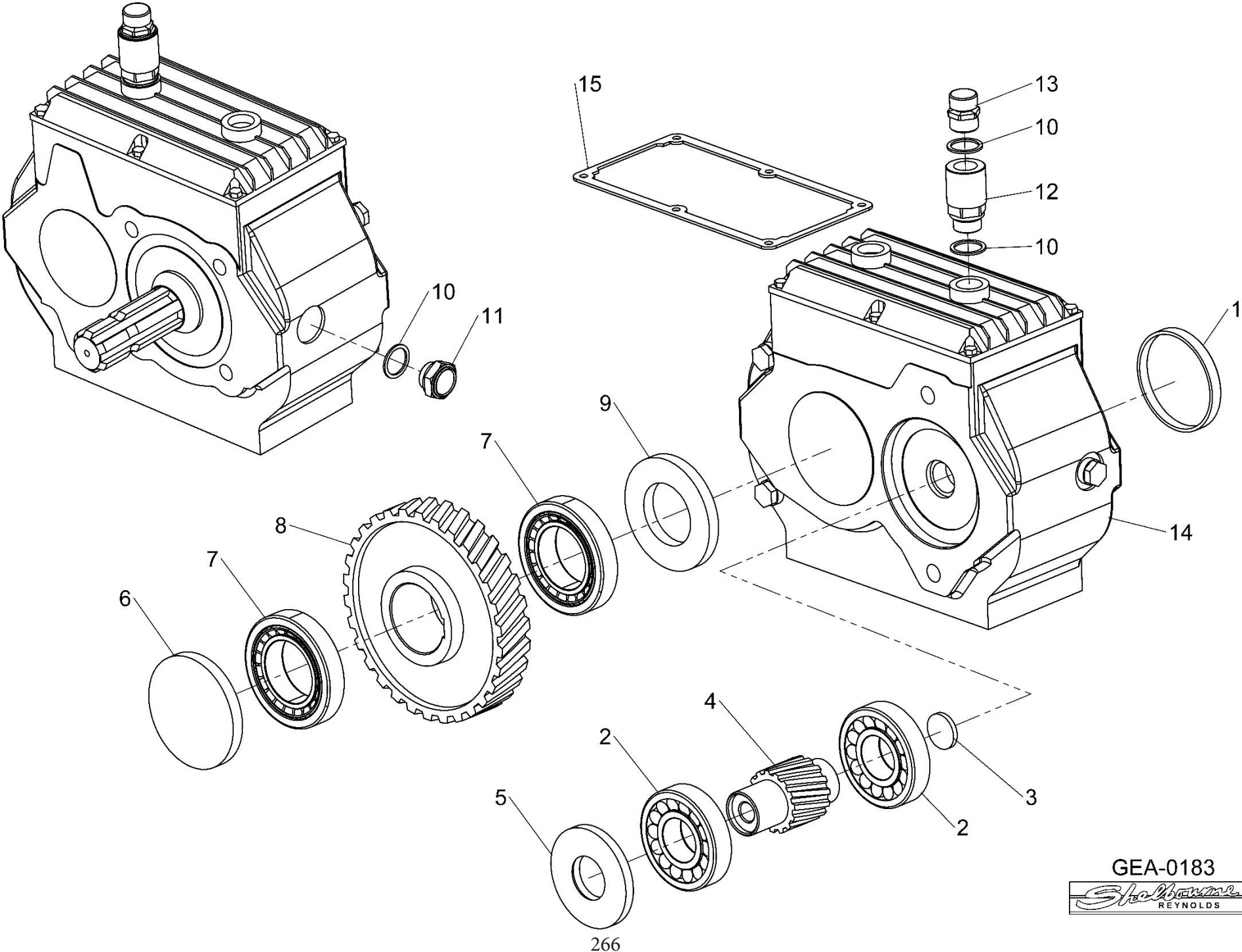


KIT-08441
KIT-08442



Shelbourne Reynolds Engineering Limited

ASSY NUMBER: GEA-0183				ASSY DESCRIPTION: GEARBOX			
ITEM	PART NO	DESCRIPTION	QTY	ITEM	PART NO	DESCRIPTION	QTY
1	GEA-1603	END CAP	1				
2	BRG-13582	BEARING	2				
3	SEAZ02800	OIL PLUG	1				
4	GEA-1605	SHAFT	1				
5	SEAB03520	RADIAL SHAFT SEAL	1				
6	SEAZ09000	CORE PLUG SEAL	1				
7	BRG-6000	BEARING	2				
8	GEA-1606	GEAR	1				
9	GEA-1518	OIL SEAL	1				
10	GEA-1705	DRAIN PLUG SEAL	3				
11	FITD00007	BULLS EYE LEVEL GAUGE	1				
12	GEA-1523	EXTENSION WITH BREATHER	1				
13	GEA-1521	BREATHER	1				
14	OIL-0005	OIL	1.75L				
15	GEA-1525	LID GASKET	1				

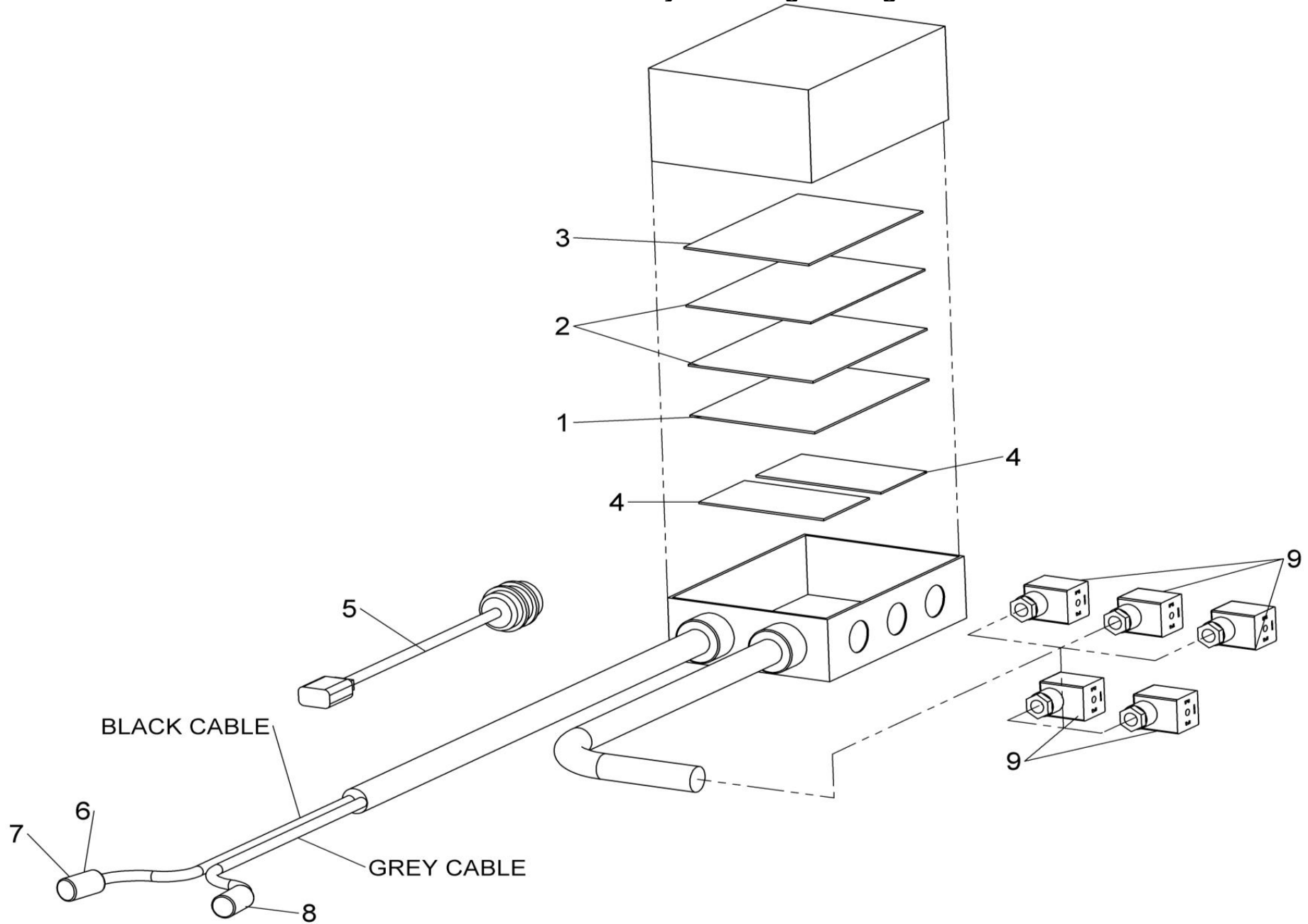


Breakdown Pages

**Valve Blocks
Control Units
Joysticks**

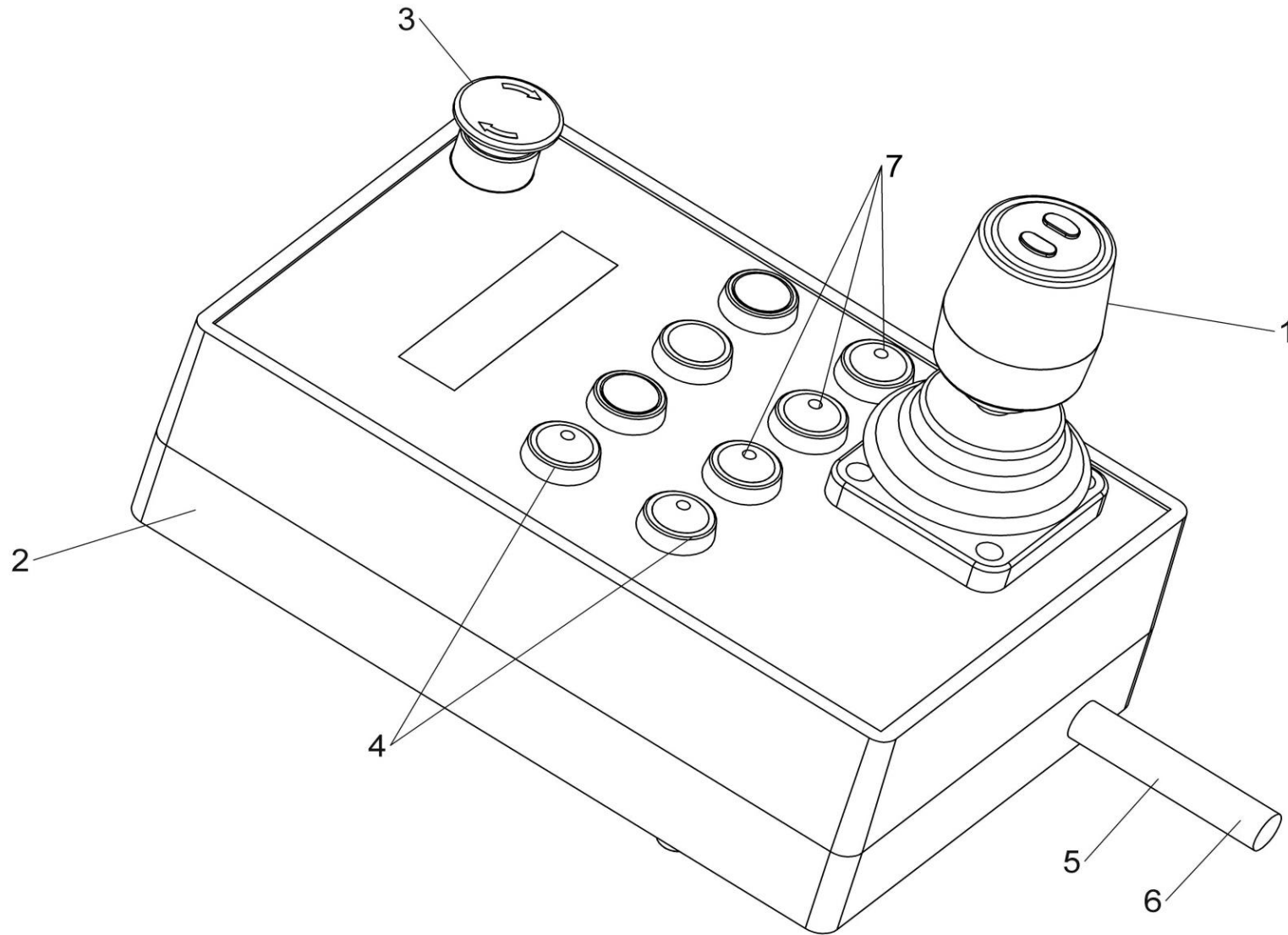
Shelbourne Reynolds Engineering Limited

ASSY NUMBER: 801118 01				ASSY DESCRIPTION: ELECTRONIC CONTROL UNIT			
ITEM	PART NO	DESCRIPTION	QTY	ITEM	PART NO	DESCRIPTION	QTY
1	PCB-00035	BOTTOM CIRCUIT BOARD	1				
2	PCB-00040	2nd & 3rd FROM BOTTOM BOARD	2				
3	PCB-00045	TOP BOARD WITH DISPLAY	1				
4	RLY-00010	RELAY	2				
5	801310 01	SWITCH	1				
6	ECN-00191	CONNECTOR PLUG FEMALE	1				
7	ECN-09030	PIN ELEMENT FEMALE	7				
8	ECN-00230	4 WAY CONNECTOR PLUG	1				
9	ECN-00270	SCREW SOLENOID CONNECTOR	5				



Shelbourne Reynolds Engineering Limited

ASSY NUMBER: 801119 01				ASSY DESCRIPTION: ELECTRONIC JOYSTICK UNIT			
ITEM	PART NO	DESCRIPTION	QTY	ITEM	PART NO	DESCRIPTION	QTY
1	JOY-05025	JOYSTICK WITH CONNECTOR (109459 & ON)	1				
2	PCB-00050	PRINTED CIRCUIT BOARD	1				
3	SWT-02000	EMERGENCY STOP	1				
4	SWT-00810	PLAIN BLACK BUTTON	2				
5	ECN-00192	CONNECTOR	1				
6	ECN-09040	PIN ELEMENT MALE FOR CONNECTOR	7				
7	SWT-00820	BLACK BUTTON WITH LED	3				

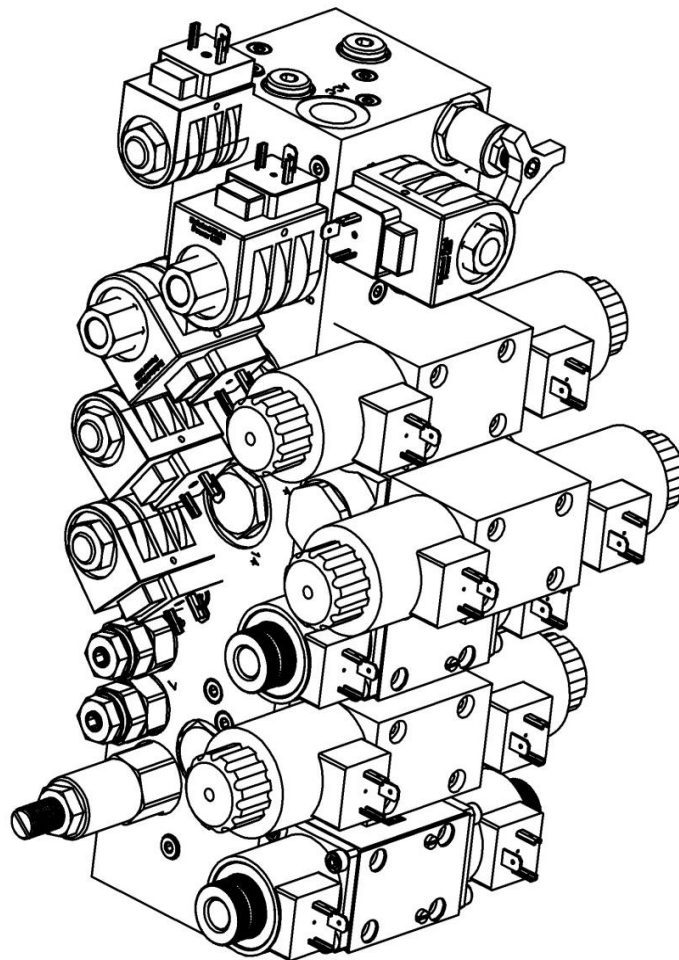
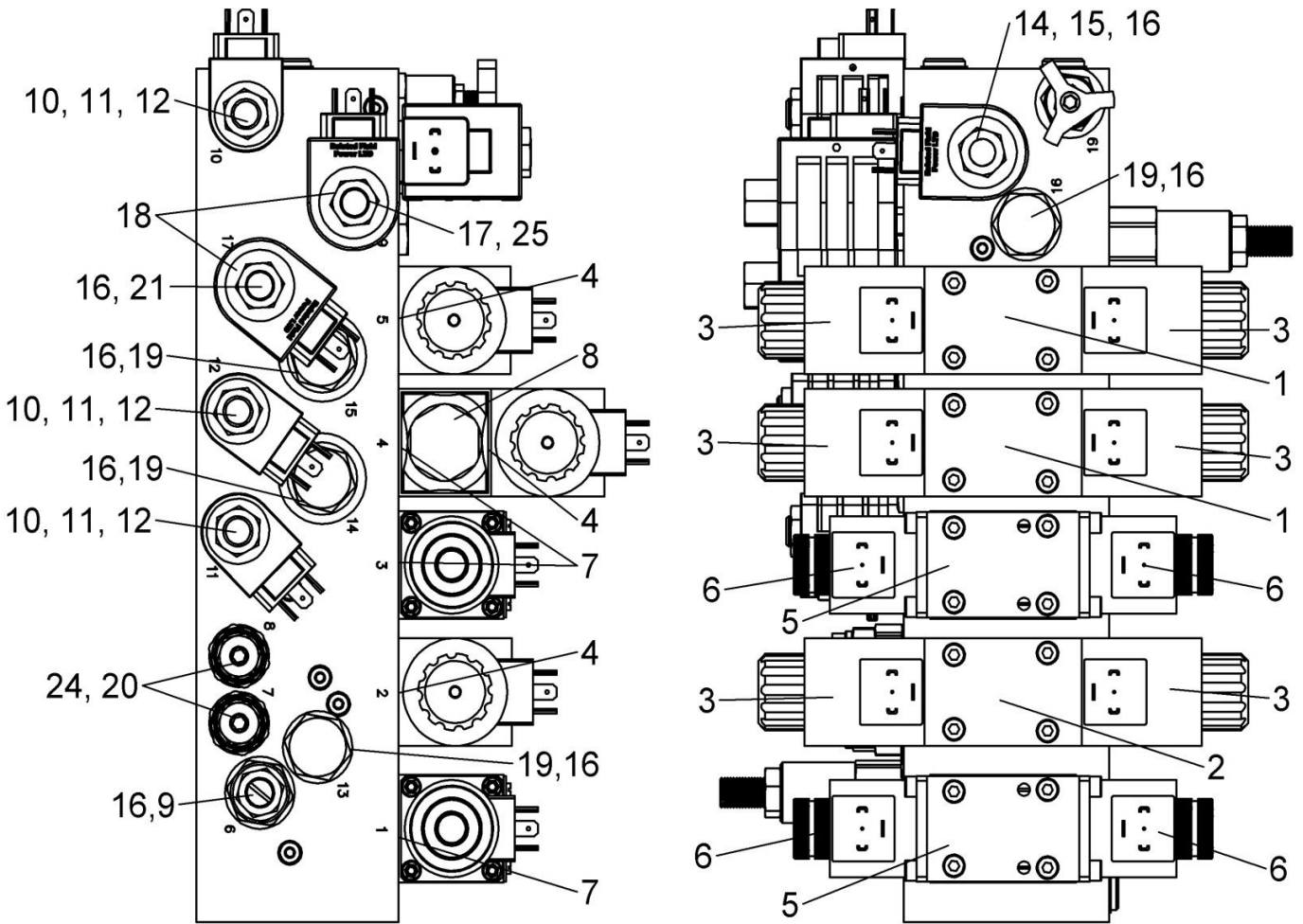


801119 01



Shelbourne Reynolds Engineering Limited

ASSY NUMBER: HVB-19085				ASSY DESCRIPTION: VALVE BLOCK CYLINDERS			
ITEM	PART NO	DESCRIPTION	QTY	ITEM	PART NO	DESCRIPTION	QTY
1	HVB-90051	VALVE INC COIL (LIFT & H/ANG)	2				
2	HVB-90062	VALVE INC COIL (REACH)	1				
3	HVB-90050	COIL	6				
4	VSK-00160	SEAL KIT (FOR ITEMS 1 AND 2)	3				
5	HVB-90060	VALVE (TELE & SLEW)	2				
6	HVB-90077	COIL (2012 & ON)	4				
OR	HVB-90049	COIL (UPTO 2012)	-				
7	VSK-00130	SEAL KIT (FOR ITEMS 5 AND 8)	3				
8	HVB-90064	CHECK VALVE BLOCK	1				
9	HVC-00570	RELIEF VALVE	1				
10	HVB-90052	SPOOL VALVE (NO COIL)	3				
OR	HVB-90071	SPOOL VALVE INC COIL	-				
11	HVB-90075	COIL	1				
12	HVB-90058	SEAL KIT	3				
13	HVB-90053	NUT SMALL	3				
14	HVB-90074	LOAD HOLD VALVE	1				
15	HVC-01001	COIL	1				
16	HVB-90057	SEAL KIT	1				
17	HVB-90076A	CHECK VALVE	1				
18	HVB-90054	NUT	2				
19	HVB-90063	CHECK VALVE	4				
20	HVB-90073	OVERCENTRE VALVE	2				
21	HVB-90055	DUMP VALVE	1				
22	HVB-90094	PRESSURE REDUCING VALVE	1				
23	HVB-90095	RELIEF VALVE	2				
24	VSK-00300	SEAL KIT	1				
25	HVB-90097	SEAL KIT	1				

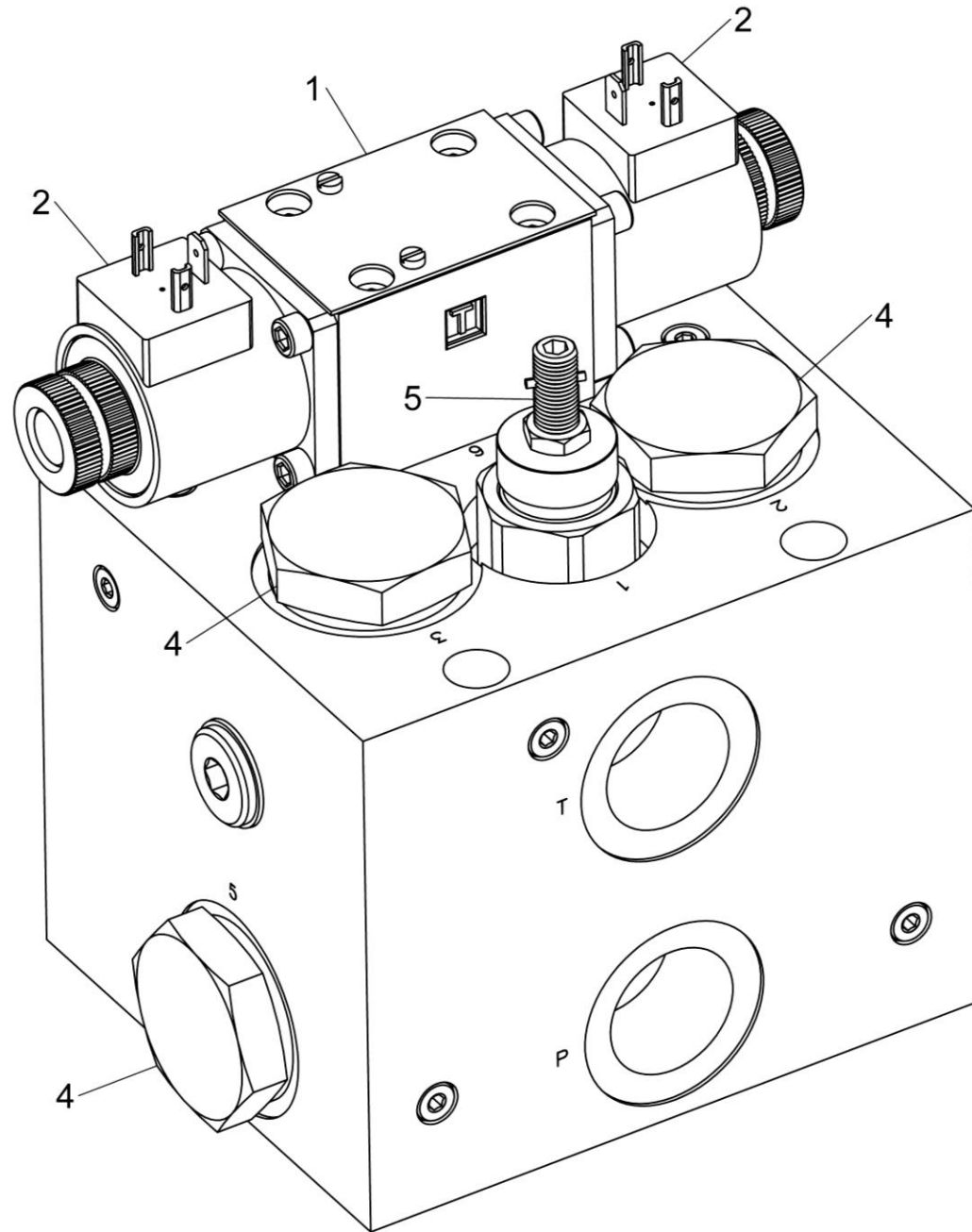


HVB-19085



Shelbourne Reynolds Engineering Limited

ASSY NUMBER: HVB-19090				ASSY DESCRIPTION: ROTOR CONTROL VALVE			
ITEM	PART NO	DESCRIPTION	QTY	ITEM	PART NO	DESCRIPTION	QTY
1	HVB-90066	VALVE INC COIL	1				
2	HVB-90077	COIL (2012 & ON)	2				
OR	HVB-90049	COIL (UPTO 2012)	2				
3							
4	HVB-90065	VALVE	4				
4a	VSK-00170	SEAL KIT					
5	HVC-00560	RELIEF VALVE	1				

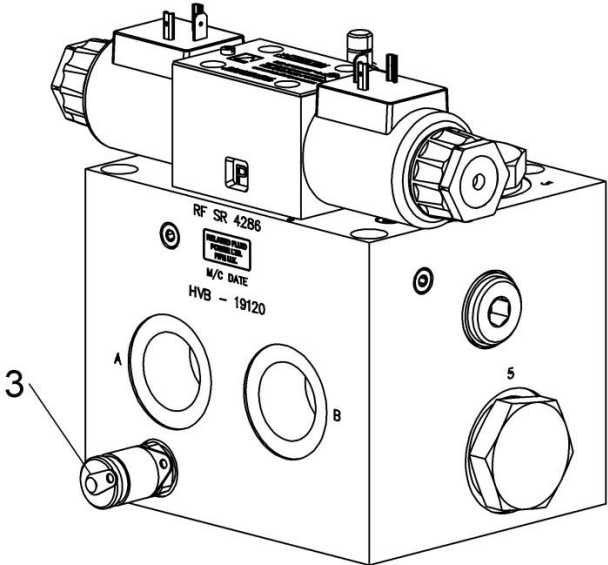
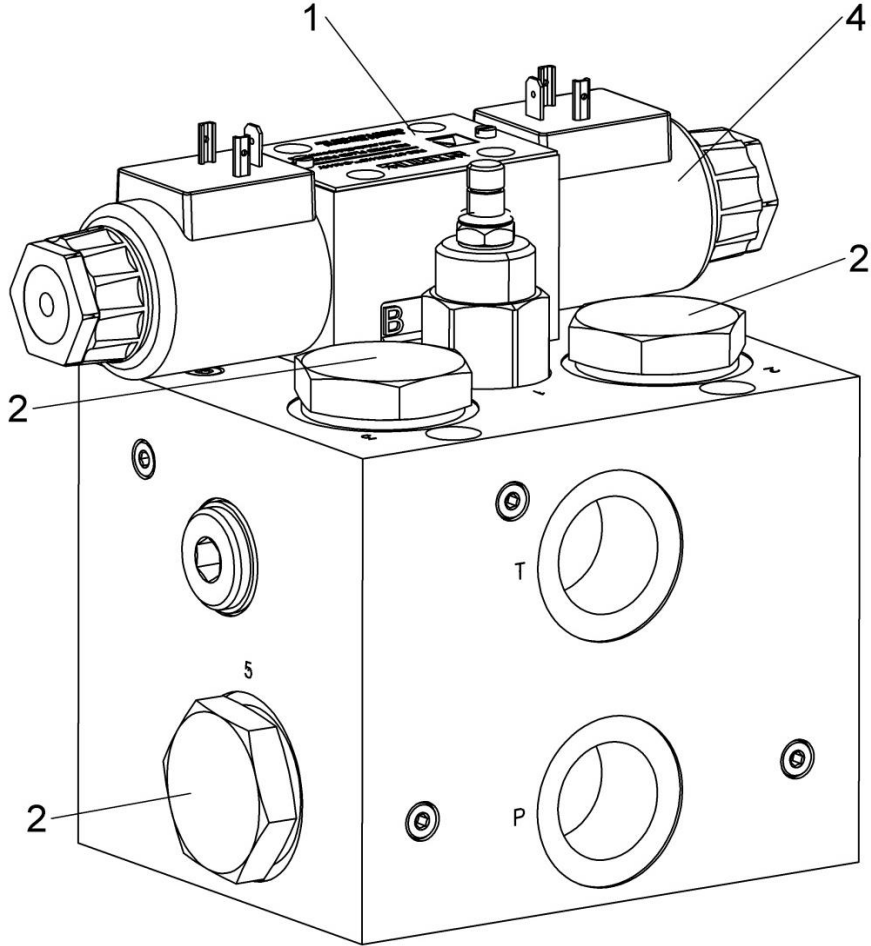


HVB-19090



Shelbourne Reynolds Engineering Limited

ASSY NUMBER: HVB-19120				ASSY DESCRIPTION: ROTOR CONTROL VALVE			
ITEM	PART NO	DESCRIPTION	QTY	ITEM	PART NO	DESCRIPTION	QTY
1	HVB-90066	VALVE INC COIL	1				
1a	VSK-00130	SEAL KIT	1				
2	HVB-90065	VALVE	4				
2a	VSK-00170	SEAL KIT	-				
3	HVB-90100	TEST PORT	1				
4	HVB-90077	COIL	2				

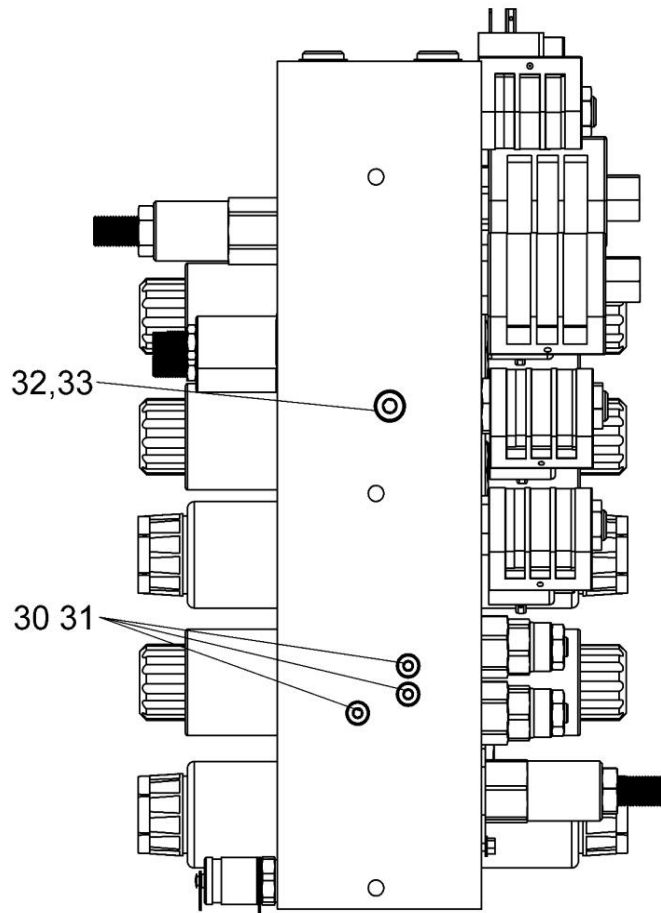
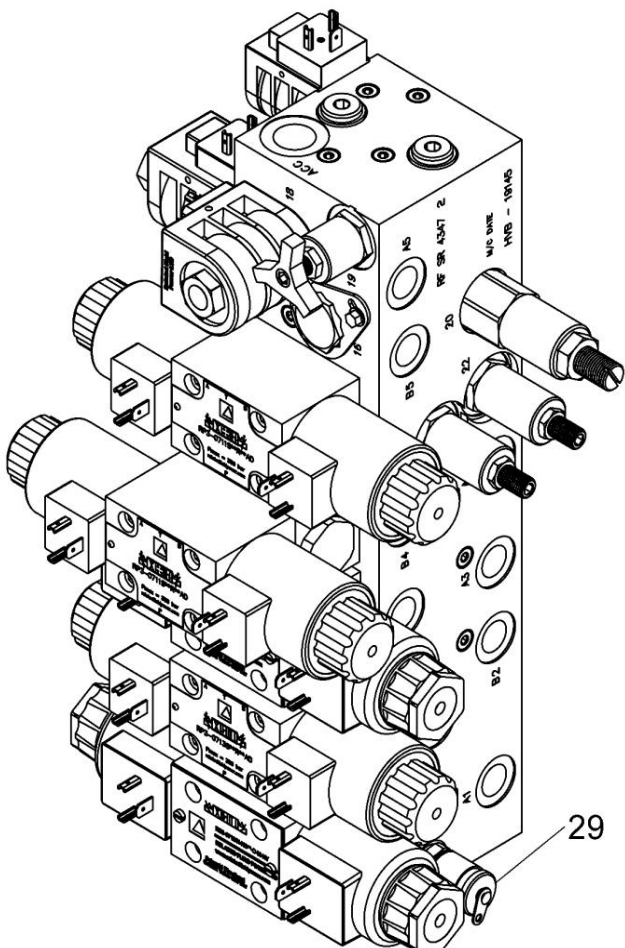
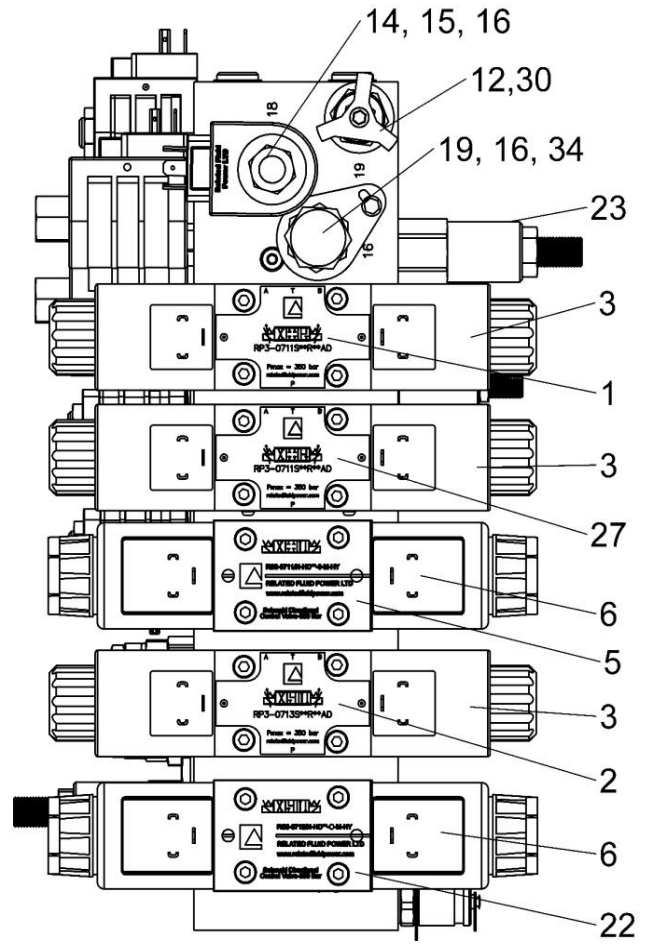
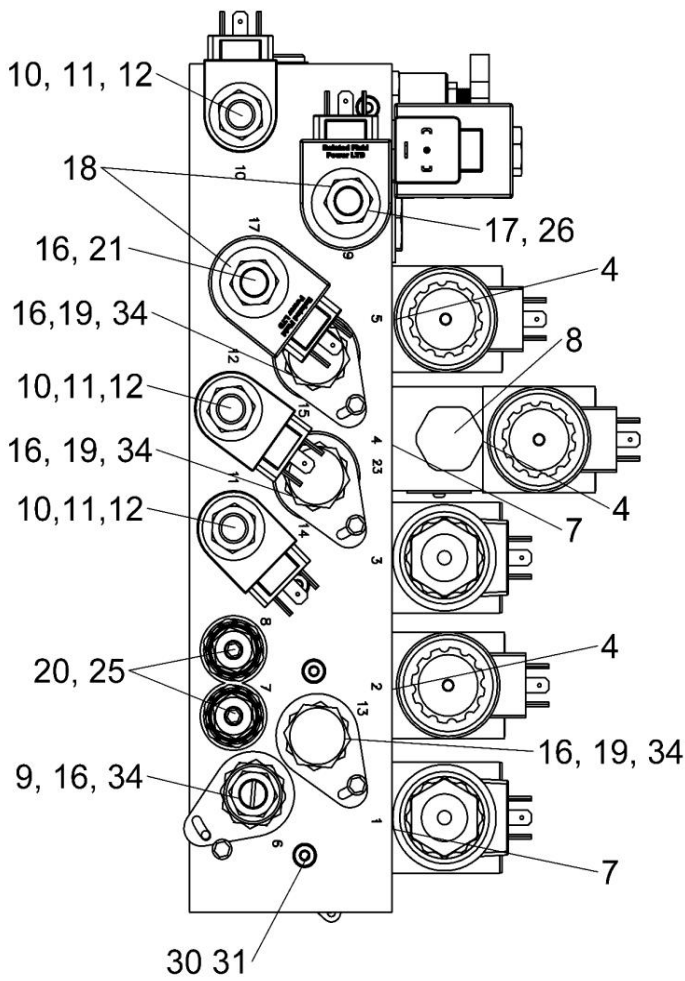


HVB-19120



Shelbourne Reynolds Engineering Limited

ASSY NUMBER: HVB-19145				ASSY DESCRIPTION: VALVE BLOCK CYLINDERS			
ITEM	PART NO	DESCRIPTION	QTY	ITEM	PART NO	DESCRIPTION	QTY
1	HVB-90051	VALVE INC COIL (LIFT)	1				
2	HVB-90062	VALVE INC COIL (REACH)	1				
3	HVB-90050	COIL	6				
4	VSK-00160	SEAL KIT (FOR ITEMS 1, 2 & 27)	3				
5	HVB-90060	VALVE (SLEW)	1				
6	HVB-90077	COIL (2012 & ON)	4				
7	VSK-00130	SEAL KIT (FOR ITEMS 5, 8 & 22)	3				
8	HVB-90064	CHECK VALVE BLOCK	1				
9	HVC-00570	RELIEF VALVE	1				
10	HVB-90052	SPOOL VALVE (NO COIL)	3				
OR	HVB-90071	SPOOL VALVE INC COIL	-				
11	HVB-90075	COIL	1				
12	HVB-90058	SEAL KIT	3				
13	HVB-90053	NUT SMALL	3				
14	HVB-90074	LOAD HOLD VALVE	1				
15	HVC-01001	COIL	1				
16	HVB-90057	SEAL KIT	1				
17	HVB-90076A	CHECK VALVE	1				
18	HVB-90054	NUT	2				
19	HVB-90063	CHECK VALVE	4				
20	HVB-90073	OVERCENTRE VALVE	2				
21	HVB-90055	DUMP VALVE	1				
22	HVB-90066	VALVE (TELE)	1				
23	HVB-90094	PRESSURE REDUCING VALVE	1				
24	HVB-90095	RELIEF VALVE	2				
25	VSK-00300	SEAL KIT	1				
26	HVB-90097	SEAL KIT	1				
27	HVB-90091	VALVE INC COIL (H/ANG)	1				
28							
29	HVB-90100	TEST PORT	1				
30	HVB-90101	ZERO LEAK PLUG (SIZE 02)	15				
31	ORA 060060	O RING	15				
32	HVB-90102	ZERO LEAK PLUG (SIZE 04)	1				
33	ORA060080	O RING	1				
34	ORA1401918	O RING	5				



HVB-19145

