

Shelbourne

REYNOLDS

600 SERIES

PARTS MANUAL



POWERBLADE

Shelbourne Reynolds Engineering Ltd
 Stanton
 Bury St Edmunds
 Suffolk
 IP31 2AR
 England

Telephone: 01359 250415
 Fax: 01359 250464

Stores Direct : 01359 251231
 Stores Direct: 01359 252031

Issue 11 28/03/2023

www.shelbourne.com



 YouTube

ORDERING SPARE PARTS

IMPORTANT

Your Powerblade is made up of a Machine assembly number (common parts), specific sub assemblies and also customer optional build kits. The machine, sub assemblies and optional kit numbers are listed in the front pages of your Operators manual, part no. MAN-10200.

If you do not have these numbers please contact Shelbourne Reynolds Parts Department direct on (telephone) 01359 251231.

To ensure that you order the correct part from your SRE dealer please use the following procedure.

ALWAYS QUOTE THE MACHINE AND SERIAL NUMBERS WHEN ORDERING.

Refer to the Parts Manuals front page/s, listing the machine assemblies. Select the correct machine assembly number which is printed in the top left corner of the page (starting with 8099__ 01), This machine number can also be taken off the Powerblade identification plate located on the front of the main chassis beam.

On this page you will find the parts listing for the common parts for every configuration of that machine assembly number.

You will find the corresponding drawing by either looking at the facing page or progressing through the manual to the next drawing.

The drawings indicate the components by item numbers, which you will find, are repeated in the left-hand side of your parts listing, and therefore referring to the correct part.

Note all parts will not be found listed below the machine number. Other parts will be from specific sub assemblies and optional kits. These sub assemblies and kits will be found in numerical order further through the manual.

Sub assemblies start with 8090__ 01 and kits start with KIT- 08__ __.

List Of Kit Numbers

809902 01	1.2m Head Assembly	6
809902 02	1.5m Head Assembly	8
809902 04	1.2m Head Assembly RH Drive	10
809902 05	1.5m Head Assembly RH Drive	12
809911 01	Trimmer Assembly	14
809913 01	1.2m LH Drive Head Assembly	16
809913 02	1.2m RH Drive Head Assembly	18
809010 01	Flail Mounting And Drive Sub Assembly	20
809010 01BG	Flail Mounting And Drive Sub Assy (Blue And Grey)	22
809012 01	Hydraulic Tank Sub Assembly	24
809023 01	Mainframe Assembly	26
809024 01	Transfer Sub Assembly (Blue)	28
809028 01	Flail Drive Sub Assembly	30

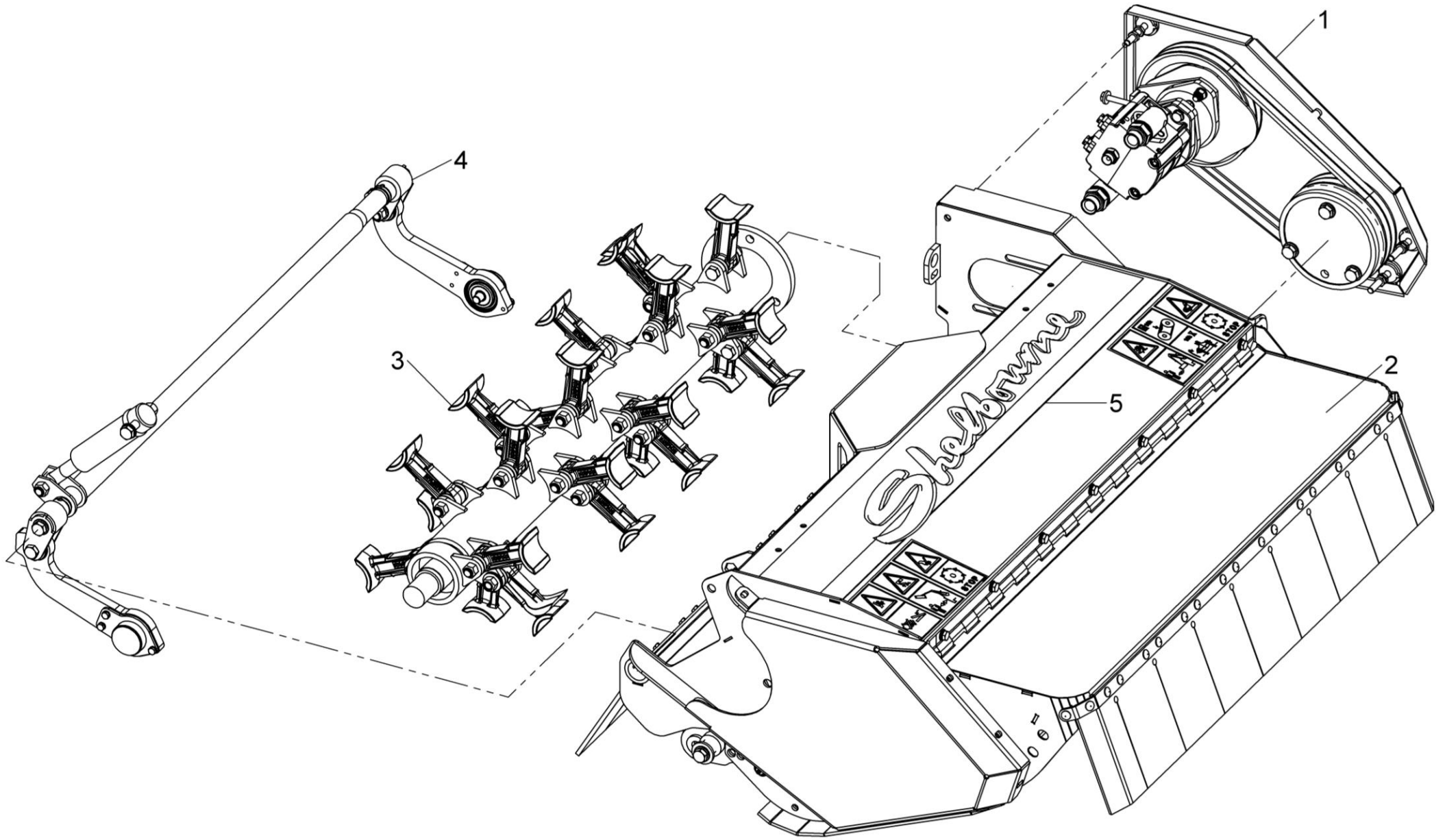
Kit Options 33

KIT-08000	Flail Assembly 1.2m	34
KIT-08001	Flail Assembly 1.5m	36
KIT-08015	Stabilisers - Axle Mounting	38
KIT-08076	3 Point Stabiliser Kit	40
KIT-08093	Rear Lighting Kit	42
KIT-08106	Narrow Lane Bracket	44
KIT-08161	Hydraulics For Adjustable Roller	46
KIT-08165	Head Transfer Kit	48
KIT-08176	Hydraulic Adjustable Roller (Bearing Type)	50
KIT-08177	Head Shell, Nose And Roller 1.2m	52
KIT-08178	Head Shell, Nose And Roller 1.5m	54
KIT-08208	Independent Hydraulic Electric Proportional Control	57
HVB-19125	Valve Block Cylinders	60
KIT-08209	Rear Guard Kit	62
KIT-08210	Lift And Head Float Kit	64
KIT-08211	Oil Cooler Kit	66
KIT-08215	656 Fixed Outer Boom	68
KIT-08216	656 Fixed Inner Boom	70
KIT-08226	Head Shell Nose And Roller	72
KIT-08237	Stabiliser Kit	74
KIT-08247	1.2m Head Hydraulics	76
KIT-08248	1.5m Head Hydraulics	78
KIT-08255	660 Fixed Inner Boom	80

KIT-08257	Highways Kit	82
KIT-08257A	Highways Kit (Oil Cooler)	84
KIT-08258	Trimmer Blower Kit	86
KIT-08261	6m Outer Teel Boom Kit	88
KIT-08273	Twin Accumulator Kit	92
KIT-08284	Draw Bar Kit	94
KIT-08294	Cable Control Kit	96
KIT-08317	Drawback Kit for 400 & 600 Series	98
KIT-08324	Standard Drive Kit	100
KIT-08352	Blower Kit Sub Assembly	102
KIT-08357	1.2m Head Hydraulics	104
KIT-08358	1.5m Head Hydraulics	106
KIT-08402	Blower Kit	108
KIT-08441	HD Head Standard Power Kit	110
GEA-0183	Gearbox	112

Shelbourne Reynolds Engineering Limited

ASSY NUMBER: 809902 01				ASSY DESCRIPTION: 1.2 M HEAD ASSY, COMPLETE (LH DRIVE HEAD)			
ITEM	PART NO	DESCRIPTION	QTY	ITEM	PART NO	DESCRIPTION	QTY
1	809028 01	FLAIL MTG. & DRIVE SUB ASSY (PBXXX170760 & ON)	1				
OR	809010 01	FLAIL MTG. & DRIVE SUB ASSY (UP TO PBXXX170760)	1				
OR	809010 01BG	FLAIL MTG & DRIVE SUB ASSY BLUE & GREY (UP TO	1				
2	KIT-08177	1.2Mt HEAD (LH/OUTBOARD DRIVE) 2013 & ON	1				
OR	KIT-08177BG	1.2Mt HEAD (LH/OUTBOARD DRIVE) BLUE & GREY	1				
OR	KIT-08118	1.2Mt HEAD (LH/OUTBOARD DRIVE) UPTO 2013	1				
3	KIT-08000D	T FLAIL ASSY (1.2M) DROP (2018 & ON)	1				
OR	KIT-08000A	T FLAIL ASSY (CAST) (1.2M) (2013 UP TO 2018)	1				
4	KIT-08176A	1.2Mt ADJ ROLLER LINKAGE (LH DRIVE) BEARING TYPE (2013&	1				
OR	KIT-08176AB	1.2Mt ADJ ROLLER LINKAGE (LH DRIVE) BLUE	1		809902 01BG	1.2mt COMPLETE HEAD (LH DRIVE HEAD) - BLUE	
OR	KIT-08160A	1.2Mt ADJ ROLLER LINKAGE (LH DRIVE) (UPTO 2013)	1				
5	KIT-08165	HEAD TRANSFERS - BLUE UP TO 2016 ONLY	1				
OR	KIT-08165G	HEAD TRANSFERS - GREY	1				

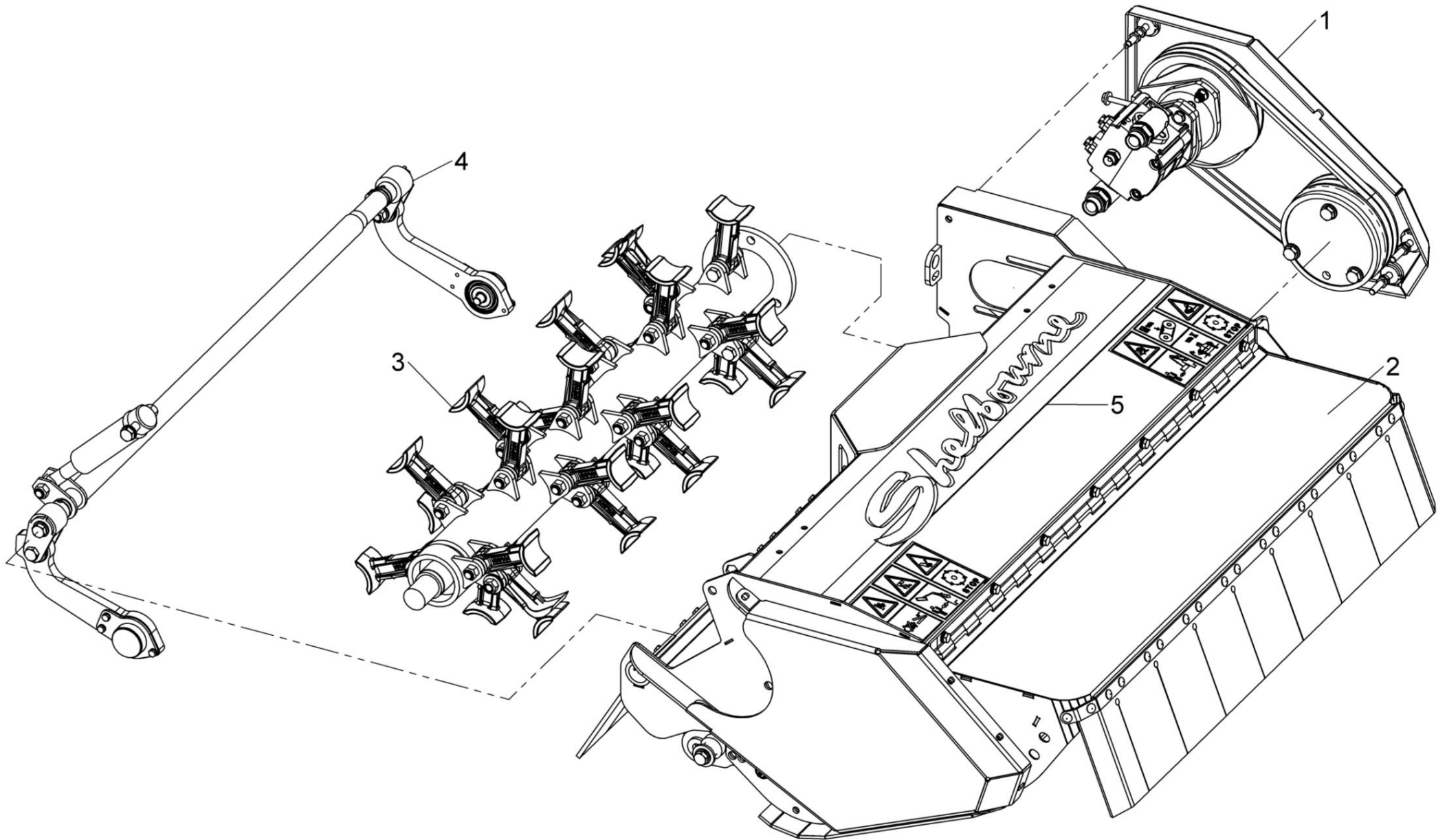


809902 01



Shelbourne Reynolds Engineering Limited

ASSY NUMBER: 809902 02				ASSY DESCRIPTION: 1.5 M HEAD ASSY, COMPLETE			
ITEM	PART NO	DESCRIPTION	QTY	ITEM	PART NO	DESCRIPTION	QTY
1	809028 01A	FLAIL MTG & DRIVE SUB ASSY (PBXXX170760 & ON)	1				
OR	809010 01A	FLAIL MTG & DRIVE SUB ASSY (UP TO PBXXX170760)					
OR	809010 01ABG	FLAIL MTG & DRIVE - BLUE/GREY (UP TO PBXXX170760)					
2	KIT-08178	1.5Mt HEAD (LH/OUTBOARD DRIVE) 2013 & ON	1				
OR	KIT-08178BG	1.5Mt HEAD (LH/OUTBOARD DRIVE) BLUE/GREY					
OR	KIT-08121	1.5Mt HEAD (LH/OUTBOARD DRIVE) UPTO 2013					
3	KIT-08001D	T FLAIL ASSY (1.5M) DROP (2018 & ON)	1				
OR	KIT-08001A	T FLAIL ASSY (1.5M) (CAST) (2013 UP TO 2018)	1				
4	KIT-08176C	1.5Mt ADJ ROLLER LINKAGE BEARING TYPE (LH DRIVE) 2013 & ON	1				
OR	KIT-08176B	1.5Mt ADJ ROLLER LINKAGE BEARING TYPE (LH DRIVE) BLUE			809902 02BG	1.5mt COMPLETE HEAD (LH DRIVE HEAD) - BLUE	
OR	KIT-08160C	1.5Mt ADJ ROLLER LINKAGE LH DRIVE UPTO 2013					
5	KIT-08165	HEAD TRANSFERS - BLUE UP TO 2016 ONLY	1				
OR	KIT-08165G	HEAD TRANSFERS - GREY					

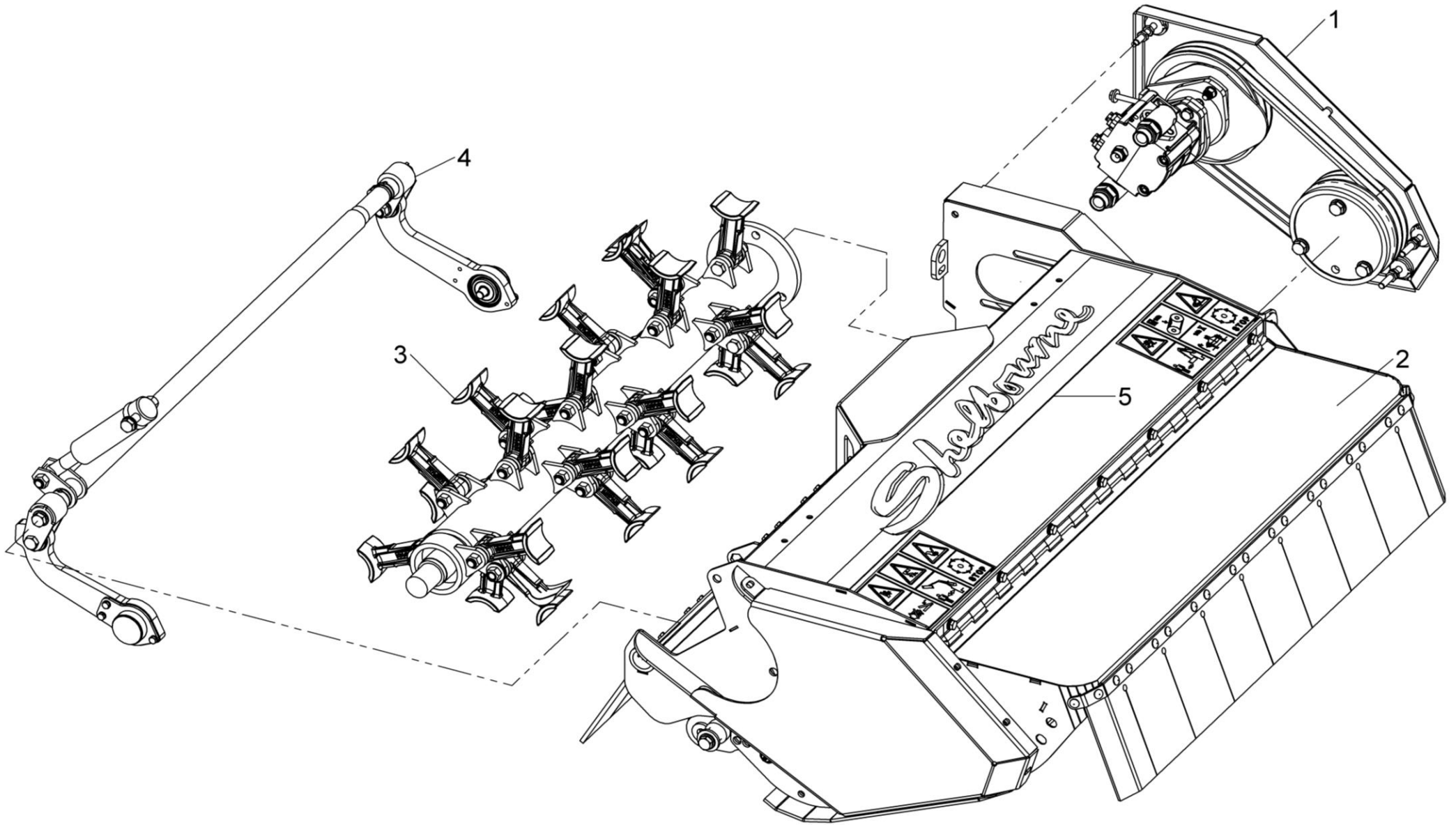


809902 02



Shelbourne Reynolds Engineering Limited

ASSY NUMBER: 809902 04				ASSY DESCRIPTION: 1.2 M HEAD ASSY RH DRIVE INBOARD, COMPLETE			
ITEM	PART NO	DESCRIPTION	QTY	ITEM	PART NO	DESCRIPTION	QTY
1	809028 01R	FLAIL MTG AND DRIVE (PBXXX170760 & ON)	1				
OR	809010 01R	FLAIL MTG AND DRIVE (UP TO PBXXX170760)					
OR	809010 01RBG	FLAIL MTG AND DRIVE BLUE & GREY (UP TO					
2	KIT-08177R	1.2Mt HEAD (RH/INBOARD DRIVE) 2013 & ON	1				
OR	KIT-08177RBG	1.2Mt HEAD (RH/INBOARD DRIVE) BLUE & GREY					
OR	KIT-08118R	1.2Mt HEAD (RH/INBOARD DRIVE) UPTO 2013					
3	KIT-08000D	T FLAIL ASSY (1.2M) DROP (2018 & ON)	1				
OR	KIT-08000A	T FLAIL ASSY (CAST) (1.2M) (2013 UP TO 2018)	1				
OR	KIT-08176BB	1.2Mt ADJ ROLLER LINKAGE (RH DRIVE) BLUE	1		809902 04BG	1.2mt COMPLETE HEAD (RH/INBOARD) - BLUE & GREY	
OR	KIT-08160B	1.2Mt ADJ ROLLER LINKAGE (RH DRIVE) UPTO 2013					
4	KIT-08176B	1.2Mt ADJ ROLLER LINKAGE	3				
5	KIT-08165	HEAD TRANSFERS - BLUE UP TO 2016 ONLY	1				
OR	KIT-08165G	HEAD TRANSFERS - GREY					

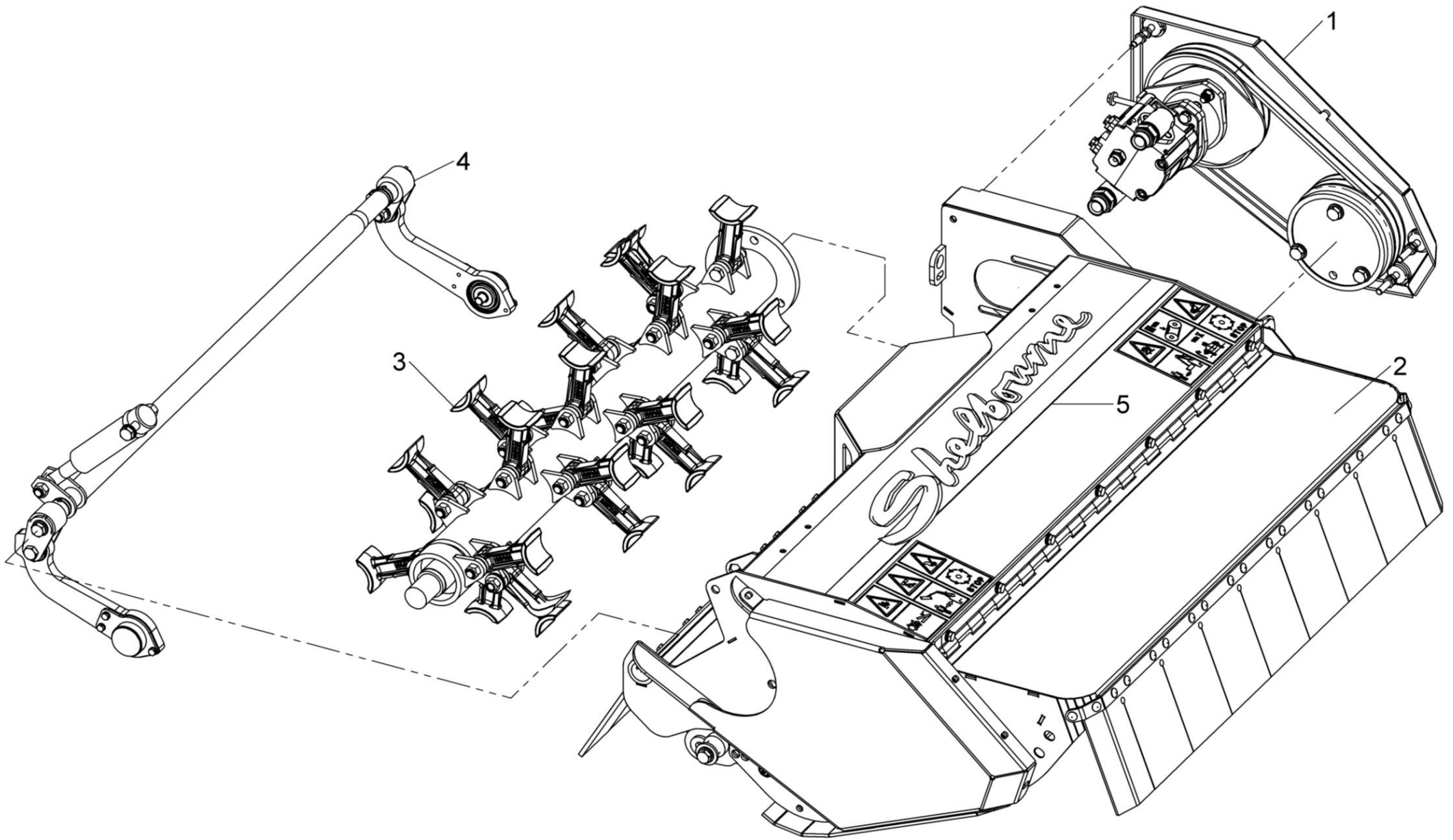


809902 04



Shelbourne Reynolds Engineering Limited

ASSY NUMBER: 809902 05				ASSY DESCRIPTION: 1.5 M HEAD ASSY RH DRIVE (INBOARD), COMPLETE			
ITEM	PART NO	DESCRIPTION	QTY	ITEM	PART NO	DESCRIPTION	QTY
1	809028 01AR	FLAIL MTG AND DRIVE (PBXXX170760 & ON)	1				
OR	809010 01AR	FLAIL MTG AND DRIVE (UP TO PBXXX170760)					
OR	809010 01ARBG	FLAIL MTG AND DRIVE BLUE & GREY (UP TO					
2	KIT-08178R	1.5Mt HEAD (RH/INBOARD DRIVE) 2013 & ON	1				
OR	KIT-08178RBG	1.5Mt HEAD (RH/INBOARD DRIVE) BLUE & GREY					
OR	KIT-08121R	1.5Mt HEAD (RH/INBOARD DRIVE) UPTO 2013					
3	KIT-08001D	T FLAIL ASSY (1.5M) DROP (2018 & ON)	1				
OR	KIT-08001A	T FLAIL ASSY (1.5M) (CAST) (2013 UP TO 2018)	1				
4	KIT-08176D	1.5Mt ADJ ROLLER LINKAGE (RH DRIVE) 2013 & ON	1				
OR	KIT-08176DB	1.5Mt ADJ ROLLER LINKAGE (RH DRIVE) BLUE			809902 05BG	1.5Mt HEAD COMPLETE (RH/INBOARD DRIVE) BLUE & GREY	
OR	KIT08160D	1.5Mt ADJ ROLLER LINKAGE (RH DRIVE) UPTO 2013					
5	KIT-08165	HEAD TRANSFERS - BLUE UP TO 2016 ONLY	1				
OR	KIT-08165G	HEAD TRANSFERS - GREY					

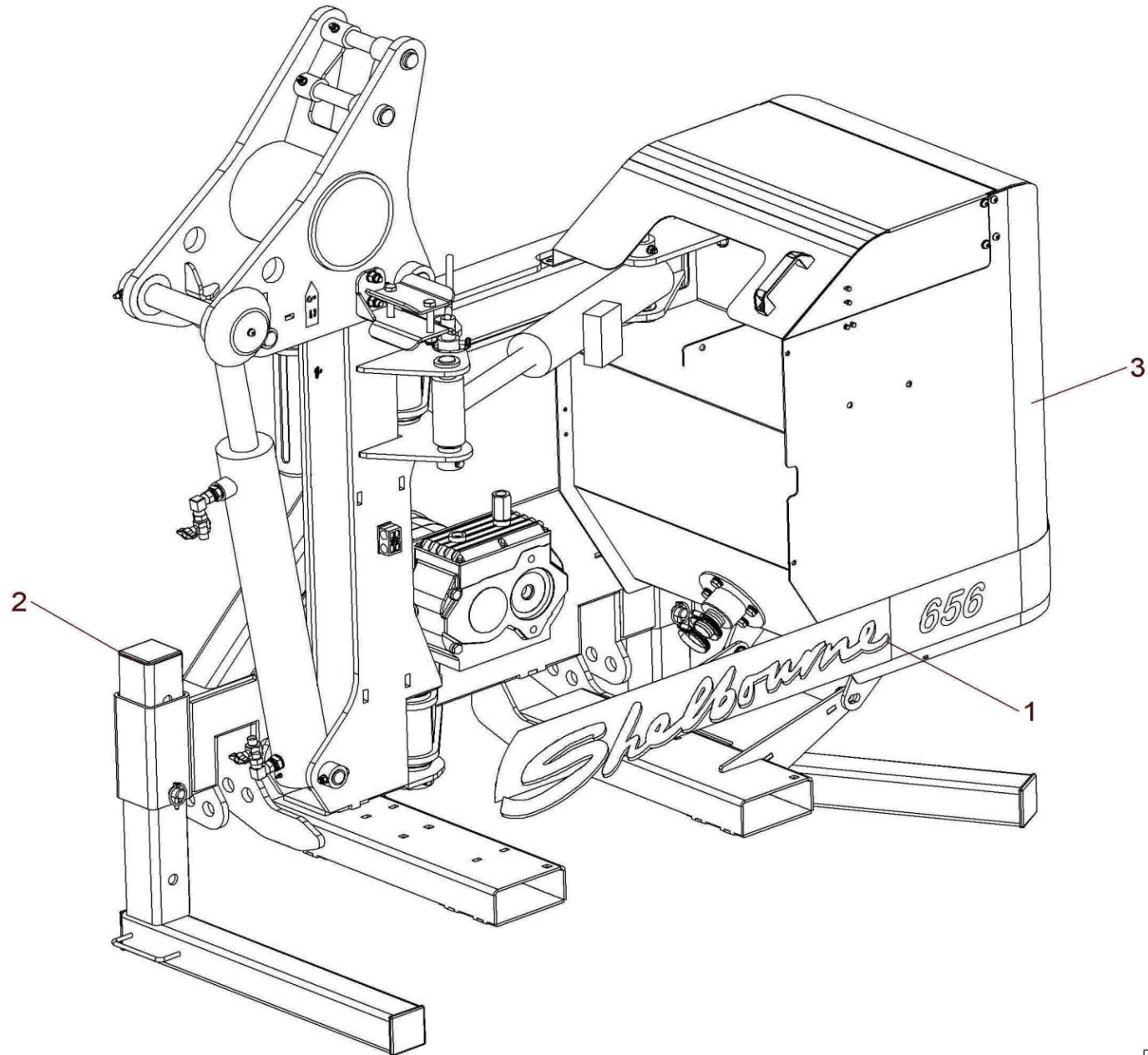


809902 05



Shelbourne Reynolds Engineering Limited

ASSY NUMBER: 809911 01				ASSY DESCRIPTION: TRIMMER ASSY (600)			
ITEM	PART NO	DESCRIPTION	QTY	ITEM	PART NO	DESCRIPTION	QTY
1	809024 01	TRANSFER SUB (BLUE)	1				
2	809023 01	MAINFRAME ASSY	1				
3	809012 01	HYDRAULIC TANK SUB ASSY	1				

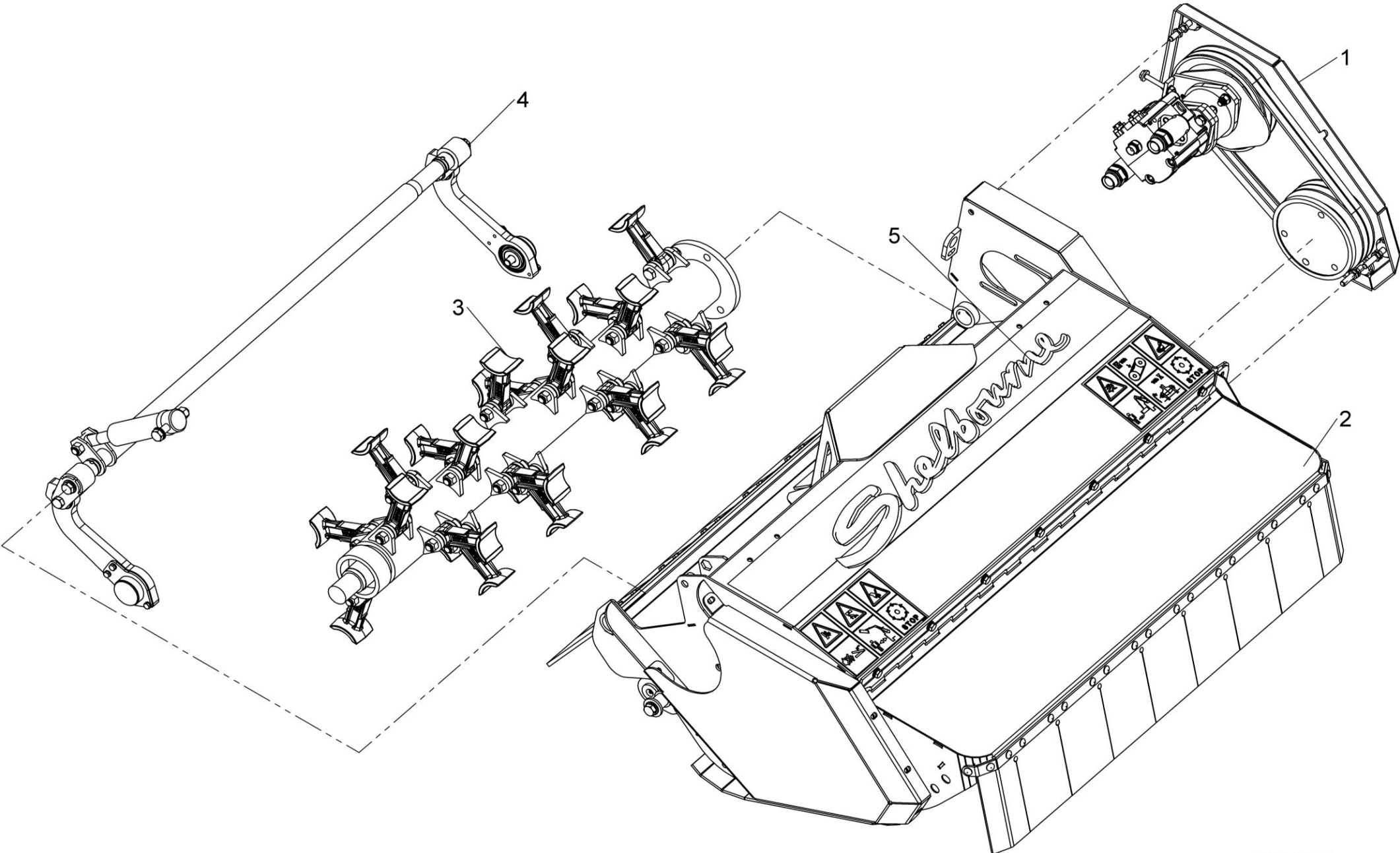


809911 01



Shelbourne Reynolds Engineering Limited

ASSY NUMBER: 809913 01				ASSY DESCRIPTION: 1.2 LH DRIVE (VERGE MOWING) HEAD ASSY			
ITEM	PART NO	DESCRIPTION	QTY	ITEM	PART NO	DESCRIPTION	QTY
1	809028 01	FLAIL MTG. & DRIVE SUB ASSY (PBXXX170760 & ON)	1				
OR	809010 01	FLAIL MTG. & DRIVE SUB ASSY (UP TO PBXXX170760)	1				
2	KIT-08226S	LH 1.2m NOSE & STEEL ROLLER	1				
3	KIT-08000D	T FLAIL ASSY(1.2M) DROP FORGED (2018 & ON)	1				
OR	KIT-08182	1.2m 32 FLAIL ASSY	1				
4	KIT-08176A	1.2m ADJ ROLLER LINKAGE (LH D)	1				
5	KIT-08165	HEAD TRANSFERS - BLUE UP TO 2016 ONLY					

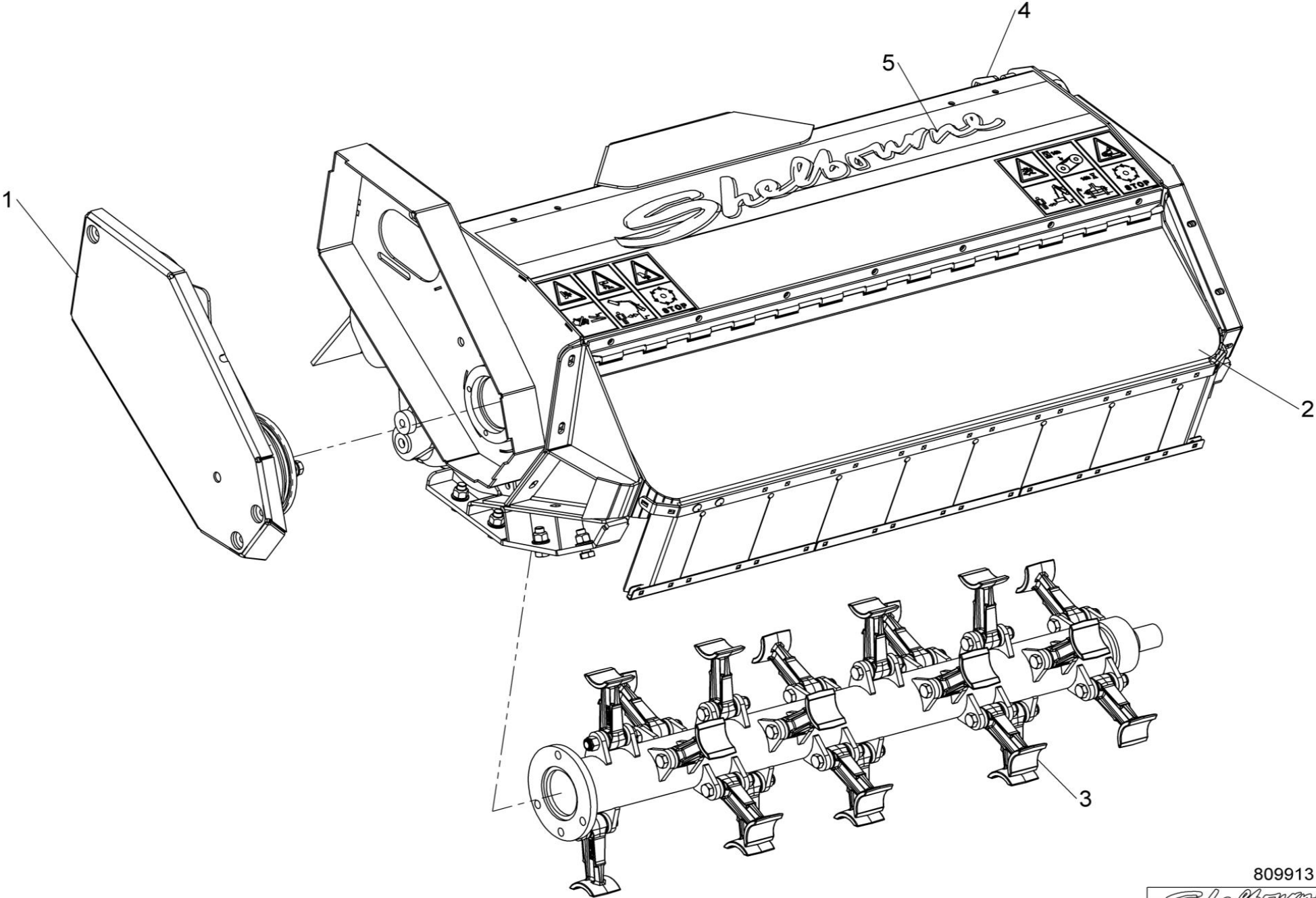


809913 01



Shelbourne Reynolds Engineering Limited

ASSY NUMBER: 809913 02				ASSY DESCRIPTION: 1.2 RH DRIVE (VERGE MOWING) HEAD ASSY			
ITEM	PART NO	DESCRIPTION	QTY	ITEM	PART NO	DESCRIPTION	QTY
1	809028 01R	FLAIL MTG AND DRIVE (PBXXX170760 & ON)	1				
OR	809010 01R	FLAIL MTG AND DRIVE (UP TO PBXXX170760)	1				
2	KIT-08226SR	RH 1.2m NOSE & STEEL ROLLER	1				
3	KIT-08000D	T FLAIL ASSY(1.2M) DROP FORGED 2018 & ON	1				
OR	KIT-08182	1.2m 32 FLAIL ASSY	1				
4	KIT-08176B	1.2m ADJ ROLLER LINKAGE (RH)	1				
5	KIT-08165	HEAD TRANSFERS - BLUE UP TO 2016 ONLY					



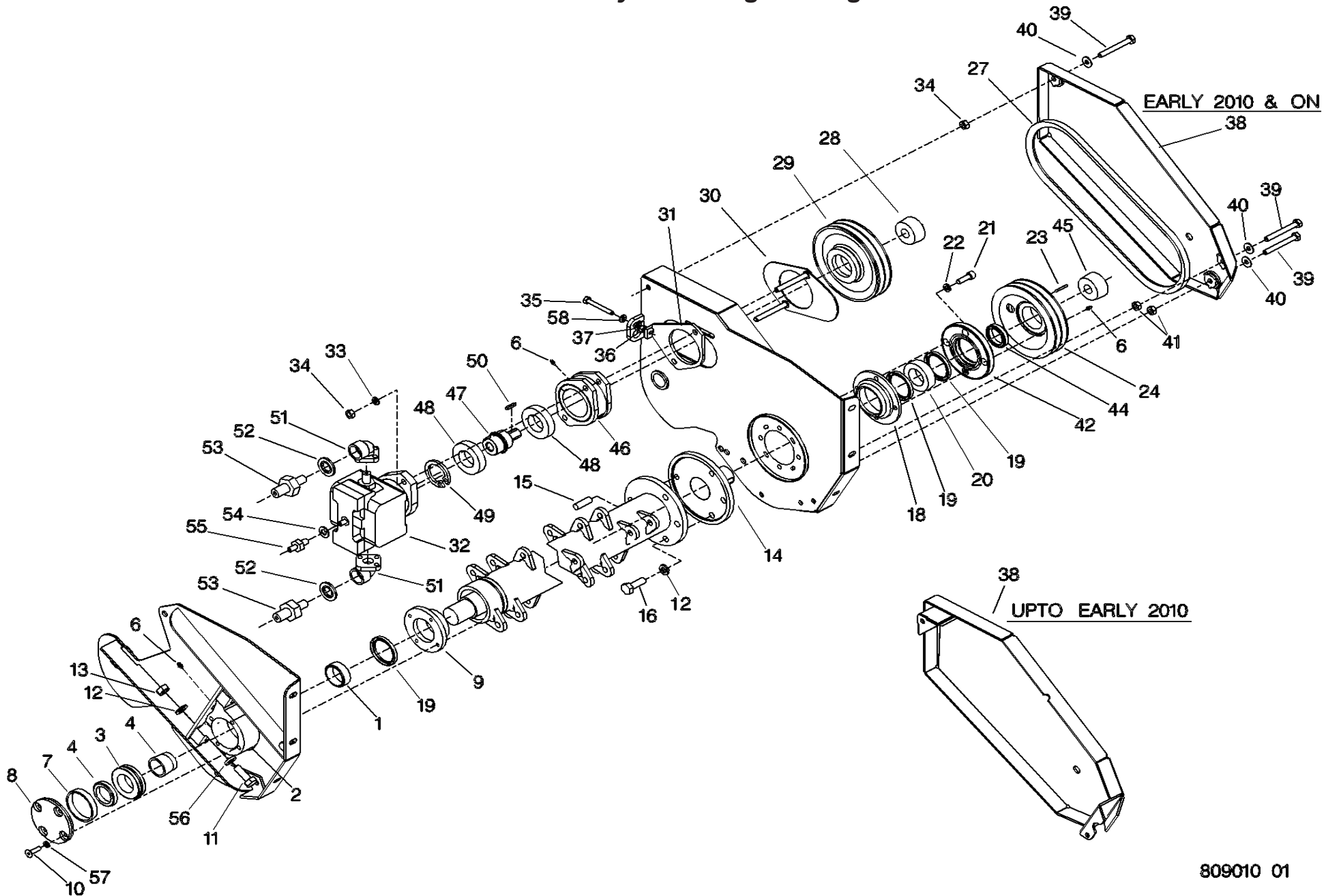
809913 02



Shelbourne Reynolds Engineering Limited

ASSY NUMBER: 809010 01				ASSY DESCRIPTION: FLAIL MTG.& DRIVE ASSY (UPTO PBXXX170760)			
ITEM	PART NO	DESCRIPTION	QTY	ITEM	PART NO	DESCRIPTION	QTY
1	800019 01	SLEEVE	1	35	HSSA10500	SET SCREW	1
2	800873 01	BEARING HOUSING	1	36	NUT-0167	PLAIN NUT	1
3	BRG-14580	BEARING	1	37	WSH-0015	PLAIN WASHER	1
4	BRG-94521	BEARING SLEEVE	1	38	801553 01	DRIVE COVER	1
5				OR	801553 02	DRIVE COVER RH HEAD DRIVE	1
6	NIP-00600	GREASE NIPPLE	3	39	HSSA12500	SETSCREW	3
7	800067 01	SPACER	1	40	WSHA30121	WASHER	3
8	802219 01	COVER(2012 & ON)	1	41			
OR	800874 01	COVER (UPTO 2012)	1	42	801064 02	BEARING RETAINER	1
9	800017 01	SLEEVE (1.2Mt)	1	43			
OR	804742 01	SLEEVE (1.5Mt)	1	44	801066 01	PULLEY SPACER	1
10	BLTA10440	HEX.HEAD BOLT	4	45	BSHZ05056	TAPER LOCK BUSH	1
OR	SCEA10473	CSK.SCREW (UPTO 2012)	1	46	801116 01	OUTRIGGER HOUSING WA	1
11	BLTA16474	BOLT	2	47	801104 01	OUTRIGGER SHAFT	1
12	WSHA30161	WASHER	3	48	BRG-15050	SUPPORT	2
13	NUTA15162	STOVER NUT	2	49	CIR010090	CIRCLIP INT	1
14	801067 01	DRIVE FLANGE	1	50	KEYB20000	KEY	1
15	193079 01	DOWEL PIN	1	51	FITF00005	FLANGE ELBOW CONNECTOR	2
16	HSSA16200	SETSCREW	3	52	WSH-1025	DOWTY WASHER (1")	2
17				53	FIT-0546	ADAPTOR	2
18	800700 02	BEARING HOUSING	1	54	WSH-1010	DOWTY WASHER	1
19	SEAA06500	SHAFT SEAL	3	55	HMA-0065	ADAPTOR	1
20	BRG-15080	BEARING	1	56	190119 85	WASHER	2
21	SCW-0245	SOC CAP HD SCREW	4	57	WSH-0061	SPRING WASHER	4
22	WSH-0065	SPRING WASHER	3	58	190119 11	WASHER	1
23	K1409032	KEY	1				
24	803097 01	DRIVE PULLEY PB7XX140345 & ON	1				
OR	801065 01	DRIVE PULLEY UPTO PB7XX140345	1				
25							
26							
27	BEL-10140	V-BELT	2				
28	BSHZ14032	TAPERLOCK BUSH	1				
29	800027 02	MOTOR PULLEY	1				
30	800023 02	RETAINING RING	1				
OR	800023 06	RETAINING RING RH HEAD DRIVE	1				
31	800028 01	MOTOR MTG.PLATE	1				
32	MOTH03900	HYD MOTOR	1				
32A	HMS03900	MOTOR SEAL KIT					
33	WSH-0018	PLAIN WASHER	2				
34	NUT-0269	NYLOC NUT	5				

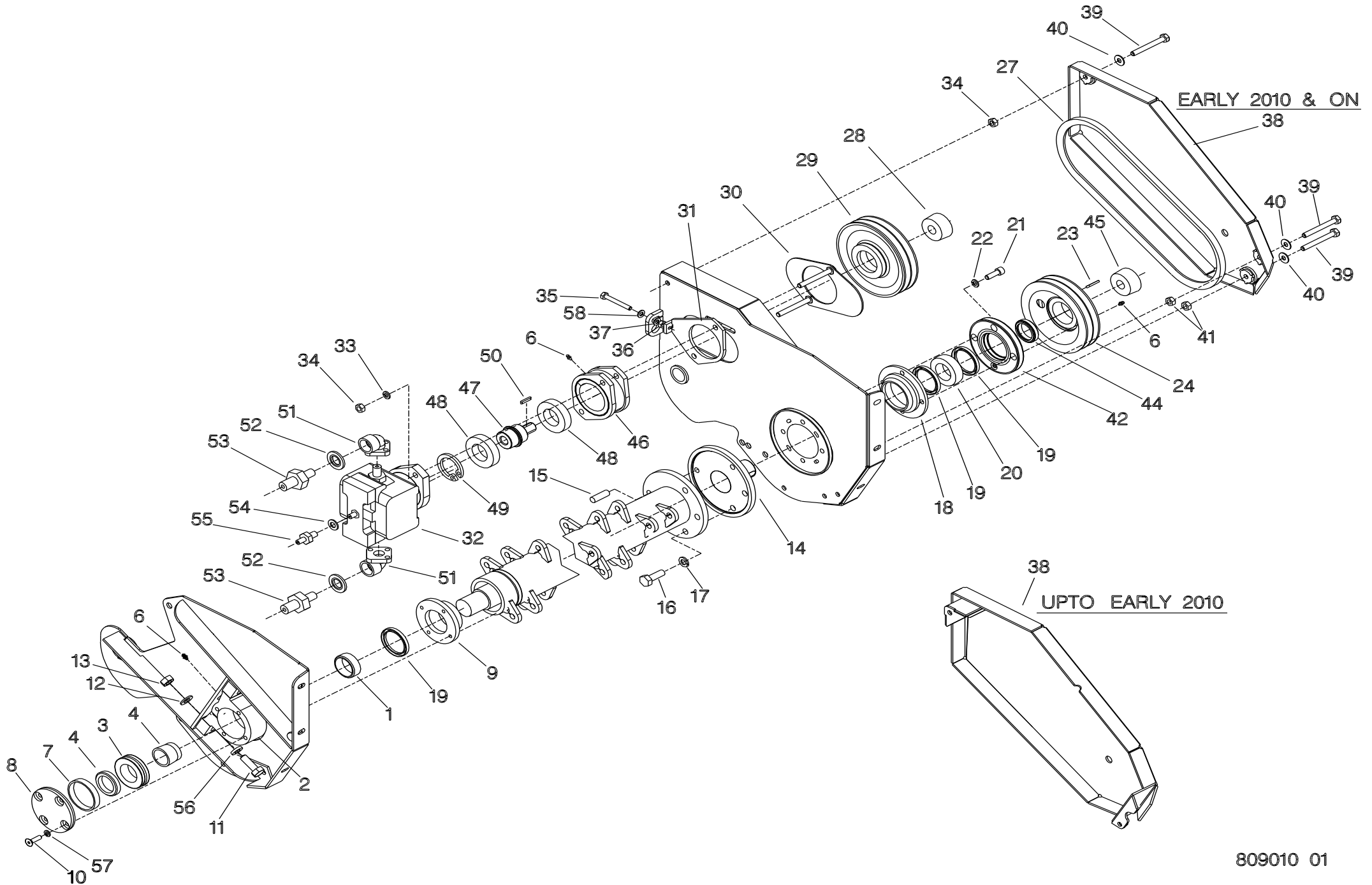
Shelbourne Reynolds Engineering Limited



Shelbourne Reynolds Engineering Limited

ASSY NUMBER: 809010 01BG				ASSY DESCRIPTION: FLAIL MTG.& DRIVE SUB ASSY (UPTO PBXXX170760)			
ITEM	PART NO	DESCRIPTION	QTY	ITEM	PART NO	DESCRIPTION	QTY
1	800019 01	SLEEVE	1	35	HSSA10500	SET SCREW	1
2	800873 01B	BEARING HOUSING	1	36	NUT-0167	PLAIN NUT	1
3	BRG-14580	BEARING	1	37	WSH-0015	PLAIN WASHER	1
4	BRG-94521	BEARING SLEEVE	1	38	801553 01G	DRIVE COVER	1
5				OR	801553 02G	DRIVE COVER RH HEAD DRIVE	1
6	NIP-00600	GREASE NIPPLE	3	39	HSSA12500	SETSCREW	3
7	800067 01	SPACER	1	40	WSHA30121	WASHER	3
8	802219 01B	COVER(2012 & ON)	1	41			
OR	800874 01	COVER (UPTO 2012)	1	42	801064 02	BEARING RETAINER	1
9	800017 01	SLEEVE	1	43			
10	BLTA10440	HEX.HEAD BOLT	4	44	801066 01	PULLEY SPACER	1
OR	SCEA10473	CSK.SCREW (UPTO 2012)	1	45	BSHZ05056	TAPER LOCK BUSH	1
11	BLTA16474	BOLT	2	46	801116 01	OUTRIGGER HOUSING WA	1
12	WSHA30161	WASHER	3	47	801104 01	OUTRIGGER SHAFT	1
13	NUTA15162	STOVER NUT	2	48	BRG-15050	SUPPORT	2
14	801067 01	DRIVE FLANGE	1	49	CIR010090	CIRCLIP INT	1
15	193079 01	DOWEL PIN	1	50	KEYB20000	KEY	1
16	HSSA16200	SETSCREW	3	51	FITF00005	FLANGE ELBOW CONNECTOR	2
17				52	WSH-1025	DOWTY WASHER (1")	2
18	800700 02	BEARING HOUSING	1	53	FIT-0546	ADAPTOR	2
19	SEAA06500	SHAFT SEAL	3	54	WSH-1010	DOWTY WASHER	1
20	BRG-15080	BEARING	1	55	HMA-0065	ADAPTOR	1
21	SCW-0245	SOC CAP HD SCREW	4	56	190119 85	WASHER	2
22	WSH-0065	SPRING WASHER	3	57	WSH-0061	SPRING WASHER	4
23	K1409032	KEY	1	58	190119 11	WASHER	1
24	803097 01	DRIVE PULLEY PB7XX140345 & ON	1				
OR	801065 01	DRIVE PULLEY UPTO PB7XX140345	1				
25							
26							
27	BEL-10140	V-BELT	2				
28	BSHZ14032	TAPERLOCK BUSH	1				
29	800027 02	MOTOR PULLEY	1				
30	800023 02	RETAINING RING	1				
OR	800023 06	RETAINING RING RH HEAD DRIVE	1				
31	800028 01B	MOTOR MTG.PLATE	1				
32	MOTH03900	HYD MOTOR	1				
32A	HMS03900	MOTOR SEAL KIT					
33	WSH-0018	PLAIN WASHER	2				
34	NUT-0269	NYLOC NUT	5				

Shelbourne Reynolds Engineering Limited

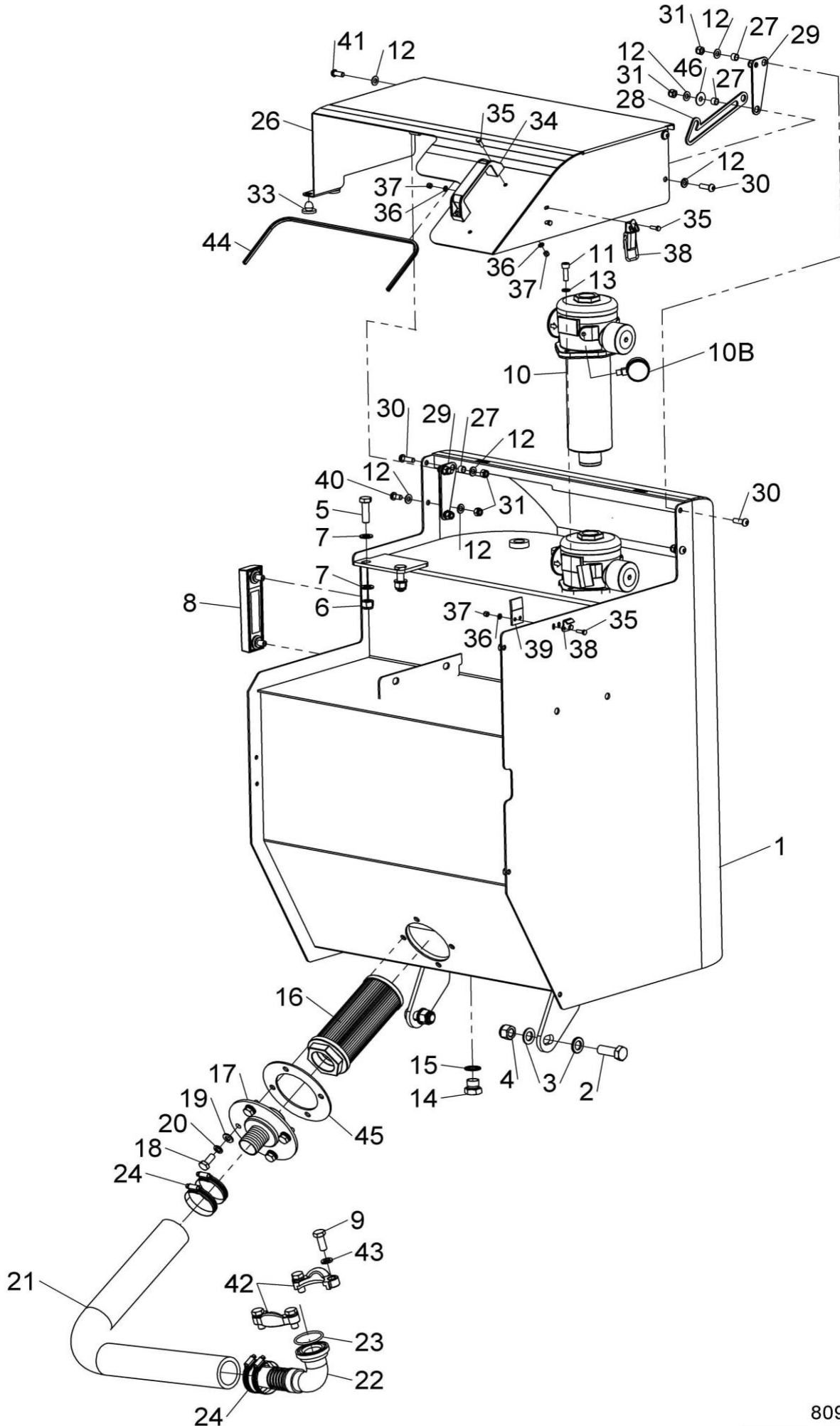


809010 01

Shelbourne Reynolds Engineering Limited

ASSY NUMBER: 809012 01				ASSY DESCRIPTION: HYDRAULIC TANK SUB ASSY			
ITEM	PART NO	DESCRIPTION	QTY	ITEM	PART NO	DESCRIPTION	QTY
1	801283 01	HYDRAULIC TANK W/A	1	38	LTH-01020	COMPACT TOGGLE LATCH	1
2	HSS-0317	SET SCREW	2	39	801325 01	LATCH PLATE	1
3	WSH-0024	WASHER	4	40	SCBA08112	BUTTON SKT. HEAD SCREW	1
4	NUT-0271	NUT	2	41	SCW-0525	SKT BUTTON HD SCREW	2
5	HSS-0250	SET SCREW	2	42	HFKY60080	FLANGE HALVES (PAIR OF)	1
6	NUT-0269	NUT	2	43	WSH-0065	WASHER	4
7	WSH-0018	WASHER	8	44	EDS-11400	EDGING STRIP	1.0m
8	GAU-0010	FLUID LEVEL TEMP GUAGE	1	45	804644 01	SUCTION ELBOW GASKET	1
9	HSS-0238	SET SCREW	4	46	WSH-1038	PENNY WASHER	1
10	FIL-0330	TANK FILTER (PB660180897 & ON)	1				
10A	FIL-0340	FILTER ELEMENT (SPARES ONLY)	1				
OR	FIL-0240	TANK FILTER (UPTO PB660180897)	1				
OR	FIL-0250	FILTER ELEMENT (SPARES ONLY)	1				
10B	FIL-0210A	FILTER VISUAL INDICATOR	1				
11	SCW-0136	HT CAP HEAD SCREW	2				
12	WSH-0012	WASHER	18				
13	WSH-0058	WASHER	2				
14	FIT-0217	BLANKING PLUG	1				
15	WSH-1015	DOWTY WASHER	1				
16	SUC-0110	SUCTION ELEMENT	1				
17	802490 01	SUCTION FITTING W/A	1				
18	HSS-0191	SETSCREW	4				
19	WSH-0015	WASHER	4				
20	WSH-0061	WASHER	4				
21	HOS-1044	SUCTION HOSE (1.1/2")	0.28m				
22	HFKR05080	SUCTION ELBOW	1				
23	ORA260450	O RING	1				
24	CLP-0075	40mm/55mm JUBILEE CLIP	4				
25	OIL-0027	HYDRAULIC OIL	205				
26	801288 01	TOP GUARD	1				
27	801287 01	GUIDE ROLLER	5				
28	801285 01	GUARD LATCH	1				
29	801286 01	FIXING PLATE	2				
30	SCBA08172	BUTT SOC HEAD SCREW	5				
31	NUT-0263	NUT	8				
33	RUB-0330	RUBBER GROMMET FOOT	2				
34	HND-0000	BLACK PLASTIC HANDLE	1				
35	HSS-0058	SETSCREW	6				
36	WSH-0006	WASHER	6				
37	NUT-0258	NUT	6				

Shelbourne Reynolds Engineering Limited



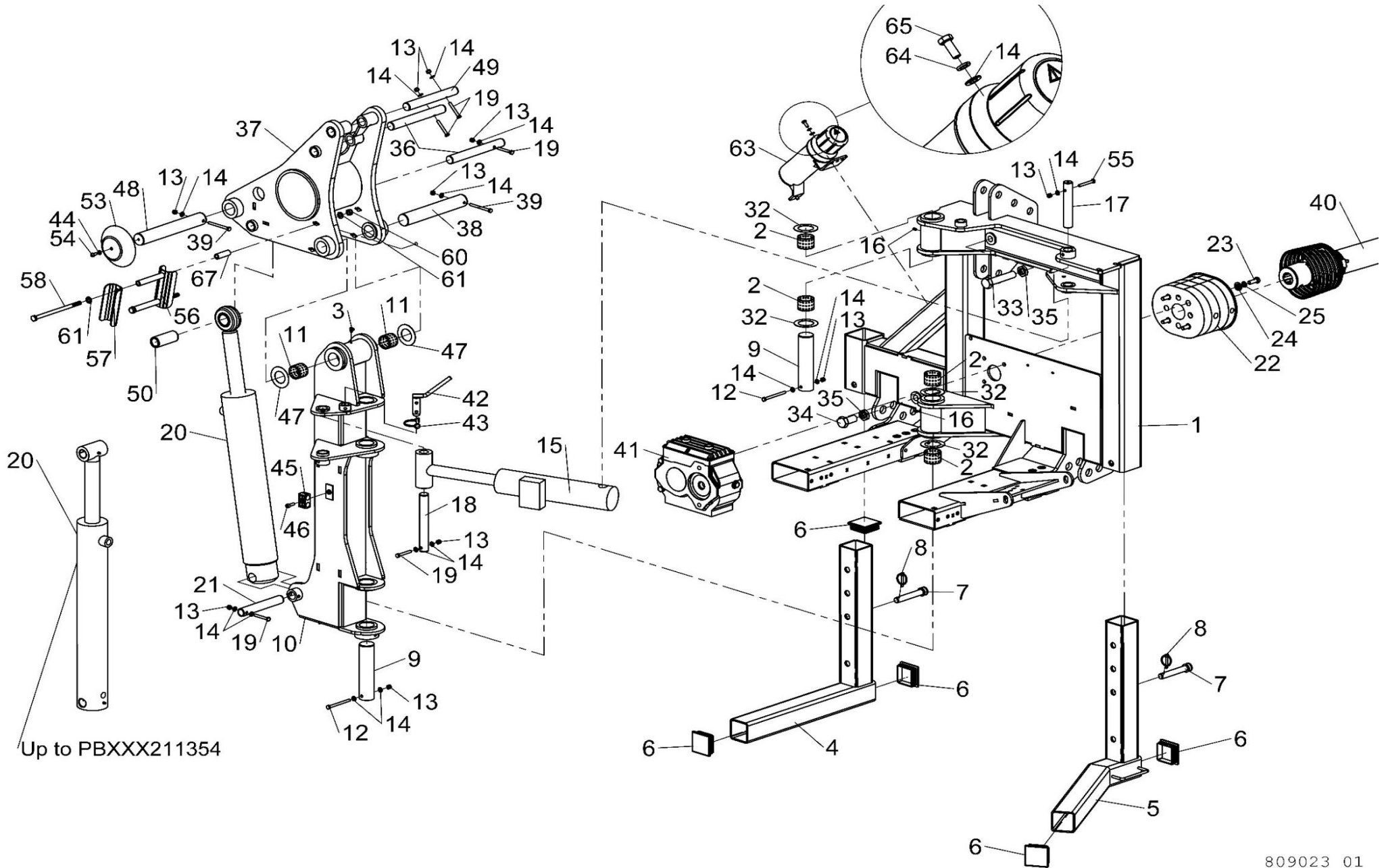
809012 01



Shelbourne Reynolds Engineering Limited

`ASSY NUMBER: 809023 01				ASSY DESCRIPTION: MAINFRAME ASSY (600)			
ITEM	PART NO	DESCRIPTION	QTY	ITEM	PART NO	DESCRIPTION	QTY
1	803461 01	MAINFRAME W/ASSY	1	38	800102 16	PIN	1
2	BSHO05062	BUSH	4	39	BLTA08530	HEX.HEAD BOLT	2
3	NIP-00605	GREASE NIPPLE	1	40	PTO-27000W	PTO SHAFT 2022 & ON	1
4	801231 01	STAND LH	1	OR	PTO-27000WE	PTO SHAFT UPTO 2022	1
5	801416 01	RH STAND	1	41	-	NOW SEE DRIVE KIT-08324	-
6	21709004	END CAP	5	OR	GEA-0183	GEARBOX UPTO PBXXX180900	1
7	39010206	PIN	2	42	801319 01	MD LOCKING PIN	1
8	PIN-01601	LYNCH PIN	2	43	PIN-1720	SPRING PIN 'D' CLIP	1
9	800141 03	PIN PILLAR PIVOT (BOT)	2	44	WSH-0058	SPRING WASHER	1
10	803498 01	500 TRIMMER PILLAR W/ASSY	1	45	HCPD01800	HYDRAULIC PIPE CLAMP	1
11	BSHO04562	BUSH	2	46	SCW-0136	HT CAP HEAD SCREW	1
12	BLTA08560	HEX.HEAD BOLT	2	47	801502 01	SHIM	AR
13	NUT-0263	NYLOC NUT	10	48	800102 19	ROCKER PIN	1
14	WSH-0012	PLAIN WASHER	17	49	800101 35	ROCKER PIN (ED)	1
15	800807 01	CYLINDER BREAKBACK	1	50	806317 01	SPACER BOSS	1
16	NIP-00600	GREASE NIPPLE	2	51			
17	800101 28	PIN SLEW RAM	1	52			
18	800101 19	PIN - BB RAM ROD	1	53	800912 01	DISC	1
19	BLTA08380	HEX.HEAD BOLT	5	54	SCBA08112	BUTTON SKT. HEAD SCREW	1
20	806288 01	CYL LIFT PBXXX211354 & ON		55	BLTA08410	HEX.HEAD BOLT	1
OR	801374 01	CYL LIFT UPTO PBXXX211354	1	56	803337 01	HOSE BRACKET W/A	1
20a	RMSK00415	SEAL KIT (SPARES REF)		57	803317 01	HOSE PLATE	1
20b	BSH-3030	BUSH (SPARES REF)		58	BLTA12860	BOLT	2
21	800987 12	PIN LIFT RAM	1	59			
22	PTO-00903	PTO MACHINE CONE	1	60	NUT-0270	NUT	2
23	HSS-0241	SET SCREW	4	61	WSH-0018	WASHER	4
24	800407 01	SPACER-GEARBOX MOUNT.	4	62			
25	WSH-0065	SPRING WASHER	4	63	PCN-00100	MANUAL CANISTER	1
26	CHN-0145	CHAIN (UPTO 2016)	0.17m	64	WSH-0058	SPRING WASHER	3
27	WDA-00025	MANUAL CANISTER (PRE 2016)	1	65	HSS-0140	SET SCREW	3
28	HSS-0086	SET SCREW (PRE 2016)	1	66			
29	WSH-0009	PLAIN WASHER (PRE 2016)	2	67	804732 01	SPACER TUBE	2
30	NUT-0260	NYLOC NUT (PRE 2016)	1				
31	CLP-00103	R CLIP (PRE 2016)	1				
32	800781 01	SHIM	AR				
33	HSSA24620	HEX.HEAD SET SCREW	1			ITEMS 26-31 PRE 2016	
34	HSS-0400	HEX.HEAD SET SCREW	1			ITEMS 63-65 2016 ON	
35	NUT-0390	HALF NUT	2				
36	800987 24	ROCKER PIN	2				
37	803499 01	ROCKER W/ASSY	1				

Shelbourne Reynolds Engineering Limited



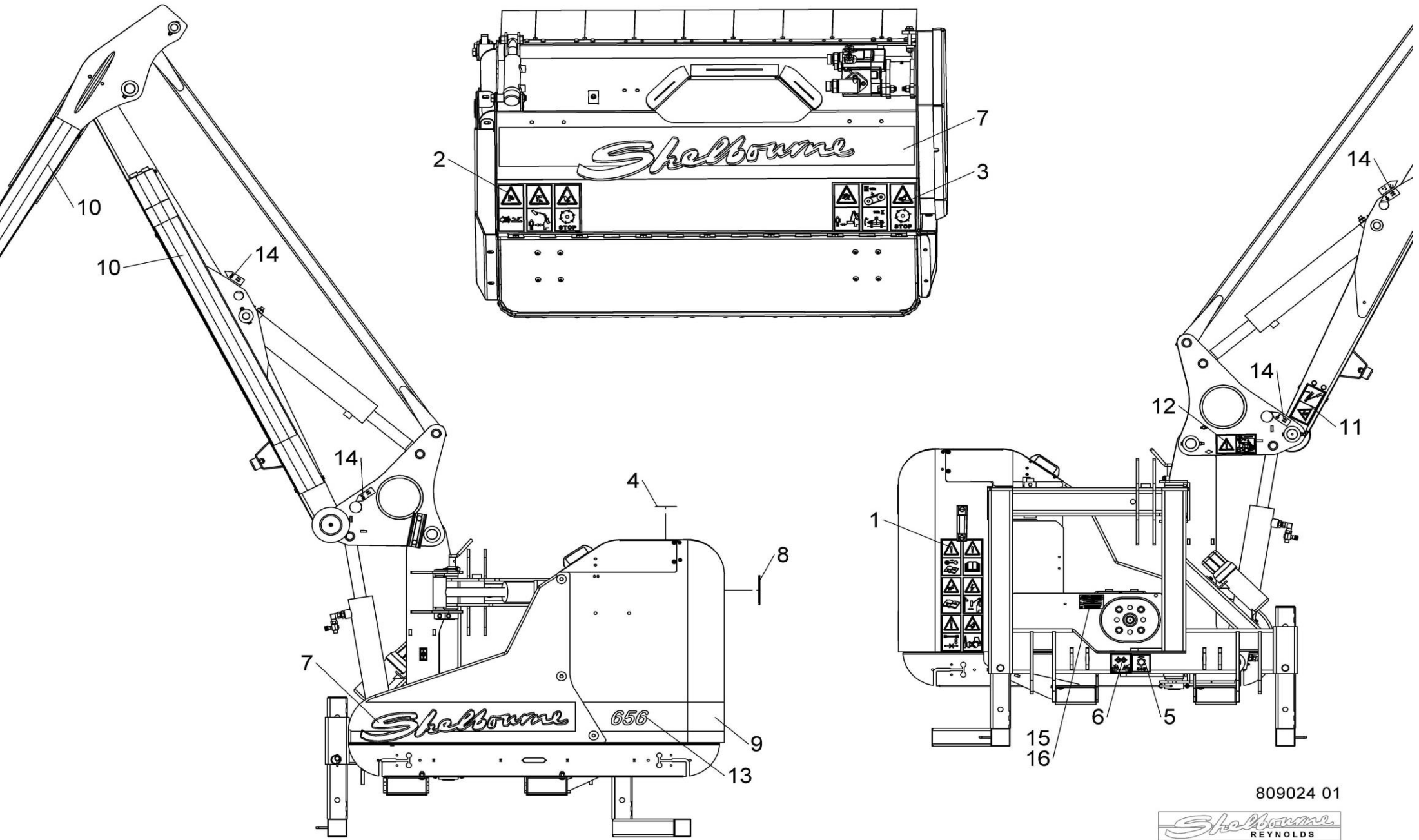
809023 01



Shelbourne Reynolds Engineering Limited

ASSY NUMBER: 809024 01				ASSY DESCRIPTION: TRANSFER SUB (BLUE) (6XX TRIMMER)			
ITEM	PART NO	DESCRIPTION	QTY	ITEM	PART NO	DESCRIPTION	QTY
1	805599 01	MULTI-TRANSFER 2019 & ON	1				
OR	TNF-0011	TRANSFER BLOCK UPTO 2019	1				
OR	800221 01	TRANSFER (MANUAL/OIL) UPTO 2019	1				
OR	800220 01	TRANSFER (VOLT HZD) UPTO 2019	1				
OR	193391 01	TRANSFER (PTO GUARD) UPTO 2019	1				
OR	800219 01	TRANSFER (COUPLING) UPTO 2019	1				
2	805600 01	MULTI-TRANSFER 2019 & ON	1				
OR	800215 01	TRANSFER (CRUSH DANG) UPTO 2019	1				
OR	800217 01	TRANSFER (SAFE DIST) UPTO 2019	1				
OR	800222 01	TRANSFER (STOP) UPTO 2019	1				
3	805601 01	MULTI-TRANSFER 2019 & ON	1				
OR	800214 01	TRANSFER (FLY OBJ) UPTO 2019	1				
OR	800213 01	TRANSFER (BELT/BOLTS) UPTO 2019	1				
OR	800218 01	TRANSFER (STOP) UPTO 2019	1				
4	800211 01	TRANSFER (CHANGE FILTER)	1				
5	590475 01	TRANSFER (PTO 540RPM)	AR				
OR	590475 03	TRANSFER (PTO 800RPM)	AR				
6	800212 01	TRANSFER (CHECK CHAINS)	1				
7	260228 01	TRANSFER (SHELBOURNE BLUE)	1				
8	804762 01	TRANSFER (LUBRICATION)	1				
9	802568 01	TRANSFER (STRIPE BLUE)	1				
10	802671 01	TRANSFER (STRIPE BLUE)	2				
11	210435 01	TRANSFER (LOCK CYLINDER)	1				
12	800878 01	TRANSFER (TRANSPORT MODE)	1				
13	802567 14	TRANSFER (656)	1				
OR	802567 22	TRANSFER (660T)	1				
14	190702 04	TRANSFER (SLING POINT)	4				
15	290526 01	SERIAL NO. PLATE	1				
16	POP-0006	POP RIVET	2				

Shelbourne Reynolds Engineering Limited



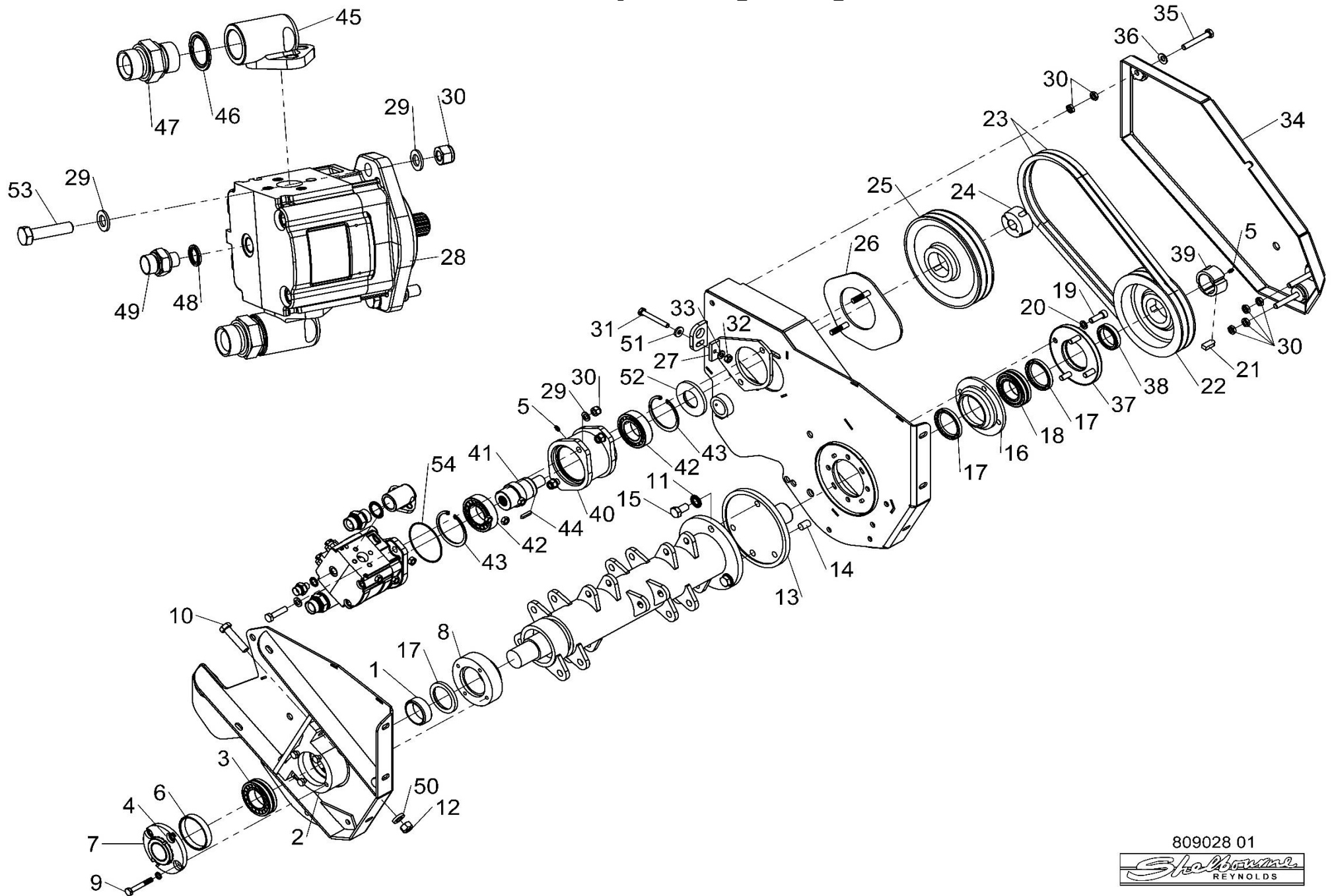
809024 01



Shelbourne Reynolds Engineering Limited

ASSY NUMBER: 809028 01				ASSY DESCRIPTION: FLAIL MTG&DRIVE SUB ASSY (PBXXX170760 & ON)			
ITEM	PART NO	DESCRIPTION	QTY	ITEM	PART NO	DESCRIPTION	QTY
1	800019 01	SLEEVE	1	OR	801553 02	DRIVE COVER RH HEAD DRIVE	1
2	800873 01	BEARING HOUSING	1	35	HSSA12500	SETSCREW	3
3	BRG-14580	BEARING	1	36	WSHA30121	WASHER	3
4	BRG-94521	BEARING SLEEVE	1	37	801064 02	BEARING RETAINER	1
5	NIP-00600	GREASE NIPPLE	3	38	801066 01	PULLEY SPACER	1
6	800067 01	SPACER	1	39	BSHZ05056	TAPER LOCK BUSH	1
7	802219 01	COVER	1	40	804790 01	OUTRIGGER HOUSING W/A	1
8	800017 01	SLEEVE (1.2Mt)	1	41	804793 01	OUTRIGGER SHAFT	1
OR	804742 01	SLEEVE (1.5Mt)	1	42	BRG-15082	CYLINDRICAL ROLLER BEARING	2
9	BLTA10440	HEX.HEAD BOLT	4	43	CIR010090	CIRCLIP INT	2
10	BLTA16474	BOLT	2	44	KEYB20000	KEY	1
11	WSHA30161	WASHER	3	45	FITF00005	FLANGE ELBOW CONNECTOR	2
12	NUTA15162	STOVER NUT	2	46	WSH-1025	DOWTY WASHER (1")	2
13	801067 01	DRIVE FLANGE	1	47	FIT-0546	ADAPTOR	2
14	193079 01	DOWEL PIN	1	48	WSH-1010	DOWTY WASHER	1
15	HSSA16200	SETSCREW	3	49	HMA-0065	ADAPTOR	1
16	800700 02	BEARING HOUSING	1	50	190119 85	WASHER	2
17	SEAA06500	SHAFT SEAL	3	51	190119 11	WASHER	1
18	BRG-15080	BEARING	1	52	SEAA05090	RADIAL SHAFT SEAL	1
19	SCW-0245	SOC CAP HD SCREW	4	53	HSS-0260	BOLT	2
20	WSH-0065	SPRING WASHER	3	54	ORA161000	O RING	1
21	K1409032	KEY	1				
22	803097 01	DRIVE PULLEY	1				
23	BEL-10140	V-BELT	2				
24	BSHZ14032	TAPERLOCK BUSH	1		809010 01HYD	HYDRAULICS KIT	
25	-	NOW SEE DRIVE KIT	-				
OR	800027 02	MOTOR PULLEY UPTO PBXXX180900	1		809028 01	1.2m LH HEAD DRIVE	
26	803572 01	RETAINING RING LH HEAD DRIVE	1			FLAIL MTG.& DRIVE SUB ASSY	
OR	803572 02	RETAINING RING RH HEAD DRIVE	1		809028 01A	1.5m LH HEAD DRIVE	
27	800028 01	MOTOR MTG.PLATE LH HEAD DRIVE	1			FLAIL MTG.& DRIVE SUB ASSY	
OR	800028 04	MOTOT MTG PLATE RH HEAD DRIVE	1		809028 01R	1.2m RH HEAD DRIVE	
28	-	NOW SEE DRIVE KIT	-			FLAIL MTG.& DRIVE SUB ASSY	
OR	MOTH03900	HYD MOTOR UPTO PBXXX180900	1		809028 01AR	1.5m RH HEAD DRIVE	
28A	HMS03900	MOTOR SEAL KIT				FLAIL MTG.& DRIVE SUB ASSY	
29	WSH-0018	PLAIN WASHER	6				
30	NUT-0269	NYLOC NUT	7				
31	HSSA10500	SET SCREW	1				
32	NUT-0167	PLAIN NUT	1				
33	WSH-0015	PLAIN WASHER	1				
34	801553 01	DRIVE COVER LH HEAD DRIVE	1				

Shelbourne Reynolds Engineering Limited



809028 01

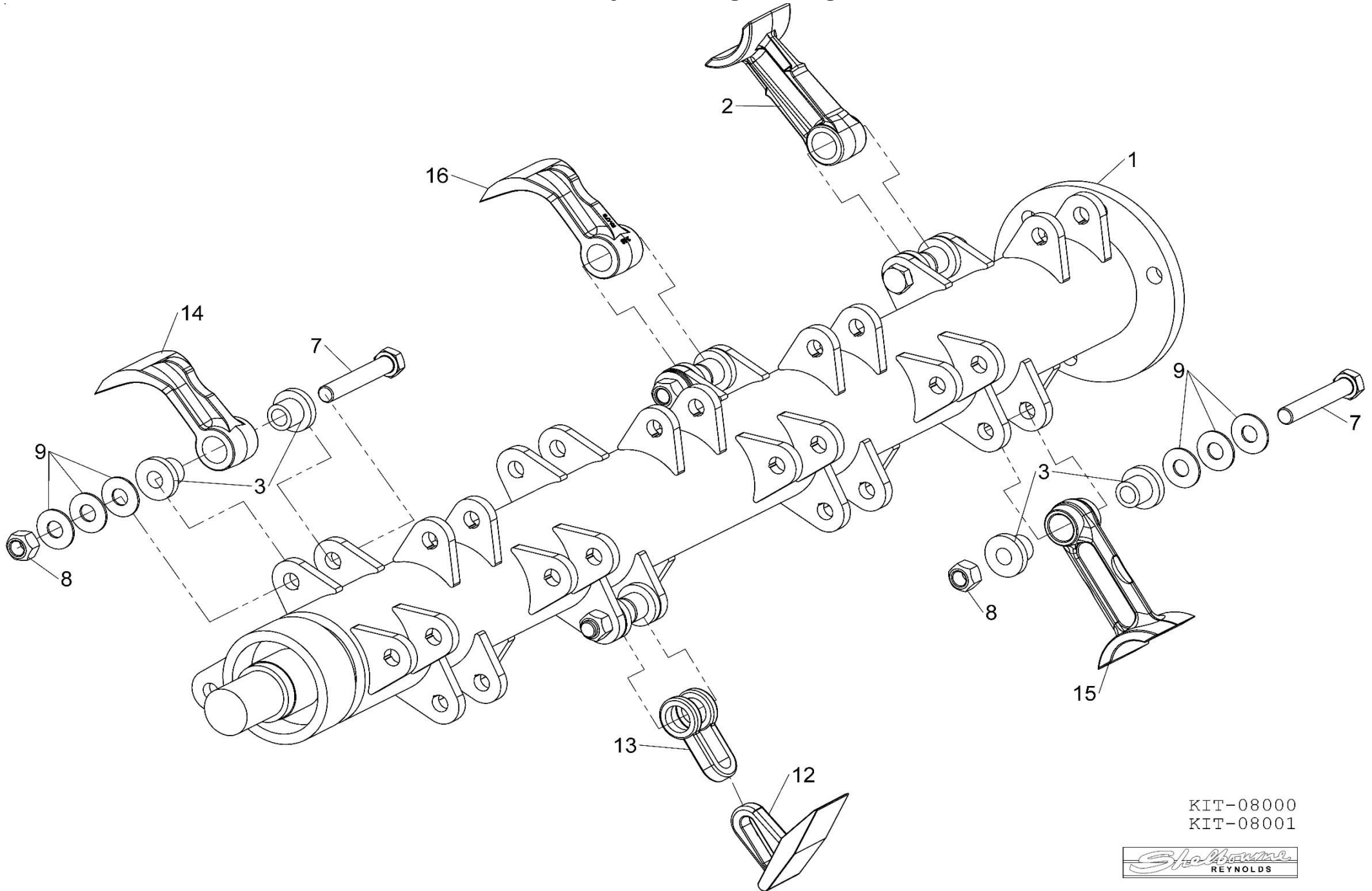


Kit Options

Shelbourne Reynolds Engineering Limited

ASSY NUMBER:		KIT-08000		ASSY DESCRIPTION: FLAIL ASSY (1.2M) ALL FLAIL TYPES			
ITEM	PART NO	DESCRIPTION	QTY	ITEM	PART NO	DESCRIPTION	QTY
1	801470 01	ROTOR ASSY (1.2M)	1				
OR	800014 08	ROTOR ASSY (1.2M)	1			FOR COMPLETE FLAIL	
		(109456 & ON)				ASSEMBLY ORDER PART NO'S.:	
OR	800014 01	ROTOR ASSY (1.2M)	1			KIT-08000A -T FLAILS (CAST)	
		(UP TO 109456)				UP TO 2018	
2	FLL-05000	T FLAIL (CAST) (KIT-08000A ONLY)	24			KIT-08000B - BOOT FLAILS	
3	805046 01	SPACER	48			KIT-08000C-COMPETITION	
4						- FLAIL	
5						KIT-08000D - T FLAIL (DROP	
6						FORGED) 2018 & ON	
7	BLTD16554	BOLT	24			KIT-08000E - COMPETITION	
OR	BLTD16574	BOLT	AR			FLAIL (DROP FORGED)	
OR	BLTD16604	BOLT	AR				
OR	BLTD16654	BOLT	AR				
8	NUTF15162	STOVER NUT (2006&ON)	24				
OR	NUTF02162	NYLOC NUT (UPTO 2006)	24				
9	800274 01	BALANCE WEIGHT (20G)	AR				
OR	800274 02	BALANCE WEIGHT (30G)	AR				
OR	800274 03	BALANCE WEIGHT (50G)	AR				
10						** <u>IMPORTANT</u> **	
11							
12	FLL-10000	BOOT FLAIL (KIT-08000B ONLY)	24			ENSURE BALANCE WEIGHTS ARE	
13	FLL-15000	SHACKLE (KIT-08000B ONLY)	24			NOT MOVED WHEN REPLACING	
14	FLL-20000	COMP FLAIL (KIT-08000C ONLY)	24			FLAILS.	
15	FLL-05005S	T FLAIL (DROP FORGED) (KIT-08000D)	24			EXACT POSITIONING IS	
16	FLL-20005S	COMP FLAIL (DROP FORGED)	24			CRITICAL TO SMOOTH RUNNING	

Shelbourne Reynolds Engineering Limited



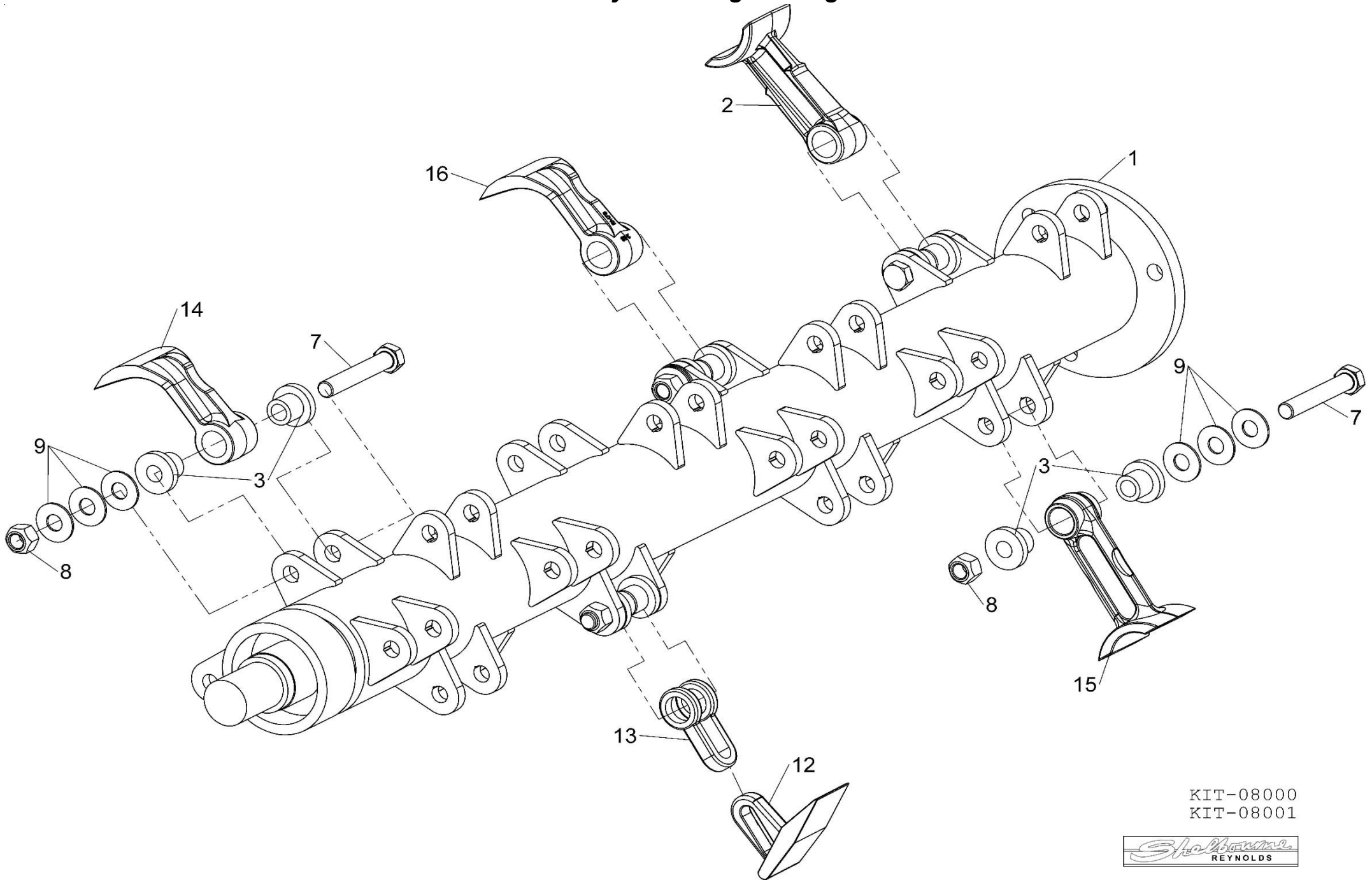
KIT-08000
KIT-08001



Shelbourne Reynolds Engineering Limited

ASSY NUMBER:		KIT-08001		ASSY DESCRIPTION: FLAIL ASSY (1.5M) ALL FLAIL TYPES			
ITEM	PART NO	DESCRIPTION	QTY	ITEM	PART NO	DESCRIPTION	QTY
1	802049 01	ROTOR ASSY (1.5M) (EARLY 2013 & ON)	1			FOR COMPLETE FLAIL	
OR	801471 01	ROTOR ASSY (1.5M) (UP TO EARLY 2013)	1			ASSEMBLY ORDER PART NO'S.:	
OR	800015 08	ROTOR ASSY (1.5M) (109456 & ON)	1			KIT-08001A-T FLAILS (CAST) UP TO 2018	
OR	800015 01	ROTOR ASSY (1.5M) (UP TO 109456)	1			KIT-08001B-BOOT FLAILS	
2	FLL-05000	T FLAIL (CAST) (KIT-08001A ONLY)	30				
3	805046 01	SPACER	60			KIT-08001C-COMPETITION - FLAIL	
4							
5							
6						KIT-08001D T FLAIL (DROP FORGED) 2018 & ON	
7	BLTD16554	BOLT	30				
OR	BLTD16574	BOLT	AR				
OR	BLTD16604	BOLT	AR			KIT-08001E - COMPETITION FLAIL (DROP FORGED)	
OR	BLTD16654	BOLT	AR				
8	NUTF15162	STOVER NUT (2006&ON)	30				
OR	NUTF02162	NYLOC NUT (UPTO 2006)	30			** <u>IMPORTANT</u> **	
9	800274 01	BALANCE WEIGHT (20G)	AR				
OR	800274 02	BALANCE WEIGHT (30G)	AR			ENSURE BALANCE WEIGHTS ARE NOT MOVED WHEN REPLACING FLAILS.	
OR	800274 03	BALANCE WEIGHT (50G)	AR			EXACT POSITIONING IS CRITICAL TO SMOOTH RUNNING	
10							
11							
12	FLL-10000	BOOT FLAIL (KIT-08001B ONLY)	30				
13	FLL-15000	SHACKLE (KIT-08001B ONLY)	30				
14	FLL-20000	COMP FLAIL (KIT-08001C ONLY)	30				
15	FLL-05005S	T FLAIL (DROP FORGED) (KIT-08000D)	30				
16	FLL-20005S	COMP FLAIL (DROP FORGED)	30				

Shelbourne Reynolds Engineering Limited

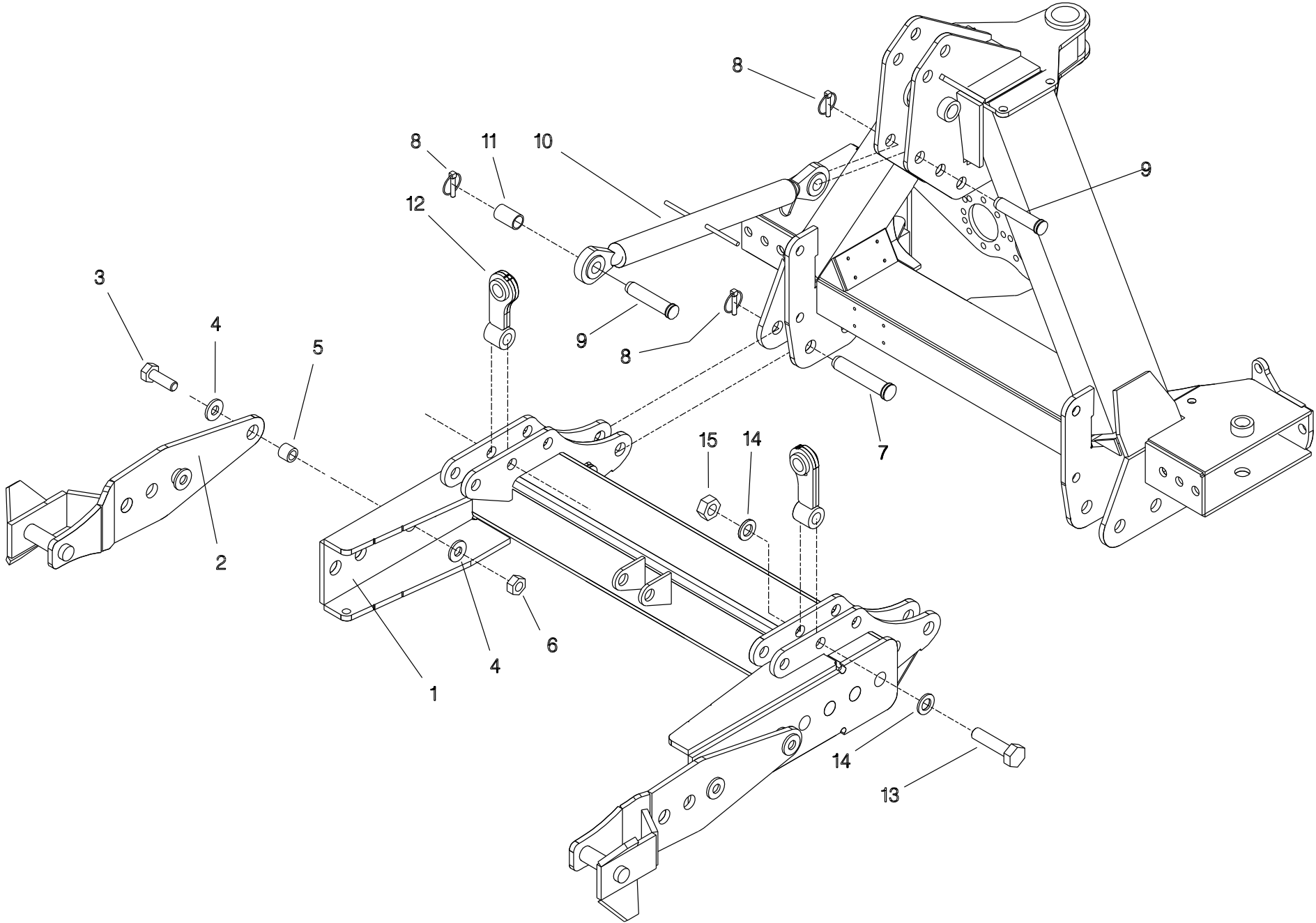


KIT-08000
KIT-08001



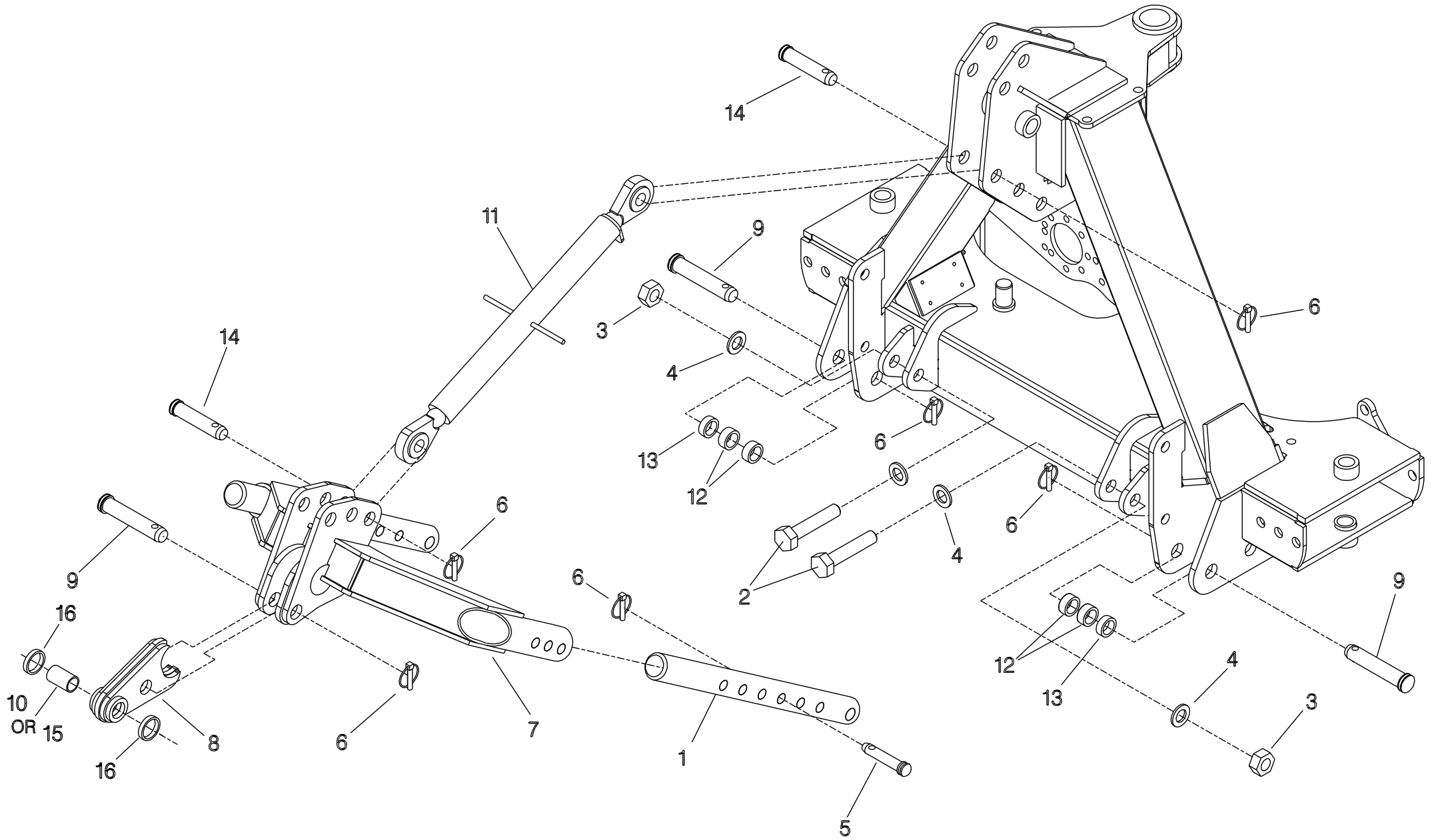
Shelbourne Reynolds Engineering Limited

ASSY NUMBER:		KIT-08015		ASSY DESCRIPTION:		STABILISERS - AXLE MOUNTING	
ITEM	PART NO	DESCRIPTION	QTY	ITEM	PART NO	DESCRIPTION	QTY
1	800223 01	HITCH SUBFRAME	1				
2	800227 01	PIN ARM	2				
3	BLT-2366	BOLT	6				
4	190119 47	WASHER	12				
5	800233 01	SPACER	6				
6	NUTA02200	NYLOC NUT	6				
7	800199 01	PIN	2				
8	PIN-01950	LYNCH PIN	4				
9	800198 01	PIN	2				
10	ADL-13570	TOP LINK ASSY	1				
11	800197 01	SPACER	1				
12A	800344 01	LINK (NH TS155, MF 4245...)	2 or			REQUIRED LINKS MAY VARY NOT ONLY BETWEEN MODELS IN A TRACTOR RANGE, BUT ALSO ACCORDING TO THE YEAR OF MANUFACTURE OF THE TRACTOR. IDEALLY, WHERE REPLACEMENT OR ADDITIONAL LINKS ARE REQUIRED, PLEASE SUPPLY US WITH HOLE DIAMETER AND THICKNESS OF THE TRACTOR LINK ARMS AT THE POINT WHERE THE DROP LINK ATTACHES (IE DOWN FROM THE LEVELLING BOX)	
12B	800344 05	LINK (CASE MX135, JD 8310...)	2 or				
12C	800344 07	LINK (JD CAT3 LINKS...)	2 or				
12D	800344 09	LINK (CASE 4230, MF 390T...)	2 or				
12E	800344 11	LINK (McC CX80...)	2 or				
12F	800344 13	LINK (JD CAT2, MF30**...)	2 or				
12G	800344 15	LINK (CASE 1056...)	2 or				
12H	800344 17	LINK (MF 6150...)	2 or				
12I	800344 19	LINK (FORD 8670)	2 or				
12J	800344 21	LINK (CASE CVX1135)	2 or				
12K	800344 23	LINK (McCORMICK XTX200)	2 or				
13	BLTA24590	BOLT	2				
14	WSH-0036	PLAIN WASHER	4				
15	NUT-0275	NYLOC NUT	2				



Shelbourne Reynolds Engineering Limited

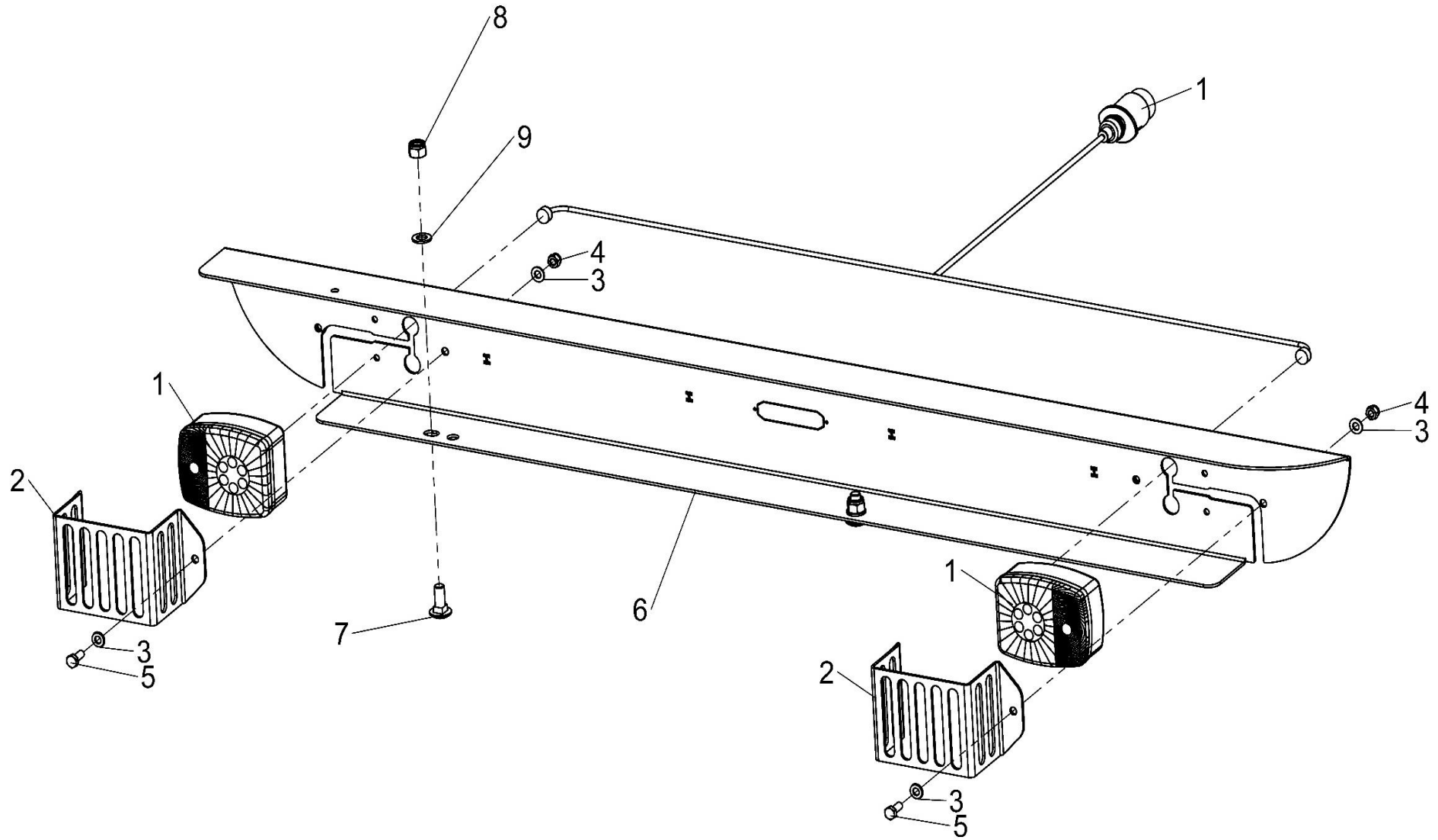
ASSY NUMBER:		KIT-08076		ASSY DESCRIPTION:		STABILISER KIT-3 POINT LINKAGE-V2B UPTO PBXXX170661		
ITEM	PART NO	DESCRIPTION	QTY	ITEM	PART NO	DESCRIPTION	QTY	
1	800929 01	3-POINT SHAFT	2	8A	801361 01	ROCKER LONG		
2	BLTA24620	BOLT	2			OPTION INSTEAD OF 800930 01		
3	NUT-0275	NYLOC NUT	2					
4	WSH-0036	PLAIN WASHER	4					
5	21728202	PIN	2					
6	PIN-01950	LYNCH PIN	7					
7	800921 01	3-POINT YOKE	1					
8	800930 01	ROCKER	1					
9	800199 01	PIN	3					
10	800197 01	SPACER	1					
11	ADL-11540	TOP LINK	1					
12	800934 01	16mm SPACER	4					
13	800934 02	13mm SPACER	2					
14	800198 01	PIN	2					
15	800197 02	SPACER	1					
16	802609 01	TOP LINK SPACER	2					



Shelbourne Reynolds Engineering Limited

ASSY NUMBER:		KIT-08093		ASSY DESCRIPTION:		REAR LIGHTING KIT	
ITEM	PART NO	DESCRIPTION	QTY	ITEM	PART NO	DESCRIPTION	QTY
1	800387 14	LIGHTS ASSY S/N PB***150490 ON	1				
OR	800387 11	LIGHTS ASSY 2012 TO S/N PB***150490					
OR	800387 01	LIGHTS ASSY (UPTO 2012)					
1A	LMP-10411	LAMP CLUSTER (SPARES PB***150490 & ON)					
OR	LMP-10409	LAMP CLUSTER (SPARES 2012 TO PB***150490)					
OR	LMP-10401	LAMP CLUSTER (SPARES UPTO 2012)					
1B	LMP-10002	LENS (SPARES UPTO 2012)					
1C	BLB-0015	BULB-INDICATOR (SPARES UPTO 2012)					
1D	BLB-0020	BULB-STOP/TAIL (SPARES UPTO 2012)					
1E	PLG-0005	7 PIN PLUG (SPARES UPTO 2012)					
2	802524 01	LIGHT GUARD	2				
3	WSH-0012	PLAIN WASHER	8				
4	NUT-0263	NYLOC NUT	4				
5	HSS-0140	SETSCREW	4				
6	801378 01	LIGHTING BOARD	1				
7	BLT-3790	COACH BOLT	2				
8	NUT-0269	NYLOC NUT	2				
9	WSH-0018	PLAIN WASHER	2				

Shelbourne Reynolds Engineering Limited



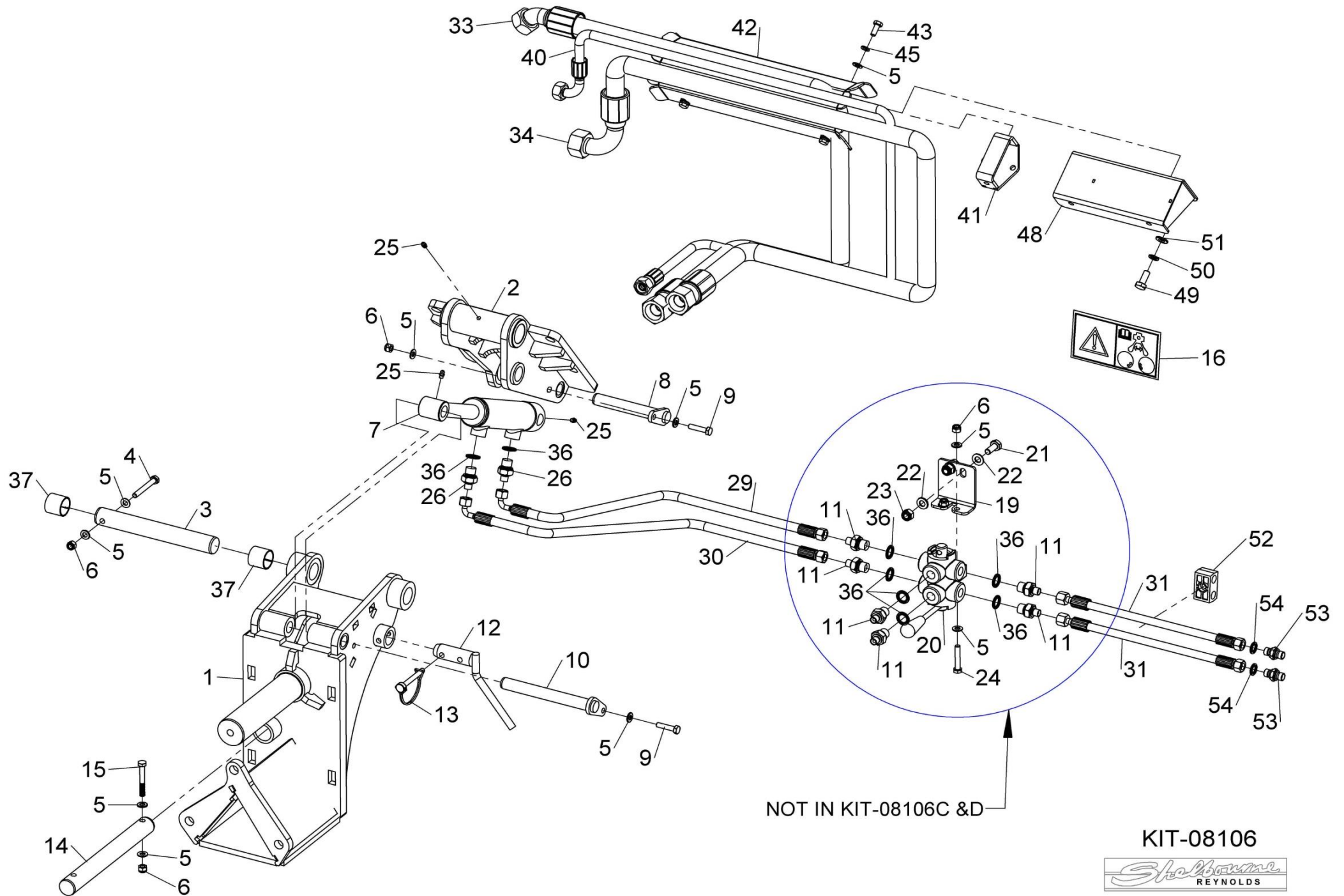
KIT-08093



Shelbourne Reynolds Engineering Limited

ASSY NUMBER: KIT-08106				ASSY DESCRIPTION: NARROW LANE BRACKET			
ITEM	PART NO	DESCRIPTION	QTY	ITEM	PART NO	DESCRIPTION	QTY
1	801343 01	BOOM MTG BRACKET	1	OR	HHBI18205	HOSE (1.2m) UP TO 2019	-
2	801336 01	HEAD MOUNT BRACKET	1	OR	HHBI19705	HOSE (1.5m) UP TO 2019	-
3	800101 19	PIN NARROW LANE	1	35			
4	BLTA08410	BOLT	1	36	WSH-1010	DOWTY WASHER	2
5	WSH-0012	WASHER	12	37	BSH-3030	BUSH	2
6	NUT-0263	NUT	6	38			
7	RAM-0002	DOUBLE ACTING RAM	1	39			
8	801346 02	NARROW LANE PIN (TOP)	1	40	HHBF30005	HOSE (1.2m)	1
9	HSS-0152	SETSCREW	2	OR	HHBF31505	HOSE (1.5m)	-
10	801346 01	NARROW LANE PIN (BOT)	1	41	802612 01	BRACKET (UP TO MID 2019)	2
11	FIT-0025	FITTING M/M	6	42	805078 01	HOSE GUARD PB660170814 & ON	1
12	801319 01	MD LOCKING PIN	1	OR	802613 01	HOSE GUARD UPTO PB660170814	-
13	PIN-1720	DEE CLIP	1	43	HSS-0140	SETSCREW	4
14	800101 17	PIN	1	44			
15	BLTA08380	BOLT	1	45	WSH-0058	SPRING WASHER	4
16	803152 01	TRANSFER	1	46	HHBC17005	HOSE	2
17				47	HHAC21505	HOSE HYD ROLLER 1.2m	2
18				OR	HHAC23005	HOSEHYD ROLLER 1.5m	2
19	801347 01	VALVE BRACKET	1	48	805902 01	HEAD HOSE CLAMP (DEC18 & ON)	1
20	HVB-01540	6 WAY FLOW DIVIDER	1	OR	805902 02	HEAD HOSE CLAMP (DEC18 & ON)	1
21	HSS-0191	SETSCREW	2	49	HSS-0191	SETSCREW(DEC18 & ON)	3
22	WSH-0015	WASHER	4	50	WSH-0061	SPRING WASHER(DEC18 & ON)	3
23	NUT-0265	NYLOCK NUT	2	51	WSH-0015	WASHER (DEC18 & ON)	3
24	HSS-0155	SETSCREW	2	52	HCPD01400	HYDRAULIC PIPE CLAMP	1
25	NIP-00600	GREASE NIPPLE	3	53	HMA-0052	ADAPTOR	2
26	190859 01	ADAPTOR	2	54	WSH-1005	DOWTY WASHER	2
27					KIT-08106A	FOR 1.2m HEAD WITH 6 WAY VALVE UP TO PB660160519	
28					KIT-08106B	FOR 1.5m HEAD WITH 6 WAY VALVE UP TO PB760150411	
29	HHBC03605	HOSE	1				
30	HHBC04605	HOSE	1				
31	HHAC01905	HOSE (1.2m)	2		KIT-08106C	1.2m LH HEAD(DIRECT TRACTOR HOSES)	
OR	HHAC03305	HOSE (1.5m)	-		KIT-08106CR	1.2m RH HEAD(DIRECT TRACTOR HOSES)	
32					KIT-08106D	1.5m LH HEAD(DIRECT TRACTOR HOSES)	
33	HHDI16705	HOSE (1.2m) 2019 & ON	1		KIT-08106DR	1.5m RH HEAD(DIRECT TRACTOR HOSES)	
OR	HHDI18205	HOSE (1.5m) 2019 & ON	-				
OR	HHDI17005	HOSE (1.2m) UP TO 2019	-		KIT-08106C HYD	HYDRAULICS KIT 1.2m UP TO 2019	
OR	HHDI18505	HOSE (1.5m) UP TO 2019	-		KIT-08106D HYD	HYDRAULICS KIT 1.5m UP TO 2019	
34	HHBI17905	HOSE (1.2m) 2019 & ON	1		KIT-08106E HYD	HYDRAULICS KIT 1.2m 2019 & ON	
OR	HHBI19405	HOSE (1.5m) 2019 & ON	-		KIT-08106F HYD	HYDRAULICS KIT 1.5m 2019 & ON	

Shelbourne Reynolds Engineering Limited



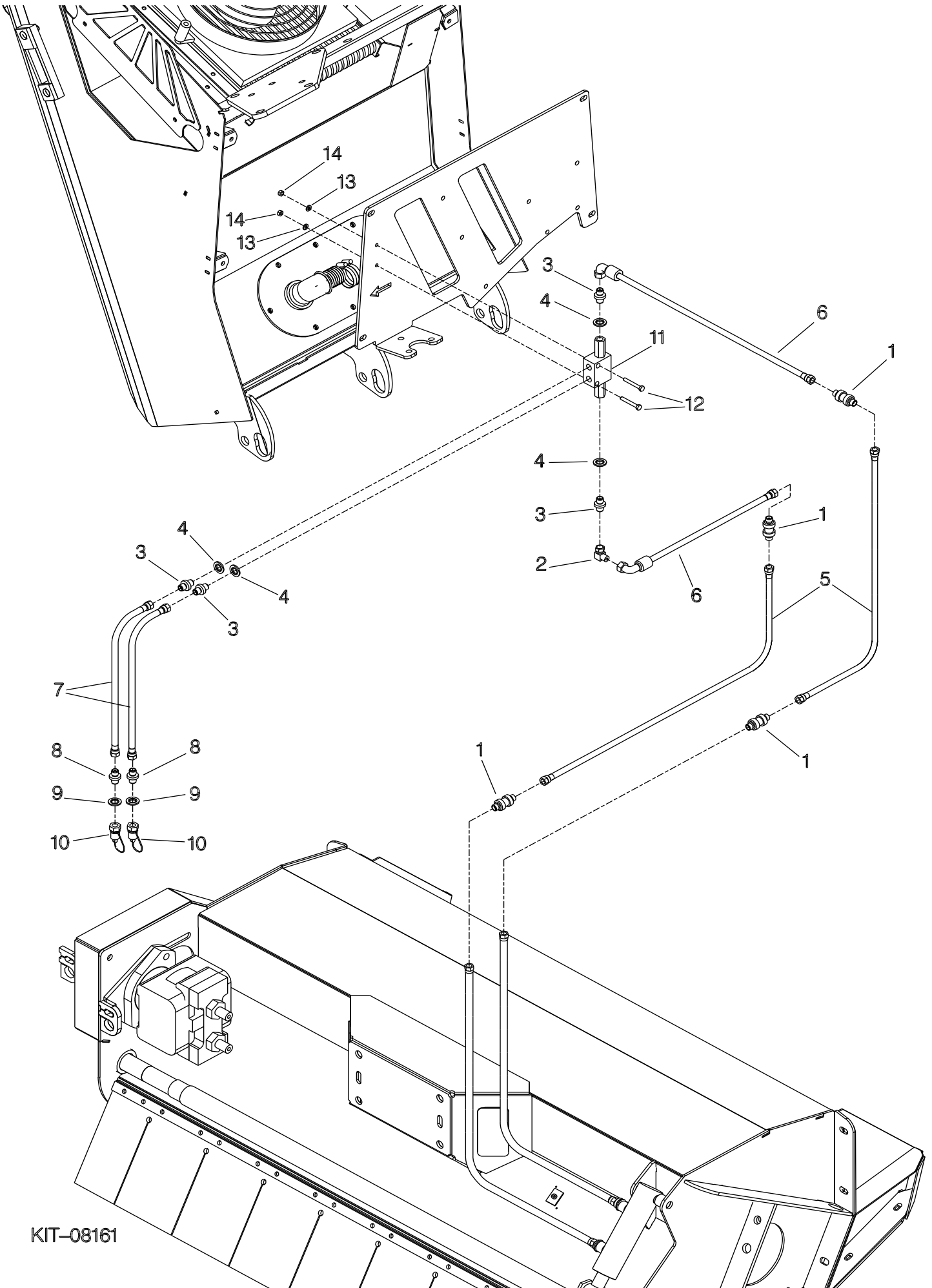
NOT IN KIT-08106C & D

KIT-08106



Shelbourne Reynolds Engineering Limited

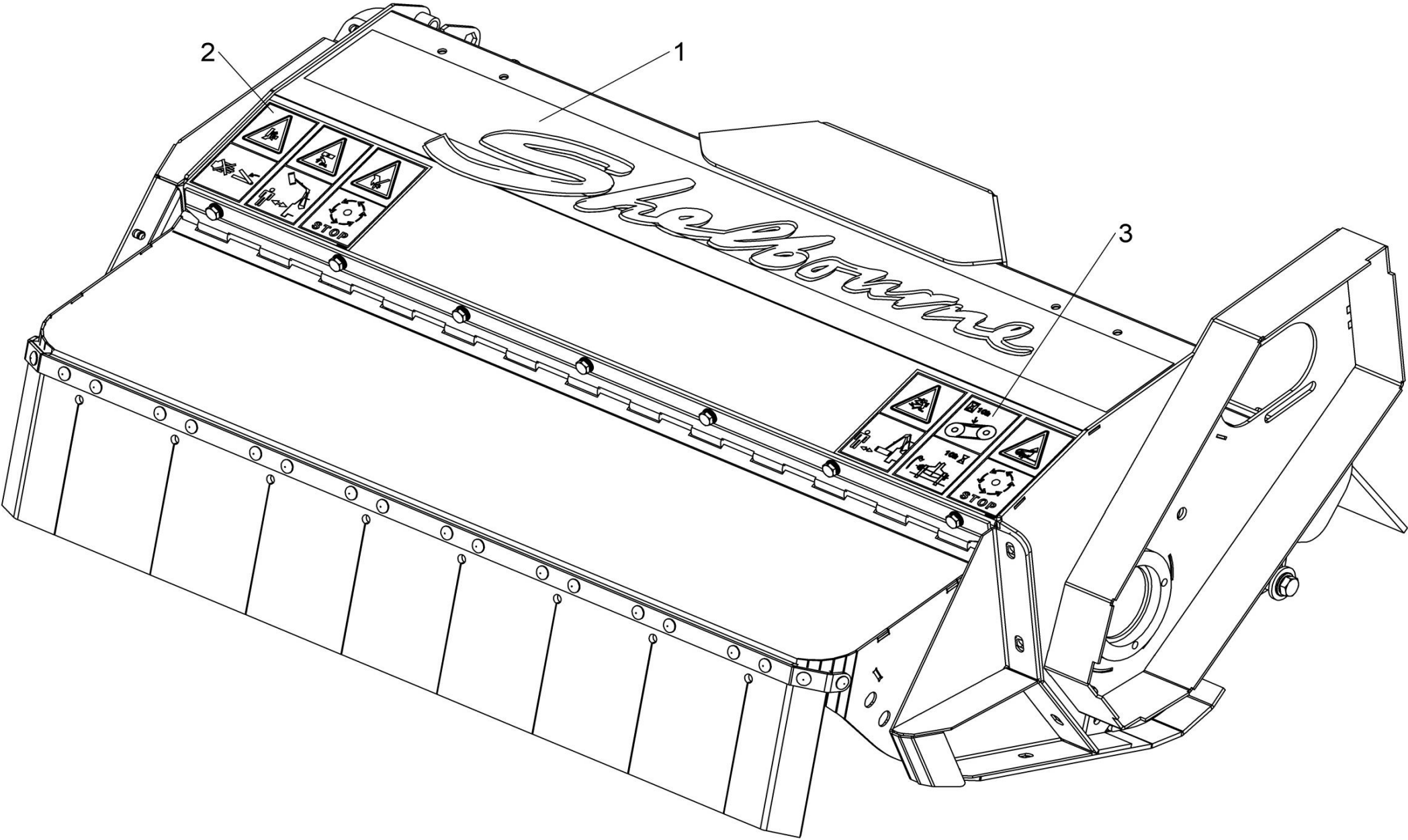
ASSY NUMBER: KIT-08161				ASSY DESCRIPTION: HYDRAULICS FOR ADJUSTABLE ROLLER			
ITEM	PART NO	DESCRIPTION	QTY	ITEM	PART NO	DESCRIPTION	QTY
1	HBK-0010	BULKHEAD	4				
2	HALAA0303	ELBOW FITTING	1				
3	HMA-0052	ADAPTOR	4				
4	WSH-1005	BONDED SEAL	4		KIT-08161A	FOR HD60T	
5	HHDC31505	HOSE HD60T & HD62VFR	2		KIT-08161B	FOR HD70T	
OR	HHDC37805	HOSE HD70T OUTER	2		KIT-08161C	FOT HD55 & HD62VFR	
OR	HHDC22005	HOSE 656 OUTER	2		KIT-08161D	FOR HD67VFR	
OR	HHDC34505	HOSE HD67VFR OUTER	2		KIT-08161E	FOR HD780T	
OR	HHDC46405	HOSE HD780T OUTER	2		KIT-08161F	FOR 656	
6	HHCC29005	HOSE HD60T INNER	2		KIT-08161G	FOR 660T	
OR	HHCC32705	HOSE HD70T/62VFR IN	2				
OR	HHCC35605	HOSE HD67VFR INNER	2				
OR	HHCC34105	HOSE 656	1				
OR	HHCC35305	HOSE 656 INNER	1				
OR	HHCC30205	HOSE INNER 660T	1				
OR	HHCC31705	HOSE INNER 660T	1				
7	HHAC12905	HOSE	2				
8	HMA-0055	ADAPTOR	2				
9	WSH-1015	BONDED DEAL	2				
10	COU-0162	QUICK REL COUP	2				
11	HVB-27000	VALVE DOUBLE PO CHECK	1				
12	SCW-0098	SETSCREW	2				
13	WSH-0009	PLAIN WASHER	4				
14	NUT-0260	NYLOC NUT	2				



KIT-08161

Shelbourne Reynolds Engineering Limited

ASSY NUMBER: KIT-08165				ASSY DESCRIPTION: HEAD TRANSFER KIT			
ITEM	PART NO	DESCRIPTION	QTY	ITEM	PART NO	DESCRIPTION	QTY
1	260228 01	TRANSFER - SHELBOURNE (BLUE)	1				
OR	198764 01	TRANSFER - SHELBOURNE (GREY)	-				
2	805600 01	MULTI-TRANSFER 2019 & ON	1				
OR	800215 01	TRANSFER (CRUSH DANG) UPTO 2019	1				
OR	800217 01	TRANSFER (SAFE DIST) UPTO 2019	1				
OR	800222 01	TRANSFER (STOP) UPTO 2019	1				
3	805601 01	MULTI-TRANSFER 2019 & ON	1				
OR	800214 01	TRANSFER (FLY OBJ) UPTO 2019	1				
OR	800213 01	TRANSFER (BELT/BOLTS) UPTO 2019	1				
OR	800218 01	TRANSFER (STOP) UPTO 2019	1				
					KIT-08165	HEAD TRANSFER KIT - BLUE	
					KIT-08165G	HEAD TRANSFER KIT - GREY	



KIT-08165

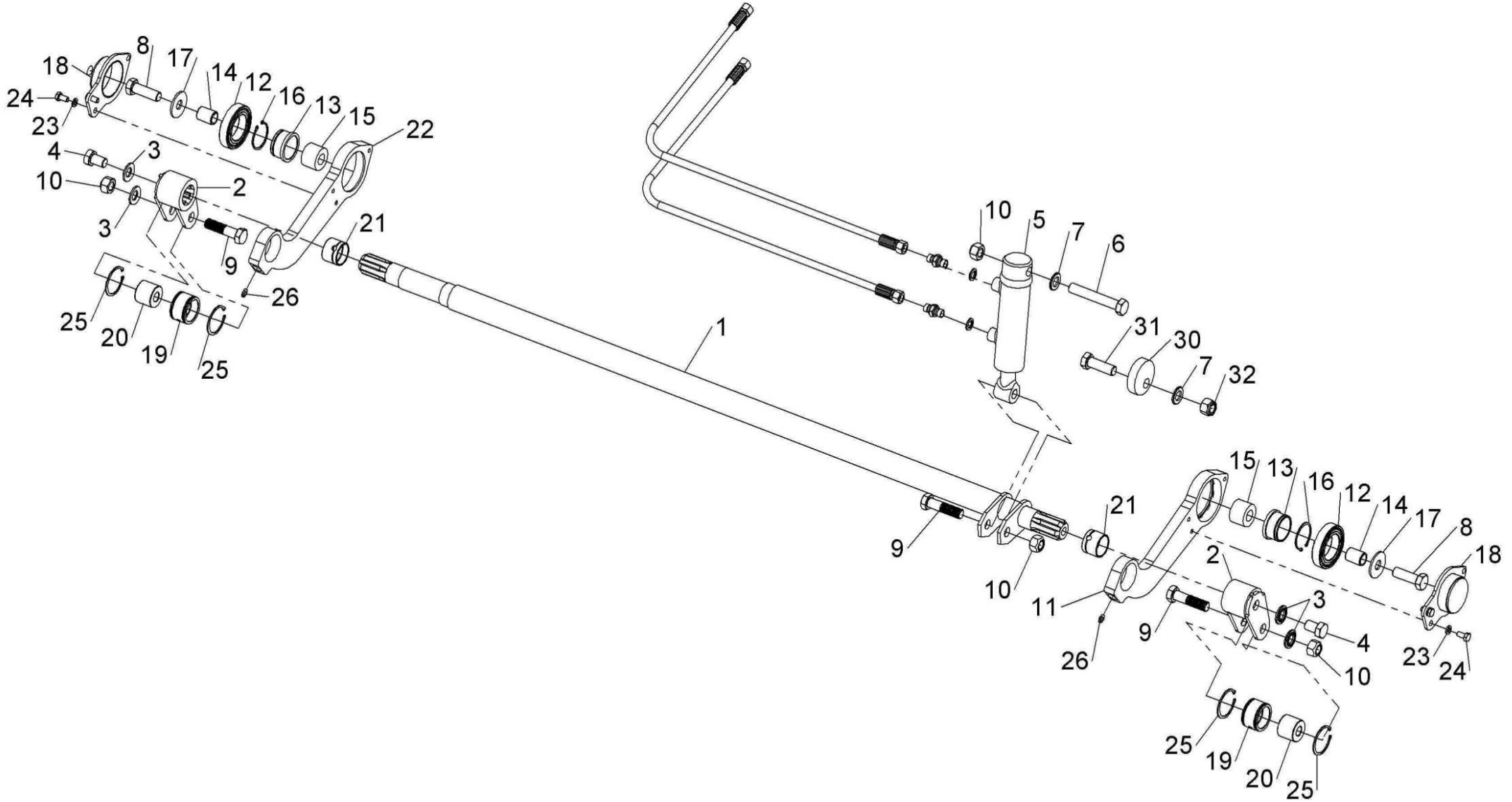


Shelbourne Reynolds Engineering Limited

ASSY NUMBER: KIT-08176				ASSY DESCRIPTION: HYD ADJUSTABLE ROLLER (BEARING TYPE) 2013 & ON			
ITEM	PART NO	DESCRIPTION	QTY	ITEM	PART NO	DESCRIPTION	QTY
1	802684 01(B)	SHAFT 1.2Mt (LH DRIVE HEAD)	1				
OR	803058 01(B)	SHAFT 1.2Mt (RH DRIVE HEAD)	1		KIT-08176A	FOR 1.2MT LH DRIVE HEAD	
OR	802684 02(B)	SHAFT 1.5Mt (LH DRIVE HEAD)	1		KIT-08176B	FOR 1.2MT RH DRIVE HEAD	
OR	803058 02(B)	SHAFT 1.5Mt (RH DRIVE HEAD)	1		KIT-08176C	FOR 1.5MT LH DRIVE HEAD	
2	801930 01	ARM	2		KIT-08176D	FOR 1.5MT RH DRIVE HEAD	
3	WSHA30161	WASHER	4				
4	HSS-0312	SET SCREW	2				
5	800875 01	CYLINDER	1		KIT-08176AB	FOR 1.2MT LH DRIVE HEAD	
5A	RMSK00360	SEAL KIT	-		KIT-08176BB	FOR 1.2MT RH DRIVE HEAD	
6	BLT-2320	BOLT	1		KIT-08176CB	FOR 1.5MT LH DRIVE HEAD	
7	WSH-0024	WASHER	3		KIT-08176DB	FOR 1.5MT RH DRIVE HEAD	
8	HSS-0930	SET SCREW	2				
9	BLT-2313	BOLT	3				
10	NUTA15162	STOVER NUT	4				
11	802880 01(B)	LINK PLATE RIGHT HAND	1				
12	BRG-14590	DEEP GROOVE BALL BEARING (SING	2				
13	802677 01	BEARING MOUNT	2				
14	802678 01	SPACER	2				
15	805747 01	WEAR BUSH	2				
16	CIR-0450	EXTERNAL CIRCLIP 45mm	2				
17	198800 54	WASHER	2				
18	804614 01	RETAINING W/A	2				
19	802681 01	BUSH	2				
20	802682 01	BUSH	2				
21	802683 01	TORSION BUSH	2				
22	802881 01(B)	LINK PLATE LEFT HAND	1				
23	WSH-0058	SPRING WASHER	6				
24	HSS-0135	SETSCREW	6				
25	CIR020047	CIRCLIP (EXTERNAL) FOR 47mm DI	4				
26	NIP-00600	GREASE NIP(C'BORE TYP)	2				
OR	NIP-0001	GREASE NIP(TUBE TYP)	2				
27							
28							
29							
30	803204 01(B)	CAM PLATE	2				
31	HSS-0318	SET SCREW	2				
32	NUT-0271	NUT	2				

PART No B FOR BLUE MACHINES

**REFER TO KIT-08247 & KIT-08248
FOR HYDRAULICS**



KIT-08176

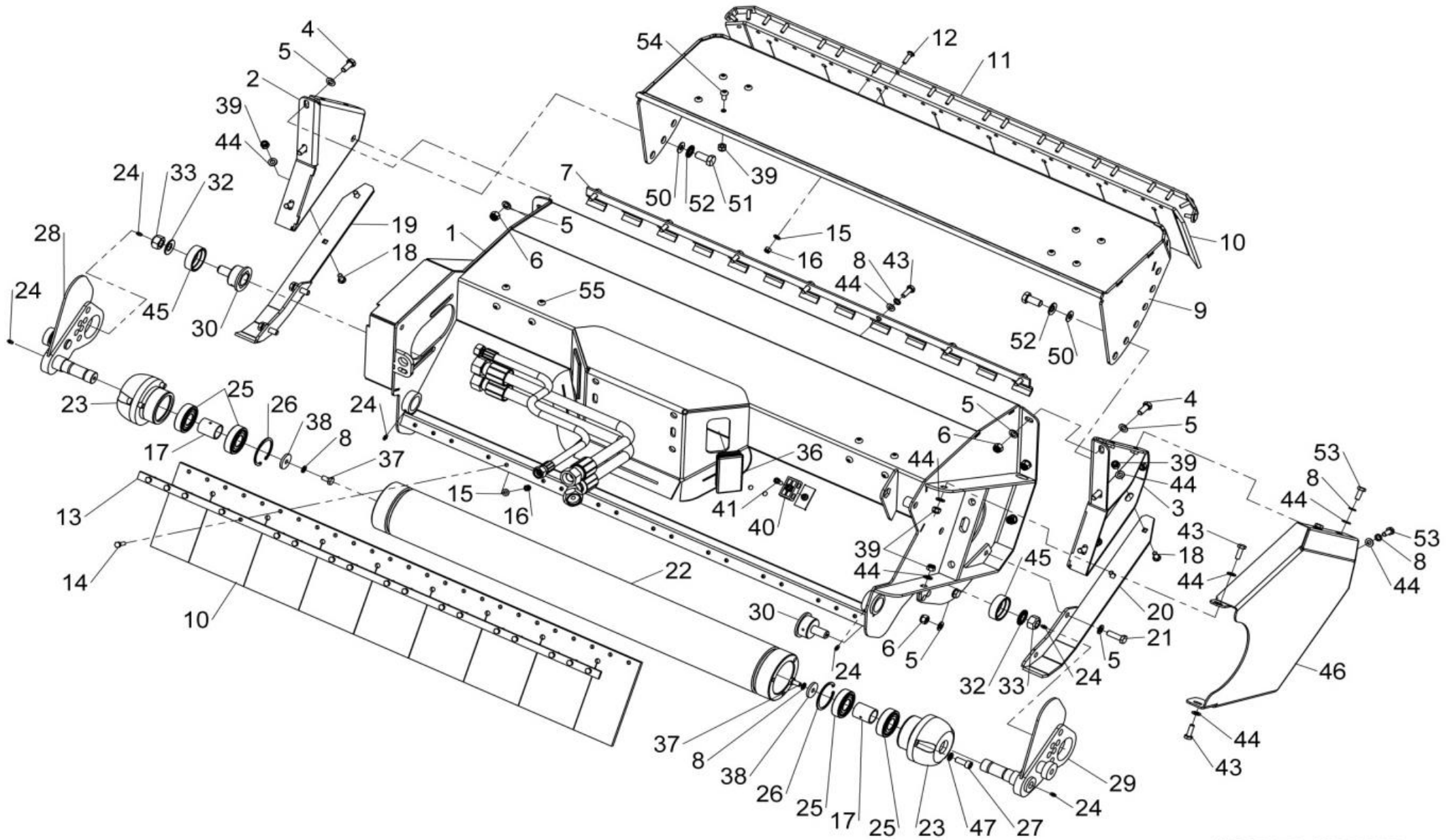


Shelbourne Reynolds Engineering Limited

ASSY NUMBER: KIT-08177				ASSY DESCRIPTION: HEAD SHELL, NOSE AND ROLLER 1.2m (2013 & ON)			
ITEM	PART NO	DESCRIPTION	QTY	ITEM	PART NO	DESCRIPTION	QTY
1	801670 01	HEAD SHELL (1.2M) LH DRIVE	1	30	802669 01	STUB PIVOT	2
OR	801670 29	HEAD SHELL (1.2M) RH DRIVE	1	31			
2	801689 01	NOSE SIDE PBXXX150404 & ON	1	32	WSHA30201	WASHER	2
OR	800815 01	NOSE SIDE (LH DRIVE) UPTO PBXXX150404	1	33	NUA15202	STOVER NUT	2
OR	800815 02	NOSE SIDE (RH DRIVE) UPTO PBXXX150404	1	34			
3	801689 02	NOSE SIDE PANEL PBXXX150404 & ON	1	35			
OR	801212 01	NOSE SIDE (LH DRIVE) UPTO PBXXX150404	1	36	CAP-0060	PLASTIC CAP	2
OR	801212 06	NOSE SIDE (RH DRIVE) UPTO PBXXX150404	1	37	HSS-0188	SETSCREW	2
4	HSS-0238	SETSCREW	6	38	190548 01	WASHER	2
5	WSH-0018	PLAIN WASHER	24	39	NUT-0265	NYLOC NUT	16
6	NUT-0269	NYLOC NUT	10	40			
7	803713 01	HINGE PLATE (1.2M)	1	41	SCW-0136	CAP HEAD SCREW	1
8	WSH-0061	SPRING WASHER	12	42			
9	803781 01	NOSE (1.2m) PBXXX160631 & ON	1	43	HSS-0194	SETSCREW	9
OR	801903 01	NOSE (1.2m) PBXXX150404 TO 160631	1	44	WSH-0015	WASHER	18
OR	800820 01	NOSE (1.2m) UPTO PBXXX150404	1	45	802667 01	BUSH	2
10	800068 01	CURTAIN (1.2M)	2	46	801213 01	HEAD SKID COVER (LH DRIVE)	1
11	800825 01	FIXING STRIP (1.2M)	1	OR	801213 02	HEAD SKID COVER (RH DRIVE)	1
12	BLT-2700	COACHBOLT	20	47	WSH-0065	SPRING WASHER	6
13	800069 01	FIXING STRIP (1.2M)	1	48			
14	HSS-0150	SETSCREW	18	49			
15	WSH-0012	PLAIN WASHER	38	50			
16	NUT-0263	NYLOC NUT	38	51	HSS-0315	SETSCREW	2
17	801950 01	SPACER TUBE	2	52	WSHA30161	WASHER PBXXX150404 & ON	2
18	BLT-3745	COACHBOLT	4	OR	WSHA30121	WASHER UPTO PBXXX150404	2
19	800881 01	SKID W/A LH	1	53	HSS-0191	SETSCREW	3
20	800881 02	SKID W/A RH	1	54	SCW-0514	CAP HEAD SCREW	8
21	HSS-0250	SETSCREW	4	55	SCBA10114	CAP HEAD SCREW	11
22	801971 01	ROLLER (1.2M)	1				
23	801944 01	END CAP	2				
24	NIP-00600	GREASE NIPPLE	6				
25	BRG-13005	BEARING	4				
26	CIR-0720	CIRCLIP	2				
27	SCW-0243	CAP HEAD SCREW	6				
28	802664 02	BRACKET ADJUSTABLE LH	1				
29	802664 01	BRACKET ADJUSTABLE RH	1				

REFER TO KIT-08247 FOR HYDRAULICS

Shelbourne Reynolds Engineering Limited



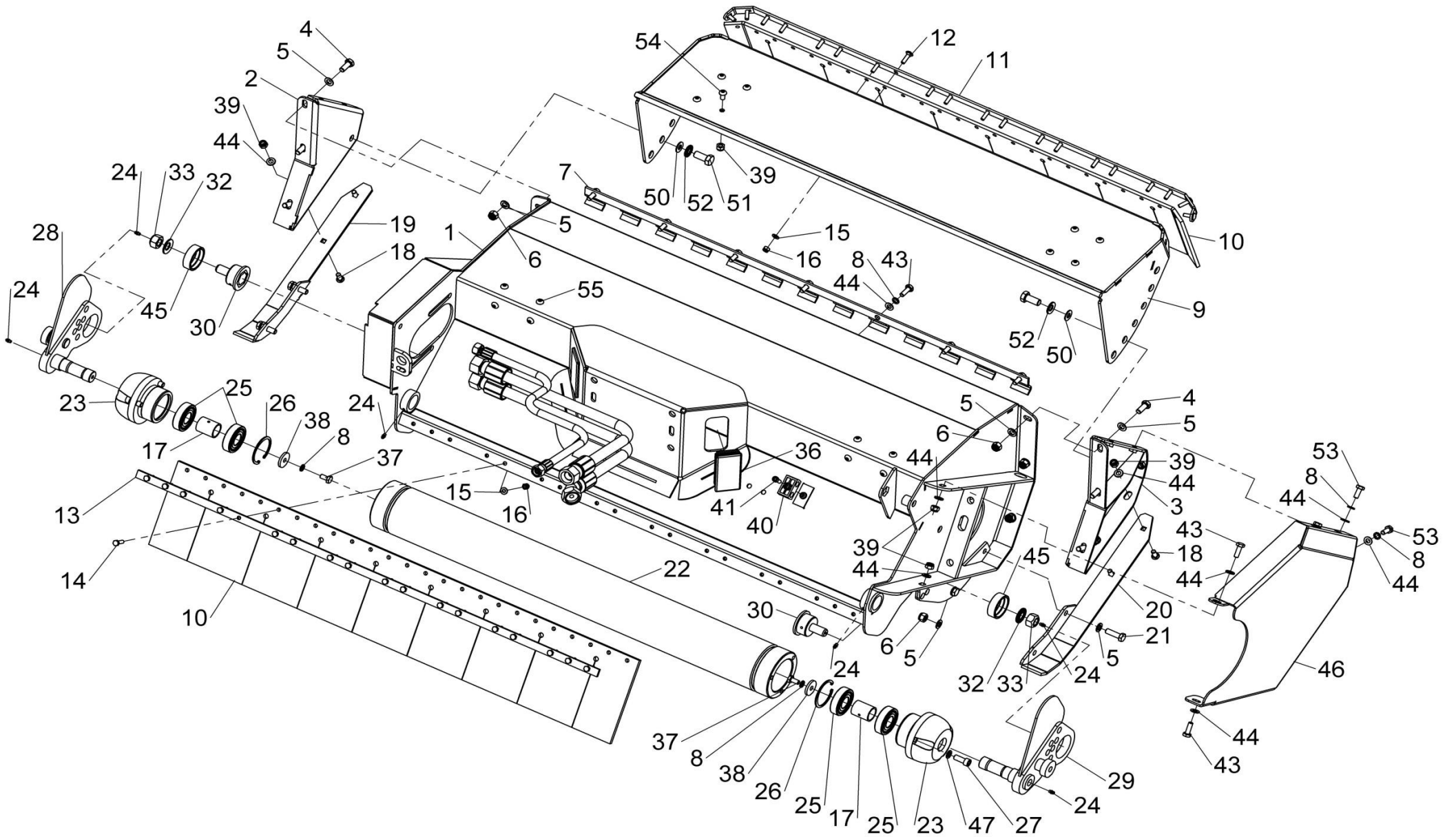
KIT-08177 KIT-08178
Shelbourne
REYNOLDS

Shelbourne Reynolds Engineering Limited

ASSY NUMBER:		KIT-08178			ASSY DESCRIPTION:		HEAD SHELL, NOSE AND ROLLER 1.5m (2013 & ON)	
ITEM	PART NO	DESCRIPTION	QTY	ITEM	PART NO	DESCRIPTION	QTY	
1	801670 02	HEAD SHELL (1.5M)LH DRIVE	1	30	802669 01	STUB PIVOT	2	
OR	801670 30	HEAD SHELL (1.5M)RH DRIVE	1	31				
2	801689 01	NOSE SIDE PBXXX150404 & ON	1	32	WSHA30201	WASHER	2	
OR	800815 01	NOSE SIDE (LH DRIVE) UPTO PBXXX150404	1	33	NUTA15202	STOVER NUT	2	
OR	800815 02	NOSE SIDE (RH DRIVE) UPTO PBXXX150404	1	34				
3	801689 02	NOSE SIDE PBXXX150404 & ON	1	35				
OR	801212 01	NOSE SIDE (LH DRIVE) UPTO PBXXX150404	1	36	CAP-0060	PLASTIC CAP	2	
OR	801212 06	NOSE SIDE (RH DRIVE) UPTO PBXXX150404	1	37	HSS-0188	SETSCREW	2	
4	HSS-0238	SETSCREW	6	38	190548 01	WASHER	2	
5	WSH-0018	PLAIN WASHER	24	39	NUT-0265	NYLOC NUT	16	
6	NUT-0269	NYLOC NUT	10	40				
7	803714 01	HINGE PLATE (1.5M)	1	41	SCW-0136	CAP HEAD SCREW	1	
8	WSH-0061	SPRING WASHER	12	42				
9	803779 01	NOSE (1.5m) PBXXX160631) & ON	1	43	HSS-0194	SETSCREW	9	
OR	802447 01	NOSE (1.5m) PBXXX(150404) TO(160631)	1	44	WSH-0015	WASHER	18	
OR	800820 02	NOSE (1.5m) UPTO PBXXX150404	1	45	802667 01	BUSH	2	
10	800068 02	CURTAIN (1.5M)	2	46	801213 01	HEAD SKID COVER(LH DRIVE)	1	
11	800825 02	FIXING STRIP (1.5M)	1	OR	801213 02	HEAD SKID COVER(RH DRIVE)	1	
12	BLT-2700	COACHBOLT	20	47	WSH-0065	SPRING WASHER	6	
13	800069 02	FIXING STRIP (1.5M)	1	48				
14	HSS-0150	SETSCREW	18	49				
15	WSH-0012	PLAIN WASHER	38	50				
16	NUT-0263	NYLOC NUT	38	51	HSS-0315	SETSCREW	2	
17	801950 01	SPACER TUBE	2	52	WSHA30161	WASHER PBXXX150404 & ON	2	
18	BLT-3745	COACHBOLT	4	OR	WSHA30121	WASHER UPTO PBXXX150404	2	
19	800881 01	SKID W/A LH	1	53	HSS-0191	SETSCREW	3	
20	800881 02	SKID W/A RH	1	54	SCW-0514	CAP HEAD SCREW	8	
21	HSS-0250	SETSCREW	4	55	SCBA10114	CAP HEAD SCREW	11	
22	801976 01	ROLLER (1.5M)	1					
23	801944 01	END CAP	2					
24	NIP-00600	GREASE NIPPLE	6					
25	BRG-13005	BEARING	4					
26	CIR-0720	CIRCLIP	2					
27	SCW-0243	CAP HEAD SCREW	6					
28	802664 02	BRACKET ADJUSTABLE LH	1					
29	802664 01	BRACKET ADJUSTABLE RH	1					

REFER TO KIT-08248 FOR HYDRAULICS

Shelbourne Reynolds Engineering Limited



KIT-08177 KIT-08178



Shelbourne Reynolds Engineering Limited

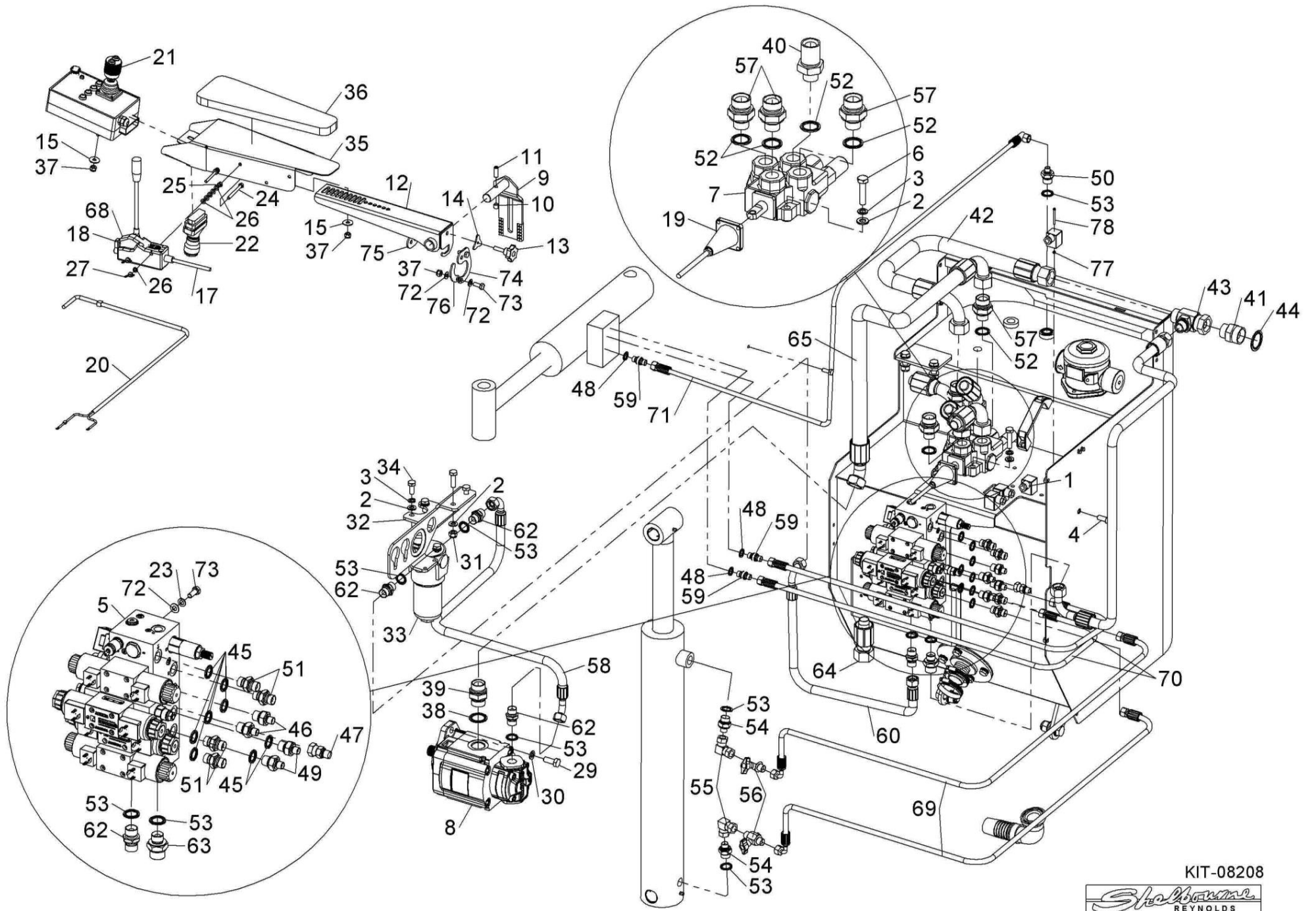
ASSY NUMBER:		KIT-08208		ASSY DESCRIPTION:		INDEPENDENT HYD (TWIN PUMP) -ELECTRIC PROPORTIONAL CONTROL (600)	
ITEM	PART NO	DESCRIPTION	QTY	ITEM	PART NO	DESCRIPTION	QTY
1	803463 01	VALVE MTG PLATE	1	35	802239 01	JOYSTICK MOUNTING	1
2	WSH-0015	WASHER	7	36	802242 01	FOAM PADDING	1
3	WSH-0061	WASHER	9	37	NUT-0263	NYLOC NUT	7
4	SCW-0514	BUTT SOC HD	4	8	WSH-1025	DOWTY WASHER	1
5	HVB-19125	MAIN VALVE BLOCK	1	39	FIT-0546	M/M ADAPTOR	1
6	BLTA10290	SETSCREW	2	40	HAGAA1113	BULKHEAD	1
7	HVB-09925	FLAIL MOTOR VALVE	1	41	HAAAA1315	M/M ADAPTOR	1
8	-	NOW SEE DRIVE KIT	-	42	HHBI04505	HYD HOSE	1
OR	PUM090661	TANDEM PUMP UPTO PBXXX180900	1	43	FITA10380	TEE FITTING	1
9	801121 01	ARM REST FIXING BRACKET	1	44	WSH-1030	DOWTY WASHER	1
10	SCW-4590	GRUB SCREW	1	45	WSH-1010	DOWTY WASHER	8
11	SCGA10178	GRUB SCREW	1	46	190859 01	M/M ADAPTOR	2
12	802218 01	ARM REST MOUNT	1	47	FIT-0520	M/F ADAPTOR	1
13	KNO-0002	PLASTIC KNOB	1	48	WSH-1005	DOWTY WASHER	3
14	801100 01	LOCKING PLATE	1	49	FIT-0025	M/M ADAPTOR	2
15	WSH-1038	LOADSPREAD WASHER	4	50	HMA-0055	M/M ADAPTOR	1
16				51	HMA-0057	M/M ADAPTOR	4
17	CBL-30005	CABLE	1	52	WSH-1020	WASHER	4
18	LVR-00410	LEVER ASSY	1	53	WSH-1015	DOWTY WASHER	9
19	HVB-08010	FIXING KIT	1	54	HMA-0065	M/M ADAPTOR	2
20	802561 01	BATTERY CONNECTION KIT	1	55	HAKAA0505	F/F ADAPTOR	2
21	804120 01	ELEC JOYSTICK PB656150468 & ON	1	56	HVB-02620	M/M SHUT OFF VALVE	2
OR	803520 01	ELEC JOYSTICK UPTO PB656150468	1	57	HMA-0075	ADAPTOR	3
22	804121 01	MACHINE LOOM PB656150468 & ON	1	58	HHKF09505	HYD HOSE	1
OR	803521 01	MACHINE LOOM UPTO PB656150468	1	59	HMA-0052	M/M ADAPTOR	3
23	WSH-0058	WASHER	4	60	HHBF06705	HOSE	1
24	HSSA06410	SETSCREW	2	61			
25	NUT-0160	PLAIN NUT	2	62	HMA-0067	M/M ADAPTOR	5
26	WSH-0009	WASHER	12	63	HMA-0060	M/M ADAPTOR	1
27	NUTA04060	WINGNUT	2	64	RUB-0330	RUBBER BUFFER	4
28				65	HHKI07605	HOSE	1
29	HSSA14200	SETSCREW	2	66	HHBH13005	HOSE	1
30	WSHA15141	SPRING WASHER	2	67			
31	NUT-0265	NYLOC NUT	2	68	802295 01	TRANSFER	1
32	803487 01	FILTER BRACKET	1	69	HHBE12805	HOSE	2
33	FIL-0220A	PRESSURE FILTER	1	70	HHAC05105	HOSE	2
33A	FIL-0230A	FILTER ELEMENT	-				
34	HSS-0191	SETSCREW	3				

Shelbourne Reynolds Engineering Limited

ASSY NUMBER:	KIT-08208	ASSY DESCRIPTION:	INDEPENDENT HYD (TWIN PUMP) -ELECTRIC PROPORTIONAL CONTROL (600)
--------------	-----------	-------------------	--

ITEM	PART NO	DESCRIPTION	QTY	ITEM	PART NO	DESCRIPTION	QTY
71	HHJC11005	HOSE	1				
72	WSH-0012	WASHER	5				
73	HSS-0140	SETSCREW	6				
74	804109 01	HOOK	1				
75	804111 01	BACK PLATE	1				
76	804110 01	LATCH PLATE	1				
77	NUTA02030	NUT	6				
78	SCFC03260	SET SCREW	6				

Shelbourne Reynolds Engineering Limited

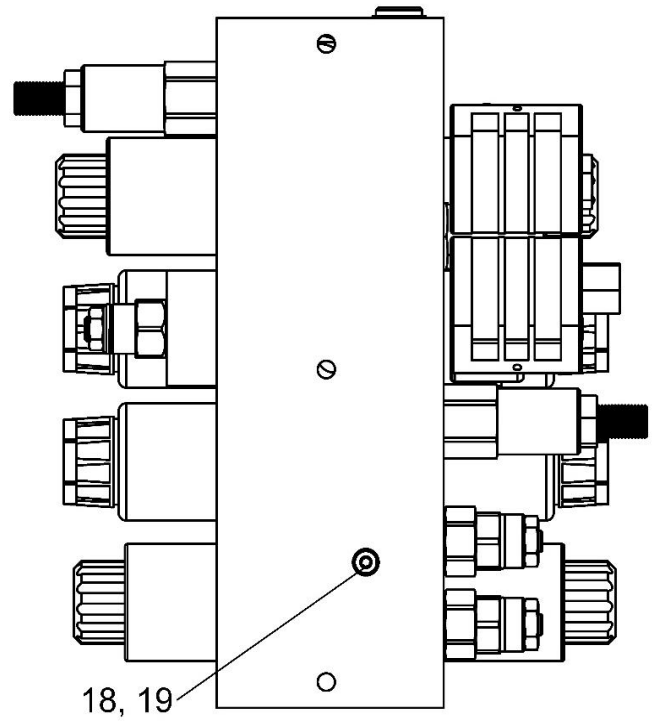
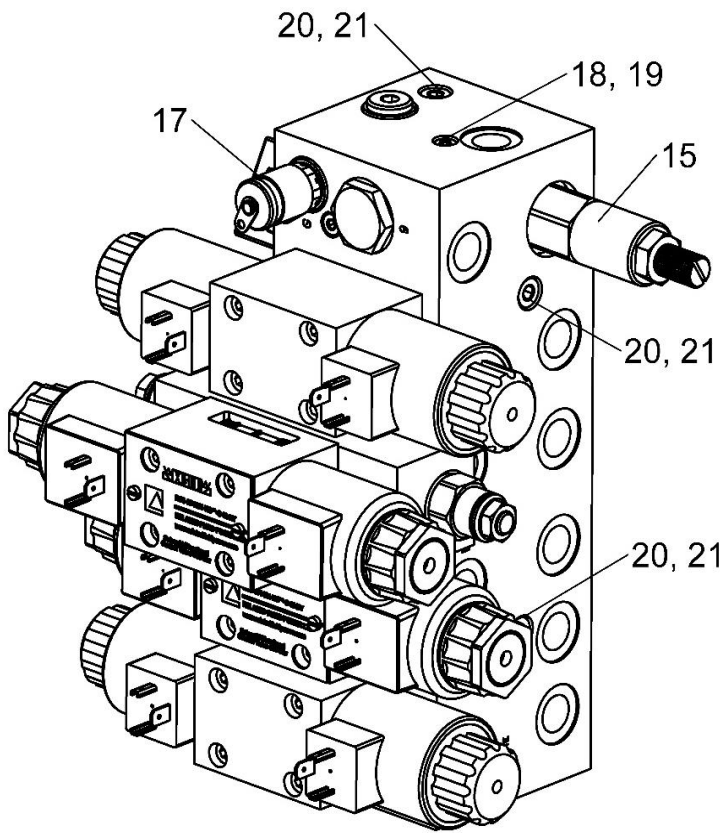
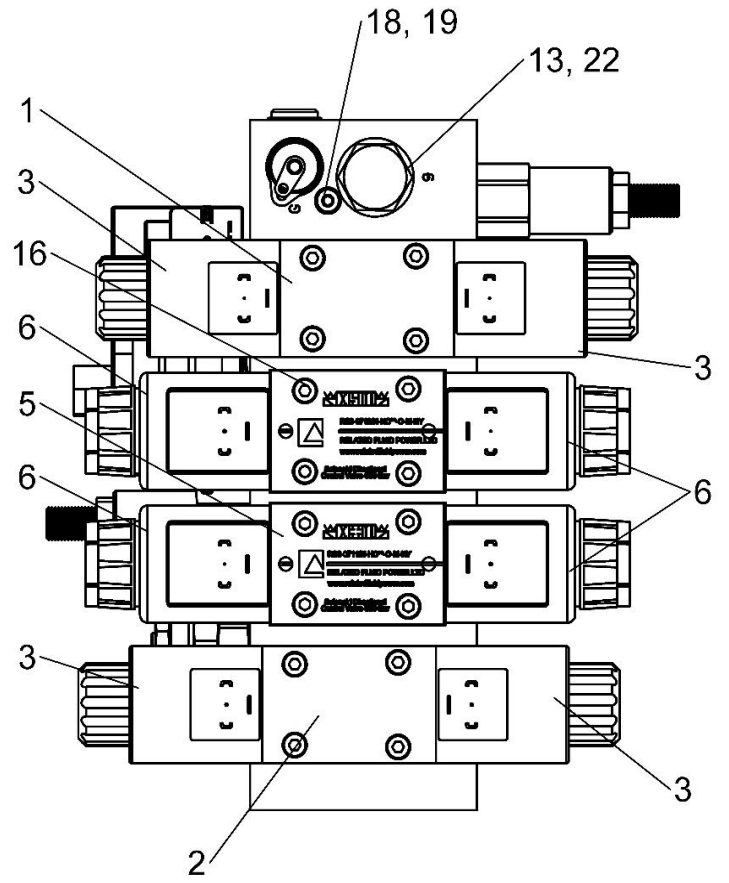
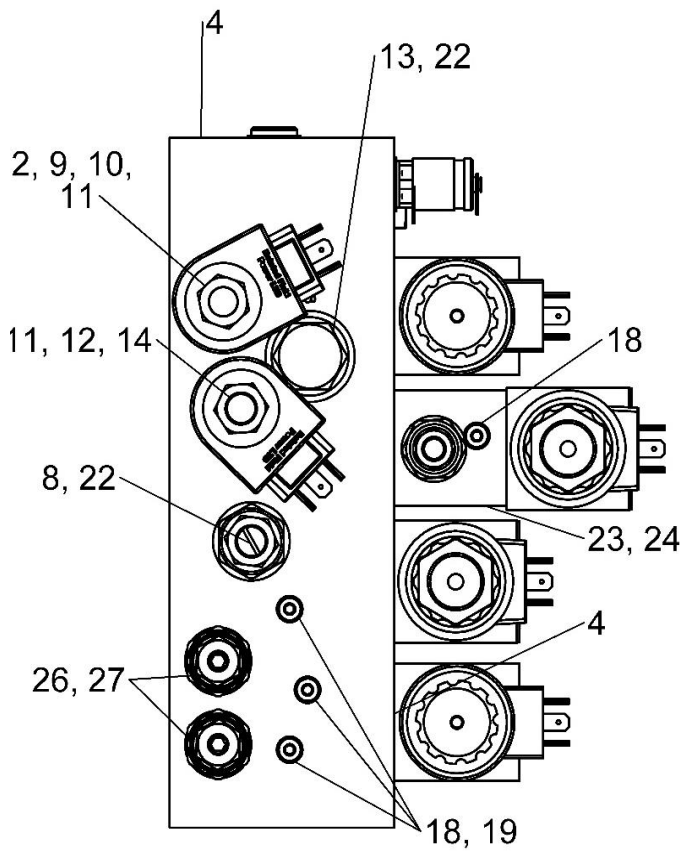


KIT-08208



Shelbourne Reynolds Engineering Limited

ASSY NUMBER: HVB-19125				ASSY DESCRIPTION: VALVE BLOCK CYLINDERS			
ITEM	PART NO	DESCRIPTION	QTY	ITEM	PART NO	DESCRIPTION	QTY
1	HVB-90051	VALVE INC COIL (LIFT)	1				
2	HVB-90062	VALVE INC COIL (REACH)	1				
3	HVB-90050	COIL	4				
4	VSK-00160	SEAL KIT (FOR ITEMS 1 AND 2)	2				
5	HVB-90060	VALVE (SLEW)	1				
6	HVB-90077	COIL (2012 & ON)	4				
7	VSK-00130	SEAL KIT (FOR ITEMS 5 AND 16)	3				
8	HVC-00570	RELIEF VALVE	1				
9	HVB-90074	LOAD HOLD VALVE	1				
10	HVC-01001	COIL	1				
11	HVB-90057	SEAL KIT	1				
12	HVB-90054	NUT	2				
13	HVB-90063	CHECK VALVE	2				
14	HVB-90055	DUMP VALVE	1				
15	HVB-90094	PRESSURE REDUCING VALVE	1				
16	HVB-90066	VALVE INC COIL (H/ANG)	1				
17	HVB-09100	TEST PORT	1				
18	HVB-90101	ZERO LEAK PLUG (SIZE 02)	7				
19	ORA 060060	O RING	7				
20	HVB-90102	ZERO LEAK PLUG (SIZE 04)	3				
21	ORA0 60080	O RING	3				
22	ORA 1401918	O RING	3				
23	HVB-90103	OVERCENTRE VALVE	1				
24	VSK-00290	SEAL KIT OVERCENTRE VALVE	1				
25	HVB-90111	OVERCENTRE VALVE CARTRIDGE	1				
26	HVB-90073	OVERCENTRE VALVE	2				
27	VSK-00300	SEAL KIT	2				

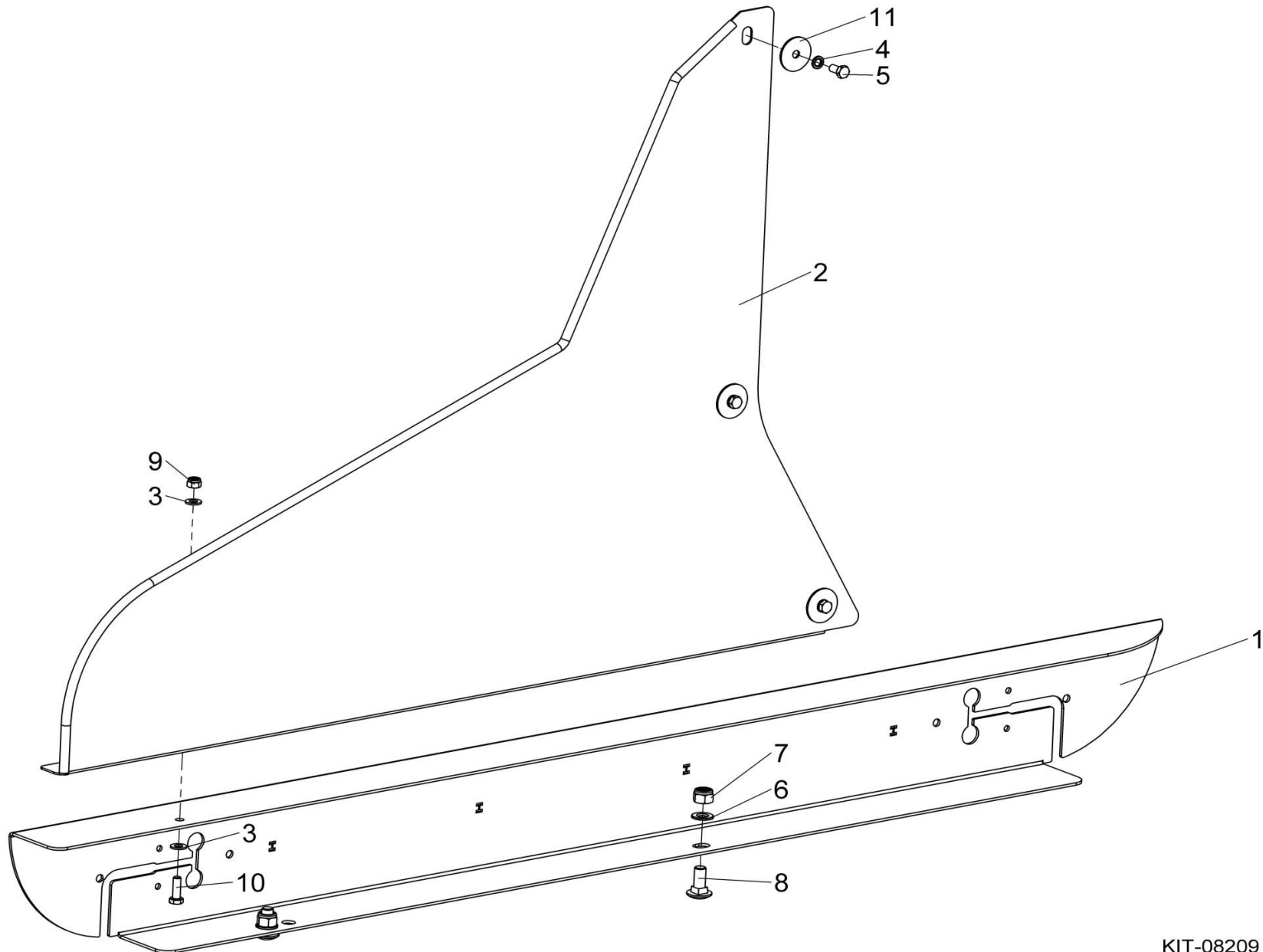


HVB-19125



Shelbourne Reynolds Engineering Limited

ASSY NUMBER: KIT-08209				ASSY DESCRIPTION: REAR GUARD KIT			
ITEM	PART NO	DESCRIPTION	QTY	ITEM	PART NO	DESCRIPTION	QTY
1	801378 01	LIGHTING BOARD	1				
2	801229 01	REAR GUARD W/A	1				
3	WSH-0012	WASHER	2				
4	WSH-0058	SPRING WASHER	3				
5	HSS-0135	SETSCREW	3				
6	WSH-0018	WASHER	2				
7	NUT-0269	NYLOC NUT	2				
8	BLT-3790	COACH BOLT	2				
9	NUT-0263	NYLOC NUT	1				
10	HSS-0145	SETSCREW	1				
11	190119 05	WASHER	3				

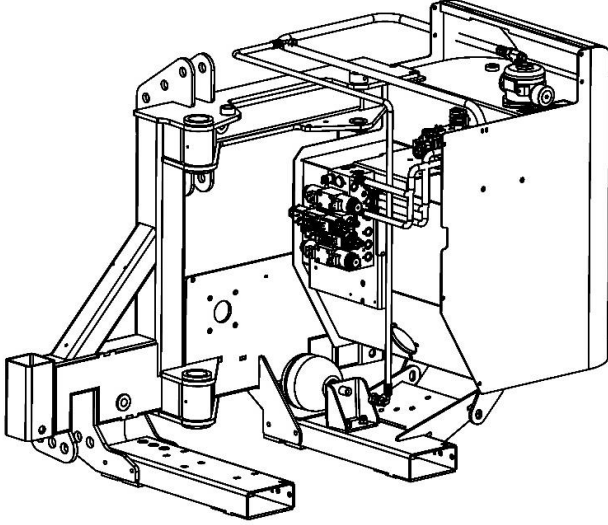
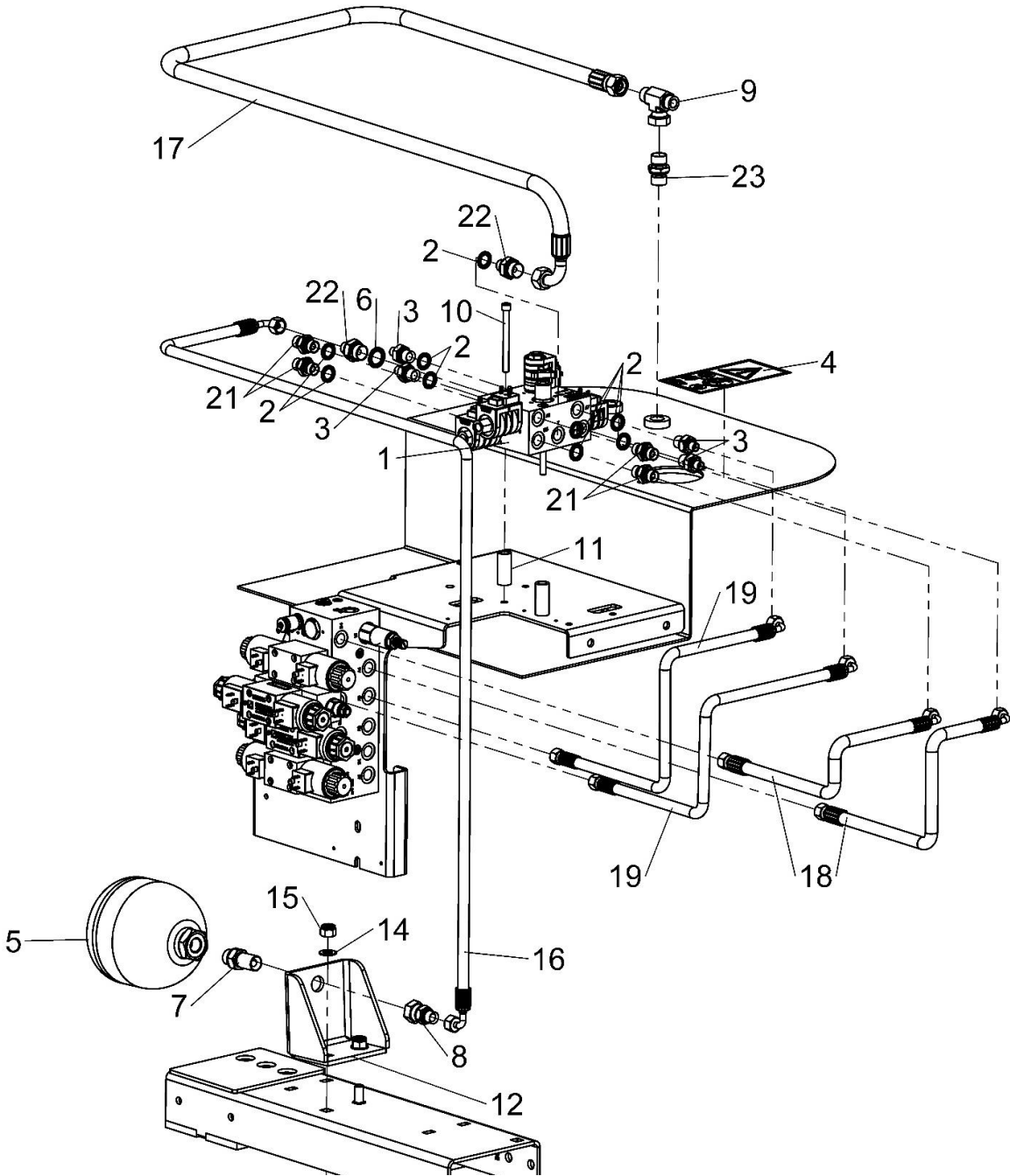


KIT-08209



Shelbourne Reynolds Engineering Limited

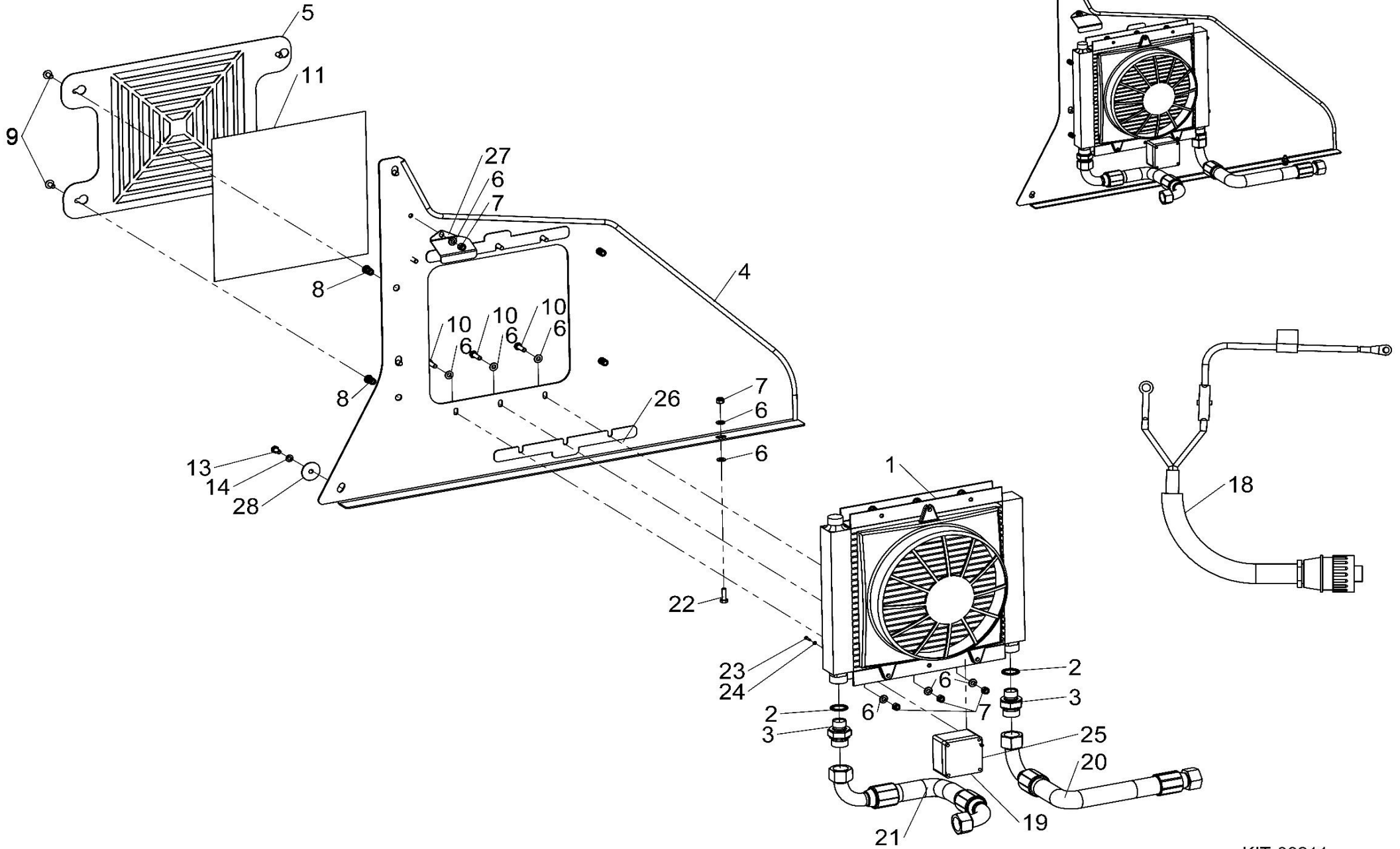
ASSY NUMBER:		KIT-08210		ASSY DESCRIPTION:		LIFT & HEAD FLOAT KIT (600 TRIMMER)	
ITEM	PART NO	DESCRIPTION	QTY	ITEM	PART NO	DESCRIPTION	QTY
1	HVB-19130	LIFT & HEAD FLOAT VALVE	1				
2	WSH-1010	DOWTY WASHER	9				
3	FIT-0025	FITTING	4				
4	804619 01	TRANSFER - ACCUMULATOR	1				
5	HYA-01440	ACCUMULATOR	1				
6	WSH-1015	DOWTY WASHER	1				
7	HAGAA0707	BULKHEAD	1				
8	FIT-0240	FITTING	2				
9	FITA10150	TEE FITTING	1				
10	SCCA08623	CAP HD SCREW	2				
11	803719 01	SPACER	2				
12	803720 01	ACCUMULATOR BRACKET	1				
13	BLT3790	COACH BOLT	2				
14	WSH-0019	WASHER	2				
15	NUT-0269	NUT	2				
16	HHEE11505	HOSE	1				
17	HHBF06705	HOSE	1				
18	HHBE03605	HOSE	2				
19	HHBC05605	HOSE	2				
20							
21	HMA-0057	ADAPTOR	4				
22	HMA-0065	ADAPTOR	2				
23	HMA-0067	ADAPTOR	1				



Shelbourne Reynolds Engineering Limited

ASSY NUMBER: KIT-08211				ASSY DESCRIPTION: OIL COOLER KIT (600 Trimmer)			
ITEM	PART NO	DESCRIPTION	QTY	ITEM	PART NO	DESCRIPTION	QTY
1	HOC-00010	OIL COOLER	1				
2	WSH-1020	WASHER	2				
3	HMA-0075	ADAPTER	2				
4	803524 01	REAR GUARD	1				
5	803450 01	GUARD	1				
6	WSH-0012	WASHER	19				
7	NUT-0263	NYLOC NUT	8				
8	NUTA13087	NUTSERT	4				
9	HSSG08114	BOLT	4				
10	HSS-0145	SET SCREW	7				
11	MES-28100	MESH SCREEN	1				
12							
13	HSS-0135	SETSCREW	3				
14	WSH-0058	WASHER	3				
15							
16							
17							
18	803459 01	COOLER CONNECTION KIT	1				
19	803460 01	COOLER WIRING LOOM	1				
20	HHBI16505	HOSE	1				
21	HHEI14005	HOSE	1				
22	HSS-0145	BOLT	1				
23	SCFC03110	PAN HD SCREW	2				
24	WSH-0001	WASHER	2				
25	NUTA02030	NYLOC NUT	2				
26	804692 01	SPACER PLATE	2				
27	804845 01	COOLER PLUG GUARD	1				
28	190119 05	WASHER	3				

Shelbourne Reynolds Engineering Limited



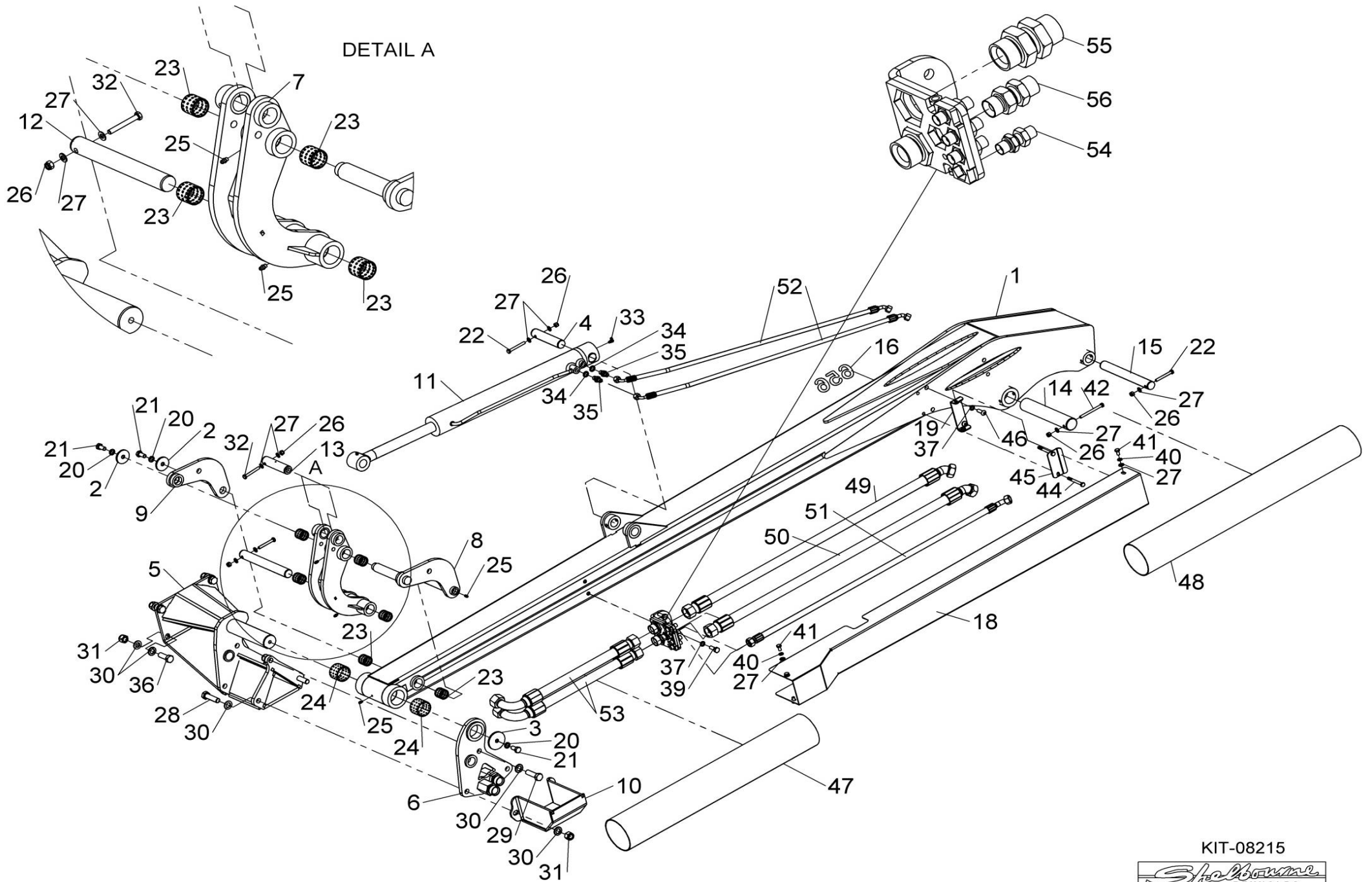
KIT-08211



Shelbourne Reynolds Engineering Limited

ASSY NUMBER: KIT-08215				ASSY DESCRIPTION: 656 FIXED OUTER BOOM			
ITEM	PART NO	DESCRIPTION	QTY	ITEM	PART NO	DESCRIPTION	QTY
1	801316 01	MD56 OUTER BOOM	1	40	WSH-0058	SPRING WASHER	4
2	190119 15	WASHER	2	41	HSS-0135	SETSCREW	4
3	190119 56	WASHER	1	42	BLTA08530	HEX.HEAD BOLT	1
4	800101 23	PIN - TIE ARM BASE	1	43			
5	801050 01	PIVOT SHOE WA	1	44	BLTA08470	BOLT	2
6	800086 02	RADIUS PLATE-HD DRIVE	1	45	803534 01	HOSE GUIDE PLATE	1
7	800090 01	2ND CURVED LINK	1	46	SCBA10200	SCREW	2
8	800097 01	1ST CURVED LINK	1	47	HSS-05010	HOSE SLEEVING	1m
9	800098 01	1ST CURVED PLATE ASSY	1	48	HSS-05010	HOSE SLEEVING	1.1m
10	800491 01	REAR PROTECTOR	1	49	HHDI21005	HOSE 2019 & ON	1
11	801236 01	CYLINDER, HEAD ANGLING	1	OR	HHDI21205	HOSE UPTO 2019	
12	800101 01	PIN - HEAD ANGLING	1	50	HHDI20605	HOSE 2019 & ON	1
13	800101 03	PIN - ANGLING RAM ROD	1	OR	HHDI20905	HOSE UPTO 2019	
14	800102 14	PIN - OUTER BOOM	1	51	HHDF21805	HOSE	1
15	800987 09	PIN - TIE ARM	1	52	HHMC20405	HOSE	2
16	802567 14	656 DECAL	2	53	HHBI09105	HOSE 2019 & ON	2
17	804678 01	BULKHEAD W/A PB6XX150474 & ON	1	OR	HHBI09405	HOSE UPTO 2019	
OR	803518 01	BULKHEAD W/A UPTO PB6XX150474	1	54	HBK-0010	BULKHEAD ADAPTOR	2
18	803512 01	HOSE COVER W/ASSY	1	55	HAGAA1313	BULKHEAD ADAPTOR	2
19	803517 01	BRACE W/ASSY	1	56	HAGAA0707	BULKHEAD ADAPTOR	1
20	WSH-0065	SPRING WASHER	3				
21	HSS-0235	SET SCREW	3				
22	BLTA08410	HEX.HEAD BOLT	2				
23	BSHO03056	BUSH	6				
24	BSHO05062	BUSH	2				
25	NIP-00600	GREASE NIPPLE	4				
26	NUT-0263	NYLOC NUT	5				
27	WSH-0012	PLAIN WASHER	12				
28	HSS-0320	HEX HEAD SETSCREW	2				
29	HSS-0319	SET SCREW	1				
30	WSH-0024	PLAIN WASHER	14				
31	NUT-0271	NYLOC NUT	7				
32	BLTA08380	HEX.HEAD BOLT	2				
33	NIP-00605	GREASE NIPPLE	1				
34	WSH-1005	DOWTY WASHER	2				
35	HMA-0052	ADAPTOR MALE/MALE	2				
36	HSS-0317	SET SCREW	4				
37	WSH-0061	SPRING WASHER	6				
38	WSH-0015	WASHER					
39	HSS-0194	SET SCREW	2				

Shelbourne Reynolds Engineering Limited



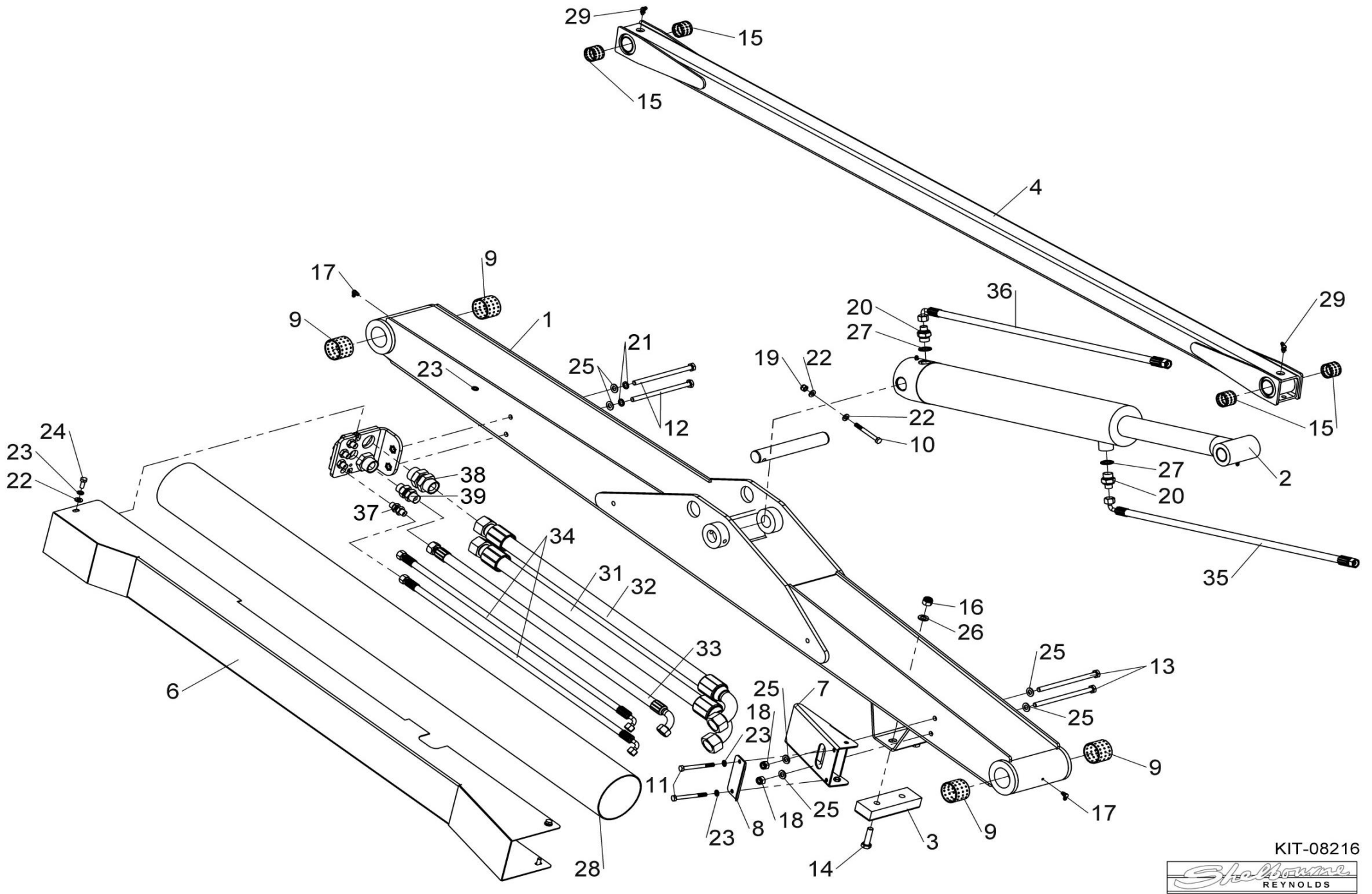
KIT-08215



Shelbourne Reynolds Engineering Limited

ASSY NUMBER: KIT-08216				ASSY DESCRIPTION: 656 FIXED INNER BOOM			
ITEM	PART NO	DESCRIPTION	QTY	ITEM	PART NO	DESCRIPTION	QTY
1	801308 01	MD56 INNER BOOM W/ASSY	1	33	HHBF34005	HOSE PBXX585 & ON	1
2	801303 01	REACH RAM 500 STROKE	1	OR	HHBF32005	HOSE PRE PBXX585	1
3	801367 01	BUFFER	1				
4	802629 01	TIE ARM WELD ASSY	1	34	HHBC33705	HOSE PBXX585 & ON	2
5	804675 01	BULKHEAD W/A PB6XX150474 & ON		OR	HHBC31505	HOSE PRE PBXX585	2
OR	803522 01	BULKHEAD W/A UPTO PB6XX150474	1				
6	803528 01	HOSE COVER W/ASSY	1	35	HHBE29005	HOSE PBXX585 & ON	1
7	803532 01	HOSE GUIDE W/ASSY	1	OR	HHBE26105	HOSE PRE PBXX585	1
8	803534 01	HOSE GUIDE PLATE	1				
9	BSHO04562	BUSH	4	36	HHBE31505	HOSE PBXX585 & ON	1
10	BLTA08470	HEX.HEAD BOLT	1	OR	HHBE29005	HOSE PRE PBXX585	1
11	BLTA08500	HEX.HEAD BOLT	2				
12	BLTA10760	HEX HEAD BOLT	2	37	HBK-0010	BULKHEAD ADAPTOR	4
13	BLTA10760	HEX HEAD BOLT	4	38	HAGAA1313	BULKHEAD ADAPTOR	2
14	BLTA12290	HEX.HEAD BOLT	2	39	HAGAA0707	BULKHEAD ADAPTOR	1
15	BSHO03056	PLAIN	4				
16	NUT-0269	NYLOC NUT	2				
17	NIP-00605	GREASE NIPPLE	2				
18	NUT-0265	NYLOC NUT	2				
19	NUT-0263	NYLOC NUT	1				
20	HMA-0065	ADAPTOR MALE/MALE	2				
21	WSH-0061	WASHER	2				
22	WSH-0012	PLAIN WASHER	6				
23	WSH-0058	SPRING WASHER	7				
24	HSS-0140	SETSCREW	4				
25	WSH-0015	PLAIN WASHER	8				
26	WSH-0018	PLAIN WASHER	2				
27	WSH-1015	DOWTY WASHER	2				
28	HHS-05010	HYDRAULIC HOSE SLEEVING	1.8m				
29	NIP-00610	GREASE NIPPLE	2				
30	800987 11	PIN(UP TO P656150387)	1				
OR	800987 26	PIN(PBXXX150388 AND ON)	1				
31	HHDI28805	HOSE 2019 & ON	1				
OR	HHDI29105	HOSE PBXX585 UPTO 2019					
OR	HHBI27505	HOSE PRE PBXX585					
32	HHDI29705	HOSE 2019 & ON	1				
OR	HHDI30005	HOSE PBXX585 UP TO 2019					
OR	HHBI28105	HOSE PRE PBXX585					

Shelbourne Reynolds Engineering Limited



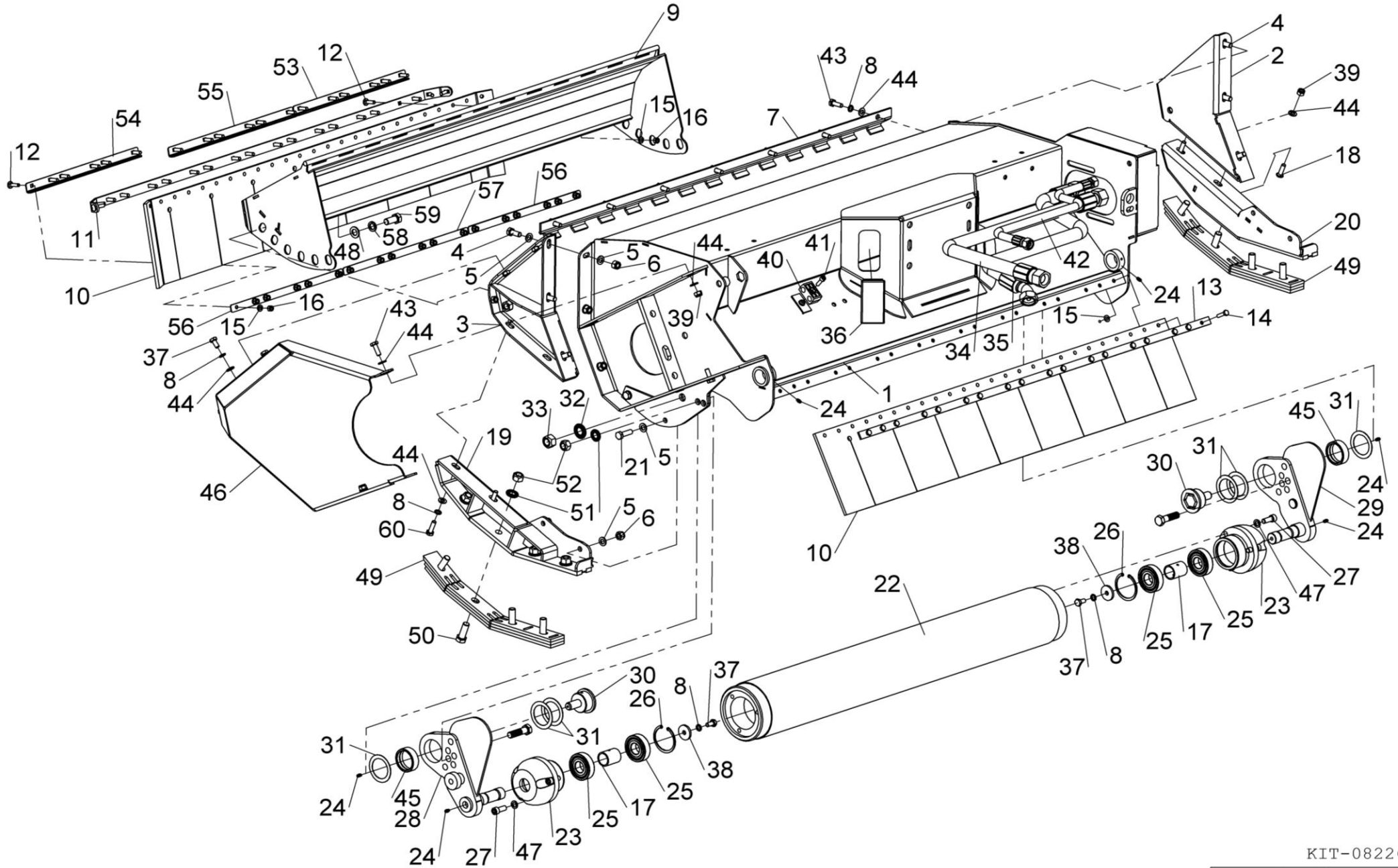
KIT-08216



Shelbourne Reynolds Engineering Limited

ASSY NUMBER: KIT-08226				ASSY DESCRIPTION: HEAD SHELL, NOSE AND ROLLER 1.2m. (VERGE MOWING) 2014 & ON			
ITEM	PART NO	DESCRIPTION	QTY	ITEM	PART NO	DESCRIPTION	QTY
1	801670 01	HEAD SHELL (1.2M) (LH DRIVE)	1	37	HSS-0188	SETSCREW	5
OR	801670 29	HEAD SHELL (1.2M) (RH DRIVE)	1	38	190548 01	WASHER	2
2	801686 02	NOSE SIDE PANEL (LH DRIVE)	1	39	NUT-0265	NYLOC NUT	6
OR	801686 01	NOSE SIDE PANEL (RH DRIVE)	1	40			
3	801689 02	NOSE SIDE PANEL (LH DRIVE)	1	41	SCW-0136	CAP HEAD SCREW	1
OR	801689 01	NOSE SIDE PANEL (RH DRIVE)	1	42			
4	HSS-0238	SETSCREW	6	43	HSS-0194	SETSCREW	9
5	WSH-0018	PLAIN WASHER	24	44	WSH-0015	PLAIN WASHER	18
6	NUT-0269	NYLOC NUT	10	45	802667 01	BUSH	2
7	800812 01	HINGE PLATE (1.2M)	1	46	801213 01	HEAD SKID COVER (LH DRIVE)	1
8	WSH-0061	SPRING WASHER	14	OR	801213 02	HEAD SKID COVER (RH DRIVE)	1
9	801903 01	NOSE (1.2m)	1	47	WSH-0065	SPRING WASHER	6
10	800068 01	CURTAIN (1.2M)	2	48	WSH-0024	WASHER	2
11	800825 01	FIXING STRIP (1.2M)	1	49	805186 01	SKID RUNNER	2
12	BLT-2700	COACHBOLT	38	50	HSS-0317	SETSCREW	8
13	800069 01	FIXING STRIP (1.2M)	1	51	WSHA30161	WASHER	7
14	HSS-0150	SETSCREW	18	52	NUTA15162	NYLOC NUT	8
15	WSH-0012	PLAIN WASHER	56	53	801993 01	WEAR STRIP RH	1
16	NUT-0263	NYLOC NUT	56	54	801993 02	WEAR STRIP LH	1
17	801950 01	SPACER TUBE	2	55	801995 01	WEAR STRIP BALANCE WEIGHT	1
18	BLTF10231	COACHBOLT	2	56	801994 01	BACKING STRIP	2
19	802703 01	SKID PLATE W/A LH	1	57	801996 01	BACKING STRIP	1
20	802703 02	SKID PLATE W/A RH	1	58	WSH-0070	WASHER	2
21	HSS-0250	SETSCREW	4	59	HSS-0315	SETSCREW	2
22	801945 01	RUBBER ROLLER	1	60	HSS-0198	SETSCREW	2
OR	801949 01	STEEL ROLLER (6INCH)	1				
23	801944 01	END CAP	2				
24	NIP-00600	GREASE NIPPLE	6				
25	BRG-13005	BEARING	4				
26	CIR-0720	CIRCLIP	2				
27	SCW-0243	CAP HEAD SCREW	6				
28	803734 01	BRACKET ADJUSTABLE LH	1				
29	803734 02	BRACKET ADJUSTABLE RH	1				
30	802669 01	STUB PIVOT	2				
31	802673 01	SHIM	6				
32	WSHA30201	PLAIN WASHER	4				
33	NUTA15202	NYLOC NUT	2				
34							
35							
36	CAP-0060	PLASTIC CAP	2				

Shelbourne Reynolds Engineering Limited

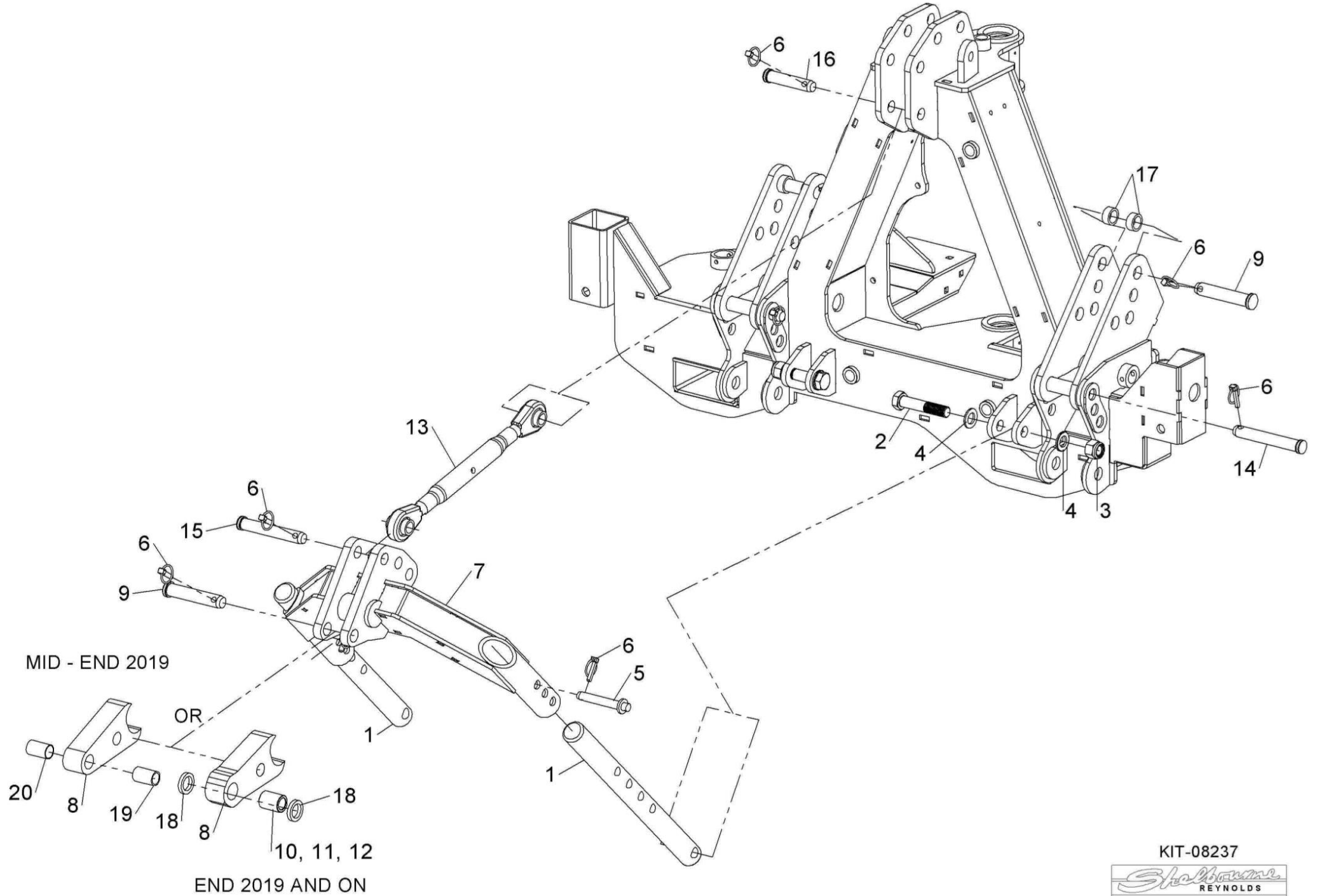


KIT-08226



Shelbourne Reynolds Engineering Limited

ASSY NUMBER:		KIT-08237		ASSY DESCRIPTION:		STABILISER KIT-3 POINT LINKAGE	
ITEM	PART NO	DESCRIPTION	QTY	ITEM	PART NO	DESCRIPTION	
1	800929 01	3-POINT SHAFT	2				
2	BLTA24620	BOLT	2				
3	NUT-0275	NYLOC NUT	2				
4	WSH-0036	PLAIN WASHER	4				
5	21728202	PIN	2				
6	PIN-01950	LYNCH PIN	9				
7	803942 01	3-POINT YOKE	1				KIT SUPPLIED ON 600/700 MODELS PBXXX170661 & ON
8	806069 01	NOSE PLATE 38mm	1				
OR	805965 01	ROCKER 32mm MID-END 2019	1				
OR	806071 01	LONGER NOSE PLATE 38mm AVAILABLE FOR FENDT 5/700 & MF	-				KIT-08237 - STABILISER KIT-3 POINT LINKAGE (HD800 ONLY)
OR	807425 01	LONGER NOSE PLATE 40mm AVAILABLE FOR FENDT 800/900					KIT-08237A STABILISER KIT-3 POINT LINKAGE (600 AND HD700 ONLY)
9	800199 01	PIN	3				
10	803949 01	SPACER 38OD 32ID	1				
11	803949 02	SPACER 38OD 28ID	1				
12	803949 03	SPACER 38OD 26ID	1				
13	ADL-11540	TOP LINK	1				
14	800198 03	PIN HD800 ONLY	2				
15	800198 02	PIN	1				
16	800198 01	PIN	1				
17	800934 01	SPACER	4				
18	802609 01	SPACER	2				
19	800197 01	SPACER 32OD 26ID MID-END 2019	1				
20	800197 02	SPACER 32OD 29ID MID-END 2019	1				

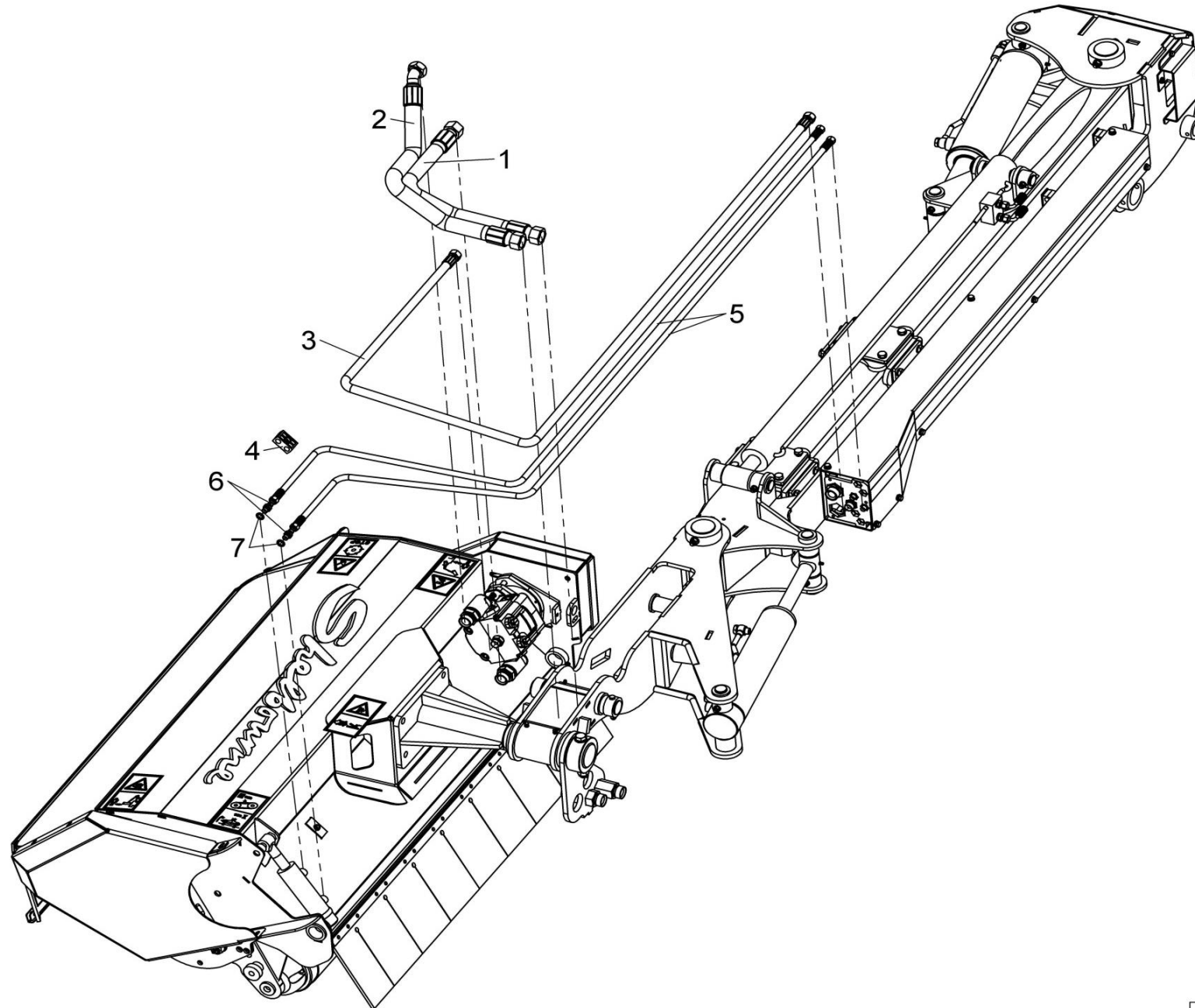


KIT-08237



Shelbourne Reynolds Engineering Limited

ASSY NUMBER: KIT-08247				1.2MT HEAD HYDRAULICS FOR 600, HD755, ASSY DESCRIPTION: HD760T,770T, 762VFR & 767VFR UPTO PBXXX170760			
ITEM	PART NO	DESCRIPTION	QTY	ITEM	PART NO	DESCRIPTION	QTY
1	HHAI05305	HOSE (LH DRIVE HD)	1				
OR	HHAI05005	HOSE (RH DRIVE HD)	1				
2	HHDI05505	HOSE (LH DRIVE HD)	1				
OR	HHDI05905	HOSE (RH DRIVE HD)	1				
3	HHAF17605	HOSE (DRAIN)	1				
4	HCPD01400	HYD.PIPE CLAMP	1				
5	HHAC20005	HOSE (LH DRIVE HD)	2				
OR	HHAC21505	HOSE (RH DRIVE HD)	2				
6	HMA-0052	ADAPTOR	2				
7	WSH-1005	BONDED SEAL	2				

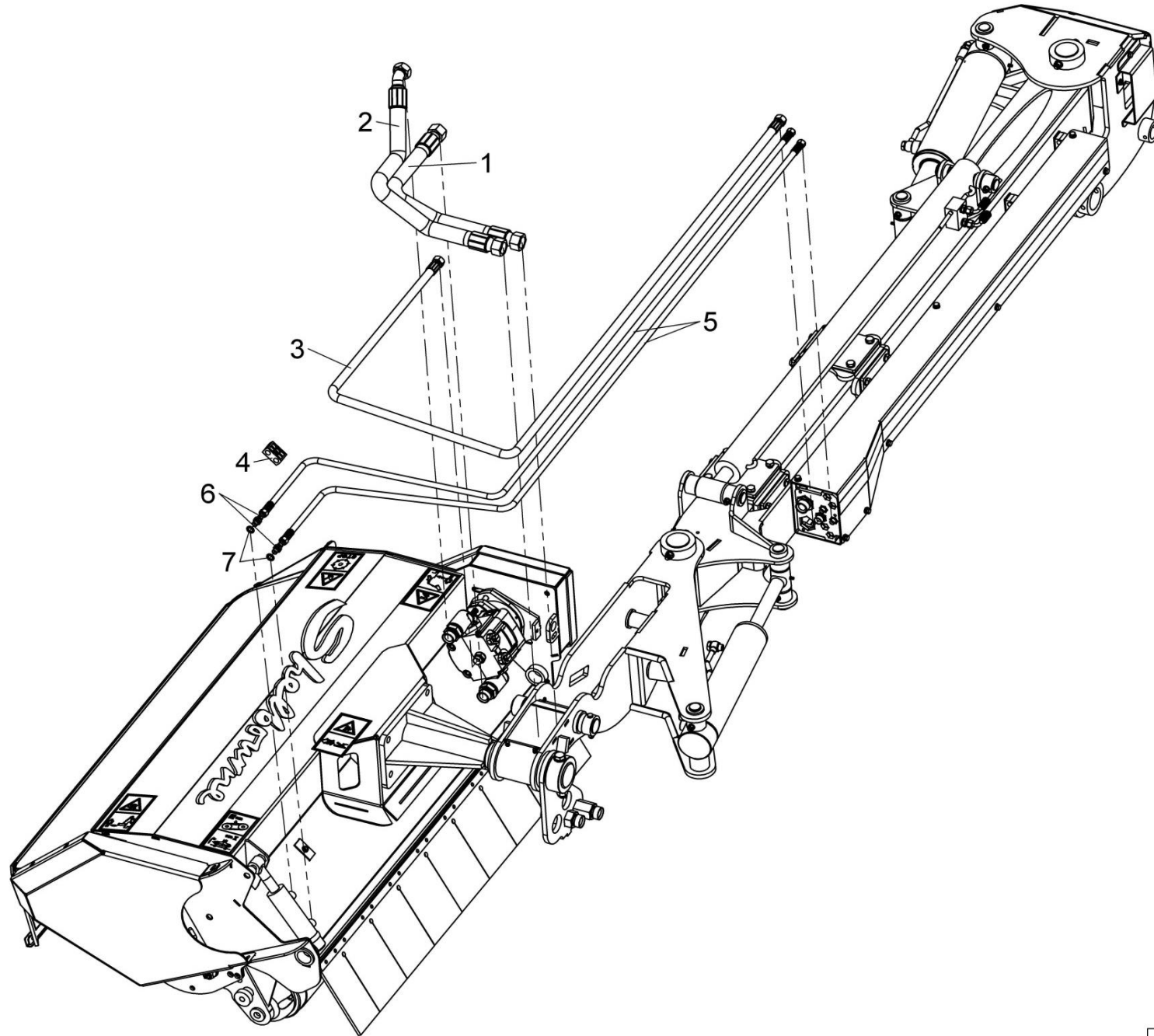


KIT-08247/48/49/50B



Shelbourne Reynolds Engineering Limited

ASSY NUMBER: KIT-08248				1.5MT HEAD HYDRAULICS FOR 600, HD755, ASSY DESCRIPTION: HD760T,770T, 762VFR & 767VFR UPTO PBXXX170760			
ITEM	PART NO	DESCRIPTION	QTY	ITEM	PART NO	DESCRIPTION	QTY
1	HHAI06605	HOSE (LH DRIVE HD)	1				
OR	HHAI06005	HOSE (RH DRIVE HD)	1				
2	HHAI07505	HOSE (LH DRIVE HD)	1				
OR	HHAI07905	HOSE (RH DRIVE HD)	1				
3	HHAF19105	HOSE (DRAIN)	1				
4	HCPD01400	HYD.PIPE CLAMP	1				
5	HHAC21505	HOSE (LH DRIVE HD)	2				
OR	HHAC23005	HOSE (RH DRIVE HD)	2				
6	HMA-0052	ADAPTOR	2				
7	WSH-1005	BONDED SEAL	2				



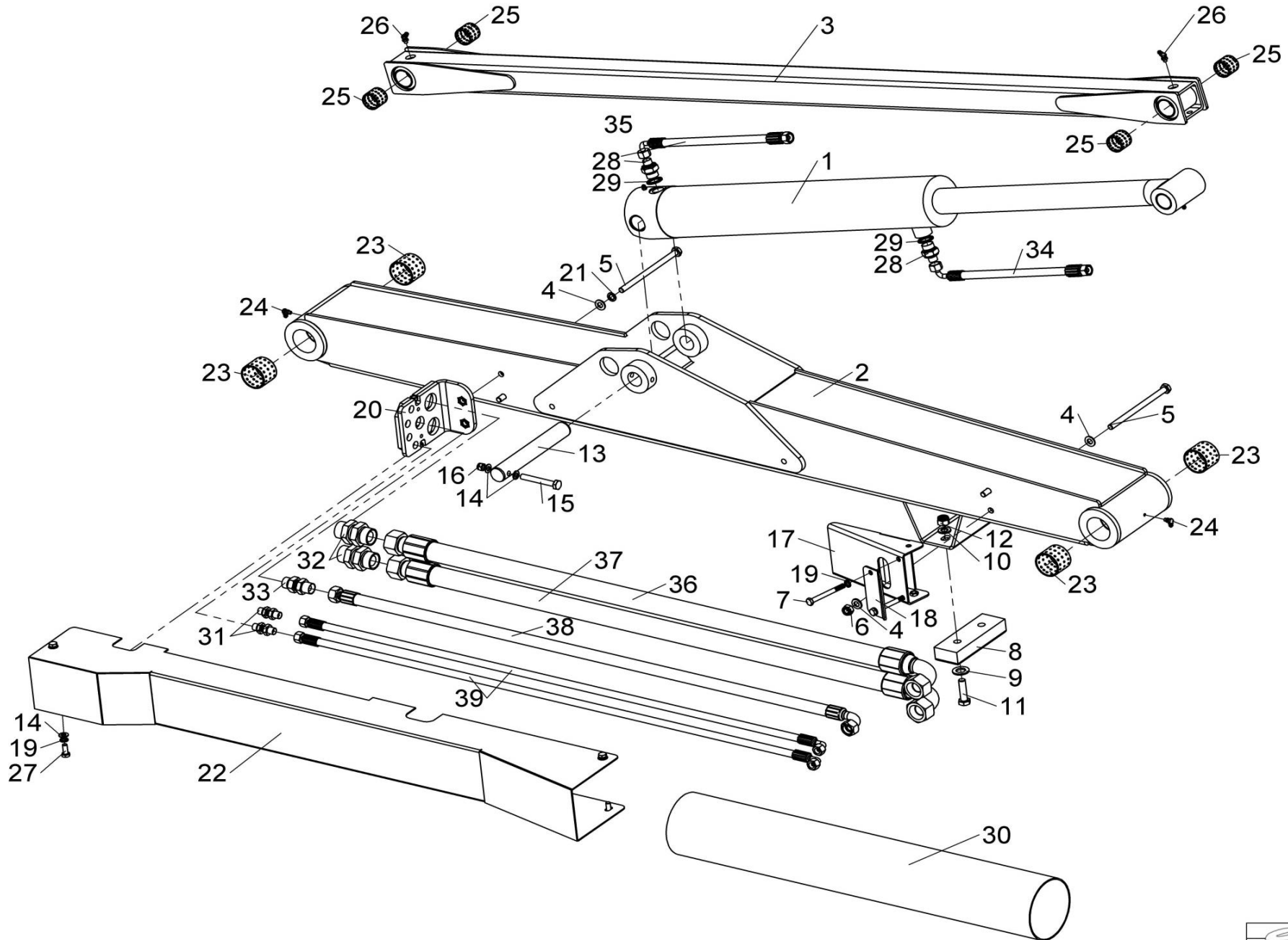
KIT-08247/48/49/50B



Shelbourne Reynolds Engineering Limited

ASSY NUMBER: KIT-08255				ASSY DESCRIPTION: 660 FIXED INNER BOOM			
ITEM	PART NO	DESCRIPTION	QTY	ITEM	PART NO	DESCRIPTION	QTY
1	801303 01	REACH RAM 500 STROKE	1	36	HHDI24905	HOSY ASSY 2019 & ON	1
2	801165 01	MD50 INNER BOOM W/A	1	OR	HHDI25205	HOSY ASSY (PB**585 TO 2019)	1
3	802628 01	TIE ARM W/A	1	OR	HHBI23805	HOSY ASSY (PRE PB**585)	1
4	WSH-0015	WASHER	6				
5	BLTA10760	BOLT	4	37	HHDI26005	HOSY ASSY 2019 & ON	1
6	NUT-0265	NUT	2	OR	HHDI26305	HOSY ASSY (PB**585 TO 2019)	1
7	BLTA08500	BOLT	2	OR	HHBI24405	HOSY ASSY (PRE PB**585)	1
8	801367 01	BUFFER	1				
9	WSH-0024	WASHER	2	38	HHBF30005	HOSY ASSY (PB**585 & ON)	1
10	WSH-0018	WASHER	2	OR	HHBF28305	HOSY ASSY (PRE PB**585)	1
11	BLTA12290	SETSCREW	2				
12	NUT-0269	NUT	2	39	HHBC30005	HOSY ASSY (PB**585 & ON)	2
13	800987 26	PIN	1	OR	HHBC27805	HOSY ASSY (PRE PB**585)	2
14	WSH-0012	WASHER	6				
15	BLTA10470	BOLT	1				
16	NUT-0263	NUT	1				
17	803532 01	HOSE GUIDE W/A	1				
18	803534 01	HOSE GUIDE PLATE	1				
19	WSH-0058	WASHER	6				
20	804675 01	BULKHEAD W/A	1				
21	WSH-0061	WASHER	2				
22	804384 01	HOSE COVER W/A	1				
23	BSHO04562	BUSH	4				
24	NIP-00605	GREASE NIPPLE	2				
25	BSHO03056	BUSH	4				
26	NIP-00610	GREASE NIPPLE	2				
27	HSS-0140	SETSCREW	4				
28	HMA-0065	M/M ADAPTOR	2				
29	WSH-1015	DOWTY WASHER	2				
30	HHS-05010	HYDRAULIC HOSE SLEEVING	1.8m				
31	HBK-0010	BULKHEAD ADAPTOR	4				
32	HAGAA1313	BULKHEAD ADAPTOR	2				
33	HAGAA0707	BULKHEAD ADAPTOR	1				
34	HHBE29005	HOSY ASSY (PB**585 & ON)	1				
OR	HHBE26105	HOSY ASSY (PRE PB**585)	1				
35	HHBE31505	HOSY ASSY (PB**585 & ON)	1				
OR	HHBE29005	HOSY ASSY (PRE PB**585)	1				

Shelbourne Reynolds Engineering Limited



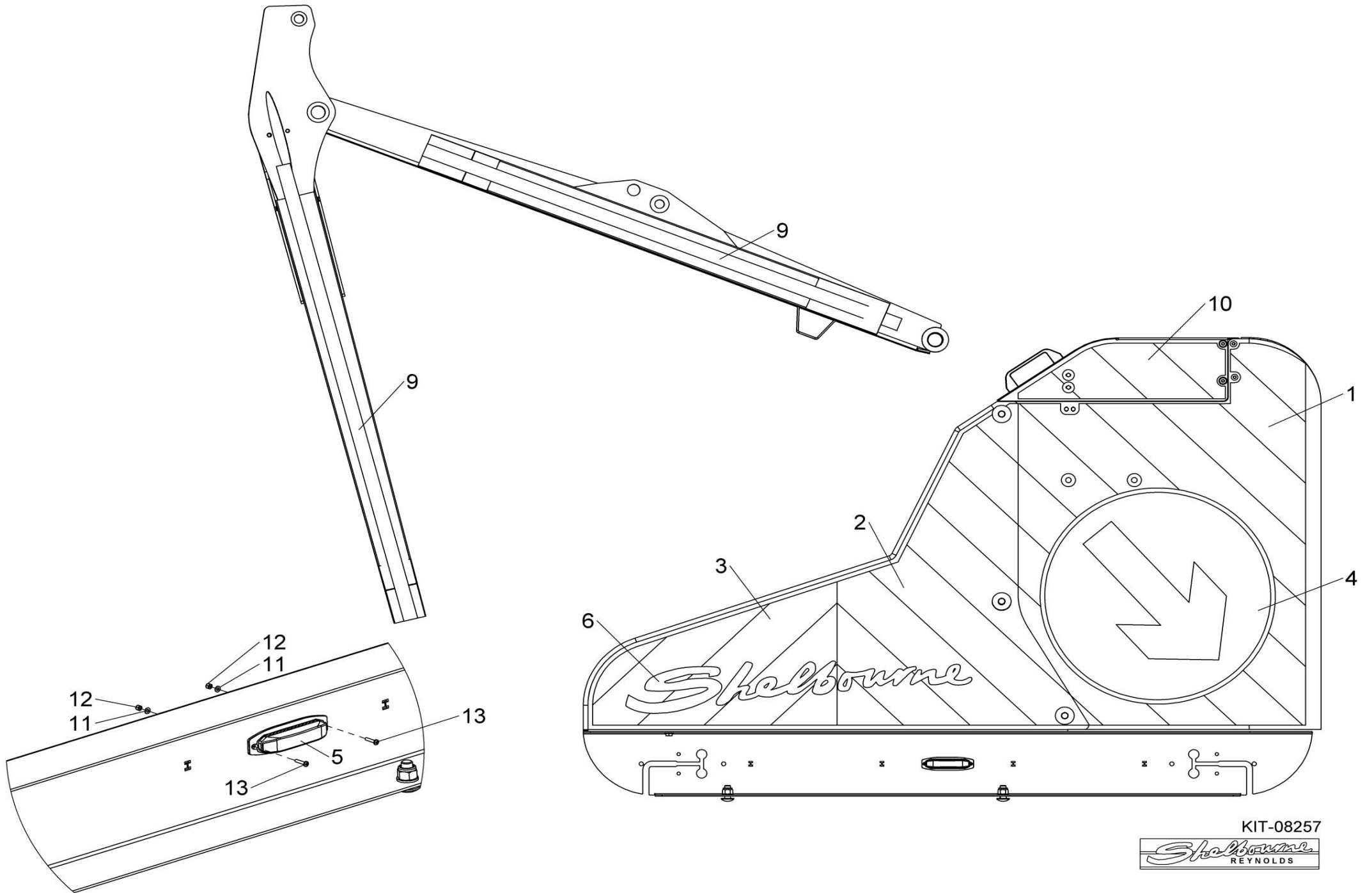
KIT-08255



Shelbourne Reynolds Engineering Limited

ASSY NUMBER: KIT-08257				ASSY DESCRIPTION: 600 SERIES HIGHWAYS KIT			
ITEM	PART NO	DESCRIPTION	QTY	ITEM	PART NO	DESCRIPTION	QTY
1	804330 01	REAR FLUORESCENT PANEL (TANK)	1				
2	804331 01	REAR FLUORESCENT PANEL (CENTRE)	1				
3	804332 01	REAR FLUORESCENT PANEL	1				
4	801977 01	MAGNETIC TRAFFIC ARROW	1				
5	804684 01	WARNING LIGHT	1				
6	804561 01	TRANSFER SHELBOURNE (WHITE)	1				
7							
8							
9	802084 01	FLUORESCENT BOOM TRANSFER	2				
10	804551 01	REAR FLUORESCENT PANEL (TANK)	1				
11	WSH-0001	WASHER	2				
12	NUTA02030	NYLOC NUT	2				
13	SCFC03110	PAN HEAD SCREW	2				

Shelbourne Reynolds Engineering Limited

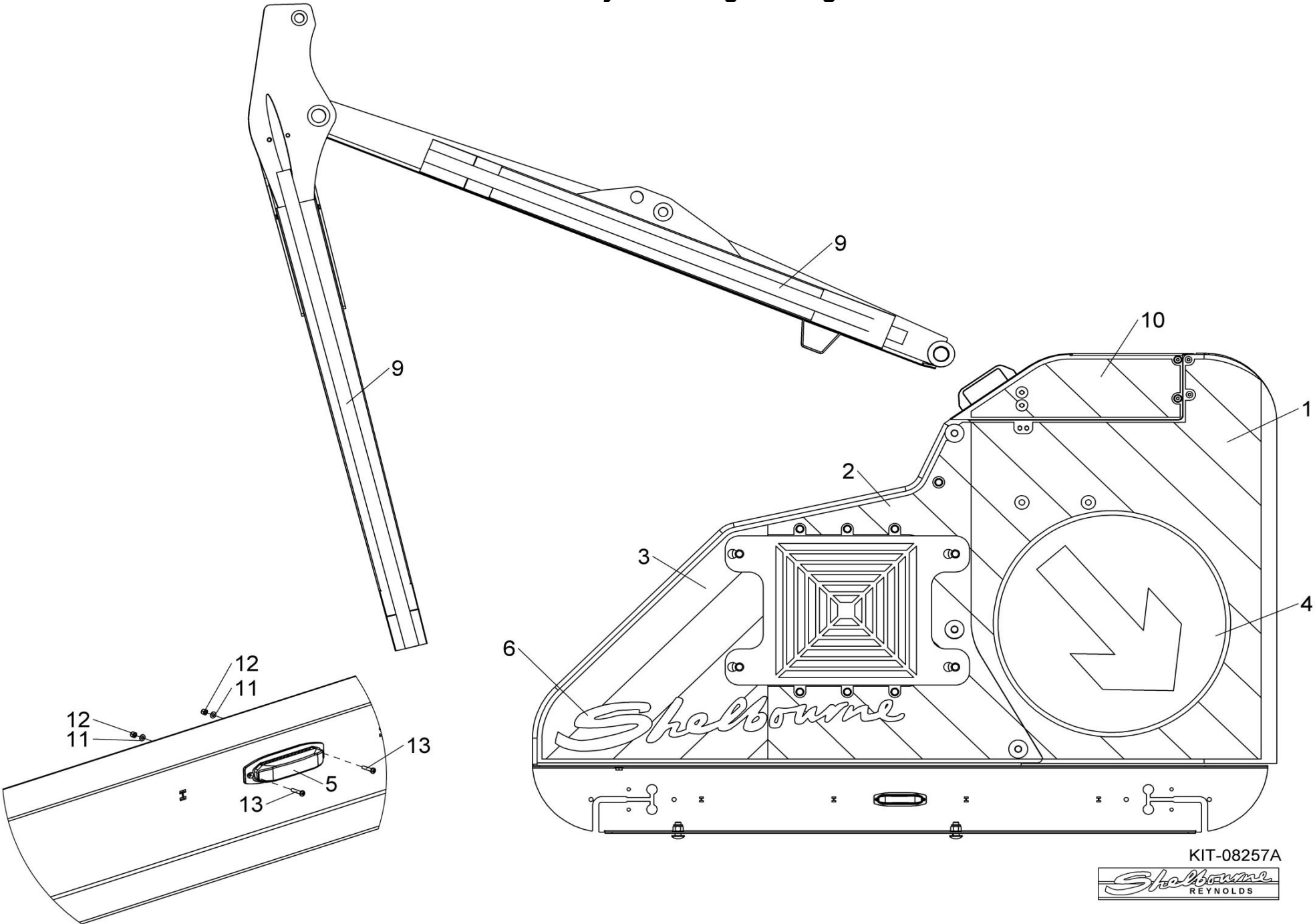


KIT-08257



Shelbourne Reynolds Engineering Limited

ASSY NUMBER: KIT-08257A				ASSY DESCRIPTION: 600 SERIES HIGHWAYS KIT (OIL COOLER)			
ITEM	PART NO	DESCRIPTION	QTY	ITEM	PART NO	DESCRIPTION	QTY
1	804330 01	REAR FLUORESCENT PANEL (TANK)	1				
2	804552 01	REAR FLUORESCENT PANEL (CENTRE)	1				
3	804553 01	REAR FLUORESCENT PANEL	1				
4	801977 01	MAGNETIC TRAFFIC ARROW	1				
5	804684 01	WARNING LIGHT	1				
6	804561 01	TRANSFER SHELBOURNE (WHITE)	1				
7							
8							
9	802084 01	FLUORESCENT BOOM TRANSFER	2				
10	804551 01	REAR FLUORESCENT PANEL (TANK)	1				
11	WSH-0001	PLAIN WASHER	2				
12	NUTA02030	NYLOC NUT	2				
13	SCFC03110	PAN HEAD SCREW	2				



KIT-08257A

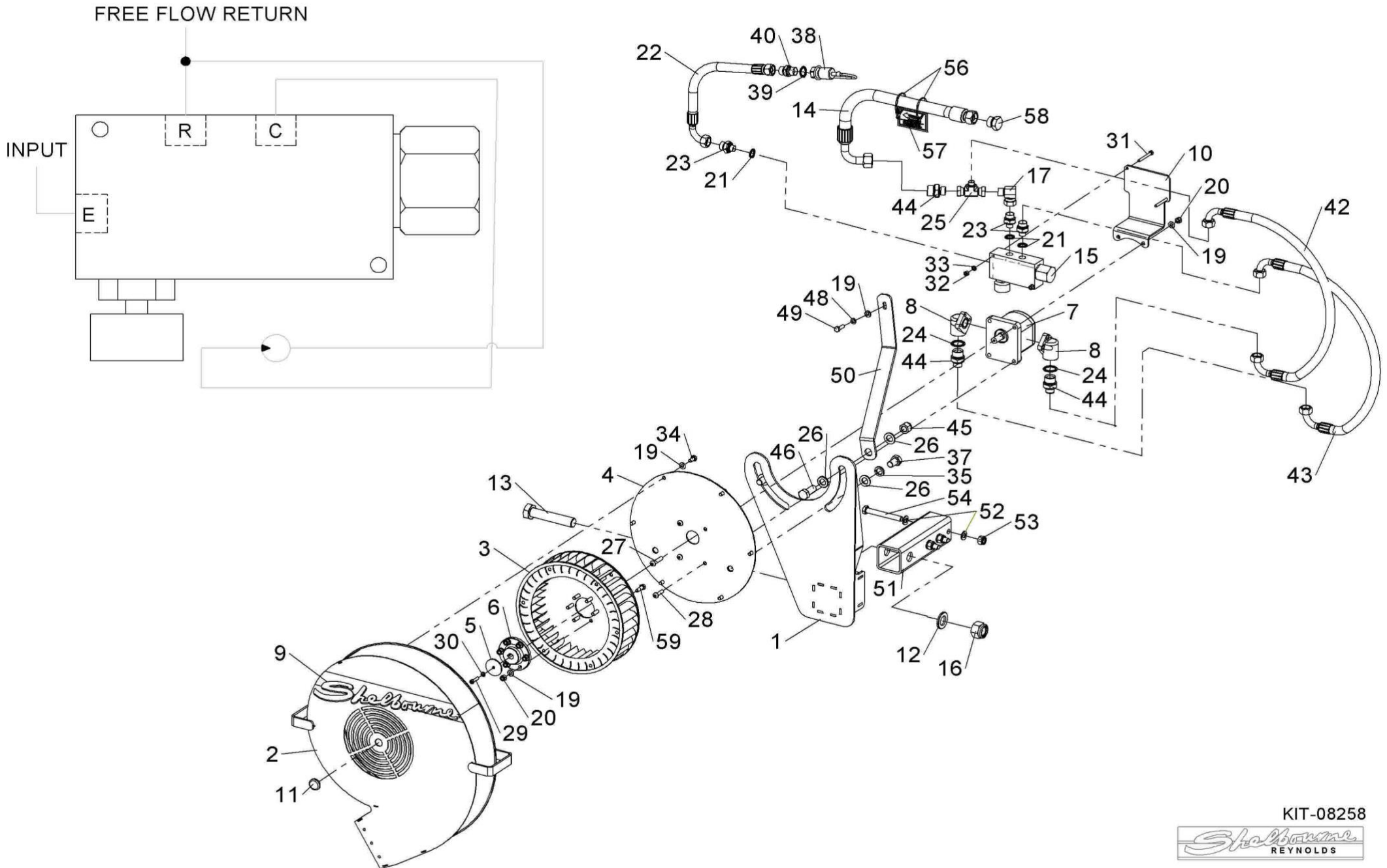


Shelbourne Reynolds Engineering Limited

ASSY NUMBER: KIT-08258				ASSY DESCRIPTION: 600 SERIES TRIMMER BLOWER KIT			
ITEM	PART NO	DESCRIPTION	QTY	ITEM	PART NO	DESCRIPTION	QTY
1	802758 01	DEBRIS BLOWER PIVOTING MT WA	1	41	FITC00311	HYD. BLANK PLUG	1
2	802607 01	FAN HOUSING WA	1	42	HHEF07005	HYDRAULIC HOSE ASSY	1
3	802778 01	IMPELLER WA	1	43	HHEF07005	HYDRAULIC HOSE ASSY	1
4	803109 01	MOTOR MTG PLATE W/ASSY	1	44	HMA-0060	ADAPTOR MALE/MALE	3
5	802779 01	TOP WAHERS IMPELLER	1	45	NUT-0271	NYLOC NUT	1
6	803107 01	CENTRE HUB	1	46	HSS-0316	SETSCREW	1
7	MOTH00800	BI-DIRECTIONAL HYDRAULIC MOTOR	1	47	WSH-0015	PLAIN WASHER	1
8	PUM900430	***PUMP 3/4" BSP STRAIGHT	2	48	WSH-0061	SPRING WASHER	1
9	802699 01	TRANSFER - SHELBOURNE DEBRIS B	1	49	HSS-0194	SET SCREW	1
10	802755 01	FAN HYD VALVE MT	1	50	804153 01	SUPPORT BRACKET	1
11	BPG-00200	PLASTIC BODY PLUG	1	51	804335 01	BLOWER MOUNT	1
12	WSH-0036	PLAIN WASHER FORM A	1	52	WSH-0018	PLAIN WASHER	6
13	HSSA24620	HEX.HEAD SET SCREW	1	53	NUT-0269	NYLOC NUT	3
14	HHBF27505	HYDRAULIC HOSE ASSY	1	54	BLT-2270	HEX.HEAD BOLT	3
15	HVB-22115	3 WAY FLOW REGULATOR, PRESSURE	1	55	HSS-0135	SET SCREW	6
16	NUT-0275	NYLOC NUT	1	56	TIE-0004	TIE	2
17	HALAA0707	ELBOW 90 DEG.MALE/FEMALE	1	57	612230 01	EMBLEM	1
18	HSS-0145	SETSCREW	1	58	FITC00311	BLANKING PLUG	1
19	WSH-0012	PLAIN WASHER	17	59	SCBA08172	BUTT SCREW	6
20	NUT-0263	NYLOC NUT	10				
21	WSH-1010	DOWTY WASHER	3				
22	HHBH26805	HYDRAULIC HOSE ASSY	1				
23	HMA-0065	ADAPTOR MALE/MALE	3				
24	WSH-1020	DOWTY WASHER 3/4"	2				
25	FITA11407	TEE FITTING	1				
26	WSH-0024	PLAIN WASHER	4				
27	SCBA08260	BUTT SOC HEAD SCREW	2				
28	SCBA08202	BUTTON HEAD SCREW	2				
29	SCW-0086	CAP HEAD SCREW	1				
30	WSH-0056	SPRING WASHER	1				
31	BLTA06350	HEX.HEAD BOLT	2				
32	NUT-0260	NYLOC NUT	2				
33	WSH-0009	PLAIN WASHER	2				
34	HSS-0135	SETSCREW	6				
35	WSH-0070	SPRING WASHER	2				
36							
37	HSS-0312	SET SCREW	2				
38	COU-0162	QUICK RELEASE COUPLING	1				
39	WSH-1015	DOWTY WASHER 1/2"	1				
40	HMA-0067	ADAPTOR MALE/MALE	1				

Shelbourne Reynolds Engineering Limited

ITEM 15 LAYOUT



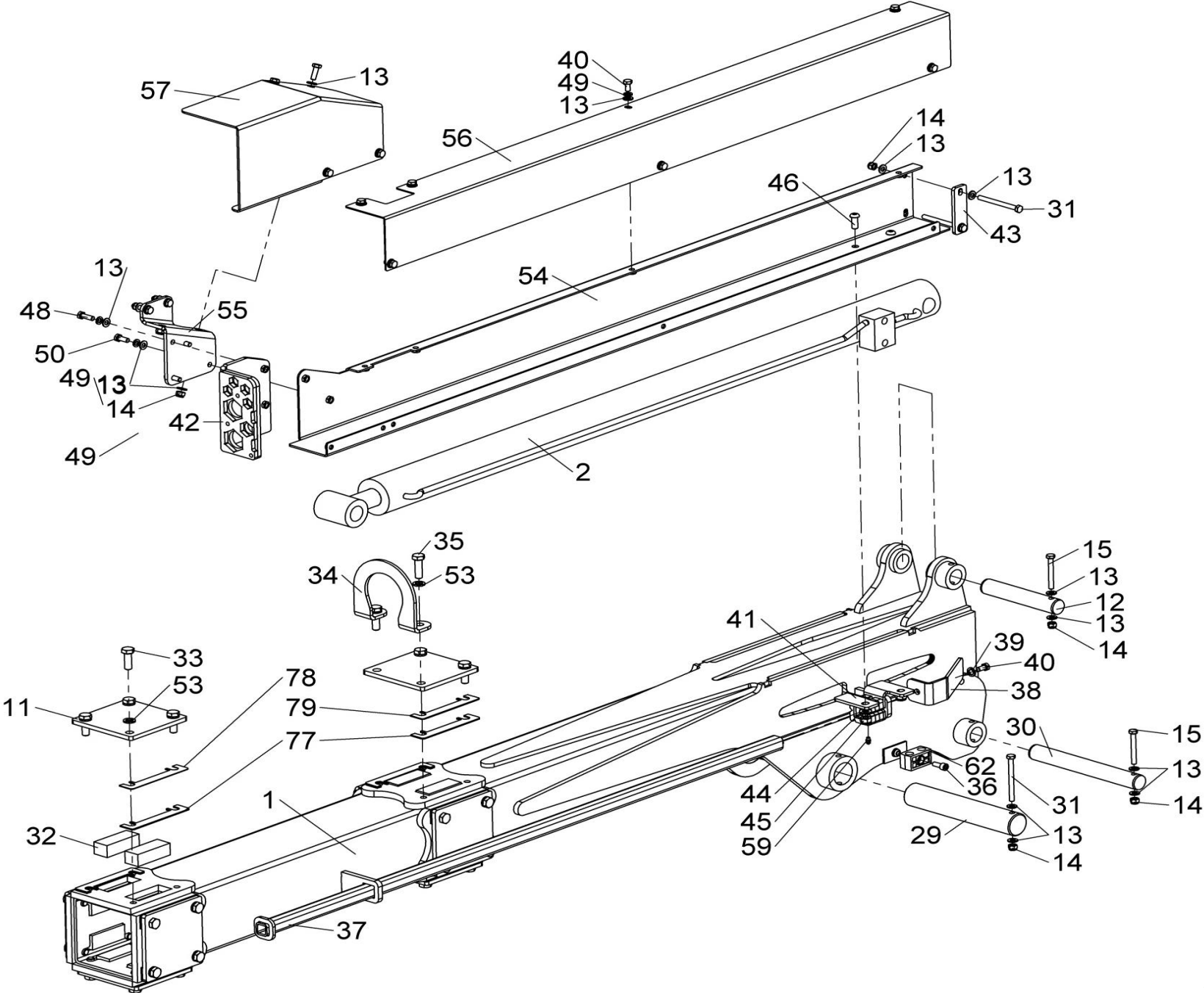
KIT-08258



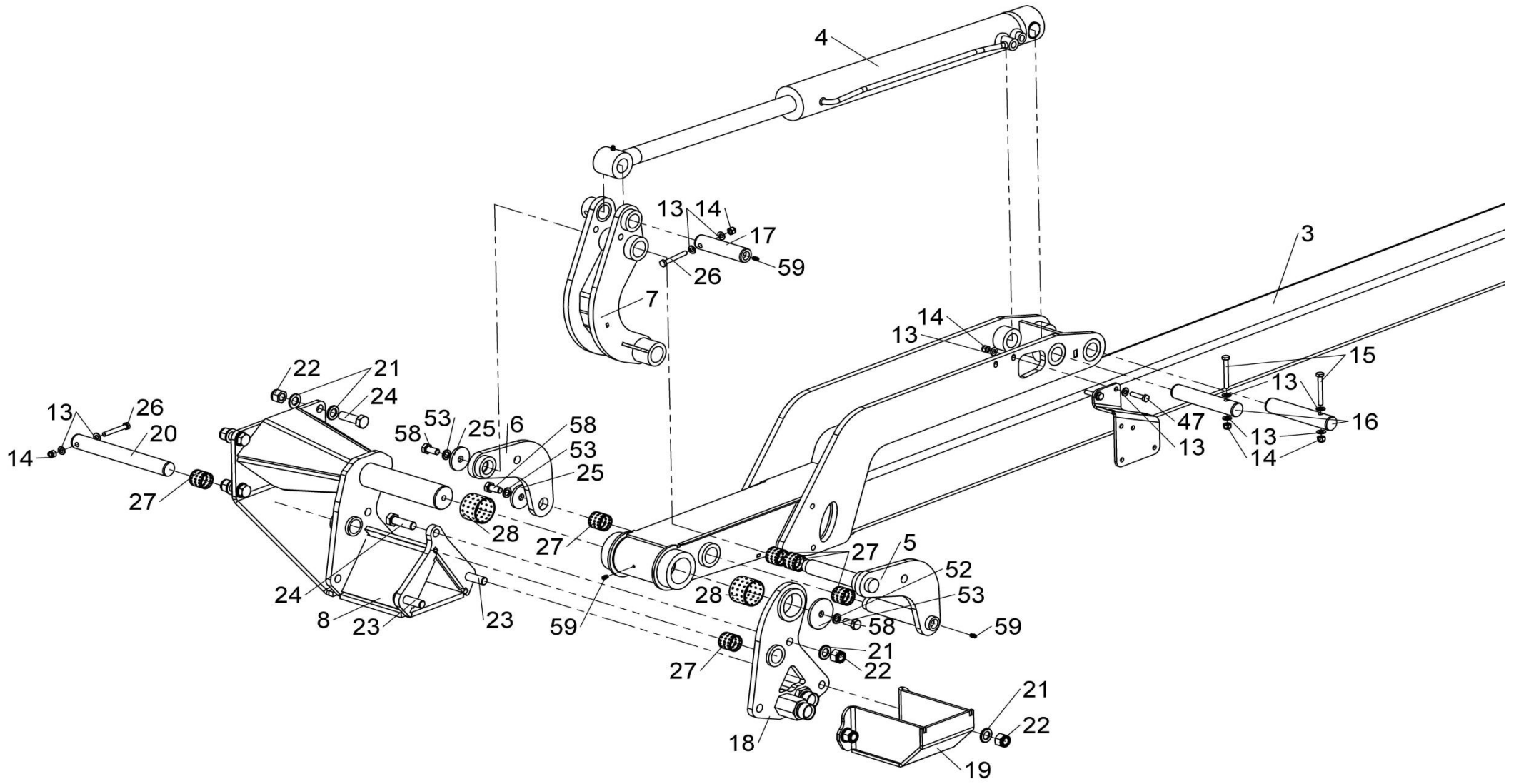
Shelbourne Reynolds Engineering Limited

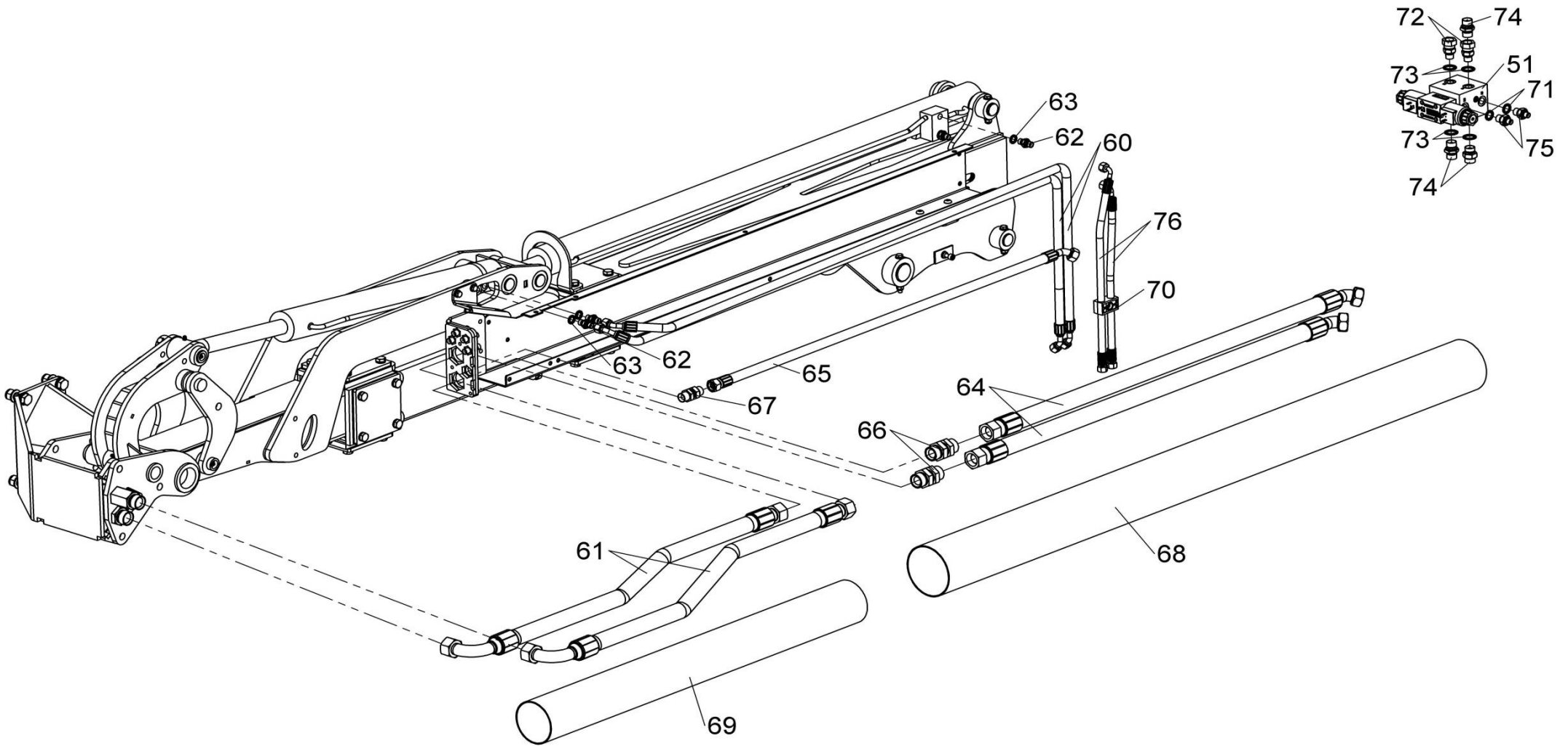
ASSY NUMBER: KIT-08261				ASSY DESCRIPTION: 6m OUTER TELE BOOM KIT			
ITEM	PART NO	DESCRIPTION	QTY	ITEM	PART NO	DESCRIPTION	QTY
1	804386 01	6m OUTER TELE BOOM W/A	1	43	804721 01	CLAMP PLATE	1
2	801235 01	TELE CYLINDER	1	44	WSH-0015	WASHER	2
3	804408 01	6m INNER TELE BOOM W/A	1	45	NUT-0265	NUT	2
4	801236 01	HEAD ANGLING CYLINDER	1	46	SCW-0514	BUTT HD SCREW	2
5	800097 01	1 ST CURVED LINK	1	47	HSS-0152	SETSCREW	2
6	800098 01	1 ST CURVED PLATE W/A	1	48	HSS-0145	SETSCREW	4
7	800090 01	2 ND CURVED LINK W/A	1	49	WSH-0058	WASHER	15
8	801050 01	PIVOT SHOE W/A	1	50	HSS-0140	SETSCREW	4
				51	HVB-19135	TELE VALVE ASSY	1
11	804412 01	WEAR PLATE RETAINER	8	52	190119 56	WASHER (65 ODx12.5 ID/X 5)	1
12	800987 08	PIN	1	53	WSH-0065	SPRING WASHER (M12)	35
13	WSH-0012	WASHER	41	54	804424 01	HOSE CARRIER W/A	1
14	NUT-0263	NUT	13	55	804427 01	MTG BRKT	1
15	BLTA08410	BOLT	4	56	804423 01	HOSE GUARD	1
16	800101 25	PIN	2	57	804426 01	END GUARD	1
17	800101 03	PIN - ANGLING ROD END	1	58	HSS-0235	SETSCREW (M12x25)	3
18	800086 02	RADIUS PLATE	1	59	NIP-00600	GREASE NIPPLE (M6 STR)	8
19	800491 01	REAR PROTECTOR	1	60	HHHC32005	HYD HOSE ASSY	2
20	800101 01	PIN - ANGLING BODY END	1	61	HHBI09105	HYD HOSE ASSY 2019 & ON	2
21	WSH-0024	WASHER	11	OR	HHBI09405	HYD HOSE ASSY UP TO 2019	
22	NUT-0271	NUT	7	62	HMA-0052	M/M ADAPTOR	4
23	HSS-0319	SETSCREW	2	63	WSH-1005	DOWTY WASHER	4
24	HSS-0318	SETSCREW	5	64	HHDI29705	HYD HOSE ASSY 2019 & ON	2
25	190119 15	WASHER	2	OR	HHDI30005	HYD HOSE ASSY UP TO 2019	
26	BLTA08380	BOLT	2	65	HHDF31005	HYD HOSE ASSY	1
27	BSHO03056	BUSH	6	66	HAGAA1313	BULKHEAD ADAPTOR	2
28	BSHO05062	BUSH	2	67	HAGAA0707	BULKHEAD ADAPTOR	1
29	800102 14	PIN ROCKER PIVOT	1	68	HHS-05010	HYDRAULIC HOSE SLEEVING	1.7m
30	800987 16	PIN	1	69	HHS-05010	HYDRAULIC HOSE SLEEVING	1.1m
31	BLTA08530	BOLT	3	70	HCPD01400	HYDRAULIC PIPE CLAMP	1
32	803988 01	WEAR PAD	16	71	WSH-1010	DOWTY WASHER	2
33	HSS-0238	SETSCREW	30	72	HMA-0115	M/F ADAPTOR	2
34	804429 01	CYLINDER SUPPORT PLATE	1	73	WSH-1015	DOWTY WASHER	4
35	HSS-0250	SETSCREW	2	74	HMA-0067	M/M ADAPTOR	2
36	SCW-0133	CP HD SCREW	1	75	FIT-0025	M/M ADAPTOR	2
37	800994 01	SLIDE TUBE W/A	1	76	HHBC46005	HYD HOSE ASSY	2
38	803076 01	DEFLECTOR BRKT	1	77	806114 01	SHIM (2mm)	8
39	WSH-0061	WASHER	1	78	806114 02	SHIM (1.2mm)	4
40	HSS-0135	SETSCREW	10	79	806114 03	SHIM (1.5mm)	4
41	801459 01	SLIDING BOSS	1				
42	804422 01	BULKHEAD W/A	1				

Shelbourne Reynolds Engineering Limited



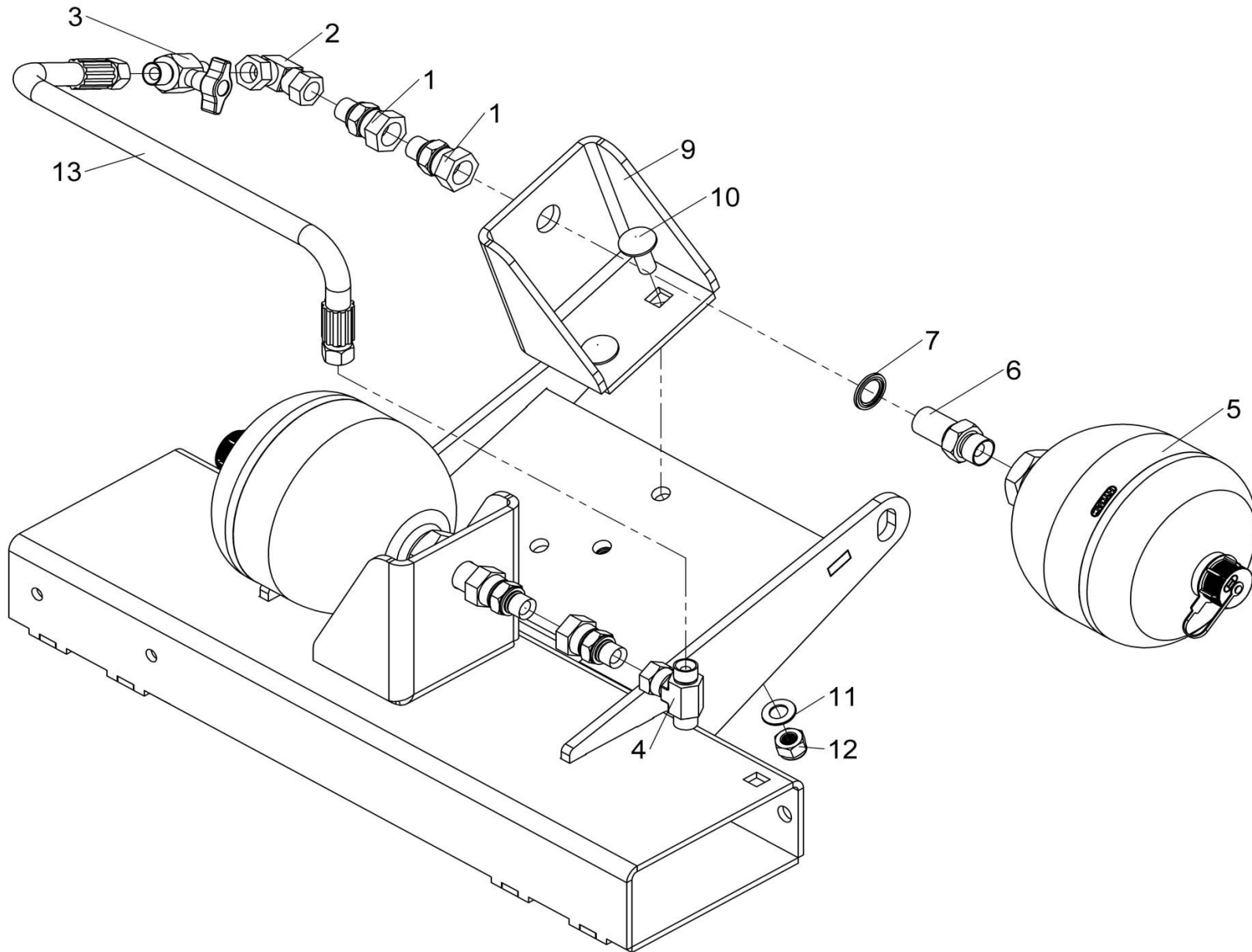
Shelbourne Reynolds Engineering Limited





Shelbourne Reynolds Engineering Limited

ASSY NUMBER: KIT-08273				ASSY DESCRIPTION: TWIN ACCUMULATOR KIT (HD600 SERIES)			
ITEM	PART NO	DESCRIPTION	QTY	ITEM	PART NO	DESCRIPTION	QTY
1	FIT-0240	ADAPTER	2				
2	HAKAA0505	ADAPTER	2				
3	HVB-02620	SHUT OFF VALVE	1				
4	FITA10140	TEE FITTING	1				
5	HYA-01430	ACCUMULATOR	1				
6	HAGAA0707	BULKHEAD FITTING	1				
7	WSH-1015	DOWTY WASHER	1				
8	WSH-0030	PLAIN WASHER	1				
9	803720 01	ACCUMULAO TR BRACKET	1				
10	BLT-3790	COACH BLOT	2				
11	WSH-0019	WASHER	2				
12	NUT-0269	NYLOC NUT	2				
13	HHAE05005	HYDRAULIC HOSE	1				

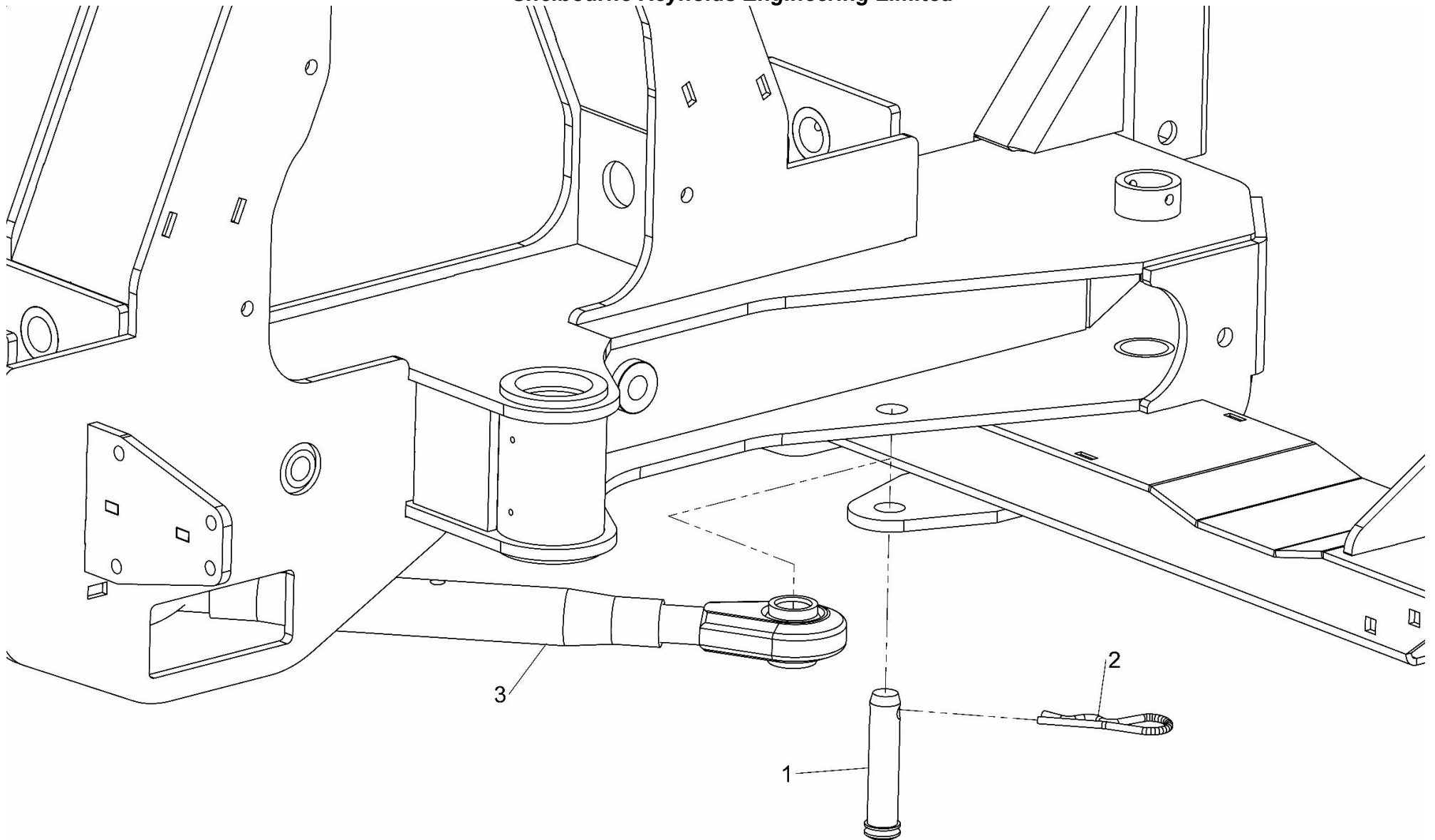


KIT-08273



Shelbourne Reynolds Engineering Limited

ASSY NUMBER: KIT-08284				ASSY DESCRIPTION: DRAWBAR KIT (400,600,6000, 7000,HD800 & 8000)			
ITEM	PART NO	DESCRIPTION	QTY	ITEM	PART NO	DESCRIPTION	QTY
1	800198 01	TOP LINK PIN CAT II	1				
2	CLP-00106	R CLIP	1				
3	ADL-13500	ADJUSTABLE TOP LINK	1				
OR	ADL-13570	ADJUSTABLE TOP LINK (LONGER)	AR				
						FOR 400 PB45X201298 & ON FOR 600 MID 2019 & ON	



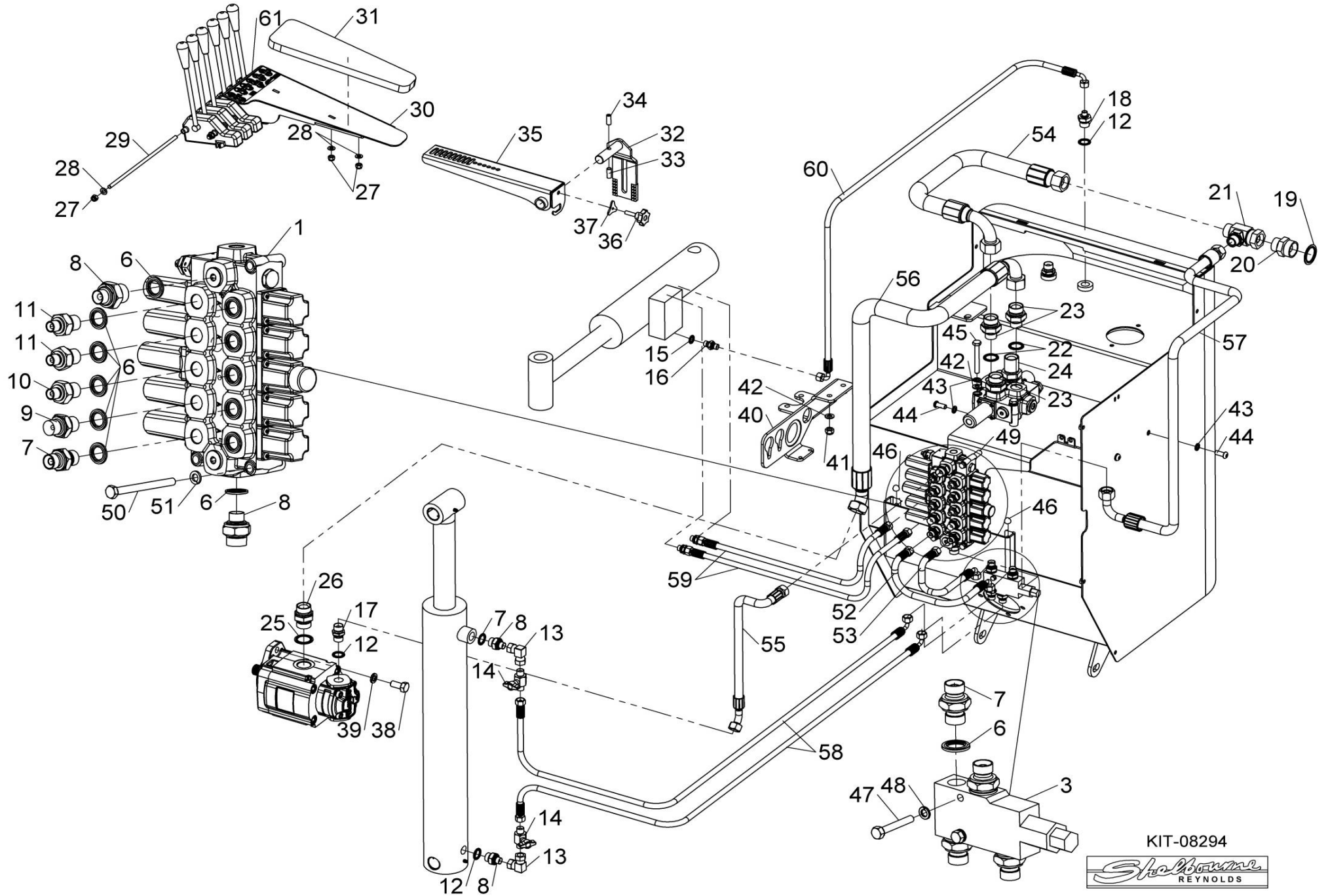
KIT-08284



Shelbourne Reynolds Engineering Limited

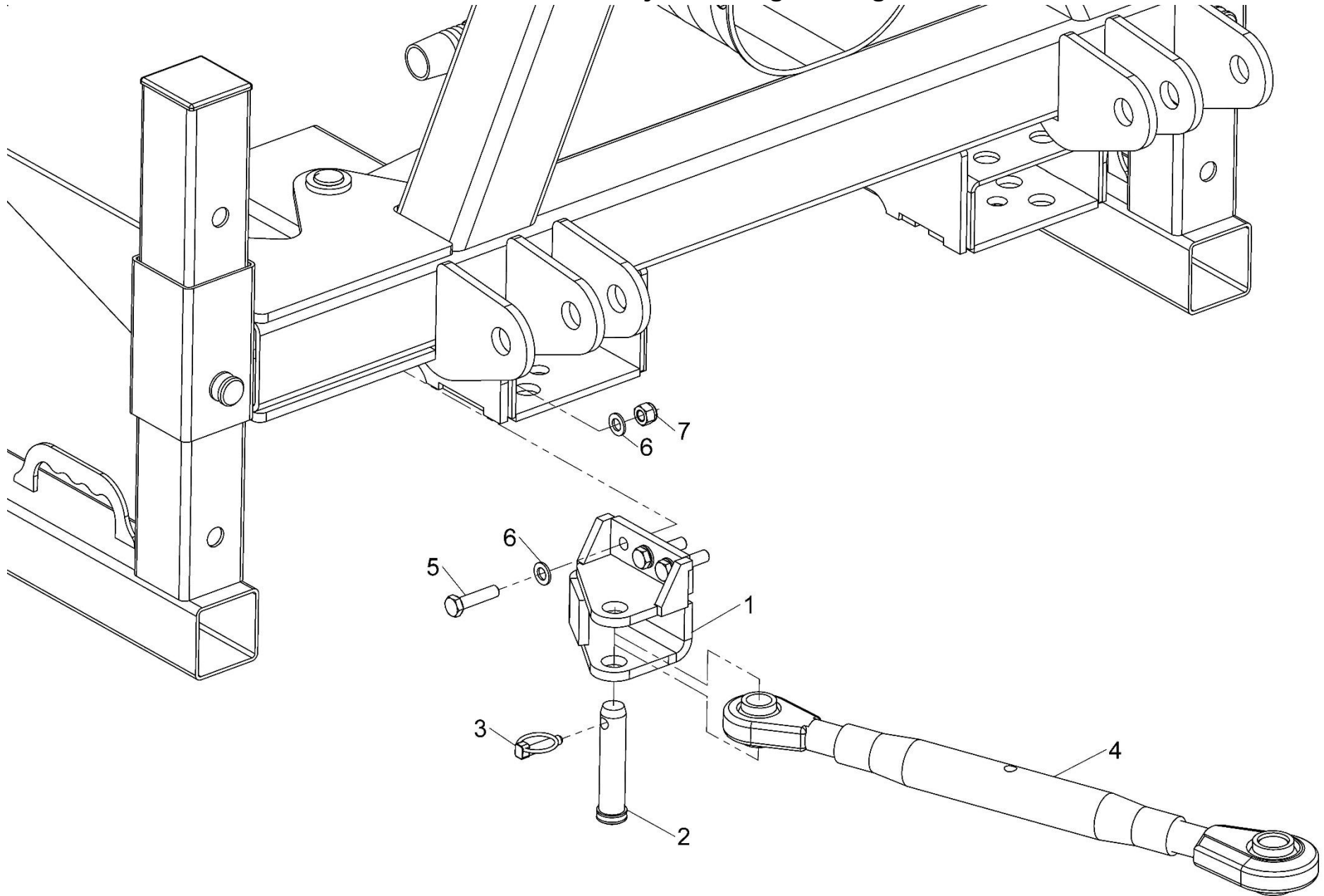
ASSY NUMBER: KIT-08294				ASSY DESCRIPTION: 5 CABLE CONTROL KIT (5 SERVICE) (600)			
ITEM	PART NO	DESCRIPTION	QTY	ITEM	PART NO	DESCRIPTION	QTY
1	HVB-09115	MAIN CABLE CONTROL VALVE ASSY	1	41	NUT-0265	NYLOC NUT	2
2	804958 01	VALVE MOUNT W/A	1	42	WSH-0015	WASHER	5
3	HVB-29505	OVER CENTRE VALVE	1	43	WSH-0061	SPRING WASHER	7
4	HVB-09930	FLAIL VALVE ASSY	1	44	SCW-0514	BUTT SOC HD	4
5	PUM090661	TANDEM PUMP	1	45	BLTA10500	BOLT	3
6	WSH-1010	DOWTY WASHER	16	46	RUB-0330	RUBBER BUFFER	4
7	HMA-0057	ADAPTOR	6	47	BLTA06260	BOLT	2
8	HMA-0065	ADAPTOR	4	48	WSH-0056	WASHER	2
9	HAMAA0505	ADAPTOR	2	49	804713 01	SPACER	3
10	190859 01	ADAPTOR	2	50	BLTA08530	BOLT	3
11	FIT-0025	ADAPTOR	4	51	WSH-0058	WASHER SPRING	3
12	WSH-1015	DOWTY WASHER	5	52	HHBE05005	HOSE	1
13	HAKAA0505	F/F ADAPTOR	2	53	HHBE06005	HOSE	1
14	HVB-02620	M/M SHUT OFF VALVE	2	54	HHBI04505	HOSE	1
15	WSH-1005	DOWTY WASHER	3	55	HHBF06705	HOSE	1
16	HMA-0052	M/M ADAPTOR	3	56	HHKI07605	HOSE	1
17	HMA-0067	M/M ADAPTOR	2	57	HHBH13005	HOSE	1
18	HMA-0055	M/M ADAPTOR	1	58	HHBE12805	HOSE	2
19	WSH-1030	DOWTY WASHER	1	59	HHAC05105	HOSE	2
20	HAAAA1315	M/M ADAPTOR	1	60	HHJC11005	HOSE	1
21	FITA10380	TEE FITING	1	61	804957 01	TRANSFER	1
22	WSH-1020	DOWTY WASHER	4				
23	HMA-0075	ADAPTOR	3				
24	HAGAA1113	BULKHEAD	1				
25	WSH-1025	DOWTY WASHER	1				
26	FIT-0546	M/M ADAPTOR	1				
27	NUT-0263	NYLOC NUT	6				
28	WSH-0012	WASHER	6				
29	802903 02	THREADED BAR	2				
30	802569 01	ARM REST W/A	1				
31	802242 01	FOAM PAD	1				
32	801121 01	ARM REST FIXING BRACKET	1				
33	SCW-4590	GRUB SCREW	1				
34	SCGA10178	GRUB SCREW	1				
35	802218 01	ARM REST MOUNTING	1				
36	KNO-0002	PLASTIC KNOB	1				
37	801100 01	LOCKING PLATE	1				
38	HSSA14200	SETSCREW	2				
39	WSHA15141	SPRING WASHER	2				
40	803487 01	FILTER BRACKET	1				

Shelbourne Reynolds Engineering Limited



Shelbourne Reynolds Engineering Limited

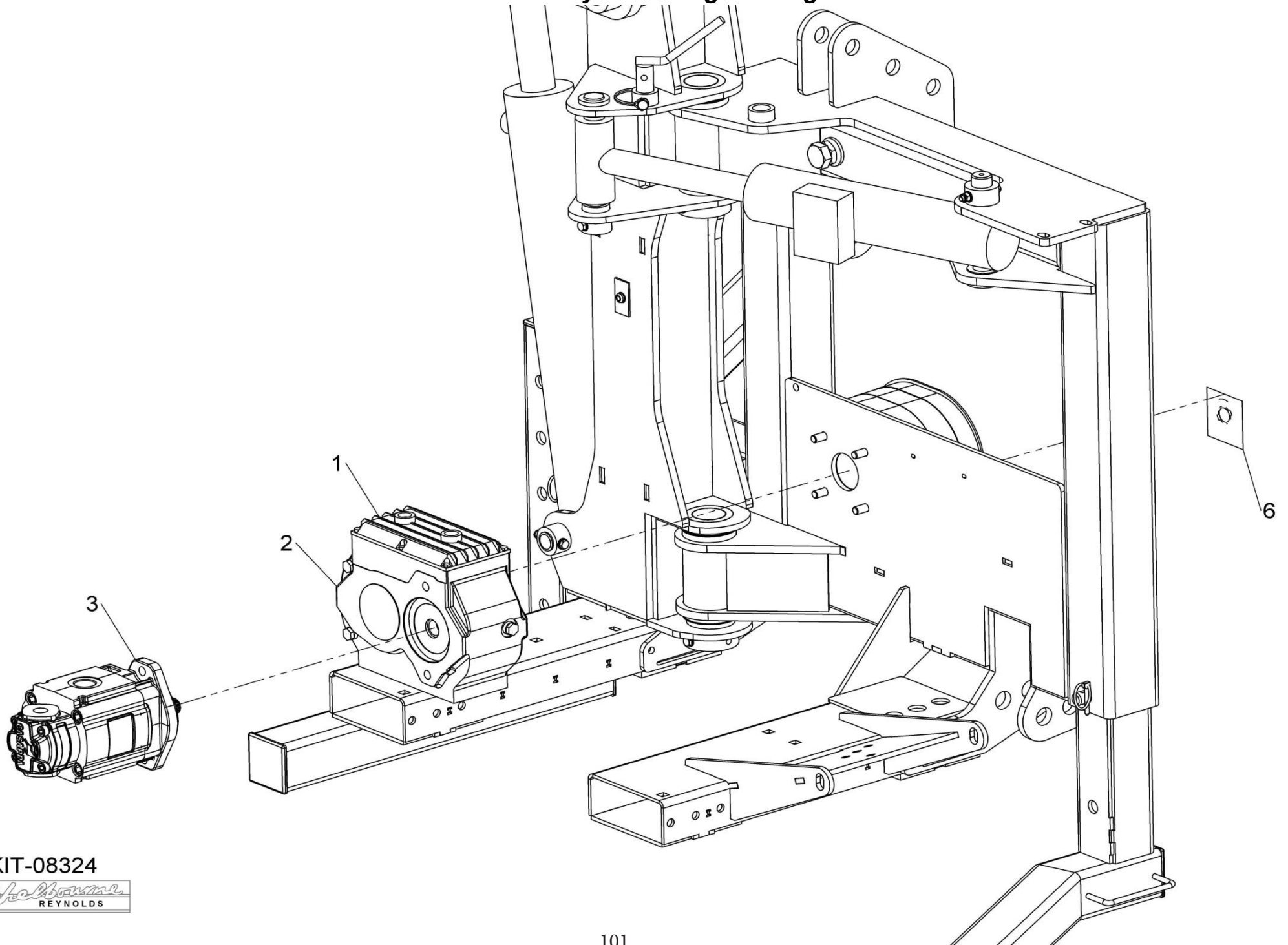
ASSY NUMBER: KIT-08317				ASSY DESCRIPTION: DRAWBAR KIT FOR 400 & 600 SERIES			
ITEM	PART NO	DESCRIPTION	QTY	ITEM	PART NO	DESCRIPTION	QTY
1	805025 01	BRACKET W/ASSY	1				
2	800198 01	TOP LINK PIN CAT II	1				
3	PIN-01950	LYNCH PIN	1				
4	ADL-13500	ADJUSTABLE TOP LINK	1			FOR 400 UPTO PB45X201298	
5	HSS-0260	SETSCREW	3			FOR 600 UPTO MID 2019	
6	WSH-0018	PLAIN WASHER	6				
7	NUT-0269	NYLOC NUT	3				



KIT-08317

Shelbourne Reynolds Engineering Limited

ASSY NUMBER: KIT-08324				ASSY DESCRIPTION: STANDARD DRIVE KIT 600/HD700 TRIMMER 2018 & ON			
ITEM	PART NO	DESCRIPTION	QTY	ITEM	PART NO	DESCRIPTION	QTY
1	GEA-0183	GEARBOX	1				
2	OIL-0005	GEARBOX OIL	1.75L				
3	PUM090661	TANDEM PUMP	1				
4							
5							
6	590475 01	TRANSFER 540RPM	1				



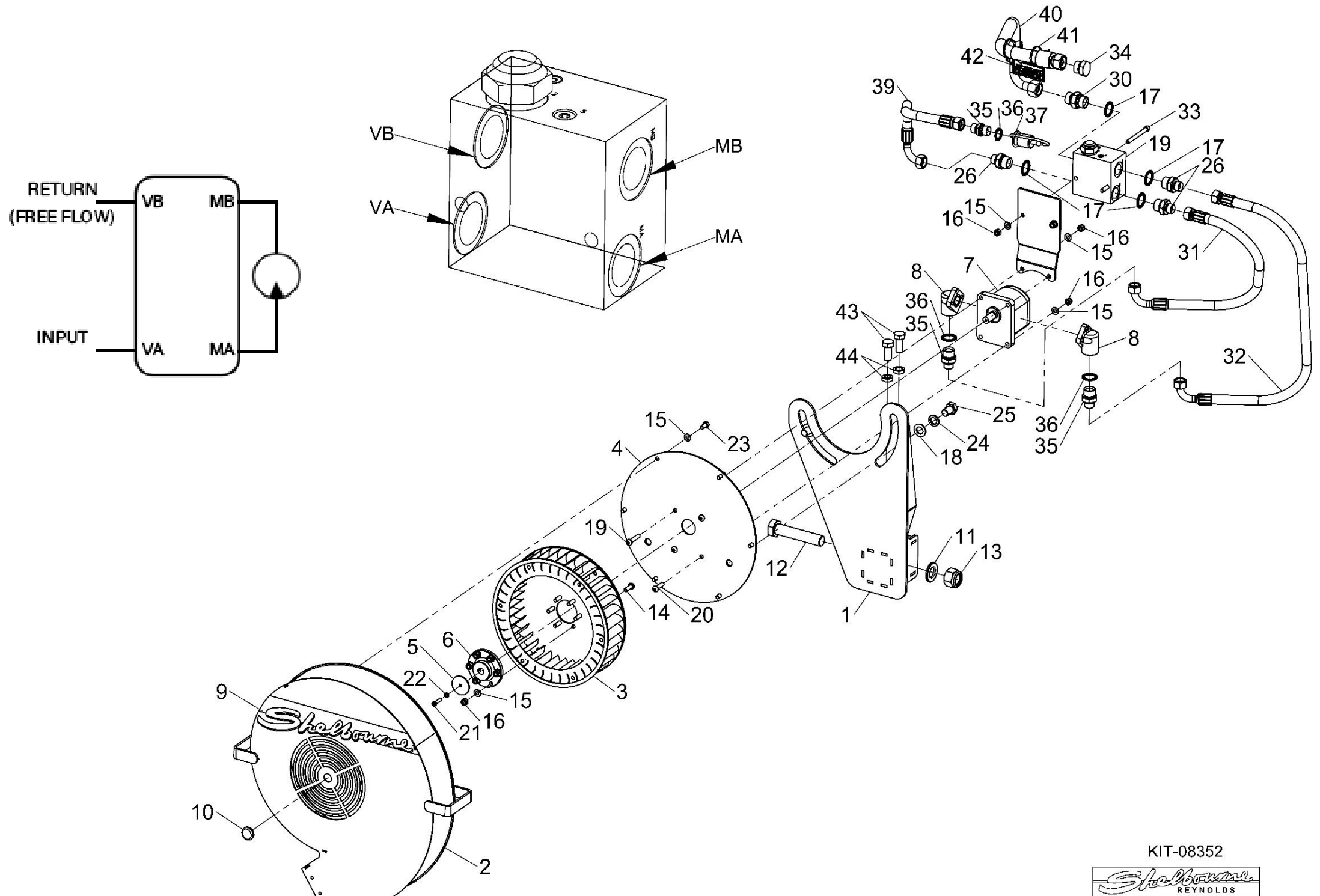
KIT-08324



Shelbourne Reynolds Engineering Limited

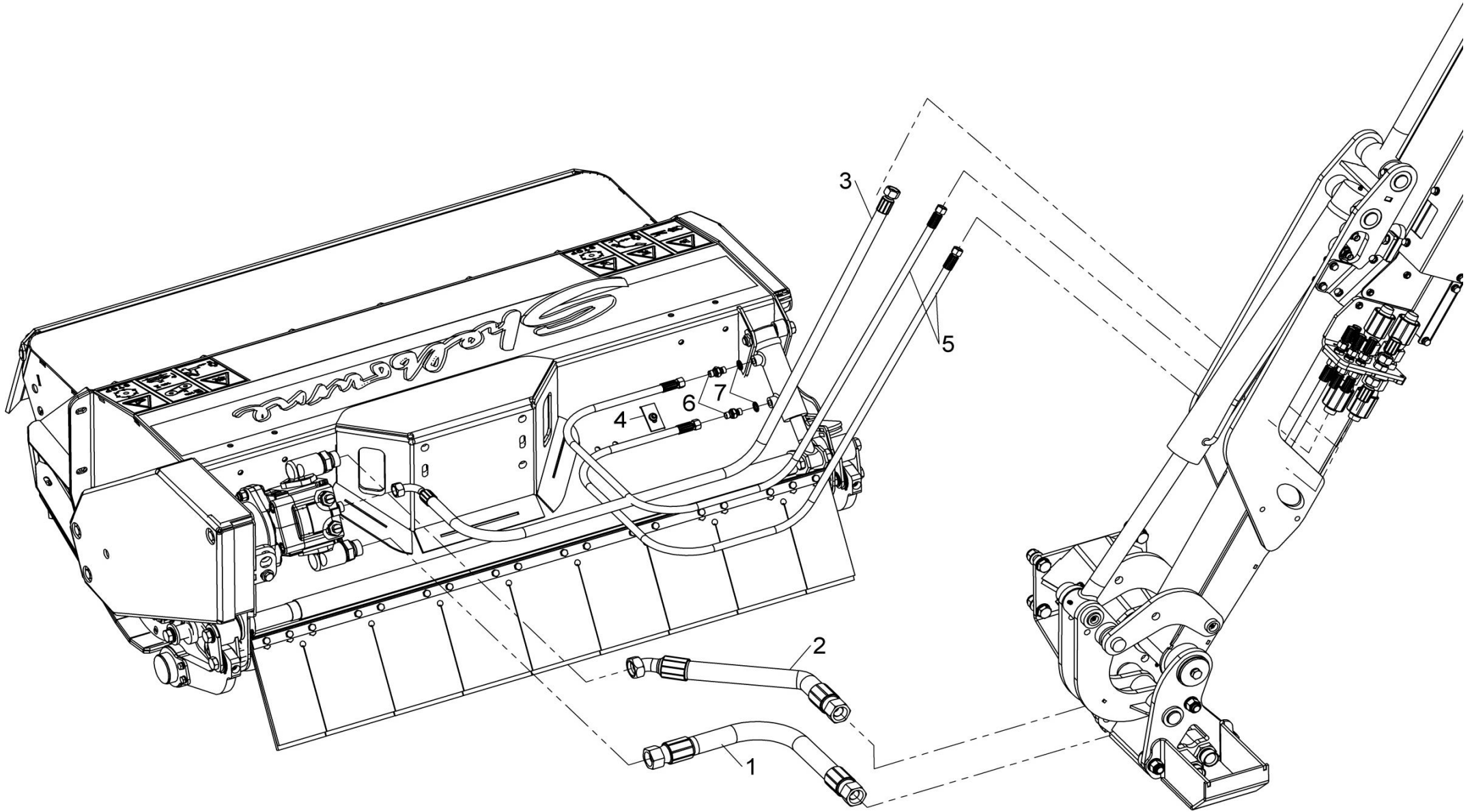
ASSY NUMBER: KIT-08352				ASSY DESCRIPTION: SUB ASSY TRIMMER BLOWER KIT			
ITEM	PART NO	DESCRIPTION	QTY	ITEM	PART NO	DESCRIPTION	QTY
1	802758 01	DEBRIS BLOWER PIVOTING MT W/A	1	41	TIE-0004	TIE WRAPS	2
2	802607 01	FAN HOUSING W/A	1	42	612230 01	HYD RETURN LABEL	1
3	802778 01	IMPELLER W/A	1	43	HSS-0315	BOLT	2
4	803109 01	MOTOR MTG PLATE W/A	1	44	NUT-0380	HALF NUT (M16)	2
5	802779 01	TOP WASHER IMPELLER	1				
6	803107 01	CENTRE HUB	1				
7	MOTH01100	BI DIRECTIONAL HYD MOTOR	1				
8	PUM990430	FLANGE	2				
9	802699 01	SHELBOURNE TRANSFER	1				
10	BPG-00200	PLASTIC BODY PLUG	1				
11	WSH-0036	WASHER	1		KIT-08352 HYD	HYDRAULICS FOR BLOWER KIT	
12	HSSA24620	SETSCREW	1				
13	NUT-0275	NYLOC NUT	1				
14	SCBA08172	BUTT SCREW	6				
15	WSH-0012	WASHER	19				
16	NUT-0263	NYLOC NUT	13				
17	WSH-1020	DOWTY WASHER	4				
18	WSH-0024	WASHER	2				
19	SCBA08260	BUTT SCREW	2				
20	SCBA08202	BUTT SCREW	2				
21	SCW-0086	CAP HD SCREW	1				
22	WSH-0056	SPRING WASHER	1				
23	HSS-0135	BOLT	6				
24	WSH-0070	SPRING WASHER	2				
25	HSS-0312	SETSCREW	2				
26	HMA-0060	M/M ADAPTER	3				
27							
28							
29	HVB-19160	MOTOR VALVE	1				
30	HMA-0074	M/M ADAPTER	1				
31	HHBF04705	HYD HOSE	1				
32	HHBF05505	HYD HOSE	1				
33	SCCA08503	CAP SOCKET HD SCREW	2				
34	FITC00311	BLANKING PLUG	1				
35	HMA-0067	M/M ADAPTER	3				
36	WSH-1015	DOWTY WASHER	3				
37	COU-0162	QUICK RELEASE COUPLING	1				
38	805691 01	SUPPORT BRACKET	1				
39	HHBF27505	HOSE ASSY P - VA	1				
40	HHBH26805	HOSE ASSY VB-TANK	1				

Shelbourne Reynolds Engineering Limited



Shelbourne Reynolds Engineering Limited

ASSY NUMBER: KIT-08357				ASSY DESCRIPTION: 1.2m HEAD HYDRAULICS FOR 600,HD755,HD760T 770T, 762VFR & 767VFR 2019 & ON			
ITEM	PART NO	DESCRIPTION	QTY	ITEM	PART NO	DESCRIPTION	QTY
1	HHAI04805	HOSE (LH DRIVE HD)	1				
OR	HHAI04305	HOSE (RH DRIVE HD)	1				
2	HHDI05005	HOSE (LH DRIVE HD)	1				
OR	HHDI05405	HOSE (RH DRIVE HD)	1				
3	HHAF17605	HOSE (DRAIN)	1				
4	HCPD01400	HYD. PIPE CLAMP	1				
5	HHAC20005	HOSE (LH DRIVE HD)	2				
OR	HHAC21505	HOSE (RH DRIVE HD)	2				
6	HMA-0052	ADAPTOR	2				
7	WSH-1005	BONDED SEAL	2				



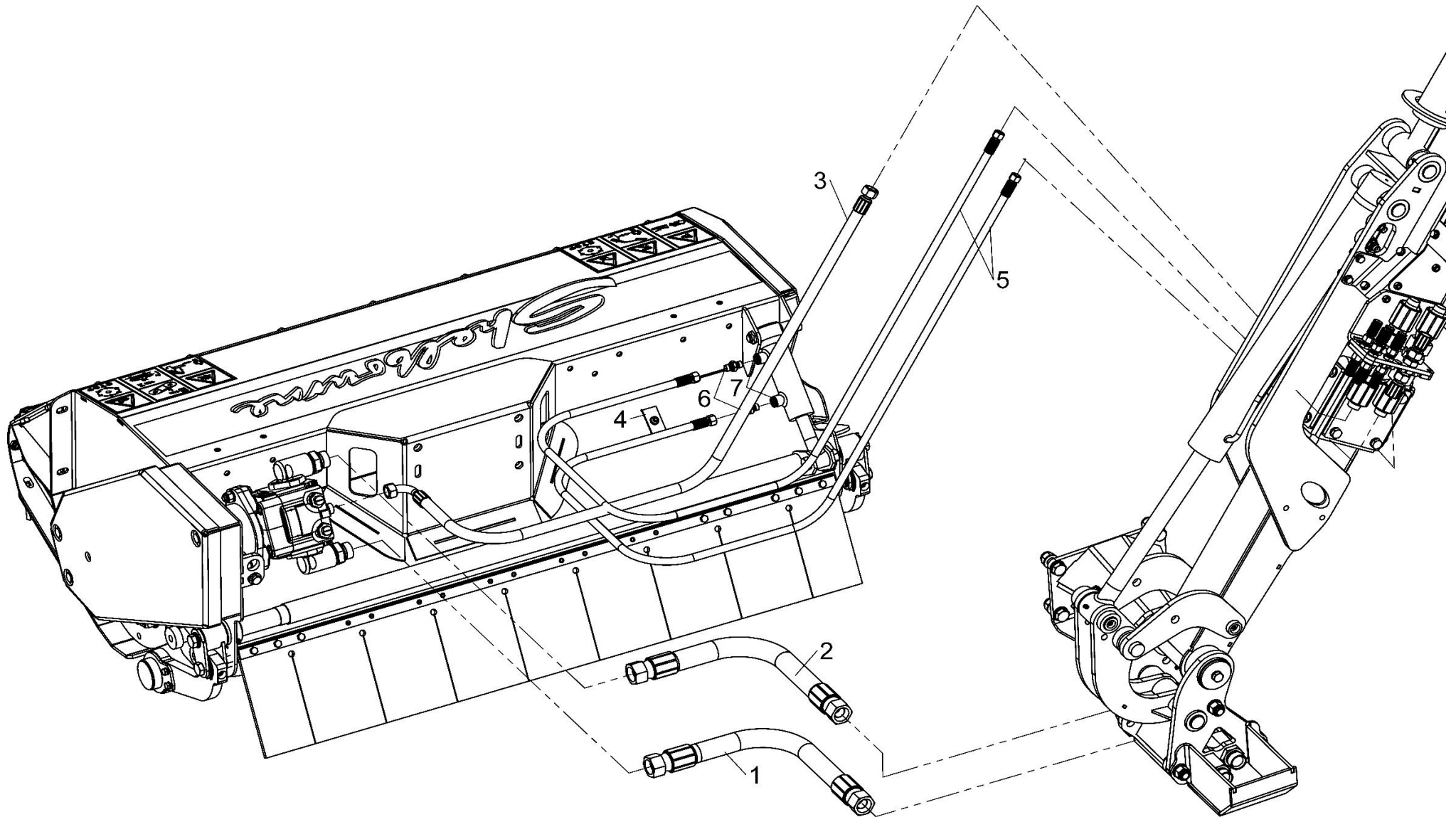
KIT-08357
KIT-08358



Shelbourne Reynolds Engineering Limited

ASSY NUMBER: KIT-08358				ASSY DESCRIPTION: 1.5m HEAD HYDRAULICS FOR 600,HD755 HD760T 770T, 762VFR & 767VFR 2019 & ON			
ITEM	PART NO	DESCRIPTION	QTY	ITEM	PART NO	DESCRIPTION	QTY
1	HHAI06105	HOSE (LH DRIVE HD)	1				
OR	HHAI05705	HOSE (RH DRIVE HD)	1				
2	HHAI07005	HOSE (LH DRIVE HD)	1				
OR	HHAI07405	HOSE (RH DRIVE HD)	1				
3	HHAF19105	HOSE (DRAIN)	1				
4	HCPD01400	HYD.PIPE CLAMP	1				
5	HHAC21505	HOSE (LH DRIVE HD)	2				
OR	HHAC23005	HOSE (RH DRIVE HD)	2				
6	HMA-0052	ADAPTOR	2				
7	WSH-1005	BONDED SEAL	2				

Shelbourne Reynolds Engineering Limited



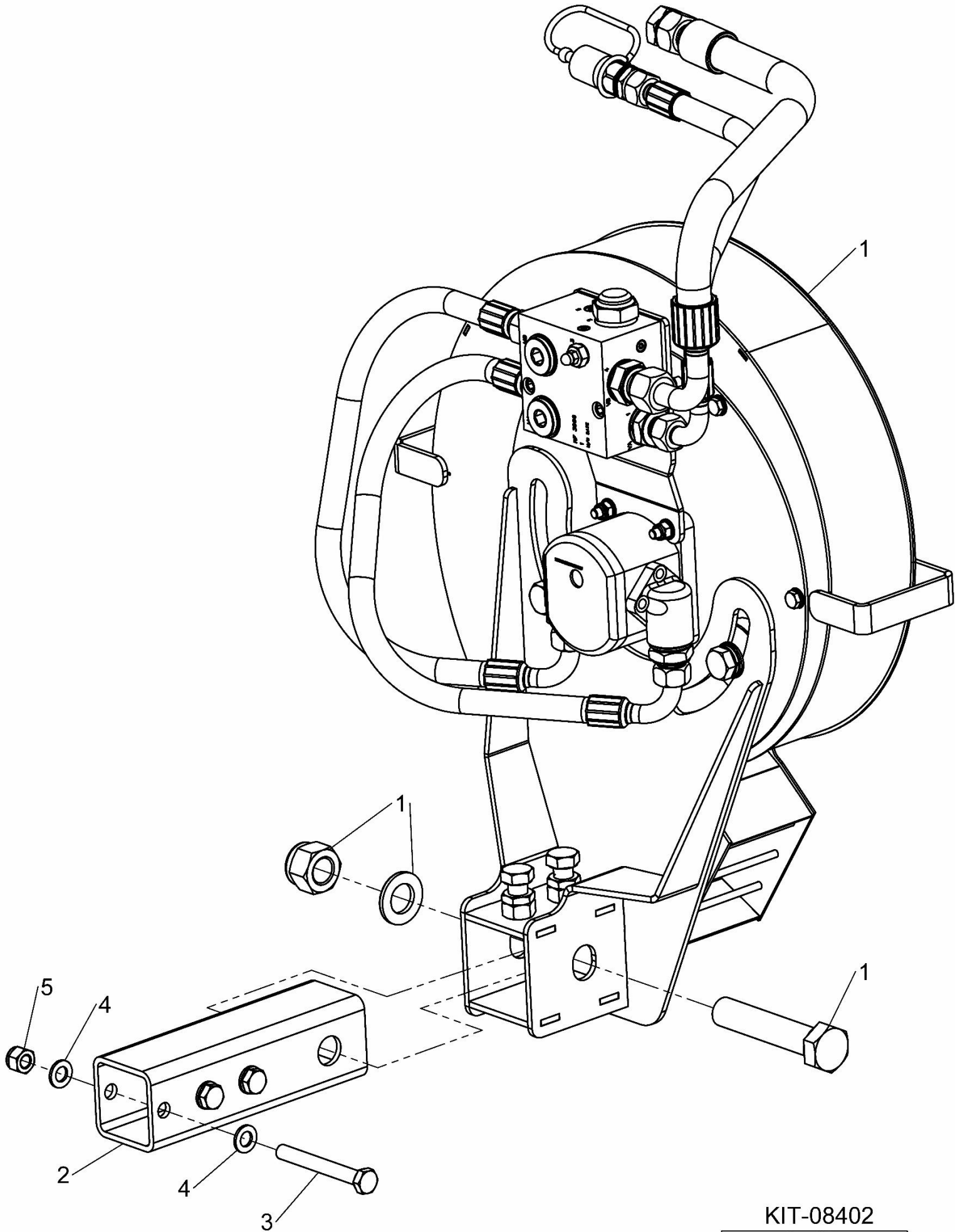
KIT-08358



Shelbourne Reynolds Engineering Limited

ASSY NUMBER: KIT-08402				ASSY DESCRIPTION: 600 TRIMMER BLOWER KIT			
ITEM	PART NO	DESCRIPTION	QTY	ITEM	PART NO	DESCRIPTION	QTY
1	KIT-08352	SUB ASSY TRIMMER BLOWER KIT	1				
2	804335 01	BLOWER MTG	1				
3	BLT-2270	BOLT	3				
4	WSH-0018	WASHER	6				
5	NUT-0269	NYLOC NUT	3				

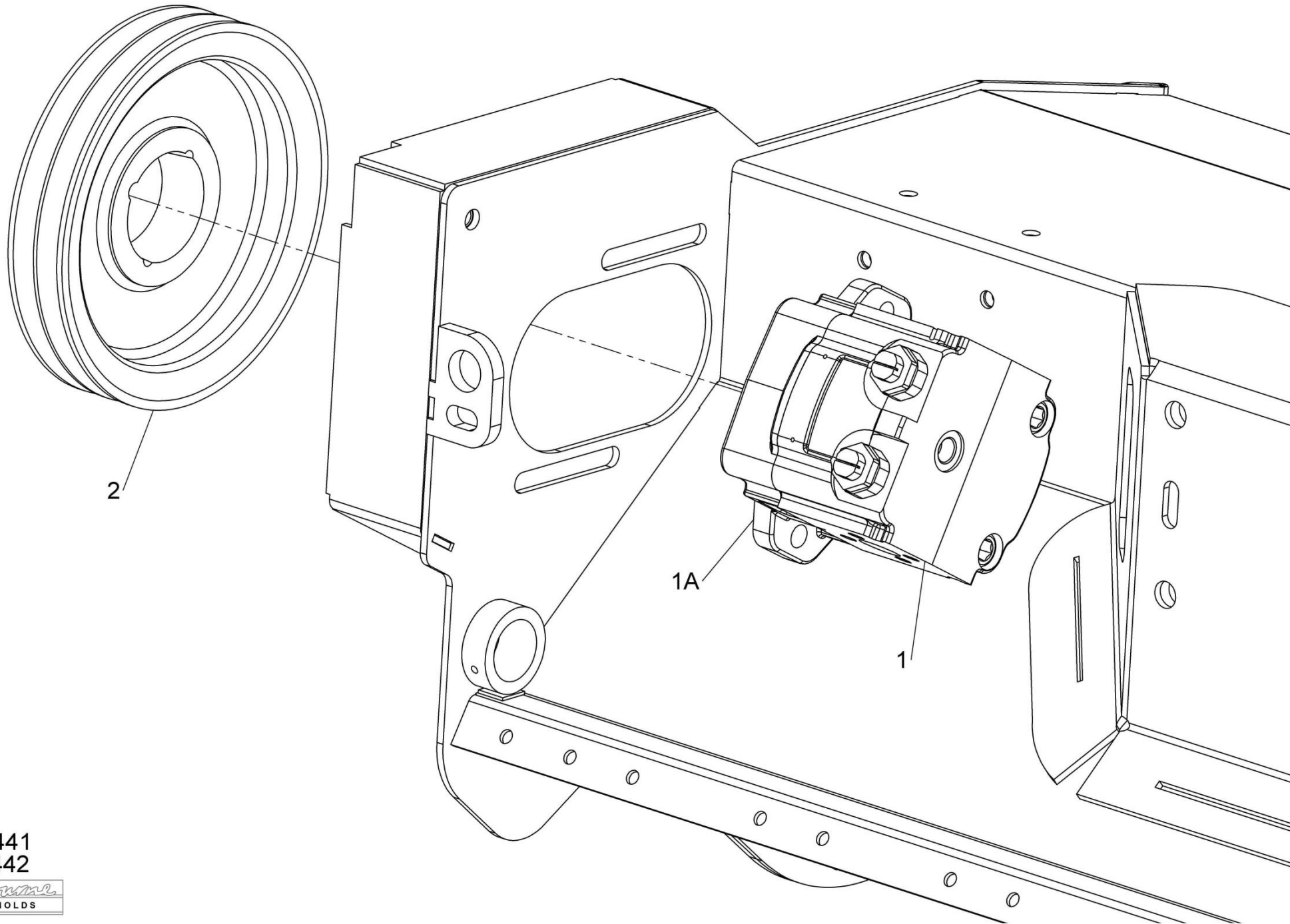
Shelbourne Reynolds Engineering Limited



KIT-08402

Shelbourne Reynolds Engineering Limited

ASSY NUMBER: KIT-08441				ASSY DESCRIPTION: HD HEAD STANDARD POWER KIT			
ITEM	PART NO	DESCRIPTION	QTY	ITEM	PART NO	DESCRIPTION	QTY
1	MOTH03900	MOTOR	1				
1A	HMS-03900	MOTOR SEAL KIT					
2	800027 02	MOTOR PULLEY	1				



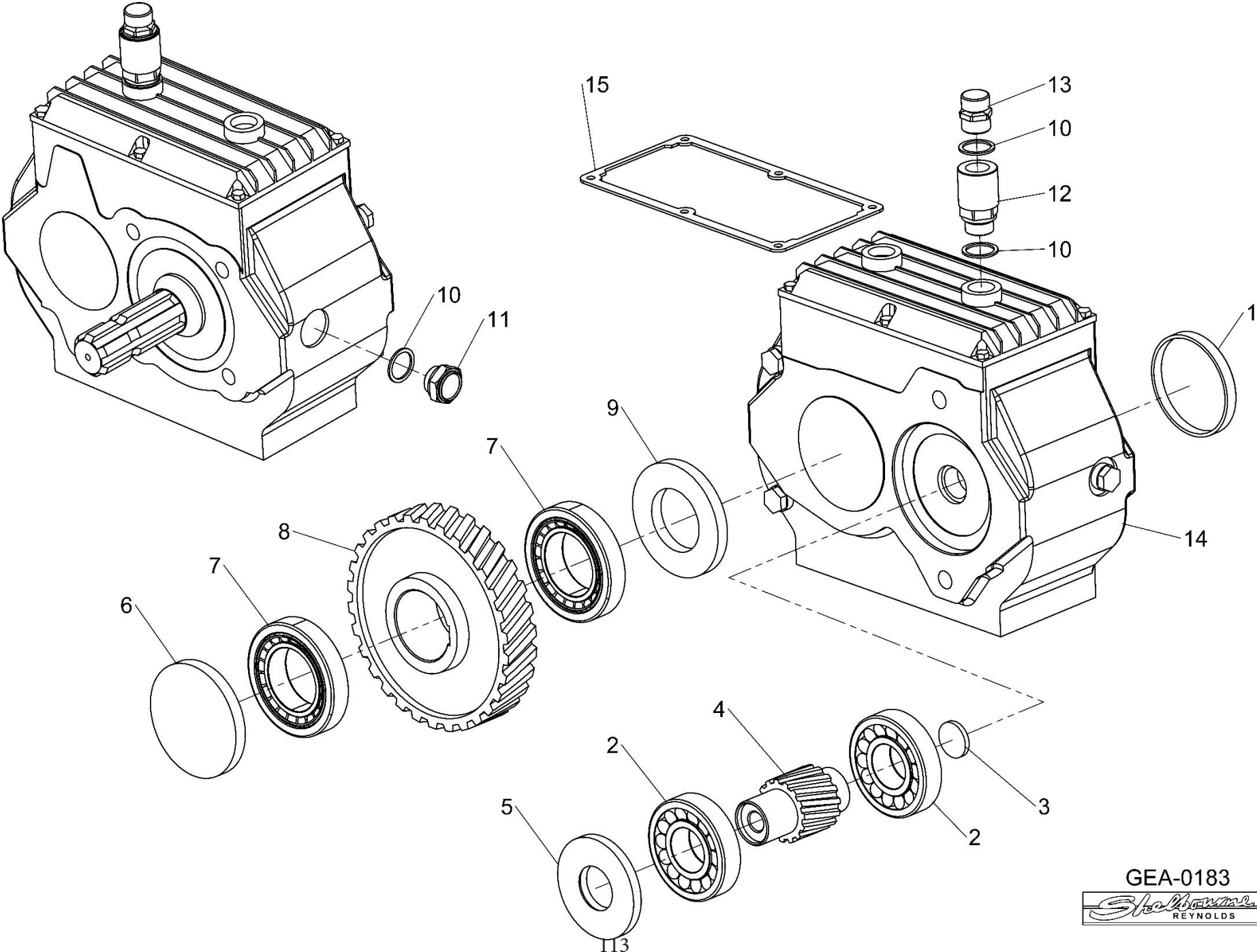
KIT-08441
KIT-08442



Shelbourne Reynolds Engineering Limited

ASSY NUMBER: GEA-0183				ASSY DESCRIPTION: GEARBOX			
ITEM	PART NO	DESCRIPTION	QTY	ITEM	PART NO	DESCRIPTION	QTY
1	GEA-1603	END CAP	1				
2	BRG-13582	BEARING	2				
3	SEAZ02800	OIL PLUG	1				
4	GEA-1605	SHAFT	1				
5	SEAB03520	RADIAL SHAFT SEAL	1				
6	SEAZ09000	CORE PLUG SEAL	1				
7	BRG-6000	BEARING	2				
8	GEA-1606	GEAR	1				
9	GEA-1518	OIL SEAL	1				
10	GEA-1705	DRAIN PLUG SEAL	3				
11	FITD00007	BULLS EYE LEVEL GAUGE	1				
12	GEA-1523	EXTENSION WITH BREATHER	1				
13	GEA-1521	BREATHER	1				
14	OIL-0005	OIL	1.75L				
15	GEA-1525	LID GASKET	1				

Shelbourne Reynolds Engineering Limited



GEA-0183

