

Shelbourne

REYNOLDS

PARTS MANUAL ALL MODELS



Shelbourne Reynolds Engineering Ltd
Stanton
Bury St Edmunds
Suffolk
IP31 2AR
England

Telephone: 01359 250415
Fax: 01359 250464

Stores Direct : 01359 251231
Stores Direct: 01359 252031

Issue 14 25/01/2024

www.shelbourne.com



 YouTube

COMBINE HEADER TRAILER

ORDERING SPARE PARTS

IMPORTANT

Your Powerblade is made up of a Machine assembly number (common parts), specific sub assemblies and also customer optional build kits. The machine, sub assemblies and optional kit numbers are listed in the front pages of your Operators manual, part no. MAN-12000. If you do not have these numbers please contact Shelbourne Reynolds Parts Department direct on (telephone) 01359 251231.

To ensure that you order the correct part from your SRE dealer please use the following procedure.

ALWAYS QUOTE THE MACHINE AND SERIAL NUMBERS WHEN ORDERING.

Refer to the Parts Manuals front page/s, listing the machine assemblies. Select the correct machine assembly number which is printed in the top left corner of the page (starting with 2499__ 01), This machine number can also be taken off the Powerblade identification plate located on the front of the main chassis beam.

On this page you will find the parts listing for the common parts for every configuration of that machine assembly number. You will find the corresponding drawing by either looking at the facing page or progressing through the manual to the next drawing. The drawings indicate the components by item numbers, which you will find, are repeated in the left-hand side of your parts listing, and therefore referring to the correct part.

Note all parts will not be found listed below the machine number. Other parts will be from specific sub assemblies and optional kits. These sub assemblies and kits will be found in numerical order further through the manual. Sub assemblies start with 2490__ 01 and kits start with KIT- _ _ _ _ _.

List Of Kit Numbers

249930 01	C9000 Universal Transporter	1
249930 01B	C9000 TA 30ft JD 600X (2015)	3
249930 01C	C9000 TA JD 625X (2015)	5
249930 02	C7500 Transporter	7
249930 02C	C7500 NH/IHC 22ft	9
249930 02D	C7500 JD 622X (2015)	11
249930 02E	C7500 8m Chassis	13
249930 03	C6000 Transporter	15
249930 03B	C6000 NH/IHC 20-15ft	17
249930 03C	C6000 NH/IHC 20-16ft	19
249931 01	C10500 TA 35ft Transporter	21
249932 01	C9000/10500 30/35ft Front Wheel Trailer	23
249932 02	C12000 40ft Front Wheel Trailer	25
249932 03	FW/S C9000-12000 Chassis Sub	27
249932 04	High FWS Chassis Parts	29
249932 05	JD X-Series FW/FWS Chassis	31
249933 01	C12000 FWS Steer Trailer	34
249934 01	C9000 Transporter	37
249936 01	C12000 FWS Mechanical Steer Trailer	40

Options 44

249030 04	C10500 Universal Tandem Axle	45
249030 05	C9000 Universal Tandem Axle	47
249030 06	C7500/6000 Universal Tandem Axle	49
249030 07	C7500/6000 Universal Tandem Axle	51
249030 07A	C9000 Single Axle	53
249030 08	C10500 Single Axle C/W Wheels And Brakes	55
249030 08A	C12000 Single Axle C/W Wheels And Brakes	57
249030 08C	Unbraked FW Axle	59
249030 08D	FW Low Chassis Axle, Wheels And Brakes, Rear Position	62
249030 08E	FW Low Chassis Axle, Wheels And Brakes, Forward Position	66
249030 08F	C10500 FW Axle Sub Assembly 2017	69
249030 08G	C12000 FW Axle Sub Assembly 2018	71
249030 09	FW Steering Braked Kit	73
249030 10B	Braked Tandem Axle Stubbs	75
249030 10C	Standard Tandem Axle Wheels	77
249030 10D	Small Tandem Axle Wheels	79
249030 10F	Unbraked Tandem Axle Stubbs	81
249030 10G	C10500 Braked Tandem Axle Stubbs	83

249030 10I	Unbraked Tandem Axle Stubs	85
249030 10J	Unbraked Tandem Axle Stubs	87
249030 10L	T/A Wheels (6.50-10)	89
249030 11A	Unbraked Single Axle Stubs Minus Wheels	91
249030 11B	Braked Single Axle Stubs Minus Wheels	93
249030 11C	Standard Single Axle Wheels	95
249030 11D	CASE/IH 2388 Single Axle Wheels	97
249030 11E	CASE/IH 2388 Single Axle Wheels	99
249030 11F	Unbraked Single Axle Stubs Minus Wheels	101
249030 11G	Unbraked Stub Axles	103
249030 11H	IHC 88 Series Single Axle Wheels, 25ft Header Only	105
249030 12	JD Header Locking System	107
249030 12A	JD Mounting And Locking Sub	109
249030 12B	JD Mounting And Locking Sub	111
249030 12C	C10500TA 635R JD Mounting Sub	113
249030 12D	C10500TA JD 635R Locking Sub	115
249030 12E	Geringhof Vario-Star 30ft Locking And Mounting Sub	117
249030 12F	JD600X Series Mounting Sub	119
249030 12G	JD622 And 625 Series Mounting	121
249030 13	NH/IHC Mounting And Locking Sub	123
249030 13A	17 NH And IHC Varifeed Mounting And Locking Sub	125
249030 13B	NH/IHC Mounting And Locking Sub, 15ft Only	127
249030 13C	C9000 30ft/C7500 22ft/C6000 20ft, 18ft/16ft NH/IHC Mounting And Locking Sub	129
249030 14	MF Cerea/Centora Mounting And Locking Sub	131
249030 14A	30ft MF Extra Mounting	133
249030 14B	25-18ft MF Freeflow Mounting And Locking Sub	135
249030 14C	16ft MF Freeflow Mounting And Locking Sub	137
249030 14D	C9000FW MF 30ft Powerflow Locking Sub	139
249031 01	NH Mounting And Locking Sub	141
249031 01A	35ft Front Wheel Trailer, NH Mounting And Locking Sub	143
249031 01B	30ft Front Wheel Trialer, NH Mounting And Locking Sub	145
249031 01C	JD 30ft Mounting And Locking Sub	147
249031 01D	JD 35ft Mounting And Locking Sub	149
249031 01H	35ft Front Wheel Trailer Mounting And Locking Sub	151
249031 01J	NH 30ft FW Mounting	153
249031 01K	35ft NH Mounting	156
249031 01L	NH 40ft FW Mounting	159
249031 01M	MF-35ft Powerflow Mounting	161
249031 01N	JD600X 40ft Mounting And Locking Sub (2015)	163
249031 01P	JD600X 35ft Mounting And Locking Sub (2015)	165
249031 01Q	JD600X 30ft Mounting And Locking Sub (2015)	167

249031 01R	JD600X 35ft C10500 TA Mounting And Locking Sub (2015)	169
249031 01T	C9000 FW MF 30ft Powerflow Mounting And Locking Sub	171
249031 01U	CNH FWS 40ft Mounting And Locking Sub	173
249031 01V	CNH 30 And 35ft Draper Mounting And Locking Sub	175
249031 01W	C9000 TA/B CNH 30ft Additional Brackets	177
249031 01X	C9000 FW CNH 30ft Mounting And Locking Sub	179
249031 02E	C9000 NH Newgen 30ft Mounting And Locking Sub (2015)	181
249031 01Y	C9000FW Massey 25ft Powerflow Mounting Sub	183
249031 02F	C7500 NH Newgen 25ft Mounting And Locking Sub	185
249031 02G	NH Newgen 30ft Mounting (2015)	187
249032 01	30ft To 35ft NH Extension	189
249032 01B	Chassis Extension	191
249032 02	Chassis Extension	193
249032 02B	Chassis Extension	195
249033 01	30ft And 35ft FW Macdon Mounting	197
249033 01A	40ft Macdon Mounting And Locking Sub	199
249035 01	Stripper Mounting And Locking Sub	201
249035 01A	Stripper Mounting And Locking	203
249035 01C	Stripper Mounting And Locking Sub	205
249040 01	MF Superflow 30ft TA Mounting And Locking Sub	207
249040 02	MF Superflow 30ft Mounting And locking Sub	209
249041 01	MF Superflow 35ft FW Mounting and Locking Sub	211
249042 01	JD X-Series 30-40ft Mounting And Locking Sub (2016)	213
249043 01	JD X Series C9000/C10500 TA Mounting (2016)	215
249044 01	JD X Series Mounting (2016)	217
249045 01	JD 22FT X-Series C7500 Mounting And Locking Sub (2016)	219
249046 01	JD X-Series Mtg Sub Assembly	221
249047 01	NH Mounting Sub Assembly	223
249048 01	C9000 TA CNH 30ft V Guide Slideway Mounting And Locking Sub	225
249049 01	C9000 FW CNH 30ft V Guide Slideway Mounting And Locking Sub	227
249050 01	CNH 22ft V Guide Locking System	229
249051 01	CNH 25ft V Guide Locking System	231
249052 01	MF 30ft Superflow V Guide	233
249053 01	AGCO Superflow 35ft V Guide Slideway Mounting And Locking Sub	235
249054 01	C10500 FW XCV36 Mounting And Locking Sub	237
249055 01	C9000 TA Agco 30ft Superflow Mounting And Locking Sub	239

249056 01	C10500 TA XCV 32 Mounting And Locking Sub	241
249057 01	FW/S JD 700D Mounting And Locking Sub	243
249057 01A	FW/S JD 725D Mounting And Locking Sub	245
249058 01	C7500/C9000 TA JD 700 Premium Flow Mounting And Locking Sub	247
249060 01	C9000 FW/S JD 730 Premium Flow Mounting And Locking Sub	249
249061 01	JD 730FD/735FD Mounting And Locking Sub	251
249062 01	Macdon FD235 Mounting And Locking Sub	253
249063 01	Macdon FD230` Mounting And Locking Sub	255
249064 01	JD740FD Mounting And Locking Sub	257
249066 01	JD HD40X Locking And Mounting Sub Assembly	259
249067 01	JD730D C9000TA Mounting And Locking Sub	261

Kit Options 264

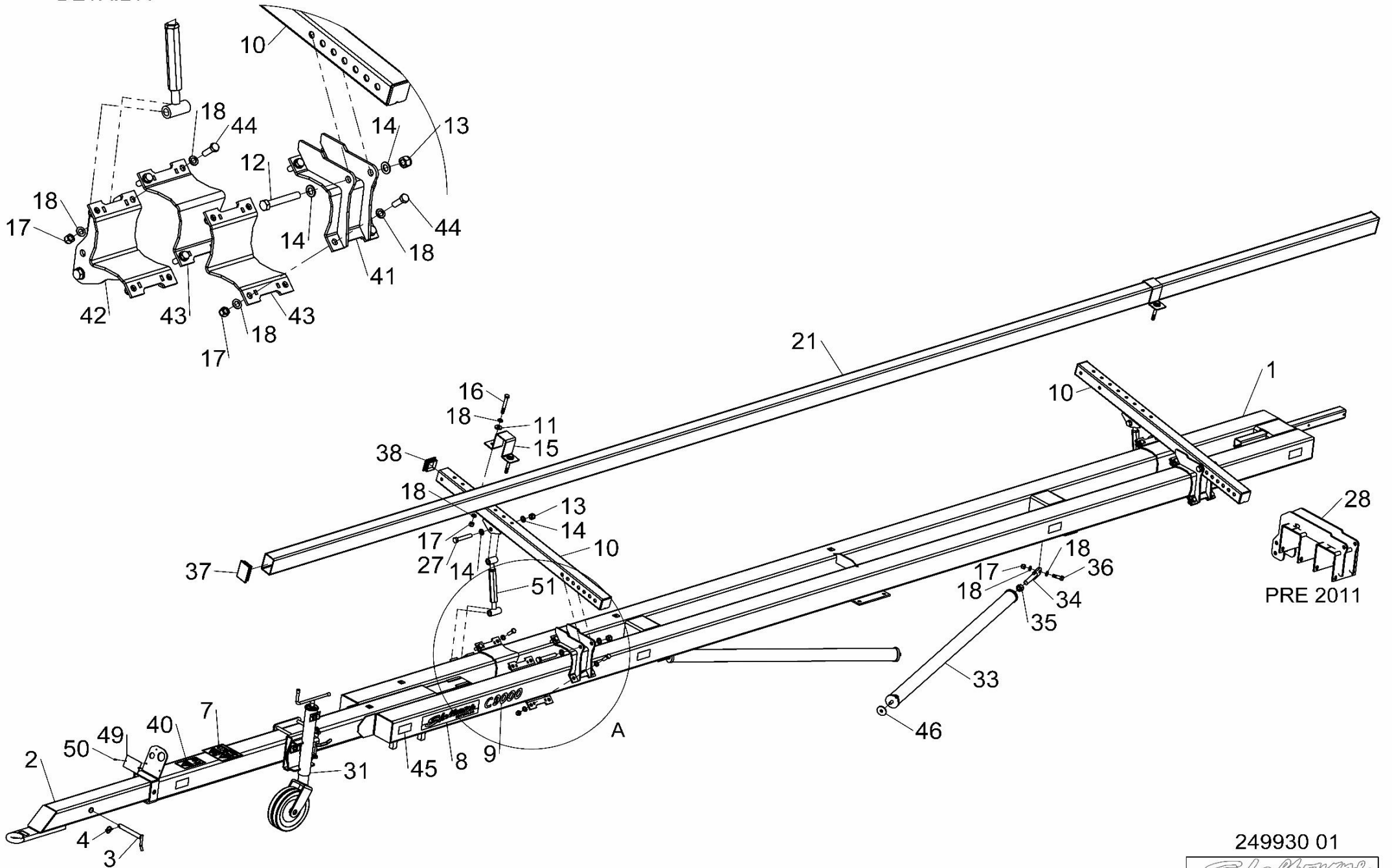
KIT-04013	Winch Kit	265
KIT-04034	Accessory Box TA Trailer	267
KIT-04034A	Accessory Box FWS Trailers	269
KIT-04034B	Accessories Box Kit	271
KIT-04037	JD WTS Level/Land Model Drawbar Kit	273
KIT-04038	JD WTS Hill/Master Drawbar Kit	275
KIT-04045	Spare Wheel Kit	277
KIT-04045A	Spare Wheel Kit	279
KIT-04045B	Spare Wheel Kit	281
KIT-04045C	Spare Wheel Kit	283
KIT-04046	Spare Wheel Kit	285
KIT-04050	JD CWS Drawbar	287
KIT-04068	Spare Wheel Kit	289
KIT-04068A	Spare Wheel Kit	291
KIT-04100D	Universal Light	293
KIT-04100E	Original 35ft Light Kit	295
KIT-04100F	Front Wheel Light Kit	297
KIT-04100G	35ft NH/IHC Front Wheel Light Kit Direct Mount	299
KIT-04100H	40ft FW/S Header light Kit 301	
KIT-04100J	JD 30ft C9000 Lights	303
KIT-04100K	JD 25ft Lights	305
KIT-04100L	Lighting Kit	307
KIT-04101A	C6000/7500/9000 Zurn Extension Only Outboard Mounting Kit	309
KIT-04101B	C10500 TA Outboard Mounting Kit	311
KIT-04101C	Premium Flow Outboard Mounting Kit	313
KIT-04101D	35ft Premium Flow Outboard Mounting	315
KIT-04104	Zurn extension Height Packer Kit	317

KIT-04116	C10500 30ft Zurn Mounting Kit	319
KIT-04116A	C10500 30ft Zurn Mounting Kit	321
KIT-04116B	C10500 30ft Premium Flow Mounting Kit	323
KIT-04116C	C10500 35ft Premium Flow Mounting kit	325
KIT-04117	C10500 FW Jack Assembly	327
KIT-04119	Spare Wheel Kit	329
KIT-04120	JD Autohitch Toweye Adaptor	331
KIT-04124	Central Marker Kit	333
KIT-04124A	JD600X Central Marker Kit	335
KIT-04124B	Chassis Mounted Central Marker Kit	337
KIT-04124C	Spaced Chassis Mounted Central Marker Kit	339
KIT-04126	Jack Kit	341
KIT-04128	Chock Kit	343
KIT-04130	Reel Support kit	345
KIT-04132	Chock kit	347
KIT-04136	Drawbar Support Kit	349
KIT-04137	Light Beam Extension Kit	351
KIT-04141	C9000 TA And C10500 TA Hydraulic Mounting	353
KIT-04143	FW/S Front Wheels	355
KIT-04146	Side Knife Storage Box (Macdon)	357
KIT-04146A	Side Knife Storage Box (Macdon)	359
KIT-04147	FWS Hydraulic Rear Steer (2015 Only)	361
KIT-04147A	Chassis Steering Kit	364
KIT-04147B	Low Chassis Steering Kit	368
KIT-04149A	40ft FWS Hydraulic Steering Kit	371
KIT-04149B	30ft And 35ft FWS Hydraulic Steering Kit	373
KIT-04152	Wide Back Light Extension	375
KIT-04155A	High Chassis Steering Kit	377
KIT-04155B	High Chassis Steering Kit, Rear Axle	379
KIT-04158	Steering Tandem Axle Kit	381
KIT-04160	Chassis Extension Kit	385
KIT-04161	Chassis Extension Kit	387
KIT-04162	Chassis Extension Kit	389
KIT-04163	TABS Reel Support Kit	391
KIT-04164	TABS Central Marker Kit	393
KIT-04165	Spare Wheel Bracket	395
KIT-04166	TABS Accessory Box	397
KIT-04167	Macdon Retrofit V Guides And Wheel Supports	399
KIT-04168	Light Board Extension Kit	401
KIT-04169	Light Board Extension Kit	403
KIT-04170	Delta Superflow Side Knife Storage Kit	405
KIT-04171	Macdon V Guide Retrofit Kit	407
KIT-04172	FW/S Side Marker Light Kit	409
KIT-04173	Reel Support Kit	411
KIT-04174	Stripper XCV Height Packer Kit	413

Shelbourne Reynolds Engineering Limited

ASSY NUMBER: 249930 01				ASSY DESCRIPTION: C9000 TRANSPORTER STANDARD PARTS			
ITEM	PART NO	DESCRIPTION	QTY	ITEM	PART NO	DESCRIPTION	QTY
1	240655 01	C9000 MAINFRAME (UP TO 2017)	1	32			
OR	242103 01	C9000 MAINFRAME (2017 & ON)		33	242604 01	TIE BAR	4
2	240176 01	DRAWBAR W/ASSY	1	34	240007 01	TIE BAR EYE	4
	240176 10	JD AUTO HITCH ONLY (2014)	1	35	NUT-0190	NUT	4
OR				36	240837 01	SPECIAL HEX HD BOLT	4
2A	240668 01	TELESCOPIC DRAWBAR		37	CAP-0080	PLASTIC CAP (FOR 120x80 RHS)	2
3	240004 01	LOCKING PIN	1	38	21709004	END CAP	2
4	PIN-01601	LYNCH PIN	1	39	GRM-00030	GROMMET (WITH HOLE)	1
5				40	260060 01	TRANSFER-STAY CLEAR	1
6				41	241072 01	CRADLE ASSY (2011 & ON)	2
7	TNF-0011	TRANSFER BLOCK	1	42	241073 01	ADJUSTER CRADLE (2011 & ON)	2
8	241151 01	SHELBOURNE DECAL	2	43	241066 02	CLAMP PLATE (2011 & ON)	4
9	240394 01	C9000 LOGO	2	44	HSS-0318	SET SCREW (2011 & ON)	16
10	241092 01	SUPPORT ARM (2011 & ON)	2	45	TPE-00250	REFLECTIVE TAPE - YELLOW	1.2
OR	240678 01	SUPPORT ARM (UPTO 2011)		46	190548 79	WASHER	4
11	190119 99	WASHER (USE WITH ITEM 15)	4	47	241818 01	TUBE CLAMP BOLT	2
12	BLTA20650	HEX HEAD BOLT	4	48	NUT-0170	PLAIN NUT	2
13	NUTA02200	NUT	6	49	290526 01	SERIAL NO. PLATE	1
14	WSH-0030	WASHER	12	50	POP-0006	POP RIVET	2
15	240798 01	TUBE CLAMP PLATE	2	51	ADL-01430	ADJUSTER ASSEMBLY (MID 2018 & ON) CAN REPLACE ITEMS 22-25	2
OR	240672 01	TUBE MOUNTING W/A	2				
16	BLT-2330	HEX HEAD BOLT	4				
17	NUT-0271	NUT	24				
18	WSH-0024	WASHER	48				
19							
20							
21	240688 01	C9000 SUPPORT BEAM	1				
22	240800 01	ADJUSTER BODY (UP TO MID 2018)	2				
OR	240757 01	ADJUSTER BODY (UP TO MID 2018)	2				
23	240749 01	RH THREAD ADJUSTER (UP TO MID 2018)	2				
24	240750 01	LH THREAD ADJUSTER (UP TO MID 2018)	2				
25	NUT-0390	HALF NUT (UP TO MID 2018) FOR ITEMS 22-25 ALSO SEE ITEM 51	2				
26							
27	BLTA20620	HEX HEAD BOLT	2				
28	240684 01	CRADLE ASSY (PRE 2011)	2				
29							
30							
31	KIT-04126	JACK KIT (MID 2014 & ON ONLY)	REF				
OR	JAC-00105	JACK (UPTO MID 2014 ONLY)	REF				

DETAIL A

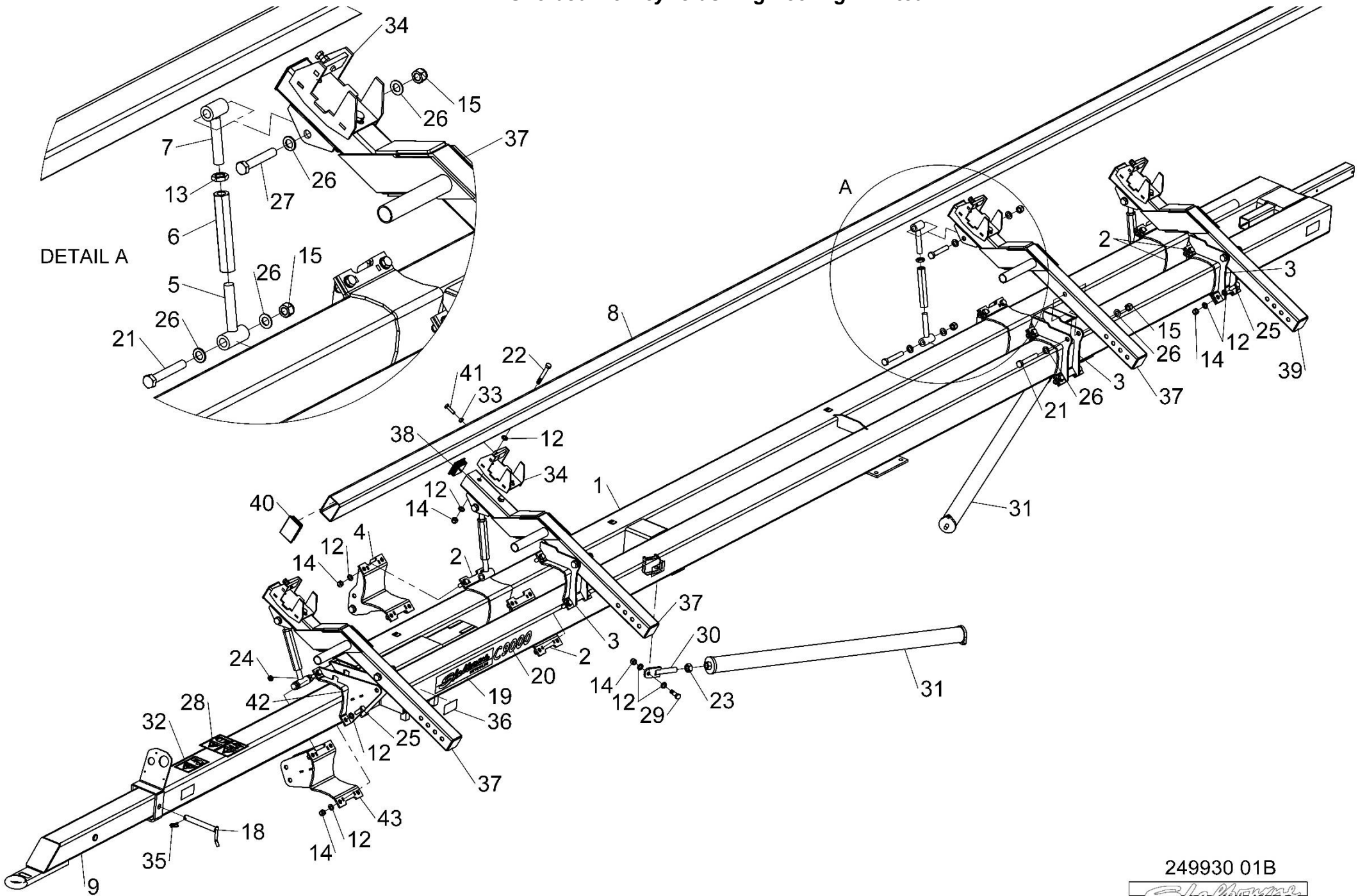


249930 01



Shelbourne Reynolds Engineering Limited

ASSY NUMBER: 249930 01B				ASSY DESCRIPTION: C9000 (JD C600X ONLY) STD PART 2015 ONLY			
ITEM	PART NO	DESCRIPTION	QTY	ITEM	PART NO	DESCRIPTION	QTY
1	240655 01	UNIVERSAL C9000 CHASSIS	1	41	241818 01	TUBE CLAMP BOLT	4
2	241066 02	CLAMP PLATE	6	42	241074 01	BEAM MOUNT CRADLE	1
3	241072 01	BEAM MOUNT CRADLE	3	43	241075 01	ADJUSTER MOUNT CRADLE	1
4	241073 01	ADJUSTER MOUNT CRADLE	3				
5	240750 01	LH THREAD ADJUSTER	4				
6	240800 01	ADJUSTER BODY (HEX)	4				
7	240749 01	RH THREAD ADJUSTER	4				
8	240688 01	SUPPORT TUBE ASSY 9.0mt LONG	1				
9	240176 01	DRAWBAR W/ASSY	1				
12	WSH-0024	PLAIN WASHER	88				
13	NUT-0390	HALF NUT	4				
14	NUT-0271	NYLOC NUT	44				
15	NUTA02200	NYLOC NUT	12				
18	240004 01	DRAWBAR EXT PIN W/ASS	1				
19	241151 01	SHELBOURNE DECAL	2				
20	240394 01	C9000 LOGO	2				
21	BLTA20650	HEX HEAD BOLT	8				
22	BLT-2330	HEX.HEAD BOLT	8				
23	NUT-0190	PLAIN HEX.NUT	4				
24	GRM-00030	GROMMET (WITH HOLE)	1				
25	HSS-0318	SET SCREW	28				
26	WSH-0030	PLAIN WASHER	24				
27	BLTA20620	HEX HEAD BOLT	4				
28	TNF-0011	TRANSFER BLOCK	1				
29	240837 01	SPECIAL HEX HD BOLT	4				
30	240007 01	EYE FOR TIE BAR W/ASS	4				
31	242604 01	TIE BAR WELD ASSY	4				
32	260060 01	TRANSFER-STAY CLEAR	1				
33	NUT-0170	PLAIN NUT	4				
34	240672 01	TUBE MOUNTING ASSY	4				
35	PIN-01601	LYNCH PIN	1				
36	TPE-00250	REFLECTIVE TAPE - YELLOW	1.2				
37	241730 01	FRONT SUPP ARM W/ASSY	3				
38	21709004	END CAP 80 X 80	4				
39	241730 02	REAR SUPP ARM W/ASSY	1				
40	CAP-0080	PLASTIC CAP (FOR 120x80 RHS)	2				



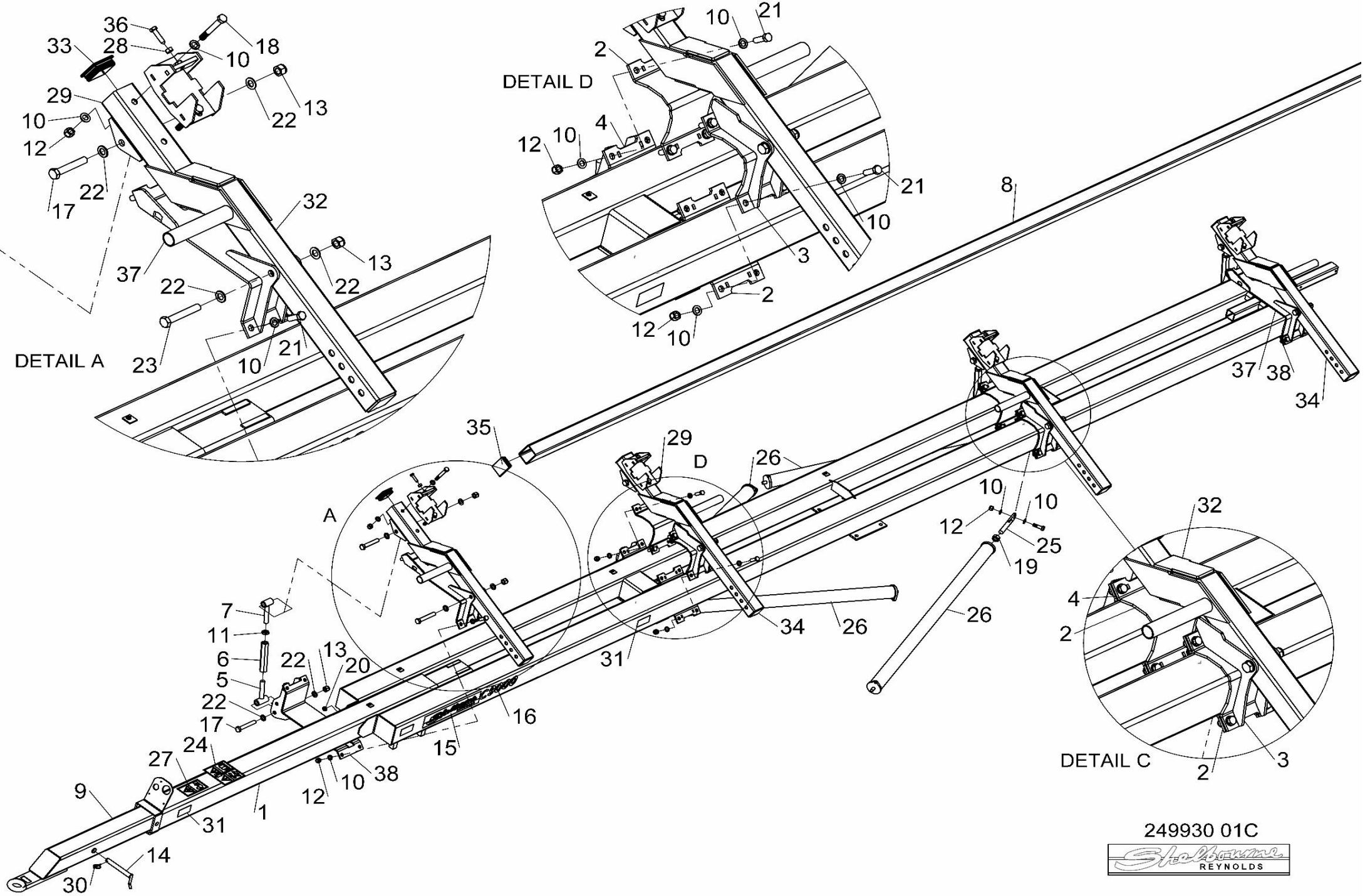
249930 01B



Shelbourne Reynolds Engineering Limited

ASSY NUMBER: 249930 01C				ASSY DESCRIPTION: C9000 JD 625X SPECIFIC PARTS 2015 ONLY			
ITEM	PART NO	DESCRIPTION	QTY	ITEM	PART NO	DESCRIPTION	QTY
1	240655 01	C9000 MAINFRAME	1				
2	241066 02	CLAMP PLATE	4				
3	241072 01	CRADLE ASSY	2				
4	241073 01	ADJUSTER CRADLE	2				
5	240750 01	LH THREAD ADJUSTER	4				
6	240800 01	ADJUSTER BODY (HEX)	4				
7	240749 01	RH THREAD ADJUSTER	4				
8	240688 02	SUPPORT TUBE 7.5m	1				
9	240176 01	DRAWBAR W/ASSY	1				
10	WSH-0024	WASHER	80				
11	NUT-0390	HALF NUT	4				
12	NUT-0271	NUT	40				
13	NUTA02200	NUT	12				
14	240004 01	LOCKING PIN	1				
15	241151 01	SHELBOURNE DECAL	2				
16	240394 01	C9000 LOGO	2				
17	BLTA20650	HEX HEAD BOLT	8				
18	BLT-2330	HEX HEAD BOLT	8				
19	NUT-0190	NUT	4				
20	GRM-00030	GROMMET (WITH HOLE)	1				
21	HSS-0318	SET SCREW (2011 & ON)	28				
22	WSH-0030	WASHER	20				
23	BLTA20620	HEX HEAD BOLT	4				
24	TNF-0011	TRANSFER BLOCK	1				
25	240007 01	TIE BAR EYE	4				
26	242604 01	TIE BAR	4				
27	260060 01	TRANSFER-STAY CLEAR	1				
28	NUT-0170	NUT	4				
29	240672 01	TUBE MOUNTING ASSY	4				
30	PIN-01601	LYNCH PIN	1				
31	TPE-00250	REFLECTIVE TAPE - YELLOW	1.2				
32	241730 01	SUPPORT ARM	2				
33	21709004	END CAP	4				
34	241730 02	SUPPORT ARM	2				
35	CAP-0080	PLASTIC CAP (FOR 120x80 RHS)	2				
36	241818 01	TUBE CLAMP BOLT	4				
37	241964 01	TOP CRADLE W/A	2				
38	241213 01	BOTTOM CRADLE W/A	2				

Shelbourne Reynolds Engineering Limited



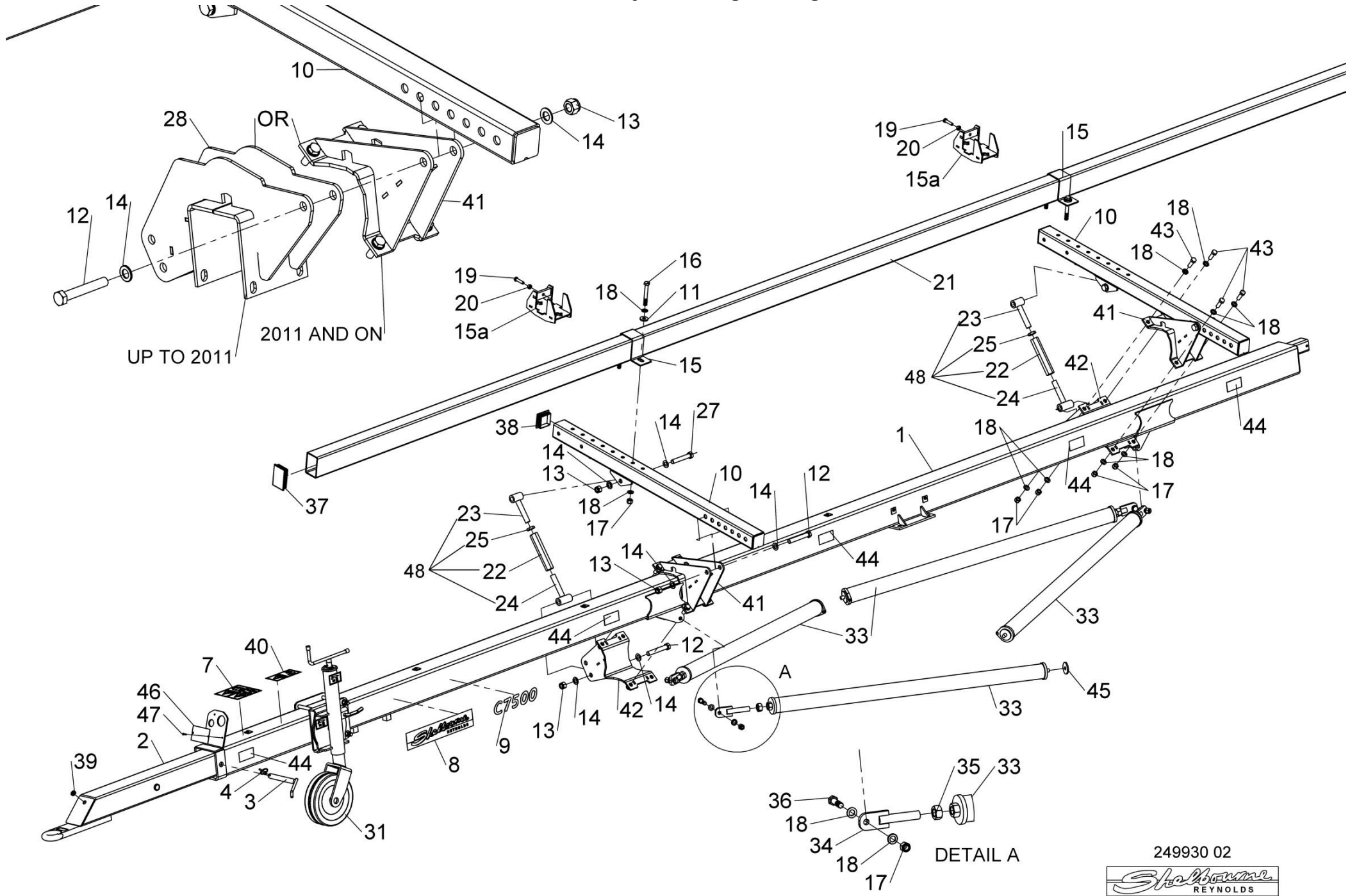
249930 01C



Shelbourne Reynolds Engineering Limited

ASSY NUMBER: 249930 02				ASSY DESCRIPTION: C7500 TRANSPORTER STANDARD PARTS			
ITEM	PART NO	DESCRIPTION	QTY	ITEM	PART NO	DESCRIPTION	QTY
1	240662 01	UNIVERSAL C7500 CHASSIS	1	33	242604 01	TIE BAR	4
2	240796 01	DRAWBAR WELD ASSY	1	34	240007 01	TIE BAR EYE	4
2	240796 11	JD AUTO HITCH ONLY (2014 & ON)	1	35	NUT-0190	NUT	4
OR				36	240837 01	SPECIAL HEX HD BOLT	4
2a	240668 01	TELESCOPIC DRAWBAR		37	CAP-0080	END CAP	2
3	240004 01	DRAWBAR EXT PIN W/ASS	1	38	21709004	END CAP	2
4	PIN-01601	LYNCH PIN	1	39	GRM-00030	GROMMET (WITH HOLE)	1
5				40	260060 01	TRANSFER-STAY CLEAR	1
6				41	241074 01	BEAM MOUNT CRADLE	2
7	TNF-0011	TRANSFER BLOCK	1	42	241075 01	ADJUSTER MOUNT CRADLE	2
8	241151 01	SHELBOURNE DECAL	2	43	HSS-0318	SET SCREW	8
9	240394 02	C7500 LOGO	2	44	TPE-00250	REFLECTIVE TAPE - YELLOW	1.2
10	241092 01	SUPPORT ARM (2011 & ON)	2	45	190548 79	WASHER	4
OR	240678 01	SUPPORT ARM (UPTO 2011)	2	46	290526 01	SERIAL NO. PLATE	1
11	190119 99	WASHER	4	47	POP-0006	POP RIVET	2
12	BLTA20650	HEX HEAD BOLT	4	48	ADL-01430	ADJUSTER ASSEMBLY (MID 2018 & ON)	2
13	NUTA02200	NUT	6			CAN REPLACE ITEMS 22-25	
14	WSH-0030	WASHER	12				
15	240798 01	TUBE CLAMP PLATE	2				
15a	240672 01	TUBE MOUNTING ASSY	2				
16	BLT-2330	HEX HEAD BOLT	4				
17	NUT-0271	NUT	16				
18	WSH-0024	WASHER	32				
19	241818 01	TUBE FIXING BOLT	2				
20	NUT-0170	NUT	2				
21	240688 02	SUPPORT BEAM C7500	1				
22	240800 01	ADJUSTER BODY (UP TO MID 2018)	2				
OR	240757 01	ADJUSTER BODY (UP TO MID 2018)	2				
23	240749 01	RH THREAD ADJUSTER (UP TO MID 2018)	2				
24	240750 01	LH THREAD ADJUSTER (UP TO MID 2018)	2				
25	NUT-0390	HALF NUT (UP TO MID 2018)	2				
		FOR ITEMS 22-25 ALSO SEE ITEM 48					
26							
27	BLTA20620	HEX HEAD BOLT	2				
28	240685 01	CRADLE ASSY (UPTO 2011)	2				
29							
30							
31	KIT-04126	JACK KIT (MID 2014 & ON ONLY)	REF				
OR	JAC-00105	JACK (UPTO MID 2014 ONLY)	REF				
32							

Shelbourne Reynolds Engineering Limited

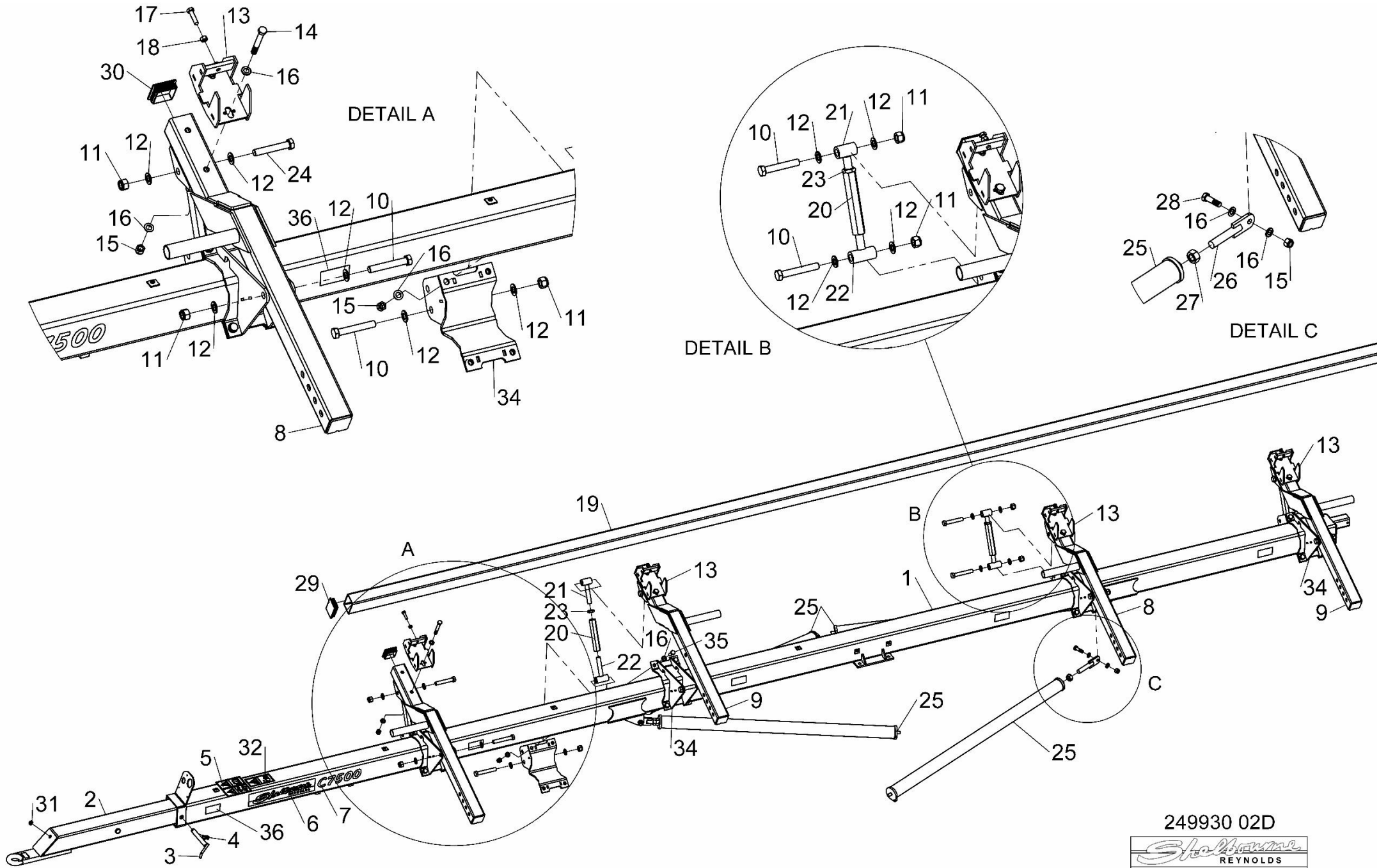


Shelbourne Reynolds Engineering Limited

ASSY NUMBER: 249930 02C NH/IHC 760/3050 SERIES				ASSY DESCRIPTION: C7500 NH/ IHC 22' STD PARTS			
ITEM	PART NO	DESCRIPTION	QTY	ITEM	PART NO	DESCRIPTION	QTY
1	240662 01	UNIVERSAL C7500 CHASSIS	1	36	HSS-0318	SET SCREW	8
2	240796 01	DRAWBAR WELD ASSY	1	37	241243 02	REAR ADJ MOUNT CRADLE	1
3	240004 01	DRAWBAR EXT PIN W/ASS	1	38	241249 01	TUBE CLAMP PLATE	3
4	PIN-01601	LYNCH PIN	1	39	BLTA12620	HEX.HEAD BOLT	3
5	TNF-0011	TRANSFER BLOCK	1	40	NUT-0269	NYLOC NUT	3
6	241151 01	SHELBOURNE DECAL	2	41	WSH-0018	PLAIN WASHER	6
7	240394 02	C7500 LOGO	2	42	TPE-00250	REFLECTIVE TAPE	1.2
8	241092 01	SUPPORT ARM W/ASSY	2	43	190548 79	WASHER	4
9	190119 99	WASHER	4	44	241818 01	TUBE CLAMP BOLT	2
10	BLTA20650	HEX HEAD BOLT	4	45	NUT-0170	PLAIN NUT	2
11	NUTA02200	NYLOC NUT	6	46	290526 01	SERIAL NO. PLACE	1
12	WSH-0030	PLAIN WASHER	12	47	POP-0006	POP RIVET	2
13	241046 01	TUBE CLAMP PLATE	2	48	ADL-01430	ADJUSTER ASSEMBLY (MID 2018 & ON)	2
OR	240672 01	TUBE MOUNTING W/A	2			CAN REPLACE ITEMS 18-21	
14	BLT-2330	HEX.HEAD BOLT M	4				
15	NUT-0271	NYLOC NUT	16				
16	WSH-0024	PLAIN WASHER FORM A	32				
17	240688 02	SUPPORT TUBE 7.5mt LONG	1				
18	240800 01	ADJUSTER BODY (UP TO MID 2018)	2				
19	240749 01	RH THREAD ADJUSTER (UP TO MID 2018)	2				
20	240750 01	LH THREAD ADJUSTER (UP TO MID 2018)	2				
21	NUT-0390	HALF NUT (UP TO MID 2018) FOR ITEMS 18-21 ALSO SEE ITEM 48	2				
22	BLTA20620	HEX HEAD BOLT	2				
23	KIT-04126	JACK KIT (MID 2014 & ON ONLY)	REF				
OR	JAC-00105	JACK (UP TO MID 2014 ONLY)	REF				
24							
25							
26	242604 01	TIE BAR WELD ASSY	4				
27	240007 01	EYE FOR TIE BAR W/ASS	4				
28	NUT-0190	PLAIN HEX.NUT	4				
29	240837 01	M16 BOLT (24mm THREAD LENGTH)	4				
30	CAP-0080	PLASTIC CAP (FOR 120x80 RHS)	2				
31	21709004	END CAP (FOR 80 X 80 RHS)	2				
32	GRM-00030	GROMMET (WITH HOLE)	1				
33	260060 01	TRANSFER-STAY CLEAR	1				
34	241239 01	BEAM MOUNT CRADLE W/A	2				
35	241243 01	FRONT ADJ MOUNT CRADLE	1				

Shelbourne Reynolds Engineering Limited

ASSY NUMBER: 249930 02D				ASSY DESCRIPTION: C7500 JD 622X SPECIFIC PARTS 2015 ONLY			
ITEM	PART NO	DESCRIPTION	QTY	ITEM	PART NO	DESCRIPTION	QTY
1	241967 01	LONG C7500 CHASSIS	1				
2	240796 01	DRAWBAR WELD ASSY	1				
3	240004 01	DRAWBAR EXT PIN W/ASS	1				
4	PIN-01601	LYNCH PIN	1				
5	TNF-0011	TRANSFER BLOCK	1				
6	241151 01	SHELBOURNE DECAL	2				
7	240394 02	C7500 LOGO	2				
8	241730 01	SUPPORT ARM	2				
9	241730 02	SUPPORT ARM	2				
10	BLTA20650	HEX HEAD BOLT	8				
11	NUTA02200	NUT	12				
12	WSH-0030	WASHER	24				
13	240672 01	TUBE MOUNTING ASSY	4				
14	BLT-2330	HEX.HEAD BOLT	8				
15	NUT-0271	NUT	24				
16	WSH-0024	WASHER	48				
17	241818 01	TUBE CLAMP BOLT	4				
18	NUT-0170	NUT	4				
19	240688 02	SUPPORT BEAM C7500	1				
20	240800 01	ADJUSTER BODY (HEX)	4				
21	240749 01	RH THREAD ADJUSTER	4				
22	240750 01	LH THREAD ADJUSTER	4				
23	NUT-0390	HALF NUT	4				
24	BLTA20620	HEX HEAD BOLT	4				
25	242604 01	TIE BAR	4				
26	240007 01	TIE BAR EYE	4				
27	NUT-0190	NUT	4				
28	240837 01	SPECIAL HEX HD BOLT	4				
29	CAP-0080	END CAP	2				
30	21709004	END CAP	4				
31	GRM-00030	GROMMET (WITH HOLE)	1				
32	260060 01	TRANSFER-STAY CLEAR	1				
33	241074 01	BEAM MOUNT CRADLE	4				
34	241075 01	ADJUSTER MOUNT CRADLE	4				
35	HSS-0318	SET SCREW	16				
36	TPE-00250	REFLECTIVE TAPE - YELLOW	1.2				

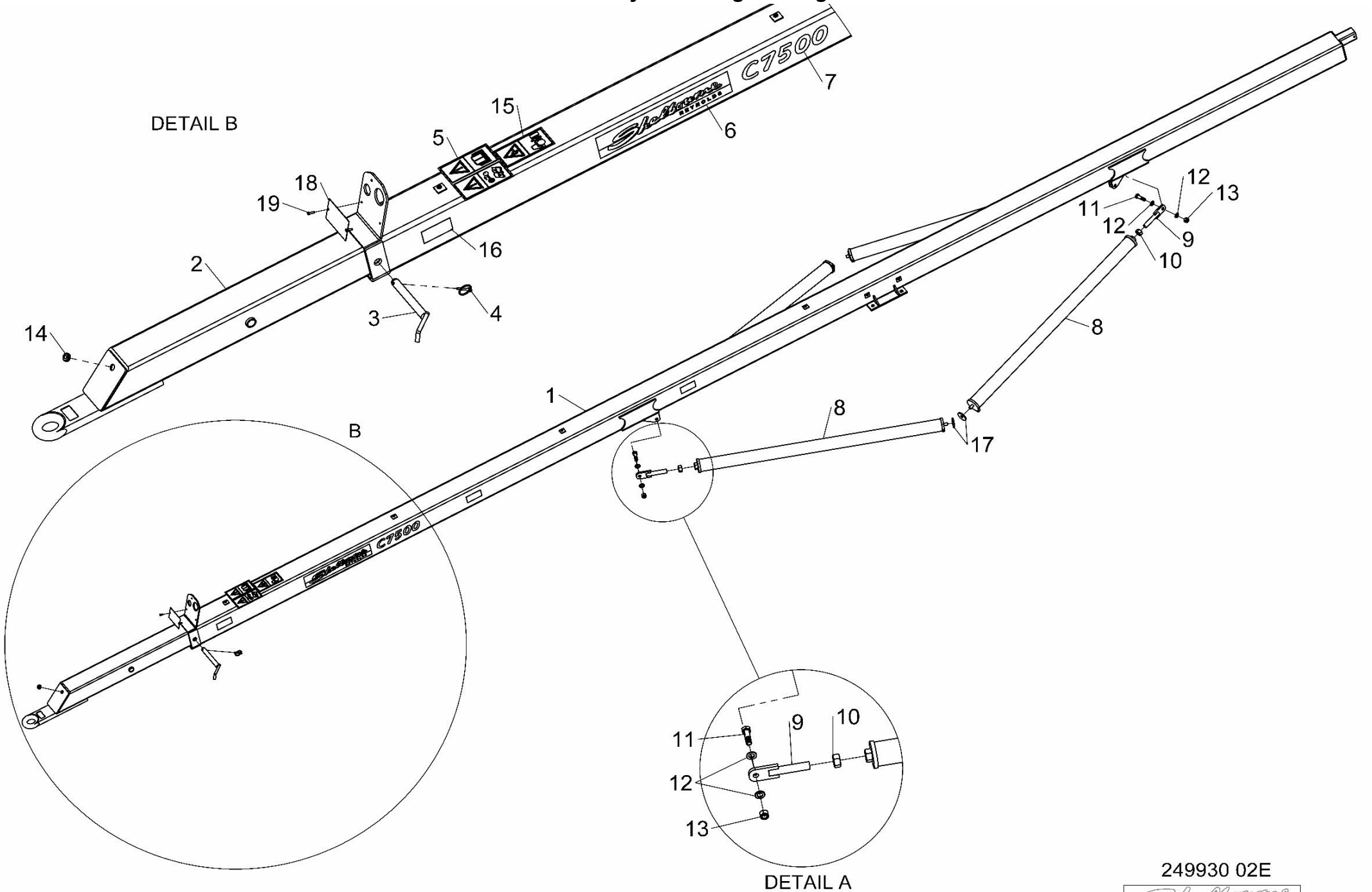


249930 02D



Shelbourne Reynolds Engineering Limited

ASSY NUMBER: 249930 02E				ASSY DESCRIPTION: C7500 8m CHASSIS SUB ASSY			
ITEM	PART NO	DESCRIPTION	QTY	ITEM	PART NO	DESCRIPTION	QTY
1	241967 01	LONG C7500 CHASSIS	1				
2	240796 01	DRAWBAR WELD ASSY	1				
3	240004 01	DRAWBAR EXT PIN W/ASS	1				
4	PIN-01601	LYNCH PIN	1				
5	TNF-0011	TRANSFER BLOCK	1				
6	241151 01	SHELBOURNE DECAL	2				
7	240394 02	C7500 LOGO	2				
8	242604 01	TIE BAR	4				
9	240007 01	TIE BAR EYE	4				
10	NUT-0190	NUT	4				
11	240837 01	SPECIAL HEX HD BOLT	4				
12	WSH-0024	WASHER	8				
13	NUT-0271	NUT	4				
14	GRM-00030	GROMMET (WITH HOLE)	1				
15	260060 01	TRANSFER-STAY CLEAR	1				
16	TPE-00250	REFLECTIVE TAPE - YELLOW	1.2				
17	190548 79	WASHER	4				
18	290526 01	SERIAL NO. PLATE	1				
19	POP-0006	POP RIVET	2				

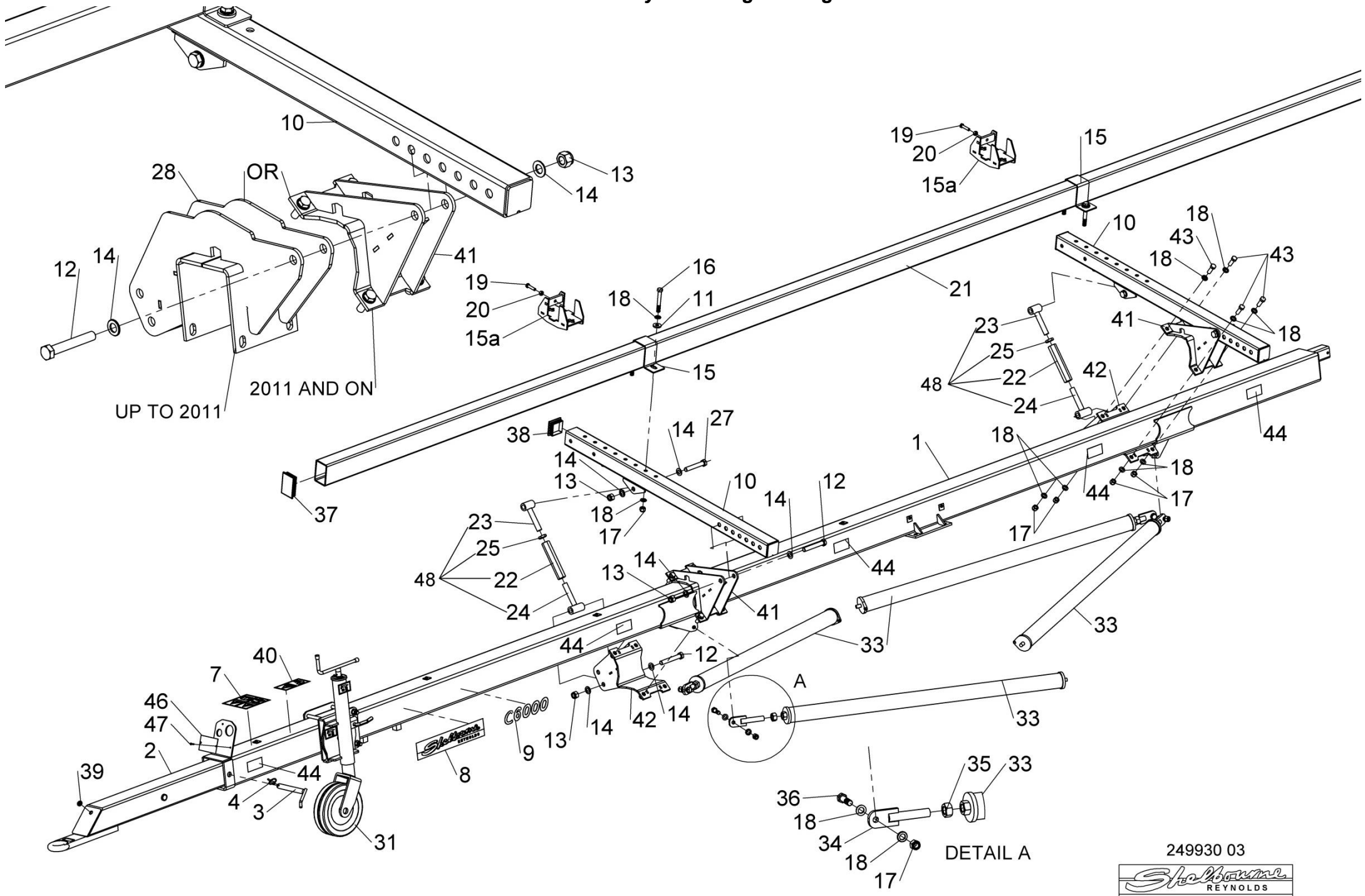


249930 02E



Shelbourne Reynolds Engineering Limited

ASSY NUMBER: 249930 03				ASSY DESCRIPTION: *** C6000 TRANSPORTER STD PARTS***			
ITEM	PART NO	DESCRIPTION	QTY	ITEM	PART NO	DESCRIPTION	QTY
1	240665 01	UNIVERSAL C6000 CHASSIS	1	31	KIT-04126	JACK KIT (MID 2014 AND ON)	REF
2	240796 01	DRAWBAR WELD ASSY	1	OR	JAC-00105	JACK (UP TO MID 2014)	REF
2	240796 11	JD AUTO HITCH ONLY (2014 & ON)	1	32			
OR				33	242604 01	TIE BAR	4
2a	240668 01	TELESCOPIC DRAWBAR		34	240007 01	TIE BAR EYE	4
3	240004 01	DRAWBAR EXT PIN W/ASS	1	35	NUT-0190	NUT	4
4	PIN-01601	LYNCH PIN	1	36	240837 01	SPECIAL HEX HD BOLT	4
5				37	CAP-0080	END CAP	2
6				38	21709004	END CAP	2
7	TNF-0011	TRANSFER BLOCK	1	39	GRM-00030	GROMMET (WITH HOLE)	1
8	241151 01	SHELBOURNE DECAL	2	40	260060 01	TRANSFER-STAY CLEAR	1
9	240394 03	C6000 LOGO	2	41	241074 01	BEAM MOUNT CRADLE (2011 & ON)	2
10	241092 01	SUPPORT ARM (2011 & ON)	2	42	241075 01	ADJ CRADLE ASSY (2011 & ON)	2
OR	240678 01	SUPPORT ARM (UPTO 2011)	2	43	HSS-0318	SET SCREW (2011 & ON)	8
11	190119 99	WASHER	4	44	TPE-00250	REFLECTIVE TAPE - YELLOW	0.8
12	BLTA20650	HEX HEAD BOLT	4	45	190548 79	WASHER	4
13	NUTA02200	NUT	6	46	290526 01	SERIAL NO. PLATE	1
14	WSH-0030	WASHER	12	47	POP-0006	POP RIVET	2
15	240798 01	TUBE CLAMP PLATE	2	48	ADL-01430	ADJUSTER ASSEMBLY (MID 2018 & ON)	2
15a	240672 01	TUBE MOUNTING ASSY	2			CAN REPLACE ITEMS 22-25	
16	BLT-2330	HEX.HEAD BOLT	4				
17	NUT-0271	NUT	16				
18	WSH-0024	WASHER	32				
19	240818 01	TUBE FIXING BOLT	2				
20	NUT-0170	NUT	2				
21	240688 03	C6000 SUPPORT BEAM	1				
22	240800 01	ADJUSTER BODY (UP TO MID 2018)	2				
OR	240757 01	ADJUSTER BODY (UP TO MID 2018)	2				
23	240749 01	RH THREAD ADJUSTER(UP TO MID 2018)	2				
24	240750 01	LH THREAD ADJUSTER(UP TO MID 2018)	2				
25	NUT-0390	HALF NUT (UP TO MID 2018) FOR ITEMS 22-25 ALSO SEE ITEM 48	2				
26							
27	BLTA20620	HEX HEAD BOLT	2				
28	240685 01	CRADLE ASSY (UPTO 2011)	2				
29							
30							

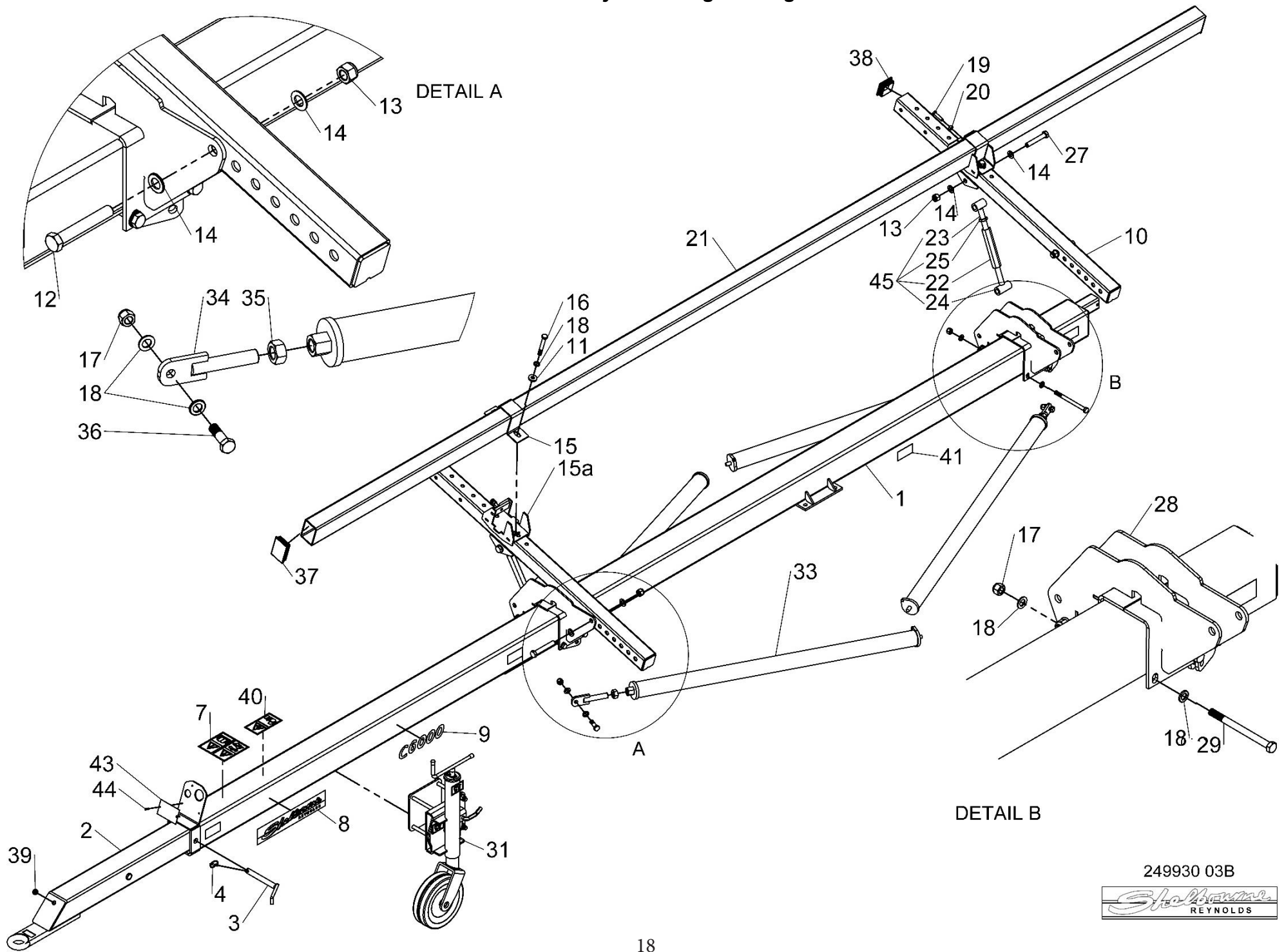


249930 03



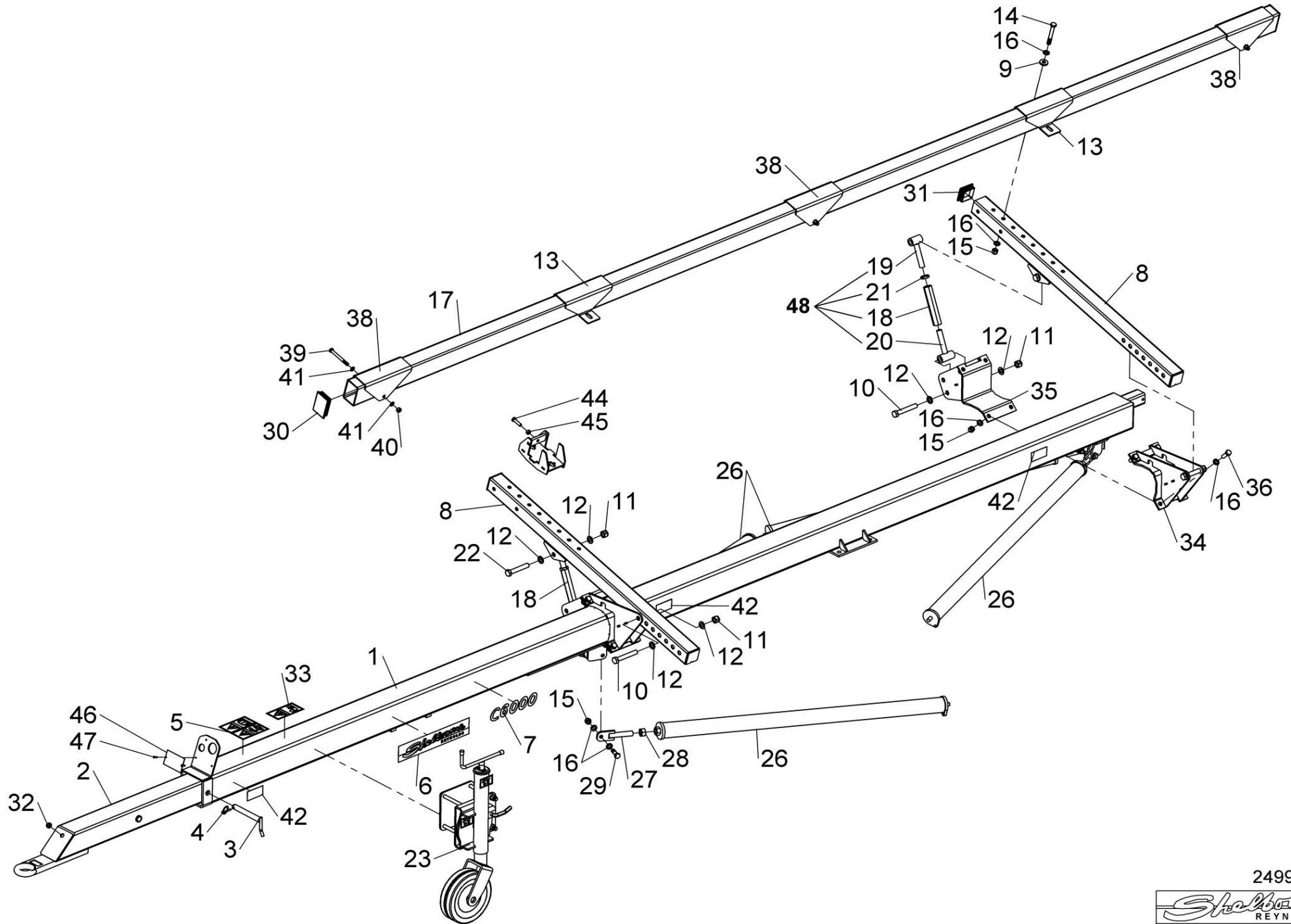
Shelbourne Reynolds Engineering Limited

ASSY NUMBER: 249930 03B				ASSY DESCRIPTION: C6000 NH/IHC 20-15ft ONLY STD PARTS			
ITEM	PART NO	DESCRIPTION	QTY	ITEM	PART NO	DESCRIPTION	QTY
1	240665 01	UNIVERSAL C6000 CHASSIS	1	39	GRM-00030	GROMMET (WITH HOLE)	1
2	240796 01	DRAWBAR WELD ASSY	1	40	260060 01	TRANSFER-STAY CLEAR	1
3	240004 01	DRAWBAR EXT PIN W/ASS	1	41	TPE-00250	REFLECTIVE TAPE - YELLOW	0.8
4	PIN-01601	LYNCH PIN	1	42	190548 79	WASHER	4
5				43	290526 01	SERIAL NO. PLATE	1
6				44	POP-0006	POP RIVET	2
7	TNF-0011	TRANSFER BLOCK	1	45	ADL-01430	ADJUSTER ASSEMBLY (MID 2018 & ON)	2
8	241151 01	SHELBOURNE DECAL	2			CAN REPLACE ITEMS 22-25	
9	240394 03	C6000 LOGO	2				
10	241092 01	SUPPORT ARM W/ASSY	2				
11	190119 99	WASHER	4				
12	BLTA20650	HEX HEAD BOLT	4				
13	NUTA02200	NYLOC NUT	6				
14	WSH-0030	PLAIN WASHER	12				
15	240798 01	TUBE CLAMP PLATE	2				
15a	240672 01	TUBE CLAMP W/A	2				
16	BLT-2330	HEX HEAD BOLT	4				
17	NUT-0271	NYLOC NUT	12				
18	WSH-0024	PLAIN WASHER	24				
19	241818 01	TUBE CLAMP BOLT	2				
20	NUT-0170	PLAIN NUT M12	2				
21	240688 03	SUPPORT TUBE 6.0mt LONG	1				
22	240800 01	ADJUSTER BODY (UP TO MID 2018)	2				
23	240749 01	RH THREAD ADJUSTER (UP TO MID 2018)	2				
24	240750 01	LH THREAD ADJUSTER (UP TO MID 2018)	2				
25	NUT-0390	HALF NUT (UP TO MID 2018)	2				
		FOR ITEMS 22-25 ALSO SEE ITEM 45					
27	BLTA20620	HEX HEAD BOLT	2				
28	240685 01	C7500/6000 UNIVERSAL CRADLE W/	2				
29	BLT-2350	HEX HD BOLT	4				
30							
31	KIT-04126	JACK KIT (MID 2014 AND ON)	REF				
OR	JAC-00105	JACK (UP TO 2014 ONLY)	REF				
32							
33	242604 01	TIE BAR WELD ASSY	4				
34	240007 01	EYE FOR TIE BAR W/ASS	4				
35	NUT-0190	PLAIN HEX.NUT	4				
36	240837 01	M16 BOLT (24mm THREAD LENGTH)	4				
37	CAP-0080	PLASTIC CAP (FOR 120x80 RHS)	2				
38	21709004	END CAP 80 X 80	2				



Shelbourne Reynolds Engineering Limited

ASSY NUMBER: 249930 03C				NH/IHC 760/3050 MODELS ONLY				ASSY DESCRIPTION: C6000 NH/IHC 20-16ft ONLY STD PARTS			
ITEM	PART NO	DESCRIPTION	QTY	ITEM	PART NO	DESCRIPTION	QTY				
1	240665 01	UNIVERSAL C6000 CHASSIS	1	36	HSS-0318	SET SCREW	8				
2	240796 01	DRAWBAR WELD ASSY	1	37							
3	240004 01	DRAWBAR EXT PIN W/ASS	1	38	241249 01	TUBE CLAMP PLATE	3				
4	PIN-01601	LYNCH PIN	1	39	BLTA12620	HEX.HEAD BOLT	3				
5	TNF-0011	TRANSFER BLOCK	1	40	NUT-0269	NYLOC NUT	3				
6	241151 01	SHELBOURNE DECAL	2	41	WSH-0018	PLAIN WASHER	6				
7	240394 03	C6000 LOGO	2	42	TPE-00250	REFLECTIVE TAPE	0.8				
8	241092 01	SUPPORT ARM W/ASSY	2	43	190548 79	WASHER	4				
9	190119 99	WASHER	4	44	241818 01	TUBE CLAMP BOLT	2				
10	BLTA20650	HEX HEAD BOLT	4	45	NUT-0170	PLAIN NUT M12	2				
11	NUTA02200	NYLOC NUT	6	46	290526 01	SERIAL NO. PLATE	1				
12	WSH-0030	PLAIN WASHER	12	47	POP-0006	POP RIVET	2				
13	241046 01	TUBE CLAMP PLATE	2	48	ADL-01430	ADJUSTER ASSEMBLY (MID 2018 & ON)	2				
OR	240672 01	TUBE CLAMP W/A	2			CAN REPLACE ITEMS 18-21					
14	BLT-2330	HEX.HEAD BOLT	4								
15	NUT-0271	NYLOC NUT	16								
16	WSH-0024	PLAIN WASHER FORM A	24								
17	240688 03	SUPPORT TUBE 6.0mt LONG	1								
18	240800 01	ADJUSTER BODY (UP TO MID 2018)	2								
19	240749 01	RH THREAD ADJUSTER(UP TO MID 2018)	2								
20	240750 01	LH THREAD ADJUSTER(UP TO MID 2018)	2								
21	NUT-0390	HALF NUT (UP TO MID 2018) FOR ITEMS 18-21 ALSO SEE ITEM 48	2								
22	BLTA20620	HEX HEAD BOLT	2								
23	KIT-04126	JACK KIT (MID 2014 AND ON)	REF								
OR	JAC-00105	JACK (UP TO MID 2014 ONLY)	REF								
24											
25											
26	242604 01	TIE BAR WELD ASSY	4								
27	240007 01	EYE FOR TIE BAR W/ASS	4								
28	NUT-0190	PLAIN HEX.NUT	4								
29	240837 01	M16 BOLT (24mm THREAD LENGTH)	4								
30	CAP-0080	PLASTIC CAP	2								
31	21709004	END CAP	2								
32	GRM-00030	GROMMET (WITH HOLE)	1								
33	260060 01	TRANSFER-STAY CLEAR	1								
34	241074 01	BEAM MOUNT CRADLE	2								
35	241075 01	ADJUSTER MOUNT W/ASSY	2								

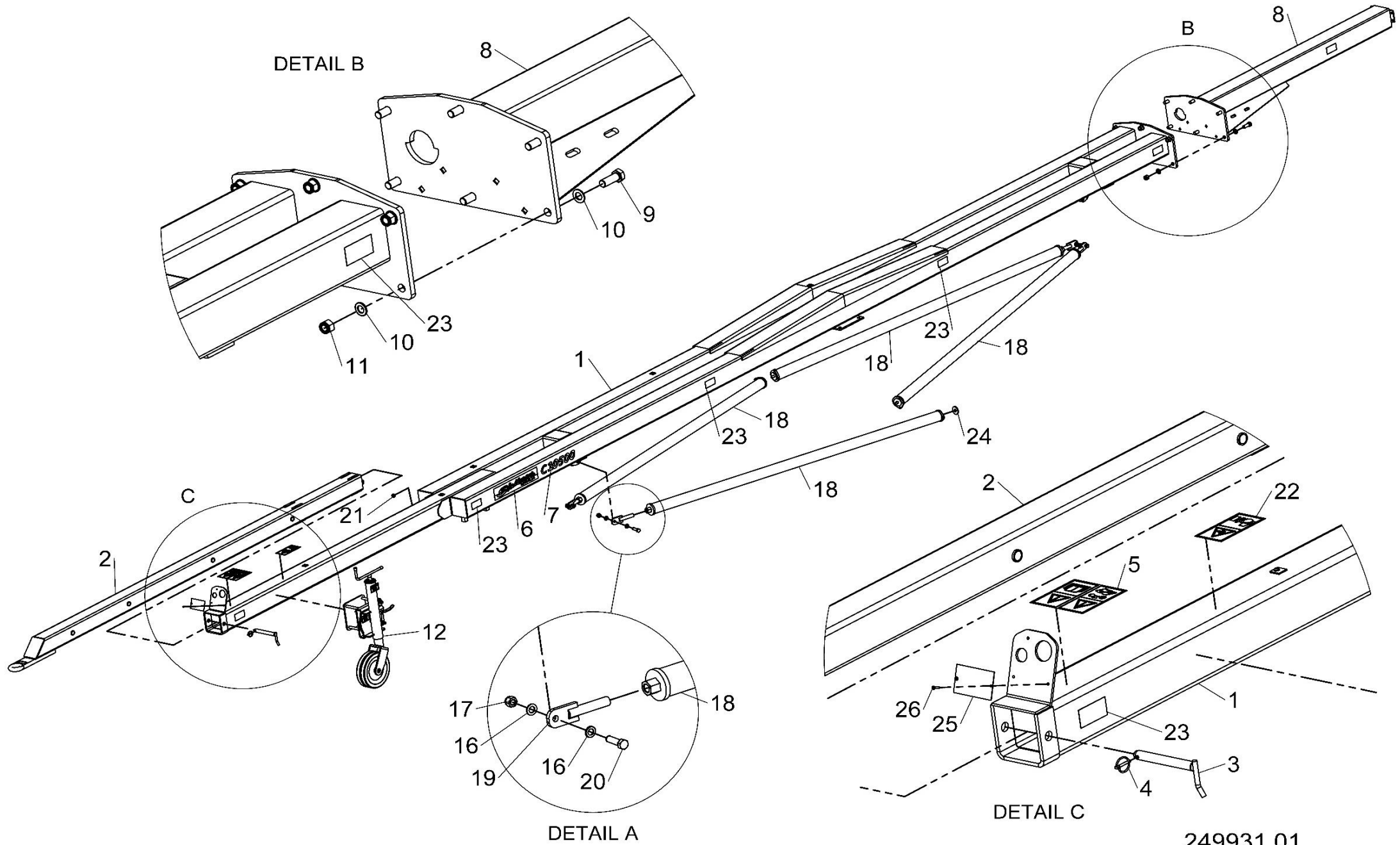


249930 03C



Shelbourne Reynolds Engineering Limited

ASSY NUMBER: 249931 01				ASSY DESCRIPTION: C10500TA 35' TRANSPORTER STD PARTS			
ITEM	PART NO	DESCRIPTION	QTY	ITEM	PART NO	DESCRIPTION	QTY
1	240838 01	C10500 35' CHASSIS	1				
2	240176 01	DRAWBAR W/ASSY	1				
2	240176 10	JD AUTO HITCH ONLY (2014)	1				
3	240004 01	LOCKING PIN	1				
4	PIN-01601	LYNCH PIN	1				
5	TNF-0011	TRANSFER BLOCK	1				
6	241151 01	SHELBOURNE DECAL	2				
7	240394 05	C10500 LOGO	2				
8	240840 01	MAINFRAME EXTENSION	1				
9	BLT-2366	BOLT	6				
10	WSH-0030	WASHER	12				
11	NUTA02200	NUT	6				
12	KIT-04126	JACK KIT (MID 2014 AND ON)	REF				
OR	JAC-00105	JACK (UP TO MID 2014 ONLY)	REF				
13							
14							
15							
16	WSH-0024	WASHER	8				
17	NUT-0271	NUT	4				
18	242608 01	TIE BAR (2011 & ON)	4				
OR	240862 01	TIE BAR (UPTO 2011)					
19	240007 01	TIE BAR EYE	4				
20	240837 01	SPECIAL HEX HD BOLT	4				
21	GRM-00030	GROMMET (WITH HOLE)	1				
22	260060 01	TRANSFER-STAY CLEAR	1				
23	TPE-00250	REFLECTIVE TAPE - YELLOW	1.2				
24	190548 79	WASHER	4				
25	290526 01	SERIAL NO. PLATE	1				
26	POP-0006	POP RIVET	2				



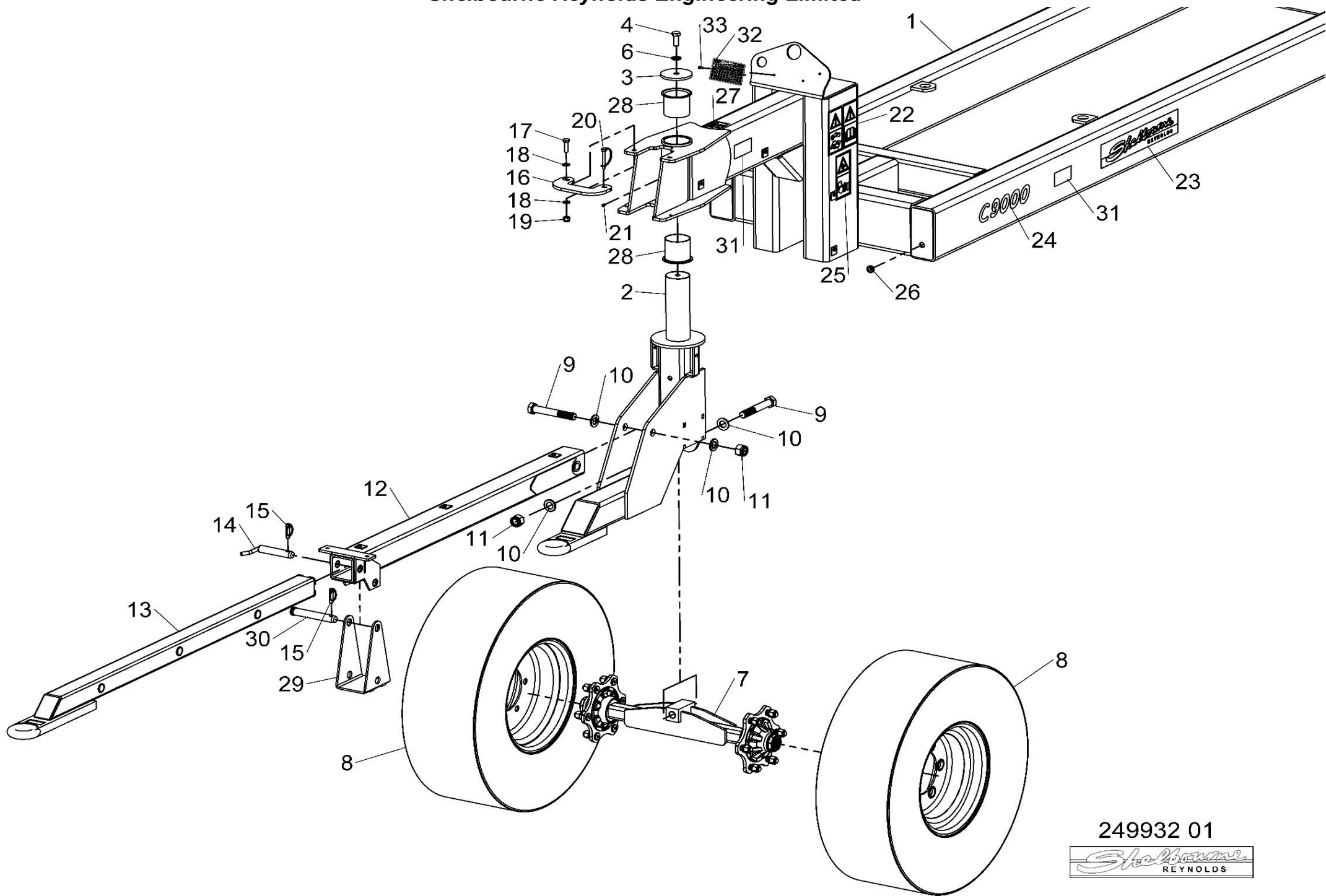
249931 01



Shelbourne Reynolds Engineering Limited

ASSY NUMBER: 249932 01				ASSY DESCRIPTION: C9000/10500 30/35' FRONT WHEEL TRAILER			
ITEM	PART NO	DESCRIPTION	QTY	ITEM	PART NO	DESCRIPTION	QTY
1	241146 01	CHASSIS (2013 ON)	1	33	POP-0006	POP RIVET	2
	240913 01	CHASSIS (PRE 2013)					
2	241147 01	DRAWBAR PIVOT (2012 ON)	1				
	240900 01	DRAWBAR PIVOT (PRE 2012)					
3	240930 01	CAPPING PLATE	1				
4	HSS-0316	SETSCREW	1				
5							
6	WSHA30161	WASHER	1				
7	241150 01	FRONT AXLE W/ASSY (2012 ON)	1				
	240891 01	FRONT AXLE ASSY (PRE 2012)					
8	WHL-01521A	WHEEL & TYRE (2016 ON)	2				
OR	WHL-01521	WHEEL & TYRE (2015 & 2016)					
	WHL-01520	WHEEL & TYRE (2012 UP TO 2015)					
	WHL-01519	WHEEL & TYRE (PRE 2012)					
9	BLTA24740	BOLT	2				
10	WSH-0036	WASHER	4				
11	NUT-0275	NUT	2				
12	240919 01	DRAWBAR W/ASSY	1				
13\	240926 01	DRAWBAR (EXCEPT SEE BELOW)	1				
13/	240926 07	JD AUTO HITCH (2014 ON)	1				
14	241154 01	DRAWBAR PIN	1				
15	PIN-4510	LYNCH PIN	2				
16	240928 01	FIXING PLATE	1				
17	HSS-0250	SET SCREW	1				
18	WSH-0018	WASHER	2				
19	NUT-0269	NUT	1				
20	PIN-1720	'D' CLIP	1				
21	NIP-00600	GREASE NIPPLE	1				
22	TNF-0011	READ MANUAL LOGO	1				
23	241151 01	SHELBOURNE DECAL	2				
24	240394 01	C9000 LOGO	1				
OR	240394 05	C10500 LOGO	1				
25	260060 01	TRANSFER-STAY CLEAR	1				
26	GRM-00030	GROMMET	1				
27	127075 16	50HR GREASE TRANSFER	1				
28	BSHO08583	BUSH	2				
29	240971 01	FOOT W/A	1				
30	800198 02	TOP LINK PIN	1				
31	TPE-00250	REFLECTIVE TAPE - YELLOW	1.2				
32	290526 01	SERIAL NO. PLATE	1				

Shelbourne Reynolds Engineering Limited



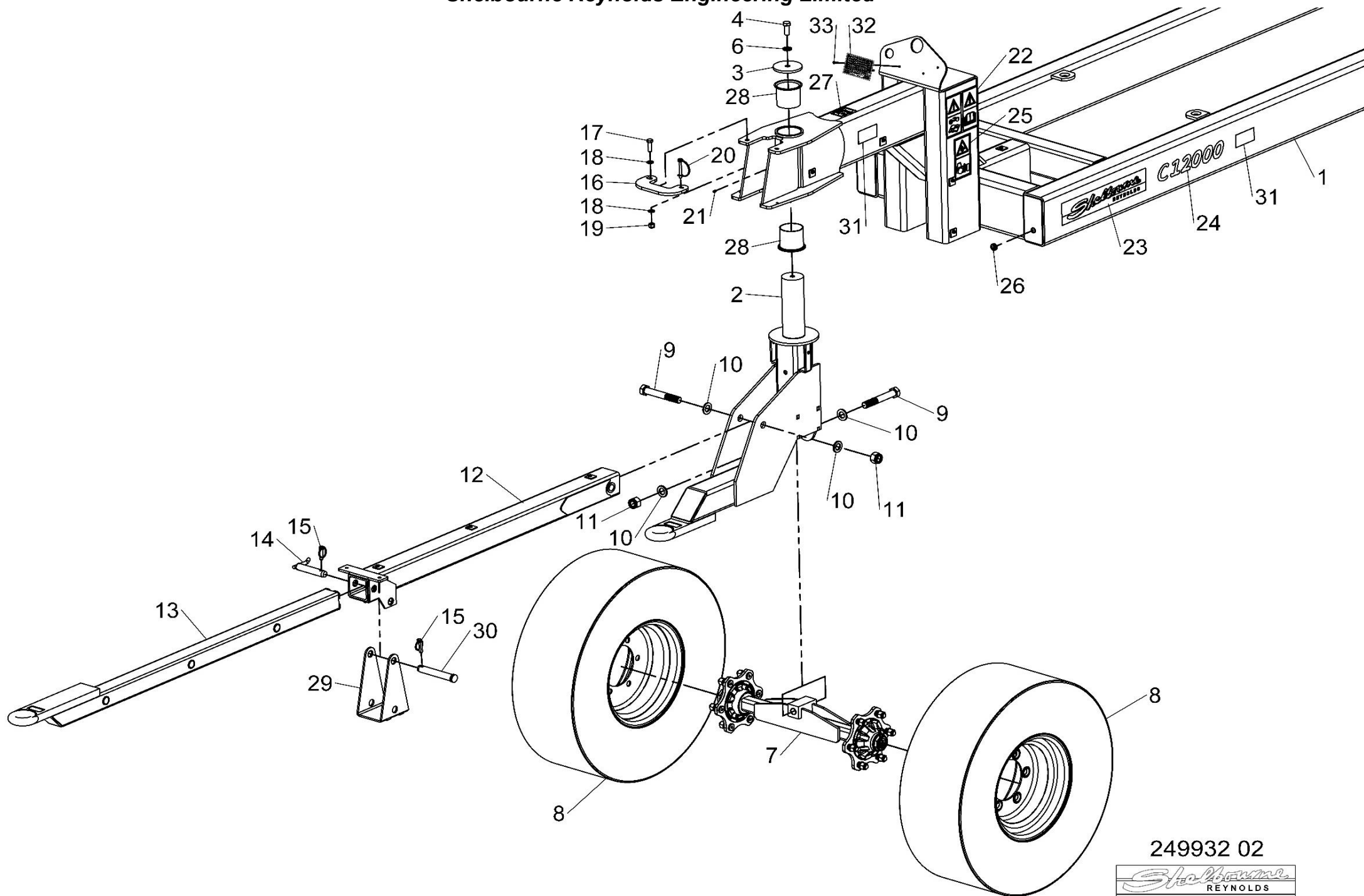
249932 01



Shelbourne Reynolds Engineering Limited

ASSY NUMBER: 249932 02				ASSY DESCRIPTION: C12000 40' FRONT WHEEL TRANSPORTER			
ITEM	PART NO	DESCRIPTION	QTY	ITEM	PART NO	DESCRIPTION	QTY
1	241153 01	C12000 CHASSIS	1				
2	241147 01	DRAWBAR PIVOT	1				
3	240930 01	CAPPING PLATE	1				
4	HSS-0316	SET SCREW)	1				
5							
6	WSHA30161	WASHER	1				
7	241150 01	FRONT AXLE ASSY	1				
8	WHL-01521A	WHEEL & TYRE (18PLY 2016 ON)	2				
OR	WHL-01521	WHEEL & TYRE (18 PLY) (2014 & 2015)					
OR	WHL-01520	WHEEL & TYRE (16 PLY) (UP TO 2014)					
9	BLTA24740	BOLT	2				
10	WSH-0036	PLAIN WASHER	4				
11	NUT-0275	NYLOC NUT	2				
12	240919 01	DRAWBAR ASSY	1				
13	240926 01	TELESCOPIC DRAWBAR	1				
14	241154 01	DRAWBAR PIN	1				
15	PIN-4510	LYNCH PIN	2				
16	240928 01	FIXING PLATE	1				
17	HSS-0250	SET SCREW	1				
18	WSH-0018	PLAIN WASHER	2				
19	NUT-0269	NYLOC NUT	1				
20	PIN-1720	DEE CLIP	1				
21	NIP-00600	GREASE NIPPLE	1				
22	TNF-0011	READ MANUAL LOGO	1				
23	241151 01	SHELBOURNE LOGO	2				
24	240394 06	C12000 LOGO	2				
25	260060 01	STAY CLEAR TRANSFER	1				
26	GRM-00030	GROMMET	1				
27	127075 16	50 HOUR GREASE TRANSFER	1				
28	BSHO08583	BUSH	2				
29	240971 01	FOOT	1				
30	800198 02	TOP LINK PIN	1				
31	TPE-00250	REFLECTIVE TAPE	1.4				
32	290526 01	SERIAL NO. PLATE	1				
33	POP-0006	POP RIVET	2				

Shelbourne Reynolds Engineering Limited



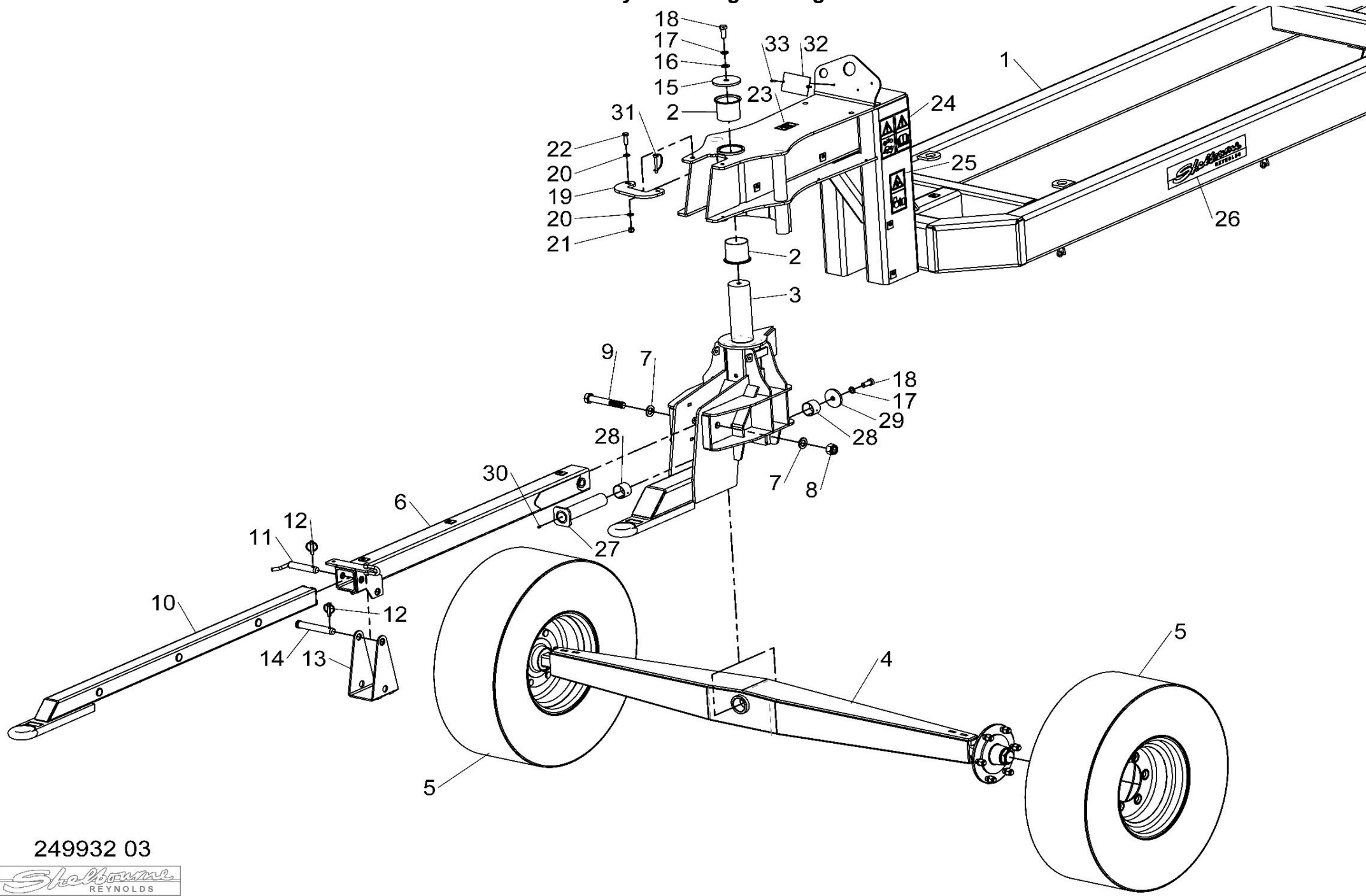
249932 02



Shelbourne Reynolds Engineering Limited

ASSY NUMBER: 249932 03				ASSY DESCRIPTION: FW/S C9000-12000 CHASSIS SUB 2015 ONLY			
ITEM	PART NO	DESCRIPTION	QTY	ITEM	PART NO	DESCRIPTION	QTY
1	241739 01	FW CHASSIS W/A	1				
2	BSHO08583	WRAPPED BRONZE BUSH	2				
3	241807 01	DRAWBAR PIVOT W/A JD X SERIES	1				
OR	242023 01	DRAWBAR PIVOT W/A CNH,MF,MACD					
4	242026 01	FRONT AXLE W/A JD X SERIES	1				
OR	241150 01	FRONT AXLE W/A CNH/MF,MACDON					
5		REFER TO KIT-04143					
6	240919 01	DRAWBAR W/ASSY	1				
7	WSH-0036	PLAIN WASHER FORM A	2				
8	NUT-0275	NYLOC NUT	1				
9	BLTA24740	HEX HEAD BOLT	1				
10	240926 01	TELESCOPIC DRAWBAR W/ASSY	1				
11	241154 01	DRAWBAR EXTENSION PIN	1				
12	PIN-4510	LYNCH PIN	2				
13	240971 01	FOOT W/A	1				
14	800198 02	TOP LINK PIN CATII	1				
15	240930 01	CAPPING PLATE	1				
16	WSH-0024	PLAIN WASHER	1				
17	WSH-0070	SPRING WASHER	1				
18	HSS-0316	SETSCREW	2				
19	240928 01	FIXING PLATE	1				
20	WSH-0018	PLAIN WASHER	2				
21	NUT-0269	NYLOC NUT	1				
22	HSS-0250	SET SCREW	1				
23	127075 16	50 HRS GREASE TRANF	1				
24	TNF-0011	TRANSFER BLOCK	1				
25	260060 01	TRANSFER-STAY CLEAR	1				
26	241151 01	SHELBOURNE DECAL	2				
27	241459 01	PIVOT PIN	1				
28	BSHA05062	GLACIER BUSH	2				
29	190548 87	SPACER	1				
30	NIP-00600	GREASE NIPPLE	1				
31	PIN-1720	" D " CLIP	1				
32	290526 01	SERIAL NO. PLATE	1				
33	POP-0006	POP RIVET 4.8 DIA x 16	2				

Shelbourne Reynolds Engineering Limited



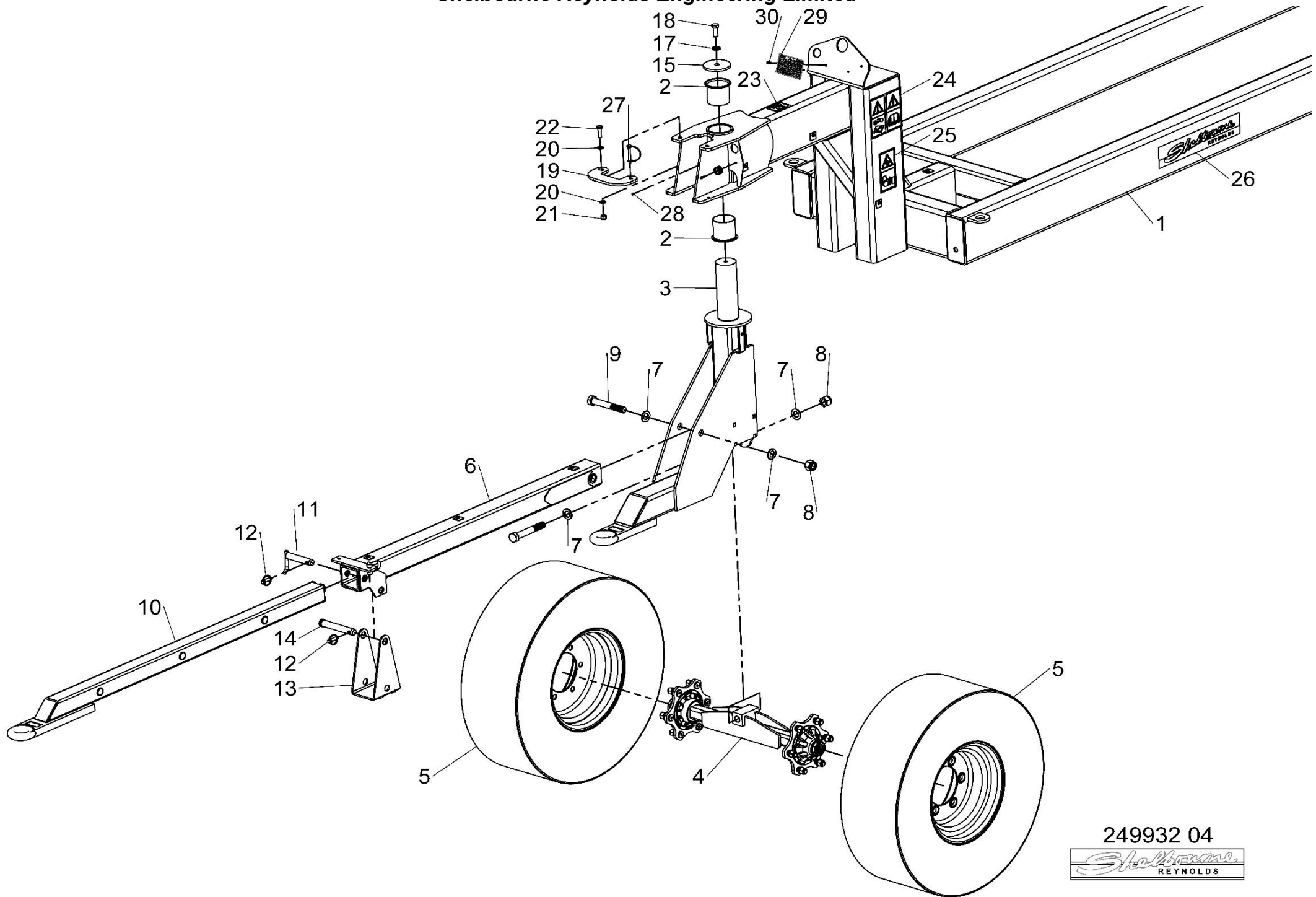
249932 03



Shelbourne Reynolds Engineering Limited

ASSY NUMBER: 249932 04				ASSY DESCRIPTION: 'HIGH' FWS CHASSIS PARTS			
ITEM	PART NO	DESCRIPTION	QTY	ITEM	PART NO	DESCRIPTION	QTY
1	242075 01	FW/S CHASSIS W/A (UP TO 2020)	1				
OR	242561 01	FW/S CHASSIS W/A (2020 & ON)					
2	BSH008583	WRAPPED BUSH	2				
3	242023 01	DRAWBAR PIVOT W/A (UP TO 2020)	1				
OR	242573 01	DRAWBAR PIVOT (2020 & ON)					
4	241150 01	FRONT AXLE W/A	1				
5	WHL-01521A	WHEEL & TYRE ASSY	2				
6	240919 01	DRAWBAR W/A	1				
7	WSH-0036	PLAIN WASHER	4				
8	NUT-0275	NYLOC NUT	2				
9	BLTA24740	HEX HEAD BOLT	2				
10	240926 01	TELESCOPIC DRAWBAR W/A	1				
11	241154 01	DRAWBAR EXTENSION PIN	1				
12	PIN-4510	LYNCH PIN	2				
13	240971 01	FOOT W/A	1				
14	800198 02	TOP LINK PIN CAT II	1				
15	240930 01	CAPPING PLATE	1				
16							
17	WSHA30161	WASHER	1				
18	HSS-0316	SET SCREW	1				
19	240928 01	FIXING PLATE	1				
20	WSH-0018	PLAIN WASHER	2				
21	NUT-0269	NYLOC NUT	1				
22	HSS-0250	SET SCREW	1				
23	127075 16	TRANSFER	1				
24	TNF-0011	TRANSFER	1				
25	260060 01	TRANSFER	1				
26	241151 01	SHELBOURNE DECAL	2				
27	PIN-1720	SPRING PIN	1				
28	NIP-00600	GREASE NIPPLE	1				
29	290526 01	SERIAL NO. PLATE	1				
30	POP-0006	POP RIVET	2				

Shelbourne Reynolds Engineering Limited



249932 04

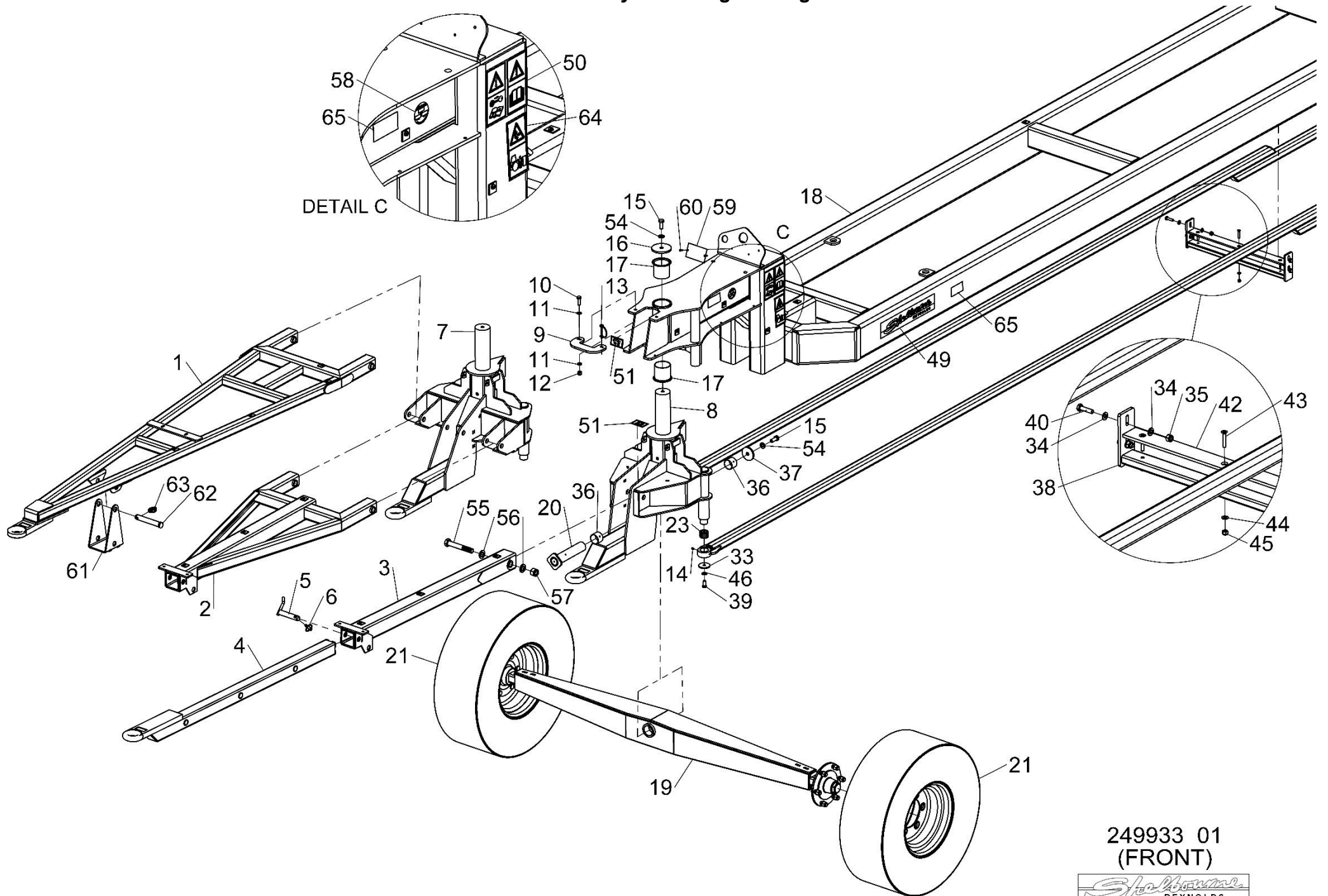


Shelbourne Reynolds Engineering Limited

ASSY NUMBER: 249932 05				ASSY DESCRIPTION: JOHN DEERE X-SERIES FW/FWS CHASSIS PARTS			
ITEM	PART NO	DESCRIPTION	QTY	ITEM	PART NO	DESCRIPTION	QTY
1	242075 01	FW/S CHASSIS W/A (UP TO 2020)	1				
OR	242561 01	FW/S CHASSIS W/A (2020 & ON)					
2	BSH008583	WRAPPED BUSH	2				
3	241147 01	DRAWBAR PIVOT W/A (UP TO 2020)	1				
OR	242572 01	DRAWBAR PIVOT W/A (2020 & ON)					
4	241150 01	FRONT AXLE W/A	1				
5	WHL-01521A	WHEEL & TYRE ASSY	2				
6	240919 01	DRAWBAR W/A	1				
7	WSH-0036	PLAIN WASHER	4				
8	NUT-0275	NYLOC NUT	2				
9	BLTA24740	HEX HEAD BOLT	2				
10	240926 01	TELESCOPIC DRAWBAR W/A	1				
11	241154 01	DRAWBAR EXTENSION PIN	1				
12	PIN-4510	LYNCH PIN	2				
13	240971 01	FOOT W/A	1				
14	800198 02	TOP LINK PIN CAT II	1				
15	240930 01	CAPPING PLATE	1				
16							
17	WSHA30161	WASHER	1				
18	HSS-0316	SET SCREW	1				
19	240928 01	FIXING PLATE	1				
20	WSH-0018	PLAIN WASHER	2				
21	NUT-0269	NYLOC NUT	1				
22	HSS-0250	SET SCREW	1				
23	127075 16	TRANSFER	1				
24	TNF-0011	TRANSFER	1				
25	260060 01	TRANSFER	1				
26	241151 01	SHELBOURNE DECAL	2				
27	PIN-1720	SPRING PIN	1				
28	NIP-00600	GREASE NIPPLE	1				
29	290526 01	SERIAL NO. PLATE	1				
30	POP-0006	POP RIVET	2				

Shelbourne Reynolds Engineering Limited

ASSY NUMBER: 249933 01				ASSY DESCRIPTION: C12000 (FWS) STEER TRAILER			
ITEM	PART NO	DESCRIPTION	QTY	ITEM	PART NO	DESCRIPTION	QTY
1	242486 01	A-FRAME DRAWBAR W/A (2018 & ON)	1	36	BSHA05062	BUSH	4
OR				37	190548 87	WASHER	1
2	242397 01	A-FRAME DRAWBAR W/A (2017 ONLY)	1	38	241677 01	SUPPORT W/A	1
OR				39	HSS-0238	SET SCREW	5
3	240919 01	DRAWBAR SOCKER W/A (PRE 2017)	1	40	HSS-0202	SET SCREW	4
& 4	240926 07	DRAWBAR W/A (PRE 2017)	1	41	190119 15	WASHER	4
& 5	241154 01	DRAWBAR PIN (PRE 2017)	1	42	241678 01	RUNNING STRIP	1
6	PIN-4510	LYNCH PIN	1	43	SCEA08293	CSK. SCREW	3
7	242403 01	A-FRAME PIVOT W/A (2017 & ON)	1	44	WSH-0012	PLAIN WASHER	3
OR				45	NUT-0263	NYLOC NUT	3
8	241610 01	DRAWBAR PIVOT W/A (PRE 2017)		46	WSHA30121	LOCK WASHER	5
9	240928 01	FIXING PLATE	1	47	NIP-00610	GREASE NIPPLE	4
10	HSS-0250	SET SCREW	1	48	198800 41	WASHER	4
11	WSH-0018	PLAIN WASHER	2	49	241151 01	SHELBOURNE DECAL	2
12	NUT-0269	NYLOC NUT	3	50	TNF-0011	TRANSFER BLOCK	1
13	PIN-1720	SPRING PIN	1	51	127075 16	GREASE TRANSFER 50HRS	12
14	NIP-00600	GREASE NIPPLE	10	52	240395 01	WHEEL/TYRE TRANSFER	1
15	HSS-0316	SET SCREW	4	53	241836 01	SPACER	1
16	240930 01	CAPPING PLATE	3	54	WSHA30161	LOCK WASHER	5
17	BSHO08583	WRAPPED BRONZE BUSH	6	55	BLTA24740	HEX HEAD BOLT	2
18	241359 01	CHASSIS W/A	1	56	WSH-0036	PLAIN WASHER	4
19	241600 01	FRONT AXLE W/A	1	57	NUT-0275	NYLOC NUT	2
20	241459 01	PIVOT PIN	1	58	TNF-0013	INSPECTION STICKER	1
21	WHL-01521A	WHEEL & TYRE ASSY (2016 & ON)	4	59	290526 01	SERIAL NO. PLATE	1
OR	WHL-01521	WHEEL & TYRE ASSY (PRE 2016)		60	POP-0006	POP RIVET	2
22	BLT-2267	HEX HEAD BOLT	2	61	240971 01	FOOT W/A	1
23	BSHO04056	WRAPPED BRONZE BUSH	8	62	800198 02	PIN	1
24	241401 01	EXTENSION W/A	2	63	PIN-4510	LYNCH PIN	1
25	241464 01	ADJUSTER ASSY	4	64	260060 01	TRANSFER-STAY CLEAR	1
26	242610 01	REAR STEERING PIVOT(2020 & ON)	1	65	TPE-00250	REFLECTIVE TAPE - YELLOW	1.2
OR	241663 01	REAR PIVOT W/A (UP TO 2020)	1				
27	190119 32	WASHER	2				
28	HSS-0315	SET SCREW	1				
29	198800 44	WASHER	2				
30	241670 01	EXTENSION W/A	2				
31	NUT-0390	HALF NUT	2				
32	241647 01	PIVOT SHAFT	2				
33	198800 13	WASHER	5				
34	WSH-0015	PLAIN WASHER	8				
35	NUT-0265	NYLOC NUT	4				

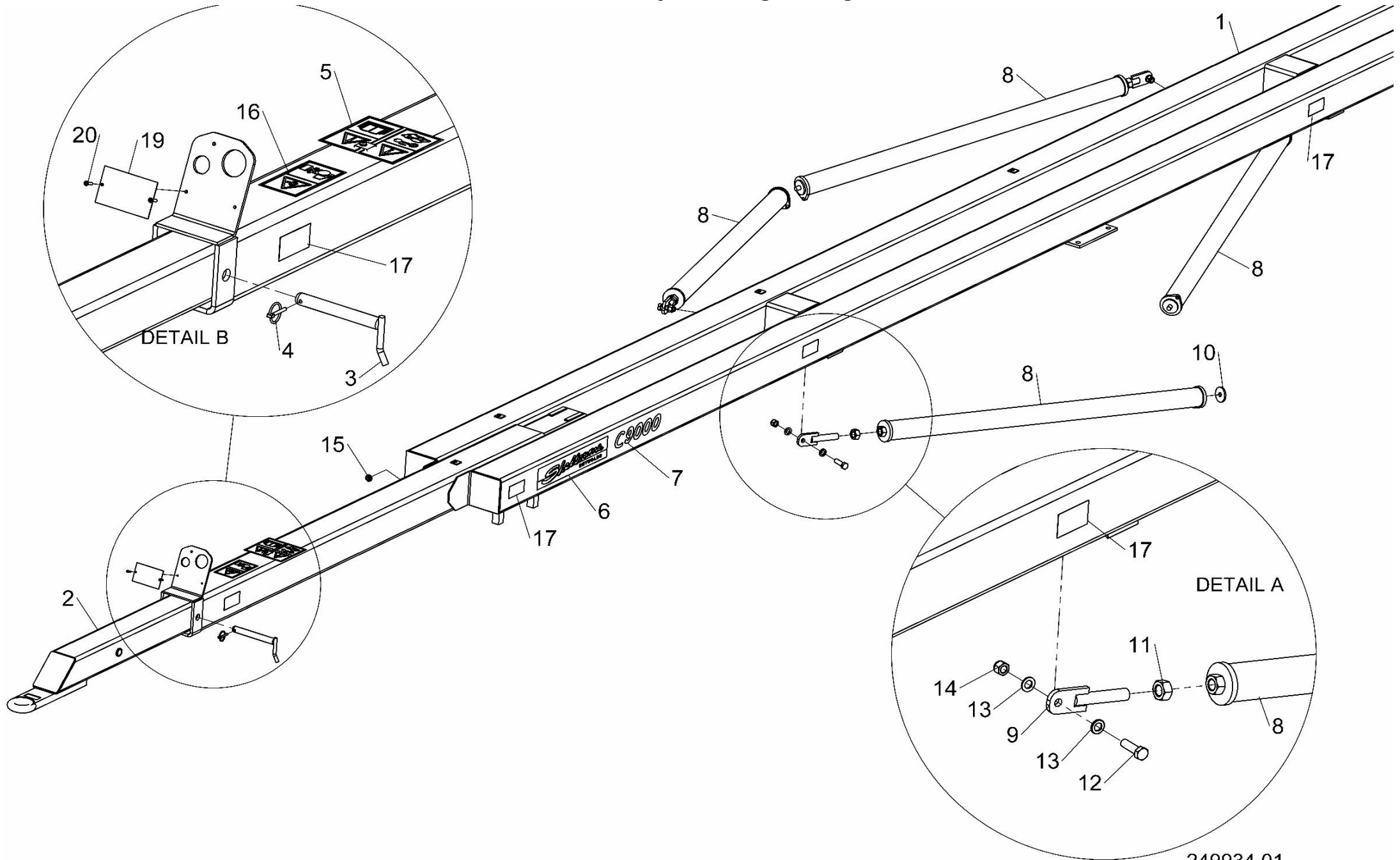


249933 01
(FRONT)



Shelbourne Reynolds Engineering Limited

ASSY NUMBER: 249934 01				ASSY DESCRIPTION: *** C9000 TRANSPORTER BASIC PARTS***			
ITEM	PART NO	DESCRIPTION	QTY	ITEM	PART NO	DESCRIPTION	QTY
1	242103 01	C9000 MAINFRAME	1				
2	240176 01	DRAWBAR W/ASSY	1				
OR	240176 10	AUTO HITCH DRAWBAR ONLY					
3	240004 01	LOCKING PIN	1				
4	PIN-01601	LYNCH PIN	1				
5	TNF-0011	TRANSFER BLOCK	1				
6	241151 01	SHELBOURNE DECAL	2				
7	240394 01	C9000 LOGO	2				
8	242604 01	TIE BAR WELD ASSY	4				
9	240007 01	EYE FOR TIE BAR WELD ASSY	4				
10	190548 79	WASHER 16.5x60x6	4				
11	NUT-0190	PLAIN HEX NUT M24	4				
12	240837 01	HEX HEAD BOLT M16	4				
13	WSH-0024	PLAIN WASHER M16	8				
14	NUT-0271	NYLOC NUT M16	4				
15	GRM-00030	GROMMET (WITH HOLE)	1				
16	260060 01	TRANSFER STAY CLEAR	1				
17	TPE-00250	REFLECTIVE TAPE - YELLOW	1.2				
18	KIT-04126	JACK KIT (MID 2014 & ON ONLY)	REF				
19	290526 01	SERIAL NO. PLATE	1				
20	POP-0006	POP RIVET	2				



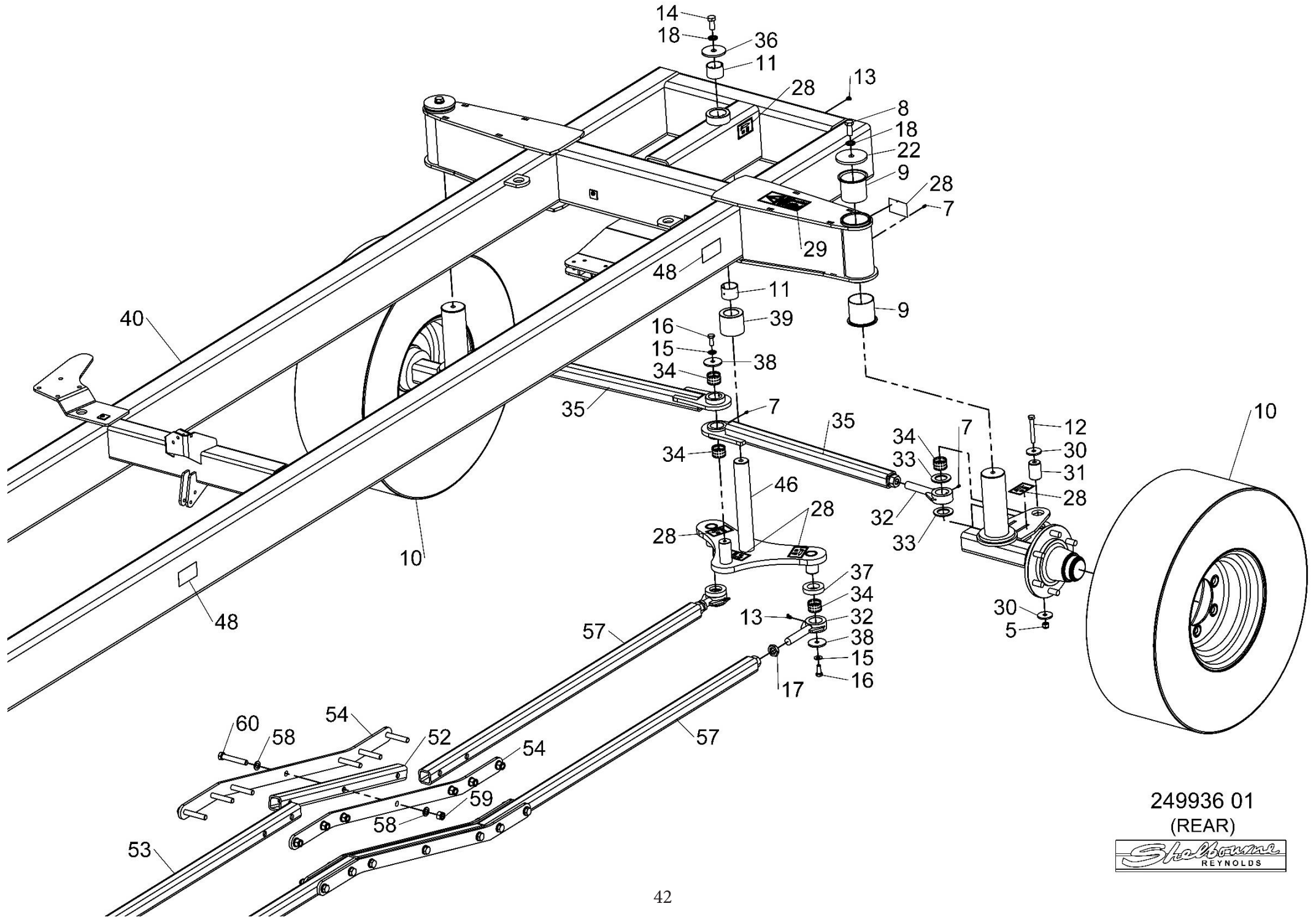
249934 01



Shelbourne Reynolds Engineering Limited

ASSY NUMBER: 249936 01				ASSY DESCRIPTION: C12000 FWS MECHANICAL STEER TRAILER			
ITEM	PART NO	DESCRIPTION	QTY	ITEM	PART NO	DESCRIPTION	QTY
1	242403 01	A-FRAME DRAWBAR PIVOT W/A	1	39	241836 01	SPACER	1
2	240928 01	FIXING PLATE	1	40	241359 01	C12000FW STEERING CHASSIS	1
3	HSS-0250	HEX HD SETSCREW	1	41	290526 01	SERIAL NO. PLATE	1
4	WSH-0018	WASHER	10	42	242486 01	MECH STEER DRAWBAR W/A	1
5	NUT-0269	NYLOC NUT	7	43	240971 01	FOOT W/ASSY	1
6	PIN-1720	SNAPPER PIN	1	44	800198 02	PIN CAT2 TOP LINK	1
7	NIP-00600	GREASE NIPPLE	10	45	PIN-4510	LINCH PIN	1
8	HSS-0316	HEX HD SETSCREW	4	46	242610 01	REAR STEERING PIVOT W/ASSY	1
9	BSHO08583	WRAPPED BRONZE BUSH	6	47	260060 01	TRANSFER	1
10	WHL-01521A	WHEEL & TYRE ASSY	4	48	TPE-00250	AMBER REFLECTIVE TAPE	2.4
11	BSHA05062	BUSH	4	49	241678 01	RUNNING STRIP	1
12	BLT-2267	HEX HD BOLT	2	50	242562 01	WEARPAD BRACKET CLAMP	2
13	NIP-00610	GREASE NIPPLE	4	51	242564 01	TIE ROD JOINING PLATE	4
14	HSS-0315	HEX HD SETSCREW	1	52	242565 01	TIE ROD DIAGONAL	4
15	WSHA30121	LOCKWASHER	5	53	242566 01	TIE ROD SECTION	2
16	HSS-0238	HEX HD SETSCREW	5	54	242567 01	TIE ROD JOINING PLATE	4
17	NUT-0390	HALF NUT PLATED	2	55	242568 01	WEARPAD MOUNTING BEAM	1
18	WSHA30161	LOCKWASHER	5	56	242569 01	FRONT TIE ROD W/A	2
19	WSH-0036	WASHER	4	57	242570 01	REAR TIE ARM W/A	2
20	NUT-0275	NYLOC NUT	2	58	WSH-0024	PLAIN	56
21	BLTA24740	HEX BOLT	2	59	NUT-0271	NYLOC NUT	28
22	240930 01	CAPPING PLATE	3	60	BLT-2320	HED HEAD BOLT	28
23	241600 01	FRONT AXLE /WASSY	1	61	WSH-0012	WASHER	3
24	241459 01	PIVOT PIN	1	62	NUT-0263	NYLOC NUT	3
25	190548 87	WASHER	1	63	SCEA08293	SOCKET HD SCREW	3
26	241151 01	TRANSFER	2	64	BLTA12380	HEX HD BOLT	4
27	TNF-0011	TRANSFER	1				
28	127075 16	50 HRS GREASE TRANSFER	12				
29	240395 01	TRANSFER - WHEELS/TYRES INFO	1				
30	190119 15	WASHER	4				
31	241647 01	PIVOT SHAFT	2				
32	241464 01	ADJUSTER ASSY	4				
33	198800 41	WASHER	4				
34	BSHO04056	BUSH	8				
35	241401 01	EXTENSION W/A	2				
36	190119 32	WASHER	1				
37	198800 44	WASHER	2				
38	198800 13	WASHER	5				

Shelbourne Reynolds Engineering Limited



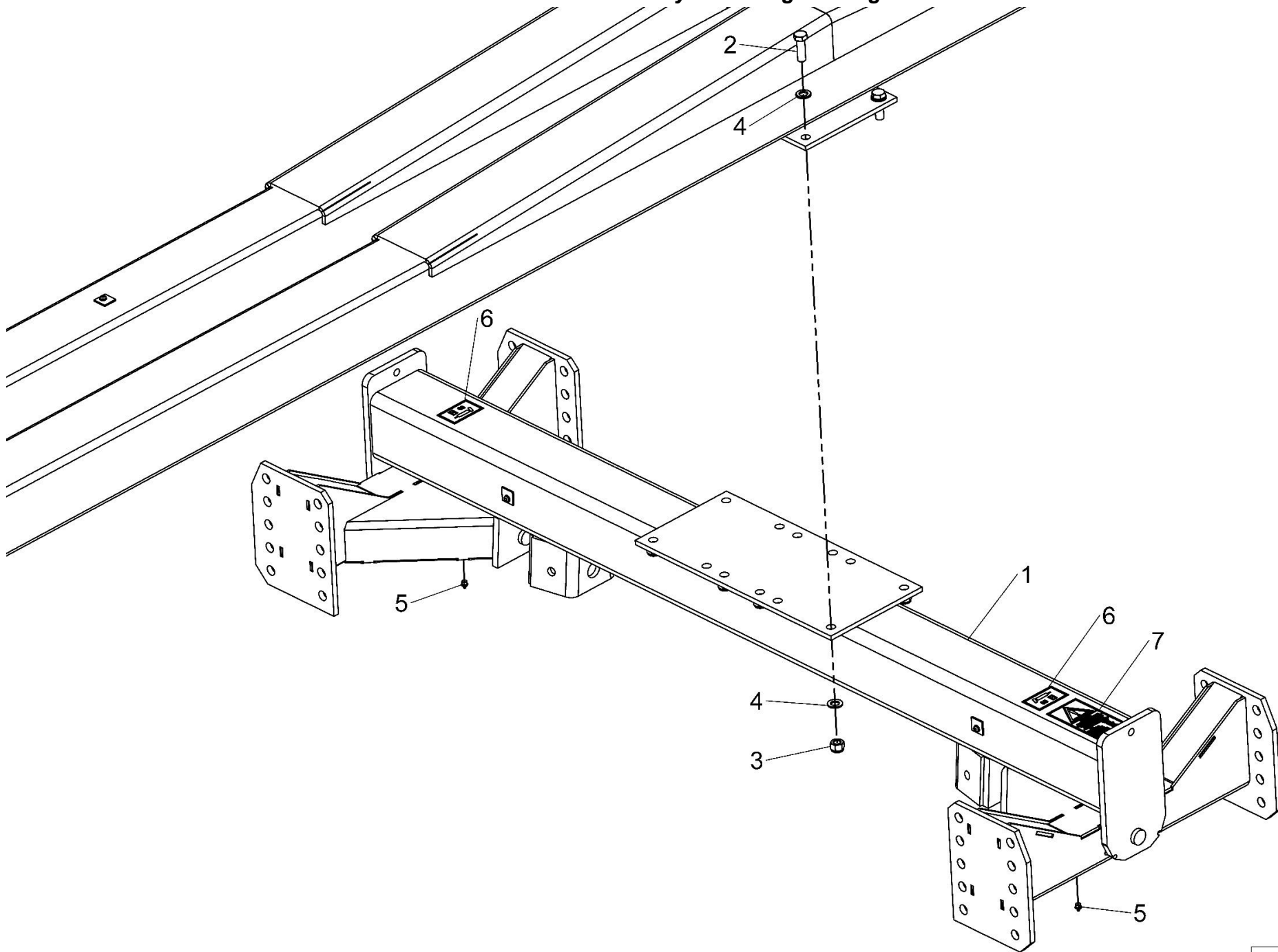
249936 01
(REAR)



Assembly Options

Shelbourne Reynolds Engineering Limited

ASSY NUMBER: 249030 04		ASSY DESCRIPTION: C10500 UNIVERSAL TANDEM AXLE					
ITEM	PART NO	DESCRIPTION	QTY	ITEM	PART NO	DESCRIPTION	QTY
1	240872 01	UNIVERSAL TANDEM AXLE	1				
2	HSS-0318	HEX HD BOLT	8				
3	NUT-0271	NYLOC NUT	8				
4	WSH-0024	PLAIN WASHER	16				
5	NIP-01000	GREASE NIPPLE	2				
6	127075 16	GREASE 50HRS LOGO	2				
7	240395 01	WHEELS/TYRES LOGO	1				



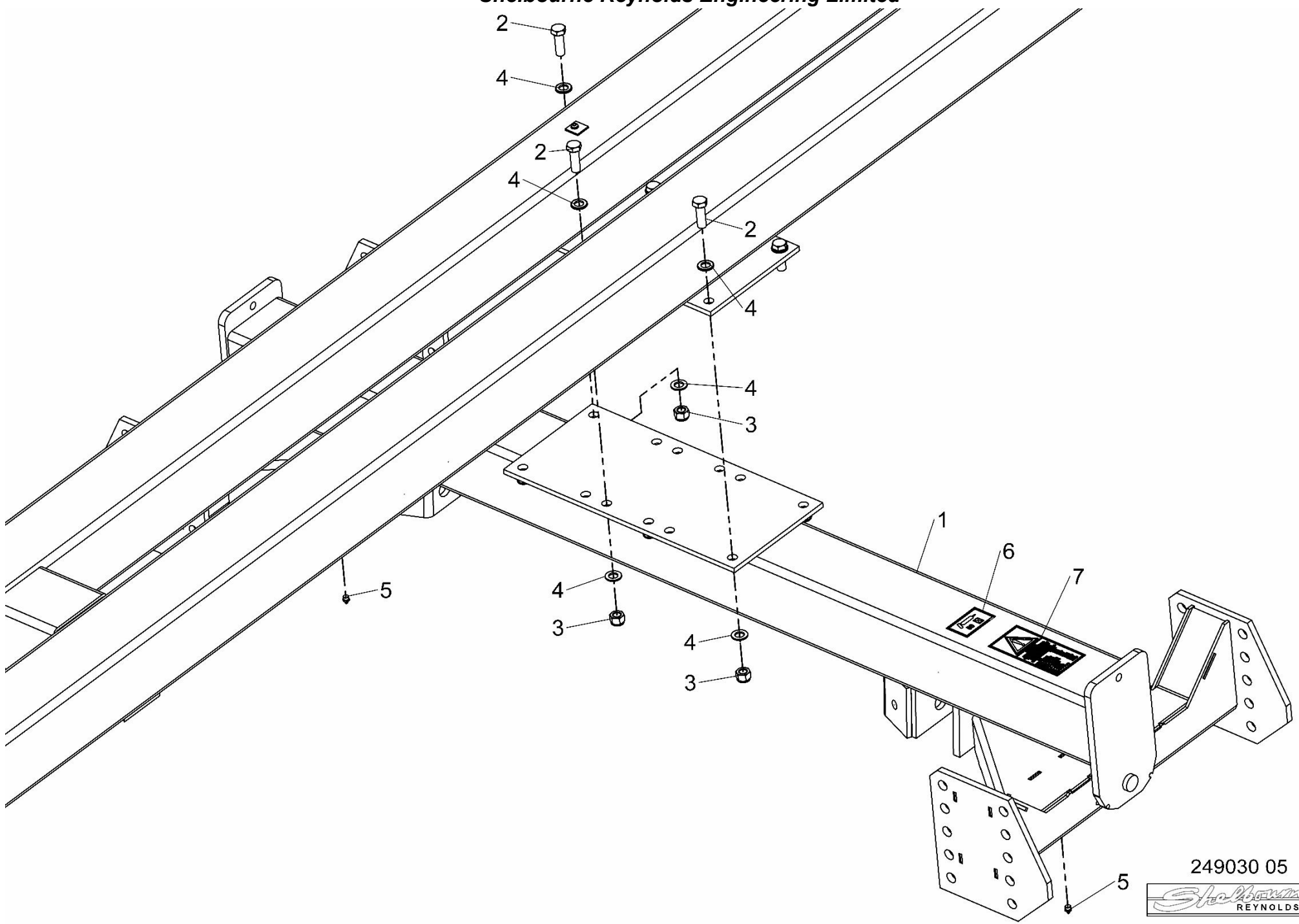
249030 04



Shelbourne Reynolds Engineering Limited

ASSY NUMBER: 249030 05 ASSY DECRPTION: C9000 UNIVERSAL TANDEM AXLE

ITEM	PART NO	DESCRIPTION	QTY	ITEM	PART NO	DESCRIPTION	QTY
1	240696 01	UNIVERSAL TANDEM AXLE	1				
2	HSS-0318	HEX HD BOLT	8				
3	NUT-0271	NYLOC NUT	8				
4	WSH-0024	PLAIN WASHER	16				
5	NIP-01000	GREASE NIPPLE	2				
6	127075 16	GREASE 50HRS LOGO	2				
7	240395 01	WHEELS/TYRES LOGO	1				

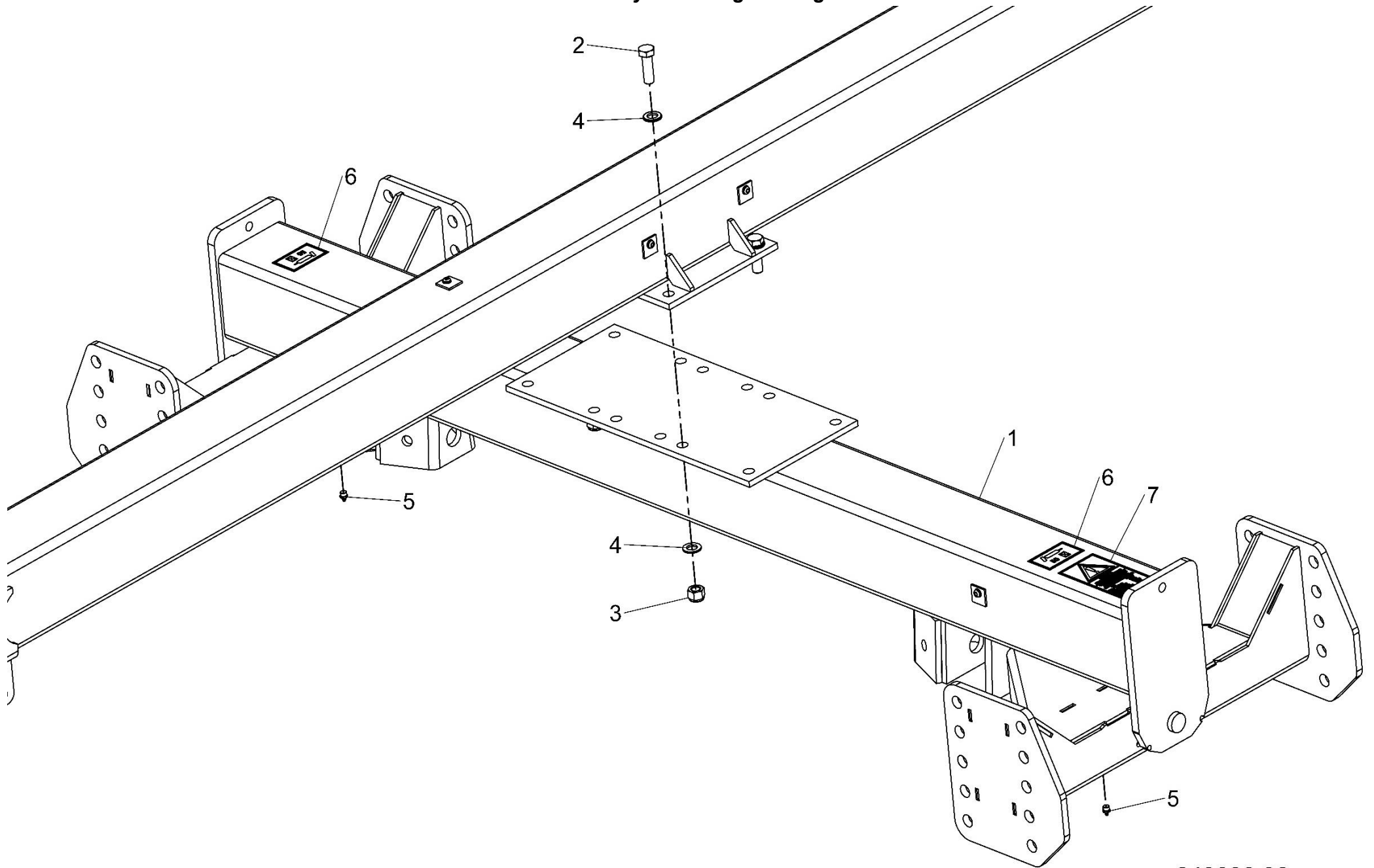


249030 05



Shelbourne Reynolds Engineering Limited

ASSY NUMBER: 249030 06				ASSY DESCRIPTION: C7500/6000 UNIVERSAL TANDEM AXLE			
ITEM	PART NO	DESCRIPTION	QTY	ITEM	PART NO	DESCRIPTION	QTY
1	240696 01	UNIVERSAL TANDEM AXLE	1				
2	HSS-0318	HEX HD BOLT	4				
3	NUT-0271	NYLOC NUT	4				
4	WSH-0024	PLAIN WASHER	8				
5	NIP-01000	GREASE NIPPLE	2				
6	127075 16	GREASE 50HRS LOGO	2				
7	240395 01	WHEELS/TYRES LOGO	1				

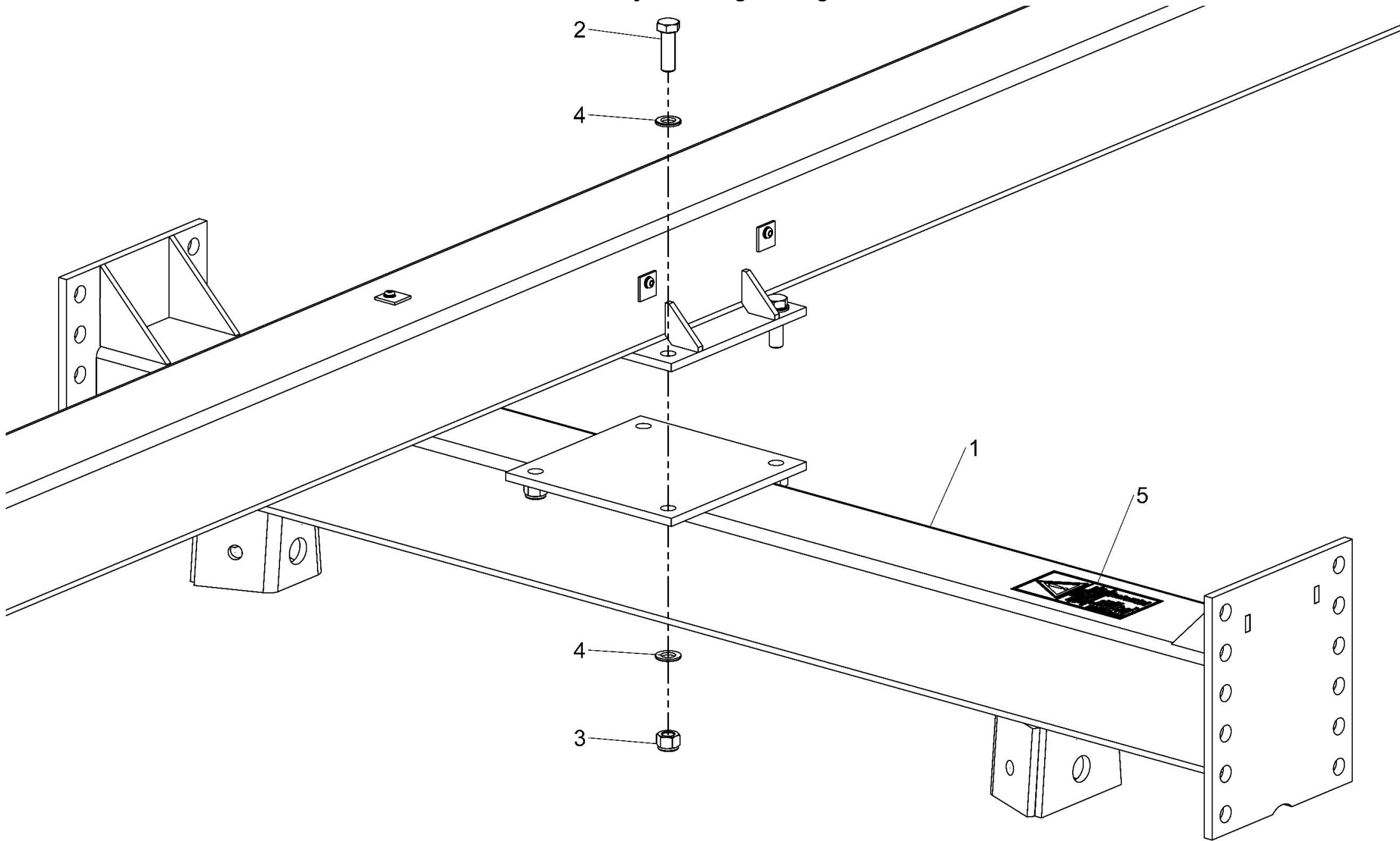


249030 06



Shelbourne Reynolds Engineering Limited

ASSY NUMBER:249030 07				ASSY DECRPTION: C7500/6000 UNIVERSAL SINGLE AXLE			
ITEM	PART NO	DESCRIPTION	QTY	ITEM	PART NO	DESCRIPTION	QTY
1	240699 01	UNIVERSAL SINGLE AXLE	1				
2	HSS-0318	HEX HD BOLT	4				
3	NUT-0271	NYLOC NUT	4				
4	WSH-0024	PLAIN WASHER	8				
5	240395 01	WHEELS/TYRES LOGO	1				

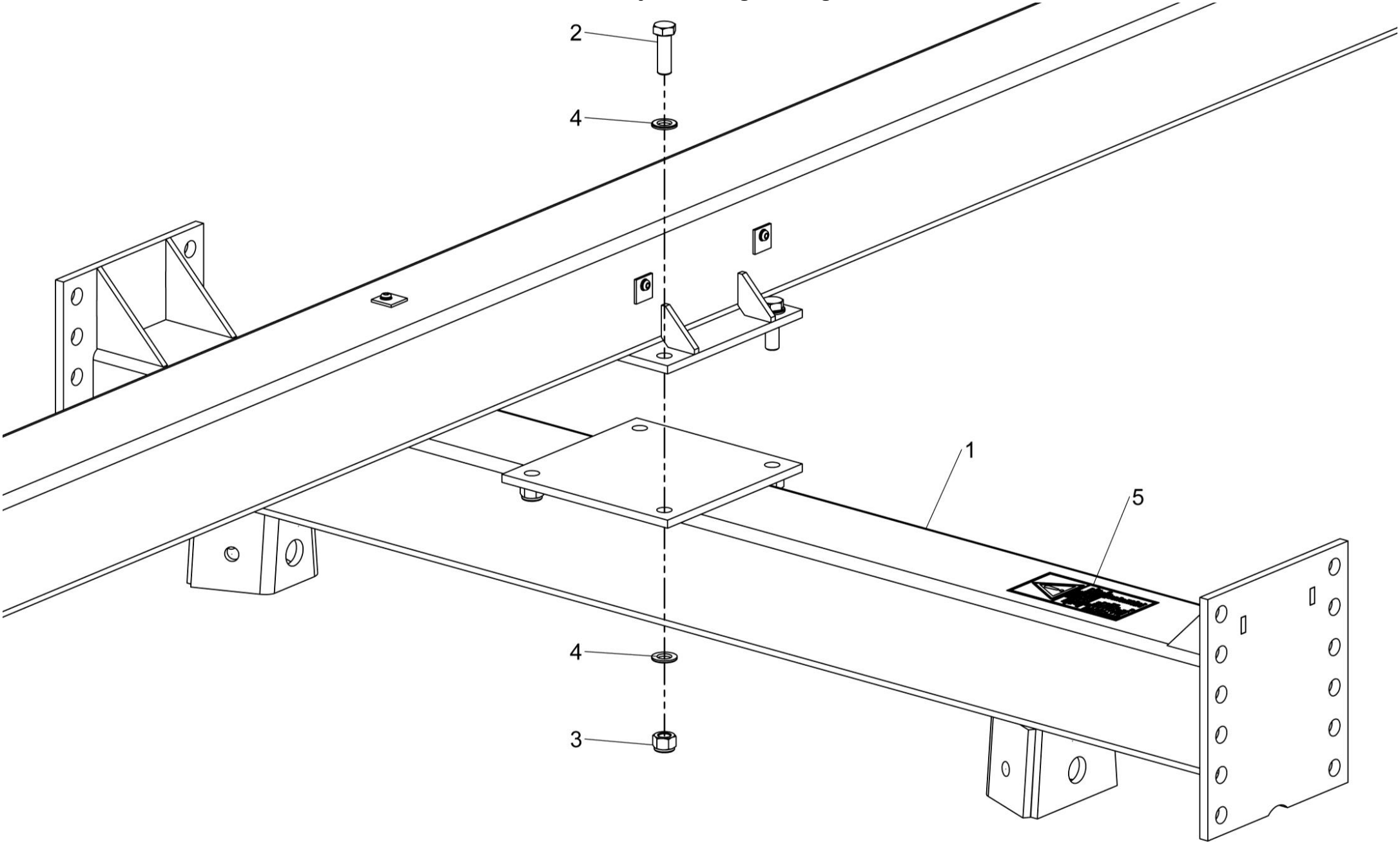


249030 07



Shelbourne Reynolds Engineering Limited

ASSY NUMBER: 249030 07A				ASSY DESCRIPTION: C9000 SINGLE AXLE (SPECIAL)			
ITEM	PART NO	DESCRIPTION	QTY	ITEM	PART NO	DESCRIPTION	QTY
1	241286 01	SINGLE AXLE W/A (SPECIAL)	1				
2	HSS-0318	SET SCREW	8				
3	NUT-0271	NYLOC NUT	8				
4	WSH-0024	WASHER	16				
5	240395 01	WHEEL/TYRE INFO LOGO	1				



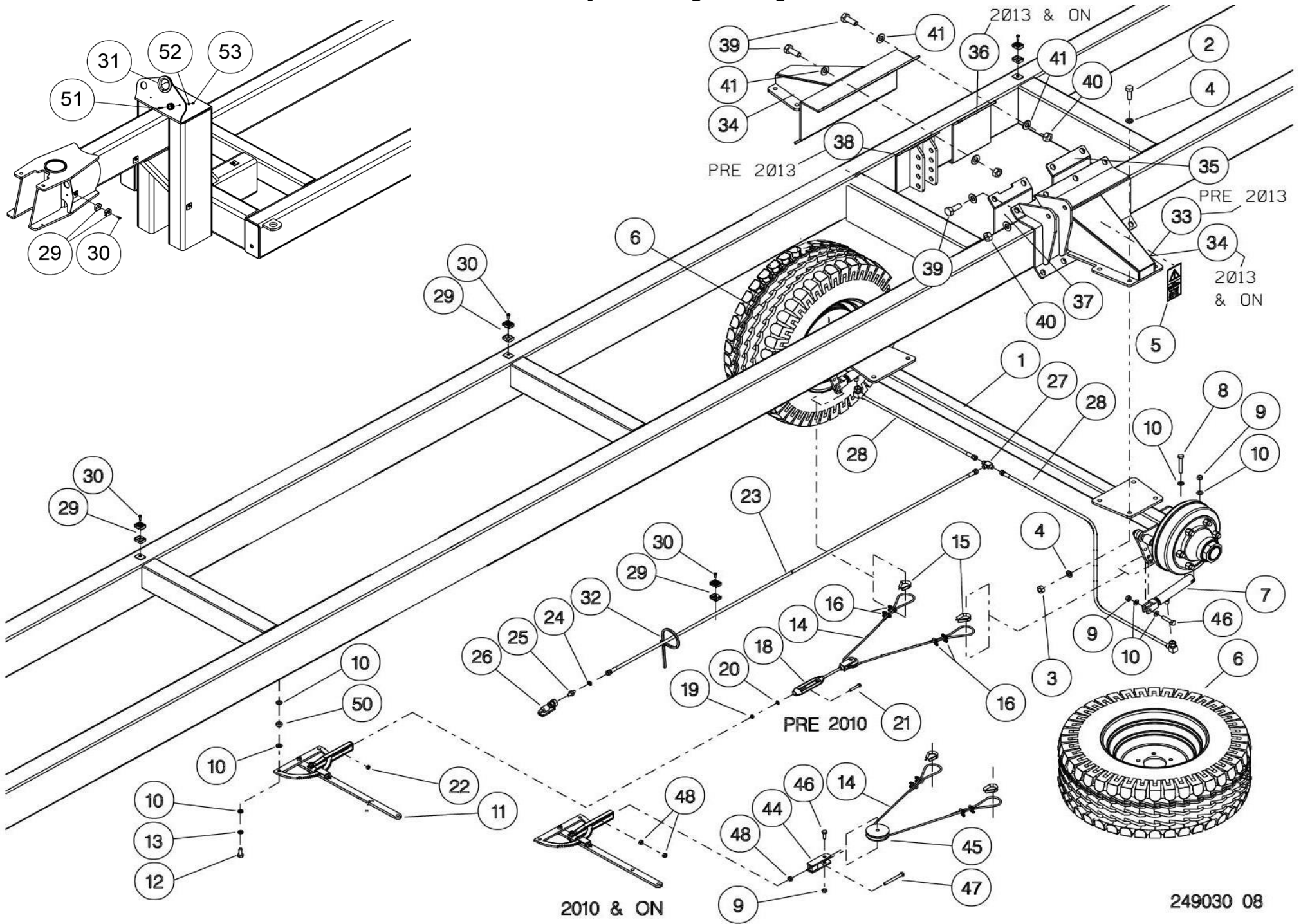
249030 07



Shelbourne Reynolds Engineering Limited

ASSY NUMBER: 249030 08				C10500 SINGLE AXLE C/W WHEELS & BRAKES			
ITEM	PART NO	DESCRIPTION	QTY	ITEM	PART NO	DESCRIPTION	QTY
1	240920 08	SINGLE BRAKED AXLE ASSY	1	38	240946 01	CLAMP PLATE (PRE 2013)	
2	HSS-0318	HEX HD BOLT	8	39	BLT-2365	HEX HD BOLT	16
3	NUT-0271	NYLOC NUT	8	40	NUTA02200	NYLOC NUT	16
4	WSH-0024	PLAIN WASHER	16	41	WSH-0030	PLAIN WASHER	32
5	240395 01	WHEELS/TYRES LOGO	1	42			
6	WHL-01521A	WHEEL & TYRE (2016 & ON)	2	43			
7	BRA-08015	BRAKE RAM CYLINDER	2	44	BRA-14002	PULLEY FORK ASSY (2015 ON)	1
8	BLT-2267	HEX HD BOLT	2	OR	590060 01	PULLEY FORK (2010 THRU 2014)	
9	NUT-0269	NYLOC NUT	5	45	590101 01	CABLE PULLEY (2010 THRU 2014)	
10	WSH-0018	PLAIN WASHER	14	46	BLTA12350	BOLT (2010 THRU 2014)	
11	BRA-14001	HANDBRAKE LEVER ASSY	1	47	HSSA10680	SETSCREW (2010 THRU 2014)	
OR	590222 01	HANDBRAKE LEVER ASSY		48	NUT-0167	PLAIN NUT (2010 & ON)	3
12	BLTA12290	BOLT	2	49	WSH-0015	PLAIN WASHER	2
13	WSH-0065	SPRING WASHER	2	50	190548 81	WASHER	2
14	WRP-00050	WIRE CABLE	10.0m	51	SCW-0056	CAP HEAD SCREW	1
OR	WRP-00040	WIRE CABLE (PRE 2010)	20.0m	52	WSH-0006	PLAIN WASHER	1
15	WRP-01040	THIMBLE	2	53	NUT-0258	NYLOC NUT	1
16	WRP-02040	CLAMP	4				
17							
18	ADL-00120	ADJUSTER (PRE 2010)	1				
19	NUT-0164	PLAIN NUT (PRE 2010)	1				
20	WSH-0012	PLAIN WASHER (PRE 2010)	1				
21	HSS-0153	BOLT (PRE 2010)	1				
22	NUT-0263	NYLOC NUT	1				
23	241041 04	HYD HOSE	1				
24	WSH-1015	DOWTY WASHER	1				
25	HMA-0055	M/M ADAPTOR	1				
26	HQR-10007	QUICK RELEASE COUPLING	1				
27	HMT-0010	HYD TEE FITTING	1				
28	HHBC10005	HYD HOSE	2				
29	HCPA01200	CLAMP BLOCK	13				
30	SCW-0083	CAP HD SCREW	13				
31	EDS-11400	EDGING STRIP	0.19				
32	TIE-0005	LARGE TIE WRAP	2				
33	240939 01	AXLE MOUNTING (2013 & ON)	1				
34	240939 01	AXLE MOUNTING	2				
35	240947 01	LH CLAMP PLATE	2				
36	240947 02	RH CLAMP PLATE	2				
37							

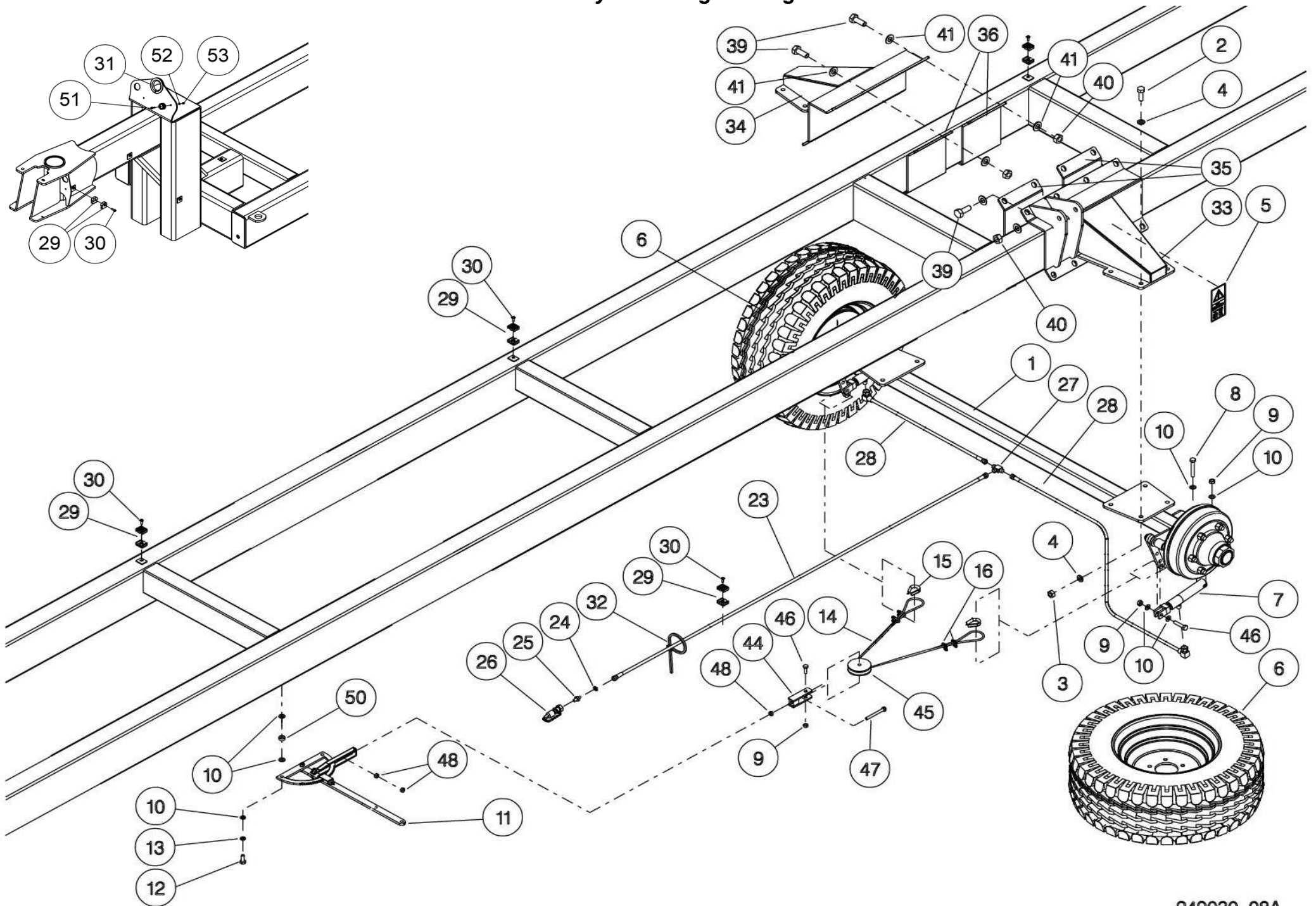
Shelbourne Reynolds Engineering Limited



249030 08

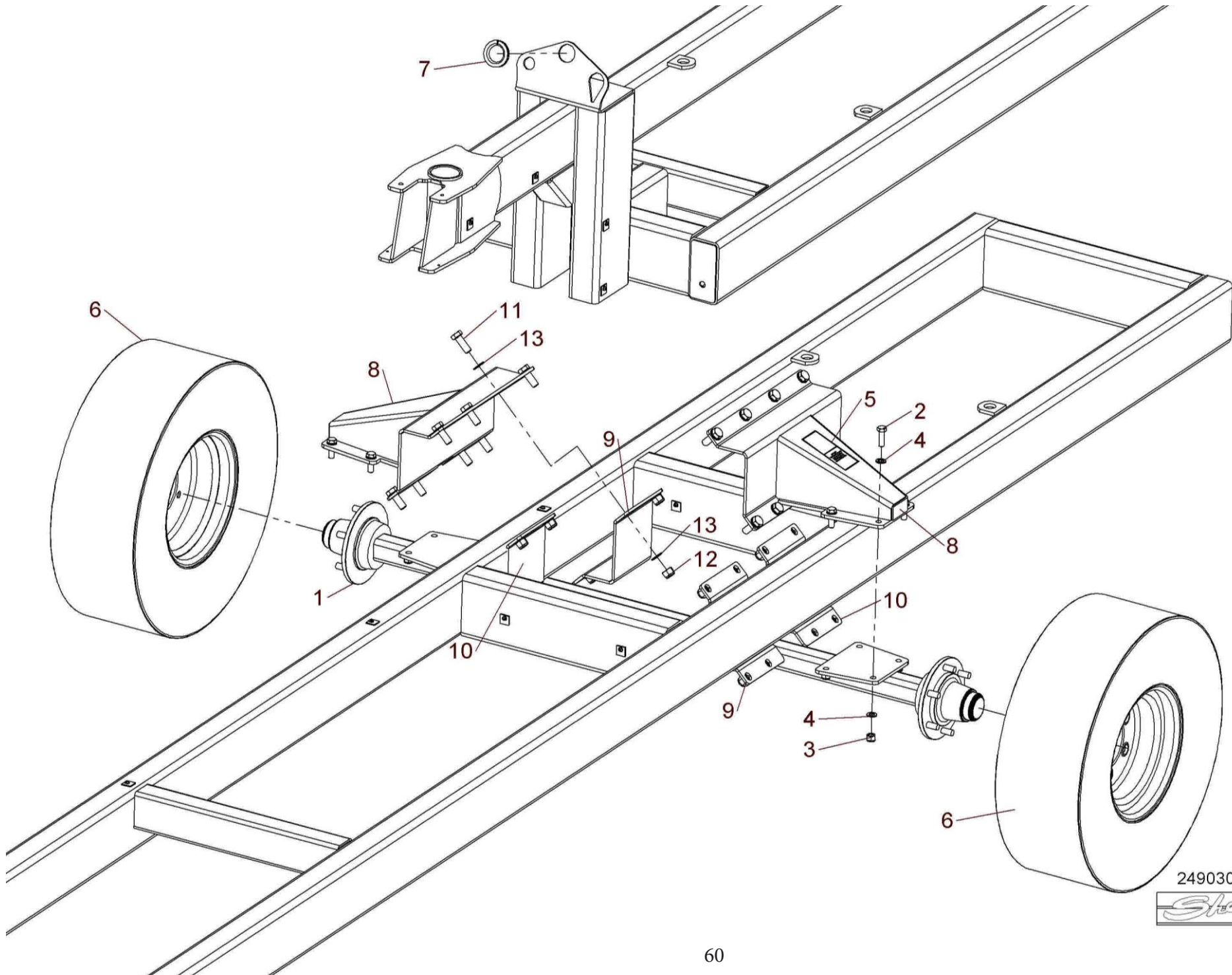
Shelbourne Reynolds Engineering Limited

ASSY NUMBER: 249030 08A				ASSY DESCRIPTION: C12000 SINGLE AXLE C/W WHEELS & BRAKES			
ITEM	PART NO	DESCRIPTION	QTY	ITEM	PART NO	DESCRIPTION	QTY
1	240920 08	SINGLE BRAKED AXLE ASSY	1	38			
2	HSS-0318	HEX HD BOLT	8	39	BLT-2365	HEX HD BOLT	16
3	NUT-0271	NYLOC NUT	8	40	NUTA02200	NYLOC NUT	16
4	WSH-0024	PLAIN WASHER	16	41	WSH-0030	PLAIN WASHER	32
5	240395 01	WHEELS/TYRES LOGO	1	42			
6	WHL-01521A	WHEEL & TYRE (2016 & ON)	2	43			
7	BRA-08015	BRAKE RAM CYLINDER	2	44	BRA-14002	PULLEY FORK ASSY (2015 ON)	1
8	BLT-2267	HEX HD BOLT	2	OR	590060 01	PULLEY FORK (2010 THRU 2014)	
9	NUT-0269	NYLOC NUT	5	45	590101 01	CABLE PULLEY (2010 THRU 2014)	
10	WSH-0018	PLAIN WASHER	14	46	BLTA12350	BOLT (2010 THRU 2014)	
11	BRA-14001	HANDBRAKE LEVER ASSY	1	47	HSSA10680	SETSCREW (2010 THRU 2014)	
OR	590222 01	HANDBRAKE LEVER ASSY		48	NUT-0167	PLAIN NUT(2010 & ON)	3
12	BLTA12290	BOLT	2	49	WSH-0015	PLAIN WASHER	2
13	WSH-0065	SPRING WASHER	2	50	190548 81	WASHER	2
14	WRP-00050	WIRE CABLE	11.5m	51	SCW-0056	CAP HEAD SCREW	1
15	WRP-01040	THIMBLE	2	52	WSH-0006	PLAIN WASHER	1
16	WRP-02040	CLAMP	4	53	NUT-0258	NYLOC NUT	1
17							
18							
19							
20							
21		NYLOC NUT					
22	NUT-0263	HYD HOSE	1				
23	241041 04	DOWTY WASHER	1				
24	WSH-1015	M/M ADAPTOR	1				
25	HMA-0055	QUICK RELEASE COUPLING	1				
26	HQR-10007	HYD TEE FITTING	1				
27	HMT-0010	HYD HOSE	1				
28	HHBC10005	CLAMP BLOCK	2				
29	HCPA01200	CAP HD SCREW	13				
30	SCW-0083	EDGING STRIP	13				
31	EDS-11400	LARGE TIE WRAP	0.19				
32	TIE-0005		2				
33		AXLE MOUNTING					
34	240939 01	LH CLAMP PLATE	2				
35	240947 01	RH CLAMP PLATE	2				
36	240947 02		2				
37							



Shelbourne Reynolds Engineering Limited

ASSY NUMBER: 249030 08C				ASSY DESCRIPTION: UNBRAKED FW AXLE			
ITEM	PART NO	DESCRIPTION	QTY	ITEM	PART NO	DESCRIPTION	QTY
1	241358 01	UNBRAKED AXLE W/ASSY	1				
2	HSS-0318	SET SCREW	8				
3	NUT-0271	NYLOC NUT	8				
4	WSH-0024	PLAIN WASHER	16				
5	240395 01	WHEEL/TYRE INFO LOGO	1				
6	WHL-0521A	WHEEL & TYRE ASSY (2016 ON)	2				
OR	WHL-01521	WHEEL & TYRE ASSY (PRE 2016)					
7	EDS-11400	PVC EDGING STRIP	0.19				
8	240939 01	FAR SIDE AXLE MOUNTING W/ASSY	2				
9	240947 01	LH CLAMP PLATE	2				
10	240947 02	RH CLAMP PLATE	2				
11	BLT-2365	BOLT	16				
12	NUTA02200	NYLOC NUT	16				
13	WSH-0030	PLAIN WASHER	32				



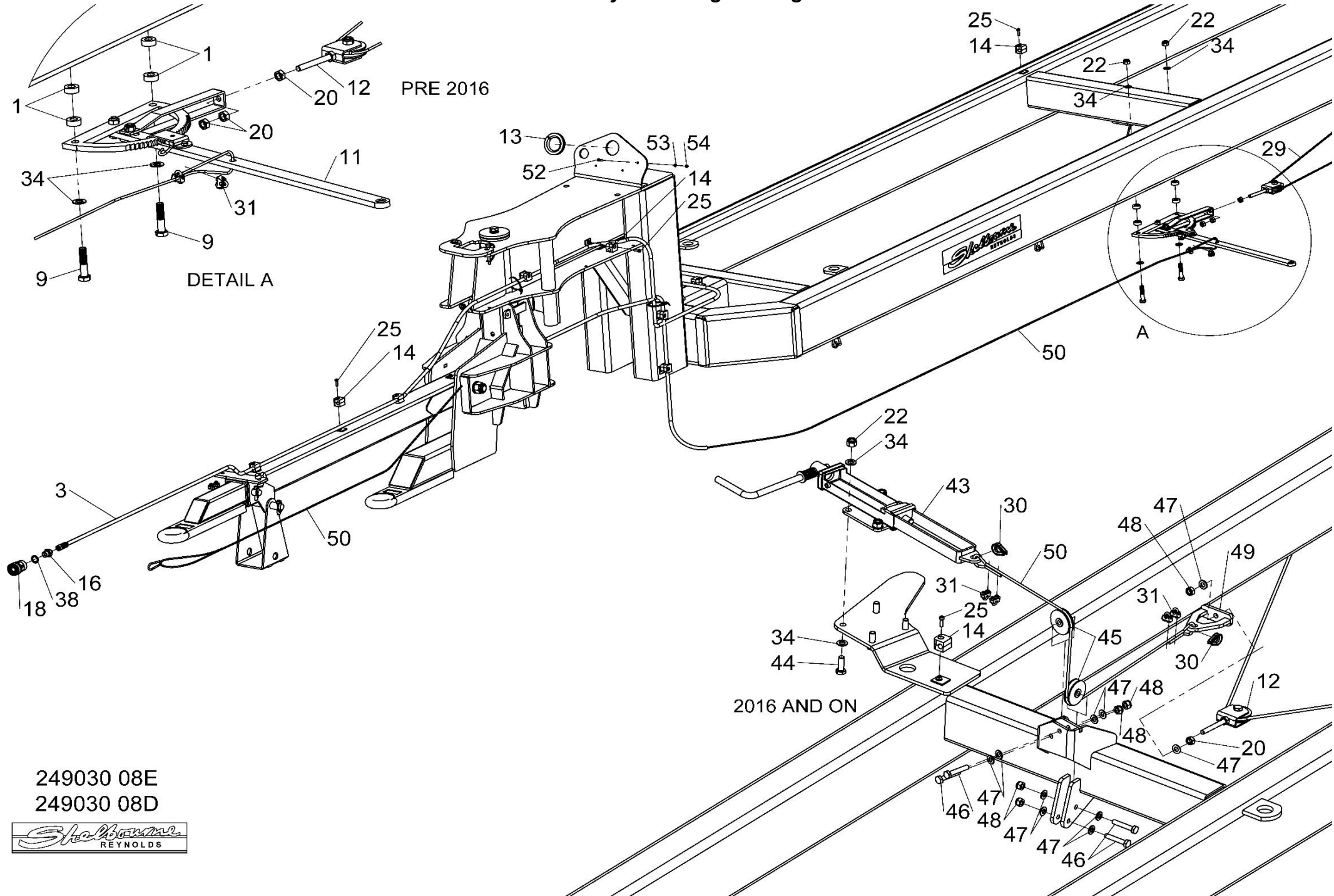
249030 08C



Shelbourne Reynolds Engineering Limited

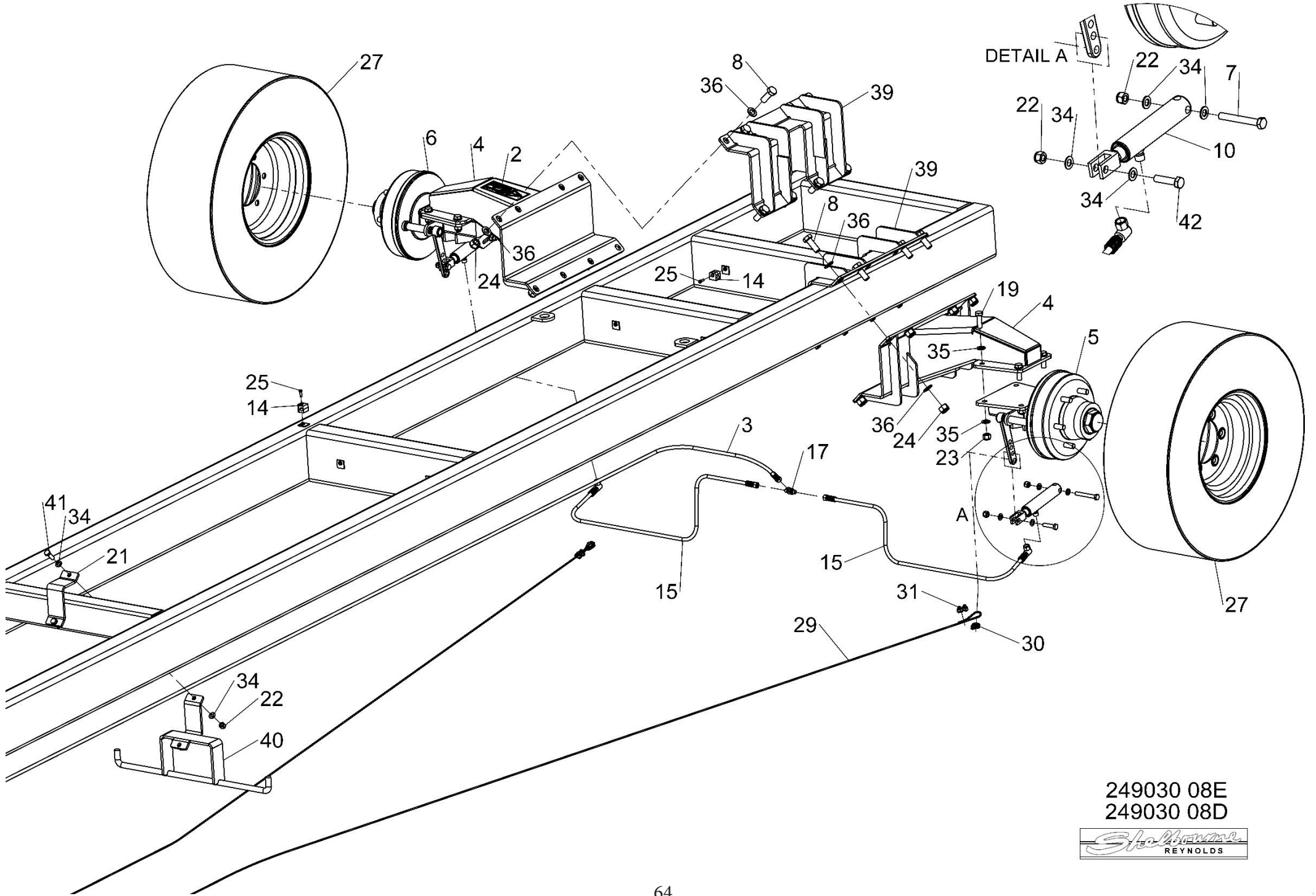
ASSY NUMBER: 249030 08D				ASSY DESCRIPTION: FW 'LOW' CHASSIS AXLE/WHEELS/BRAKES - REAR POSITION			
ITEM	PART NO	DESCRIPTION	QTY	ITEM	PART NO	DESCRIPTION	QTY
1	190548 81	WASHER (PRE 2016)	4	39	241954 01	CLAMP PLATE	2
2	240395 01	WHEEL/TYRE INFO LOGO	1	40	241923 01	SUPP CLAMP W/ASSY (PRE 2016)	1
3	241041 08	HYD HOSE ASSY	1	41	HSS-0250	SET SCREW	2
4	241746 01	AXLE MOUNT W/ASSY	2	42	BLTA12320	HEX.HEAD BOLT	2
5	241757 01	NEAR SIDE STUB AXLE W/A	1	43	616300 01	HANDBRAKE W/A (2016 & ON)	1
6	241757 02	FAR SIDE STUB AXLE W/A	1	44	HSS-0241	SET SCREW (2016 & ON)	4
7	BLT-2267	HEX.HEAD BOLT	2	45	BRA-14101	HANDBRAKE PULLEY (2016 & ON)	2
8	BLT-2365	BOLT	16	46	BLTA10350	HEX HEAD BOLT (2016 & ON)	4
9	BLTA12350	HEX.HEAD BOLT	2	47	WSH-0015	PLAIN WASHER (2016 & ON)	8
10	BRA-08015	BRAKE RAM CYLINDER	2	48	NUT-0265	NYLOC NUT (2016 & ON)	4
11	BRA-14001	HANDBRAKE ASSEMBLY (PRE 2016)	1	49	616303 01	TENSIONER (2016 & ON)	1
12	BRA-14002	HANDBRAKE PULLEY ASSEMBLY	1	50	WRP-00050	WIRE CABLE (2016 & ON)	1.26m
13	EDS-11400	PVC EDGING STRIP	0.19m	51	242431 01	FLANGE SHIM	12
14	HCPA01200	HYDRAULIC PIPE CLAMP	15				
15	HHBC10005	HYD HOSE ASSY	2	52	SCW-0056	CAP HEAD SCREW	1
16	HMA-0055	ADAPTOR MALE/MALE	1	53	WSH-0006	PLAIN WASHER	1
17	HMT-0010	1/4"BSP EQUAL TEE MALE	1	54	NUT-0258	NYLOC NUT	1
18	HQR-10007	HYD.QUICK RELEASE COUP.	1				
19	HSS-0318	SET SCREW	8				
20	NUT-0167	PLAIN NUT	2				
21	241922 01	CLAMP PLATE (PRE 2016)	1				
22	NUT-0269	NYLOC NUT	8				
23	NUT-0271	NYLOC NUT	8				
24	NUTA02200	NYLOC NUT	16				
25	SCW-0083	CAP HEAD SCREW	15				
26							
27	WHL-01521A	WHEEL & TYRE ASSY (2016 ON)	2				
OR	WHL-01521	WHEEL & TYRE ASSY (PRE 2016)					
28							
29	WRP-00050	WIRE CABLE (PRE 2016)	11.5m				
OR	WRP-00050	WIRE CABLE (2016 & ON)	4.18m				
30	WRP-01040	WIRE CABLE THIMBLE	4				
31	WRP-02040	WIRE CABLE CLAMP	8				
32							
33							
34	WSH-0018	PLAIN WASHER	16				
35	WSH-0024	PLAIN WASHER	16				
36	WSH-0030	PLAIN WASHER	32				
37							
38	WSH-1015	DOWTY WASHER	1				

Shelbourne Reynolds Engineering Limited



249030 08E
249030 08D





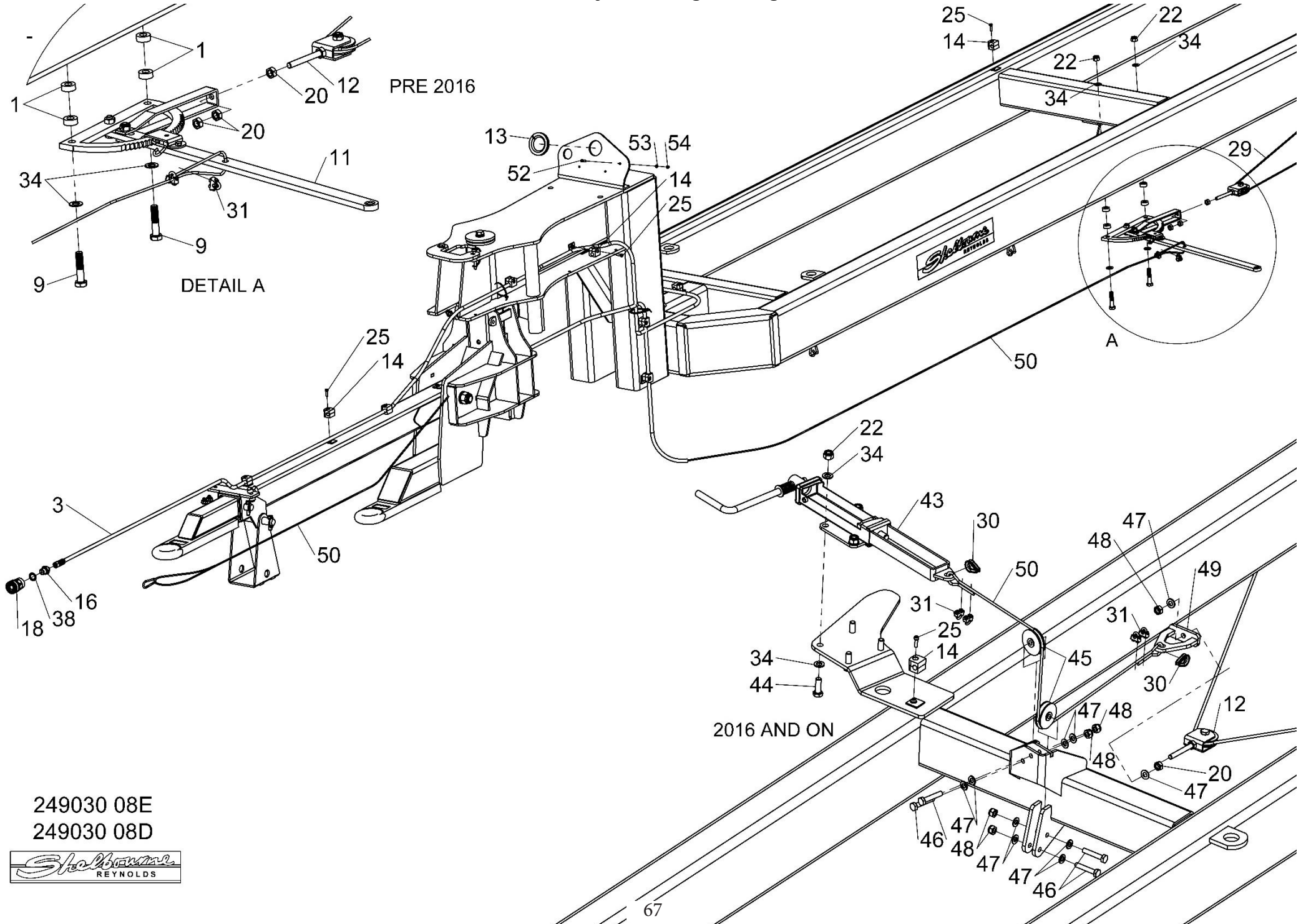
249030 08E
249030 08D

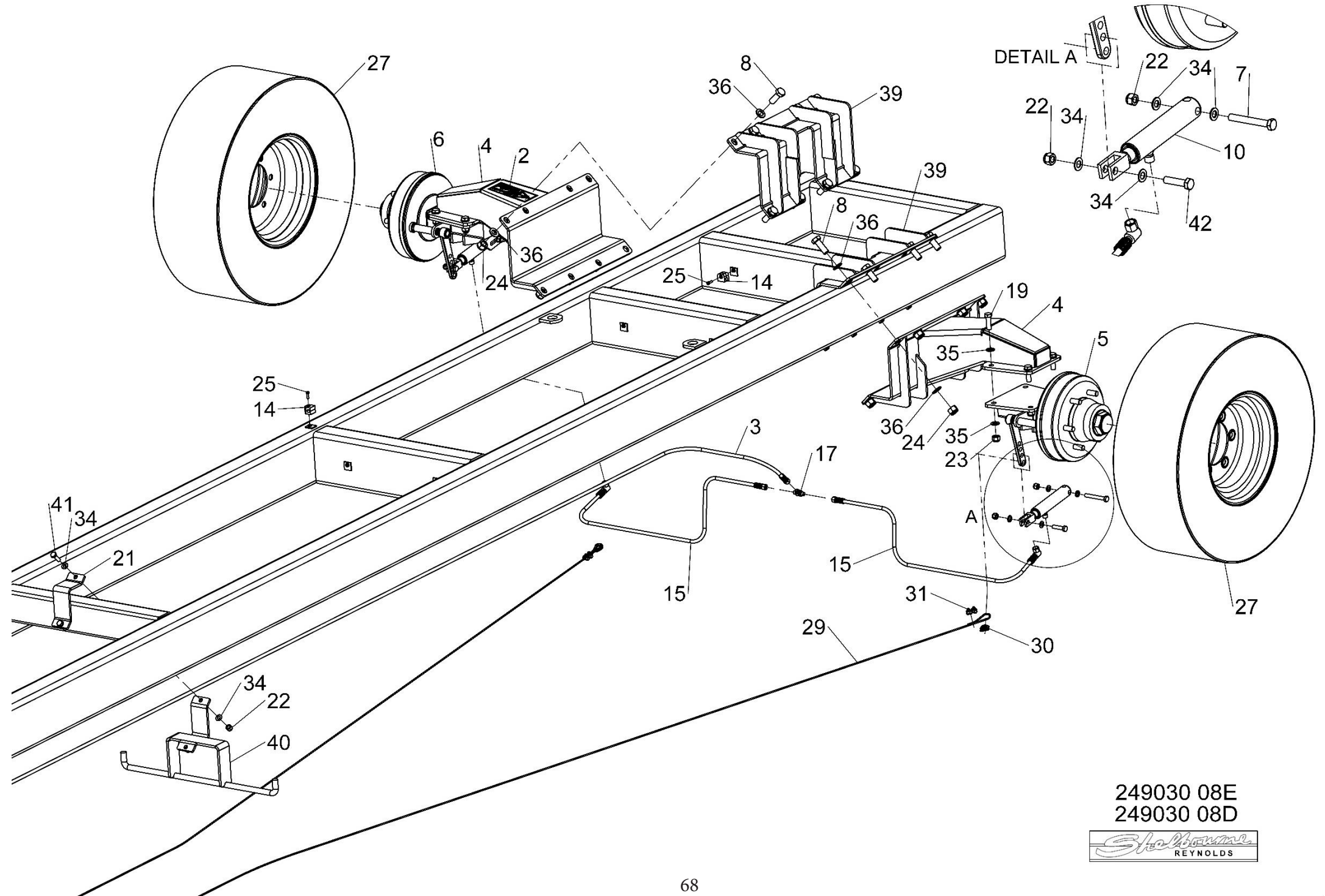


Shelbourne Reynolds Engineering Limited

ASSY NUMBER: 249030 08E				ASSY DESCRIPTION: FW 'LOW' CHASSIS AXLE/WHEELS/BRAKES - FORWARD POSITION			
ITEM	PART NO	DESCRIPTION	QTY	ITEM	PART NO	DESCRIPTION	QTY
1	190548 81	WASHER (PRE 2016)	4	39	241954 01	CLAMP PLATE	2
2	240395 01	WHEEL/TYRE INFO LOGO	1	40	241923 01	SUPP CLAMP W/ASSY (PRE 2016)	1
3	241041 04	HYD HOSE ASSY	1	41	HSS-0250	SET SCREW	2
4	241746 01	AXLE MOUNT W/ASSY	2	42	BLTA12320	HEX.HEAD BOLT	2
5	241757 01	NEAR SIDE STUB AXLE W/A	1	43	616300 01	HANDBRAKE W/A (2016 & ON)	1
6	241757 02	FAR SIDE STUB AXLE W/A	1	44	HSS-0241	SET SCREW (2016 & ON)	4
7	BLT-2267	HEX.HEAD BOLT	2	45	BRA-14101	HANDBRAKE PULLEY (2016 & ON)	2
8	BLT-2365	BOLT	16	46	BLTA10350	HEX HEAD BOLT (2016 & ON)	4
9	BLTA12350	HEX.HEAD BOLT	2	47	WSH-0015	PLAIN WASHER (2016 & ON)	8
10	BRA-08015	BRAKE RAM CYLINDER	2	48	NUT-0265	NYLOC NUT (2016 & ON)	4
11	BRA-14001	HANDBRAKE ASSEMBLY (PRE 2016)	1	49	616303 01	TENSIONER (2016 & ON)	1
12	BRA-14002	HANDBRAKE PULLEY ASSEMBLY	1	50	WRP-00050	WIRE CABLE (2016 & ON)	1.26m
13	EDS-11400	PVC EDGING STRIP	0.19m	51	242431 01	FLANGE SHIM	12
14	HCPA01200	HYDRAULIC PIPE CLAMP	15	52	SCW-0056	CAP HEAD SCREW	1
15	HHBC10005	HYD HOSE ASSY	2	53	WSH-0006	PLAIN WASHER	1
16	HMA-0055	ADAPTOR MALE/MALE	1	54	NUT-0258	NYLOC NUT	1
17	HMT-0010	1/4"BSP EQUAL TEE MALE	1				
18	HQR-10007	HYD.QUICK RELEASE COUP.	1				
19	HSS-0318	SET SCREW	8				
20	NUT-0167	PLAIN NUT	3				
21	241922 01	CLAMP PLATE (PRE 2016)	1				
22	NUT-0269	NYLOC NUT	8				
23	NUT-0271	NYLOC NUT	8				
24	NUTA02200	NYLOC NUT	16				
25	SCW-0083	CAP HEAD SCREW	15				
26	TIE-0005	BLACK TIE WRAP 300mm X 4.8mm	2				
27	WHL-01521A	WHEEL & TYRE ASSY (2016 & ON)	2				
OR	WHL-01521	WHEEL & TYRE ASSY (PRE 2016)					
28							
29	WRP-00050	WIRE CABLE (PRE 2016)	11.5m				
OR	WRP-00050	WIRE CABLE (2016 & ON)	2.92m				
30	WRP-01040	WIRE CABLE THIMBLE	4				
31	WRP-02040	WIRE CABLE CLAMP	8				
32							
33							
34	WSH-0018	PLAIN WASHER	16				
35	WSH-0024	PLAIN WASHER	16				
36	WSH-0030	PLAIN WASHER	32				
37							
38	WSH-1015	DOWTY WASHER	1				

Shelbourne Reynolds Engineering Limited



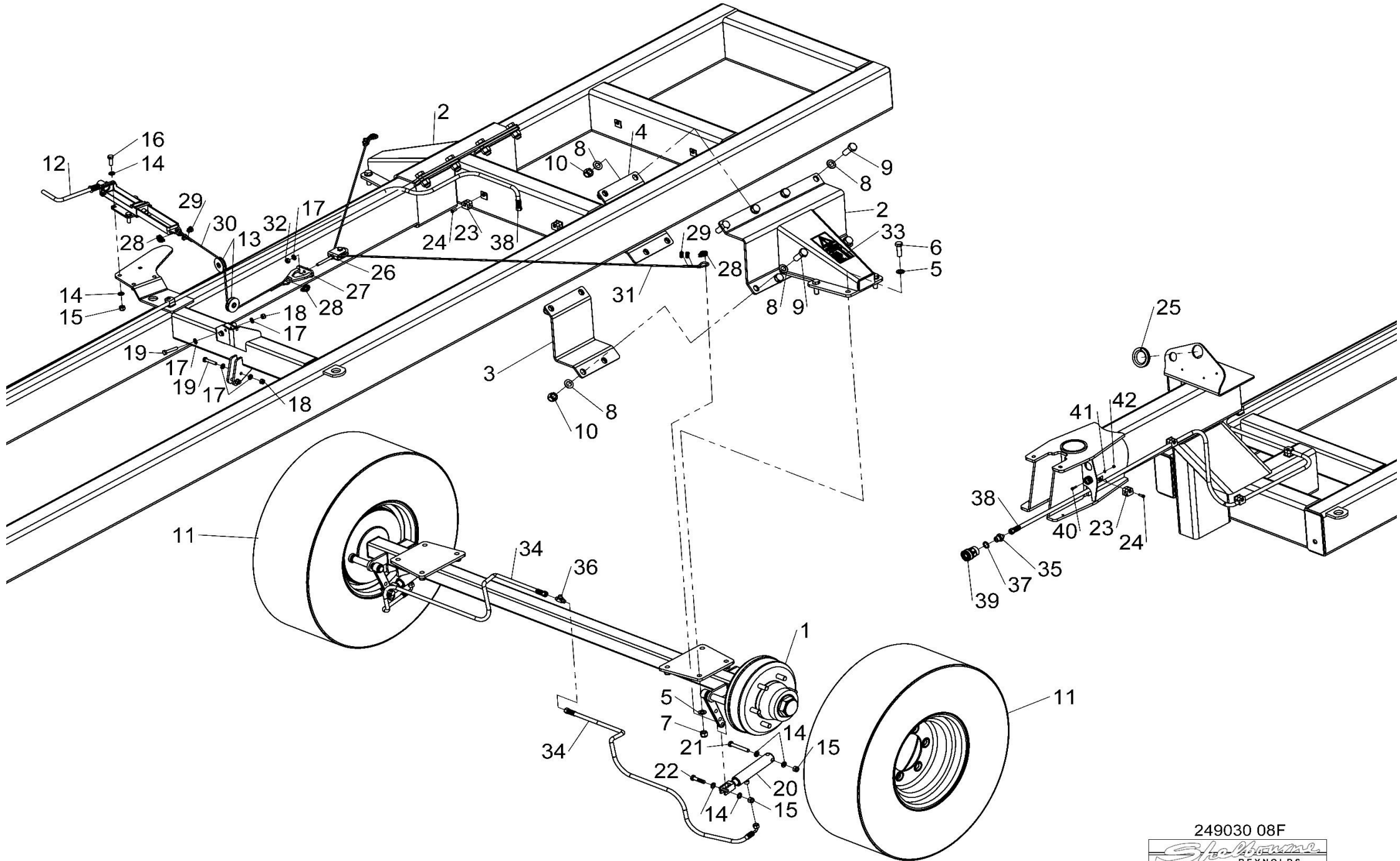


249030 08E
249030 08D



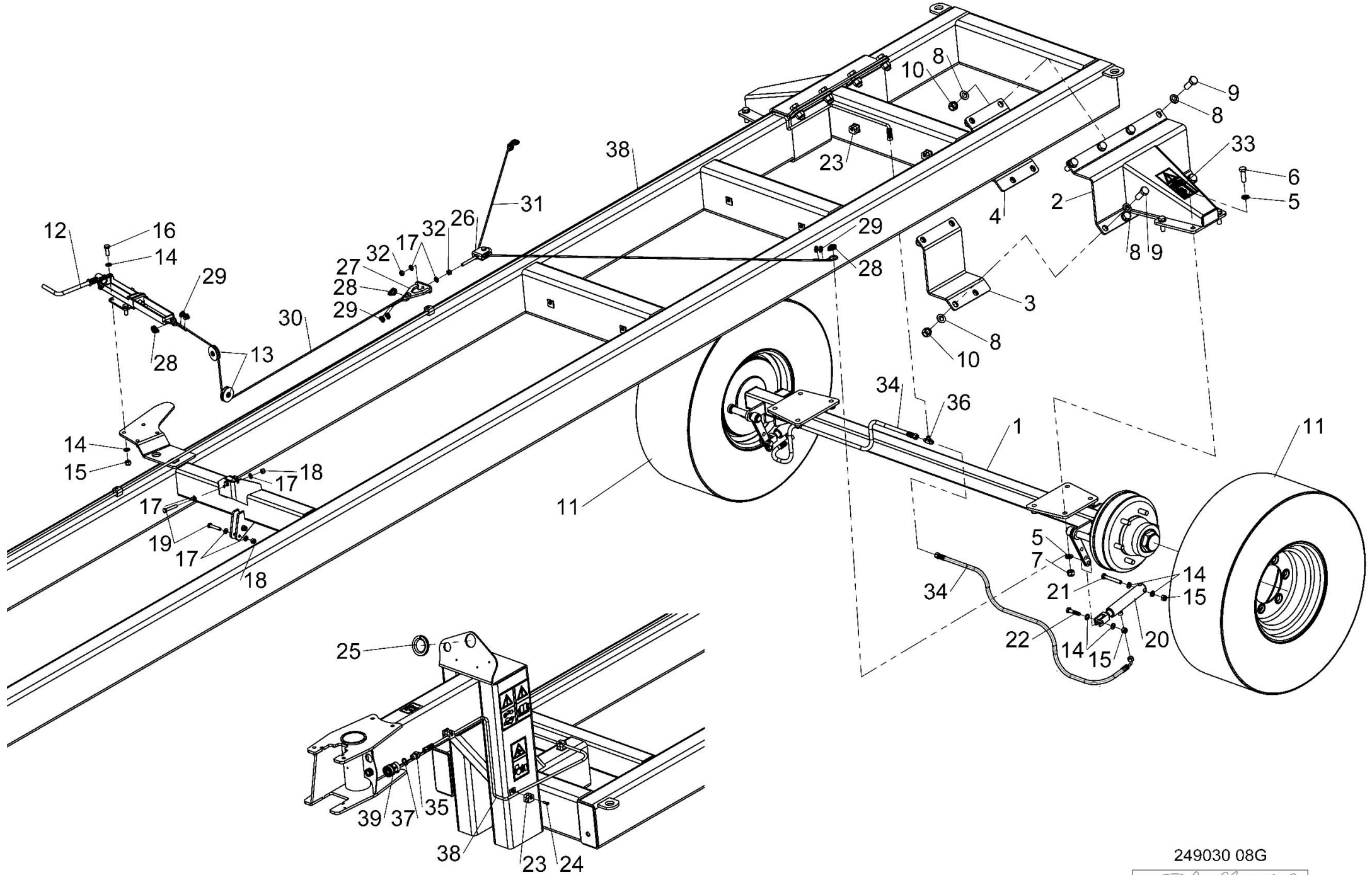
Shelbourne Reynolds Engineering Limited

ASSY NUMBER: 249030 08F				C10500FW AXLE SUB ASSEMBLY 2017			
ITEM	PART NO	DESCRIPTION	QTY	ITEM	PART NO	DESCRIPTION	QTY
1	240920 08	SINGLE BRAKED AXLE ASSY	1	41	WSH-0006	PLAIN WASHER	1
2	240939 01	AXLE MOUNTING	2	42	NUT-0258	NYLOC NUT	1
3	240947 01	LH CLAMP PLATE	2				
4	240947 02	RH CLAMP PLATE	2				
5	WSH-0024	PLAIN WASHER	16				
6	HSS-0318	SET SCREW	8				
7	NUT-0271	NYLOC NUT	8				
8	WSH-0030	PLAIN WASHER	32				
9	BLT-2365	HEX HEAD BOLT	16				
10	NUTA02200	NYLOC NUT	16				
11	WHL-01521A	WHEEL & TYRE	2				
12	616300 01	HANDBRAKE W/A	1				
13	BRA-14101	HANDBRAKE PULLEY	2				
14	WSH-0018	PLAIN WASHER	16				
15	NUT-0269	NYLOC NUT	8				
16	HSS-0241	SET SCREW	4				
17	WSH-0015	PLAIN WASHER	10				
18	NUT-0265	NYLOC NUT	4				
19	BLTA10350	HEX HEAD BOLT	4				
20	BRA-08015	BRAKE RAM CYLINDER	2				
21	BLT-2267	HEX HEAD BOLT	2				
22	BLTA12350	HEX HEAD BOLT	2				
23	HCPA01200	HYDRAULIC PIPE CLAMP	10				
24	SCW-0083	CAP HEAD SCREW	10				
25	EDS-11400	PVC EDGING STRIP	0.19m				
26	BRA-14002	HANDBRAKE PULLEY ASSEMBLY	1				
27	616303 01	TENSIONER W/A	1				
28	WRP-01040	WIRE CABLE THIMBLE	4				
29	WRP-02040	WIRE CABLE CLAMP	8				
30	WRP-00050	WIRE CABLE	1.11m				
31	WRP-00050	WIRE CABLE	3.18m				
32	NUT-0167	PLAIN NUT	2				
33	240395 01	WHEEL/TYRE LOGO	1				
34	HHBC10005	HYDRAULIC HOSE ASSEMBLY	2				
35	HMA-0055	ADAPTER	1				
36	HMT-0010	EQUAL TEE	1				
37	WSH-1015	DOWTY WASHER	1				
38	241041 04	HYDRAULIC HOSE	1				
39	HQR-10007	HYD QUICK RELEASE COUPLING	1				
40	SCW-0056	CAP HEAD SCREW	1				



Shelbourne Reynolds Engineering Limited

ASSY NUMBER: 249030 08G				C12000FW AXLE SUB ASSEMBLY 2018			
ITEM	PART NO	DESCRIPTION	QTY	ITEM	PART NO	DESCRIPTION	QTY
1	240920 08	SINGLE BRAKED AXLE ASSY	1				
2	240939 01	AXLE MOUNTING	2				
3	240947 01	LH CLAMP PLATE	2				
4	240947 02	RH CLAMP PLATE	2				
5	WSH-0024	PLAIN WASHER	16				
6	HSS-0318	SET SCREW	8				
7	NUT-0271	NYLOC NUT	8				
8	WSH-0030	PLAIN WASHER	32				
9	BLT-2365	HEX HEAD BOLT	16				
10	NUTA02200	NYLOC NUT	16				
11	WHL-01521A	WHEEL & TYRE	2				
12	616300 01	HANDBRAKE W/A	1				
13	BRA-14101	HANDBRAKE PULLEY	2				
14	WSH-0018	PLAIN WASHER	16				
15	NUT-0269	NYLOC NUT	8				
16	HSS-0241	SET SCREW	4				
17	WSH-0015	PLAIN WASHER	10				
18	NUT-0265	NYLOC NUT	4				
19	BLTA10350	HEX HEAD BOLT	4				
20	BRA-08015	BRAKE RAM CYLINDER	2				
21	BLT-2267	HEX HEAD BOLT	2				
22	BLTA12350	HEX HEAD BOLT	2				
23	HCPA01200	HYDRAULIC PIPE CLAMP	10				
24	SCW-0083	CAP HEAD SCREW	10				
25	EDS-11400	PVC EDGING STRIP	0.19m				
26	BRA-14002	HANDBRAKE PULLEY ASSEMBLY	1				
27	616303 01	TENSIONER W/A	1				
28	WRP-01040	WIRE CABLE THIMBLE	4				
29	WRP-02040	WIRE CABLE CLAMP	8				
30	WRP-00050	WIRE CABLE	1.86m				
31	WRP-00050	WIRE CABLE	3.18m				
32	NUT-0167	PLAIN NUT	2				
33	240395 01	WHEEL/TYRE LOGO	1				
34	HHBC10005	HYDRAULIC HOSE ASSEMBLY	2				
35	HMA-0055	ADAPTER	1				
36	HMT-0010	EQUAL TEE	1				
37	WSH-1015	DOWTY WASHER	1				
38	241041 08	HYDRAULIC HOSE	1				
39	HQR-10007	QUICK RELEASE COUPLING	1				

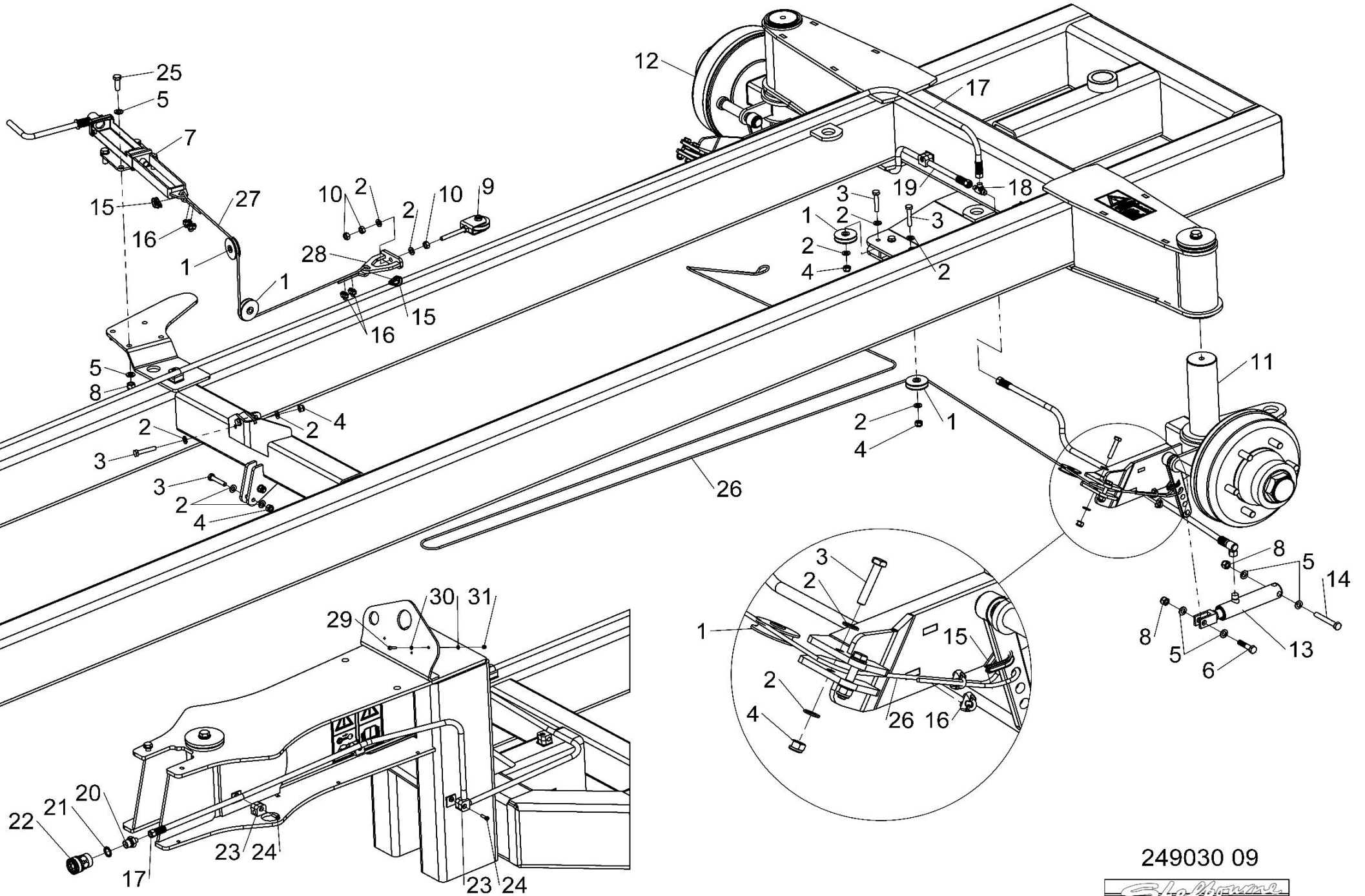


249030 08G



Shelbourne Reynolds Engineering Limited

ASSY NUMBER: 249030 09				ASSY DESCRIPTION: FW STEERING BRAKED KIT			
ITEM	PART NO	DESCRIPTION	QTY	ITEM	PART NO	DESCRIPTION	QTY
1	BRA-14101	HANDBRAKE PULLEY	6				
2	WSH-0015	PLAIN WASHER	26				
3	BLTA10350	HEX.HEAD BOLT	10				
4	NUT-0265	NYLOC NUT	10				
5	WSH-0018	PLAIN WASHER	16				
6	BLTA12350	HEX.HEAD BOLT	2				
7	616300 01	HANDBRAKE ASSEMBLY	1				
8	NUT-0269	NYLOC NUT	8				
9	BRA-14002	HANDBRAKE PULLEY ASSEMBLY	1				
10	NUT-0166	PLAIN NUT BLACK	3				
11	241623 01	LH WHEEL PIVOT W/ASSY	1				
12	241623 02	RH WHEEL PIVOT W/ASSY	1				
13	BRA-08015	BRAKE RAM CYLINDER	2				
14	BLT-2267	HEX.HEAD BOLT	2				
15	WRP-01040	WIRE CABLE THIMBLE	4				
16	WRP-02040	WIRE CABLE CLAMP	8				
17	241041 08	HYDRAULIC HOSE ASSY	1				
18	HMT-0010	EQUAL TEE	1				
19	HHCC11005	HYDRAULIC HOSE ASSY	2				
20	HMA-0055	ADAPTOR	1				
21	WSH-1015	DOWTY WASHER	1				
22	HQR-10007	QUICK RELEASE COUPLING	1				
23	HCPA01200	PIPE CLAMP	10				
24	SCW-0083	CAP HEAD SCREW	10				
25	HSS-0241	SET SCREW	4				
26	WRP-00050	WIRE CABLE	5.54m				
27	WRP-00050	WIRE CABLE	1.26m				
28	616303 01	TENSIONER W/A	1				
29	SCW-0056	CAP HEAD SCREW	1				
30	WSH-0006	PLAIN WASHER	1				
31	NUT-0258	NYLOC NUT	1				

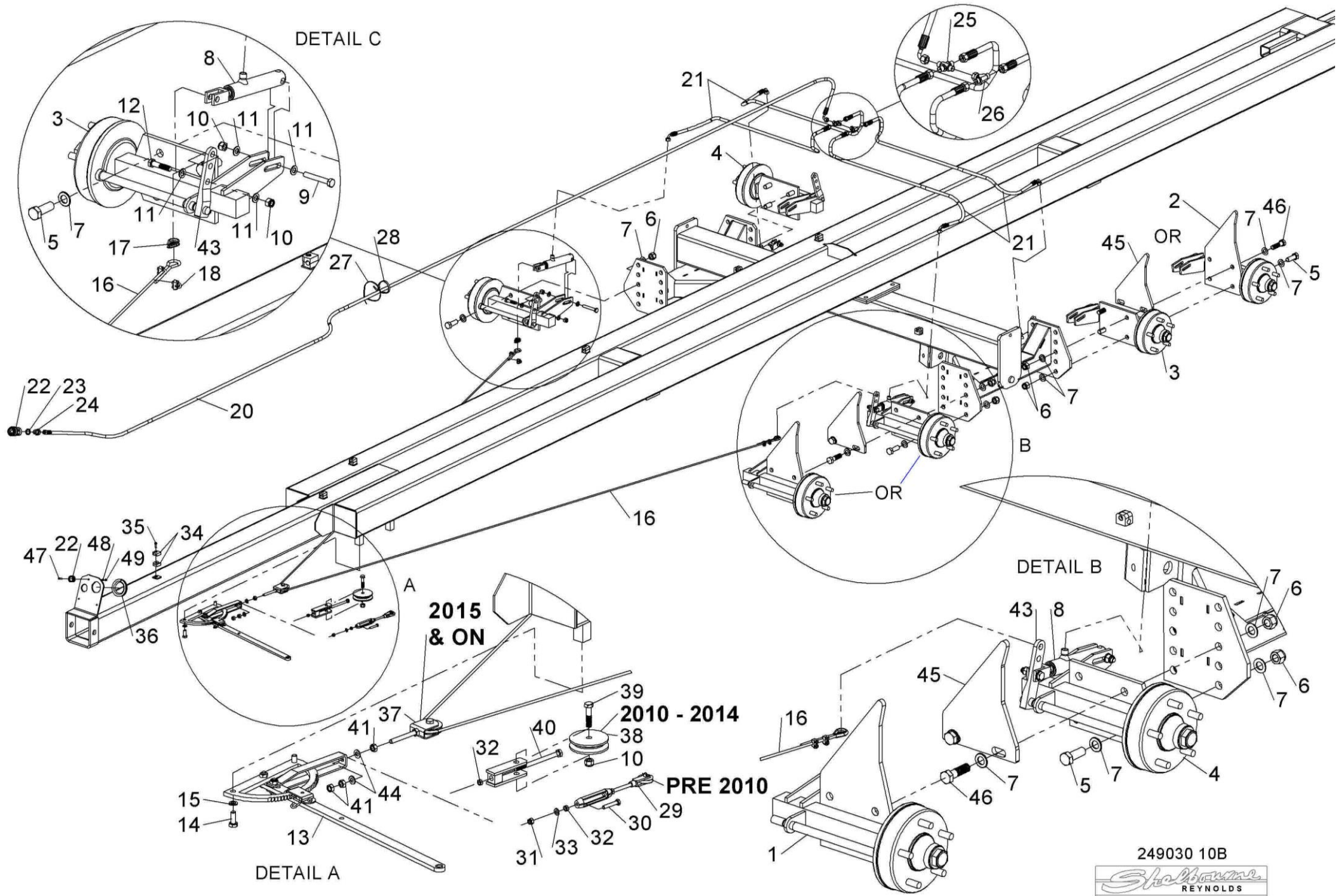


249030 09



Shelbourne Reynolds Engineering Limited

ASSY NUMBER: 249030 10B				ASSY DESCRIPTION: BRAKED TANDEM AXLE STUBS MINUS WHEELS			
ITEM	PART NO	DESCRIPTION	QTY	ITEM	PART NO	DESCRIPTION	QTY
1	240600 01	NRS FRONT STUB AXLE(PRE 2016)	1	35	SCW-0083	CAP HEAD SCREW	11
2	240600 02	NRS REAR STUB AXLE(PRE 2016)	1	36	EDS-11400	EDGING STRIP	0.19
3	240604 01	OFS FRONT AND NRS REAR STUB AXLE (2016 & ON)	2	37	BRA-14002	PULLEY FORK ASSY (2015 & ON)	1
OR	240604 01	OFS FRONT STUB AXLE(PRE 2016)	1	OR	590060 01	PULLEY FORK (2010 THRU 2014)	
4	240604 02	OFS REAR AND NRS FRONT STUB AXLE (2016 & ON)	2	38	590101 01	CABLE PULLEY (2010 THRU 2014)	
OR	240604 02	OFS REAR STUB AXLE (PRE 2016)	1	39	BLTA12350	BOLT (2010 THRU 2014)	
5	BLT-2365	BOLT	12	40	HSSA10680	SETSCREW (2010 THRU 2014)	
6	NUTA02200	NYLOC NUT	16	41	NUT-0167	PLAIN NUT (2010 & ON)	3
7	WSH-0030	PLAIN WASHER	32	42			
8	BRA-08005	BRAKE RAM CYLINDER	4	43	241168 01	BRAKE LEVER[04/2016 & ON]	4
9	BLTA12500	BOLT	4	OR	241168 02	BRAKE LEVER [PRE 04/2016]	4
10	NUT-0269	NYLOC NUT	9	44	WSH-0015	PLAIN WASHER	2
11	WSH-0018	PLAIN WASHER	18	45	240831 01	GUIDE PLATE	2
12	BLTA12350	BOLT	4	46	BLT-2367	BOLT	4
13	BRA-14001	HANDBRAKE LEVER ASSY(2015 ON)	1	47	SCW-0056	CAP HEAD SCREW	1
OR	590222 01	HANDBRAKE LEVER ASSY(PRE 2015)		48	WSH-0006	PLAIN WASHER	1
14	HSS-0238	BOLT	2	49	NUT-0258	NYLOC NUT	1
15	WSH-0065	SPRING WASHER	2				
16	WRP-00050	WIRE CABLE (2010 & ON)	6.8m				
OR	WRP-00040	WIRE CABLE (PRE 2010)	11.5m				
17	WRP-01040	THIMBLE	2				
18	WRP-02040	CLAMP	4				
19							
20	HHBC82505	HYD HOSE	1				
21	HHBC12605	BRAKE RAM HYD HOSE	4				
22	HQR-10007	QUICK RELEASE COUPLING	1				
23	WSH-1015	DOWTY WASHER	1				
24	HMA-0055	M/M ADAPTOR	1				
25	FITA11103	4 WAY HYD FITTING	1				
26	FITA10130	3 WAY FITTING	1				
27	21701001	LONG CABLE TIE	9				
28	TIE-0006	CABLE TIE	5				
29	ADL-00120	ADJUSTER (PRE 2010)	1				
30	HSS-0155	BOLT (PRE 2010)	1				
31	NUT-0263	NYLOC NUT	1				
32	NUT-0164	PLAIN NUT (PRE 2010)	1				
33	WSH-0012	PLAIN WASHER(PRE 2010)	2				
34	HCPA01200	CLAMP BLOCK	11				

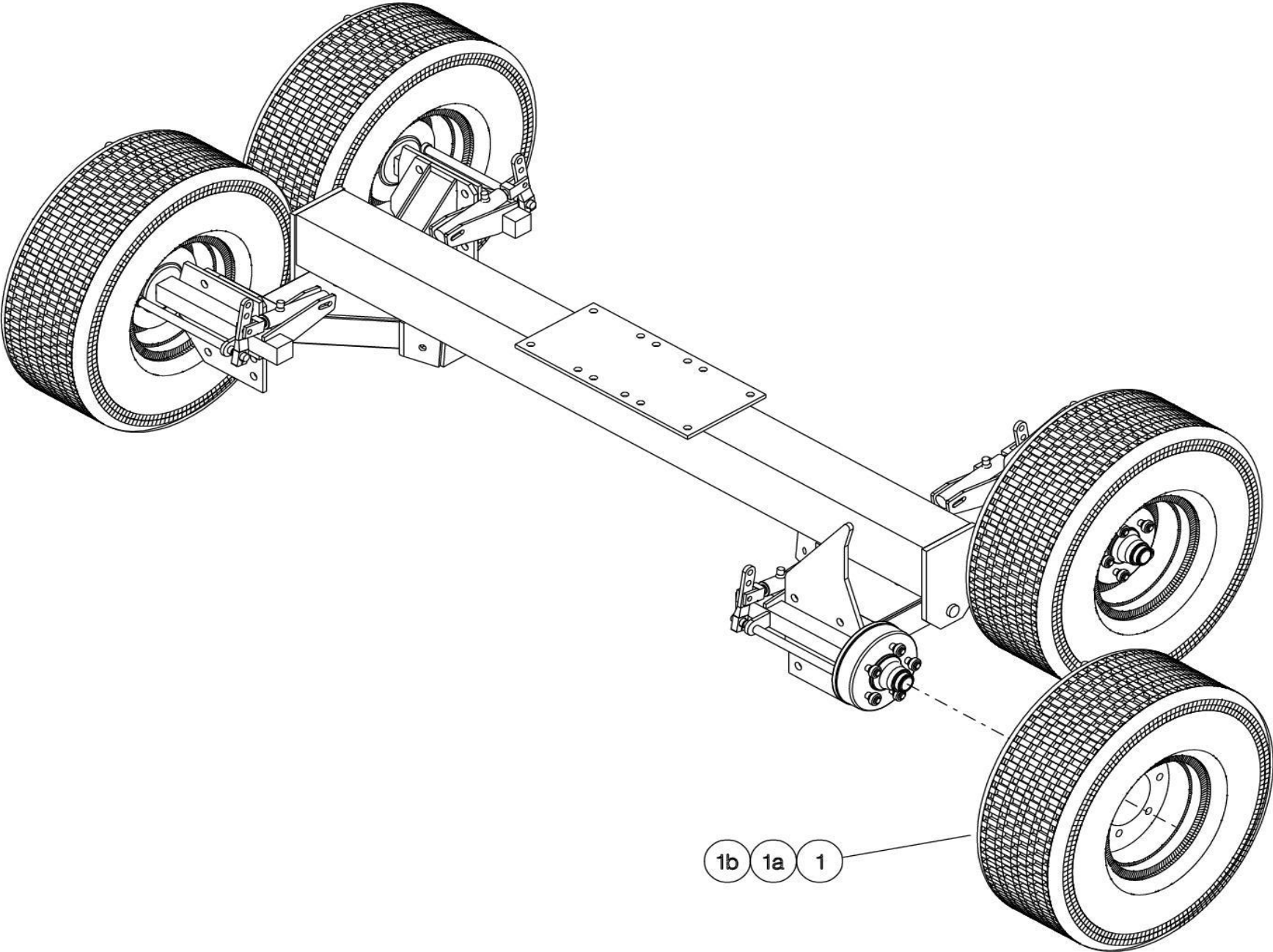


249030 10B



Shelbourne Reynolds Engineering Limited

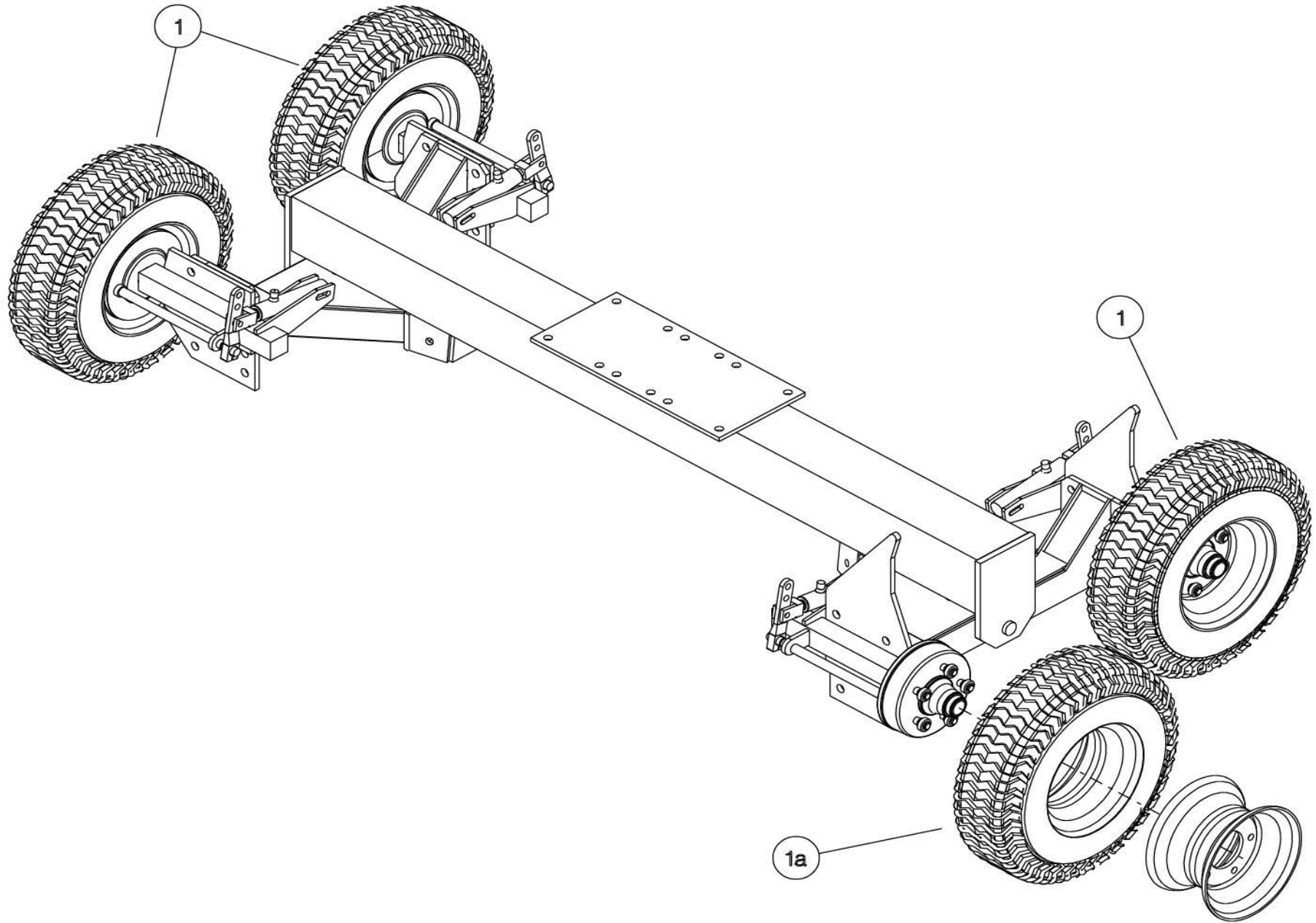
ASSY NUMBER: 249030 10C				ASSY DESCRIPTION: STANDARD <u>T/A</u> WHEELS (10.0/80x12)			
ITEM	PART NO	DESCRIPTION	QTY	ITEM	PART NO	DESCRIPTION	QTY
1	WHL-01210	WHEEL/TYRE ASSY	4				
1A	WHL-41200	WHEEL ONLY					
1B	WHL-51200	TYRE ONLY					



249030 10C

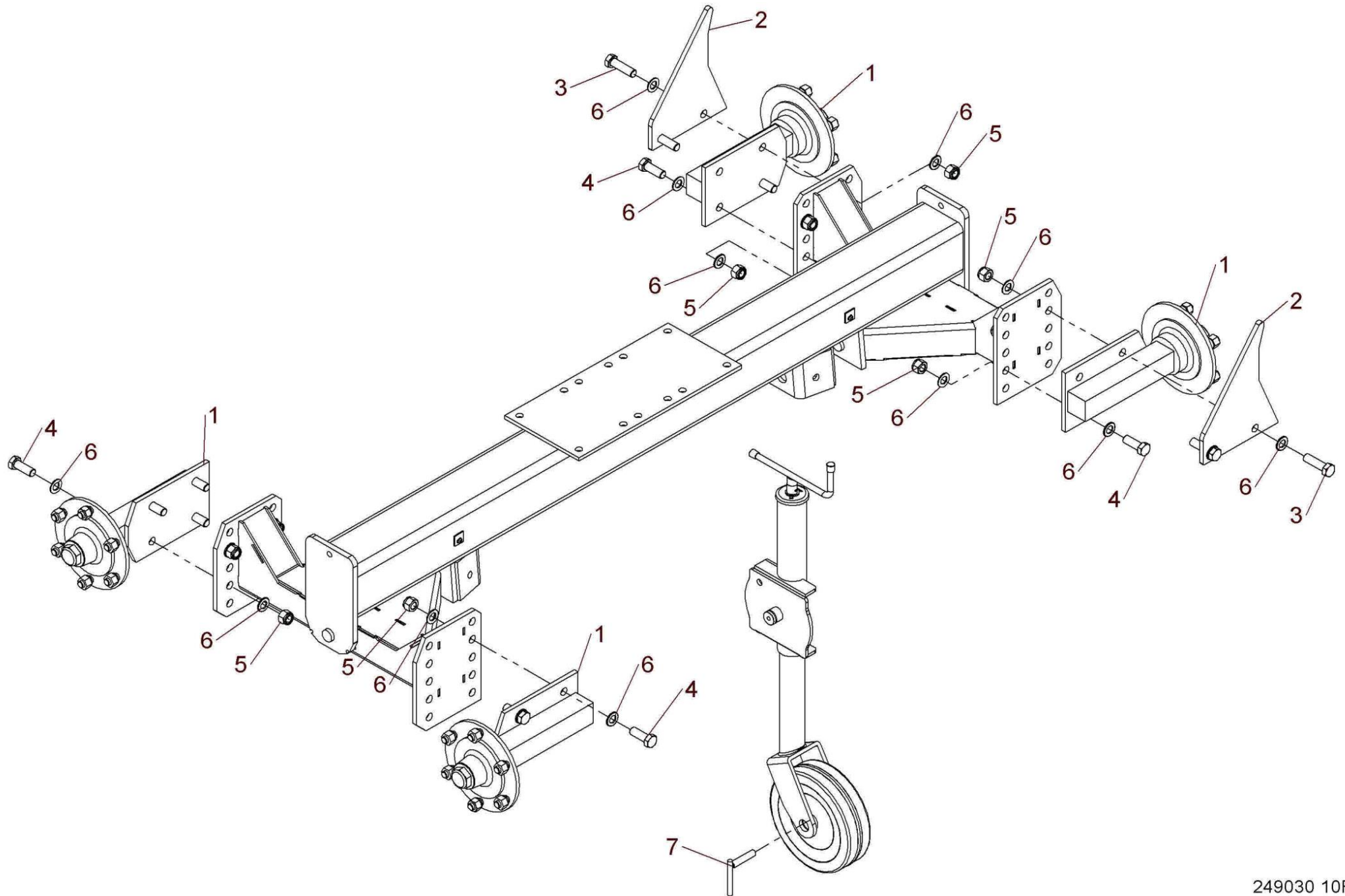
Shelbourne Reynolds Engineering Limited

ASSY NUMBER: 249030 10D				ASSY DESCRIPTION: SMALL <u>T/A</u> WHEELS (6.00/9)			
ITEM	PART NO	DESCRIPTION	QTY	ITEM	PART NO	DESCRIPTION	QTY
1 1A	WHL-20920 WHL-70920	WHEEL/TYRE ASSY TYRE ONLY	4				



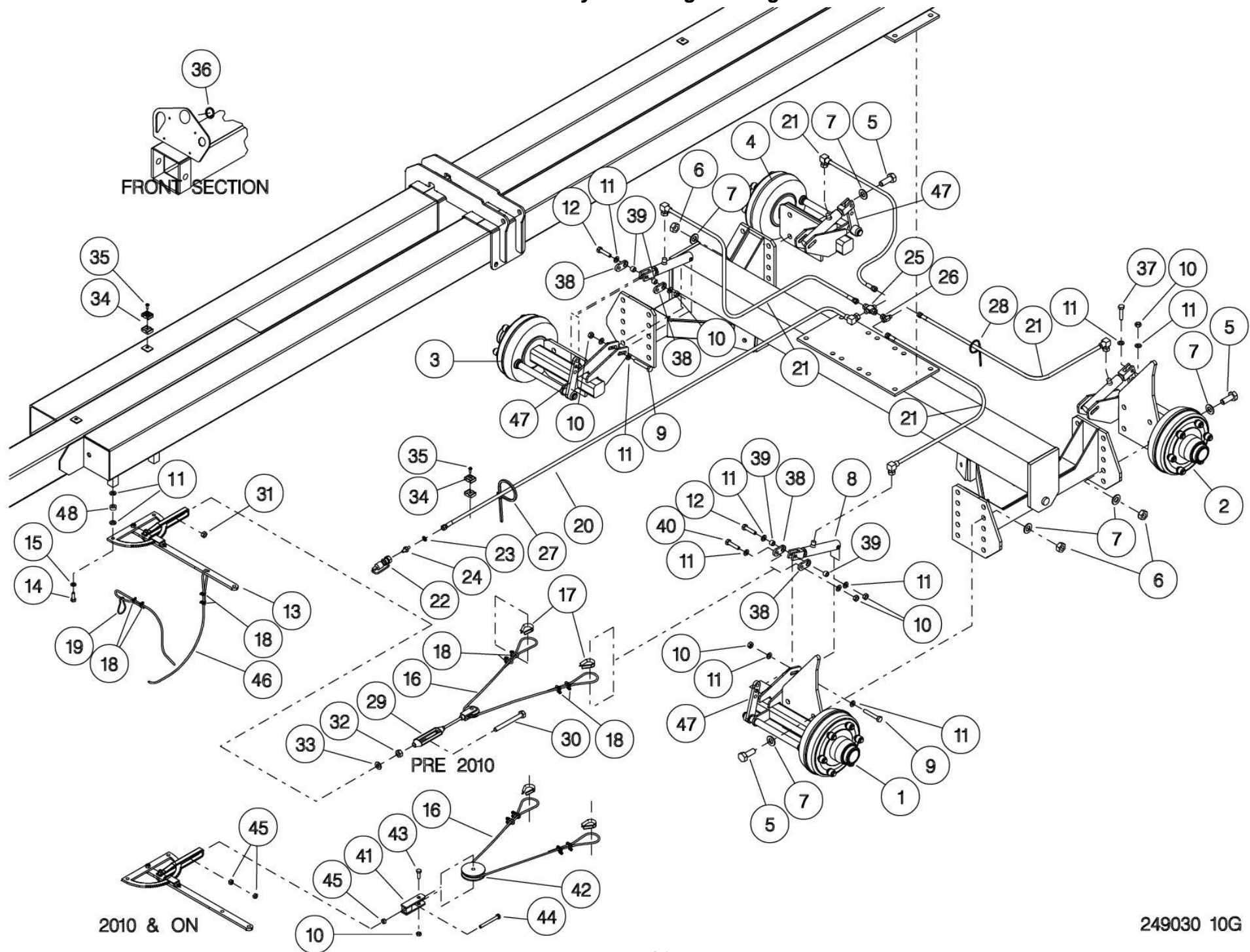
Shelbourne Reynolds Engineering Limited

ASSY NUMBER: 249030 10F				ASSY DESCRIPTION: UNBRAKED T/A STUBS MINUS WHEEL			
ITEM	PART NO	DESCRIPTION	QTY	ITEM	PART NO	DESCRIPTION	QTY
1	240869 01	UNBRAKED STUB AXLE	4				
2	240831 01	GUIDE PLATE	2				
3	BLT-2367	BOLT	4				
4	BLT-2365	BOLT	12				
5	NUTA02200	NYLOC NUT	16				
6	WSH-0030	PLAIN WASHER	32				
7	240016 01	WHEEL LOCKING TEE BAR UPTO MID 2014 ONLY NOW REPLACED WITH KIT-04128	1				



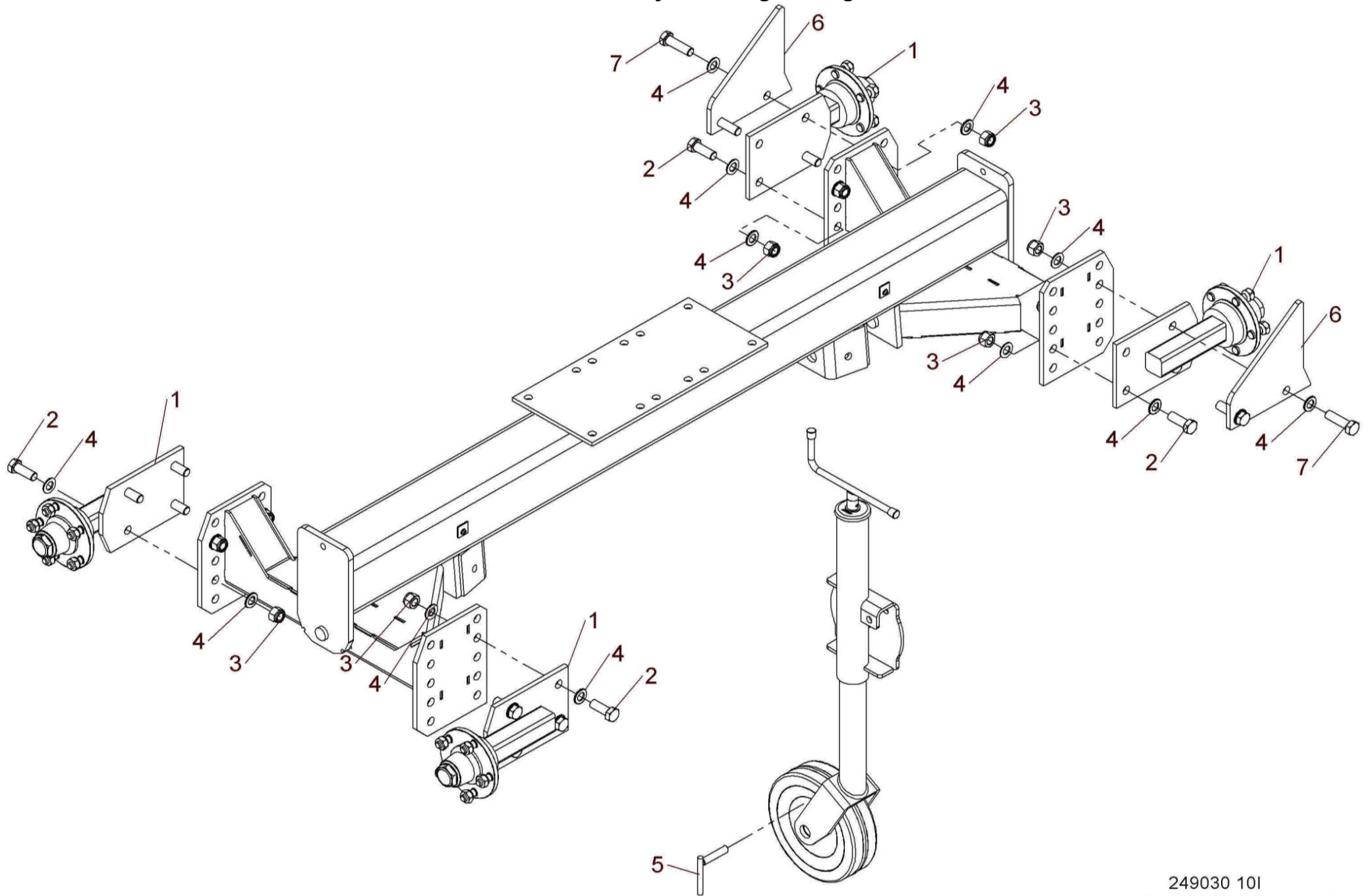
Shelbourne Reynolds Engineering Limited

ASSY NUMBER: 249030 10G				ASSY DESCRIPTION: C10500 (35') BRAKED TANDEM AXLE STUBS MINUS WHEELS			
ITEM	PART NO	DESCRIPTION	QTY	ITEM	PART NO	DESCRIPTION	QTY
1	240863 01	NRS FRONT STUB AXLE(PRE 2016)	1	35	SCW-0083	CAP HEAD SCREW	11
2	240863 02	NRS REAR STUB AXLE(PRE 2016)	1	36	EDS-11400	EDGING STRIP	0.19
3	240867 01	OFS FRONT AND NRS REAR STUB AXLE (2016 & ON)	2	37	BLTA12350	BOLT	2
OR	240867 01	OFS FRONT STUB AXLE(PRE 2016)	1	38	240547 01	CABLE MOUNTING PLATE	4
4	240867 02	OFS REAR AND NRS FRONT STUB AXLE (2016 & ON)	2	39	240548 01	SPACER	4
OR	240867 02	OFS REAR STUB AXLE(PRE 2016)	1	40	BLTA12470	BOLT	2
5	BLT-2365	BOLT	12	41	BRA-14002	PULLEY FORK ASSY (2015 & ON)	1
6	NUTA02200	NYLOC NUT	16	OR	590060 01	PULLEY FORK (2010 THRU 2014)	
7	WSH-0030	PLAIN WASHER	32	42	590101 01	CABLE PULLEY(2010 THRU 2014)	
8	BRA-08015	BRAKE RAM CYLINDER	4	43	BLTA12350	BOLT (2010 THRU 2014)	
9	BLT-2267	BOLT	4	44	HSSA10680	SETSCREW (2010 THRU 2014)	
10	NUT-0269	NYLOC NUT	11	45	NUT-0167	PLAIN NUT (2010 & ON)	3
11	WSH-0018	PLAIN WASHER	24	46			
12	BLTA12500	BOLT	2	47	241175 01	BRAKE LEVER	4
13	BRA-14001	HANDBRAKE LEVER ASSY(2015 ON)	4	48	190548 81	SPACER	2
OR	590222 01	HANDBRAKE LEVER ASSY(PRE 2015)		49	WSH-0015	PLAIN WASHER	2
14	BLTA12290	BOLT	2	50	240831 01	GUIDE PLATE	2
15	WSH-0065	SPRING WASHER	2	51	BLT-2367	BOLT	4
16	WRP-00050	WIRE CABLE (2010 & ON)	7.0m	52			
OR	WRP-00040	WIRE CABLE (PRE 2010)	12.5m	53			
17	WRP-01040	THIMBLE	2	54			
18	WRP-02040	CLAMP	4	55			
19				56	SCW-0056	CAP HEAD SCREW	1
20	HHBC88505	HYD HOSE	1	57	WSH-0006	PLAIN WASHER	1
21	HHBC12605	BRAKE RAM HYD HOSE	4	58	NUT-0258	NYLOC NUT	1
22	HQR-10007	QUICK RELEASE COUPLING	1				
23	WSH-1015	DOWTY WASHER	1				
24	HMA-0055	M/M ADAPTOR	1				
25	FITA11103	4 WAY HYD FITTING	1				
26	FITA10130	3 WAY FITTING	1				
27	21701001	LONG CABLE TIE	9				
28	TIE-0006	CABLE TIE	5				
29	ADL-00120	ADJUSTER (PRE 2010)	1				
30	HSS-0155	BOLT (PRE 2010)	1				
31	NUT-0263	NYLOC NUT	1				
32	NUT-0164	PLAIN NUT (PRE 2010)	1				
33	WSH-0012	PLAIN WASHERPRE 2010)	2				
34	HCPA01200	CLAMP BLOCK	11				



Shelbourne Reynolds Engineering Limited

ASSY NUMBER: 249030 10I				ASSY DESCRIPTION: UNBRAKED T/A STUBS MINUS WHEEL			
ITEM	PART NO	DESCRIPTION	QTY	ITEM	PART NO	DESCRIPTION	QTY
1	241023 01	UNBRAKED STUB AXLE	4				
2	BLT-2365	BOLT	12				
3	NUTA02200	NUT	16				
4	WSH-0030	WASHER	32				
5	240016 01	WHEEL LOCKING TEE BAR UPTO MID 2014 ONLY REPLACED WITH KIT-04128	1				
6	240883 01	GUIDE PLATE	2				
7	BLT-2367	BOLT	4				

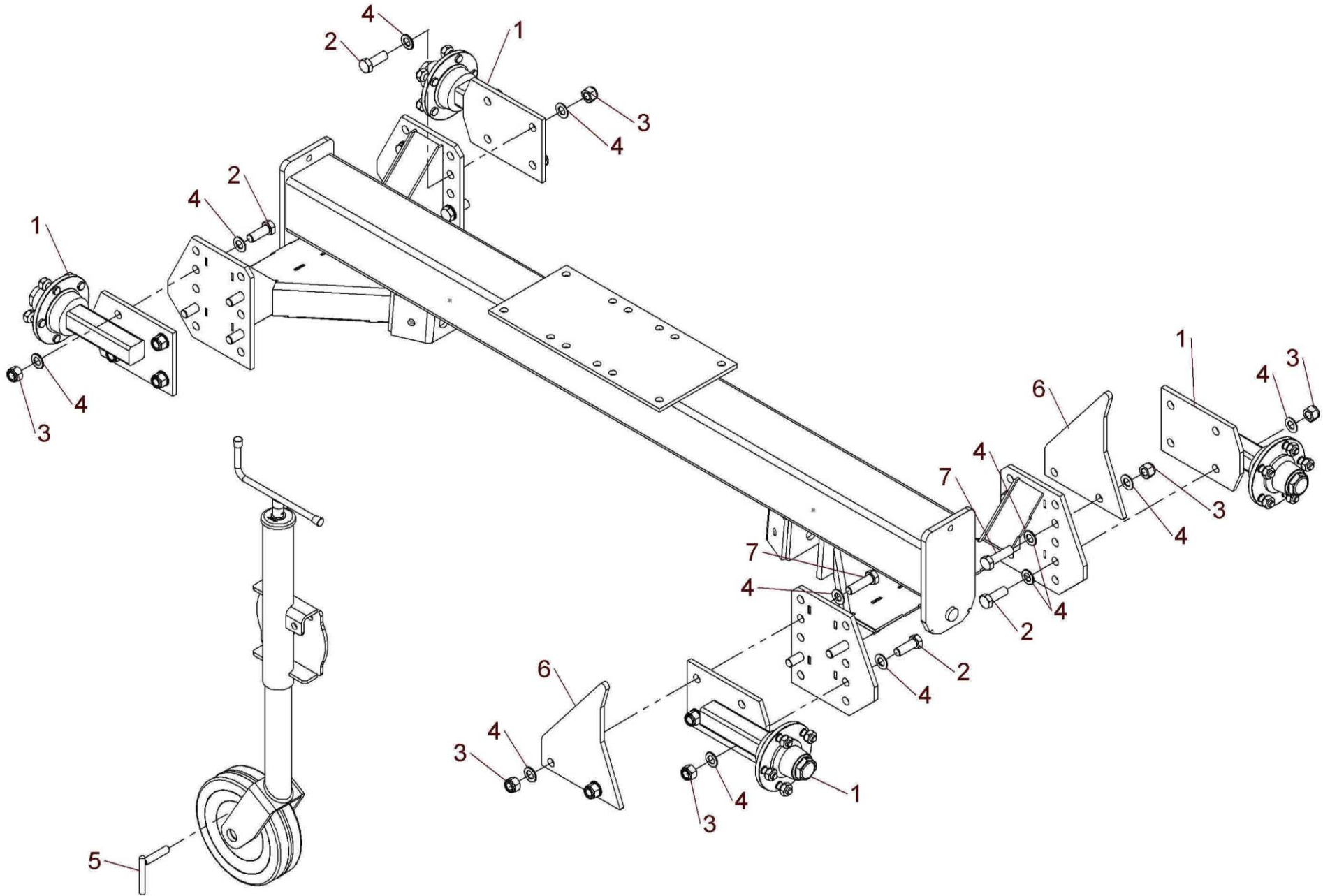


249030 10I



Shelbourne Reynolds Engineering Limited

ASSY NUMBER: 249030 10J				ASSY DESCRIPTION: UNBRAKED T/A (50mmSQ) STUBS MIN			
ITEM	PART NO	DESCRIPTION	QTY	ITEM	PART NO	DESCRIPTION	QTY
1	241023 01	UNBRAKED STUB AXLE	4				
2	BLT-2365	BOLT	12				
3	NUTA02200	NUT	16				
4	WSH-0030	WASHER	32				
5	240016 01	WHEEL LOCKING TEE BAR UPTO MID 2014 ONLY NOW REPLACED WITH KIT-04128	1				
6	240831 01	GUIDE PLATE	2				
7	BLT-2367	BOLT	4				

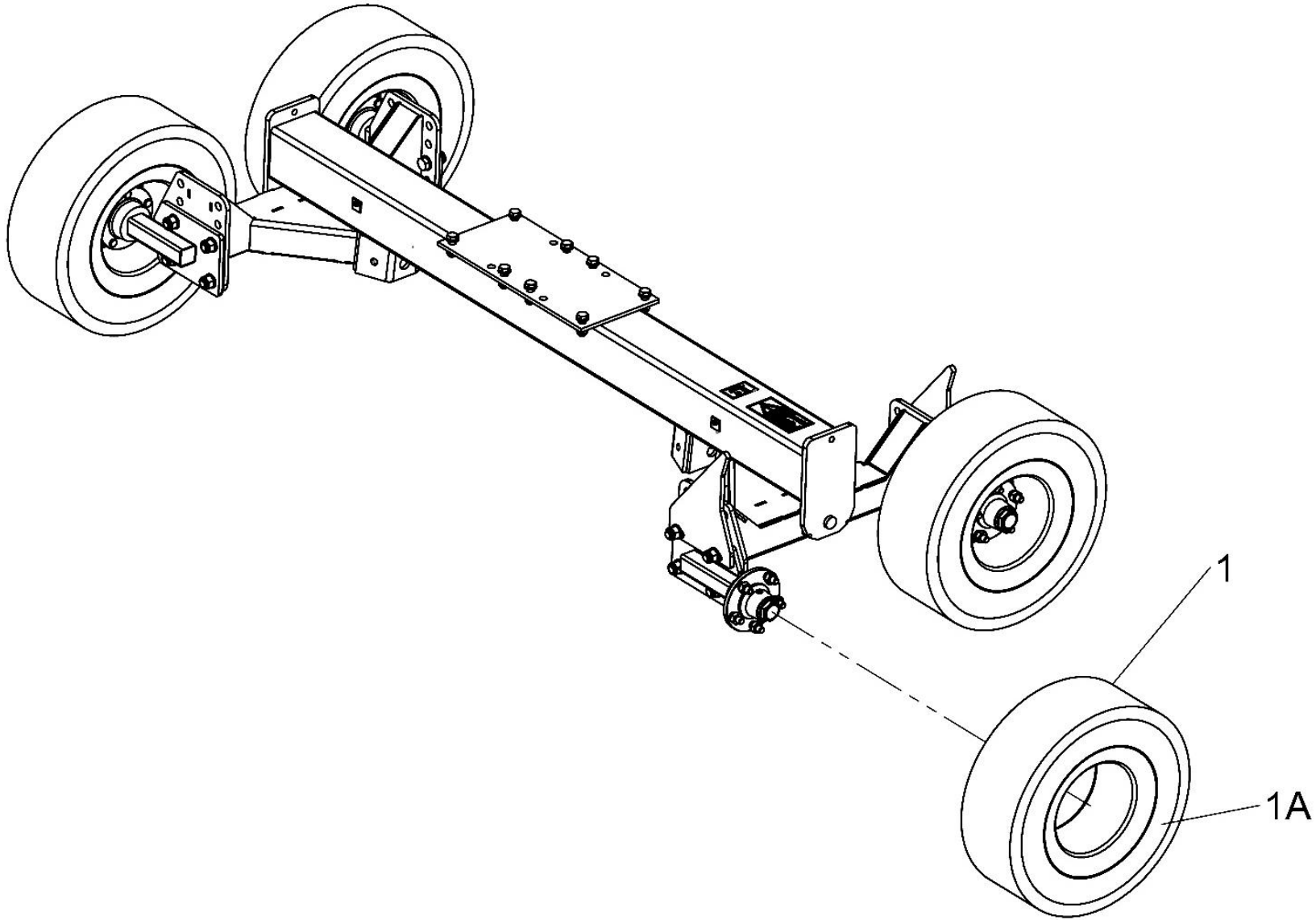


249030 10J



Shelbourne Reynolds Engineering Limited

ASSY NUMBER: 249030 10L				ASSY DECRPTION: T/A WHEELS (6.50-10)			
ITEM	PART NO	DESCRIPTION	QTY	ITEM	PART NO	DESCRIPTION	QTY
1	WHL-21021	WHEEL/TYRE ASSY (MEK75212698 & ON)	4				
OR	WHL-21020	WHEEL/TYRE ASSY (UPTO AND INCLUDING MEK75212697)	4				
1A	WHL-71020	TYRE (SPARES ONLY)					

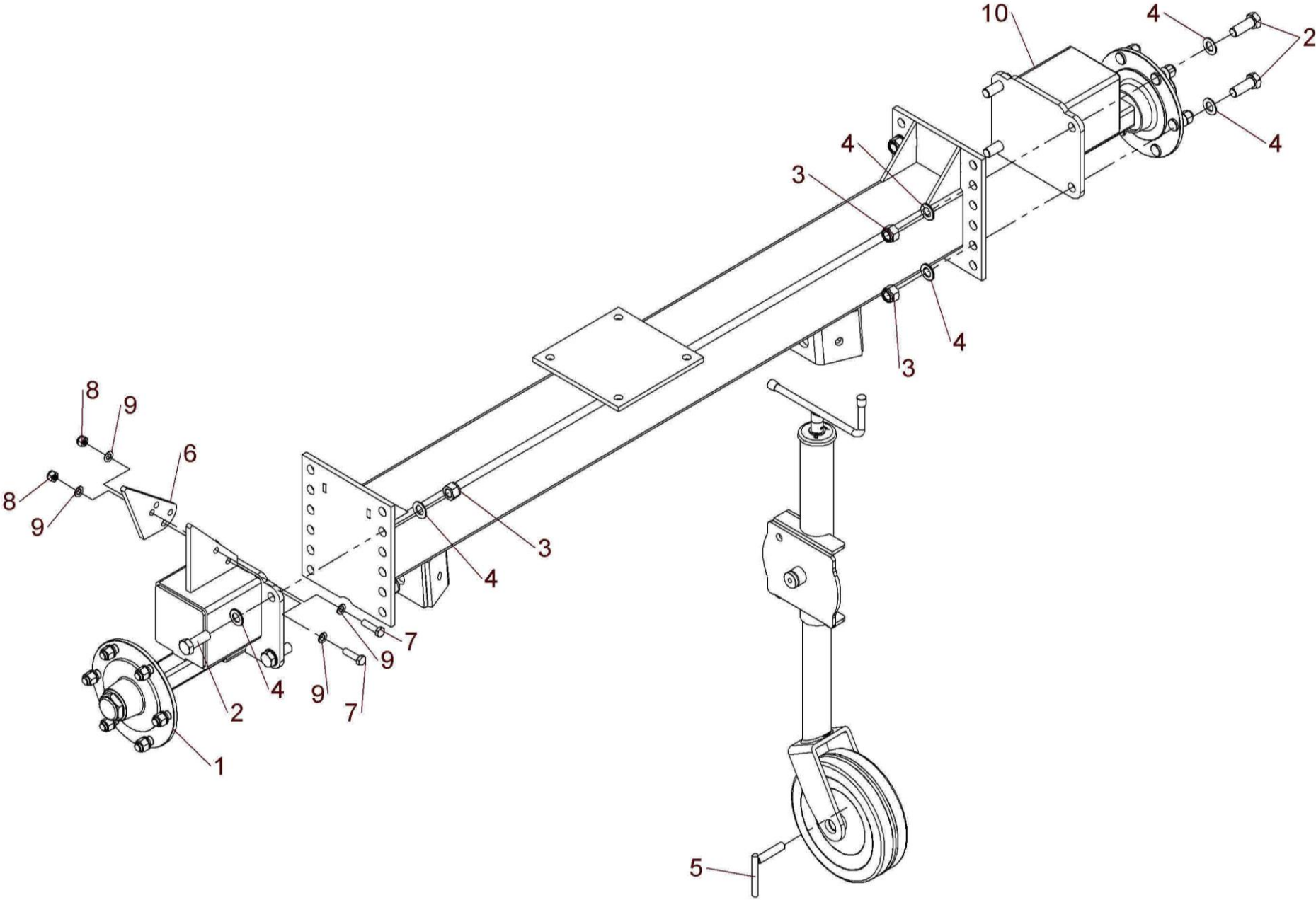


249030 10L



Shelbourne Reynolds Engineering Limited

ASSY NUMBER: 249030 11A				ASSY DESCRIPTION: UNBRAKED S/A STUBS MINUS WHEEL			
ITEM	PART NO	DESCRIPTION	QTY	ITEM	PART NO	DESCRIPTION	QTY
1	240760 01	NEARSIDE STUB AXLE	1				
2	BLT-2365	BOLT	8				
3	NUTA02200	NUT	8				
4	WSH-0030	WASHER	16				
5	240016 01	WHEEL LOCKING TEE BAR UPTO MID 2014 ONLY NOW REPLACED WITH KIT-04128	1				
6	240622 01	ADJ TYRE GUARD PLATE	1				
7	BLTA12290	HEX.HEAD BOLT	2				
8	NUT-0269	NUT	2				
9	240760 02	OFFSIDE STUB AXLE	1				
10	WSH-0018	WASHER	4				

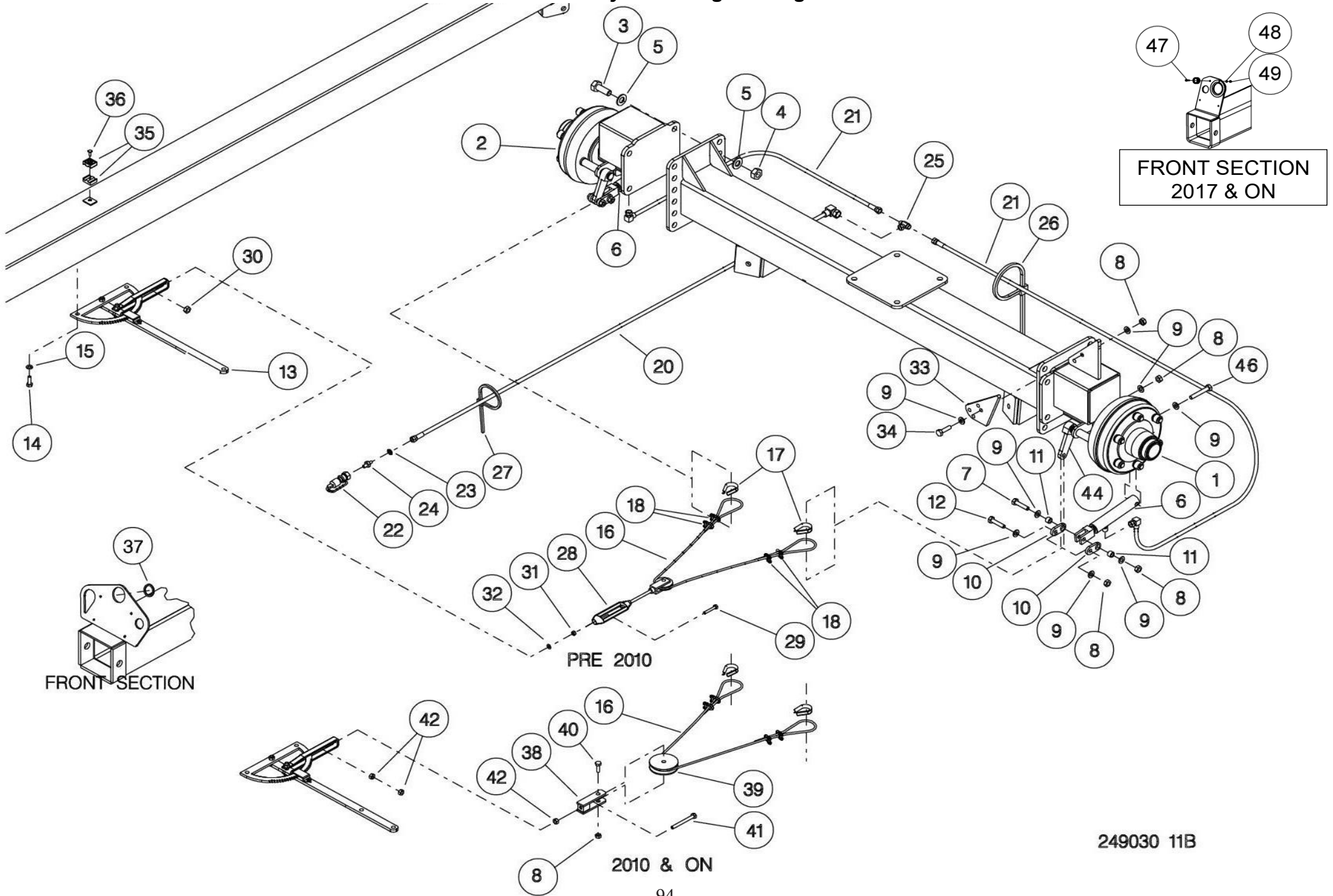


249030 11A



Shelbourne Reynolds Engineering Limited

ASSY NUMBER: 249030 11B				ASSY DESCRIPTION: BRAKED SINGLE AXLE STUBS MINUS WHEELS			
ITEM	PART NO	DESCRIPTION	QTY	ITEM	PART NO	DESCRIPTION	QTY
1	240620 01	NEARSIDE STUB AXLE	1	38	BRA-14002	PULLEY FORK ASSY(2015 & ON)	1
2	240620 02	OFFSIDE STUB AXLE	1	OR	590060 01	PULLEY FORK (2010 THRU 2014)	
3	BLT-2365	BOLT	8	39	590101 01	CABLE PULLEY (2010 THRU 2014)	
4	NUTA02200	NYLOC NUT	8	40	BLTA12350	BOLT (2010 THRU 2014)	
5	WSH-0030	PLAIN WASHER	16	41	HSSA10680	SETSCREW2010 THRU 2014)	
6	BRA-08015	BRAKE RAM CYL.(25mm) (2017 & ON)	2	42	NUT-0167	PLAIN NUT (2010 & ON)	3
OR	BRA-08005	BRAKE RAM CYL.(20mm) (UP TO 2016)	2	43			
7	BLTA12500	BOLT (2017 & ON)	2	44	241192 01	BRAKE LEVER	2
OR	BLTA12500	BOLT (UP TO 2016)	4	45	WSH-0015	PLAIN WASHER	2
8	NUT-0269	NYLOC NUT	9	46	BLT-2267	BOLT (2017 & ON)	2
9	WSH-0018	PLAIN WASHER	16	47	SCW-0056	CAP HEAD SCREW	1
10	240547 01	CABLE MOUNTING PLATE	4	48	WSH-0006	PLAIN WASHER	1
11	240548 01	SPACER	4	49	NUT-0258	NYLOC NUT	1
12	BLTA12470	BOLT	2				
13	BRA-14001	HANDBRAKE LEVER ASSY(2015 ON)	1				
OR	590222 01	HANDBRAKE LEVER ASSY(PRE 2015)					
14	HSS-0238	BOLT	2				
15	WSH-0065	SPRING WASHER	2				
16	WRP-00050	WIRE CABLE (2010 & ON)	7.5m				
OR	WRP-00040	WIRE CABLE (PRE 2010)	11.5m				
17	WRP-01040	THIMBLE	2				
18	WRP-02040	CLAMP	4				
19							
20	HHBC75005	HYD HOSE	1				
21	HHBC13605	BRAKE RAM HYD HOSE	2				
22	HQR-10007	QUICK RELEASE COUPLING	1				
23	WSH-1015	DOWTY WASHER	1				
24	HMA-0055	M/M ADAPTOR	1				
25	FITA10130	3 WAY FITTING	1				
26	21701001	LONG CABLE TIE	9				
27	TIE-0006	CABLE TIE	5				
28	ADL-00120	ADJUSTER (PRE 2010)	1				
29	HSS-0155	BOLT (PRE 2010)	1				
30	NUT-0263	NYLOC NUT	1				
31	NUT-0164	PLAIN NUT (PRE 2010)	1				
32	WSH-0012	PLAIN WASHER(PRE 2010)	2				
33	240622 01	ADJ TYRE GUARD PLATE	1				
34	BLTA12290	BOLT	2				
35	HCPA01200	CLAMP BLOCK	8				
36	SCW-0083	CAP HEAD SCREW	8				
37	EDS-11400	EDGING STRIP	.19				



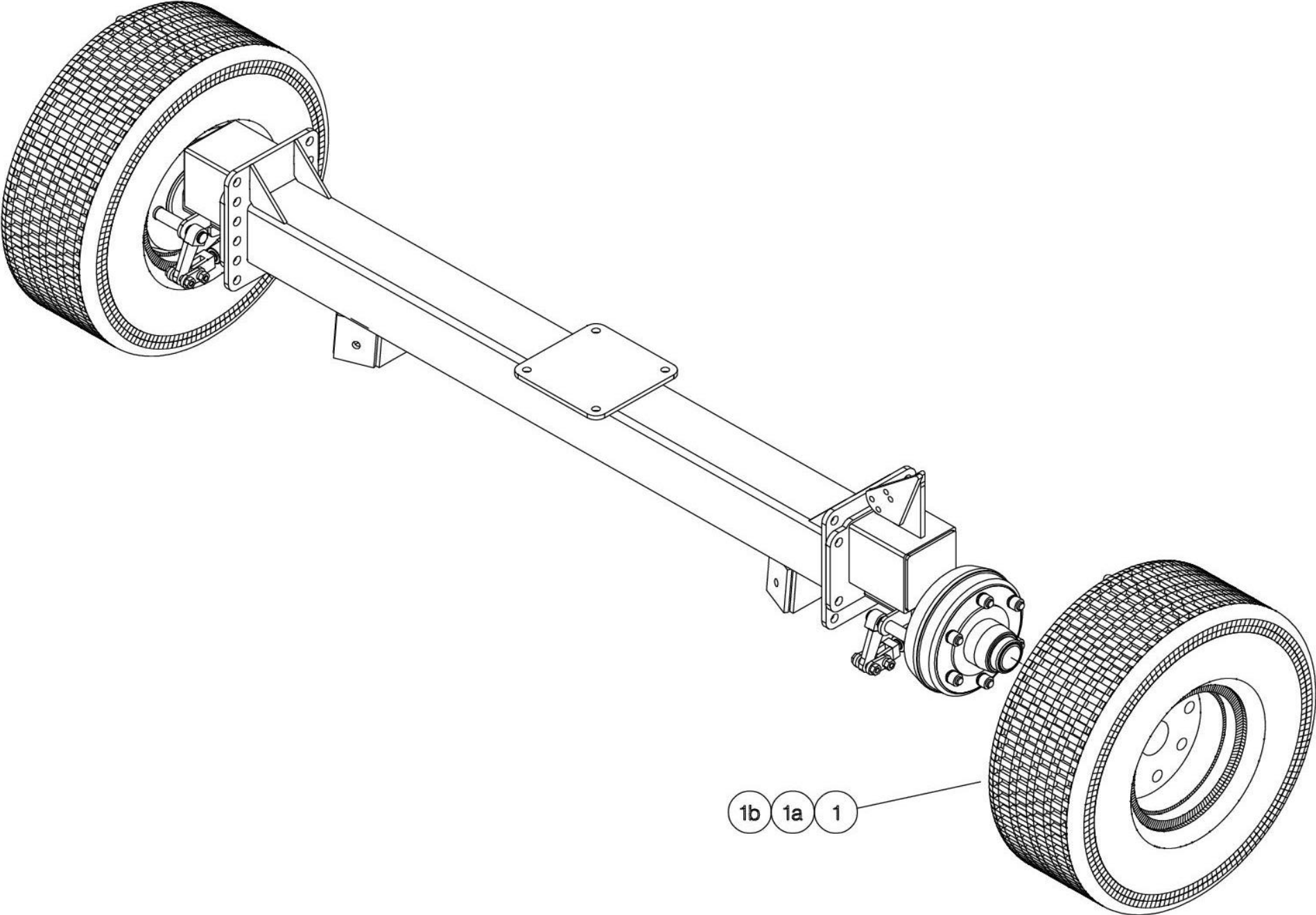
FRONT SECTION
2017 & ON

FRONT SECTION

249030 11B

Shelbourne Reynolds Engineering Limited

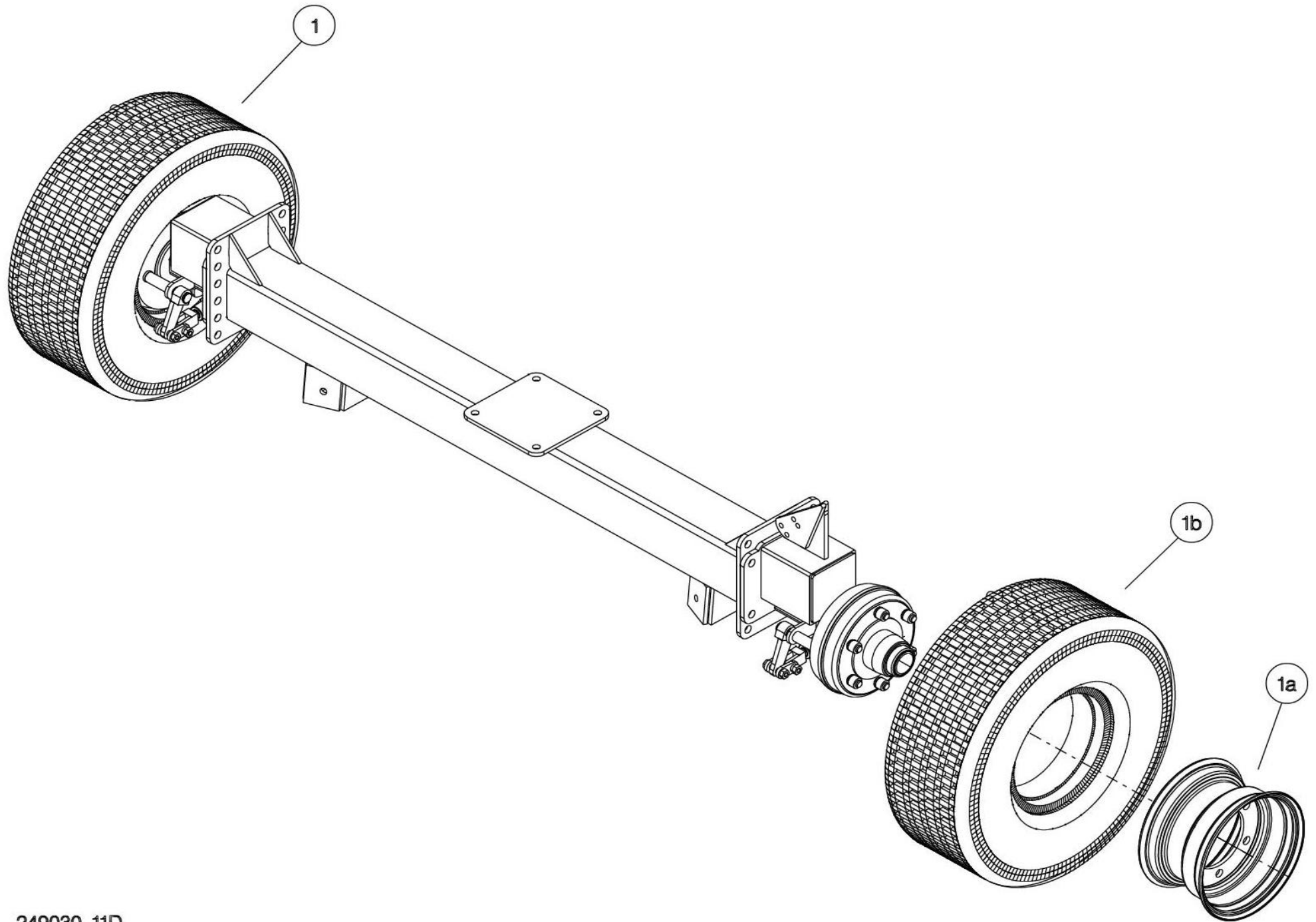
ASSY NUMBER: 249030 11C				ASSY DESCRIPTION: STANDARD <u>S/A</u> WHEELS (10.0/75x15.3)			
ITEM	PART NO	DESCRIPTION	QTY	ITEM	PART NO	DESCRIPTION	QTY
1	WHL-01512	WHEEL/TYRE ASSY	2				
1A	WHL-41501	WHEEL ONLY					
1B	WHL-51500	TYRE ONLY					



249030 11C

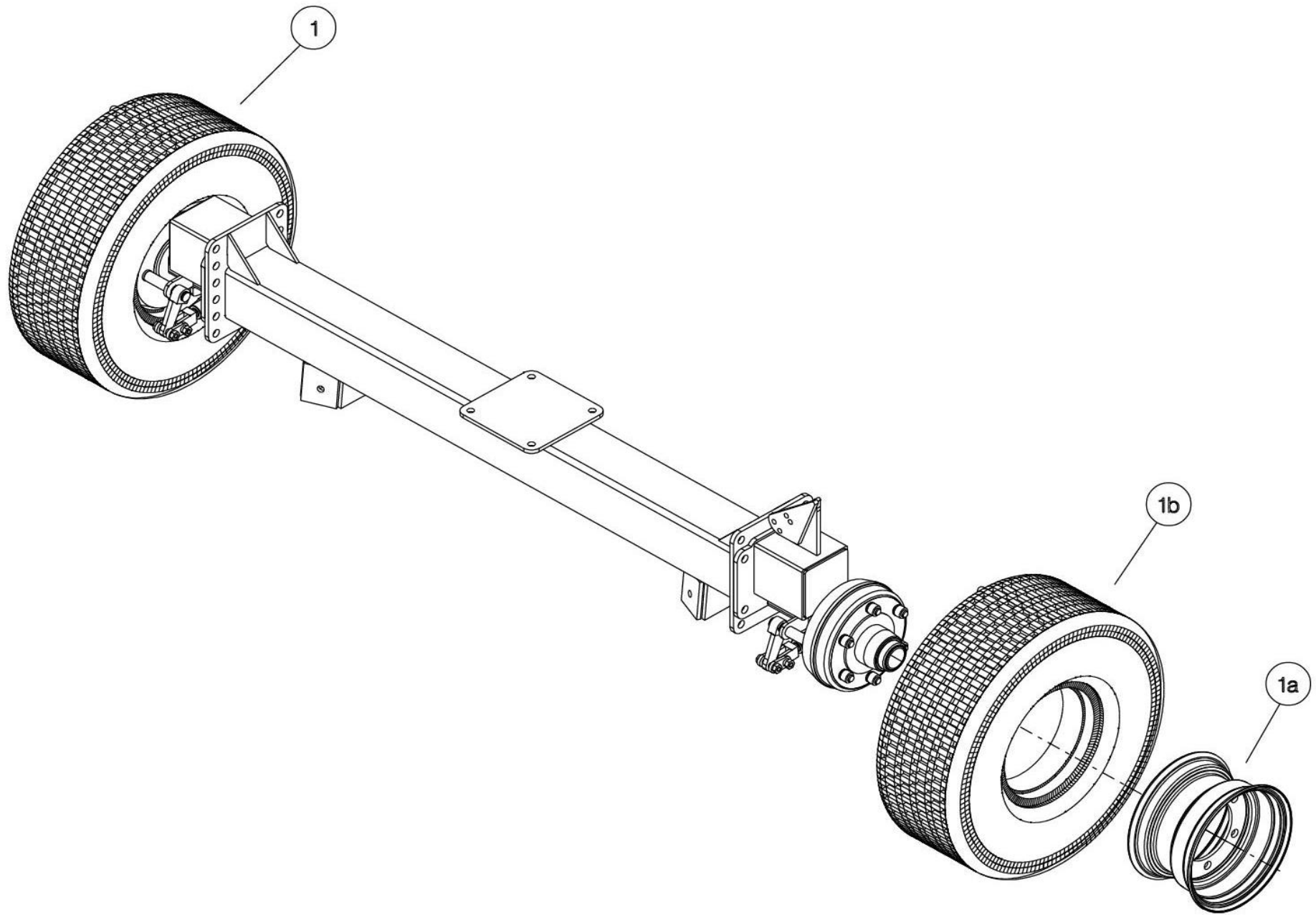
Shelbourne Reynolds Engineering Limited

ASSY NUMBER: 249030 11D				ASSY DESCRIPTION: CASE/IH 2388 <u>S/A</u> WHEELS (10.0/80x12)			
ITEM	PART NO	DESCRIPTION	QTY	ITEM	PART NO	DESCRIPTION	QTY
1	WHL-01211	WHEEL/TYRE ASSY (2023 & ON)	2				
OR	WHL-01211W	WHEEL/TYRE ASSY (UP TO 2023)	2				
1A	240625 01	WHEEL ONLY (2023 AND ON)					
OR	WHL-41211	WHEEL ONLY (UP TO 2023)					
1B	WHL-51205	TYRE ONLY					



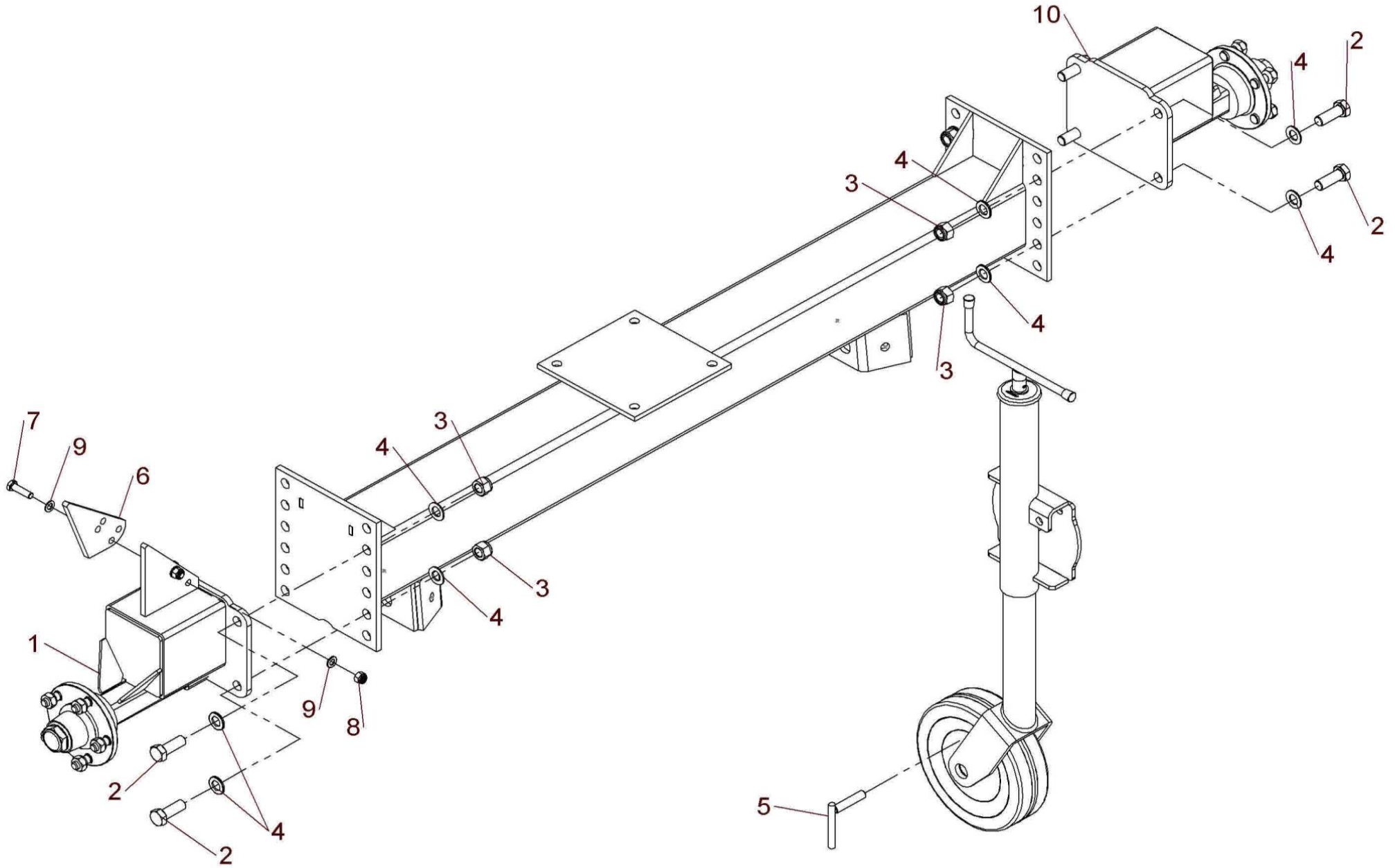
Shelbourne Reynolds Engineering Limited

ASSY NUMBER:249030 11E				ASSY DECRPTION: CASE/IH 2388 <u>S/A</u> WHEELS (10.0/80x12)			
ITEM	PART NO	DESCRIPTION	QTY	ITEM	PART NO	DESCRIPTION	QTY
1	WHL-01210	WHEEL/TYRE ASSY	2				
1A	WHL-41200	WHEEL ONLY					
1B	WHL-51200	TYRE ONLY					



Shelbourne Reynolds Engineering Limited

ASSY NUMBER: 249030 11F				ASSY DESCRIPTION: UNBRAKED S/A STUBS MINUS WHEEL			
ITEM	PART NO	DESCRIPTION	QTY	ITEM	PART NO	DESCRIPTION	QTY
1	240761 01	NEARSIDE STUB AXLE	1				
2	BLT-2365	BOLT	8				
3	NUTA02200	NUT	8				
4	WSH-0030	WASHER	16				
5	240016 01	WHEEL LOCKING TEE BAR UPTO MID 2014 ONLY REPLACED WITH KIT-04128	1				
6	240622 01	ADJ TYRE GUARD PLATE	1				
7	BLTA12290	HEX.HEAD BOLT	2				
8	NUT-0269	NUT	2				
9	WSH-0018	WASHER	4				
10	240761 02	OFFSIDE STUB AXLE	1				

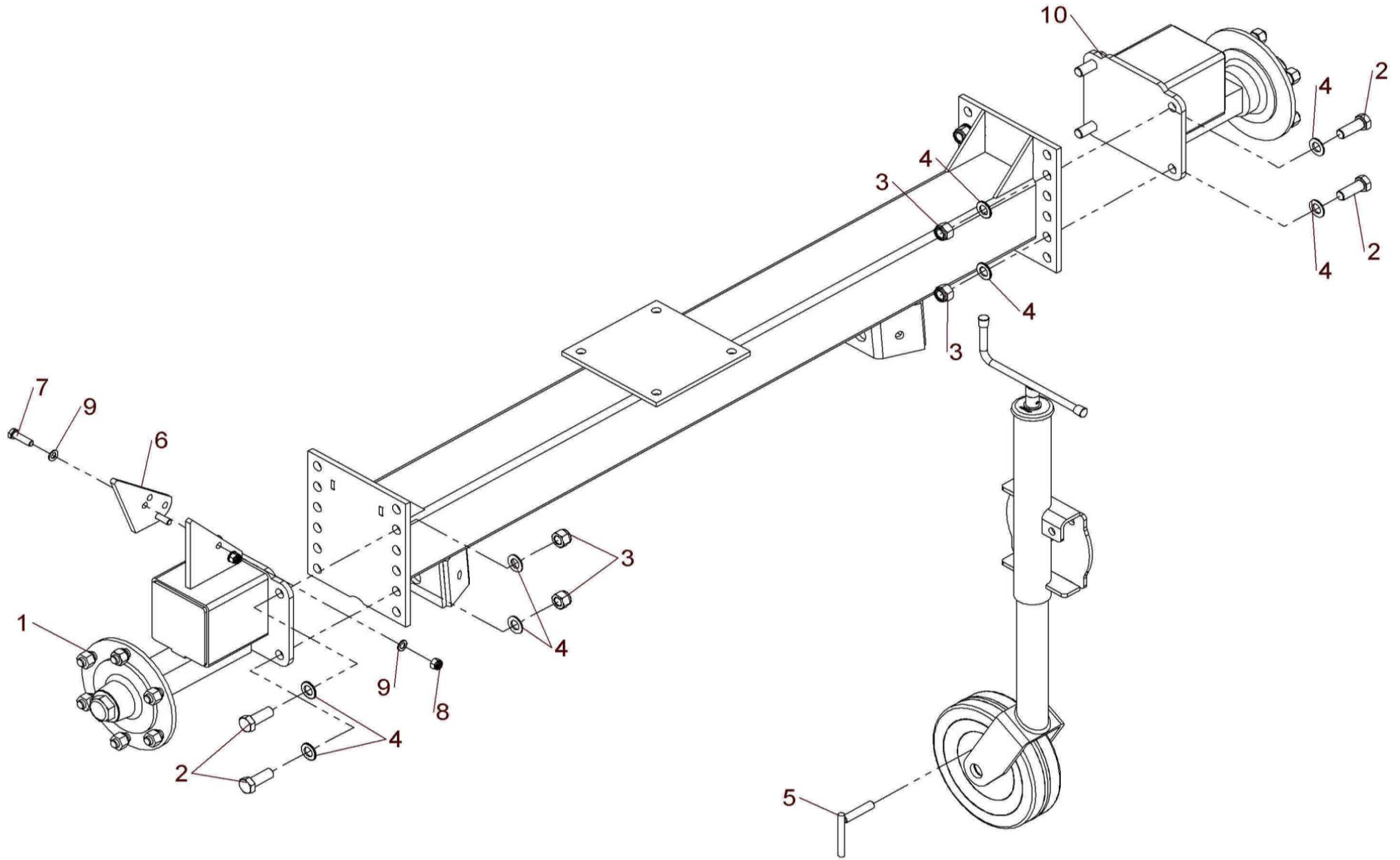


249030 11f



Shelbourne Reynolds Engineering Limited

ASSY NUMBER: 249030 11G				ASSY DESCRIPTION: UNBRAKED STUB AXLES (25' IHC 88)			
ITEM	PART NO	DESCRIPTION	QTY	ITEM	PART NO	DESCRIPTION	QTY
1	241107 01	NEARSIDE STUB AXLE	1				
2	BLT-2365	BOLT	8				
3	NUTA02200	NUT	8				
4	WSH-0030	WASHER	16				
5	240016 01	WHEEL LOCKING TEE BAR UPTO MID 2014 ONLY REPLACED WITH KIT-04128	1				
6	240622 01	ADJ TYRE GUARD PLATE	1				
7	BLTA12290	HEX.HEAD BOLT	2				
8	NUT-0269	NUT	2				
9	241107 02	OFFSIDE STUB AXLE	1				
9	WSH-0018	WASHER	4				

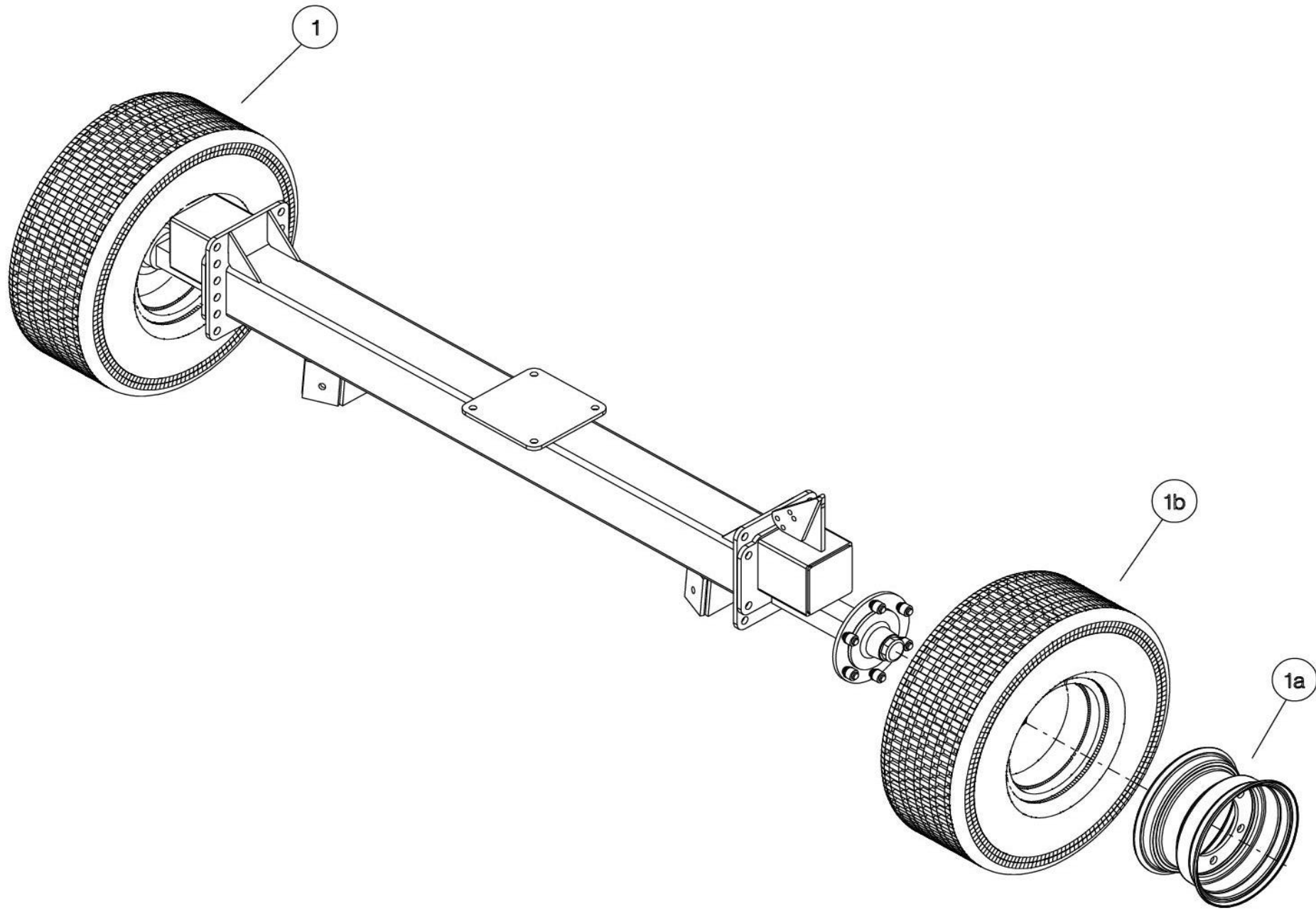


29030 11G



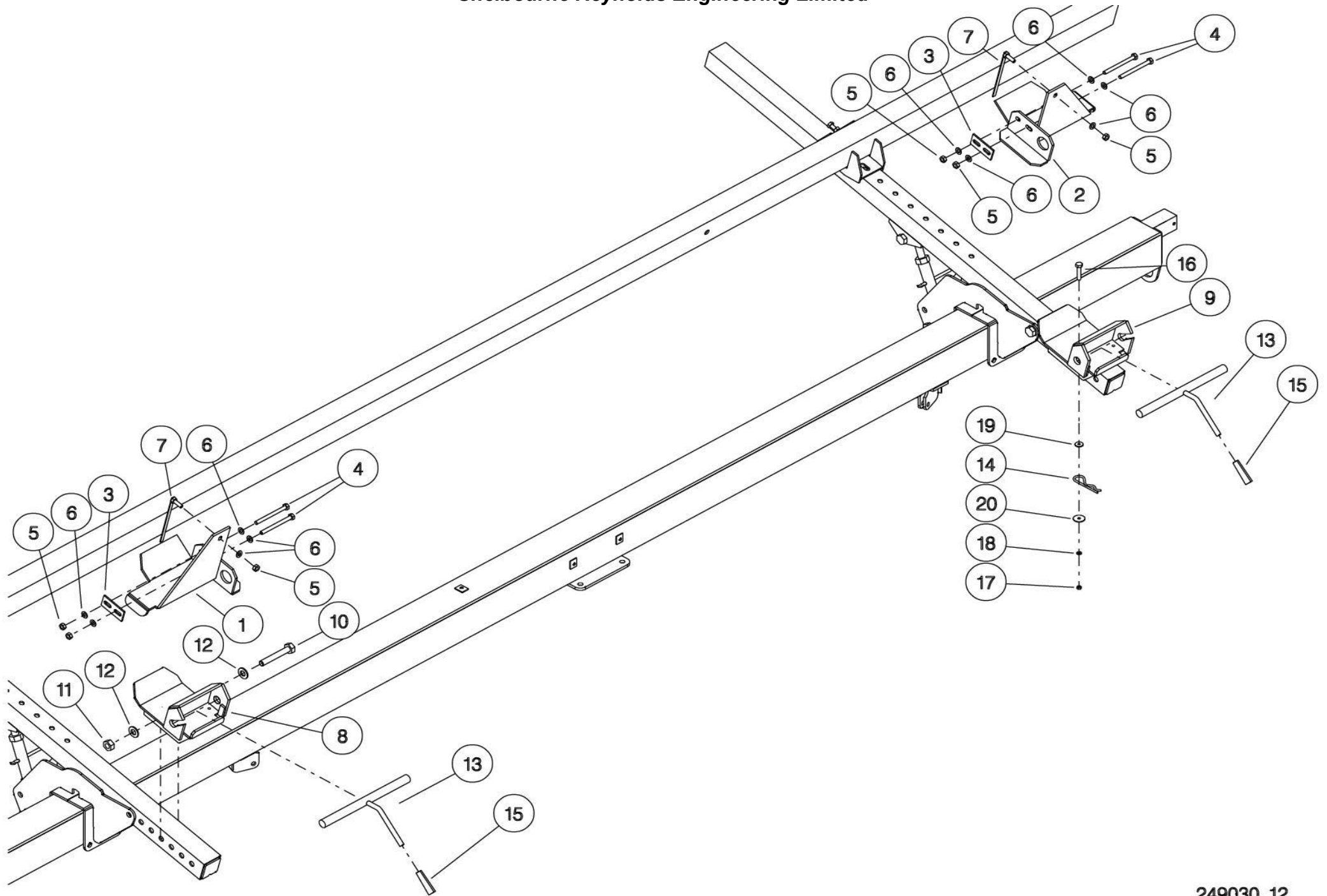
Shelbourne Reynolds Engineering Limited

ASSY NUMBER:249030 11H				ASSY DECIPTION: IHC 88 SERIES S/AXLE(25' HEADER ONLY) WHEELS (27x10-12)			
ITEM	PART NO	DESCRIPTION	QTY	ITEM	PART NO	DESCRIPTION	QTY
1	WHL-01220	WHEEL/TYRE ASSY	2				
1A	WHL-41201	WHEEL ONLY					
1B	WHL-51220	TYRE ONLY					



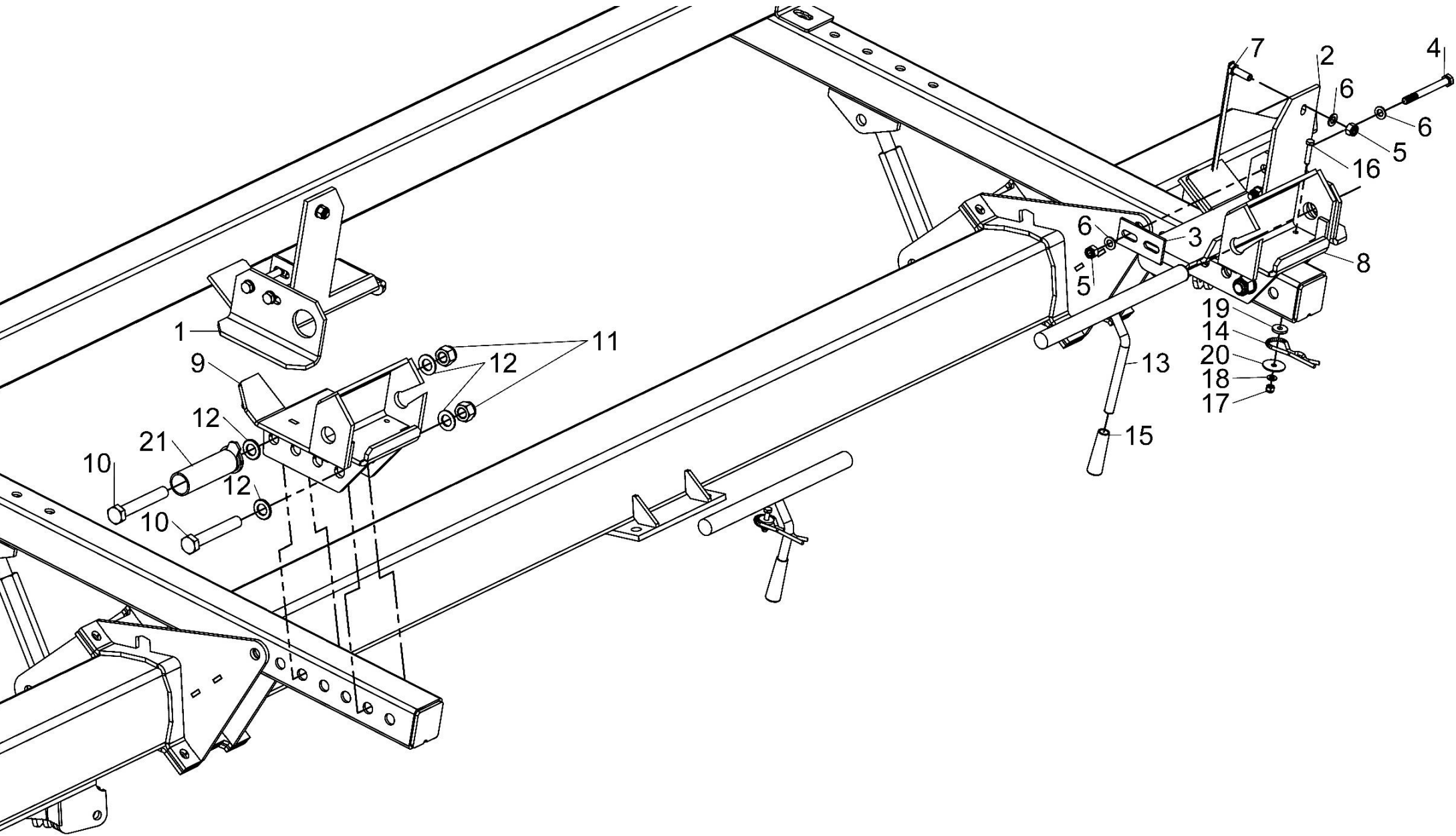
Shelbourne Reynolds Engineering Limited

ASSY NUMBER:249030 12				ASSY DECRPTION: JD MOUNTING & LOCKING SUB			
ITEM	PART NO	DESCRIPTION	QTY	ITEM	PART NO	DESCRIPTION	QTY
1	240771 01	REAR HEADER SHOE ASSY	1				
2	240771 02	FRONT HEADER SHOE ASSY	1				
3	240100 01	CLAMP PLATE	2				
4	BLTA12620	BOLT	4				
5	NUT-0269	NYLOC NUT	6				
6	WSH-0018	PLAIN WASHER	12				
7	240104 01	HANDLE	2				
8	240770 01	LH CRADLE ASSY	1				
9	240770 02	RH CRADLE ASSY	1				
10	BLTA20650	BOLT	4				
11	NUTA02200	NYLOC NUT	4				
12	WSH-0030	PLAIN WASHER	8				
13	240147 01	LOCKING PIN	2				
14	CLP-00106	R CLIP	2				
15	HAN-2000	PLASTIC LEVER END	2				
16	HSS-0153	BOLT	2				
17	NUT-0263	NUT	2				
18	WSH-0012	PLAIN WASHER	2				
19	190119 08	INNER WASHER	2				
20	190119 05	OUTER WASHER	2				



Shelbourne Reynolds Engineering Limited

ASSY NUMBER:249030 12A				ASSY DECRPTION: JD MOUNTING & LOCKING SUB (16FT)			
ITEM	PART NO	DESCRIPTION	QTY	ITEM	PART NO	DESCRIPTION	QTY
1	241032 01	REAR HEADER SHOE ASSY	1				
2	241032 02	FRONT HEADER SHOE ASSY	1				
3	240100 01	CLAMP PLATE	2				
4	BLTA12620	BOLT	4				
5	NUT-0269	NYLOC NUT	6				
6	WSH-0018	PLAIN WASHER	12				
7	240104 01	HANDLE	2				
8	241033 01	LH CRADLE ASSY	1				
9	241033 02	RH CRADLE ASSY	1				
10	BLTA20650	BOLT	4				
11	NUTA02200	NYLOC NUT	4				
12	WSH-0030	PLAIN WASHER	8				
13	240147 01	LOCKING PIN	2				
14	CLP-00106	R CLIP	2				
15	HAN-2000	PLASTIC LEVER END	2				
16	HSS-0153	BOLT	2				
17	NUT-0263	NUT	2				
18	WSH-0012	PLAIN WASHER	2				
19	190119 08	INNER WASHER	2				
20	190119 05	OUTER WASHER	2				
21	241037 01	EXTENSION TUBE ASSY	2				

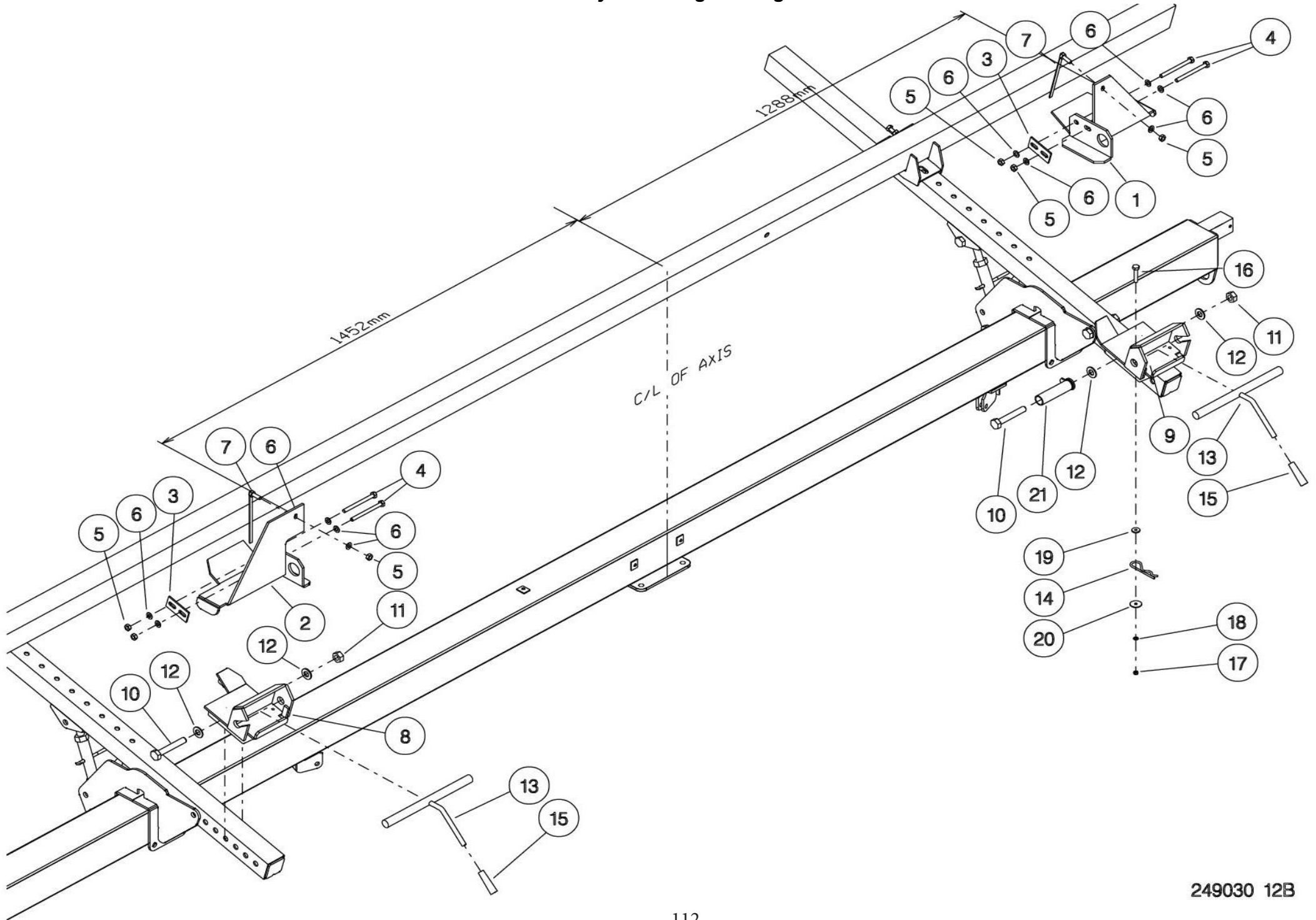


249030 12A



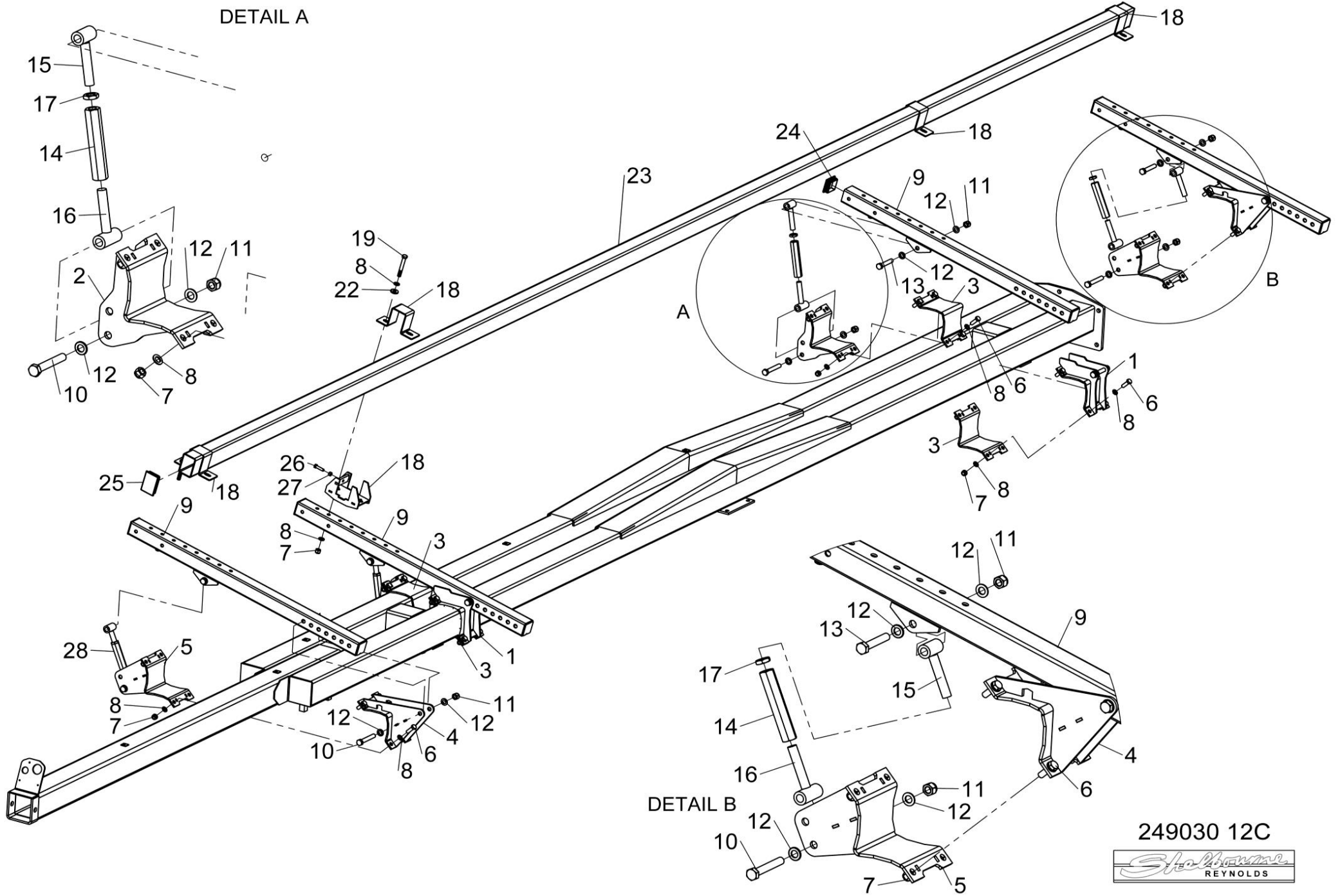
Shelbourne Reynolds Engineering Limited

ASSY NUMBER:249030 12B				ASSY DECRPTION: JD MOUNTING & LOCKING SUB (14FT)			
ITEM	PART NO	DESCRIPTION	QTY	ITEM	PART NO	DESCRIPTION	QTY
1	240771 01	REAR HEADER SHOE ASSY	1				
2	241047 01	FRONT HEADER SHOE ASSY	1				
3	240100 01	CLAMP PLATE	2				
4	BLTA12620	BOLT	4				
5	NUT-0269	NYLOC NUT	6				
6	WSH-0018	PLAIN WASHER	12				
7	240104 01	HANDLE	2				
8	241033 01	LH CRADLE ASSY	1				
9	241033 02	RH CRADLE ASSY	1				
10	BLTA20650	BOLT	4				
11	NUTA02200	NYLOC NUT	4				
12	WSH-0030	PLAIN WASHER	8				
13	240147 01	LOCKING PIN	2				
14	CLP-00106	R CLIP	2				
15	HAN-2000	PLASTIC LEVER END	2				
16	HSS-0153	BOLT	2				
17	NUT-0263	NUT	2				
18	WSH-0012	PLAIN WASHER	2				
19	190119 08	INNER WASHER	2				
20	190119 05	OUTER WASHER	2				
21	241037 01	EXTENSION TUBE ASSY	1				



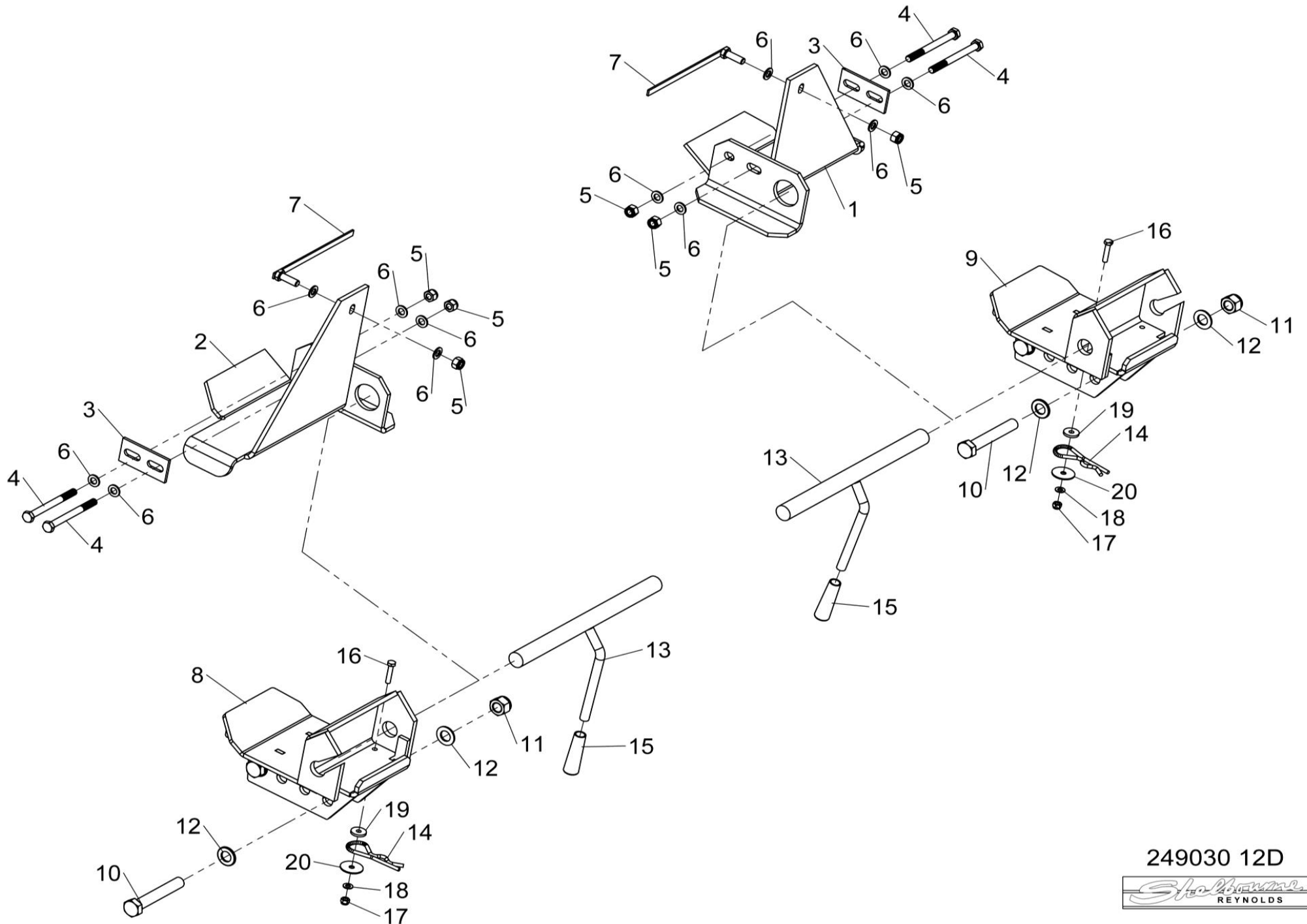
Shelbourne Reynolds Engineering Limited

ASSY NUMBER: 249030 12C				ASSY DESCRIPTION: C10500TA 35' JD MOUNTING SUB			
ITEM	PART NO	DESCRIPTION	QTY	ITEM	PART NO	DESCRIPTION	QTY
1	241072 01	CRADLE ASSY	2				
2	241073 01	ADJUSTABLE CRADLE ASSY	2				
3	241066 02	CLAMP PLATE	4				
4	241074 01	CRADLE ASSY	2				
5	241075 01	ADJUSTABLE CRADLE ASSY	2				
6	HSS-0318	SET SCREW	24				
7	NUT-0271	NUT	32				
8	WSH-0024	WASHER	64				
9	241092 01	SUPPORT ARM	4				
10	BLTA20650	HEX HEAD BOLT	8				
11	NUTA02200	NUT	12				
12	WSH-0030	WASHER	24				
13	BLTA20620	HEX HEAD BOLT	4				
14	240800 01	ADJUSTER BODY (UP TO MID 2018)	4				
OR	240757 01	ADJUSTER BODY (UP TO MID 2018)	4				
15	240749 01	RH ADJUSTER (UP TO MID 2018)	4				
16	240750 01	LH ADJUSTER (UP TO MID 2018)	4				
17	NUT-0390	HALF NUT (UP TO MID 2018)	4				
		FOR ITEMS 14-17 ALSO SEE ITEM 28					
18	240798 01	TUBE CLAMP	4				
OR	240672 01	TUBE CLAMP W/A	2				
19	BLT-2330	HEX.HEAD BOLT	8				
20							
21							
22	190119 99	WASHER	8				
23	240688 01	SUPPORT BEAM	1				
24	21709004	END CAP	4				
25	CAP-0080	END CAP	2				
26	241818 01	TUBE CLAMP BOLT	2				
27	NUT-0170	PLAIN NUT	2				
28	ADL-01430	ADJUSTER ASSEMBLY (MID 2018 & ON)	4				
		CAN REPLACE ITEMS 14-17					



Shelbourne Reynolds Engineering Limited

ASSY NUMBER: 249030 12D				ASSY DESCRIPTION: C10500TA 35' LOCKING SUB			
ITEM	PART NO	DESCRIPTION	QTY	ITEM	PART NO	DESCRIPTION	QTY
1	240771 01	REAR HEADER SHOE W/ASSY	1				
2	240771 02	FRONT HEADER SHOE W/ASSY	1				
3	240100 01	CLAMP PLATE	2				
4	BLT-2273	BOLT	4				
5	NUT-0269	NUT	6				
6	WSH-0018	WASHER	12				
7	240104 01	HANDLE W/ASSY	2				
8	240770 01	CRADLE LH W/ASSY	1				
9	240770 02	CRADLE RH W/ASSY	1				
10	BLTA20650	BOLT	4				
11	NUTA02200	NUT	4				
12	WSH-0030	WASHER	8				
13	240147 01	LOCKING PIN W/ASSY	2				
14	CLP-00106	R CLIP	2				
15	HAN-2000	PLASTIC LEVER END	2				
16	HSS-0153	SETSCREW	2				
17	NUT-0263	NUT	2				
18	WSH-0012	WASHER	2				
19	190119 08	INNER WASHER	2				
20	190119 05	OUTER WASHER	2				

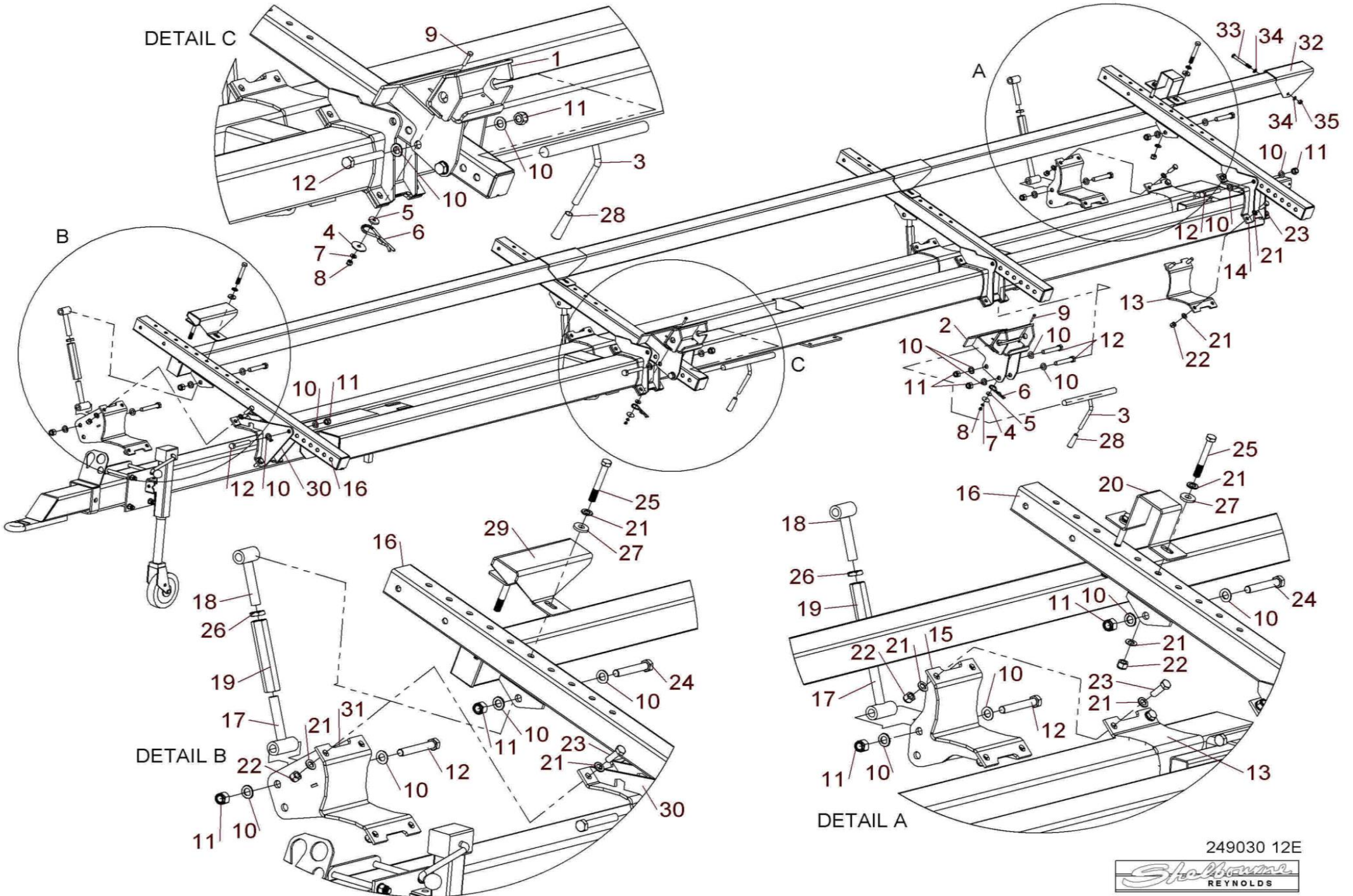


249030 12D



Shelbourne Reynolds Engineering Limited

ASSY NUMBER: 249030 12E				ASSY DESCRIPTION: GERINGHOFF VARIO-STAR 30'LOCKING/MTG SUB			
ITEM	PART NO	DESCRIPTION	QTY	ITEM	PART NO	DESCRIPTION	QTY
1	241279 01	FRONT CRADLE W/A	1				
2	241285 01	REAR CRADLE W/A	1				
3	240147 01	HANDLE W/A	2				
4	190119 05	WASHER	2				
5	190119 08	WASHER	2				
6	CLP-00106	R CLIP	2				
7	WSH-0012	WASHER	2				
8	NUT-0263	NUT	2				
9	HSS-0153	BOLT	2				
10	WSH-0030	WASHER	20				
11	NUTA02200	NUT	10				
12	BLTA20650	BOLT	8				
13	241066 02	CLAMP PLATE	2				
14	241072 01	BEAM MOUNT CRADLE W/A	1				
15	241073 01	ADJUSTER MOUNT CRADLE W/A	1				
16	241092 01	SUPPORT ARM W/A	2				
17	240750 01	LH THREAD ADJUSTER	2				
18	240749 01	RH THREAD ADJUSTER	2				
19	240800 01	ADJUSTER BODY	2				
20	240798 01	TUBE CLAMP PLATE	1				
21	WSH-0024	WASHER	32				
22	NUT-0271	NUT	16				
23	HSS-0318	SETSCREW	12				
24	BLTA20620	BOLT	2				
25	BLT-2330	BOLT	4				
26	NUT-0390	NUT	2				
27	190119 99	WASHER	4				
28	HAN-2000	PLASTIC LEVER END	2				
29	241046 01	TUBE CLAMP PLATE	1				
30	241075 01	ADJUSTER MOUNT CRADLE W/ASSY	1				
31	241074 01	BEAM MOUNT CRADLE W/ASSY	1				
32	241249 01	TUBE CLAMP PLATE	1				
33	BLTA12620	BOLT	1				
34	WSH-0018	WASHER	2				
35	NUT-0269	NUT	1				

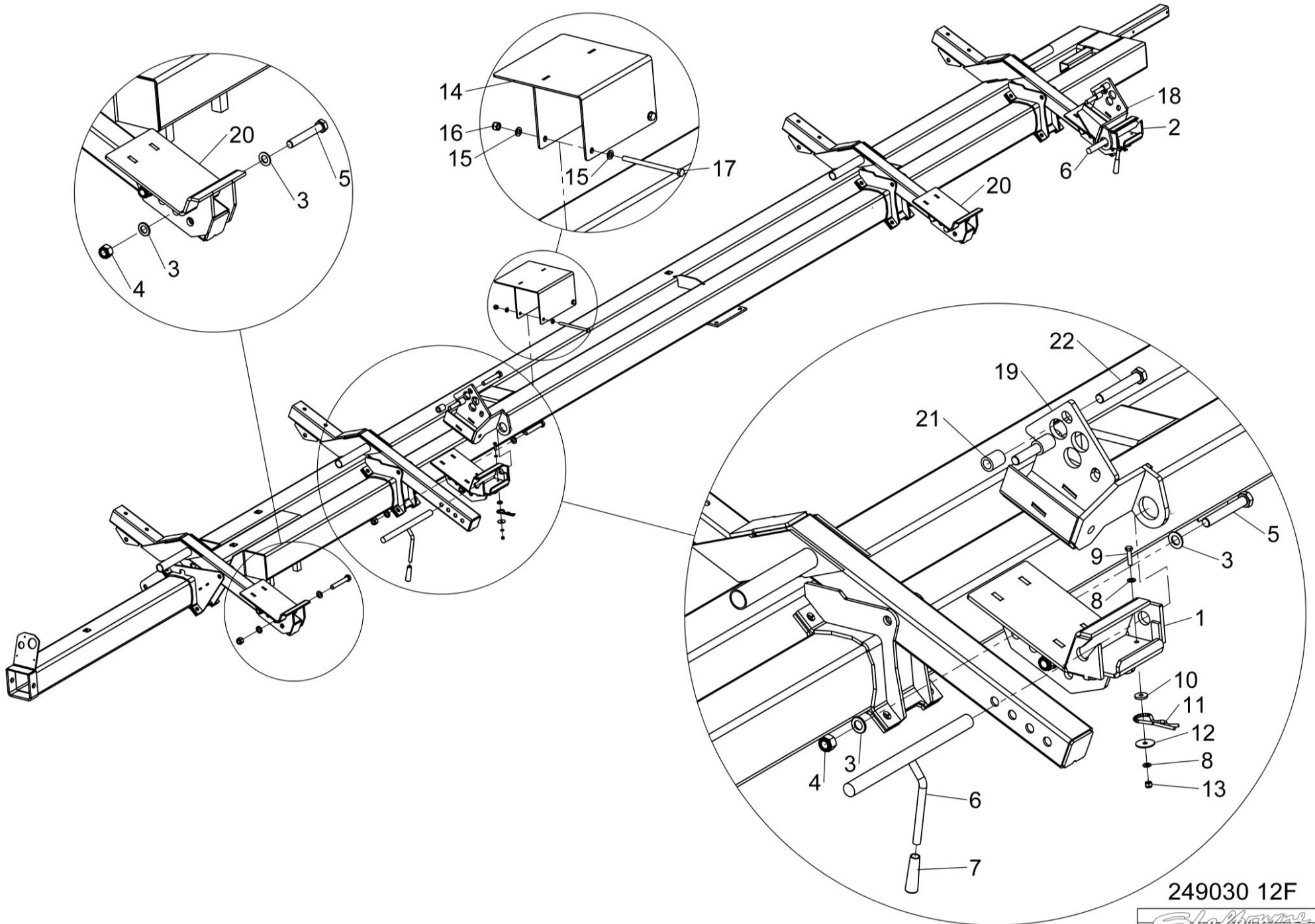


249030 12E



Shelbourne Reynolds Engineering Limited

ASSY NUMBER: 249030 12F				ASSY DESCRIPTION: JD600X SERIES MOUNT SUB C9000TA/10500TA 2015 ONLY			
ITEM	PART NO	DESCRIPTION	QTY	ITEM	PART NO	DESCRIPTION	QTY
1	241752 01	LH CRADLE W/ASSY	1				
2	241752 02	RH CRADLE W/ASSY	1				
3	WSH-0030	PLAIN WASHER	16				
4	NUTA02200	NYLOC NUT	8				
5	BLTA20650	HEX HEAD BOLT	8				
6	240147 01	LOCKING PIN W/ASSY	2				
7	HAN-2000	BLACK PLASTIC HANDLE FOR	2				
8	WSH-0012	PLAIN WASHER	4				
9	HSS-0152	SET SCREW	2				
10	190119 08	WASHER	2				
11	CLP-00106	R CLIP	2				
12	190119 05	WASHER	2				
13	NUT-0263	NYLOC NUT	2				
14	241712 01	SENSOR GUIDE W/ASSY	1				
15	WSH-0018	PLAIN WASHER	4				
16	NUT-0269	NYLOC NUT	2				
17	BLTA12810	HEX HEAD BOLT	2				
18	241723 01	REAR MOUNT W/ASSY	1				
19	241715 01	FRONT MOUNT W/ASSY	1				
20	241765 01	CRADLE W/ASSY	2				
21	241862 01	SPACER	4				
22	BLTA20654	BOLT GRADE 10.9	4				

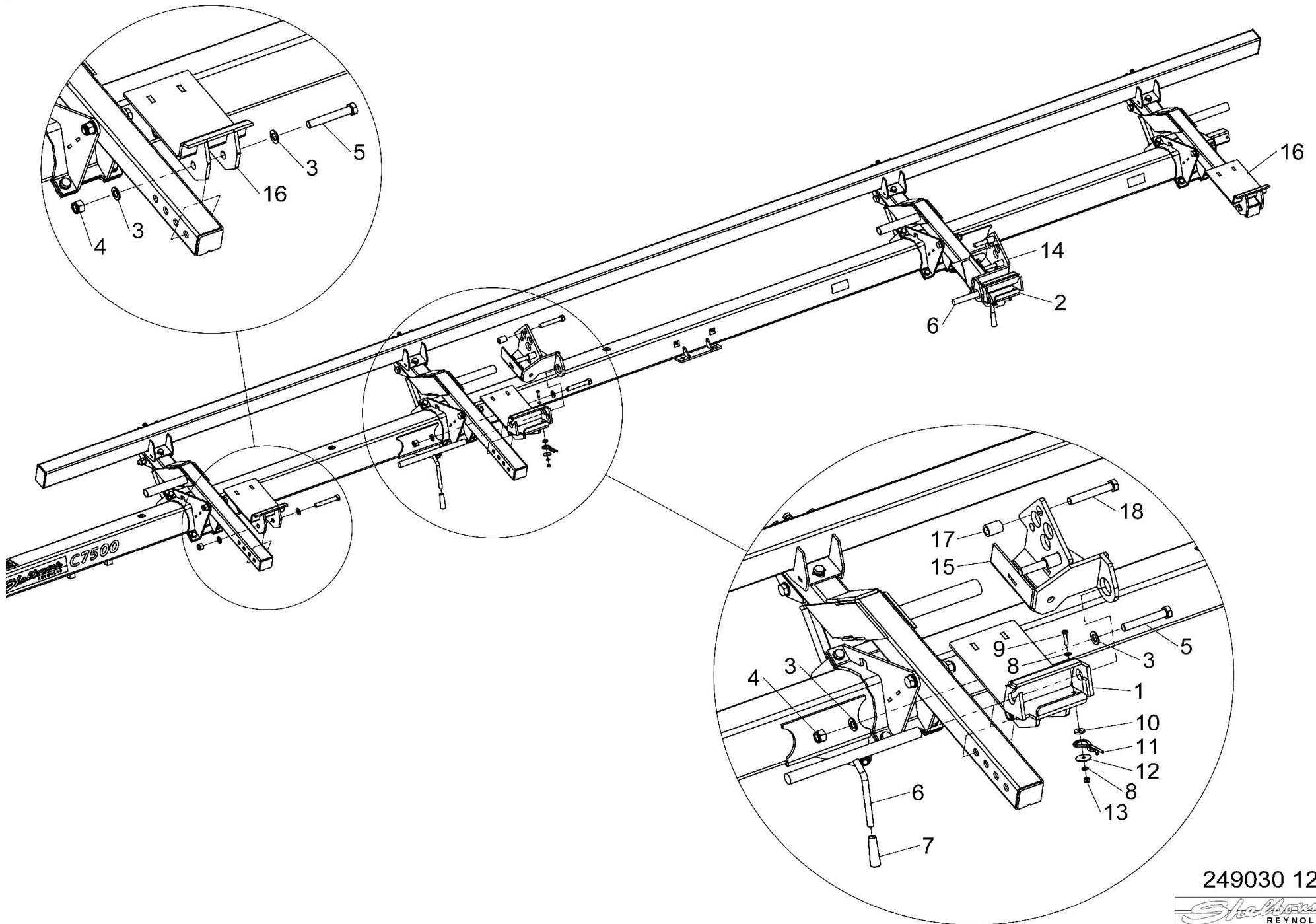


249030 12F



Shelbourne Reynolds Engineering Limited

ASSY NUMBER: 249030 12G				ASSY DESCRIPTION: JD 622 & 625 X SERIES MOUNT SUB 2015 ONLY			
ITEM	PART NO	DESCRIPTION	QTY	ITEM	PART NO	DESCRIPTION	QTY
1	241752 01	LH CRADLE W/ASSY	1				
2	241752 02	RH CRADLE W/ASSY	1				
3	WSH-0030	PLAIN WASHER	16				
4	NUTA02200	NYLOC NUT	8				
5	BLTA20650	HEX HEAD BOLT	8				
6	240147 01	LOCKING PIN W/ASSY	2				
7	HAN-2000	BLACK PLASTIC HANDLE FOR	2				
8	WSH-0012	PLAIN WASHER	4				
9	HSS-0152	SET SCREW	2				
10	190119 08	WASHER	2				
11	CLP-00106	R CLIP	2				
12	190119 05	WASHER	2				
13	NUT-0263	NYLOC NUT	2				
14	241723 01	REAR MOUNT W/ASSY	1				
15	241715 01	FRONT MOUNT W/ASSY	1				
16	241765 01	CRADLE W/ASSY	2				
17	241862 01	SPACER	4				
18	BLTA20654	BOLT GRADE 10.9	4				

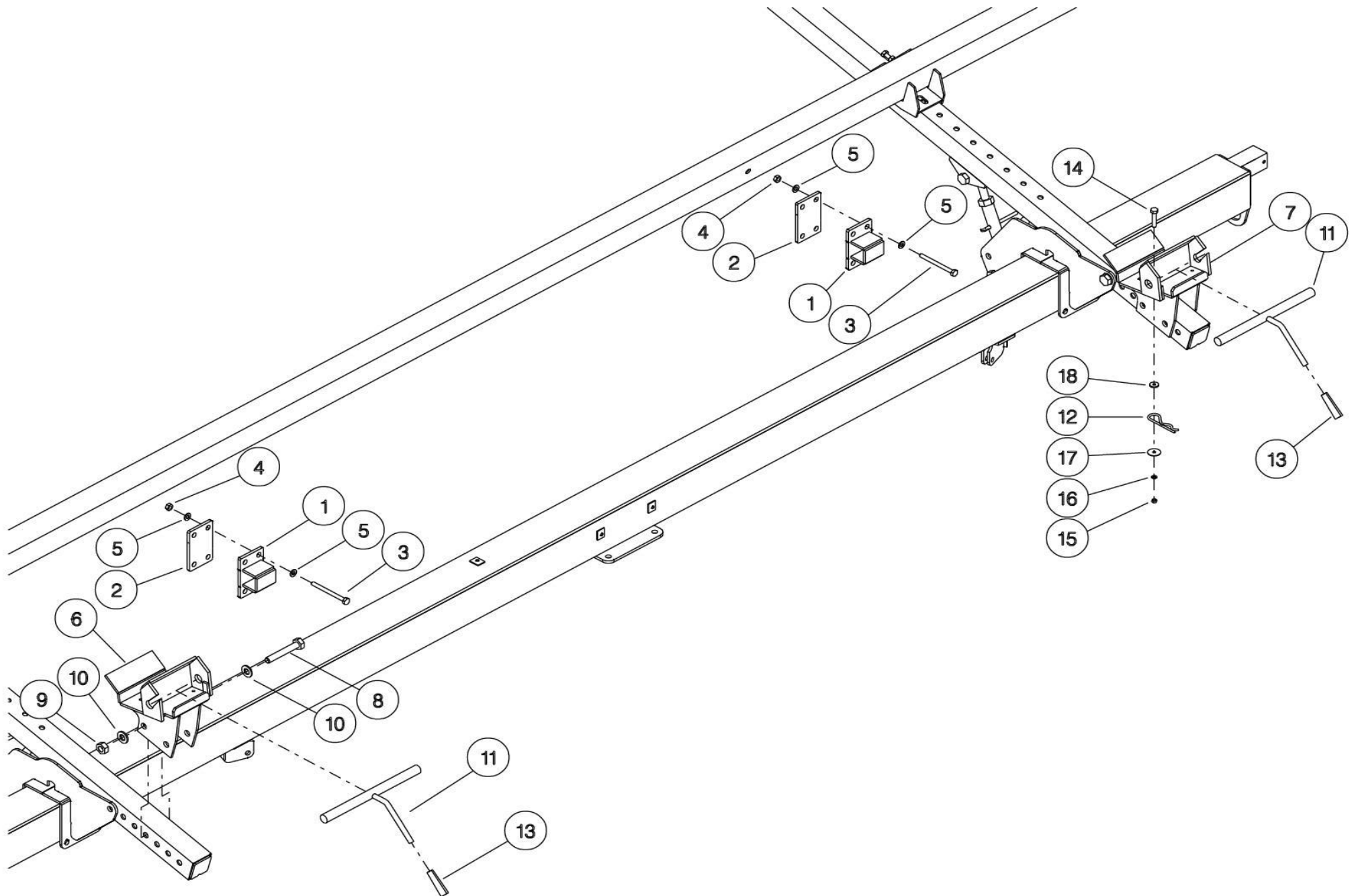


249030 12G



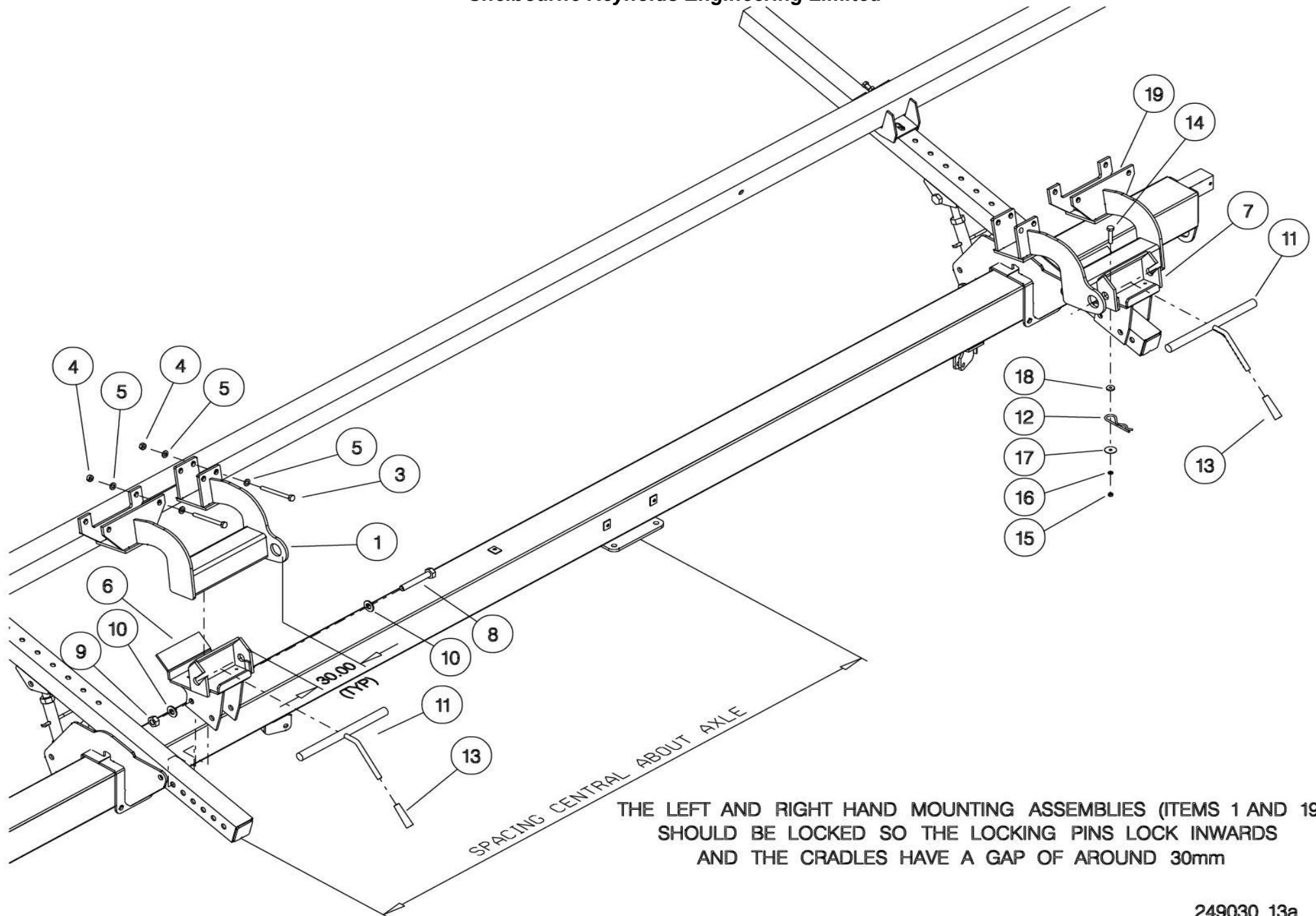
Shelbourne Reynolds Engineering Limited

ASSY NUMBER:249030 13				ASSY DECRPTION: NH/IHC MOUNTING/LOCKING SUB (INCLUDING SMALL NON VARIFEED MODELS BUT NOT 15')			
ITEM	PART NO	DESCRIPTION	QTY	ITEM	PART NO	DESCRIPTION	QTY
1	240778 01	PIN SECURING BRACKET	2				
2	240777 01	CLAMP PLATE	2				
3	BLTA16710	BOLT	8				
4	NUT-0271	NYLOC NUT	8				
5	WSH-0024	PLAIN WASHER	16				
6	240775 01	LH CRADLE ASSY	1				
7	240775 02	RH CRADLE ASSY	1				
8	BLTA20650	BOLT	4				
9	NUTA02200	NYLOC NUT	4				
10	WSH-0030	PLAIN WASHER	8				
11	240147 01	LOCKING PIN	2				
12	CLP-00106	R CLIP	2				
13	HAN-2000	PLASTIC LEVER END	2				
14	HSS-0153	BOLT	2				
15	NUT-0263	NUT	2				
16	WSH-0012	PLAIN WASHER	2				
17	190119 08	INNER WASHER	2				
18	190119 05	OUTER WASHER	2				



Shelbourne Reynolds Engineering Limited

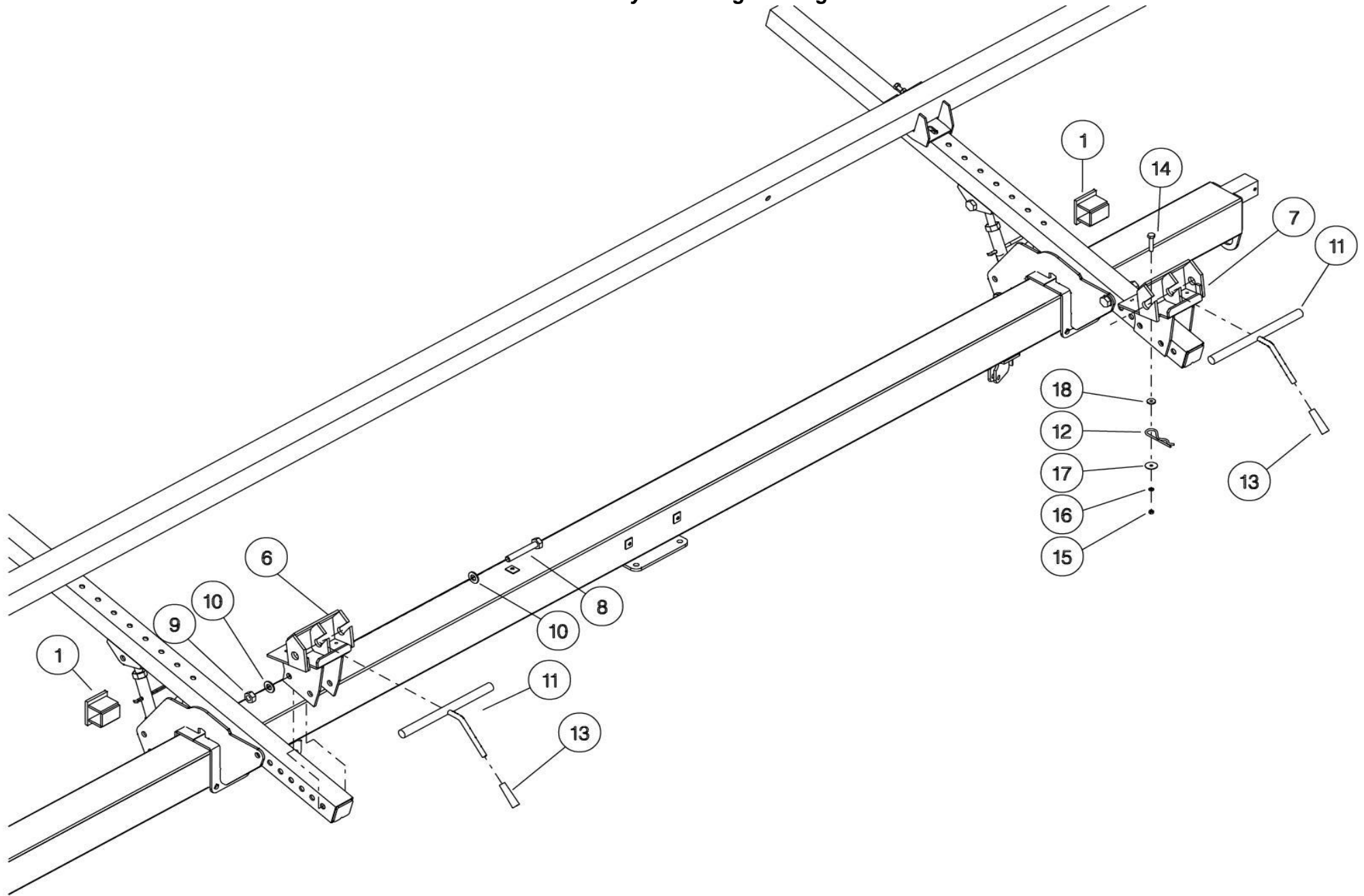
ASSY NUMBER:249030 13A				ASSY DECRPTION: 17' NH & IHC VARIFEED MOUNTING & LOCKING SUB			
ITEM	PART NO	DESCRIPTION	QTY	ITEM	PART NO	DESCRIPTION	QTY
1	240824 01	FRONT MOUNTING ASSY	2				
2							
3	BLTA16710	BOLT	8				
4	NUT-0271	NYLOC NUT	8				
5	WSH-0024	PLAIN WASHER	16				
6	240775 01	LH CRADLE ASSY	1				
7	240775 02	RH CRADLE ASSY	1				
8	BLTA20650	BOLT	4				
9	NUTA02200	NYLOC NUT	4				
10	WSH-0030	PLAIN WASHER	8				
11	240147 01	LOCKING PIN	2				
12	CLP-00106	R CLIP	2				
13	HAN-2000	PLASTIC LEVER END	2				
14	HSS-0153	BOLT	2				
15	NUT-0263	NUT	2				
16	WSH-0012	PLAIN WASHER	2				
17	190119 08	INNER WASHER	2				
18	190119 05	OUTER WASHER	2				
19	240824 02	REAR MOUNTING ASSY	1				



THE LEFT AND RIGHT HAND MOUNTING ASSEMBLIES (ITEMS 1 AND 19)
SHOULD BE LOCKED SO THE LOCKING PINS LOCK INWARDS
AND THE CRADLES HAVE A GAP OF AROUND 30mm

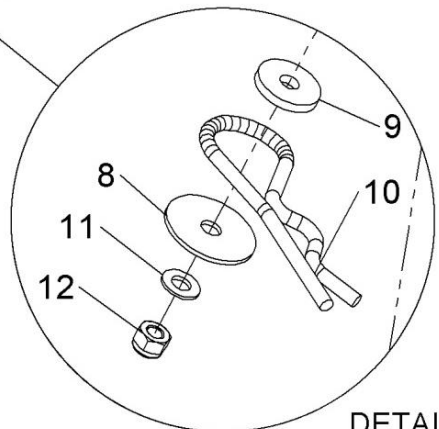
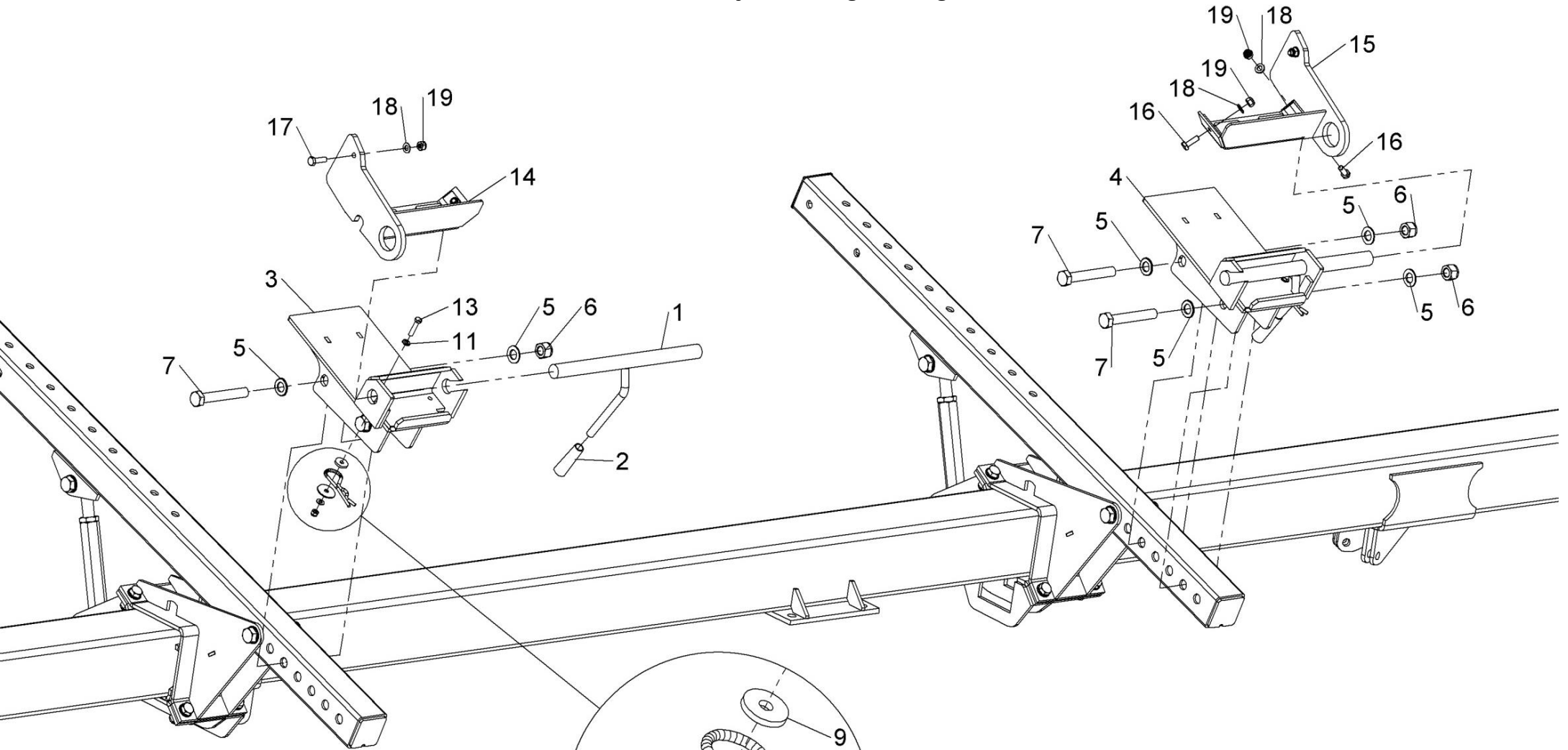
Shelbourne Reynolds Engineering Limited

ASSY NUMBER:249030 13B				ASSY DECRPTION: NH/IHC MOUNTING/LOCKING SUB 15' MODEL ONLY			
ITEM	PART NO	DESCRIPTION	QTY	ITEM	PART NO	DESCRIPTION	QTY
1	241112 01	PIN SECURING BRACKET	2				
2							
3							
4							
5							
6	241109 01	LH CRADLE ASSY	1				
7	241109 02	RH CRADLE ASSY	1				
8	BLTA20650	BOLT	4				
9	NUTA02200	NYLOC NUT	4				
10	WSH-0030	PLAIN WASHER	8				
11	241179 01	LOCKING PIN	2				
12	CLP-00106	R CLIP	2				
13	HAN-2000	PLASTIC LEVER END	2				
14	HSS-0153	BOLT	2				
15	NUT-0263	NUT	2				
16	WSH-0012	PLAIN WASHER	2				
17	190119 08	INNER WASHER	2				
18	190119 05	OUTER WASHER	2				



Shelbourne Reynolds Engineering Limited

ASSY NUMBER: 249030 13C NH/IHC 760/3050 MODELS ONLY				ASSY DESCRIPTION: C9000 30, C7500 22' & C6000 20',18' & 16'NH / IHC			
ITEM	PART NO	DESCRIPTION	QTY	ITEM	PART NO	DESCRIPTION	QTY
1	240147 01	LOCKING PIN W/ASSY	2				
2	HAN-2000	BLACK PLASTIC HANDLE FOR	2				
3	241230 01	FRONT NH CRADLE W/ASSY	1				
4	241230 02	REAR NH CRADLE W/ASSY	1				
5	WSH-0030	PLAIN WASHER	8				
6	NUTA02200	NYLOC NUT	4				
7	BLTA20650	HEX HEAD BOLT	4				
8	190119 05	WASHER	2				
9	190119 08	WASHER	2				
10	CLP-00106	R CLIP	2				
11	WSH-0012	PLAIN WASHER	4				
12	NUT-0263	NYLOC NUT	2				
13	HSS-0153	SET SCREW	2				
14	241234 01	FRONT MOUNTING W/ASSY	1				
15	241234 02	REAR MOUNTING W/ASSY	1				
16	HSS-0194	HEX HEAD BOLT	4				
17	HSS-0198	HEX HEAD BOLT	2				
18	WSH-0015	PLAIN WASHER	6				
19	NUT-0265	NYLOC NUT	6				

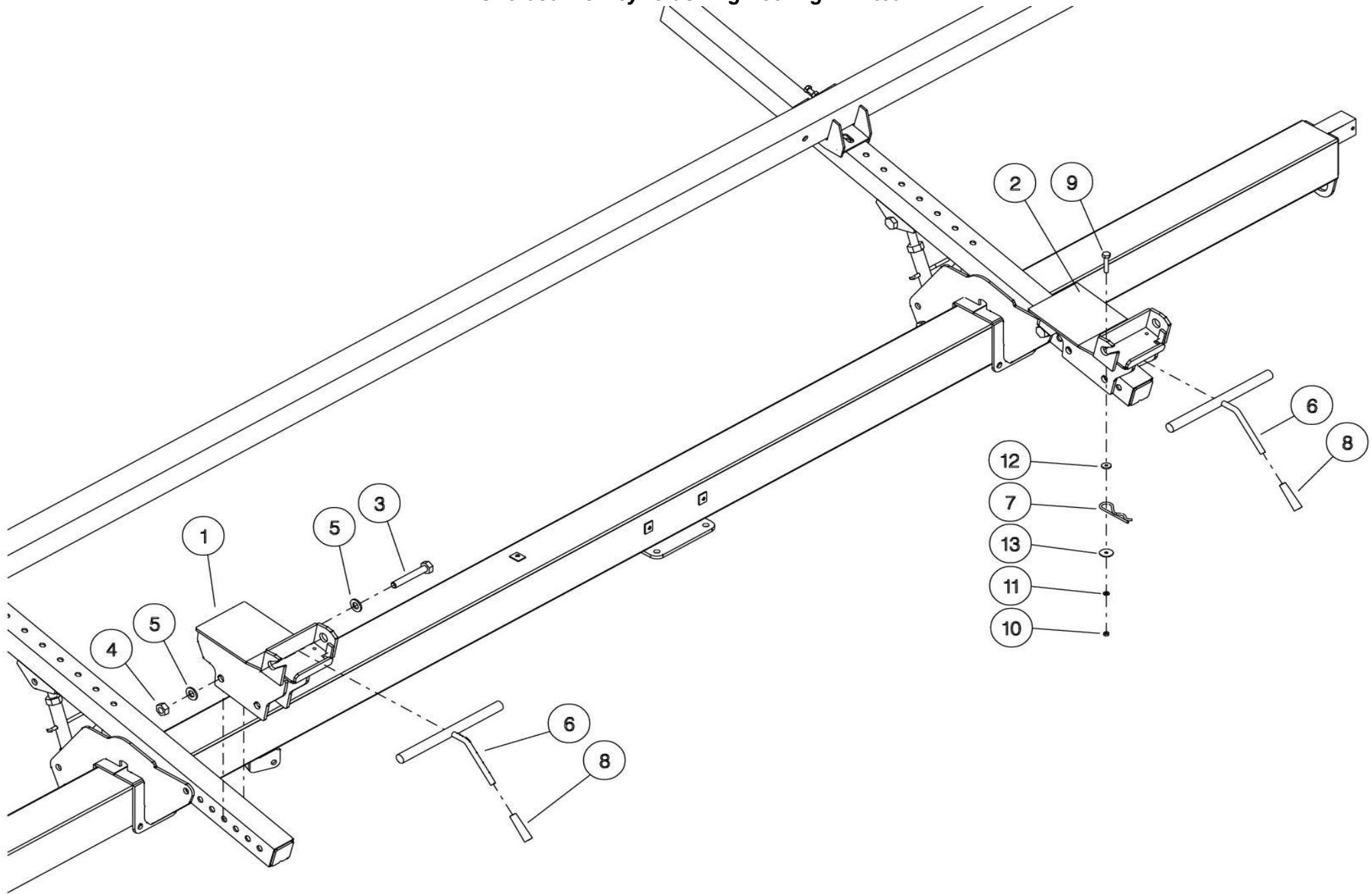


249030 13c



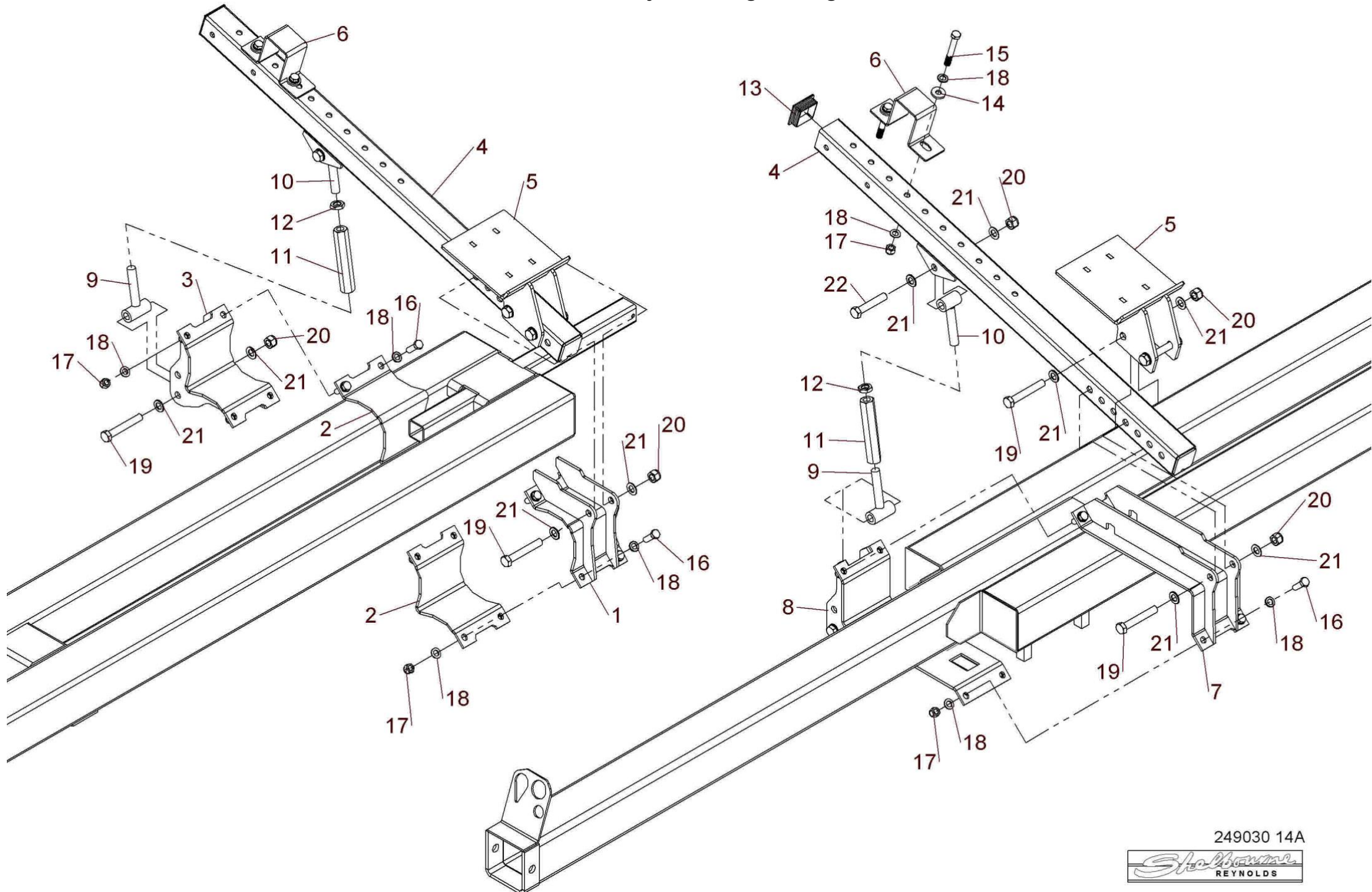
Shelbourne Reynolds Engineering Limited

ASSY NUMBER:249030 14				ASSY DECRPTION: M.F CERA/CENTORA MOUNTING & LOCKING SUB			
ITEM	PART NO	DESCRIPTION	QTY	ITEM	PART NO	DESCRIPTION	QTY
1	240853 01	FRONT CRADLE ASSY	1				
2	240853 02	REAR CRADLE ASSY	1				
3	BLTA20650	BOLT	4				
4	NUTA02200	NYLOC NUT	4				
5	WSH-0030	PLAIN WASHER	8				
6	240147 01	LOCKING PIN	2				
7	CLP-00106	R CLIP	2				
8	HAN-2000	PLASTIC LEVER END	2				
9	HSS-0153	BOLT	2				
10	NUT-0263	NUT	2				
11	WSH-0012	PLAIN WASHER	2				
12	190119 08	INNER WASHER	2				
13	190119 05	OUTER WASHER	2				



Shelbourne Reynolds Engineering Limited

ASSY NUMBER: 249030 14A				ASSY DESCRIPTION: 30' (C9000TA) MASS/FERG XTRA MOUNTING			
ITEM	PART NO	DESCRIPTION	QTY	ITEM	PART NO	DESCRIPTION	QTY
1	241072 01	BEAM MOUNT CRADLE	1				
2	241066 02	CLAMP PLATE	2				
3	241073 01	ADJUSTER MOUNT CRADLE	1				
4	241092 01	SUPPORT ARM W/ASSY	2				
5	241356 01	SUPPORT BRACKET W/ASSY	2				
6	240798 01	TUBE CLAMP PLATE	2				
7	241208 01	FRONT CRADLE W/ASSY	1				
8	241213 01	FRONT CRADLE W/ASSY	1				
9	240750 01	LH THREAD ADJUSTER	2				
10	240749 01	RH THREAD ADJUSTER	2				
11	240800 01	ADJUSTER BODY (HEX)	2				
12	NUT-0390	HALF NUT	2				
13	21709004	END CAP 80 X 80	2				
14	190119 99	WASHER	4				
15	BLT-2330	HEX.HEAD BOLT	4				
16	HSS-0318	SETSCREW	12				
17	NUT-0271	NUT	16				
18	WSH-0024	WASHER	28				
19	BLTA20650	HEX HEAD BOLT	8				
20	NUTA02200	NUT	10				
21	WSH-0030	PLAIN WASHER	20				
22	BLTA20590	BOLT HEX. HD.	2				

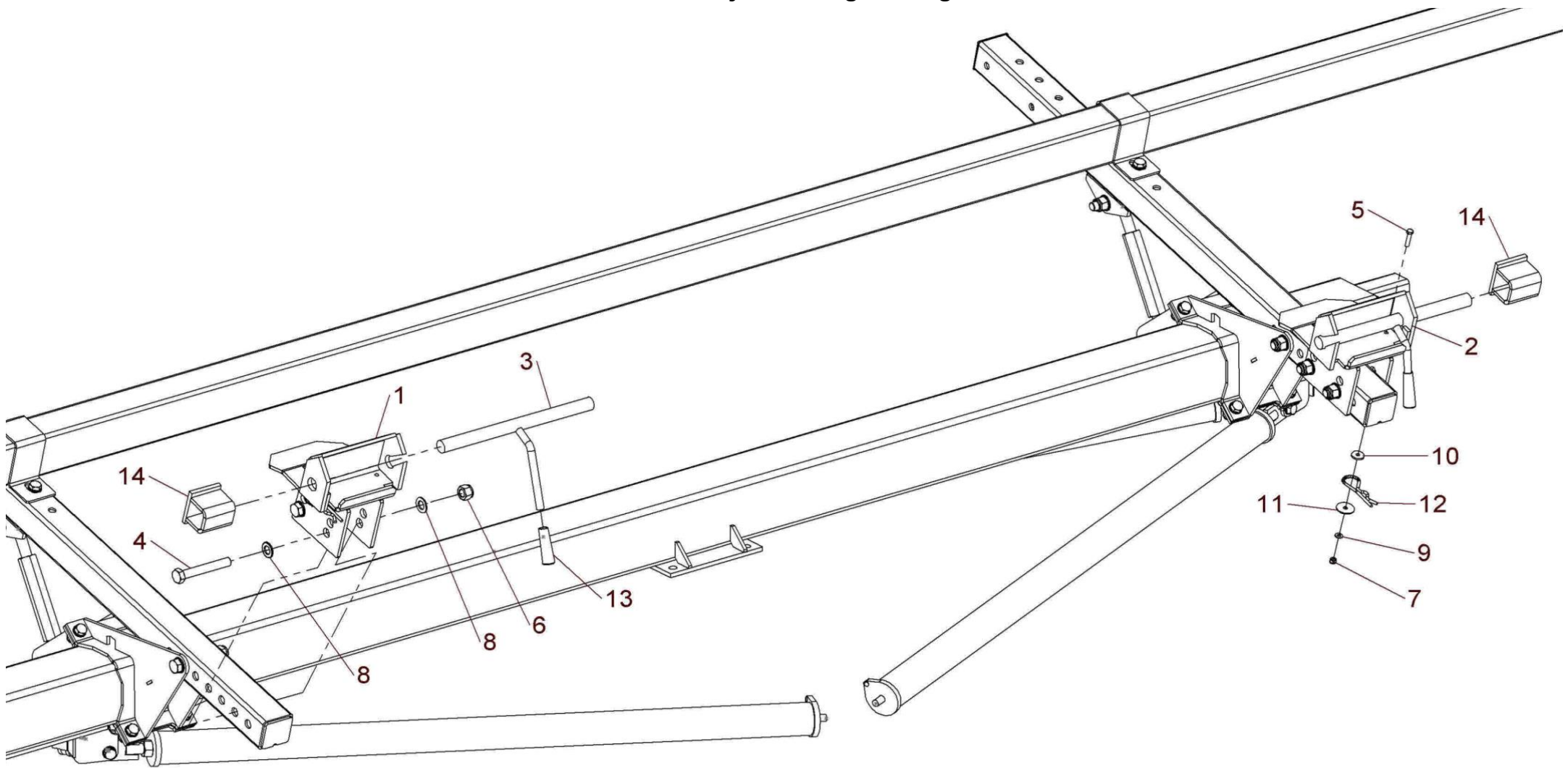


249030 14A



Shelbourne Reynolds Engineering Limited

ASSY NUMBER: 249030 14B				ASSY DESCRIPTION: 25-18FT MASSEY FREEFLOW MOUNT + LOCK SUB			
ITEM	PART NO	DESCRIPTION	QTY	ITEM	PART NO	DESCRIPTION	QTY
1	241707 01	LH CRADLE W/ASSY (2015 ON)	1				
or	241472 01	LH CRADLE W/ASSY (PRE 2015)					
2	241707 02	RH CRADLE W/ASSY (2015 ON)	1				
or	241472 02	RH CRADLE W/ASSY (PRE 2015)					
3	240147 01	LOCKING PIN W/ASSY	2				
4	BLTA20650	HEX HEAD BOLT	4				
5	HSS-0153	SET SCREW	2				
6	NUTA02200	NYLOC NUT	4				
7	NUT-0263	NYLOC NUT	2				
8	WSH-0030	PLAIN WASHER	8				
9	WSH-0012	PLAIN WASHER	2				
10	190119 08	WASHER	2				
11	190119 05	WASHER	2				
12	CLP-00106	R-CLIP	2				
13	HAN-2000	BLACK PLASTIC HANDLE	2				
14	241112 01	SECURING BRACKET	2				



249030 14B

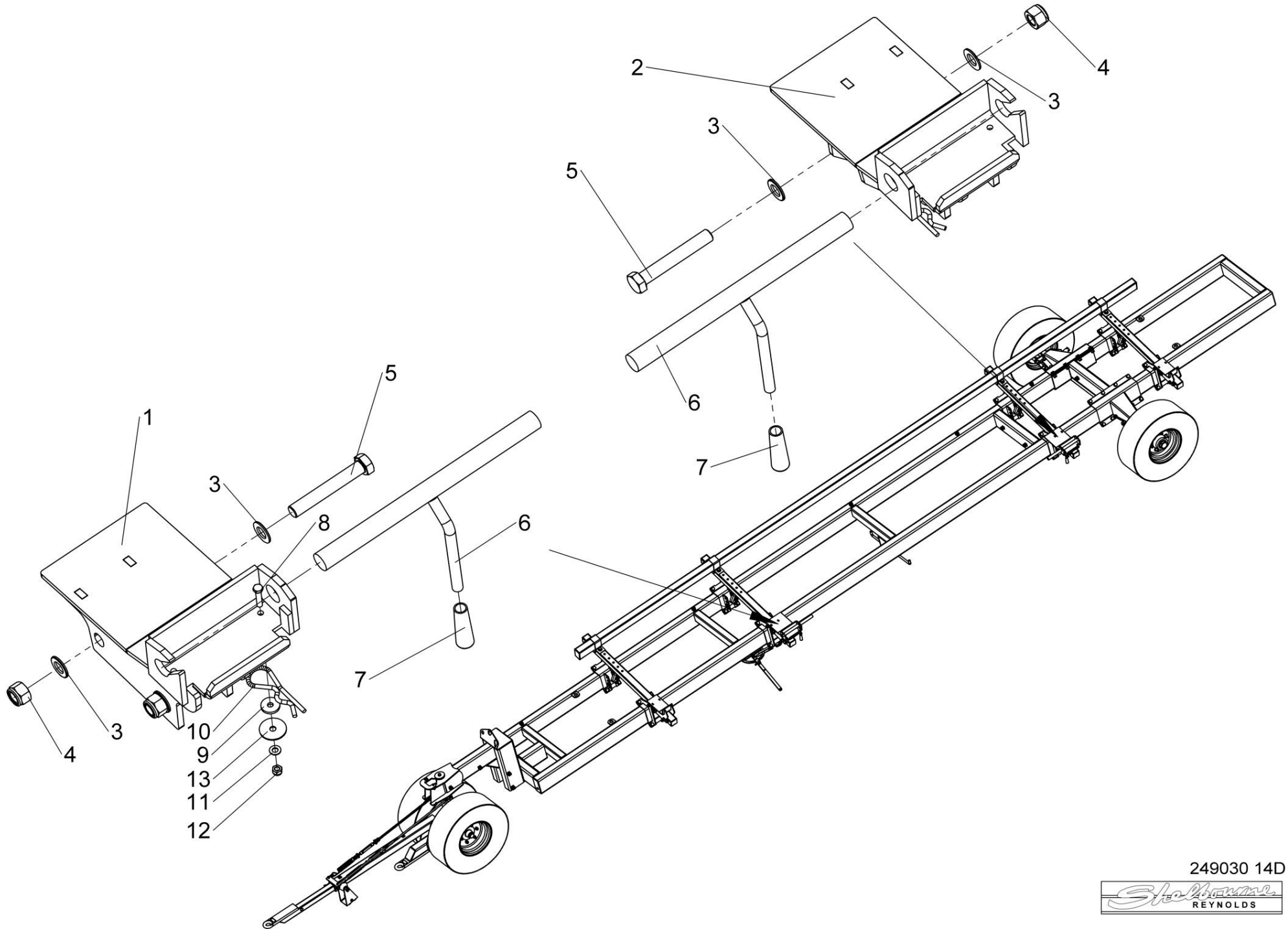


Shelbourne Reynolds Engineering Limited

ASSY NUMBER: 249030 14C				ASSY DESCRIPTION: 16FT (C6000TA) MASSEY FREEFLOW MOUNT + LOCK SUB			
ITEM	PART NO	DESCRIPTION	QTY	ITEM	PART NO	DESCRIPTION	QTY
1	241491 01	LH MF POWERFLOW CRADLE W/ASSY	1				
2	241491 02	RH MF POWERFLOW CRADLE W/ASSY	1				
3	241179 01	LOCKING PIN W/ASSY	2				
4	BLTA20650	HEX HEAD BOLT	4				
5	HSS-0153	SET SCREW	2				
6	NUTA02200	NYLOC NUT	4				
7	NUT-0263	NYLOC NUT	2				
8	WSH-0030	PLAIN WASHER	8				
9	WSH-0012	PLAIN WASHER	2				
10	190119 08	WASHER	2				
11	190119 05	WASHER	2				
12	CLP-00106	R-CLIP	2				
13	HAN-2000	BLACK PLASTIC HANDLE	2				
14	241112 01	SECURING BRACKET	2				

Shelbourne Reynolds Engineering Limited

ASSY NUMBER: 249030 14D				ASSY DESCRIPTION: C9000FW MASSEY 30FT POWERFLOW LOCKING SUB			
ITEM	PART NO	DESCRIPTION	QTY	ITEM	PART NO	DESCRIPTION	QTY
1	241849 01	LH CRADLE W/ASSY	1				
2	241849 02	RH CRADLE W/ASSY	1				
3	WSH-0030	PLAIN WASHER	8				
4	NUTA02200	NYLOC NUT	4				
5	BLTA20650	HEX HEAD BOLT	4				
6	240147 01	LOCKING PIN W/ASSY	2				
7	HAN-2000	BLACK PLASTIC HANDLE	2				
8	HSS-0153	SET SCREW	8				
9	190119 08	WASHER	2				
10	CLP-00106	R CLIP	2				
11	WSH-0012	PLAIN WASHER	2				
12	NUT-0263	NYLOC NUT	2				
13	190119 05	WASHER	2				



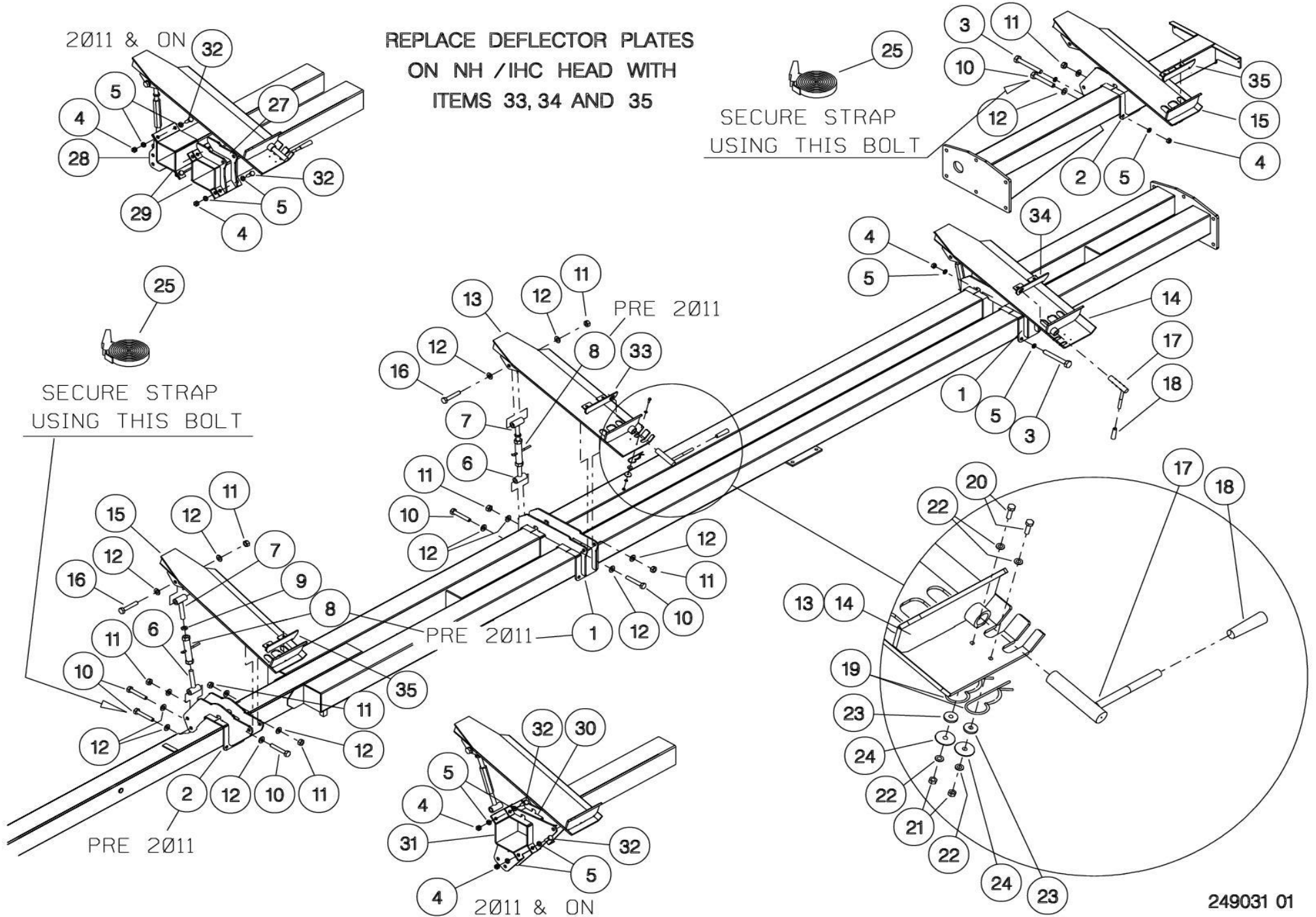
249030 14D



Shelbourne Reynolds Engineering Limited

ASSY NUMBER:249031 01				ASSY DECRPTION: 35' (ORIGINAL) (4 POINT)NH MOUNTING & LOCKING SUB			
ITEM	PART NO	DESCRIPTION	QTY	ITEM	PART NO	DESCRIPTION	QTY
1	240684 01	CRADLE ASSY (PRE 2011)	2				
2	240685 01	CRADLE ASSY (PRE 2011)	2				
3	BLT-2350	BOLT (PRE 2011)	12				
4	NUT-0271	NYLOC NUT	24				
5	WSH-0024	PLAIN WASHER	48				
6	240750 01	LH ADJUSTER	4				
7	240749 01	RH ADJUSTER	4				
8	240800 01	ADJUSTER BODY	4				
OR	240757 01	ADJUSTER BODY	4				
9	NUT-0390	HALF NUT	4				
10	BLTA20650	BOLT	10				
11	NUTA02200	NYLOC NUT	14				
12	WSH-0030	PLAIN WASHER	28				
13	241103 01	LH INBOARD CRADLE (2011 ON)	1				
OR	240848 01	LH INBOARD CRADLE (PRE 2011)					
14	241103 02	RH INBOARD CRADLE (2011 ON)	1				
OR	240848 02	RH INBOARD CRADLE (PRE 2011)					
15	240849 01	OUTBOARD CRADLE ASSY	2				
16	BLTA20620	BOLT	4				
17	240852 01	LOCKING PIN	2				
18	HAN-2000	PLASTIC LEVER END	2				
19	CLP-00106	R CLIP	4				
20	HSS-0150	BOLT	4				
21	NUT-0263	NUT	4				
22	WSH-0012	PLAIN WASHER	8				
23	190119 08	INNER WASHER	4				
24	190119 05	OUTER WASHER	4				
25	STR-0004	CARGO STRAP	2				
26	21709004	END CAP	4				
27	241072 01	CRADLE ASSY (2011 & ON)	2				
28	241073 01	ADJ.CRADLE ASSY (2011 & ON)	2				
29	241066 02	CLAMP PLATE (2011 & ON)	4				
30	241074 01	CRADLE ASSY (2011 & ON)	2				
31	241075 01	CRADLE ASSY (2011 & ON)	2				
32	HSS-0318	SET SCREW (2011 & ON)	24				
33	241105 01	LH DEFLECTOR PLATE	1				
34	241105 02	RH DEFLECTOR PLATE	1				
35	241106 01	OUTBOARD DEFLECTOR PLATE	2				

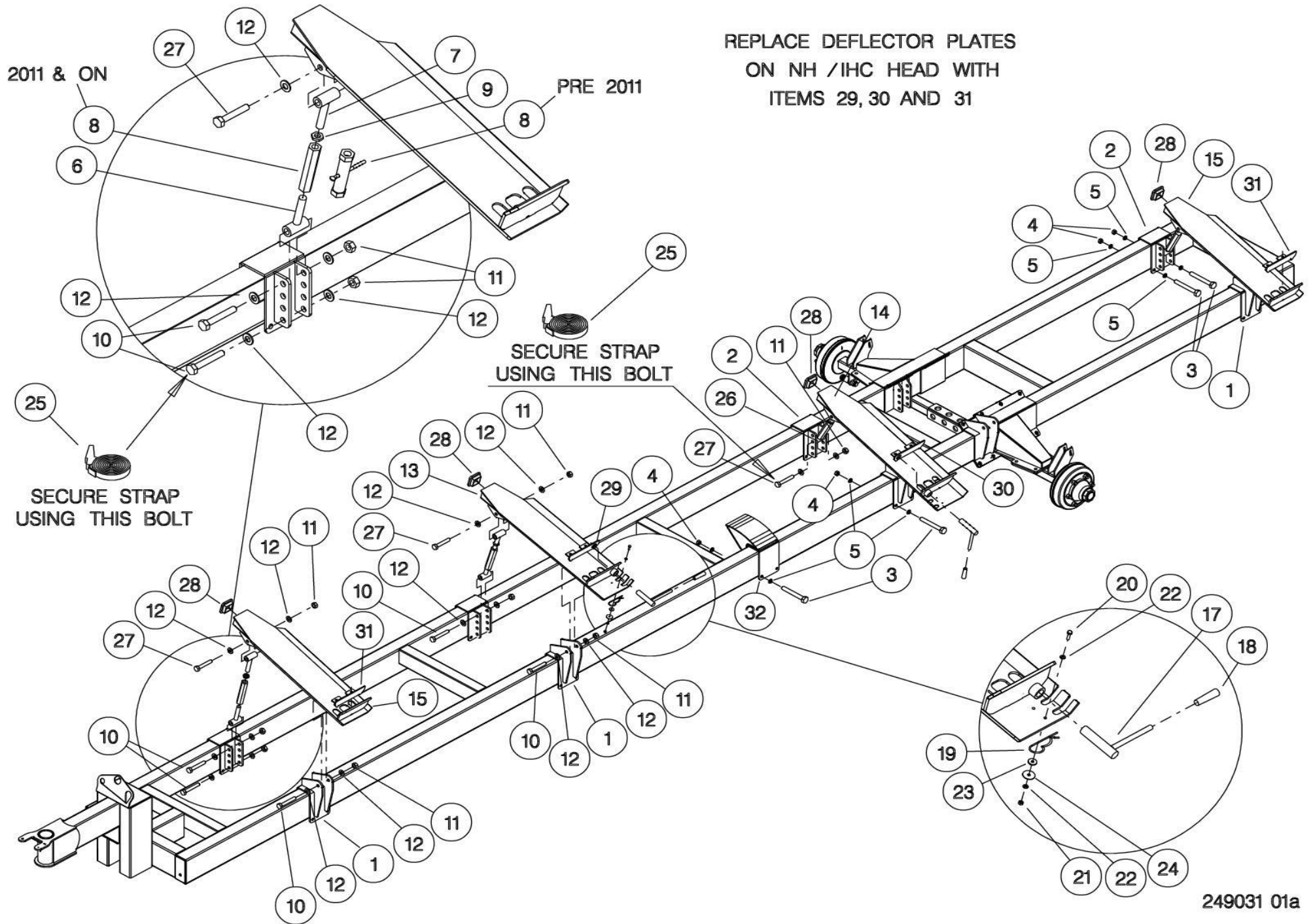
REPLACE DEFLECTOR PLATES
ON NH /IHC HEAD WITH
ITEMS 33, 34 AND 35



Shelbourne Reynolds Engineering Limited

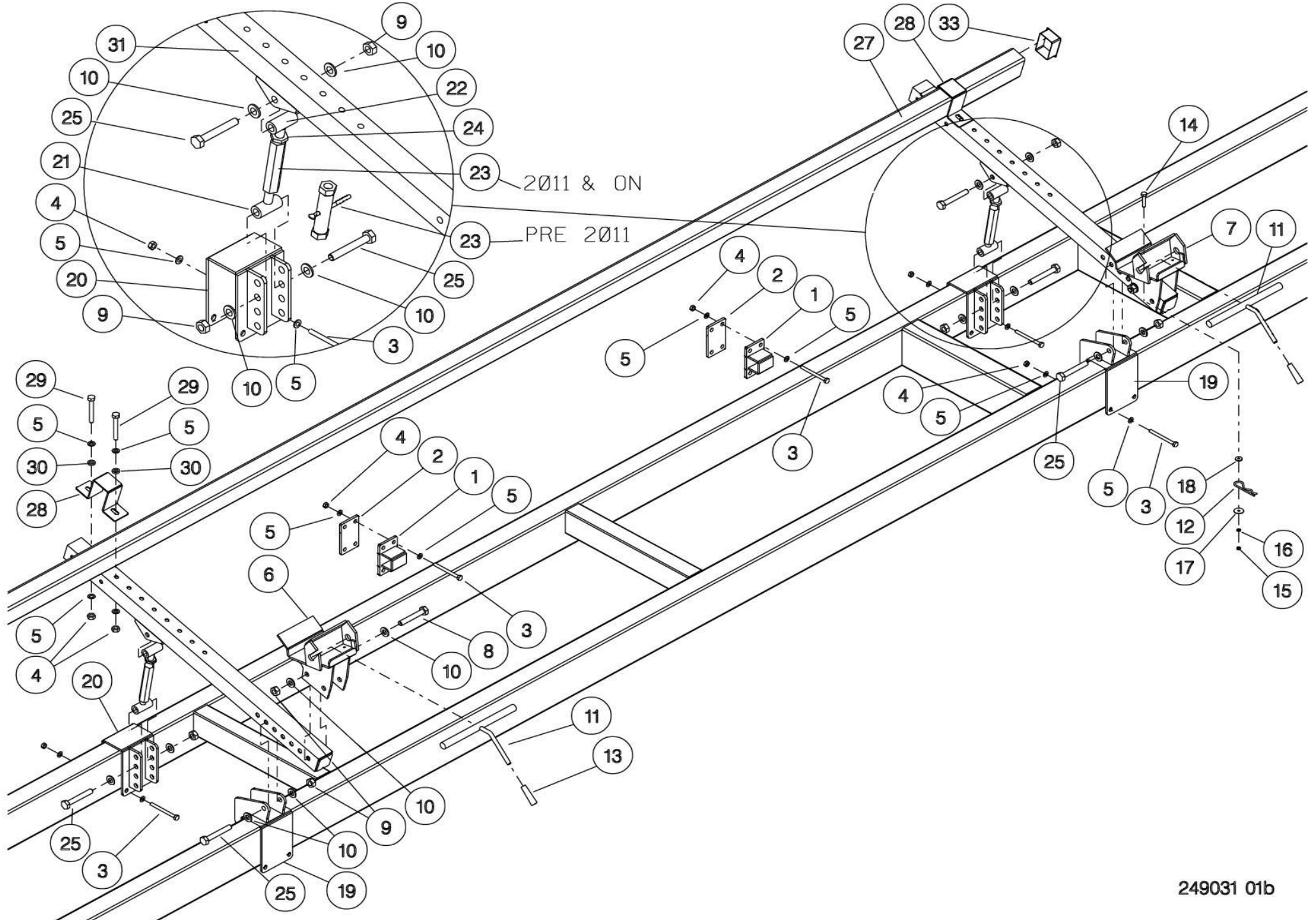
ASSY NUMBER:249031 01A				ASSY DECRPTION:35' FRONT WHEEL TRANSPORTER NH MOUNTING&LOCKING SUB			
ITEM	PART NO	DESCRIPTION	QTY	ITEM	PART NO	DESCRIPTION	QTY
1	240961 01	NEAR SIDE CRADLE ASSY	3				
2	240953 01	FAR SIDE CRADLE ASSY	3				
3	BLTA16710	BOLT	14				
4	NUT-0271	NYLOC NUT	14				
5	WSH-0024	PLAIN WASHER	28				
6	240750 01	LH ADJUSTER	3				
7	240749 01	RH ADJUSTER	4				
8	240800 01	ADJUSTER BODY	4				
OR	240757 01	ADJUSTER BODY	4				
9	NUT-0390	HALF NUT	4				
10	20166128	HEX HD BOLT	9				
11	NUTA02200	NYLOC NUT	14				
12	WSH-0030	PLAIN WASHER	28				
13	241103 01	LH INBOARD CRADLE (2011 ON)	1				
OR	240848 01	LH INBOARD CRADLE (PRE 2011)					
14	241103 02	RH INBOARD CRADLE (2011 ON)	1				
OR	240848 02	RH INBOARD CRADLE (PRE 2011)					
15	240849 01	OUTBOARD CRADLE ASSY	2				
16							
17	240852 01	LOCKING PIN	2				
18	HAN-2000	PLASTIC LEVER END	2				
19	CLP-00106	R CLIP	4				
20	HSS-0150	BOLT	4				
21	NUT-0263	NUT	4				
22	WSH-0012	PLAIN WASHER	8				
23	190119 08	INNER WASHER	4				
24	190119 05	OUTER WASHER	4				
25	STR-0004	CARGO STRAP	2				
26	241042 01	LH ADJUSTER	1				
27	BLTA20620	BOLT	5				
28	21709004	END CAP	4				
29	241105 01	LH DEFLECTOR PLATE	1				
30	241105 02	RH DEFLECTOR PLATE	1				
31	241106 01	OUTBOARD DEFLECTOR PLATE	2				
32	241152 01	SKID GUARD	1				

REPLACE DEFLECTOR PLATES
ON NH /IHC HEAD WITH
ITEMS 29, 30 AND 31



Shelbourne Reynolds Engineering Limited

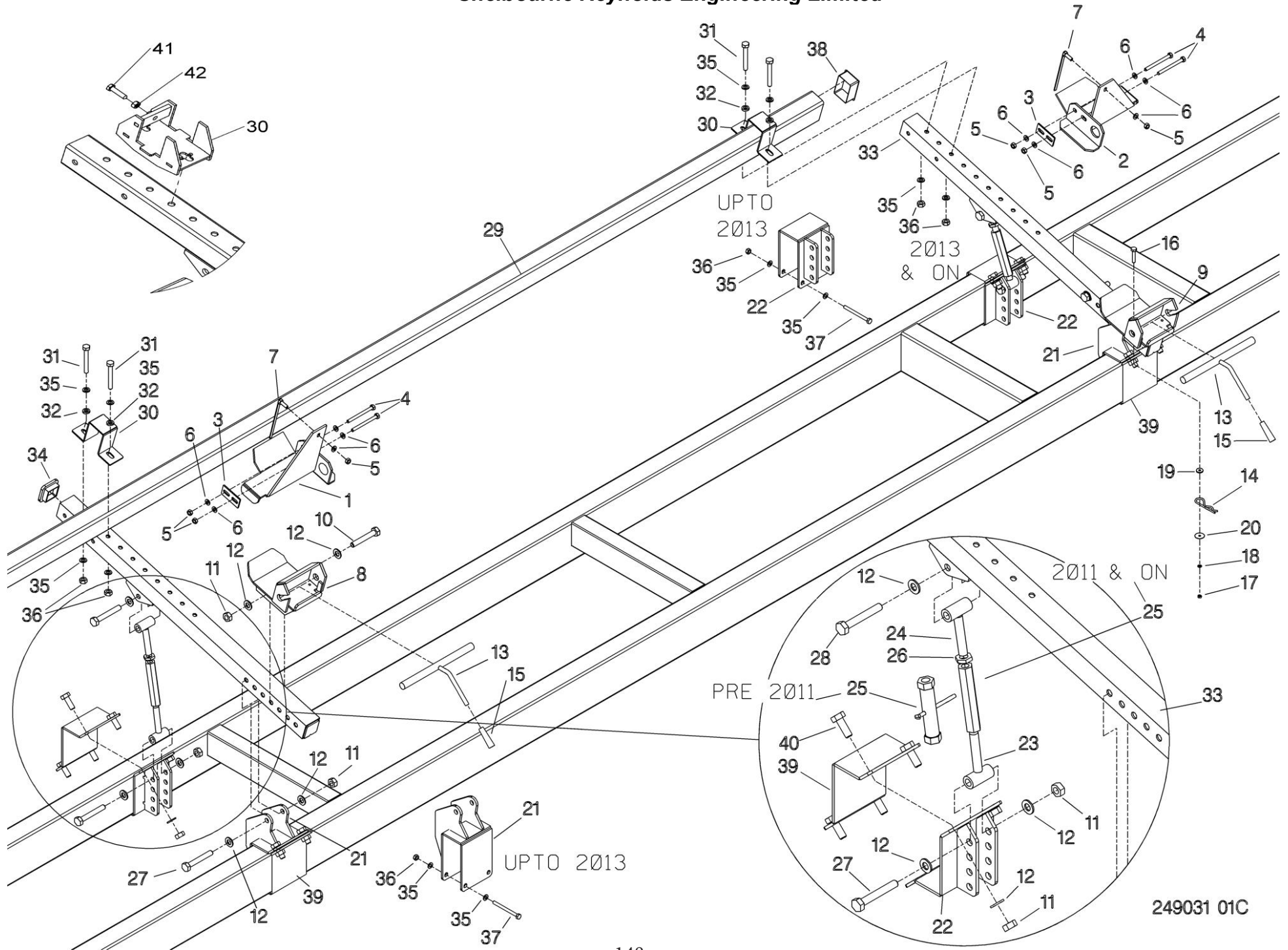
ASSY NUMBER:249031 01B				ASSY DECRPTION: 30' FRONT WHEEL TRANSPORTER NH MOUNTING & LOCKING SUB			
ITEM	PART NO	DESCRIPTION	QTY	ITEM	PART NO	DESCRIPTION	QTY
1	240778 01	PIN SECURING BRACKET	2				
2	240777 01	CLAMP PLATE	2				
3	BLTA16710	BOLT	16				
4	NUT-0271	NYLOC NUT	20				
5	WSH-0024	PLAIN WASHER	40				
6	240775 01	LH CRADLE ASSY	1				
7	240775 02	RH CRADLE ASSY	1				
8	BLTA20650	BOLT	6				
9	NUTA02200	NYLOC NUT	10				
10	WSH-0030	PLAIN WASHER	20				
11	240147 01	LOCKING PIN	2				
12	CLP-00106	R CLIP	2				
13	HAN-2000	PLASTIC LEVER END	2				
14	HSS-0153	BOLT	2				
15	NUT-0263	NUT	2				
16	WSH-0012	PLAIN WASHER	2				
17	190119 08	INNER WASHER	2				
18	190119 05	OUTER WASHER	2				
19	240964 01	NEAR SIDE MOUNTING ASSY	2				
20	240953 01	FAR SIDE MOUNTING ASSY	2				
21	240750 01	LH ADJUSTER	2				
22	240749 01	RH ADJUSTER	2				
23	240800 01	ADJUSTER BODY	2				
OR	240757 01	ADJUSTER BODY	2				
24	NUT-0390	HALF NUT	4				
25	BLTA20620	HEX HD BOLT	4				
26							
27	240688 01	SUPPORT BEAM	1				
28	240798 01	TUBE CLAMP PLATE	2				
29	BLT-2330	HEX HD BOLT	4				
30	190119 99	WASHER	4				
31	241092 01	SUPPORT ARM ASSY	2				
32	21709004	END CAP	2				
33	CAP-0080	END CAP	2				



Shelbourne Reynolds Engineering Limited

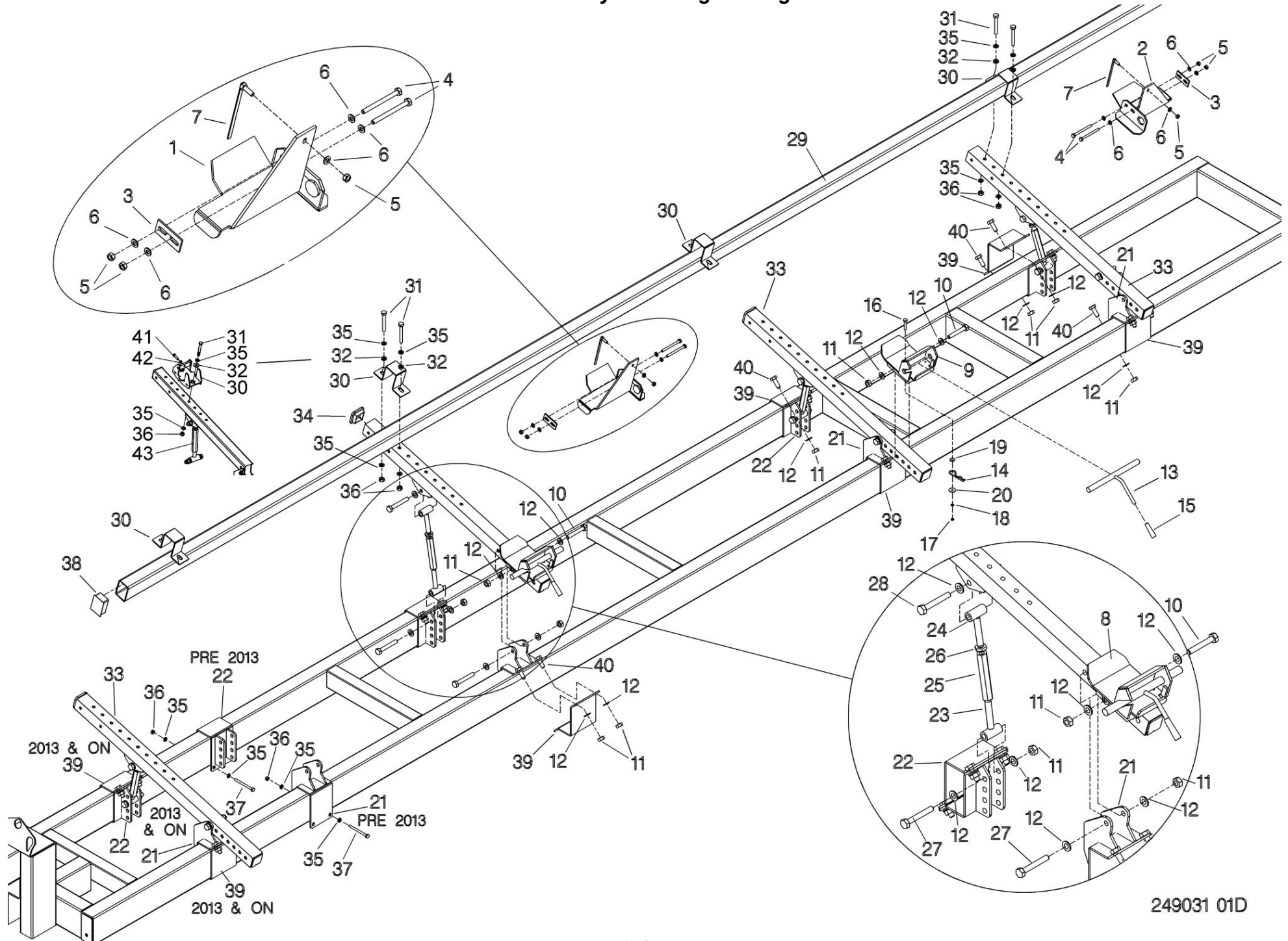
ASSY NUMBER: 249031 01C				ASSY DESCRIPTION: JD 30' (FW) MNTG & LOCKING SUB			
ITEM	PART NO	DESCRIPTION	QTY	ITEM	PART NO	DESCRIPTION	QTY
1	240771 01	REAR HEADER SHOE W/ASSY	1				
2	240771 02	FRONT HEADER SHOE W/ASSY	1	32	190119 99	WASHER	4
3	240100 01	CLAMP PLATE	2	33	241092 01	SUPPORT ARM W/ASSY	2
4	BLTA12620	BOLT	4	34	21709004	PLASTIC END CAP	2
5	NUT-0269	NUT	6	35	WSH-0024	WASHER	8
6	WSH-0018	WASHER	12	36	NUT-0271	NYLOC NUT	4
7	240104 01	HANDLE W/ASSY	2	37	BLTA16710	BOLT (UPTO 2013)	8
8	240770 01	JD CRADLE LH W/ASSY	1	38	CAP-0080	PLASTIC END CAP	2
9	240770 02	JD CRADLE RH W/ASSY	1	39	241202 01	CLAMP PLATE 2014 & ON	4
10	BLTA20650	BOLT	4	OR	241276 02	CLAMP PLATE 2013 ONLY	
11	NUTA02200	NUT	26	40	BLT-2365	BOLT	16
12	WSH-0030	WASHER	52	41	241818 01	TUBE CLAMP BOLT	2
13	240147 01	LOCKING PIN W/ASSY	2	42	NUT-0170	PLAIN NUT	2
14	CLP-00106	R CLIP	2	43	ADL-01430	ADJUSTER ASSEMBLY (MID 2018 & ON) CAN REPLACE ITEMS 23-26	2
15	HAN-2000	PLASTIC LEVER END	2				
16	HSS-0153	SET SCREW	2				
17	NUT-0263	NUT	2				
18	WSH-0012	WASHER	2				
19	190119 08	INNER WASHER	2				
20	190119 05	OUTER WASHER	2				
21	241310 01	MOUNTING ASSY 2014 & ON	2				
OR	241278 01	MOUNTING ASSY 2013 ONLY					
OR	240966 01	MOUNTING ASSY UPTO 2013					
22	241201 01	MOUNTING ASSY 2014 & ON	2				
OR	241275 01	MOUNTING ASSY 2013 ONLY					
OR	240953 01	MOUNTING ASSY UPTO 2013					
23	240750 01	LH THREAD ADJUSTER (UP TO MID 2018)	2				
24	240749 01	RH THREAD ADJUSTER (UP TO MID 2018)	2				
25	240800 01	ADJUSTER BODY (2011 - MID 2018)	2				
OR	240757 01	ADJUSTER BODY (UP TO 2011)					
26	NUT-0390	HALF NUT (TO MID 2018) FOR ITEMS 23-26 ALSO SEE ITEM 43	2				
27	20166128	BOLT	4				
28	BLTA20620	BOLT	2				
29	240688 01	SUPPORT BEAM	1				
30	240798 01	TUBE CLAMP PLATE	2				
OR	240672 01	TUBE CLAMP W/A	2				
31	BLT-2330	HEX.HEAD BOLT	4				

Shelbourne Reynolds Engineering Limited



Shelbourne Reynolds Engineering Limited

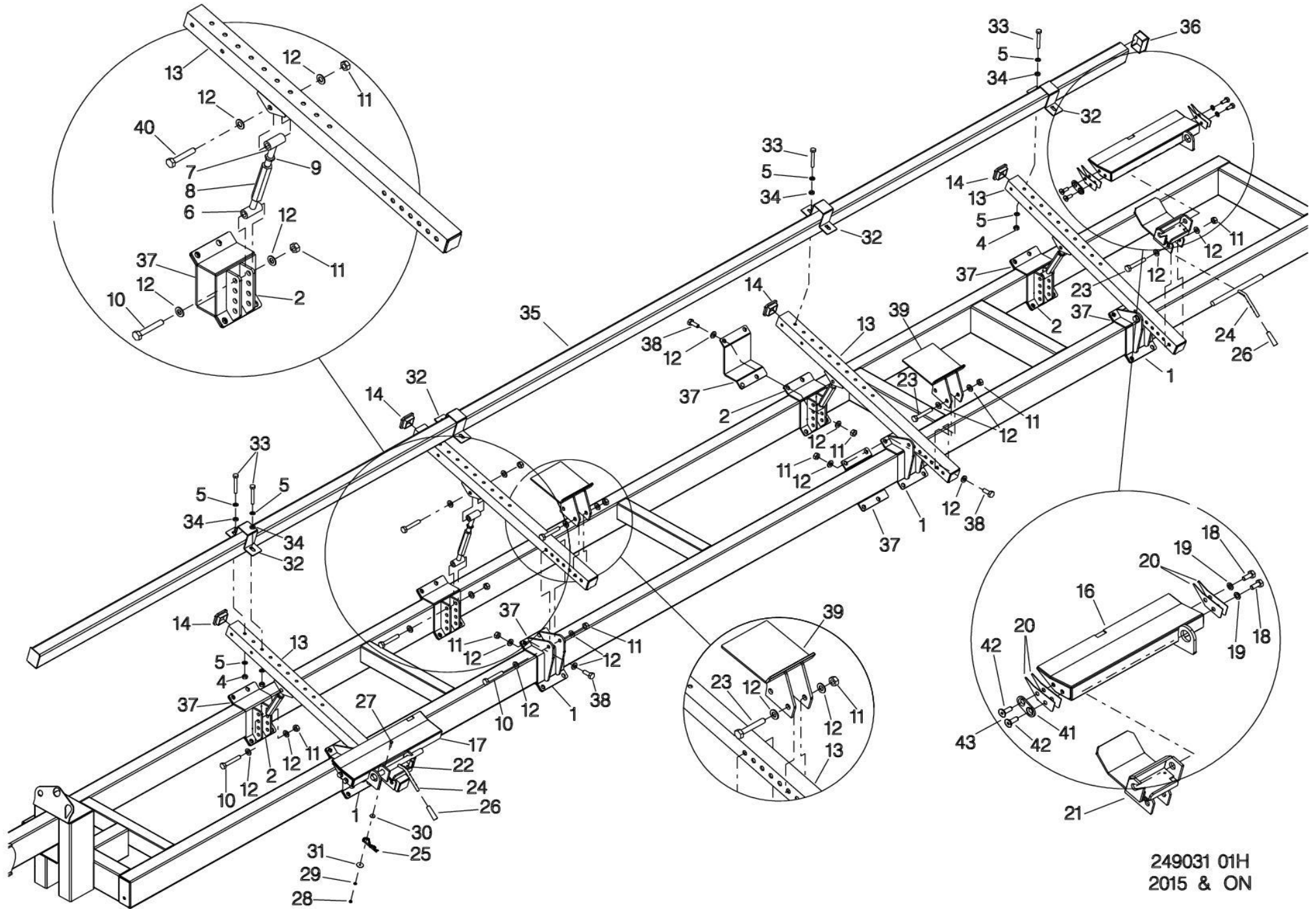
ASSY NUMBER: 249031 01D				ASSY DESCRIPTION: JD 35' (FW) MNTG & LOCKING SUB			
ITEM	PART NO	DESCRIPTION	QTY	ITEM	PART NO	DESCRIPTION	QTY
1	240771 01	REAR HEADER SHOE W/ASSY	1	32	190119 99	WASHER	8
2	240771 02	FRONT HEADER SHOE W/ASSY	1	33	241092 01	SUPPORT ARM W/ASSY	4
3	240100 01	CLAMP PLATE	2	34	21709004	END CAP 80 X 80	4
4	BLT-2273	BOLT	4	35	WSH-0024	PLAIN WASHER FORM A	16
5	NUT-0269	NUT	6	36	NUT-0271	NYLOC NUT	8
6	WSH-0018	WASHER	12	37	BLTA16710	BOLT (UPTO 2013)	16
7	240104 01	HANDLE W/ASSY	2	38	CAP-0080	PLASTIC CAP (FOR 120x80 RHS)	2
8	240770 01	CRADLE LH W/ASSY	1	39	241202 01	CLAMP PLATE 2014 & ON	8
9	240770 02	CRADLE RH W/ASSY	1	OR	241276 02	CLAMP PLATE 2013 ONLY	
10	BLTA20650	BOLT	4	40	BLT-2365	BOLT	32
11	NUTA02200	NUT	46	41	241818 01	TUBE CLAMP BOLT	2
12	WSH-0030	WASHER	60	42	NUT-0170	PLAIN NUT	2
13	240147 01	LOCKING PIN W/ASSY	2	43	ADL-04130	ADJUSTER ASSEMBLY (MID 2018 & ON) CAN REPLACE ITEMS 23-26	4
14	CLP-00106	R CLIP	2				
15	HAN-2000	PLASTIC LEVER END	2				
16	HSS-0153	SET SCREW	2				
17	NUT-0263	NUT	2				
18	WSH-0012	WASHER	2				
19	190119 08	INNER WASHER	2				
20	190119 05	OUTER WASHER	2				
21	241310 01	MOUNTING ASSY 2014 & ON	4				
OR	241278 01	MOUNTING ASSY 2013 ONLY					
OR	240966 01	MOUNTING ASSY UPTO 2013					
22	241201 01	MOUNTING ASSY 2014 & ON	4				
OR	241275 01	MOUNTING ASSY 2013 ONLY					
OR	240953 01	MOUNTING ASSY UPTO 2013					
23	240750 01	LH THREAD ADJUSTER(UP TO MID 2018)	4				
24	240749 01	RH THREAD ADJUSTER(UP TO MID 2018)	4				
25	240800 01	ADJUSTER BODY (UP TO MID 2018)	4				
OR	240757 01	ADJUSTER BODY (UP TO 2011)					
26	NUT-0390	HALF NUT (UP TO MID 2018) FOR ITEMS 23-26 ALSO SEE ITEM 43	4				
27	20166128	BOLT	8				
28	BLTA20620	HEX HEAD BOLT	4				
29	240688 01	SUPPORT TUBE ASSY 9.0mt LONG	1				
30	240798 01	TUBE CLAMP PLATE	4				
OR	240672 01	TUBE CLAMP W/A	2				
31	BLT-2330	HEX HEAD BOLT	8				



249031 01D

Shelbourne Reynolds Engineering Limited

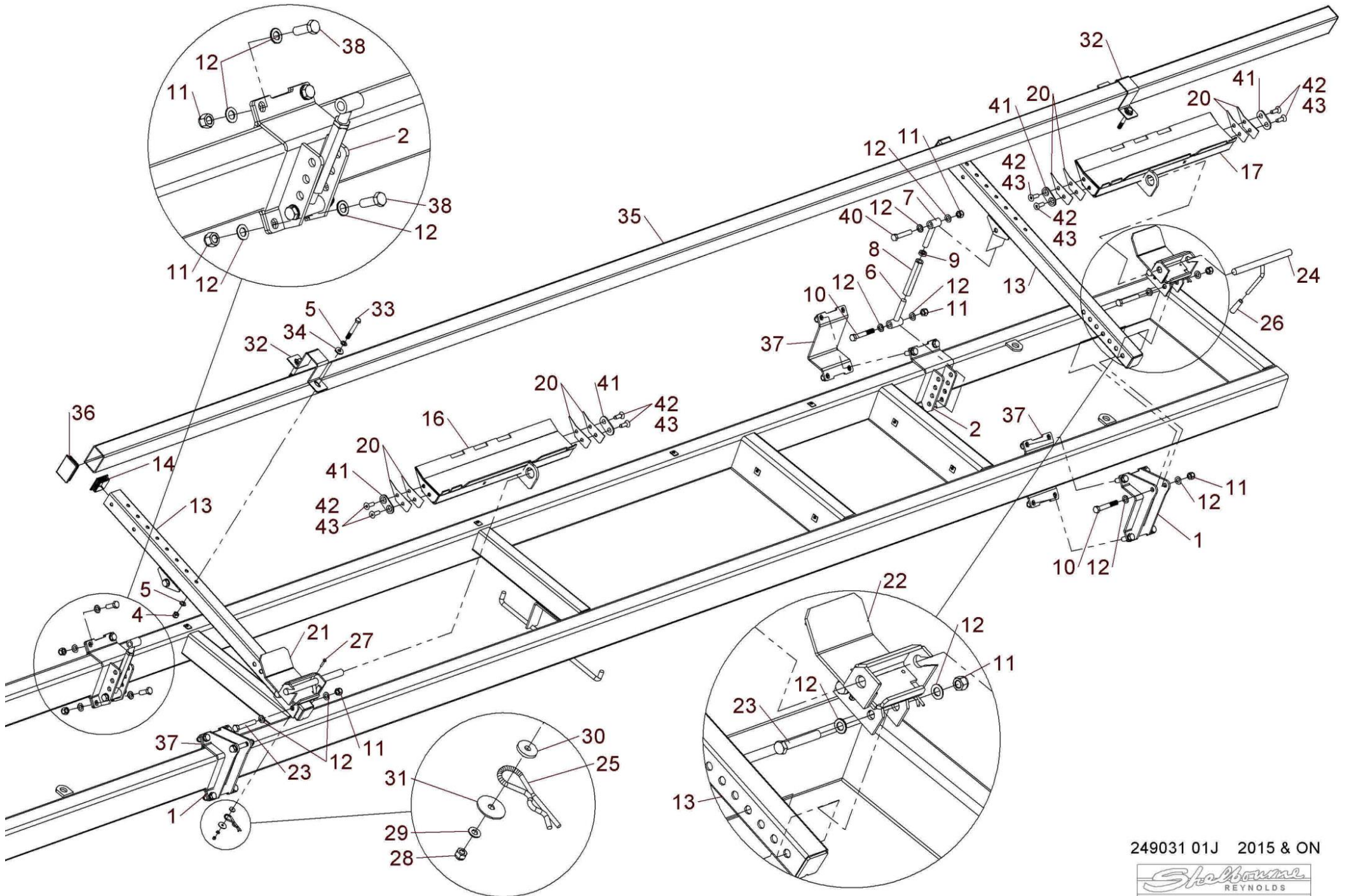
ASSY NUMBER:249031 01H				ASSY DESCRIPTION: 35' FRONT WHEEL TRANSPORTER NH MOUNTING & LOCKING SUB			
ITEM	PART NO	DESCRIPTION	QTY	ITEM	PART NO	DESCRIPTION	QTY
1	241199 01	NEAR SIDE CRADLE (2013 ON)	4	37	241202 01	CLAMP PLATE (2013 ON)	8
	240961 01	NEAR SIDE CRADLE (PRE 2013)		38	BLT-2365	BOLT (2013 ON)	32
2	241201 01	FAR SIDE CRADLE (2013 ON)	4	39	241207 01	END SUPPORT ASSY (2015)	
	240953 01	FAR SIDE CRADLE (PRE 2013)		OR	241317 01	END SUPPORT ASSY(2016 & ON)	2
3	BLTA16710	BOLT (PRE 2015)		40	BLTA20620	BOLT	4
4	NUT-0271	NYLOC NUT	8	41	241065 01	MOUNT PLATE (2015 ON)	2
5	WSH-0024	PLAIN WASHER	22	42	SCEA16260	CSK.SKT.HD. (2015 ON)	4
6	240750 01	LH ADJUSTER	4	43	LOC-0222	LOCTITE (2015 ON)	1
7	240749 01	RH ADJUSTER	4				
8	240800 01	ADJUSTER BODY	4				
9	NUT-0390	HALF NUT	4				
10	20166128	HEX HD BOLT	8				
11	NUTA02200	NYLOC NUT	52				
12	WSH-0030	PLAIN WASHER	128				
13	241092 01	SUPPORT ARM	4				
14	21709004	END CAP	4				
15	241152 01	SKID GUARD (PRE 2015)					
16	241063 01	FRONT MOUNT BRKT (2015 ON)	1				
OR	241158 01	FRONT MOUNT BRKT (PRE 2015)					
17	241063 02	REAR MOUNT BRKT (2015 ON)	1				
OR	241158 01	FRONT MOUNT BRKT (PRE 2015)					
18	HSS-0316	SET SCREW	4				
19	WSHA30161	WASHER	4				
20	241064 01	PACKER PLATE	8				
21	241050 01	FRONT CRADLE ASSY	1				
22	241050 02	REAR CRADLE ASSY	1				
23	BLTA20650	BOLT	8				
24	240147 01	LOCKING PIN	2				
25	CLP-00106	R CLIP	2				
26	HAN-2000	PLASTIC LEVER END	2				
27	HSS-0153	BOLT	2				
28	NUT-0263	NUT	2				
29	WSH-0012	PLAIN WASHER	2				
30	190119 08	INNER WASHER	2				
31	190119 05	OUTER WASHER	2				
32	240798 01	TUBE CLAMP	4				
33	BLT-2330	HEX HD BOLT	8				
34	190119 99	WASHER	8				
35	240688 01	C9000 SUPPORT BEAM	1				
36	CAP-0080	END CAP	2				



249031 01H
2015 & ON

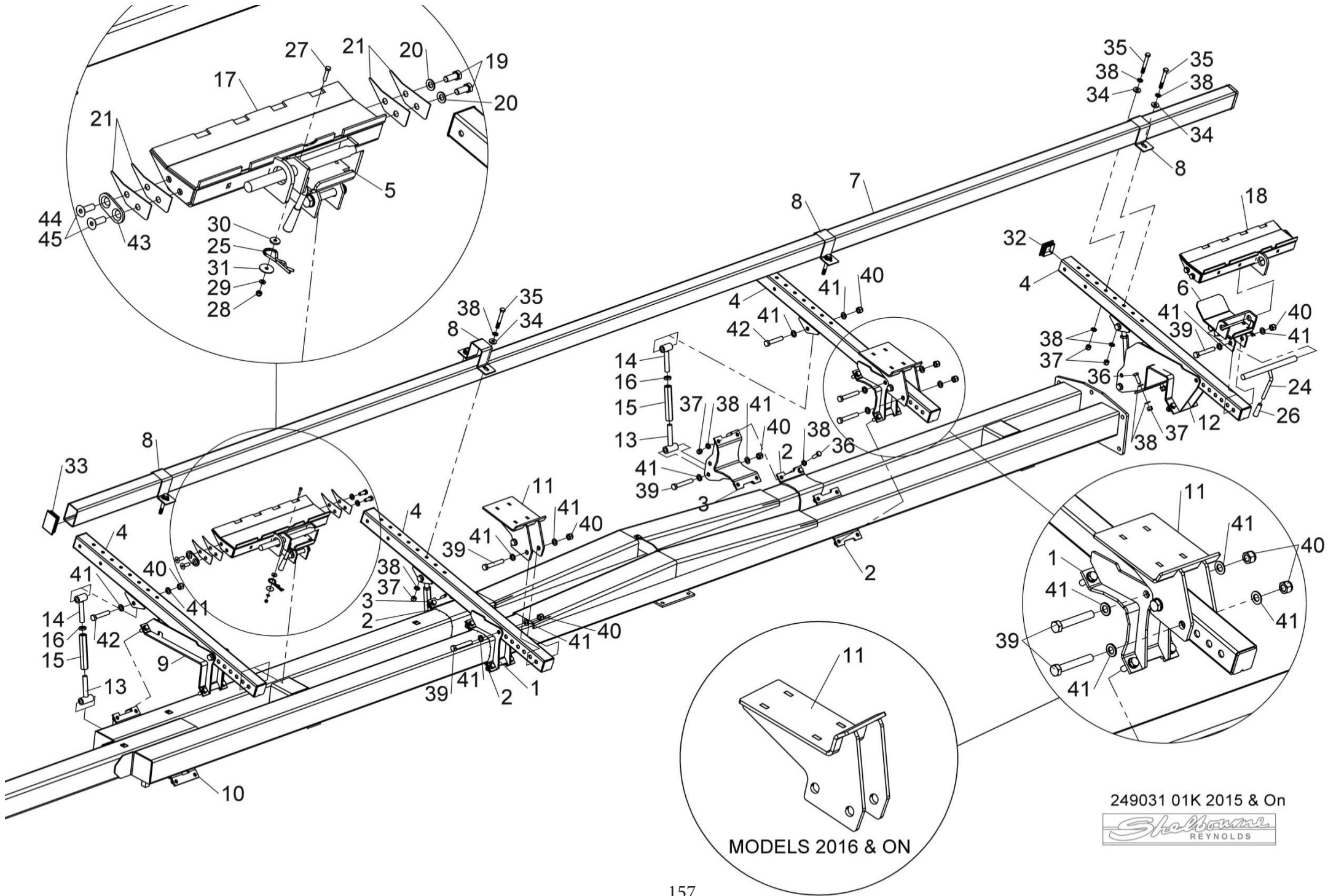
Shelbourne Reynolds Engineering Limited

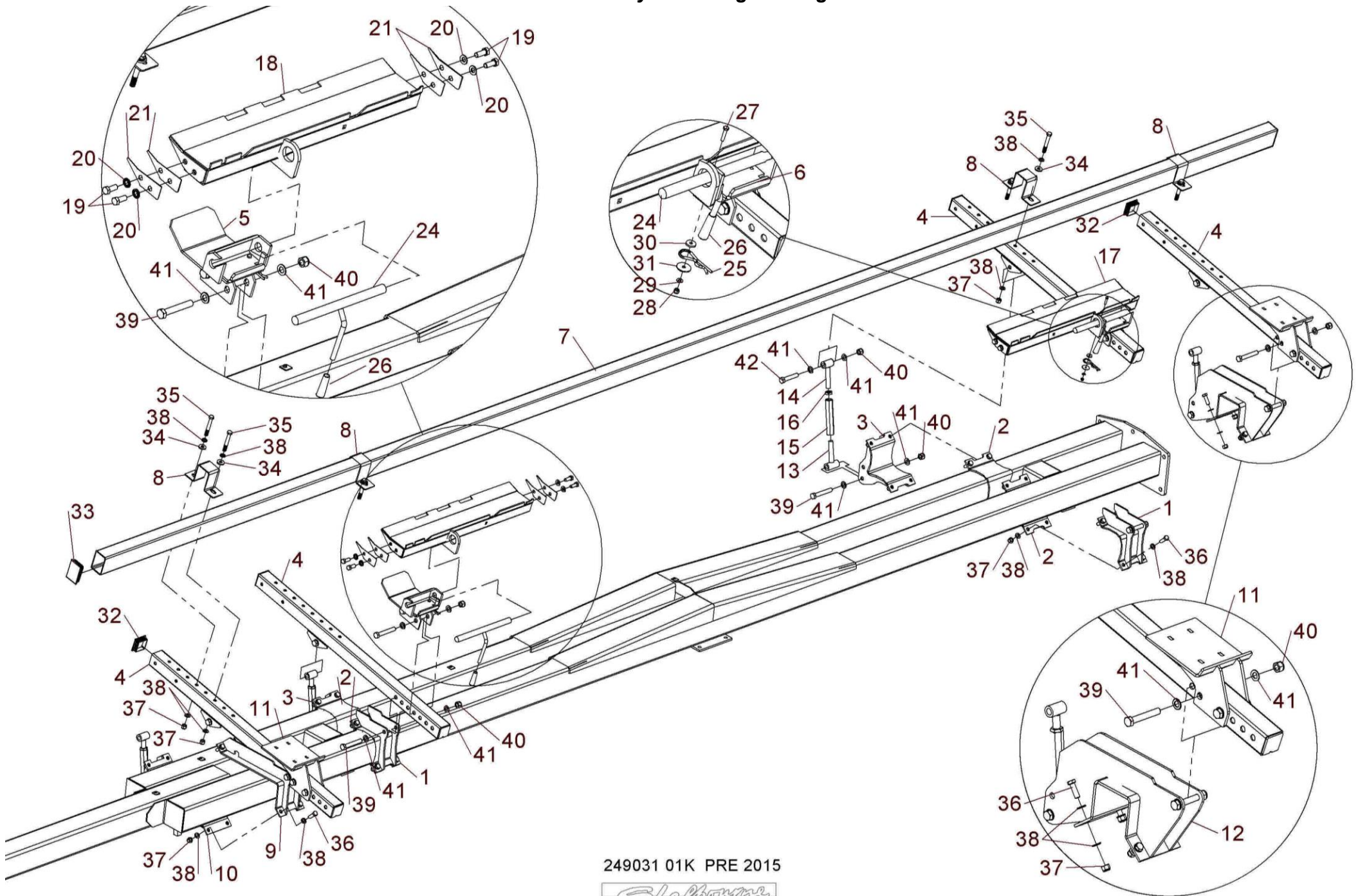
ASSY NUMBER: 249031 01J				NH 30` FW MOUNT PRE 2015 3 SKID, 2015 ON 4 SKID HEADS			
ITEM	PART NO	DESCRIPTION	QTY	ITEM	PART NO	DESCRIPTION	QTY
1	241199 01	NEAR SIDE CRADLE (2013 ON)	2				
	240961 01	NEAR SIDE CRADLE (PRE 2013)					
2	241201 01	FAR SIDE CRADLE (2013 ON)	2	34	190119 99	WASHER	4
	240953 01	FAR SIDE CRADLE (PRE 2013)		35	240688 01	SUPPORT BEAM C9000	1
3	BLTA16710	BOLT (PRE 2015)		36	CAP-0080	END CAP	2
4	NUT-0271	NUT	4	37	241202 01	CLAMP PLATE (2013 ON)	4
5	WSH-0024	WASHER	8	38	BLT-2365	BOLT (2013 ON)	16
6	240750 01	LH ADJUSTER	2	39	241223 01	CLAMP PLATE (PRE 2015)	
7	240749 01	RH ADJUSTER	2	40	BLTA20590	BOLT	2
8	240800 01	ADJUSTER BODY (HEX)	2	41	241065 01	MOUNTING PLATE (2015 ON)	4
9	NUT-0390	HALF NUT	2	42	SCEA16260	CSK.SKT.HD (2015 ON)	8
10	20166128	BOLT	4	43	LOC-0222	LOCTITE	1
11	NUTA02200	NUT	26				
12	WSH-0030	WASHER	52				
13	241092 01	SUPPORT ARM W/ASSY	2				
14	21709004	END CAP	2				
15	241152 01	SKID GUARD (PRE 2015)					
16	241158 02	FRONT MOUNT BRKT (2015 ON)	1				
OR	241063 01	FRONT MOUNT BRKT (PRE 2015)					
17	241158 01	REAR MOUNT BRKT (2015 ON)	1				
OR	241063 02	REAR MOUNT BRKT (PRE 2015)					
18	HSS-0316	SETSCREW (PRE 2015)					
19	WSHA30161	WASHER (PRE 2015)					
20	241064 01	PACKER PLATE	8				
21	241841 02	FRONT CRADLE W/ASSY (2015 ON)	1				
OR	241050 01	FRONT CRADLE W/ASSY (PRE 2015)	1				
22	241841 01	FRONT CRADLE W/ASSY (2015 ON)	1				
OR	241050 02	REAR CRADLE W/ASSY (PRE 2015)					
23	BLTA20650	BOLT	4				
24	241851 01	LOCKING PIN W/ASSY (2015 ON)	2				
OR	240147 01	LOCKING PIN W/ASSY (PRE 2015)					
25	CLP-00106	R CLIP	2				
26	HAN-2000	PLASTIC LEVER END	2				
27	HSS-0153	SET SCREW	2				
28	NUT-0263	NUT	2				
29	WSH-0012	WASHER	2				
30	190119 08	INNER WASHER	2				
31	190119 05	OUTER WASHER	2				
32	240798 01	TUBE CLAMP	4				
33	BLT-2330	HEX.HEAD BOLT	4				



Shelbourne Reynolds Engineering Limited

ASSY NUMBER: 249031 01K				ASSY DESCRIPTION: 35' (C10500TA) NH MOUNTING			
ITEM	PART NO	DESCRIPTION	QTY	ITEM	PART NO	DESCRIPTION	QTY
1	241072 01	BEAM MOUNT CRADLE	2	36	HSS-0318	SETSCREW	24
2	241066 02	CLAMP PLATE	4	37	NUT-0271	NUT	32
3	241073 01	ADJUSTER MOUNT CRADLE	2	38	WSH-0024	WASHER	64
4	241092 01	SUPPORT ARM W/ASSY	4	39	BLTA20650	HEX HEAD BOLT	16
5	241050 01	FRONT NH CRADLE W/ASSY	1	40	NUTA02200	NUT	20
6	241050 02	REAR NH CRADLE W/ASSY	1	41	WSH-0030	PLAIN WASHER	40
7	240688 01	SUPPORT TUBE ASSY 9.0mt LONG	1	42	BLTA20590	BOLT HEX. HD.	4
8	240798 01	TUBE CLAMP PLATE	4	43	241065 01	MOUNT PLATE (2015 ON)	2
9	241208 01	FRONT CRADLE W/ASSY	1	44	SCEA16260	CSK SKT HD	4
10	241213 01	FRONT CRADLE W/ASSY	1	45	LOC-0222	LOCTITE	1
11	241207 01	END BEAM SUPPORT W/ASSY (2015)	2				
OR	241317 01	END BEAM SUPPORT W/ASSY (2016 & ON)	2				
12	241218 01	REAR CRADLE W/ASSY	1				
13	240750 01	LH THREAD ADJUSTER	4				
14	240749 01	RH THREAD ADJUSTER	4				
15	240800 01	ADJUSTER BODY (HEX)	4				
16	NUT-0390	HALF NUT	4				
17	241063 01	FRONT MOUNT BRKT (2015 ON)	1				
OR	241158 02	FRONT MOUNT BRKT (PRE 2015)					
18	241063 02	REAR MOUNT BRKT (2015 ON)	1				
OR	241158 01	REAR MOUNT BRKT (PRE 2015)					
19	HSS-0316	SETSCREW	4				
20	WSHA30161	WASHER	4				
21	241064 01	PACKER PLATE	8				
22							
23							
24	240147 01	LOCKING PIN	2				
25	CLP-00106	R CLIP	2				
26	HAN-2000	PLASTIC LEVER END	2				
27	HSS-0153	SETSCREW	2				
28	NUT-0263	NUT	2				
29	WSH-0012	PLAIN WASHER	2				
30	190119 08	INNER WASHER	2				
31	190119 05	OUTER WASHER	2				
32	21709004	END CAP 80 X 80	4				
33	CAP-0080	END CAP	2				
34	190119 99	WASHER	8				
35	BLT-2330	HEX.HEAD BOLT	8				



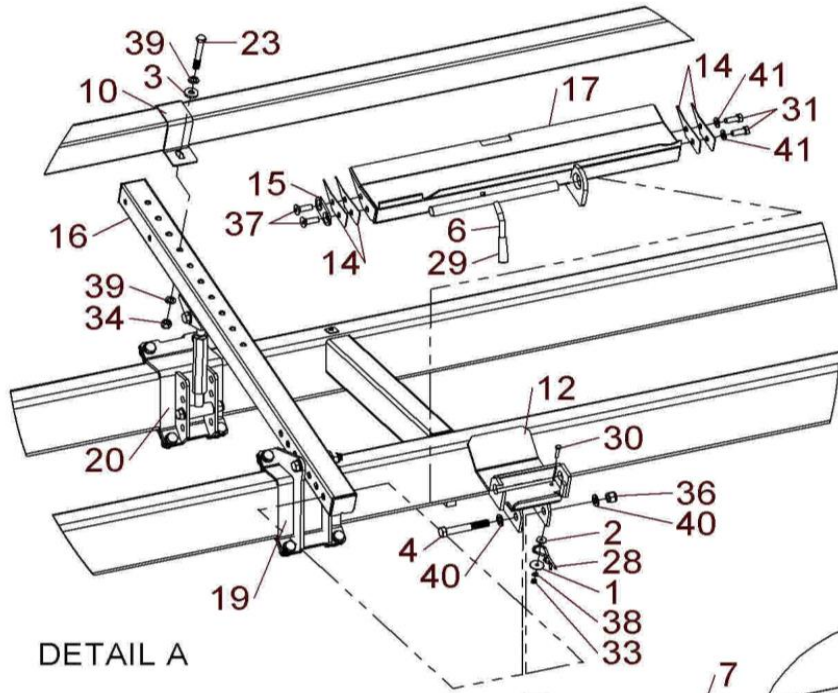


249031 01K PRE 2015



Shelbourne Reynolds Engineering Limited

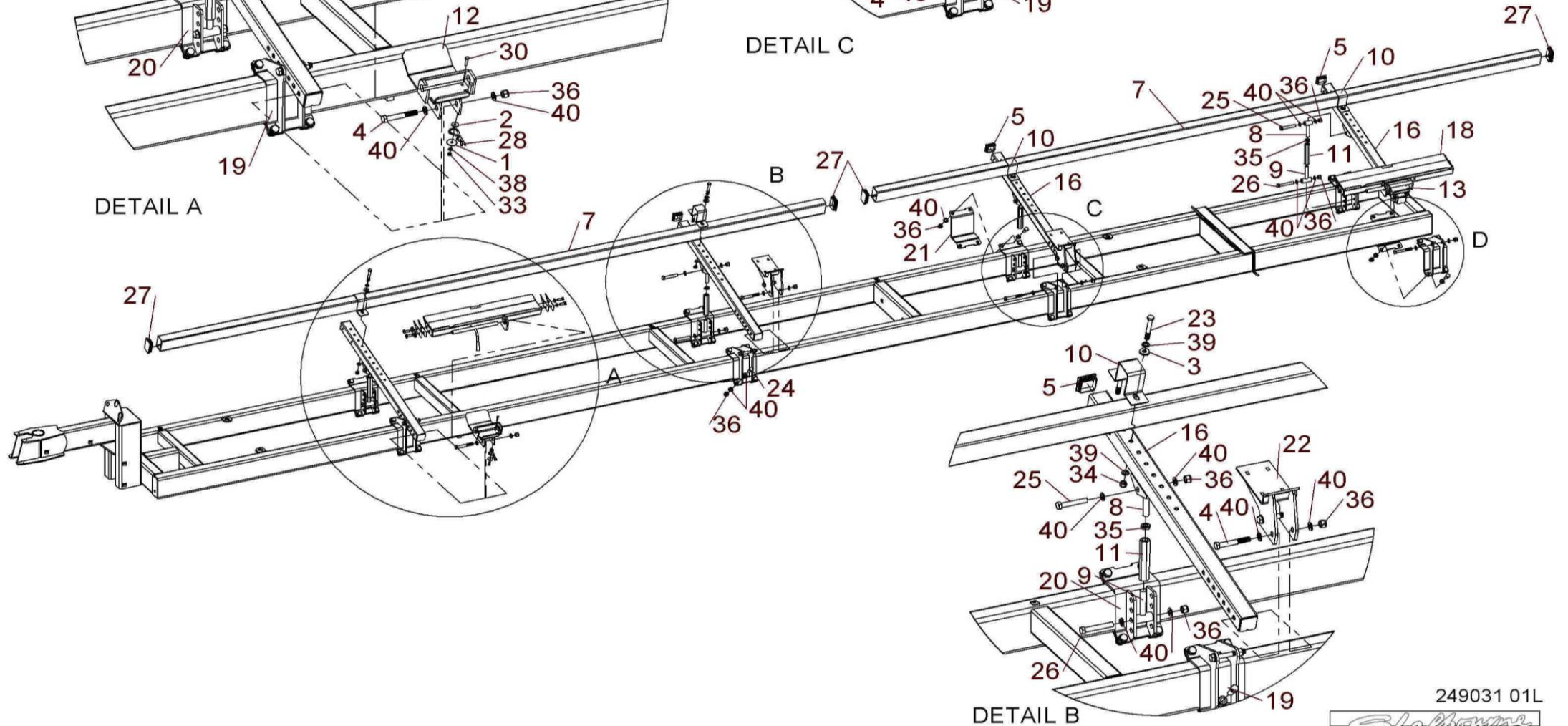
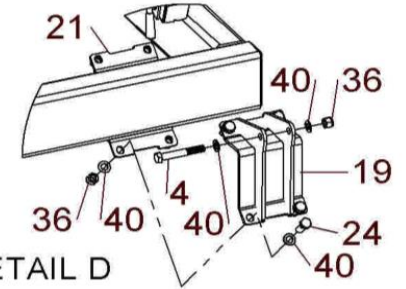
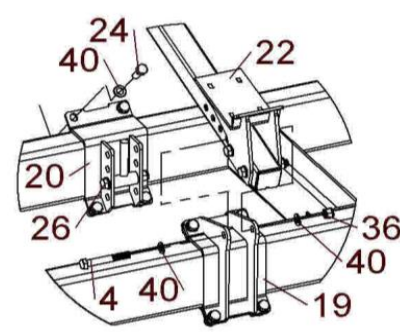
ASSY NUMBER: 249031 01L				ASSY DESCRIPTION: NH 40' FW MOUNTING SUB			
ITEM	PART NO	DESCRIPTION	QTY	ITEM	PART NO	DESCRIPTION	QTY
1	190119 05	OUTER WASHER	2	41	WSHA30161	WASHER	4
2	190119 08	INNER WASHER	2				
3	190119 99	WASHER	8				
4	20166128	BOLT	12				
5	21709004	END CAP 80 X 80	4				
6	240147 01	LOCKING PIN	2				
7	240688 03	C6000 SUPPORT BEAM	2				
8	240749 01	RH THREAD ADJUSTER	4				
9	240750 01	LH THREAD ADJUSTER	4				
10	240798 01	TUBE CLAMP PLATE	4				
11	240800 01	ADJUSTER BODY (HEX)	4				
12	241050 01	FRONT CRADLE ASSY	1				
13	241050 02	REAR CRADLE ASSY	1				
14	241064 01	PACKER PLATE	8				
15	241065 01	MOUNTING PLATE	2				
16	241092 01	SUPPORT ARM	4				
17	241158 01	FRONT MOUNTING BRACKET	1				
18	241158 02	REAR MOUNTING BRACKET	1				
19	241199 01	NEAR SIDE CRADLE	4				
20	241201 01	FAR SIDE CRADLE	4				
21	241202 01	CLAMP PLATE	8				
22	241317 01	END SUPPORT ASSY	2				
23	BLT-2330	HEX.HEAD BOLT	8				
24	BLT-2365	BOLT	32				
25	BLTA20620	HEX HEAD BOLT	4				
26	BLTA20650	HEX HEAD BOLT	8				
27	CAP-0080	END CAP	4				
28	CLP-00106	R CLIP	2				
29	HAN-2000	PLASTIC LEVER END	2				
30	HSS-0153	SET SCREW	2				
31	HSS-0316	SETSCREW	4				
32	LOC-0222	LOCTITE THREADLOCK 10ml	1				
33	NUT-0263	NUT	2				
34	NUT-0271	NUTF	8				
35	NUT-0390	HALF NUT	4				
36	NUTA02200	NUT	52				
37	SCEA16260	CSK.SOCK.HEAD SCREW	4				
38	WSH-0012	WASHER	2				
39	WSH-0024	WASHER	16				
40	WSH-0030	WASHER	104				



DETAIL A

DETAIL C

DETAIL D



A

B

C

D

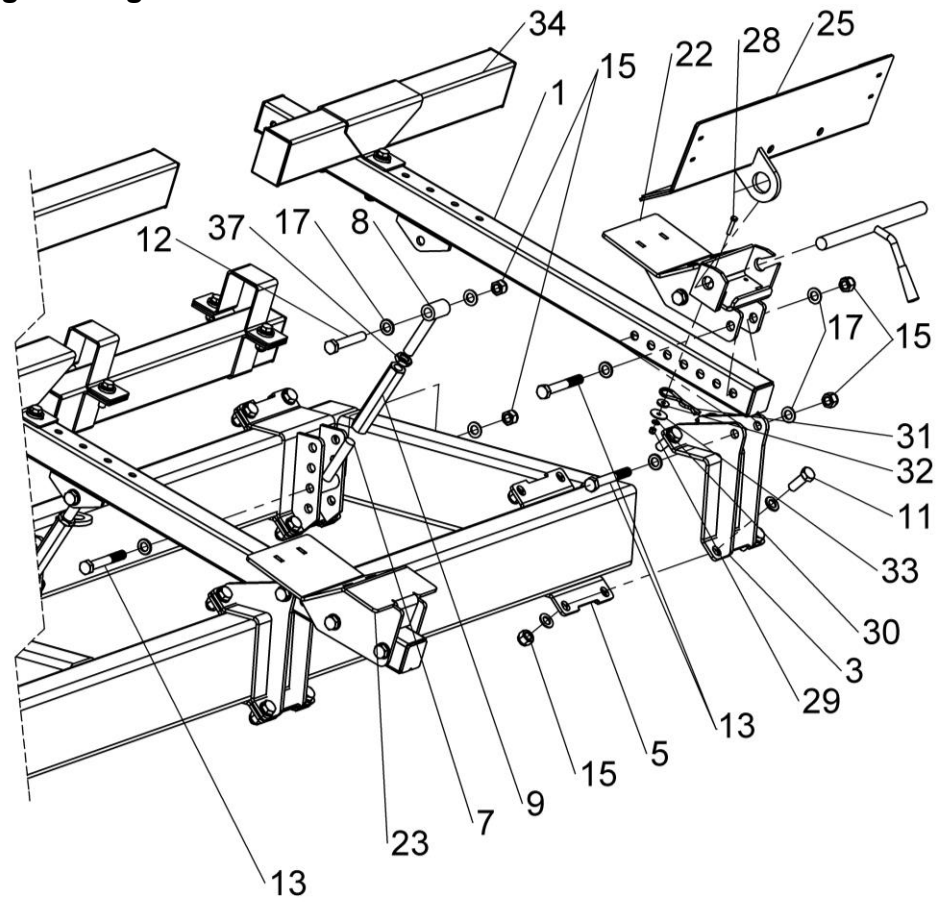
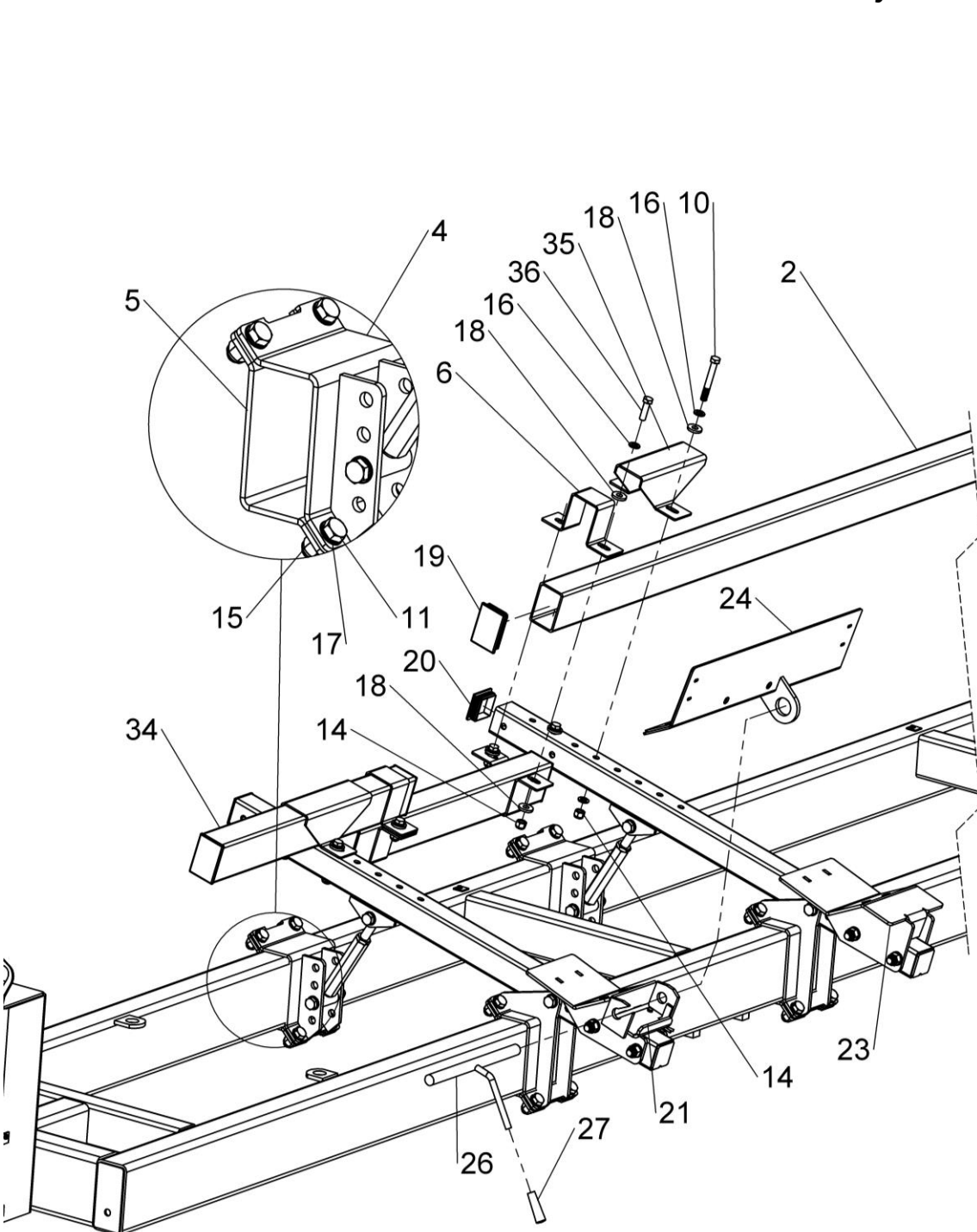
DETAIL B

249031 01L



Shelbourne Reynolds Engineering Limited

ASSY NUMBER: 249031 01M				ASSY DESCRIPTION: MF-35FT POWERFLOW MOUNTING SUB			
ITEM	PART NO	DESCRIPTION	QTY	ITEM	PART NO	DESCRIPTION	QTY
1	241092 01	SUPPORT ARM W/ASSY	4				
2	240688 03	SUPPORT TUBE	1				
3	241199 01	CLAMP W/ASSY	4				
4	241201 01	CLAMP W/ASSY	4				
5	241202 01	CLAMP PLATE	8				
6	240798 01	TUBE CLAMP PLATE	8				
7	240750 01	LH THREAD ADJUSTER	4				
8	240749 01	RH THREAD ADJUSTER	4				
9	240800 01	ADJUSTER BODY	4				
10	BLT-2330	HED HEAD BOLT	8				
11	BLT-2365	HEX BOLT	32				
12	BLTA20620	HEX BOLT	4				
13	20166128	HEX BOLT	16				
14	NUT-0271	NYLOC NUT	14				
15	NUTA02200	NYLOC NUT	52				
16	WSH-0024	PLAIN WASHER	32				
17	WSH-0030	PLAIN WASHER	104				
18	190119 99	WASHER	24				
19	CAP-0080	END CAP	10				
20	21709004	END CAP	4				
21	241476 01	LH MF POWERFLOW CRADLE W/ASSY	1				
22	241476 02	RH MF POWERFLOW CRADLE W/ASSY	1				
23	241481 01	MF-35FT CRADLE W/ASSY	2				
24	241479 01	LH HEADER PLATE	1				
25	241483 01	RH HEADER PLATE	1				
26	240147 01	HANDLE W/ASSY	2				
27	HAN-2000	PLASTIC LEVER END	2				
28	HSS-0153	HEX HD BOLT	2				
29	NUT-0263	NYLOC NUT	2				
30	WSH-0012	PLAIN WASHER	2				
31	CLP-00106	R-CLIP	2				
32	190119 08	WASHER	2				
33	190119 05	WASHER	2				
34	241365 01	SUPPORT TUBE	4				
35	241046 01	TUBE CLAMP PLATE	4				
36	HSS-0319	HEX BOLT	8				
37	NUT-0390	HALF NUT	4				

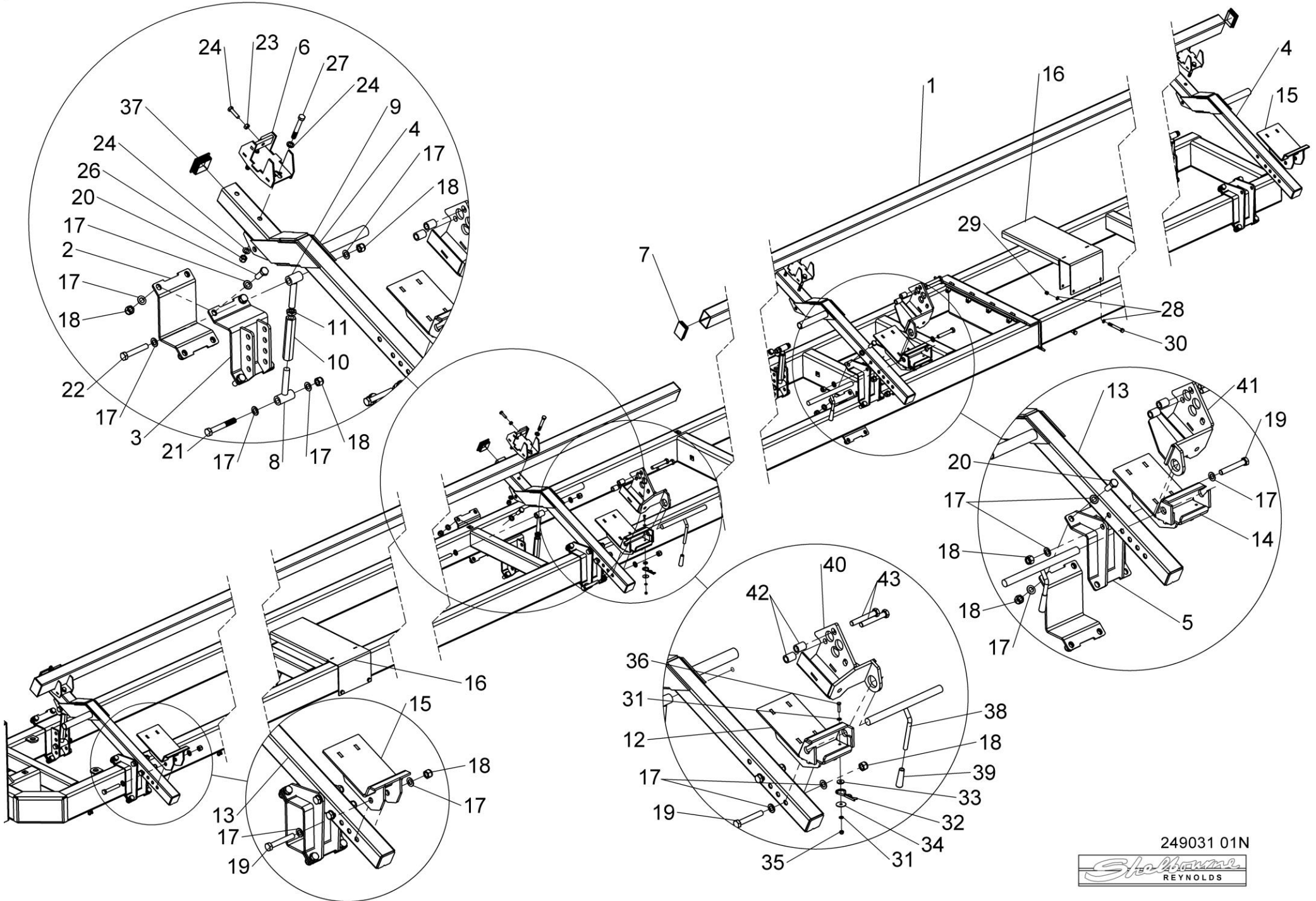


249031 01M



Shelbourne Reynolds Engineering Limited

ASSY NUMBER: 249031 01N				ASSY DESCRIPTION: JD600X 40ft MOUNT/LOCKING 2015 ONLY			
ITEM	PART NO	DESCRIPTION	QTY	ITEM	PART NO	DESCRIPTION	QTY
1	240688 03	SUPPORT TUBE 6.0mt LONG	2	41	241723 01	REAR MOUNT W/ASSY	1
2	241202 01	CLAMP PLATE	8	42	241862 01	SPACER	4
3	241201 01	ADJUSTER CLAMP W/ASSY	4	43	BLTA20654	BOLT GRADE 10.9	4
4	241754 02	RH SUPPORT ARM W/ASSY	2				
5	241737 01	CLAMP W/ASSY	4				
6	240672 01	TUBE MOUNTING ASSY	4				
7	CAP-0080	PLASTIC CAP (FOR 120x80 RHS)	4				
8	240750 01	LH THREAD ADJUSTER	4				
9	240749 01	RH THREAD ADJUSTER	4				
10	240800 01	ADJUSTER BODY (HEX)	4				
11	NUT-0390	HALF NUT	4				
12	241752 01	LH CRADLE W/ASSY	1				
13	241754 01	LH SUPPORT ARM W/ASSY	2				
14	241752 02	RH CRADLE W/ASSY	1				
15	241765 01	CRADLE W/ASSY	2				
16	241779 01	SENSOR SUPPORT W/ASSY	2				
17	WSH-0030	PLAIN WASHER	106				
18	NUTA02200	NYLOC NUT	53				
19	BLTA20650	HEX HEAD BOLT	12				
20	BLT-2365	BOLT	32				
21	20166128	BOLT	4				
22	BLTA20620	HEX HEAD BOLT	4				
23	NUT-0170	PLAIN NUT	4				
24	241818 01	TUBE FIXING BOLT	4				
25	WSH-0024	PLAIN WASHER	16				
26	NUT-0271	NYLOC NUT	8				
27	BLT-2330	HEX.HEAD BOLT	8				
28	WSH-0018	PLAIN WASHER	8				
29	NUT-0269	NYLOC NUT	4				
30	BLT-2273	HEX.HEAD BOLT	4				
31	WSH-0012	PLAIN WASHER	4				
32	CLP-00106	R CLIP	2				
33	190119 08	WASHER	2				
34	190119 05	WASHER	2				
35	NUT-0263	NYLOC NUT	1				
36	HSS-0152	SET SCREW	2				
37	21709004	END CAP 80 X 80	4				
38	240147 01	LOCKING PIN W/ASSY	2				
39	HAN-2000	BLACK PLASTIC HANDLE FOR	2				
40	241715 01	FRONT MOUNT W/ASSY	1				



249031 01N



Shelbourne Reynolds Engineering Limited

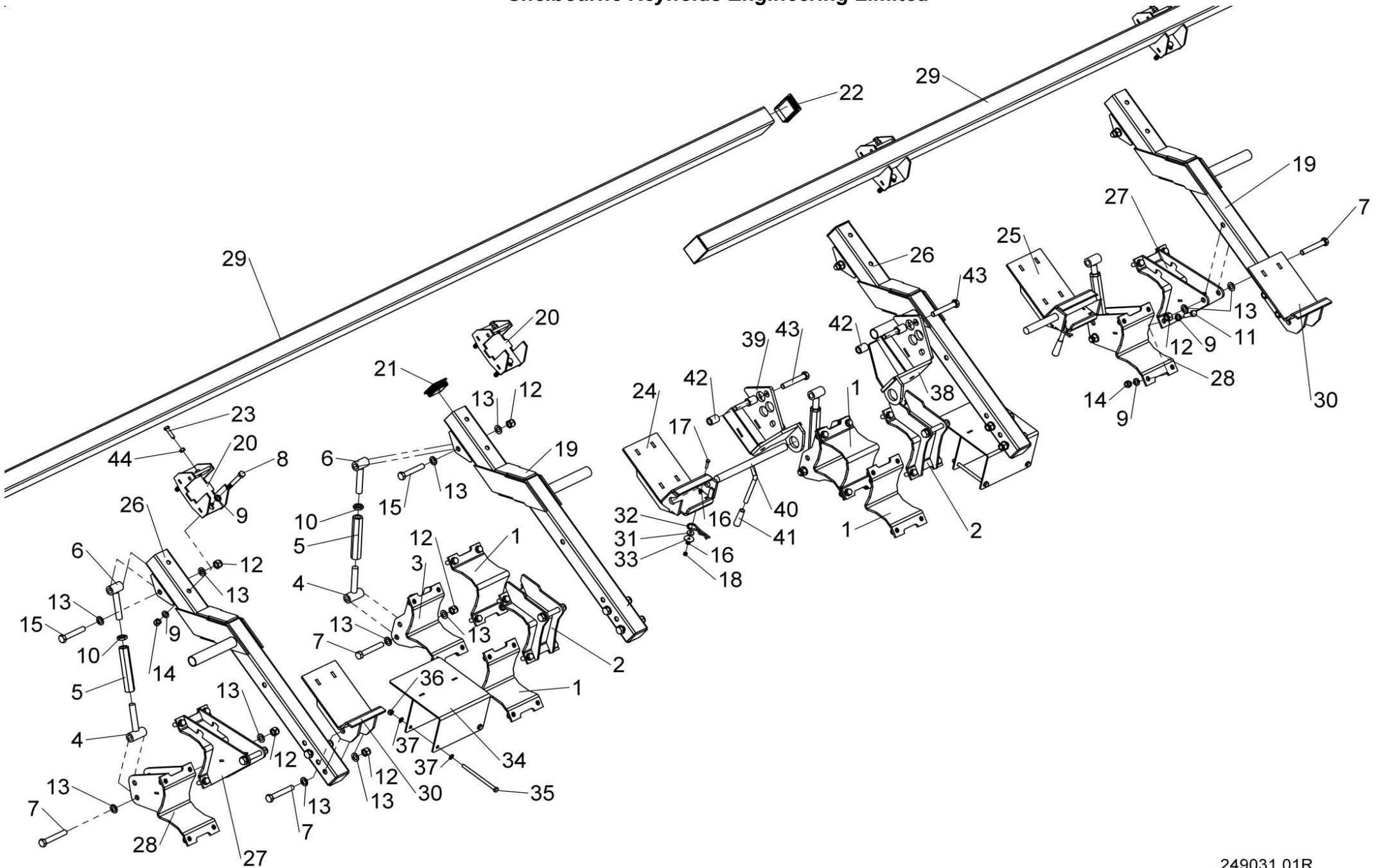
ASSY NUMBER: 249031 01P				ASSY DESCRIPTION: JD600X 35ft MOUNT/LOCKING 2015 ONLY			
ITEM	PART NO	DESCRIPTION	QTY	ITEM	PART NO	DESCRIPTION	QTY
1	240688 11	SUPPORT TUBE	2	41	241723 01	REAR MOUNT W/ASSY	1
2	241202 01	CLAMP PLATE	8	42	241862 01	SPACER	4
3	241201 01	ADJUSTER CLAMP W/ASSY	4	43	BLTA20654	BOLT GRADE 10.9	4
4	241754 02	RH SUPPORT ARM W/ASSY	2				
5	241737 01	CLAMP W/ASSY	4				
6	240672 01	TUBE MOUNTING ASSY	4				
7	CAP-0080	PLASTIC CAP (FOR 120x80 RHS)	4				
8	240750 01	LH THREAD ADJUSTER	4				
9	240749 01	RH THREAD ADJUSTER	4				
10	240800 01	ADJUSTER BODY (HEX)	4				
11	NUT-0390	HALF NUT	4				
12	241752 01	LH CRADLE W/ASSY	1				
13	241754 01	LH SUPPORT ARM W/ASSY	2				
14	241752 02	RH CRADLE W/ASSY	1				
15	241765 01	CRADLE W/ASSY	2				
16	241779 01	SENSOR SUPPORT W/ASSY	1				
17	WSH-0030	PLAIN WASHER	106				
18	NUTA02200	NYLOC NUT	53				
19	BLTA20650	HEX HEAD BOLT	12				
20	BLT-2365	BOLT	32				
21	20166128	BOLT	4				
22	BLTA20620	HEX HEAD BOLT	4				
23	NUT-0170	PLAIN NUT	4				
24	241818 01	TUBE FIXING BOLT	4				
25	WSH-0024	PLAIN WASHER	16				
26	NUT-0271	NYLOC NUT	8				
27	BLT-2330	HEX.HEAD BOLT	8				
28	WSH-0018	PLAIN WASHER	8				
29	NUT-0269	NYLOC NUT	4				
30	BLT-2334	HEX.HEAD BOLT	4				
31	WSH-0012	PLAIN WASHER	4				
32	CLP-00106	R CLIP	2				
33	190119 08	WASHER	2				
34	190119 05	WASHER	2				
35	NUT-0263	NYLOC NUT	1				
36	HSS-0152	SET SCREW	2				
37	21709004	END CAP 80 X 80	4				
38	240147 01	LOCKING PIN W/ASSY	2				
39	HAN-2000	BLACK PLASTIC HANDLE FOR	2				
40	241715 01	FRONT MOUNT W/ASSY	1				

Shelbourne Reynolds Engineering Limited

ASSY NUMBER: 249031 01Q				ASSY DESCRIPTION: JD600X 30ft MOUNT/LOCKING 2015 ONLY			
ITEM	PART NO	DESCRIPTION	QTY	ITEM	PART NO	DESCRIPTION	QTY
1	241202 01	CLAMP PLATE	8	41	240688 01	SUPPORT TUBE ASSY 9.0mt LONG	1
2	241201 01	ADJUSTER CLAMP W/ASSY	4	42	241682 01	SPACER	4
3	241754 02	RH SUPPORT ARM W/ASSY	2	43	BLTA20654	BOLT GRADE 10.9	4
4	241737 01	CLAMP W/ASSY	4				
5	240672 01	TUBE MOUNTING ASSY	4				
6	CAP-0080	PLASTIC CAP (FOR 120x80 RHS)	2				
7	240750 01	LH THREAD ADJUSTER	4				
8	240749 01	RH THREAD ADJUSTER	4				
9	240800 01	ADJUSTER BODY (HEX)	4				
10	NUT-0390	HALF NUT	4				
11	241752 01	LH CRADLE W/ASSY	1				
12	241754 01	LH SUPPORT ARM W/ASSY	2				
13	241752 02	RH CRADLE W/ASSY	1				
14	241765 01	CRADLE W/ASSY	2				
15	241779 01	SENSOR SUPPORT W/ASSY	2				
16	WSH-0030	PLAIN WASHER	106				
17	NUTA02200	NYLOC NUT	53				
18	BLTA20650	HEX HEAD BOLT	12				
19	BLT-2365	BOLT	32				
20	20166128	BOLT	4				
21	BLTA20620	HEX HEAD BOLT	4				
22	NUT-0170	PLAIN NUT	4				
23	241818 01	TUBE FIXING BOLT	4				
24	WSH-0024	PLAIN WASHER	16				
25	NUT-0271	NYLOC NUT	8				
26	BLT-2330	HEX.HEAD BOLT	8				
27	WSH-0018	PLAIN WASHER	12				
28	NUT-0269	NYLOC NUT	6				
29	BLT-2273	HEX.HEAD BOLT	4				
30	WSH-0012	PLAIN WASHER	4				
31	CLP-00106	R CLIP	2				
32	190119 08	WASHER	2				
33	190119 05	WASHER	2				
34	NUT-0263	NYLOC NUT	1				
35	HSS-0152	SET SCREW	2				
36	21709004	END CAP 80 X 80	4				
37	240147 01	LOCKING PIN W/ASSY	2				
38	HAN-2000	BLACK PLASTIC HANDLE FOR	2				
39	241715 01	FRONT MOUNT W/ASSY	1				
40	241723 01	REAR MOUNT W/ASSY	1				

Shelbourne Reynolds Engineering Limited

ASSY NUMBER: 249031 01R				ASSY DESCRIPTION: JD600X 35' C10500TA MOUNT/LOCKING 2015 ONLY			
ITEM	PART NO	DESCRIPTION	QTY	ITEM	PART NO	DESCRIPTION	QTY
1	241066 02	CLAMP PLATE	4	40	240147 01	LOCKING PIN	2
2	241072 01	BEAM MOUNT CRADLE	2	41	HAN-2000	BLACK PLASTIC HANDLE	2
3	241073 01	ADJUSTER MOUNT CRADLE	2	42	241862 01	SPACER	4
4	240750 01	LH THREAD ADJUSTER	4	43	BLTA20654	BOLT GRADE 10.9	4
5	240800 01	ADJUSTER BODY (HEX)	4	44	NUT-0170	PLAIN WASHER	4
6	240749 01	RH THREAD ADJUSTER	4				
7	BLTA20650	HEX HEAD BOLT	16				
8	BLT-2330	HEX.HEAD BOLT	8				
9	WSH-0024	PLAIN WASHER	64				
10	NUT-0390	HALF NUT	4				
11	HSS-0318	SET SCREW	24				
12	NUTA02200	NYLOC NUT	20				
13	WSH-0030	PLAIN WASHER	40				
14	NUT-0271	NYLOC NUT	32				
15	BLTA20620	HEX HEAD BOLT	4				
16	WSH-0012	PLAIN WASHER	4				
17	HSS-0152	SET SCREW	2				
18	NUT-0263	NYLOC NUT	2				
19	241730 02	REAR SUPP ARM W/ASSY	2				
20	240672 01	TUBE MOUNTING ASSY	4				
21	21709004	END CAP 80 X 80	2				
22	CAP-0080	PLASTIC CAP (FOR 120x80 RHS)	4				
23	241818 01	TUBE FIXING BOLT	4				
24	241752 01	LH CRADLE W/ASSY	1				
25	241752 02	RH CRADLE W/ASSY	1				
26	241730 01	FRONT SUPP ARM W/ASSY	2				
27	241074 01	BEAM MOUNT CRADLE	2				
28	241075 01	ADJUSTER MOUNT CRADLE	2				
29	240688 11	SUPPORT TUBE (16' STRIPPER)	2				
30	241765 01	CRADLE W/ASSY	2				
31	190119 08	WASHER	2				
32	CLP-00106	R CLIP	2				
33	190119 05	WASHER	2				
34	241712 01	SENSOR GUIDE W/ASSY	2				
35	BLTA12810	HEX HEAD BOLT	4				
36	NUT-0269	NYLOC NUT	4				
37	WSH-0018	PLAIN WASHER	8				
38	241723 01	REAR MOUNT ASSY	1				
39	241715 01	FRONT MOUNT ASSY	1				

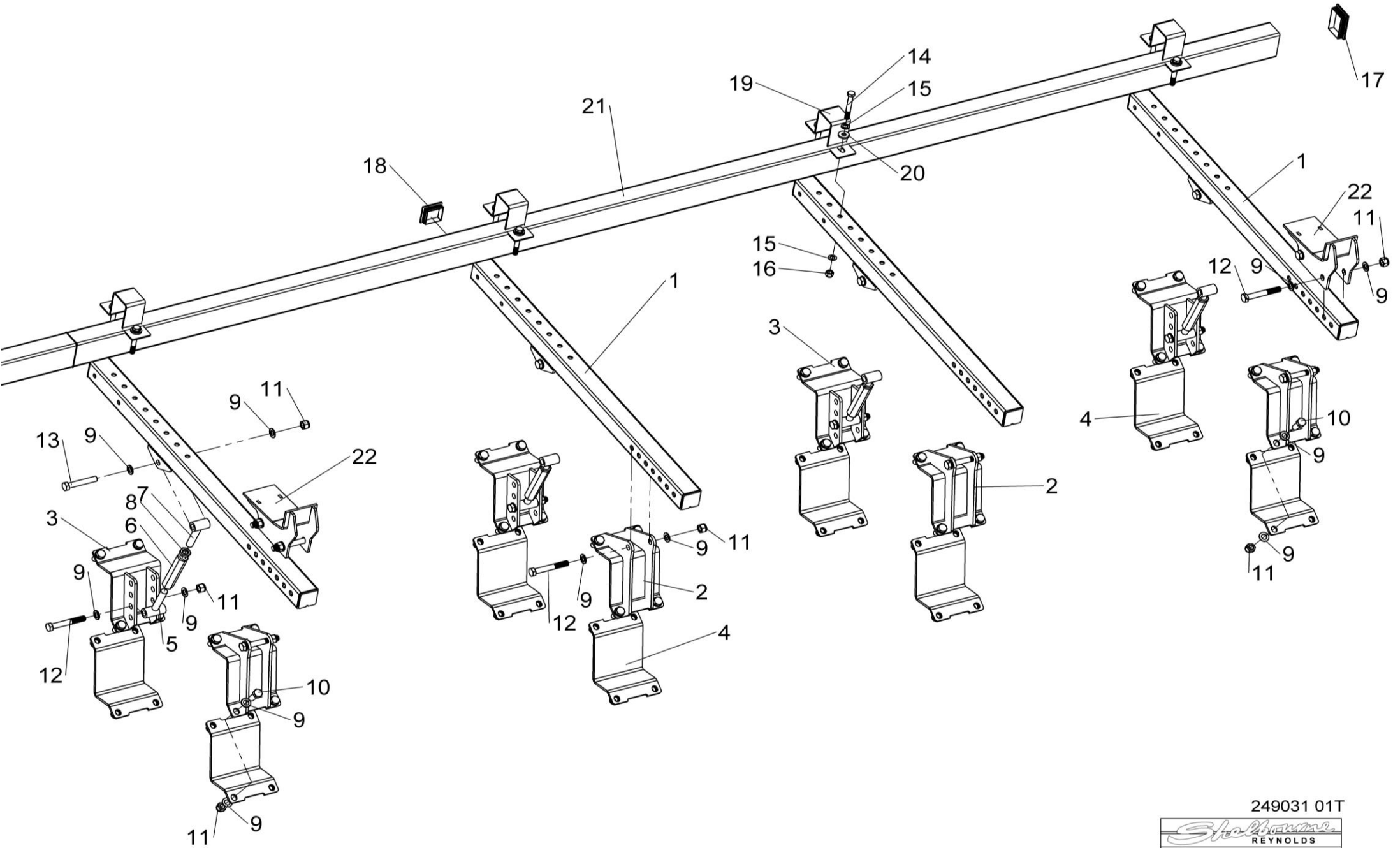


249031 01R



Shelbourne Reynolds Engineering Limited

ASSY NUMBER: 249031 01T				ASSY DESCRIPTION: C9000FW MASSEY 30FT POWERFLOW MOUNT + LOCK SUB			
ITEM	PART NO	DESCRIPTION	QTY	ITEM	PART NO	DESCRIPTION	QTY
1	241092 01	SUPPORT ARM W/ASSY	4				
2	241199 01	CLAMP W/ASSY	4				
3	241201 01	ADJUSTER CLAMP W/ASSY	4				
4	241202 01	CLAMP PLATE	8				
5	240750 01	LH THREAD ADJUSTER	4				
6	240800 01	ADJUSTER BODY	4				
7	240749 01	RH THREAD ADJUSTER	4				
8	NUT-0390	HALF NUT	4				
9	WSH-0030	PLAIN WASHER	96				
10	BLT-2365	BOLT	32				
11	NUTA02200	NYLOC NUT	48				
12	20166128	BOLT	12				
13	BLTA20620	HEX HEAD BOLT	4				
14	BLT-2330	HEX HEAD BOLT	8				
15	WSH-0024	PLAIN WASHER	16				
16	NUT-0271	NYLOC NUT	8				
17	CAP-0080	PLASTIC CAP (120x80 RHS)	2				
18	21709004	END CAP (80x80 SHS)	4				
19	240798 01	TUBE CLAMP PLATE	4				
20	190119 99	WASHER	8				
21	240688 02	SUPPORT TUBE (7.5m)	1				
22	241845 01	SUPPORT BRACKET	2				



249031 01T

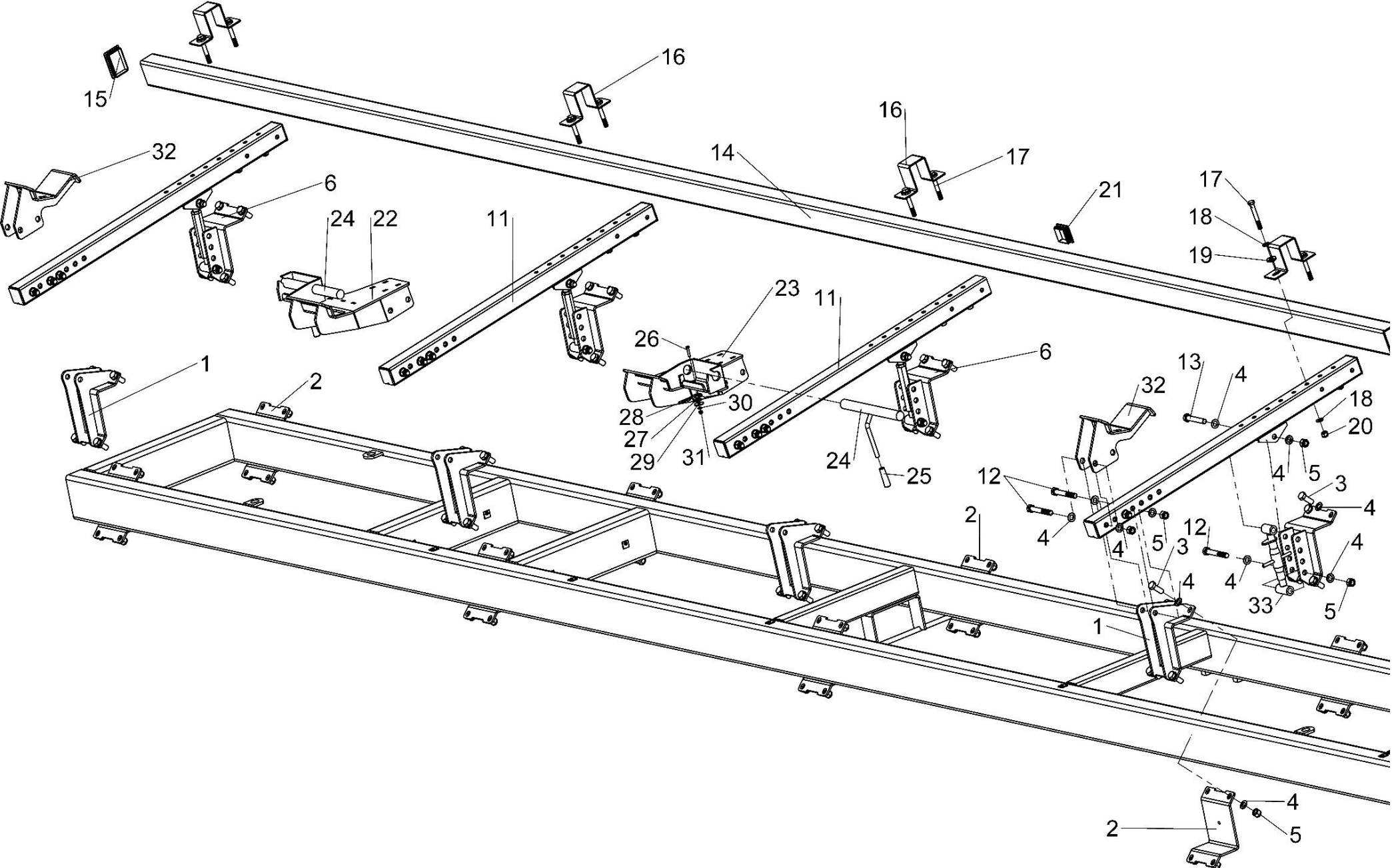


Shelbourne Reynolds Engineering Limited

ASSY NUMBER: 249031 01U				ASSY DESCRIPTION: NH FWS 40FT MOUNTING & LOCKING			
ITEM	PART NO	DESCRIPTION	QTY	ITEM	PART NO	DESCRIPTION	QTY
1	190119 05	WASHER	2	41	WSHA30161	WASHER	4
2	190119 08	WASHER	2				
3	190119 99	*WASHER*	8				
4	20166128	BOLT	12				
5	21709004	END CAP 80 X 80	4				
6	240147 01	LOCKING PIN W/ASSY	2				
7	240688 03	SUPPORT TUBE 6.0mt LONG	2				
8	240749 01	RH THREAD ADJUSTER	4				
9	240750 01	LH THREAD ADJUSTER	4				
10	240798 01	TUBE CLAMP PLATE	4				
11	240800 01	ADJUSTER BODY (HEX)	4				
12	241868 01	NH CRADLE W/ASSY	1				
13	241868 02	NH CRADLE W/ASSY	1				
14	241064 01	PACKER PLATE	8				
15	241065 01	MOUNTING PLATE	2				
16	241092 01	SUPPORT ARM W/ASSY	4				
17	241158 01	FRONT MOUNTING BRACKET	1				
18	241158 02	REAR MOUNTING BRACKET	1				
19	241199 01	CLAMP W/ASSY	4				
20	241201 01	ADJUSTER CLAMP W/ASSY	4				
21	241202 01	CLAMP PLATE	8				
22	241870 01	END BEAM SUPPORT W/ASSY	2				
23	BLT-2330	HEX.HEAD BOLT	8				
24	BLT-2365	BOLT	32				
25	BLTA20620	HEX HEAD BOLT	4				
26	BLTA20650	HEX HEAD BOLT	8				
27	CAP-0080	PLASTIC CAP (FOR 120x80 RHS)	4				
28	CLP-00106	R CLIP	2				
29	HAN-2000	BLACK PLASTIC HANDLE FOR	2				
30	HSS-0153	SET SCREW	2				
31	HSS-0316	SETSCREW	4				
32	LOC-0222	LOCTITE THREADLOCK 222 10ml	1				
33	NUT-0263	NYLOC NUT	2				
34	NUT-0271	NYLOC NUT	8				
35	NUT-0390	HALF NUT	4				
36	NUTA02200	NYLOC NUT	52				
37	SCEA16260	CSK.SOCK.HEAD SCREW	4				
38	WSH-0012	PLAIN WASHER	2				
39	WSH-0024	PLAIN WASHER	16				
40	WSH-0030	PLAIN WASHER	104				

Shelbourne Reynolds Engineering Limited

ASSY NUMBER: 249031 01V				ASSY DESCRIPTION: CNH 30&35FT DRAPER MOUNTING & LOCKING SUB			
ITEM	PART NO	DESCRIPTION	QTY	ITEM	PART NO	DESCRIPTION	QTY
1	241199 01	CLAMP W/ASSY	4				
2	241202 01	CLAMP PLATE	8				
3	BLT-2365	BOLT	32				
4	WSH-0030	PLAIN WASHER	104				
5	NUTA02200	NYLOC NUT	52				
6	241201 01	ADJUSTER CLAMP W/ASSY	4				
7	240749 01	RH THREAD ADJUSTER (UP TO 2023)	4				
8	240750 01	LH THREAD ADJUSTER (UP TO 2023)	4				
9	240800 01	ADJUSTER BODY (HEX) (UP TO 2023)	4				
10	NUT-0390	HALF NUT (UP TO 2023)	4				
11	241092 01	SUPPORT ARM W/ASSY	4				
12	20166128	BOLT	16				
13	BLTA20620	HEX HEAD BOLT	4				
14	240688 01	SUPPORT TUBE	1				
15	CAP-0080	PLASTIC CAP	2				
16	240798 01	TUBE CLAMP PLATE	4				
17	BLT-2330	HEX HEAD BOLT	8				
18	WSH-0024	PLAIN WASHER	16				
19	190119 99	WASHER	8				
20	NUT-0271	NYLOC NUT	8				
21	21709004	END CAP	4				
22	241928 01	FRONT LOCKING W/ASSY	1				
23	241928 02	REAR LOCKING W/ASSY	1				
24	241937 01	HANDLE	2				
25	HAN-2000	PLASTIC HANDLE	2				
26	HSS-0153	SET SCREW	2				
27	190119 08	WASHER	2				
28	CLP-00106	R CLIP	2				
29	190119 05	WASHER	2				
30	WSH-0012	PLAIN WASHER	2				
31	NUT-0263	NYLOC NUT	2				
32	241939 01	CRADLE W/ASSY	2				
33	ADL-01430	ADJUSTER ASSY (2023 & ON)	4				

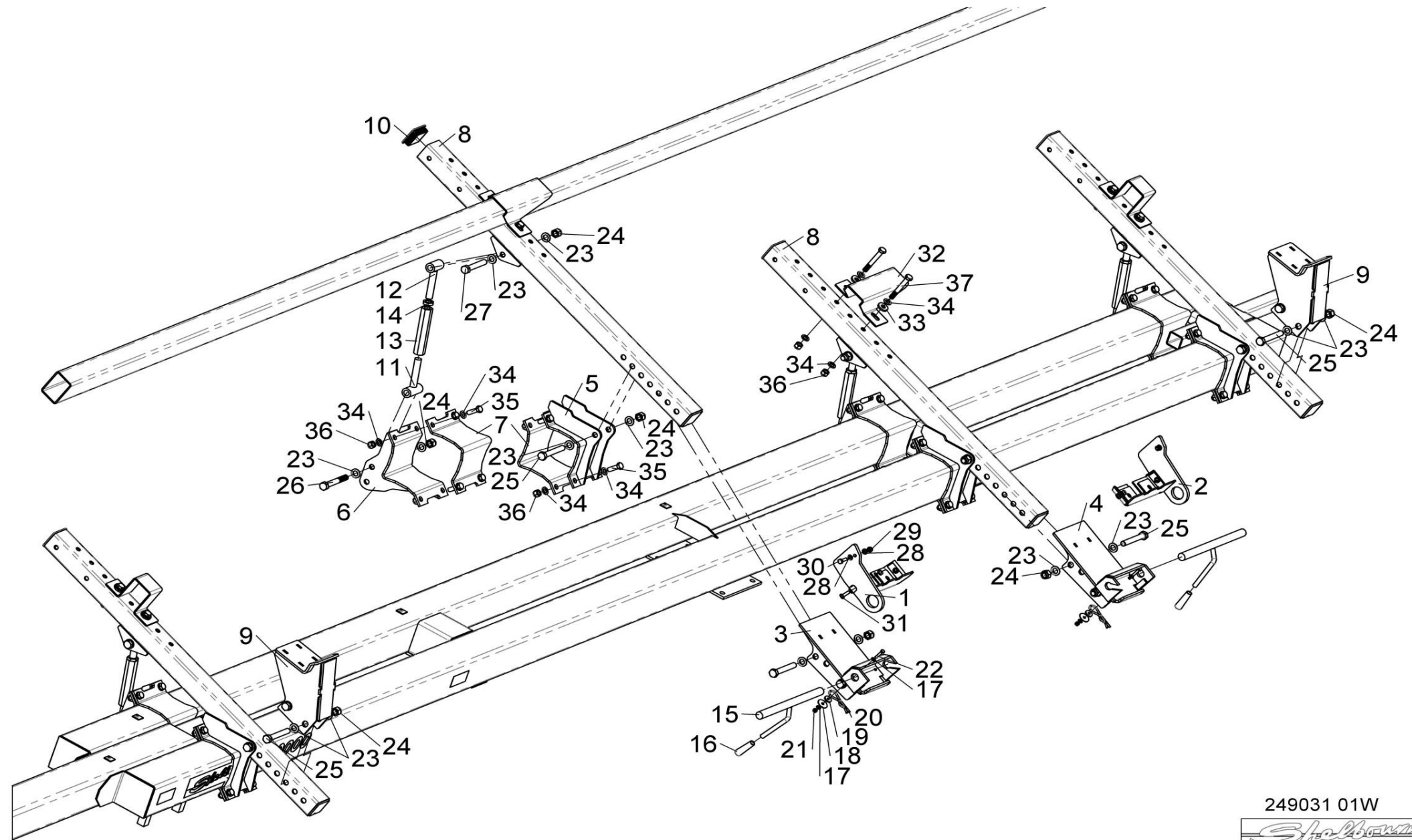


249031 01V



Shelbourne Reynolds Engineering Limited

ASSY NUMBER: 249031 01W				ASSY DESCRIPTION: C9000TA/B CNH 30FT ADDITIONAL BRACKETRY2016 & ON			
ITEM	PART NO	DESCRIPTION	QTY	ITEM	PART NO	DESCRIPTION	QTY
1	241234 01	NH FRONT MOUNT ASSY	1				
2	241234 02	NH REAR MOUNT ASSY	1				
3	241230 01	FRONT NH CRADLE W/ASSY	1				
4	241230 02	REAR NH CRADLE W/ASSY	1				
5	241072 01	BEAM MOUNT CRADLE	2				
6	241073 01	ADJUSTER MOUNT CRADLE	2				
7	241066 02	CLAMP PLATE	4				
8	241092 01	SUPPORT ARM W/ASSY	2				
9	242264 01	NH MOUNTING BRACKET	2				
10	21709004	END CAP	2				
11	240750 01	LH THREAD ADJUSTER	2				
12	240749 01	RH THREAD ADJUSTER	2				
13	240800 01	ADJUSTER BODY	2				
14	NUT-0390	HALF NUT	2				
15	240147 01	LOCKING PIN	2				
16	HAN-2000	BLACK PLASTIC HANDLE	2				
17	WSH-0012	PLAIN WASHER	4				
18	190119 05	WASHER	2				
19	190119 08	WASHER	2				
20	CLP-00106	R-CLIP	2				
21	NUT-0263	NYLOC NUT	2				
22	HSS-0153	SET SCREW	2				
23	WSH-0030	PLAIN WASHER	28				
24	NUTA02200	NYLOC NUT	14				
25	BLTA20650	HEX HEAD BOLT	10				
26	20166128	HEX HEAD BOLT	2				
27	BLTA20620	HEX HEAD BOLT	2				
28	WSH-0015	PLAIN WASHER	12				
29	NUT-0265	NYLOC NUT	6				
30	HSS-0198	SET SCREW	2				
31	HSS-0194	SET SCREW	4				
32	241046 01	TUBE CLAMP PLATE	2				
33	190119 99	WASHER	4				
34	WSH-0024	PLAIN WASHER	40				
35	HSS-0318	SET SCREW	16				
36	NUT-0271	NYLOC NUT	20				
37	BLT-2330	HEX HEAD BOLT	4				

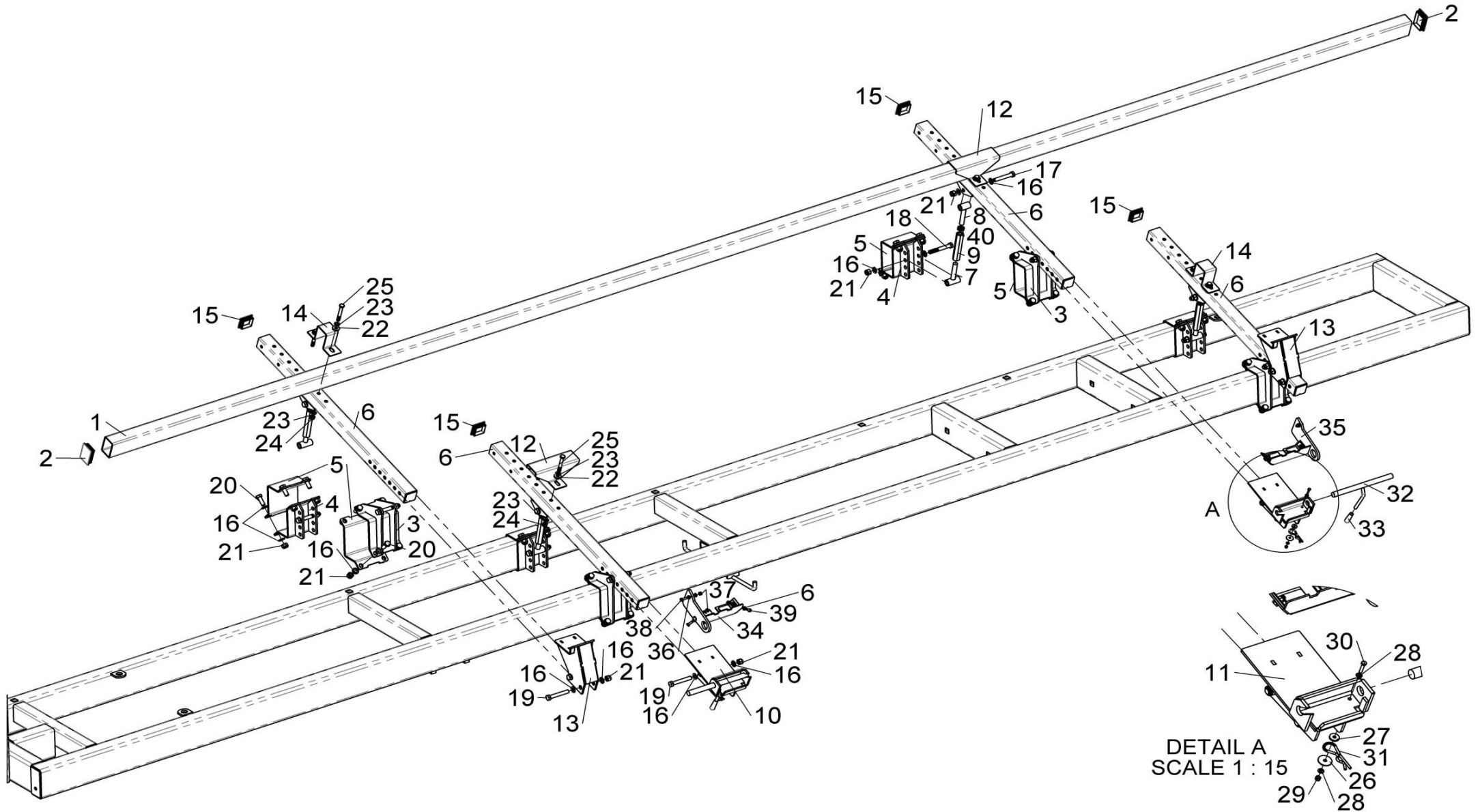


249031 01W



Shelbourne Reynolds Engineering Limited

ASSY NUMBER: 249031 01X				ASSY DESCRIPTION: C9000FW CNH 30FT MOUNTING & LOCKING SUB J2016 & ON			
ITEM	PART NO	DESCRIPTION	QTY	ITEM	PART NO	DESCRIPTION	QTY
1	240688 01	SUPPORT TUBE	1				
2	CAP-0080	PLASTIC CAP	2				
3	241199 01	CLAMP W/ASSY	4				
4	241201 01	ADJUSTER CLAMP W/ASSY	4				
5	241202 01	CLAMP PLATE	8				
6	241092 01	SUPPORT ARM W/ASSY	4				
7	240750 01	LH THREAD ADJUSTER	4				
8	240749 01	RH THREAD ADJUSTER	4				
9	240800 01	ADJUSTER BODY	4				
10	241230 01	FRONT NH CRADLE W/ASSY	1				
11	241230 01	REAR NH CRADLE W/ASSY	1				
12	241046 01	TUBE CLAMP PLATE	2				
13	242264 01	NH MOUNTING BRACKET	2				
14	240798 01	TUBE CLAMP PLATE	2				
15	21709004	PLASTIC CAP	4				
16	WSH-0030	PLAIN WASHER	104				
17	BLTA20620	HEX HEAD BOLT	4				
18	20166128	HEX HEAD BOLT	8				
19	BLTA20650	HEX HEAD BOLT	8				
20	BLT-2365	HEX HEAD BOLT	32				
21	NUTA02200	NYLOC NUT	52				
22	190119 99	WASHER	8				
23	WSH-0024	PLAIN WASHER	16				
24	NUT-0271	NYLOC NUT	8				
25	BLT-2330	HEX HEAD BOLT	8				
26	190119 05	WASHER	2				
27	190119 08	WASHER	2				
28	WSH-0012	PLAIN WASHER	4				
29	NUT-0263	NYLOC NUT	2				
30	HSS-0153	SET SCREW	2				
31	CLP-00106	R CLIP	2				
32	240147 01	LOCKING PIN	2				
33	HAN-2000	BLACK PLASTIC HANDLE	2				
34	241234 01	NH FRONT MOUNT ASSY	1				
35	241234 02	NH REAR MOUNT ASSY	1				
36	WSH-0015	PLAIN WASHER	12				
37	NUT-0265	NYLOC NUT	6				
38	HSS-0198	SET SCREW	2				
39	HSS-0194	SET SCREW	4				
40	NUT-0390	HALF NUT	4				



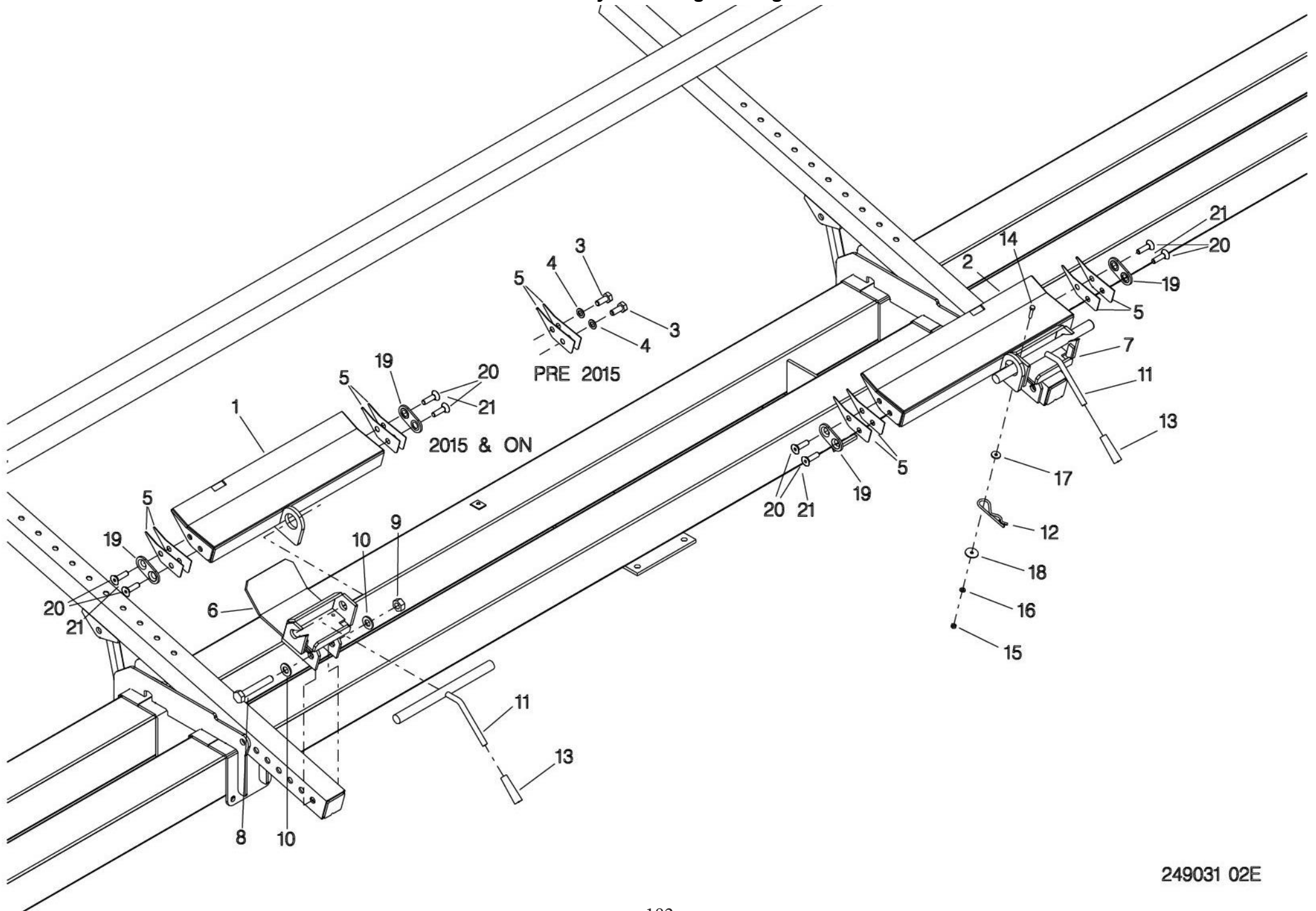
DETAIL A
SCALE 1 : 15

249031 01X



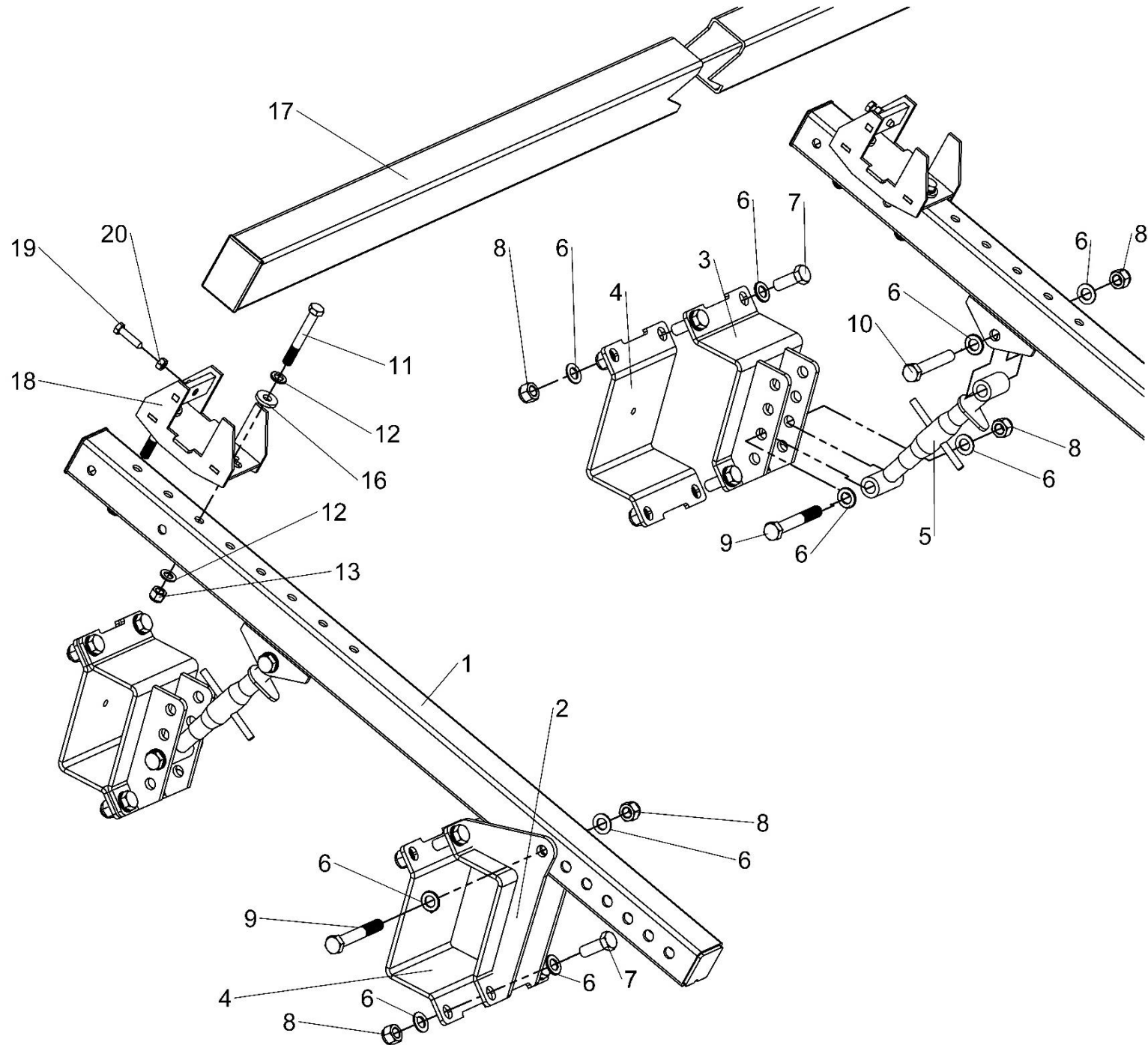
Shelbourne Reynolds Engineering Limited

ASSY NUMBER:249031 02E				ASSY DECRPTION: C9000 NH NEWGEN 30' MOUNTING & LOCKING SUB (2011 TO 2015)			
ITEM	PART NO	DESCRIPTION	QTY	ITEM	PART NO	DESCRIPTION	QTY
1	241158 01	FRONT MOUNT BRKT (2015 ON)	1				
OR	241063 01	FRONT MOUNT BRKT (PRE 2015)					
2	241158 02	REAR MOUNT BRKT (2015 ON)	1				
OR	241063 02	REAR MOUNT BRKT (PRE 2015)					
3	HSS-0316	SET SCREW (PRE 2015)	8				
4	WSHA30161	WASHER (PRE 2015)	8				
5	241064 01	PACKER PLATE	8				
6	241050 02	FRONT CRADLE ASSY (2015 ON)	1				
OR	241050 01	FRONT CRADLE ASSY (PRE 2015)					
7	241050 01	REAR CRADLE ASSY (2015 ON)	1				
OR	241050 02	REAR CRADLE ASSY (PRE 2015)					
8	BLTA20650	BOLT	4				
9	NUTA02200	NYLOC NUT	4				
10	WSH-0030	PLAIN WASHER	8				
11	240147 01	LOCKING PIN	2				
12	CLP-00106	R CLIP	2				
13	HAN-2000	PLASTIC LEVER END	2				
14	HSS-0153	BOLT	2				
15	NUT-0263	NUT	2				
16	WSH-0012	PLAIN WASHER	2				
17	190119 08	INNER WASHER	2				
18	190119 05	OUTER WASHER	2				
19	241065 01	MOUNTING PLATE (2015 ON)	4				
20	SCEA16260	CSK.SKT.HD (2015 ON)	8				
21	LOC-0222	LOCTITE	1				



Shelbourne Reynolds Engineering Limited

ASSY NUMBER: 249031 01Y				ASSY DESCRIPTION: C9000FW MASSEY 25ft POWERFLOW MOUNTING SUB			
ITEM	PART NO	DESCRIPTION	QTY	ITEM	PART NO	DESCRIPTION	QTY
1	241092 01	SUPPORT ARM W/ASSY	2				
2	241199 01	CLAMP W/ASSY	2				
3	241201 01	ADJUSTER CLAMP W/ASSY	2				
4	241202 01	CLAMP PLATE	4				
5	ADL-01430	MEKANAG ADJUSTABLE LINK	2				
6	WSH-0030	WASHER	44				
7	BLT-2365	BOLT	16				
8	NUTA02200	NYLOC NUT	22				
9	20166128	BOLT	4				
10	BLTA20620	BOLT	2				
11	BLT-2330	BOLT	4				
12	WSH-0024	WASHER	8				
13	NUT-0271	NYLOC NUT	4				
14	CAP-0080	PLASTIC CAP	2				
15	21709004	PLASTIC CAP	2				
16	190119 99	WASHER	4				
17	240688 03	SUPPORT TUBE	1				
18	240672 01	TUBE MOUNTING ASSY	2				
19	241818 01	TUBE CLAMP	2				
20	NUT-0170	PLAIN NUT	2				

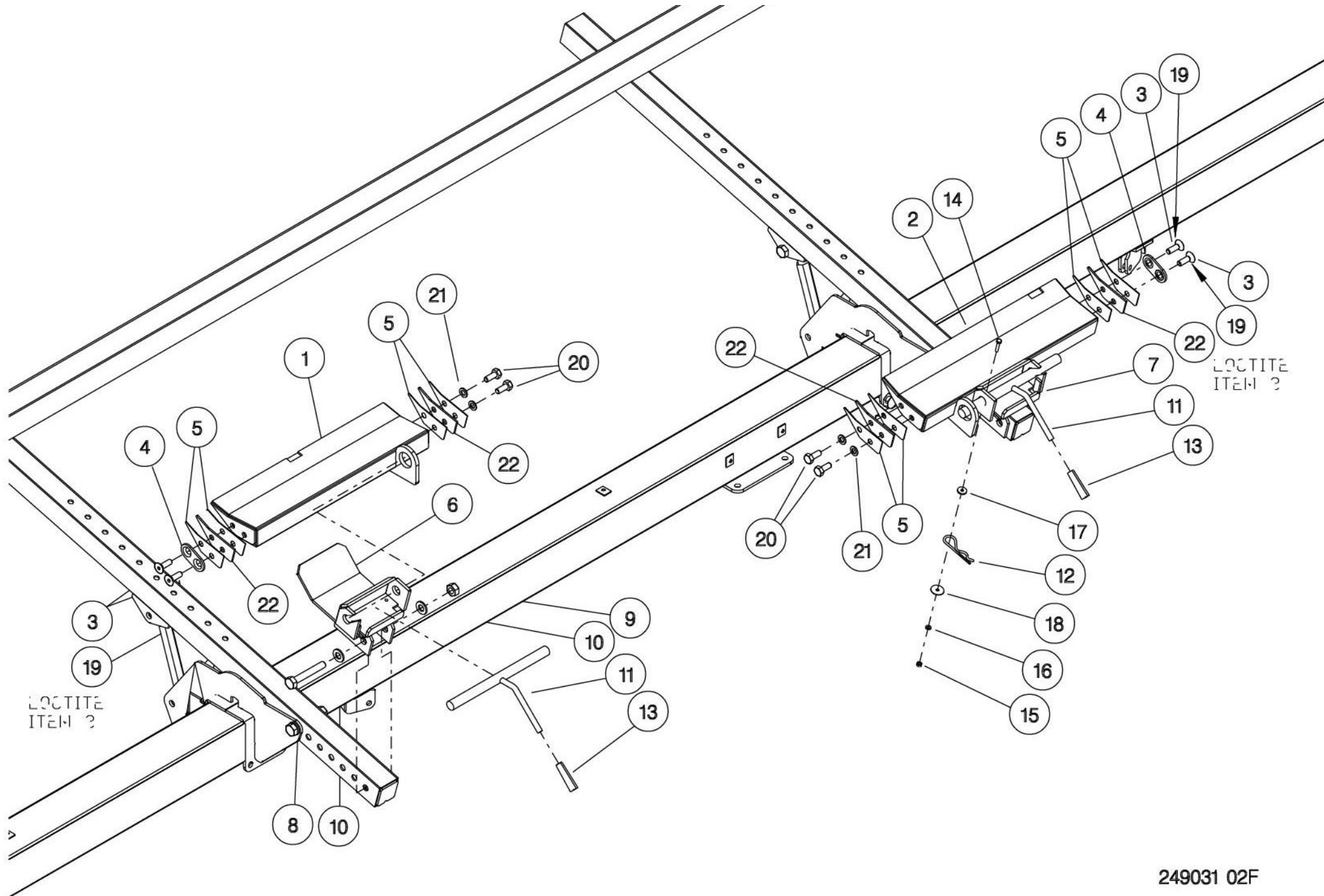


249031 01Y



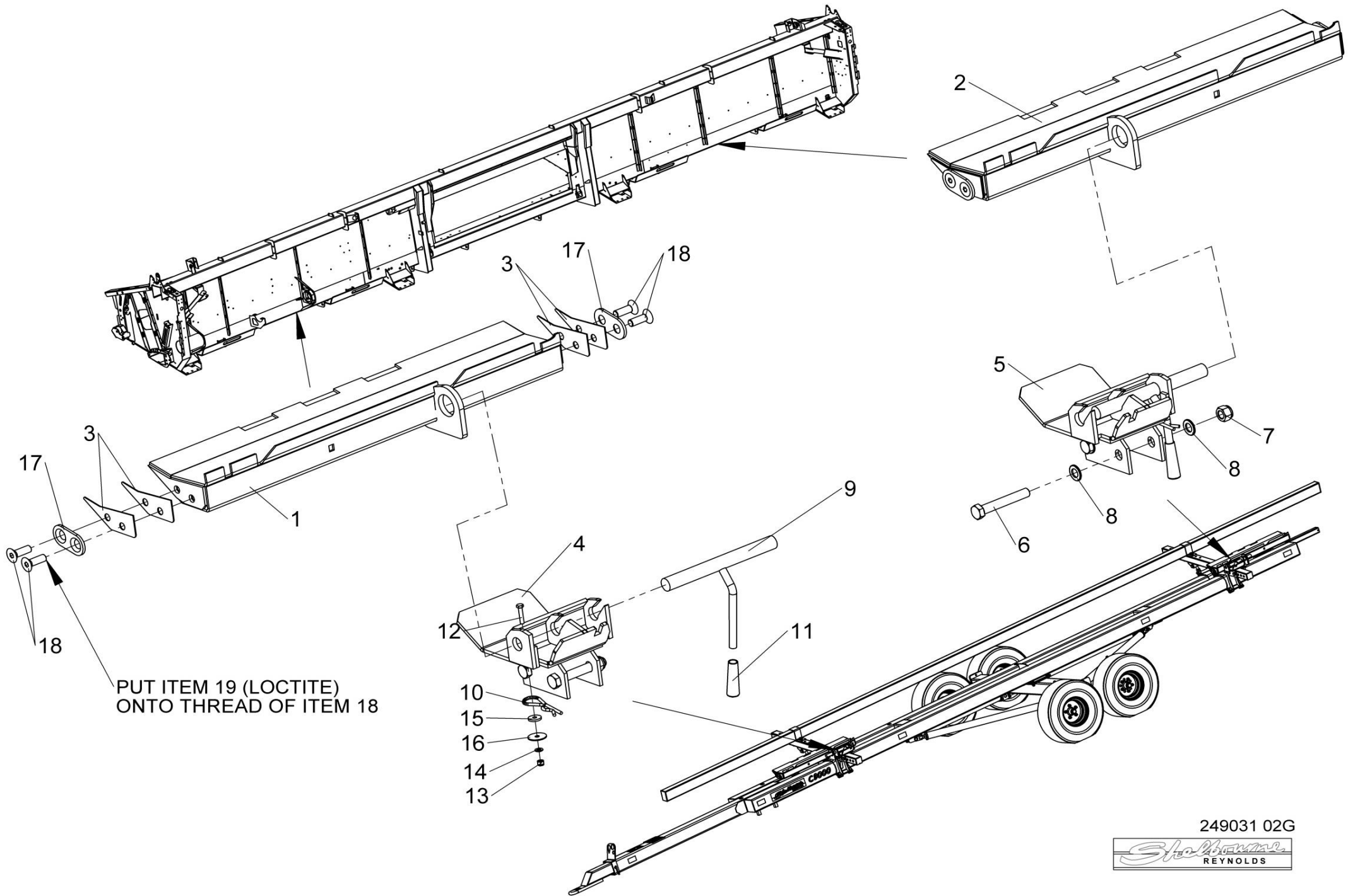
Shelbourne Reynolds Engineering Limited

ASSY NUMBER:249031 02F				ASSY DECRPTION: C7500 NH NEWGEN 25' MOUNTING & LOCKING SUB(2011&ON)			
ITEM	PART NO	DESCRIPTION	QTY	ITEM	PART NO	DESCRIPTION	QTY
1	241057 01	FRONT MOUNTING BRACKET	1				
2	241057 02	REAR MOUNTING BRACKET	1				
3	SCEA16260	CSK.SKT.HD.	4				
4	241065 01	MOUNTING PLATE	2				
5	241064 01	PACKER PLATE	8				
6	241050 01	FRONT CRADLE ASSY	1				
7	241050 02	REAR CRADLE ASSY	1				
8	BLTA20650	BOLT	4				
9	NUTA02200	NYLOC NUT	4				
10	WSH-0030	PLAIN WASHER	8				
11	240147 01	LOCKING PIN	2				
12	CLP-00106	R CLIP	2				
13	HAN-2000	PLASTIC LEVER END	2				
14	HSS-0153	BOLT	2				
15	NUT-0263	NUT	2				
16	WSH-0012	PLAIN WASHER	2				
17	190119 08	INNER WASHER	2				
18	190119 05	OUTER WASHER	2				
19	LOC-0222	LOCTITE	1				
20	HSS-0316	SET SCREW	4				
21	WSHA30161	WASHER	4				
22	241064 02	PACKER PLATE (2015 ON)	4				



Shelbourne Reynolds Engineering Limited

ASSY NUMBER: 249031 02G				ASSY DESCRIPTION: NH NEWGEN 30' MOUNTING (2015 ONLY)			
ITEM	PART NO	DESCRIPTION	QTY	ITEM	PART NO	DESCRIPTION	QTY
1	241158 01	FRONT MOUNTING BRACKET	1				
2	241158 02	REAR MOUNTING BRACKET	1				
3	241064 01	PACKER PLATE	8				
4	241841 01	REAR CRADLE W/ASSY	1				
5	241841 02	FRONT CRADLE W/ASSY	1				
6	BLTA20650	HEX HEAD BOLT	4				
7	NUTA02200	NYLOC NUT	4				
8	WSH-0030	PLAIN WASHER	8				
9	241851 01	LOCKING HANDLE	2				
10	CLP-00106	R CLIP	2				
11	HAN-2000	BLACK PLASTIC HANDLE FOR	2				
12	HSS-0153	SET SCREW	2				
13	NUT-0263	NYLOC NUT	2				
14	WSH-0012	PLAIN WASHER	2				
15	190119 08	WASHER	2				
16	190119 05	WASHER	2				
17	241065 01	MOUNTING PLATE	4				
18	SCEA16260	CSK.SOCK.HEAD SCREW	8				
19	LOC-0222	LOCTITE THREADLOCK 222 10ml	1				



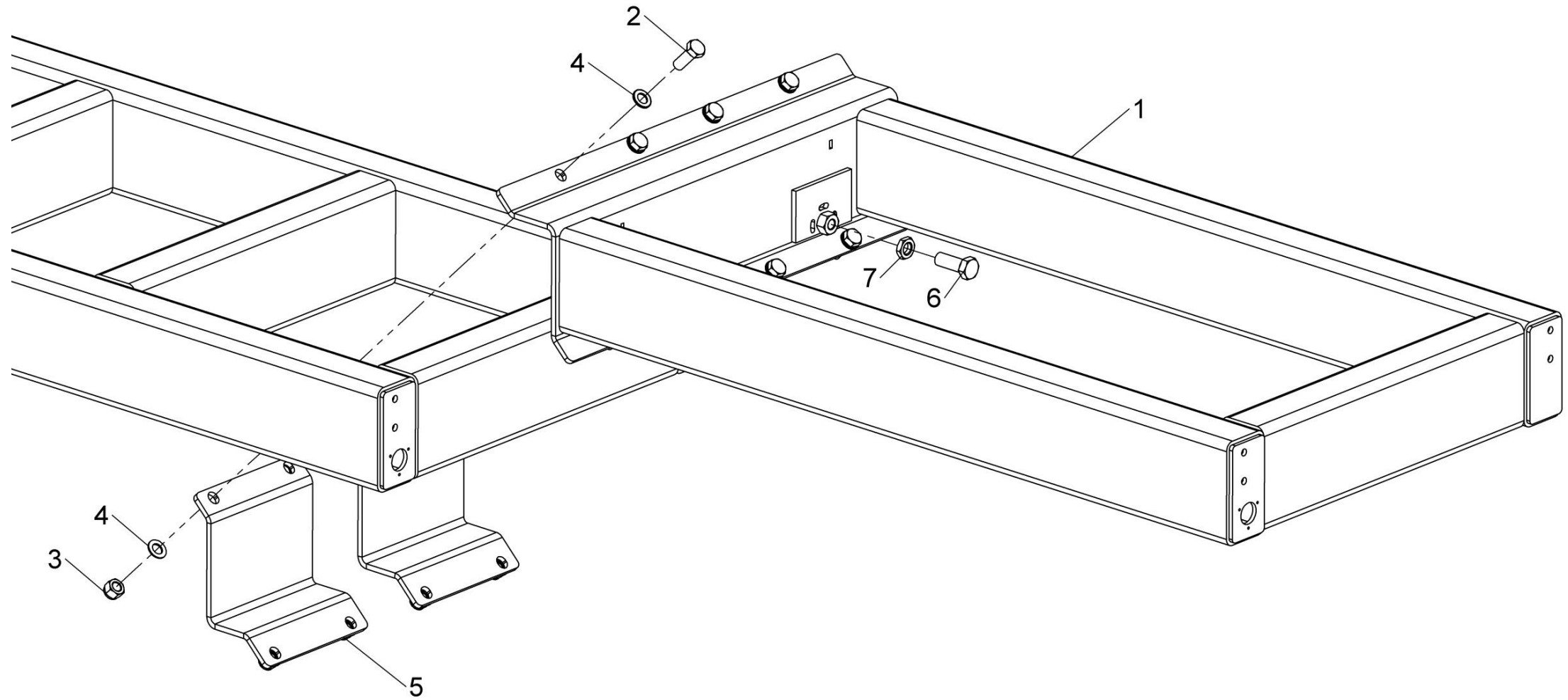
PUT ITEM 19 (LOCTITE)
ONTO THREAD OF ITEM 18

249031 02G



Shelbourne Reynolds Engineering Limited

ASSY NUMBER:249032 01				ASSY DECRPTION: 30' TO 35' NH EXTENSION			
ITEM	PART NO	DESCRIPTION	QTY	ITEM	PART NO	DESCRIPTION	QTY
1	240916 01	30' TO 35' EXTENSION	1				
2	BLT-2366	BOLT	8				
3	NUTA02200	NYLOC NUT	8				
4	WSH-0030	PLAIN WASHER	16				
5	241704 01	CLAMP PLATE (2015 & ON)	2				
OR	240914 01	CLAMP PLATE (PRE 2015)	1				
6	HSS-0410	SET SCREW	2				
7	NUT-0390	HALF NUT	2				

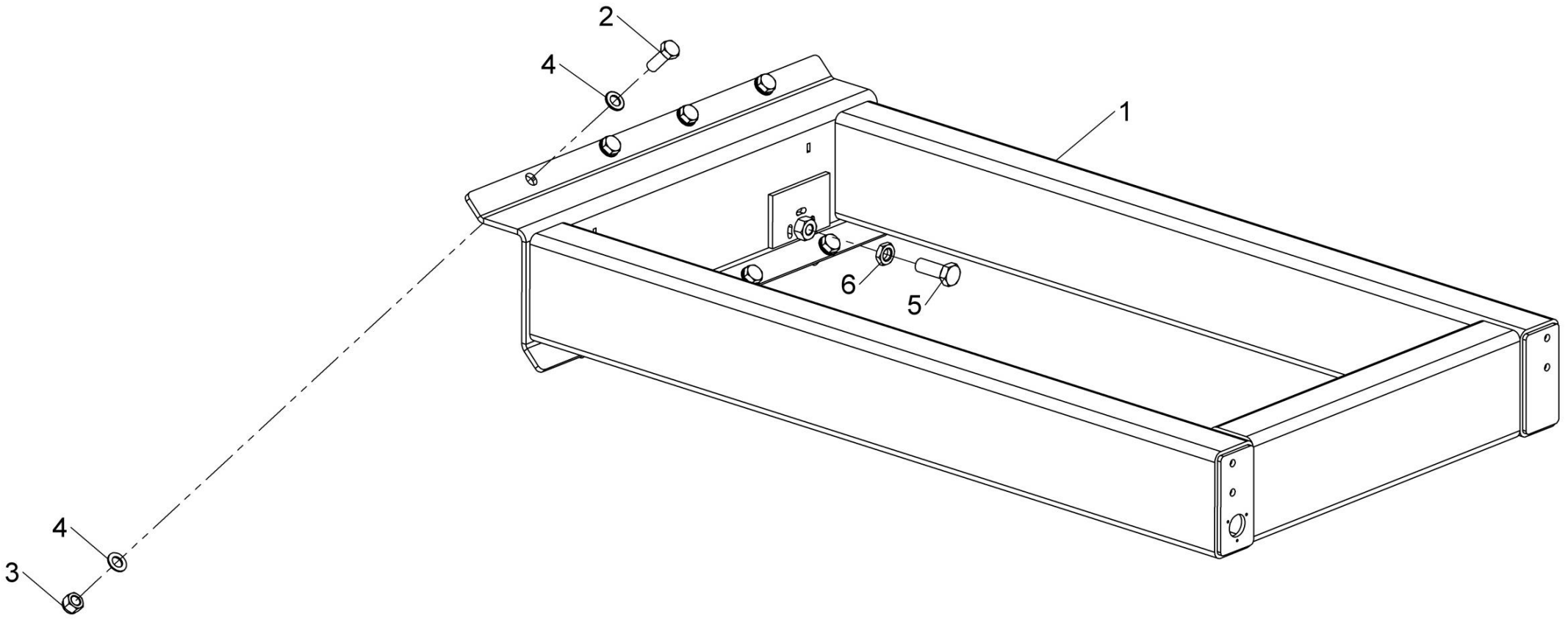


249032 01



Shelbourne Reynolds Engineering Limited

ASSY NUMBER: 249032 01B				ASSY DESCRIPTION: CHASSIS EXTENSION (LESS CLAMP PLATES)			
ITEM	PART NO	DESCRIPTION	QTY	ITEM	PART NO	DESCRIPTION	QTY
1	240916 01	30-35ft EXTENSION	1				
2	BLT-2366	BOLT	8				
3	NUTA02200	NYLOC NUT	8				
4	WSH-0030	PLAIN WASHER	16				
5	HSS-0410	SET SCREW	2				
6	NUT-0390	HALF NUT	2				

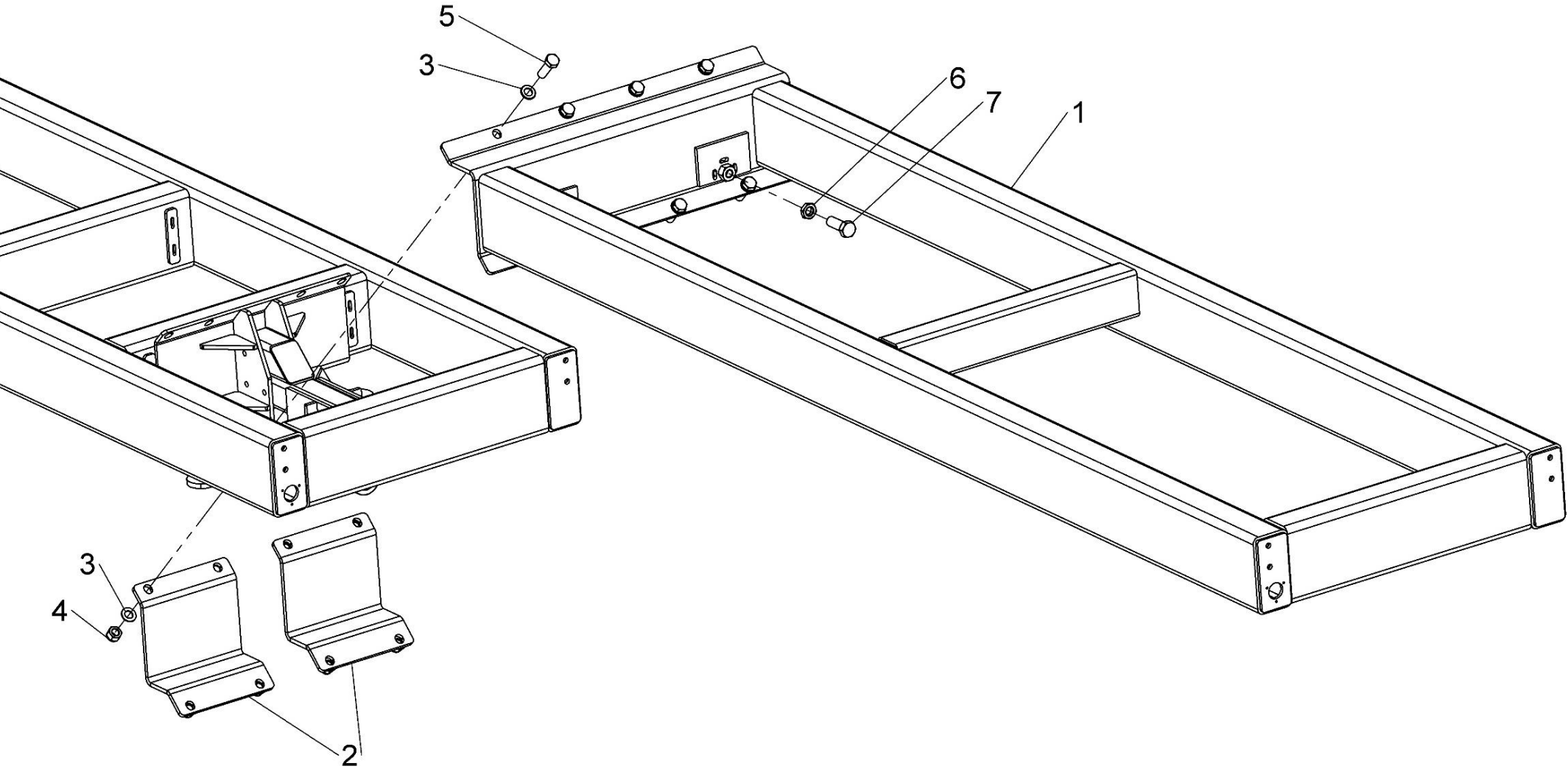


249032 01B



Shelbourne Reynolds Engineering Limited

ASSY NUMBER: 249032 02				ASSY DESCRIPTION: CHASSIS EXTENSION (LONG)			
ITEM	PART NO	DESCRIPTION	QTY	ITEM	PART NO	DESCRIPTION	QTY
1	241772 01	CHASSIS EXTENSION W/ASSY	1				
2	241704 01	CLAMP PLATE (SHORT) 2023 & ON	2				
OR	240914 01	CLAMP PLATE (LONG) PRE 2023	1				
3	WSH-0030	PLAIN WASHER	16				
4	NUTA02200	NYLOC NUT	8				
5	BLTA20410	BOLT	8				
6	NUT-0390	HALF NUT	2				
7	HSS-0410	HEX HEAD SET SCREW	2				

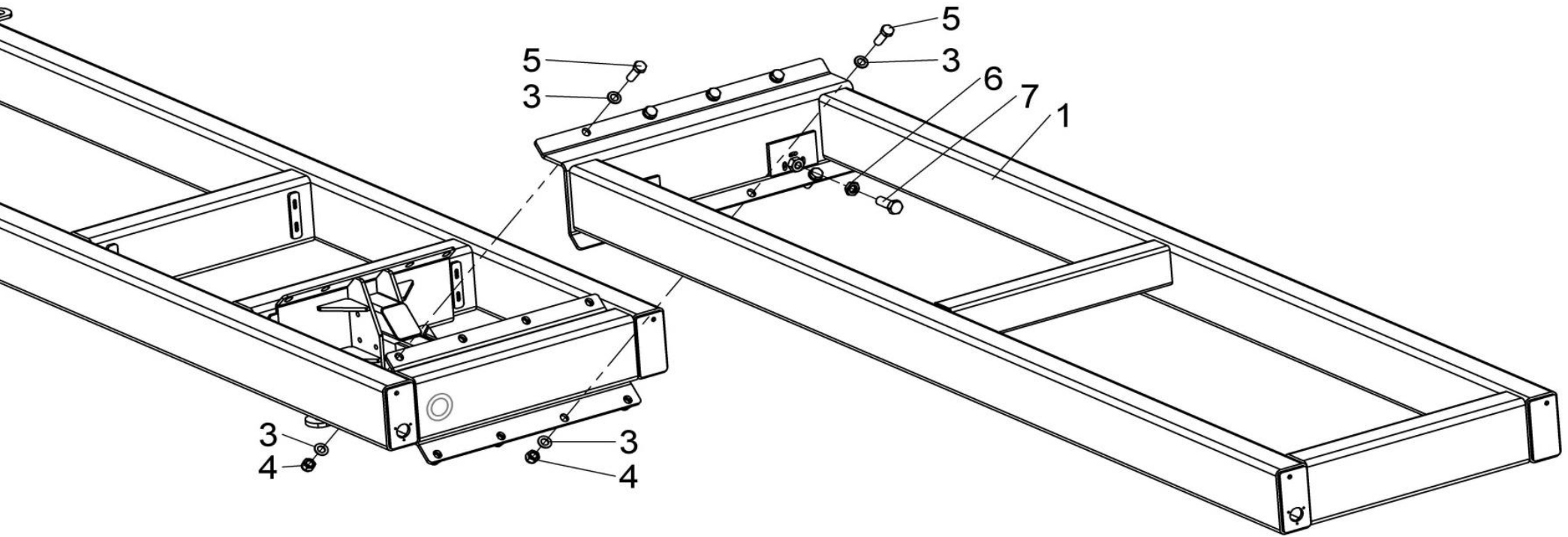


249032 02



Shelbourne Reynolds Engineering Limited

ASSY NUMBER: 249032 02B				ASSY DESCRIPTION: CHASSIS EXTENSION (LONG) (LESS CLAMP PLATE)			
ITEM	PART NO	DESCRIPTION	QTY	ITEM	PART NO	DESCRIPTION	QTY
1	241772 01	CHASSIS EXTENSION W/ASSY	1				
2							
3	WSH-0030	PLAIN WASHER	16				
4	NUTA02200	NYLOC NUT	8				
5	BLTA20410	BOLT	8				
6	NUT-0390	HALF NUT	2				
7	HSS-0410	HEX HEAD SET SCREW	2				

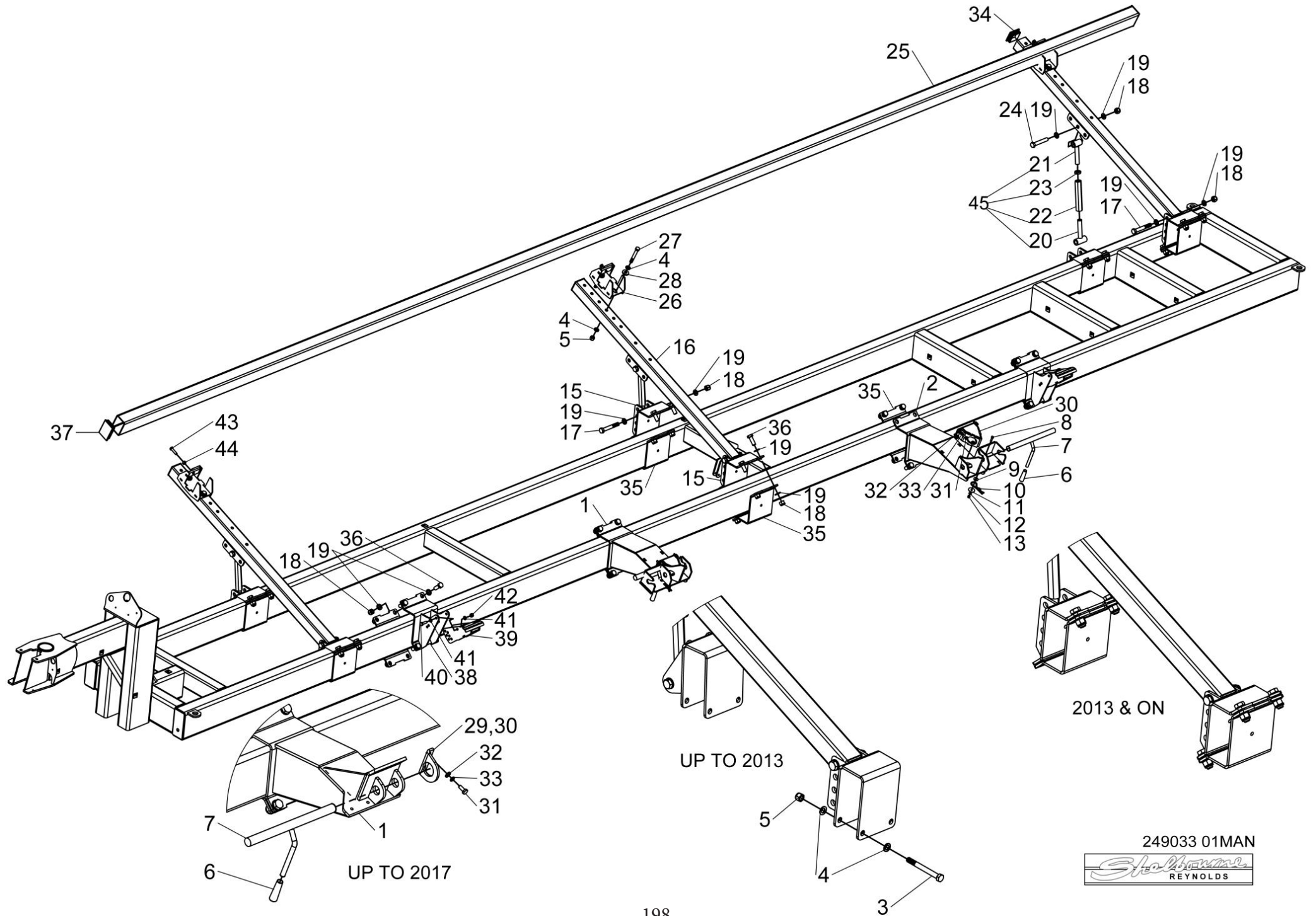


249032 02B



Shelbourne Reynolds Engineering Limited

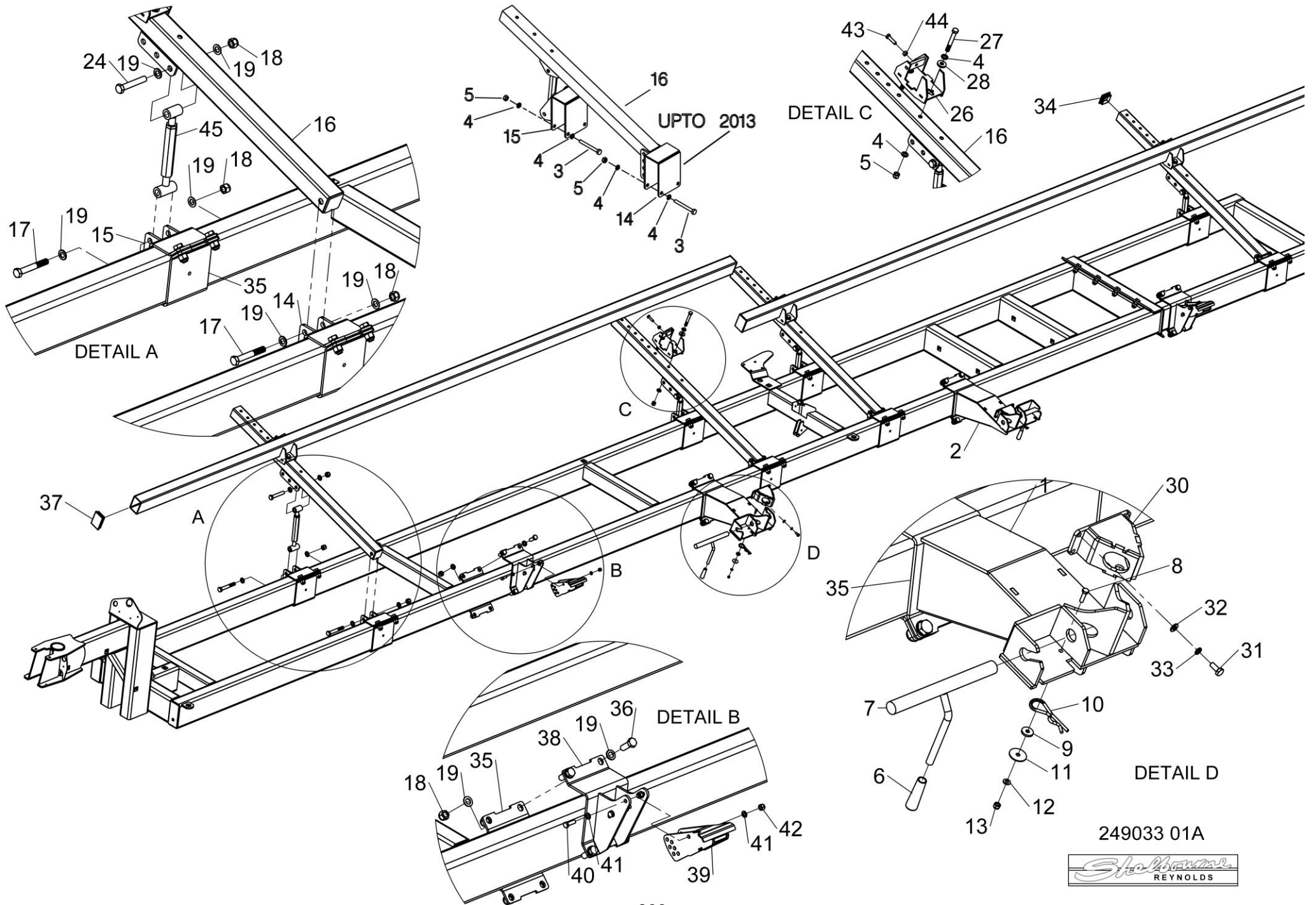
ASSY NUMBER: 249033 01				ASSY DESCRIPTION: 30 & 35' (FW) MACDON MOUNTING			
ITEM	PART NO	DESCRIPTION	QTY	ITEM	PART NO	DESCRIPTION	QTY
1	242389 01	V MOUNTING BRACKET (2017&ON)	1	29	240960 01	FRONT PIN PLATE (UP TO 2017)	1
OR	241274 01	FRONT MTG BRACKET (UP TO 2017)		30	240960 02	REAR PIN PLATE (UP TO 2017)	1
OR	240943 01	MTG BRACKET(UPTO 2013,35' ONLY)		OR	242392 01	'V' BRACKET W/A (2017&ON)	2
2	242389 02	V MOUNTING BRACKET (2017&ON)	1	31	HSS-1054	BOLT	8
OR	241274 02	REAR MTG BRACKET (UP TO 2017)		32	WSH-0015	WASHER	8
OR	240943 02	MTG BRACKET (UPTO 2013,35' ONLY)		33	WSH-0061	WASHER	8
3	BLTA16710	HEX HD BOLT (UPTO 2013)		34	21709004	END CAP	3
4	WSH-0024	WASHER	36	35	241202 01	CLAMP PLATE	10
5	NUT-0271	NUT	18	OR	240993 01	CLAMP PLATE (UPTO 2013 35' ONLY)	
6	HAN-2000	PLASTIC LEVER END	2	36	BLT-2365	BOLT	40
7	240147 01	LOCKING PIN (UP TO 2017)	2	37	CAP-0080	END CAP	2
OR	241851 01	LOCKING PIN (2017&ON)		38	242413 01	GAUGE WHEEL BRACKET (2017&ON)	2
8	HSS-0150	SET SCREW	2	39	242415 01	PIVOT BLOCK (2017&ON)	2
9	190119 08	INNER WASHER	2	40	HSS-0250	SET SCREW (2017&ON)	8
10	CLP-00106	R CLIP	2	41	WSH-0018	PLAIN WASHER (2017&ON)	16
11	190119 05	OUTER WASHER	2	42	NUT-0269	NYLOC NUT (2017&ON)	8
12	WSH-0012	WASHER	2	43	241818 01	TUBE CLAMP BOLT	3
13	NUT-0263	NUT	2	44	NUT-0170	PLAIN NUT	3
14	241201 01	MOUNTING CRADLE	6	45	ADL-01430	ADJUSTER ASSEMBLY (MID 2018 & ON)	3
OR	240953 01	MTG CRADLE (UPTO 2013 35' ONLY)				CAN REPLACE ITEMS 20-23	
15	241201 01	MOUNTING CRADLE					
OR	240955 01	MTG CRADLE (UPTO 2013 35' ONLY)					
16	242648 01	SUPPORT ARM W/ASSY(2023 & ON)	3				
OR	240959 01	SUPPORT ARM W/ASSY(UP TO 2023)	3				
17	20166128	BOLT	6				
18	NUTA02200	NUT	53				
19	WSH-0030	WASHER	88				
20	240750 01	LH THREAD ADJUSTER(UP TO MID 2018)	3				
21	240749 01	RH THREAD ADJUSTER(UP TO MID 2018)	3				
22	240800 01	ADJUSTER BODY (UP TO MID 2018)	3				
OR	240757 01	ADJUSTER BODY (UP TO MID 2018)	3				
23	NUT-0390	HALF NUT (UP TO MID 2018)	3				
		FOR ITEMS 20-23 ALSO SEE ITEM 45					
24	BLTA20620	HEX HEAD BOLT	3				
25	240688 01	SUPPORT BEAM	1				
26	240672 01	TUBE CLAMP W/A	3				
OR	240798 01	TUBE CLAMP PLATE					
27	BLT-2330	HEX HEAD BOLT	6				
28	190119 99	WASHER	6				



Shelbourne Reynolds Engineering Limited

ASSY NUMBER: 249033 01A				ASSY DESCRIPTION: 40' (FW) MACDON MOUNTING & LOCKING SUB			
ITEM	PART NO	DESCRIPTION	QTY	ITEM	PART NO	DESCRIPTION	QTY
1	241274 01	FRONT MTG BRACKET (UP TO 2017)	1	29	240960 01	FRONT PIN PLATE (UP TO 2017)	1
OR	240943 01	FRONT MTG BRACKET (UPTO 2013)		30	240960 02	REAR PIN PLATE (UP TO 2017)	1
OR	242389 01	V MOUNTING BRACKET (2017 & ON)		OR	242392 01	'V' BRACKET W/A (2017&ON)	2
2	241274 02	REAR MTG BRACKET (UP TO 2017)	1	31	HSS-1054	BOLT	8
OR	240943 02	REAR MTG BRACKET (UPTO 2013)		32	WSH-0015	WASHER	8
OR	242389 02	V MOUNTING BRACKET (2017 & ON)		33	WSH-0061	WASHER	8
3	BLTA16710	HEX HD BOLT (UPTO 2013)		34	21709004	END CAP	4
4	WSH-0024	WASHER	48	35	241202 01	CLAMP PLATE	12
5	NUT-0271	NUT	24	OR	240993 01	CLAMP PLATE (UPTO 2013)	
6	HAN-2000	PLASTIC LEVER END	2	36	BLT-2365	BOLT	48
7	240147 01	LOCKING PIN (UP TO 2017)	2	37	CAP-0080	END CAP	4
OR	241851 01	LOCKING PIN (2017 & ON)		38	242413 01	GAUGE WHEEL BRACKET (2017&ON)	2
8	HSS-0150	SET SCREW	2	39	242415 01	PIVOT BLOCK (2017&ON)	2
9	190119 08	WASHER	2	40	HSS-0250	SET SCREW	8
10	CLP-00106	R CLIP	2	41	WSH-0018	PLAIN WASHER	16
11	190119 05	WASHER	2	42	NUT-0269	NYLOC NUT	8
12	WSH-0012	WASHER	2	43	241818 01	TUBE CLAMP BOLT	4
13	NUT-0263	NUT	2	44	NUT-0170	PLAIN NUT	4
14	241201 01	MOUNTING CRADLE	4	45	ADL-01430	ADJUSTER ASSEMBLY (MID 2018 & ON) CAN REPLACE ITEMS 20-23	4
OR	240953 01	MOUNTING CRADLE (UPTO 2013)					
15	241201 01	MOUNTING CRADLE	4				
OR	240955 01	MOUNTING CRADLE (UPTO 2013)					
16	242648 01	SUPPORT ARM W/A (2023 & ON)	4				
OR	240959 01	SUPPORT ARM ASSY (UP TO 2023)					
17	20166128	BOLT	8				
18	NUTA02200	NUT	60				
19	WSH-0030	WASHER	108				
20	240750 01	LH THREAD ADJUSTER (UP TO MID 2018)	4				
21	240749 01	RH THREAD ADJUSTER (UP TO MID 2018)	4				
22	240800 01	ADJUSTER BODY (UP TO MID 2018)	4				
OR	240757 01	ADJUSTER BODY (UP TO MID 2018)	4				
23	NUT-0390	HALF NUT (UP TO MID 2018) FOR ITEMS 20-23 ALSO SEE ITEM 45	4				
24	BLTA20620	HEX HEAD BOLT	4				
25	240688 03	SUPPORT BEAM	2				
26	240672 01	TUBE CLAMP W/A	4				
OR	240798 01	TUBE CLAMP PLATE	4				
27	BLT-2330	HEX HEAD BOLT	8				
28	190119 99	WASHER	8				

Shelbourne Reynolds Engineering Limited

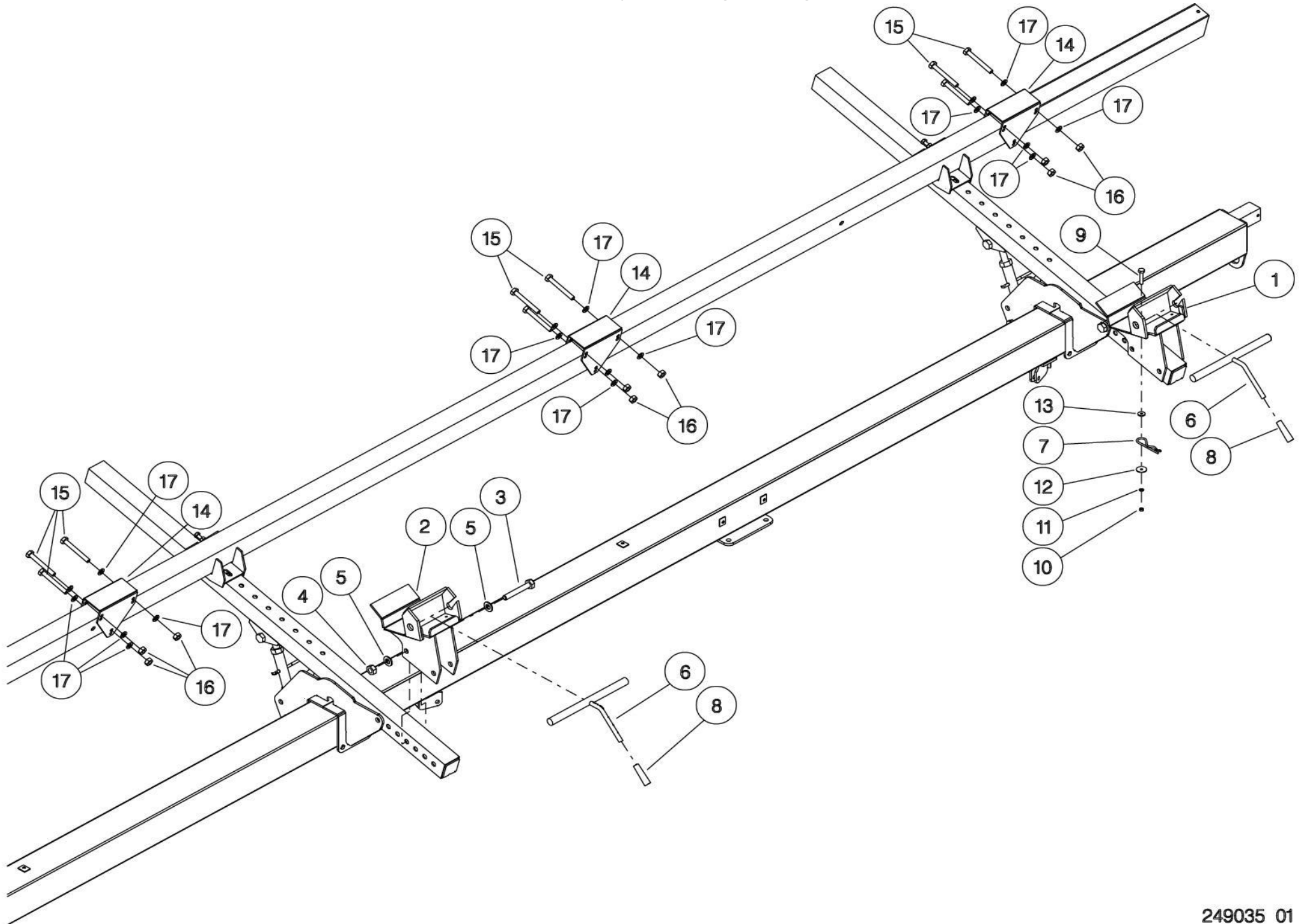


249033 01A



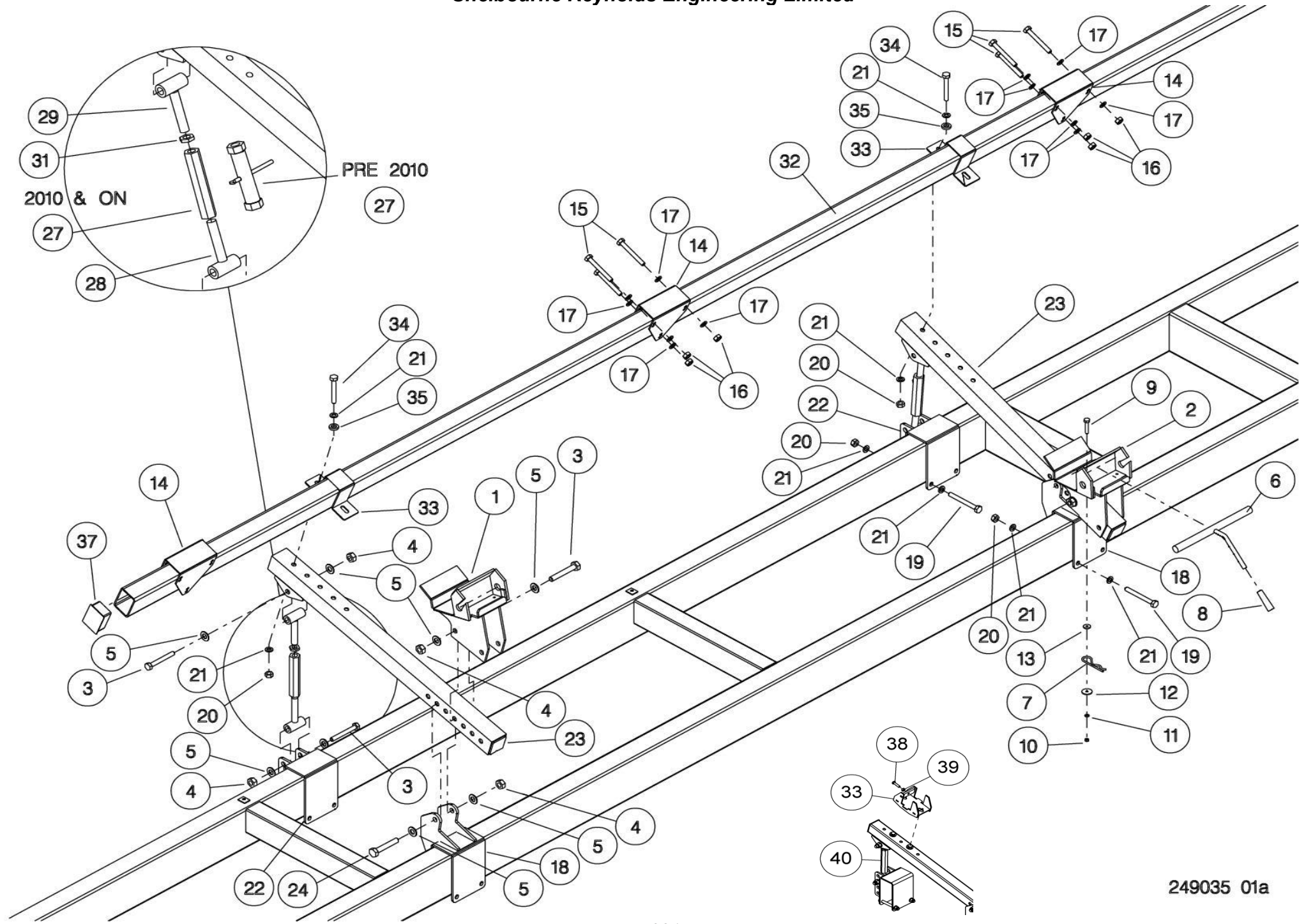
Shelbourne Reynolds Engineering Limited

ASSY NUMBER:249035 01				ASSY DECRPTION: STRIPPER (C6000/9000)MOUNTING & LOCKING SUB			
ITEM	PART NO	DESCRIPTION	QTY	ITEM	PART NO	DESCRIPTION	QTY
1	240788 01	CRADLE ASSY	1				
2	240788 02	CRADLE ASSY	1				
3	BLTA20650	BOLT	4				
4	NUTA02200	NYLOC NUT	4				
5	WSH-0030	PLAIN WASHER	8				
6	240147 01	LOCKING PIN	2				
7	CLP-00106	R CLIP	2				
8	HAN-2000	PLASTIC LEVER END	2				
9	HSS-0153	BOLT	2				
10	NUT-0263	NUT	2				
11	WSH-0012	PLAIN WASHER	2				
12	190119 08	INNER WASHER	2				
13	190119 05	OUTER WASHER	2				
14	240880 01	HEIGHT PACKER	3				
15	BLTA12620	BOLT	9				
16	NUT-0269	NYLOC NUT	9				
17	WSH-0018	PLAIN WASHER	18				



Shelbourne Reynolds Engineering Limited

ASSY NUMBER:249035 01A				ASSY DECRPTION: STRIPPER (C10500FW) MOUNTING & LOCKING SUB			
ITEM	PART NO	DESCRIPTION	QTY	ITEM	PART NO	DESCRIPTION	QTY
1	240788 01	CRADLE ASSY	1	32	240688 01	SUPPORT TUBE	1
2	240788 02	CRADLE ASSY	1	33	240798 01	TUBE CLAMP	2
3	BLTA20650	BOLT	8	OR	240672 01	TUBE CLAMP W/A	2
4	NUTA02200	NYLOC NUT	10	34	BLT-2330	BOLT	4
5	WSH-0030	PLAIN WASHER	18	35	190119 99	WASHER	4
6	240147 01	LOCKING PIN	2	36	21709004	END CAP	2
7	CLP-00106	R CLIP	2	37	CAP-0080	END CAP	2
8	HAN-2000	PLASTIC LEVER END	2	38	241818 01	TUBE CLAMP BOLT	2
9	HSS-0153	BOLT	2	39	NUT-0170	PLAIN NUT	2
10	NUT-0263	NYLOC NUT	2	40	ADL-01430	ADJUSTER ASSEMBLY (MID 2018 & ON) CAN REPLACE ITEMS 27-31	2
11	WSH-0012	PLAIN WASHER	2				
12	190119 08	INNER WASHER	2				
13	190119 05	OUTER WASHER	2				
14	240880 01	HEIGHT PACKER	4				
15	BLTA12620	BOLT	12				
16	NUT-0269	NYLOC NUT	12				
17	WSH-0018	PLAIN WASHER	24				
18	241026 01	MOUNTING CRADLE ASSY	2				
19	BLTA16710	BOLT	8				
20	NUT-0271	NYLOC NUT	12				
21	WSH-0024	PLAIN WASHER	20				
22	240953 01	FAR SIDE MTG. CRADLE ASSY	2				
23	241028 01	SUPPORT ARM ASSY	2				
24	BLTA20620	BOLT	2				
25							
26							
27	240800 01	ADJUSTER BODY (UP TO MID 2018)	2				
OR	240757 01	ADJUSTER BODY (UP TO MID 2018)	2				
28	240750 01	RH THREAD ADJUSTER(UP TO MID 2018)	2				
29	240749 01	LH THREAD ADJUSTER(UP TO MID 2018)	2				
31	NUT-0390	HALF NUT (UP TO MID 2018) FOR ITEMS 27-31 ALSO SEE ITEM 40	2				

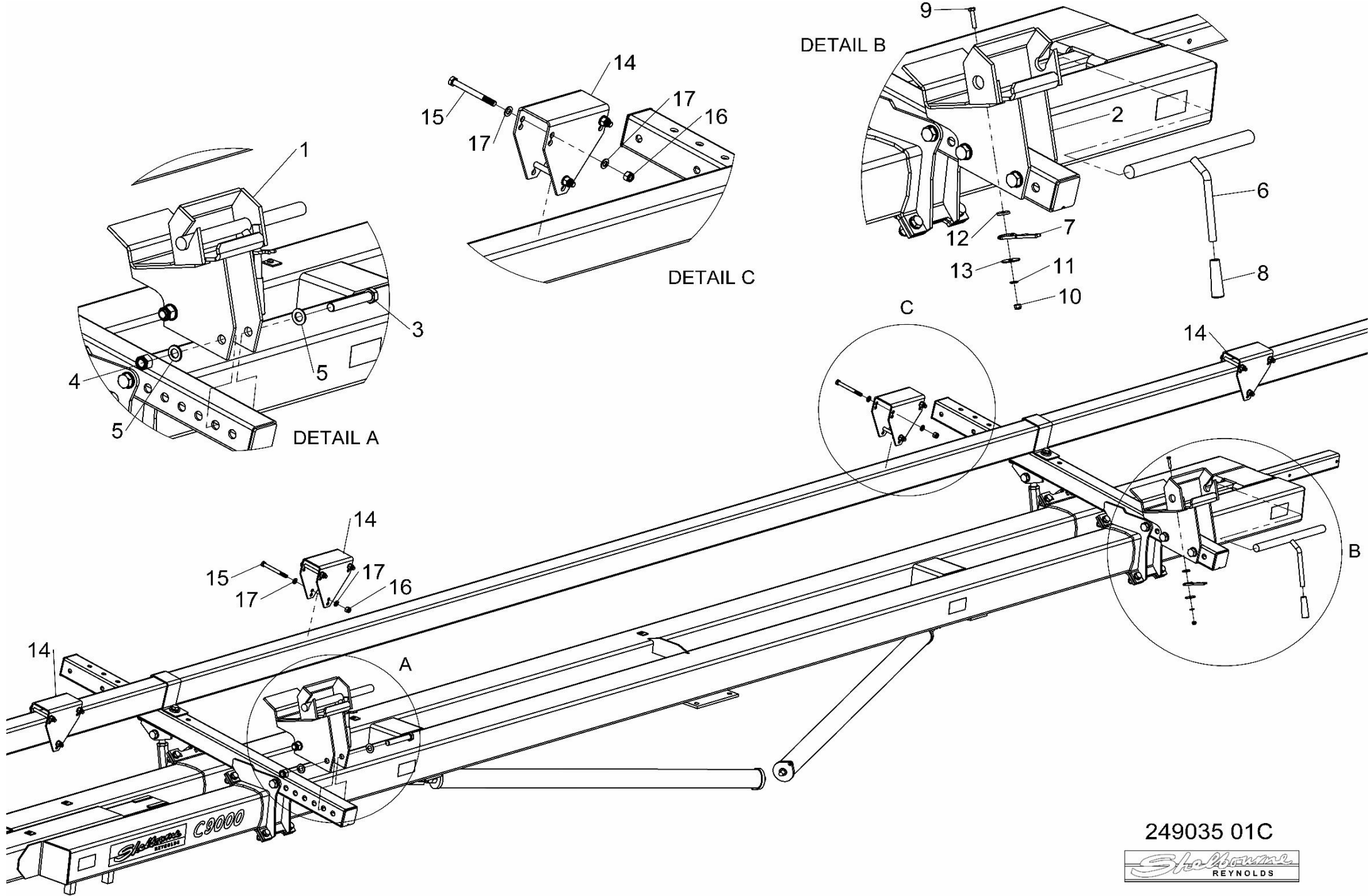


249035 01a

Shelbourne Reynolds Engineering Limited

ASSY NUMBER:249035 01C				ASSY DECRPTION: STRIPPER (C9000TA CVS28, CVS32) MOUNTING & LOCKING SUB			
ITEM	PART NO	DESCRIPTION	QTY	ITEM	PART NO	DESCRIPTION	QTY
1	240788 01	STRIPPER CRADLE W/A	1				
2	240788 02	STRIPPER CRADLE W/A	1				
3	BLTA20650	HEX HEAD BOLT	4				
4	NUTA02200	NYLOC NUT	4				
5	WSH-0030	PLAIN WASHER	8				
6	240147 01	LOCKING PIN W/A	2				
7	CLP-00106	R-CLIP	2				
8	HAN-2000	PLASTIC HANDLE	2				
9	HSS-0153	SET SCREW	2				
10	NUT-0263	NYLOC NUT	2				
11	WSH-0012	PLAIN WASHER	2				
12	190119 08	WASHER	2				
13	190119 05	WASHER	2				
14	240880 01	HEIGHT PACKER	4				
15	BLTA12620	HEAX HEAD BOLT	12				
16	NUT-0269	NYLOC NUT	12				
17	WSH-0018	PLAIN WASHER	24				

Shelbourne Reynolds Engineering Limited

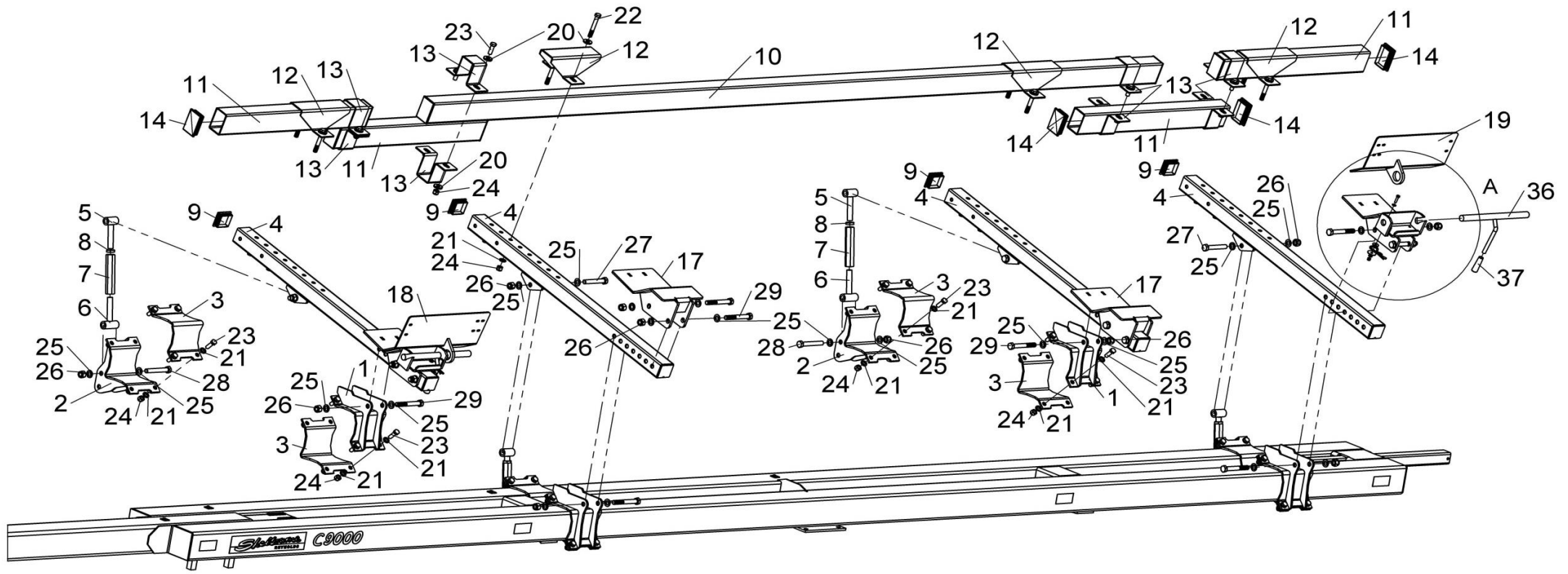


249035 01C

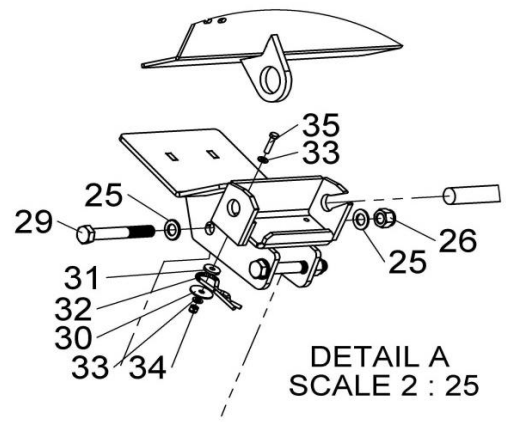
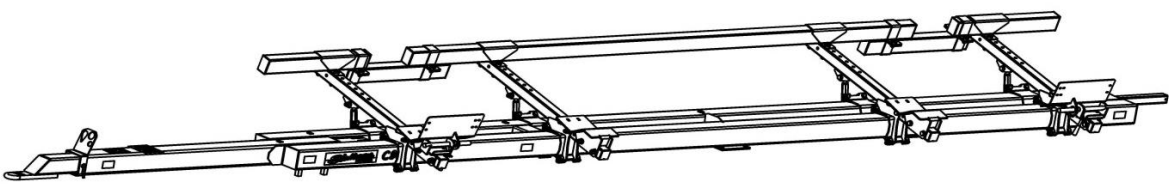


Shelbourne Reynolds Engineering Limited

ASSY NUMBER: 249040 01				ASSY DESCRIPTION: MF SUPERFLOW 30' TA MOUNTING & LOCKING SUB (2016 & ON)			
ITEM	PART NO	DESCRIPTION	QTY	ITEM	PART NO	DESCRIPTION	QTY
1	241072 01	BEAM MOUNT CRADLE	4				
2	241073 01	ADJUSTER MOUNT CRADLE	4				
3	241066 02	CLAMP PLATE	8				
4	241092 01	SUPPORT ARM W/ASSY	4				
5	240749 01	RH THREAD ADJUSTER	4				
6	240750 01	LH THREAD ADJUSTER	4				
7	240800 01	ADJUSTER BODY	4				
8	NUT-0390	HALF NUT	4				
9	21709004	END CAP	4				
10	240688 15	SUPPORT TUBE	1				
11	241365 01	SUPPORT TUBE	4				
12	241046 01	TUBE CLAMP PLATE	4				
13	241798 01	TUBE CLAMP PLATE	8				
14	CAP-0080	END CAP	10				
15	241476 01	LH MF CRADLE W/ASSY	1				
16	241476 02	RH MF CRADLE W/ASSY	1				
17	241481 01	MF MOUNTING W/ASSY	2				
18	242267 01	MF POWERFLOW HEADER BRACKET	1				
19	242267 02	MF POWERFLOW HEADER BRACKET	1				
20	190119 99	WASHER	24				
21	WSH-0024	PLAIN WASHER	72				
22	BLT-2330	HEX HEAD BOLT	8				
23	HSS-0318	SET SCREW	40				
24	NUT-0271	NYLOC NUT	48				
25	WSH-0030	PLAIN WASHER	40				
26	NUTA02200	NYLOC NUT	20				
27	BLTA20620	HEX HEAD BOLT	4				
28	BLTA20650	HEX HEAD BOLT	4				
29	20166128	HEX HEAD BOLT	12				
30	190119 05	WASHER	2				
31	190119 08	WASHER	2				
32	CLP-00106	R CLIP	2				
33	WSH-0012	PLAIN WASHER	4				
34	NUT-0263	NYLOC NUT	2				
35	HSS-0152	SET SCREW	2				
36	240147 01	LOCKING PIN	2				
37	HAN-2000	PLASTIC HANDLE	2				



ASSEMBLED VIEW



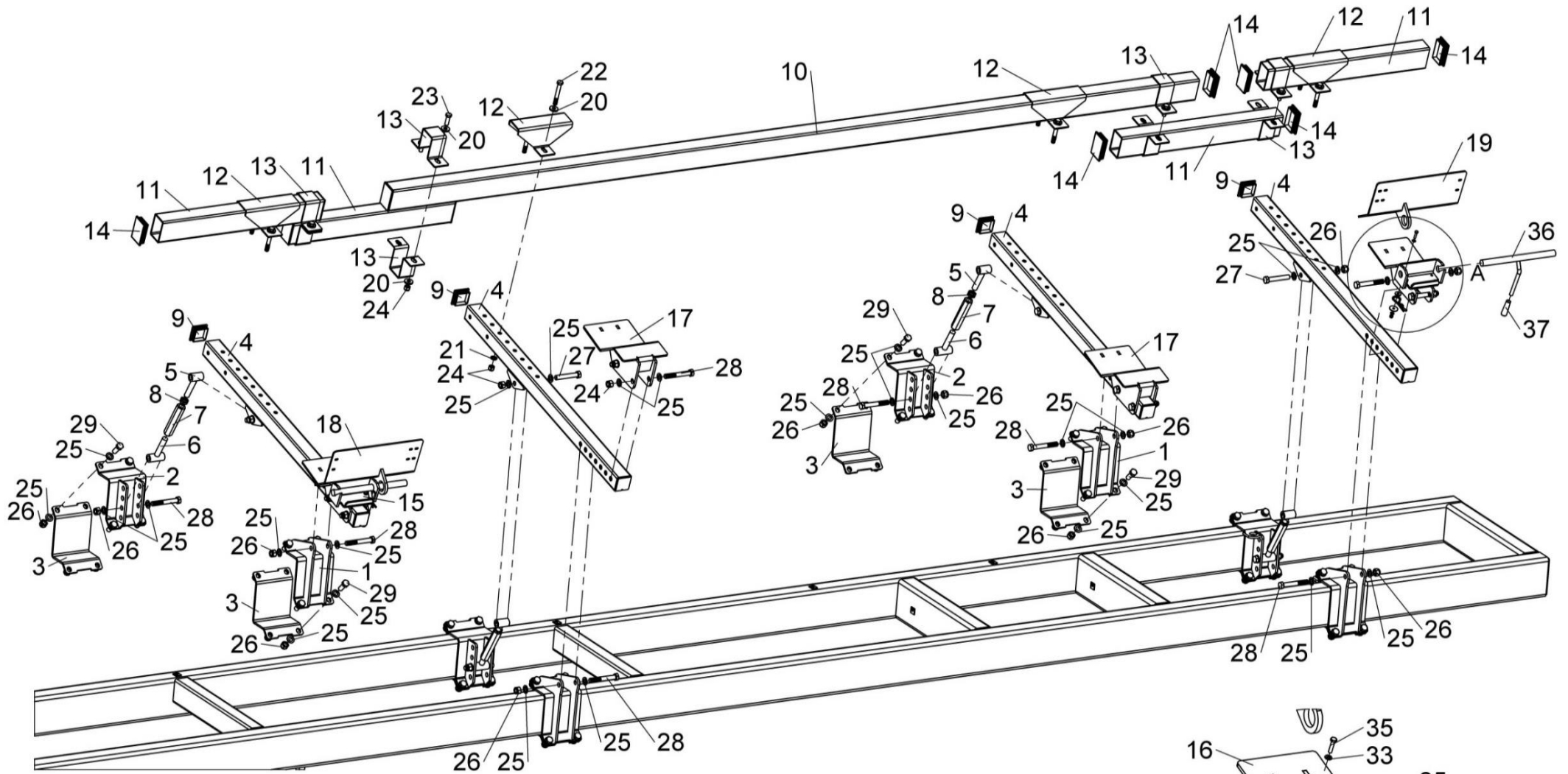
DETAIL A
SCALE 2 : 25



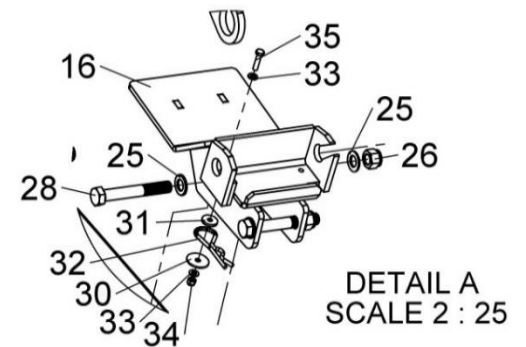
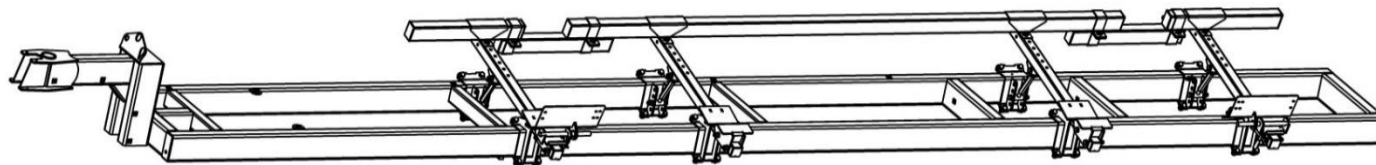
249040 01

Shelbourne Reynolds Engineering Limited

ASSY NUMBER: 249040 02				ASSY DESCRIPTION: MF SUPERFLOW 30FT FW MOUNTING & LOCKING SUB (2016 & ON)			
ITEM	PART NO	DESCRIPTION	QTY	ITEM	PART NO	DESCRIPTION	QTY
1	241199 01	BEAM MOUNT CRADLE	4				
2	241201 01	ADJUSTER MOUNT CRADLE	4				
3	241202 01	CLAMP PLATE	8				
4	241092 01	SUPPORT ARM W/ASSY	4				
5	240749 01	RH THREAD ADJUSTER	4				
6	240750 01	LH THREAD ADJUSTER	4				
7	240800 01	ADJUSTER BODY	4				
8	NUT-0390	HALF NUT	4				
9	21709004	END CAP	4				
10	240688 15	SUPPORT TUBE	1				
11	241365 01	SUPPORT TUBE	4				
12	241046 01	TUBE CLAMP PLATE	4				
13	241798 01	TUBE CLAMP PLATE	8				
14	CAP-0080	END CAP	10				
15	241476 01	LH MF CRADLE W/ASSY	1				
16	241476 02	RH MF CRADLE W/ASSY	1				
17	241481 01	MF MOUNTING W/ASSY	2				
18	242267 01	MF POWERFLOW HEADER BRACKET	1				
19	242267 02	MF POWERFLOW HEADER BRACKET	1				
20	190119 99	WASHER	24				
21	WSH-0024	PLAIN WASHER	8				
22	BLT-2330	HEX HEAD BOLT	8				
23	HSS-0318	SET SCREW	8				
24	NUT-0271	NYLOC NUT	16				
25	WSH-0030	PLAIN WASHER	104				
26	NUTA02200	NYLOC NUT	52				
27	BLTA20620	HEX HEAD BOLT	4				
28	20166128	HEX HEAD BOLT	16				
29	BLT-2365	HEX HEAD BOLT	32				
30	190119 05	WASHER	2				
31	190119 08	WASHER	2				
32	CLP-00106	R CLIP	2				
33	WSH-0012	PLAIN WASHER	4				
34	NUT-0263	NYLOC NUT	2				
35	HSS-0152	SET SCREW	2				
36	240147 01	LOCKING PIN	2				
37	HAN-2000	PLASTIC HANDLE	2				



ASSEMBLED VIEW



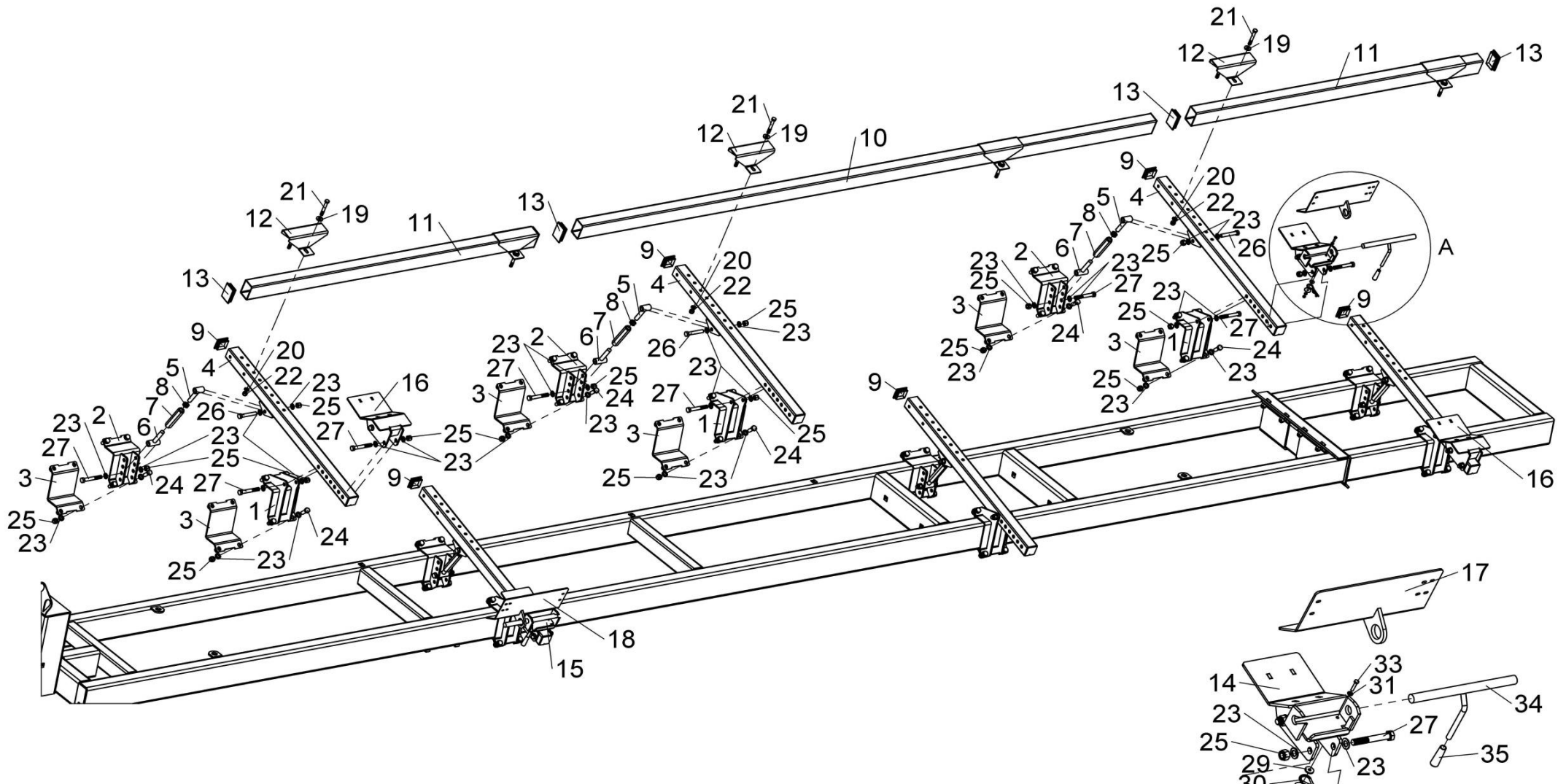
DETAIL A
SCALE 2 : 25

249040 02

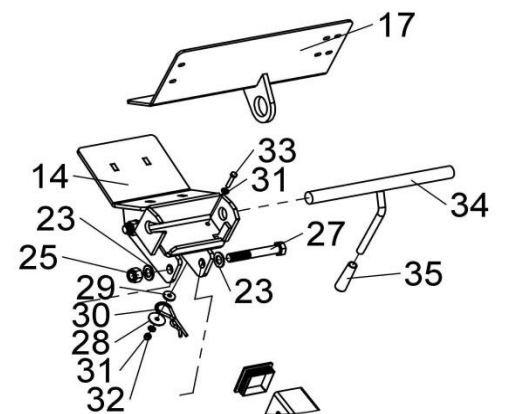
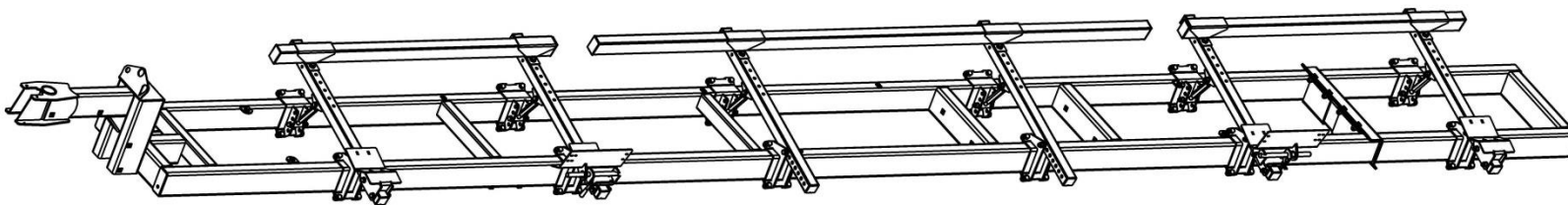


Shelbourne Reynolds Engineering Limited

ASSY NUMBER: 249041 01				ASSY DESCRIPTION: MF SUPERFLOW 35FT FW MOUNTING & LOCKING SUB (2016 & ON)			
ITEM	PART NO	DESCRIPTION	QTY	ITEM	PART NO	DESCRIPTION	QTY
1	241199 01	BEAM MOUNT CRADLE	6				
2	241201 01	ADJUSTER MOUNT CRADLE	6				
3	241202 01	CLAMP PLATE	12				
4	241092 01	SUPPORT ARM W/ASSY	6				
5	240749 01	RH THREAD ADJUSTER	6				
6	240750 01	LH THREAD ADJUSTER	6				
7	240800 01	ADJUSTER BODY	6				
8	NUT-0390	HALF NUT	6				
9	21709004	END CAP	6				
10	240688 15	SUPPORT TUBE	1				
11	242270 01	SUPPORT TUBE	2				
12	241046 01	TUBE CLAMP PLATE	6				
13	CAP-0080	END CAP	6				
14	241476 01	LH MF CRADLE W/ASSY	1				
15	241476 02	RH MF CRADLE W/ASSY	1				
16	241481 01	MF MOUNTING W/ASSY	2				
17	242267 01	MF POWERFLOW HEADER BRACKET	1				
18	242267 02	MF POWERFLOW HEADER BRACKET	1				
19	190119 99	WASHER	12				
20	WSH-0024	PLAIN WASHER	12				
21	BLT-2330	HEX HEAD BOLT	12				
22	NUT-0271	NYLOC NUT	12				
23	WSH-0030	PLAIN WASHER	148				
24	BLT-2365	HEX HEAD BOLT	48				
25	NUTA02200	NYLOC NUT	74				
26	BLTA20620	HEX HEAD BOLT	6				
27	20166128	HEX HEAD BOLT	20				
28	190119 05	WASHER	2				
29	190119 08	WASHER	2				
30	CLP-00106	R CLIP	2				
31	WSH-0012	PLAIN WASHER	4				
32	NUT-0263	NYLOC NUT	2				
33	HSS-0152	SET SCREW	2				
34	240147 01	LOCKING PIN	2				
35	HAN-2000	PLASTIC HANDLE	2				



ASSEMBLED VIEW



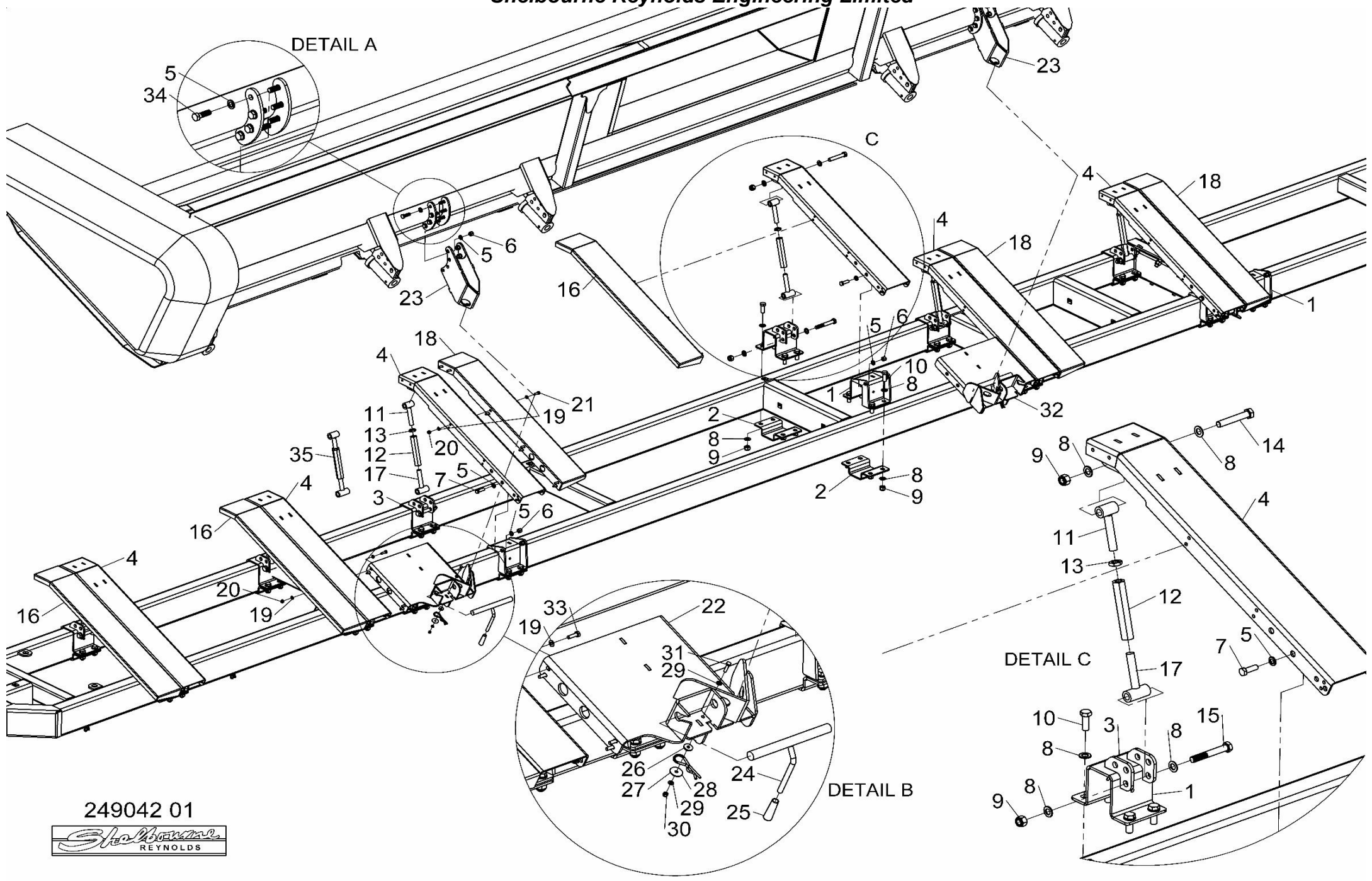
DETAIL A
SCALE 2 : 35

249041 01



Shelbourne Reynolds Engineering Limited

ASSY NUMBER: 249042 01				ASSY DESCRIPTION: JD X-SERIES 30-40FT MOUNTING 2016 & ON			
ITEM	PART NO	DESCRIPTION	QTY	ITEM	PART NO	DESCRIPTION	QTY
1	242054 01	SUPPORT ARM BRACKET	8				
2	242057 01	HALF CLAMP	14				
3	242058 01	ADJUSTER BRACKET WA	6				
4	242060 01	SUPPORT ARM WA	6				
5	WSH-0024	PLAIN WASHER	32				
6	NUT-0271	NYLOC NUT	16				
7	HSS-0355	SET SCREW	16				
8	WSH-0030	PLAIN WASHER	168				
9	NUTA02200	NYLOC NUT	84				
10	BLT-2365	BOLT	56				
11	240749 01	RH THREAD ADJUSTER(UP TO MID 2018)	6				
12	240800 01	ADJUSTER BODY(UP TO MID 2018)	6				
13	NUT-0390	HALF NUT (UP TO MID 2018) FOR ITEMS 11-13 ALSO SEE ITEM 35	6 6				
14	BLTA20620	HEX HEAD BOLT	6				
15	20166128	BOLT	3				
16	242063 01	LH GUARD PLATE	3				
17	240750 01	LH THREAD ADJUSTER(UP TO MID 2018) FOR ITEMS 17 ALSO SEE ITEM 35	6				
18	242063 02	RH GUARD PLATE	3				
19	WSH-0015	PLAIN WASHER	112				
20	NUT-0265	NYLOC NUT	56				
21	HSS-0194	SET SCREW	48				
22	242124 01	LH LOCKING BRACKET WA	1				
23	242120 01	JD X-SERIES HEADER BRACKET WA	2				
24	241851 01	LOCKING HANDLE	2				
25	HAN-2000	BLACK PLASTIC HANDLE FOR	2				
26	190119 08	WASHER	2				
27	190119 05	WASHER	2				
28	CLP-00106	R CLIP	2				
29	WSH-0012	PLAIN WASHER	4				
30	NUT-0263	NYLOC NUT	2				
31	HSS-0152	SET SCREW	2				
32	242124 02	RH LOCKING BRACKET WA	1				
33	HSS-0198	SET SCREW	8				
34	HSS-0318	SET SCREW	16				
35	ADL-01430	ADJUST249042 01HTER ASSEMBLY CAN REPLACE ITEMS 11,12,13 & 17	6				



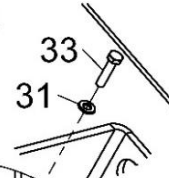
249042 01



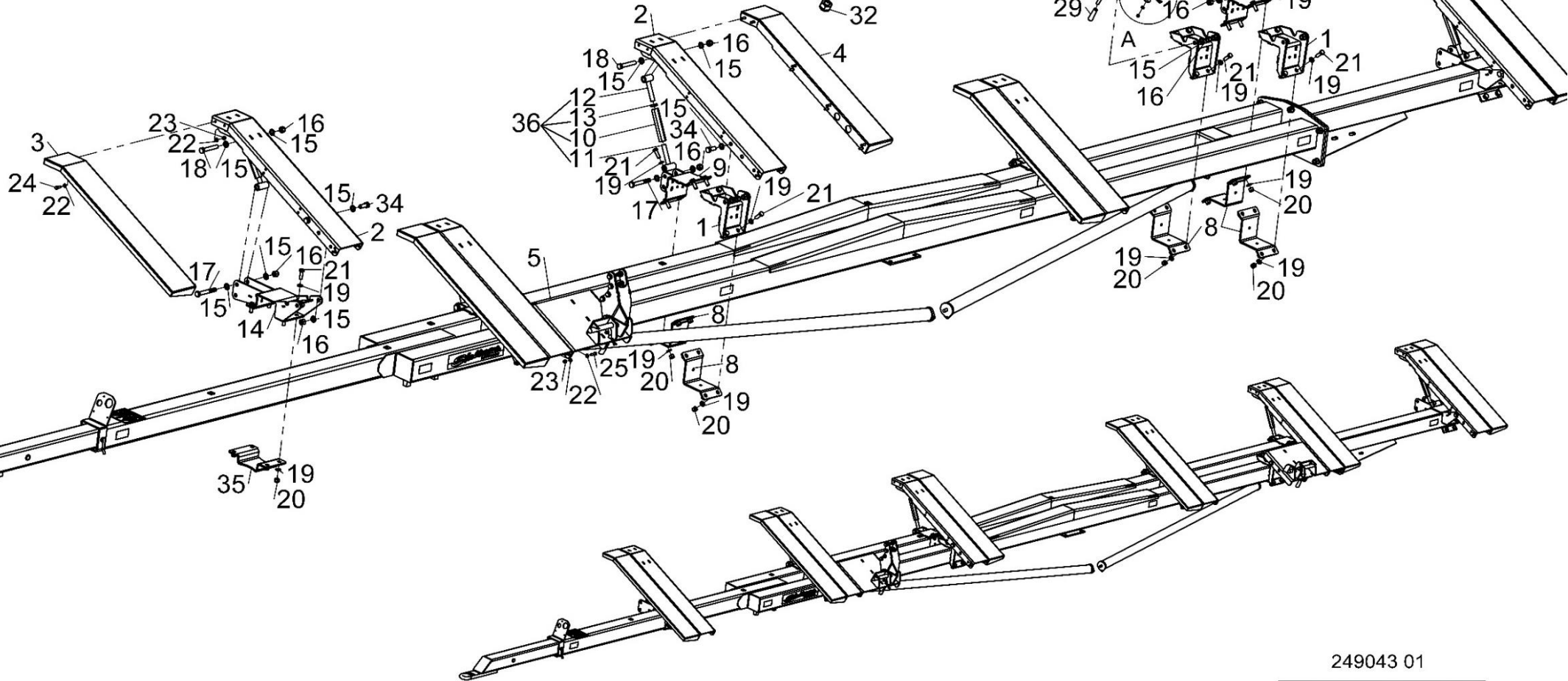
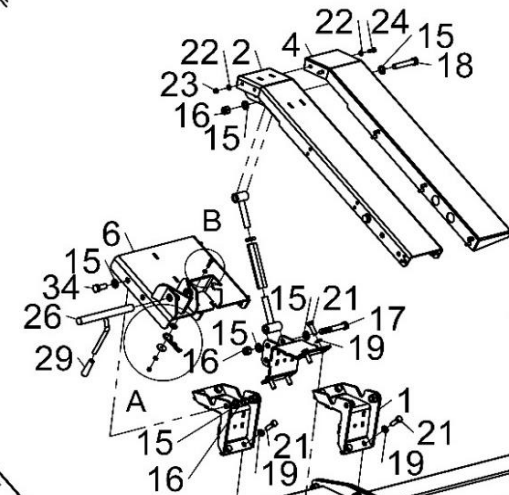
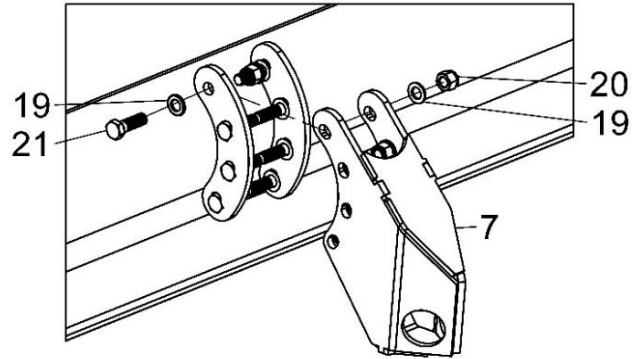
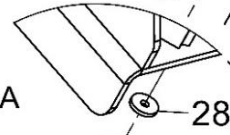
Shelbourne Reynolds Engineering Limited

ASSY NUMBER: 249043 01				ASSY DESCRIPTION: JD X SERIES C9000TA/C10500TA MOUNTING SUB 2016 & ON			
ITEM	PART NO	DESCRIPTION	QTY	ITEM	PART NO	DESCRIPTION	QTY
1	242088 01	PIVOT BRACKET W/A	6	35	242113 01	CLAMP PLATE	2
2	242060 01	SUPPORT ARM WA	6	36	ADL-01430	ADJUSTER ASSEMBLY (MID 2018 & ON) CAN REPLACE ITEMS 10-13	6
3	242063 01	LH GUARD PLATE	3				
4	242063 02	RH GUARD PLATE	3				
5	242124 01	LH LOCKING BRACKET WA	1				
OR	242132 01	LH LOCKING BRACKET WA (MEK10161626 ONLY)					
6	242124 02	RH LOCKING BRACKET WA	1				
OR	242132 02	RH LOCKING BRACKET WA (MEK10161626 ONLY)					
7	242120 01	JD X-SERIES HEADER BRACKET WA	2				
8	242090 01	CLAMP PLATE	10				
9	242091 01	ADJUSTER CLAMP W/A	4				
10	240800 01	ADJUSTER BODY (UP TO MID 2018)	6				
11	240750 01	LH THREAD ADJUSTER (UP TO MID 2018)	6				
12	240749 01	RH THREAD ADJUSTER (UP TO MID 2018)	6				
13	NUT-0390	HALF NUT (UP TO MID 2018) FOR ITEMS 10-13 ALSO SEE ITEM 36	6				
14	242094 01	PIVOT BRACKET W/A	2				
15	WSH-0030	PLAIN WASHER	56				
16	NUTA02200	NYLOC NUT	29				
17	20166128	BOLT	6				
18	BLTA20620	HEX HEAD BOLT	6				
19	WSH-0024	PLAIN WASHER	128				
20	NUT-0271	NYLOC NUT	64				
21	HSS-0318	SET SCREW	64				
22	WSH-0015	PLAIN WASHER	112				
23	NUT-0265	NYLOC NUT	56				
24	HSS-0194	SET SCREW	48				
25	HSS-0198	SET SCREW	8				
26	241851 01	LOCKING HANDLE	2				
27	190119 05	WASHER	2				
28	190119 08	WASHER	2				
29	HAN-2000	BLACK PLASTIC HANDLE FOR	2				
30	CLP-00106	R CLIP	2				
31	WSH-0012	PLAIN WASHER	4				
32	NUT-0263	NYLOC NUT	2				
33	HSS-0152	SET SCREW	2				
34	HSS-0355	SETSCREW	16				

DETAIL B



DETAIL A

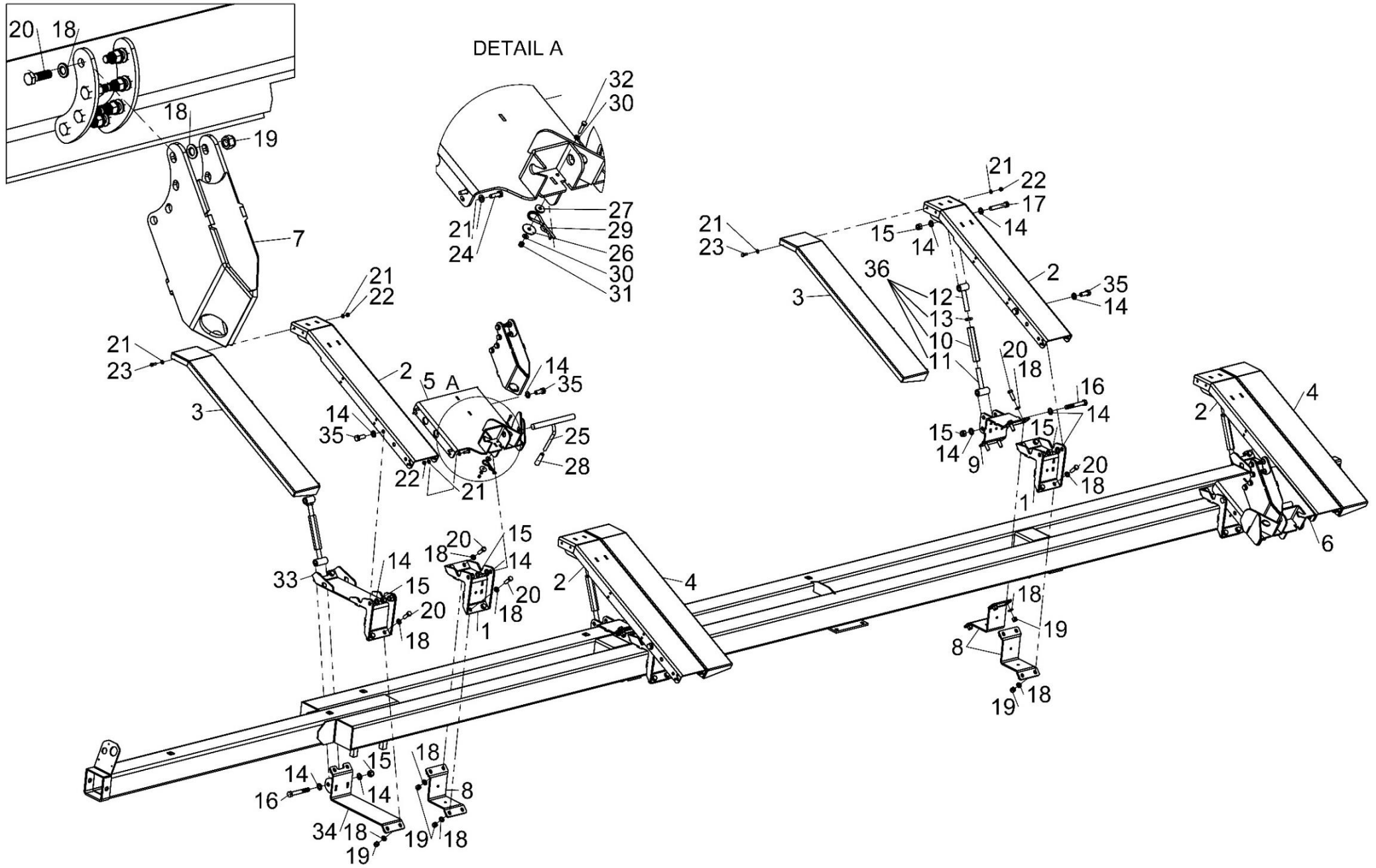


249043 01



Shelbourne Reynolds Engineering Limited

ASSY NUMBER: 249044 01				ASSY DESCRIPTION: JD X SERIES (25FT/C9000 CHASSIS) MOUNT SUB 2016 & ON			
ITEM	PART NO	DESCRIPTION	QTY	ITEM	PART NO	DESCRIPTION	QTY
1	242088 01	PIVOT BRACKET W/A	4				
2	242060 01	SUPPORT ARM WA	4				
3	242063 01	LH GUARD PLATE	2				
4	242063 02	RH GUARD PLATE	2				
5	242124 01	LH LOCKING BRACKET WA	1				
6	242124 02	RH LOCKING BRACKET WA	1				
7	242120 01	JD X-SERIES HEADER BRACKET WA	2				
8	242090 01	CLAMP PLATE	6				
9	242091 01	ADJUSTER CLAMP W/A	2				
10	240800 01	ADJUSTER BODY(UP TO MID 2018)	4				
11	240750 01	LH THREAD ADJUSTER(UP TO MID 2018)	4				
12	240749 01	RH THREAD ADJUSTER(UP TO MID 2018)	4				
13	NUT-0390	HALF NUT (UP TO MID 2018) FOR ITEMS 10-13 SEE ITEM 36	4				
14	WSH-0030	PLAIN WASHER	40				
15	NUTA02200	NYLOC NUT	20				
16	20166128	BOLT	4				
17	BLTA20620	HEX HEAD BOLT	4				
18	WSH-0024	PLAIN WASHER	96				
19	NUT-0271	NYLOC NUT	48				
20	HSS-0318	SET SCREW	48				
21	WSH-0015	PLAIN WASHER	80				
22	NUT-0265	NYLOC NUT	40				
23	HSS-0194	SET SCREW	32				
24	HSS-0198	SET SCREW	8				
25	241851 01	LOCKING HANDLE	2				
26	190119 05	WASHER	2				
27	190119 08	WASHER	2				
28	HAN-2000	BLACK PLASTIC HANDLE FOR	2				
29	CLP-00106	R CLIP	2				
30	WSH-0012	PLAIN WASHER	4				
31	NUT-0263	NYLOC NUT	2				
32	HSS-0152	SET SCREW	2				
33	242097 01	PIVOT BRACKET W/A	2				
34	242100 01	ADJUSTER W/A	2				
35	HSS-0355	SETSCREW	12				
36	ADL-01430	ADJUSTER ASSEMBLY (MID 2018 & ON) CAN REPLACE ITEMS 10-13	4				

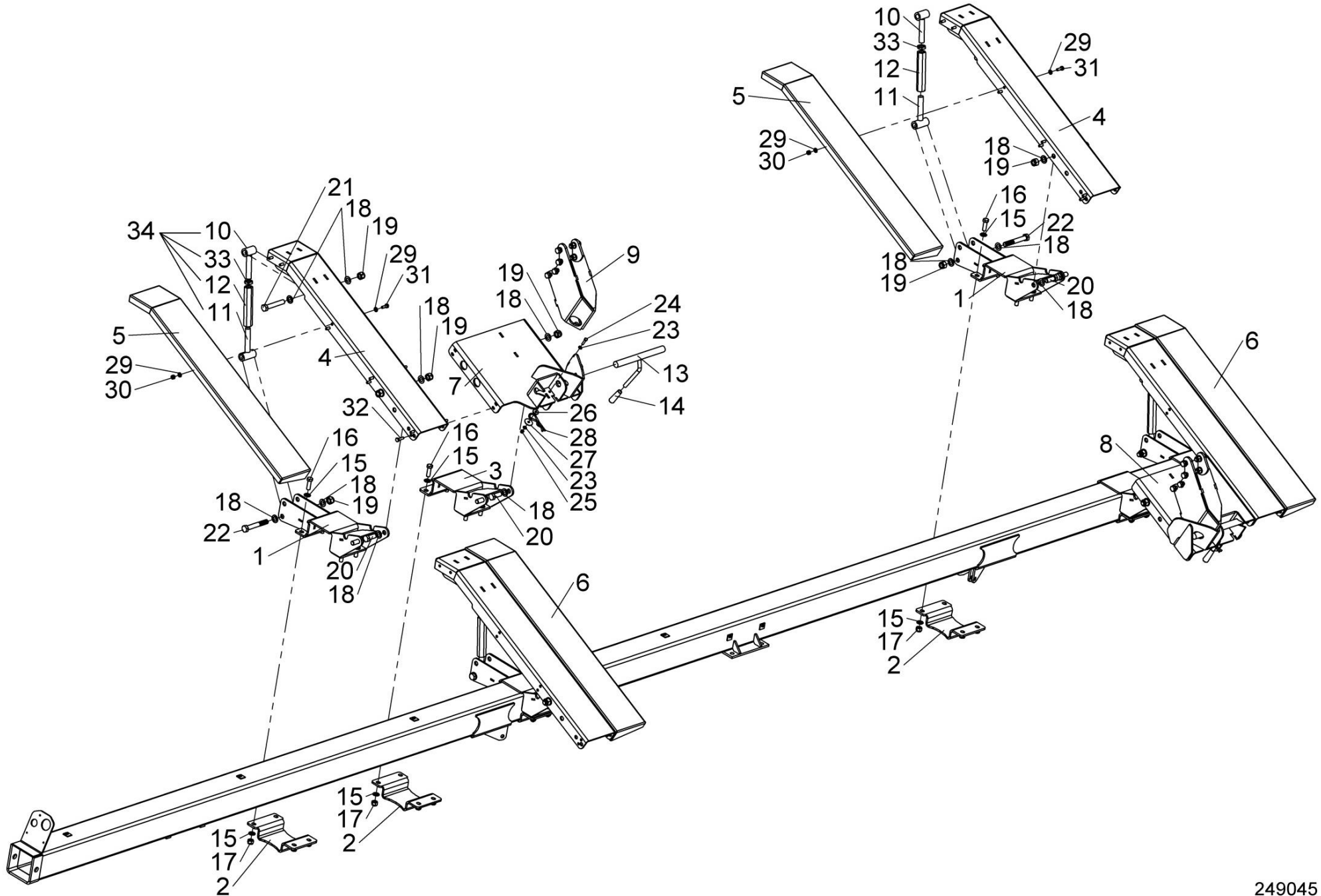


249044 01



Shelbourne Reynolds Engineering Limited

ASSY NUMBER: 249045 01				ASSY DESCRIPTION: JD 22FT X-SERIES C7500 MOUNTING & LOCKING SUB			
ITEM	PART NO	DESCRIPTION	QTY	ITEM	PART NO	DESCRIPTION	QTY
1	242094 01	PIVOT BRACKET W/A	4				
2	242113 01	CLAMP PLATE	6				
3	242117 01	PIVOT BRACKET W/A	2				
4	242060 01	SUPPORT ARM W/A	4				
5	242063 01	LH GUARD PLATE	2				
6	242063 02	RH GUARD PLATE	2				
7	242124 01	LH LOCKING BRACKET W/A	1				
8	242124 02	RH LOCKING BRACKET W/A	1				
9	242120 01	JD X-SERIES HEADER BRACKET	2				
10	240749 01	RH THREAD ADJUSTER (UP TO MID 2018)	4				
11	240750 01	LH THREAD ADJUSTER (UP TO MID 2018)	4				
12	240800 01	ADJUSTER BODY (UP TO MID 2018) FOR ITEMS 10-12 & 33 ALSO SEE ITEM 34	4				
13	241851 01	LOCKING HANDLE	2				
14	HAN-2000	PLASTIC HANDLE	2				
15	WSH-0024	PLAIN WASHER	80				
16	HSS-0318	SET SCREW	40				
17	NUT-0271	NYLOC NUT	40				
18	WSH-0030	PLAIN WASHER	40				
19	NUTA02200	MYLOC NUT	20				
20	HSS-0355	SET SCREW	12				
21	BLTA20620	HEX HEAD BOLT	4				
22	20166128	HEX HEAD BOLT	4				
23	WSH-0012	PLAIN WASHER	4				
24	HSS-0152	SET SCREW	2				
25	NUT-0263	NYLOC NUT	2				
26	190119 08	WASHER	2				
27	190119 05	WASHER	2				
28	CLP-00106	R CLIP	2				
29	WSH-0015	PLAIN WASHER	80				
30	NUT-0265	NYLOC NUT	40				
31	HSS-0194	SET SCREW	32				
32	HSS-0198	SET SCREW	8				
33	NUT-0390	HALF NUT (UP TO MID 2018)	4				
34	ADL-01430	ADJUSTER ASSEMBLY (MID 2018 & ON) CAN REPLACE ITEMS 10, 11, 12 & 33	4				

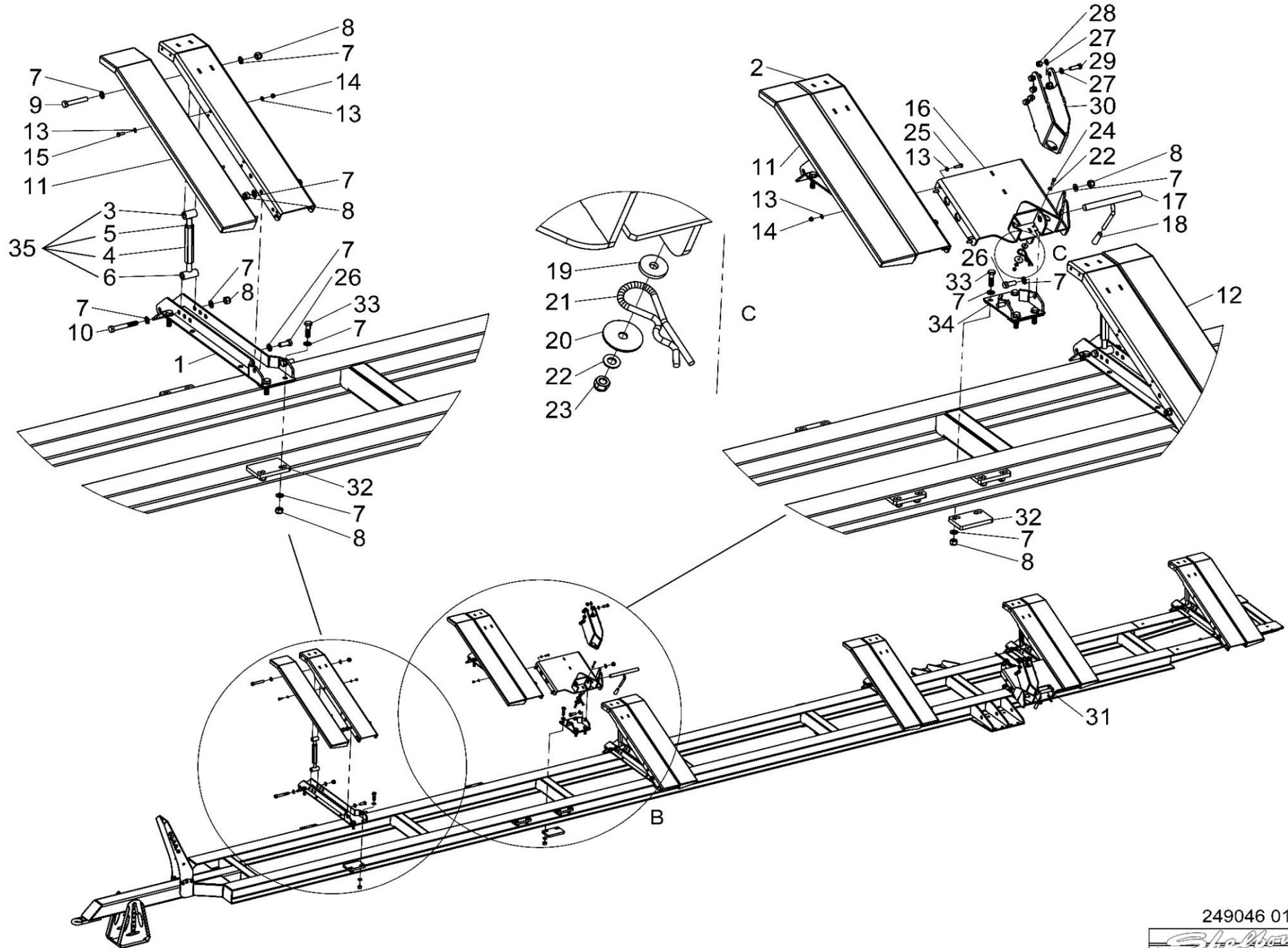


249045 01



Shelbourne Reynolds Engineering Limited

ASSY NUMBER: 249046 01				ASSY DESCRIPTION: JD X-SERIES MTG SUB ASSY			
ITEM	PART NO	DESCRIPTION	QTY	ITEM	PART NO	DESCRIPTION	QTY
1	242283 01	LOWER SUPPORT W/A	6				
2	242060 01	SUPPORT ARM W/A	6				
3	240749 01	RH THREAD ADJUSTER(UP TO MID 2018)	6				
4	240800 01	ADJUSTER BODY (UP TO MID 2018)	6				
5	NUT-0390	HALF NUT (UP TO MID 2018)	6				
6	240750 01	LH THREAD ADJUSTER(UP TO MID 2018) FOR ITEMS 3-6 ALSO SEE ITEM 35	6				
7	WSH-0030	WASHER	120				
8	NUTA02200	NUT	60				
9	BLTA20620	BOLT	6				
10	20166128	BOLT	6				
11	242063 01	LH GUARD PLATE	3				
12	242063 02	RH GUARD PLATE	3				
13	WSH-0015	WASHER	112				
14	NUT-0265	NUT	56				
15	HSS-0194	SETSCREW	48				
16	242124 01	LH LOCKING BRKT W/A	1				
17	241851 01	LOCKING PIN W/A	2				
18	HAN-2000	PLASTIC LEVER	2				
19	190119 08	WASHER	2				
20	190119 05	WASHER	2				
21	CLP-00106	R-CLIP	2				
22	WSH-0012	WASHER	4				
23	NUT-0263	NUT	2				
24	HSS-0152	SETSCREW	2				
25	HSS-0198	SETSCREW	8				
26	HSS-0355	SETSCREW	16				
27	WSH-0024	WASHER	32				
28	NUT-0271	NUT	16				
29	HSS-0318	SETSCREW	16				
30	242120 01	JD X-SERIES HEADER BRKT W/A	2				
31	242124 02	RH COUPLING BRKT W/A	1				
32	242289 01	CLAMP PLATE	16				
33	BLT-2367	BOLT	32				
34	242323 01	HEADER MTG BRKT W/A	2				
35	ADL-01430	ADJUSTER ASSEMBLY (MID 2018 & ON) CAN REPLACE ITEMS 3-6	6				



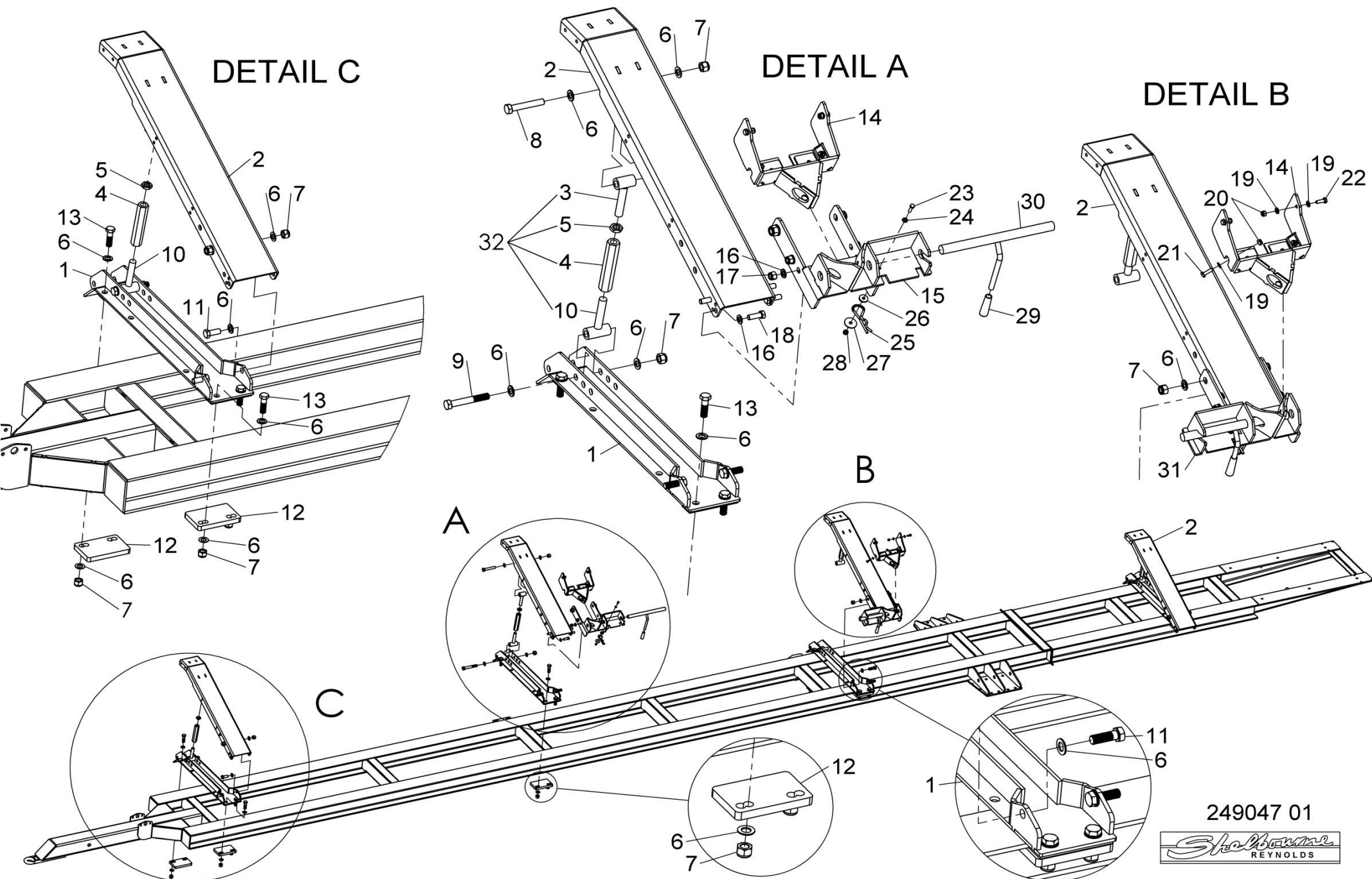
Shelbourne Reynolds Engineering Limited

ASSY NUMBER: 249047 01				ASSY DESCRIPTION: NH MOUNTING SUB ASSY			
ITEM	PART NO	DESCRIPTION	QTY	ITEM	PART NO	DESCRIPTION	QTY
1	242283 01	LOWER SUPPORT W/ASSY	4				
2	242060 01	SUPPORT ARM WA	4				
3	240749 01	RH THREAD ADJUSTER (UP TO MID 2018)	4				
4	240800 01	ADJUSTER BODY (UP TO MID 2018)	4				
5	NUT-0390	HALF NUT (UP TO MID 2018) FOR ITEMS 3-5 & 10, ALSO SEE ITEM 32	4				
6	WSH-0030	PLAIN WASHER	64				
7	NUTA02200	NYLOC NUT	32				
8	BLTA20620	HEX HEAD BOLT	4				
9	20166128	BOLT	4				
10	240750 01	LH THREAD ADJUSTER (UP TO MID 2018) FOR ITEMS 3-5 & 10, ALSO SEE ITEM 32					
11	HSS-0355	SETSCREW	8				
12	242289 01	CLAMP PLATE	8				
13	BLT-2367	BOLT	16				
14	242291 01	MOUNTING BRACKET	2				
15	242339 01	LH NH MOUNTING W/ASSY	1				
16	WSH-0024	PLAIN WASHER	18				
17	NUT-0271	NYLOC NUT	8				
18	HSS-0316	SETSCREW	8				
19	WSH-0015	PLAIN WASHER	16				
20	NUT-0265	NYLOC NUT	8				
21	HSS-0198	SET SCREW	4				
22	HSS-0194	SET SCREW	4				
23	HSS-0150	SET SCREW	2				
24	WSH-0012	PLAIN WASHER	2				
25	CLP-00106	R CLIP	2				
26	190119 08	WASHER	2				
27	190119 05	WASHER	2				
28	NUT-0263	NYLOC NUT	2				
29	HAN-2000	BLACK PLASTIC HANDLE FOR	2				
30	240147 01	LOCKING PIN W/ASSY	2				
31	242339 02	RH NH MOUNTING W/ASSY	1				
32	ADL-01430	ADJUSTER ASSEMBLY (MID 2018 & ON) CAN REPLACE ITEMS 3-5 & 10	4				

DETAIL C

DETAIL A

DETAIL B

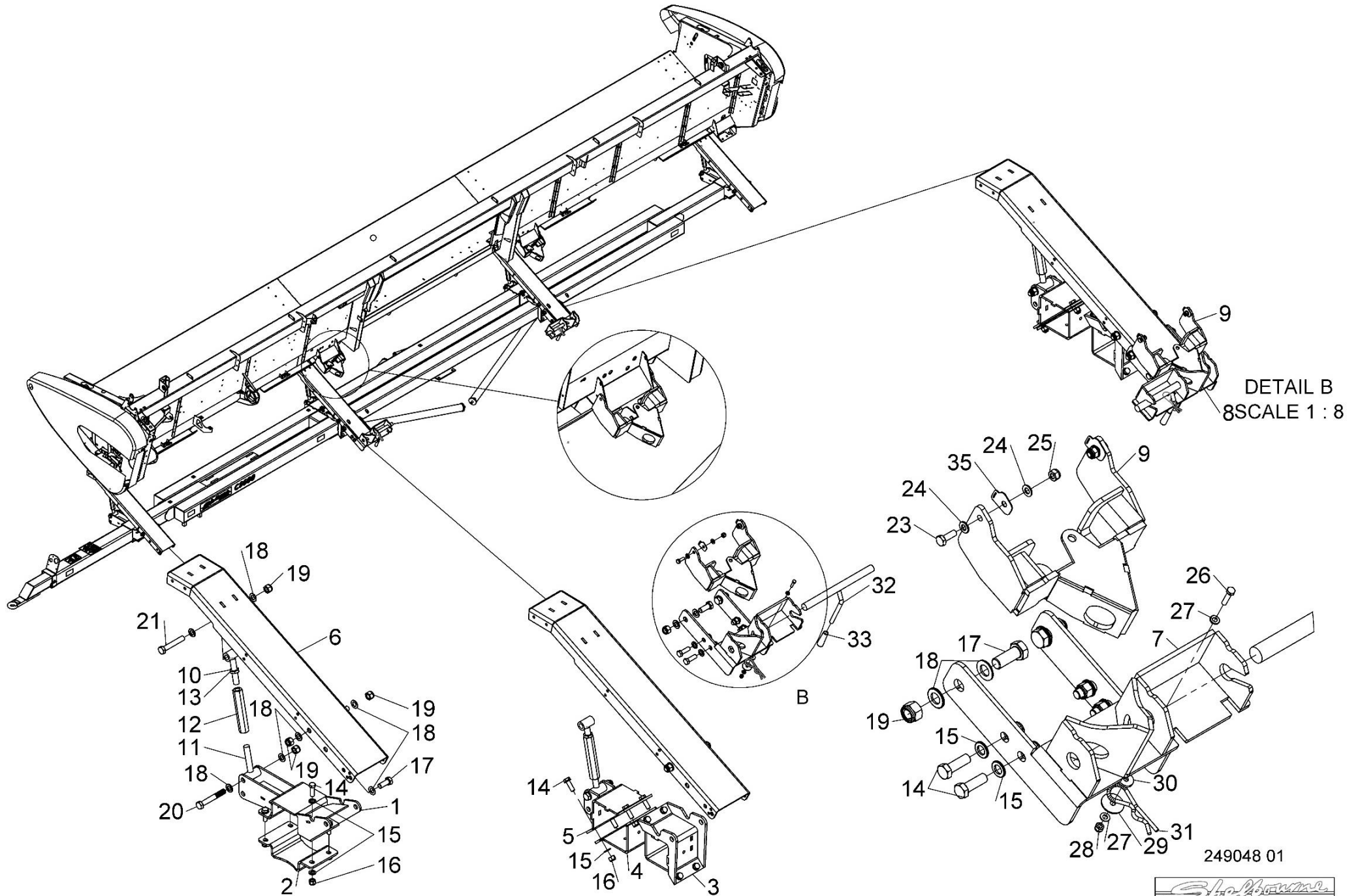


249047 01



Shelbourne Reynolds Engineering Limited

ASSY NUMBER: 249048 01				ASSY DESCRIPTION: C9000TA CNH 30ft 'V' GUIDE SLIDEWAY MOUNTING & LOCKING SUB			
ITEM	PART NO	DESCRIPTION	QTY	ITEM	PART NO	DESCRIPTION	QTY
1	242094 01	PIVOT BRACKET W/A	2	35	242637 01	SHIM (2024 AND ON) USE SHIMS AS REQUIRED BETWEEN BRACKET ON HEADER AND SHELBOURNE MOUNT (ITEM 9)	4
2	242113 01	CLAMP PLATE	2				
3	242088 01	PIVOT BRACKET W/A	2				
4	242090 01	CLAMP PLATE	4				
5	242091 01	ADJUSTER CLAMP W/A	2				
6	242060 01	SUPPORT ARM W/A	4				
7	242373 01	CNH LOCKING BRACKET W/A	1				
8	242373 02	CNH LOCKING BRACKET W/A	1				
9	242625 01	CNH MOUNT W/A (2024 AND ON)	2				
OR	242291 01	MOUNTING BRACKET (UP TO 2024)	2				
10	240749 01	RH THREAD ADJUSTER (UP TO MID 2018)	4				
11	240750 01	LH THREAD ADJUSTER (UP TO MID 2018)	4				
12	240800 01	ADJUSTER BODY HEX (UP TO MID 2018)	4				
13	NUT-0390	HALF NUT (UP TO MID 2018) FOR ITEMS 10-13 ALSO SEE ITEM 34	4				
14	HSS-0318	SET SCREW	32				
15	WSH-0024	PLAIN WASHER	64				
16	NUT-0271	NYLOC NUT	32				
17	HSS-0355	SET SCREW	12				
18	WSH-0030	PLAIN WASHER	40				
19	NUTA02200	NYLOC NUT	20				
20	20166128	HEX HEAD BOLT	4				
21	BLTA20620	HEX HEAD BOLT	4				
22	HSS-0194	SET SCREW (UP TO 2024)	4				
OR	-	2024 AND ON NOT REQUIRED	0				
23	HSS-0198	SET SCREW	4				
24	WSH-0015	PLAIN WASHER	8				
25	NUT-0265	NYLOC NUT	4				
26	HSS-0152	SET SCREW	2				
27	WSH-0012	PLAIN WASHER	4				
28	NUT-0263	NYLOC NUT	2				
29	190119 05	WASHER	2				
30	190119 08	WASHER	2				
31	CLP-00106	R-CLIP	2				
32	240147 01	LOCKING PIN W/A	2				
33	HAN-2000	PLASTIC HANDLE	2				
34	ADL-01430	ADJUSTER ASSEMBLY (MID 2018 & ON) CAN REPLACE ITEMS 10-13	4				

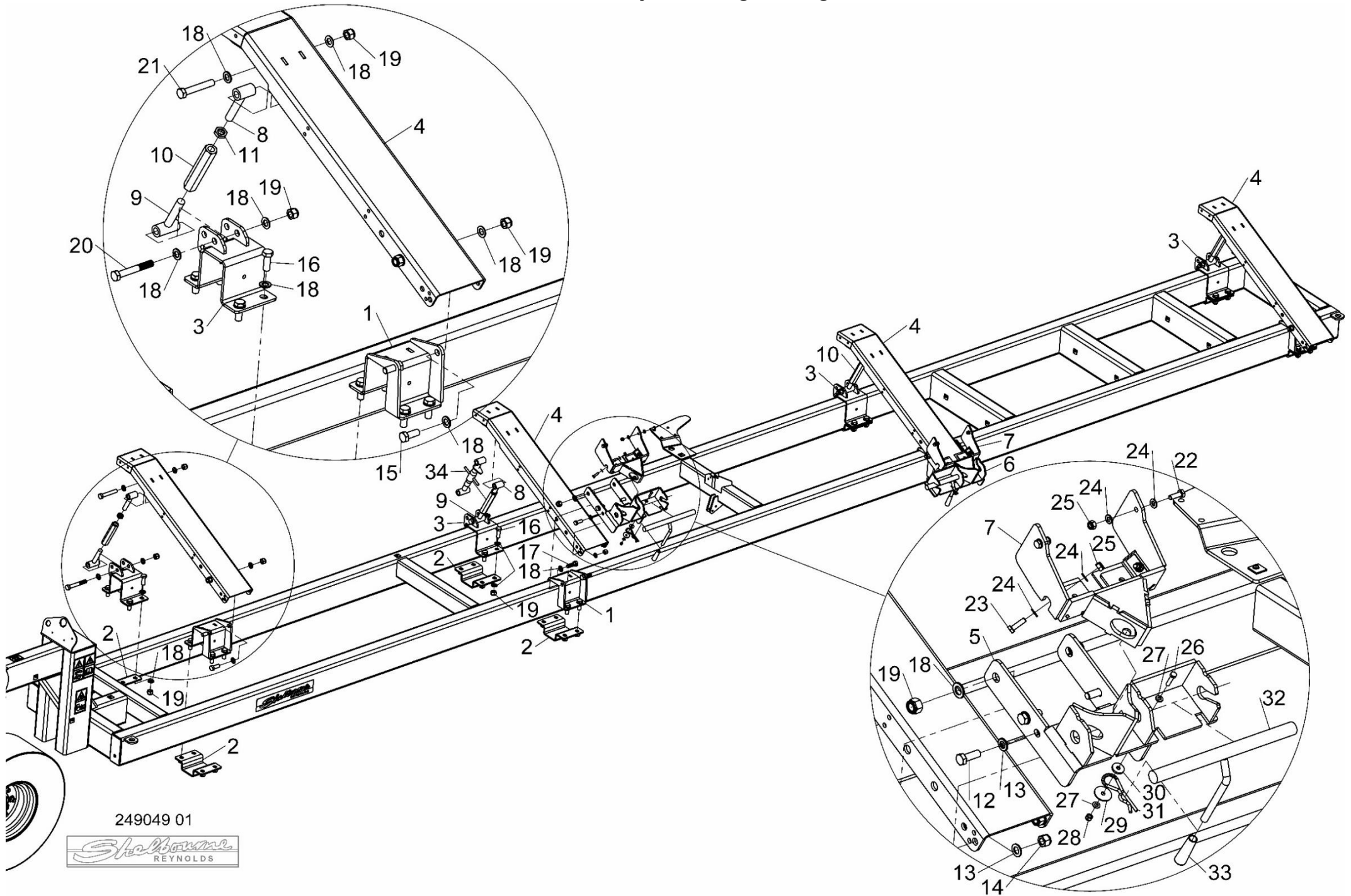


249048 01



Shelbourne Reynolds Engineering Limited

ASSY NUMBER: 249049 01				ASSY DESCRIPTION: C9000FW CNH 30ft 'V' GUIDE SLIDEWAY MOUNTING & LOCKING SUB			
ITEM	PART NO	DESCRIPTION	QTY	ITEM	PART NO	DESCRIPTION	QTY
1	242054 01	SUPPORT ARM BRACKET W/A	4				
2	242057 01	HALF CLAMP	8				
3	242058 01	ADJUSTER BRACKET W/A	4				
4	242060 01	SUPPORT ARM W/A	4				
5	242373 01	CNH LOCKING BRACKET W/A	1				
6	242373 02	CNH LOCKING BRACKET W/A	1				
7	242291 01	MOUNTING BRACKET	2				
8	240749 01	RH THREAD ADJUSTER(UP TO MID 2018)	4				
9	240750 01	LH THREAD ADJUSTER(UP TO MID 2018)	4				
10	240800 01	ADJUSTER BODY HEX (UP TO MID 2018)	4				
11	NUT-0390	HALF NUT (UP TO MID 2018) FOR ITEMS 8-11 ALSO SEE ITEM 34	4				
12	HSS-0317	SET SCREW	4				
13	WSH-0024	PLAIN WASHER	8				
14	NUT-0271	NYLOC NUT	4				
15	HSS-0355	SET SCREW	4				
16	BLT-2365	HEX HEAD BOLT	32				
17	BLT-2366	HEX HEAD BOLT	4				
18	WSH-0030	PLAIN WASHER	96				
19	NUTA02200	NYLOC NUT	48				
20	20166128	HEX HEAD BOLT	4				
21	BLTA20620	HEX HEAD BOLT	4				
22	HSS-0194	SET SCREW	4				
23	HSS-0198	SET SCREW	4				
24	WSH-0015	PLAIN WASHER	16				
25	NUT-0265	NYLOC NUT	8				
26	HSS-0152	SET SCREW	2				
27	WSH-0012	PLAIN WASHER	4				
28	NUT-0263	NYLOC NUT	2				
29	190119 05	WASHER	2				
30	190119 08	WASHER	2				
31	CLP-00106	R-CLIP	2				
32	240147 01	LOCKING PIN W/A	2				
33	HAN-2000	PLASTIC HANDLE	2				
34	ADL-01430	ADJUSTER ASSEMBLY (MID 2018 & ON) CAN REPLACE ITEMS 8-11	4				

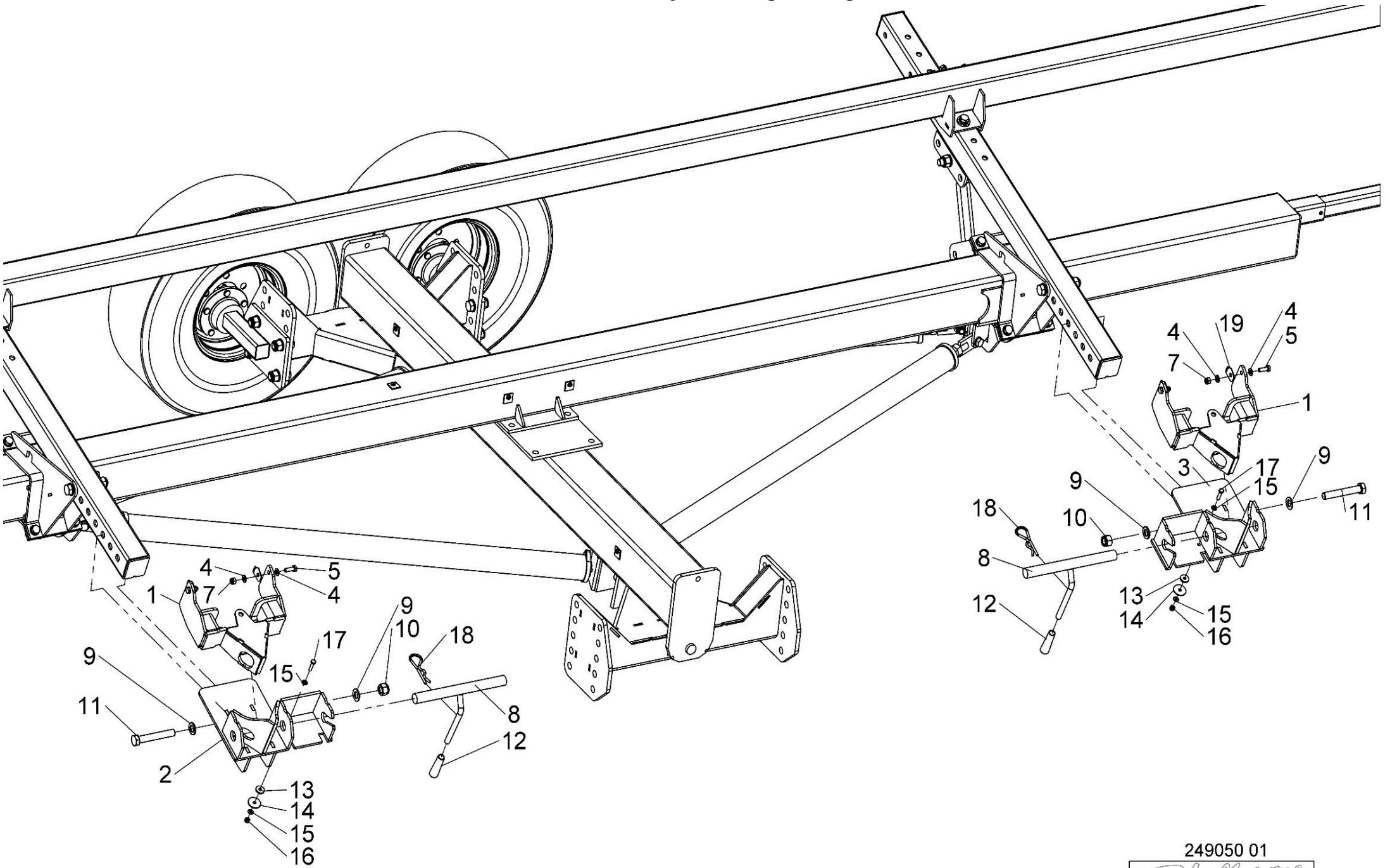


249049 01



Shelbourne Reynolds Engineering Limited

ASSY NUMBER: 249050 01				ASSY DESCRIPTION: CNH 22" V GUIDE LOCKING SYSTEM			
ITEM	PART NO	DESCRIPTION	QTY	ITEM	PART NO	DESCRIPTION	QTY
1	242625 01	NH MOUNTING W/A (2024 AND ON)	2				
OR	242291 01	MOUNTING BRACKET (UP TO 2024)	2				
2	242380 01	LOCKING BRACKET W/A	1				
3	242380 02	LOCKING BRACKET W/A	1				
4	WSH-0015	WASHER	8				
5	HSS-0194	SET SCREW (UP TO 2024)	4				
OR	-	2024 AND ON NOT REQUIRED	0				
6	HSS-0198	SET SCREW	4				
7	NUT-0265	NYLOC NUT	4				
8	241851 01	LOCKING PIN W/A	2				
9	WSH-0030	WSH-0030	8				
10	NUTA02200	NYLOC NUT	4				
11	BLTA20650	BOLT	4				
12	HAN-2000	PLASTIC LEVER END	2				
13	190119 08	WASHER	2				
14	190119 05	WASHER	2				
15	WSH-0012	WASHER	4				
16	NUT-0263	NYLOC NUT	2				
17	HSS-0152	BOLT	2				
18	CLP-00106	R CLIP	2				
19	242637 01	SHIM (2024 AND ON)	4				
		USE SHIMS AS REQUIRED BETWEEN BETWEEN BRACKET ON HEADER AND SHELBOURNE MOUNT (ITEM 1)					

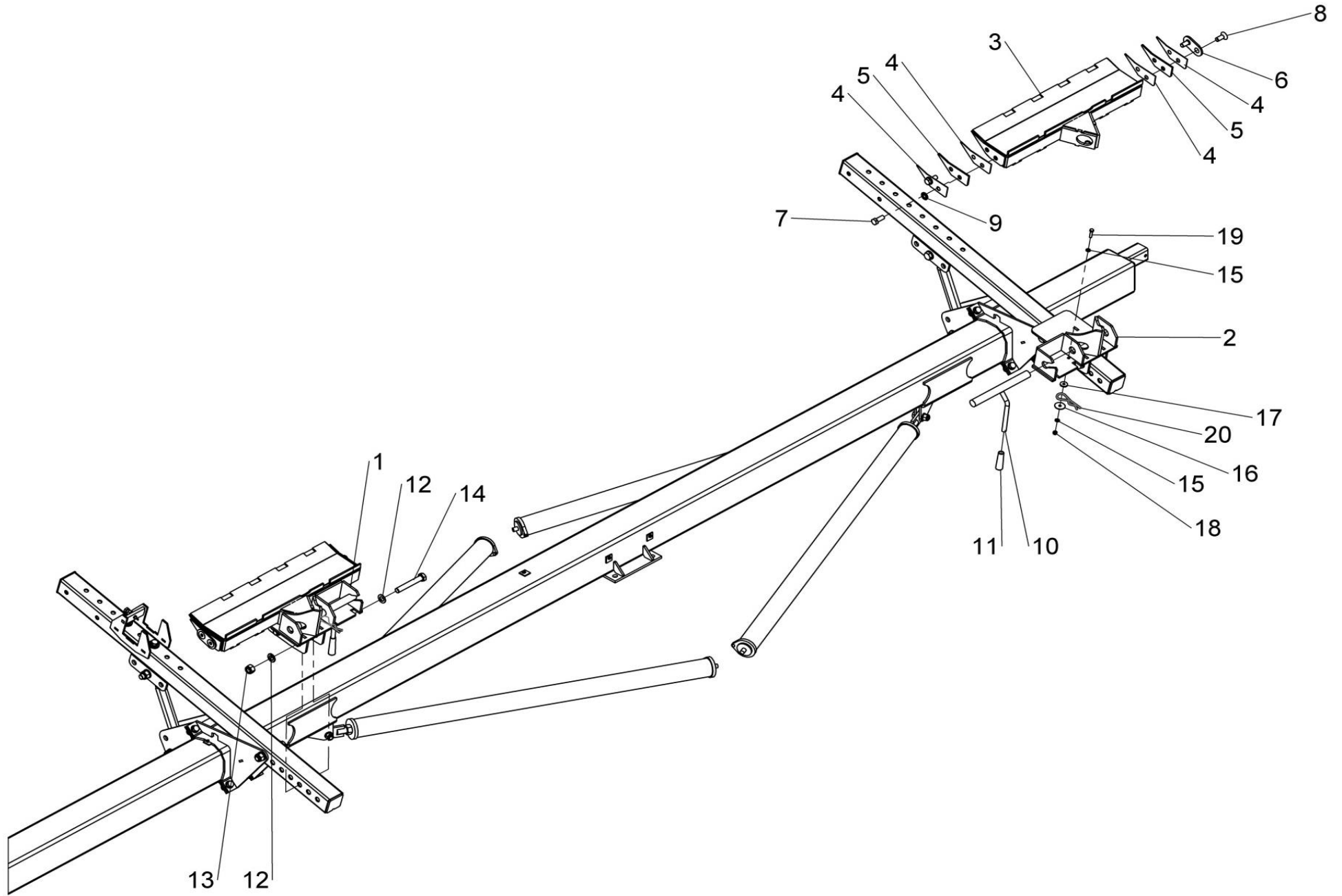


249050 01



Shelbourne Reynolds Engineering Limited

ASSY NUMBER: 249051 01				ASSY DESCRIPTION: CNH 25" V GUIDE LOCKING SYSTEM			
ITEM	PART NO	DESCRIPTION	QTY	ITEM	PART NO	DESCRIPTION	QTY
1	242380 01	LOCKING BRACKET W/A	1				
2	242380 02	LOCKING BRACKET W/A	1				
3	242383 01	FRONT MOUNTING BRACKET W/A	2				
4	241064 01	PACKER PLATE	8				
5	241064 02	PACKER PLATE	4				
6	241065 01	MOUNTING PLATE	2				
7	HSS-0316	BOLT	4				
8	SCEA16260	CSK BOLT	4				
9	WSHA30161	LOCKWASHER	4				
10	241851 01	LOCKING PIN W/A	2				
11	HAN-2000	PLASTIC LEVER END	2				
12	WSH-0030	WASHER	8				
13	NUTA02200	NYLOC NUT	4				
14	BLTA20650	BOLT	4				
15	WSH-0012	WASHER	4				
16	190119 05	WASHER	2				
17	190119 08	WASHER	2				
18	NUT-0263	NYLOC NUT	2				
19	HSS-0152	BOLT	2				
20	CLP-00106	R CLIP	2				

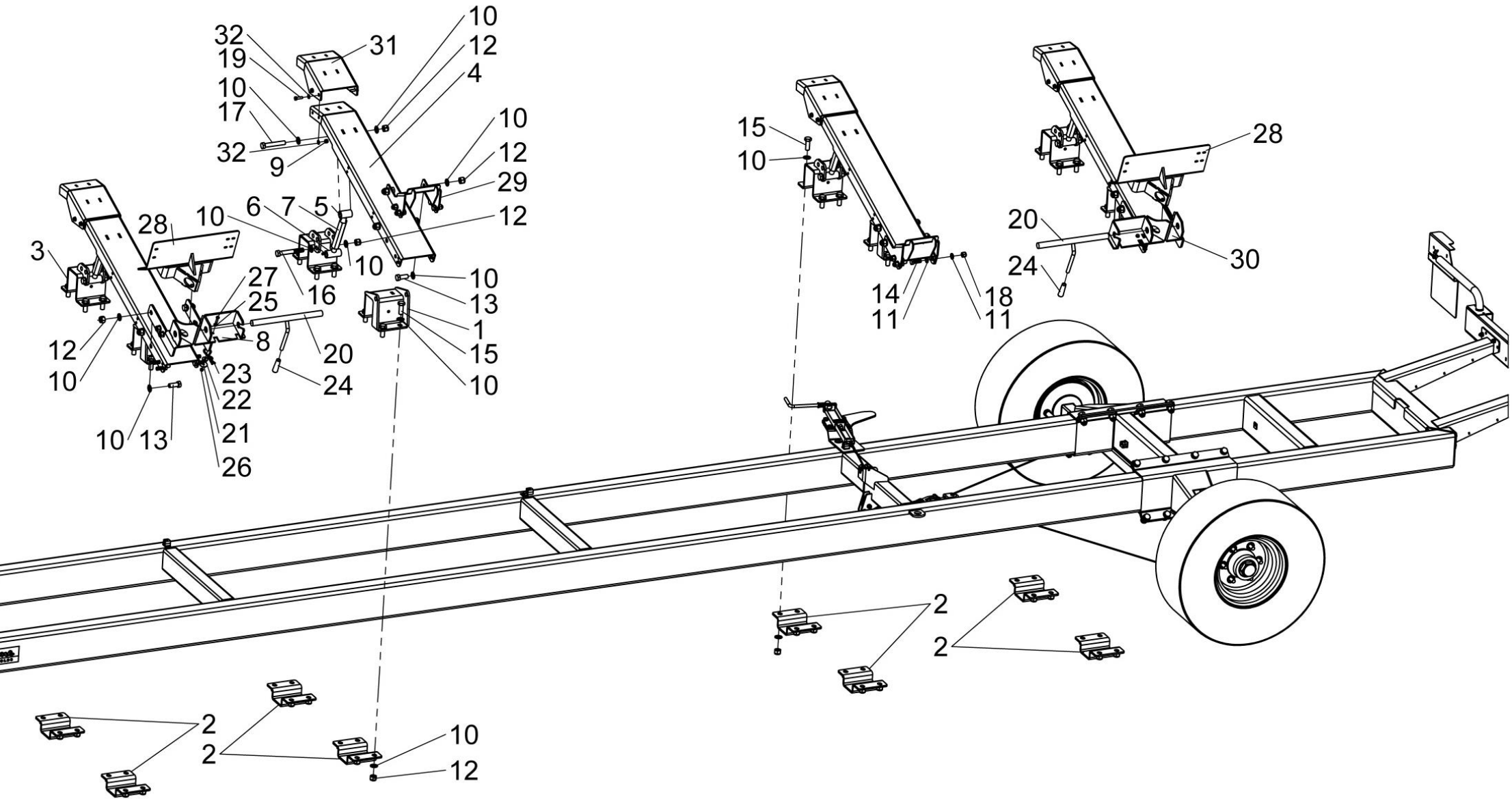


249051 01



Shelbourne Reynolds Engineering Limited

ASSY NUMBER: 249052 01				ASSY DESCRIPTION: MF 30FT SUPERFLOW 'V' GUIDE (FW)			
ITEM	PART NO	DESCRIPTION	QTY	ITEM	PART NO	DESCRIPTION	QTY
1	242054 01	SUPPORT ARM BRACKET W/A	4				
2	242057 01	HALF CLAMP	8				
3	242058 01	ADJUSTER BRACKET W/A	4				
4	242060 01	SUPPORT ARM W/A	4				
5	240749 01	RH THREAD ADJUSTER	4				
6	240750 01	LH THREAD ADJUSTER	4				
7	240800 01	ADJUSTER BODY	4				
8	242373 01	CNH 'V' LOCKING BRACKET	1				
9	NUT-0265	NUT	32				
10	WSH-0030	WASHER	112				
11	WSH-0024	WASHER	32				
12	NUTA02200	NYLOC NUT	56				
13	HSS-0355	HEX HD SETSCREW	8				
14	HSS-0317	SETSCREW	16				
15	BLT-2365	BOLT	32				
16	20166128	BOLT	4				
17	BLTA20620	BOLT	4				
18	NUT-0271	NUT	16				
19	HSS-0198	SETSCREW	32				
20	240147 01	HANDLE W/ASSY	2				
21	190119 05	WASHER	2				
22	190119 08	WASHER	2				
23	CLP-00106	R CLIP	2				
24	HAN-2000	PLASTIC LEVER END	2				
25	WSH-0012	WASHER	4				
26	NUT-0263	NUT	2				
27	HSS-0152	SETSCREW	2				
28	242455 01	V BRACKET W/ASSY	2				
29	242453 01	HEADER BACK STOP W/ASSY	2				
30	242373 02	CNH 'V' LOCKING BRACKET	1				
31	242481 01	SUPPORT EXTENSION W/A	4				
32	WSH-0015	WASHER	32				

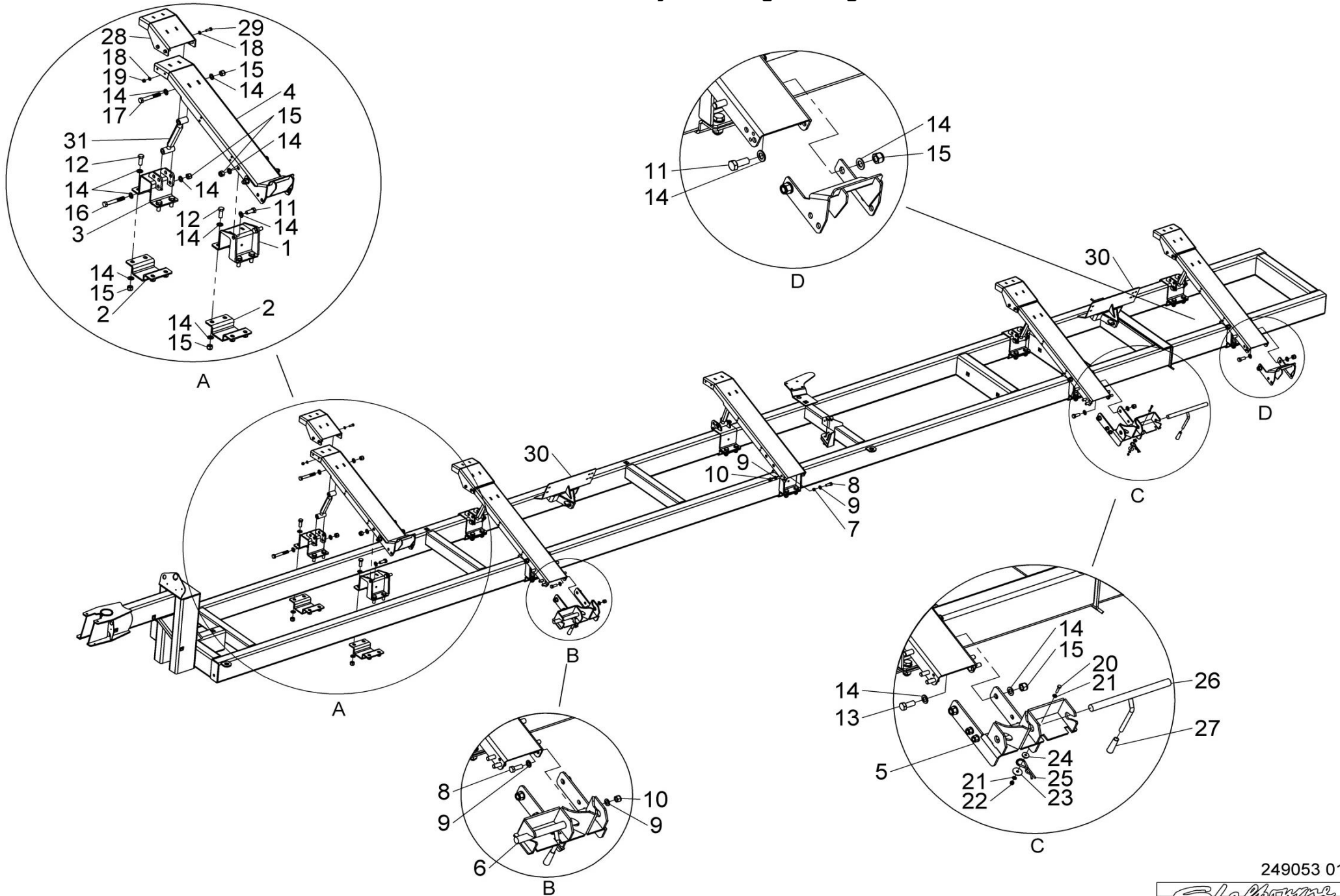


249052 01



Shelbourne Reynolds Engineering Limited

ASSY NUMBER: 249053 01				ASSY DESCRIPTION: AGCO SUPERFLOW 35ft 'V' GUIDE SLIDEWAY MOUNTING & LOCKING SUB			
ITEM	PART NO	DESCRIPTION	QTY	ITEM	PART NO	DESCRIPTION	QTY
1	242054 01	SUPPORT ARM BRACKET W/A	5				
2	242057 01	HALF CLAMP	10				
3	242058 01	ADJUSTER BRACKET W/A	5				
4	242060 01	SUPPORT ARM W/A	5				
5	242373 01	LOCKING BRACKET W/A	1				
6	242373 02	LOCKING BRACKET W/A	1				
7	242483 01	SPACER TUBE	2				
8	HSS-0317	SET SCREW	10				
9	WSH-0024	PLAIN WASHER	20				
10	NUT-0271	NYLOC NUT	10				
11	HSS-0355	SET SCREW	16				
12	BLT-2365	HEX HEAD BOLT	40				
13	BLT-2366	HEX HEAD BOLT	4				
14	WSH-0030	PLAIN WASHER	140				
15	NUTA02200	NYLOC NUT	70				
16	20166128	HEX HEAD BOLT	5				
17	BLTA20620	HEX HEAD BOLT	5				
18	WSH-0015	PLAIN WASHER	32				
19	NUT-0265	NYLOC NUT	16				
20	HSS-0152	SET SCREW	2				
21	WSH-0012	PLAIN WASHER	4				
22	NUT-0263	NYLOC NUT	2				
23	190119 05	WASHER	2				
24	190119 08	WASHER	2				
25	CLP-00106	R-CLIP	2				
26	240147 01	LOCKING PIN W/A	2				
27	HAN-2000	PLASTIC HANDLE	2				
28	242481 01	SUPPORT EXTENSION W/A	4				
29	HSS-0198	SET SCREW	16				
30	242455 01	V BRACKET W/A	2				
31	ADL-01430	ADJUSTER ASSEMBLY	5				

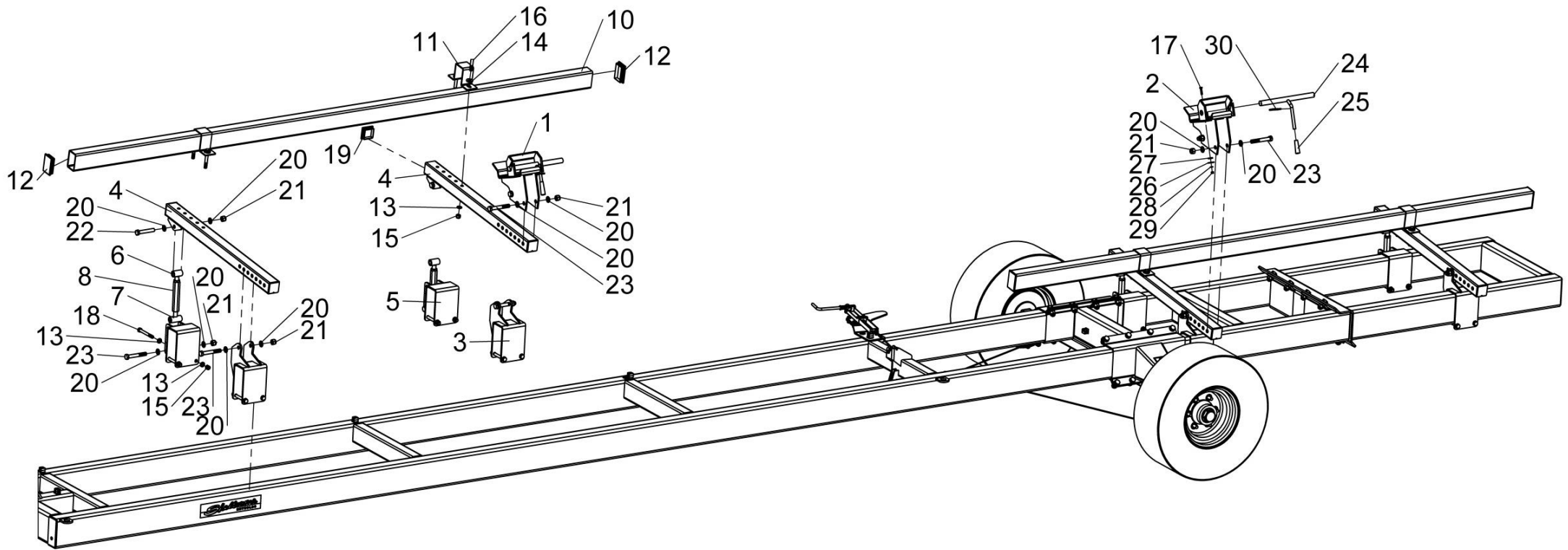


249053 01



Shelbourne Reynolds Engineering Limited

ASSY NUMBER: 249054 01				ASSY DESCRIPTION: FW XCV MOUNTING & LOCKING SUB ASSY			
ITEM	PART NO	DESCRIPTION	QTY	ITEM	PART NO	DESCRIPTION	QTY
1	242577 01	STRIPPER CRADLE W/A	1				
OR	240788 01	STRIPPER CRADLE W/A	1				
2	242577 02	STRIPPER CRADLE W/A	1				
OR	240788 02	STRIPPER CRADLE W/A	1				
3	241026 01	MOUNTING CRADLE W/A	4				
4	241028 01	SUPPORT ARM W/A	4				
5	240953 01	MOUNTING CRADLE W/A	4				
6	240749 01	RH THREAD ADJUSTER (UP TO MID 2018)	4				
7	240750 01	LH THREAD ADJUSTER (UP TO MID 2018)	4				
8	240800 01	HEX ADJUSTER BODY (UP TO MID 2018)	4				
9	NUT-0390	HALF NUT (UP TO MID 2018)	4				
		FOR ITEMS 6-9 ALSO SEE ITEM 32					
10	240688 17	SUPPORT TUBE	2				
11	CAP-0080	PLASTIC CAP	4				
12	240798 01	TUBE CLAMP PLATE	4				
13	WSH-0024	PLAIN WASHER	40				
14	190119 99	WASHER	8				
15	NUT-0271	NYLOC NUT	24				
16	BLT-2330	HEX HEAD BOLT	8				
17	HSS-0153	SET SCREW	2				
18	BLTA16710	HEX HEAD BOLT	16				
19	21709004	PLASTIC CAP	4				
20	WSH-0030	PLAIN WASHER	32				
21	NUTA02200	NYLOC NUT	16				
22	BLTA20620	HEX HEAD BOLT	4				
23	20166128	HEX HEAD BOLT	12				
24	240147 01	LOCKING PIN W/A	2				
25	HAN-2000	PLASTIC HANDLE	2				
26	190119 05	WASHER	2				
27	190119 08	WASHER	2				
28	WSH-0012	PLAIN WASHER	2				
29	NUT-0263	NYLOC NUT	2				
30	CLP-00106	R CLIP	2				
31	ADL-01430	ADJUSTER ASSEMBLY (MID 2018 & ON) CAN REPLACE ITEMS 6-9	4				



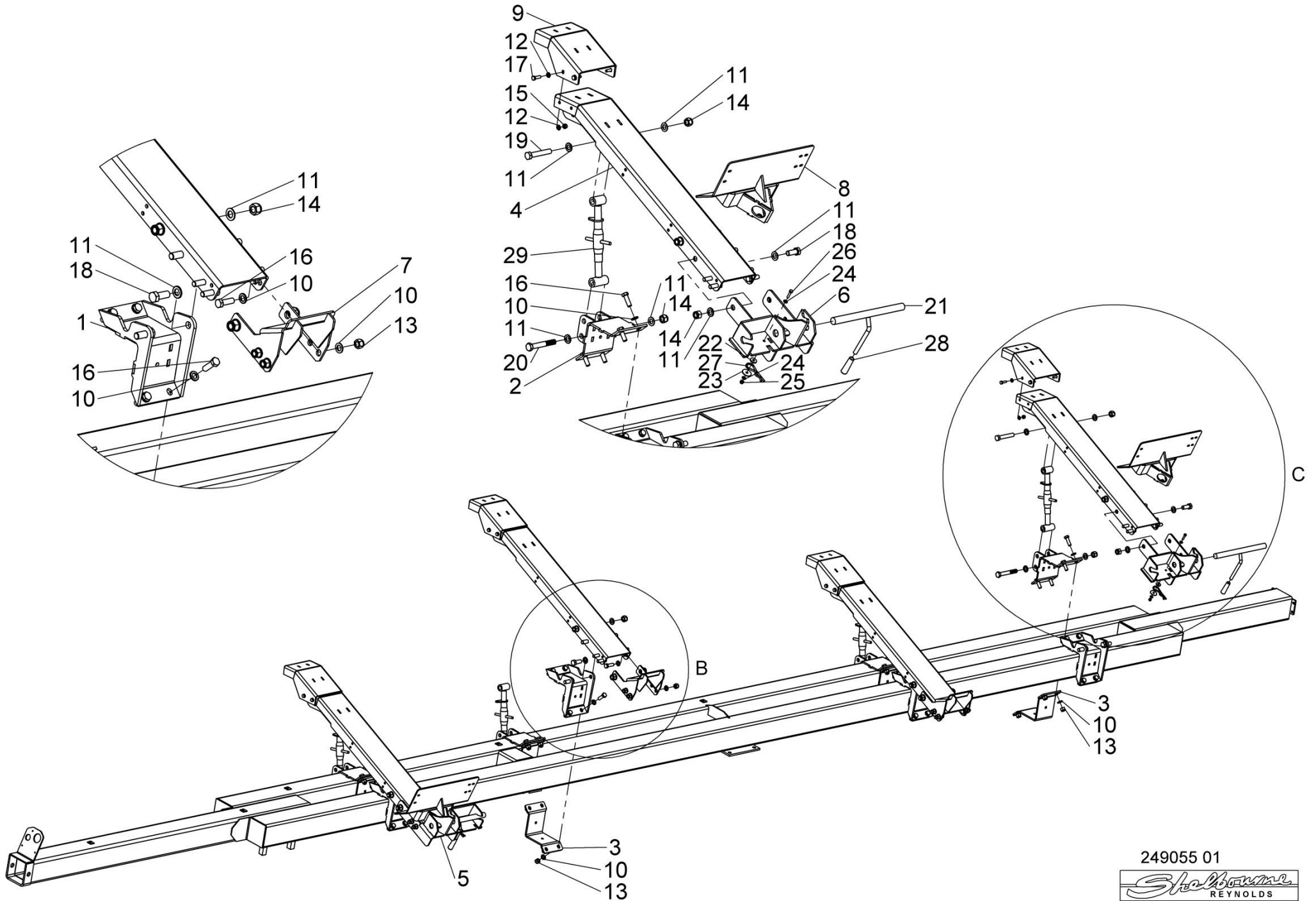
249054 01



Shelbourne Reynolds Engineering Limited

ASSY NUMBER: 249055 01				ASSY DESCRIPTION: C9000TA AGCO 30ft SUPERFLOW MOUNTING & LOCKING SUB			
ITEM	PART NO	DESCRIPTION	QTY	ITEM	PART NO	DESCRIPTION	QTY
1	242088 01	PIVOT BRACKET W/A	4				
2	242091 01	ADJUSTER CLAMP W/A	4				
3	242090 01	CLAMP PLATE	8				
4	242060 01	SUPPORT ARM W/A	4				
5	242373 01	LOCKING BRACKET W/A	1				
6	242373 02	LOCKING BRACKET W/A	1				
7	242453 01	MOUNTING BRACKET W/A	2				
8	242455 01	HEADER V BRACKET	2				
9	242481 01	SUPPORT EXTENSION W/A	4				
10	WSH-0024	PLAIN WASHER	96				
11	WSH-0030	PLAIN WASHER	48				
12	WSH-0015	PLAIN WASHER	32				
13	NUT-0271	NYLOC NUT	48				
14	NUTA02200	NYLOC NUT	24				
15	NUT-0265	NYLOC NUT	16				
16	HSS-0318	SET SCREW	48				
17	HSS-0198	SET SCREW	16				
18	HSS-0355	SET SCREW	16				
19	BLTA20620	HEX HEAD BOLT	4				
20	20166128	HEX HEAD BOLT	4				
21	240147 01	LOCKING PIN W/A	2				
22	190119 08	WASHER	2				
23	190119 05	WASHER	2				
24	WSH-0012	PLAIN WASHER	4				
25	NUT-0263	NYLOC NUT	2				
26	HSS-0152	SET SCREW	2				
27	CLP-00106	R CLIP	2				
28	HAN-2000	PLASTIC HANDLE	2				
29	ADL-01430	ADJUSTER ASSEMBLY	4				

Shelbourne Reynolds Engineering Limited

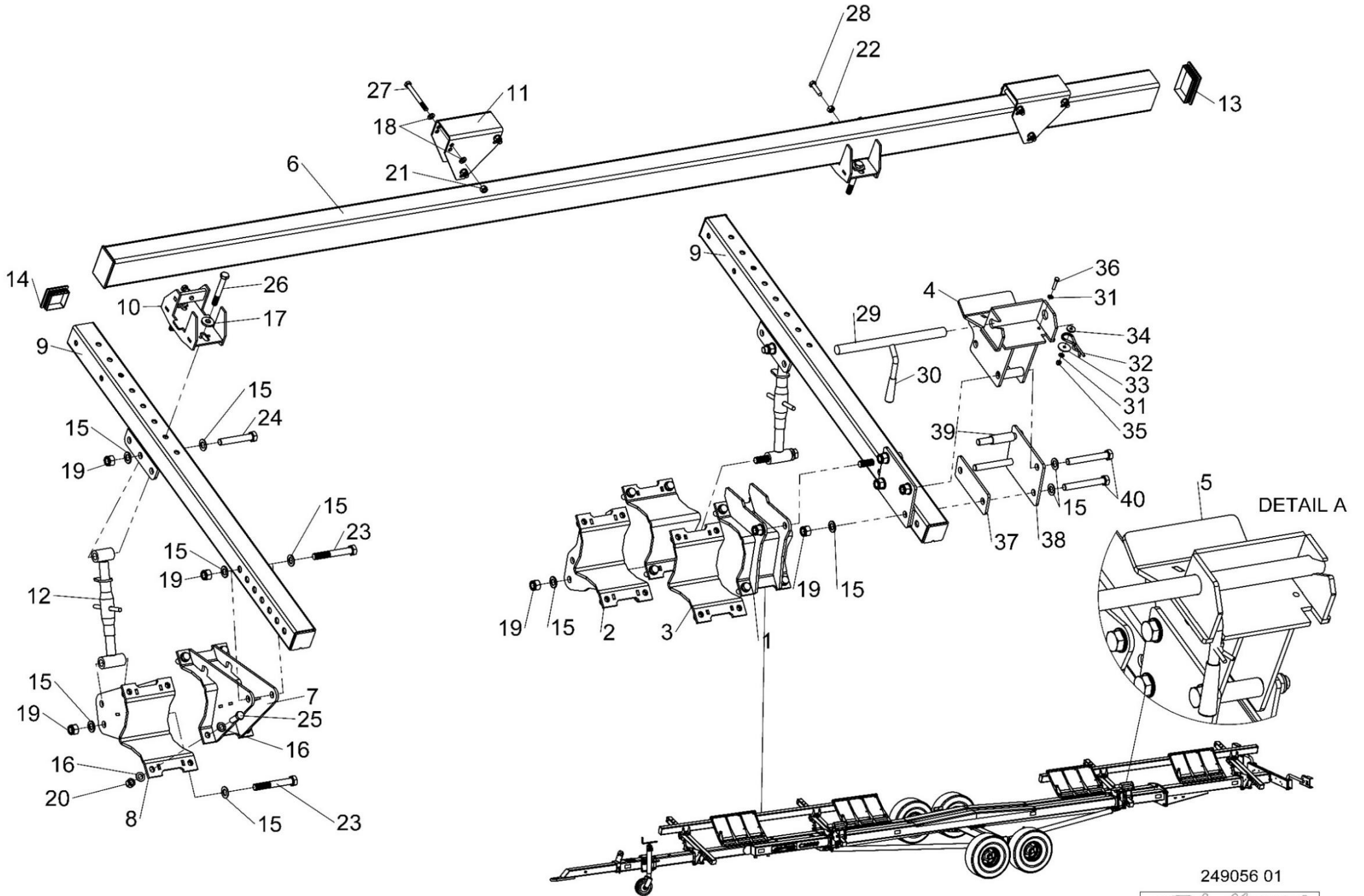


249055 01



Shelbourne Reynolds Engineering Limited

ASSY NUMBER: 249056 01				ASSY DESCRIPTION: C10500TA XCV 32 MOUNTING & LOCKING SUB			
ITEM	PART NO	DESCRIPTION	QTY	ITEM	PART NO	DESCRIPTION	QTY
1	241072 01	BEAM MOUNT CRADLE W/A	2	38	242550 01	CRADLE RAISER	4
2	241073 01	ADJUSTER MOUNT CRADLE W/A	2	39	242551 01	SPACER TUBE	4
3	241066 02	CLAMP PLATE	4	40	BLTA20710	HEX HEAD BOLT	8
4	242577 01	STRIPPER CRADLE W/A (2019&ON)	1				
OR	240788 01	STRIPPER CRADLE W/A (UPTO 2019)	1				
5	242577 02	STRIPPER CRADLE W/A (2019&ON)	1				
OR	240788 02	STRIPPER CRADLE W/A (UPTO 2019)	1				
6	240688 17	SUPPORT TUBE	2				
7	241074 01	BEAM MOUNT CRADLE W/A	2				
8	241075 01	ADJUSTER MOUNT CRADLE W/A	2				
9	241092 01	SUPPORT ARM W/A	4				
10	240672 01	TUBE MOUNTING W/A	4				
11	240880 01	HEIGHT PACKER	4				
12	ADL-01430	ADJUSTER	4				
13	CAP-0080	PLASTIC CAP	4				
14	21709004	PLASTIC CAP	4				
15	WSH-0030	PLAIN WASHER	40				
16	WSH-0024	PLAIN WASHER	56				
17	190119 99	WASHER	8				
18	WSH-0018	PLAIN WASHER	24				
19	NUTA02200	NYLOC NUT	20				
20	NUT-0271	NYLOC NUT	32				
21	NUT-0269	NYLOC NUT	12				
22	NUT-0170	PLAIN NUT	4				
23	20166128	HEX HEAD BOLT	12				
24	BLTA20620	HEX HEAD BOLT	4				
25	HSS-0318	SET SCREW	24				
26	BLT-2330	HEX HEAD BOLT	8				
27	BLTA12620	HEX HEAD BOLT	12				
28	241818 01	TUBE CLAMP BOLT	4				
29	240147 01	HANDLE W/A	2				
30	HAN-2000	PLASTIC HANDLE	2				
31	WSH-0012	PLAIN WASHER	4				
32	CLP-00106	R CLIP	2				
33	190119 05	WASHER	2				
34	190119 08	WASHER	2				
35	NUT-0263	NYLOC NUT	2				
36	HSS-0153	SET SCREW	2				
37	242549 01	SPACER PLATE	4				



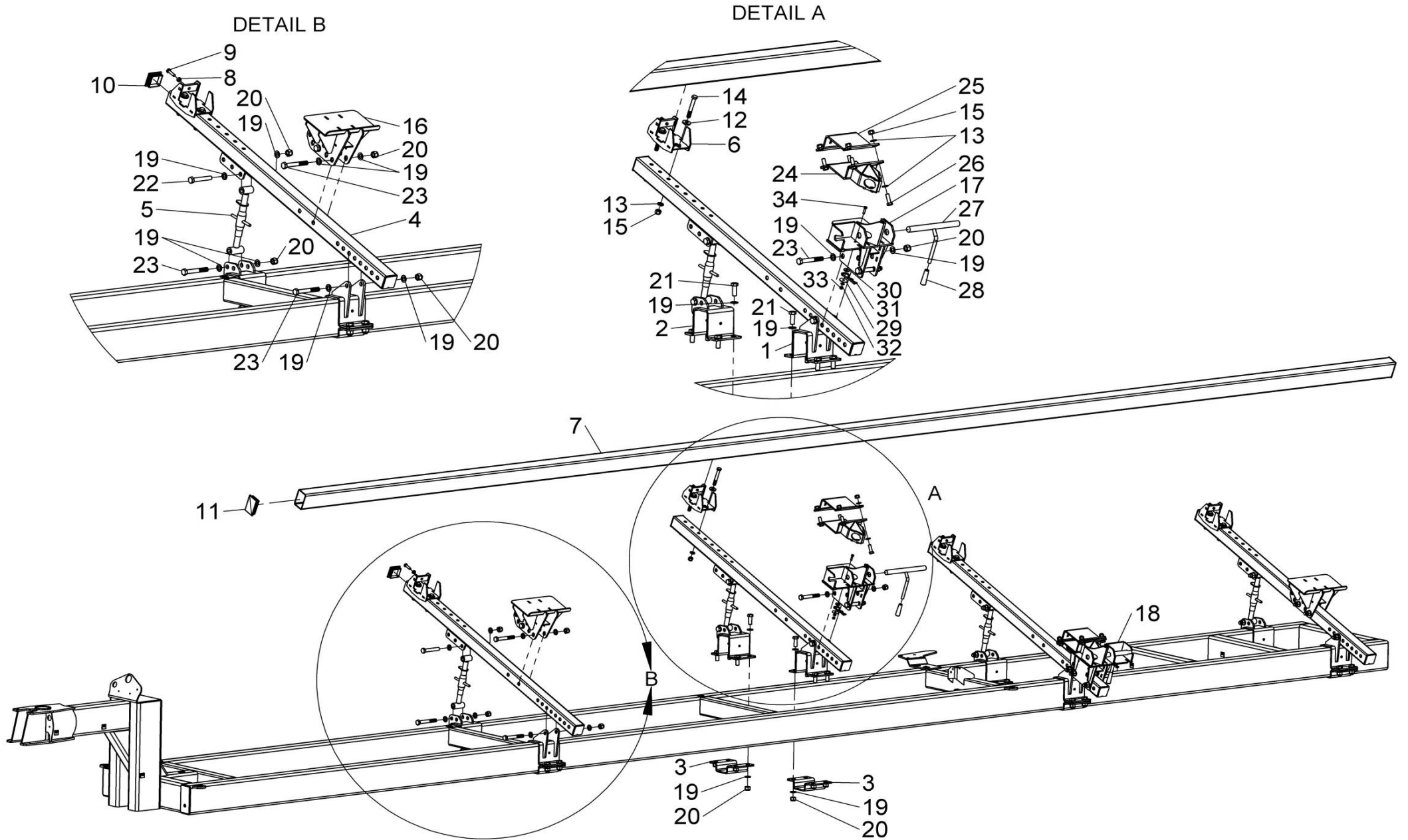
249056 01



Shelbourne Reynolds Engineering Limited

ASSY NUMBER: 249057 01				ASSY DESCRIPTION: FW/S JD 700D MOUNTING & LOCKING SUB			
ITEM	PART NO	DESCRIPTION	QTY	ITEM	PART NO	DESCRIPTION	QTY
1	242521 01	SUPPORT ARM PIVOT W/A	4				
2	242058 01	ADJUSTER BRACKET W/A	4				
3	242057 01	HALF CLAMP	8				
4	242531 01	SUPPORT ARM W/A	4				
5	ADL-01430	ADJUSTER	4				
6	240672 01	TUBE MOUNTING W/A	4				
7	240688 01	SUPPORT TUBE	1				
8	NUT-0170	PLAIN NUT	4				
9	241818 01	TUBE CLAMP BOLT	4				
10	21709004	PLASTIC END CAP	4				
11	CAP-0080	PLASTIC END CAP	2				
12	190119 99	WASHER	8				
13	WSH-0024	PLAIN WASHER	24				
14	BLT-2330	HEX HEAD BOLT	8				
15	NUT-0271	NYLOC NUT	16				
16	242527 01	SUPPORT PAD W/A	2				
17	242523 01	LOCKING BRACKET W/A	1				
18	242523 02	LOCKING BRACKET W/A	1				
19	WSH-0030	PLAIN WASHER	104				
20	NUTA02200	NYLOC NUT	52				
21	BLT-2365	HEX HEAD BOLT	32				
22	BLTA20620	HEX HEAD BOLT	4				
23	20166128	HEX HEAD BOLT	16				
24	242533 01	JD DRAPER V BRACKET W/A	2				
25	242534 02	HALF CLAMP	2				
26	HSS-0318	SET SCREW	8				
27	241851 01	LOCKING PIN W/A	2				
28	HAN-2000	PLASTIC LEVER END	2				
29	190119 05	WASHER	2				
30	190119 08	WASHER	2				
31	CLP-00106	R CLIP	2				
32	WSH-0012	PLAIN WASHER	2				
33	NUT-0263	NYLOC NUT	2				
34	HSS-0152	SET SCREW	2				

Shelbourne Reynolds Engineering Limited



249057 01

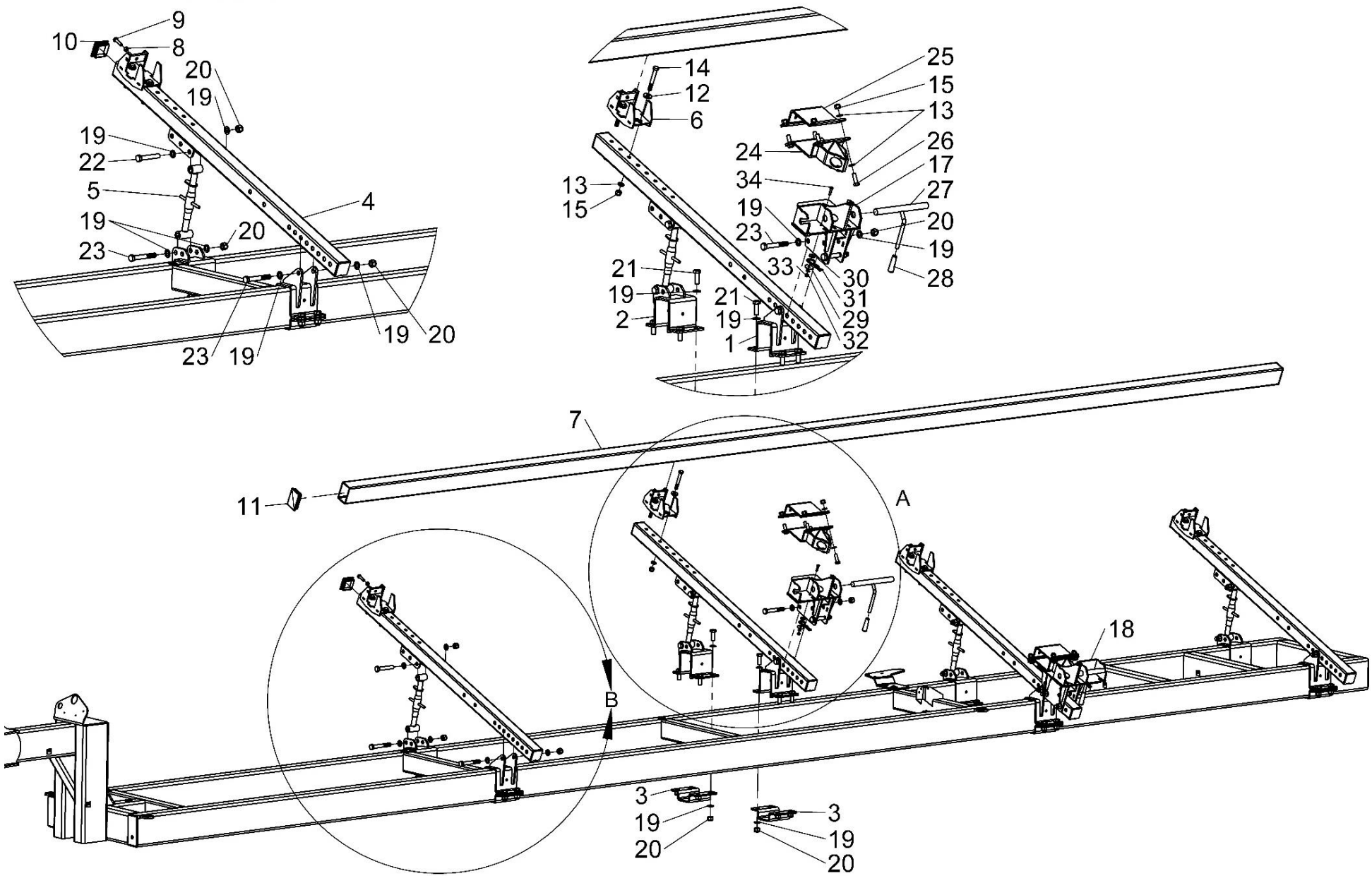


Shelbourne Reynolds Engineering Limited

ASSY NUMBER: 249057 01A				ASSY DESCRIPTION: FW/S JD 725D MOUNTING & LOCKING SUB			
ITEM	PART NO	DESCRIPTION	QTY	ITEM	PART NO	DESCRIPTION	QTY
1	242521 01	SUPPORT ARM PIVOT W/A	4				
2	242058 01	ADJUSTER BRACKET W/A	4				
3	242057 01	HALF CLAMP	8				
4	242531 01	SUPPORT ARM W/A	4				
5	ADL-01430	ADJUSTER	4				
6	240672 01	TUBE MOUNTING W/A	4				
7	240688 02	SUPPORT TUBE	1				
8	NUT-0170	PLAIN NUT	4				
9	241818 01	TUBE CLAMP BOLT	4				
10	21709004	PLASTIC END CAP	4				
11	CAP-0080	PLASTIC END CAP	2				
12	190119 99	WASHER	8				
13	WSH-0024	PLAIN WASHER	24				
14	BLT-2330	HEX HEAD BOLT	8				
15	NUT-0271	NYLOC NUT	16				
16							
17	242523 01	LOCKING BRACKET W/A	1				
18	242523 02	LOCKING BRACKET W/A	1				
19	WSH-0030	PLAIN WASHER	96				
20	NUTA02200	NYLOC NUT	48				
21	BLT-2365	HEX HEAD BOLT	32				
22	BLTA20620	HEX HEAD BOLT	4				
23	20166128	HEX HEAD BOLT	12				
24	242533 01	JD DRAPER V BRACKET W/A	2				
25	242534 02	HALF CLAMP	2				
26	HSS-0318	SET SCREW	8				
27	241851 01	LOCKING PIN W/A	2				
28	HAN-2000	PLASTIC LEVER END	2				
29	190119 05	WASHER	2				
30	190119 08	WASHER	2				
31	CLP-00106	R CLIP	2				
32	WSH-0012	PLAIN WASHER	2				
33	NUT-0263	NYLOC NUT	2				
34	HSS-0152	SET SCREW	2				

DETAIL A

DETAIL B

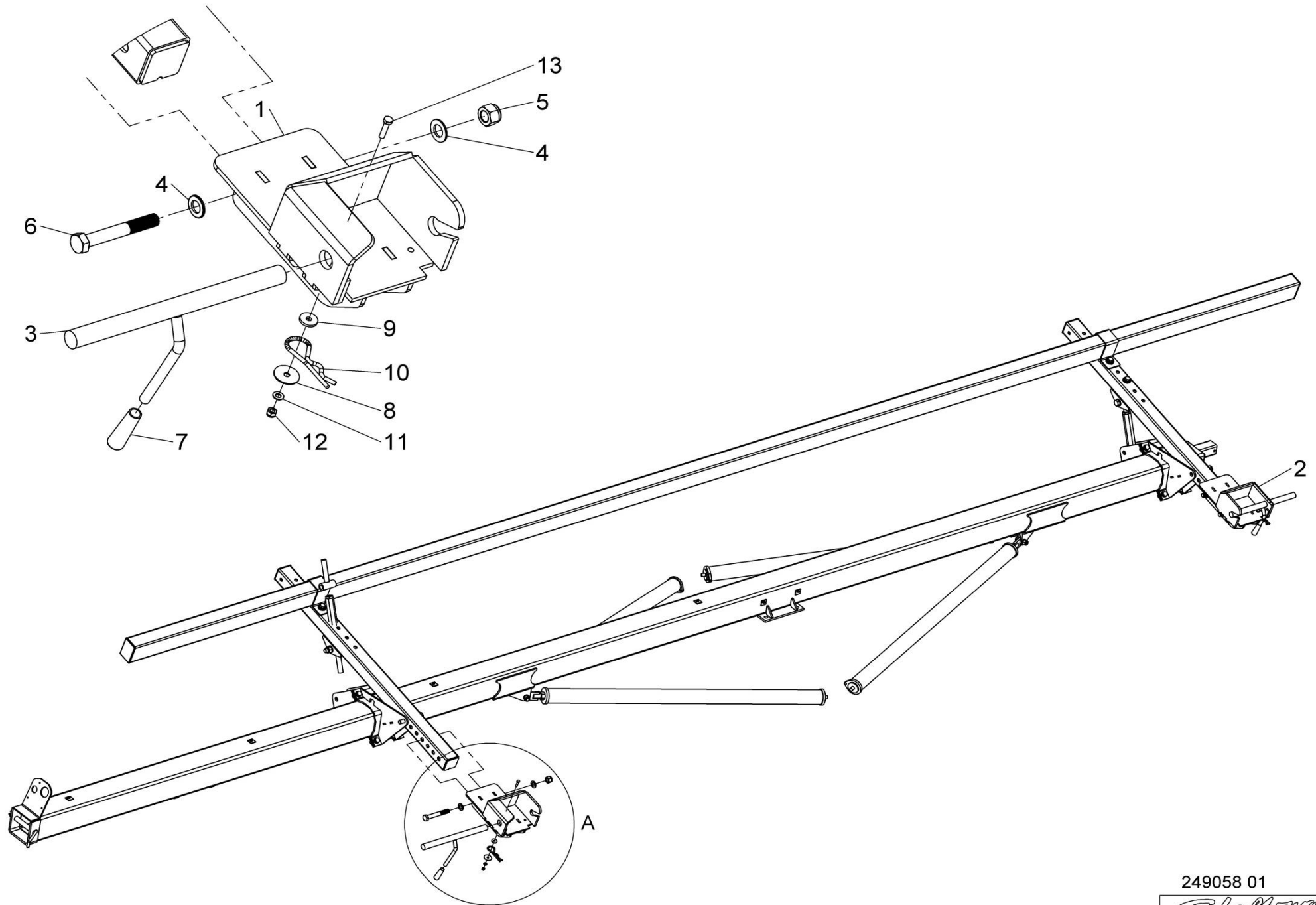


249057 01A



Shelbourne Reynolds Engineering Limited

ASSY NUMBER: 249058 01				ASSY DESCRIPTION: C7500/C9000TA JD 700 PREMIUM FLOW MOUNTING & LOCKING SUB			
ITEM	PART NO	DESCRIPTION	QTY	ITEM	PART NO	DESCRIPTION	QTY
1	242541 01	LOCKING BRACKET W/A	1				
2	242541 02	LOCKING BRACKET W/A	1				
3	240147 01	LOCKING PIN W/A	2				
4	WSH-0030	PLAIN WASHER	8				
5	NUTA02200	NYLOC NUT	4				
6	20166128	HEX HEAD BOLT	4				
7	HAN-2000	PLASTIC HANDLE	2				
8	190119 05	WASHER	2				
9	190119 08	WASHER	2				
10	CLP-00106	R CLIP	2				
11	WSH-0012	PLAIN WASHER	2				
12	NUT-0263	NYLOC NUT	2				
13	HSS-0152	SET SCREW	2				

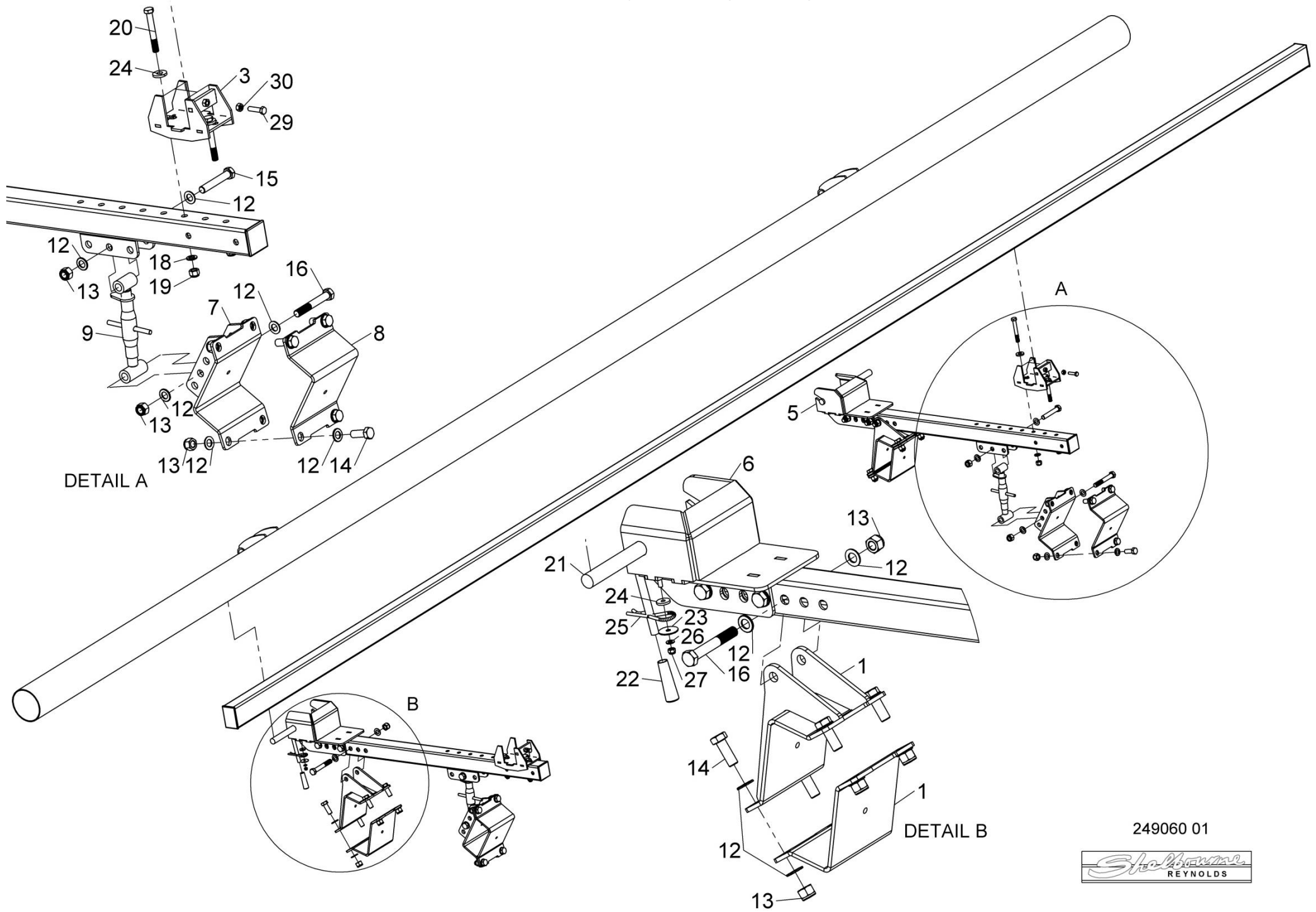


249058 01



Shelbourne Reynolds Engineering Limited

ASSY NUMBER: 249060 01				ASSY DESCRIPTION: C9000FW/S JD 730 PREMIUM FLOW MOUNTING & LOCKING SUB			
ITEM	PART NO	DESCRIPTION	QTY	ITEM	PART NO	DESCRIPTION	QTY
1	241199 01	CLAMP W/A	2				
2	241092 01	SUPPORT ARM W/A	2				
3	240672 01	TUBE MOUNTING W/A	2				
4	240688 01	SUPPORT TUBE	1				
5	242541 01	LOCKING BRACKET W/A	1				
6	242541 02	LOCKING BRACKET W/A	1				
7	241201 01	CLAMP W/A	2				
8	241202 01	CLAMP PLATE	4				
9	ADL-01430	ADJUSTER ASSEMBLY	2				
10	CAP-0080	PLASTIC CAP	2				
11	21709004	PLASTIC CAP	2				
12	WSH-0030	PLAIN WASHER	52				
13	NUTA02200	NYLOC NUT	26				
14	BLT-2365	HEX HEAD BOLT	16				
15	BLTA20620	HEX HEAD BOLT	2				
16	20166128	HEX HEAD BOLT	8				
17	190119 99	WASHER	4				
18	WSH-0024	PLAIN WASHER	4				
19	NUT-0271	NYLOC NUT	4				
20	BLT-2330	HEX HEAD BOLT	4				
21	240147 01	HANDLE W/A	2				
22	HAN-2000	PLASTIC HANDLE	2				
23	190119 05	WASHER	2				
24	190119 08	WASHER	2				
25	CLP-00106	R-CLIP	2				
26	WSH-0012	PLAIN WASHER	2				
27	NUT-0263	NYLOC NUT	2				
28	HSS-0152	SET SCREW	2				
29	241818 01	TUBE CLAMP BOLT	2				
30	NUT-0170	PLAIN NUT	2				



249060 01



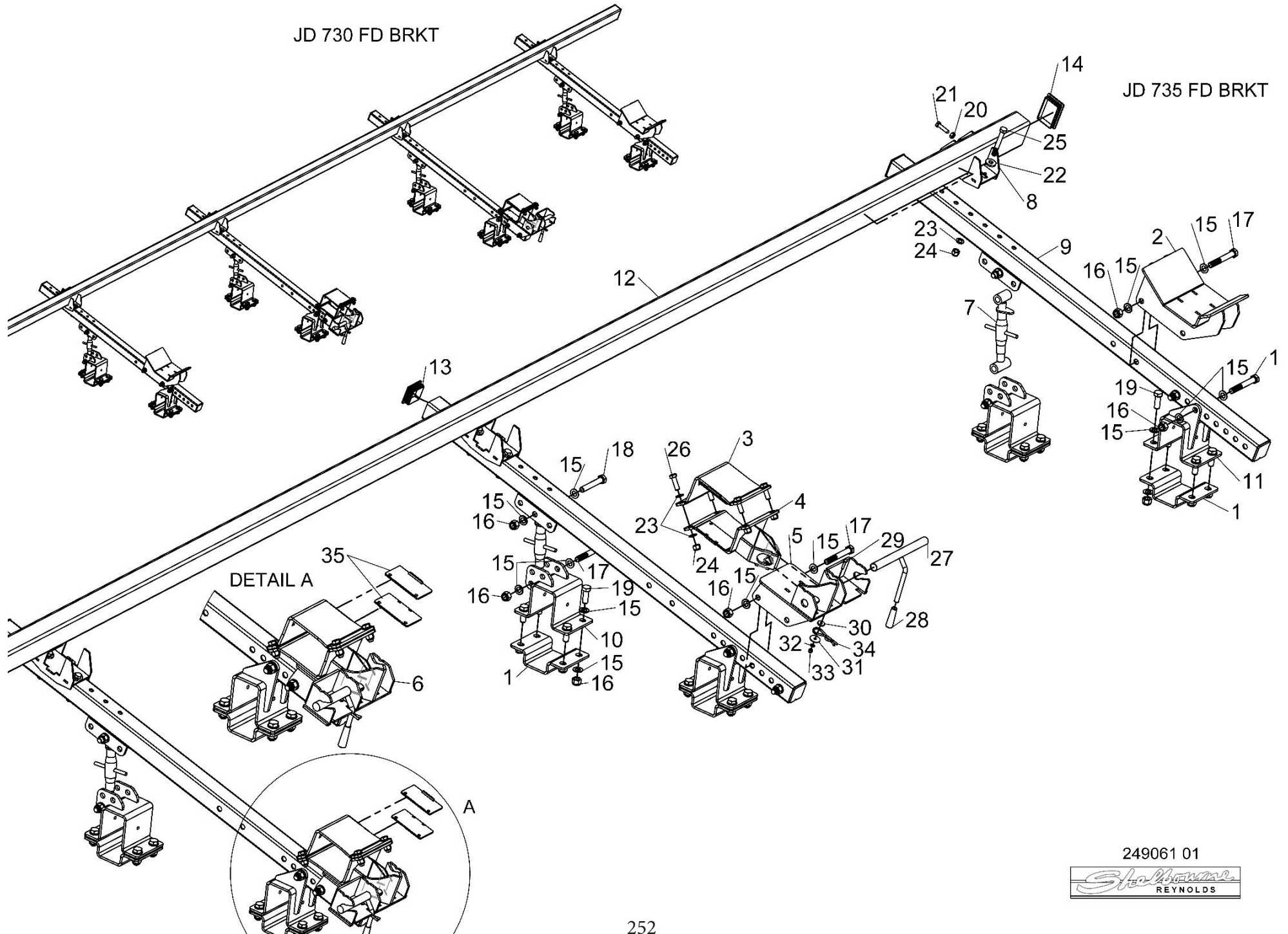
Shelbourne Reynolds Engineering Limited

ASSY NUMBER: 249061 01				ASSY DESCRIPTION: JD 730FD/735FD MOUNTING & LOCKING SUB			
ITEM	PART NO	DESCRIPTION	QTY	ITEM	PART NO	DESCRIPTION	QTY
1	242057 01	HALF CLAMP	8				
2	242613 01	CRADLE BRACKET	2				
3	242603 02	CLAMP PLATE	2				
4	242601 01	JD V BRACKET W/A	2				
5	242600 02	LOCKING BRACKET W/A	1				
6	242600 01	LOCKING BRACKET W/A	1				
7	ADL-01430	ADJUSTABLE LINK	4				
8	240672 01	TUBE MOUNTING ASSEMBLY	4				
9	242531 01	SUPPORT ARM W/A	4				
10	242058 01	ADJUSTER BRACKET W/A	4				
11	242521 01	SUPPORT ARM PIVOT W/A	4				
12	240688 01	9m SUPPORT TUBE	1				
13	21709004	PLASTIC CAP	4				
14	CAP-0080	PLASTIC CAP	2				
15	WSH-0030	WASHER	104				
16	NUTA02200	NYLOC NUT	52				
17	20166128	BOLT	16				
18	BLTA20620	BOLT	4				
19	BLT-2365	BOLT	32				
20	NUT-0170	PLAIN NUT	4				
21	241818 01	TUBE CLAMP BOLT	4				
22	190119 99	WASHER	8				
23	WSH-0024	WASHER	24				
24	NUT-0271	NYLOC NUT	16				
25	BLT-2330	BOLT	8				
26	HSS-0318	BOLT	8				
27	241851 01	LOCKING HANDLE	2				
28	HAN-2000	PLASTIC HANDLE	2				
29	HSS-0152	BOLT	2				
30	190119 08	WASHER	2				
31	190119 05	WASHER	2				
32	WSH-0012	WASHER	2				
33	NUT-0263	NYLOC NUT	2				
34	CLP-00106	R CLIP	2				
35	242660 01	MOUNTING BRACKET SHIM W/A	4				

Shelbourne Reynolds Engineering Limited

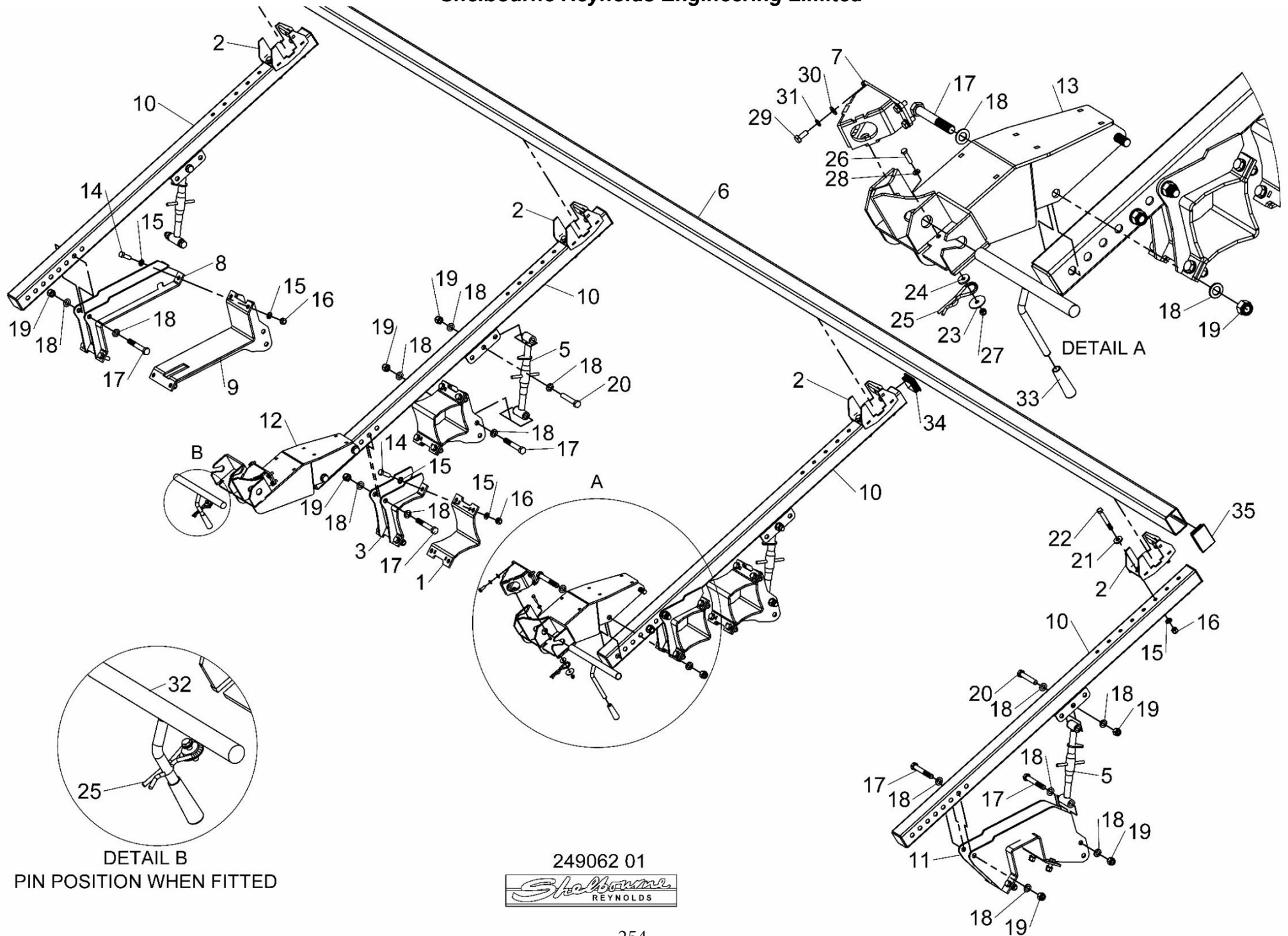
JD 730 FD BRKT

JD 735 FD BRKT



Shelbourne Reynolds Engineering Limited

ASSY NUMBER: 249062 01				ASSY DESCRIPTION: MACDON FD235 MOUNTING & LOCKING SUB			
ITEM	PART NO	DESCRIPTION	QTY	ITEM	PART NO	DESCRIPTION	QTY
1	241066 02	CLAMP PLATE	4				
2	240672 01	TUBE MOUTNING ASSY	4				
3	241072 01	BEAM MOUNT CRADLE W/A	2				
4	241073 01	ADJUSTER MOUNT CRADLE W/A	2				
5	ADL-01430	ADJUSTABLE LINK	4				
6	240688 01	9000mm SUPPORT TUBE	1				
7	242392 01	MACDON 'V' BRACKET W/A	2				
8	241208 01	FRONT CRADLE W/A	1				
9	241213 01	FRONT CRADLE W/A	1				
10	242531 02	SUPPORT ARM W/A	4				
11	241218 01	REAR CRADLE W/A	1				
12	242640 01	MACDON LOCKING BRACKET	1				
13	242640 02	MACDON LOCKING BRACKET	1				
14	HSS-0318	BOLT	24				
15	WSH-0024	WASHER	56				
16	NUT-0271	NYLOC NUT	32				
17	20166128	BOLT	12				
18	WSH-0030	WASHER	32				
19	NUTA02200	NYLOC NUT	16				
20	BLTA20620	BOLT	4				
21	190119 99	WASHER	8				
22	BLT-2330	BOLT	8				
23	190119 05	WASHER	2				
24	190119 08	WASHER	2				
25	CLP-00106	R-CLIP	2				
26	HSS-0152	BOLT	2				
27	NUT-0263	NYLOC NUT	2				
28	WSH-0012	WASHER	2				
29	HSS-1054	BOLT	8				
30	WSH-0015	PLAIN WASHER	8				
31	WSH-0061	SPRING WASHER	8				
32	241851 01	HANDLE W/A	2				
33	HAN-2000	PLASTIC HANDLE	2				
34	21709004	PLASTIC CAP	4				
35	CAP-0080	PLASTIC CAP	2				
36	241818 01	TUBE CLAMP BOLT	4				
37	NUT-0170	PLAIN NUT (M12)	4				

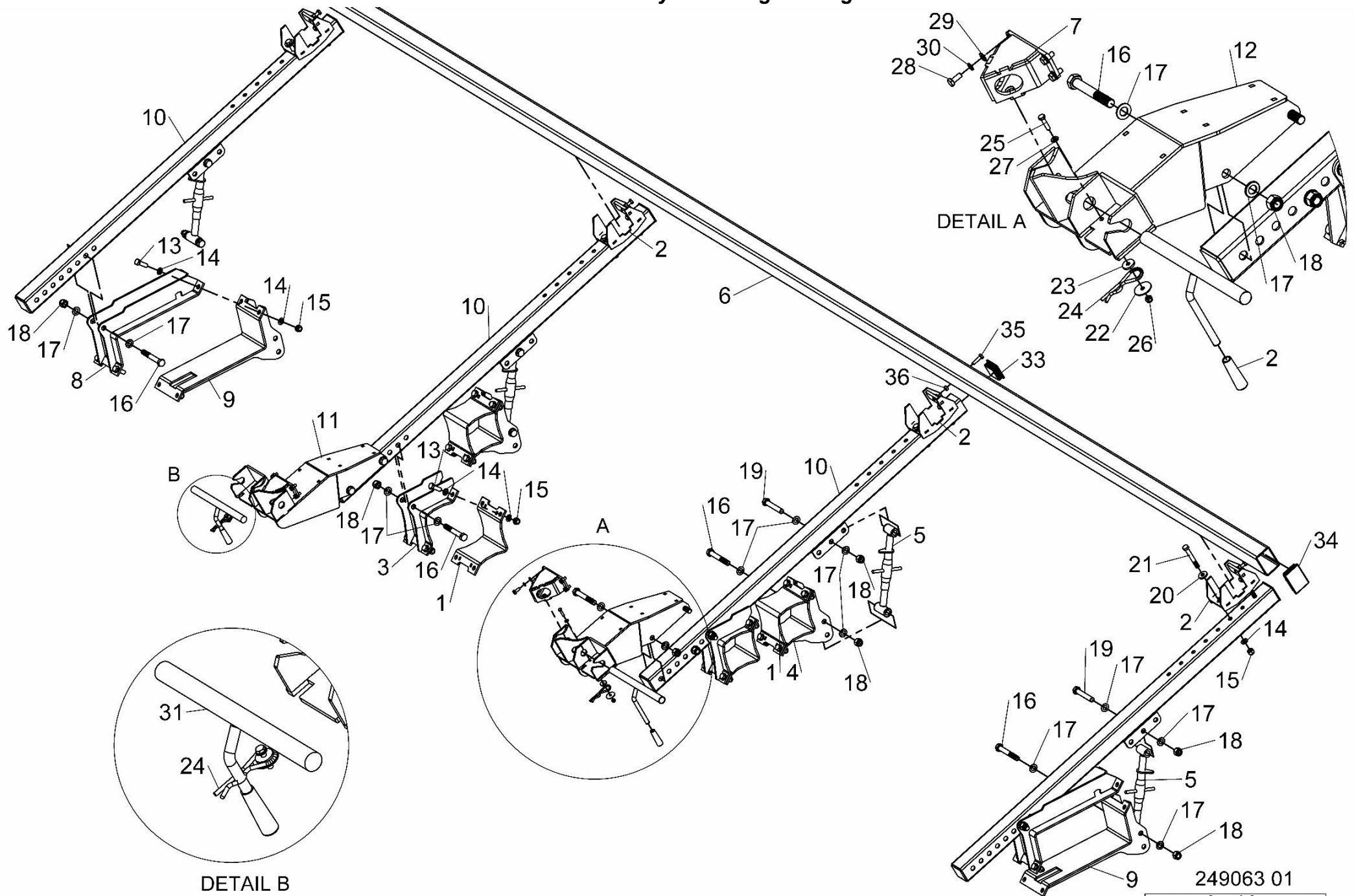


DETAIL B
PIN POSITION WHEN FITTED

249062 01
Shelbourne
REYNOLDS

Shelbourne Reynolds Engineering Limited

ASSY NUMBER: 249063 01				ASSY DESCRIPTION: MACDON FD230 MOUNTING & LOCKING SUB			
ITEM	PART NO	DESCRIPTION	QTY	ITEM	PART NO	DESCRIPTION	QTY
1	241066 02	CLAMP PLATE	4				
2	240672 01	TUBE MOUNTING ASSY	4				
3	241072 01	BEAM MOUNT CRADLE W/A	2				
4	241073 01	ADJUSTER MOUNT CRADLE W/A	2				
5	ADL-01430	ADJUSTABLE LINK	4				
6	240688 01	9000mm SUPPORT TUBE	1				
7	242392 01	MACDON 'V' BRACKET W/A	2				
8	241208 01	FRONT CRADLE W/A	2				
9	241213 01	FRONT CRADLE W/A	2				
10	242531 02	SUPPORT ARM W/A	4				
11	242640 01	MACDON LOCKING BRACKET	1				
12	242640 02	MACDON LOCKING BRACKET	1				
13	HSS-0318	BOLT	24				
14	WSH-0024	WASHER	56				
15	NUT-0271	NYLOC NUT	32				
16	20166128	BOLT	12				
17	WSH-0030	WASHER	32				
18	NUTA02200	NYLOC NUT	16				
19	BLTA20620	BOLT	4				
20	190119 99	WASHER	8				
21	BLT-2330	BOLT	8				
22	190119 05	WASHER	2				
23	190119 08	WASHER	2				
24	CLP-00106	R-CLIP	2				
25	HSS-0152	BOLT	2				
26	NUT-0263	NYLOC NUT	2				
27	WSH-0012	WASHER	2				
28	HSS-1054	BOLT	8				
29	WSH-0015	PLAIN WASHER	8				
30	WSH-0061	SPRING WASHER	8				
31	241851 01	HANDLE W/A	2				
32	HAN-2000	PLASTIC HANDLE	2				
33	21709004	PLASTIC CAP	4				
34	CAP-0080	PLASTIC CAP	2				
35	241818 01	TUBE CLAMP BOLT	4				
36	NUT-0170	PLAIN NUT	4				



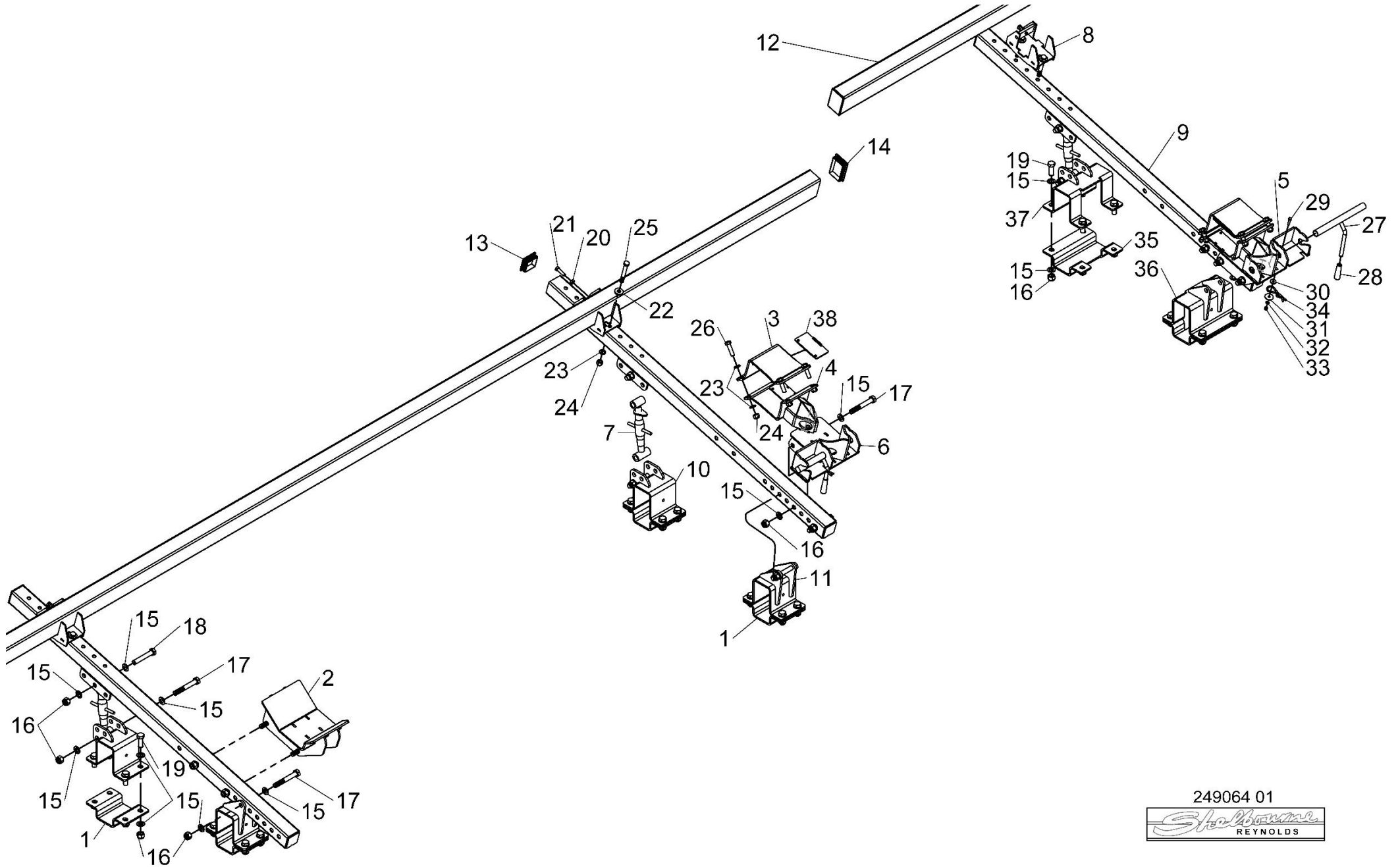
DETAIL B
PIN POSITION WHEN FITTED

249063 01



Shelbourne Reynolds Engineering Limited

ASSY NUMBER: 249064 01				ASSY DESCRIPTION: JD 740FD MOUNTING & LOCKING SUB			
ITEM	PART NO	DESCRIPTION	QTY	ITEM	PART NO	DESCRIPTION	QTY
1	242057 01	HALF CLAMP	6				
2	242613 01	CRADLE BRACKET	2				
3	242603 02	CLAMP PLATE	2				
4	242601 01	JD V BRACKET W/A	2				
5	242600 02	LOCKING BRACKET W/A	1				
6	242600 01	LOCKING BRACKET W/A	1				
7	ADL-01430	ADJUSTABLE LINK	4				
8	240672 01	TUBE MOUNTING ASSEMBLY	4				
9	242531 01	SUPPORT ARM W/A	4				
10	242058 01	ADJUSTER BRACKET W/A	3				
11	242521 01	SUPPORT ARM PIVOT W/A	3				
12	240688 03	6m SUPPORT TUBE	2				
13	21709004	PLASTIC CAP	4				
14	CAP-0080	PLASTIC CAP	4				
15	WSH-0030	WASHER	104				
16	NUTA02200	NYLOC NUT	52				
17	20166128	BOLT	16				
18	BLTA20620	BOLT	4				
19	BLT-2365	BOLT	32				
20	NUT-0170	PLAIN NUT	4				
21	241818 01	TUBE CLAMP BOLT	4				
22	190119 99	WASHER	8				
23	WSH-0024	WASHER	24				
24	NUT-0271	NYLOC NUT	16				
25	BLT-2330	BOLT	8				
26	HSS-0320	BOLT	8				
27	241851 01	LOCKING HANDLE	2				
28	HAN-2000	PLASTIC HANDLE	2				
29	HSS-0152	BOLT	2				
30	190119 08	WASHER	2				
31	190119 05	WASHER	2				
32	WSH-0012	WASHER	2				
33	NUT-0263	NYLOC NUT	2				
34	CLP-00106	R CLIP	2				
35	242664 01	BASE HALF CLAMP	2				
36	242665 01	REAR STRADDLE MOUNT W/A	1				
37	242666 01	TOP STRADDLE MOUNT W/A	1				
38	242660 01	MOUNTING BRACKET SHIM W/A	4				



249064 01

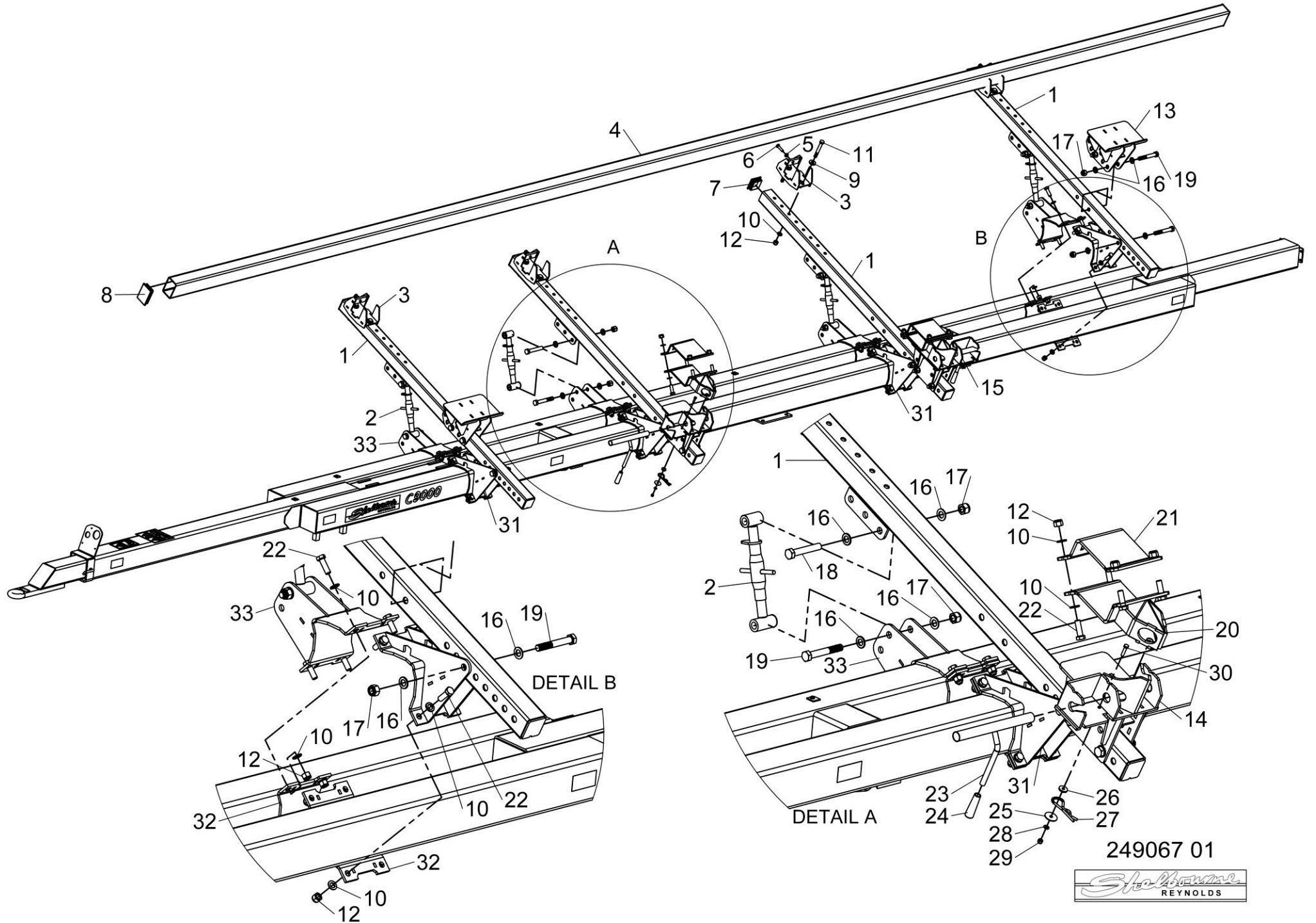


Shelbourne Reynolds Engineering Limited

ASSY NUMBER: 249066 01				ASSY DESCRIPTION: JD HD40X LOCKING AND MOUNTING			
ITEM	PART NO	DESCRIPTION	QTY	ITEM	PART NO	DESCRIPTION	QTY
1	242668 01	SUPPORT ARM PIVOT W/A	4	41	BLTA20710	HEX HEAD BOLT	2
2	240672 01	TUBE MOUNTING ASSY	5	42	BLTA20650	HEX HEAD BOLT	4
3	242727 01	MID FRAME PACKER W/A LH	1	43	BLT-4480	HEX HEAD BOLT	2
4	242058 01	ADJUSTER BRACKET WA	2	44	HSS-0355	SETSCREW	4
5	ADL-01430	MEKANAG ADJUSTABLE LINK	4	45	BLT-2366	BOLT	2
6	242700 01	HD40X MOUNT W/A LH	2	46	190119 99	WASHER	8
7	242710 01	HD40X OUTER BRACKET W/A	4	47	BLT-2330	HEX HEAD BOLT	8
8	242120 01	JD X-SERIES HEADER BRACKET	2	48	NUT-0170	PLAIN NUT	4
9	242700 02	HD40X MOUNT W/A RH	2	49	241818 01	TUBE CLAMP BOLT	4
10	242707 01	THREADED MOUNTING ROD	2	50	CAP-0080	PLASTIC CAP (FOR 120x80 RHS)	4
11	WSH-0024	PLAIN WASHER	52				
12	HSS-0316	SETSCREW	16				
13	NUT-0271	NYLOC NUT	24				
14	HSS-0317	SET SCREW	12				
15	242738 01	OFFSET STRADDLE MOUNT W/A	2				
16	242741 01	OFFSET FRONT STRADDLE BRACKET	2				
17	242740 01	BASE HALF CLAMP	4				
18	242057 01	HALF CLAMP	6				
19	WSH-0030	PLAIN WASHER	160				
20	BLT-2365	BOLT	41				
21	NUTA02200	NYLOC NUT	25				
22	BLTA20620	HEX HEAD BOLT	4				
23	20166128	BOLT	20				
24	242714 01	HDX SUPPORT ARM W/A	4				
25	242713 01	LOCKING BRACKET W/A LH	1				
26	242742 01	CONNECTOR PLATE W/A	2				
27	242716 01	HDX MIDFRAME MOUNT W/A	2				
28	242724 01	FOOT PLATE W/A	2				
29	242713 02	LOCKING BRACKET W/A RH	1				
30	242727 02	MID FRAME PACKER W/A RH	1				
31	240688 03	SUPPORT TUBE 6.0mt LONG	2				
32	190119 08	WASHER	2				
33	190119 05	WASHER	2				
34	WSH-0012	PLAIN WASHER	4				
35	NUT-0263	NYLOC NUT	2				
36	HSS-0152	SET SCREW	2				
37	CLP-00106	R CLIP	2				
38	241851 01	LOCKING HANDLE	2				
39	HAN-2000	BLACK PLASTIC HANDLE	2				
40	NUTF02202	NYLOC NUT	55				

Shelbourne Reynolds Engineering Limited

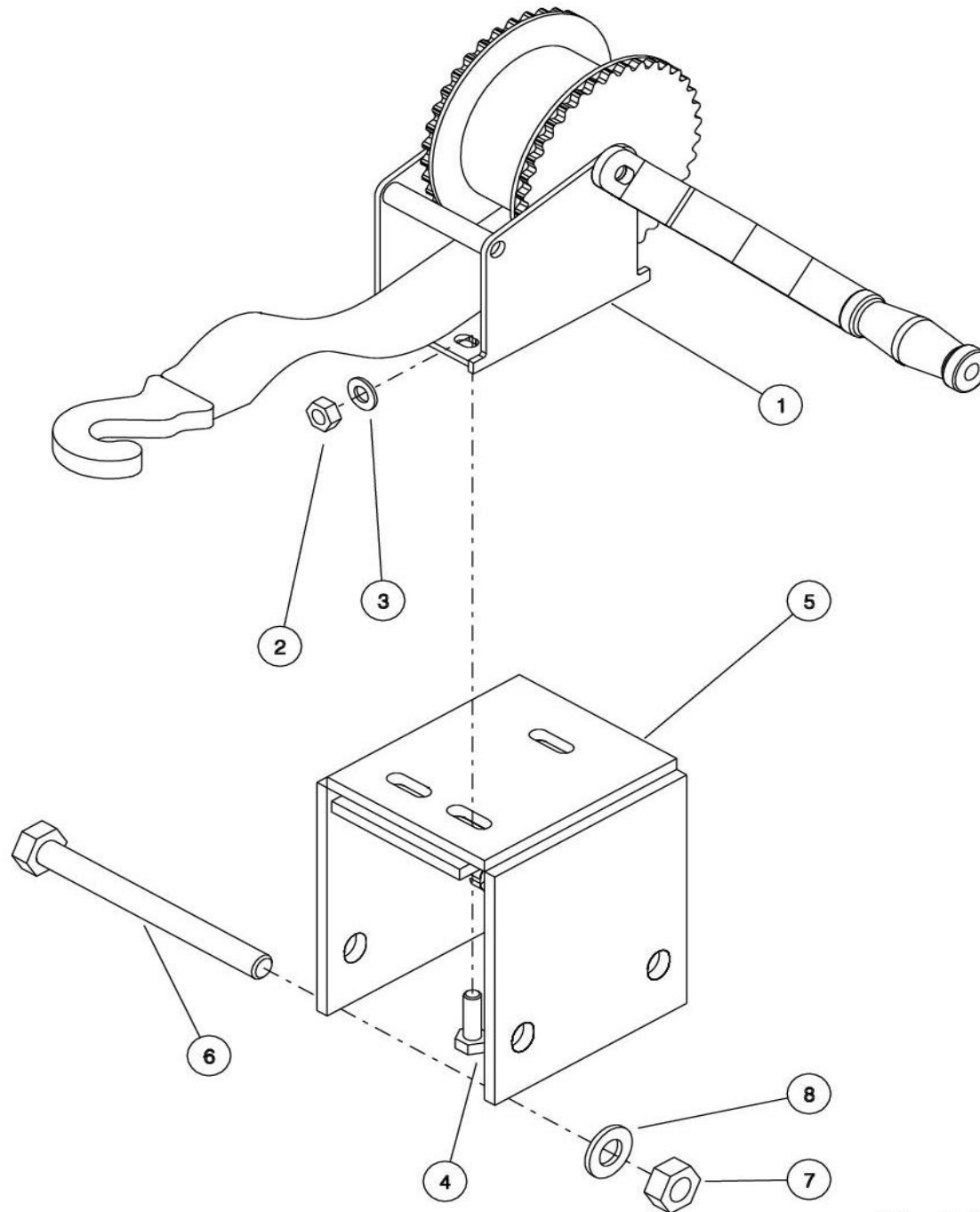
ASSY NUMBER: 249067 01				ASSY DESCRIPTION: JD730D MOUNTING AND LOCKING SUB FOR TA			
ITEM	PART NO	DESCRIPTION	QTY	ITEM	PART NO	DESCRIPTION	QTY
1	242531 01	SUPPORT ARM W/A	4				
2	ADL-01430	MEKANAG ADJUSTABLE LINK	4				
3	240672 01	TUBE MOUNTING ASSY	4				
4	240688 01	9M SUPPORT TUBE	1				
5	NUT-0170	PLAIN NUT	4				
6	241818 01	TUBE CLAMP BOLT	4				
7	21709004	BLACK PLASTIC END CAP	4				
8	CAP-0080	BLACK RECTANGUALR END CAP	2				
9	190119 99	WASHER	8				
10	WSH-0024	PLAIN WASHER	88				
11	BLT-2330	BOLT	8				
12	NUT-0271	NYLOC NUT	48				
13	242527 01	SUPPORT PAD W/A	2				
14	242523 01	LOCKING BRACKET LH W/A	1				
15	242523 02	LOCKING BRACKET RH W/A	1				
16	WSH-0030	PLAIN WASHER	40				
17	NUTA02200	NYLOC NUT	20				
18	BLTA20620	HEX HEAD BOLT	4				
19	20166128	BOLT	16				
20	242533 01	JD DRAPER V BRACKET W/A	2				
21	242534 02	CLAMP PLATE	2				
22	HSS-0318	SET SCREW	40				
23	241851 01	LOCKING PIN W/A	2				
24	HAN-2000	PLASTIC LEVER END	2				
25	190119 05	WASHER	2				
26	190119 08	WASHER	2				
27	CLP-00106	R CLIP	2				
28	WSH-0012	PLAIN WASHER	2				
29	NUT-0263	NYLOC NUT	2				
30	HSS-0152	BOLT	2				
31	241074 01	BEAM MOUNT CRADLE W/A	4				
32	241066 02	CLAMP PLATE	8				
33	241075 01	ADJUSTER MOUNT CRADLE W/A	4				



Kit Options

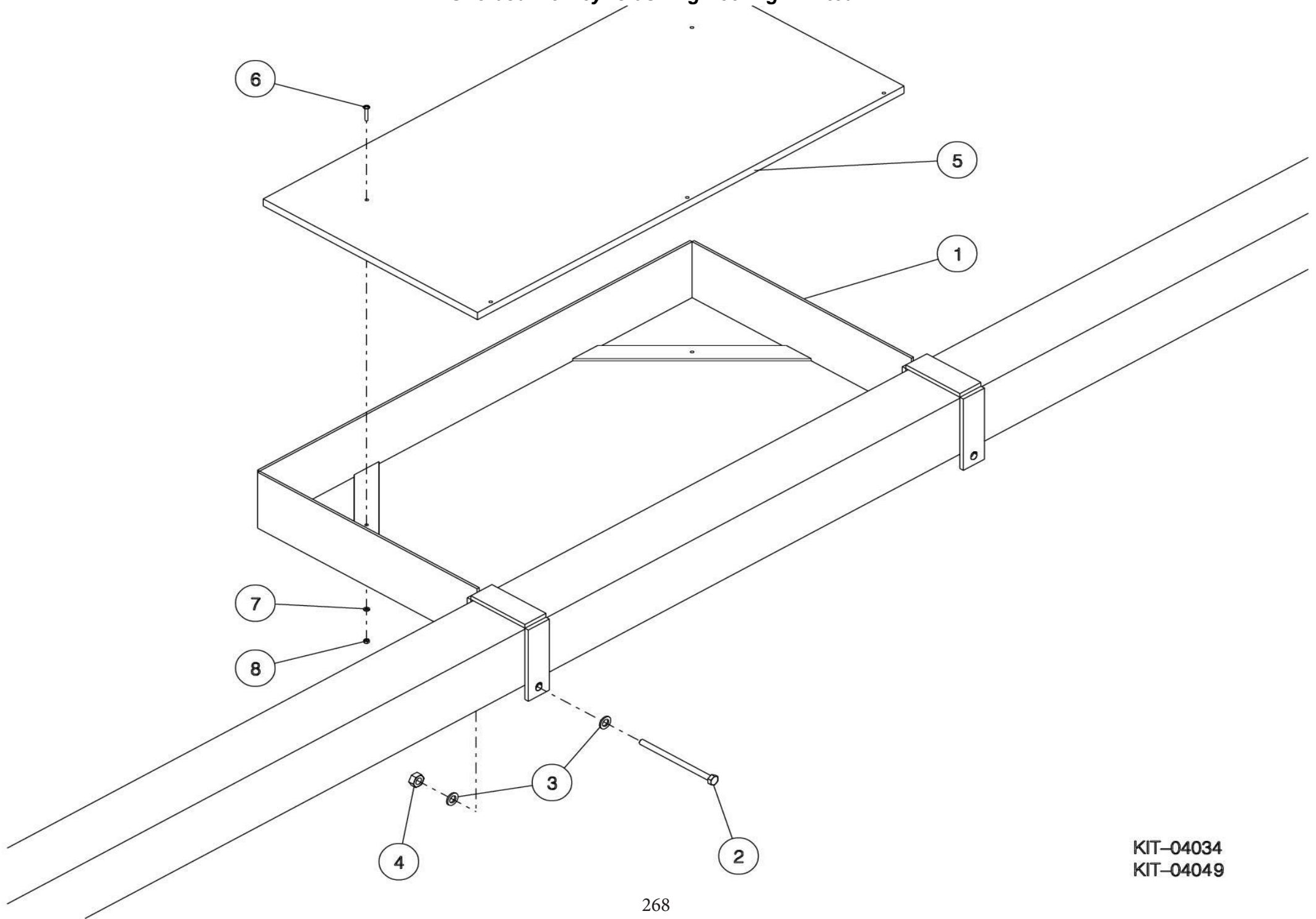
Shelbourne Reynolds Engineering Limited

ASSY NUMBER: KIT-04013				ASSY DESCRIPTION: WINCH KIT ALL MODELS			
ITEM	PART NO	DESCRIPTION	QTY	ITEM	PART NO	DESCRIPTION	QTY
1	WIN-0001	WINCH ASSY	1				
2	NUT-0265	NYLOC NUT	3				
3	WSH-0015	PLAIN WASHER	3				
4	HSS-0191	BOLT	3				
5	240440 01	WINCH CRADLE	1				
6	BLTA16750	BOLT	2				
7	NUT-0271	NUT	2				
8	WSH-0024	PLAIN WASHER	4				



Shelbourne Reynolds Engineering Limited

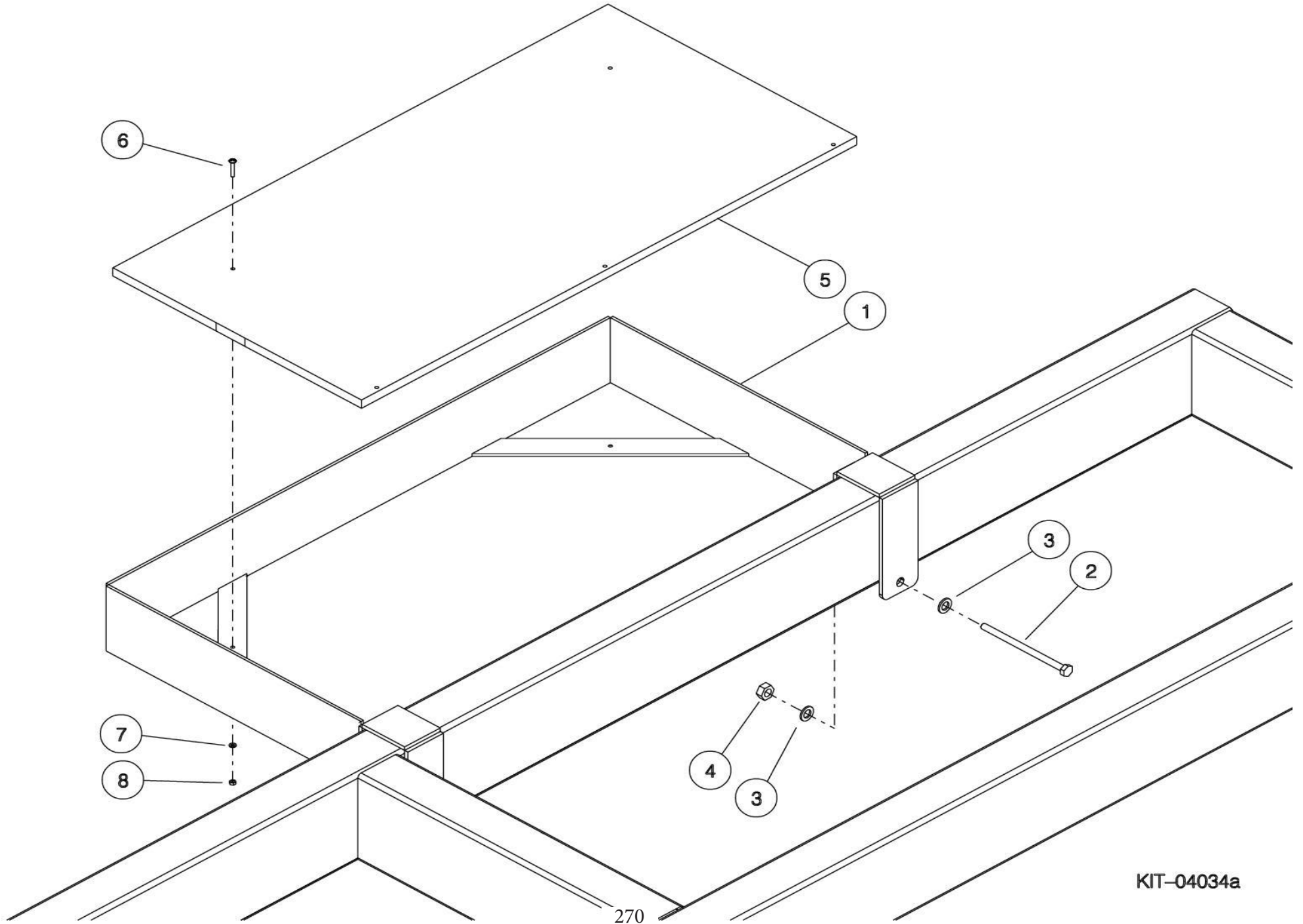
ASSY NUMBER: KIT-04034				ASSY DECIPTION: ACCESSORY BOX KIT CONTRACTOR MODELS SA/TA			
				ACCESSORY BOX			
ITEM	PART NO	DESCRIPTION	QTY	ITEM	PART NO	DESCRIPTION	QTY
1	241126 01	ACCESSORY BOX ASSY(2012 ON)	1				
OR	240165 01	ACCESSORY BOX ASSY(PRE 2012)	1				
2	BLT-2350	BOLT	2				
3	WSH-0024	PLAIN WASHER	4				
4	NUT-0271	NUT	2				
5	240166 01	FLOOR PLATE (PRE 2012)	1				
6	SCBC06230	BUTTON HEAD SCREW (PRE 2012)	5				
7	WSH-0009	PLAIN WASHER (PRE 2012)	5				
8	NUT-0260	NYLOC NUT(PRE 2012)	5				



KIT-04034
KIT-04049

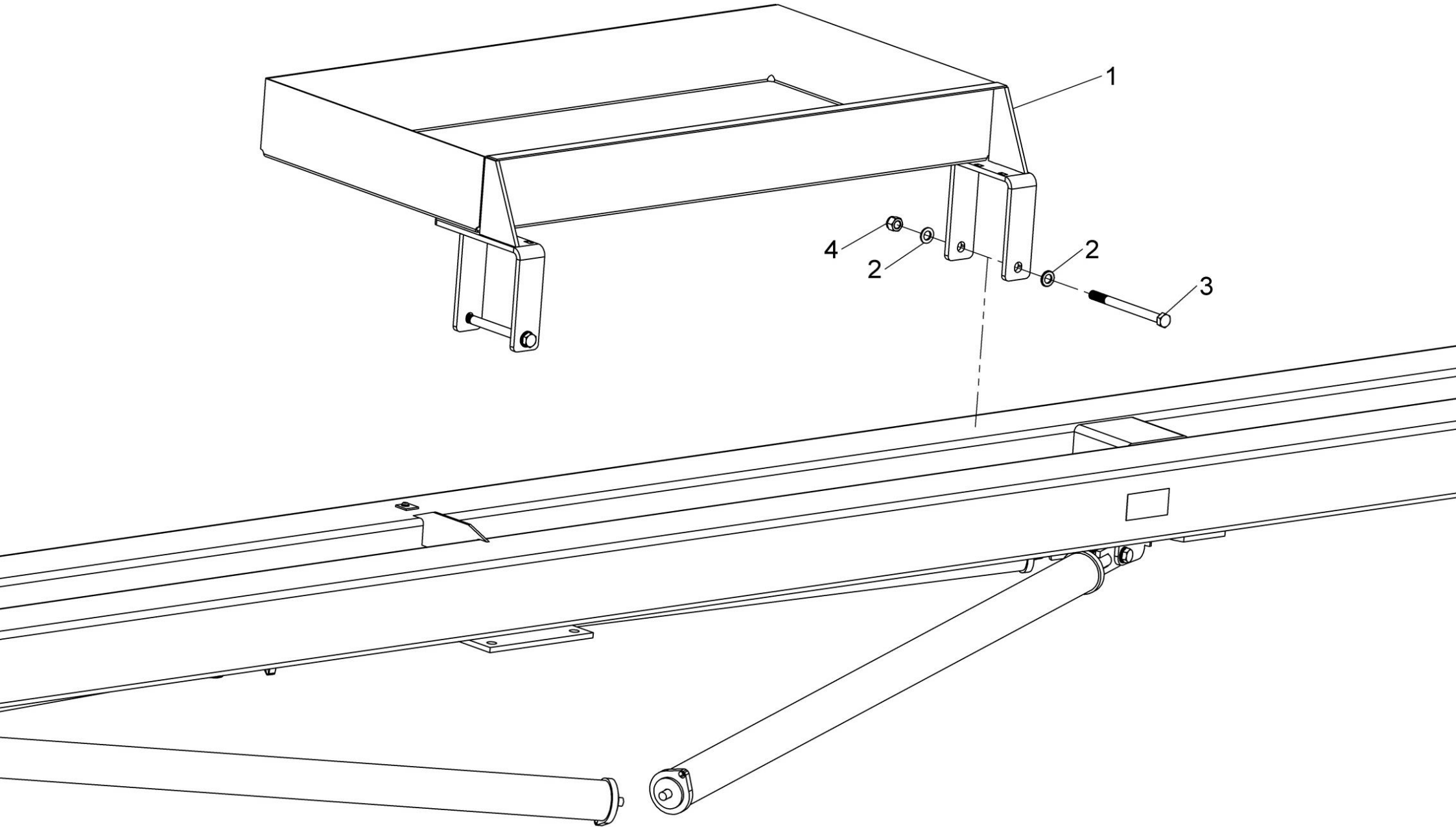
Shelbourne Reynolds Engineering Limited

ASSY NUMBER: KIT-04034A				ASSY DECRPTION: ACCESSORY BOX FWS ACCESSORY BOX			
ITEM	PART NO	DESCRIPTION	QTY	ITEM	PART NO	DESCRIPTION	QTY
1	241134 01	ACCESSORY BOX ASSY(2012 ON)	1				
OR	240957 01	ACCESSORY BOX ASSY(PRE 2012)	1				
2	BLTA16710	BOLT	2				
3	WSH-0024	PLAIN WASHER	4				
4	NUT-0271	NUT NYLOC	2				
5	240166 01	FLOOR PLATE (PRE 2012)	1				
6	SCBC06230	BUTTON HEAD SCREW(PRE 2012)	5				
7	WSH-0009	PLAIN WASHER (PRE 2012)	5				
8	NUT-0260	NYLOC NUT (PRE 2012)	5				



Shelbourne Reynolds Engineering Limited

ASSY NUMBER: KIT-04034B				ASSY DESCRIPTION: ACCESSORIES BOX KIT			
ITEM	PART NO	DESCRIPTION	QTY	ITEM	PART NO	DESCRIPTION	QTY
1	242517 01	ACCESSORY BOX W/A	1				
2	WSH-0024	PLAIN WASHER	4				
3	BLT-2350	BOLT	2				
4	NUT-0271	NYLOC NUT	2				

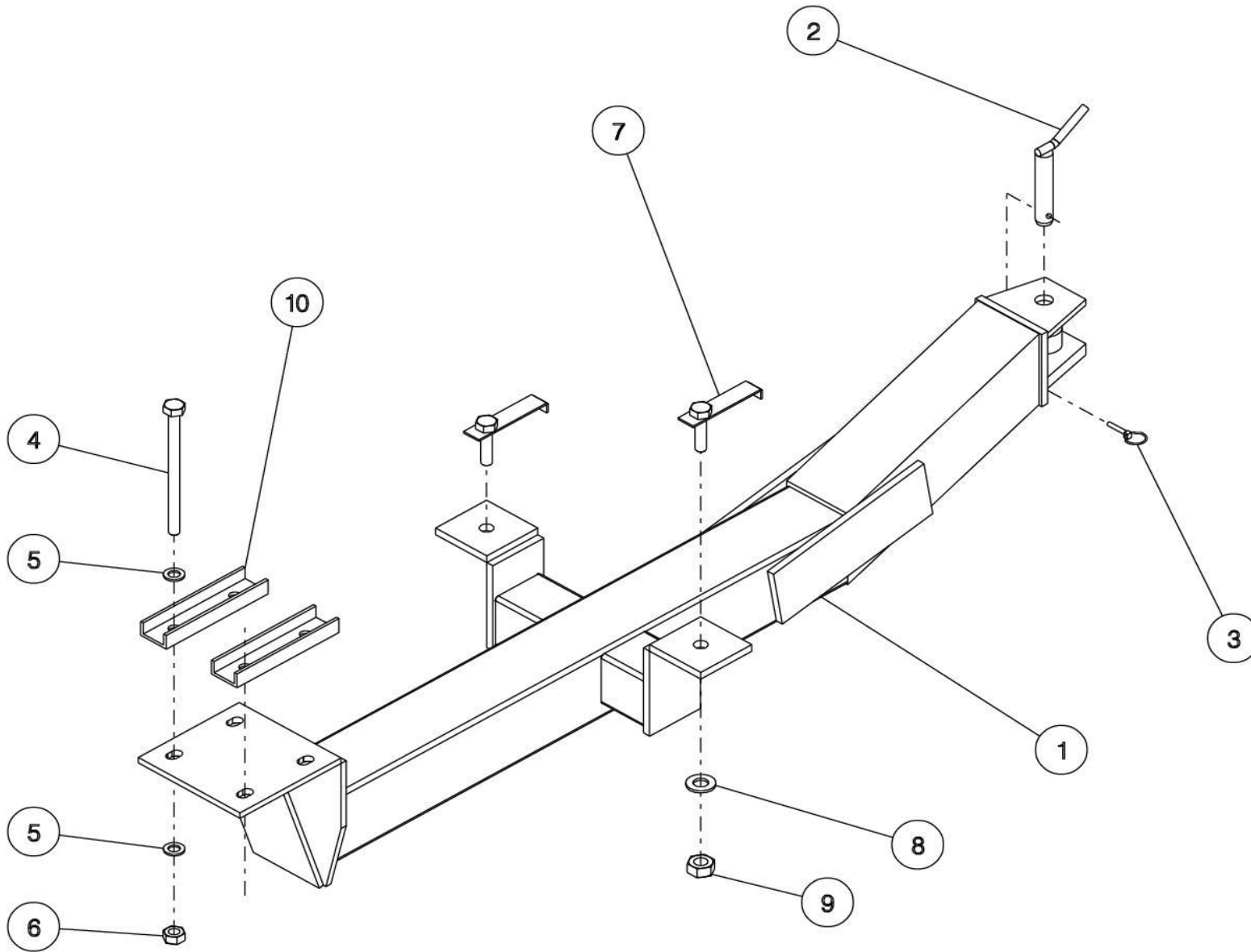


KIT-04034B



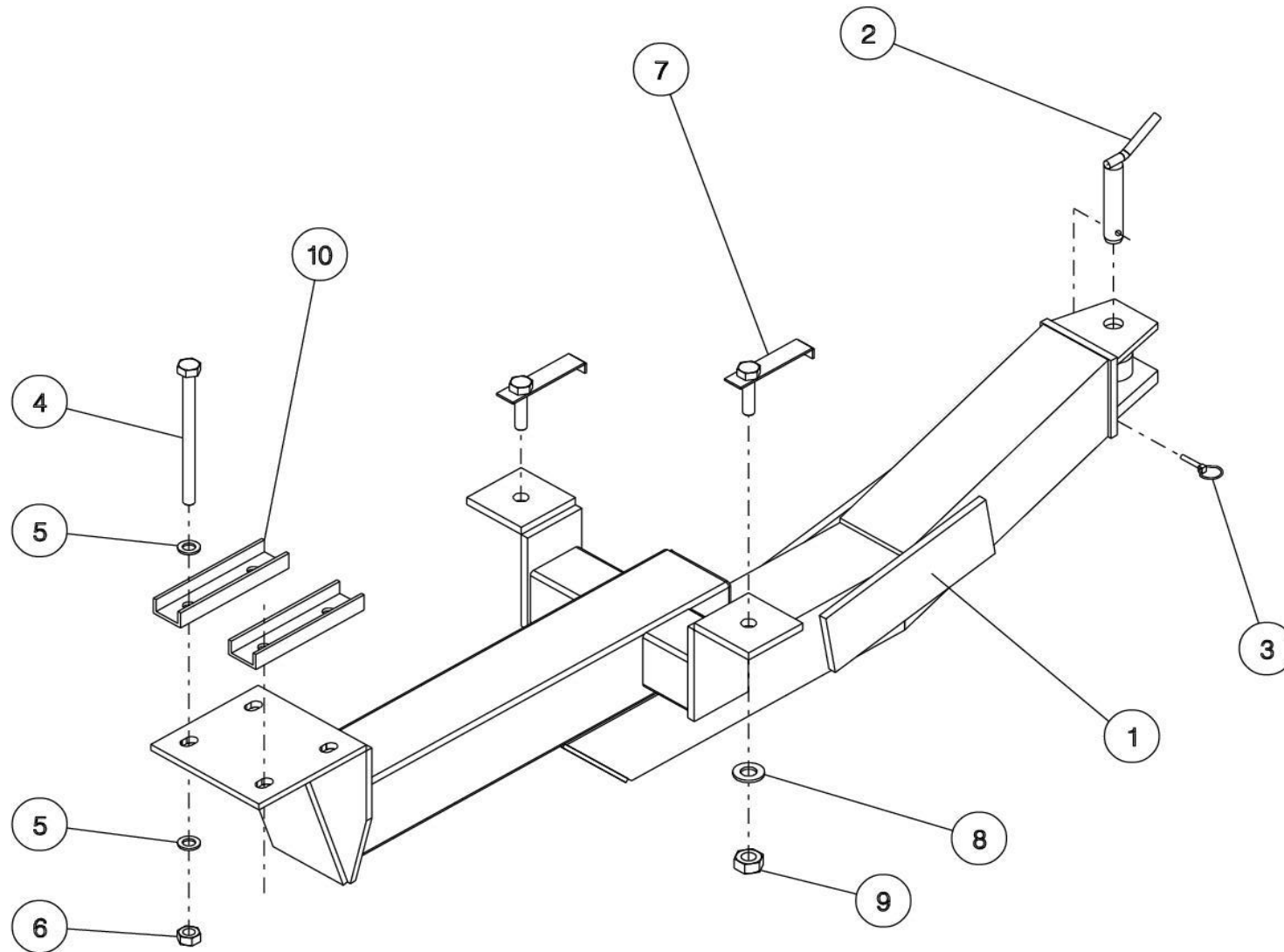
Shelbourne Reynolds Engineering Limited

ASSY NUMBER: KIT-04037				ASSY DESCRIPTION: JD WTS LEVEL/LAND MODEL DRAWBAR KIT			
ITEM	PART NO	DESCRIPTION	QTY	ITEM	PART NO	DESCRIPTION	QTY
1	240208 01	DRAWBAR ASSY	1				
2	240205 01	CONNECTOR PIN	1				
3	PIN-01601	LYNCH PIN	1				
4	BLTA16860	BOLT	4				
5	WSH-0024	PLAIN WASHER	8				
6	NUT-0271	NYLOC NUT	4				
7	240203 01	LOCK PLATE	2				
8	WSH-0030	PLAIN WASHER	2				
9	NUTA02200	NYLOC NUT	2				
10	240405 01	CLAMPING CHANNEL	2				



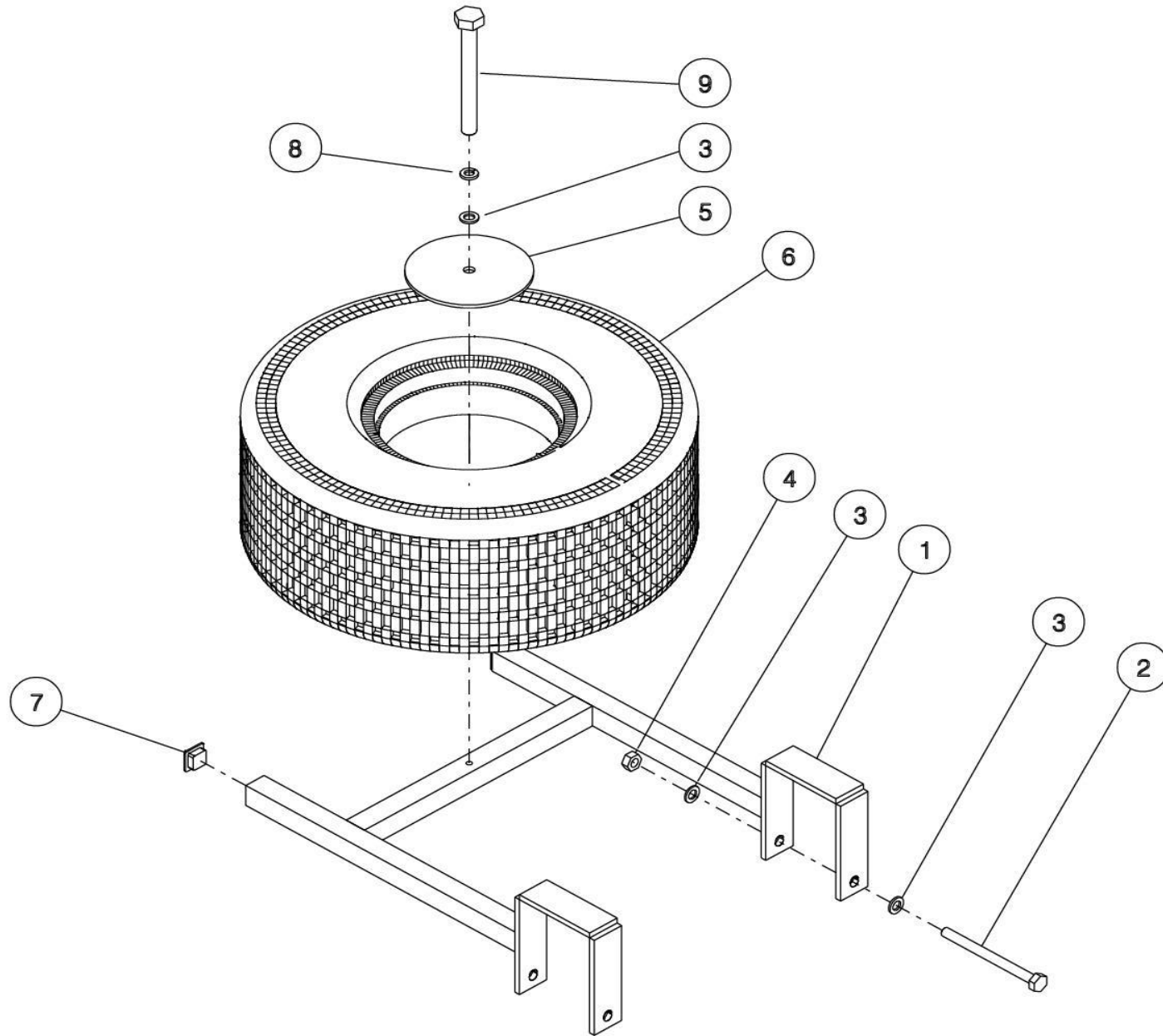
Shelbourne Reynolds Engineering Limited

ASSY NUMBER: KIT-04038				ASSY DESCRIPTION: JD WTS HILL/MASTER MODEL DRAWBAR KIT			
ITEM	PART NO	DESCRIPTION	QTY	ITEM	PART NO	DESCRIPTION	QTY
1	240209 01	DRAWBAR ASSY	1				
2	240205 01	CONNECTOR PIN	1				
3	PIN-01601	LYNCH PIN	1				
4	BLTA16860	BOLT	4				
5	WSH-0024	PLAIN WASHER	8				
6	NUT-0271	NYLOC NUT	4				
7	240203 01	LOCK PLATE	2				
8	WSH-0030	PLAIN WASHER	2				
9	NUTA02200	NYLOC NUT	2				
10	240405 01	CLAMPING CHANNEL	2				



Shelbourne Reynolds Engineering Limited

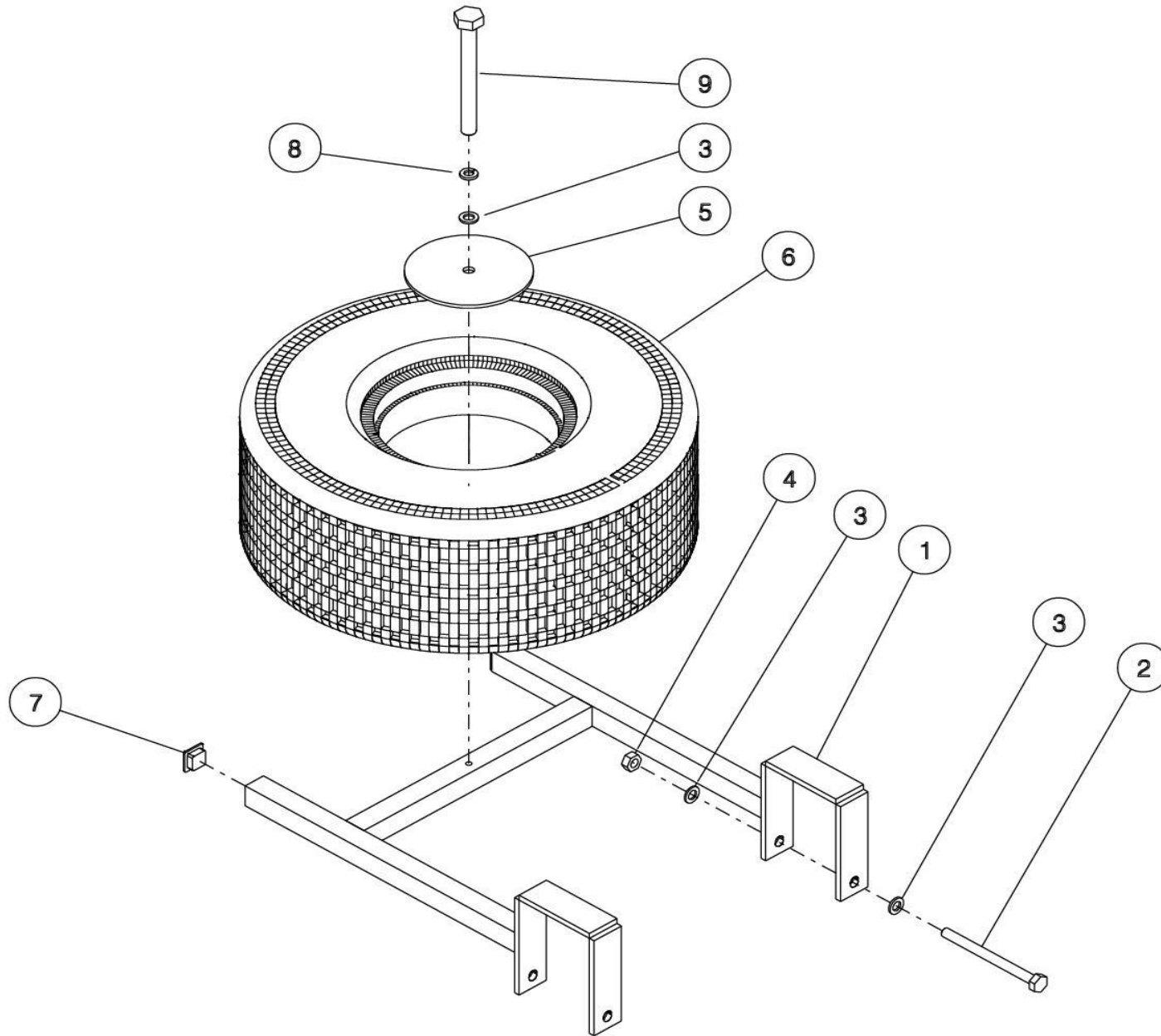
ASSY NUMBER: KIT-04045A				ASSY DECRPTION: SPARE 10/80x12 WHEEL/TYRE KIT (IHC 88 SERIES BRAKED MODELS ONLY)			
ITEM	PART NO	DESCRIPTION	QTY	ITEM	PART NO	DESCRIPTION	QTY
1	241128 01	SPARE WHEEL BRKT. (2012 ON)	1				
OR	240283 01	SPARE WHEEL BRKT (PRE 2012)					
2	BLT-2350	BOLT	2				
3	WSH-0024	PLAIN WASHER	9				
4	NUT-0271	NYLOC NUT (2012 ON)	2				
OR	NUT-0271	NYLOC NUT (PRE 2012)	3				
5	240284 01	CLAMP PLATE	1				
6	WHL-01211	WHEEL/TYRE (UP TO 2023)	1				
OR	WHL-01211W	WHEEL/TYRE (UP TO 2023)	2				
7	CAP-0010	END CAP	1				
8	WSH-0070	SPRING WASHER (2012 ON)	1				
9	BLTA16800	BOLT (2012 ON)					



KIT-04045
KIT-04045a
KIT-04045b
KIT-04046
KIT-04047

Shelbourne Reynolds Engineering Limited

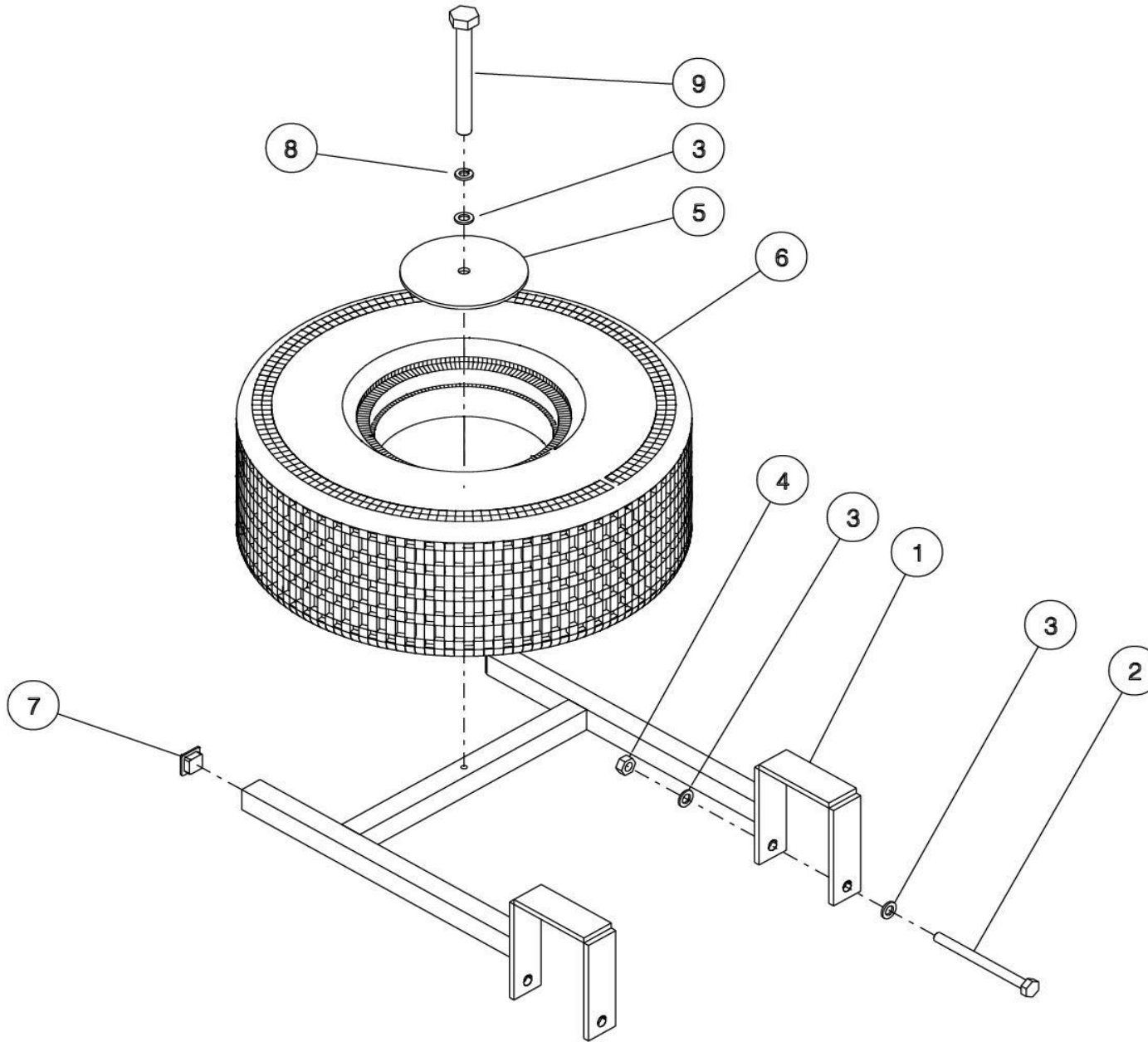
ASSY NUMBER: KIT-04045A				ASSY DECRPTION: SPARE 10/80x12 WHEEL/TYRE KIT (IHC 88 SERIES BRAKED MODELS ONLY)			
ITEM	PART NO	DESCRIPTION	QTY	ITEM	PART NO	DESCRIPTION	QTY
1	241128 01	SPARE WHEEL BRKT. (2012 ON)	1				
OR	240283 01	SPARE WHEEL BRKT (PRE 2012)					
2	BLT-2350	BOLT	2				
3	WSH-0024	PLAIN WASHER	9				
4	NUT-0271	NYLOC NUT (2012 ON)	2				
OR	NUT-0271	NYLOC NUT (PRE 2012)	3				
5	240284 01	CLAMP PLATE	1				
6	WHL-01211	WHEEL/TYRE (UP TO 2023)	1				
OR	WHL-01211W	WHEEL/TYRE (UP TO 2023)	2				
7	CAP-0010	END CAP	1				
8	WSH-0070	SPRING WASHER (2012 ON)	1				
9	BLTA16800	BOLT (2012 ON)					



KIT-04045
KIT-04045a
KIT-04045b
KIT-04046
KIT-04047

Shelbourne Reynolds Engineering Limited

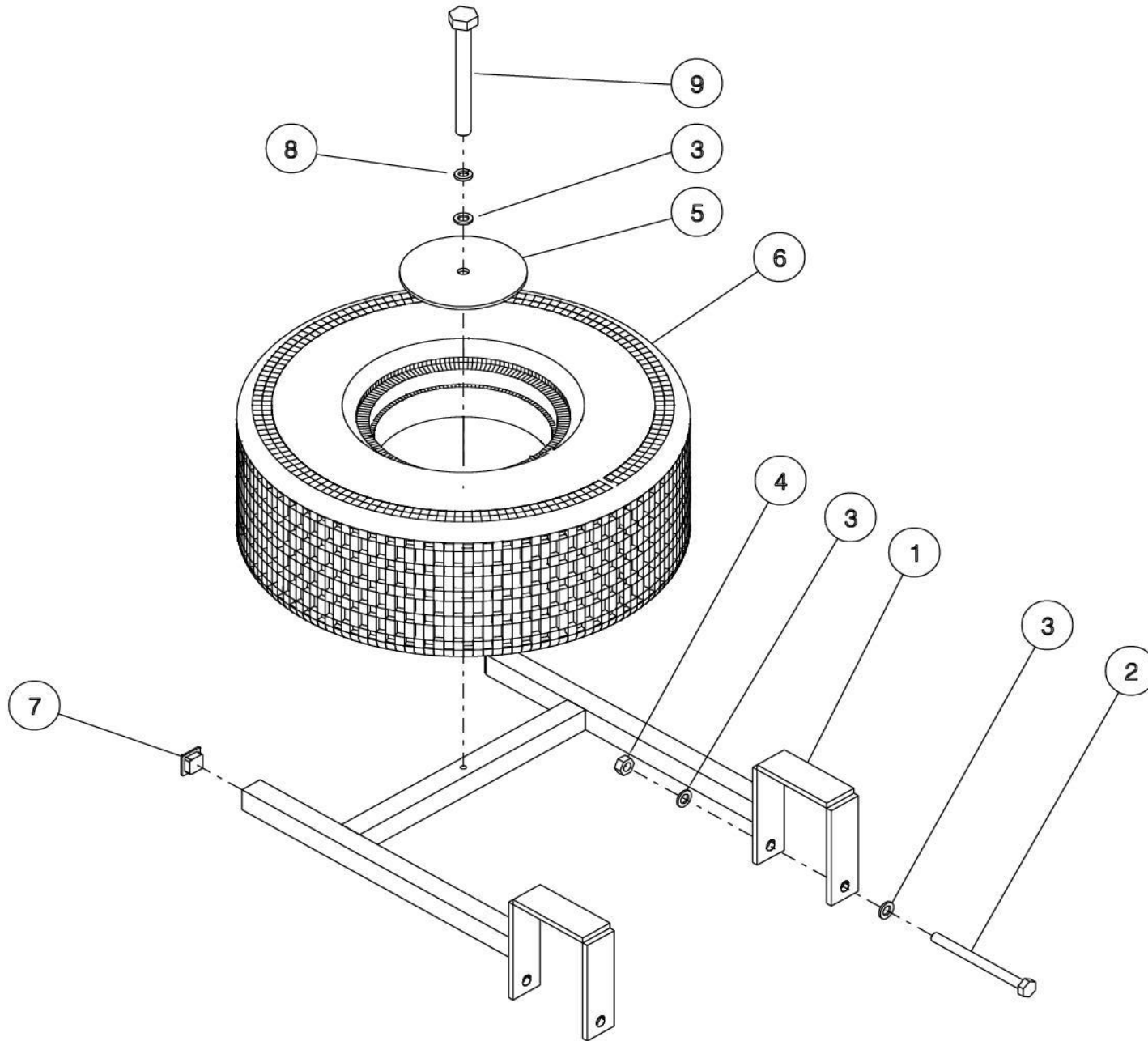
ASSY NUMBER: KIT-04045B				ASSY DESCRIPTION: SPARE 6.00/9 WHEEL/TYRE KIT			
ITEM	PART NO	DESCRIPTION	QTY	ITEM	PART NO	DESCRIPTION	QTY
1	241128 01	SPARE WHEEL BRKT.(2012 ON)	1				
OR	240283 10	SPARE WHEEL BRKT (PRE 2012)					
2	BLT-2350	BOLT	2				
3	WSH-0024	PLAIN WASHER	9				
4	NUT-0271	NYLOC NUT (2012 ON)	2				
OR	NUT-0271	NYLOC NUT (PRE 2012)	3				
5	240284 01	CLAMP PLATE	1				
6	WHL-20920	WHEEL/TYRE 6.00/9	1				
7	CAP-0010	END CAP	2				
8	WSH-0070	SPRING WASHER (2012 ON)	1				
9	BLTA16800	BOLT (2012 ON)	1				



KIT-04045
KIT-04045a
KIT-04045b
KIT-04046
KIT-04047

Shelbourne Reynolds Engineering Limited

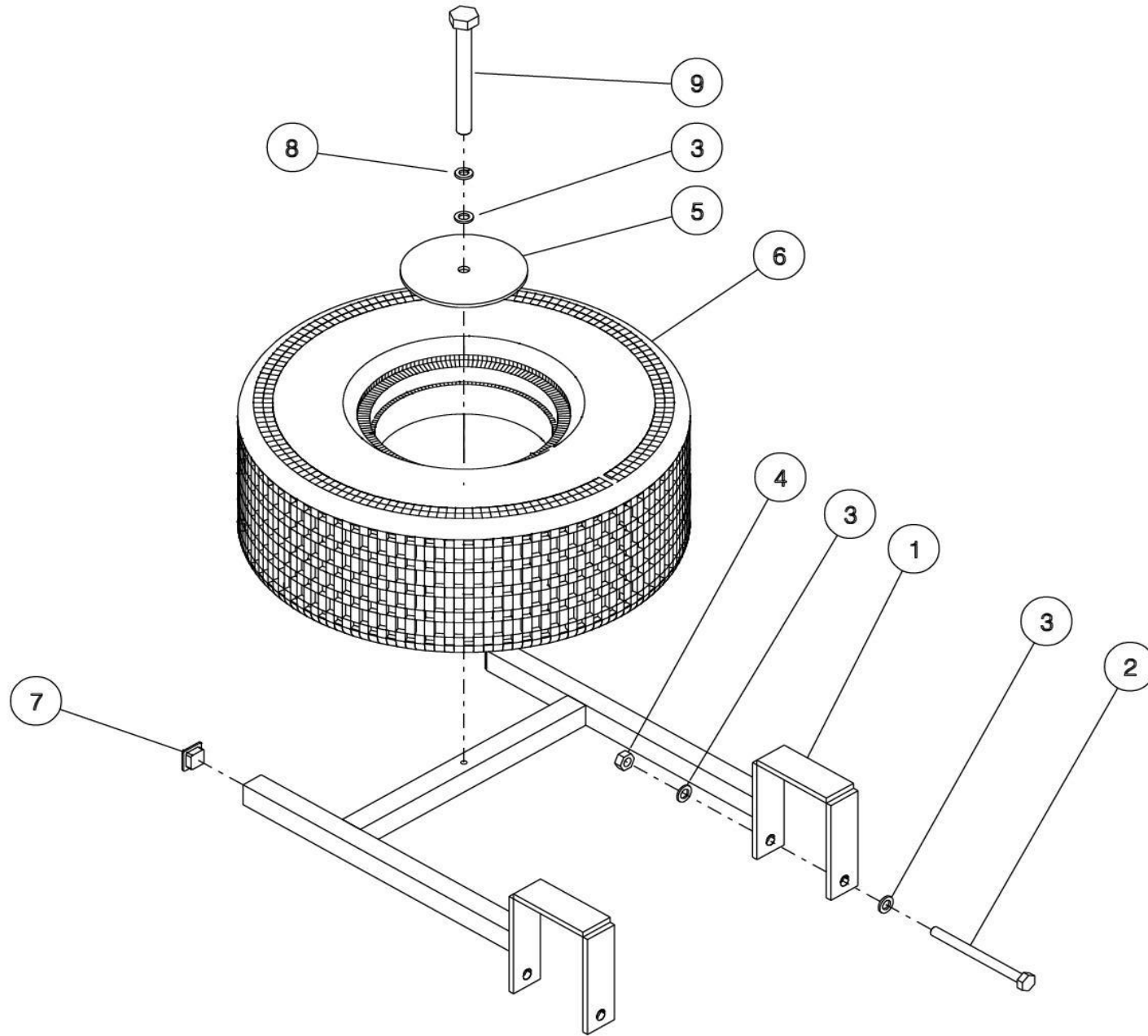
ASSY NUMBER: KIT-04045C				ASSY DESCRIPTION: SPARE 6.50/10 WHEEL/TYRE KIT			
ITEM	PART NO	DESCRIPTION	QTY	ITEM	PART NO	DESCRIPTION	QTY
1	241128 01	SPARE WHEEL BRKT.	1				
2	BLT-2350	BOLT	2				
3	WSH-0024	PLAIN WASHER	5				
4	NUT-0271	NYLOC NUT	2				
5	240284 01	CLAMP PLATE	1				
6	WHL-21021	WHEEL/TYRE 6.50/10 (MEK75212698 & ON)	1				
OR	WHL-21020	WHEEL/TYRE 6.50/10 (UPTO AND INCLUDING MEK75212697)	1				
7	CAP-0010	END CAP	2				
8	WSH-0070	SPRING WASHER	1				
9	BLTA16800	BOLT	1				



KIT-04045
KIT-04045a
KIT-04045b
KIT-04046
KIT-04047

Shelbourne Reynolds Engineering Limited

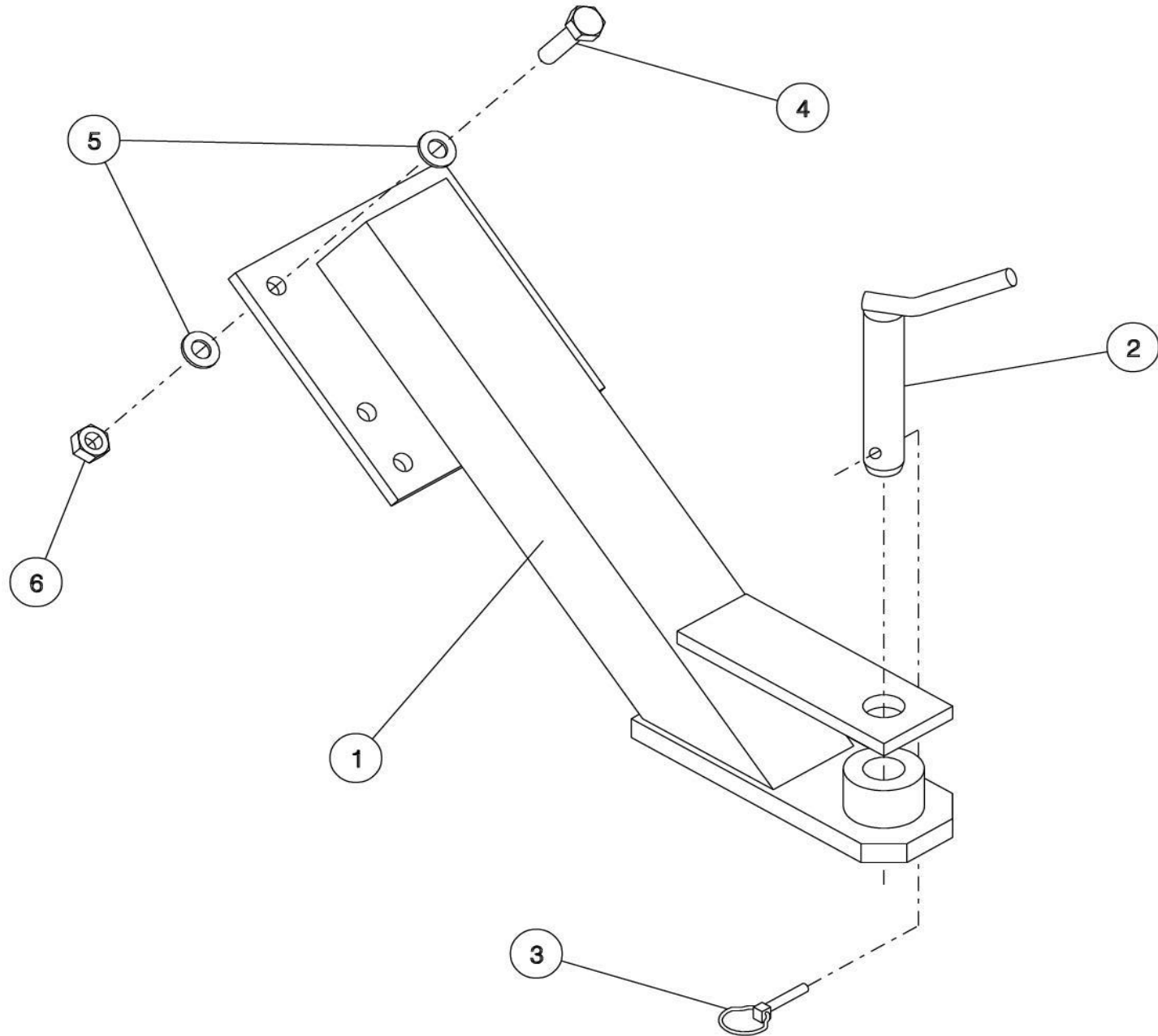
ASSY NUMBER: KIT-04046				ASSY DESCRIPTION: SPARE 10/75x15.3 WHEEL/TYRE KIT			
ITEM	PART NO	DESCRIPTION	QTY	ITEM	PART NO	DESCRIPTION	QTY
1	241128 01	SPARE WHEEL BRKT.(2012 ON)	1				
OR	240283 01	SPARE WHEEL BRKT (PRE 2012)					
2	BLT-2350	BOLT	2				
3	WSH-0024	PLAIN WASHER	9				
4	NUT-0271	NYLOC NUT (2012 ON)	2				
OR	NUT-0271	NYLOC NUT (PRE 2012)	3				
5	240284 01	CLAMP PLATE	1				
6	WHL-01512	WHEEL/TYRE	1				
7	CAP-0010	END CAP	2				
8	WSH-0070	SPRING WASHER (2012 ON)	1				
9	BLTA16800	BOLT (2012 ON)	1				



KIT-04045
KIT-04045a
KIT-04045b
KIT-04046
KIT-04047

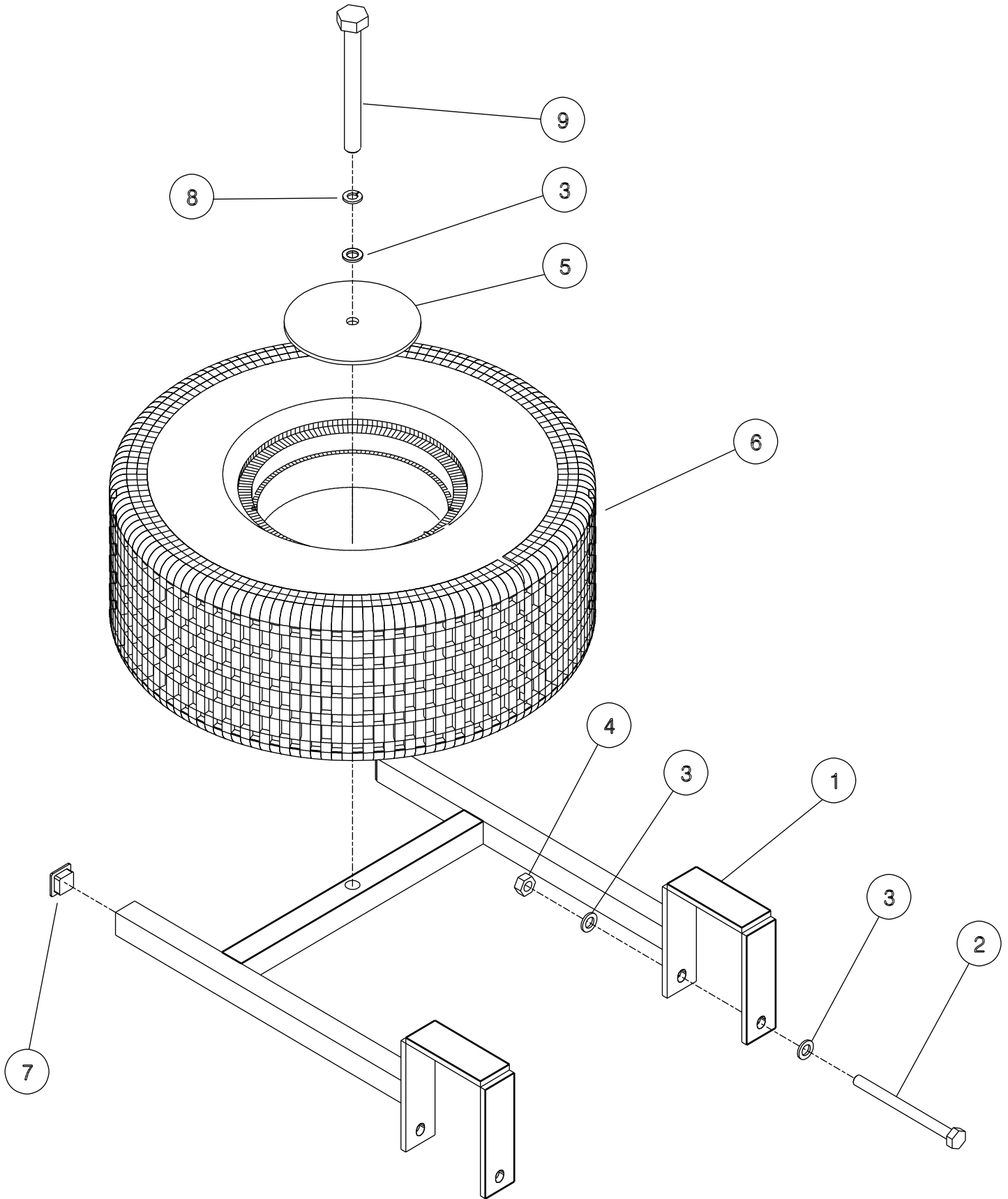
Shelbourne Reynolds Engineering Limited

ASSY NUMBER: KIT-04050				ASSY DECIPTION: JD CWS(1170) MODEL DRAWBAR KIT			
ITEM	PART NO	DESCRIPTION	QTY	ITEM	PART NO	DESCRIPTION	QTY
1	240388 01	DRAWBAR ASSY	1				
2	240205 01	CONNECTOR PIN	1				
3	PIN-1601	LYNCH PIN	1				
4	HSS-0260	BOLT	4				
5	WSH-0018	PLAIN WASHER	8				
6	NUT-0269	NYLOC NUT	4				



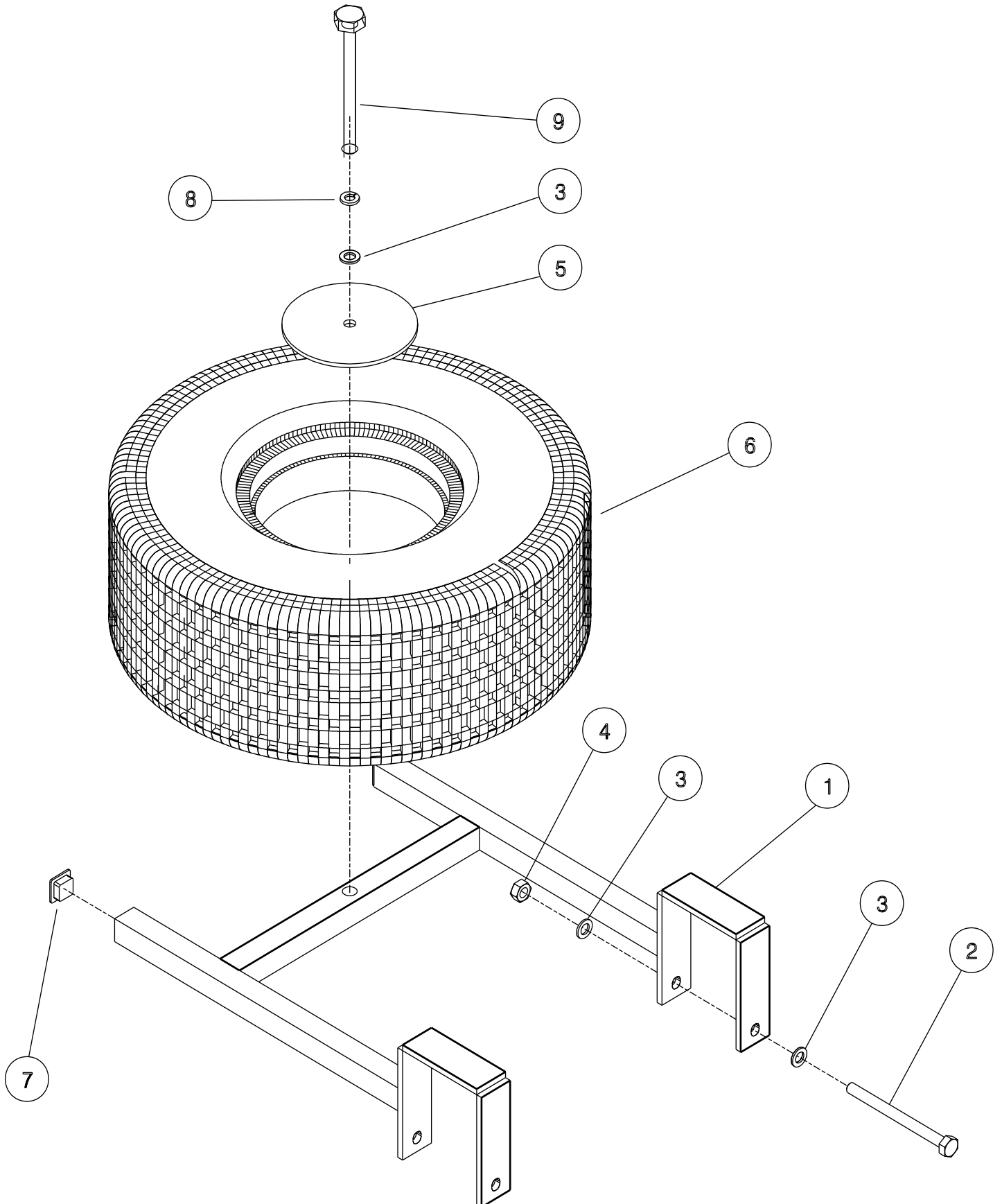
Shelbourne Reynolds Engineering Limited

ASSY NUMBER: KIT-04068				ASSY DESCRIPTION: 10.0/80 x 12 (702) SPARE WHEEL KIT			
ITEM	PART NO	DESCRIPTION	QTY	ITEM	PART NO	DESCRIPTION	QTY
1	241190 01	SPARE WHEEL BRACKET	1				
2	BLT-2350	HEX HD BOLT	2				
3	WSH-0024	PLAIN WASHER	9				
4	NUT-0271	NYLOC NUT	2				
5	240284 01	CLAMP PLATE	1				
6	WHL-01211	WHEEL/TYRE 10/80x12 (2023&ON)	1				
OR	WHL-01211W	WHEEL/TYRE (UP TO 2023)					
7	CAP-0010	END CAP	2				
8	WSH-0070	SPRING WASHER	1				
9	BLTA16800	BOLT	1				



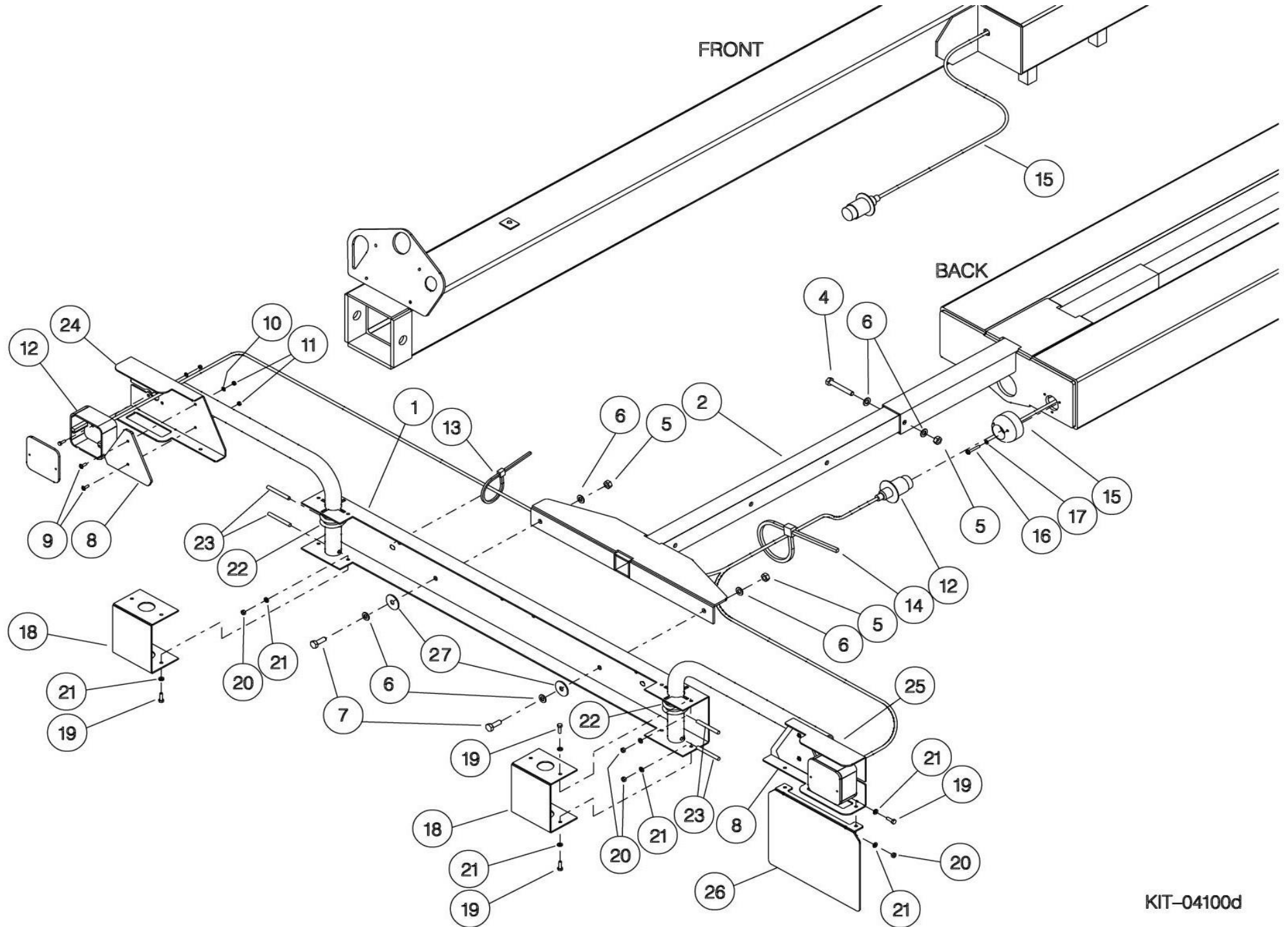
Shelbourne Reynolds Engineering Limited

ASSY NUMBER: KIT-04068A				ASSY DESCRIPTION: 27x10-12 SPARE WHEEL KIT			
ITEM	PART NO	DESCRIPTION	QTY	ITEM	PART NO	DESCRIPTION	QTY
1	241190 01	SPARE WHEEL BRACKET	1				
2	BLT-2350	HEX HD BOLT	2				
3	WSH-0024	PLAIN WASHER	9				
4	NUT-0271	NYLOC NUT	2				
5	240284 01	CLAMP PLATE	1				
6	WHL-01220	WHEEL/TYRE 27x10-12	1				
7	CAP-0010	END CAP	2				
8	WSH-0070	SPRING WASHER	1				
9	BLTA16800	BOLT	1				



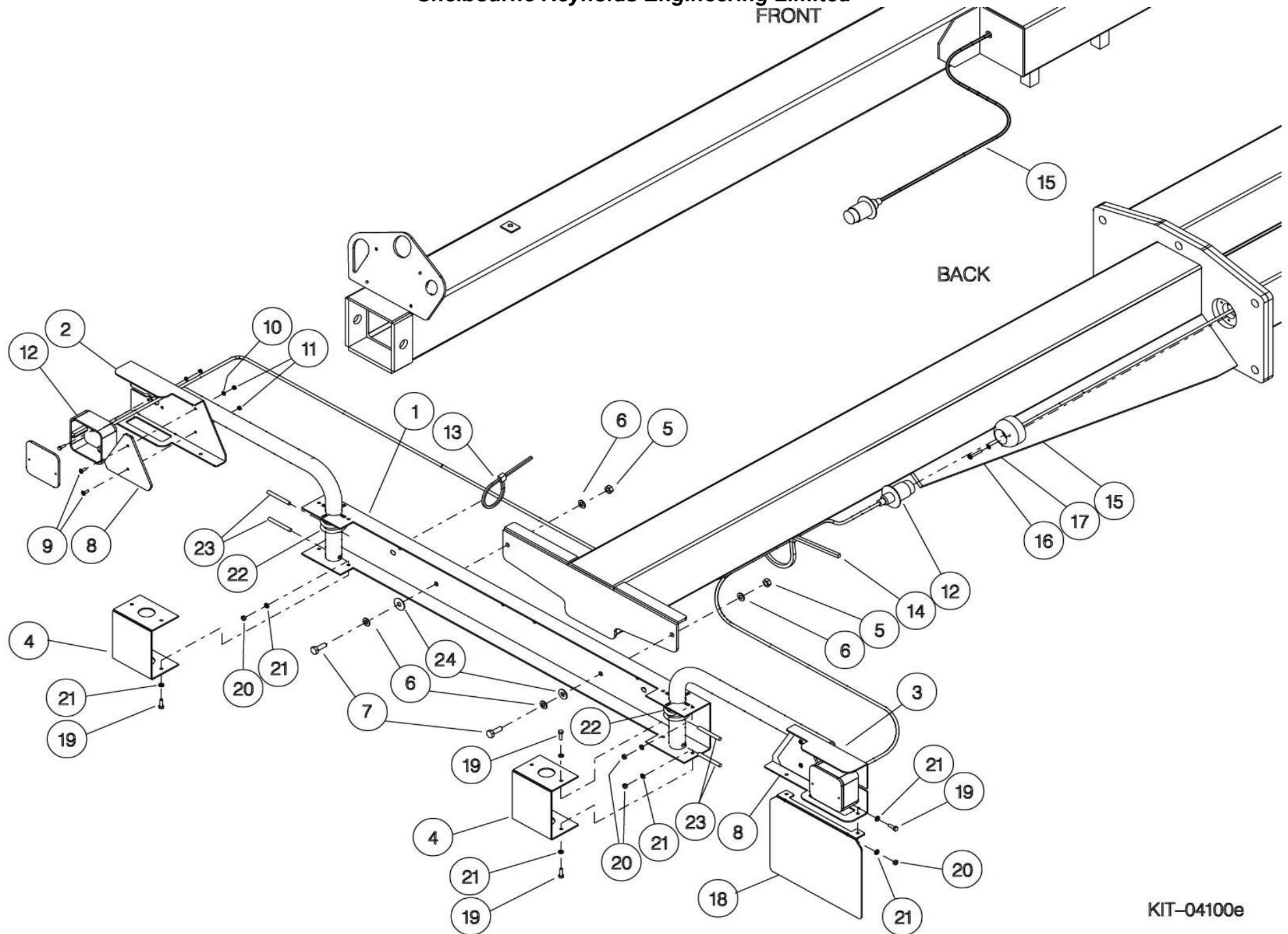
Shelbourne Reynolds Engineering Limited

ASSY NUMBER: KIT-04100D				ASSY DESCRIPTION: UNIVERSAL LIGHT C6000-C9000 SA/TA			
ITEM	PART NO	DESCRIPTION	QTY	ITEM	PART NO	DESCRIPTION	QTY
1	241007 01	LIGHT BOARD	1				
2	240753 01	EXTENDING BEAM ASSY	1				
3							
4	BLTA10500	HEX HD BOLT	1				
5	NUT-0265	NYLOC NUT	3				
6	WSH-0015	PLAIN WASHER	6				
7	HSS-0194	SET SCREW	2				
8	REF-0035	REFLECTOR (2012 ON)	2				
	REF-0030	REFLECTOR (PRE 2012)	2				
9	SCFC05110	SCREW/POZI HD (PRE 2012)	4				
10	WSH-0006	PLAIN WASHER (PRE 2012)	4				
11	NUT-0258	NYLOC NUT (PRE 2012)	4				
12	240563 12	LED (VENTA) LIGHTS HARNESS	1				
OR	240563 01	BRITAX LIGHTS HARNESS					
OR	240563 10	PEREI LIGHTS HARNESS (UP TO 2016)					
OR	240563 15	FULL LED LIGHTS HARNESS (2016 & ON)	1				
13	TIE-0005	TIE WRAP (MEDIUM)	6				
14	TIE-0002	TIE WRAP (SMALL)	6				
15	240755 03	C6000 LIGHT CABLE					
15	240755 02	C7500 LIGHT CABLE					
15	240755 01	C9000 LIGHT CABLE					
16	SCFB05230	SCREW PAN HEAD	3				
17	WSH-0054	SPRING WASHER	3				
18	241008 01	BRACE PLATE	2				
19	HSS-0086	SET SCREW (10				
20	NUT-0260	NUT	10				
21	WSH-0009	PLAIN WASHER	20				
22	SPGC55028	SPRING	2				
23	PIN-40841	ROLL PIN	4				
24	241011 01	NEAR SIDE ARM W/ASSY	1				
25	241011 02	FAR SIDE ARM W/ASSY	1				
26	241012 01	NUMBER PLATE MOUNT	1				
27	190119 92	WASHER	2				



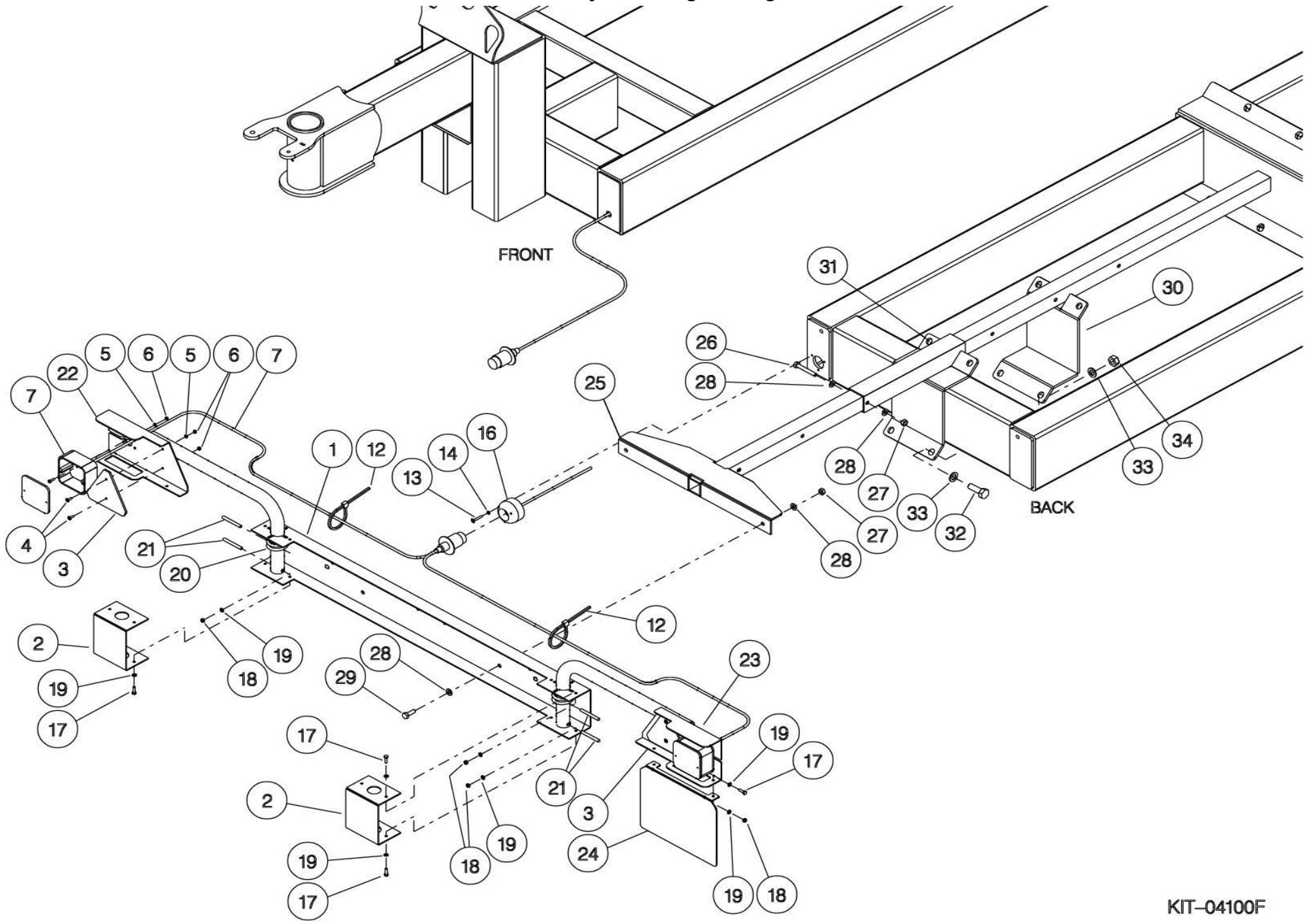
Shelbourne Reynolds Engineering Limited

ASSY NUMBER: KIT-04100E				ASSY DESCRIPTION: ORIGINAL 35' LIGHT KIT			
ITEM	PART NO	DESCRIPTION	QTY	ITEM	PART NO	DESCRIPTION	QTY
1	241007 01	LIGHT BOARD	1				
2	241011 01	NEAR SIDE ARM W/ASSY	1				
3	241011 02	FAR SIDE ARM W/ASSY	1				
4	241008 01	BRACE PLATE	2				
5	NUT-0265	NYLOC NUT	2				
6	WSH-0015	PLAIN WASHER	4				
7	HSS-0194	SET SCREW	2				
8	REF-0035	REFLECTOR (2012 ON)	2				
	REF-0030	REFLECTOR (PRE 2012)	2				
9	SCFC05110	SCREW/POZI HD (PRE 2012)	4				
10	WSH-0006	PLAIN WASHER (PRE 2012)	4				
11	NUT-0258	NYLOC NUT (PRE 2012)	4				
12	240563 12	LED (VENTA) LIGHTS HARNESS	1				
OR	240563 01	BRITAX LIGHTS HARNESS					
OR	240563 10	PEREI LIGHTS HARNESS					
		(UP TO 2016)					
OR	240563 15	FULL LED LIGHT HARNESS	1				
		(2016 & ON)					
13	TIE-0005	TIE WRAP (MEDIUM)	6				
14	TIE-0002	TIE WRAP (SMALL)	6				
15	240755 03	C6000 LIGHT CABLE					
15	240755 02	C7500 LIGHT CABLE					
15	240755 01	C9000 LIGHT CABLE					
15	240755 09	C10500 LIGHT CABLE					
16	SCFB05230	SCREW PAN HEAD	3				
17	WSH-0054	SPRING WASHER	3				
18	241012 01	NUMBER PLATE MOUNT	1				
19	HSS-0086	SET SCREW (10				
20	NUT-0260	NUT	10				
21	WSH-0009	PLAIN WASHER	20				
22	SPGC55028	SPRING	2				
23	PIN-40841	ROLL PIN	4				
24	190119 92	WASHER	2				



Shelbourne Reynolds Engineering Limited

ASSY NUMBER: KIT-04100F				ASSY DESCRIPTION: FRONT WHEEL LIGHT KIT C/W CABLE UP TO 2015/16			
ITEM	PART NO	DESCRIPTION	QTY	ITEM	PART NO	DESCRIPTION	QTY
1	241007 01	LIGHT BOARD	1				
2	241008 01	BRACE PLATE	2				
3	REF-0035	REFLECTOR (2012 ON)	2				
	REF-0030	REFLECTOR (PRE 2012)	2				
4	SCFC05110	SCREW/POZI HD (PRE 2012)	4				
5	WSH-0006	PLAIN WASHER (PRE 2012)	4				
6	NUT-0258	NYLOC NUT (PRE 2012)	4				
7	240563 12	LED (VENTA) LIGHTS HARNESS	1				
OR	240563 01	BRITAX LIGHTS HARNESS					
OR	240563 10	PEREI LIGHTS HARNESS (UP TO 2016)					
OR	240563 15	FULL LED LIGHT HARNESS (2016 & ON)	1				
12	TIE-0002	SMALL TIE WRAP	6				
13	SCFB05230	SCREW PAN HEAD	3				
14	WSH-0054	SPRING WASHER	3				
15							
16	240755 11	LIGHT CABLE	1				
17	HSS-0086	SET SCREW (10				
18	NUT-0260	NUT	10				
19	WSH-0009	PLAIN WASHER	20				
20	SPGC55028	SPRING	2				
21	PIN-40841	ROLL PIN	4				
22	241011 01	NEAR SIDE ARM W/ASSY	1				
23	241011 02	FAR SIDE ARM W/ASSY	1				
24	241012 01	NUMBER PLATE MOUNT	1				
25	240990 01	BEAM ASSY	1				
26	BLTA10500	HEX HD BOLT	1				
27	NUT-0265	NYLOC NUT	3				
28	WSH-0015	PLAIN WASHER	6				
29	HSS-0191	SET SCREW	2				
30	240988 01	CLAMP PLATE	1				
31	240992 01	LIGHT BEAM FIXING BRACKET	1				
32	HSS-0318	HEX HD BOLT	4				
33	WSH-0024	PLAIN WASHER	8				
34	NUT-0271	NYLOC NUT	4				

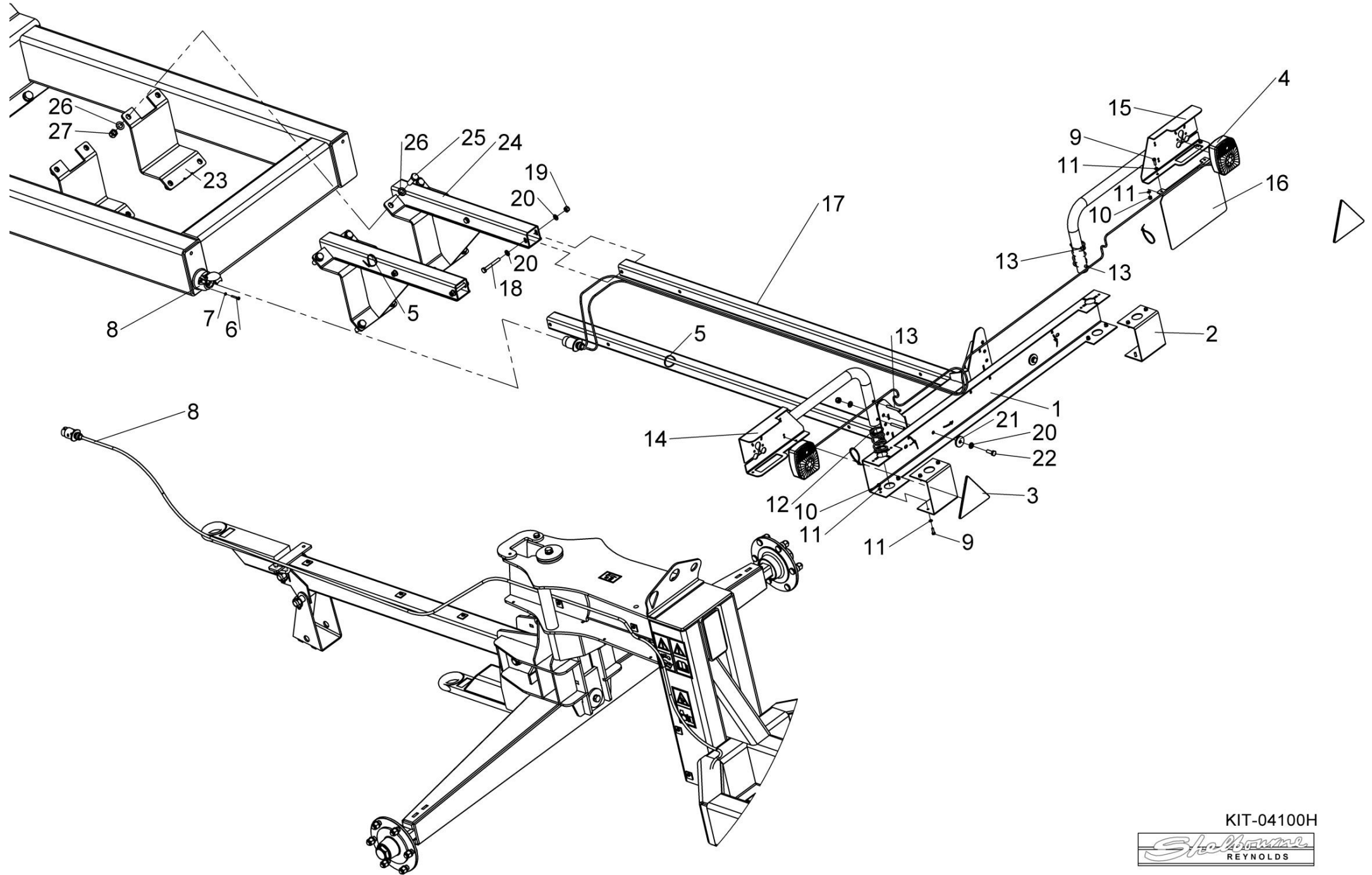


Shelbourne Reynolds Engineering Limited

ASSY NUMBER: KIT-04100G				ASSY DESCRIPTION: 35' DIRECT MOUNT FRONT WHEEL LIGHT KIT C/W CABLE			
ITEM	PART NO	DESCRIPTION	QTY	ITEM	PART NO	DESCRIPTION	QTY
1	241007 01	LIGHT BOARD	1				
2	241008 01	BRACE PLATE	2				
3	REF-0035	REFLECTOR	2				
4							
5							
6							
7	240563 15	FULL LED LIGHT HARNESS (2016 & ON)	1				
OR	240563 12	LED (VENTA) LIGHTS HARNESS	1				
OR	240563 10	PEREI LIGHTS HARNESS (UP TO 2016)	1				
OR	240563 01	BRITAX LIGHTS HARNESS	1				
8	190548 77	WASHER	6				
9	BLTA12290	HEX HD BOLT	2				
10	WSH-0065	SPRING WASHER	2				
11			2				
12	TIE-0002	SMALL TIE WRAP	6				
13	SCFB05230	SCREW PAN HEAD	3				
14	WSH-0054	SPRING WASHER	3				
15							
16	240755 11	LIGHT CABLE	1				
17	HSS-0086	SET SCREW	10				
18	NUT-0260	NUT	10				
19	WSH-0009	PLAIN WASHER	20				
20	SPGC55028	SPRING	2				
21	PIN-40841	ROLL PIN	4				
22	241011 01	NEAR SIDE ARM W/ASSY	1				
23	241011 02	FAR SIDE ARM W/ASSY	1				
24	241012 01	NUMBER PLATE MOUNT	1				

Shelbourne Reynolds Engineering Limited

ASSY NUMBER: KIT-04100H				ASSY DESCRIPTION: 40FT FW/S HEADER LIGHT KIT			
ITEM	PART NO	DESCRIPTION	QTY	ITEM	PART NO	DESCRIPTION	QTY
1	241007 01	LIGHT BOARD	1				
2	241008 01	BRACE PLATE	2				
3	REF-0035	REFLECTOR	2				
4	240563 12	LED (VENTA) LIGHTS HARNESS (UP TO 2016)	1				
OR	240563 15	FULL LED LIGHTS HARNESS (2016 & ON)	1				
5	TIE-0002	SMALL TIE WRAP	6				
6	SCFB05230	SCREW PAN HEAD	3				
7	WSH-0054	SPRING WASHER	3				
8	240755 11	LIGHT CABLE	1				
9	HSS-0086	SET SCREW	10				
10	NUT-0260	NUT	10				
11	WSH-0009	PLAIN WASHER	20				
12	SPGC55028	SPRING	2				
13	PIN-40841	ROLL PIN	4				
14	241011 01	NEAR SIDE ARM W/ASSY	1				
15	241011 02	DAR SIDE ARM W/ASSY	1				
16	241012 01	NUMBER PLATE MOUNT	1				
17	241858 01	EXTENDING BEAM W/ASSY	1				
18	BLTA10500	HEX HD BOLT	4				
19	NUT-0265	NYLOC NUT	6				
20	WSH-0015	PLAIN WASHER	12				
21	190548 01	RETAINING WASHER	2				
22	HSS-0198	SET SCREW	2				
23	241492 01	CLAMP PLATE	2				
24	241855 01	LIGHT BEAM MOUNT W/ASSY	2				
25	HSS-0318	HEX HD BOLT	8				
26	WSH-0024	PLAIN WASHER	16				
27	NUT-0271	NYLOC NUT	8				
28	190119 92	WASHER	2				

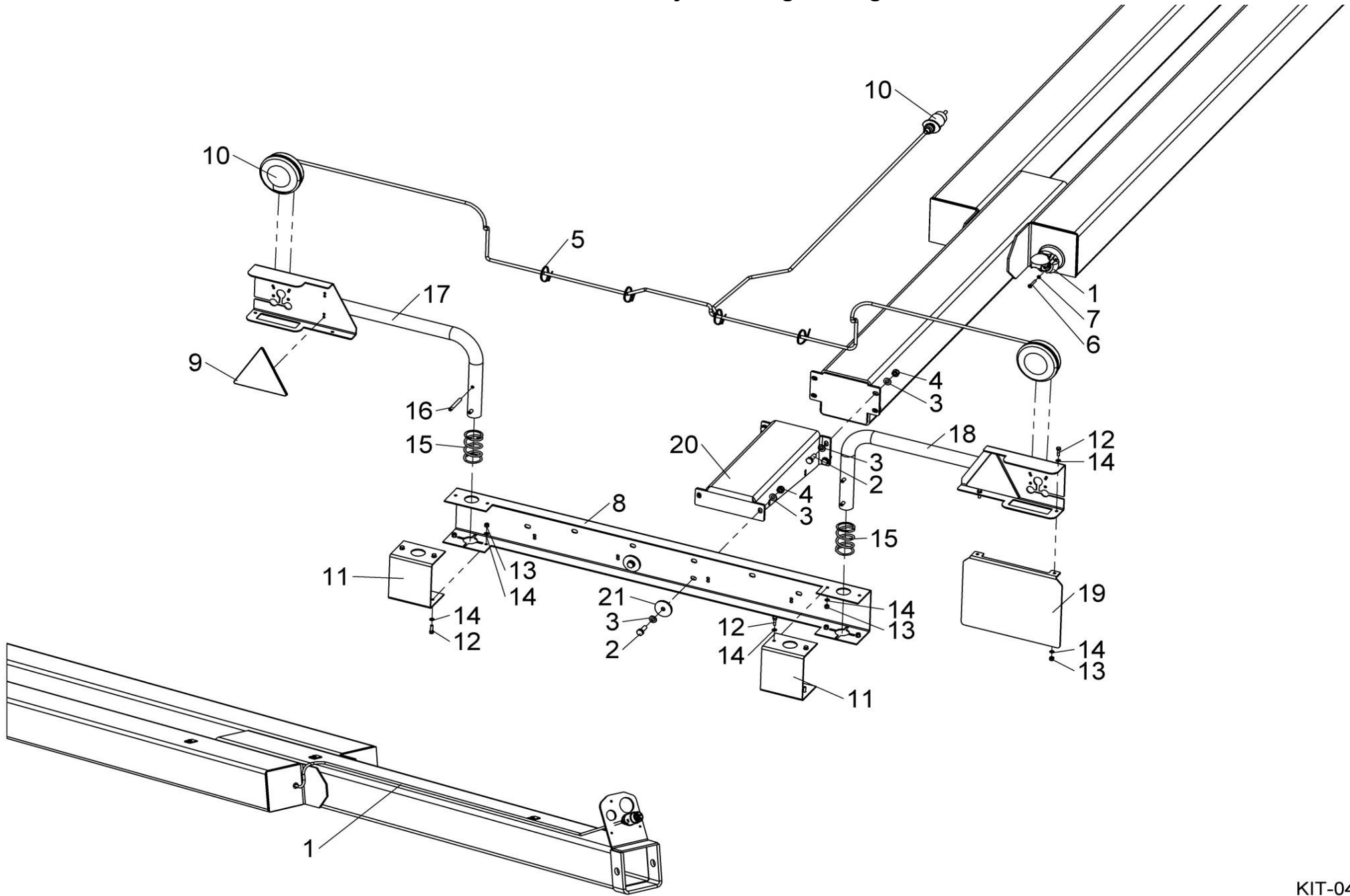


KIT-04100H



Shelbourne Reynolds Engineering Limited

ASSY NUMBER: KIT-04100J				ASSY DESCRIPTION: JD (X SERIES) 30' C9000 LIGHTS			
ITEM	PART NO	DESCRIPTION	QTY	ITEM	PART NO	DESCRIPTION	QTY
1	240755 01	C9000 LIGHT CABLE	1				
2	HSS-0198	SET SCREW	6				
3	WSH-0015	PLAIN WASHER	12				
4	NUT-0265	NYLOC NUT	6				
5	TIE-0002	TIE WRAPS (SMALL, BLACK)	6				
6	SCFB05230	SLOTTED PAN HEAD SCREW	3				
7	WSH-0054	SPRING WASHER	3				
8	241007 01	LIGHT BOARD	1				
9	REF-0035	TRIANGULAR REFLECTOR	2				
10	240563 15	LIGHTING HARNESS (FULL LED)	1				
11	241008 01	BRACING PLATE	2				
12	HSS-0086	SET SCREW	10				
13	NUT-0260	NYLOC NUT	10				
14	WSH-0009	PLAIN WASHER	20				
15	SPGC55028	COMPRESSION SPRING	2				
16	PIN-40841	ROLL PIN	4				
17	241011 01	NEAR SIDE MOUNTING ARM W/ASSY	1				
18	241011 02	FAR SIDE MOUNTING ARM W/ASSY	1				
19	241012 01	NUMBER PLATE MOUNTING	1				
20	242274 01	LIGHT EXT. (JD X SERIES 30')	1				
21	190119 92	WASHER	2				

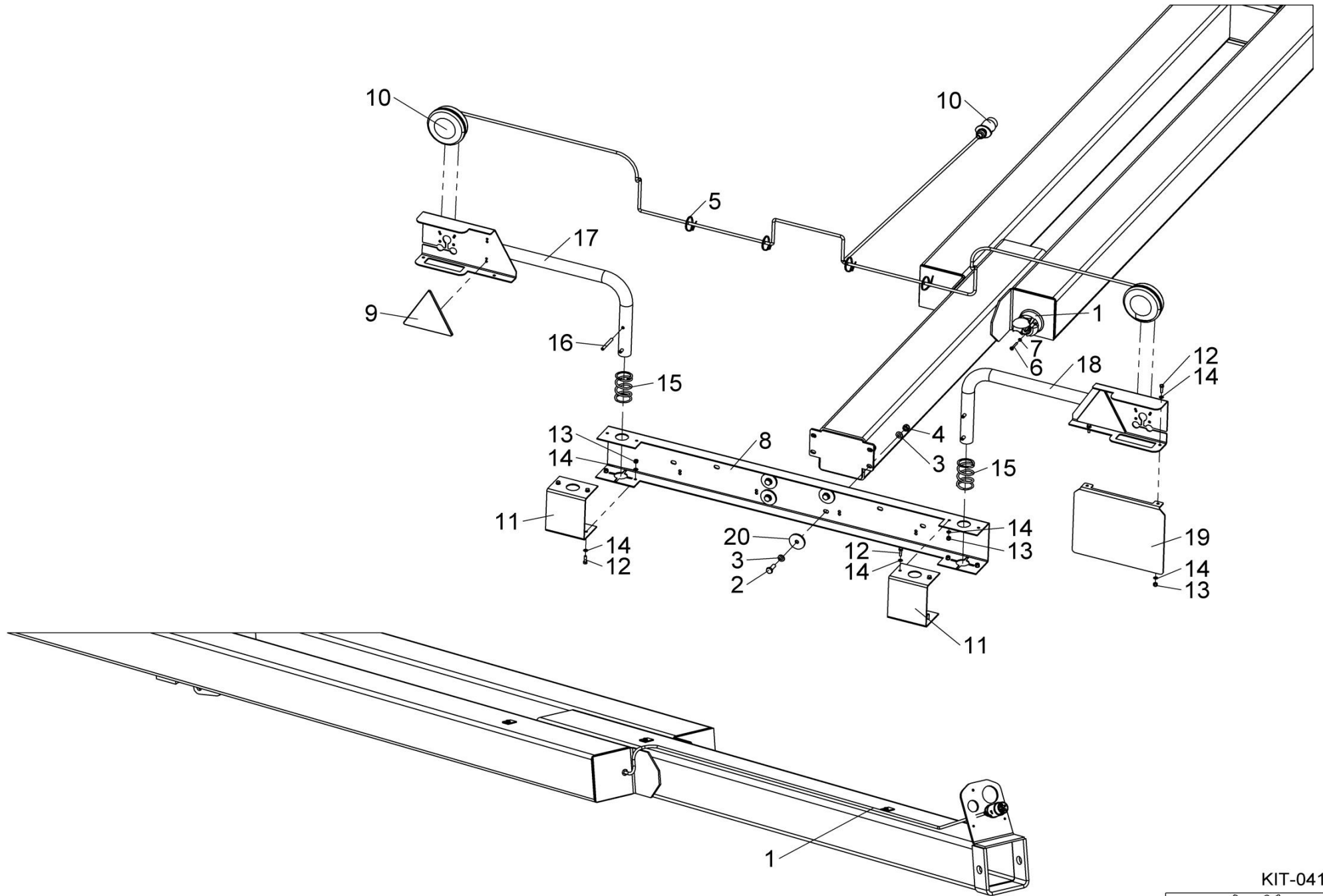


KIT-04100J



Shelbourne Reynolds Engineering Limited

ASSY NUMBER: KIT-04100K				ASSY DESCRIPTION: JD (X SERIES) 25' (C9000 CHASSIS) LIGHTS			
ITEM	PART NO	DESCRIPTION	QTY	ITEM	PART NO	DESCRIPTION	QTY
1	240755 01	C9000 LIGHT CABLE	1				
2	HSS-0198	SET SCREW	4				
3	WSH-0015	PLAIN WASHER	8				
4	NUT-0265	NYLOC NUT	4				
5	TIE-0002	TIE WRAPS (SMALL, BLACK)	6				
6	SCFB05230	SLOTTED PAN HEAD SCREW	3				
7	WSH-0054	SPRING WASHER	3				
8	241007 01	LIGHT BOARD	1				
9	REF-0035	TRIANGULAR REFLECTOR	2				
10	240563 15	LIGHTING HARNESS (FULL LED)	1				
11	241008 01	BRACING PLATE	2				
12	HSS-0086	SET SCREW	10				
13	NUT-0260	NYLOC NUT	10				
14	WSH-0009	PLAIN WASHER	20				
15	SPGC55028	COMPRESSION SPRING	2				
16	PIN-40841	ROLL PIN	4				
17	241011 01	NEAR SIDE MOUNTING ARM W/ASSY	1				
18	241011 02	FAR SIDE MOUNTING ARM W/ASSY	1				
19	241012 01	NUMBER PLATE MOUNTING	1				
20	190119 92	WASHER	2				

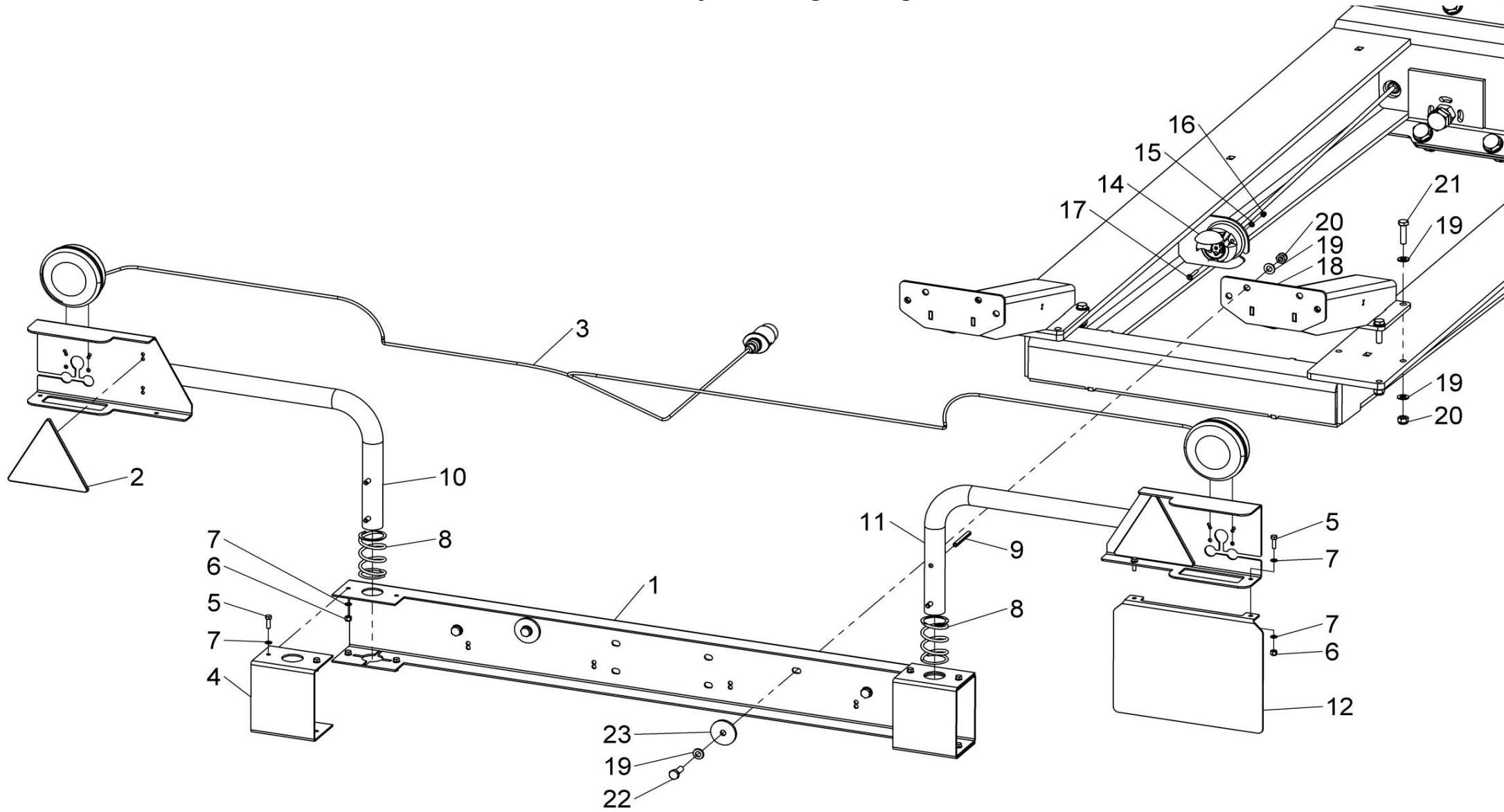


KIT-04100K



Shelbourne Reynolds Engineering Limited

ASSY NUMBER: KIT-04100L				ASSY DESCRIPTION: LIGHTING KIT			
ITEM	PART NO	DESCRIPTION	QTY	ITEM	PART NO	DESCRIPTION	QTY
1	241007 01	LIGHT BOARD	1				
2	REF-0035	TRIANGULAR REFLECTOR	2				
3	240563 15	LIGHTING HARNESS	1				
4	241008 01	BRACING PLATE	2				
5	HSS-0086	SETSCREW	10				
6	NUT-0260	NUT	10				
7	WSH-0009	WASHER	20				
8	SPGC55028	COMPRESSION SPRING	2				
9	PIN-40841	ROLL PIN	4				
10	241011 01	NEAR SIDE MTG ARM W/A	1				
11	241011 02	FAR SIDE MOUNTING ARM W/A	1				
12	241012 01	NUMBER PLATE MOUNTING	1				
13							
14	240755 11	LIGHTING CABLE & SOCKET	1				
15	WSH-0006	WASHER	3				
16	NUT-0258	NUT	3				
17	SCFB05230	PAN HD SCREW	3				
18	242312 01	LIGHT BOARD MTG BRKT	2				
19	WSH-0015	WASHER	20				
20	NUT-0265	NUT	10				
21	HSS-0202	SETSCREW	6				
22	HSS-0198	SETSCREW	4				
23	190119 92	WASHER	2				

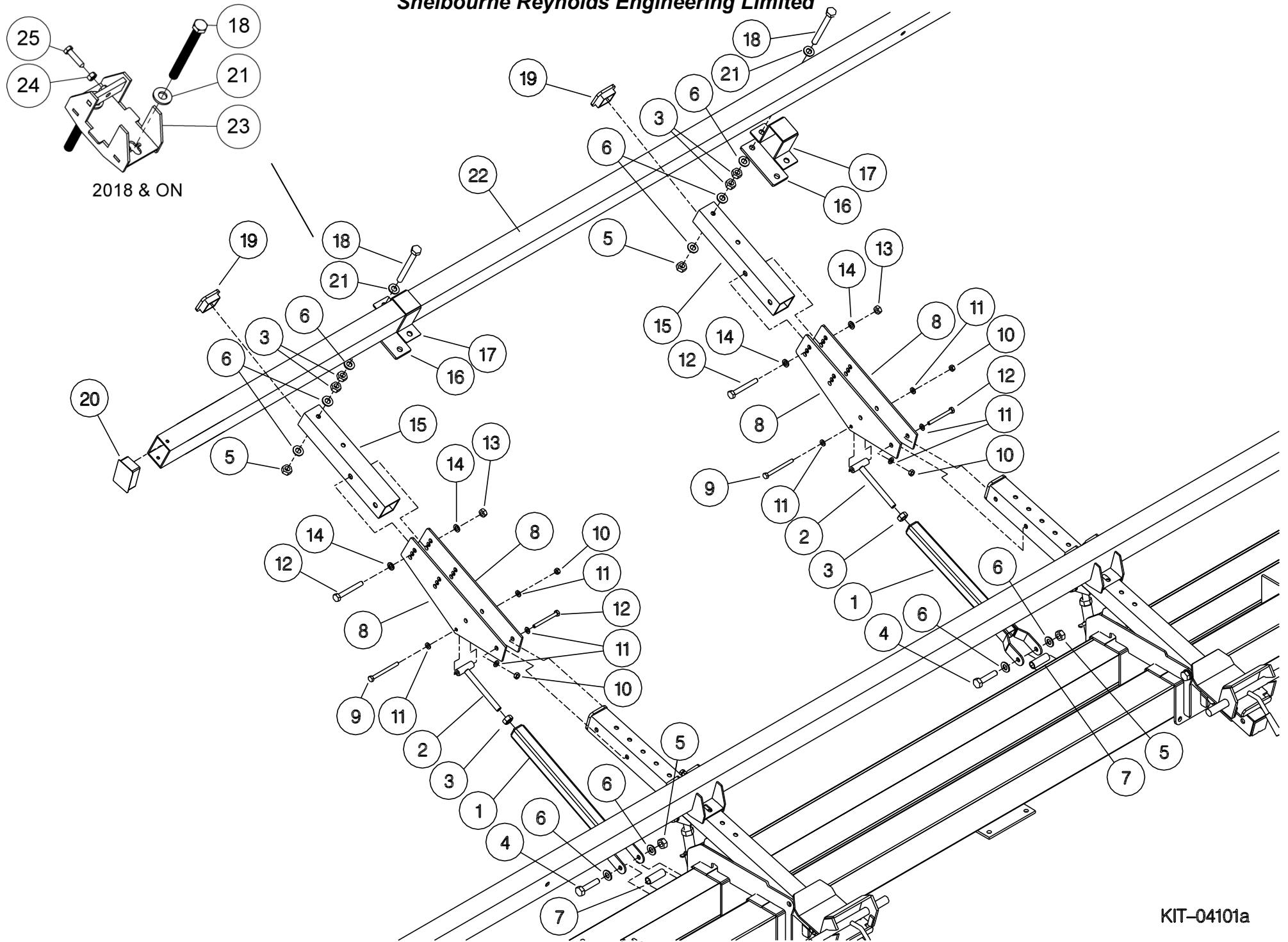


KIT-04100L



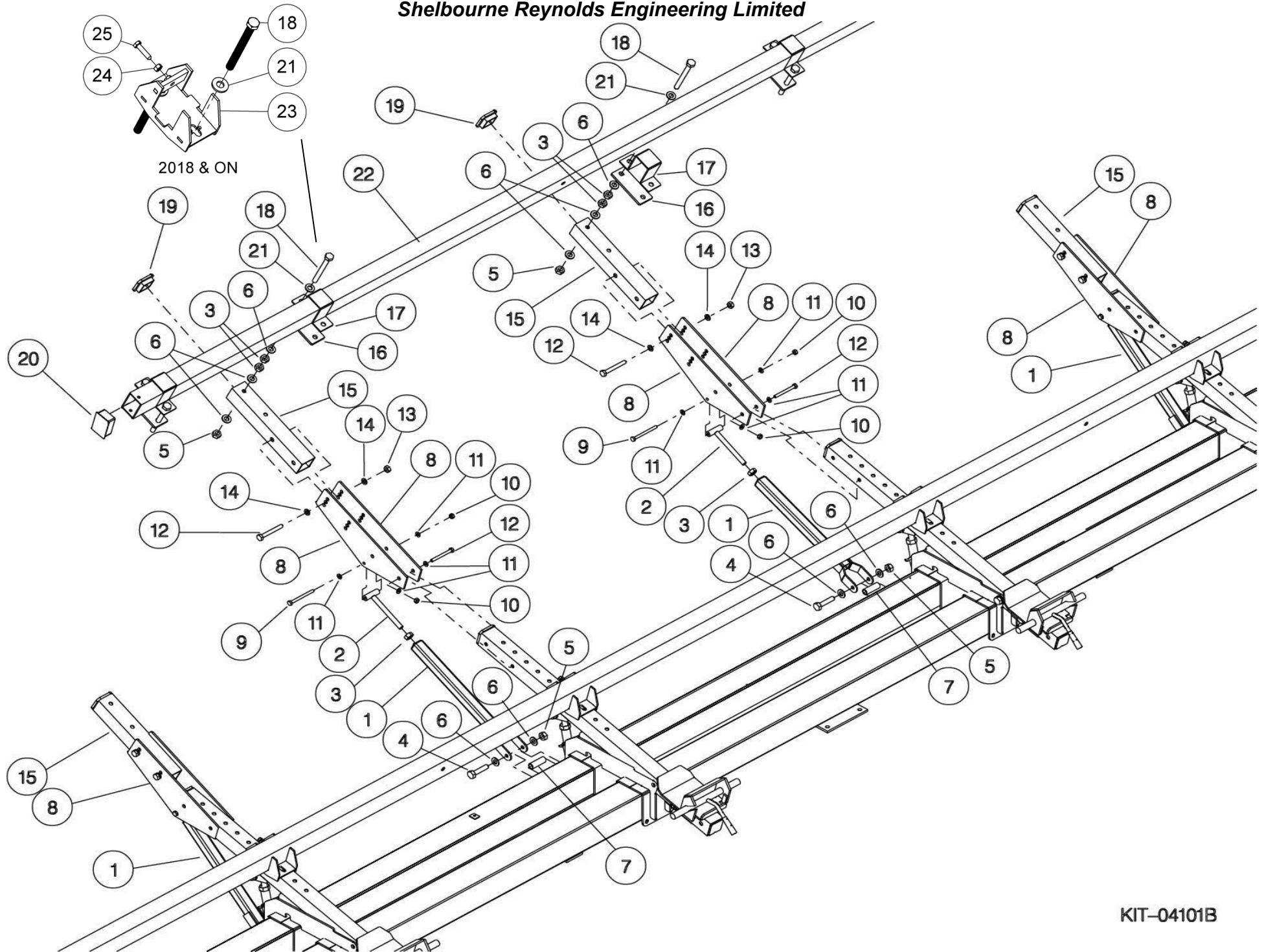
Shelbourne Reynolds Engineering Limited

ASSY NUMBER: KIT-04101A				ASSY DECRPTION:C6000/7500/9000 ZURN EXT ONLY OUTBOARD MOUNTING KIT (2011 & ON)			
ITEM	PART NO	DESCRIPTION	QTY	ITEM	PART NO	DESCRIPTION	QTY
1	240781 01	STAY TUBE ASSY	2				
2	240140 12	ADJUSTER	2				
3	NUT-0185	PLAIN NUT	10				
4	BLT-2375	HEX HD BOLT	2				
5	NUTA02200	NYLOC NUT	6				
6	WSH-0030	PLAIN WASHER	20				
7	240785 01	STAY SPACER (PRE 2015)					
8	240876 01	SIDE PLATE	4				
9	BLTA12620	HEX HD BOLT	2				
10	NUT-0269	NYLOC NUT	2				
11	WSH-0018	PLAIN WASHER	4				
12	BLT-2334	HEX HD BOLT	8				
13	NUT-0265	NYLOC NUT	8				
14	WSH-0024	PLAIN WASHER	16				
15	240877 01	EXTENSION ARM	2				
16	240879 01	TUBE CLAMP BASE (UPTO 2018)	2				
17	240798 01	TUBE CLAMP (UPTO 2018)	2				
18	HSSA20830	HEX ND BOLT	4				
19	21709004	END CAP	2				
20	CAP-0080	END CAP	2				
21	190119 47	WASHER	4				
22	240688 03	C6000 SUPPORT BEAM					
22	240688 02	C7500 SUPPORT BEAM					
22	240688 01	C9000 SUPPORT BEAM					
23	240672 01	TUBE MOUNTING ASSY (FROM 2018)	2				
24	NUT-0170	PLAIN NUT (FROM 2018)	2				
25	241818 01	TUBE CLAMP BOLT (FROM 2018)	2				



Shelbourne Reynolds Engineering Limited

ASSY NUMBER: KIT-04101B				ASSY DESCRIPTION: C10500TA 35' ZURN EXT ONLY OUTBOARD MOUNTING KIT			
ITEM	PART NO	DESCRIPTION	QTY	ITEM	PART NO	DESCRIPTION	QTY
1	240781 01	STAY TUBE ASSY	4				
2	240140 12	ADJUSTER	4				
3	NUT-0185	PLAIN NUT	20				
4	BLT-2375	HEX HD BOLT	4				
5	NUTA02200	NYLOC NUT	12				
6	WSH-0030	PLAIN WASHER	40				
7	240785 01	STAY SPACER (PRE 2015)					
8	240876 01	SIDE PLATE	8				
9	BLTA12620	HEX HD BOLT	4				
10	NUT-0269	NYLOC NUT	4				
11	WSH-0018	PLAIN WASHER	8				
12	BLT-2334	HEX HD BOLT	16				
13	NUT-0265	NYLOC NUT	16				
14	WSH-0024	PLAIN WASHER	32				
15	240877 01	EXTENSION ARM	4				
16	240879 01	TUBE CLAMP BASE (UPTO 2018)	4				
17	240798 01	TUBE CLAMP (UPTO 2018)	4				
18	HSSA20830	HEX ND BOLT	8				
19	21709004	END CAP	4				
20	CAP-0080	END CAP	2				
21	190119 47	WASHER	8				
22	240688 01	C9000 SUPPORT BEAM					
23	240672 01	TUBE MOUNTING ASSY (FROM2018)	4				
24	NUT-0170	PLAIN NUT (FROM 2018)	4				
25	241818 01	TUBE CLAMP BOLT (FROM 2018)	4				

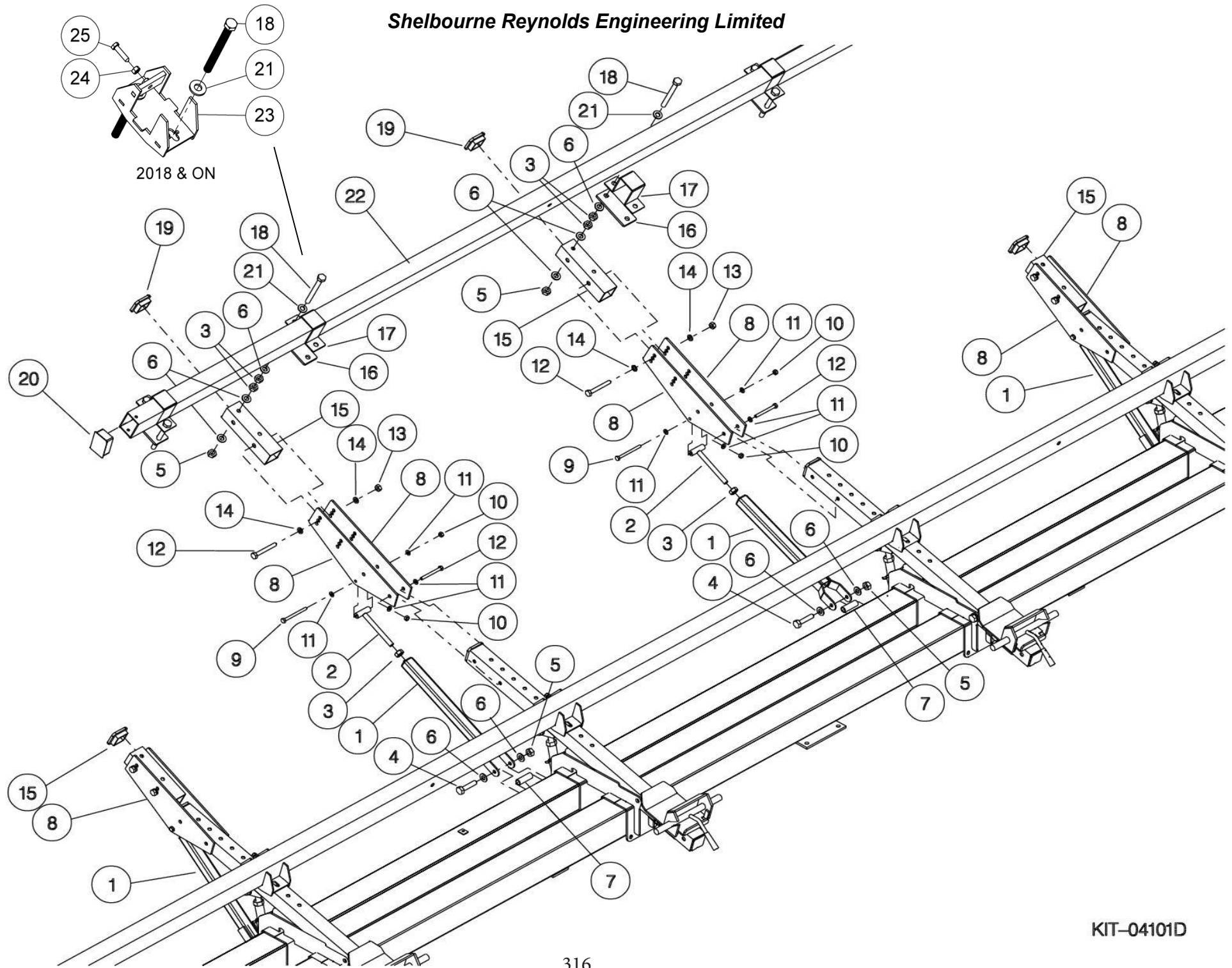


Shelbourne Reynolds Engineering Limited

ASSY NUMBER: KIT-04101C				ASSY DECRPTION: C6000/7500/9000 PREMIUM FLOW OUTBOARD MOUNTING KIT (2011 & ON)			
ITEM	PART NO	DESCRIPTION	QTY	ITEM	PART NO	DESCRIPTION	QTY
1	240781 01	STAY TUBE ASSY	2				
2	240140 12	ADJUSTER	2				
3	NUT-0185	PLAIN NUT	10				
4	BLT-2375	HEX HD BOLT	2				
5	NUTA02200	NYLOC NUT	6				
6	WSH-0030	PLAIN WASHER	20				
7	240785 01	STAY SPACER (PRE 2015)					
8	240876 01	SIDE PLATE	4				
9	BLTA12620	HEX HD BOLT	2				
10	NUT-0269	NYLOC NUT	2				
11	WSH-0018	PLAIN WASHER	4				
12	BLT-2334	HEX HD BOLT	8				
13	NUT-0265	NYLOC NUT	8				
14	WSH-0024	PLAIN WASHER	16				
15	241120 01	EXTENSION ARM	2				
16	240879 01	TUBE CLAMP BASE (UPTO 2018)	2				
17	240798 01	TUBE CLAMP (UPTO 2018)	2				
18	HSSA20830	HEX ND BOLT	4				
19	21709004	END CAP	2				
20	CAP-0080	END CAP	2				
21	190119 47	WASHER	4				
22	240688 03	C6000 SUPPORT BEAM					
22	240688 02	C7500 SUPPORT BEAM					
22	240688 01	C9000 SUPPORT BEAM					
23	240672 01	TUBE MOUNTING ASSY (FROM 2018)	2				
24	NUT-0170	PLAIN NUT (FROM 2018)	2				
25	241818 01	TUBE CLAMP BOLT (FROM 2018)	2				

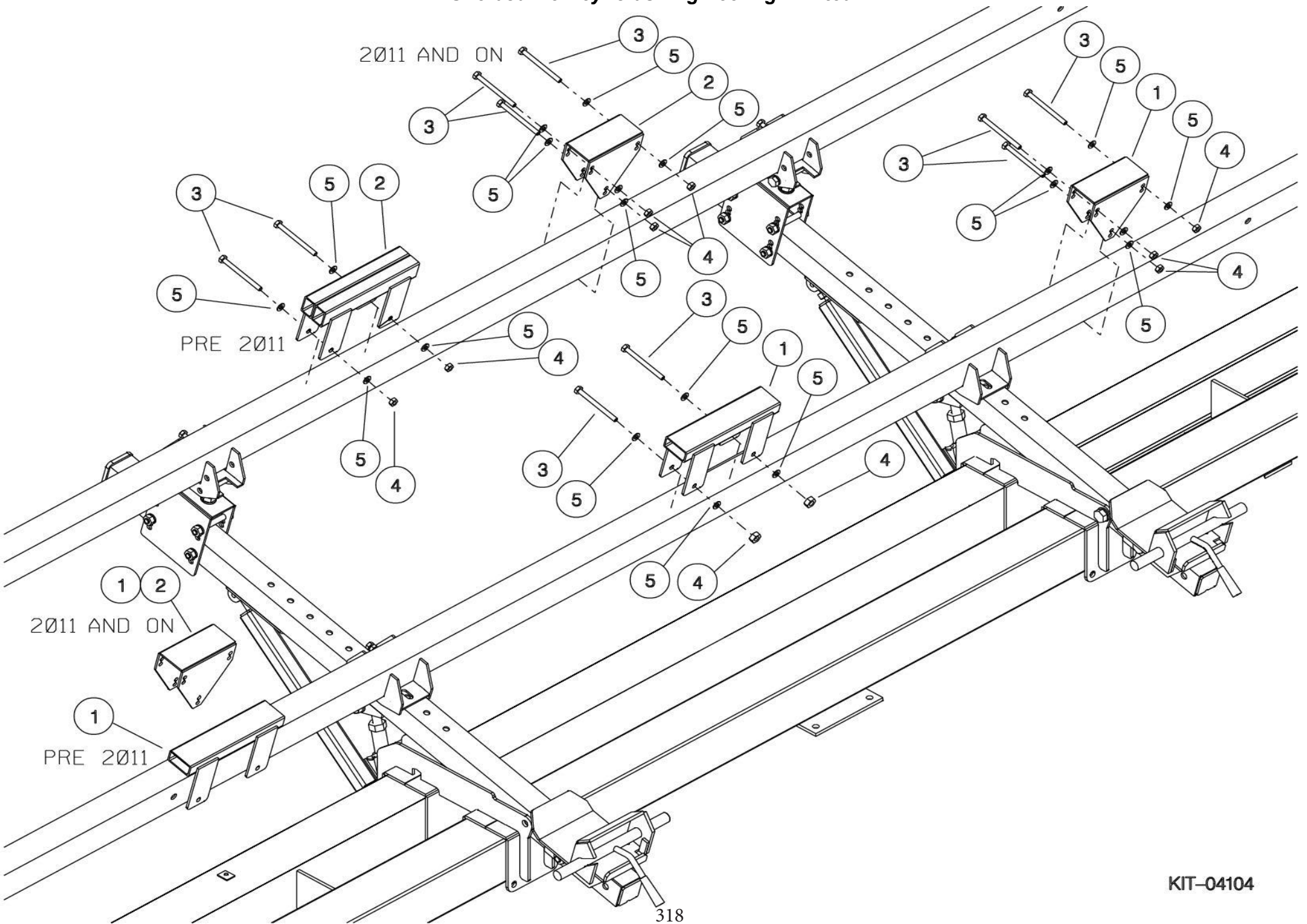
Shelbourne Reynolds Engineering Limited

ASSY NUMBER: KIT-04101D				ASSY DECRPTION: C10500TA 35' PREMIUM FLOW ONLY OUTBOARD MOUNTING KIT			
ITEM	PART NO	DESCRIPTION	QTY	ITEM	PART NO	DESCRIPTION	QTY
1	240781 01	STAY TUBE ASSY	4				
2	240140 12	ADJUSTER	4				
3	NUT-0185	PLAIN NUT	20				
4	BLT-2375	HEX HD BOLT	4				
5	NUTA02200	NYLOC NUT	12				
6	WSH-0030	PLAIN WASHER	40				
7	240785 01	STAY SPACER (PRE 2015)					
8	240876 01	SIDE PLATE	8				
9	BLTA12620	HEX HD BOLT	4				
10	NUT-0269	NYLOC NUT	4				
11	WSH-0018	PLAIN WASHER	8				
12	BLT-2334	HEX HD BOLT	16				
13	NUT-0265	NYLOC NUT	16				
14	WSH-0024	PLAIN WASHER	32				
15	241120 01	EXTENSION ARM	4				
16	240879 01	TUBE CLAMP BASE (UPTO 2018)	4				
17	240798 01	TUBE CLAMP (UPTO 2018)	4				
18	HSSA20830	HEX ND BOLT	8				
19	21709004	END CAP	4				
20	CAP-0080	END CAP	2				
21	190119 47	WASHER	8				
22	240688 01	C9000 SUPPORT BEAM					
23	240672 01	TUBE MOUNTING ASSY (FROM 2018)	4				
24	NUT-0170	PLAIN NUT (FROM 2018)	4				
25	241818 01	TUBE CLAMP BOLT (FROM 2018)	4				



Shelbourne Reynolds Engineering Limited

ASSY NUMBER: KIT-04104				ASSY DECRPTION: ZURN EXTENSION HEIGHT PACKER KIT			
ITEM	PART NO	DESCRIPTION	QTY	ITEM	PART NO	DESCRIPTION	QTY
1	240880 01	HEIGHT PACKER (2011 & ON)	5				
OR	240721 01	HEIGHT PACKER (PRE 2011)	5				
2	240880 01	HEIGHT PACKER (2011 & ON)	4				
OR	240756 01	HEIGHT PACKER (PRE 2011)	4				
3	BLTA12620	HEX HD BOLT	27				
4	NUT-0269	NYLOC NUT	27				
5	WSH-0018	PLAIN WASHER	54				



Shelbourne Reynolds Engineering Limited

ASSY NUMBER: KIT-04116				ASSY DESCRIPTION: C10500 (FW) 30' ZURN MOUNTING KIT			
ITEM	PART NO	DESCRIPTION	QTY	ITEM	PART NO	DESCRIPTION	QTY
1	240973 01	STAY TUBE ASSY	2				
2	240140 12	CRADLE ADJUSTER W/ASS	2				
3	NUT-0185	NUT	2				
4	BLT-2320	HEX.HEAD BOLT (PRE 2013)	2				
5	NUT-0271	NUT	8				
6	WSH-0024	WASHER	16				
7	241309 01	MOUNTING CRADLE	2				
OR	240968 01	MOUNTING CRADLE (PRE 2013)					
8	240876 01	SIDE PLATE	4				
9	BLTA12620	HEX.HEAD BOLT	29				
10	NUT-0269	NUT	29				
11	WSH-0018	WASHER	58				
12	BLT-2334	HEX.HEAD BOLT	8				
13	240877 01	EXTENSION ARM	2				
14	240879 01	TUBE CLAMP BASE (UPTO 2018)	2				
15	240798 01	TUBE CLAMP (UPTO 2018)	2				
16	HSSA20830	HEX HEAD SET SCREW	4				
17	NUT-0185	NUT	8				
18	NUTA02200	NUT	6				
19	WSH-0030	WASHER	20				
20	240880 01	HEIGHT PACKER	9				
21	240688 01	SUPPORT BEAM	1				
22	21709004	END CAP	2				
23	CAP-0080	END CAP	2				
24	190119 47	WASHER	4				
25	BLTA20560	HEX HEAD BOLT	2				
26	240672 01	TUBE MOUNTING ASSY (FROM 2018)	2				
27	NUT-0170	PLAIN NUT (FROM 2018)	2				
28	241818 01	TUBE CLAMP BOLT (FROM 2018)	2				

Shelbourne Reynolds Engineering Limited

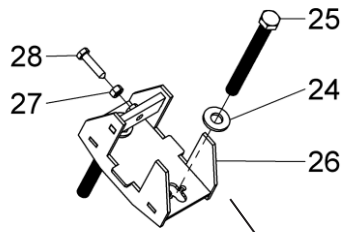
ASSY NUMBER: KIT-04116A				ASSY DESCRIPTION: C10500 (FW) 30' ZURN MOUNTING K			
ITEM	PART NO	DESCRIPTION	QTY	ITEM	PART NO	DESCRIPTION	QTY
1	240973 01	STAY TUBE ASSY	4				
2	240140 12	CRADLE ADJUSTER W/ASS	4				
3	NUT-0185	NUT	4				
4	BLT-2320	HEX.HEAD BOLT	4				
5	NUT-0271	NUT	16				
6	WSH-0024	WASHER	32				
7	241309 01	MOUNTING CRADLE	4				
OR	240968 01	MOUNTING CRADLE (PRE 2013)					
8	240876 01	SIDE PLATE	8				
9	BLTA12620	HEX.HEAD BOLT	31				
10	NUT-0269	NUT	31				
11	WSH-0018	WASHER	62				
12	BLT-2334	HEX.HEAD BOLT	16				
13	240877 01	EXTENSION ARM	4				
14	240879 01	TUBE CLAMP BASE (UPTO 2018)	4				
15	240798 01	TUBE CLAMP (UPTO 2018)	4				
16	HSSA20830	HEX HEAD SET SCREW	8				
17	NUT-0185	NUT	16				
18	NUTA02200	NUT	12				
19	WSH-0030	WASHER	40				
20	240880 01	HEIGHT PACKER	9				
21	240688 01	SUPPORT BEAM	1				
22	21709004	END CAP	4				
23	CAP-0080	END CAP	2				
24	190119 47	WASHER	8				
25	BLTA20560	HEX HEAD BOLT	4				
26	240672 01	TUBE MOUNTING ASSY (FROM 2018)	4				
27	NUT-0170	PLAIN NUT (FROM 2018)	4				
28	241818 01	TUBE CLAMP BOLT (FROM 2018)	4				

Shelbourne Reynolds Engineering Limited

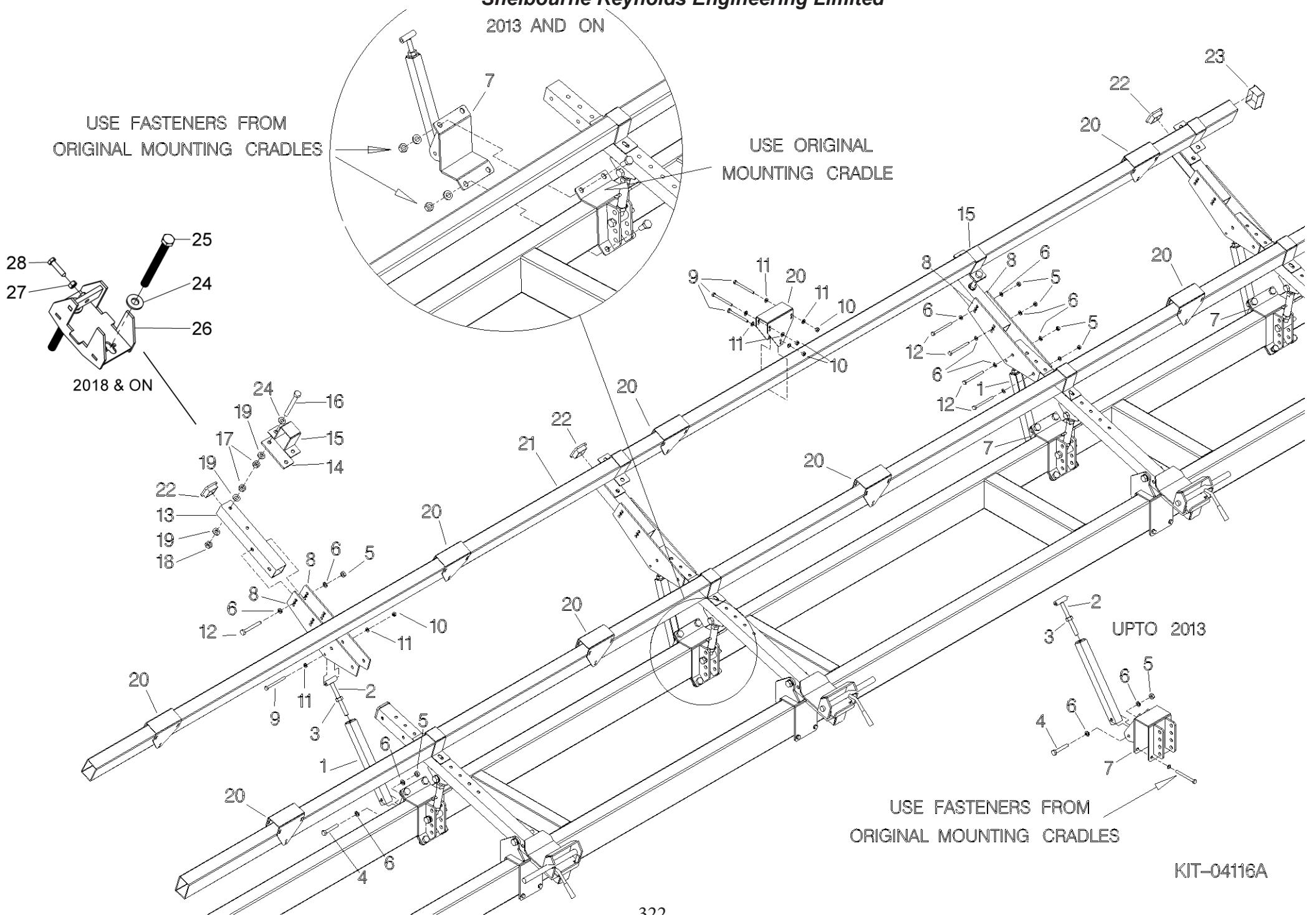
2013 AND ON

USE FASTENERS FROM ORIGINAL MOUNTING CRADLES

USE ORIGINAL MOUNTING CRADLE



2018 & ON



UPTO 2013

USE FASTENERS FROM ORIGINAL MOUNTING CRADLES

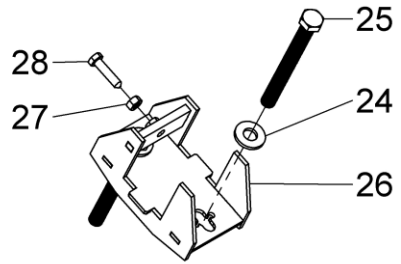
KIT-04116A

Shelbourne Reynolds Engineering Limited

ASSY NUMBER: KIT-04116B				ASSY DESCRIPTION: C10500 (FW) 30' PREMIUM FLOW MOUNTING KIT			
ITEM	PART NO	DESCRIPTION	QTY	ITEM	PART NO	DESCRIPTION	QTY
1	240973 01	STAY TUBE ASSY	2				
2	240140 12	CRADLE ADJUSTER W/ASS	2				
3	NUT-0185	NUT	2				
4	BLT-2320	HEX.HEAD BOLT	2				
5	NUT-0271	NUT	8				
6	WSH-0024	WASHER	16				
7	241309 01	MOUNTING CRADLE	2				
OR	240968 01	MOUNTING CRADLE (PRE 2013)					
8	240876 01	SIDE PLATE	4				
9	BLTA12620	HEX.HEAD BOLT	2				
10	NUT-0269	NUT	2				
11	WSH-0018	WASHER	4				
12	BLT-2334	HEX.HEAD BOLT	8				
13	241120 01	EXTENSION ARM	2				
14	240879 01	TUBE CLAMP BASE (UPTO 2018)	2				
15	240798 01	TUBE CLAMP (UPTO 2018)	2				
16	HSSA20830	HEX HEAD SET SCREW	4				
17	NUT-0185	NUT	8				
18	NUTA02200	NUT	6				
19	WSH-0030	WASHER	20				
20							
21	240688 01	SUPPORT BEAM	1				
22	21709004	END CAP	2				
23	CAP-0080	END CAP	2				
24	190119 47	WASHER	4				
25	BLTA20560	HEX HEAD BOLT	2				
26	240672 01	TUBE MOUNTING ASSY (FROM 2018)	2				
27	NUT-0170	PLAIN NUT (FROM 2018)	2				
28	241818 01	TUBE CLAMP BOLT (FROM 2018)	2				

Shelbourne Reynolds Engineering Limited

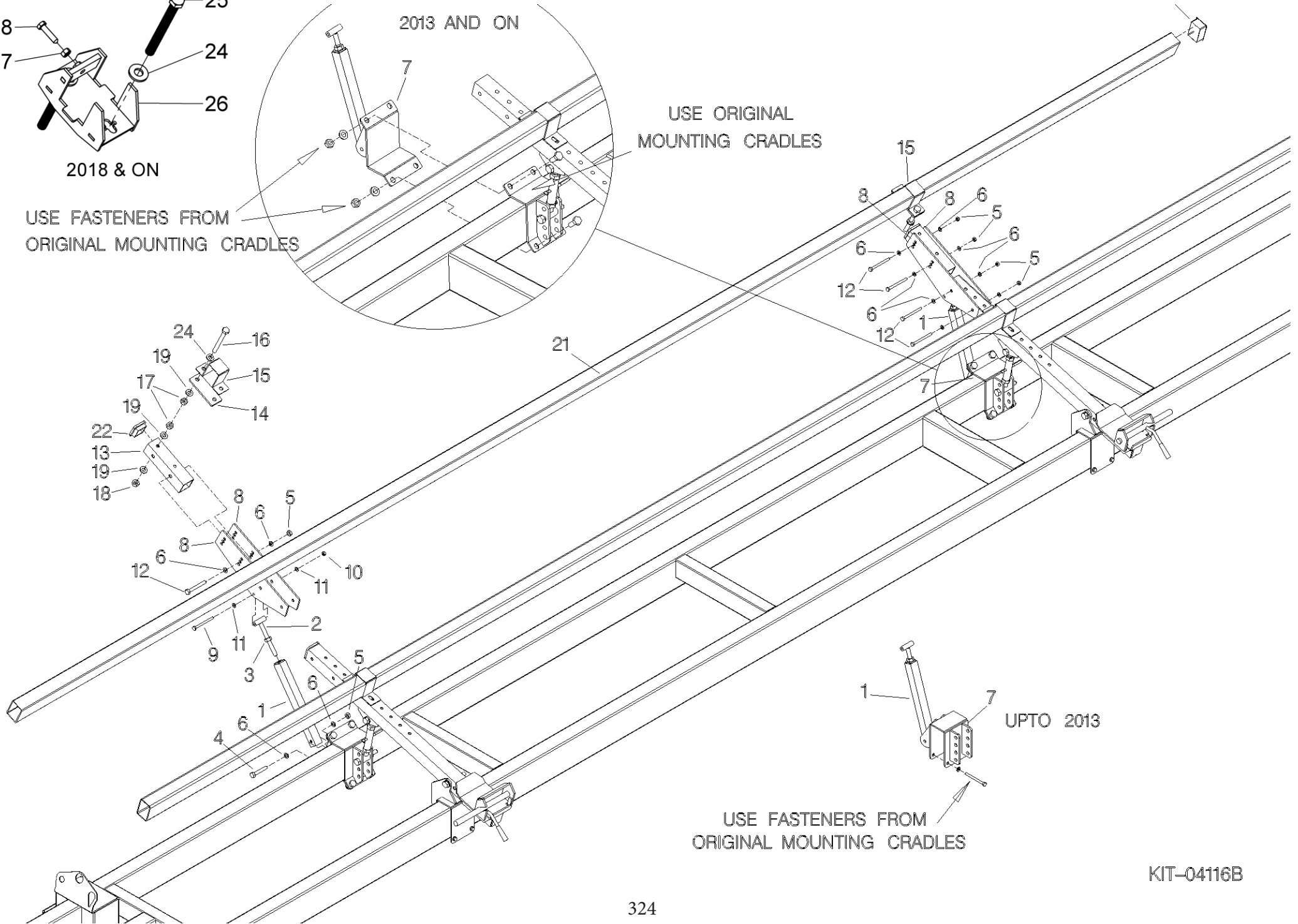
2013 AND ON



2018 & ON

USE FASTENERS FROM ORIGINAL MOUNTING CRADLES

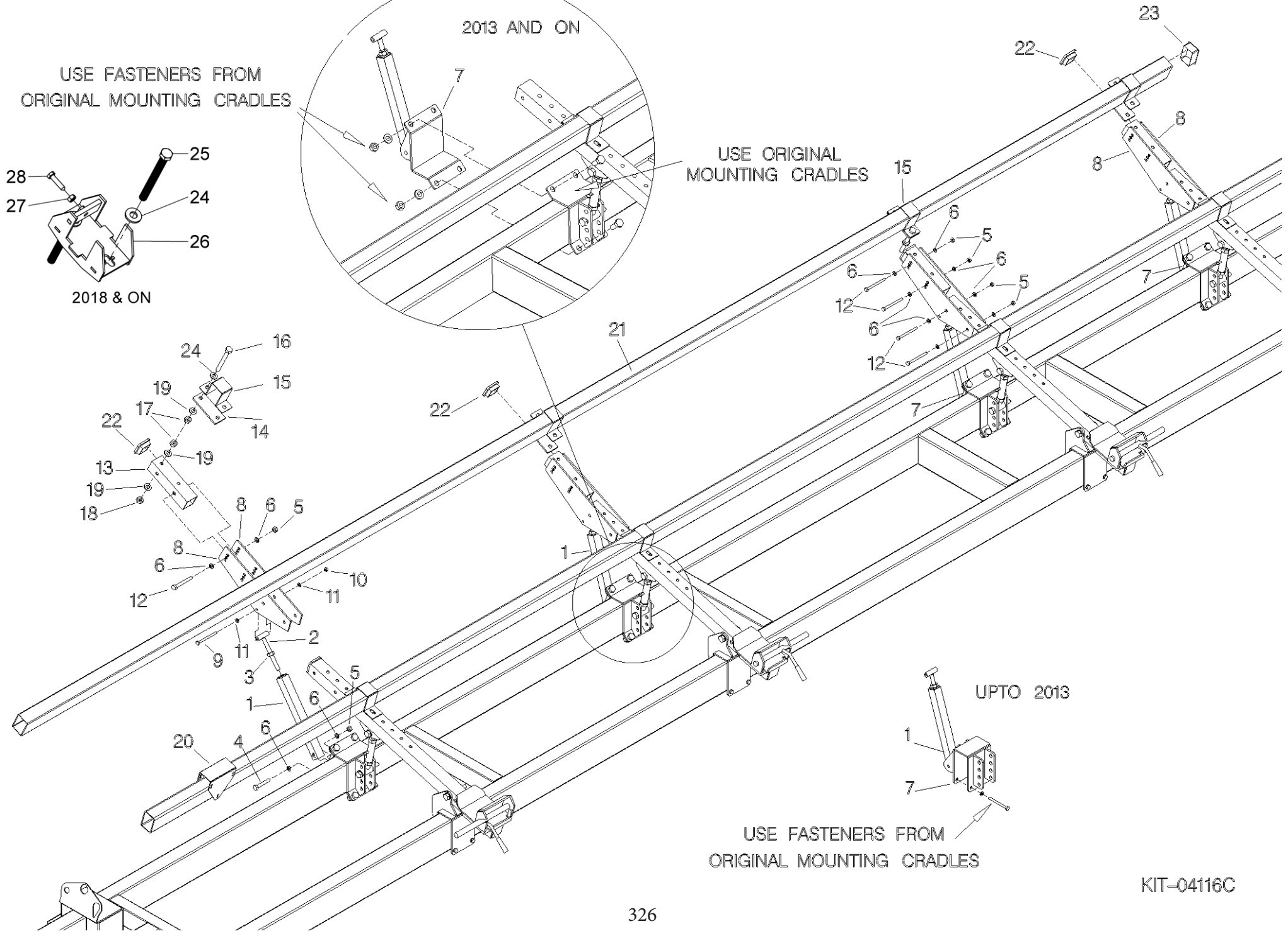
USE ORIGINAL MOUNTING CRADLES



KIT-04116B

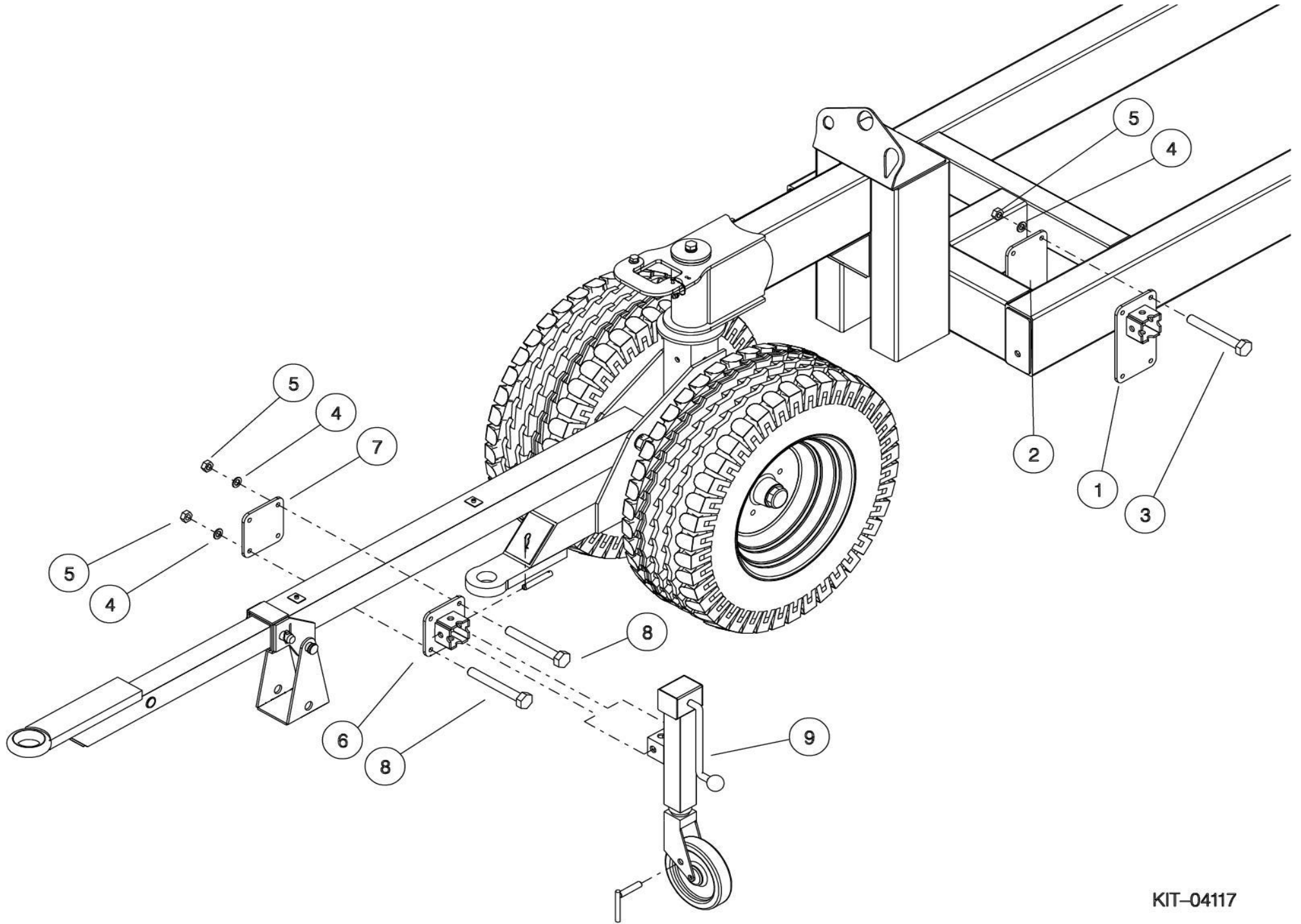
Shelbourne Reynolds Engineering Limited

ASSY NUMBER: KIT-04116C				ASSY DESCRIPTION: C10500 (FW) 35' PREMIUM FLOW MOUNTING KIT			
ITEM	PART NO	DESCRIPTION	QTY	ITEM	PART NO	DESCRIPTION	QTY
1	240973 01	STAY TUBE ASSY	4				
2	240140 12	CRADLE ADJUSTER W/ASS	4				
3	NUT-0185	NUT	4				
4	BLT-2320	HEX.HEAD BOLT	4				
5	NUT-0271	NUT	16				
6	WSH-0024	WASHER	32				
7	241309 01	MOUNTING CRADLE	4				
OR	240968 01	MOUNTING CRADLE (PRE 2013)					
8	240876 01	SIDE PLATE	8				
9	BLTA12620	HEX.HEAD BOLT	4				
10	NUT-0269	NUT	4				
11	WSH-0018	WASHER	8				
12	BLT-2334	HEX.HEAD BOLT	16				
13	241120 01	EXTENSION ARM	4				
14	240879 01	TUBE CLAMP BASE (FROM 2018)	4				
15	240798 01	TUBE CLAMP (FROM 2018)	4				
16	HSSA20830	HEX HEAD SET SCREW	8				
17	NUT-0185	NUT	16				
18	NUTA02200	NUT	12				
19	WSH-0030	WASHER	40				
20							
21	240688 01	SUPPORT BEAM	1				
22	21709004	END CAP	4				
23	CAP-0080	END CAP	2				
24	190119 47	WASHER	8				
25	BLTA20560	HEX HEAD BOLT	4				
26	240672 01	TUBE MOUNTING ASSY (FROM 2018)	4				
27	NUT-0170	PLAIN NUT (FROM 2018)	4				
28	241818 01	TUBE CLAMP BOLT (FROM 2018)	4				



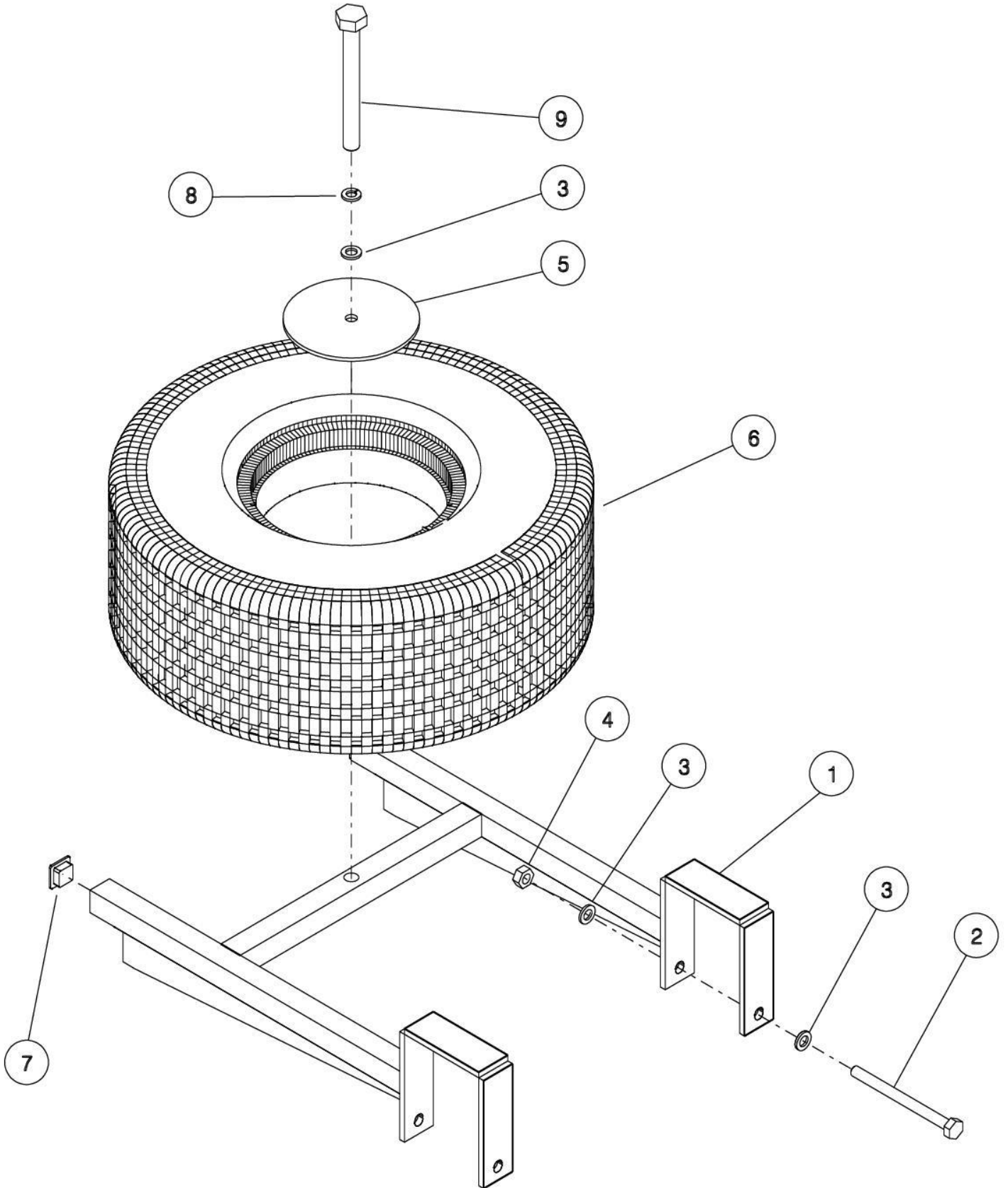
Shelbourne Reynolds Engineering Limited

ASSY NUMBER: KIT-04117				ASSY DESCRIPTION: C10500 (FW) JACK ASSEMBLY			
ITEM	PART NO	DESCRIPTION	QTY	ITEM	PART NO	DESCRIPTION	QTY
1	240979 01	JACK MOUNTING	1				
2	240978 01	MOUNTING PLATE	1				
3	BLT-2276	BOLT	4				
4	WSH-0018	WASHER	8				
5	NUT-0269	NUT	8				
6	240976 01	JACK MOUNTING	1				
7	240975 01	MOUNTING PLATE	1				
8	BLT-2273	BOLT	4				
9	JAC-00105	JACK/JOCKEY WHEEL	1				



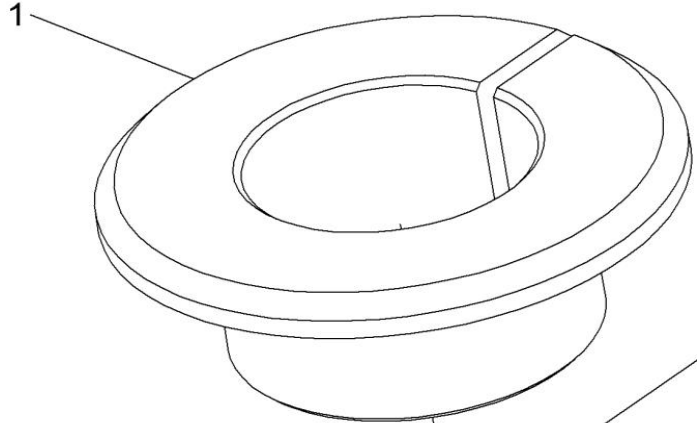
Shelbourne Reynolds Engineering Limited

ASSY NUMBER: KIT-04119				ASSY DECIPTION: SPARE 11.5/80-15.3 WHEEL/TYRE KIT			
ITEM	PART NO	DESCRIPTION	QTY	ITEM	PART NO	DESCRIPTION	QTY
1	241188 01	SPARE WHEEL CARRIER	1				
2	BLTA16710	BOLT	4				
3	WSH-0024	PLAIN WASHER	9				
4	NUT-0271	NYLOC NUT	4				
5	240284 01	CLAMP PLATE	1				
6	WHL-01521A	WHEEL/TYRE	1				
OR	WHL-01521	WHEEL/TYRE					
7	CAP-0010	END CAP	2				
8	WSH-0070	SPRING WASHER	1				
9	BLTA16860	BOLT	1				



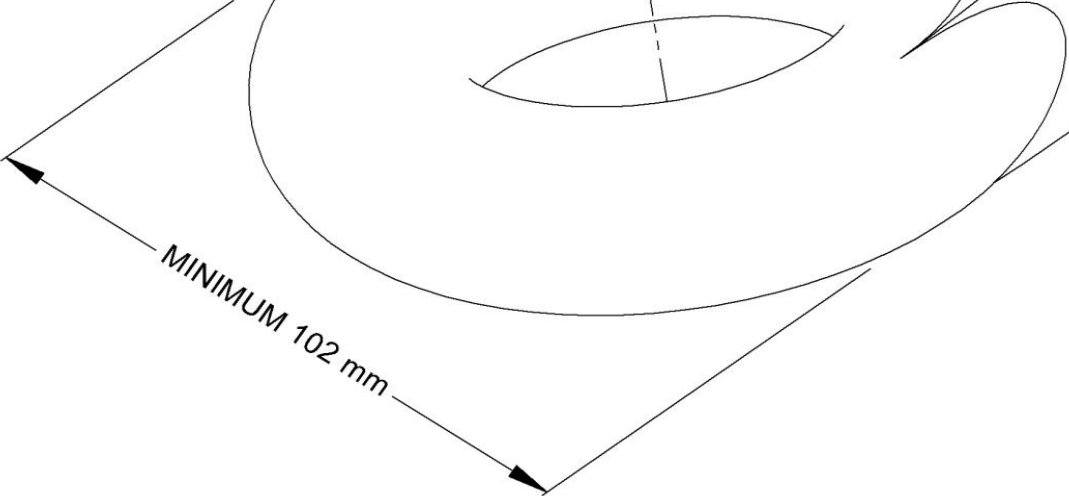
Shelbourne Reynolds Engineering Limited

ASSY NUMBER: KIT-04120				ASSY DESCRIPTION: JD AUTOHITCH TOWEYE ADP			
ITEM	PART NO	DESCRIPTION	QTY	ITEM	PART NO	DESCRIPTION	QTY
1	241203 01	TOW EYE ADAPTOR W/ASSY	1				



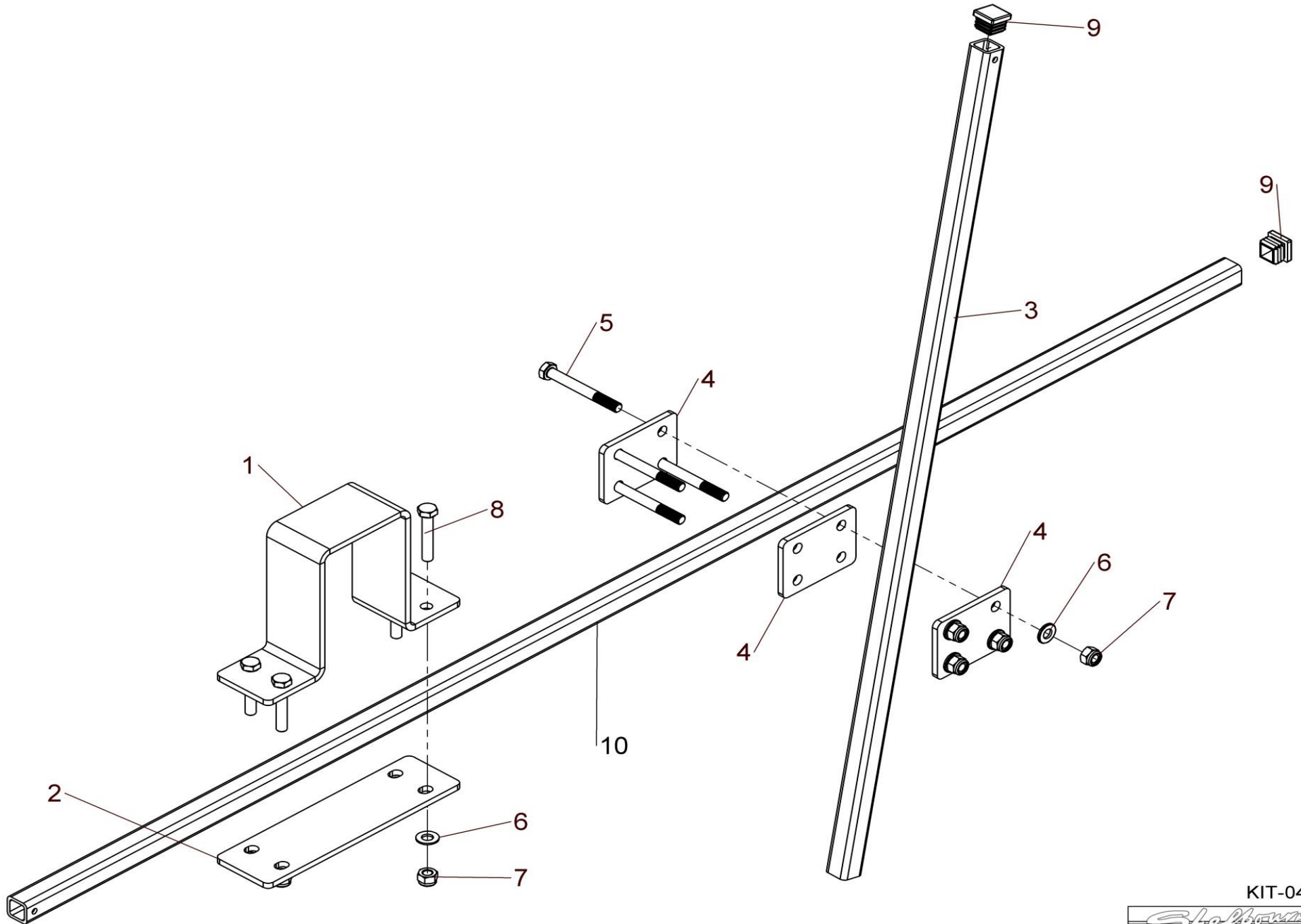
DRESS/GRIND DOWN OUTSIDE
PROFILE OF TOW EYELET.
MINIMUM REQUIRED OUTSIDE
DIAMETER IS 102mm

**IMPORTANT TAKE MINIMAL
AMOUNT OFF**



Shelbourne Reynolds Engineering Limited

ASSY NUMBER: KIT-04124				ASSY DESCRIPTION: CENTRAL MARKER KIT			
ITEM	PART NO	DESCRIPTION	QTY	ITEM	PART NO	DESCRIPTION	QTY
1	241252 01	CLAMP PLATE	1				
2	241253 01	TUBE MOUNTING PLATE	1				
3	241254 01	MOUNTING TUBE	1				
4	241255 01	MOUNTING PLATE	3				
5	BLTA08440	HEX.HEAD BOLT	4				
6	WSH-0012	PLAIN WASHER	8				
7	NUT-0263	NYLOC NUT	8				
8	HSS-0155	SET SCREW	4				
9	CAP-0007	END CAP	2				
10	241711 01	MOUNTING TUBE	1				

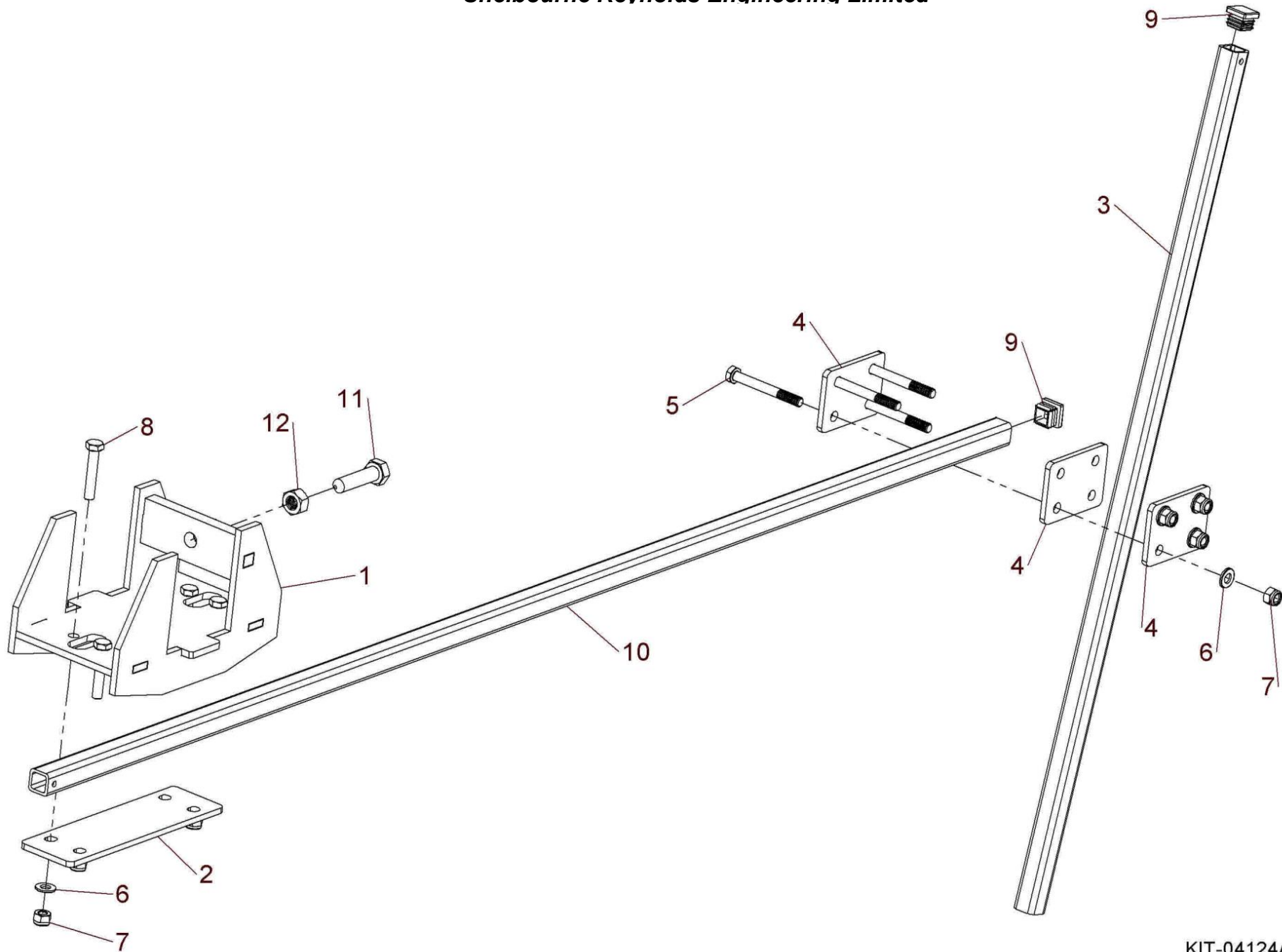


KIT-04124



Shelbourne Reynolds Engineering Limited

ASSY NUMBER: KIT-04124A				ASSY DESCRIPTION: JD600X CENTRAL MARKER KIT			
ITEM	PART NO	DESCRIPTION	QTY	ITEM	PART NO	DESCRIPTION	QTY
1	240672 01	TUBE MOUNTING ASSY	1				
2	241253 01	TUBE MOUNTING PLATE	1				
3	241254 01	MOUNTING TUBE	1				
4	241255 01	MOUNTING PLATE	3				
5	BLTA08440	HEX.HEAD BOLT	4				
6	WSH-0012	PLAIN WASHER	8				
7	NUT-0263	NYLOC NUT	8				
8	HSS-0155	SET SCREW	4				
9	CAP-0007	END CAP	2				
10	241711 01	MOUNTING TUBE	1				
11	241818 01	TUBE FIXING BOLT	1				
12	NUT-0170	PLAIN NUT	1				

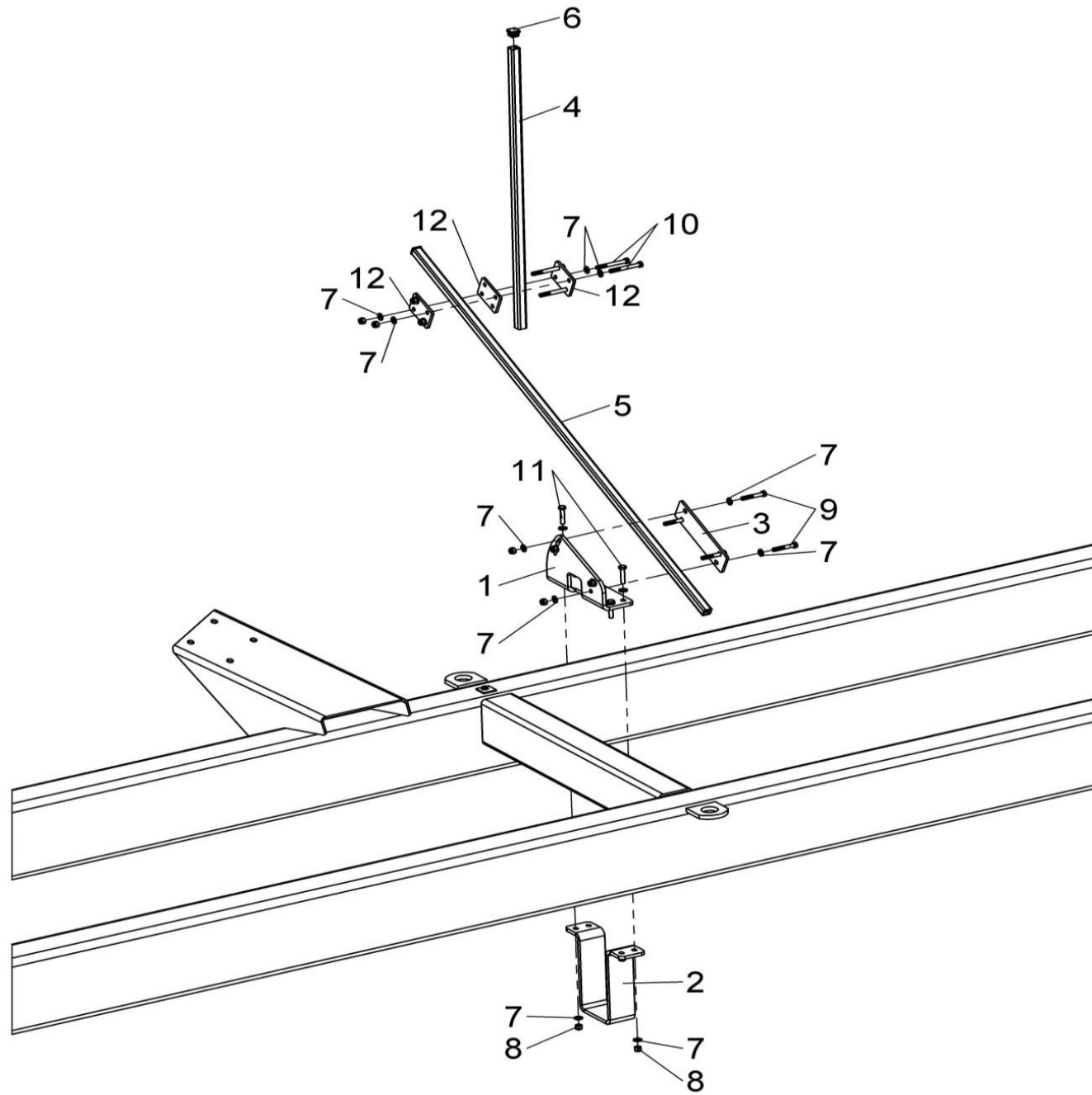


KIT-04124A



Shelbourne Reynolds Engineering Limited

ASSY NUMBER: KIT-04124B				ASSY DESCRIPTION: CHASSIS MOUNTED CENTRAL MARKER KIT			
ITEM	PART NO	DESCRIPTION	QTY	ITEM	PART NO	DESCRIPTION	QTY
1	242082 01	CLAMP PLATE	1				
2	242083 01	CLAMP PLATE	1				
3	241253 01	TUBE MOUNTING PLATE	1				
4	241254 01	MOUNTING TUBE	1				
5	241711 01	MOUNTING TUBE	1				
6	CAP-0007	PLASTIC END CAP	2				
7	WSH-0012	PLAIN WASHER	24				
8	NUT-0263	NYLOC NUT	12				
9	BLTA08320	HEX HEAD BOLT	4				
10	BLTA08440	HEX HEAD BOLT	4				
11	HSS-0153	SET SCREW	4				
12	241255 01	MOUNTING PLATE	3				

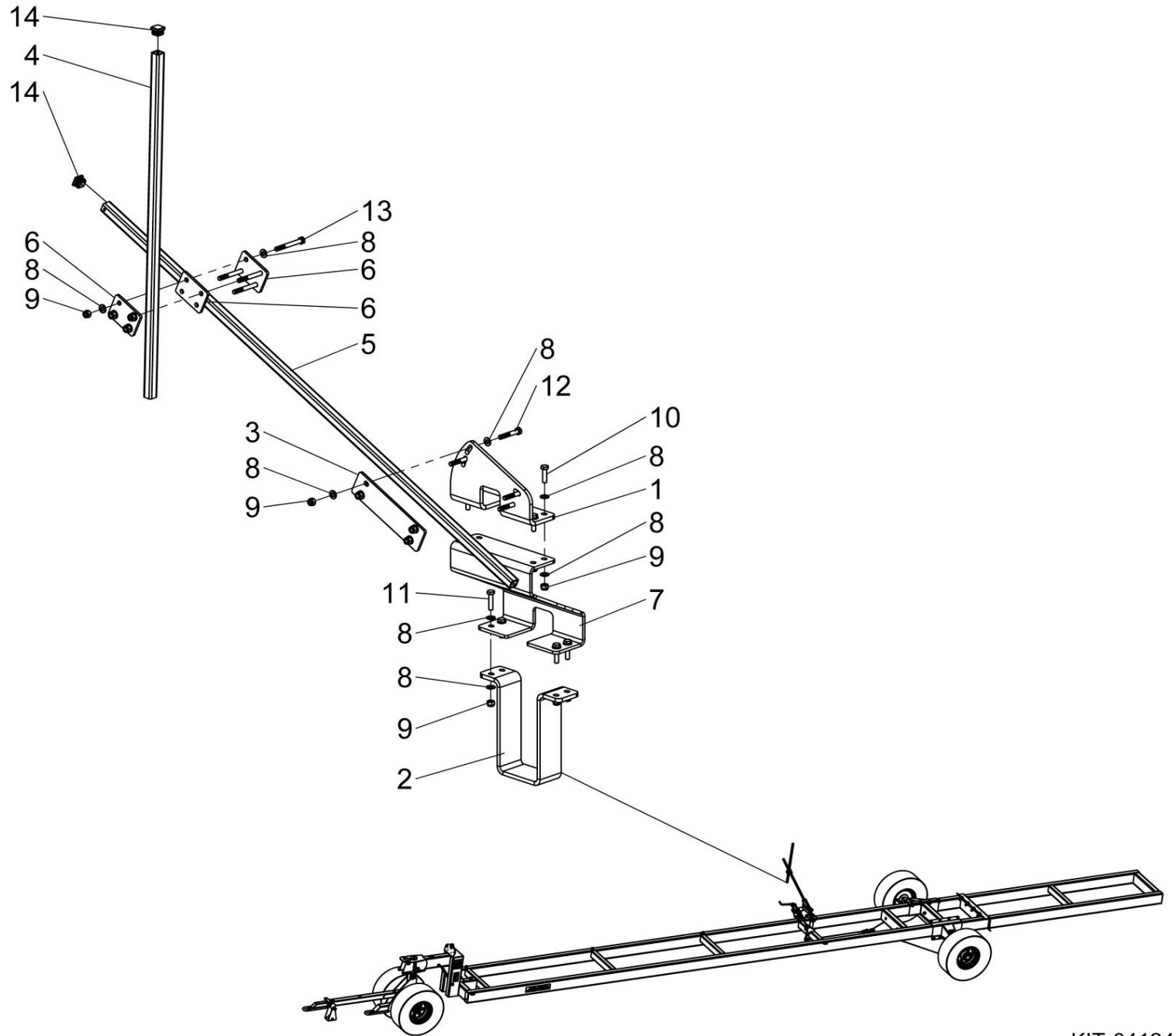


KIT-04124B



Shelbourne Reynolds Engineering Limited

ASSY NUMBER: KIT-04124C				ASSY DESCRIPTION: SPACED CHASSIS MOUNTED CENTRAL MARKER KIT			
ITEM	PART NO	DESCRIPTION	QTY	ITEM	PART NO	DESCRIPTION	QTY
1	242082 01	CLAMP PLATE	1				
2	242083 01	CLAMP PLATE	1				
3	241253 01	TUBE MOUNTING PLATE	1				
4	241254 01	MOUNTING TUBE	1				
5	241711 01	MOUNTING TUBE	1				
6	241255 01	MOUNTING PLATE	3				
7	242136 01	CENTRAL MARKER SPACER	1				
8	WSH-0012	PLAIN WASHER	32				
9	NUT-0263	NYLOC NUT	16				
10	HSS-0150	SET SCREW	4				
11	HSS-0152	SET SCREW	4				
12	BLTA08320	HEX HD BOLT	4				
13	BLTA08440	HEX HD BOLT	4				
14	CAP-0007	PLASTIC END CAP	2				

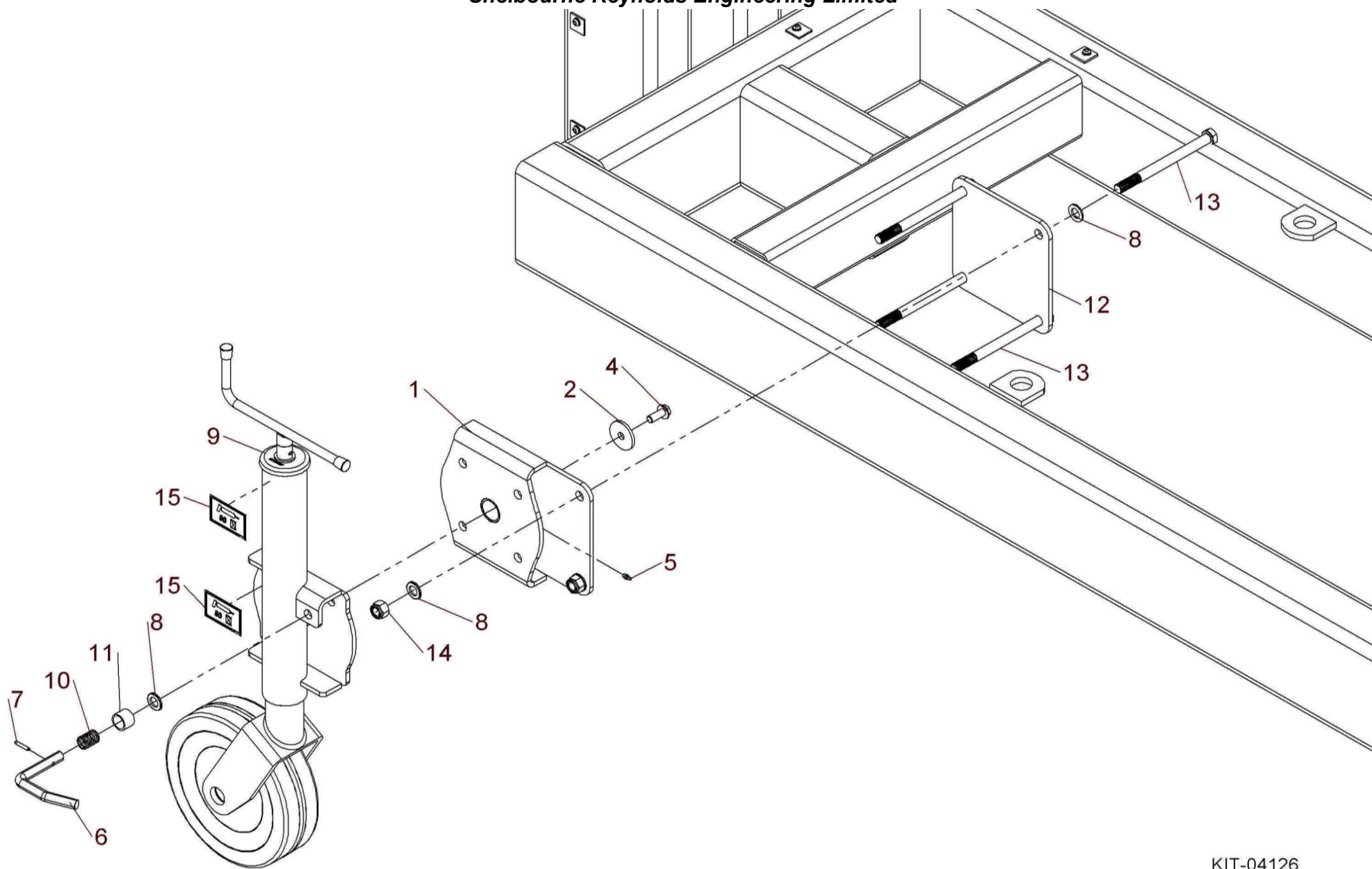


KIT-04124C



Shelbourne Reynolds Engineering Limited

ASSY NUMBER: KIT-04126				ASSY DESCRIPTION: JACK KIT			
ITEM	PART NO	DESCRIPTION	QTY	ITEM	PART NO	DESCRIPTION	QTY
1	241292 01	JACK MOUNT W/ASSY	1				
2	190119 15	WASHER	1				
3							
4	HSSF12204	TENSILOCK SCREW	1				
5	NIP-00600	STRAIGHT GREASE NIPPLE	1				
6	241302 01	LOCKING PIN	1				
7	PIN-1620	ROLL PIN	1				
8	WSH-0024	PLAIN WASHER	9				
9	241296 01	JACK ASSY	1				
10	SPGC22015	COMPRESSION SPRING	1				
11	241301 01	SPRING LIMIT TUBE	1				
12	240565 02	JACK MOUNTING PLATE	1				
13	BLT-2350	HEX HD SET SCREW	4				
14	NUT-0271	NUT	4				
15	127075 16	50 HOURS GREASE TRANSFER	2				

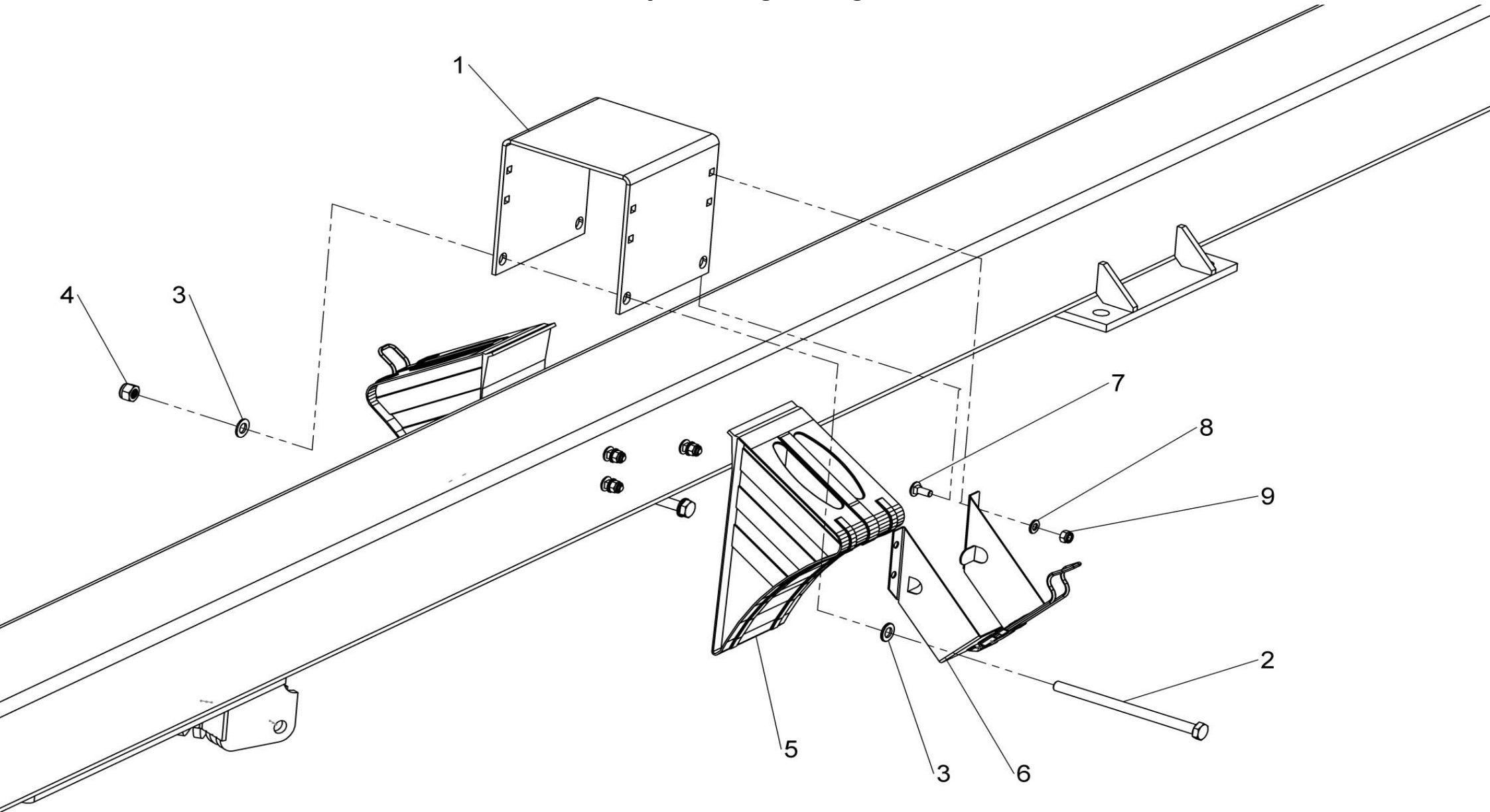


KIT-04126



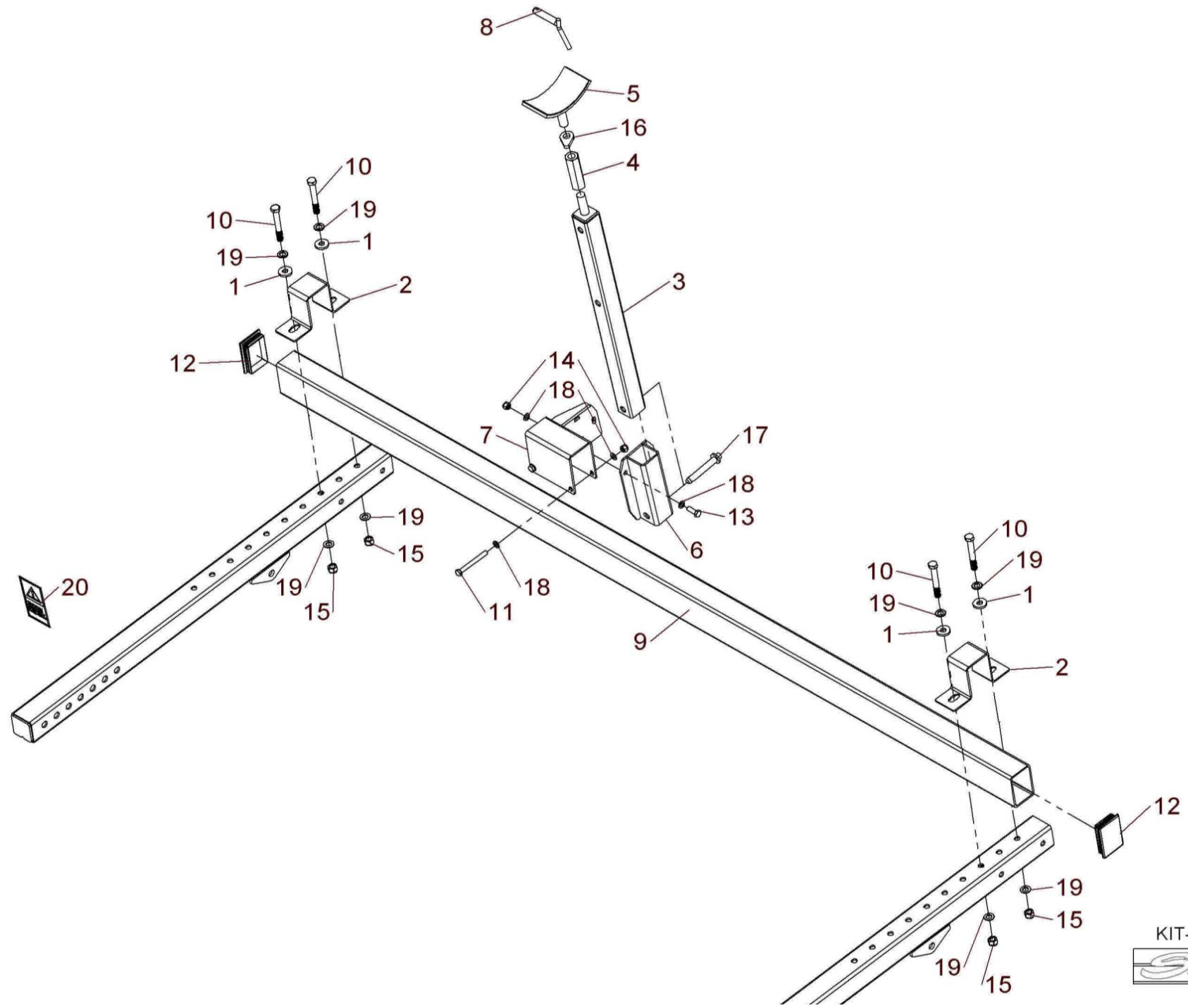
Shelbourne Reynolds Engineering Limited

ASSY NUMBER: KIT-04128				ASSY DESCRIPTION: CHOCK KIT			
ITEM	PART NO	DESCRIPTION	QTY	ITEM	PART NO	DESCRIPTION	QTY
1	241315 01	CHOCK BRACKET	1				
2	BLTA12810	HEX HD BOLT	2				
3	WSH-0018	PLAIN WASHER	4				
4	NUT-0269	NYLOC NUT	2				
5	AXL-10991	CHOCK	2				
6	AXL-10992	CHOCK CARRIER	2				
7	BLT-4710	COACH BOLT	8				
8	WSH-0012	PLAIN WASHER	8				
9	NUT-0263	NYLOC NUT	8				



Shelbourne Reynolds Engineering Limited

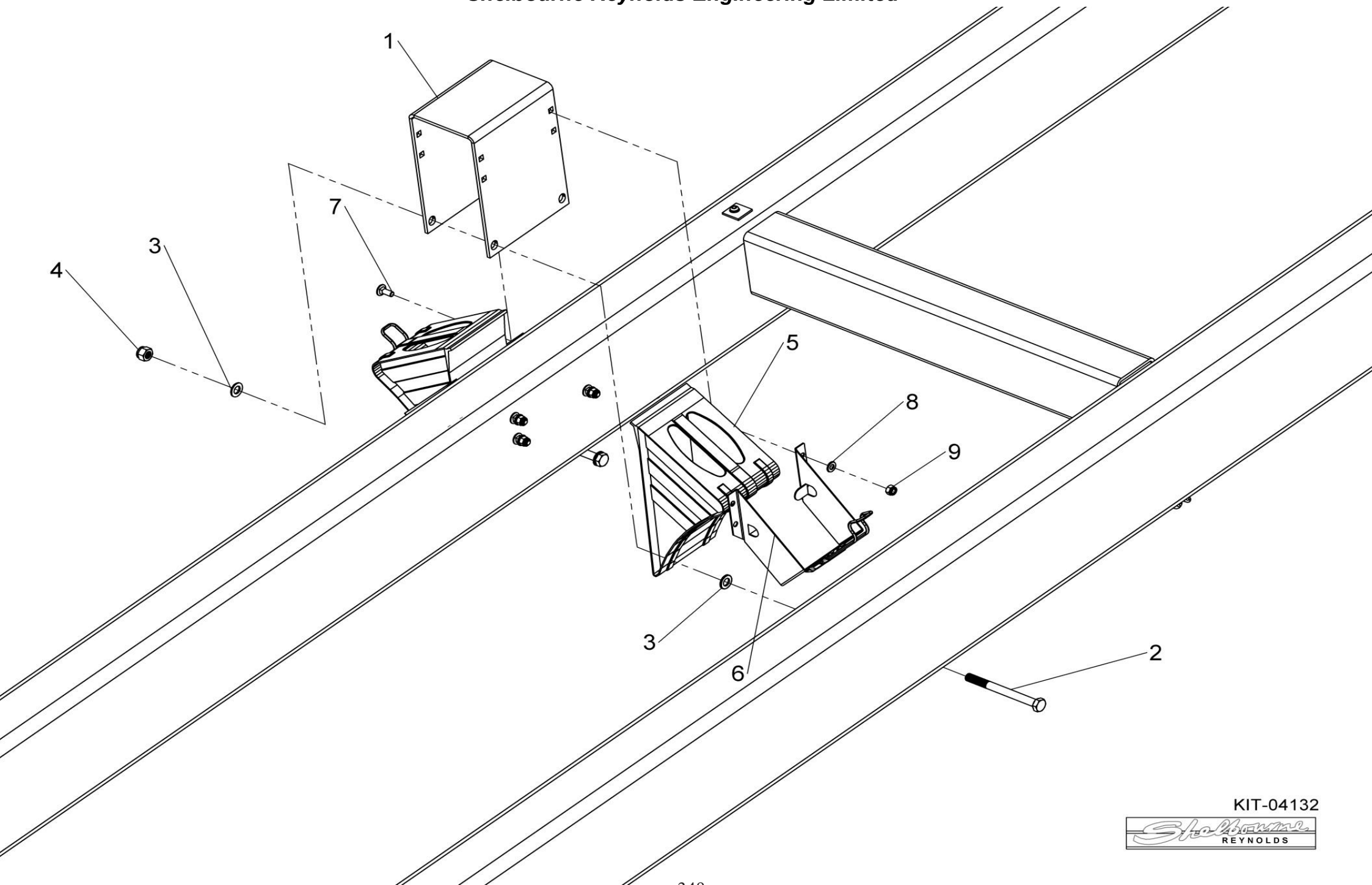
ASSY NUMBER: KIT-04130				ASSY DESCRIPTION: REEL SUPPORT KIT			
ITEM	PART NO	DESCRIPTION	QTY	ITEM	PART NO	DESCRIPTION	QTY
1	190119 99	WASHER	4				
2	240798 01	TUBE CLAMP PLATE	2				
3	241331 01	SUPPORT TUBE W/ASSY	1				
4	241321 01	ADJUSTER BODY	1				
5	241353 01	SUPPORT PAD W/ASSY	1				
6	241338 01	SUPPORT MOUNT W/ASSY	1				
7	241344 01	TUBE CLAMP W/ASSY	1				
8	241348 01	PIN W/ASSY	1				
9	241349 01	SUPPORT TUBE	1				
10	BLT-2330	HEX.HEAD BOLT	4				
11	BLTA12590	HEX.HEAD BOLT	2				
12	CAP-0080	PLASTIC CAP (FOR 120x80 RHS)	2				
13	HSS-0241	SET SCREW	2				
14	NUT-0269	NYLOC NUT	4				
15	NUT-0271	NYLOC NUT	4				
16	241322 01	HANDLE	1				
17	21728202	PIN	1				
18	WSH-0018	PLAIN WASHER	8				
19	WSH-0024	PLAIN WASHER	8				
20	241324 01	REEL SUPPORT STICKER	1				



KIT-04130
Shelbourne
REYNOLDS

Shelbourne Reynolds Engineering Limited

ASSY NUMBER: KIT-04132				ASSY DESCRIPTION: CHOCK KIT (FW)			
ITEM	PART NO	DESCRIPTION	QTY	ITEM	PART NO	DESCRIPTION	QTY
1	241361 01	CHOCK BRACKET	1				
2	BLT-2273	HEX HD BOLT	2				
3	WSH-0018	PLAIN WASHER	4				
4	NUT-0269	NYLOC NUT	2				
5	AXL-10991	CHOCK	2				
6	AXL-10992	CHOCK CARRIER	2				
7	BLT-4710	COACH BOLT	8				
8	WSH-0012	PLAIN WASHER	8				
9	NUT-0263	NYLOC NUT	8				

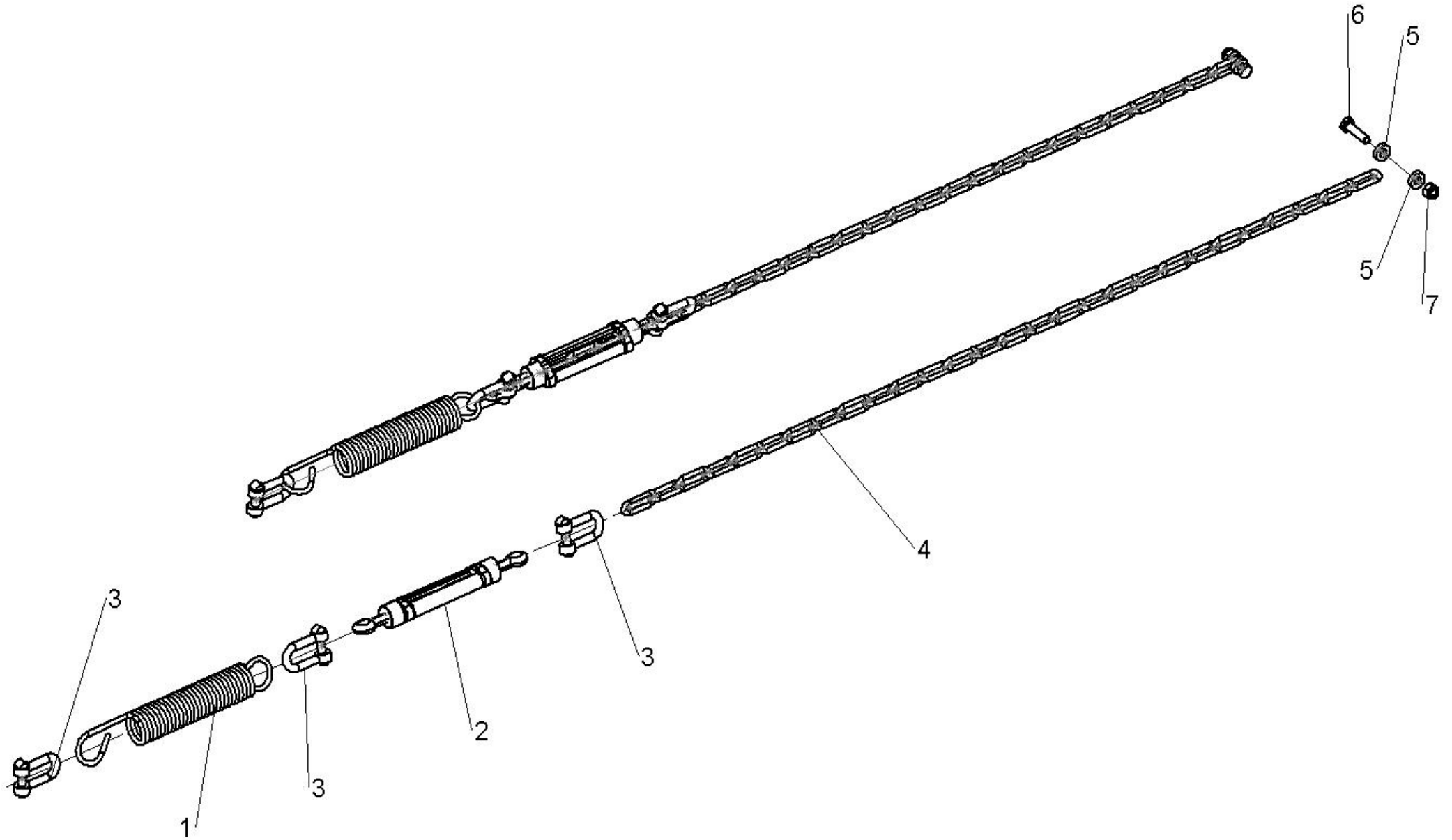


KIT-04132



Shelbourne Reynolds Engineering Limited

ASSY NUMBER: KIT-04136				ASSY DESCRIPTION: DRAWBAR SUPPORT KIT			
ITEM	PART NO	DESCRIPTION	QTY	ITEM	PART NO	DESCRIPTION	QTY
1	SPGA63875	TENSION SPRING	2				
2	ADL-00125	TURNBUCKLE ASSY	2				
3	21711006	DEE SHACKLE	6				
4	CHA-01061	CHAIN	1.124				
4	CHA-01061	CHAIN	1.124				
5	190119 79	WASHER	4				
6	HSS-0202	SET SCREW	2				
7	NUT-0265	NYLOC NUT	2				

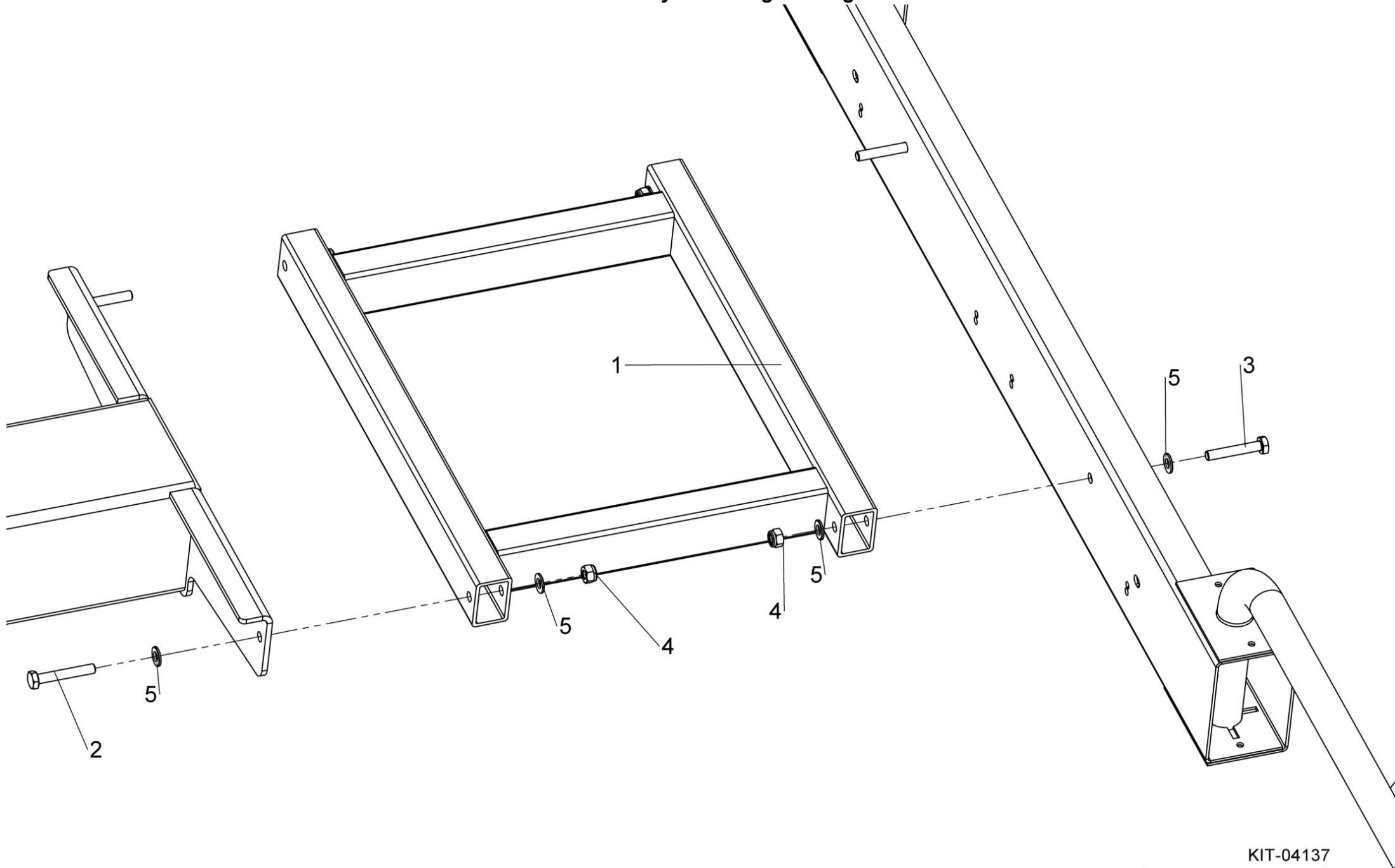


KIT-04136



Shelbourne Reynolds Engineering Limited

ASSY NUMBER: KIT-04137				ASSY DESCRIPTION: LIGHT BEAM EXTENSION KIT (C10500TA/JD600X)			
ITEM	PART NO	DESCRIPTION	QTY	ITEM	PART NO	DESCRIPTION	QTY
1	241998 01	EXTENSION FRAME	1				
2	BLTA10410	BOLT	2				
3	BLTA10380	BOLT	2				
4	NUT-0265	NYLOC NUT	4				
5	WSH-0015	PLAIN WASHER	8				

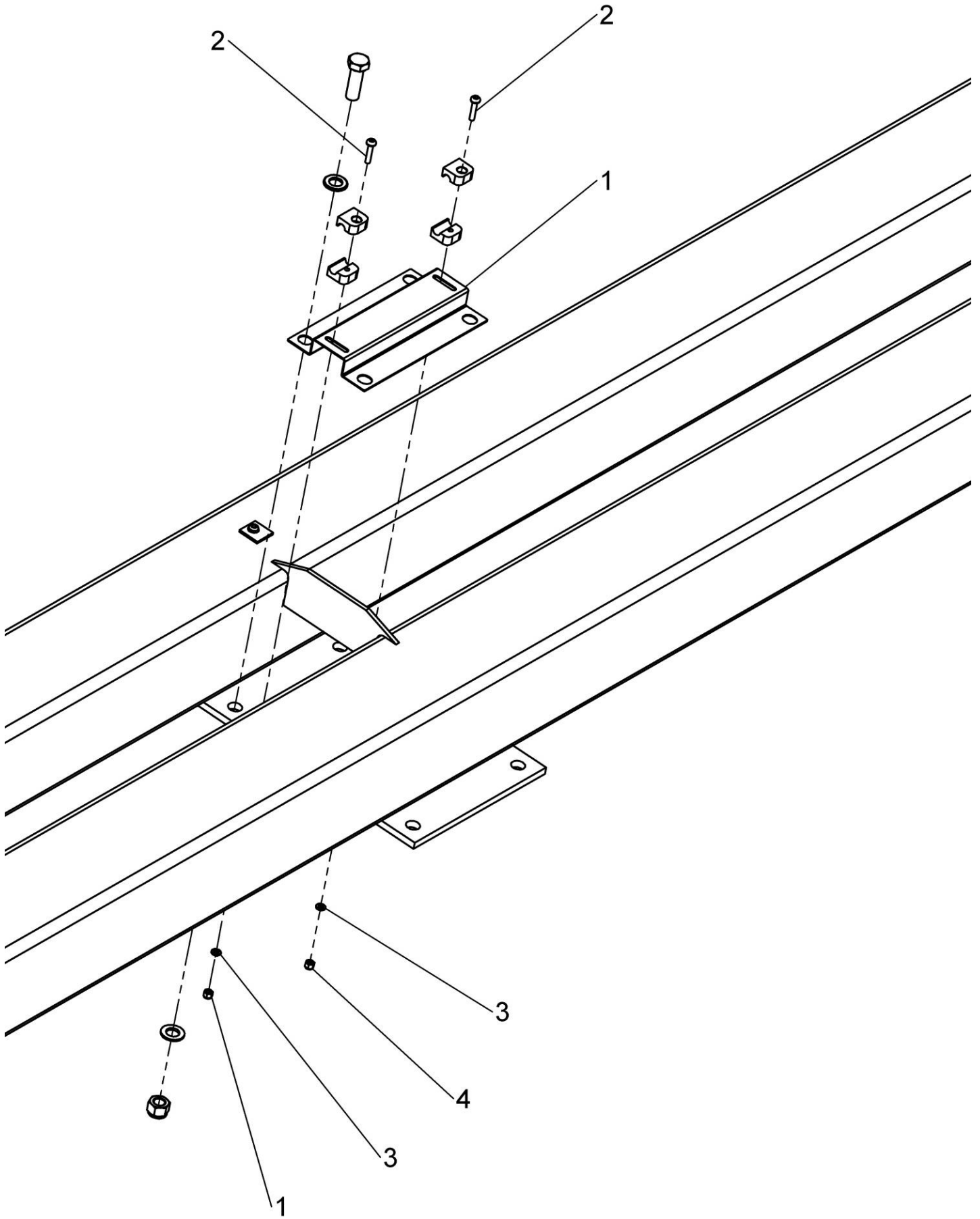


KIT-04137



Shelbourne Reynolds Engineering Limited

ASSY NUMBER: KIT-04141				ASSY DESCRIPTION: C9000TA & C10500TA HYD.MOUNT KIT			
ITEM	PART NO	DESCRIPTION	QTY	ITEM	PART NO	DESCRIPTION	QTY
1	241697 01	MOUNTING PLATE	1				
2	SCBA06200	BUTT.SKT.HD.SCREW	2				
3	WSH-0009	PLAIN WASHER	2				
4	NUT-0260	NYLOC NUT	2				

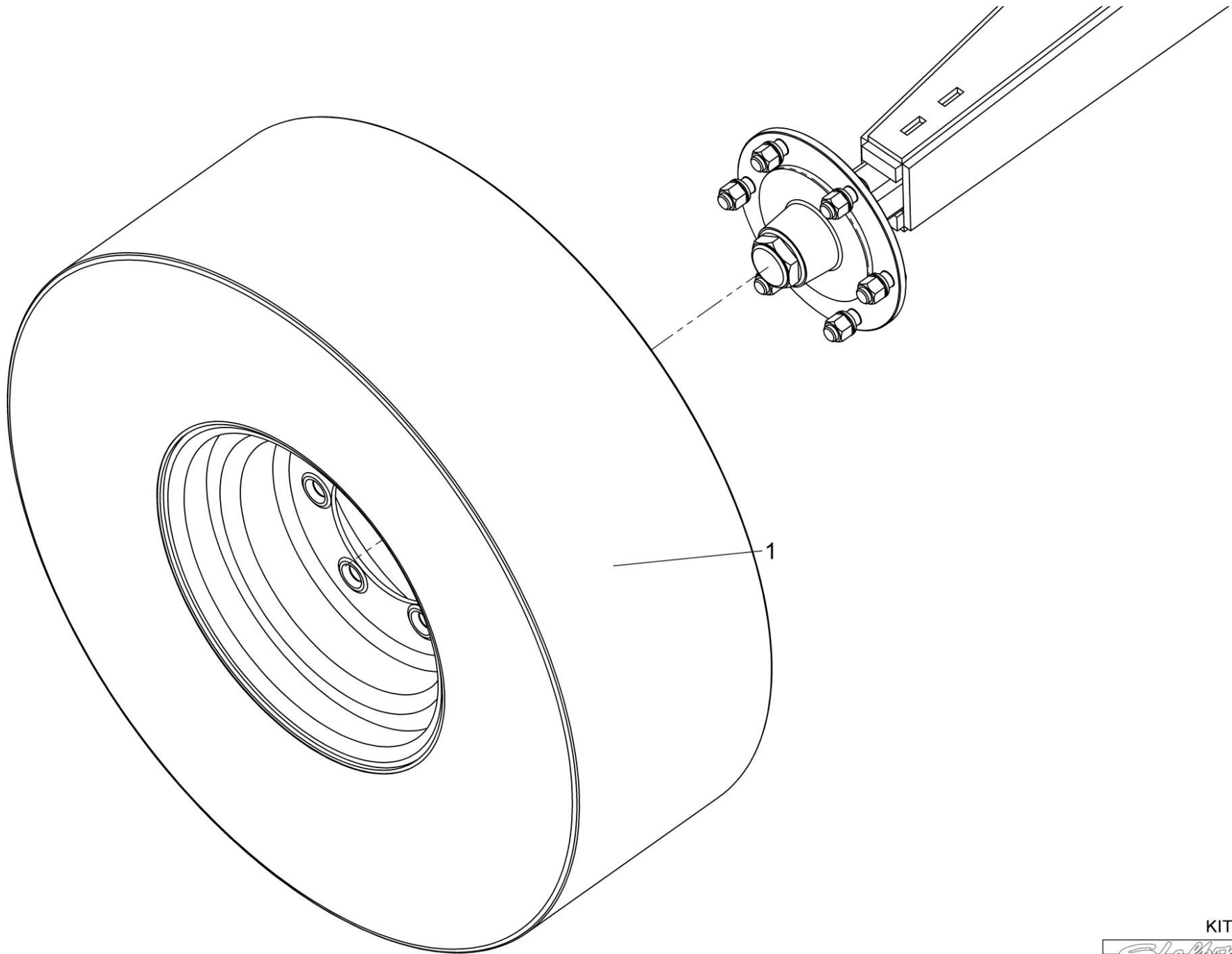


KIT-04141



Shelbourne Reynolds Engineering Limited

ASSY NUMBER: KIT-04143				ASSY DESCRIPTION: FW/S FRONT WHEELS			
ITEM	PART NO	DESCRIPTION	QTY	ITEM	PART NO	DESCRIPTION	QTY
1	WHL-01521A	WHEEL & TYRE ASSY (2016 ON)	2				
OR	WHL-01521	WHEEL & TYRE ASSY (PRE 2016)					

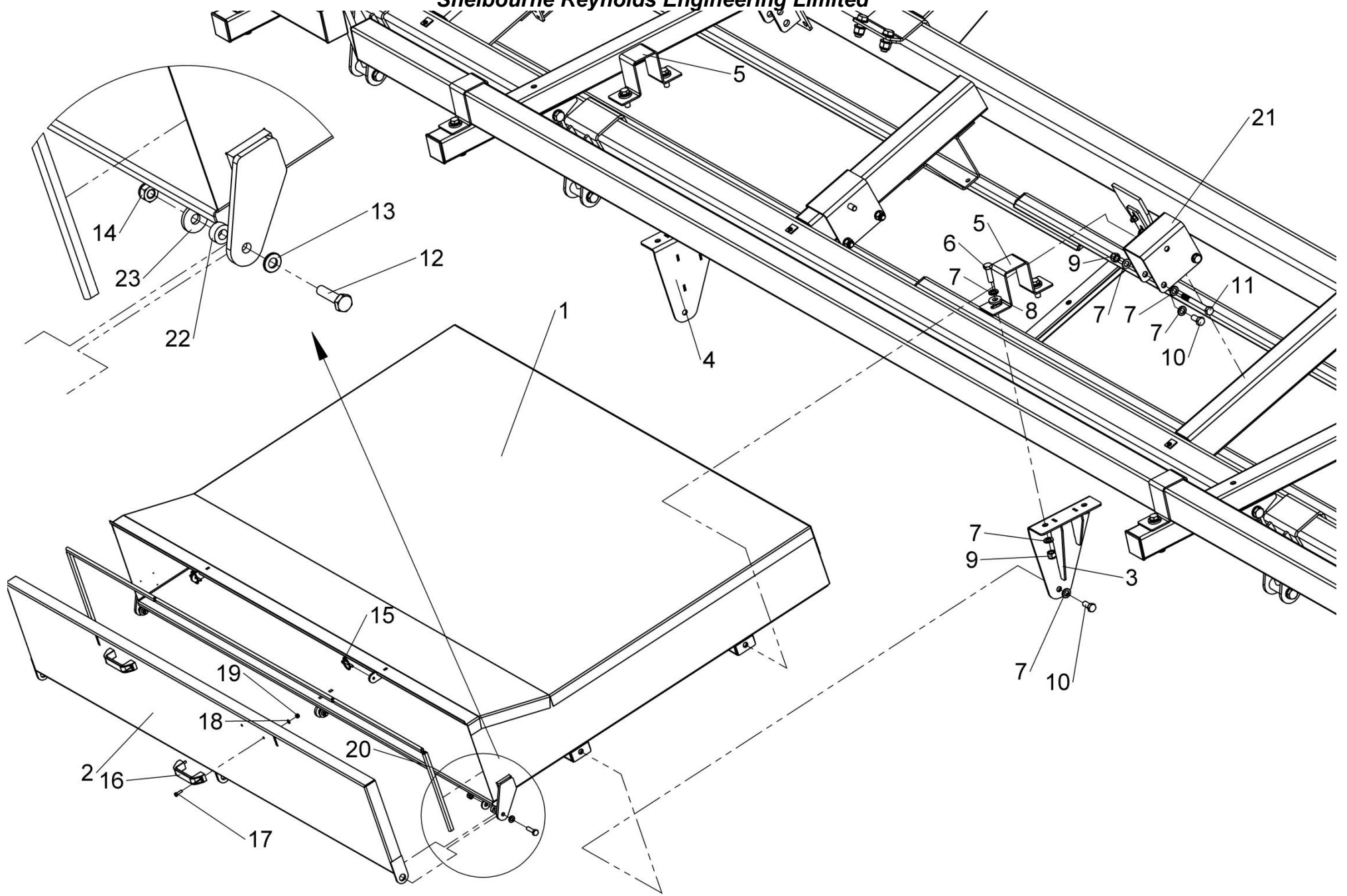


KIT-04143



Shelbourne Reynolds Engineering Limited

ASSY NUMBER: KIT-04146				ASSY DESCRIPTION: SIDE KNIFE STORAGE BOX (MACDON)			
ITEM	PART NO	DESCRIPTION	QTY	ITEM	PART NO	DESCRIPTION	QTY
1	241887 01	SIDE KNIFE STORAGE BOX	1				
2	241899 01	STORAGE BOX DOOR	1				
3	241897 01	MOUNTING BRACKET	1				
4	241897 02	MOUNTING BRACKET	1				
5	240798 01	TUBE CLAMP PLATE	2				
6	HSS-0318	SET SCREW	6				
7	WSH-0024	PLAIN WASHER M	22				
8	190119 99	WASHER	4				
9	NUT-0271	NYLOC NUT	8				
10	HSS-0315	SET SCREW	4				
11	BLTA16680	HEX HEAD BOLT	4				
12	HSS-0202	SET SCREW	3				
13	WSH-0015	PLAIN WASHER	6				
14	NUT-0265	NYLOC NUT	3				
15	PIN-01601	LYNCH PIN	2				
16	HND-0000	BLACK PLASTIC HANDLE	2				
17	HSS-0086	SET SCREW	4				
18	WSH-0009	PLAIN WASHER	4				
19	NUT-0260	NYLOC NUT	4				
20	EDS-11400	PVC EDGING STRIP	2.57m				
21	241910 01	MOUNTING PLATE	2				
22	190119 19	WASHER	3				
23	190119 75	WASHER	3				

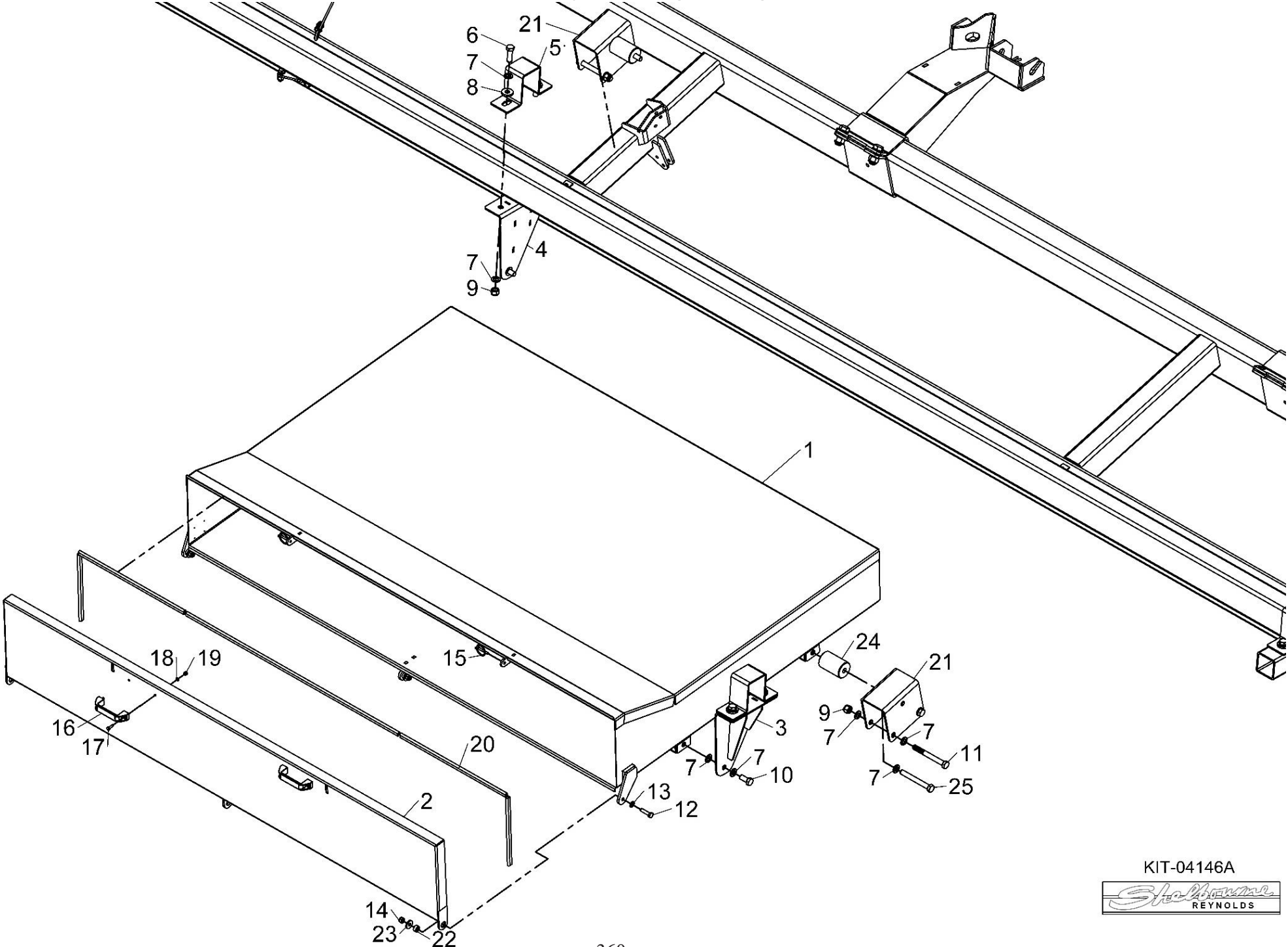


KIT-04146



Shelbourne Reynolds Engineering Limited

ASSY NUMBER: KIT-04146A				ASSY DESCRIPTION: SIDE KNIFE STORAGE BOX (MACDON)			
ITEM	PART NO	DESCRIPTION	QTY	ITEM	PART NO	DESCRIPTION	QTY
1	241887 01	SIDE KNIFE STORAGE BOX	1				
2	241899 01	STORAGE BOX DOOR	1				
3	241897 01	MOUNTING BRACKET	1				
4	241897 02	MOUNTING BRACKET	1				
5	240798 01	TUBE CLAMP PLATE	2				
6	HSS-0318	SET SCREW	6				
7	WSH-0024	PLAIN WASHER M	22				
8	190119 99	WASHER	4				
9	NUT-0271	NYLOC NUT	8				
10	HSS-0315	SET SCREW	2				
11	BLTA16680	HEX HEAD BOLT	4				
12	HSS-0202	SET SCREW	3				
13	WSH-0015	PLAIN WASHER	6				
14	NUT-0265	NYLOC NUT	3				
15	PIN-01601	LYNCH PIN	2				
16	HND-0000	BLACK PLASTIC HANDLE	2				
17	HSS-0086	SET SCREW	4				
18	WSH-0009	PLAIN WASHER	4				
19	NUT-0260	NYLOC NUT	4				
20	EDS-11400	PVC EDGING STRIP	2.57m				
21	241910 01	MOUNTING PLATE	2				
22	190119 19	WASHER	3				
23	190119 75	WASHER	3				
24	242612 01	SPACING BOSS	2				
25	HSSA16650	HEX HEAD BOLT	2				



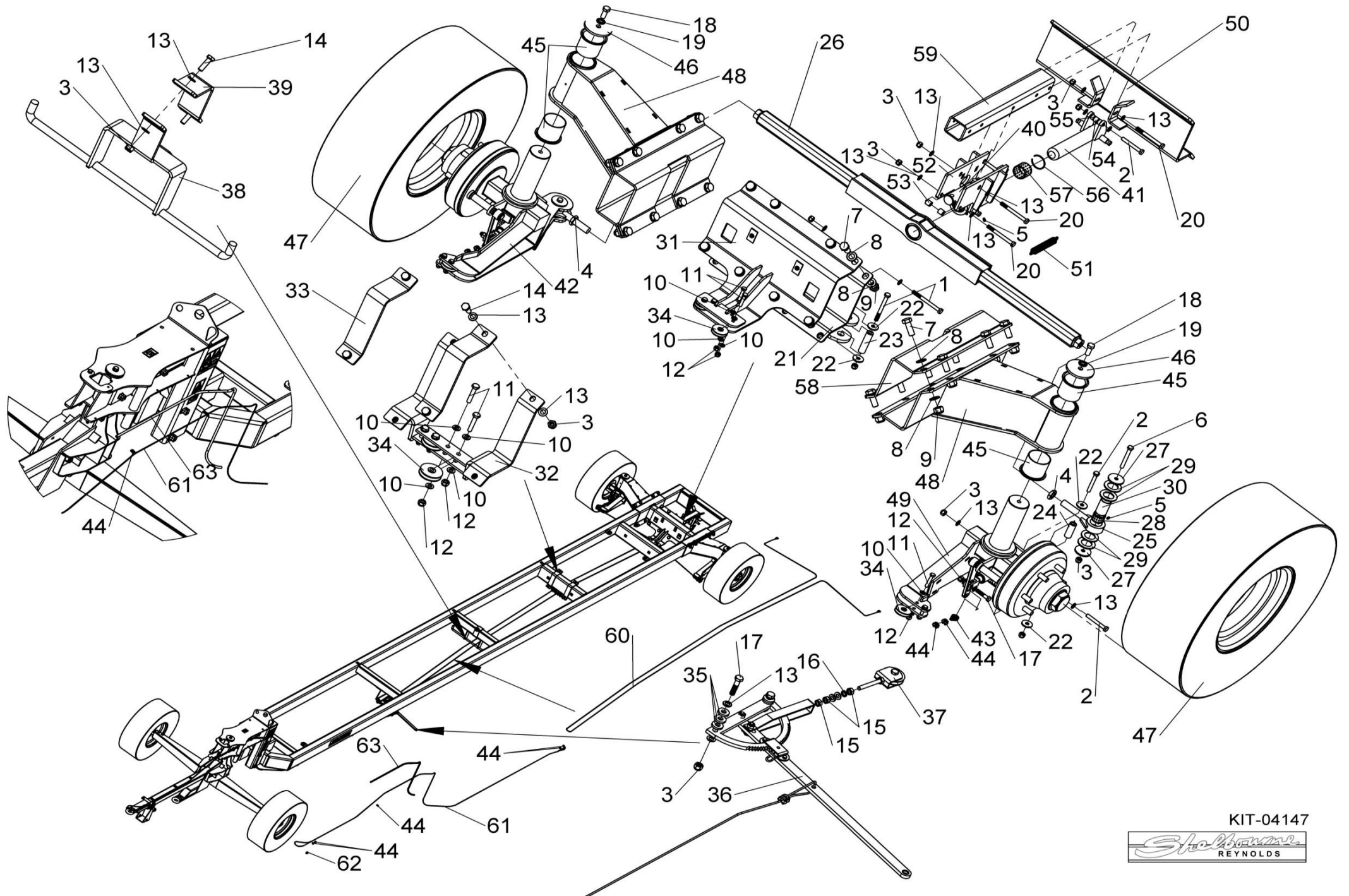
KIT-04146A



Shelbourne Reynolds Engineering Limited

ASSY NUMBER: KIT-04147				ASSY DESCRIPTION: 'LOW' FWS HYD REAR STEER 2015 ONLY			
ITEM	PART NO	DESCRIPTION	QTY	ITEM	PART NO	DESCRIPTION	QTY
1	BLT-2273	HEX.HEAD BOLT	4	42	241885 02	RH BRAKED STEERING STUB AXLE	1
2	BLT-2267	HEX.HEAD BOLT	5	43	WRP-01040	WIRE CABLE THIMBLE	2
3	NUT-0269	NYLOC NUT	23	44	WRP-02040	WIRE CABLE CLAMP	4
4	NUT-0390	HALF NUT	2	45	BSHO08583	WRAPPED FLANGED BRONZE BUSH	4
5	NIP-00600	GREASE NIPPLE	4	46	240930 01	CAPPING PLATE	2
6	BLT-2270	HEX.HEAD BOLT	2	47	WHL-01521A	WHEEL & TYRE ASSY (2016 ON)	2
7	BLT-2365	BOLT	24	OR	WHL-01521	WHEEL & TYRE ASSY (PRE 2016)	
8	WSH-0030	PLAIN WASHER	48	48	241883 01	WHEEL PIVOT MOUNT W/ASSY	2
9	NUTA02200	NYLOC NUT	24	49	241885 01	LH BRAKED STEERING STUB AXLE	1
10	WSH-0015	PLAIN WASHER	26	50	241974 01	CLAMP PLATE W/ASSY	1
11	BLTA10350	HEX.HEAD BOLT	12	51	BRA-18508	BRAKE RAM SPRING	2
12	NUT-0265	NYLOC NUT	12	52	241957 01	PIN MOUNT W/ASSY	1
13	WSH-0018	PLAIN WASHER	38	53	198811 02	SPACER TUBE	2
14	HSS-0250	SET SCREW	6	54	613621 01	SPACER	1
15	NUT-0166	PLAIN NUT BLACK	3	55	612316 01	SPACER TUBE 3/4 OD	2
16	WSH-0061	SPRING WASHER	1	56	CIR340055	55 DIA INTERNAL SNAP RING	2
17	BLTA12350	HEX.HEAD BOLT	4	57	BSHO05062	WRAPPED BUSH	2
18	HSS-0316	SETSCREW	2	58	241954 01	CLAMP PLATE W/A	2
19	WSHA30161	WASHER	2	59	198800 42	WASHER	4
20	BLTA12620	HEX.HEAD BOLT	4	60	WRP-00050	WIRE CABLE	14.5
21	241874 01	HYD RAM MOUNT W/ASSY	1	61			
22	190548 44	WASHER (PLATED)	8	62			
23	241805 01	PIVOT TUBE	2	63			
24	241803 01	PIVOT TUBE	2	64	127075 16	TRANSFER	8
25	241464 01	ADJUSTER ASSY	2	65	PIN-1935	ROLL PIN	2
26	242005 01	TIE BAR W/ASSY	1	66	240395 01	TRANSFER	1
27	198800 13	WASHER 13x60x5	4	67	241992 01	CLAMP PLATE (C1500FWS ONLY)	1
28	BSHO04056	WRAPPED BUSH	2				
29	198800 41	WASHER 40.5 x 60 x 4	6				
30	241799 01	PIVOT SHAFT	2				
31	241914 01	AXLE MOUNT W/ASSY	1				
32	241919 01	PULLEY MOUNT CLAMP W/ASSY	1				
33	241920 01	CLAMP PLATE	2				
34	BRA-14101	HANDBRAKE PULLEY	6				
35	190119 16	WASHER	6				
36	BRA-14001	HANDBRAKE ASSEMBLY	1				
37	BRA-14002	HANDBRAKE PULLEY ASSEMBLY	1				
38	241923 01	CABLE SUPP CLAMP W/ASSY	1				
39	241922 01	CLAMP PLATE	1				
41	241942 01	LOCKING BAR W/ASSY	1				

Shelbourne Reynolds Engineering Limited

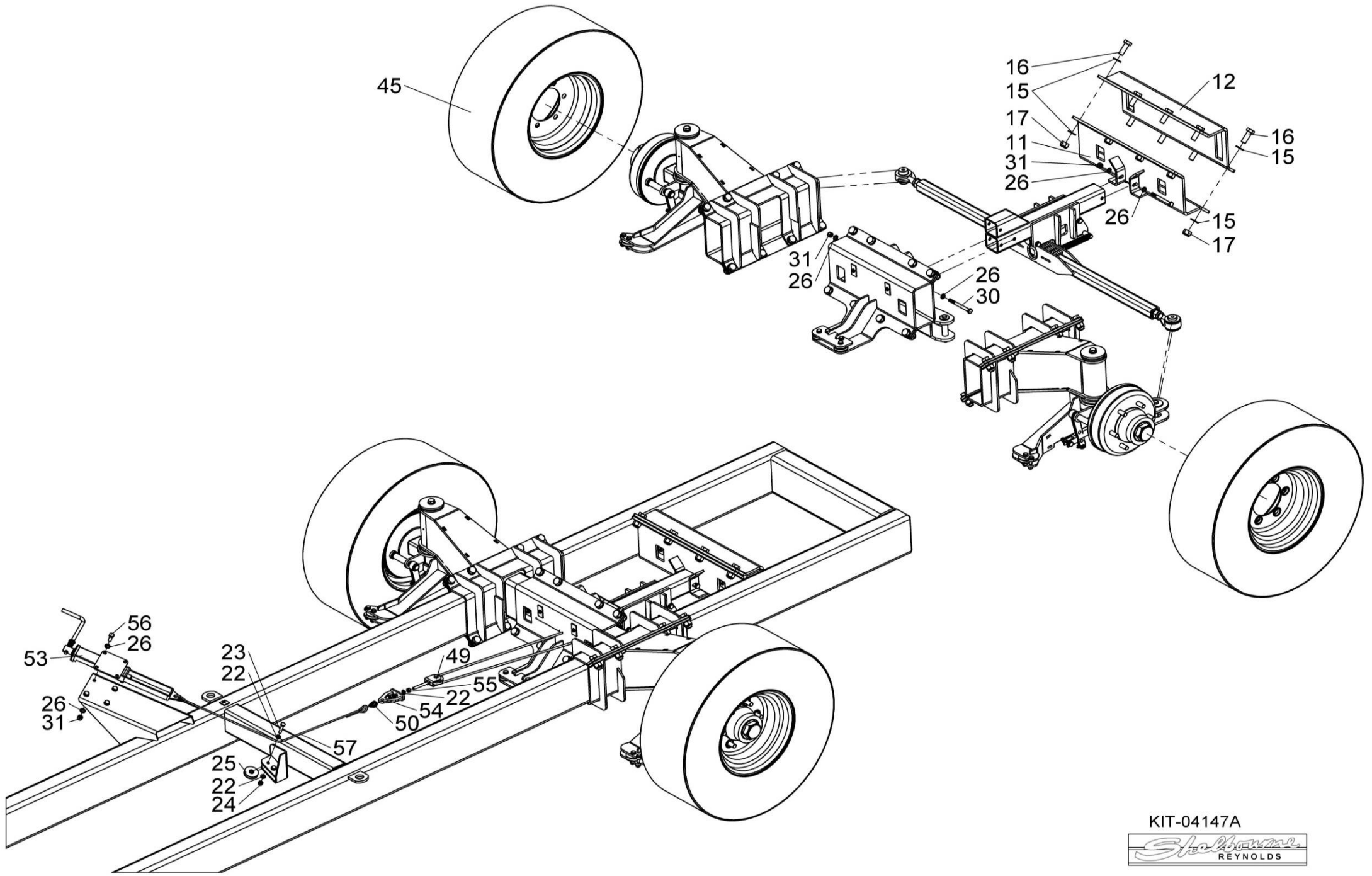


KIT-04147



Shelbourne Reynolds Engineering Limited

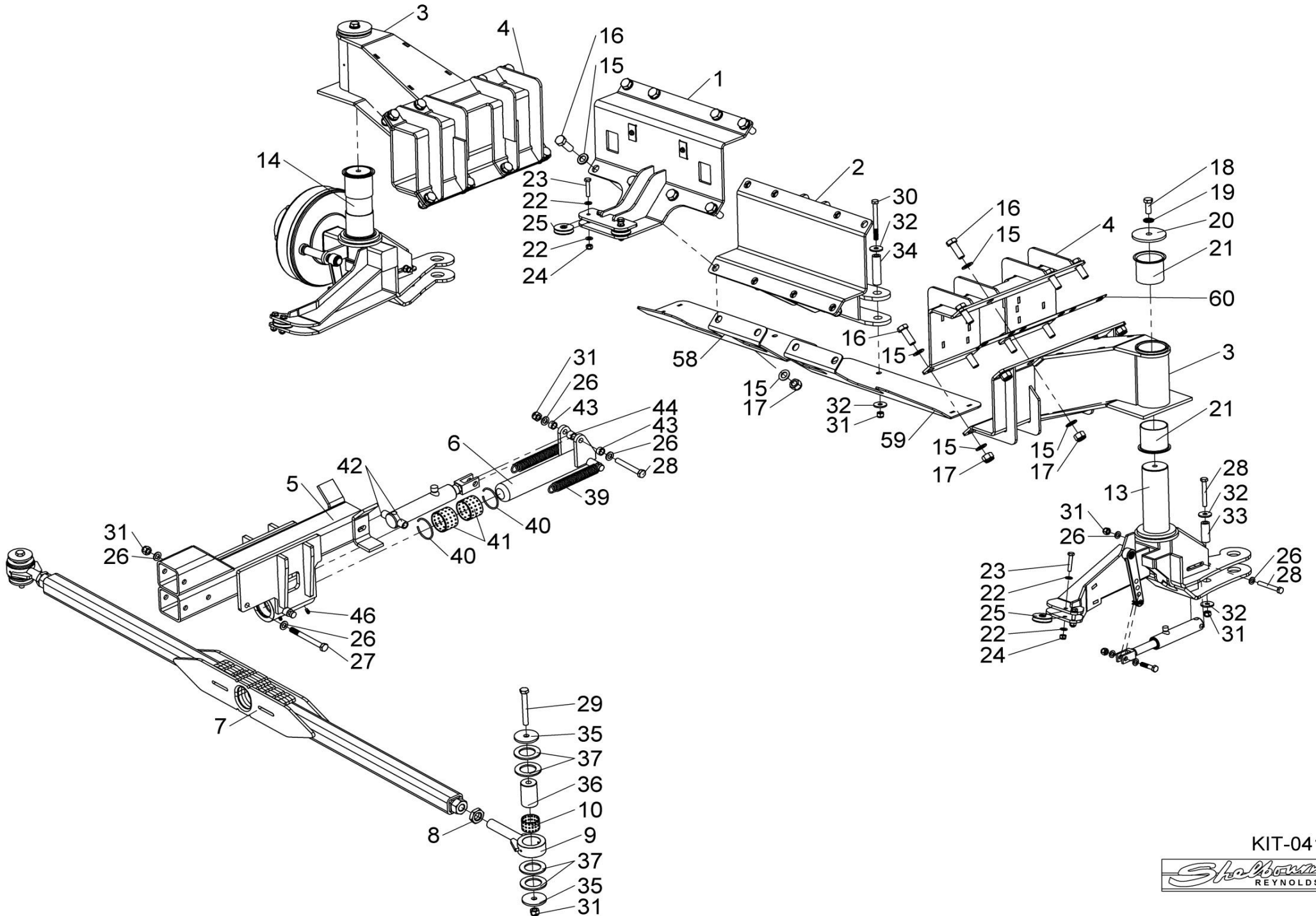
ASSY NUMBER: KIT-04147A				ASSY DESCRIPTION: 2016 & ON 'LOW' CHASSIS STEERING KIT (FORWARD AXLE POSITION)			
ITEM	PART NO	DESCRIPTION	QTY	ITEM	PART NO	DESCRIPTION	QTY
1	241914 01	AXLE MOUNT W/ASSY	1	41	BSHO05062	WRAPPED BUSH	2
2	241874 01	HYDRAULIC RAM MOUNT W/ASSY	1	42	198811 02	SPACER TUBE	2
3	241883 01	AXLE MOUNT W/ASSY	2	43	612316 01	SPACER TUBE	2
4	241954 01	CLAMP PLATE W/ASSY	2	44	613621 01	SPACER TUBE	1
5	242076 01	PIN MOUNT W/ASSY	1	45	WHL-01521A	WHEEL & TYRE ASSY	2
6	241942 01	LOCKING BAR W/ASSY	1	46	NIP-00600	GREASE NIPPLE	6
7	242005 01	TIE BAR W/ASSY	1	47	240395 01	TRANSFER	1
8	NUT-0390	HALF NUT	2	48	127075 16	TRANSFER	7
9	241464 01	ADJUSTER W/ASSY	2	49	BRA-14002	HANDBRAKE PULLEY ASSEMBLY	1
10	BSHO04056	WRAPPED BUSH	2	50	WRP-01040	WIRE CABLE THIMBLE	4
11	241974 01	CLAMP PLATE W/ASSY	1	51	WRP-02040	WIRE CABLE CLAMP	8
12	241992 01	CLAMP PLATE	1	52	WRP-00050	WIRE CABLE	4.04m
13	241885 01	WHEEL PIVOT W/ASSY	1	53	616300 01	HANDBRAKE W/A	1
14	241885 02	WHEEL PIVOT W/ASSY	1	54	616303 01	TENSIONER	1
15	WSH-0030	PLAIN WASHER	64	55	NUT-0167	PLAIN NUT	2
16	BLT-2365	HEX HEAD BOLT	32	56	HSS-0241	SET SCREW	4
17	NUTA02200	NYLOC NUT	32	57	WRP-00050	WIRE CABLE	1.26m
18	HSS-0316	SET SCREW	2	58	242251 01	RH STEERING RAM DEFLECTOR W/A	1
19	WSHA30161	WASHER	2	59	242251 02	LH STEERING RAM DEFLECTOR W/A	1
20	240930 01	CAPPING PLATE	2	60	242431 01	FLANGE SHIM	12
21	BSHO08583	WRAPPED FLANGED BUSH	4				
22	WSH-0015	PLAIN WASHER	26				
23	BLTA10350	HEX HEAD BOLT	12				
24	NUT-0265	NYLOC NUT	12				
25	BRA-14101	HANDBRAKE PULLEY	6				
26	WSH-0018	PLAIN WASHER	28				
27	BLTA12350	HEX HEAD BOLT	2				
28	BLT-2267	HEX HEAD BOLT	2				
29	BLT-2270	HEX HEAD BOLT	5				
30	BLT-2273	HEX HEAD BOLT	7				
31	NUT-0269	NYLOC NUT	20				
32	190548 44	WASHER	8				
33	241803 01	PIVOT TUBE	2				
34	241805 01	PIVOT TUBE	2				
35	198800 13	WASHER	4				
36	241799 01	PIVOT SHAFT	2				
37	198800 41	WASHER	6				
38	198800 42	WASHER	4				
39	BRA-18508	LOCK RAM SPRING	2				
40	CIR340055	INTERNAL SNAP RING	2				



KIT-04147A



Shelbourne Reynolds Engineering Limited

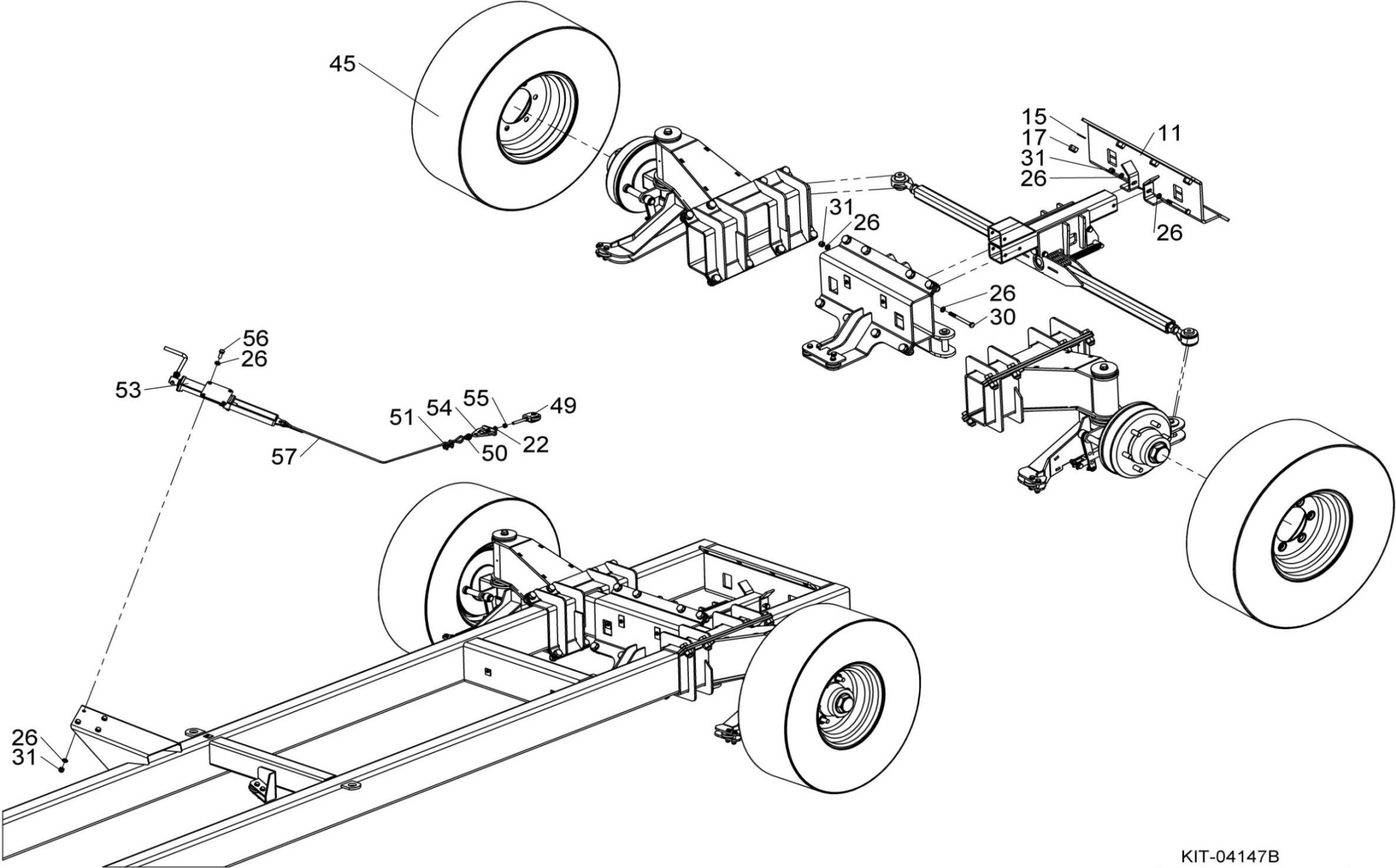


KIT-04147



Shelbourne Reynolds Engineering Limited

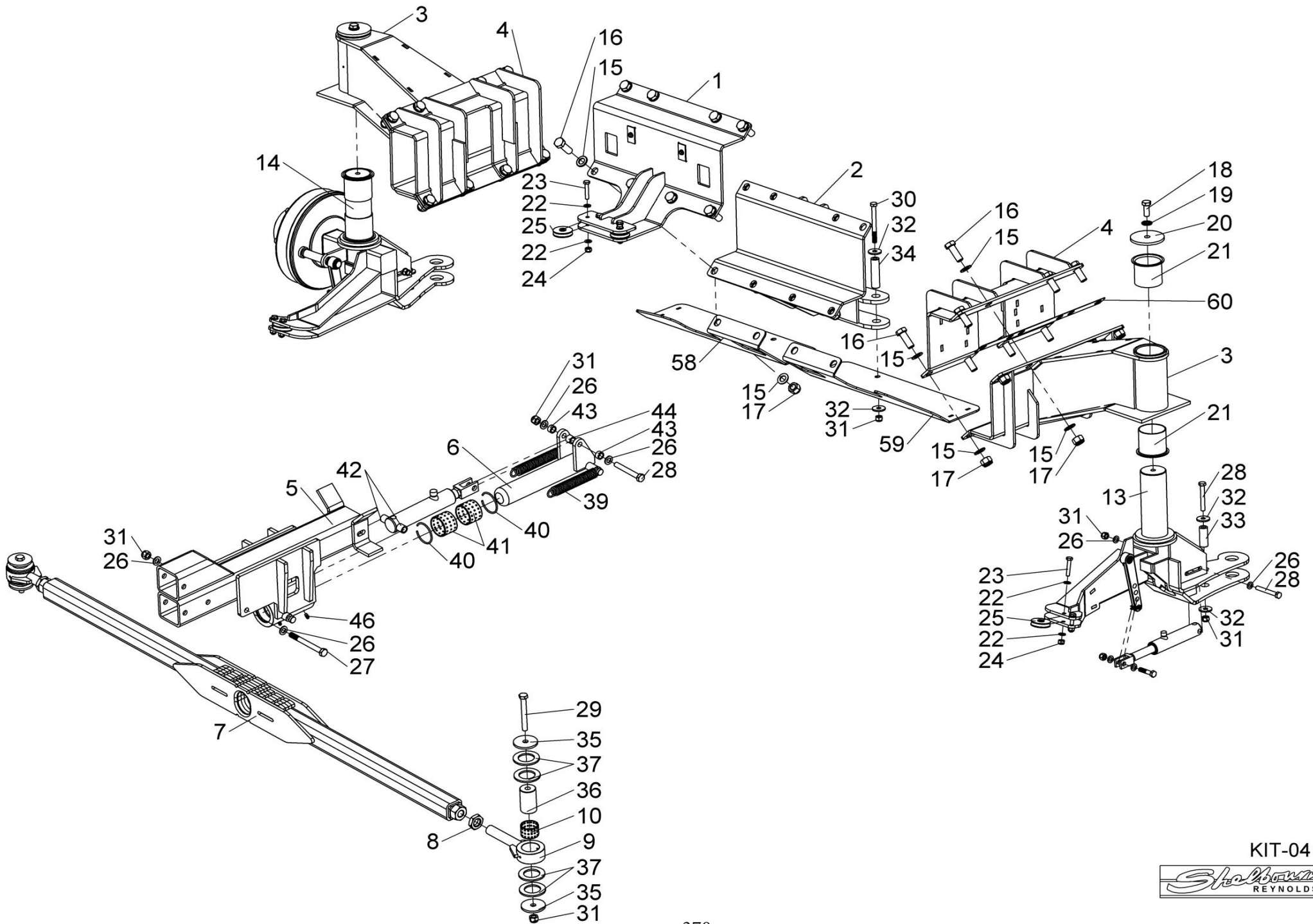
ASSY NUMBER: KIT-04147B				ASSY DESCRIPTION: 2016 & ON 'LOW' CHASSIS STEERING KIT (REAR AXLE POSITION)			
ITEM	PART NO	DESCRIPTION	QTY	ITEM	PART NO	DESCRIPTION	QTY
1	241914 01	AXLE MOUNT W/ASSY	1	41	BSHO05062	WRAPPED BUSH	2
2	241874 01	HYDRAULIC RAM MOUNT W/ASSY	1	42	198811 02	SPACER TUBE	2
3	241883 01	AXLE MOUNT W/ASSY	2	43	612316 01	SPACER TUBE	2
4	241954 01	CLAMP PLATE W/ASSY	2	44	613621 01	SPACER TUBE	1
5	242076 01	PIN MOUNT W/ASSY	1	45	WHL-01521A	WHEEL & TYRE ASSY	2
6	241942 01	LOCKING BAR W/ASSY	1	46	NIP-00600	GREASE NIPPLE	6
7	242005 01	TIE BAR W/ASSY	1	47	240395 01	TRANSFER	1
8	NUT-0390	HALF NUT	2	48	127075 16	TRANSFER	7
9	241464 01	ADJUSTER W/ASSY	2	49	BRA-14002	HANDBRAKE PULLEY ASSEMBLY	1
10	BSHO04056	WRAPPED BUSH	2	50	WRP-01040	WIRE CABLE THIMBLE	4
11	241974 01	CLAMP PLATE W/ASSY	1	51	WRP-02040	WIRE CABLE CLAMP	8
12				52	WRP-00050	WIRE CABLE	5.54m
13	241885 01	WHEEL PIVOT W/ASSY	1	53	616300 01	HANDBRAKE W/A	1
14	241885 02	WHEEL PIVOT W/ASSY	1	54	616303 01	TENSIONER	1
15	WSH-0030	PLAIN WASHER	48	55	NUT-0167	PLAIN NUT	2
16	BLT-2365	HEX HEAD BOLT	24	56	HSS-0241	SET SCREW	4
17	NUA02200	NYLOC NUT	24	57	WRP-00050	WIRE CABLE	1.26m
18	HSS-0316	SET SCREW	2	58	242251 01	RH STEERING RAM DEFLECTOR W/A	1
19	WSHA30161	WASHER	2	59	242251 02	LH STEERING RAM DEFLECTOR W/A	1
20	240930 01	CAPPING PLATE	2	60	242431 01	FLANGE SHIM	12
21	BSHO08583	WRAPPED FLANGED BUSH	4				
22	WSH-0015	PLAIN WASHER	26				
23	BLTA10350	HEX HEAD BOLT	12				
24	NUT-0265	NYLOC NUT	12				
25	BRA-14101	HANDBRAKE PULLEY	6				
26	WSH-0018	PLAIN WASHER	24				
27							
28	BLT-2267	HEX HEAD BOLT	2				
29	BLT-2270	HEX HEAD BOLT	5				
30	BLT-2273	HEX HEAD BOLT	7				
31	NUT-0269	NYLOC NUT	18				
32	190548 44	WASHER	8				
33	241803 01	PIVOT TUBE	2				
34	241805 01	PIVOT TUBE	2				
35	198800 13	WASHER	4				
36	241799 01	PIVOT SHAFT	2				
37	198800 41	WASHER	6				
38	198800 42	WASHER	4				
39	BRA-18508	LOCK RAM SPRING	2				
40	CIR340055	INTERNAL SNAP RING	2				



KIT-04147B



Shelbourne Reynolds Engineering Limited

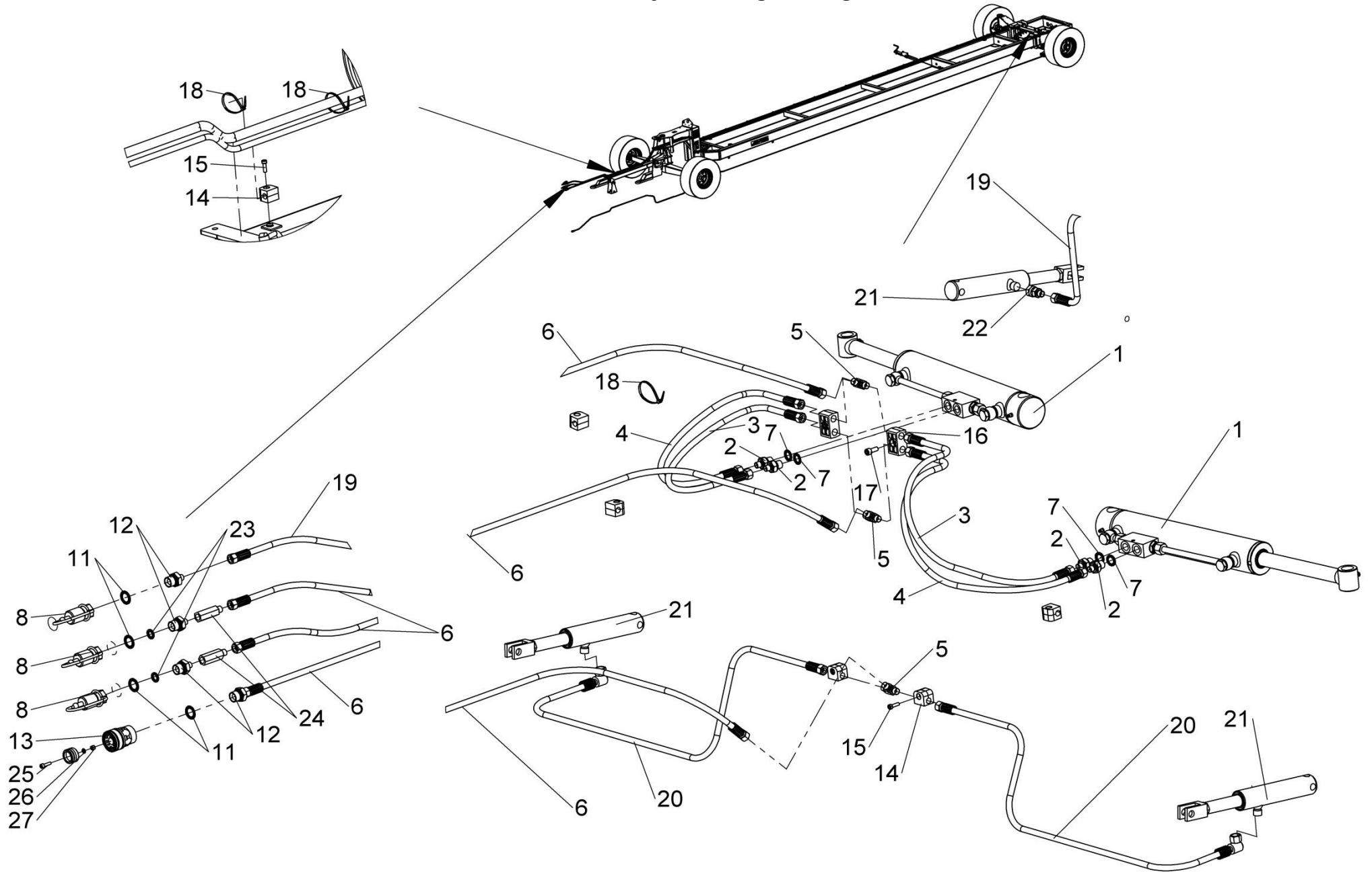


KIT-04147



Shelbourne Reynolds Engineering Limited

ASSY NUMBER: KIT-04149A				ASSY DESCRIPTION: 40FT FWS HYDRAULIC STEERING KIT			
ITEM	PART NO	DESCRIPTION	QTY	ITEM	PART NO	DESCRIPTION	QTY
1	241821 01	DOUBLE ACTING RAM	2				
2	FIT-0025	ADAPTOR	4				
3	HHAC06005	HYDRAULIC HOSE ASSY	2				
4	HHAC07505	HYDRAULIC HOSE ASSY	2				
5	HMT-0010	EQUAL TEE	3				
6	241041 08	HYDRAULIC HOSE ASSY	3				
7	WSH-1010	DOWTY WASHER	4				
8	COU-0162	QUICK RELEASE COUPLING	3				
9							
10							
11	WSH-1015	DOWTY WASHER	4				
12	HMA-0055	ADAPTOR	4				
13	HQR-10007	QUICK RELEASE COUPLING	1				
14	HCPA01200	HYDRAULIC PIPE CLAMP	18				
15	SCW-0083	SCREW	18				
16	HCPD01400	HYDRAULIC PIPE CLAMP	2				
17	SCW-0133	SCREW	2				
18	TIE-0004	TIE WRAP	30				
19	241041 06	HYDRAULIC HOSE ASSY	1				
20	HHCC11005	HYDRAULIC HOSE ASSY	2				
21	BRA-08015	BRAKE RAM	3				
22	HACAA0305	HYDRAULIC FITTING	1				
23	WSH-1005	DOWTY WASHER	2				
24	HVB-93005	FLOW CONTROL RESTRICTOR	2				
25	SCW-0056	CAP HEAD SCREW	1				
26	WSH-0006	PLAIN WASHER	1				
27	NUT-0258	NYLOC NUT	1				

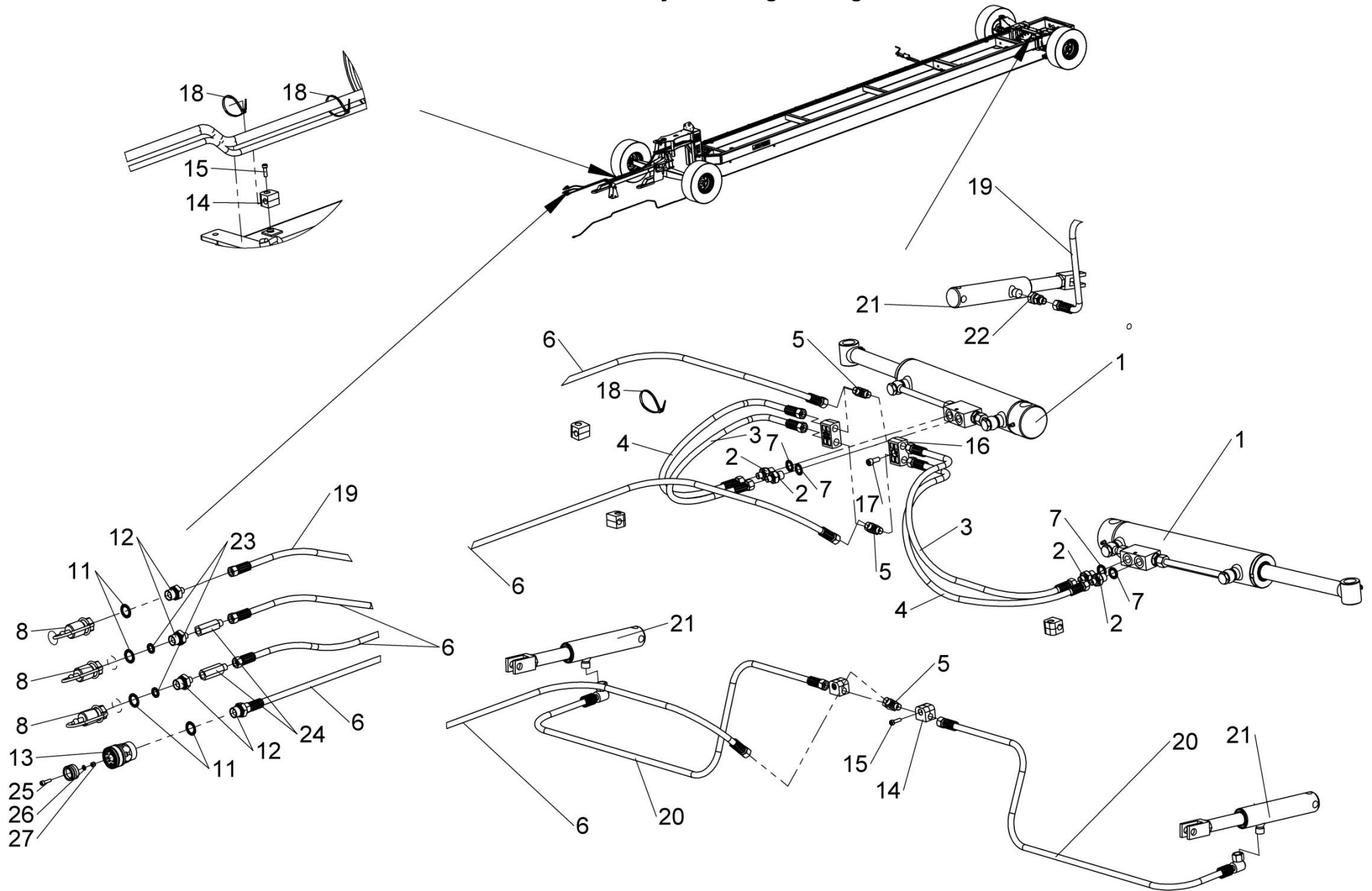


KIT-04149A & KIT-04149B



Shelbourne Reynolds Engineering Limited

ASSY NUMBER: KIT-04149B				ASSY DESCRIPTION: 35 & 30FT FWS HYDRAULIC STEERING KIT			
ITEM	PART NO	DESCRIPTION	QTY	ITEM	PART NO	DESCRIPTION	QTY
1	241821 01	DOUBLE ACTING RAM	2				
2	FIT-0025	ADAPTOR	4				
3	HHAC06005	HYDRAULIC HOSE ASSY	2				
4	HHAC07505	HYDRAULIC HOSE ASSY	2				
5	HMT-0010	EQUAL TEE	3				
6	241041 04	HYDRAULIC HOSE ASSY	3				
7	WSH-1010	DOWTY WASHER	4				
8	COU-0162	QUICK RELEASE COUPLING	3				
9							
10							
11	WSH-1015	DOWTY WASHER	4				
12	HMA-0055	ADAPTOR	4				
13	HQR-10007	QUICK RELEASE COUPLING	1				
14	HCPA01200	HYDRAULIC PIPE CLAMP	18				
15	SCW-0083	SCREW	18				
16	HCPD01400	HYDRAULIC PIPE CLAMP	2				
17	SCW-0133	SCREW	2				
18	TIE-0004	TIE WRAP	30				
19	241041 08	HYDRAULIC HOSE ASSY	1				
20	HHCC11005	HYDRAULIC HOSE ASSY	2				
21	BRA-08015	BRAKE RAM	3				
22	HACAA0305	HYDRAULIC FITTING	1				
23	WSH-1005	DOWTY WASHER	2				
24	HVB-93005	FLOW CONTROL RESTRICTOR	2				
25	SCW-0056	CAP HEAD SCREW	1				
26	WSH-0006	PLAIN WASHER	1				
27	NUT-0258	NYLOC NUT	1				

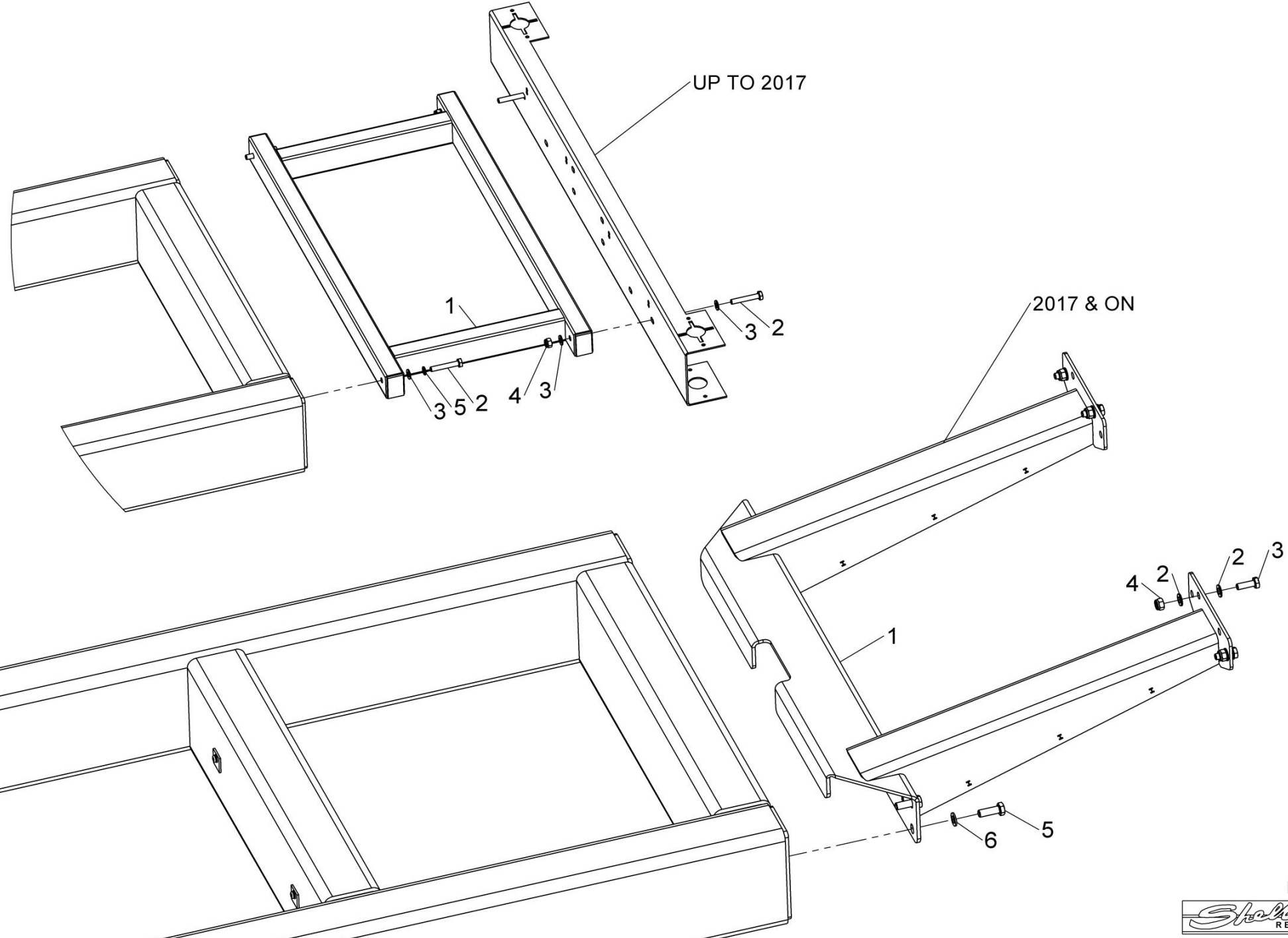


KIT-04149A & KIT-04149B



Shelbourne Reynolds Engineering Limited

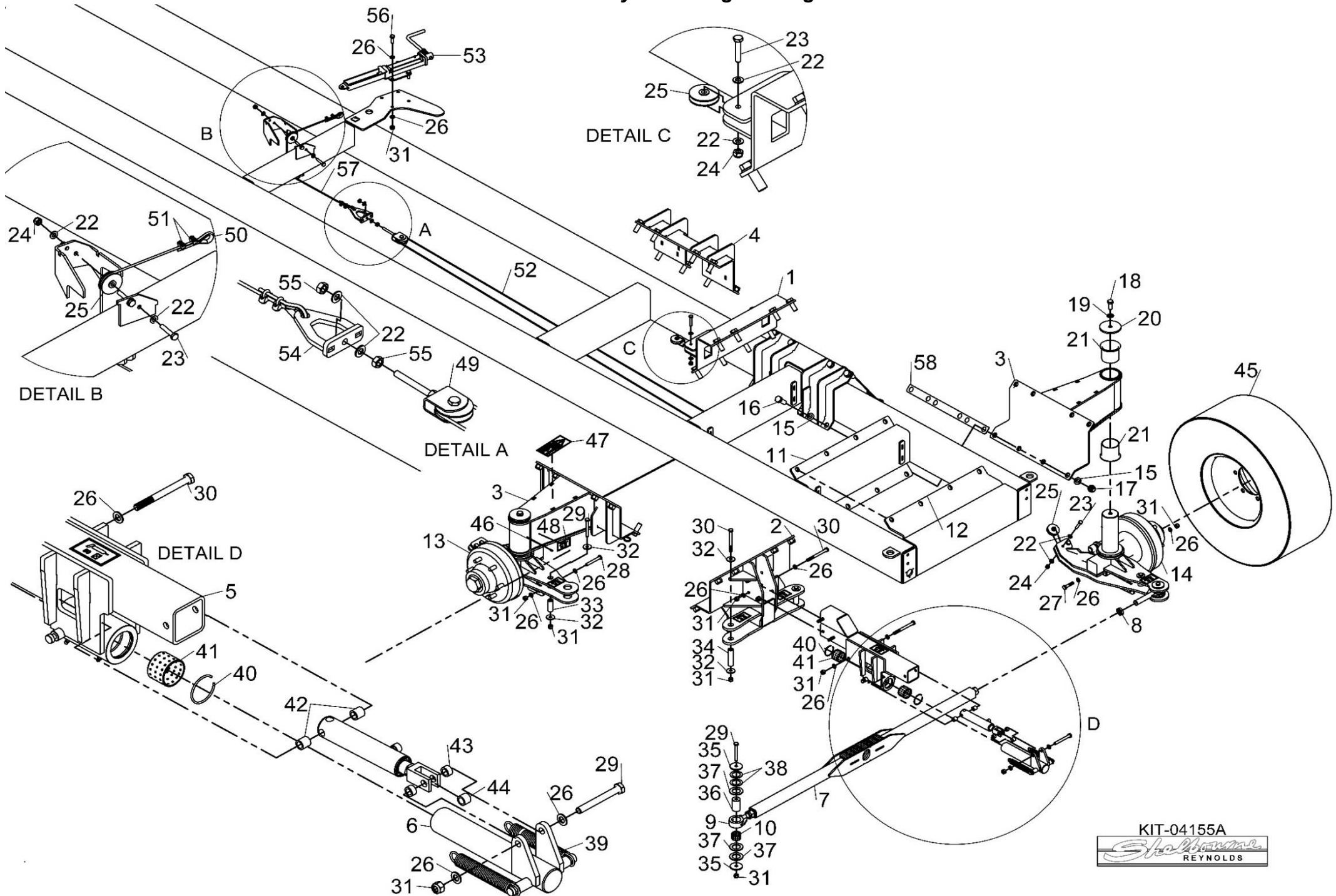
ASSY NUMBER: KIT-04152				ASSY DESCRIPTION: WIDE BACK LIGHT EXTENSION			
ITEM	PART NO	DESCRIPTION	QTY	ITEM	PART NO	DESCRIPTION	QTY
		UP TO 2017					
1	242004 01	LIGHTBOARD EXTENSION W/A	1				
2	BLTA10384	HEX HEAD BOLT	4				
3	WSH-0015	PLAIN WASHER	6				
4	NUT-0265	NYLOC NUT	2				
5	WSH-0061	SPRING WASHER	2				
		2017 & ON					
1	242370 01	LIGHTBOARD EXTENSION W/A	1				
2	WSH-0015	PLAIN WASHER	8				
3	HSS-0194	SET SCREW	4				
4	NUT-0265	NYLOC NUT	4				
5	HSS-0241	SET SCREW	4				
6	WSH-0018	PLAIN WASHER	4				



Shelbourne Reynolds Engineering Limited

ASSY NUMBER: KIT-04155A				ASSY DESCRIPTION: 'HIGH' CHASSIS STEERING KIT (FORWARD AXLE POSITION)			
ITEM	PART NO	DESCRIPTION	QTY	ITEM	PART NO	DESCRIPTION	QTY
1	241914 01	AXLE MOUNT W/ASSY	1	41	BSHO05062	WRAPPED BUSH	2
2	241874 01	HYDRAULIC RAM MOUNT W/ASSY	1	42	198811 02	SPACER TUBE	2
3	242029 01	AXLE MOUNT W/ASSY	2	43	612316 01	SPACER TUBE	2
4	241954 01	CLAMP PLATE W/ASSY	2	44	613621 01	SPACER TUBE	1
5	242076 01	PIN MOUNT W/ASSY	1	45	WHL-01521A	WHEEL & TYRE ASSY	2
6	241942 01	LOCKING BAR W/ASSY	1	46	NIP-00600	GREASE NIPPLE	6
7	242005 01	TIE BAR W/ASSY	1	47	240395 01	TRANSFER	1
8	NUT-0390	HALF NUT	2	48	127075 16	TRANSFER	7
9	241464 01	ADJUSTER W/ASSY	2	49	BRA-14002	HANDBRAKE PULLEY ASSEMBLY	1
10	BSHO04056	WRAPPED BUSH	2	50	WRP-01040	WIRE CABLE THIMBLE	4
11	241974 01	CLAMP PLATE W/ASSY	1	51	WRP-02040	WIRE CABLE CLAMP	8
12	241992 01	CLAMP PLATE	1	52	WRP-00050	WIRE CABLE	4.04m
13	241969 01	WHEEL PIVOT W/ASSY	1	53	616300 01	HANDBRAKE W/A	1
14	241969 02	WHEEL PIVOT W/ASSY	1	54	616303 01	TENSIONER W/A	1
15	WSH-0030	PLAIN WASHER	64	55	NUT-0167	PLAIN NUT	2
16	BLT-2365	HEX HEAD BOLT	32	56	HSS-0241	SET SCREW	4
17	NUA02200	NYLOC NUT	32	57	WRP-00050	WIRE CABLE	1.26m
18	HSS-0316	SET SCREW	2	58	242431 01	FLANGE SHIM	12
19	WSHA30161	WASHER	2				
20	240930 01	CAPPING PLATE	2				
21	BSHO08583	WRAPPED FLANGED BUSH B09	4				
22	WSH-0015	PLAIN WASHER	26				
23	BLTA10350	HEX HEAD BOLT	12				
24	NUT-0265	NYLOC NUT	12				
25	BRA-14101	HANDBRAKE PULLEY	6				
26	WSH-0018	PLAIN WASHER	28				
27	BLTA12350	HEX HEAD BOLT	2				
28	BLT-2267	HEX HEAD BOLT	2				
29	BLT-2270	HEX HEAD BOLT	5				
30	BLT-2273	HEX HEAD BOLT	7				
31	NUT-0269	NYLOC NUT	20				
32	190548 44	WASHER	8				
33	241803 01	PIVOT TUBE	2				
34	241805 01	PIVOT TUBE	2				
35	198800 13	WASHER	4				
36	241799 01	PIVOT SHAFT	2				
37	198800 41	WASHER	6				
38	198800 42	WASHER	4				
39	BRA-18508	LOCK RAM SPRING	2				
40	CIR340055	INTERNAL SNAP RING	2				

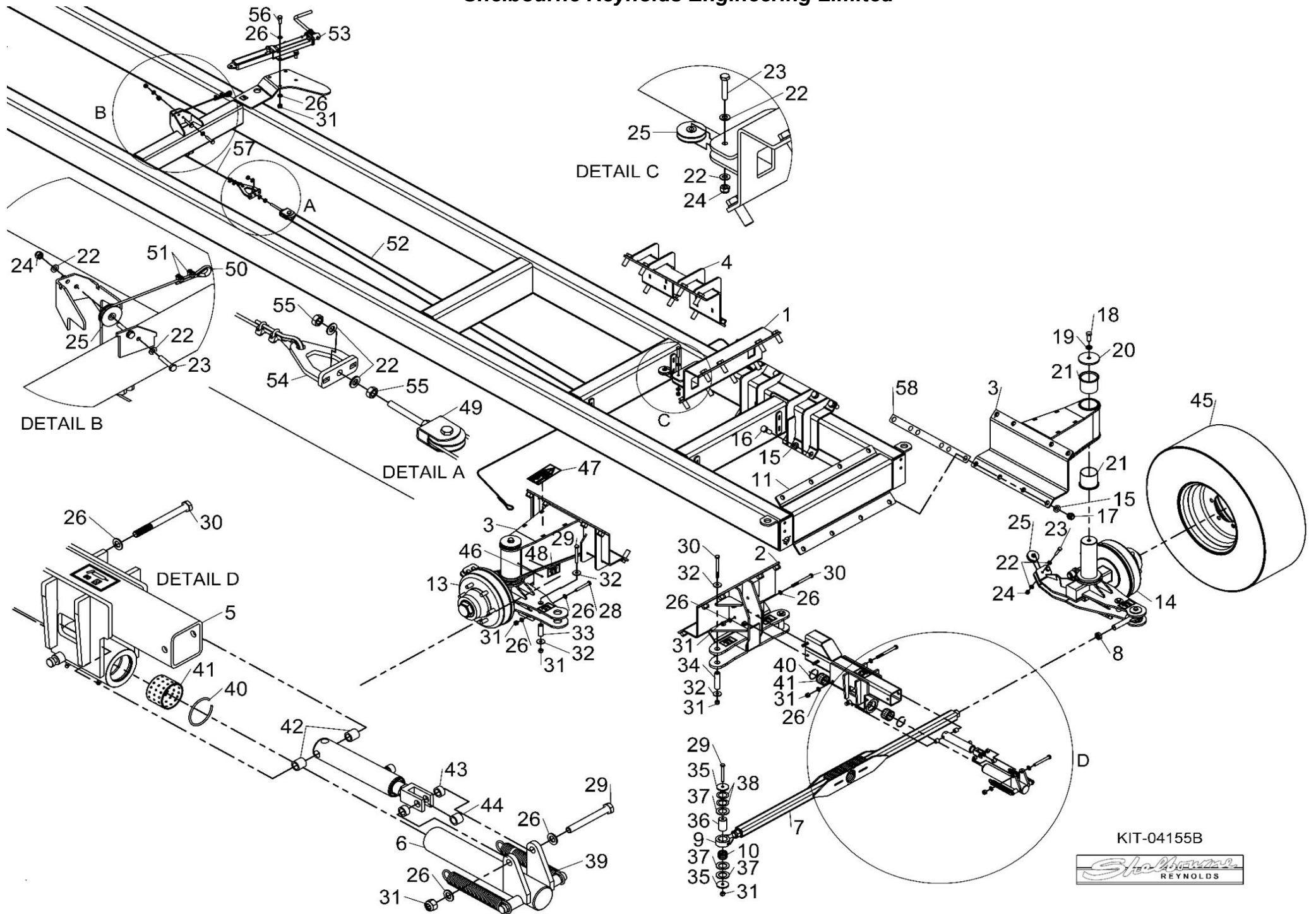
Shelbourne Reynolds Engineering Limited



KIT-04155A
Shelbourne
REYNOLDS

Shelbourne Reynolds Engineering Limited

ASSY NUMBER: KIT-04155B				ASSY DESCRIPTION: 'HIGH' CHASSIS STEERING KIT (REAR AXLE POSITION)			
ITEM	PART NO	DESCRIPTION	QTY	ITEM	PART NO	DESCRIPTION	QTY
1	241914 01	AXLE MOUNT W/ASSY	1	41	BSHO05062	WRAPPED BUSH	2
2	241874 01	HYDRAULIC RAM MOUNT W/ASSY	1	42	198811 02	SPACER TUBE	2
3	242029 01	AXLE MOUNT W/ASSY	2	43	612316 01	SPACER TUBE	2
4	241954 01	CLAMP PLATE W/ASSY	2	44	613621 01	SPACER TUBE	1
5	242076 01	PIN MOUNT W/ASSY	1	45	WHL-01521A	WHEEL & TYRE ASSY	2
6	241942 01	LOCKING BAR W/ASSY	1	46	NIP-00600	GREASE NIPPLE	6
7	242005 01	TIE BAR W/ASSY	1	47	240395 01	TRANSFER	1
8	NUT-0390	HALF NUT	2	48	127075 16	TRANSFER	7
9	241464 01	ADJUSTER W/ASSY	2	49	BRA-14002	HANDBRAKE PULLEY ASSEMBLY	1
10	BSHO04056	WRAPPED BUSH	2	50	WRP-01040	WIRE CABLE THIMBLE	4
11	241974 01	CLAMP PLATE W/ASSY	1	51	WRP-02040	WIRE CABLE CLAMP	8
12				52	WRP-00050	WIRE CABLE	5.54m
13	241969 01	WHEEL PIVOT W/ASSY	1	53	616300 01	HANDBRAKE W/A	1
14	241969 02	WHEEL PIVOT W/ASSY	1	54	616303 01	TENSIONER W/A	1
15	WSH-0030	PLAIN WASHER	48	55	NUT-0167	PLAIN NUT	2
16	BLT-2365	HEX HEAD BOLT	24	56	HSS-0241	SET SCREW M	4
17	NUTA02200	NYLOC NUT	24	57	WRP-00050	WIRE CABLE	1.26m
18	HSS-0316	SET SCREW	2	58	242431 01	FLANGE SHIM	12
19	WSHA30161	WASHER	2				
20	240930 01	CAPPING PLATE	2				
21	BSHO08583	WRAPPED FLANGED BUSH B09	4				
22	WSH-0015	PLAIN WASHER	26				
23	BLTA10350	HEX HEAD BOLT	12				
24	NUT-0265	NYLOC NUT	12				
25	BRA-14101	HANDBRAKE PULLEY	6				
26	WSH-0018	PLAIN WASHER	28				
27							
28	BLT-2267	HEX HEAD BOLT	2				
29	BLT-2270	HEX HEAD BOLT	5				
30	BLT-2273	HEX HEAD BOLT	7				
31	NUT-0269	NYLOC NUT	18				
32	190548 44	WASHER	8				
33	241803 01	PIVOT TUBE	2				
34	241805 01	PIVOT TUBE	2				
35	198800 13	WASHER	4				
36	241799 01	PIVOT SHAFT	2				
37	198800 41	WASHER	6				
38	198800 42	WASHER	4				
39	BRA-18508	LOCK RAM SPRING	2				
40	CIR340055	INTERNAL SNAP RING	2				

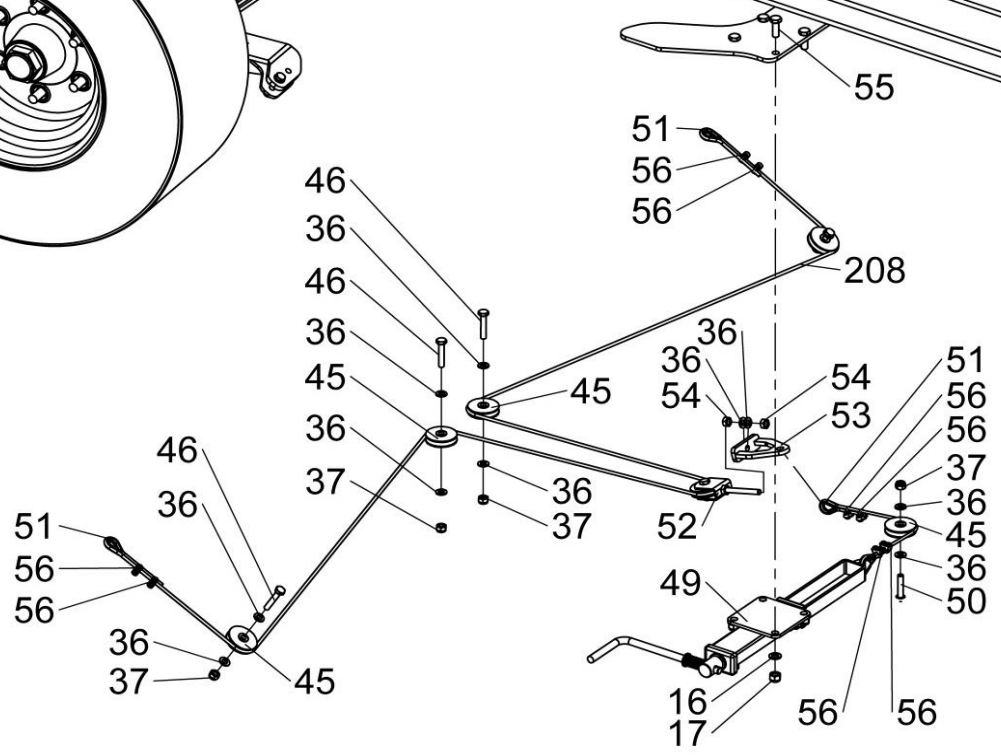
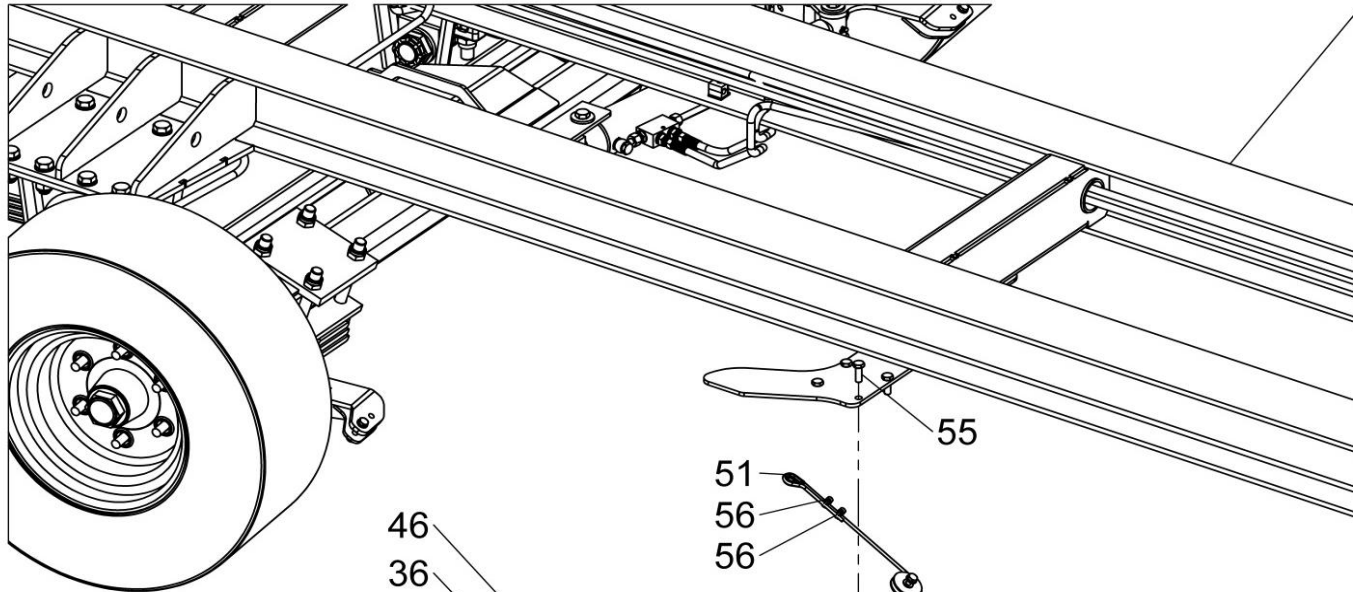
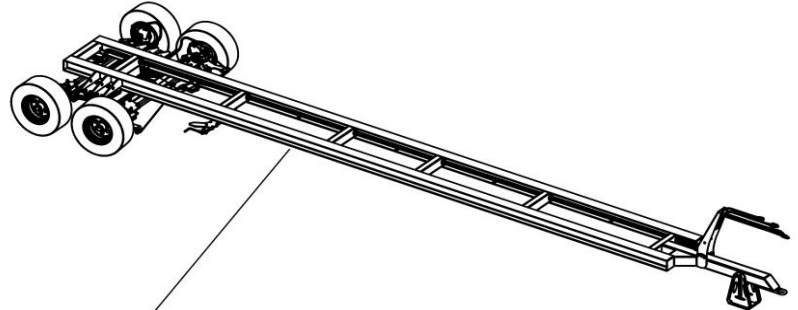


Shelbourne Reynolds Engineering Limited

ASSY NUMBER: KIT-04158				ASSY DESCRIPTION: STEERING TANDEM AXLE KIT			
ITEM	PART NO	DESCRIPTION	QTY	ITEM	PART NO	DESCRIPTION	QTY
1	AXL-00260	BOGIE SUSPENSION UNIT	1	39	BSHN06071	WRAPPED BRONZE BUSH	8
2	WSH-0030	WASHER	32	40	BLTA12350	BOLT	4
3	NUTA02200	NYLOC NUT	16	41	190119 07	WASHER	8
4	BLT-2366	BOLT	16	42	NUT-0271	NYLOC NUT	8
5	242137 01	STEERING FRONT AXLE W/A (2016)	1	43	BLTA16710	BOLT	2
OR	242423 01	STEERING FRONT AXLE W/A (2017&ON)		44	241175 01	MODIFIED BRAKE LEVER	4
6	242159 01	LOCKING BAR W/A (2016)	1	45	BRA-14101	HANDRAKE PULLEY	5
OR	242428 01	LOCKING PIN W/A (2017&ON)		46	BLTA10350	BOLT	8
7	CIR340055	SNAP RING	1	47	BLT-2325	BOLT	2
8	BSHO05062	BUSH	2	48	BSHO04056	BUSH	4
9	BRA-08015	BRAKE RAM CYLINDER	1	49	616300 01	HANDBRAKE W/A	1
10	612316 01	SPACER TUBE	2	50	HSS-0210	BOLT	1
11	613621 01	SPACER TUBE	1	51	WRP-01040	WIRE CABLE THIMBLE	4
12	BRA-18508	BRAKE RAM	2	52	BRA-14002	HANDBRAKE PULLEY ASSY	1
13	NIP-00610	GREASE NIPPLE	4	53	616303 01	TENSIONER W/A	1
14	NIP-00600	GREASE NIPPLE	6	54	NUT-0167	PLAIN NUT	2
15	242158 01	STEERING REAR AXLE W/A	1	55	HSS-0241	SETSCREW	4
16	WSH-0018	WASHER	24	56	WRP-02040	CLAMP	8
17	NUT-0269	NYLOC NUT	18	57	FITA11103	HYD 4WAY FITTING	1
18	BLT-2267	BOLT	5	58	FITA10130	HYD TEE FIT	1
19	BLT-2270	BOLT	1	59	HCPA01200	PIPE CLAMP	9
20	242175 01	FRONT LEFT STUB AXLE	1	60	HFAF71003	FEM.STR.HOSE END	9
21	242178 01	REAR RIGHT STUB AXLE	1	61	HFAG71003	FEM 90 DEG.HOSE END	8
22	242176 01	FRONT RIGHT STUB AXLE	1	62	WSH-0009	PLAIN WASHER	2
23	242177 01	REAR LEFT STUB AXLE	1	63	NUT-0260	NYLOC NUT	2
24	WHL-01522	WHEEL & TYRE ASSY	4	64	SCEA06413	CAP HD SCREW	2
25	242196 01	HYDRAULIC CYLINDER	2	65	SCW-0083	CAP HD SCREW	5
26	241464 01	ADJUSTER ASSY	4	66	WSH-1010	DOWTY WASHER	4
27	242165 01	TIE BAR W/A	1	67	FIT-0025	ADAPTOR	4
28	242163 01	TIE BAR W/A	1	68	HVB-93005	FLOW CONTROL RESTRICTOR	2
29	242167 01	PIVOT SHAFT	4	69	WSH-1005	DOWTY WASHER	2
30	242174 01	PIVOT TUBE	2	70	HMA-0055	ADAPTOR	4
31	242168 01	PIVOT TUBE	2	71	WSH-1015	DOWTY WASHER	4
32	198800 13	WASHER	8	72	COU-0162	QUICK RELEASE COUPLING	3
33	BLTA12500	BOLT	4	73	HQR-1007	BRAKE COUPLING	1
34	242171 01	PIVOT PIN W/A	4	74	TIE-0012	TIE WRAP	8
35	BRA-08005	BRAKE RAM CYLINDER	4	75	TIE-0004	TIE WRAP	50
36	WSH-0015	WASHER	28	76	NUT-0390	HALF NUT	4
37	NUT-0265	NYLOC NUT	13	77	240395 01	WHEEL & TYRE LOGO	1
38	BLTA10590	BOLT	4	78	241151 01	SHELBOURNE DECAL	2

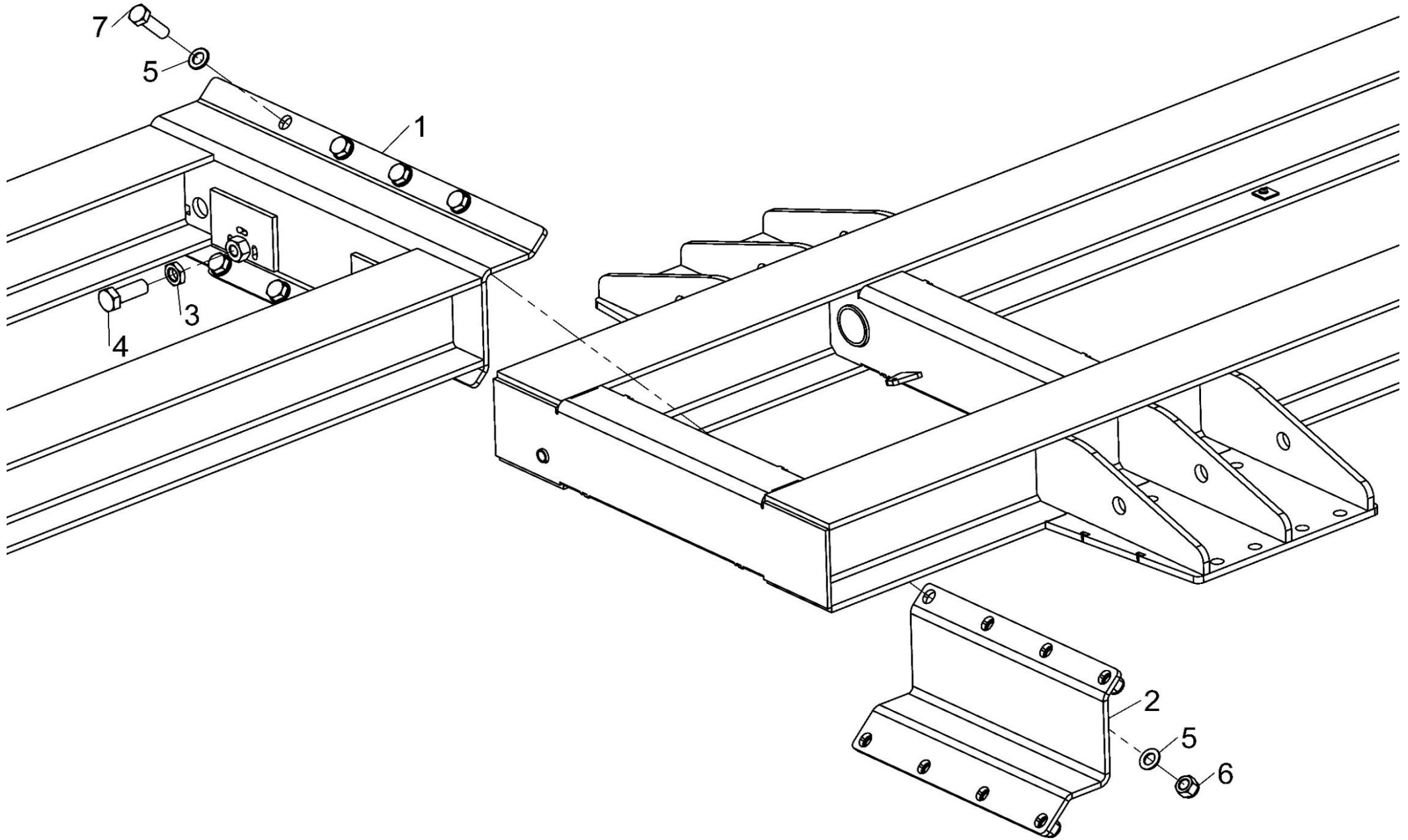
Shelbourne Reynolds Engineering Limited

ASSY NUMBER: KIT-04158				ASSY DESCRIPTION: STEERING TANDEM AXLE KIT			
ITEM	PART NO	DESCRIPTION	QTY	ITEM	PART NO	DESCRIPTION	QTY
79	TNF-0011	MANUAL TRANSFER	1				
80	260060 01	STAY CLEAR TRANSFER	1				
81	127075 16	GREASE 50hrs TRANSFER	16				
82	TPE-00250	RELECTIVE TAPE - YELLOW	1.2mt				
83	242419 01	HYDRAULIC HOSE ASSY	1				
84	242419 02	HYDRAULIC HOSE ASSY	1				
85	242419 03	HYDRAULIC HOSE ASSY	1				
86	242419 04	HYDRAULIC HOSE ASSY	1				
87	242421 01	HYDRAULIC HOSE ASSY	1				
88	242421 02	HYDRAULIC HOSE ASSY	4				
89	242475 01	ADJUSTER BRACKET W/A	1				
90	HSS-0317	SET SCREW	4				
91							
92	WSH-0024	PLAIN WASHER	8				
93	HSSA16650	SET SCREW	1				
94	NUT-0180	PLAIN NUT	3				
95	WRP-00050	WIRE CABLE	2.5m				
96	WRP-00050	WIRE CABLE	1m				



Shelbourne Reynolds Engineering Limited

ASSY NUMBER: KIT-04160				ASSY DESCRIPTION: CHASSIS EXTENSION KIT			
ITEM	PART NO	DESCRIPTION	QTY	ITEM	PART NO	DESCRIPTION	QTY
1	242300 01	CHASSIS EXTENSION W/A	1				
2	242304 01	CLAMP PLATE	1				
3	NUT-0390	HALF NUT	2				
4	HSS-0410	SETSCREW	2				
5	WSH-0030	WASHER	16				
6	NUTA02200	NUT	8				
7	BLTA20410	BOLT	8				

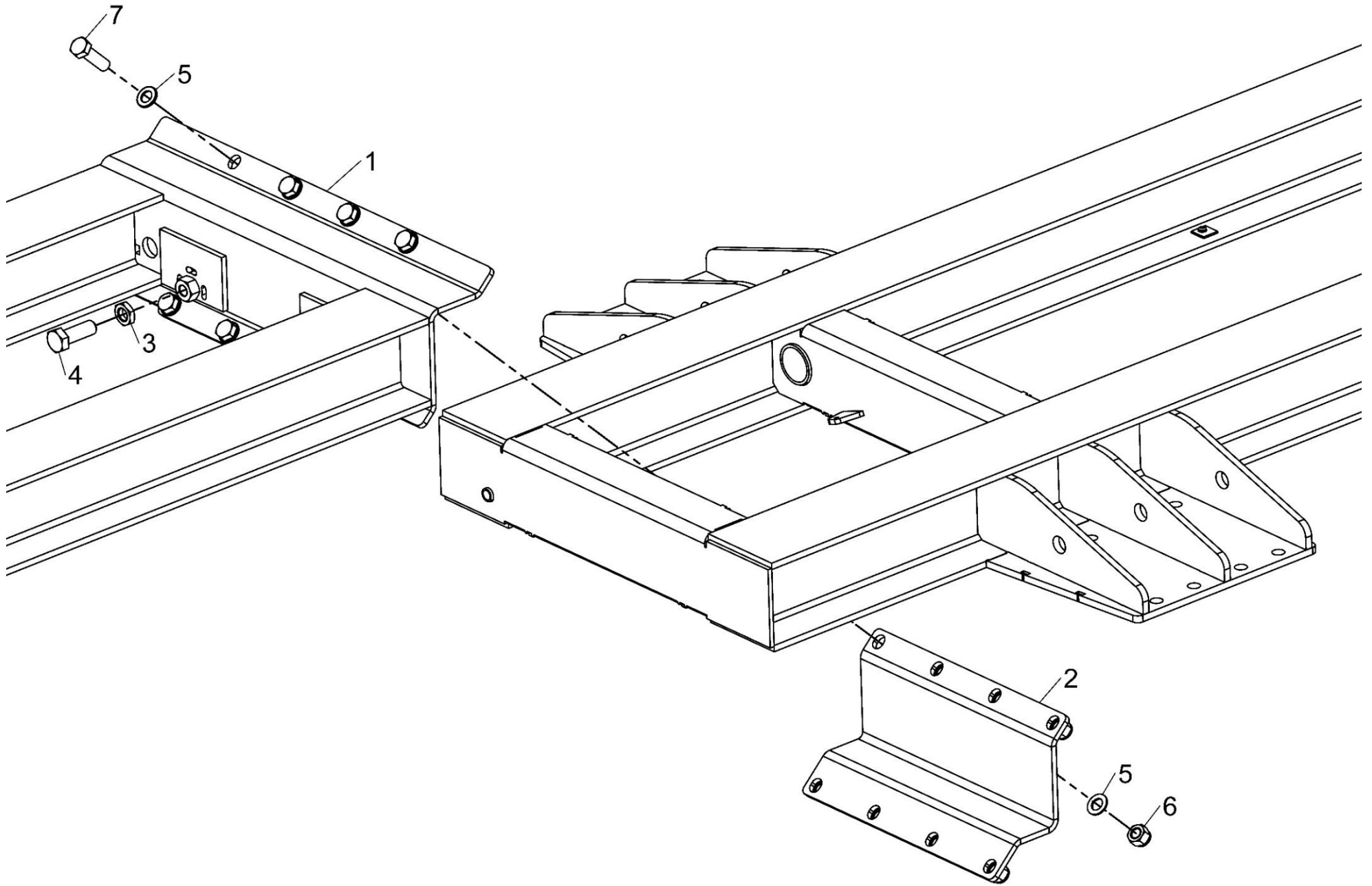


KIT-04160



Shelbourne Reynolds Engineering Limited

ASSY NUMBER: KIT-04161				ASSY DESCRIPTION: CHASSIS EXTENSION KIT			
ITEM	PART NO	DESCRIPTION	QTY	ITEM	PART NO	DESCRIPTION	QTY
1	242316 01	CHASSIS EXTENSION W/A	1				
2	242304 01	CLAMP PLATE	1				
3	NUT-0390	HALF NUT	2				
4	HSS-0410	SETSCREW	2				
5	WSH-0030	WASHER	16				
6	NUTA02200	NUT	8				
7	BLTA20410	BOLT	8				

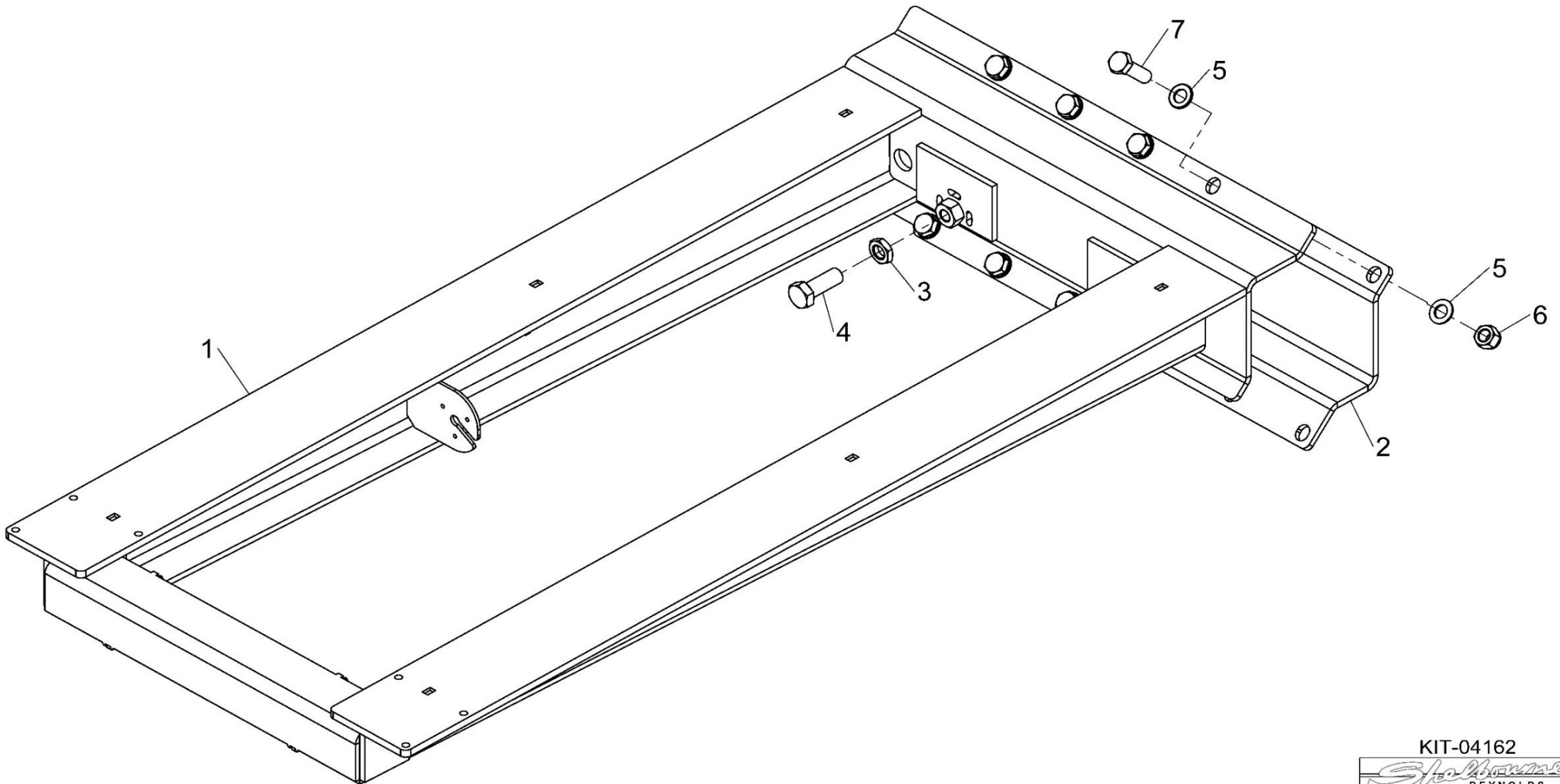


KIT-04161



Shelbourne Reynolds Engineering Limited

ASSY NUMBER: KIT-04162				ASSY DESCRIPTION: CHASSIS EXTENSION KIT			
ITEM	PART NO	DESCRIPTION	QTY	ITEM	PART NO	DESCRIPTION	QTY
1	242318 01	CHASSIS EXTENSION W/A	1				
2	242304 01	CLAMP PLATE	1				
3	NUT-0390	HALF NUT	2				
4	HSS-0410	SETSCREW	2				
5	WSH-0030	WASHER	16				
6	NUTA02200	NUT	8				
7	BLTA20410	BOLT	8				

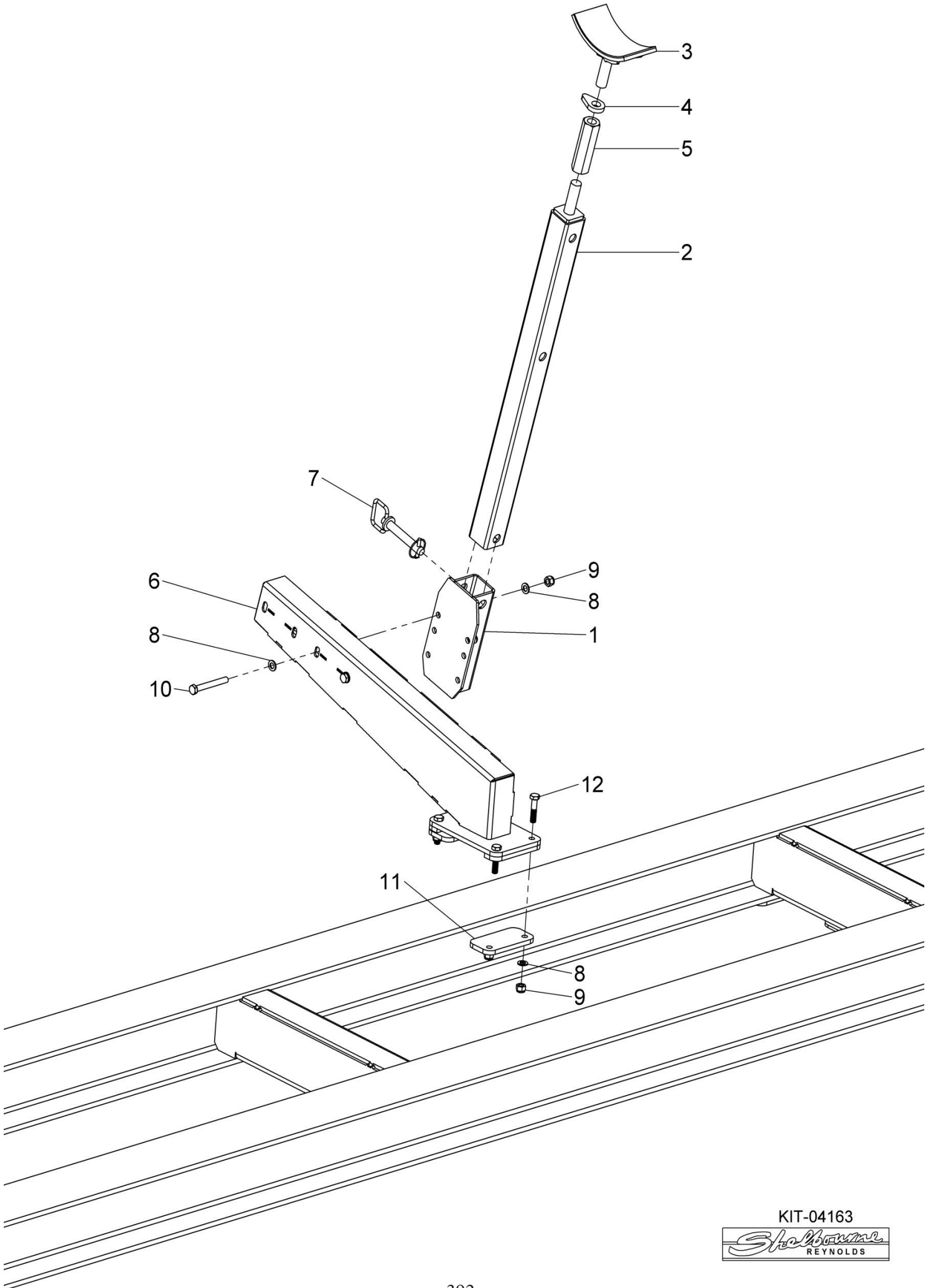


KIT-04162



Shelbourne Reynolds Engineering Limited

ASSY NUMBER: KIT-04163				ASSY DESCRIPTION: TABS REEL SUPPORT KIT			
ITEM	PART NO	DESCRIPTION	QTY	ITEM	PART NO	DESCRIPTION	QTY
1	241338 01	SUPPORT MOUNT W/A	1				
2	241331 01	SUPPORT TUBE W/A	1				
3	241353 01	SUPPORT PAD ASSY	1				
4	241322 01	HANDLE	1				
5	241321 01	ADJUSTER BODY	1				
6	242353 01	REEL SUPPORT ARM	1				
7	21728202	LYNCH PIN	1				
8	WSH-0018	PLAIN WASHER	8				
9	NUT-0269	NYLOC NUT	6				
10	BLT-2270	BOLT	2				
11	242357 01	CLAMP PLATE	2				
12	BLTA12350	BOLT	4				

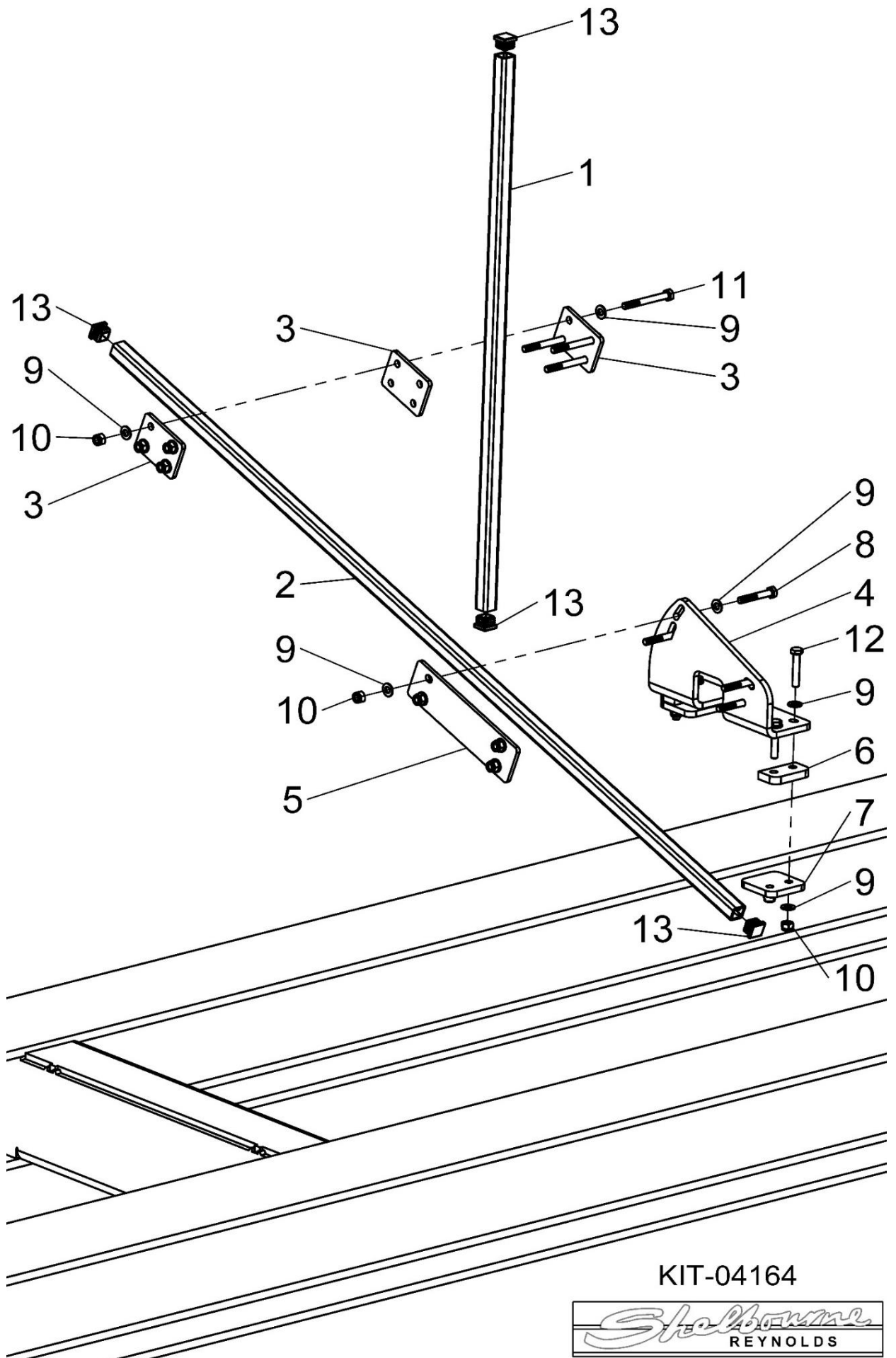


KIT-04163



Shelbourne Reynolds Engineering Limited

ASSY NUMBER: KIT-04164				ASSY DESCRIPTION: TABS CENTRAL MARKER KIT			
ITEM	PART NO	DESCRIPTION	QTY	ITEM	PART NO	DESCRIPTION	QTY
1	241254 01	MOUNTING TUBE	1				
2	241711 01	MOUNTING TUBE	1				
3	241255 01	MOUNTING PLATE	3				
4	242082 01	CLAMP BRACKET	1				
5	241253 01	TUBE MOUNTING PLATE	1				
6	242348 01	SPACER PLATE	2				
7	242349 01	CLAMP PLATE	2				
8	BLTA08320	BOLT	4				
9	WSH-0012	WASHER	24				
10	NUT-0263	NYLOC NUT	12				
11	BLTA08440	BOLT	4				
12	HSS-0155	SETSCREW	4				
13	CAP-0007	END CAP	4				

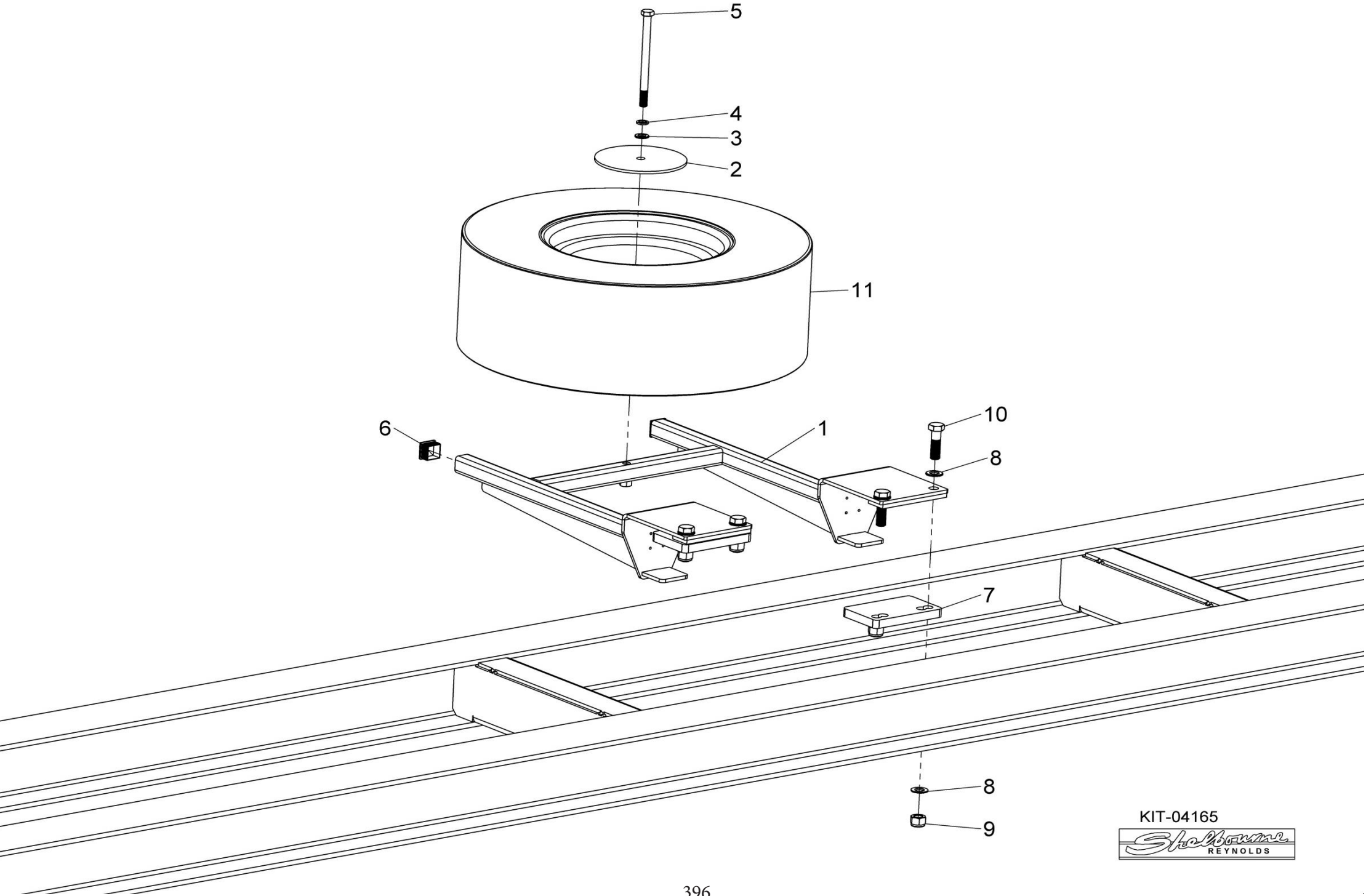


KIT-04164



Shelbourne Reynolds Engineering Limited

ASSY NUMBER: KIT-04165				ASSY DESCRIPTION: SPARE WHEEL BRACKET			
ITEM	PART NO	DESCRIPTION	QTY	ITEM	PART NO	DESCRIPTION	QTY
1	242237 01	TABS SPARE WHEEL W/A	1				
2	240284 01	CLAMP PLATE	1				
3	WSH-0024	PLAIN WASHER	1				
4	WSH-0070	SPRING WASHER	1				
5	BLTA16860	BOLT	1				
6	CAP-0010	PLASTIC END CAP	2				
7	242289 01	CLAMP PLATE	2				
8	WSH-0030	PLAIN WASHER	8				
9	NUTA02200	NYLOC NUT	4				
10	BLT-2367	BOLT	4				
11	WHL-01522	WHEEL & TYRE	1				

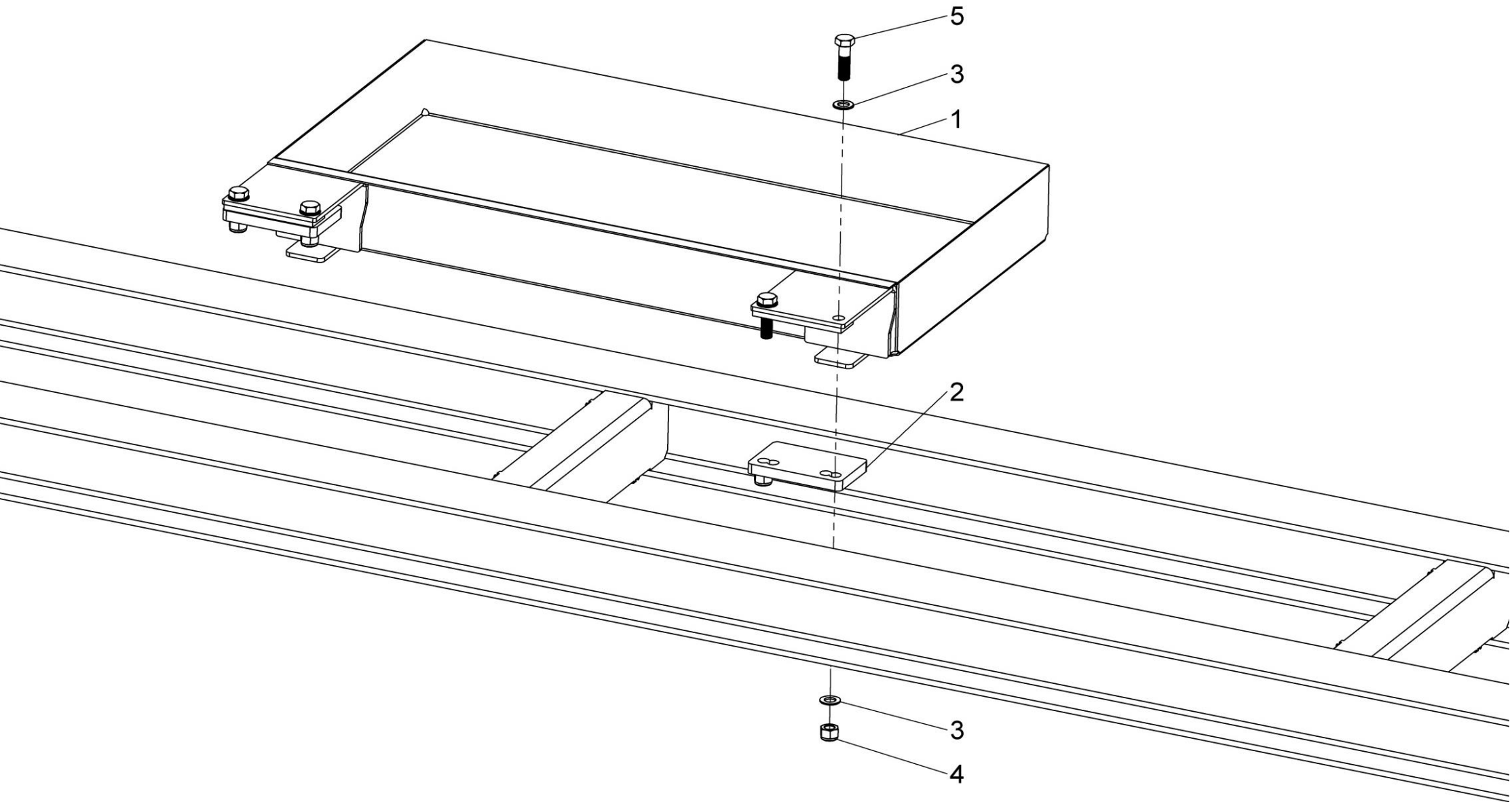


KIT-04165



Shelbourne Reynolds Engineering Limited

ASSY NUMBER: KIT-04166				ASSY DESCRIPTION: TABS ACCESSORY B05			
ITEM	PART NO	DESCRIPTION	QTY	ITEM	PART NO	DESCRIPTION	QTY
1	242153 01	TABS ACCESSORY BOX W/A	1				
2	242289 01	CLAMP PLATE	2				
3	WSH-0030	PLAIN WASHER (M20)	8				
4	NUTA02200	NYLOC NUT (M20)	4				
5	BLT-2367	BOLT (M20x70)	4				

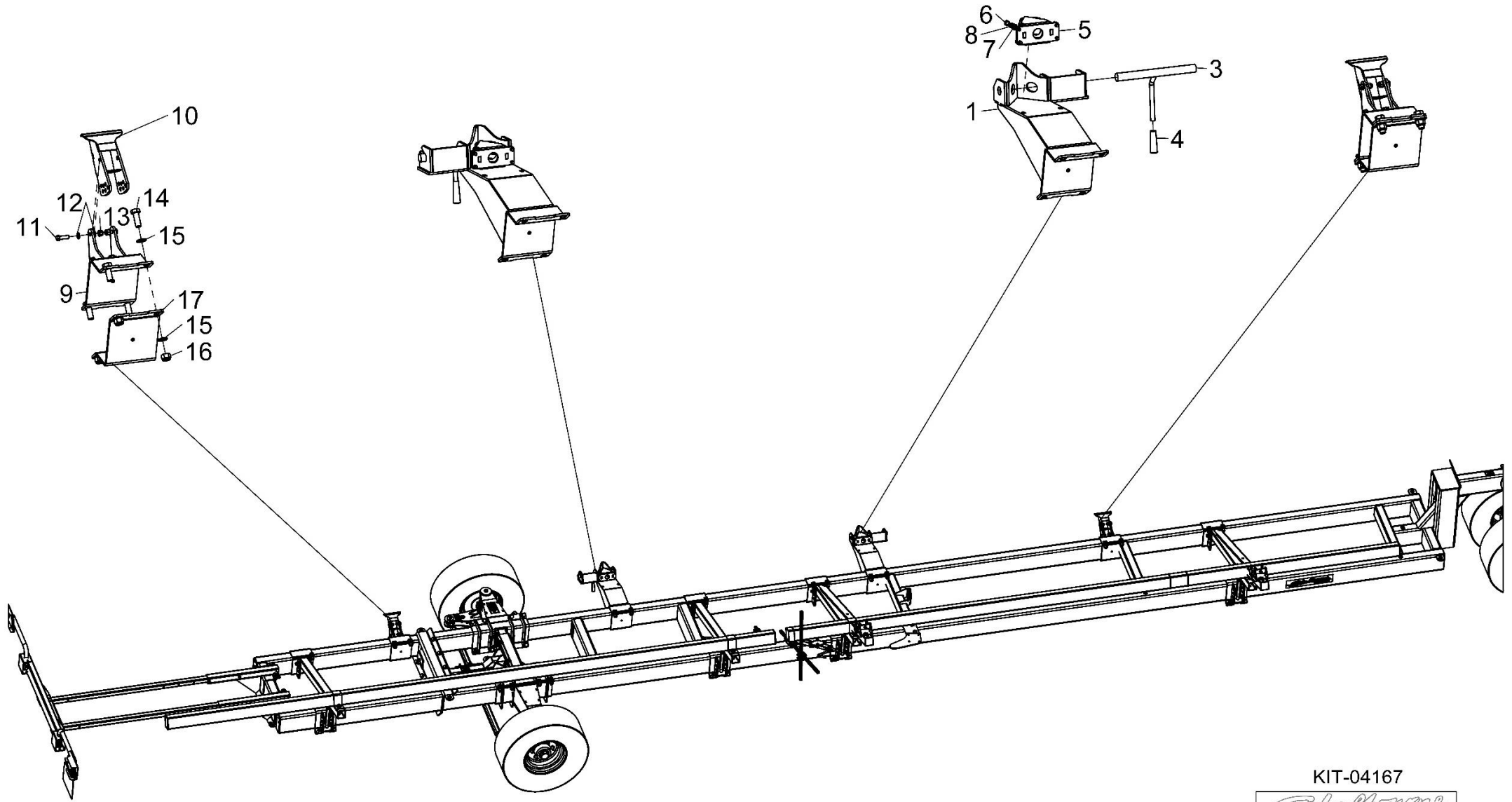


KIT-04166



Shelbourne Reynolds Engineering Limited

ASSY NUMBER: KIT-04167				ASSY DESCRIPTION: MACDON RETROFIT V GUIDES & WHEEL SUPPORTS			
ITEM	PART NO	DESCRIPTION	QTY	ITEM	PART NO	DESCRIPTION	QTY
1	242389 01	V MOUNTING BRACKET W/A	1				
2	242389 02	V MOUNTING BRACKET W/A	1				
3	241851 01	LOCKING PIN	2				
4	HAN-2000	PLASTIC LEVER END	2				
5	242392 01	'V' BRACKET W/A	2				
6	HSS-1054	BOLT	8				
7	WSH-0015	PLAIN WASHER	8				
8	WSH-0061	SPRING WASHER	8				
9	242413 01	GAUGE WHEEL BRACKET W/A	2				
10	242415 01	PIVOT BLOCK W/A	2				
11	HSS-0250	SET SCREW	8				
12	WSH-0018	PLAIN WASHER	16				
13	NUT-0269	NYLOC NUT	8				
14	BLT-2365	HEX HEAD BOLT	8				
15	WSH-0030	PLAIN WASHER	16				
16	NUTA02200	NYLOC NUT	8				
17	241202 01	CLAMP PLATE	2				

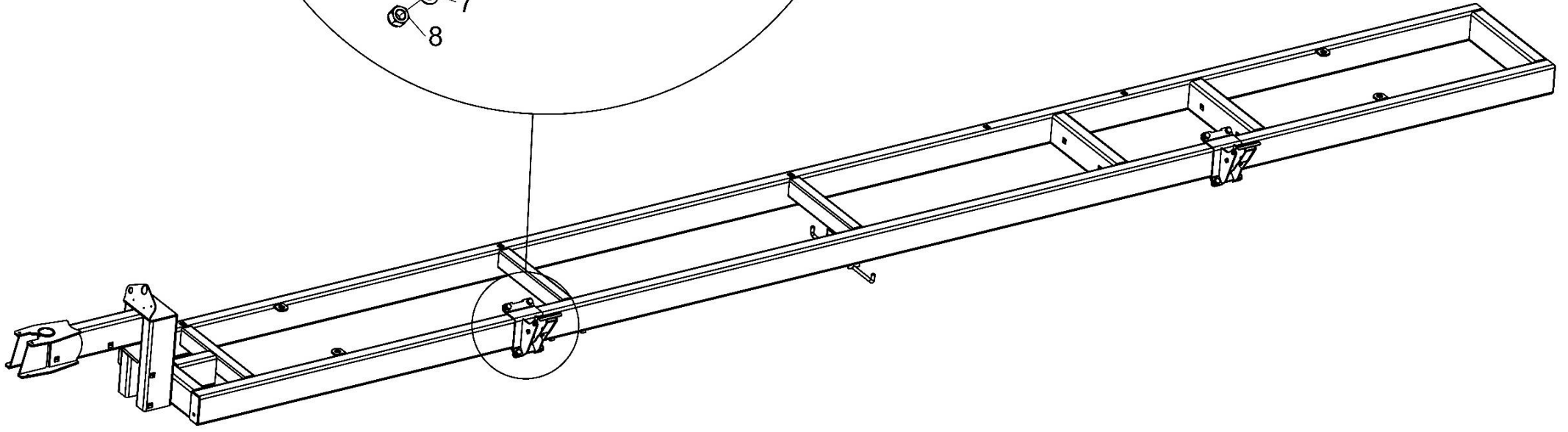
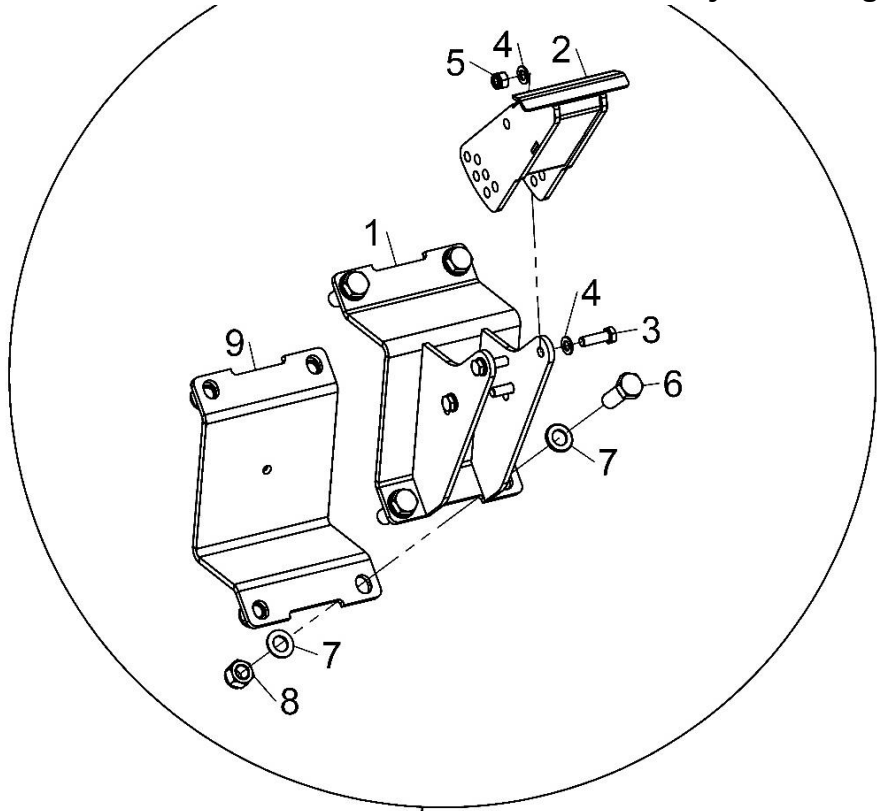


KIT-04167



Shelbourne Reynolds Engineering Limited

ASSY NUMBER: KIT-04168				ASSY DESCRIPTION: MACDON RETROFIT GAUGE WHEEL SUPPORT KIT			
ITEM	PART NO	DESCRIPTION	QTY	ITEM	PART NO	DESCRIPTION	QTY
1	242413 01	GAUGE WHEEL BRACKET W/A	2				
2	242415 01	PIVOT BLOCK W/A	2				
3	HSS-0250	SET SCREW	8				
4	WSH-0018	PLAIN WASHER	16				
5	NUT-0269	NYLOC NUT	8				
6	BLT-2365	HEX HEAD BOLT	8				
7	WSH-0030	PLAIN WASHER	16				
8	NUTA02200	NYLOC NUT	8				
9	241202 01	CLAMP PLATE	2				

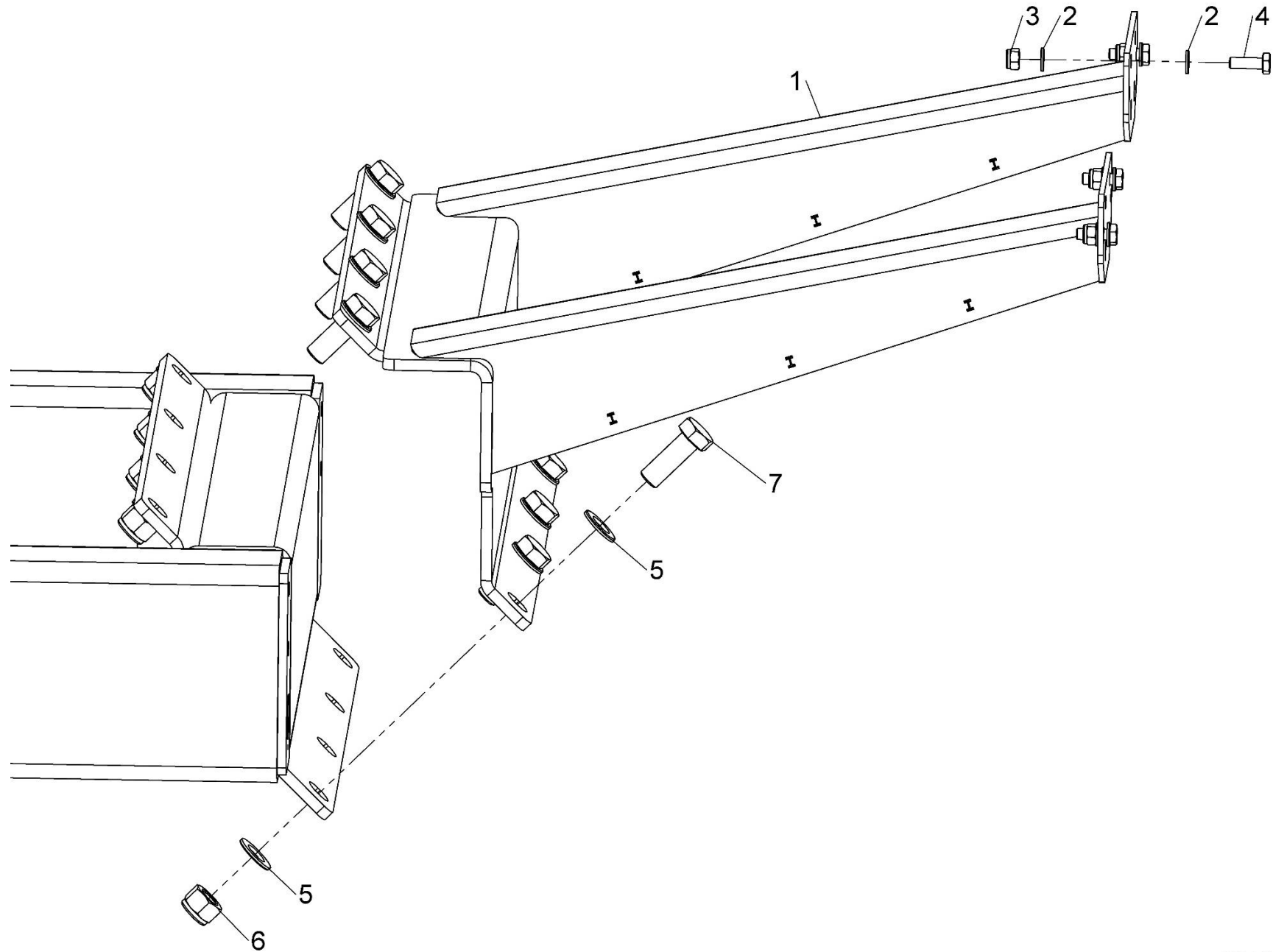


KIT-04168



Shelbourne Reynolds Engineering Limited

ASSY NUMBER: KIT-04169				ASSY DESCRIPTION: LIGHT BOARD EXTENSION KIT			
ITEM	PART NO	DESCRIPTION	QTY	ITEM	PART NO	DESCRIPTION	QTY
1	242420 01	LIGHTBOARD EXTENSION W/A	1				
2	WSH-0015	PLAIN WASHER	8				
3	NUT-0265	NYLOC NUT	4				
4	HSS-0194	SET SCREW	4				
5	WSH-0030	PLAIN WASHER	16				
6	NUTA02200	NYLOC NUT	8				
7	BLT-2365	BOLT	8				

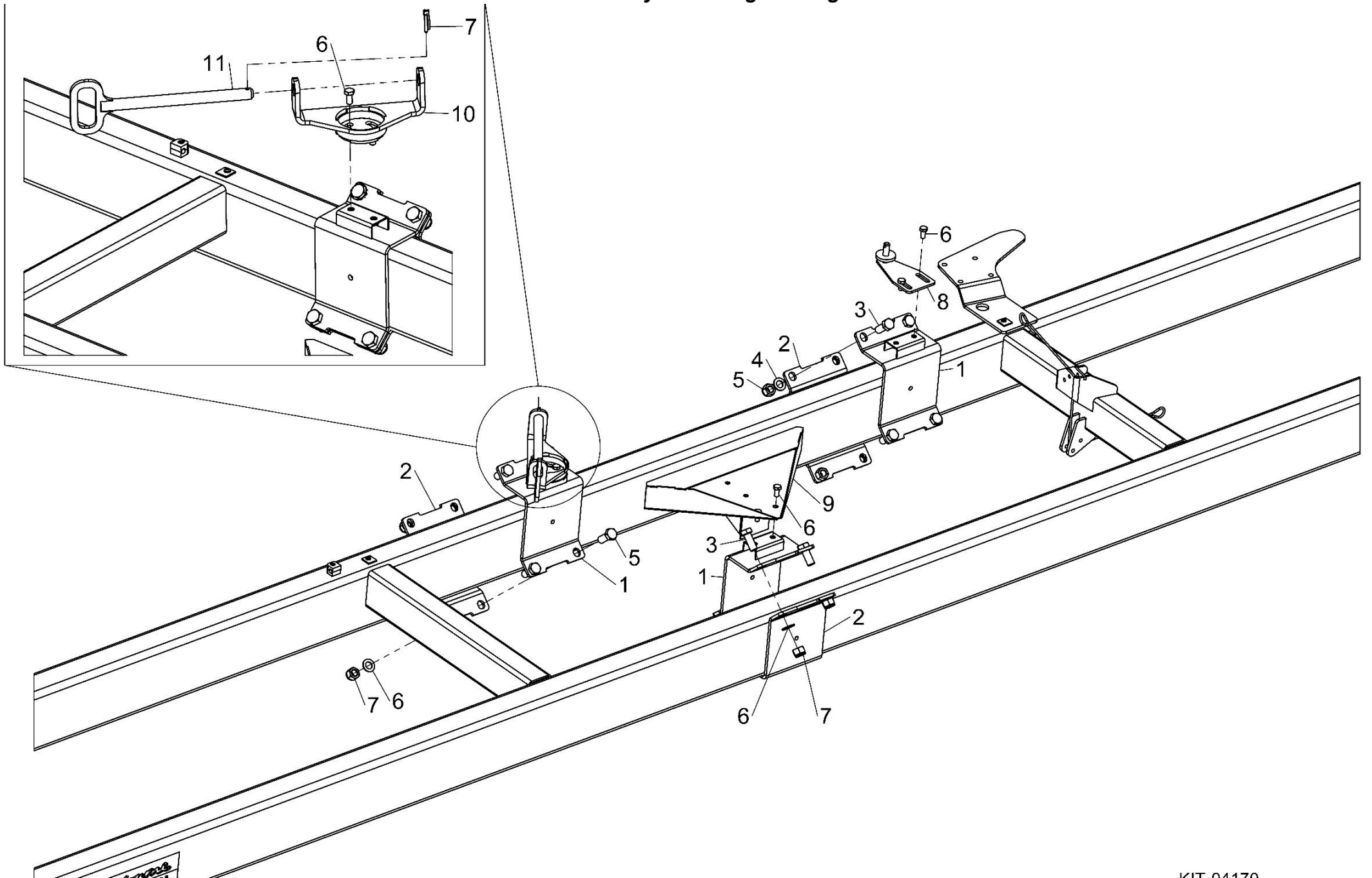


KIT-04169



Shelbourne Reynolds Engineering Limited

ASSY NUMBER: KIT-04170				ASSY DESCRIPTION: DELTA SUPERFLOW SIDE KNIFE STORAGE KIT			
ITEM	PART NO	DESCRIPTION	QTY	ITEM	PART NO	DESCRIPTION	QTY
1	242432 01	CLAMP BRACKET W/ MOUNT POINT	6				
2	241202 01	CLAMP PLATE	6				
3	HSS-0355	BOLT	24				
4	WSH-0030	PLAIN WASHER	24				
5	NUTA02200	NYLOC	24				
6	HSS-0235	BOLT	10				
7	PIN-01601	LYNCH PIN	4				
8	242437 01	LOCATION PIN W/ASSY	2				
9	242446 01	TRIANGLE BOX W/ASSY	2				
10	242441 01	KNIFE LOCATOR W/ASSY	2				
11	242451 01	RETAINING PIN W/ASSY	2				

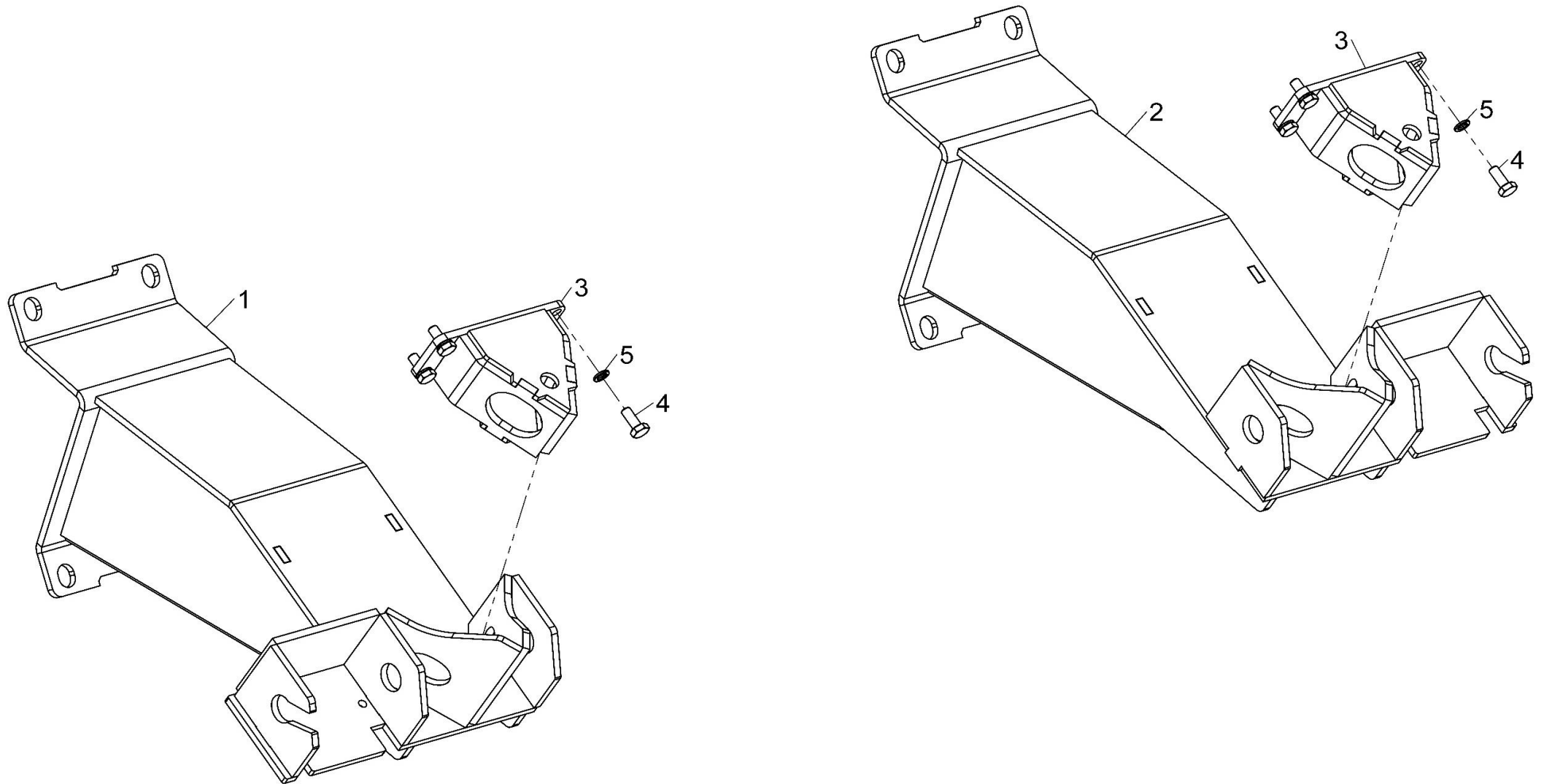


KIT-04170



Shelbourne Reynolds Engineering Limited

ASSY NUMBER: KIT-04171				ASSY DESCRIPTION: MACDON V GUIDE RETROFIT KIT			
ITEM	PART NO	DESCRIPTION	QTY	ITEM	PART NO	DESCRIPTION	QTY
1	242389 01	MACDON V GUIDE MOUNTING W/A	1				
2	242389 02	MACDON V GUIDE MOUNTING W/A	1				
3	242392 01	MACDON V BRACKET W/A	2				
4	HSS-1054	BOLT	8				
5	WSH-0061	SPRING WASHER	8				

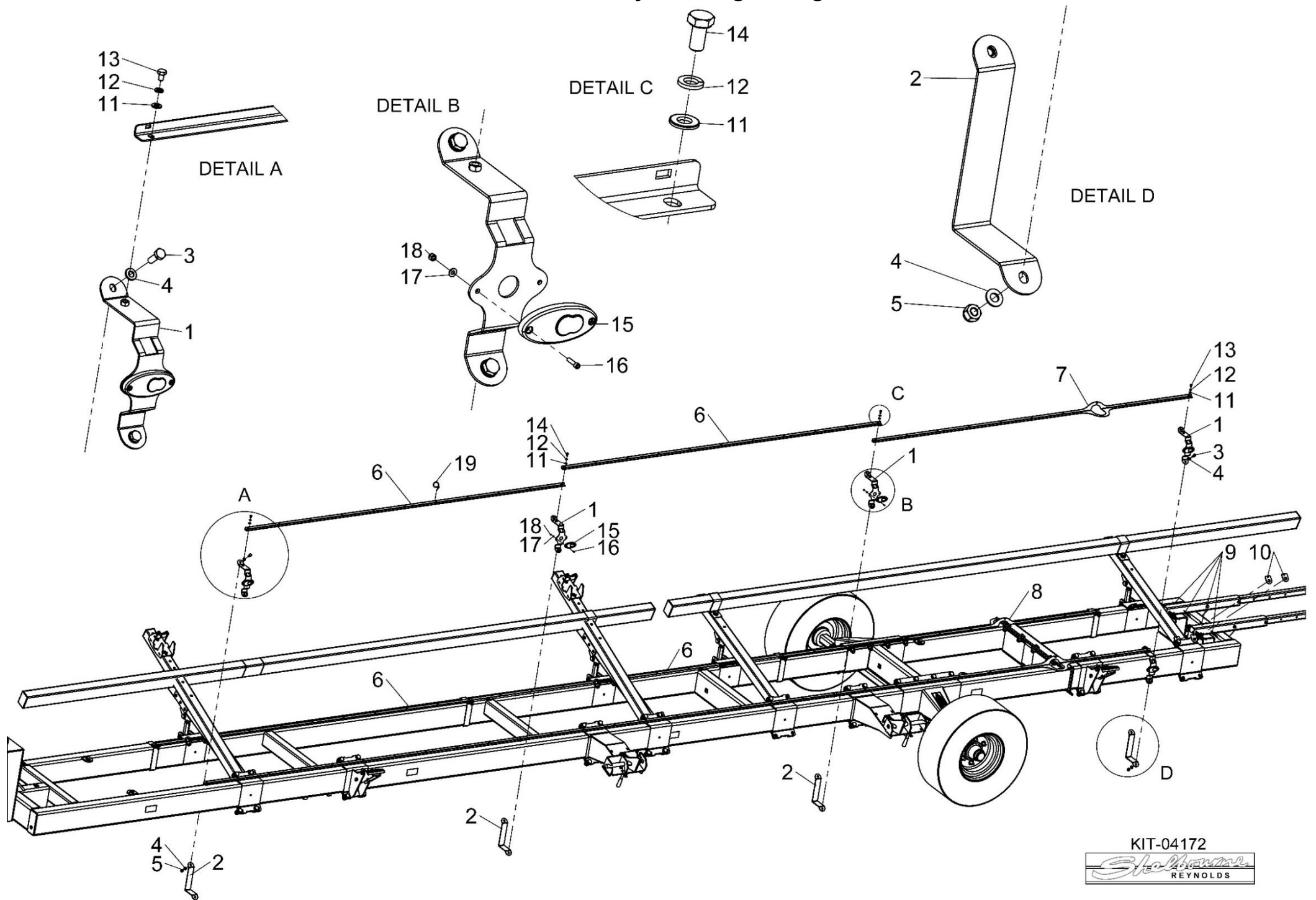


KIT-04171



Shelbourne Reynolds Engineering Limited

ASSY NUMBER: KIT-04172				ASSY DESCRIPTION: FW/S SIDE MARKER LIGHT KIT			
ITEM	PART NO	DESCRIPTION	QTY	ITEM	PART NO	DESCRIPTION	QTY
1	242505 01	MARKER LAMP BRACKET W/A	8				
2	242498 01	MARKER LAMP CLAMP BRACKET	8				
3	HSS-0194	SET SCREW	16				
4	WSH-0015	PLAIN WASHER	32				
5	NUT-0265	NYLOC NUT	16				
6	242506 01	CABLE HOLDER	4				
7	242507 01	CABLE HOLDER	1				
8	242507 02	CABLE HOLDER	1				
9	242508 01	CABLE HOLDER	4				
10	242515 01	CABLE HOLDER	4				
11	WSH-0012	PLAIN WASHER	8				
12	WSH-0058	SPRING WASHER	8				
13	HSS-0130	SET SCREW	4				
14	HSS-0135	SET SCREW	4				
15	242499 01	MARKER LIGHT AND WIRING KIT	1				
16	SCCA04113	CAP HEAD SCREW	16				
17	WSH-0003	PLAIN WASHER	16				
18	NUT-0255	NYLOC NUT	16				
19	TIE-0002	CABLE TIE	62				

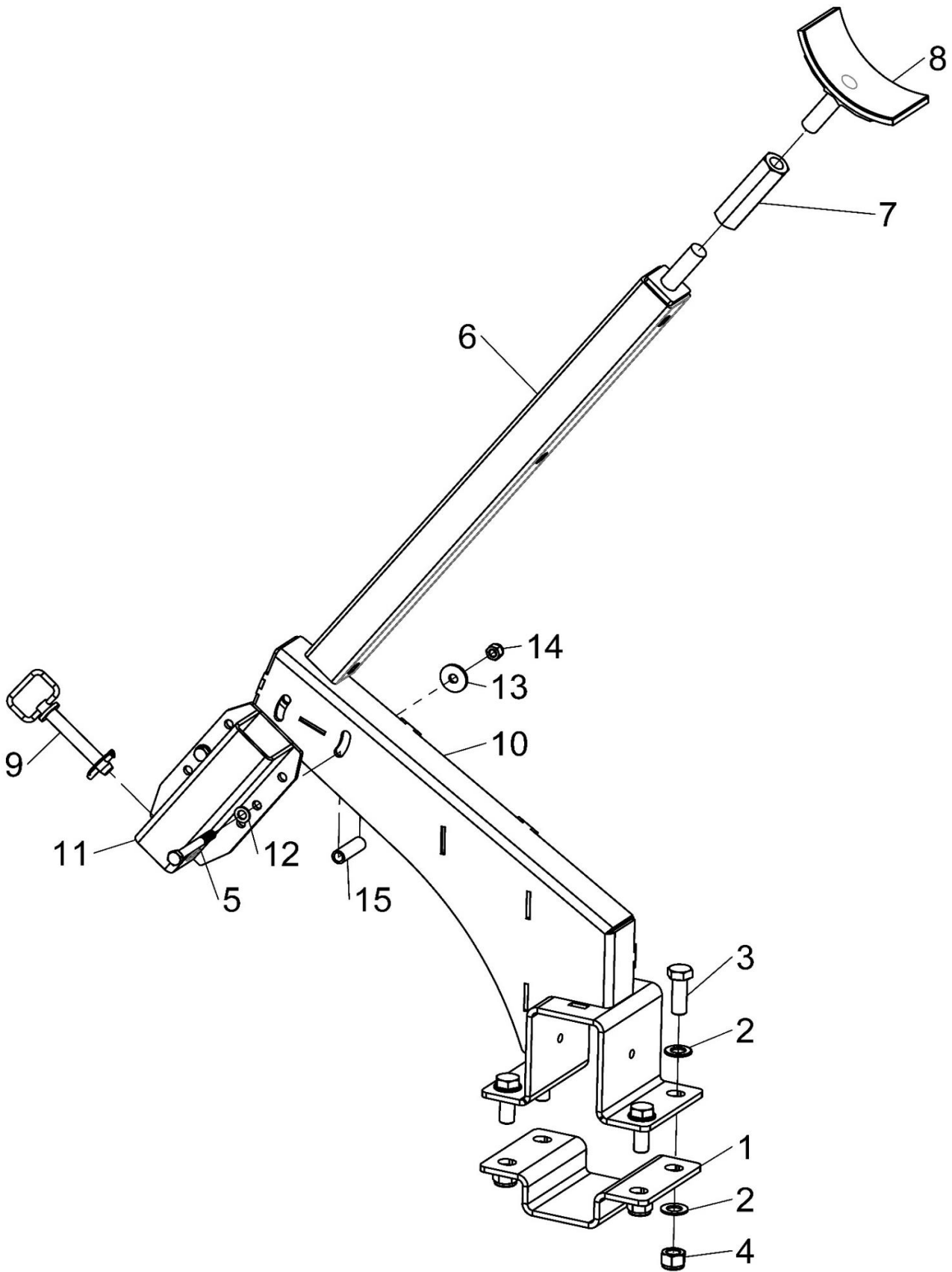


KIT-04172



Shelbourne Reynolds Engineering Limited

ASSY NUMBER: KIT-04173				ASSY DESCRIPTION: REEL SUPPORT KIT			
ITEM	PART NO	DESCRIPTION	QTY	ITEM	PART NO	DESCRIPTION	QTY
1	242057 01	HALF CLAMP	1				
2	WSH-0030	WASHER	8				
3	BLT-2365	BOLT	4				
4	NUTA02200	NYLOC NUT	4				
5	HSSA12560	BOLT	2				
6	241331 01	SUPPORT TUBE W/ASSY	1				
7	241321 01	ADJUSTER BODY	1				
8	241353 01	SUPPORT PAD ASSY	1				
9	21728202	LYNCH PIN	1				
10	242509 01	REEL SUPPORT BRACKET	1				
11	241338 01	SUPPORT MOUNT W/ASSY	1				
12	WSH-0018	WASHER	2				
13	190119 88	WASHER	2				
14	NUT-0269	NYLOC NUT	2				
15	242516 01	BOLT SPACER	2				

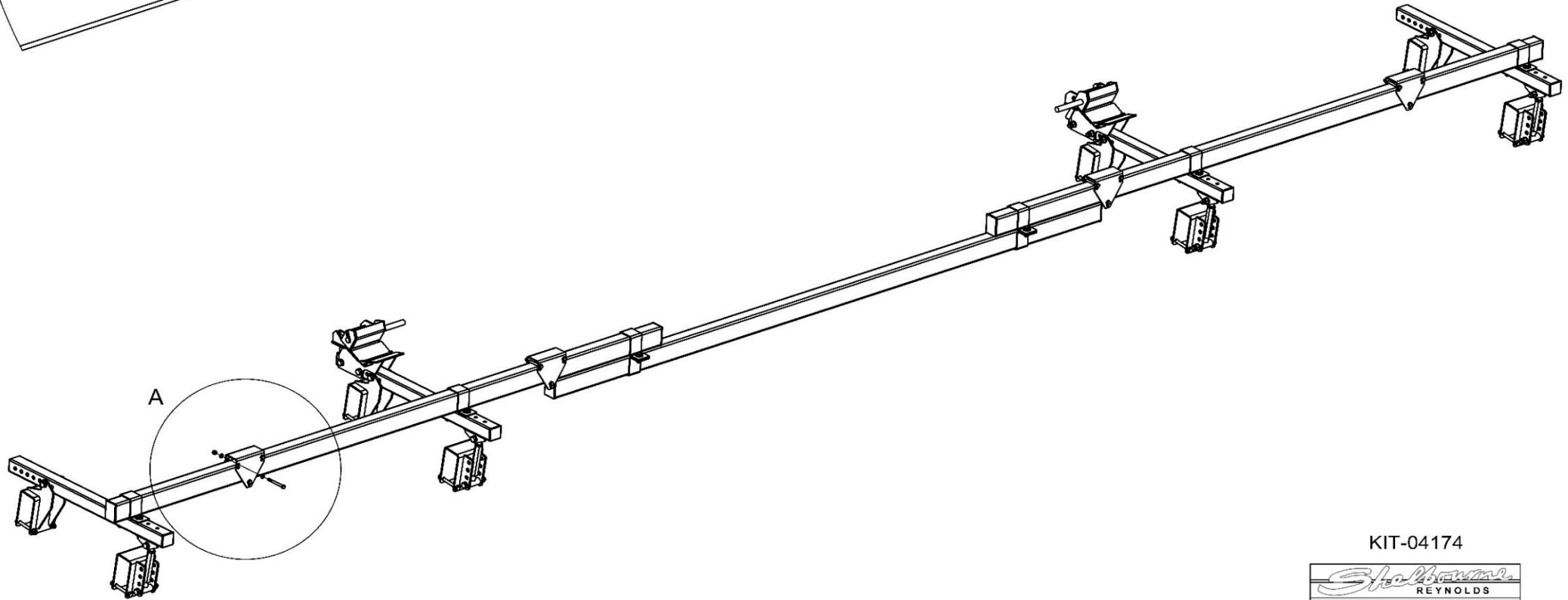
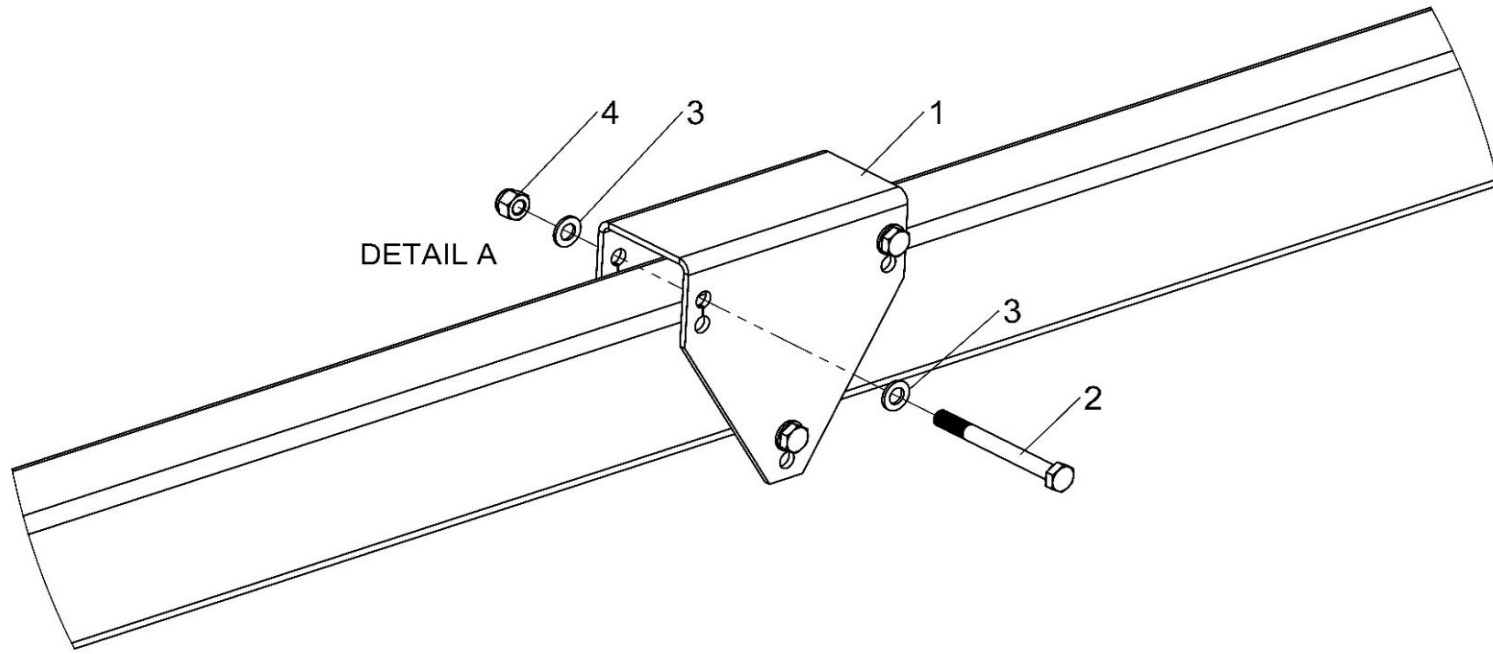


KIT-04173



Shelbourne Reynolds Engineering Limited

ASSY NUMBER: KIT-04174				ASSY DESCRIPTION: STRIPPER XCV HEIGHT PACKER KIT			
ITEM	PART NO	DESCRIPTION	QTY	ITEM	PART NO	DESCRIPTION	QTY
1	240880 01	HEIGHT PACKER	4				
2	BLTA12620	HEX HEAD BOLT	12				
3	WSH-0018	PLAIN WASHER	24				
4	NUT-0269	NYLOC NUT	12				



KIT-04174

