

ALL MODELS

PARTS AND OPERATORS MANUAL



SHEAR BUCKET

Shelbourne Reynolds Engineering Ltd
Stanton
Bury St Edmunds
Suffolk
IP31 2AR
England

Telephone: 01359 250415
Fax: 01359 250464

Stores Direct : 01359 251231
Stores Direct: 01359 252031

Issue 15 12/04/2023

ORDERING SPARE PARTS

IMPORTANT

Your Shear Bucket is made up of a Machine assembly number (common parts), specific sub assemblies and also customer optional build kits. The machine, sub assemblies and optional kit numbers are listed in the front pages of your Operators manual, part no. 2163 0108. If you do not have these numbers please contact Shelbourne Reynolds Parts Department direct on (telephone) 01359 251231.

To ensure that you order the correct part from your SRE dealer please use the following procedure.

ALWAYS QUOTE THE MACHINE AND SERIAL NUMBERS WHEN ORDERING.

Refer to the Parts Manuals front page/s, listing the machine assemblies. Select the correct machine assembly number which is printed in the top left corner of the page (starting with 2599_ _ 01), This machine number can also be taken off the Shear Bucket identification plate located on the front of the main chassis beam.

On this page you will find the parts listing for the common parts for every configuration of that machine assembly number.

You will find the corresponding drawing by either looking at the facing page or progressing through the manual to the next drawing.

The drawings indicate the components by item numbers, which you will find, are repeated in the left-hand side of your parts listing, and therefore referring to the correct part.

Note all parts will not be found listed below the machine number. Other parts will be from specific sub assemblies and optional kits. These sub assemblies and kits will be found in numerical order further through the manual. Sub assemblies start with 2590_ _ 01 and kits start with KIT- 25 _ _ _.

DEALER PRE-DELIVERY / INSTALLATION CHECK AND WARRANTY REGISTRATION – SHEAR BUCKET

DEALERS PRE-DELIVERY / INSTALLATION CHECK

IMPORTANT ⚠

All items listed below must be checked, and adjusted if necessary. The person conducting the inspection should tick each item in the space provided, indicating whether or not adjustments were required. In the event of additional work being needed, details should be given in the additional work / discrepancy box, located at the bottom of this sheet, or on a separate sheet if required. When the inspection is complete, **THIS FORM MUST BE COPIED & RETURNED TO:- Shelbourne Reynolds within 30 days of delivery to customer, otherwise the invoice date to the dealer will be deemed to be the start date for the warranty period.**

SERIAL NUMBER:..... MACHINE NUMBER:.....

MODEL:

PLEASE TICK APPROPRIATE COLUMN FOR EACH ITEM UNDERTAKEN

Dealer Pre Customer Delivery / Installation / Commissioning	Checks OK	Adjusted
Ensure the shear grab / bucket is correctly mounted to the prime mover vehicle.		
Check & tighten if necessary all tine nuts (Shear Grab only).		
Check & tighten if necessary both main pivot securing nuts (Shear Bucket only).		
Ensure that the combined weight of the Shear Grab/Bucket and the heaviest silage load does not exceed the safe working load of the prime mover vehicles front axle, wheels & tyres.		
Ensure Prime mover vehicle has a load holding facility on the hydraulic system. (Load holding valve kit available – Order Part No: KIT-25020)		
Ensure the hydraulic pressure of the prime mover vehicle does not exceed 210 bar (Relief valve kit available – Order Part No: KIT-25021)		
Remove blade guards and SHARPEN ALL THE CUTTING BLADES.		
Ensure the hoses are not taught when the Shear Grab / Bucket is connected to the prime mover vehicle.		
Check operation of hydraulic service.		
Check hydraulic system for leaks.		
Grease pivot points and hydraulic ram pivot bushes.		
Ensure cutting frame locking pin is supplied. (Shear Bucket only)		
Check paintwork & finish.		
Ensure that all safety decals are fitted.		
Ensure that an operator's manual is supplied with the machine.		
Additional Comments:		
Dealer Representative's Name:		Date:

Customer Instruction	Actioned
Explain the correct operation of the machine to the customer.	
Ensure the maintenance schedule is explained to the customer.	
Ensure the lubrication & grease points are indicated to the customer.	
Ensure all safety precautions & safety signs are explained to the customer.	
Ensure the warranty policy is explained to the customer.	
Ensure that the operator's manual is handed to the customer.	
Additional Comments:	
Dealer Representative's Name:	
Date:	

For specific details please refer to the operator's manual.

DEALER PRE-DELIVERY / INSTALLATION CHECK AND WARRANTY REGISTRATION – SHEAR BUCKET

Dealer Name:
Address:
.....
Post / Zip code:
Dealer Salesman Name:

Customer Name:
Business Name (if different from above):
Address:
.....
Post / Zip code:
Email Address:
Tel No. Home / Office: Cell / Mobile:

SERIAL NUMBER: MACHINE NUMBER:
MODEL:

Dealer Signature:
Print Name: Date:

Privacy Notice

Here at Shelbourne Reynolds Engineering Ltd we take your privacy seriously and will only use your personal information to administer your account and provide the products and services you have requested from us.

We would occasionally like to contact you with details of other products you may be interested in, special offers we provide and details/invitations to shows, working demonstrations and open days, however this would be no more than once or twice per year. If you consent to us contacting you for this purpose please tick a box or boxes to say how you would like us to contact you.

Post

Email

Telephone/SMS

If you prefer not to be contacted, then please tick this box

For further information please refer to our Privacy Policy at www.shelbourne.com

Customers Signature:
Print Name: Date:
The customer's signature certifies that the machine was delivered in a satisfactory condition and that adequate instruction was received as to its correct operation, safety requirements, and maintenance as stated in the operator's manual. Also that the customer has read, understood, and agrees to the Terms and Conditions of Sale along with the Warranty Policy (including the disclaimers and limitations) contained in the operator's manual.

Additional work / discrepancies:
.....
.....
.....
.....
.....

**This page must be faxed or emailed to Shelbourne Reynolds Engineering Ltd.
Fax No: +44 (0)1359 250464 Email: warranty@shelbourne.com**

WARRANTY POLICY (ALL PRODUCTS)

MACHINE REGISTRATION

To qualify for the full benefit of the warranty set out in this warranty policy (the “**Warranty**”), it is the purchaser’s responsibility to ensure that the Shelbourne authorised dealer has completed the warranty registration details and that they are submitted to Shelbourne Reynolds Engineering Ltd. within 15 days from the date of delivery. If the warranty registration has not been completed and returned to warranty@shelbourne.com before the expiration of 15 days from the date of delivery, any claims made will be refused.

Using the machine implies the knowledge and acceptance of these warranty terms.

1. LIMITED WARRANTIES

1.5 NEW MACHINE WARRANTY

All new machines supplied by **Shelbourne Reynolds Engineering Ltd. (“Shelbourne”)**, are warranted to the original purchaser, under normal use and service, to be free from defects in material and workmanship for a period of 12 months from the date of delivery to the original purchaser (the **Warranty Period**), subject to the terms set out in this warranty policy.

No other warranty is given by Shelbourne regarding the machine, and no person has any authority to give any such warranty for or on behalf of Shelbourne, other than were given in writing signed by a director of Shelbourne.

1.2 WARRANTY ON SPARE PARTS

Shelbourne warrants that any spare part or component supplied by Shelbourne or the Shelbourne authorised dealer in accordance with this limited warranty are free from defects in material or workmanship from the date of sale to the original purchaser for 6 months, subject to the conditions and limitations in clauses 2 to 5 of this warranty policy. Shelbourne will at its option, either repair or replace the defective part free of charge providing that any warranty claim is supported with a copy of the invoice to the end user for the failed part. No claims will be considered for which sales invoices are not provided. Original Purchaser shall be responsible for labour and all freight charges to and from the place where the warranty work is performed.

Shelbourne Reynolds Engineering Ltd. cannot be held responsible for any failures or safety implications arising from the use of non-genuine parts. Use of non-genuine parts may seriously affect the machine’s performance and safety.

1.3 WARRANTY ON DEALER STOCK MACHINES

No warranty is available or will be given on machines held in dealer stock for more than 6 months before sale.

1.4 TRANSFER OF WARRANTY

Shelbourne may at its sole discretion allow this warranty to be transferred to a subsequent owner of the machinery for the balance of the Warranty Period, subject to all the warranty conditions being met and only with Shelbourne giving prior written consent.

1.5 EXTENDED WARRANTY - Only available on the following Trimmer & Powermix Ranges

Trimmer – 7000 & 8000 Series

Shelbourne will provide an extended Warranty on certain parts of the 7000 and 8000 Trimmer ranges for an additional 12 months, beyond the initial Warranty Period. This is indicated in the table below and is subject to all the other terms and conditions of this warranty policy. This is a conditional extended warranty offered solely at the discretion of Shelbourne and is on a parts only basis.

	Standard (0-12 months)	Extended (12-24 months)
Gearbox	✓	✓
Hydraulic Valves	✓	✓
Hydraulic Pump	✓	✓
Hydraulic Motor	✓	✓
Hydraulic Cylinders	✓	✓
Booms/Main Frame	✓	✓
PTO Shaft	✓	X
Electronic Controls	✓	✓
Hoses	✓	X
Joystick	✓	X

X = Not Covered **✓ = Covered**

Note: Components not indicated have a Shelbourne standard 12 months warranty and are subject to all other terms and conditions of this warranty policy.

Powermix - All Models

Shelbourne will provide an extended Warranty on certain parts of all Powermix models for an additional 12 months and 24 months beyond the initial Warranty Period. This is indicated in the table below, and subject to all the other terms and conditions of this warranty policy.

This is a conditional extended warranty offered solely at the discretion of Shelbourne and is on a parts only basis. It is contingent on the recommended service schedule outlined in the operator's manual being followed and in the event of a claim proof of servicing will be required.

	Standard (0 - 12 months)	Extended (12 - 24 months)	Extended (24 – 36 months)
PTO Shaft	✓	X	X
Planetary Gearbox	✓	✓	✓
2 Speed Gearbox	✓	✓	✓
Hoses	✓	X	X
Scale Head	✓	✓	X
Electronic Controls	✓	X	X
Load Cells	✓	X	X
Valve Block	✓	X	X
Conveyor Belt	✓	X	X

X = Not Covered **✓ = Covered**

Note: Components not indicated have a Shelbourne standard 12 months warranty and are subject to all other terms and conditions of this warranty policy.

2. EXCLUSIONS

Shelbourne will not be liable for the machine's failure to comply with the Warranty in any of the following circumstances:

- 1) damage due to improper use or abusive operation
- 2) damage or depreciation caused by normal wear and tear.
- 3) the machine been subjected to alteration, modification, or fitment of non-genuine Shelbourne parts without the prior consent of Shelbourne.
- 4) wilful or accidental damage, including (but not limited to) damage caused by contact with overhead power lines, damage caused by foreign objects (e.g., stones, metals, and any materials other than vegetation).
- 5) the machine has not been maintained and serviced fully in accordance with the details and maintenance schedule set out in the Shelbourne Operators Manual, and only using Shelbourne genuine parts. Proof of service work may be requested prior to approval of any claim under the Warranty.
- 6) failure due to use of incorrect oil or lubricants, contamination of the oil, or oil which has served its useful life or failure to carry out proper maintenance as recommended in the Shelbourne Operators Manual.
- 7) the original purchaser failed to follow Shelbourne's oral or written instructions (including instructions in the Shelbourne Operators Manual) for the transportation, storage, commissioning, installation, use and maintenance of the machine or (if there are none) good trade practice regarding the same.
- 8) where the original purchaser has continued to use the machine after they became (or should reasonably have become) aware of the defect with the machine. **Continued use of the machine after a defect is discovered could cause further failures for which Shelbourne cannot be held liable and may also have safety implications.**
- 9) the Shelbourne serial number plate on the machine has been removed or altered.
- 10) failure by the customer to release the machine for repair will not be accepted as a reason for delay in repair or submitting warranty claims.
- 11) the product is attached to, connected with, or used in conjunction with, any other product which it is not compatible for use with (whether that other product is a Shelbourne or non-Shelbourne product);

In addition, it is the purchaser's responsibility to ensure that where the purchased Shelbourne product is to be attached to a tractor or other vehicle, the product falls within the carrying capacity as well as compatibility of the tractor or machinery which it is to be mounted on or to. Acceptance of an order and the supply of a product by Shelbourne does not indicate Shelbourne's approval of the purchaser's intended choice of tractor or machinery for installation, nor its compatibility with the purchased Shelbourne product.

The Warranty shall not apply in respect of any:

- 1) wearing items including but not limited to drive belts, conveyor belts, conveyor rollers, rubber flaps, flails, skids, bearings, pins, bushes, blades, pneumatic tyres, or any other items which are soil engaging or normal wearing or consumable items
- 2) hoses that have suffered external damage. Complete hoses must be returned for warranty within this period. Any which have been cut or repaired will be rejected.
- 3) repeat or additional repairs resulting from incorrect diagnostics, unless advised by Shelbourne.
- 4) poor-quality previous repair work (unless carried out by Shelbourne).

3. LIMITATIONS OF LIABILITY

Shelbourne and the Shelbourne authorised dealer shall not be liable to the original purchaser under any circumstance for injuries, death, property damage or damages of any kind whatsoever directly, consequential, or contingent to any person or property caused by the use of the machine.

Shelbourne shall not be liable for any consequential loss such as the following costs or types of loss (whether direct or indirect):

- 1) Loss of profit;
- 2) Loss of or damage to goodwill;
- 3) Loss of sales or business;
- 4) Loss of agreements or contracts or business opportunity;
- 5) The cost of lost consumables (such as oil);
- 6) Any loss or costs arising from the inability to use the machine due to any defect with the machine, and during the time taken to repair or replace the machine;
- 7) The cost of hire or purchase of any replacement machine;
- 8) Recovery of broken-down machine;
- 9) Damage to or loss of crops or vegetation;
- 10) Labour cost;
- 11) Damage to carrying tractor;
- 12) Damage caused by exceeding the tractor OEM (original equipment manufacturers) specification for implement mounting and hitch capability; and
- 13) Any other indirect or consequential loss.

In view of the Warranty given by Shelbourne, the terms implied by sections 13 to 15 of the Sale of Goods Act 1979, and all other implied warranties or conditions regarding the quality or suitability of the machine, are, to the fullest extent permitted by law, excluded from this warranty policy and any contract or agreement between Shelbourne and either the original purchaser or the Shelbourne authorised dealer.

The liability of Shelbourne for any failure by the machine to comply with the Warranty shall be limited to repair or replacement of the product, or refund of the purchase price, of the product as set out in clause 4 of this warranty policy.

Nothing in this warranty policy limits any liability which cannot legally be limited, including liability for:

- 1) death or personal injury caused by negligence.
- 2) fraud or fraudulent misrepresentation.

- 3) breach of the terms implied by section 12 of the Sale of Goods Act 1979 (title and quiet possession); and
- 4) breach of section 2 of the Consumer Protection Act 1987.

4. WARRANTY CLAIMS

All claims must be submitted by a Shelbourne authorised dealer on behalf of the original purchaser, providing that the original purchaser has:

- 1) given notice in writing with full information regarding the failure, to Shelbourne (or the Shelbourne authorised dealer) during the Warranty Period, and within 15 days of discovery of the failure. The Shelbourne authorised dealer will be responsible for forwarding the claim to Shelbourne directly, and where appropriate, the Shelbourne authorised dealer may be responsible for dealing with warranty claims as directed by Shelbourne;
- 2) given Shelbourne (or the Shelbourne authorised dealer) a reasonable opportunity to examine the machine or the damaged or defective parts; and
- 3) if requested by Shelbourne (or the Shelbourne authorised dealer), returned the damaged or defective parts (via the original Shelbourne authorised dealer) within 30 days of notification of a defect, as long as the request by Shelbourne (or the Shelbourne authorised dealer) is made within that time frame, otherwise, within a time frame as specified by Shelbourne (or the Shelbourne authorised dealer).

then Shelbourne shall, at its option, repair or replace the defective parts, or refund the price of the defective parts or approve that the Shelbourne authorised dealer does the same.

5. REPAIR COSTS

The original purchaser or Shelbourne authorised dealer shall not repair, or arrange for a repair, of the machine without the prior written authority of Shelbourne. Such authority may only be given by Shelbourne service personnel. **Shelbourne will not be liable for the cost of any repairs carried out without its prior written consent to the work being done.**

If Shelbourne authorises a repair of the machine, all claims for repair costs must be submitted to Shelbourne by a Shelbourne authorised dealer within 15 days of the date of repair on a Shelbourne Warranty Claim Form (in accordance with clause 7 of this warranty policy).

Repairs should only be completed by a Shelbourne authorised dealer (or another repairer with the prior written consent of Shelbourne).

The submission of a claim is not a guarantee of payment. Shelbourne will only reimburse the reasonable costs and expenses incurred in connection with any repair. The decision reached by Shelbourne is final.

6. DAMAGE TO NEW MACHINES

All goods must be examined on receipt, please examine all machines and packages, if there is any damage or short shipment sign 'Damaged' or 'Detail any item not received' and notify both Shelbourne Reynolds warranty department by phone or E Mail and the carrier within 24 hours of any damage or missing parts. **No claims will be accepted after this time.**

7. CLAIMS PROCEEDURE

All claims must be submitted by a Shelbourne authorised dealer. Full information relating to the failure must be submitted using the claim form available on the Shelbourne website under the "Support" section, with all required fields completed with the relevant information and then emailed to warranty@shelbourne.com. Full information on warranty claim submission can be found set out in the warranty procedures document.

Where repairs are completed by a Shelbourne authorised dealer (or another repairer with the prior written consent of Shelbourne), then completed form(s) must be received by Shelbourne **NOT LATER THAN 15 DAYS** from the date of repair. When requested by Shelbourne, additional information or failed parts must be received by Shelbourne **WITHIN 15 DAYS** of claim submission.

If in exceptional circumstances a non-Shelbourne part is used for a repair, warranty reimbursement will be at no more than Shelbourne's standard dealer cost for the genuine part.

If parts are returned and the claim is subsequently rejected and you require the parts sent back to you, please notify Shelbourne within 7 days of receiving rejection notification.

Following examination of the claim and parts, Shelbourne will pay at their discretion, for any valid claim the invoiced cost of any parts supplied by Shelbourne and appropriate labour and mileage allowances if applicable. **Maximum mileage per claim is capped at 80 miles unless otherwise pre-authorised and confirmed in writing by the Shelbourne Reynolds Service Manager.**

For any claims submitted, which are intentionally misleading or fraudulent, Shelbourne shall be entitled to charge an appropriate hourly rate to recover any costs incurred as a result.

8. FAILED PARTS

Ensure that all hydraulic ports on returned components are drained of oil and securely and appropriately plugged with the caps that came fitted to the replacement components to avoid oil leakage and contamination entering the assemblies. Hydraulic cylinders must be cleaned of oil and fully retracted.

Electrical items being returned must be suitably packaged and protected to reduce the risk of transportation damage.

Due to strict time constraints enforced by our suppliers, you must immediately return any failed hydraulic components such as pumps, motors, cylinders, valves, and hoses; electrical components, such as solenoid valves, control boxes, sensors/switches; or driveline components such as gearboxes, PTOs, and bearings if the machine is still within its relevant warranty period.

Hydraulic parts such as pumps, motors and cylinders, and driveline parts such as gearboxes must be returned to us unopened and unexamined. With hydraulic valve blocks and electrical control boxes there is the ability to replace specific serviceable components within them, such as valve cartridges, spool assemblies, circuit boards, relays, switches, and joystick should the need arise to resolve a fault within.

Any parts replaced under warranty remain the property of Shelbourne. They must be returned to Shelbourne on request. In all other cases, unless informed otherwise, they must be retained for a period of 90 days after such time they must be destroyed and rendered physically unusable and not sold or reconditioned for sale to a third party.

9. REIMBURSEMENT

All claims, to the extent which it has been agreed by Shelbourne that a refund will be made, will be settled with the Shelbourne dealer, by credit memo, within 30 days of acceptance of the claim.

10. EXPORT CUSTOMERS

If you are based outside of the UK, warranty terms and conditions outlined above may differ depending on your market. Please contact Shelbourne Reynolds Engineering Ltd. for further information.

EC Declaration of conformity for machinery

(Machinery Directive 2006/42/EC, Annex II., sub. A)

Manufacturer : Shelbourne Reynolds Engineering Ltd.

Address : Shepherds Grove Industrial estate,
Stanton,
Bury St Edmunds,
Suffolk.
England.
IP31 2AR

Name and address of the person (*established in the European Community/EEA*)
authorised to compile the technical file (*to the authorities on request*):

Name : Mr. Neil Smith

Address : As stated above.

Herewith we declare that :

DESIGNATION:

SILAGE SHEAR BUCKET

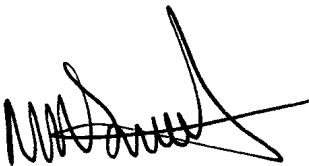
MODEL:

TYPE:

MACHINE No.:

SERIAL No.:

- is in conformity with the relevant provisions of the Machinery Directive (2006/42/EC)



Neil Smith
Director

Place : **Stanton, England.**

Date :

Dear Customer,

Thank you for purchasing a Shelbourne Parmiter Shear Bucket.

Shelbourne Parmiter have produced this Product Manual in line with the relevant essential Health and Safety regulations to help you achieve the very best from your machine, without harm to yourself. You should be aware that any other person operating your machine with your permission must be given adequate guidance and information to allow him, or her, to use the machine safely.

Where as every effort has been made to ensure that the Shear Bucket conforms to Shelbourne Parmiters policy of quality, the machine cannot be expected to withstand abuse caused by misuse and negligence by the operator.

INTRODUCTION

The Shear Bucket is designed to both cut and hold blocks of Silage or other forms of animal feed, and then used to unload into suitable feeding arrangements. The bottom base has wear strips on it which help protect the blade and act as scrapers to ensure a clean floor at the dump area.

PATENTS

Produced under licence granted by William Taylor under
International Patent Application No PCT/EP94/01179
European Patent No 0693868
Australian Patent Application No 66787/94(Serial No 678245)
Canadian Patent Application No 2160454
Finnish Patent Application No 954870
New Zealand Patent No 265629
Norwegian Patent Application No 954082
South African Patent No 94/7945
UK Patent No 2292553
US Patent Application No 08/532762

CONTENTS

Page	1	Product specification
Page	1	Safety rules and warning label identification
Page	2	Identification of the machine
Page	2	Handling of the Shear Bucket
Page	2	Preparation for work of the Shear Bucket
Page	4	Safe use of the Shear Bucket
Page	4	Adjustment of the Shear Bucket
Page	4	Maintenance of the Shear Bucket
Page	6	Possible dangerous misuses of the Shear Bucket

SPECIFICATIONS

Model	Unladen Weight	Width	Depth	Height	Volume	Capacity (kg)	Oil Pressure
SB150	530 kg	1,15 m	0,80 m	0,80 m	0,74 m3	455 kg	136 bar
SB 200	570 kg	1,35 m	0,80 m	0,80m	0,86 m3	529 kg	136 bar
SB 250	670 kg	1,68 m	0,80 m	0,80m	1,08 m3	664 kg	136 bar
SB 300	760 kg	2.00 m	0,80 m	0,80 m	1,28 m3	787 kg	136 bar
SB 400	1450 kg	2.48 m	0.95 m	0.85 m	2.0 m3	1230 kg	136 bar

SAFETY RULES AND PICTOGRAM/LABEL IDENTIFICATION

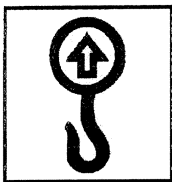
Whenever possible, warning pictograms (labels with no words), or warning labels are used both on the machine near the area of danger and in the product manual near the relevant instructions.



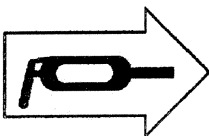
Pictogram to indicate "Sharp Blade".



Pictogram to show "Alert, Warning".



Pictogram to indicate "Lifting Hook Location".



Pictogram to show "Lubrication Points".



Pictogram to indicate "MAX HYDRAULIC PRESSURE"



Pictogram to indicate warning of "HIGH PRESSURE FLUID"

1. Always comply with safety rules as set out in the pictograms, and detailed in this Product Manual.
2. Keep Shear Bucket closed at all times, except during maintenance of blades, and when working.
3. The Shear Bucket must be used by the operator only, who will remain in the Prime Mover Vehicle (Tractor, or Material Handler) during the complete working cycle.

4. No bystanders must be allowed in the working area.
5. Whatever the type of maintenance that needs to be done on the Shear Bucket, the Prime Mover Vehicle's engine must be stopped.

IDENTIFICATION OF THE MACHINE

The Shear Bucket is identified by a makers plate located on the top box section of the cutting frame.

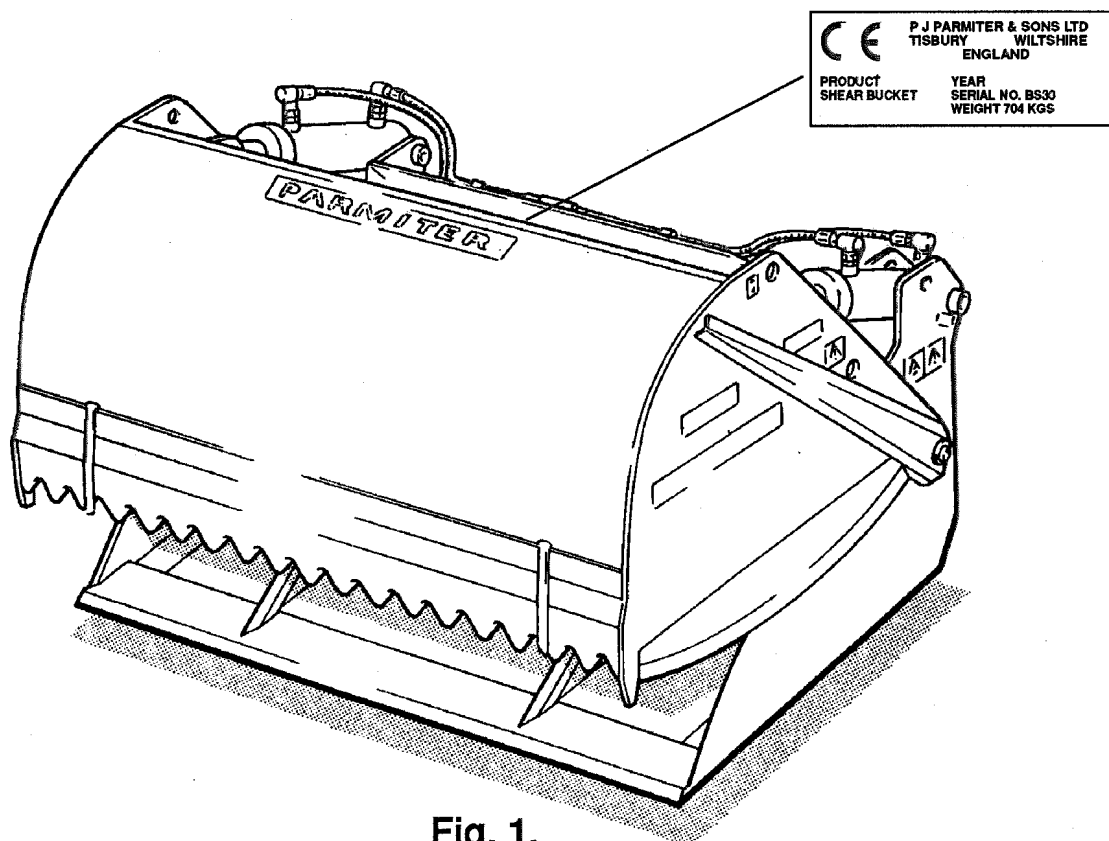
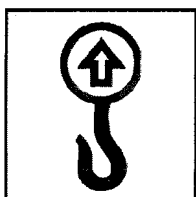


Fig. 1.

HANDLING OF THE SHEAR BUCKET



If the Shear Bucket has to be moved, it is recommended that the locating holes on the support frame and on the cutting frame are used for locating lifting hooks

PREPARATION FOR WORK OF THE SHEAR BUCKET

1. Before fitting the Shear Bucket to the Prime Mover Vehicle, check that the combined weight of the Shear Bucket and the heaviest Silage load does not exceed the manufacturers recommended safe loading of the front axle, wheels and tyres.

IMPORTANT

If the Shear Bucket mounting brackets are to be welded to the Rear Frame of the Shear Bucket, it is absolutely vital that the welding is carried out by a Professional Welder. The material to be welded must be pretreated and the final welds checked carefully. (See Fig. 2.)

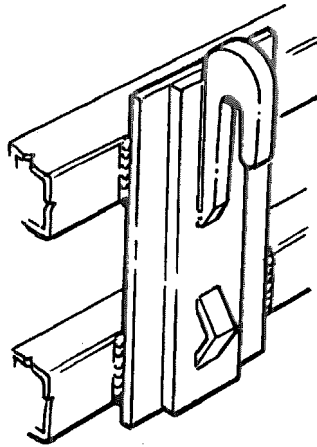


Fig. 2. Welded Bracket

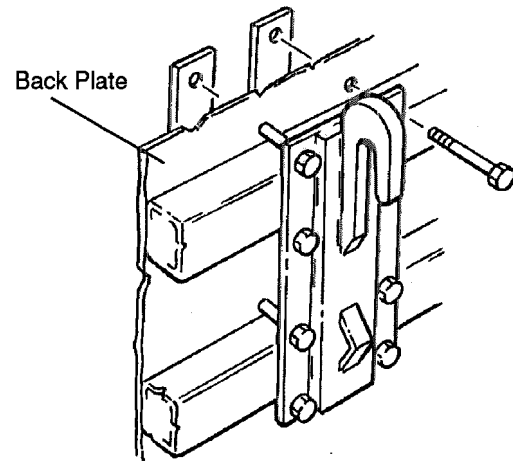


Fig. 2A. Bolted Bracket

2. If the Shear Bucket mounting brackets are to be bolted to the machine, it will be necessary to drill through the back plate to accept the mounting bolts and straps which are used to bolt the brackets to the rear frame. (See Fig. 2A)
3. The Shear Bucket requires a third double acting service on the Prime Mover Vehicle, operating at a minimum pressure of 136 Bar (2000 PSI), a maximum pressure of 205 bar (3000 PSI), and a minimum oil flow of 23 L/Min (5 Gal/Min).

Connect the hydraulic services to the Shear Bucket, using good quality double braid hoses, and slowly operate the hydraulic controls to ensure that the hydraulic pipes are correctly connected. Check visually, from a distance, that there are no oil leaks.

4. Open the Shear Bucket to the maximum opening, and fit the safety locking pin, Ref. A, Fig. 3. This will prevent the cutting frame from dropping when the Bucket is being worked upon.



Remove the guards and carefully, wearing heavy duty gloves, sharpen ALL of the cutting blades. Even though the machine is new, the blades lose their sharpness during their time through the factory and transportation. See maintenance chapter for full sharpening details.

Remove the safety locking pin and replace back into stowage hole, and reclip. Fig. 3 Ref B.

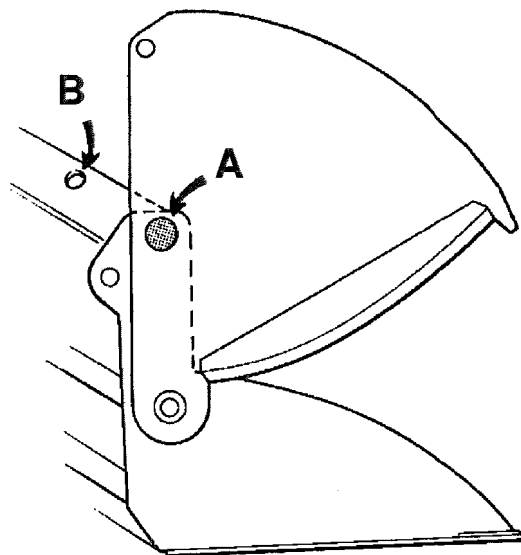


Fig. 3

5. When driving with the Shear Bucket, always keep the Bucket closed, and as low as possible.
6. Check again for loose fittings, snagged, or chafing hydraulic hoses.

The machine is now ready for use.

SAFE USE OF THE SHEAR BUCKET

1. Fully open the Shear Bucket, and raise it to the height where the Serrated teeth tips are just above, and clear of the block to be cut.
2. Level the Shear Bucket, and drive squarely into the Silage Clamp.
3. With the Shear Bucket front panel fully against the silage face, close the cutting frame.
4. Roll the Bucket back a few degrees to clear the remaining silage, then lift and reverse the machine out, clear off the silage face.



CAUTION

Note that it is vital that the Cutting Frame is fully closed before pulling back from the Silage face.

5. It is recommended that you start at one side of the clamp and work across the face. In this way a clean wall will be created with minimum wastage.
6. When finished, close the Bucket before parking, and carefully put the loose hydraulic hoses into the bucket, away from the ground.

ADJUSTMENTS OF THE SHEAR BUCKET

There are no adjustments to be made to the Shear Bucket

MAINTENANCE OF THE SHEAR BUCKET

DAILY

1. Check blades for sharpness and damage. Although the blades are of high quality Blade steel, they must have regular attention or the performance of the machine will suffer.



Before work is done on the blades, first fully open the cutting frame and secure open with the safety locking pin. Put on a pair of heavy duty gloves.

Normally, only a few moments of filing will maintain the edge, but if the edge has serious nicks or burrs, then a heavy duty file must be used to repair the damage. (See Fig. 4.)

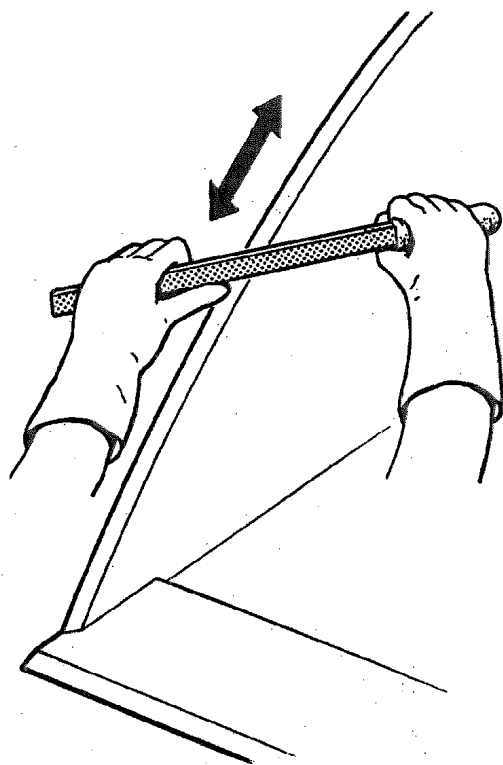


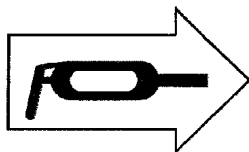
Fig. 4

IMPORTANT

Note that a rotary grinder must not be used as it would generate excessive heat and destroy the temper of the steel.

2. Check hydraulic hoses and fittings for signs of wear and chafing.

WEEKLY



1. Grease all pivots, locations illustrated by Pictograms on machine
2. Check bottom plates for wear. (See Fig. 6.)

LONG TERM STORAGE

- a. Clean the machine thoroughly and paint over any bare surfaces
- b. Grease hydraulic ram rods
- c. Grease all cutting blades
- d. Completely close the Shear Bucket to protect the blades.

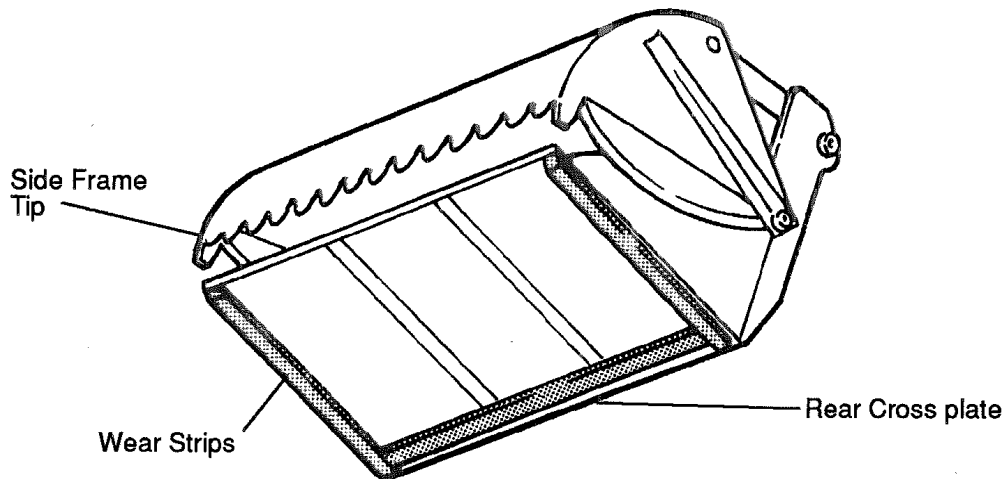


Fig. 5

POSSIBLE DANGEROUS USES OF THE SHEAR BUCKET

1. The Shear Bucket must not be used to carry personnel, or animals.
2. The Shear Bucket is a very strong machine with high cutting power, but it must not be used as a mobile guillotine around the farm.
3. It must be clearly understood that this machine is designed to cut and carry animal feed. If it is used as a standard bucket to carry materials such as metals, timber, rocks or aggregates, the blades will be irreparably damaged and the machine will fail to function.

Damage in this manner will invalidate the warranty.

List Of Kit Numbers

	Shear Bucket Assembly Parts List	9
	Shear Bucket Hydraulics Parts List	11
259901 01	SB300 Shear Bucket	13
259901 02	SB250 Shear Bucket	15
259004 03	SB300 Hydraulic Sub Assembly	17
259004 04	SB250 Hydraulic Sub Assembly	19
259004 05	SB150 & SB200 Hydraulic Sub (Smaller Dia Rams)	21
259004 07	SB150 & SB200 Hydraulic Sub (Larger Dia Rams)	23
259006 01	SB300 Completing Kit	25
259006 02	SB250 Completing Kit	27
259007 01	SB300 Base Unit Sub Assembly	29
259007 02	SB250 Base Unit Sub Assembly	31
KIT-25020	Load Holding Valve Kit	33
KIT-25021	Pressure Relief Valve Kit	35
KIT-25050	JCB Q Fit Bracket Kit	37
KIT-25051	Manitou Bracket Kit	39
KIT-25052	Merlo Bracket Kit	41
KIT-25053	Matbro Bracket Kit	43
KIT-25054	Claas Bracket Kit	45
KIT-25055	Euro Bracket Kit	47
KIT-25056	Loader Bracket Plate Kit	49
KIT-25057	CNH Bracket Kit	51
KIT-25058	Schaeffer Bracket Kit	53
KIT-25059	Skid Steer Bracket Kit	55
KIT-25060	Chilton/MX Bracket Kit	57
KIT-25061	JCB Tool Carrier Bracket Kit	59

SHEAR BUCKET ASSEMBLY PARTS LIST

(Parts listing for machines up to and including serial number SHB__120112 only. For serial number SHB__120113 & onwards see parts listing, assy number 259901 __ further through this manual.)

Item No.	Part No.	Description	Quantity
1	4309 0118	Cutting Frame W/A (SB 150)	1
	4309 0089	Cutting Frame W/A (SB 200)	1
	4309 0057	Cutting Frame W/A (SB 250)	1
	4309 0075	Cutting Frame W/A (SB 300)	1
2	4309 0218	Serrated Blade W/A (SB 150)	1
	4310 0162	Serrated Blade W/A (SB 200)	1
	4310 0163	Serrated Blade W/A (SB 250)	1
	4310 0164	Serrated Blade W/A (SB 300)	1
3	2160 2021	Centre Blade	A/R
4	2160 2062	Side Blade	2
5	3309 0192	Pivot Pin 40 dia. (SB 150 & SB 200)	2
	3310 0322	Pivot Pin 40 dia. (SB 250 & SB 300)	2
6	2014 6118	Hex Bolt, M12 x 90	2
7	3309 0129	Headless Pin, 30 dia. (SB 150 & SB 200)	2
	3309 0170	Headless Pin, 30 dia. (SB 250 & SB 300)	2
8	3309 0174	Headless Pin, 30 dia. (SB 150 & SB 200)	2
	3309 0128	Headless Pin, 30 dia. (SB 250 & SB 300)	2
9	2070 7061	Washer	2
10	2037 6700	Lock Nut	2
11	NIP-01000	Grease Nipple	2
12	2117 4040	Bush	4
13	3309 0062	Pin (Safety Locking)	1
14	2172 8201	Pin 'D' Type	1
15	2160 2050	Blade	A/R
16	4309 0117	Support Frame W/A (SB 150)	1
	4309 0088	Support Frame W/A (SB 200)	1
	4309 0056	Support Frame W/A (SB 250)	1
	4309 0076	Support Frame W/A (SB 300)	1
17	4309 0217	Wear Plates Kit (SB 150)	1
	4309 0100	Wear Plates Kit (SB 200)	1
	4309 0101	Wear Plates Kit (SB 250)	1
	4309 0102	Wear Plates Kit (SB 300)	1
18	3309 0191	Blade Carrier (SB 150)	1
	3310 0238	Blade Carrier (SB 200)	1
	3310 0236	Blade Carrier (SB 250)	1
	3310 0195	Blade Carrier (SB 300)	1
19	3309 0140	Carrier Support	A/R
20	2160 2066	LH Support frame blade	1
21	2160 2067	RH Support frame blade	1
22	2160 2092	Front Blade (SB 150 C)	1
	2160 2065	Front Blade (SB 200 C)	1
	2160 2063	Front Blade (SB 250 C)	1
	2160 2064	Front Blade (SB 300 C)	1
23	3309 0188	Maize Plate (SB 150)	1
	3309 0168	Maize Plate (SB 200)	1
	3309 0106	Maize Plate (SB 250)	1
	3309 0119	Maize Plate (SB 300)	1

SHEAR BUCKET ASSEMBLY

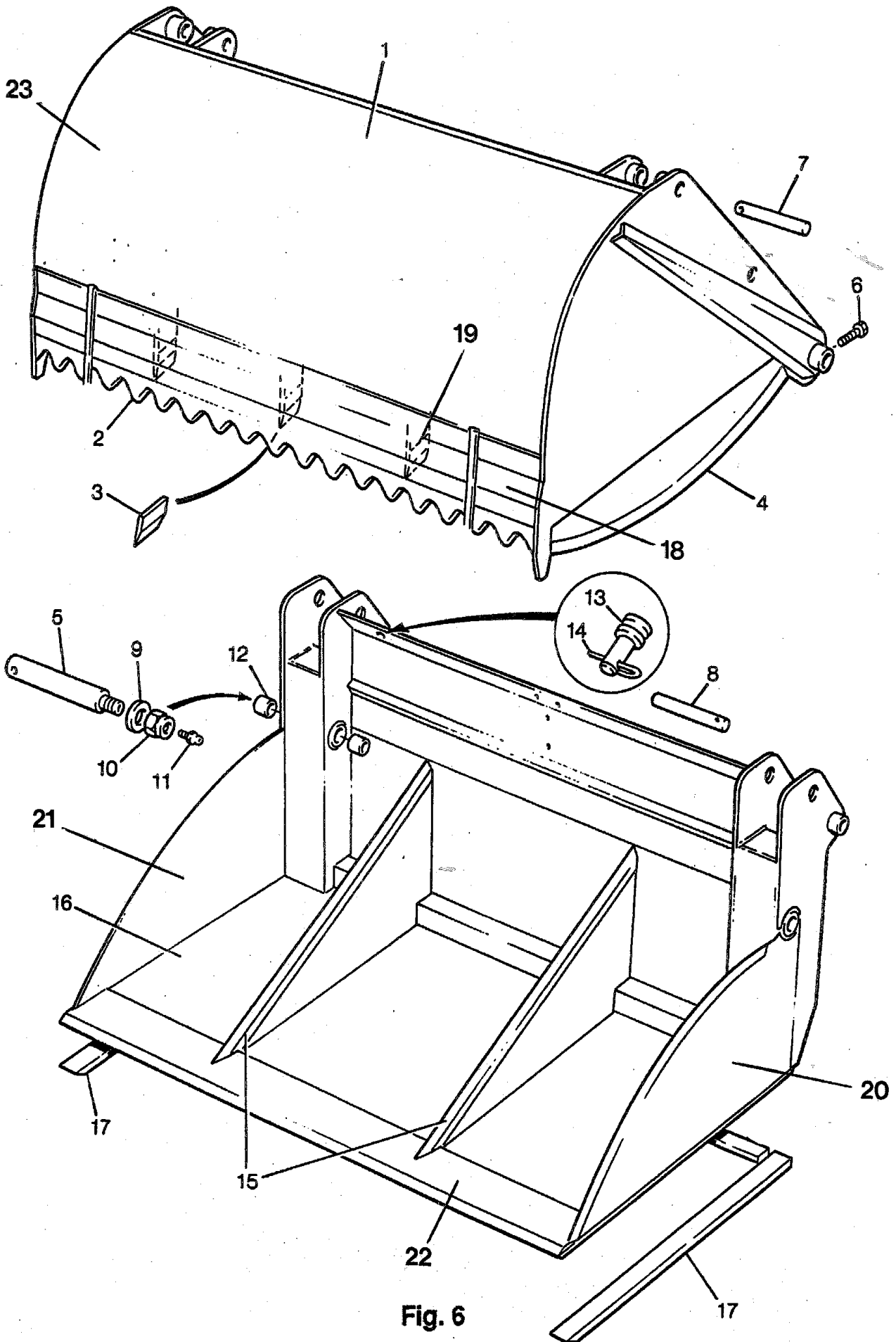


Fig. 6

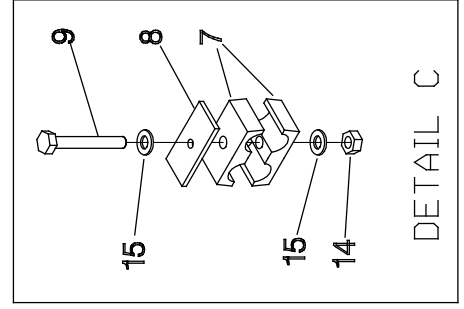
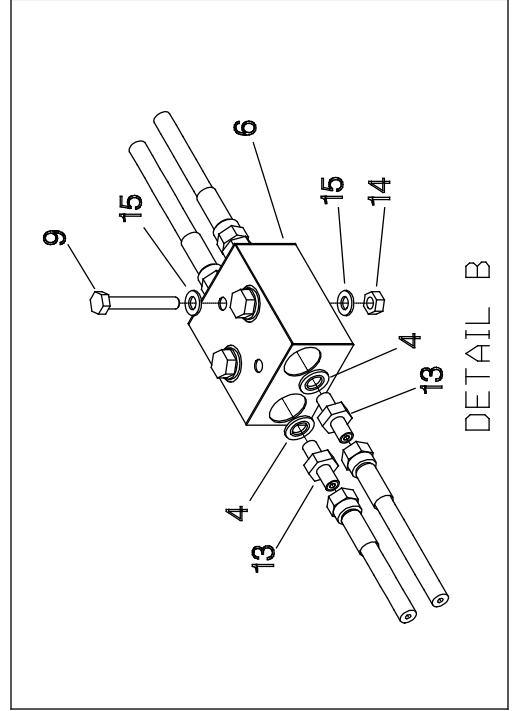
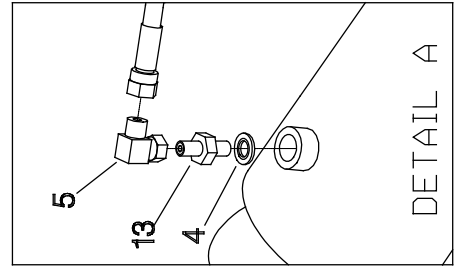
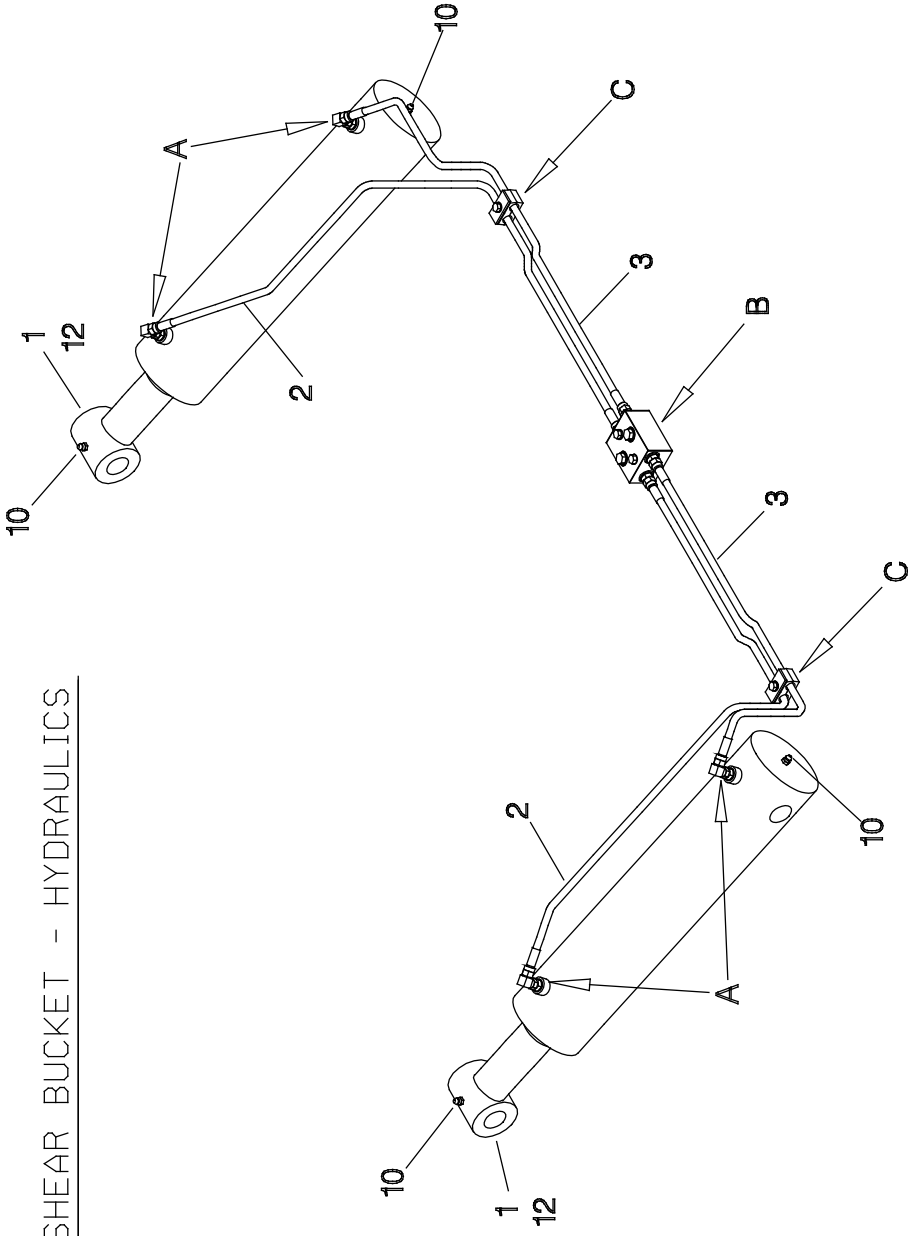
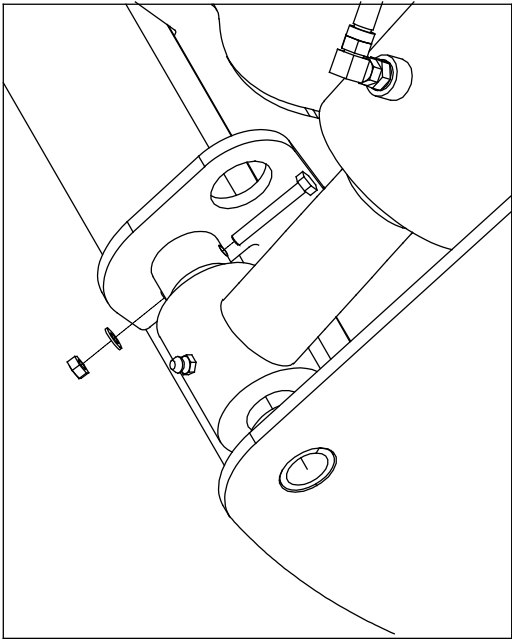
SHEAR BUCKET HYDRAULICS PARTS LIST

Aluminium Manifold Type only

(For later produced machines using hydraulic Tee fittings instead of aluminium manifold, see parts listing sub assy numbers 259004 03 – 07, further through this manual)

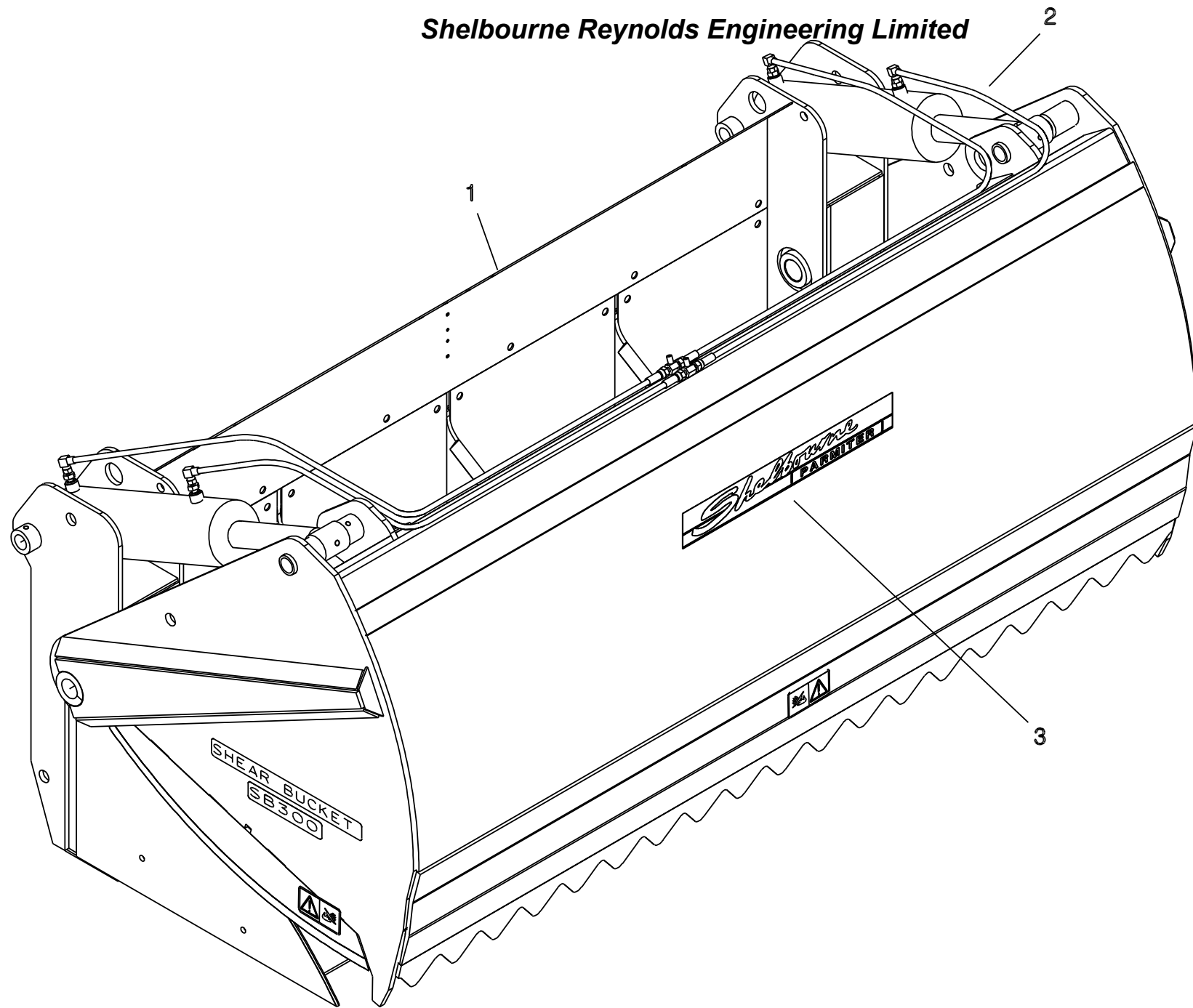
Item No.	Part No.	Description	Quantity
1	2131 1038	Ram (SB 150 & SB 200)	2
	2131 1066	Ram (SB 250)	2
	OR	CHECK RAM OUTSIDE DIAMETER 115mm (4.5"	
	2131 1086	Ram (SB250)	2
		CHECK RAM OUTSIDE DIAMETER 127mm (5")	
	2131 1086	Ram (SB 300)	2
2	2131 8127	Hose M18 1175 Long (SB150&200)	2
	2131 8128	Hose M18 1325 Long (SB 250)	2
	2131 8124	Hose M18 1500 Long (SB300)	2
3	2131 8115	Hose M18 750 Long (SB150&200)	2
	2131 8107	Hose M18 1000 Long (SB 250)	2
	2131 8110	Hose M18 1125 Long (SB300)	2
4	2130 7501	Dowty Washer	8
5	2130 4068	Adaptor M18 90°	4
6	2131 7037	Manifold Block	1
7	2131 3054	Clamp Paired	2
8	2131 3055	Cover Plate	2
9	BLTA08440	Bolt	4
10	2061 3001	Grease Nipple	4
11	2170 9067	Hose Clip	
12	2131 2020	Seal Kit for Ram 21311038 (SB150&200)	A/R
	2131 2067	Seal Kit for Ram 21311066 (SB250)	A/R
	21312085	Seal Kit for Ram 21311086 (SB250&300)	A/R
13	2130 4060	Adaptor M18M/M	8
14	NUT-0263	Nyloc Nut M8	4
15	WSH-0012	Plain washer M8	8

SHEAR BUCKET - HYDRAULICS



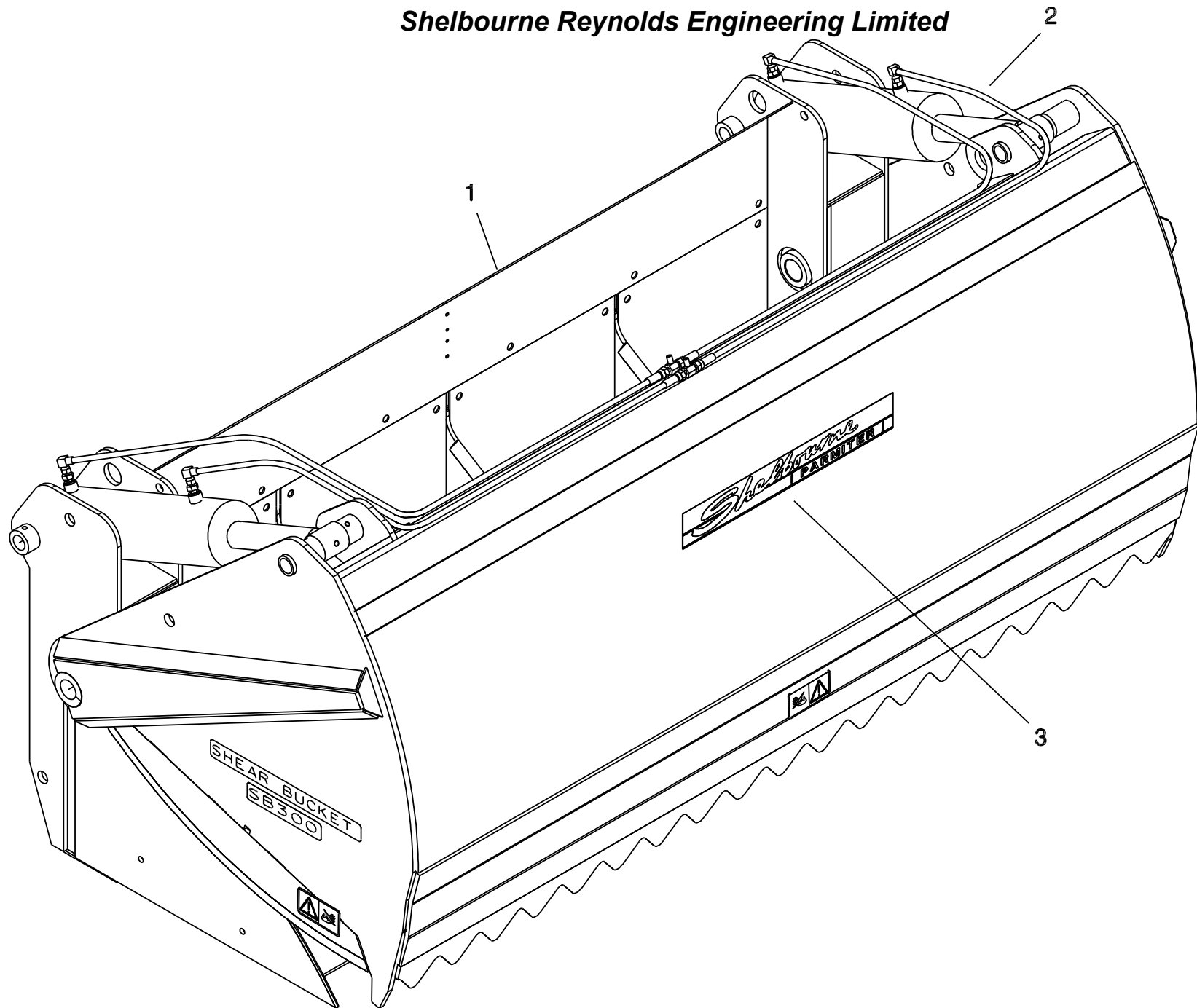
Shelbourne Reynolds Engineering Limited

ASSY NUMBER: 259901 01				ASSY DESCRIPTION: SB300 SHEAR BUCKET			
ITEM	PART NO	DESCRIPTION	QTY	ITEM	PART NO	DESCRIPTION	QTY
1	259007 01	SB300 BASE UNIT SUB ASSY	1				
2	259004 03	SB300 HYDRAULIC SUB ASSY	1				
3	259006 01	SB300 COMPLETING KIT	1				



Shelbourne Reynolds Engineering Limited

ASSY NUMBER: 259901 02				ASSY DESCRIPTION: SB250 SHEAR BUCKET			
ITEM	PART NO	DESCRIPTION	QTY	ITEM	PART NO	DESCRIPTION	QTY
1	259007 02	SB250 BASE UNIT SUB ASSY	1				
2	259004 04	SG250 & SB250 HYDRAULIC SUB AS	1				
3	259006 02	SB250 COMPLETING KIT	1				

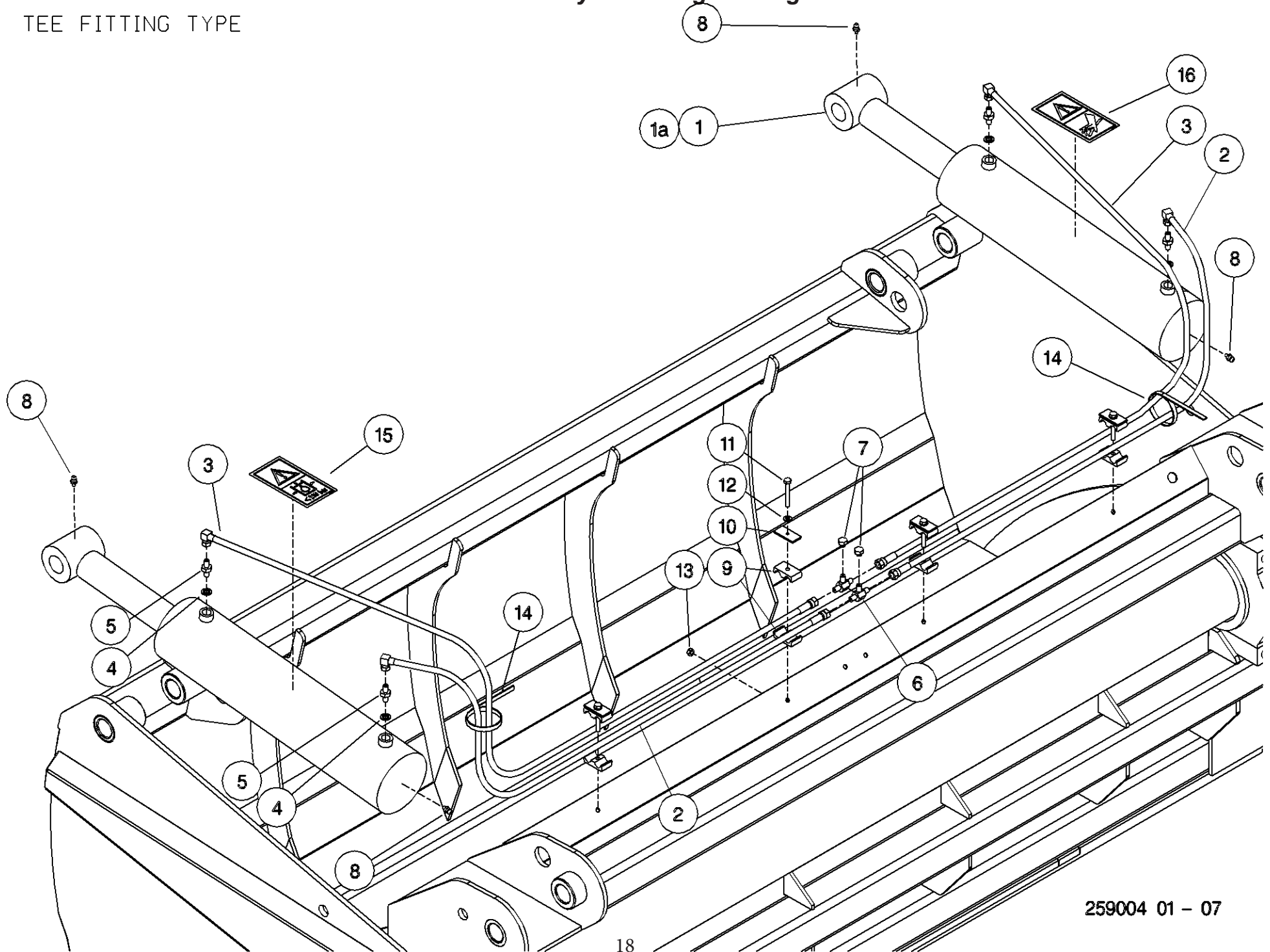


259901 01
259901 02

Shelbourne Reynolds Engineering Limited

ASSY NUMBER: 259004 03				ASSY DESCRIPTION: SB300 HYDRAULIC SUB ASSY			
ITEM	PART NO	DESCRIPTION	QTY	ITEM	PART NO	DESCRIPTION	QTY
1	21311086	RAM (PAINTED)	2				
1a	21312085	SEAL KIT FOR RAM					
2	HHCE15005	HYDRAULIC HOSE ASSEMBLY	2				
3	HHCE11705	HYDRAULIC HOSE ASSEMBLY	2				
4	21307501	SEALING WASHER	4				
5	21304055	ADAPTOR	4				
6	FITA10140	TEE FITTING	2				
7	FIT-0251	BLANKING PLUG	2				
8	NIP-01000	GREASE NIPPLE	4				
9	21313054	CLAMP PAIRED, BLACK SMOOTH	4				
10	21313055	COVER PLATE	4				
11	BLTA08440	HEX.HEAD BOLT	4				
12	WSH-0012	PLAIN WASHER	4				
13	NUT-0263	NYLOC NUT	4				
14	TIE-0006	TIE WRAPS (LARGE)	4				
15	614959 01	MAX HYD PRESSURE TRANSFER	1				
16	800221 01	TRANSFER-MANUAL, OIL	1				
			1				

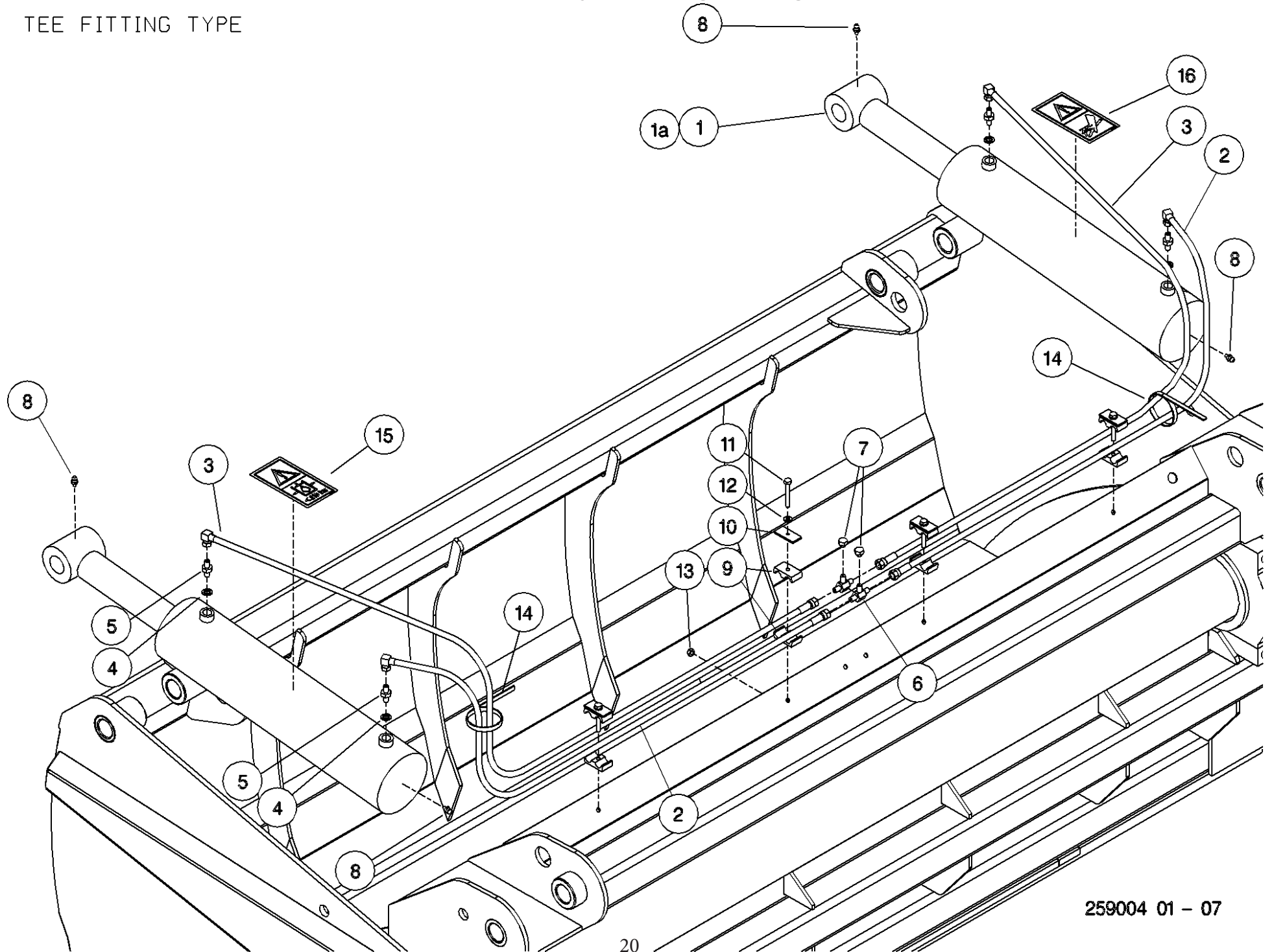
TEE FITTING TYPE



Shelbourne Reynolds Engineering Limited

ASSY NUMBER: 259004 04				ASSY DESCRIPTION: SG250 & SB250 HYDRAULIC SUB ASSY			
ITEM	PART NO	DESCRIPTION	QTY	ITEM	PART NO	DESCRIPTION	QTY
1	21311086	HYDRAULIC RAM	2				
1a	21312085	SEAL KIT FOR RAM					
2	HHCE13605	HYDRAULIC HOSE ASSEMBLY	2				
3	HHCE10005	HYDRAULIC HOSE ASSEMBLY	2				
4	21307501	SEALING WASHER	4				
5	21304055	ADAPTOR	4				
6	FITA10140	HYDRAULIC TEE FITTING	2				
7	FIT-0251	BLANKING PLUG	2				
8	NIP-01000	GREASE NIPPLE	4				
9	21313054	CLAMP PAIRED, BLACK SMOOTH	4				
10	21313055	COVER PLATE	4				
11	BLTA08440	HEX.HEAD BOLT	4				
12	WSH-0012	PLAIN WASHER	4				
13	NUT-0263	NYLOC NUT	4				
14	TIE-0006	TIE WRAPS (LARGE)	4				
15	614959 01	MAX. HYD. PRESSURE TRANSFER	1				
16	800221 01	TRANSFER-MANUAL, OIL	1				

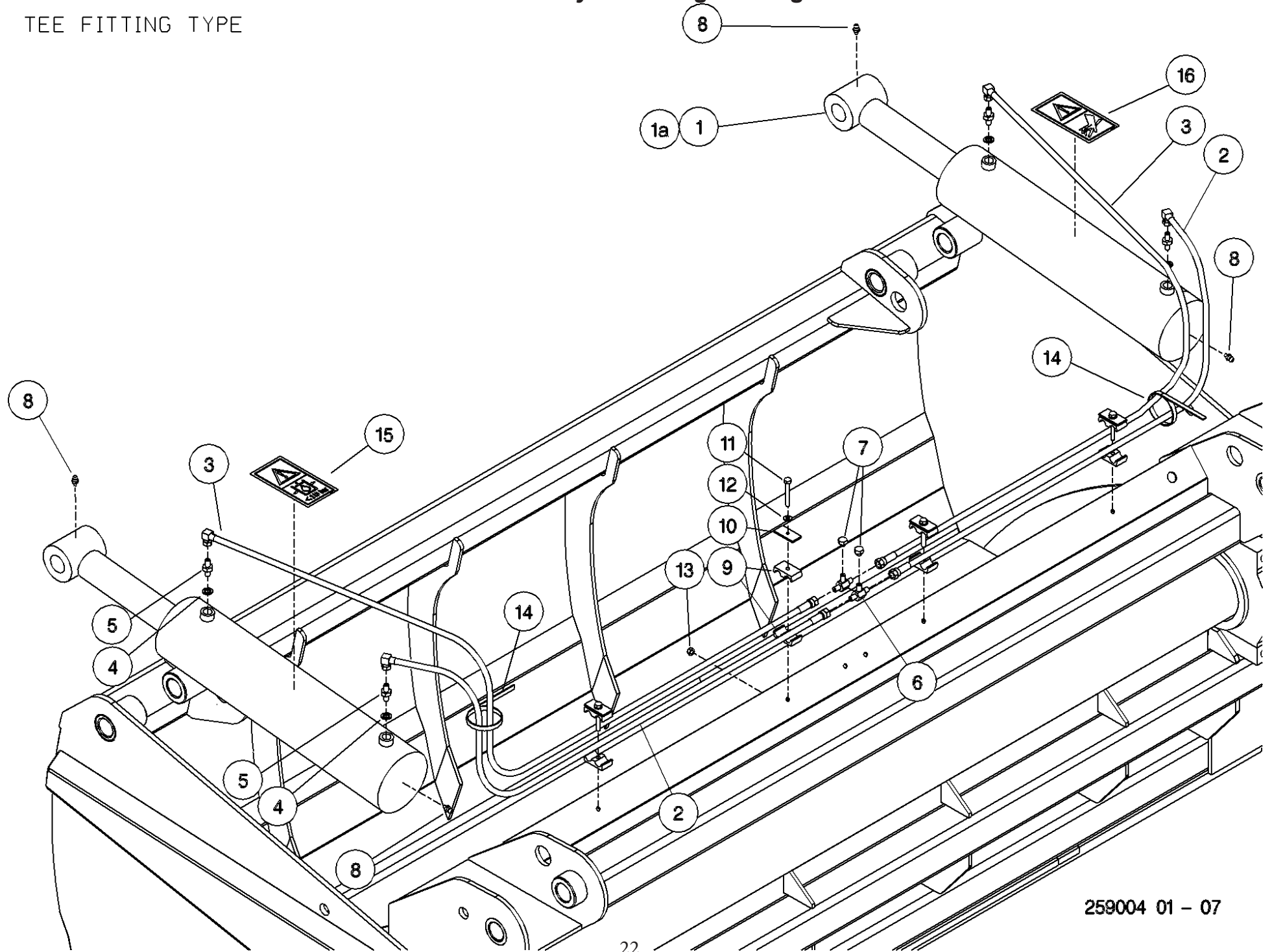
TEE FITTING TYPE



Shelbourne Reynolds Engineering Limited

ASSY NUMBER: 259004 05				ASSY DESCRIPTION: SG100 & SG200 HYDRAULIC SUB AS			
ITEM	PART NO	DESCRIPTION	QTY	ITEM	PART NO	DESCRIPTION	QTY
1	21311038	HYDRAULIC RAM	2				
1a	21312020	SEAL KIT FOR RAM					
2	HHCE11705	HYDRAULIC HOSE ASSEMBLY	2				
3	HHCE07505	HYDRAULIC HOSE ASSEMBLY	2				
4	21307501	SEALING WASHER	4				
5	21304055	ADAPTOR	4				
6	FITA10140	HYDRAULIC TEE FITTING	2				
7	FIT-0251	BLANKING PLUG	2				
8	NIP-01000	GREASE NIPPLE	4				
9	21313054	CLAMP PAIRED, BLACK SMOOTH	4				
10	21313055	COVER PLATE	4				
11	BLTA08440	HEX.HEAD BOLT	4				
12	WSH-0012	PLAIN WASHER	4				
13	NUT-0263	NYLOC NUT	4				
14	TIE-0006	TIE WRAPS (LARGE)	4				
15	614959 01	MAX. HYD. PRESSURE TRANSFER	1				
16	800221 01	TRANSFER-MANUAL, OIL	1				
				<p>NOTE THIS SUB IS FOR SERIAL NO'S SB150 - UP TO & INC 113937 SB200 - UP TO & INC 224938 SEE 259004 07 SUB FOR LATER BUCKETS WITH LARGER DIA RAMS</p>			

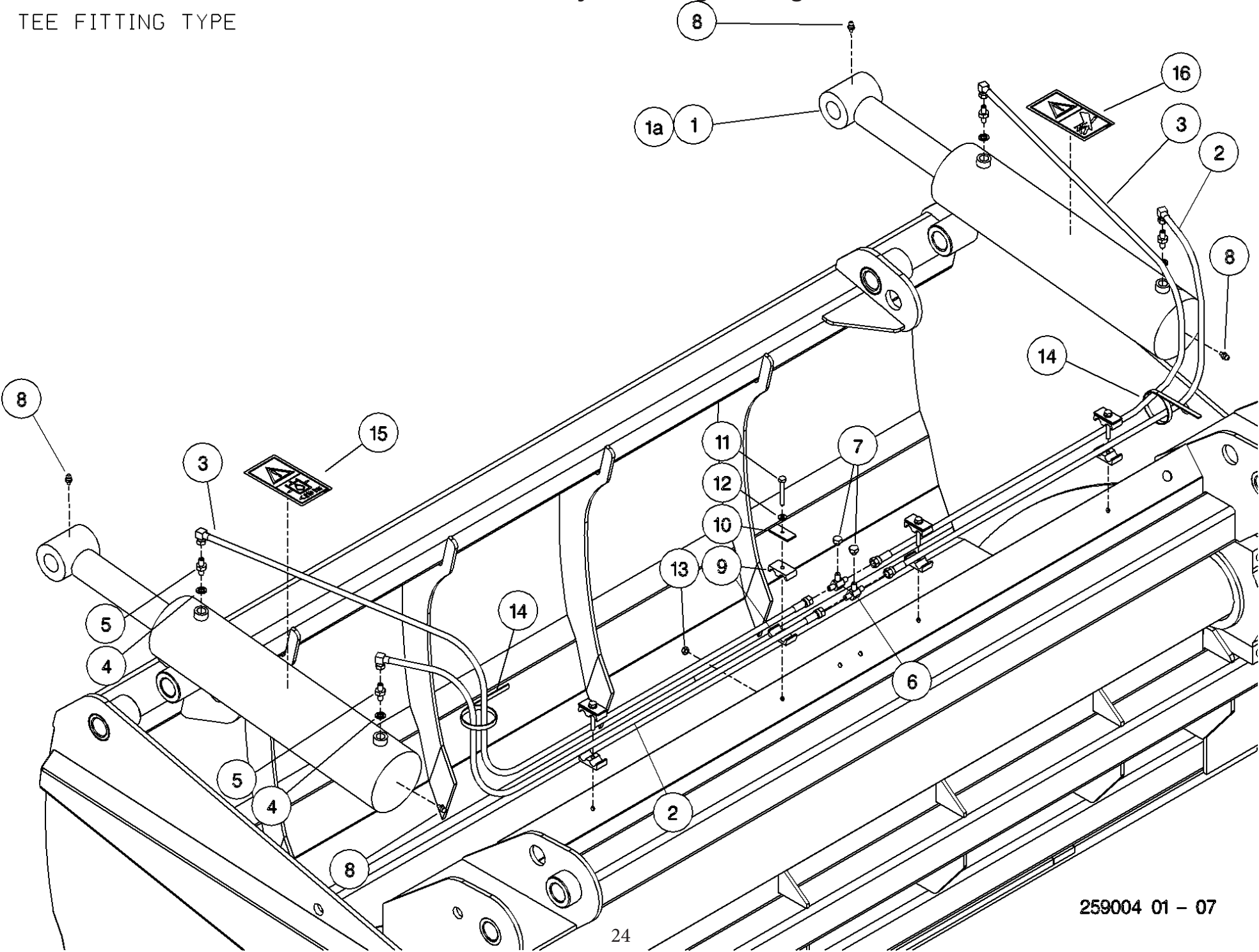
TEE FITTING TYPE



Shelbourne Reynolds Engineering Limited

ASSY NUMBER: 259004 07				ASSY DESCRIPTION: SB150 & SB200 HYDRAULIC SUB ASSY			
ITEM	PART NO	DESCRIPTION	QTY	ITEM	PART NO	DESCRIPTION	QTY
1	21311066	HYDRAULIC RAM	2				
1a	21312067	SEAL KIT FOR RAM					
2	HHCE11705	HYDRAULIC HOSE ASSEMBLY	2			NOTE THIS SUB IS FOR SERIAL NO'S SB150 - 114937 & ON SB200 - 225938 & ON SEE 259004 05 SUB FOR EARLIER BUCKETS WITH SMALLER DIA RAMS	
3	HHCE07505	HYDRAULIC HOSE ASSEMBLY	2				
4	21307501	SEALING WASHER	4				
5	21304055	ADAPTOR	4				
6	FITA10140	HYDRAULIC TEE FITTING	2				
7	FIT-0251	BLANKING PLUG	2				
8	NIP-01000	GREASE NIPPLE	4				
9	21313054	CLAMP PAIRED, BLACK SMOOTH	4				
10	21313055	COVER PLATE	4				
11	BLTA08440	HEX.HEAD BOLT	4				
12	WSH-0012	PLAIN WASHER	4				
13	NUT-0263	NYLOC NUT	4				
14	TIE-0006	TIE WRAPS (LARGE)	4				
15	614959 01	MAX. HYD. PRESSURE TRANSFER	1				
16	800221 01	TRANSFER-MANUAL, OIL	1				

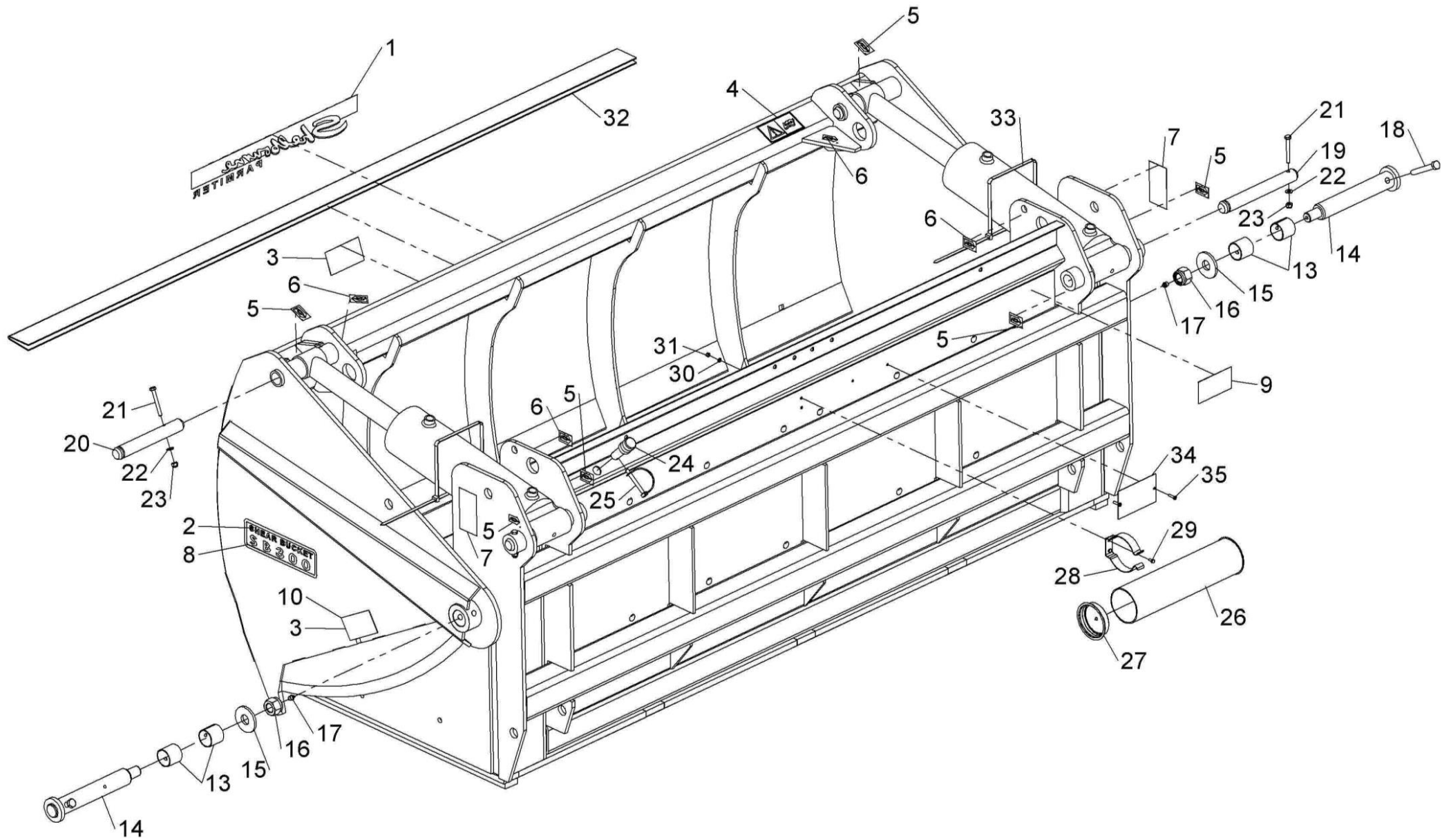
TEE FITTING TYPE



Shelbourne Reynolds Engineering Limited

ASSY NUMBER: 259006 01				ASSY DESCRIPTION: SB300 COMPLETING KIT			
ITEM	PART NO	DESCRIPTION	QTY	ITEM	PART NO	DESCRIPTION	QTY
1	250000 01	LOGO LARGE	1				
2	21616339	LABEL "SHEAR BUCKET"	2				
3	21616360	LABEL "SHARP BLADE"	3				
4	21616343	LABEL "SAFETY MANUAL"	1				
5	21616337	LABEL "GREASE SYMBOL"	6				
6	21616338	LABEL "LIFT POINT"	4				
7	21616237	LABEL "LOCKING PINS"	2				
8	21616345	LABEL SB300	2				
9	21616200	LABEL "MAINTENANCE"	1				
10	21616232	LABEL SHARP BLADE	1				
11							
12							
13	21174040	GLACIER BUSH	4				
14	250307 01	PIVOT PIN	2				
15	198800 06	WASHER	2				
16	NUT-0275	NYLOC NUT	2				
17	NIP-01000	GREASE NIPPLE	2				
18	BLT-2267	HEX.HEAD BOLT	2				
19	33090128	PIN	2				
20	250319 01	RAM PIN	2				
21	BLTA08410	HEX.HEAD BOLT	4				
22	WSH-0012	PLAIN WASHER	4				
23	NUT-0263	NYLOC NUT	4				
24	33090062	MACHINED BAR	1				
25	PIN-1720	SPRING PIN 'D' CLIP	1				
26	39800004	MANUAL HOLDER TUBE	1				
27	21709163	PLASTIC END CAP	2				
28	21725019	SPRING CLIP	1				
29	HSS-0055	SET SCREW	2				
30	WSH-0006	PLAIN WSH FORM A	2				
31	NUT-0258	NYLOC NUT	2				
32	21609019	GUARD FRONT BLADE	1				
33	21701001	CABLE TIE	2				
34	290526 01	SERIAL NO. PLATE	1				
35	POP-0006	POP RIVET	2				

Shelbourne Reynolds Engineering Limited



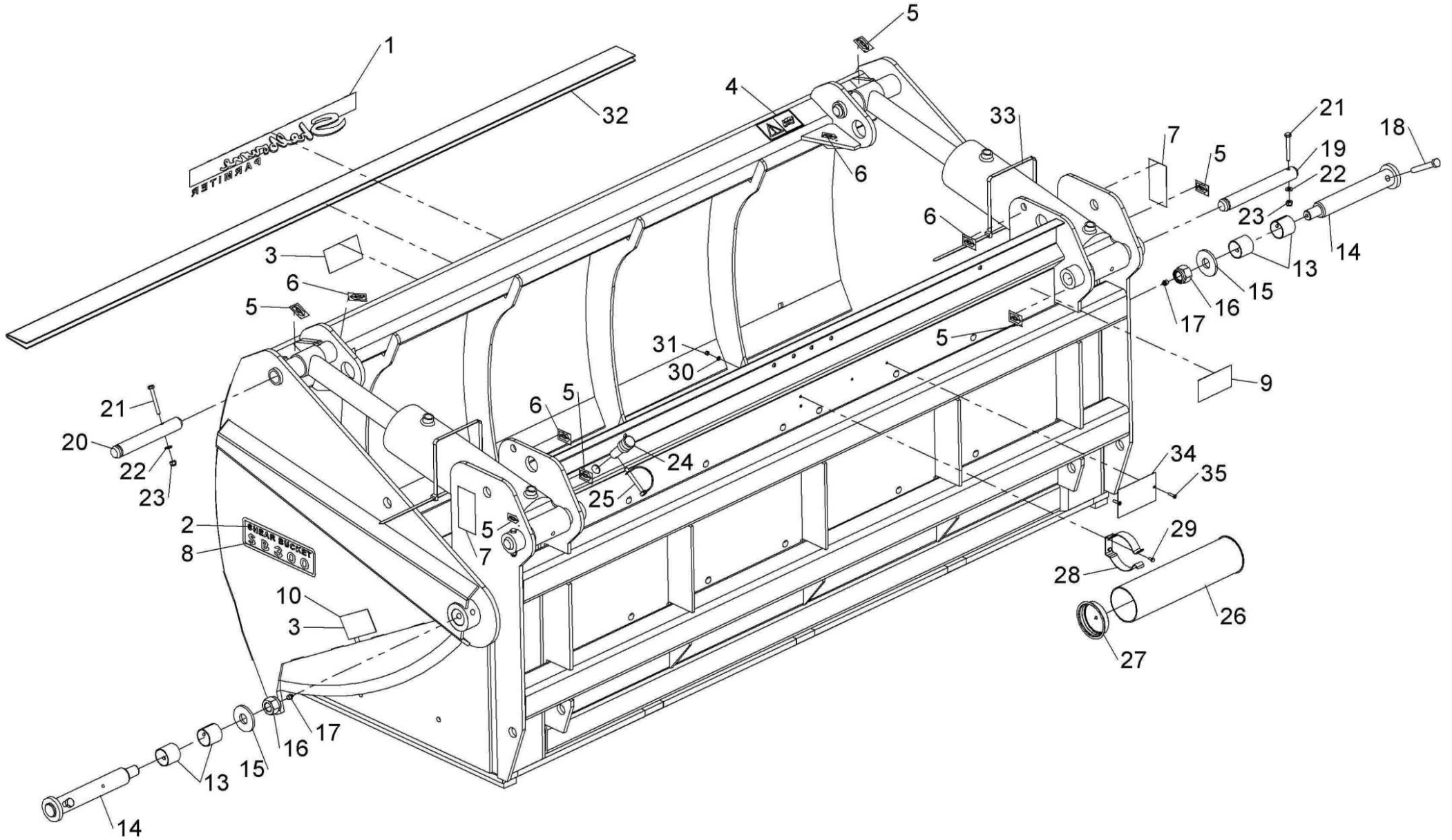
259006 01
259006 02



Shelbourne Reynolds Engineering Limited

ASSY NUMBER: 259006 02				ASSY DESCRIPTION: SB250 COMPLETING KIT			
ITEM	PART NO	DESCRIPTION	QTY	ITEM	PART NO	DESCRIPTION	QTY
1	250000 01	LOGO LARGE	1				
2	21616339	LABEL "SHEAR BUCKET"	2				
3	21616360	LABEL "SHARP BLADE"	3				
4	21616343	LABEL "SAFETY MANUAL"	1				
5	21616337	LABEL "GREASE SYMBOL"	6				
6	21616338	LABEL "LIFT POINT"	4				
7	21616237	LABEL "LOCKING PINS"	2				
8	21616340	LABEL "SB250"	2				
9	21616200	LABEL "MAINTENANCE"	1				
10	21616232	LABEL SHARP BLADE	2				
11							
12							
13	21174040	GLACIER BUSH	4				
14	250307 01	PIVOT PIN	2				
15	198800 06	WASHER	2				
16	NUT-0275	NYLOC NUT	2				
17	NIP-01000	GREASE NIPPLE	2				
18	BLT-2267	HEX.HEAD BOLT	2				
19	33090128	PIN	2				
20	250319 01	RAM PIN	2				
21	BLTA08410	HEX.HEAD BOLT	4				
22	WSH-0012	PLAIN WASHER	4				
23	NUT-0263	NYLOC NUT	4				
24	33090062	MACHINED BAR	1				
25	PIN-1720	SPRING PIN 'D' CLIP	1				
26	39800004	MANUAL HOLDER TUBE	1				
27	21709163	PLASTIC END CAP	2				
28	21725019	SPRING CLIP	1				
29	HSS-0055	SET SCREW	2				
30	WSH-0006	PLAIN WSH FORM A	2				
31	NUT-0258	NYLOC NUT	2				
32	21609018	GUARD, FRONT BLADE	1				
33	21701001	CABLE TIE	2				
34	290526 01	SERIAL NUMBER PLATE	1				
35	POP-0006	POP RIVET	2				
			2				

Shelbourne Reynolds Engineering Limited

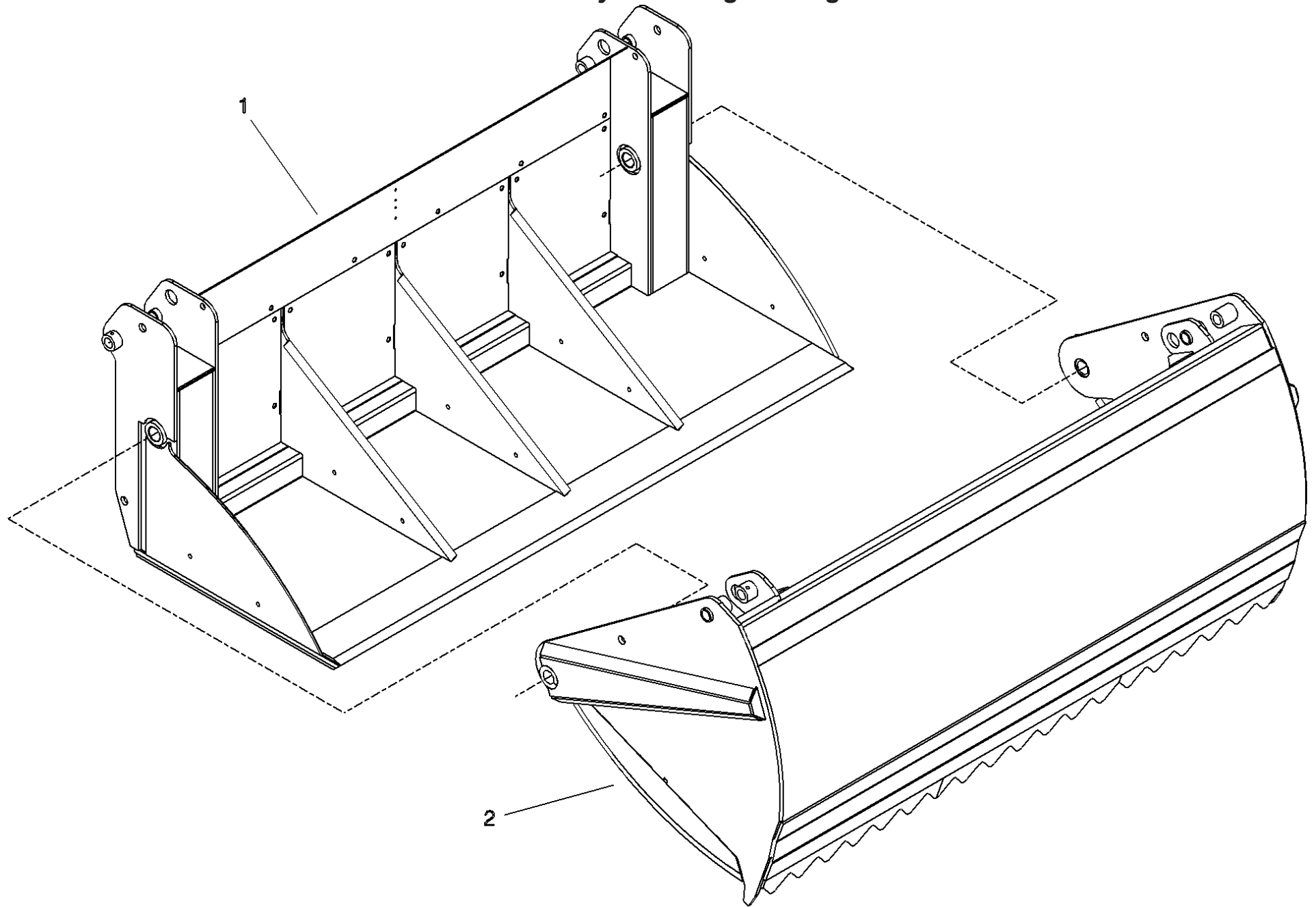


259006 01
259006 02



Shelbourne Reynolds Engineering Limited

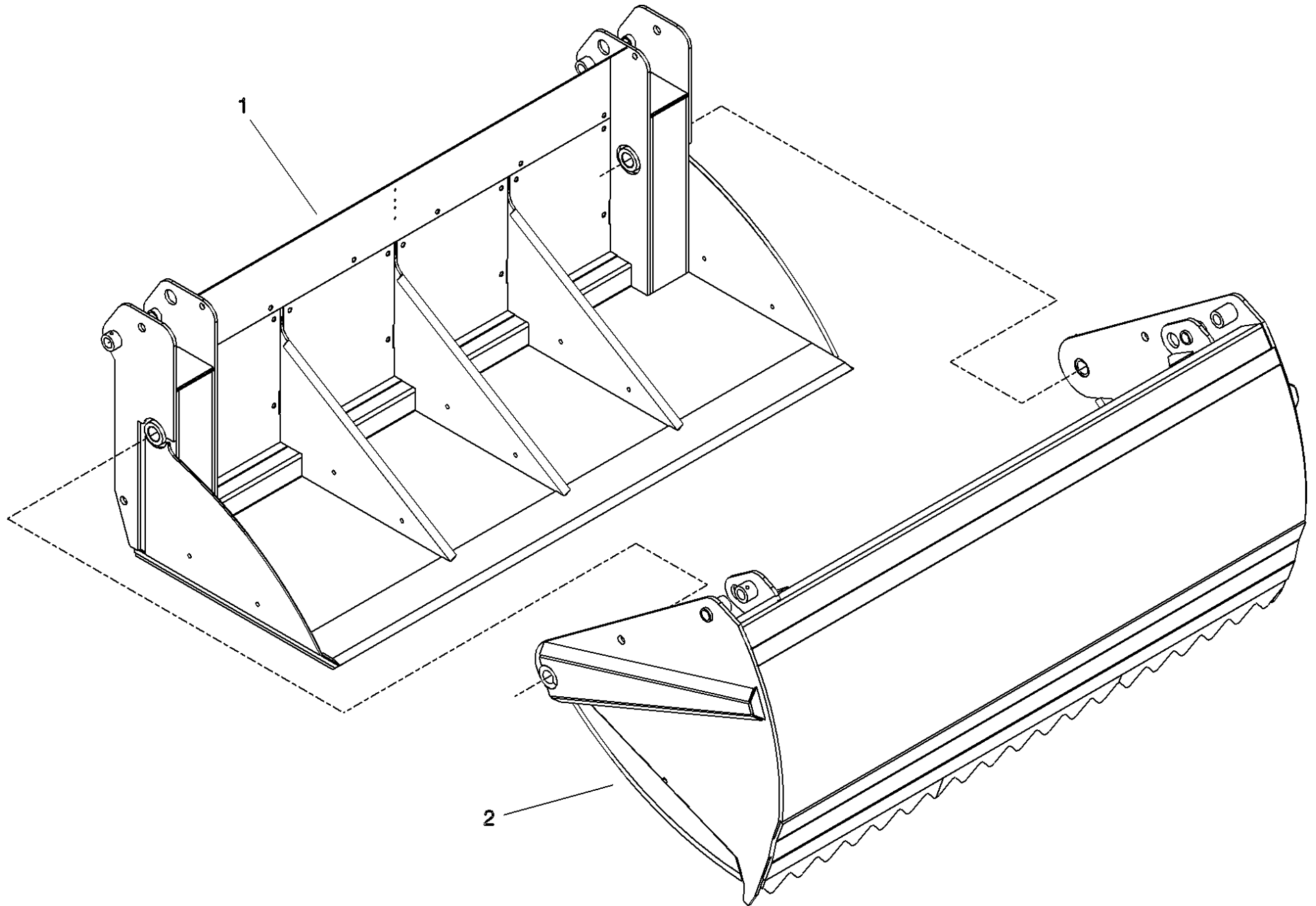
ASSY NUMBER: 259007 01				ASSY DESCRIPTION: SB300 BASE UNIT SUB ASSY			
ITEM	PART NO	DESCRIPTION	QTY	ITEM	PART NO	DESCRIPTION	QTY
1	250312 01	SB300 SUPPORT FRAME W/ASSY	1				
2	250313 01	SB300 CUTTING FRAME W/ASSY	1				



259007 01
259007 02

Shelbourne Reynolds Engineering Limited

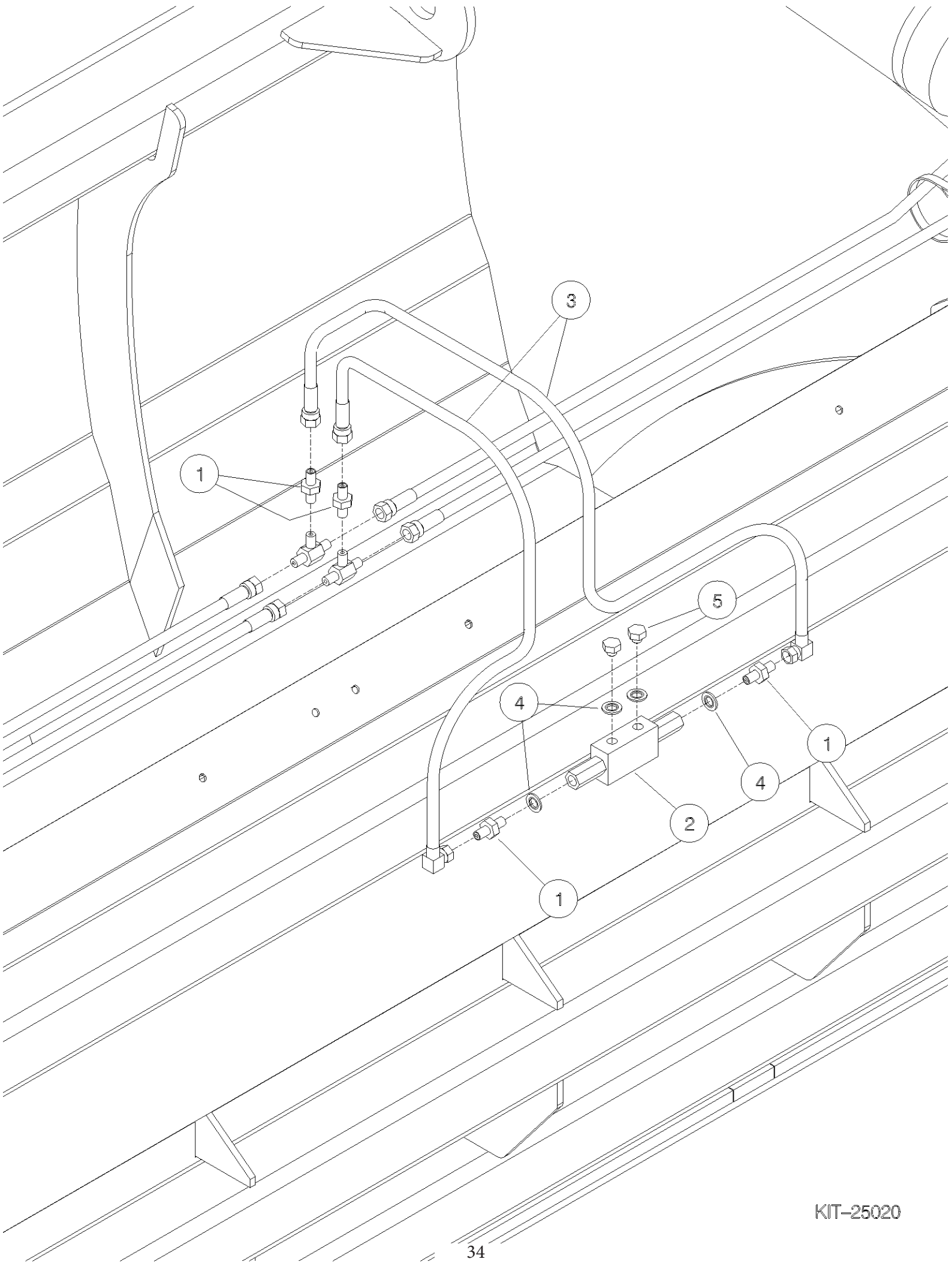
ASSY NUMBER: 259007 02				ASSY DESCRIPTION: SB250 BASE UNIT SUB ASSY			
ITEM	PART NO	DESCRIPTION	QTY	ITEM	PART NO	DESCRIPTION	QTY
1	250326 01	SB250 SUPPORT FRAME W/ASSY	1				
2	250322 01	SB250 CUTTING FRAME W/ASSY	1				



259007 01
259007 02

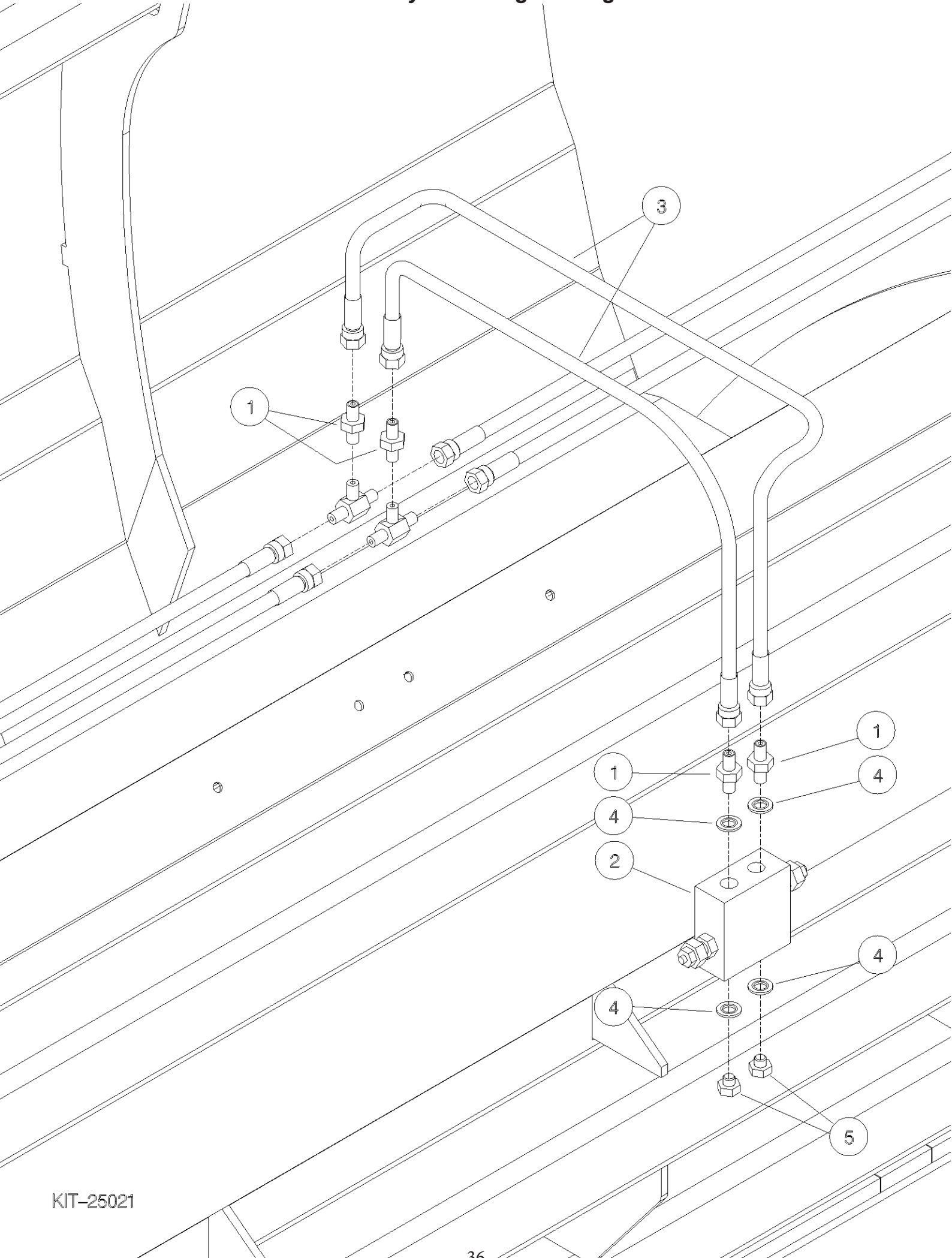
Shelbourne Reynolds Engineering Limited

ASSY NUMBER: KIT-25020				ASSY DESCRIPTION: LOAD HOLDING VALVE KIT			
ITEM	PART NO	DESCRIPTION	QTY	ITEM	PART NO	DESCRIPTION	QTY
1	HMA-0057	ADAPTOR MALE/MALE	4				
2	HVB-27015	DUAL PILOT OPERATED CHECK	1				
3	HHCE02805	HYDRAULIC HOSE ASSEMBLY	2				
4	WSH-1010	DOWTY WASHER	4				
5	FIT-0251	BLANKING PLUG	2				



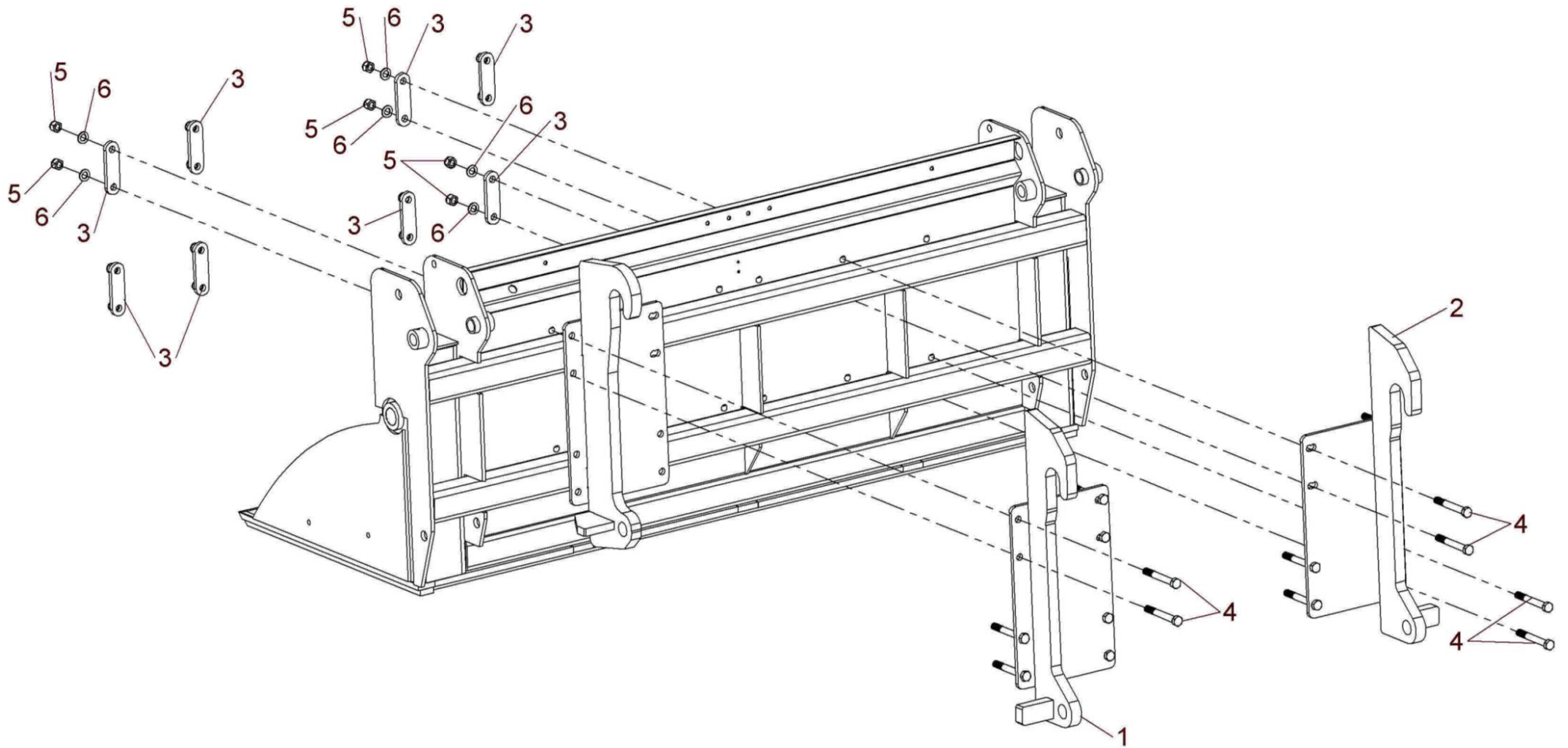
Shelbourne Reynolds Engineering Limited

ASSY NUMBER: KIT-25021				ASSY DESCRIPTION: PRESSURE RELIEF VALVE KIT			
ITEM	PART NO	DESCRIPTION	QTY	ITEM	PART NO	DESCRIPTION	QTY
1	HMA-0057	ADAPTOR MALE/MALE	4				
2	HVB-27020	DUAL CROSS LINE RELIEF VALVE	1				
3	HHAE02805	HYDRAULIC HOSE ASSEMBLY	2				
4	WSH-1010	DOWTY WASHER	4				
5	FIT-0251	BLANKING PLUG	2				



Shelbourne Reynolds Engineering Limited

ASSY NUMBER: KIT-25050				ASSY DESCRIPTION: JCB Q FIT BRACKET KIT			
ITEM	PART NO	DESCRIPTION	QTY	ITEM	PART NO	DESCRIPTION	QTY
1	250508 01	JCB Q FIT BRACKET LH W/A	1				
2	250508 02	JCB Q FIT BRACKET RH W/A	1				
3	260143 01	CLAMP PLATE	8				
4	BLT-2334	HEX.HEAD BOLT	16				
5	NUT-0271	NYLOC NUT	16				
6	WSH-0024	PLAIN WASHER	16				



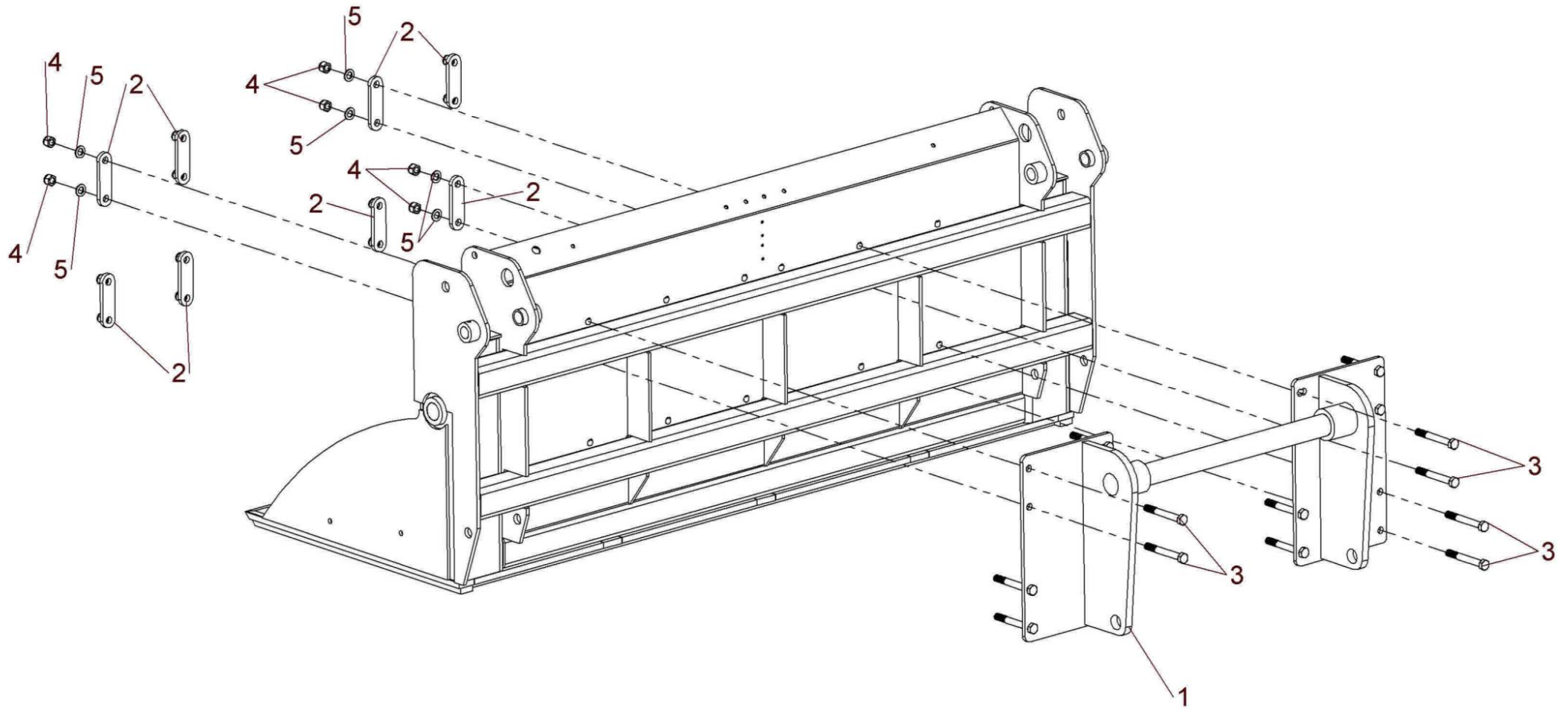
KIT-25050



Shelbourne Reynolds Engineering Limited

ASSY NUMBER: KIT-25051				ASSY DESCRIPTION: MANITOU BRACKET KIT			
ITEM	PART NO	DESCRIPTION	QTY	ITEM	PART NO	DESCRIPTION	QTY
1	250501 01	MANITOU BRACKET W/A	1				
2	260143 01	CLAMP PLATE	8				
3	BLT-2334	HEX.HEAD BOLT	16				
4	NUT-0271	NYLOC NUT	16				
5	WSH-0024	PLAIN WASHER	16				

Shelbourne Reynolds Engineering Limited

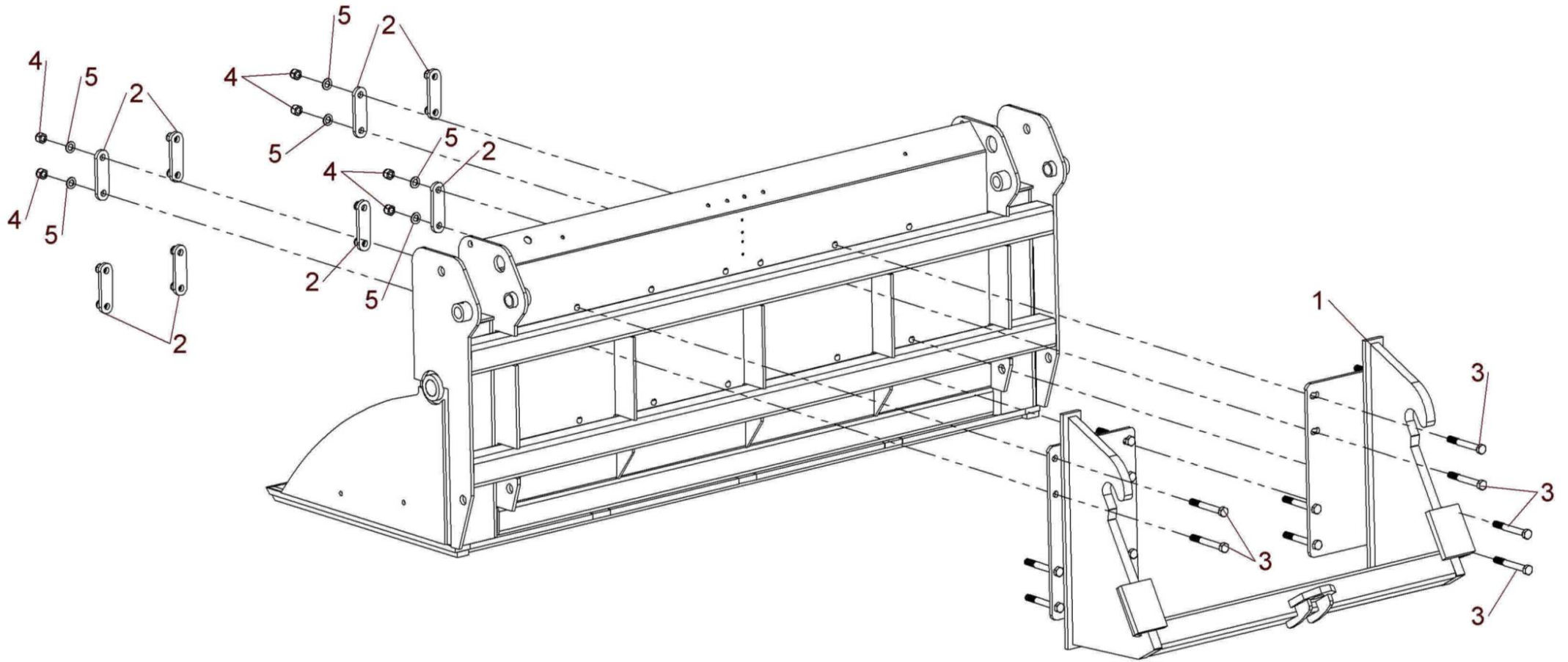


KIT-25051



Shelbourne Reynolds Engineering Limited

ASSY NUMBER: KIT-25052				ASSY DESCRIPTION: MERLO BRACKET KIT			
ITEM	PART NO	DESCRIPTION	QTY	ITEM	PART NO	DESCRIPTION	QTY
1	250502 01	MERLO BRACKET W/A	1				
2	260143 01	CLAMP PLATE	8				
3	BLT-2334	HEX.HEAD BOLT	16				
4	NUT-0271	NYLOC NUT	16				
5	WSH-0024	PLAIN WASHER	16				



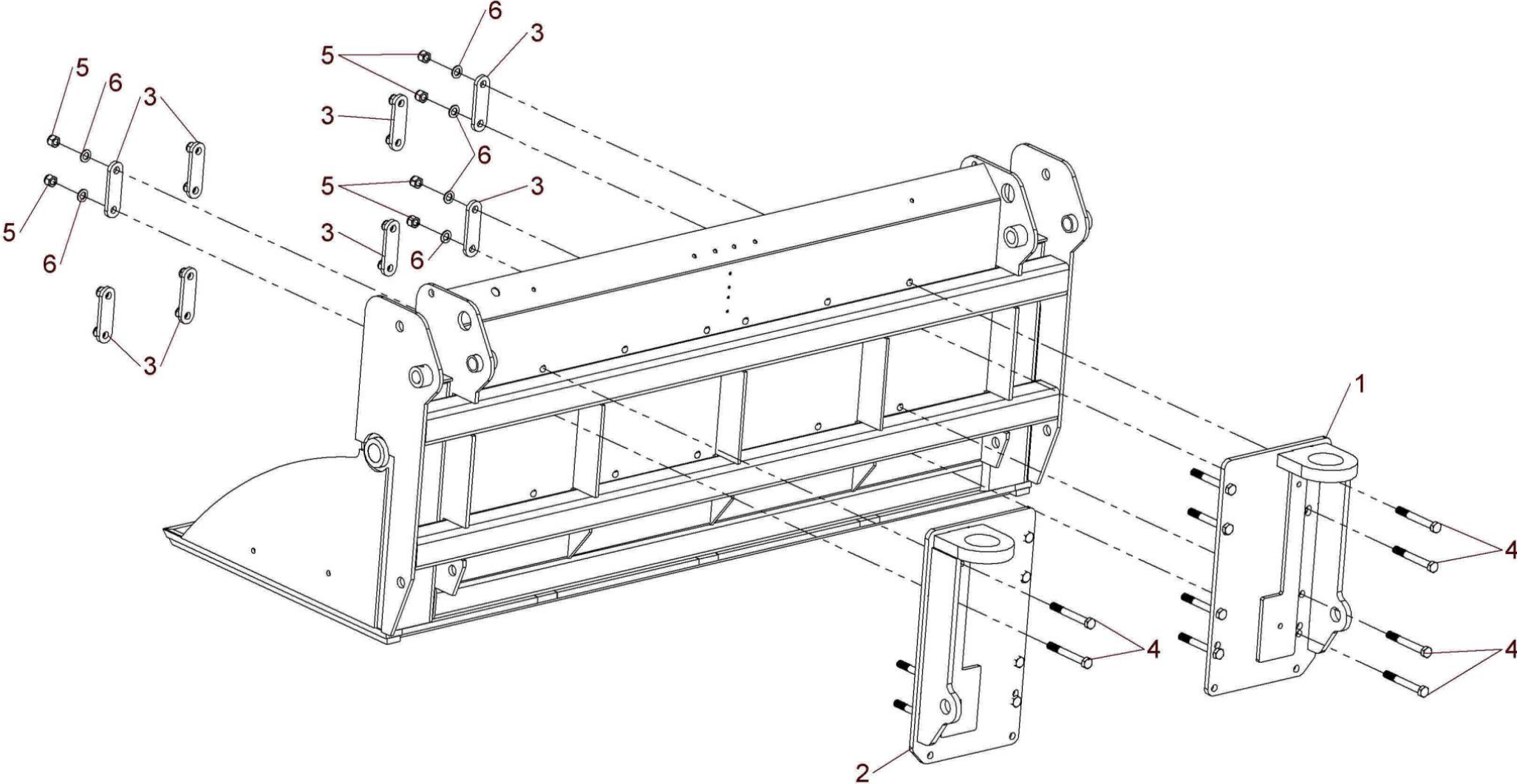
KIT-25052



Shelbourne Reynolds Engineering Limited

ASSY NUMBER: KIT-25053				ASSY DESCRIPTION: MATBRO BRACKET KIT			
ITEM	PART NO	DESCRIPTION	QTY	ITEM	PART NO	DESCRIPTION	QTY
1	250506 01	LH MATBRO BRKT W/A	1				
2	250506 02	RH MATBRO BRKT W/A	1				
3	260143 01	CLAMP PLATE	8				
4	BLT-2334	HEX.HEAD BOLT	16				
5	NUT-0271	NYLOC NUT	16				
6	WSH-0024	PLAIN WASHER	16				

Shelbourne Reynolds Engineering Limited



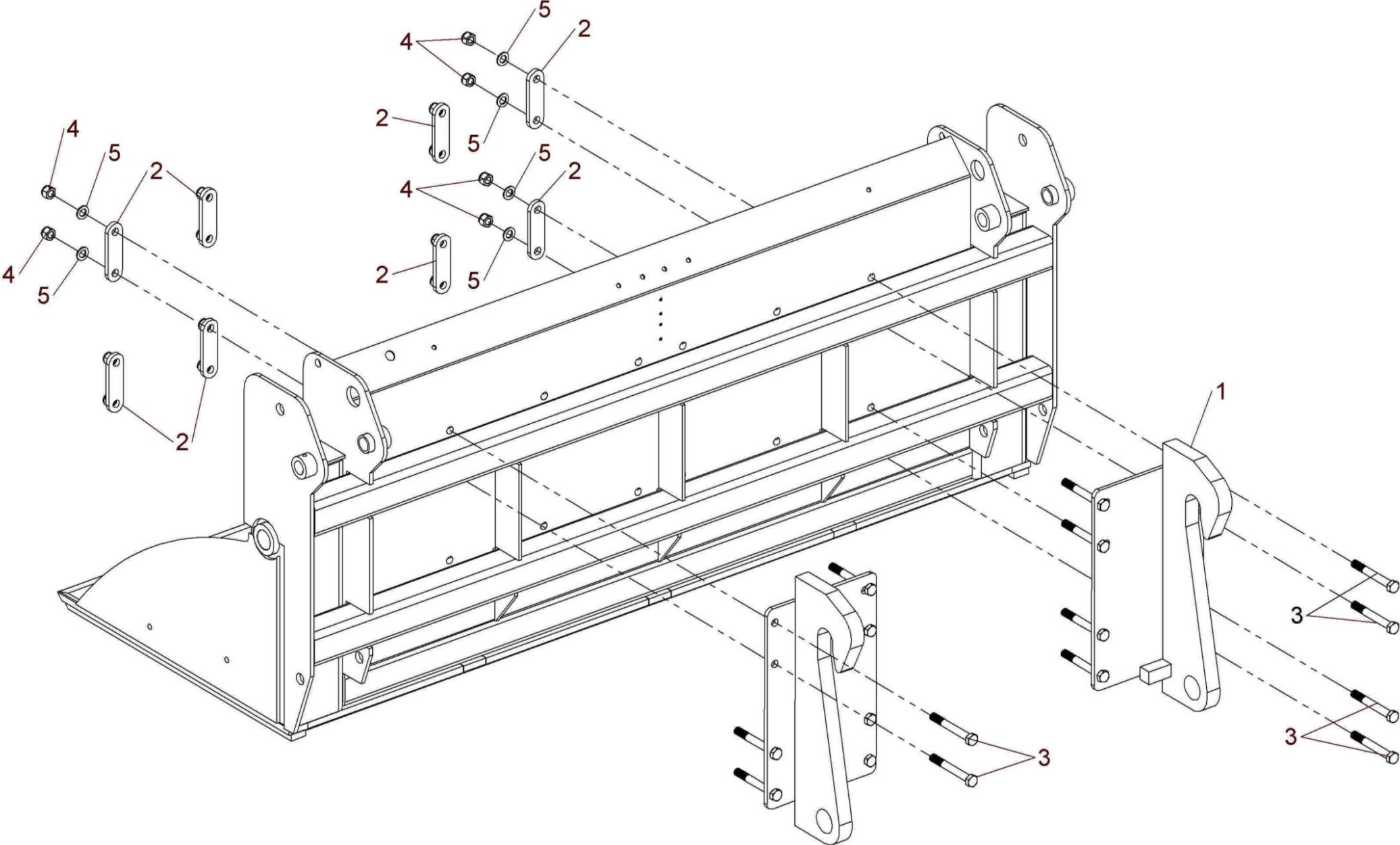
KIT-25053



Shelbourne Reynolds Engineering Limited

ASSY NUMBER: KIT-25054				ASSY DESCRIPTION: CLAAS BRACKET KIT			
ITEM	PART NO	DESCRIPTION	QTY	ITEM	PART NO	DESCRIPTION	QTY
1	250504 01	CLAAS BRACKET W/A	1				
2	260143 01	CLAMP PLATE	8				
3	BLT-2334	HEX.HEAD BOLT	16				
4	NUT-0271	NYLOC NUT	16				
5	WSH-0024	PLAIN WASHER	16				

Shelbourne Reynolds Engineering Limited



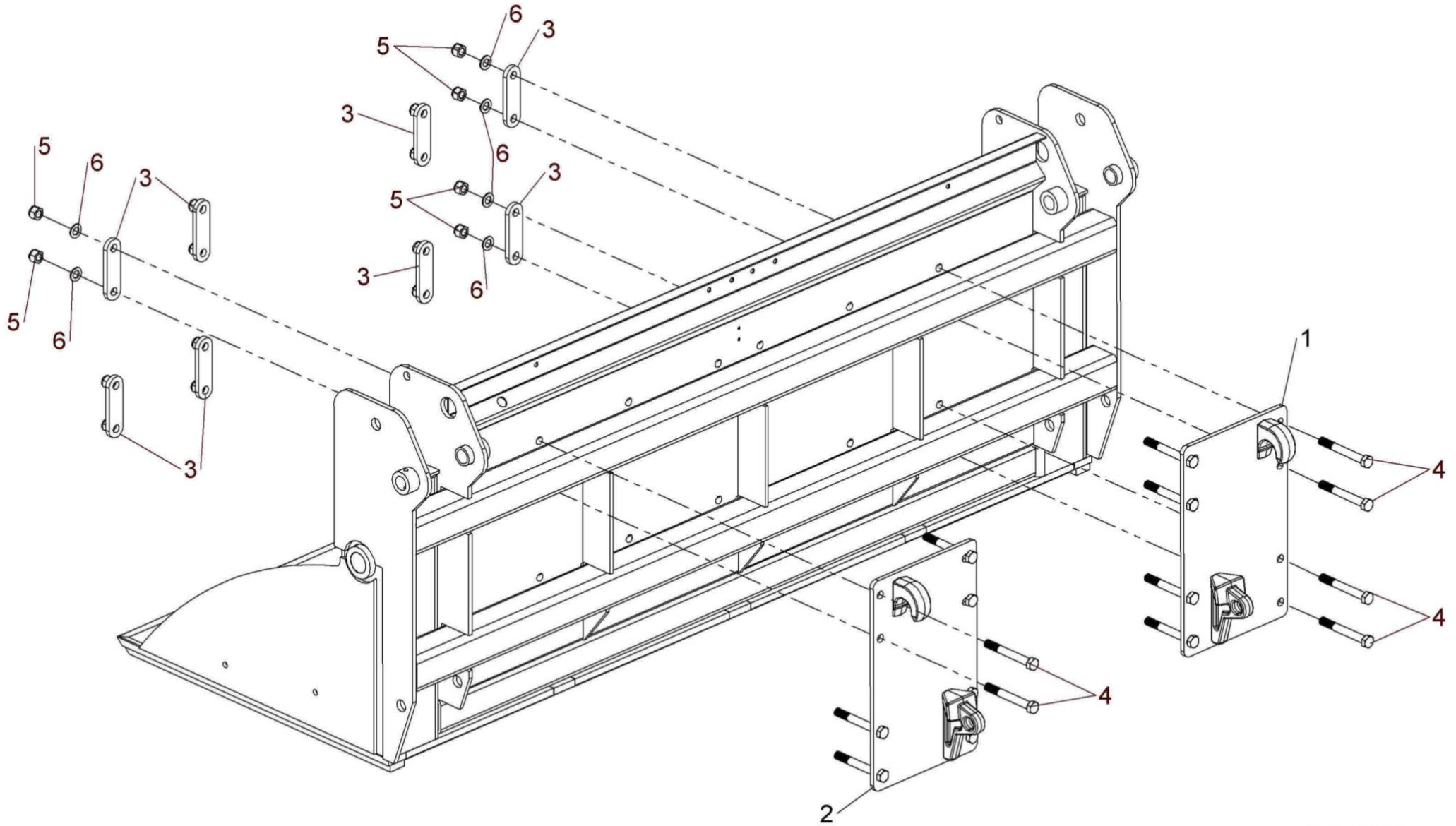
KIT-25054



Shelbourne Reynolds Engineering Limited

ASSY NUMBER: KIT-25055				ASSY DESCRIPTION: EURO BRACKET KIT			
ITEM	PART NO	DESCRIPTION	QTY	ITEM	PART NO	DESCRIPTION	QTY
1	250510 01	LH EURO BRACKET W/A	1				
2	250510 01	RH EURO BRACKET W/A	1				
3	260143 01	CLAMP PLATE	8				
4	BLT-2334	HEX.HEAD BOLT	16				
5	NUT-0271	NYLOC NUT	16				
6	WSH-0024	PLAIN WASHER	16				

Shelbourne Reynolds Engineering Limited



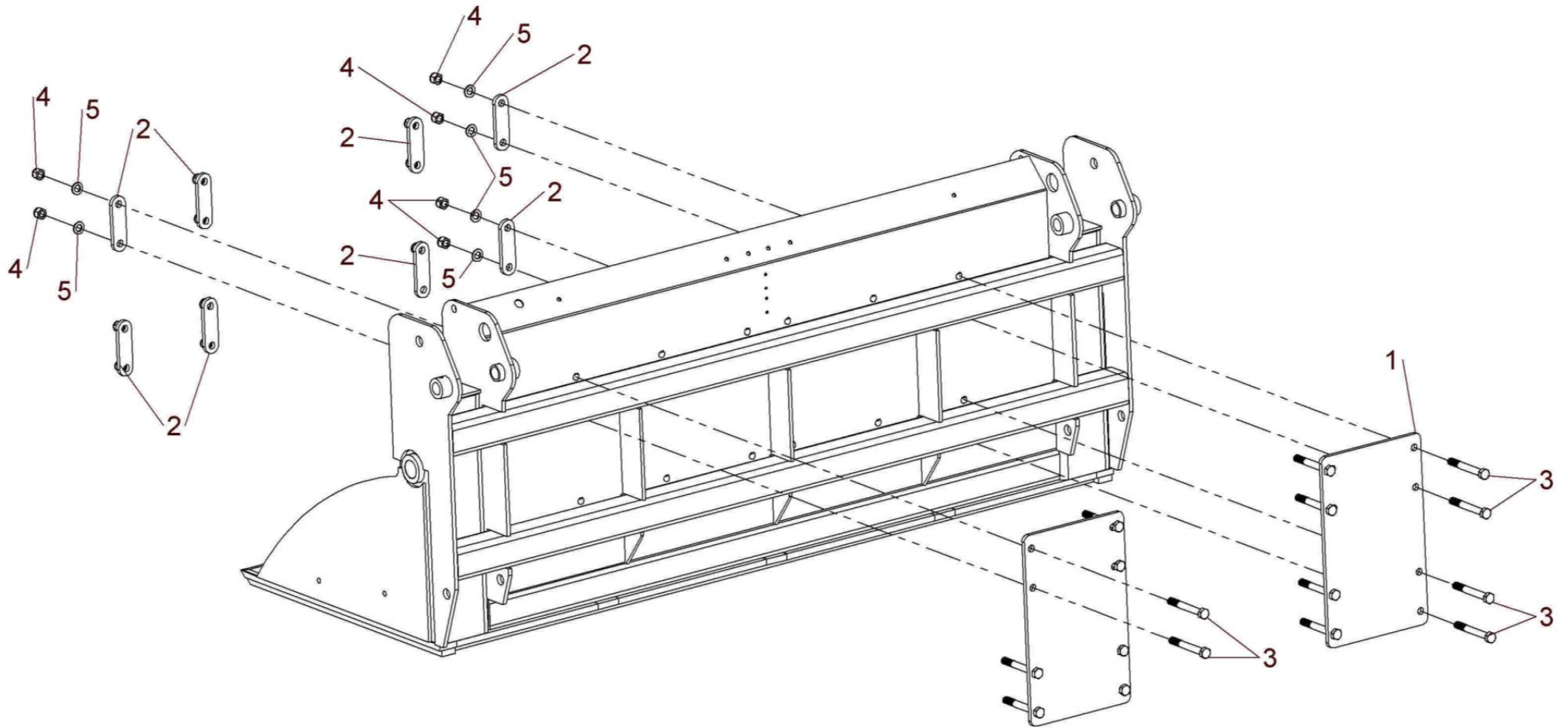
KIT-25055



Shelbourne Reynolds Engineering Limited

ASSY NUMBER: KIT-25056				ASSY DESCRIPTION: LOADER BRACKET PLATE KIT - WELD OWN BRKT			
ITEM	PART NO	DESCRIPTION	QTY	ITEM	PART NO	DESCRIPTION	QTY
1	250303 01	BRACKET PLATE (UNPAINTED)	2				
2	260143 01	CLAMP PLATE	8				
3	BLT-2334	HEX.HEAD BOLT	16				
4	NUT-0271	NYLOC NUT	16				
5	WSH-0024	PLAIN WASHER	16				

Shelbourne Reynolds Engineering Limited

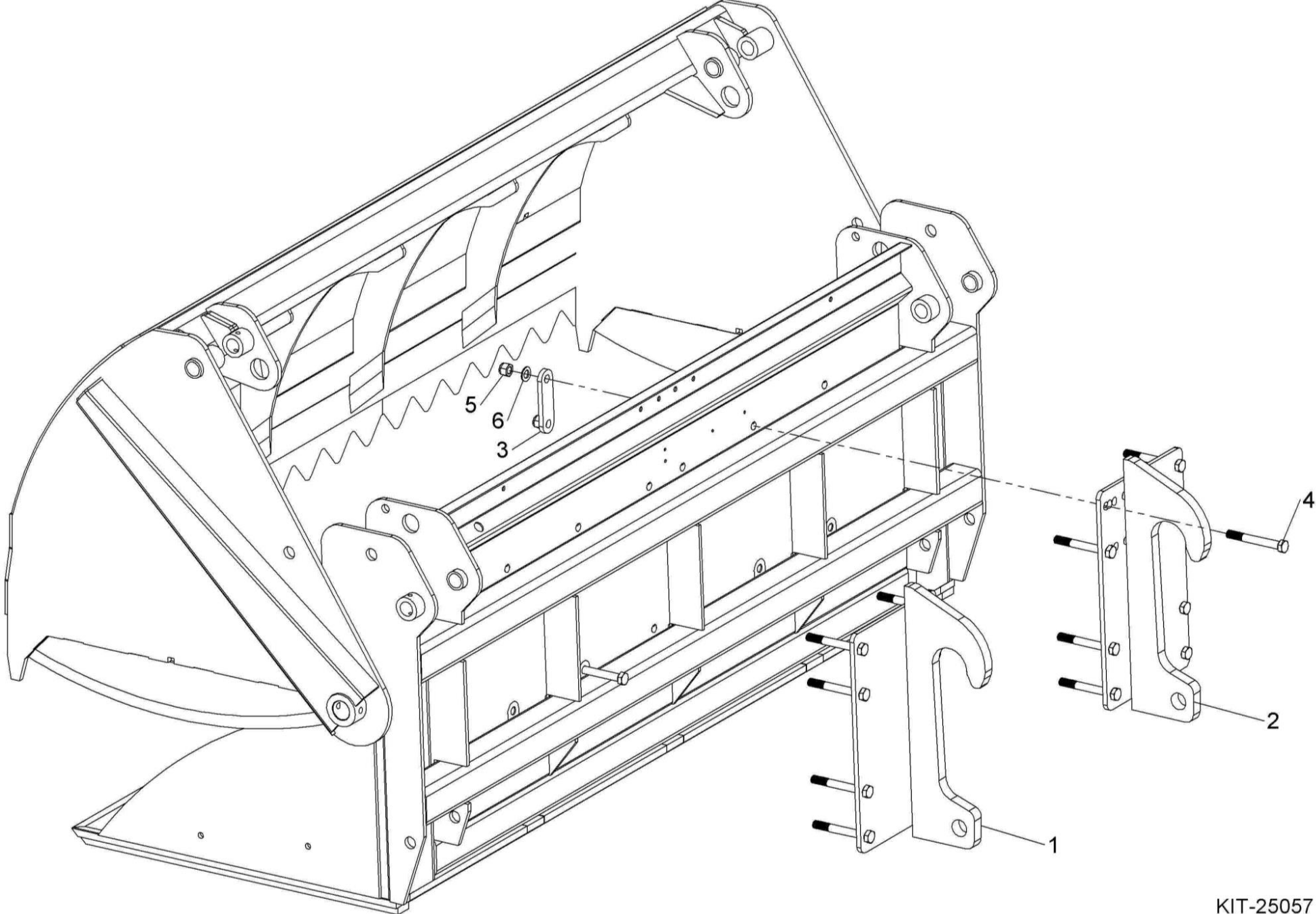


KIT-25056



Shelbourne Reynolds Engineering Limited

ASSY NUMBER: KIT-25057				ASSY DESCRIPTION: CNH BRACKET KIT			
ITEM	PART NO	DESCRIPTION	QTY	ITEM	PART NO	DESCRIPTION	QTY
1	250507 01	LH CNH BRKT W/A	1				
2	250507 02	RH CNH BRKT W/A	1				
3	260143 01	CLAMP PLATE	8				
4	BLT-2334	HEX.HEAD BOLT	16				
5	NUT-0271	NYLOC NUT	16				
6	WSH-0024	PLAIN WASHER	16				



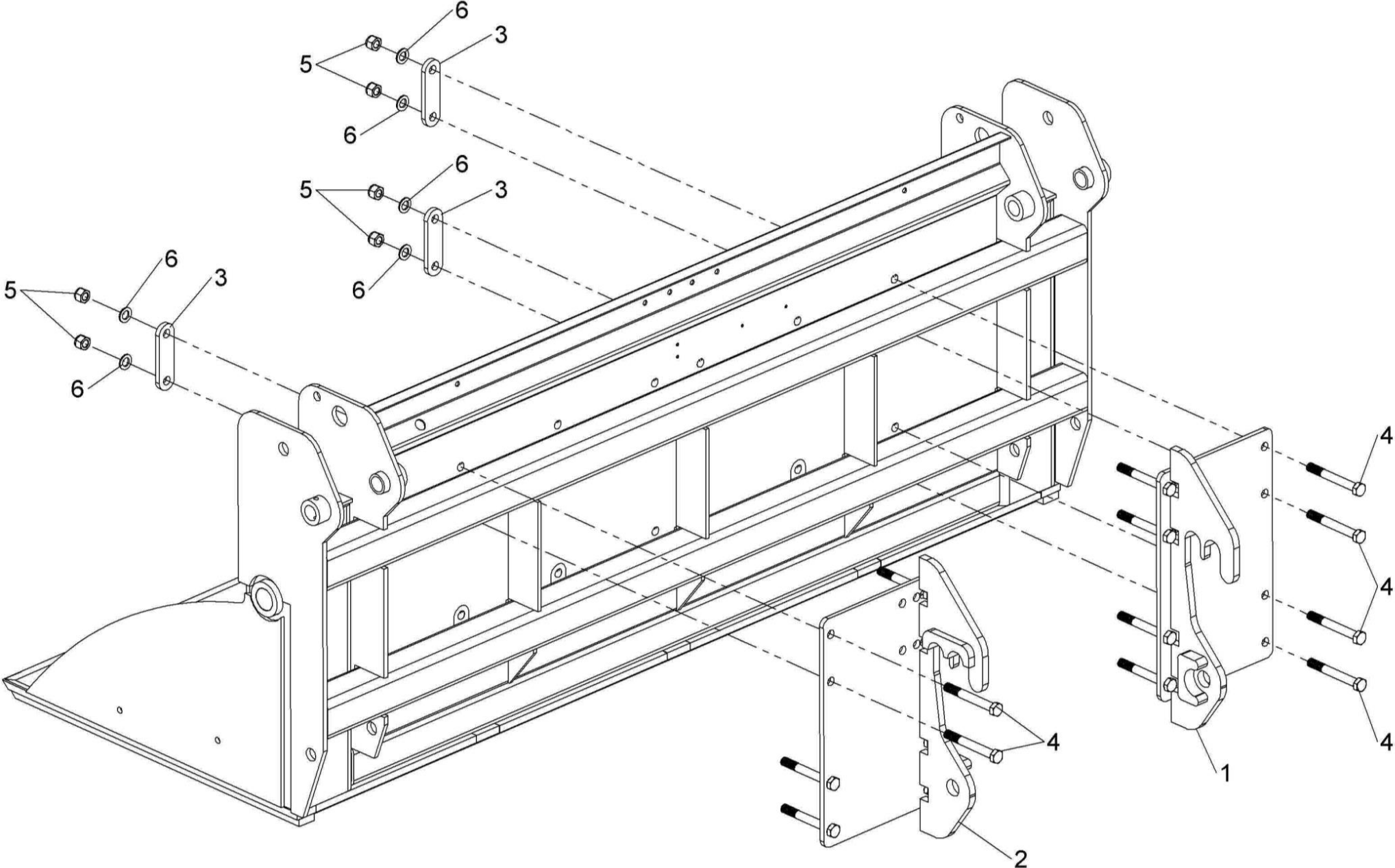
KIT-25057



Shelbourne Reynolds Engineering Limited

ASSY NUMBER: KIT-25058				ASSY DESCRIPTION: SCHAEFFER BRACKET KIT			
ITEM	PART NO	DESCRIPTION	QTY	ITEM	PART NO	DESCRIPTION	QTY
1	250511 01	LH SCHAEFFER BRKT W/A	1				
2	250511 02	RH SCHAEFFER BRKT W/A	1				
3	260143 01	CLAMP PLATE	8				
4	BLT-2334	HEX.HEAD BOLT	16				
5	NUT-0271	NYLOC NUT	16				
6	WSH-0024	PLAIN WASHER	16				

Shelbourne Reynolds Engineering Limited

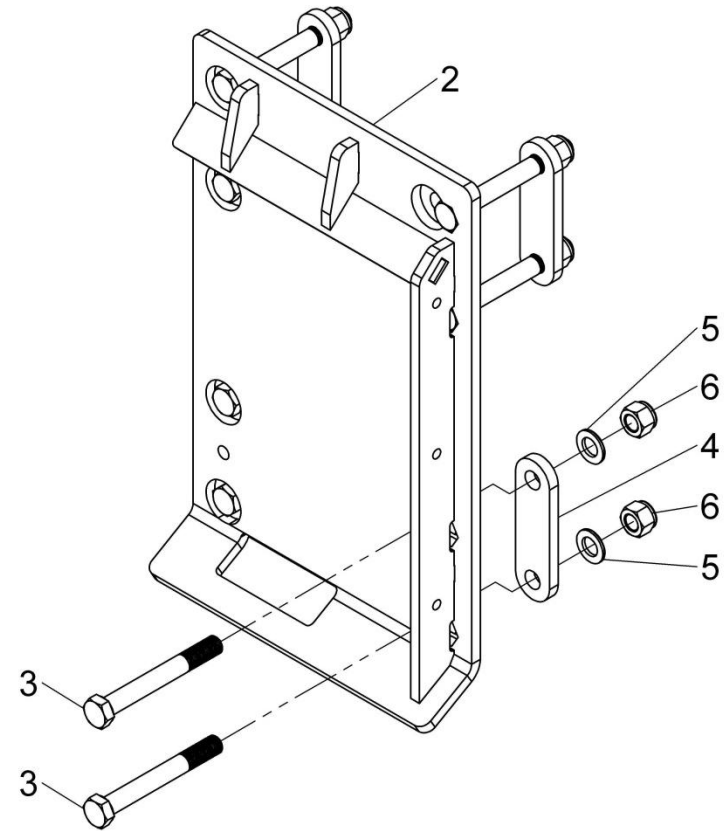
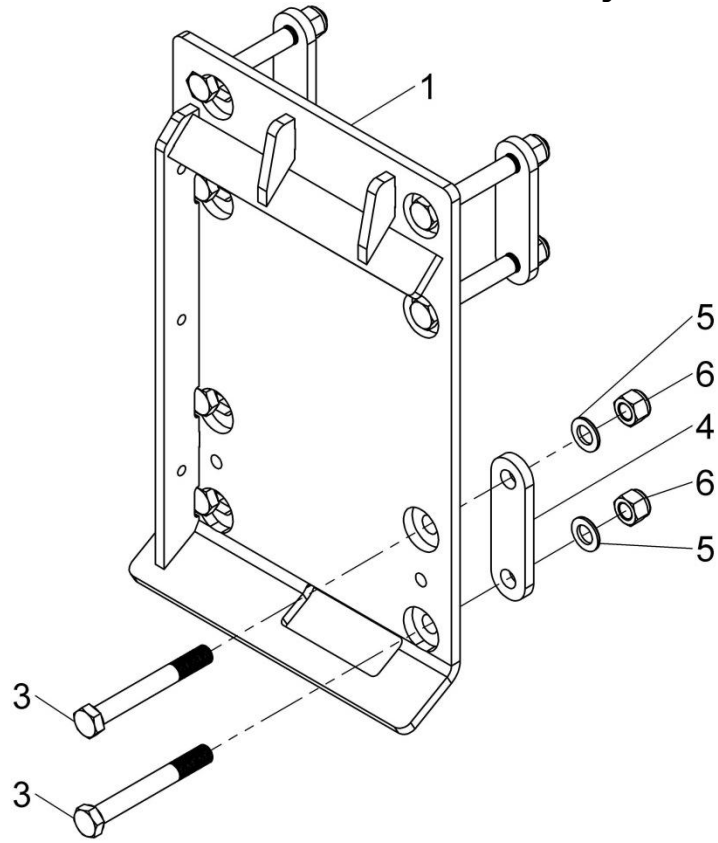


KIT-25058



Shelbourne Reynolds Engineering Limited

ASSY NUMBER: KIT-25059				ASSY DESCRIPTION: SKID STEER BRACKET KIT			
ITEM	PART NO	DESCRIPTION	QTY	ITEM	PART NO	DESCRIPTION	QTY
1	250512 01	SKID STEER BRACKET	1				
2	250512 02	SKID STEER BRACKET	1				
3	BLT-2334	BOLT	16				
4	260143 01	CLAMP PLATE	8				
5	WSH-0024	WASHER	16				
6	NUT-0271	NYLOC NUT	16				

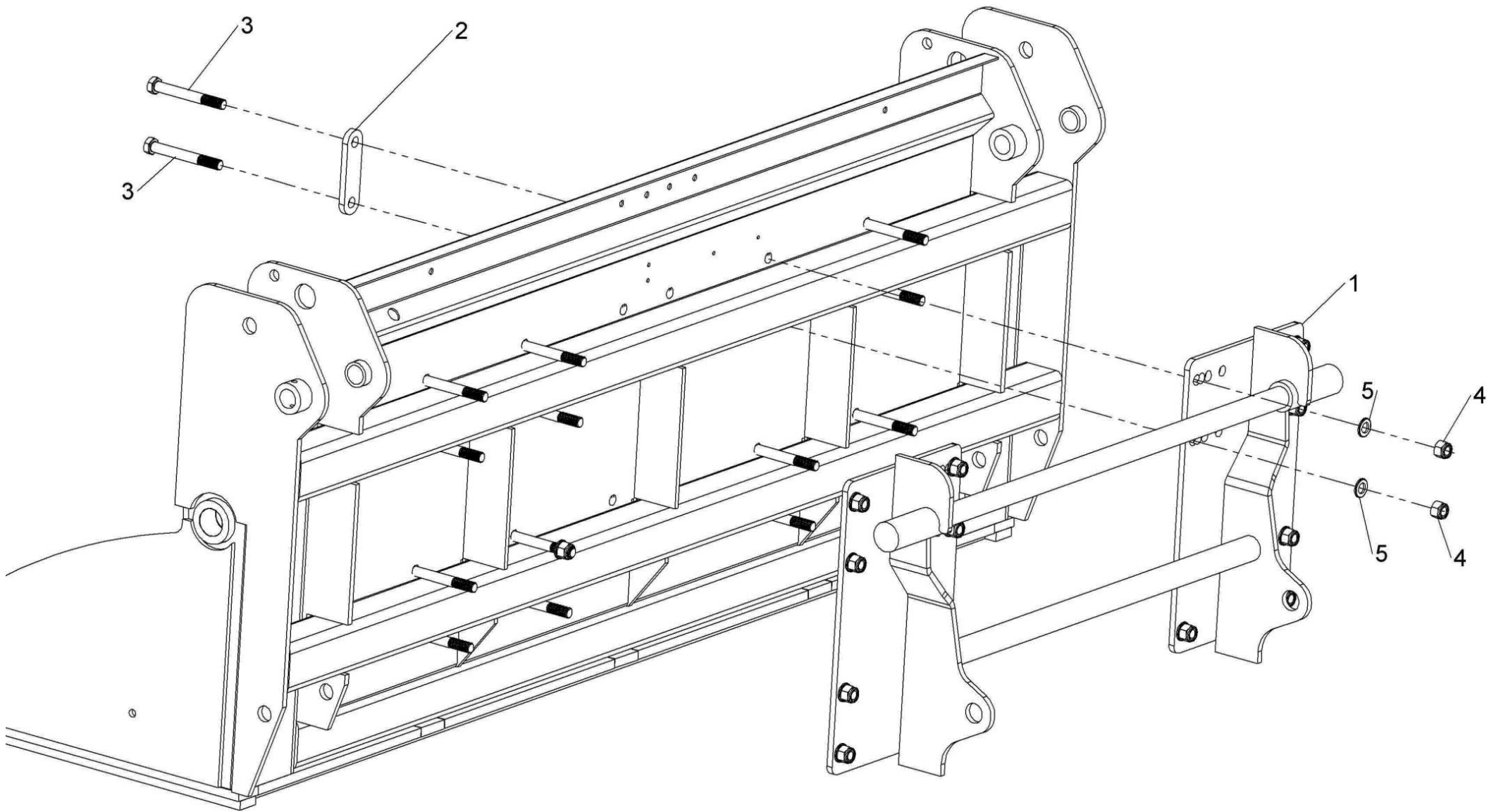


KIT-25059



Shelbourne Reynolds Engineering Limited

ASSY NUMBER: KIT-25060				ASSY DESCRIPTION: CHILTON/ MX BRACKET KIT			
ITEM	PART NO	DESCRIPTION	QTY	ITEM	PART NO	DESCRIPTION	QTY
1	250513 01	CHILTON/ MX BRACKET W/A	1				
2	260143 01	CLAMP PLATE	8				
3	BLT-2334	HEX.HEAD BOLT	16				
4	NUT-0271	NYLOC NUT	16				
5	WSH-0024	PLAIN WASHER	16				



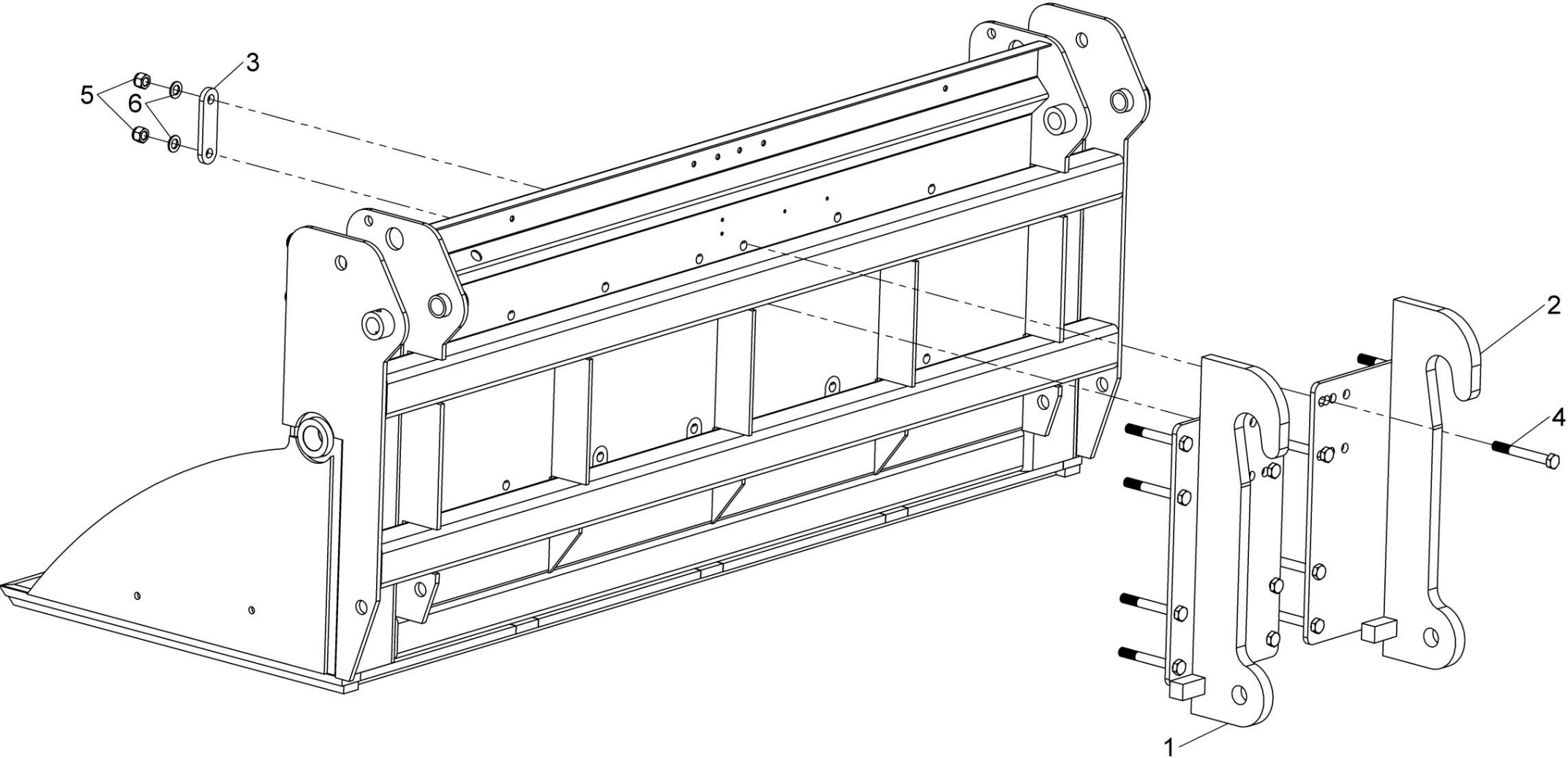
KIT-25060



Shelbourne Reynolds Engineering Limited

ASSY NUMBER: KIT-25061				ASSY DESCRIPTION: JCB TOOL CARRIER BRACKET KIT			
ITEM	PART NO	DESCRIPTION	QTY	ITEM	PART NO	DESCRIPTION	QTY
1	250514 01	LH JCB TOOL CARRIER BRKT W/A	1				
2	250514 02	RH JCB TOOL CARRIER BRKT W/A	1				
3	260143 01	CLAMP PLATE	8				
4	BLT-2334	BOLT	16				
5	NUT-0271	NYLOC NUT	16				
6	WSH-0024	PLAIN WASHER	16				

Shelbourne Reynolds Engineering Limited



KIT-25061

