

Shelbourne
REYNOLDS

COMBINE HEADER TRAILER



JD 640X Header, 12000FWS



NH 35ft Header, 10500TA

SHELBOURNE.COM

Shelbourne

COMBINE HEADER TRAILER

THE SHELBOURNE RANGE OF COMBINE HEADER TRAILERS ARE DESIGNED TO SAFELY, SIMPLY AND SECURELY TRANSPORT MOST POPULAR COMBINE HEADERS, INCLUDING, JOHN DEERE, NEW HOLLAND, CASE, CLAAS AND MASSEY FERGUSON. ELEVEN MODELS ARE AVAILABLE FEATURING SINGLE, TANDEM AND FOUR WHEEL AXLE CONFIGURATIONS CAPABLE OF HANDLING HEADERS UP TO 40FT.

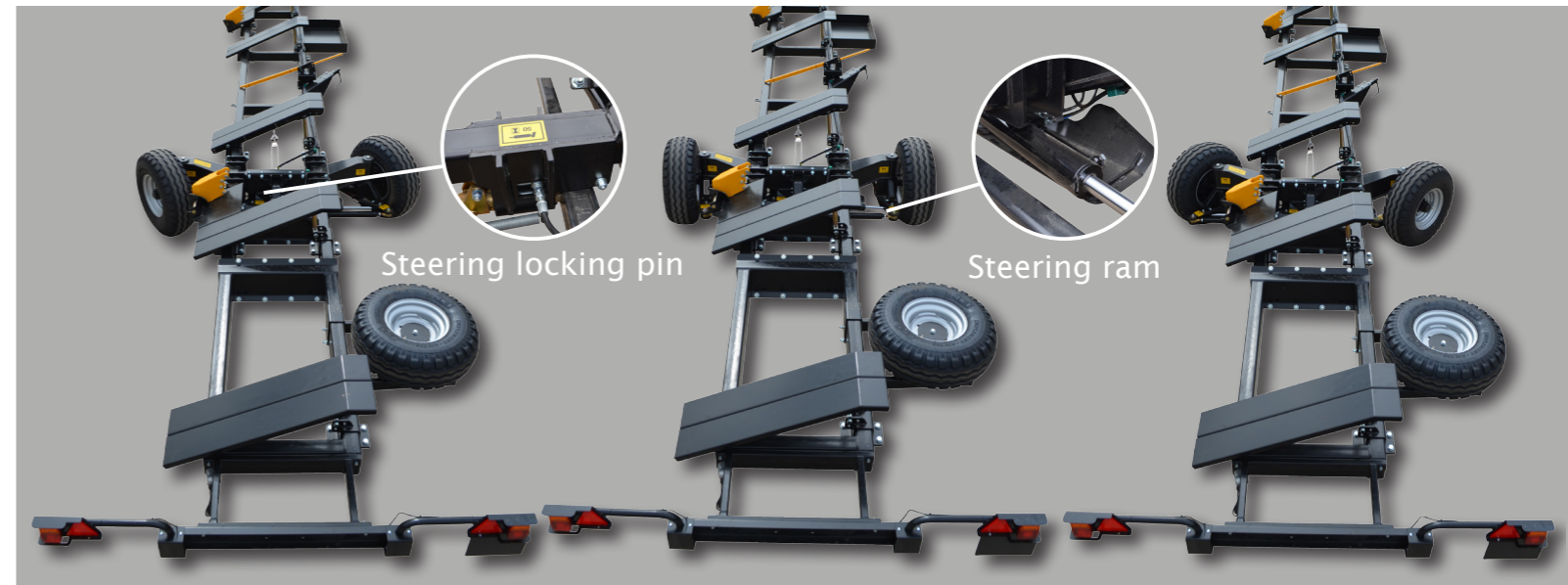
STANDARD FEATURES

- QUICK LATCH PINS
- QUICK AND EASY LOADING AND UNLOADING
- HEADER SUPPORT ON ALL STRUCTURAL AREAS
- FULLY ADJUSTABLE IN BOTH FORE AND AFT AND UP AND DOWN DIRECTIONS
- MULTI-POSITION TELESCOPIC DRAWBAR
- HEAVY DUTY JACK

OPTIONS

- TELESCOPIC REAR LIGHT BOARD WITH SPRING BACK LIGHT ARMS (STANDARD ON ALL TA AND FW MODELS)
- RAPE EXTENSION KIT
- HYDRAULIC BRAKES (STANDARD ON 10500TA AND ALL FW MODELS)
- ACCESSORY BOX
- COMBINE DRAWBARS

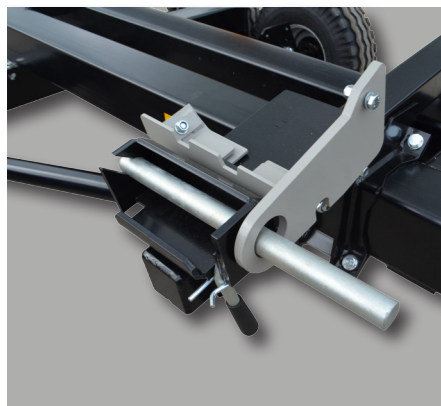
FWS - HYDRAULIC & LINKAGE REAR STEER OPTIONS



Hydraulic steering to the left

Hydraulic steering central

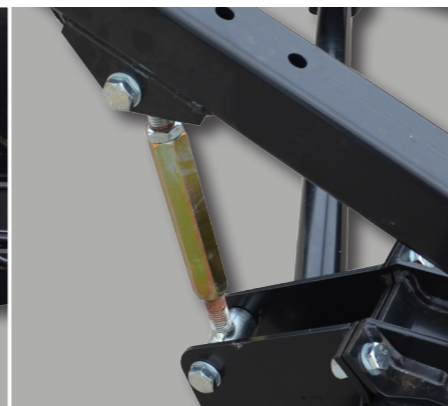
Hydraulic steering to the right



Quick latch pins



All structural header components fully supported



Adjustable support brackets



Four wheel trailer front drawbar in raised position



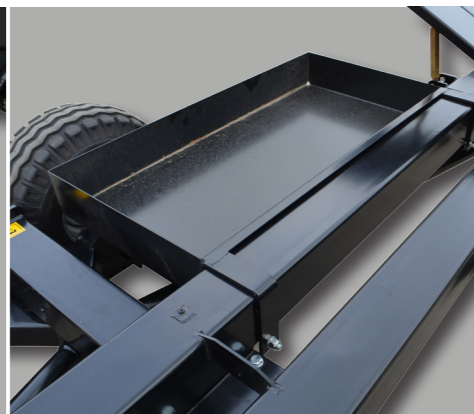
Rear linkage steer



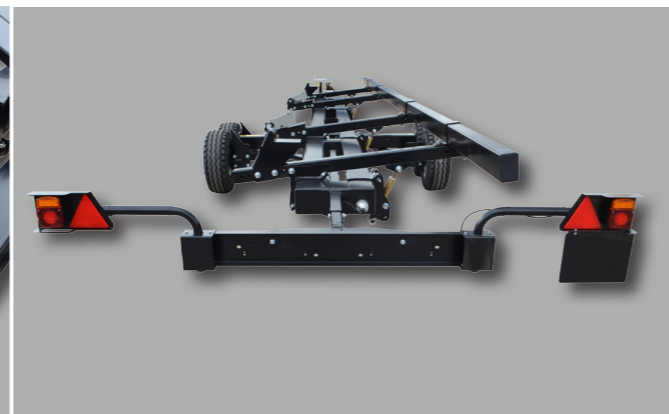
Braked tandem axle



Adjustable axle



Accessory box



Telescopic rear light board (spring back light arms)



Auto hitch



Standard hitch



Spare wheel

THE COMBINE HEADER TRAILER RANGE

FEATURES 11 MODELS...

IN SINGLE, TANDEM AND FOUR WHEEL

AXLE CONFIGURATIONS.

Model 6000SA
Set up for a New Holland high capacity header or a Case 2030 15ft header



Model 6000TA
Set up for an AGCO (Massey Ferguson) 18ft-20ft freeflow, with wheels for a Massey Ferguson flatland combine



Model 7500SA
Set up for a John Deere 622R or a John Deere 625R header



Model 7500TA
Set up for a 25ft New Holland 760 varifeed or a Case 2030 25ft header



Model 9000TA
Set up for a 30ft New Holland 760 Varifeed or a Case 2030 30ft header



Model 9000FW
Set up for a 30ft New Holland 760 varifeed or a Case 2030 30ft header



Model 10500TA
Set up for a New Holland 35ft varifeed header



Model 10500FW And 10500FWS
Set up for a John Deere 635X with a spool operated hydraulic rear steering axle, on a low chassis



Model 12000FW
Set up for a Macdon 40ft header, with a fixed rear axle

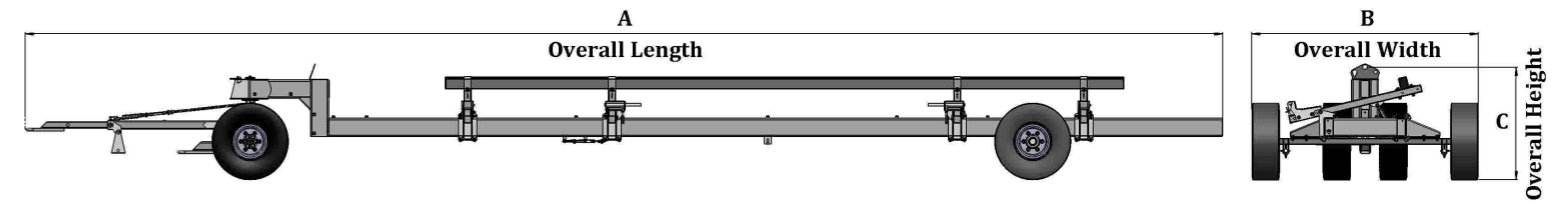
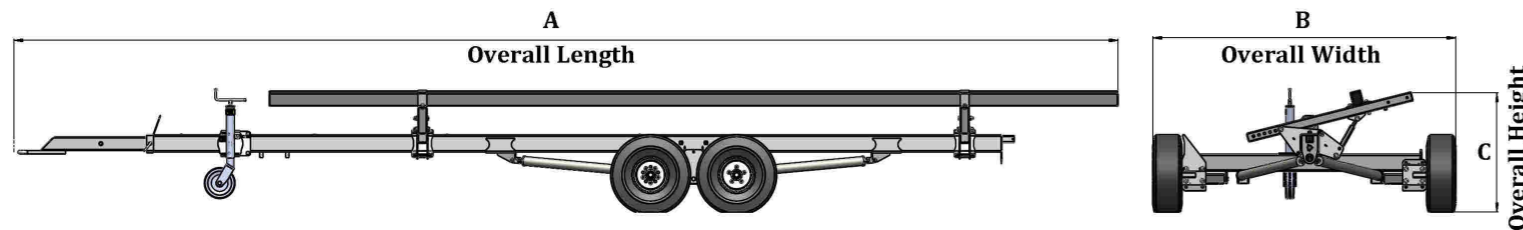


Model 12000FWS
Set up for a 40ft New Holland, with reel support



TECHNICAL DATA

“THE SHELBOURNE RANGE OF COMBINE HEADER TRAILERS ARE DESIGNED TO BE STRONG, SAFE AND CONVENIENT TO USE”



	6000SA	7500SA	6000TA	7500TA	9000TA	9000FW	
Overall length - mm (A)	7930-10590	9295-11850	7930-10590	9295-11850	11500-13360	13720-15900	
Overall width - mm (B)	1200-2650	1200-2650	1200-2700	1200-2700	1200-2700	1200-2500	
Overall height - mm (C)	1088	987	1084	1105	1105	1664 inc central marker	
Unladen weight - kg	950	950-1050	1200	1250	1650	2300	
Max gross weight - kg	3300	3100-3600	3700	4250	5300	6000	
Max laden drawbar - kg	250	250	250	250	300	N/A	
Max front axle load - kg	N/A	N/A	N/A	N/A	N/A	2425	
Max rear axle load - kg	N/A	N/A	N/A	N/A	N/A	3575	
Chassis style	Single beam	Single beam	Single beam	Single beam	Double beam	Ladder frame	
Axle configuration	Single axle	Single axle	Tandem walk beam	Tandem walk beam	Tandem walk beam	Rear axle & front dolly	
Axle stud pattern	5 or 6	5 or 6	5	5	5	6	
Hydraulic brakes	Optional	Optional	Optional	Optional	Optional	Standard	
Tyre size - standard	10.0/75x15.3	10.0/75x15.3*	10.0/80x12	10.0/80x12	10.0/80x12	11.5/80x15.3	
Tyre size - option	10.0/80x12**	10.0/80x12* 27x10-12*	6.00-9***	6.00-9***	6.00-9***		
Lights	Optional	Optional	Standard	Standard	Standard	Standard	
Accessory box	Optional	Optional	Optional	Optional	Optional	Optional	
Headers recommended	JD620R, JD618R, JD615R, JD614R, JD 18' premium flow. 20', 17', 15', 13' & 12' GHNG/2030, 20' GHEC/2040, 17' & 20' VF/2050, 20', 18' & 16' 760/3050. MF 20', 18', 16' & 14' freeflow. Shelbourne Stripper 20', 18', 16' & 14'.	JD625R, JD622R. 24' GHNG/2030, GHEC/2040 & VF/2050, 22' & 25' 760/3050. MF 25' & 23' freeflow. Shelbourne Stripper 24' & 22'.	JD620R, JD618R, JD615R, JD614R, JD 20' & 18' premium flow. 20', 17', 15', 13' & 12' GHNG/2030, 20' GHEC/2040, 17' & 20' VF/2050, 20', 18' & 16' 760/3050. MF 20', 18', 16' & 14' freeflow. Shelbourne Stripper 20', 18', 16' & 14'.	JD625R, JD622R, JD622X, JD 25' & 22' premium flow. 24' GHNG/2030, GHEC/2040 & VF/2050, 25' & 22' 760/3050. MF 25' & 23' freeflow. 25', 22', 20' & 18' powerflow. Shelbourne Stripper 24' & 22'.	JD625X, JD630X, JD630R, JD 30' premium flow & variostar. 30' GHNG/2030, GHEC/2040 & VF/2050 & 760/3050. MF 30' powerflow. Shelbourne Stripper 28' & 32'.	JD630R, JD 30' premium flow. 30' GHNG/2030, GHEC/2040, VF/2050 & 760/3050. MF 30' powerflow & 30' superflow. Shelbourne Stripper 28' & 32'.	JD630R, JD 30' premium flow. 30' GHNG/2030, GHEC/2040, VF/2050 & 760/3050. MF 30' powerflow & 30' superflow. Shelbourne Stripper 28' & 32'.

	10500TA	10500FW	10500FWS	12000FW	12000FWS
Overall length - mm (A)	13125-14980	13720-15900	13720-15900	16270-17600	16270-17600
Overall width - mm (B)	1200-2700	1200-2500	1200-2500	1200-2500	1200-2500
Overall height - mm (C)	1081	1664 inc central marker	1664 inc central marker	1664 inc central marker	1664 inc central marker
Unladen weight - kg	2150	2500	2500	2700	2700
Max gross weight - kg	6600	7000	7000	7500	7500
Max laden drawbar - kg	350	N/A	N/A	N/A	N/A
Max front axle load - kg	N/A	1950	1950	2150	2150
Max rear axle load - kg	N/A	5050	5050	5350	5350
Chassis style	Double beam	Ladder frame	Ladder frame	Ladder frame	Ladder frame
Axle configuration	Tandem walk beam	Rear axle & front dolly	Rear steering axle & front dolly	Rear axle & front dolly	Rear steering axle & front dolly
Axle stud pattern	6	6	6	6	6
Hydraulic brakes	Standard	Standard	Standard	Standard	Standard
Tyre size - standard	10.0/80x12	11.5/80x15.3	11.5/80x15.3	11.5/80x15.3	11.5/80x15.3
Tyre size - option	27x10-12****				
Lights	Standard	Standard	Standard	Standard	Standard
Accessory box	Optional	Optional	Optional	Optional	Optional
Headers recommended	JD635R, JD635X, JD 35' premium flow. 35' 760/3050 & VF/2050.	JD635R, JD635X, JD 35' premium flow. 35' 760/3050 & VF/2050. MF 35' superflow & powerflow. Macdon 35' D60 & D65.	JD635R, JD635X, JD 35' premium flow. 35' 760/3050. MF 35' superflow & powerflow. Macdon 35' D60 & D65.	JD640X. 40' 760/3050. Macdon 40' D60 & D65.	JD640X. 40' 760/3050. Macdon 40' D60 & D65.

Notes-
 All abbreviations are for NH/Case - GHNG/2030 = grain header normal capacity, GHEC/2040 = grain header extra capacity, 760/3050 = new generation varifeed and VF/2050 = varifeed (mk 1).
 *Due to certain combine models (Case **88, *130 & *140 series and NH CR 960, 9060, 9070 Elevation, 8070, 8080, MF Flat land) a smaller wheel/tyre is fitted to give under elevator clearance on the 7500SA. Depending on the header model and size either a lower or higher carrying capacity wheel and tyre is used, compared to the standard wheel, therefore lower and higher weights are stated above.
 **The smaller wheel and tyre, lower capacity option can be fitted to the 6000SA but with no change to the weights stated above.
 *** Due to certain combine models (NH CR 960, 9060, 9070 Elevation, 8070, 8080, Case **88, *130 & *140 series & MF Flat land) a smaller wheel/tyre is used to give under elevator clearance.
 ****Heavy duty tyre option on 10500TA only.
 Case 2388 should only use SA version.
 Important - Trailer models can only carry specific headers, as listed above. If unsure please contact your dealer or Shelbourne Reynolds.

Shelbourne

REYNOLDS



MF 20ft freeflow header, 6000TA

UK legislation is currently unclear on the classification of combine header trailers and the subsequent legal requirement for brakes when used on public roads. Brakes are available as an option on all Shelbourne Combine Header Trailer models.

Shelbourne Reynolds will not be responsible for any loss or damage incurred whilst using unbraked Shelbourne Combine Header Trailers on public roads.

Combines and combine headers are constantly changing, Shelbourne Reynolds reserves the right to make Combine Header Trailer specification changes at any time in order to match the trailer with the header.

Shelbourne Reynolds Engineering Ltd.

Shepherds Grove, Stanton, Bury St Edmunds,
Suffolk, IP31 2AR. England.

T: 01359 250415 F: 01359 250464

Shelbourne Reynolds Inc.

1250 South Country Club Drive,
Colby, Kansas, 67701, USA.

T: 785-462-6299 F: 785-462-6761

SEPTEMBER 2016

www.shelbourne.com
info@shelbourne.com

