

Shelbourne

REYNOLDS

EXCEL 36

PARTS/OPERATORS MANUAL



Shelbourne Reynolds Engineering Ltd
Stanton
Bury St Edmunds
Suffolk
IP31 2AR
England

Telephone: 01359 250415
Fax: 01359 250464

Stores Direct : 01359 251231
Stores Direct: 01359 252031

Shelbourne Reynolds Inc.
Colby PO box 607
1250 S Country Club Drive
Colby , Kansas 67701
U.S.A.

Telephone: (785) 462 6299
Fax: (785) 462 6761

Issue 6

16/06/2023

www.shelbourne.com



STRIPPER HEADER

ORDERING SPARE PARTS

IMPORTANT

Your Stripper Header is made up of a Machine assembly number (common parts), specific sub assemblies and also customer optional build kits. The machine, sub assemblies and optional kit numbers are listed in the front pages of your Operators manual. If you do not have these numbers please contact Shelbourne Reynolds Parts Department direct on (telephone) Stanton - (01359) 251231 or Colby - (785) 462 6299.

To ensure that you order the correct part from your SRE dealer please use the following procedure.

ALWAYS QUOTE THE MACHINE AND SERIAL NUMBERS WHEN ORDERING.

The year and/or serial number of the machine may determine the correct sub assembly.

Refer to the Parts Manuals front page/s, listing the machine assemblies. Select the correct machine assembly number which is printed in the top left corner of the page (starting with 1965_ _ 01), This machine number can also be taken from the Stripper Header identification plate located on the rear left hand corner of the machine.

On this page you will find the parts listing for the common parts for every configuration of that machine assembly number. You will find the corresponding drawing by either looking at the facing page or progressing through the manual to the next drawing. The drawings indicate the components by item numbers, which you will find, are repeated in the left-hand side of your parts listing, and therefore referring to the correct part.

Note all parts will not be found listed below the machine number. Other parts will be from specific sub assemblies and optional kits. These sub assemblies and kits will be found in numerical order further through the manual. Sub assemblies start with 1960_ _ 01 and kits start with KIT- 19 _ _ _.

The parts listing for adaptor plates, drive kits and hydraulic couplings can be found in the following manuals;

Drive & Adaptor Plate Manuals

| | |
|--------------------|-----------|
| Massey Ferguson | MAN-03172 |
| Claas/Cat | MAN-03173 |
| John Deere | MAN-03174 |
| New Holland | MAN-03175 |
| Laverda | MAN-03176 |
| Gleaner/Challenger | MAN-03177 |
| Case IH | MAN-03178 |

List Of Kit Numbers

| | | |
|------------|--|----|
| 196570 36 | Shelbourne Header | 4 |
| 196143 42 | Header Lights Sub | 6 |
| 196193 36 | Hydraulic Circuit Sub | 8 |
| 196253 03 | 3.6m Drive End Rotor Assembly | 10 |
| 196254 03 | 3.6m Idle Rotor Assembly | 12 |
| 196255 03 | 3.6m Centre Rotor Assembly | 14 |
| 196256 36 | Crop Deflector Sub Assembly | 16 |
| 196257 36 | Hood Sub Assembly | 18 |
| 196258 01 | Rotor Mounting Sub | 20 |
| 196259 36 | Auger Sub Assembly (2012 Only) | 22 |
| 196261 01 | RSD Drive Sub | 24 |
| 196262 01 | VS Drive Sub | 27 |
| 196264 01 | Emblems And Guards Sub | 30 |
| 196265 01 | Drive Sub Assembly | 32 |
| 196267 36 | Frame And Parts Sub | 35 |
| 196268 36 | Rear Drive Shaft Sub (2012 Only) | 38 |
| 196274 36 | Rear Drive Shaft Sub Assembly (2013 & On) | 40 |
| 196275 36 | Auger Sub Assembly (2013 Only) | 42 |
| GEA-0058 | Input Gearbox Assembly Variable Speed | 44 |
| GEA-0059 | Input Gearbox HTD Drive | 46 |
| KIT-00121 | Auger Drive/Sprocket Clutch | 48 |
| KIT-00931 | PTO Support Kit | 50 |
| KIT-00976 | Ball Joint Centre Coupling | 52 |
| KIT-00976A | Ball Joint Centre Coupling | 54 |
| KIT-01385 | Rotor Pulley Assembly (Bolt in Hubs) 2010 & On | 56 |
| KIT-01386 | Rear Pulley Assembly (Bolt in Hubs) | 58 |
| KIT-01401 | Safety Decal Kit North America | 60 |
| KIT-01402 | Safety Decal Kit ISO | 62 |
| KIT-01454 | VS Drive Cam & Bearing Kit, All Years | 64 |
| KIT-19006 | Skid Kit | 66 |
| KIT-19011 | Stacker Kit | 68 |
| KIT-19012 | Gauge Wheel Kit (Upto 2014) | 70 |
| RDS-0003 | RDS Equipment Stepped Drive | 72 |
| RDS-0007 | RDS Equipment Stepped Drive | 72 |

Kit Options

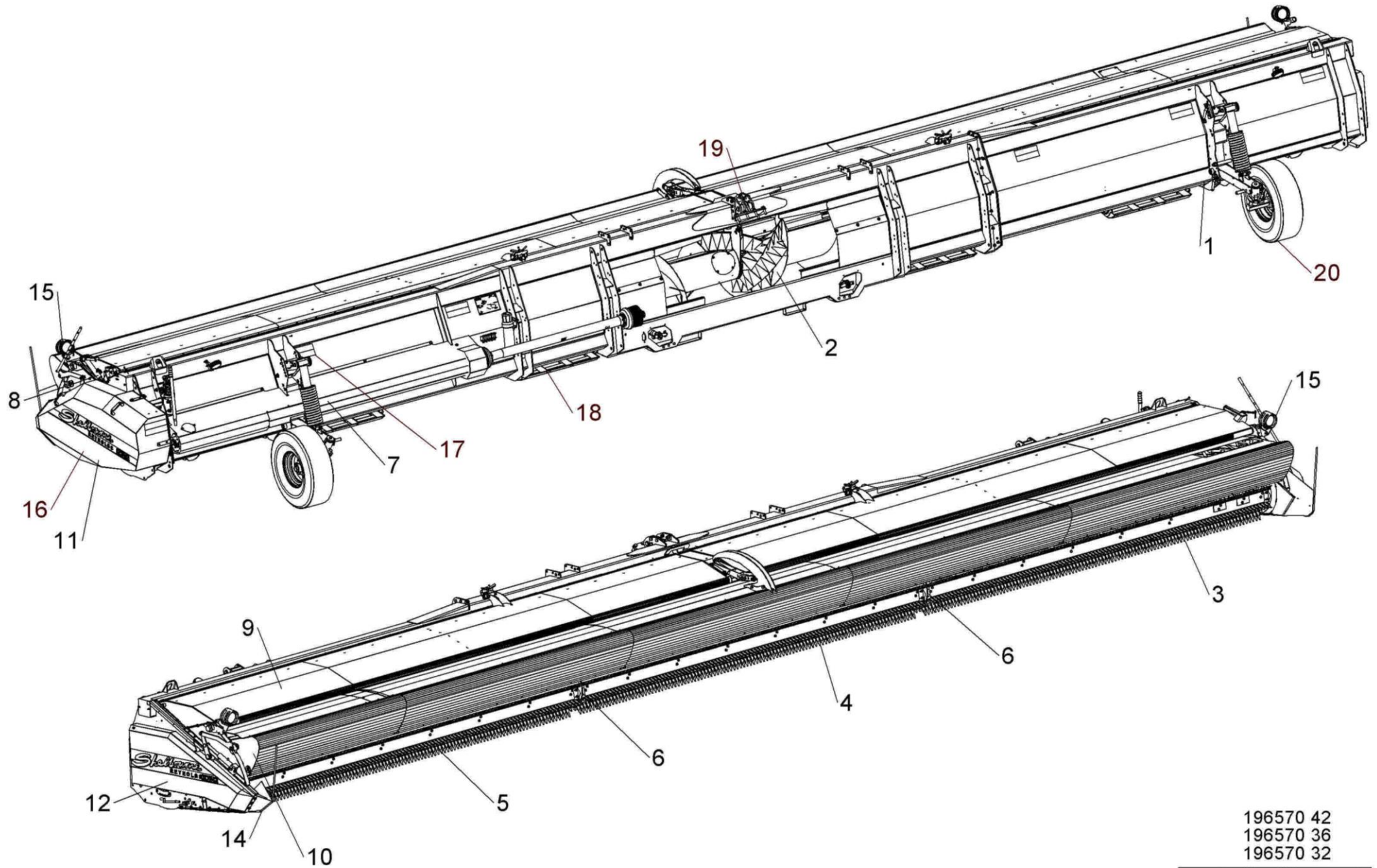
75

| | | |
|------------|---------------------------------|----|
| 196549 168 | Drive Kit AGCO | 76 |
| KIT-01731 | AGCO Hydraulic Multicoupler Kit | 78 |
| KIT-19001 | Spring Tilt Kit | 80 |
| KIT-19002 | JD Adaptor Plate | 82 |
| KIT-19013 | Tilting Adaptor Plate Kit | 84 |
| KIT-19014 | Stubble Light Kit | 86 |
| KIT-19016 | AGCO Adaptor Plate Kit | 88 |
| KIT-19017 | Gleaner Fill In Plate Kit | 90 |

Shelbourne Reynolds Engineering Limited

| ASSY NUMBER: 196570 36 | | | | ASSY DESCRIPTION: EXCEL 36 SHELBOURNE HEADER | | | |
|------------------------|-----------|--------------------------------|-----|--|-----------|----------------------------------|-----|
| ITEM | PART NO | DESCRIPTION | QTY | ITEM | PART NO | DESCRIPTION | QTY |
| 1 | 196267 36 | FRAME & PARTS SUB ASSY | 1 | 16 | 196261 01 | STEP DRIVE ASSY (XCS) | 1 |
| 20 | 196276 36 | AUGER ASSY (2014 & ON) | 1 | OR | 196262 01 | VARI-SPEED DRIVE ASSY (XCV) | 1 |
| OR | 196275 36 | AUGER ASSY (2013 ONLY) | 1 | 17 | KIT-01401 | SAFETY DECAL KIT (N AMERICA) | 1 |
| OR | 196259 36 | AUGER ASSY (2012 ONLY) | 1 | OR | KIT-01402 | SAFETY DECAL KIT (REST OF WORLD) | 1 |
| 3 | 196253 03 | STRIPPING ROTOR ASSY 3.6m LH | 1 | 18 | KIT-19006 | SKID KIT | 1 |
| 4 | 196255 03 | STRIPPING ROTOR ASSY 3.6m CTR | 1 | 19 | KIT-19013 | TILTING ADAPTOR PLATE KIT | 1 |
| 5 | 196254 03 | STRIPPING ROTOR ASSY 3.6m RH | 1 | 20 | KIT-19025 | GAUGE WHEEL KIT (2015 & ON) | 1 |
| 6 | 196258 01 | ROTOR MOUNTING SUB | 1 | OR | KIT-19020 | GAUGE WHEEL KIT (2014 ONLY) | 1 |
| 7 | 196274 36 | REAR DRV SHAFT SUB (2013 & ON) | 1 | OR | KIT-19012 | GAUGE WHEEL KIT (2012- 2013) | 1 |
| OR | 196268 36 | REAR DRV SHAFT SUB (2012 ONLY) | 1 | | | | |
| 8 | 196193 36 | HYDRAULICS SUB ASSY | 1 | | | | |
| 9 | 196257 36 | HOOD SUB ASSY | 1 | | | | |
| 10 | 196256 36 | CROP DEFLECTOR SUB | 1 | | | | |
| 11 | 196264 01 | EMBLEM & GUARD SUB | 1 | | | | |
| 12 | RDS-0007 | HEADER MON' KIT | 1 | | | | |
| 13 | RDS-0002 | COMBINE MON' KIT (VS DRIVE) | 1 | | | | |
| OR | RDS-0003 | COMBINE MON' KIT (STEP DRIVE) | 1 | | | | |
| 14 | 196265 01 | DIVIDER SUB | 1 | | | | |
| 15 | 196143 42 | HEADER LIGHTS SUB (USA ONLY) | 1 | | | | |

Shelbourne Reynolds Engineering Limited



196570 42
196570 36
196570 32

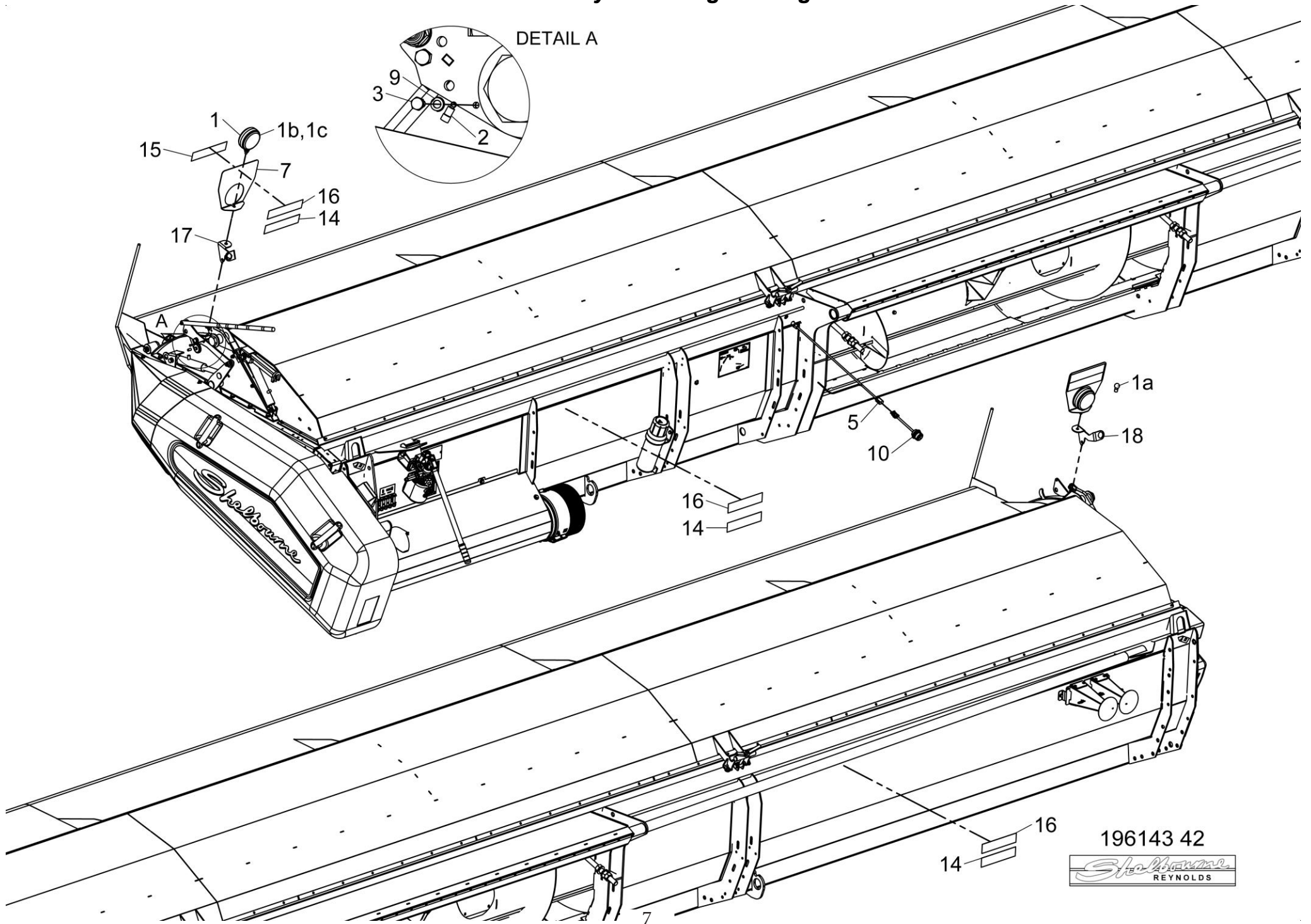


Shelbourne Reynolds Engineering Limited

| ASSY NUMBER: 196143 42 | | | | ASSY DESCRIPTION: | | HEADER LIGHTS SUB EXCEL 36-42 | |
|------------------------|---------------|-------------------------------|-------|-------------------|-----------|-------------------------------|-------|
| ITEM | PART NO | DESCRIPTION | QTY | ITEM | PART NO | DESCRIPTION | QTY |
| 1 | LMP-10505 | INDICATOR LAMP | 2 | 16 | TPE-00251 | REFLECTIVE TAPE - RED | 0.23m |
| 1a | BLB-0015 | SPARE BULB (2013 & ON) | | 16 | TPE-00251 | REFLECTIVE TAPE - RED | 0.23m |
| OR | BLB-0020 | SPARE BULB (2012 - 2013) | | 16 | TPE-00251 | REFLECTIVE TAPE - RED | 0.23m |
| OR | BLB-0075 | SPARE BULB (UPTO 2012) | | 16 | TPE-00251 | REFLECTIVE TAPE - RED | 0.23m |
| 1b | LMP-10009 | SPARE LENS (3 SCREWS, | | 17 | 198958 01 | LH LIGHT MOUNTING BRACKET | 1 |
| 1b | LMP-10006 | SPARE LENS (GROTE, 2012-2013) | | 18 | 198958 02 | RH LIGHT MOUNTING BRACKET | 1 |
| 1b | LMP-10000 | SPARE LENS FRONT (UPTO 2012) | | | | | |
| 1c | LMP-10001 | SPARE LENS REAR (PMG UPTO | | | | | |
| 2 | ETM-00440 | LOOP TERMINAL | 2 | | | | |
| 3 | HSS-0055 | SETSCREW | 3 | | | | |
| OR | SCW-5180 | SELF TAP SCREW | 3 | | | | |
| 4 | ETM-00560 | MALE BULLET TERMINAL | 2 | | | | |
| 5 | 198524 01 | WIRE LOOM & PLUG ASSY | 1 | | | | |
| 6 | | | | | | | |
| 7 | 290739 01 | INDICATOR GUARD (2019 & ON) | 2 | | | | |
| OR | 193567 01 | INDICATOR GUARD (UP TO 2019) | 2 | | | | |
| 8 | | | | | | | |
| 9 | WSH-0006 | PLAIN WASHER | 3 | | | | |
| 10 | 193516 01 | LIGHT PLUG (JD PRE 50 SERIES) | 1 | | | | |
| OR | 195207 01 | LIGHT PLUG (JD 50 SERIES) | 1 | | | | |
| OR | SEE KIT-01727 | LIGHT PLUG (JD 60,70 & S SER) | 1 | | | | |
| OR | 197040 01 | LIGHT PLUG (CASE IH & NH) | 1 | | | | |
| a | ECN-09060 | SPARE LOCK WASHER | | | | | |
| b | ECN-09050 | SPARE PANEL NUT | | | | | |
| OR | 198732 01 | LIGHT PLUG (NH TR) | 1 | | | | |
| OR | SEE KIT-01731 | LIGHT PLUG (AGCO MULTI) | 1 | | | | |
| OR | 291911 01 | LONG LIGHT CABLE (11m) | 1 | | | | |
| 11 | | | | | | | |
| 12 | | | | | | | |
| 13 | | | | | | | |
| 14 | TPE-00300 | FLUORESCENT TAPE -RED/ORANGE | 0.23m | | | | |
| 14 | TPE-00300 | FLUORESCENT TAPE -RED/ORANGE | 0.23m | | | | |
| 14 | TPE-00300 | FLUORESCENT TAPE -RED/ORANGE | 0.23m | | | | |
| 14 | TPE-00300 | FLUORESCENT TAPE -RED/ORANGE | 0.23m | | | | |
| 14 | TPE-00300 | FLUORESCENT TAPE -RED/ORANGE | 0.23m | | | | |
| 14 | TPE-00300 | FLUORESCENT TAPE -RED/ORANGE | 0.23m | | | | |
| 14 | TPE-00300 | FLUORESCENT TAPE -RED/ORANGE | 0.23m | | | | |
| 15 | TPE-00250 | REFLECTIVE TAPE - YELLOW | 0.23m | | | | |
| 15 | TPE-00250 | REFLECTIVE TAPE - YELLOW | 0.23m | | | | |
| 16 | TPE-00251 | REFLECTIVE TAPE - RED | 0.23m | | | | |
| 16 | TPE-00251 | REFLECTIVE TAPE - RED | 0.23m | | | | |

Shelbourne Reynolds Engineering Limited

DETAIL A



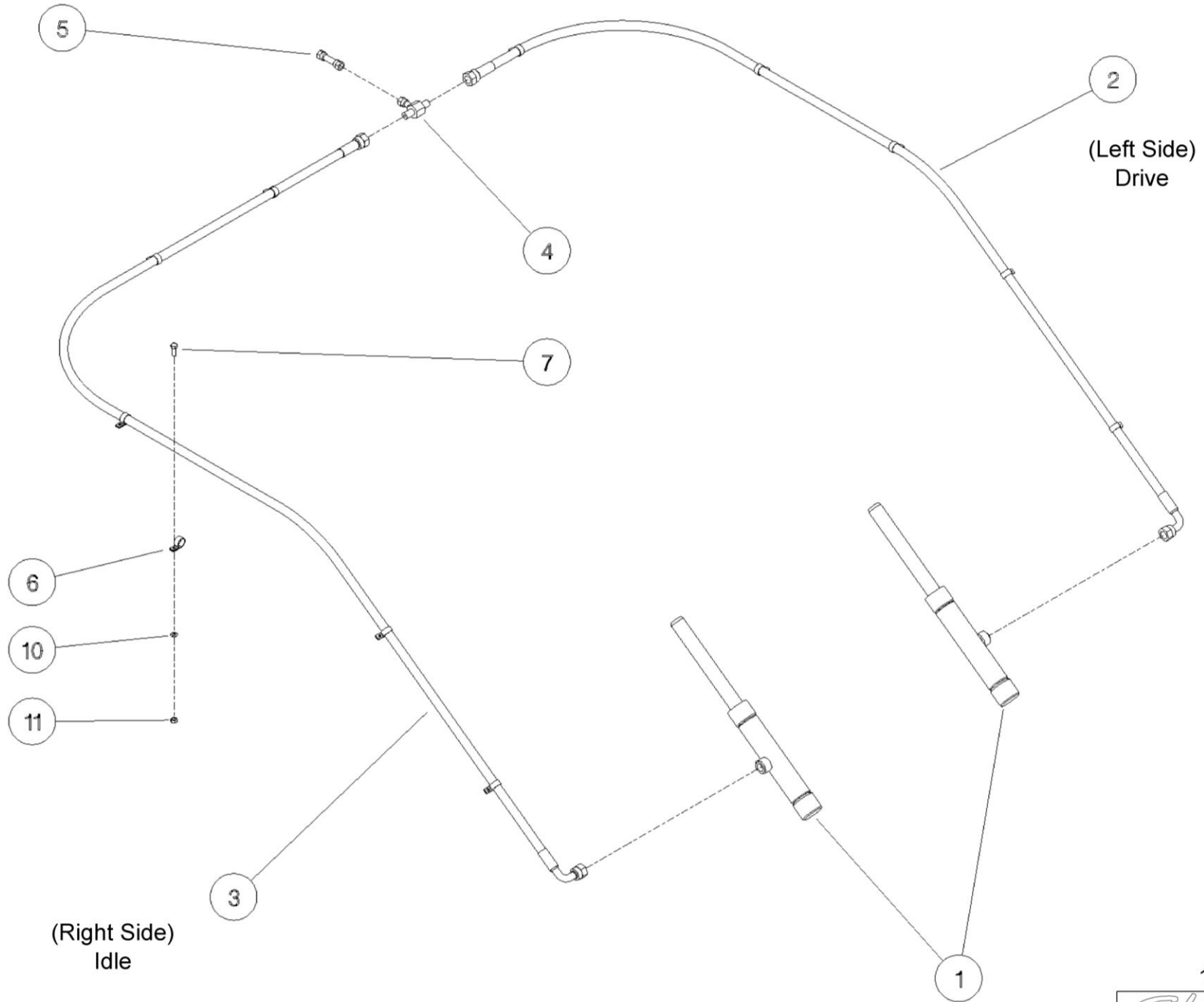
196143 42



Shelbourne Reynolds Engineering Limited

| ASSY NUMBER: 196193 36 | | | | ASSY DESCRIPTION: HYDRAULIC CIRCUIT SUB EXCEL 36 | | | |
|------------------------|-----------|----------------------|-----|--|---------|-------------|-----|
| ITEM | PART NO | DESCRIPTION | QTY | ITEM | PART NO | DESCRIPTION | QTY |
| 1 | 195075 01 | HYDRAULIC RAM | 2 | | | | |
| 1a | RMSK00030 | SEAL KIT (SPARES) | | | | | |
| 2 | HHBC53610 | HYD HOSE ASSY LH | 1 | | | | |
| 3 | HHBC83710 | HYD HOSE ASSY RH | 1 | | | | |
| 4 | HPPD07100 | HYD TEE FITTING | 1 | | | | |
| 5 | FIT-0213 | HYD BULKHEAD FITTING | 1 | | | | |
| 6 | CLP-01012 | P CLIP | 5 | | | | |
| 7 | SCW-4960 | BUTTON SKT.HD SCREW | 4 | | | | |
| 8 | | | | | | | |
| 9 | | | | | | | |
| 10 | WSH-0009 | PLAIN WASHER | 4 | | | | |
| 11 | NUT-0260 | NYLOC NUT | 4 | | | | |

Shelbourne Reynolds Engineering Limited

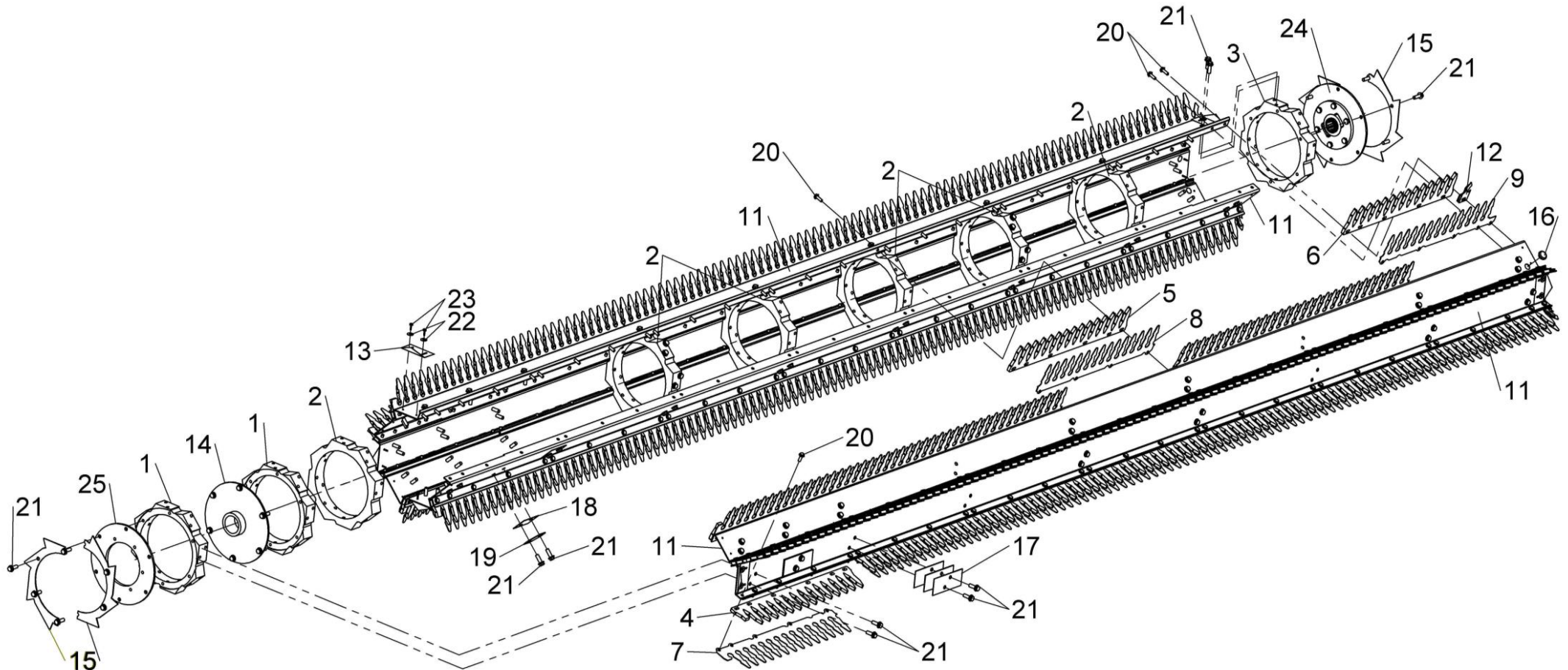


196193



Shelbourne Reynolds Engineering Limited

| ASSY NUMBER: 196253 03 & 196253 03R | | | | ASSY DESCRIPTION: 3.6m DRIVE END ROTOR ASSY & RICE VARIANT | | | |
|-------------------------------------|-----------|---|-------|--|---------|---|-----|
| ITEM | PART NO | DESCRIPTION | QTY | ITEM | PART NO | DESCRIPTION | QTY |
| 1 | 192892 01 | OUTER HUB CASTING LH | 2 | | | | |
| 2 | 192892 03 | INNER HUB CASTING | 5 | | | | |
| 3 | 192892 02 | OUTER HUB CASTING RH | 1 | | | | |
| 4 | 193558 02 | SUPPORT FINGER END HOLE | 8 | | | | |
| OR | 193558 01 | FOR SPARES, CUT AND MODIFY STD SUPPORT FINGER | 8 | | | | |
| 5 | 193558 01 | SUPPORT FINGER STD | 32 | | | | |
| 6 | 193558 03 | SUPPORT FINGER CTR END | 8 | | | | |
| OR | 193558 01 | FOR SPARES, CUT AND MODIFY STD SUPPORT FINGER | 8 | | | | |
| 7 | 197719 01 | SEED SAVER FINGER LH END | 8 | | | | |
| OR | 291011 02 | S.S. FINGER RH END LONG TIP | 8 | | | | |
| 8 | 197717 01 | SEED SAVER FINGER CTR | 32 | | | | |
| OR | 291009 01 | S.S. FINGER CTR LONG TIP | 32 | | NOTE | 1 x ITEM 11 TO HAVE HOLE KNOCKED OUT FOR GREASER | |
| 9 | 197718 02 | SEED SAVER FINGER LH CTR | 8 | | | | |
| OR | 291010 01 | S.S. FINGER LH END LONG TIP | 8 | | NOTE | 197719 01 & 197718 02 ARE CORRECT PARTS WHEN FINGERS SET WITH FLANGES UP, i.e., | |
| 10 | | | | | | AGGRESSIVE. | |
| 11 | 199019 01 | ROTOR PANEL 3.6m | 8 | | | | |
| OR | 199019 04 | SPARES COMMON 3.6m ROTOR PANEL | | | | | |
| 12 | 194109 01 | CENTRE FINGER LH | 8 | | | | |
| OR | 292310 01 | RICE CENTRE FINGER LH | 8 | | | | |
| 13 | 192679 01 | ANTI WRAP PLATE (HALF SET) | 8 | | | | |
| OR | 192679 01 | ANTI WRAP PLATE (FULL SET) | 11 | | | | |
| 14 | 197114 01 | ROTOR DRIVE DISC W/A | 1 | | | | |
| 15 | 192959 01 | OUTER CLAMP RING | 4 | | | | |
| 16 | BPG-00200 | PLASTIC BODY PLUG | 1 | | | | |
| 17 | 193118 01 | BALANCE WEIGHT (100g) | A/R | | | | |
| 18 | 193118 02 | BALANCE WEIGHT (50g) | A/R | | | | |
| 19 | 193382 01 | BALANCE WEIGHT (25g) | A/R | | | | |
| 20 | HSSF08174 | TENSILOCK SETSCREW | 208 | | | | |
| 21 | HSSG10204 | TENSILOCK SETSCREW | 146 | | | | |
| 22 | WSH-1034 | PENNY WASHER | 16/22 | | | | |
| 23 | SCW-5180 | HEX HD SELF TAP SCREW | 16/22 | | | | |
| 24 | KIT-00976 | BALL JOINT CTR COUPLING ASSY SEE KIT-00976 PAGE FOR PARTS BREAKDOWN | 1 | | | | |
| 25 | 197111 01 | ROTOR DRIVE DISC (2013 & ON) | 1 | | | | |
| | | | | | | WHEN FLANGES ARE DOWN, i.e., NON-AGGRESSIVE, USE 197719 02 & 198718 01. | |
| | | | | | | 291011 02 & 291010 01 ARE CORRECT PARTS WHEN FINGERS SET WITH FLANGES DOWN, i.e., NON-AGGRESSIVE, FOR RICE. THESE FINGERS CAN NOT BE SET AGGRESSIVELY | |

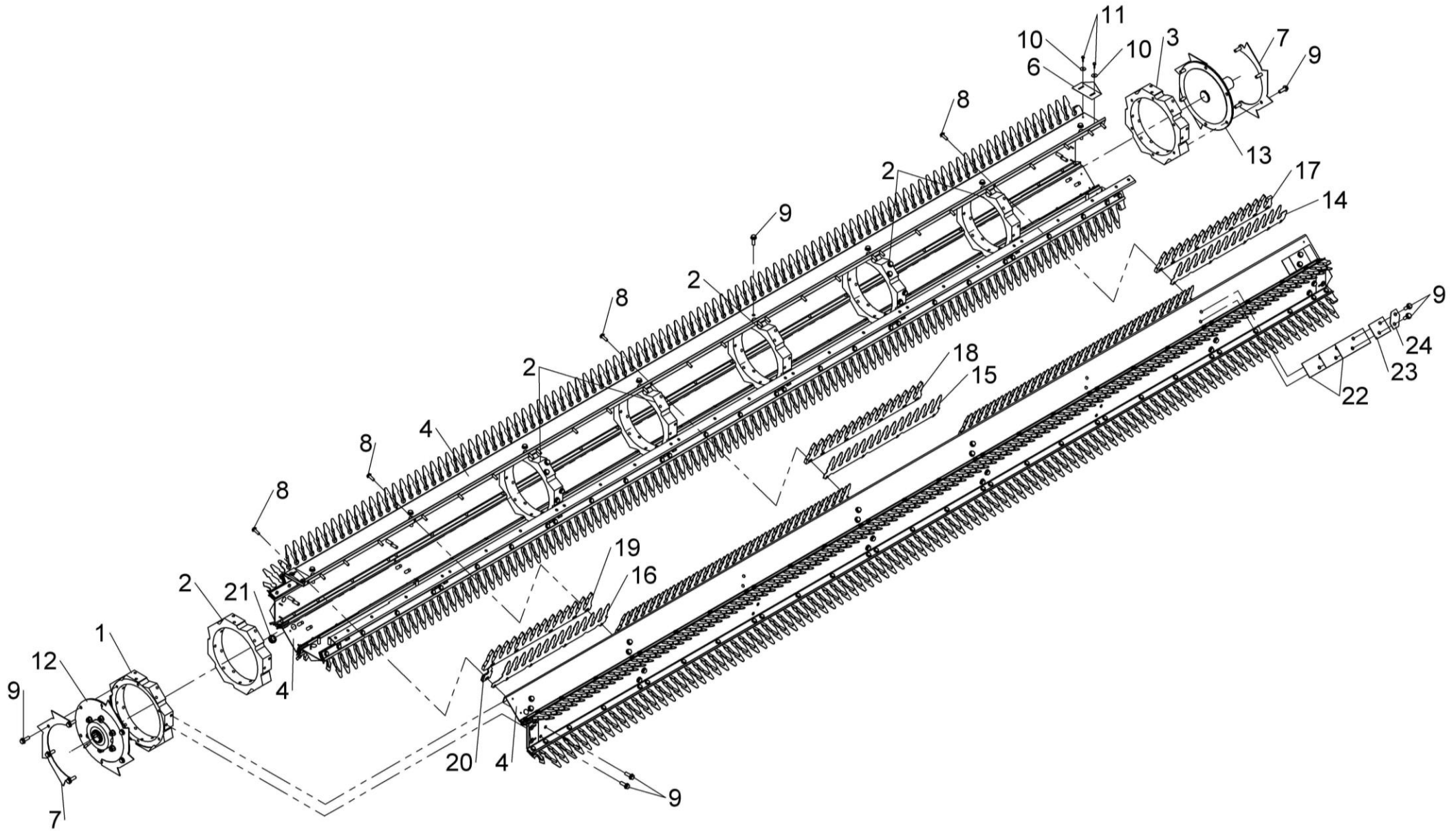


196253 04
196253 03
196253 02



Shelbourne Reynolds Engineering Limited

| ASSY NUMBER: 196254 03 & 196254 03R | | | | ASSY DESCRIPTION: 3.6m IDLE END ROTOR ASSY & RICE VARIANT | | | |
|-------------------------------------|------------|--|-------|---|---------|--|-----|
| ITEM | PART NO | DESCRIPTION | QTY | ITEM | PART NO | DESCRIPTION | QTY |
| 1 | 192892 01 | OUTER HUB CASTING LH | 1 | | | | |
| 2 | 192892 03 | INNER HUB CASTING | 5 | | | | |
| 3 | 192892 02 | OUTER HUB CASTING RH | 1 | | | | |
| 4 | 199019 02 | ROTOR PANEL 3.6m | 8 | | | | |
| OR | 199019 04 | SPARES COMMON 3.6m ROTOR PANEL | | | NOTE | 1 x ITEM 4 TO HAVE HOLE KNOCKED OUT FOR GREASER | |
| 5 | | | | | | | |
| 6 | 192679 01 | ANTI WRAP PLATE (HALF SET) | 8 | | | | |
| OR | 192679 01 | ANTI WRAP PLATE (FULL SET) | 11 | | | | |
| 7 | 192959 01 | OUTER CLAMP RING | 4 | | | | |
| 8 | HSSF08174 | TENSILOCK SETSCREW | 208 | | | | |
| 9 | HSSG10204 | TENSILOCK SETSCREW | 124 | | | | |
| 10 | WSH-1034 | PENNY WASHER | 16/22 | | | | |
| 11 | SCW-5180 | HEX HD SELF TAP SCREW | 16/22 | | NOTE | 197719 02 & 197718 01 ARE CORRECT PARTS WHEN FINGERS SET WITH FLANGES UP, i.e., | |
| 12 | KIT-00976A | BALL JOINT CTR COUPLING ASSY FOR SPARES SUPPLY KIT-00976 SEE KIT-00976A FOR PARTS BREAKDOWN | 1 | | | AGGRESSIVE. | |
| 13 | 192899 01 | IDLE SHAFT W/A | 1 | | | | |
| 14 | 197719 02 | SEED SAVER FINGER RH END | 8 | | | | |
| OR | 291011 01 | S.S. FINGER LH END LONG TIP | 8 | | | | |
| 15 | 197717 01 | SEED SAVER FINGER CTR | 32 | | | | |
| OR | 291009 01 | S.S. FINGER CTR LONG TIP | 32 | | | WHEN FLANGES ARE DOWN, i.e., NON-AGGRESSIVE, USE 197719 01 & 198718 02. | |
| 16 | 197718 01 | SEED SAVER FINGER RH CTR | 8 | | | | |
| OR | 291010 02 | S.S. FINGER LH CTR LONG TIP | 8 | | | | |
| 17 | 193558 02 | SUPPORT FINGER END HOLE | 8 | | | | |
| OR | 193558 01 | FOR SPARES, CUT AND MODIFY STD SUPPORT FINGER | 8 | | | 291011 01 & 291010 02 ARE CORRECT PARTS WHEN FINGERS SET WITH FLANGES DOWN, i.e., NON-AGGRESSIVE, FOR RICE. THESE FINGERS CAN NOT BE SET AGGRESSIVELY | |
| 18 | 193558 01 | SUPPORT FINGER STD | 32 | | | | |
| 19 | 193558 03 | SUPPORT FINGER CTR END | 8 | | | | |
| OR | 193558 01 | FOR SPARES, CUT AND MODIFY STD SUPPORT FINGER | 8 | | | | |
| 20 | 194109 02 | CENTRE FINGER RH | 8 | | | | |
| OR | 292310 02 | RICE CENTRE FINGER RH | 8 | | | | |
| 21 | BPG-00200 | PLASTIC BODY PLUG | 1 | | | | |
| 22 | 193118 01 | BALANCE WEIGHT (100g) | A/R | | | | |
| 23 | 193118 02 | BALANCE WEIGHT (50g) | A/R | | | | |
| 24 | 193382 01 | BALANCE WEIGHT (25g) | A/R | | | | |



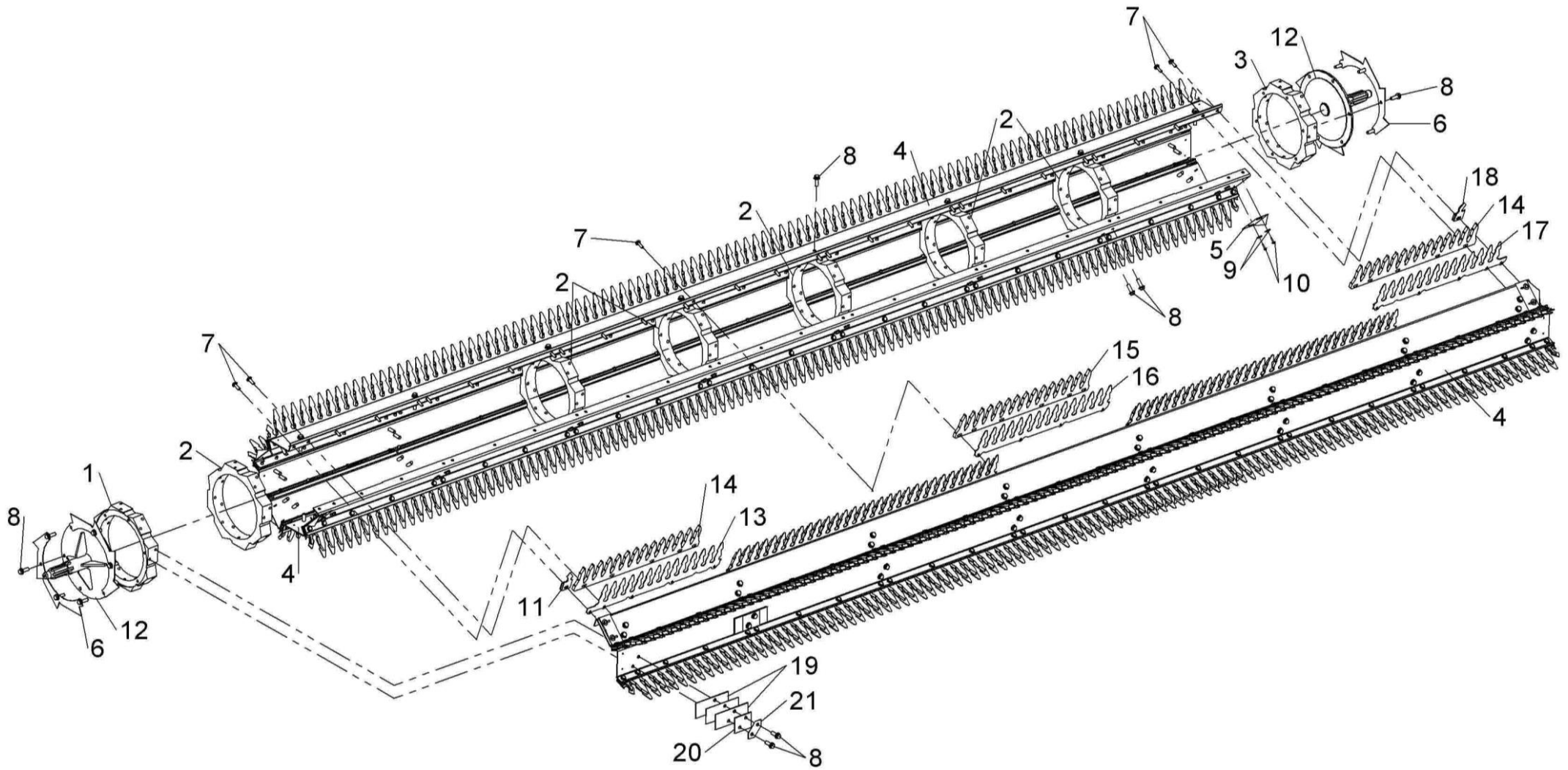
196254 04
196254 03
196254 02



Shelbourne Reynolds Engineering Limited

| ASSY NUMBER: 196255 03 & 196255 03R | | | | ASSY DESCRIPTION: 3.6m CENTRE ROTOR ASSY & RICE VARIANT | | | |
|-------------------------------------|-----------|--------------------------------|-------|---|---------|-------------------------------|-----|
| ITEM | PART NO | DESCRIPTION | QTY | ITEM | PART NO | DESCRIPTION | QTY |
| 1 | 192892 01 | OUTER HUB CASTING LH | 1 | | | | |
| 2 | 192892 03 | INNER HUB CASTING | 5 | | | | |
| 3 | 192892 02 | OUTER HUB CASTING RH | 1 | | | | |
| 4 | 199019 02 | ROTOR PANEL 3.6m | 8 | | | | |
| OR | 199019 04 | SPARES COMMON 3.6m ROTOR PANEL | | | | | |
| 5 | 192679 01 | ANTI WRAP PLATE (HALF SET) | 8 | | | | |
| OR | 192679 01 | ANTI WRAP PLATE (FULL SET) | 16 | | | | |
| 6 | 192959 01 | OUTER CLAMP RING | 4 | | | | |
| 7 | HSSF08174 | HEX. HEAD BOLT | 208 | | | | |
| 8 | HSSG10204 | HEX. HEAD SET SCREW | 124 | | NOTE | 197718 01 AND 197718 02 | |
| 9 | WSH-1034 | PENNY WASHER | 16/32 | | | ARE CORRECT PARTS | |
| 10 | SCW-5180 | HEX HD SELF TAP SCREW | 16/32 | | | WHEN FINGERS ARE SET WITH | |
| 11 | 194109 02 | RH CENTRE FINGER W/A | 8 | | | FLANGES UP, i.e., | |
| OR | 292310 02 | RICE CENTRE FINGER RH | 8 | | | AGGRESSIVE. | |
| 12 | 193103 01 | CENTRE DRIVE SHAFT W/A | 2 | | | | |
| 13 | 197718 01 | SEED SAVER FINGER RH CENTRE | 8 | | | | |
| OR | 291010 02 | S.S FINGER LH CTR LONG TIP | 8 | | | | |
| 14 | 193558 03 | SUPPORT FINGER | 16 | | | | |
| OR | 193558 01 | FOR SPARES, CUT AND MODIFY STD | 16 | | | WHEN FLANGES ARE DOWN, i.e., | |
| | | SUPPORT FINGER | | | | NON-AGGRESSIVE, USE 197718 02 | |
| 15 | 193558 01 | SUPPORT FINGER | 32 | | | AND 198718 01. | |
| 16 | 197717 01 | CENTRE SEED SAVER FINGER | 32 | | | | |
| OR | 291009 01 | S.S. FINGER CTR LONG TIP | 32 | | | | |
| 17 | 197718 02 | SEED SAVER FINGER LH CENTRE | 8 | | | 291010 01 AND 291010 02 | |
| OR | 291010 01 | S.S. FINGER RH CTR LONG TIP | 8 | | | ARE CORECT PARTS | |
| 18 | 194109 01 | LH CENTRE FINGER W/A | 8 | | | WHEN FINGERS SET WITH FLANGES | |
| OR | 292310 01 | RICE CTR FINGER LH | 8 | | | DOWN, i.e., | |
| 19 | 193118 01 | BALANCE WEIGHT (100g) | A/R | | | NON-AGGRESSIVE, FOR RICE. | |
| | | | | | | THESE FINGERS CAN NOT BE SET | |
| 20 | 193118 02 | BALANCE WEIGHT (50g) | A/R | | | AGGRESSIVELY | |
| 21 | 193382 01 | BALANCE WEIGHT (25g) | A/R | | | | |

Shelbourne Reynolds Engineering Limited

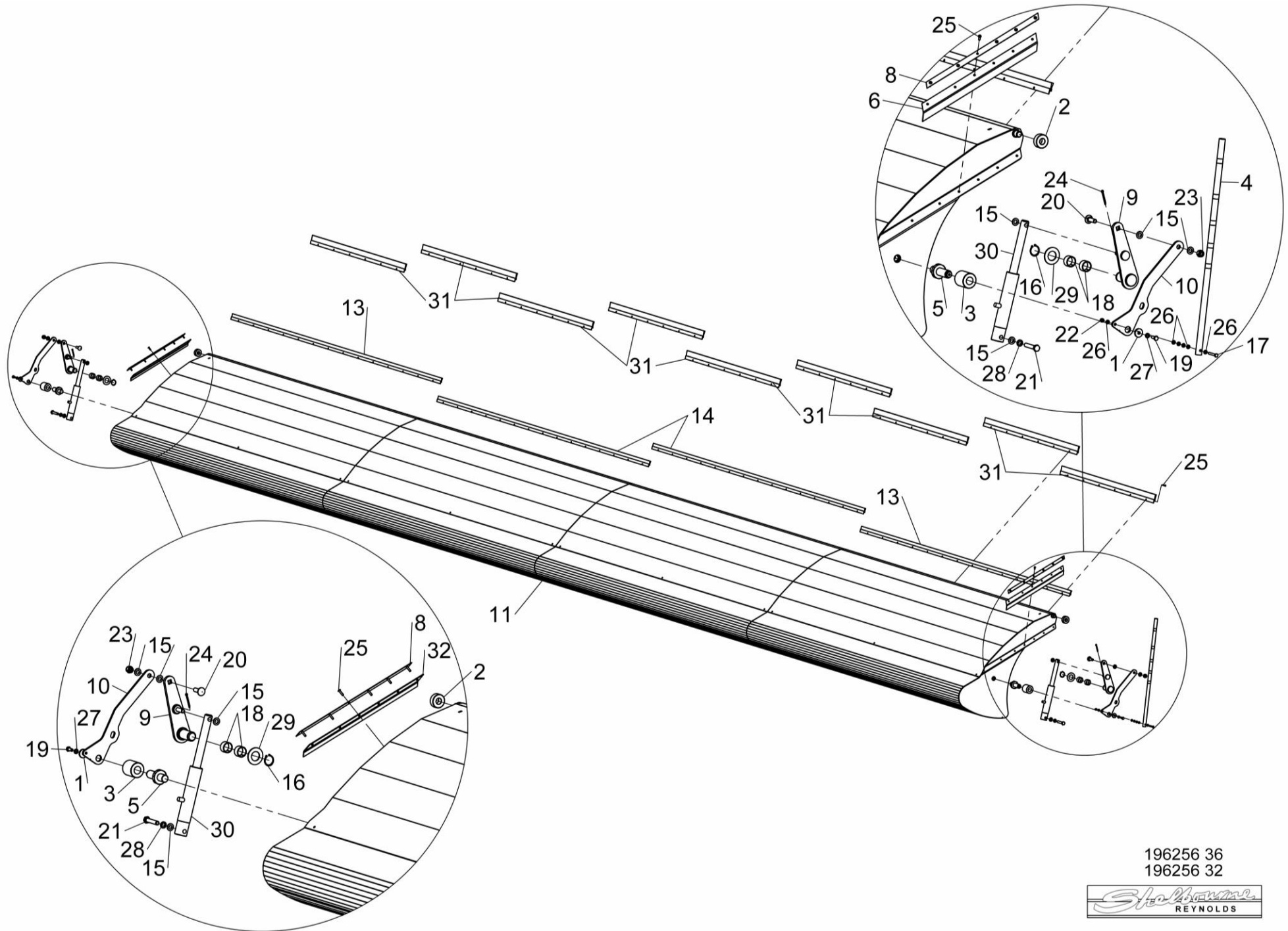


196255 04
196255 03



Shelbourne Reynolds Engineering Limited

| ASSY NUMBER: 196256 36 | | | | ASSY DESCRIPTION: EXCEL 36 CROP DEFLECTOR SUB ASSY | | | |
|------------------------|------------|--|-----|--|-----------|-------------------------------|-----|
| ITEM | PART NO | DESCRIPTION | QTY | ITEM | PART NO | DESCRIPTION | QTY |
| 1 | 190119 08 | WASHER | 2 | 30 | 195075 01 | HYDRAULIC RAM | 2 |
| 2 | 191642 01 | NYLON ROLLER | 2 | 30a | RMSK00030 | RAM SEAL KIT | |
| 3 | 192688 01 | NYLON ROLLER | 2 | 31 | 290871 01 | BRUSH (1193mm) (2019 & ON) | 9 |
| 4 | 192494 01 | INDICATOR ROD | 1 | 32 | 292110 02 | SIDE SEAL RH (SMOOTH SIDE UP) | 1 |
| 5 | 195379 01 | SPINDLE | 2 | | | | |
| 6 | 292110 01 | SIDE SEAL LH (SMOOTH SIDE UP) | 1 | | | | |
| 7 | | | | | | | |
| 8 | 195433 01 | CLAMP STRIP | 2 | | | | |
| 9 | 290129 01 | LEVER ARM (2017 & ON) | 2 | | | | |
| OR | 198479 01 | LEVER ARM (UPTO 2017) | 2 | | | | |
| 10 | 290102 01 | LINK ARM (2017 & ON) | 2 | | | | |
| OR | 198480 01 | LINK ARM (UPTO 2017) | 2 | | | | |
| 11 | 292640 01 | 36' CROP DEFLECT. W/A (XCV/XCS) | 1 | | | | |
| OR | 196256 36A | SPARES XCV36 CROP DEF. ASSY, INC ITEMS 6,8,11,25 & 31 | | | | | |
| 11 | 292640 02 | 36' CROP DEFLECT. W/A (XRS) | 1 | | | | |
| OR | 196256 36B | SPARES XRS36 CROP DEF. ASSY, INC ITEMS 6,8,11,25 & 31 | | | | | |
| 12 | | | | | | | |
| 13 | 199191 01 | BRUSH (2672mm) (UPTO 2019) | 2 | | | | |
| OR | BRS-10000 | BRUSH (3m) CUT & DRILL TO FIT | | | | | |
| 14 | 199192 01 | BRUSH (2700mm) (UPTO 2019) | 2 | | | | |
| OR | BRS-10000 | BRUSH (3m) CUT & DRILL TO FIT | | | | | |
| 15 | WSH-0018 | PLAIN WASHER | 10 | | | | |
| 16 | CIR-1150 | EXTERNAL CIRCLIP | 2 | | | | |
| 17 | HSSA06290 | SETSCREW | 1 | | | | |
| 18 | BSHK03047 | BUSH | 4 | | | | |
| 19 | HSS-0140 | SETSCREW | 2 | | | | |
| 20 | BLT-3800 | COACH BOLT (2018 & ON) | 2 | | | | |
| OR | HSS-0250 | SETSCREW (UPTO 2018) | 2 | | | | |
| 21 | BLTA12410 | BOLT | 2 | | | | |
| 22 | NUT-0260 | NYLOC NUT | 1 | | | | |
| 23 | NUT-0269 | NYLOC NUT | 2 | | | | |
| 24 | PIN-1150 | SPLIT PIN | 2 | | | | |
| 25 | POP-0006 | POP RIVET | 70 | | | | |
| 26 | WSH-0009 | PLAIN WASHER | 6 | | | | |
| 27 | WSH-0058 | SPRING WASHER | 2 | | | | |
| 28 | WSH-0065 | SPRING WASHER | 2 | | | | |
| 29 | WSH-1547 | PLAIN WASHER | 2 | | | | |

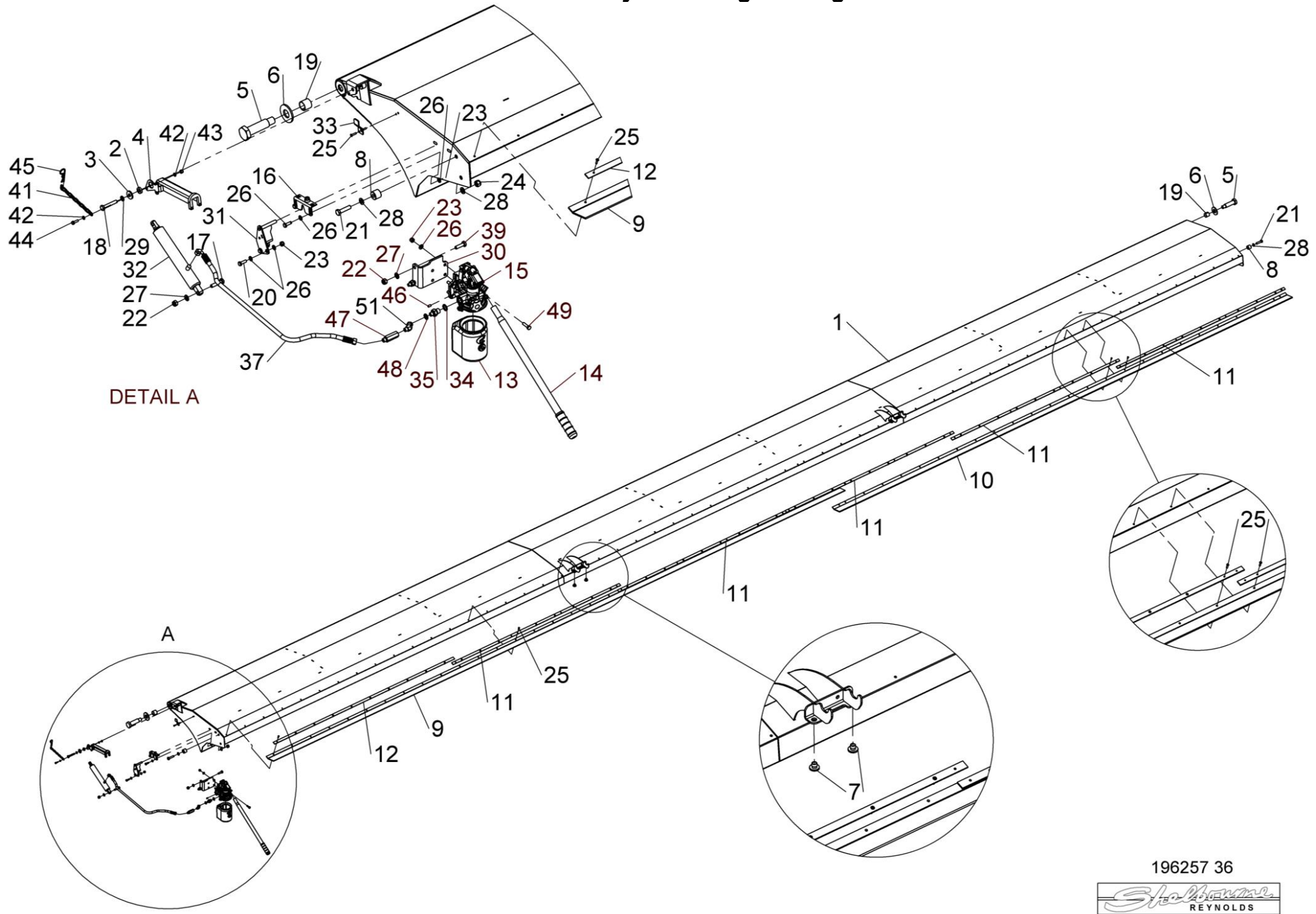


196256 36
196256 32



Shelbourne Reynolds Engineering Limited

| ASSY NUMBER: 196257 36 | | | | ASSY DESCRIPTION: EXCEL 36 HOOD SUB ASSY | | | |
|------------------------|------------|---|-----|--|-----------|---------------------------------|-------|
| ITEM | PART NO | DESCRIPTION | QTY | ITEM | PART NO | DESCRIPTION | QTY |
| 1 | 199880 01 | 36' HOOD W/A (XCV/XCS) | 1 | 29 | WSH-0061 | SPRING WASHER | 1 |
| OR | 199880 01K | SPARES HOOD ASSY, INC ITEMS 1, 7, 8, 9, 10, 11, 12, 21, 24, 25, 28 & 33 | | 30 | 199829 01 | HAND PUMP BRACKET (2015 & ON) | 1 |
| 1 | 199880 02 | 36' HOOD W/A (XRS) | 1 | OR | 198595 01 | HAND PUMP BRACKET (UP TO 2015) | 1 |
| OR | 199880 02K | SPARES HOOD ASSY, INC ITEMS 1, 7, 8, 9, 10, 11, 12, 21, 24, 25, 28 & 33 | | 31 | 198608 01 | SLAM LATCH BRKT W/A (UPTO 2017) | 1 |
| 2 | 190119 79 | WASHER | 1 | 32 | 197601 01 | HYDRAULIC CYLINDER | 1 |
| 3 | 190119 75 | WASHER | 1 | 32a | RMSK00030 | RAM SEAL KIT | |
| 4 | 198311 01 | RAM STOP W/A | 1 | 33 | 290373 01 | HOOK (2017 & ON) | 1 |
| 5 | 192812 01 | HOOD PIVOT PIN | 2 | 34 | WSH-1010 | DOWTY WASHER | 1 |
| 6 | 192813 01 | LARGE WASHER | 2 | 35 | FIT-0025 | M/M ADAPTOR(2015&ON) | 1 |
| 7 | 197810 01 | BUMP STOP | 4 | OR | HAPAA0305 | RESTRICTOR FIT M/M(UP TO 2015) | 1 |
| 8 | 198604 01 | NYLON BUSH | 2 | 36 | HALAA0303 | ELBOW (M/F) (UP TO 2015) | 1 |
| 9 | 199109 01 | REAR RUBBER SEAL (LONG LH) | 1 | 37 | HHBC08805 | HYD HOSE ASSY (2018 & ON) | 1 |
| 10 | 199060 01 | REAR RUBBER SEAL (SHORT RH) | 1 | OR | HHBC09605 | HYD HOSE ASSY (UPTO 2018) | 1 |
| 11 | 198539 01 | CLAMP STRIP (1780mm) | 5 | 38 | | | |
| 12 | 199061 01 | CLAMP STRIP (1912mm) | 1 | 39 | HSS-0198 | SETSCREW | 2 |
| 13 | JAC-00222 | PLASTIC HYD TANK (2015 & ON) | 1 | 40 | | | |
| OR | JAC-00221 | HYD RESEVOIR TANK (UP TO 2015) | 1 | 41 | CHN-0145 | CHAIN (UP TO 2018) | 0.17m |
| 14 | JAC-00230 | HYD PUMP HANDLE | 1 | 42 | WSH-0009 | PLAIN WASHER (UP TO 2018) | 2 |
| 15 | JAC-00228 | HYD HAND PUMP (X**36234665 & ON) | 1 | 43 | NUT-0260 | NYLOC NUT (UP TO 2018) | 1 |
| OR | JAC-00227 | HYD HAND PUMP (2015-X**36234650) | 1 | 44 | HSS-0086 | SETSCREW (UP TO 2018) | 1 |
| OR | JAC-00226 | HYD HAND PUMP (UP TO 2015) | 1 | 45 | CLP-00103 | R CLIP (UP TO 2018) | 1 |
| 15a | FITE00107 | FILLER CAP | | 46 | SCW-4530 | GRUB SCREW | 1 |
| 15b | HPS-01520 | SEAL KIT FOR JAC-00228 & JAC-00227 | | 47 | HVB-93000 | FLOW RESTRICTOR (2015 & ON) | 1 |
| 15b | HPS-01510 | SEAL KIT FOR JAC-00227 | | 48 | WSH-1005 | DOWTY WASHER (1/4") (2015 & ON) | 1 |
| 15b | HPS-01500 | SEAL KIT FOR JAC-00226 | | 49 | HSS-0150 | BOLT (2015 & ON) | 4 |
| 16 | LTC-00040 | SLAM LATCH (UPTO 2017) | 1 | 51 | HASAA0303 | ELBOW (45°) (2018 & ON) | 1 |
| 17 | BLTA10290 | HEX HEAD BOLT | 1 | | | | |
| 18 | BLTA10350 | HEX HEAD BOLT | 1 | | | | |
| 19 | BSHK03056 | BUSH | 2 | | | | |
| 20 | HSS-0145 | SETSCREW (UPTO 2017) | 5 | | | | |
| 21 | HSS-0260 | SETSCREW | 2 | | | | |
| 22 | NUT-0265 | NYLOC NUT | 3 | | | | |
| 23 | NUT-0263 | NYLOC NUT | 9 | | | | |
| 24 | NUT-0269 | NYLOC NUT | 2 | | | | |
| 25 | POP-0006 | POP RIVET | 59 | | | | |
| 26 | WSH-0012 | PLAIN WASHER | 14 | | | | |
| 27 | WSH-0015 | PLAIN WASHER | 3 | | | | |
| 28 | WSH-0018 | PLAIN WASHER | 4 | | | | |



196257 36



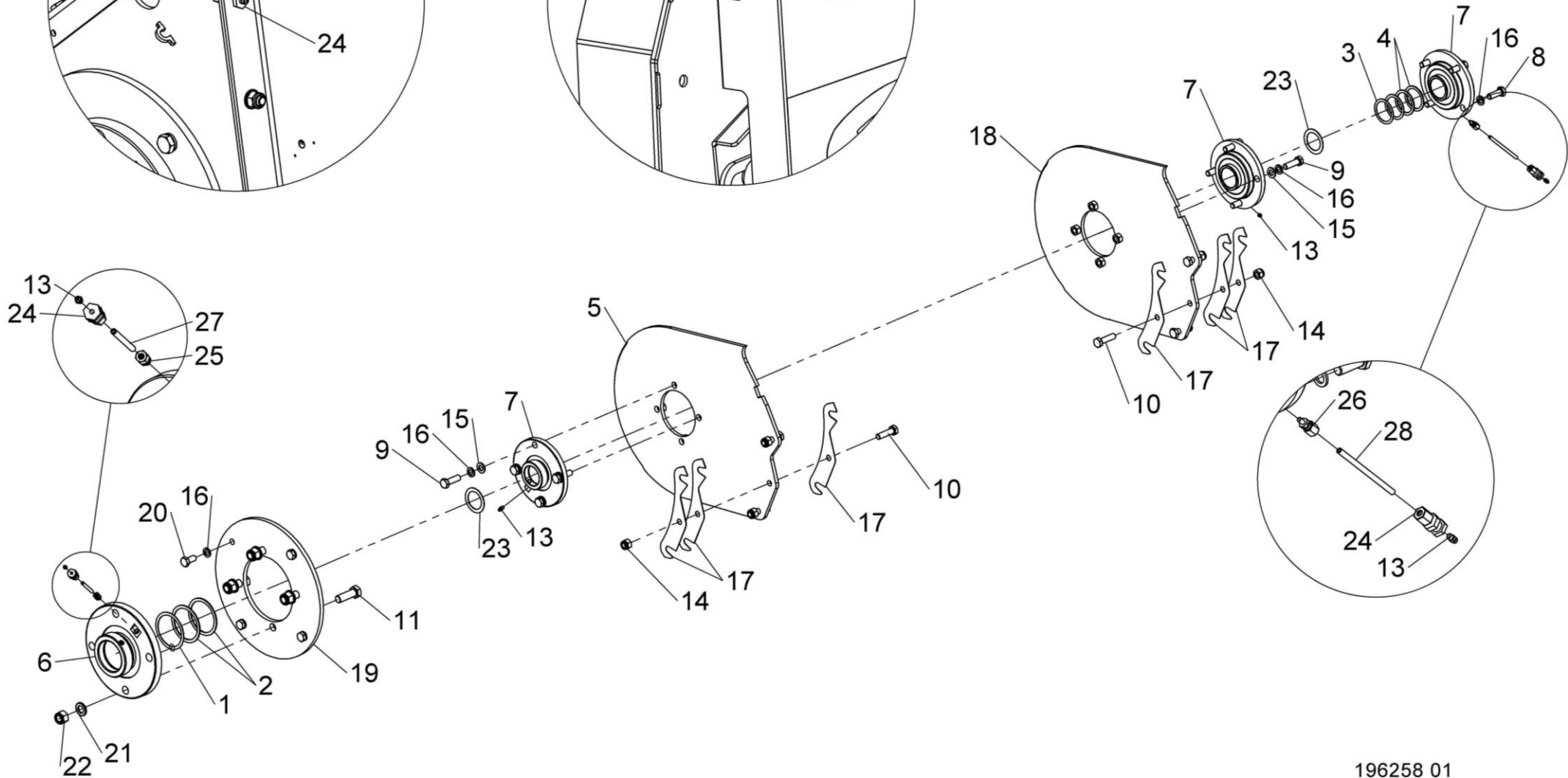
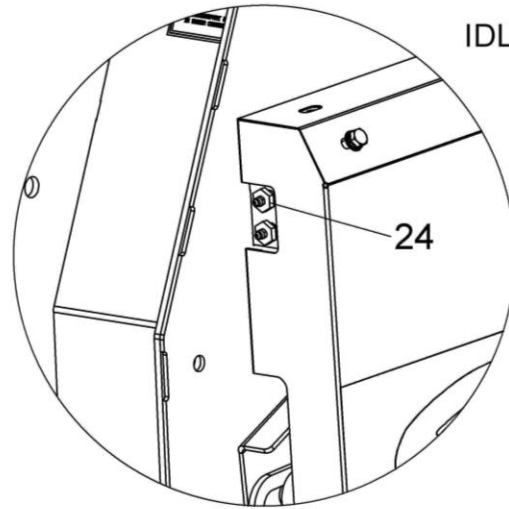
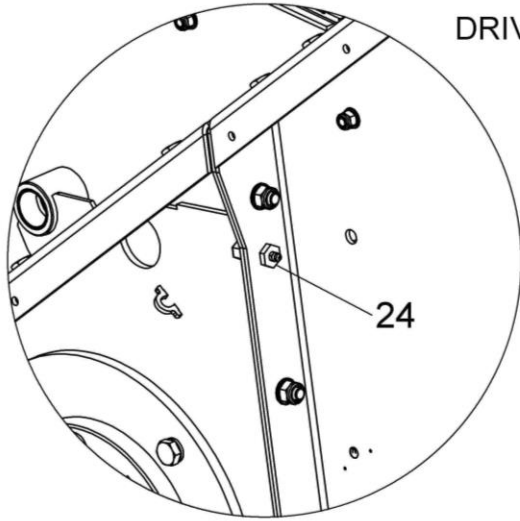
Shelbourne Reynolds Engineering Limited

| ASSY NUMBER: 196258 01 | | | | ASSY DESCRIPTION: ROTOR MTG SUB | | | |
|------------------------|-----------|-------------------------------|-------|---------------------------------|---------|-------------|-----|
| ITEM | PART NO | DESCRIPTION | QTY | ITEM | PART NO | DESCRIPTION | QTY |
| 1 | 190548 73 | SHIM (1mm) | 1 | | | | |
| 2 | 190548 74 | SHIM (2mm) | 2 | | | | |
| 3 | 192876 01 | SHIM (1mm) | 2 | | | | |
| 4 | 192876 02 | SHIM (2mm) | 2 | | | | |
| 5 | 199181 01 | LH BEARING MTG PLT XCV/XCS | 1 | | | | |
| OR | 291811 01 | LH BEARING MTG PLT XRS | 1 | | | | |
| OR | 291708 01 | LH BEARING MTG PLT KNOCKOUT | 1 | | | | |
| 6 | BRG-27040 | BEARING | 1 | | | | |
| 7 | BRG-3275 | BEARING | 3 | | | | |
| 8 | HSS-0241 | SETSCREW | 4 | | | | |
| 9 | HSS-0250 | SETSCREW | 8 | | | | |
| 10 | BLTA12290 | HEX HD BOLT | 6 | | | | |
| 11 | HSS-0318 | SETSCREW (2013 & ON) | 4 | | | | |
| OR | HSS-0316 | SETSCREW (UPTO 2013) | 4 | | | | |
| 12 | | | | | | | |
| 13 | NIP-00600 | GREASE NIPPLE | 4 | | | | |
| 14 | NUTA07120 | AERO TIGHT NUT | 6 | | | | |
| 15 | WSH-0018 | PLAIN WASHER | 8 | | | | |
| 16 | WSH-0065 | SPRING WASHER | 16 | | | | |
| 17 | 198951 01 | SHIM | 6 | | | | |
| 18 | 199181 02 | RH BEARING MTG PLT XCV/XCS | 1 | | | | |
| OR | 291811 02 | RH BEARING MTG PLT XRS | 1 | | | | |
| OR | 291708 02 | RH BEARING MTG PLT KNOCKOUT | 1 | | | | |
| 19 | 198122 01 | BEARING MTG PLATE (2013 & ON) | 1 | | | | |
| 20 | HSS-0235 | SETSCREW (2013 & ON) | 4 | | | | |
| 21 | WSH-0070 | SPRING WASHER (2021 & ON) | 4 | | | | |
| OR | WSH-0024 | WASHER (2013-2020) | 4 | | | | |
| 22 | NUT-0271 | NYLOC NUT (UPTO 2021) | 4 | | | | |
| 23 | 194128 03 | SHIM (1mm) | A/R | | | | |
| 24 | LUB-00052 | BULKHEAD (2017 & ON) | 2 | | | | |
| 25 | LUB-00045 | STRAIGHT ADAPT (2017&ON) | 1 | | | | |
| OR | NIP-0001 | GREASE NIPPLE (UPTO2017) | 1 | | | | |
| 26 | LUB-00046 | STRAIGHT ADAPTOR (2017&ON) | 1 | | | | |
| 27 | LUB-00044 | GREASE TUBE (2017 & ON) | 0.35m | | | | |
| 28 | LUB-00044 | GREASE TUBE (2017 & ON) | 1.25m | | | | |

Shelbourne Reynolds Engineering Limited

DRIVE END

IDLE END



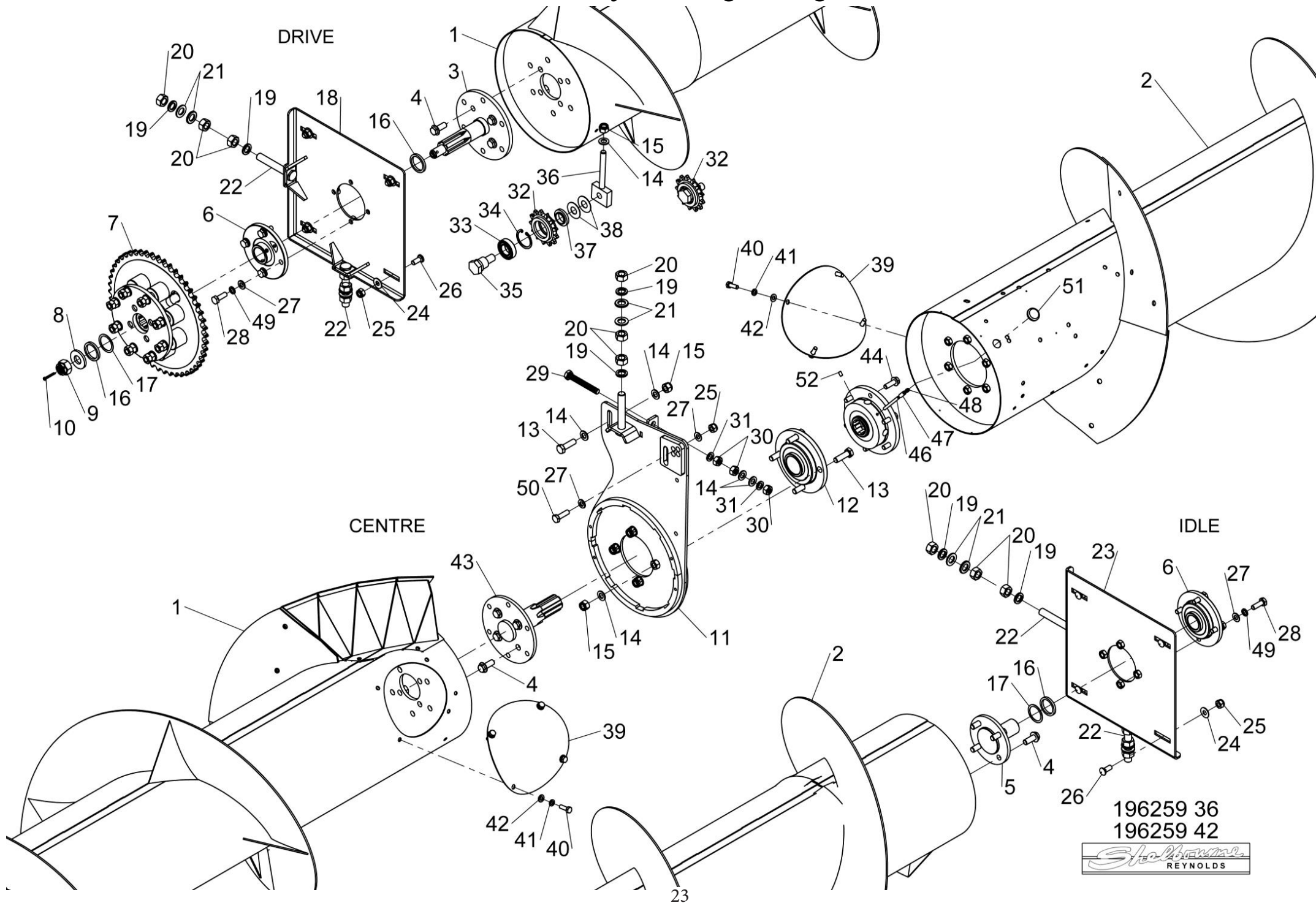
196258 01
196258 02



Shelbourne Reynolds Engineering Limited

| ASSY NUMBER: 196259 36 | | | | ASSY DESCRIPTION: AUGER SUB ASSY 36' (2012 ONLY) | | | |
|------------------------|-----------|-----------------------------|-----|--|-----------|-------------------------|-----|
| ITEM | PART NO | DESCRIPTION | QTY | ITEM | PART NO | DESCRIPTION | QTY |
| 1 | 199031 01 | DRIVE END AUGER W/A | 1 | 41 | WSH-0058 | SPRING WASHER | 8 |
| 2 | 199032 01 | IDLE END AUGER W/A | 1 | 42 | WSH-0012 | PLAIN WASHER | 8 |
| 3 | 195848 01 | AUGER DRIVE W/A | 1 | 43 | 198514 01 | AUGER CTR.DRV.SHAFT W/A | 1 |
| 4 | HSSF12204 | HEX. HD. SET SCREW | 12 | 44 | HSSG10204 | TENSILOCK BOLT | 6 |
| 5 | 197704 02 | IDLER SHAFT | 1 | 45 | 193114 01 | BALL COUPLING ASSY | 1 |
| 6 | BRG-23560 | CAST SUPPORT | 2 | 46 | 193077 01 | GREASE PIPE DTL | 1 |
| 7 | KIT-00121 | AUGER DRV/SPRKT CLUTCH | 1 | 47 | 193078 01 | GREASE PIPE SLEEVE | 1 |
| 8 | 190119 47 | WASHER | 1 | 48 | NIP-00600 | GREASE NIPPLE | 1 |
| 9 | NUT-0580 | CASTLE NUT | 1 | 49 | WSH-0061 | SPRING WASHER | 8 |
| 10 | PIN-1150 | SPLIT PIN | 1 | 50 | HSS-0198 | BOLT | 1 |
| 11 | 198528 01 | CENTRE AUGER MTG. PLATE W/A | 1 | 51 | BPG-00200 | PLASTIC BODY PLUG | 1 |
| 12 | BRG-24505 | ROUND FLANGED BEARING | 1 | 52 | SCW-4530 | GRUBSCREW | 1 |
| 13 | BLTA12260 | HEX HEAD BOLT | 6 | | | | |
| 14 | WSH-0018 | PLAIN WASHER | 11 | | | | |
| 15 | NUT-0269 | NUT | 7 | | | | |
| 16 | 190119 82 | WASHER | 3 | | | | |
| 17 | 190119 95 | WASHER | 2 | | | | |
| 18 | 198492 01 | AUGER MTG PLT W/A DRIVE END | 1 | | | | |
| 19 | WSH-0070 | SPRING WASHER | 10 | | | | |
| 20 | NUT-0180 | PLAIN NUT PLATED | 15 | | | | |
| 21 | WSH-0024 | PLAIN WASHER FORM A | 10 | | | | |
| 22 | HSSA16560 | HEX HEAD SET SCREW | 5 | | | | |
| 23 | 198492 02 | AUGER MTG PLT W/A IDLE END | 1 | | | | |
| 24 | WSHA10101 | PENNY WASHER | 8 | | | | |
| 25 | NUT-0265 | NYLOC NUT | 9 | | | | |
| 26 | BLT-3745 | COACHBOLT | 8 | | | | |
| 27 | WSH-0015 | PLAIN WASHER | 10 | | | | |
| 28 | HSS-0194 | BOLT | 8 | | | | |
| 29 | HSSA12530 | HEX.HEAD SET SCREW | 1 | | | | |
| 30 | NUT-0170 | PLAIN NUT PLATED | 3 | | | | |
| 31 | WSH-0065 | SPRING WASHER | 2 | | | | |
| 32 | 131041 01 | JOCKEY SPKT.3/4P.13T. | 2 | | | | |
| 33 | BRG-1995 | SUPPORT | 2 | | | | |
| 34 | CIR-0470 | CIRCLIP INT | 2 | | | | |
| 35 | 190060 11 | IDLER SPINDLE | 2 | | | | |
| 36 | 199063 01 | IDLER ADJ SCREW ASSY | 1 | | | | |
| 37 | 191040 01 | SPACER | 2 | | | | |
| 38 | 190548 04 | WASHER | 4 | | | | |
| 39 | 198511 01 | AUGER COVER PLATE | 2 | | | | |
| 40 | HSS-0145 | BOLT | 8 | | | | |

Shelbourne Reynolds Engineering Limited



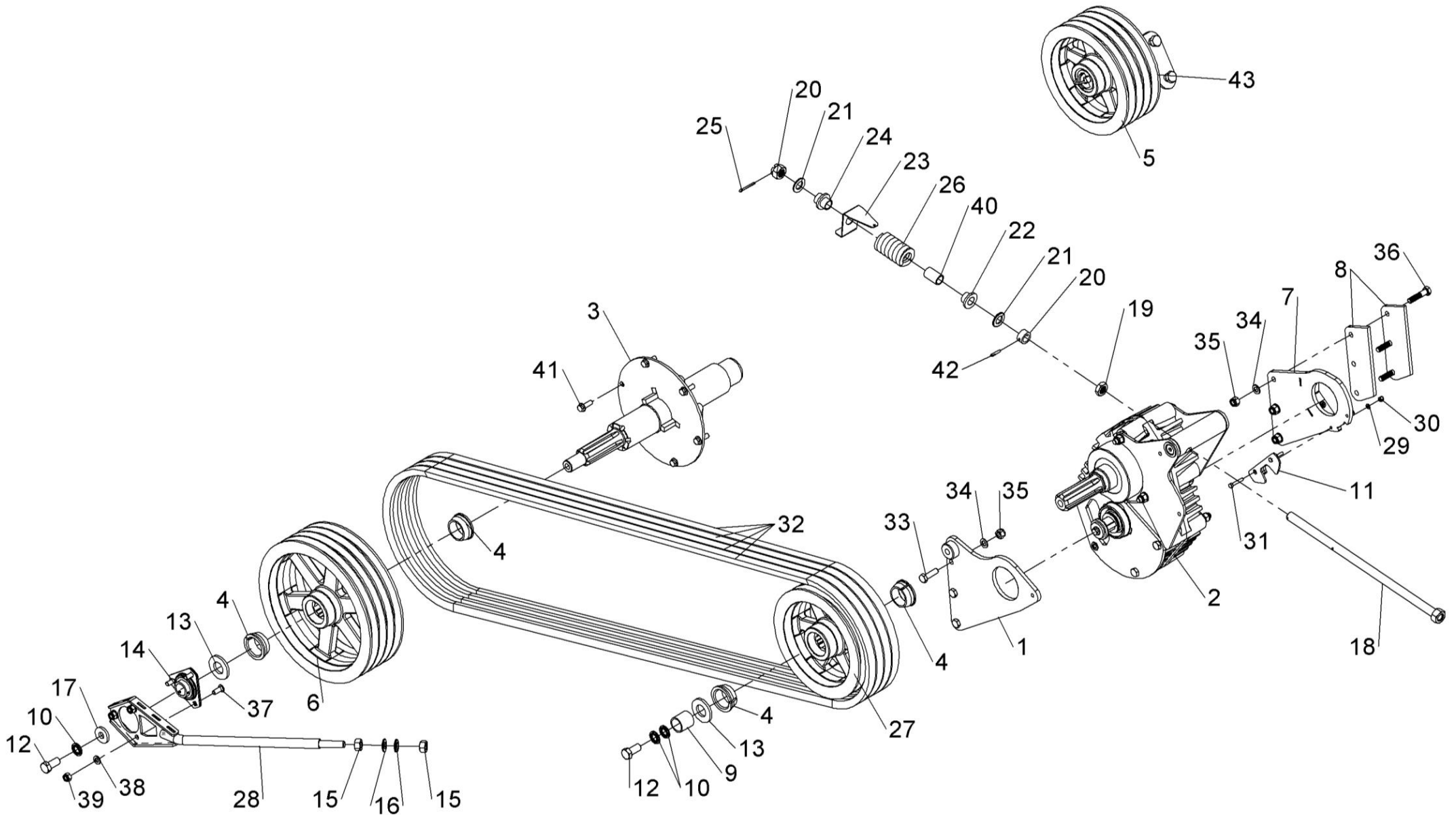
196259 36
196259 42



Shelbourne Reynolds Engineering Limited

| ASSY NUMBER: 196261 01 | | | | ASSY DESCRIPTION: RSD DRIVE SUB | | | |
|------------------------|-----------|--------------------------------|-----|---------------------------------|-----------|----------------------|-----|
| ITEM | PART NO | DESCRIPTION | QTY | ITEM | PART NO | DESCRIPTION | QTY |
| 1 | 198555 01 | GEARBOX MOUNTING BRACKET W/A | 1 | 34 | WSH-0018 | PLAIN WASHER | 6 |
| 2 | GEA-0059 | INPUT GEARBOX | 1 | 35 | NUT-0269 | NYLOC NUT | 6 |
| 3 | 198138 01 | ROTOR DRIVE SHAFT (2013 & ON) | 1 | 36 | BLTA12350 | HEX.HEAD BOLT | 3 |
| OR | 198549 01 | ROTOR DRIVE SHAFT (UPTO 2013) | 1 | 37 | BLT-3745 | COACHBOLT | 3 |
| 4 | 195935 01 | COLLAR | 4 | 38 | WSH-0015 | PLAIN WASHER | 3 |
| 5 | 195928 01 | RSD PULLEY 334.6mm (13.25") OD | 1 | 39 | NUT-0265 | NYLOC NUT | 3 |
| 6 | 195929 01 | RSD PULLEY 364.6mm (14.5") OD | 1 | 40 | 198943 01 | SPRING SPACER (40mm) | 1 |
| 7 | 199078 01 | GEARBOX MTG BRKT W/A | 1 | 41 | HSSG10204 | HEX HEAD BOLT | 6 |
| 8 | 198548 01 | PACKER PLATE | 2 | 42 | PIN-1620 | ROLL PIN | 1 |
| 9 | 197368 01 | DUMMY SPACER (2013 & ON) | 1 | 43 | KIT-19010 | SPARE PULLEY MTG KIT | 1 |
| OR | 190548 79 | WASHER (UPTO 2013) | 1 | | | | |
| 10 | WSHA30161 | LOCKWASHER | 2 | | | | |
| 11 | 198322 01 | OIL LEVEL VIEWER | 1 | | | | |
| 12 | HSS-0315 | SET SCREW | 2 | | | | |
| 13 | 190548 36 | WASHER (2013 & ON) | 2 | | | | |
| OR | 190548 36 | WASHER (UPTO 2013) | 1 | | | | |
| 14 | BRG-0240 | SUPPORT | 1 | | | | |
| 15 | NUT-0180 | PLAIN NUT PLATED | 2 | | | | |
| 16 | WSH-0024 | PLAIN WASHER FORM A | 2 | | | | |
| 17 | 190119 99 | WASHER (2013 & ON) | 2 | | | | |
| OR | 190119 99 | WASHER (UPTO 2013) | 1 | | | | |
| 18 | 198029 01 | GEARBOX ADJUSTER ROD | 1 | | | | |
| 19 | NUT-0385 | HALF NUT PLATED | 1 | | | | |
| 20 | NUT-0580 | CASTLE NUT | 2 | | | | |
| 21 | WSH-0030 | PLAIN WASHER | 3 | | | | |
| 22 | 198028 01 | REAR SPRING BOSS | 1 | | | | |
| 23 | 198218 01 | SPRING TENSION GUIDE | 1 | | | | |
| 24 | 198027 01 | FRONT SPRING BOSS | 1 | | | | |
| 25 | PIN-1150 | SPLIT PIN | 1 | | | | |
| 26 | SPGE02530 | DIE SPRING | 1 | | | | |
| 27 | 195927 01 | RSD PULLEY 280.6mm (11") OD | 1 | | | | |
| 28 | 198142 06 | TIE BAR ASSY | 1 | | | | |
| 29 | WSH-0009 | PLAIN WASHER FORM A | 2 | | | | |
| 30 | NUT-0260 | NYLOC NUT | 2 | | | | |
| 31 | HSS-0096 | SET SCREW | 2 | | | | |
| 32 | BEL-07355 | BELT (REDPOWER 3) | 4 | | | | |
| | | CANNOT MIX WITH BEL-05355 | | | | | |
| OR | BEL-05355 | BELT (REDPOWER II) | 4 | | | | |
| | | CANNOT MIX WITH BEL-07355 | | | | | |
| 33 | BLTA12260 | HEX HEAD BOLT | 3 | | | | |

Shelbourne Reynolds Engineering Limited



196261 01



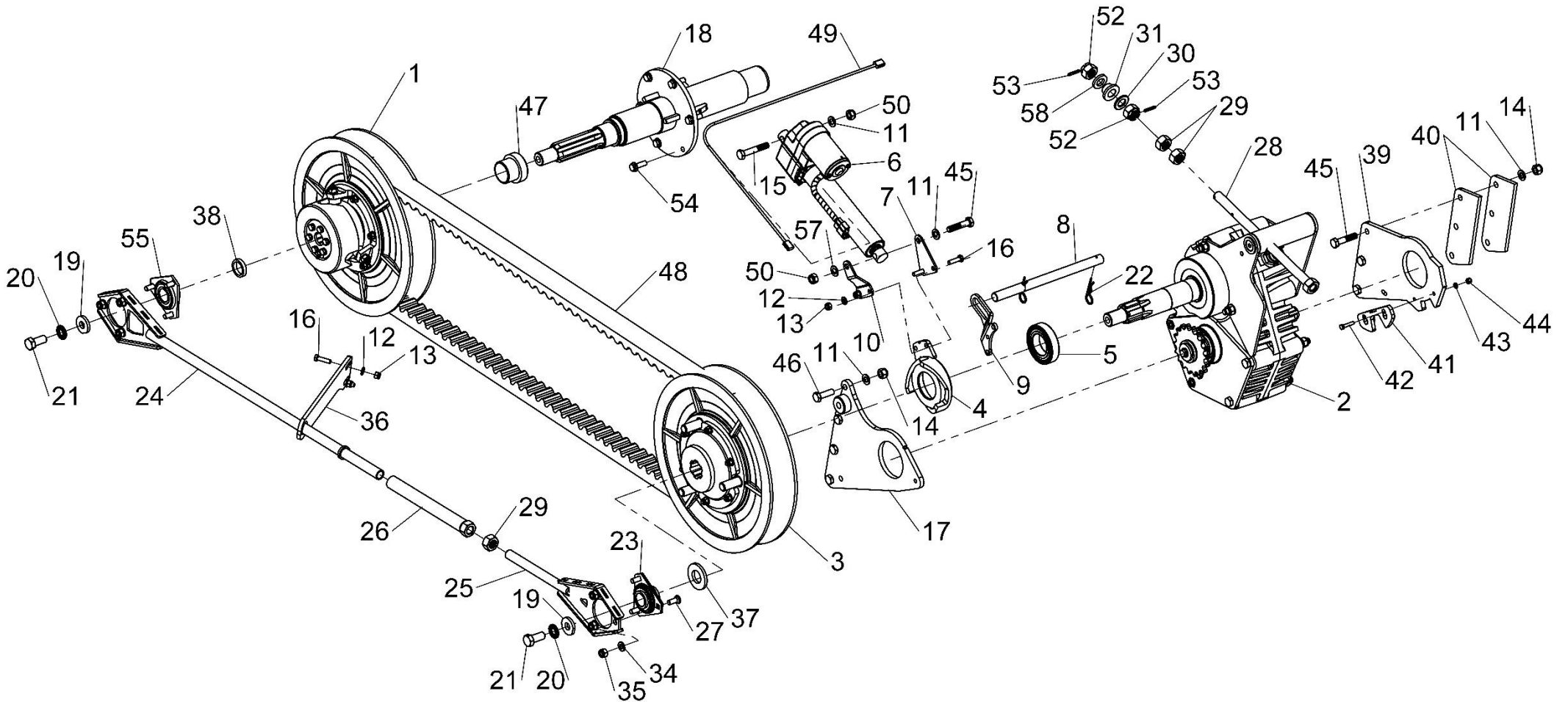
Shelbourne Reynolds Engineering Limited

| ASSY NUMBER: 196262 01 | | | | ASSY DESCRIPTION: VS DRIVE SUB | | | |
|------------------------|----------------|--|-----|--------------------------------|------------|--|-----|
| ITEM | PART NO | DESCRIPTION | QTY | ITEM | PART NO | DESCRIPTION | QTY |
| 1 | KIT-01445 | ROTOR PULLEY ASSY (2022 & ON) SEE KIT-01445 PAGE FOR PARTS BREAKDOWN | | 18 | 291704 01 | DRIVE SHAFT (XCV**203234 & ON) | 1 |
| OR | KIT-01399 | ROTOR PULLEY ASSY (2017-2021) SEE KIT-01399 PAGE FOR PARTS BREAKDOWN | | OR | 198223 01 | DRIVE SHAFT (2013-XCV**203234) SPARES FIT 291704 01 & 198800 03 | 1 |
| OR | KIT-01385 | ROTOR PULLEY ASSY (UPTO 2017) SEE KIT-01385 PAGE FOR PARTS BREAKDOWN | 1 | OR | 198560 01 | DRIVE SHAFT W/A (UPTO 2013) | 1 |
| 2 | GEA-0058 | INPUT GEARBOX ASSY SEE GEA-0058 PAGE FOR PARTS BREAKDOWN | 1 | 19 | 198800 48 | WASHER | 2 |
| OR | GEA-0058CNH | SPARE GEARBOX ASSY 35/34T GEARS | | 20 | WSHA30161 | WASHER | 2 |
| OR | GEA-0058JD/CIH | SPARE GEARBOX ASSY 37/32T GEARS | | 21 | HSS-0315 | SETSCREW | 2 |
| OR | GEA-0058LEX | SPARE GEARBOX ASSY 33/36T GEARS | | 22 | CLP-00103 | R CLIP | 2 |
| 3 | KIT-01386 | REAR PULLEY ASSY SEE KIT-01386 PAGE FOR PARTS BREAKDOWN | 1 | 23 | BRG-0240 | BEARING (2013 & ON) | 1 |
| | | FOR SPARES SUPPLY KIT-01463 | | OR | BRG-0240 | BEARING (UPTO 2013) | 2 |
| 4 | 197120 01 | PULLEY ASSY & ACTUATOR CAM KIT INCLUDES KIT-01454 | 1 | 24 | 198236 01 | TIE BAR W/A | 1 |
| 5 | BRG-15050NC3 | ACTUATOR CAM ASSY | 1 | 25 | 198232 01 | TIE ROD END W/A | 1 |
| | | BEARING | 1 | 26 | 198235 01 | TIE ROD ADJUSTER W/A | 1 |
| | | FOR SPARES SUPPLY KIT-01454 SEE KIT-01454 PAGE FOR PARTS BREAKDOWN | | | BLT-3745 | COACHBOLT | 6 |
| 6 | MOTE11008 | ACTUATOR (2015 & ON) | 1 | 28 | 198029 04 | GEARBOX ADJUSTER ROD | 1 |
| OR | MOTE11006 | ACTUATOR (UPTO 2015) | 1 | 29 | NUT-0185 | PLAIN NUT | 3 |
| 7 | 198556 01 | ACTUATOR CAM PLT | 1 | 30 | WSH-0030 | PLAIN WASHER | 1 |
| 8 | 198558 01 | CAM RETAINING BAR | 1 | 31 | 198028 01 | REAR SPRING BOSS | 1 |
| 9 | 199477 01 | CAM MTG BRKT (2013 & ON) | 1 | 34 | WSH-0015 | PLAIN WASHER | 6 |
| OR | 198559 01 | CAM MTG BRKT (UPTO 2013) | 1 | 35 | NUT-0265 | NYLOC NUT | 7 |
| 10 | 198557 01 | ACTUATOR CAM PLT | 1 | 36 | 290560 01 | TIE ROD RETAINER (2018 & ON) | 1 |
| 11 | WSH-0018 | PLAIN WASHER | 8 | OR | 198237 01 | TIE ROD RETAINER (UP TO 2018) | 1 |
| 12 | WSH-0012 | PLAIN WASHER | 4 | 37 | 190548 36 | WASHER | 1 |
| 13 | NUT-0263 | NYLOC NUT | 4 | 38 | 198800 03 | SPACER 8mm (XCV**203234 & ON) | 1 |
| 14 | NUT-0269 | NYLOC NUT | 6 | OR | 190548 56 | SPACER 3mm (UPTO XCV**203234) | 1 |
| 15 | BLTA12440 | HEX.HEAD BOLT | 1 | 39 | 199450 01 | G BOX MTG BRKT (2013 & ON) | 1 |
| 16 | HSS-0150 | SETSCREW | 4 | OR | 199078 01 | G BOX MTG BRKT W/A (UPTO 2013) | 1 |
| 17 | 198555 01 | GEARBOX MTG BRKT W/A | 1 | 40 | 198548 01 | PACKER PLATE | 2 |
| | | | | 41 | 198322 01 | OIL LEVEL VIEWER | 1 |
| | | | | 42 | HSS-0096 | SETSCREW | 2 |
| | | | | 43 | WSH-0009 | PLAIN WASHER | 2 |
| | | | | 44 | NUT-0260 | NYLOC NUT | 2 |
| | | | | 45 | BLTA12350 | HEX.HEAD BOLT | 4 |
| | | | | 46 | HSS-0250 | SETSCREW | 4 |
| | | | | 47 | 198701 01 | BOSS (UPTO 2013) | 1 |
| | | | | 48 | BEL-27360C | VARI SPEED BLET (2020 & ON) | 1 |
| | | | | OR | BEL-27357 | VARI SPEED BELT (UP TO 2020 (SPARES CAN SUPPLY BEL-27360C)) | 1 |
| | | | | 49 | 195050 07 | LOOM & PLUG ASSY | 1 |
| | | | | 50 | NUT-0270 | NYLOC NUT | 2 |

Shelbourne Reynolds Engineering Limited

| ASSY NUMBER: 196262 01 | | | | ASSY DESCRIPTION: VS DRIVE SUB | | | |
|------------------------|-----------|---------------------|-----|--------------------------------|---------|-------------|-----|
| ITEM | PART NO | DESCRIPTION | QTY | ITEM | PART NO | DESCRIPTION | QTY |
| 51 | | | | | | | |
| 52 | NUT-0580 | CASTLE NUT | 2 | | | | |
| 53 | PIN-1620 | ROLL PIN | 2 | | | | |
| 54 | HSSG10204 | TENSILOCK SETSCREW | 6 | | | | |
| 55 | BRG-23000 | BEARING (2013 & ON) | 1 | | | | |
| 56 | | | | | | | |
| 57 | WSH-0019 | PLAIN WASHER | 1 | | | | |
| 58 | 190119 30 | WASHER | 1 | | | | |

Shelbourne Reynolds Engineering Limited



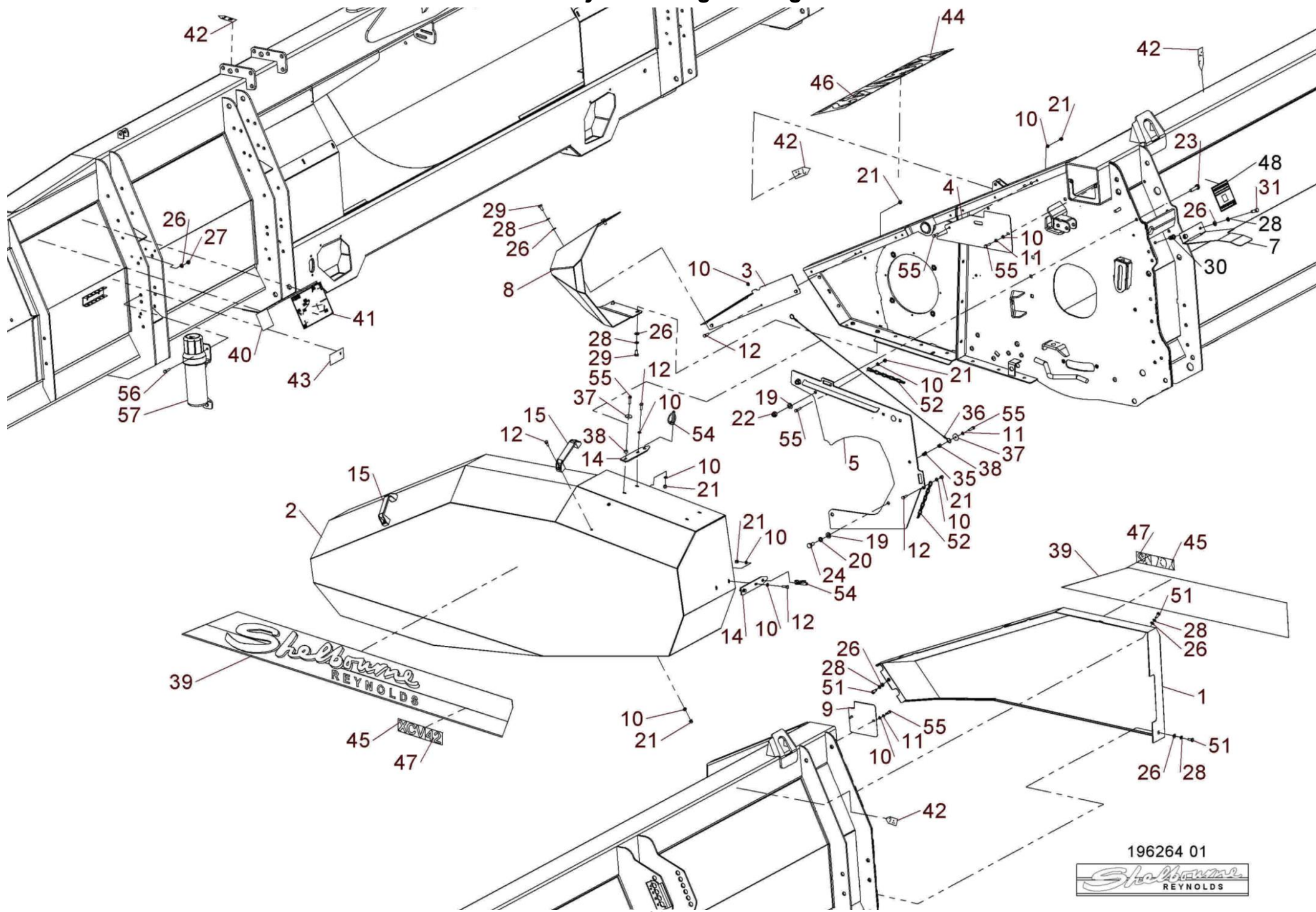
196262 01



Shelbourne Reynolds Engineering Limited

| ASSY NUMBER: 196264 01 | | | | ASSY DESCRIPTION: EMBLEMS & GUARDS SUB EXCEL | | | |
|------------------------|-----------|------------------------------|-----|--|-----------|-------------------------------|------|
| ITEM | PART NO | DESCRIPTION | QTY | ITEM | PART NO | DESCRIPTION | QTY |
| 1 | 194873 01 | RH SIDE GUARD | 1 | 41 | 198105 01 | EMBLEM (HEADER MAINTENANCE) | 1 |
| 2 | 198600 01 | DRIVE GUARD W/A | 1 | 42 | 190702 04 | EMBLEM (SLING POINT) | 4 |
| 3 | 198579 01 | GUARD MOUNTING PLATE W/A | 1 | 43 | 613205 01 | EMBLEM (SHEARBOLT PART No.) | 1 |
| 4 | 198586 01 | GUARD MOUNTING PLATE | 1 | 44 | 199221 01 | EMBLEM (XCV LARGE, CROP DEF.) | 1 |
| 5 | 198599 01 | DRIVE GUARD MOUNTING W/A | 1 | OR | 199222 01 | EMBLEM (XCS LARGE, CROP DEF.) | 1 |
| 6 | | | | 45 | 199221 02 | EMBLEM (XCV SMALL, GUARD) | 2 |
| 7 | 198288 01 | GEARBOX COVER PLT | 1 | OR | 199222 02 | EMBLEM (XCS SMALL, GUARD) | 2 |
| 8 | 198467 01 | DRIVE END FRONT GUARD | 1 | 46 | 199223 01 | EMBLEM (42 LARGE, CROP DEF.) | 1 |
| 9 | 198562 01 | COVER PLATE | 1 | OR | 199223 02 | EMBLEM (36 LARGE, CROP DEF.) | 1 |
| 10 | WSH-0009 | PLAIN WASHER | 19 | OR | 199223 03 | EMBLEM (32 LARGE, CROP DEF.) | 1 |
| 11 | WSH-0056 | SPRING WASHER | 4 | 47 | 199224 01 | EMBLEM (42 SMALL, GUARD) | 2 |
| 12 | HSS-0086 | SETSCREW | 12 | OR | 199224 02 | EMBLEM (36 SMALL, GUARD) | 2 |
| 13 | | | | OR | 199224 03 | EMBLEM (32 SMALL, GUARD) | 2 |
| 14 | 198567 01 | GUARD LOCATING PLATE | 2 | 48 | 290150 01 | EMBLEM (COMBINE SETTINGS) | 1 |
| 15 | HND-0000 | BLACK PLASTIC HANDLE | 2 | 49 | | | |
| 16 | | | | 50 | | | |
| 17 | | | | 51 | HSS-0140 | SETSCREW | 3 |
| 18 | | | | 52 | CHN-0145 | CHAIN | 0.17 |
| 19 | WSH-0015 | PLAIN WASHER | 3 | 52 | CHN-0145 | CHAIN | 0.17 |
| 20 | WSH-0061 | SPRING WASHER | 1 | 53 | | | |
| 21 | NUT-0260 | NYLOC NUT | 14 | 54 | PIN-01950 | LYNCH PIN | 2 |
| 22 | NUT-0265 | NYLOC NUT | 2 | 55 | HSS-0088 | SETSCREW | 6 |
| 23 | HSS-0202 | SETSCREW | 2 | 56 | HSS-0150 | SETSCREW | 3 |
| 24 | HSS-0185 | SETSCREW | 1 | 57 | PCN-00100 | MANUAL CANNISTER | 1 |
| 25 | | | | 58 | TNF-0013 | INSPECTION STICKER | 1 |
| 26 | WSH-0012 | PLAIN WASHER | 12 | | | | |
| 27 | NUT-0263 | NYLOC NUT | 3 | | | | |
| 28 | WSH-0058 | SPRING WASHER | 9 | | | | |
| 29 | HSS-0135 | SETSCREW | 4 | | | | |
| 30 | NUTA13087 | NUTSERT | 2 | | | | |
| 31 | HSS-0145 | BOLT | 2 | | | | |
| 32 | | | | | | | |
| 33 | | | | | | | |
| 34 | | | | | | | |
| 35 | NUTA13060 | NUTSERT | 4 | | | | |
| 36 | 199630 01 | GUARD RETAIN CABLE | 1 | | | | |
| 37 | WSH-1036 | PENNY WASHER | 2 | | | | |
| 38 | 190548 48 | WASHER | 2 | | | | |
| 39 | 198764 01 | EMBLEM (SHELBOURNE REYNOLDS) | 2 | | | | |
| 40 | 197861 01 | EMBLEM (PATENTS) | 1 | | | | |

Shelbourne Reynolds Engineering Limited

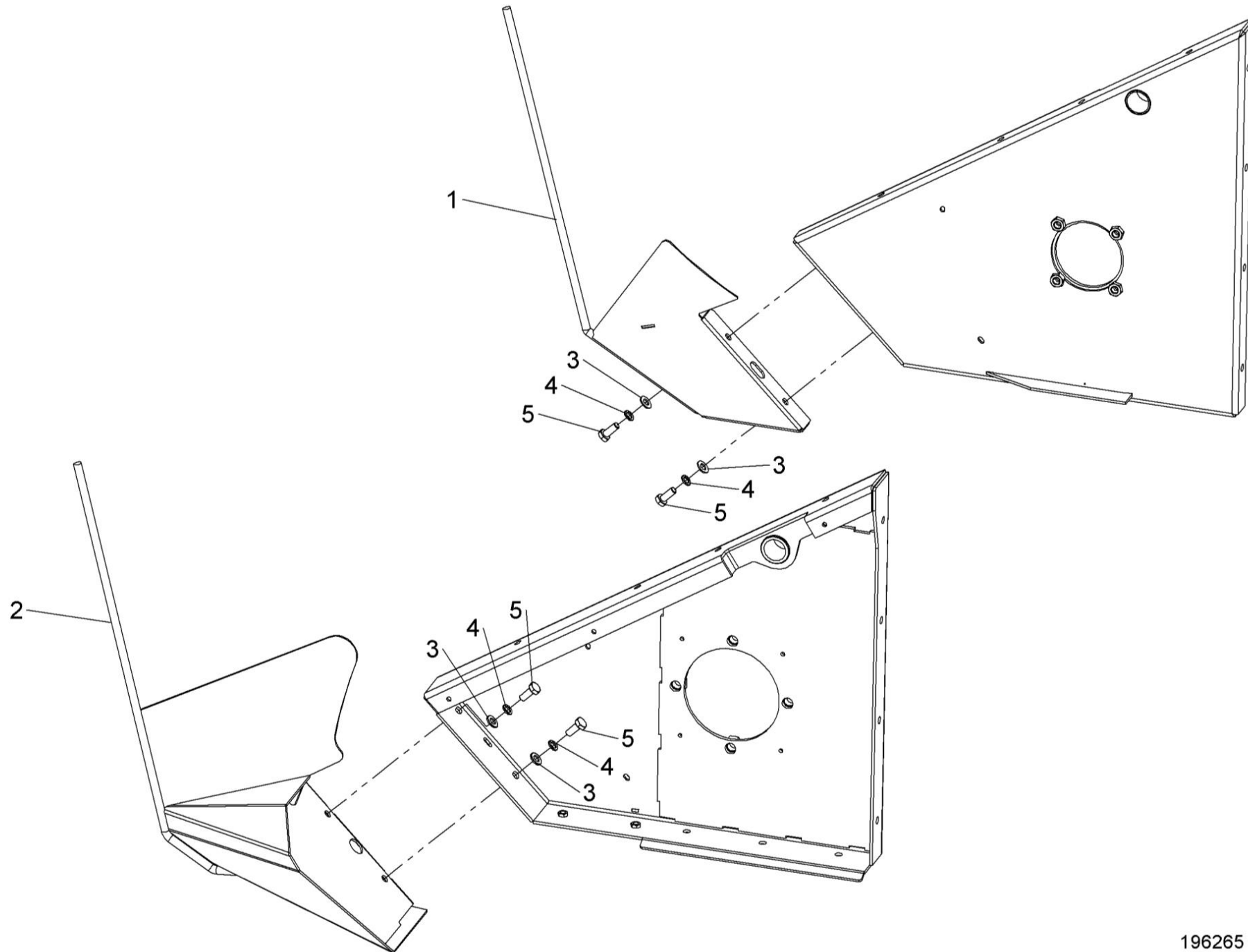


196264 01



Shelbourne Reynolds Engineering Limited

| ASSY NUMBER: 196265 01 | | | | ASSY DESCRIPTION: DIVIDER SUB ASSY | | | |
|------------------------|-----------|-----------------|-----|------------------------------------|---------|-------------|-----|
| ITEM | PART NO | DESCRIPTION | QTY | ITEM | PART NO | DESCRIPTION | QTY |
| 1 | 194501 02 | DIVIDER ASSY RH | 1 | | | | |
| 2 | 198597 01 | L.H DIVIDER W/A | 1 | | | | |
| 3 | WSH-0015 | PLAIN WASHER | 4 | | | | |
| 4 | WSH-0061 | SPRING WASHER | 4 | | | | |
| 5 | HSS-0191 | SET SCREW | 4 | | | | |



196265 01



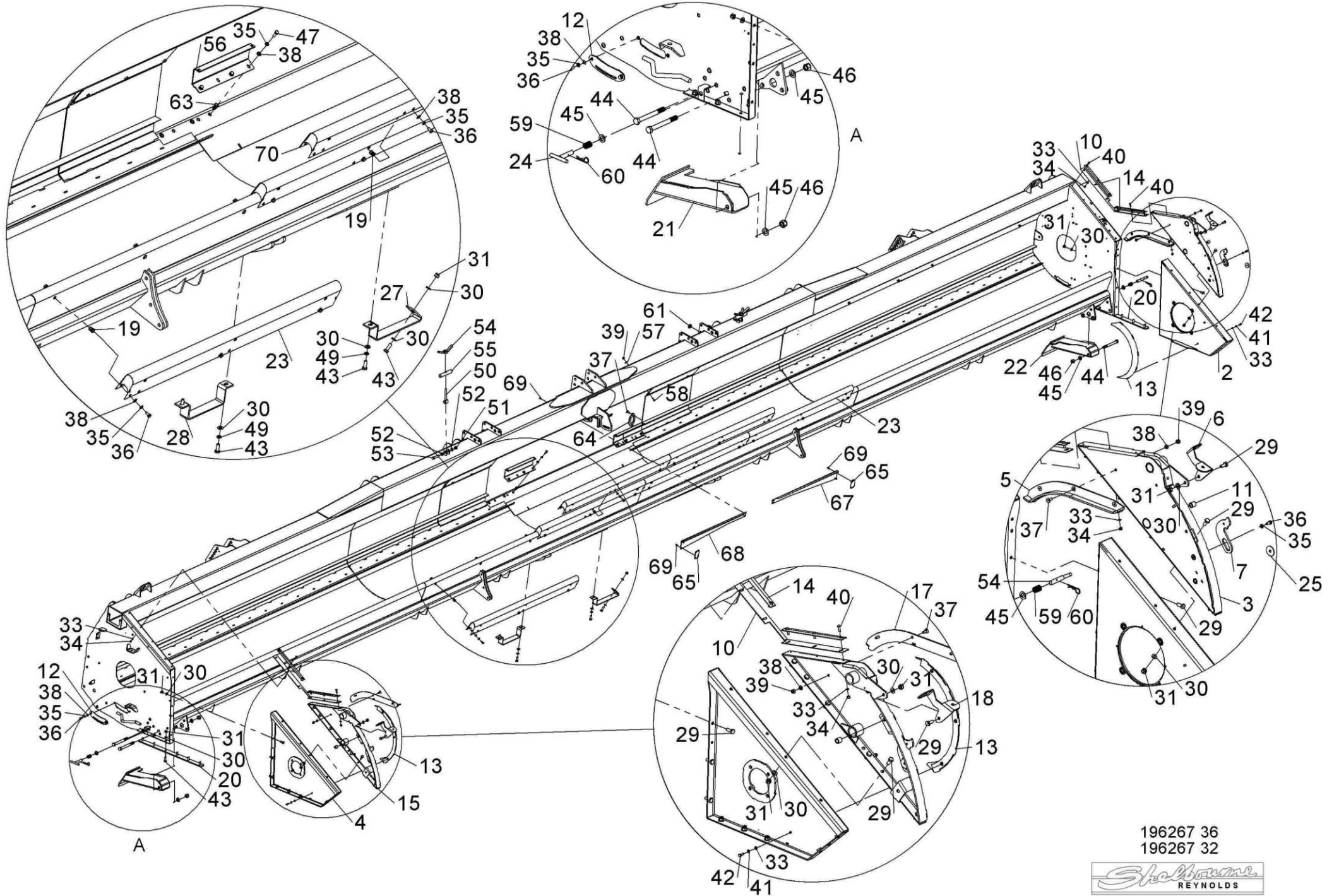
Shelbourne Reynolds Engineering Limited

| ASSY NUMBER: 196267 36 | | | | ASSY DESCRIPTION: FRAME & PARTS SUB (EXCEL 36) | | | |
|------------------------|-----------|--------------------------------|-----|--|-----------|--------------------------------|-----|
| ITEM | PART NO | DESCRIPTION | QTY | ITEM | PART NO | DESCRIPTION | QTY |
| 1 | 199595 01 | 36' MAINFRAME W/A | 1 | 32 | HSS-0086 | HEX HD BOLT (UP TO 2017) | 4 |
| 2 | 290384 01 | LH ROTOR MOUNT W/A (2017 & ON) | 1 | 33 | WSH-0009 | PLAIN WASHER | 18 |
| OR | 198386 01 | LH ROTOR MOUNT W/A (UPTO 2017) | 1 | 34 | NUT-0260 | NYLOC NUT | 12 |
| 3 | 290125 01 | TOP SIDE PLT LH (2017 & ON) | 1 | 35 | WSH-0058 | SPRING WASHER | 50 |
| OR | 198483 01 | TOP SIDE PLT LH (UP TO 2017) | 1 | 36 | HSS-0135 | HEX HD BOLT | 42 |
| 4 | 290386 01 | RH ROTOR MOUNT W/A (2017 & ON) | 1 | 37 | SCW-1735 | CSK SOCKET HD SCREW | 6 |
| OR | 198590 01 | RH ROTOR MOUNT W/A (UPTO 2017) | 1 | 38 | WSH-0012 | PLAIN WASHER | 54 |
| 5 | 198485 01 | NOSE RUNNER W/A | 1 | 39 | NUT-0263 | NYLOC NUT | 12 |
| 6 | 198958 01 | LH LIGHT BRACKET | 1 | 40 | SCW-4960 | BUTTON HD SCREW | 12 |
| 7 | 290383 01 | CROP DEF LOCK (2017 & ON) | 2 | 41 | WSH-0056 | SPRING WASHER | 6 |
| OR | 192809 01 | NOSE STOP LATCH (UP TO 2017) | 1 | 42 | HSS-0084 | HEX HD BOLT | 6 |
| 8 | 197308 01 | HORSE SHOE PLATE (UPTO 2017) | 2 | 43 | HSS-0194 | HEX HD BOLT | 16 |
| 9 | 197309 01 | SECURING PLATE (UPTO 2017) | 2 | 44 | BLTA16710 | HEX HD BOLT | 2 |
| 10 | 194000 01 | RUBBER SEAL STRIP | 2 | 45 | WSH-0024 | PLAIN WASHER | 4 |
| 11 | 198811 02 | SPACER (2017 & ON) | 2 | 46 | NUT-0271 | NYLOC NUT | 2 |
| 12 | 195844 01 | COVER PLATE | 2 | 47 | HSS-0145 | HEX HD BOLT | 8 |
| 13 | 193363 01 | ROTOR DEFLECTOR | 2 | 48 | WSH-0065 | SPRING WASHER (2017 & ON) | 2 |
| 14 | 199567 01 | CLAMP STRIP | 4 | 49 | WSH-0061 | SPRING WASHER | 3 |
| 15 | 290125 02 | TOP SIDE PLT RH (2017 & ON) | 1 | 50 | 193248 01 | RETAINING ROD | 2 |
| OR | 198483 02 | TOP SIDE PLT RH (UPTO 2017) | 1 | 51 | NUT-0269 | NYLOC NUT | 2 |
| 16 | | | | 52 | WSH-0018 | PLAIN WASHER | 12 |
| 17 | 198485 02 | NOSE RUNNER W/A | 1 | 53 | BLTA12380 | HEX HD BOLT | 4 |
| 18 | 198958 02 | RH LIGHT BRACKET | 1 | 54 | 193244 01 | HANDLE W/A | 2 |
| 19 | NUTA13080 | NUTSERT | 40 | 55 | 193251 01 | RETAINING BAR | 2 |
| 20 | 198709 01 | SIDE PLATE JOINER STRIP | 2 | 56 | 199681 01 | SHORT SCRAPER 321mm(UPTO 2017) | 2 |
| 21 | 199626 02 | STAND (2014 & ON) | 1 | OR | 199091 01 | LONG SCRAPER 396mm (UPTO 2017) | 2 |
| OR | 198910 02 | STAND (UPTO 2014) | 1 | 57 | WSH-1038 | PENNY WASHER | 6 |
| 22 | 199626 01 | STAND (2014 & ON) | 1 | 58 | HSS-0140 | HEX HD BOLT | 6 |
| OR | 198910 01 | STAND (UPTO 2014) | 1 | 59 | SPGC22015 | COMPRESSION SPRING | 2 |
| 23 | 290372 01 | SPILL PLATE W/A (2017 & ON) | 6 | 60 | CLP-00103 | R CLIP | 2 |
| OR | 197701 01 | SPILL PLATE W/A (2015 & 2016) | 2 | 61 | BPG-00200 | BODY PLUG | 1 |
| OR | 197701 01 | SPILL PLATE W/A (UPTO 2015) | 4 | 62 | 199483 01 | FILL IN PLT W/A (UPTO 2014) | 1 |
| 24 | 198720 01 | LEG LOCKING PIN | 2 | 63 | NUTA13087 | NUTSERT | 10 |
| 25 | 190119 05 | WASHER | 2 | 64 | 199101 01 | PAD PLATE (UPTO 2015) | 1 |
| 26 | 198901 01 | STOP PLATE (UPTO 2014) | 2 | 65 | 199660 01 | JOINING PLATE | 2 |
| 27 | 198957 01 | FORK LIFT SHOE | 1 | 66 | 199672 01 | JOINING PLATE (PRE 2015) | |
| 28 | 195126 01 | FORK LIFT SHOE | 1 | 67 | 290367 01 | LH TOP CENTRE PLT (2017 & ON) | 1 |
| 29 | HSS-0191 | HEX HD BOLT | 22 | OR | 199934 01 | LH TOP CENTRE PLT (2015& 2016) | 1 |
| 30 | WSH-0015 | PLAIN WASHER | 39 | OR | 199673 01 | LH TOP CENTRE PLT (PRE 2015) | 1 |
| 31 | NUT-0265 | NYLOC NUT | 35 | 68 | 290367 02 | RH TOP CENTRE PLT (2017 & ON) | 1 |

Shelbourne Reynolds Engineering Limited

| ASSY NUMBER: 196267 36 | | | | ASSY DESCRIPTION: FRAME & PARTS SUB (EXCEL 36) | | | |
|------------------------|-----------|--------------------------------|-----|--|---------|-------------|-----|
| ITEM | PART NO | DESCRIPTION | QTY | ITEM | PART NO | DESCRIPTION | QTY |
| OR | 199934 02 | RH TOP CENTRE PLT (2015& 2016) | 1 | | | | |
| OR | 199673 02 | RH TOP CENTRE PLT (PRE 2015) | 1 | | | | |
| 69 | POP-0006 | POP RIVET | 12 | | | | |
| 70 | 199940 01 | SPILL PLATE EXT (2015 & 2016) | 1 | | | | |
| 71 | 290389 01 | LH SCRAPER (2017 & ON) | 1 | | | | |
| 72 | 290389 02 | RH SCRAPER (2017 & ON) | 1 | | | | |
| 73 | 290390 01 | SCRAPER EXTENSION (2017 & ON) | 2 | | | | |

Shelbourne Reynolds Engineering Limited

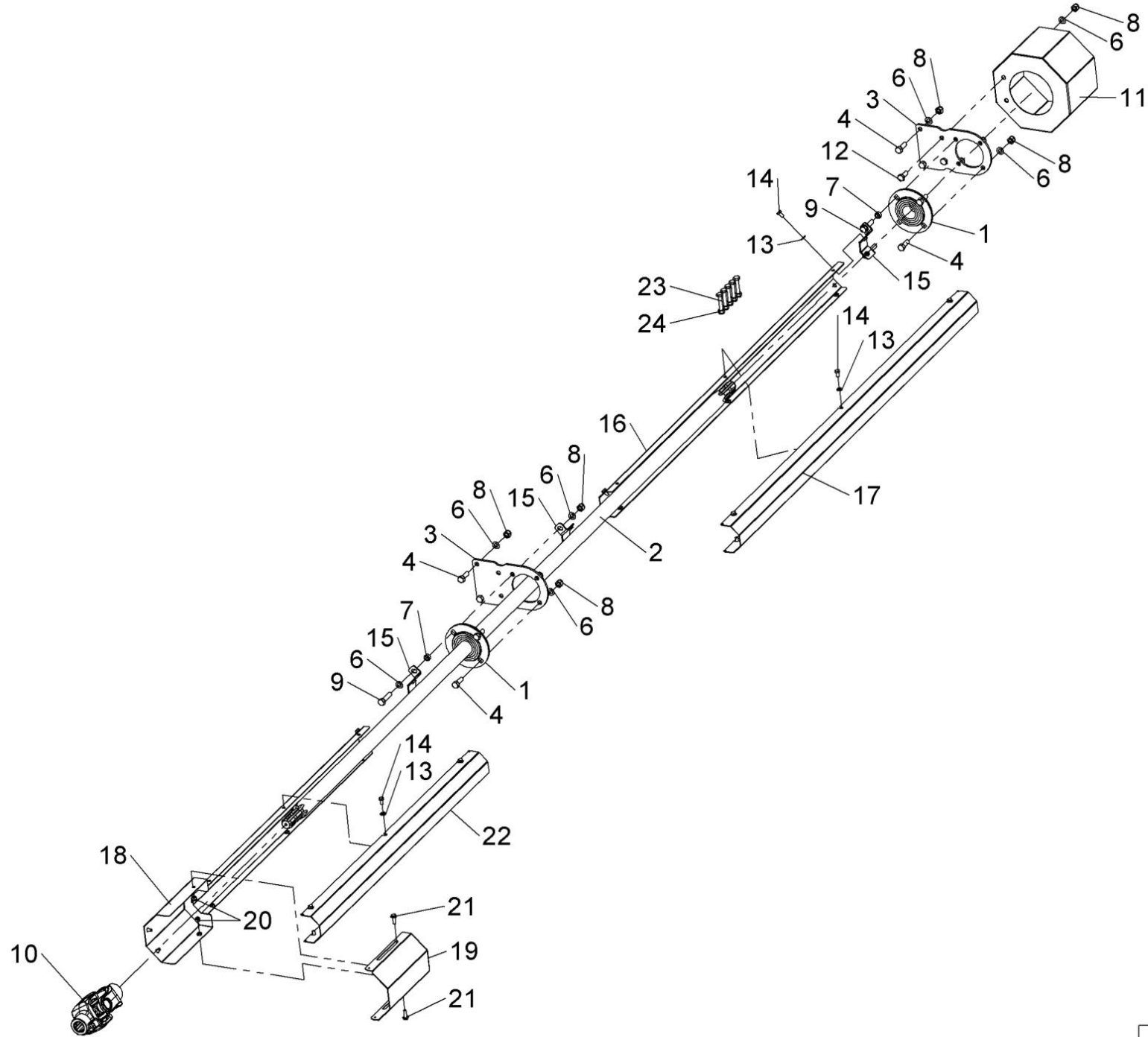


196267 36
196267 32



Shelbourne Reynolds Engineering Limited

| ASSY NUMBER: 196268 36 | | | | ASSY DESCRIPTION: REAR DRIVE SHAFT SUB (EXCEL 36) (2012 ONLY) | | | |
|------------------------|-------------|-----------------------|-----|---|---------|-------------|-----|
| ITEM | PART NO | DESCRIPTION | QTY | ITEM | PART NO | DESCRIPTION | QTY |
| 1 | BRG-24500 | 4-BOLT FLANGE BEARING | 2 | | | | |
| 2 | 192982 17 | DRIVE SHAFT | 1 | | | | |
| 3 | 198621 01 | SHAFT SUPPORT BRACKET | 2 | | | | |
| 4 | HSS-0241 | HEX HD SETSCREW | 8 | | | | |
| 5 | | | | | | | |
| 6 | WSH-0018 | WASHER | 16 | | | | |
| 7 | 190119 46 | WASHER | 4 | | | | |
| 8 | NUT-0269 | NYLOC NUT | 14 | | | | |
| 9 | HSS-0260 | HEX HD SETSCREW | 4 | | | | |
| 10 | PTO-24000WE | PTO COUPLING | 1 | | | | |
| 11 | 198673 01 | PTO END GUARD | 1 | | | | |
| 12 | HSS-0238 | HEX HD SETSCREW | 2 | | | | |
| 13 | WSH-0012 | WASHER | 16 | | | | |
| 14 | HSS-0135 | HEX HD BOLT | 16 | | | | |
| 15 | 199030 01 | PTO GUARD BRKT WA | 3 | | | | |
| 16 | 199065 01 | INNER PTO GUARD | 1 | | | | |
| 17 | 199066 01 | INNER PTO GUARD | 1 | | | | |
| 18 | 199068 01 | OUTER PTO GUARD WA | 1 | | | | |
| 19 | 199073 01 | SLIDING GUARD | 1 | | | | |
| 20 | NUT-0263 | NYLOC NUT | 2 | | | | |
| 21 | HSSF08174 | HEX HD BOLT | 2 | | | | |
| 22 | 199072 01 | OUTER PTO GUARD | 1 | | | | |
| 23 | BLTA10384 | SHEARBOLT | 5 | | | | |
| 24 | NUT-0265 | NYLOC NUT | 5 | | | | |



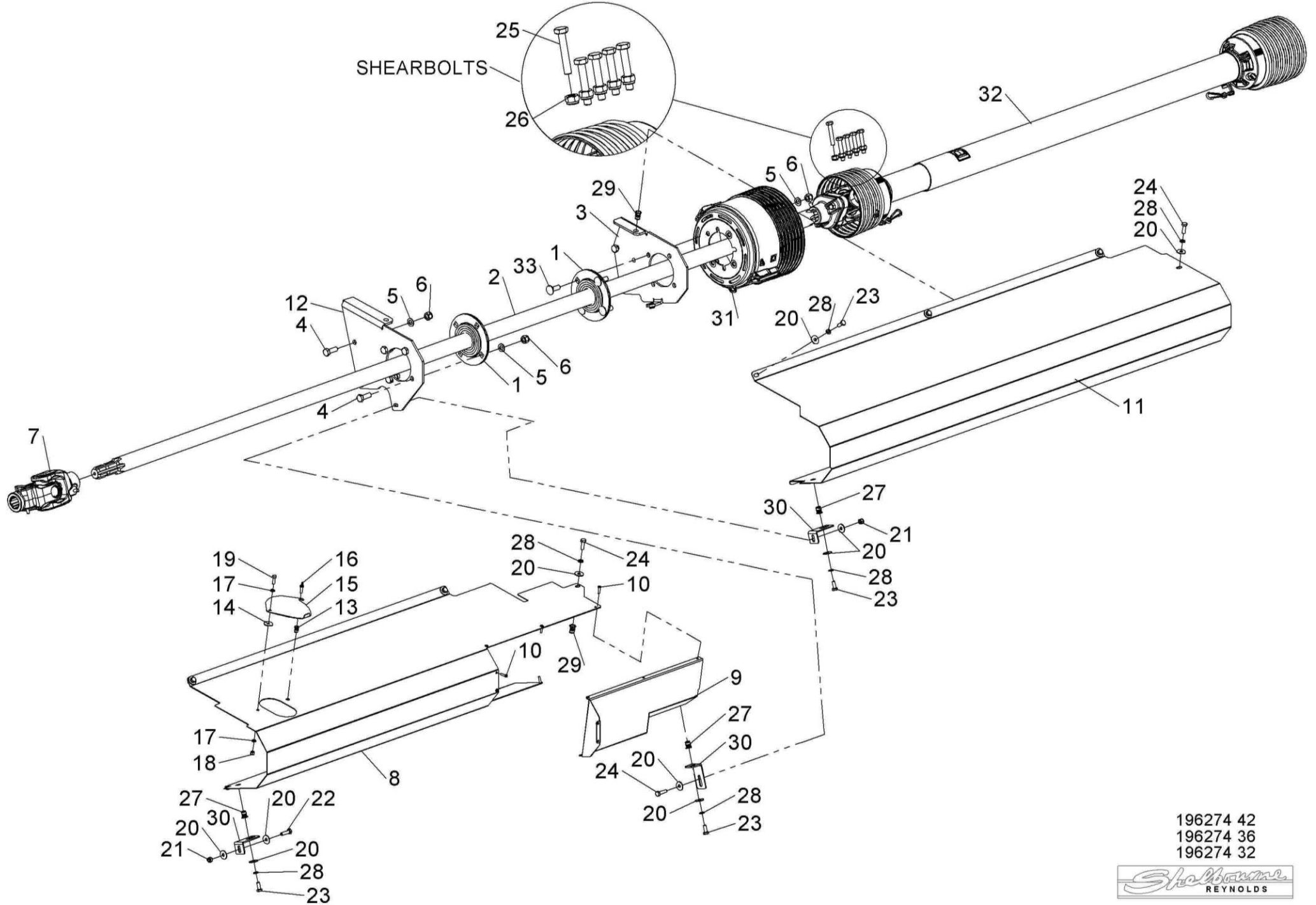
196268 42
196268 36



Shelbourne Reynolds Engineering Limited

| ASSY NUMBER: 196274 36 | | | | ASSY DESCRIPTION: REAR DRIVE SHAFT SUB ASSY (2013 & ON) | | | |
|------------------------|-------------|--|-----|---|---------|-------------|-----|
| ITEM | PART NO | DESCRIPTION | QTY | ITEM | PART NO | DESCRIPTION | QTY |
| 1 | BRG-24500 | BEARING (XCV/XCS) | 2 | | | | |
| OR | BRG-24500 | BEARING (XRS) | 1 | | | | |
| 2 | 192982 17 | DRIVE SHAFT (XCV/XCS) | 1 | | | | |
| OR | 291090 17 | DRIVE SHAFT (HARD SPLINE) (XRS) | 1 | | | | |
| 3 | 290397 01 | SHAFT SUPPORT BRKT (2017 & ON) | 1 | | | | |
| OR | 199463 01 | SHAFT SUPPORT BRKT (UPTO 2017) | 1 | | | | |
| 4 | HSS-0241 | SETSCREW | 8 | | | | |
| 5 | WSH-0018 | PLAIN WASHER | 12 | | | | |
| 6 | NUT-0269 | NYLOC NUT | 12 | | | | |
| 7 | PTO-24000WE | PTO COUPLING | 1 | | | | |
| 7a | PTO-00083 | PTO CROSS BEARING | | | | | |
| 7b | KIT-01409 | GREASE POINT KIT | | | | | |
| 8 | 199451 01 | LH PTO GUARD | 1 | | | | |
| 9 | 199323 01 | PTO GUARD | 1 | | | | |
| 10 | POP-0006 | POP RIVET | 7 | | | | |
| 11 | 290398 01 | RH PTO GUARD (2017 & ON) | 1 | | | | |
| OR | 199465 01 | RH PTO GUARD (UPTO 2017) | 1 | | | | |
| 12 | 199452 01 | SHAFT SUPPORT BRACKET | 1 | | | | |
| 13 | NUTA13060 | NUTSERT | 1 | | | | |
| 14 | WSH-1036 | PENNY WASHER | 1 | | | | |
| 15 | 197757 01 | COVER | 1 | | | | |
| 16 | SCW-4701 | THUMBSCREW | 1 | | | | |
| 17 | WSH-0009 | PLAIN WASHER | 2 | | | | |
| 18 | NUT-0260 | NYLOC NUT | 1 | | | | |
| 19 | HSS-0086 | SETSCREW | 1 | | | | |
| 20 | WSH-1038 | PENNY WASHER | 14 | | | | |
| 21 | NUT-0263 | NYLOC NUT | 2 | | | | |
| 22 | HSS-0150 | SETSCREW | 2 | | | | |
| 23 | HSS-0140 | SETSCREW | 7 | | | | |
| 24 | HSS-0145 | SETSCREW | 3 | | | | |
| 25 | BLTA10384 | SHEAR BOLT | 5 | | | | |
| 26 | NUT-0265 | NYLOC NUT | 5 | | | | |
| 27 | NUTA13080 | NUTSERT | 3 | | | | |
| 28 | WSH-0058 | SPRING WASHER | 10 | | | | |
| 29 | NUTA13087 | NUTSERT | 3 | | | | |
| 30 | 199603 01 | SMALL BRACKET | 3 | | | | |
| 31 | PTO-00975 | PTO CONE (2017 & ON) | 1 | | | | |
| 32 | PTO SHAFT | SEE DRIVE KITS - 196549 XXX OR PTO-260** PARTS PAGE | | | | | |
| 33 | BLTF12233 | COACH BOLT | 4 | | | | |

Shelbourne Reynolds Engineering Limited



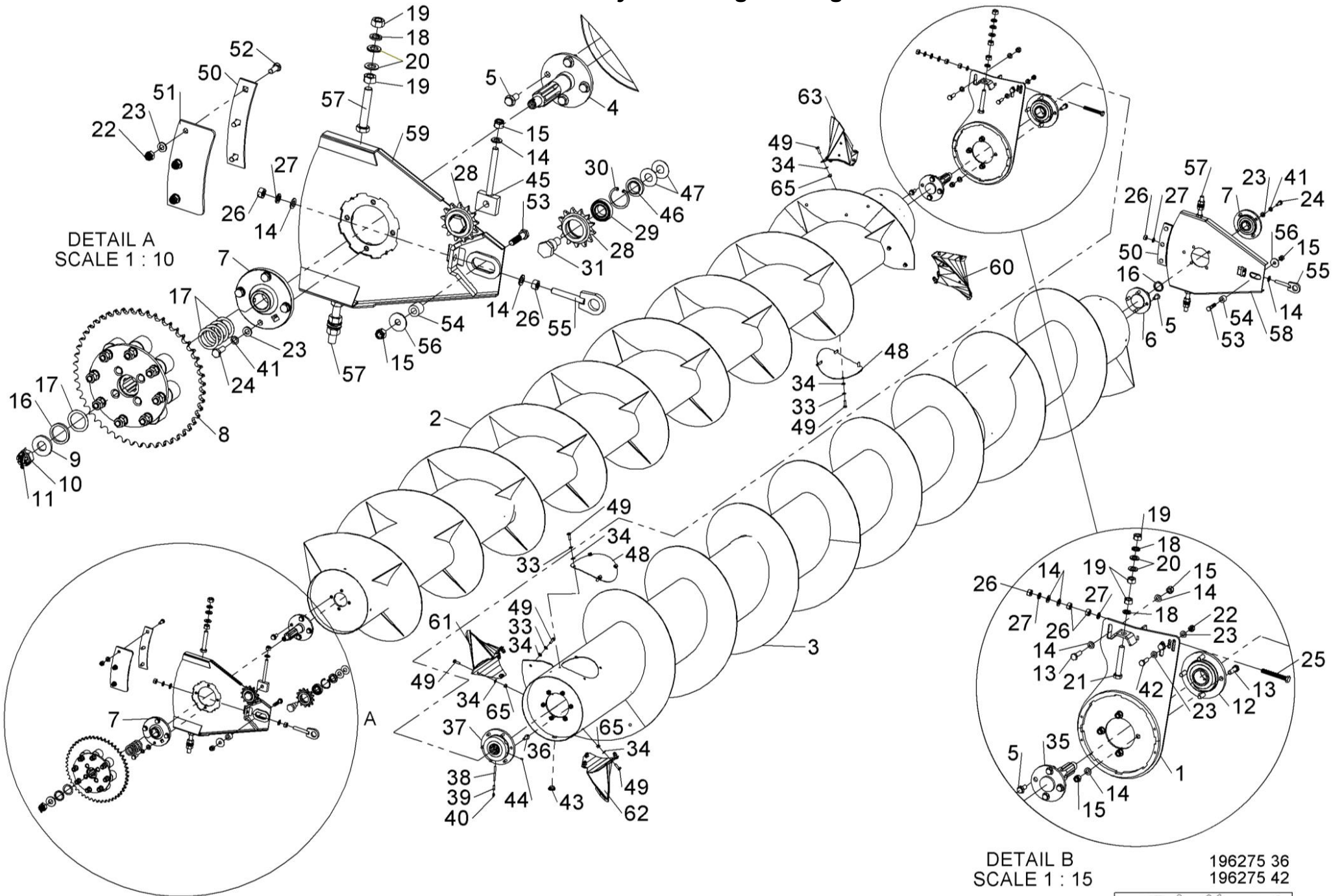
196274 42
 196274 36
 196274 32



Shelbourne Reynolds Engineering Limited

| ASSY NUMBER: 196275 36 | | | | ASSY DESCRIPTION: AUGER SUB ASSY 36' (2013 ONLY) | | | |
|------------------------|-----------|-----------------------------|-----|--|-----------|----------------------------|-----|
| ITEM | PART NO | DESCRIPTION | QTY | ITEM | PART NO | DESCRIPTION | QTY |
| 1 | 198528 01 | CENTRE AUGER MTG. PLATE W/A | 1 | 41 | WSH-0061 | SPRING WASHER | 8 |
| 2 | 199469 01 | DRIVE END AUGER W/A | 1 | 42 | HSS-0198 | BOLT | 1 |
| 3 | 199470 01 | IDLE END AUGER W/A | 1 | 43 | BPG-00200 | PLASTIC BODY PLUG | 1 |
| 4 | 195848 01 | AUGER DRIVE W/A | 1 | 44 | SCW-4530 | GRUBSCREW | 1 |
| 5 | HSSF12204 | HEX. HD. SET SCREW | 12 | 45 | 199063 01 | IDLER ADJ SCREW ASSY | 1 |
| 6 | 197704 02 | IDLER SHAFT | 1 | 46 | 191040 01 | SPACER | 2 |
| 7 | BRG-23560 | CAST SUPPORT | 2 | 47 | 190548 04 | WASHER | 4 |
| 8 | KIT-00121 | AUGER DRV/SPRKT CLUTCH | 1 | 48 | 198511 01 | AUGER COVER PLATE | 2 |
| 9 | 190119 47 | WASHER | 1 | 49 | HSS-0145 | BOLT | 28 |
| 10 | NUT-0580 | CASTLE NUT | 1 | 50 | 200407 01 | SUPPORT PLATE | 2 |
| 11 | PIN-1150 | SPLIT PIN | 1 | 51 | 200408 01 | OVERLAP PLATE | 2 |
| 12 | BRG-24505 | ROUND FLANGED BEARING | 1 | 52 | BLT-3750 | COACHBOLT | 6 |
| 13 | BLTA12260 | HEX HEAD BOLT | 6 | 53 | BLTA12350 | BOLT | 2 |
| 14 | WSH-0018 | PLAIN WASHER | 15 | 54 | 200499 01 | SPACER | 2 |
| 15 | NUT-0269 | NUT | 11 | 55 | 200405 01 | ADJUSTER | 2 |
| 16 | 190119 82 | WASHER | 4 | 56 | 190119 26 | WASHER | 2 |
| 17 | 190119 95 | WASHER | 5 | 57 | HSS-0330 | SETSCREW | 4 |
| 18 | WSH-0070 | SPRING WASHER | 6 | 58 | 197711 07 | AUGER ADJUSTER PLATE RH | 1 |
| 19 | NUT-0180 | PLAIN NUT PLATED | 11 | 59 | 199475 01 | AUGER ADJUSTER PLATE LH | 1 |
| 20 | WSH-0024 | PLAIN WASHER FORM A | 10 | 60 | 199381 01 | DRIVE END SHORT PADDLE W/A | 1 |
| 21 | HSSA16560 | HEX HEAD SET SCREW | 1 | 61 | 199381 02 | IDLE END SHORT PADDLE W/A | 1 |
| 22 | NUT-0265 | NYLOC NUT | 7 | 62 | 199382 01 | PADDLE EXT W/A | 1 |
| 23 | WSH-0015 | PLAIN WASHER | 16 | 63 | 199382 02 | PADDLE EXT W/A | 1 |
| 24 | HSS-0194 | BOLT | 8 | 64 | | | |
| 25 | HSSA12530 | HEX.HEAD SET SCREW | 1 | 65 | NUT-0263 | NYLOC NUT | 16 |
| 26 | NUT-0170 | PLAIN NUT PLATED | 7 | | | | |
| 27 | WSH-0065 | SPRING WASHER | 4 | | | | |
| 28 | 131041 01 | JOCKEY SPKT.3/4P.13T. | 2 | | | | |
| 29 | BRG-1995 | SUPPORT | 2 | | | | |
| 30 | CIR-0470 | CIRCLIP INT | 2 | | | | |
| 31 | 190060 11 | IDLER SPINDLE | 2 | | | | |
| 32 | | | | | | | |
| 33 | WSH-0058 | SPRING WASHER | 12 | | | | |
| 34 | WSH-0012 | PLAIN WASHER | 28 | | | | |
| 35 | 198514 01 | AUGER CTR.DRV.SHAFT W/A | 1 | | | | |
| 36 | HSSG10204 | TENSILOCK BOLT | 6 | | | | |
| 37 | 193114 01 | BALL COUPLING ASSY | 1 | | | | |
| 38 | 193077 01 | GREASE PIPE DTL | 1 | | | | |
| 39 | 193078 01 | GREASE PIPE SLEEVE | 1 | | | | |
| 40 | NIP-00600 | GREASE NIPPLE | 1 | | | | |

Shelbourne Reynolds Engineering Limited



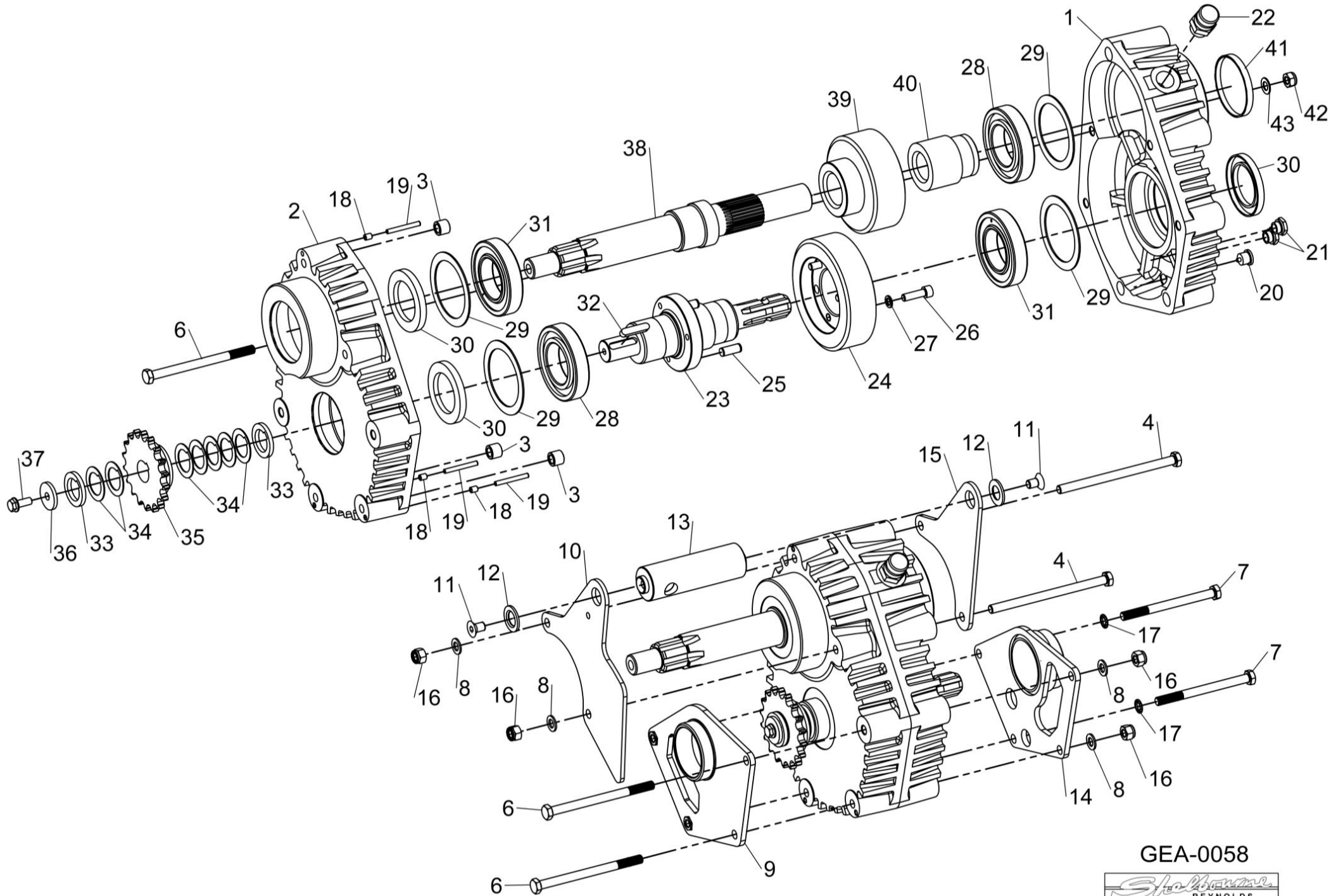
196275 36
196275 42



Shelbourne Reynolds Engineering Limited

| ASSY NUMBER: GEA-0058 | | | | ASSY DESCRIPTION: INPUT GEARBOX ASSY VARIABLE SPEED | | | |
|-----------------------|-----------|----------------------------|-----|---|----------------|---|-----|
| ITEM | PART NO | DESCRIPTION | QTY | ITEM | PART NO | DESCRIPTION | QTY |
| 1 | 197619 03 | CASE HALF (PTO SIDE) | 1 | OR | 192768 08 | AUGER DRIVE SPROCKET (13T) | 1 |
| 2 | 197619 02 | CASE HALF (PULLEY SIDE) | 1 | OR | 192768 20 | AUGER DRIVE SPROCKET (12T) | 1 |
| 3 | 192598 01 | DOWEL | 3 | 36 | 190548 01 | RETAINING WASHER | 1 |
| 4 | BLTA12810 | HEX HEAD BOLT | 2 | 37 | HSSF10174 | HEX HD SCREW | 1 |
| 5 | | | | 38 | 194964 01 | PINION SHAFT | 1 |
| 6 | BLTA12750 | HEX HEAD BOLT | 3 | 39 | 193599 09 | PINION GEAR (32 TOOTH) | 1 |
| 7 | BLT-2276 | HEX HEAD BOLT | 2 | OR | 193599 11 | PINION GEAR (34 TOOTH) | 1 |
| 8 | WSH-0018 | PLAIN WASHER | 4 | OR | 193599 12 | PINION GEAR (30 TOOTH) | 1 |
| 9 | 198021 01 | G/BOX MTG PLT LH | 1 | OR | 193599 13 | PINION GEAR (36 TOOTH) | 1 |
| 10 | 198026 01 | G/BOX ADJ PLT LH | 1 | 40 | 195526 01 | SLEEVE | 1 |
| 11 | SCW-1930 | CSK SKT HD SCREW | 2 | 41 | SEAZ09000 | CORE PLUG SEAL | 1 |
| 12 | 198024 01 | CSK WASHER | 2 | 42 | NUT-0270 | NYLOC NUT (THIN) | 1 |
| 13 | 198023 01 | GEARBOX ADJUSTER | 1 | 43 | WSH-0019 | PLAIN WASHER (FORM B) | 1 |
| 14 | 198022 01 | G/BOX MTG PLT RH | 1 | | | | |
| 15 | 198025 01 | G/BOX ADJ PLT RH | 1 | | | | |
| 16 | NUT-0269 | NYLOC NUT | 4 | | GEA-0058CNH | SPARES GEARBOX ASSY C/W 35T & 34T GEARS | |
| 17 | WSHA20121 | SHAKEPROOF WASHER | 2 | | GEA-0058JD/CIH | SPARES GEARBOX ASSY C/W 37T & 32T GEARS | |
| 18 | SCW-4535 | GRUBSCREW | 3 | | GEA-0058LEX | SPARES GEARBOX ASSY C/W 33T & 36T GEARS | |
| 19 | 192597 01 | JACKING ROD | 3 | | | | |
| 20 | FIT-0253 | DRAIN PLUG | 1 | | | | |
| 21 | FITD00005 | SIGHT GLASS/SEAL | 2 | | | | |
| 22 | FIT-0255 | BREATHER | 1 | | | | |
| 23 | 192591 01 | INPUT SHAFT | 1 | | | | |
| 24 | 192592 09 | INPUT GEAR (37 TOOTH) | 1 | | | | |
| OR | 192592 11 | INPUT GEAR (35 TOOTH) | 1 | | | | |
| OR | 192592 12 | INPUT GEAR (39 TOOTH) | 1 | | | | |
| OR | 192592 13 | INPUT GEAR (33 TOOTH) | 1 | | | | |
| 25 | PIN-61217 | DOWEL PIN | 3 | | | | |
| 26 | SCW-0196 | CAP HEAD SCREW | 3 | | | | |
| 27 | WSH-0061 | SPRING WASHER | 3 | | | | |
| 28 | BRG-7040 | BEARING | 2 | | | | |
| 29 | 192596 01 | RING | 4 | | | | |
| 30 | SEA-0590 | SHAFT SEAL | 3 | | | | |
| 31 | BRG-16080 | SUPPORT | 2 | | | | |
| 32 | K1008045 | KEY | 1 | | | | |
| 33 | 191692 01 | SPACER | 2 | | | | |
| 34 | 191692 02 | SPACER | 7 | | | | |
| 35 | 192768 18 | AUGER DRIVE SPROCKET (18T) | 1 | | | | |
| OR | 192768 04 | AUGER DRIVE SPROCKET (16T) | 1 | | | | |
| OR | 192768 16 | AUGER DRIVE SPROCKET (15T) | 1 | | | | |
| OR | 192768 10 | AUGER DRIVE SPROCKET (22T) | 1 | | | | |

Shelbourne Reynolds Engineering Limited



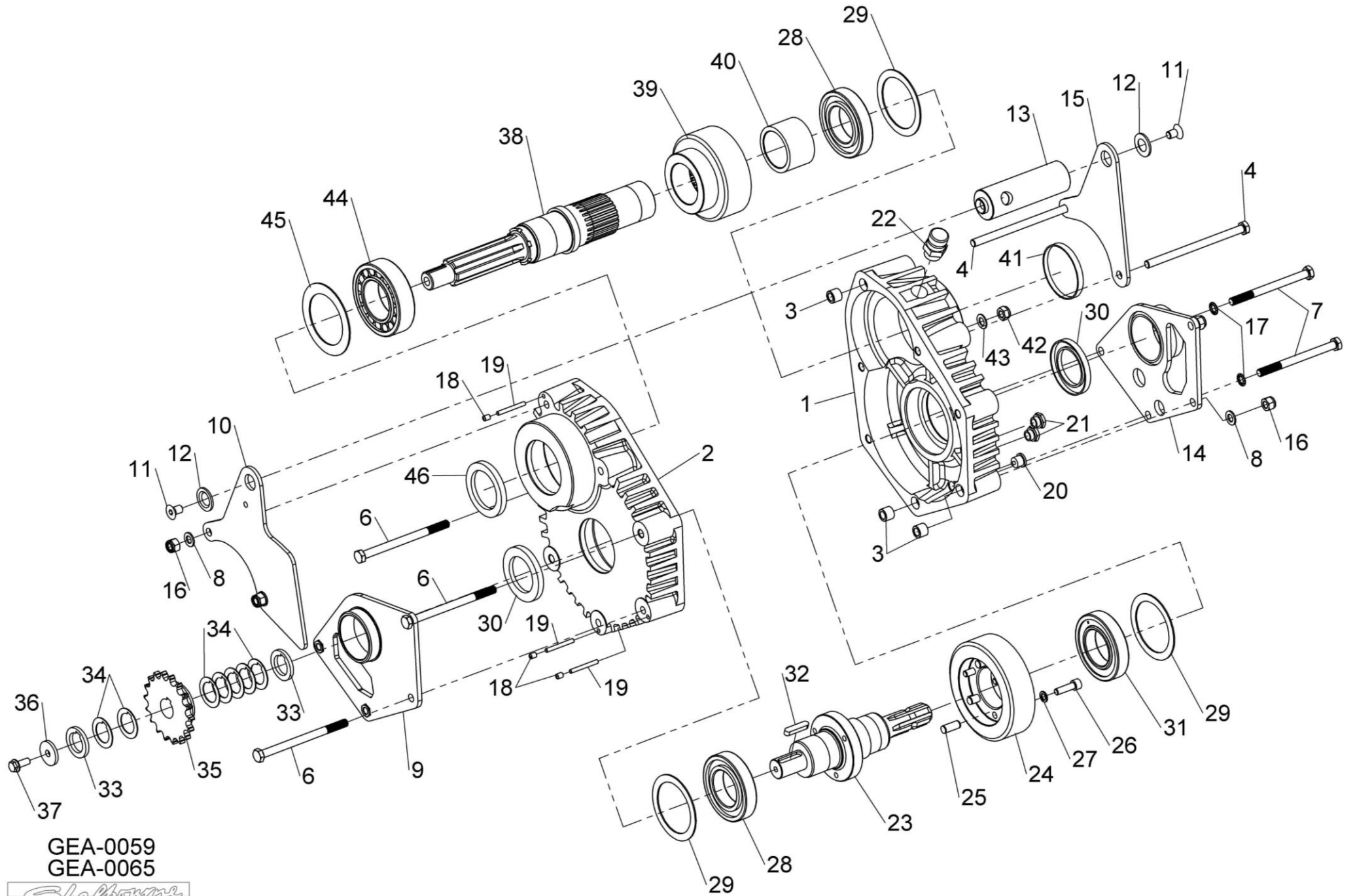
GEA-0058



Shelbourne Reynolds Engineering Limited

| ASSY NUMBER: GEA-0059 | | | | ASSY DESCRIPTION: INPUT GEARBOX HTD DRIVE (RSD UPTO 2020) (CSD 2020 ONLY) | | | |
|-----------------------|-----------|----------------------------|-----|--|-----------------|---|-----|
| ITEM | PART NO | DESCRIPTION | QTY | ITEM | PART NO | DESCRIPTION | QTY |
| 1 | 197619 03 | CASE HALF | 1 | OR | 192768 16 | AUGER DRIVE SPROCKET (15T) | 1 |
| 2 | 197619 04 | CASE HALF | 1 | OR | 192768 10 | AUGER DRIVE SPROCKET (22T) | 1 |
| 3 | 192598 01 | DOWEL | 3 | OR | 192768 08 | AUGER DRIVE SPROCKET (13T) | 1 |
| 4 | BLTA12810 | HEX HEAD BOLT | 2 | OR | 192768 20 | AUGER DRIVE SPROCKET (12T) | 1 |
| 5 | | | | 36 | 190548 01 | RETAINING WASHER | 1 |
| 6 | BLTA12750 | HEX HEAD BOLT | 3 | 37 | HSSF10174 | SET SCREW | 1 |
| 7 | BLT-2276 | HEX HEAD BOLT | 2 | 38 | 199062 01 | PINION SHAFT C/W STUB (2013&ON) | 1 |
| 8 | WSH-0018 | PLAIN WASHER | 4 | OR | 198926 01 | PINION SHAFT (UPTO 2013) | 1 |
| 9 | 198021 01 | G/BOX MOUNTING PLT LH | 1 | 39 | 198999 09 | PINION GEAR (32 TOOTH) | 1 |
| 10 | 198026 01 | G/BOX ADJ PLT LH | 1 | OR | 198999 11 | PINION GEAR (34 TOOTH) | 1 |
| 11 | SCW-1930 | CSK SKT HD SCREW | 2 | OR | 198999 12 | PINION GEAR (30 TOOTH) | 1 |
| 12 | 198024 01 | CSK WASHER | 2 | OR | 198999 13 | PINION GEAR (36 TOOTH) | 1 |
| 13 | 198023 01 | GEARBOX ADJUSTER | 1 | 40 | 198942 01 | SPACER | 1 |
| 14 | 198022 01 | G/BOX MOUNTING PLT RH | 1 | 41 | SEAZ09000 | PLUG SEAL | 1 |
| 15 | 198025 01 | G/BOX ADJ PLT RH | 1 | 42 | NUT-0270 | NYLOC NUT (THIN) | 1 |
| 16 | NUT-0269 | NYLOC NUT | 4 | 43 | WSH-0019 | PLAIN WASHER (FORM B) | 1 |
| 17 | WSHA20121 | SHAKEPROOF WASHER | 2 | 44 | BRG-16585 | BEARING (65mm) | 1 |
| 18 | SCW-4535 | SOCKET GRUBSCREW | 3 | 45 | 198927 01 | SPACER RING | 1 |
| 19 | 192597 01 | JACKING ROD VS | 3 | 46 | SEAB06500 | SHAFT SEAL (65mm) | 1 |
| 20 | FIT-0253 | PLUG | 1 | | | | |
| 21 | FITD00005 | SIGHT GLASS/SEAL | 2 | | | | |
| 22 | FIT-0255 | BREATHER | 1 | | GEA-0059CNH | SPARES GEARBOX ASSY C/W 35T & 34T GEARS | |
| 23 | 192591 01 | INPUT SHAFT | 1 | | GEA-0059JD/CIH | SPARES GEARBOX ASSY C/W 37T & 32T GEARS | |
| 24 | 192592 09 | INPUT GEAR (37 TOOTH) | 1 | | GEA-0059LEX/CNH | SPARES GEARBOX ASSY C/W 33T & 36T GEARS | |
| OR | 192592 11 | INPUT GEAR (35 TOOTH) | 1 | | | | |
| OR | 192592 12 | INPUT GEAR (39 TOOTH) | 1 | | | | |
| OR | 192592 13 | INPUT GEAR (33 TOOTH) | 1 | | | | |
| 25 | PIN-61217 | DOWEL PIN | 3 | | | | |
| 26 | SCW-0196 | CAP HEAD SCREW | 3 | | | ABOVE SPARE GEARBOX ASSY DO NOT INCLUDE ADJUSTER PLATES & AUGER SPROCKET, ITEMS, 10, 11, 12, 13, 15, 33, 34, 35, 36 & 37 | |
| 27 | WSH-0061 | SPRING WASHER | 3 | | | | |
| 28 | BRG-7040 | BEARING | 2 | | | | |
| 29 | 192596 01 | RING | 3 | | | | |
| 30 | SEA-0590 | SHAFT SEAL | 2 | | | | |
| 31 | BRG-16080 | BEARING | 1 | | | | |
| 32 | K1008045 | KEY | 1 | | | | |
| 33 | 191692 01 | SPACER | 2 | | | | |
| 34 | 191692 02 | SPACER | 7 | | | | |
| 35 | 192768 18 | AUGER DRIVE SPROCKET (18T) | 1 | | | | |
| OR | 192768 04 | AUGER DRIVE SPROCKET (16T) | 1 | | | | |

Shelbourne Reynolds Engineering Limited

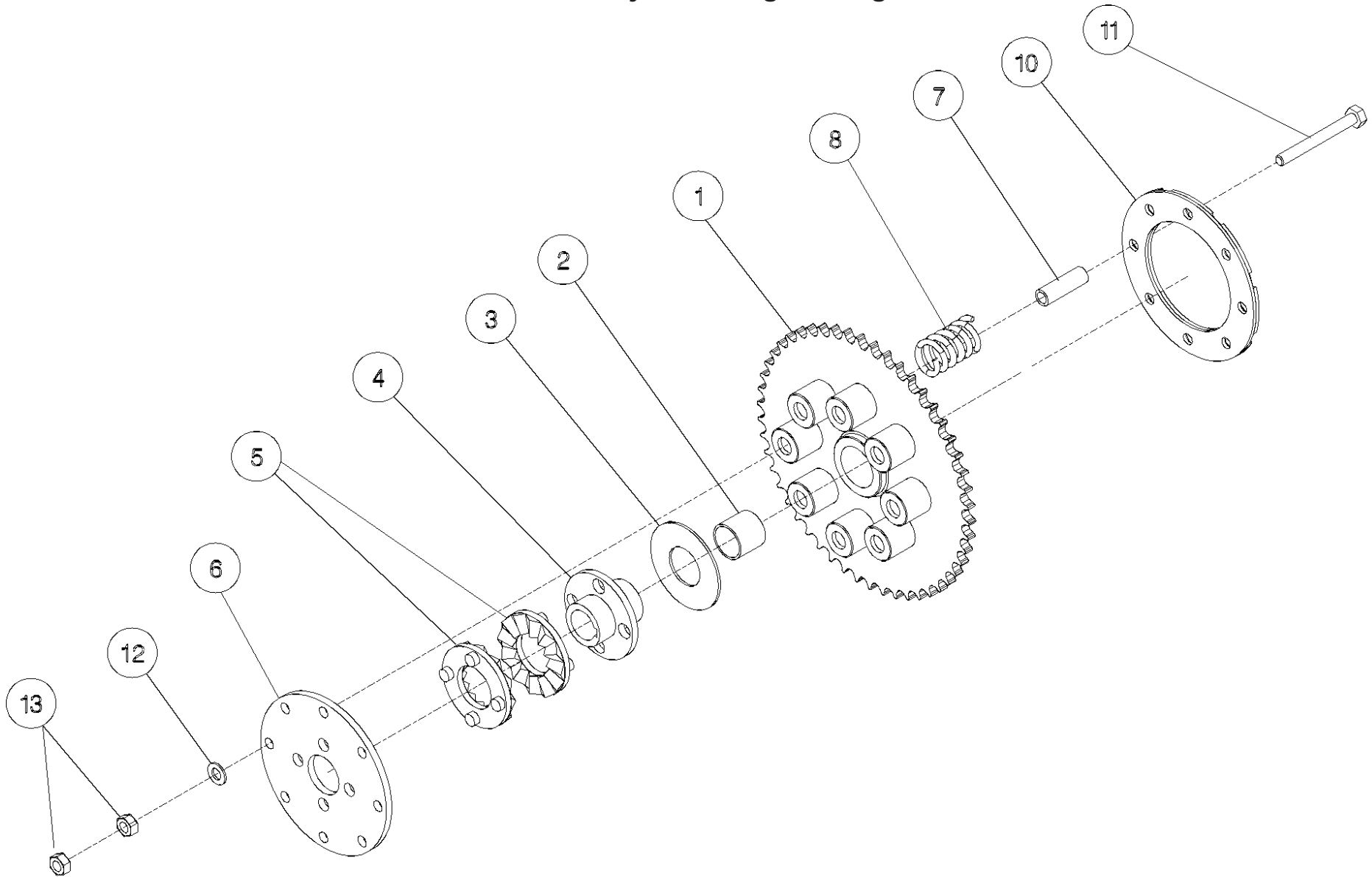


GEA-0059
GEA-0065



Shelbourne Reynolds Engineering Limited

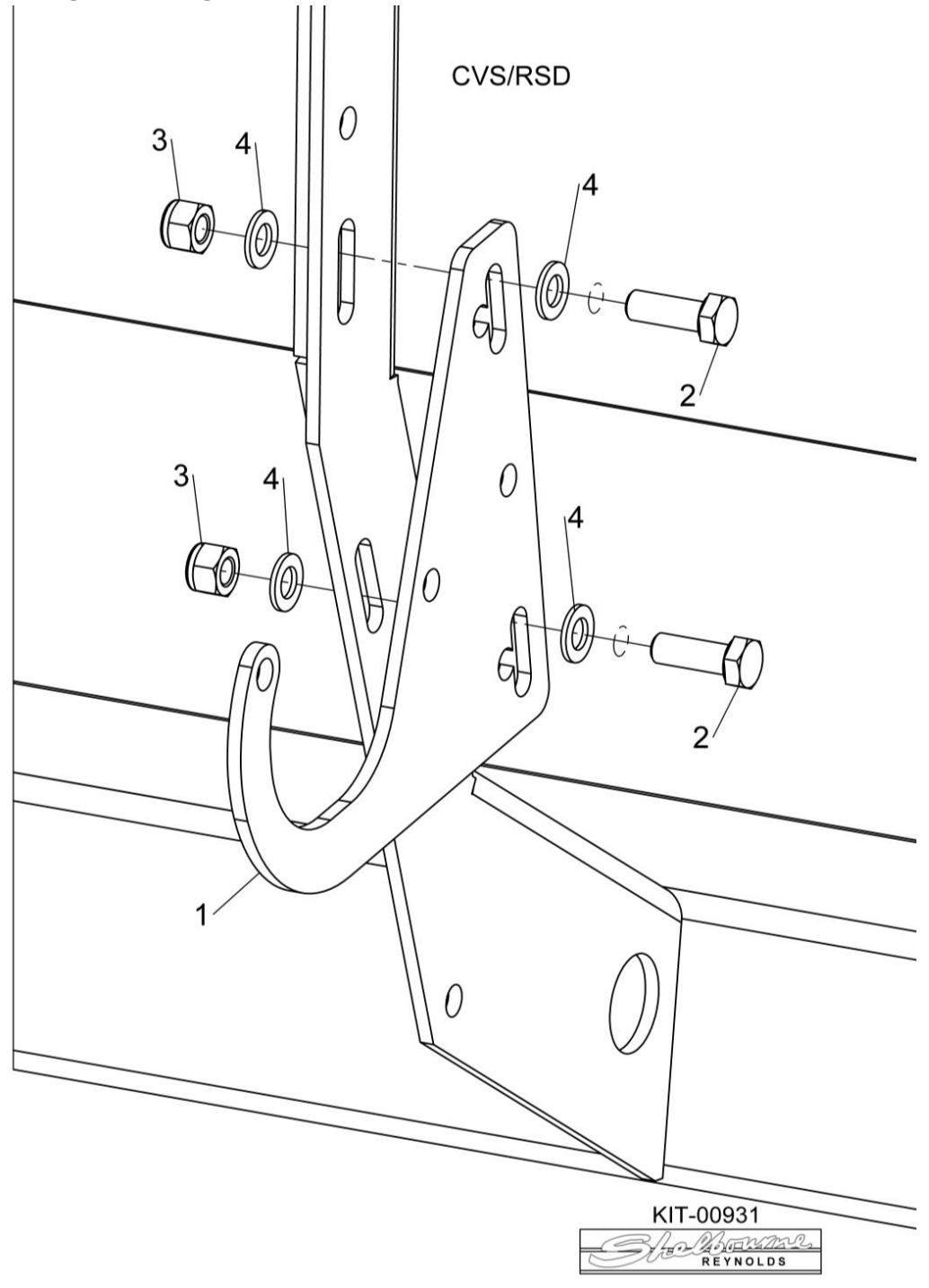
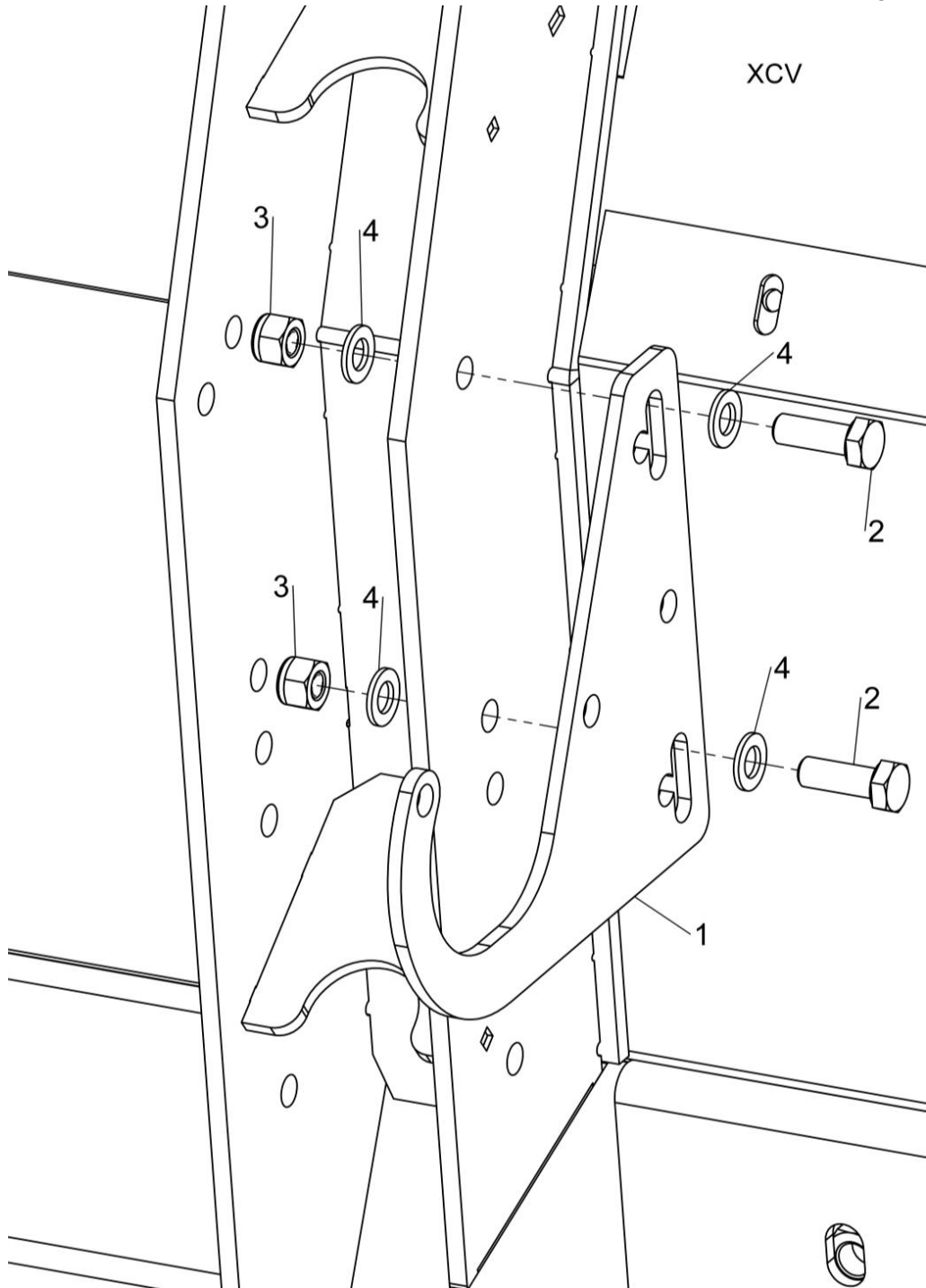
| ASSY NUMBER: KIT-00121 | | | | ASSY DESCRIPTION: AUGER DRV/SPRKT CLUTCH | | | |
|------------------------|-----------|--------------------|-----|--|---------|-------------|-----|
| ITEM | PART NO | DESCRIPTION | QTY | ITEM | PART NO | DESCRIPTION | QTY |
| 1 | 290466 01 | 50T SPROCKET ASSY | 1 | | | | |
| 2 | BSHK05056 | BUSH | 1 | | | | |
| 3 | 192008 02 | THRUST WASHER | 1 | | | | |
| 4 | 195850 01 | SPLINED CLUTCH HUB | 1 | | | | |
| 5 | 131005 | CLUTCH PLATE | 2 | | | | |
| 6 | 195429 01 | DRIVE DISC | 1 | | | | |
| 7 | 131073 04 | SPACER | 8 | | | | |
| 8 | 131063 | SPRING | 8 | | | | |
| 10 | 195427 01 | LOCKING RING | 1 | | | | |
| 11 | BLT-2270 | BOLT | 8 | | | | |
| 12 | WSH-0018 | PLAIN WASHER | 8 | | | | |
| 13 | NUT-0170 | PLAIN NUT | 16 | | | | |



KIT - 00119
KIT - 00121

Shelbourne Reynolds Engineering Limited

| ASSY NUMBER: KIT-00931 | | | | ASSY DESCRIPTION: PTO SUPPORT KIT | | | |
|------------------------|-----------|--------------|-----|-----------------------------------|---------|-------------|-----|
| ITEM | PART NO | DESCRIPTION | QTY | ITEM | PART NO | DESCRIPTION | QTY |
| 1 | 191945 01 | PTO SUPPORT | 1 | | | | |
| 2 | HSS-0241 | SETSCREW | 2 | | | | |
| 3 | NUT-0269 | NYLOC NUT | 2 | | | | |
| 4 | WSH-0018 | PLAIN WASHER | 4 | | | | |

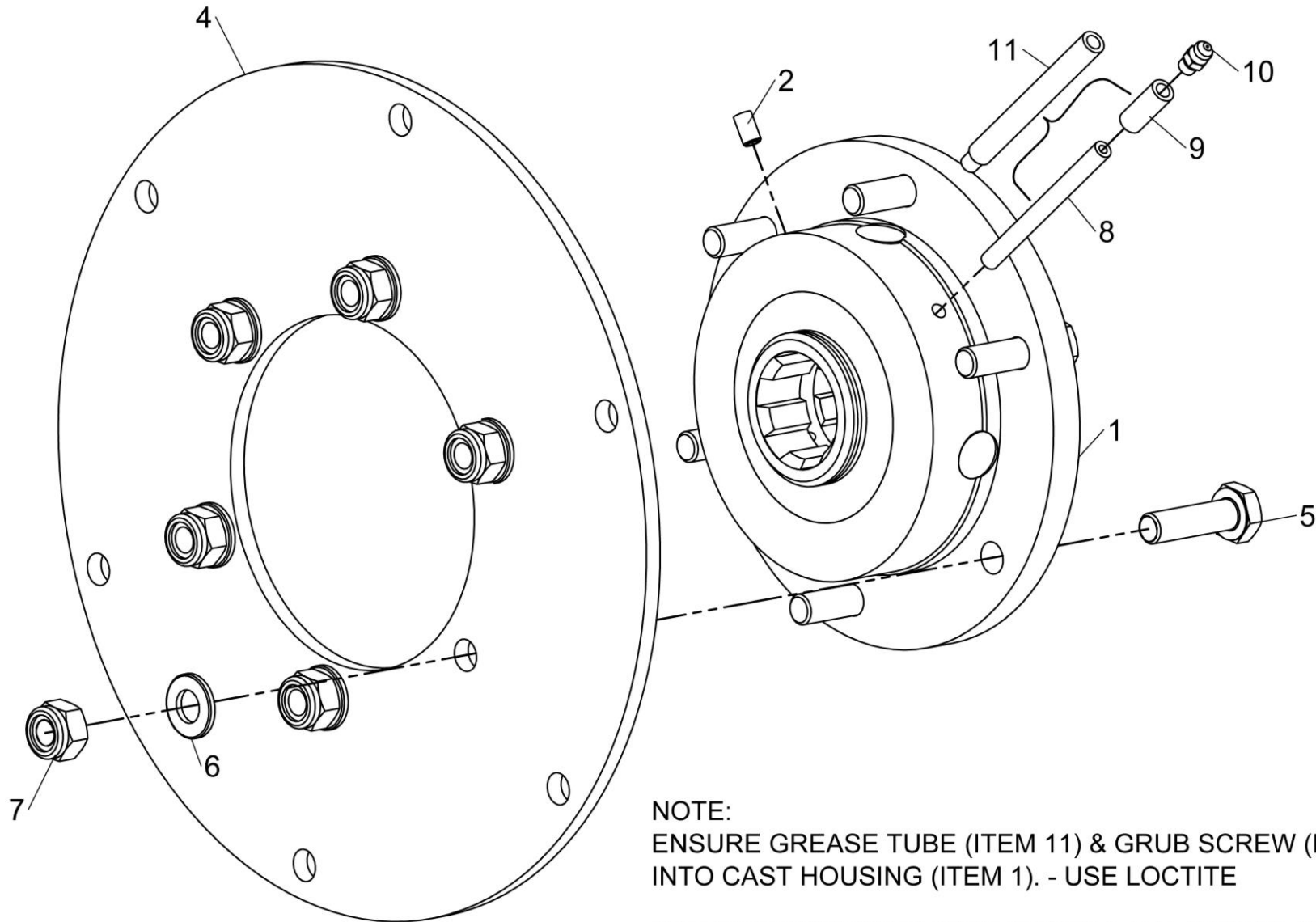


KIT-00931



Shelbourne Reynolds Engineering Limited

| ASSY NUMBER: KIT-00976 | | | | ASSY DESCRIPTION: BALL JOINT CTR COUPLING | | | |
|------------------------|-----------|---|-----|---|---------|-------------|-----|
| ITEM | PART NO | DESCRIPTION | QTY | ITEM | PART NO | DESCRIPTION | QTY |
| 1 | 193114 01 | SPLINED BALL ASSY | 1 | | | | |
| OR | 193114P | SPARE SPLINED BALL ASSY (ALTERNATIVE TO 193114 01) | | | | | |
| 2 | SCW-4530 | GRUBSCREW | 1 | | | | |
| 3 | | | | | | | |
| 4 | 193106 01 | DRIVE RING PLATE | 1 | | | | |
| 5 | HSS-0198 | SETSCREW | 6 | | | | |
| 6 | WSH-0015 | PLAIN WASHER | 6 | | | | |
| 7 | NUT-0265 | NYLOC NUT | 6 | | | | |
| 8 | 193077 01 | GREASE PIPE (UPTO 2022) | 1 | | | | |
| 9 | 193078 01 | GREASE PIPE SLEEVE (UPTO 2022) | 1 | | | | |
| 10 | NIP-00600 | GREASE NIPPLE | 1 | | | | |
| 11 | 292226 01 | GREASE PIPE (2022 & ON) SUPPLY IN PLACE OF ITEMS 8 & 9 | 1 | | | | |



NOTE:

ENSURE GREASE TUBE (ITEM 11) & GRUB SCREW (ITEM 2) ARE ASSEMBLED INTO CAST HOUSING (ITEM 1). - USE LOCTITE

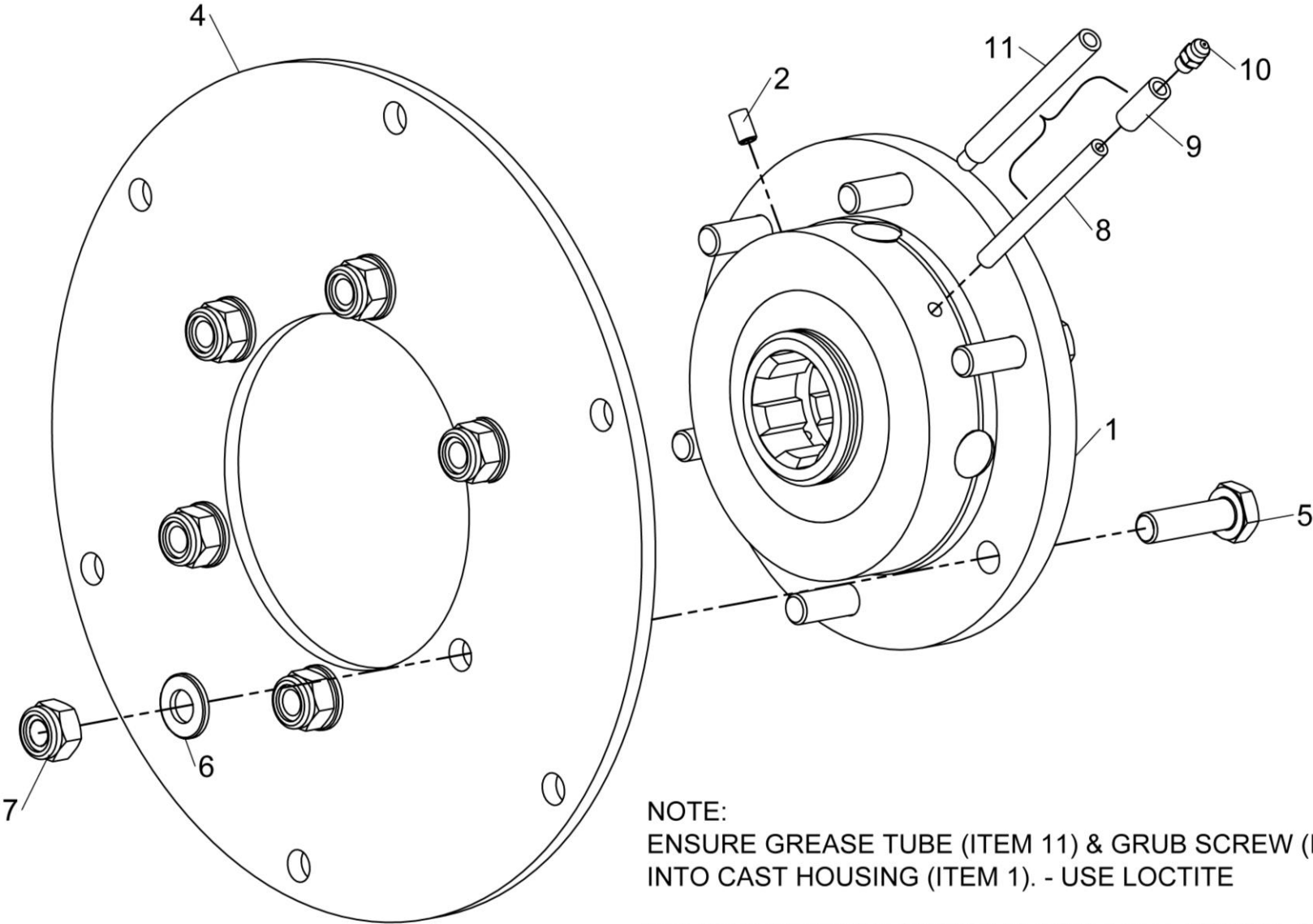
THE ORIENTATION SHOWN IS FOR A R.H. ROTOR, SWAP ITEMS 2 & 11 FOR A LH ROTOR

KIT-00976



Shelbourne Reynolds Engineering Limited

| ASSY NUMBER: KIT-00976A | | | | ASSY DESCRIPTION: BALL JOINT CTR COUPLING | | | |
|-------------------------|-----------|---|-----|---|---------|-------------|-----|
| ITEM | PART NO | DESCRIPTION | QTY | ITEM | PART NO | DESCRIPTION | QTY |
| 1 | 193114 05 | SPLINED BALL | 1 | | | | |
| OR | 193114P | SPARE SPLINED BALL ASSY (ALTERNATIVE TO 193114 01) | | | | | |
| 2 | | | | | | | |
| 3 | | | 1 | | | | |
| 4 | 193106 01 | DRIVE RING PLATE | | | | | |
| 5 | HSS-0198 | SETSCREW | 6 | | | | |
| 6 | WSH-0015 | PLAIN WASHER | 6 | | | | |
| 7 | NUT-0265 | NYLOC NUT | 6 | | | | |
| 8 | 193077 01 | GREASE PIPE (UPTO 2022) | 1 | | | | |
| 9 | 193078 01 | GREASE PIPE SLEEVE (UPTO 2022) | 1 | | | | |
| 10 | NIP-00600 | GREASE NIPPLE | 1 | | | | |
| 11 | 292226 01 | GREASE PIPE (2022 & ON) SUPPLY IN PLACE OF ITEMS 8 & 9 | 1 | | | | |



NOTE:
ENSURE GREASE TUBE (ITEM 11) & GRUB SCREW (ITEM 2) ARE ASSEMBLED INTO CAST HOUSING (ITEM 1). - USE LOCTITE

THE ORIENTATION SHOWN IS FOR A R.H. ROTOR, SWAP ITEMS 2 & 11 FOR A LH ROTOR

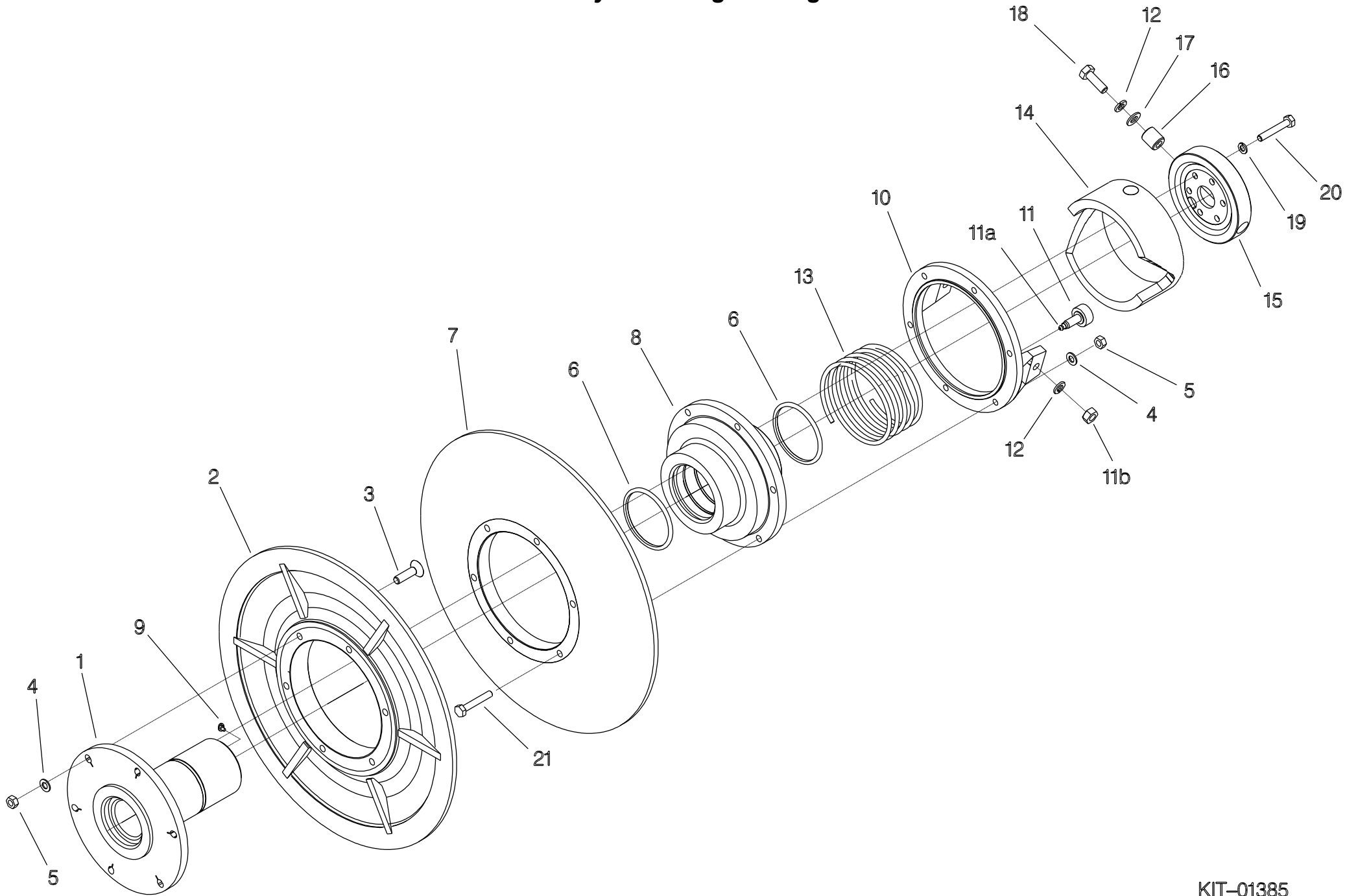
KIT-00976



Shelbourne Reynolds Engineering Limited

| ASSY NUMBER: KIT-01385 | | | | ASSY DESCRIPTION: ROTOR PULLEY ASSY (BOLT IN HUBS)2010 & ON | | | |
|------------------------|-----------|------------------------------|-----|---|---------|-------------|-----|
| ITEM | PART NO | DESCRIPTION | QTY | ITEM | PART NO | DESCRIPTION | QTY |
| 1 | 199349 01 | INNER PULLEY HUB | 1 | | | | |
| 2 | 198269 01 | INNER FRONT PULLEY | 1 | | | | |
| 3 | SCEA08353 | CSK.SOC HD SCREW | 6 | | | | |
| 4 | WSH-0012 | PLAIN WASHER | 12 | | | | |
| 5 | NUT-0263 | NYLOC NUT | 12 | | | | |
| 6 | ORA300750 | O RING | 2 | | | | |
| 7 | 198268 01 | OUTER FRONT PULLEY | 1 | | | | |
| 8 | 199409 01 | OUTER PULLEY HUB | 1 | | | | |
| 9 | NIP-00610 | GREASE NIPPLE | 1 | | | | |
| 10 | 198267 01 | CAM FOLLOWER BRACKET | 1 | | | | |
| 11 | 197640 01 | CAM FOLLOWER BEARING ASSY | 2 | | | | |
| 11a | KIT-01428 | SPARE GREASE ZERK/NIPPLE KIT | | | | | |
| 11b | KIT-01432 | SPARE NUT & WASHER KIT | | | | | |
| 12 | WSH-0061 | SPRING WASHER | 4 | | | | |
| 13 | SPGC00042 | SPRING (WHITE) | 1 | | | | |
| 14 | 194204 01 | CAM | 1 | | | | |
| 15 | 197522 02 | CAM CARRIAGE | 1 | | | | |
| 16 | 194202 01 | SLEEVE | 2 | | | | |
| 17 | 190119 11 | WASHER | 2 | | | | |
| 18 | HSS-0202 | SETSCREW | 2 | | | | |
| 19 | WSH-0058 | SPRING WASHER | 6 | | | | |
| 20 | HSSA08380 | SETSCREW (UP TO 2018) | 6 | | | | |
| OR | HSS-0155 | SETSCREW (2018 & ON) | 6 | | | | |
| 21 | BLTA08350 | HEX HEAD BOLT | 6 | | | | |

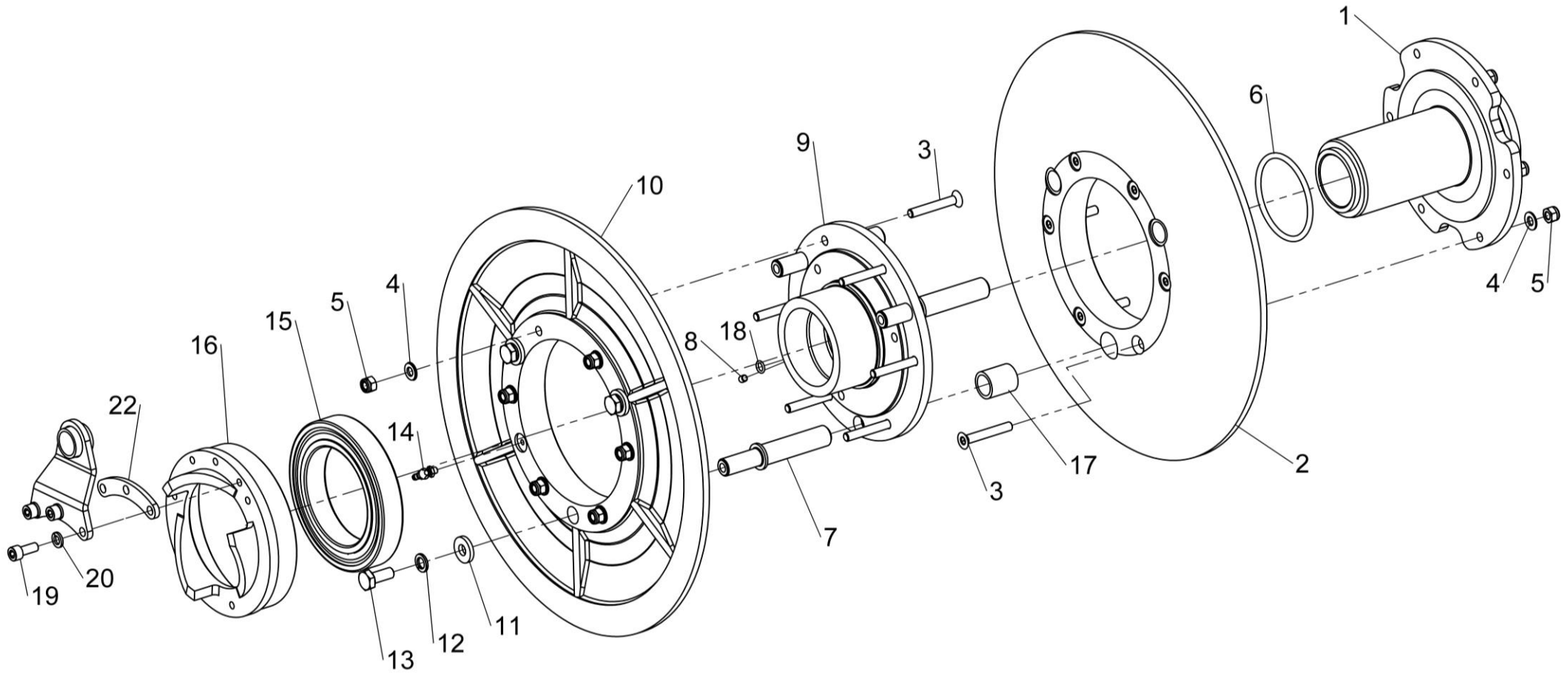
Shelbourne Reynolds Engineering Limited



KIT-01385

Shelbourne Reynolds Engineering Limited

| ASSY NUMBER: KIT-01386 | | | | ASSY DESCRIPTION: REAR PULLEY ASSY (BOLT IN HUBS) | | | |
|------------------------|---------------|-------------------|-----|---|---------|-------------|-----|
| ITEM | PART NO | DESCRIPTION | QTY | ITEM | PART NO | DESCRIPTION | QTY |
| 1 | 199350 01 | OUTER PULLEY HUB | 1 | | | | |
| 2 | 198270 01 | OUTER REAR PULLEY | 1 | | | | |
| 3 | SCEA08353 | CSK SCREW | 12 | | | | |
| 4 | WSH-0012 | PLAIN WASHER | 12 | | | | |
| 5 | NUT-0263 | NYLOC NUT | 12 | | | | |
| 6 | ORA300750 | O RING | 1 | | | | |
| 7 | 198274 02 | SPIGOT | 3 | | | | |
| 8 | SCW-4528 | GRUB SCREW | 1 | | | | |
| 9 | 199410 01 | INNER PULLEY HUB | 1 | | | | |
| 10 | 198271 01 | INNER PULLEY | 1 | | | | |
| 11 | 190119 11 | WASHER | 3 | | | | |
| 12 | WSH-0061 | SPRING WASHER | 3 | | | | |
| 13 | HSS-0191 | SETSCREW | 3 | | | | |
| 14 | NIP-00620 | GREASE NIPPLE | 1 | | | | |
| 15 | BRG-19500N | BEARING | 1 | | | | |
| 16 | 194970 01 | STATIC CAM | 1 | | | | |
| 17 | 291809 01 | BUSH (2021 & ON) | 3 | | | | |
| OR | BSHD02056 | BUSH (UPTO 2021) | 3 | | | | |
| 18 | ORA120080 | O RING | 1 | | | | |
| 19 | SCW-0133 | CAP HEAD SCREW | 3 | | | | |
| 20 | WSH-0058 | SPRING WASHER | 3 | | | | |
| 21 | SEE DRIVE SUB | STATIC CAM ARM | 1 | | | | |
| 22 | 197465 01 | CAM ARM SPACER | 1 | | | | |

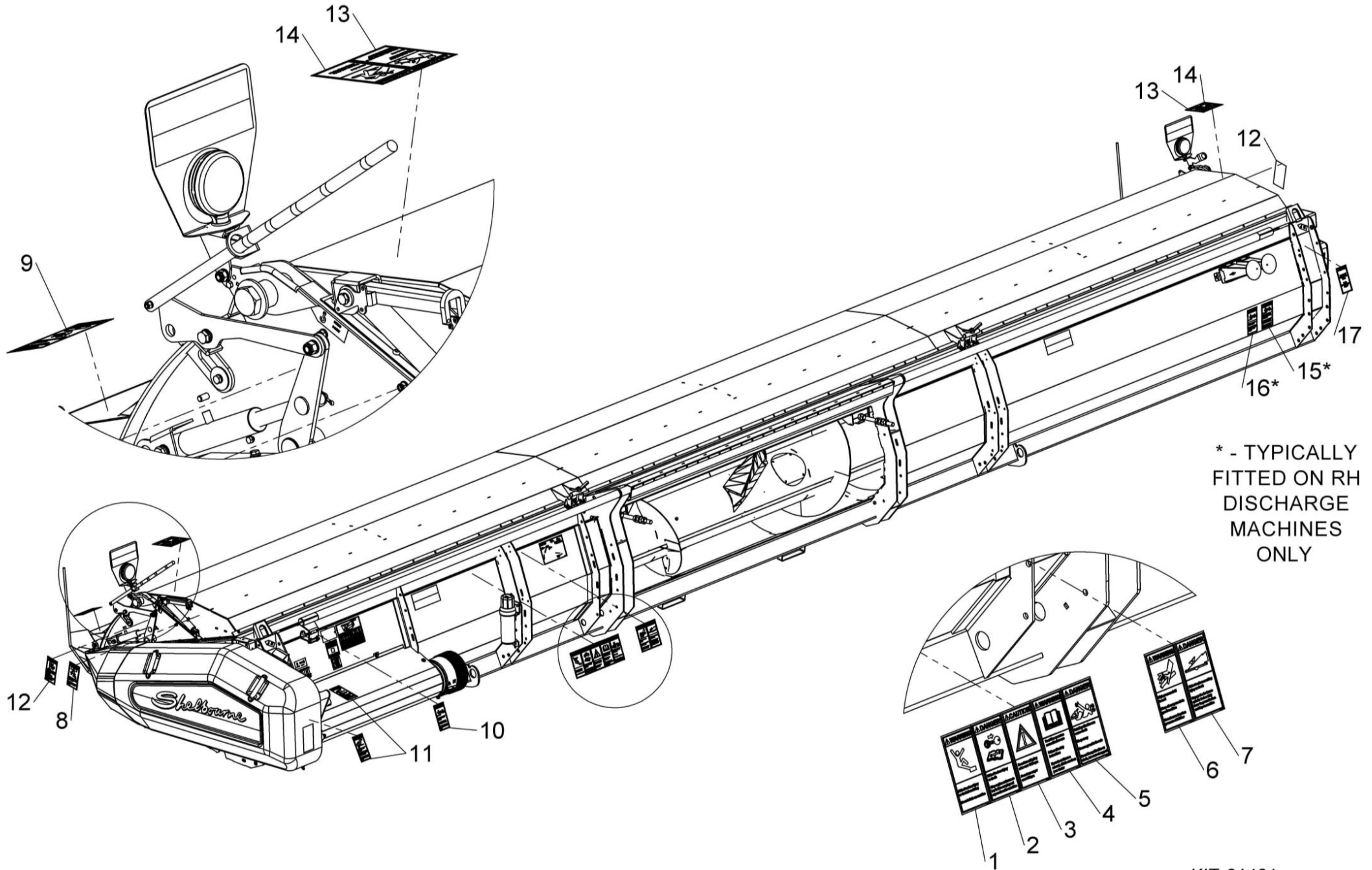


KIT-01386



Shelbourne Reynolds Engineering Limited

| ASSY NUMBER: KIT-01401 | | | | ASSY DESCRIPTION: SAFETY DECAL KIT NORTH AMERICA | | | |
|------------------------|-----------|------------------------------|-----|--|---------|-------------|-----|
| ITEM | PART NO | DESCRIPTION | QTY | ITEM | PART NO | DESCRIPTION | QTY |
| 1 | 198835 01 | EMBLEM - DO NOT CLIMB | 1 | | | | |
| 2 | 198840 01 | EMBLEM - STOP ENGINE | 1 | | | | |
| 3 | 198838 01 | EMBLEM - SPEED RESTRICTION | 1 | | | | |
| 4 | 199011 01 | EMBLEM - READ OPS MANUAL | 1 | | | | |
| 5 | 198842 01 | EMBLEM - ROTATING DRIVE LINE | 1 | | | | |
| 6 | 198832 01 | EMBLEM - HIGH PRESSUE FLUID | 1 | | | | |
| 7 | 198844 01 | EMBLEM - RISK OF CRUSHING | 1 | | | | |
| 8 | 198843 01 | EMBLEM - HOOD LOCK | 1 | | | | |
| 9 | 198836 01 | EMBLEM - CROP DEFLECTOR LOCK | 1 | | | | |
| 10 | 198839 01 | EMBLEM - AUGER | 1 | | | | |
| 11 | 198837 01 | EMBLEM - MOVING PARTS UNDER | 2 | | | | |
| 12 | 198833 01 | EMBLEM - CROP DEFLECTOR HAND | 2 | | | | |
| 13 | 198841 01 | EMBLEM - ROTOR KEEP AWAY | 2 | | | | |
| 14 | 198834 01 | EMBLEM - STAND CLEAR ROTOR | 2 | | | | |
| 15 | 291880 01 | EMBLEM - AUGER UNDER COVER | 1 | | | | |
| 16 | 291881 01 | EMBLEM - AUGER NO COVER | 1 | | | | |
| 17 | 291968 01 | EMBLEM - P65 | 1 | | | | |

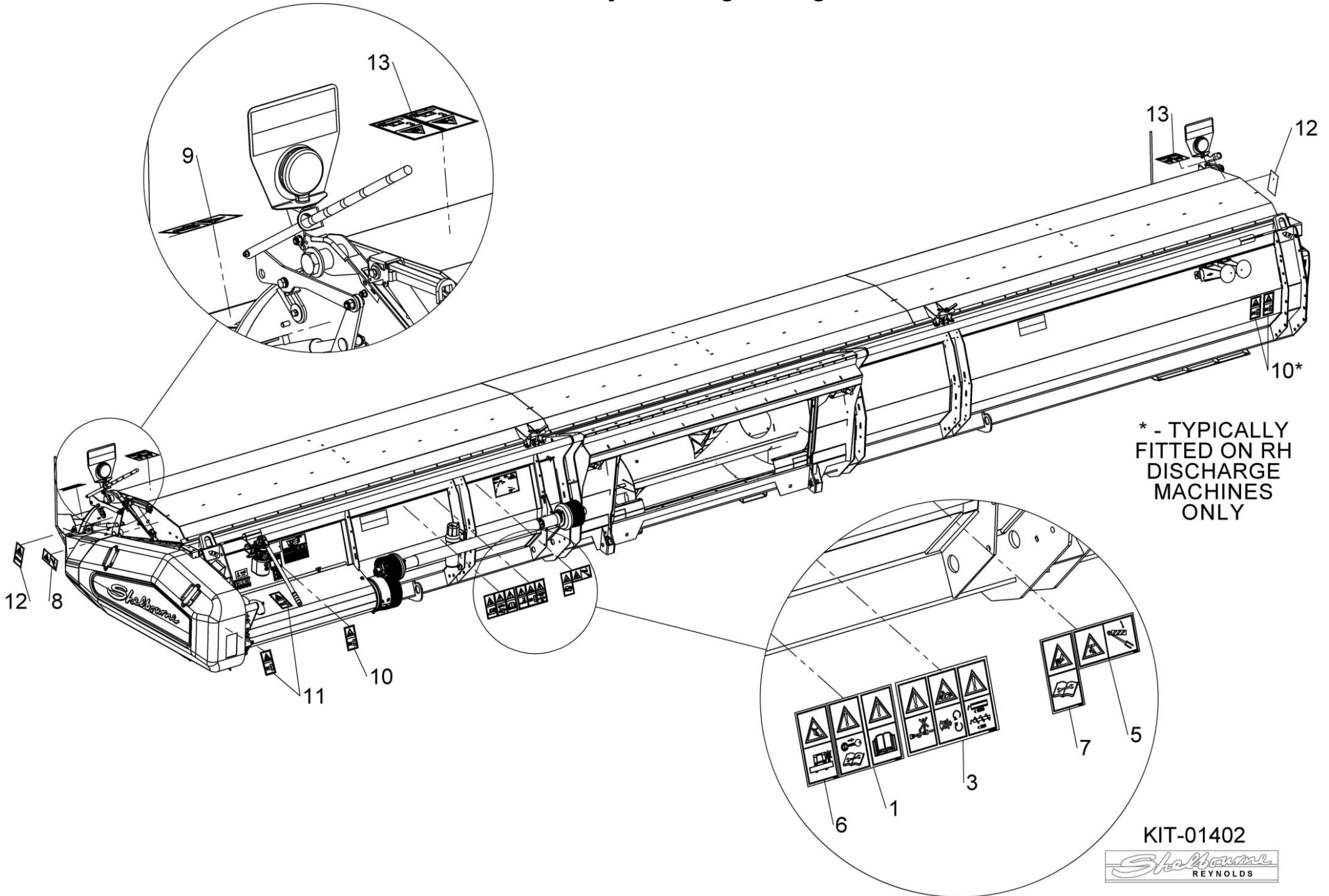


KIT-01401



Shelbourne Reynolds Engineering Limited

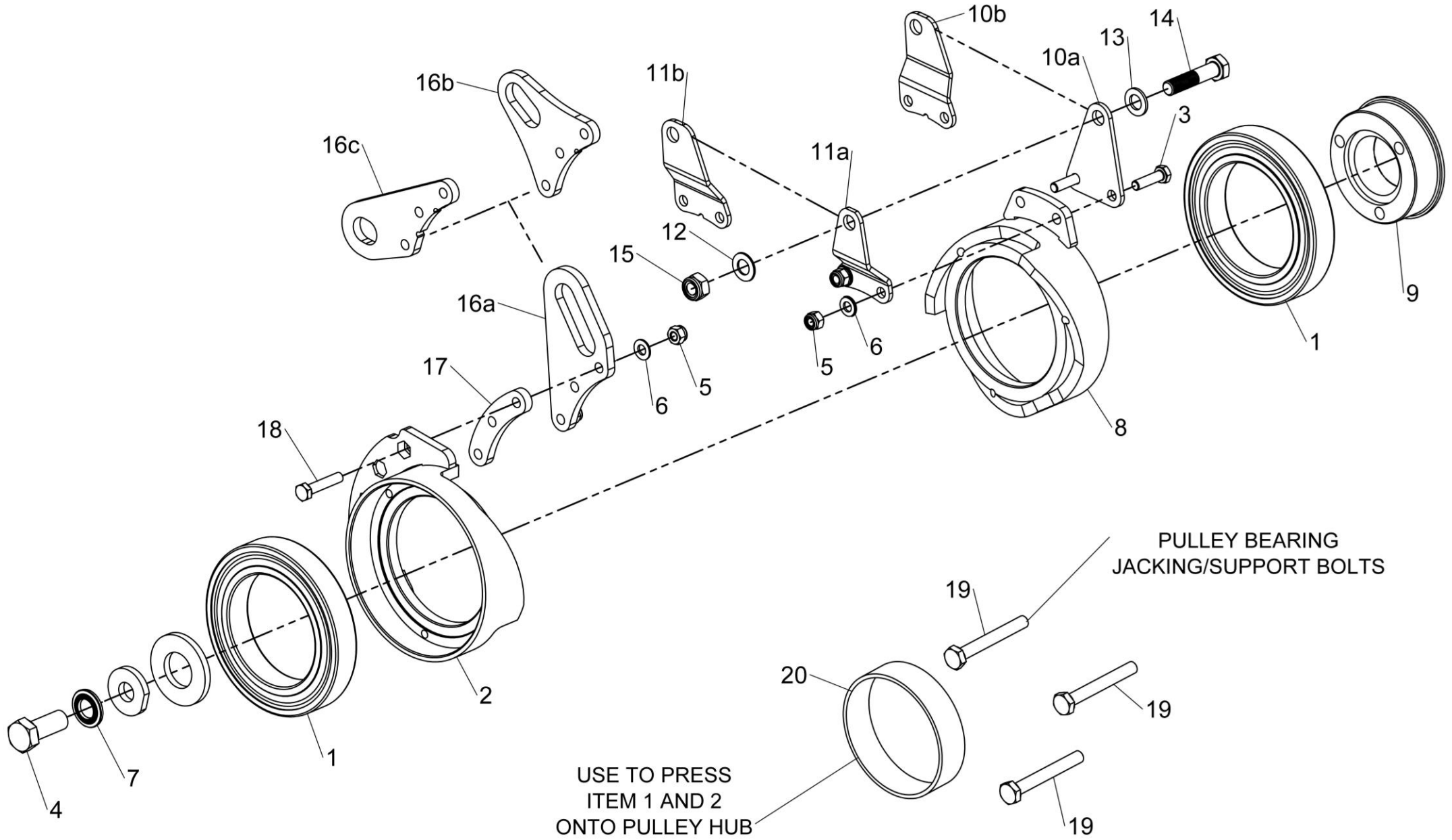
| ASSY NUMBER: KIT-01402 | | | | ASSY DESCRIPTION: SAFETY DECAL KIT ISO | | | |
|------------------------|-----------|--------------------------------|-----|--|---------|-------------|-----|
| ITEM | PART NO | DESCRIPTION | QTY | ITEM | PART NO | DESCRIPTION | QTY |
| 1 | TNF-0011 | EMBLEM - SAFETY MAINTENANCE | 1 | | | | |
| 2 | | OPERATORS MANUAL | | | | | |
| 3 | TNF-0012 | EMBLEM - PTO GUARDS | 1 | | | | |
| 4 | | ROTOR/AUGER SPEED PTO CHAIN | | | | | |
| 5 | 210435 01 | EMBLEM - FEEDER HOUSE LOCK | 1 | | | | |
| 6 | 198847 01 | EMBLEM - CLIMBING | 1 | | | | |
| 7 | 198846 01 | EMBLEM - HIGH PRESSURE OIL | 1 | | | | |
| 8 | 210435 01 | EMBLEM - HOOD LOCK | 1 | | | | |
| 9 | 198845 01 | EMBLEM - CROP DEFLECTOR LOCK | 1 | | | | |
| 10 | 193393 01 | EMBLEM - AUGER | 3 | | | | |
| 11 | 193392 01 | EMBLEM - MOVING PARTS UNDER | 2 | | | | |
| 12 | 800215 01 | EMBLEM - CROP DEFLECTOR HAND | 2 | | | | |
| 13 | TNF-0010 | EMBLEM - FLYING OBJECTS | 2 | | | | |
| 14 | | ROTOR ENTANGLEMENT | | | | | |



Shelbourne Reynolds Engineering Limited

| ASSY NUMBER: KIT-01454 | | | | ASSY DESCRIPTION: VS DRIVE CAM & BEARING KIT, ALL YEARS | | | |
|------------------------|--------------|------------------------------------|-----|---|---------|-------------|-----|
| ITEM | PART NO | DESCRIPTION | QTY | ITEM | PART NO | DESCRIPTION | QTY |
| 1 | BRG-19500NC3 | BEARING | 2 | | | | |
| 2 | 292733 01 | STATIC CAM W/A | 1 | | | | |
| 3 | HSS-0150 | HEX HD SET SCREW | 2 | | | | |
| 4 | HSS-0316 | HEX HD SET SCREW | 1 | | | | |
| 5 | NUT-0263 | NYLOC NUT | 5 | | | | |
| 6 | WSH-0012 | PLAIN WASHER | 5 | | | | |
| 7 | WSHA30161 | LOCKWASHER | 1 | | | | |
| 8 | 292704 01 | ACTUATOR CAM W/A | 1 | | | | |
| 9 | 292695 01 | BEARING BOSS | 1 | | | | |
| 10a | 292709 01 | ACTUATOR BRKT | 1 | | | | |
| | | ALL XCV | | | | | |
| | | 2018 & ON CVS | | | | | |
| or | | | | | | | |
| 10b | 292740 02 | RH ACTUATOR BRKT (1 NOTCH) | 1 | | | | |
| | | 2001-2017 CVS & RVS | | | | | |
| 11a | 292710 01 | FOLDED ACTUATOR BRKT | 1 | | | | |
| | | ALL XCV | | | | | |
| | | 2018 & ON CVS | | | | | |
| or | | | | | | | |
| 11b | 292740 01 | LH ACTUATOR BRKT (1 NOTCH) | 1 | | | | |
| | | 2001-2017 CVS & RVS | | | | | |
| 12 | WSH-0019 | PLAIN WASHER | 1 | | | | |
| 13 | WSH-0018 | PLAIN WASHER | 1 | | | | |
| 14 | BLTA12350 | HEX HD BOLT | 1 | | | | |
| 15 | NUT-0270 | NYLOC NUT | 1 | | | | |
| 16a | 292737 01 | BOLT ON STATIC CAM PLATE | | | | | |
| | | ALL XCV | | | | | |
| | | 2018 & ON CVS | | | | | |
| or | | | | | | | |
| 16b | 292739 01 | BOLT ON STATIC CAM (1 NOTCH) | 1 | | | | |
| | | All 2007-2017 CVS & RVS | | | | | |
| | | 2001-2006 CVS & RVS, | | | | | |
| | | WITHOUT ROTOR GEARBOX ONLY | | | | | |
| or | | | | | | | |
| 16c | 292741 01 | STATIC CAM PLATE (2 NOTCHES) | 1 | | | | |
| | | 2001-2006 CVS & RVS | | | | | |
| | | WITH ROTOR GEARBOX ONLY | | | | | |
| 17 | 292736 01 | 3 BOLT SPACER | 1 | | | | |
| 18 | HSS-0153 | HEX HD SET SCREW | 3 | | | | |
| 19 | HSSA10500 | HEX HD SET SCREW | 3 | | | | |
| 20 | 292804 01 | PRESS RING | 1 | | | | |

Shelbourne Reynolds Engineering Limited



PULLEY BEARING
JACKING/SUPPORT BOLTS

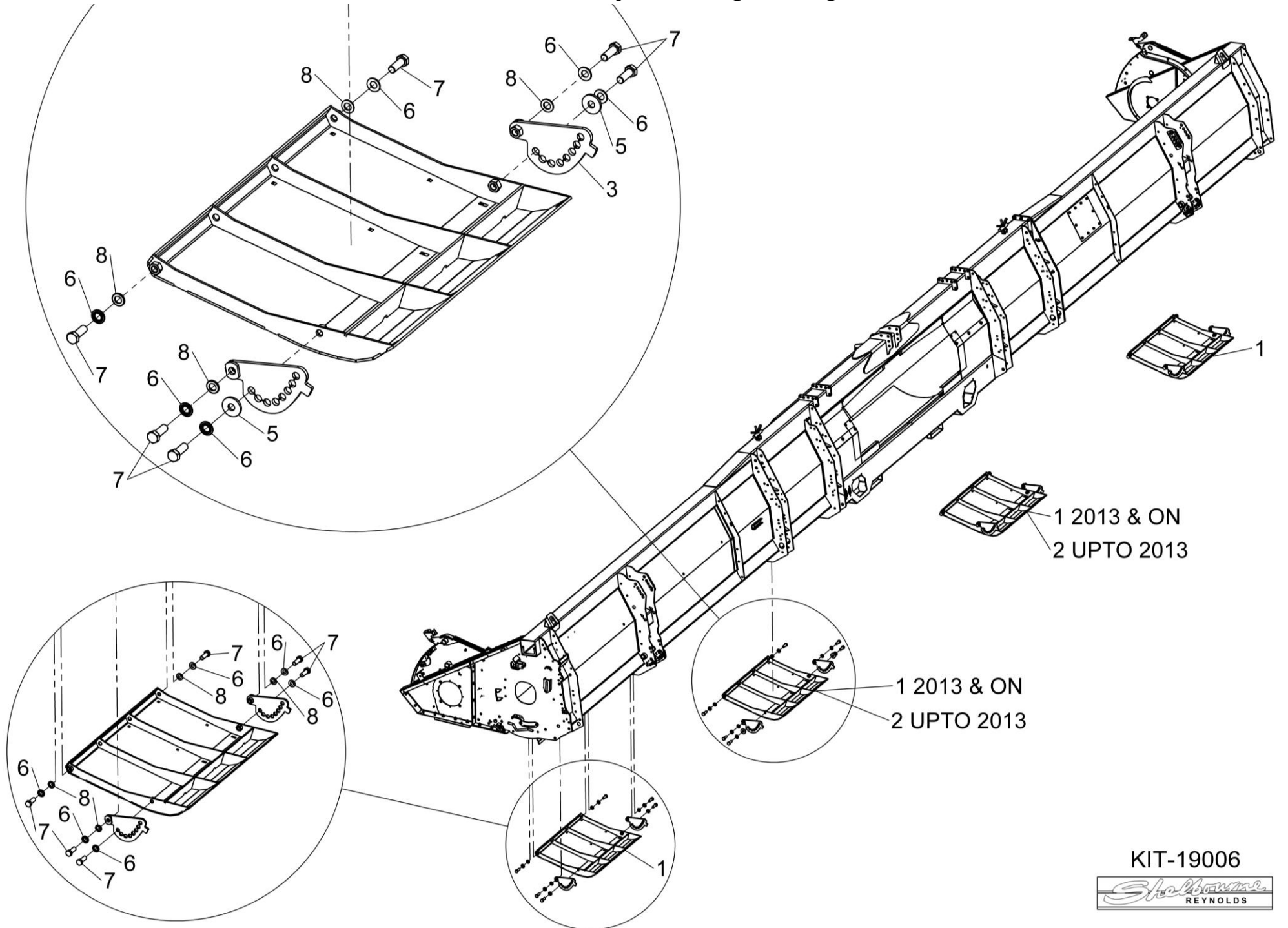
USE TO PRESS
ITEM 1 AND 2
ONTO PULLEY HUB

KIT-01454



Shelbourne Reynolds Engineering Limited

| ASSY NUMBER: KIT-19006 | | | | ASSY DESCRIPTION: SKID KIT | | | |
|------------------------|-----------|----------------------------|-----|----------------------------|---------|-------------|-----|
| ITEM | PART NO | DESCRIPTION | QTY | ITEM | PART NO | DESCRIPTION | QTY |
| 1 | 194395 01 | SKID ASSY (2013 & ON) | 4 | | | | |
| OR | 194395 01 | SKID ASSY (UPTO 2013) | 2 | | | | |
| 2 | 198703 01 | SKID W/A (UPTO 2013) | 2 | | | | |
| 3 | 193828 01 | SKID ADJUSTER LH | 4 | | | | |
| 4 | 193828 02 | SKID ADJUSTER RH | 4 | | | | |
| 5 | 190119 07 | WASHER (UPTO 2015) | 8 | | | | |
| 6 | WSHA30161 | LOCK WASHER (2019 & ON) | 24 | | | | |
| OR | WSH-0070 | SPRING WASHER (UP TO 2019) | 24 | | | | |
| 7 | HSS-0317 | SETSCREW | 24 | | | | |
| 8 | WSH-0024 | PLAIN WASHER (2015-2018) | 24 | | | | |
| OR | WSH-0024 | PLAIN WASHER (UPTO 2015) | 16 | | | | |

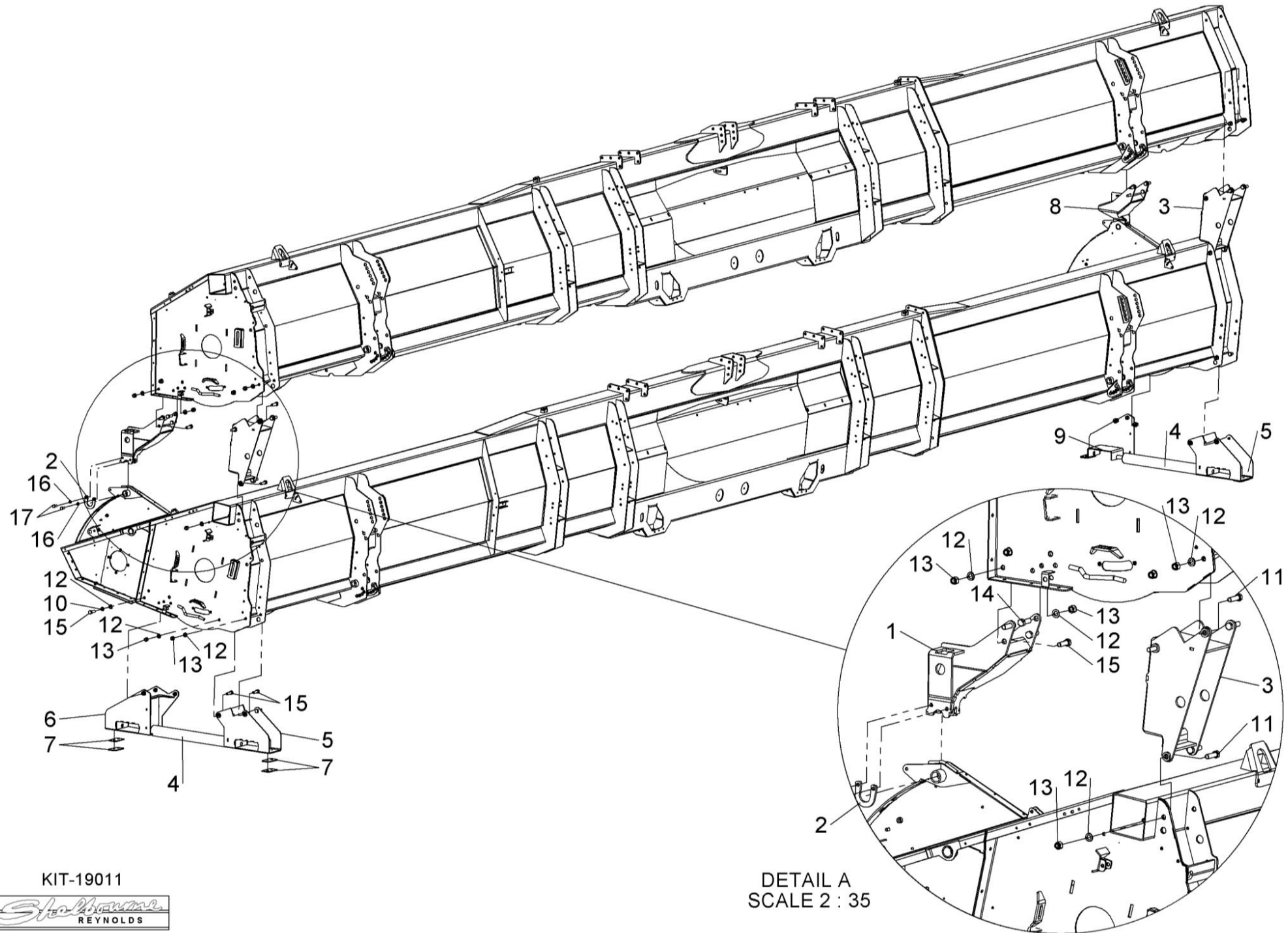


KIT-19006



Shelbourne Reynolds Engineering Limited

| ASSY NUMBER: KIT-19011 | | | | ASSY DESCRIPTION: 36' STACKER KIT | | | |
|------------------------|------------|--------------------------------|-----|-----------------------------------|---------|-------------|-----|
| ITEM | PART NO | DESCRIPTION | QTY | ITEM | PART NO | DESCRIPTION | QTY |
| 1 | 198416 01 | UPPER FRONT DRV.END SUPT.W/ASS | 1 | | | | |
| 2 | 197266 01 | CLAMP PLATE | 2 | | | | |
| 3 | 198418 01 | REAR STACKER W/ASSY | 2 | | | | |
| 4 | 198461 01A | ROLLER ASSY | 2 | | | | |
| 5 | 198421 01 | REAR DRIVE END SUPPORT W/ASSY | 2 | | | | |
| 6 | 198422 01 | FRONT DRIVE END SUPPORT W/ASSY | 1 | | | | |
| 7 | 197341 01 | PLATE | 8 | | | | |
| 8 | 198416 02 | UPPER FRONT IDLE.END SUPT.W/AS | 1 | | | | |
| 9 | 198422 02 | FRONT IDLE END SUPPORT W/ASSY | 1 | | | | |
| 10 | WSH-0070 | SPRING WASHER | 6 | | | | |
| 11 | HSS-0319 | SET SCREW | 11 | | | | |
| 12 | WSH-0024 | PLAIN WASHER FORM A | 33 | | | | |
| 13 | NUT-0271 | NYLOC NUT | 27 | | | | |
| 14 | HSS-0317 | SET SCREW | 4 | | | | |
| 15 | HSS-0318 | SET SCREW | 18 | | | | |
| 16 | WSH-0065 | SPRING WASHER | 4 | | | | |
| 17 | HSS-0238 | BOLT | 4 | | | | |



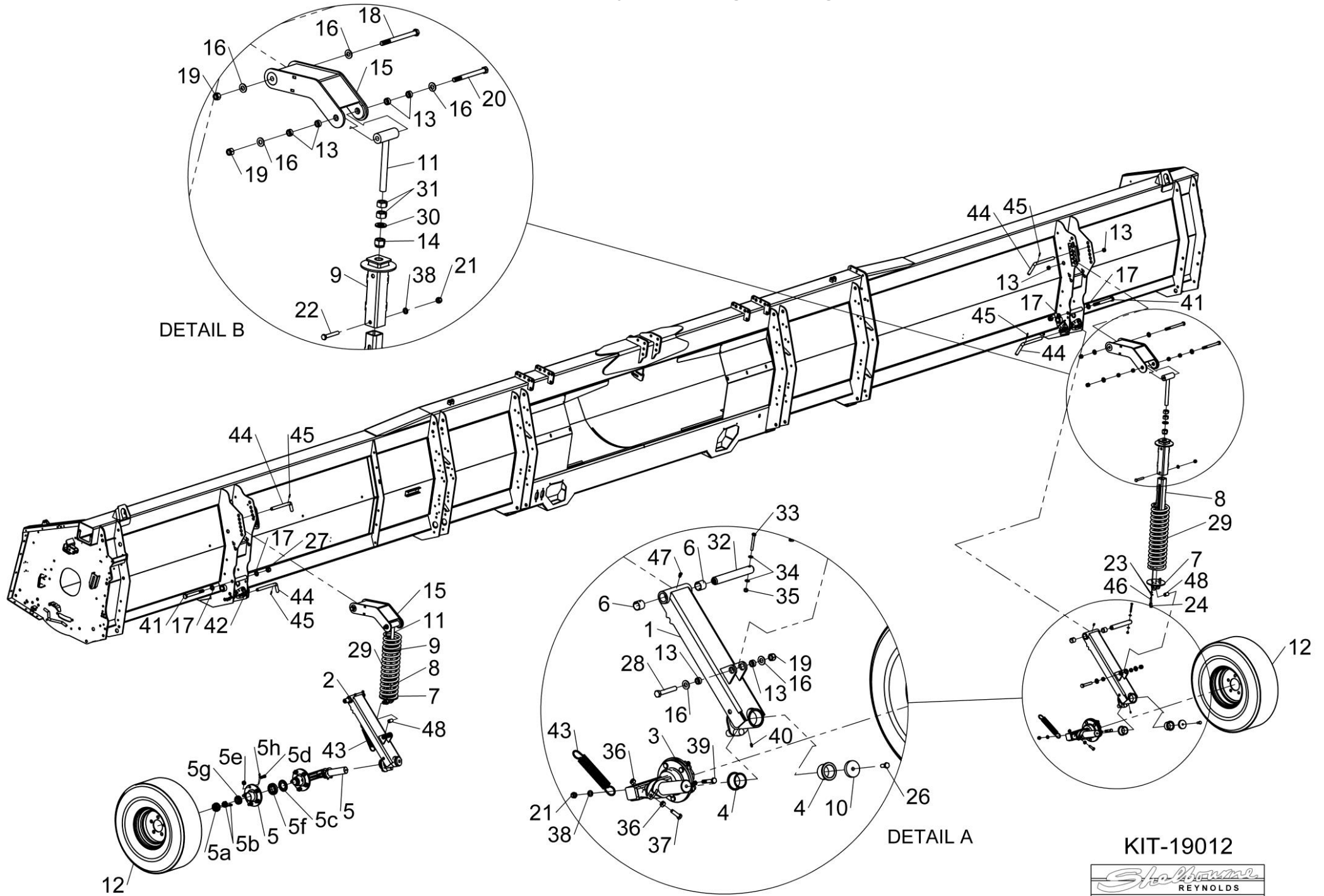
KIT-19011



DETAIL A
SCALE 2 : 35

Shelbourne Reynolds Engineering Limited

| ASSY NUMBER: KIT-19012 | | | | ASSY DESCRIPTION: GAUGE WHEEL KIT (UPTO 2014) | | | |
|------------------------|-----------|-------------------------|-----|---|-----------|----------------------------|-----|
| ITEM | PART NO | DESCRIPTION | QTY | ITEM | PART NO | DESCRIPTION | QTY |
| 1 | 198665 01 | GAUGE WHEEL ARM W/A | 1 | 25 | WSH-0065 | SPRING WASHER | 2 |
| 2 | 198665 02 | GAUGE WHEEL ARM W/A L.H | 1 | 26 | HSS-0238 | BOLT | 2 |
| 3 | 198884 01 | LH CASTER AXLE W/A | 1 | 27 | NUTA02200 | NYLOC NUT | 2 |
| 3a | AXL-10035 | HUB CAP | (1) | 28 | BLT-2320 | HEX.HEAD BOLT | 2 |
| 3b | AXL-12591 | CROWN NUT & SPRING CLIP | (1) | 29 | SPGC00099 | COMPRESSION SPRING | 2 |
| 3c | AXL-12010 | OIL SEAL | (1) | 30 | WSH-0036 | PLAIN WASHER | 2 |
| 3d | AXL-15501 | STUD | (5) | 31 | NUT-0190 | PLAIN NUT | 4 |
| 3e | AXL-12525 | WHEEL NUT | (5) | 32 | 198875 01 | PIVOT PIN | 2 |
| 3f | BRG-14540 | INNER BEARING | (1) | 33 | BLTA08410 | HEX.HEAD BOLT | 2 |
| 3g | BRG-13040 | OUTER BEARING | (1) | 34 | WSH-0012 | PLAIN WASHER | 4 |
| 3h | NIP-00800 | GREASE NIPPLE | (1) | 35 | NUT-0263 | NYLOC NUT | 2 |
| 4 | BSHE05062 | FLANGED BRONZE BUSH | 4 | 36 | NUT-0170 | PLAIN NUT | 4 |
| 5 | 198884 02 | RH CASTER AXLE W/A | 1 | 37 | HSS-0250 | SET SCREW | 2 |
| 5a | AXL-10035 | HUB CAP | (1) | 38 | WSH-0018 | PLAIN WASHER | 4 |
| 5b | AXL-12591 | CROWN NUT & SPRING CLIP | (1) | 39 | BLTA12440 | HEX HD BOLT | 2 |
| 5c | AXL-12010 | OIL SEAL | (1) | 40 | NIP-00600 | GREASE NIPPLE (STRAIGHT) | 2 |
| 5d | AXL-15501 | STUD | (5) | 41 | BLTA20830 | HEX HEAD BOLT | 2 |
| 5e | AXL-12525 | WHEEL NUT | (5) | OR | BLTA12810 | HEX HEAD BOLT | 2 |
| 5f | BRG-14540 | INNER BEARING | (1) | 42 | 199303 01 | ARM HEIGHT STOP (26mm DIA) | 2 |
| 5g | BRG-13040 | OUTER BEARING | (1) | OR | 198940 01 | ARM HEIGHT STOP (19mm DIA) | 2 |
| 5h | NIP-00800 | GREASE NIPPLE | (1) | 43 | SPGA53651 | EXTENSION SPRING | 2 |
| 6 | BSH-3030 | BUSH | 4 | 44 | 199089 01 | PIN (2012 & ON) | 4 |
| 7 | 198863 01 | SPRING MOUNTING BRACKET | 2 | OR | 198950 01 | PIN W/A (UPTO 2012) | 4 |
| 8 | 198871 01 | LOWER SPRING TUBE W/A | 2 | 45 | PIN-1921 | ROLL PIN (2012 & ON) | 4 |
| 9 | 198865 01 | UPPER SPRING TUBE W/A | 2 | OR | PIN-01601 | LYNCH PIN (UPTO 2012) | 4 |
| 10 | 198800 33 | WASHER | 2 | 46 | HSS-0210 | SET SCREW | 4 |
| 11 | 198683 01 | SPRING ADJUSTER W/A | 2 | 47 | NIP-00610 | GREASE NIPPLE (45 DEG) | 2 |
| 12 | WHL-01210 | WHEEL & TYRE ASSY | 2 | 48 | 199457 01 | SPACER TUBE | 2 |
| 13 | 190548 99 | WASHER | 16 | | | | |
| 14 | NUT-0275 | NYLOC NUT | 2 | | | | |
| 15 | 198936 01 | TOP ARM W/A | 2 | | | | |
| 16 | 20705061 | PLAIN WASHER (FORM C) | 12 | | | | |
| 17 | WSH-0030 | PLAIN WASHER | 4 | | | | |
| 18 | BLT-2350 | HEX HEAD BOLT | 2 | | | | |
| 19 | NUT-0271 | NYLOC NUT | 6 | | | | |
| 20 | BLTA16770 | BOLT | 2 | | | | |
| 21 | NUT-0269 | NYLOC NUT | 4 | | | | |
| 22 | BLTA12500 | HEX.HEAD BOLT | 2 | | | | |
| 23 | WSH-0061 | SPRING WASHER | 8 | | | | |
| 24 | HSS-0191 | SET SCREW | 4 | | | | |



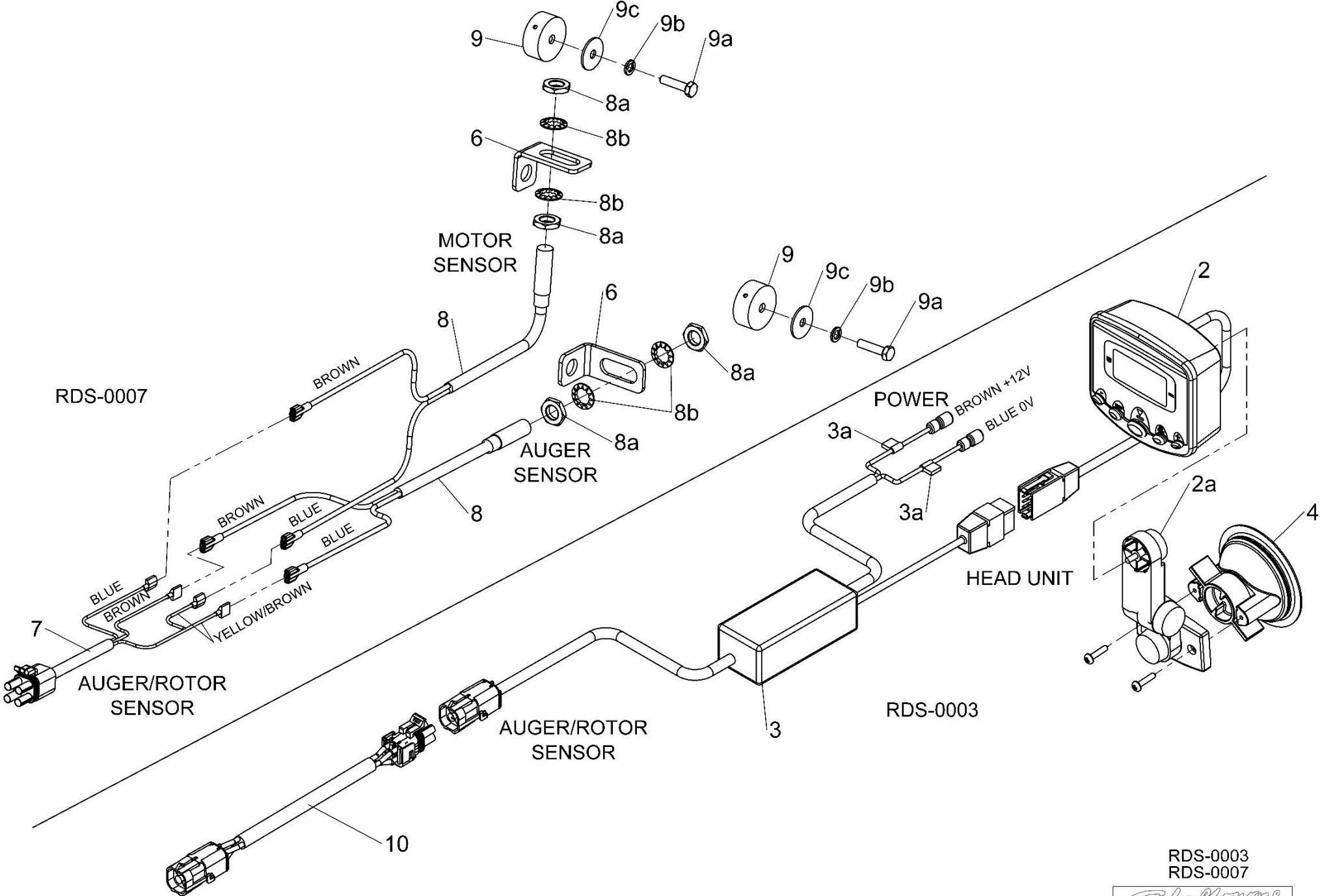
KIT-19012



Shelbourne Reynolds Engineering Limited

| ASSY NUMBER: RDS-0003 & RDS-0007 | | | | ASSY DESCRIPTION: RDS EQUIPMENT STEPPED DRIVE | | | |
|----------------------------------|-----------|--|-----|---|---------|-------------|-----|
| ITEM | PART NO | DESCRIPTION | QTY | ITEM | PART NO | DESCRIPTION | QTY |
| 1 | RDS-0003 | COMBINE TACHO HEAD KIT & LOOM STEP DRIVE, INC ITEMS 2 & 3 | 1 | | | | |
| 2 | RDS-0027 | TACHO HEAD, INC ITEM 2a | 1 | | | | |
| 2a | RDS-0029 | TACHO HEAD FIX.ARM KIT | | | | | |
| 3 | RDS-0030 | COMBINE LEAD (RSD) | 1 | | | | |
| 3a | FUS-0022 | FUSE (2 AMP BLADE) | | | | | |
| 4 | LCL-01249 | RAM MOUNT SUCTION CUP | 1 | | | | |
| 5 | RDS-0007 | HEADER LOOM & SENSOR KIT (SD) INC ITEMS 6,7,8 & 9 | 1 | | | | |
| 6 | 198323 01 | SENSOR BRACKET (SLOTTED) | 2 | | | | |
| 7 | RDS-0017 | HEADER LEAD | 1 | | | | |
| 8 | RDS-0018 | SHAFT SENSOR, INC ITEMS 8a & 8b | 2 | | | | |
| 8a | RDS-0018A | PLAIN NUT | | | | | |
| 8b | WSHA20121 | SHAKEPROOF WASHER | | | | | |
| 9 | RDS-0020 | MAGNET CARRIER | 2 | | | | |
| 9a | HSS-0088 | SET SCREW | | | | | |
| 9b | WSH-0056 | SPRING WASHER | | | | | |
| 9c | WSH-1036 | PENNY WASHER | | | | | |
| 10 | 291913 01 | AUGER/ROTOR SENSOR LOOM EXTENSION (8m) | A/R | | | | |

Shelbourne Reynolds Engineering Limited



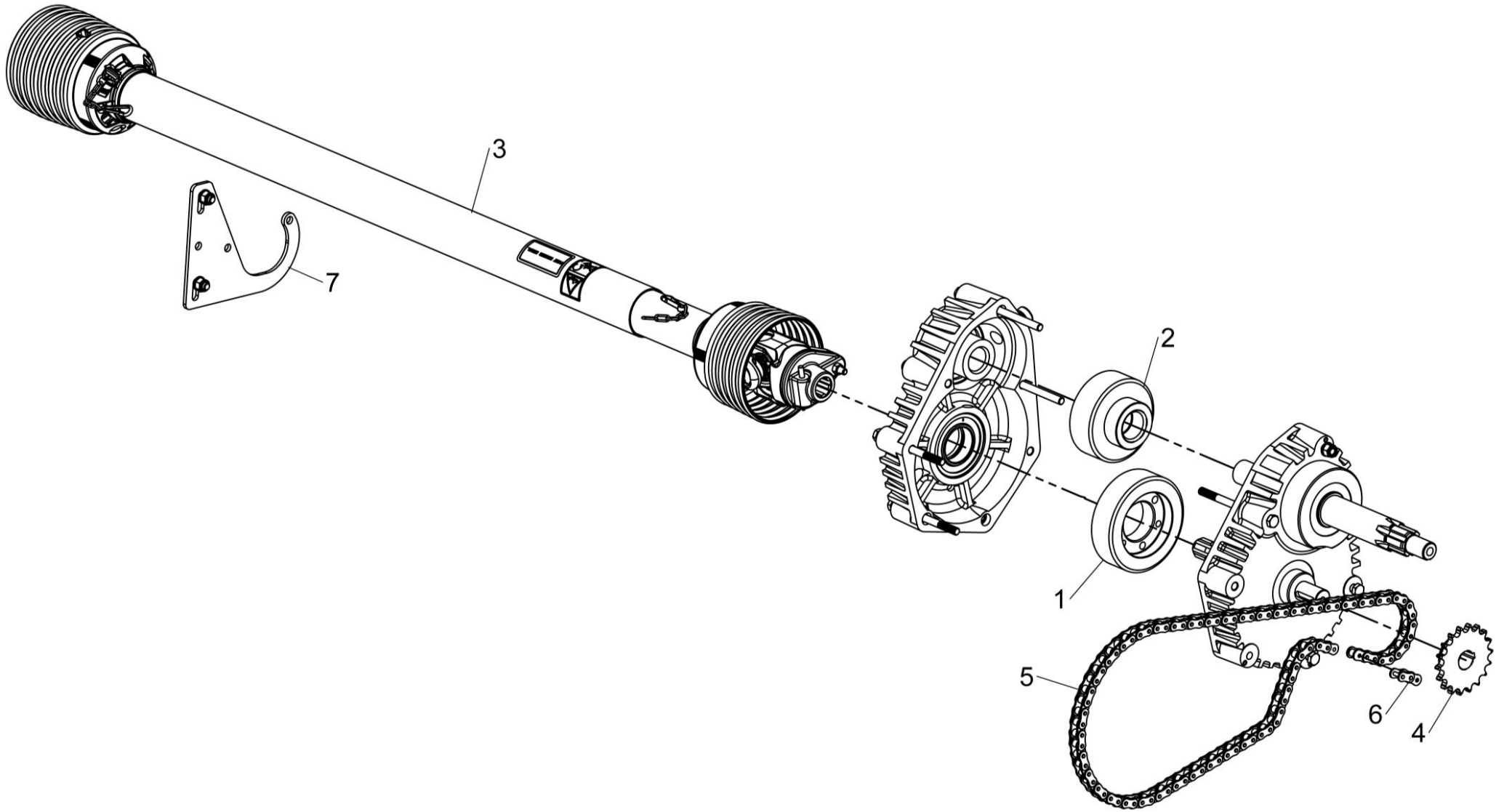
RDS-0003
RDS-0007



Kit Options

Shelbourne Reynolds Engineering Limited

| ASSY NUMBER: 196549 168 | | | | ASSY DESCRIPTION: DRIVE KIT AGCO CVS/RVS/RSD/Excel (22-42') | | | |
|-------------------------|-------------|--|-----|---|---------|-------------|-----|
| ITEM | PART NO | DESCRIPTION | QTY | ITEM | PART NO | DESCRIPTION | QTY |
| 1A | 192592 07 | INPUT GEAR (45t) WITH ROTOR GEARBOX | 1 | | | | |
| 1B/E | 192592 13 | INPUT GEAR (33t) (2015 & ON) WITHOUT ROTOR GEARBOX | 1 | | | | |
| OR | 192592 11 | INPUT GEAR (35t) (UP TO 2015) WITHOUT ROTOR GEARBOX | 1 | | | | |
| 2A | 193599 07 | PINION (24t) WITH ROTOR GEARBOX | 1 | | | | |
| 2B | 193599 11 | PINION (34t) WITHOUT ROTOR GEARBOX | 1 | | | | |
| 2E | 198999 13 | PINION (36t) (2015 & ON) GEARBOX WITH 65mm SHAFT | 1 | | | | |
| OR | 198999 11 | PINION (34t) (UP TO 2015) GEARBOX WITH 65mm SHAFT | 1 | | | | |
| 3 | PTO-26001WE | PTO SHAFT | 1 | | | | |
| 3a | PTO-00082WE | PTO YOKE-COMBINE (COLLAR) | | | | | |
| OR | PTO-00082 | PTO YOKE-COMBINE (PUSH PIN) | | | | | |
| 3b | PTO-00083 | PTO CROSS BEARING | | | | | |
| 3c | PTO-00119 | PTO SHEAR BOLT CLUTCH-HEADER | | | | | |
| 3d | PTO-00093WE | PTO GUARD ASSY (BLACK) | | | | | |
| OR | PTO-00093 | PTO GUARD ASSY (YELLOW) | | | | | |
| 3e | PTO-00968 | EASY LOCK GUARD CLIPS (RED) | | | | | |
| 3g | BLTA10384 | SHEARBOLT | | | | | |
| 3h | NUT-0265 | NYLOC NUT | | | | | |
| 4 | 192768 16 | SPROCKET | 1 | | | | |
| 5 | CHN-01991 | CHAIN (99 LINKS PLUS JOINER) | 1 | | | | |
| 5a | CHN-01901 | JOINING LINK | | | | | |
| 6 | CHN-01910 | HALF LINK | A/R | | | | |
| 7 | KIT-00931 | PTO SUPPORT KIT | 1 | | | | |

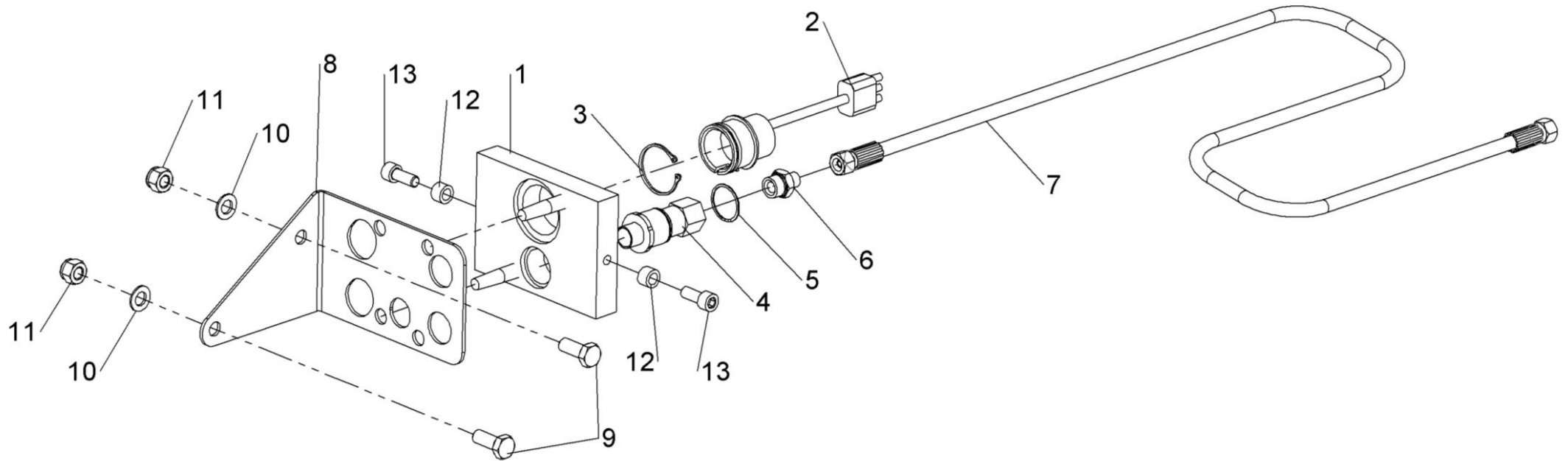


196549 168



Shelbourne Reynolds Engineering Limited

| ASSY NUMBER: KIT-01731 | | | | ASSY DESCRIPTION: AGCO HYDRAULIC MULTICOUPLER KIT | | | |
|------------------------|-----------|-------------------------------|-----|---|---------|-------------|-----|
| ITEM | PART NO | DESCRIPTION | QTY | ITEM | PART NO | DESCRIPTION | QTY |
| 1 | 197812 01 | HYD COUPLER PLT ASSY (1 PORT) | 1 | | | | |
| 2 | 198278 01 | LOOM & PLUG ASSY AGCO | 1 | | | | |
| 3 | CIR-0450 | EXTERNAL CIRCLIP | 1 | | | | |
| 4 | HQR-13026 | COUPLING | 1 | | | | |
| 5 | CLP-00230 | SNAP RING | 1 | | | | |
| 6 | HAAAK0327 | HYDRAULIC FITTING | 1 | | | | |
| 7 | HHAC12010 | HYDRAULIC HOSE ASSY | 1 | | | | |
| 8 | 197766 01 | PARKING BRACKET | 1 | | | | |
| 9 | HSS-0238 | BOLT | 2 | | | | |
| 10 | WSH-0018 | PLAIN WASHER | 2 | | | | |
| 11 | NUT-0269 | NYLOC NUT | 2 | | | | |
| 12 | 197248 01 | LOCATING BOSS | 2 | | | | |
| 13 | SCW-0190 | SOCKET CAP HEAD SCREW | 2 | | | | |



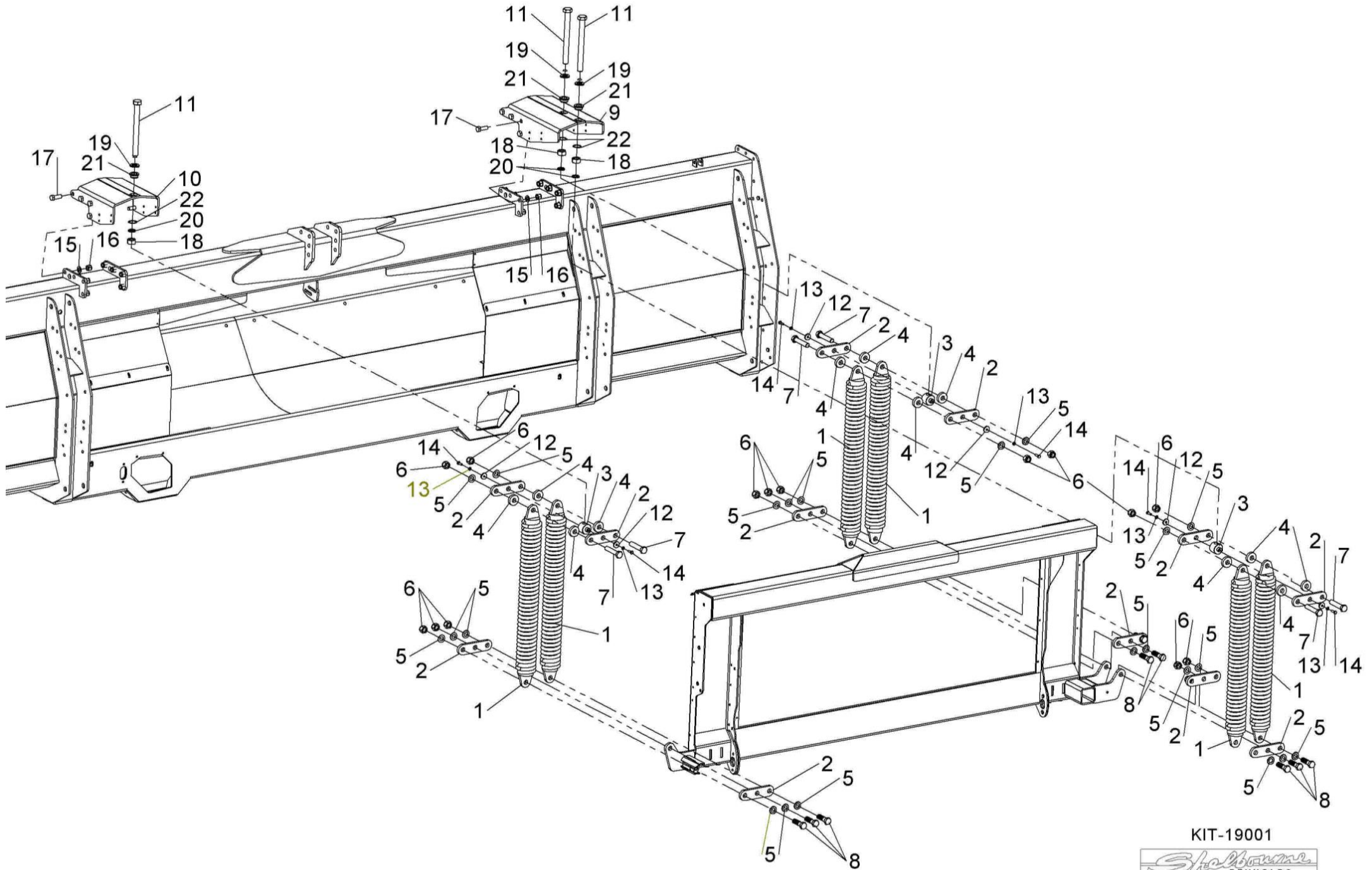
KIT-01731



Shelbourne Reynolds Engineering Limited

| ASSY NUMBER: KIT-19001 | | | | ASSY DESCRIPTION: SPRING TILT KIT | | | |
|------------------------|-----------|---|-----|-----------------------------------|---------|-------------|-----|
| ITEM | PART NO | DESCRIPTION | QTY | ITEM | PART NO | DESCRIPTION | QTY |
| 1 | 198659 01 | TILT SPRING | 6 | | | | |
| 2 | 198645 01 | SPRING MOUNTING PLATE | 12 | | | | |
| 3 | 199670 01 | SPRING ADJ BUSH (2014 & ON) | 3 | | | | |
| OR | 198646 01 | SPRING ADJ BUSH (UPTO 2014) | | | | | |
| 4 | 190548 98 | SPACER | 12 | | | | |
| 5 | WSH-0030 | PLAIN WASHER | 24 | | | | |
| 6 | NUTA02200 | NYLOC NUT | 15 | | | | |
| 7 | BLTA20560 | BOLT | 6 | | | | |
| 8 | BLT-2367 | BOLT | 9 | | | | |
| 9 | 199624 01 | TOP MOUNTING RH (2014 & ON) | 1 | | | | |
| OR | 198647 01 | TOP MOUNTING RH (PRE 2014) | | | | | |
| 10 | 199623 01 | TOP MOUNTING LH (2014 & ON) | 1 | | | | |
| OR | 198648 01 | TOP MOUNTING LH (UPTO 2014) | | | | | |
| 11 | HSSA24950 | SET SCREW (2014 & ON) | 3 | | | | |
| OR | HSSA20930 | SET SCREW (UPTO 2014) | | | | | |
| 12 | 190548 29 | WASHER | 6 | | | | |
| 13 | WSH-0058 | SPRING WASHER | 6 | | | | |
| 14 | HSS-0135 | BOLT | 6 | | | | |
| 15 | WSH-0024 | PLAIN WASHER FORM A | 16 | | | | |
| 16 | NUT-0271 | NYLOC NUT | 16 | | | | |
| 17 | HSS-0317 | SET SCREW | 16 | | | | |
| 18 | NUT-0190 | PLAIN NUT(2014 & ON) | 3 | | | | |
| OR | NUT-0185 | PLAIN NUT (PRE 2014) | | | | | |
| 19 | WSH-0036 | WASHER (2014 & ON) | 3 | | | | |
| 20 | 190548 62 | WASHER (2014 & ON) | 3 | | | | |
| 21 | 199621 01 | TOP HAT BUSH (2014 & ON) | 3 | | | | |
| 22 | CIR020034 | CIRCLIP (2014 & ON) | 3 | | | | |
| 23 | | | | | | | |
| 24 | KIT-19035 | TWIN SPRING SUB ASSY (ITEMS 1-8 & 12-14) | | | | | |

Shelbourne Reynolds Engineering Limited



KIT-19001

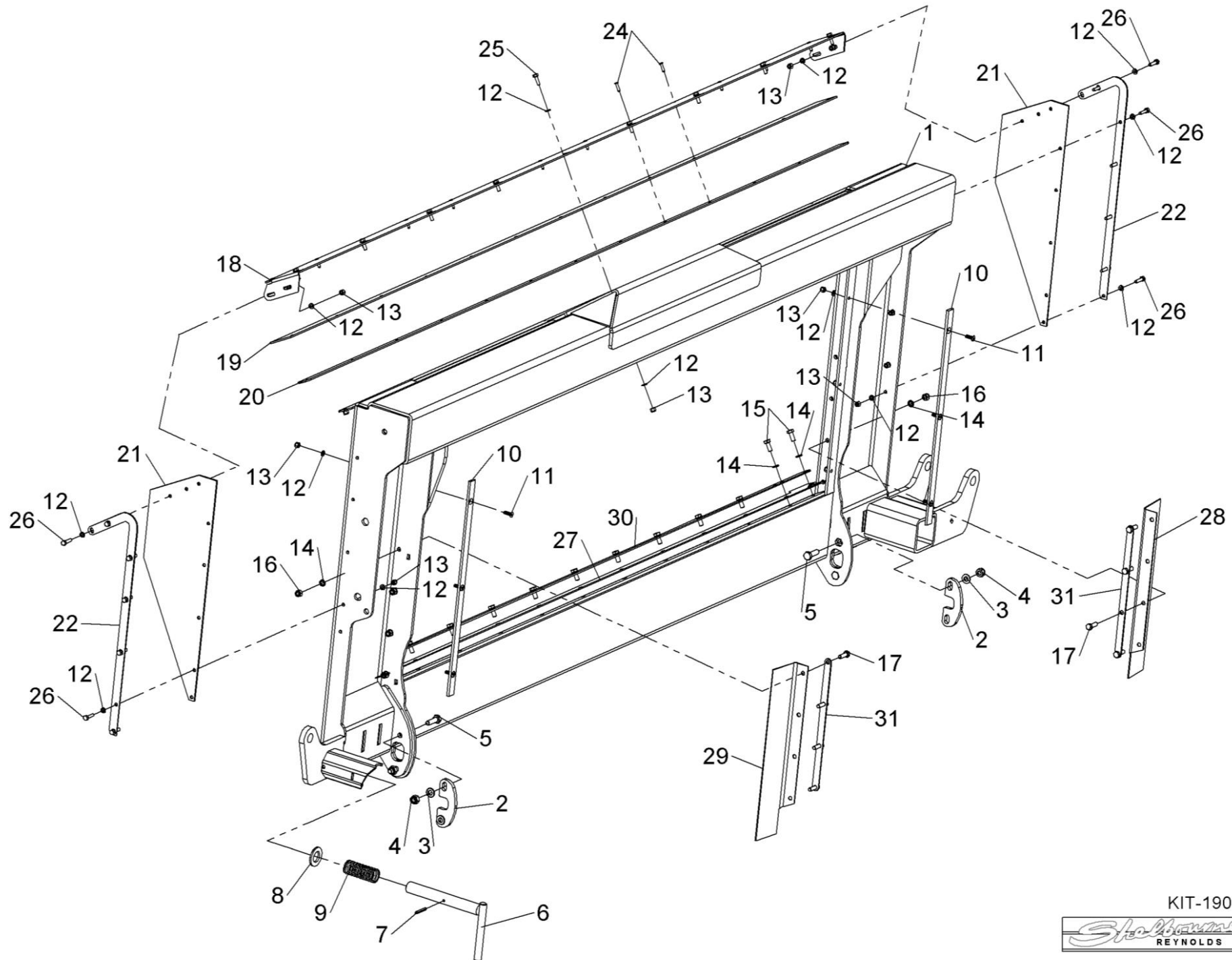


Shelbourne Reynolds Engineering Limited

| ASSY NUMBER: KIT-19002 | | | | ASSY DESCRIPTION: JD ADAPTOR PLATE | | | |
|------------------------|-----------|--------------------------------|-----|------------------------------------|---------|-------------|-----|
| ITEM | PART NO | DESCRIPTION | QTY | ITEM | PART NO | DESCRIPTION | QTY |
| 1 | 198377 01 | JD ADAPTOR W/A (2011 & ON) | 1 | | | | |
| 2 | 198521 01 | PIN HOLE PLATE | 2 | | | | |
| 3 | WSH-0015 | PLAIN WASHER | 4 | | | | |
| 4 | NUT-0265 | NYLOC NUT | 4 | | | | |
| 5 | HSS-0198 | SETSCREW | 4 | | | | |
| 6 | 199467 01 | LOCKING PIN (25mm) (2013 & ON) | 1 | | | | |
| OR | 198620 01 | LOCKING PIN (19mm) (UPTO 2013) | 1 | | | | |
| 7 | PIN-1775 | ROLL PIN | 1 | | | | |
| 8 | WSH-0036 | PLAIN WASHER (25mm PIN) | 1 | | | | |
| OR | WSH-0030 | PLAIN WASHER (19mm PIN) | 1 | | | | |
| 9 | SPGC32925 | COMPRESSION SPRING (25mm PIN) | 1 | | | | |
| OR | SPGC32355 | COMPRESSION SPRING (19mm PIN) | 1 | | | | |
| 10 | 197208 01 | PACKER PLATE | 2 | | | | |
| 11 | SCW-1580 | CSK SOCKET HD SCW | 6 | | | | |
| 12 | WSH-0009 | PLAIN WASHER | 52 | | | | |
| 13 | NUT-0260 | NYLOC NUT | 29 | | | | |
| 14 | WSH-0058 | SPRING WASHER | 14 | | | | |
| 15 | HSS-0140 | SETSCREW | 12 | | | | |
| 16 | NUT-0263 | NYLOC NUT | 8 | | | | |
| 17 | HSS-0145 | BOLT | 8 | | | | |
| 18 | 199476 01 | FRONT SEAL PLATE (2013 & ON) | 1 | | | | |
| OR | 199195 01 | FRONT SEAL PLATE (2012 ONLY) | 1 | | | | |
| OR | 198719 01 | FRONT SEAL PLATE (UPTO 2012) | 1 | | | | |
| 19 | 199159 01 | TOP SEAL STRIP (2012 & ON) | 1 | | | | |
| OR | 198711 01 | TOP SEAL STRIP (UPTO 2012) | 1 | | | | |
| 20 | 198715 01 | CLAMP STRIP | 1 | | | | |
| 21 | 198717 01 | SIDE SEAL | 2 | | | | |
| 22 | 199479 01 | SEAL CLAMP | 2 | | | | |
| 23 | WSH-0012 | PLAIN WASHER | 6 | | | | |
| 24 | POP-0006 | POP RIVET | 13 | | | | |
| 25 | HSS-0086 | SETSCREW | 9 | | | | |
| 26 | HSS-0088 | SETSCREW | 14 | | | | |
| 27 | 198921 01 | BOTTOM SEAL PLT (2011 & ON) | 1 | | | | |
| 28 | 198922 01 | LH SEAL PLT (2011 & ON) | 1 | | | | |
| 29 | 198922 02 | RH SEAL PLT (2011 & ON) | 1 | | | | |
| 30 | 198988 01 | BOTTOM CLAMP STRIP | 1 | | | | |
| 31 | 198987 01 | SIDE CLAMP STRIP | 2 | | | | |

*THIS KIT ONLY FITS HOOK STYLE
FACEPATES AND NOT OLDER CLAMP
BLOCK STYLE, CONTACT YOUR JD
DEALER FOR UPDATE KIT*

Shelbourne Reynolds Engineering Limited

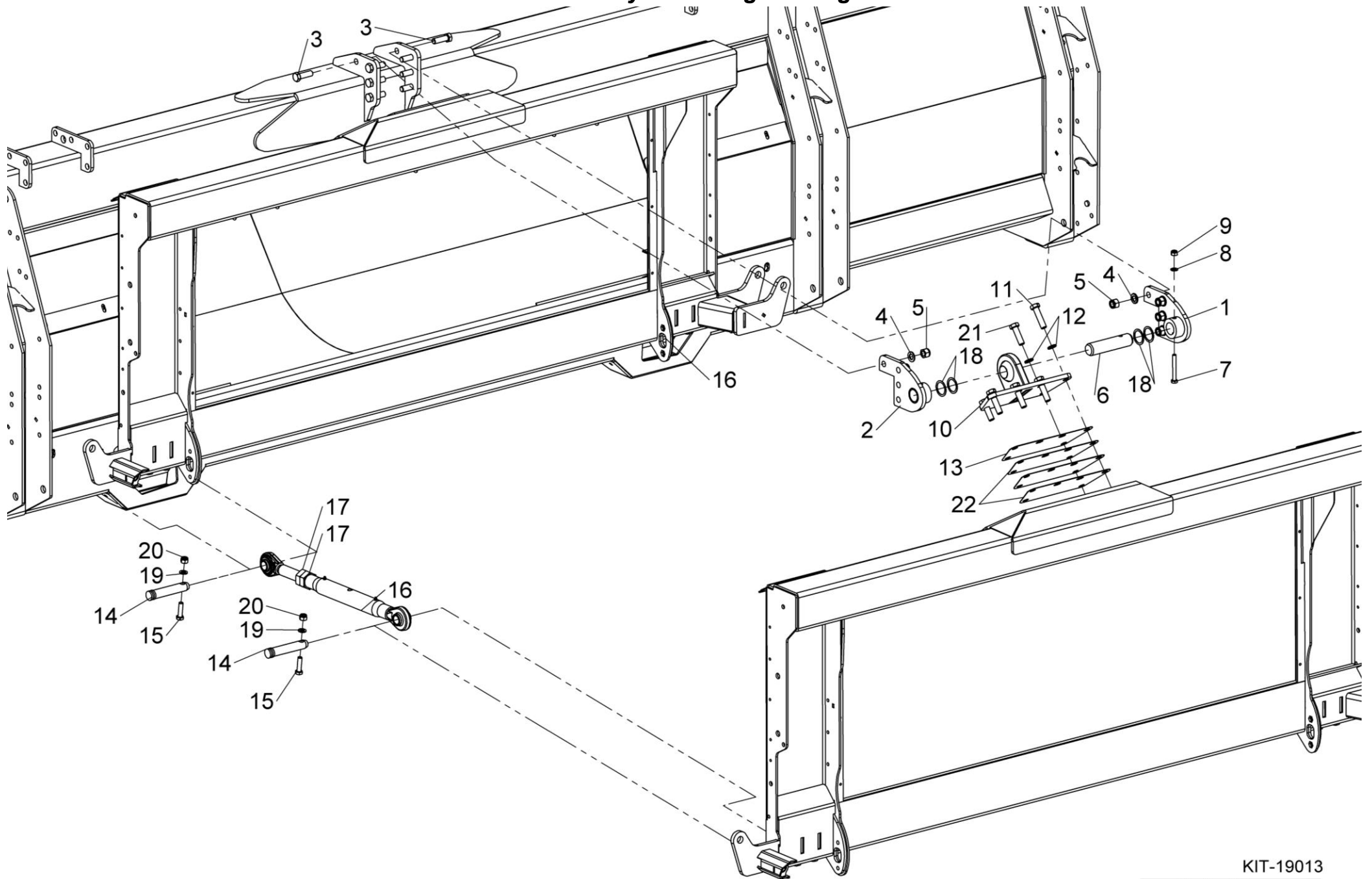


KIT-19002



Shelbourne Reynolds Engineering Limited

| ASSY NUMBER: KIT-19013 & KIT-19043 | | | | ASSY DESCRIPTION: TILTING ADAPTOR PLATE KIT | | | |
|------------------------------------|-----------|---|-----|---|---------|-------------|-----|
| ITEM | PART NO | DESCRIPTION | QTY | ITEM | PART NO | DESCRIPTION | QTY |
| 1 | 198371 01 | HEADER PIVOT PLATE (KIT-19013) | 1 | | | | |
| OR | 290694 01 | HEADER PIVOT PLATE (KIT-19043) (AGCO, GLEANER, MF, CHALLENGER 2018 & ON ONLY) | 1 | | | | |
| 2 | 198371 02 | HEADER PIVOT PLATE (KIT-19013) | 1 | | | | |
| OR | 290694 01 | HEADER PIVOT PLATE (KIT-19043) (AGCO, GLEANER, MF, CHALLENGER 2018 & ON ONLY) | 1 | | | | |
| 3 | HSS-0318 | SETSCREW | 8 | | | | |
| 4 | WSH-0024 | PLAIN WASHER | 8 | | | | |
| 5 | NUT-0271 | NYLOC NUT | 8 | | | | |
| 6 | 198592 01 | HEADER PIVOT PIN | 1 | | | | |
| 7 | BLTA10500 | HEX HD BOLT | 1 | | | | |
| 8 | WSH-0015 | PLAIN WASHER | 1 | | | | |
| 9 | NUT-0265 | NYLOC NUT | 1 | | | | |
| 10 | 198367 01 | HEADER PIVOT W/A (KIT-19013) | 1 | | | | |
| OR | 290695 01 | HEADER PIVOT W/A (KIT-19043) (AGCO, GLEANER, MF, CHALLENGER 2018 & ON ONLY) | 1 | | | | |
| 11 | HSS-0322 | SETSCREW | 4 | | | | |
| 12 | WSH-0070 | SPTING WASHER | 6 | | | | |
| 13 | 198529 02 | PACKER PLATE (5mm) (NOT AGCO) | 1 | | | | |
| 14 | 21708006 | TOP LINK PIN (CAT II) | 4 | | | | |
| 15 | BLTA12290 | HEX HD BOLT | 4 | | | | |
| 16 | ADL-11585 | TOP LINK ASSY (2017 & ON) | 2 | | | | |
| OR | ADL-11590 | TOP LINK ASSY (2014-2016) | 2 | | | | |
| OR | ADL-11550 | TOP LINK ASSY (UPTO 2014) | 2 | | | | |
| 17 | NUT-1127 | NUT (2017 & ON, INC IN ITEM 16) | 4 | | | | |
| OR | NUT-1127 | NUT (2014-2016) | 4 | | | | |
| OR | 20801026 | NUT (UPTO 2014) | 2 | | | | |
| 18 | 198800 30 | WASHER | A/R | | | | |
| 19 | WSH-0018 | PLAIN WASHER | 4 | | | | |
| 20 | NUT-0269 | NYLOC NUT | 4 | | | | |
| 21 | HSS-0319 | SETSCREW | 2 | | | | |
| 22 | 198529 01 | PACKER PLATE (1mm) | A/R | | | | |

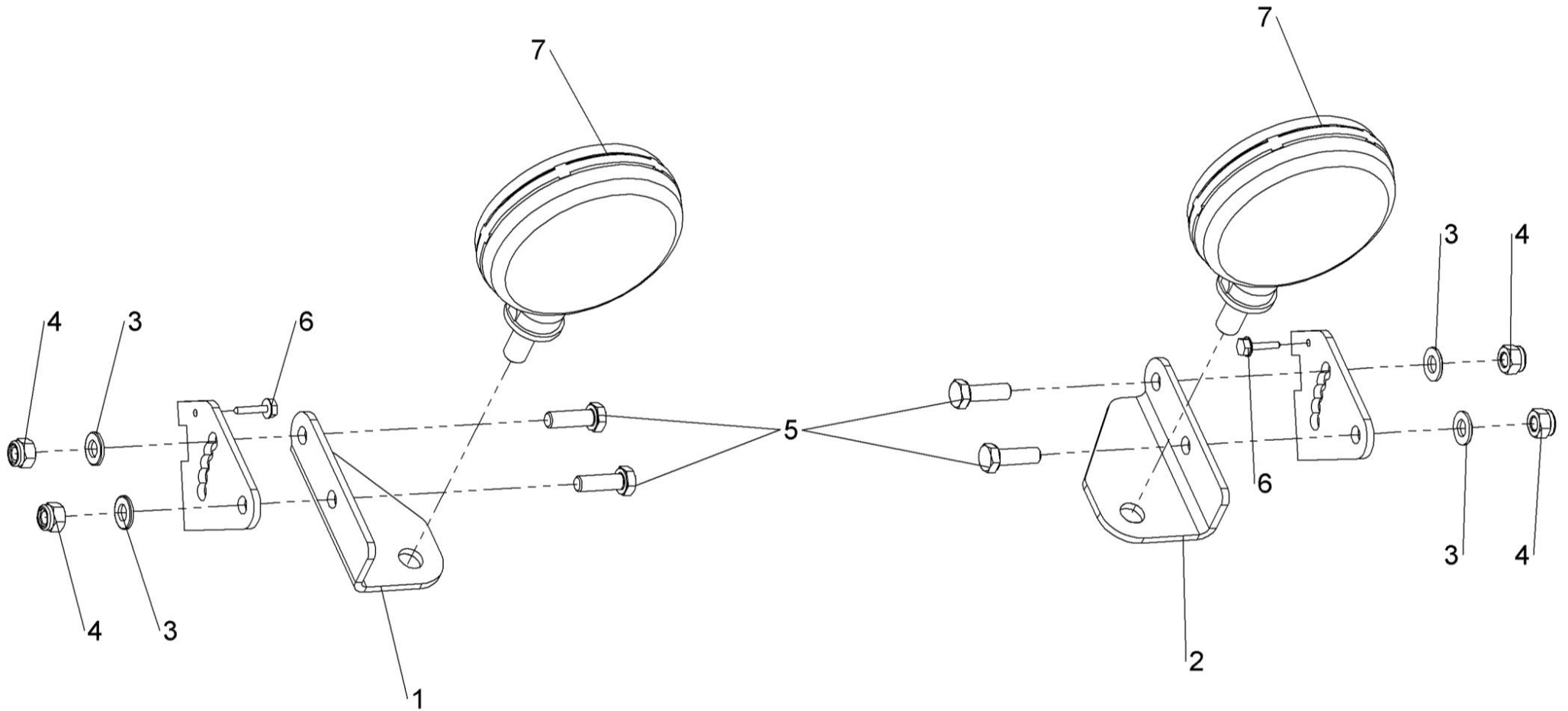


KIT-19013



Shelbourne Reynolds Engineering Limited

| ASSY NUMBER: KIT-19014 | | | | ASSY DESCRIPTION: STUBBLE LIGHT KIT | | | |
|------------------------|-----------|-----------------------|-----|-------------------------------------|---------|-------------|-----|
| ITEM | PART NO | DESCRIPTION | QTY | ITEM | PART NO | DESCRIPTION | QTY |
| 1 | 199093 01 | LIGHT BRKT | 1 | | | | |
| 2 | 199093 02 | LIGHT BRKT | 1 | | | | |
| 3 | WSH-0012 | PLAIN WASHER | 4 | | | | |
| 4 | NUT-0263 | NYLOC NUT | 4 | | | | |
| 5 | HSS-0145 | HEX HD BOLT | 4 | | | | |
| 6 | SCW-5180 | HEX HD SELF SCREW | 4 | | | | |
| 7 | | LIGHT TO BE CONFIRMED | 2 | | | | |

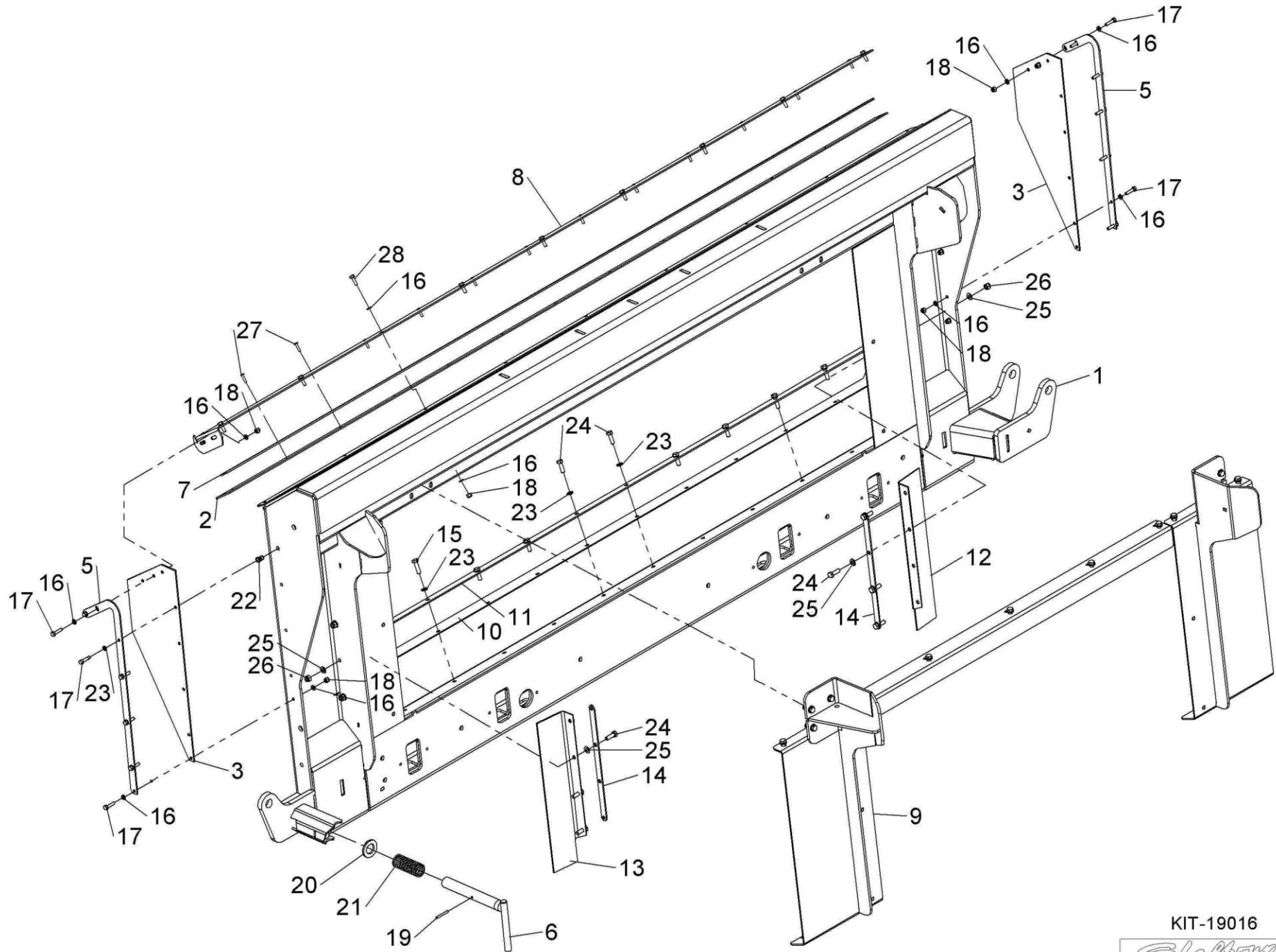


KIT-19014



Shelbourne Reynolds Engineering Limited

| ASSY NUMBER: KIT-19016 | | | | ASSY DESCRIPTION: AGCO ADAPTOR PLATE KIT | | | |
|------------------------|-----------|-------------------------------|-----|--|---------|-------------|-----|
| ITEM | PART NO | DESCRIPTION | QTY | ITEM | PART NO | DESCRIPTION | QTY |
| 1 | 199150 01 | AGCO ADAPTOR PLATE W/ | 1 | | | | |
| 2 | 198715 01 | CLAMP STRIP | 1 | | | | |
| 3 | 198717 01 | SIDE SEAL | 2 | | | | |
| 4 | | | | | | | |
| 5 | 199479 01 | SEAL CLAMP | 2 | | | | |
| 6 | 199467 01 | LOCKING PIN (2013 & ON) | 1 | | | | |
| OR | 198620 01 | LOCKING PIN (UPTO 2013) | 1 | | | | |
| 7 | 199159 01 | TOP SEAL PLATE | 1 | | | | |
| 8 | 199476 01 | FRONT SEAL PLATE (2013 & ON) | | | | | |
| OR | 199195 01 | FRONT SEAL PLATE (UPTO 2013) | 1 | | | | |
| 9 | KIT-19017 | FILL IN PLT KIT (GLENER ONLY) | A/R | | | | |
| 10 | 199207 01 | LOWER SEAL | 1 | | | | |
| 11 | 199197 01 | LOWER SEAL MOUNTING PLATE | 1 | | | | |
| 12 | 198922 01 | SEAL | 1 | | | | |
| 13 | 198922 02 | SEAL | 1 | | | | |
| 14 | 198987 01 | SIDE CLAMP PLATE | 2 | | | | |
| 15 | HSS-0150 | BOLT | 4 | | | | |
| 16 | WSH-0009 | PLAIN WASHER | 42 | | | | |
| 17 | HSS-0088 | SET SCREW | 14 | | | | |
| 18 | NUT-0260 | NYLOC NUT | 21 | | | | |
| 19 | PIN-1775 | ROLL PIN | 1 | | | | |
| 20 | WSH-0036 | PLAIN WASHER (2013 & ON) | 1 | | | | |
| OR | WSH-0030 | PLAIN WASHER (UPTO 2013) | 1 | | | | |
| 21 | SPGC32925 | COMPRESION SPRING (2013 & ON) | 1 | | | | |
| OR | SPGC32355 | COMPRESION SPRING (UPTO 2013) | 1 | | | | |
| 22 | NUTA13060 | NUTSERT | 2 | | | | |
| 23 | WSH-0058 | SPRING WASHER | 12 | | | | |
| 24 | HSS-0145 | BOLT | 16 | | | | |
| 25 | WSH-0012 | PLAIN WASHER | 14 | | | | |
| 26 | NUT-0263 | NYLOC NUT | 6 | | | | |
| 27 | POP-0006 | POP RIVET | 13 | | | | |
| 28 | HSS-0086 | SET SCREW | 9 | | | | |

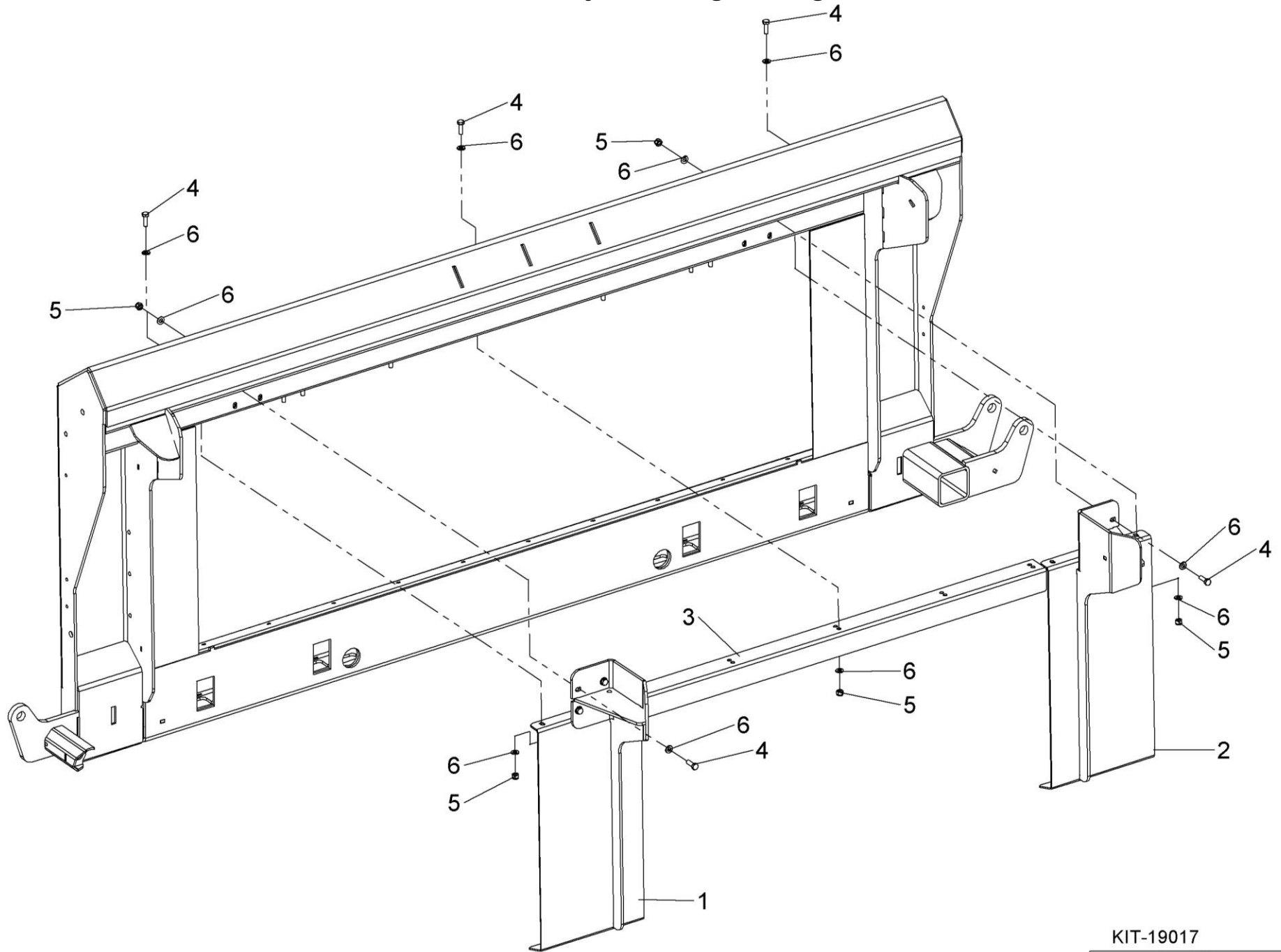


KIT-19016



Shelbourne Reynolds Engineering Limited

| ASSY NUMBER: KIT-19017 | | | | ASSY DESCRIPTION: GLEANER FILL IN PLATE KIT | | | |
|--|-----------|------------------|-----|---|---------|-------------|-----|
| ITEM | PART NO | DESCRIPTION | QTY | ITEM | PART NO | DESCRIPTION | QTY |
| 1 | 199160 01 | LH FILL IN PLATE | 1 | | | | |
| 2 | 199160 02 | RH FILL IN PLATE | 1 | | | | |
| 3 | 197991 01 | COVER PLATE | 1 | | | | |
| 4 | HSS-0145 | BOLT | 17 | | | | |
| 5 | NUT-0263 | NYLOC NUT | 17 | | | | |
| 6 | WSH-0012 | PLAIN WASHER | 34 | | | | |
| *THIS KIT ONLY FITS GLEANER COMBINES WITH TILTING FEEDER HOUSE OR LARGE HORNS* | | | | | | | |



KIT-19017

