

16-22m³ OPERATORS MANUAL ORIGINAL INSTRUCTIONS



Shelbourne Reynolds Engineering Ltd
Stanton
Bury St Edmunds
Suffolk
IP31 2AR
England

Telephone: 01359 250415
Fax: 01359 250464

Stores Direct : 01359 251231
Stores Direct: 01359 252031

Issue 5 15/10/2020

DEALER PRE-DELIVERY / INSTALLATION CHECK AND WARRANTY REGISTRATION – POWERMIX PLUS
DEALERS PRE-DELIVERY / INSTALLATION CHECK
IMPORTANT 

All items listed below must be checked, and adjusted if necessary. The person conducting the inspection should tick each item in the space provided, indicating whether or not adjustments were required. In the event of additional work being needed, details should be given in the additional work / discrepancy box, located at the bottom of this sheet, or on a separate sheet if required. When the inspection is complete, THIS FORM MUST BE COPIED & RETURNED TO: - Shelbourne Reynolds within 30 days of delivery to customer, otherwise the invoice date to the dealer will be deemed to be the start date for the warranty period.

SERIAL NUMBER: MACHINE NUMBER:

MODEL:

PLEASE TICK APPROPRIATE COLUMN FOR EACH ITEM UNDERTAKEN

Dealer Pre Customer Delivery / Installation / Commissioning	Checks OK	Adjusted
Check the PTO shaft length is compatible with the tractor. (see section 5.2)		
Rotate the auger & check there is no unusual scratching or knocking sounds.		
Check the drawbar height is adjusted to suit the tractor. (see section 5.1)		
Check configuration of auger blades, and remove the blade guards. (see section 5.5)		
Ensure the hoses are not taught when connected to the tractor.		
Check planetary & 2-speed gearbox oil levels.		
Check operation of all hydraulic services.		
Check hydraulic system for leaks.		
Check tyre pressures. (see section 8.2)		
Check wheel nuts for correct torque setting. (see section 8.3)		
Check brake ram operation & adjustment.		
Check braking system for oil leaks.		
Check operation of handbrake.		
Lubricate all grease points.		
Check in general that nuts & bolts are tight.		
Check paintwork & finish.		
Ensure that all safety guards & decals are fitted.		
Ensure that an operator's manual is supplied with the machine.		
Additional Comments:		
.....		
.....		
Dealer Representative's Name:	Date:	

Customer Instruction	Actioned
Explain the correct setting & operation of the machine to the customer.	
Ensure the machine is correctly attached to the customer's tractor.	
Ensure the maintenance schedule is explained to the customer.	
Ensure the lubrication & grease points are indicated to the customer.	
Ensure all safety precautions & warning decals are explained to the customer.	
Ensure the warranty policy is explained to the customer.	
Ensure that the operator's manual is handed to the customer.	
Additional Comments:	
.....	
.....	
Dealer Representative's Name:	Date:

For specific details please refer to the operator's manual.

Dear Customer,

Parts manuals are not supplied with this machine, but they can be ordered from your Shelbourne Reynolds dealer. Alternatively they can be downloaded from the Shelbourne Reynolds website www.shelbourne.com by clicking on the Parts and Service section of the website, and then selecting manuals followed by Powermix Manuals.

The Machine and Parts Manual Number for your machine is -

Tick	Machine No.	Manual No.	Machine Description
	619935 02	MAN-05110	Powermix Plus Express
	619935 07	MAN-05110	Powermix Plus Express C/W rear door opening

Powermix Plus Serial Number

PME18

ORDERING SPARE PARTS

To ensure that you order the correct part from your SRE dealer please use the following procedure.

ALWAYS QUOTE THE MACHINE AND SERIAL NUMBERS WHEN ORDERING.

Refer to the Parts Manuals front page/s, listing the machine numbers. Select the correct machine number which is printed in the top left corner of the page (starting with 6199__01).

The machine number is listed above or can be found printed on the identification plate, which is located on the LH side of the chassis member.

Scan down the page, and select the relevant sub assembly your required part falls within. Sub-assemblies start from 6190__01. Note the year or serial number of the machine may determine a correct sub assembly if more than one is listed.

Continue through the manual and find the relevant sub assembly parts listing. Again the number will be printed in the top left corner; the sub-assemblies are in numerical order.

Having found the correct parts list, you will find the corresponding drawing by either looking at the facing page or progressing through the manual to the next drawing. The drawings indicate the components by item numbers, which you will find, are repeated in the left-hand side of your parts listing, and therefore referring to the correct part.

Please note that if certain parts cannot be found listed below the sub-assembly numbers, they are likely to form part of a specific optional kit. These kits will be found in numerical order further through the manual and start with KIT- _ _ _ _ _

The list below highlight the optional build kits that also make up your exact configuration of machine.

Non-current production highlighted.

Tick	Part No.	Description
Drive options		
	KIT-03889	Electric gear change kit
	KIT-60002	Electric gear change kit
	KIT-03838	Manual gear change kit
	KIT-03956	Handset for Electric gear change kit (For use with KIT-03899 & KIT-60002)
	KIT-03877	Manual gear change kit
PTO shaft options		
	KIT-03876	Standard input shaft kit (Wealser)
	KIT-03876A	Standard input shaft kit (Walterscheid)
	KIT-03692	Wide angle input shaft kit (Comer)
	KIT-03908	Wide angle input shaft kit (Weasler)
	KIT-03908A	Wide angle input shaft kit (Walterscheid)
	KIT-03988	Standard input PTO shaft kit
	PTO-35005U	Standard PTO shaft (used)
	PTO-35020W	Wide angle PTO
Transfers		
	KIT-03897	16m ³ transfers kit
	KIT-03897A	18m ³ transfers kit
	KIT-03897B	22m ³ transfers kit
	KIT-03897C	20m ³ transfers kit
	KIT-03996A	30m ³ plus transfers kit
Auger Extension Options		
	KIT-03859	300mm Auger extension standard blades

	KIT-60025	Auger extension kit (x2)
Weigher options		
	KIT-03895	DG400 Basic display
	KIT-03896	DG600 Mid-level display
	KIT-60015	DG8000IC Top level display
	KIT-03949B	TMR3610 Display C/W TMR tracker Lite software + USB & cab control with wireless modem.
	KIT-03805	Basic display (EZ2500V)
	KIT-03995	DG options mounting kit
	KIT-03904	Bluetooth Modem kit
	KIT-03900	3-pin plug connection kit
	KIT-03955	GPRS data transfer kit
	KIT-03958	Dina-Tel remote display
Wheel and tyre options		
	KIT-03672A	435/50R19.5 Doublecoin Single axle standard fitment
	KIT-03890	385/65R22.5 Single axle option
	KIT-03870	Axle spacer kit (for KIT-03890)
	KIT-03671B	385/55R22.5 Longmarch Tandem axle standard fitment
	KIT-03934A	385/55R19.5 Doublecoin – low option for tandem axle
	KIT-03932	Axle and wheel kit (275/75R 17.5 dual wheels)
	WHL-02201	385/65R 22.5 tyres (x4)
Axle options		
	KIT-03925	Tandem axle kit (Hydraulic only)
	KIT-03935	Steering axle kit (Hydraulic only)
	KIT-03936	Tub conversion kit to fit above
	KIT-03952	Steering axle kit (Air / Hydraulic)
	KIT-03961	Air/hydraulic kit for standard tandem axle
	KIT-03846	Single axle kit
	KIT-03984	Tandem axle kit

	KIT-03983	Tandem air brake kit
	KIT-60028	180mm Axle riser kit
	KIT-60041	Tandem axle kit
	KIT-60042	Single axle kit
	KIT-60035	Single axle kit
Extension side options		
	KIT-03879	Tubular straw ring (16m ³)
	KIT-03842	600mm extension (22m ³)
	KIT-03938	450mm extension (20m ³)
	KIT-03867	Straw ring kit
	KIT-60022	22m ³ Extension side kit (NZ special)
	KIT-60055	20m ³ Extension side kit
Hydraulic options		
	KIT-03899	Direct coupled hydraulic kit
	KIT-03966	Electric proportional valve kit (3/4" hoses)
	KIT-03965	Electric proportional valve kit (3/4" hoses)
	KIT-03873	Electric proportional valve kit
	KIT-03898	Hydraulic control kit (Hydro kit C/W 2-speed switch)
	KIT-03901	Hydraulic control kit (Hydro kit C/W NO 2-speed switch)
	KIT-03905	Wireless hydraulic control kit (Hypro C/W 2-speed switch)
	KIT-60073	Wireless hydraulic control kit (Lodar)
Door kits		
	KIT-60038	Rear door kit
	KIT-60051	LH Door flap kit
	KIT-60052	RH Door flap kit
	KIT-60054	Side door kit

EC Declaration of conformity for machinery

(Machinery Directive 2006/42/EC, Annex II., sub. A)

Manufacturer: Shelbourne Reynolds Engineering Ltd.

Address: Shepherds Grove Industrial estate,
Stanton,
Bury St Edmunds,
Suffolk.
England.
IP31 2AR

Name and address of the person (*established in the European Community/EEA*)
authorised to compile the technical file (*to the authorities on request*):

Name: Mr Neil Smith

Address: As stated above.

Herewith we declare that:

DESIGNATION

DIET FEEDER

MODEL:

POWERMIX PLUS

MACHINE No:

619935 02

SERIAL No:

- is in conformity with the relevant provisions of the Machinery Directive (2006/42/EC)
- is in conformity with the relevant provisions of the EMC Directive (2004/108/EC)



Neil Smith
Director

Place : **Stanton, England.**

Date :

CONTENTS

SECTION 1 INTRODUCTION

- 1.1 FOREWORD.
- 1.2 IMPROVEMENTS AND CHANGES.
- 1.3 SERVICE PARTS.
- 1.4 MACHINE IDENTIFICATION.
- 1.5 POWERMIX WARRANTY POLICY.

SECTION 2 SAFETY PROCEDURES

- 2.1 ACCIDENT PREVENTION.
- 2.2 SAFETY SIGNS.
- 2.3 ACCIDENT PREVENTION BEFORE STARTING THE MACHINE.
- 2.4 ACCIDENT PREVENTION WHEN COUPLING & UNCOUPLING TO THE TRACTOR.
- 2.5 ACCIDENT PREVENTION WHEN USING THE HYDRAULIC SYSTEM.
- 2.6 ACCIDENT PREVENTION WHEN USING THE PTO SHAFT.
- 2.7 ACCIDENT PREVENTION WHEN OPERATING THE MACHINE.
- 2.8 ACCIDENT PREVENTION WHEN TAKING ON PUBLIC ROADS.
- 2.9 ACCIDENT PREVENTION WHEN LEAVING THE MACHINE.
- 2.10 ACCIDENT PREVENTION WHEN CHANGING A WHEEL
- 2.11 ACCIDENT PREVENTION WHEN SERVICING OR WORKING ON THE MACHINE.
- 2.12 ACCIDENT PREVENTION WHEN CLEANING AND STORING THE MACHINE.
- 2.13 NOISE EMISSIONS.
- 2.14 PROPER USE.
- 2.15 NO LIABILITY FOR CONSEQUENTIAL DAMAGE.

SECTION 3 SPECIFICATION

- 3.1 DESCRIPTION.
- 3.2 INTENDED USE.
- 3.3 SPECIFICATION TABLE.
- 3.4 TWIN AUGER EXPRESS MODEL (SINGLE AXLE) OVERALL DIMENSIONS.
- 3.5 TWIN AUGER EXPRESS MODEL (TANDEM AXLE) OVERALL DIMENSIONS.

SECTION 4 HANDLING & TRANSPORTATION

- 4.1 HANDLING.
- 4.2 TRANSPORTATION.

SECTION 5 PREPARATIONS FOR USE

- 5.1 COUPLING AND UNCOUPLING.
- 5.2 ADJUSTING THE DRAWBAR HEIGHT.
- 5.3 CONNECTING THE HYDRAULIC SUPPLY.
- 5.4 CONNECTING THE POWER SUPPLY.
- 5.5 ADJUSTING THE PTO DRIVE SHAFT LENGTH
- 5.6 COUPLING THE PTO DRIVE SHAFT TO THE TRACTOR.
- 5.7 RAISING / LOWERING THE PARKING STAND.
- 5.8 CHECKING THE OPERATION OF THE WEIGH SYSTEM.
- 5.9 CONFIGURATION OF THE AUGER BLADES.
- 5.10 PRE OPERATION CHECK LIST.

SECTION 6 OPERATING THE MACHINE

- 6.1 LOADING THE MACHINE.
- 6.2 MIXING / INGREDIENT LOADING SEQUENCE.
- 6.3 CHOPPING ROOT CROPS.
- 6.4 CHOPPING BALED FORAGE.
- 6.5 OPERATING THE ANTI-ROTATION BLADES.
- 6.6 AUGER SPEEDS AND DRIVE CONFIGURATIONS.
- 6.7 OPERATING THE 2-SPEED GEARBOX.
- 6.8 FEEDING PROCEDURE.
- 6.9 OPERATING THE FRONT ELEVATING WEB CONVEYOR.
- 6.10 OPERATING THE CONVEYOR DEFLECTOR.
- 6.11 DIRECT COUPLED HYDRAULIC CONTROLS.
- 6.12 ALL ELECTRIC HYDRAULIC VALVE CONTROLS.
- 6.13 OPERATING THE HARD WIRED HANDSET.
- 6.14 CALIBRATING THE PROPORTIONAL DRIVER.
- 6.15 OPERATING THE WIRELESS HANDSET.
- 6.16 OPERATING THE HANDBRAKE.
- 6.17 OPERATING THE BOGIE WITH A REAR STEERING AXLE.
- 6.18 SHEARBOLT REPLACEMENT.

SECTION 7 MAINTENANCE AND STORAGE

- 7.1 CONNECTING THE DOOR SAFETY STRAP.
- 7.2 REPLACING THE AUGER BLADES.
- 7.3 CHECKING TYRE PRESSURES.
- 7.4 TIGHTENING WHEEL NUTS.
- 7.5 CHECKING THE AXLE HUB CAPS.
- 7.6 CHECKING THE WHEEL BEARINGS.
- 7.7 CHECKING BRAKE CLEARANCE AND WEAR.
- 7.8 BOGIE SUSPENSION MAINTENANCE.
- 7.9 STEERING AXLE MAINTENANCE AND ADJUSTMENT.
- 7.10 TENSIONING THE CONVEYOR BELT.
- 7.11 GREASING SCHEDULE.
- 7.12 GEARBOX OIL CHANGES.
- 7.13 STORAGE AND CLEANING.
- 7.14 WELDING REPAIRS.
- 7.15 RECOMMENDED PERIODIC MAINTENANCE.

SECTION 1:

INTRODUCTION

1.1 FOREWORD

This manual will aid the user when setting, operating and servicing their Shelbourne Reynolds Powermix Plus. Scheduled information is listed to ensure the operator follows safe and efficient working procedures. It must be read & understood by all persons who are required to carry out work either on or with the machine, and should be used in conjunction with the operator's manual of the tractor or prime mover.



1.2 IMPROVEMENTS AND CHANGES

Shelbourne Reynolds Engineering are continually improving their products to meet the farmers needs and therefore reserve the right to make improvements and changes when practical to do so, without incurring any obligation to make changes and additions to equipment which has been sold previously.

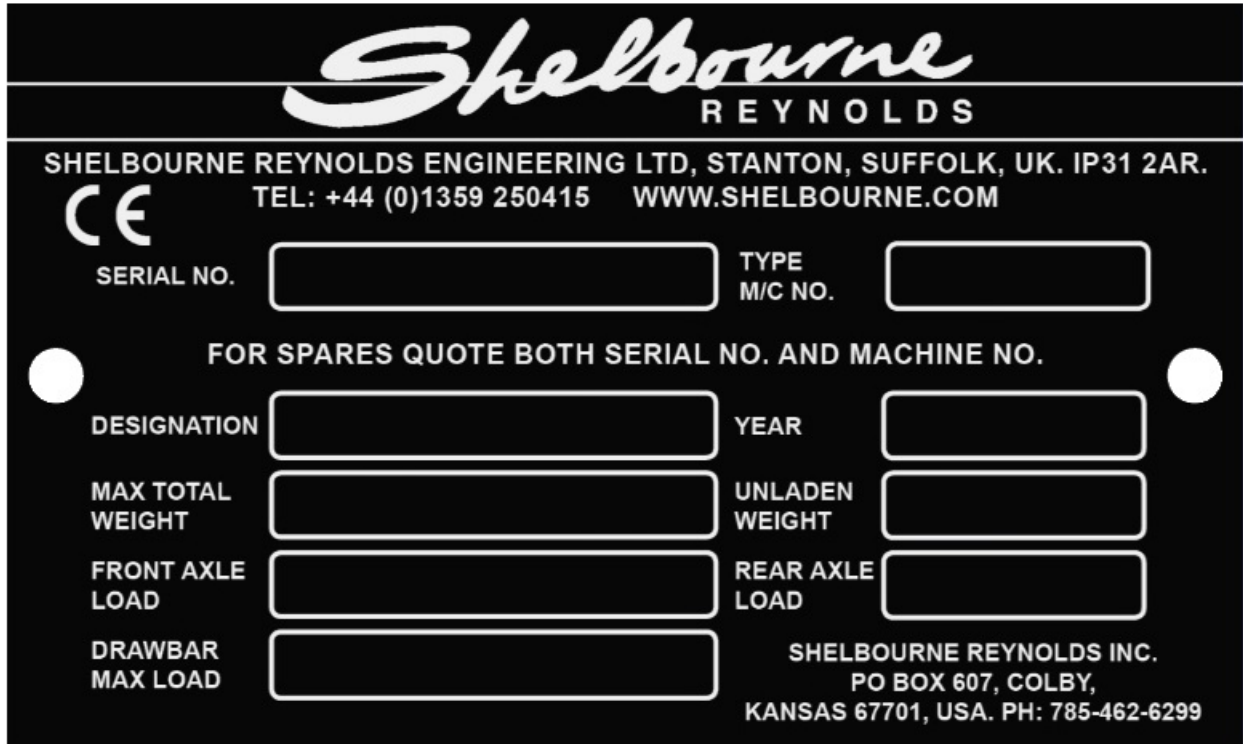
We also reserve the right to make changes to the illustrations, data and specifications contained within this manual.

1.3 SERVICE PARTS

Use guaranteed and genuine Shelbourne Reynolds Engineering service parts on Shelbourne Reynolds machinery to ensure maximum life and best performance. These are available through your Shelbourne Reynolds Engineering dealer.

1.4 MACHINE IDENTIFICATION

The serial and machine numbers are printed on an identification plate, attached midway along the LH side of the chassis. (shown below)



The image shows a black identification plate with white text and fields. At the top, the 'Shelbourne REYNOLDS' logo is displayed in a stylized script and block font. Below the logo, the company name 'SHELBOURNE REYNOLDS ENGINEERING LTD, STANTON, SUFFOLK, UK. IP31 2AR.' is printed, along with contact information: 'TEL: +44 (0)1359 250415' and 'WWW.SHELBOURNE.COM'. A CE mark is visible on the left. The plate contains several input fields for identification data: 'SERIAL NO.', 'TYPE M/C NO.', 'DESIGNATION', 'YEAR', 'MAX TOTAL WEIGHT', 'UNLADEN WEIGHT', 'FRONT AXLE LOAD', 'REAR AXLE LOAD', and 'DRAWBAR MAX LOAD'. A central instruction reads 'FOR SPARES QUOTE BOTH SERIAL NO. AND MACHINE NO.'. At the bottom right, the address 'SHELBOURNE REYNOLDS INC. PO BOX 607, COLBY, KANSAS 67701, USA. PH: 785-462-6299' is provided.

Shelbourne
REYNOLDS

SHELBOURNE REYNOLDS ENGINEERING LTD, STANTON, SUFFOLK, UK. IP31 2AR.
TEL: +44 (0)1359 250415 WWW.SHELBOURNE.COM

CE

SERIAL NO. TYPE M/C NO.

FOR SPARES QUOTE BOTH SERIAL NO. AND MACHINE NO.

DESIGNATION YEAR

MAX TOTAL WEIGHT UNLADEN WEIGHT

FRONT AXLE LOAD REAR AXLE LOAD

DRAWBAR MAX LOAD

SHELBOURNE REYNOLDS INC.
PO BOX 607, COLBY,
KANSAS 67701, USA. PH: 785-462-6299

1.5 POWERMIX WARRANTY POLICY

1.5.1 MACHINE REGISTRATION

To qualify for the full benefit of the warranty set out in clause 1.5.2 of this warranty policy (the "Warranty"), it is the buyer's responsibility to ensure that the selling dealer has completed the warranty registration details and that they are submitted to Shelbourne Reynolds Engineering Ltd. within 30 days from the date of delivery. Using the machine implies the knowledge and acceptance of these warranty terms.

1.5.2 NEW MACHINE WARRANTY

All new machines supplied by **Shelbourne Reynolds Engineering Ltd. ("Shelbourne")**, are warranted to the original purchaser, under normal use and service, to be free from defects in material and workmanship for a period of 12 months from the date of delivery to the original purchaser (the **Warranty Period**), subject to the terms set out in this warranty policy.

No other warranty is given by Shelbourne regarding the machine, and no person has any authority to give any such warranty for or on behalf of Shelbourne, other than where given in writing signed by a director of Shelbourne.

1.5.3 WARRANTY CLAIMS

All claims must be submitted by a Shelbourne authorised dealer providing that the original purchaser has;

- 1) given notice in writing with full information regarding the failure, to Shelbourne (or the Shelbourne authorised dealer) during the Warranty Period, and within 15 days of the failure;
- 2) given Shelbourne (or the Shelbourne authorised dealer) a reasonable opportunity of examining the machine or the damaged or defective parts;
- 3) if requested by Shelbourne, returned the damaged or defective parts (via the original Shelbourne authorised dealer) within 30 days of notification of a defect;

then Shelbourne shall, at its opinion, repair or replace the defective parts, or refund the price of the defective parts.

1.5.4 REPAIR COSTS

The original purchaser or Shelbourne authorised dealer shall not repair, or arrange for a repair, of the machine without the prior written authority of Shelbourne. Such authority may only be given by Shelbourne service personnel. **Shelbourne will not be liable for the cost of any repairs carried out without its prior written consent to the work being done.**

If Shelbourne authorises a repair of the machine, all claims for repair costs must be submitted to Shelbourne by a Shelbourne authorised dealer within 15 days of the date of repair on a Shelbourne Warranty Claim Form.

Repairs should be completed by a Shelbourne authorised dealer (or another repairer with the prior written consent of Shelbourne).

The submission of a claim is not a guarantee of payment. Shelbourne will only reimburse the reasonable costs and expenses incurred in connection with any repair. The decision reached by Shelbourne is final.

1.5.5 EXCLUSIONS

Shelbourne will not be liable for the machine's failure to comply with the Warranty in any of the following circumstances:

- 1) damage due to improper use or abusive operation
- 2) damage or depreciation caused by normal wear and tear;
- 3) the machine has been subjected to alteration, modification or fitment of non-genuine Shelbourne parts without the prior consent of Shelbourne;
- 4) accidental damage, including (but not limited to) damage caused by foreign objects (e.g. stones, metals and any materials other than those suitable for the machines intended use);
- 5) the machine has been neglected and not maintained and serviced fully in accordance with the details and maintenance schedule set out in the Operators Manual, and only using Shelbourne genuine parts. Proof of service work may be requested prior to approval of any claim under the Warranty;

- 6) failure due to use of incorrect oil or lubricants, contamination of the oil, or oil which has served its useful life or failure to carry out proper maintenance as recommended in the Shelbourne Operators Manual;
- 7) where the original purchaser has continued to use the machine after they became (or should reasonably have become) aware of the defect with the machine.

Continued use of the machine after a defect is discovered could cause further failures for which Shelbourne cannot be held liable and may also have safety implications.

- 8) the Shelbourne serial number plate on the machine has been removed or altered;
- 9) failure by the customer to release the machine for repair will not be accepted as a reason for delay in repair or submitting warranty claims.

The Warranty shall not apply in respect of any:

- 1) wearing items which includes blades or any other items which are considered to be a normal wearing or consumable items such as chains, bearings and belts;
- 2) hoses that have suffered external damage, unless the damage is a direct result of poor routing during assembly. Complete hoses must be returned for warranty within this period. Any which have been cut or repaired will be rejected;
- 3) repeat or additional repairs resulting from incorrect diagnostics, unless advised by Shelbourne.
- 4) poor-quality previous repair work.

1.5.6 LIMITATIONS OF LIABILITY

Shelbourne and the Shelbourne authorised dealer shall not be liable to the original purchaser under any circumstance for injuries, death, property damage or damages of any kind whatsoever directly, consequential or contingent to any person or property caused by the use of the machine.

Shelbourne shall not be liable for any consequential loss such as the following costs or types of loss (whether direct or indirect):

- 1) Loss of profit;
- 2) Loss of or damage to goodwill;
- 3) Loss of sales or business;
- 4) Loss of agreements or contracts or business opportunity;
- 5) The cost of lost consumables (such as oil);
- 6) Any loss or costs arising from the inability to use the machine due to any defect with the machine, and during the time taken to repair or replace the machine;
- 7) The cost of hire or purchase of any replacement machine;
- 8) Recovery of broken-down machine;
- 9) Damage to or loss of crops or vegetation;
- 10) Damage to the carrying tractor;
- 11) Damage caused by exceeding the tractor OEM (original equipment manufacturers) specification for implement mounting and hitch capability;
- 12) Any other indirect or consequential loss.

In view of the Warranty given by Shelbourne, the terms implied by sections 13 to 15 of the Sale of Goods Act 1979, and all other implied warranties or conditions regarding the quality or suitability of the machine, are, to the fullest extent permitted by law, excluded from this warranty policy and any contract or agreement between Shelbourne and either the original purchaser or the Shelbourne authorised dealer.

Nothing in this warranty policy limits any liability which cannot legally be limited, including liability for:

- 1) death or personal injury caused by negligence;
- 2) fraud or fraudulent misrepresentation;
- 3) breach of the terms implied by section 12 of the Sale of Goods Act 1979 (title and quiet possession); and
- 4) breach of section 2 of the Consumer Protection Act 1987.

1.5.7 EXTENDED WARRANTY

Shelbourne will provide an extended Warranty on the Powermix for an additional 12 months on the weigh system components and 24 months for gearboxes on a parts only basis, subject to all the other terms and conditions of this warranty policy. This is a conditional extended warranty offered solely at the discretion of Shelbourne.

	Powermix PRO	Powermix PLUS
Gearbox Planetary	2 Years	2 Years
Gearbox 2 Speed	2 Years	2 Years
Weigh System	1 Year	1 Year

1.5.8 WARRANTY ON SPARE PARTS

Shelbourne warrants that any spare part or component supplied by Shelbourne in accordance with this limited warranty are free from defects in material or workmanship from the date of sale to the original purchaser for 6 months, subject to the conditions and limitations in clauses 1.5.4 to 1.5.7 of this warranty policy. Shelbourne will at its option, either repair or replace the defective part free of charge providing that any warranty claim is supported with a copy of the invoice to the end user for the failed part. Original Purchaser shall be responsible for labour and all freight charges to and from the place where the warranty work is performed.

Shelbourne Reynolds Engineering Ltd. cannot be held responsible for any failures or safety implications arising from the use of non-genuine parts. Use of non-genuine parts may seriously affect the machine's performance and safety.

1.5.9 TRANSFER OF WARRANTY

Shelbourne may at its sole discretion allow this warranty to be transferred to a subsequent owner of the machinery for the balance of the Warranty Period, subject to all the warranty conditions being met and only with Shelbourne giving prior written consent.

1.5.10 EXPORT CUSTOMERS

If you are based outside of the UK, warranty terms and conditions outlined above may differ depending on your market. Please contact Shelbourne Reynolds Engineering Ltd. for further information.

SECTION 2: SAFETY PROCEDURES

2.1 ACCIDENT PREVENTION

The following safety instructions are applicable for all sections of this manual.

Accident prevention programmes can only avert accidents with the co-operation of the persons responsible for the operation of the equipment.

For the safety of yourself and others, operate equipment with care and do not take unnecessary risks.

Please read all safety instructions contained in this operating manual with the utmost care and observe all safety signs attached to the Powermix.

Follow these instructions to help prevent accidents. These instructions must also be made available to all other users.

All relevant accident prevention regulations governing the operation of agricultural machinery, as well as other generally acknowledged health and safety regulations and road traffic regulations must be strictly observed.

The tractor manufacturer's operator's manual and listed safety precautions should also be adhered to when using the Powermix.

The 'Safe stop' procedure is mentioned throughout this manual. It is extremely dangerous to carry out any work on a machine while it is under power. The most important safety measure to follow is the Safe Stop procedure; use it before carrying out any maintenance or adjustments, including dealing with a blockage or other problem:

The procedure is as follows:

- Put the handbrake on.
- Make sure the controls are in neutral
- Stop the engine
- Remove the key


CAUTION







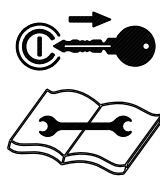
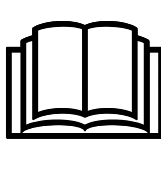

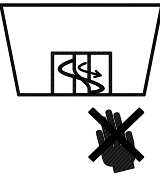

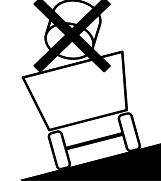


This symbol will appear throughout this manual whenever your safety, the safety of others or the machinery, is involved.

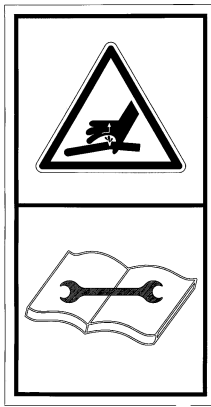
2.2 SAFETY SIGNS

The following safety signs appear on the machine, they provide important instructions for safe work. – Take them into consideration for your safety and the safety of others. Ensure that you identify each symbol and understand its warning. Attached to the PTO guards are additional safety signs, refer to the driveshaft operators manual for their meaning.

 These safety signs must be kept in a legible condition and must be replaced if missing or damaged. This is especially the case when whole sections are replaced when making repairs. Replacement safety signs are available as spare parts through your dealer or importer.

					
					
TNF-0011 Stop the engine and remove the key from the tractor ignition before carrying out any work on the machine.	TNF-0011 Carefully read the operators manual before handling / operating the machine.	610259 01 Do not attempt to climb into the machine using the platform, serious injury may result from falling into the mixing chamber.	610253 01 Beware of sharp blades on auger. Serious injury may result from falling into the door opening with the auger stationary or rotating.	610253 01 Ensure that there are no persons standing in the vicinity of the machine when loading. Serious injury may result from a falling bale.	610253 01 Beware when using on side slopes, the machine may be unstable when a whole bale is first loaded, and may topple over





800221 01
Hydraulic oil is dangerous when under pressure and can be injected into the body. Always ensure the hoses are in good condition before operating.



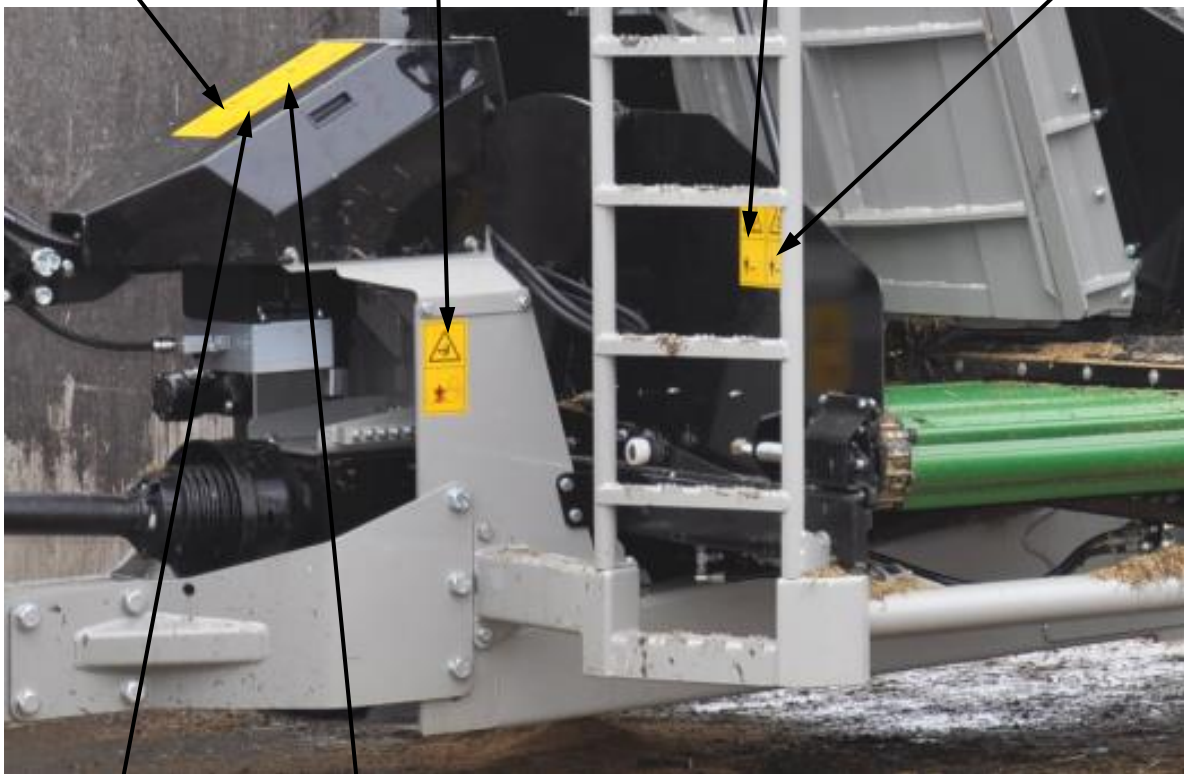
260060 01
Do not stand between the tractor and the machine whilst coupling to the tractor. There is a risk of crushing.



260062 01
It is dangerous to touch the conveyor belt when it is operating. There is a risk of hand entanglement.

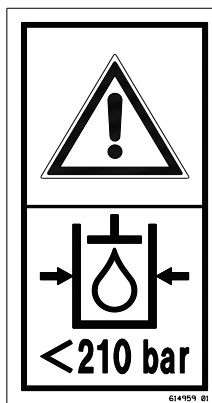
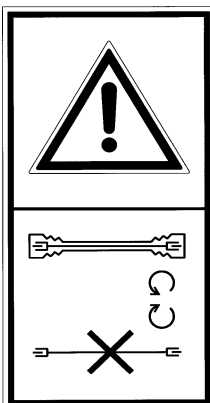


260061 01
Stand a safe distance away from the machine when the conveyor is operating. There is a risk from flying material.



193391 01
Ensure PTO shaft guards are fitted and safety chains are attached.

614959 01
Ensure that hydraulics are not exposed to more than 210 bar of pressure. There is a risk of explosive damage to hoses and other components.



2.3 ACCIDENT PREVENTION BEFORE STARTING THE MACHINE.

Read the manual thoroughly.

If moving the Powermix by overhead lifting, use the designated lifting points. (See section 4.1). Ensure that the slings / chains are rated accordingly, and that the angles of the slings / chains are set in accordance to regulated lifting guidelines.

Ensure bystanders are at a safe distance when the Powermix is being suspended above the ground while lifting and unloading.

A visual check of the load cell mounts would be advisable on older machines, as the axle is connected to the chassis via the loadcell mounts.

Ensure bystanders are at a safe distance while moving the Powermix from the delivery trailer using a tractor.

Ensure the hydraulic brakes are attached to the tractor before attempting to move the Powermix.

Ensure a suitably sized tractor is used to move the Powermix.

Ensure the tractor is fitted with Mirrors to guarantee lateral visibility on both sides of the machine.

Follow the 'safe stop' procedure before carrying out the PDI checks or adjustments.

Do not carry out any PDI work or adjustments without wearing appropriate protective clothing and long hair tied back. (Gloves, safety boots, close fitting clothing etc.)

Before adjusting the front drawbar height, ensure the machine is uncoupled from the tractor and is sitting securely on a temporary solid support situated underneath the front chassis member.

The front drawbar weighs approximately 160kg; so the use of suitable lifting apparatus is advisable to take the weight of the assembly while it is moved.

If the length of the PTO shaft needs adjusting always follow relevant workshop & power tool health and safety procedures / guidelines.

Follow appropriate manual handling procedures, when lifting PTO shaft.

Caution must be taken while entering and moving inside the mixing chamber as there is a risk of slipping / falling onto the auger blades.

Beware when adjusting the auger blades or removing the protective cover as the cutting edge will be sharp.

Check there are no foreign objects inside the machine.

Always perform an internal inspection inside, around and under the machine before attempting to start, transport or load the machine.

The Powermix may be used only if all safety devices, e.g. detachable guards, are fitted and in proper working order.

Familiarise yourself with the controls and functions of the machine and practice them in a safe location before attempting to start work.

Do not operate the hydraulic / wireless hand controller from outside the tractor cab. Ensure the hydraulic spool valves have been switched to neutral and the PTO is switched off before leaving the tractor cab.

Only use the machine if you are a competent operator and fully trained. After the machine is sold it is the owner's responsibility to ensure the machine is only used by competent and fully trained personnel.

2.4 ACCIDENT PREVENTION WHEN COUPLING AND UNCOUPLING TO THE TRACTOR.

The work of coupling and uncoupling the Powermix involves a high risk of injury. Follow the procedure described in section 5.1 for further information.

Ensure the pickup hitch of the tractor is rated to withstand the maximum load seen at the drawbar, and that it matches the drawbar eye of the Powermix.

Ensure the max permissible rear axle load of the tractor will not be exceeded by the weight of the Powermix.

Ensure the machine is parked on a firm level site for coupling and uncoupling, ensure the handbrake of the Powermix is applied.

Check that all observers are clear of the Powermix and tractor. Warn bystanders by sounding the horn of the tractor several times.

When reversing the tractor towards the Powermix always ensure there are no other persons in the vicinity or between the machine and the tractor.

Connect the Powermix to the tractor's hitch using only the method recommended in the tractor's operator manual.

Ensure there is sufficient clearance between the PTO shaft and the drawbar when turning on undulating ground.

Ensure the machine is parked on a firm & level site and the 'safe stop' procedure is followed before raising / lowering the parking foot. This is to ensure that the unit does not unexpectedly move while the operator or person is in close proximity to the machine.

Be aware of the pinch point between the parking foot and the drawbar while raising the parking foot.

Never leave the driver seat whilst the tractor or machine is running.

Ensure the machine is parked on a firm & level site and the 'safe stop' procedure is followed before connecting / disconnecting the power and hydraulic supplies. This is to ensure that the unit does not unexpectedly move or start up while the operator or person is in close proximity to the machine.

2.5 ACCIDENT PREVENTION WHEN USING THE HYDRAULIC SYSTEM

Ensure the machine is parked on a firm & level site and the 'safe stop' procedure is followed before connecting / disconnecting the hydraulic couplings. This is to ensure that the unit does not unexpectedly move while the operator or person is in close proximity to the machine.

Do not connect to tractor's hydraulic system if it can deliver more than 210 bar.

Ensure the hydraulic couplings supplied with the Powermix are compatible with the tractor.

Due to the possibility of oil contamination on your hands / contact with hot or pressurised oil, it is recommended to use PPE (Personnel Protective Equipment), when handling hydraulic hoses & connectors.

Do not connect the hydraulic hoses to the tractor's hydraulic system until you have made sure that the system is at zero pressure on both the tractor and the Powermix.

Do not check the hydraulic system for leaks unless the system is at zero pressure. Hydraulic systems can generate extremely high pressures. Use proper and thorough means of searching for leakage (do not use your hands), and repair all damage immediately. Spurting hydraulic oil can cause injuries. Seek medical advice immediately in the event of injury.

Hydraulic systems can generate heat within its components, be aware if touching / servicing components directly after use.

In order to exclude the possibility of incorrect connection, all mating plugs and sockets belonging to the hydraulic connections between the tractor and the Powermix should be marked with matching colours.

Always ensure the hydraulic hoses & fittings are in good order before operating.

Do not operate the hydraulic / wireless hand controller from outside the tractor cab. Ensure the hydraulic spool valves have been switched to neutral and the PTO is switched off before leaving the tractor cab.

2.6 ACCIDENT PREVENTION WHEN USING THE PTO SHAFT

In conjunction with the following safety measures, always refer to the safety manual supplied separately with the PTO shaft.

Ensure the machine is parked on a firm & level site and the 'safe stop' procedure is followed before proceeding to fit / remove / grease or change the shearbolt on the PTO shaft. This is to ensure that the unit does not unexpectedly move / start up while the operator or person is in close proximity to the machine.

It is recommended to use appropriate PPE (Personnel Protective Equipment), wear gloves, close fitting clothing and ensure long hair is tied back when dealing with the PTO shaft.

Keep the PTO shaft horizontal during handling to prevent the halves from sliding apart, which could cause injury or damage the guarding. Use suitable means to move heavy PTO shafts.

Use only the PTO shaft, which is supplied with the Powermix and is intended for use with the Powermix.

Ensure the PTO shaft is fitted with the prescribed protective equipment (protective tube and funnel-shaped PTO shaft guard).

Be aware of the risk of pinching your fingers / hand between the guard and the end yoke of the PTO shaft.

Ensure the tubes of the PTO shaft overlap by the prescribed distance in both straight-ahead and in turning positions and are secured in such a way that they cannot rotate with the shaft.

Ensure the PTO guard safety chains are fitted and secure.

Before starting work ensure the PTO end yokes are properly engaged.

Be absolutely sure there is nobody standing in dangerous proximity to the Powermix when you switch on the PTO shaft. Contact can cause death;

The PTO shaft speed of the tractor must correspond with the maximum permissible rotational speed of the Powermix.

The angle of attachment will depend on the type of PTO shaft and on the type of tractor hitch. Always switch off the PTO shaft if the angle of divergence is excessive or whenever the PTO shaft is not required.

2.7 ACCIDENT PREVENTION WHEN OPERATING THE MACHINE

The Powermix must not be put into operation until the user has been given proper initial instructions either by the dealer or by one of 'Shelbourne Reynolds' representatives or employees.

Only use the machine if you are a competent operator and fully trained. After the machine is sold it is the owner's responsibility to ensure the machine is only used by competent and fully trained personnel.

PPE (Personnel Protective Equipment) is recommended while mixing / feeding certain ingredients due to skin irritation and inhalation of fine particles. In this case wear face / dust mask, goggles, gloves and overalls.

Only use the Powermix on a tractor that is capable of taking its weight.

The machine shall be used by one person only. When the operator identifies somebody in the mixing / loading area, the operator shall not operate the starting controls.

Due to safe working practices, it is our recommendation that the tractor and Powermix are not left unattended, even for short periods of time. This includes when ingredients are being fetched and loaded.

Bystanders must be kept at a safe distance from the Powermix and tractor while it is being operated. Warn bystanders by sounding the horn of the tractor several times and give them time to move away before starting.

Always inspect inside, around and under the machine before attempting to start, or load the machine.

Ensure the machine has stopped and has been made secure before viewing the mix or tipping minerals into the tub via the inspection ladder

Only carry a suitable amount of minerals while climbing the inspection ladder as there is a risk of falling / body strain injury.

When performing an internal inspection or when tipping minerals into the mixing chamber, climb the inspection ladder with caution, the steps may be slippery and there is a risk of slipping / falling.

Inspect ingredients before loading to ensure they do not contain any foreign objects.

If another person is involved in loading the Powermix, ensure the work has been planned and a system of communication has been agreed on.

Only load the machine with a suitable device.

Do not overload the Powermix.

Do not load the machine on a slopping / slippery site.

Never leave the driver seat while the tractor or machine is running.

Do not operate the hydraulic / wireless hand controller from outside the tractor cab. Ensure the hydraulic spool valves have been switched to neutral and the PTO is switched off before leaving the tractor cab.

Do not reach into the machine whilst it is running as there is a risk of entanglement / drawing in / cutting by the auger and auger blades.

Ensure the machine is parked on a firm & level site and the 'handbrake is applied before climbing the inspection ladder. This is to ensure that the unit does not unexpectedly move while the operator or person is in close proximity to the machine.

Do not observe or let anybody else observe the operation of the machine from a high make shift gallery, unfenced platform, silo, hay barn or the like.

Ensure the 'safe stop' procedure is employed before making any adjustments to the machine. This includes altering the angle of the blade retarders and rotating the visual display.

Ensure the door safety strap is fitted (see section 7.1) and the 'safe stop' procedure is employed, and the PTO shaft is disconnected before climbing into the mixing chamber to adjust or replace the auger blades.

Caution must be taken while handling the auger blades as the edges will be sharp.

Caution must be taken while entering and moving inside the mixing chamber as there is a risk of slipping / falling onto the auger blades.

While adjusting the blade retarders, be aware of the pinch point as the blade rotates.

If the windows of the tractor are open while mixing / feeding, it is recommended that personnel hearing protectors are used due to the noise levels involved.

Keep a safe distance from the distribution conveyor while the machine is operating.

Do not use the machine to transport people, animals or objects.

Do not operate the machine for long periods of time in a closed building.

Ensure the 'safe stop' procedure is employed before proceeding to change a shearbolt.

When operating the weighing display, ensure it is rotated so it is not directly above the PTO shaft. Never reach over the PTO shaft to operate the weigh display.

When operating the weigh display be aware that feed stuff may be ejected from the top of the mixing chamber.

In the event of a malfunction, immediately cease operation and secure the Powermix in its stationary position. Malfunctions must be eliminated immediately. – Ensure the 'safe stop' procedure is employed.

Always replace all guards after making any adjustments or lubricating the machine. Replace or repair any damaged or missing guards immediately.

Keep children away from the machine at all times.

Do not let Pets ride with you in the tractor cab. The controls may be inadvertently operated, which potentially could cause a safety hazard.

2.8 ACCIDENT PREVENTION WHEN TAKING ON PUBLIC ROADS

UK road traffic regulations must be observed when towing the Powermix on the public highway.

The Powermix must be in a road-worthy condition.

Check the tyre pressures regularly. Incorrect tyre pressure will reduce the carrying capacity of the tyre as well as the life of the tyre.

Regularly check & tighten wheel nuts to the recommended torque.

Only use the Powermix on a tractor that is capable of taking its weight.

Disconnect the PTO driveshaft and all hydraulic connections (excluding braking service) from the Powermix during road transport so it cannot be inadvertently operated.

Ensure that all braking systems and lighting systems are in full working order. Make sure they are connected, and the vehicle towing the Powermix can fully and correctly operate them.

Ensure the rear road lights are free of debris and are clearly visible.

Do not overload the machine. Observe the maximum permissible axle loads, the load bearing capacity of the tyres and the maximum total weights in order to ensure adequate steering and braking. Attached implements also influence the behaviour of the tractor.

No person may be allowed to ride on the Powermix.

Always adjust the driving speed to suit the driving conditions. Avoid fast turning when driving uphill, downhill or across a slope. Braking performance and turning ability will be affected when implements are connected to the tractor.

Be aware of the width, height and length of the machine when transporting on the public highway or near obstructions.

2.9 ACCIDENT PREVENTION WHEN LEAVING THE MACHINE

Never leave the driver seat whilst the tractor or machine is running.

Park the machine on a firm and level site.

Follow the safe stop procedure before leaving the tractor cab. If being left unattended lock the tractor cab.

Ensure the 'safe stop' procedure is followed before applying the handbrake on the Powermix.

When unhooking the Powermix, apply the machines handbrake before moving the tractor away.

Do not leave the machine adjacent to a building, hay stack or the like, where persons could climb and fall into the tub.

Store the PTO shaft on the stand provided, and locate the hydraulic hoses in the hose parking station positioned at the front of the machine.

Even when the machine is not running, certain components can be moved or rotated by hand, causing injury to fingers or hands due to trapping. Wherever possible secure components during storage to prevent accidental injuries.

2.10 ACCIDENT PREVENTION WHEN CHANGING A WHEEL

Position the machine on a flat hard standing surface capable of withstanding the loading of a jack.

Where possible avoid changing a wheel near live traffic.

Wear high visibility clothing and position warning signs / cones if a wheel needs to be changed near live traffic.

If carrying out the procedure on a public highway, consider the gradient of the camber before jacking and propping.

Before jacking ensure the wheels are chocked and the machine is hitched to the tractor with its parking brake effectively engaged.

Know the weight of the load and only use adequately rated equipment for the load.

It is advised to use air actuated jacks that can extend high enough to reach the jacking point. Standard trolley or bottle jacks will not have sufficient travel height.

Do not lift the machine via the lifting eyes located on the top rim using a Crane or telehandler when changing a wheel.

Never rely on the hydraulics / air of any lifting equipment. Do not use uneven timber or cement blocks as props, always use heavy duty axle stands

Stay clear of the danger zone / crush area if the machine were to collapse off its temporary supports.

Use mechanical aids to lift / position wheels.

Ensure the wheels are safely replaced, the wheel nuts are correctly torqued, and the repair site is cleared.

Do not attempt to change a wheel unless you have the proper equipment and experience to do the job. If in doubt use a skilled professional. The cost is minimal compared to the costs associated with the serious consequences if something goes wrong.

2.11 ACCIDENT PREVENTION WHEN SERVICING OR WORKING ON THE MACHINE

Ensure the machine is parked on a firm & level site and the 'safe stop' procedure is followed before servicing or working on the machine. This is to ensure that the unit does not unexpectedly move or start up while the operator or person is in close proximity to the machine

The Powermix must be maintained and repaired only by persons who are familiar with its working and have been made fully conversant with the risks involved.

If in doubt contact a qualified engineer

Any malfunctions or defects, which might affect the safe operation of the Powermix, must be immediately eliminated.

Do not carry out any work without appropriate protective clothing and long hair tied back. (Gloves, safety boots, close fitting clothing etc.)

Do not climb on the machine to access grease points as parts of the machine could be extremely slippery. Always use suitable Ladders.

While loosening / tightening nuts & bolts avoid overreaching yourself and consider the consequences of the spanner slipping, or the fastener suddenly breaking or coming loose. If the result is likely to involve a fall, or the removal of flesh from your knuckles, then reconsider your approach.

When entering the mixing chamber to replace, or adjust the auger blades or to fit wear kits to the auger/s, firstly follow the 'safe stop' procedure. As an extra precaution disconnect the PTO shaft & hydraulic services from the tractor. Ensure the door has been secured from accidentally dropping by using the safety strap which attaches to the hydraulic door cylinder (see section 7.1), and enter the tub only via the door opening.

Caution must be taken while entering and moving inside the mixing chamber as there is a risk of slipping / falling onto the auger blades.

Beware when replacing / adjusting the auger blades as the cutting edge will be sharp.

Ensure there is plenty of ventilation in the workshop. Never operate the engine of the towing vehicle in a closed building. The exhaust fumes may cause asphyxiation.

Do not tension the conveyor belt while the belt is running, always employ the 'safe stop' procedure.

Ensure the 'safe stop' procedure is followed; the Powermix is perfectly stable, the handbrake applied and the ground is firm when undertaking work underneath the machine such as changing the gearbox oil, or adjusting the brake rams.

Caution must be taken when changing the gearbox oil as the oil may be hot.

Never work underneath or near the Powermix if it has been raised using only a jack. Always make sure the jack is used in conjunction with stands or other effective supports, and that the jack & stands used can bear the weight.

Always tighten wheel nuts and other components to the stated recommended torque.

Some parts such as brake drums may become extremely hot in use.

Perform an inspection of the tyre before inflation. Check for any defects and wear which may reduce its capacity to withstand its stated inflation pressure.

The tyre should be inflated to its correct pressure, according to the tyre manufacturer's load/inflation specifications. Always stand outside the likely explosion trajectory when inflating a tyre. An inflation cage should be used when inflating large tyres.

With respect to servicing or working with hydraulic components, refer to points listed in section 2.5.

With respect to servicing or working with the PTO shaft, refer to points listed in section 2.6.

Replace all guards after servicing.

Respect the environment and do not dump oil & grease. They should be disposed of in accordance with the regulations at a waste collection point, waste disposal centre or recycling centre.

2.12 ACCIDENT PREVENTION WHEN CLEANING AND STORING THE MACHINE

If the Powermix is connected to a tractor while cleaning, ensure the 'safe stop' procedure is followed and the machine is parked on a firm level site. This is to ensure that the unit does not unexpectedly move / start up while the operator or person is in close proximity to the machine.

Do not clean the machine without appropriate protective clothing and long hair tied back. (dust mask, goggles, Gloves, safety boots, close fitting clothing etc.)

When unhooking the Powermix, apply the machines handbrake before moving the tractor away.

Do not leave the machine adjacent to a building, hay stack or the like, where persons could climb and fall into the tub.

Store the PTO shaft on the stand provided and locate the hydraulic hoses in the hose parking station at the front of the machine.

Do not run the machine while cleaning.

If cleaning the machine using a steam cleaner or pressure washer, follow the recommended precautions given by the washing equipment manufacturer.

When entering the mixing chamber, to clean the machine, firstly follow the 'safe stop' procedure.

As an extra precaution disconnect the PTO shaft & hydraulic services from the tractor. . Ensure the door has been secured from accidentally dropping by using the safety strap which attaches to the hydraulic door cylinder, and enter the tub only via the door opening.

Do not climb on or over the parked / stored machine, due to a risk of falling in or off.

Even when the machine is unattached, certain components can be moved or rotated by hand, causing injury to fingers or hands due to trapping. Wherever possible secure components during storage to prevent accidental injuries.

2.13 NOISE EMISSIONS

Sound pressure level measured at operator's seat in tractor cab.	Just tractor running. (full operating speed)	Tractor window closed.	74 dB(A)
		Tractor window open.	76 dB(A)
	Tractor and Powermix running. (full operating speed)	Tractor window closed.	76 dB(A)
		Tractor window open.	88 dB(A)

Sound pressure levels measured all around the tractor and Powermix at a distance away of 1 metre and a height of 1.6 metres, ranged from 74 - 88 dB(A).

(The above test results were obtained using a randomly selected / modern tractor)

If the windows of the tractor are open while operating, it is recommended that personnel hearing protectors are used due to the noise levels involved. The control of noise at work regulations 2005 state 85 decibels and above before hearing protectors are required.

2.14 PROPER USE

The Shelbourne Reynolds Powermix is intended for use on typical farms and to be employed in cutting and/or mixing and discharging materials suitable for feeding to livestock. Any uses other than those for which the Powermix is intended, such as transportation, will automatically exempt Shelbourne Reynolds or the supplier from its / his liability in respect of ensuing damage. Such cases of improper use will therefore be entirely at the user's own risk.

The Shelbourne Reynolds Powermix is based on state-of-the-art technology and is manufactured in accordance with recognised safety requirements. Nevertheless the use of the Powermix does not preclude the risk of injury to the user or third parties and/or the risk of damage to the Powermix itself or to other materials or items of other equipment.

Always make sure that the Powermix is in a technically perfect condition and that it is used properly and for its intended purpose and entirely in accordance with the instructions given in this manual. Any malfunctions or defects, which might affect the safe operation or the Powermix, must be immediately eliminated.

The Powermix must be used, maintained and repaired only by persons who are familiar with its working and have been made fully conversant with the risks involved.

All relevant accident prevention regulations, as well as other generally acknowledged health and safety regulations and road traffic regulations must be strictly observed.

Improper use also comprises of failure to observe the instructions given in this operating manual and the manufacturer's maintenance and servicing requirements.

2.15 NO LIABILITY FOR CONSEQUENTIAL DAMAGE

Even though your Shelbourne Reynolds Powermix has been manufactured with the utmost care and you are using it properly, fluctuations and interruptions in feed rate may still occur.

It is the duty of the operator/user to ensure that foreign objects, e.g. stones, metal objects etc. are not allowed to enter the machine and are not allowed to be mixed-in with the feed. Failure to observe this may result in damage to the Powermix and/or injury to the operator/user and/or injury to the livestock.

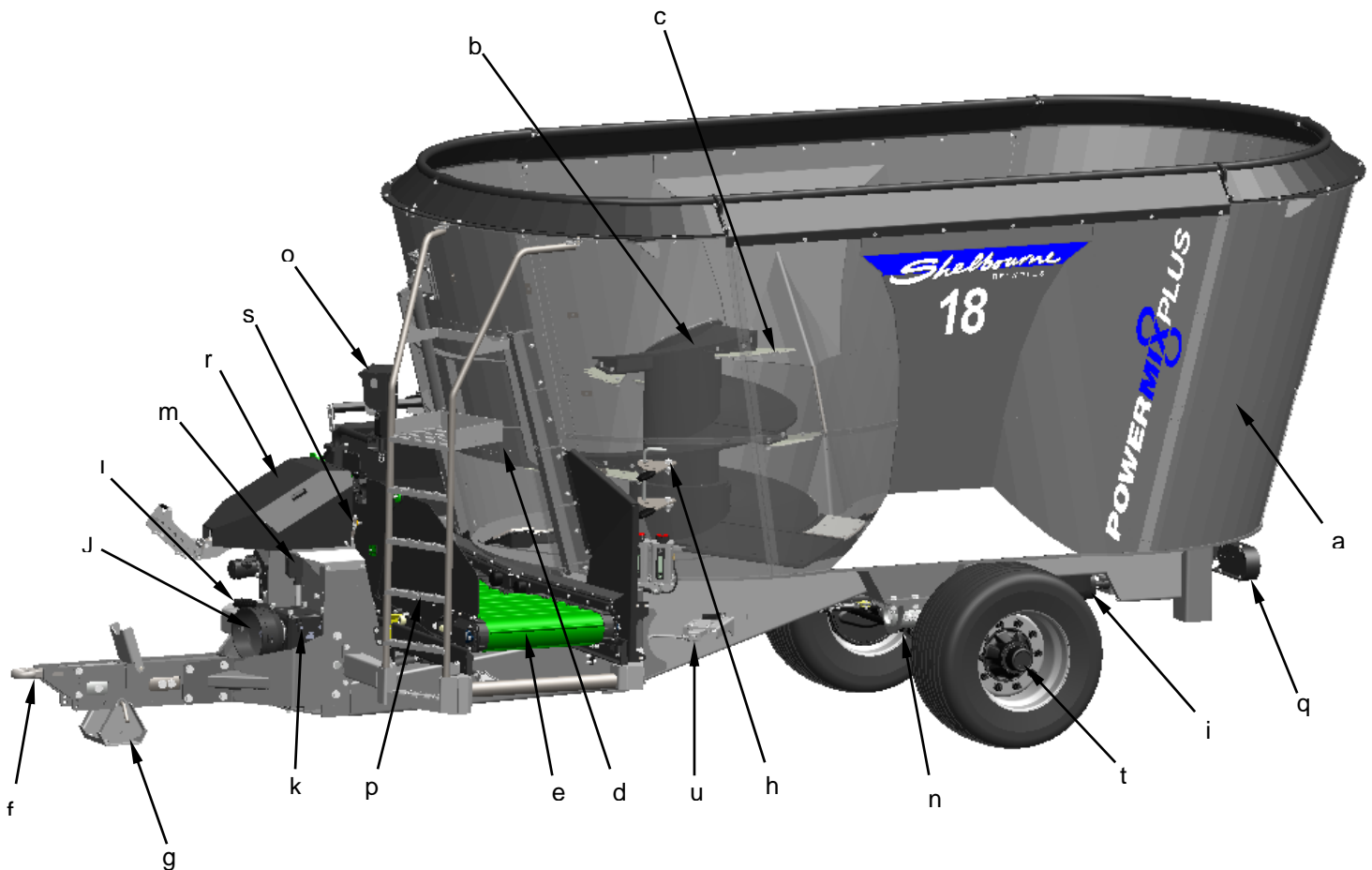
Any claims for damages not directly incurred by the Powermix cannot be accepted. By the same token, Shelbourne Reynolds cannot be held liable for any consequential damage resulting from incorrect use of the Powermix.

SECTION 3:

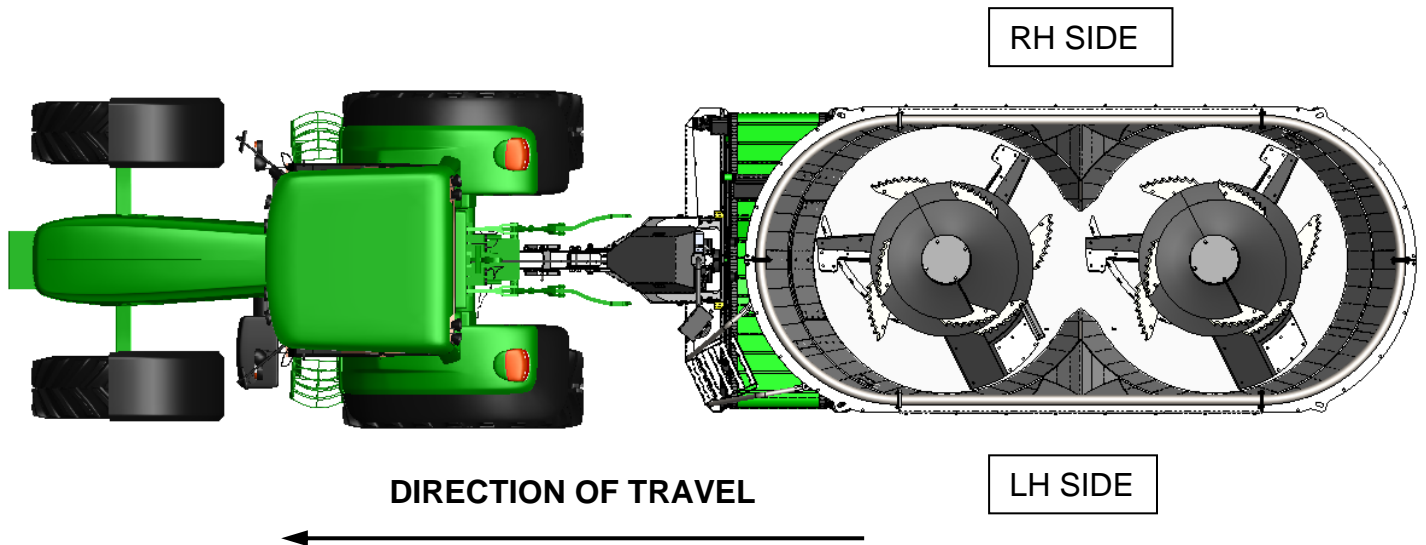
SPECIFICATION

3.1 DESCRIPTION

The machine consists of a mixing chamber (a) with two vertical augers (b). Fitted to the augers are horizontal knives (c). At the front of the mixing chamber is a door (d) and a front webbing conveyor (e). Located at the front of the machine is an adjustable towing eye (f), and an adjustable parking stand (g). Positioned in the sidewall of the mixing chamber are adjustable anti-rotation blades (h). Bolted to the floor of the mixing chamber are two planetary gearboxes (i), they drive the augers via the PTO shaft (J). As standard the machine is fitted with a 2-speed input gearbox (k), which is operated by a manually operated gear change lever (l) or an electric actuator (m). The machine is fitted with 3 weigh cells (n) which are connected to a weighing display (o). At the front of the machine is an inspection ladder (p). Positioned at the rear of the machine is a light board (q). The hydraulic services may be operated by a hydraulic valve (r) via a hand controller (s). The machine is fitted with a hydraulic single or tandem braked axle (t), and a handbrake (u).



Right and Left hand of the machine as termed in this manual is for an operator sitting in the tractor seat looking forward.



3.2 INTENDED USE

The machine is intended to be used on typical farms employed in cutting and/or mixing and discharging materials suitable for feeding to livestock.

A high proportion of these materials may be in powder, liquid or granular form. The machine is at its best when a portion of the material is fibrous and may or may not require further cutting. A typical mixing operation would take 5-10 minutes whilst further cutting may take up to 20 minutes.

An additional feature is that this machine will accept fibrous material in a baled form i.e. round or square bales of grass silage, hay or straw from cereals, rice and other crops. Root crops may also be added.

3.3 SPECIFICATION / TABLE

POWERMIX PRO MODELS	Unladen Weight	Unladen Drawbar Weight	Gross Weight	Max Drawbar Weight	Max Axle Weight	Capacity (Volume)	Capacity (Weight)	Standard Tyre size	Min tractor H.P Required	Road Speed Max (km/h)	Hydraulics 3000(psi max) (210 bar)	Load Cells
16m ³ SINGLE AXLE	7648kg 16864 lbs	1260 kg 2778 lbs	11648 kg 25684 lbs *14848 kg *32740 lbs	1558 kg 3435 lbs *1796 kg *3961 lbs	10090 kg 22248 lbs *13052kg *28780 lbs	16m ³ 565ft ³	4000 kg 8820 lbs *7200 kg *15876 lbs	435/50R19.5	100	32	45-65 l/min	12v DC
18m ³ SINGLE AXLE	7680 kg 16934 lbs	1263 kg 2785 lbs	11680 kg 25754 lbs *15780 kg *34795 lbs	1561 kg 3442 lbs *1867 kg *4117 lbs	10119 kg 22312 lbs *13913 kg *30678 lbs	18m ³ 636ft ³	4000 kg 8820 lbs *8100 kg *17860 lbs	435/50R19.5	100	32	45-65 l/min	12v DC
20m ³ SINGLE AXLE	7864 kg 17340 lbs	1277 kg 2816 lbs	11714 kg 25829 lbs *15964 kg *35200 lbs	1564 kg 3448 lbs *1881 kg *4147lbs	10150 kg 22380 lbs *14083 kg *31053 lbs	20m ³ 706ft ³	3850 kg 8489 lbs *8100 kg *17860 lbs	435/50R19.5	120	32	45-65 l/min	12v DC
16m ³ TANDEM AXLE	8308 kg 18319 lbs	1258 kg 2774 lbs	15508 kg 34195 lbs *15508 kg *34195 lbs	1795 kg 3957 lbs *1795 kg *3957 lbs	13713 kg 30237 lbs *13713 kg *30237 lbs	16m ³ 565ft ³	7200 kg 15876 lbs *7200 kg *19845 lbs	385/55R22.5	100	32	45-65 l/min	12v DC
18m ³ TANDEM AXLE	8340 kg 18390 lbs	1260 kg 2778 lbs	16040 kg 35368 lbs *16440 kg *36250 lbs	1834 kg 4043 lbs *1864 kg *4110 lbs	14206 kg 31324 lbs *14576 kg *32140 lbs	18m ³ 636ft ³	7700 kg 16979 lbs *8100 kg *17860 lbs	385/55R22.5	100	32	45-65 l/min	12v DC
20m ³ TANDEM AXLE	8524 kg 18795 lbs	1274 kg 2809 lbs	16024 kg 35333 lbs *17524 kg *38640 lbs	1833kg 4041 lbs *1945 kg *4288 lbs	14191kg 31291 lbs *15579 kg *34352 lbs	20m ³ 706ft ³	7500kg 16648 lbs *9000kg *19845 lbs	385/55R22.5	120	32	45-65 l/min	12v DC
22m ³ TANDEM AXLE	8637 kg 19045 lbs	1282 kg 2827 lbs	16037 kg 35362 lbs *18487 kg *40764 lbs	1833 kg 4041 lbs *2016 kg *4445 lbs	14204 kg 31320 lbs *16471 kg *36319 lbs	22m ³ 777ft ³	7400 kg 16317 lbs *9850kg *21719 lbs	385/55R22.5	120	32	45-65 l/min	12v DC

Note: All weights and other data are approximate.

Weights in standard text and a 32km/h speed limit must not be exceeded if the machines are to be taken on public roads.

These weights are derived due to the following:

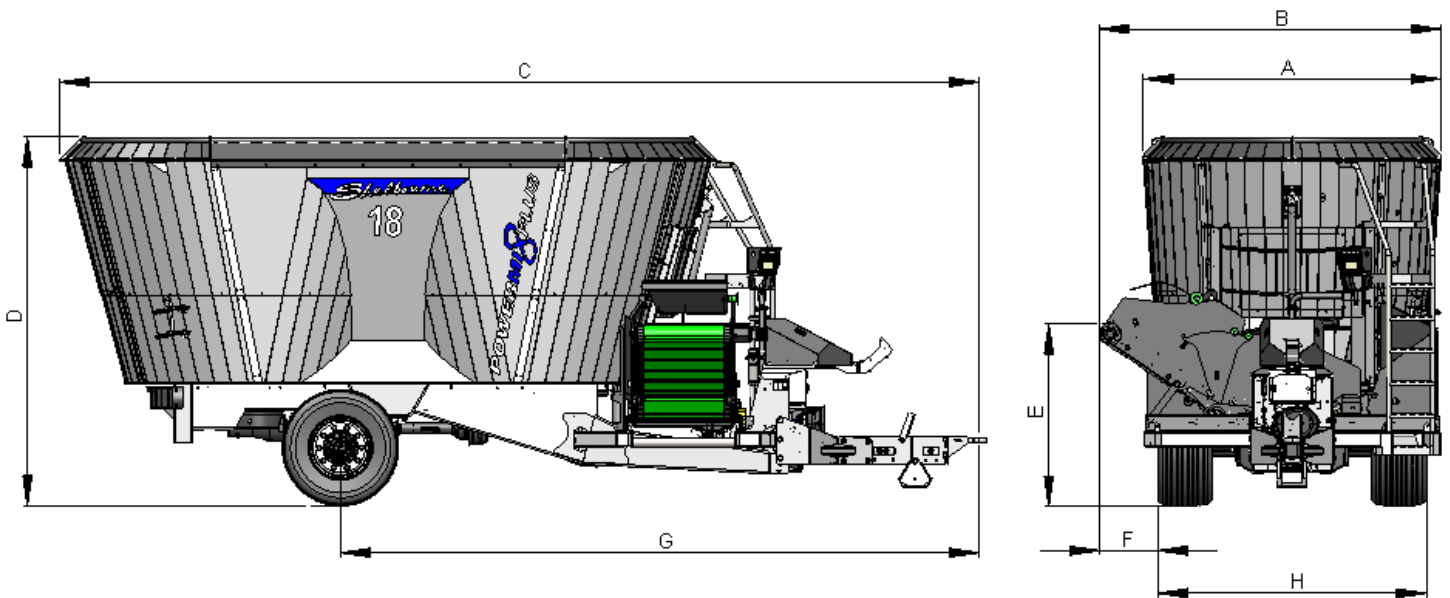
For the single axle machines, regulations state that the weight at the wheels must not exceed 10170kg if the machine is to be taken on a public highway.

For tandem axle machines, regulations state that the weight at the wheels must not exceed 14230kg if the machine is to be taken on a public highway.

***Increased weights (shown in bold text) are for field use only (max speed 10km/h). They are derived from the maximum weights you can physically put into the machine, (figures based on typical animal feed being no heavier than 450kg/m³).**

The increased weights listed for the 20m³ single axle model are limited due to the maximum carrying capacity of the tyres.

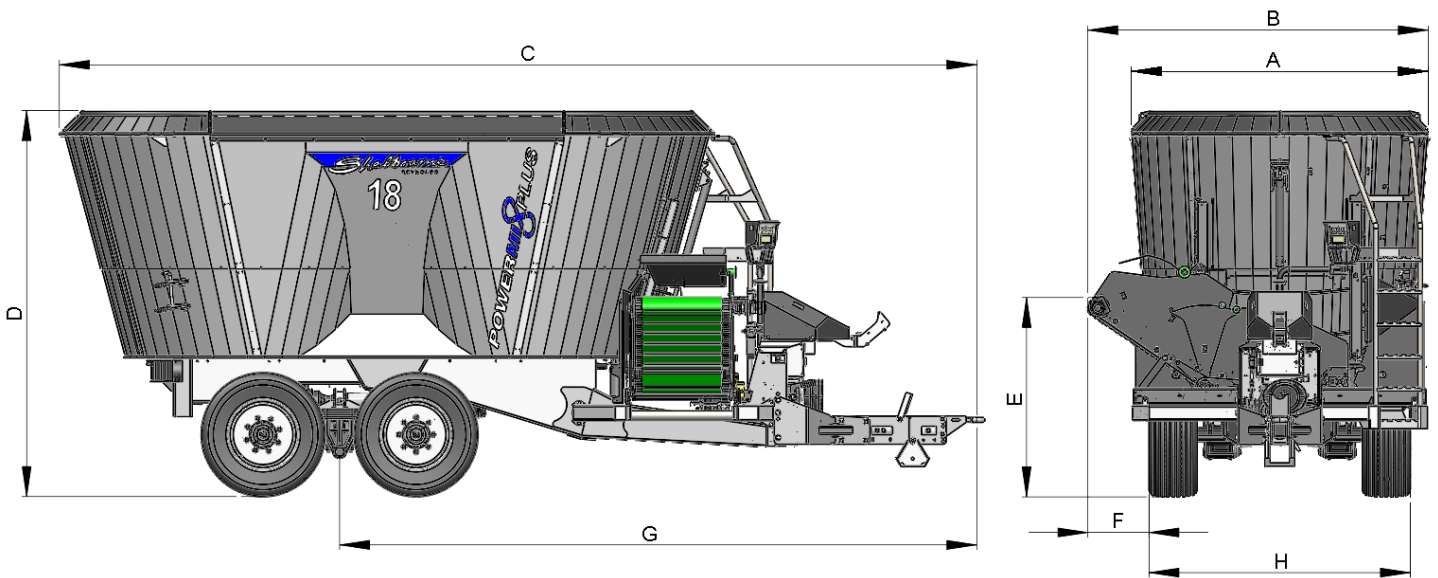
3.4 TWIN EXPRESS (Single axle) MODEL OVERALL DIMENSIONS



MODEL	A	B	C	D	E	F	G	H	UNLADEN WEIGHT
16m ³ SINGLE AXLE (435/50R19.5)	2380mm 7'10"	2730mm 9'	7355mm 24'2"	2810mm 9'3"	1450mm 4'9"	463mm 1'6"	5100mm 16'9"	2138mm 7'	7648kg
16m ³ SINGLE AXLE (385/65R22.5)				2945mm 9'8"	1585mm 5'2"	489mm 1'7"		2086mm 6'10"	
16m ³ SINGLE AXLE (235/75R17.5 Twin set-up)				2730mm 9'	1370mm 4'6"	402mm 1'4"		2260mm 7'5"	
18m ³ SINGLE AXLE (435/50R19.5)	2380mm 7'10"	2730mm 9'	7355mm 24'2"	2945mm 9'8"	1450mm 4'9"	463mm 1'6"	5100mm 16'9"	2138mm 7'	7680kg
18m ³ SINGLE AXLE (385/65R22.5)				3080mm 10'1"	1585mm 5'2"	489mm 1'7"		2086mm 6'10"	
18m ³ SINGLE AXLE (235/75R17.5 Twin set-up)				2865mm 9'5"	1370mm 4'6"	402mm 1'4"		2260mm 7'5"	
20m ³ SINGLE AXLE (435/50R19.5)	2380mm 7'10"	2730mm 9'	7355mm 24'2"	3135mm 10'3"	1450mm 4'9"	463mm 1'6"	5100mm 16'9"	2138mm 7'	7864kg
20m ³ SINGLE AXLE (385/65R22.5)				3270mm 10'9"	1585mm 5'2"	489mm 1'7"		2086mm 6'10"	
20m ³ SINGLE AXLE (235/75R17.5 Twin set-up)				3055mm 10'	1370mm 4'6"	402mm 1'4"		2260mm 7'5"	

Note: All dimensions are approximate.

3.5 TWIN EXPRESS MODEL (Tandem axle) OVERALL DIMENSIONS



MODEL	A	B	C	D	E	F	G	H	UNLADEN WEIGHT
16m ³ TANDEM AXLE (385/55R22.5)	2380mm 7'10"	2730mm 9'	7355mm 24'2"	2925mm 9'7"	1565mm 5'2"	489mm 1'7"	5100mm 16'9"	2086mm 6'10"	8308kg
16m ³ TANDEM AXLE (385/55R19.5)				2862mm 9'5"	1502mm 4'11"				
18m ³ TANDEM AXLE (385/55R22.5)	2380mm 7'10"	2730mm 9'	7355mm 24'2"	3060mm 10'1/2"	1565mm 5'2"	489mm 1'7"	5100mm 16'9"	2086mm 6'10"	8340kg
18m ³ TANDEM AXLE (385/55R19.5)				2997mm 9'10"	1502mm 4'11"				
20m ³ TANDEM AXLE (385/55R22.5)	2380mm 7'10"	2730mm 9'	7355mm 24'2"	3250mm 10'8"	1565mm 5'2"	489mm 1'7"	5100mm 16'9"	2086mm 6'10"	8524kg
20m ³ TANDEM AXLE (385/55R19.5)				3187mm 10'6"	1502mm 4'11"				
22m ³ TANDEM AXLE (385/55R22.5)	2380mm 7'10"	2730mm 9'	7355mm 24'2"	3428mm 11'3"	1565mm 5'2"	489mm 1'7"	5100mm 16'9"	2086mm 6'10"	8673kg
22m ³ TANDEM AXLE (385/55R19.5)				3365mm 11'1/2"	1502mm 4'11"				

Note: All dimensions are approximate.

SECTION 4

HANDLING & TRANSPORTATION



Refer to section 2 for safety procedures.

4.1 HANDLING

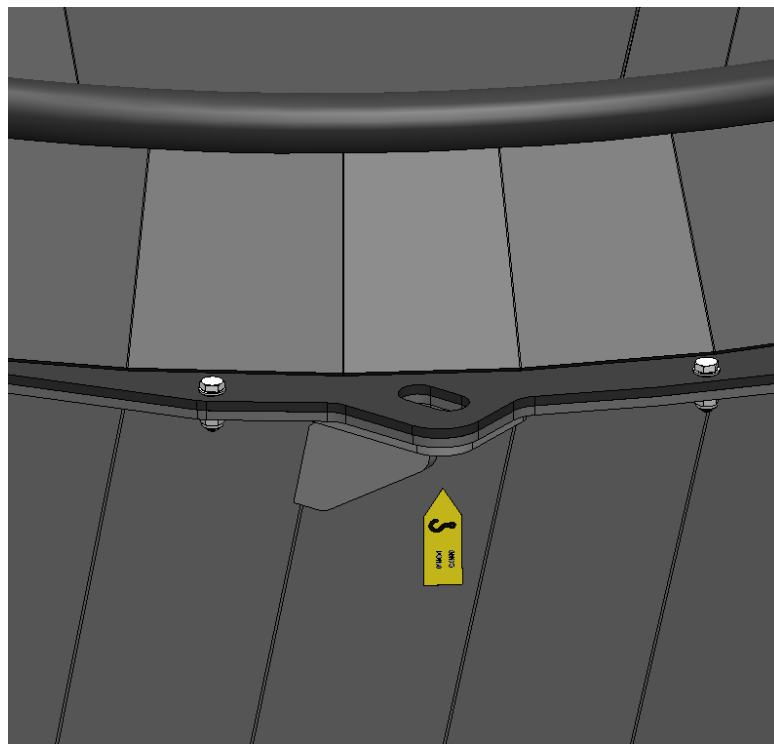


Refer to section 2.3 – Accident prevention before starting the machine for safety procedures.

The Powermix should only be moved by one of the following methods:

1. By the use of a crane type-lifting device (Tele-handler, jib / gantry crane)
2. Attaching to a tractor / towing vehicle

If using method 1, firstly attach an appropriate overhead lifting device, with sufficiently rated slings / chains. Next connect the slings / chains to the machines sling points which are positioned in each corner at the top of the mixing chamber. (Do not lift the machine using the sling points positioned at the top of the angular steel straw ring). When all bystanders are clear of the danger / crush zone, slowly lift the Powermix from the ground / delivery trailer. Ensure the machine lifts level, it may be necessary to lower the machine to the ground and adjust the sling / chain lengths to accomplish this. Once the machine is raised and hanging level, carefully and gently move it to lessen swinging, and lower it to the ground as soon as possible.



If method 2 (attaching to a tractor / towing vehicle) is chosen to move the Powermix ensure the below procedure is followed:



Refer to section 2.4 – Accident prevention when coupling & uncoupling to a tractor for safety procedures

1. Secure the Powermix from moving by applying the handbrake / positioning wheel chocks.
2. Reverse the tractor slowly towards the tow eye of the Powermix, ensure there are no bystanders positioned in the danger / crush zone.
3. Lower the pick-up hitch, and manoeuvre the tractor, so the pickup hitch is directly underneath the tow eye of the Powermix.
4. Raise the pick-up hitch, ensuring the tow eye of the Powermix is engaged, and locked in position.
5. Apply the tractors handbrake, switch off the tractor, and pull out the ignition key.
6. Connect the braking coupling.
7. Disengage the handbrake of the Powermix.
8. Slowly manoeuvre the Powermix. If removing from or loading a delivery vehicle, pay particular attention to the width of the machine as a portion of the tyre may overhang the bed of the lorry, so care must be taken to keep the machine central.

4.2 TRANSPORTATION



Refer to section 2.8 – Accident prevention when taking on public roads for safety procedures.



Refer to section 2.3 – Accident prevention before starting the machine for safety procedures

TRANSPORTING ON DELIVERY VEHICLE:

Ensure the Powermix is securely fastened to the deck of the lorry. Firstly block the wheels and activate the handbrake. Use adequately rated ratchet straps which are in good order.

TRANSPORTING ON PUBLIC HIGHWAY:

UK road traffic regulations state that the maximum weight bearing down on a single axle must be limited to 10170kg. For a tandem axle the maximum weight must not exceed 14230kg – The weights stamped on the machines identification plate will ensure this figure is not exceeded, and must be adhered to if the machine is to be taken on public roads.

The Powermix must not be towed on the public highway at a speed greater than 32 km/h. UK road traffic regulations state that a speed of 32km/h must not be exceeded if the towed vehicle weighs more than 3500kg and does not have all axle suspension, and ABS brakes fitted, or if it's overall width is between 2.55 & 3m.

UK road traffic regulations also state that brakes controlled by the tractor / drawing vehicle should be fitted to a towed vehicle weighing more than 3500kg. Standard lighting and hydraulic brake coupling connections are provided with the Powermix and must be connected when towing the machine on the public highway.

SECTION 5: PREPARATIONS FOR USE



Refer to section 2 for safety procedures.

The Powermix is delivered to the dealer fully assembled and the dealer is responsible for carrying out all the necessary PDI checks; however certain adjustments will need to be made to ensure it is set-up correctly to suit the customer's tractor.

As well as the instructions listed in this section, always follow the guidelines as specified in the tractors operators manual.

The Powermix should only be connected to a tractor with a suitable power rating and weight, capable of operating and driving steadily with the machine. (For recommended minimum tractor sizes refer to section 3.3).

5.1 COUPLING & UNCOUPLING



Refer to section 2.4 – Accident prevention when coupling & uncoupling to the tractor for safety procedures.



Refer to section 2.5 – Accident prevention when using the hydraulic system for safety procedures.



Refer to section 2.6 – Accident prevention when using the PTO shaft for safety procedures.

COUPLING OF TRACTOR

- 1 Secure the Powermix from moving by applying the handbrake or positioning wheel chocks.
- 2 Reverse the tractor slowly towards the tow eye of the Powermix.
- 3 Lower the pick-up hitch, and manoeuvre the tractor, so the pickup hitch is directly underneath the tow eye of the Powermix.
- 4 Raise the pick-up hitch, ensuring the tow eye of the Powermix is engaged, and locked in position.
- 5 Ensure all tractors hydraulic spool valves are in their neutral position. Switch off the tractor and pull out the ignition key.
- 6 Connect the PTO shaft, ensuring that the shearbolt clutch is mounted on the Powermix side.
- 7 Connect and secure the PTO guard safety chains.
- 8 Connect the 7-pin Lighting socket.
- 9 Connect the braking coupling.
- 10 Connect all other auxiliary hydraulic couplings
- 11 Connect the Euro 3-pin 'D' plug.
- 12 Position the parking stand in its raised position (see section 5.7).
- 13 Disengage handbrake or remove wheel chocks.



Do Not Stand between the tractor and the Powermix while the tractor backs up to the Powermix during hitching.

UNCOUPLING OF TRACTOR

- 1 Ensure all tractors hydraulic spool valves are in their neutral position, switch off the tractor and pull out the ignition key.
- 2 Ensure the handbrake is engaged.
- 3 Position the parking stand in its lower position.
- 4 Disconnect the auxiliary hydraulic couplings.
- 5 Disconnect the braking coupling.
- 6 Disconnect the 7-pin Lighting socket.
- 7 Disconnect the Euro 3-pin 'D' plug.
- 8 Locate the hydraulic hoses & lighting cable in the hose parking station at the front of the machine.
- 9 Disconnect the PTO guard safety chains, remove the PTO yoke from the tractor and park the PTO shaft on the parking stand of the Powermix.
- 10 Start the tractor, and lower the pick-up hitch until the parking stand sits firmly on the ground.
- 11 Manoeuvre the tractor away from the Powermix.
- 12 Switch off the tractor and remove the ignition key.

5.2 ADJUSTING THE DRAWBAR HEIGHT



Refer to section 2.3 – Accident prevention before starting the machine for safety procedures.



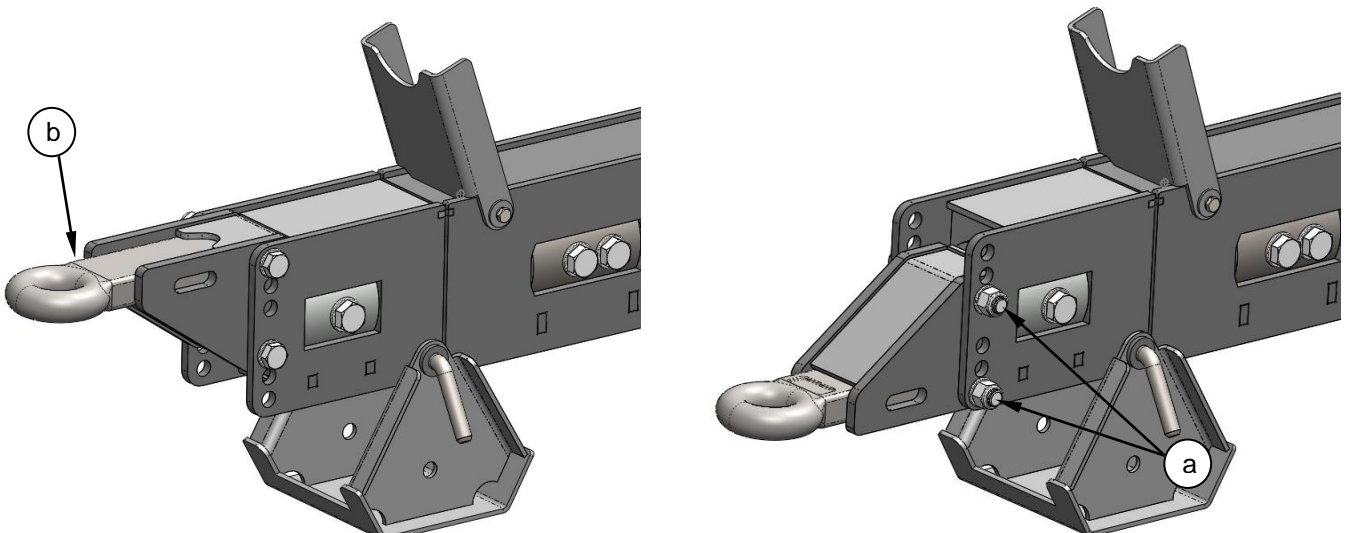
Refer to section 2.11 – Accident prevention when servicing or working on the machine for safety procedures.

The Powermix is supplied with a standard 50mm diameter tow eye (b). The machine performs best when sitting level while hitched onto the tractor. The height of the tow eye is adjustable; and if not set correctly will adversely affect the mixing and feeding functions.

Small adjustments in height can be accommodated by repositioning the tow eye which is bolted to the end of the drawbar.

In total six heights are achievable by adjusting the height of the tow eye. As standard the machine is set as shown below left; in this orientation the tow eye can be lowered a further 30mm or 60mm, which if altered will effectively raise the front of the machine.

If additional adjustment is required the tow eye can be rotated 180 degrees. This will raise the front of the machine by an extra 40-100mm (shown below right).



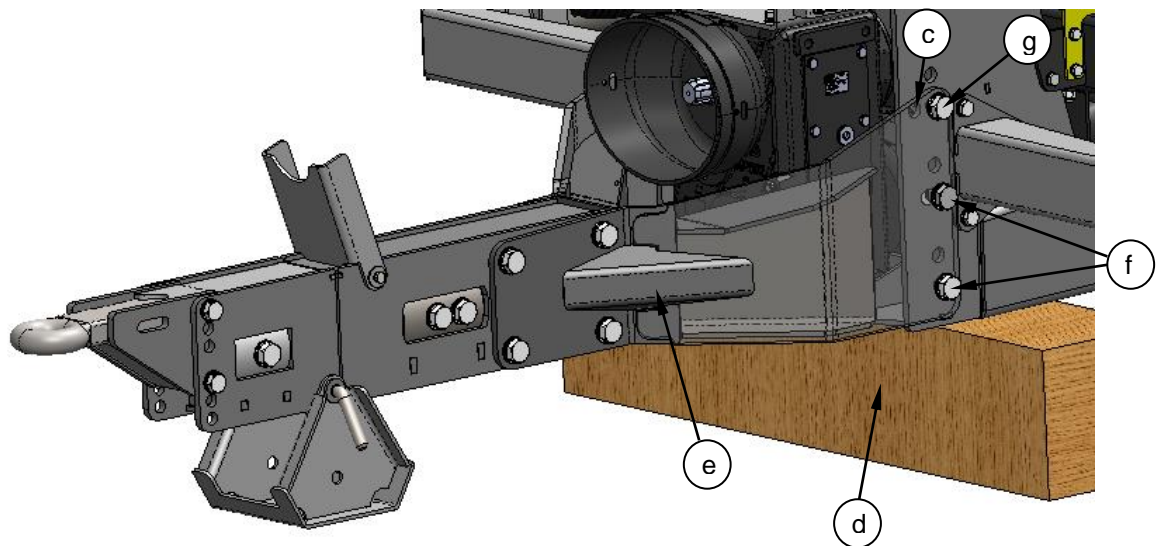
To alter the height of the tow eye, follow the procedure as described below:

1. Lower the parking stand as described in section 5.7
2. Secure the Powermix from moving by applying the handbrake / positioning wheel chocks.
3. Uncouple the Powermix from the tractor as described in section 5.1.
4. Remove 2 off bolts (a), as shown on the previous page and re-position the towing eye (b) as required.
5. Replace the M20x180mm bolts ensuring they are tightened to 435Nm (321lb-ft).

If further height adjustment is required the complete drawbar can be moved upwards at 50mm increments. If large diameter wheels or axle raisers have been fitted, it may be necessary to lower the towing hitch height; this can be done by pivoting the drawbar downwards by moving the upper drawbar fixings into position (c).

To alter the height or to pivot the drawbar downwards, follow the procedure as described below:

1. Park the machine on firm even ground.
2. Place a support such as axle props or heavy duty sleeper (d) underneath the front chassis member, as shown below.
3. Secure the Powermix from moving by applying the handbrake / positioning wheel chocks.
4. Uncouple the Powermix from the tractor as described in section 5.1, slowly dropping the chassis onto the securely placed support.
5. Fix slings or chains around the drawbar assembly (e). Using lifting apparatus carefully take the weight of the drawbar, pay particular attention not to raise the chassis from the temporary support (d).
6. If the drawbar needs to be lifted, remove bolts (f) and (g), lift the drawbar as required, then refit the bolts ensuring they are tightened to 435Nm (321lb-ft).
7. If the drawbar needs to be lowered, slacken bolts (f), and remove bolt (g), lower the drawbar so it pivots on the lower bolt (f), refit bolt (g) in the new position (c). Tighten each bolt to 435Nm (321lb-ft).



Ensure the 'Powermix is detached from the tractor before altering the tow eye or drawbar heights.

5.3 CONNECTING THE HYDRAULIC SUPPLY



Refer to section 2.5 – Accident prevention when using the hydraulic system for safety procedures.

With a clean cloth wipe any dirt from the hydraulic couplings before connecting to the tractors hydraulic system.

Proceed to connect the hydraulic brake coupling and the auxiliary hydraulic couplings to the tractor via the 1/2 BSP male quick release couplings provided.

The machine will be supplied with either a hydraulic control valve, which is connected to one of the tractors double acting spool valves by a single set of feed and return hoses, or it will be supplied with a set of direct connection hoses. If the Powermix is not supplied with its own hydraulic control valve then up to three double acting spool valves may be required to operate all the hydraulic functions, one of which would require adjustable flow to operate the conveyor motor.

The hydraulic control valve is designed to operate at a flow rate of between 45-65 l/min. If the flow rate from the tractor is less than this recommended figure the maximum conveyor speed will need to be reduced to enable all other hydraulic functions to operate.

If the flow rate from the tractor is greater than 65 l/min the pressure drop of the hydraulic system will increase and excess heat will be generated. This will cause the hydraulic system to operate less efficiently and may result in premature component failure.



In order to exclude the possibility of incorrect connection, all mating plugs and sockets belonging to the hydraulic connections between the tractor and the Powermix should be marked with matching colours.



Ensure the tractors maximum hydraulic pressure does not exceed 210bar, failure to check this may result in component failure.



Ensure the tractors maximum hydraulic flow does not exceed 65l/min, failure to check this may result in component failure



Do not connect the quick release coupling if they are not compatible with the tractor.



Ensure the hydraulic hoses are long enough, to suit the tractor, and are not taugt.



Ensure that the hoses do not hang down and obstruct the tractor lift arms or any moving parts.



Ensure the 'safe stop' procedure is followed before connecting the hydraulic supply.

5.4 CONNECTING THE POWER SUPPLY



Refer to section 2.4 – Accident prevention when coupling & uncoupling to the tractor for safety procedures.



Refer to section 2.11 – Accident prevention when servicing or working on the machine for safety procedures.

As standard the lighting circuit is wired into a single 7-pin lighting plug.

The weighing equipment operates independently from the lights. Standard fitment is connection to a Euro 3-pin 'D' plug. The black wire from the Weighing displays power cable connects to the negative terminal and the white wire (+12v D.C) connects to the positive terminal.

As an option the machine may be supplied with a self-contained battery to power the weighing equipment. In this case it is not necessary to connect the Euro 3-pin 'D' plug to operate the weighing equipment. The battery can be recharged using a conventional 12 Volt battery charger - refer to the battery charger instructions before recharging the battery. The battery can be accessed, by turning the isolator switch to "off" and opening the cover. Do not connect the tractor lighting circuit to the weigh cell system when a battery power supply is fitted to the Powermix.

Always switch off the isolator switch when the Powermix is not being used, to preserve the life of the battery.



Ensure the 'safe stop' procedure is followed before connecting the power supply.

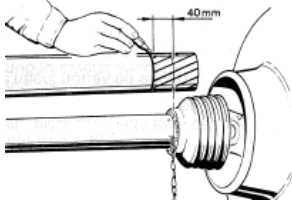
5.5 ADJUSTING THE PTO DRIVE SHAFT LENGTH



Refer to section 2.6 – Accident prevention when using the PTO shaft for safety procedures.

The correct length of the PTO drive shaft may vary depending on the tractor in use. It may be necessary to shorten the PTO drive shaft.

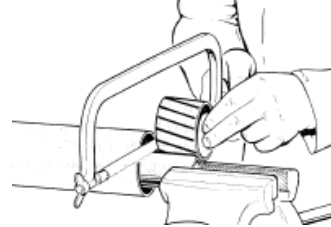
Follow the below procedure:



To adjust the lengths hold the half shafts next to each other in the shortest working position and mark them 40mm as shown.



Shorten the inner and outer guard tubes equally.



Shorten the inner and outer Sliding profiles by the same length as the guard tubes.



Remove all sharp edges and burrs, grease the sliding . Profile tubes



Grease the profile tubes before they are assembled, as they will otherwise be exposed to high friction forces.



Ensure the inner and outer PTO shafts are overlapped by at least 250mm when the tractor and machine are straight. Check that the PTO shaft will not run out of slide travel before the tractor reaches its full articulation. Damage to the shaft and injury may result.



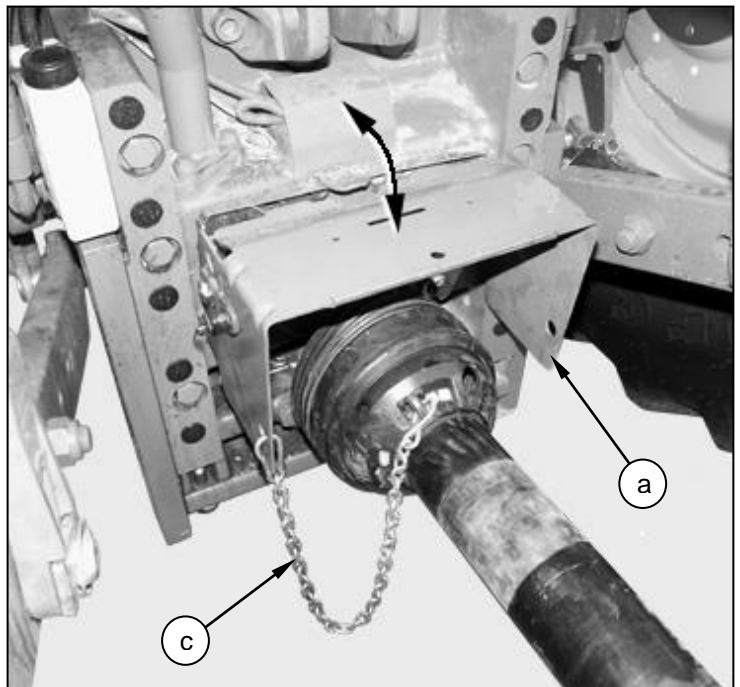
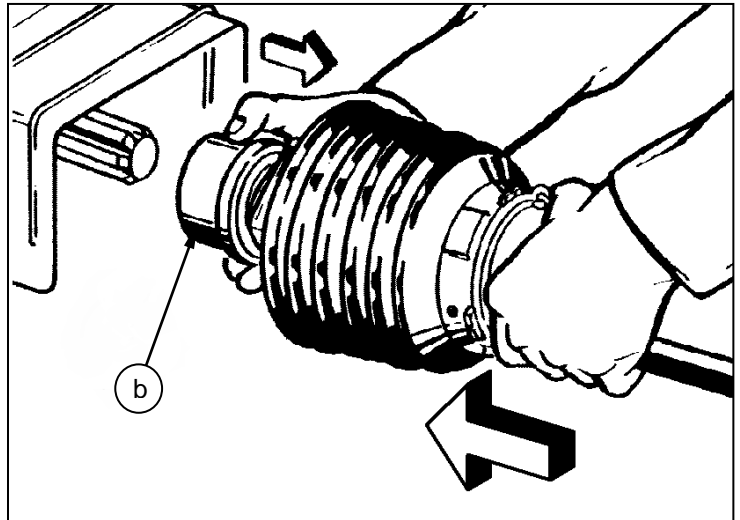
Keeping PTO guards in place and in good order is a requirement of the law as well as safe practice.
Having connected the PTO shaft, ensure the anti-rotation chains are clipped to the chassis or tractor at both ends. The PTO shaft should turn clockwise ONLY.

5.6 COUPLING THE PTO DRIVE SHAFT TO THE TRACTOR



Refer to section 2.6 – Accident prevention when using the PTO shaft for safety procedures.

1. Clean and grease the PTO shaft on the tractor.
2. Ensure the Powermix is securely hitched to the tractor.
3. Ensure the tractors PTO drive is set to neutral.
4. Ensure the 'safe stop' procedure is followed and the tractors ignition key has been removed.
5. Raise the tractor's PTO guard (a).
6. Turn the drive shaft yoke on the Powermix end so that the splined grooves inside the yoke line up with the splines on the tractors PTO shaft.
7. Slide back the locking collar (b) on the end yoke, push the end yoke onto the tractors PTO shaft until it locks into the groove of the PTO shaft.
8. Lower the tractors PTO shield (a).
9. Attach the chain (c) to the provided attaching hole on the tractor. Ensure the chains are fixed as close to a right angle to the PTO drive shaft as possible.
10. Ensure there is sufficient slack in the safety chains to allow for movement during operation.



Ensure the inner and outer PTO shafts are overlapped by at least 250mm when the tractor and machine are straight. Check that the PTO shaft will not run out of slide travel before the tractor reaches its full articulation. Damage to the shaft and injury may result.



Keeping PTO guards in place and in good order is a requirement of the law as well as safe practice.
Having connected the PTO shaft, ensure the anti-rotation chains are clipped to the chassis or tractor at both ends. The PTO shaft should turn clockwise ONLY.



Ensure the 'safe stop' procedure is followed before connecting the PTO shaft to the tractor.

5.7 RAISING / LOWERING THE PARKING STAND



Refer to section 2.4 – Accident prevention when coupling & uncoupling to the tractor for safety procedures.

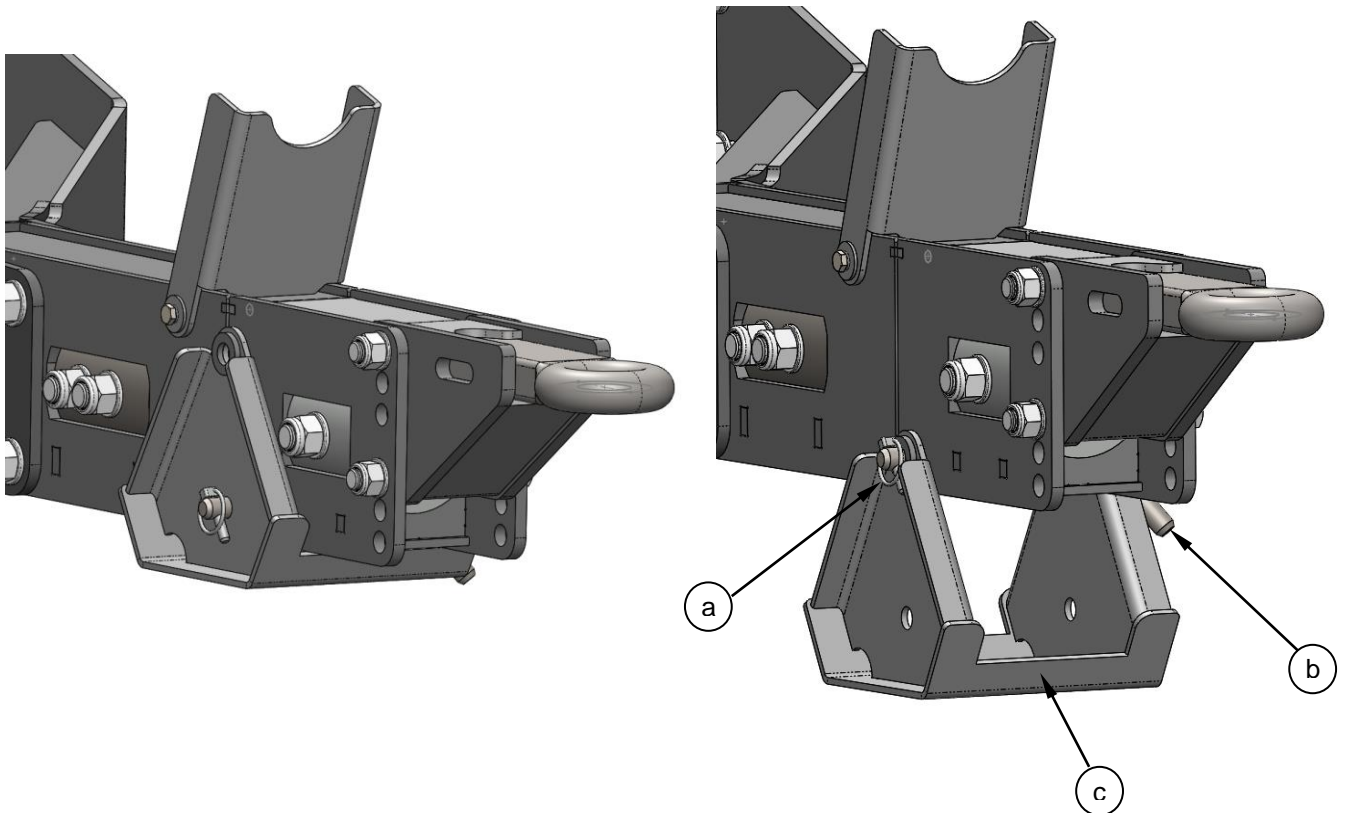


Refer to section 2.11 – Accident prevention when servicing or working on the machine for safety procedures.

Once the Powermix has been attached to the tractor the parking stand must be lifted to the raised position. This is to gain extra ground clearance, while operating.

Follow the below procedure for raising the parking stand:

1. Ensure the 'safe stop' procedure is followed.
2. Secure the Powermix from moving by applying the handbrake / positioning wheel chocks.
3. Remove Lynch pin (a), and then extract pin (b).
4. Lift the parking stand (c), as illustrated below left.
5. Replace pin (b) through the lower hole of the parking stand (c) and then re-fit the Lynch pin (a).



Ensure the 'safe stop' procedure is followed before raising / lowering the parking stand.

5.8 CHECKING THE OPERATION OF THE WEIGHING SYSTEM



Refer to section 2.3 – Accident prevention before starting the machine, for safety procedures.



Refer to section 2.7 – Accident prevention when operating the machine, for safety procedures.

Your Powermix may be supplied with a Digi-star or Dinamica Generale weighing system. It is important to check its operation and calibration settings before first use.

Ensure the Powermix is attached to the tractor with the PTO disengaged, then apply the handbrake of the Tractor and Powermix. Connect the Euro 3-pin 'D' plug to power the weighing system.

Alternatively if the display is wired to the 7-pin lighting socket, the side lights must be turned on. If the weighing display is connected to a battery box the isolator switch must be turned on and the battery fully charged.






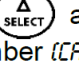

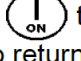
The set-up and calibration numbers should be set as follows for Digi-star displays:

CALIBRATION NUMBER = 10994

SETUP NUMBER = 594015

To check and adjust the setup and calibration numbers on a Digi-star display follow the procedure as described below:



1. Repeatedly press , until *SETUP* is displayed.
2. Press and hold  for 3 seconds .
3. The six digit setup number (*SETUP*) is displayed. Use  to select the digit to be changed. Press  to change the digit.
4. Press  to save the setup number. The calibration number (*CAL*) appears on the display. Use keys  and  change the calibration number (*CAL*).
5. Press  to save the calibration number and to return to gross weighing mode.

For further information on how to operate the Digi-star weighing system, refer to the following operating manuals:

EZ2500V Display

Digi-star Manual number D3895-GB

EZ3400V Display

Digi-star Manual number D3714-GB

EZ3600V Display

Digi-star Manual number D3715-GB

Once the Setup and calibration numbers have been checked and changed if necessary, a known weight must be placed inside the mixing chamber (100kg min) to verify the Powermix is weighing correctly.

The calibration number should be set as follows for Dinamica Generale displays:

CALIBRATION NUMBER = 5005

To check and adjust the calibration number on a Dinamica Generale display follow the procedure as described below:

1. Switch on by pressing



2. Once the software revision has been displayed, the message “-----” will appear on the display.



3. Press the setting key to enter the password configuration mode. The message “Config” will appear on the display. Release the “setting” key when –PASSWORD- appears on the LCD display.

4. Use the minus and plus keys to enter the number 12 into the display. Then press at the same time the PARTIAL and TOTAL keys.



5. The word CALIB will appear on the display. Press the MINUS and PLUS keys to change the value of this parameter to 5005.

6. Press the PARTIAL and TOTAL keys together in order to confirm the new calibration parameter. The message “CALIB OK” will appear.

7. The indicator will then return to password 0.

8. Switch the display OFF to exit the password configuration mode.

For further information on how to operate the Dinamica Generale weighing system, refer to the following operating manuals:

DG400 Display
DG600 Display

Dinamica Generale Manual number – 985-0094
Dinamica Generale Manual number - 985-0092

Once the calibration number has been checked and changed if necessary, a known weight must be placed inside the mixing chamber (100kg min) to verify the Powermix is weighing correctly.

5.9 CONFIGURATION OF THE AUGER BLADES



Refer to section 2.3 – Accident prevention before starting the machine, for safety procedures.



Refer to section 2.11 – Accident prevention when servicing or working on the machine for safety procedures.



Refer to section 7.1 – Connecting the door safety strap

In order to configure the auger blades correctly you should consider a number of factors. PTO rpm / auger speed, auger blade adjustment, order and type of ingredients and the use of the anti-rotation blades will all affect the mixing / chopping time and overall result. The following information will help you decide how to configure your auger blades for the first time; this may have to be amended once you have experienced how your feed has behaved in the mixing chamber:

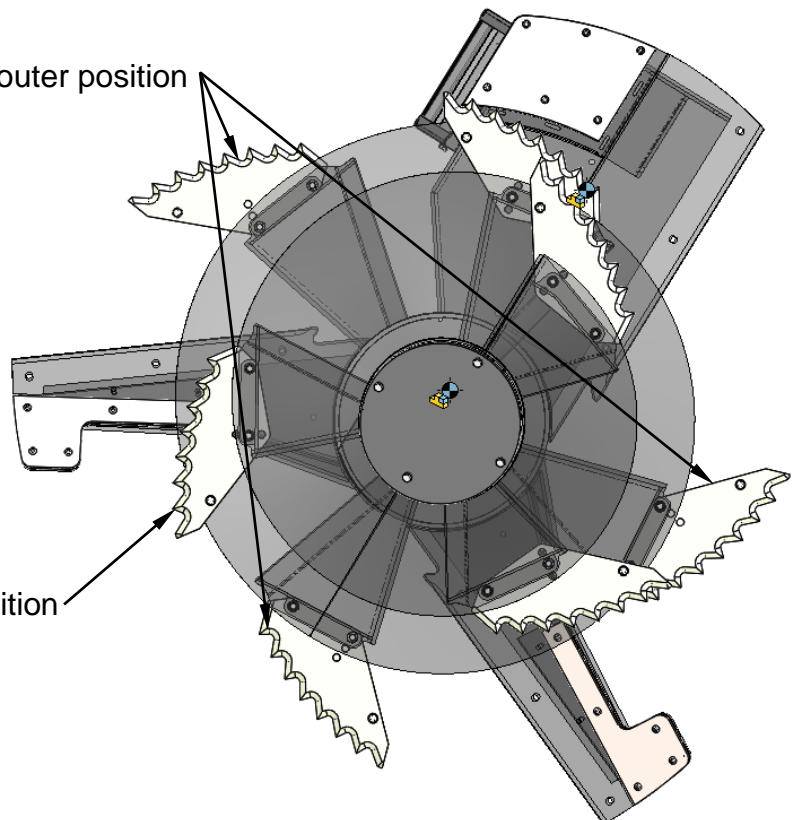
There are 7 auger blades per auger on 16, 18, & 20m³ machines and 8 auger blades per auger on the 22m³ model. It is possible to adjust the angle of each blade, to vary how aggressive the blades are at chopping.

As standard the auger blades are configured as shown below: This configuration is usually sufficient in most situations, but adjustments are recommended in certain types of mix.

In a light high straw content mix, where the power requirement to process the mix is low, it is beneficial to angle all the blades except the very top one to their most aggressive position. This will help accelerate the chopping process and will also improve the feed out from the door.

Likewise in heavier dense mix's, where the power requirement to process the mix is high, it would be beneficial to position the blades in their least aggressive position to reduce the power consumption, changing the angle of the blades to the less aggressive position in very dense mixes can reduce the power consumption and fuel costs.

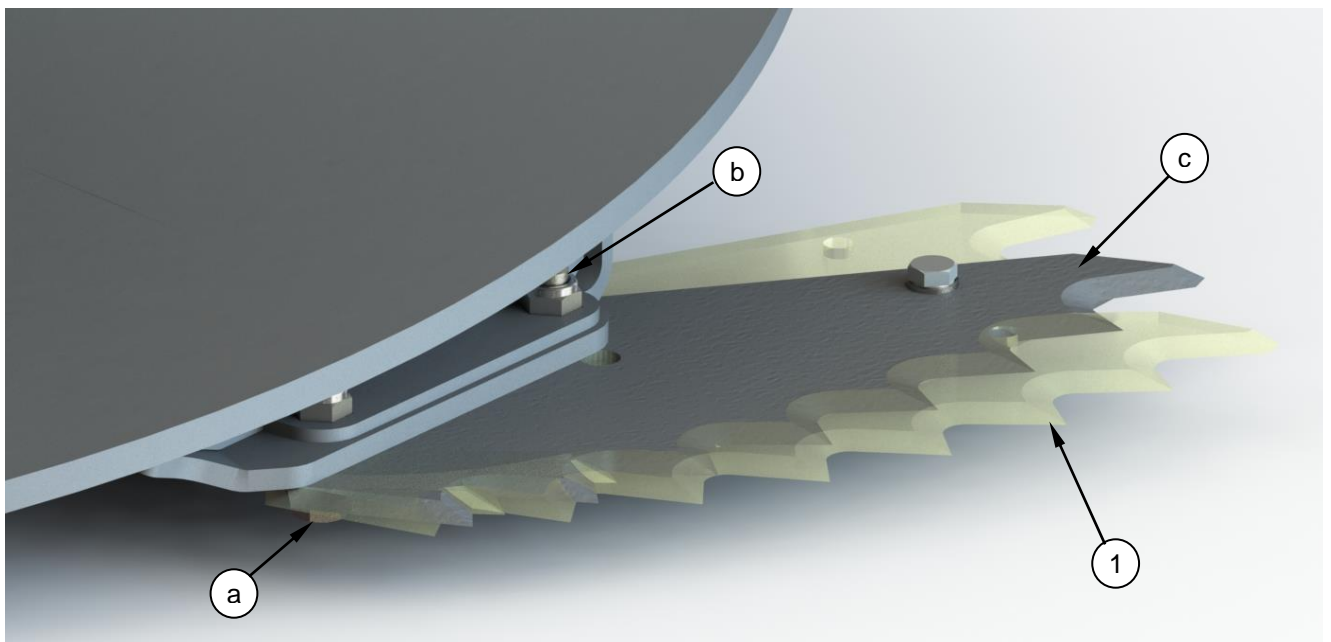
Set 3 off bottom blades in outer position






Set 4 off upper blades in mid position

Follow the below procedure when changing the angle of the auger blades:

1. Secure the Powermix against rolling by applying the handbrake / positioning wheel chocks.
2. Ensure the Powermix is detached from the tractor with the door fully raised.
3. Attach the feed door safety strap (see section 7.1) to prevent the door from inadvertently dropping.
4. Manually rotate the mixing auger via the PTO drive shaft, so that the auger blades are facing away from the door opening.
5. Ensure you are wearing suitable PPE. Enter the mixing chamber only via the door opening.
6. With a 24mm spanner slacken bolt (a), and remove bolt (b).
7. Pivot auger blade (c) together with its backing plate to the required position. Position (1) is set in the most aggressive position.
8. Replace the fixings and tighten to a torque of 225Nm.



-  There is a high risk of severe injury from falling onto the blades. Refer to section 2.11, 'Accident prevention when servicing the machine', before entering the machine. Remember that the floor of the machine will be very slippery, particularly if wet and or polished with use. Approach the task with caution.
-  Care must be taken when handling the blades. They are very sharp. Use protective gloves and be aware of the position of the other blades on the auger when standing in the mixing chamber.
-  Ensure the 'Powermix is detached from the tractor before altering the auger blades.

5.10 PRE OPERATION CHECK LIST



Refer to section 2.3 – Accident prevention before starting the machine for safety procedures.



Refer to section 2.4 – Accident prevention when coupling & uncoupling to the tractor for safety procedures.



Refer to section 2.5 – Accident prevention when using the hydraulic system for safety procedures.



Refer to section 2.6 – Accident prevention when using the PTO shaft for safety procedures.



Refer to section 2.7 – Accident prevention when operating the machine, for safety procedures.



Refer to section 2.11 – Accident prevention when servicing or working on the machine for safety procedures.

Your Powermix has been checked and run at the factory and your dealer should have undertaken all necessary assembly work and pre delivery checks, but as a precaution before first use please check and carry out the following:

- Read this operator's manual thoroughly.
- Check the Powermix has been attached to the tractor correctly.
- Check the drawbar or towing eye has been correctly adjusted, so that the Powermix sits level when coupled to the tractor.
- Check the PTO shaft is connected correctly and is the correct length.
- Check the hydraulic hoses are connected correctly and are long enough.
- Check the electric connection is correct.
- Check the electric 2-speed gear changing actuator is working correctly.
- Check the weighing system is weighing correctly.
- Check the protective covers have been removed from the auger blades.
- Check the auger blades have been configured correctly.
- Check the conveyor belt tension & speed adjustment settings. (Refer to section 7.10).
- Check the torque of the wheel nuts. (Refer to section 7.4).
- Check the tyre pressures. (Refer to section 7.3)
- Check the oil level in the planetary gearbox's and 2-speed gearbox (Refer to section 7.12).
- Check and grease if necessary all grease points (Refer to section 7.11).
- Check that all guards and safety devices are in place.

After the above checks have been carried out, start the machine. Initially run the machine at approximately 300rpm PTO speed and check for any unusual scratching or knocking sounds. Check the operation of all hydraulic services to familiarise yourself with the operating controls, pay particular attention to the conveyor systems hydraulic movement and conveyor speed.

If a potential error is found or you are not 100% satisfied with your machine please contact your SRE dealer or a member of our service and support team.

SECTION 6: OPERATING THE MACHINE



Refer to section 2 for safety procedures.

6.1 LOADING THE MACHINE



Refer to section 2.7 – Accident prevention when operating the machine, for safety procedures.

Follow the below procedure when loading the machine:

1. Ensure the Powermix is correctly coupled to the tractor
2. Position the tractor / Powermix near the product to be loaded.
3. Apply the tractors hand brake.
4. Check there are no foreign objects in the mixing chamber.
5. Ensure there are no bystanders situated around the danger zone.
6. Switch on the weighing equipment and position the display so it can be seen during loading.
7. Ensure the correct PTO speed is selected on the 2-speed gearbox (see section 6.7).
8. Engage the tractors PTO shaft. Please note the Powermix may be loaded without the PTO shaft running, however the mixing and chopping process will be greatly accelerated if the Powermix is running while being loaded.
9. Load the machine from the side. This is the widest section, and will provide more space to manoeuvre the loading grab or bucket.
10. Do not drop the material into the mixing chamber from an unnecessarily high height, try to position the edge of the loading grab or bucket just inside the mixing chamber. Doing this will prevent high impact and avoid damaging the auger blades and auger.



Do not leave the tractor and Powermix unattended, even for short periods of time. This includes when ingredients are being fetched and loaded.



Do not overload the Powermix



Do not load the machine on a sloping site as the dynamic effects of mixing / chopping may reduce stability.

6.2 MIXING / INGREDIENT LOADING SEQUENCE



Refer to section 2.7 – Accident prevention when operating the machine, for safety procedures.

Mixing time and loading sequence are important factors in producing a consistent mixed ration. Typically the loading sequence that provides the best result is based on loading the light forage ingredients first. Whether it is in baled or pre chopped form. The denser fermented ingredients should be added next followed by the wet bi-products such as molasses. The dry ingredients such as rolled corn, or mineral supplements should be added last.

When the last ingredient has been added the feed must be mixed for between 5 and 10 minutes. The optimum mixing time will vary depending on the feed composition, so the best way to determine whether the mix is finished is to look into the mixing chamber via the front inspection ladder. When the mix looks homogenous it is time to feed.

The following is an example of a ration and recommended loading sequence.

Ingredient	Loading order and instructions
Baled Straw	Load this first while the PTO is running, Allow sufficient time for the bale to break down and chop before adding the next ingredient.
Grass silage (clamp)	The weight of the heavier clamped grass silage will compact the straw and accelerate the chopping process.
Maize silage	Again the weight of the maize silage will compact the straw and accelerate the chopping process.
Molasses	Load this next try to distribute this evenly on top of the mix
Mineral supplements	Load these last, after loading allow 5-10 minutes for all ingredients to mix together.



Ensure the machine has stopped and has been made secure before viewing the mix or tipping minerals into the tub via the inspection ladder.

6.3 CHOPPING ROOT CROPS



Refer to section 2.7 – Accident prevention when operating the machine, for safety procedures.

The Powermix can be used to chop and incorporate a wide variety of root crops such as potatoes, sugar beet, fodder beet and carrots. The only way to successfully chop these ingredients down to a safe size so not to present a choking hazard is to chop them as a batch. Adding 500kg of sugar beet to the top of a mix will just result in the beet being suspended in the mix but not being chopped.

It is generally necessary to chop at least 1.5 tonnes at a time in order to get enough roots in the bottom of the tub to cover the second blade on the auger. It should be possible to chop down 1.5 tons of beet in 15 minutes. If this is the correct amount for the ration then you can proceed with loading the rest of the ration, starting with the light forage. If you require less than 1.5 tons for the ration then it will be necessary to unload some of the beet before loading the remaining ingredients.

The blade type retarders, described on the next page, will accelerate the chopping of root crops, if the contents are filled to a level above the top anti-rotational blade. A faster chop can also be obtained by increasing the auger speed (See section 6.7)

6.4 CHOPPING BALED FORAGE



Refer to section 2.7 – Accident prevention when operating the machine, for safety procedures.

As stated in section 6.2, baled forage should be added to the mixing chamber first, as the volume of the bales will increase considerably once the bales have been shredded. A faster chop can be achieved by increasing the auger speed (see section 6.7) while the bales are being processed. It is advisable to reduce the auger speed before adding the remaining ingredients. This is for two reasons, firstly it will minimise power consumption, and secondly, the heavier ingredients which are added on top of the dry forage will help accelerate the chopping process, meaning a faster auger speed is not required.



Always load the bales whilst the machine is level as the machine is particularly top heavy when bales are first loaded into the machine. This may combine with unfavourable dynamic forces!



Beware of falling objects. Stand clear of the machine while bales are being chopped.

6.5 OPERATING THE ANTI-ROTATION BLADES

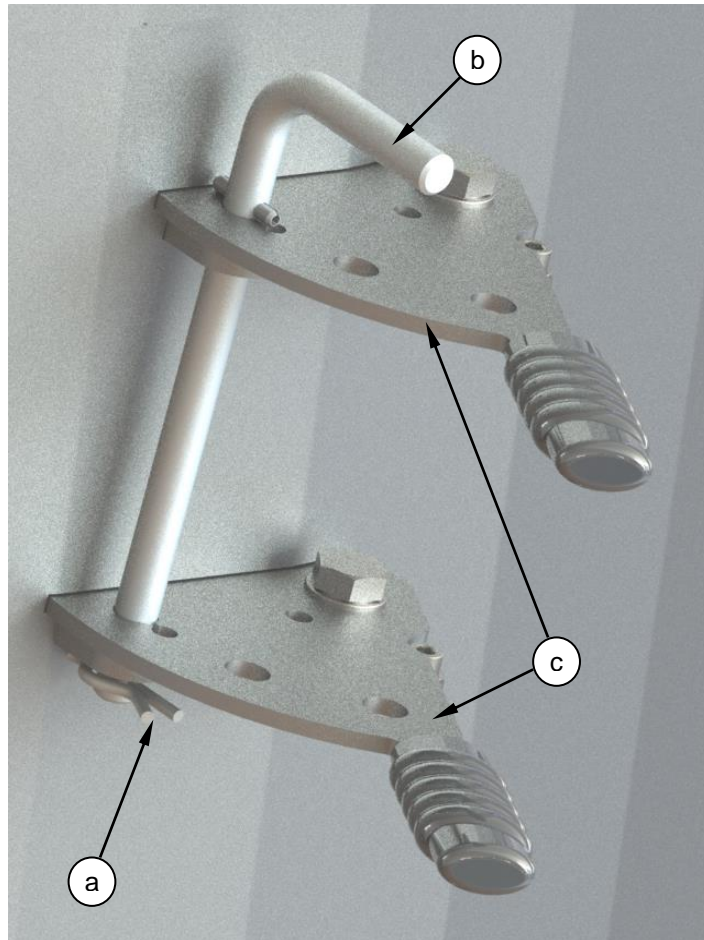


Refer to section 2.7 – Accident prevention when operating the machine, for safety procedures.

When processing baled forage or root crops, the anti-rotation blades can be employed. Their internal knifed edge will not only chop but will also assist the chopping by the auger blades by momentarily stalling the rotation of the feed in the mixing chamber, enabling the auger blades to cut the feed more aggressively as the auger rotates.

Follow the below procedure when operating the anti-rotation blades:

1. Ensure the tractors hand brake has been applied and the tractors PTO shaft is disengaged.
2. Remove 'R' clip (a) and extract pin (b).
3. Rotate the anti-rotation blades (c) to the required position. Trial and error is the best way to determine the optimum set up angle for the feed to be processed.
4. Replace the pin (b), ensuring it passes through both anti-rotation blades (c).
5. Replace the 'R' clip (a).



Ensure the 'safe stop' procedure is followed before adjusting the anti-rotation blades



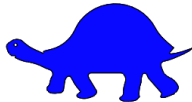
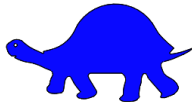

Do not adjust the anti-rotation unless the auger has stopped; as the rotation of material inside the tub will cause the blade handle to retract suddenly.

6.6 AUGER SPEEDS & DRIVE CONFIGURATIONS



Refer to section 2.7 – Accident prevention when operating the machine, for safety procedures.

All Powermix Plus models (16m³-22m³), are fitted with a 2-speed gearbox as standard. With this, 3 auger speeds are available if the tractor has the facility to switch between 540 & 1000 rpm PTO speeds:

PTO (INPUT SPEED)	LEVER POSITION	AUGER SPEED
540 RPM		15.7 RPM
1000 RPM		29.0 RPM
1000 RPM		52.3 RPM

617491 01

The 29 rpm auger speed is suitable for the majority of mixing and chopping situations. If the mix is being over processed the engine revs / PTO rpm of the tractor can be reduced to achieve a slower auger speed.

The 15.7rpm auger speed should be used when a heavy recipe is being mixed (such as a pre-mix). This speed is also useful if the mixing process needs to be stopped and re-started. Using this speed will effectively reduce the horsepower required to run the machine by 85% which makes the machine easier to re-start. It is also possible to drive the machine using a smaller tractor than usual say (90-100 hp) if the 15.7rpm auger speed is selected. The slow auger speed is not recommended for chopping material, it is only suitable for certain mixing applications

The fastest 52.3 rpm auger speed, can be employed to speed up the chopping of dry fibrous material, chopping small batches of root crops, and mixing smaller rations, as well as being used to clear material from the auger flight, once feeding is complete.

Operating the machine using the faster auger speed will increase the horsepower requirements. It is not recommended this speed is used, if the total weight in the tub exceeds 3000kg.

6.7 OPERATING THE 2-SPEED GEARBOX



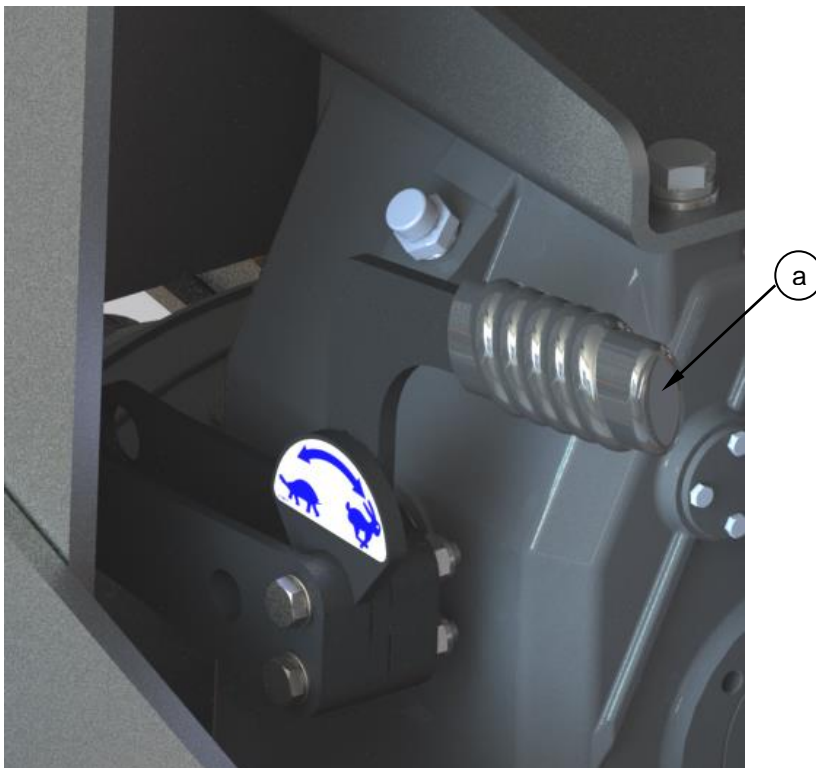
Refer to section 2.7 – Accident prevention when operating the machine, for safety procedures.

In order to change the gear it is necessary to stop the PTO shaft of the tractor. After the PTO shaft has stopped the gear can be changed by means of operating a fixed linkage lever or an electric linear actuator which is controlled from the same hand controller which also operates the machines hydraulic functions.

In some instances where a heavy recipe is being mixed, it may prove difficult to change the gear due to high friction forces inside the gearbox. If this is the case rotate the PTO shaft momentarily while the 2-speed gearbox is in the neutral gear. Stop the PTO shaft and then proceed to try and select the correct gear again.

FIXED LINKAGE GEAR CHANGE LEVER

The fixed linkage lever method can only be operated from outside the tractor cab. Ensure the 'Safe stop' procedure is followed before leaving the tractor cab. To change the gears simply push the lever (a) downwards to enter high gear, and upwards to engage low gear.



When operating the 2-speed gear change lever do not overreach or force the lever.



Never attempt to operate the 2-speed gear change lever while the tractors PTO is running. Ensure the 'safe stop' procedure is followed before changing gear.

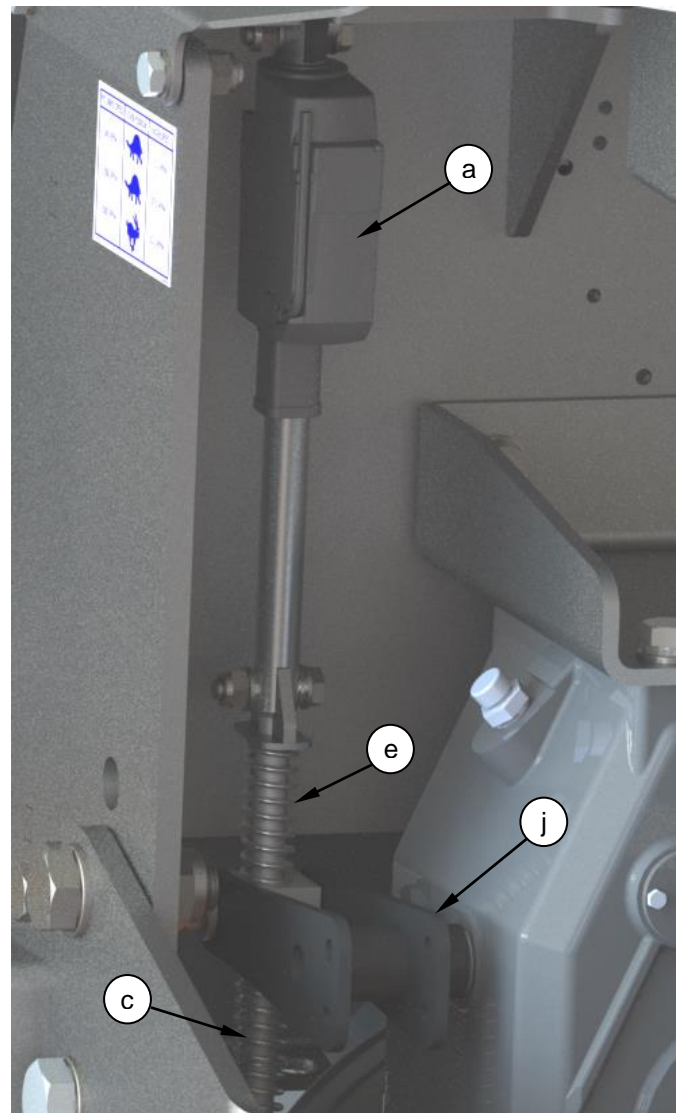
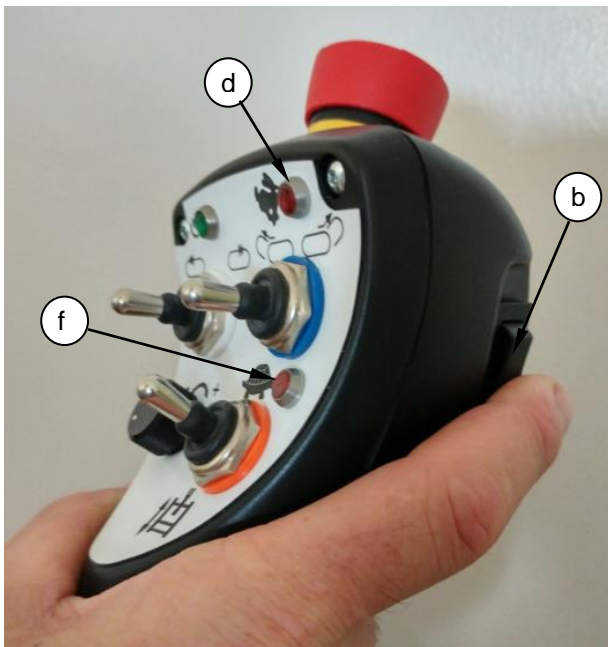
ELECTRIC ACTUATOR GEAR CHANGE OPTION

The linear actuator gear change option must be operated from inside the tractor cab only. The linear actuator (a) should only be operated once the PTO shaft has stopped and placed in neutral.

With the hard wired hand controller the operation of the linear actuator (a) is achieved by operating the switch (b) located on the side of the controller. Pushing the switch upwards will cause the actuator to retract. If the gears within the gearbox are perfectly aligned the gear change lever (j) will rotate and place the gearbox into high gear. If the gears are not aligned the actuator will retract fully and compress the lower spring (c). If this happens the spring force will automatically rotate the gear change lever (j) when the PTO is next engaged, which in turn will automatically switch the gearbox into high gear. When the actuator has fully retracted the red LED (d) will turn on indicating that the PTO can be restarted. The PTO must not be engaged until the red LED is turned on.

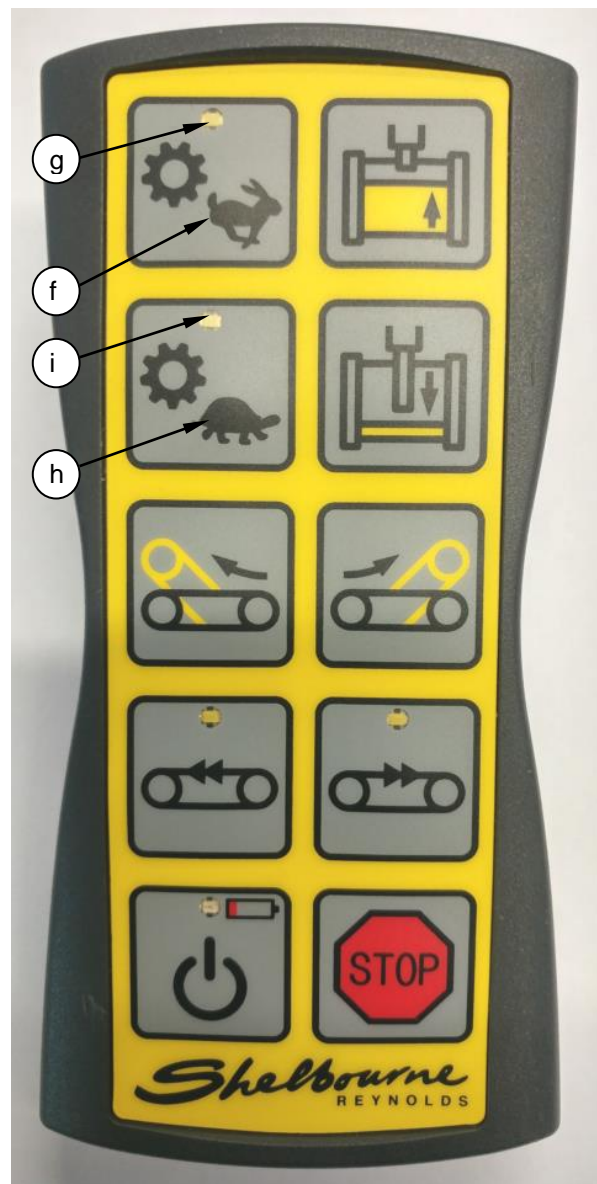
To select the low gear, switch (b) must be pushed downwards which will cause the actuator to extend and compress spring (e). The lower red LED (f) will turn on to indicate that the PTO can be re-started.

HARD WIRED HAND CONTROLLER



The Wireless hand controller works in a very similar way. Pushing button (f) will cause linear actuator to retract which results in high gear being selected. The white LED (g) will flash for 10 seconds while the actuator is retracting. Once the actuator has reached its end stroke the LED will stop flashing and will change to being continuously on. When the white LED is continuously on the PTO shaft can be engaged. Pushing button (h) on the wireless controller will result in the low gear being selected and will cause the white LED (i) to flash for 10 seconds. Once the LED is continuously on the PTO shaft can be engaged. There is no need to hold the button during the gear change. The gear selection is remembered at power-down, and reinstated at power-up.

WIRELESS HAND CONTROLLER



Do not operate the hand controller from outside the tractor cab.



Never attempt to operate the 2-speed gear change actuator while the tractor's PTO is running

6.8 FEEDING PROCEDURE



Refer to section 2.7 – Accident prevention when operating the machine, for safety procedures.

There are potentially four ways to alter the amount of feed to be distributed. The forward speed, the amount the door has been opened, how fast the augers are rotating, and how fast the conveyor belt is rotating. Realistically trial and error is the best way to fine tune these settings to achieve the best results, however to help you distribute the feed as evenly as possible it is extremely useful to view the weigh display as the machine empties – When half the feed has been emptied, half the distance should have been covered. Causes of slow or uneven feed out can be an insufficient chopping time resulting in long fibres blocking the door opening, having blunt or incorrectly configured auger blades, which will hamper their effect of pushing material out of the door, or the fact that the augers are rotating too slowly resulting in insufficient material movement.

The standard PTO shaft which is supplied with the Powermix only tolerates a small deviation in angle when operating; therefore ensure that the Powermix and the tractor are standing in line before engaging the PTO before feeding. If the machine needs to be manoeuvred around corners during mixing / feeding, it is essential to substitute the standardly supplied PTO shaft with a wide angle version.



Follow the below procedure when feeding:

1. When chopping and mixing is complete stop the tractors PTO shaft.
2. Rotate the weigh display so it is clearly visible from the tractor cab.
3. Move the tractor and machine to the feed area, ensuring the tractor and machine are standing in a straight line.
4. Check there is nobody in the danger zone or in the driving line of the machine.
5. Engage the PTO and gradually increase the rpm to the required speed.
6. Adjust the conveyor movement cylinder if required, and start the conveyor rotation function, ensure the speed is correctly set.

7. Now open the door slowly and wait for the feed out to settle before further adjustment.
8. Move forward in the lowest gear possible, until an optimum speed and door opening is found.
9. At the end of each straight run stop the PTO and close the door.
10. Start the procedure again once the Powermix and tractor have been positioned in a straight line.
11. When the mixing chamber is almost empty the auger speed can be increased to the maximum to clear the feed from the augers.



Avoid shock loads to the machine whilst moving. It may result in damage to the load cells.



In narrow feed passages with barrier type troughs, be careful not to trap the heads of animals between the machine and the barriers on both sides of the feed passage.



It is very dangerous to approach the machine when the door is open and the mixing augers are rotating. Always ensure there is nobody in the vicinity of the machine while you are feeding.

6.9 OPERATING THE FRONT ELEVATING WEB CONVEYOR

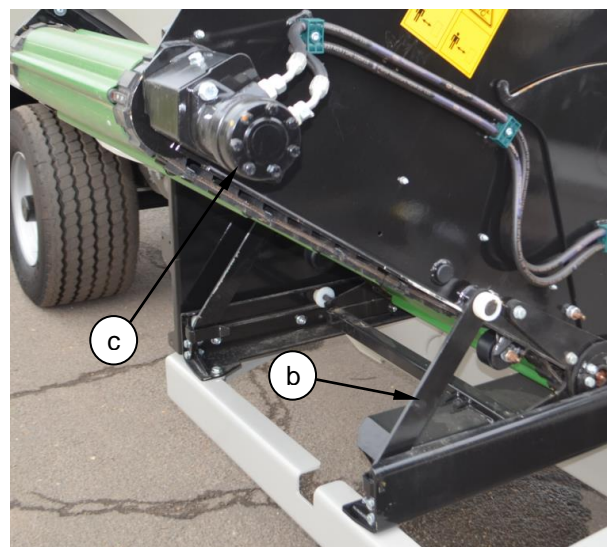


Refer to section 2.7 – Accident prevention when operating the machine, for safety procedures.

The front elevating web conveyor has a unique 1 piece conveyor belt. The construction of which allows the conveyor system to effectively bend which enables the conveyor to feed either side and reach multiple feeding heights and distances. (For feeding heights refer to sections 3.4 & 3.5).



The movement of the conveyor belt is generated by operating two linked hydraulic cylinders (a) which are situated underneath the conveyor belt. To move and elevate the conveyor to the right the hydraulic cylinders are extended, and to move and elevate the conveyor to the left the hydraulic cylinders are retracted. The conveyor system starts to elevate when the jacking arms (b) reach a stop which allows one half of the conveyor frame to pivot which in turn starts the lifting motion. The rotation of the conveyor belt is via a single hydraulic motor (c). The hydraulic motor can be driven in either direction and the speed of rotation can be varied by altering the flow of hydraulic oil.



Bystanders must be kept at a safe distance from the Powermix and tractor while it is being operated.

6.10 OPERATING THE CONVEYOR DEFLECTOR



Refer to section 2.7 – Accident prevention when operating the machine, for safety procedures.

The operation of the conveyor deflector is fully automatic. When feeding to the left the conveyor deflector (d) will be in its down position (top photo). It is designed to deflect the material onto the conveyor belt when feeding to the left.

When feeding to the right (lower photo) the conveyor must be moved to the right to engage the pivot roller (e) onto the ramp (f) which is positioned on the top of the RH conveyor frame. This in turn will rotate the conveyor deflector into its up position which will allow the material being fed to pass underneath.



6.11 DIRECT COUPLED HYDRAULIC CONTROLS



Refer to section 2.7 – Accident prevention when operating the machine, for safety procedures.



Refer to section 2.5 – Accident prevention when using the hydraulic system for safety procedures.

This hydraulic control system connects the conveyor motor, conveyor movement cylinders and feed door cylinder directly to the hydraulic spool valves of the tractor. When using this system a double acting spool valve is required to operate each hydraulic function. To activate each hydraulic service it is simply a case of engaging the relevant spool valve in the tractor cab.

If this connection method is used, the hydraulic spool which operates the conveyor motor service must have the facility to limit the hydraulic flow to 30l/m. This is to ensure the rotational speed of the conveyor belt is limited to a maximum of 450rpm.



In order to exclude the possibility of incorrect connection, all mating couplings and sockets belonging to the hydraulic connections between the tractor and the Powermix should be marked with matching colours.



Do not connect to tractor's hydraulic system if it can deliver more than 210 bar.



Ensure the hydraulic couplings supplied with the Powermix are compatible with the tractor.

6.12 ALL-ELECTRIC HYDRAULIC VALVE



Refer to section 2.7 – Accident prevention when operating the machine, for safety procedures.

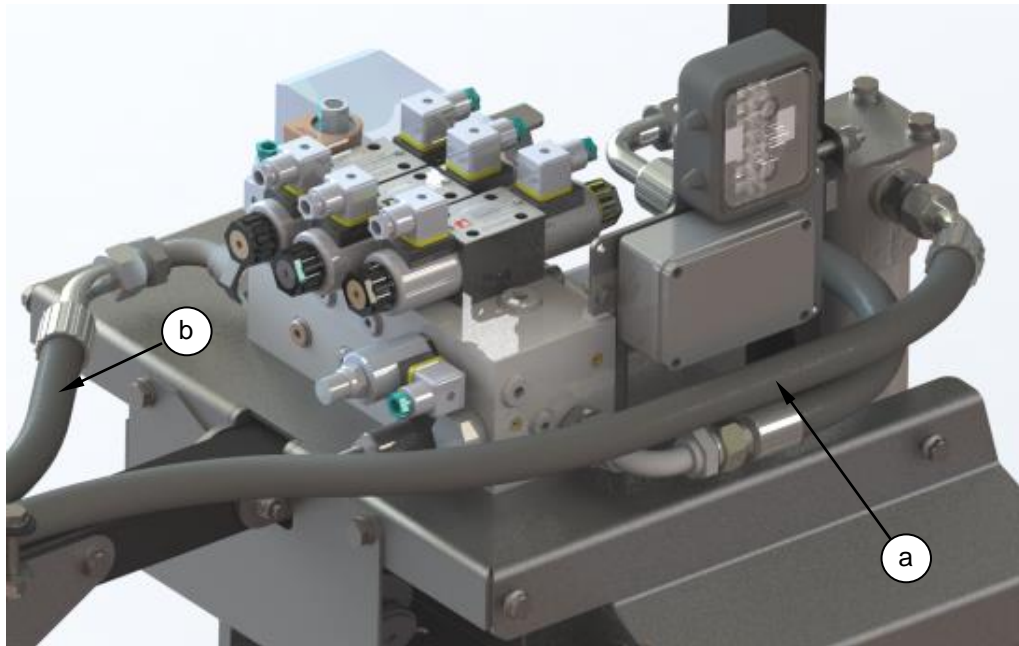


Refer to section 2.5 – Accident prevention when using the hydraulic system for safety procedures.

If this connection method is used, the pressure hose (a) is connected to a double acting hydraulic spool valve on the tractor and the return hose (b) is coupled to a free flow return to tank. The hydraulic controls can be operated via either a hard wired hand controller or a wireless handset.

The all electric hydraulic valve is designed to operate at a flow rate of between 45-65 l/min. If the flow rate from the tractor is less than this recommended figure the maximum conveyor speed will need to be reduced to enable all other hydraulic functions to operate.

If the flow rate from the tractor is greater than 65 l/min the pressure drop of the hydraulic system will increase and excess heat will be generated. This will cause the hydraulic system to operate less efficiently and may result in premature component failure.



Ensure the tractors maximum hydraulic pressure does not exceed 210bar, failure to check this may result in component failure.



Ensure the tractors maximum hydraulic flow does not exceed 65l/min, failure to check this may result in component failure.



Do not connect the quick release coupling if they are not compatible with the tractor.



Ensure the hydraulic hoses are long enough, to suit the tractor, and are not taught.



Ensure that the hoses do not hang down and obstruct the tractor lift arms or any moving parts.

6.13 OPERATING THE HARD WIRED HANDSET



Refer to section 2.7 – Accident prevention when operating the machine, for safety procedures.



Refer to section 2.5 – Accident prevention when using the hydraulic system for safety procedures.

To open the feed door press and hold switch (c) upwards. To close the feed door, press and hold switch (c) downwards.

To slide and elevate the conveyor to the right, press and hold switch (d) to the right. To slide and elevate the conveyor to the left, press and hold switch (d) to the left.

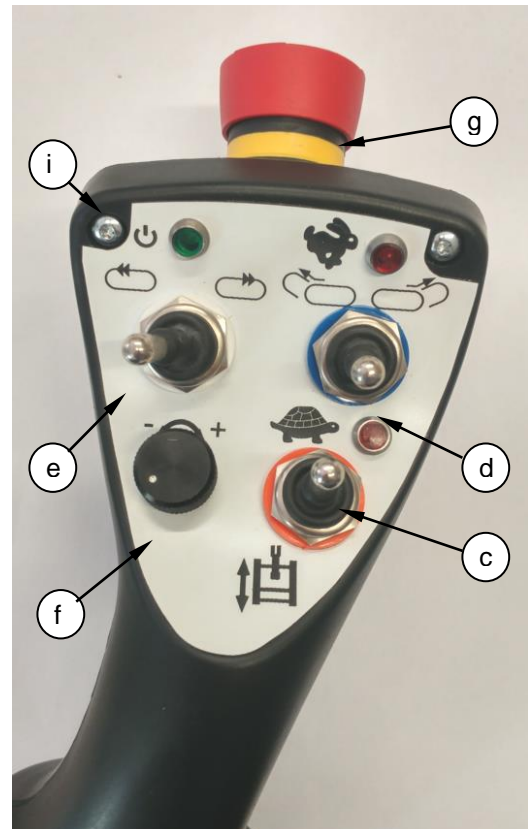
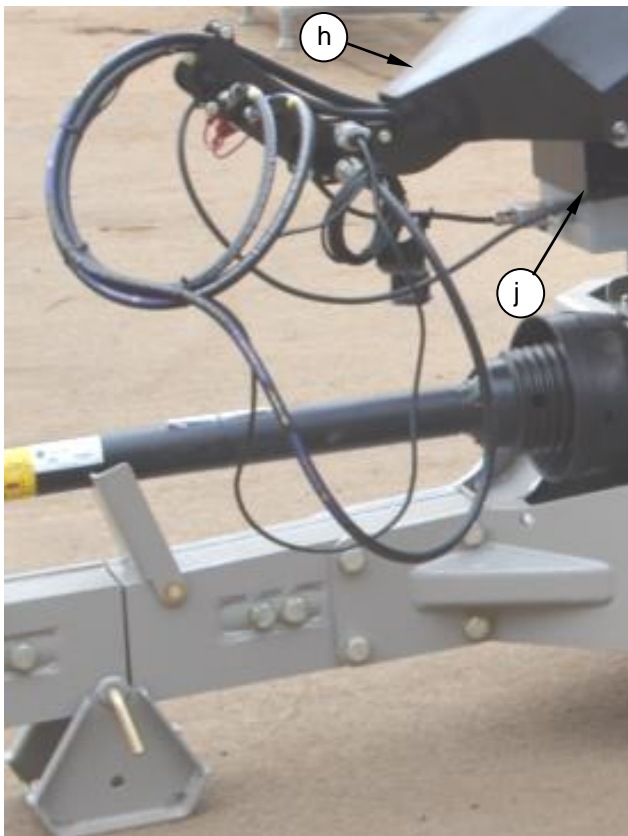
To start the web conveyor motor feeding to the left, toggle switch (e) to the left. To start the web conveyor motor feeding to the right, toggle switch (e) to the right. To stop the conveyor motor detent switch (e) to its mid position.

To increase the speed of the conveyor motor, rotate the potentiometer knob (f) in a clockwise direction. To decrease the speed of the conveyor motor, rotate the potentiometer knob (f) in an anti-clockwise direction.

The speed range and operating band can be altered by calibrating the proportional driver. (Refer to section 6.14 for further instructions).

All hydraulic services can be stopped by pressing the emergency stop button (g). Ensure the cover (h) is fitted at all times as this will protect the valve and electrical connectors from direct contact during high pressure cleaning.

When the Powermix is detached from the tractor, ensure the hand controller (i) is placed in the storage housing (j).



Do not operate the hand controller from outside the tractor cab.

6.14 CALIBRATING THE PROPORTIONAL DRIVER



Refer to section 2.7 – Accident prevention when operating the machine, for safety procedures.

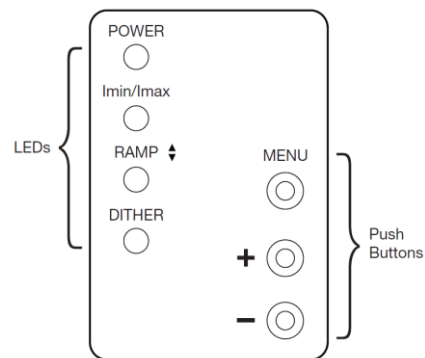


Refer to section 2.5 – Accident prevention when using the hydraulic system for safety procedures.

The proportional driver is used with the hard wired hand controller to set the minimum and maximum speeds of the conveyor belt. The recommended maximum speed of the conveyor belt is 450rpm. If the conveyor belt operates above this speed for a prolonged period of time it will cause excess wear and premature failure.

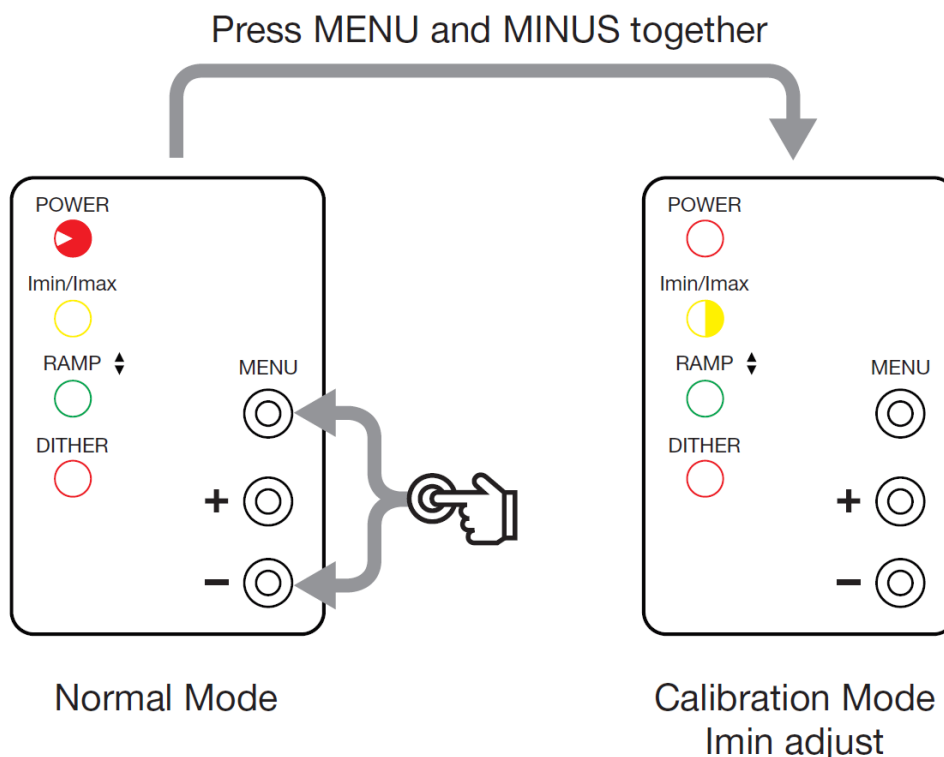
The definitions of the symbols described in this section are shown below:

	LED switched on
	LED switched on with a short blink every 3 seconds
	LED blinking quickly
	LED blinking slowly
	LED blinking very slowly
	LED switched off

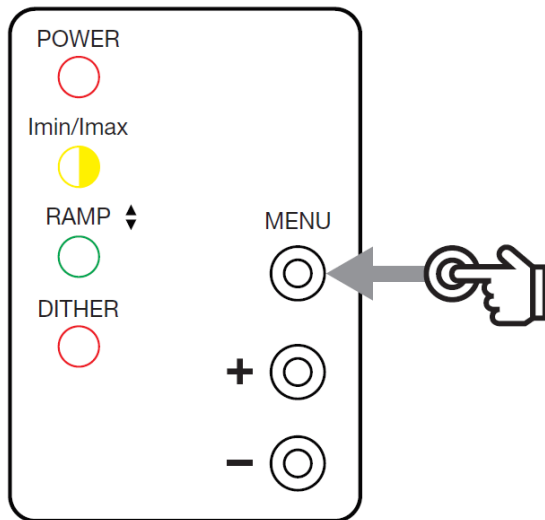


To set the max and min conveyor speeds follow the instructions below:

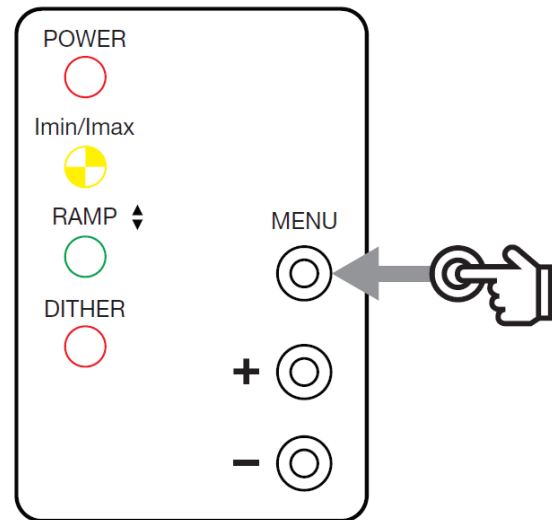
1. First enter calibration mode by pressing the MENU and MINUS buttons together. Once in calibration mode the power LED will be switched off, the Imin/Imax LED will be blinking slowly and the ramp and dither LED's will be switched off.



Imin adjust



Imax adjust



2. Ensure the potentiometer is turned to minimum on the hand controller.
3. The Imin adjust parameter should already be selected when entering calibration mode for the first time. Confirmation of this will be that the Imin/imax LED will be blinking slowly and all other LED's will be switched off.
4. While in the Imin adjust parameter press the + or – buttons to increase or decrease the minimum conveyor speed.
5. Once the minimum speed is correct turn the potentiometer on the hand controller to maximum.
6. While still in calibration mode press the MENU button again to select Imax adjust. When this parameter is selected the Imin/imax LED will be blinking quickly and all other LED's will be switched off.
7. Press the + or – buttons to increase or decrease the maximum conveyor speed.
8. Once the Imin and Imax parameters have been set, escape from calibration mode by pressing together the MENU and MINUS buttons until the power LED is switched on with a short blink every 3 seconds, and all other LED's are switched off.

6.15 OPERATING THE WIRELESS HANDSET



Refer to section 2.7 – Accident prevention when operating the machine, for safety procedures.



Refer to section 2.5 – Accident prevention when using the hydraulic system for safety procedures.

The wireless system consists of a base unit and a rechargeable remote control handset.

Each remote control handset has a unique ID and the base unit will only respond to the remote control handset with which it has been paired.

The rechargeable remote control is supplied with a 1 meter, detachable cable fitted with a power connector, to interface with the tractor's cigarette lighter. It will operate for 8 hours drawing on the internal battery or continually from the wired connection. To save power the remote control will turn off automatically after 15 minutes if no function is selected.

To turn the handset on press the power button (a) once, the red LED will turn on to indicate the handset is switched on. To turn the handset off press the power button (a) once more, which will switch the red LED (b) off. The red LED (b) will fast flash to indicate a low battery. The red LED (b) will slow flash to indicate that the handset is charging.

To open the feed door press and hold switch (c). To close the feed door, press and hold switch (d).

To slide and elevate the conveyor to the right, press and hold switch (e). To slide and elevate the conveyor to the left, press and hold switch (f).

To start the conveyor motor feeding to the left, press button (g). Each press of button (g) will result in a 10% increase in speed.

To slow the conveyor belt press button (h). To start the conveyor motor feeding to the right, press button (h). Each press of button (h) will result in a 10% increase in speed.

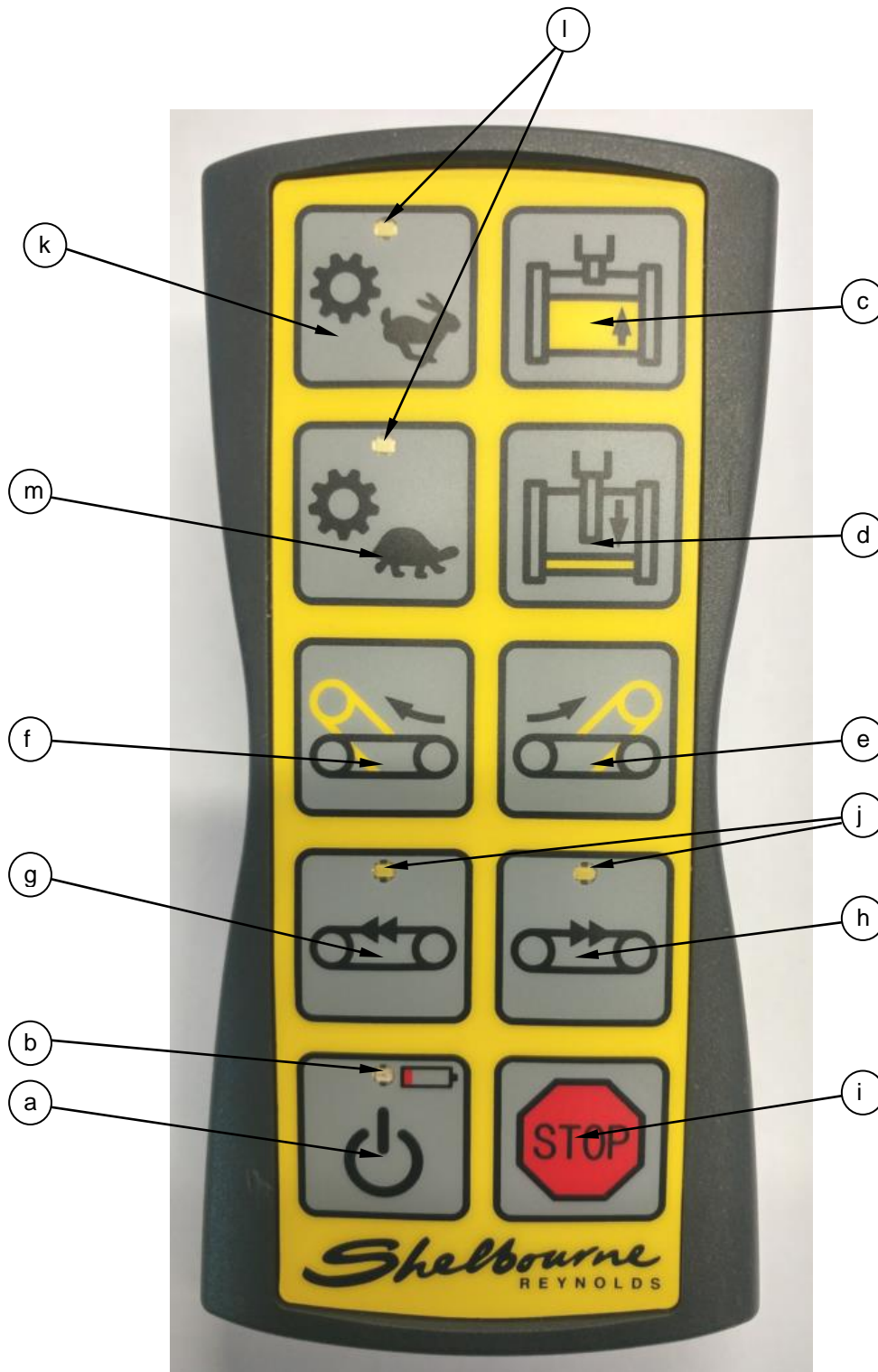
To slow the conveyor belt press button (g). To stop the conveyor belt press button (i) once. To restart the conveyor belt at the previous speed, press button (g) or (h) and hold for at least 0.5 secs. The white LED's (j) indicate the selected conveyor motor direction.

CALIBRATING THE MAX & MIN SPEEDS

The conveyor max and min speeds are calibrated using the remote control handset. Begin with the remote control turned off. Press and hold the power button (a), then without delay press and hold the hare button (k) too. The two white conveyor LEDs (j) should now flash, and the hare and tortoise LEDs (l) should be off. This combination of LEDs does not arise in normal operation, and indicates the remote is in calibration mode. It will remain in calibration mode until it is turned off.

In calibration mode, the function of the conveyor buttons (g) and (h) is similar to normal operation, except there are 127 fine steps instead of the usual 10 steps, and the full 0 - 2A range of proportional solenoid current is covered. To make it easier to navigate a large number of steps, the conveyor buttons auto-repeat when held.

It is possible to calibrate the min and max speeds in either conveyor direction. Use the conveyor buttons (g) and (h) to find the desired minimum speed, and then press the tortoise button (m) to store the setting. Find the desired maximum speed, and then press the hare button (k) to store the setting. You can refine the settings as many times as you like, and the order in which they are stored does not matter. When you have finished, turn off the remote to exit calibration mode. If the settings are unusable (for example, if the max is less than the min), they are ignored and sensible defaults are used instead.



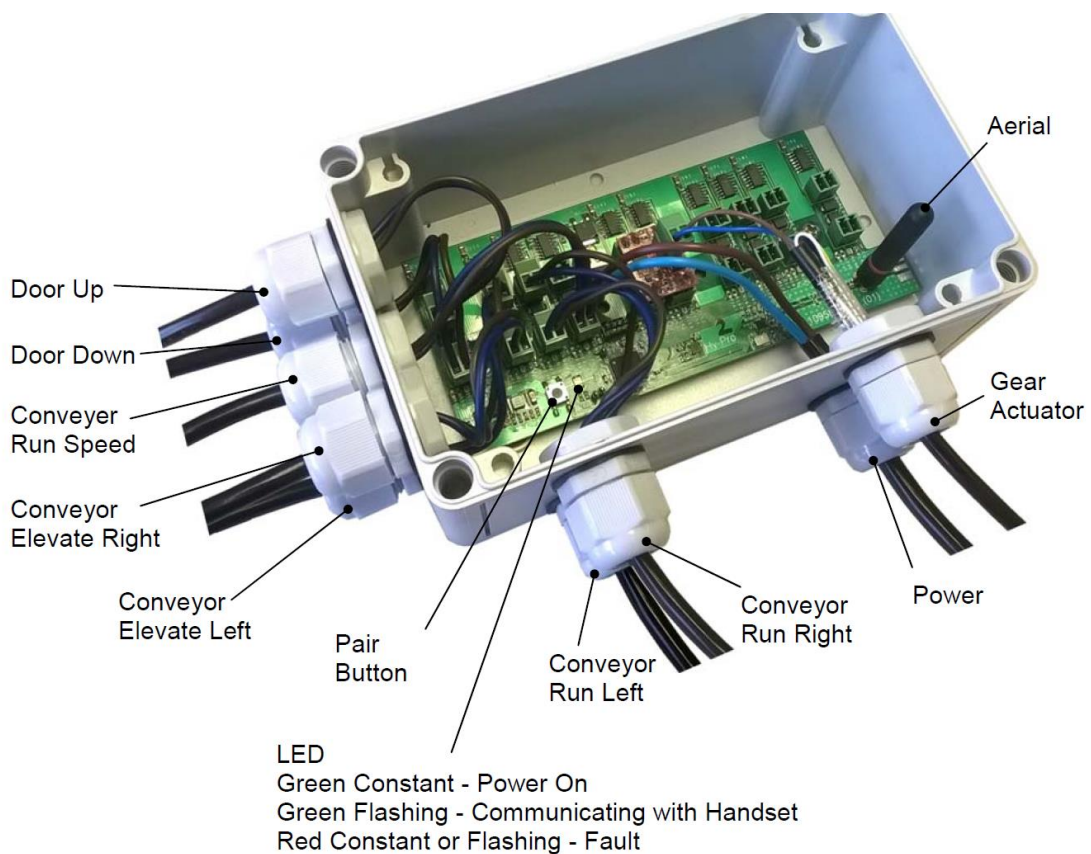
PAIRING THE REMOTE CONTROL HANDSET

The remote control handset is paired to the base unit at the factory, however if a replacement handset is ever purchased it will also need to be paired using the following procedure:

Remove the lid of the base unit. The LED on the base unit must be on continuously. If the LED is flashing, the base unit is receiving valid signals from a remote with which it is already paired. For security, the base unit will not attempt pairing in this situation. You will need to turn off the "old" remote before you can pair the base unit to a "new" one.

Turn on the remote, then press and hold the stop button followed by the power button (the order is important; otherwise you will just turn the remote off).

Whilst holding the buttons on the remote, press and hold the pair button on the base unit. When the base unit LED starts flashing, pairing is complete.



Do not operate the hand controller from outside the tractor cab.

6.16 OPERATING THE HANDBRAKE



Refer to section 2.7 – Accident prevention when operating the machine, for safety procedures.

The Powermix Plus is supplied with a Rotary spindle type handbrake (see below). To apply the handbrake, simply rotate the crank handle (a) clockwise to tighten the cable which in turn will activate the brake.

(The tightening force required to apply the handbrake is approximately 165N or 17kg)
To release the handbrake turn the crank handle (a) anti-clockwise until the cable goes slack.



Ensure the machine has stopped before activating the handbrake

6.17 OPERATING THE BOGIE WITH A REAR STEERING AXLE (OPTION)



Refer to section 2.7 – Accident prevention when operating the machine, for safety procedures.

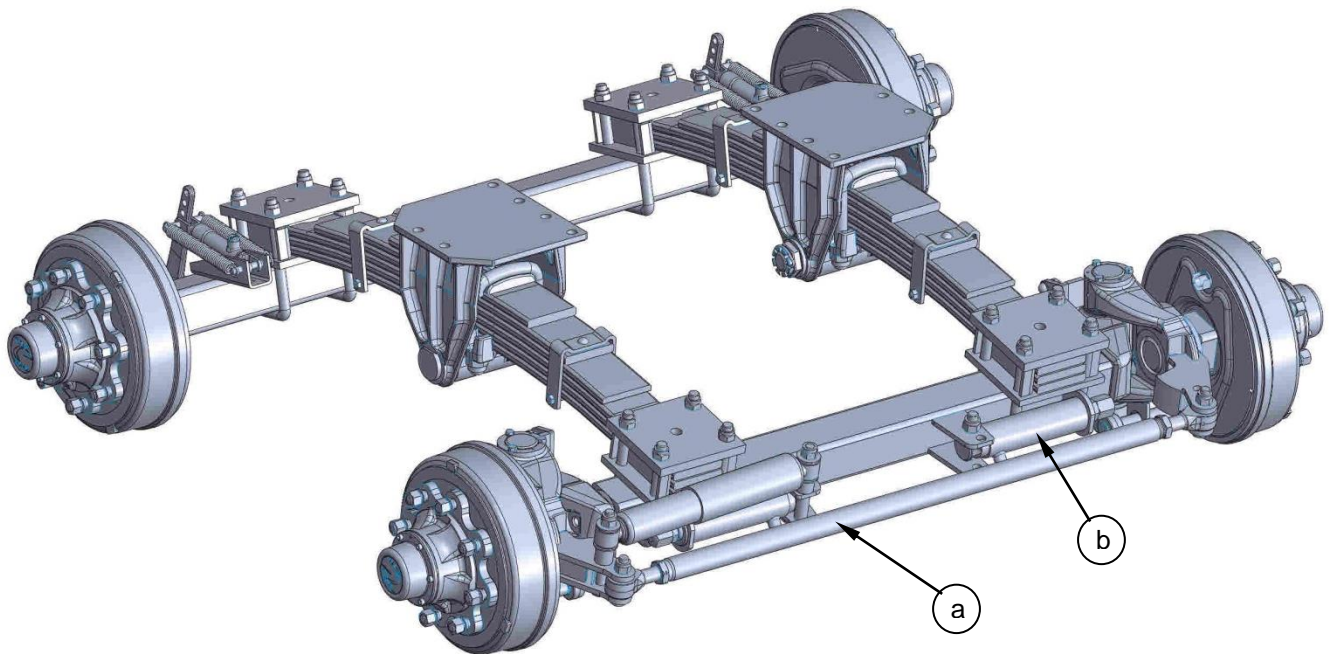
As an option the tandem bogie may be specified with a rear steering axle. Steering axles have a suspended traverse with two spindles that can swivel about a kingpin. This can considerably reduce tyre wear, improve the manoeuvrability and significantly reduce the forces seen on the chassis and wheels if used correctly.

The wheel alignment is finely controlled by a tie rod (a), which is adjusted by turning the tie rod, which has a left-hand thread at one end and a right-hand thread at the other.

The articulation is operated hydraulically by one of the single acting hydraulic levers of the tractor.

When travelling forward the hydraulic lever of the tractor must be locked in a position to enable the oil from the locking cylinders (b) to return to tank. Alternatively if the steering axle is equipped with dual locking cylinder the central port must be connected to a free flow return line to the tractor.

When reversing, the locking cylinder/s must be activated to prevent the two rear wheels from steering.



6.18 SHEARBOLT REPLACEMENT



Refer to section 2.7 – Accident prevention when operating the machine, for safety procedures.



Refer to section 2.6 – Accident prevention when using the PTO shaft for safety procedures.

In the event of a drive overload the shear bolt in the PTO shaft will break and drive will cease. Should this occur, follow the below procedure:

1. Ensure the 'safe stop' procedure is followed.
2. Secure the Powermix against rolling by applying the handbrake / positioning wheel chocks.
3. Unhook the PTO shaft safety chain (a) from the Powermix end of the PTO shaft.
4. Slide the PTO shaft from the shaft of the 2-speed gearbox.
5. Remove the broken shearbolt, and replace the bolt with a bolt of the correct size and grade. Spare shearbolts are located in the magazine (b), located on the top of the gearbox bracket.
6. Replace the PTO shaft; ensure the locking pins are located in the groove of the shaft.
7. Attach the PTO shaft safety chain (a).



Shearbolt Part number (All models)

BLTA10380 M10x60, Grade 8.8 shearbolt

NUT-0265 M10 Nyloc Nut



Ensure the 'safe stop' procedure is followed before changing the shearbolt.

SECTION 7:

MAINTENANCE AND STORAGE



Refer to section 2 for safety procedures.

7.1 CONNECTING THE DOOR SAFETY STRAP

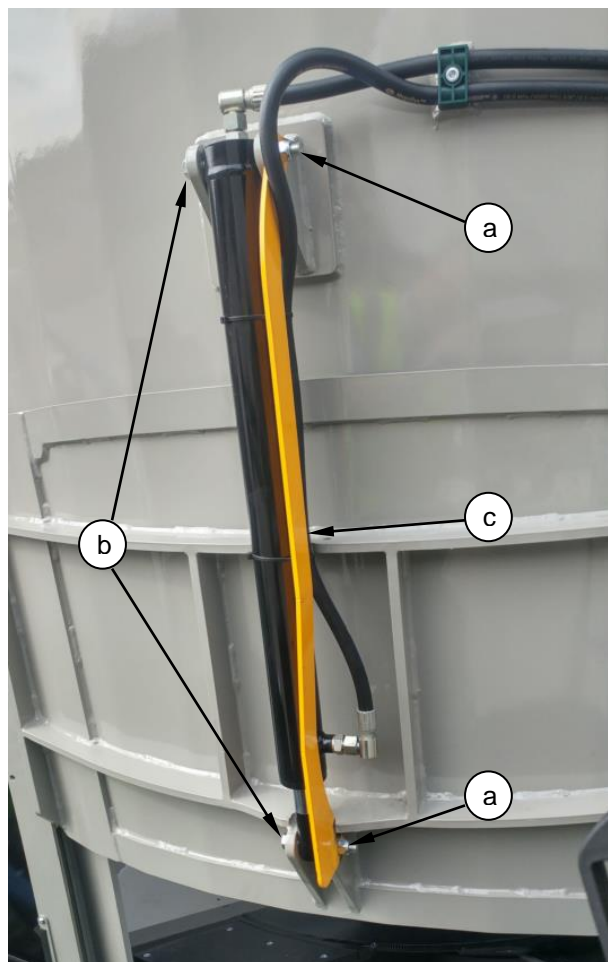


Refer to section 2.11 – Accident prevention when servicing or working on the machine for safety procedures.

Before entering the mixing chamber through the front door opening, the door safety strap must be fitted. This is to prevent the door from inadvertently dropping while you climb through the opening.

Follow the below procedure to connect the safety strap:

1. Secure the Powermix from moving by applying the handbrake / positioning wheel chocks.
2. Ensure the Powermix is detached from the tractor with the door fully raised.
3. Remove nuts (a), but ensure bolts (b) are left in place.
4. Fit safety strap (c) over bolts (b).
5. Replace nuts (a) and tighten.



Ensure the 'Powermix is detached from the tractor before attaching the door safety strap.

7.2 REPLACING THE AUGER BLADES



Refer to section 2.11 – Accident prevention when servicing or working on the machine for safety procedures.



Refer to section 2.6 – Accident prevention when using the PTO shaft for safety procedures.



Refer to section 2.4 – Accident prevention when coupling & uncoupling to the tractor for safety procedures.



Refer to section 7.1 – Connecting the door safety strap

Due to the abrasive and corrosive nature of the material being mixed / chopped, it will be necessary to replace the auger blades after a period of operation. The longevity of the auger blades will depend on the materials being mixed or chopped, the make-up of the ration, and the usage of the machine. Check the condition of the auger blades once a week, by viewing them from the inspection ladder while the machine is empty. Operating the machine with sharp auger blades will increase the life of the machine as less wear will take place due to the quicker processing times.

Indications that the blades should be replaced are:

Noticeable increase in time required to chop and process forage.

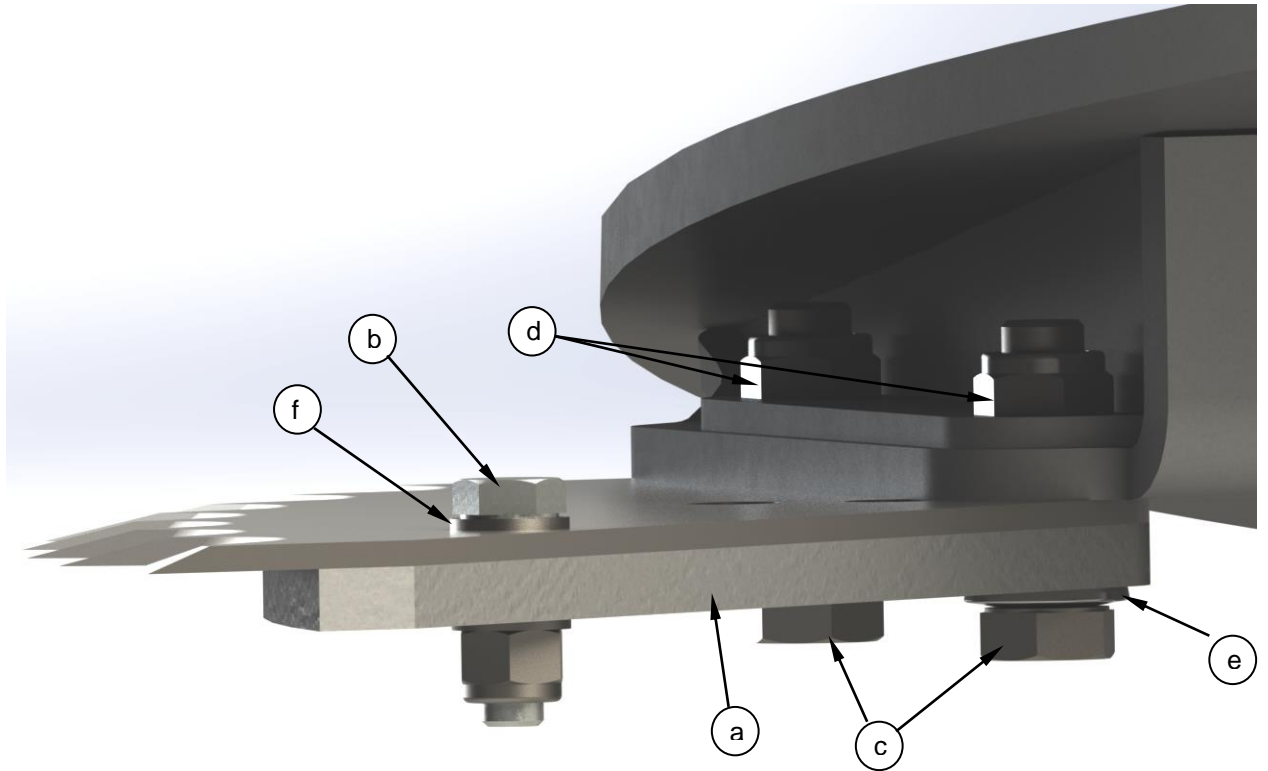
Noticeable increase in the power required to chop and mix, thus also increasing the tractors fuel consumption.




The feed out will become slower and more irregular.

Follow the below procedure when replacing the auger blades (illustrated opposite):

1. Secure the Powermix from moving by applying the handbrake / positioning wheel chocks.
2. Ensure the Powermix is detached from the tractor with the door fully raised.
3. Attach the Feed door safety strap to prevent the door from inadvertently dropping.
4. Manually rotate the mixing auger via the PTO drive shaft, so that the auger blades are facing away from the door opening.
5. Ensure you are wearing suitable PPE. Enter the mixing chamber only via the door opening.
6. Inspect the auger back-up plate (a). If this is not worn or distorted it can be re-used.
7. Using a 19mm spanner remove the M12 bolt (b). This will release the blade from the back-up plate.
8. With a 24mm spanner unscrew the M16 bolts (c). Carefully take the weight of the blade and back-up plate, as the bolts are unscrewed. The Nyloc nuts (d) are located into a hexagon cut-out in the auger to enable a single spanner to be used to remove the M16 bolts (c).
9. Fit the new auger blade at the correct angle (See section 5.9). Ensure the back-up plate (a) is located underneath the blade.
10. Tighten the M16 bolts (c) to a torque of 225Nm. Ensure the M16 Lockwashers (e) are re-fitted between the back-up plate (a) and the M16 bolts (c). Tighten the M12 bolt (b) to a torque of 90Nm; ensuring the M12 plain washers (f) are refitted. It is recommended to coat the fixing bolts with an anti-seize compound prior to assembly to ease future maintenance.

11. After completing the work, leave the mixing chamber through the door opening.
Ensure all foreign objects (tools etc.) are removed from the mixing chamber.
12. Finally, remove the safety strap before next operation.



-  There is a high risk of severe injury from falling onto the blades. Refer to section 2.11, 'Accident prevention when servicing the machine', before entering the machine, remember that the floor of the machine will be very slippery, Particularly if wet and or polished with use. Approach the task with caution.
-  Care must be taken when handling the blades. They are very sharp. Use protective gloves and be aware of the position of the other blades on the auger when standing in the mixing chamber.
-  Ensure the 'Powermix is detached from the tractor before replacing the auger blades.

7.3 CHECKING TYRE PRESSURES



Refer to section 2.11 – Accident prevention when servicing or working on the machine for safety procedures.

To ensure maximum tyre life and performance, it is advisable to check the tyre pressures before initial use and regularly during use. If the machine has not been used for a long period, check the tyre pressures before putting the machine back into operation. Ensure there are dust caps on the valves.

The Powermix may be fitted with the following wheel & tyre assemblies:

Wheel & tyre kit number	Description	Pressure (Bar)	Pressure (psi)
KIT-03890	385/65R22.5 Super single	5.5	80
KIT-03672a	Double Coin 435/50R19.5	9	130
WHL-03934a	Double Coin 385/55R19.5	9	130
KIT-03671b	Longmarch 385/55R22.5	9	130



IMPORTANT - When inflating tyres it is recommended to –

- Firstly inspect tyre and wheel for any cuts or damage, replace or get repaired if necessary.
- Use a clip on airline connector; do not use the type that requires the operator to hold in place on valve.
- Use an airline that allows the operator to stand at least 3 meters away from tyre.
- Use a calibrated pressure gauge.
- Stand to the side of the tyre, in line with the tread, do not stand facing the side wall of the tyre.
- Never lock on the pressure gauge, always manually activate gauge.
- Keep bystanders clear at all times while inflating.
- Wear appropriate PPE, safety shoes / clothing, glasses, gloves and ear defenders.
- Only inflate to the correct pressure for the size and ply rating stated, never over inflate.

7.4 TIGHTENING WHEEL NUTS



Refer to section 2.11 – Accident prevention when servicing or working on the machine for safety procedures.

Number of studs, stud size and nut type	Torque (Nm)	Torque (lb/ft)	Socket size
8 studs, M18 x 1.5mm pitch, “Bec” taper cone nut	270	200	29mm
10 studs, M22 x 1.5mm pitch, “Bec” taper cone nut	450	332	32mm

The wheel nuts must be tightened diagonally using the appropriate sized socket to the torque stated using a torque wrench.

It is recommended that wheel nuts should be checked / tightened :

- Before use at Pre Delivery Inspection stage.
- After the first use / laden journey.
- After the first day of use. Depending if the wheel nuts have become loose then repeat check / tighten daily until no loosening occurs.
- After the first week of use. Depending if the wheel nuts have become loose then repeat check / tighten weekly until no loosening occurs.
- Regularly during use onwards.

Repeat every time the wheels are changed or removed.



Ensure the ‘safe stop’ procedure is followed before checking wheel nuts.

7.5 CHECKING THE AXLE HUBCAPS



Refer to section 2.11 – Accident prevention when servicing or working on the machine for safety procedures.

Check that the hubcaps are in place and in perfect condition.

Missing or damaged hubcaps must be replaced immediately, to avoid dirt penetrating into the hub, and consequently damaging the wheel bearings.

For press fit hubcaps, check visually that they are fully home.

For hubcaps attached using screws, fit a new gasket if the hubcap is removed, and tighten the screws regularly (Every 3 months).



Ensure the ‘safe stop’ procedure is followed before checking the axle hub caps.

7.6 CHECKING THE WHEEL BEARINGS



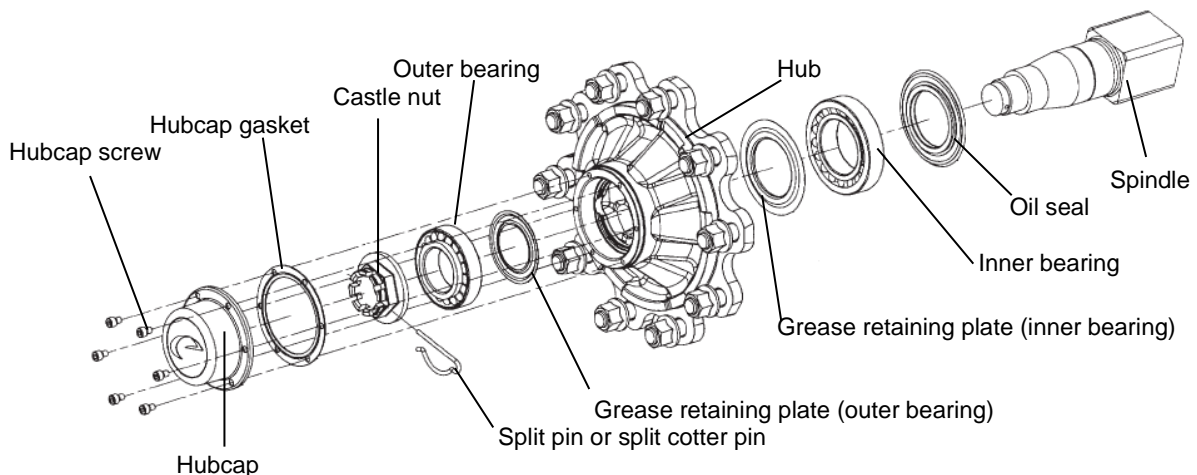
Refer to section 2.11 – Accident prevention when servicing or working on the machine for safety procedures.

Wheel bearings are subject to wear; their lifetime depends on the operating conditions, the load, the speed, the adjustment and lubrication.

They should be checked after the first 1000km, before intensive use or every 3 months or 5,000km.

Checking the play in the wheel bearings:

- Raise the axle until the wheel is no longer resting on the ground.
- Release the brake, and grip the wheel at the top and the bottom, and check the play by trying to tilt it.
- If you can feel any play, adjust the wheel bearing, as described below



1. Remove the hubcap.
2. Remove the cotter pin or hairpin clip from the spindle.
3. Tighten the castle nut (Right hand thread) to take up the internal play, (the spherical roller bearings should then be firmly held between the hub seating , the pressure ring spindle and castle nut
4. The rotation of the hub should feel to be slightly stiff, slacken the castle nut until there is no friction between the castle nut and the outer bearing, and the hole for the pin is aligned with a notch in the castle nut.
5. Tap the hub gently using a mallet to shake down the assembly.
6. Check that the hub rotates more freely, it is best to be too free rather than too tight.
7. When the hub has been adjusted, fit a new split cotter pin.
8. Refit the Hubcap, and tighten the hubcap screws.
9. When the wheel has been re-fitted, turn it slightly. It should come to rest with a slow rocking movement due to the imbalance

Checking if the wheel bearings are damaged or worn:

- Lift the wheel off the ground.
- Turn in both directions slowly to check for any rough points or friction.
- Turn it at high speed to check for unusual noises, such as grating or knocking.

If the bearing is damaged or worn, please consult your dealer.

Lubricating the wheel bearings

In normal operating conditions, lubricate the bearings every 2 years or every 40,000km, or when the brake shoes are replaced.

The axle hubs will need to be disassembled in order to lubricate the wheel bearings, this work should be carried out in a clean environment with appropriate tools as the slightest bit of dirt can damage the bearings or even the spindle.

When carrying out maintenance on the bearings, check the brake linings, drum & return springs.

If in doubt please consult your dealer to carry out this work.

7.7 CHECKING BRAKE CLEARANCE AND WEAR



Refer to section 2.11 – Accident prevention when servicing or working on the machine for safety procedures.



Check and test the brakes before intensive use and every 3 months.

Lining inspection hole

Check the brake wear, and the clearance between the brake linings and the drum visually, by looking through the lining inspection hole. It is probable that the linings are worn when the hydraulic cylinder travel has increased significantly.

The minimum lining thickness of the brake shoe should be 2mm.

When replacing the brake shoes, always repack the bearings with grease.

If in doubt please consult your dealer to carry out this work.

Adjusting the brake levers.

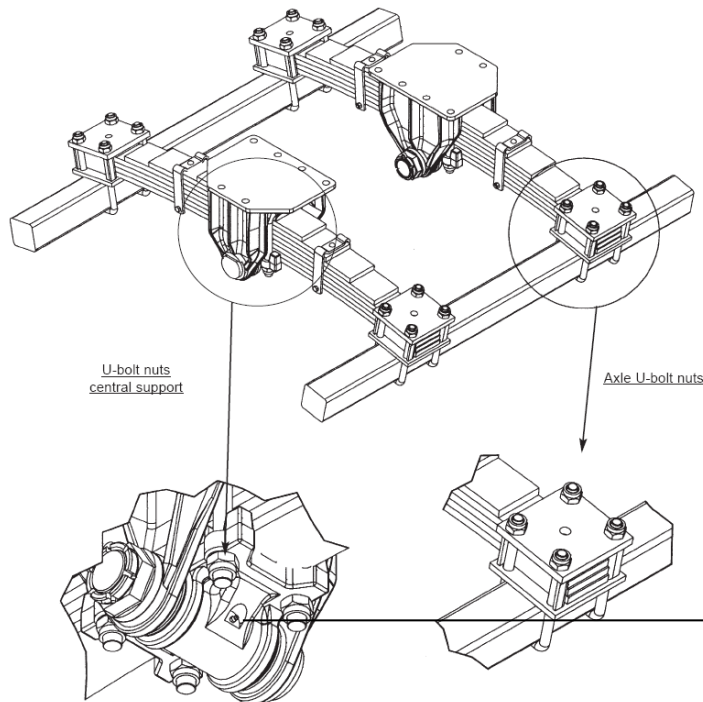
The brake levers may need adjusting when the brake shoes begin to wear. This is done by taking up the slack when the hydraulic brake cylinder reaches about two thirds of its maximum travel. To take up the slack, turn the brake-operating lever by one or more splines, ensuring that the brakes are not touching when released.

The brake operating levers contain several holes. Always mount the hydraulic cylinder and the handbrake cable in the original holes, as this will affect the machines braking efficiency.

7.8 BOGIE SUSPENSION MAINTENANCE



Refer to section 2.11 – Accident prevention when servicing or working on the machine for safety procedures.



After the first laden journey, before intensive use, or every 3 months please ensure that you:

Check and tighten the central support U-bolt nuts to 590Nm (Dia 27mm U-bolt).

Check and tighten the axle U-bolt nuts to 445Nm (Dia 22mm U-bolt).

Check the bolts that fix the Bogie to the chassis. They should be tightened to 435Nm. (M20)

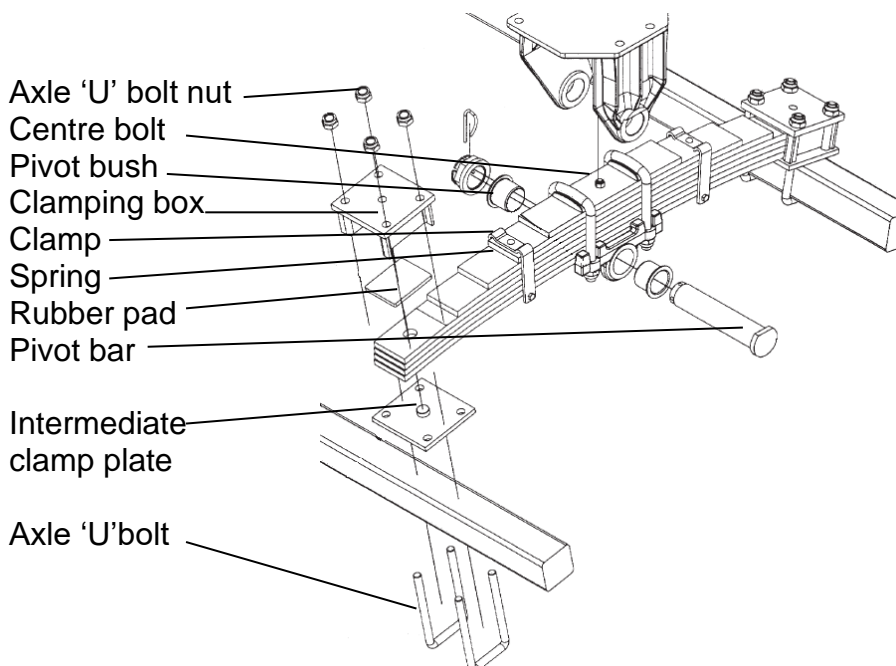
Lubricate the pivot trunnion of the bogie every 3 months.

Yearly maintenance checks should include:

Check the play between the bushes and the pivot bars. If there is excessive play, replace the worn parts

Check the general condition of the springs – Clean them thoroughly and brush the sides of the springs to check for cracks.

If there is any play between the spring and the axle, check the whole of the clamping system.



7.9 STEERING AXLE MAINTENANCE AND ADJUSTMENT

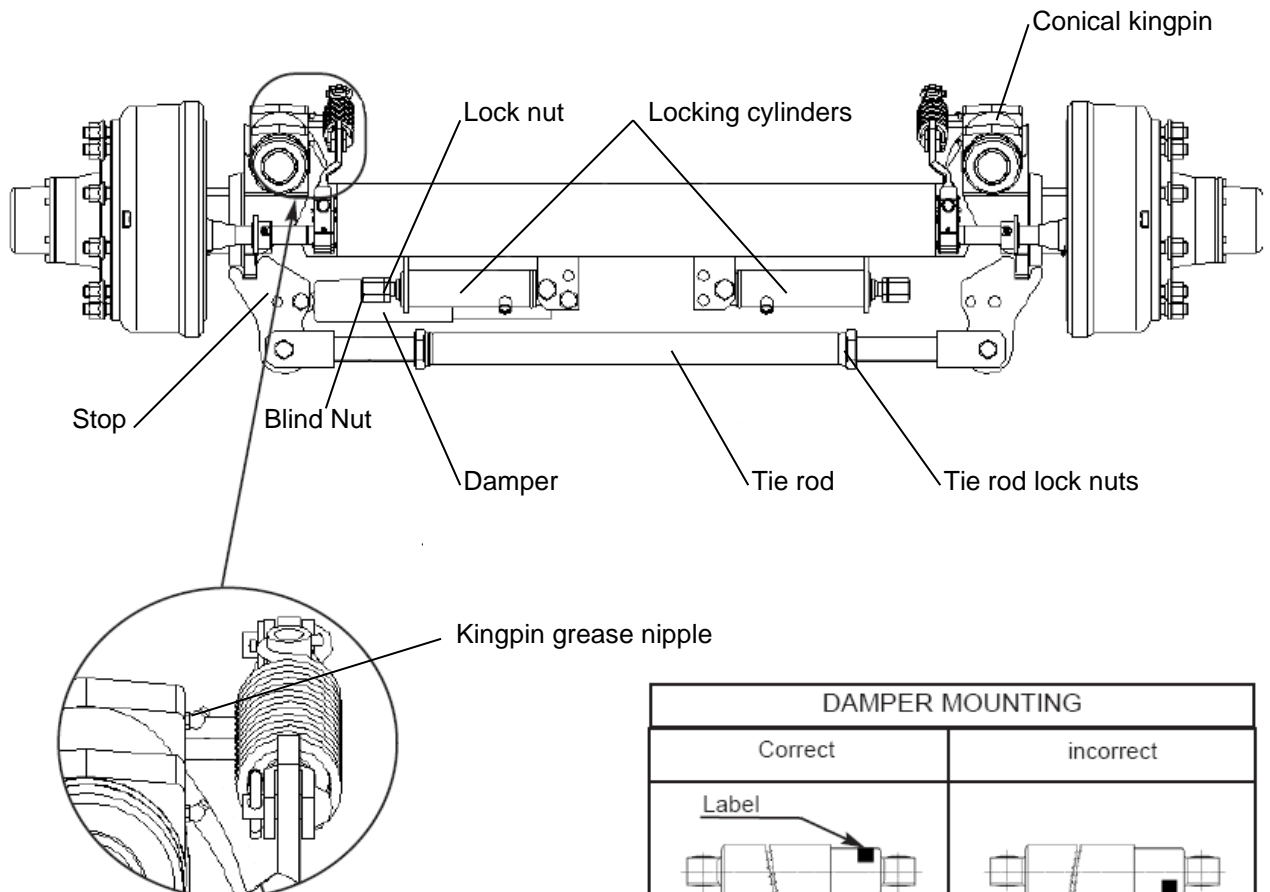


Refer to section 2.11 – Accident prevention when servicing or working on the machine for safety procedures.

Steering axles should be maintained in the same way as standard axles (See sections 7.5 – 7.8), as well as carrying out the further points as described below:

Before intensive use and every 3 months:

- Lubricate the Kingpins
- Tighten the screws and nuts and all parts mounted on the axle (chambers, cylinders and mountings, locking cylinders, damper and tie rod etc).
- Tighten the blind nut and lock nut on the locking cylinders.
- Ensure the locking cylinders are kept clean, in particular the surface of the cylinder rod, if the seals are leaking they can be replaced – Please consult your dealer.
- Tighten the lock nuts at the end of the tie rod.
- Check the Damper and change if necessary, Ensure the damper is correctly mounted, it should have the label at the top as shown below.
- Check that the tie rod has not been accidentally bent, as this will adversely effect the steered axle, in particular the wheel alignment.
- Check the full lock angle stop screws. (shown on page 78)
- Check the clearance of the conical kingpins.



DAMPER MOUNTING	
Correct	incorrect

Check & adjusting the wheel alignment

Align the wheels with the vehicle on a smooth, level surface.

The wheel alignment must be adjusted with the locking cylinder pistons retracted.

Measure the distance between the wheel rims at the front of the rims, and at the back of the rims: The distance should be the same

Move the vehicles forward, so the wheels turn through 180 degrees, and repeat the check, to allow for distorted wheels.

If the wheel alignment is not perfect, adjust it as follows:

- With the locking cylinders pistons retracted, slacken the 2 tie rod lock nuts.
- Turn the tie rod to pull or push the wheels until the distances are the same.
- Lock the tie rod lock nuts when the tie rod has been adjusted, and then adjust the locking cylinders.

Adjusting the locking cylinders

The locking cylinders centralise the wheels and hold them straight while reversing.

Adjust the locking cylinders after aligning the wheels.

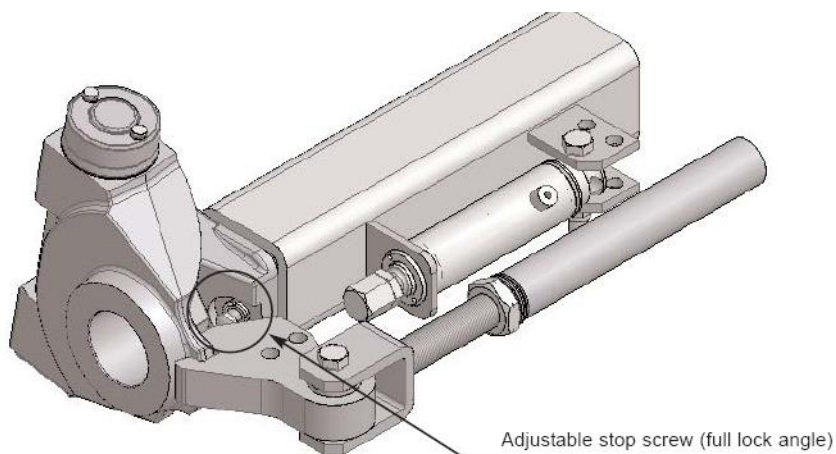
- Firstly move the lock & blind nuts of the locking cylinders, as close to the body of the cylinders as possible.
- Without operating the lock rams, align the steered axle and the vehicle on a smooth, level surface.
- Pressurise the rams and maintain the pressure.
- Screw the blind nuts until they contact the stops, without forcing.
- Turn the lock nuts up against the blind nuts, and tighten.
- Check that the wheels are still aligned.

Adjusting the full lock angle

Adjust the full-lock stop screws to limit the axle full-lock angle when fitting wide tyres. Check the full-lock angle regularly by turning fully to the right and to the left and checking that the tyres do not touch the chassis or suspension, as this might wear or damage the tyres.

Adjust the full-lock stop screws as required.

Tighten the lock nuts.



7.10 TENSIONING THE CONVEYOR BELT

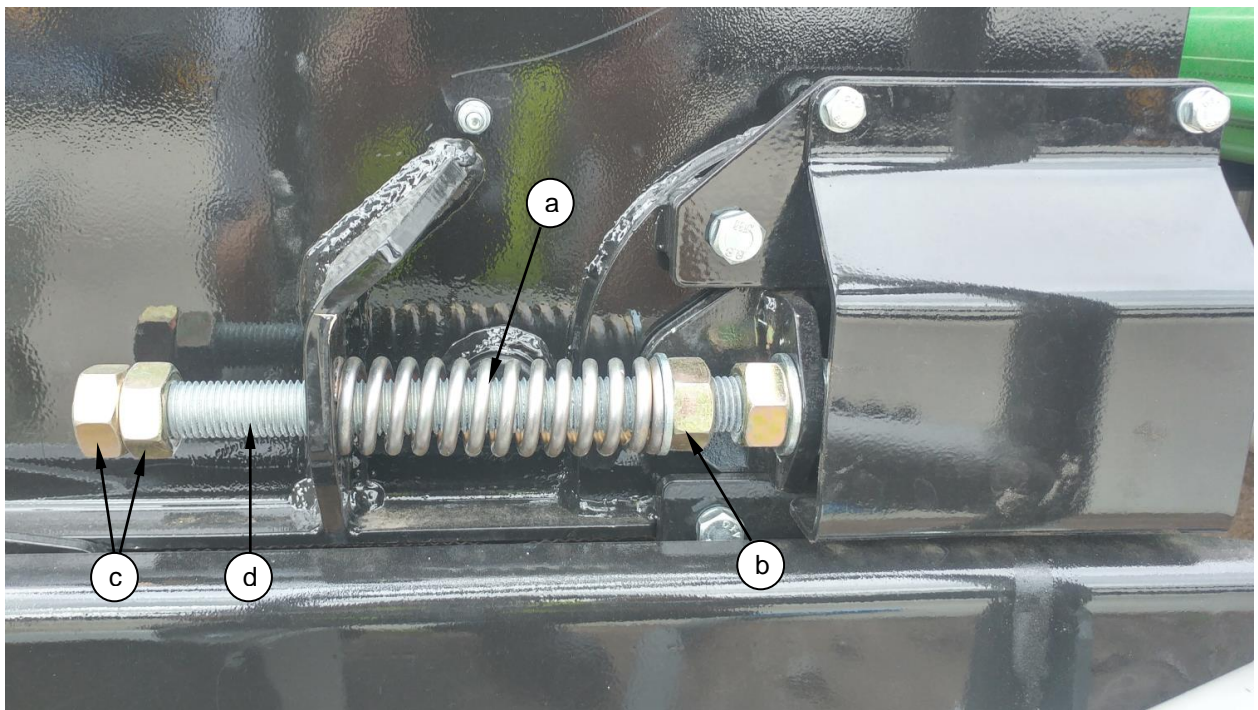


Refer to section 2.11 – Accident prevention when servicing or working on the machine for safety procedures.

It is important to keep the belt tensioned correctly to ensure the belt runs smoothly and to ensure the belts longevity.

To tension the conveyor belt follow the below procedure:

1. Ensure the 'safe stop' procedure is followed.
2. Secure the Powermix from moving by applying the handbrake / positioning wheel chocks
3. The tensioning of the conveyor belt is aided by two springs (a), positioned on each side of the LH conveyor frame. Wind the nut (b) to compress the springs to 100mm long to ensure the correct tension force is placed on the conveyor belt. It is important that both springs are compressed the same amount to guarantee that the correct force is evenly applied to the conveyor belt.
4. Ensure the 2 off plain nuts (c) are positioned at the end of the tensioning setscrew (d) to enable the idle shaft to float.
5. Check the length of the springs weekly. As the conveyor belt stretches the springs will extend. Compress the length of the springs to 100mm if required to maintain the correct tension force.



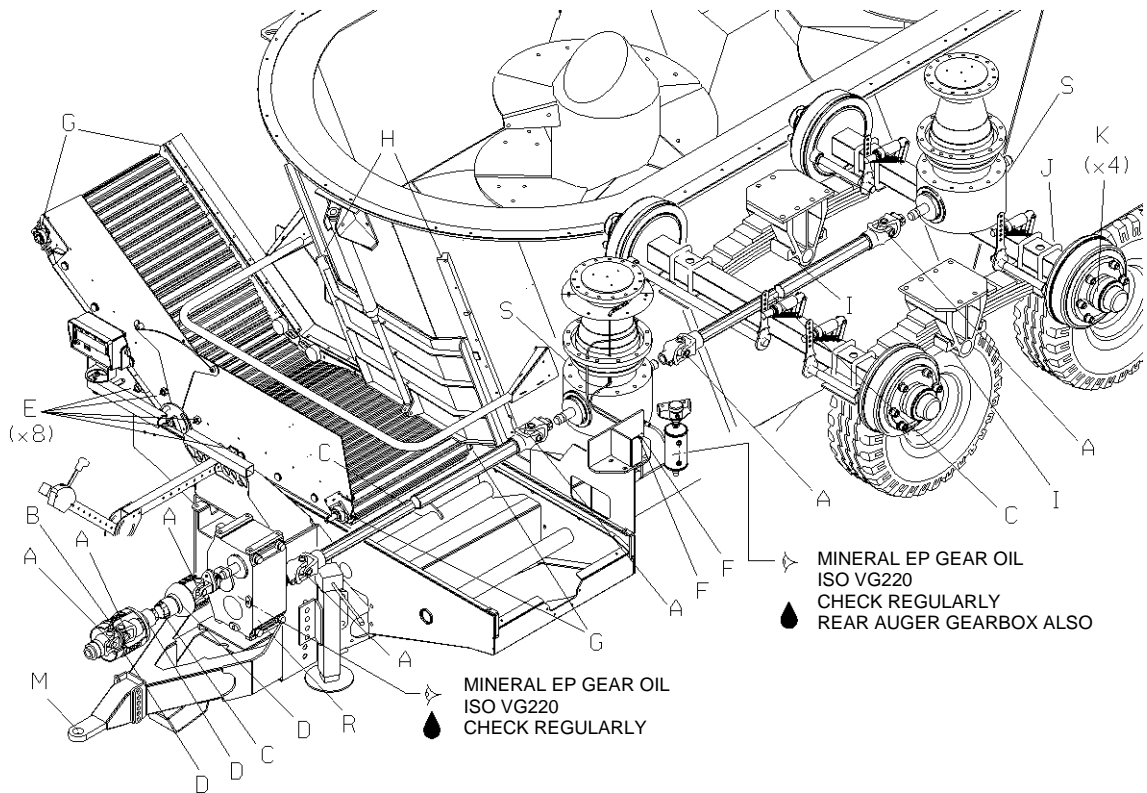
Ensure the 'safe stop' procedure is followed before tensioning the conveyor belt.

7.11 GREASING SCHEDULE



Refer to section 2.11 – Accident prevention when servicing or working on the machine for safety procedures.

Ensure the machine has been greased as recommended in this section. Greasing the sliding tubes of the PTO shafts is particularly important and is often neglected due to their inaccessibility. If the profile tubes are not greased regularly it will result in high axial forces, which in time will damage the profile tubes, and also connecting shafts & gearboxes.



Recommended grease: Good quality Universal grease

Lubrication Chart:

LOCATION	DESCRIPTION	SCHEDULE
A	CROSS BEARINGS IN PTO SHAFT	GREASE AFTER EVERY 25 HOURS OR WEEKLY
B	DOUBLE YOKE IN WIDE ANGLE SHAFT	GREASE AFTER EVERY 25 HOURS OR WEEKLY
C	PROFILE TUBE IN PTO SHAFT	GREASE AFTER EVERY 25 HOURS OR WEEKLY
E	FRONT CONVEYOR SUPPORT ROLLERS	GREASE AFTER EVERY 25 HOURS OR WEEKLY
G	CONVEYOR ROLLER BEARINGS	GREASE AFTER EVERY 25 HOURS OR WEEKLY
H	DOOR SIDE RUNNERS	GREASE AFTER EVERY 100 HOURS OR MONTHLY
D	GREASE NIPPLE IN PTO GUARD TUBE	GREASE AFTER EVERY 100 HOURS OR MONTHLY
J	KINGPINS ON STEERING AXLE	GREASE AFTER EVERY 300 HOURS OR 3 MONTHLY
I	PIVOT BAR ON BOGIE	GREASE AFTER EVERY 300 HOURS OR 3 MONTHLY
M	TOWING EYE	GREASE AFTER EVERY 300 HOURS OR 3 MONTHLY
F	PLANETARY GEARBOX BEARINGS	GREASE AFTER EVERY 600 HOURS OR 6 MONTHLY
K	WHEEL BEARING	GREASE AFTER EVERY 2 YEARS OR 40,000km
R	2-SPEED GEARBOX	OIL CHANGE AFTER 1200 HOURS OR ONCE A YEAR
S	PLANETARY GEARBOX	OIL CHANGE AFTER 1200 HOURS OR ONCE A YEAR

7.12 GEARBOX OIL CHANGES



Refer to section 2.11 – Accident prevention when servicing or working on the machine for safety procedures.

At the heart of the Powermix Plus are two planetary gearboxes, used to transmit the torque to the mixing augers. As with any gearbox it is important to change the oil in accordance to the manufactures recommendations to ensure efficient running and long life.

Fitted to the front of the Powermix is a 2-speed gearbox, the oil in this gearbox should also be changed as recommended below:

The gearboxes are filled with oil from the factory, however you should check that oil is present before operating the machine.

LUBRICANT SPECIFICATION:

Use mineral EP gear oil, grade ISO VG220.
(Shelbourne Reynolds Part No – OIL-0075)

Brands of recommended gear oil are:

Mobil Spartan EP series 220

Lodexol Industrial gear oil 220

Fuchs Renolin CLP 220

OIL QUANTITIES

Planetary gearbox (GEA-0195)

20 Litres per unit

2-speed gearbox (GEA-0196)

9 Litres

PLANETARY GEARBOX

The planetary gearboxes should be topped up via the expansion tanks located on the front LH side of the machine. The expansion tank situated towards the outer edge of the machine is connected to the rear planetary gearbox, and the inner expansion tank is connected to the front planetary gearbox.

The oil level should sit mid-way up the oil level gauge when the oil is cold. The oil level will rise and fall during operation and is dependent on the heat of the oil.



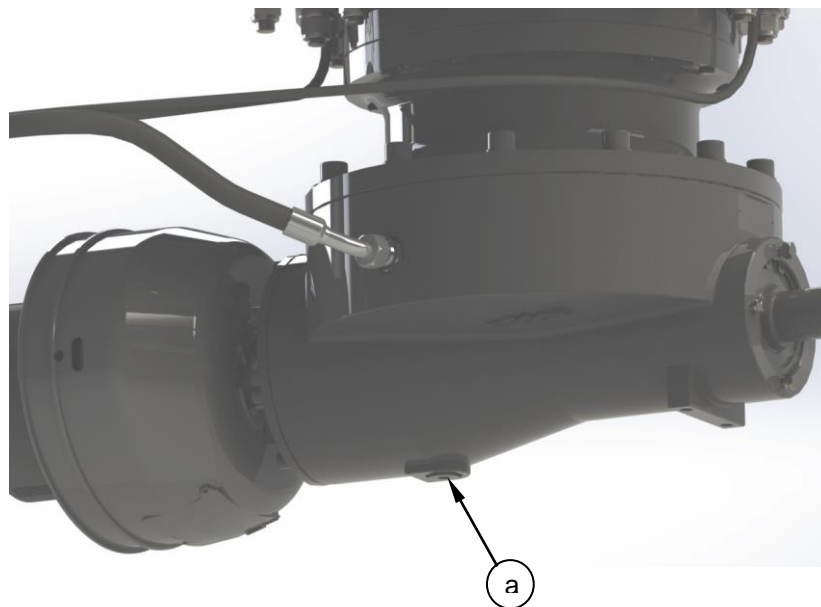
CHANGING THE OIL IN THE PLANETARY GEARBOX'S

- The first oil change should be carried out after **100 working hours**.
- Subsequent oil changes should take place after **1200 hours** or at least once a year.
- In order to avoid sludge deposits, change the oil whilst the gear unit is still warm.
- Clean all magnetic plugs.
- Check regularly for oil leaks. If needed top up the unit with the same type of oil. Rectify oil leaks immediately.

Attention: If the quantity of oil used during topping up is greater than 2L check for leaks and rectify problem before starting the machine.

Follow the below procedure when changing the oil:

1. Follow the 'Safe Stop' procedure.
2. Secure the Powermix from moving by applying the handbrake / positioning wheel chocks
3. Remove the drain / magnetic plug (a) and drain the oil into a container 25L container.
4. Remove the filler / breather cap from the oil expansion tank.
5. Disconnect the filler hose from the expansion tank and drain the remaining oil from the expansion tank and hose into the same 25L container.
6. Clean the drain / magnetic plug (a) thoroughly and then re-connect. This is important to keep the oil clean.
7. Fill the gearbox by connecting the filler hose (which was previously removed from the bottom of the oil expansion tank) to a minimum pressure oil pump. (Maximum 20psi). Pump 19 litres of oil into the gearbox.
8. Raise the end of the filler hose to a height level with the middle of the expansion tank. Disconnect the hose from the pump and re-connect it to the expansion tank.
9. Top up the oil by pouring 1L into the expansion tank. Let the oil levels settle and add more oil until the correct oil level is reached.
10. Replace the Filler / breather cap.



Ensure the 'safe stop' procedure is followed before changing the gearbox oil. The planetary gearbox contains 2 taper roller bearings. These are positioned in

the housing above the oil level of the gearbox. Although the bearings are sealed and pre-packed with long life grease, a small amount of long life grease should be applied every 600 hours (or twice a year).

It is important not to over-lubricate the bearings, five pumps of a grease gun is sufficeient.

The grease nipples (b) to grease the gearbox bearings are mounted above the handbrake bracket on the LH side of the chassis. The LH grease nipple is connected to the front planetary gearbox and the RH grease nipple is connected to the rear gearbox.



2-SPEED GEARBOX

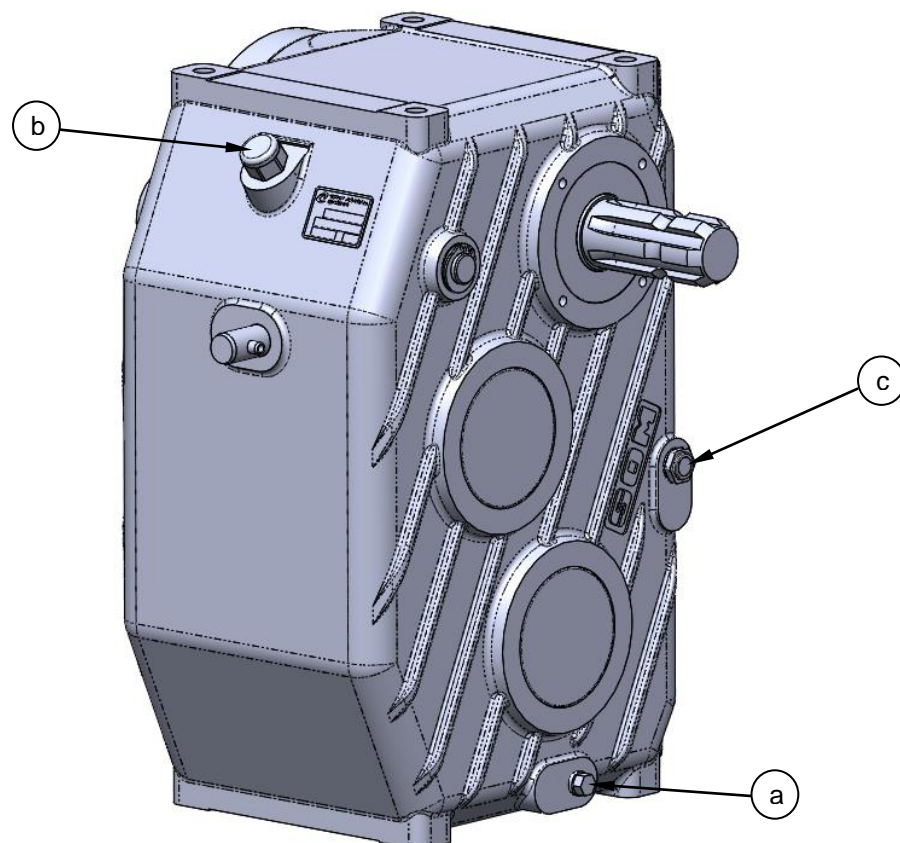
CHANGING THE OIL IN THE 2-SPEED GEARBOX

- The first oil change should be done after **100 working hours**.
- Subsequent oil changes should take place after **1000 hours** or at least once a year.
- In order to avoid sludge deposits, change the oil whilst the gear unit is still warm.
- Check regularly for oil leaks. If needed top up the unit with the same type of oil. Rectify oil leaks immediately.

Attention: If the quantity of oil used during topping up is greater than 2L check for leaks and rectify problem before starting the machine.

Follow the below procedure when changing the oil:

1. Follow the 'Safe Stop' procedure.
2. Secure the Powermix from moving by applying the handbrake / positioning wheel chocks.
3. Remove the drain plug (a) and drain the oil into a 10L container.
4. Clean the drain plug (a) thoroughly & then carefully re-connect.
5. Remove the filler plug (b) and using a funnel, pour 9L of oil into the gearbox.
6. Re-connect the filler plug (b).
7. Check the oil level in the sight plug (c). Top up with oil if required.



Ensure the 'safe stop' procedure is followed before changing the gearbox oil.

7.13 STORAGE & CLEANING



Refer to section 2.11 – Accident prevention when servicing or working on the machine for safety procedures.

If the machine is to be kept outside, it should be parked with the door open to prevent water sitting in the bottom of the mixing chamber, and to prevent the doors hydraulic cylinder from rusting.

If the machine is to be stored, clean the machine thoroughly, and apply rust inhibitor or oil to all wearing surfaces.

Do not under any circumstances use a high pressure cleaner near the weigh cells and digital readout.

7.14 WELDING REPAIRS



Refer to section 2.11 – Accident prevention when servicing or working on the machine for safety procedures.

When welding, never let the current run through the weigh cells. This can be prevented by removing the loadcell cables from the junction box located underneath the guard positioned at the front of the machine.

Always ensure the earth connection of the welding device is positioned next to the place of welding.

7.15 RECOMMENDED PERIODIC MAINTENANCE



Refer to section 2.11 – Accident prevention when servicing or working on the machine for safety procedures.

DAILY

Visual check for any signs of damage / loose items, road lights not working, tyres flat, or wheel nuts loose, rectify if required.

WEEKLY

Grease the PTO cross bearing joints.

Grease the PTO shaft sliding profiles.

Check the belt tension on front web type conveyor, adjust if necessary.

Grease front web conveyor support rollers

Grease conveyors cast roller bearings

MONTHLY

Check tyre pressures.

Check wheel nuts.

Lubricate door runners.

Grease the PTO guard tube.

Check the oil level in the planetary gearbox expansion tank/s, and replenish if required.

Remove the level plug from the 2-speed gearbox, check the oil level, and replenish if required.

EVERY 3 MONTHS

Check that the axle hubcaps are in position & in good order.

Check & test the brakes

Check the overall condition of the steering axle (see section 7.9)

Grease kingpins on steering axle

Grease pivot bar trunnion on bogie

Clean locking cylinders on steering axle

Check wheel bearings

Check & tighten 'U' bolts on Bogie suspension.

Check and tighten Bogie fixing bolts to chassis.

Grease towing eye

Check & tighten the weigh cell fixing bolts.

EVERY 6 MONTHS

Grease planetary gearbox bearings.

Check the wheel alignment on steered axle models.

YEARLY

Replace the oil in the planetary & 2-speed gearboxes.

Check for play between the pivot bar and bushes of the suspension bogie.

Check the condition of the suspension springs

2nd YEARLY

Lubricate wheel bearings

Use only genuine Shelbourne Reynolds parts to ensure longevity and performance.