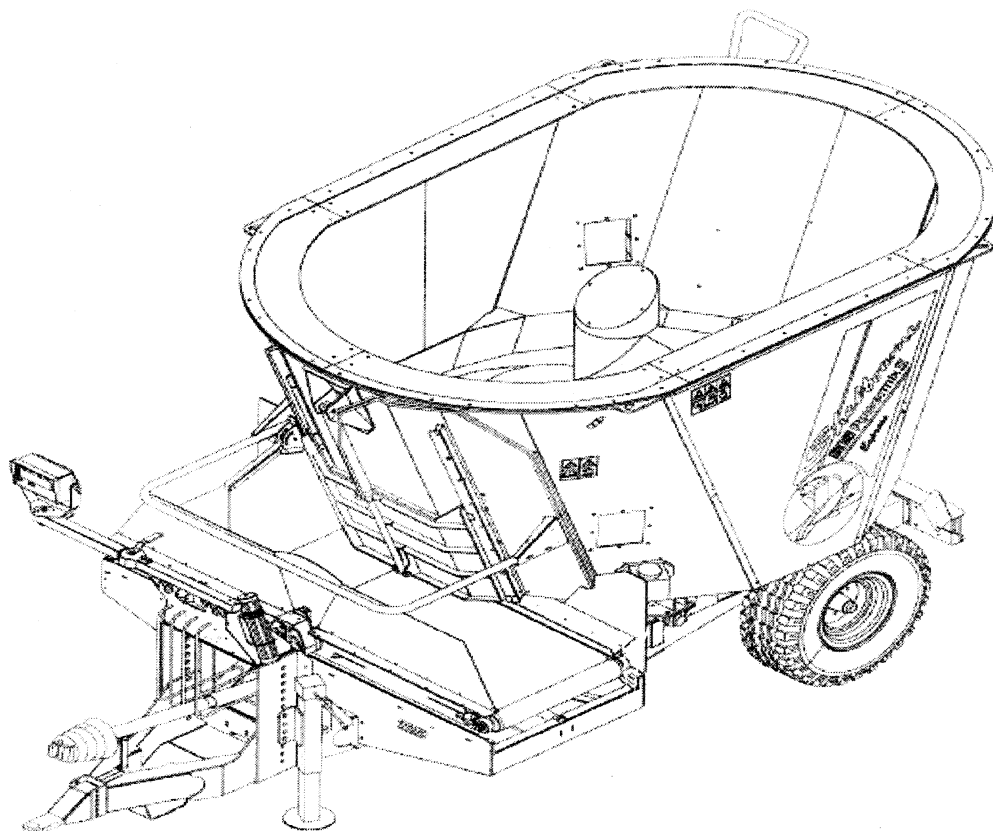


# Powermix II

9 m<sup>3</sup> 11 m<sup>3</sup> 13 m<sup>3</sup> *Express*



## PARTS LIST MANUAL



Shelbourne Reynolds Engineering Ltd  
Stanton  
Bury St Edmunds  
Suffolk IP31 2AR  
England

Telephone: 01359 250415  
Fax. No: 01359 250464

(Stores direct 01359 251231)  
(Stores direct 01359 252031)



INVESTOR IN PEOPLE

ISSUE 9  
02.10.08

## PARTS LISTINGS

### **MACHINE IDENTIFICATION**

The Powermix machine and serial identification numbers are engraved on a plate situated on the left-hand side of the chain guard.

To ensure component parts are supplied correctly, we recommend that you record the serial no, machine no and any kit option numbers in the space below.

**POWERMIX SERIAL NUMBER** \_\_\_\_\_

**POWERMIX MACHINE NUMBER** \_\_\_\_\_

KIT OPTION	KIT OPTION	KIT OPTION
KIT OPTION	KIT OPTION	KIT OPTION
KIT OPTION	KIT OPTION	KIT OPTION
KIT OPTION	KIT OPTION	KIT OPTION
KIT OPTION	KIT OPTION	KIT OPTION

### **ORDERING SPARE PARTS**

To ensure that you order the correct part from your SRE dealer please use the following procedure.

#### **ALWAYS QUOTE THE MACHINE AND SERIAL NUMBERS WHEN ORDERING.**

Refer to the front page of this parts list section (machine assemblies), listing all the sub assemblies.

The appropriate assemblies part number (in the top left-hand corner) will match the machine number from the Powermix identification plate.

Use the following sub assembly numbers and descriptions to find the area of the machine that your part is required, i.e. if you need a part which is fitted to the conveyor, your part will be in the conveyor sub assembly parts list.

Having decided which sub-assembly your part should be under, use the number beside that sub-assembly description which will begin with 6190-- -- to find the parts listing of the sub-assembly further on in the manual. The number will be printed in the top left-hand corner; the sub-assemblies are in numerical order.

Having found the correct parts list, you will find the corresponding drawing by either looking at the facing page or progressing through the manual to the next drawing.

The drawings indicate the components by item numbers, which you will find, are repeated in the left-hand side of your parts listing, and therefore referring to the correct part.

**LIST OF KIT NUMBERS  
FOR 9,11 & 13 m3 EXPRESS MACHINES**

MAN-05100

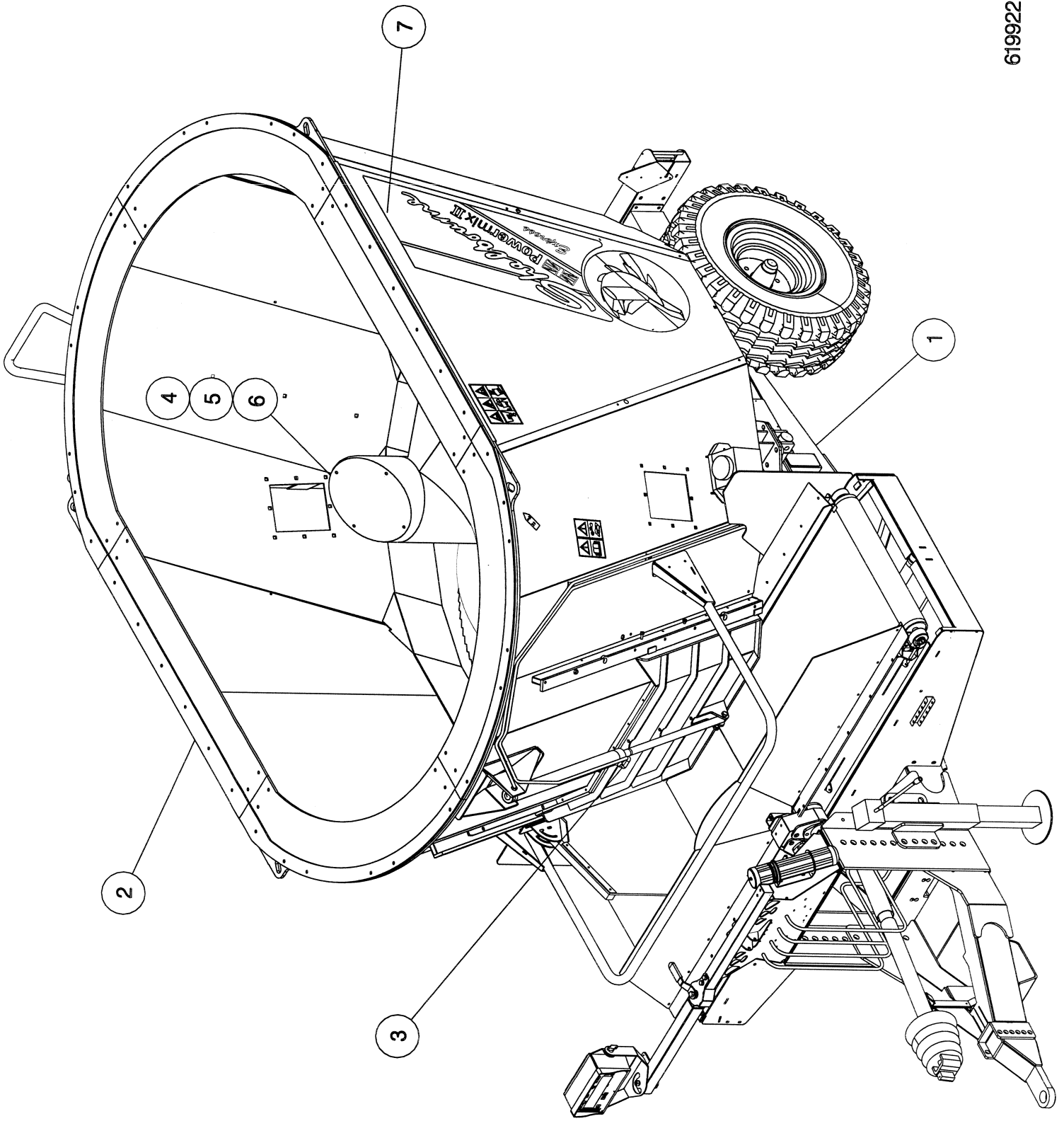
1.	619922 01	9m3 FRONT DOOR M/c
2.	619108 01	AUGER FIXING SUB ASSY
3.	619109 01	AUGER DRIVE SUB ASSY
4.	619110 01	9m <sup>3</sup> FRONT DOOR TUB SUB ASSY
5.	619111 01	CHASSIS AND DRAWBAR SUB
6.	619112 01	FRONT DOOR SUB ASSY
7.	619113 01	AUGER SUB ASSY
8.	619113 02	AUGER SUB ASSY (EXPRESS STYLE)
9.	619116 01	TRANSFERS SUB ASSY
10.	619122 01	EXPRESS TRANSFERS SUB ASSY
11.	619129 01	AUGER DRIVE SUB ASSY (EXPRESS)
12.	GEA-0168	POWERMIX BEVAL GEARBOX (3.36:1)
13.	KIT-02602	BRAKE RELIEF KIT
14.	KIT-02651	RUBBER RETAINING RING KIT FOR 9 Cu Mt
15.	KIT-03201	TOP BLADE KICKER
16.	KIT-03395a	300mm HIGH EXTENSION SIDE KIT
17.	KIT-03396a	600mm HIGH EXTENSION SIDE KIT
18.	KIT-03397	RUBBER RETAINING RING KIT FOR 11 Cu Mt
19.	KIT-03398	RUBBER RETAINING RING KIT FOR 13 Cu Mt
20.	KIT-03410	CHAIN SELF LUBE KIT
21.	KIT-03422	UK TOWING EYE
22.	KIT-03423	300mm AUGER EXTENSION
23.	KIT-03424	STANDARD BLADE KIT
24.	KIT-03425	LARGE BLADE KIT
25.	KIT-03428	EXPRESS BELT CONVEYOR KIT
26.	KIT-03430	WEIGH CELL SYSTEM (SINGLE AUGER)
27.	KIT-03431	LIGHTING KIT
28.	KIT-03432	STANDARD WHEEL AND TYRE OPTION
29.	KIT-03433	HYDRAULIC BRAKED AXLE
30.	KIT-03434	LEVER ARM KIT TO MOUNT MANUAL SPOOL VALVE TO MACHINE
31.	KIT-03435	MANUAL LEVER SPOOL VALVE CONVEYOR OPERATION
32.	KIT-03439	CONTINENTAL TOWING
33.	KIT-03442	MID LEVEL DISPLAY
34.	KIT-03442a	MIDEZ3200V INDICATOR KITC/W REMOTE PORT
35.	KIT-03445	SINGLE SPEED DRIVE KIT
36.	KIT-03446	UNBRAKED AXLE
37.	KIT-03447	BLADE TYPE ANTI-ROTATION PLATES
38.	KIT-03448	BOLT IN FIXED ANTI-ROTATION PLATES
39.	KIT-03449	MECHANICAL JACK

40.KIT-03455	LEVER ARM KIT TO MOUNT MANUAL SPOOL VALVE TO TRACTOR LINKAGE
41.KIT-03456	BASIC LEVEL DISPLAY
41.KIT-03456a	BASIC LEVEL DISPLAY C/W REMOTE DISPLAY PORT
42.KIT-03467	REMOTE ZERO FUNCTION
43.KIT-03469	DIRECT COUPLED HYDRAULICS FOR EXPRESS BELT CONVEYOR
44.KIT-03470	DUMMY WEIGH CELL KIT
45.KIT-03471	TOP LEVEL DIET MANAGER DISPLAY & SOFTWARE C/W UK 3 PIN PLUG
46.KIT-03471a	TOP LEVEL DIET MANAGER DISPLAY & SOFTWARE C/W EUROPEAN PLUG
47.KIT-03475	EXPRESS CONVEYOR MOUNTING KIT
48.KIT-03478	MIRROR MOUNT REMOTE DISPLAY
49.KIT-03483	FLASHING LIGHT KIT
50.KIT-03484	ELECTRIC SOLENOID SPOOL VALVE CONVEYOR OPERATION
51.KIT-03485	EXPRESS CHAIN & SLAT CONVEYOR
52.KIT-03486	MANUAL LEVER SPOOL VALVE TO OPERATE CHAIN & SLAT CONVEYOR
53.KIT-03487	DIRECT COUPLED HYDRAULICS FOR CHAIN & SLAT CONVEYOR
54.KIT-03489	AUGER MAGNET KIT (POPULAR STYLE AUGER)
55.KIT-03491	2 SPEED DRIVE KIT (1000 RPM INPUT MANUAL LEVER OPERATION)
56.KIT-03492	ELECTRIC SOLENOID SPOOL VALVE TO OPERATE CHAIN & SLAT CONVEYOR
57.KIT-03495	EXPRESS COUPLING KIT (TO ENABLE BELT CONVEYOR TO FEED BOTH SIDES AT THE SAME TIME)
58.KIT-03510	AUDIBLE ALARM KIT (FOR DIGI-STAR)
59.KIT-03511	SUPER SINGLE WHEEL AND TYRE KIT
60.KIT-03512	4" TUB RAISE KIT
61.KIT-03514	HYD PARKING JACK (TRACTOR CONNECTION)
62.KIT-03532	CHAIN AND SLAT EXPRESS CONVEYOR KIT
62.KIT-03537	WEIGH CELL SYSTEM (SINGLE AUGER)
63.KIT-03540	EXPRESS CONVEYOR MTG FRAME KIT (SINGLE)
64.KIT-03544	WHEEL AND TYRE KIT (BRANDENMARKT 305/55R22.5)
65.KIT-03566	AUGER BLADE KICKER KIT
66.KIT-03568	CHAIN OILER CONVERSION KIT (9-13m3)
67.KIT-03575	WEB EXPRESS CONVEYOR KIT
68.KIT-03599	HYDRAULIC PARKING JACK WITH HAND PUMP KIT



**Shelbourne Reynolds Engineering Limited**

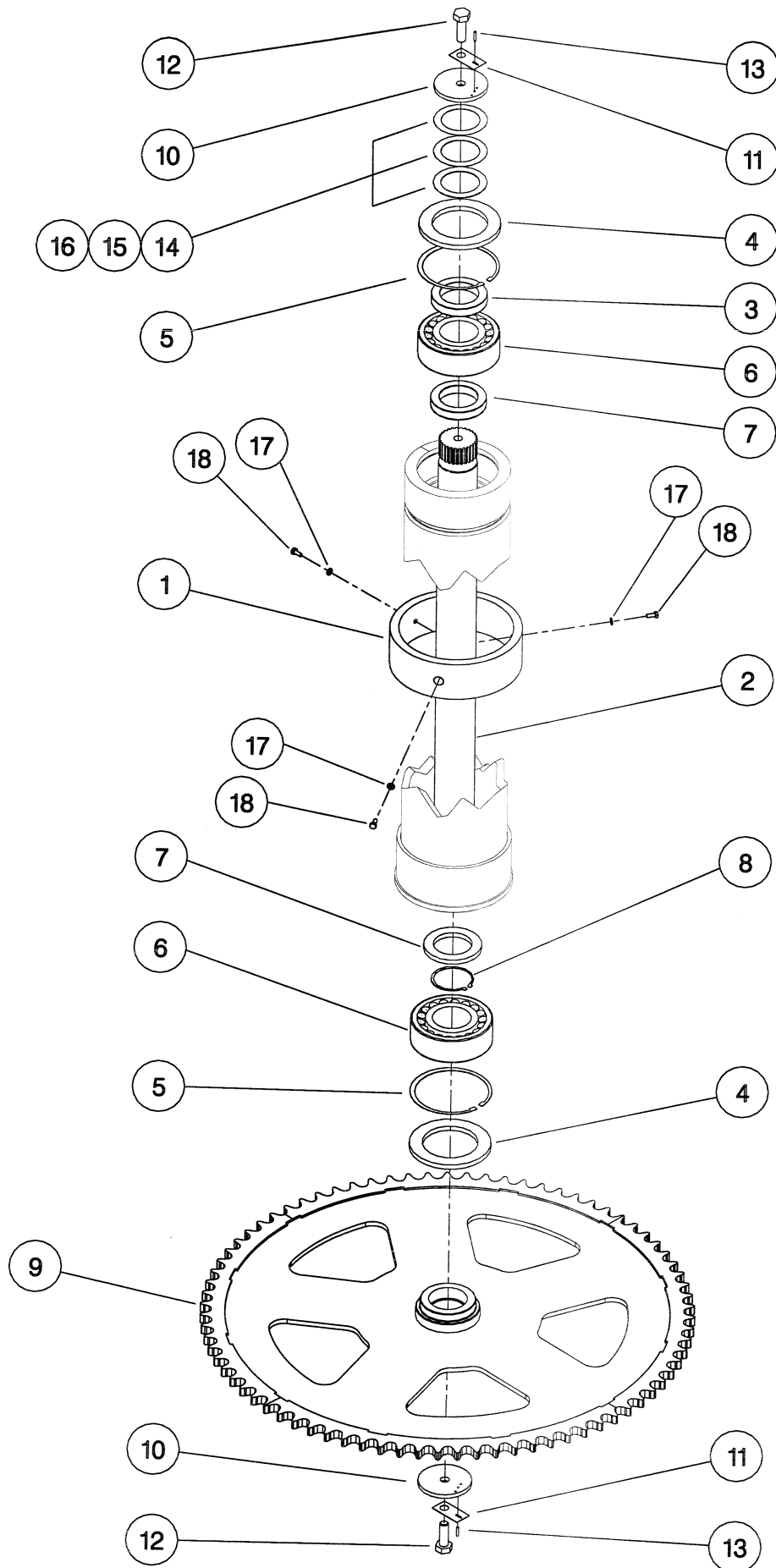
ASSY NUMBER: 619922 01		SUB ASSY DESCRIPTION: 9m <sup>3</sup> FRONT DOOR MACHINE					
ITEM	PART NO	DESCRIPTION	QTY	ITEM	PART NO	DESCRIPTION	QTY
1	619111 01	CHASSIS & DRAWBAR SUB ASSY	1				
2	619110 01	9m <sup>3</sup> TUB SUB ASSY	1				
3	619112 01	FRONT DOOR SUB ASSY	1				
4	619113 02	AUGER SUB ASSY	1				
OR	619113 01	SERIAL No 119135 & ON AUGER SUB ASSY UP TO & INC. SER No 118135	1				
5	619108 01	AUGER FIXING SUB ASSY	1				
6	619129 01	AUGER DRIVE SUB ASSY SERIAL No 131135 & ON	1				
OR	619109 01	AUGER DRIVE SUB ASSY UP TO & INC SER No 130135	1				
7	619122 01	TRANSFERS SUB ASSY	1				
OR	619116 01	TRANSFERS SUB ASSY	1				



**Shelbourne Reynolds Engineering Limited**

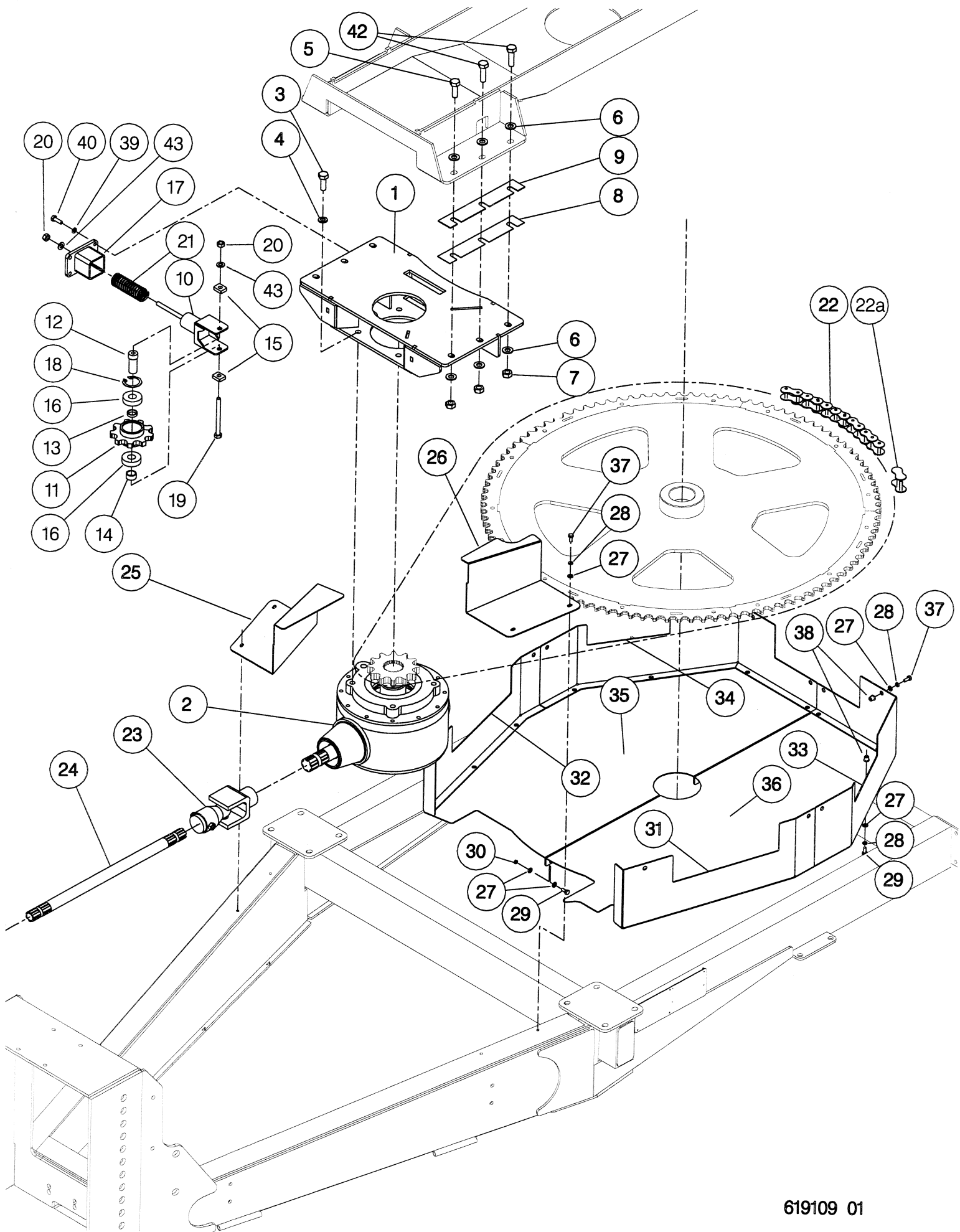
ASSY NUMBER: 619108 01		ASSY DESCRIPTION: AUGER FIXING SUB ASSY					
ITEM	PART NO	DESCRIPTION	QTY	ITEM	PART NO	DESCRIPTION	QTY
1	614095 01	AUGER BUSH 118155, 131135 & ON ONLY	1				
OR	610412 01	AUGER BUSH UP TO & INC 117155 & 130135	1				
2	613397 01	SHAFT	1				
3	613396 01	SPACER	1				
4	SEAB13000	OIL LIP SEAL	2				
5	CIR010190	INT.CIRCLIP	2				
6	BRG-19085	ROLLER BEARING	2				
7	SEAB09015	OIL LIP SEAL	2				
8	CIR-1457	EXTERNAL CIRCLIP	1				
9	613402 01	SPROCKET ASSY	1				
10	610413 01	FIXING DISC	2				
11	610414 01	FIXING TAB	2				
12	HSSA20260	SETSCREW	2				
13	PIN-1770	ROLL PIN	2				
14	610415 01	SHIM(0.5mm)	5				
15	610415 02	SHIM(1mm)	2				
16	610415 03	SHIM(2mm)	2				
17	WSH-1300	SHAKEPROOF WASHER	3				
		118155, 131135 & ON ONLY					
		SETSCREW					
18	HSS-0140	118155, 131135 & ON ONLY	3				





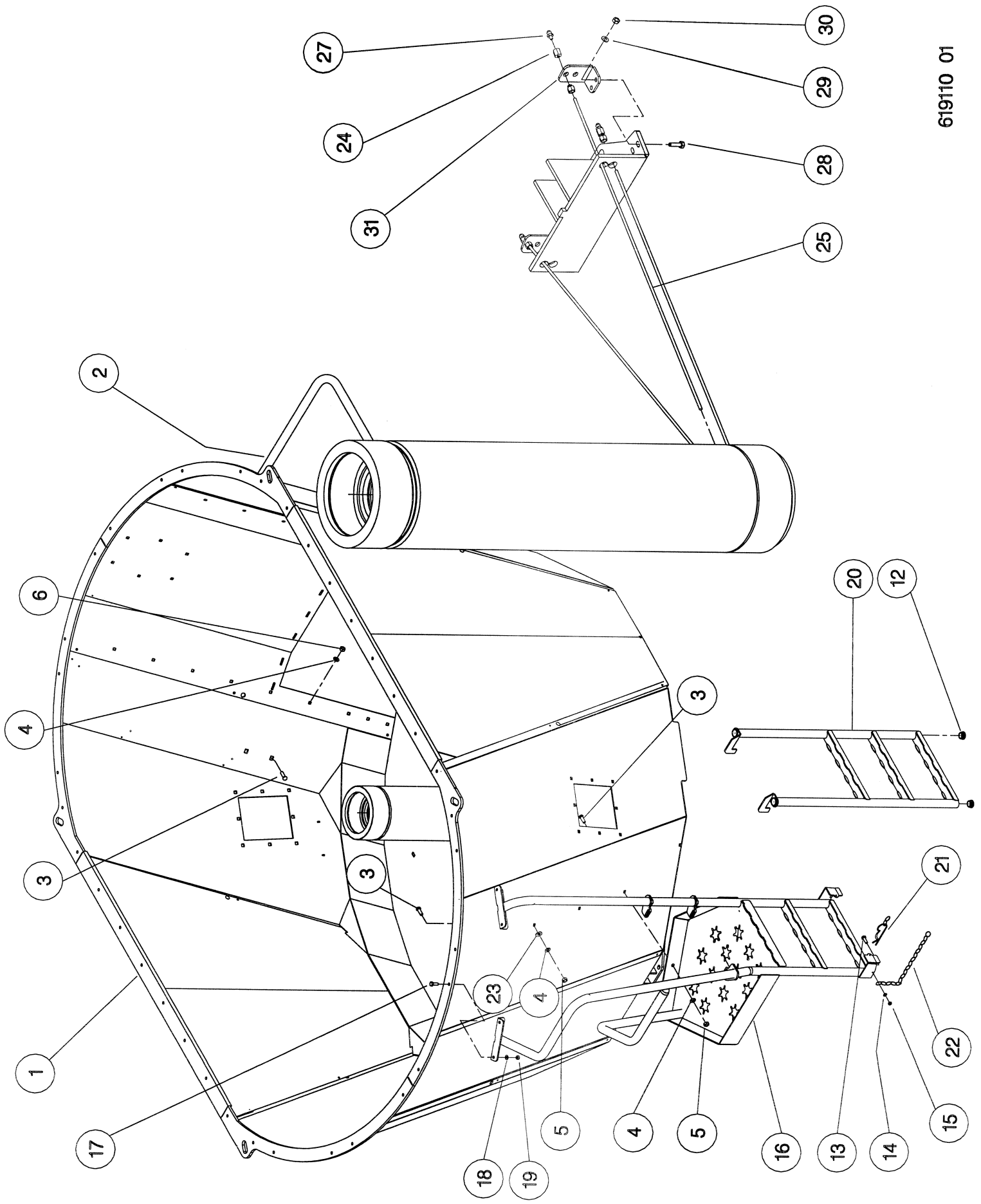
**Shelbourne Reynolds Engineering Limited**

ASSY NUMBER: 619109 01		ASSY DESCRIPTION: AUGER DRIVE SUB ASSY (EXPRESS)					
ITEM	PART NO	DESCRIPTION	QTY	ITEM	PART NO	DESCRIPTION	QTY
1	613387 01	GEARBOX MTG BRKT W/A	1	32	613521 02	CHAIN DRIVE GUARD RH	1
2	GEA-0168	BEVEL GEARBOX ASSY	1	33	613519 01	CHAIN DRIVE GUARD LH	1
3	HSS-0315	SETSCREW	4	34	613519 02	CHAIN DRIVE GUARD RH	1
4	WSHA30161	LOCK WASHER	4	35	613529 01	RH BOTTOM CHAIN GUARD	1
5	HSS-0319	SETSCREW	4	36	613526 01	LH BOTTOM CHAIN GUARD	1
6	WSH-0024	WASHER	12	37	HSS-0150	SETSCREW	14
7	NUT-0271	NUT	6	38	NUTA13080	NUTSERT	24
8	610841 01	SHIM(1mm)	2	39	WSH-0061	WASHER	4
9	610841 02	SHIM(2mm)	6	40	HSS-0198	SETSCREW	4
10	613392 01	SPROCKET ADJUSTER ASSY	1	41			
11	613390 01	TENSIONER SPROCKET	1	42	HSS-0322	SETSCREW	2
12	613692 01	TENSIONER SPROCKET BOSS	1	43	WSH-0018	WASHER	2
13	612806 02	SPACER TUBE	1				
14	612806 03	SPACER TUBE	1				
15	613238 01	SLIDING PLATE	2				
16	BRG-3358	BEARING	2				
17	613784 01	SPRING KEEP PLATE	1				
18	CIR-0620	CIRCLIP	1				
19	BLT-2273	BOLT	1				
20	NUT-0269	NUT	1				
21	SPGE02046	DIE SPRING	2				
22	CHN-04480	CHAIN	1				
22a	CHN-04400	JOINING LINK	1				
23	PTO-20004	COUPLING	1				
OR	PTO-20005	(SERIAL No 119135 & ON) COUPLING	1				
24	614028 01	(UP TO & INC SER. No 118135) INPUT SHAFT	1				
24	613580 01	(SERIAL No 119135 & ON) INPUT SHAFT	1				
25	613533 01	(UP TO & INC SER. No 118135) RH FRONT CHAIN GUARD	1				
26	613531 01	LH FRONT CHAIN GUARD	1				
27	WSH-1038	WASHER	40				
28	WSH-0058	WASHER	28				
29	HSS-0140	SETSCREW	19				
30	NUT-0263	NUT	6				
31	613521 01	CHAIN DRIVE GUARD LH	1				



**Shelbourne Reynolds Engineering Limited**

ASSY NUMBER: 619110 01		ASSY DESCRIPTION: 9m CU FRONT DOOR TUB SUB ASSY					
ITEM	PART NO	DESCRIPTION	QTY	ITEM	PART NO	DESCRIPTION	QTY
1	613588 01	9m Cu TUB W/A	1	31	614154 01	NIPPLE MTG PLATE (SERIAL No 131135 & ON ONLY)	2
2	613616 01	GUARD RAIL W/A	1				
3	BLT-3790	COACHBOLT	7				
4	WSH-0018	WASHER	7				
5	NUT-0269	NUT	7				
6							
7							
8							
9							
10							
11							
12	PTF-00134	PLASTIC CAP INSERT	2				
13	HSS-0086	SETSCREW	1				
14	WSH-0009	WASHER	1				
15	NUT-0260	NUT	1				
16	613592 01	PLATFORM W/A	1				
17	HSS-0210	BOLT	4				
18	WSH-0015	WASHER	4				
19	NUT-0265	NUT	4				
20	613764 01	LADDER W/A	1				
21	CLP-00105	R-CLIP	1				
22	CHN-0145	CHAIN	1				
23	611830 01	SPACER PLATE	2				
24	HPTB58001	STR. FEMALE STUD FITTING (SERIAL No 131135 & ON ONLY)	3				
25	614111 01	GREASE PIPE (SERIAL No 131135 & ON ONLY)	3				
26							
27	NIP-0001	GREASE NIPPLE (SERIAL No 118155 & ON ONLY)	3				
28	HSS-0150	SETSCREW (SERIAL No 131135 & ON ONLY)	4				
29	WSH-0012	WASHER (SERIAL No 131135 & ON ONLY)	4				
30	NUT-0263	NUT (SERIAL No 131135 & ON ONLY)	4				

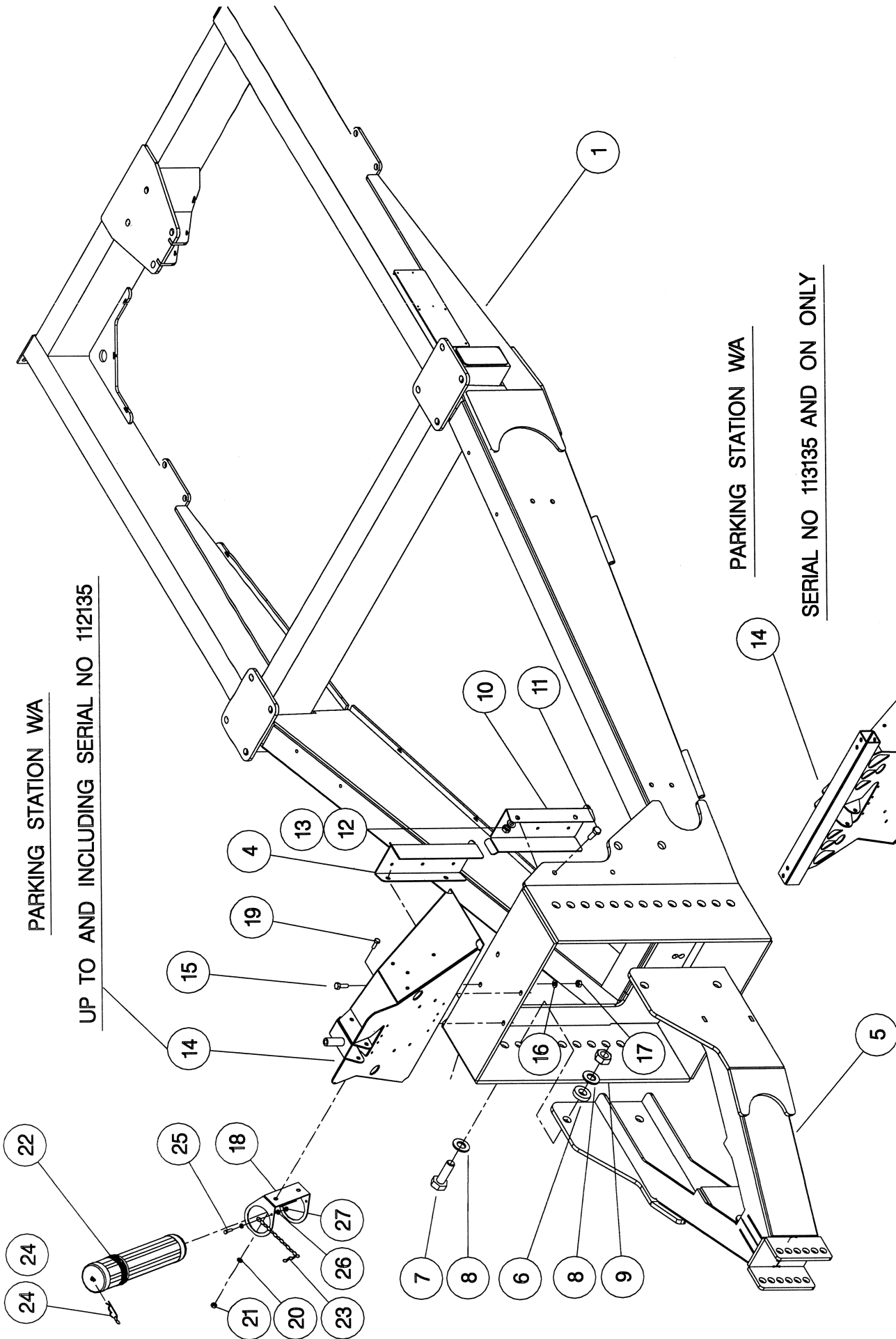


**Shelbourne Reynolds Engineering Limited**

ASSY NUMBER: 619111 01		ASSY DESCRIPTION: CHASSIS & DRAWBAR SUB ASSY (EXPRESS)					
ITEM	PART NO	DESCRIPTION	QTY	ITEM	PART NO	DESCRIPTION	QTY
1	613482 01	CHASSIS W/A	1				
2							
3							
4	613516 02	HOSE TIDY RH	1				
5	613415 01	DRAWBAR W/A	1				
6	190119 94	WASHER	4				
7	BLTA24530	BOLT	4				
8	WSH-0036	WASHER	8				
9	NUT-0275	NUT	4				
10	613516 01	HOSE TIDY LH	1				
11	HSS-0241	SETSCREW	4				
12	WSH-0018	WASHER	4				
13	NUT-0269	NUT	4				
14	614186 01	PARKING STATION W/A	1				
OR	613596 01	(SERIAL No 113135 & ON ONLY) PARKING STATION W/A	1				
15	HSS-0194	SETSCREW	4				
16	WSH-0015	WASHER	4				
17	NUT-0265	NUT	4				
18	194364 01	CANNISTER BRKT	1				
19	HSS-0140	SETSCREW	2				
20	WSH-0012	WASHER	2				
21	NUT-0263	NUT	2				
22	WDA-00025	MANUAL HOLDER	1				
23	CHN-0145	CHAIN	1				
24	RCL-0015	R-CLIP	1				
25	HSS-0086	SETSCREW	2				
26	WSH-0009	WASHER	2				
27	NUT-0260	NUT	2				

PARKING STATION W/A

UP TO AND INCLUDING SERIAL NO 112135



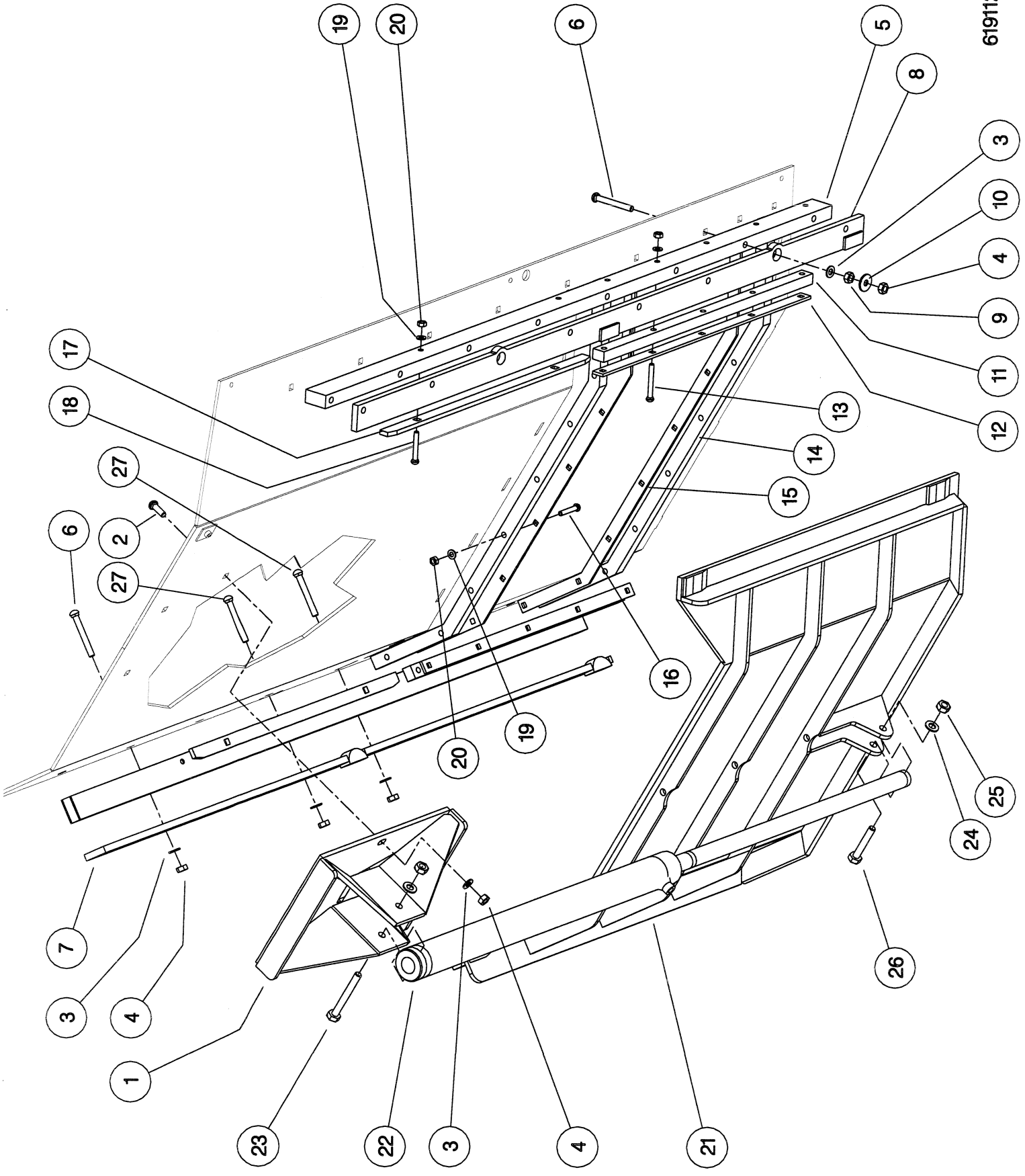
PARKING STATION W/A

SERIAL NO 113135 AND ON ONLY

**Shelbourne Reynolds Engineering Limited**

ASSY NUMBER: 619112 01		ASSY DESCRIPTION: FRONT DOOR SUB ASSY					
ITEM	PART NO	DESCRIPTION	QTY	ITEM	PART NO	DESCRIPTION	QTY
1	613496 01	RAM BRKT W/A	1				
2	BLT-3750	COACHBOLT	6				
3	WSH-0015	WASHER	24				
4	NUT-0265	NUT	24				
5	613493 01	VERTICAL FRAME	2				
6	BLTF10503	COACHBOLT	16				
7	613501 01	LH KEEP PLATE W/A	1				
8	613501 02	RH KEEP PLATE W/A	1				
9	NUT-0365	NUT	4				
10	190548 50	WASHER	4				
11	613497 01	FRONT DOOR SEAL (SIDE)	2				
12	613498 01	CLAMP STRIP (SIDE)	2				
13	BLTF08410	COACHBOLT	10				
14	613538 01	DOOR SEAL (TOP/BOTTOM)	2				
15	613537 01	CLAMP STRIP (TOP/BOTTOM)	2				
16	BLTF08293	COACHBOLT	16				
17	613499 01	TOP DOOR RUNNER	4				
18	BLTF08353	COACHBOLT	4				
19	WSH-0012	WASHER	30				
20	NUT-0263	NUT	30				
21	613506 01	FRONT DOOR W/A	1				
22	610908 01	HYDRAULIC RAM	1				
23	BLT-2270	BOLT	1				
24	WSH-0018	WASHER	2				
25	NUT-0269	NUT	2				
26	BLTA12440	BOLT	1				
27	BLTF10533	COACHBOLT	2				

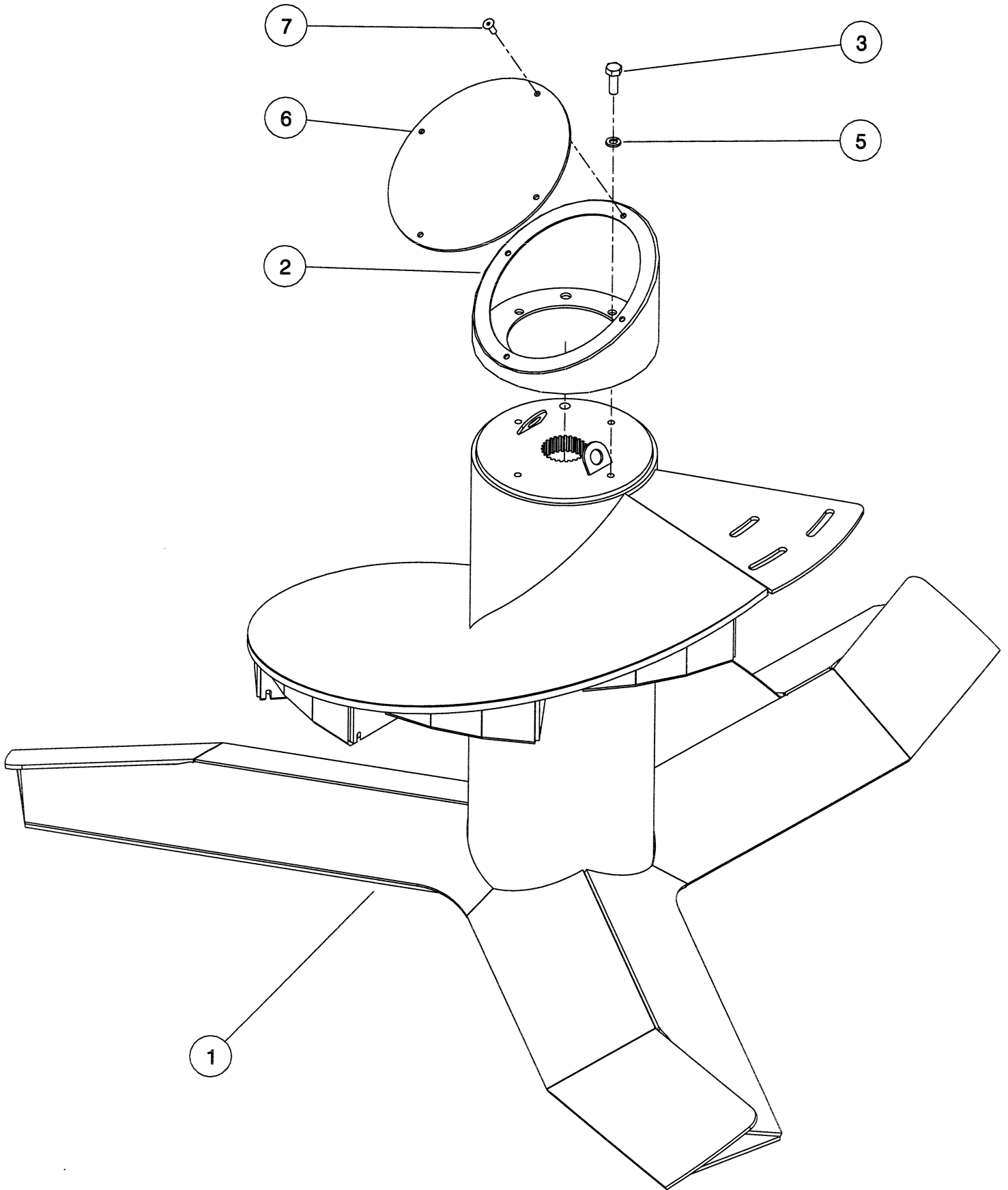




619112 01

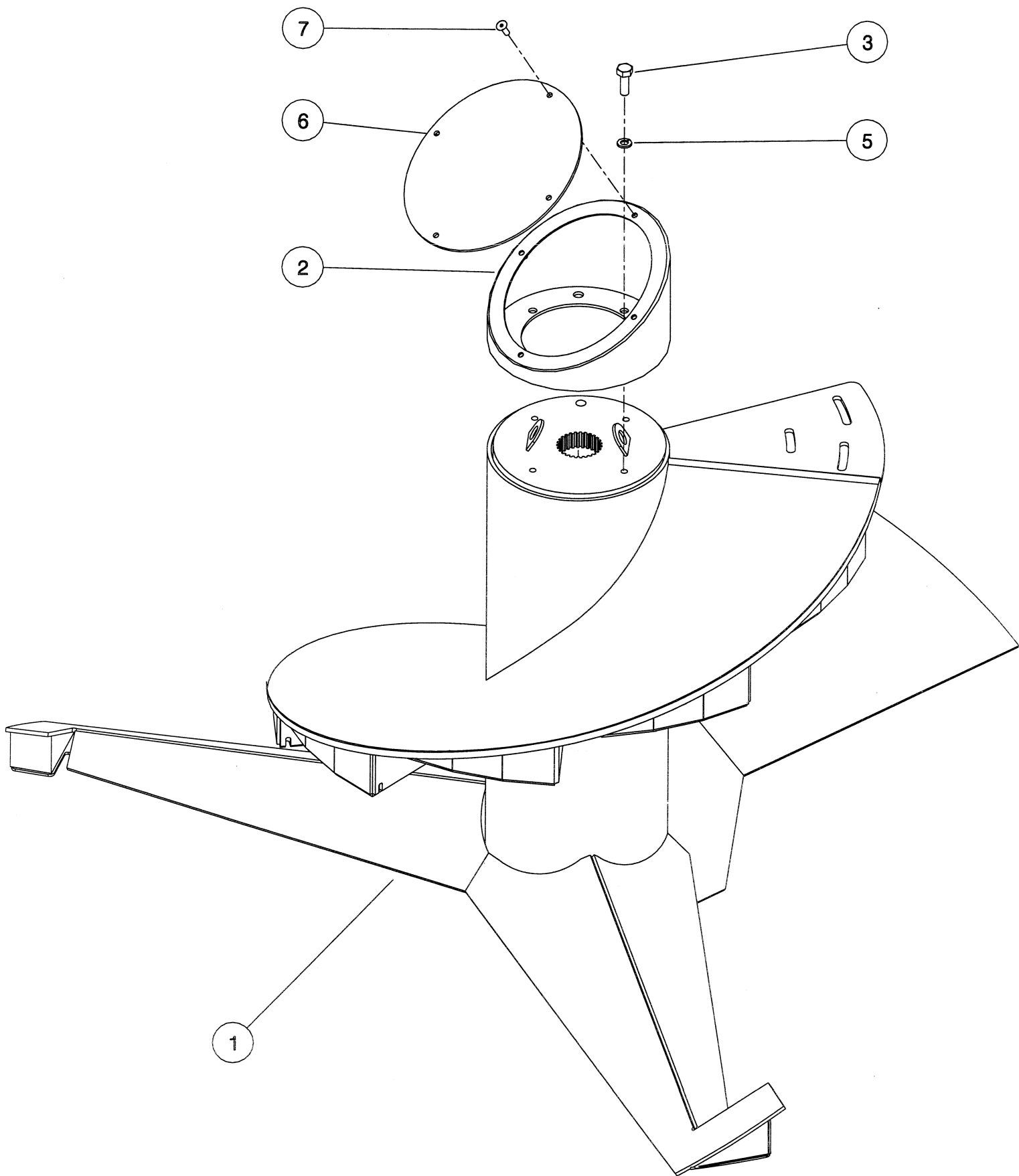
**Shelbourne Reynolds Engineering Limited**

ASSY NUMBER: 619113 01		ASSY DESCRIPTION: AUGER SUB ASSY					
ITEM	PART NO	DESCRIPTION	QTY	ITEM	PART NO	DESCRIPTION	QTY
1	613543 01	AUGER WELD ASSY	1				
2	613558 01	OBLIQUE AUGER TOP	1				
3	HSS-0316	SETSCREW	4				
4							
5	WSH-0070	WASHER	4				
6	613708 01	ELLIPTICAL DISC	1				
7	SCEA10170	CSK SOC HD SCREW	4				



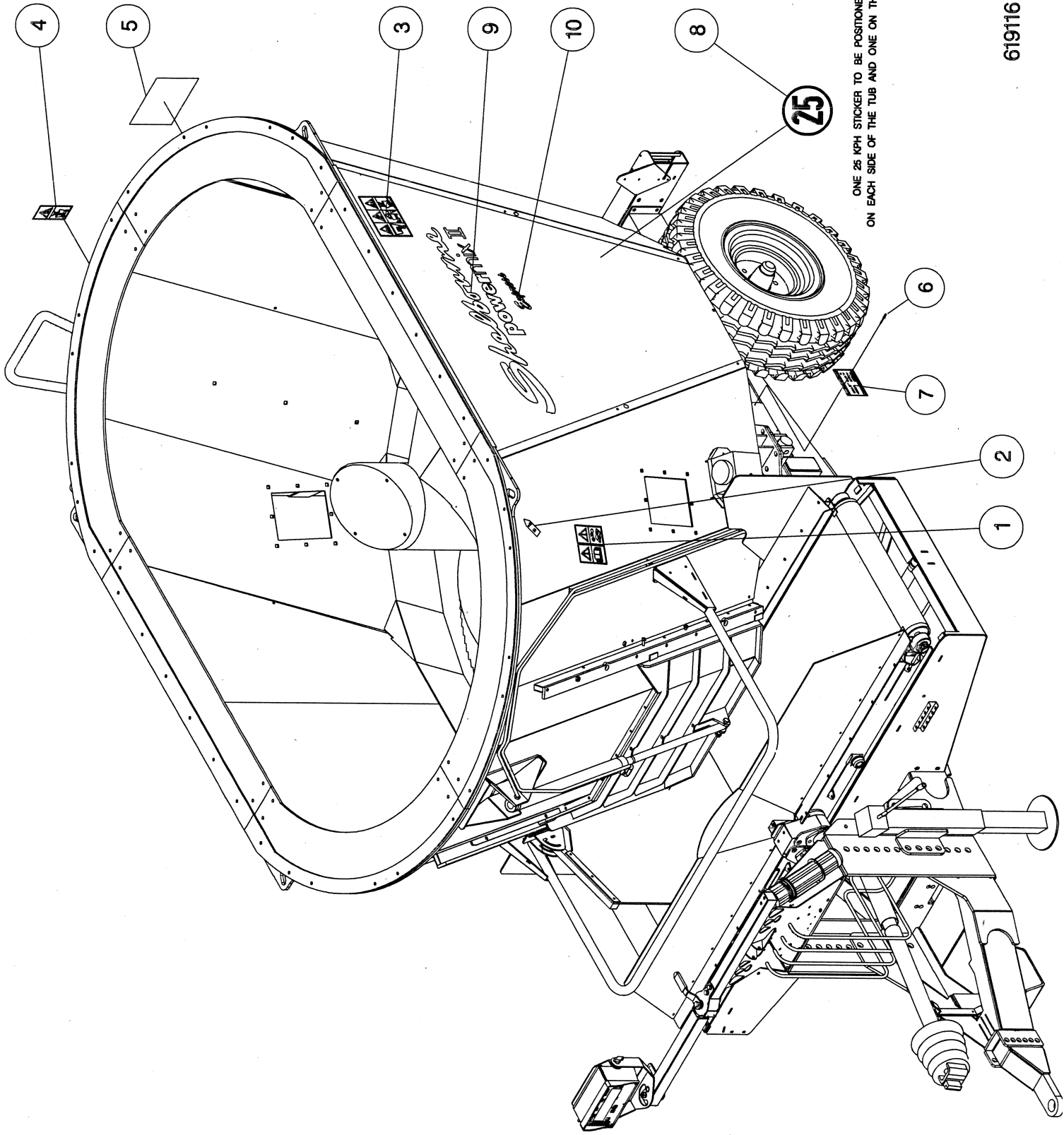
**Shelbourne Reynolds Engineering Limited**

ASSY NUMBER: 619113 02		ASSY DESCRIPTION: AUGER SUB ASSY (EXPRESS STYLE)					
ITEM	PART NO	DESCRIPTION	QTY	ITEM	PART NO	DESCRIPTION	QTY
1	614022 01	AUGER WELD ASSY	1				
2	613558 01	OBLIQUE AUGER TOP	1				
3	HSS-0316	SETSCREW	4				
4							
5	WSH-0070	WASHER	4				
6	613708 01	ELLIPTICAL DISC	1				
7	SCEA10170	CSK SOC HD SCREW	4				



**Shelbourne Reynolds Engineering Limited**

ASSY NUMBER: 619116 01		ASSY DESCRIPTION: EXPRESS TRANSFERS SUB ASSY					
ITEM	PART NO	DESCRIPTION	QTY	ITEM	PART NO	DESCRIPTION	QTY
1	TNF-0011	EMBLEM (BLOCK TRANSFER)	1				
2	190702 04	EMBLEM (SLING POINT)	4				
3	610253 01	EMBLEM (BLOCK TRANSFER)	2				
4	610259 01	EMBLEM (LADDER WARNING)	1				
5	610563 01	EMBLEM (UNION JACK)	1				
6	POP-0006	POP RIVET	4				
7	590145 01	IDENTIFICATION PLATE (UK)	1				
OR	TNF-0201	IDENTIFICATION PLATE (GER)	1				
OR	612269 01	IDENTIFICATION PLATE (US)	1				
8	611033 01	25 KMPH EMBLEM	3				
OR	612610 01	6 KMPH EMBLEM	3				
9	613876 01	DECAL-SHELBOURNE P/MIX II	2				
10	613877 01	DECAL-EXPRESS	2				

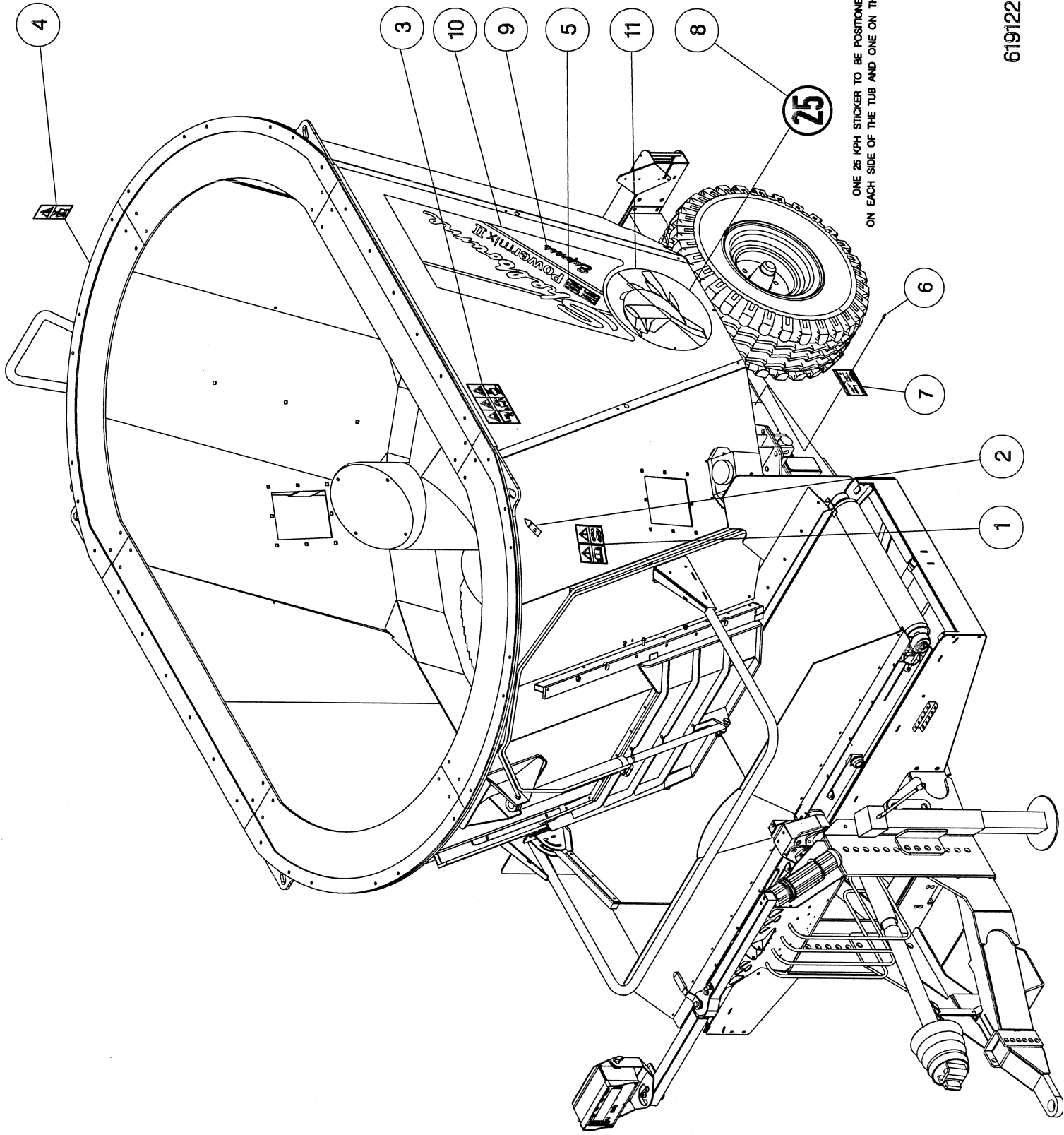


ONE 25 KPH STICKER TO BE POSITIONED  
ON EACH SIDE OF THE TUB AND ONE ON THE BACK

**Shelbourne Reynolds Engineering Limited**

ASSY NUMBER: 619122 01`		ASSY DESCRIPTION: EXPRESS TRANSFERS SUB ASSY					
ITEM	PART NO	DESCRIPTION	QTY	ITEM	PART NO	DESCRIPTION	QTY
1	TNF-0011	ENBLEM (BLOCK TRANSFER)	1				
2	190702 04	EMBLEM (SLING POINT)	4				
3	610253 01	EMBLEM (BLOCK TRANSFER)	2				
4	610259 01	EMBLEM (LADDER WARNING)	1				
5	613999 01	EMBLEM (UNION JACK)	2				
6	POP-0006	POP RIVET	4				
7	590145 01	IDENTIFICATION PLATE (UK)	1				
OR	TNF-0201	IDENTIFICATION PLATE (GER)	1				
OR	612269 01	IDENTIFICATION PLATE (US)	1				
8	611033 01	25 KMPH EMBLEM	3				
OR	612610 01	6 KMPH EMBLEM	3				
9	613877 01	DECAL-EXPRESS	2				
10	613996 01	EMBLEM (LH POWERMIX II)	2				
11	613998 01	EMBLEM (AUGER)	2				

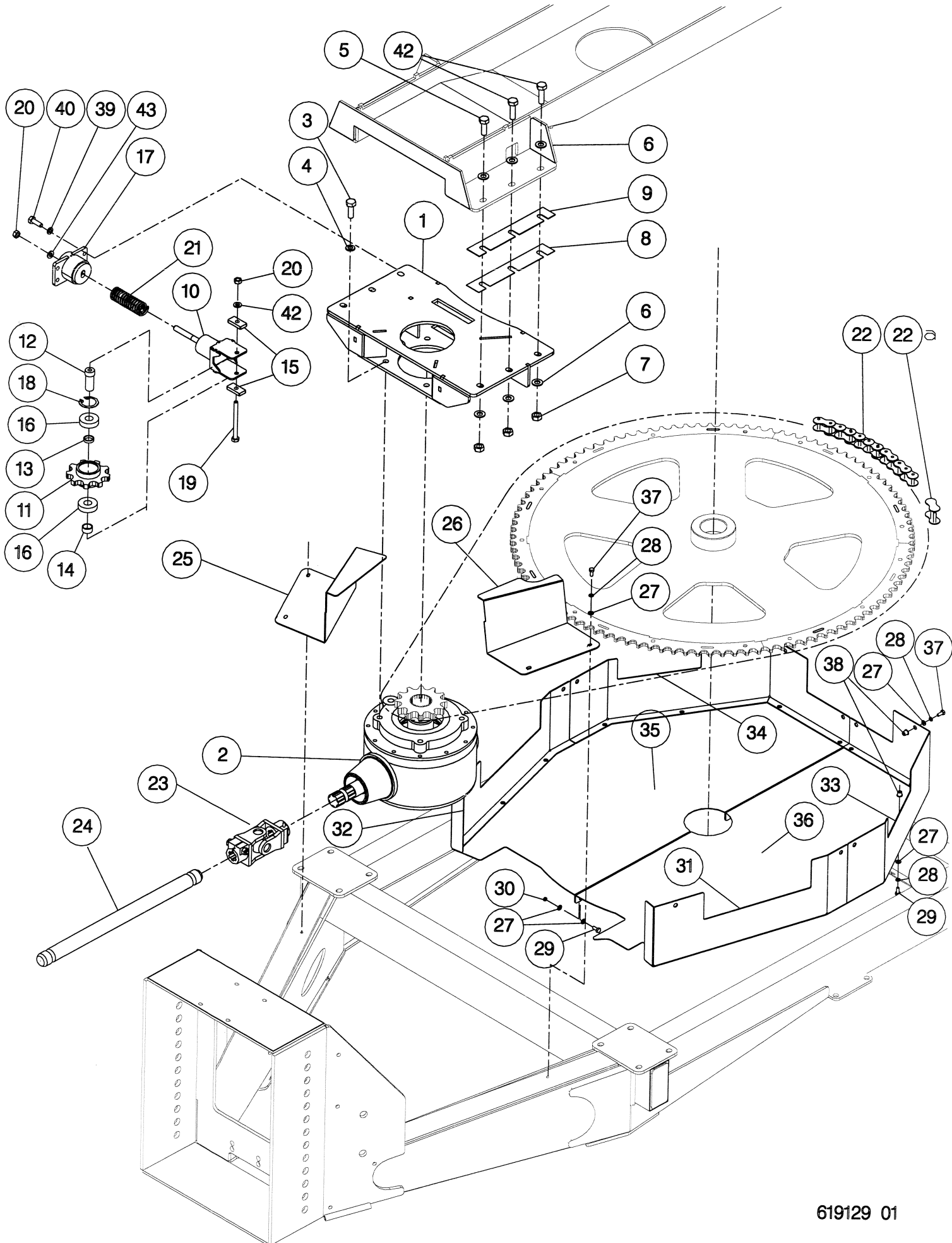




ONE 25 KPH STICKER TO BE POSITIONED  
ON EACH SIDE OF THE TUB AND ONE ON THE BACK

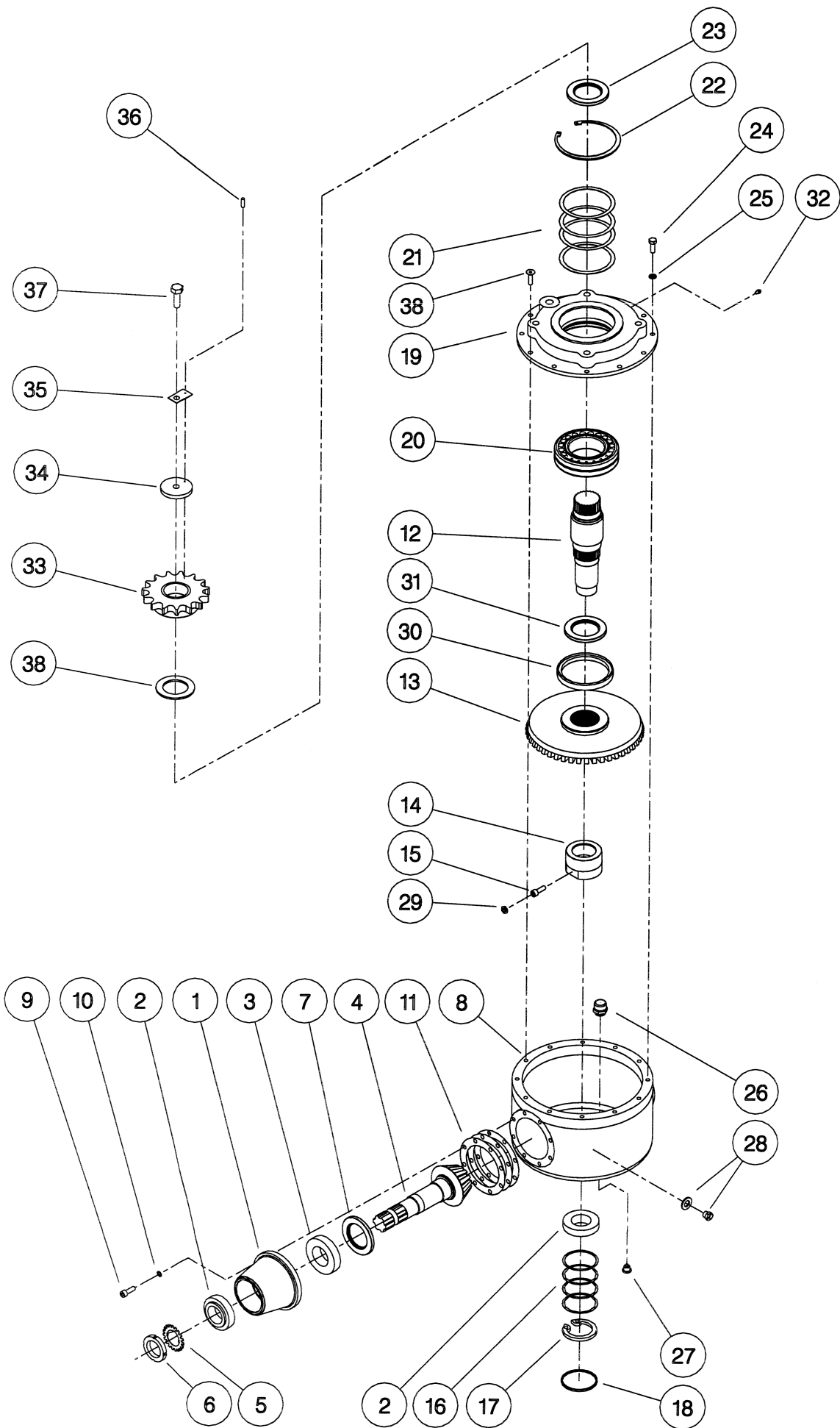
**Shelbourne Reynolds Engineering Limited**

ASSY NUMBER: 619129 01		ASSY DESCRIPTION: AUGER DRIVE SUB ASSY (EXPRESS)					
ITEM	PART NO	DESCRIPTION	QTY	ITEM	PART NO	DESCRIPTION	QTY
1	613387 01	GEARBOX MTG BRKT W/A	1	38	NUTA13080	NUTSERT	24
2	GEA-0168	BEVEL GEARBOX ASSY	1	39	WSH-0065	WASHER	4
3	HSS-0315	SETScrew	4	40	HSS-0250	SETScrew	4
4	WSHA30161	LOCK WASHER	4	41	NIP-00600	GREASE NIPPLE	1
5	HSS-0319	SETScrew	4	42	HSS-0322	SETScrew	2
6	WSH-0024	WASHER	13	43	WSH-0018	WASHER	1
7	NUT-0271	NUT	7				
8	610841 01	SHIM(1mm)	2				
9	610841 02	SHIM(2mm)	6				
10	614190 01	SPROCKET ADJUSTER ASSY	1				
11	613390 01	TENSIONER SPROCKET	1				
12	613692 01	TENSIONER SPROCKET BOSS	1				
13	612806 02	SPACER TUBE	1				
14	612806 03	SPACER TUBE	1				
15	614223 01	SLIDING PLATE	2				
16	BRG-3358	BEARING	2				
17	614200 01	SPRING KEEP PLATE	1				
18	CIR-0620	CIRCLIP	1				
19	BLT-2273	BOLT	1				
20	NUT-0269	NUT	1				
21	SPGE02046	DIE SPRING	1				
22	CHN-04480	CHAIN	1				
22a	CHN-04400	JOINING LINK	1				
23	PTO-20004	COUPLING	1				
24	614028 01	INPUT SHAFT	1				
25	613533 01	RH FRONT CHAIN GUARD	1				
26	613531 01	LH FRONT CHAIN GUARD	1				
27	WSH-1038	WASHER	40				
28	WSH-0058	WASHER	28				
29	HSS-0140	SETScrew	19				
30	NUT-0263	NUT	6				
31	613521 01	CHAIN DRIVE GUARD LH	1				
32	613521 02	CHAIN DRIVE GUARD RH	1				
33	613519 01	CHAIN DRIVE GUARD LH	1				
34	613519 02	CHAIN DRIVE GUARD RH	1				
35	613529 01	RH BOTTOM CHAIN GUARD	1				
36	613526 01	LH BOTTOM CHAIN GUARD	1				
37	HSS-0150	SETScrew	14				



**Shelbourne Reynolds Engineering Limited**

ASSY NUMBER: GEA-0168		ASSY DESCRIPTION: POWERMIX BEVEL GEARBOX (3.36:1)					
ITEM	PART NO	DESCRIPTION	QTY	ITEM	PART NO	DESCRIPTION	QTY
1	610858 01	INPUT HOUSING	1				
2	BRG-7000	TAPER ROLLER BEARING	2				
3	BRG-7020	TAPER ROLLER BEARING	1				
4	613225 01	INPUT PINION (14T)	1				
5	BRG-95015	LOCKWASHER	1				
6	BRG-95010	LOCKNUT	1				
7	SEAB04510	SHAFT SEAL	1				
8	610859 01	MAIN CASE	1				
9	SCW-0195	CAP HEAD SCREW	8				
10	WSH-1301	SHAKEPROOF WASHER	8				
11	610863	INPUT SHIM PACK	1				
12	610866 01	OUTPUT SHAFT	1				
13	613223 01	OUTPUT BEVEL GEAR (47T)	1				
14	611346 01	LOCKING NUT	1				
15	SCGA10178	GRUB SCREW	2				
16	610864	OUTPUT SHIM PACK (BOTTOM)	1				
17	CIR010090	INTERNAL CIRCLIP	1				
18	SEAZ09000	CORE PLUG SEAL	1				
19	613574 01	OUTPUT HOUSING	1				
20	BRG-18041	TAPER ROLLER BEARING	1				
21	610865	OUTPUT SHIM PACK (TOP)	1				
22	CIR010140	INTERNAL CIRCLIP	1				
23	SEAB08000	SHAFT SEAL	1				
24	HSS-0194	SET SCREW	10				
25	WSH-0061	SPRING WASHER	10				
26	FIT-0255	FILLER/BREATHER	1				
27	FIT-0253	MAGNET. DRAIN PLUG	1				
28	FITD00005	LEVEL GAUGE	1				
29	NUT-0365	HALF NUT	2				
30	610966 01	SLEEVE	1				
31	SEAA14000	SHAFT SEAL	1				
32	NIP-00600	GREASE NIPPLE	1				
33	613403 01	SPROCKET 10T	1				
34	610071 01	WASHER	1				
35	610072 01	LOCK TAB	1				
36	PIN-40414	ROLL PIN	1				
37	HSS-0315	SETSCREW	1				
38	SCEA10170	CSK SOC HD SCREW	2				





# powermix II

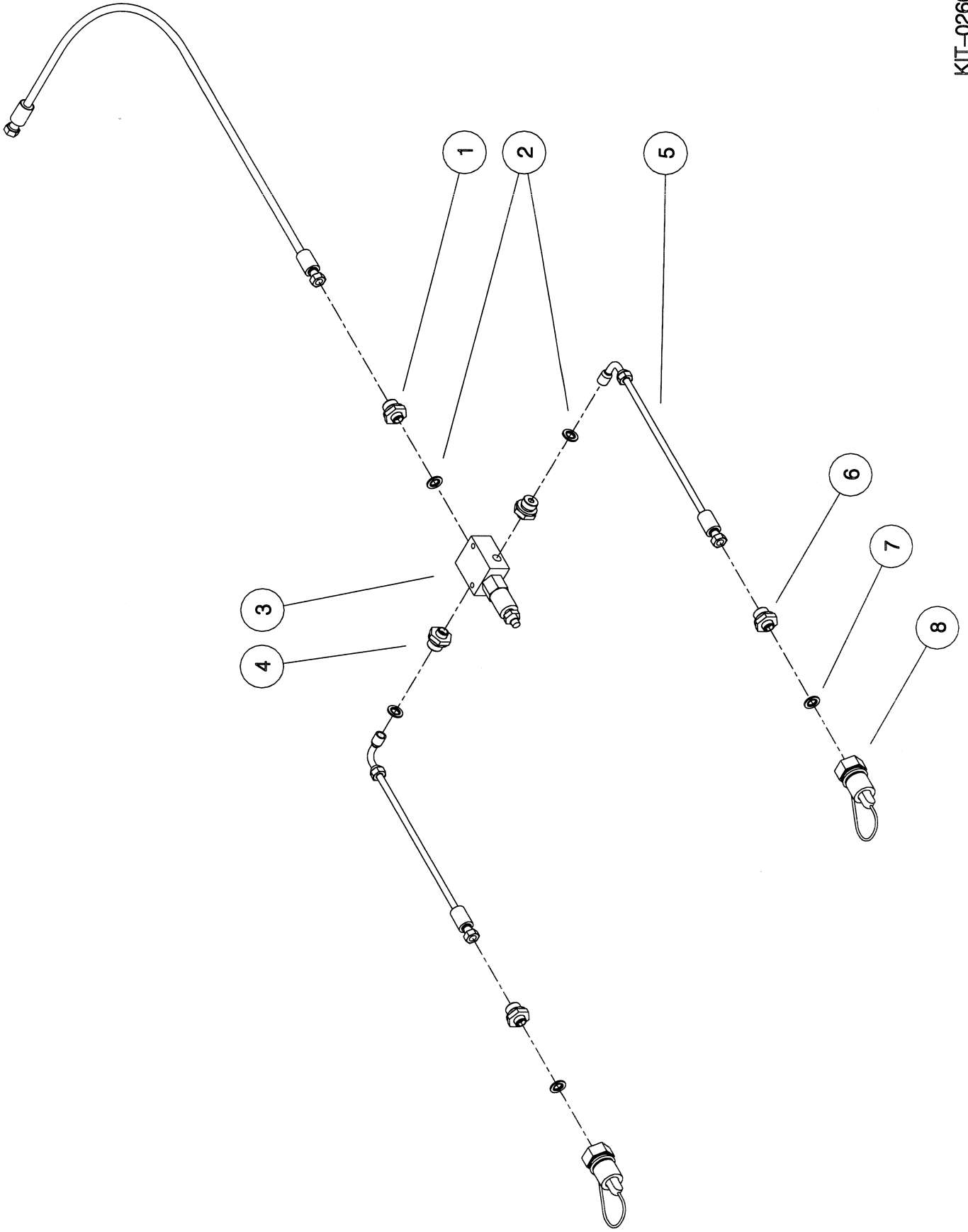
*Express*

**KIT OPTIONS**

**Shelbourne Reynolds Engineering Limited**

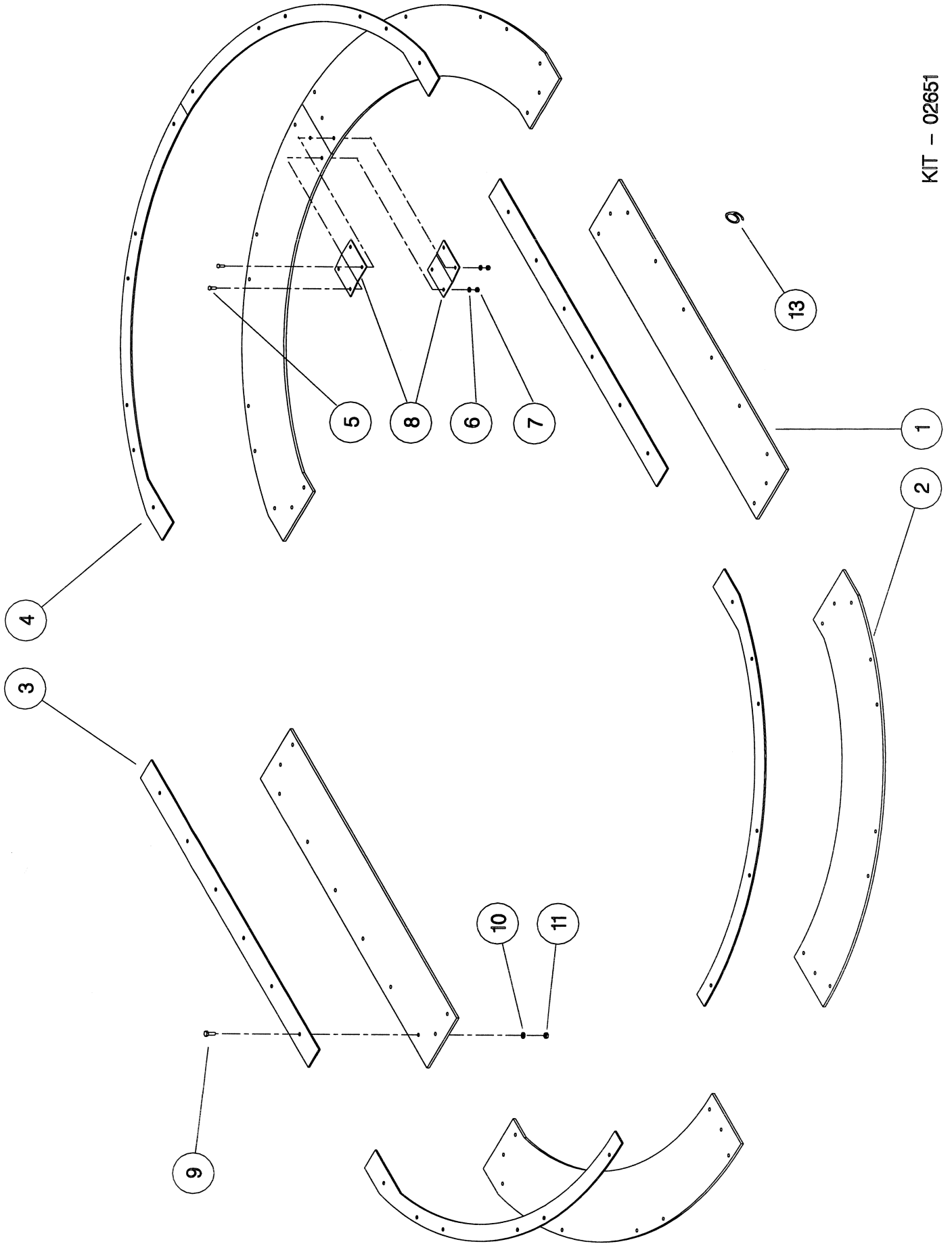
ASSY NUMBER: KIT-02602		ASSY DESCRIPTION: BRAKE RELIEF KIT					
ITEM	PART NO	DESCRIPTION	QTY	ITEM	PART NO	DESCRIPTION	QTY
1							
2	WSH-1005	DOWTY WASHER	3				
3	HVB-22110	RELIEF VALVE	1				
4	HMA-0052	ADAPTOR	3				
5	HHBC02505	HYDRAULIC HOSE ASSY	2				
6	HMA-0055	ADAPTOR	2				
7	WSH-1015	DOWTY WASHER	2				
8	COU-0162	Q.R COUPLING	2				





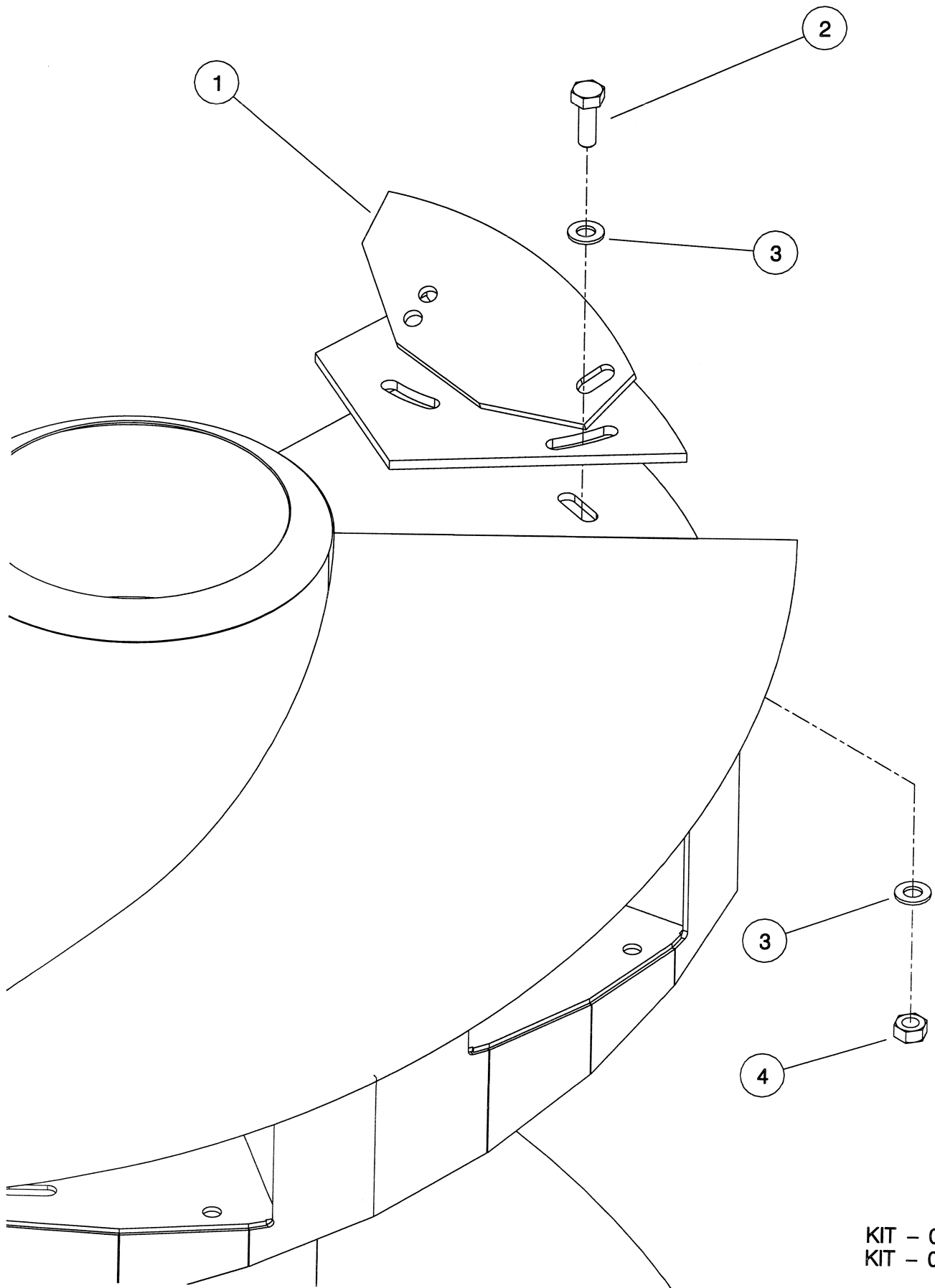
**Shelbourne Reynolds Engineering Limited**

KIT-02651		ASSY DESCRIPTION: 9m <sup>3</sup> RUBBER RETAINING KIT					
ASSY NUMBER:	KIT-02651	ASSY DESCRIPTION: 9m <sup>3</sup> RUBBER RETAINING KIT					
ITEM	PART NO	DESCRIPTION	QTY	ITEM	PART NO	DESCRIPTION	QTY
1	611025 01	RUBBER SECTION	2				
2	610982 01	RUBBER SECTION	4				
3	611029 01	STRAIGHT CLAMP STRIP	2				
4	610979 01	CURVED CLAMP STRIP	4				
5	BLTA10290	SETSCREW	36				
6	WSH-0015	WASHER	36				
7	NUT-0265	NUT	36				
8	611051 01	CLAMP STRIP	12				
9	BLT-2700	COACHBOLT	24				
10	WSH-0012	WASHER	24				
11	NUT-0263	NUT	24				
12							
13	613879 01	TRANSFER No 9	2				



**Shelbourne Reynolds Engineering Limited**

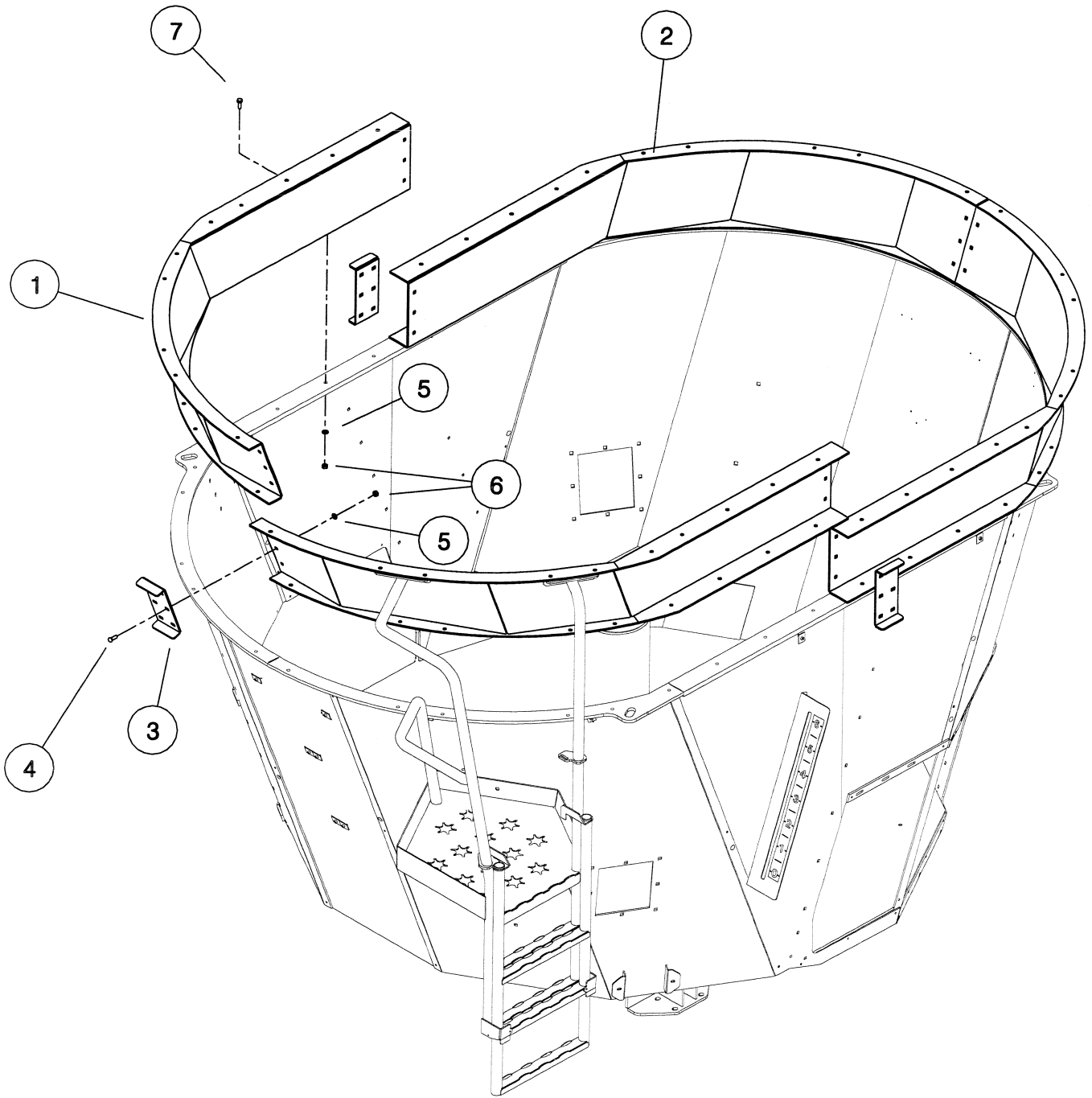
KIT-03201		ASSY DESCRIPTION: KNIFE KICKER SUB					
ASSY NUMBER:	KIT-03201	ASSY DESCRIPTION: KNIFE KICKER SUB					
ITEM	PART NO	DESCRIPTION	QTY	ITEM	PART NO	DESCRIPTION	QTY
1	612410 01	KNIFE KICKER ASSY	1				
2	HSS-0317	SETSCREW	3				
3	WSH-0025	WASHER	6				
4	NUT-0271	NUT	3				



KIT - 03201  
KIT - 03344

**Shelbourne Reynolds Engineering Limited**

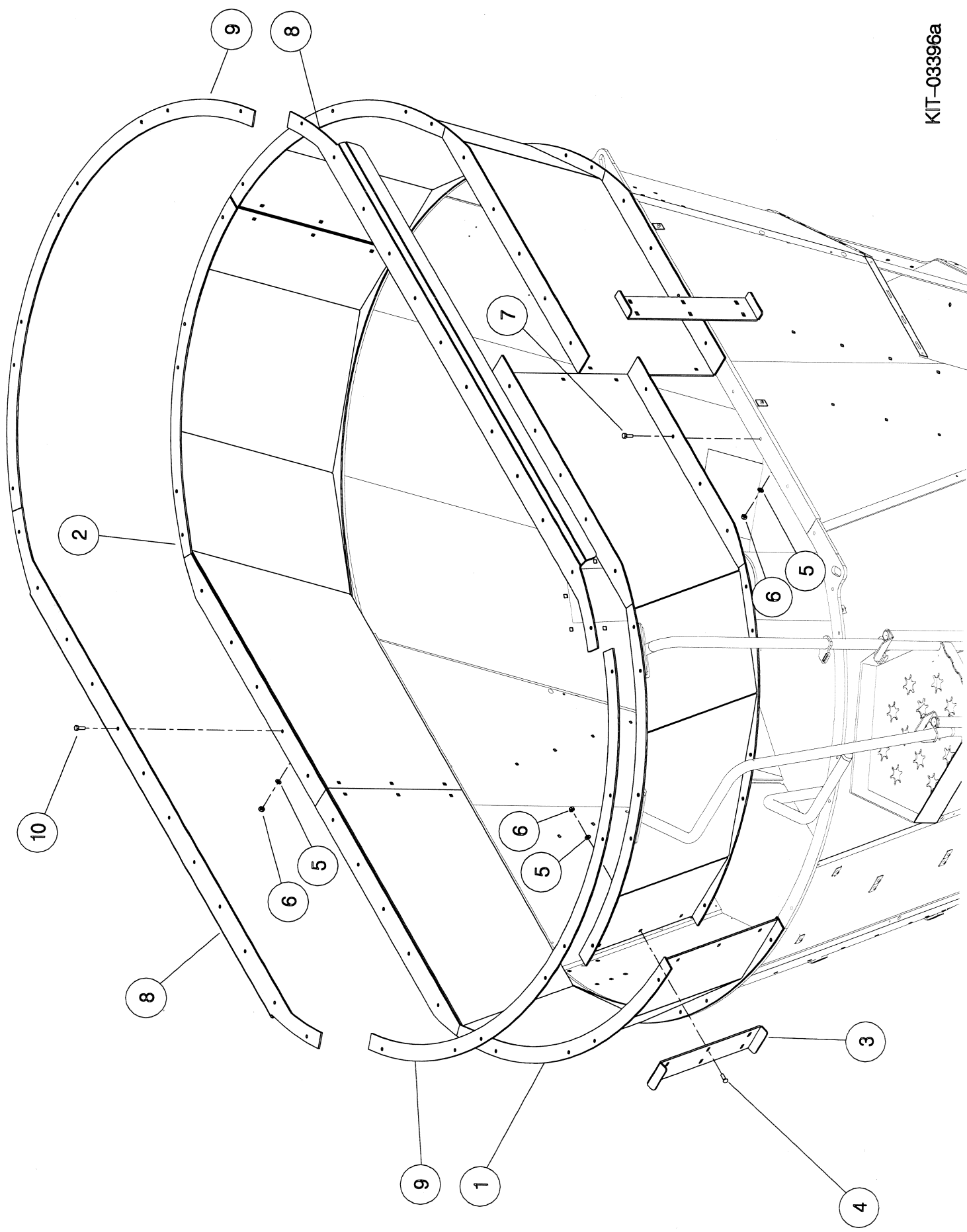
KIT-03395a		SUB ASSY DESCRIPTION: 300mm EXTENSION KIT (MK II POWERMIX)					
ASSY NUMBER:							
ITEM	PART NO	DESCRIPTION	QTY	ITEM	PART NO	DESCRIPTION	QTY
1	613269 01	EXTENSION W/A	2				
2	613269 02	EXTENSION W/A	2				
3	613276 01	SIDE CLAMP PLATE	4				
4	BLT-3745	COACHBOLT	24				
5	WSH-0015	WASHER	58				
6	NUT-0265	NUT	58				
7	HSS-0198	SETScrew	34				



**Shelbourne Reynolds Engineering Limited**

KIT-03396a		ASSY DESCRIPTION: 600mm EXTENSION KIT (MK II POWERMIX)				
ASSY NUMBER:	KIT-03396a	ASSY DESCRIPTION: 600mm EXTENSION KIT (MK II POWERMIX)				
ITEM	PART NO	DESCRIPTION	QTY	ITEM	PART NO	QTY
1	613278 01	EXTENSION W/A	2			
2	613278 02	EXTENSION W/A	2			
3	613273 01	SIDE CLAMP PLATE	4			
4	BLT-3745	COACHBOLT	24			
5	WSH-0015	WASHER	98			
6	NUT-0265	NUT	98			
7	HSS-0198	SETScrew	34			
8	614948 01	STRAIGHT CLAMP STRIP	2			
9	613282 01	CURVED CLAMP STRIP	2			
10	HSS-0202	SETScrew	40			





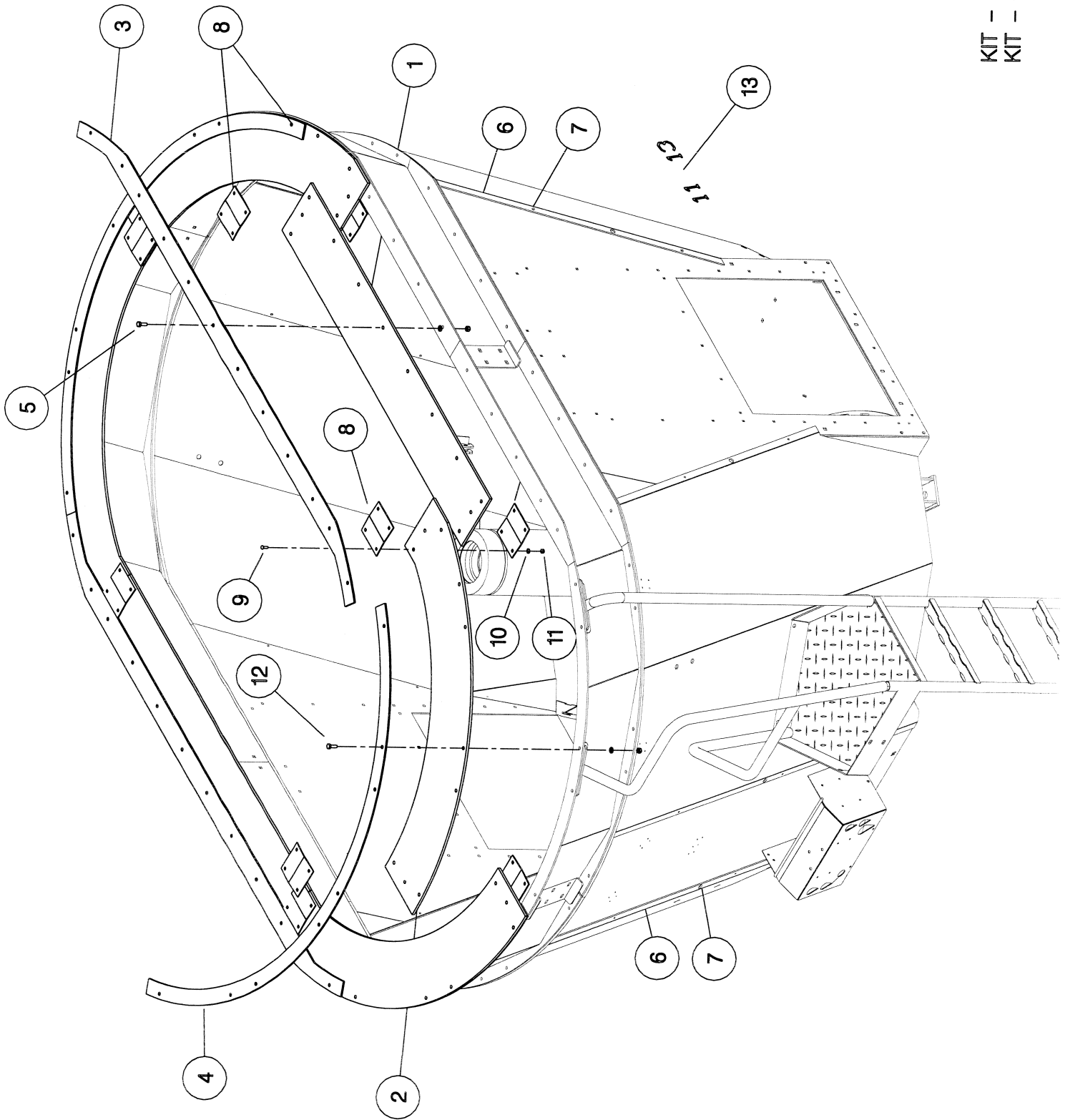


**Shelbourne Reynolds Engineering Limited**

KIT-03397		ASSY DESCRIPTION: 11m <sup>3</sup> RUBBER RETAINING KIT					
ASSY NUMBER:	PART NO	DESCRIPTION	QTY	ITEM	PART NO	DESCRIPTION	QTY
1	613279 01	RUBBER SECTION	2				
2	610982 01	RUBBER SECTION	4				
3	613281 01	STRAIGHT CLAMP STRIP	2				
4	613282 01	CURVED CLAMP STRIP	2				
5	HSS-0202	SETSCREW	36				
6	WSH-0015	WASHER	40				
7	NUT-0265	NUT	40				
8	611051 01	CLAMP STRIP	12				
9	BLT-2700	COACHBOLT	24				
10	WSH-0012	WASHER	24				
11	NUT-0263	NUT	24				
12	BLTA10290	BOLT	4				
13	613879 02	TRANSFER No 11	2				

**Shelbourne Reynolds Engineering Limited**

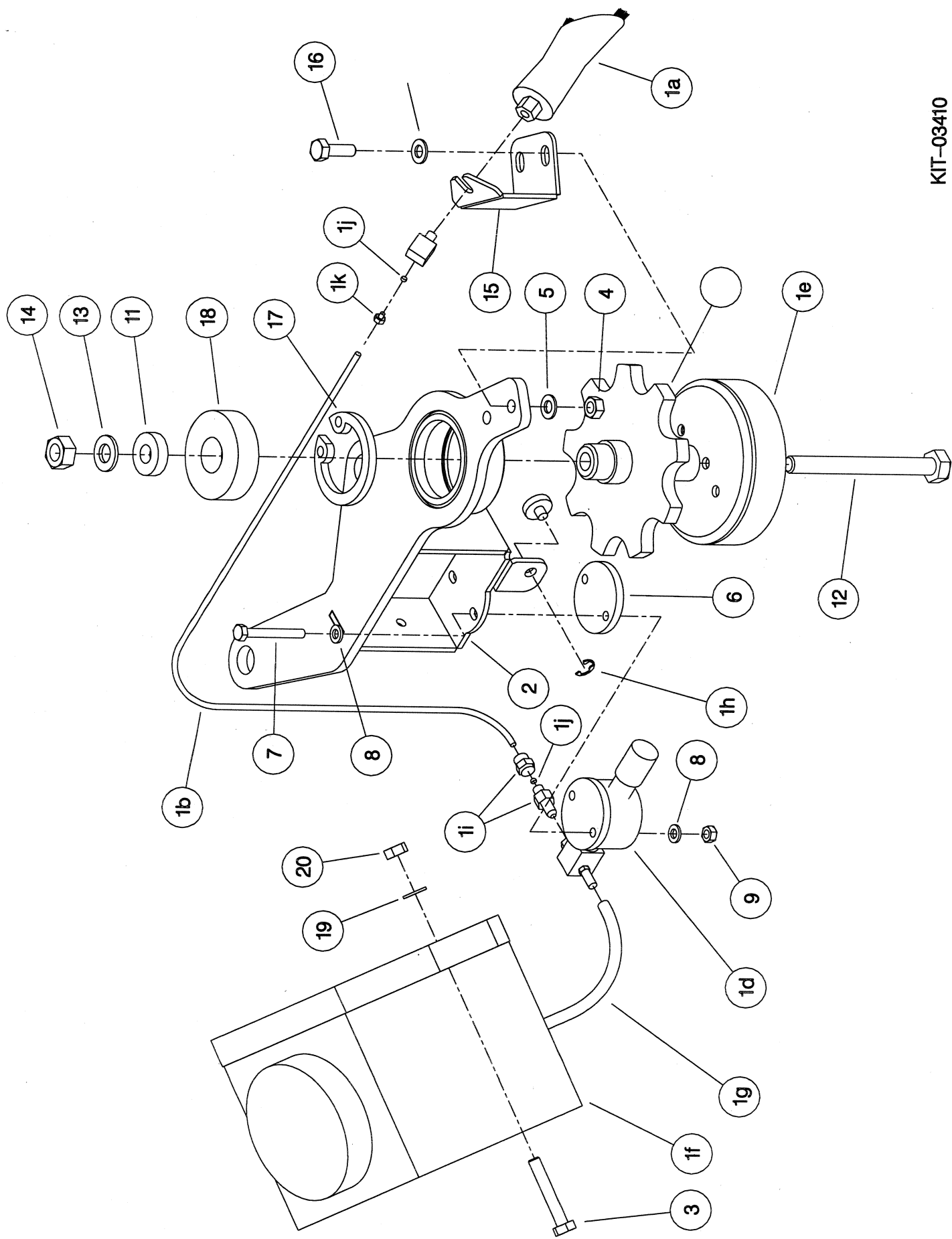
KIT-03398		ASSY DESCRIPTION: 13m <sup>3</sup> RUBBER RETAINING KIT					
ASSY NUMBER:	KIT-03398	ASSY DESCRIPTION: 13m <sup>3</sup> RUBBER RETAINING KIT					
ITEM	PART NO	DESCRIPTION	QTY	ITEM	PART NO	DESCRIPTION	QTY
1	613280 01	RUBBER SECTION	2				
2	610982 01	RUBBER SECTION	4				
3	613277 01	STRAIGHT CLAMP STRIP	2				
4	613282 01	CURVED CLAMP STRIP	2				
5	HSS-0202	SETScrew	36				
6	WSH-0015	WASHER	40				
7	NUT-0265	NUT	40				
8	611051 01	CLAMP STRIP	12				
9	BLT-2700	COACHBOLT	24				
10	WSH-0012	WASHER	24				
11	NUT-0263	NUT	24				
12	BLTA10290	BOLT	4				
13	613879 03	TRANSFER No 13	2				



KIT - 03397  
KIT - 03398

**Shelbourne Reynolds Engineering Limited**

KIT-03410		ASSY DESCRIPTION: POWERMIX SELF LUBRICATION					
ASSY NUMBER:	PART NO	DESCRIPTION	QTY	ITEM	PART NO	DESCRIPTION	QTY
1	LUB-00030	MASTERLUBE LUBRICATION SYS	1				
1a	LUB-00031	DOUBLE BRUSH	1				
1b	LUB-00012	FLEX TUBE	1mt				
1c	LUB-00032	CONNECTOR	1				
1d	LUB-00010	MINIMASTER PUMP	1				
1e	LUB-00004	ADJ CAM	1				
1f	LUB-00011	RESEVOIR	1				
1g	LUB-00013	NEOPRENE TUBE	1mt				
1h	LUB-00014	CD CAP ASSY	1				
1i	LUB-00008	METER UNIT	1				
1j	LUB-00006	ENOT OLIVE	2				
1k	LUB-00009	SLEEVE NUT	2				
2	613377 01	MOUNTING PLATE ASSY	1				
3	HSS-0210	SET SCREW	2				
4	NUT-0263	NYLOC NUT	2				
5	WSH-0012	WASHER	4				
6	590775 01	SPACER DISC	1				
7	BLTA06320	BOLT	2				
8	WSH-0009	WASHER	4				
9	NUT-0260	NYLOC NUT	2				
10	613380 01	SPROCKET ASSY	1				
11	613374 01	SPACER DISC	1				
12	BLTA12620	BOLT	1				
13	WSH-0018	WASHER	1				
14	NUT-0269	NYLOC NUT	1				
15	613381 01	BRUSH HOLDER PLATE	1				
16	HSS-0145	BOLT	2				
17	CIR-0620	CIRCLIP	1				
18	BRG-3358	BEARING	1				
19	WSH-0015	WASHER	4				
20	NUT-0265	NUT	2				
21	OIL-0044	OIL	2L				

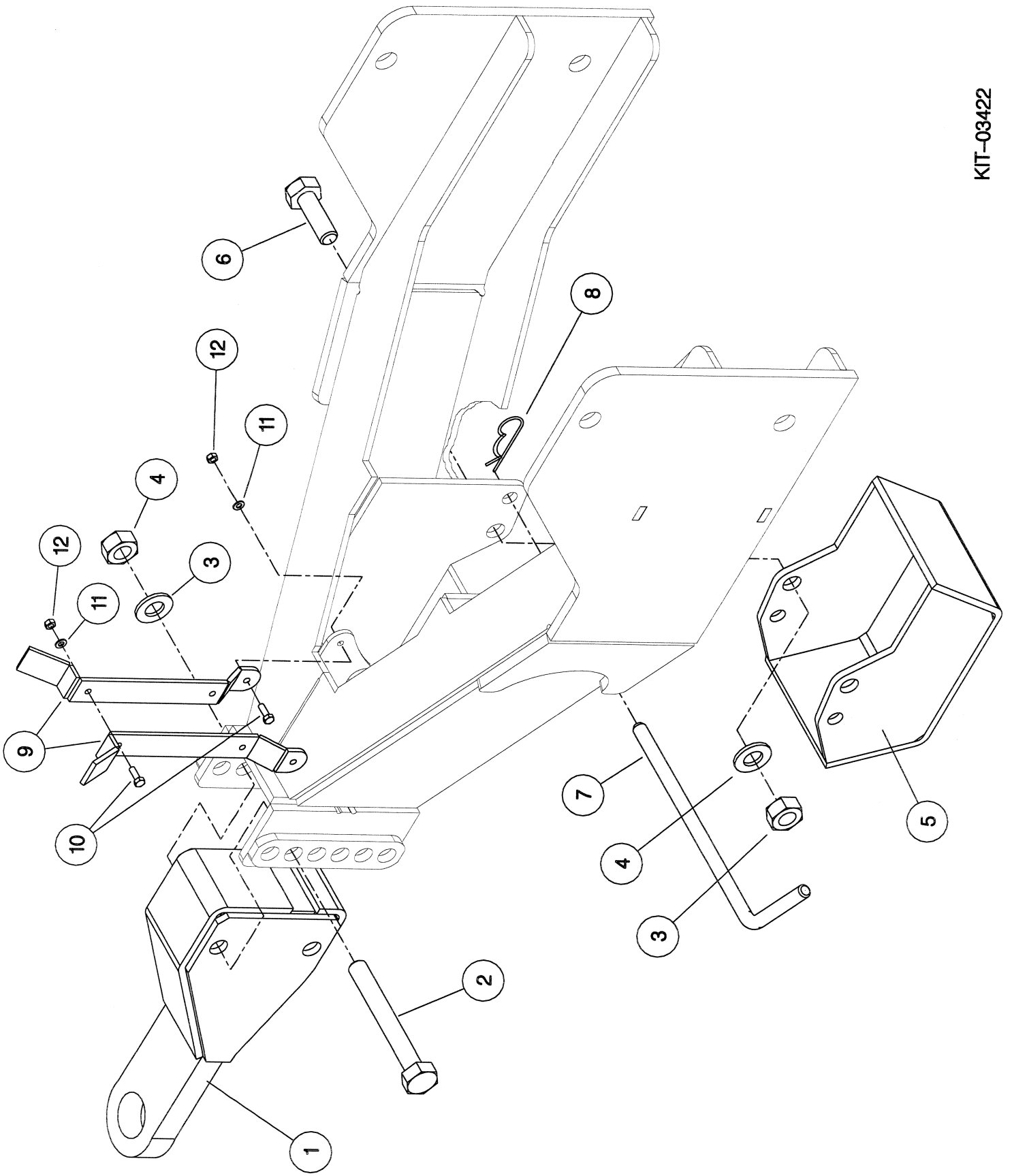


KIT-03410

**Shelbourne Reynolds Engineering Limited**

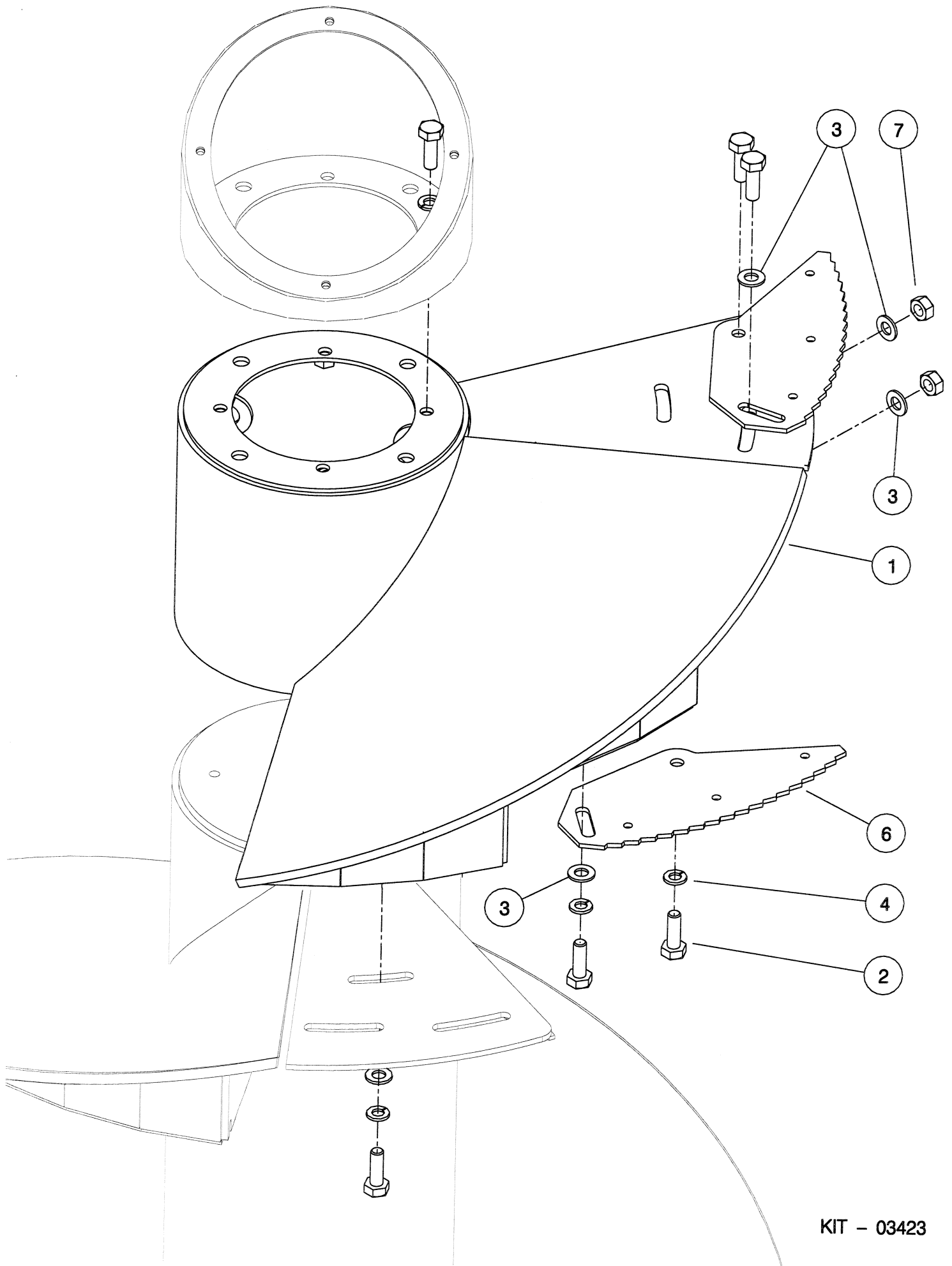
KIT-03422		ASSY DESCRIPTION: UK TOWING EYE KIT					
ASSY NUMBER:							
ITEM	PART NO	DESCRIPTION	QTY	ITEM	PART NO	DESCRIPTION	QTY
1	613437 01	UK TOWING EYE W/A	1				
2	BLTA20770	BOLT	2				
3	WSH-0030	WASHER	4				
4	NYTA02200	NYLOC NUT	4				
5	613418 01	FOOT W/A	1				
6	HSS-0355	SETSCREW	2				
7	613419 01	SECURING PIN	1				
8	CLP-00106	R-CLIP	1				
9	613433 01	PTO REST PLATE	2				
10	HSS-0088	SETSCREW	4				
11	WSH-0009	WASHER	4				
12	NUT-0260	NUT	4				





**Shelbourne Reynolds Engineering Limited**

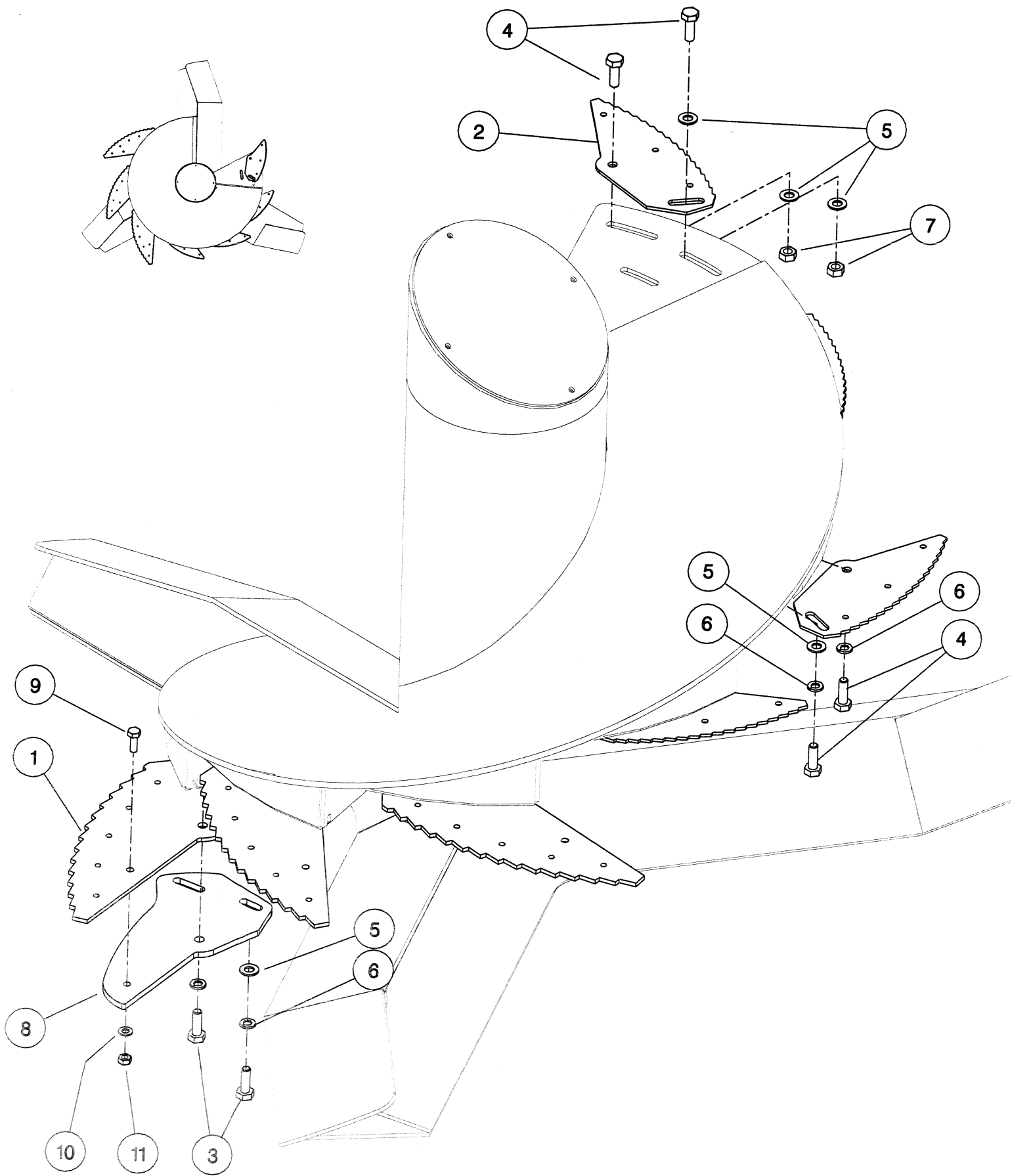
KIT-03423		ASSY DESCRIPTION: AUGER EXTENSION KIT (300mm)					
ASSY NUMBER:	KIT-03423	ASSY DESCRIPTION: AUGER EXTENSION KIT (300mm)					
ITEM	PART NO	DESCRIPTION	QTY	ITEM	PART NO	DESCRIPTION	QTY
1	613560 01	AUGER EXTENSION W/A	1				
2	HSS-0316	SETSCREW	11				
3	WSH-0025	WASHER	8				
4	WSH-0070	WASHER	9				
5							
6	610256 01	SMALL BLADE	2				
7	NUT-0271	NUT	2				



KIT - 03423

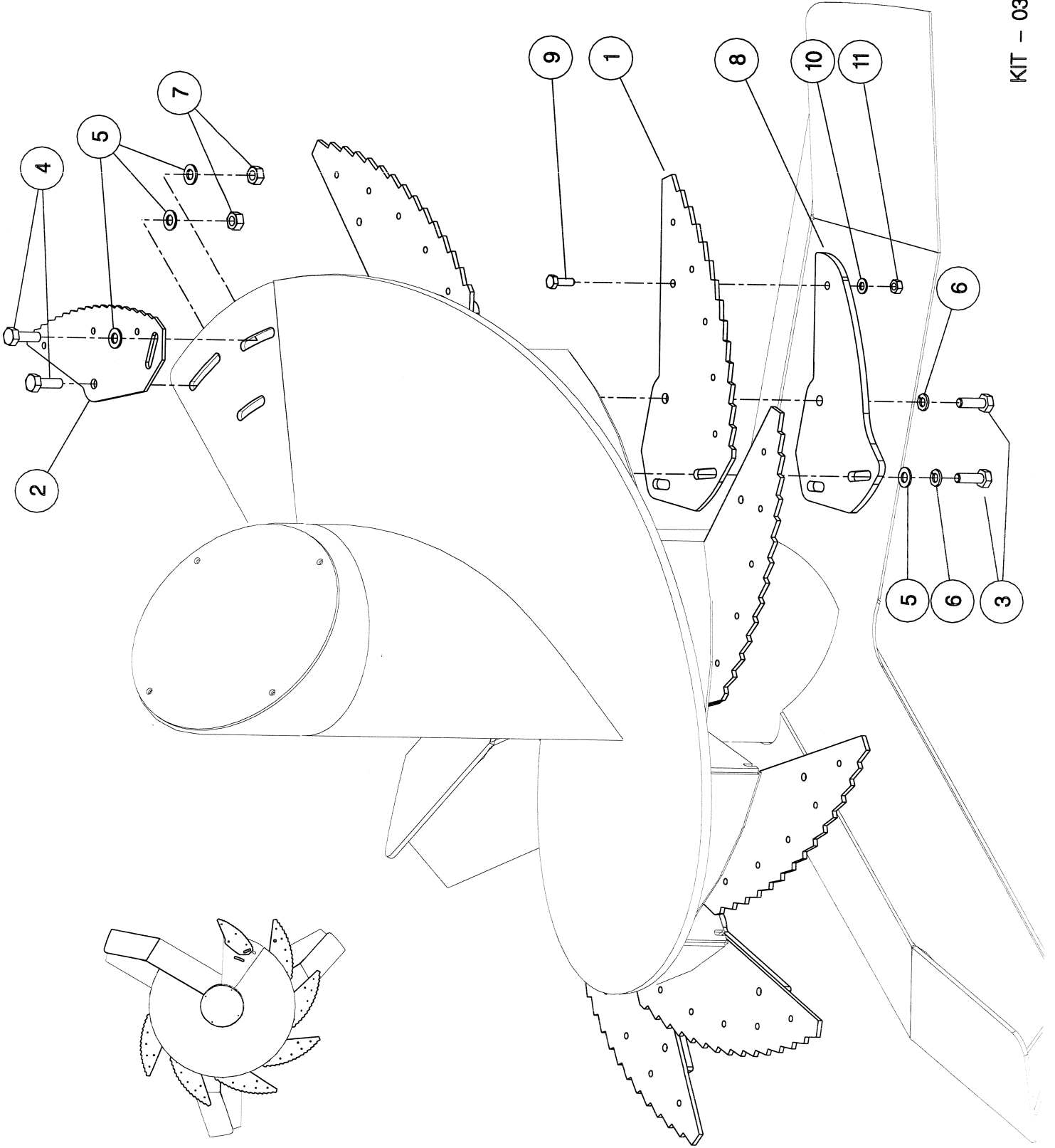
**Shelbourne Reynolds Engineering Limited**

KIT-03424		ASSY DESCRIPTION: SMALL BLADE KIT					
ASSY NUMBER:							
ITEM	PART NO	DESCRIPTION	QTY	ITEM	PART NO	DESCRIPTION	QTY
1	610599 02	LARGE BLADE	3				
2	610256 01	SMALL BLADE	4				
3	HSS-0317	SETSCREW	9				
4	HSS-0316	SETSCREW	8				
5	WSH-0025	WASHER	12				
6	WSH-0070	WASHER	15				
7	NUT-0271	NUT	2				
8	612622 01	KNIFE STRENGTH PLATE	3				
9	HSS-0250	SETSCREW	3				
10	WSH-0018	WASHER	3				
11	NUT-0269	NUT	3				



**Shelbourne Reynolds Engineering Limited**

KIT-03425		ASSY DESCRIPTION: LARGE BLADE KIT					
ASSY NUMBER:							
ITEM	PART NO	DESCRIPTION	QTY	ITEM	PART NO	DESCRIPTION	QTY
1	610599 02	LARGE BLADE	6				
2	610256 01	SMALL BLADE	1				
3	HSS-0317	SETSCREW	18				
4	HSS-0316	SETSCREW	2				
5	WSH-0025	WASHER	15				
6	WSH-0070	WASHER	18				
7	NUT-0271	NUT	2				
8	612622 01	KNIFE STRENGTH PLATE	6				
9	HSS-0250	SETSCREW	6				
10	WSH-0018	WASHER	6				
11	NUT-0269	NUT	6				



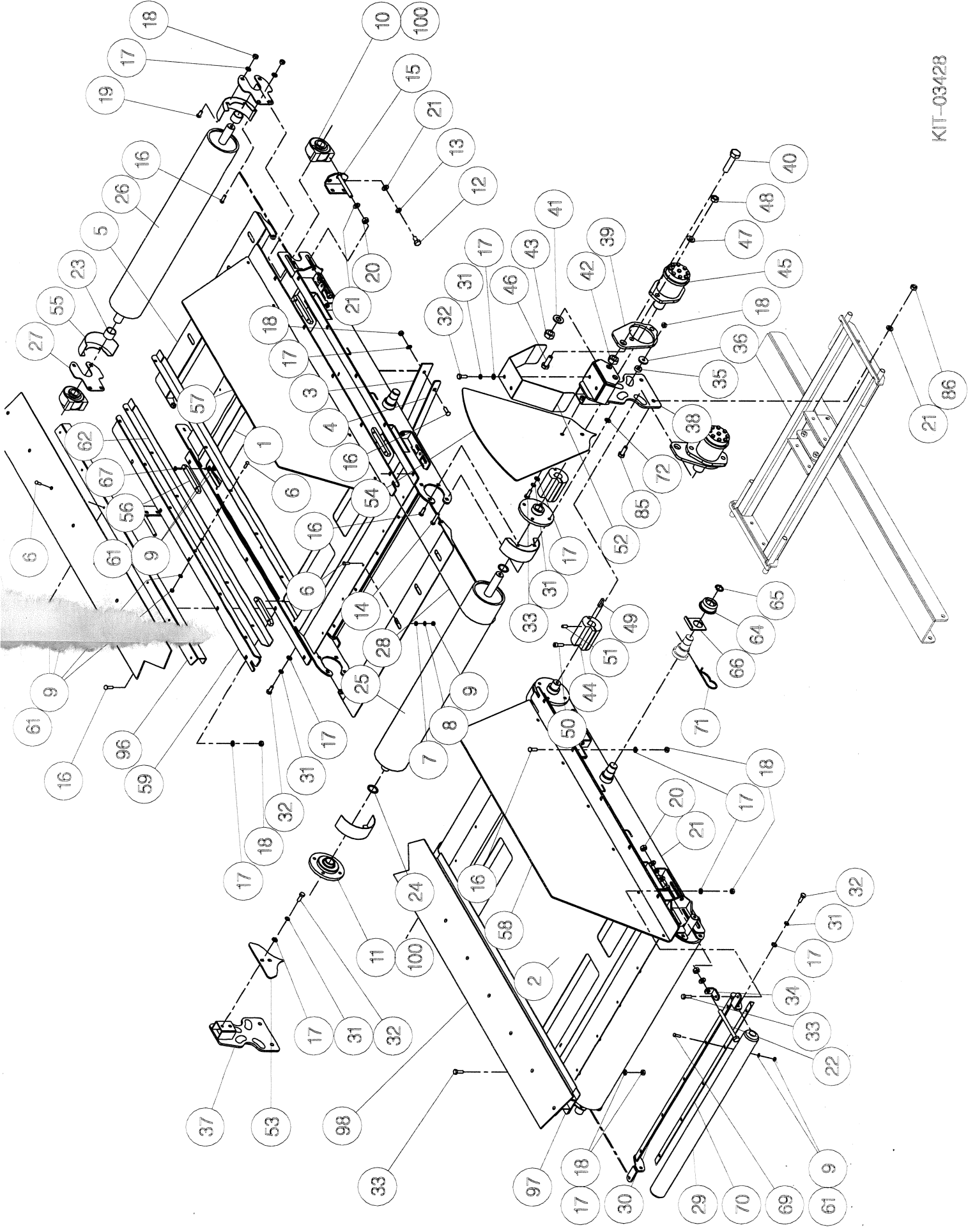
## Shelbourne Reynolds Engineering Limited

KIT-03428		ASSY DESCRIPTION: EXPRESS CONVEYOR KIT					
ASSY NUMBER:	KIT-03428	ASSY DESCRIPTION:	EXPRESS CONVEYOR KIT				
ITEM	PART NO	DESCRIPTION	QTY	ITEM	PART NO	DESCRIPTION	QTY
1	613309 01	CONVEYOR FRAME LH W/A	1	39	613310 01	TORQUE ARM	2
2	613309 02	CONVEYOR FRAME RH W/A	1	40	BLT-2314	BOLT	2
3	613332 01	RUBBER STRIP	2	41	WSH-0024	WASHER	2
4	613331 01	CLAMP STRIP	2	42	NUT-0180	NUT	2
5	613338 01	SCRAPER PLATE	4	43	NUT-0271	NUT	2
6	SCW-4960	BUTT SOC HD SCREW	58	44	122086 01	DRIVE SLEEVE	2
7	190119 44	SPACER	20	45	MOTH08000	HYD MOTOR	2
8	WSH-1036	PENNY WASHER	34	46	HSS-0250	SETSCREW	2
9	NUT-0260	NUT	55	47	WSH-0018	WASHER	4
10	BRG-22545	BEARING	4	48	NUT-0269	NUT	5
11	BRG-22550	BEARING	4	49	K0807030	KEY	5
12	HSS-0188	SETSCREW	8	50	SCW-0139	CP HD SCREW	2
13	WSH-0061	WASHER	12	51	SCW-4543	GRUB SCREW	6
14	BLTF08290	COACHBOLT	16	52	613341 01	COUPLING GUARD	4
15	613314 01	TENSIONER PLATE W/A	4	53	613664 01	REAR SEAL PLATE	1
16	BLTF08173	COACHBOLT	38	54	613343 01	FRONT SEAL PLATE	1
17	WSH-0012	WASHER	68	55	613344 01	ROLLER CASE W/A	1
18	NUT-0263	NUT	63	56	613388 01	BELT BUFFER	8
19	BLT-4710	COACHBOLT	8	57	613339 01	FRONT ANTI-SPILL PL LH	8
20	NUT-0167	NUT	28	58	613339 02	FRONT ANTI-SPILL PL RH	1
21	WSH-0018	WASHER	20	59	613665 01	REAR ANTI-SPILL PL LH	1
22	HSSA10620	SETSCREW	4	60	613665 02	REAR ANTI-SPILL PL RH	1
23	613315 01	SPACER TUBE	4	61	WSH-0009	WASHER(M6 PLAIN)	38
24	190548 24	WASHER	4	62	613342 01	SEAL PLATE LH	2
25	613295 01	DRIVE ROLLER W/A	2	63	613342 02	SEAL PLATE RH	2
26	613296 01	IDLE ROLLER W/A	2	64	613333 01	WHEEL	4
27	613349 01	MOUNTING PLATE	4	65	CIR-1125	CIRCLIP	4
28	613298 01	CONVEYOR BELT	2	66	613335 01	LATCH	4
29	ROL-00000	TRACKING ROLLER	4	67	SCW-1600	CSK SOC HD SCREW	4
30	613355 01	SCRAPER BRKT W/A	4	68			16
31	WSH-0058	WASHER	13	69	BLTF06143	COACH BOLT	20
32	HSS-0140	SETSCREW	14	70	613352 01	STAINLESS SCRAPER	4
33	HSS-0150	SETSCREW	8	71	CLP-00105	R-CLIP	4
34	613312 01	ADJUSTER PLATE	4	72	190548 26	WASHER	8
35	190548 27	WASHER	8	73	HSS-0150	SETSCREW	4
36	190548 29	WASHER	8	74			
37	613663 01	REAR CARRIAGE PLATE W/A	1	75			
38	613322 01	FRONT CARRIAGE PLATE W/A	1	76			

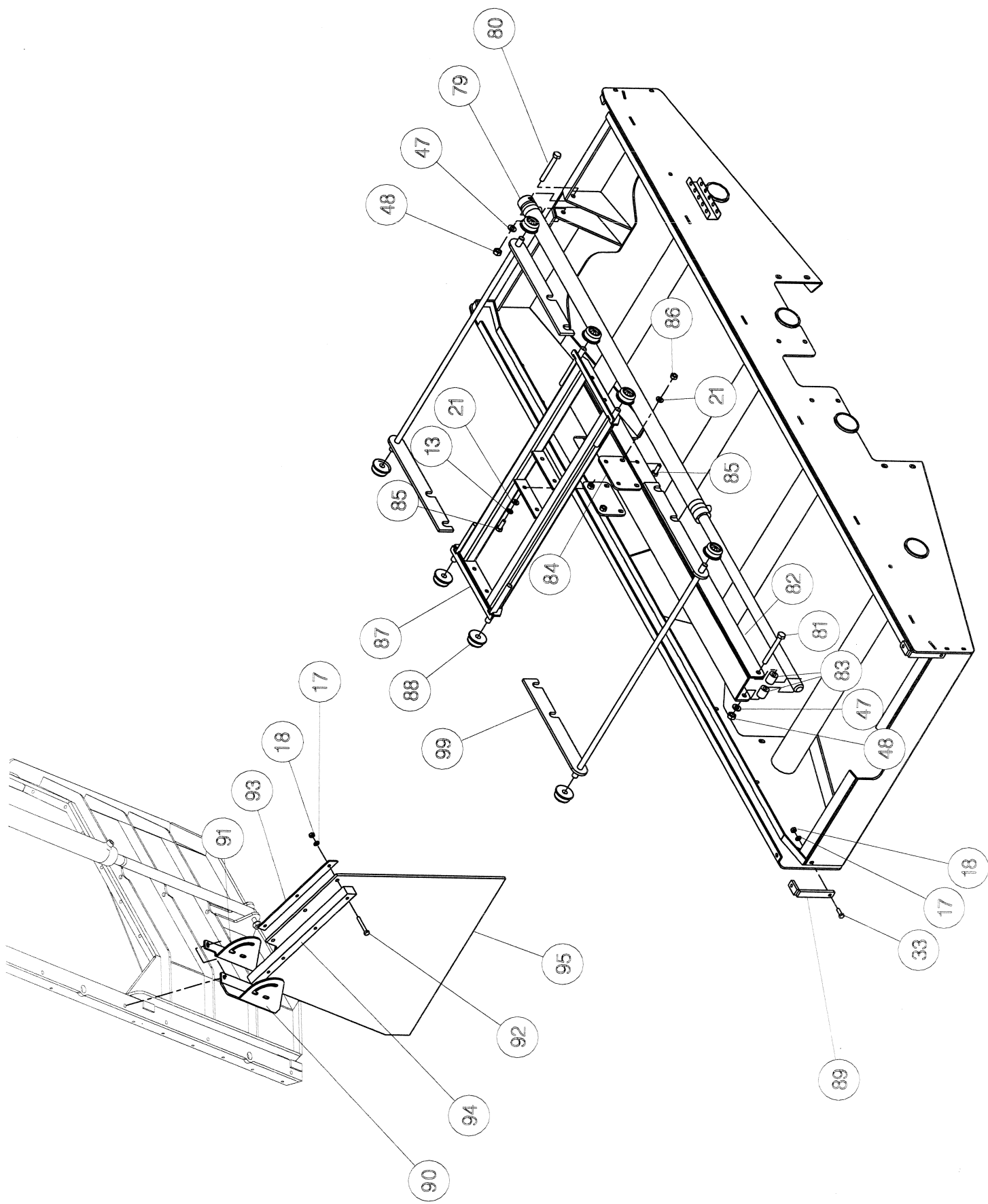


**Shelbourne Reynolds Engineering Limited**

KIT-03428		ASSY DESCRIPTION: EXPRESS CONVEYOR KIT (CONTINUED...)				
ASSY NUMBER:	KIT-03428	ASSY DESCRIPTION: EXPRESS CONVEYOR KIT (CONTINUED...)				
ITEM	PART NO	DESCRIPTION	QTY	ITEM	PART NO	QTY
77	613680 01	DEFLECTOR PLATE	2			
78	21709036	PLASTIC CAP	8			
79	610447 01	HYD CYLINDER	1			
80	BLT-2270	BOLT	1			
81	BLTA12620	BOLT	1			
82	613583 01	RAM FIXING PLATE	1			
83	613584 01	SPACER TUBE	2			
84	613582 01	SIDE SHIFT PLATE	2			
85	HSS-0194	SET SCREW	12			
86	NUT-0265	NYLOC NUT	8			
87	611442 01	CENTRE FRAME ASSY	1			
88	613702 01	WHEEL	8			
89	613581 01	CAPPING PLATE	2			
90	613590 01	CURTAIN BRKT RH	1			
91	613589 01	CURTAIN BRKT LH	1			
92	BLTA08380	BOLT	5			
93	613602 01	CLAMP STRIP	1			
94	613601 01	RUBBER CURTAIN MTG	1			
95	613587 01	RUBBER CURTAIN	1			
96	613666 01	RUBBER FIXING PLATE LH	1			
97	613666 02	RUBBER FIXING PLATE LH	1			
98	613667 01	RUBBER SEAL STRIP	1			
99	613336 01	LIFT LINKAGE ASSY	2			
100	NIP-0001	GREASE NIPPLE	4			
101	NIP-00610	GREASE NIPPLE	4			

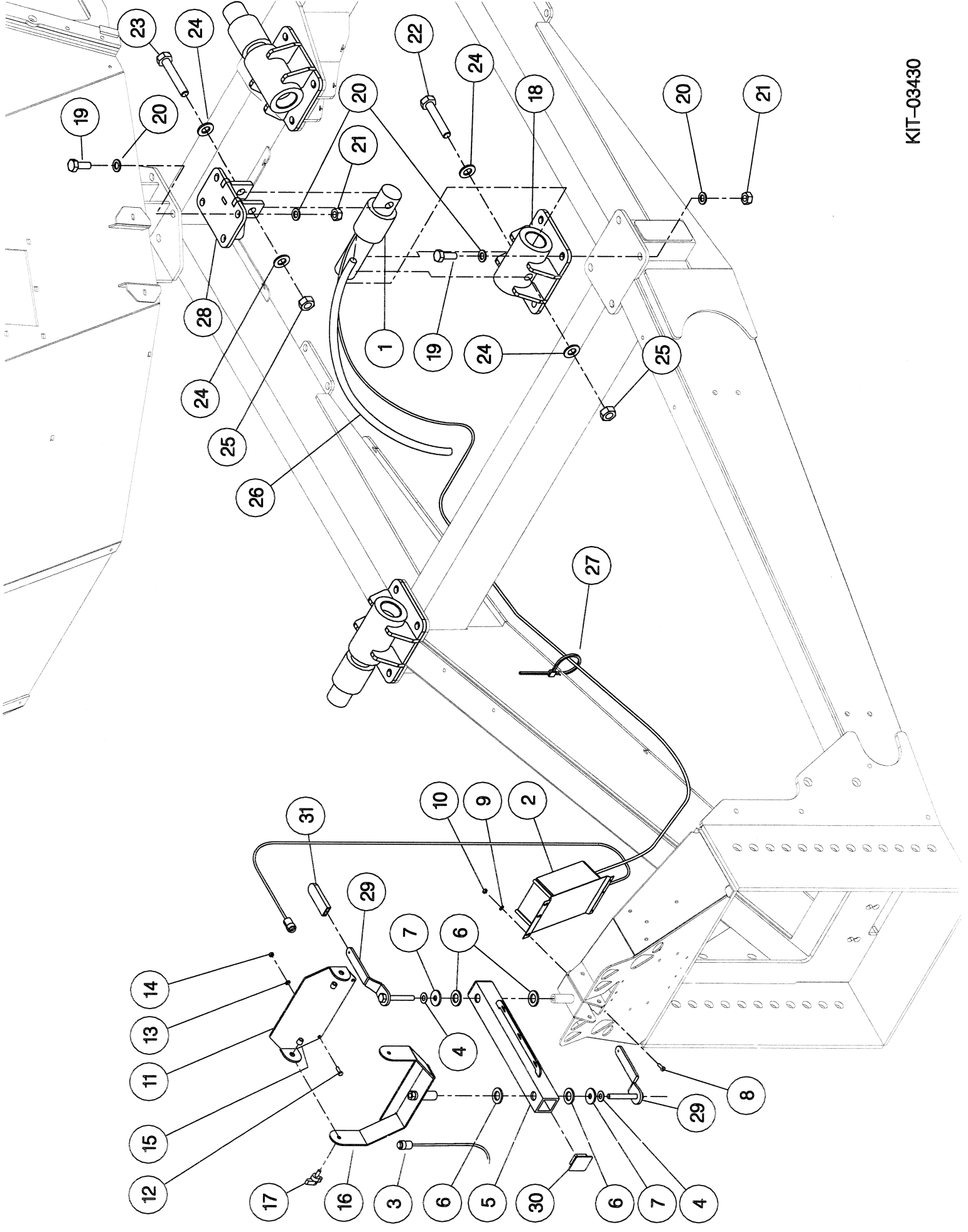


KIT-03428



## Shelbourne Reynolds Engineering Limited

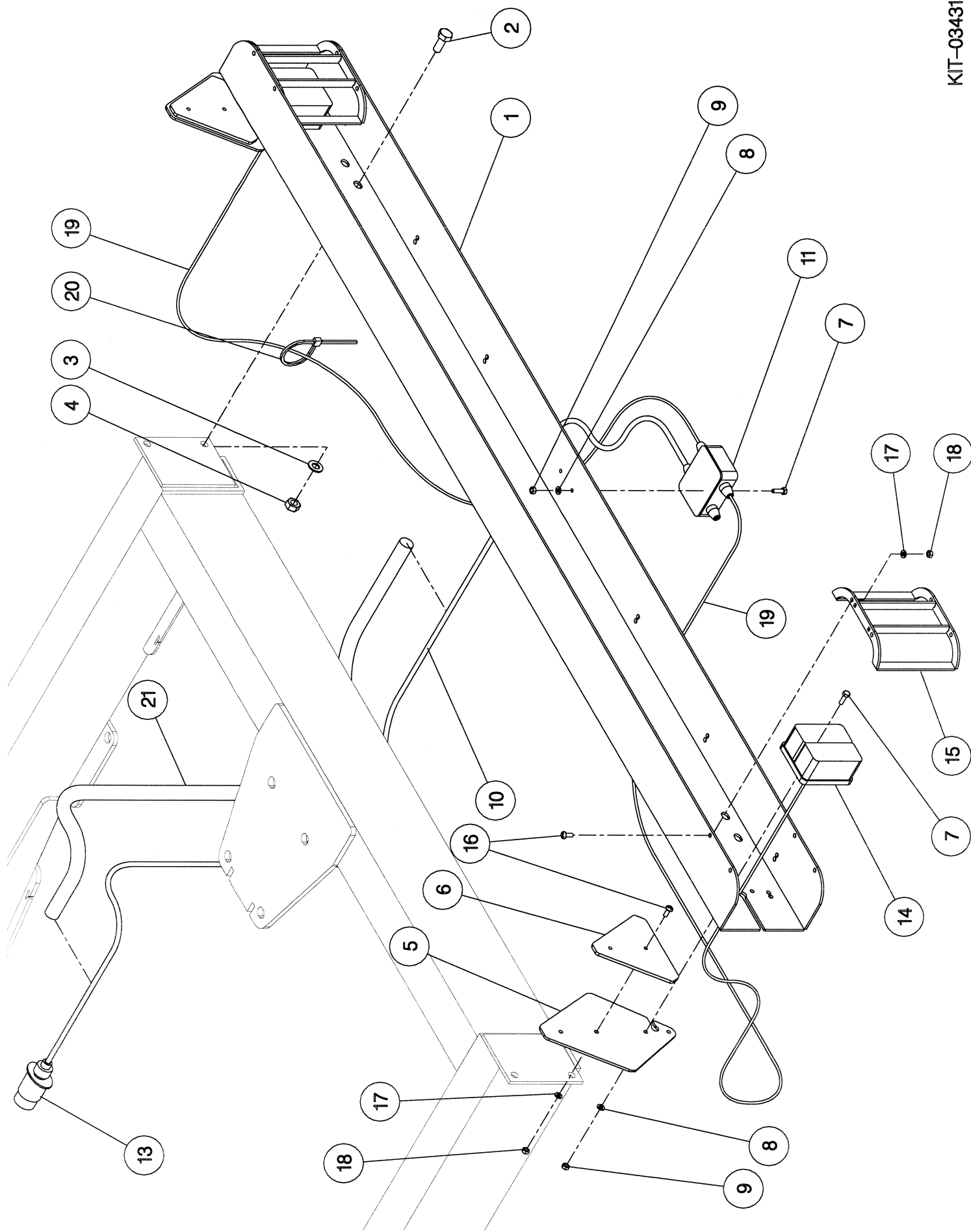
KIT-03430		ASSY DESCRIPTION:WEIGH CELL SYSTEM (SINGLE AUGER)					
ASSY NUMBER:							
ITEM	PART NO	DESCRIPTION	QTY	ITEM	PART NO	DESCRIPTION	QTY
1	LCL-01200	LOADCELL	3				
2	LCL-01205	JUNCTION BOX	1				
3	LCL-01210	POWER CORD	1				
4	WSHA30121	LOCKWASHER	2				
5	613598 01	WEIGH HEAD ARM	1				
6	190548 43	WASHER	4				
7	190548 44	WASHER	2				
8	HSS-0058	SETSCREW	6				
9	WSH-0006	WASHER	6				
10	NUT-0258	NUT	6				
11	613597 01	REAR PANEL	1				
12	HSS-0086	SETSCREW	2				
13	WSH-0009	WASHER	2				
14	NUT-0260	NUT	2				
15	NUTA13080	NUTSERT	2				
16	613600 01	WEIGH HEAD HOUSING	1				
17	KNO-0001	THERMOPLASTIC KNOB	2				
18	613608 01	LOADCELL MTG BOSS W/A	3				
19	HSS-0318	SETSCREW	24				
20	WSH-0024	WASHER	48				
21	NUT-0271	NUT	24				
22	BLTA20620	BOLT	3				
23	BLTA20590	BOLT	3				
24	WSH-0030	WASHER	12				
25	NUTA02200	NUT	6				
26	SLV-00300	SPIRAL CONVOLUTE TUBING	3m				
27	TIE-0004	TIE WRAP	30				
28	613612 01	LOADCELL CLEVIS W/A	3				
29	613695 01	SECURING HANDLE ASSY	2				
30	CAP-0012	END CAP	2				
31	PTF-00026	PLASTIC HANDLE	2				



KIT-03430

**Shelbourne Reynolds Engineering Limited**

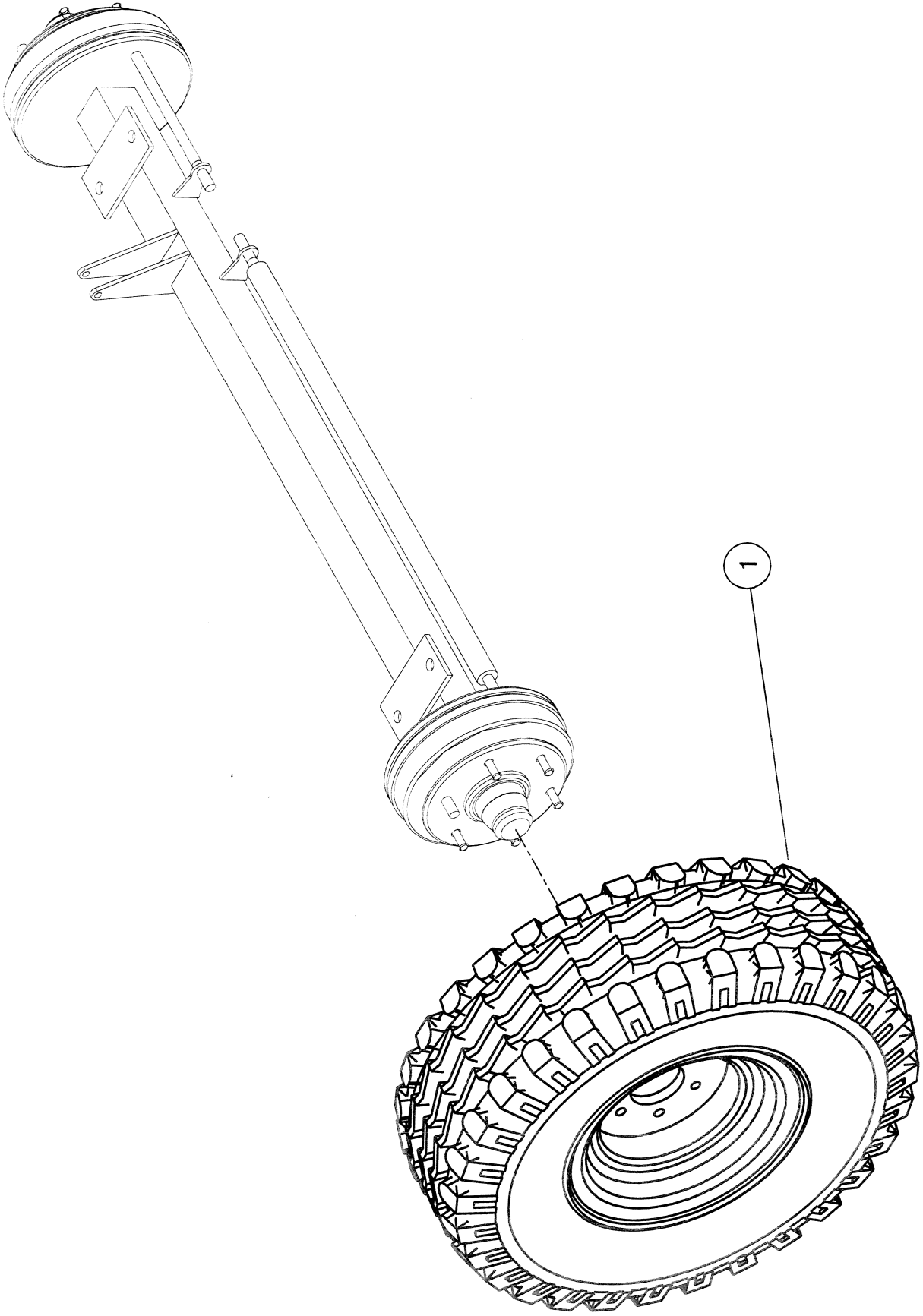
KIT-03431		ASSY DESCRIPTION: LIGHTING KIT (SINGLE)					
ASSY NUMBER:							
ITEM	PART NO	DESCRIPTION	QTY	ITEM	PART NO	DESCRIPTION	QTY
1	613455 01	LIGHTING BOARD	1				
2	HSS-0238	SETSCREW	4				
3	WSH-0018	WASHER	4				
4	NUT-0269	NUT	4				
5	613620 01	REFECTOR MTG PLATE	2				
6	REF-0030	REFLECTOR	2				
7	HSS-0065	SETSCREW	6				
8	WSH-0006	WASHER	6				
9	NUT-0258	NUT	6				
10	CBL-03530	CABLE	9m				
11	JNC-00000	JUNCTION BOX	1				
12							
13	PLG-0005	7 PIN PLUG	1				
14	LMP-10400	LIGHT CLUSTER	2				
15	613604 01	LIGHT GUARD W/A	2				
16	SCW-4960	SCREW	12				
17	WSH-0009	WASHER	12				
18	NUT-0260	NUT	12				
19	CBL-03210	4 CORE CABLE	3m				
20	TIE-0004	TIE WRAP	8				
21	SLV-00300	SPIRAL CONVOLUTE TUBING	2m				



**Shelbourne Reynolds Engineering Limited**

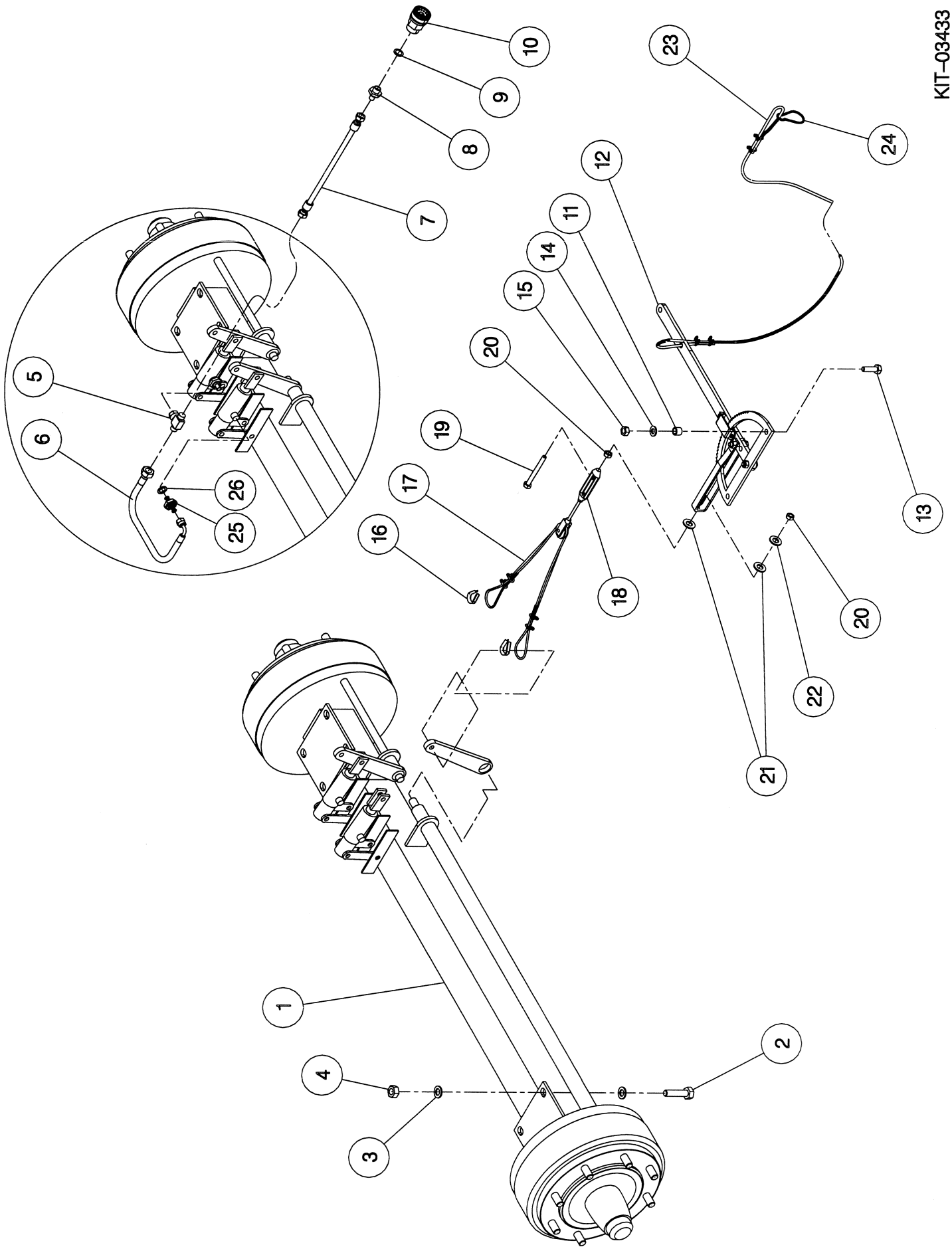
KIT-03432		ASSY DESCRIPTION: WHEEL & TYRE KIT (GOODYEAR 340/65 R18)					
ASSY NUMBER:	PART NO	DESCRIPTION	QTY	ITEM	PART NO	DESCRIPTION	QTY
1	WHL-01800	WHEEL & TYRE ASSY	2				





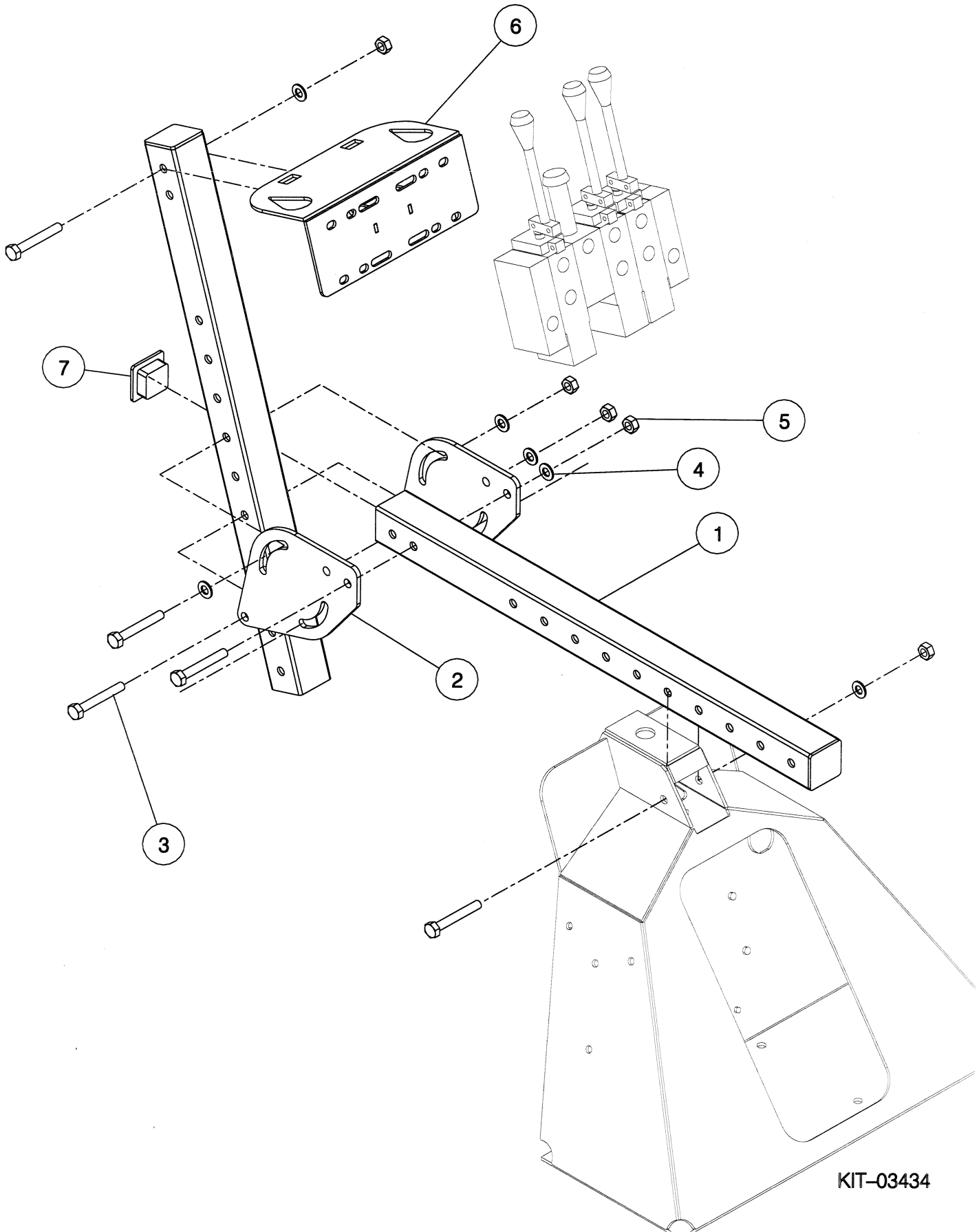
**Shelbourne Reynolds Engineering Limited**

KIT-03433		ASSY DESCRIPTION: HYDRAULIC BRAKED AXLE KIT					
ASSY NUMBER:	KIT-03433	ASSY DESCRIPTION:	HYDRAULIC BRAKED AXLE KIT				
ITEM	PART NO	DESCRIPTION	QTY	ITEM	PART NO	DESCRIPTION	QTY
1	AXL-00055	HYDRAULIC BRAKED AXLE	1				
2	BLT-2312	HEX HD BOLT	8				
3	WSH-0024	WASHER	16				
4	NUT-0271	NUT	8				
5	FITA10140	HYDRAULIC TEE FITTING	1				
6	HHBC03205	HYD HOSE	1				
7	HHBC64005	HYD HOSE	1				
8	HMA-0055	HYD ADAPTOR	1				
9	WSH-1015	DOWTY WASHER	1				
10	HQR-10007	HYD QUICK RELEASE COUPLING	1				
11	613621 01	SPACER	2				
12	590222 01	HANDBRAKE LEVER ASSY	1				
13	HSS-0265	SETSCREW	2				
14	WSH-0018	WASHER	2				
15	NUT-0269	NUT	2				
16	WRP-01040	THIMBLE	2				
17	WRP-00040	CABLE	2				
18	ADL-00120	ADJUSTER ASSY	4.75m				
19	HSS-0155	SETSCREW	1				
20	NUT-0164	NUT	1				
21	WSH-0012	WASHER	2				
22	WSH-0058	WASHER	2				
23	WRP-02040	CLAMP	1				
24	WRP-03000	SNAP HOOK	8				
25	HMA-0057	HYD ADAPTOR	1				
26	WSH-1010	DOWTY WASHER	2				



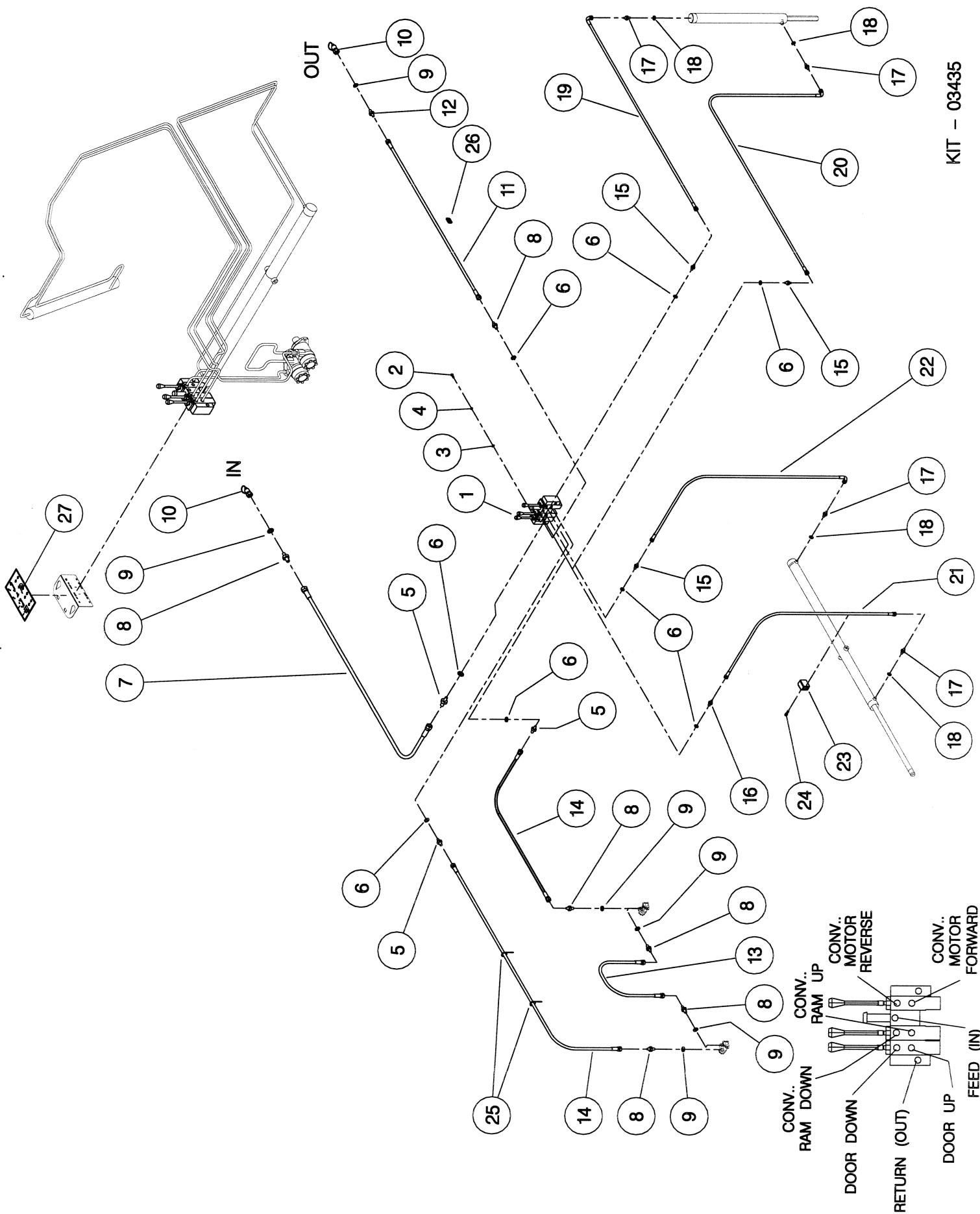
**Shelbourne Reynolds Engineering Limited**

KIT-03434		ASSY DESCRIPTION: SPOOL VALVE LEVER ARM KIT					
ASSY NUMBER:							
ITEM	PART NO	DESCRIPTION	QTY	ITEM	PART NO	DESCRIPTION	QTY
1	613542 01	SUPPORT ARM	2				
2	613545 01	VALVE ADJUSTER PLATE	2				
3	BLTA10500	BOLT	9				
4	WSH-0015	WASHER	11				
5	NUT-0265	NUT	9				
6	613547 01	VALVE MTG BRKT	1				
7	CAP-0012	END CAP	3				



**Shelbourne Reynolds Engineering Limited**

ASSY NUMBER: KIT-03435		ASSY DESCRIPTION: EXPRESS CONVEYOR MANUAL SPOOL VALVE KIT					
ITEM	PART NO	DESCRIPTION	QTY	ITEM	PART NO	DESCRIPTION	QTY
1	HVB-09045	HYDRAULIC VALVE BLOCK	1				
2	HSS-0135	SETSCREW	4				
3	WSH-0012	WASHER	4				
4	WSH-0058	WASHER	4				
5	HMA-0057	M/M ADAPTOR	3				
6	WSH-1010	DOWTY WASHER	8				
7	HHAE16005	HYDRAULIC HOSE	1				
8	HMA-0065	M/M ADAPTOR	5				
9	WSH-1015	DOWTY WASHER	6				
10	COU-0162	QUICK RELEASE COUPLING	2				
11	HHAF16005	HYDRAULIC HOSE	1				
12	HMA-0067	M/M ADAPTOR	1				
13	HHHE06005	HYDRAULIC HOSE	1				
14	HHDE37005	HYDRAULIC HOSE	2				
15	FIT-0025	M/M ADAPTOR	3				
16	190859 01	RESTRICTOR	1				
17	HMA-0052	M/M ADAPTOR	4				
18	WSH-1005	DOWTY WASHER	4				
19	HHBC73005	HYDRAULIC HOSE	1				
20	HHBC79005	HYDRAULIC HOSE	1				
21	HHBC45005	HYDRAULIC HOSE	1				
22	HHBC47005	HYDRAULIC HOSE	1				
23	HCPD01200	PIPE CLAMP	5				
24	SCW-0083	CAP HD SCREW	5				
25	TIE-0004	TIE WRAP	8				
26	612230 01	EMBLEM	1				
27	612236 01	EMBLEM (SPOOL VALVE)	1				

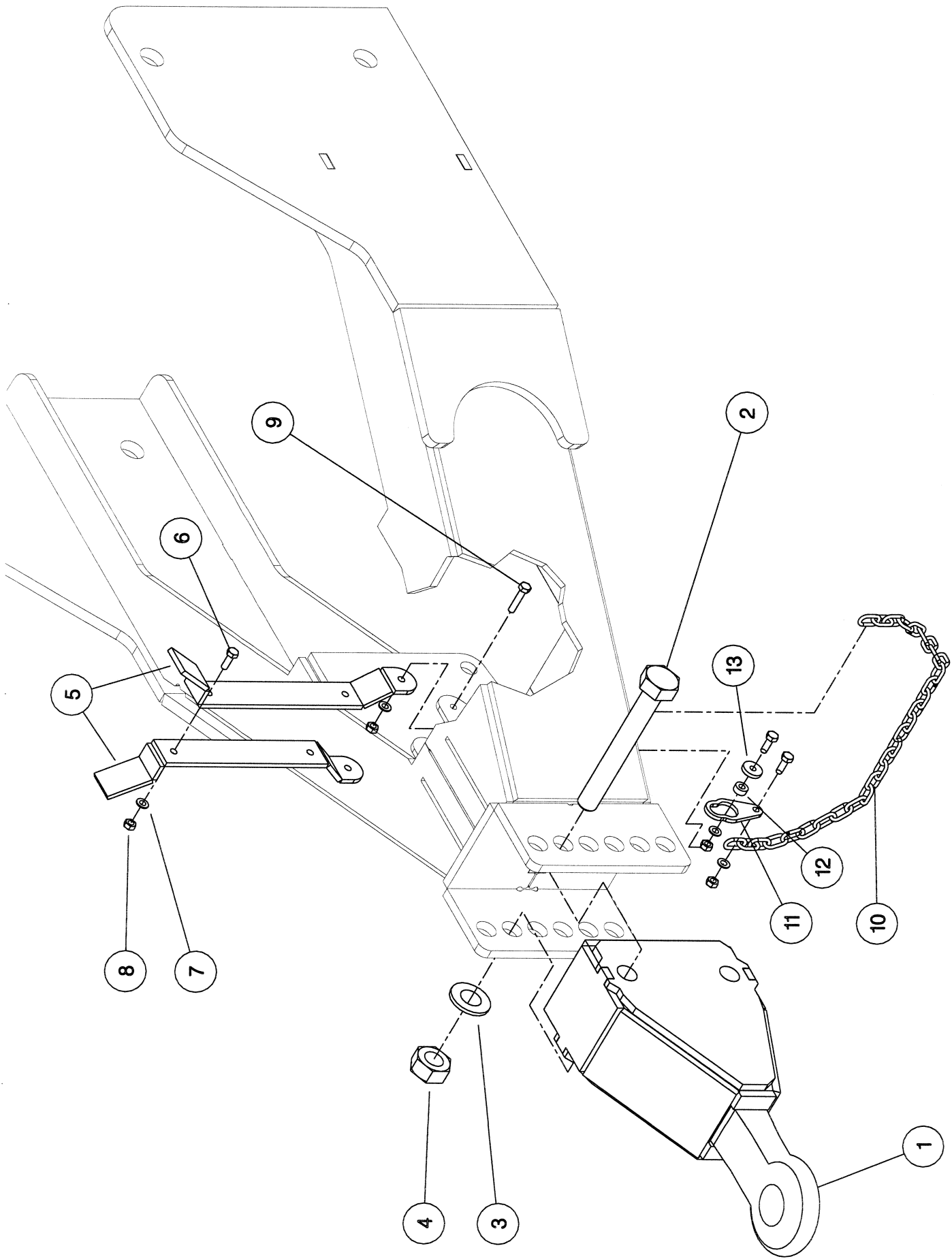


KIT - 03435

**Shelbourne Reynolds Engineering Limited**

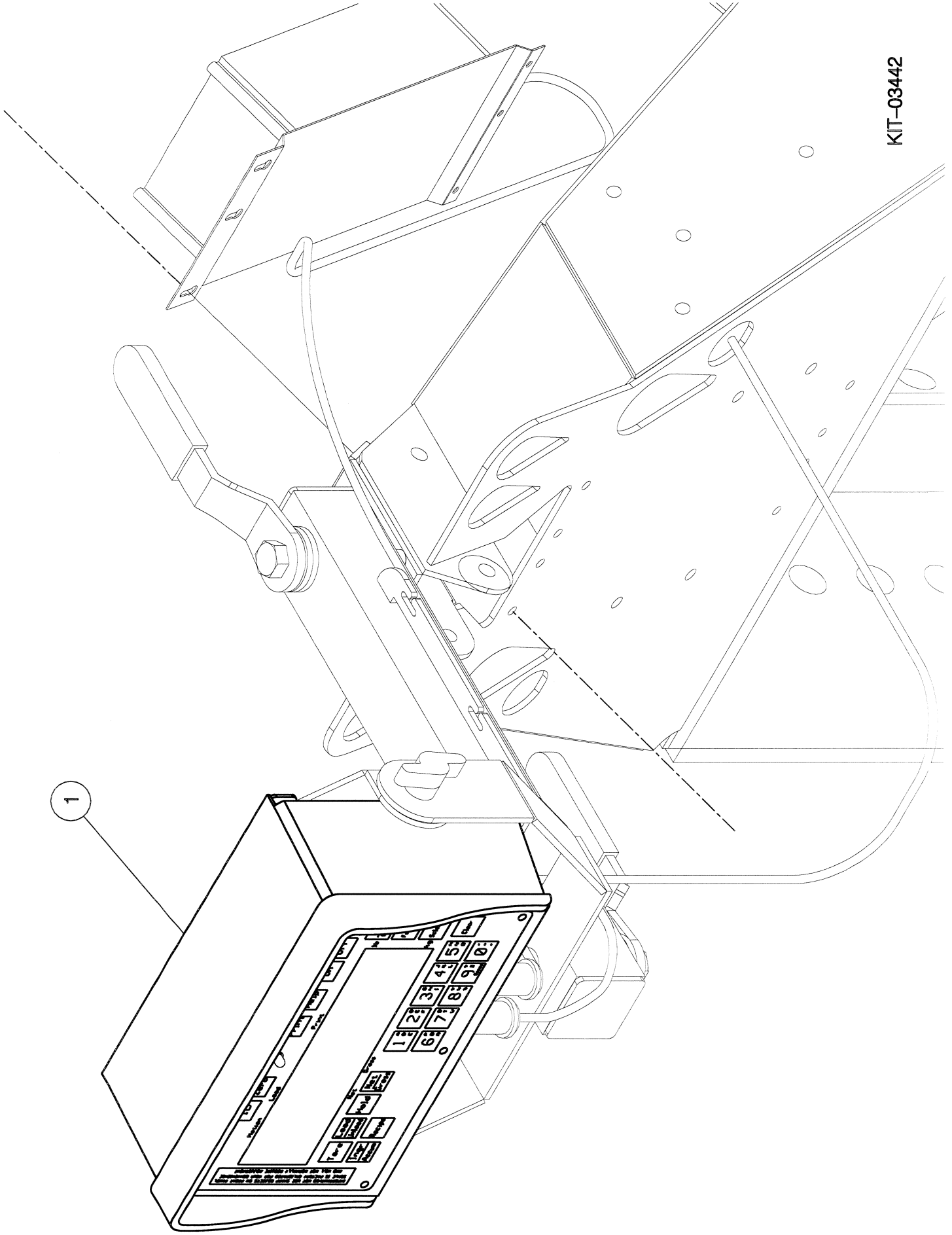
KIT-03439		ASSY DESCRIPTION: CONTINENTAL TOWING EYE KIT					
ASSY NUMBER:							
ITEM	PART NO	DESCRIPTION	QTY	ITEM	PART NO	DESCRIPTION	QTY
1	613658 01	CONTINENTAL TOWING EYE W/A	1				
2	BLTA20770	BOLT	2				
3	WSH-0030	WASHER	4				
4	NUTA02200	NYLOC	4				
5	613433 01	PTO REST PLATE	2				
6	HSS-0088	SETSCREW	2				
7	WSH-0009	WASHER	4				
8	NUT-0260	NUT	4				
9	HSS-0092	SETSCREW	2				
10	CHN-0145	CHAIN	0.7m				
11	613977 01	CHAIN HOOK PLATE	1				
12	190548 48	WASHER	1				
13	190548 49	WASHER	1				





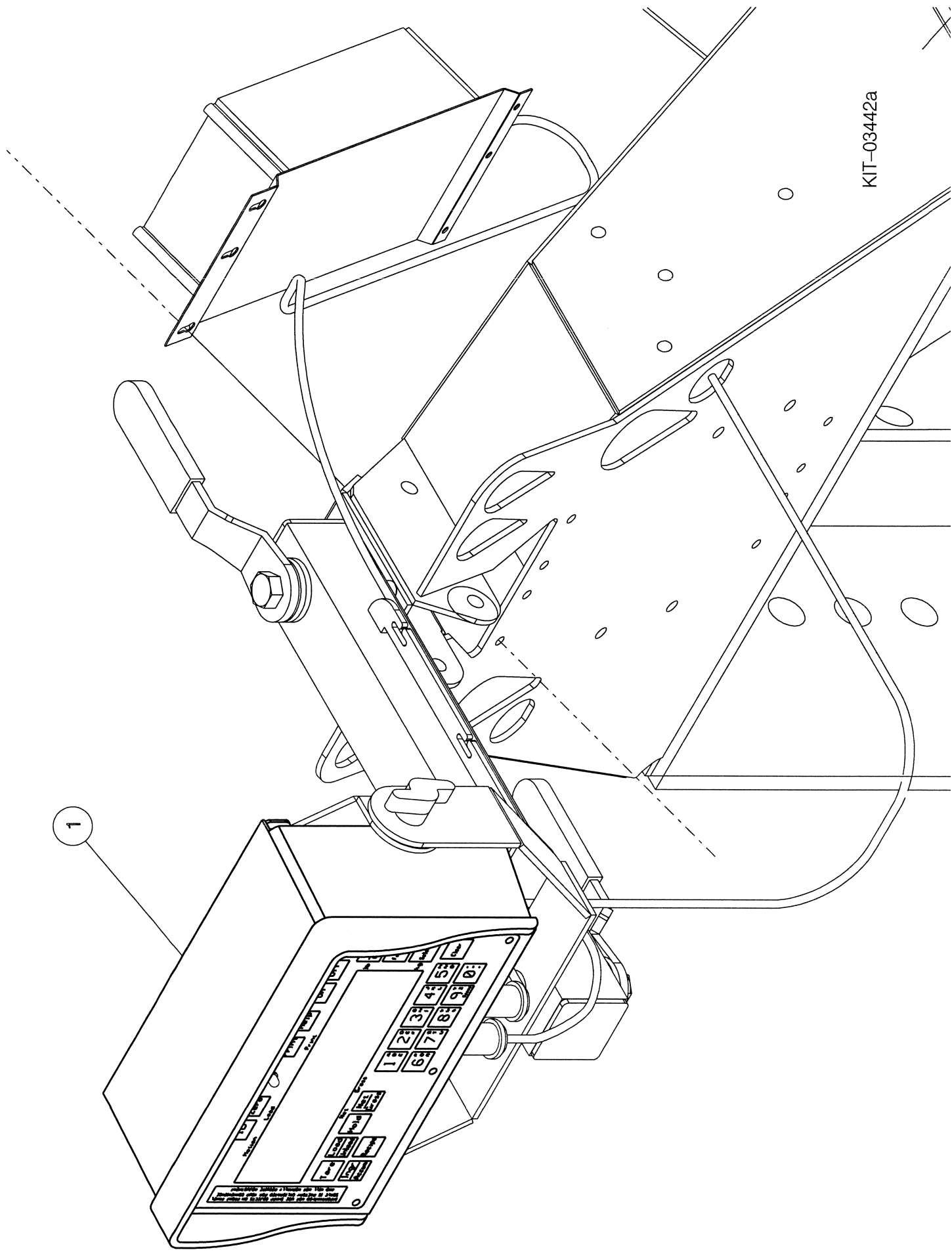
**Shelbourne Reynolds Engineering Limited**

KIT-03442		ASSY DESCRIPTION:MID LEVEL EZ3200 INDICATOR KIT					
ASSY NUMBER:	KIT-03442	ASSY DESCRIPTION:MID LEVEL EZ3200 INDICATOR KIT					
ITEM	PART NO	DESCRIPTION	QTY	ITEM	PART NO	DESCRIPTION	QTY
1	LCL-01216	EZ3200 INDICATOR	1				



**Shelbourne Reynolds Engineering Limited**

KIT-03442A		ASSY DESCRIPTION: MID EZ3200V INDICATOR KITC/W REMOTE PORT					
ASSY NUMBER:	PART NO	DESCRIPTION	QTY	ITEM	PART NO	DESCRIPTION	QTY
1	LCL-01216a	EZ3200 INDICATOR	1				

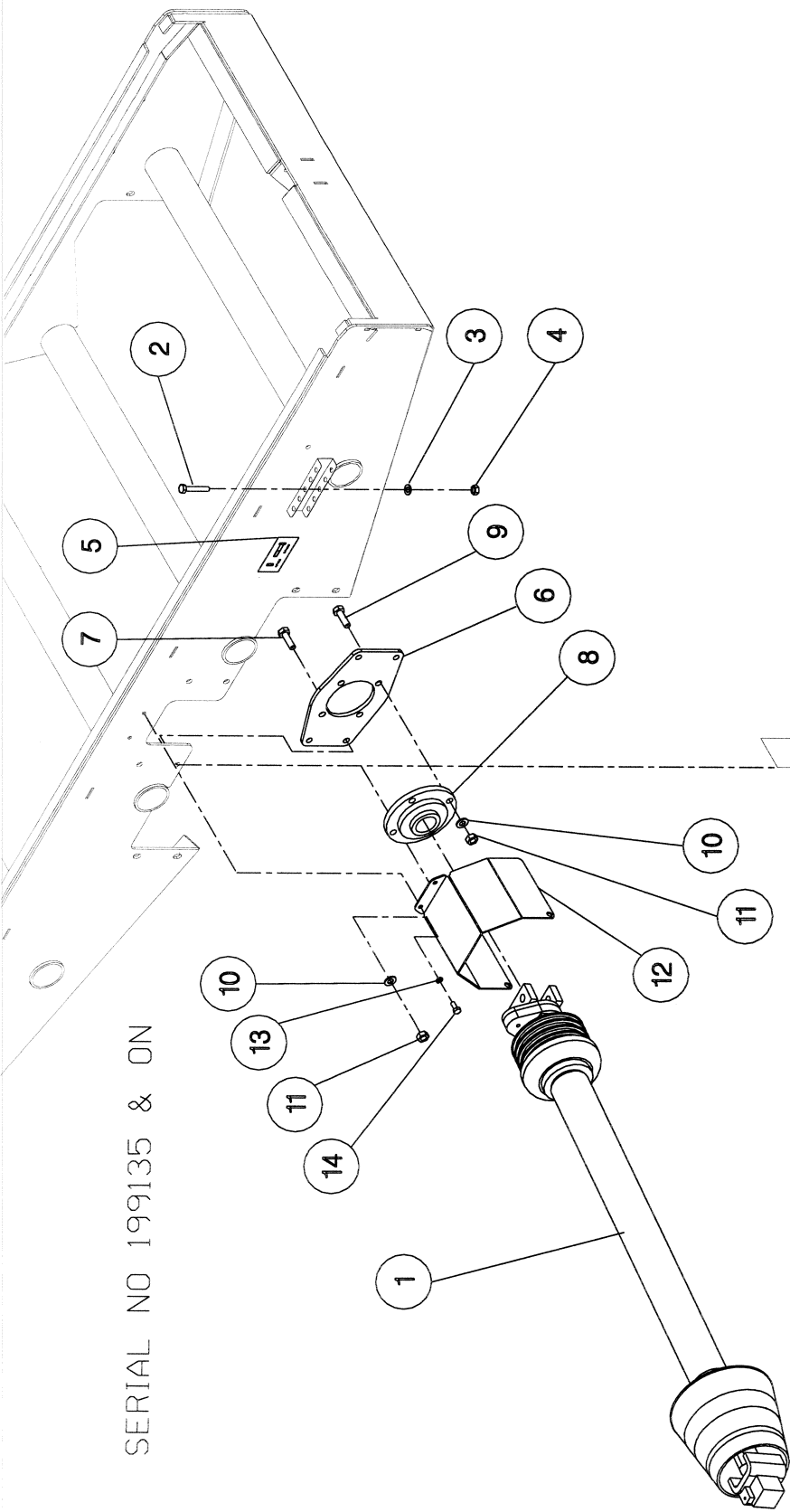


KIT-03442a

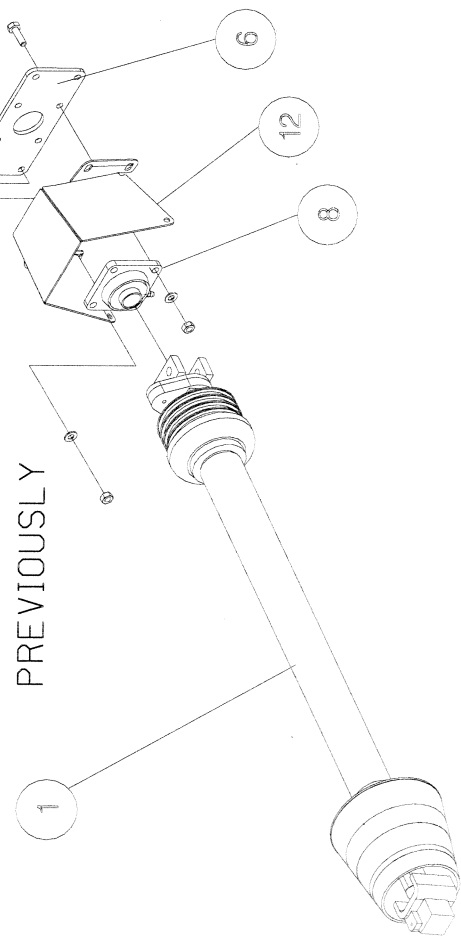
**Shelbourne Reynolds Engineering Limited**

KIT-03445		ASSY DESCRIPTION: SINGLE SPEED DRIVE KIT (EXP SINGLE)				
ASSY NUMBER:	DESCRIPTION	QTY	ITEM	PART NO	DESCRIPTION	QTY
1	PTO SHAFT ASSY (SER No 119135 & ON) (SEE KIT-03549)	1	13	WSH-0058	WASHER (SERIAL No 119135 & ON ONLY)	2
OR	PTO SHAFT ASSY (UP TO & INC SER No 118135)	1	14	HSS-0140	SETSCREW (SERIAL No 119135 & ON ONLY)	2
2	SHEARBOLT (SERIAL No 119135 & ON)	5				
OR	SHEARBOLTS (UP TO & INC SER No 118135)	5				
3	WASHER (SERIAL No 119135 & ON)	5				
OR	WASHER (UP TO & INC SER No 118135)	5				
4	NUT (SERIAL No 119135 & ON)	5				
OR	NUT (UP TO & INC SER No 118135)	5				
5	EMBLEM (SERIAL No 119135 & ON)	1				
OR	EMBLEM (UP TO & INC SER No 118135)	1				
6	BEARING MOUNTING PLATE (SERIAL No 119135 & ON)	1				
OR	BEARING MOUNTING PLATE (UP TO & INC SER No 118135)	1				
7	SETSCREW	4				
8	BEARING (SERIAL No 119135 & ON)	1				
OR	BEARING (UP TO & INC SER No 118135)	1				
9	SETSCREW	4				
10	WASHER	8				
11	NUT	8				
12	FRONT PTO GUARD (SERIAL No 119135 & ON)	1				
OR	FRONT PTO GUARD (UP TO & INC SER No 118135)	1				

SERIAL NO 199135 & ON



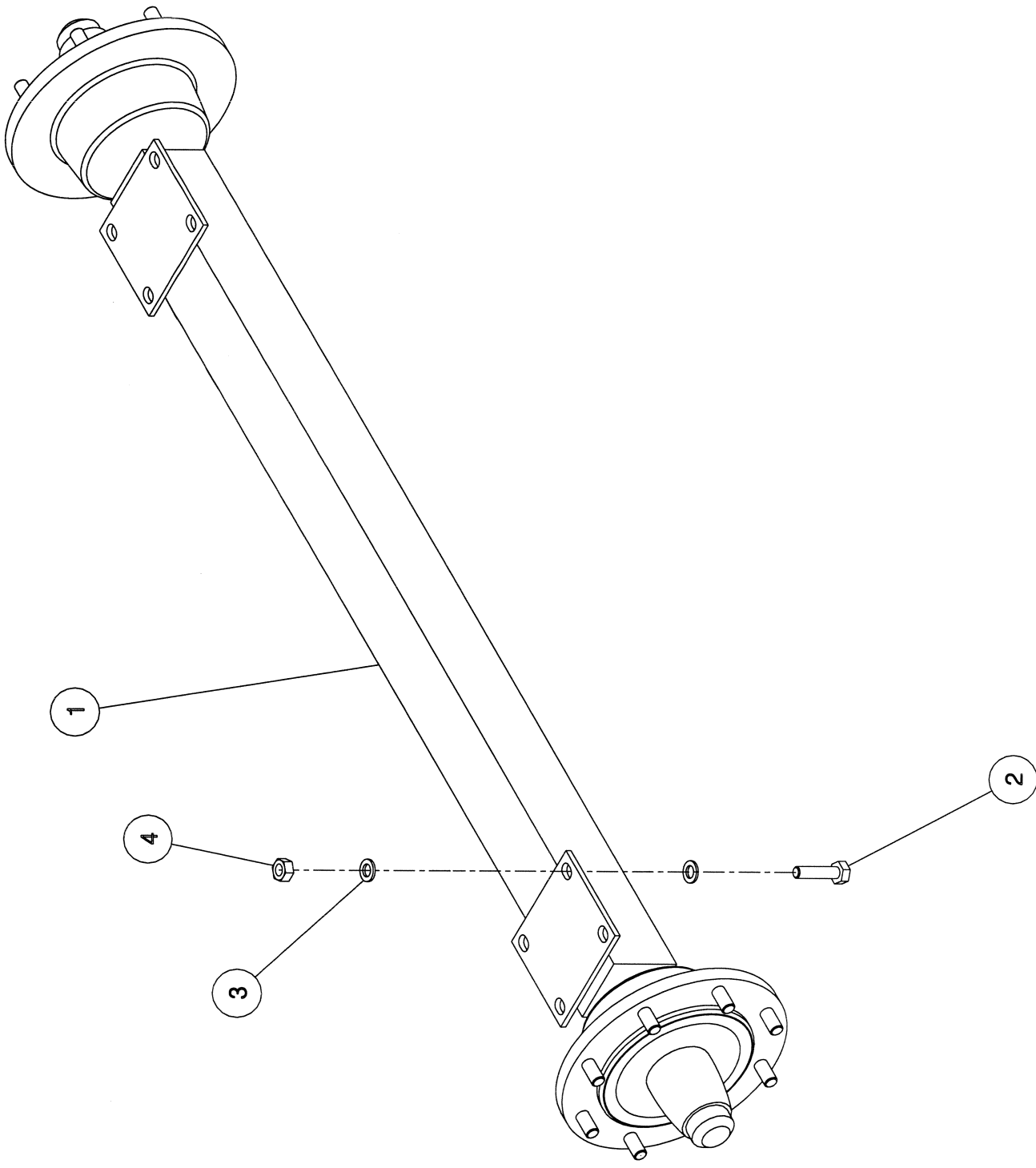
PREVIOUSLY



**Shelbourne Reynolds Engineering Limited**

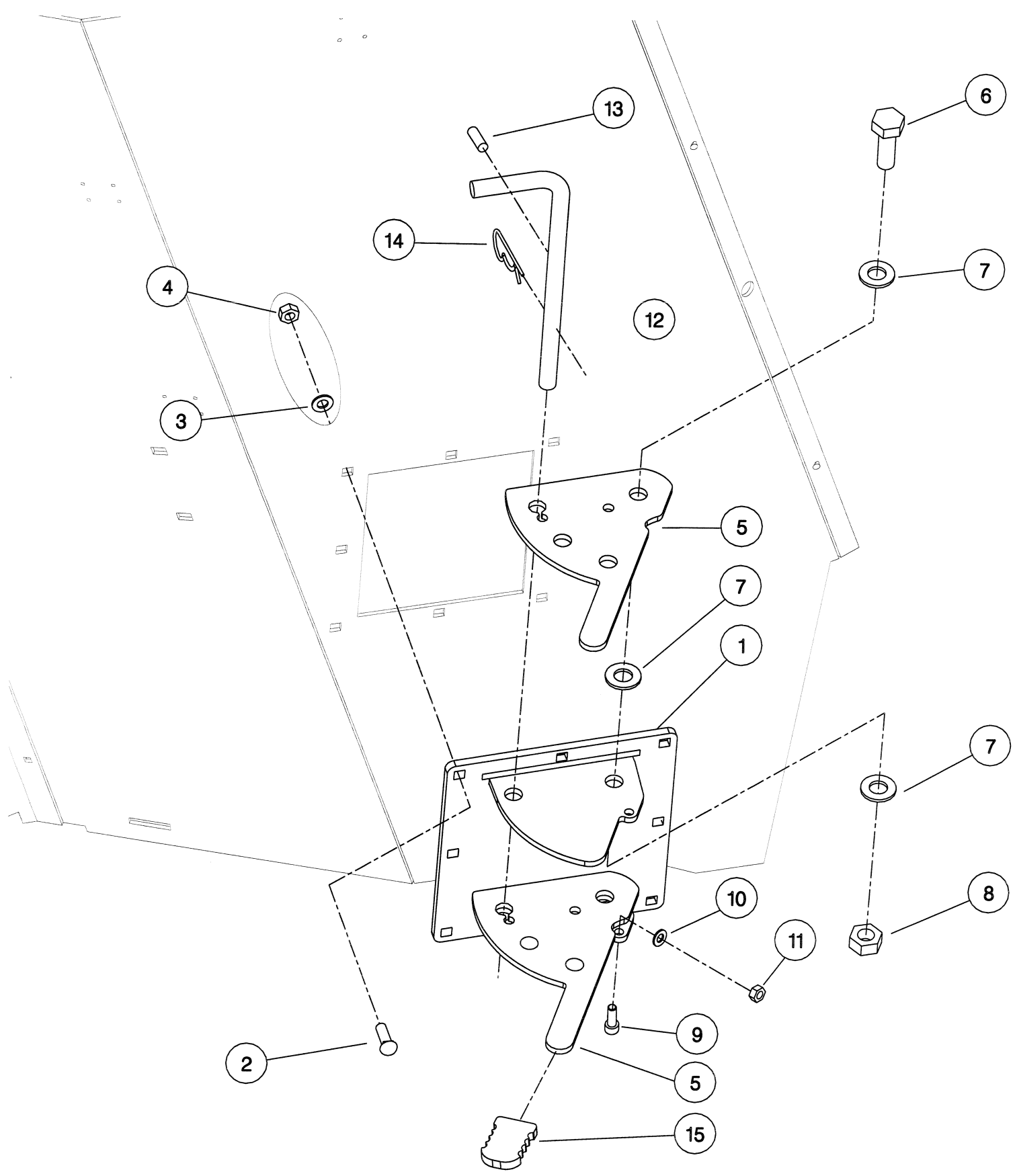
KIT-03446		ASSY DESCRIPTION: UN-BRAKED AXLE KIT					
ASSY NUMBER:	KIT-03446	ASSY DESCRIPTION: UN-BRAKED AXLE KIT					
ITEM	PART NO	DESCRIPTION	QTY	ITEM	PART NO	DESCRIPTION	QTY
1	AXL-00103	UN-BRAKED AXLE	1				
2	BLT-2312	HEX HD BOLT	8				
3	WSH-0024	WASHER	16				
4	NUT-0271	NUT	8				





**Shelbourne Reynolds Engineering Limited**

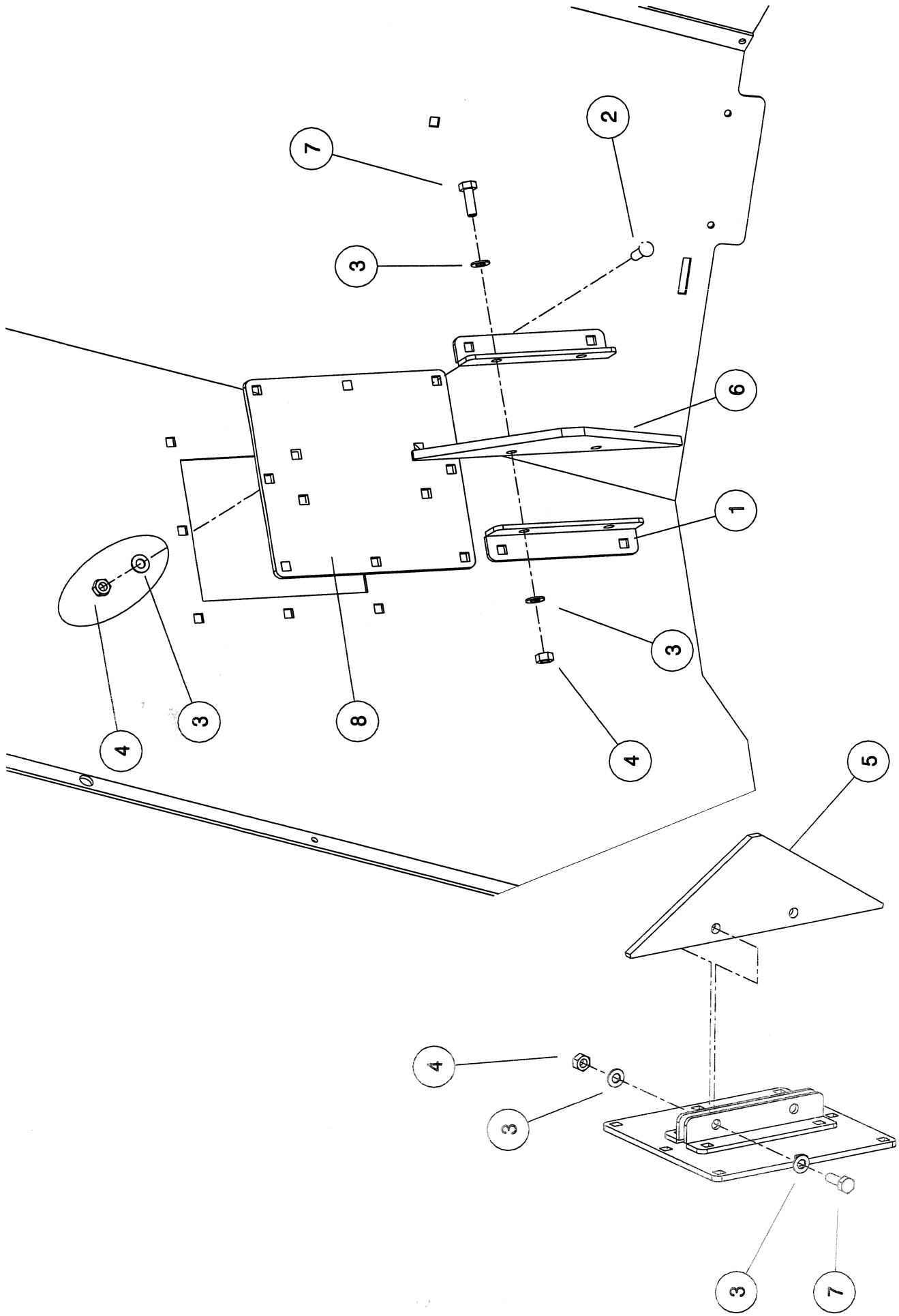
ASSY NUMBER: KIT-03447		ASSY DESCRIPTION: ANTI-ROTATION BLADE KIT					
ITEM	PART NO	DESCRIPTION	QTY	ITEM	PART NO	DESCRIPTION	QTY
1	612983 01	BLADE MOUNTING ASSY	2				
2	BLTF12233	COACHBOLT	16				
3	WSH-0018	WASHER	16				
4	NUT-0269	NUT	16				
5	612872 01	ANTI-ROTATION BLADE	4				
6	HSS-0355	SETSCREW	4				
7	WSH-0030	WASHER	12				
8	NUA02200	NUT	4				
9	SCW-0190	SOCKET CAP HD SCREW	4				
10	WSH-0015	WASHER	4				
11	NUT-0265	NUT	4				
12	612874 01	BLADE LOCKING SHAFT	2				
13	PIN-1783	ROLL PIN	2				
14	CLP-00106	R-CLIP	2				
15	PTF-00025	HANDLE GRIP	4				



KIT - 03296  
 KIT - 03447

**Shelbourne Reynolds Engineering Limited**

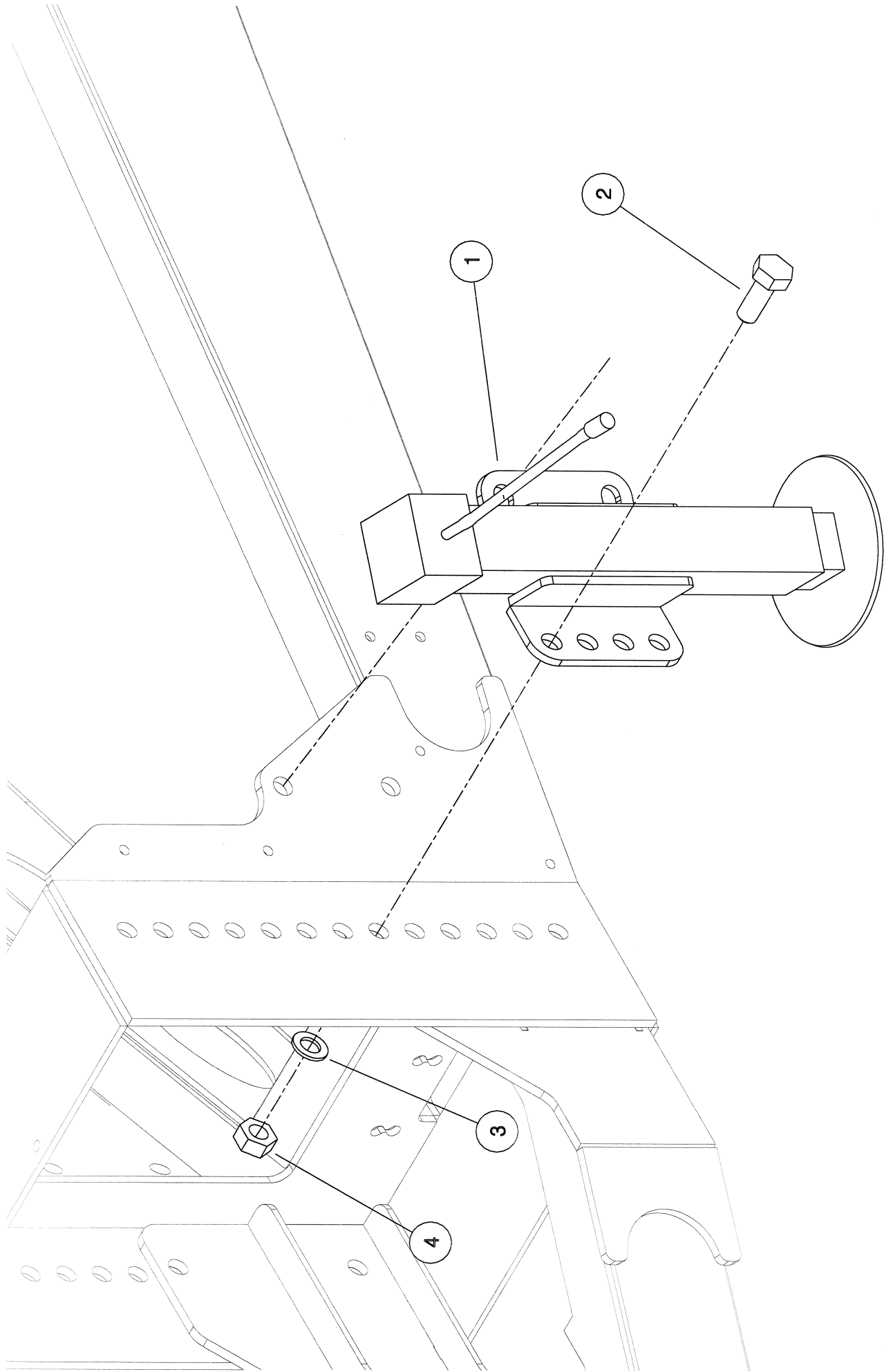
ASSY NUMBER: KIT-03448		SUB ASSY DESCRIPTION: FIXED RETARDER KIT (SINGLE AUGER)					
ITEM	PART NO	DESCRIPTION	QTY	ITEM	PART NO	DESCRIPTION	QTY
1	612489 01	ANTI-ROTATION BRKT	4				
2	BLTF12233	COACHBOLT	24				
3	WSH-0018	WASHER	28				
4	NUT-0269	NUT	28				
5	610934 01	LARGER ANTI-ROTATION PLATE	1				
6	612490 01	SMALL ANTI-ROTATION PLATE	1				
7	HSS-0260	SETSCREW	4				
8	612866 01	BLANKING PLATE	2				



KIT - 03298  
 KIT - 03448

**Shelbourne Reynolds Engineering Limited**

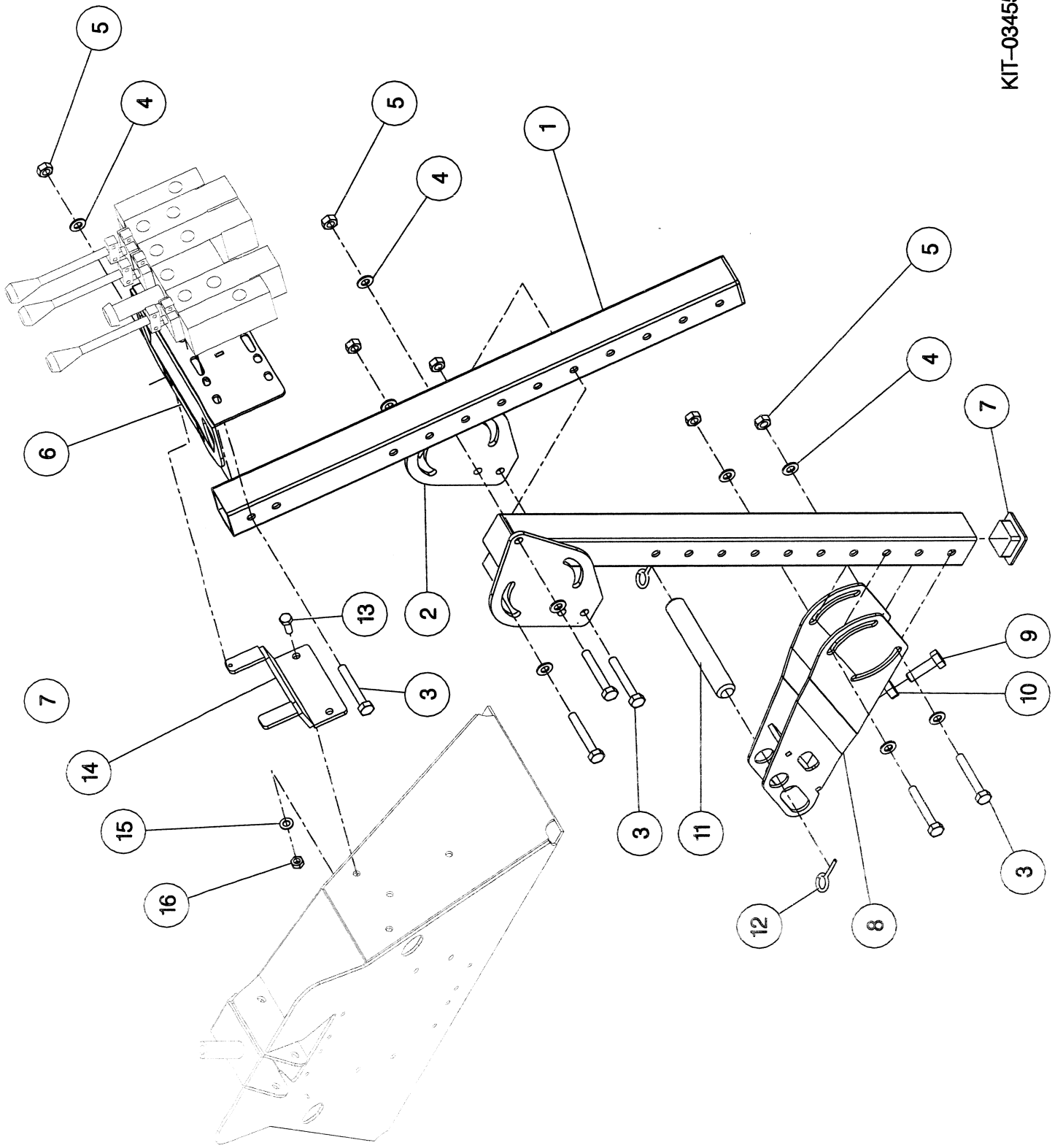
ASSY NUMBER: KIT-03449		SUB ASSY DESCRIPTION: MECHANICAL JACK KIT					
ITEM	PART NO	DESCRIPTION	QTY	ITEM	PART NO	DESCRIPTION	QTY
1	613709 01	JACK WELD ASSY	1				
2	HSS-0410	SETSCREW	4				
3	WSH-0036	WASHER	4				
4	NUT-0275	NUT	4				



**Shelbourne Reynolds Engineering Limited**

KIT-03455		ASSY DESCRIPTION: TRACTOR MOUNTED SPOOL VALVE KIT					
ASSY NUMBER:	KIT-03455	ASSY DESCRIPTION:	TRACTOR MOUNTED SPOOL VALVE KIT				
ITEM	PART NO	DESCRIPTION	QTY	ITEM	PART NO	DESCRIPTION	QTY
1	613542 01	SUPPORT ARM	2				
2	613545 01	VALVE ADJUSTER PLATE	2				
3	BLTA10500	BOLT	9				
4	WSH-0015	PLAIN WASHER	13				
5	NUT-0265	NYLOC NUT	9				
6	613547 01	VALVE MTG BRKT	1				
7	CAP-0012	END CAP	3				
8	613982 01	SUPPORT ARM	1				
9	HSS-0250	SET SCREW	1				
10	NUT-0170	PLAIN NUT	1				
11	611680 01	PIN	1				
12	PIN-01950	LYNCH PIN	2				
13	HSS-0145	SET SCREW	2				
14	613771 01	DOCKING BRKT	1				
15	WSH-0012	PLAIN WASHER	2				
16	NUT-0263	NYLOC NUT	2				





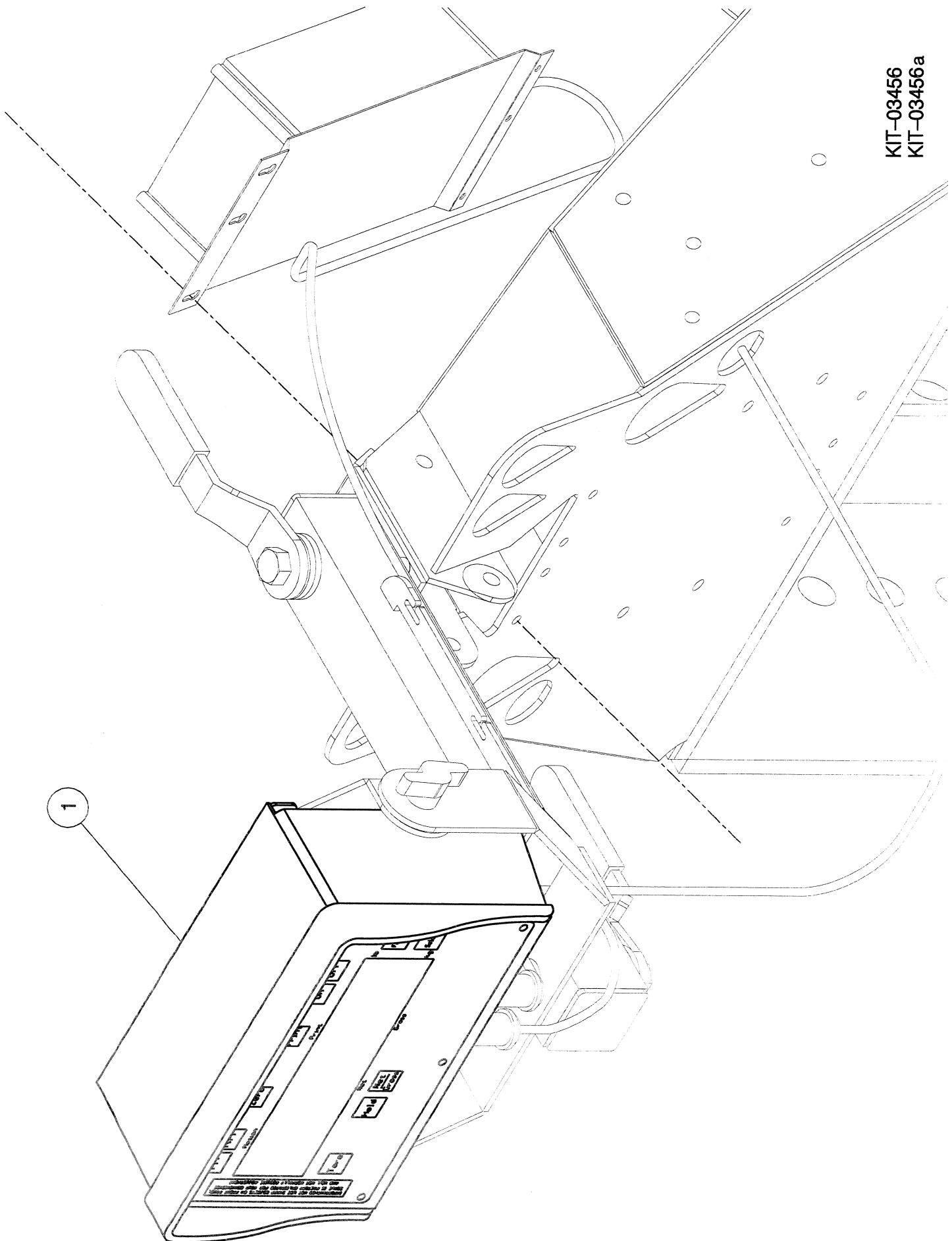


**Shelbourne Reynolds Engineering Limited**

ASSY NUMBER: KIT-03456		ASSY DESCRIPTION: BASIC EZ2000V INDICATOR KIT					
ITEM	PART NO	DESCRIPTION	QTY	ITEM	PART NO	DESCRIPTION	QTY
1	LCL-01217	EZ2000V INDICATOR	1				

**Shelbourne Reynolds Engineering Limited**

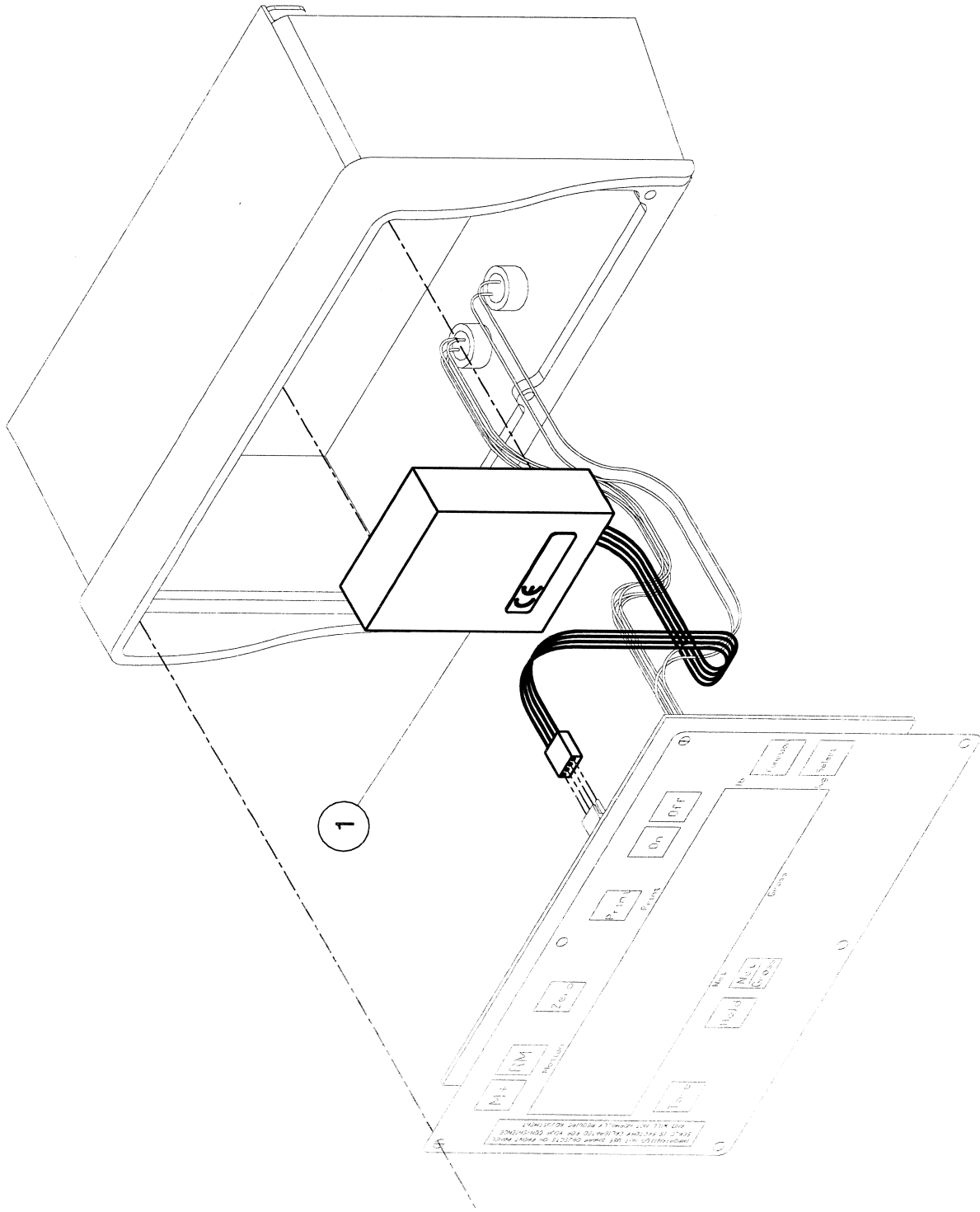
KIT-03456a		ASSY DESCRIPTION: BASIC EZ2000V INDICATOR KIT					
ASSY NUMBER:	KIT-03456a	ASSY DESCRIPTION: BASIC EZ2000V INDICATOR KIT					
ITEM	PART NO	DESCRIPTION	QTY	ITEM	PART NO	DESCRIPTION	QTY
1	LCL-01217	EZ2000V INDICATOR WITH REMOTE DISPLAY PORT	1				



KIT-03456  
KIT-03456a

**Shelbourne Reynolds Engineering Limited**

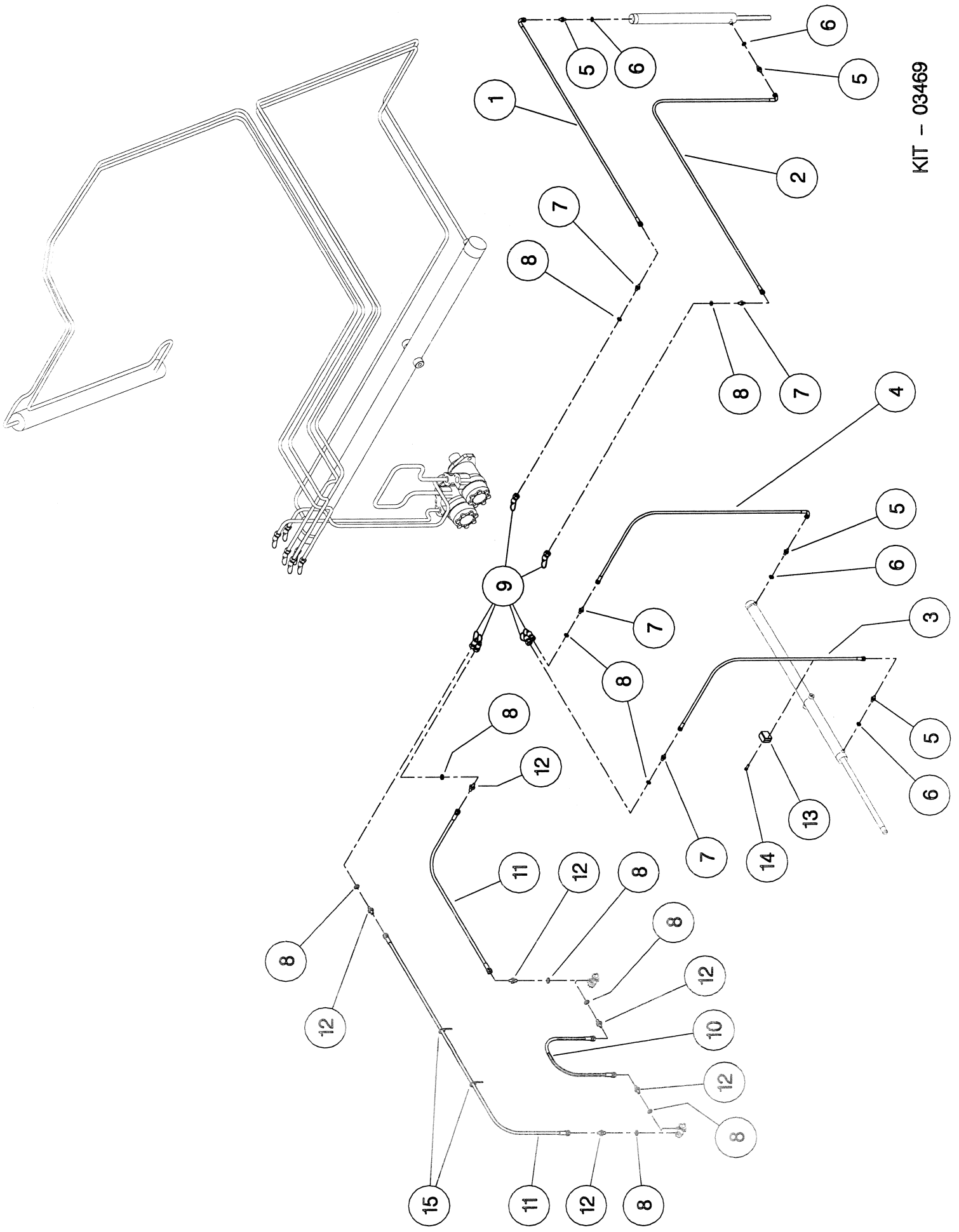
KIT-03467		ASSY DESCRIPTION:REMOTE ZERO FUNCTION KIT					
ASSY NUMBER:	KIT-03467	ASSY DESCRIPTION:REMOTE ZERO FUNCTION KIT					
ITEM	PART NO	DESCRIPTION	QTY	ITEM	PART NO	DESCRIPTION	QTY
1	LCL-01226	REMOTE ZERO FUNCTION	1				



**Shelbourne Reynolds Engineering Limited**

KIT-03469		ASSY DESCRIPTION: EXPRESS CONVEYOR DIRECT COUPLED HYD KIT					
ASSY NUMBER:	PART NO	DESCRIPTION	QTY	ITEM	PART NO	DESCRIPTION	QTY
1	HHBC73005	HYDRAULIC HOSE	1				
2	HHBC79005	HYDRAULIC HOSE	1				
3	HHBC45005	HYDRAULIC HOSE	1				
4	HHBC47005	HYDRAULIC HOSE	1				
5	HMA-0052	M/M ADAPTOR	4				
6	WSH-1005	DOWTY WASHER	4				
7	HMA-0055	M/M ADAPTOR	4				
8	WSH-1015	DOWTY WASHER	10				
9	COU-0162	QUICK RELEASE COUPLING	6				
10	HHHE06005	HYDRAULIC HOSE	1				
11	HHDE37005	HYDRAULIC HOSE	2				
12	HMA-0065	M/M ADAPTOR	6				
13	HCPD01200	PIPE CLAMP	5				
14	SCW-0083	CAP HD SCREW	5				
15	TIE-0004	TIE WRAP	8				

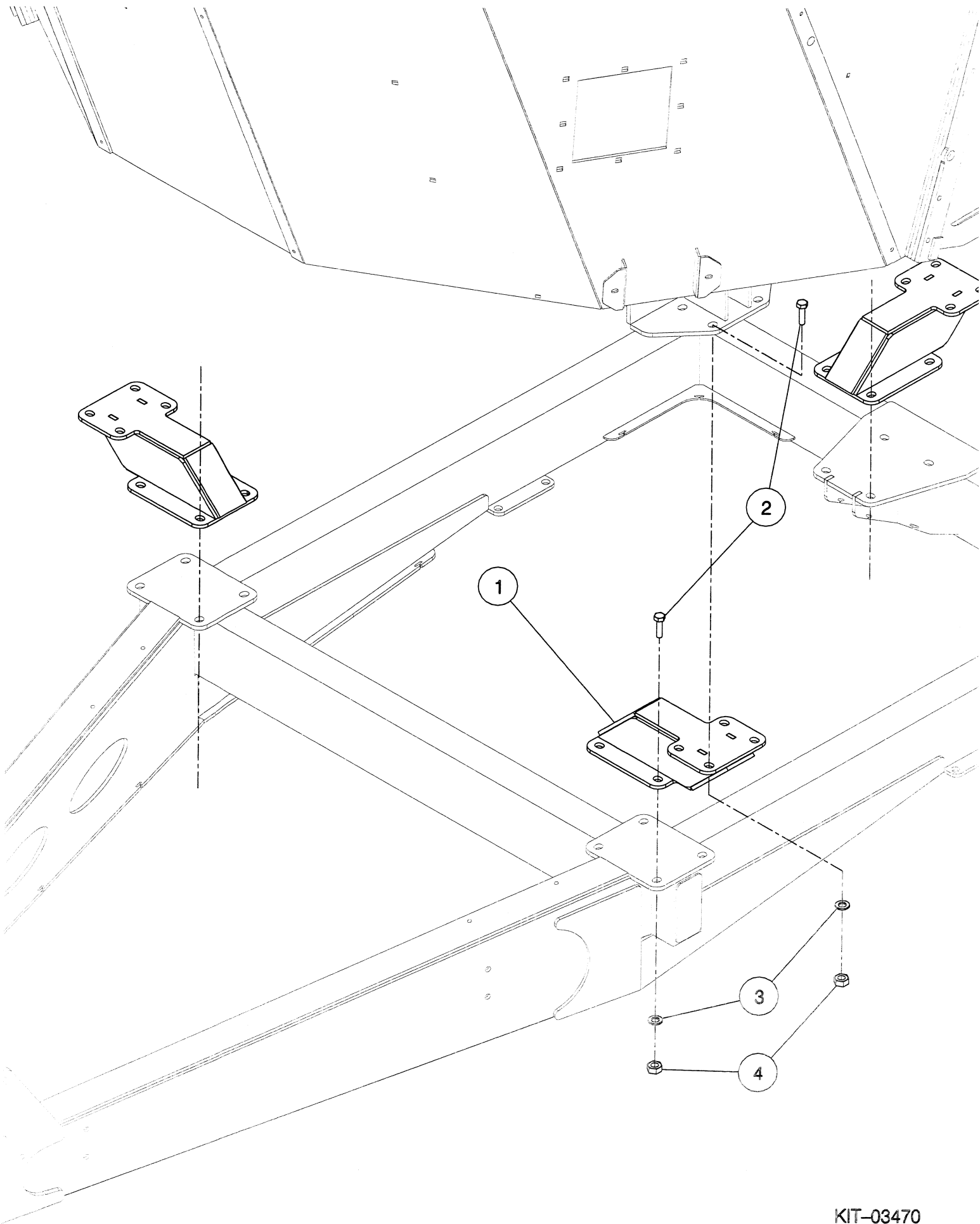




KIT - 03469

**Shelbourne Reynolds Engineering Limited**

ASSY NUMBER: KIT-03470		ASSY DESCRIPTION: DUMMY WEIGH CELL KIT (SINGLE AUGER)					
ITEM	PART NO	DESCRIPTION	QTY	ITEM	PART NO	DESCRIPTION	QTY
1	613868 01	DUMMY LOADCELL	3				
2	HSS-0317	SETSCREW	24				
3	WSH-0024	WASHER	24				
4	NUT-0271	NUT	24				



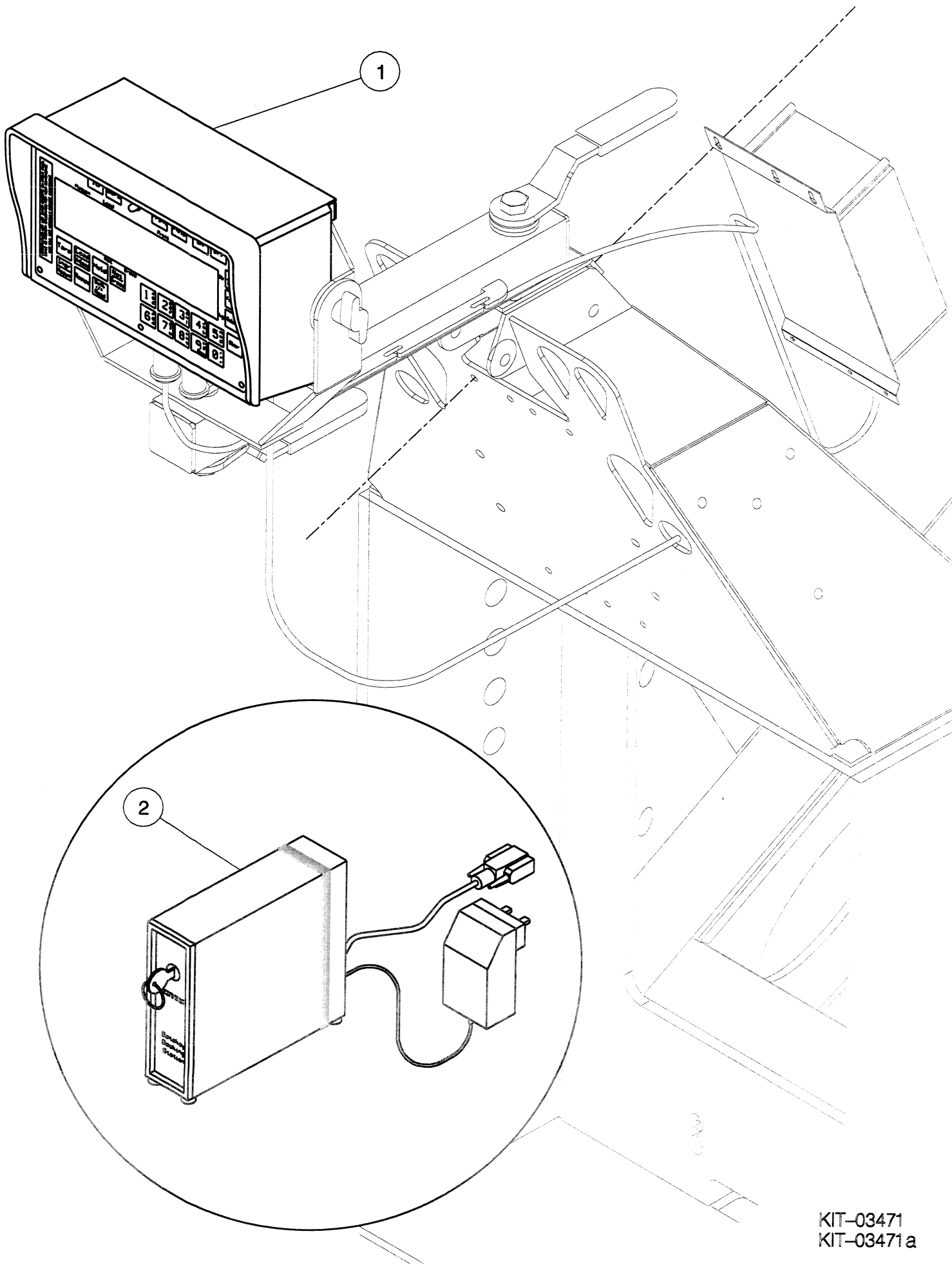


**Shelbourne Reynolds Engineering Limited**

KIT-03471		ASSY DESCRIPTION: TOP LEVEL EZ3500 INDICATOR KIT					
ASSY NUMBER:	KIT-03471	ASSY DESCRIPTION: TOP LEVEL EZ3500 INDICATOR KIT					
ITEM	PART NO	DESCRIPTION	QTY	ITEM	PART NO	DESCRIPTION	QTY
1	LCL-01218	EZ3500 INDICATOR	1				
2	LCL-01219	SOFTWARE & DOCKING STATION WITH UK 3 PIN PLUG	1				

**Shelbourne Reynolds Engineering Limited**

ASSY NUMBER: KIT-03471a		ASSY DESCRIPTION:TOP LEVEL EZ3500 INDICATOR KIT					
ITEM	PART NO	DESCRIPTION	QTY	ITEM	PART NO	DESCRIPTION	QTY
1	LCL-01218	EZ3500 INDICATOR	1				
2	LCL-01219	SOFTWARE & DOCKING STATION WITH CONTINENTAL PLUG	1				

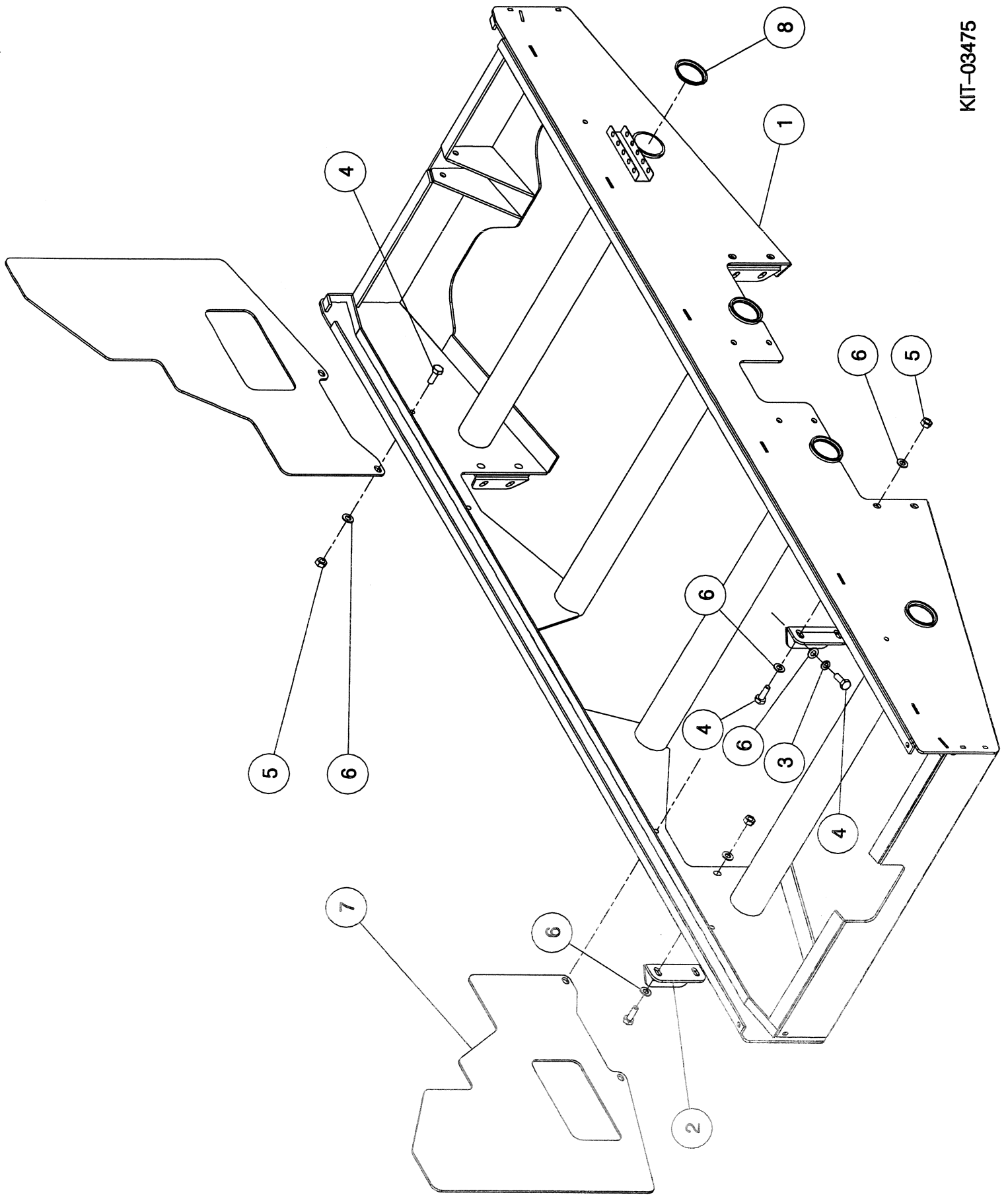


KIT-03471  
KIT-03471a

**Shelbourne Reynolds Engineering Limited**

ASSY NUMBER: KIT-03475		ASSY DESCRIPTION: EXPRESS CONVEYOR MTG FRAME KIT (SINGLE)				
ITEM	PART NO	DESCRIPTION	QTY	ITEM	PART NO	QTY
1	613420 01	CONVEYOR FRAME W/A	1			
2	613421 01	MOUNTING BRKT	4			
3	WSH-0065	WASHER	8			
4	HSS-0241	SETSCREW	20			
5	NUT-0269	NUT	12			
6	WSH-0018	WASHER	28			
7	613680 01	DEFLECTOR PLATE	2			
8	21709036	PLASTIC CAP	8			





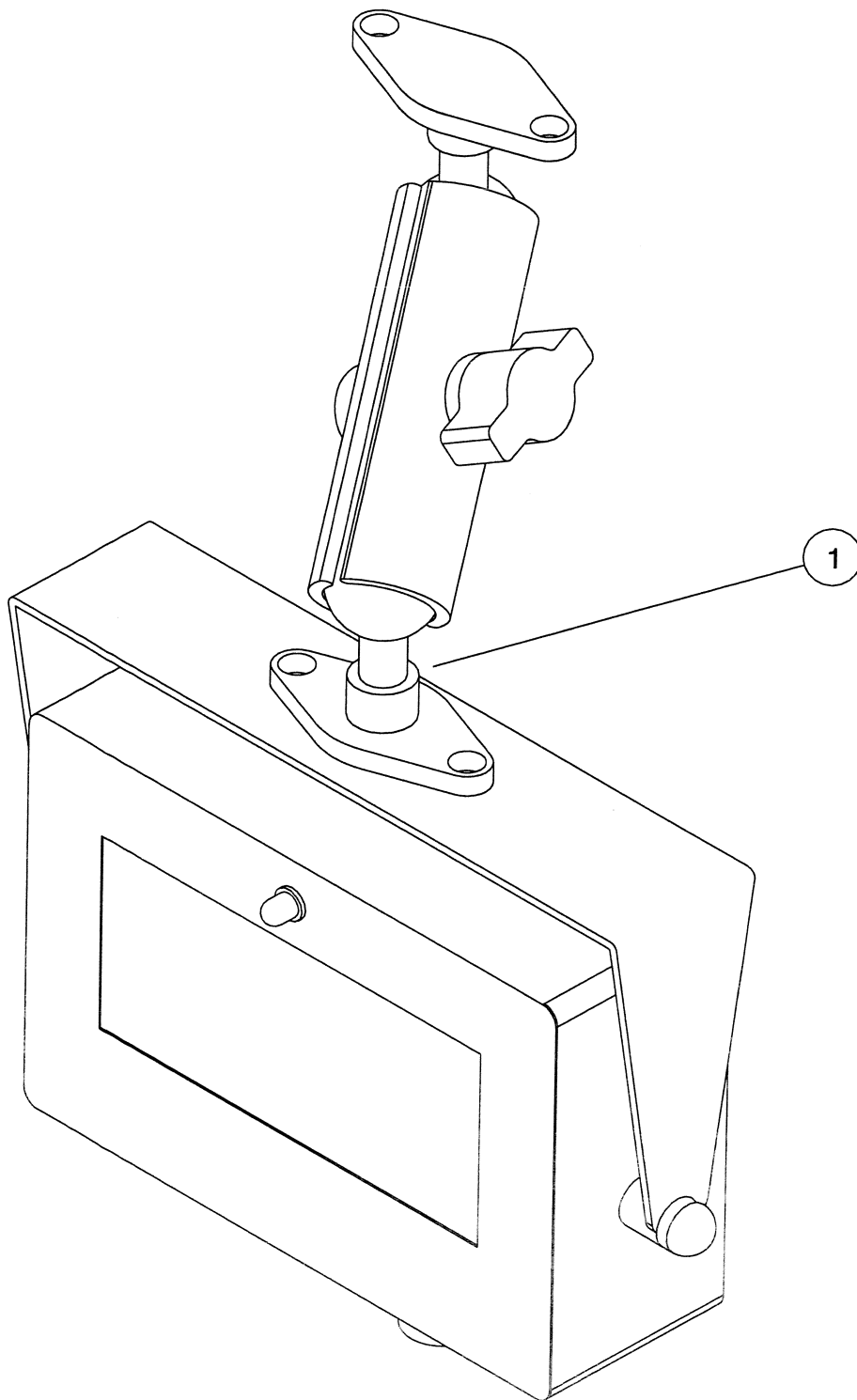
KIT-03475

**Shelbourne Reynolds Engineering Limited**

ASSY NUMBER: KIT-03478

ASSY DESCRIPTION: RD100 DISPLAY KIT

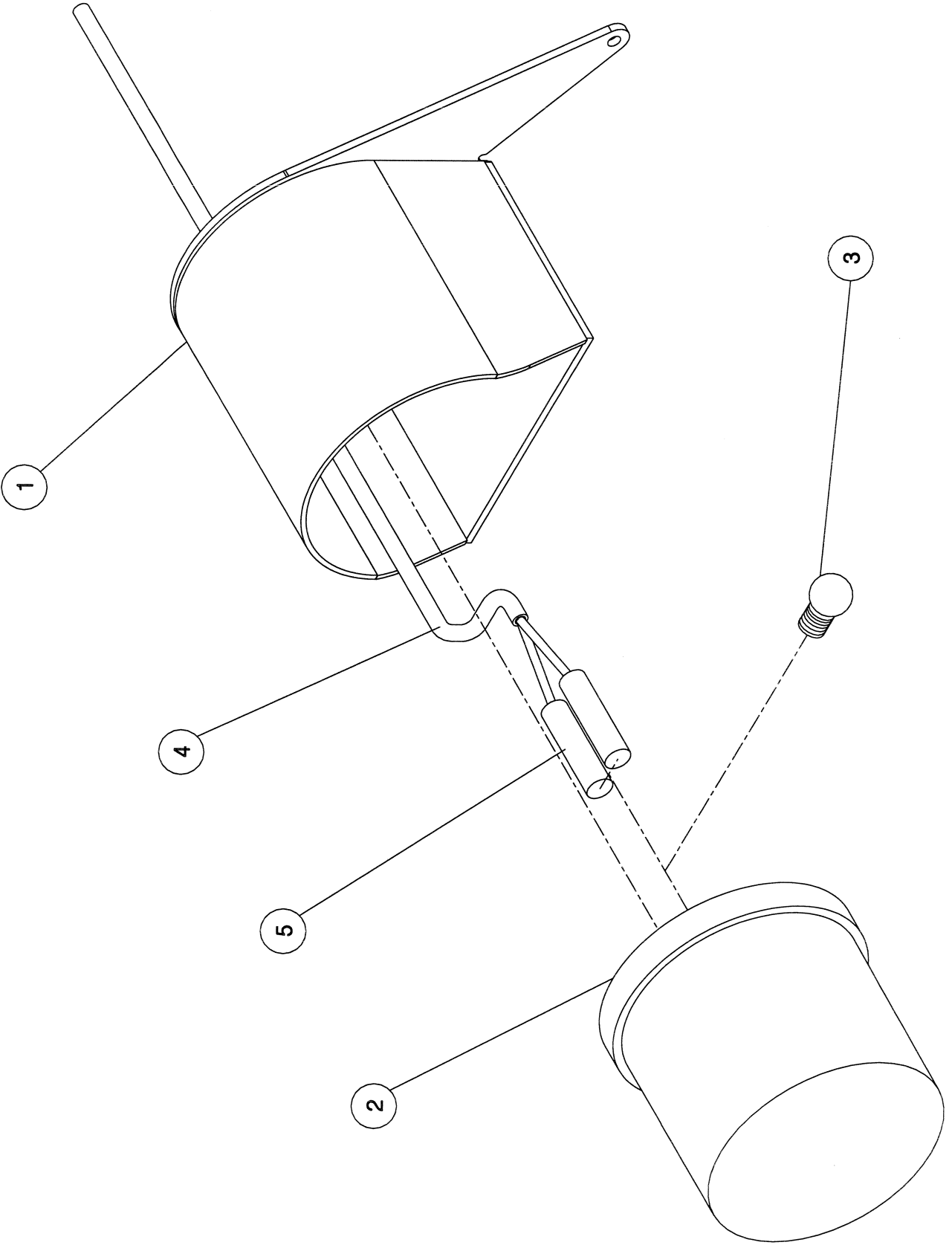
ITEM	PART NO	DESCRIPTION	QTY	ITEM	PART NO	QTY
1	LCL-01227	RD100 REMOTE DISPLAY	1			



KIT-03478

**Shelbourne Reynolds Engineering Limited**

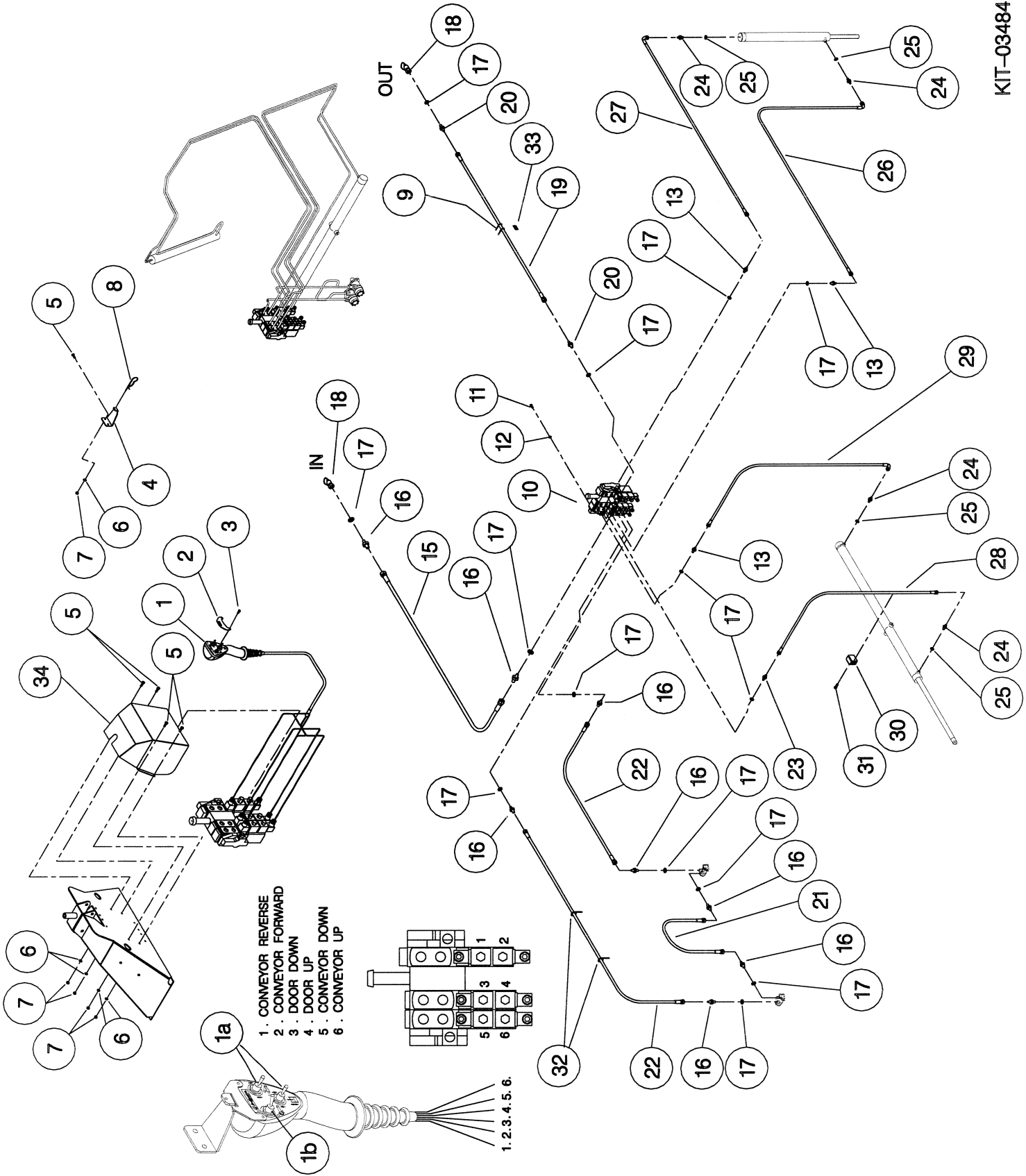
KIT-03483		ASSY DESCRIPTION: FLASHING LIGHT KIT					
ASSY NUMBER:							
ITEM	PART NO	DESCRIPTION	QTY	ITEM	PART NO	DESCRIPTION	QTY
1	613940 01	LIGHT BRACKET	1				
2	LMP-10502	INDICATOR LAMP	1				
3	BLB-0015	BULB	1				
4	CBL-03010	CABLE (2 CORE)	3m				
5	ETM-00630	ELEC BUTT TERMINAL	2				



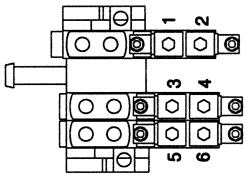
KIT-03483

**Shelbourne Reynolds Engineering Limited**

KIT-03484		ASSY DESCRIPTION: ELECTRIC SOLENOID CONVEYOR HYDRAULICS					
ASSY NUMBER:	KIT-03484						
ITEM	PART NO	DESCRIPTION	QTY	ITEM	PART NO	DESCRIPTION	QTY
1	611701 01	HAND CONTROL. UNIT & LOOMS	1				
1a	SWT-00310	3 POSITION SPRING CTR SWT	2				
1b	SWT-00510	ON/OFF/ON POSITION SWITCH	1				
2	611681 01	CONTROLLER HANGER BRKT.	1				
3	SCHS07176	SELF TAPPING SCREWS	2				
4	611682 01	HOOK BRACKET	1				
5	HSS-0086	SET SCREW	6				
6	WSH-0009	PLAIN WASHER	6				
7	NUT-0260	NYLOC NUT	6				
8	RCL-0015	R CLIP	2				
9	TIE-0002	TIE WRAP	4				
10	HVB-19020	HDRAULIC VALVE BLOCK	1				
11	HSS-0135	SET SCREW	4				
12	WSH-0058	SPRING WASHER	4				
13	HMA-0055	M/M ADAPTOR	3				
14							
15	HHBE22005	HYDRAULIC HOSE	1				
16	HMA-0065	M/M ADAPTOR	8				
17	WSH-1015	DOWTY WASHER	14				
18	COU-0162	QUICK RELEASE COUPLING	2				
19	HHBF22005	HYDRAULIC HOSE	1				
20	HMA-0067	M/M ADAPTOR	2				
21	HHHE06005	HYD HOSE	1				
22	HHDE23005	HYDRAULIC HOSE	2				
23	HAPAA0703	RESTRICTOR	1				
24	HMA-0052	M/M ADAPTOR	4				
25	WSH-1005	DOWTY WASHER	4				
26	HHBC66005	HYDRAULIC HOSE	1				
27	HHBC60005	HYDRAULIC HOSE	1				
28	HHBC32005	HYDRAULIC HOSE	1				
29	HHBC34005	HYDRAULIC HOSE	1				
30	HCPD01200	PIPE CLAMP	5				
31	SCW-0083	CAP HEAD SCREW	5				
32	TIE-0004	TIE WRAP	6				
33	612230 01	EMBLEM	1				
34	614133 01	VALVE COVER	1				



- 1. CONVEYOR REVERSE
- 2. CONVEYOR FORWARD
- 3. DOOR DOWN
- 4. DOOR UP
- 5. CONVEYOR DOWN
- 6. CONVEYOR UP



- 1. 2. 3. 4. 5. 6.

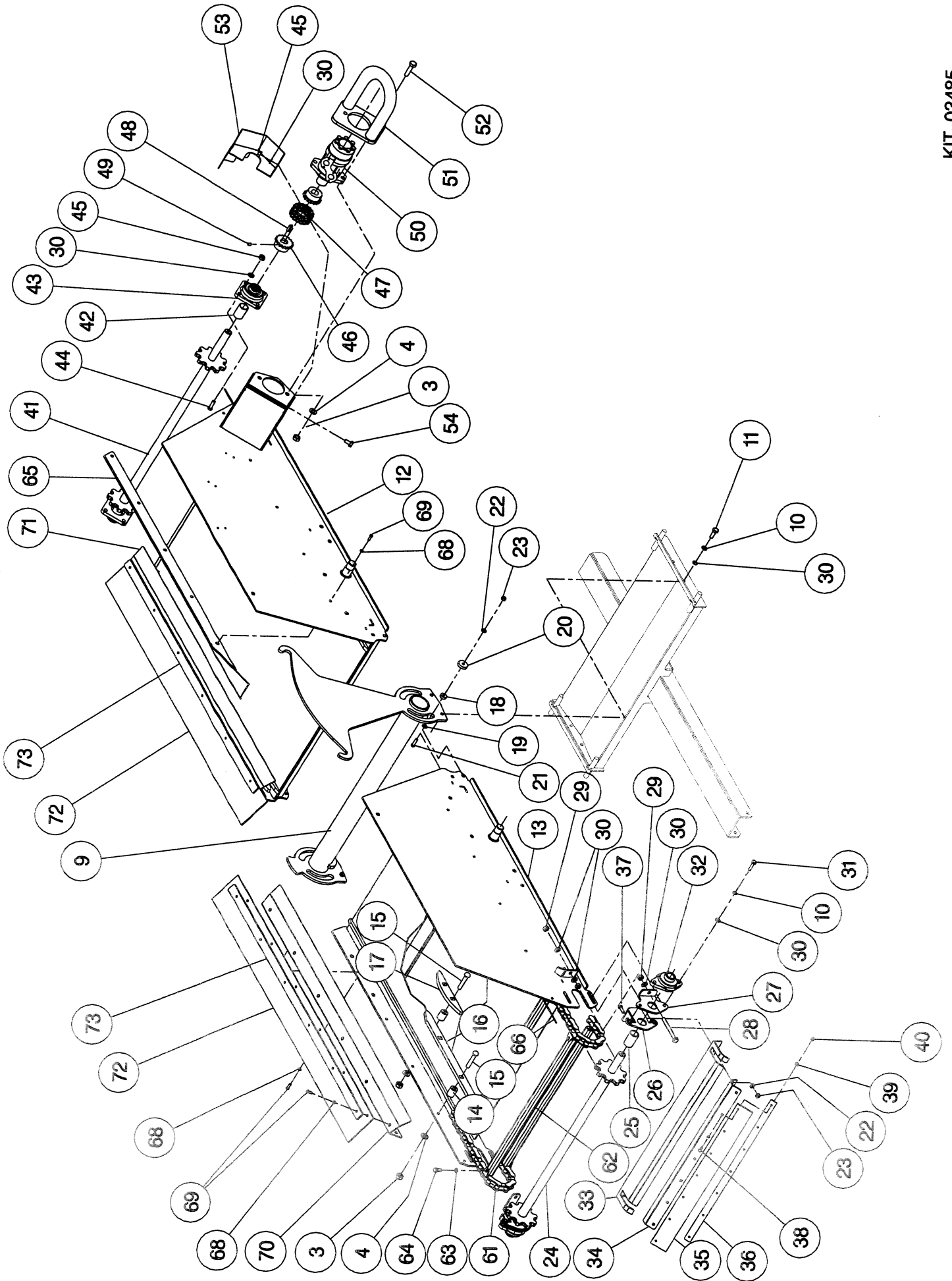
**Shelbourne Reynolds Engineering Limited**

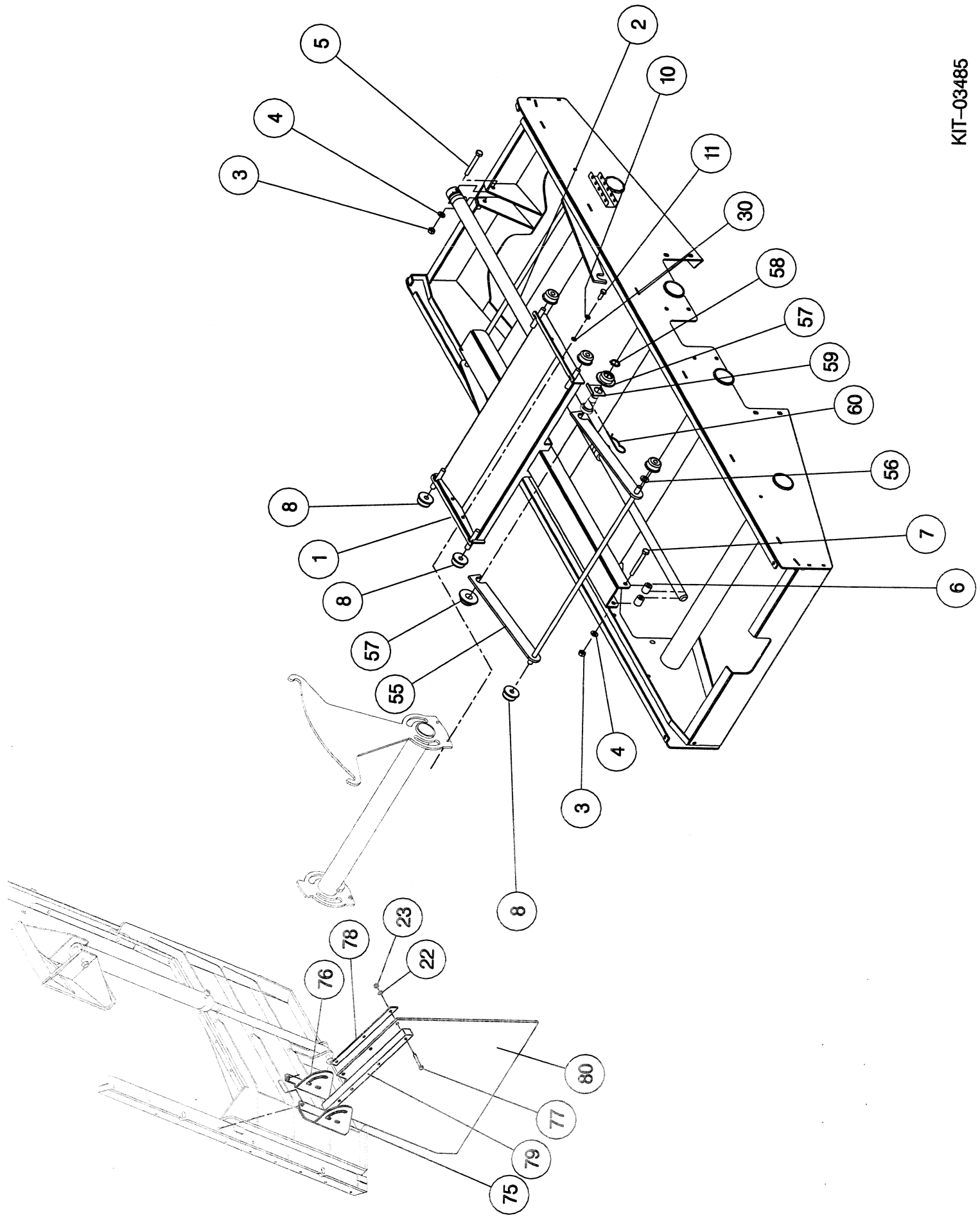
KIT-03485		ASSY DESCRIPTION: CHAIN & SLAT EXPRESS CONVEYOR KIT					
ASSY NUMBER:	PART NO	DESCRIPTION	QTY	ITEM	PART NO	DESCRIPTION	QTY
1	613904 01	SIDE SHIFT W/A	1	39	WSH-0009	WASHER	14
2	610447 01	HYD CYLINDER	1	40	NUT-0260	NUT	14
3	NUT-0269	NUT	22	41	613911 01	CONVEYOR DRIVE SHAFT	1
4	WSH-0018	WASHER	22	42	613916 02	SPACER TUBE	2
5	BLT-2270	BOLT	1	43	BRG-25255	BEARING	2
6	613584 01	SPACER TUBE	20	44	BLTF10231	COACHBOLT	8
7	BLTA12620	BOLT	1	45	NUT-0265	NYLOC NUT	8
8	613702 01	WHEEL	8	46	260030 03	SPROCKET	2
9	613955 01	CARRIAGE CENTRE TUBE ASSY	1	47	CHN-01380	CHAIN	1
10	WSH-0061	WASHER	10	48	K0807032	KEY	1
11	HSS-0194	SET SCREW	4	49	SCW-4530	GRUBSCREW	1
12	613949 01	LH PAN ASSY	1	50	MOTH16000	HYD MOTOR	4
13	613951 01	RH PAN ASSY	1	50a	HMS-16001	SEAL KIT (SPARES)	1
14	HSS-0150	SETSCREW	4	50b	K0807032	KEY (SPARES)	1
15	BLTF12413	COACHBOLT	16	51	613896 01	MOTOR GUARD	1
16	613914 01	CHAIN RUNNER	4	52	HSS-0260	SETSCREW	4
17	613956 01	CHAIN GUIDE	4	53	613905 01	COUPLING GUARD	1
18	190548 45	WASHER	8	54	HSS-0188	SETSCREW	2
19	190548 26	WASHER	8	55	613926 01	LIFT LINKAGE ASSY	2
20	190548 09	WASHER	8	56	WSH-0024	WASHER	2
21	BLTF08290	COACHBOLT	8	57	613333 02	WHEEL	4
22	WSH-0012	WASHER	22	58	CIR-1125	CIRCLIP	4
23	NUT-0263	NUT	22	59	613335 01	LATCH	4
24	613913 01	CONVEYOR IDLE SHAFT	1	60	CLP-00105	R-CLIP	4
25	613916 01	SPACER TUBE	2	61	CHN-13545	1 3/8" AG CHAIN	2
26	613915 01	TENSIONER BRKT W/A	2	62	613906 01	SLAT W/A	17
27	613917 01	TENSION BRKT	2	63	WSH-0058	WASHER	34
28	BLTA10560	BOLT	2	64	HSS-0140	SETSCREW	34
29	NUT-0167	NUT	2	65	613960 01	SEAL PLATE LH	1
30	WSH-0018	WASHER	6	66	613960 02	SEAL PLATE RH	1
31	HSS-0198	SETSCREW	18	67	NUTA13060	NUTSERT	32
32	BRG-25260	BEARING	4	68	WSH-0056	WASHER	32
33	613927 01	PAN EXTENSION	2	69	SCW-4960	BUTT SOC HD SCREW	32
34	613959 01	DEFLECTOR MTG PL.	1	70	613961 01	REAR SEAL PLATE LH	32
35	613958 01	RUBBER DEFLECTOR	2	71	613961 02	REAR SEAL PLATE RH	1
36	613957 01	CLAMP STRIP	2	72	613963 01	RUBBER SEAL STRIP	1
37	BLTF08173	COACHBOLT	5	73	613962 01	CLAMP STRIP	2
38	BLTF06143	COACHBOLT	14	74	613581 01	CAPPING PLATE	2



**Shelbourne Reynolds Engineering Limited**

ASSY NUMBER: KIT-03485		ASSY DESCRIPTION: CHAIN & SLAT EXPRESS CONVEYOR KIT				
ITEM	PART NO	DESCRIPTION	QTY	ITEM	PART NO	QTY
75	613590 01	CURTAIN BRKT RH	1			
76	613589 01	CURTAIN BRKT LH	1			
77	BLTA08380	BOLT	5			
78	613602 01	CLAMP STRIP	1			
79	613601 01	RUBBER CURTAIN MTG	1			
80	613587 01	RUBBER CURTAIN	1			

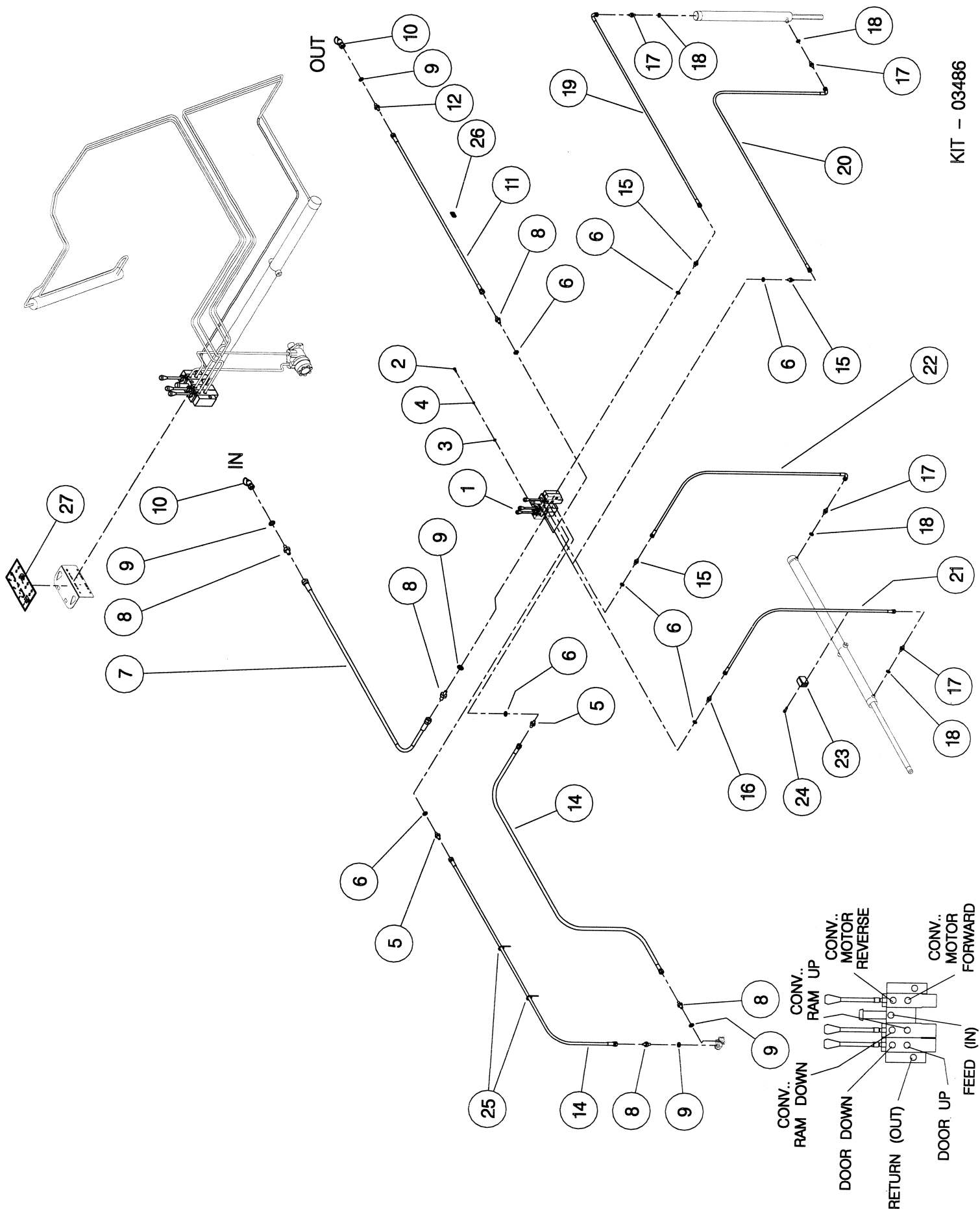




KIT-03485

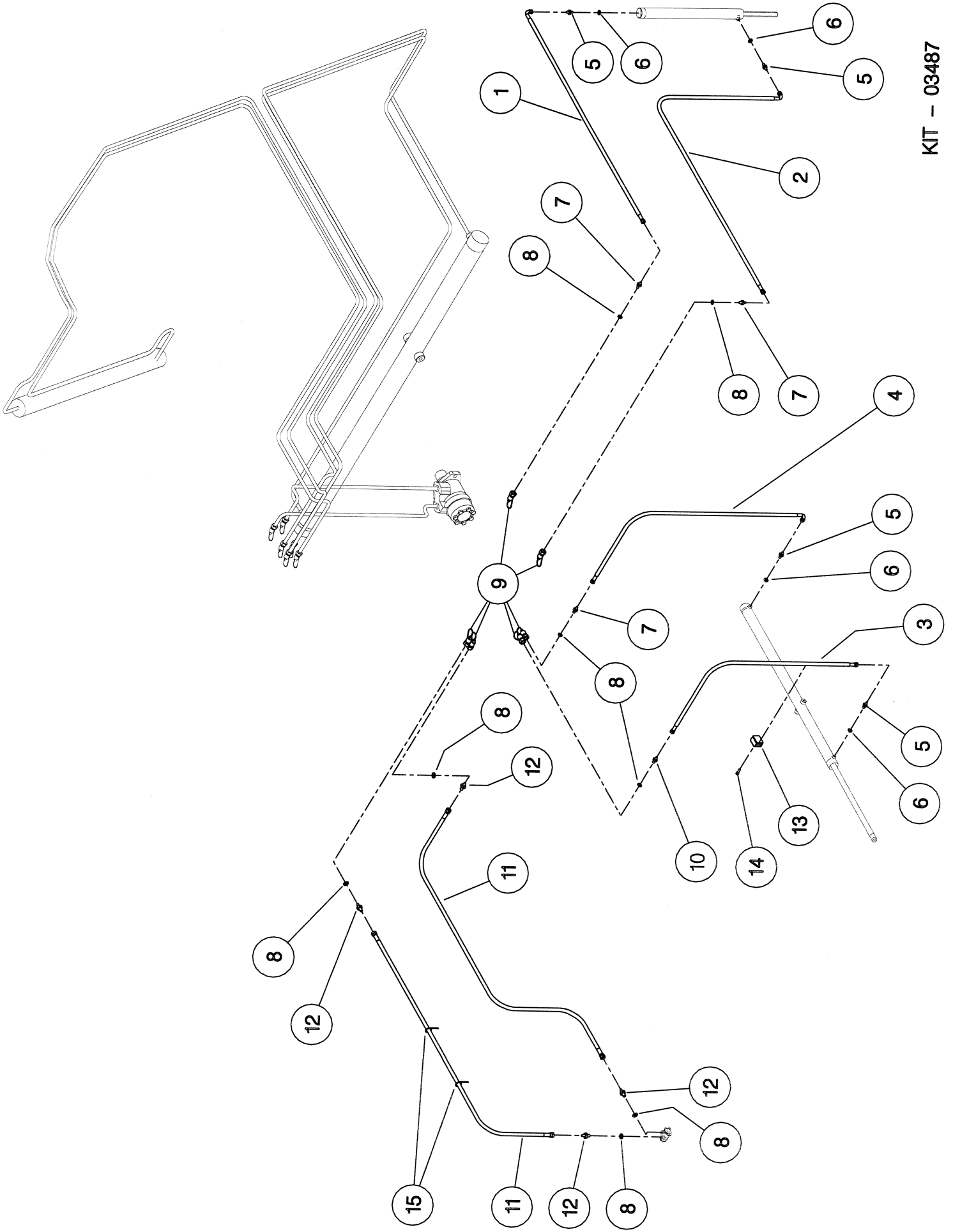
**Shelbourne Reynolds Engineering Limited**

KIT-03486		ASSY DESCRIPTION: CHAIN & SLAT CONVEYOR MANUAL SPOOL KIT					
ASSY NUMBER:	PART NO	DESCRIPTION	QTY	ITEM	PART NO	DESCRIPTION	QTY
1	HVB-09045	HYDRAULIC VALVE BLOCK	1				
2	HSS-0135	SETSCREW	4				
3	WSH-0012	WASHER	4				
4	WSH-0058	WASHER	4				
5	HMA-0057	M/M ADAPTOR	2				
6	WSH-1010	DOWTY WASHER	7				
7	HHAEL6005	HYDRAULIC HOSE	1				
8	HMA-0065	M/M ADAPTOR	5				
9	WSH-1015	DOWTY WASHER	5				
10	COU-0162	QUICK RELEASE COUPLING	2				
11	HHAFL6005	HYDRAULIC HOSE	1				
12	HMA-0067	M/M ADAPTOR	1				
13							
14	HHDE45005	HYDRAULIC HOSE	2				
15	FIT-0025	M/M ADAPTOR	3				
16	190859 01	RESTRICTOR	1				
17	HMA-0052	M/M ADAPTOR	4				
18	WSH-1005	DOWTY WASHER	4				
19	HHBC73005	HYDRAULIC HOSE	1				
20	HHBC79005	HYDRAULIC HOSE	1				
21	HHBC45005	HYDRAULIC HOSE	1				
22	HHBC47005	HYDRAULIC HOSE	1				
23	HCPD01200	PIPE CLAMP	1				
24	SCW-0083	CAP HD SCREW	5				
25	TIE-0006	TIE WRAP	5				
26	612230 01	EMBLEM	30				
27	612236 01	EMBLEM	1				
			1				



# Shelbourne Reynolds Engineering Limited

KIT-03487		ASSY DESCRIPTION: CHAIN & SLAT DIRECT COUPLED HYD KIT					
ASSY NUMBER:	KIT-03487	DESCRIPTION	QTY	ITEM	PART NO	DESCRIPTION	QTY
1	HHBC73005	HYDRAULIC HOSE	1				
2	HHBC79005	HYDRAULIC HOSE	1				
3	HHBC45005	HYDRAULIC HOSE	1				
4	HHBC47005	HYDRAULIC HOSE	1				
5	HMA-0052	M/M ADAPTOR	4				
6	WSH-1005	DOWTY WASHER	4				
7	HMA-0055	M/M ADAPTOR	3				
8	WSH-1015	DOWTY WASHER	8				
9	COU-0162	QUICK RELEASE COUPLING	6				
10	HAMAA0307	RESTRICTOR	1				
11	HHDE45005	HYDRAULIC HOSE	2				
12	HMA-0065	M/M ADAPTOR	4				
13	HCPD01200	PIPE CLAMP	5				
14	SCW-0083	CAP HD SCREW	5				
15	TIE-0004	TIE WRAP	8				

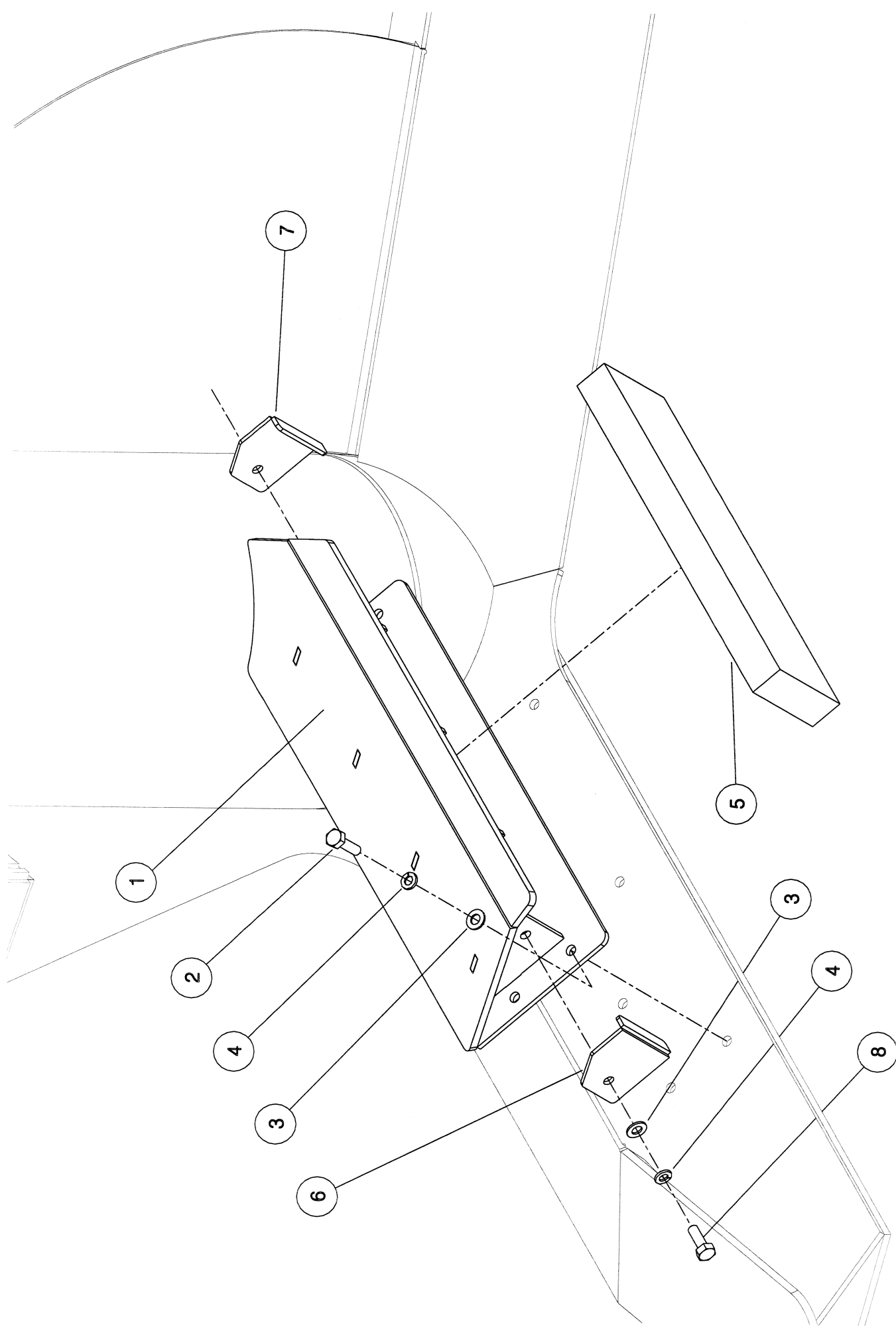


KIT - 03487

**Shelbourne Reynolds Engineering Limited**

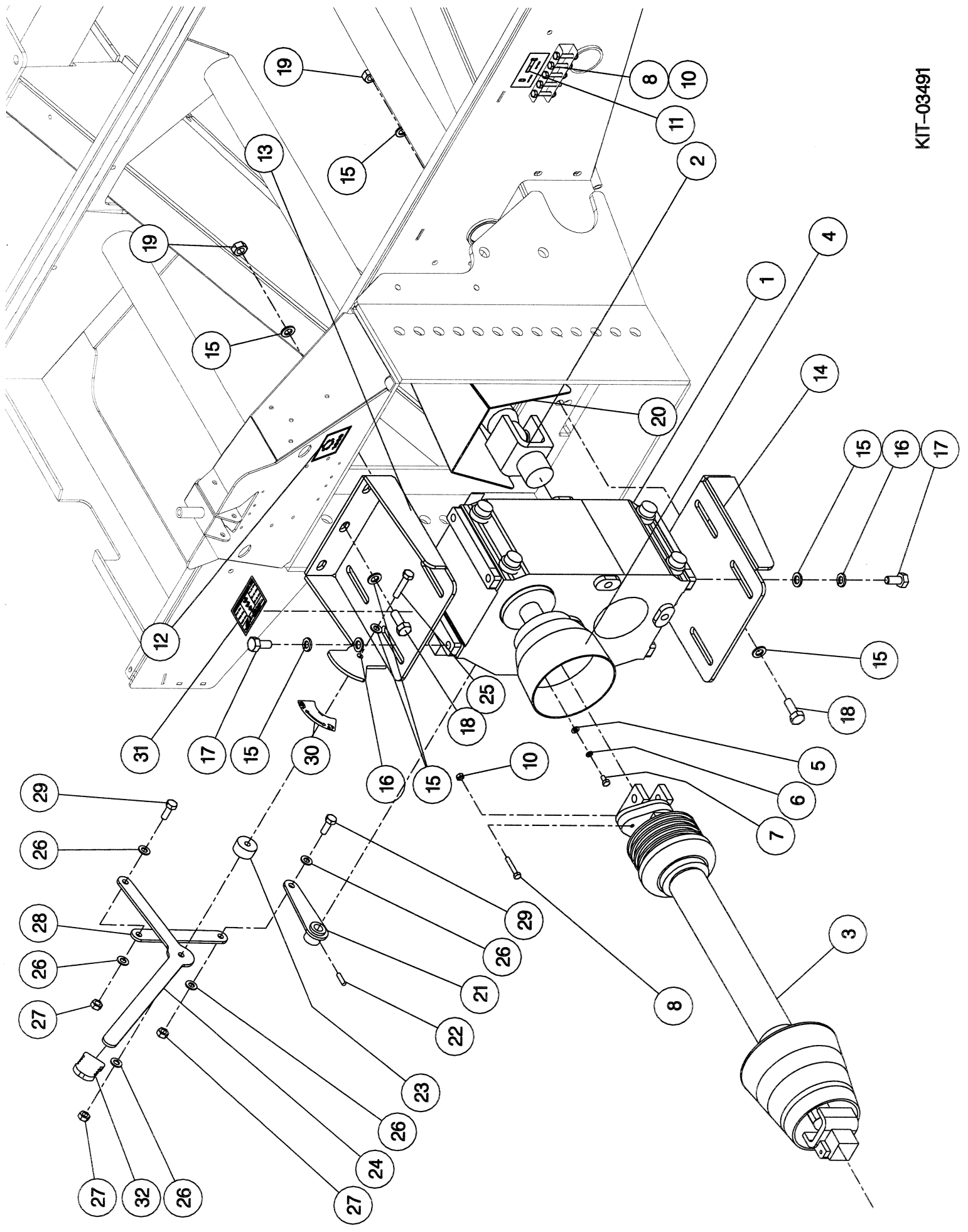
KIT-03489		ASSY DESCRIPTION:AUGER MAGNET KIT (POPULAR STYLE AUGER)					
ASSY NUMBER:							
ITEM	PART NO	DESCRIPTION	QTY	ITEM	PART NO	DESCRIPTION	QTY
1	613969 01	MAGNET BRACKET ASSY	1				
2	HSS-0198	SETSCREW	7				
3	WSH-0015	WASHER	9				
4	WSH-0061	WASHER	9				
5	MAG-0002	MAGNET	1				
6	613970 01	CLAMP BRACKET LH	1				
7	613970 02	CLAMP BRACKET RH	1				
8	HSS-0195	SETSCREW	2				





**Shelbourne Reynolds Engineering Limited**

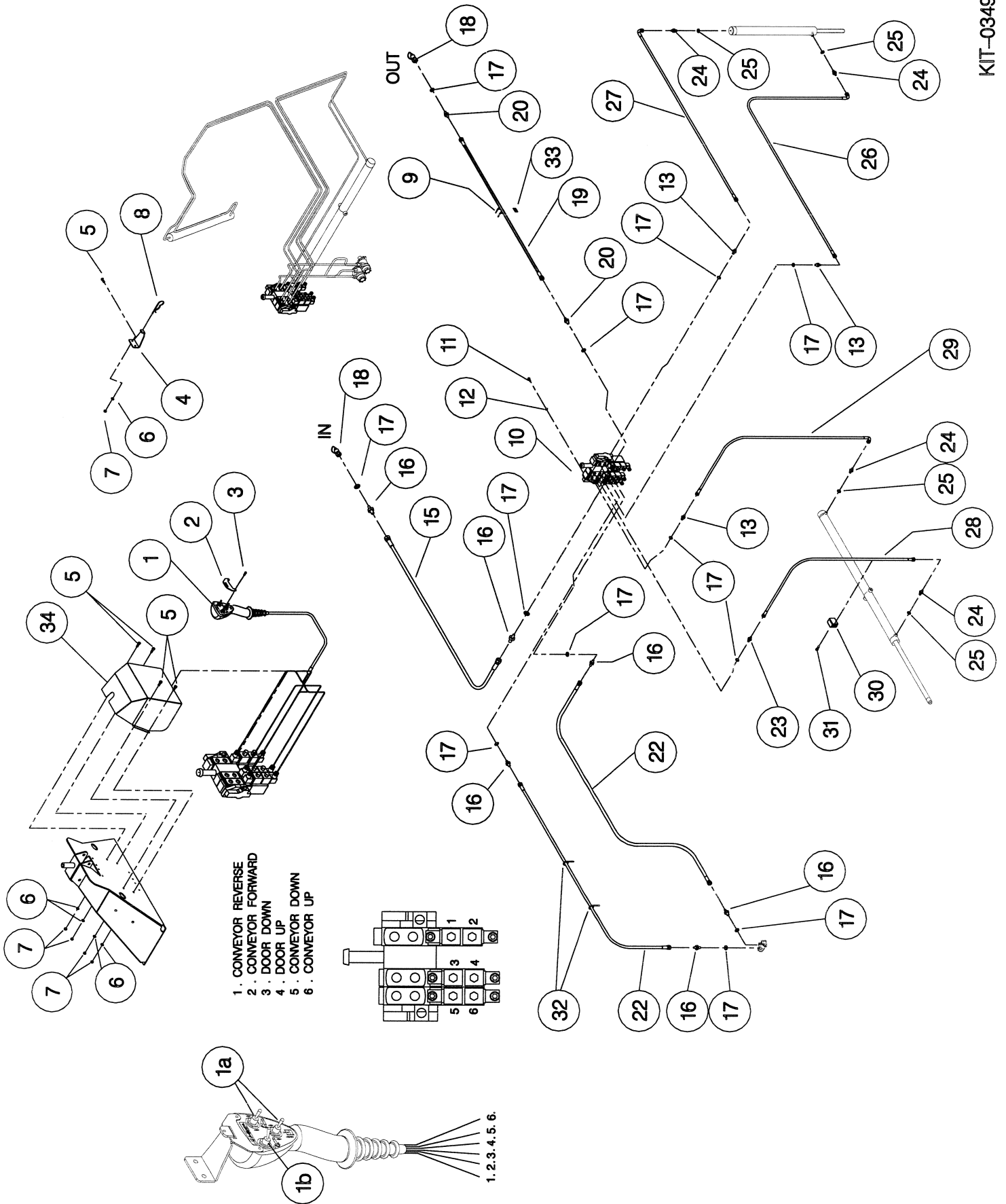
KIT-03491		ASSY DESCRIPTION: 2-SPEED SING EXP (1000RPM INPUT 6 SPLINE)					
ASSY NUMBER:	KIT-03491	ASSY DESCRIPTION: 2-SPEED SING EXP (1000RPM INPUT 6 SPLINE)					
ITEM	PART NO	DESCRIPTION	QTY	ITEM	PART NO	DESCRIPTION	QTY
1	GEA-0164	2-SPEED GEARBOX	1				
2	PTO-20008	PTO COUPLING	1				
3	PTO-19014	PTO SHAFT ASSY	1				
4	PTO-00903	PTO MACHINE CONE	1				
5	WSH-1038	WASHER	4				
6	WSH-0058	WASHER	4				
7	HSS-0135	SETSCREW	4				
8	BLTA07320	SHEARBOLT	5				
9							
10	NUT-0162	NUT	5				
11	191940 01	SHEARBOLT EMBLEM	1				
12	590475 02	EMBLEM (MAX PTO SPEED)	1				
13	613850 01	TOP GEARBOX BRKT	1				
14	613851 01	BOTTOM GEARBOX BRKT	1				
15	WSH-0024	WASHER	14				
16	WSH-0070	WASHER	8				
17	HSS-0315	SETSCREW	8				
18	HSS-0316	SETSCREW	6				
19	NUT-0271	NUT	6				
20	613853 01	FRONT DRIVE GUARD	1				
21	613579 01	GEAR CHANGE LEVER	1				
22	PIN-40817	ROLL PIN	1				
23	613845 01	SPACER DISC	1				
24	613846 01	GEAR CHANGE LEVER	1				
25	BLTA12380	BOLT	1				
26	WSH-0018	WASHER	1				
27	NUT-0269	NUT	6				
28	613844 01	GEAR CHANGE LEVER	3				
29	HSS-0241	SETSCREW	1				
30	613848 01	LEVER POSITION EMBLEM	2				
31	613978 01	AUGER SPEED EMBLEM	1				
32	PTF-00025	HANDLE GRIP	1				



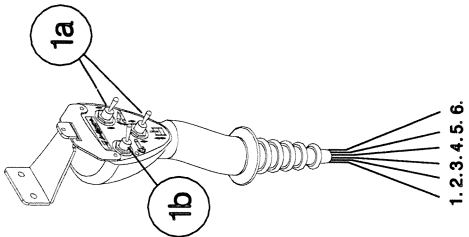
KIT-03491

**Shelbourne Reynolds Engineering Limited**

KIT-03492		ASSY DESCRIPTION: ELECTRIC SOLENOID CONVEYOR HYDRAULICS					
ASSY NUMBER:							
ITEM	PART NO	DESCRIPTION	QTY	ITEM	PART NO	DESCRIPTION	QTY
1	611701 01	HAND CONTROL. UNIT & LOOMS	1				
1a	SWT-00310	3 POSITION SPRING CTR SWT	2				
1b	SWT-00510	ON/OFF/ON POSITION SWITCH	1				
2	611681 01	CONTROLLER HANGER BRKT.	1				
3	SCHS07176	SELF TAPPING SCREWS	2				
4	611682 01	HOOK BRACKET	1				
5	HSS-0086	SET SCREW	6				
6	WSH-0009	PLAIN WASHER	6				
7	NUT-0260	NYLOC NUT	6				
8	RCL-0015	R CLIP	2				
9	TIE-0002	TIE WRAP	4				
10	HVB-19020	HDRAULIC VALVE BLOCK	1				
11	HSS-0135	SET SCREW	4				
12	WSH-0058	SPRING WASHER	4				
13	HMA-0055	M/M ADAPTOR	3				
14							
15	HHBE22005	HYDRAULIC HOSE	1				
16	HMA-0065	M/M ADAPTOR	6				
17	WSH-1015	DOWTY WASHER	12				
18	COU-0162	QUICK RELEASE COUPLING	2				
19	HHBF22005	HYDRAULIC HOSE	1				
20	HMA-0067	M/M ADAPTOR	2				
21							
22	HHDE33005	HYDRAULIC HOSE	2				
23	HAMAA0307	RESTRICTOR	1				
24	HMA-0052	M/M ADAPTOR	4				
25	WSH-1005	DOWTY WASHER	4				
26	HHBC66005	HYDRAULIC HOSE	1				
27	HHBC60005	HYDRAULIC HOSE	1				
28	HHBC32005	HYDRAULIC HOSE	1				
29	HHBC34005	HYDRAULIC HOSE	1				
30	HCPD01200	PIPE CLAMP	5				
31	SCW-0083	CAP HEAD SCREW	5				
32	TIE-0004	TIE WRAP	8				
33	612230 01	EMBLEM	1				
34	614133 01	VALVE COVER	1				

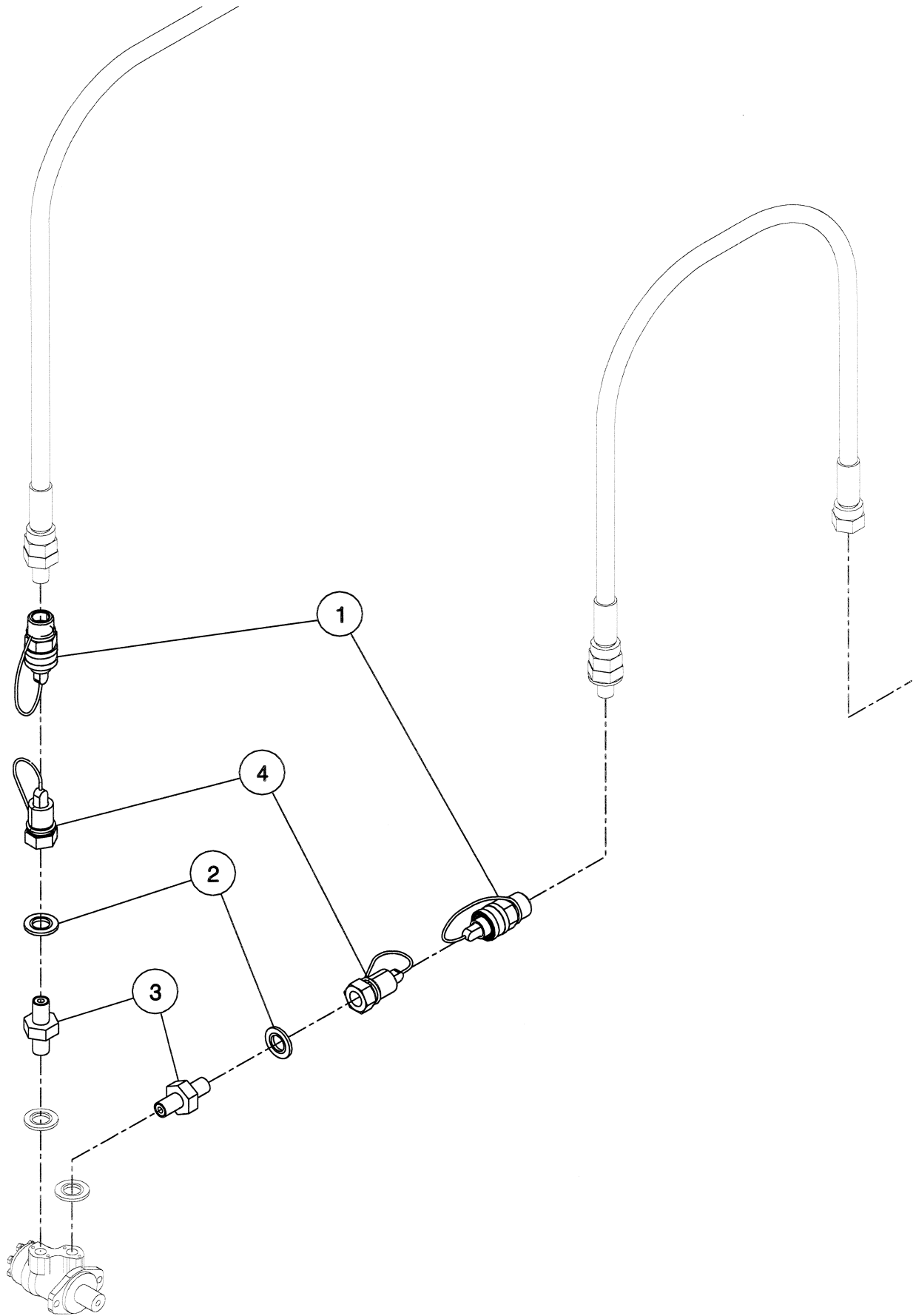


- 1. CONVEYOR REVERSE
- 2. CONVEYOR FORWARD
- 3. DOOR DOWN
- 4. DOOR UP
- 5. CONVEYOR DOWN
- 6. CONVEYOR UP



**Shelbourne Reynolds Engineering Limited**

KIT-03495		ASSY DESCRIPTION: EXPRESS COUPLING KIT					
ASSY NUMBER:	KIT-03495	ASSY DESCRIPTION: EXPRESS COUPLING KIT					
ITEM	PART NO	DESCRIPTION	QTY	ITEM	PART NO	DESCRIPTION	QTY
1	COU-0162	QUICK RELEASE COUP	2				
2	WSH-1015	DOWTY WASHER	4				
3	HMA-0067	M/M ADAPTOR	2				
4	COU-0128	QUICK RELEASE COUP	2				

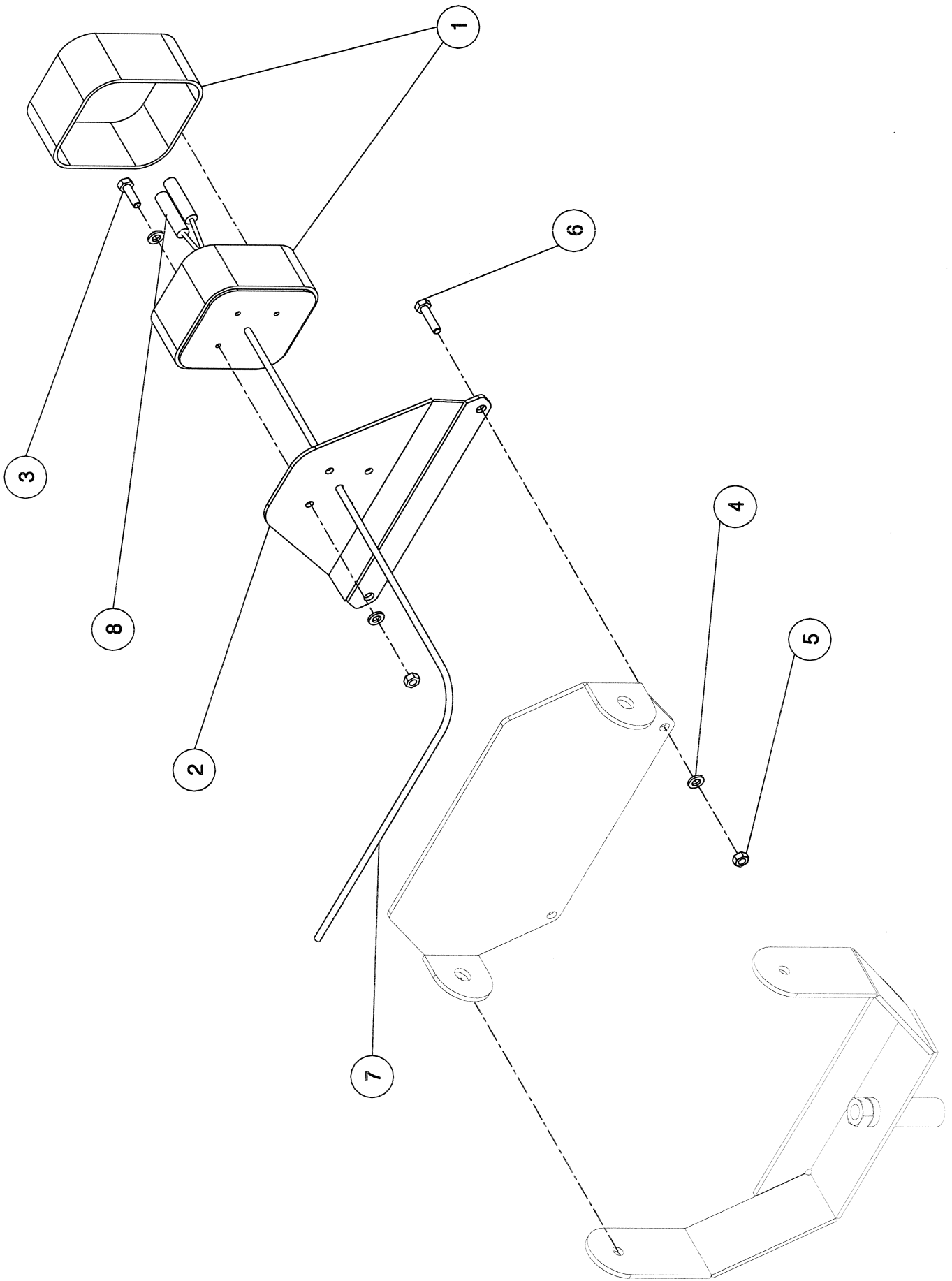


KIT-03495

**Shelbourne Reynolds Engineering Limited**

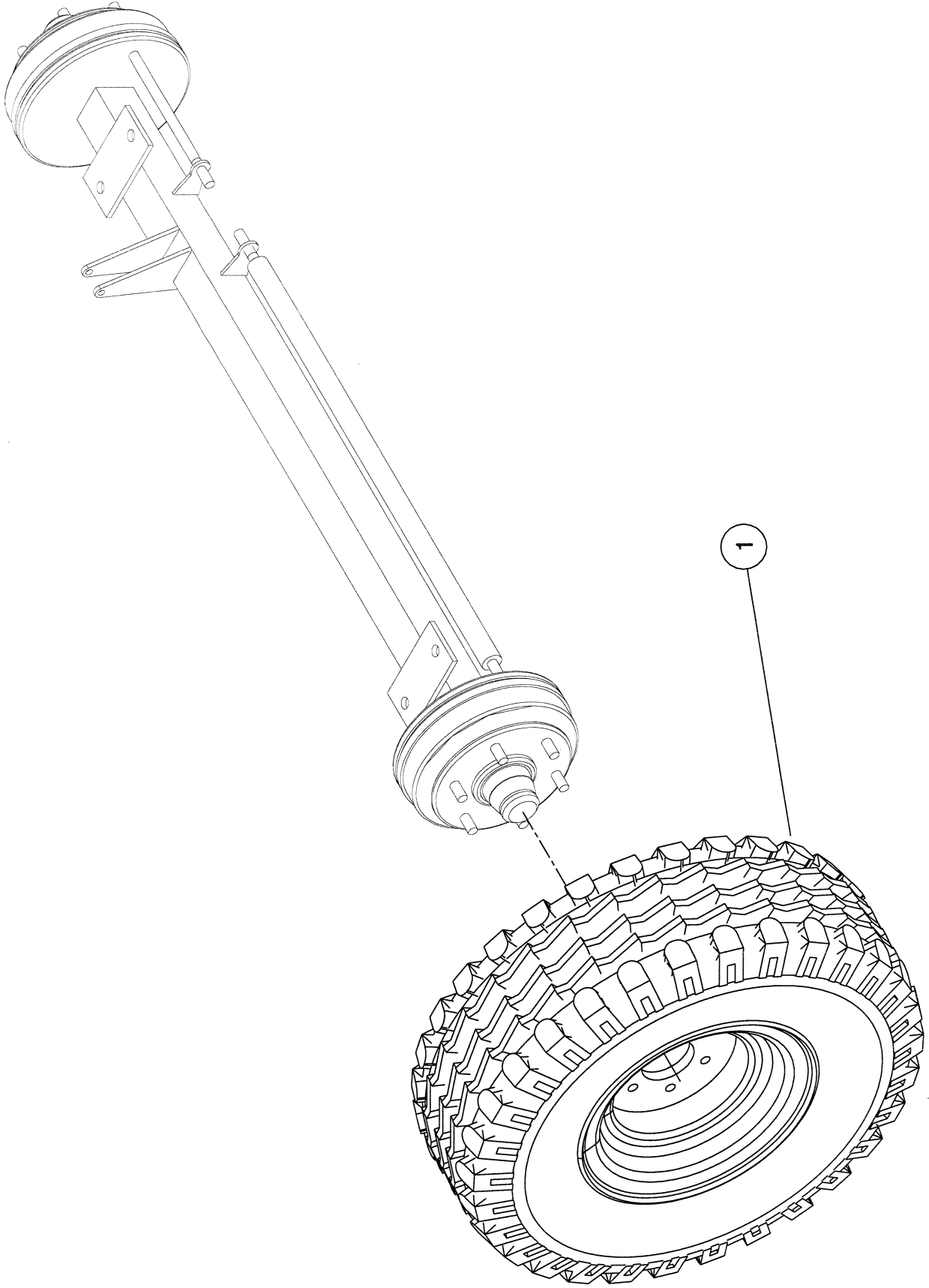
KIT-03510		ASSY DESCRIPTION: AUDIBLE ALARM KIT (FOR DIGI-STAR)					
ASSY NUMBER:							
ITEM	PART NO	DESCRIPTION	QTY	ITEM	PART NO	DESCRIPTION	QTY
1	BUZ-00010	AUDIBLE ALARM	1				
2	614030 01	BUZZER BRACKET	1				
3	HSS-0086	SETSCREW	4				
4	WSH-0009	WASHER	10				
5	NUT-0260	NUT	6				
6	HSS-0088	SETSCREW	2				
7	CBL-03010	CABLE (2 CORE)	3m				
8	ETM-00630	ELEC BUTT TERMINAL	2				





**Shelbourne Reynolds Engineering Limited**

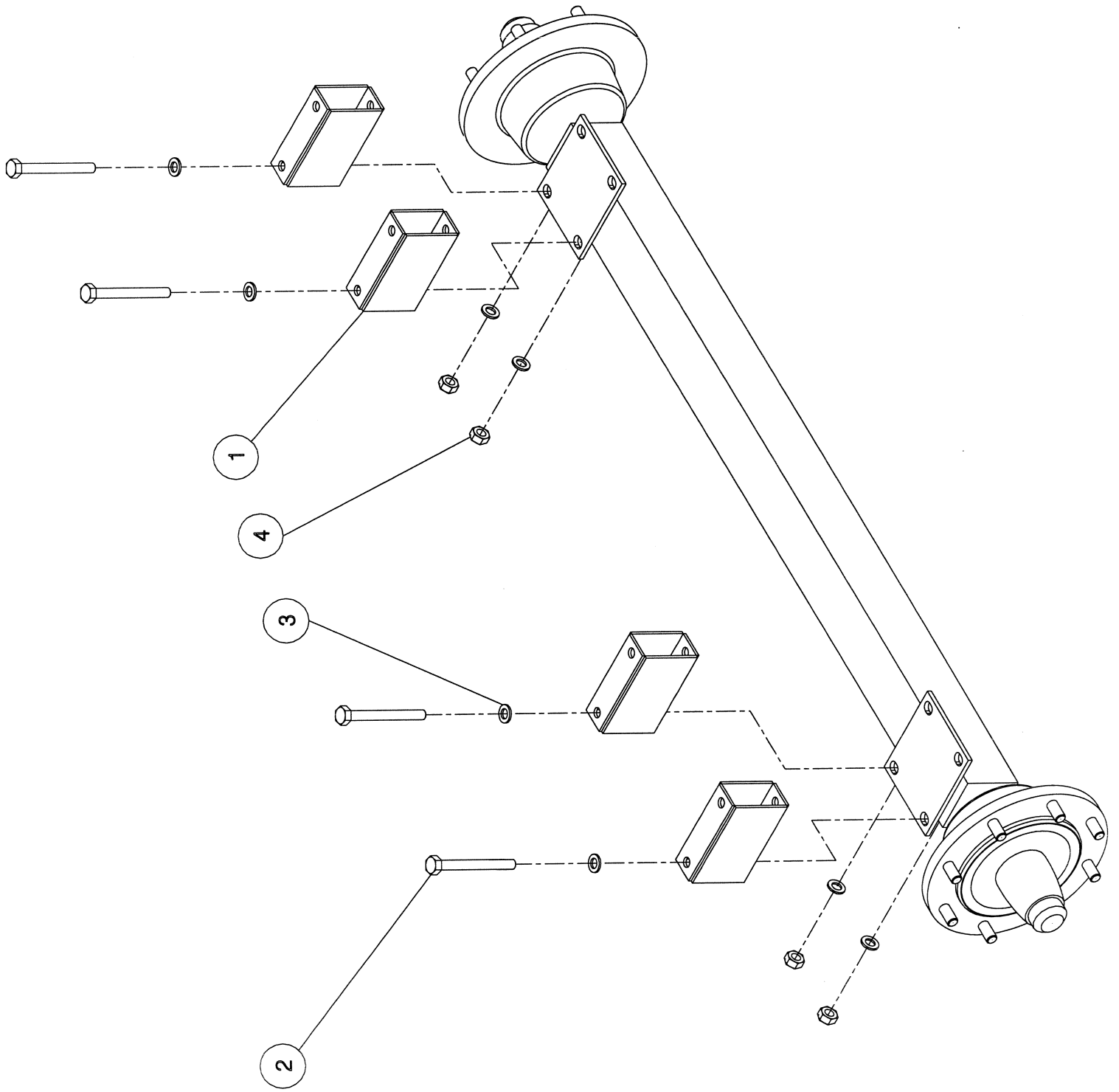
ASSY NUMBER: KIT-03511		SUB ASSY DESCRIPTION: SUPER SINGLE WHEEL & TYRE KIT					
ITEM	PART NO	DESCRIPTION	QTY	ITEM	PART NO	DESCRIPTION	QTY
1	WHL-02201	WHEEL & TYRE ASSY (385/R65-22.5)	2				



KIT - 03511

**Shelbourne Reynolds Engineering Limited**

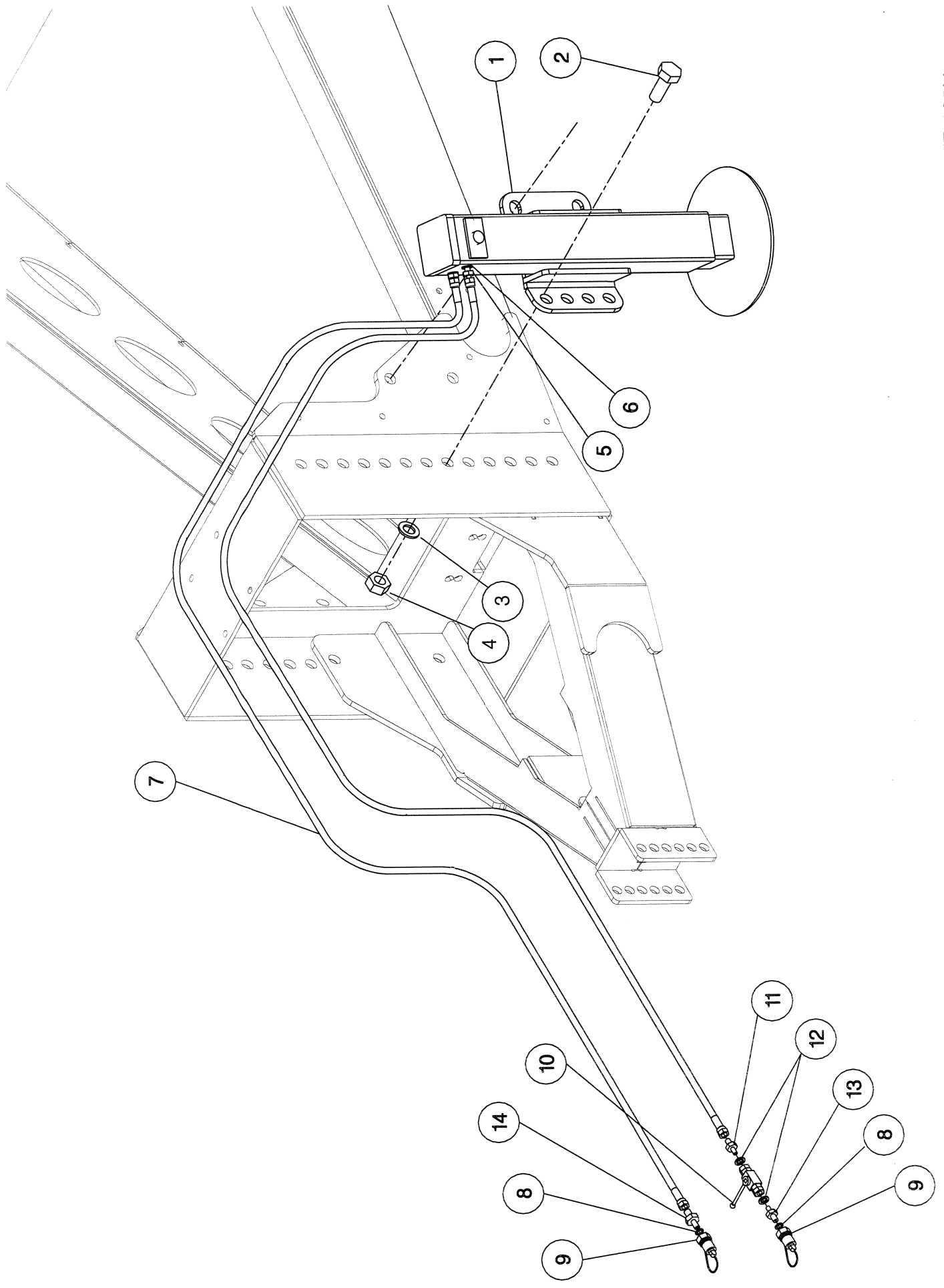
KIT-03512		SUB ASSY DESCRIPTION: 4" TUB RAISE KIT					
ASSY NUMBER:							
ITEM	PART NO	DESCRIPTION	QTY	ITEM	PART NO	DESCRIPTION	QTY
1	614019 01	4" SPACER BLOCK	4				
2	BLT-2340	BOLT (M16x150)	8				
3	WSH-0024	WASHER (M16 PLAIN)	16				
4	NUT-0271	NUT (M16 NYLOC)	8				



KIT-03512

**Shelbourne Reynolds Engineering Limited**

KIT-03514		SUB ASSY DESCRIPTION:HYD PARKING JACK (TRACTOR CONNECTION)					
ASSY NUMBER:	KIT-03514	DESCRIPTION	QTY	ITEM	PART NO	DESCRIPTION	QTY
1	614047 01	JACK WELD ASSY	1				
2	HSS-0410	SETSCREW	4				
3	WSH-0036	WASHER	4				
4	NUT-0275	NUT	4				
5	HMA-0057	HYD ADPT	2				
6	WSH-1010	DOWTY WASHER	2				
7	HHBE25005	HYD HOSE ASSY	2				
8	WSH-1015	DOWTY WASHER	2				
9	COU-0162	QUICK RELEASE COUPLING	2				
10	HVB-02600	2-WAY BALL VALVE	1				
11	FIT-0025	HYD ADAPT	1				
12	WSH-1005	DOWTY WASHER	2				
13	HMA-0055	HYD ADAPT	1				
14	HMA-0065	HYD ADAPT (3/8"x1/2" M/M)	1				



KIT-03514

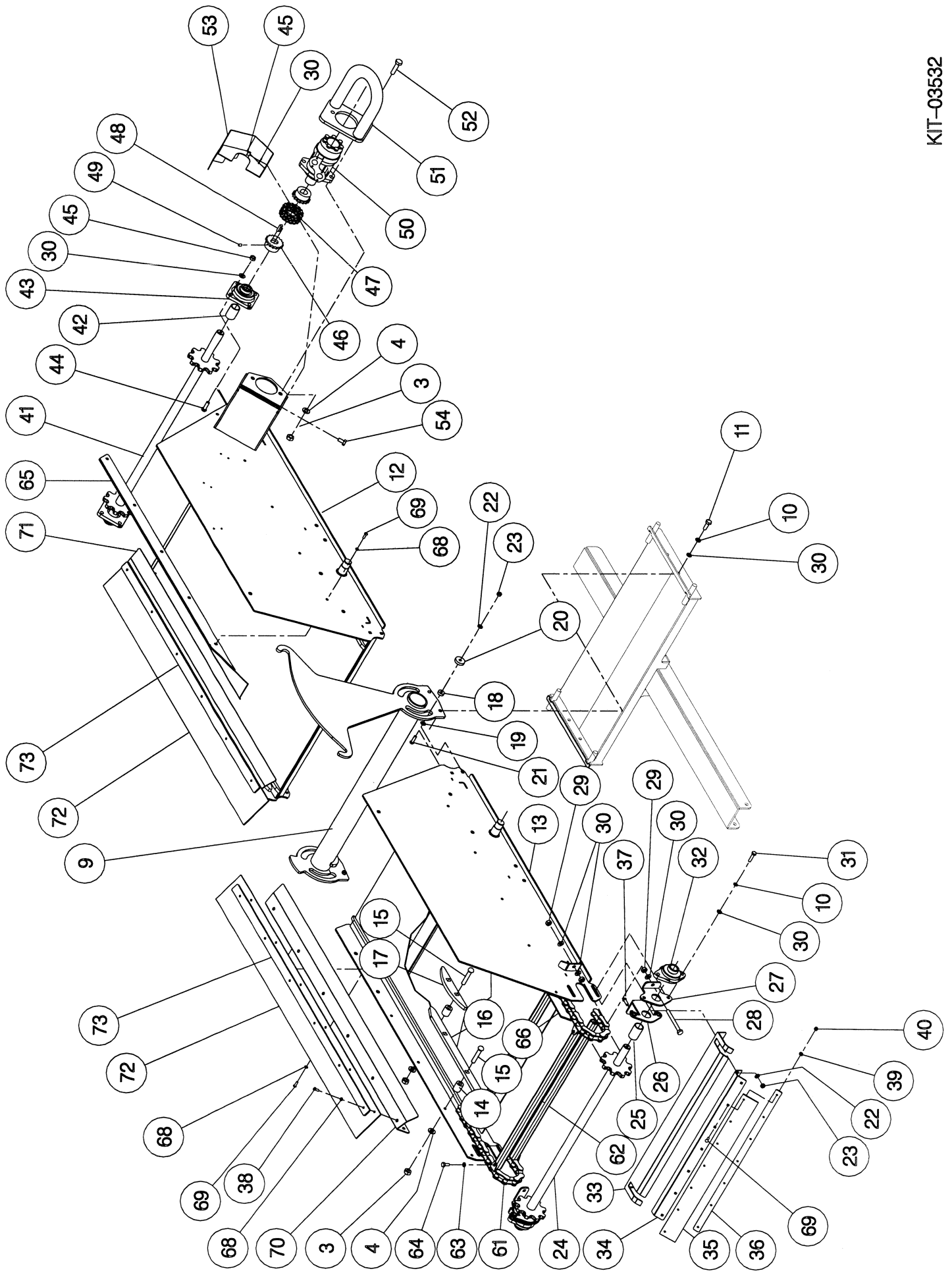
**Shelbourne Reynolds Engineering Limited**

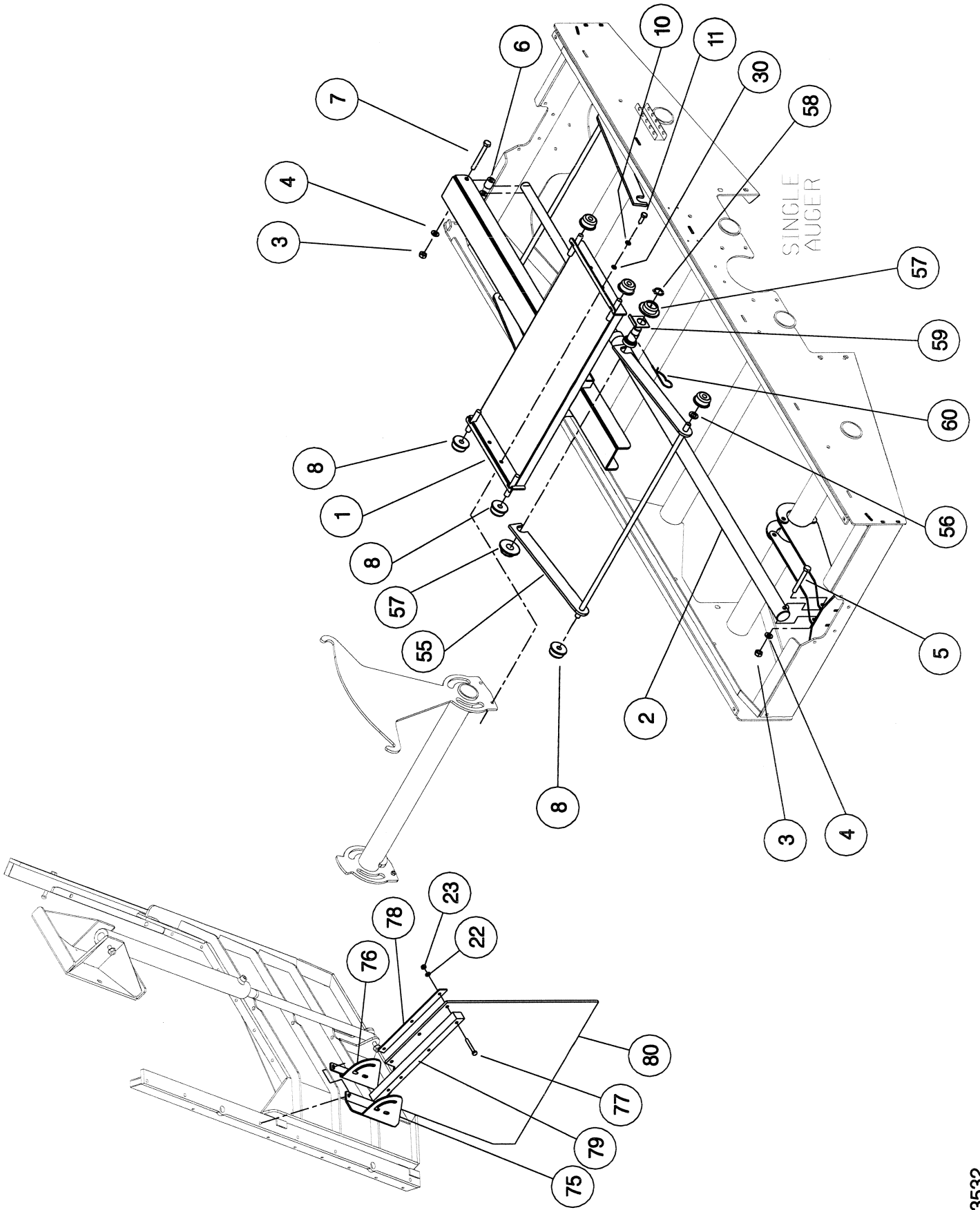
KIT-03532		ASSY DESCRIPTION: CHAIN & SLAT EXPRESS CONVEYOR KIT					
ASSY NUMBER:	PART NO	DESCRIPTION	QTY	ITEM	PART NO	DESCRIPTION	QTY
1	613904 01	SIDE SHIFT W/A	1	39	WSH-0009	WASHER	14
2	610447 01	HYD CYLINDER	1	40	NUT-0260	NUT	14
3	NUT-0269	NUT	22	41	614166 01	CONVEYOR DRIVE SHAFT	1
4	WSH-0018	WASHER	22	42	613916 02	SPACER TUBE	2
5	BLT-2270	BOLT	1	43	BRG-25255	BEARING	2
6	613584 01	SPACER TUBE	20	44	BLTF10231	COACHBOLT	8
7	BLTA12620	BOLT	1	45	NUT-0265	NYLOC NUT	8
8	613702 01	WHEEL	8	46	260030 03	SPROCKET	2
9	613955 01	CARRIAGE CENTRE TUBE ASSY	1	47	CHN-01380	CHAIN	1
10	WSH-0061	WASHER	10	48	K0807032	KEY	1
11	HSS-0194	SET SCREW	4	49	SCW-4530	GRUBSCREW	4
12	613949 01	LH PAN ASSY	1	50	MOTH16000	HYD MOTOR	1
13	613951 01	RH PAN ASSY	1	50a	HMS-16001	SEAL KIT(SPARES)	
14	HSS-0150	SETSCREW	4	50b	K0807032	KEY(SPARES)	
15	BLTF12413	COACHBOLT	16	51	613896 01	MOTOR GUARD	1
16	613914 01	CHAIN RUNNER	4	52	HSS-0260	SETSCREW	4
17	613956 01	CHAIN GUIDE	4	53	613905 01	COUPLING GUARD	1
18	190548 45	WASHER	8	54	HSS-0188	SETSCREW	2
19	190548 26	WASHER	8	55	613926 01	LIFT LINKAGE ASSY	2
20	190548 09	WASHER	8	56	WSH-0024	WASHER	4
21	BLTF08290	COACHBOLT	8	57	613333 02	WHEEL	4
22	WSH-0012	WASHER	22	58	CIR-1125	CIRCLIP	4
23	NUT-0263	NUT	22	59	613335 01	LATCH	4
24	614167 01	CONVEYOR IDLE SHAFT	1	60	CLP-00105	R-CLIP	4
25	613916 01	SPACER TUBE	2	61	CHN-13840	AG CHAIN (123 LINKS+JOINER)	2
26	613915 01	TENSIONER BRKT W/A	2	62	613906 01	SLAT W/A	15
27	613917 01	TENSION BRKT	2	63	WSH-0058	WASHER	30
28	HSSA10680	SETSCREW	2	64	HSS-0140	SETSCREW	30
29	NUT-0167	NUT	6	65	613960 01	SEAL PLATE LH	1
30	WSH-0018	WASHER	18	66	613960 02	SEAL PLATE RH	1
31	HSS-0198	SETSCREW	4	67	NUTA13060	NUTSERT	32
32	BRG-25260	BEARING	2	68	WSH-0056	WASHER	32
33	613927 01	PAN EXTENSION	1	69	SCW-4960	BUTT SOC HD SCREW	34
34	613959 01	DEFLECTOR MTG PL.	1	70	613961 01	REAR SEAL PLATE LH	1
35	613958 01	RUBBER DEFLECTOR	2	71	613961 02	REAR SEAL PLATE RH	1
36	613957 01	CLAMP STRIP	2	72	613963 01	RUBBER SEAL STRIP	2
37	BLTF08173	COACHBOLT	5	73	613962 01	CLAMP STRIP	2
38	SCW-4960	BUTT SOC HD SCREW	12	74	613581 01	CAPPING PLATE	2



**Shelbourne Reynolds Engineering Limited**

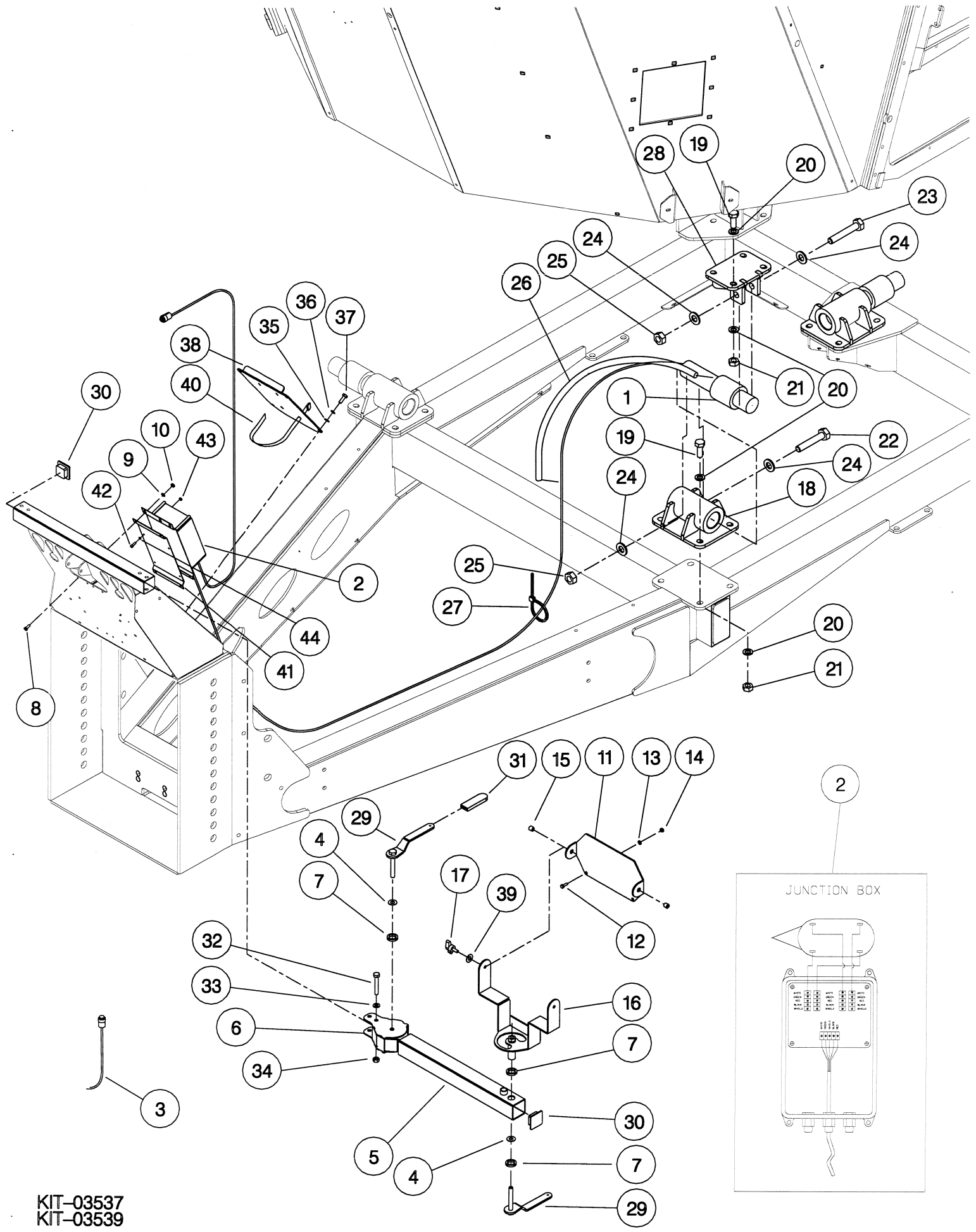
KIT-03532		ASSY DESCRIPTION: CHAIN & SLAT EXPRESS CONVEYOR KIT				
ASSY NUMBER:						
ITEM	PART NO	DESCRIPTION	QTY	ITEM	PART NO	QTY
75	613590 01	CURTAIN BRKT RH	1			
76	613589 01	CURTAIN BRKT LH	1			
77	BLTA08380	BOLT	5			
78	613602 01	CLAMP STRIP	1			
79	613601 01	RUBBER CURTAIN MTG	1			
80	613587 01	RUBBER CURTAIN	1			
81	WSH-1547	WASHER	4			





## Shelbourne Reynolds Engineering Limited

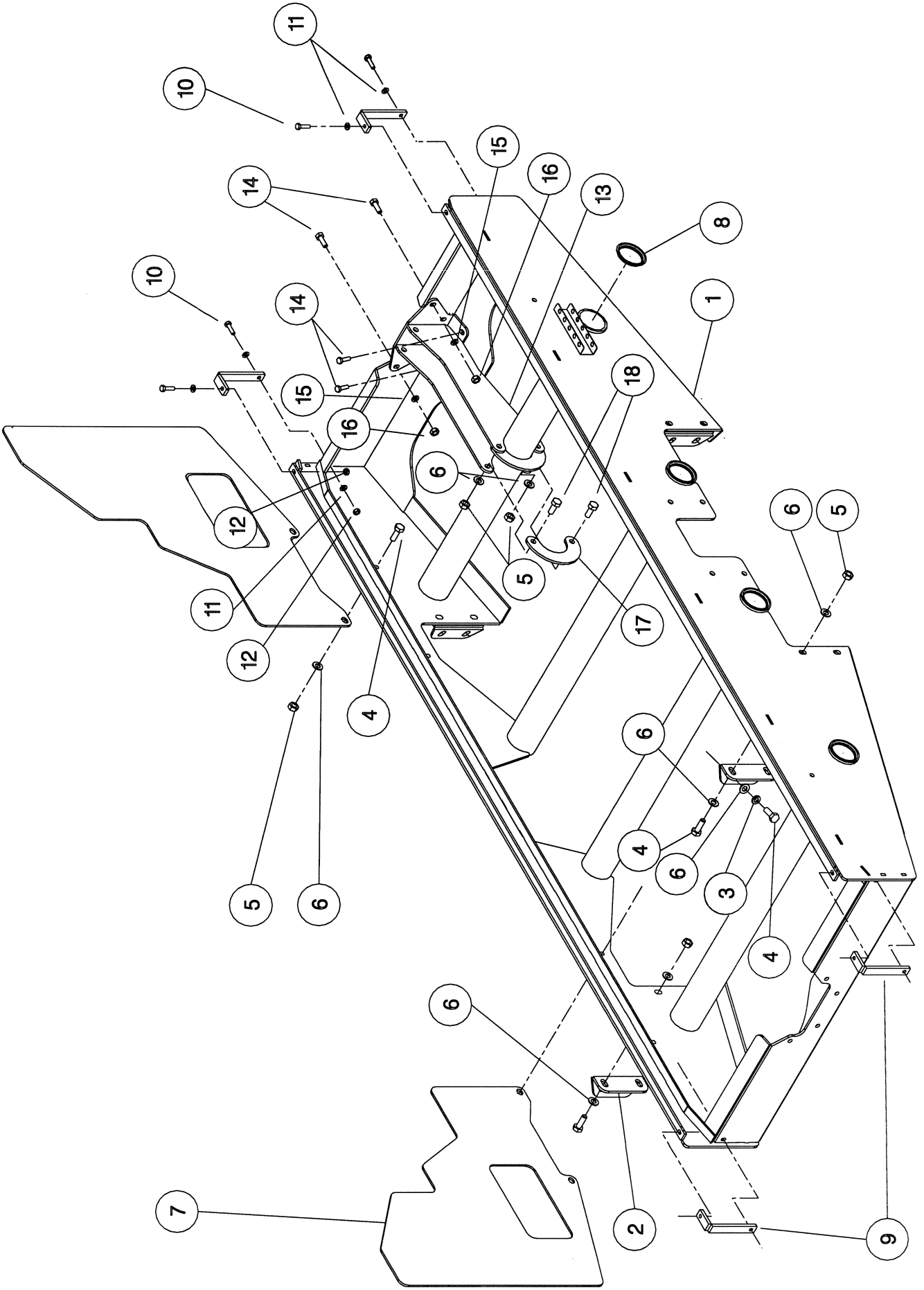
KIT-03537		ASSY DESCRIPTION:WEIGH CELL SYSTEM (SINGLE AUGER)					
ITEM	PART NO	DESCRIPTION	QTY	ITEM	PART NO	DESCRIPTION	QTY
1	LCL-01200	LOADCELL	3	39	WSH-1300	SHAKERPROOF WASHER	2
2	LCL-01205	JUNCTION BOX	1	40	TIE-0012	LARGE TIE WRAP	2
3	LCL-01210	POWER CORD	1	41	614949 01	BRACKET J-BOX	1
4	WSHA30121	LOCKWASHER	2	42	SCW-0035	CAP HEAD SCREW	4
5	614188 01	WEIGH HEAD ARM W/A	1	43	NUT-0255	NUT NYLOCK	4
6	614187 01	OUTER COUPLING W/A	1	44	WSH-0003	PLAIN WASHER	4
7	190548 54	WASHER	3				4
8	HSS-0058	SETSCREW	6				4
9	WSH-0006	WASHER	6				4
10	NUT-0258	NUT	6				4
11	613597 01	REAR PANEL	1				
12	HSS-0086	SETSCREW	2				
13	WSH-0009	WASHER	2				
14	NUT-0260	NUT	2				
15	NUTA13080	NUTSERT	6				
16	614189 01	WEIGH HEAD HOUSING	1				
17	KNO-0001	THERMOPLASTIC KNOB	2				
18	613608 01	LOADCELL MTG BOSS W/A	3				
19	HSS-0318	SETSCREW	24				
20	WSH-0024	WASHER	48				
21	NUT-0271	NUT	24				
22	BLTA20620	BOLT	3				
23	BLTA20590	BOLT	3				
24	WSH-0030	WASHER	12				
25	NUTA02200	NUT	6				
26	SLV-00300	SPIRAL CONVOLUTE TUBING	5m				
27	TIE-0004	TIE WRAP	30				
28	613612 01	LOADCELL CLEVIS W/A	3				
29	613695 01	SECURING HANDLE ASSY	2				
30	CAP-0012	END CAP	2				
31	PTF-00026	PLASTIC HANDLE	2				
32	BLTA10470	BOLT	2				
33	WSH-0015	WASHER	2				
34	NUT-0265	NUT	2				
35	WSH-0012	WASHER	2				
36	WSH-0058	WASHER	4				
37	HSS-0145	SETSCREW	4				
38	614178 01	COVER	1				



KIT-03537  
KIT-03539

**Shelbourne Reynolds Engineering Limited**

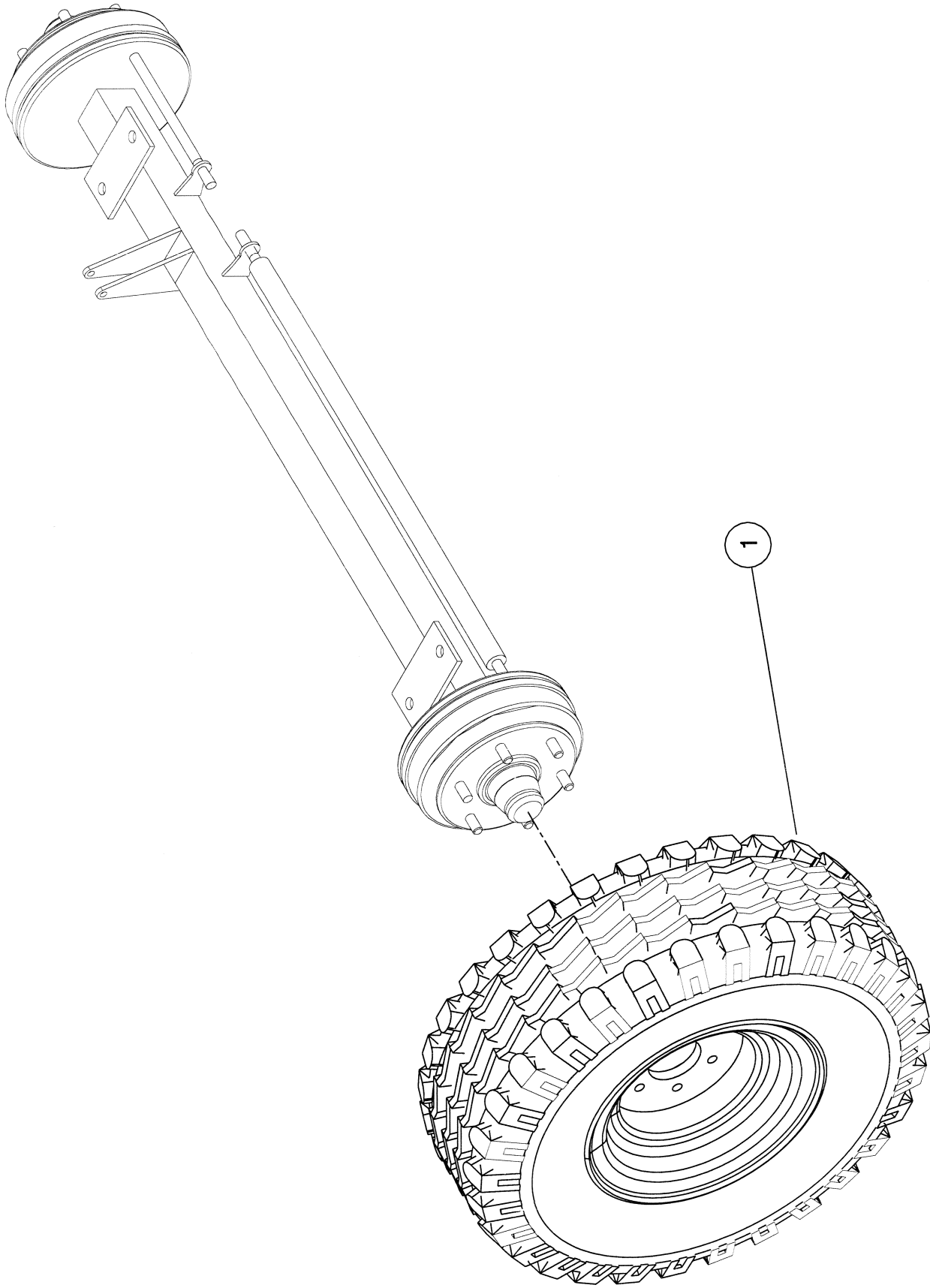
KIT-03540		ASSY DESCRIPTION: EXPRESS CONVEYOR MTG FRAME KIT (SINGLE)				
ASSY NUMBER:	PART NO	DESCRIPTION	QTY	ITEM	PART NO	QTY
1	614232 01	CONVEYOR FRAME W/A	1			
2	613421 01	MOUNTING BRKT	4			
3	WSH-0065	WASHER	8			
4	HSS-0241	SETSCREW	20			
5	NUT-0269	NUT	16			
6	WSH-0018	WASHER	32			
7	613680 01	DEFLECTOR PLATE	2			
8	21709036	PLASTIC CAP	8			
9	614233 01	CAPPING PLATE	4			
10	HSS-0150	SETSCREW	8			
11	WSH-0012	WASHER	12			
12	NUT-0263	NUT	8			
13	614224 01	RAM BRKT W/A	1			
14	HSS-0194	SETSCREW	6			
15	WSH-0015	WASHER	6			
16	NUT-0265	NUT	6			
17	614006 01	STRENGTHENER PLATE	2			
18	HSS-0238	SETSCREW	4			



**Shelbourne Reynolds Engineering Limited**

KIT-03544		ASSY DESCRIPTION: WHEEL&TYRE KIT (BANDENMARKT 305/55R22.5)					
ASSY NUMBER:	KIT-03544	ASSY DESCRIPTION:	WHEEL&TYRE KIT (BANDENMARKT 305/55R22.5)				
ITEM	PART NO	DESCRIPTION	QTY	ITEM	PART NO	DESCRIPTION	QTY
1	WHL-02202	WHEEL & TYRE ASSY	2				

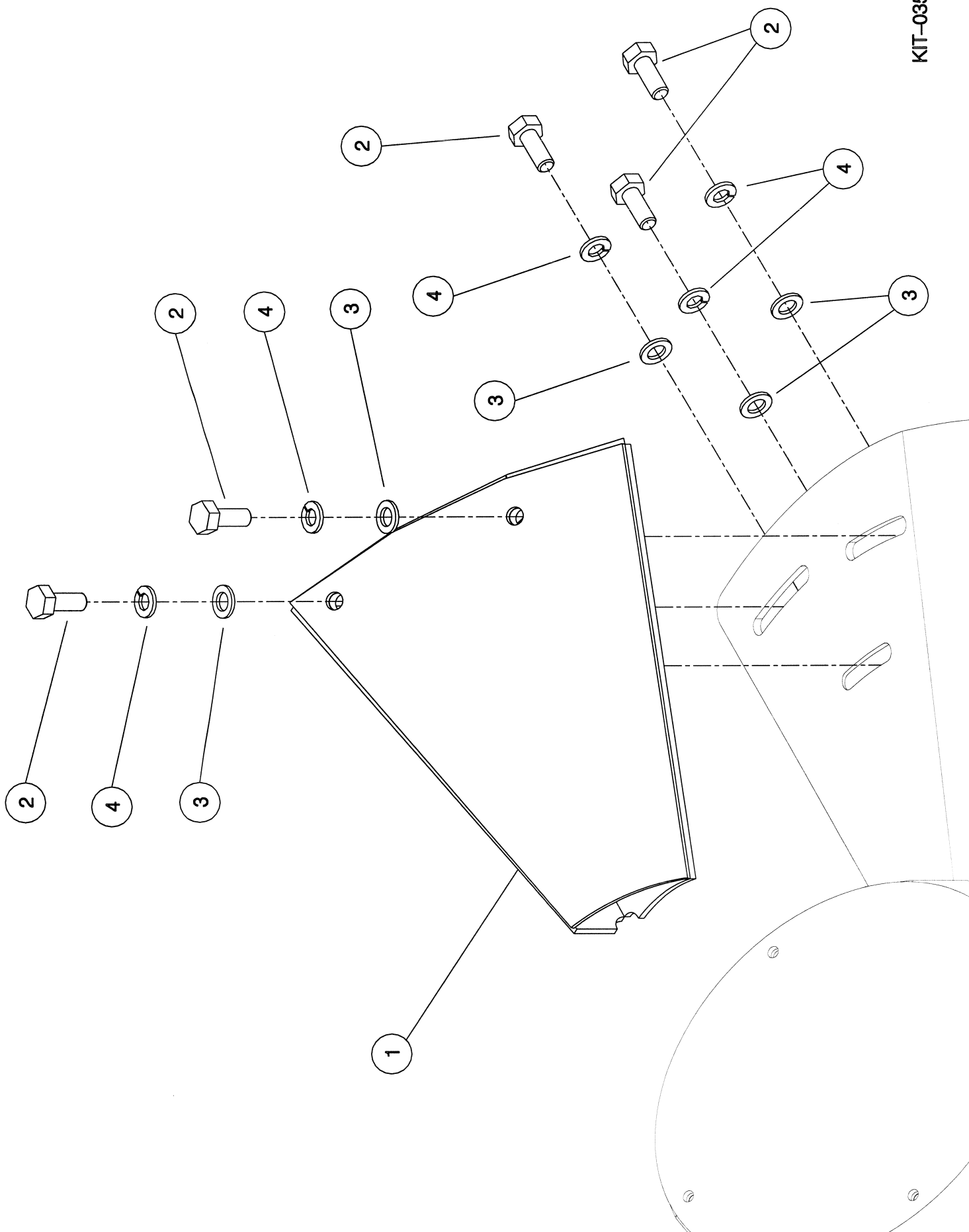




KIT - 03544

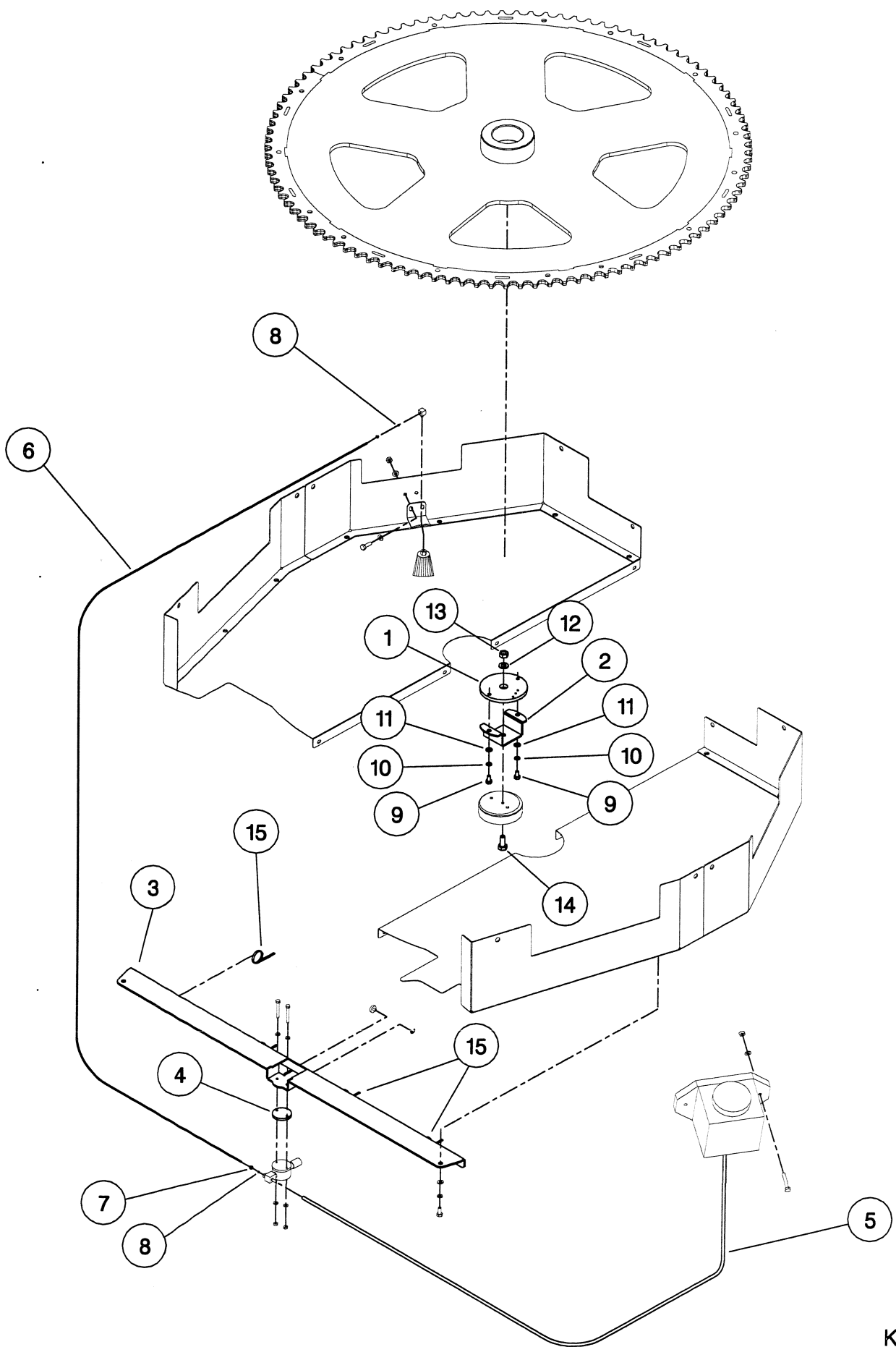
**Shelbourne Reynolds Engineering Limited**

KIT-03566		ASSY DESCRIPTION: AUGER BLADE KICKER KIT					
ASSY NUMBER:							
ITEM	PART NO	DESCRIPTION	QTY	ITEM	PART NO	DESCRIPTION	QTY
1	613687 01	TOP FLIGHT ASSY	1				
2	HSS-0316	SETSCREW	5				
3	WSH-0025	WASHER	5				
4	WSH-0070	WASHER	5				



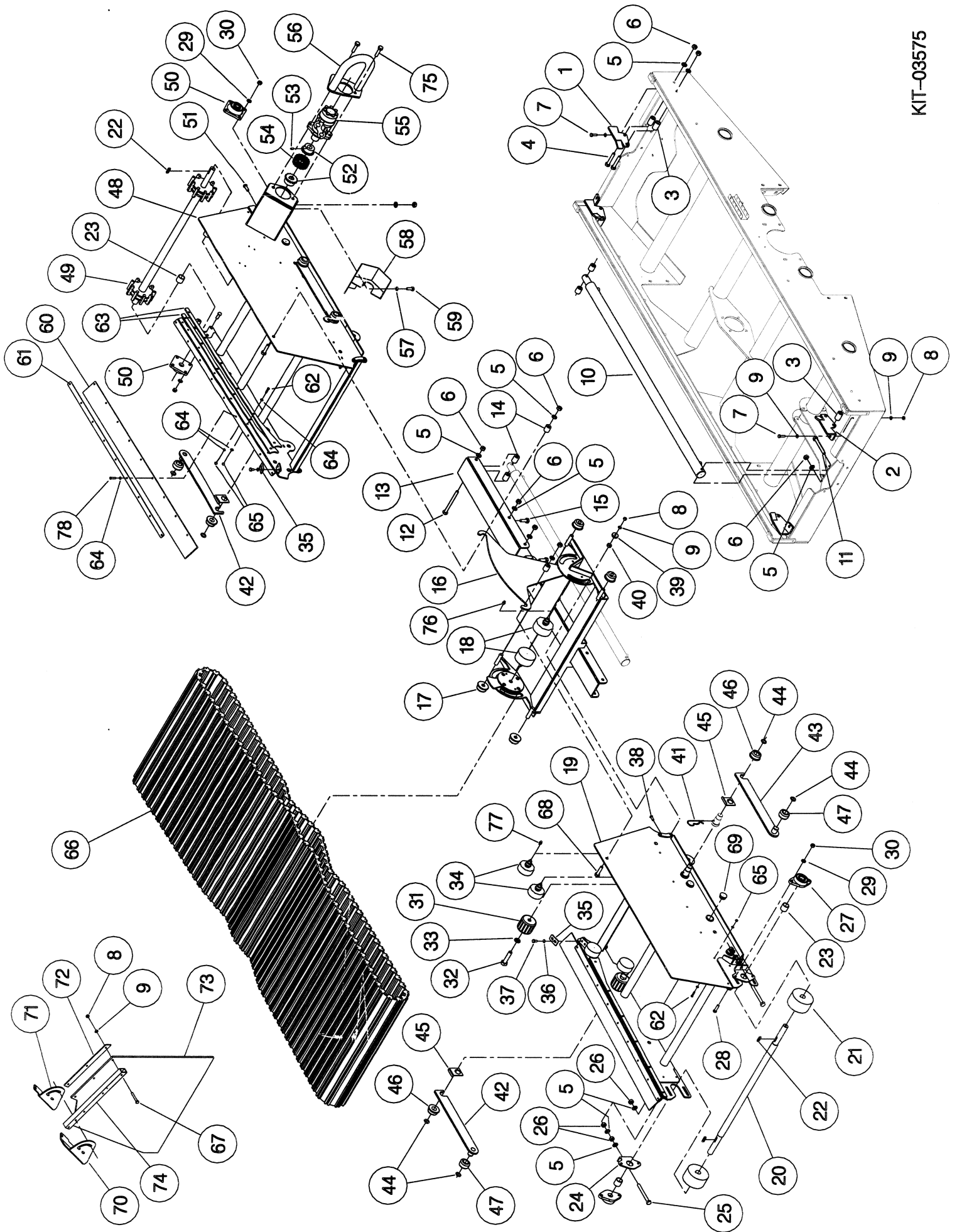
**Shelbourne Reynolds Engineering Limited**

KIT-03568		ASSY DESCRIPTION: CHAIN OILER CONVERSION KIT (9-13m <sup>3</sup> )					
ASSY NUMBER:							
ITEM	PART NO	DESCRIPTION	QTY	ITEM	PART NO	DESCRIPTION	QTY
1	614253 01	AUGER FIXING DISC	1				
2	614252 01	CAM BRACKET	1				
3	614254 01	OIL PUMP MTG PLATE W/A	1				
4	590775 01	SPACER DISC	1				
5	LUB-00013	NEOPRENE TUBE	2				
6	LUB-00012	FLEXIBLE TUBE	2				
7	LUB-00025	SLEEVE NUT (M532)	2				
8	LUB-00006	ENOT OLIVE	1				
9	HSSA08111	SETSCREW (M8x16)	2				
10	WSH-0058	WASHER (M8 SPRING)	2				
11	WSH-0012	WASHER (M8 PLAIN)	2				
12	WSH-0018	WASHER (M12 PLAIN)	2				
13	NUT-0269	NYLOC NUT (M12)	1				
14	HSS-0238	BOLT (M12x30)	1				
15	TIE-0002	TIE WRAPS (SMALL BLACK)	4				



**Shelbourne Reynolds Engineering Limited**

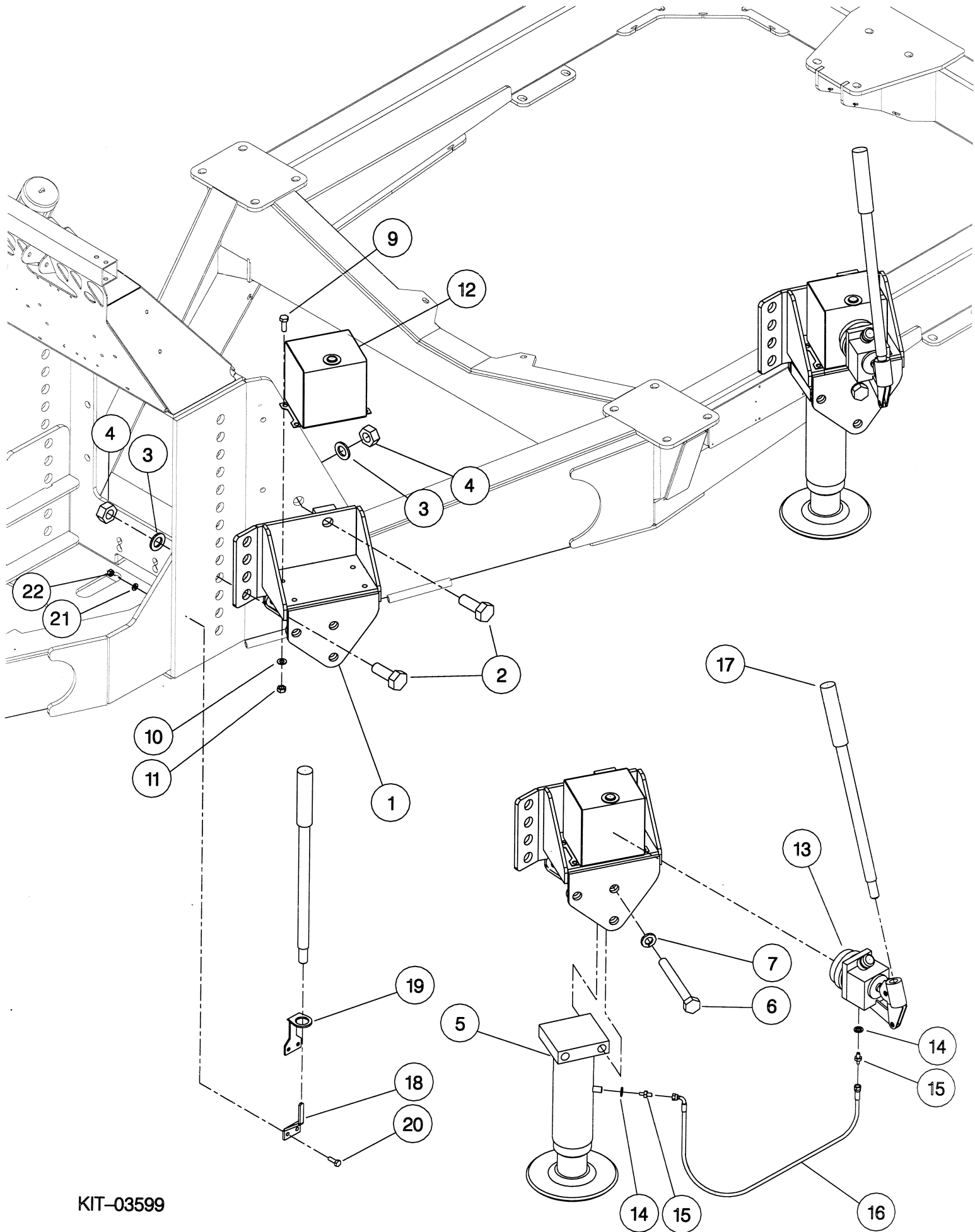
KIT-03575		ASSY DESCRIPTION:			WEB EXPRESS CONVEYOR KIT			
ASSY NUMBER:	PART NO	DESCRIPTION	QTY	ITEM	PART NO	DESCRIPTION	QTY	
1	614279 01	LIFT ARM STOP PLATE LH	2	39	190548 57	WASHER	8	
2	614279 02	LIFT ARM STOP PLATE RH	2	40	190548 45	WASHER	8	
3	614280 01	SPACER TUBE(40mm LG)	8	41	CLP-00105	R-CLIP	4	
4	BLTA12470	BOLT	8	42	614317 01	LIFT ARM ASSY	2	
5	WSH-0018	WASHER	22	43	614317 02	LIFT ARM ASSY	2	
6	NUT-0269	NUT	16	44	CIR-1125	CIRCLIP	8	
7	HSS-0150	SETScrew	4	45	613335 01	LATCH PLATE	4	
8	NUT-0263	NUT	17	46	613333 03	WHEEL	4	
9	WSH-0012	WASHER	21	47	614278 01	WHEEL	4	
10	610447 01	HYD CYLINDER	1	48	614470 01	LH CONVEYOR PAN W/A	1	
11	BLT-2270	BOLT	1	49	614483 01	DRIVE SHAFT W/A	1	
12	20146128	BOLT	1	50	BRG-25255	BEARING	2	
13	614480 01	RAM BRACKET	1	51	BLTF10231	COACHBOLT	8	
14	613919 03	SPACER TUBE	4	52	260030 03	SPROCKET	2	
15	HSS-0241	SETScrew	4	53	SCW-4530	GRUBScrew	1	
16	614478 01	CENTRE FRAME W/A	1	54	CHN-01380	CHAIN	1	
17	613702 01	WHEEL	4	55	MOTH08000	HYD MOTOR	1	
18	CON-00026	GUIDE ROLLER	2	55a	HMS-08001	SEAL KIT (SPARES)	1	
19	614468 01	RH CONVEYOR PAN W/A	1	56	614304 01	MOTOR GUARD	2	
20	614481 01	IDLE SHAFT	1	57	WSH-0061	WASHER	1	
21	CON-00024	IDLE ROLLER	2	58	614310 01	COUPLING GUARD	2	
22	K0807032	KEY	3	59	HSS-0188	SET SCREW	2	
23	614272 05	SHAFT SPACER	4	60	614309 01	RUBBER SEAL STRIP	2	
24	614486 01	ADJUSTER PLATE	2	61	614487 01	CLAMP STRIP	2	
25	HSSA12560	SET SCREW	2	62	SCBA06200	BUTT SOC HD SCREW	24	
26	NUT-0170	NUT	6	63	614484 01	SEAL PLATE	8	
27	BRG-25260	BEARING	2	64	WSH-0009	WASHER	84	
28	BLT-3755	COACHBOLT	4	65	NUT-0260	NUT	42	
29	WSH-0018	WASHER	12	66	CON-00028	CONVEYOR BELT	1	
30	NUT-0265	NUT	12	OR	CON-00027	CONVEYOR BELT	1	
31	CON-00021	SUPPORT ROLLER	4	67	BLTA08380	BOLT	5	
32	BLT-2314	BOLT	4	68	BLTA12380	SETScrew	2	
33	WSHA30161	LOCKWASHER	4	69	PTF-00134	PLASTIC CAP INSERT	12	
34	CON-00025	SUPPORT ROLLER	8	70	613590 01	CURTAIN BRKT RH	1	
35	614485 01	SCRAPER PLATE	4	71	613589 01	CURTAIN BRKT LH	1	
36	WSH-0058	WASHER	8	72	613602 01	CLAMP STRIP	1	
37	HSS-0135	SETScrew	8	73	613587 01	RUBBER CURTAIN	1	
38	BLT-2730	COACHBOLT	8	74	613601 01	RUBBER CURTAIN MTG	1	



**Shelbourne Reynolds Engineering Limited**

ASSY NUMBER: KIT-03599		SUB ASSY DESCRIPTION:HYD PARKING JACK WITH HAND PUMP KIT					
ITEM	PART NO	DESCRIPTION	QTY	ITEM	PART NO	DESCRIPTION	QTY
1	614619 01	JACK MNTG BKT	1				
2	HSS-0410	SETSCREW	4				
3	WSH-0036	WASHER	4				
4	NUT-0275	NUT	4				
5	JAC-00210	HYD JACK	1				
6	BLTA20770	BOLT	1				
7	WSH-0075	SPRING WASHER	1				
8							
9	HSS-0194	SETSCREW	4				
10	WSH-0015	WASHER	4				
11	NUT-0265	NYLOC NUT	4				
12	JAC-00220	HYD TANK	1				
13	JAC-00225	HAND PUMP	1				
14	WSH-1010	DOWTY WASHER	2				
15	HMA-0057	HYD ADPT	2				
16	HHCC03500	HYD HOSE ASSY	1				
17	JAC-00230	LEVER	1				
18	611654 01	LOWER HANDLE BKT	1				
19	611655 01	TOP BKT HOOP	1				
20	HSS-0145	SET SCREW	4				
21	WSH-0012	WASHER	4				
22	NUT-0263	NYLOC NUT	4				





KIT-03599