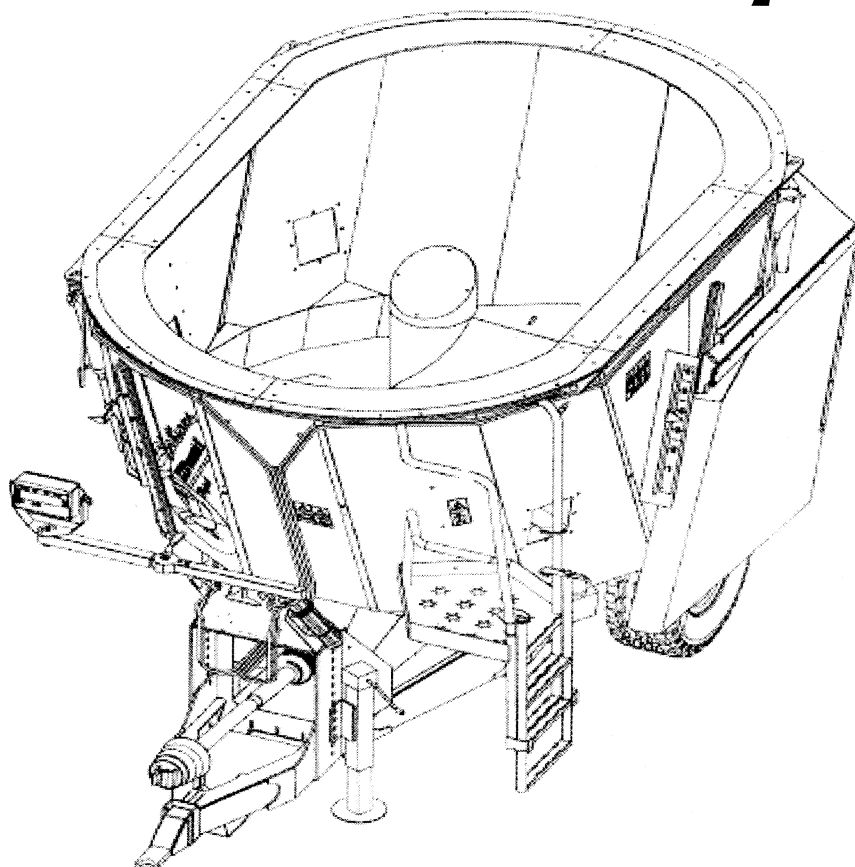


Powermix II

9 m³ 11 m³ 13 m³ *Popular*



PARTS LIST MANUAL



Shelbourne Reynolds Engineering Ltd
Stanton
Bury St Edmunds
Suffolk IP31 2AR
England

Telephone: 01359 250415 (Stores direct 01359 251231)

Fax. No: 01359 250464 (Stores direct 01359 252031)



INVESTOR IN PEOPLE

ISSUE 9
17.12.07

PARTS LISTINGS

MACHINE IDENTIFICATION

The Powermix machine and serial identification numbers are engraved on a plate situated on the left-hand side of the chain guard.

To ensure component parts are supplied correctly, we recommend that you record the serial no, machine no and any kit option numbers in the space below.

POWERMIX SERIAL NUMBER _____

POWERMIX MACHINE NUMBER _____

KIT OPTION	KIT OPTION	KIT OPTION
KIT OPTION	KIT OPTION	KIT OPTION
KIT OPTION	KIT OPTION	KIT OPTION
KIT OPTION	KIT OPTION	KIT OPTION
KIT OPTION	KIT OPTION	KIT OPTION

ORDERING SPARE PARTS

To ensure that you order the correct part from your SRE dealer please use the following procedure.

ALWAYS QUOTE THE MACHINE AND SERIAL NUMBERS WHEN ORDERING.

Refer to the front page of this parts list section (machine assemblies), listing all the sub assemblies.

The appropriate assemblies part number (in the top left-hand corner) will match the machine number from the Powermix identification plate.

Use the following sub assembly numbers and descriptions to find the area of the machine that your part is required, i.e. if you need a part which is fitted to the conveyor, your part will be in the conveyor sub assembly parts list.

Having decided which sub-assembly your part should be under, use the number beside that sub-assembly description which will begin with 6190-- -- to find the parts listing of the sub-assembly further on in the manual. The number will be printed in the top left-hand corner; the sub-assemblies are in numerical order.

Having found the correct parts list, you will find the corresponding drawing by either looking at the facing page or progressing through the manual to the next drawing.

The drawings indicate the components by item numbers, which you will find, are repeated in the left-hand side of your parts listing, and therefore referring to the correct part.

**LIST OF KIT NUMBERS
FOR 9,11 & 13 m3 POPULAR MACHINES**

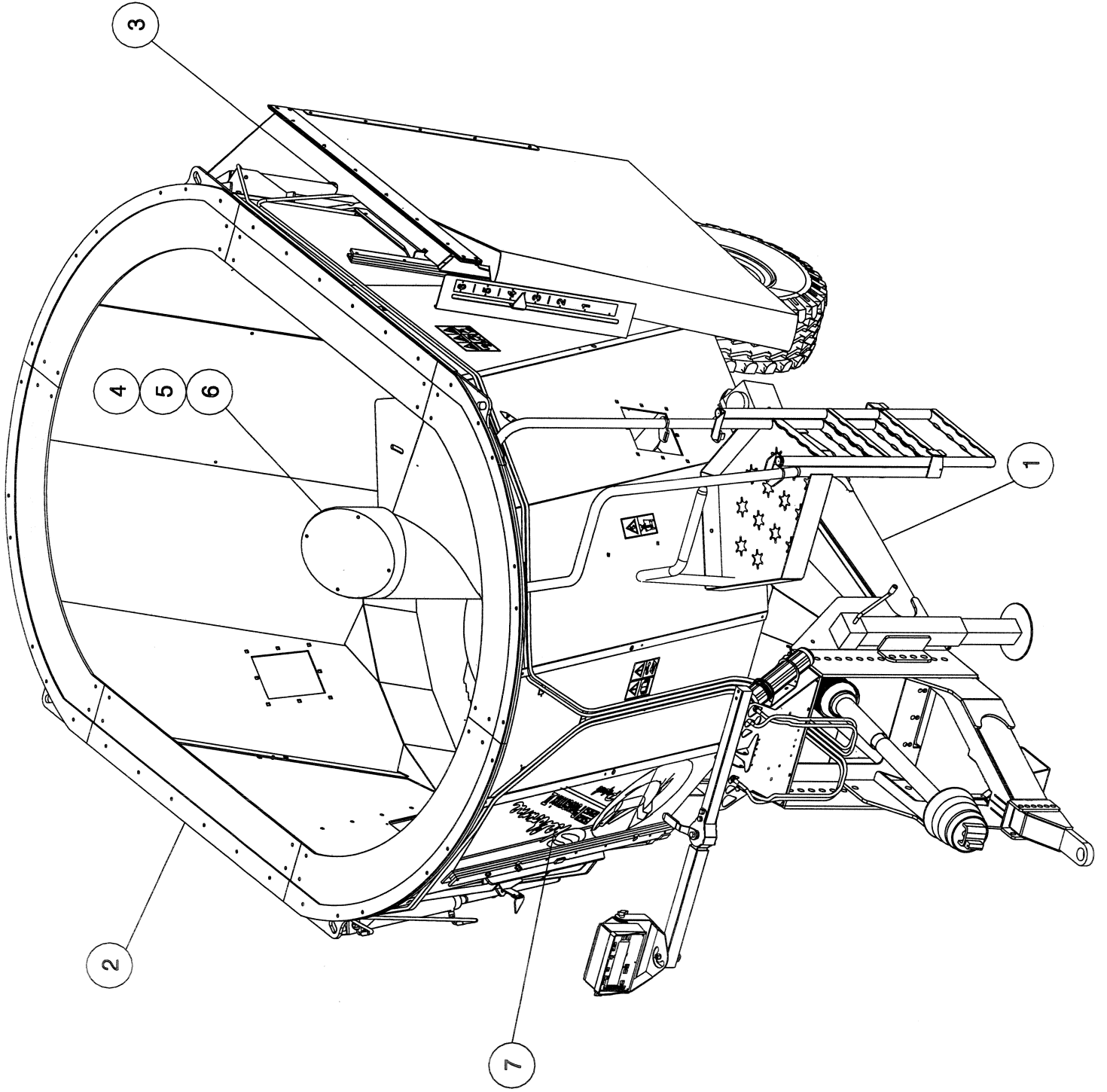
MAN-05101

1. 619923 01 9m3 DOUBLE DOOR M/c
2. 619923 02 9m3 RH DOOR M/c
3. 619927 01 9m3 REAR DOOR M/c
4. 619108 01 AUGER FIXING SUB ASSY
5. 619109 02 AUGER DRIVE SUB ASSY (POPULAR)
6. 619110 02 9m CU TWO DOOR POPULAR TUB SUB ASSY
7. 619110 04 9m CU RH DOOR POPULAR TUB SUB ASSY
8. 619111 02 CHASSIS AND DRAWBAR SUB ASSY (POPULAR)
9. 619113 01 AUGER SUB ASSY
- 10.619113 02 AUGER SUB ASSY (EXPRESS STYLE)
- 11.619114 01 SIDE DOOR SUB ASSY
- 12.619114 02 SIDE DOOR SUB ASSY
- 13.619116 02 POPULAR TRANSFERS SUB ASSY
- 14.619122 01 EXPRESS TRANSFERS SUB ASSY
- 15.619122 02 POPULAR TRANSFERS SUB ASSY
- 16.619127 01 FRONT DOOR SUB ASSY
- 17.619128 01 9m CU REAR DOOR TUB SUB ASSY
- 18.619129 02 AUGER DRIVE SUB ASSY (POPULAR)
- 19.GEA-0168 POWERMIX BEVAL GEARBOX (3.36:1)
- 20.KIT-02602 BRAKE RELIEF KIT
- 21.KIT-02651 RUBBER RETAINING RING KIT FOR 9 Cu Mt
- 22.KIT-03201 TOP BLADE KICKER
- 23.KIT-03395a 300mm HIGH EXTENSION SIDE KIT
- 24.KIT-03396a 600mm HIGH EXTENSION SIDE KIT
- 25.KIT-03397 RUBBER RETAINING RING FOR 11 Cu Mt
- 26.KIT-03398 RUBBER RETAINING RING FOR 13 Cu Mt
- 27.KIT-03410 CHAIN SELF LUBE KIT
- 28.KIT-03422 UK TOWING EYE
- 29.KIT-03423 300mm AUGER EXTENSION
- 30.KIT-03424 STANDARD BLADE KIT
- 31.KIT-03425 LARGE BLADE KIT
- 27.KIT-03426 RUBBER DOOR FLAP KIT (RH DOOR)
- 28.KIT-03430 WEIGH CELL SYSTEM (SINGLE AUGER)
- 29.KIT-03431 LIGHTING KIT
- 30.KIT-03432 STANDARD WHEEL & TYRE OPTION
- 31.KIT-03433 HYDRAULIC BRAKED AXLE
- 32.KIT-03436 DIRECT TRACTOR CONNECTION TO LH SIDE DOOR
- 33.KIT-03439 CONTINENTAL TOWING

34.KIT-03440	DIRECT TRACTOR CONNECTION TO RH SIDE DOOR
35.KIT-03441	SINGLE SPEED DRIVE KIT
36.KIT-03442	MID LEVEL DISPLAY
37.KIT-03442a	MID EZ3200V INDICATOR KITC/W REMOTE PORT
38.KIT-03446	UNBRAKED AXLE
39.KIT-03447	BLADE TYPE ANTI-ROTATION PLATES
40.KIT-03448	BOLT IN FIXED ANTI-ROTATION PLATES
41.KIT-03449	MECHANICAL JACK
42.KIT-03456	BASIC LEVEL DISPLAY
43.KIT-03456a	BASIC LEVEL DISPLAY C/W REMOTE DISPLAY PORT
44.KIT-03467	REMOTE ZERO FUNCTION
45.KIT-03470	DUMMY WEIGH CELL KIT
46.KIT-03471	TOP LEVEL DIET MANAGER DISPLAY & SOFTWARE C/W UK 3 PIN PLUG
47.KIT-03471a	TOP LEVEL DIET MANAGER DISPLAY & SOFTWARE C/W EUROPEAN PLUG
48.KIT-03472	POPULAR DOOR BLANKING PLATE KIT
49.KIT-03478	MIRROR MOUNT REMOTE DISPLAY
50.KIT-03483	FLASHING LIGHT KIT
51.KIT-03489	AUGER MAGNET KIT (POPULAR STYLE AUGER)
52.KIT-03496	RUBBER DOOR FLAP KIT (LH DOOR)
53.KIT-03504	RUBBER DOOR FLAP KIT (RH DOOR)
54.KIT-03505	RUBBER DOOR FLAP KIT (LH DOOR)
55.KIT-03506	DOOR FLAP KIT (LH DOOR TWIN AUGER)
56.KIT-03507	2 STATION MANUAL SPOOL VALVE KIT
57.KIT-03510	AUDIBLE ALARM KIT (FOR DIGI-STAR)
58.KIT-03511	SUPER SINGLE WHEEL AND TYRE KIT
59.KIT-03512	4" TUB RAISE KIT
60.KIT-03514	HYD PARKING JACK (TRACTOR CONNECTION)
61.KIT-03537	WEIGH CELL SYSTEM (SINGLE AUGER)
62.KIT-03544	WHEEL AND TYRE KIT (BRANDENMARKT 305/55R22.5
63.KIT-03559	ORKNEY RUBBER FLAP KIT (RH DOOR)
64.KIT-03560	ORKNEY RUBBER FLAP KIT (LH DOOR)
65.KIT-03566	AUGER BLADE KICKER KIT
66.KIT-03568	CHAIN OILER CONVERSION KIT (9-13m3)
67 KIT-03571	1m SIDE CONVEYOR RH DOOR
68 KIT-03574	DIRECT COUPLED HYD (RH 1m SIDE CON)
69.KIT-03584	CHAIN OILER KIT (9-13m3)
70.KIT-03599	HYDRAULIC PARKING JACK WITH HAND PUMP KIT

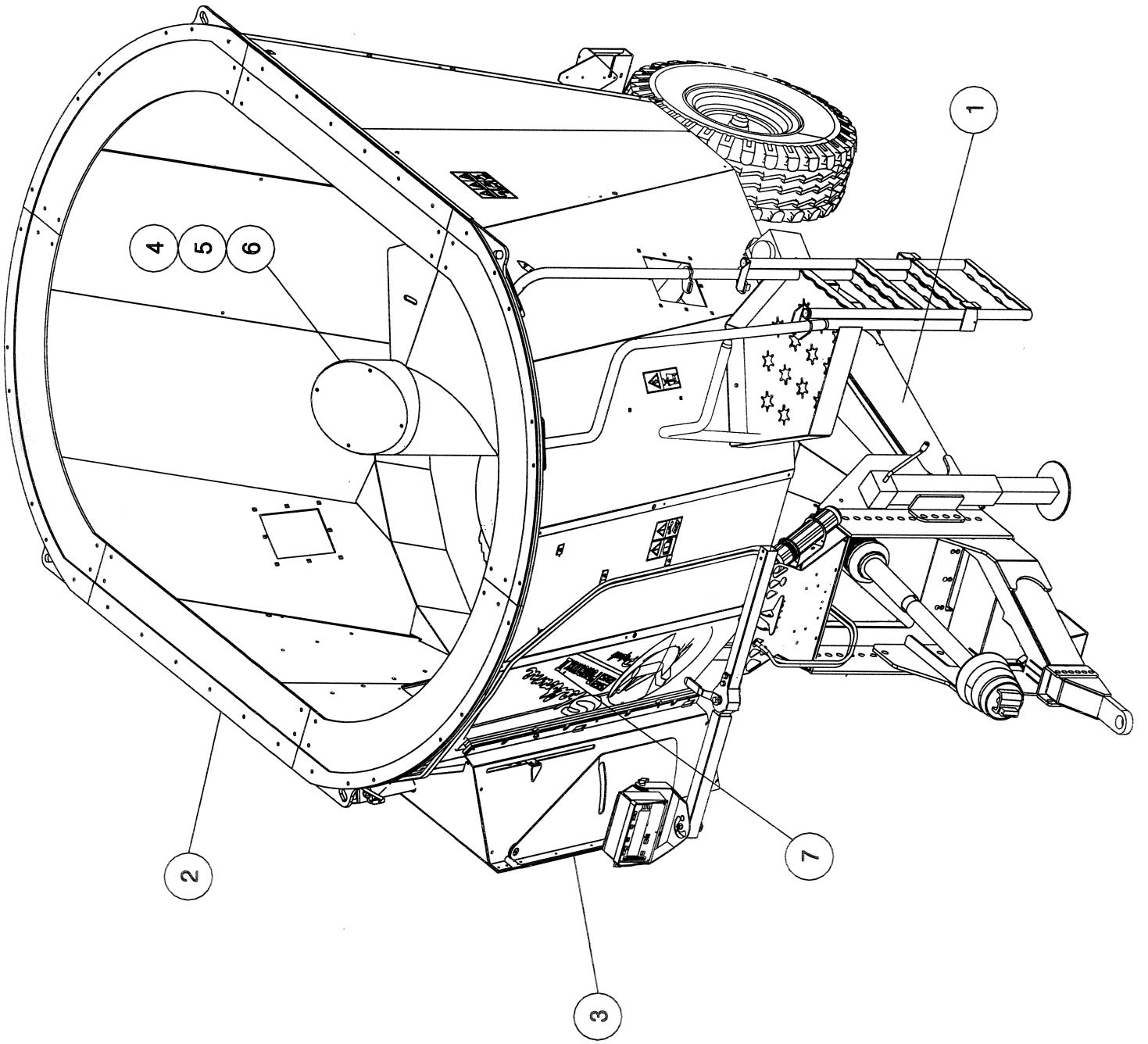
Shelbourne Reynolds Engineering Limited

ASSY NUMBER: 619923 01		SUB ASSY DESCRIPTION: 9m ³ TWO DOOR POPULAR MACHINE					
ITEM	PART NO	DESCRIPTION	QTY	ITEM	PART NO	DESCRIPTION	QTY
1	619111 02	CHASSIS & DRAWBAR SUB ASSY	1				
2	619110 02	9m ³ TUB SUB ASSY	1				
3	619114 02	SIDE DOOR SUB ASSY SERIAL No 103155 & ON	2				
OR	619114 01	SIDE DOOR SUB ASSY UP TO & INC.SERIAL No 102155 UNLESS STATED ON TRACKER	2				
4	619113 01	AUGER SUB ASSY	1				
5	619108 01	AUGER FIXING SUB ASSY	1				
6	619129 02	AUGER DRIVE SUB ASSY SERIAL No 118155 & ON	1				
OR	619109 02	AUGER DRIVE SUB ASSY UP TO & INC.SER No 117155	1				
7	619122 02	TRANSFERS SUB ASSY	1				
OR	619116 02	TRANSFERS SUB ASSY	1				



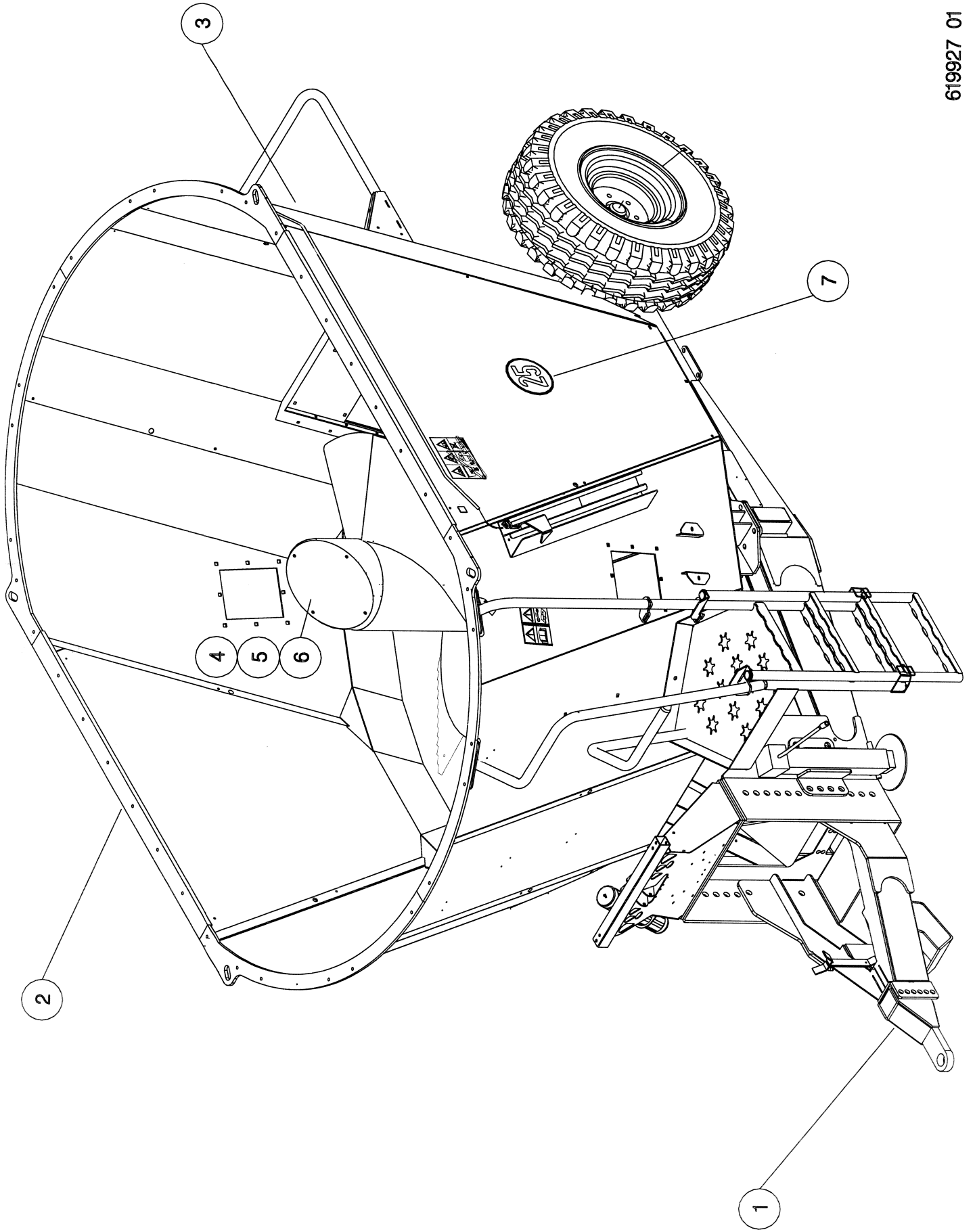
Shelbourne Reynolds Engineering Limited

ASSY NUMBER: 619923 02		SUB ASSY DESCRIPTION: 9m ³ RH DOOR POPULAR MACHINE					
ITEM	PART NO	DESCRIPTION	QTY	ITEM	PART NO	DESCRIPTION	QTY
1	619111 02	CHASSIS & DRAWBAR SUB ASSY	1				
2	619110 04	9m ³ TUB SUB ASSY	1				
3	619114 02	SIDE DOOR SUB ASSY SERIAL No 103155 & ON	1				
OR	619114 01	SIDE DOOR SUB ASSY UP TO & INC.SERIAL No 102155 UNLESS STATED ON TRACKER	1				
4	619113 01	AUGER SUB ASSY	1				
5	619108 01	AUGER FIXING SUB ASSY	1				
6	619129 02	AUGER DRIVE SUB ASSY SERIAL No 118155 & ON	1				
OR	619109 02	AUGER DRIVE SUB ASSY UP TO & INC.SER No 117155	1				
7	619122 02	TRANSFERS SUB ASSY	1				
OR	619116 02	TRANSFERS SUB ASSY	1				



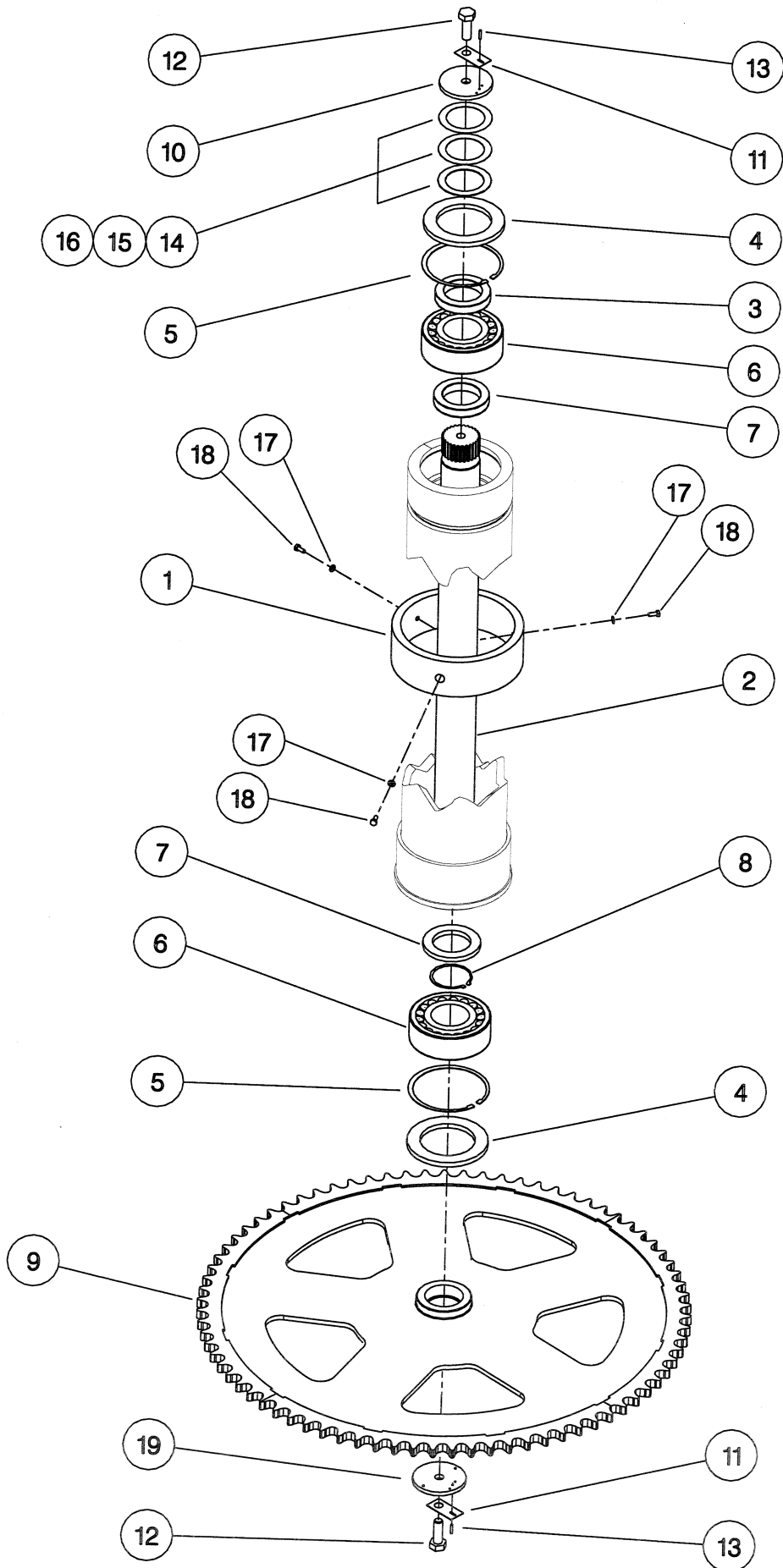
Shelbourne Reynolds Engineering Limited

ASSY NUMBER: 619927 01		SUB ASSY DESCRIPTION: 9m ³ REAR DOOR MACHINE					
ITEM	PART NO	DESCRIPTION	QTY	ITEM	PART NO	DESCRIPTION	QTY
1	619111 02	CHASSIS & DRAWBAR SUB ASSY	1				
2	619128 01	9m ³ TUB SUB ASSY	1				
3	619127 01	FRONT/REAR DOOR SUB ASSY	1				
4	619113 02	AUGER SUB ASSY	1				
5	619108 01	AUGER FIXING SUB ASSY	1				
6	619129 02	AUGER DRIVE SUB ASSY SERIAL No 118155 & ON	1				
OR	619109 02	AUGER DRIVE SUB ASSY UP TO & INC SER No 117155	1				
7	619122 01	TRANSFERS SUB ASSY	1				



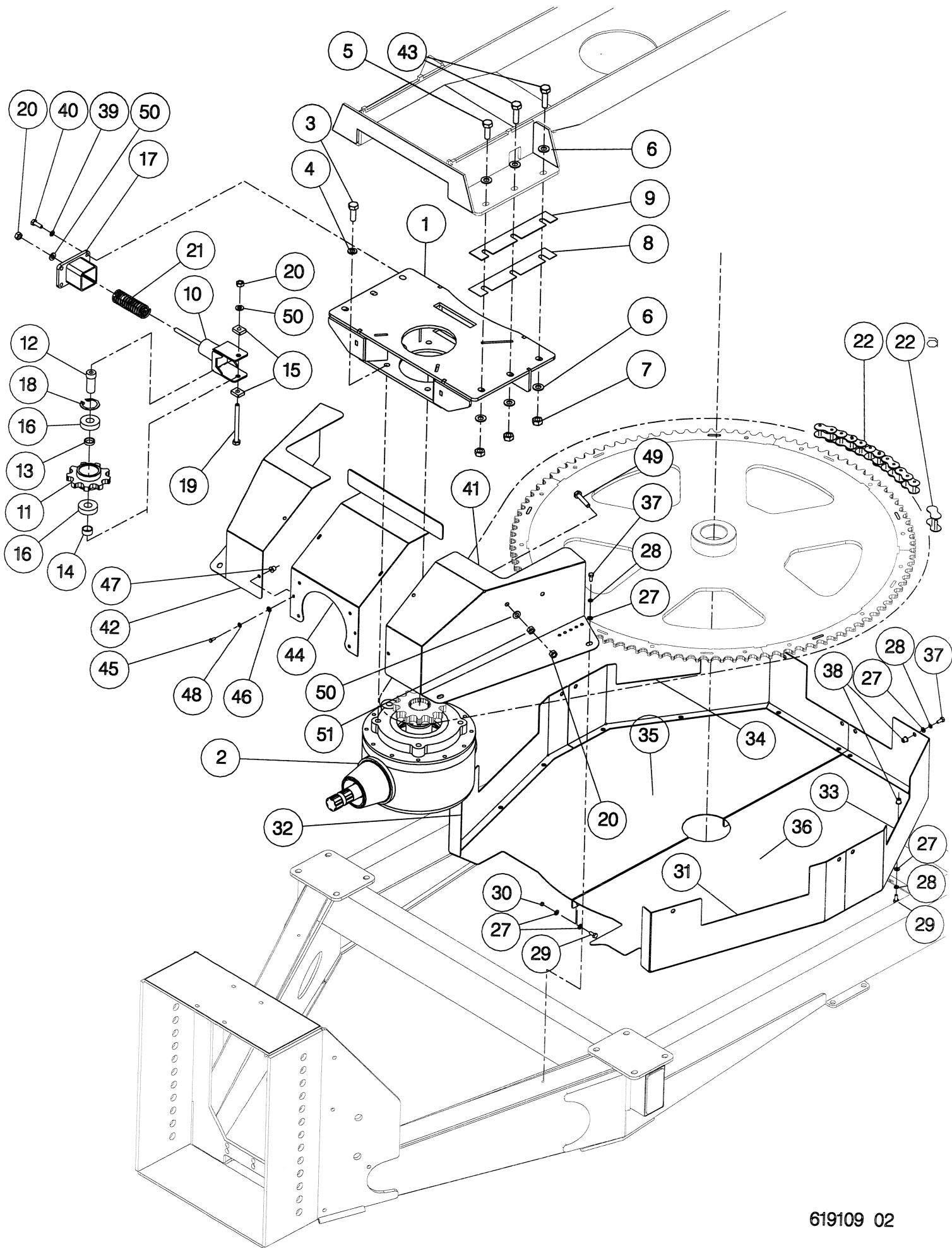
Shelbourne Reynolds Engineering Limited

ASSY NUMBER: 619108 01		ASSY DESCRIPTION: AUGER FIXING SUB ASSY					
ITEM	PART NO	DESCRIPTION	QTY	ITEM	PART NO	DESCRIPTION	QTY
1	614095 01	AUGER BUSH 118155, 131135 & ON ONLY	1				
OR	610412 01	AUGER BUSH UP TO & INC 117155 & 130135	1				
2	613397 01	SHAFT	1				
3	613396 01	SPACER	1				
4	SEAB13000	OIL LIP SEAL	2				
5	CIR010190	INT.CIRCLIP	2				
6	BRG-19085	ROLLER BEARING	2				
7	SEAB09015	OIL LIP SEAL	2				
8	CIR-1457	EXTERNAL CIRCLIP	1				
9	613402 01	SPROCKET ASSY	1				
10	610413 01	FIXING DISC	1				
11	610414 01	FIXING TAB	2				
12	HSSA20260	SETSCREW	2				
13	PIN-1770	ROLL PIN	2				
14	610415 01	SHIM(0.5mm)	5				
15	610415 02	SHIM(1mm)	2				
16	610415 03	SHIM(2mm)	2				
17	WSH-1300	SHAKEPROOF WASHER	3				
18	HSS-0140	118155, 131135 & ON ONLY SETSCREW	3				
19	614253 01	118155, 131135 & ON ONLY AUGER FIXING DISC (SERIAL NO-101157 & ON ONLY)	1				



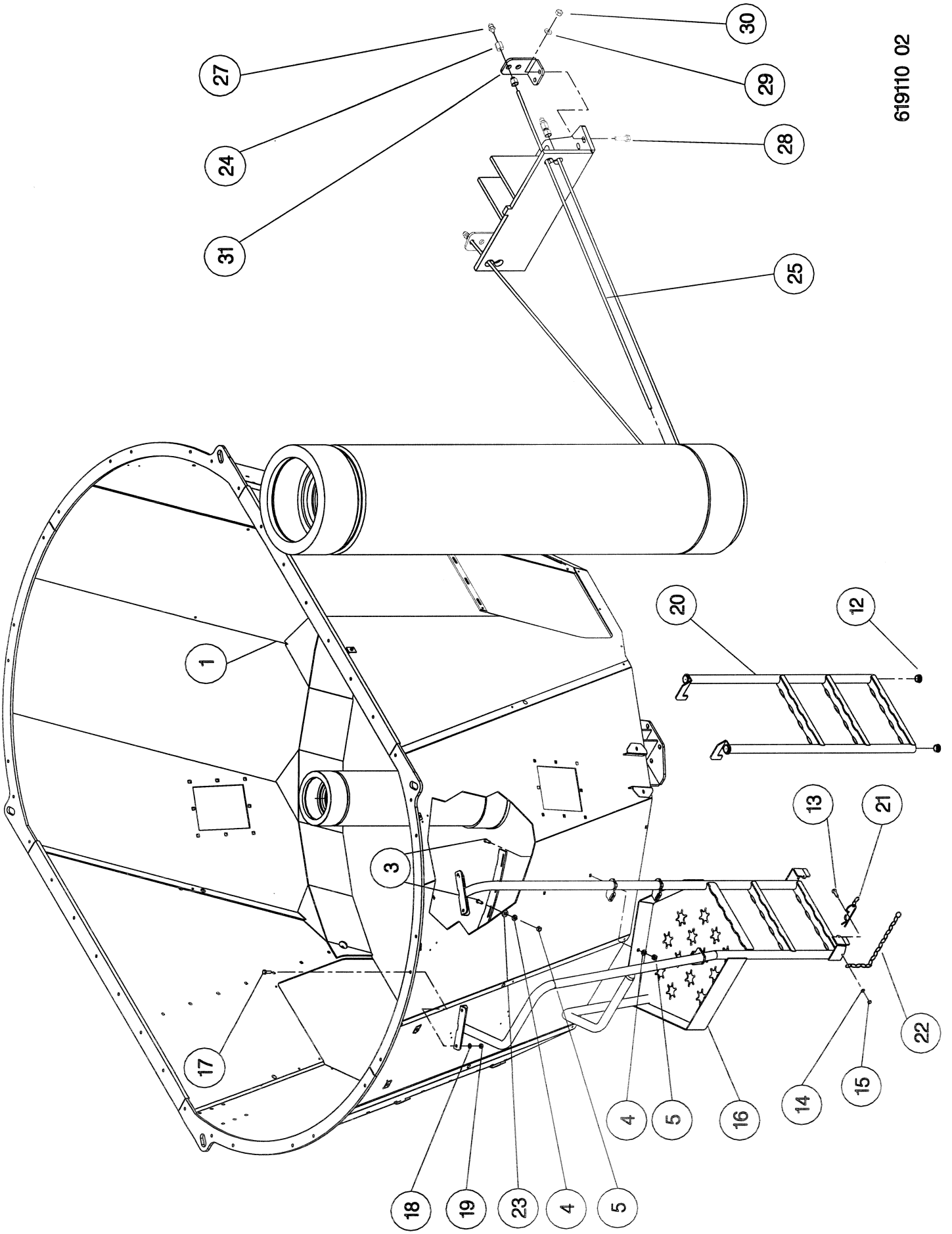
Shelbourne Reynolds Engineering Limited

ASSY NUMBER: 619109 02		ASSY DESCRIPTION: AUGER DRIVE SUB ASSY (POPULAR)					
ITEM	PART NO	DESCRIPTION	QTY	ITEM	PART NO	DESCRIPTION	QTY
1	613387 01	GEARBOX MTG BRKT W/A	1	38	NUTA13080	NUTSERT	26
2	GEA-0168	BEVEL GEARBOX ASSY	1	39	WSH-0061	WASHER	4
3	HSS-0315	SETSCREW	4	40	HSS-0198	SETSCREW	4
4	WSHA30161	LOCK WASHER	4	41	613631 01	DRIVE GUARD LH	1
5	HSS-0319	SETSCREW	4	42	613631 02	DRIVE GUARD RH	1
6	WSH-0024	WASHER	12	43	HSS-0322	SETSCREW	2
7	NUT-0271	NUT	6	44	613875 01	COVER PLATE	1
8	610841 01	SHIM(1mm)	2	45	HSS-0140	SETSCREW	2
9	610841 02	SHIM(2mm)	6	46			
10	613392 01	SPROCKET ADJUSTER ASSY	1	47			
11	613390 01	TENSIONER SPROCKET	1	48			
12	613692 01	TENSIONER SPROCKET BOSS	1	49	HSS-0275	SETSCREW	2
13	612806 02	SPACER TUBE	1	50	WSH-0018	WASHER	4
14	612806 03	SPACER TUBE	1	51	NUT-0170	NUT	4
15	613238 01	SLIDING PLATE	2				
16	BRG-3358	BEARING	2				
17	613784 01	SPRING KEEP PLATE	1				
18	CIR-0620	CIRCLIP	1				
19	BLT-2273	BOLT	1				
20	NUT-0269	NUT	4				
21	SPGE02046	DIE SPRING	1				
22	CHN-04480	CHAIN	1				
22a	CHN-04400	JOINING LINK	1				
23							
24							
25							
26							
27	WSH-1038	WASHER	42				
28	WSH-0058	WASHER	30				
29	HSS-0140	SETSCREW	19				
30	NUT-0263	NUT	6				
31	613521 01	CHAIN DRIVE GUARD LH	1				
32	613521 02	CHAIN DRIVE GUARD RH	1				
33	613519 01	CHAIN DRIVE GUARD LH	1				
34	613519 02	CHAIN DRIVE GUARD RH	1				
35	613529 01	RH BOTTOM CHAIN GUARD	1				
36	613526 01	LH BOTTOM CHAIN GUARD	1				
37	HSS-0150	SETSCREW	14				



Shelbourne Reynolds Engineering Limited

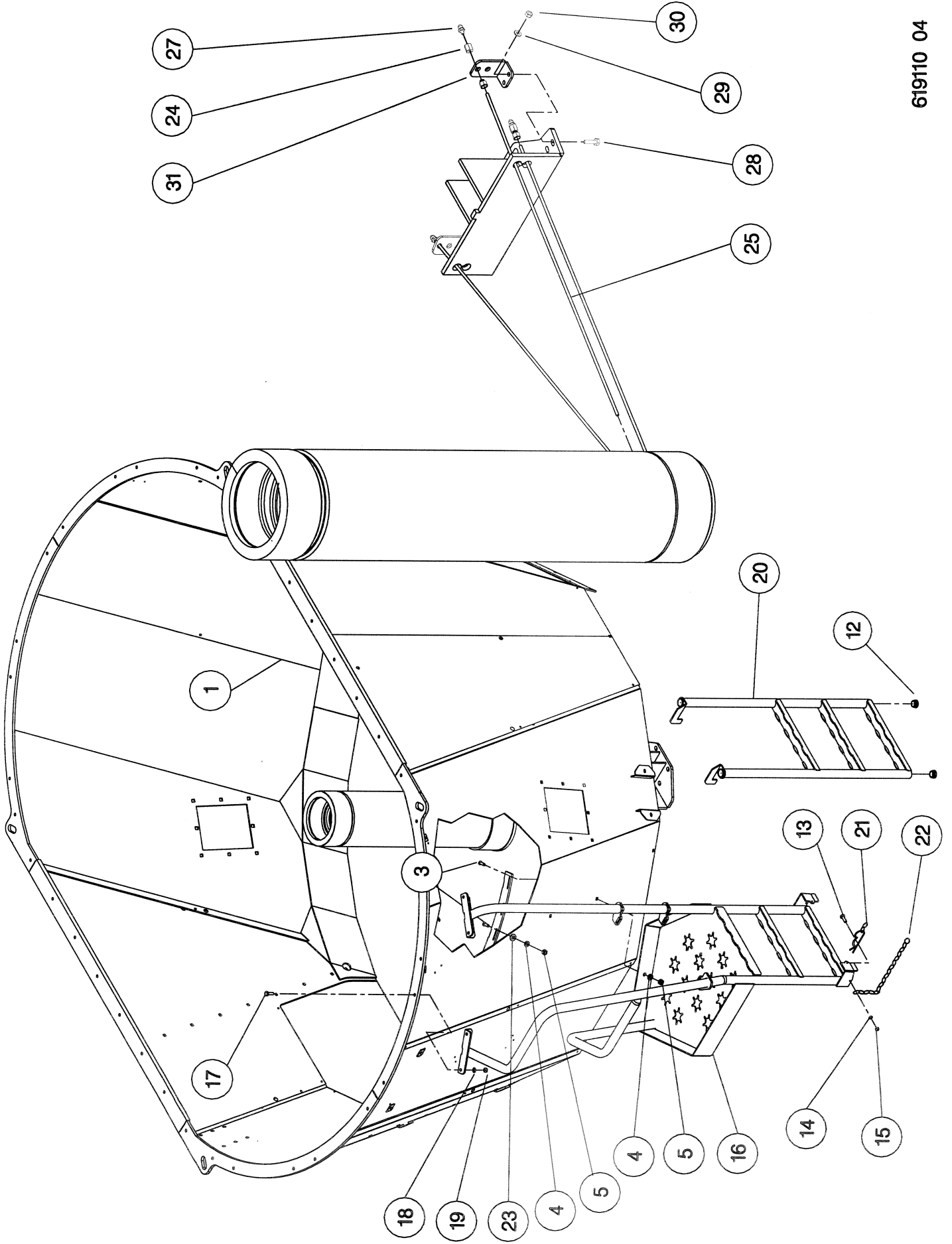
ASSY NUMBER: 619110 02		ASSY DESCRIPTION: 9m CU TWO DOOR POPULAR TUB SUB ASSY					
ITEM	PART NO	DESCRIPTION	QTY	ITEM	PART NO	DESCRIPTION	QTY
1	613654 01	9m Cu TUB W/A	1	31	614154 01	NIPPLE MTG PLATE (SERIAL No 118155 & ON ONLY)	2
2	BLT-3790	COACHBOLT	3				
3	WSH-0018	WASHER	3				
4	NUT-0269	NUT	3				
5							
6							
7							
8							
9							
10							
11							
12	PTF-00134	PLASTIC CAP INSERT	2				
13	HSS-0086	SETSCREW	1				
14	WSH-0009	WASHER	1				
15	NUT-0260	NUT	1				
16	613592 01	PLATFORM W/A	1				
17	HSS-0210	BOLT	4				
18	WSH-0015	WASHER	4				
19	NUT-0265	NUT	4				
20	613764 01	LADDER W/A	1				
21	CLP-00105	R-CLIP	1				
22	CHN-0145	CHAIN	1				
23	611830 01	SPACER PLATE	•17m 2				
24	HPTB58001	STR. FEMALE STUD FITTING (SERIAL No 118155 & ON ONLY)	3				
25	614111 01	GREASE PIPE (SERIAL No 118155 & ON ONLY)	3				
26							
27	NIP-0001	GREASE NIPPLE (SERIAL No 118155 & ON ONLY)	3				
28	HSS-0150	SETSCREW (SERIAL No 118155 & ON ONLY)	4				
29	WSH-0012	WASHER (SERIAL No 118155 & ON ONLY)	4				
30	NUT-0263	NUT (SERIAL No 118155 & ON ONLY)	4				



619110 02

Shelbourne Reynolds Engineering Limited

ASSY NUMBER: 619110 04		ASSY DESCRIPTION: 9m CU RH DOOR POPULAR TUB SUB ASSY					
ITEM	PART NO	DESCRIPTION	QTY	ITEM	PART NO	DESCRIPTION	QTY
1	613937 01	9m Cu TUB W/A	1	31	614154 01	NIPPLE MTG PLATE (SERIAL No 118155 & ON ONLY)	2
2							
3	BLT-3790	COACHBOLT	3				
4	WSH-0018	WASHER	3				
5	NUT-0269	NUT	3				
6							
7							
8							
9							
10							
11							
12	PTF-00134	PLASTIC CAP INSERT	2				
13	HSS-0086	SETSCREW	1				
14	WSH-0009	WASHER	1				
15	NUT-0260	NUT	1				
16	613592 01	PLATFORM W/A	1				
17	HSS-0210	BOLT	4				
18	WSH-0015	WASHER	4				
19	NUT-0265	NUT	4				
20	613764 01	LADDER W/A	1				
21	CLP-00105	R-CLIP	1				
22	CHN-0145	CHAIN	.17m				
23	611830 01	SPACER PLATE	2				
24	HPTB58001	STR. FEMALE STUD FITTING (SERIAL No 118155 & ON ONLY)	3				
25	614111 01	GREASE PIPE (SERIAL No 118155 & ON ONLY)	3				
26							
27	NIP-0001	GREASE NIPPLE (SERIAL No 118155 & ON ONLY)	3				
28	HSS-0150	SETSCREW (SERIAL No 118155 & ON ONLY)	4				
29	WSH-0012	WASHER (SERIAL No 118155 & ON ONLY)	4				
30	NUT-0263	NUT (SERIAL No 118155 & ON ONLY)	4				

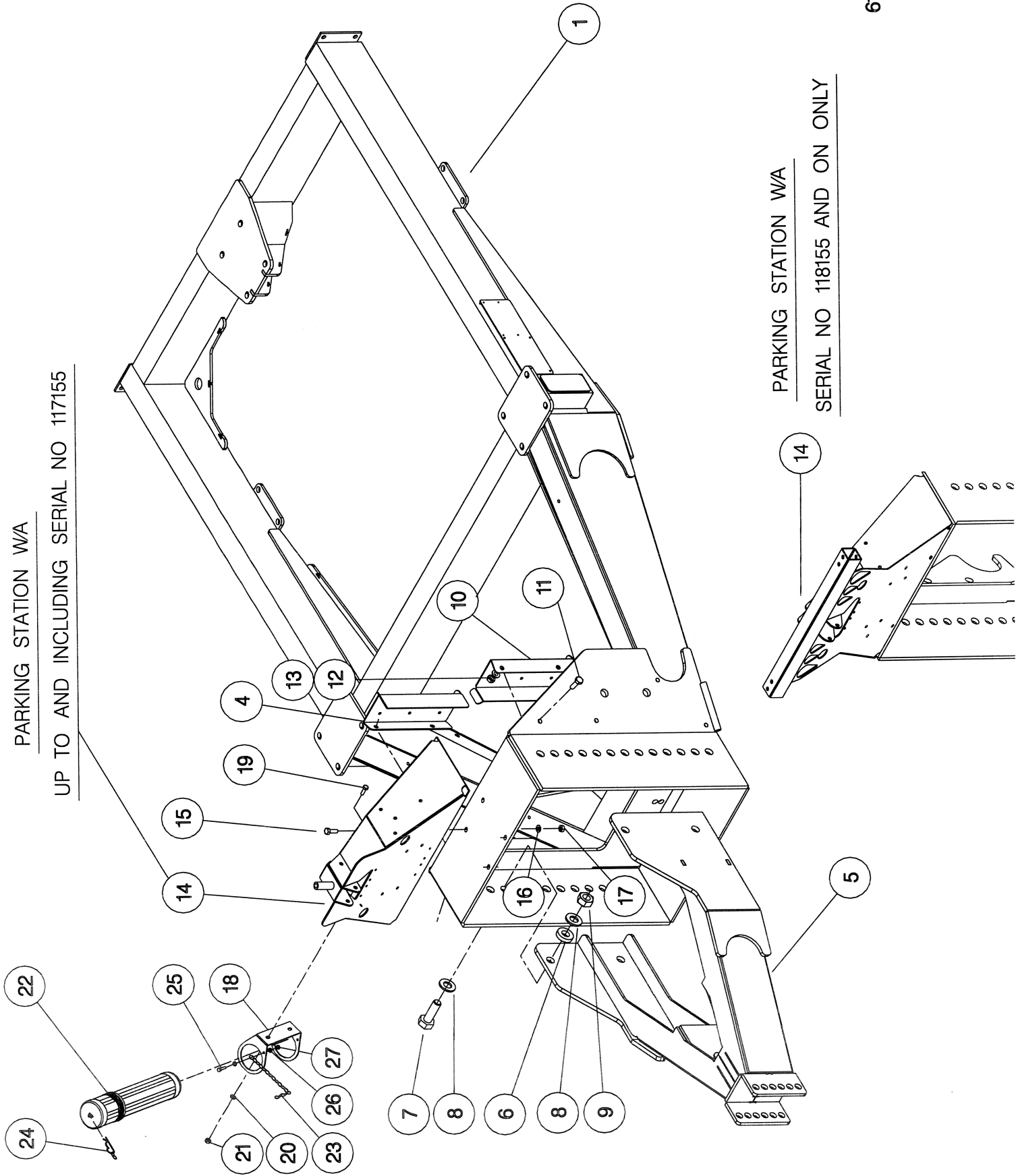


Shelbourne Reynolds Engineering Limited

ASSY NUMBER: 619111 02			ASSY DESCRIPTION: CHASSIS & DRAWBAR SUB ASSY (POPULAR)				
ITEM	PART NO	DESCRIPTION	QTY	ITEM	PART NO	DESCRIPTION	QTY
1	613633 01	CHASSIS W/A	1				
2							
3							
4	613516 02	HOSE TIDY RH	1				
5	613415 01	DRAWBAR W/A	1				
6	190119 94	WASHER	4				
7	BLTA24530	BOLT	4				
8	WSH-0036	WASHER	8				
9	NUT-0275	NUT	4				
10	613516 01	HOSE TIDY LH	1				
11	HSS-0241	SETSCREW	4				
12	WSH-0018	WASHER	4				
13	NUT-0269	NUT	4				
14	614186 01	PARKING STATION W/A	1				
OR	613596 01	(SERIAL No 118155 & ON ONLY) PARKING STATION W/A (UP TO & INC.SER No 117155)	1				
15	HSS-0194	SETSCREW	4				
16	WSH-0015	WASHER	4				
17	NUT-0265	NUT	4				
18	194364 01	CANNISTER BRKT	1				
19	HSS-0140	SETSCREW	2				
20	WSH-0012	WASHER	2				
21	NUT-0263	NUT	2				
22	WDA-00025	MANUAL HOLDER	1				
23	CHN-0145	CHAIN	1				
24	RCL-0015	R-CLIP	• 17m 1				
25	HSS-0086	SETSCREW	2				
26	WSH-0009	WASHER	2				
27	NUT-0260	NUT	2				

PARKING STATION WA

UP TO AND INCLUDING SERIAL NO 117155



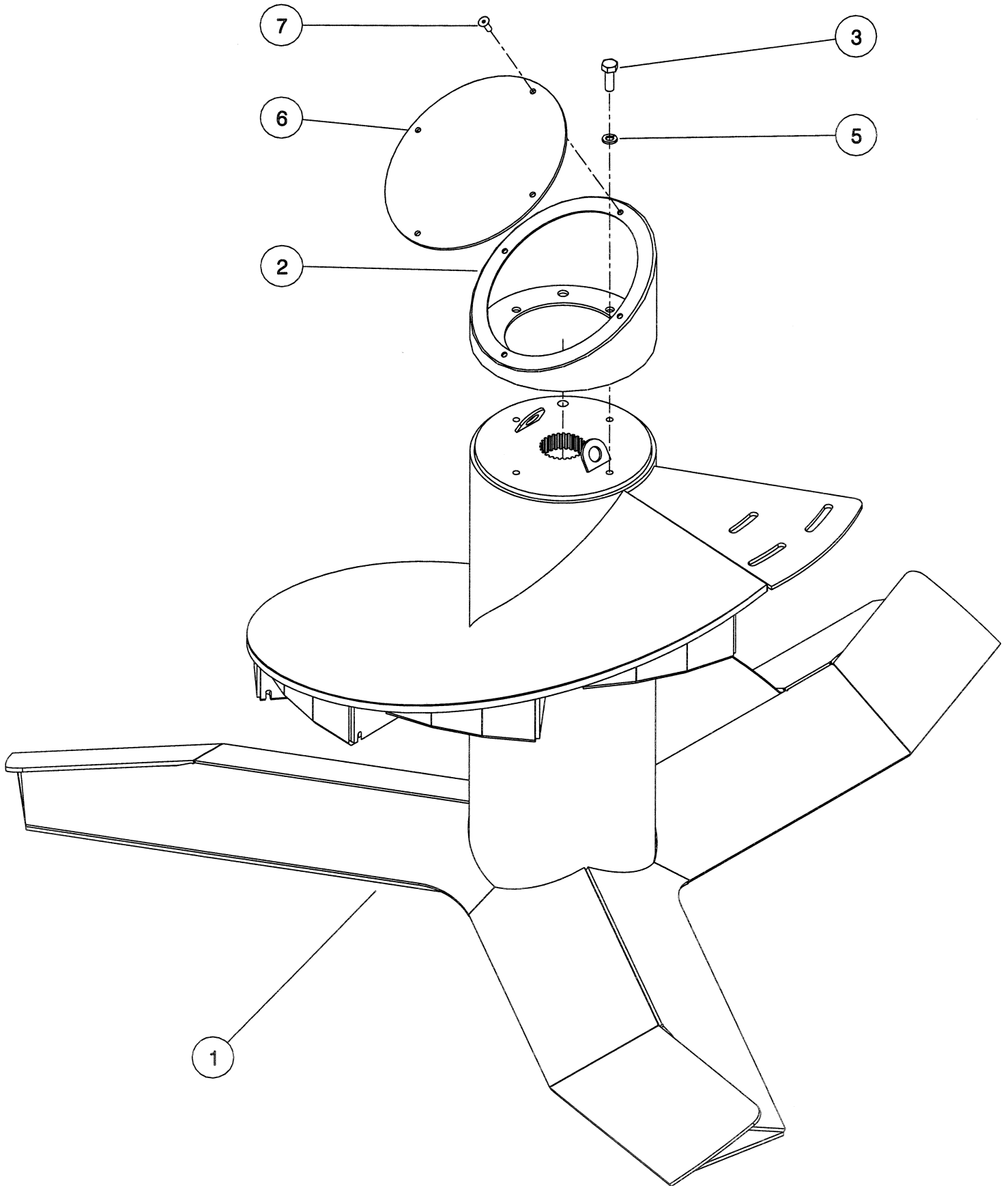
PARKING STATION WA

SERIAL NO 118155 AND ON ONLY

619111 02

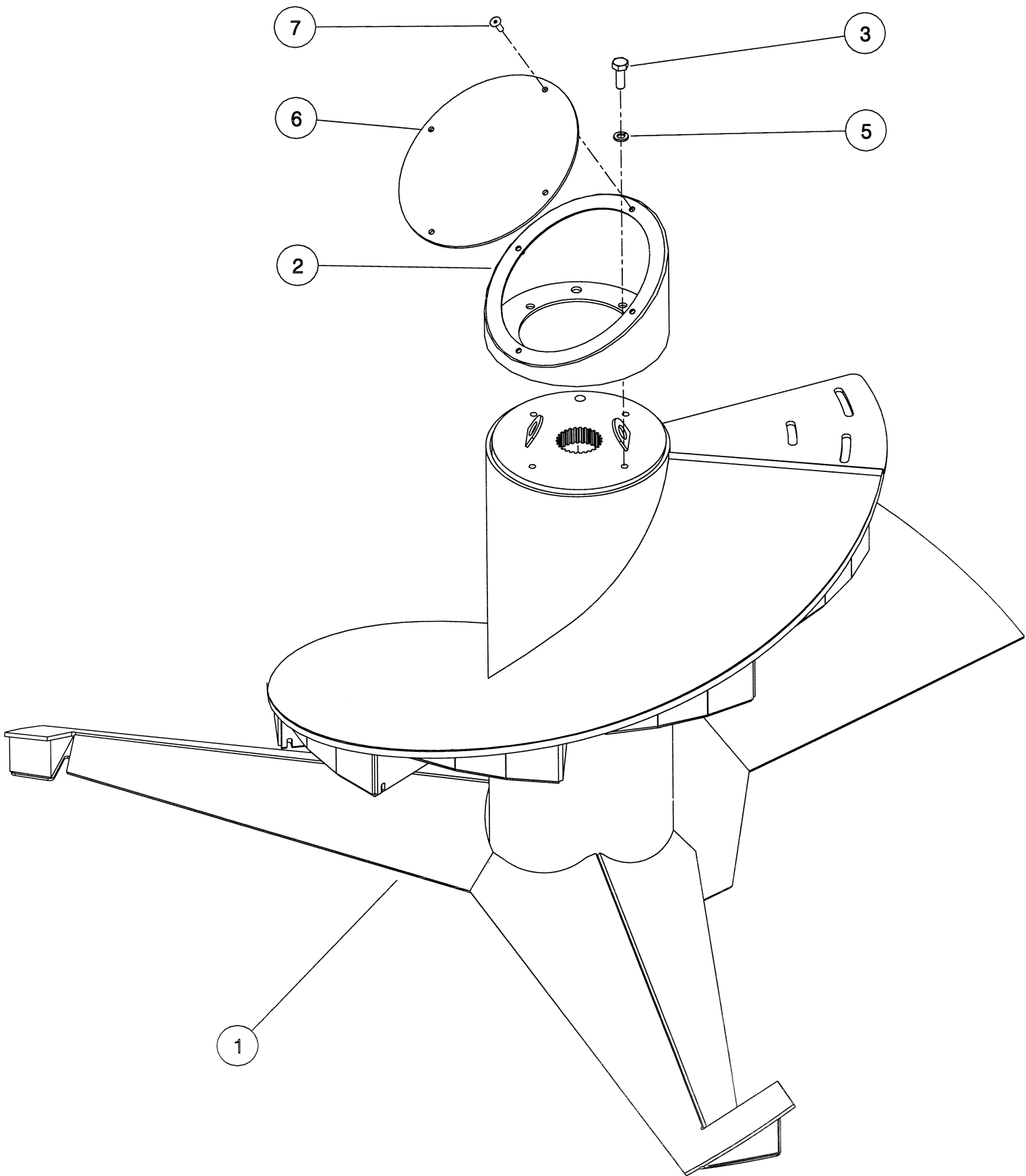
Shelbourne Reynolds Engineering Limited

ASSY NUMBER: 619113 01		ASSY DESCRIPTION: AUGER SUB ASSY					
ITEM	PART NO	DESCRIPTION	QTY	ITEM	PART NO	DESCRIPTION	QTY
1	613543 01	AUGER WELD ASSY	1				
2	613558 01	OBLIQUE AUGER TOP	1				
3	HSS-0316	SETSCREW	4				
4							
5	WSH-0070	WASHER	4				
6	613708 01	ELIPTICAL DISC	1				
7	SCEA10170	CSK SOC HD SCREW	4				



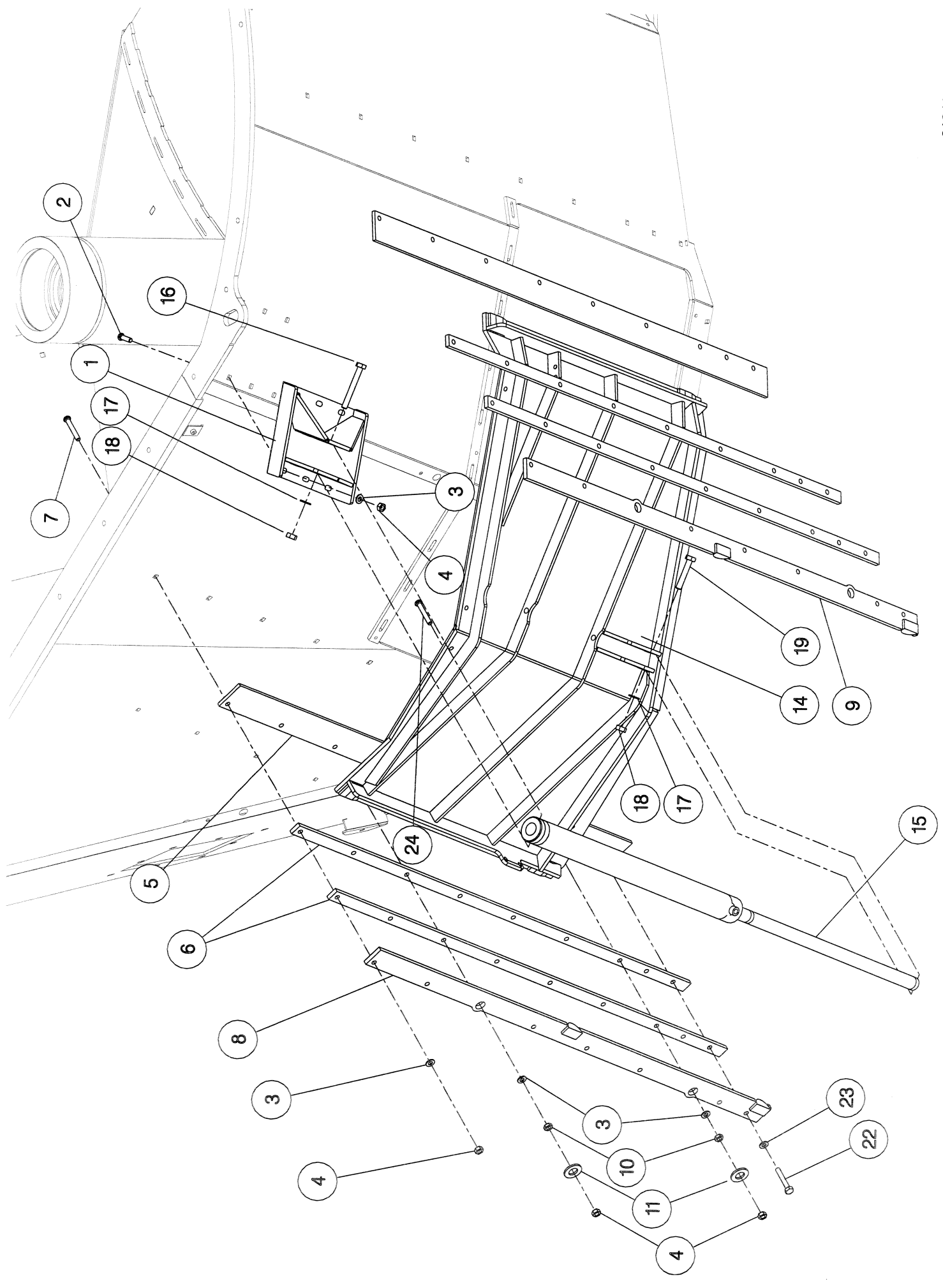
Shelbourne Reynolds Engineering Limited

ASSY NUMBER: 619113 02		ASSY DESCRIPTION: AUGER SUB ASSY (EXPRESS STYLE)					
ITEM	PART NO	DESCRIPTION	QTY	ITEM	PART NO	DESCRIPTION	QTY
1	614022 01	AUGER WELD ASSY	1				
2	613558 01	OBLIQUE AUGER TOP	1				
3	HSS-0316	SETSCREW	4				
4							
5	WSH-0070	WASHER	4				
6	613708 01	ELLIPTICAL DISC	1				
7	SCEA10170	CSK SOC HD SCREW	4				



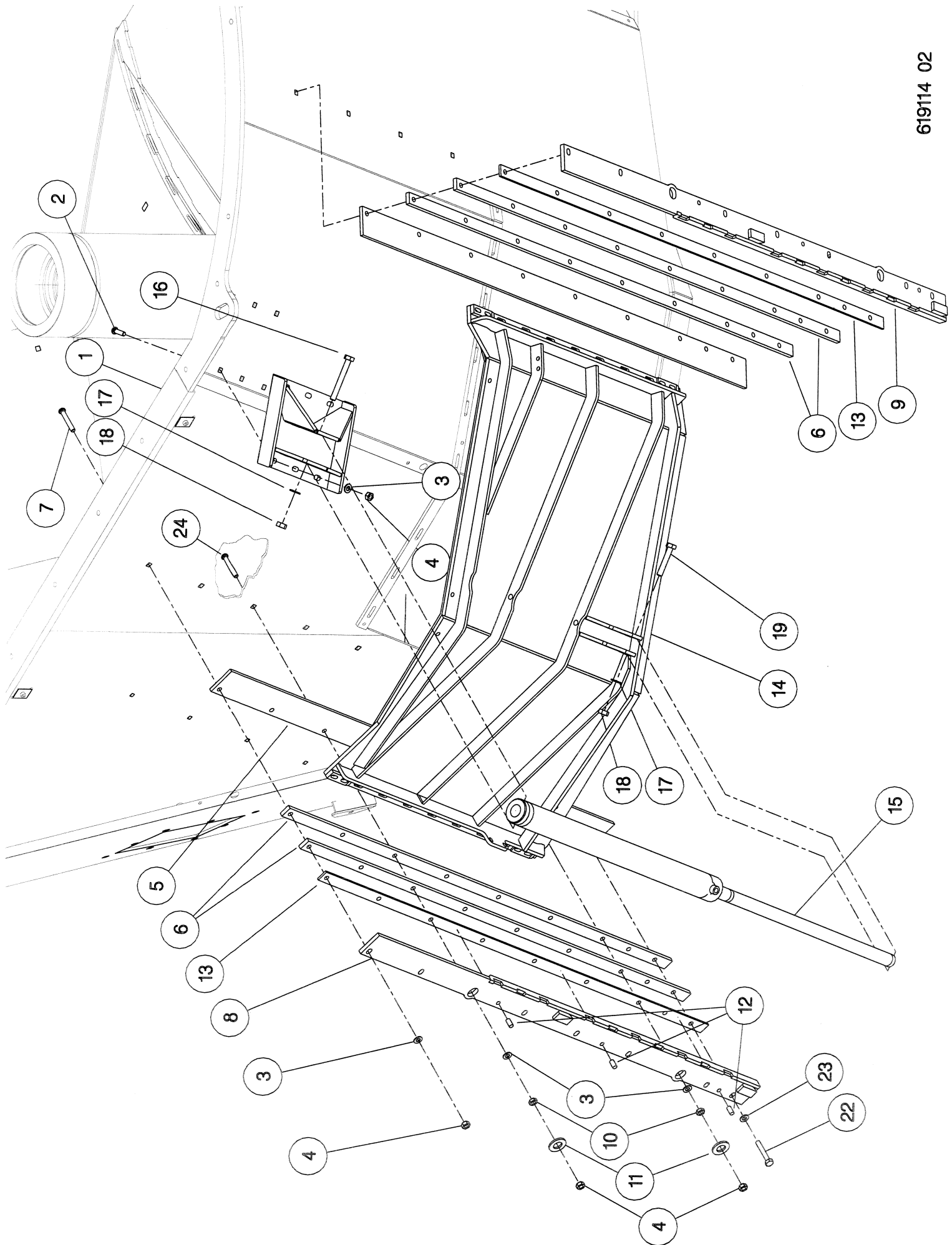
Shelbourne Reynolds Engineering Limited

ASSY NUMBER: 619114 01		ASSY DESCRIPTION: SIDE DOOR SUB ASSY					
ITEM	PART NO	DESCRIPTION	QTY	ITEM	PART NO	DESCRIPTION	QTY
1	613510 01	RAM BRKT W/A	1				
2	BLT-3750	COACHBOLT	6				
3	WSH-0015	WASHER	23				
4	NUT-0265	NUT	23				
5	613505 01	BACKING STRIP	2				
6	613504 01	SIDE RUNNER	4				
7	BLTF10413	COACHBOLT	13				
8	613501 01	LH KEEP PLATE W/A	1				
9	613501 02	RH KEEP PLATE W/A	1				
10	NUT-0365	NUT	4				
11	190548 50	WASHER	4				
12							
13							
14	613515 01	SIDE DOOR W/A	1				
15	610908 01	HYDRAULIC RAM	1				
16	BLT-2270	BOLT	1				
17	WSH-0018	WASHER	2				
18	NUT-0269	NUT	2				
19	BLTA12440	BOLT	1				
20							
21							
22	BLTA10410	BOLT	1				
23	WSH-0061	WASHER	1				
24	BLTF10443	COACHBOLT	4				



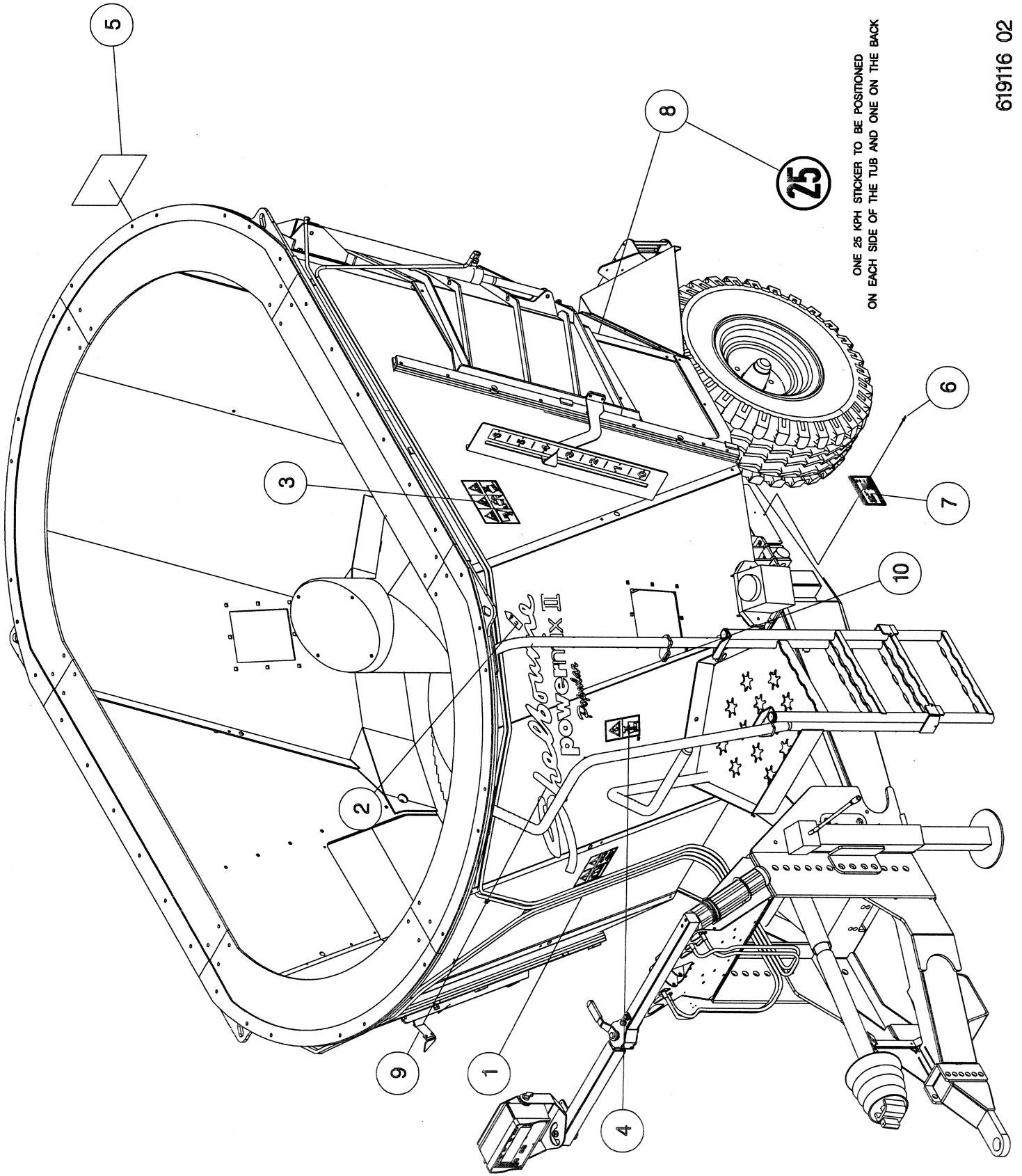
Shelbourne Reynolds Engineering Limited

ASSY NUMBER: 619114 02		ASSY DESCRIPTION: SIDE DOOR SUB ASSY					
ITEM	PART NO	DESCRIPTION	QTY	ITEM	PART NO	DESCRIPTION	QTY
1	613510 01	RAM BRKT W/A	1				
2	BLT-3750	COACHBOLT	6				
3	WSH-0015	WASHER	23				
4	NUT-0265	NUT	23				
5	613505 01	BACKING STRIP	2				
6	613504 01	SIDE RUNNER	4				
7	BLTF10443	COACHBOLT	13				
8	614036 01	LH KEEP PLATE W/A	1				
9	614036 02	RH KEEP PLATE W/A	1				
10	NUT-0365	NUT	4				
11	190548 50	WASHER	4				
12	PIN-41011	ROLL PIN	6				
13	613504 02	SIDE RUNNER	2				
14	614037 01	SIDE DOOR W/A	1				
15	610908 01	HYDRAULIC RAM	1				
16	BLT-2270	BOLT	1				
17	WSH-0018	WASHER	2				
18	NUT-0269	NUT	2				
19	BLTA12440	BOLT	1				
20							
21							
22	BLTA10440	BOLT	1				
23	WSH-0061	WASHER	1				
24	BLTF10503	COACHBOLT	4				



Shelbourne Reynolds Engineering Limited

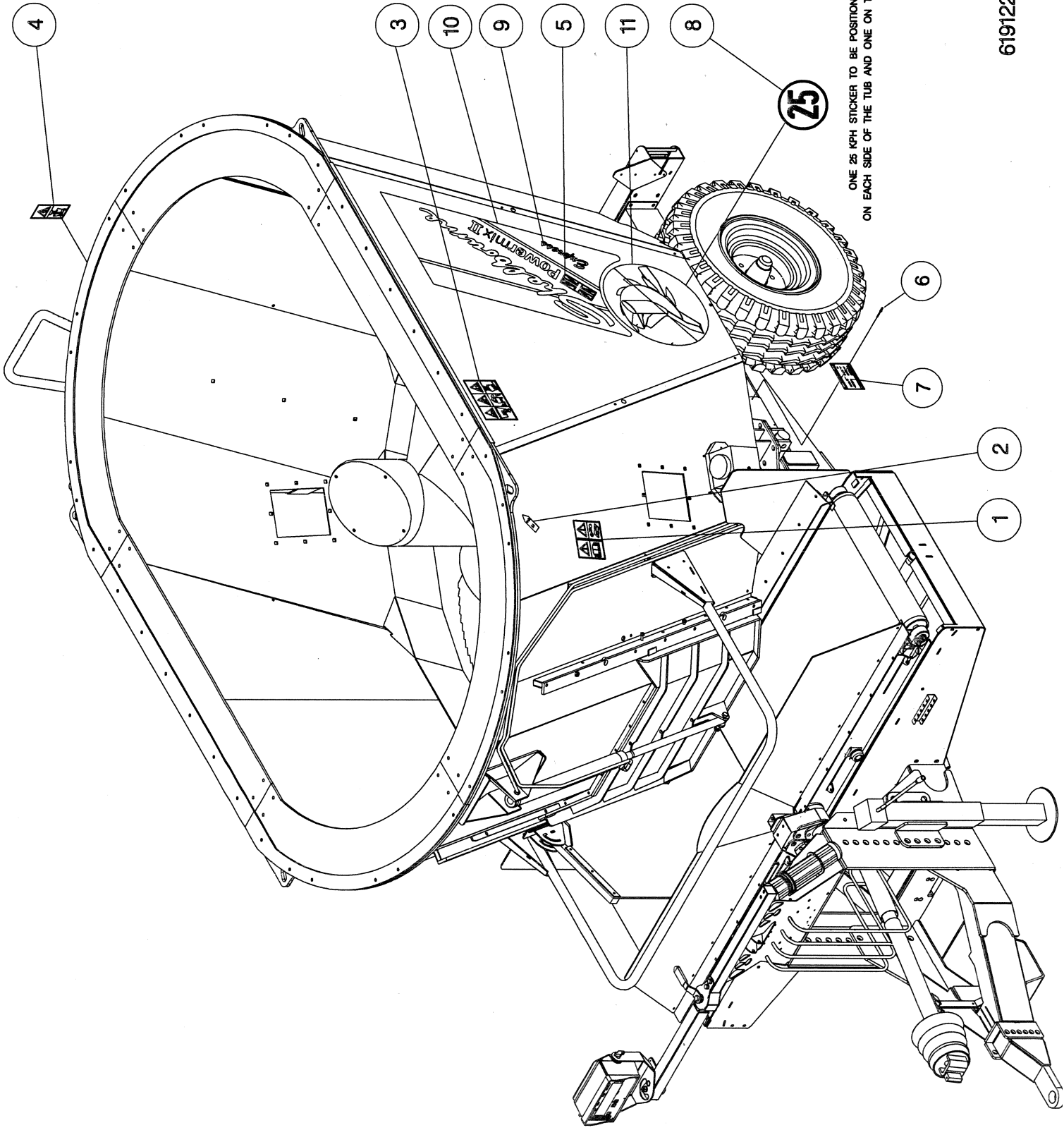
ASSY NUMBER: 619116 02		ASSY DESCRIPTION: POPULAR TRANSFERS SUB ASSY					
ITEM	PART NO	DESCRIPTION	QTY	ITEM	PART NO	DESCRIPTION	QTY
1	TNF-0011	EMBLEM (BLOCK TRANSFER)	1				
2	190702 04	EMBLEM (SLING POINT)	4				
3	610253 01	EMBLEM (BLOCK TRANSFER)	2				
4	610259 01	EMBLEM (LADDER WARNING)	1				
5	610563 01	EMBLEM (UNION JACK)	1				
6	POP-0006	POP RIVET	4				
7	590145 01	IDENTIFICATION PLATE (UK)	1				
OR	TNF-0201	IDENTIFICATION PLATE (GER)	1				
OR	612269 01	IDENTIFICATION PLATE (US)	1				
8	611033 01	25 KMPH EMBLEM	3				
OR	612610 01	6 KMPH EMBLEM	3				
9	613876 01	DECAL-SHELBOURNE P/MIX II	2				
10	613878 01	DECAL-POPULAR	2				



ONE 25 MPH STICKER TO BE POSITIONED
ON EACH SIDE OF THE TUB AND ONE ON THE BACK

Shelbourne Reynolds Engineering Limited

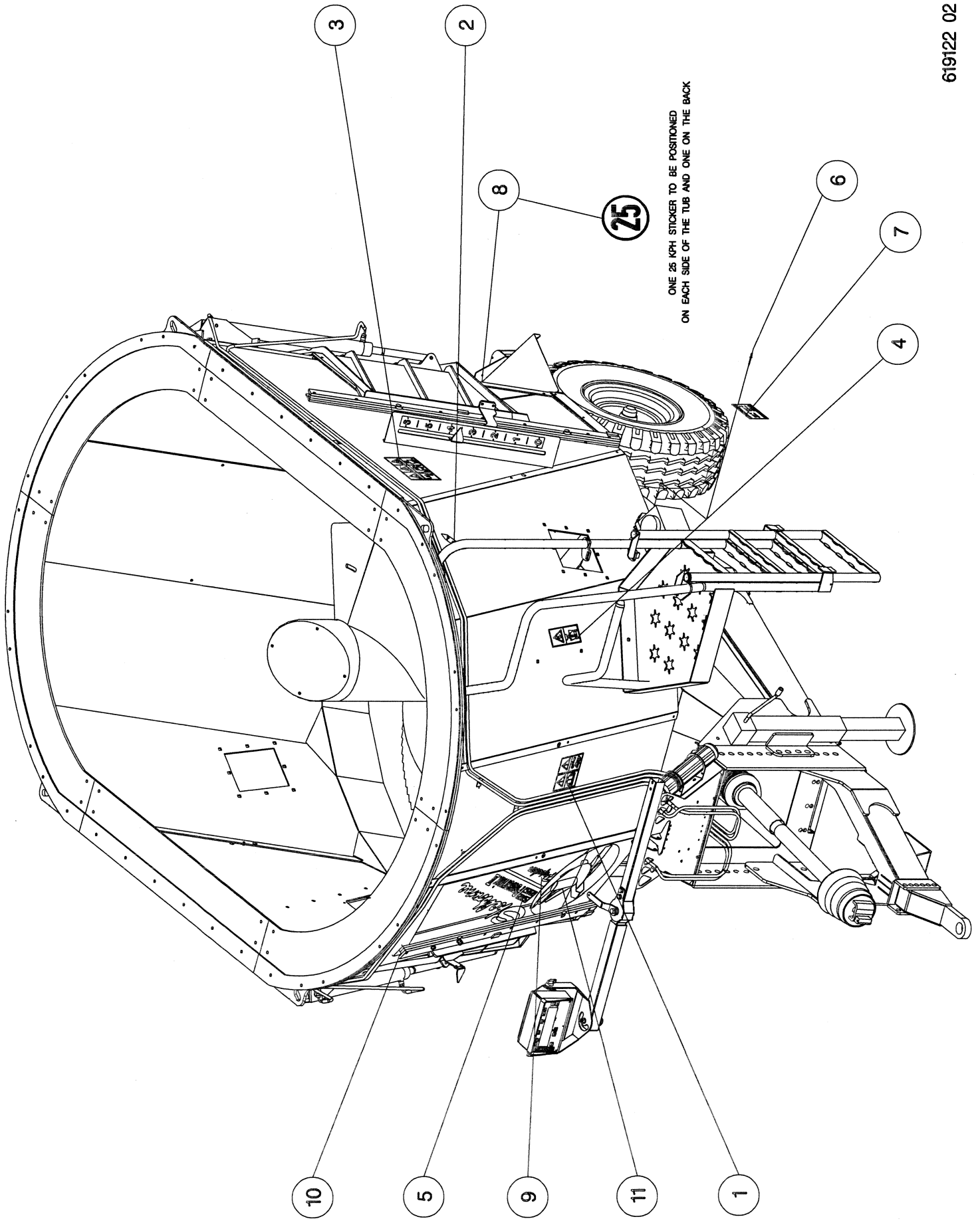
ASSY NUMBER: 619122 01`		ASSY DESCRIPTION: EXPRESS TRANSFERS SUB ASSY					
ITEM	PART NO	DESCRIPTION	QTY	ITEM	PART NO	DESCRIPTION	QTY
1	TNF-0011	EMBLEM (BLOCK TRANSFER)	1				
2	190702 04	EMBLEM (SLING POINT)	4				
3	610253 01	EMBLEM (BLOCK TRANSFER)	2				
4	610259 01	EMBLEM (LADDER WARNING)	1				
5	613999 01	EMBLEM (UNION JACK)	2				
6	POP-0006	POP RIVET	4				
7	590145 01	IDENTIFICATION PLATE (UK)	1				
OR	TNF-0201	IDENTIFICATION PLATE (GER)	1				
OR	612269 01	IDENTIFICATION PLATE (US)	1				
8	611033 01	25 KMPH EMBLEM	3				
OR	612610 01	6 KMPH EMBLEM	3				
9	613877 01	DECAL-EXPRESS	2				
10	613996 01	EMBLEM (LH POWERMIX II)	2				
11	613998 01	EMBLEM (AUGER)	2				



ONE 25 KPH STICKER TO BE POSITIONED
ON EACH SIDE OF THE TUB AND ONE ON THE BACK

Shelbourne Reynolds Engineering Limited

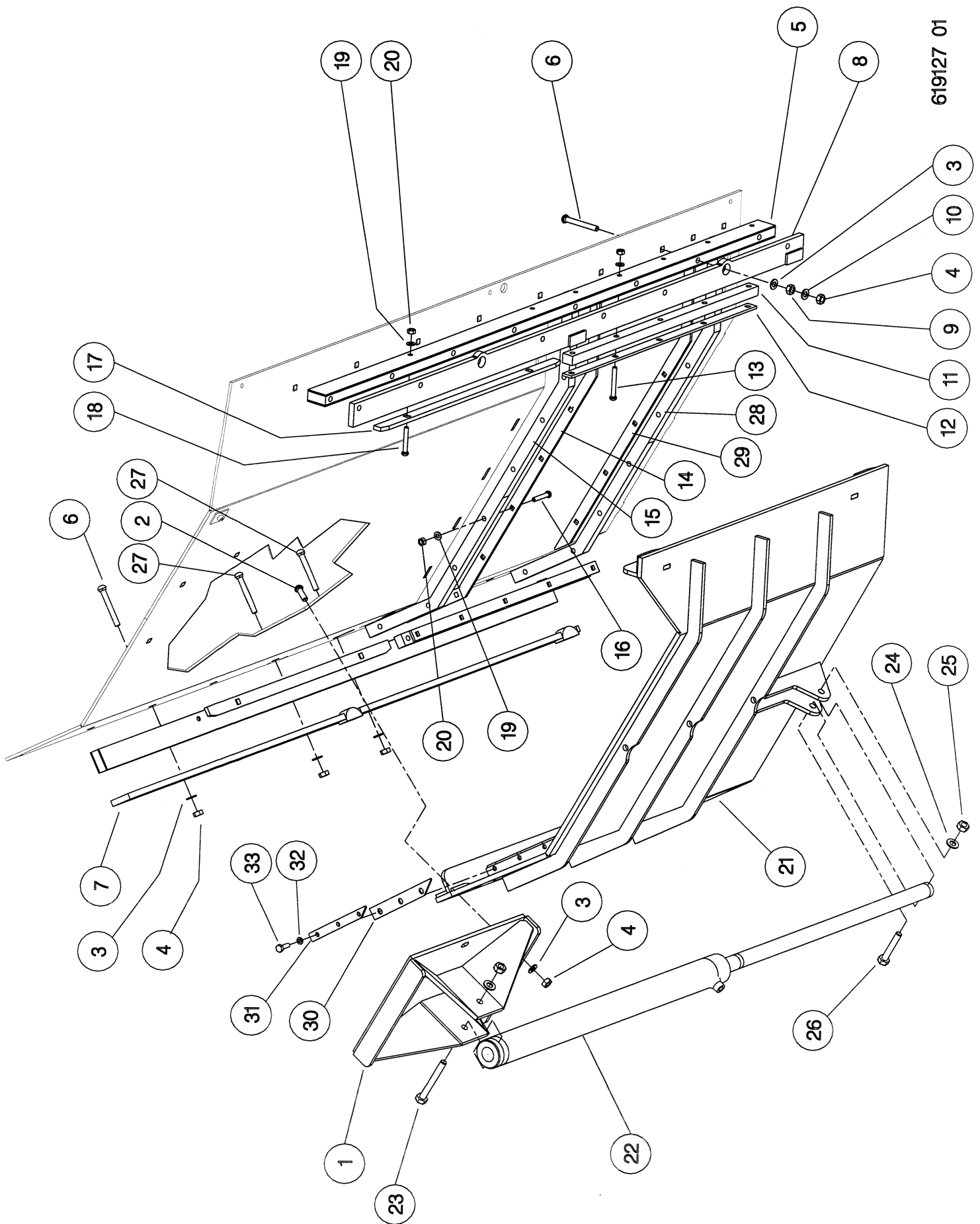
ASSY NUMBER: 619122 02		ASSY DESCRIPTION: POPULAR TRANSFERS SUB ASSY					
ITEM	PART NO	DESCRIPTION	QTY	ITEM	PART NO	DESCRIPTION	QTY
1	TNF-0011	EMBLEM (BLOCK TRANSFER)	1				
2	190702 04	EMBLEM (SLING POINT)	4				
3	610253 01	EMBLEM (BLOCK TRANSFER)	2				
4	610259 01	EMBLEM (LADDER WARNING)	1				
5	613999 01	EMBLEM (UNION JACK)	2				
6	POP-0006	POP RIVET	4				
7	590145 01	IDENTIFICATION PLATE (UK)	1				
OR	TNF-0201	IDENTIFICATION PLATE (GER)	1				
OR	612269 01	IDENTIFICATION PLATE (US)	1				
8	611033 01	25 KMPH EMBLEM	3				
OR	612610 01	6 KMPH EMBLEM	3				
9	613878 01	DECAL-POPULAR	2				
10	613996 01	EMBLEM (LH POWERMIX II)	2				
11	613998 01	EMBLEM (AUGER)	2				



ONE 25 MPH STICKER TO BE POSITIONED ON EACH SIDE OF THE TUB AND ONE ON THE BACK

Shelbourne Reynolds Engineering Limited

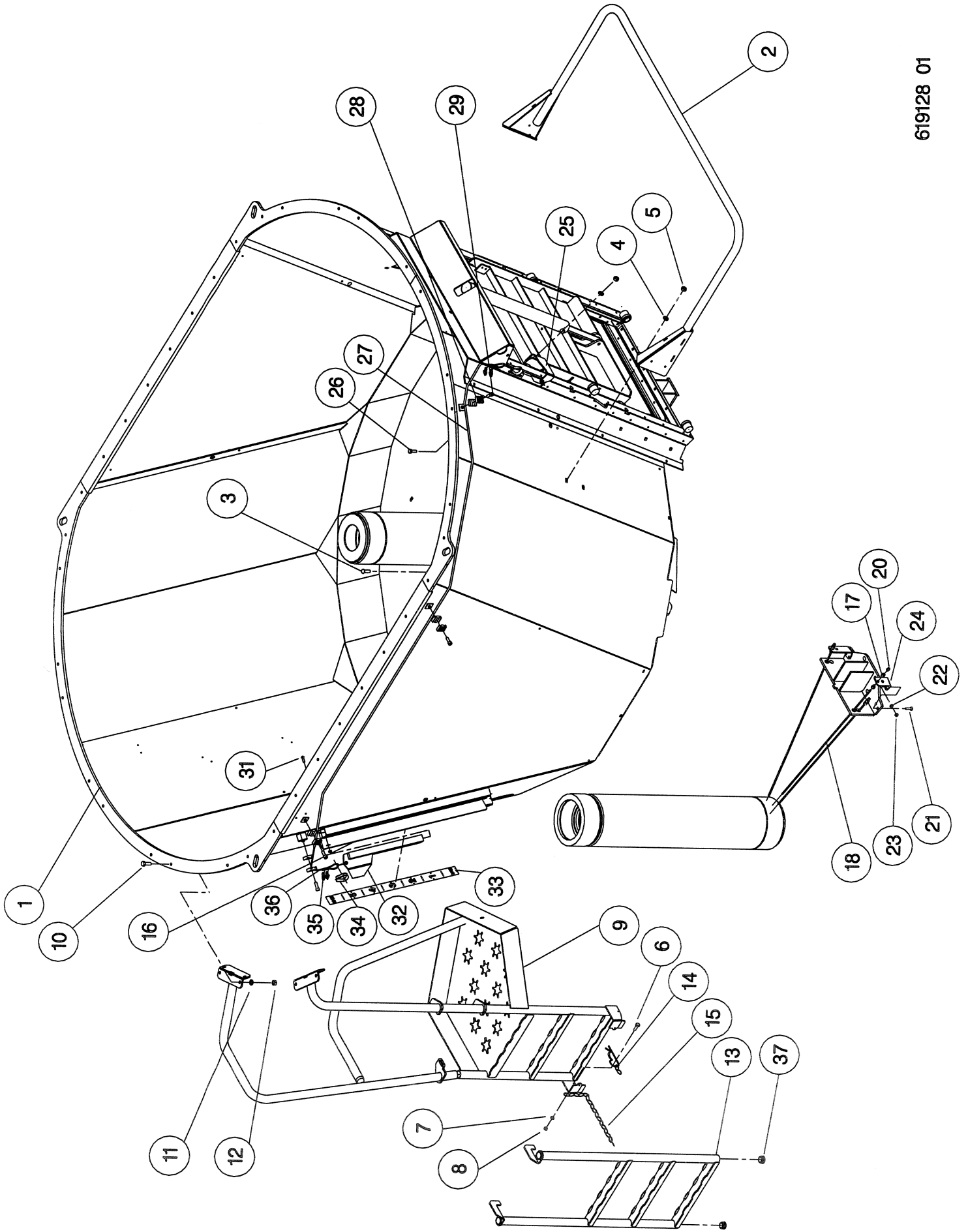
ASSY NUMBER: 619127 01		ASSY DESCRIPTION: FRONT DOOR SUB ASSY					
ITEM	PART NO	DESCRIPTION	QTY	ITEM	PART NO	DESCRIPTION	QTY
1	613496 01	RAM BRKT W/A	1				
2	BLT-3750	COACHBOLT	6				
3	WSH-0015	WASHER	24				
4	NUT-0265	NUT	24				
5	613493 01	VERTICAL FRAME	2				
6	BLTF10503	COACHBOLT	16				
7	613501 01	LH KEEP PLATE W/A	1				
8	613501 02	RH KEEP PLATE W/A	1				
9	NUT-0365	NUT	4				
10	190548 50	WASHER	4				
11	613497 01	FRONT DOOR SEAL(SIDE)	2				
12	613498 01	CLAMP STRIP (SIDE)	2				
13	BLTF08410	COACHBOLT	10				
14	613538 01	DOOR SEAL (BOTTOM)	1				
15	613537 01	CLAMP STRIP (BOTTOM)	1				
16	BLTF08293	COACHBOLT	14				
17	613499 01	TOP DOOR RUNNER	4				
18	BLTF08353	COACHBOLT	4				
19	WSH-0012	WASHER	28				
20	NUT-0263	NUT	28				
21	614137 01	FRONT DOOR W/A	1				
22	610908 01	HYDRAULIC RAM	1				
23	BLT-2270	BOLT	1				
24	WSH-0018	WASHER	2				
25	NUT-0269	NUT	2				
26	BLTA12440	BOLT	1				
27	BLTF10533	COACHBOLT	2				
28	614138 01	DOOR SEAL(TOP)	1				
29	614139 01	CLAMP STRIP(TOP)	1				
30	614140 01	TOP DOOR SEAL	1				
31	614141 01	CLAMP STRIP	1				
32	WSH-0058	WASHER	3				
33	HSS-0145	SETSCREW	3				



619127 01

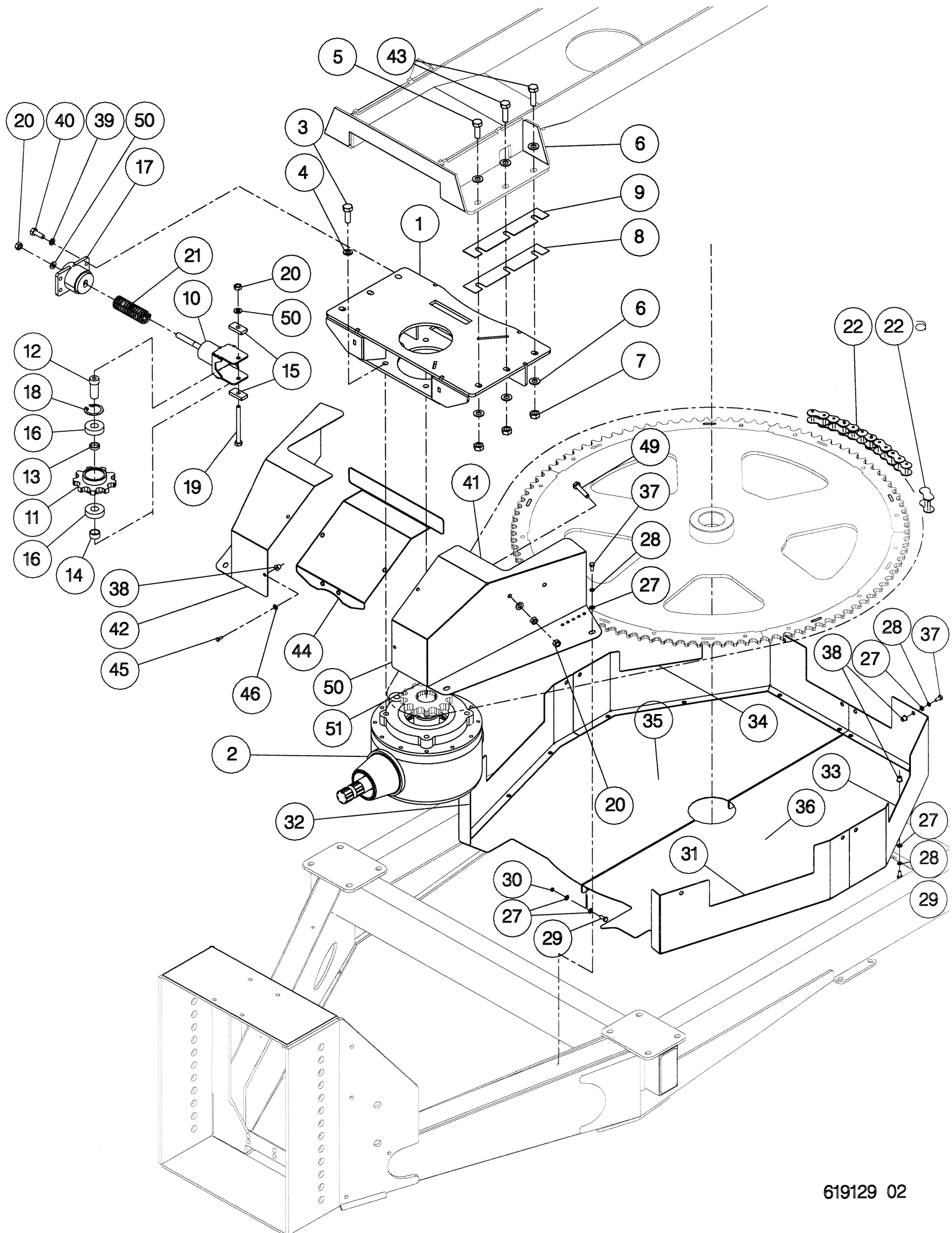
Shelbourne Reynolds Engineering Limited

ASSY NUMBER: 619128 01		ASSY DESCRIPTION: 9m CU REAR DOOR TUB SUB ASSY					
ITEM	PART NO	DESCRIPTION	QTY	ITEM	PART NO	DESCRIPTION	QTY
1	614146 01	9m Cu TUB W/A	1				
2	613616 01	GUARD RAIL W/A	1				
3	BLT-3790	COACHBOLT	7				
4	WSH-0018	WASHER	7				
5	NUT-0269	NUT	7				
6	HSS-0086	SETSCREW	1				
7	WSH-0009	WASHER	1				
8	NUT-0260	NUT	1				
9	613592 01	PLATFORM W/A	1				
10	HSS-0210	BOLT	4				
11	WSH-0015	WASHER	6				
12	NUT-0265	NUT	6				
13	613764 01	LADDER W/A	1				
14	CLP-00105	R-CLIP	1				
15	CHN-0145	CHAIN	1				
16	611830 01	SPACER PLATE	•17m				
17	HPTB58001	STR. FEMALE STUD FITTING	2				
18	614111 01	GREASE PIPE	3				
19			3				
20	NIP-0001	GREASE NIPPLE	3				
21	HSS-0150	SETSCREW	4				
22	WSH-0012	WASHER	7				
23	NUT-0263	NUT	7				
24	614154 01	NIPPLE MTG PLATE	2				
25	614130 01	HEIGHT INDICATOR	1				
26	HSS-0194	SETSCREW	2				
27	614131 01	CABLE TUBE	1				
28	FIT-1000	CLAMP BASE	4				
29	SCW-0092	CAP HD SCREW	4				
30	613811 01	DOOR HEIGHT INDICATOR	1				
31	BLT-2700	COACHBOLT	3				
32	613809 01	POINTER	1				
33	613779 02	DECAL DOOR HEIGHT	1				
34	WRP-01040	THIMBLE	2				
35	WRP-02040	CLAMP	4				
36	WRP-00040	CABLE	4m				
37	PTF-00134	PLASTIC CAP INSERT	2				



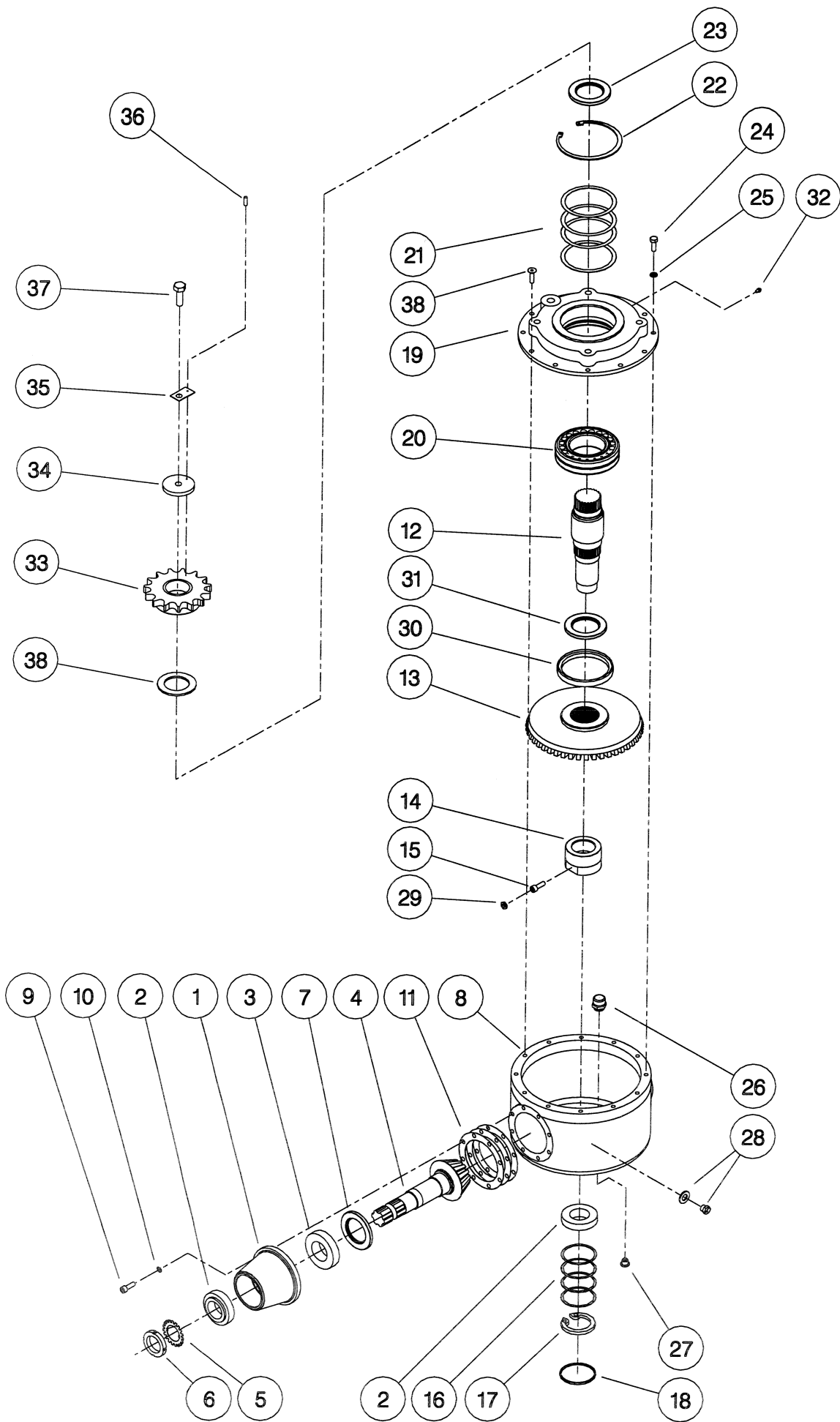
Shelbourne Reynolds Engineering Limited

ASSY NUMBER: 619129 02		ASSY DESCRIPTION: AUGER DRIVE SUB ASSY (POPULAR)					
ITEM	PART NO	DESCRIPTION	QTY	ITEM	PART NO	DESCRIPTION	QTY
1	613387 01	GEARBOX MTG BRKT W/A	1	38	NUTA13080	NUTSERT	26
2	GEA-0168	BEVEL GEARBOX ASSY	1	39	WSH-0065	WASHER	4
3	HSS-0315	SETSCREW	4	40	HSS-0250	SETSCREW	4
4	WSHA30161	LOCK WASHER	4	41	614173 01	DRIVE GUARD LH	1
5	HSS-0319	SETSCREW	4	42	614173 02	DRIVE GUARD RH	1
6	WSH-0024	WASHER	13	43	HSS-0322	SETSCREW	2
7	NUT-0271	NUT	7	44	614174 01	COVER PLATE	1
8	610841 01	SHIM (1mm)	2	45	HSS-0140	SETSCREW	2
9	610841 02	SHIM (2mm)	6	46			
10	614190 01	SPROCKET ADJUSTER ASSY	1	47			
11	613390 01	TENSIONER SPROCKET	1	48	NIP-00600	GREASE NIPPLE	1
12	613692 01	TENSIONER SPROCKET BOSS	1	49	HSS-0275	SETSCREW	2
13	612806 02	SPACER TUBE	1	50	WSH-0018	WASHER	3
14	612806 03	SPACER TUBE	1	51	NUT-0170	NUT	2
15	614223 01	SLIDING PLATE	2				
16	BRG-3358	BEARING	2				
17	614200 01	SPRING KEEP PLATE	1				
18	CIR-0620	CIRCLIP	1				
19	BLT-2273	BOLT	1				
20	NUT-0269	NUT	3				
21	SPGE02046	DIE SPRING	1				
22	CHN-04480	CHAIN	1				
22a	CHN-04400	JOINING LINK	1				
23							
24							
25							
26							
27	WSH-1038	WASHER	42				
28	WSH-0058	WASHER	30				
29	HSS-0140	SETSCREW	19				
30	NUT-0263	NUT	6				
31	613521 01	CHAIN DRIVE GUARD LH	1				
32	613521 02	CHAIN DRIVE GUARD RH	1				
33	613519 01	CHAIN DRIVE GUARD LH	1				
34	613519 02	CHAIN DRIVE GUARD RH	1				
35	613529 01	RH BOTTOM CHAIN GUARD	1				
36	613526 01	LH BOTTOM CHAIN GUARD	1				
37	HSS-0150	SETSCREW	14				



Shelbourne Reynolds Engineering Limited

ASSY NUMBER: GEA-0168		ASSY DESCRIPTION: POWERMIX BEVEL GEARBOX (3.36:1)					
ITEM	PART NO	DESCRIPTION	QTY	ITEM	PART NO	DESCRIPTION	QTY
1	610858 01	INPUT HOUSING	1				
2	BRG-7000	TAPER ROLLER BEARING	2				
3	BRG-7020	TAPER ROLLER BEARING	1				
4	613225 01	INPUT PINION (14T)	1				
5	BRG-95015	LOCKWASHER	1				
6	BRG-95010	LOCKNUT	1				
7	SEAB04510	SHAFT SEAL	1				
8	610859 01	MAIN CASE	1				
9	SCW-0195	CAP HEAD SCREW	1				
10	WSH-1301	SHAKEPROOF WASHER	8				
11	610863	INPUT SHIM PACK	8				
12	610866 01	OUTPUT SHAFT	1				
13	613223 01	OUTPUT BEVEL GEAR (47T)	1				
14	611346 01	LOCKING NUT	1				
15	SCGA10178	GRUB SCREW	1				
16	610864	OUTPUT SHIM PACK (BOTTOM)	2				
17	CIR010090	INTERNAL CIRCLIP	1				
18	SEAZ09000	CORE PLUG SEAL	1				
19	613574 01	OUTPUT HOUSING	1				
20	BRG-18041	TAPER ROLLER BEARING	1				
21	610865	OUTPUT SHIM PACK (TOP)	1				
22	CIR010140	INTERNAL CIRCLIP	1				
23	SEAB08000	SHAFT SEAL	1				
24	HSS-0194	SET SCREW	10				
25	WSH-0061	SPRING WASHER	10				
26	FIT-0255	FILLER/BREATHER	1				
27	FIT-0253	MAGNET. DRAIN PLUG	1				
28	FITD000005	LEVEL GAUGE	1				
29	NUT-0365	HALF NUT	1				
30	610966 01	SLEEVE	2				
31	SEAA14000	SHAFT SEAL	1				
32	NIP-00600	GREASE NIPPLE	1				
33	613403 01	SPROCKET 10T	1				
34	610071 01	WASHER	1				
35	610072 01	LOCK TAB	1				
36	PIN-40414	ROLL PIN	1				
37	HSS-0315	SETSCREW	1				
38	SCEA10170	CSK SOC HD SCREW	2				



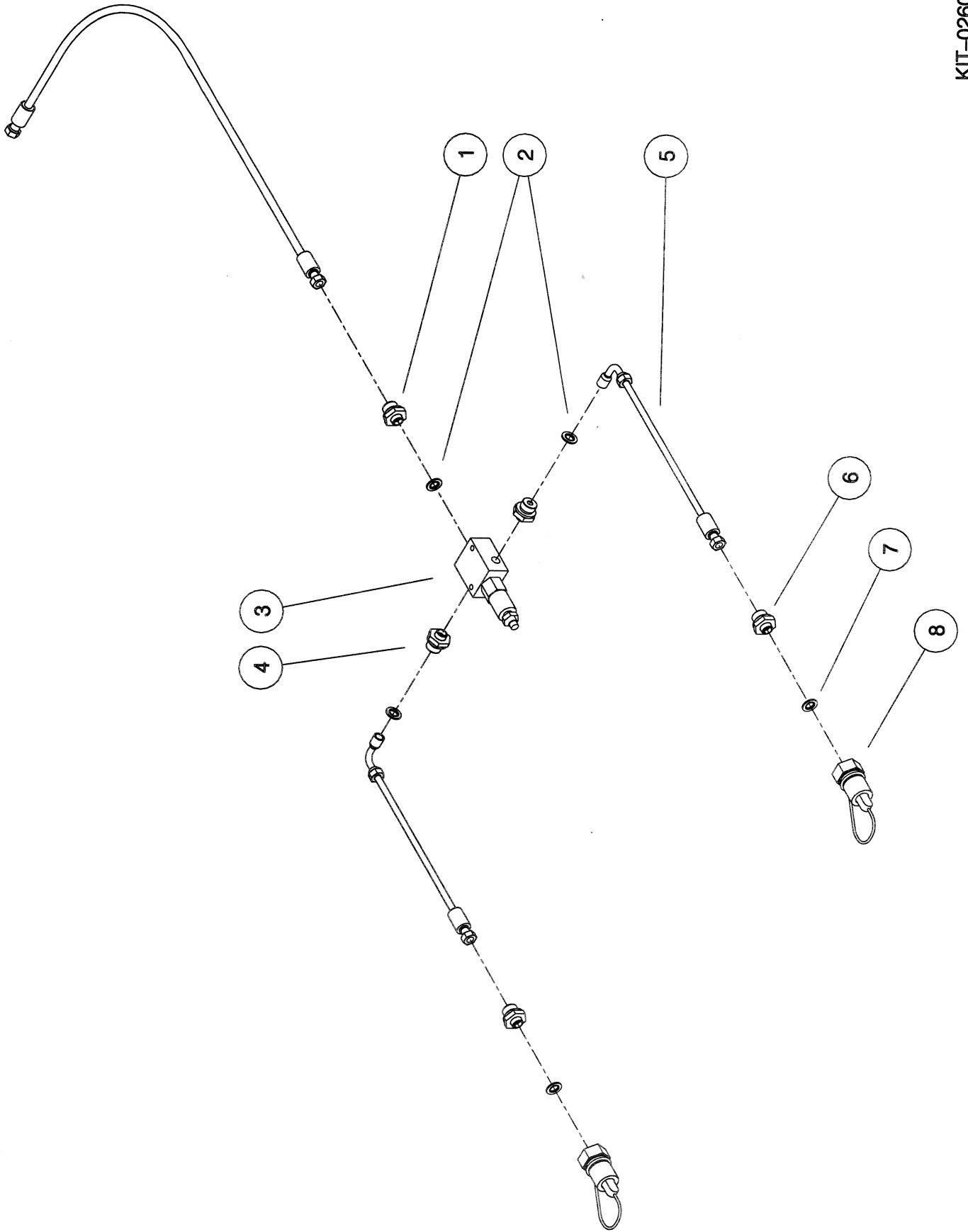
powermix II

Popular

KIT OPTIONS

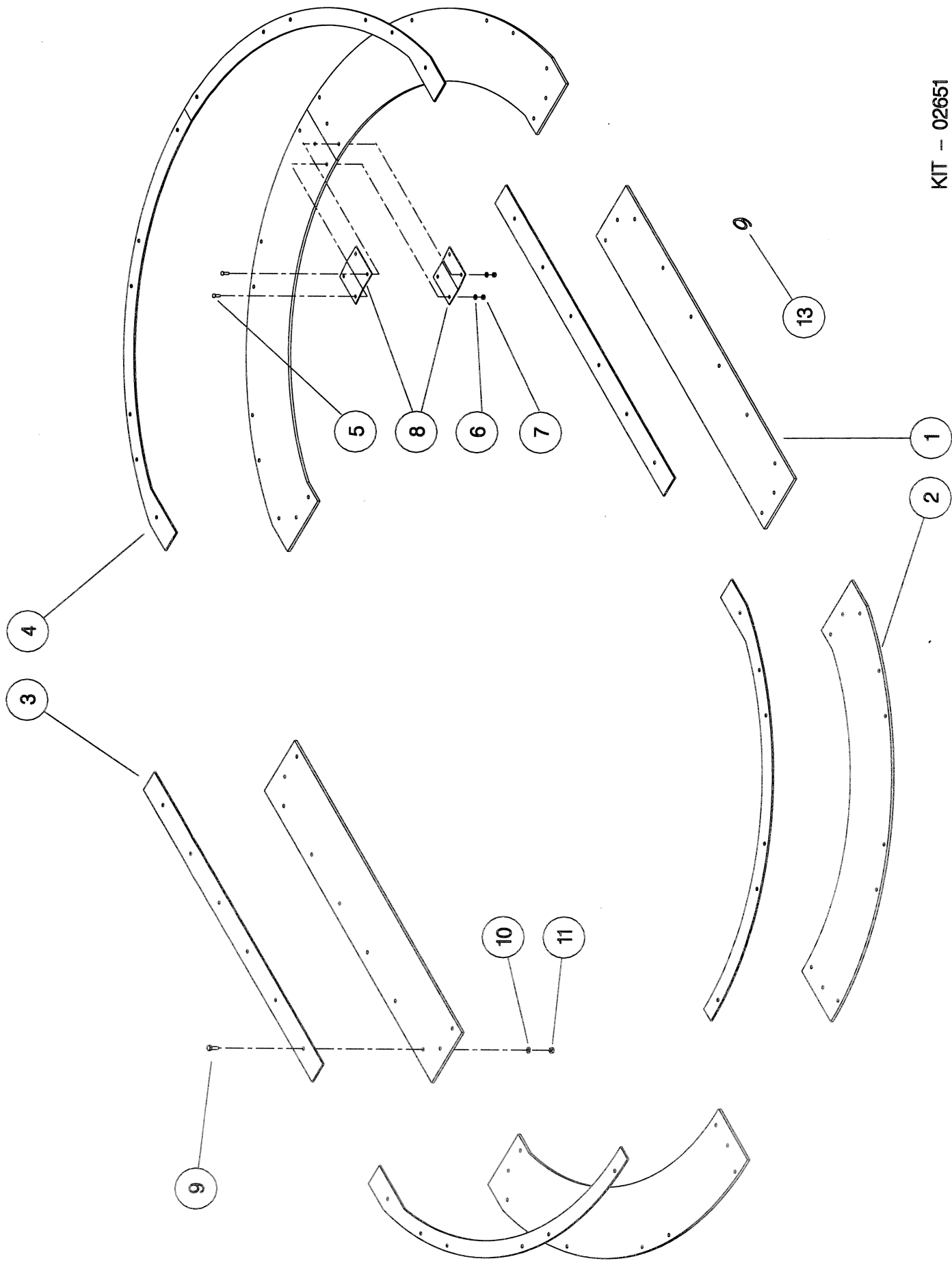
Shelbourne Reynolds Engineering Limited

KIT-02602		ASSY DESCRIPTION: BRAKE RELIEF KIT					
ASSY NUMBER:	KIT-02602	ASSY DESCRIPTION: BRAKE RELIEF KIT					
ITEM	PART NO	DESCRIPTION	QTY	ITEM	PART NO	DESCRIPTION	QTY
1							
2	WSH-1005	DOWTY WASHER	3				
3	HVB-22110	RELIEF VALVE	1				
4	HMA-0052	ADAPTOR	3				
5	HHBC02505	HYDRAULIC HOSE ASSY	2				
6	HMA-0055	ADAPTOR	2				
7	WSH-1015	DOWTY WASHER	2				
8	COU-0162	Q.R COUPLING	2				



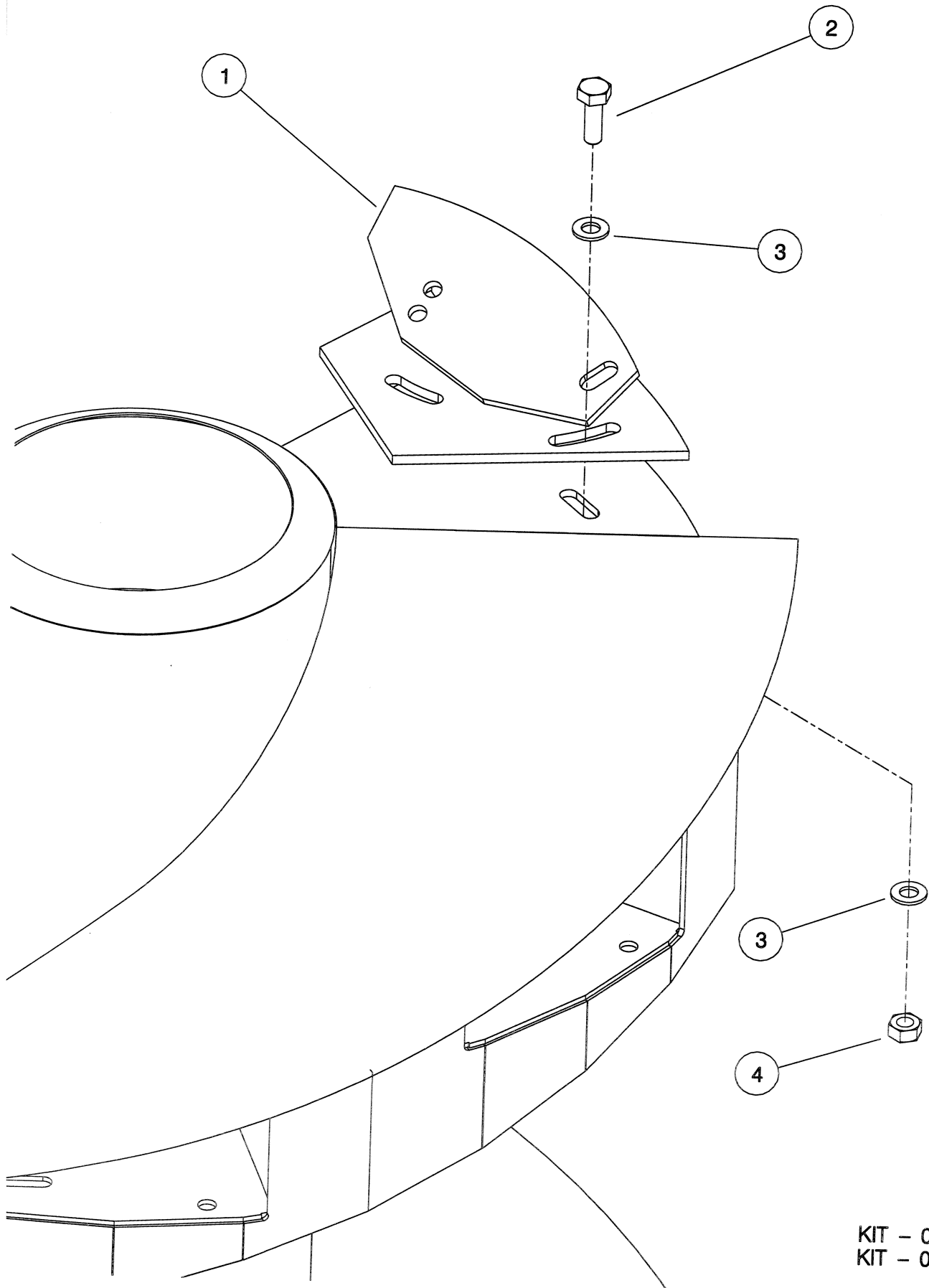
Shelbourne Reynolds Engineering Limited

KIT-02651		ASSY DESCRIPTION: 9m ³ RUBBER RETAINING KIT					
ASSY NUMBER:	PART NO	DESCRIPTION	QTY	ITEM	PART NO	DESCRIPTION	QTY
1	611025 01	RUBBER SECTION	2				
2	610982 01	RUBBER SECTION	4				
3	611029 01	STRAIGHT CLAMP STRIP	2				
4	610979 01	CURVED CLAMP STRIP	4				
5	BLTA10290	SETSCREW	36				
6	WSH-0015	WASHER	36				
7	NUT-0265	NUT	36				
8	611051 01	CLAMP STRIP	12				
9	BLT-2700	COACHBOLT	24				
10	WSH-0012	WASHER	24				
11	NUT-0263	NUT	24				
12							
13	613879 01	TRANSFER No 9	2				



Shelbourne Reynolds Engineering Limited

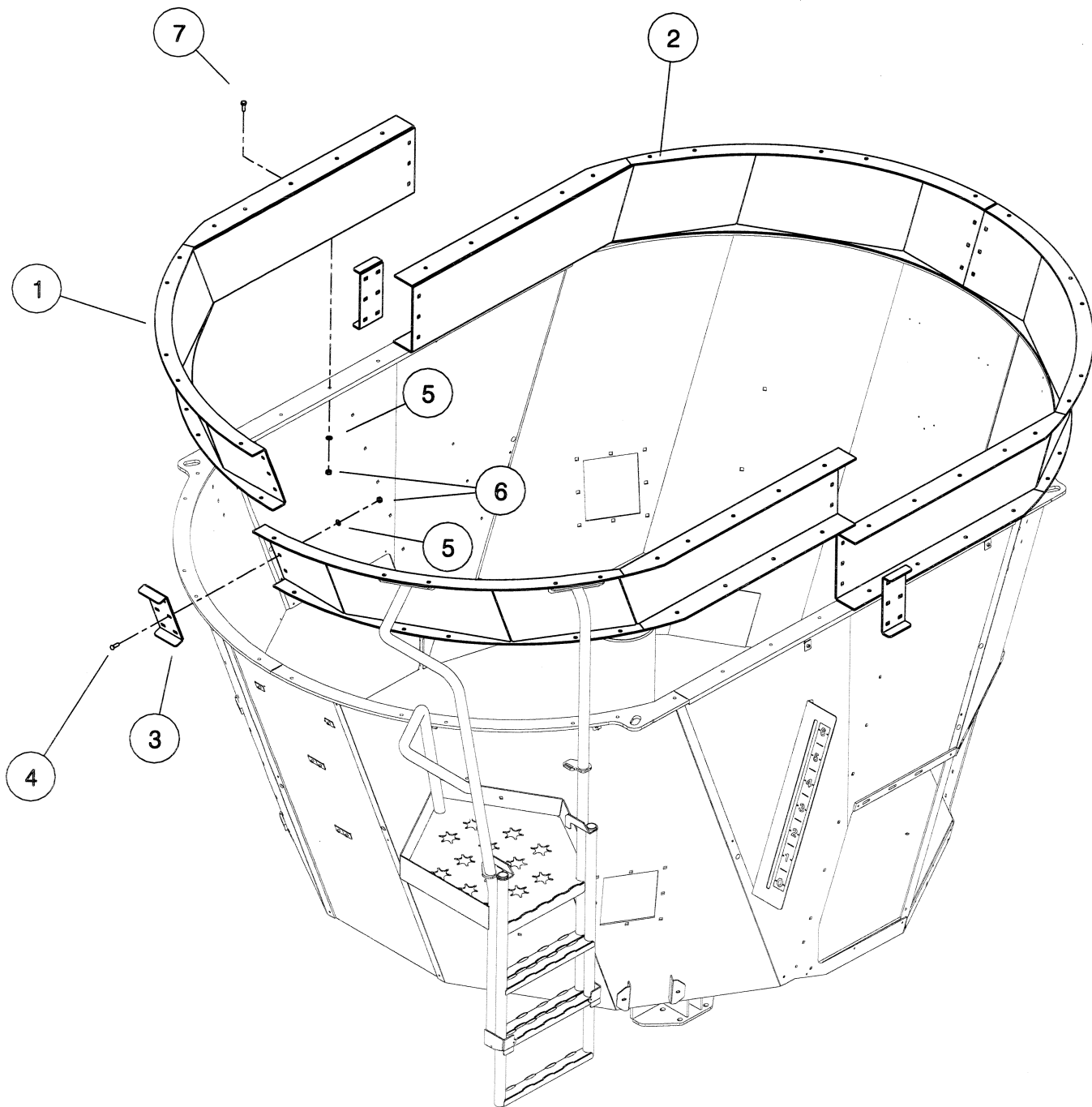
KIT-03201		ASSY DESCRIPTION: KNIFE KICKER SUB					
ASSY NUMBER:	PART NO	DESCRIPTION	QTY	ITEM	PART NO	DESCRIPTION	QTY
1	612410 01	KNIFE KICKER ASSY	1				
2	HSS-0317	SETSCREW	3				
3	WSH-0025	WASHER	6				
4	NUT-0271	NUT	3				



KIT - 03201
KIT - 03344

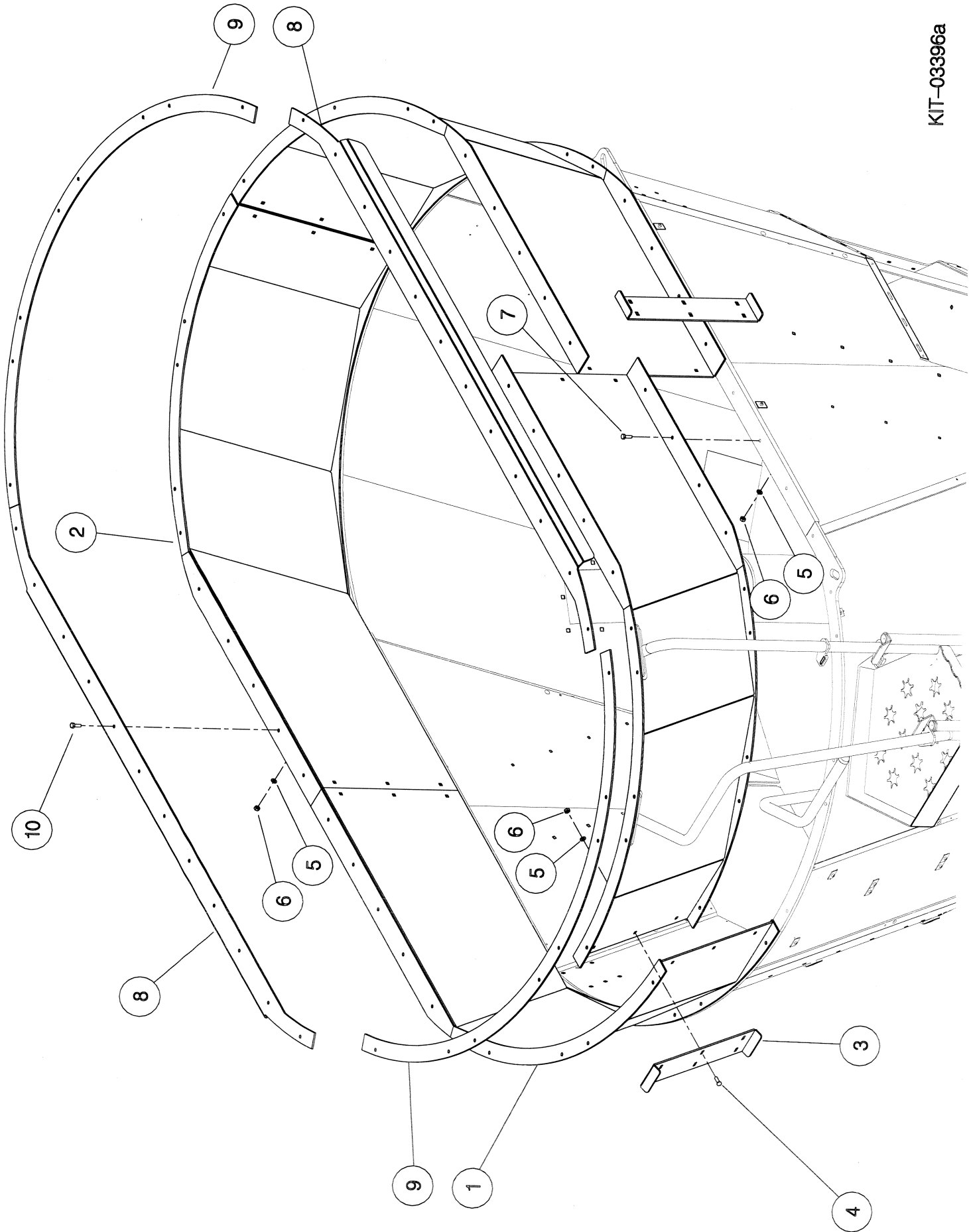
Shelbourne Reynolds Engineering Limited

ASSY NUMBER: KIT-03395a		SUB ASSY DESCRIPTION: 300mm EXTENSION KIT (MK II POWERMIX)					
ITEM	PART NO	DESCRIPTION	QTY	ITEM	PART NO	DESCRIPTION	QTY
1	613269 01	EXTENSION W/A	2				
2	613269 02	EXTENSION W/A	2				
3	613276 01	SIDE CLAMP PLATE	4				
4	BLT-3745	COACHBOLT	24				
5	WSH-0015	WASHER	58				
6	NUT-0265	NUT	58				
7	HSS-0198	SETSCREW	34				



Shelbourne Reynolds Engineering Limited

ASSY NUMBER: KIT-03396a		ASSY DESCRIPTION: 600mm EXTENSION KIT (MK II POWERMIX)				
ITEM	PART NO	DESCRIPTION	QTY	ITEM	PART NO	QTY
1	613278 01	EXTENSION W/A	2			
2	613278 02	EXTENSION W/A	2			
3	613273 01	SIDE CLAMP PLATE	4			
4	BLT-3745	COACHBOLT	24			
5	WSH-0015	WASHER	98			
6	NUT-0265	NUT	98			
7	HSS-0198	SETSCREW	34			
8	614948 01	STRAIGHT CLAMP STRIP	2			
9	613282 01	CURVED CLAMP STRIP	2			
10	HSS-0202	SETSCREW	40			

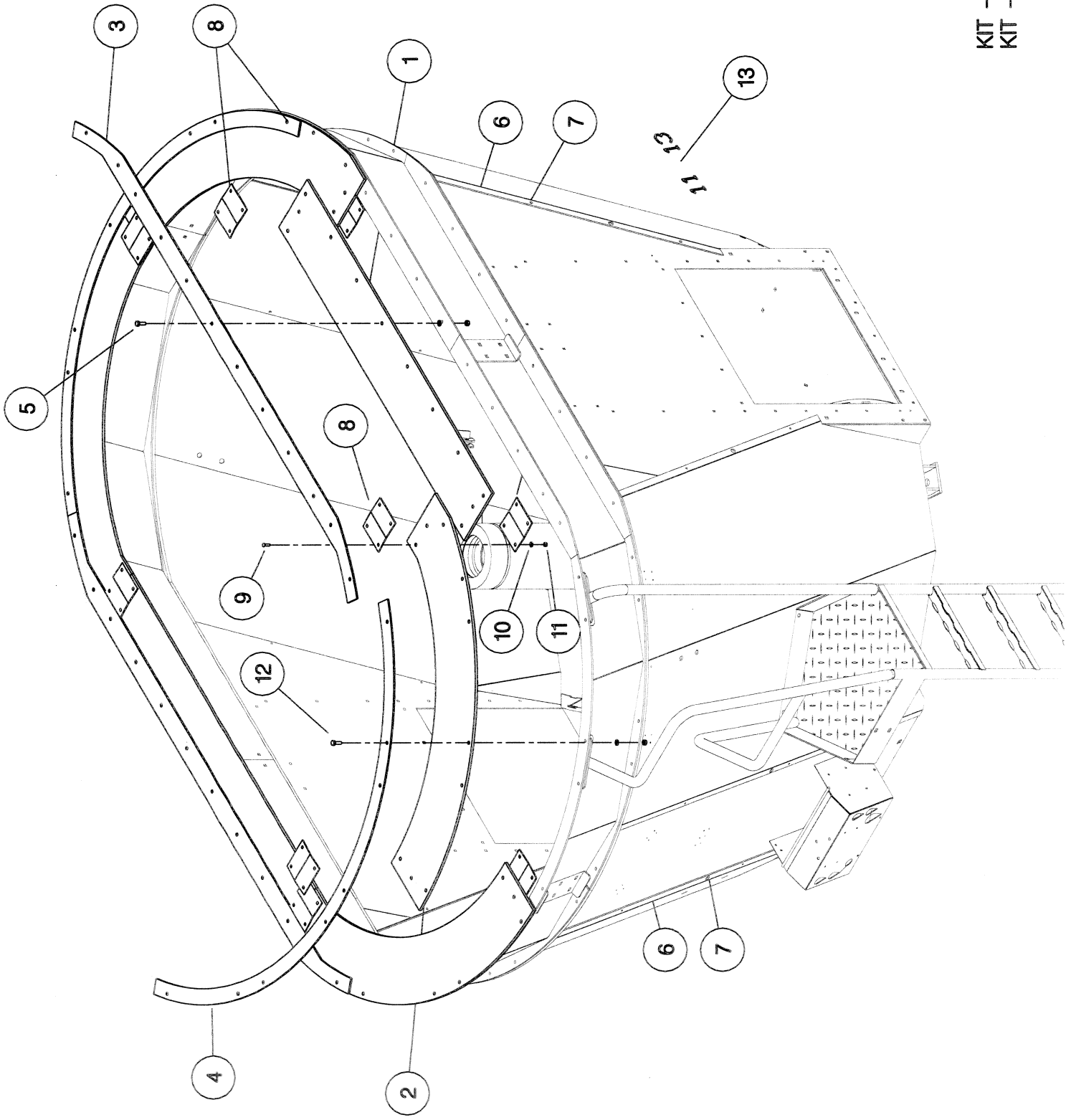


Shelbourne Reynolds Engineering Limited

KIT-03397		ASSY DESCRIPTION: 11m ³ RUBBER RETAINING KIT					
ITEM	PART NO	DESCRIPTION	QTY	ITEM	PART NO	DESCRIPTION	QTY
1	613279 01	RUBBER SECTION	2				
2	610982 01	RUBBER SECTION	4				
3	613281 01	STRAIGHT CLAMP STRIP	2				
4	613282 01	CURVED CLAMP STRIP	2				
5	HSS-0202	SETSCREW	36				
6	WSH-0015	WASHER	40				
7	NUT-0265	NUT	40				
8	611051 01	CLAMP STRIP	12				
9	BLT-2700	COACHBOLT	24				
10	WSH-0012	WASHER	24				
11	NUT-0263	NUT	24				
12	BLTA10290	BOLT	4				
13	613879 02	TRANSFER No 11	2				

Shelbourne Reynolds Engineering Limited

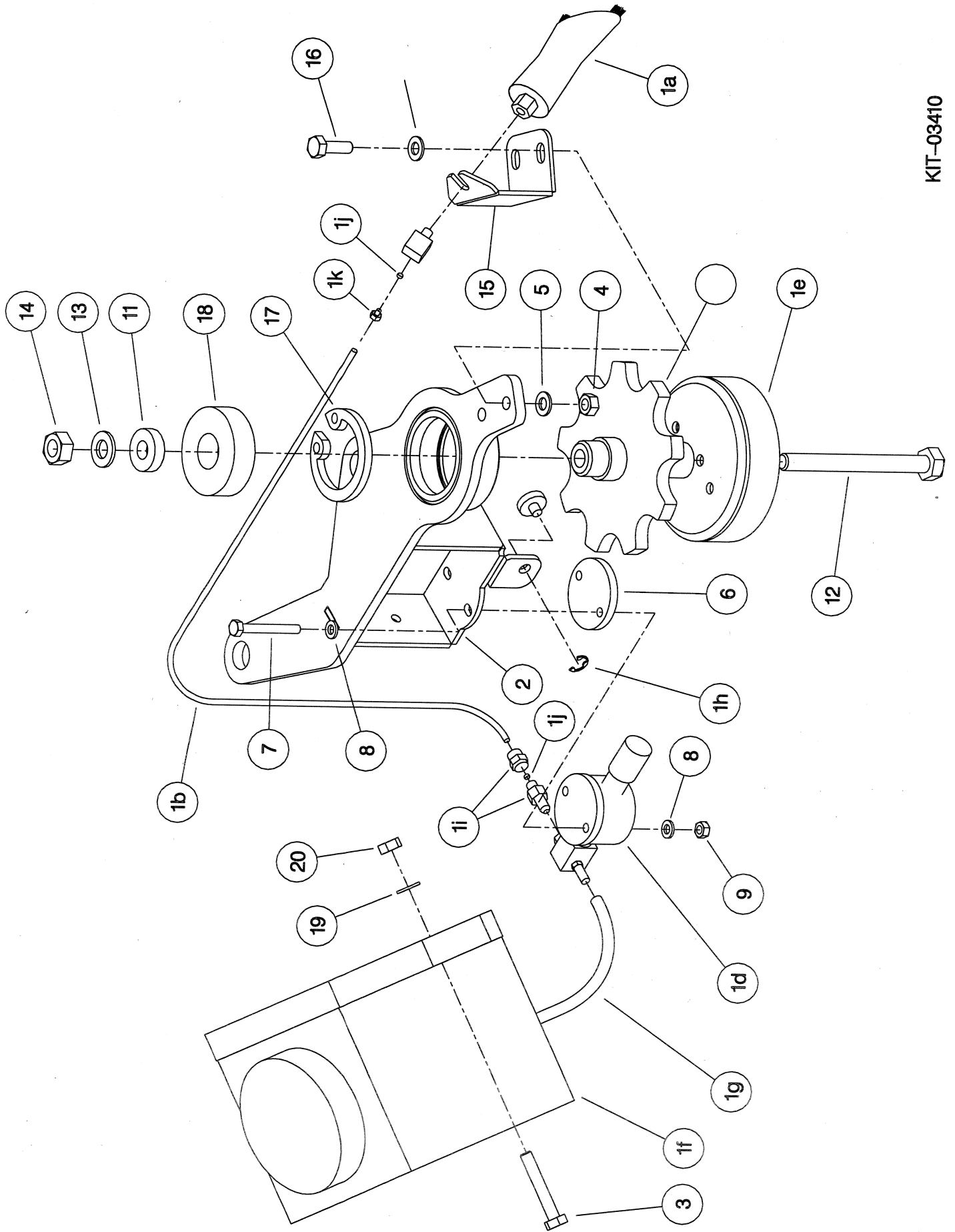
KIT-03398		ASSY DESCRIPTION: 1.3m ³ RUBBER RETAINING KIT					
ASSY NUMBER:	PART NO	DESCRIPTION	QTY	ITEM	PART NO	DESCRIPTION	QTY
1	613280 01	RUBBER SECTION	2				
2	610982 01	RUBBER SECTION	4				
3	613277 01	STRAIGHT CLAMP STRIP	2				
4	613282 01	CURVED CLAMP STRIP	2				
5	HSS-0202	SETSCREW	36				
6	WSH-0015	WASHER	40				
7	NUT-0265	NUT	40				
8	611051 01	CLAMP STRIP	12				
9	BLT-2700	COACHBOLT	24				
10	WSH-0012	WASHER	24				
11	NUT-0263	NUT	24				
12	BLTA10290	BOLT	4				
13	613879 03	TRANSFER No 13	2				



KIT - 03397
KIT - 03398

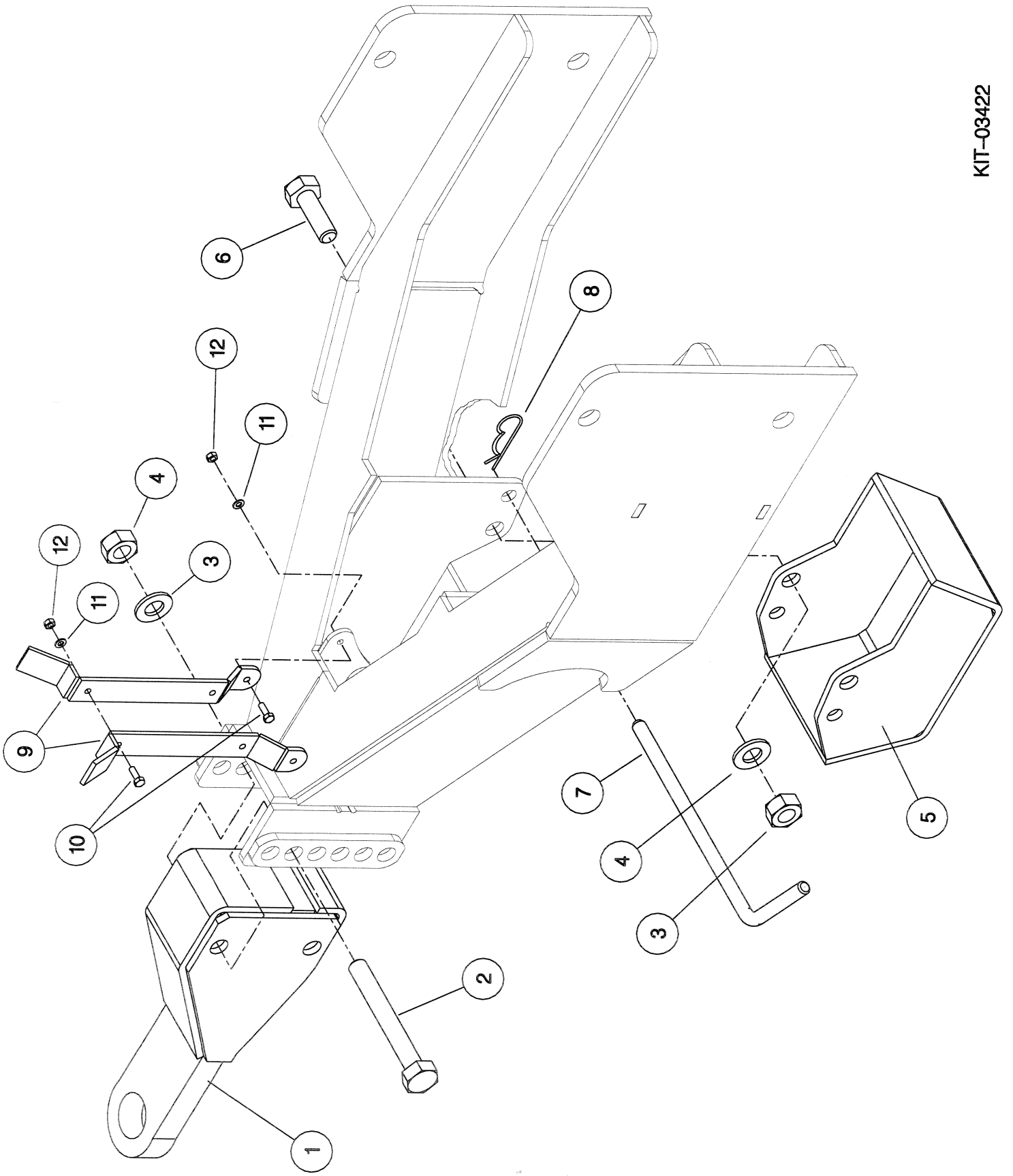
Shelbourne Reynolds Engineering Limited

KIT-03410		ASSY DESCRIPTION: POWERMIX SELF LUBRICATION					
ASSY NUMBER:	PART NO	DESCRIPTION	QTY	ITEM	PART NO	DESCRIPTION	QTY
1	LUB-00030	MASTERLUBE LUBRICATION SYS	1				
1a	LUB-00031	DOUBLE BRUSH	1				
1b	LUB-00012	FLEX TUBE	1mt				
1c	LUB-00032	CONNECTOR	1				
1d	LUB-00010	MINIMASTER PUMP	1				
1e	LUB-00004	ADJ CAM	1				
1f	LUB-00011	RESEVOIR	1				
1g	LUB-00013	NEOPRENE TUBE	1mt				
1h	LUB-00014	CD CAP ASSY	1				
1i	LUB-00008	METER UNIT	1				
1j	LUB-00006	ENOT OLIVE	2				
1k	LUB-00009	SLEEVE NUT	2				
2	613377 01	MOUNTING PLATE ASSY	1				
3	HSS-0210	SET SCREW	2				
4	NUT-0263	NYLOC NUT	2				
5	WSH-0012	WASHER	4				
6	590775 01	SPACER DISC	1				
7	BLTA06320	BOLT	2				
8	WSH-0009	WASHER	4				
9	NUT-0260	NYLOC NUT	2				
10	613380 01	SPROCKET ASSY	1				
11	613374 01	SPACER DISC	1				
12	BLTA12620	BOLT	1				
13	WSH-0018	WASHER	1				
14	NUT-0269	NYLOC NUT	1				
15	613381 01	BRUSH HOLDER PLATE	1				
16	HSS-0145	BOLT	2				
17	CIR-0620	CIRCLIP	1				
18	BRG-3358	BEARING	1				
19	WSH-0015	WASHER	4				
20	NUT-0265	NUT	2				
21	OIL-0044	OIL	2L				



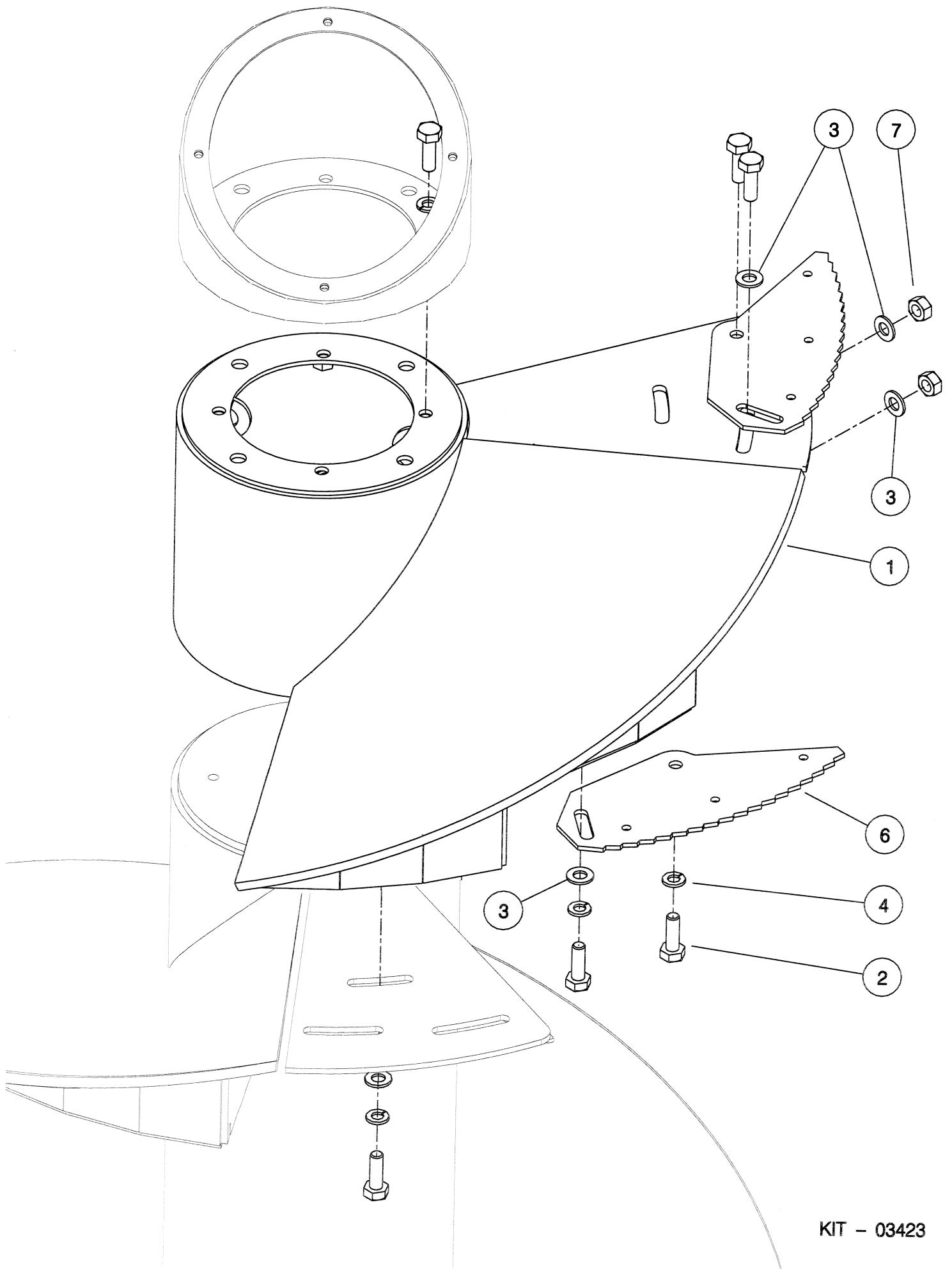
Shelbourne Reynolds Engineering Limited

KIT-03422		ASSY DESCRIPTION: UK TOWING EYE KIT					
ASSY NUMBER:							
ITEM	PART NO	DESCRIPTION	QTY	ITEM	PART NO	DESCRIPTION	QTY
1	613437 01	UK TOWING EYE W/A	1				
2	BLTA20770	BOLT	2				
3	WSH-0030	WASHER	4				
4	NYTA02200	NYLOC NUT	4				
5	613418 01	FOOT W/A	1				
6	HSS-0355	SETSCREW	2				
7	613419 01	SECURING PIN	1				
8	CLP-00106	R-CLIP	1				
9	613433 01	PTO REST PLATE	2				
10	HSS-0088	SETSCREW	4				
11	WSH-0009	WASHER	4				
12	NUT-0260	NUT	4				



Shelbourne Reynolds Engineering Limited

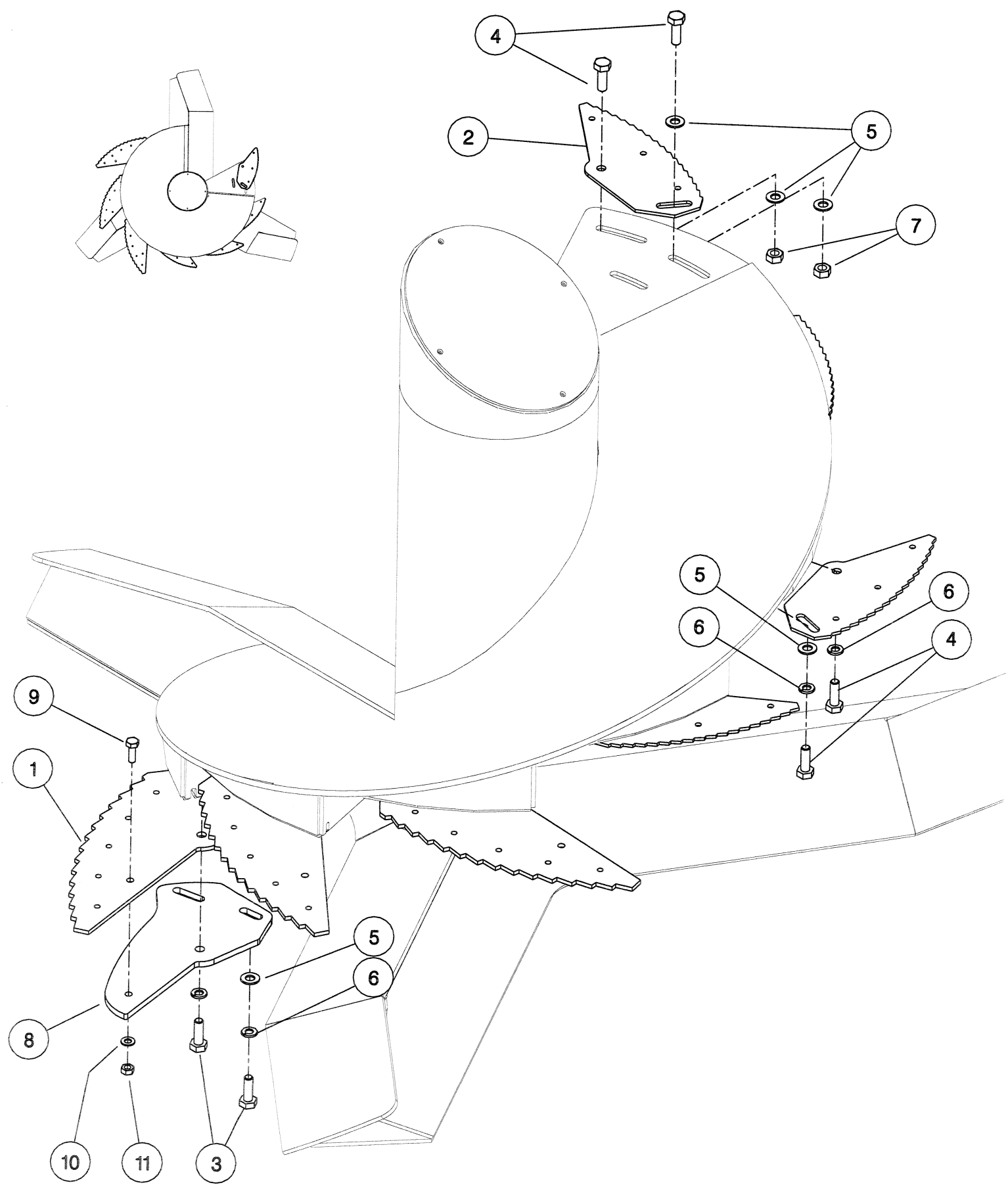
KIT-03423		ASSY DESCRIPTION: AUGER EXTENSION KIT (300mm)					
ASSY NUMBER:	KIT-03423	ASSY DESCRIPTION: AUGER EXTENSION KIT (300mm)					
ITEM	PART NO	DESCRIPTION	QTY	ITEM	PART NO	DESCRIPTION	QTY
1	613560 01	AUGER EXTENSION W/A	1				
2	HSS-0316	SETSCREW	11				
3	WSH-0025	WASHER	8				
4	WSH-0070	WASHER	9				
5							
6	610256 01	SMALL BLADE	2				
7	NUT-0271	NUT	2				



KIT - 03423

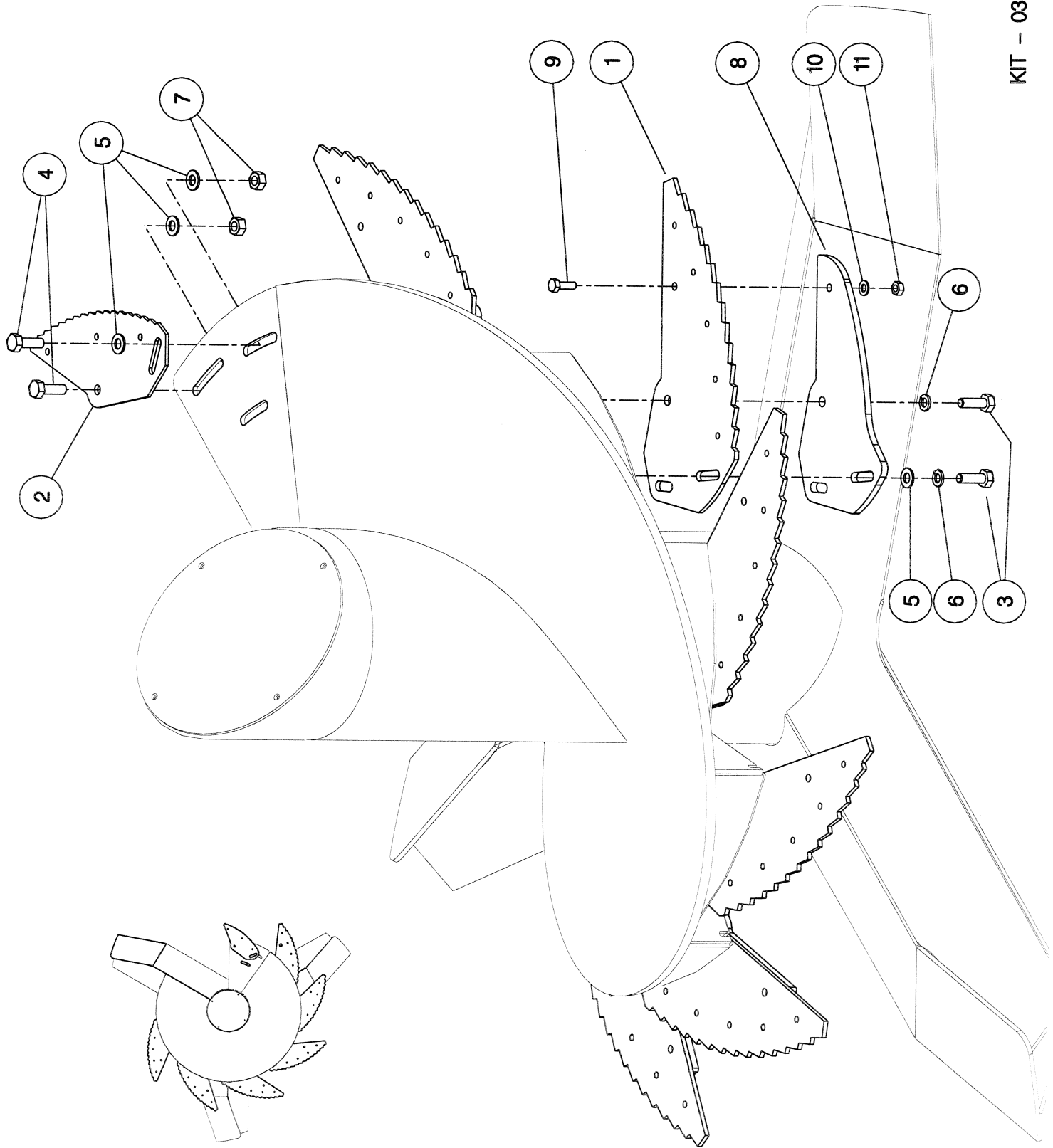
Shelbourne Reynolds Engineering Limited

KIT-03424		ASSY DESCRIPTION: SMALL BLADE KIT					
ASSY NUMBER:	KIT-03424	DESCRIPTION	QTY	ITEM	PART NO	DESCRIPTION	QTY
1	610599 02	LARGE BLADE	3				
2	610256 01	SMALL BLADE	4				
3	HSS-0317	SETSCREW	9				
4	HSS-0316	SETSCREW	8				
5	WSH-0025	WASHER	12				
6	WSH-0070	WASHER	15				
7	NUT-0271	NUT	2				
8	612622 01	KNIFE STRENGTH PLATE	3				
9	HSS-0250	SETSCREW	3				
10	WSH-0018	WASHER	3				
11	NUT-0269	NUT	3				



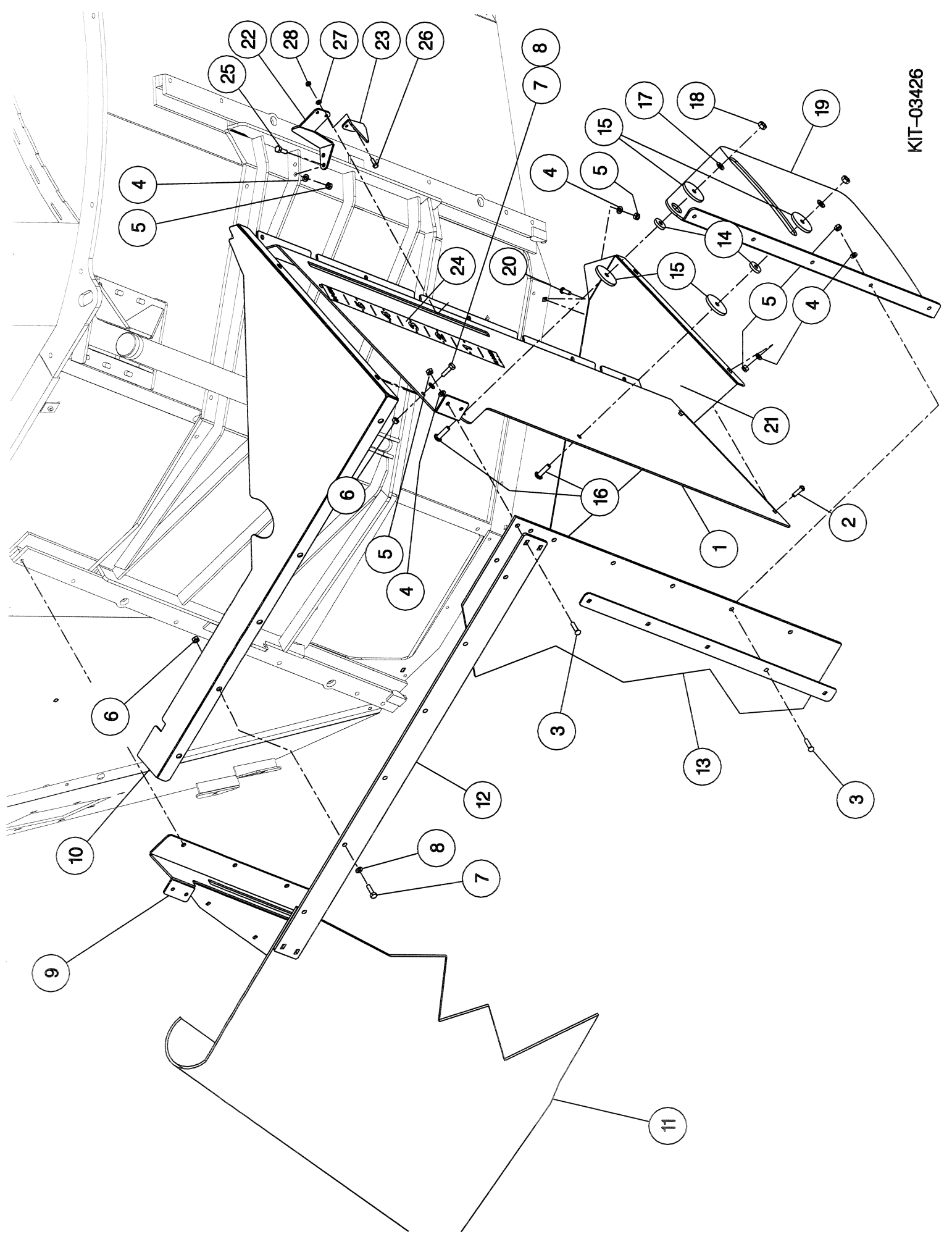
Shelbourne Reynolds Engineering Limited

KIT-03425		ASSY DESCRIPTION: LARGE BLADE KIT					
ASSY NUMBER:							
ITEM	PART NO	DESCRIPTION	QTY	ITEM	PART NO	DESCRIPTION	QTY
1	610599 02	LARGE BLADE	6				
2	610256 01	SMALL BLADE	1				
3	HSS-0317	SETSCREW	18				
4	HSS-0316	SETSCREW	2				
5	WSH-0025	WASHER	15				
6	WSH-0070	WASHER	18				
7	NUT-0271	NUT	2				
8	612622 01	KNIFE STRENGTH PLATE	6				
9	HSS-0250	SETSCREW	6				
10	WSH-0018	WASHER	6				
11	NUT-0269	NUT	6				



Shelbourne Reynolds Engineering Limited

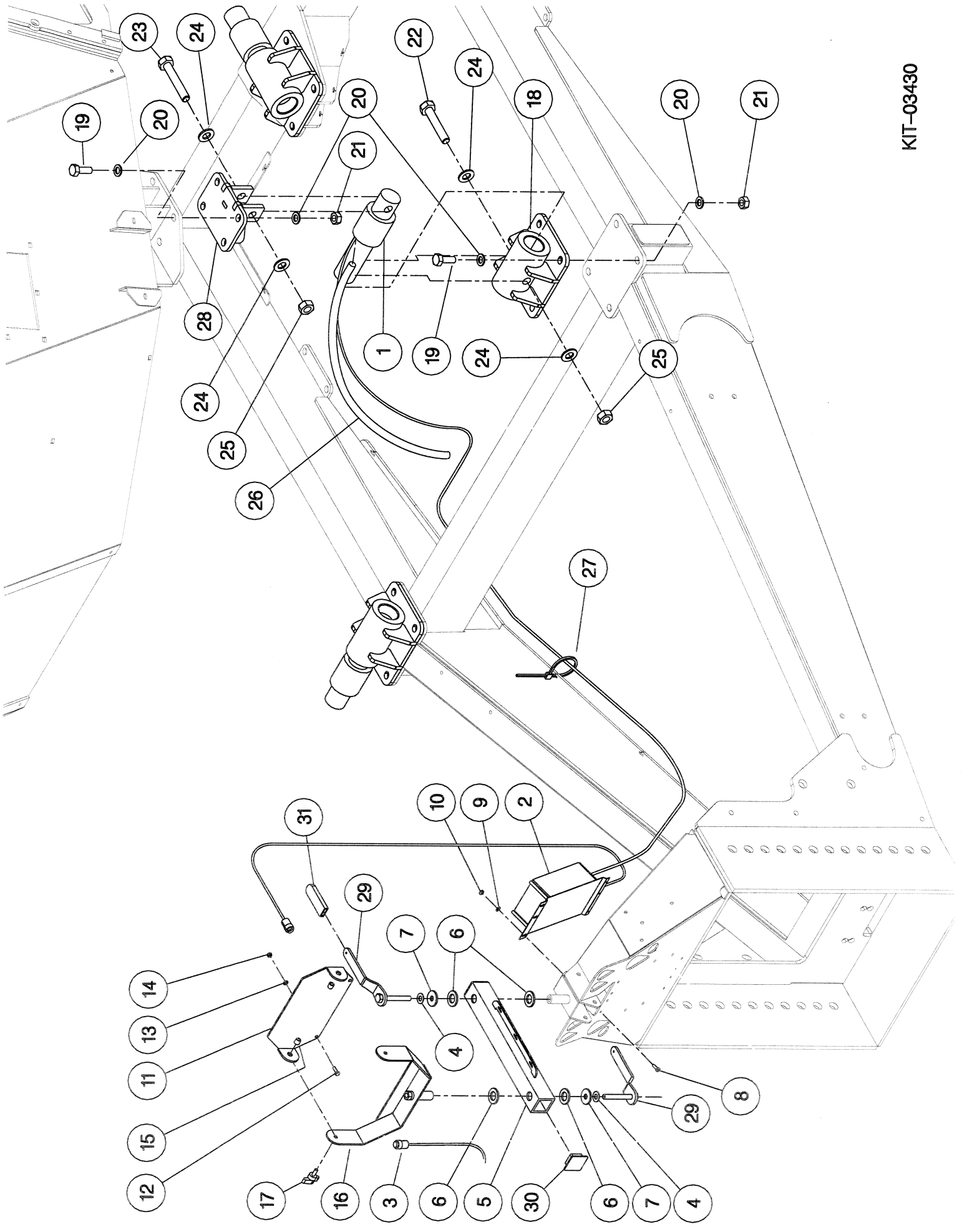
ASSY NUMBER: KIT-03426		ASSY DESCRIPTION: RUBBER DOOR FLAP KIT (RH DOOR)					
ITEM	PART NO	DESCRIPTION	QTY	ITEM	PART NO	DESCRIPTION	QTY
1	613426 01	SIDE PANEL	1				
2	BLT-4710	COACHBOLT	2				
3	BLT-2700	COACHBOLT	4				
4	WSH-0012	WASHER	21				
5	NUT-0263	NUT	21				
6	NUTA13080	NUTSERT	8				
7	HSS-0150	SETSCREW	6				
8	WSH-0058	WASHER	8				
9	613430 01	SIDE MTG PLATE	1				
10	613425 01	TOP CAPPING PLATE	1				
11	613466 01	RUBBER CURTAIN	1				
12	613465 01	FRONT CLAMP PLATE	1				
13	613429 01	CLAMP STRIP	2				
14	190548 34	WASHER	2				
15	613750 01	NYLON DISC	4				
16	SCW-0515	BUTT SC HD SCREW	2				
17	WSH-0015	WASHER	2				
18	NUT-0265	NUT	2				
19	613427 01	PIVOT PLATE	1				
20	BLTF08173	COACHBOLT	13				
21	613428 01	BOTTOM SUPPORT CHUTE	1				
22	613785 01	POINTER MTG PLATE	1				
23	613786 01	POINTER	1				
24	613779 01	DECAL - DOOR HEIGHT	1				
25	HSS-0145	SETSCREW	4				
26	HSS-0086	SETSCREW	2				
27	WSH-0009	WASHER	2				
28	NUT-0260	NUT	2				



KIT-03426

Shelbourne Reynolds Engineering Limited

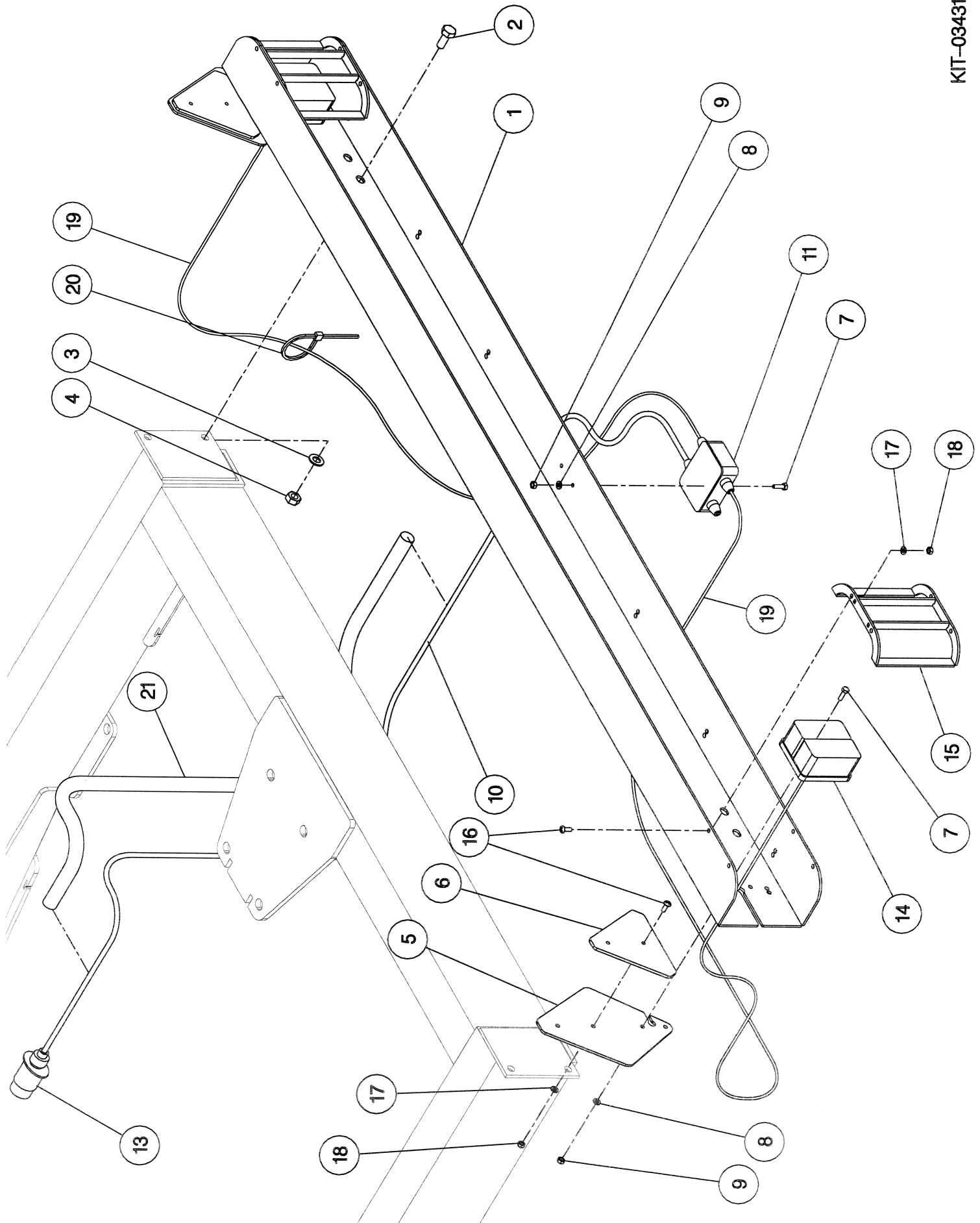
KIT-03430		ASSY DESCRIPTION:WEIGH CELL SYSTEM (SINGLE AUGER)					
ASSY NUMBER:							
ITEM	PART NO	DESCRIPTION	QTY	ITEM	PART NO	DESCRIPTION	QTY
1	LCL-01200	LOADCELL	3				
2	LCL-01205	JUNCTION BOX	1				
3	LCL-01210	POWER CORD	1				
4	WSHA30121	LOCKWASHER	2				
5	613598 01	WEIGH HEAD ARM	1				
6	190548 43	WASHER	4				
7	190548 44	WASHER	2				
8	HSS-0058	SETSCREW	6				
9	WSH-0006	WASHER	6				
10	NUT-0258	NUT	6				
11	613597 01	REAR PANEL	1				
12	HSS-0086	SETSCREW	2				
13	WSH-0009	WASHER	2				
14	NUT-0260	NUT	2				
15	NUTA13080	NUTSERT	2				
16	613600 01	WEIGH HEAD HOUSING	1				
17	KNO-0001	THERMOPLASTIC KNOB	2				
18	613608 01	LOADCELL MTG BOSS W/A	3				
19	HSS-0318	SETSCREW	24				
20	WSH-0024	WASHER	48				
21	NUT-0271	NUT	24				
22	BLTA20620	BOLT	3				
23	BLTA20590	BOLT	3				
24	WSH-0030	WASHER	12				
25	NUTA02200	NUT	6				
26	SLV-00300	SPIRAL CONVOLUTE TUBING	3m				
27	TIE-0004	TIE WRAP	30				
28	613612 01	LOADCELL CLEVIS W/A	3				
29	613695 01	SECURING HANDLE ASSY	2				
30	CAP-0012	END CAP	2				
31	PTF-00026	PLASTIC HANDLE	2				



KIT-03430

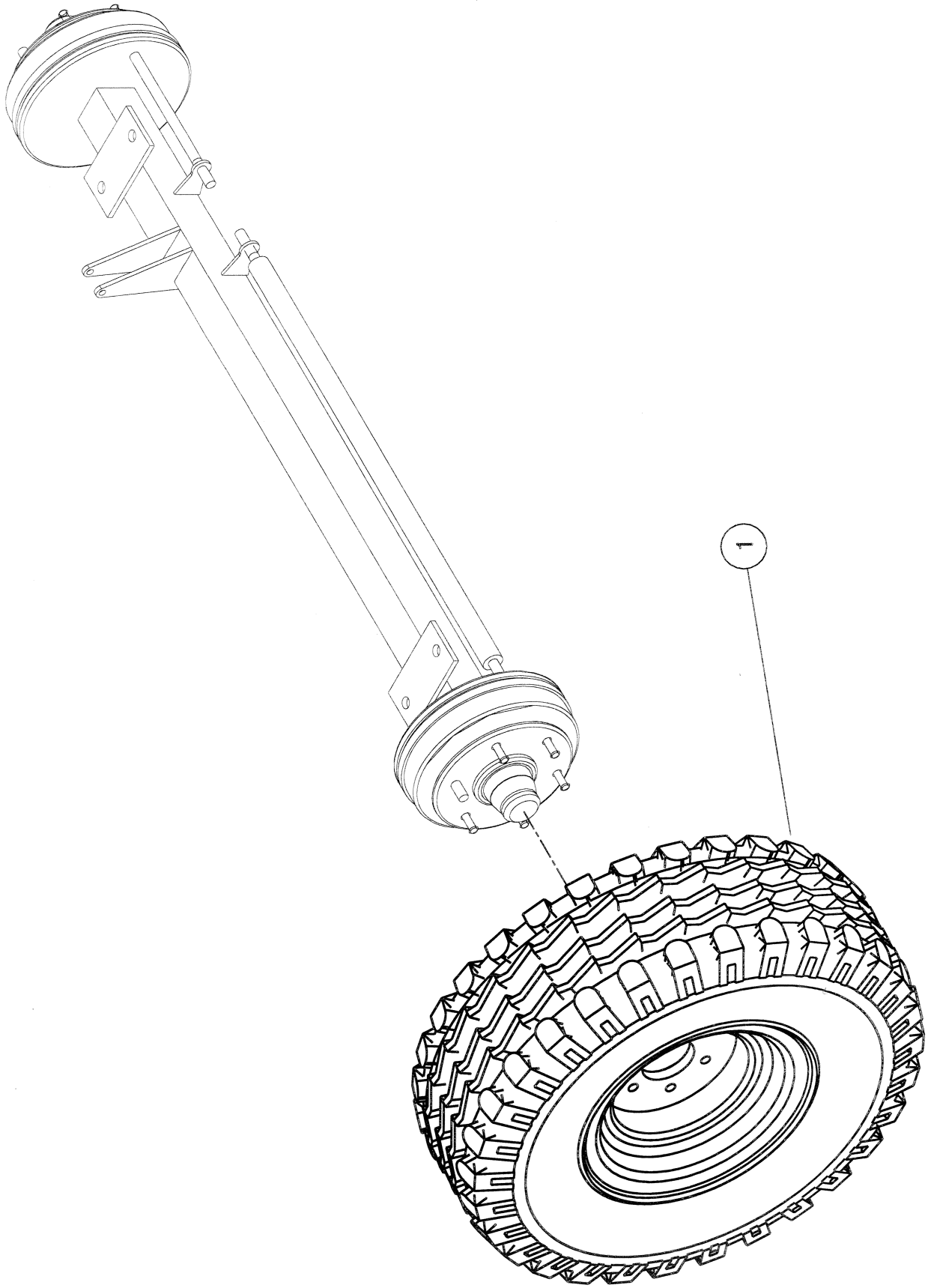
Shelbourne Reynolds Engineering Limited

KIT-03431		ASSY DESCRIPTION: LIGHTING KIT (SINGLE)					
ASSY NUMBER:							
ITEM	PART NO	DESCRIPTION	QTY	ITEM	PART NO	DESCRIPTION	QTY
1	613455 01	LIGHTING BOARD	1				
2	HSS-0238	SETSCREW	4				
3	WSH-0018	WASHER	4				
4	NUT-0269	NUT	4				
5	613620 01	REFECTOR MTG PLATE	2				
6	REF-0030	REFLECTOR	2				
7	HSS-0065	SETSCREW	6				
8	WSH-0006	WASHER	6				
9	NUT-0258	NUT	6				
10	CBL-03530	CABLE	9m				
11	JNC-00000	JUNCTION BOX	1				
12							
13	PLG-0005	7 PIN PLUG	1				
14	LMP-10400	LIGHT CLUSTER	2				
15	613604 01	LIGHT GUARD W/A	2				
16	SCW-4960	SCREW	12				
17	WSH-0009	WASHER	12				
18	NUT-0260	NUT	12				
19	CBL-03210	4 CORE CABLE	3m				
20	TIE-0004	TIE WRAP	8				
21	SLV-00300	SPIRAL CONVOLUTE TUBING	2m				



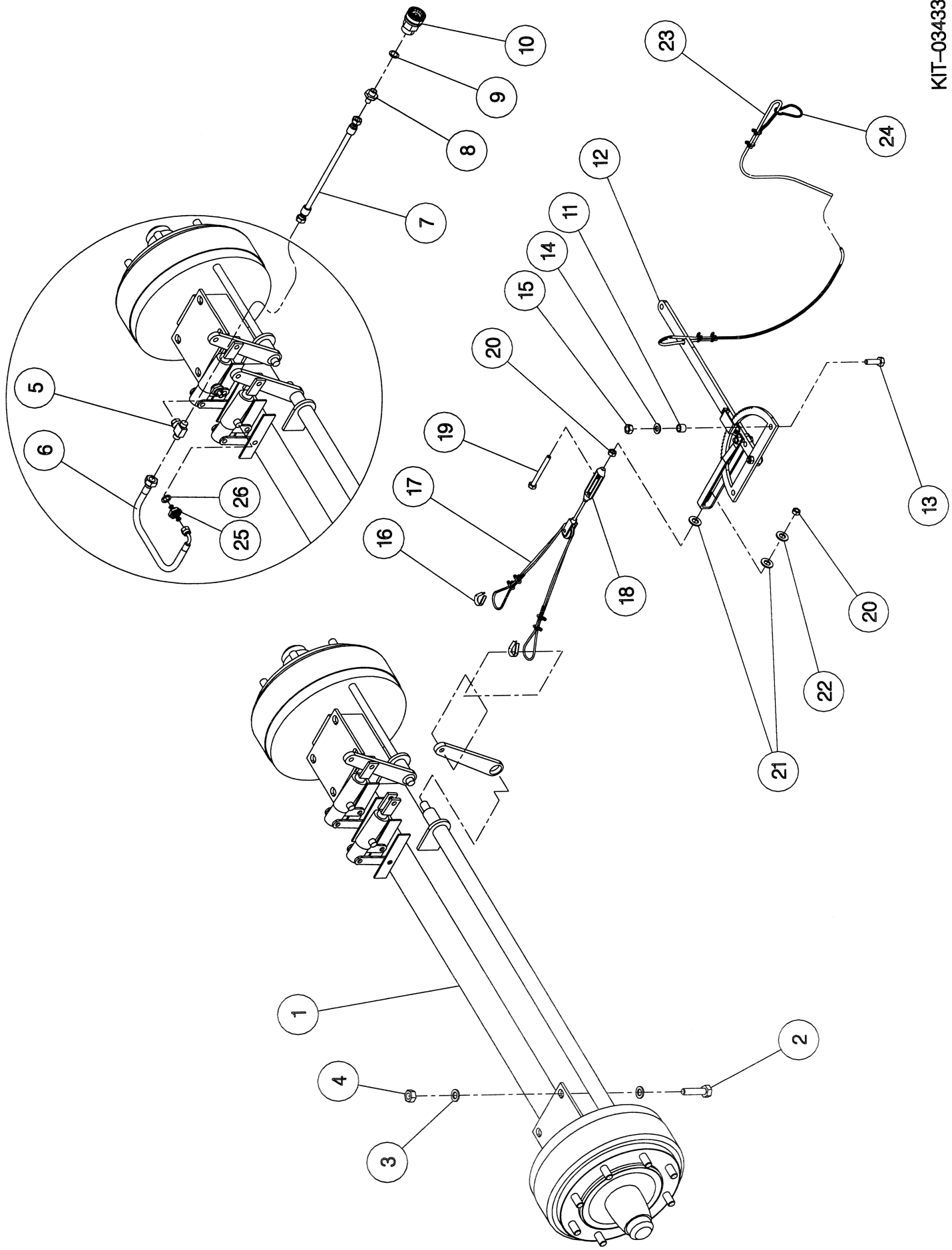
Shelbourne Reynolds Engineering Limited

KIT-03432		ASSY DESCRIPTION: WHEEL & TYRE KIT(GOODYEAR 340/65 R18)					
ASSY NUMBER:	KIT-03432	DESCRIPTION	QTY	ITEM	PART NO	DESCRIPTION	QTY
1	WHL-01800	WHEEL & TYRE ASSY	2				



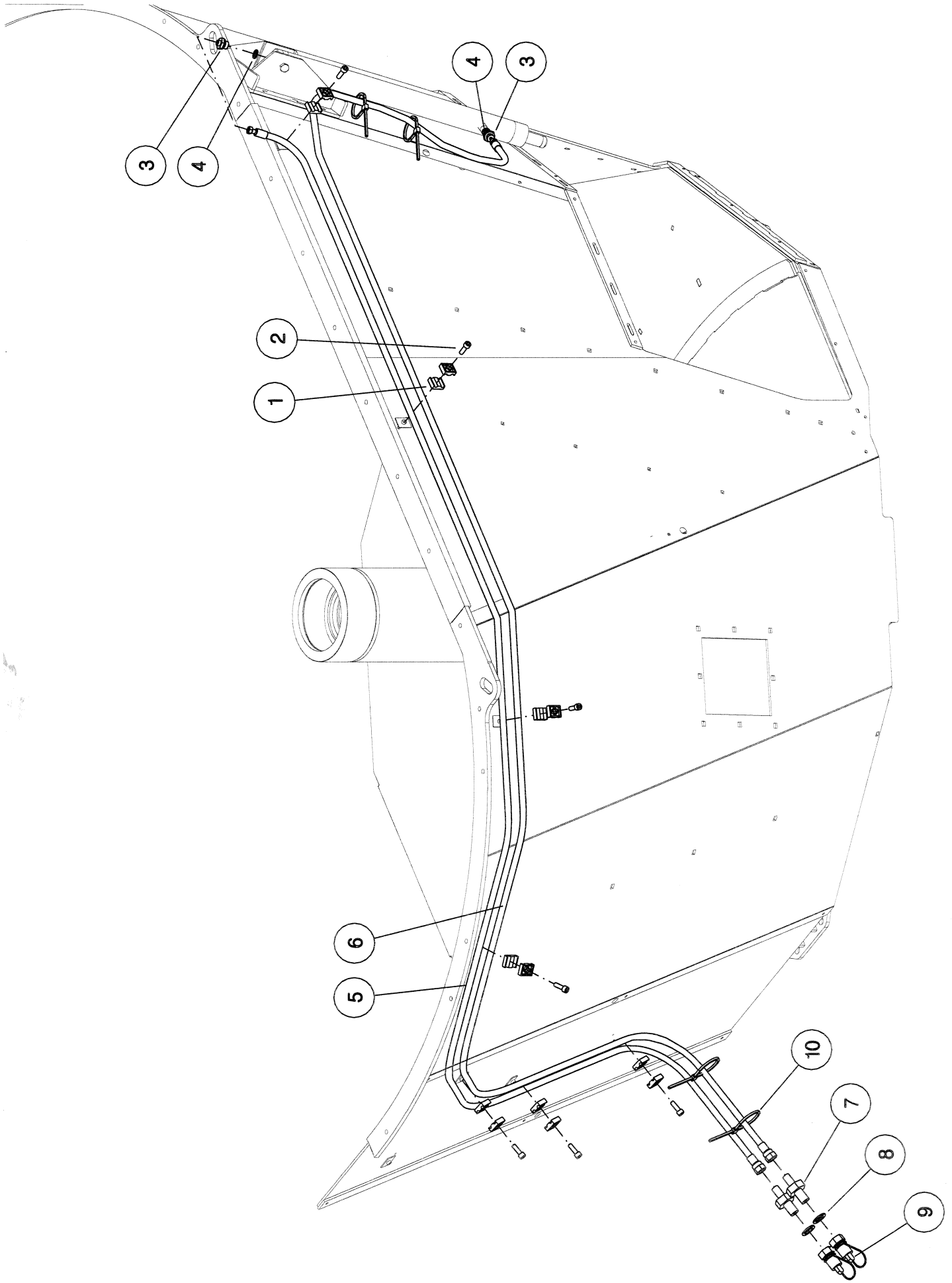
Shelbourne Reynolds Engineering Limited

KIT-03433		ASSY DESCRIPTION: HYDRAULIC BRAKED AXLE KIT					
ASSY NUMBER:							
ITEM	PART NO	DESCRIPTION	QTY	ITEM	PART NO	DESCRIPTION	QTY
1	AXL-00055	HYDRAULIC BRAKED AXLE	1				
2	BLT-2312	HEX HD BOLT	8				
3	WSH-0024	WASHER	16				
4	NUT-0271	NUT	8				
5	FITA10140	HYDRAULIC TEE FITTING	1				
6	HHBC03205	HYD HOSE	1				
7	HHBC64005	HYD HOSE	1				
8	HMA-0055	HYD ADAPTOR	1				
9	WSH-1015	DOWTY WASHER	1				
10	HQR-10007	HYD QUICK RELEASE COUPLING	1				
11	613621 01	SPACER	2				
12	590222 01	HANDBRAKE LEVER ASSY	1				
13	HSS-0265	SETSCREW	2				
14	WSH-0018	WASHER	2				
15	NUT-0269	NUT	2				
16	WRP-01040	THIMBLE	2				
17	WRP-00040	CABLE	4.75m				
18	ADL-00120	ADJUSTER ASSY	1				
19	HSS-0155	SETSCREW	1				
20	NUT-0164	NUT	2				
21	WSH-0012	WASHER	2				
22	WSH-0058	WASHER	1				
23	WRP-02040	CLAMP	8				
24	WRP-03000	SNAP HOOK	1				
25	HMA-0057	HYD ADAPTOR	2				
26	WSH-1010	DOWTY WASHER	2				



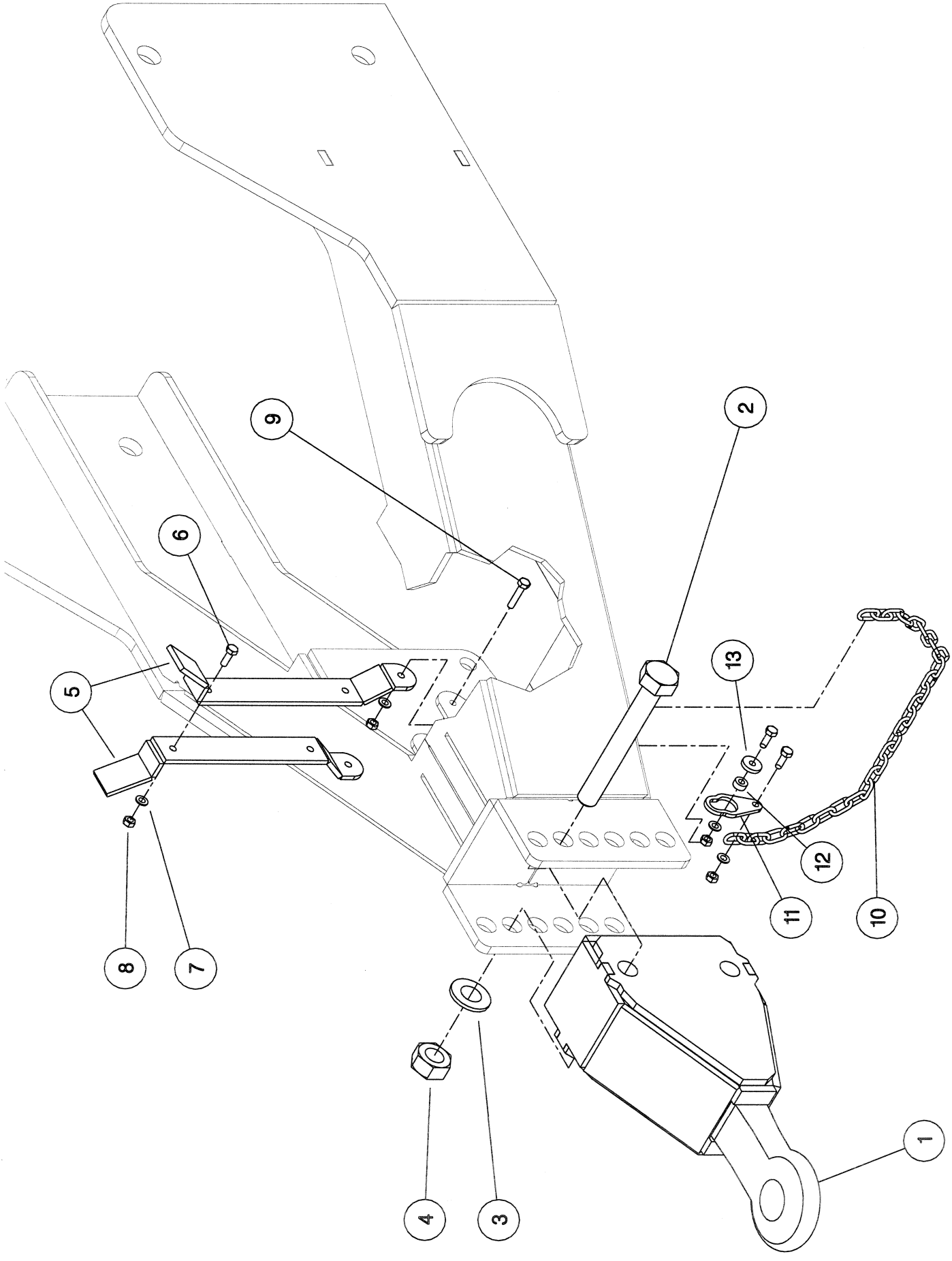
Shelbourne Reynolds Engineering Limited

KIT-03436		ASSY DESCRIPTION: DIRECT COUPLED LH DOOR HYDRAULICS KIT		
ASSY NUMBER:	KIT-03436	ASSY DESCRIPTION:	DIRECT COUPLED LH DOOR HYDRAULICS KIT	
ITEM	PART NO	DESCRIPTION	QTY	ITEM
				DESCRIPTION
				QTY
1	HCPD01200	PIPE CLAMP	7	
2	SCW-0083	CP HD SCREW	7	
3	HMA-0052	M/M ADAPTOR	2	
4	WSH-1005	DOWTY WASHER	2	
5	HHBC67105	HOSE ASSY	1	
6	HHBC73005	HOSE ASSY	1	
7	HMA-0055	M/M ADAPTOR	2	
8	WSH-1015	DOWTY WASHER	2	
9	COU-0162	QUICK REL COUPLING	2	
10	TIE-0004	TIE WRAP	4	



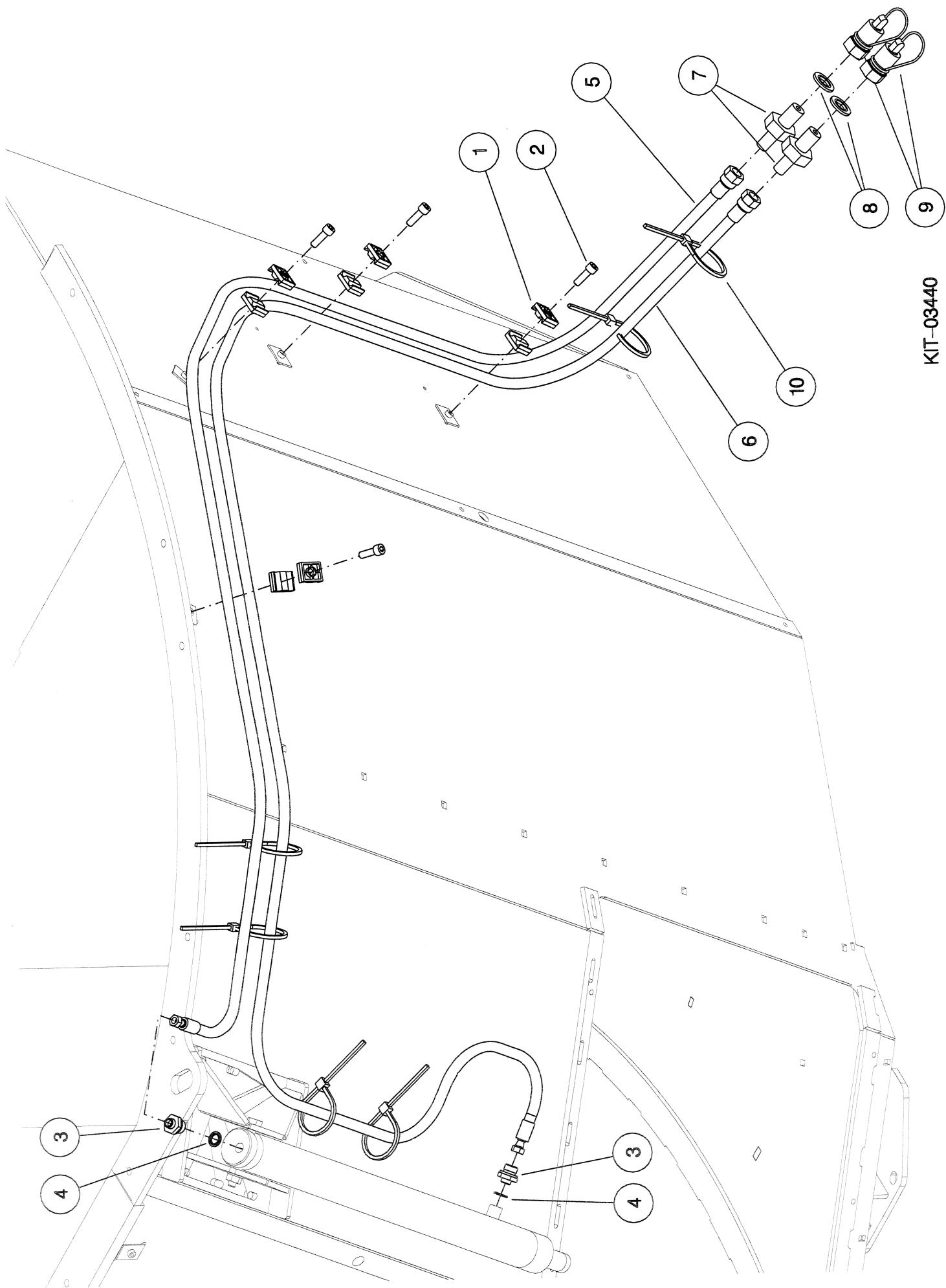
Shelbourne Reynolds Engineering Limited

KIT-03439		ASSY DESCRIPTION: CONTINENTAL TOWING EYE KIT					
ITEM	PART NO	DESCRIPTION	QTY	ITEM	PART NO	DESCRIPTION	QTY
1	613658 01	CONTINENTAL TOWING EYE W/A	1				
2	BLTA20770	BOLT	2				
3	WSH-0030	WASHER	4				
4	NUTA02200	NYLOC	4				
5	613433 01	PTO REST PLATE	2				
6	HSS-0088	SETSCREW	2				
7	WSH-0009	WASHER	4				
8	NUT-0260	NUT	4				
9	HSS-0092	SETSCREW	2				
10	CHN-0145	CHAIN	0.7m				
11	613977 01	CHAIN HOOK PLATE	1				
12	190548 48	WASHER	1				
13	190548 49	WASHER	1				



Shelbourne Reynolds Engineering Limited

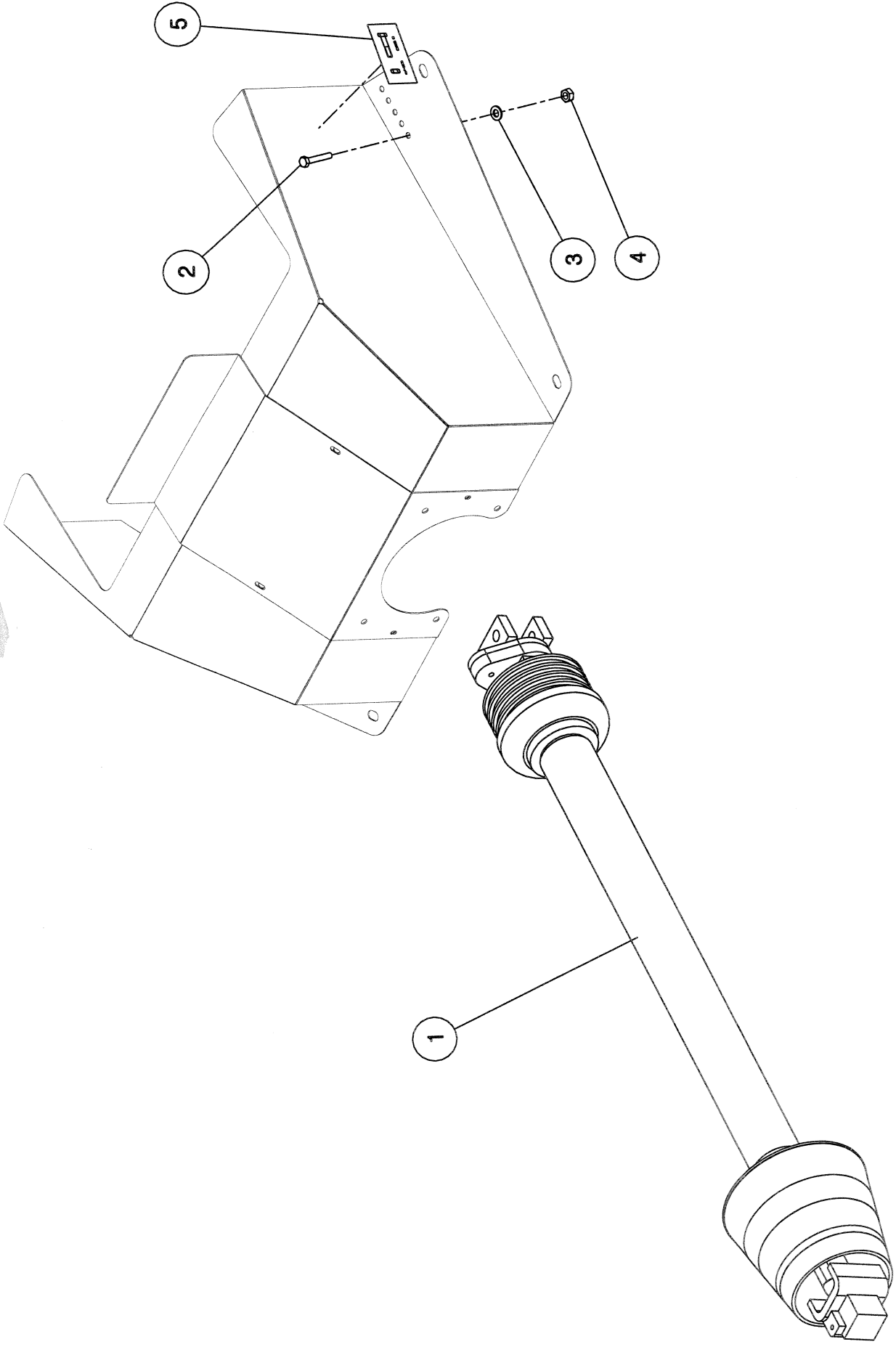
KIT-03440		ASSY DESCRIPTION: DIRECT COUPLED RH DOOR HYDRAULICS KIT					
ASSY NUMBER:	KIT-03440						
ITEM	PART NO	DESCRIPTION	QTY	ITEM	PART NO	DESCRIPTION	QTY
1	HCPD01200	PIPE CLAMP	4				
2	SCW-0083	CP HD SCREW	4				
3	HMA-0052	M/M ADAPTOR	2				
4	WSH-1005	DOWTY WASHER	2				
5	HHBC49005	HOSE ASSY	1				
6	HHBC55005	HOSE ASSY	1				
7	HMA-0055	M/M ADAPTOR	2				
8	WSH-1015	DOWTY WASHER	2				
9	COU-0162	QUICK REL COUPLING	2				



KIT-03440

Shelbourne Reynolds Engineering Limited

KIT-03441		ASSY DESCRIPTION: SINGLE SPEED DRIVE KIT (POP SINGLE)		
ASSY NUMBER:	KIT-03441	ASSY DESCRIPTION:	SINGLE SPEED DRIVE KIT (POP SINGLE)	
ITEM	PART NO	DESCRIPTION	QTY	ITEM
				DESCRIPTION
				QTY
1	PTO-17028	PTO SHAFT ASSY (SEE KIT-03549)	1	
2	605123 01	SHEARBOLT	5	
3	WSH-0012	WASHER	5	
4	NUT-0263	NUT	5	
5	590474 01	EMBLEM	1	

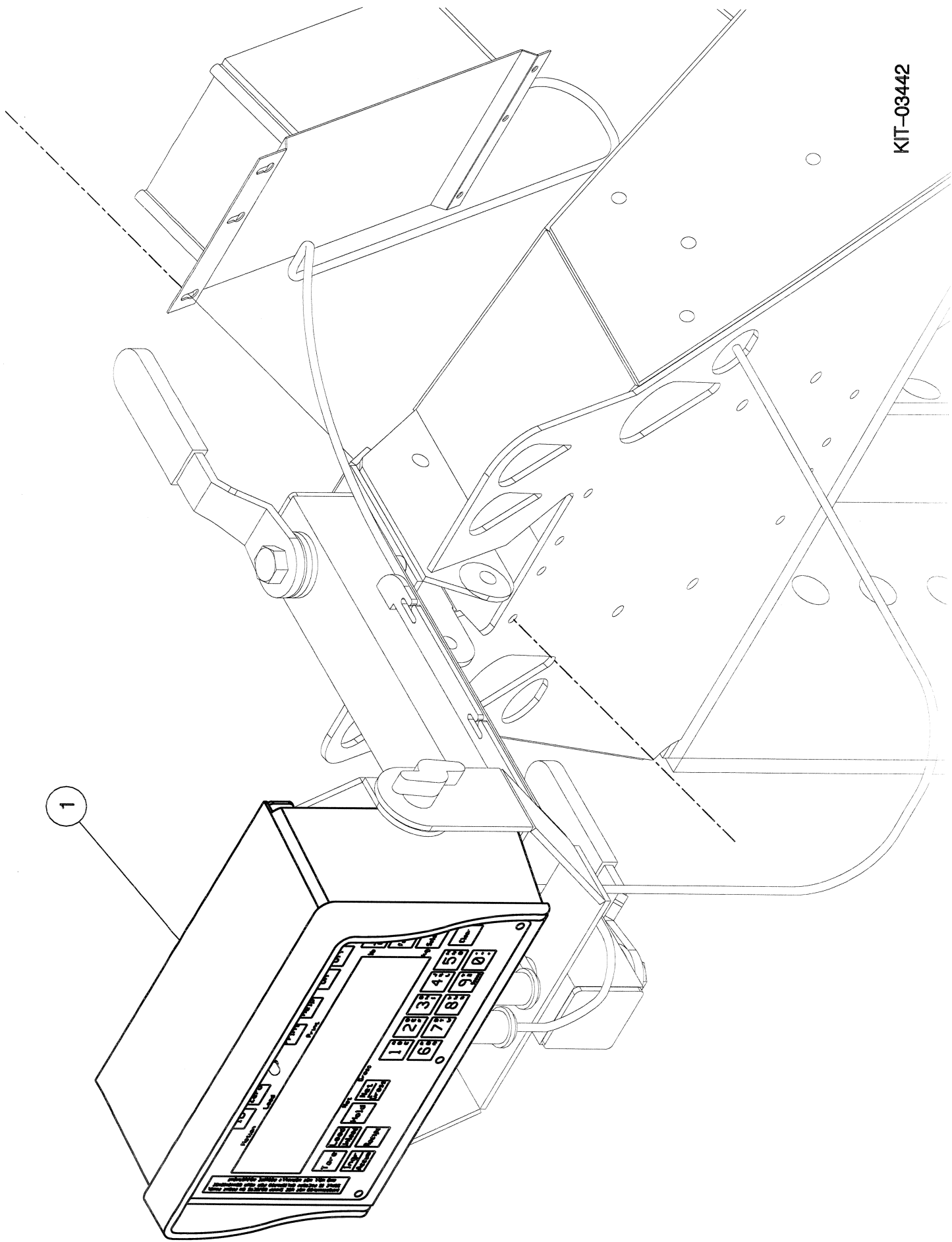


KIT-03441

Shelbourne Reynolds Engineering Limited

KIT-03442		ASSY DESCRIPTION: MID LEVEL EZ3200 INDICATOR KIT					
ITEM	PART NO	DESCRIPTION	QTY	ITEM	PART NO	DESCRIPTION	QTY
1	LCL-01216	EZ3200 INDICATOR	1				

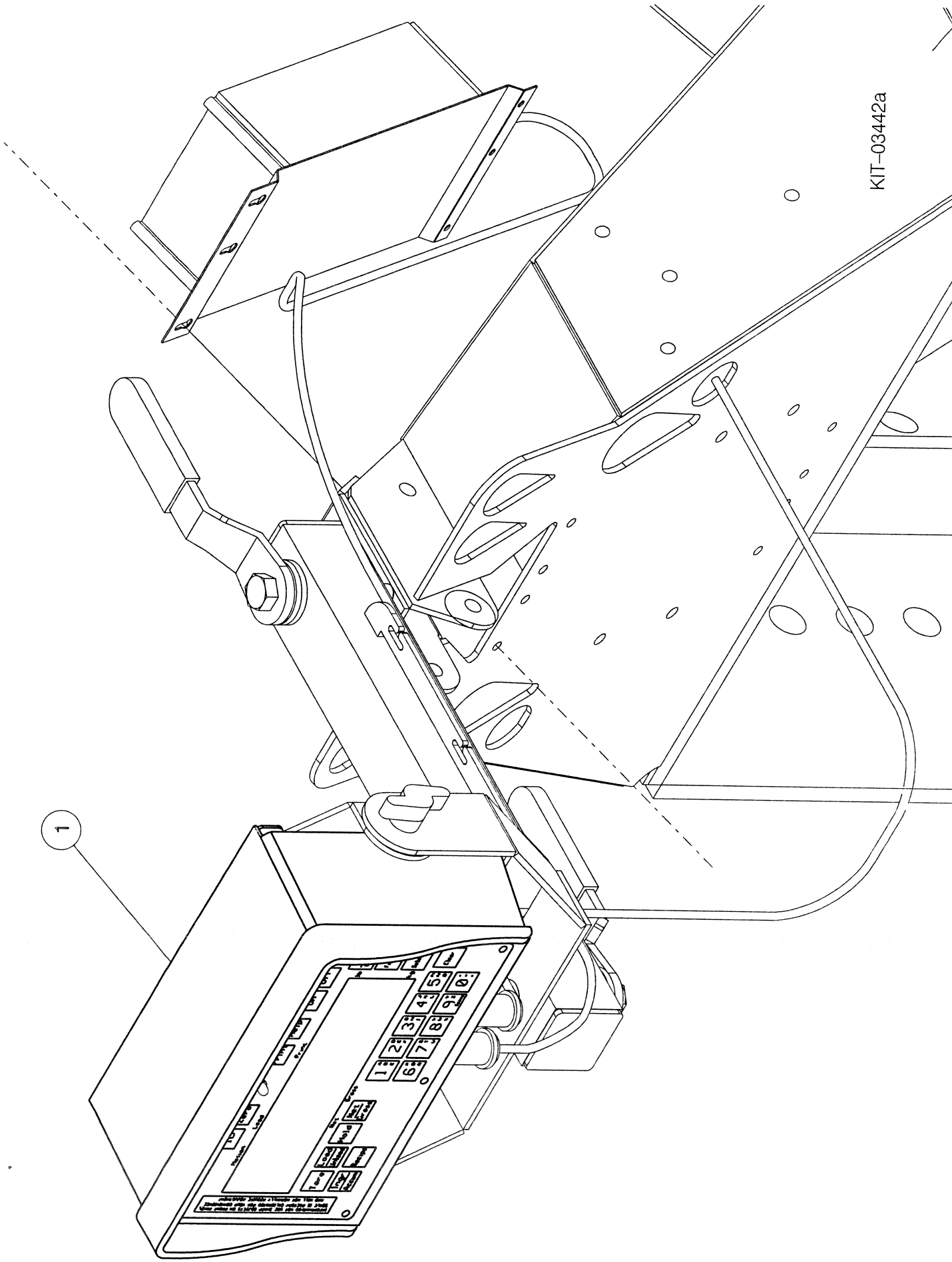
1



KIT-03442

Shelbourne Reynolds Engineering Limited

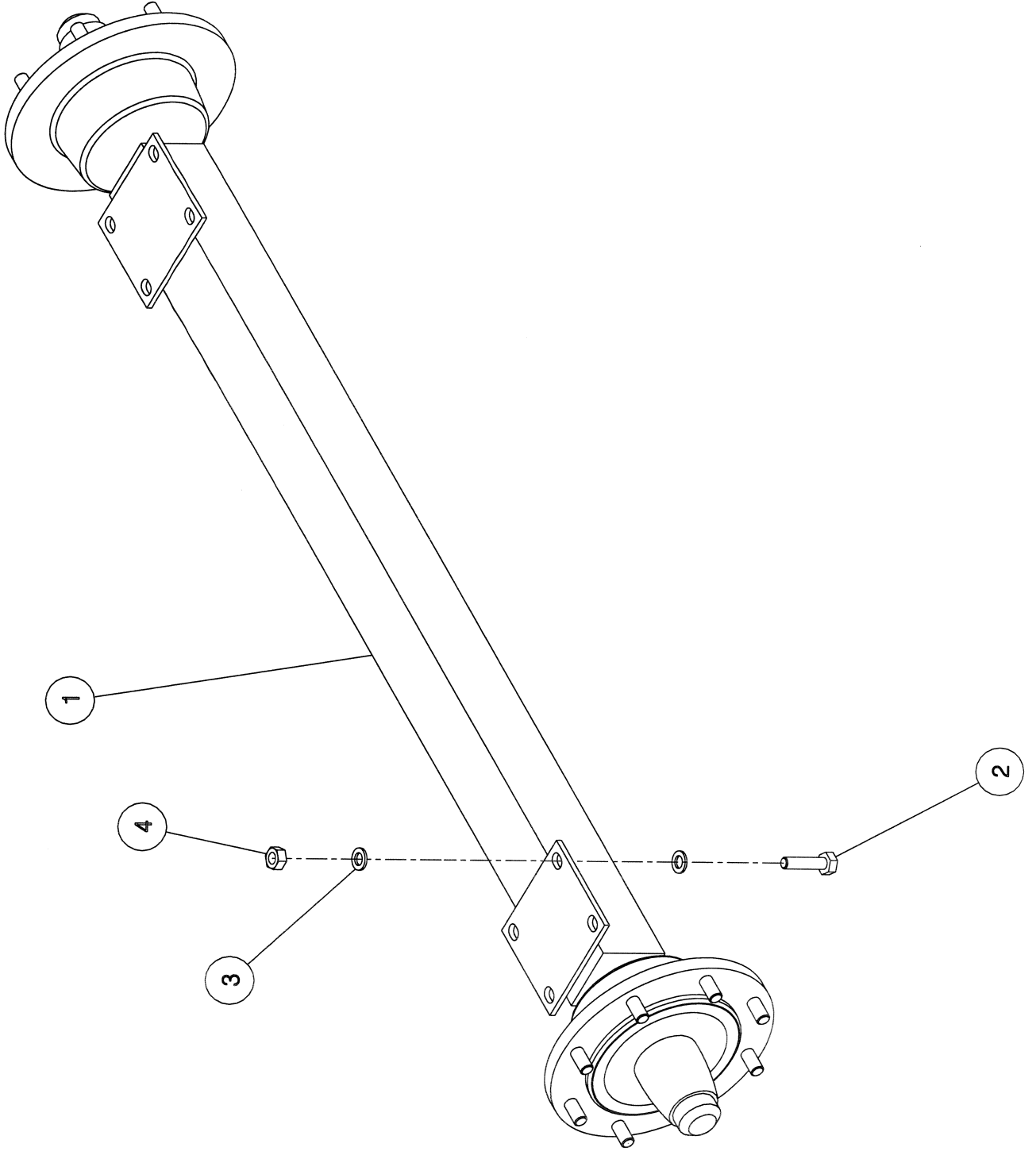
KIT-03442A		ASSY DESCRIPTION: MID EZ3200V INDICATOR KITC/W REMOTE PORT					
ASSY NUMBER:	KIT-03442A	ASSY DESCRIPTION:	MID EZ3200V	INDICATOR KITC/W	REMOTE PORT		
ITEM	PART NO	DESCRIPTION	QTY	ITEM	PART NO	DESCRIPTION	QTY
1	LCL-01216a	EZ3200 INDICATOR	1				



KIT-03442a

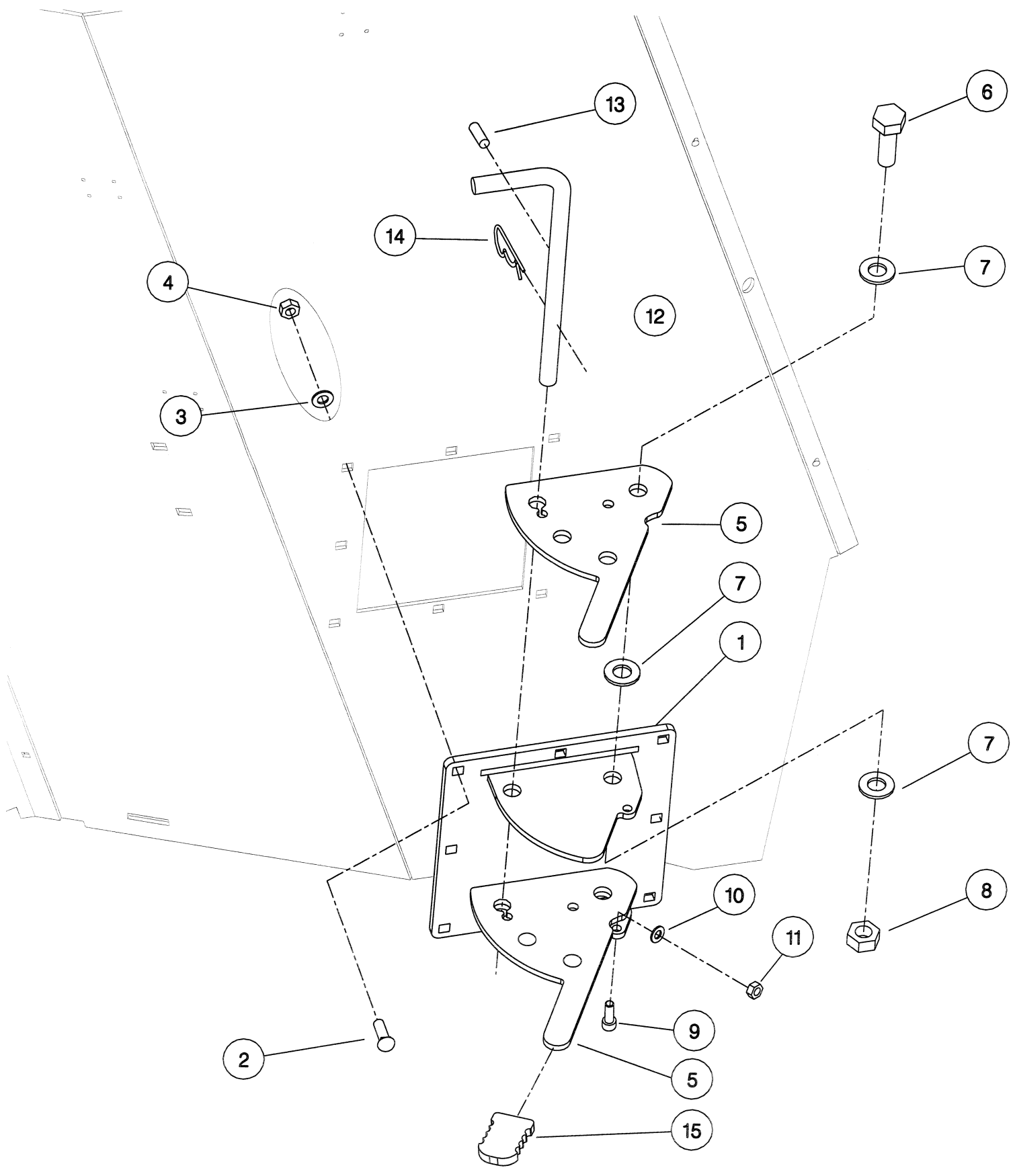
Shelbourne Reynolds Engineering Limited

KIT-03446		ASSY DESCRIPTION: UN-BRAKED AXLE KIT					
ASSY NUMBER:							
ITEM	PART NO	DESCRIPTION	QTY	ITEM	PART NO	DESCRIPTION	QTY
1	AXL-00103	UN-BRAKED AXLE	1				
2	BLT-2312	HEX HD BOLT	8				
3	WSH-0024	WASHER	16				
4	NUT-0271	NUT	8				



Shelbourne Reynolds Engineering Limited

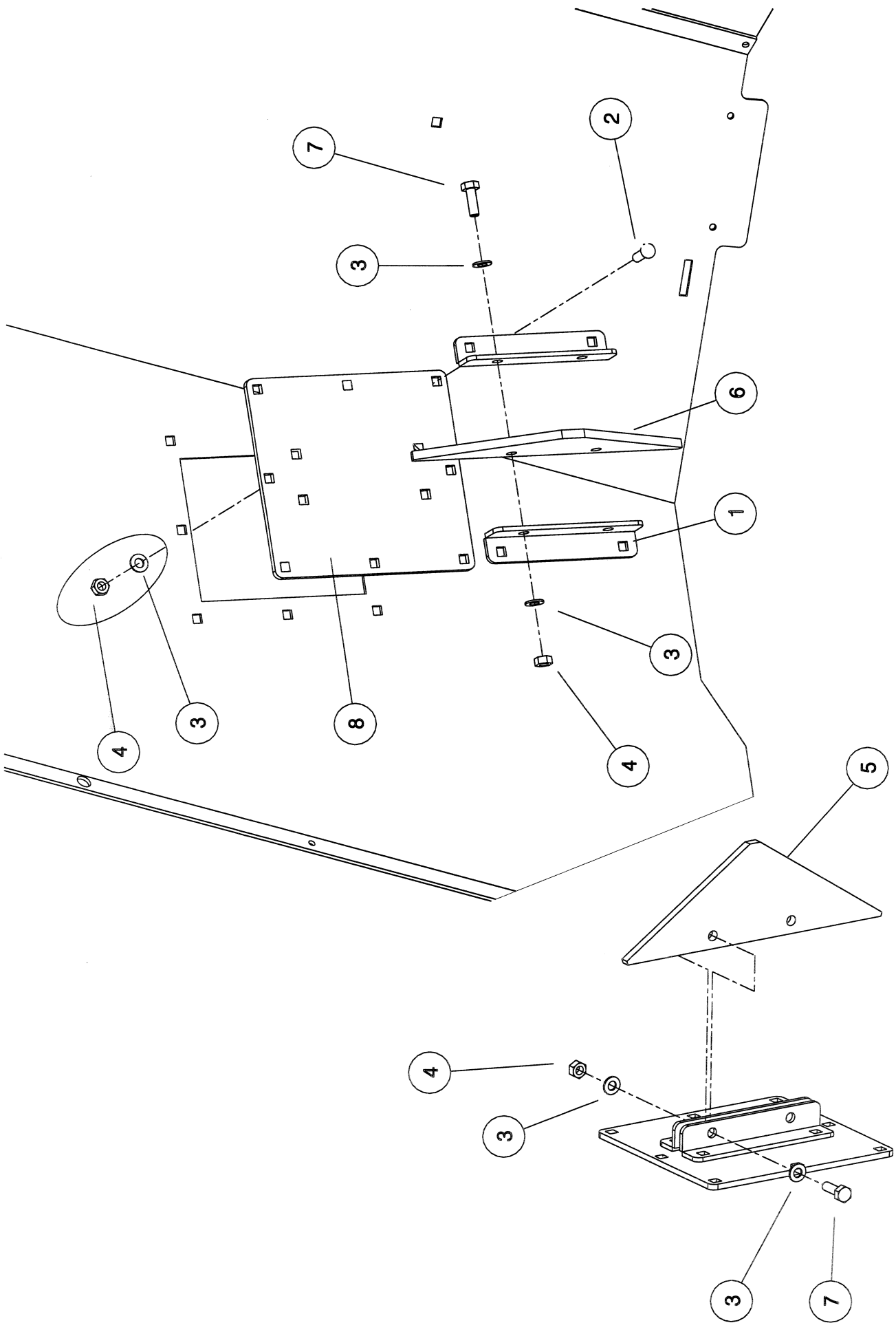
KIT-03447		ASSY DESCRIPTION: ANTI-ROTATION BLADE KIT					
ASSY NUMBER:							
ITEM	PART NO	DESCRIPTION	QTY	ITEM	PART NO	DESCRIPTION	QTY
1	612983 01	BLADE MOUNTING ASSY	2				
2	BLTF12233	COACHBOLT	16				
3	WSH-0018	WASHER	16				
4	NUT-0269	NUT	16				
5	612872 01	ANTI-ROTATION BLADE	4				
6	HSS-0355	SETSCREW	4				
7	WSH-0030	WASHER	12				
8	NTA02200	NUT	4				
9	SCW-0190	SOCKET CAP HD SCREW	4				
10	WSH-0015	WASHER	4				
11	NUT-0265	NUT	4				
12	612874 01	BLADE LOCKING SHAFT	2				
13	PIN-1783	ROLL PIN	2				
14	CLP-00106	R-CLIP	2				
15	PTF-00025	HANDLE GRIP	4				



KIT - 03296
KIT - 03447

Shelbourne Reynolds Engineering Limited

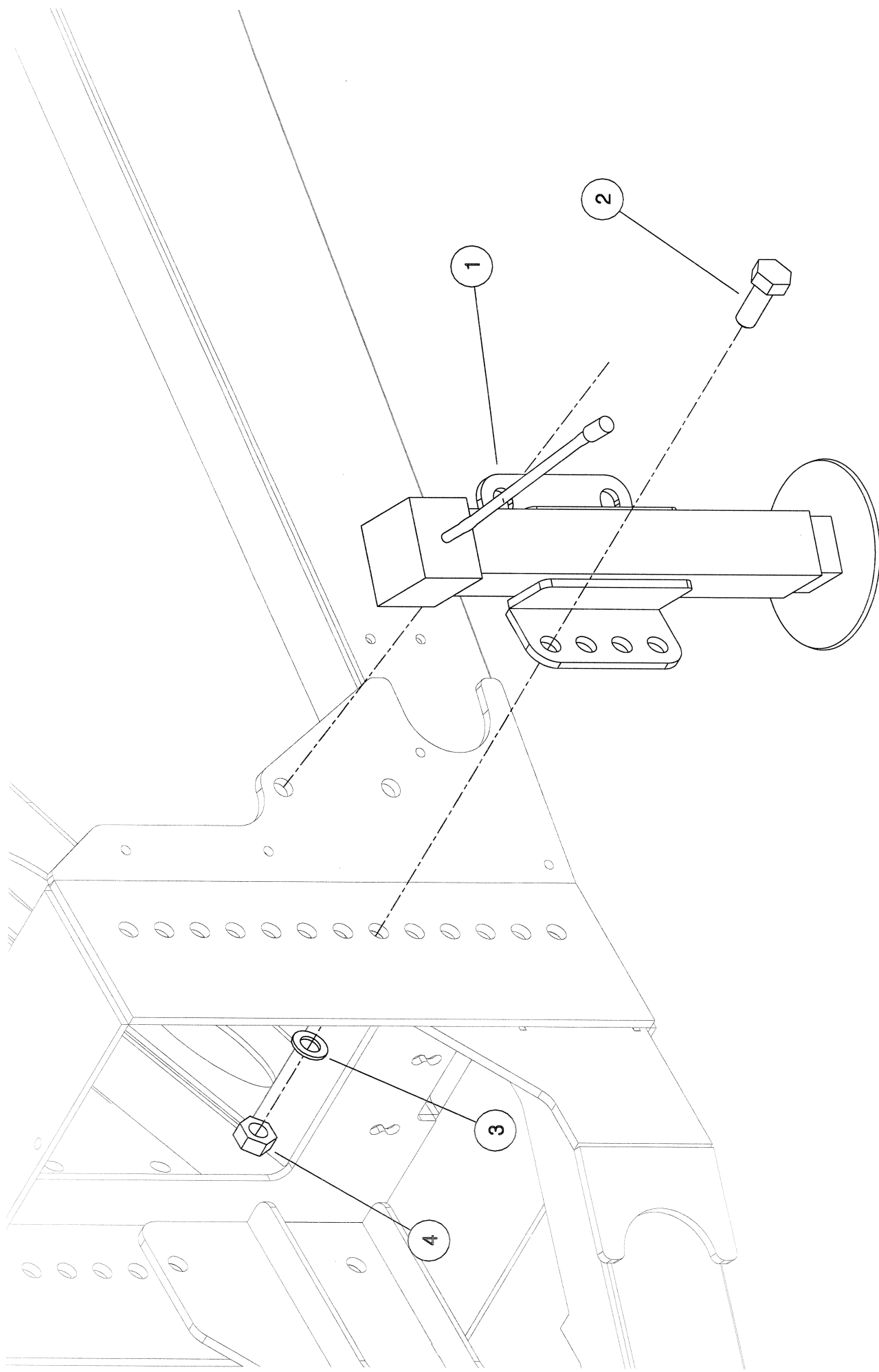
ASSY NUMBER: KIT-03448		SUB ASSY DESCRIPTION: FIXED RETARDER KIT (SINGLE AUGER)					
ITEM	PART NO	DESCRIPTION	QTY	ITEM	PART NO	DESCRIPTION	QTY
1	612489 01	ANTI-ROTATION BRKT	4				
2	BLTF12233	COACHBOLT	24				
3	WSH-0018	WASHER	28				
4	NUT-0269	NUT	28				
5	610934 01	LARGER ANTI-ROTATION PLATE	1				
6	612490 01	SMALL ANTI-ROTATION PLATE	1				
7	HSS-0260	SETSCREW	4				
8	612866 01	BLANKING PLATE	2				



KIT - 03298
 KIT - 03448

Shelbourne Reynolds Engineering Limited

ASSY NUMBER: KIT-03449		SUB ASSY DESCRIPTION: MECHANICAL JACK KIT					
ITEM	PART NO	DESCRIPTION	QTY	ITEM	PART NO	DESCRIPTION	QTY
1	613709 01	JACK WELD ASSY	1				
2	HSS-0410	SETSCREW	4				
3	WSH-0036	WASHER	4				
4	NUT-0275	NUT	4				



Shelbourne Reynolds Engineering Limited

ASSY NUMBER: KIT-03456 ASSY DESCRIPTION: BASIC EZ2000V INDICATOR KIT

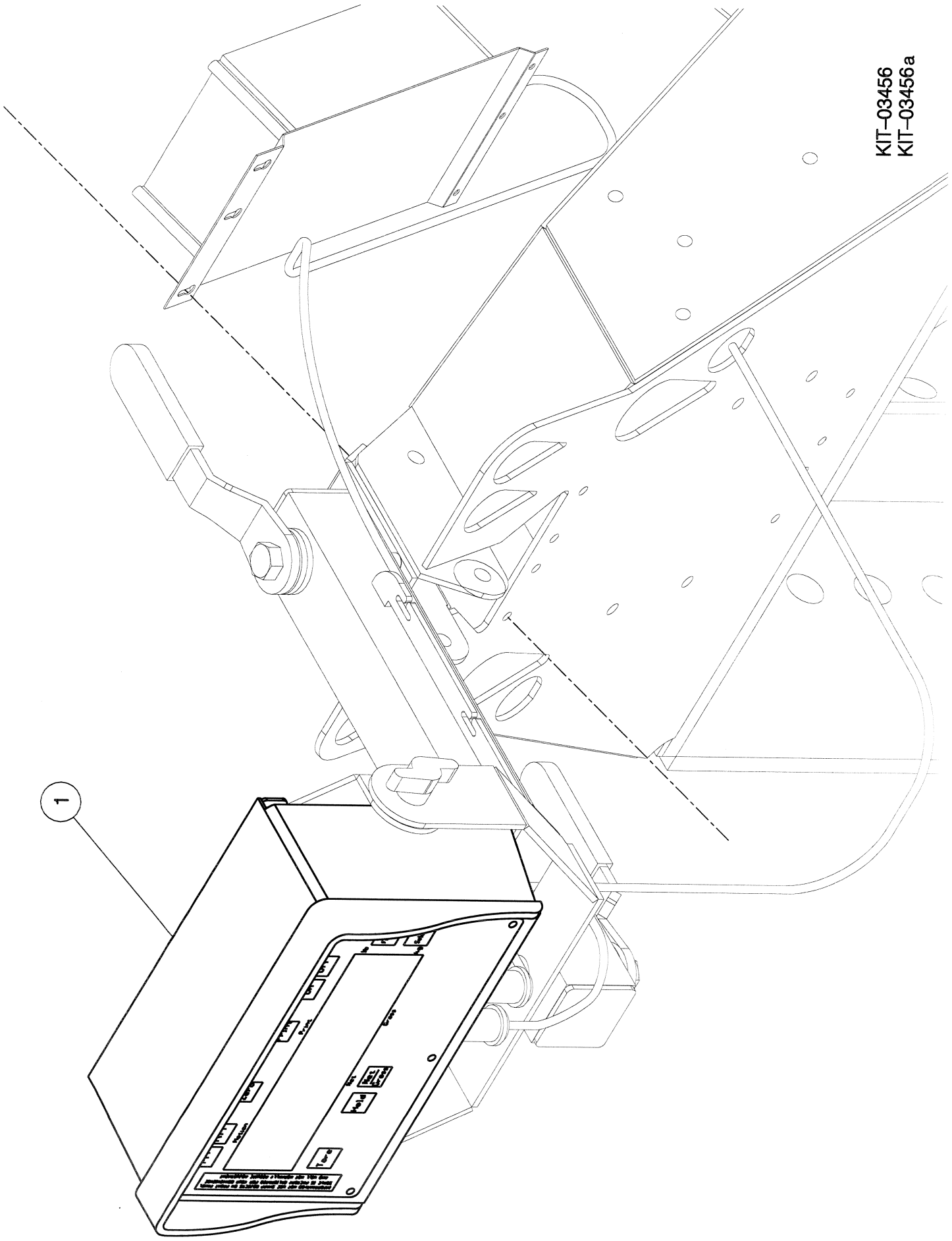
ITEM	PART NO	DESCRIPTION	QTY	ITEM	PART NO	DESCRIPTION	QTY
1	LCL-01217	EZ2000V INDICATOR	1				

Shelbourne Reynolds Engineering Limited

KIT-03456a		ASSY DESCRIPTION: BASIC EZ2000V INDICATOR KIT					
ASSY NUMBER:	PART NO	DESCRIPTION	QTY	ITEM	PART NO	DESCRIPTION	QTY
1	LCL-01217	EZ2000V INDICATOR WITH REMOTE DISPLAY PORT	1				

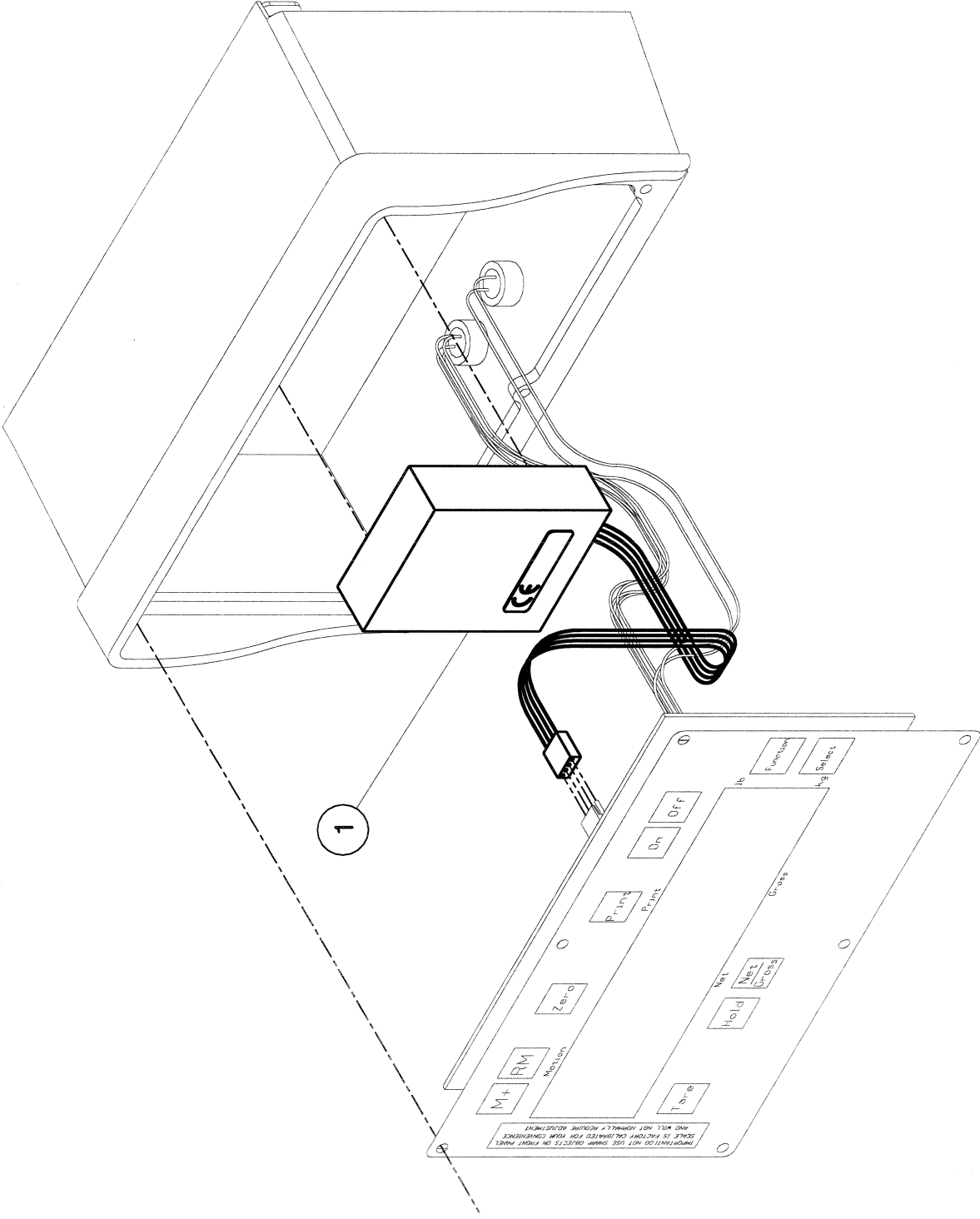
KIT-03456
KIT-03456 a

1



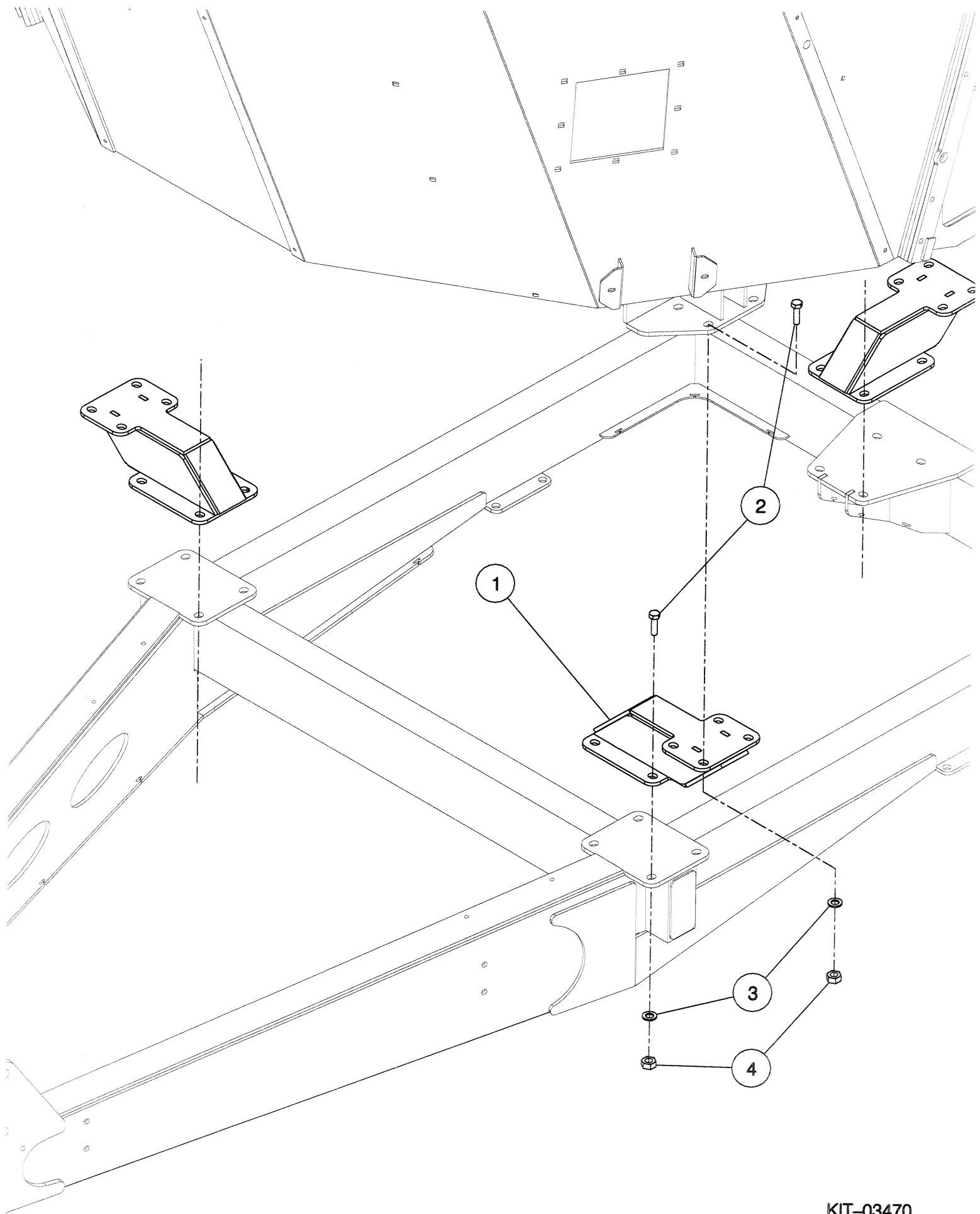
Shelbourne Reynolds Engineering Limited

KIT-03467		ASSY DESCRIPTION: REMOTE ZERO FUNCTION KIT					
ASSY NUMBER:	PART NO	DESCRIPTION	QTY	ITEM	PART NO	DESCRIPTION	QTY
1	LCL-01226	REMOTE ZERO FUNCTION	1				



Shelbourne Reynolds Engineering Limited

KIT-03470		ASSY DESCRIPTION:DUMMY WEIGH CELL KIT (SINGLE AUGER)					
ASSY NUMBER:	KIT-03470	DESCRIPTION	QTY	ITEM	PART NO	DESCRIPTION	QTY
1	613868 01	DUMMY LOADCELL	3				
2	HSS-0317	SETSCREW	24				
3	WSH-0024	WASHER	24				
4	NUT-0271	NUT	24				



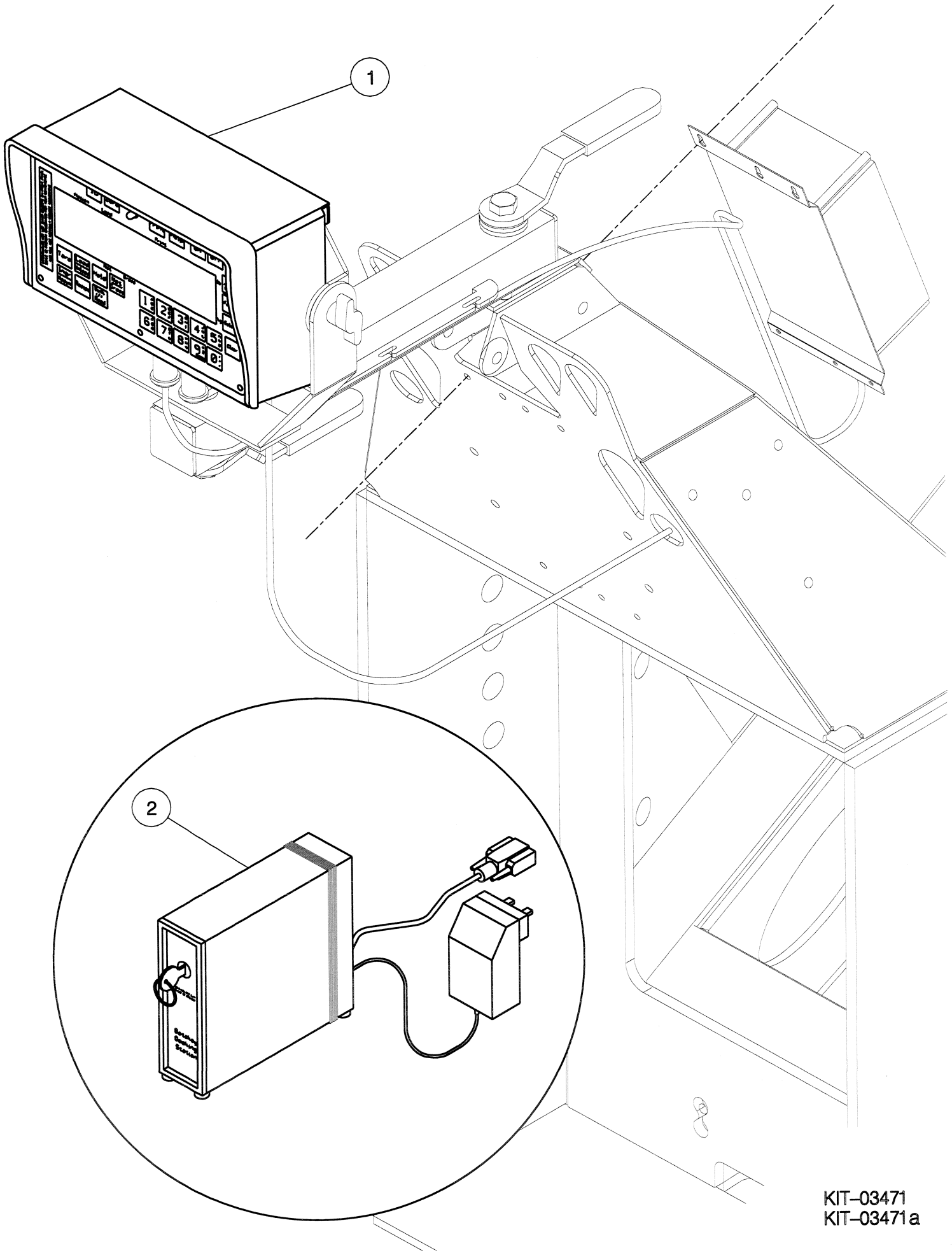
KIT-03470

Shelbourne Reynolds Engineering Limited

KIT-03471		ASSY DESCRIPTION: TOP LEVEL EZ3500 INDICATOR KIT					
ASSY NUMBER:	KIT-03471	ASSY DESCRIPTION: TOP LEVEL EZ3500 INDICATOR KIT					
ITEM	PART NO	DESCRIPTION	QTY	ITEM	PART NO	DESCRIPTION	QTY
1	LCL-01218	EZ3500 INDICATOR SOFTWARE & DOCKING STATION WITH UK 3 PIN PLUG	1				
2	LCL-01219		1				

Shelbourne Reynolds Engineering Limited

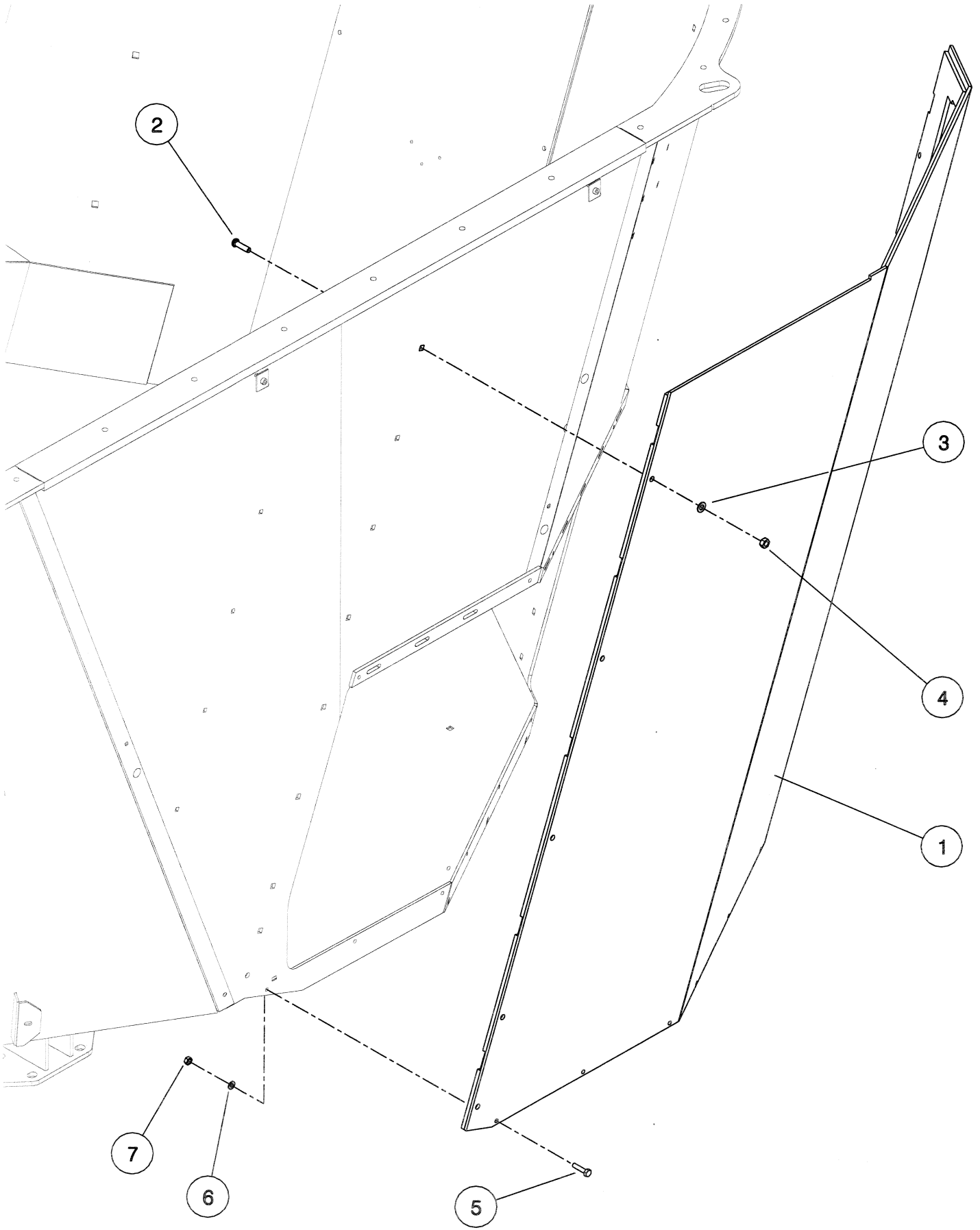
KIT-03471a		ASSY DESCRIPTION: TOP LEVEL EZ3500 INDICATOR KIT					
ASSY NUMBER:	KIT-03471a	ASSY DESCRIPTION: TOP LEVEL EZ3500 INDICATOR KIT					
ITEM	PART NO	DESCRIPTION	QTY	ITEM	PART NO	DESCRIPTION	QTY
1	LCL-01218	EZ3500 INDICATOR	1				
2	LCL-01219	SOFTWARE & DOCKING STATION WITH CONTINENTAL PLUG	1				



KIT-03471
KIT-03471a

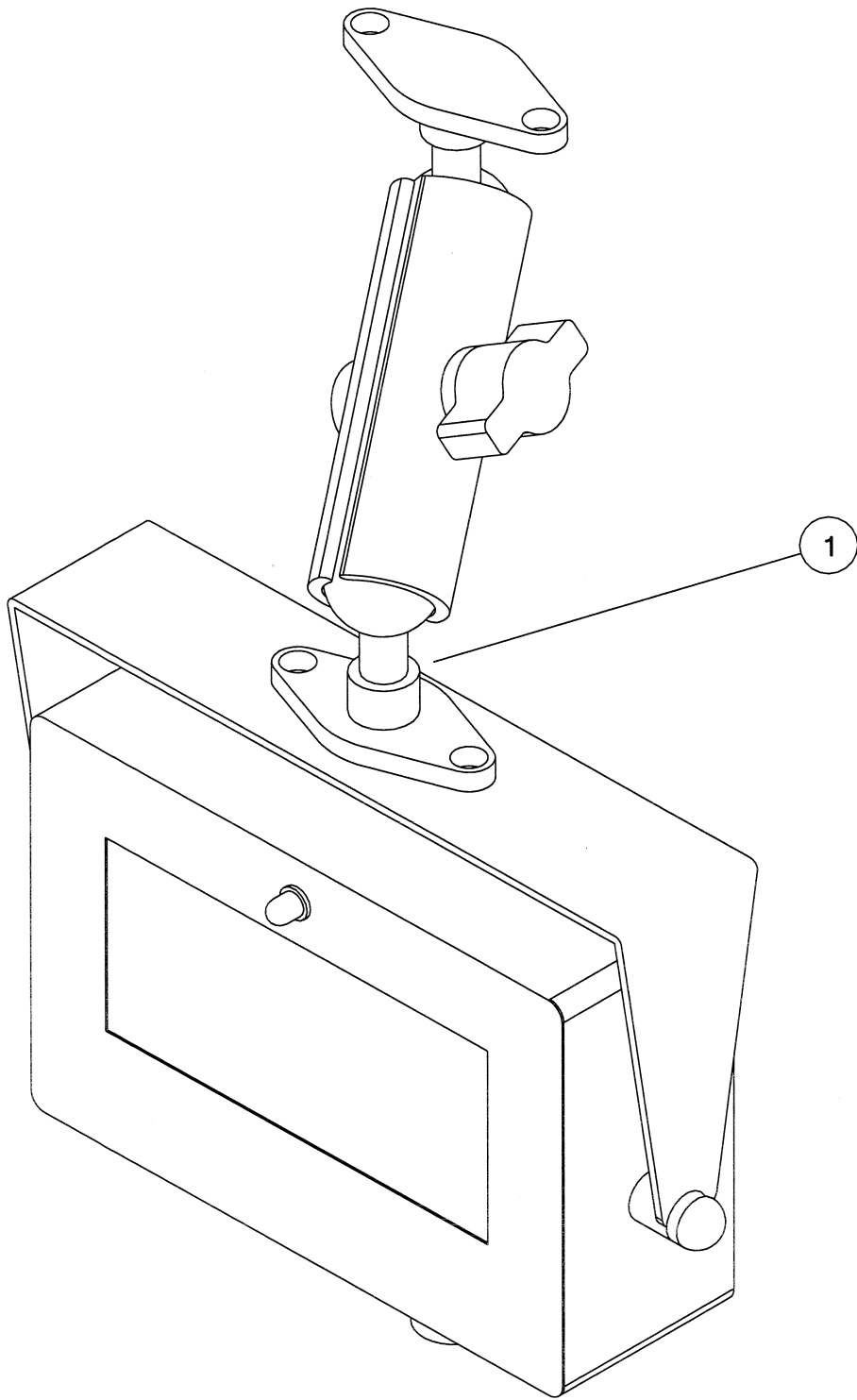
Shelbourne Reynolds Engineering Limited

KIT-03472		ASSY DESCRIPTION: DOOR BLANKING PLATE KIT					
ASSY NUMBER:							
ITEM	PART NO	DESCRIPTION	QTY	ITEM	PART NO	DESCRIPTION	QTY
1	613874 01	DOOR BLANKING PLATE W/A	1				
2	BLTF10231	COACHBOLT	10				
3	WSH-0015	WASHER	10				
4	NUT-0265	NUT	10				
5	HSS-0152	SETSCREW	6				
6	WSH-0012	WASHER	6				
7	NUT-0263	NUT	6				



Shelbourne Reynolds Engineering Limited

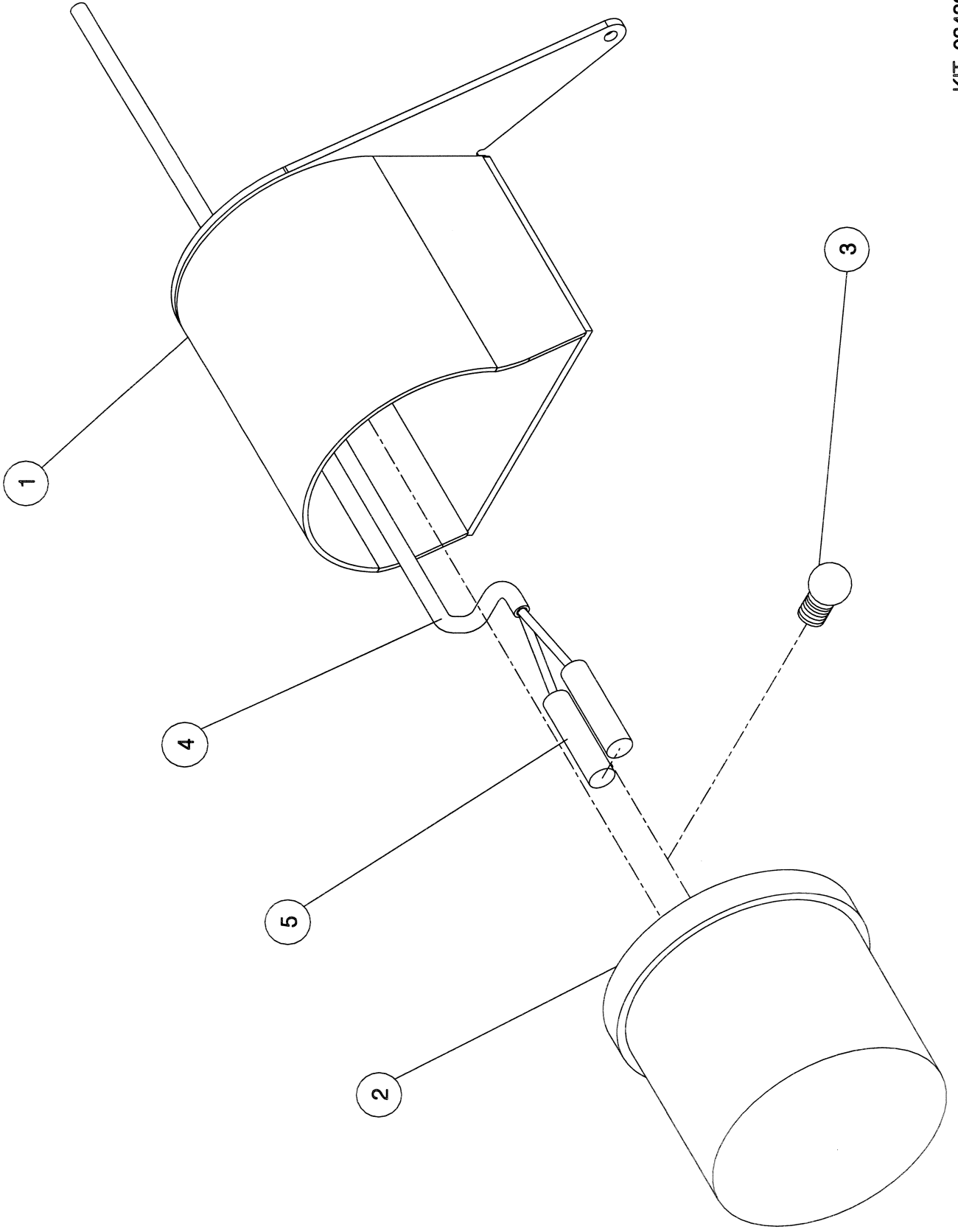
KIT-03478		ASSY DESCRIPTION: RD100 DISPLAY KIT				
ASSY NUMBER:	KIT-03478	ASSY DESCRIPTION: RD100 DISPLAY KIT				
ITEM	PART NO	DESCRIPTION	QTY	ITEM	PART NO	QTY
1	LCL-01227	RD100 REMOTE DISPLAY	1			



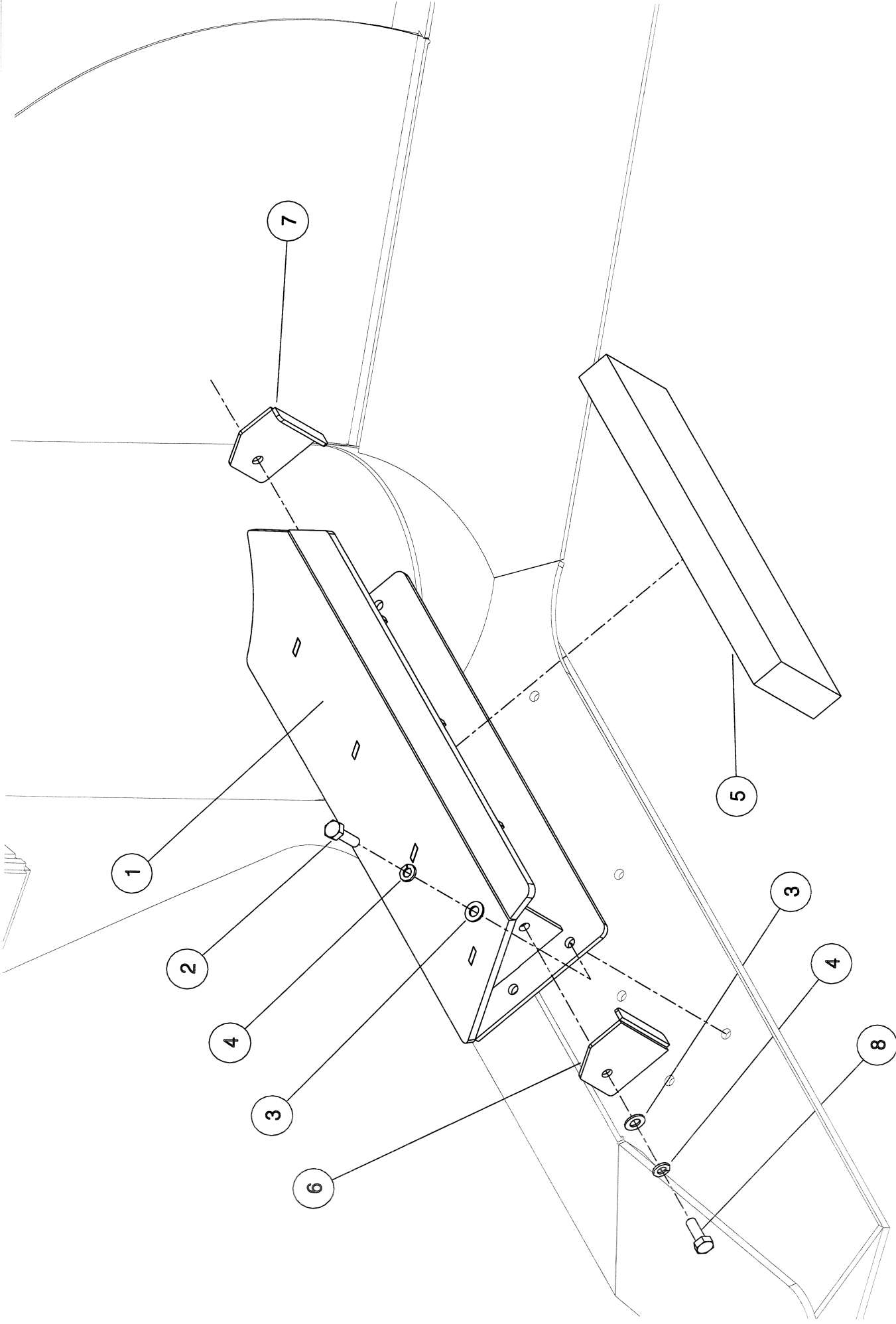
KIT-03478

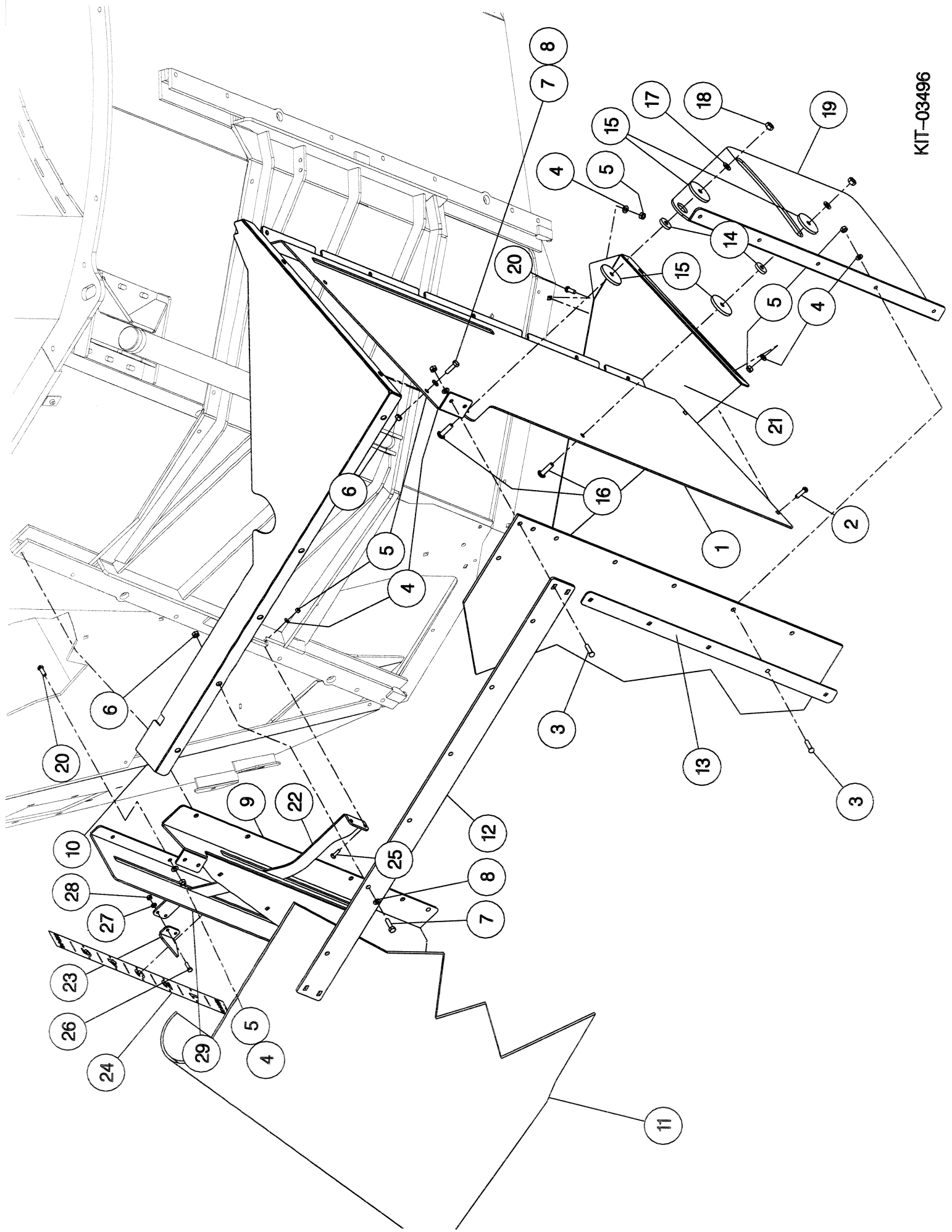
Shelbourne Reynolds Engineering Limited

KIT-03483		ASSY DESCRIPTION: FLASHING LIGHT KIT					
ASSY NUMBER:							
ITEM	PART NO	DESCRIPTION	QTY	ITEM	PART NO	DESCRIPTION	QTY
1	613940 01	LIGHT BRACKET	1				
2	LMP-10502	INDICATOR LAMP	1				
3	BLB-0015	BULB	1				
4	CBL-03010	CABLE (2 CORE)	3m				
5	ETM-00630	ELEC BUTT TERMINAL	2				



KIT-03483

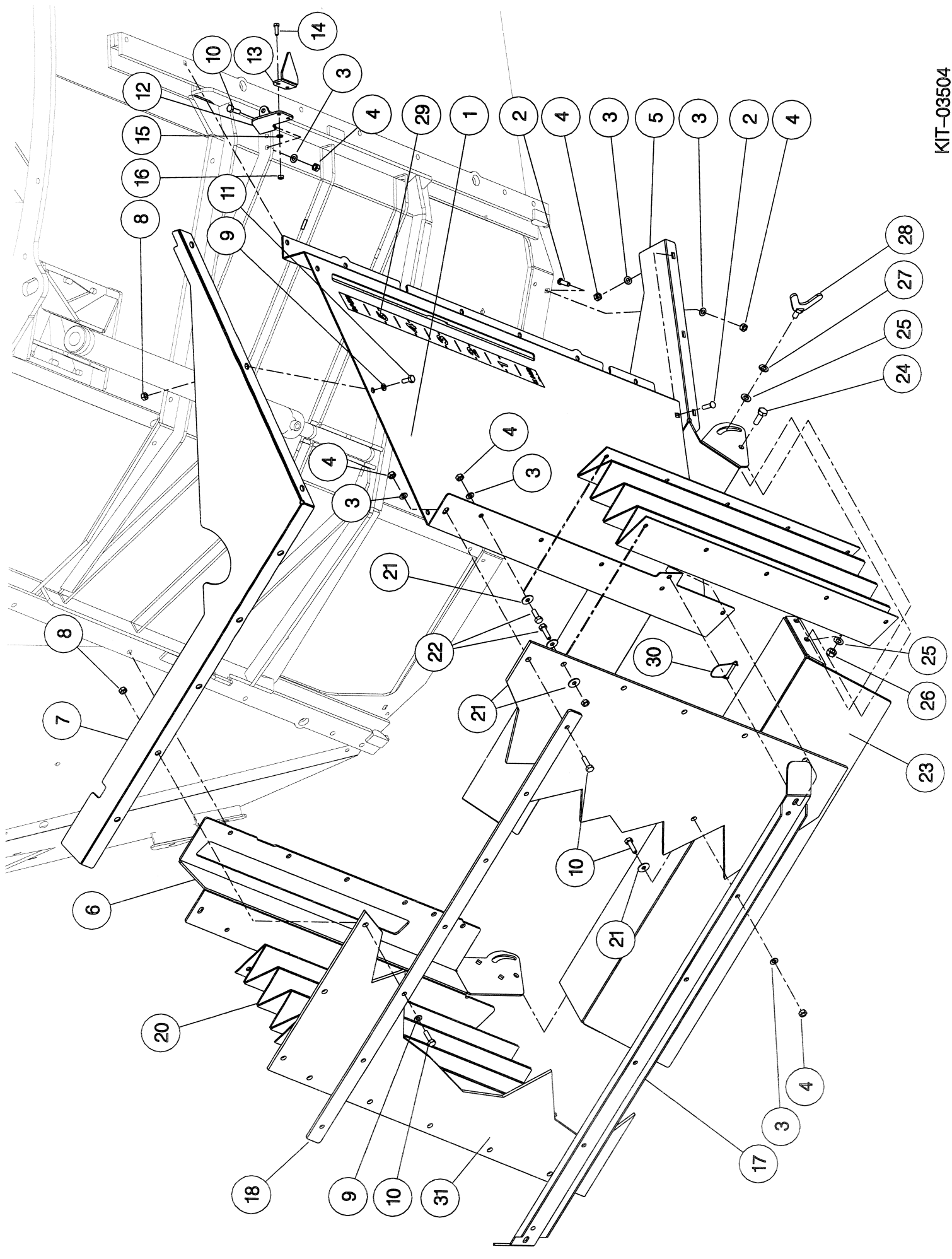




KIT-03496

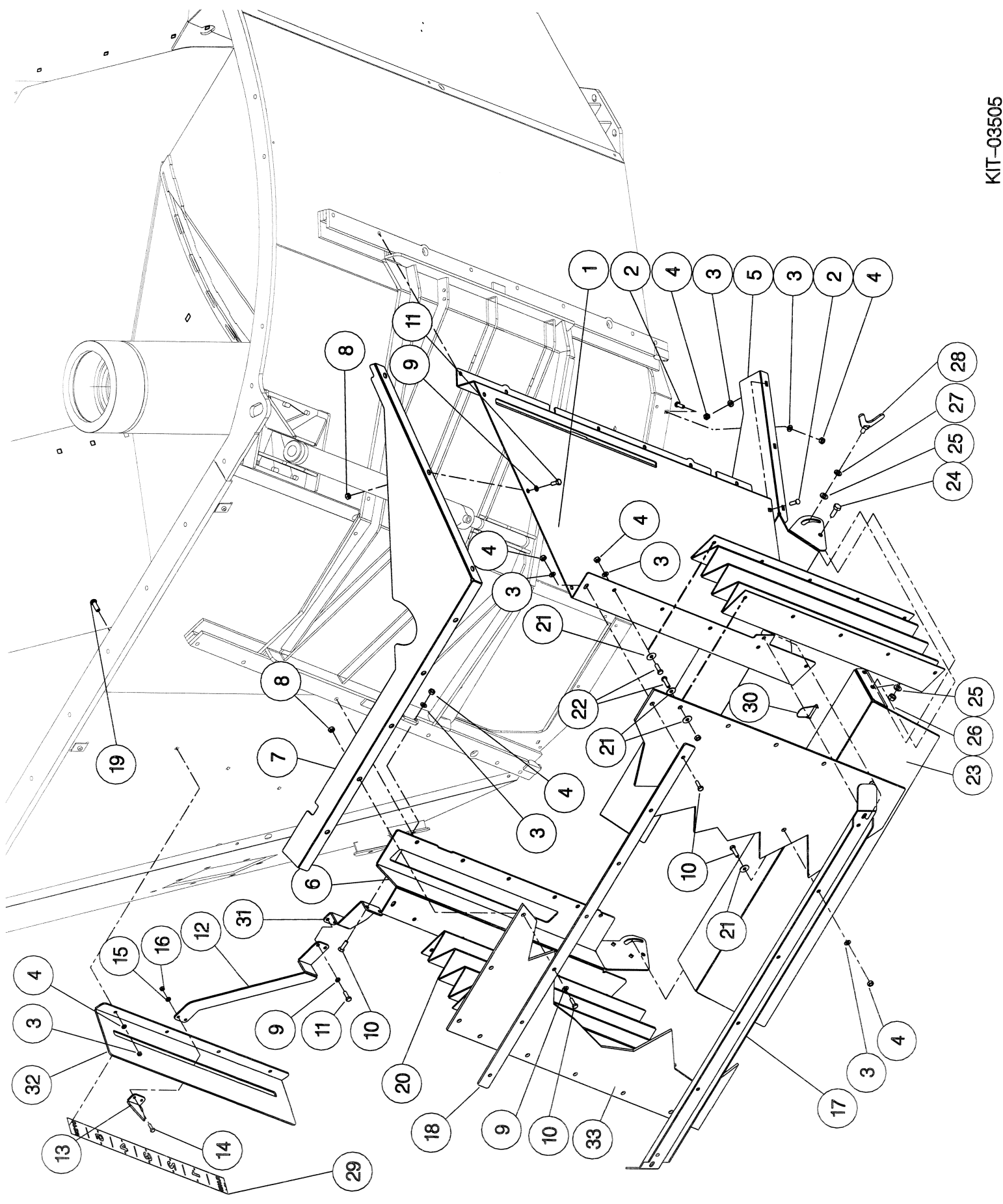
Shelbourne Reynolds Engineering Limited

KIT-03504		ASSY DESCRIPTION: RUBBER DOOR FLAP KIT (RH DOOR)					
ASSY NUMBER:	KIT-03504	DESCRIPTION	QTY	ITEM	PART NO	DESCRIPTION	QTY
1	614015 01	SIDE PANEL	1				
2	BLTF08173	COACHBOLT	8				
3	WSH-0012	WASHER	28				
4	NUT-0263	NUT	36				
5	614169 01	FIXED CHUTE	1				
OR	613987 01	FIXED CHUTE	1				
6	614168 01	SIDE PANEL	1				
OR	614016 01	SIDE PANEL	1				
7	613986 01	TOP CAPPING PLATE	1				
8	NUTA13080	NUTSERT	8				
9	WSH-0058	WASHER	8				
10	HSS-0150	SETScrew	8				
11	HSS-0140	SETScrew (M8x20)	15				
12	613991 01	INDICATOR PLATE	3				
13	613786 01	POINTER	1				
14	HSS-0086	SETScrew	1				
15	WSH-0009	WASHER	2				
16	NUT-0260	NUT	2				
17	614017 01	SAFETY BELT	2				
18	613992 01	CLAMP PLATE	1				
19			1				
20	614004 01	SIDE CURTAIN	2				
21	WSH-1038	WASHER (M8 PENNY)	32				
22	HSS-0145	SETScrew	18				
23	614170 01	ADJUSTABLE CHUTE	1				
OR	613985 01	ADJUSTABLE CHUTE	1				
24	HSS-0191	SETScrew (M10x25)	2				
25	WSH-0015	WASHER	4				
26	NUT-0265	NUT	2				
27	WSH-0061	WASHER	2				
28	613995 01	LOCKING HANDLE	2				
29	613779 01	DECAL - DOOR HEIGHT	2				
30	PIN-1720	LYNCH PIN	1				
31	614018 01	SAFETY FLAP	2				
			1				



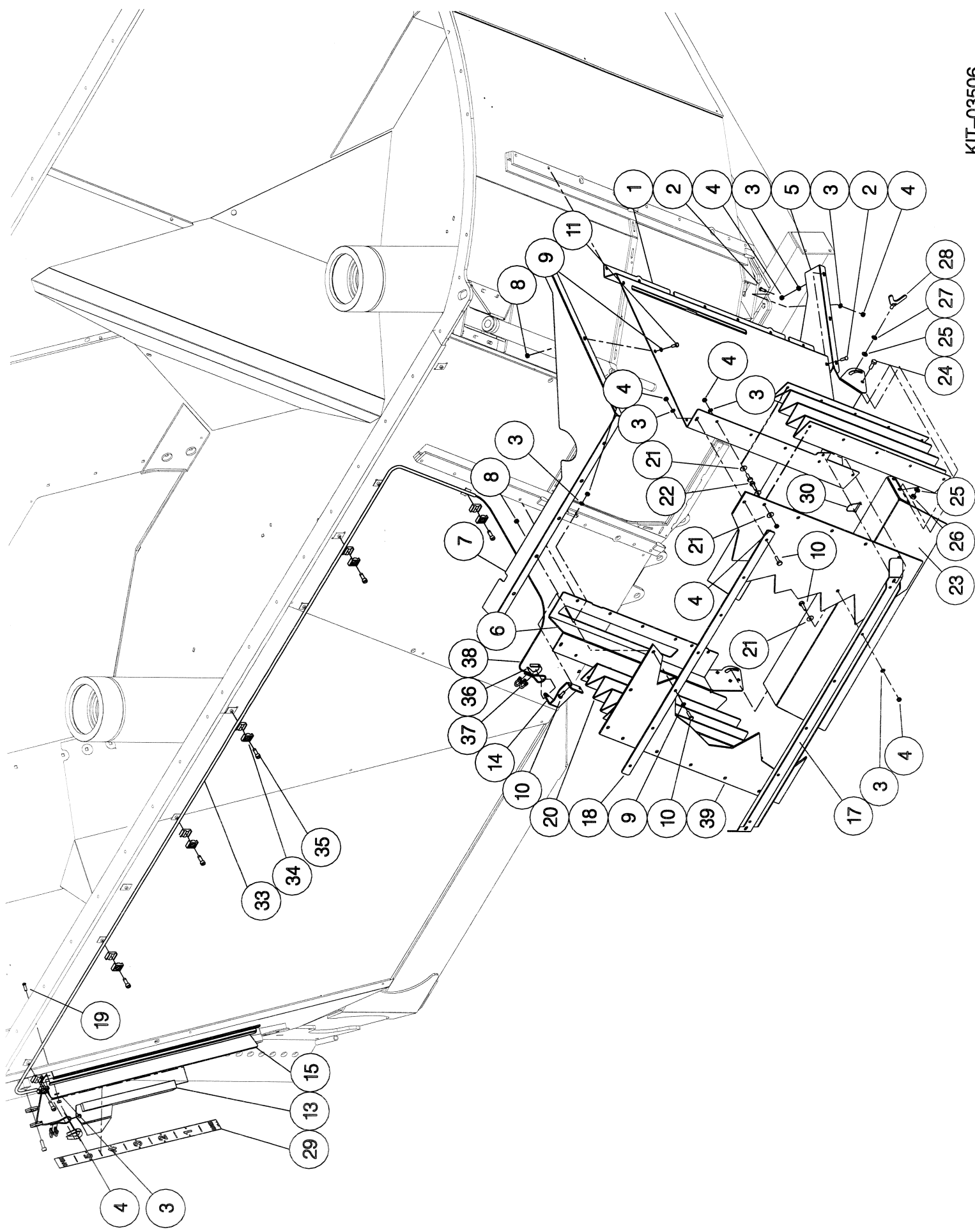
Shelbourne Reynolds Engineering Limited

KIT-03505		ASSY DESCRIPTION: RUBBER DOOR FLAP KIT (LH DOOR)					
ASSY NUMBER:	KIT-03505	ASSY DESCRIPTION: RUBBER DOOR FLAP KIT (LH DOOR)					
ITEM	PART NO	DESCRIPTION	QTY	ITEM	PART NO	DESCRIPTION	QTY
1	614015 01	SIDE PANEL	1				
2	BLTF08173	COACHBOLT	8				
3	WSH-0012	WASHER	32				
4	NUT-0263	NUT	40				
5	614169 01	FIXED CHUTE	1				
OR	613987 01	FIXED CHUTE	1				
6	614168 01	SIDE PANEL	1				
OR	614016 01	SIDE PANEL	1				
7	613986 01	TOP CAPPING PLATE	1				
8	NUTA13080	NUTSERT	8				
9	WSH-0058	WASHER	10				
10	HSS-0150	SETSCREW	15				
11	HSS-0140	SETSCREW (M8x20)	5				
12	613990 01	INDICATOR PLATE	1				
13	613786 01	POINTER	1				
14	HSS-0086	SETSCREW	2				
15	WSH-0009	WASHER	2				
16	NUT-0260	NUT	2				
17	614017 01	SAFETY BELT	1				
18	613992 01	CLAMP PLATE	1				
19	BLT-2700	COACHBOLT	4				
20	614004 01	SIDE CURTAIN	2				
21	WSH-1038	WASHER (M8 PENNY)	32				
22	HSS-0145	SETSCREW	18				
23	614170 01	ADJUSTABLE CHUTE	1				
OR	613985 01	ADJUSTABLE CHUTE	1				
24	HSS-0191	SETSCREW (M10x25)	2				
25	WSH-0015	WASHER	4				
26	NUT-0265	NUT	2				
27	WSH-0061	WASHER	2				
28	613995 01	LOCKING HANDLE	2				
29	613779 01	DECAL - DOOR HEIGHT	2				
30	PIN-1720	LYNCH PIN	1				
31	613989 01	FIXING PLATE	2				
32	613517 01	DOOR HEIGHT INDICATOR	1				
33	614018 01	SAFETY FLAP	1				



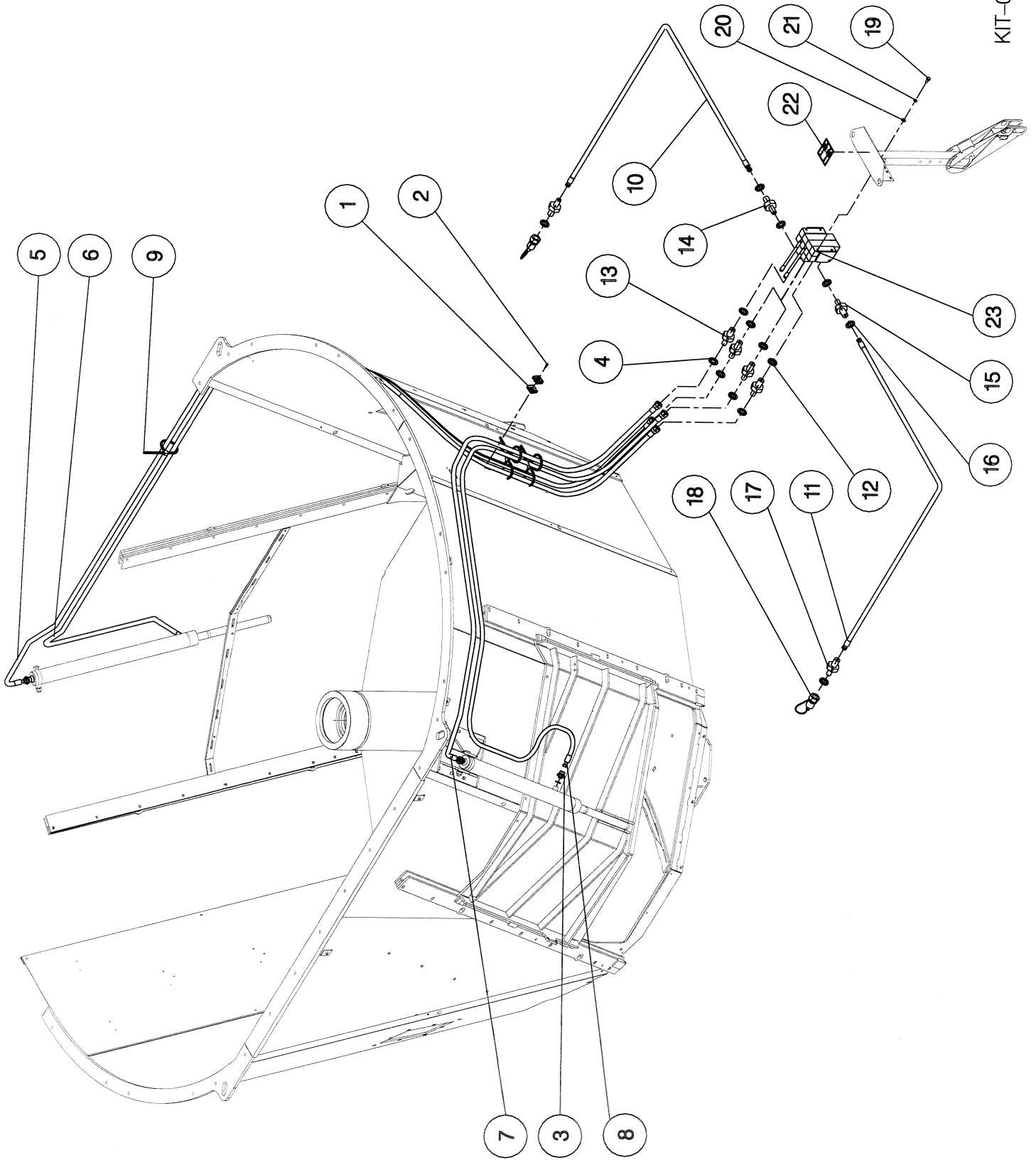
Shelbourne Reynolds Engineering Limited

KIT-03506		ASSY DESCRIPTION: RUBBER DOOR FLAP KIT (LH DOOR TWIN AUGER)					
ASSY NUMBER:	PART NO	DESCRIPTION	QTY	ITEM	PART NO	DESCRIPTION	QTY
1	614015 01	SIDE PANEL	1	36	WRP-01040	THIMBLE	2
2	BLTF08173	COACHBOLT	8	37	WRP-02040	CLAMP	4
3	WSH-0012	WASHER	31	38	WRP-00040	CABLE	5m
4	NUT-0263	NUT	39	39	614018 01	SAFETY FLAP	1
5	614169 01	FIXED CHUTE	1				
OR	613987 01	FIXED CHUTE	1				
6	614168 01	SIDE PANEL	1				
OR	614016 01	SIDE PANEL	1				
7	613986 01	TOP CAPPING PLATE	1				
8	NUTA13080	NUTSERT	8				
9	WSH-0058	WASHER	8				
10	HSS-0150	SETScrew	15				
11	HSS-0140	SETScrew (M8x20)	3				
12							
13	613809 01	POINTER	1				
14	614020 01	HEIGHT INDICATOR BRKT	1				
15	613811 01	DOOR HEIGHT INDICATOR	1				
16							
17	614017 01	SAFETY BELT	1				
18	613992 01	CLAMP PLATE	1				
19	BLT-2700	COACHBOLT	3				
20	614004 01	SIDE CURTAIN	2				
21	WSH-1038	WASHER (M8 PENNY)	32				
22	HSS-0145	SETScrew	18				
23	614170 01	ADJUSTABLE CHUTE	1				
OR	613985 01	ADJUSTABLE CHUTE	1				
24	HSS-0191	SETScrew (M10x25)	2				
25	WSH-0015	WASHER	4				
26	NUT-0265	NUT	2				
27	WSH-0061	WASHER	2				
28	613995 01	LOCKING HANDLE	2				
29	613779 02	DECAL - DOOR HEIGHT	1				
30	PIN-1720	LYNCH PIN	2				
31							
32							
33	613808 01	CABLE TUBE	1				
34	FIT-1000	CLAMP BASE	7				
35	SCW-0092	SCREW	7				



Shelbourne Reynolds Engineering Limited

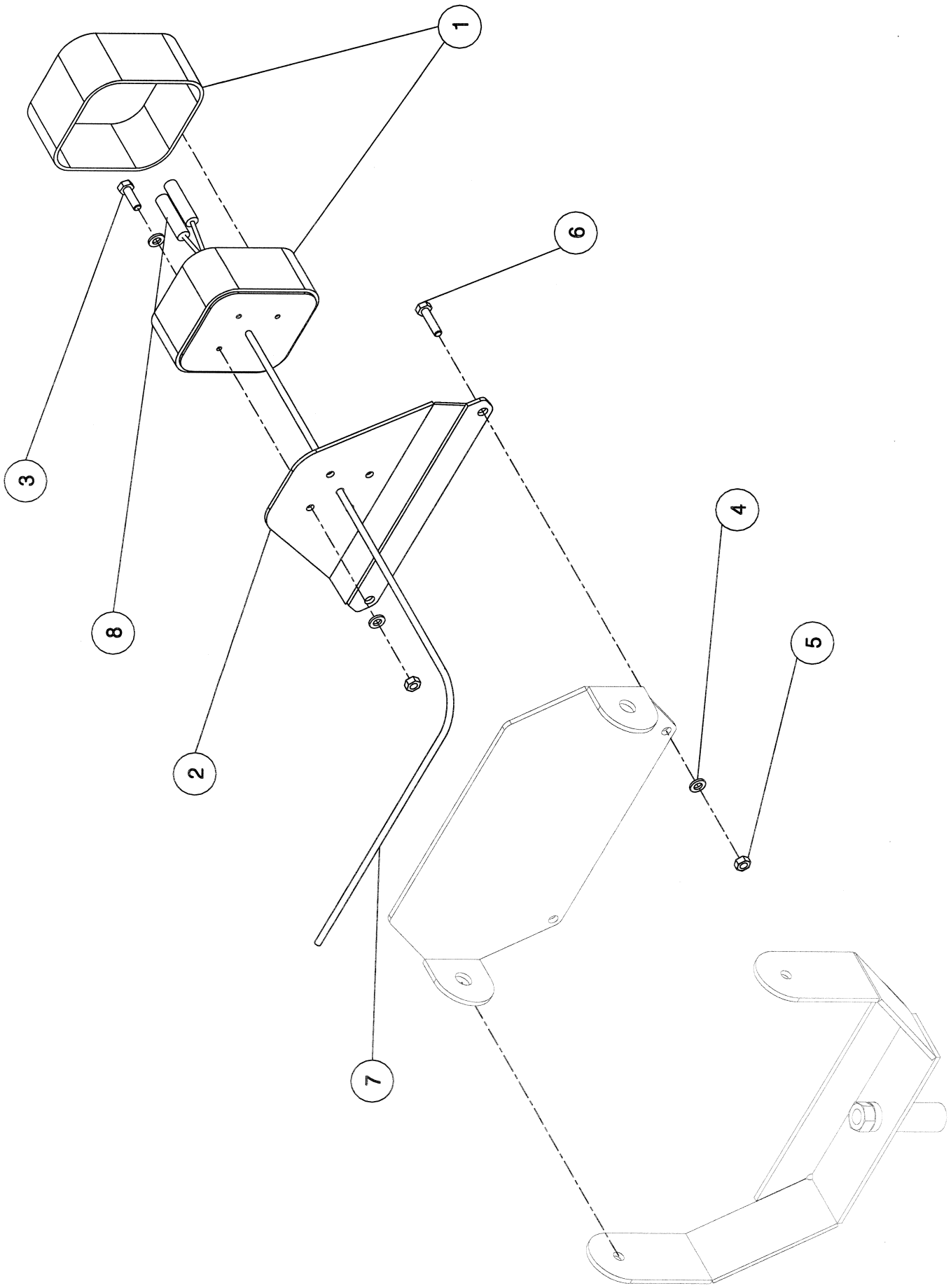
KIT-03507		SUB ASSY DESCRIPTION: 2 STATION MANUAL SPOOL VALVE KIT					
ASSY NUMBER:							
ITEM	PART NO	DESCRIPTION	QTY	ITEM	PART NO	DESCRIPTION	QTY
1	HCPD01200	PIPE CLAMP	11				
2	SCW-0083	CP HD SCREW	11				
3	HMA-0052	M/M ADAPTOR	4				
4	WSH-1005	DOWTY WASHER	4				
5	HHBC67105	HOSE ASSY	1				
6	HHBC73005	HOSE ASSY	1				
7	HHBC49005	HOSE ASSY	1				
8	HHBC55005	HOSE ASSY	1				
9	TIE-0004	TIE WRAP	10				
10	HHAE16005	HYDRAULIC HOSE	1				
11	HHAF16005	HYDRAULIC HOSE	1				
12	WSH-1010	DOWTY WASHER	6				
13	FIT-0025	HYD ADAPT	4				
14	HMA-0057	M/M ADAPTOR	1				
15	HMA-0065	M/M ADAPTOR	2				
16	WSH-1015	DOWTY WASHER	2				
17	HMA-0067	M/M ADAPTOR	1				
18	COU-0162	QUICK RELEASE COUPLING	2				
19	HSS-0135	SET SCREW	4				
20	WSH-0012	PLAIN WASHER	4				
21	WSH-0058	SPRING WASHER	4				
22	610792 01	EMBLEM	1				
23	HVB-09020	VALVE BLOCK	1				



KIT-03507

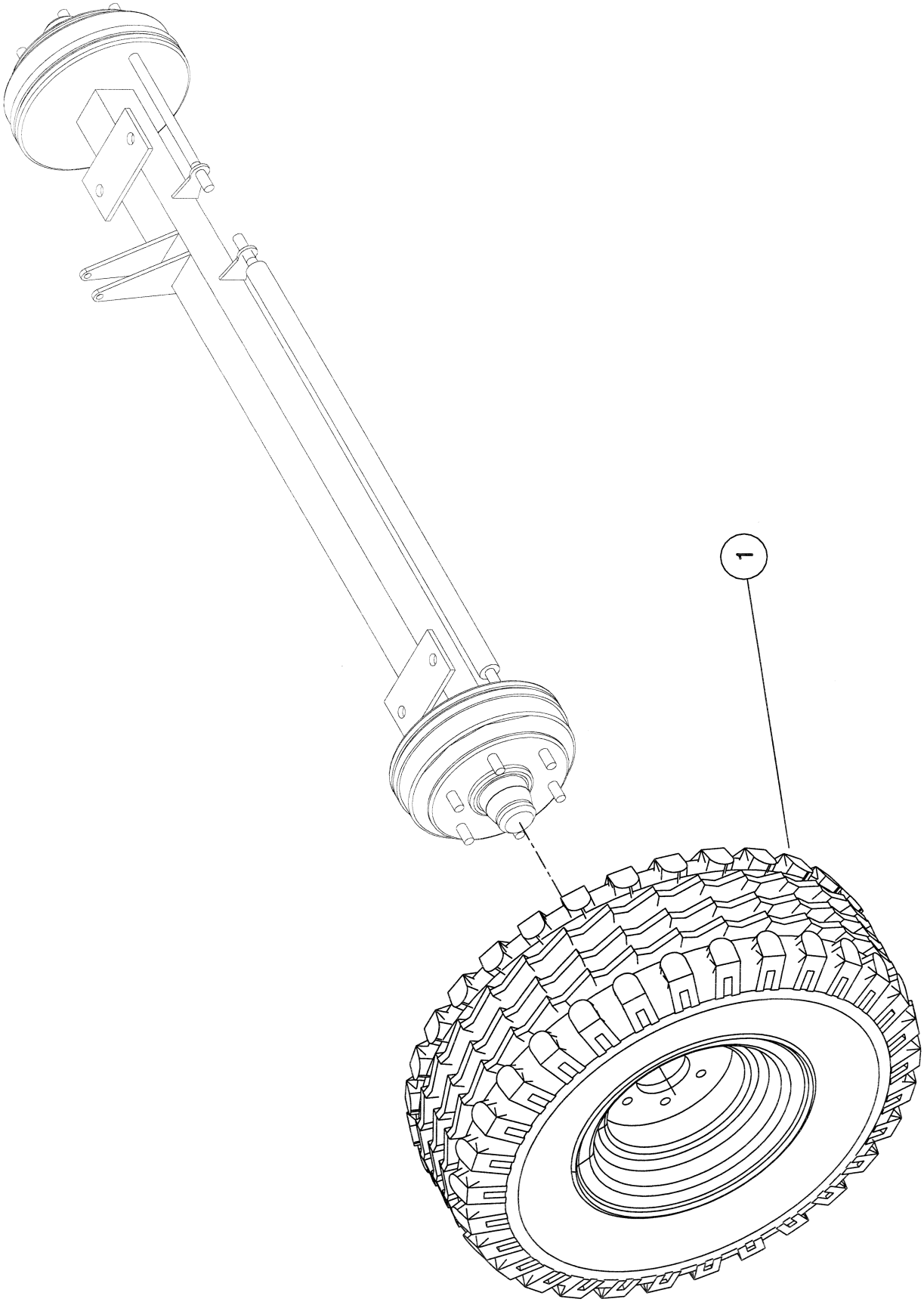
Shelbourne Reynolds Engineering Limited

KIT-03510		ASSY DESCRIPTION: AUDIBLE ALARM KIT (FOR DIGI-STAR)					
ASSY NUMBER:	KIT-03510	DESCRIPTION	QTY	ITEM	PART NO	DESCRIPTION	QTY
1	BUZ-00010	AUDIBLE ALARM	1				
2	614030 01	BUZZER BRACKET	1				
3	HSS-0086	SETSCREW	4				
4	WSH-0009	WASHER	10				
5	NUT-0260	NUT	6				
6	HSS-0088	SETSCREW	2				
7	CBL-03010	CABLE (2 CORE)	3m				
8	ETM-00630	ELEC BUTT TERMINAL	2				



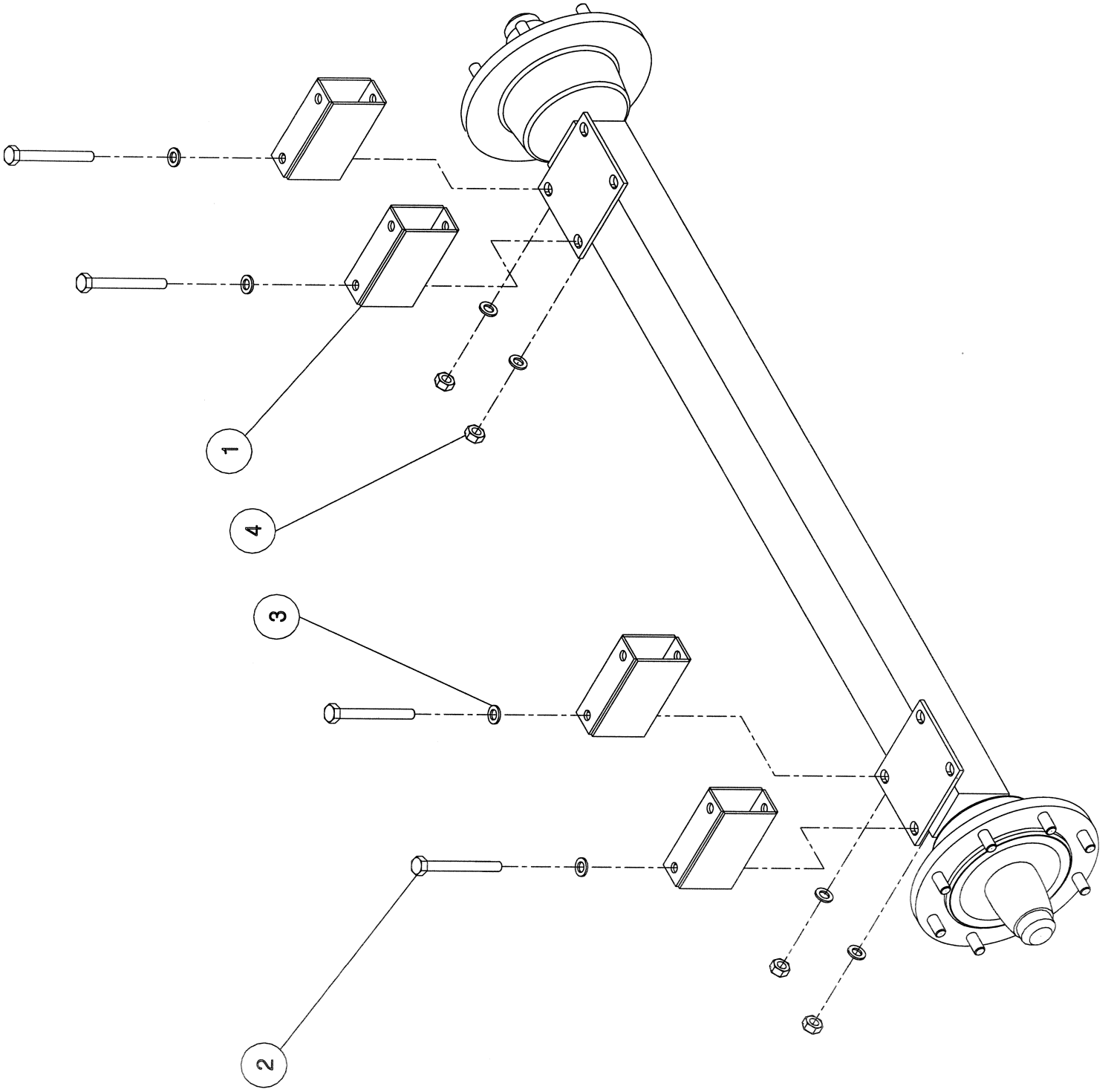
Shelbourne Reynolds Engineering Limited

ASSY NUMBER: KIT-03511		SUB ASSY DESCRIPTION: SUPER SINGLE WHEEL & TYRE KIT					
ITEM	PART NO	DESCRIPTION	QTY	ITEM	PART NO	DESCRIPTION	QTY
1	WHL-02201	WHEEL & TYRE ASSY (385/R65-22.5)	2				



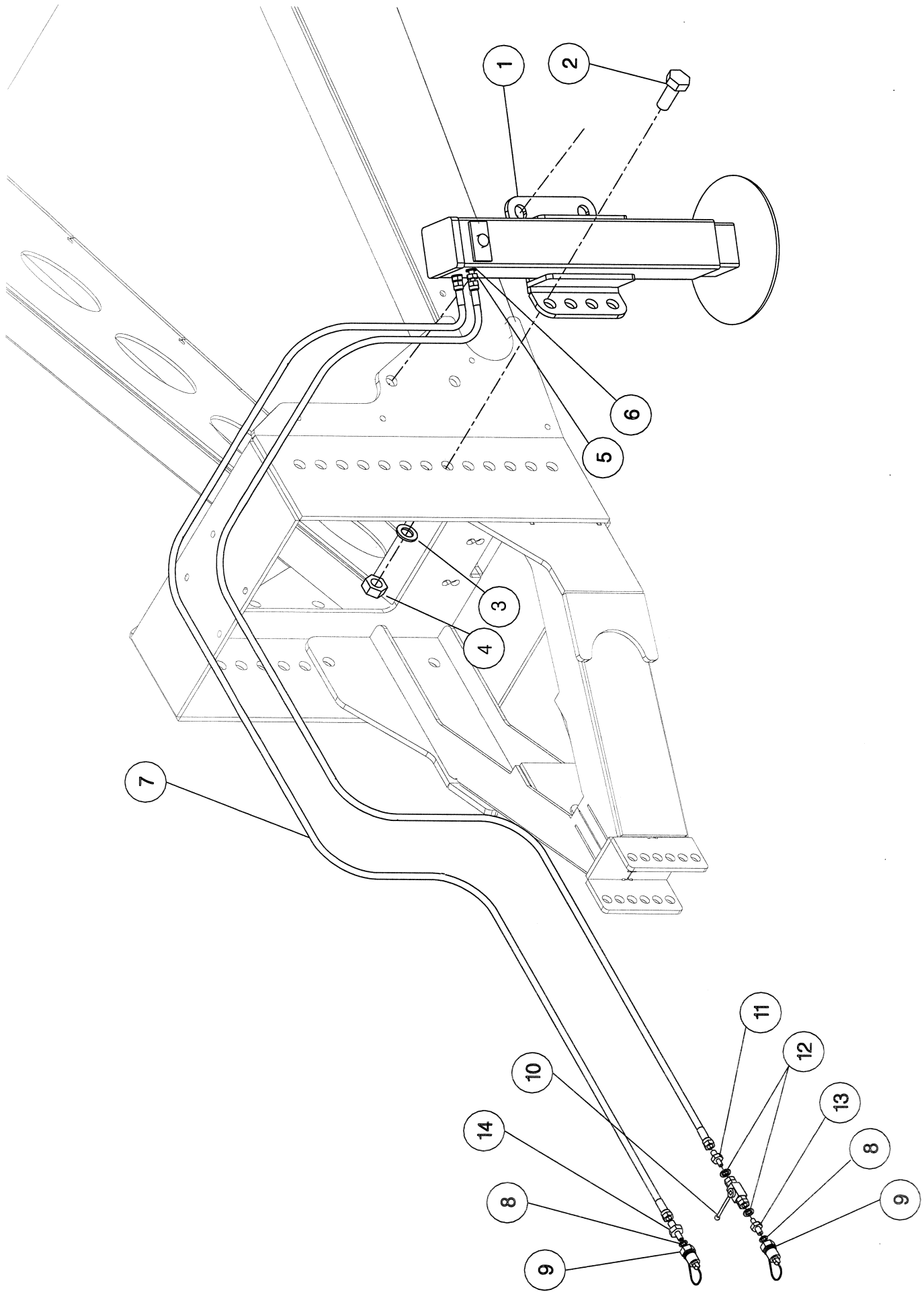
Shelbourne Reynolds Engineering Limited

KIT-03512		SUB ASSY DESCRIPTION: 4" TUB RAISE KIT					
ASSY NUMBER:							
ITEM	PART NO	DESCRIPTION	QTY	ITEM	PART NO	DESCRIPTION	QTY
1	614019 01	4" SPACER BLOCK	4				
2	BLT-2340	BOLT (M16x150)	8				
3	WSH-0024	WASHER (M16 PLAIN)	16				
4	NUT-0271	NUT (M16 NYLOC)	8				



Shelbourne Reynolds Engineering Limited

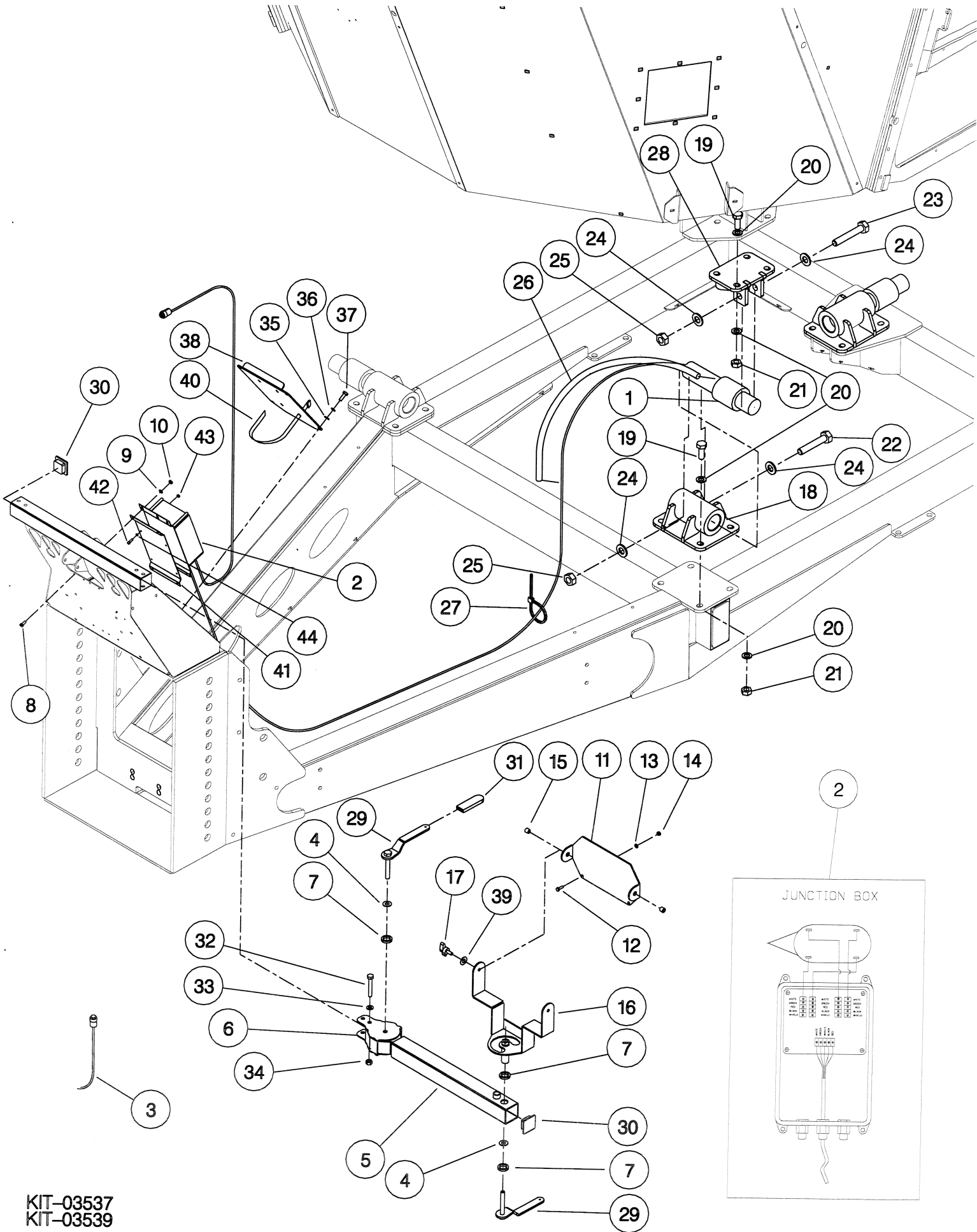
KIT-03514		SUB ASSY DESCRIPTION:HYD PARKING JACK (TRACTOR CONNECTION)					
ASSY NUMBER:	PART NO	DESCRIPTION	QTY	ITEM	PART NO	DESCRIPTION	QTY
1	614047 01	JACK WELD ASSY	1				
2	HSS-0410	SETSCREW	4				
3	WSH-0036	WASHER	4				
4	NUT-0275	NUT	4				
5	HMA-0057	HYD ADPT	2				
6	WSH-1010	DOWTY WASHER	2				
7	HHBE25005	HYD HOSE ASSY	2				
8	WSH-1015	DOWTY WASHER	2				
9	COU-0162	QUICK RELEASE COUPLING	2				
10	HVB-02600	2-WAY BALL VALVE	1				
11	FIT-0025	HYD ADAPT	1				
12	WSH-1005	DOWTY WASHER	2				
13	HMA-0055	HYD ADAPT	1				
14	HMA-0065	HYD ADAPT (3/8"x1/2" M/M)	1				



KIT-03514

Shelbourne Reynolds Engineering Limited

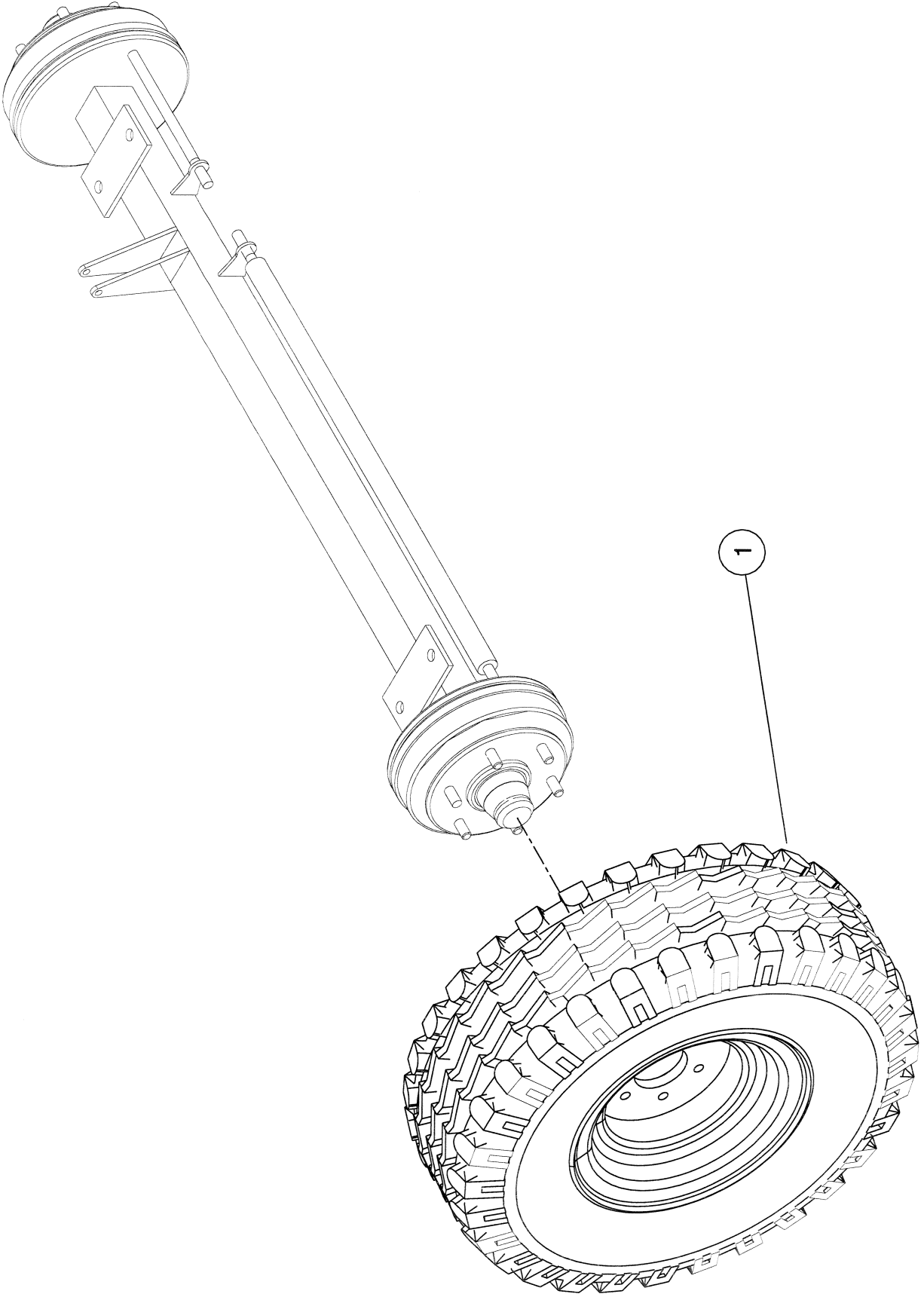
KIT-03537		ASSY DESCRIPTION:WEIGH CELL SYSTEM (SINGLE AUGER)					
ITEM	PART NO	DESCRIPTION	QTY	ITEM	PART NO	DESCRIPTION	QTY
1	LCL-01200	LOADCELL	3	39	WSH-1300	SHAKERPROOF WASHER	2
2	LCL-01205	JUNCTION BOX	1	40	TIE-0012	LARGE TIE WRAP	2
3	LCL-01210	POWER CORD	1	41	614949 01	BRACKET J-BOX	1
4	WSHA30121	LOCKWASHER	2	42	SCW-0035	CAP HEAD SCREW	4
5	614188 01	WEIGH HEAD ARM W/A	1	43	NUT-0255	NUT NYLOCK	4
6	614187 01	OUTER COUPLING W/A	1	44	WSH-0003	PLAIN WASHER	4
7	190548 54	WASHER	3				
8	HSS-0058	SETSCREW	6				
9	WSH-0006	WASHER	6				
10	NUT-0258	NUT	6				
11	613597 01	REAR PANEL	1				
12	HSS-0086	SETSCREW	2				
13	WSH-0009	WASHER	2				
14	NUT-0260	NUT	2				
15	NUTA13080	NUTSERT	6				
16	614189 01	WEIGH HEAD HOUSING	1				
17	KNO-0001	THERMOPLASTIC KNOB	2				
18	613608 01	LOADCELL MTG BOSS W/A	3				
19	HSS-0318	SETSCREW	24				
20	WSH-0024	WASHER	48				
21	NUT-0271	NUT	24				
22	BLTA20620	BOLT	3				
23	BLTA20590	BOLT	3				
24	WSH-0030	WASHER	12				
25	NUTA02200	NUT	6				
26	SLV-00300	SPIRAL CONVOLUTE TUBING	5m				
27	TIE-0004	TIE WRAP	30				
28	613612 01	LOADCELL CLEVIS W/A	3				
29	613695 01	SECURING HANDLE ASSY	2				
30	CAP-0012	END CAP	2				
31	PTF-00026	PLASTIC HANDLE	2				
32	BLTA10470	BOLT	2				
33	WSH-0015	WASHER	2				
34	NUT-0265	NUT	2				
35	WSH-0012	WASHER	4				
36	WSH-0058	WASHER	4				
37	HSS-0145	SETSCREW	4				
38	614178 01	COVER	1				



KIT-03537
KIT-03539

Shelbourne Reynolds Engineering Limited

KIT-03544		ASSY DESCRIPTION: WHEEL&TYRE KIT (BANDENMARKT 305/55R22.5)					
ASSY NUMBER:	KIT-03544	ASSY DESCRIPTION: WHEEL&TYRE KIT (BANDENMARKT 305/55R22.5)					
ITEM	PART NO	DESCRIPTION	QTY	ITEM	PART NO	DESCRIPTION	QTY
1	WHL-02202	WHEEL & TYRE ASSY	2				

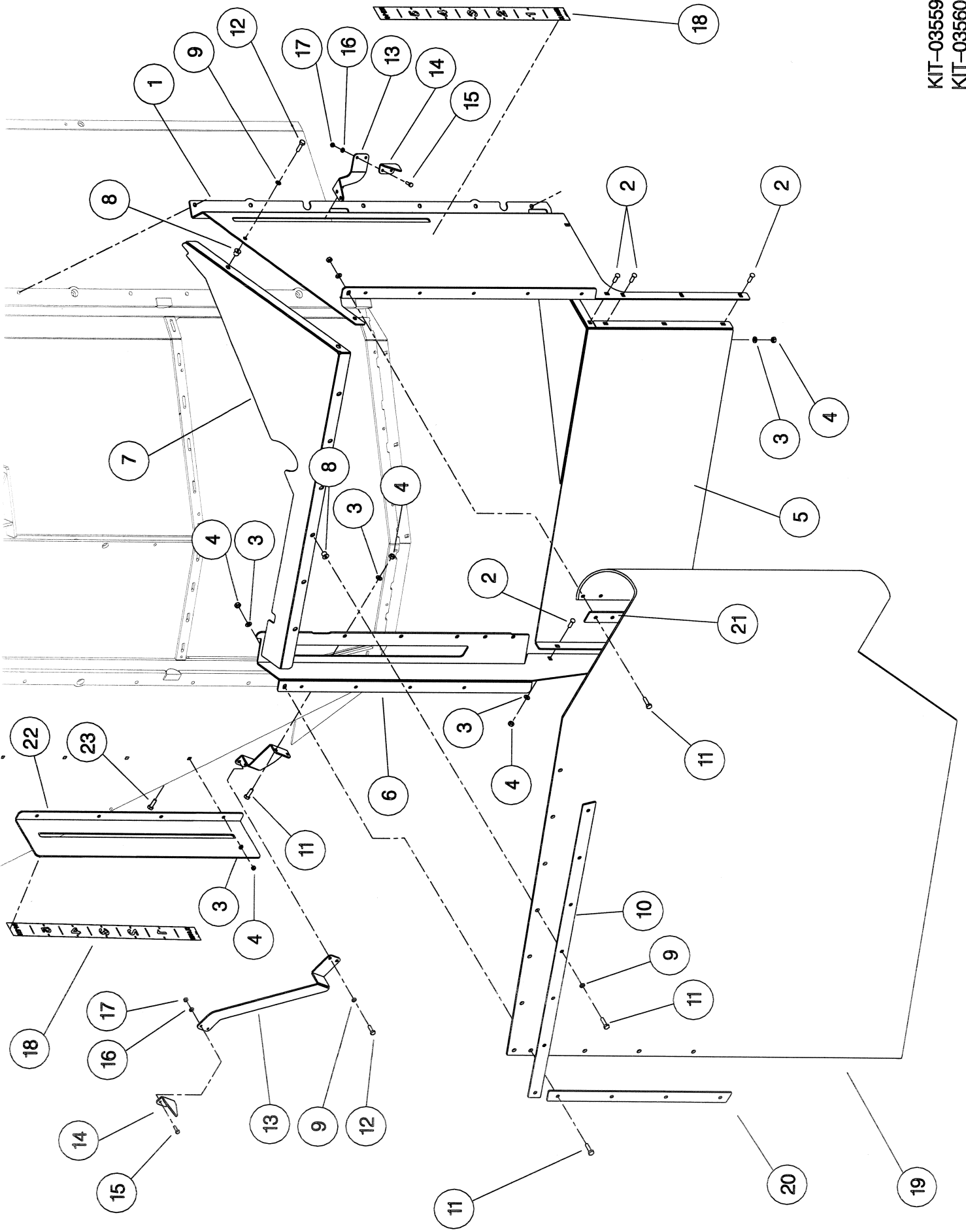


Shelbourne Reynolds Engineering Limited

KIT-03559		ASSY DESCRIPTION: ORKNEY RUBBER FLAP KIT (RH DOOR)					
ASSY NUMBER:							
ITEM	PART NO	DESCRIPTION	QTY	ITEM	PART NO	DESCRIPTION	QTY
1	614296 01	SIDE PANEL	1				
2	BLTF08173	COACHBOLT	12				
3	WSH-0012	WASHER	23				
4	NUT-0263	NUT	23				
5	614294 01	FIXED CHUTE	1				
6	614297 01	SIDE PANEL	1				
7	614295 01	TOP CAPPING PLATE	1				
8	NUTA13080	NUTSERT	8				
9	WSH-0058	WASHER	8				
10	614299 01	CLAMP PLATE	1				
11	HSS-0150	SETScrew	17				
12	HSS-0140	SETScrew (M8x20)	2				
13	614302 01	INDICATOR PLATE	1				
14	613786 01	POINTER	1				
15	HSS-0086	SETScrew	2				
16	WSH-0009	WASHER	2				
17	NUT-0260	NUT	2				
18	613779 01	DECAL - DOOR HEIGHT	1				
19	614298 01	SAFETY FLAP	1				
20	614301 01	CLAMP PLATE SHORT	1				
21	614300 01	CLAMP PLATE LONG	1				

Shelbourne Reynolds Engineering Limited

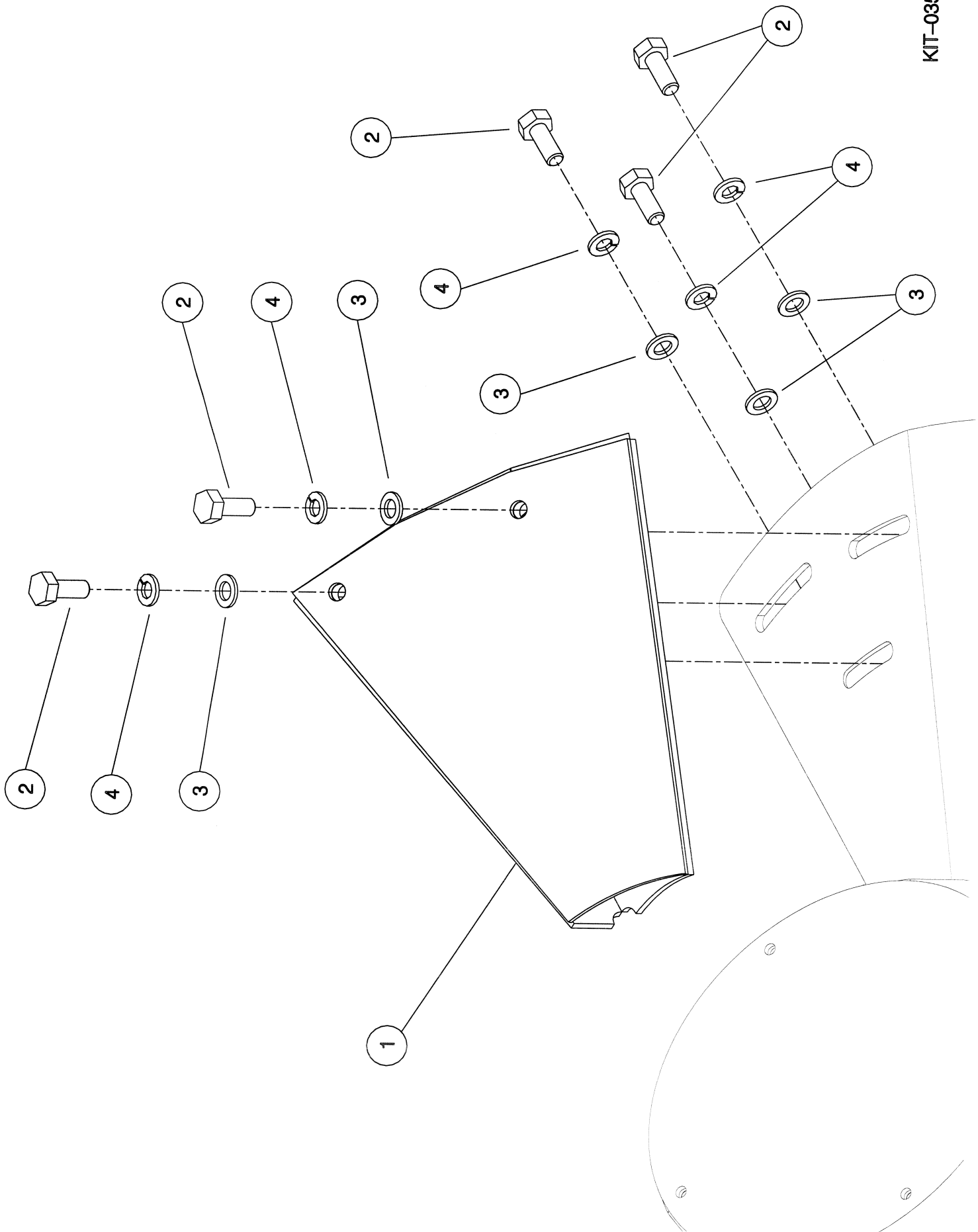
KIT-03560		ASSY DESCRIPTION: ORKNEY RUBBER FLAP KIT (LH DOOR)					
ASSY NUMBER:	KIT-03560	ASSY DESCRIPTION: ORKNEY RUBBER FLAP KIT (LH DOOR)					
ITEM	PART NO	DESCRIPTION	QTY	ITEM	PART NO	DESCRIPTION	QTY
1	614296 01	SIDE PANEL	1				
2	BLTF08173	COACHBOLT	12				
3	WSH-0012	WASHER	27				
4	NUT-0263	NUT	27				
5	614294 01	FIXED CHUTE	1				
6	614297 01	SIDE PANEL	1				
7	614295 01	TOP CAPPING PLATE	1				
8	NUTA13080	NUTSERT	8				
9	WSH-0058	WASHER	10				
10	614299 01	CLAMP PLATE	1				
11	HSS-0150	SETSCREW	17				
12	HSS-0140	SETSCREW (M8x20)	4				
13	613990 01	INDICATOR PLATE	1				
14	613786 01	POINTER	1				
15	HSS-0086	SETSCREW	2				
16	WSH-0009	WASHER	2				
17	NUT-0260	NUT	2				
18	613779 01	DECAL - DOOR HEIGHT	1				
19	614298 01	SAFETY FLAP	1				
20	614301 01	CLAMP PLATE SHORT	1				
21	614300 01	CLAMP PLATE LONG	1				
22	613517 01	DOOR HEIGHT INDICATOR	1				
23	BLT-2700	COACHBOLT	4				
24	613989 01	FIXING PLATE	1				



KIT-03559
KIT-03560

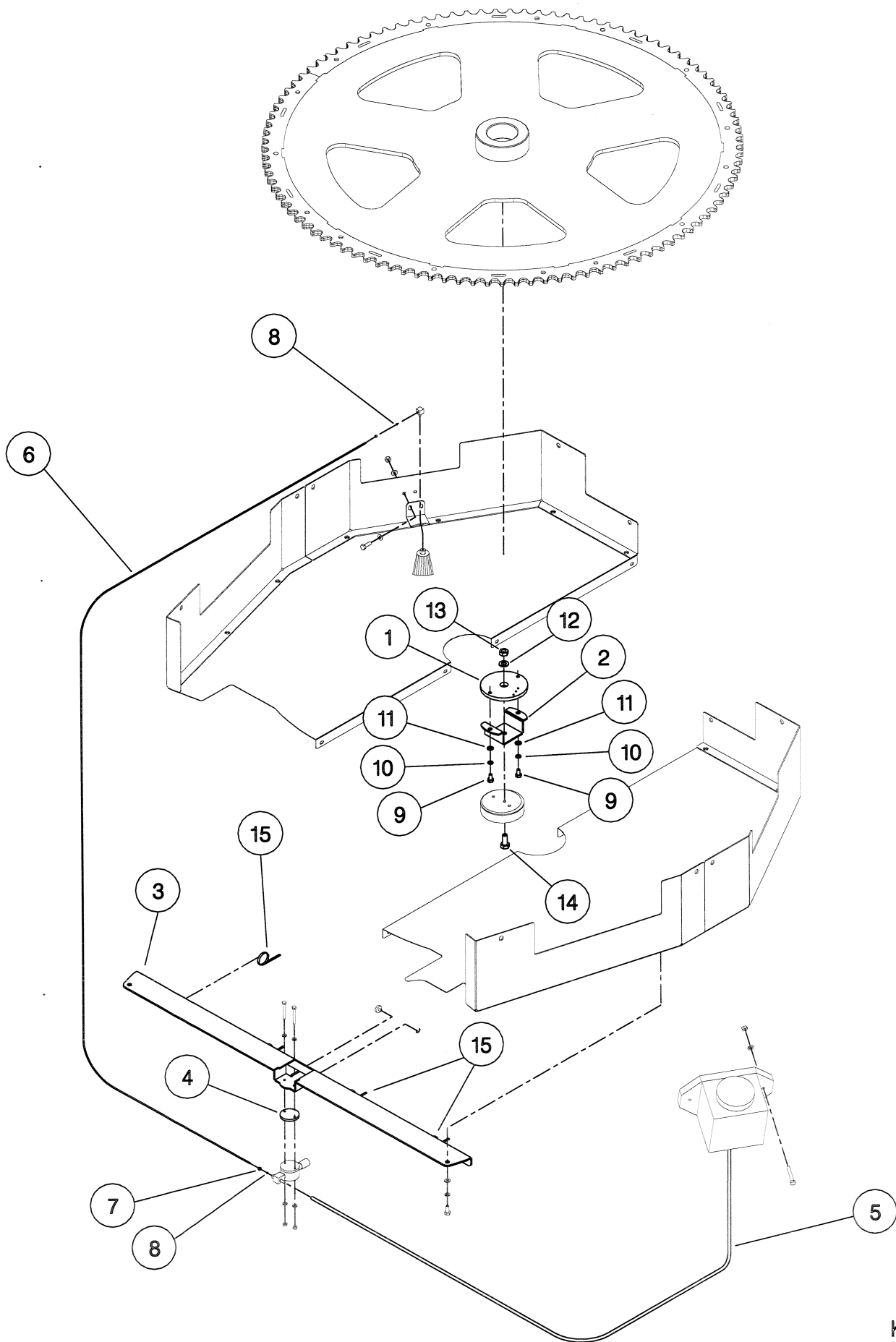
Shelbourne Reynolds Engineering Limited

KIT-03566		ASSY DESCRIPTION: AUGER BLADE KICKER KIT					
ASSY NUMBER:							
ITEM	PART NO	DESCRIPTION	QTY	ITEM	PART NO	DESCRIPTION	QTY
1	613687 01	TOP FLIGHT ASSY	1				
2	HSS-0316	SETSCREW	5				
3	WSH-0025	WASHER	5				
4	WSH-0070	WASHER	5				



Shelbourne Reynolds Engineering Limited

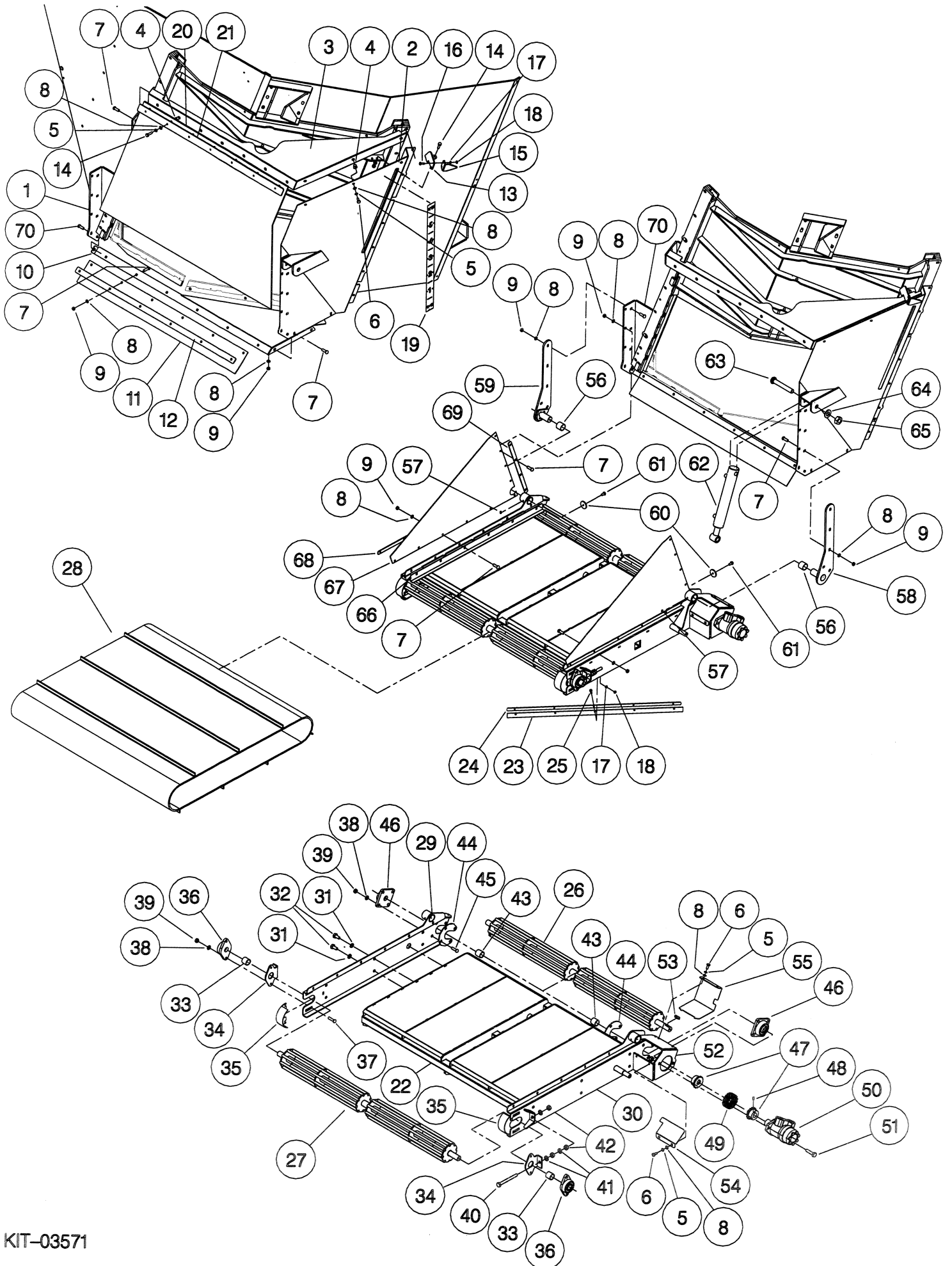
KIT-03568		ASSY DESCRIPTION: CHAIN OILER CONVERSION KIT (9-13m ³)					
ASSY NUMBER:							
ITEM	PART NO	DESCRIPTION	QTY	ITEM	PART NO	DESCRIPTION	QTY
1	614253 01	AUGER FIXING DISC	1				
2	614252 01	CAM BRACKET	1				
3	614254 01	OIL PUMP MTG PLATE W/A	1				
4	590775 01	SPACER DISC	1				
5	LUB-00013	NEOPRENE TUBE	2.2m				
6	LUB-00012	FLEXIBLE TUBE	2.2m				
7	LUB-00025	SLEEVE NUT (N532)	1				
8	LUB-00006	ENOT OLIVE	2				
9	HSSA08111	SETSCREW (M8x16)	2				
10	WSH-0058	WASHER (M8 SPRING)	2				
11	WSH-0012	WASHER (M8 PLAIN)	2				
12	WSH-0018	WASHER (M12 PLAIN)	2				
13	NUT-0269	NYLOC NUT (M12)	1				
14	HSS-0238	BOLT (M12x30)	1				
15	TIE-0002	TIE WRAPS (SMALL BLACK)	4				



KIT-03568

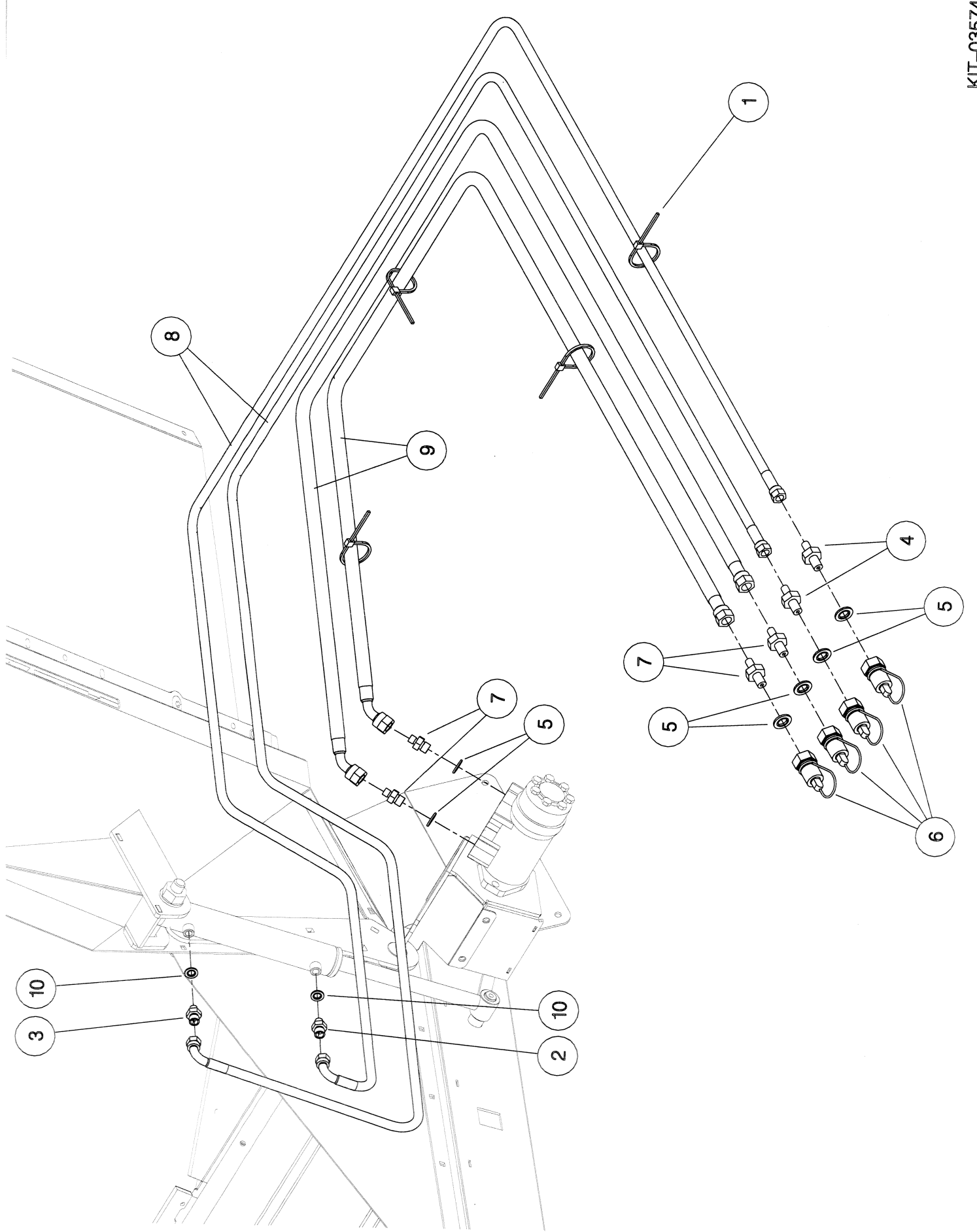
Shelbourne Reynolds Engineering Limited

KIT-03571		ASSY DESCRIPTION: 1m SIDE CONVEYOR RH DOOR- (POWERMIX 2)					
ASSY NUMBER:	PART NO	DESCRIPTION	QTY	ITEM	PART NO	DESCRIPTION	QTY
1	614401 01	SIDE MOUNTING PLATE	1	39	NUT-0265	NUT	12
2	614398 01	RAM MOUNTING SIDE PLATE	1	40	HSSA12530	SETSCREW	2
3	614399 01	UPPER DOOR FLAP MTG PL.	1	41	WSH-0018	WASHER	6
4	NUTA13080	NUTSERT	10	42	NUT-0170	NUT	10
5	WSH-0058	WASHER	18	43	614272 03	SHAFT SPACER	2
6	HSS-0140	SETSCREW	7	44	614383 01	BEARING PACKER PLATE	2
7	BLTF08173	COACHBOLT	34	45	BLTF10231	COACHBOLT	8
8	WSH-0012	WASHER	41	46	BRG-25255	BEARING	2
9	NUT-0263	NUT	41	47	260030 03	SPROCKET	2
10	614400 01	LOWER CHUTE PLATE	1	48	SCW-4530	GRUBSCREW	2
11	614417 01	CHUTE	1	49	CHN-01380	CHAIN	1
12	614409 01	BOTTOM CLAMP STRIP	1	50	MOTH08000	HYDRAULIC MOTOR	1
13	613991 01	INDICATOR PLATE	1	50a	HMS-08000	SEAL KIT (SPARES ONLY)	1
14	HSS-0150	SETSCREW (9	51	HSS-0260	SETSCREW	2
15	613786 01	POINTER	1	52	NUT-0269	NUT	2
16	HSS-0086	SETSCREW	2	53	K0807032	KEY	1
17	WSH-0009	WASHER	12	54	614387 01	FRONT DRIVE GUARD	1
18	NUT-0260	NUT	12	55	614388 01	REAR DRIVE GUARD	1
19	613779 01	DECAL - DOOR HEIGHT	1	56	BSH-3070	BRONZE BUSH	1
20	614419 01	SAFETY FLAP	1	57	NIP-00610	GREASE NIPPLE	4
21	614402 01	TOP CLAMP PLATE	1	58	614407 01	PIVOT MTG ASSY RH	2
22	614376 01	MAIN CHASSIS ASSY	1	59	614407 02	PIVOT MTG ASSY LH	1
23	614418 01	PVC SCRAPER	2	60	190119 12	WASHER	1
24	614421 01	CLAMP STRIP	2	61	HSS-0130	SETSCREW	4
25	HSS-0088	SETSCREW	10	62	RAM-0001	HYDRAULIC RAM	1
26	614380 01	DRIVE SHAFT W/A	1	63	BLTF20653	COACHBOLT	1
27	614382 01	IDLE SHAFT W/A	1	64	WSH-0030	WASHER	1
28	CON-00016	CONVEYOR BELT	1	65	NUTA02200	NUT	1
29	614393 01	CONVEYOR SIDE PLATE W/A	1	66	614389 01	SIDE BELT GUARD	1
30	614392 01	CONVEYOR SIDE PLATE W/A	1	67	614416 01	SIDE DEFLECTOR	2
31	WSH-0065	WASHER	12	68	614390 01	CLAMP STRIP	2
32	HSS-0235	SETSCREW	12	69	614403 01	SIDE CLAMP STRIP	2
33	614272 04	SHAFT SPACER	2	70	BLT-2700	COACHBOLT	5
34	614275 01	ADJUSTER BRACKET	2				
35	614386 01	BELT GUARD	2				
36	BRG-25260	BEARING	2				
37	BLT-3755	COACHBOLT	2				
38	WSH-0018	WASHER	4				



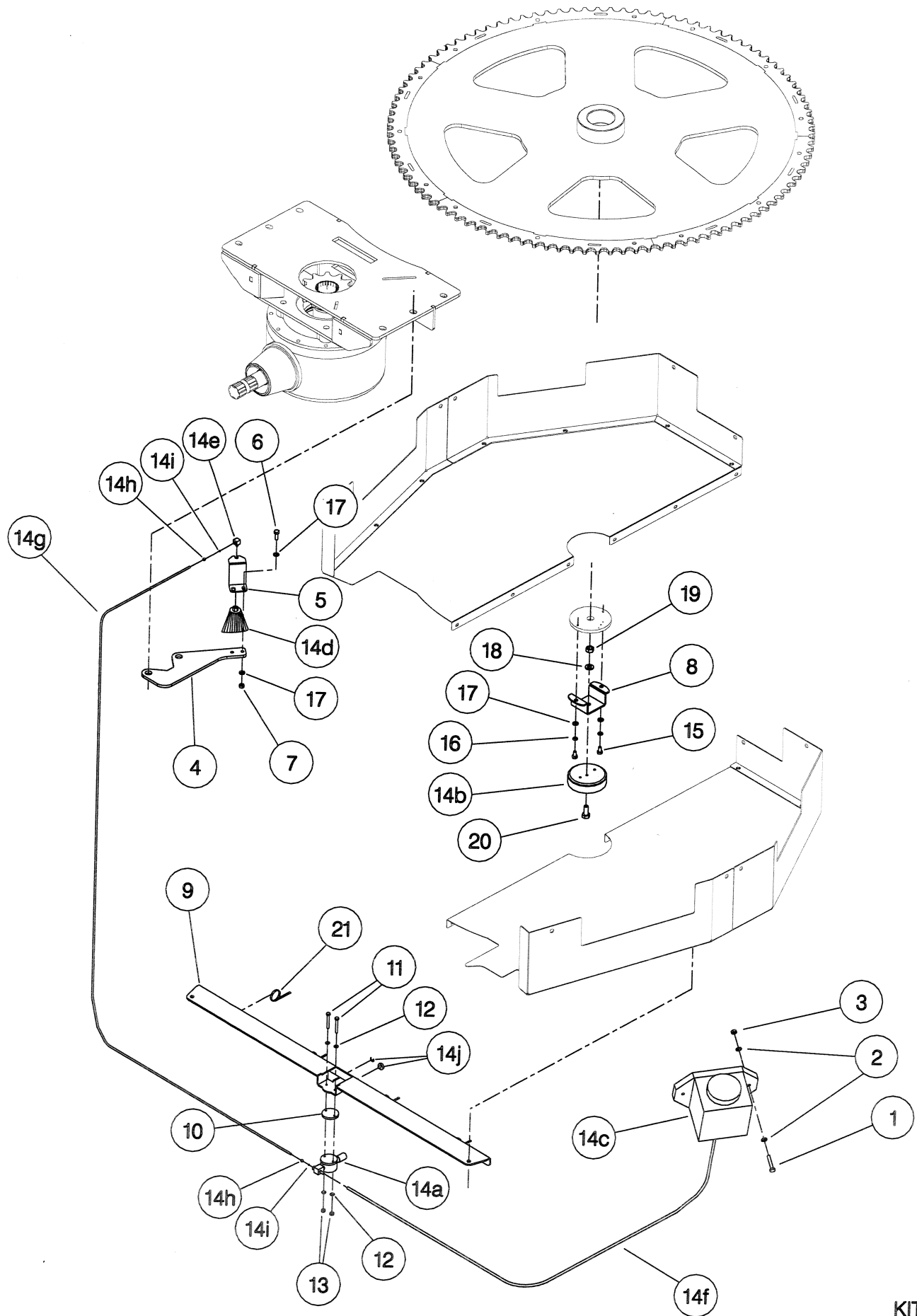
Shelbourne Reynolds Engineering Limited

KIT-03574		ASSY DESCRIPTION: DIRECT COUPLED HYD (RH 1m SIDE CONVEYOR)					
ASSY NUMBER:	KIT-03574						
ITEM	PART NO	DESCRIPTION	QTY	ITEM	PART NO	DESCRIPTION	QTY
1	TIE-0004	TIE WRAPS (MED)	8				
2	FIT-0025	M/M ADAPTOR	1				
3	190859 01	RESTRICTOR	1				
4	HMA-0055	M/M ADAPTOR	2				
5	WSH-1015	DOWTY WASHER	6				
6	COU-0162	QUICK RELEASE COUPLING	4				
7	HMA-0065	M/M ADAPTOR	4				
8	HHBC42005	HYD HOSE	2				
9	HHDE40005	HYD HOSE	2				
10	WSH-1010	DOWTY WASHER	2				



Shelbourne Reynolds Engineering Limited

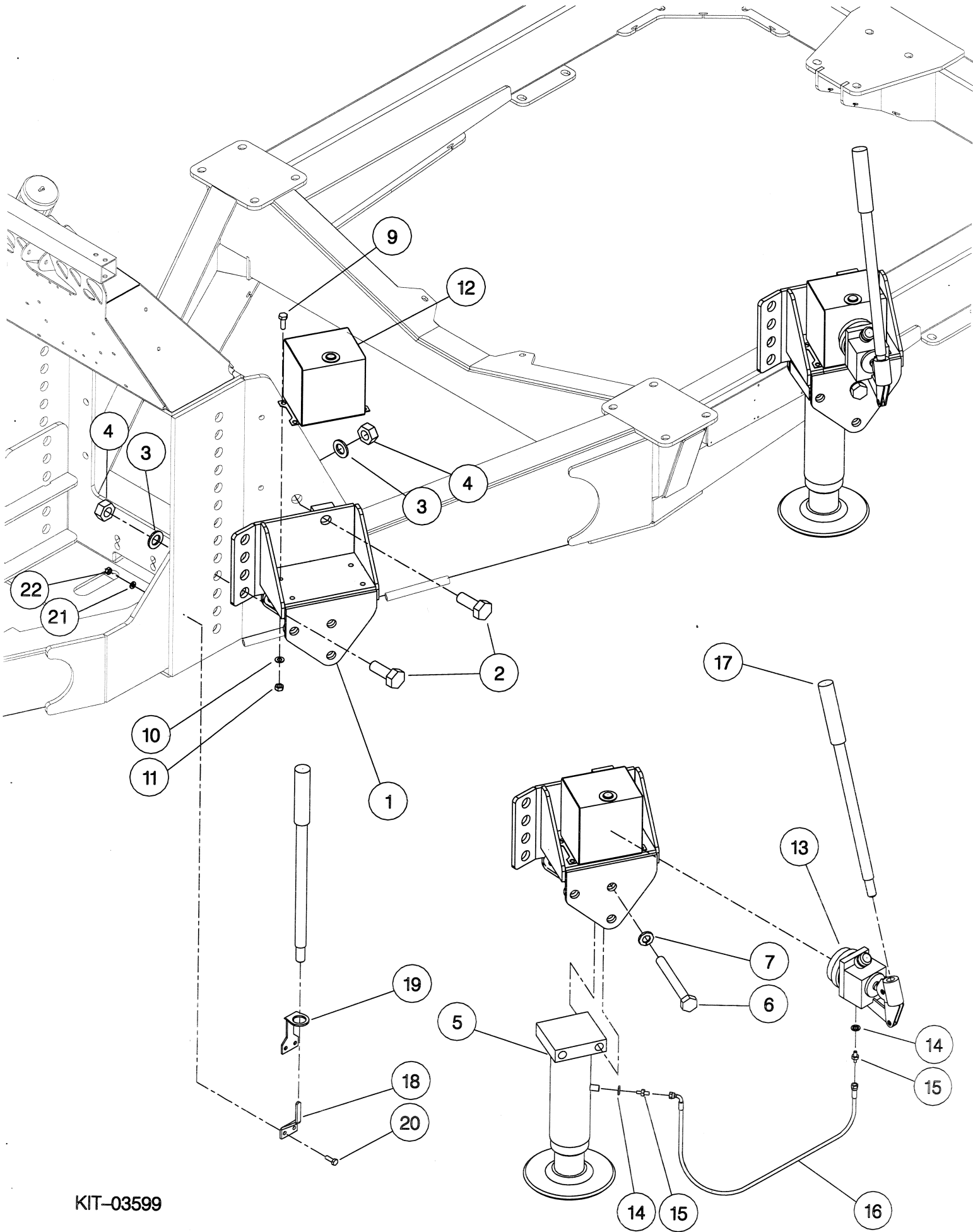
KIT-03584		ASSY DESCRIPTION: CHAIN OILER KIT (9-13m ³)					
ASSY NUMBER:	PART NO	DESCRIPTION	QTY	ITEM	PART NO	DESCRIPTION	QTY
1	HSS-0210	SETSCREW (M10x50)	2				
2	WSH-0015	WASHER (M10 PLAIN)	4				
3	NUT-0265	NUT (M10 NYLOC)	2				
4	614601 01	MOUNTING PLATE	1				
5	613381 01	BRUSH HOLDER PLATE	1				
6	HSS-0145	SETSCREW (M8x25)	2				
7	NUT-0263	NUT (M8 NYLOC)	2				
8	614252 01	CAM BRACKET	1				
9	614254 01	OIL PUMP MTG PLATE W/A	1				
10	590775 01	SPACER DISC	1				
11	BLTA06320	BOLT	1				
12	WSH-0009	WASHER	2				
13	NUT-0260	NYLOC NUT	4				
14	LUB-00041	MASTERLUBE CHAIN OILER KIT	2				
14a	LUB-00010	MINIMASTER PUMP (PMM2CD)	1				
14b	LUB-00004	ADJ CAM (CAMAM)	1				
14c	LUB-00011	RESERVOIR (STS)	1				
14d	LUB-00031	DOUBLE BRUSH (ABR81CL)	1				
14e	LUB-00032	CONNECTOR (EQU516)	1				
14f	LUB-00013	NEOPRENE TUBE	1				
14g	LUB-00012	FLEXIBLE TUBE	2.2m				
14h	LUB-00025	SLEEVE NUT (N532)	2.2m				
14i	LUB-00006	ENOT OLIVE	2				
14j	LUB-00014	CD CAP ASSY (CDCAP)	2				
15	HSSA08111	SETSCREW (M8x16)	1				
16	WSH-0058	WASHER (M8 SPRING)	2				
17	WSH-0012	WASHER (M8 PLAIN)	2				
18	WSH-0018	WASHER (M12 PLAIN)	6				
19	NUT-0269	NUT (M12 NYLOC)	1				
20	HSS-0238	BOLT (M12x30)	1				
21	TIE-0002	TIE WRAPS (SMALL BLACK)	4				



KIT-03584

Shelbourne Reynolds Engineering Limited

KIT-03599		SUB ASSY DESCRIPTION:HYD PARKING JACK WITH HAND PUMP KIT					
ASSY NUMBER:	KIT-03599						
ITEM	PART NO	DESCRIPTION	QTY	ITEM	PART NO	DESCRIPTION	QTY
1	614619 01	JACK MNTG BKT	1				
2	HSS-0410	SETSCREW	4				
3	WSH-0036	WASHER	4				
4	NUT-0275	NUT	4				
5	JAC-00210	HYD JACK	1				
6	BLTA20770	BOLT	1				
7	WSH-0075	SPRING WASHER	1				
8							
9	HSS-0194	SETSCREW	4				
10	WSH-0015	WASHER	4				
11	NUT-0265	NYLOC NUT	4				
12	JAC-00220	HYD TANK	1				
13	JAC-00225	HAND PUMP	1				
14	WSH-1010	DOWTY WASHER	2				
15	HMA-0057	HYD ADPT	2				
16	HHCC03500	HYD HOSE ASSY	1				
17	JAC-00230	LEVER	1				
18	611654 01	LOWER HANDLE BKT	1				
19	611655 01	TOP BKT HOOP	1				
20	HSS-0145	SET SCREW	4				
21	WSH-0012	WASHER	4				
22	NUT-0263	NYLOC NUT	4				



KIT-03599