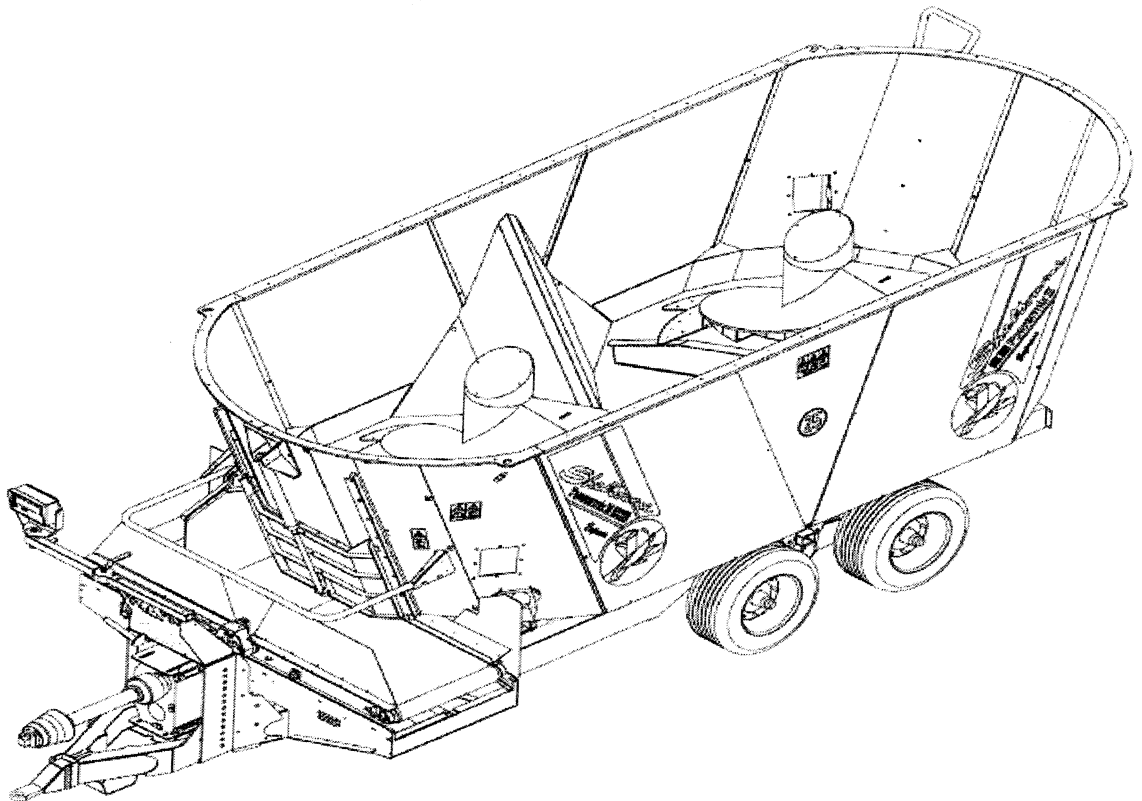


Powermix II

16 m³ 19 m³ 22 m³ *Express*



PARTS LIST MANUAL



Shelbourne Reynolds Engineering Ltd
Stanton
Bury St Edmunds
Suffolk IP31 2AR
England
Telephone: 01359 250415 (Stores direct 01359 251231)
Fax. No: 01359 250464 (Stores direct 01359 252031)



INVESTOR IN PEOPLE

ISSUE 6
11.05.07

PARTS LISTINGS

MACHINE IDENTIFICATION

The Powermix machine and serial identification numbers are engraved on a plate situated on the left-hand side of the chain guard.

To ensure component parts are supplied correctly, we recommend that you record the serial no, machine no and any kit option numbers in the space below.

POWERMIX SERIAL NUMBER _____

POWERMIX MACHINE NUMBER _____

KIT OPTION	KIT OPTION	KIT OPTION
KIT OPTION	KIT OPTION	KIT OPTION
KIT OPTION	KIT OPTION	KIT OPTION
KIT OPTION	KIT OPTION	KIT OPTION
KIT OPTION	KIT OPTION	KIT OPTION

ORDERING SPARE PARTS

To ensure that you order the correct part from your SRE dealer please use the following procedure.

ALWAYS QUOTE THE MACHINE AND SERIAL NUMBERS WHEN ORDERING.

Refer to the front page of this parts list section (machine assemblies), listing all the sub assemblies.

The appropriate assemblies part number (in the top left-hand corner) will match the machine number from the Powermix identification plate.

Use the following sub assembly numbers and descriptions to find the area of the machine that your part is required, i.e. if you need a part which is fitted to the conveyor, your part will be in the conveyor sub assembly parts list.

Having decided which sub-assembly your part should be under, use the number beside that sub-assembly description which will begin with 6190-- -- to find the parts listing of the sub-assembly further on in the manual. The number will be printed in the top left-hand corner; the sub-assemblies are in numerical order.

Having found the correct parts list, you will find the corresponding drawing by either looking at the facing page or progressing through the manual to the next drawing.

The drawings indicate the components by item numbers, which you will find, are repeated in the left-hand side of your parts listing, and therefore referring to the correct part.

**LIST OF KIT NUMBERS
FOR 16,19 & 22 m3 EXPRESS MACHINES**

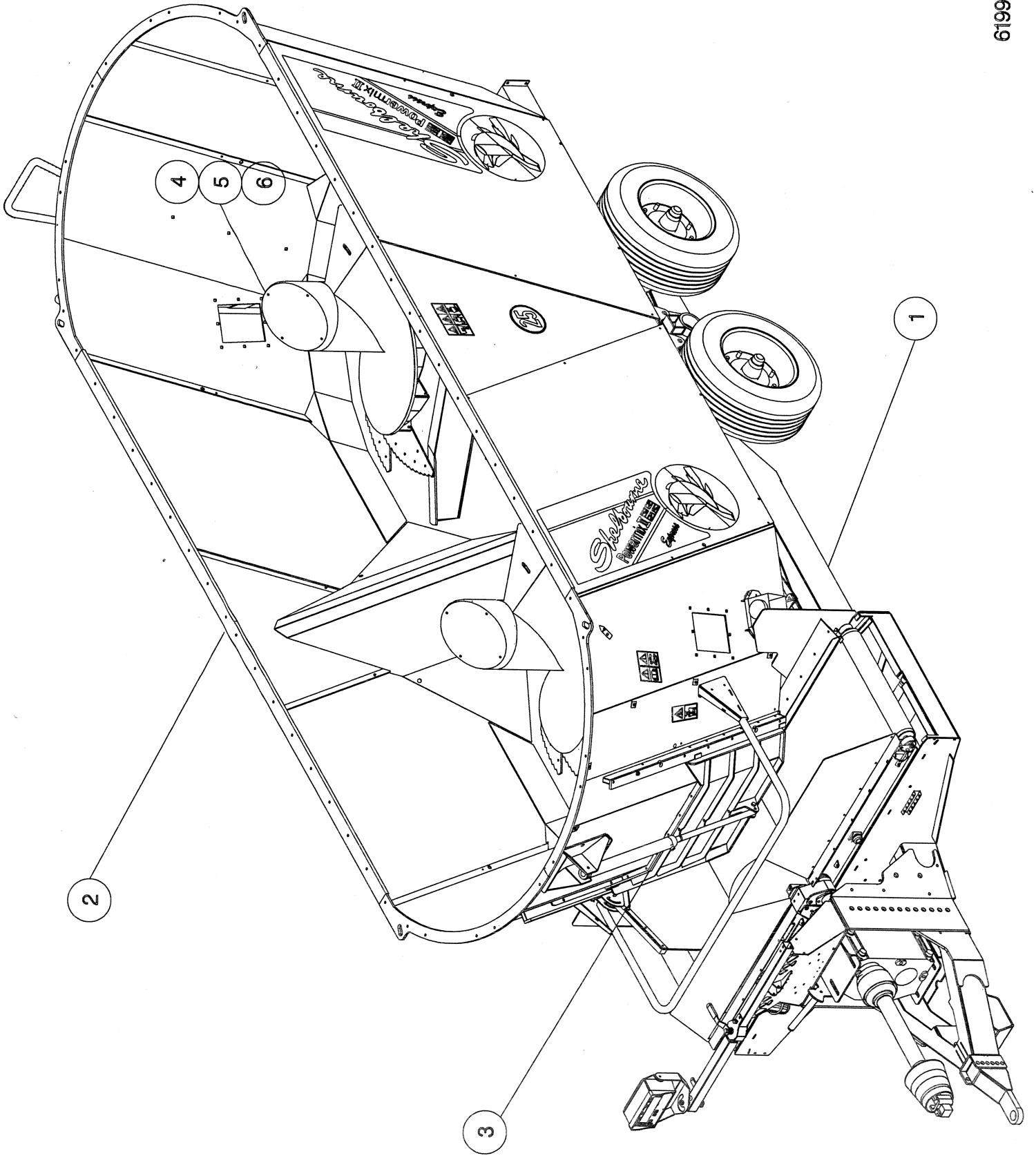
MAN-05102

1. 619925 01 16M Cu FRONT DOOR M/c
2. 619111 04F CHASSIS & DRAWBAR SUB (TWIN EXPRESS)
3. 619112 01 FRONT DOOR SUB ASSY
4. 619113 01 AUGER SUB ASSY
5. 619113 02 AUGER SUB ASSY (EXPRESS STYLE)
6. 619116 01 EXPRESS TRANSFERS SUB ASSY
7. 619118 01 AUGER FIXING SUB ASSY (TWIN AUGER)
8. 619120 01 TWIN AUGER DRIVES SUB ASSY (EXPRESS)
9. 619121 01 16m³ FRONT DOOR TUB SUB ASSY
10. 619122 03 EXPRESS TRANSFERS SUB ASSY (TWIN AUGER)
11. 619130 01 TWIN AUGER DRIVES SUB (EXPRESS)
12. GEA-0174 TWIN TUB POWERMIX BEVAL GEARBOX(3.36:1)
13. KIT-03201 KNIFE KICKER SUB
14. KIT-03370 WHEEL AND TYRE KIT
15. KIT-03422 UK TOWING EYE KIT
16. KIT-03423 AUGER EXTENSION KIT (300 MM)
17. KIT-03424 SMALL BLADE KIT
18. KIT-03425 LARGE BLADE KIT
19. KIT-03428 EXPRESS CONVEYOR KIT
20. KIT-03431a LIGHTING KIT (TWIN AUGER)
21. KIT-03432a WHEEL & TYRE KIT (GOODYEAR 340/65 R18)
TWIN
22. KIT-03434 SPOOL VALVE LEVER ARM KIT
23. KIT-03435 EXPRESS CONVEYOR MANUAL SPOOL VALVE
KIT
24. KIT-03439 CONTINENTAL TOWING EYE KIT
25. KIT-03442 MID LEVEL INDICATOR KIT
26. KIT-03442a MID EZ3200V INDICATOR KITC/W REMOTE PORT
27. KIT-03447 ANTI-ROTATION BLADE KIT (2X SINGLE AUGER)
28. KIT-03448 FIXED RETARDER KIT (SINGLE AUGER)
29. KIT-03449 MECHANICAL JACK KIT
30. KIT-03452 300MM EXTENSION KIT (TWIN AUGER)
30. KIT-03453 600MM EXTENSION KIT (TWIN AUGER)
31. KIT-03455 TRACTOR MOUNTED SPOOL VALVE KIT
32. KIT-03456 BASIC EZ2000V INDICATOR KIT
33. KIT-03456a BASIC EZ2000V INDICATOR KIT
34. KIT-03458 BRAKED TANDEM AXLE SUB ASSY
35. KIT-03461 TWIN TUB RUBBER RETAINING KIT
36. KIT-03462 POWERMIX SELF LUBRICATION (TWIN AUGER)
37. KIT-03463 WEIGH CELL SYSTEM (TWIN AUGER)

38.KIT-03464	TWIN TUB RUBBER RETAINING KIT
39.KIT-03465	TWIN TUB RUBBER RETAINING KIT
40.KIT-03467	REMOTE ZERO FUNCTION KIT
41.KIT-03468	2-SPEED KIT EXP (1000 RPM INPUT-6 SPLINE)
42.KIT-03469	EXPRESS CONVEYOR DIRECT COUPLED HYD KIT
43.KIT-03470a	DUMMY WEIGH CELL KIT (TWIN AUGER)
44.KIT-03471	TOP LEVEL EZ3500 INDICATOR KIT
45.KIT-03471a	TOP LEVEL EZ3500 INDICATOR KIT
46.KIT-03476	EXPRESS CONVEYOR MTG FRAME KIT (TWIN)
47.KIT-03478	RD100 DISPLAY KIT
48.KIT-03483	FLASHING LIGHT KIT
49.KIT-03484	ELECTRIC SOLENOID CONVEYOR HYDRAULICS
50.KIT-03485	CHAIN AND SLAT EXPRESS CONVEYOR KIT
51.KIT-03486	CHAIN AND SLAT CONVEYOR MANUAL SPOOL KIT
52.KIT-03487	CHAIN AND SLAT DIRECT COUPLED HYD KIT
53.KIT-03489	AUGER MAGNET KIT (POPULAR STYLE AUGER)
54.KIT-03492	ELECTRIC SOLENOID CONVEYOR HYDRAULICS
55.KIT-03510	AUDIBLE ALARM KIT (FOR DIGI-STAR)
56.KIT-03511	SUPER SINGLE WHEEL AND TYRE KIT
57.KIT-03514	HYD PARKING JACK (TRACTOR CONNECTION)
58.KIT-03532	CHAIN AND SLAT EXPRESS CONVEYOR KIT
59.KIT-03538	WEIGH CELL SYSTEM (TWIN AUGER)
60.KIT-03541	EXPRESS CONVEYOR MTG FRAME KIT (TWIN)
61.KIT-03544a	WHEEL AND TYRE KIT (BRANDENMARKT 305/55R22.5)
62.KIT-03546	2-SPEED KIT EXP (1000 RPM INPUT-6 SPLINE)
63.KIT-03548	PTO SHAFT KIT
64.KIT-03566	AUGER BLADE KICKER KIT
65.KIT-03569	CHAIN OILER CONVERSION KIT(16-22m3)
66.KIT-03570	WHEEL AND TYRE KIT
67.KIT-03572	450MM EXTENSION KIT
68.KIT-03573	450MM EXT RUBBER RETAINING KIT
69.KIT-03575	WEB EXPRESS CONVEYOR KIT
70.KIT-03581	POWERMIX SELF LUBRICATION KIT
71.KIT-03599	HYDRAULIC PARKING JACK WITH HAND PUMP KIT

Shelbourne Reynolds Engineering Limited

ASSY NUMBER: 619925 01		SUB ASSY DESCRIPTION: 16m ³ FRONT DOOR Mc.					
ITEM	PART NO	DESCRIPTION	QTY	ITEM	PART NO	DESCRIPTION	QTY
1	619111 04	CHASSIS & DRAWBAR SUB ASSY	1				
2	619121 01	16m ³ TUB SUB ASSY	1				
3	619112 01	FRONT DOOR SUB ASSY	2				
4	619113 02	AUGER SUB ASSY	2				
OR	619113 01	SERIAL No 103175 & ON AUGER SUB ASSY UP TO & INC. SER No 102175	2				
5	619118 01	AUGER FIXING SUB ASSY	1				
6	619130 01	AUGER DRIVE SUB ASSY SERIAL No 101176 & ON	1				
OR	619120 01	AUGER DRIVE SUB ASSY UP TO & INC SER No 202175	1				
7	619122 03	TRANSFERS SUB ASSY	1				
OR	619116 01	TRANSFERS SUB ASSY	1				

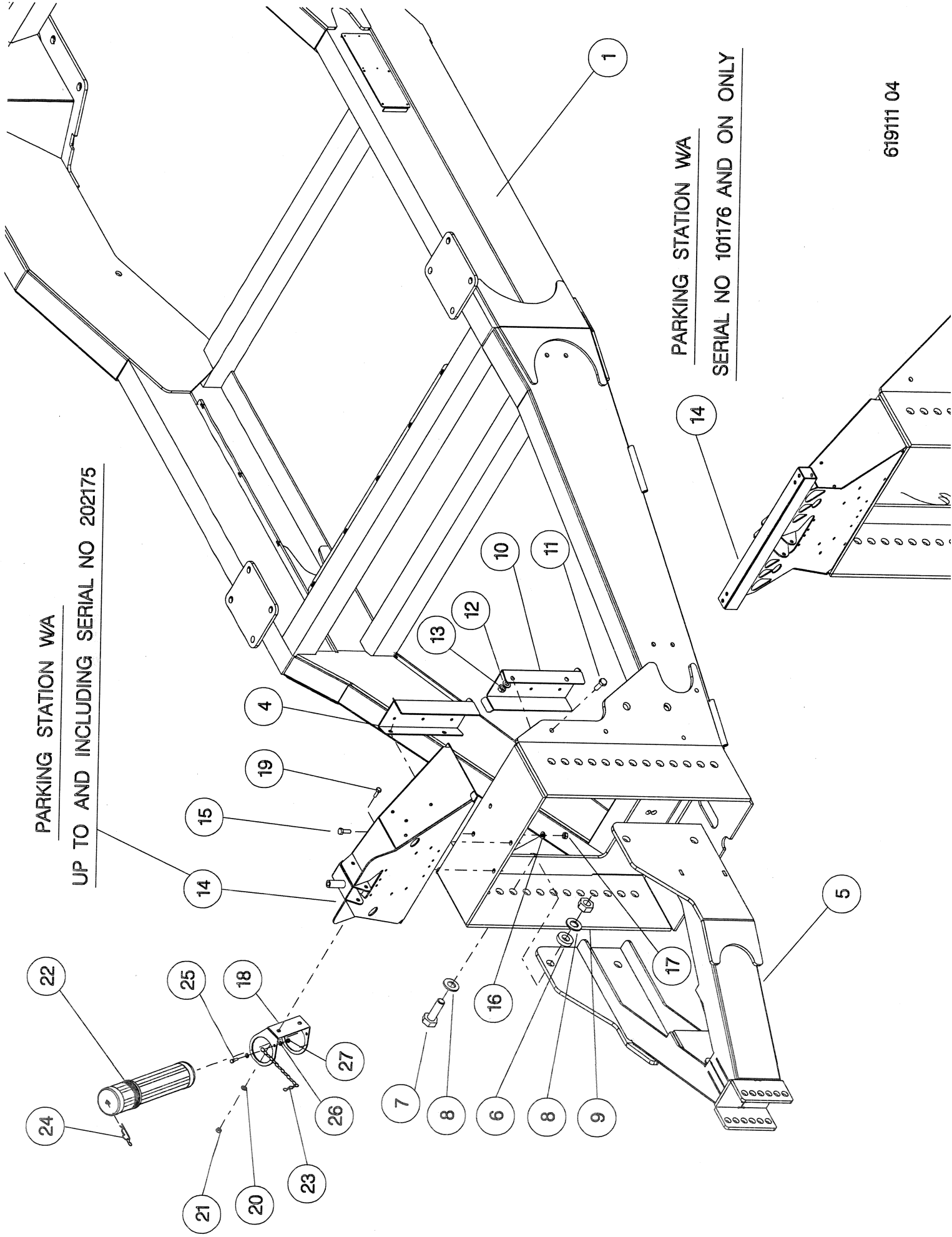


Shelbourne Reynolds Engineering Limited

ASSY NUMBER: 619111 04		ASSY DESCRIPTION: CHASSIS & DRAWBAR SUB ASSY (TWIN EXPRESS)					
ITEM	PART NO	DESCRIPTION	QTY	ITEM	PART NO	DESCRIPTION	QTY
1	613831 01	CHASSIS W/A	1				
2							
3							
4	613516 02	HOSE TIDY RH	1				
5	613415 01	DRAWBAR W/A	1				
6	190119 94	WASHER	4				
7	BLTA24530	BOLT	4				
8	WSH-0036	WASHER	8				
9	NUT-0275	NUT	4				
10	613516 01	HOSE TIDY LH	1				
11	HSS-0241	SETSCREW	4				
12	WSH-0018	WASHER	4				
13	NUT-0269	NUT	4				
14	614186 01	PARKING STATION W/A	1				
OR	613596 01	(SERIAL No 101176 & ON ONLY) PARKING STATION W/A (UP TO & INC.SER No 202175)	1				
15	HSS-0194	SETSCREW	4				
16	WSH-0015	WASHER	4				
17	NUT-0265	NUT	4				
18	194364 01	CANNISTER BRKT	1				
19	HSS-0140	SETSCREW	2				
20	WSH-0012	WASHER	2				
21	NUT-0263	NUT	2				
22	WDA-00025	MANUAL HOLDER	1				
23	CHN-0145	CHAIN	1				
24	RCL-0015	R-CLIP	1				
25	HSS-0086	SETSCREW	2				
26	WSH-0009	WASHER	2				
27	NUT-0260	NUT	2				

PARKING STATION W/A

UP TO AND INCLUDING SERIAL NO 202175



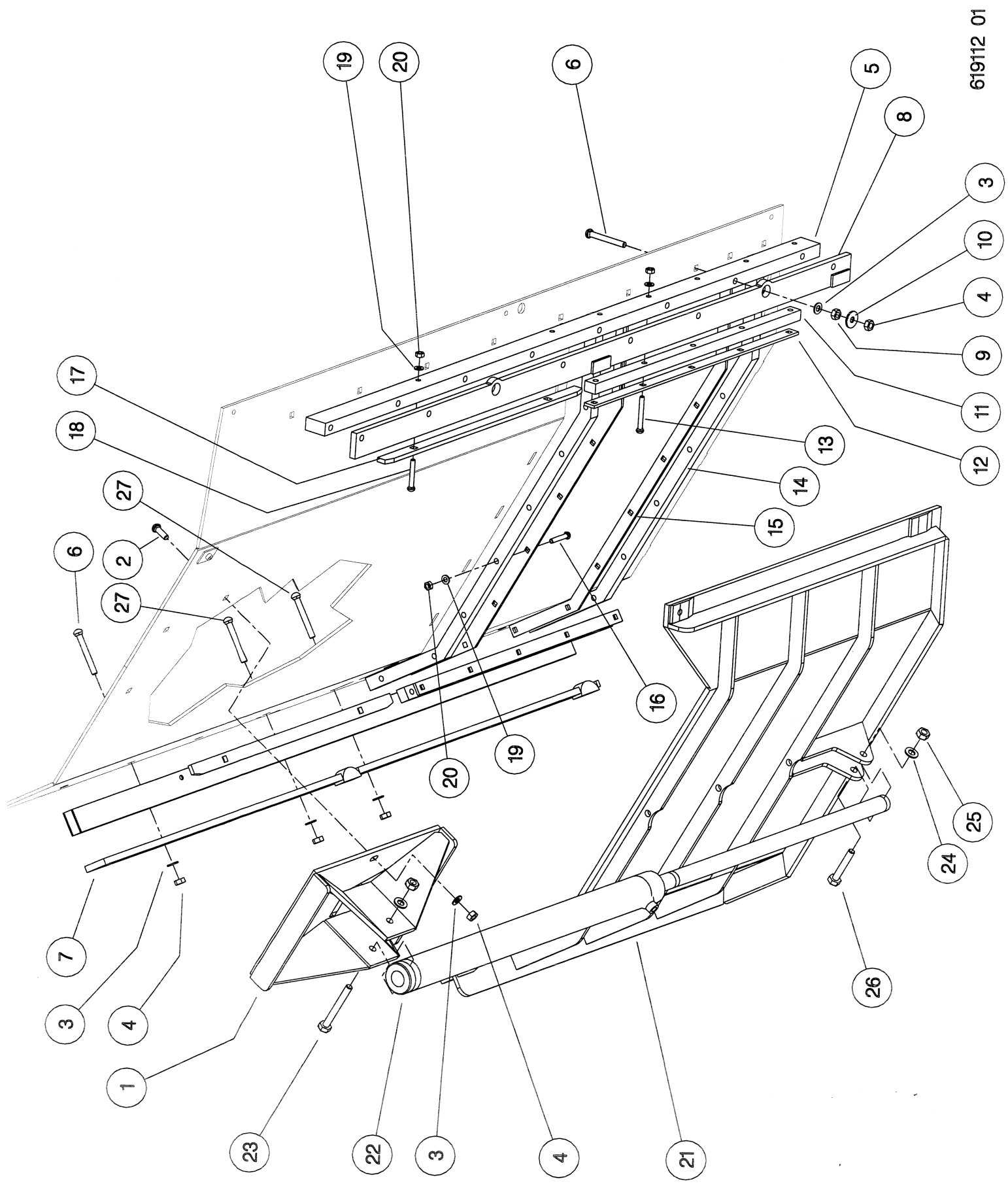
PARKING STATION W/A

SERIAL NO 101176 AND ON ONLY

619111 04

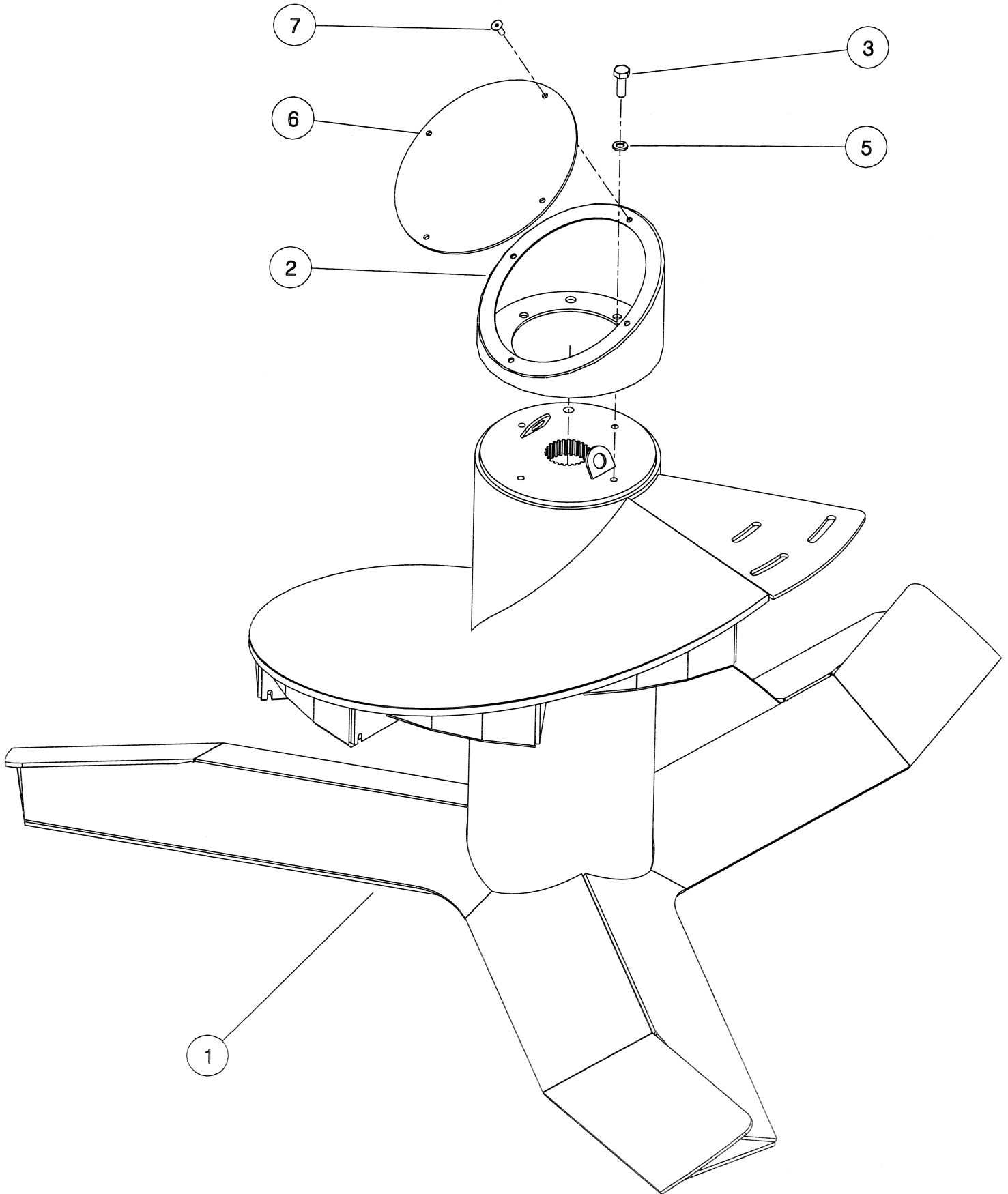
Shelbourne Reynolds Engineering Limited

ASSY NUMBER: 619112 01		ASSY DESCRIPTION: FRONT DOOR SUB ASSY					
ITEM	PART NO	DESCRIPTION	QTY	ITEM	PART NO	DESCRIPTION	QTY
1	613496 01	RAM BRKT W/A	1				
2	BLT-3750	COACHBOLT	6				
3	WSH-0015	WASHER	24				
4	NUT-0265	NUT	24				
5	613493 01	VERTICAL FRAME	2				
6	BLTF10503	COACHBOLT	16				
7	613501 01	LH KEEP PLATE W/A	1				
8	613501 02	RH KEEP PLATE W/A	1				
9	NUT-0365	NUT	4				
10	190548 50	WASHER	4				
11	613497 01	FRONT DOOR SEAL (SIDE)	2				
12	613498 01	CLAMP STRIP (SIDE)	2				
13	BLTF08410	COACHBOLT	10				
14	613538 01	DOOR SEAL (TOP/BOTTOM)	2				
15	613537 01	CLAMP STRIP (TOP/BOTTOM)	2				
16	BLTF08293	COACHBOLT	16				
17	613499 01	TOP DOOR RUNNER	4				
18	BLTF08353	COACHBOLT	4				
19	WSH-0012	WASHER	30				
20	NUT-0263	NUT	30				
21	613506 01	FRONT DOOR W/A	1				
22	610908 01	HYDRAULIC RAM	1				
23	BLT-2270	BOLT	1				
24	WSH-0018	WASHER	2				
25	NUT-0269	NUT	2				
26	BLTA12440	BOLT	1				
27	BLTF10533	COACHBOLT	2				



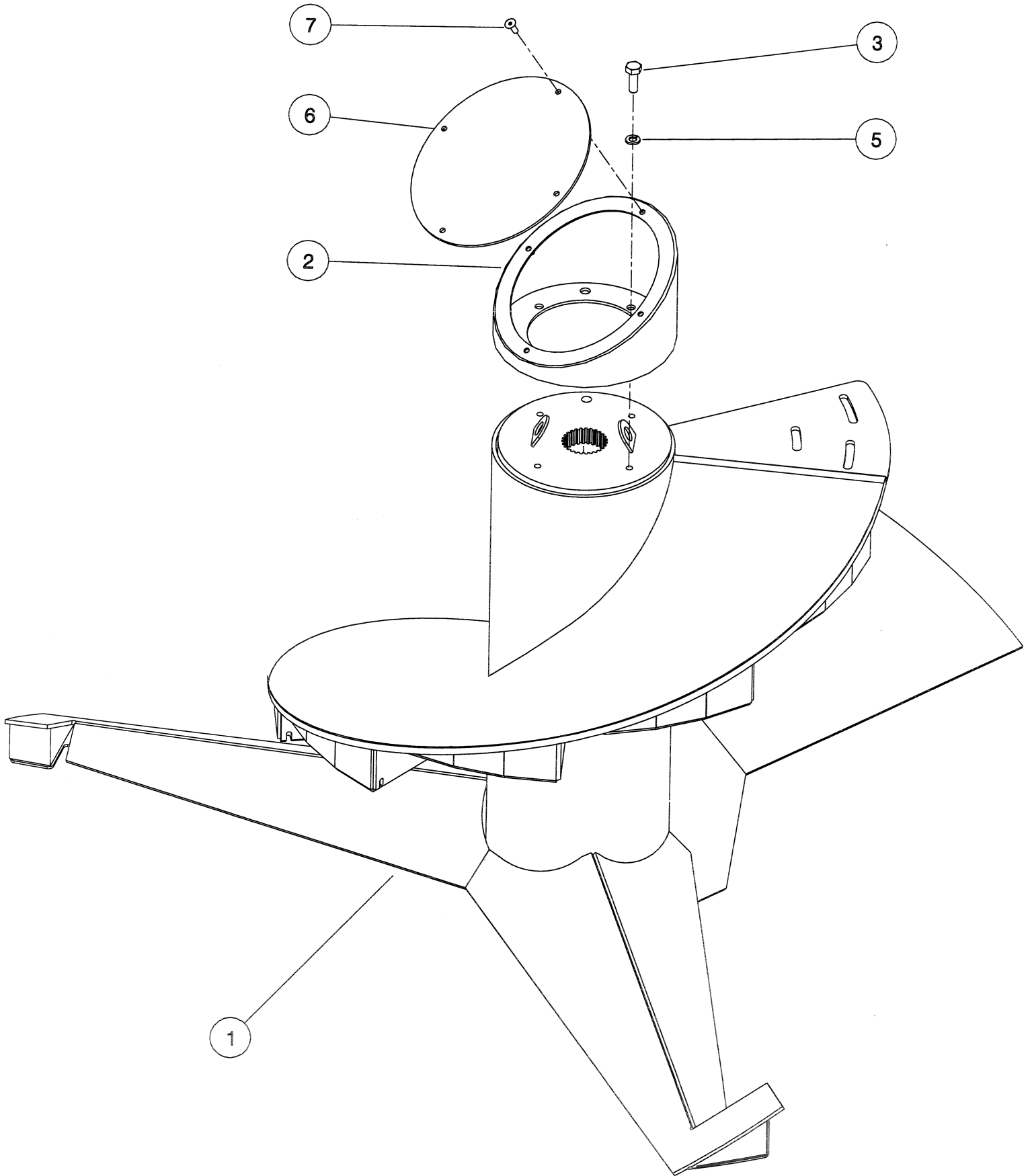
Shelbourne Reynolds Engineering Limited

ASSY NUMBER: 619113 01		ASSY DESCRIPTION: AUGER SUB ASSY					
ITEM	PART NO	DESCRIPTION	QTY	ITEM	PART NO	DESCRIPTION	QTY
1	613543 01	AUGER WELD ASSY	1				
2	613558 01	OBLIQUE AUGER TOP	1				
3	HSS-0316	SETSCREW	4				
4							
5	WSH-0070	WASHER	4				
6	613708 01	ELIPTICAL DISC	1				
7	SCEA10170	CSK SOC HD SCREW	4				



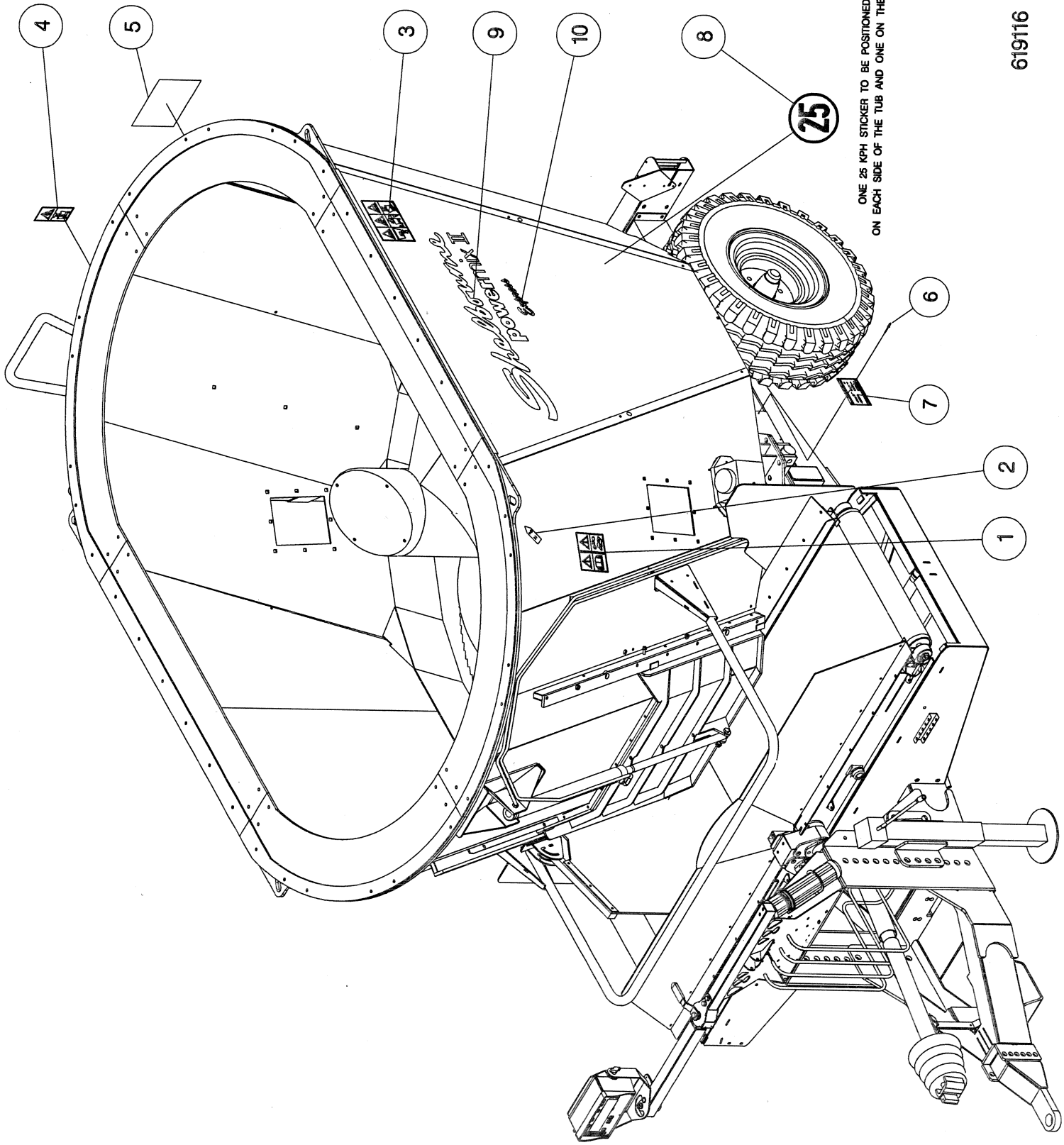
Shelbourne Reynolds Engineering Limited

ASSY NUMBER: 619113 02		ASSY DESCRIPTION: AUGER SUB ASSY (EXPRESS STYLE)					
ITEM	PART NO	DESCRIPTION	QTY	ITEM	PART NO	DESCRIPTION	QTY
1	614022 01	AUGER WELD ASSY	1				
2	613558 01	OBLIQUE AUGER TOP	1				
3	HSS-0316	SETScrew	4				
4							
5	WSH-0070	WASHER	4				
6	613708 01	ELLIPTICAL DISC	1				
7	SCEA10170	CSK SOC HD SCREW	4				



Shelbourne Reynolds Engineering Limited

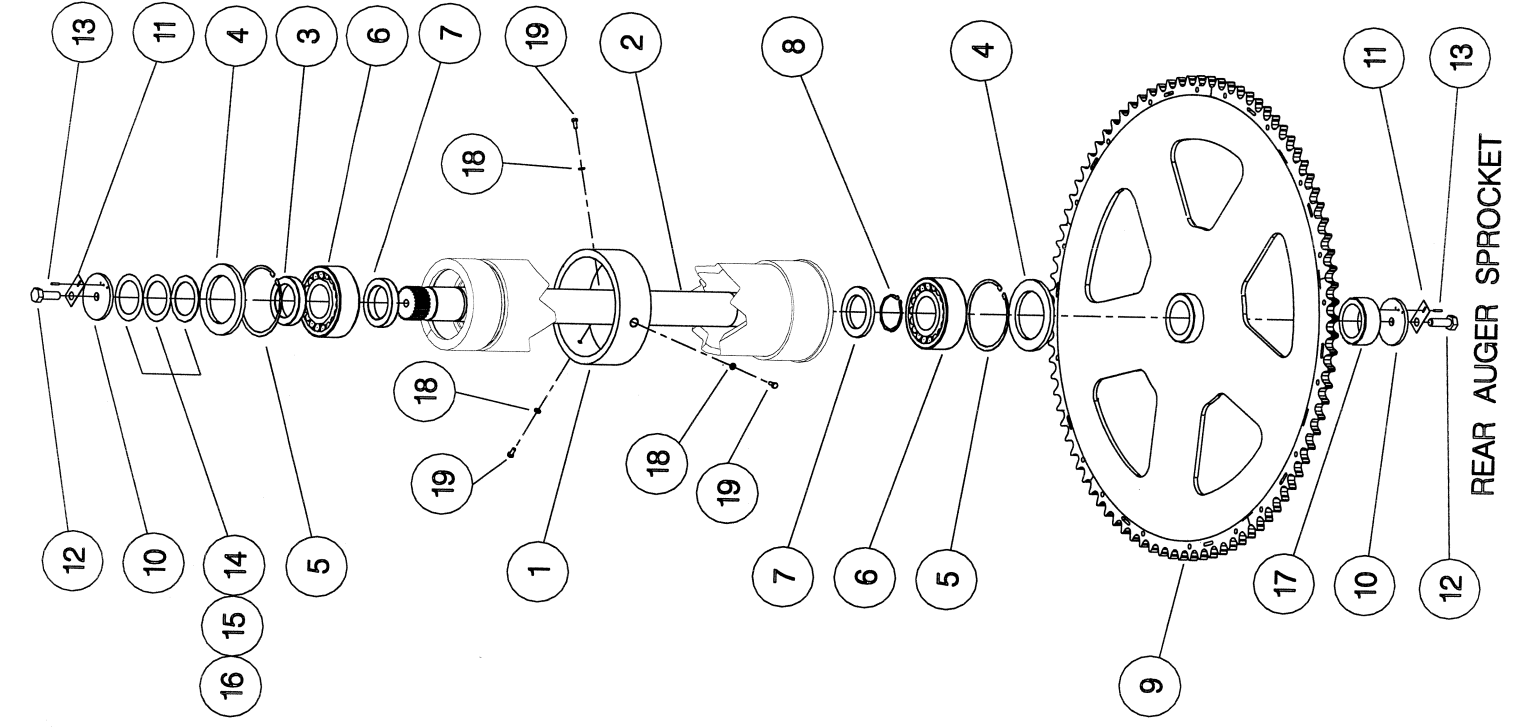
ASSY NUMBER: 619116 01		ASSY DESCRIPTION: EXPRESS TRANSFERS SUB ASSY					
ITEM	PART NO	DESCRIPTION	QTY	ITEM	PART NO	DESCRIPTION	QTY
1	TNF-0011	EMBLEM (BLOCK TRANSFER)	1				
2	190702 04	EMBLEM (SLING POINT)	4				
3	610253 01	EMBLEM (BLOCK TRANSFER)	2				
4	610259 01	EMBLEM (LADDER WARNING)	1				
5	610563 01	EMBLEM (UNION JACK)	1				
6	POP-0006	POP RIVET	4				
7	590145 01	IDENTIFICATION PLATE (UK)	1				
OR	TNF-0201	IDENTIFICATION PLATE (GER)	1				
OR	612269 01	IDENTIFICATION PLATE (US)	1				
8	611033 01	25 KMPH EMBLEM	3				
OR	612610 01	6 KMPH EMBLEM	3				
9	613876 01	DECAL-SHELBOURNE P/MIX II	2				
10	613877 01	DECAL-EXPRESS	2				



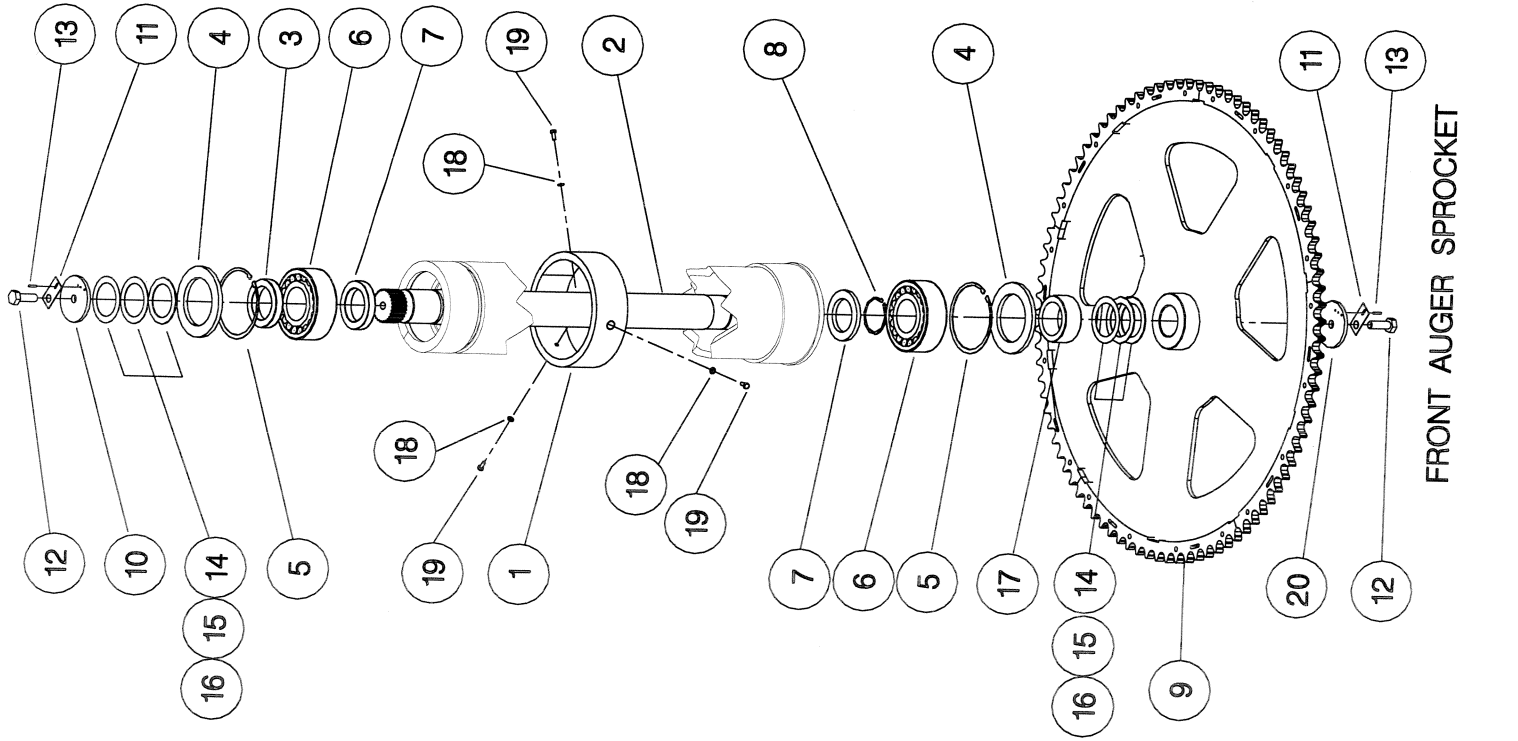
ONE 25 KPH STICKER TO BE POSITIONED
ON EACH SIDE OF THE TUB AND ONE ON THE BACK

Shelbourne Reynolds Engineering Limited

ASSY NUMBER: 619118 01		ASSY DESCRIPTION: AUGER FIXING SUB ASSY (TWIN AUGER)					
ITEM	PART NO	DESCRIPTION	QTY	ITEM	PART NO	DESCRIPTION	QTY
1	614095 01	AUGER BUSH	2				
OR	610412 01	101176 & ON ONLY AUGER BUSH	2				
2	613821 01	UP TO & INC 202175	2				
3	613396 01	SHAFT	2				
4	SEAB13000	SPACER	2				
		OIL LIP SEAL	4				
5	CIR010190	INT.CIRCLIP	4				
6	BRG-19085	ROLLER BEARING	4				
7	SEAB09015	OIL LIP SEAL	4				
8	CIR-1457	EXTERNAL CIRCLIP	2				
9	613816 01	SPROCKET ASSY	2				
10	610413 01	FIXING DISC	3				
11	610414 01	FIXING TAB	4				
12	HSSA20260	SETScrew	4				
13	PIN-1770	ROLL PIN	4				
14	610415 01	SHIM (0.5mm)	10				
15	610415 02	SHIM (1mm)	4				
16	610415 03	SHIM (2mm)	4				
17	613922 01	SPACER TUBE	2				
18	WSH-1300	SHAKERPROOF WASHER	6				
		101176 & ON ONLY					
19	HSS-0140	SETScrew	6				
		101176 & ON ONLY					
20	614253 01	FRONT AUGER FIXING DISC	1				



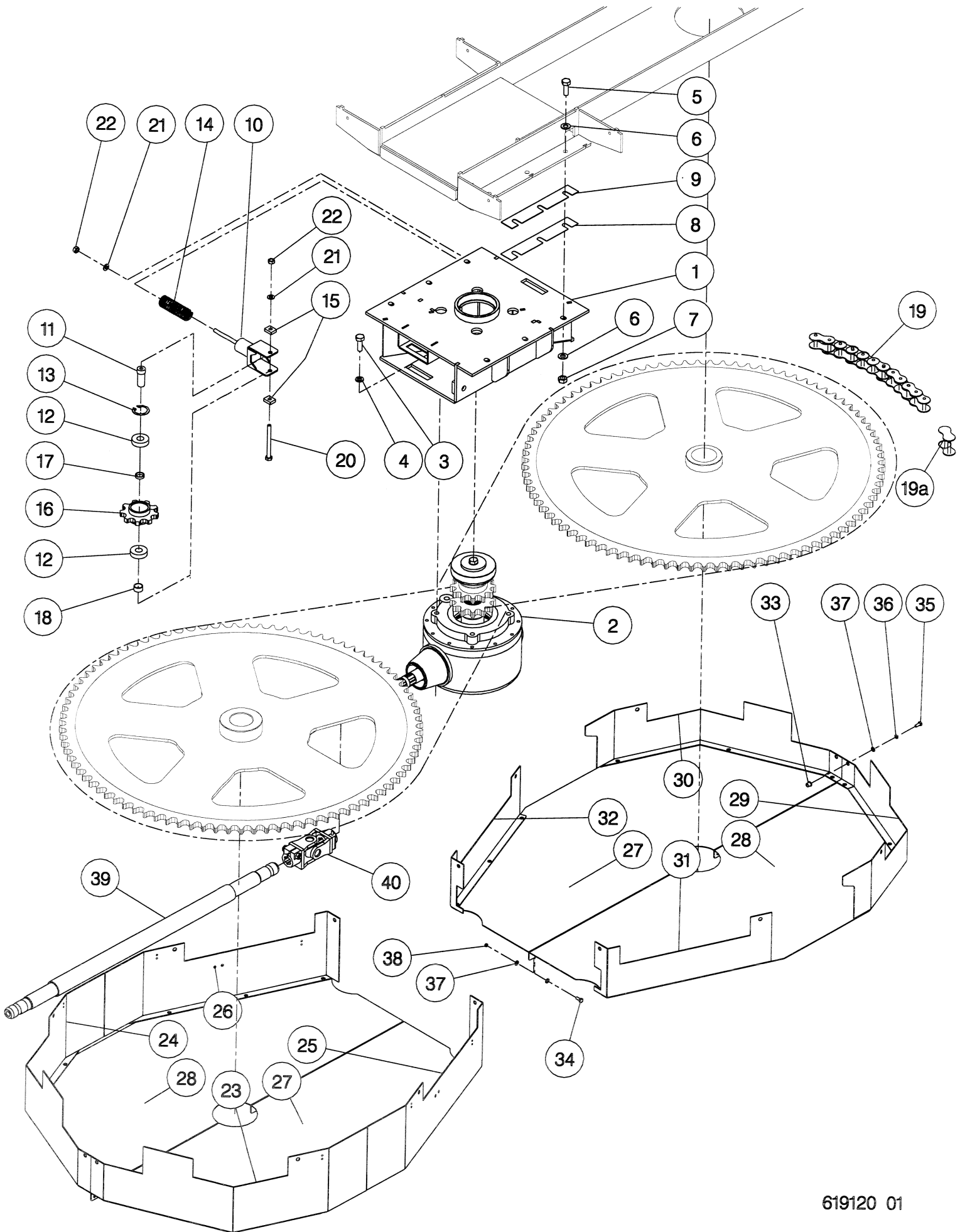
REAR AUGER SPROCKET



FRONT AUGER SPROCKET

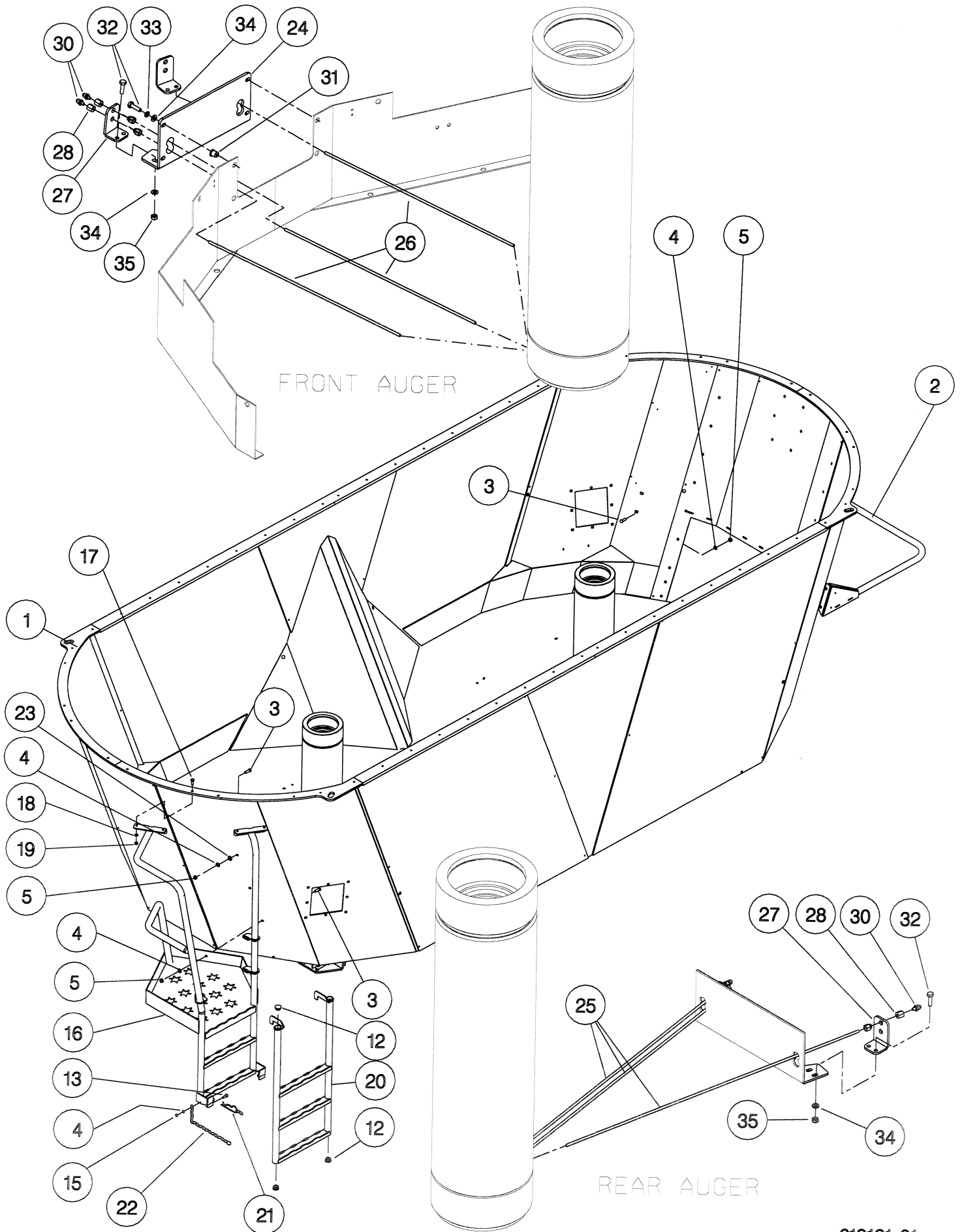
Shelbourne Reynolds Engineering Limited

ASSY NUMBER: 619120 01		ASSY DESCRIPTION: TWIN AUGER DRIVES SUB (EXPRESS)					
ITEM	PART NO	DESCRIPTION	QTY	ITEM	PART NO	DESCRIPTION	QTY
1	613717 01	GEARBOX MOUNTING BRACKET	1	38	NUT-0263	NYLOC NUT	12
2	GEA-0174	BEVEL GEARBOX ASSY	1	39	612884 06	DRIVE SHAFT	1
3	HSS-0315	SETSCREW	4	40	PTO-20004	PTO COUPLING	1
4	WSHA30161	LOCK WASHER	4	41	HSS-0322	SETSCREW	2
5	HSS-0319	SETSCREW	4				
6	WSH-0024	PLAIN WASHER	12				
7	NUT-0271	NYLOC NUT	6				
8	613691 01	SHIM	2				
9	613691 02	SHIM	4				
10	613392 01	SPROCKET ADJUSTER ASSY	2				
11	613692 01	TENSIONER SPROCKET BOSS	2				
12	BRG-3358	BEARING	4				
13	CIR-0620	CIRCLIP	2				
14	SPGE02046	DIE SPRING	2				
15	613238 01	SLIDING PLATE	4				
16	613390 01	TENSIONER SPROCKET	2				
17	612806 02	SPACER TUBE	2				
18	612806 03	SPACER TUBE	2				
19	CHN-04481	CHAIN2	2				
19a	CHN-04400	JOINING LINK	2				
20	BLT-2273	BOLT	2				
21	WSH-0018	PLAIN WASHER	4				
22	NUT-0269	NYLOC NUT	4				
23	613756 01	CHAIN GUARD FRT LH	1				
24	613756 02	CHAIN GUARD FRT RH	1				
25	613757 01	CHAIN GUARD FRT LH	1				
26	613757 02	CHAIN GUARD FRT RH	1				
27	613748 01	CHAIN UNDER GUARD LH	2				
28	613748 02	CHAIN UNDER GUARD RH	2				
29	613766 01	CHAIN GUARD REAR LH	1				
30	613766 02	CHAIN GUARD REAR RH	1				
31	613765 01	CHAIN GUARD REAR LH	1				
32	613765 02	CHAIN GUARD REAR RH	1				
33	NUTA13080	NUTSERT (M8)	1				
34	HSS-0140	SETSCREW	40				
35	HSS-0150	SETSCREW	36				
36	WSH-0058	WASHER	16				
37	WSH-0012	PLAIN WASHER	40				
			54				



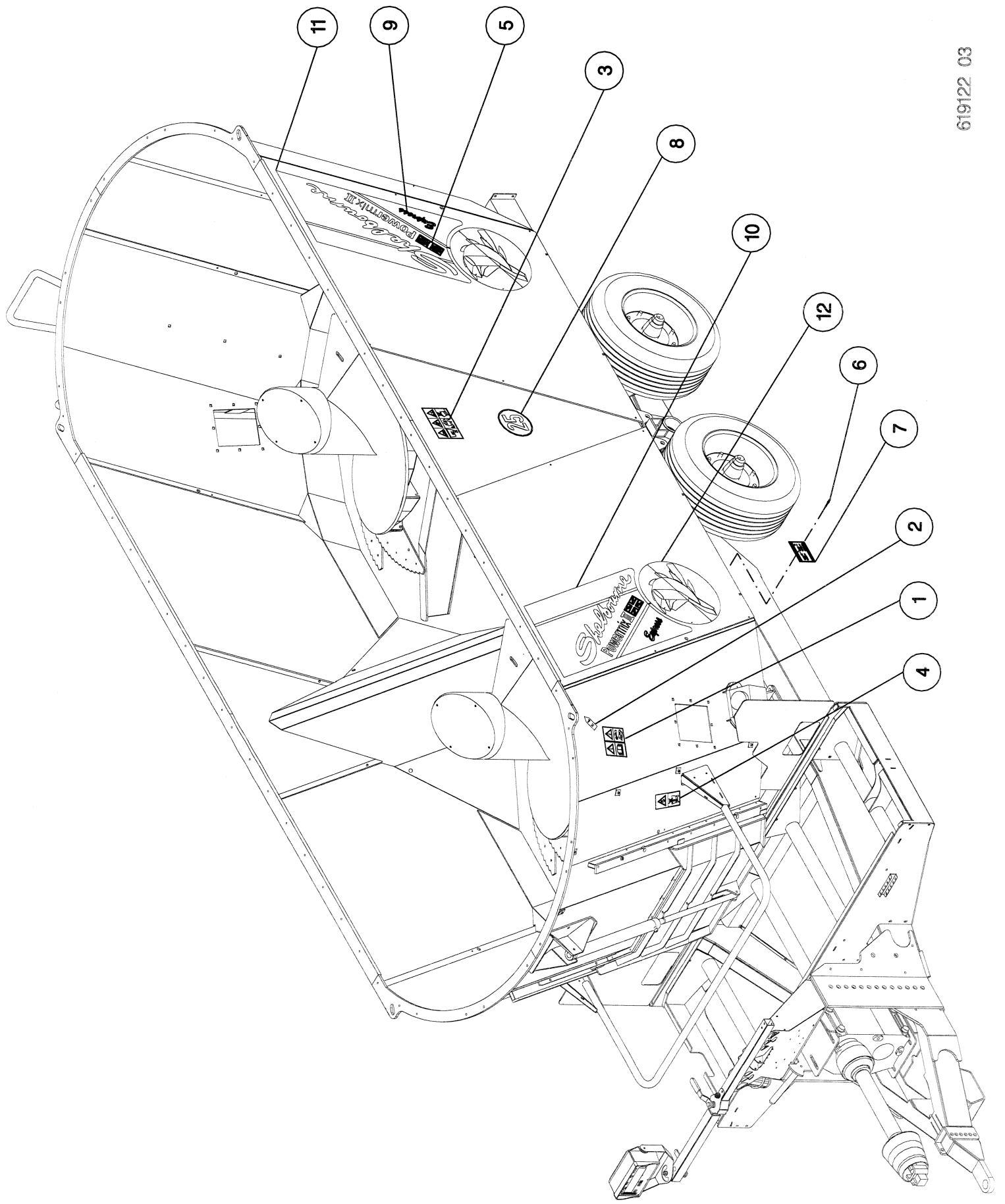
Shelbourne Reynolds Engineering Limited

ASSY NUMBER: 619121 01		ASSY DESCRIPTION: 16m CU FRONT DOOR TUB SUB ASSY					
ITEM	PART NO	DESCRIPTION	QTY	ITEM	PART NO	DESCRIPTION	QTY
1	613842 01	16m Cu TUB W/A	1	31	NUTA13080	NUTSERT	4
2	613616 01	GUARD RAIL W/A	1			SER No 101176 & ON ONLY	
3	BLT-3790	COACHBOLT	7	32	HSS-0150	SETScrew	12
4	WSH-0018	WASHER	7			SER No 101176 & ON ONLY	
5	NUT-0269	NUT	7	33	WSH-0058	WASHER	4
6						SER No 101176 & ON ONLY	
7				34	WSH-0012	PLAIN WASHER	12
8						SER No 101176 & ON ONLY	
9				35	NUT-0263	NYLOC NUT	8
10						SER No 101176 & ON ONLY	
11							
12	PTF-00134	PLASTIC CAP INSERT	2				
13	HSS-0086	SETScrew	1				
14	WSH-0009	WASHER	1				
15	NUT-0260	NUT	1				
16	613592 01	PLATFORM W/A	1				
17	HSS-0210	BOLT	4				
18	WSH-0015	WASHER	4				
19	NUT-0265	NUT	4				
20	613764 01	LADDER W/A	1				
21	CLP-00105	R-CLIP	1				
22	CHN-0145	CHAIN	1				
23	611830 01	SPACER PLATE	2				
24	614206 01	GREASE NIPPLE MTG PLATE	1				
25	614111 01	SER No 101176 & ON ONLY	3				
26	614111 02	GREASE PIPE	3				
27	614154 01	SER No 101176 & ON ONLY	4				
28	HPTB58001	NIPPLE MTG PLATE	6				
29		SER No 101176 & ON ONLY					
30	NIP-0001	GREASE NIPPLE 6					
		SER No 101176 & ON ONLY					



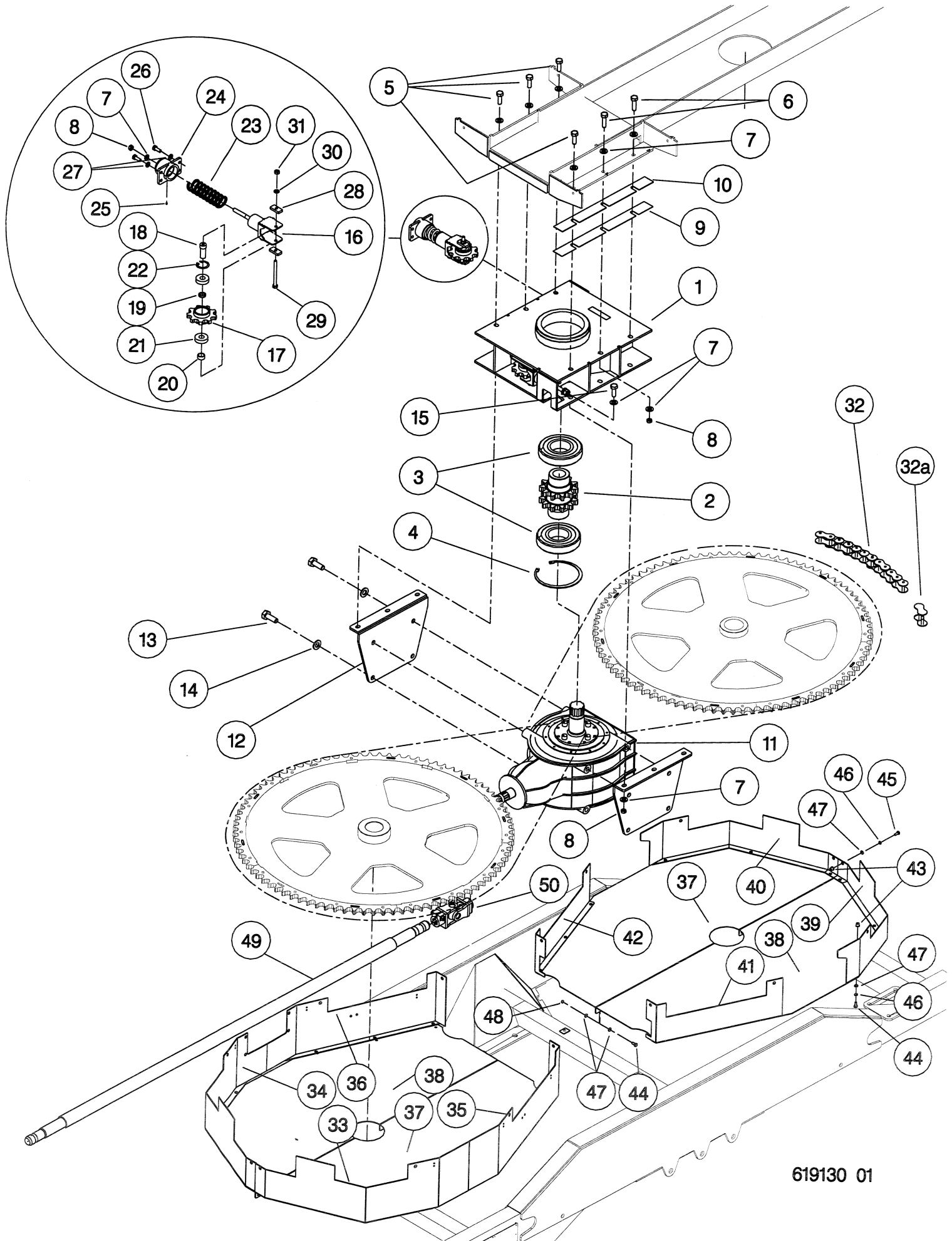
Shelbourne Reynolds Engineering Limited

ASSY NUMBER: 619122 03		ASSY DESCRIPTION: EXPRESS TRANSFERS SUB ASSY (TWIN AUGER)					
ITEM	PART NO	DESCRIPTION	QTY	ITEM	PART NO	DESCRIPTION	QTY
1	TNF-0011	EMBLEM (BLOCK TRANSFER)	1				
2	190702 04	EMBLEM (SLING POINT)	4				
3	610253 01	EMBLEM (BLOCK TRANSFER)	2				
4	610259 01	EMBLEM (LADDER WARNING)	1				
5	613999 01	EMBLEM (UNION JACK)	4				
6	POP-0006	POP RIVET	4				
7	590145 01	IDENTIFICATION PLATE (UK)	1				
OR	TNF-0201	IDENTIFICATION PLATE (GER)	1				
OR	612269 01	IDENTIFICATION PLATE (US)	1				
8	611033 01	25 KMPH EMBLEM	3				
OR	612610 01	6 KMPH EMBLEM	3				
9	613877 01	DECAL-EXPRESS	4				
10	613996 01	EMBLEM (LH POWERMIX II)	2				
11	613997 01	EMBLEM (RH POWERMIX II)	2				
12	613998 01	EMBLEM (AUGER)	4				



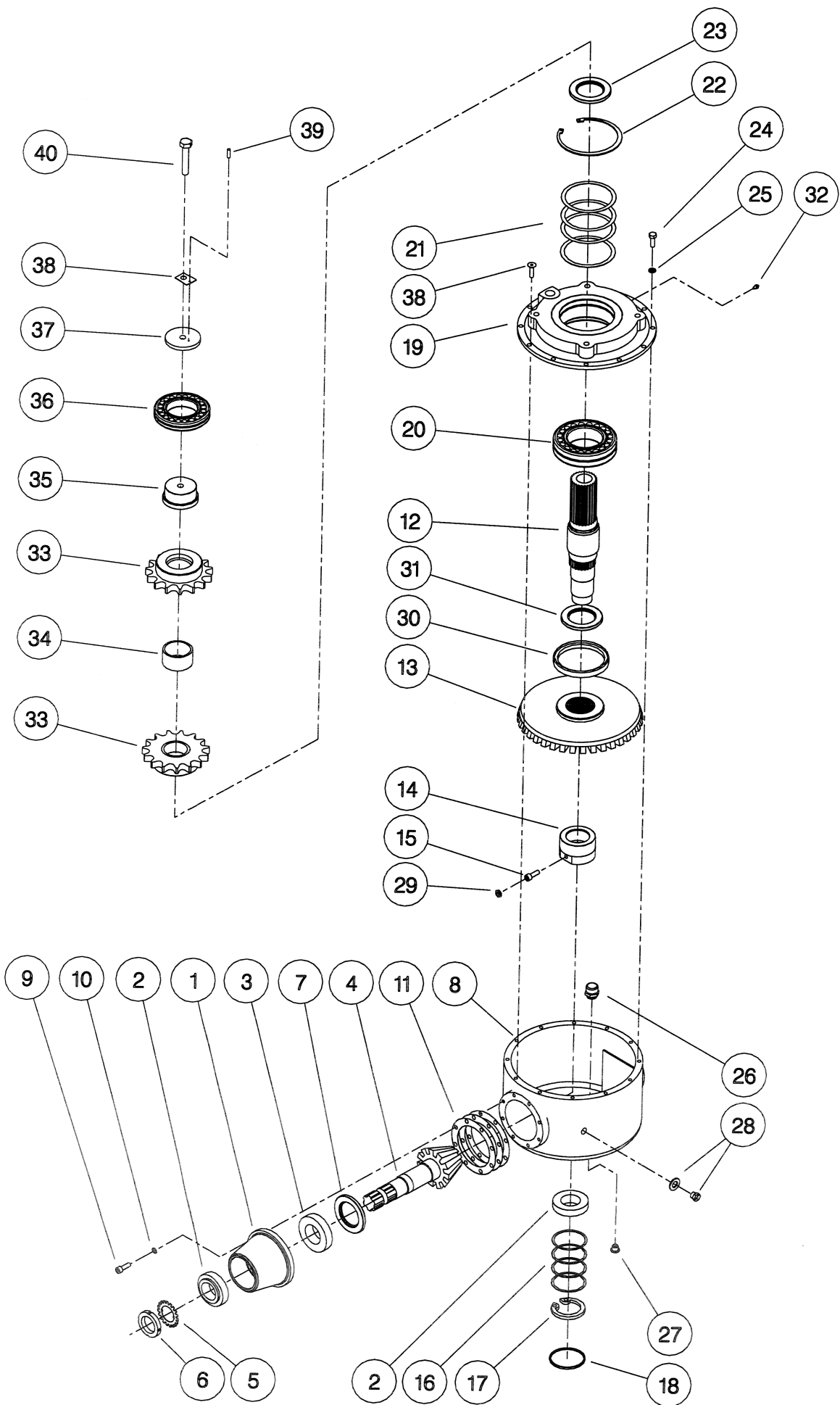
Shelbourne Reynolds Engineering Limited

ASSY NUMBER: 619130 01		ASSY DESCRIPTION: TWIN AUGER DRIVES SUB (EXPRESS)					
ITEM	PART NO	DESCRIPTION	QTY	ITEM	PART NO	DESCRIPTION	QTY
1	614434 01	GEARBOX MOUNTING BRACKET (SER No 105176 & ON)	1	30	WSH-0018	PLAIN WASHER	2
OR	614218 01	GEARBOX MOUNTING BRACKET (UP TO & INC. SER No 104176)	1	31	NUT-0269	NYLOC NUT	2
2	614153 01	DOUBLE SPROCKET ASSY	1	32	CHN-04481	CHAIN	2
3	BRG-19505	BEARING	2	32a	CHN-04400	JOINING LINK	2
4	CIR010200	CIRCLIP	1	33	613756 01	CHAIN GUARD FRT LH	1
5	HSS-0319	SETSCREW	4	34	614207 01	CHAIN GUARD FRT RH	1
6	HSS-0322	SETSCREW	2	35	613757 01	CHAIN GUARD FRT LH	1
7	WSH-0024	PLAIN WASHER	2	36	614208 01	CHAIN GUARD FRT RH	1
8	NUT-0271	NYLOC NUT	25	37	613748 01	CHAIN UNDER GUARD LH	2
9	613691 01	SHIM	13	38	613748 02	CHAIN UNDER GUARD RH	2
10	613691 02	SHIM	2	39	613766 01	CHAIN GUARD REAR LH	1
11	GEA-0175	BEVEL GEARBOX ASSY	4	40	613766 02	CHAIN GUARD REAR RH	1
12	614211 01	GEARBOX BRACKET	4	42	613765 02	CHAIN GUARD REAR RH	1
13	HSSA20260	SETSCREW	1	43	NUTA13080	NUTSERT	1
14	WSHA30201	LOCK WASHER	2	44	HSS-0140	SETSCREW	40
15	HSS-0318	SETSCREW	8	45	HSS-0150	SETSCREW	36
16	614190 01	SPROCKET ADJUSTER ASSY	8	46	WSH-0058	WASHER	16
17	614437 01	TENSIONER GUIDE (SER No 105176 & ON)	6	47	WSH-0012	PLAIN WASHER	40
OR	613390 01	TENSIONER SPROCKET (UP TO & INC. SER No 104176)	2	48	NUT-0263	NYLOC NUT	54
18	613692 01	TENSIONER SPROCKET BOSS	2	49	612884 10	DRIVE SHAFT	12
19	612806 02	SPACER TUBE	2	50	PTO-20007	PTO COUPLING	1
20	612806 03	SPACER TUBE	2				1
21	BRG-3358	BEARING	4				
22	CIR-0620	CIRCLIP	2				
23	SPGE02046	DIE SPRING	2				
24	614436 01	SPRING KEEP PLATE (SER No 105176 & ON)	2				
OR	614200 01	SPRING KEEP PLATE (UP TO & INC. SER No 104176)	2				
25	NIP-00600	GREASE NIPPLE	2				
26	HSS-0250	SETSCREW	8				
27	WSH-0065	WASHER	8				
28	614223 01	SLIDING PLATE	4				
29	BLT-2273	BOLT	2				



Shelbourne Reynolds Engineering Limited

ASSY NUMBER: GEA-0174		ASSY DESCRIPTION: TWIN TUB POWERMIX BEVEL GEARBOX (3.36:1)					
ITEM	PART NO	DESCRIPTION	QTY	ITEM	PART NO	DESCRIPTION	QTY
1	610858 02	INPUT HOUSING	1	39	PIN-40414	ROLL PIN	1
2	BRG-7000	TAPER ROLLER BEARING	2	40	BLTA16530	BOLT	1
3	BRG-7020	TAPER ROLLER BEARING	1				
4	613681 01	INPUT PINION (11T)	1				
5	BRG-95015	LOCKWASHER	1				
6	BRG-95010	LOCKNUT	1				
7	SEAB04510	SHAFT SEAL	1				
8	613689 01	MAIN CASE	1				
9	SCW-0195	CAP HEAD SCREW	1				
10	WSH-1301	SHAKEPROOF WASHER	8				
11	610863	INPUT SHIM PACK	8				
12	612895 01	OUTPUT SHAFT	1				
13	613682 01	OUTPUT BEVEL GEAR (37T)	1				
14	611346 01	LOCKING NUT	1				
15	SCGA10178	GRUB SCREW	1				
16	610864	OUTPUT SHIM PACK	2				
17	CIR010090	INTERNAL SHIM PACK	1				
18	SEAZ09000	INTERNAL CIRCLIP	1				
19	613690 01	CORE PLUG SEAL	1				
20	BRG-18041	OUTPUT HOUSING	1				
21	610865	TAPER ROLLER BEARING	1				
22	CIR010140	OUTPUT SHIM PACK	1				
23	SEAB08000	INTERNAL CIRCLIP	1				
24	HSS-0194	SHAFT SEAL	1				
25	WSH-0061	SET SCREW	12				
26	FIT-0255	SPRING WASHER	12				
27	FIT-0253	FILLER/BREATHER	1				
28	FITD000005	MAGNET. DRAIN PLUG	1				
29	NUT-0365	LEVEL GAUGE	1				
30	610966 01	HALF NUT	2				
31	SEAA14000	SLEEVE	1				
32	NIP-00600	SHAFT SEAL	1				
33	613403 01	GREASE NIPPLE	1				
34	612899 01	SPROCKET 10T	1				
35	613737 01	SPROCKET SPACER	2				
36	BRG-18000	BEARING BOSS	1				
37	612896 02	BEARING	1				
38	612902 01	SECURING WASHER LOCK TAB	1				



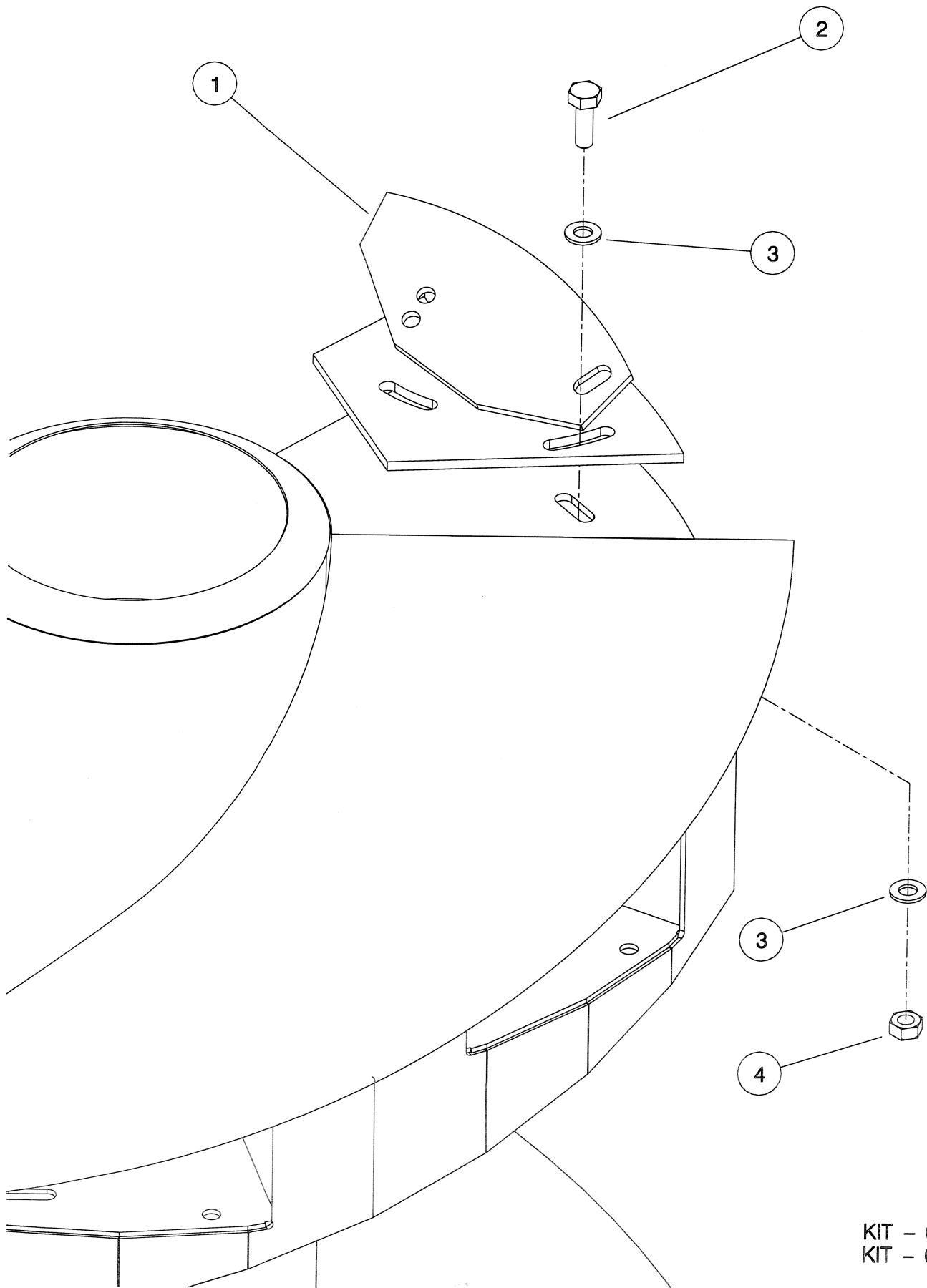
powermix II

Express

KIT OPTIONS

Shelbourne Reynolds Engineering Limited

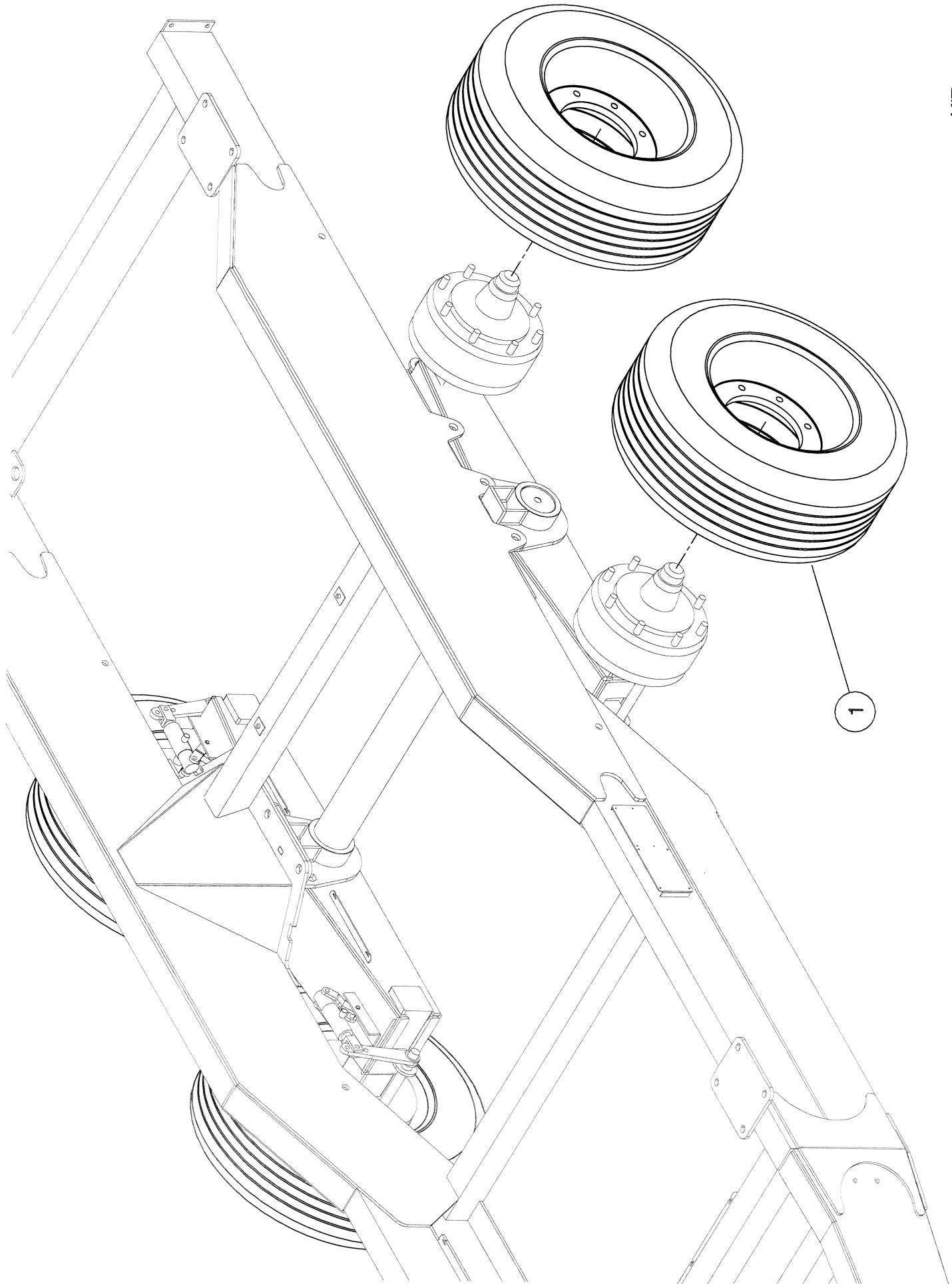
ASSY NUMBER: KIT-03201		ASSY DESCRIPTION: KNIFE KICKER SUB					
ITEM	PART NO	DESCRIPTION	QTY	ITEM	PART NO	DESCRIPTION	QTY
1	612410 01	KNIFE KICKER ASSY	1				
2	HSS-0317	SETSCREW	3				
3	WSH-0025	WASHER	6				
4	NUT-0271	NUT	3				



KIT - 03201
KIT - 03344

Shelbourne Reynolds Engineering Limited

KIT-03370		SUB ASSY DESCRIPTION: WHEEL & TYRE KIT (SMOOTH)					
ASSY NUMBER:	PART NO	DESCRIPTION	QTY	ITEM	PART NO	DESCRIPTION	QTY
1	WHL-01441	WHEEL & TYRE ASSY	4				

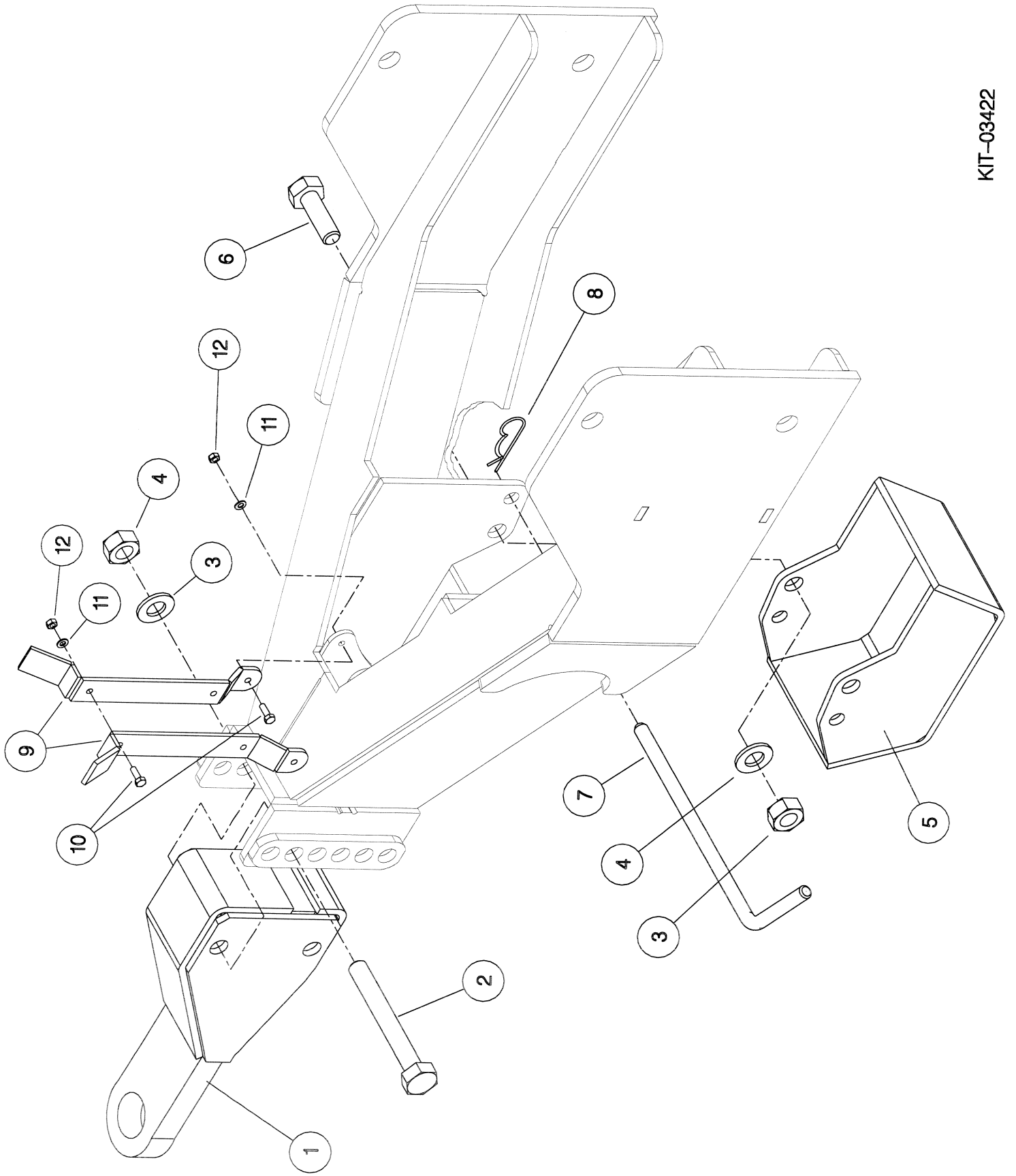


KIT-03370
KIT-03432a

1

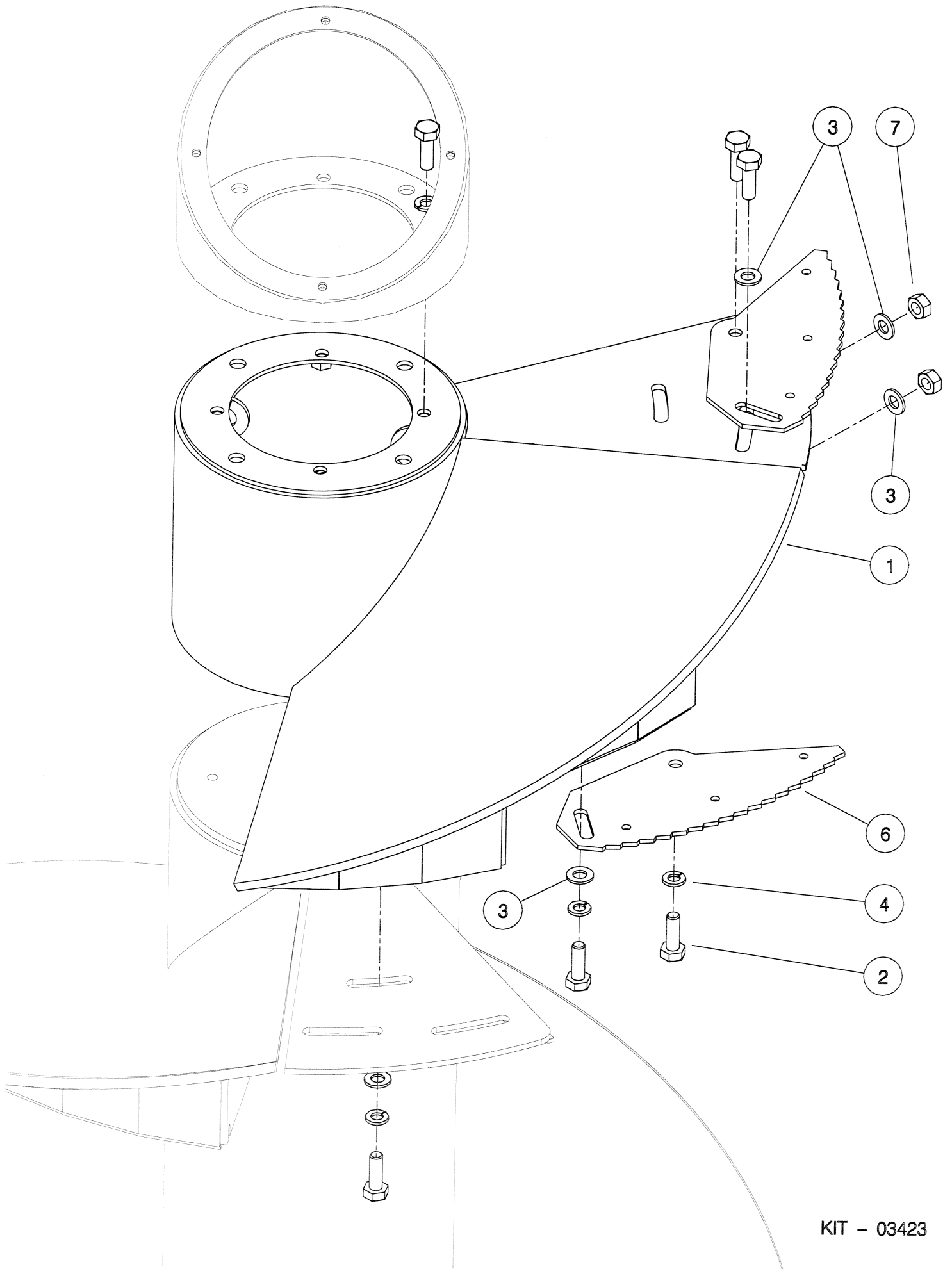
Shelbourne Reynolds Engineering Limited

KIT-03422		ASSY DESCRIPTION: UK TOWING EYE KIT					
ASSY NUMBER:							
ITEM	PART NO	DESCRIPTION	QTY	ITEM	PART NO	DESCRIPTION	QTY
1	613437 01	UK TOWING EYE W/A	1				
2	BLTA20770	BOLT	2				
3	WSH-0030	WASHER	4				
4	NYTA02200	NYLOC NUT	4				
5	613418 01	FOOT W/A	1				
6	HSS-0355	SETSCREW	2				
7	613419 01	SECURING PIN	1				
8	CLP-00106	R-CLIP	1				
9	613433 01	PTO REST PLATE	2				
10	HSS-0088	SETSCREW	4				
11	WSH-0009	WASHER	4				
12	NUT-0260	NUT	4				



Shelbourne Reynolds Engineering Limited

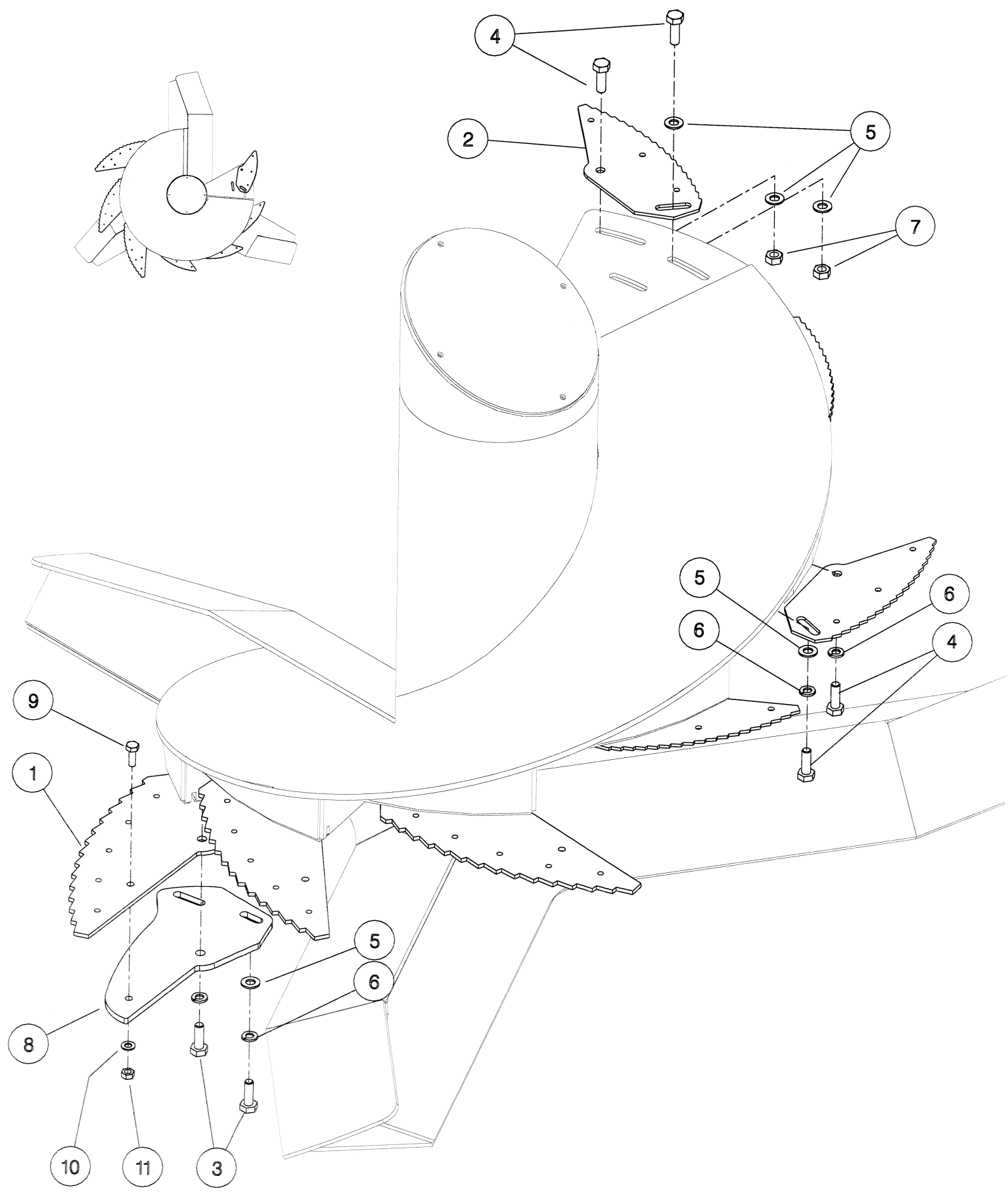
KIT-03423		ASSY DESCRIPTION: AUGER EXTENSION KIT (300mm)					
ITEM	PART NO	DESCRIPTION	QTY	ITEM	PART NO	DESCRIPTION	QTY
1	613560 01	AUGER EXTENSION W/A	1				
2	HSS-0316	SETSCREW	11				
3	WSH-0025	WASHER	8				
4	WSH-0070	WASHER	9				
5							
6	610256 01	SMALL BLADE	2				
7	NUT-0271	NUT	2				



KIT - 03423

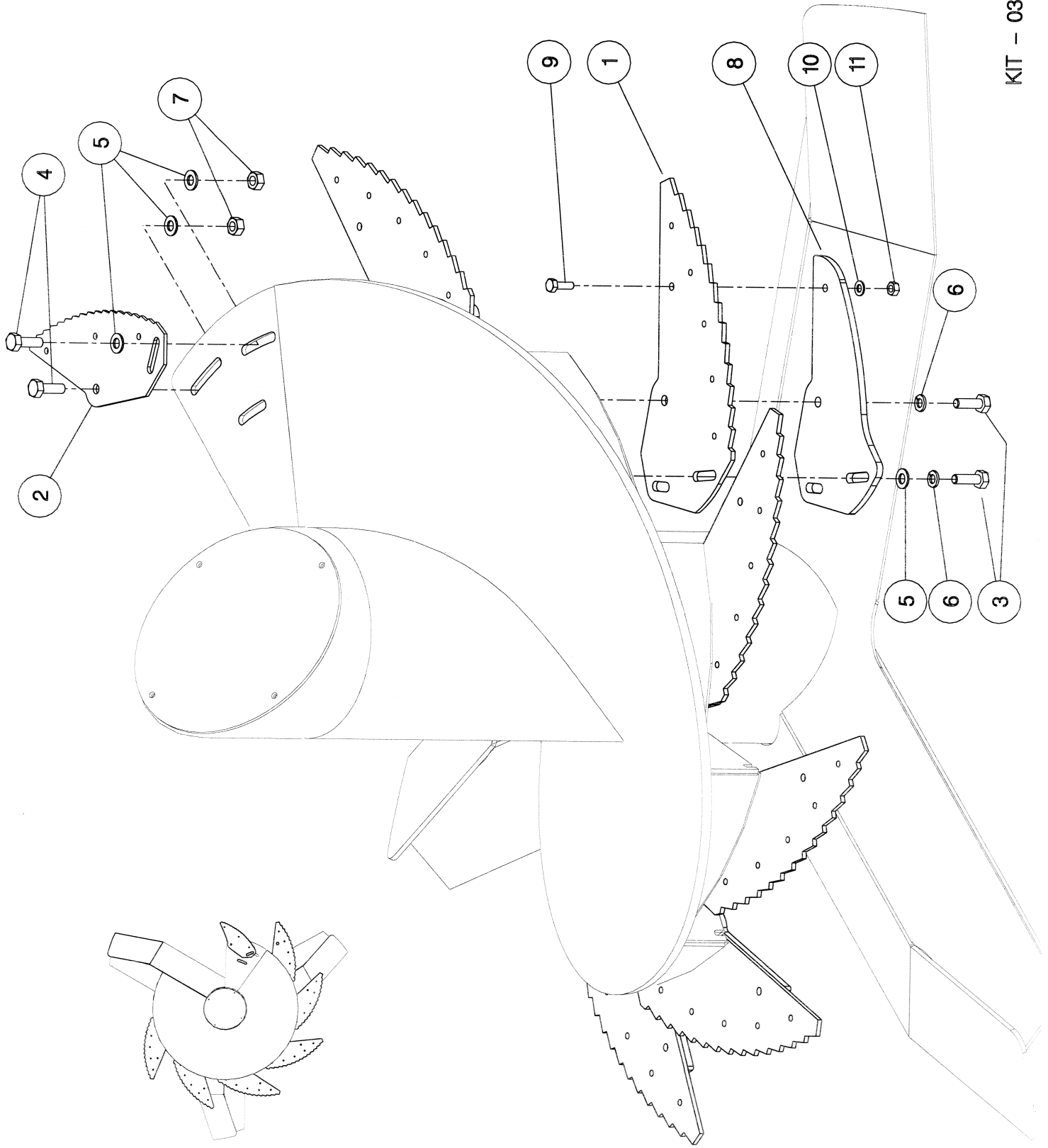
Shelbourne Reynolds Engineering Limited

KIT-03424		ASSY DESCRIPTION: SMALL BLADE KIT					
ASSY NUMBER:							
ITEM	PART NO	DESCRIPTION	QTY	ITEM	PART NO	DESCRIPTION	QTY
1	610599 02	LARGE BLADE	3				
2	610256 01	SMALL BLADE	4				
3	HSS-0317	SETSCREW	9				
4	HSS-0316	SETSCREW	8				
5	WSH-0025	WASHER	12				
6	WSH-0070	WASHER	15				
7	NUT-0271	NUT	2				
8	612622 01	KNIFE STRENGTH PLATE	3				
9	HSS-0250	SETSCREW	3				
10	WSH-0018	WASHER	3				
11	NUT-0269	NUT	3				



Shelbourne Reynolds Engineering Limited

KIT-03425		ASSY DESCRIPTION: LARGE BLADE KIT					
ASSY NUMBER:	KIT-03425	ASSY DESCRIPTION: LARGE BLADE KIT					
ITEM	PART NO	DESCRIPTION	QTY	ITEM	PART NO	DESCRIPTION	QTY
1	610599 02	LARGE BLADE	6				
2	610256 01	SMALL BLADE	1				
3	HSS-0317	SETSCREW	18				
4	HSS-0316	SETSCREW	2				
5	WSH-0025	WASHER	15				
6	WSH-0070	WASHER	18				
7	NUT-0271	NUT	2				
8	612622 01	KNIFE STRENGTH PLATE	6				
9	HSS-0250	SETSCREW	6				
10	WSH-0018	WASHER	6				
11	NUT-0269	NUT	6				

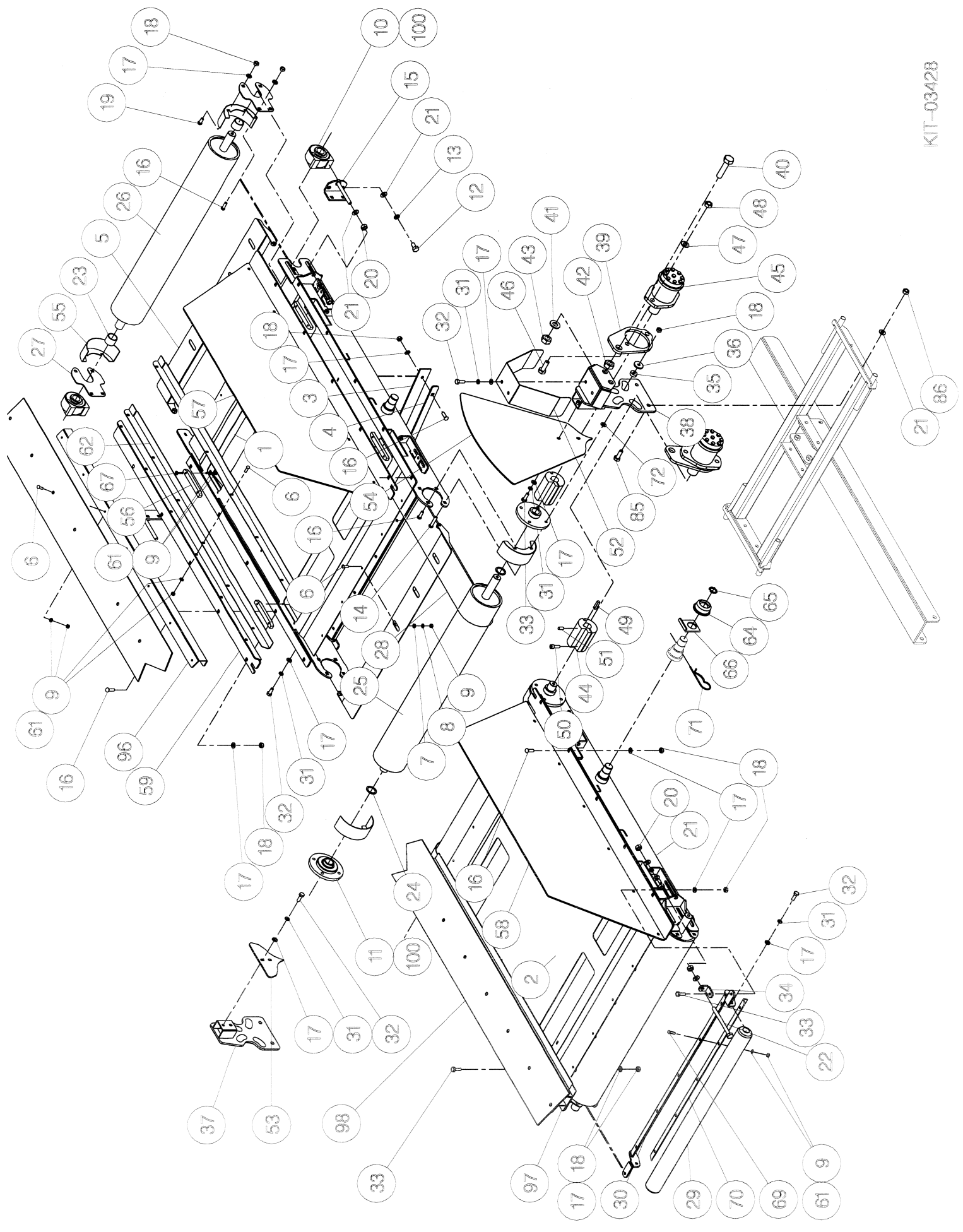


Shelbourne Reynolds Engineering Limited

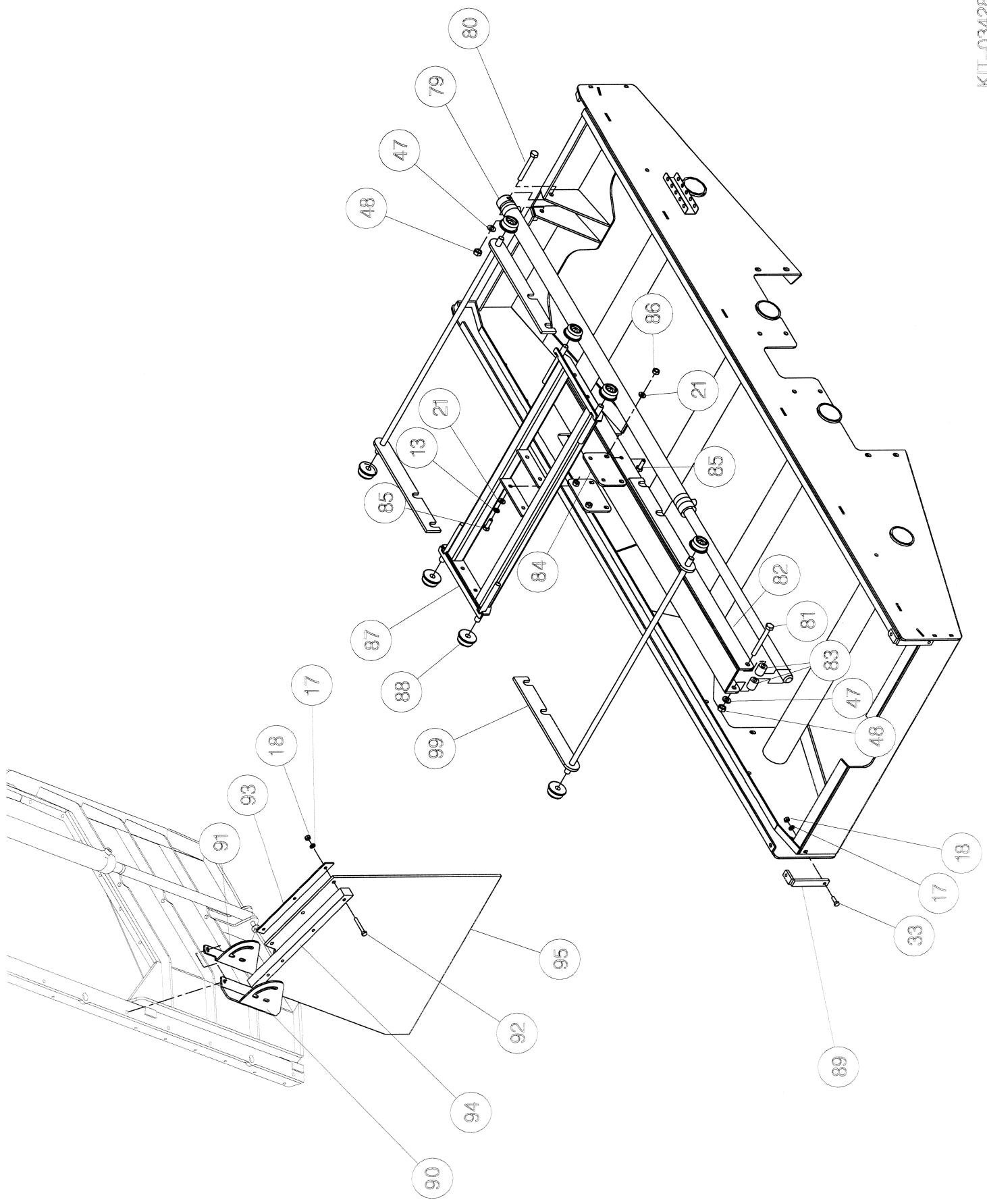
KIT-03428		EXPRESS CONVEYOR KIT					
ASSY NUMBER:	ASSY DESCRIPTION:						
ITEM	PART NO	DESCRIPTION	QTY	ITEM	PART NO	DESCRIPTION	QTY
1	613309 01	CONVEYOR FRAME LH W/A	1	39	613310 01	TORQUE ARM	2
2	613309 02	CONVEYOR FRAME RH W/A	1	40	BLT-2314	BOLT	2
3	613332 01	RUBBER STRIP	2	41	WSH-0024	WASHER	2
4	613331 01	CLAMP STRIP	2	42	NUT-0180	NUT	2
5	613338 01	SCRAPER PLATE	4	43	NUT-0271	NUT	2
6	SCW-4960	BUTT SOC HD SCREW	58	44	122086 01	DRIVE SLEEVE	2
7	190119 44	SPACER	20	45	MOTH08000	HYD MOTOR	2
8	WSH-1036	PENNY WASHER	34	46	HSS-0250	SETScrew	2
9	NUT-0260	NUT	55	47	WSH-0018	WASHER	4
10	BRG-22545	BEARING	4	48	NUT-0269	NUT	5
11	BRG-22550	BEARING	4	49	K0807030	KEY	5
12	HSS-0188	SETScrew	8	50	SCW-0139	CP HD SCREW	2
13	WSH-0061	WASHER	12	51	SCW-4543	GRUB SCREW	6
14	BLTF08290	COACHBOLT	16	52	613341 01	COUPLING GUARD	4
15	613314 01	TENSIONER PLATE W/A	4	53	613664 01	REAR SEAL PLATE	1
16	BLTF08173	COACHBOLT	38	54	613343 01	FRONT SEAL PLATE	1
17	WSH-0012	WASHER	68	55	613344 01	FRONT SEAL PLATE	1
18	NUT-0263	NUT	63	56	613388 01	ROLLER CASE W/A	8
19	BLT-4710	COACHBOLT	8	57	613339 01	BELT BUFFER	8
20	NUT-0167	NUT	28	58	613339 02	FRONT ANTI-SPILL PL LH	1
21	WSH-0018	WASHER	20	59	613665 01	FRONT ANTI-SPILL PL RH	1
22	HSSA10620	SETScrew	4	60	613665 02	REAR ANTI-SPILL PL LH	1
23	613315 01	SPACER TUBE	4	61	WSH-0009	REAR ANTI-SPILL PL RH	1
24	190548 24	WASHER	4	62	613342 01	WASHER(M6 PLAIN)	38
25	613295 01	DRIVE ROLLER W/A	4	63	613342 02	SEAL PLATE LH	2
26	613296 01	IDLE ROLLER W/A	2	64	613333 01	SEAL PLATE RH	2
27	613349 01	MOUNTING PLATE	2	65	CIR-1125	WHEEL	4
28	613298 01	CONVEYOR BELT	4	66	613335 01	CIRCLIP	4
29	ROL-00000	TRACKING ROLLER	2	67	SCW-1600	LATCH	4
30	613355 01	SCRAPER BRKT W/A	4	68		CSK SOC HD SCREW	16
31	WSH-0058	WASHER	4	69	BLTF06143	COACH BOLT	20
32	HSS-0140	SETScrew	13	70	613352 01	STAINLESS SCRAPER	4
33	HSS-0150	SETScrew	14	71	CLP-00105	R-CLIP	4
34	613312 01	ADJUSTER PLATE	8	72	190548 26	WASHER	8
35	190548 27	WASHER	4	73	HSS-0150	SETScrew	4
36	190548 29	WASHER	8	74			
37	613663 01	REAR CARRIAGE PLATE W/A	8	75			
38	613322 01	FRONT CARRIAGE PLATE W/A	1	76			

Shelbourne Reynolds Engineering Limited

ASSY NUMBER: KIT-03428		ASSY DESCRIPTION: EXPRESS CONVEYOR KIT (CONTINUED...)				
ITEM	PART NO	DESCRIPTION	QTY	ITEM	PART NO	QTY
77						
78						
79	610447 01	HYD CYLINDER	1			
80	BLT-2270	BOLT	1			
81	BLTA12620	BOLT	1			
82	613583 01	RAM FIXING PLATE	1			
83	613584 01	SPACER TUBE	2			
84	613582 01	SIDE SHIFT PLATE	2			
85	HSS-0194	SET SCREW	8			
86	NUT-0265	NYLOC NUT	4			
87	611442 01	CENTRE FRAME ASSY	1			
88	613702 01	WHEEL	8			
89	613581 01	CAPPING PLATE	2			
90	613590 01	CURTAIN BRKT RH	1			
91	613589 01	CURTAIN BRKT LH	1			
92	BLTA08380	BOLT	5			
93	613602 01	CLAMP STRIP	1			
94	613601 01	RUBBER CURTAIN MTG	1			
95	613587 01	RUBBER CURTAIN	1			
96	613666 01	RUBBER FIXING PLATE LH	1			
97	613666 02	RUBBER FIXING PLATE LH	1			
98	613667 01	RUBBER SEAL STRIP	1			
99	613336 01	LIFT LINKAGE ASSY	2			
100	NIP-0001	GREASE NIPPLE	4			
101	NIP-00610	GREASE NIPPLE	4			

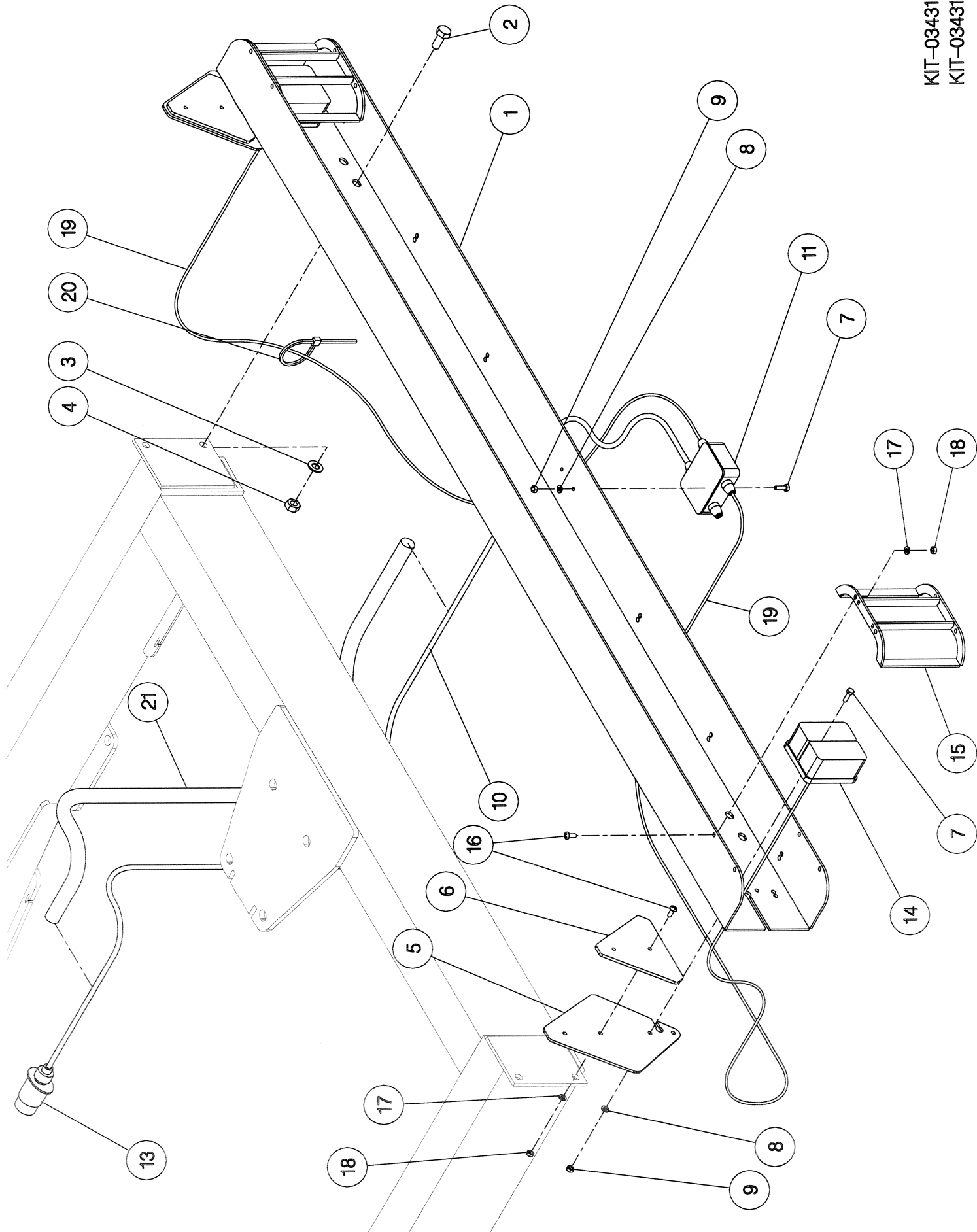


KIT-03428



Shelbourne Reynolds Engineering Limited

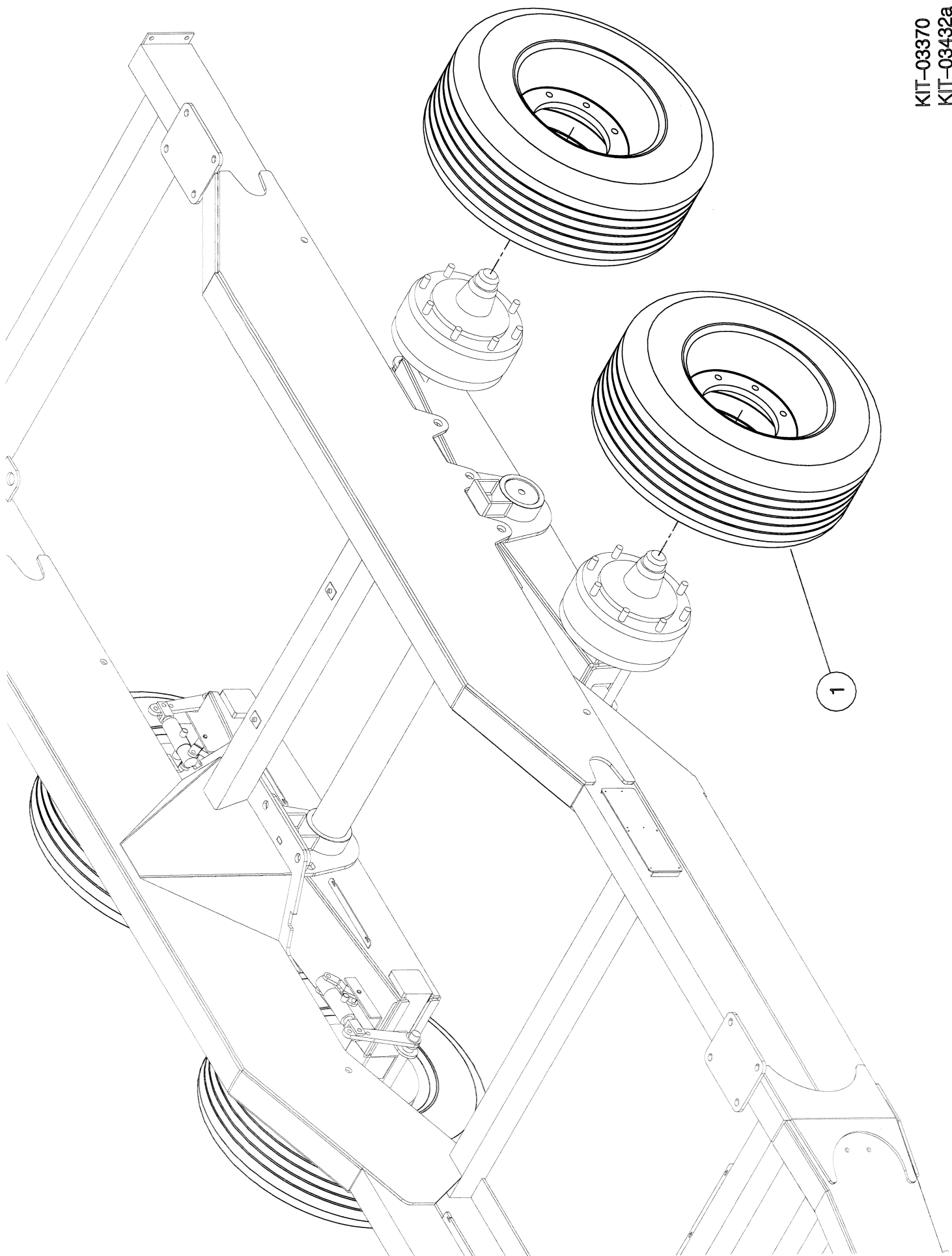
KIT-03431a		ASSY DESCRIPTION: LIGHTING KIT (TWIN AUGER)					
ASSY NUMBER:							
ITEM	PART NO	DESCRIPTION	QTY	ITEM	PART NO	DESCRIPTION	QTY
1	613455 01	LIGHTING BOARD	1				
2	HSS-0238	SETSCREW	4				
3	WSH-0018	WASHER	4				
4	NUT-0269	NUT	4				
5	613620 01	REFECTOR MTG PLATE	2				
6	REF-0030	REFLECTOR	2				
7	HSS-0065	SCREW	6				
8	WSH-0006	WASHER	6				
9	NUT-0258	NUT	6				
10	CBL-03530	CABLE	11m				
11	JNC-00000	JUNCTION BOX	1				
12							
13	PLG-0005	7 PIN PLUG	1				
14	LMP-10400	LIGHT CLUSTER	2				
15	613604 01	LIGHT GUARD W/A	2				
16	SCW-4960	SCREW	12				
17	WSH-0009	WASHER	12				
18	NUT-0260	NUT	12				
19	CBL-03210	4 CORE CABLE	3m				
20	TIE-0004	TIE WRAP	8				
21	SLV-00300	SPIRAL CONVOLUTE TUBING	2m				



KIT-03431
 KIT-03431a

Shelbourne Reynolds Engineering Limited

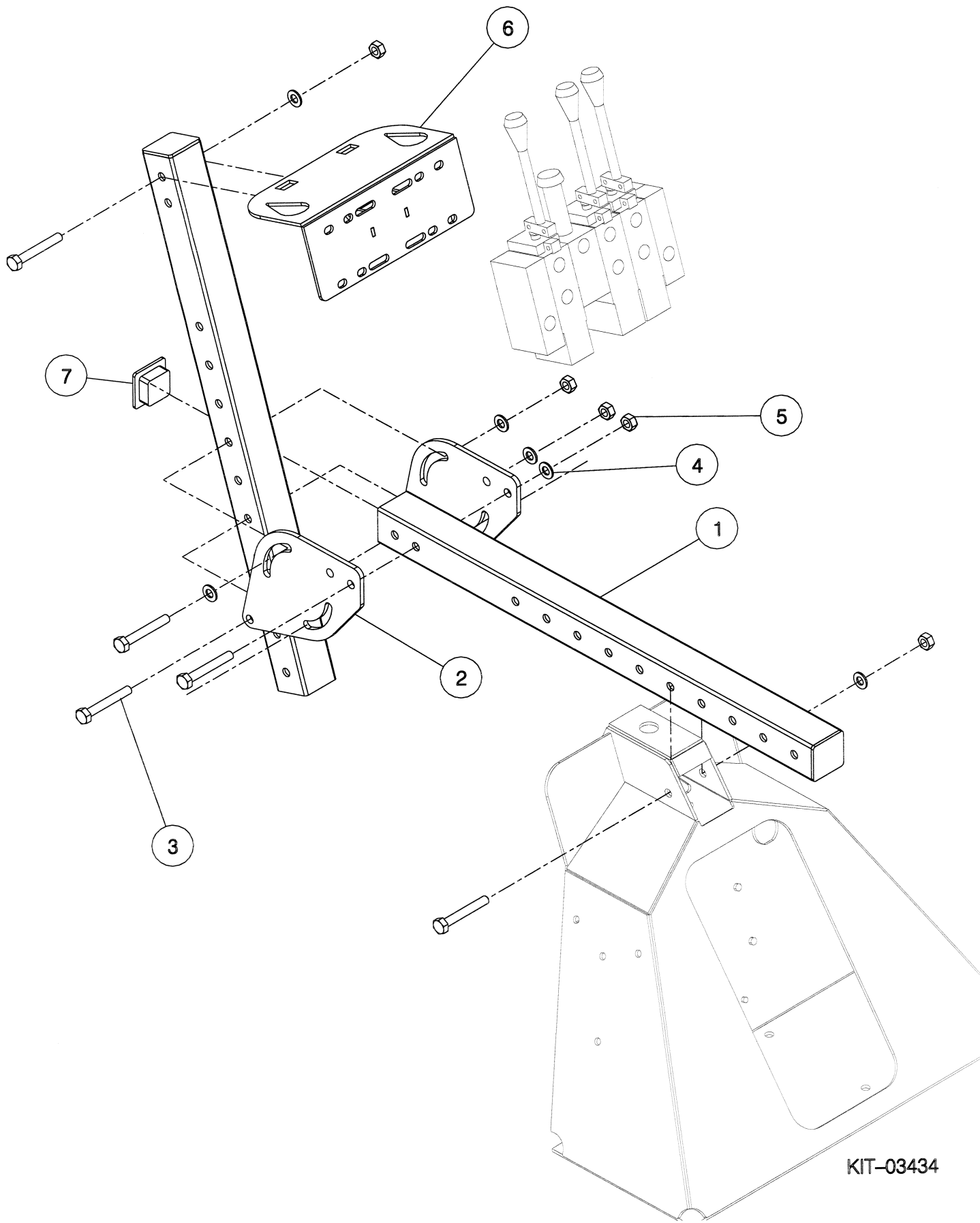
ASSY NUMBER: KIT-03432a		ASSY DESCRIPTION: WHEEL&TYRE KIT (GOODYEAR 340/65 R18) TWIN					
ITEM	PART NO	DESCRIPTION	QTY	ITEM	PART NO	DESCRIPTION	QTY
1	WHL-01800	WHEEL & TYRE ASSY	4				



KIT-03370
KIT-03432a

Shelbourne Reynolds Engineering Limited

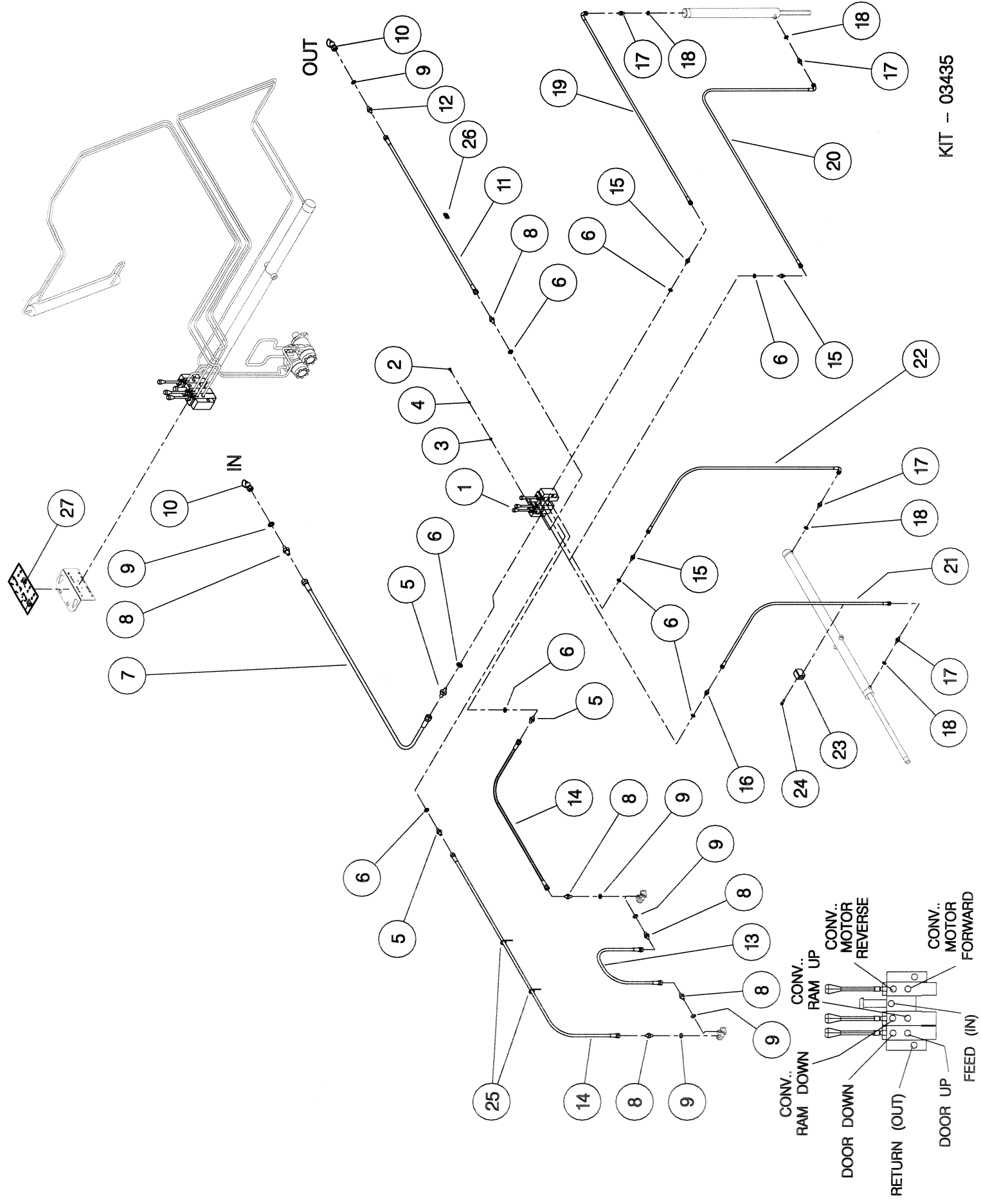
KIT-03434		ASSY DESCRIPTION: SPOOL VALVE LEVER ARM KIT					
ASSY NUMBER:							
ITEM	PART NO	DESCRIPTION	QTY	ITEM	PART NO	DESCRIPTION	QTY
1	613542 01	SUPPORT ARM	2				
2	613545 01	VALVE ADJUSTER PLATE	2				
3	BLTA10500	BOLT	9				
4	WSH-0015	WASHER	11				
5	NUT-0265	NUT	9				
6	613547 01	VALVE MTG BRKT	1				
7	CAP-0012	END CAP	3				



KIT-03434

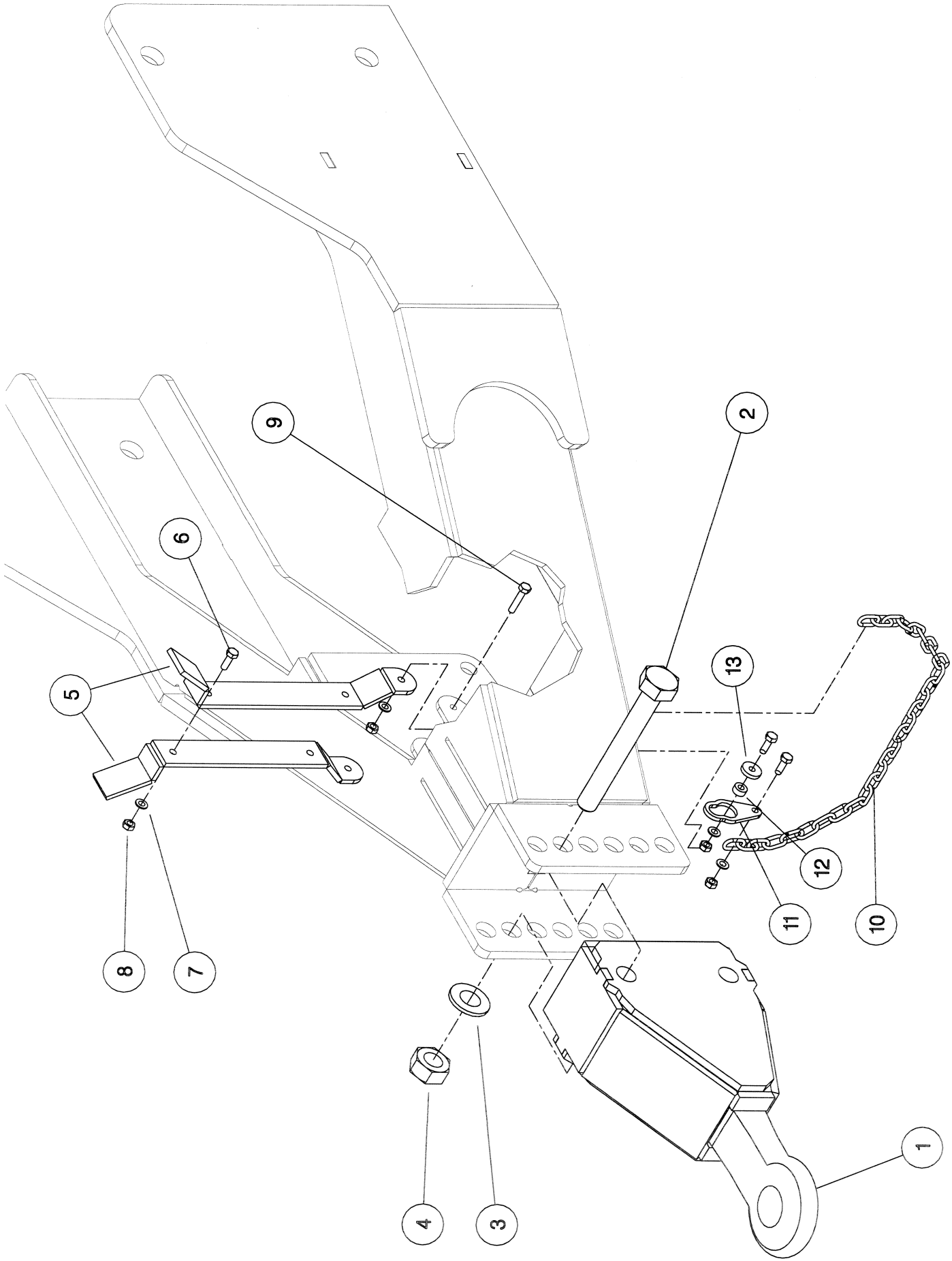
Shelbourne Reynolds Engineering Limited

ASSY NUMBER: KIT-03435		ASSY DESCRIPTION: EXPRESS CONVEYOR MANUAL SPOOL VALVE KIT					
ITEM	PART NO	DESCRIPTION	QTY	ITEM	PART NO	DESCRIPTION	QTY
1	HVB-09045	HYDRAULIC VALVE BLOCK	1				
2	HSS-0135	SETSCREW	4				
3	WSH-0012	WASHER	4				
4	WSH-0058	WASHER	4				
5	HMA-0057	M/M ADAPTOR	3				
6	WSH-1010	DOWTY WASHER	8				
7	HHAE16005	HYDRAULIC HOSE	1				
8	HMA-0065	M/M ADAPTOR	5				
9	WSH-1015	DOWTY WASHER	6				
10	COU-0162	QUICK RELEASE COUPLING	2				
11	HHAF16005	HYDRAULIC HOSE	1				
12	HMA-0067	M/M ADAPTOR	1				
13	HHHE06005	HYDRAULIC HOSE	1				
14	HHDE37005	HYDRAULIC HOSE	2				
15	FIT-0025	M/M ADAPTOR	3				
16	190859 01	RESTRICTOR	1				
17	HMA-0052	M/M ADAPTOR	4				
18	WSH-1005	DOWTY WASHER	4				
19	HHBC73005	HYDRAULIC HOSE	1				
20	HHBC79005	HYDRAULIC HOSE	1				
21	HHBC45005	HYDRAULIC HOSE	1				
22	HHBC47005	HYDRAULIC HOSE	1				
23	HCPD01200	PIPE CLAMP	5				
24	SCW-0083	CAP HD SCREW	5				
25	TIE-0004	TIE WRAP	8				
26	612230 01	EMBLEM	1				
27	612236 01	EMBLEM (SPOOL VALVE)	1				



Shelbourne Reynolds Engineering Limited

KIT-03439		ASSY DESCRIPTION: CONTINENTAL TOWING EYE KIT					
ASSY NUMBER:							
ITEM	PART NO	DESCRIPTION	QTY	ITEM	PART NO	DESCRIPTION	QTY
1	613658 01	CONTINENTAL TOWING EYE W/A	1				
2	BLTA20770	BOLT	2				
3	WSH-0030	WASHER	4				
4	NYTA02200	NYLOC	4				
5	613433 01	PTO REST PLATE	2				
6	HSS-0088	SETSCREW	2				
7	WSH-0009	WASHER	4				
8	NUT-0260	NUT	4				
9	HSS-0092	SETSCREW	2				
10	CHN-0145	CHAIN	0.7m				
11	613977 01	CHAIN HOOK PLATE	1				
12	190548 48	WASHER	1				
13	190548 49	WASHER	1				

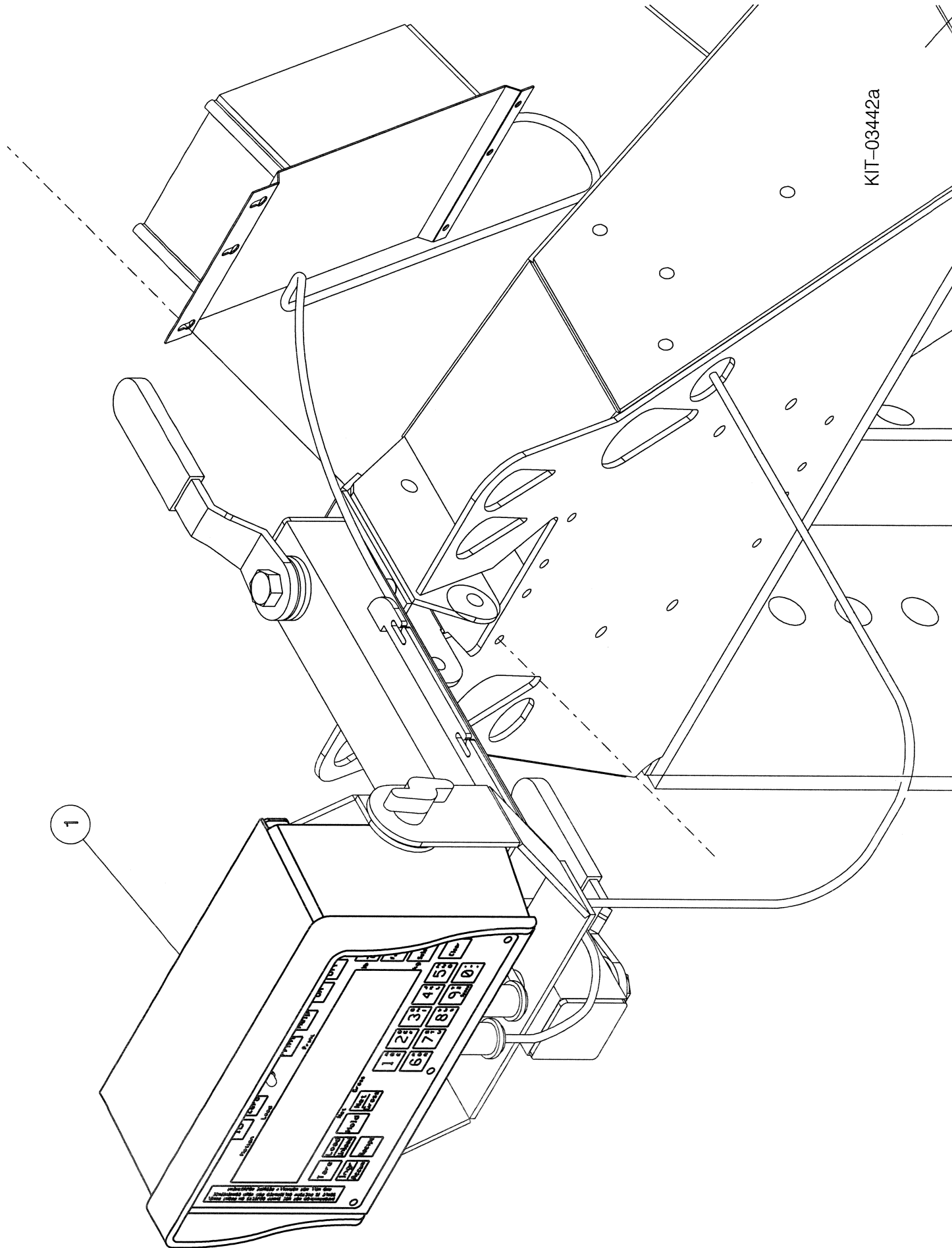


Shelbourne Reynolds Engineering Limited

KIT-03442		ASSY DESCRIPTION:MID LEVEL EZ3200 INDICATOR KIT					
ASSY NUMBER:	PART NO	DESCRIPTION	QTY	ITEM	PART NO	DESCRIPTION	QTY
1	LCL-01216	EZ3200 INDICATOR	1				

Shelbourne Reynolds Engineering Limited

KIT-03442A		ASSY DESCRIPTION: MID EZ3200V INDICATOR KITC/W REMOTE PORT					
ASSY NUMBER:	KIT-03442A	ASSY DESCRIPTION:	MID EZ3200V INDICATOR	KITC/W REMOTE PORT			
ITEM	PART NO	DESCRIPTION	QTY	ITEM	PART NO	DESCRIPTION	QTY
1	LCL-01216a	EZ3200 INDICATOR	1				

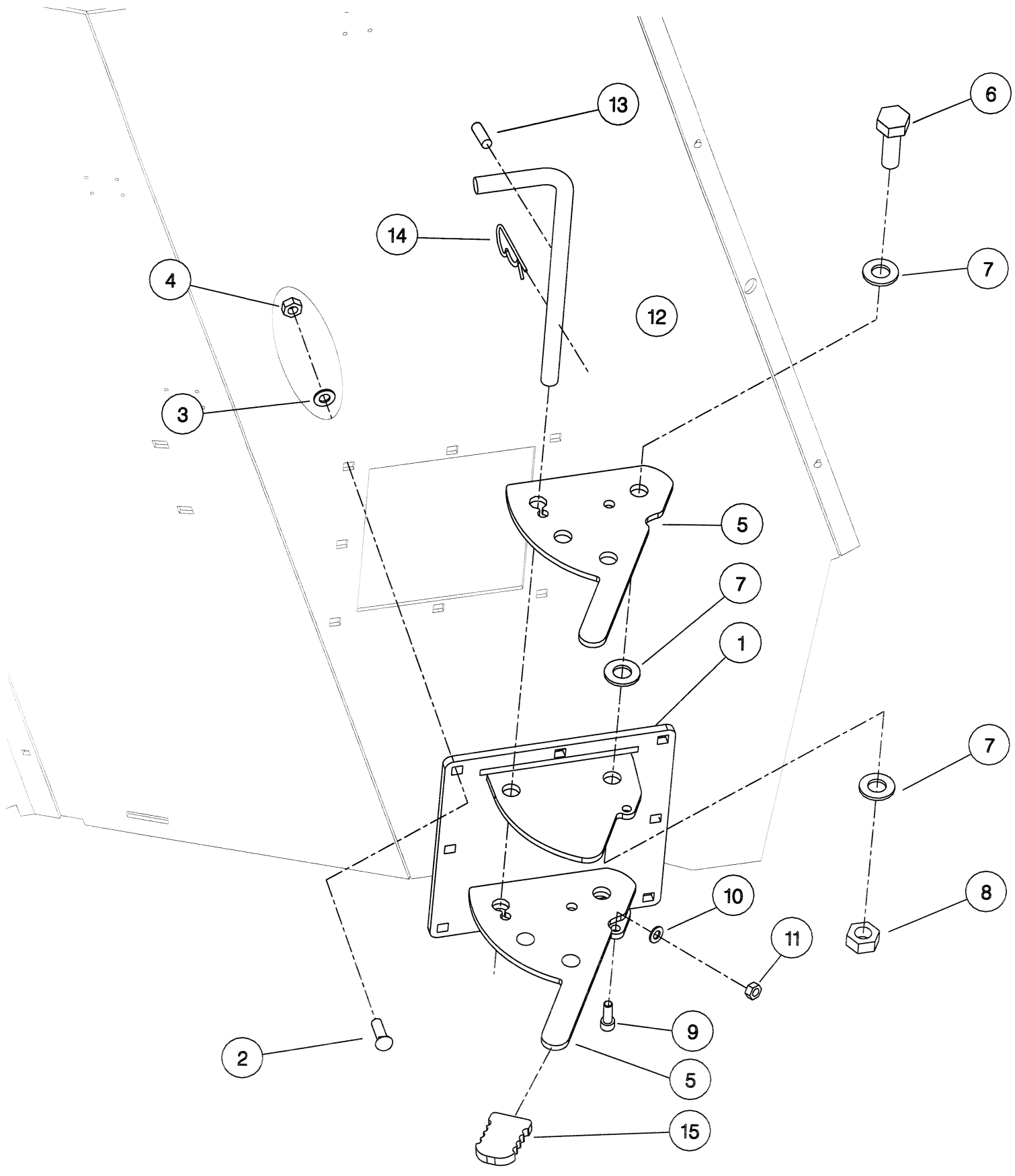


KIT-03442a

1

Shelbourne Reynolds Engineering Limited

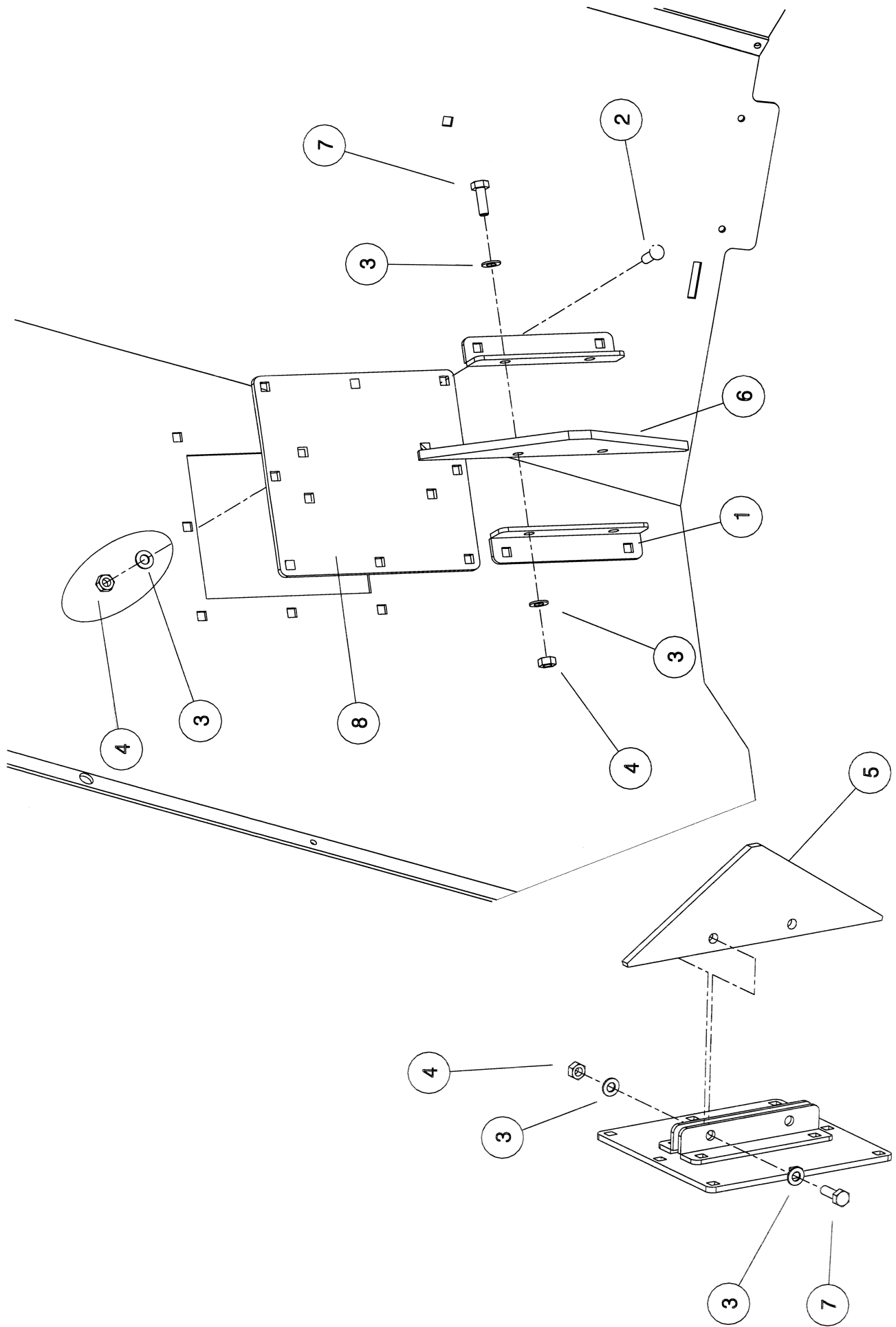
KIT-03447		ASSY DESCRIPTION: ANTI-ROTATION BLADE KIT					
ASSY NUMBER:							
ITEM	PART NO	DESCRIPTION	QTY	ITEM	PART NO	DESCRIPTION	QTY
1	612983 01	BLADE MOUNTING ASSY	2				
2	BLTF12233	COACHBOLT	16				
3	WSH-0018	WASHER	16				
4	NUT-0269	NUT	16				
5	612872 01	ANTI-ROTATION BLADE	4				
6	HSS-0355	SETSCREW	4				
7	WSH-0030	WASHER	12				
8	NTA02200	NUT	4				
9	SCW-0190	SOCKET CAP HD SCREW	4				
10	WSH-0015	WASHER	4				
11	NUT-0265	NUT	4				
12	612874 01	BLADE LOCKING SHAFT	2				
13	PIN-1783	ROLL PIN	2				
14	CLP-00106	R-CLIP	2				
15	PTF-00025	HANDLE GRIP	4				



KIT - 03296
 KIT - 03447

Shelbourne Reynolds Engineering Limited

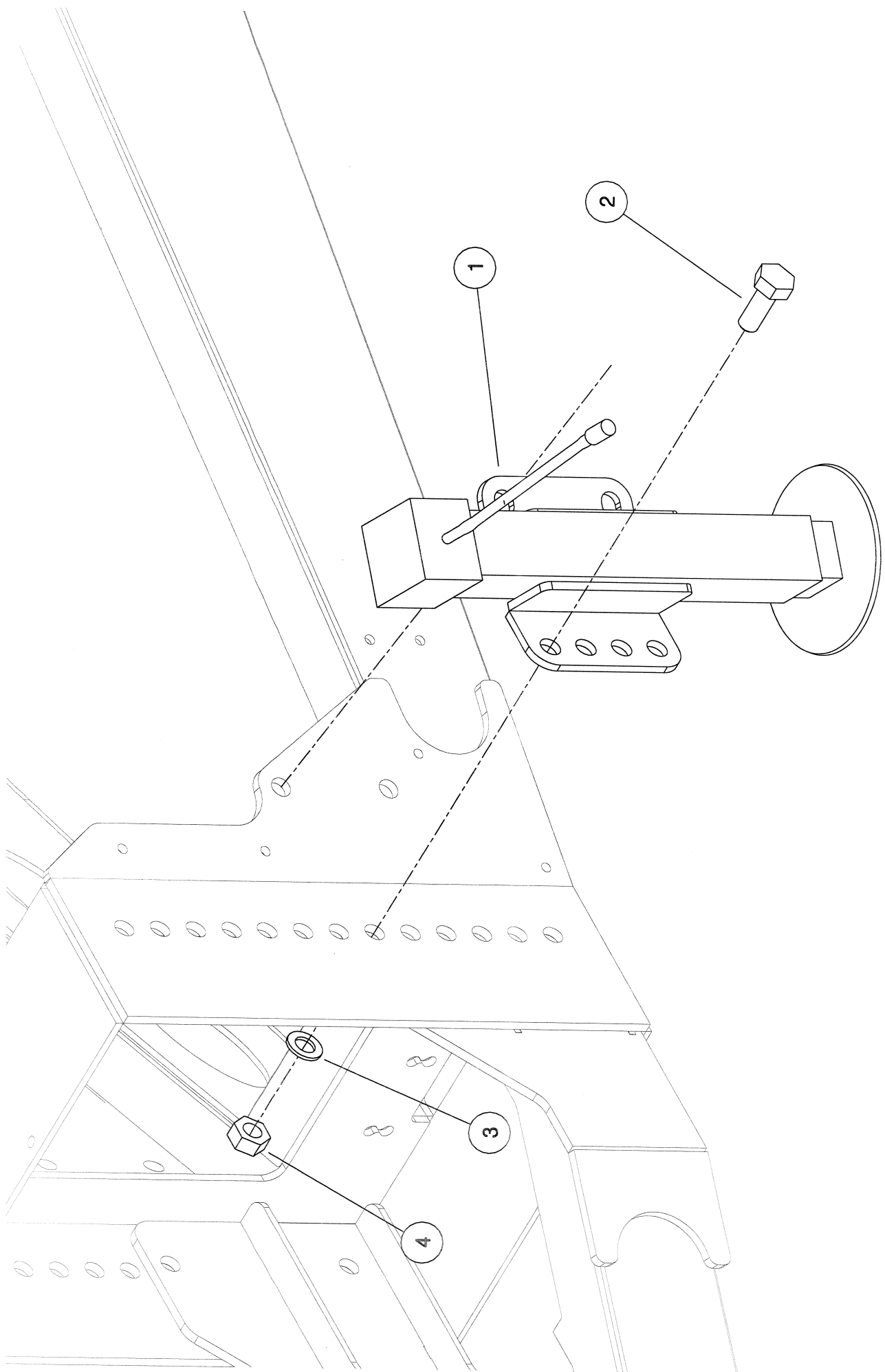
ASSY NUMBER:		KIT-03448				SUB ASSY DESCRIPTION: FIXED RETARDER KIT (SINGLE AUGER)		
ITEM	PART NO	DESCRIPTION	QTY	ITEM	PART NO	DESCRIPTION	QTY	
1	612489 01	ANTI-ROTATION BRKT	4					
2	BLTF12233	COACHBOLT	24					
3	WSH-0018	WASHER	28					
4	NUT-0269	NUT	28					
5	610934 01	LARGER ANTI-ROTATION PLATE	1					
6	612490 01	SMALL ANTI-ROTATION PLATE	1					
7	HSS-0260	SETSCREW	4					
8	612866 01	BLANKING PLATE	2					



KIT - 03298
 KIT - 03448

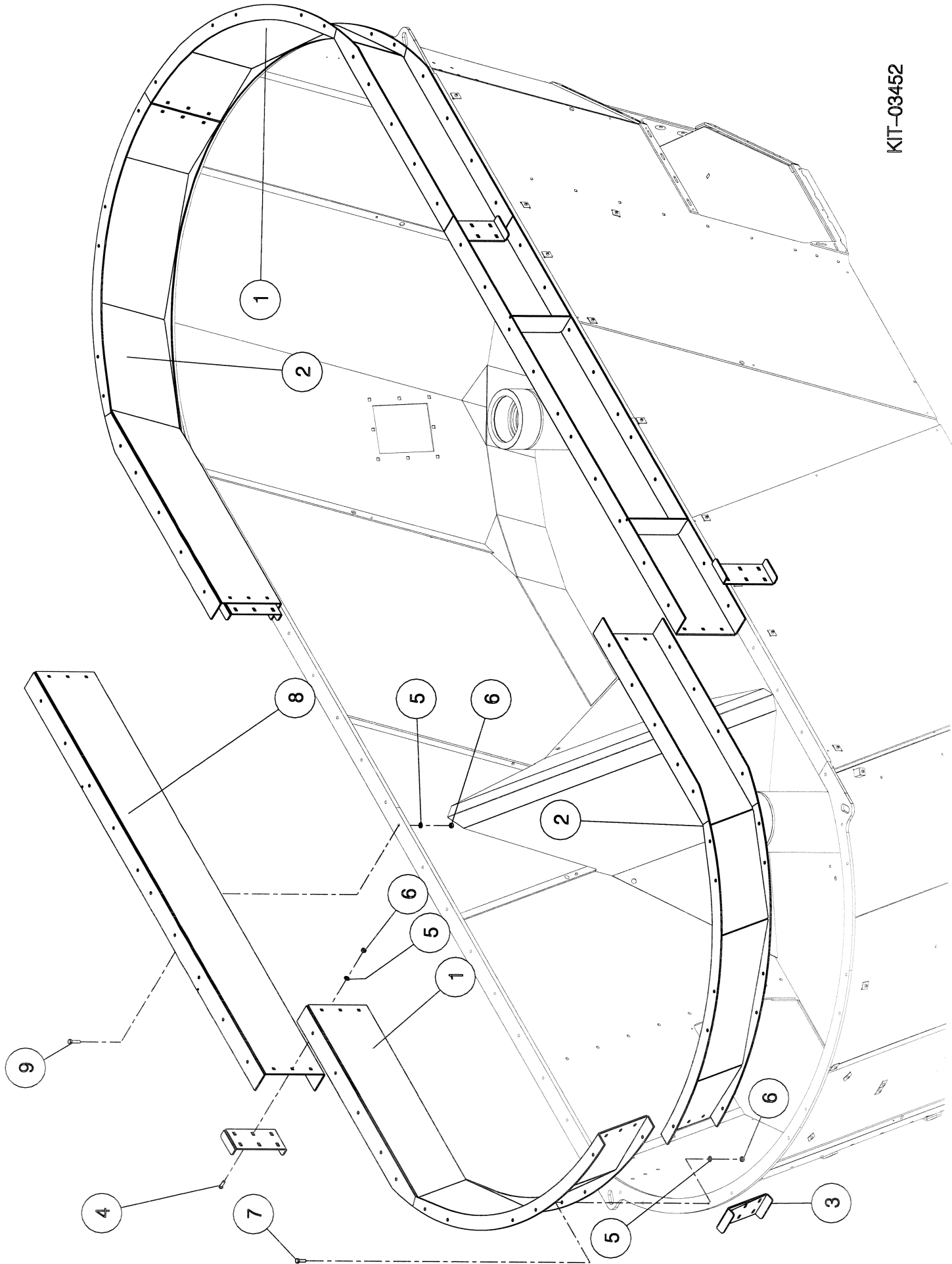
Shelbourne Reynolds Engineering Limited

ASSY NUMBER: KIT-03449		SUB ASSY DESCRIPTION: MECHANICAL JACK KIT					
ITEM	PART NO	DESCRIPTION	QTY	ITEM	PART NO	DESCRIPTION	QTY
1	613709 01	JACK WELD ASSY	1				
2	HSS-0410	SETSCREW	4				
3	WSH-0036	WASHER	4				
4	NUT-0275	NUT	4				



Shelbourne Reynolds Engineering Limited

KIT-03452		ASSY DESCRIPTION: 300mm EXTENSION KIT (TWIN AUGER)					
ITEM	PART NO	DESCRIPTION	QTY	ITEM	PART NO	DESCRIPTION	QTY
1	613269 01	EXTENSION W/A	2				
2	613269 02	EXTENSION W/A	2				
3	613276 01	SIDE CLAMP PLATE	6				
4	BLT-3745	COACHBOLT	36				
5	WSH-0015	WASHER	124				
6	NUT-0265	NUT	80				
7	HSS-0198	SETSCREW	20				
8	613727 01	300mm EXTENSION SIDE W/A	2				
9	BLTA12350	BOLT	24				



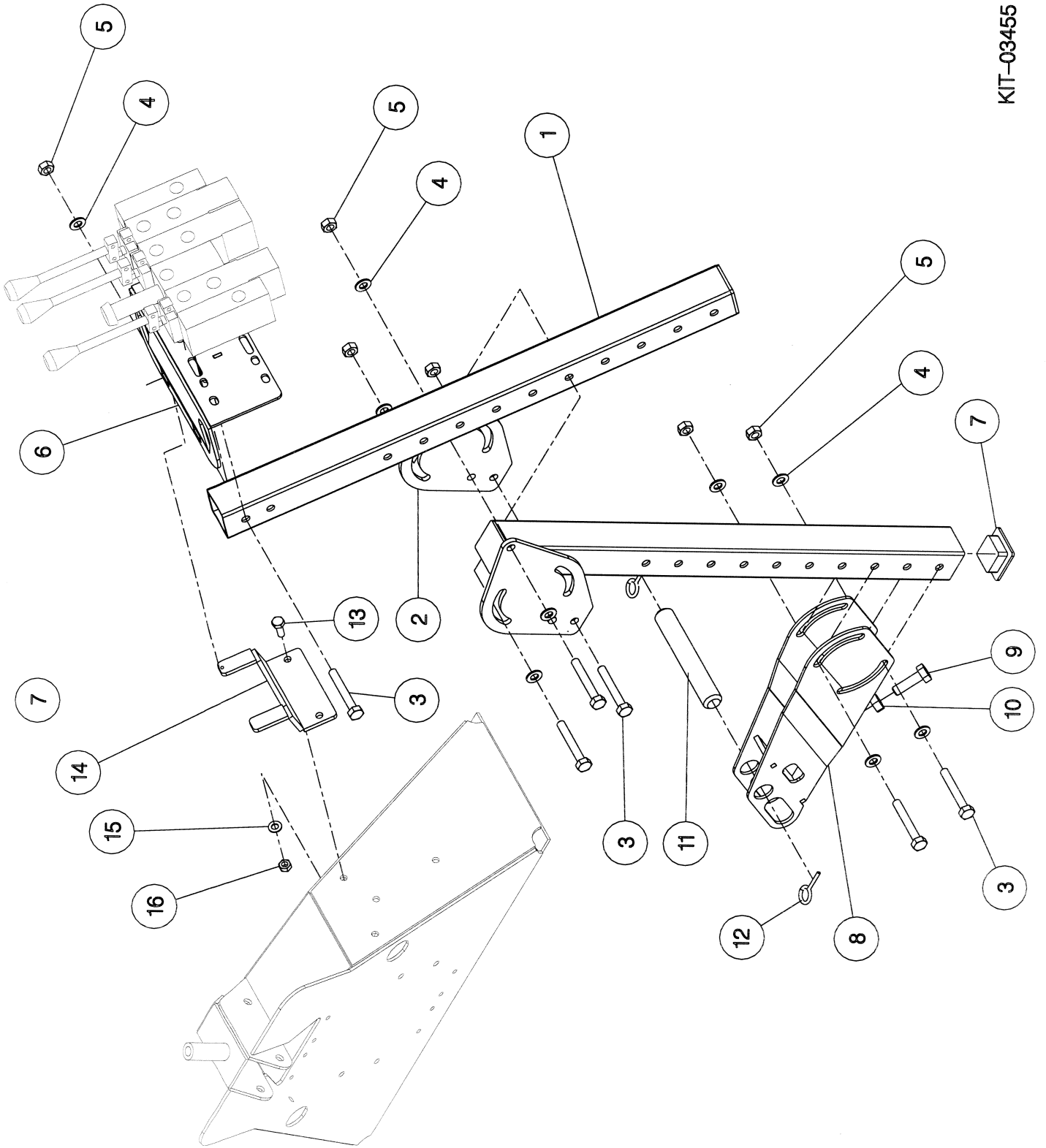
KIT-03452

Shelbourne Reynolds Engineering Limited

KIT-03453		ASSY DESCRIPTION: 600mm EXTENSION KIT (TWIN AUGER)					
ASSY NUMBER:	KIT-03453	ASSY DESCRIPTION: 600mm EXTENSION KIT (TWIN AUGER)					
ITEM	PART NO	DESCRIPTION	QTY	ITEM	PART NO	DESCRIPTION	QTY
1	613278 01	EXTENSION W/A	2				
2	613278 02	EXTENSION W/A	2				
3	613273 01	SIDE CLAMP PLATE	6				
4	BLT-3745	COACHBOLT	36				
5	WSH-0015	WASHER	124				
6	NUT-0265	NUT	80				
7	HSS-0198	SETSCREW	20				
8	613729 01	600mm EXTENSION SIDE W/A	2				
9	BLTA12350	BOLT	24				

Shelbourne Reynolds Engineering Limited

KIT-03455		ASSY DESCRIPTION: TRACTOR MOUNTED SPOOL VALVE KIT					
ASSY NUMBER:							
ITEM	PART NO	DESCRIPTION	QTY	ITEM	PART NO	DESCRIPTION	QTY
1	613542 01	SUPPORT ARM	2				
2	613545 01	VALVE ADJUSTER PLATE	2				
3	BLTA10500	BOLT	9				
4	WSH-0015	PLAIN WASHER	13				
5	NUT-0265	NYLOC NUT	9				
6	613547 01	VALVE MTG BRKT	1				
7	CAP-0012	END CAP	3				
8	613982 01	SUPPORT ARM	1				
9	HSS-0250	SET SCREW	1				
10	NUT-0170	PLAIN NUT	1				
11	611680 01	PIN	1				
12	PIN-01950	LYNCH PIN	2				
13	HSS-0145	SET SCREW	2				
14	613771 01	DOCKING BRKT	1				
15	WSH-0012	PLAIN WASHER	2				
16	NUT-0263	NYLOC NUT	2				



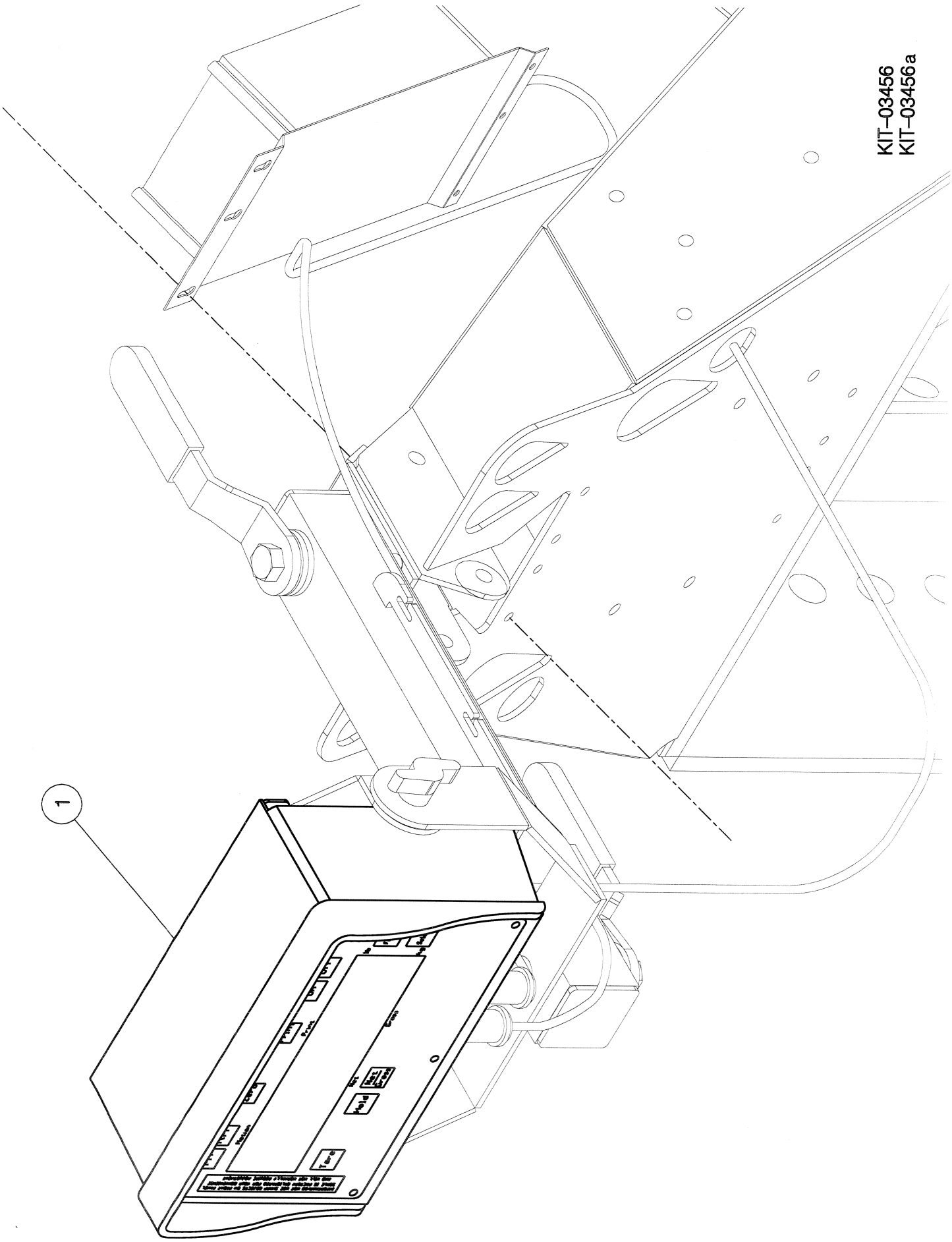
Shelbourne Reynolds Engineering Limited

KIT-03456		ASSY DESCRIPTION: BASIC EZ2000V INDICATOR KIT					
ASSY NUMBER:	KIT-03456	ASSY DESCRIPTION:	BASIC	EZ2000V	INDICATOR	KIT	
ITEM	PART NO	DESCRIPTION	QTY	ITEM	PART NO	DESCRIPTION	QTY
1	LCL-01217	EZ2000V INDICATOR	1				

Shelbourne Reynolds Engineering Limited

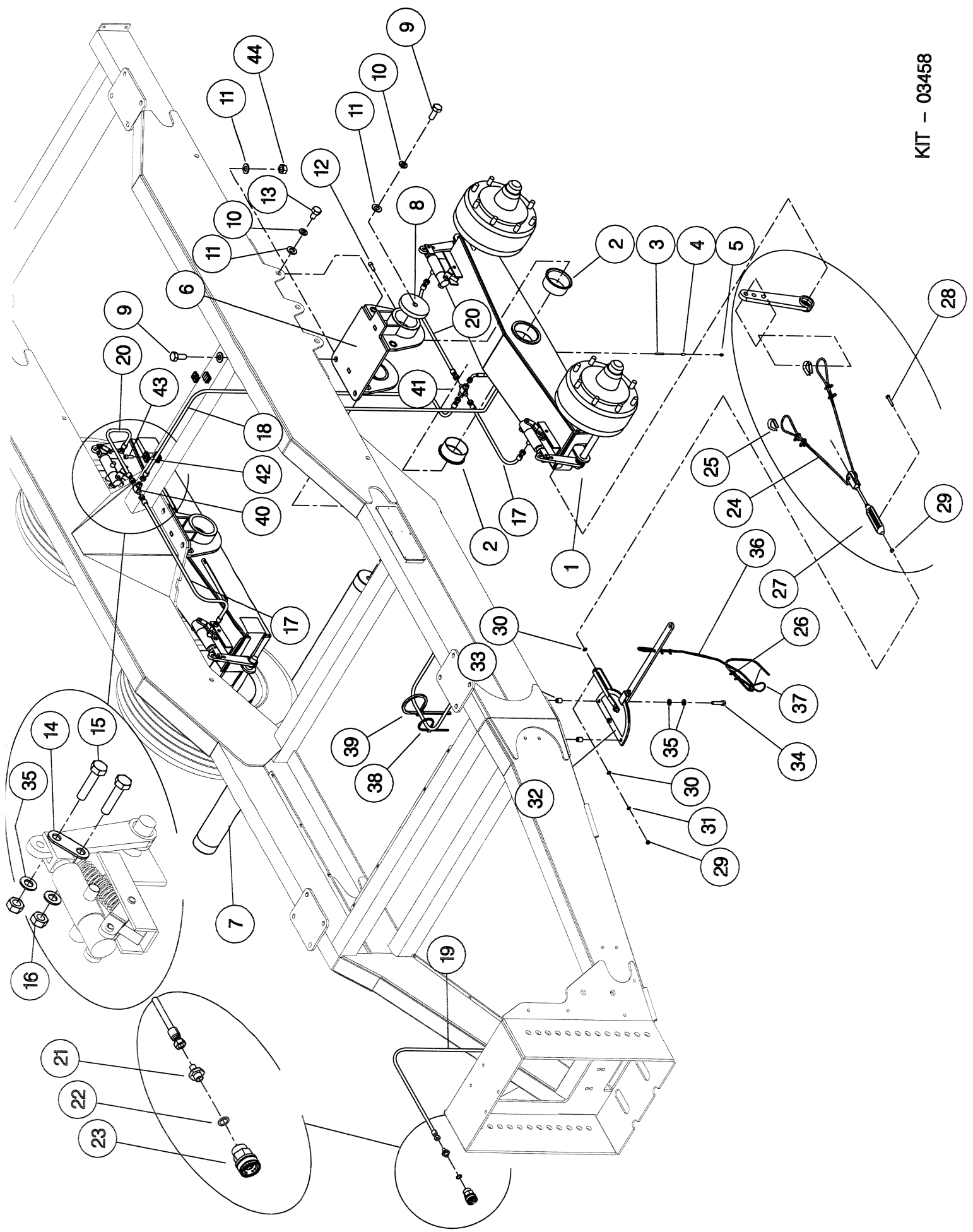
KIT-03456a		ASSY DESCRIPTION: BASIC EZ2000V INDICATOR KIT					
ASSY NUMBER:	KIT-03456a	ASSY DESCRIPTION: BASIC EZ2000V INDICATOR KIT					
ITEM	PART NO	DESCRIPTION	QTY	ITEM	PART NO	DESCRIPTION	QTY
1	LCL-01217	EZ2000V INDICATOR WITH REMOTE DISPLAY PORT	1				

KIT-03456
KIT-03456a



Shelbourne Reynolds Engineering Limited

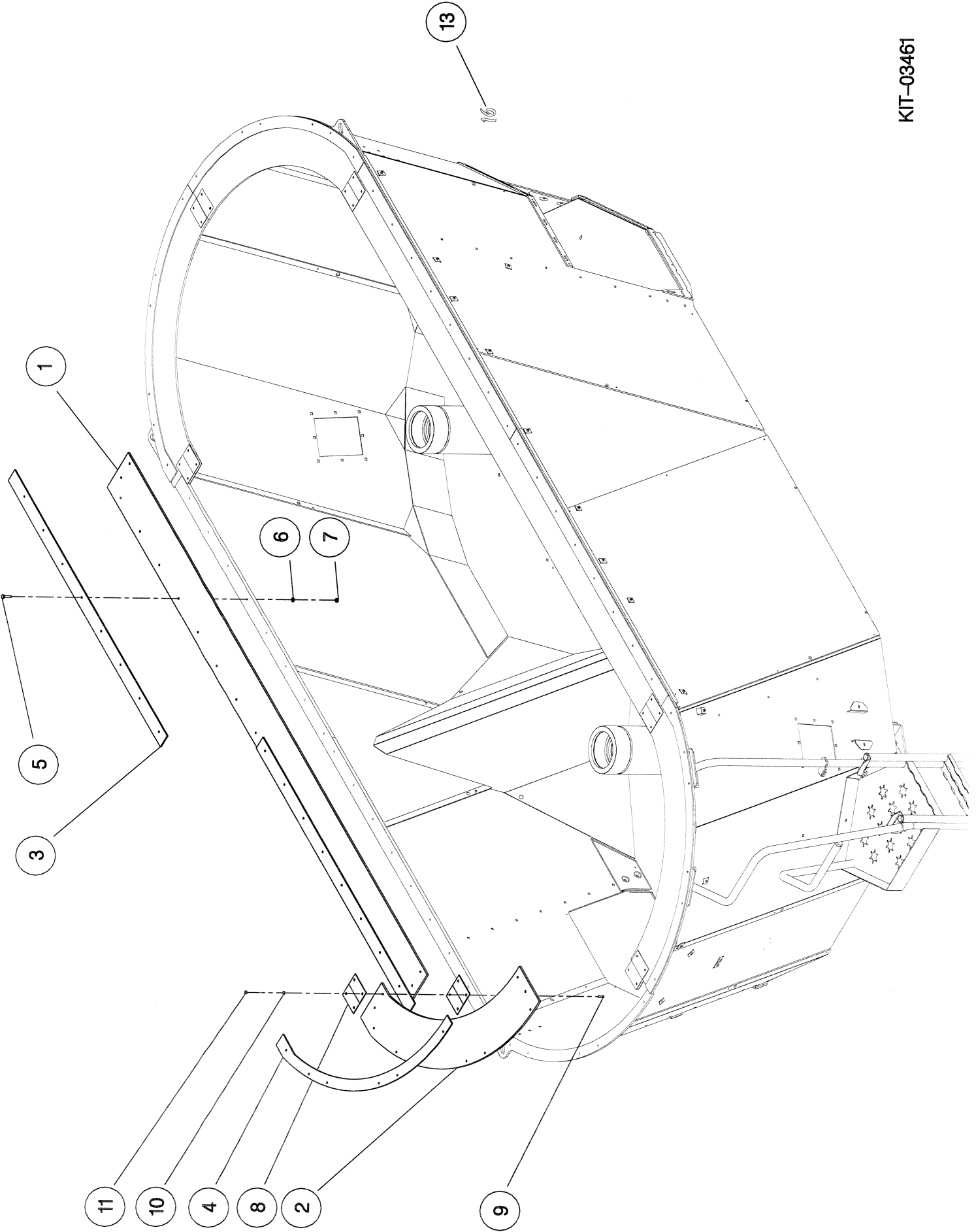
KIT-03458		ASSY DESCRIPTION: 16m ³ BRAKED TANDEM AXLE SUB ASSY					
ASSY NUMBER:							
ITEM	PART NO	DESCRIPTION	QTY	ITEM	PART NO	DESCRIPTION	QTY
1	613704 01	BOGEY WELD ASSY	2	37	WRP-03000	SNAP HOOK	1
1a	NUTF20186	WHEEL NUT	32	38	TIE-0004	TIE WRAP	16
1b	AXL-15005	WASHER	32	39	TIE-0012	TIE WRAP	4
2	BSHN10065	BUSH	4	40	HMT-0010	TEE FITTING	1
3	193077 02	GREASING PIPE	2	41	FITA11103	4 WAY TEE FITTING1	2
4	193078 01	GREASE TUBE ADAPTOR	2	42	HCPD01200	PIPE CLAMP	2
5	NIP-00600	GREASE NIPPLE	2	43	SCW-0083	CAP HD SCREW	2
6	613705 01	BOGEY SWIVEL ASSY	2	44	NUTAO2200	NYLOC NUT	4
7	612782 01	BOGEY SHAFT	1				
8	612784 01	END DISC	2				
9	HSS-0355	SETScrew	6				
10	WSH-0075	SPRING WASHER	6				
11	WSH-0030	PLAIN WASHER	14				
12	SCW-4600	GRUBSCREW	8				
13	HSSA20230	SETScrew	4				
14	590153 01	BRAKE RAM PLATE	8				
15	HSS-0265	SETScrew	8				
16	NUT-0269	NYLOC NUT	8				
17	HHBC05505	HOSE ASSY	2				
18	HHAC06005	HOSE ASSY	1				
19	HHBC80005	HOSE ASSY	1				
20	HHBC07505	HOSE ASSY	2				
21	HMA-0055	HYD ADAPT	1				
22	WSH-1015	DOWTY WASHER	1				
23	HQR-10007	QUICK RELEASE COUPLING	1				
24	WRP-00040	CABLE	7.0m				
25	WRP-01040	THIMBLE	2				
26	WRP-02040	CABLE CLAMP	8				
27	ADL-00120	ADJUSTER ASSEMBLY	1				
28	HSS-0155	SETScrew	1				
29	NUT-0164	PLAIN NUT	2				
30	WSH-0012	PLAIN WASHER	2				
31	WSH-0058	SPRING WASHER	1				
32	590222 01	HANDBRAKE LEVER ASSY	1				
33	610923 01	SPACER	1				
34	BLTA12380	SETScrew	2				
35	WSH-0018	PLAIN WASHER	20				
36	WRP-00040	CABLE	4.0m				



KIT - 03458

Shelbourne Reynolds Engineering Limited

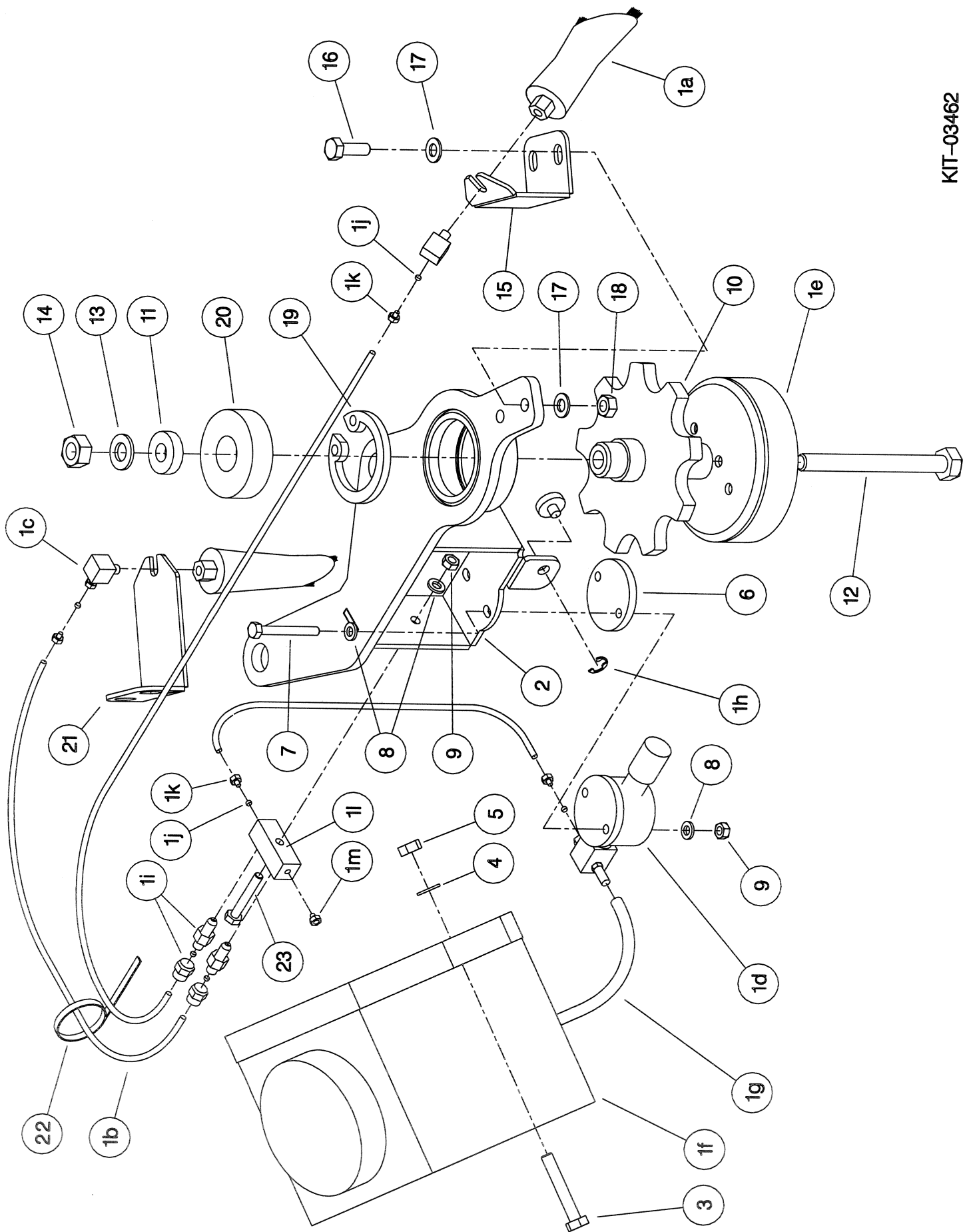
KIT-03461		ASSY DESCRIPTION: 16m ³ TWIN TUB RUBBER RETAINING KIT					
ASSY NUMBER:	KIT-03461	DESCRIPTION	QTY	ITEM	PART NO	DESCRIPTION	QTY
1	613824 01	STRAIGHT RUBBER SECTION	2				
2	610982 01	CORNER RUBBER SECTION	4				
3	613825 01	STRAIGHT CLAMP STRIP	4				
4	612817 01	CORNER CLAMP STRIP	4				
5	BLTA10290	SETSCREW	56				
6	WSH-0015	WASHER	56				
7	NUT-0265	NUT	56				
8	611051 01	CLAMP STRIP	12				
9	BLT-2700	COACHBOLT	24				
10	WSH-0012	WASHER	24				
11	NUT-0263	NUT	24				
12							
13	613879 04	TRANSFER No 16	2				



KIT-03461

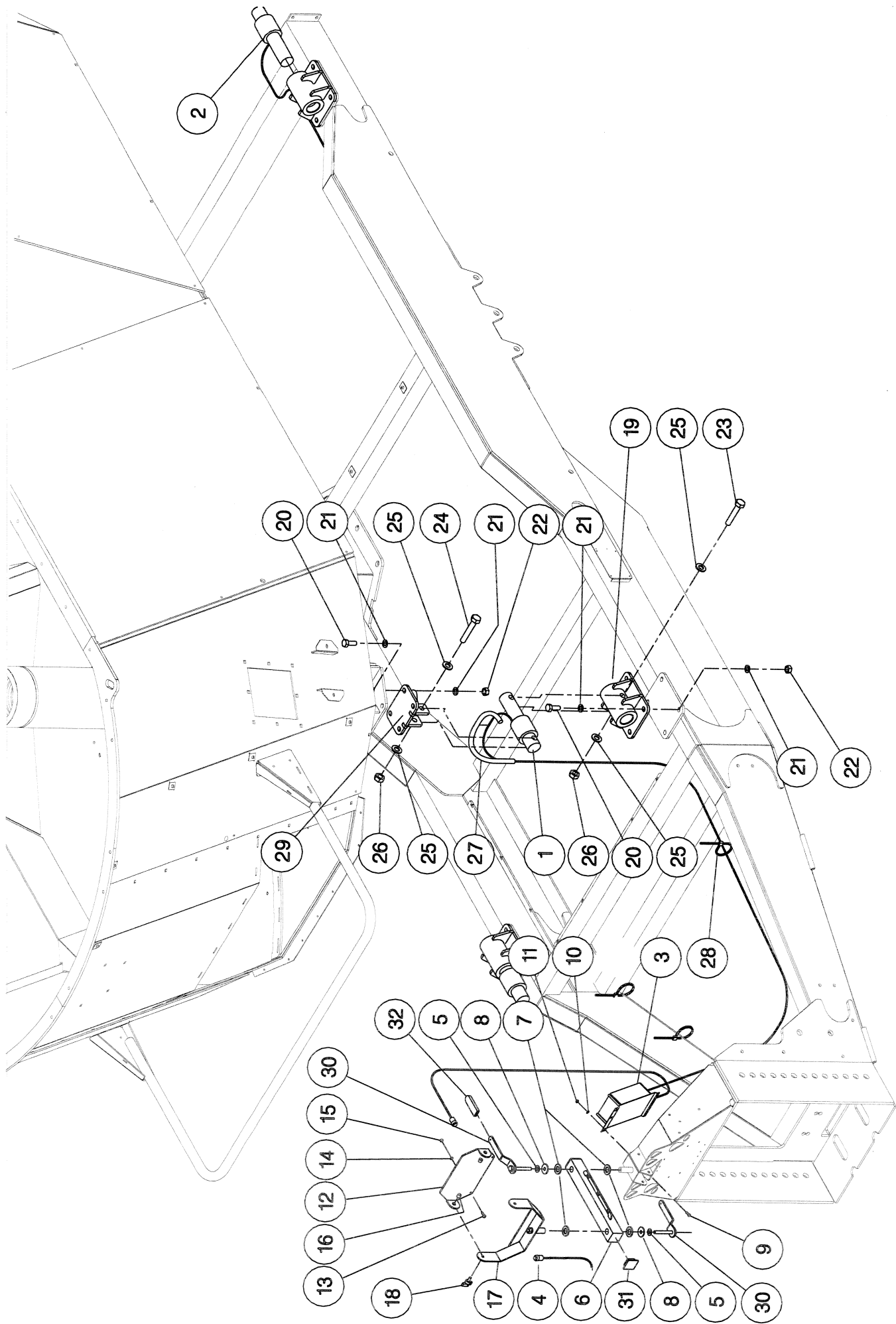
Shelbourne Reynolds Engineering Limited

ASSY NUMBER:		KIT-03462			ASSY DESCRIPTION: POWERMIX SELF LUBRICATION (TWIN AUGER)		
ITEM	PART NO	DESCRIPTION	QTY	ITEM	PART NO	DESCRIPTION	QTY
1	LUB-00034	MASTERLUBE LUBRICATION SYS	1				
1a	LUB-00031	DOUBLE BRUSH	2				
1b	LUB-00012	FLEX TUBE	1.5mt				
1c	LUB-00032	CONNECTOR	2				
1d	LUB-00010	MINIMASTER PUMP	1				
1e	LUB-00004	ADJ CAM	1				
1f	LUB-00011	RESEVOIR	1				
1g	LUB-00013	NEOPRENE TUBE	4mt				
1h	LUB-00014	CD CAP ASSY	1				
1i	LUB-00008	METER UNIT	2				
1j	LUB-00006	ENOT OLIVE	6				
1k	LUB-00009	SLEEVE NUT	4				
1L	LUB-00015	2-WAY MANIFOLD	1				
1m	LUB-00003	BLANK PLUG	1				
2	613828 01	MOUNTING PLATE ASSY	1				
3	HSS-0210	SET SCREW	2				
4	NUT-0265	NYLOC NUT	2				
5	WSH-0015	WASHER	2				
6	590775 01	SPACER DISC	2				
7	BLTA06320	BOLT	1				
8	WSH-0009	WASHER	2				
9	NUT-0260	NYLOC NUT	3				
10	613380 01	NYLOC NUT	3				
11	613374 01	SPROCKET ASSY	1				
12	BLTA12620	SPACER DISC	1				
13	WSH-0018	BOLT	1				
14	NUT-0269	WASHER	2				
15	613381 01	NYLOC NUT	1				
16	HSS-0145	BRUSH HOLDER PLATE	1				
17	WSH-0012	BOLT	4				
18	NUT-0263	WASHER	4				
19	CIR-0620	NYLOC NUT	4				
20	BRG-3358	CIRCLIP	1				
21	613929 01	BEARING	1				
22	TIE-0002	BRUSH HOLDER PLATE	1				
23	BLTA06264	CABLE TIE	10				
24	OIL-0044	BOLT	1				
		OIL(CIRKAN C 100)	2LT				



Shelbourne Reynolds Engineering Limited

KIT-03463		ASSY DESCRIPTION:WEIGH CELL SYSTEM (TWIN AUGER)					
ASSY NUMBER:							
ITEM	PART NO	DESCRIPTION	QTY	ITEM	PART NO	DESCRIPTION	QTY
1	LCL-01200	LOADCELL (FRONT)	2				
2	LCL-01201	LOADCELL (REAR)	2				
3	LCL-01205	JUNCTION BOX	1				
4	LCL-01210	POWER CORD	1				
5	WSHA30121	LOCKWASHER	2				
6	613598 01	WEIGH HEAD ARM	1				
7	190548 43	WASHER	4				
8	190548 44	WASHER	2				
9	HSS-0058	SETSCREW	6				
10	WSH-0006	WASHER	6				
11	NUT-0258	NUT	6				
12	613597 01	REAR PANEL	1				
13	HSS-0086	SETSCREW	2				
14	WSH-0009	WASHER	2				
15	NUT-0260	NUT	2				
16	NUTA13080	NUTSERT	2				
17	613600 01	WEIGH HEAD HOUSING	1				
18	KNO-0001	THERMOPLASTIC KNOB	2				
19	613608 01	LOADCELL MTG BOSS W/A	4				
20	HSS-0318	SETSCREW	32				
21	WSH-0024	WASHER	64				
22	NUT-0271	NUT	32				
23	BLTA20620	BOLT	4				
24	BLTA20590	BOLT	4				
25	WSH-0030	WASHER	16				
26	NUTA02200	NUT	8				
27	SLV-00300	SPIRAL CONVOLUTE TUBING	5m				
28	TIE-0004	TIE WRAP	40				
29	613612 01	LOADCELL CLEVIS W/A	4				
30	613695 01	SECURING HANDLE ASSY	2				
31	CAP-0012	END CAP	2				
32	PTF-00026	PLASTIC HANDLE	2				

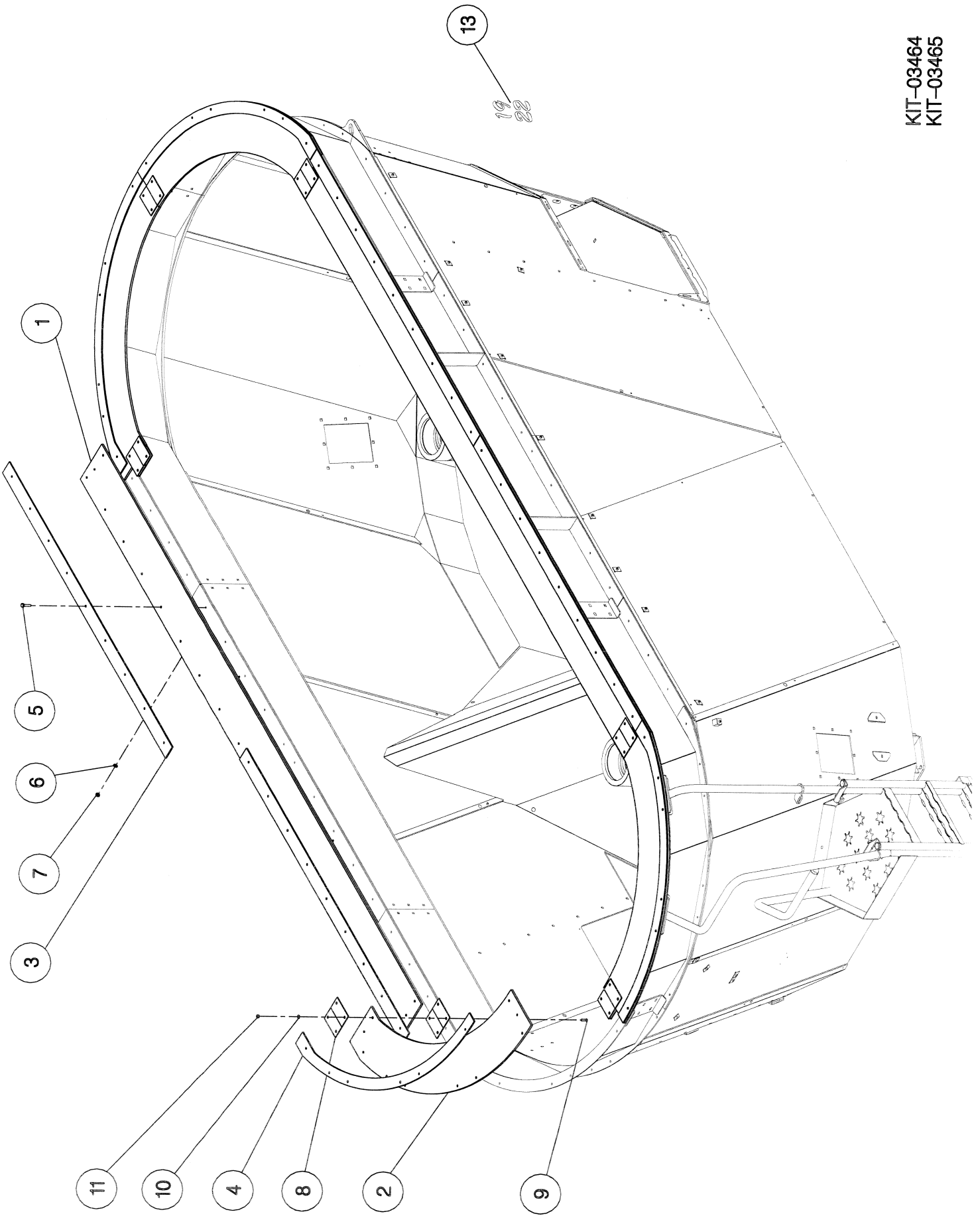


Shelbourne Reynolds Engineering Limited

KIT-03464		ASSY DESCRIPTION: 19m ³ TWIN TUB RUBBER RETAINING KIT					
ASSY NUMBER:	PART NO	DESCRIPTION	QTY	ITEM	PART NO	DESCRIPTION	QTY
1	613832 01	STRAIGHT RUBBER SECTION	2				
2	610982 01	CORNER RUBBER SECTION	4				
3	613833 01	STRAIGHT CLAMP STRIP	4				
4	612817 01	CORNER CLAMP STRIP	4				
5	BLTA10290	SETSCREW	60				
6	WSH-0015	WASHER	60				
7	NUT-0265	NUT	60				
8	611051 01	CLAMP STRIP	12				
9	BLT-2700	COACHBOLT	24				
10	WSH-0012	WASHER	24				
11	NUT-0263	NUT	24				
12							
13	613879 05	TRANSFER No 19	2				

Shelbourne Reynolds Engineering Limited

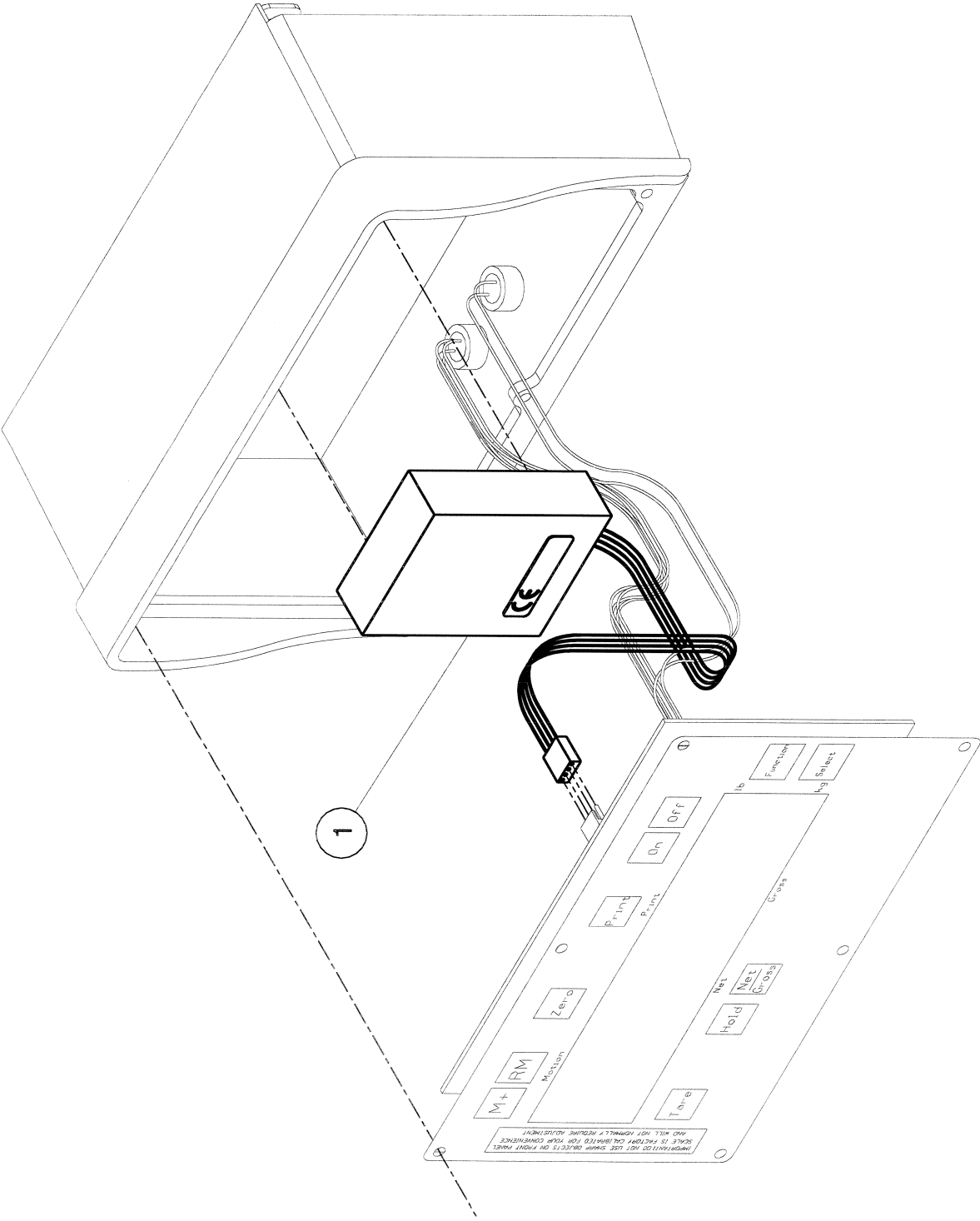
KIT-03465		ASSY DESCRIPTION: 22m ³ TWIN TUB RUBBER RETAINING KIT					
ASSY NUMBER:	KIT-03465	ASSY DESCRIPTION:	22m ³ TWIN TUB RUBBER RETAINING KIT				
ITEM	PART NO	DESCRIPTION	QTY	ITEM	PART NO	DESCRIPTION	QTY
1	613835 01	STRAIGHT RUBBER SECTION	2				
2	610982 01	CORNER RUBBER SECTION	4				
3	613840 01	STRAIGHT CLAMP STRIP	4				
4	612817 01	CORNER CLAMP STRIP	4				
5	BLTA10290	SETSCREW	60				
6	WSH-0015	WASHER	60				
7	NUT-0265	NUT	60				
8	611051 01	CLAMP STRIP	12				
9	BLT-2700	COACHBOLT	24				
10	WSH-0012	WASHER	24				
11	NUT-0263	NUT	24				
12							
13	613879 06	TRANSFER No 22	2				



KIT-03464
KIT-03465

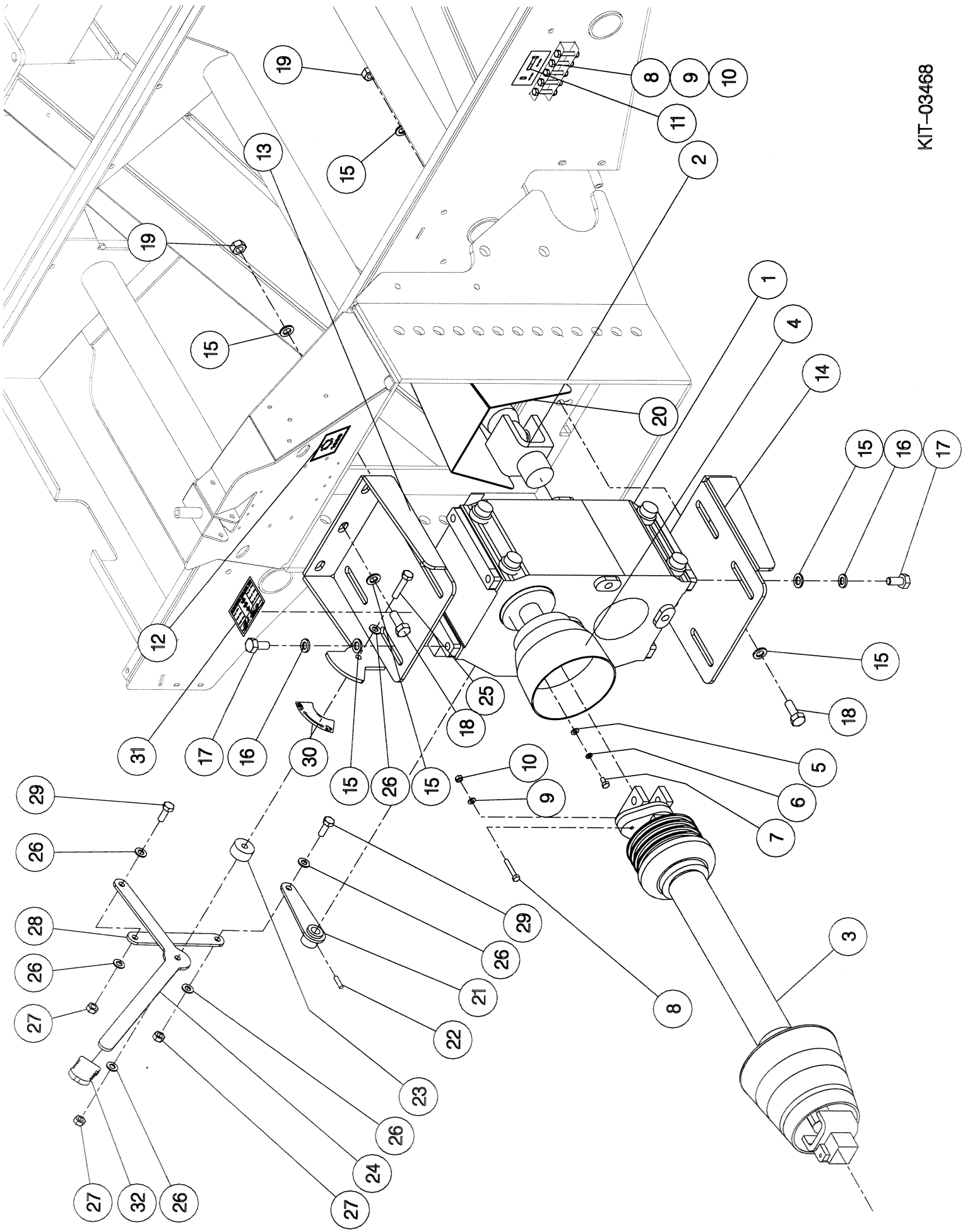
Shelbourne Reynolds Engineering Limited

KIT-03467		ASSY DESCRIPTION: REMOTE ZERO FUNCTION KIT					
ASSY NUMBER:	KIT-03467	DESCRIPTION	QTY	ITEM	PART NO	DESCRIPTION	QTY
1	LCL-01226	REMOTE ZERO FUNCTION	1				



Shelbourne Reynolds Engineering Limited

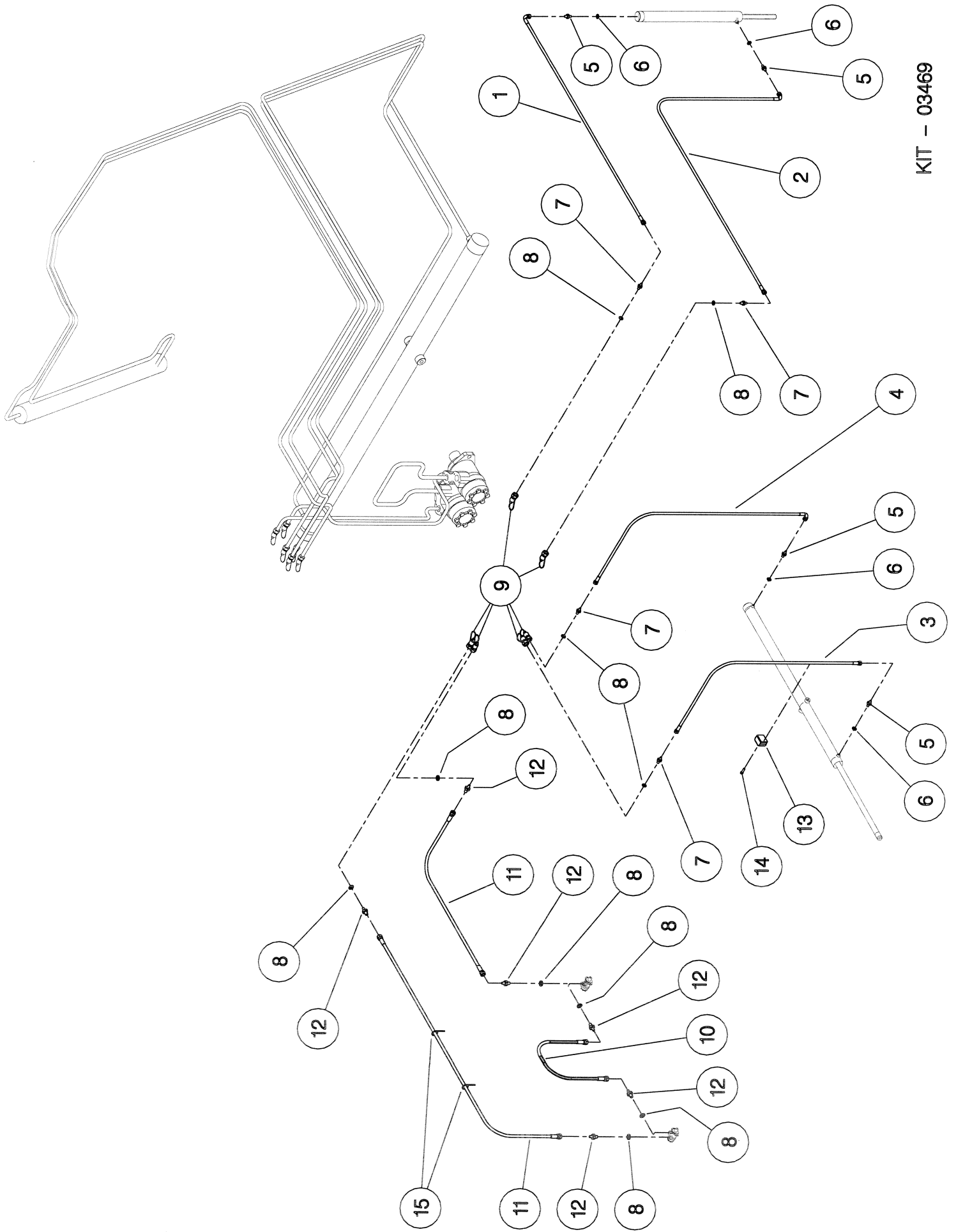
KIT-03468		ASSY DESCRIPTION: 2-SPEED KIT EXP (1000 RPM INPUT-6 SPLINE)		
ASSY NUMBER:	KIT-03468	ASSY DESCRIPTION:	2-SPEED KIT EXP (1000 RPM INPUT-6 SPLINE)	
ITEM	PART NO	DESCRIPTION	QTY	ITEM
				PART NO
				DESCRIPTION
				QTY
1	GEA-0164	2-PEED GEARBOX	1	
2	PTO-20007	PTO COUPLING	1	
3	PTO-19001	PTO SHAFT ASSY	1	
4	PTO-00903	PTO MACHINE CONE	1	
5	WSH-1038	WASHER	4	
6	WSH-0058	WASHER	4	
7	HSS-0135	SETSCREW	4	
8	BLTA08350	SHEARBOLT	5	
9	WSH-0012	WASHER	5	
10	NUT-0263	NUT	5	
11	192839 01	SHEARBOLT EMBLEM	1	
12	590475 02	EMBLEM (MAX PTO SPEED)	1	
13	613850 01	TOP GEARBOX BRKT	1	
14	613851 01	BOTTOM GEARBOX BRKT	1	
15	WSH-0024	WASHER	14	
16	WSH-0070	WASHER	8	
17	HSS-0315	SETSCREW	8	
18	HSS-0316	SETSCREW	6	
19	NUT-0271	NUT	6	
20	613853 01	FRONT DRIVE GUARD	1	
21	613579 01	GEAR CHANGE LEVER	1	
22	PIN-40817	ROLL PIN	1	
23	613845 01	SPACER DISC	1	
24	613846 01	GEAR CHANGE LEVER	1	
25	BLTA12380	BOLT	1	
26	WSH-0018	WASHER	6	
27	NUT-0269	NUT	3	
28	613844 01	GEAR CHANGE LEVER	1	
29	HSS-0241	SETSCREW	2	
30	613848 01	LEVER POSITION EMBLEM	1	
31	613847 01	AUGER SPEED EMBLEM	1	
32	PTF-00025	HANDLE GRIP	1	



KIT-03468

Shelbourne Reynolds Engineering Limited

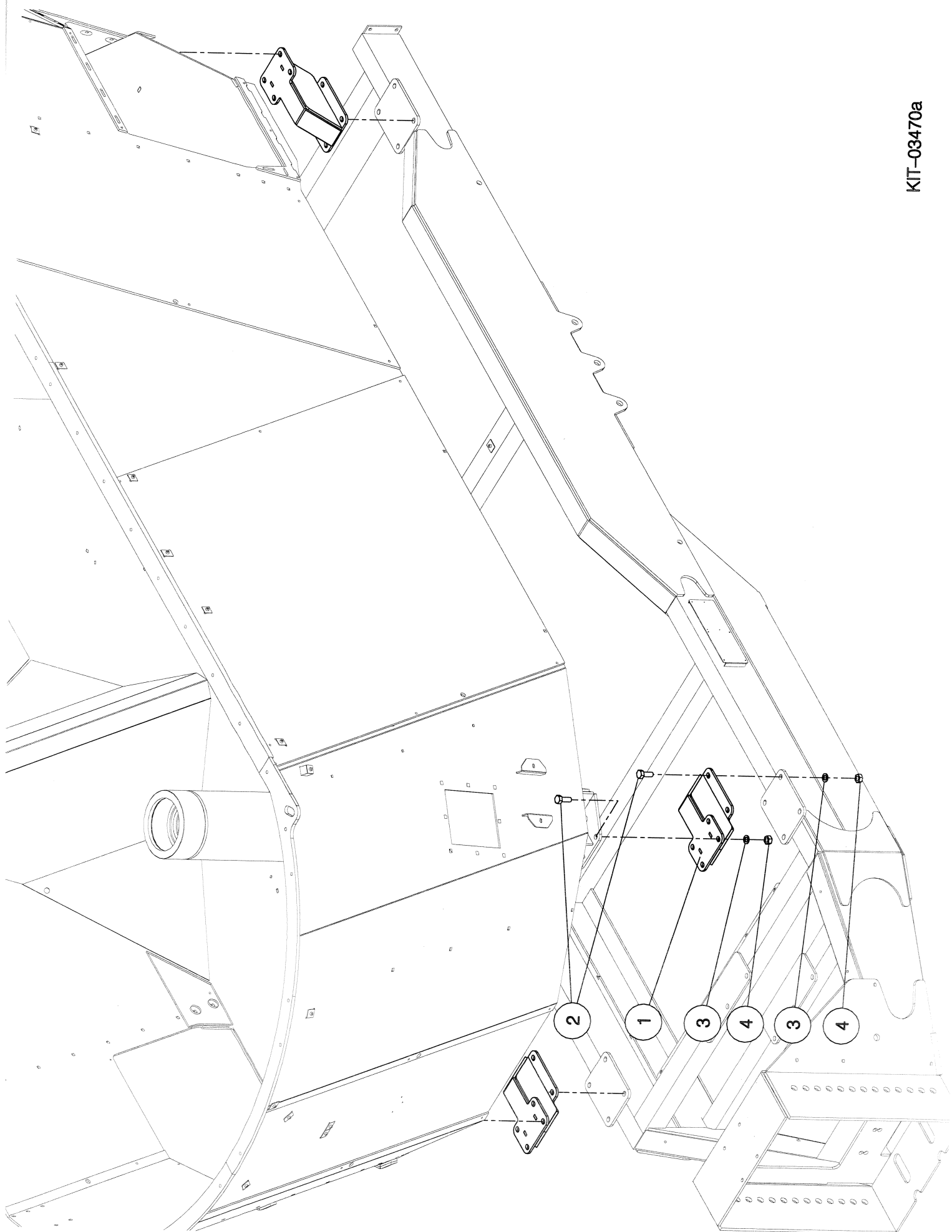
ASSY NUMBER: KIT-03469		ASSY DESCRIPTION: EXPRESS CONVEYOR DIRECT COUPLED HYD KIT					
ITEM	PART NO	DESCRIPTION	QTY	ITEM	PART NO	DESCRIPTION	QTY
1	HHBC73005	HYDRAULIC HOSE	1				
2	HHBC79005	HYDRAULIC HOSE	1				
3	HHBC45005	HYDRAULIC HOSE	1				
4	HHBC47005	HYDRAULIC HOSE	1				
5	HMA-0052	M/M ADAPTOR	4				
6	WSH-1005	DOWTY WASHER	4				
7	HMA-0055	M/M ADAPTOR	4				
8	WSH-1015	DOWTY WASHER	4				
9	COU-0162	QUICK RELEASE COUPLING	10				
10	HHHE06005	HYDRAULIC HOSE	6				
11	HHDE37005	HYDRAULIC HOSE	1				
12	HMA-0065	M/M ADAPTOR	2				
13	HCPD01200	PIPE CLAMP	6				
14	SCW-0083	CAP HD SCREW	5				
15	TIE-0004	TIE WRAP	5				
			8				



KIT - 03469

Shelbourne Reynolds Engineering Limited

KIT-03470a		ASSY DESCRIPTION: DUMMY WEIGH CELL KIT (TWIN AUGER)					
ASSY NUMBER:	KIT-03470a	ASSY DESCRIPTION: DUMMY WEIGH CELL KIT (TWIN AUGER)					
ITEM	PART NO	DESCRIPTION	QTY	ITEM	PART NO	DESCRIPTION	QTY
1	613868 01	DUMMY LOADCELL	4				
2	HSS-0317	SETSCREW	32				
3	WSH-0024	WASHER	32				
4	NUT-0271	NUT	32				



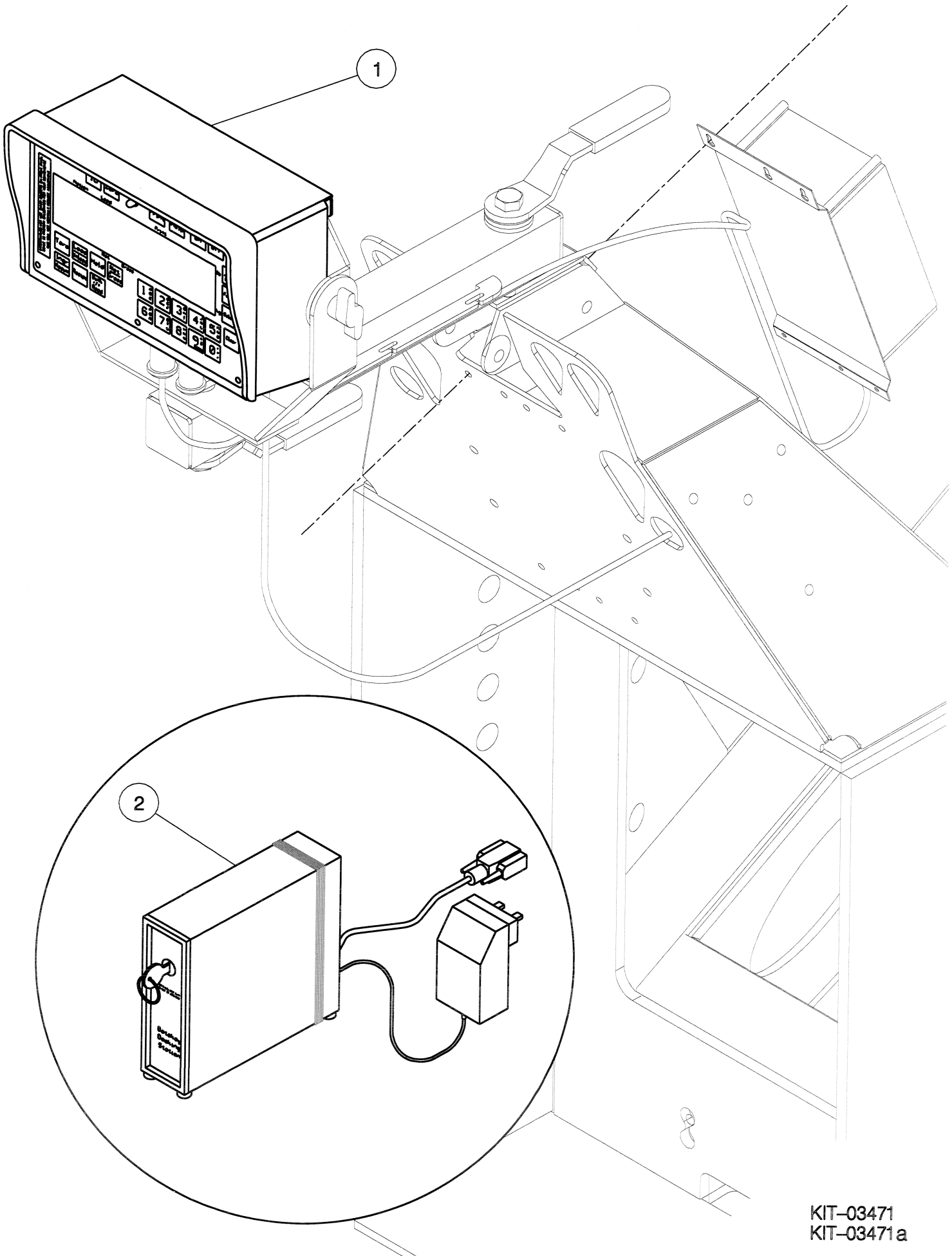
KIT-03470a

Shelbourne Reynolds Engineering Limited

KIT-03471		ASSY DESCRIPTION:TOP LEVEL EZ3500 INDICATOR KIT					
ASSY NUMBER:	KIT-03471	DESCRIPTION	QTY	ITEM	PART NO	DESCRIPTION	QTY
1	LCL-01218	EZ3500 INDICATOR	1				
2	LCL-01219	SOFTWARE & DOCKING STATION WITH UK 3 PIN PLUG	1				

Shelbourne Reynolds Engineering Limited

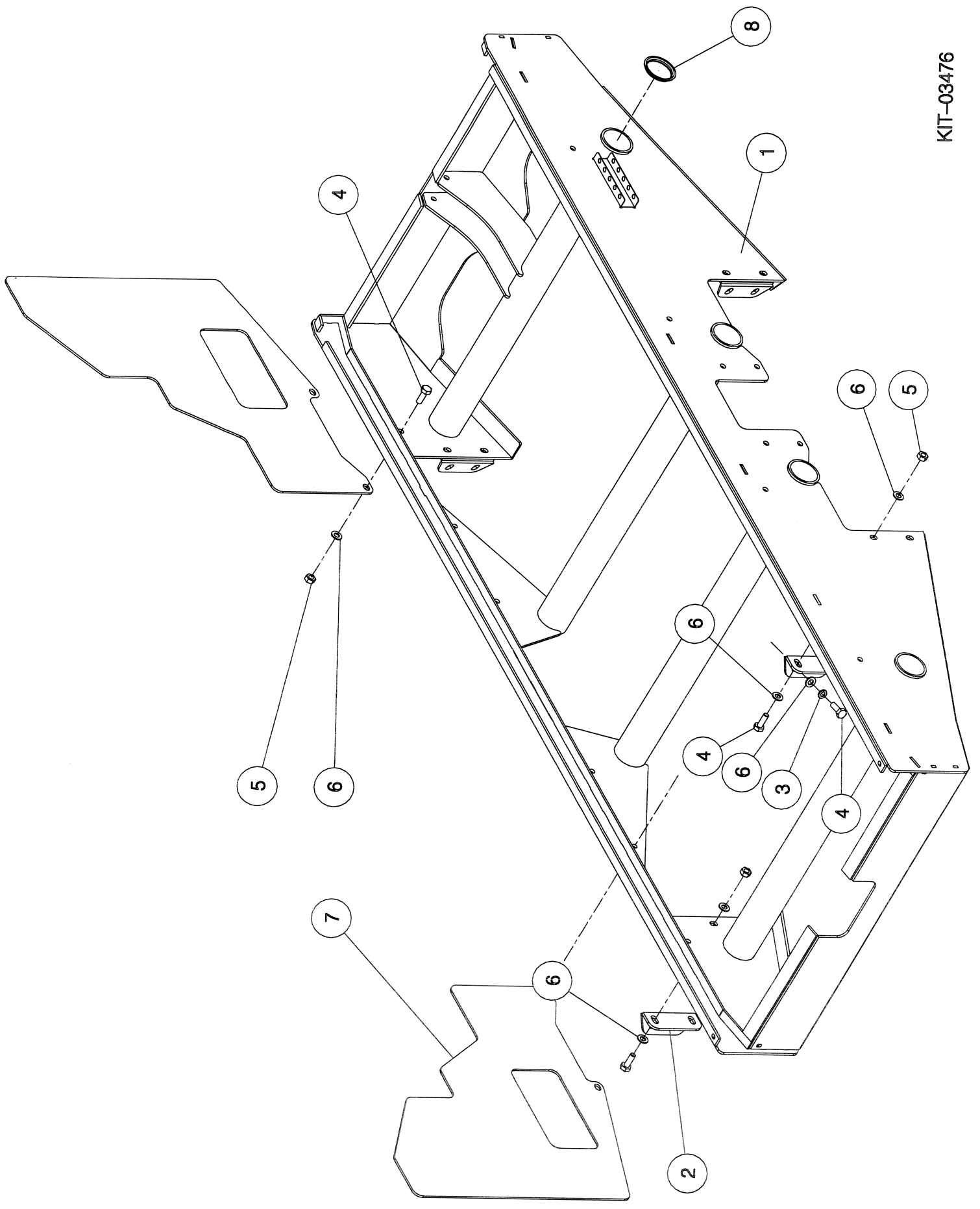
ASSY NUMBER: KIT-03471a		ASSY DESCRIPTION:TOP LEVEL EZ3500 INDICATOR KIT					
ITEM	PART NO	DESCRIPTION	QTY	ITEM	PART NO	DESCRIPTION	QTY
1	LCL-01218	EZ3500 INDICATOR	1				
2	LCL-01219	SOFTWARE & DOCKING STATION WITH CONTINENTAL PLUG	1				



KIT-03471
KIT-03471a

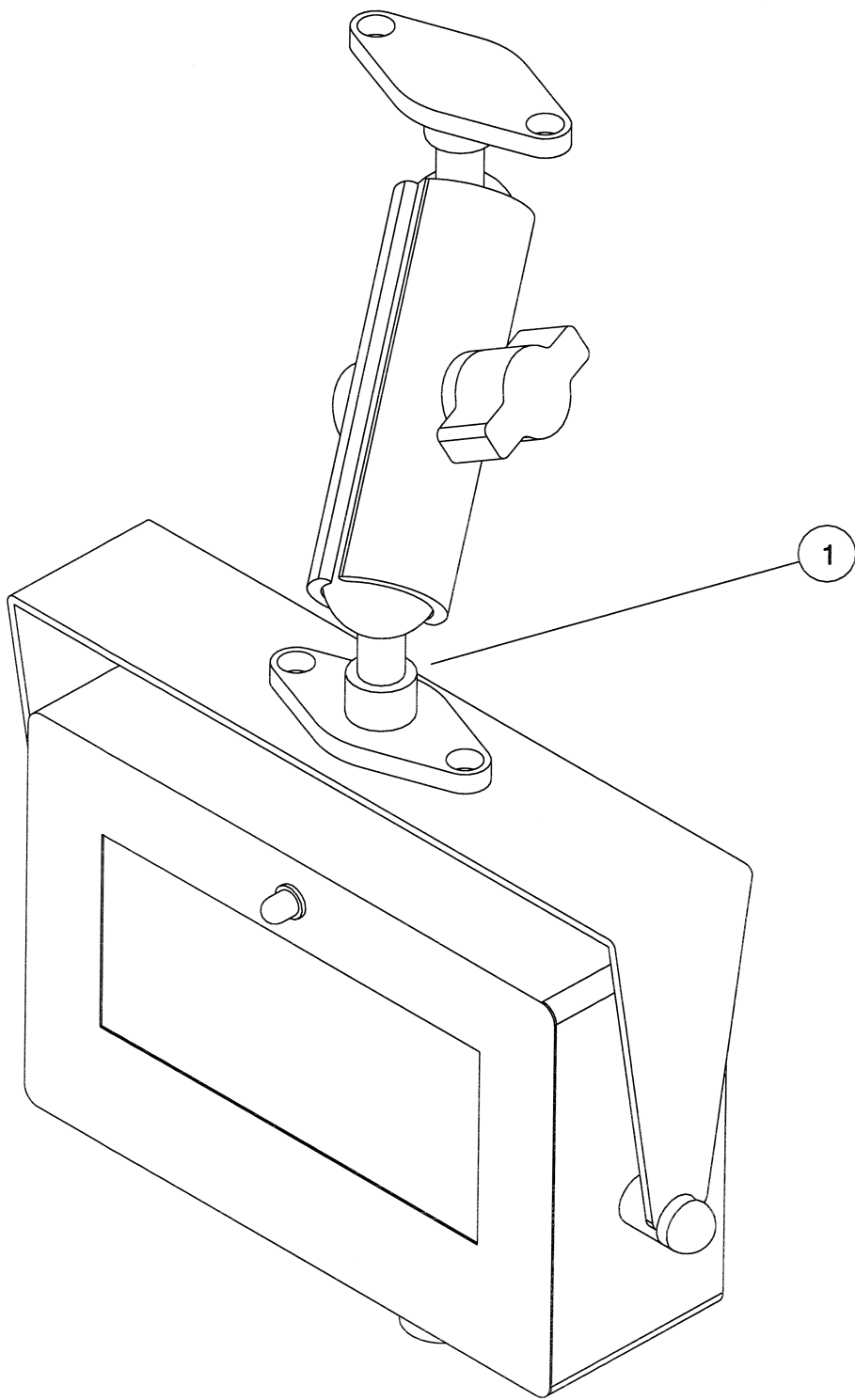
Shelbourne Reynolds Engineering Limited

ASSY NUMBER: KIT-03476		ASSY DESCRIPTION: EXPRESS CONVEYOR MTG FRAME KIT (TWIN)				
ITEM	PART NO	DESCRIPTION	QTY	ITEM	PART NO	QTY
1	613830 01	CONVEYOR FRAME W/A	1			
2	613421 02	MOUNTING BRKT	4			
3	WSH-0065	WASHER	8			
4	HSS-0241	SETSCREW	20			
5	NUT-0269	NUT	12			
6	WSH-0018	WASHER	28			
7	613680 01	DEFLECTOR PLATE	2			
8	21709036	PLASTIC CAP	8			



Shelbourne Reynolds Engineering Limited

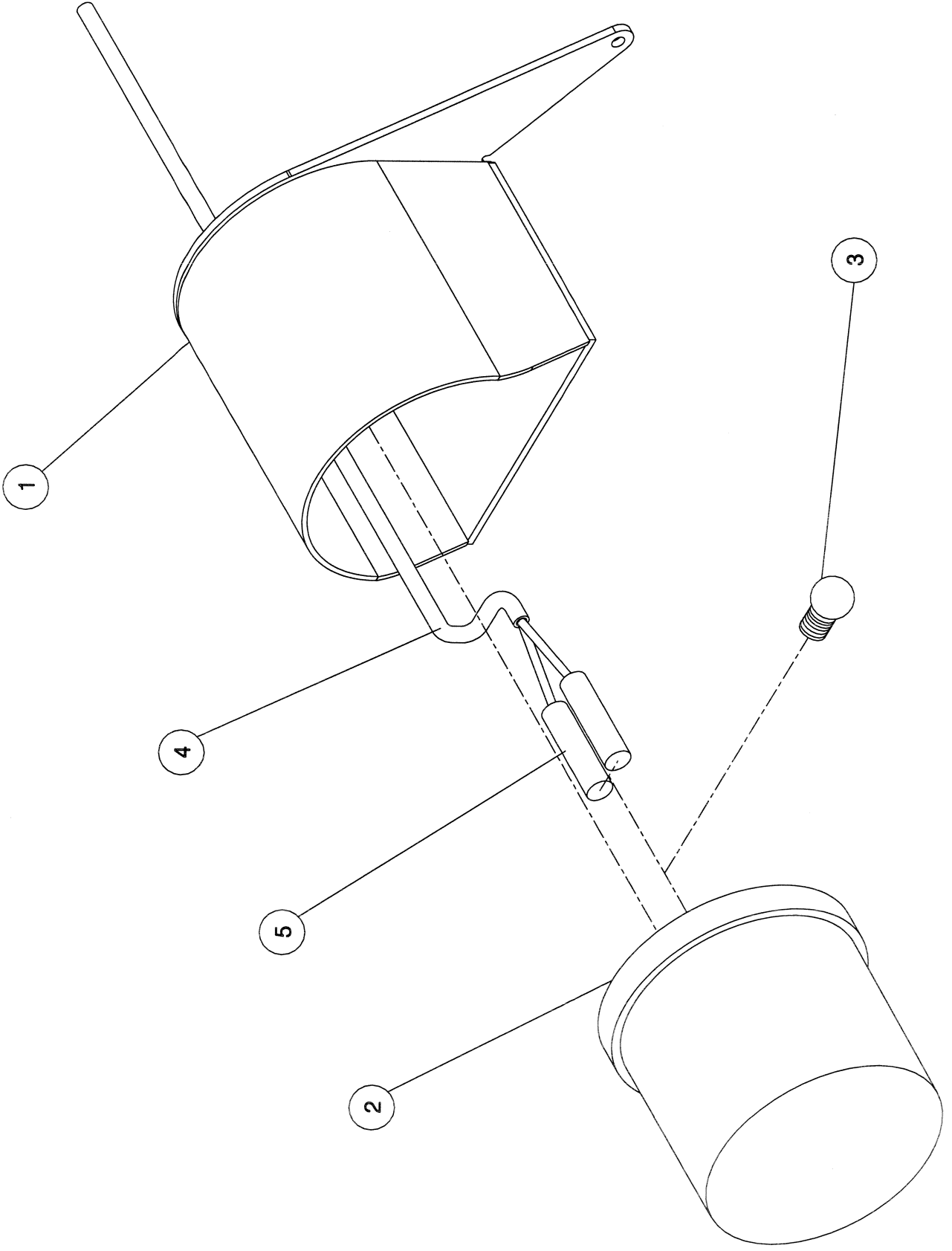
KIT-03478		ASSY DESCRIPTION: RD100 DISPLAY KIT				
ASSY NUMBER:						
ITEM	PART NO	DESCRIPTION	QTY	ITEM	PART NO	QTY
1	LCL-01227	RD100 REMOTE DISPLAY	1			



KIT-03478

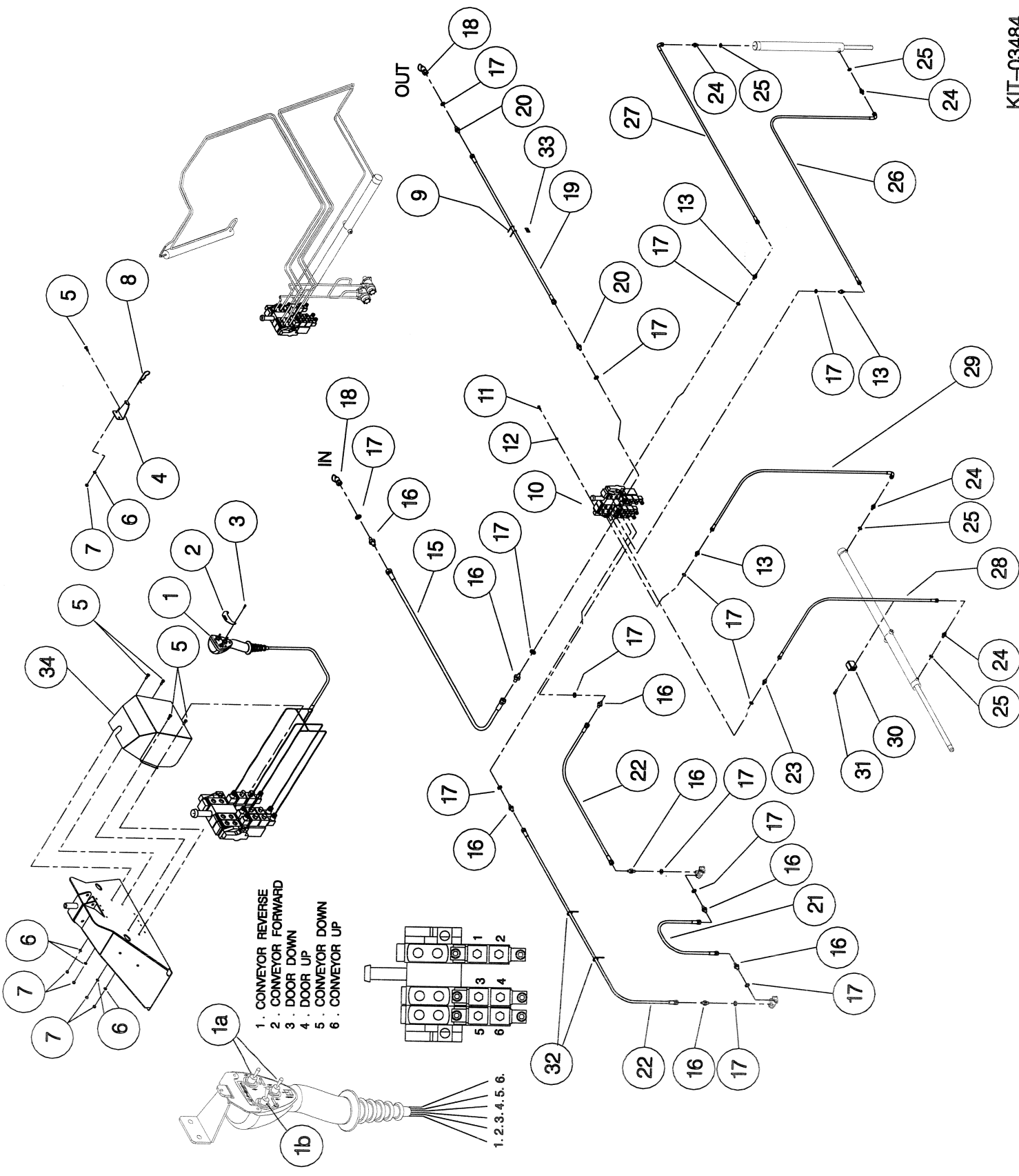
Shelbourne Reynolds Engineering Limited

ASSY NUMBER: KIT-03483		ASSY DESCRIPTION: FLASHING LIGHT KIT					
ITEM	PART NO	DESCRIPTION	QTY	ITEM	PART NO	DESCRIPTION	QTY
1	613940 01	LIGHT BRACKET	1				
2	LMP-10502	INDICATOR LAMP	1				
3	BLB-0015	BULB	1				
4	CBL-03010	CABLE (2 CORE)	3m				
5	ETM-00630	ELEC BUTT TERMINAL	2				



Shelbourne Reynolds Engineering Limited

KIT-03484		ASSY DESCRIPTION: ELECTRIC SOLENOID CONVEYOR HYDRAULICS					
ASSY NUMBER:	PART NO	DESCRIPTION	QTY	ITEM	PART NO	DESCRIPTION	QTY
1	6111701 01	HAND CONTROL. UNIT & LOOMS	1				
1a	SWT-00310	3 POSITION SPRING CTR SWT	2				
1b	SWT-00510	ON/OFF/ON POSITION SWITCH	1				
2	611681 01	CONTROLLER HANGER BRKT.	1				
3	SCHS07176	SELF TAPPING SCREWS	2				
4	611682 01	HOOK BRACKET	1				
5	HSS-0086	SET SCREW	6				
6	WSH-0009	PLAIN WASHER	6				
7	NUT-0260	NYLOC NUT	6				
8	RCL-0015	R CLIP	2				
9	TIE-0002	TIE WRAP	4				
10	HVB-19020	HYDRAULIC VALVE BLOCK	1				
11	HSS-0135	SET SCREW	4				
12	WSH-0058	SPRING WASHER	4				
13	HMA-0055	M/M ADAPTOR	3				
14							
15	HHBE22005	HYDRAULIC HOSE	1				
16	HMA-0065	M/M ADAPTOR	8				
17	WSH-1015	DOWTY WASHER	14				
18	COU-0162	QUICK RELEASE COUPLING	2				
19	HHBF22005	HYDRAULIC HOSE	1				
20	HMA-0067	M/M ADAPTOR	2				
21	HHHE06005	HYD HOSE	1				
22	HHDE23005	HYDRAULIC HOSE	2				
23	HAPAA0703	RESTRICTOR	1				
24	HMA-0052	M/M ADAPTOR	4				
25	WSH-1005	DOWTY WASHER	4				
26	HHBC66005	HYDRAULIC HOSE	1				
27	HHBC60005	HYDRAULIC HOSE	1				
28	HHBC32005	HYDRAULIC HOSE	1				
29	HHBC34005	HYDRAULIC HOSE	1				
30	HCPD01200	PIPE CLAMP	1				
31	SCW-0083	CAP HEAD SCREW	5				
32	TIE-0004	TIE WRAP	5				
33	612230 01	EMBLEM	6				
34	614133 01	VALVE COVER	1				

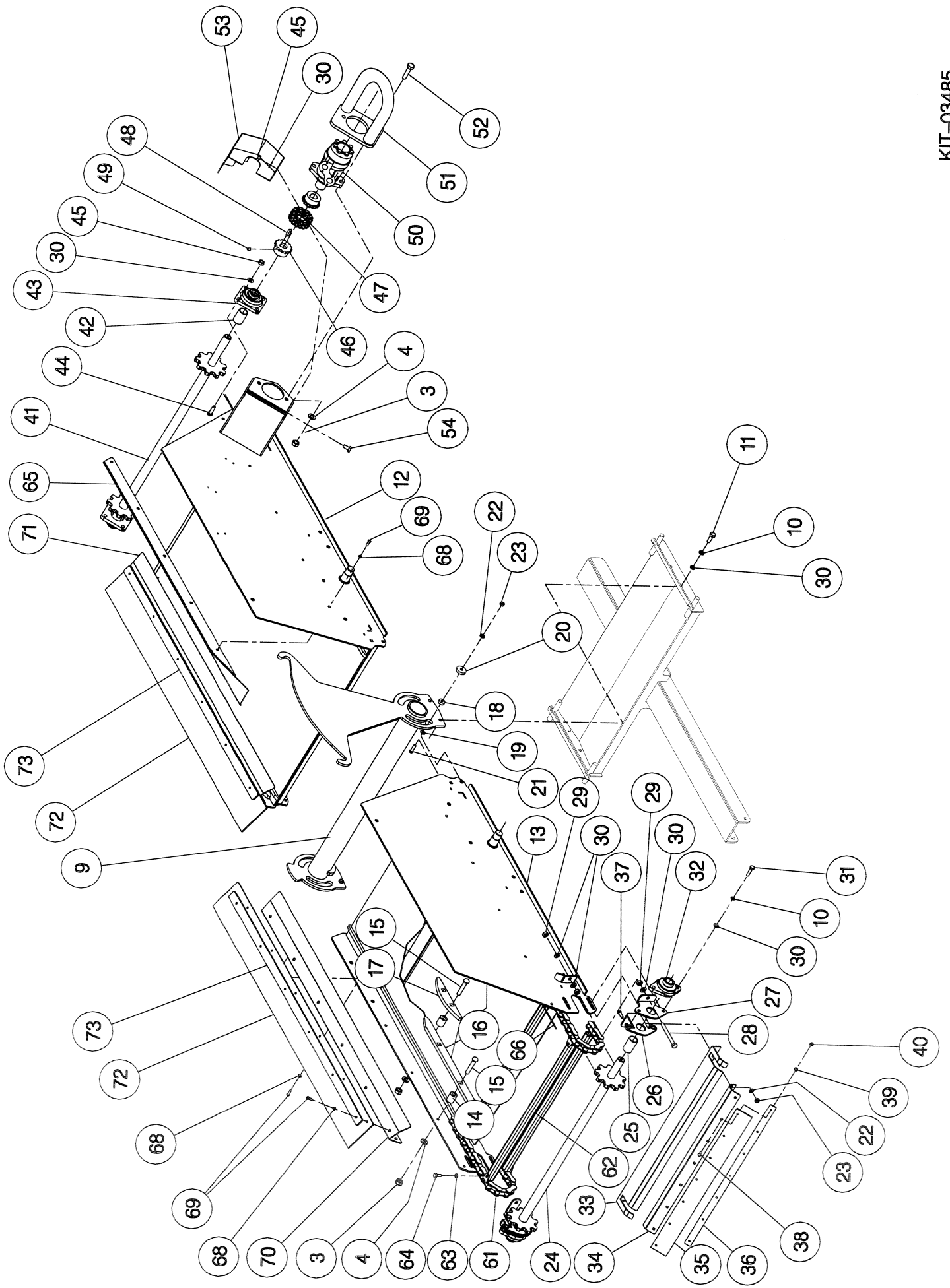


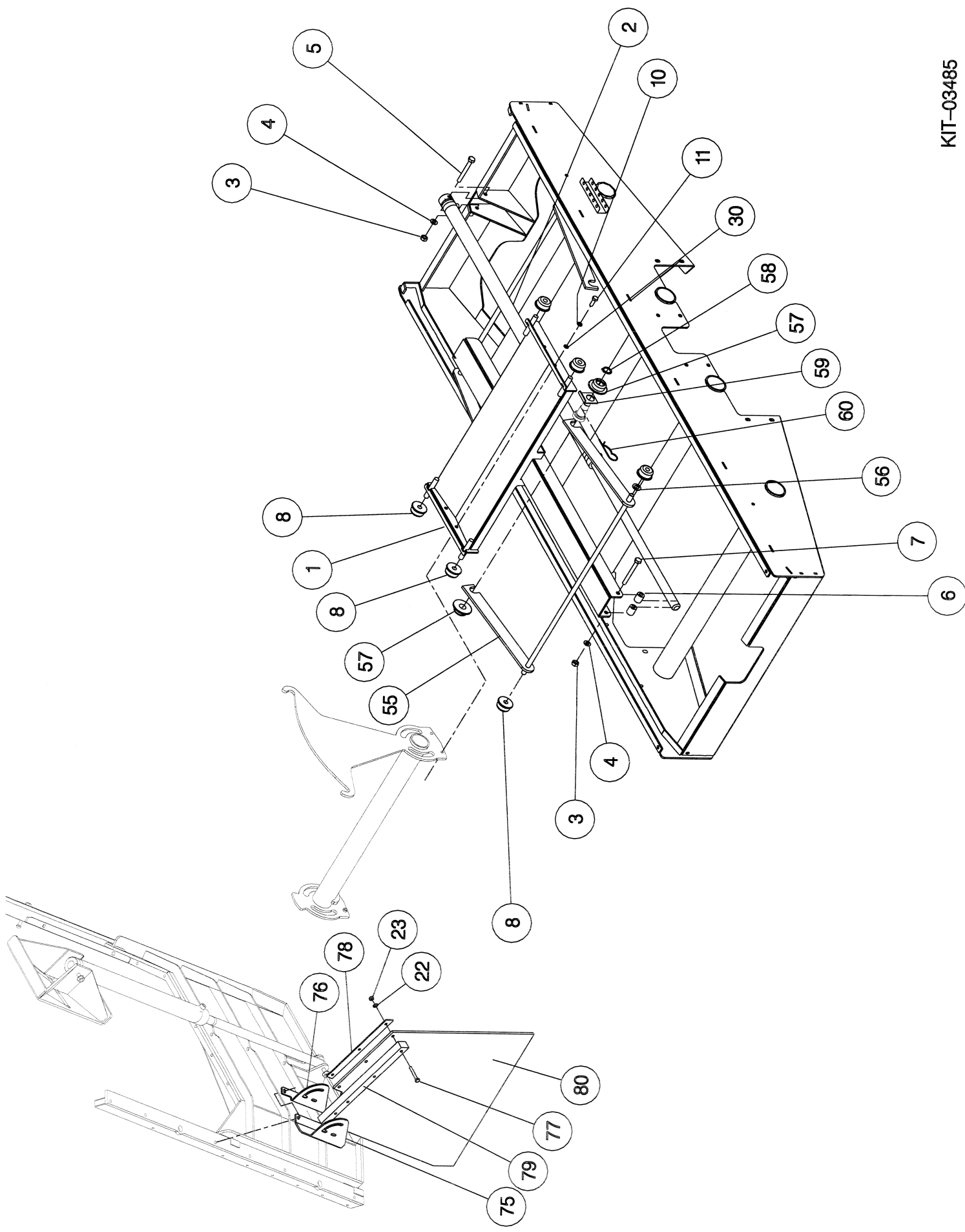
Shelbourne Reynolds Engineering Limited

KIT-03485		ASSY DESCRIPTION: CHAIN & SLAT EXPRESS CONVEYOR KIT				
ASSY NUMBER:	PART NO	DESCRIPTION	QTY	ITEM	PART NO	QTY
1	613904 01	SIDE SHIFT W/A	1	39	WSH-0009	14
2	610447 01	HYD CYLINDER	1	40	NUT-0260	14
3	NUT-0269	NUT	22	41	613911 01	1
4	WSH-0018	WASHER	22	42	613916 02	2
5	BLT-2270	BOLT	1	43	BRG-25255	2
6	613584 01	SPACER TUBE	20	44	BLTF10231	8
7	BLTA12620	BOLT	1	45	NUT-0265	8
8	613702 01	WHEEL	8	46	260030 03	2
9	613955 01	CARRIAGE CENTRE TUBE ASSY	1	47	CHN-01380	1
10	WSH-0061	WASHER	10	48	K0807032	1
11	HSS-0194	SET SCREW	4	49	SCW-4530	1
12	613949 01	LH PAN ASSY	1	50	MOTH16000	4
13	613951 01	RH PAN ASSY	1	50a	HMS-16001	1
14	HSS-0150	SETSCREW	4	50b	K0807032	1
15	BLTF12413	COACHBOLT	16	51	613896 01	4
16	613914 01	CHAIN RUNNER	4	52	HSS-0260	1
17	613956 01	CHAIN GUIDE	4	53	613905 01	4
18	190548 45	WASHER	8	54	HSS-0188	2
19	190548 26	WASHER	8	55	613926 01	2
20	190548 09	WASHER	8	56	WSH-0024	2
21	BLTF08290	COACHBOLT	8	57	613333 02	4
22	WSH-0012	WASHER	8	58	CIR-1125	4
23	NUT-0263	NUT	22	59	613335 01	4
24	613913 01	CONVEYOR IDLE SHAFT	22	60	CLP-00105	4
25	613916 01	SPACER TUBE	1	61	CHN-13545	4
26	613915 01	TENSIONER BRKT W/A	2	62	613906 01	2
27	613917 01	TENSION BRKT	2	63	WSH-0058	2
28	BLTA10560	BOLT	2	64	HSS-0140	17
29	NUT-0167	NUT	2	65	613960 01	34
30	WSH-0018	WASHER	6	66	613960 02	34
31	HSS-0198	SETSCREW	18	67	NUTA13060	1
32	BRG-25260	BEARING	4	68	WSH-0056	1
33	613927 01	PAN EXTENSION	2	69	SCW-4960	32
34	613959 01	DEFLECTOR MTG PL.	1	70	613961 01	32
35	613958 01	RUBBER DEFLECTOR	2	71	613961 02	1
36	613957 01	CLAMP STRIP	2	72	613963 01	1
37	BLTF08173	COACHBOLT	5	73	613962 01	2
38	BLTF06143	COACHBOLT	14	74	613581 01	2

Shelbourne Reynolds Engineering Limited

ASSY NUMBER: KIT-03485		ASSY DESCRIPTION: CHAIN & SLAT EXPRESS CONVEYOR KIT				
ITEM	PART NO	DESCRIPTION	QTY	ITEM	PART NO	QTY
75	613590 01	CURTAIN BRKT RH	1			
76	613589 01	CURTAIN BRKT LH	1			
77	BLTA08380	BOLT	5			
78	613602 01	CLAMP STRIP	1			
79	613601 01	RUBBER CURTAIN MTG	1			
80	613587 01	RUBBER CURTAIN	1			

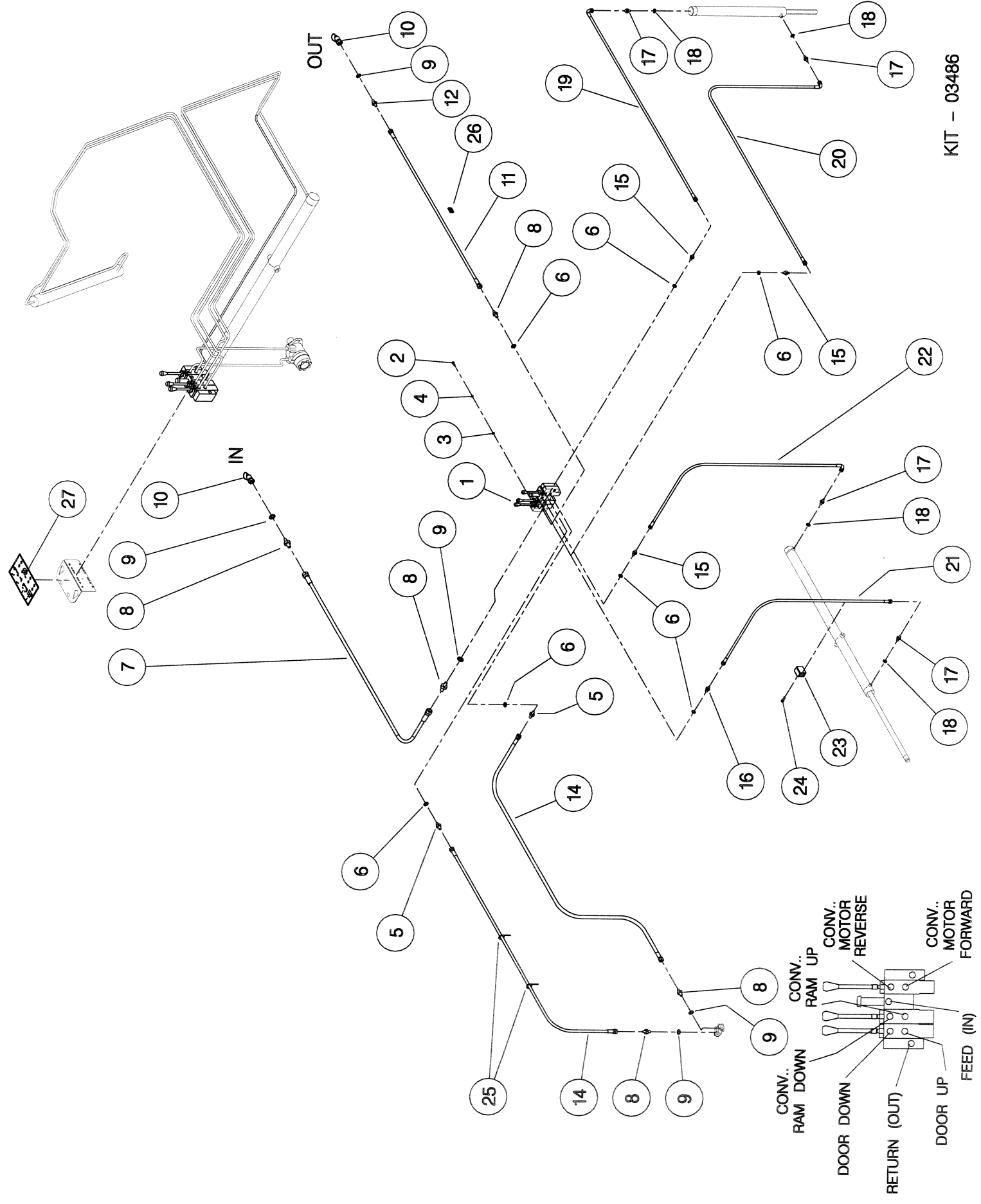




KIT-03485

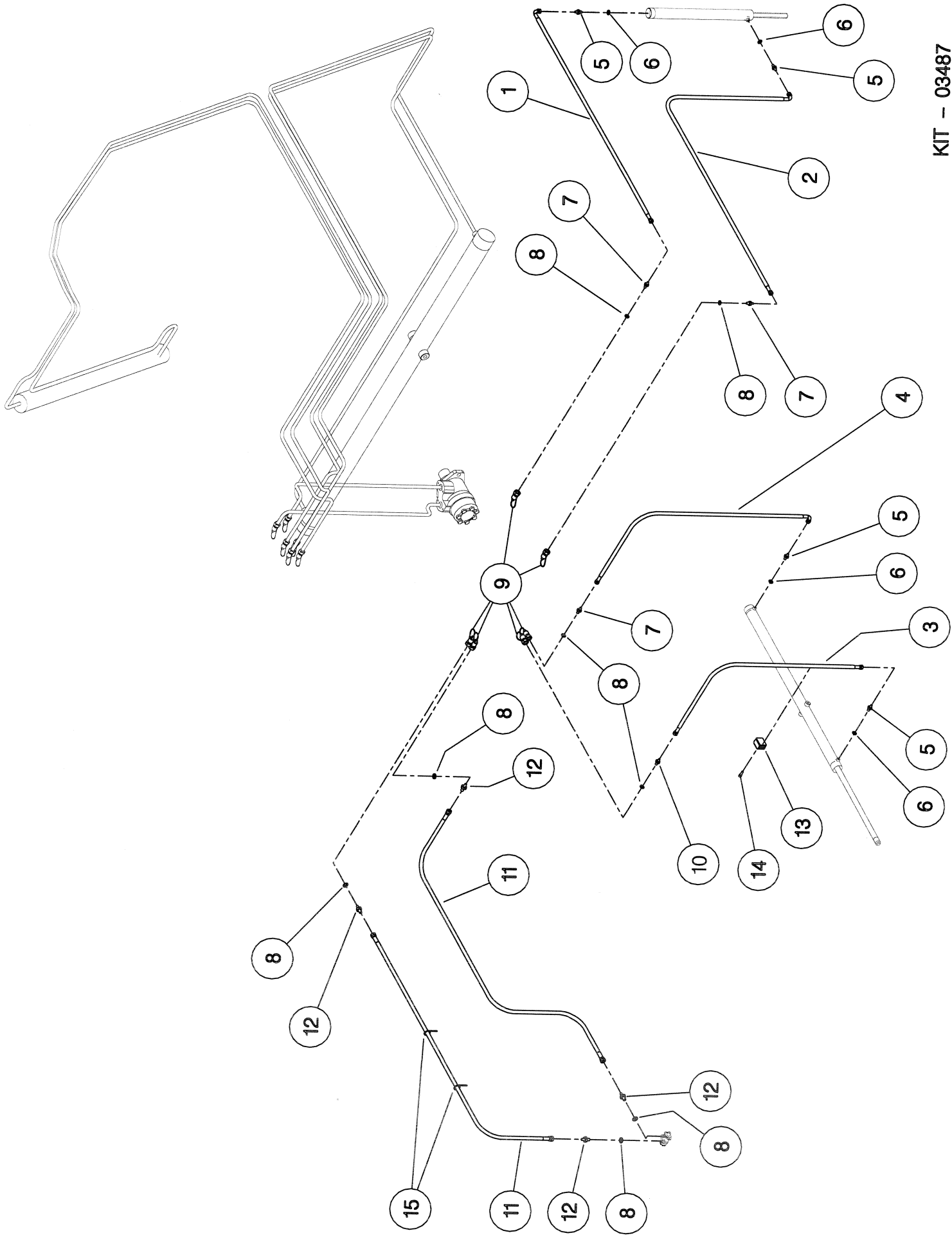
Shelbourne Reynolds Engineering Limited

KIT-03486		ASSY DESCRIPTION: CHAIN & SLAT CONVEYOR MANUAL SPOOL KIT					
ASSY NUMBER:							
ITEM	PART NO	DESCRIPTION	QTY	ITEM	PART NO	DESCRIPTION	QTY
1	HVB-09045	HYDRAULIC VALVE BLOCK	1				
2	HSS-0135	SETSCREW	4				
3	WSH-0012	WASHER	4				
4	WSH-0058	WASHER	4				
5	HMA-0057	M/M ADAPTOR	2				
6	WSH-1010	DOWTY WASHER	7				
7	HHA16005	HYDRAULIC HOSE	1				
8	HMA-0065	M/M ADAPTOR	5				
9	WSH-1015	DOWTY WASHER	5				
10	COU-0162	QUICK RELEASE COUPLING	2				
11	HHAF16005	HYDRAULIC HOSE	1				
12	HMA-0067	M/M ADAPTOR	1				
13							
14	HHDE45005	HYDRAULIC HOSE	2				
15	FIT-0025	M/M ADAPTOR	3				
16	190859 01	RESTRICTOR	1				
17	HMA-0052	M/M ADAPTOR	4				
18	WSH-1005	DOWTY WASHER	4				
19	HHBC73005	HYDRAULIC HOSE	1				
20	HHBC79005	HYDRAULIC HOSE	1				
21	HHBC45005	HYDRAULIC HOSE	1				
22	HHBC47005	HYDRAULIC HOSE	1				
23	HCPD01200	PIPE CLAMP	5				
24	SCW-0083	CAP HD SCREW	5				
25	TIE-0006	TIE WRAP	30				
26	612230 01	EMBLEM	1				
27	612236 01	EMBLEM	1				



Shelbourne Reynolds Engineering Limited

KIT-03487		ASSY DESCRIPTION: CHAIN & SLAT DIRECT COUPLED HYD KIT					
ASSY NUMBER:	KIT-03487	ASSY DESCRIPTION:	CHAIN & SLAT DIRECT COUPLED	HYD KIT			
ITEM	PART NO	DESCRIPTION	QTY	ITEM	PART NO	DESCRIPTION	QTY
1	HHBC73005	HYDRAULIC HOSE	1				
2	HHBC79005	HYDRAULIC HOSE	1				
3	HHBC45005	HYDRAULIC HOSE	1				
4	HHBC47005	HYDRAULIC HOSE	1				
5	HMA-0052	M/M ADAPTOR	4				
6	WSH-1005	DOWTY WASHER	4				
7	HMA-0055	M/M ADAPTOR	3				
8	WSH-1015	DOWTY WASHER	8				
9	COU-0162	QUICK RELEASE COUPLING	6				
10	HAMAA0307	RESTRICTOR	1				
11	HHDE45005	HYDRAULIC HOSE	2				
12	HMA-0065	M/M ADAPTOR	4				
13	HCPD01200	PIPE CLAMP	5				
14	SCW-0083	CAP HD SCREW	5				
15	TIE-0004	TIE WRAP	8				

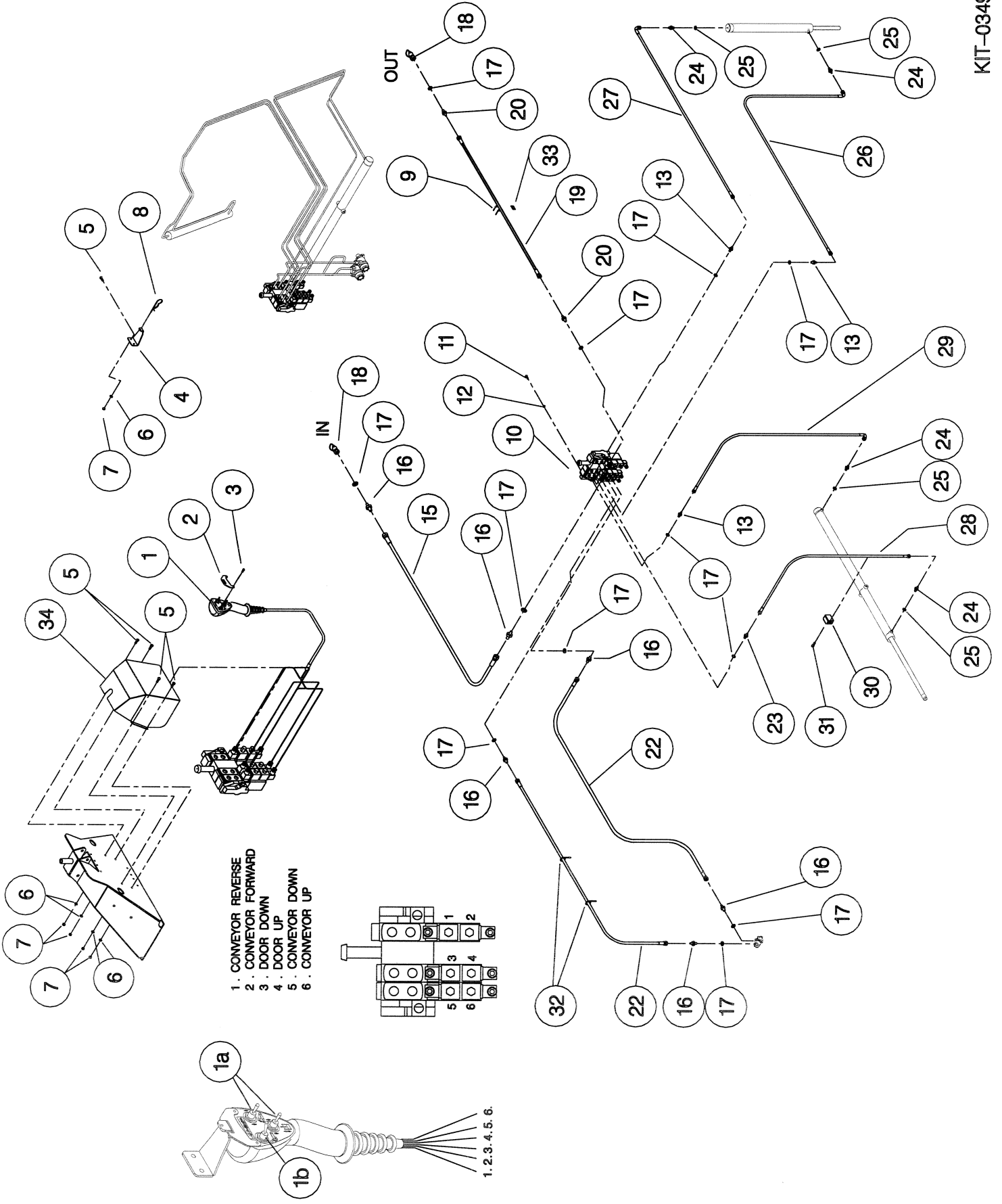


Shelbourne Reynolds Engineering Limited

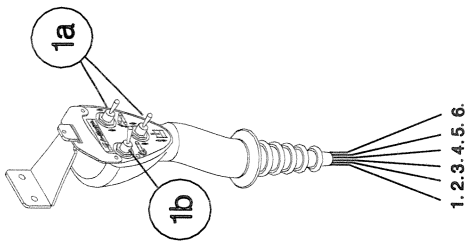
KIT-03489		ASSY DESCRIPTION:AUGER MAGNET KIT (POPULAR STYLE AUGER)				
ASSY NUMBER:	KIT-03489	QTY	ITEM	PART NO	DESCRIPTION	QTY
1	613969 01	1			MAGNET BRACKET ASSY	
2	HSS-0198	7			SETSCREW	
3	WSH-0015	9			WASHER	
4	WSH-0061	9			WASHER	
5	MAG-0002	1			MAGNET	
6	613970 01	1			CLAMP BRACKET LH	
7	613970 02	1			CLAMP BRACKET RH	
8	HSS-0195	2			SETSCREW	

Shelbourne Reynolds Engineering Limited

KIT-03492		ASSY DESCRIPTION: ELECTRIC SOLENOID CONVEYOR HYDRAULICS					
ASSY NUMBER:							
ITEM	PART NO	DESCRIPTION	QTY	ITEM	PART NO	DESCRIPTION	QTY
1	611701 01	HAND CONTROL. UNIT & LOOMS	1				
1a	SWT-00310	3 POSITION SPRING CTR SWT	2				
1b	SWT-00510	ON/OFF/ON POSITION SWITCH	1				
2	611681 01	CONTROLLER HANGER BRKT.	1				
3	SCHS07176	SELF TAPPING SCREWS	2				
4	611682 01	HOOK BRACKET	1				
5	HSS-0086	SET SCREW	6				
6	WSH-0009	PLAIN WASHER	6				
7	NUT-0260	NYLOC NUT	6				
8	RCL-0015	R CLIP	2				
9	TIE-0002	TIE WRAP	4				
10	HVB-19020	HDRAULIC VALVE BLOCK	1				
11	HSS-0135	SET SCREW	4				
12	WSH-0058	SPRING WASHER	4				
13	HMA-0055	M/M ADAPTOR	3				
14							
15	HHBE22005	HYDRAULIC HOSE	1				
16	HMA-0065	M/M ADAPTOR	6				
17	WSH-1015	DOWTY WASHER	12				
18	COU-0162	QUICK RELEASE COUPLING	2				
19	HHBF22005	HYDRAULIC HOSE	1				
20	HMA-0067	M/M ADAPTOR	2				
21							
22	HHDE33005	HYDRAULIC HOSE	2				
23	HAMAA0307	RESTRICTOR	1				
24	HMA-0052	M/M ADAPTOR	4				
25	WSH-1005	DOWTY WASHER	4				
26	HHBC66005	HYDRAULIC HOSE	1				
27	HHBC60005	HYDRAULIC HOSE	1				
28	HHBC32005	HYDRAULIC HOSE	1				
29	HHBC34005	HYDRAULIC HOSE	1				
30	HCPD01200	PIPE CLAMP	5				
31	SCW-0083	CAP HEAD SCREW	5				
32	TIE-0004	TIE WRAP	8				
33	612230 01	EMBLEM	1				
34	614133 01	VALVE COVER	1				

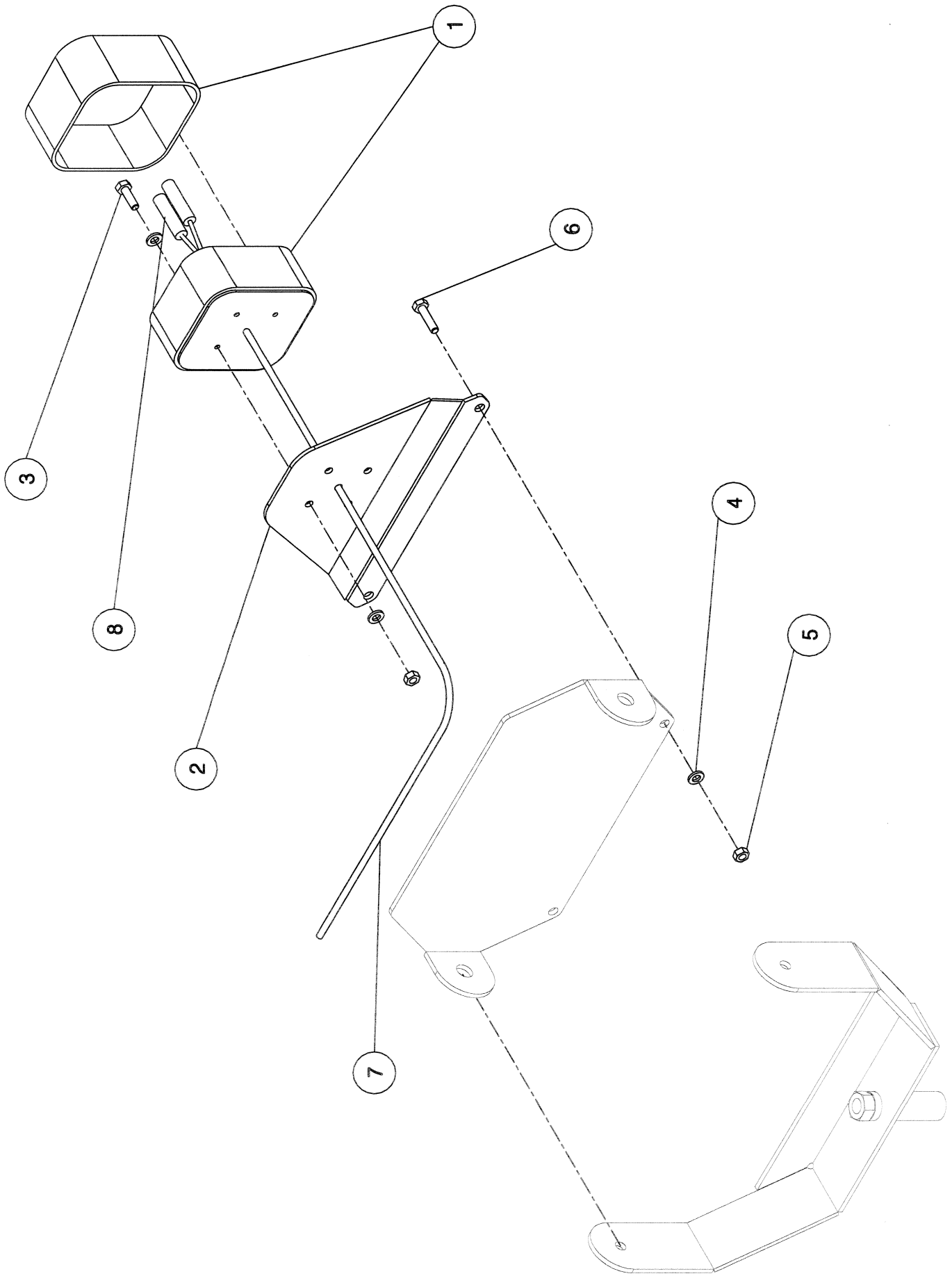


- 1. CONVEYOR REVERSE
- 2. CONVEYOR FORWARD
- 3. DOOR DOWN
- 4. DOOR UP
- 5. CONVEYOR DOWN
- 6. CONVEYOR UP



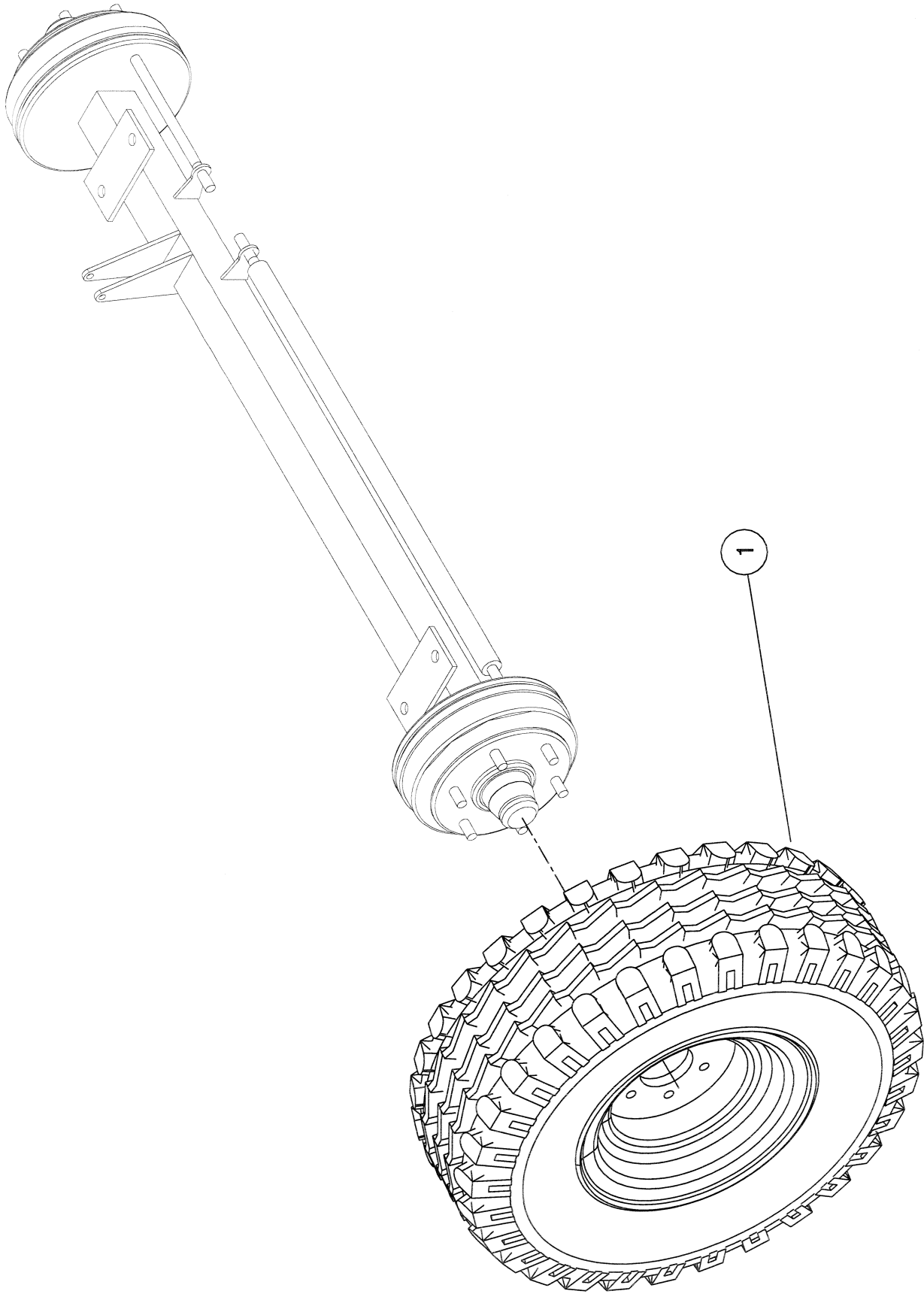
Shelbourne Reynolds Engineering Limited

KIT-03510		ASSY DESCRIPTION: AUDIBLE ALARM KIT (FOR DIGI-STAR)					
ASSY NUMBER:	KIT-03510	ASSY DESCRIPTION: AUDIBLE ALARM KIT (FOR DIGI-STAR)					
ITEM	PART NO	DESCRIPTION	QTY	ITEM	PART NO	DESCRIPTION	QTY
1	BUZ-00010	AUDIBLE ALARM	1				
2	614030 01	BUZZER BRACKET	1				
3	HSS-0086	SETSCREW	4				
4	WSH-0009	WASHER	10				
5	NUT-0260	NUT	6				
6	HSS-0088	SETSCREW	2				
7	CBL-03010	CABLE (2 CORE)	3m				
8	ETM-00630	ELEC BUTT TERMINAL	2				



Shelbourne Reynolds Engineering Limited

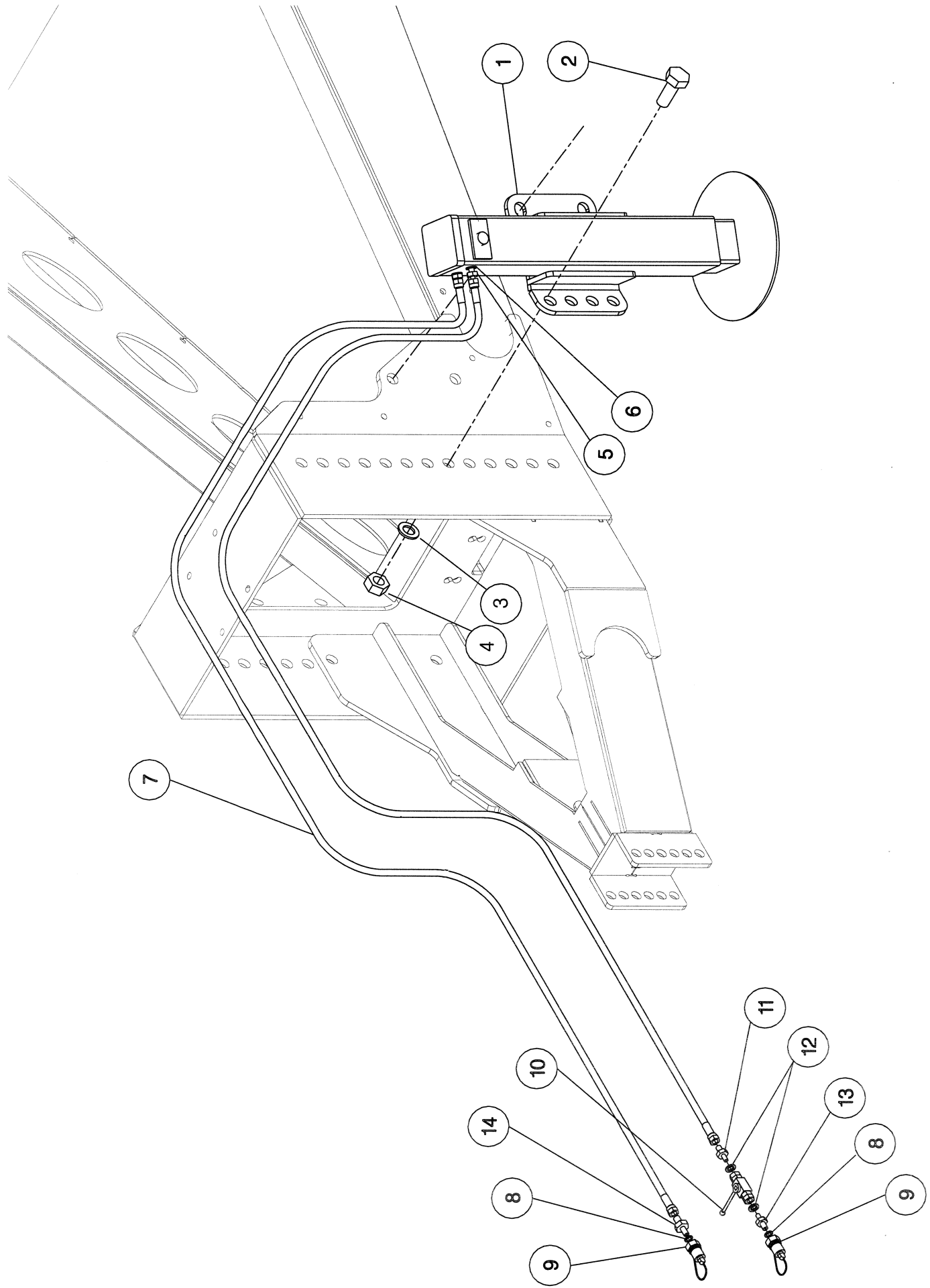
ASSY NUMBER: KIT-03511		SUB ASSY DESCRIPTION: SUPER SINGLE WHEEL & TYRE KIT					
ITEM	PART NO	DESCRIPTION	QTY	ITEM	PART NO	DESCRIPTION	QTY
1	WHL-02201	WHEEL & TYRE ASSY (385/R65-22.5)	2				



KIT - 03511

Shelbourne Reynolds Engineering Limited

ASSY NUMBER:		KIT-03514			SUB ASSY DESCRIPTION:HYD PARKING JACK (TRACTOR CONNECTION)		
ITEM	PART NO	DESCRIPTION	QTY	ITEM	PART NO	DESCRIPTION	QTY
1	614047 01	JACK WELD ASSY	1				
2	HSS-0410	SETSCREW	4				
3	WSH-0036	WASHER	4				
4	NUT-0275	NUT	4				
5	HMA-0057	HYD ADPT	2				
6	WSH-1010	DOWTY WASHER	2				
7	HHBE25005	HYD HOSE ASSY	2				
8	WSH-1015	DOWTY WASHER	2				
9	COU-0162	QUICK RELEASE COUPLING	2				
10	HVB-02600	2-WAY BALL VALVE	1				
11	FIT-0025	HYD ADAPT	1				
12	WSH-1005	DOWTY WASHER	2				
13	HMA-0055	HYD ADAPT	1				
14	HMA-0065	HYD ADAPT (3/8"x1/2" M/M)	1				

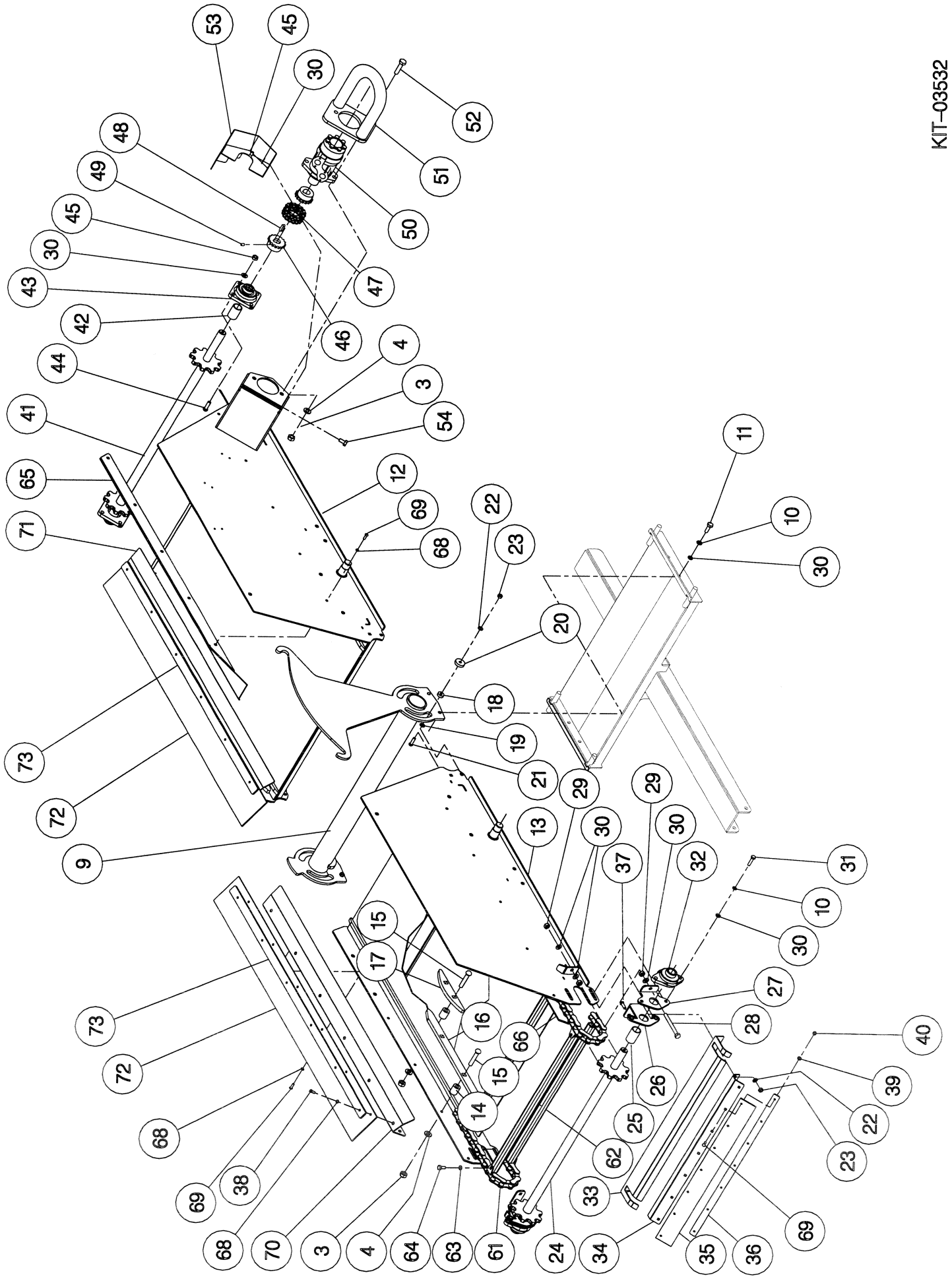


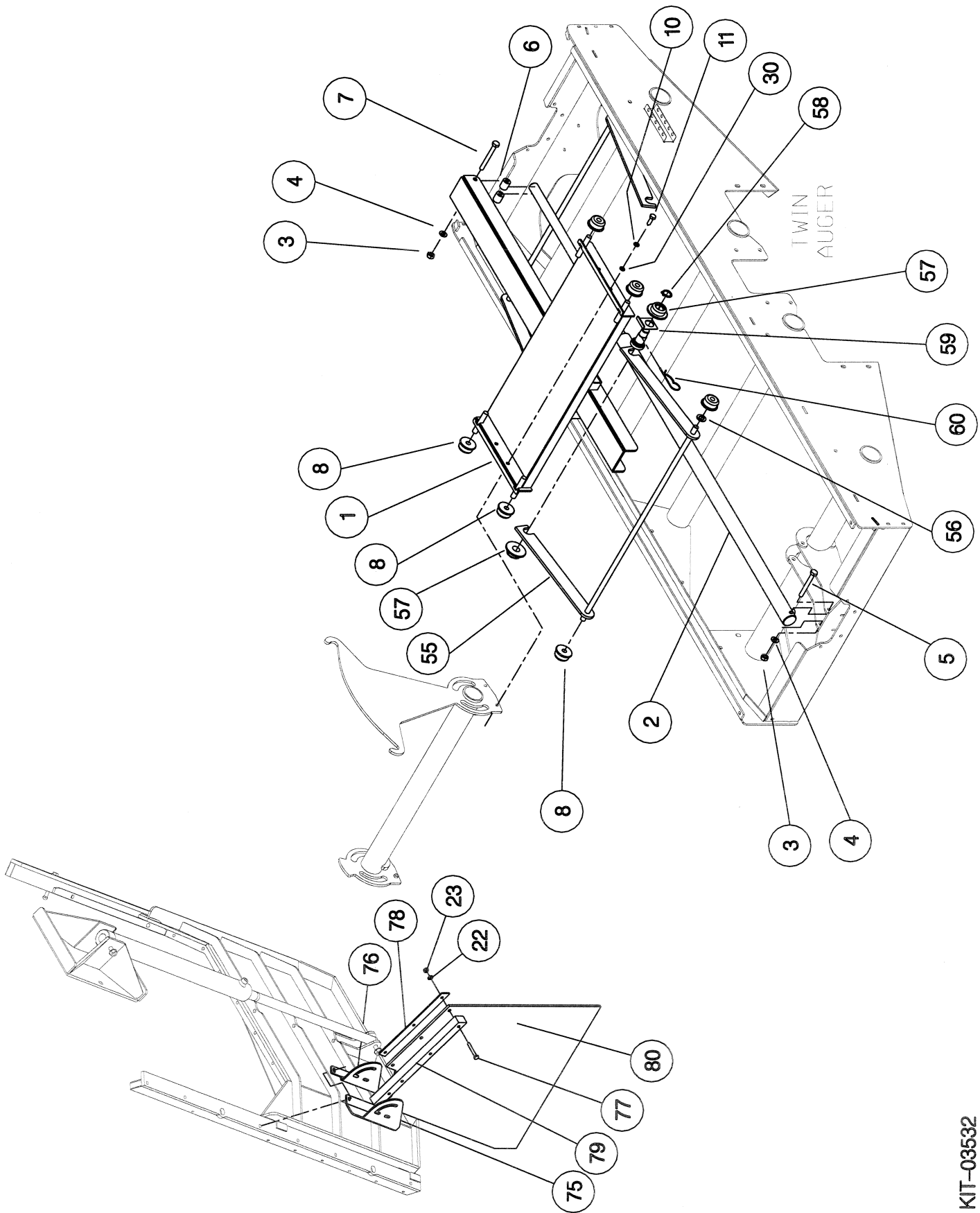
Shelbourne Reynolds Engineering Limited

KIT-03532		ASSY DESCRIPTION: CHAIN & SLAT EXPRESS CONVEYOR KIT				
ASSY NUMBER:	PART NO	DESCRIPTION	QTY	ITEM	PART NO	QTY
1	613904 01	SIDE SHIFT W/A	1	39	WSH-0009	14
2	610447 01	HYD CYLINDER	1	40	NUT-0260	14
3	NUT-0269	NUT	22	41	614166 01	1
4	WSH-0018	WASHER	22	42	613916 02	2
5	BLT-2270	BOLT	1	43	BRG-25255	2
6	613584 01	SPACER TUBE	20	44	BLTF10231	8
7	BLTA12620	BOLT	1	45	NUT-0265	8
8	613702 01	WHEEL	8	46	260030 03	2
9	613955 01	CARRIAGE CENTRE TUBE ASSY	1	47	CHN-01380	1
10	WSH-0061	WASHER	10	48	K0807032	1
11	HSS-0194	SET SCREW	4	49	SCW-4530	4
12	613949 01	LH PAN ASSY	1	50	MOTH16000	4
13	613951 01	RH PAN ASSY	1	50a	HMS-16001	1
14	HSS-0150	SETSCREW	4	50b	K0807032	1
15	BLTF12413	COACHBOLT	16	51	613896 01	1
16	613914 01	CHAIN RUNNER	4	52	HSS-0260	4
17	613956 01	CHAIN GUIDE	4	53	613905 01	1
18	190548 45	WASHER	8	54	HSS-0188	2
19	190548 26	WASHER	8	55	613926 01	2
20	190548 09	WASHER	8	56	WSH-0024	4
21	BLTF08290	COACHBOLT	8	57	613333 02	4
22	WSH-0012	WASHER	22	58	CIR-1125	4
23	NUT-0263	NUT	22	59	613335 01	4
24	614167 01	CONVEYOR IDLE SHAFT	1	60	CLP-00105	4
25	613916 01	SPACER TUBE	2	61	CHN-13840	2
26	613915 01	TENSIONER BRKT W/A	2	62	613906 01	2
27	613917 01	TENSION BRKT	2	63	WSH-0058	15
28	HSSA10680	SETSCREW	2	64	HSS-0140	30
29	NUT-0167	NUT	6	65	613960 01	30
30	WSH-0018	WASHER	18	66	613960 02	1
31	HSS-0198	SETSCREW	4	67	NUTA13060	1
32	BRG-25260	BEARING	2	68	WSH-0056	32
33	613927 01	PAN EXTENSION	1	69	SCW-4960	32
34	613959 01	DEFLECTOR MTG PL.	1	70	613961 01	34
35	613958 01	RUBBER DEFLECTOR	2	71	613961 02	1
36	613957 01	CLAMP STRIP	2	72	613963 01	2
37	BLTF08173	COACHBOLT	5	73	613962 01	2
38	SCW-4960	BUTT SOC HD SCREW	12	74	613581 01	2

Shelbourne Reynolds Engineering Limited

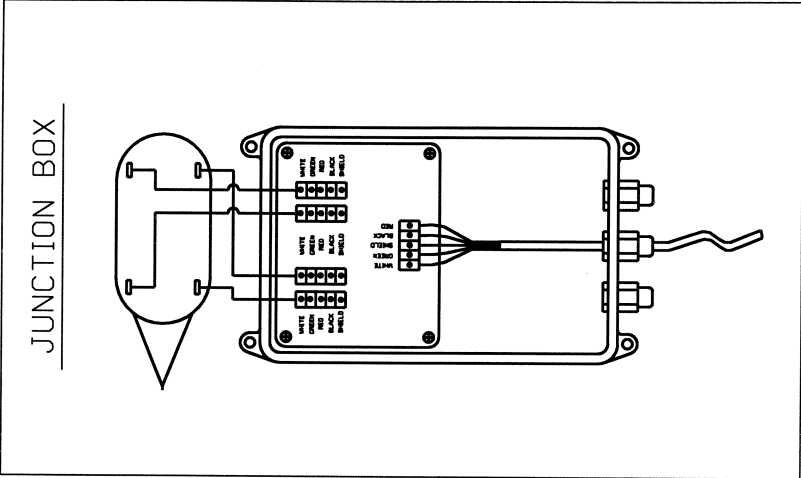
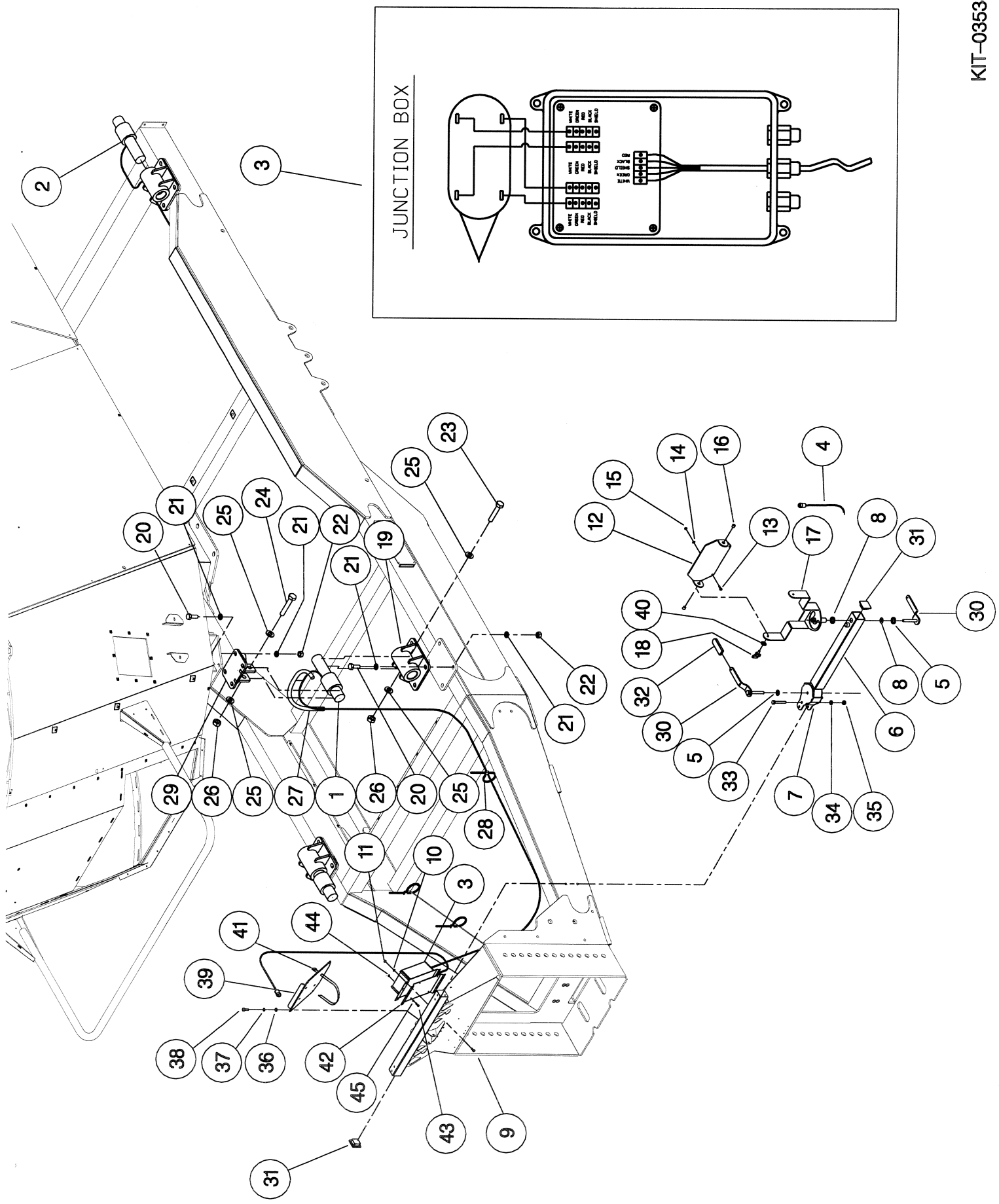
KIT-03532		ASSY DESCRIPTION: CHAIN & SLAT EXPRESS CONVEYOR KIT				
ASSY NUMBER:	KIT-03532	ASSY DESCRIPTION: CHAIN & SLAT EXPRESS CONVEYOR KIT				
ITEM	PART NO	DESCRIPTION	QTY	ITEM	PART NO	QTY
75	613590 01	CURTAIN BRKT RH	1			
76	613589 01	CURTAIN BRKT LH	1			
77	BLTA08380	BOLT	5			
78	613602 01	CLAMP STRIP	1			
79	613601 01	RUBBER CURTAIN MTG	1			
80	613587 01	RUBBER CURTAIN	1			
81	WSH-1547	WASHER	4			





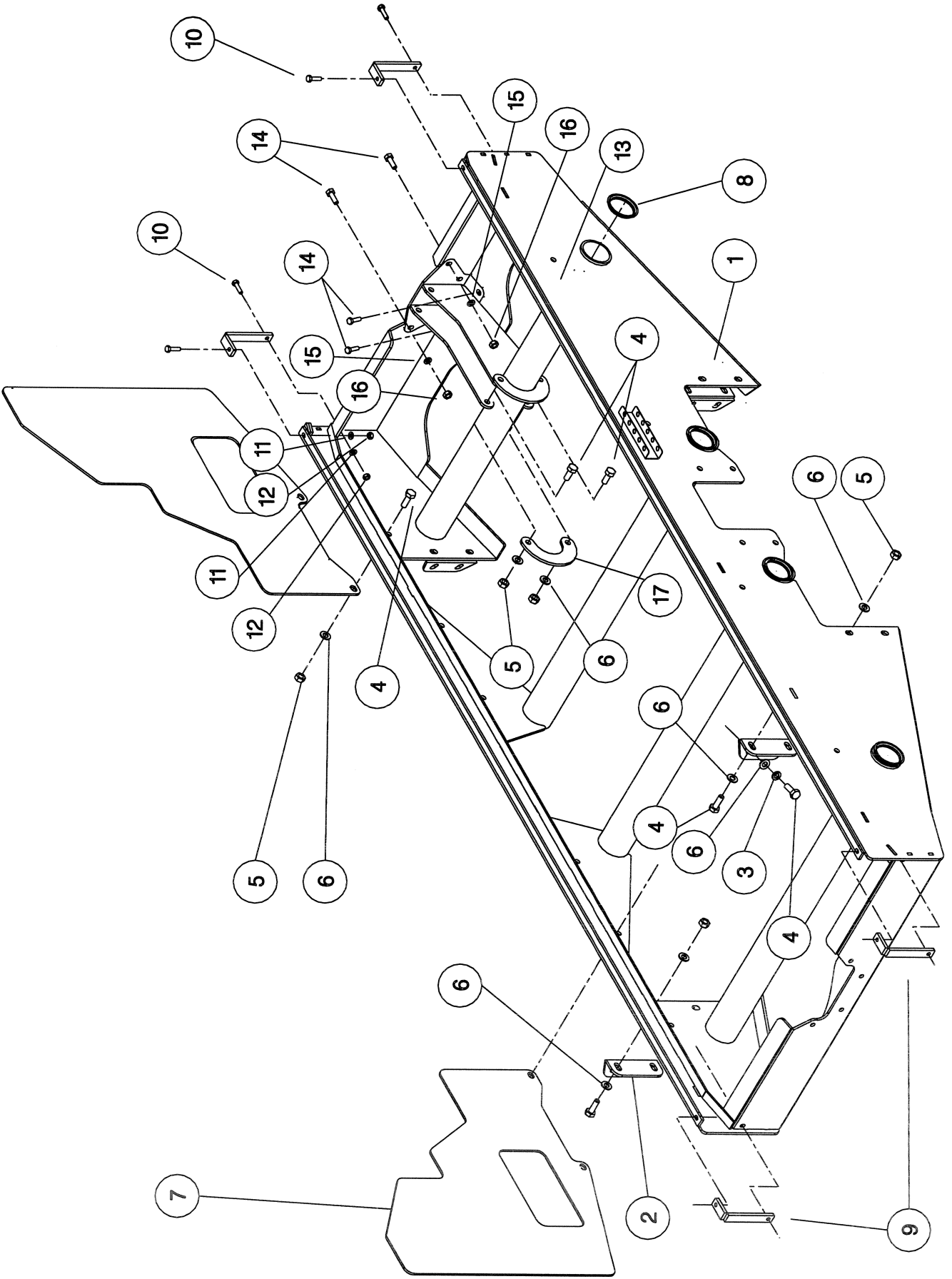
Shelbourne Reynolds Engineering Limited

KIT-03538		ASSY DESCRIPTION:WEIGH CELL SYSTEM (TWIN AUGER)					
ASSY NUMBER:							
ITEM	PART NO	DESCRIPTION	QTY	ITEM	PART NO	DESCRIPTION	QTY
1	LCL-01200	LOADCELL (FRONT)	2	39	614178 01	COVER	1
2	LCL-01201	LOADCELL (REAR)	2	40	WSH-1300	SHAKERPROOF WASHER	2
3	LCL-01205	JUNCTION BOX	1	41	TIE-0012	LARGE TIE WRAP	2
4	LCL-01210	POWER CORD	1	42	614949 01	BRACKET J-BOX	1
5	WSHA30121	LOCKWASHER	2	43	SCW-0035	CAP HEAD SCREW	4
6	614188 01	WEIGH HEAD ARM W/A	1	44	NUT-0255	NUT NYLOCK	4
7	614187 01	OUTER COUPLING W/A	1	45	WSH-0003	PLAIN WASHER	4
8	190548 54	WASHER	3				
9	HSS-0058	SETSCREW	6				
10	WSH-0006	WASHER	6				
11	NUT-0258	NUT	6				
12	613597 01	REAR PANEL	1				
13	HSS-0086	SETSCREW	2				
14	WSH-0009	WASHER	2				
15	NUT-0260	NUT	2				
16	NUTA13080	NUTSERT	6				
17	614189 01	WEIGH HEAD HOUSING	1				
18	KNO-0001	THERMOPLASTIC KNOB	2				
19	613608 01	LOADCELL MTG BOSS W/A	4				
20	HSS-0318	SETSCREW	32				
21	WSH-0024	WASHER	64				
22	NUT-0271	NUT	32				
23	BLTA20620	BOLT	4				
24	BLTA20590	BOLT	4				
25	WSH-0030	WASHER	16				
26	NUTA02200	NUT	8				
27	SLV-00300	SPIRAL CONVOLUTE TUBING	7m				
28	TIE-0004	TIE WRAP	40				
29	613612 01	LOADCELL CLEVIS W/A	4				
30	613695 01	SECURING HANDLE ASSY	2				
31	CAP-0012	END CAP	2				
32	PTF-00026	PLASTIC HANDLE	2				
33	BLTA10470	BOLT	2				
34	WSH-0015	WASHER	2				
35	NUT-0265	NUT	2				
36	WSH-0012	WASHER	4				
37	WSH-0058	WASHER	4				
38	HSS-0145	SETSCREW	4				



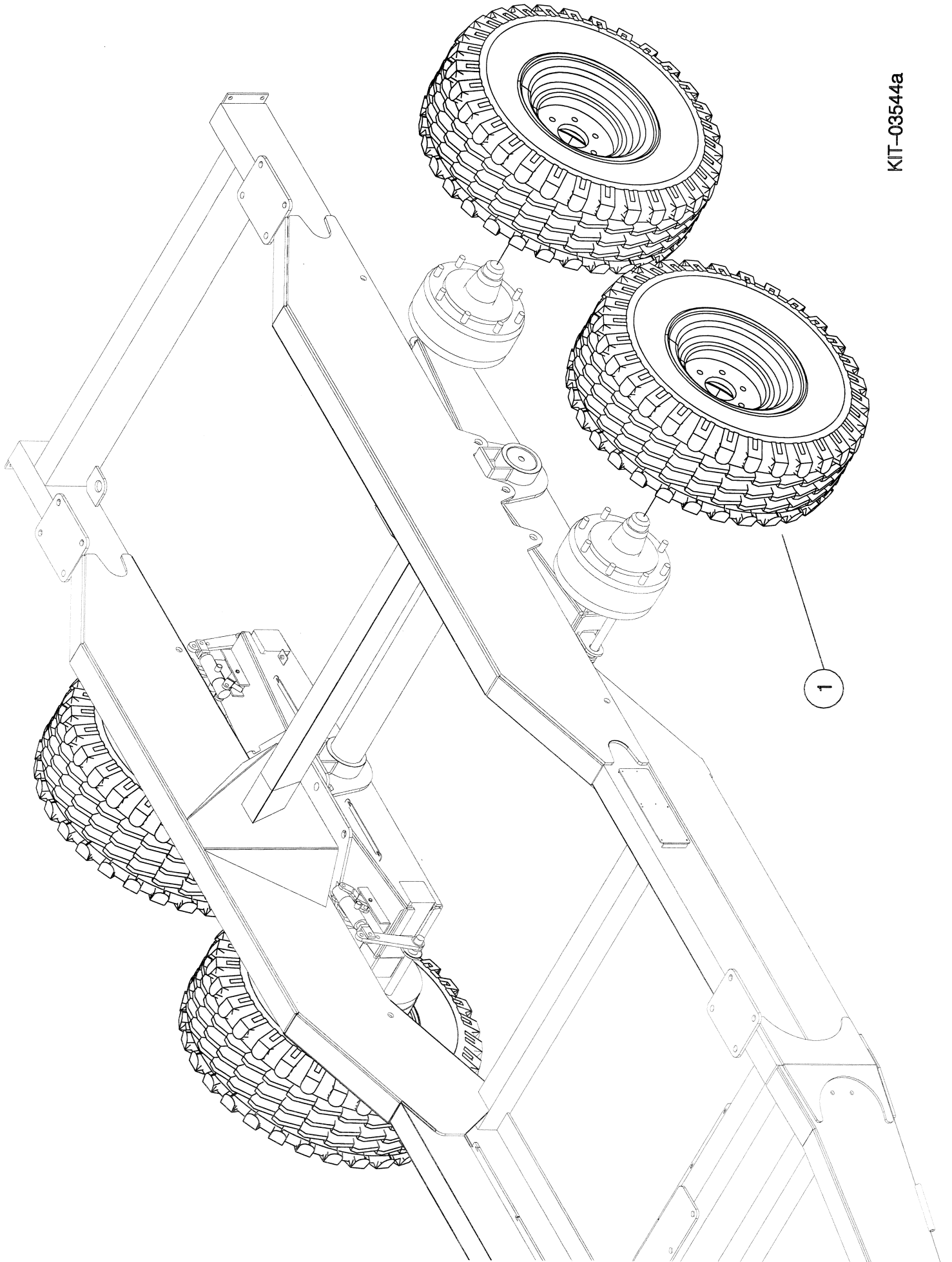
Shelbourne Reynolds Engineering Limited

KIT-03541		ASSY DESCRIPTION: EXPRESS CONVEYOR MTG FRAME KIT (TWIN)				
ASSY NUMBER:						
ITEM	PART NO	DESCRIPTION	QTY	ITEM	PART NO	QTY
1	614231 01	CONVEYOR FRAME W/A	1			
2	613421 02	MOUNTING BRKT	4			
3	WSH-0065	WASHER	8			
4	HSS-0241	SETSCREW	20			
5	NUT-0269	NUT	16			
6	WSH-0018	WASHER	32			
7	613680 01	DEFLECTOR PLATE	2			
8	21709036	PLASTIC CAP	8			
9	614233 01	CAPPING PLATE	4			
10	HSS-0150	SETSCREW	8			
11	WSH-0012	WASHER	12			
12	NUT-0263	NUT	8			
13	614225 01	RAM BRKT W/A	1			
14	HSS-0194	SETSCREW	6			
15	WSH-0015	WASHER	6			
16	NUT-0265	NUT	6			
17	614006 01	STRENGTHENER PLATE	2			
18	HSS-0238	SETSCREW	4			



Shelbourne Reynolds Engineering Limited

KIT-03544a		ASSY DESCRIPTION: WHEEL&TYRE KIT (BANDENMARKT 305/55R22.5)					
ASSY NUMBER:	PART NO	DESCRIPTION	QTY	ITEM	PART NO	DESCRIPTION	QTY
1	WHL-02202	WHEEL & TYRE ASSY	4				

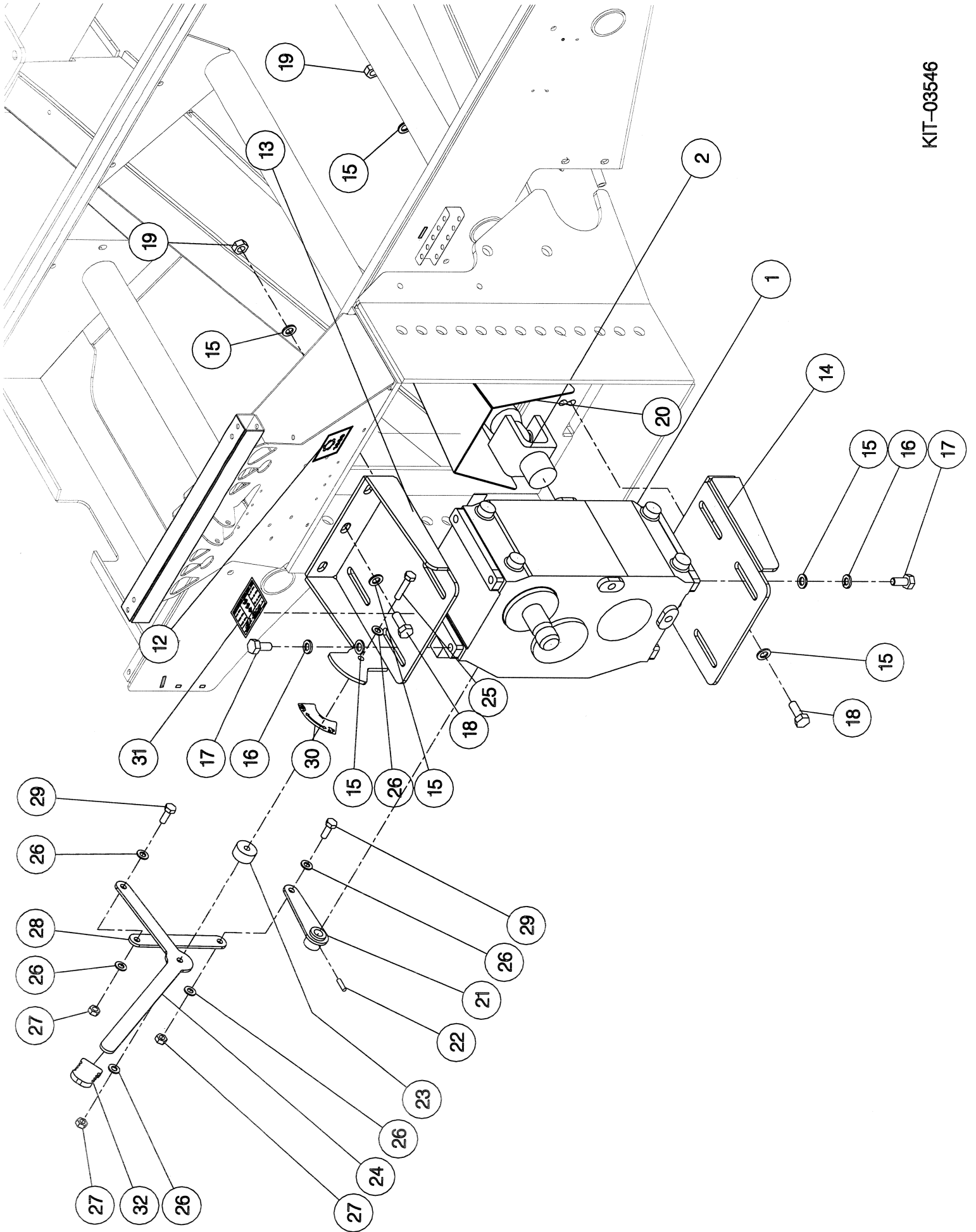


KIT-03544a

1

Shelbourne Reynolds Engineering Limited

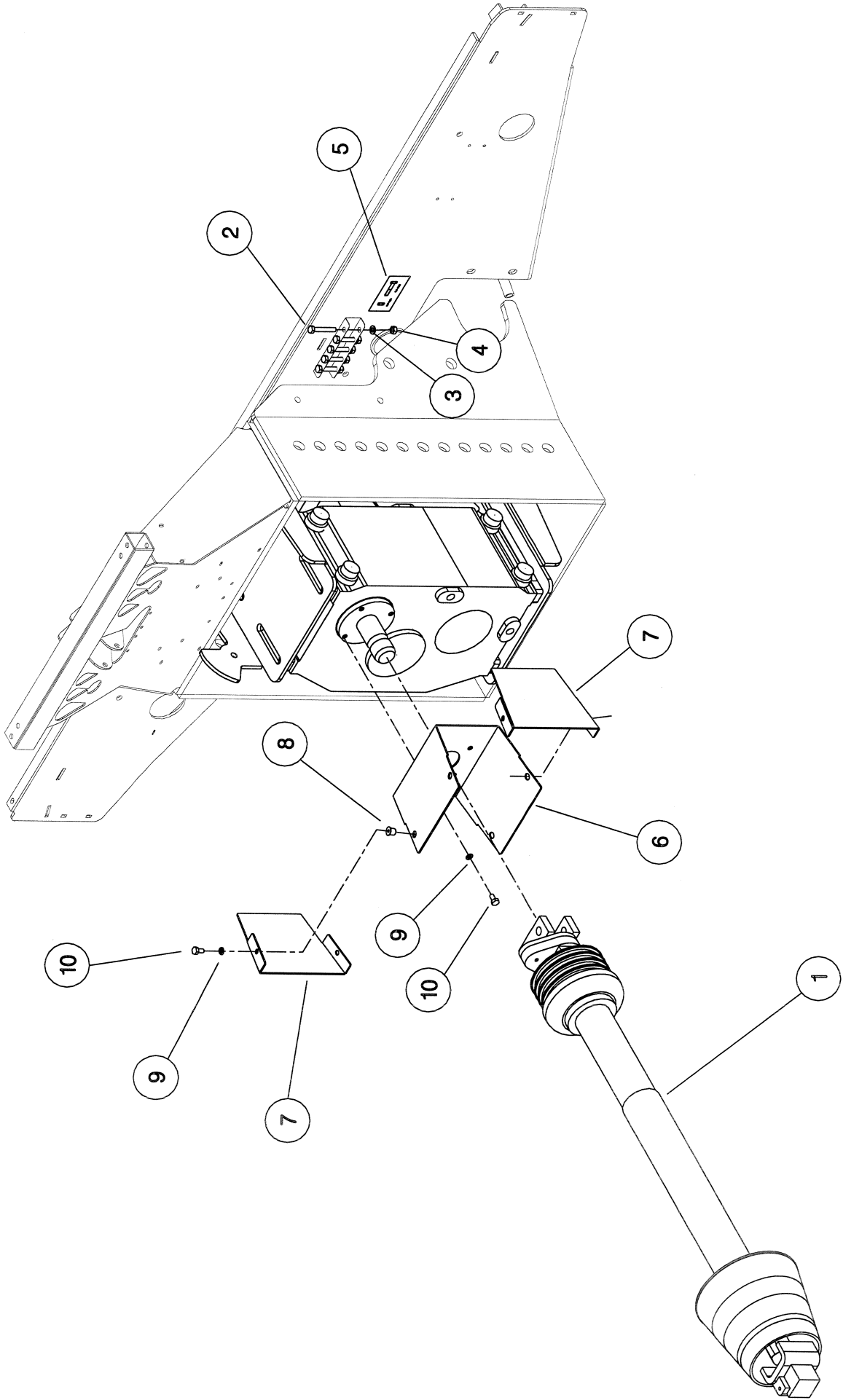
KIT-03546		ASSY DESCRIPTION: 2-SPEED KIT EXP(1000 RPM INPUT-6 SPLINE)		
ASSY NUMBER:	KIT-03546	ASSY DESCRIPTION:	2-SPEED KIT EXP(1000 RPM INPUT-6 SPLINE)	
ITEM	PART NO	DESCRIPTION	QTY	ITEM
1	GEA-0176	2-SPEED GEARBOX	1	
2	PTO-20007	PTO COUPLING	1	
3				
4				
5				
6				
7				
8				
9				
10				
11				
12	590475 02	EMBLEM (MAX PTO SPEED)	1	
13	613850 01	TOP GEARBOX BRKT	1	
14	613851 01	BOTTOM GEARBOX BRKT	1	
15	WSH-0024	WASHER	14	
16	WSH-0070	WASHER	8	
17	HSS-0315	SETSCREW	8	
18	HSS-0316	SETSCREW	6	
19	NUT-0271	NUT	6	
20	613853 01	FRONT DRIVE GUARD	1	
21	613579 01	GEAR CHANGE LEVER	1	
22	PIN-40817	ROLL PIN	1	
23	613845 01	SPACER DISC	1	
24	613846 01	GEAR CHANGE LEVER	1	
25	BLTA12380	BOLT	1	
26	WSH-0018	WASHER	6	
27	NUT-0269	NUT	3	
28	613844 01	GEAR CHANGE LEVER	1	
29	HSS-0241	SETSCREW	2	
30	613848 01	LEVER POSITION EMBLEM	1	
31	614243 01	AUGER SPEED EMBLEM	1	
32	PTF-00025	HANDLE GRIP	1	



KIT-03546

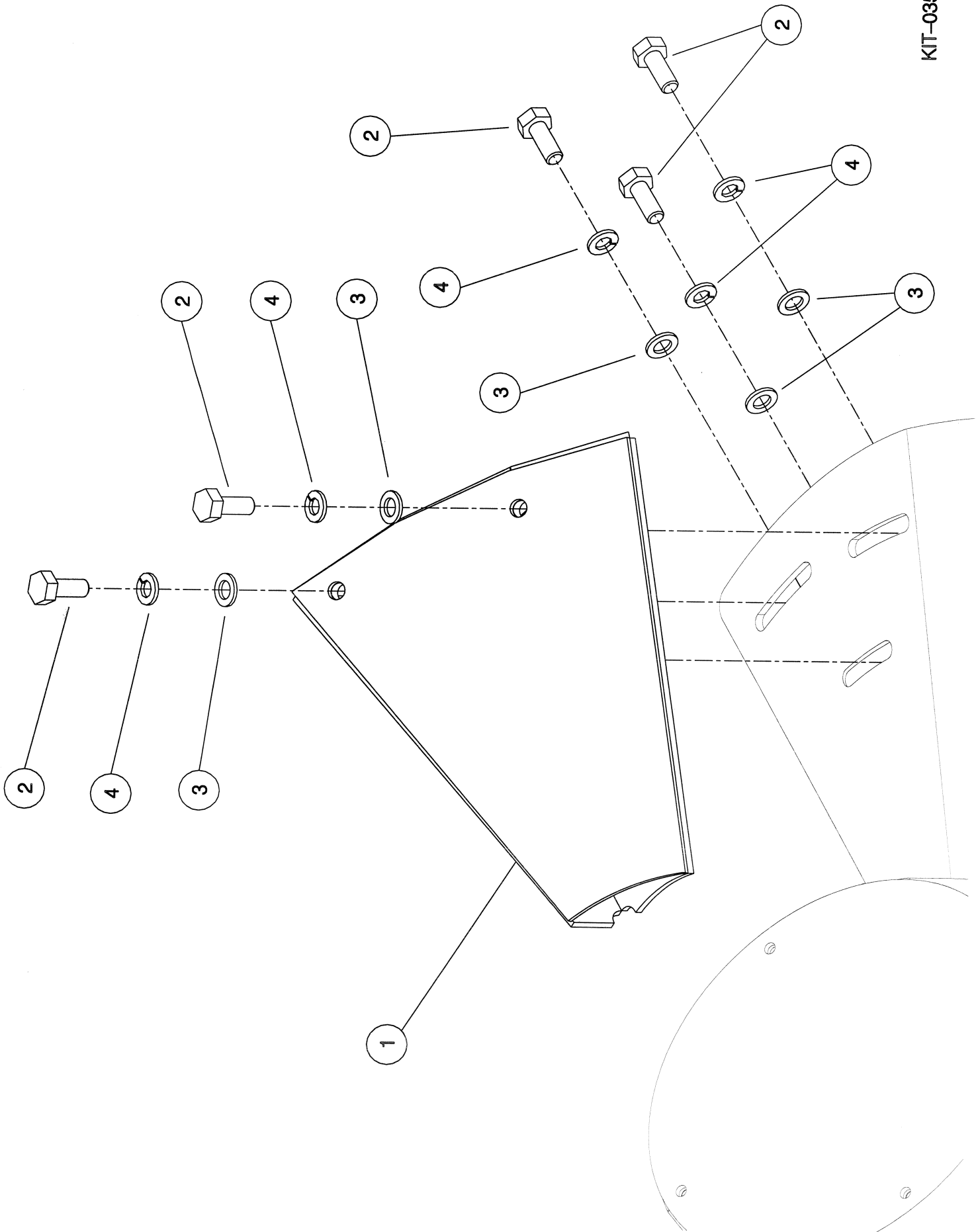
Shelbourne Reynolds Engineering Limited

KIT-03548		ASSY DESCRIPTION: PTO SHAFT KIT					
ASSY NUMBER:							
ITEM	PART NO	DESCRIPTION	QTY	ITEM	PART NO	DESCRIPTION	QTY
1	PTO-17031	PTO SHAFT ASSY	1				
2	BLTA08350	BOLT	5				
3	WSH-0012	WASHER	5				
4	NUT-0263	NUT	5				
5	192839 01	SHEARBOLT EMBLEM	1				
6	614425 01	PTO GUARD	1				
7	614426 01	PTO SIDE GUARD	2				
8	NUTA13080	NUTSERT	4				
9	WSH-0058	WASHER	8				
10	HSS-0135	SET SCREW	8				



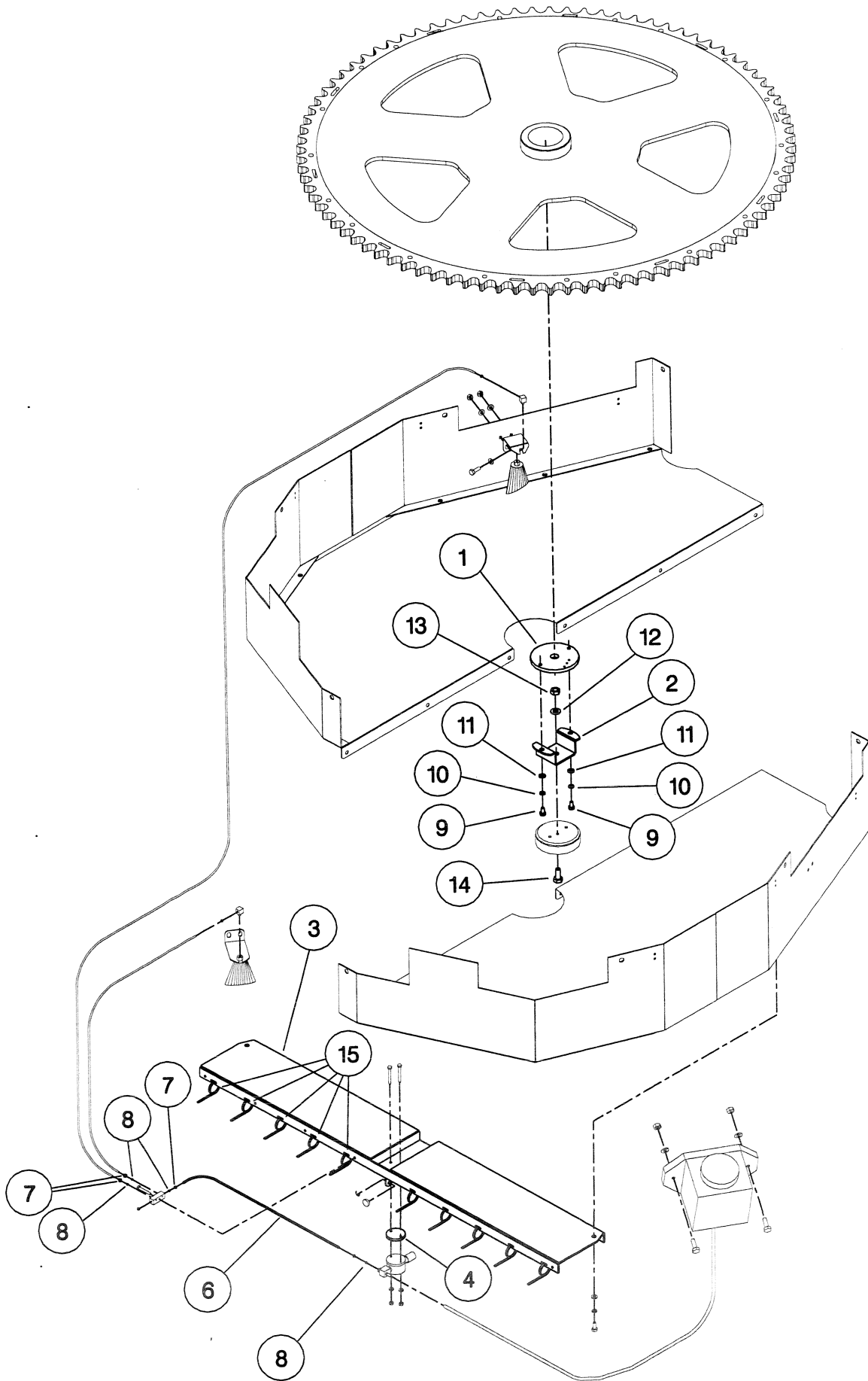
Shelbourne Reynolds Engineering Limited

KIT-03566		ASSY DESCRIPTION: AUGER BLADE KICKER KIT					
ASSY NUMBER:	KIT-03566	ASSY DESCRIPTION: AUGER BLADE KICKER KIT					
ITEM	PART NO	DESCRIPTION	QTY	ITEM	PART NO	DESCRIPTION	QTY
1	613687 01	TOP FLIGHT ASSY	1				
2	HSS-0316	SETSCREW	5				
3	WSH-0025	WASHER	5				
4	WSH-0070	WASHER	5				



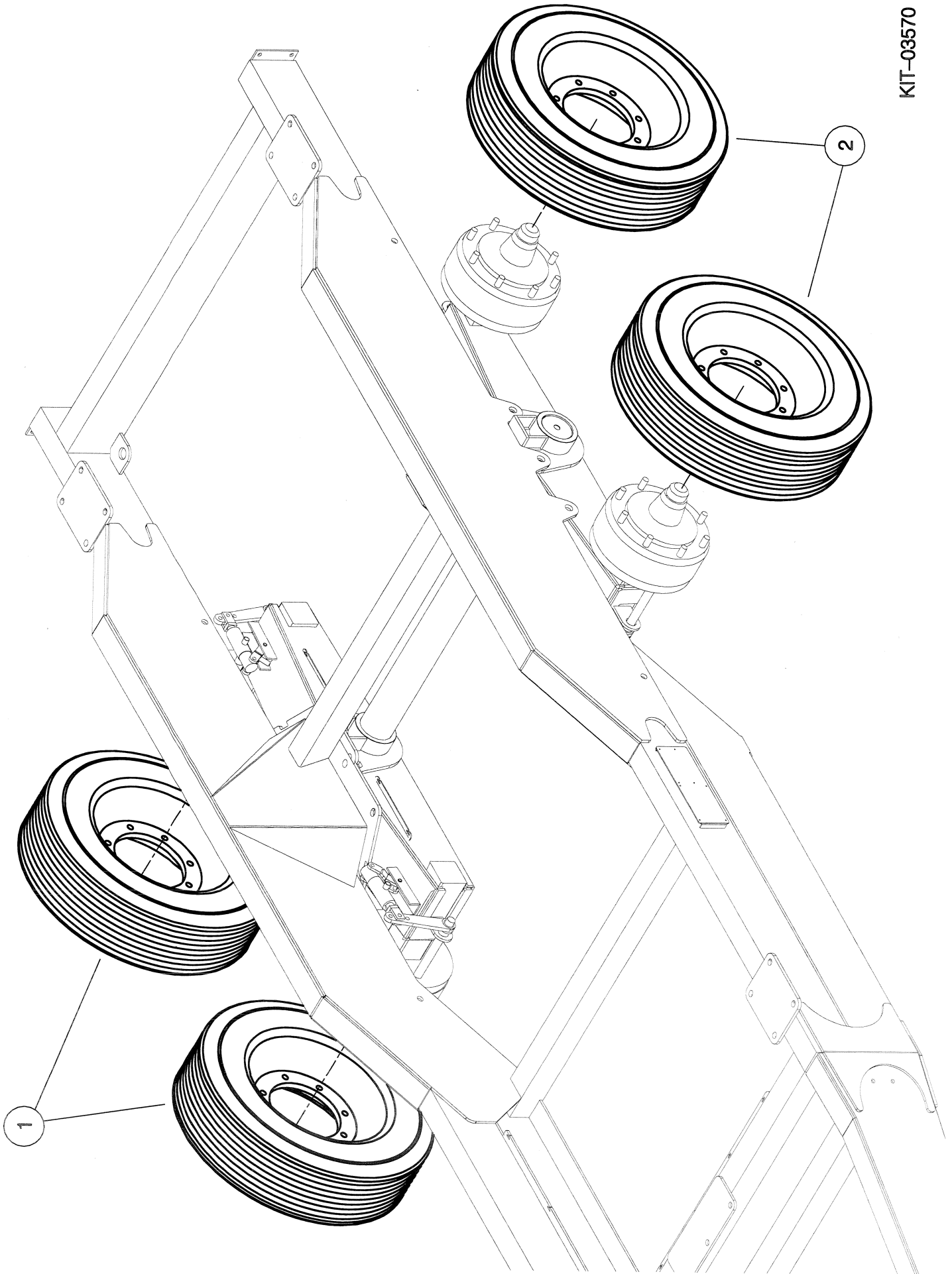
Shelbourne Reynolds Engineering Limited

KIT-03569		ASSY DESCRIPTION: CHAIN OILER CONVERSION KIT (16-22m ³)		
ASSY NUMBER:				QTY
ITEM	PART NO	DESCRIPTION	QTY	ITEM
				PART NO
				DESCRIPTION
				QTY
1	614253 01	AUGER FIXING DISC	1	
2	614252 01	CAM BRACKET	1	
3	614346 01	OIL PUMP MTG PLATE W/A	1	
4	590775 01	SPACER DISC	1	
5				
6	LUB-00012	FLEXIBLE TUBE	3.0m	
7	LUB-00025	SLEEVE NUT (N532)	2	
8	LUB-00006	ENOT OLIVE	4	
9	HSSA08111	SETSCREW	2	
10	WSH-0058	WASHER	2	
11	WSH-0012	WASHER	2	
12	WSH-0018	WASHER	1	
13	NUT-0269	NYLOC NUT	1	
14	HSS-0238	BOLT	1	
15	TIE-0002	TIE WRAPS	10	



Shelbourne Reynolds Engineering Limited

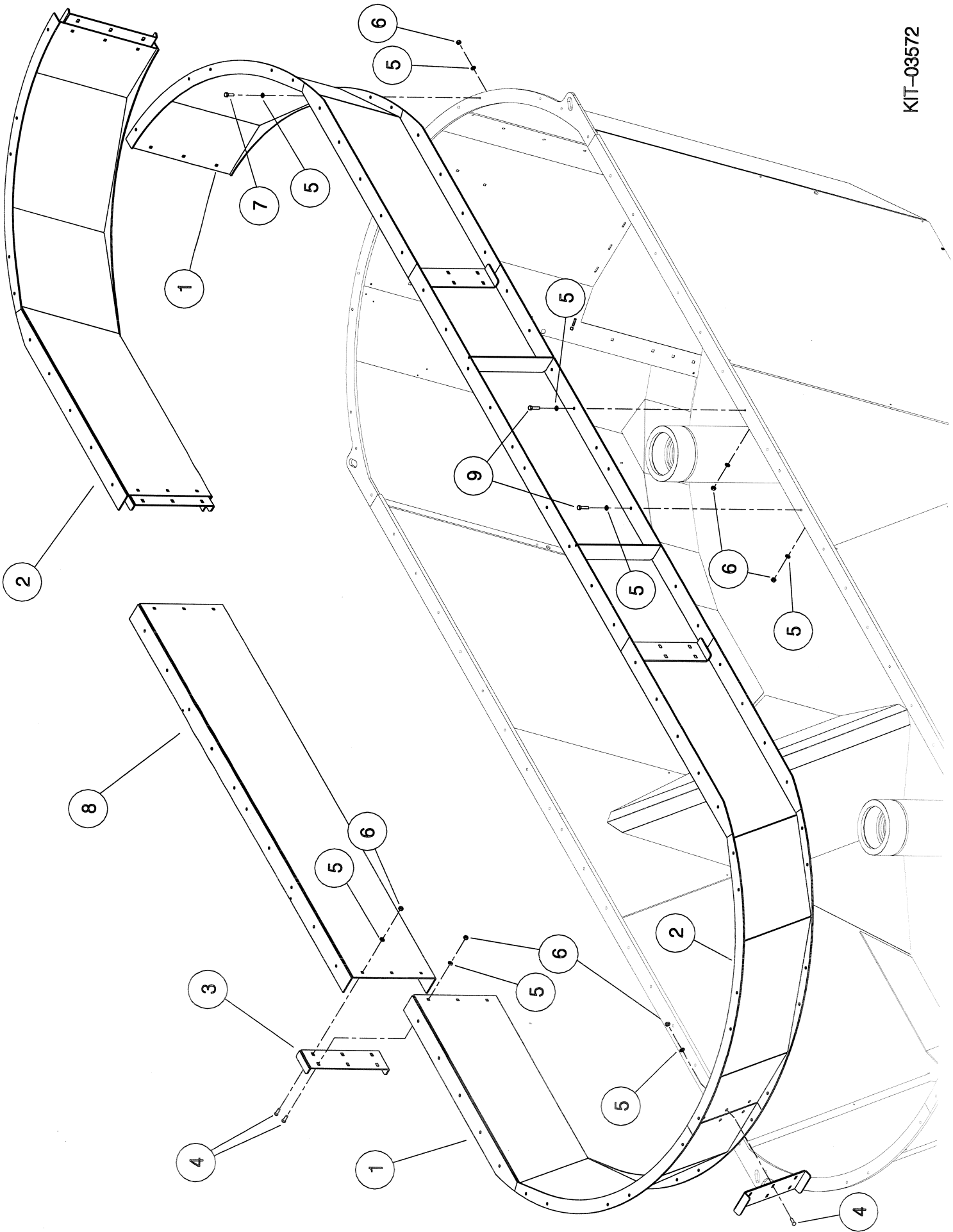
KIT-03570		ASSY DESCRIPTION: WHEEL & TYRE KIT (12.5/60-15 SOFT FILL)					
ASSY NUMBER:	PART NO	DESCRIPTION	QTY	ITEM	PART NO	DESCRIPTION	QTY
1	WHL-01444	RH WHEEL & TYRE	2				
2	WHL-01445	LH WHEEL & TYRE	2				



KIT-03570

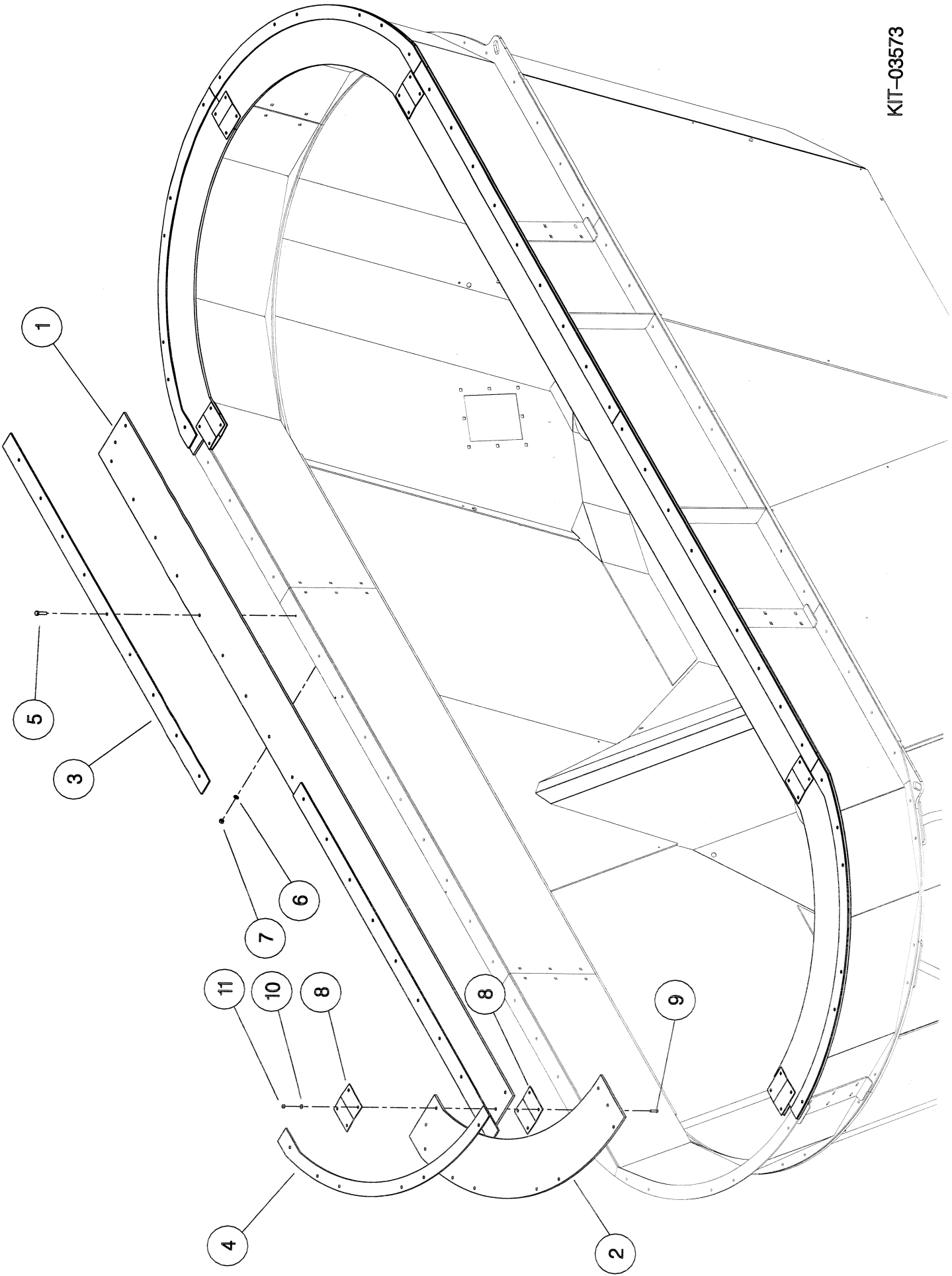
Shelbourne Reynolds Engineering Limited

KIT-03572		ASSY DESCRIPTION: 450mm EXTENSION KIT (TWIN AUGER)					
ASSY NUMBER:							
ITEM	PART NO	DESCRIPTION	QTY	ITEM	PART NO	DESCRIPTION	QTY
1	614415 01	EXTENSION W/A	2				
2	614415 02	EXTENSION W/A	2				
3	614420 01	SIDE CLAMP PLATE	6				
4	BLT-3745	COACHBOLT	36				
5	WSH-0015	WASHER	148				
6	NUT-0265	NUT	80				
7	HSS-0198	SETSCREW	24				
8	614410 01	450mm EXTENSION SIDE W/A	2				
9	BLTA12350	BOLT	32				



Shelbourne Reynolds Engineering Limited

KIT-03573		ASSY DESCRIPTION: 450mm EXT TWIN TUB RUBBER RETAINER KIT					
ASSY NUMBER:	KIT-03573	ASSY DESCRIPTION: 450mm EXT TWIN TUB RUBBER RETAINER KIT					
ITEM	PART NO	DESCRIPTION	QTY	ITEM	PART NO	DESCRIPTION	QTY
1	614422 01	STRAIGHT RUBBER SECTION	2				
2	610982 01	CORNER RUBBER SECTION	4				
3	614423 01	STRAIGHT CLAMP STRIP	4				
4	612817 01	CORNER CLAMP STRIP	4				
5	BLTA10290	SETSCREW	60				
6	WSH-0015	WASHER	60				
7	NUT-0265	NUT	60				
8	611051 01	CLAMP STRIP	12				
9	BLT-2700	COACHBOLT	24				
10	WSH-0012	WASHER	24				
11	NUT-0263	NUT	24				



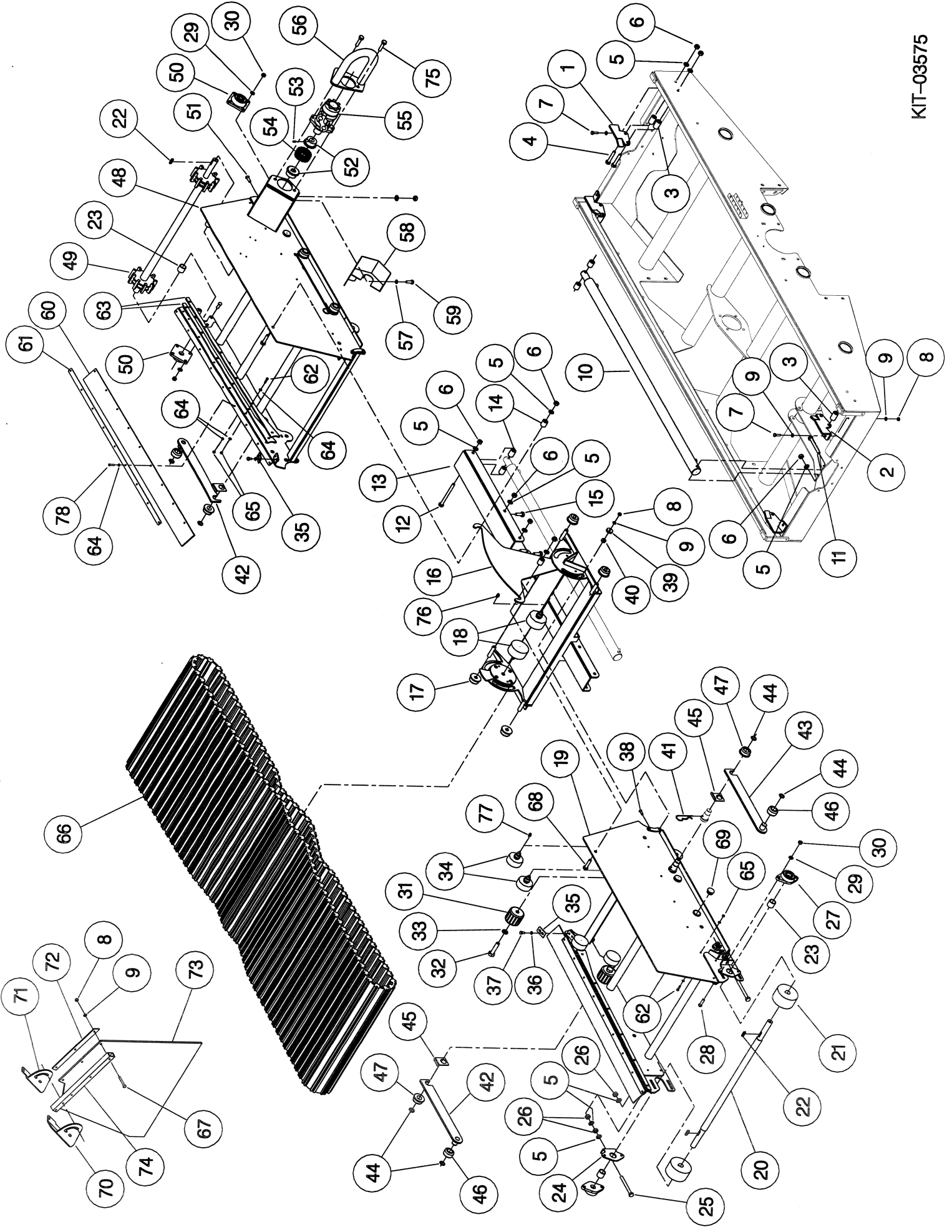
KIT-03573

Shelbourne Reynolds Engineering Limited

KIT-03575		ASSY DESCRIPTION:			WEB EXPRESS CONVEYOR KIT		
ASSY NUMBER:	PART NO	DESCRIPTION	QTY	ITEM	PART NO	DESCRIPTION	QTY
1	614279 01	LIFT ARM STOP PLATE LH	2	39	190548 57	WASHER	8
2	614279 02	LIFT ARM STOP PLATE RH	2	40	190548 45	WASHER	8
3	614280 01	SPACER TUBE (40mm LG)	8	41	CLP-00105	R-CLIP	4
4	BLTA12470	BOLT	8	42	614317 01	LIFT ARM ASSY	2
5	WSH-0018	WASHER	22	43	614317 02	LIFT ARM ASSY	2
6	NUT-0269	NUT	16	44	CIR-1125	CIRCLIP	8
7	HSS-0150	SETScrew	4	45	613335 01	LATCH PLATE	4
8	NUT-0263	NUT	17	46	613333 03	WHEEL	4
9	WSH-0012	WASHER	21	47	614278 01	WHEEL	4
10	610447 01	HYD CYLINDER	1	48	614470 01	LH CONVEYOR PAN W/A	1
11	BLT-2270	BOLT	1	49	614483 01	DRIVE SHAFT W/A	1
12	20146128	BOLT	1	50	BRG-25255	BEARING	1
13	614480 01	RAM BRACKET	1	51	BLTF10231	COACHBOLT	2
14	613919 03	SPACER TUBE	1	52	260030 03	SPROCKET	8
15	HSS-0241	SETScrew	4	53	SCW-4530	GRUBSCREW	2
16	614478 01	CENTRE FRAME W/A	4	54	CHN-01380	CHAIN	1
17	613702 01	WHEEL	1	55	MOTH08000	HYD MOTOR	1
18	CON-00026	GUIDE ROLLER	4	55a	HMS-08001	SEAL KIT (SPARES)	1
19	614468 01	RH CONVEYOR PAN W/A	2	56	614304 01	MOTOR GUARD	1
20	614481 01	IDLE SHAFT	1	57	WSH-0061	WASHER	1
21	CON-00024	IDLE ROLLER	1	58	614310 01	COUPLING GUARD	2
22	K0807032	KEY	2	59	HSS-0188	SET SCREW	1
23	614272 05	SHAFT SPACER	3	60	614309 01	RUBBER SEAL STRIP	2
24	614486 01	ADJUSTER PLATE	4	61	614487 01	CLAMP STRIP	2
25	HSSA12560	SET SCREW	2	62	SCBA06200	BUTT SOC HD SCREW	2
26	NUT-0170	NUT	6	63	614484 01	SEAL PLATE	24
27	BRG-25260	BEARING	2	64	WSH-0009	WASHER	8
28	BLT-3755	COACHBOLT	4	65	NUT-0260	NUT	84
29	WSH-0018	WASHER	4	66	CON-00028	CONVEYOR BELT	42
30	NUT-0265	NUT	12	OR	CON-00027	CONVEYOR BELT	1
31	CON-00021	SUPPORT ROLLER	12	67	BLTA08380	BOLT	1
32	BLT-2314	BOLT	4	68	BLTA12380	SETScrew	5
33	WSHA30161	LOCKWASHER	4	69	PTF-00134	PLASTIC CAP INSERT	2
34	CON-00025	SUPPORT ROLLER	4	70	613590 01	CURTAIN BRKT RH	12
35	614485 01	SCRAPER PLATE	8	71	613589 01	CURTAIN BRKT LH	1
36	WSH-0058	WASHER	4	72	613602 01	CLAMP STRIP	1
37	HSS-0135	SETScrew	8	73	613587 01	RUBBER CURTAIN	1
38	BLT-2730	COACHBOLT	8	74	613601 01	RUBBER CURTAIN MTG	1

Shelbourne Reynolds Engineering Limited

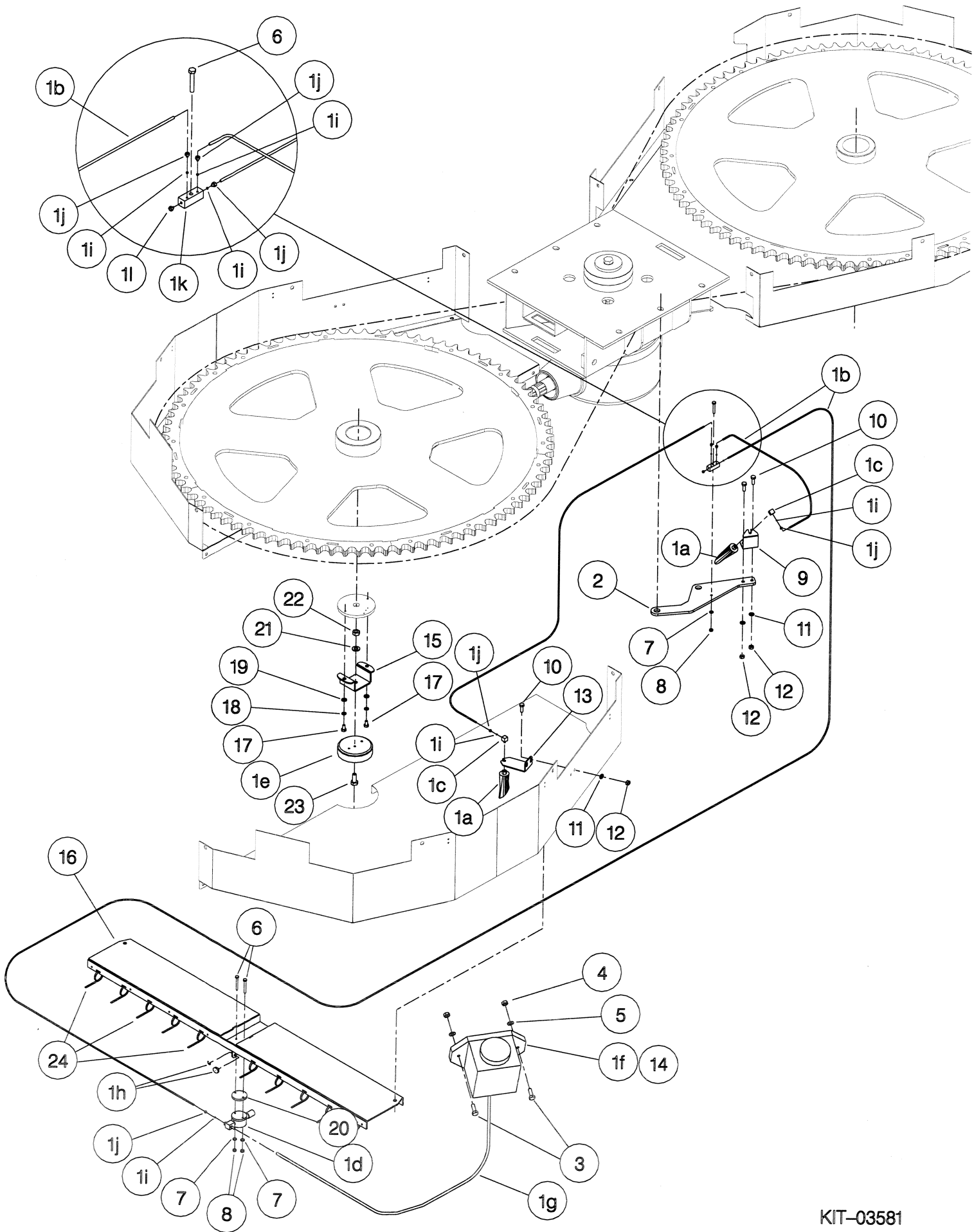
KIT-03575 CONTINUED.....		ASSY DESCRIPTION: WEB EXPRESS CONVEYOR KIT					
ASSY NUMBER:							
ITEM	PART NO	DESCRIPTION	QTY	ITEM	PART NO	DESCRIPTION	QTY
75	HSS-0260	BOLT	2				
76	NIP-00610	GREASE NIPPLE	2				
77	NIP-00600	GREASE NIPPLE	8				
78	SCW-4963	BUTT SOC HD SCREW	18				
79	WSH-1547	WASHER	4				



KIT-03575

Shelbourne Reynolds Engineering Limited

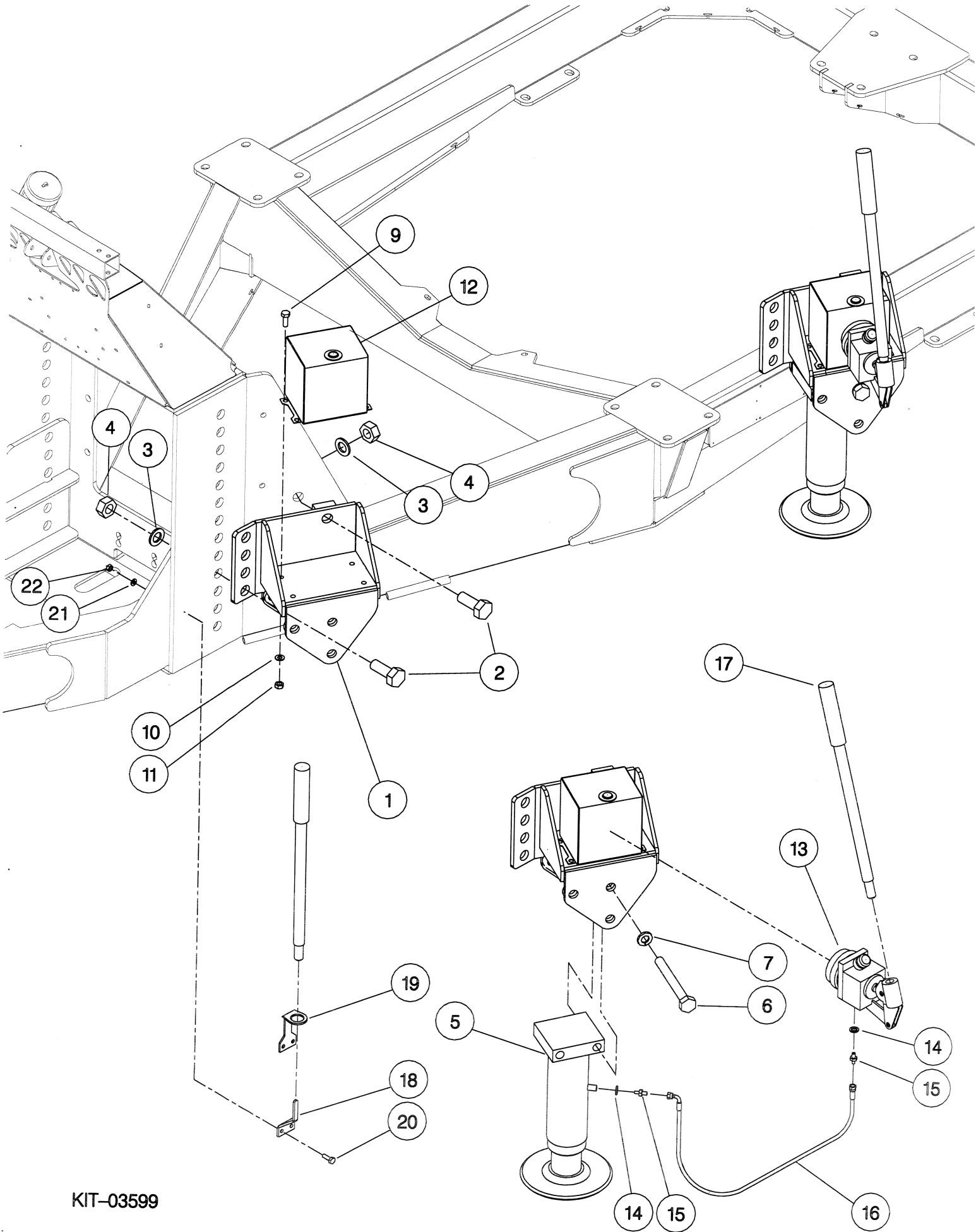
KIT-03581		ASSY DESCRIPTION: POWERMIX SELF LUBRICATION (TWIN AUGER)					
ASSY NUMBER:	KIT-03581	DESCRIPTION	QTY	ITEM	PART NO	DESCRIPTION	QTY
1	LUB-00040	MASTERLUBE LUBRICATION SYS	1				
1a	LUB-00031	DOUBLE BRUSH	2				
1b	LUB-00012	FLEX TUBE	3.0mt				
1c	LUB-00032	CONNECTOR	2				
1d	LUB-00010	MINIMASTER PUMP	1				
1e	LUB-00004	ADJ CAM	1				
1f	LUB-00011	RESEVOIR	1				
1g	LUB-00013	NEOPRENE TUBE	3mt				
1h	LUB-00014	CD CAP ASSY	1				
1i	LUB-00006	ENOT OLIVE	6				
1j	LUB-00009	SLEEVE NUT	6				
1k	LUB-00015	2-WAY MANIFOLD	1				
1l	LUB-00003	BLANK PLUG	1				
2	614558 01	MOUNTING PLATE	1				
3	HSS-0210	SET SCREW	2				
4	NUT-0265	NYLOC NUT	2				
5	WSH-0015	WASHER	2				
6	BLTA06320	BOLT	3				
7	WSH-0009	WASHER	3				
8	NUT-0260	NYLOC NUT	3				
9	613381 01	BRUSH HOLDER PLATE	1				
10	HSS-0145	BOLT	4				
11	WSH-0012	WASHER	4				
12	NUT-0263	NYLOC NUT	4				
13	613929 01	BRUSH HOLDER PLATE	1				
14	OIL-0044	OIL (CIRKAN C 100)	2LT				
15	614252 01	CAM BRACKET	1				
16	614346 01	OIL PUMP MTG PLATE W/A	1				
17	HSSA08111	SETSCREW	2				
18	WSH-0058	WASHER	2				
19	WSH-0012	WASHER	2				
20	590775 01	SPACER DISC	2				
21	WSH-0018	WASHER	1				
22	NUT-0269	NYLOC NUT	1				
23	HSS-0238	BOLT	1				
24	TIE-0002	TIE WRAPS	20				



KIT-03581

Shelbourne Reynolds Engineering Limited

ASSY NUMBER:		KIT-03599			SUB ASSY DESCRIPTION:HYD PARKING JACK WITH HAND PUMP KIT		
ITEM	PART NO	DESCRIPTION	QTY	ITEM	PART NO	DESCRIPTION	QTY
1	614619 01	JACK MNTG BKT	1				
2	HSS-0410	SETSCREW	4				
3	WSH-0036	WASHER	4				
4	NUT-0275	NUT	4				
5	JAC-00210	HYD JACK	1				
6	BLTA20770	BOLT	1				
7	WSH-0075	SPRING WASHER	1				
8							
9	HSS-0194	SETSCREW	4				
10	WSH-0015	WASHER	4				
11	NUT-0265	NYLOC NUT	4				
12	JAC-00220	HYD TANK	1				
13	JAC-00225	HAND PUMP	1				
14	WSH-1010	DOWTY WASHER	2				
15	HMA-0057	HYD ADPT	2				
16	HHCC03500	HYD HOSE ASSY	1				
17	JAC-00230	LEVER	1				
18	611654 01	LOWER HANDLE BKT	1				
19	611655 01	TOP BKT HOOP	1				
20	HSS-0145	SET SCREW	4				
21	WSH-0012	WASHER	4				
22	NUT-0263	NYLOC NUT	4				



KIT-03599