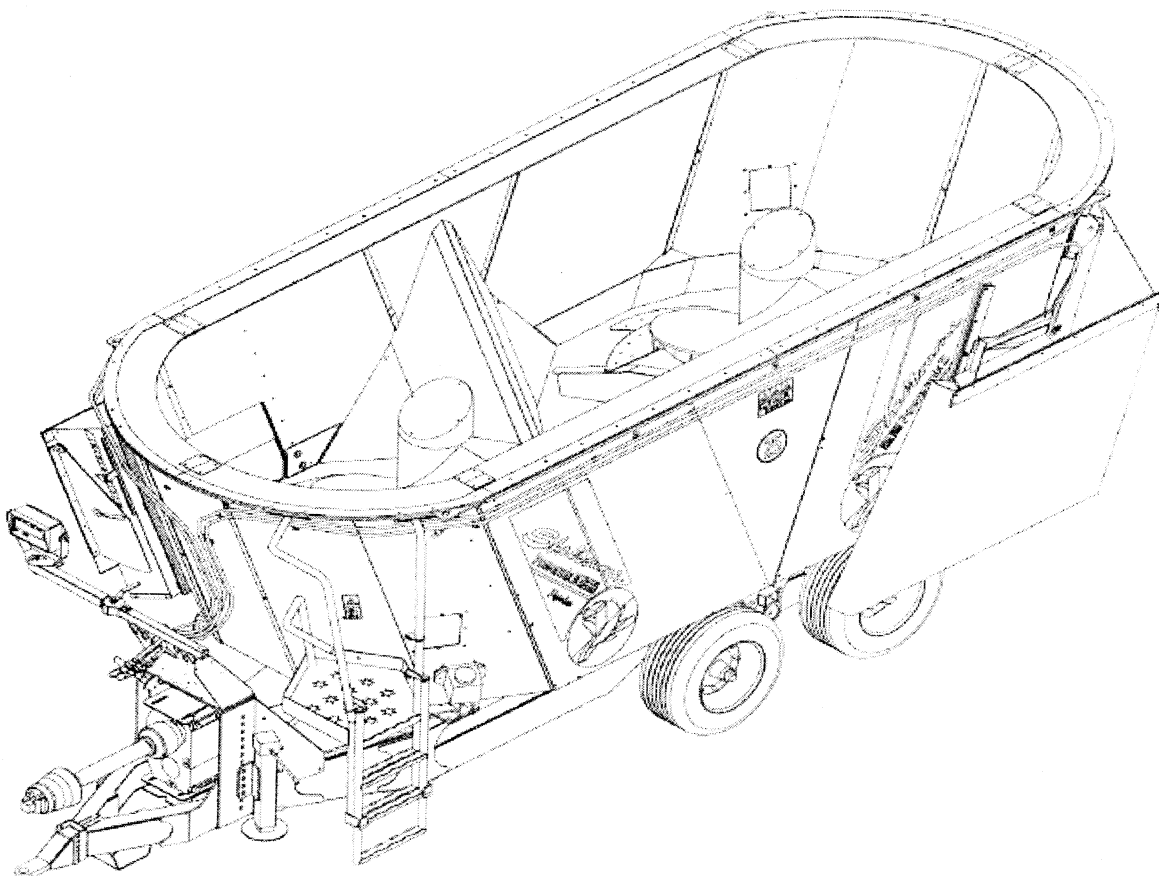


# Powermix II

16 m<sup>3</sup> 19 m<sup>3</sup> 22 m<sup>3</sup> *Popular*



## PARTS LIST MANUAL



Shelbourne Reynolds Engineering Ltd  
Stanton  
Bury St Edmunds  
Suffolk IP31 2AR  
England

Telephone: 01359 250415 (Stores direct 01359 251231)  
Fax. No: 01359 250464 (Stores direct 01359 252031)



INVESTOR IN PEOPLE

ISSUE 6  
17.12.07

## PARTS LISTINGS

### **MACHINE IDENTIFICATION**

The Powermix machine and serial identification numbers are engraved on a plate situated on the left-hand side of the chain guard.

To ensure component parts are supplied correctly, we recommend that you record the serial no, machine no and any kit option numbers in the space below.

**POWERMIX SERIAL NUMBER** \_\_\_\_\_

**POWERMIX MACHINE NUMBER** \_\_\_\_\_

|            |            |            |
|------------|------------|------------|
| KIT OPTION | KIT OPTION | KIT OPTION |
| KIT OPTION | KIT OPTION | KIT OPTION |
| KIT OPTION | KIT OPTION | KIT OPTION |
| KIT OPTION | KIT OPTION | KIT OPTION |
| KIT OPTION | KIT OPTION | KIT OPTION |

### **ORDERING SPARE PARTS**

To ensure that you order the correct part from your SRE dealer please use the following procedure.

#### **ALWAYS QUOTE THE MACHINE AND SERIAL NUMBERS WHEN ORDERING.**

Refer to the front page of this parts list section (machine assemblies), listing all the sub assemblies.

The appropriate assemblies part number (in the top left-hand corner) will match the machine number from the Powermix identification plate.

Use the following sub assembly numbers and descriptions to find the area of the machine that your part is required, i.e. if you need a part which is fitted to the conveyor, your part will be in the conveyor sub assembly parts list.

Having decided which sub-assembly your part should be under, use the number beside that sub-assembly description which will begin with 6190-- -- to find the parts listing of the sub-assembly further on in the manual. The number will be printed in the top left-hand corner; the sub-assemblies are in numerical order.

Having found the correct parts list, you will find the corresponding drawing by either looking at the facing page or progressing through the manual to the next drawing.

The drawings indicate the components by item numbers, which you will find, are repeated in the left-hand side of your parts listing, and therefore referring to the correct part.

**LIST OF KIT NUMBERS  
FOR 16,19 & 22 m3 POPULAR MACHINES**

MAN-05103

1. 619924 01 TWIN AUGER 2 DOOR POPULAR Mc
2. 619111 03 CHASSIS & DRAWBAR SUB ASSY  
(TWIN POPULAR)
3. 619113 01 AUGER SUB ASSY
4. 619114 01 SIDE DOOR SUB ASSY
5. 619114 02 SIDE DOOR SUB ASSY
6. 619116 02 POPULAR TRANSFERS SUB ASSY
7. 619117 01 TWIN AUGER DRIVES SUB (POPULAR)
8. 619118 01 AUGER FIXING SUB ASSY (TWIN AUGER)
9. 619119 01 TWIN AUGER 2 DOOR POP TUB SUB ASSY
10. 619122 04 POPULAR TRANSFERS SUB ASSY (TWIN AUGER)
11. 619130 02 TWIN AUGER DRIVES SUB (POPULAR)
12. GEA-0174 TWIN TUB POWERMIX BEVAL GEARBOX(3.36:1)
13. KIT-03201 KNIFE KICKER SUB
14. KIT-03370 WHEEL AND TYRE KIT (SMOOTH)
15. KIT-03422 UK TOWING EYE KIT
16. KIT-03423 AUGER EXTENSION KIT (300 MM)
17. KIT-03424 SMALL BLADE KIT
18. KIT-03425 LARGE BLADE KIT
19. KIT-03426 RUBBER DOOR FLAP KIT (RH DOOR)
20. KIT-03431a LIGHTING KIT (TWIN AUGER)
21. KIT-03432a WHEEL & TYRE KIT (GOODYEAR 340/65 R18)  
TWIN
22. KIT-03439 CONTINENTAL TOWING EYE KIT
23. KIT-03440 DIRECT COUPLED RH DOOR HYDRAULICS KIT
24. KIT-03442 MID LEVEL EZ3200 INDICATOR KIT
25. KIT-03442a MID EZ3200V INDICATOR KITC/W REMOTE PORT
26. KIT-03447 ANTI-ROTATION BLADE KIT (2X SINGLE AUGER)
27. KIT-03448 FIXED RETARDER KIT (SINGLE AUGER)
28. KIT-03449 MECHANICAL JACK KIT
29. KIT-03452 300MM EXTENSION KIT (TWIN AUGER)
29. KIT-03453 600MM EXTENSION KIT (TWIN AUGER)
30. KIT-03456 BASIC EZ2000V INDICATOR KIT
31. KIT-03456a BASIC EZ2000V INDICATOR KIT
32. KIT-03458 BRAKED TANDEM AXLE SUB ASSY
33. KIT-03459 SINGLE SPEED DRIVE KIT (POP TWIN AUGER)
34. KIT-03460 DIRECT COUPLED LH DOOR HYD KIT TWIN POP
35. KIT-03461 TWIN TUB RUBBER RETAINING KIT
36. KIT-03462 POWERMIX SELF LUBRICATION (TWIN AUGER)
37. KIT-03463 WEIGH CELL SYSTEM (TWIN AUGER)



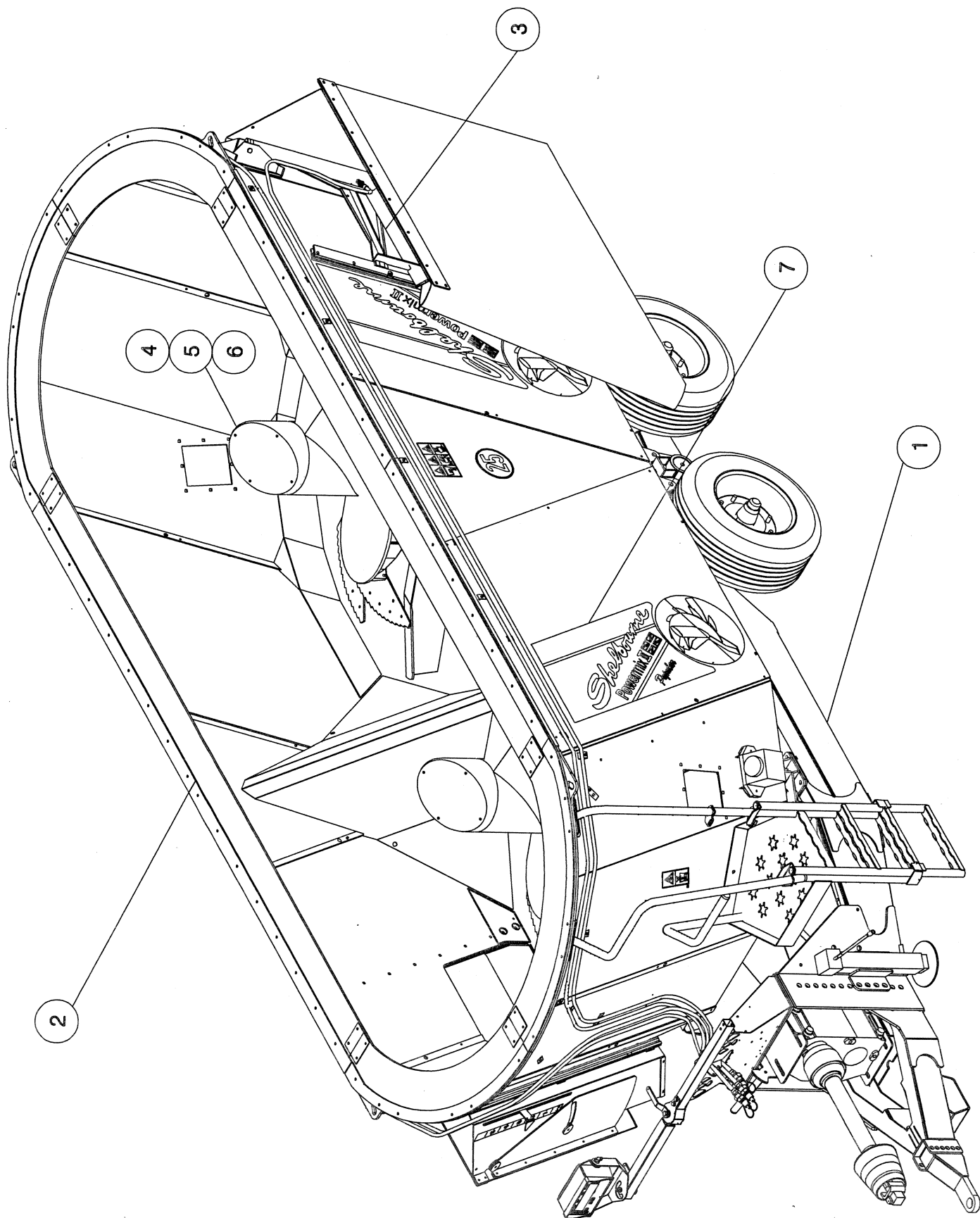


|               |  |
|---------------|--|
| 38.KIT-03464  | TWIN TUB RUBBER RETAINING KIT                    |
| 39.KIT-03465  | TWIN TUB RUBBER RETAINING KIT                    |
| 40.KIT-03467  | REMOTE ZERO FUNCTION KIT                         |
| 41.KIT-03468a | 2-SPEED KIT POP (1000 RPM INPUT-6 SPLINE)        |
| 42.KIT-03470a | DUMMY WEIGH CELL KIT (TWIN AUGER)                |
| 43.KIT-03471  | TOP LEVEL EZ3500 INDICATOR KIT                   |
| 44.KIT-03471a | TOP LEVEL EZ3500 INDICATOR KIT                   |
| 45.KIT-03472  | DOOR BLANKING PLATE KIT                          |
| 46.KIT-03478  | RD100 DISPLAY KIT                                |
| 47.KIT-03483  | FLASHING LIGHT KIT                               |
| 48.KIT-03489  | AUGER MAGNET KIT (POPULAR STYLE AUGER)           |
| 49.KIT-03497  | RUBBER DOOR FLAP (LH DOOR TWIN AUGER)            |
| 50.KIT-03504  | RUBBER DOOR FLAP (RH DOOR)                       |
| 51.KIT-03505  | RUBBER DOOR FLAP KIT (LH DOOR)                   |
| 52.KIT-03506  | DOOR FLAP KIT (LH DOOR TWIN AUGER)               |
| 53.KIT-03510  | AUDIBLE ALARM KIT (FOR DIGI-STAR)                |
| 54.KIT-03511  | SUPER SINGLE WHEEL AND TYRE KIT                  |
| 55.KIT-03514  | HYD PARKING JACK (TRACTOR CONNECTION)            |
| 56.KIT-03538  | WEIGH CELL SYSTEM (TWIN AUGER)                   |
| 57.KIT-03544a | WHEEL AND TYRE KIT (BRANDENMARKT<br>305/55R22.5) |
| 58.KIT-03546a | 2-SPEED KIT POP (1000 RPM INPUT-6 SPLINE)        |
| 59.KIT-03548  | PTO SHAFT KIT                                    |
| 60.KIT-03566  | AUGER BLADE KICKER KIT                           |
| 61.KIT-03569  | CHAIN OILER CONVERSION KIT (16-22m3)             |
| 62.KIT-03570  | WHEEL AND TYRE KIT                               |
| 63.KIT-03571  | 1m SIDE CONVEYOR RH DOOR                         |
| 64.KIT-03572  | 450MM EXTENSION KIT                              |
| 65.KIT-03573  | 450MM EXT RUBBER RETAINING KIT                   |
| 66.KIT-03574  | DIRECT COUPLED HYDRAULICS (RH DOOR 1m)           |
| 67.KIT-03599  | HYDRAULIC PARKING JACK WITH HAND PUMP            |

PRINTED 17.12.2007

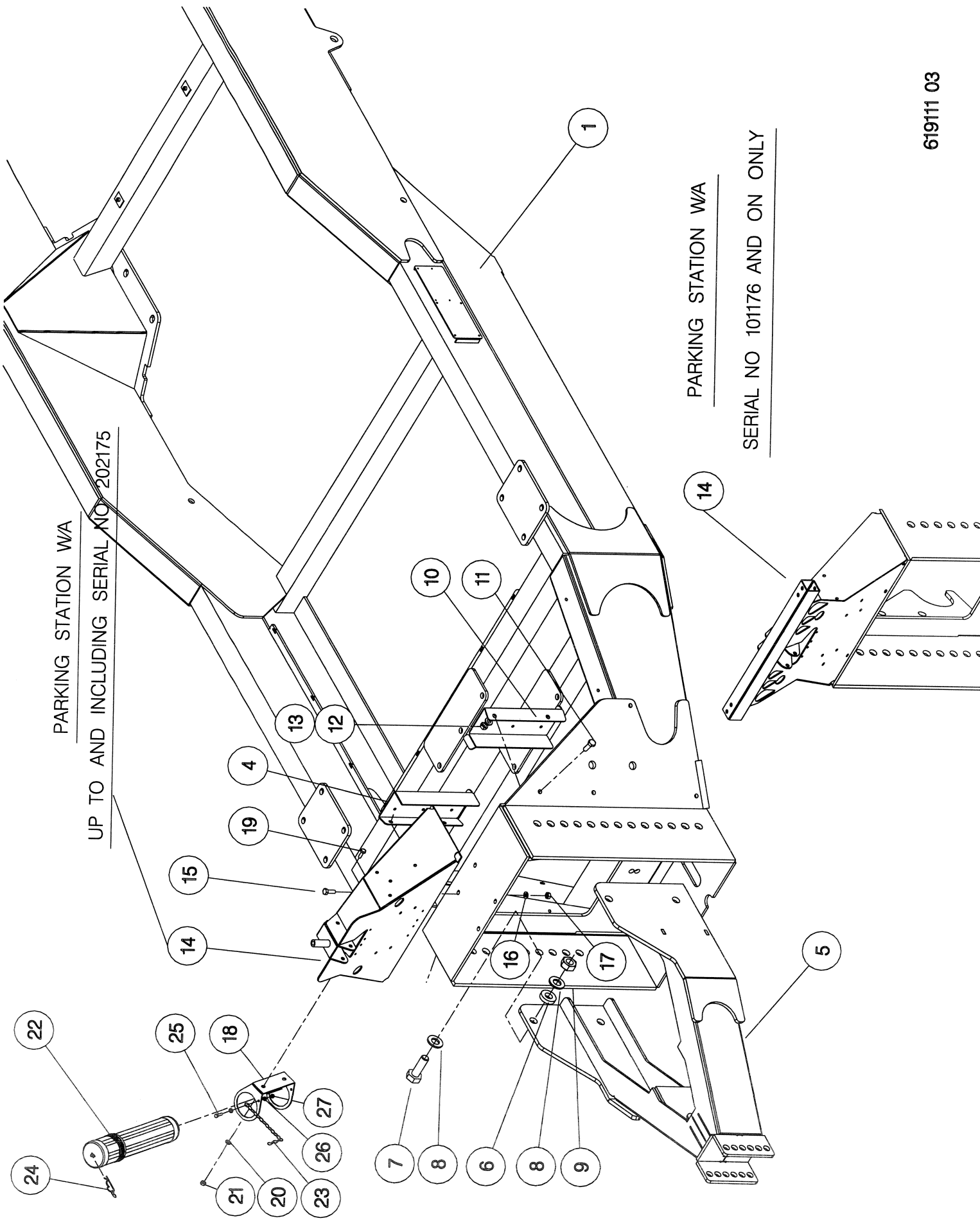
**Shelbourne Reynolds Engineering Limited**

| ASSY NUMBER: 619924 01 |           | SUB ASSY DESCRIPTION: 16m <sup>3</sup> TWIN AUGER 2 DOOR POPULAR MC. |     |      |         |             |     |
|------------------------|-----------|--|-----|------|---------|-------------|-----|
| ITEM                   | PART NO   | DESCRIPTION  | QTY | ITEM | PART NO | DESCRIPTION | QTY |
| 1                      | 619111 03 | CHASSIS & DRAWBAR SUB ASSY   | 1   |      |         |             |     |
| 2                      | 619119 01 | 16m <sup>3</sup> TUB SUB ASSY  | 1   |      |         |             |     |
| 3                      | 619114 02 | SIDE DOOR SUB ASSY<br>SERIAL No 201175 & ON                          | 2   |      |         |             |     |
| OR                     | 619114 01 | SIDE DOOR SUB ASSY<br>SERIAL No 101174 ONLY                          | 2   |      |         |             |     |
| 4                      | 619113 01 | AUGER SUB ASSY   | 2   |      |         |             |     |
| 5                      | 619118 01 | AUGER FIXING SUB ASSY  | 1   |      |         |             |     |
| 6                      | 619130 02 | AUGER DRIVE SUB ASSY<br>SERIAL No 101176 & ON                        | 1   |      |         |             |     |
| OR                     | 619117 01 | AUGER DRIVE SUB ASSY<br>(UP TO & INC SER No 202175                   | 1   |      |         |             |     |
| 7                      | 619122 04 | TRANSFERS SUB ASSY   | 1   |      |         |             |     |
| OR                     | 619116 02 | TRANSFERS SUB ASSY   | 1   |      |         |             |     |



**Shelbourne Reynolds Engineering Limited**

| ASSY NUMBER: 619111 03 |           | ASSY DESCRIPTION: CHASSIS & DRAWBAR SUB ASSY (TWIN POPULAR) |     |      |         |             |     |
|------------------------|-----------|---|-----|------|---------|-------------|-----|
| ITEM                   | PART NO   | DESCRIPTION   | QTY | ITEM | PART NO | DESCRIPTION | QTY |
| 1                      | 613776 01 | CHASSIS W/A   | 1   |      |         |             |     |
| 2                      |           |   |     |      |         |             |     |
| 3                      |           |   |     |      |         |             |     |
| 4                      | 613516 02 | HOSE TIDY RH  | 1   |      |         |             |     |
| 5                      | 613415 01 | DRAWBAR W/A   | 1   |      |         |             |     |
| 6                      | 190119 94 | WASHER  | 4   |      |         |             |     |
| 7                      | BLTA24530 | BOLT  | 4   |      |         |             |     |
| 8                      | WSH-0036  | WASHER  | 8   |      |         |             |     |
| 9                      | NUT-0275  | NUT   | 4   |      |         |             |     |
| 10                     | 613516 01 | HOSE TIDY LH  | 1   |      |         |             |     |
| 11                     | HSS-0241  | SETSCREW  | 4   |      |         |             |     |
| 12                     | WSH-0018  | WASHER  | 4   |      |         |             |     |
| 13                     | NUT-0269  | NUT   | 4   |      |         |             |     |
| 14                     | 614186 01 | PARKING STATION W/A   | 1   |      |         |             |     |
| OR                     | 613596 01 | (SERIAL No 101176 & ON ONLY)                                | 1   |      |         |             |     |
|                        |           | PARKING STATION W/A   |     |      |         |             |     |
|                        |           | (UP TO & INC. SER No 202175)                                |     |      |         |             |     |
| 15                     | HSS-0194  | SETSCREW  | 4   |      |         |             |     |
| 16                     | WSH-0015  | WASHER  | 4   |      |         |             |     |
| 17                     | NUT-0265  | NUT   | 4   |      |         |             |     |
| 18                     | 194364 01 | CANNISTER BRKT  | 1   |      |         |             |     |
| 19                     | HSS-0140  | SETSCREW  | 2   |      |         |             |     |
| 20                     | WSH-0012  | WASHER  | 2   |      |         |             |     |
| 21                     | NUT-0263  | NUT   | 2   |      |         |             |     |
| 22                     | WDA-00025 | MANUAL HOLDER   | 1   |      |         |             |     |
| 23                     | CHN-0145  | CHAIN   | 1   |      |         |             |     |
| 24                     | RCL-0015  | R-CLIP  | 1   |      |         |             |     |
| 25                     | HSS-0086  | SETSCREW  | 2   |      |         |             |     |
| 26                     | WSH-0009  | WASHER  | 2   |      |         |             |     |
| 27                     | NUT-0260  | NUT   | 2   |      |         |             |     |



PARKING STATION W/A

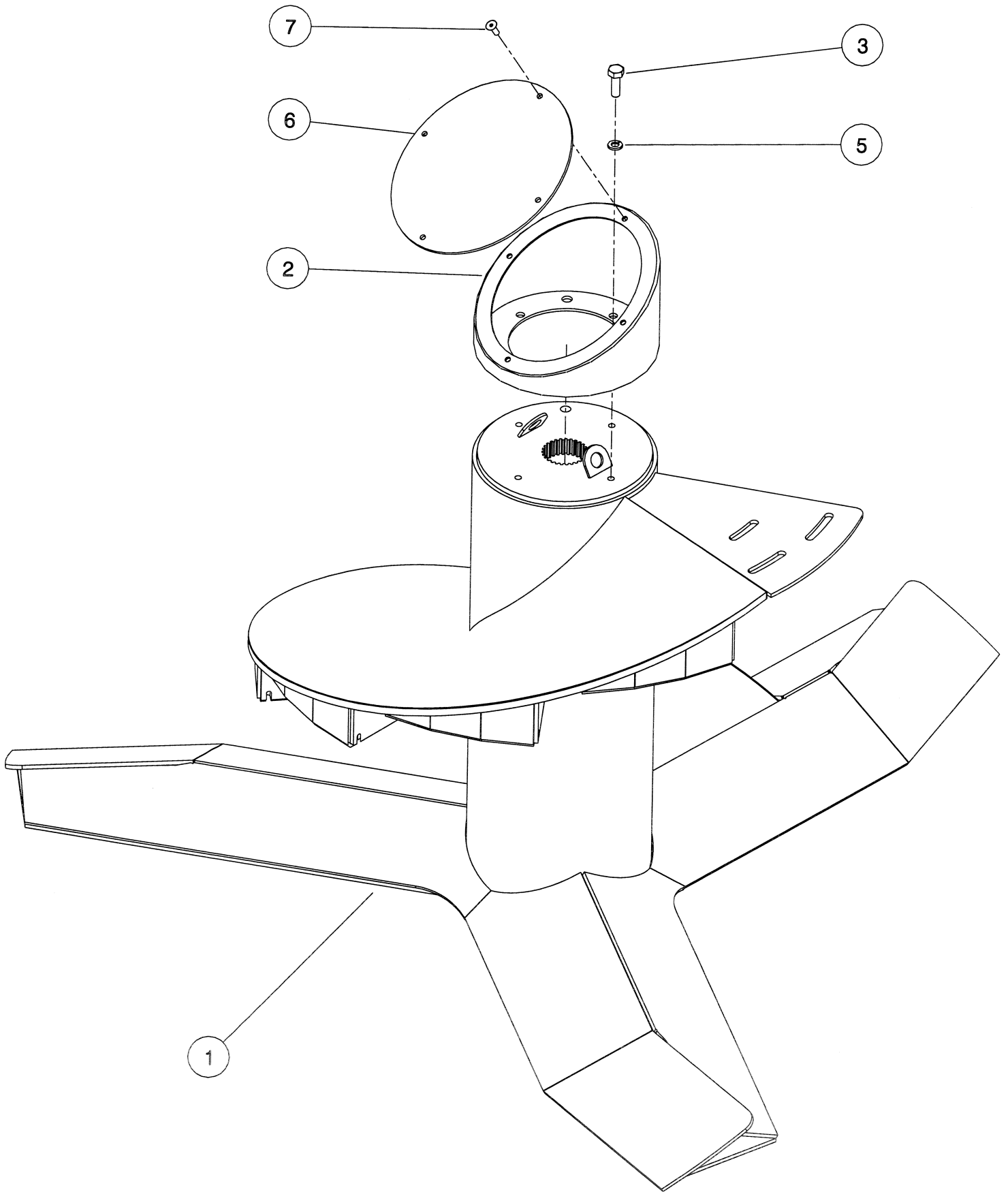
UP TO AND INCLUDING SERIAL NO 202175

PARKING STATION W/A

SERIAL NO 101176 AND ON ONLY

**Shelbourne Reynolds Engineering Limited**

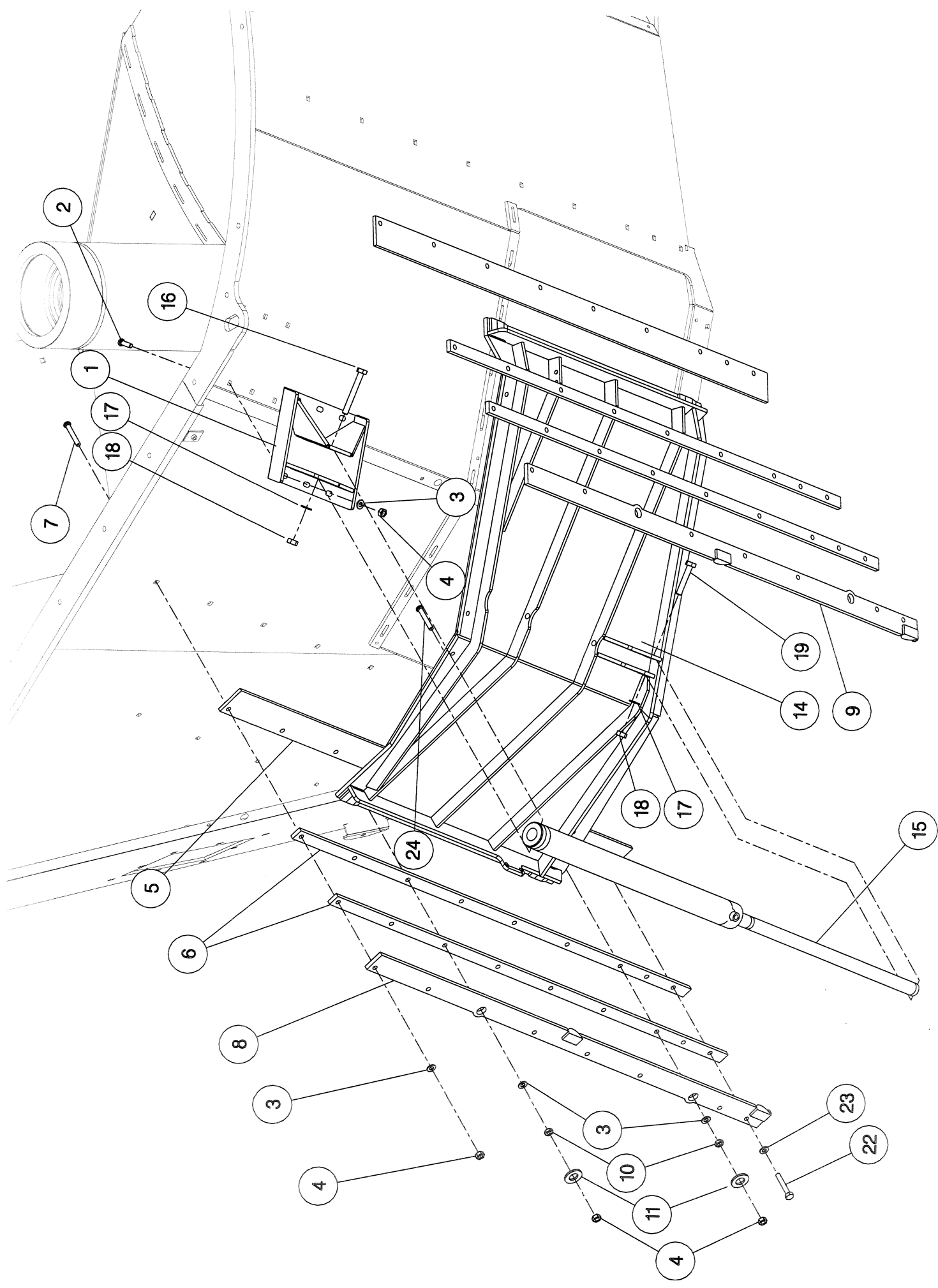
| ASSY NUMBER: 619113 01 |           | ASSY DESCRIPTION: AUGER SUB ASSY |     |      |         |             |     |
|------------------------|-----------|----------------------------------|-----|------|---------|-------------|-----|
| ITEM                   | PART NO   | DESCRIPTION                      | QTY | ITEM | PART NO | DESCRIPTION | QTY |
| 1                      | 613543 01 | AUGER WELD ASSY                  | 1   |      |         |             |     |
| 2                      | 613558 01 | OBLIQUE AUGER TOP                | 1   |      |         |             |     |
| 3                      | HSS-0316  | SETSCREW                         | 4   |      |         |             |     |
| 4                      |           |                                  |     |      |         |             |     |
| 5                      | WSH-0070  | WASHER                           | 4   |      |         |             |     |
| 6                      | 613708 01 | ELLIPTICAL DISC                  | 1   |      |         |             |     |
| 7                      | SCEA10170 | CSK SOC HD SCREW                 | 4   |      |         |             |     |



**Shelbourne Reynolds Engineering Limited**

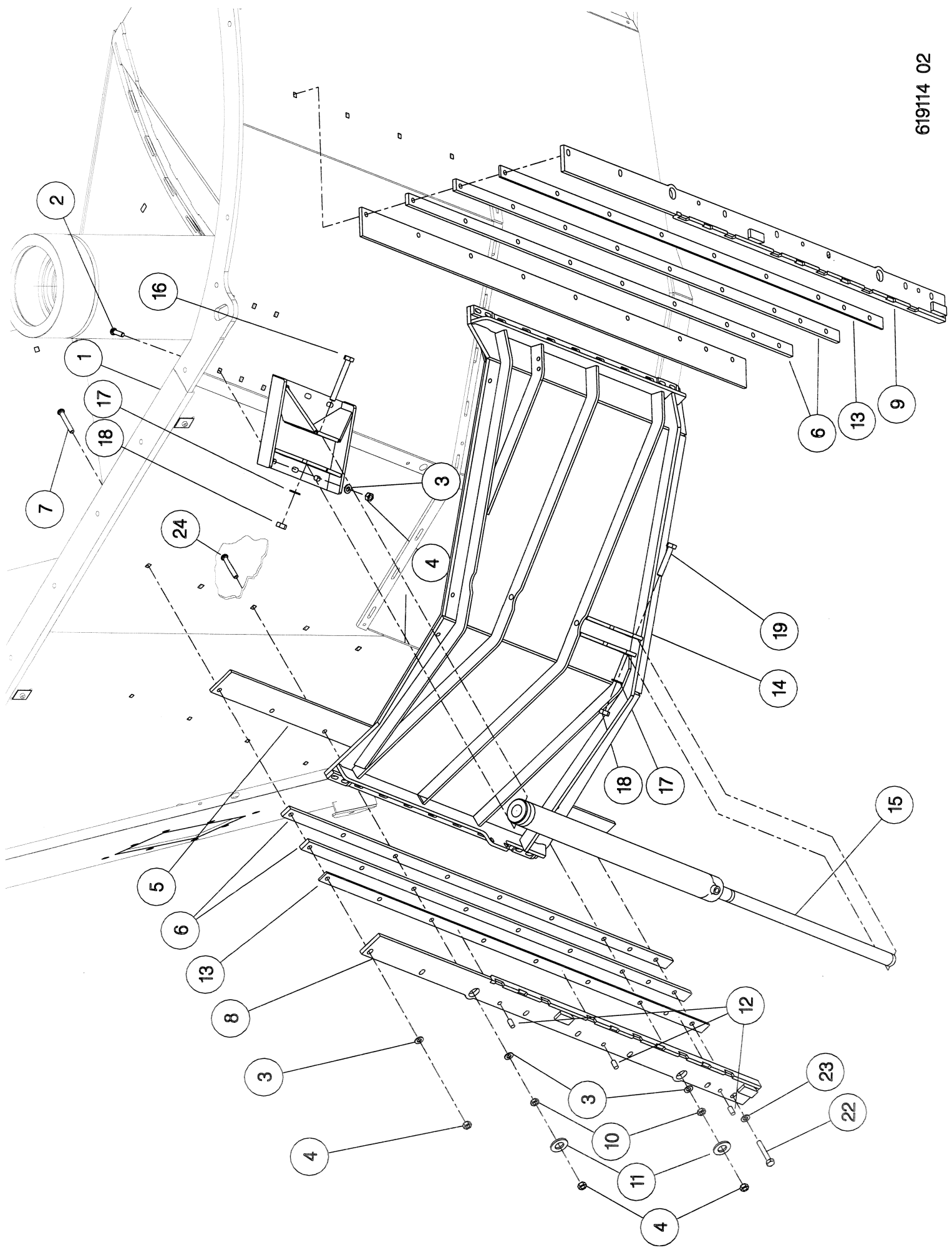
| ASSY NUMBER: 619114 01 |           | ASSY DESCRIPTION: SIDE DOOR SUB ASSY |     |      |         |             |     |
|------------------------|-----------|--------------------------------------|-----|------|---------|-------------|-----|
| ITEM                   | PART NO   | DESCRIPTION                          | QTY | ITEM | PART NO | DESCRIPTION | QTY |
| 1                      | 613510 01 | RAM BRKT W/A                         | 1   |      |         |             |     |
| 2                      | BLT-3750  | COACHBOLT                            | 6   |      |         |             |     |
| 3                      | WSH-0015  | WASHER                               | 23  |      |         |             |     |
| 4                      | NUT-0265  | NUT                                  | 23  |      |         |             |     |
| 5                      | 613505 01 | BACKING STRIP                        | 2   |      |         |             |     |
| 6                      | 613504 01 | SIDE RUNNER                          | 4   |      |         |             |     |
| 7                      | BLTF10413 | COACHBOLT                            | 13  |      |         |             |     |
| 8                      | 613501 01 | LH KEEP PLATE W/A                    | 1   |      |         |             |     |
| 9                      | 613501 02 | RH KEEP PLATE W/A                    | 1   |      |         |             |     |
| 10                     | NUT-0365  | NUT                                  | 4   |      |         |             |     |
| 11                     | 190548 50 | WASHER                               | 4   |      |         |             |     |
| 12                     |           |                                      |     |      |         |             |     |
| 13                     |           |                                      |     |      |         |             |     |
| 14                     | 613515 01 | SIDE DOOR W/A                        | 1   |      |         |             |     |
| 15                     | 610908 01 | HYDRAULIC RAM                        | 1   |      |         |             |     |
| 16                     | BLT-2270  | BOLT                                 | 1   |      |         |             |     |
| 17                     | WSH-0018  | WASHER                               | 2   |      |         |             |     |
| 18                     | NUT-0269  | NUT                                  | 2   |      |         |             |     |
| 19                     | BLTA12440 | BOLT                                 | 1   |      |         |             |     |
| 20                     |           |                                      |     |      |         |             |     |
| 21                     |           |                                      |     |      |         |             |     |
| 22                     | BLTA10410 | BOLT                                 | 1   |      |         |             |     |
| 23                     | WSH-0061  | WASHER                               | 1   |      |         |             |     |
| 24                     | BLTF10443 | COACHBOLT                            | 4   |      |         |             |     |





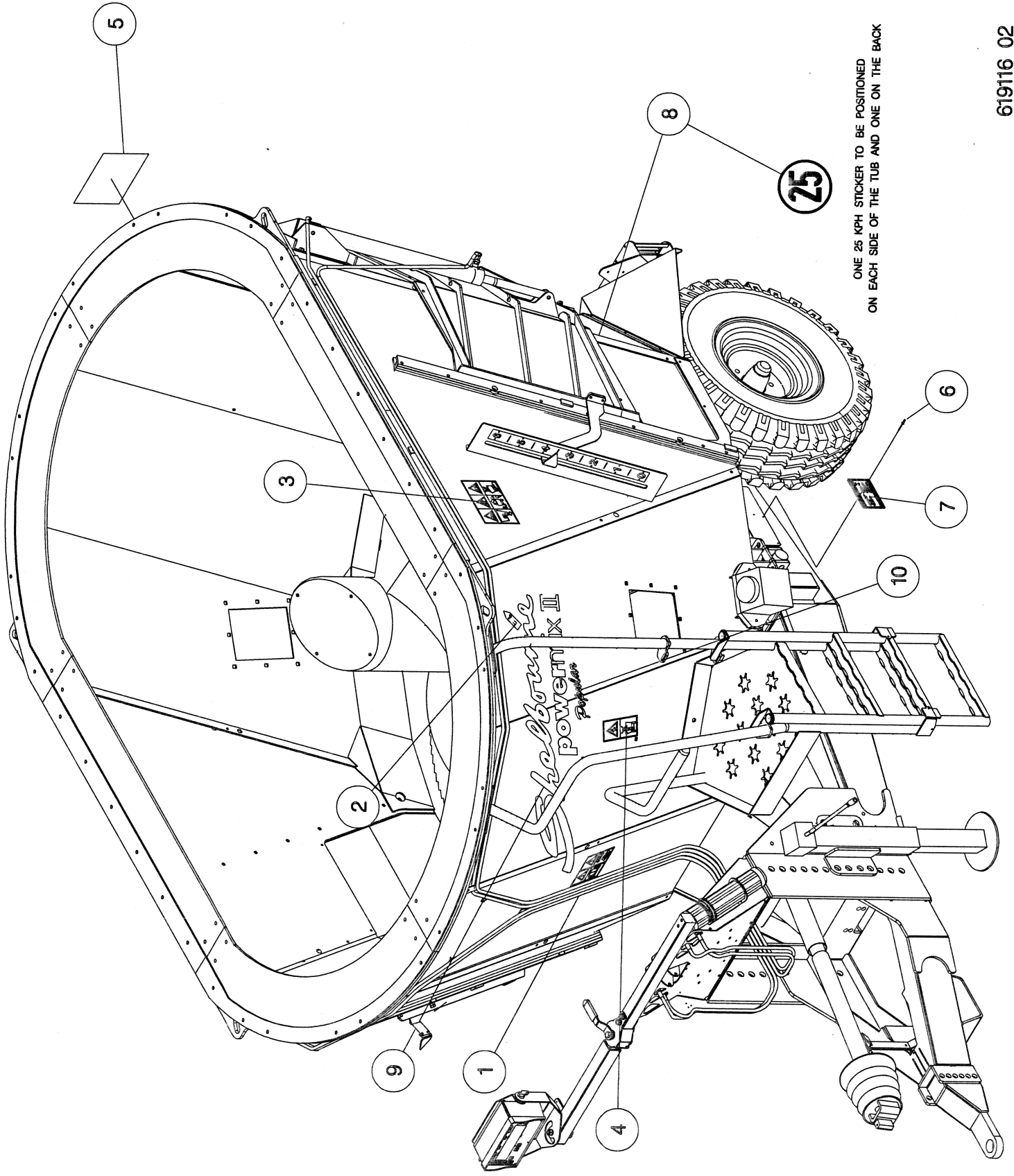
**Shelbourne Reynolds Engineering Limited**

| ASSY NUMBER: 619114 02 |           | ASSY DESCRIPTION: SIDE DOOR SUB ASSY |     |      |         |             |     |
|------------------------|-----------|--------------------------------------|-----|------|---------|-------------|-----|
| ITEM                   | PART NO   | DESCRIPTION                          | QTY | ITEM | PART NO | DESCRIPTION | QTY |
| 1                      | 613510 01 | RAM BRKT W/A                         | 1   |      |         |             |     |
| 2                      | BLT-3750  | COACHBOLT                            | 6   |      |         |             |     |
| 3                      | WSH-0015  | WASHER                               | 23  |      |         |             |     |
| 4                      | NUT-0265  | NUT                                  | 23  |      |         |             |     |
| 5                      | 613505 01 | BACKING STRIP                        | 2   |      |         |             |     |
| 6                      | 613504 01 | SIDE RUNNER                          | 4   |      |         |             |     |
| 7                      | BLTF10443 | COACHBOLT                            | 13  |      |         |             |     |
| 8                      | 614036 01 | LH KEEP PLATE W/A                    | 1   |      |         |             |     |
| 9                      | 614036 02 | RH KEEP PLATE W/A                    | 1   |      |         |             |     |
| 10                     | NUT-0365  | NUT                                  | 4   |      |         |             |     |
| 11                     | 190548 50 | WASHER                               | 4   |      |         |             |     |
| 12                     | PIN-41011 | ROLL PIN                             | 4   |      |         |             |     |
| 13                     | 613504 02 | SIDE RUNNER                          | 6   |      |         |             |     |
| 14                     | 614037 01 | SIDE DOOR W/A                        | 2   |      |         |             |     |
| 15                     | 610908 01 | HYDRAULIC RAM                        | 1   |      |         |             |     |
| 16                     | BLT-2270  | BOLT                                 | 1   |      |         |             |     |
| 17                     | WSH-0018  | WASHER                               | 1   |      |         |             |     |
| 18                     | NUT-0269  | NUT                                  | 2   |      |         |             |     |
| 19                     | BLTA12440 | BOLT                                 | 2   |      |         |             |     |
| 20                     |           |                                      | 1   |      |         |             |     |
| 21                     |           |                                      |     |      |         |             |     |
| 22                     | BLTA10440 | BOLT                                 | 1   |      |         |             |     |
| 23                     | WSH-0061  | WASHER                               | 1   |      |         |             |     |
| 24                     | BLTF10503 | COACHBOLT                            | 4   |      |         |             |     |



**Shelbourne Reynolds Engineering Limited**

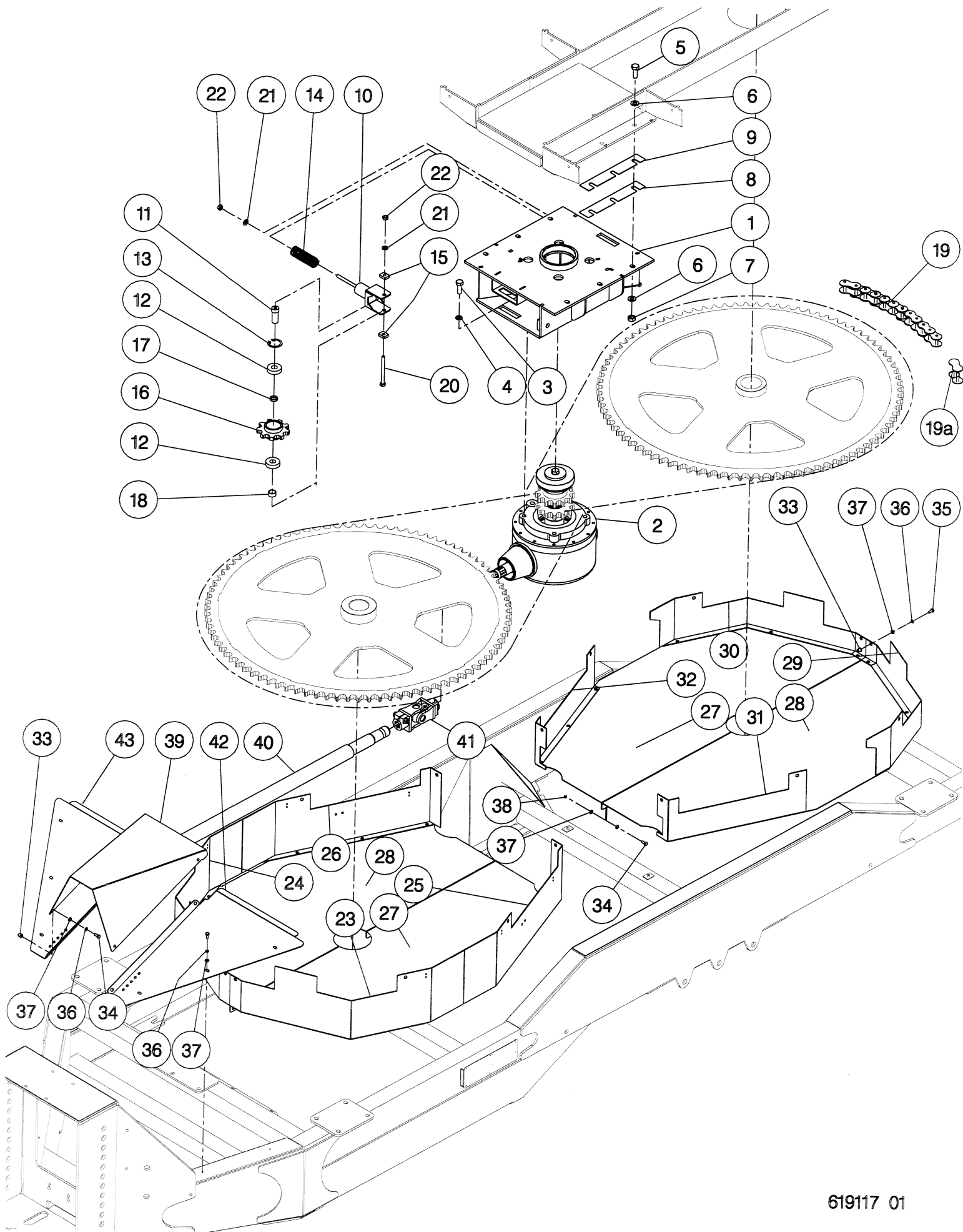
| ASSY NUMBER: 619116 02 |           | ASSY DESCRIPTION: POPULAR TRANSFERS SUB ASSY |     |      |         |             |     |
|------------------------|-----------|--|-----|------|---------|-------------|-----|
| ITEM                   | PART NO   | DESCRIPTION                                  | QTY | ITEM | PART NO | DESCRIPTION | QTY |
| 1                      | TNF-0011  | EMBLEM (BLOCK TRANSFER)                      | 1   |      |         |             |     |
| 2                      | 190702 04 | EMBLEM (SLING POINT)                         | 4   |      |         |             |     |
| 3                      | 610253 01 | EMBLEM (BLOCK TRANSFER)                      | 2   |      |         |             |     |
| 4                      | 610259 01 | EMBLEM (LADDER WARNING)                      | 1   |      |         |             |     |
| 5                      | 610563 01 | EMBLEM (UNION JACK)                          | 1   |      |         |             |     |
| 6                      | POP-0006  | POP RIVET                                    | 4   |      |         |             |     |
| 7                      | 590145 01 | IDENTIFICATION PLATE (UK)                    | 1   |      |         |             |     |
| OR                     | TNF-0201  | IDENTIFICATION PLATE (GER)                   | 1   |      |         |             |     |
| OR                     | 612269 01 | IDENTIFICATION PLATE (US)                    | 1   |      |         |             |     |
| 8                      | 611033 01 | 25 KMPH EMBLEM                               | 3   |      |         |             |     |
| OR                     | 612610 01 | 6 KMPH EMBLEM                                | 3   |      |         |             |     |
| 9                      | 613876 01 | DECAL-SHELBOURNE P/MIX II                    | 2   |      |         |             |     |
| 10                     | 613878 01 | DECAL-POPULAR                                | 2   |      |         |             |     |



ONE 25 KPH STICKER TO BE POSITIONED ON EACH SIDE OF THE TUB AND ONE ON THE BACK

## Shelbourne Reynolds Engineering Limited

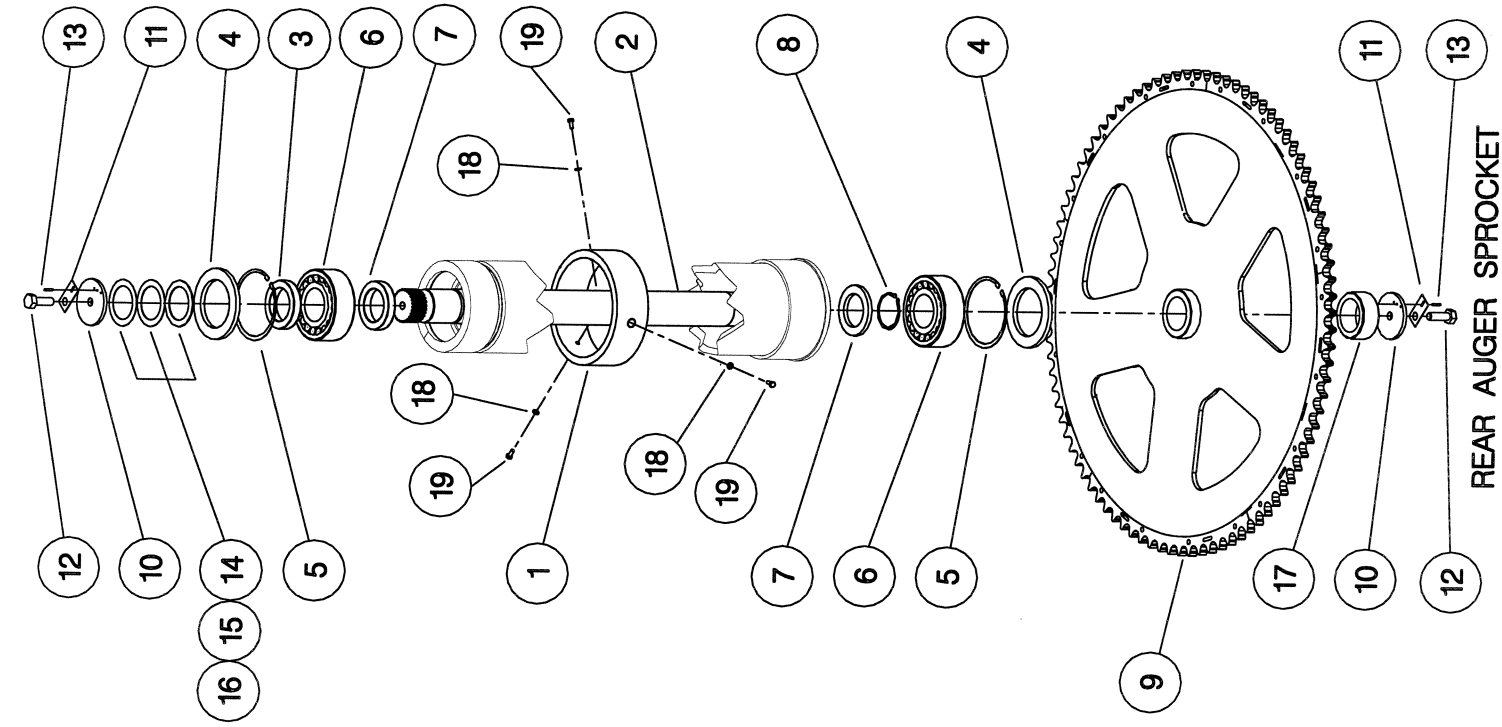
| ASSY NUMBER: 619117 01 |           | ASSY DESCRIPTION: TWIN AUGER DRIVES SUB (POPULAR) |     |      |           |                   |     |
|------------------------|-----------|---|-----|------|-----------|-------------------|-----|
| ITEM                   | PART NO   | DESCRIPTION                                       | QTY | ITEM | PART NO   | DESCRIPTION       | QTY |
| 1                      | 613717 01 | GEARBOX MOUNTING BRACKET                          | 1   | 38   | NUT-0263  | NYLOC NUT         | 12  |
| 2                      | GEA-0174  | BEVEL GEARBOX ASSY                                | 1   | 39   | 613773 01 | FRONT DRIVE GUARD | 1   |
| 3                      | HSS-0315  | SETSCREW  | 4   | 40   | 612884 04 | DRIVE SHAFT       | 1   |
| 4                      | WSHA30161 | LOCK WASHER                                       | 4   | 41   | PTO-20004 | PTO COUPLING      | 1   |
| 5                      | HSS-0319  | SETSCREW  | 4   | 42   | 613928 01 | FRONT GUARD LH    | 1   |
| 6                      | WSH-0024  | PLAIN WASHER                                      | 12  | 43   | 613928 02 | FRONT GUARD RH    | 1   |
| 7                      | NUT-0271  | NYLOC NUT   | 6   | 44   | HSS-0322  | SETSCREW          | 2   |
| 8                      | 613691 01 | SHIM  | 2   |      |           |                   |     |
| 9                      | 613691 02 | SHIM  | 4   |      |           |                   |     |
| 10                     | 613392 01 | SPROCKET ADJUSTER ASSY                            | 2   |      |           |                   |     |
| 11                     | 613692 01 | TENSIONER SPROCKET BOSS                           | 2   |      |           |                   |     |
| 12                     | BRG-3358  | BEARING   | 4   |      |           |                   |     |
| 13                     | CIR-0620  | CIRCLIP   | 2   |      |           |                   |     |
| 14                     | SPGE02046 | DIE SPRING  | 2   |      |           |                   |     |
| 15                     | 613238 01 | SLIDING PLATE                                     | 4   |      |           |                   |     |
| 16                     | 613390 01 | TENSIONER SPROCKET                                | 2   |      |           |                   |     |
| 17                     | 612806 02 | SPACER TUBE                                       | 2   |      |           |                   |     |
| 18                     | 612806 03 | SPACER TUBE                                       | 2   |      |           |                   |     |
| 19                     | CHN-04481 | CHAIN2  |     |      |           |                   |     |
| 19a                    | CHN-04400 | JOINING LINK                                      | 2   |      |           |                   |     |
| 20                     | BLT-2273  | BOLT  | 2   |      |           |                   |     |
| 21                     | WSH-0018  | PLAIN WASHER                                      | 4   |      |           |                   |     |
| 22                     | NUT-0269  | NYLOC NUT   | 4   |      |           |                   |     |
| 23                     | 613756 01 | CHAIN GUARD FRT LH                                | 1   |      |           |                   |     |
| 24                     | 613756 02 | CHAIN GUARD FRT RH                                | 1   |      |           |                   |     |
| 25                     | 613757 01 | CHAIN GUARD FRT LH                                | 1   |      |           |                   |     |
| 26                     | 613757 02 | CHAIN GUARD FRT RH                                | 1   |      |           |                   |     |
| 27                     | 613748 01 | CHAIN UNDER GUARD LH                              | 2   |      |           |                   |     |
| 28                     | 613748 02 | CHAIN UNDER GUARD RH                              | 2   |      |           |                   |     |
| 29                     | 613766 01 | CHAIN GUARD REAR LH                               | 1   |      |           |                   |     |
| 30                     | 613766 02 | CHAIN GUARD REAR RH                               | 1   |      |           |                   |     |
| 31                     | 613765 01 | CHAIN GUARD REAR LH                               | 1   |      |           |                   |     |
| 32                     | 613765 02 | CHAIN GUARD REAR RH                               | 1   |      |           |                   |     |
| 33                     | NUTA13080 | NUTSERT (M8)                                      | 1   |      |           |                   |     |
| 34                     | HSS-0150  | SETSCREW  | 44  |      |           |                   |     |
| 35                     | HSS-0150  | SETSCREW  | 40  |      |           |                   |     |
| 36                     | WSH-0058  | WASHER  | 22  |      |           |                   |     |
| 37                     | WSH-0012  | PLAIN WASHER                                      | 50  |      |           |                   |     |
|                        |           |   | 64  |      |           |                   |     |



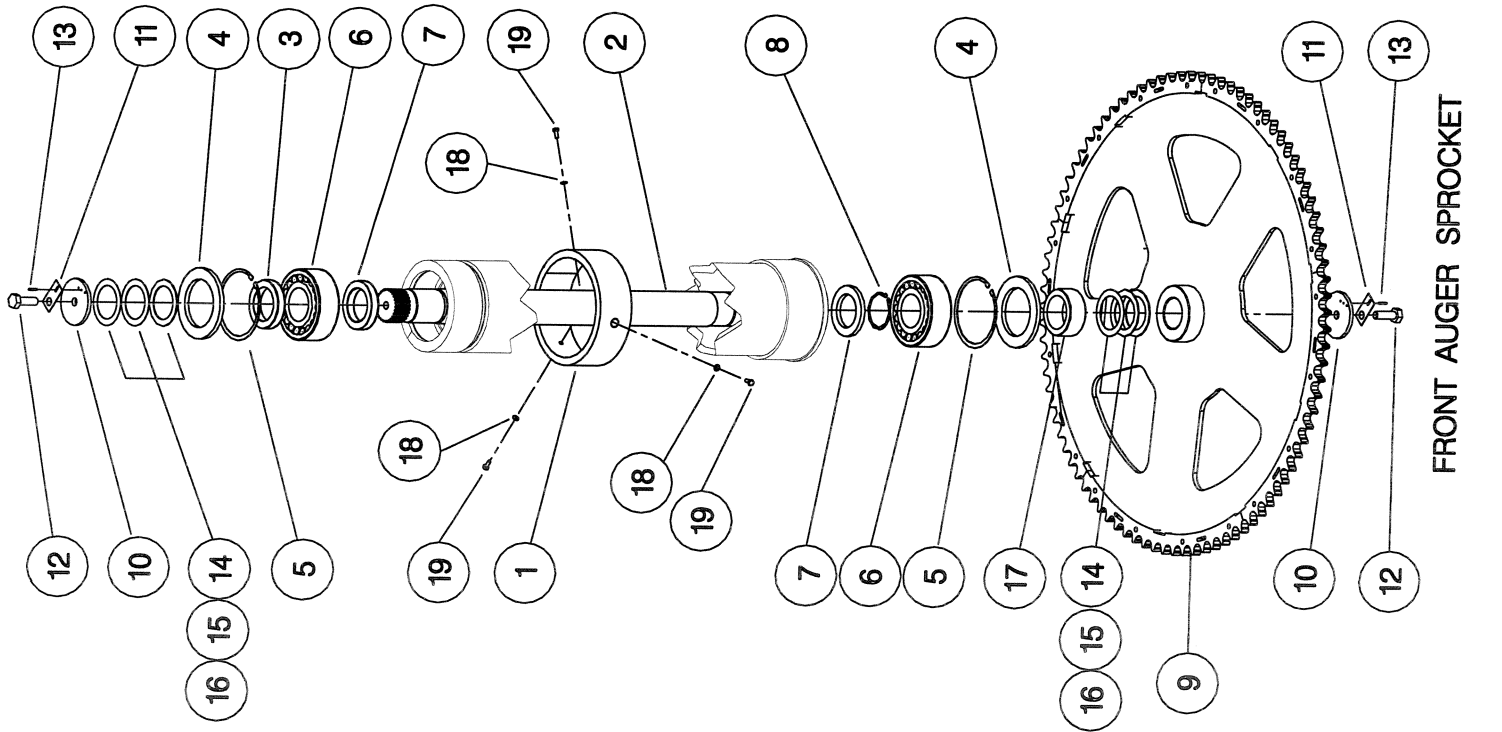
**Shelbourne Reynolds Engineering Limited**

| ASSY NUMBER: 619118 01 |           | ASSY DESCRIPTION: AUGER FIXING SUB ASSY (TWIN AUGER) |      |         | QTY         |     |
|------------------------|-----------|--|------|---------|-------------|-----|
| ITEM                   | PART NO   | DESCRIPTION  | ITEM | PART NO | DESCRIPTION | QTY |
| 1                      | 614095 01 | AUGER BUSH   |      |         |             | 2   |
| OR                     | 610412 01 | 101176 & ON ONLY                                     |      |         |             | 2   |
| 2                      | 613821 01 | AUGER BUSH   |      |         |             | 2   |
| 3                      | 613396 01 | UP TO & INC 202175                                   |      |         |             | 2   |
| 4                      | SEAB13000 | SHAFT  |      |         |             | 4   |
|                        |           | SPACER   |      |         |             | 2   |
|                        |           | OIL LIP SEAL   |      |         |             | 4   |
| 5                      | CIR010190 | INT.CIRCLIP  |      |         |             | 4   |
| 6                      | BRG-19085 | ROLLER BEARING                                       |      |         |             | 4   |
| 7                      | SEAB09015 | OIL LIP SEAL   |      |         |             | 4   |
| 8                      | CIR-1457  | EXTERNAL CIRCLIP                                     |      |         |             | 2   |
| 9                      | 613816 01 | SPROCKET ASSY  |      |         |             | 2   |
| 10                     | 610413 01 | FIXING DISC  |      |         |             | 4   |
| 11                     | 610414 01 | FIXING TAB   |      |         |             | 4   |
| 12                     | HSSA20260 | SETSCREW   |      |         |             | 4   |
| 13                     | PIN-1770  | ROLL PIN   |      |         |             | 4   |
| 14                     | 610415 01 | SHIM(0.5mm)  |      |         |             | 10  |
| 15                     | 610415 02 | SHIM(1mm)  |      |         |             | 4   |
| 16                     | 610415 03 | SHIM(2mm)  |      |         |             | 4   |
| 17                     | 613922 01 | SPACER TUBE  |      |         |             | 2   |
| 18                     | WSH-1300  | SHAKERPROOF WASHER                                   |      |         |             | 6   |
|                        |           | 101176 & ON ONLY                                     |      |         |             |     |
|                        |           | SETSCREW   |      |         |             | 6   |
| 19                     | HSS-0140  | 101176 & ON ONLY                                     |      |         |             |     |





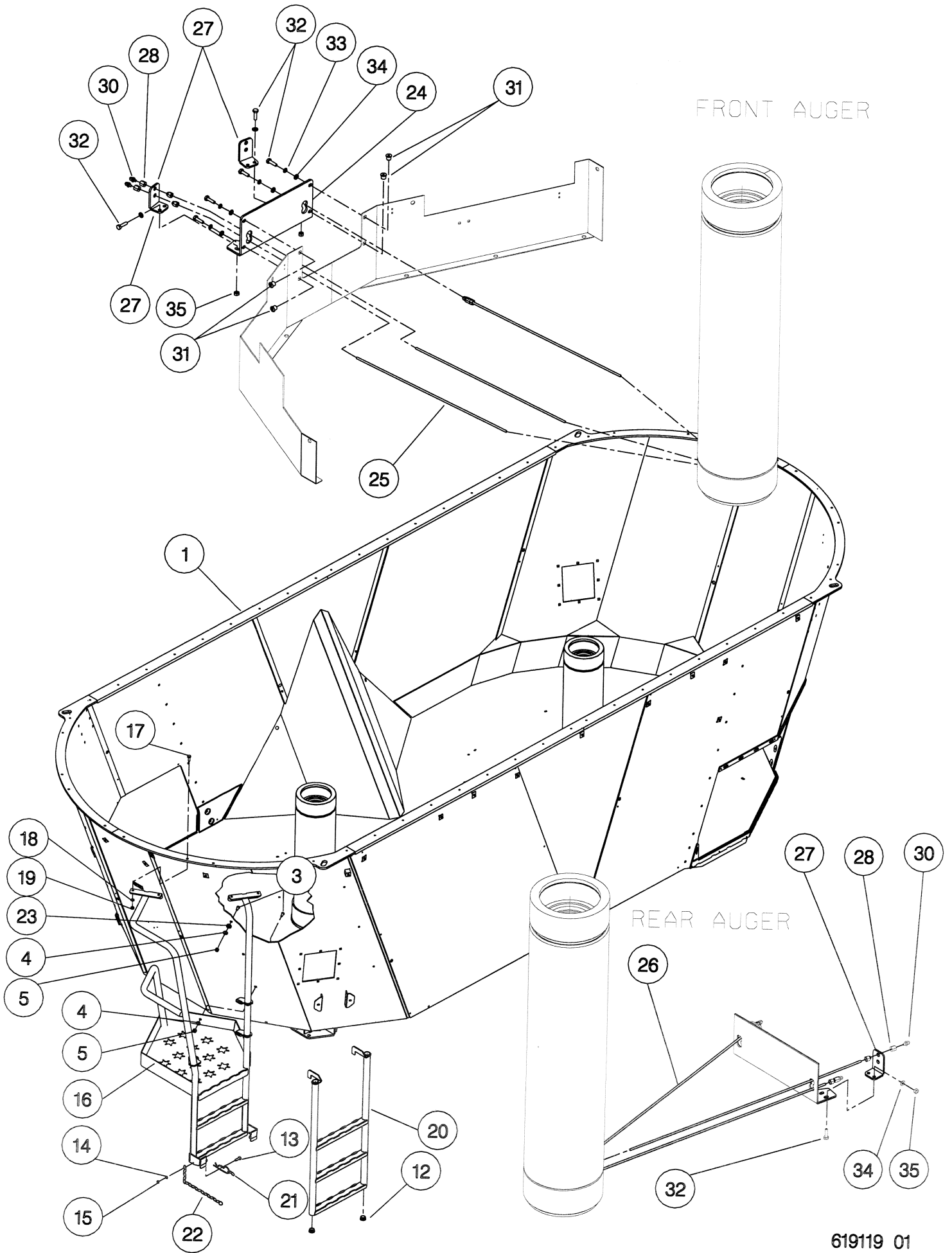
REAR AUGER SPROCKET



FRONT AUGER SPROCKET

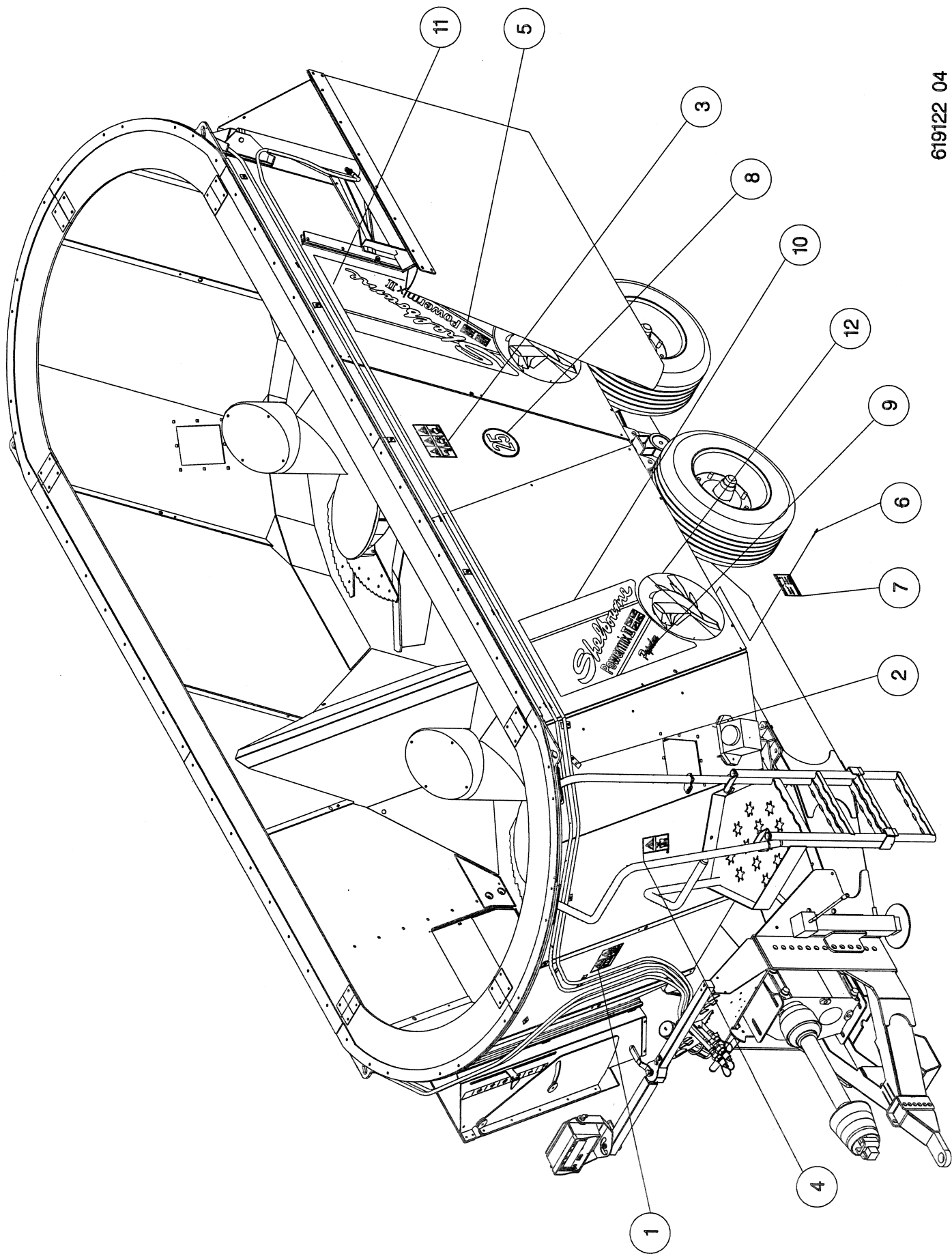
**Shelbourne Reynolds Engineering Limited**

| ASSY NUMBER: 619119 01 |           | ASSY DESCRIPTION: 1.6m CU TWINAUGER 2 DOOR POP TUB SUB ASSY |     |      |           |                         |     |
|------------------------|-----------|---|-----|------|-----------|-------------------------|-----|
| ITEM                   | PART NO   | DESCRIPTION   | QTY | ITEM | PART NO   | DESCRIPTION             | QTY |
| 1                      | 613793 01 | 1.6m Cu TUB W/A   | 1   | 31   | NUTA13080 | NUTSERT                 | 4   |
| 2                      |           |   |     |      |           | SER No 101176 & ON ONLY |     |
| 3                      | BLT-3790  | COACHBOLT   | 3   | 32   | HSS-0150  | SETScrew                | 12  |
| 4                      | WSH-0018  | WASHER  | 3   |      |           | SER No 101176 & ON ONLY |     |
| 5                      | NUT-0269  | NUT   | 3   | 33   | WSH-0058  | WASHER                  | 4   |
| 6                      |           |   |     |      |           | SER No 101176 & ON ONLY |     |
| 7                      |           |   |     |      |           | PLAIN WASHER            |     |
| 8                      |           |   |     | 34   | WSH-0012  |                         | 12  |
| 9                      |           |   |     |      |           | SER No 101176 & ON ONLY |     |
| 10                     |           |   |     | 35   | NUT-0263  | NYLOC NUT               | 8   |
| 11                     |           |   |     |      |           | SER No 101176 & ON ONLY |     |
| 12                     | PTF-00134 | PLASTIC CAP INSERT  | 2   |      |           |                         |     |
| 13                     | HSS-0086  | SETScrew  | 1   |      |           |                         |     |
| 14                     | WSH-0009  | WASHER  | 1   |      |           |                         |     |
| 15                     | NUT-0260  | NUT   | 1   |      |           |                         |     |
| 16                     | 613592 01 | PLATFORM W/A  | 1   |      |           |                         |     |
| 17                     | HSS-0210  | BOLT  | 4   |      |           |                         |     |
| 18                     | WSH-0015  | WASHER  | 4   |      |           |                         |     |
| 19                     | NUT-0265  | NUT   | 4   |      |           |                         |     |
| 20                     | 613764 01 | LADDER W/A  | 1   |      |           |                         |     |
| 21                     | CLP-00105 | R-CLIP  | 1   |      |           |                         |     |
| 22                     | CHN-0145  | CHAIN   | 1   |      |           |                         |     |
| 23                     | 611830 01 | SPACER PLATE  | 1   |      |           |                         |     |
| 24                     | 614206 01 | GREASE NIPPLE MTG PLATE                                     | 2   |      |           |                         |     |
|                        |           | SER No 101176 & ON ONLY                                     | 1   |      |           |                         |     |
| 25                     | 614111 01 | GREASE PIPE   | 3   |      |           |                         |     |
| 26                     | 614111 02 | GREASE PIPE   | 3   |      |           |                         |     |
| 27                     | 614154 01 | SER No 101176 & ON ONLY                                     | 4   |      |           |                         |     |
| 28                     | HPTB58001 | NIPPLE MTG PLATE  | 6   |      |           |                         |     |
|                        |           | SER No 101176 & ON ONLY                                     |     |      |           |                         |     |
|                        |           | STR. FEMALE STUD FITTING                                    |     |      |           |                         |     |
|                        |           | SER No 101176 & ON ONLY                                     |     |      |           |                         |     |
| 29                     |           |   |     |      |           |                         |     |
| 30                     | NIP-0001  | GREASE NIPPLE 6   |     |      |           |                         |     |
|                        |           | SER No 101176 & ON ONLY                                     |     |      |           |                         |     |



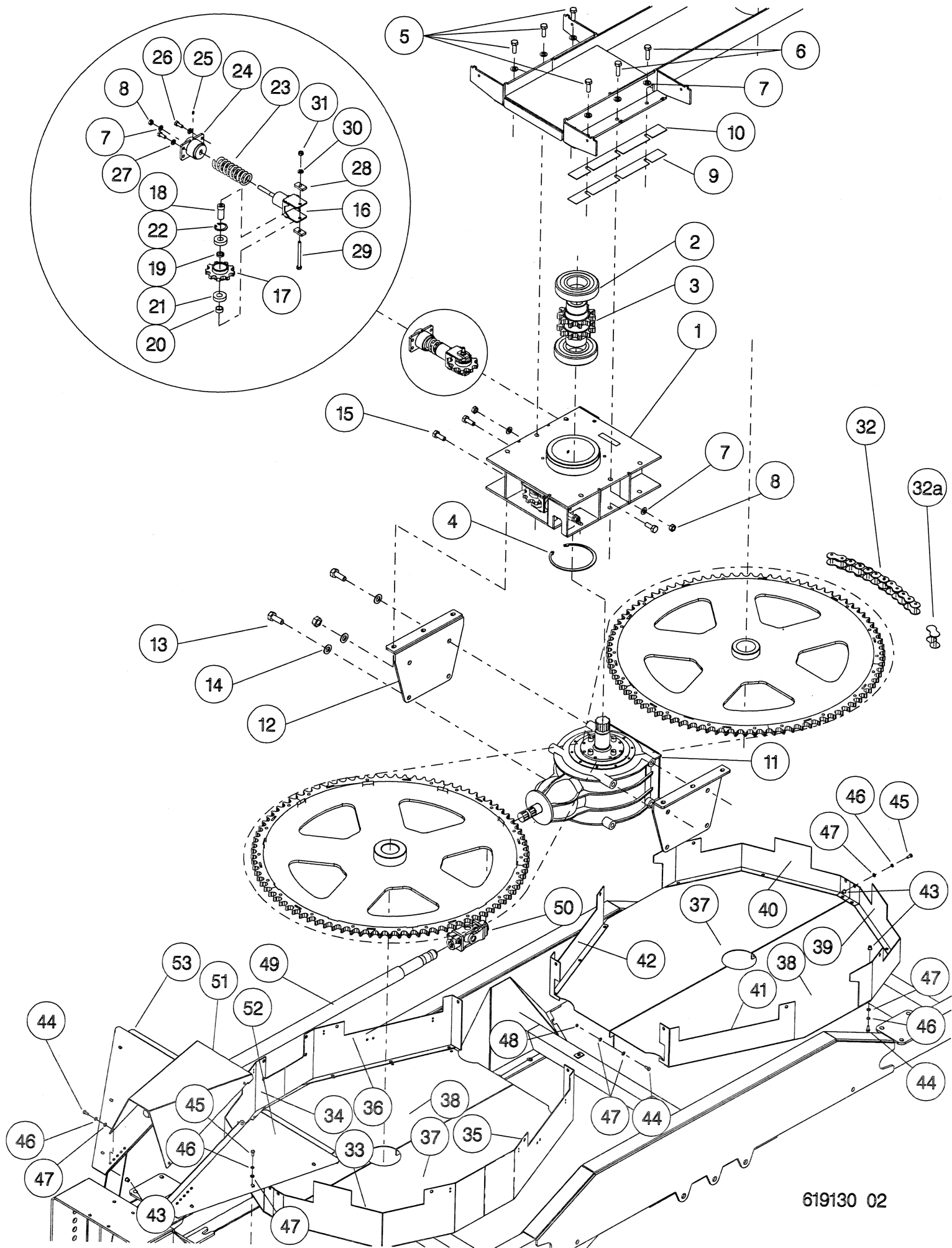
**Shelbourne Reynolds Engineering Limited**

| ASSY NUMBER: 619122 04 |           | ASSY DESCRIPTION: POPULAR TRANSFERS SUB ASSY (TWIN AUGER) |     |      |         |             |     |
|------------------------|-----------|---|-----|------|---------|-------------|-----|
| ITEM                   | PART NO   | DESCRIPTION   | QTY | ITEM | PART NO | DESCRIPTION | QTY |
| 1                      | TNF-0011  | EMBLEM (BLOCK TRANSFER)                                   | 1   |      |         |             |     |
| 2                      | 190702 04 | EMBLEM (SLING POINT)                                      | 4   |      |         |             |     |
| 3                      | 610253 01 | EMBLEM (BLOCK TRANSFER)                                   | 2   |      |         |             |     |
| 4                      | 610259 01 | EMBLEM (LADDER WARNING)                                   | 1   |      |         |             |     |
| 5                      | 613999 01 | EMBLEM (UNION JACK)                                       | 4   |      |         |             |     |
| 6                      | POP-0006  | POP RIVET   | 4   |      |         |             |     |
| 7                      | 590145 01 | IDENTIFICATION PLATE (UK)                                 | 1   |      |         |             |     |
| OR                     | TNF-0201  | IDENTIFICATION PLATE (GER)                                | 1   |      |         |             |     |
| OR                     | 612269 01 | IDENTIFICATION PLATE (US)                                 | 1   |      |         |             |     |
| 8                      | 611033 01 | 25 KMPH EMBLEM  | 3   |      |         |             |     |
| OR                     | 612610 01 | 6 KMPH EMBLEM   | 3   |      |         |             |     |
| 9                      | 613878 01 | DECAL-POPULAR   | 4   |      |         |             |     |
| 10                     | 613996 01 | EMBLEM (LH POWERMIX II)                                   | 2   |      |         |             |     |
| 11                     | 613997 01 | EMBLEM (RH POWERMIX II)                                   | 2   |      |         |             |     |
| 12                     | 613998 01 | EMBLEM (AUGER)  | 4   |      |         |             |     |



**Shelbourne Reynolds Engineering Limited**

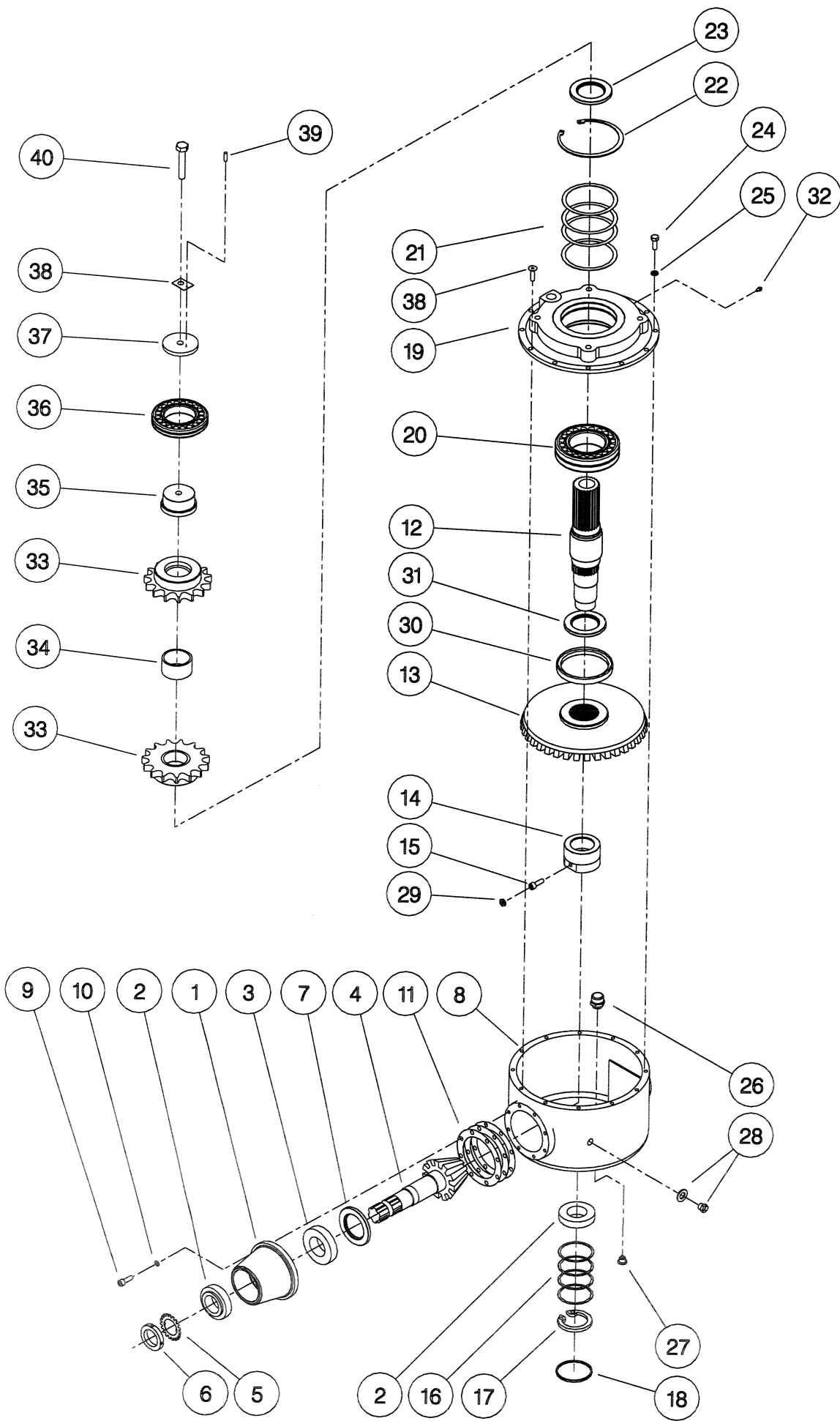
| ASSY NUMBER: 619130 02 |           | ASSY DESCRIPTION: TWIN AUGER DRIVES SUB (POPULAR) |     |      |           |                      |     |
|------------------------|-----------|---|-----|------|-----------|----------------------|-----|
| ITEM                   | PART NO   | DESCRIPTION                                       | QTY | ITEM | PART NO   | DESCRIPTION          | QTY |
| 1                      | 614218 01 | GEARBOX MOUNTING BRACKET                          | 1   | 38   | 613748 02 | CHAIN UNDER GUARD RH | 2   |
| 2                      | 614153 01 | DOUBLE SPROCKET ASSY                              | 1   | 39   | 613766 01 | CHAIN GUARD REAR LH  | 1   |
| 3                      | BRG-19505 | BEARING   | 2   | 40   | 613766 02 | CHAIN GUARD REAR RH  | 1   |
| 4                      | CIR010200 | CIRCLIP   | 1   | 41   | 613765 01 | CHAIN GUARD REAR LH  | 1   |
| 5                      | HSS-0319  | SETSCREW  | 4   | 42   | 613765 02 | CHAIN GUARD REAR RH  | 1   |
| 6                      | HSS-0322  | SETSCREW  | 2   | 43   | NUTA13080 | NUTSERT              | 44  |
| 7                      | WSH-0024  | PLAIN WASHER                                      | 14  | 44   | HSS-0140  | SETSCREW             | 40  |
| 8                      | NUT-0271  | NYLOC NUT   | 14  | 45   | HSS-0150  | SETSCREW             | 22  |
| 9                      | 613691 01 | SHIM  | 2   | 46   | WSH-0058  | WASHER               | 50  |
| 10                     | 613691 02 | SHIM  | 4   | 47   | WSH-0012  | PLAIN WASHER         | 64  |
| 11                     | GEA-0175  | BEVEL GEARBOX ASSY                                | 1   | 48   | NUT-0263  | NYLOC NUT            | 12  |
| 12                     | 614211 01 | GEARBOX BRACKET                                   | 2   | 49   | 612884 08 | DRIVE SHAFT          | 1   |
| 13                     | HSSA20260 | SETSCREW  | 8   | 50   | PTO-20004 | PTO COUPLING         | 1   |
| 14                     | WSHA30201 | LOCK WASHER                                       | 8   | 51   | 613773 01 | FRONT DRIVE GUARD LH | 1   |
| 15                     | HSS-0317  | SETSCREW  | 6   | 52   | 613928 01 | FRONT DRIVE GUARD LH | 1   |
| 16                     | 614190 01 | SPROCKET ADJUSTER ASSY                            | 2   | 53   | 613928 02 | FRONT DRIVE GUARD RH | 1   |
| 17                     | 613390 01 | TENSIONER SPROCKET                                | 2   |      |           |                      |     |
| 18                     | 613692 01 | TENSIONER SPROCKET BOSS                           | 2   |      |           |                      |     |
| 19                     | 612806 02 | SPACER TUBE                                       | 2   |      |           |                      |     |
| 20                     | 612806 03 | SPACER TUBE                                       | 2   |      |           |                      |     |
| 21                     | BRG-3358  | BEARING   | 4   |      |           |                      |     |
| 22                     | CIR-0620  | CIRCLIP   | 2   |      |           |                      |     |
| 23                     | SPGE02046 | DIE SPRING  | 2   |      |           |                      |     |
| 24                     | 614200 01 | SPRING KEEP PLATE                                 | 2   |      |           |                      |     |
| 25                     | NIP-00600 | GREASE NIPPLE                                     | 2   |      |           |                      |     |
| 26                     | HSS-0250  | SETSCREW  | 8   |      |           |                      |     |
| 27                     | WSH-0065  | WASHER  | 8   |      |           |                      |     |
| 28                     | 614223 01 | SLIDING PLATE                                     | 4   |      |           |                      |     |
| 29                     | BLT-2273  | BOLT  | 2   |      |           |                      |     |
| 30                     | WSH-0018  | PLAIN WASHER                                      | 2   |      |           |                      |     |
| 31                     | NUT-0269  | NYLOC NUT   | 2   |      |           |                      |     |
| 32                     | CHN-04481 | CHAIN2  | 2   |      |           |                      |     |
| 32a                    | CHN-04400 | JOINING LINK                                      | 2   |      |           |                      |     |
| 33                     | 613756 01 | CHAIN GUARD FRT LH                                | 1   |      |           |                      |     |
| 34                     | 614207 01 | CHAIN GUARD FRT RH                                | 1   |      |           |                      |     |
| 35                     | 613757 01 | CHAIN GUARD FRT LH                                | 1   |      |           |                      |     |
| 36                     | 614208 01 | CHAIN GUARD FRT RH                                | 1   |      |           |                      |     |
| 37                     | 613748 01 | CHAIN UNDER GUARD LH                              | 2   |      |           |                      |     |



**Shelbourne Reynolds Engineering Limited**

| ASSY NUMBER: GEA-0174 |           | ASSY DESCRIPTION: TWIN TUB POWERMIX BEVEL GEARBOX (3.36:1) |     |      |           |             |     |
|-----------------------|-----------|--|-----|------|-----------|-------------|-----|
| ITEM                  | PART NO   | DESCRIPTION  | QTY | ITEM | PART NO   | DESCRIPTION | QTY |
| 1                     | 610858 02 | INPUT HOUSING  | 1   | 39   | PIN-40414 | ROLL PIN    | 1   |
| 2                     | BRG-7000  | TAPER ROLLER BEARING                                       | 2   | 40   | BLTA16530 | BOLT        | 1   |
| 3                     | BRG-7020  | TAPER ROLLER BEARING                                       | 1   |      |           |             |     |
| 4                     | 613681 01 | INPUT PINION (11T)   | 1   |      |           |             |     |
| 5                     | BRG-95015 | LOCKWASHER   | 1   |      |           |             |     |
| 6                     | BRG-95010 | LOCKNUT  | 1   |      |           |             |     |
| 7                     | SEAB04510 | SHAFT SEAL   | 1   |      |           |             |     |
| 8                     | 613689 01 | MAIN CASE  | 1   |      |           |             |     |
| 9                     | SCW-0195  | CAP HEAD SCREW   | 1   |      |           |             |     |
| 10                    | WSH-1301  | SHAKEPROOF WASHER  | 8   |      |           |             |     |
| 11                    | 610863    | INPUT SHIM PACK  | 8   |      |           |             |     |
| 12                    | 612895 01 | OUTPUT SHAFT   | 1   |      |           |             |     |
| 13                    | 613682 01 | OUTPUT BEVEL GEAR (37T)                                    | 1   |      |           |             |     |
| 14                    | 611346 01 | LOCKING NUT  | 1   |      |           |             |     |
| 15                    | SCGA10178 | GRUB SCREW   | 1   |      |           |             |     |
| 16                    | 610864    | OUTPUT SHIM PACK   | 2   |      |           |             |     |
| 17                    | CIR010090 | INTERNAL CIRCLIP   | 1   |      |           |             |     |
| 18                    | SEAZ09000 | CORE PLUG SEAL   | 1   |      |           |             |     |
| 19                    | 613690 01 | OUTPUT HOUSING   | 1   |      |           |             |     |
| 20                    | BRG-18041 | TAPER ROLLER BEARING                                       | 1   |      |           |             |     |
| 21                    | 610865    | OUTPUT SHIM PACK   | 1   |      |           |             |     |
| 22                    | CIR010140 | INTERNAL CIRCLIP   | 1   |      |           |             |     |
| 23                    | SEAB08000 | SHAFT SEAL   | 1   |      |           |             |     |
| 24                    | HSS-0194  | SET SCREW  | 1   |      |           |             |     |
| 25                    | WSH-0061  | SPRING WASHER  | 12  |      |           |             |     |
| 26                    | FIT-0255  | FILLER/BREATHER  | 12  |      |           |             |     |
| 27                    | FIT-0253  | MAGNET. DRAIN PLUG   | 1   |      |           |             |     |
| 28                    | FITD00005 | LEVEL GAUGE  | 1   |      |           |             |     |
| 29                    | NUT-0365  | HALF NUT   | 1   |      |           |             |     |
| 30                    | 610966 01 | SLEEVE   | 2   |      |           |             |     |
| 31                    | SEAA14000 | SHAFT SEAL   | 1   |      |           |             |     |
| 32                    | NIP-00600 | GREASE NIPPLE  | 1   |      |           |             |     |
| 33                    | 613403 01 | SPROCKET 10T   | 1   |      |           |             |     |
| 34                    | 612899 01 | SPROCKET SPACER  | 2   |      |           |             |     |
| 35                    | 613737 01 | BEARING BOSS   | 1   |      |           |             |     |
| 36                    | BRG-18000 | BEARING  | 1   |      |           |             |     |
| 37                    | 612896 02 | SECURING WASHER  | 1   |      |           |             |     |
| 38                    | 612902 01 | LOCK TAB   | 1   |      |           |             |     |







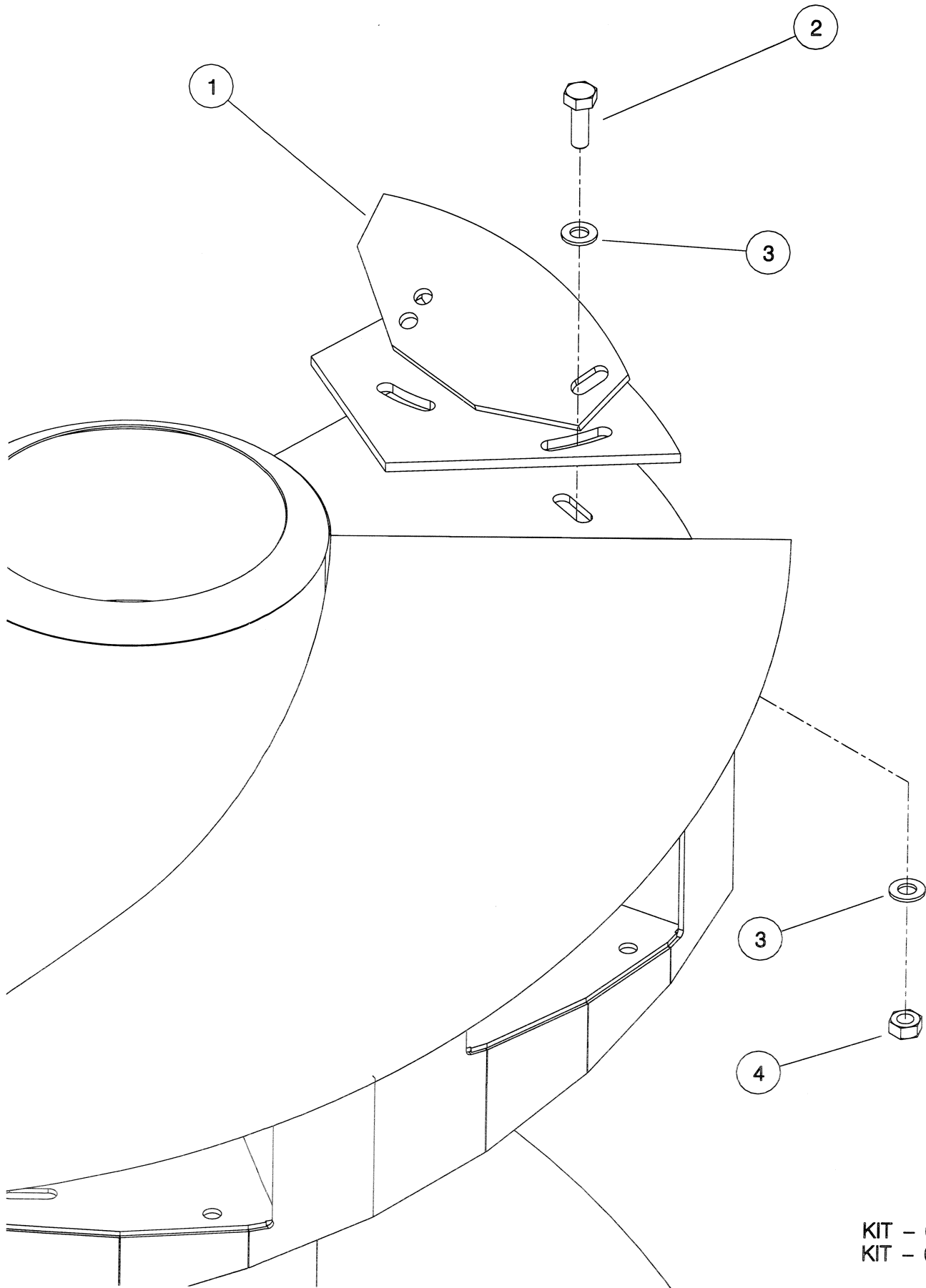
# powermix II

*Popular*

**KIT OPTIONS**

**Shelbourne Reynolds Engineering Limited**

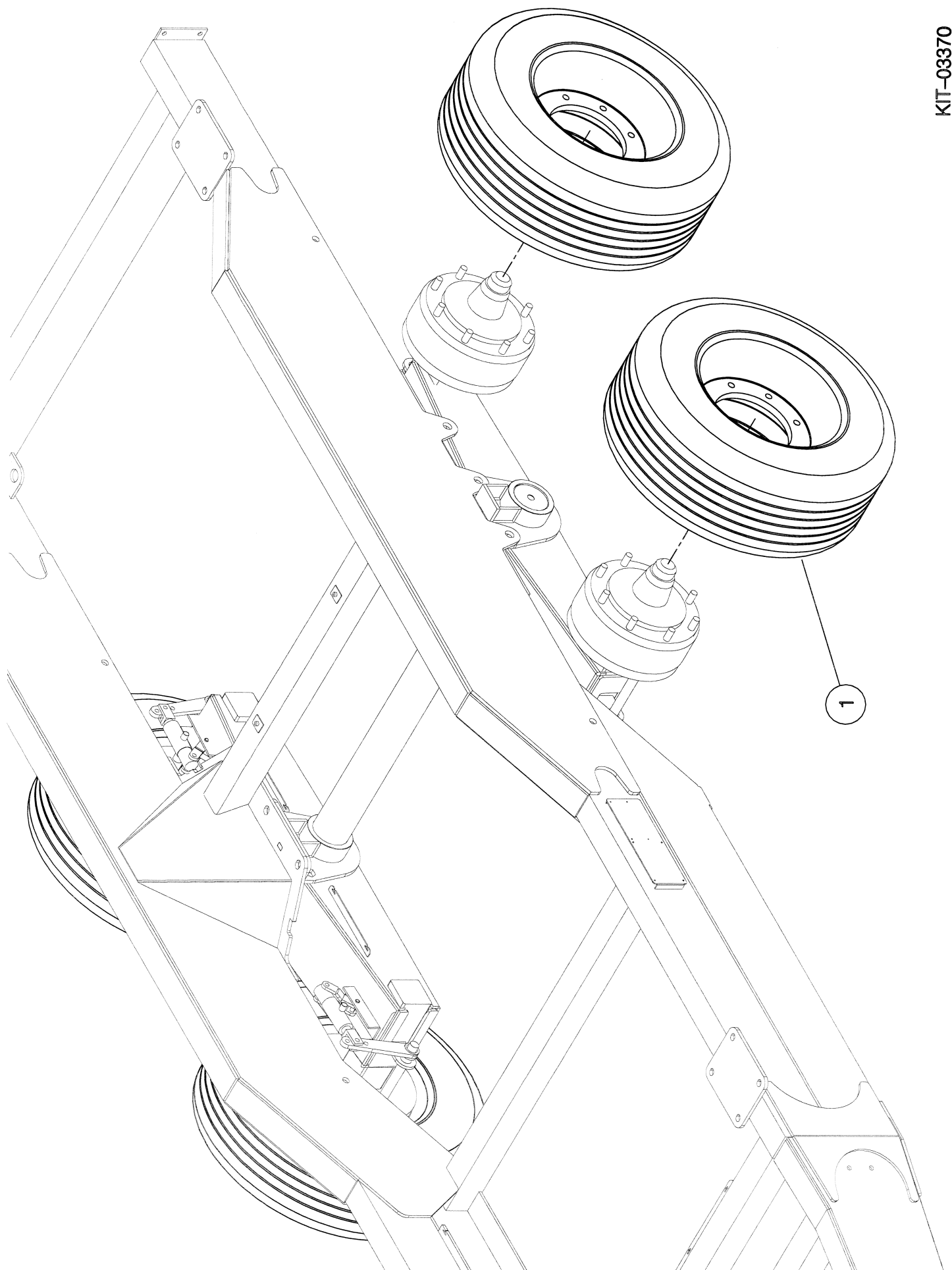
| KIT-03201    |           | ASSY DESCRIPTION: KNIFE KICKER SUB |                  |      |         |             |     |
|--------------|-----------|------------------------------------|------------------|------|---------|-------------|-----|
| ASSY NUMBER: | KIT-03201 | ASSY DESCRIPTION:                  | KNIFE KICKER SUB |      |         |             |     |
| ITEM         | PART NO   | DESCRIPTION                        | QTY              | ITEM | PART NO | DESCRIPTION | QTY |
| 1            | 612410 01 | KNIFE KICKER ASSY                  | 1                |      |         |             |     |
| 2            | HSS-0317  | SETSCREW                           | 3                |      |         |             |     |
| 3            | WSH-0025  | WASHER                             | 6                |      |         |             |     |
| 4            | NUT-0271  | NUT                                | 3                |      |         |             |     |



KIT - 03201  
KIT - 03344

**Shelbourne Reynolds Engineering Limited**

| KIT-03370    |           | SUB ASSY DESCRIPTION: WHEEL & TYRE KIT (SMOOTH) |     |      |         |             |     |
|--------------|-----------|---|-----|------|---------|-------------|-----|
| ASSY NUMBER: |           |   |     |      |         |             |     |
| ITEM         | PART NO   | DESCRIPTION                                     | QTY | ITEM | PART NO | DESCRIPTION | QTY |
| 1            | WHL-01441 | WHEEL & TYRE ASSY                               | 4   |      |         |             |     |



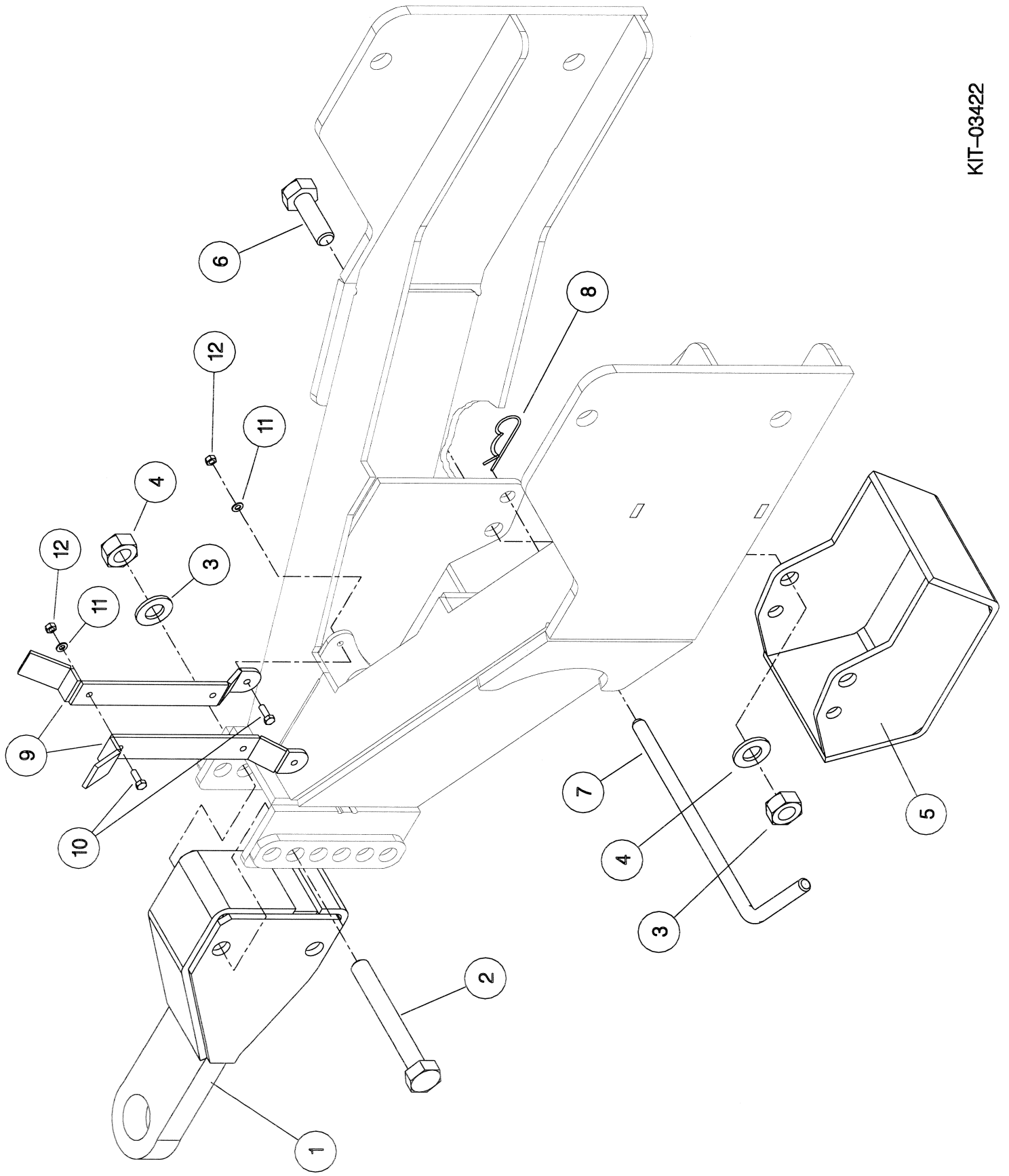
KIT-03370  
KIT-03432a

1

**Shelbourne Reynolds Engineering Limited**

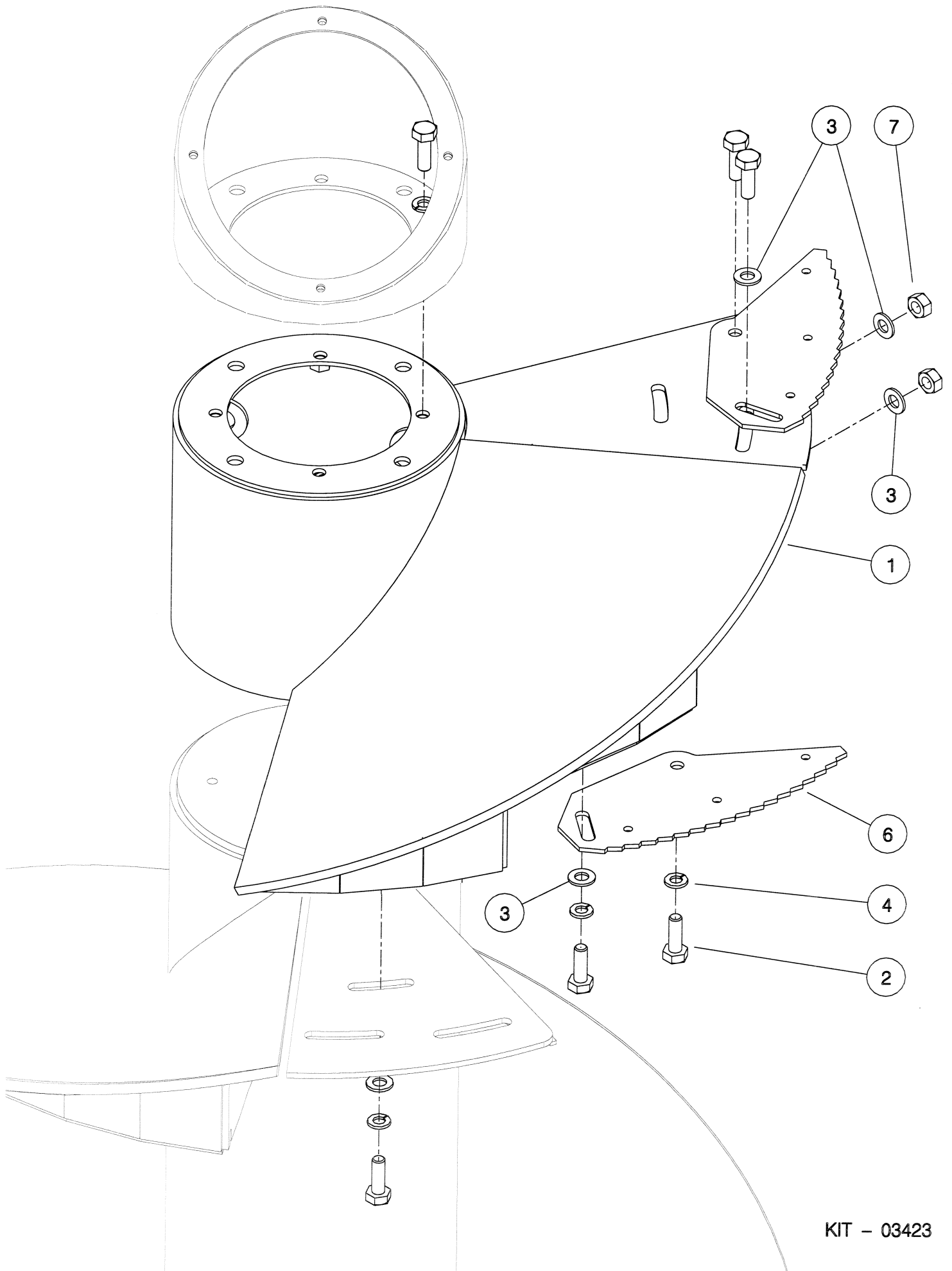
| KIT-03422    |           | ASSY DESCRIPTION: UK TOWING EYE KIT |     |      |         |             |     |
|--------------|-----------|-------------------------------------|-----|------|---------|-------------|-----|
| ASSY NUMBER: |           |                                     |     |      |         |             |     |
| ITEM         | PART NO   | DESCRIPTION                         | QTY | ITEM | PART NO | DESCRIPTION | QTY |
| 1            | 613437 01 | UK TOWING EYE W/A                   | 1   |      |         |             |     |
| 2            | BLTA20770 | BOLT                                | 2   |      |         |             |     |
| 3            | WSH-0030  | WASHER                              | 4   |      |         |             |     |
| 4            | NYTA02200 | NYLOC NUT                           | 4   |      |         |             |     |
| 5            | 613418 01 | FOOT W/A                            | 1   |      |         |             |     |
| 6            | HSS-0355  | SETSCREW                            | 2   |      |         |             |     |
| 7            | 613419 01 | SECURING PIN                        | 1   |      |         |             |     |
| 8            | CLP-00106 | R-CLIP                              | 1   |      |         |             |     |
| 9            | 613433 01 | PTO REST PLATE                      | 2   |      |         |             |     |
| 10           | HSS-0088  | SETSCREW                            | 4   |      |         |             |     |
| 11           | WSH-0009  | WASHER                              | 4   |      |         |             |     |
| 12           | NUT-0260  | NUT                                 | 4   |      |         |             |     |





**Shelbourne Reynolds Engineering Limited**

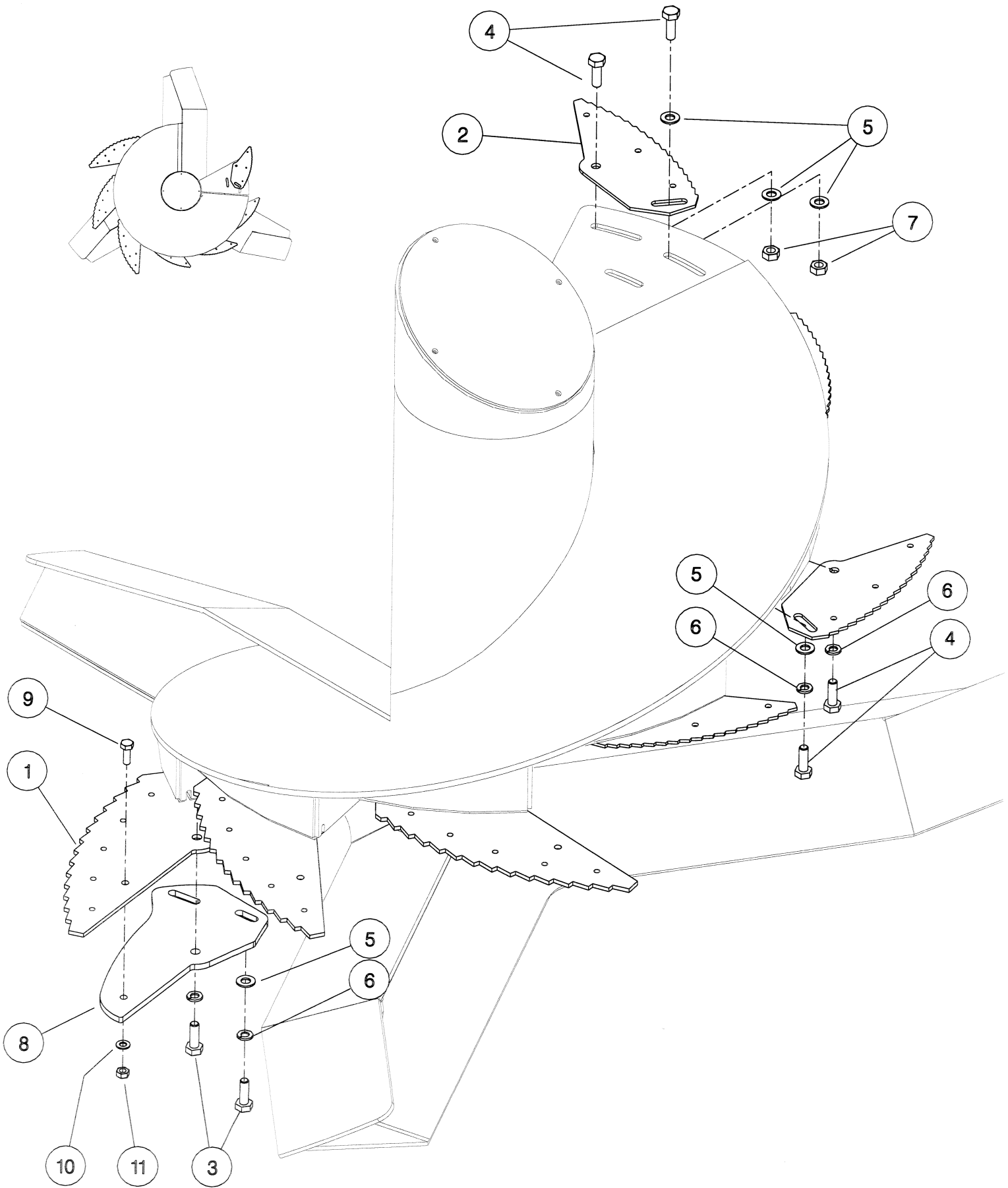
| KIT-03423    |           | ASSY DESCRIPTION: AUGER EXTENSION KIT (300mm) |     |      |         |             |     |
|--------------|-----------|---|-----|------|---------|-------------|-----|
| ASSY NUMBER: | KIT-03423 | ASSY DESCRIPTION: AUGER EXTENSION KIT (300mm) |     |      |         |             |     |
| ITEM         | PART NO   | DESCRIPTION                                   | QTY | ITEM | PART NO | DESCRIPTION | QTY |
| 1            | 613560 01 | AUGER EXTENSION W/A                           | 1   |      |         |             |     |
| 2            | HSS-0316  | SETSCREW                                      | 11  |      |         |             |     |
| 3            | WSH-0025  | WASHER  | 8   |      |         |             |     |
| 4            | WSH-0070  | WASHER  | 9   |      |         |             |     |
| 5            |           |   |     |      |         |             |     |
| 6            | 610256 01 | SMALL BLADE                                   | 2   |      |         |             |     |
| 7            | NUT-0271  | NUT   | 2   |      |         |             |     |



KIT - 03423

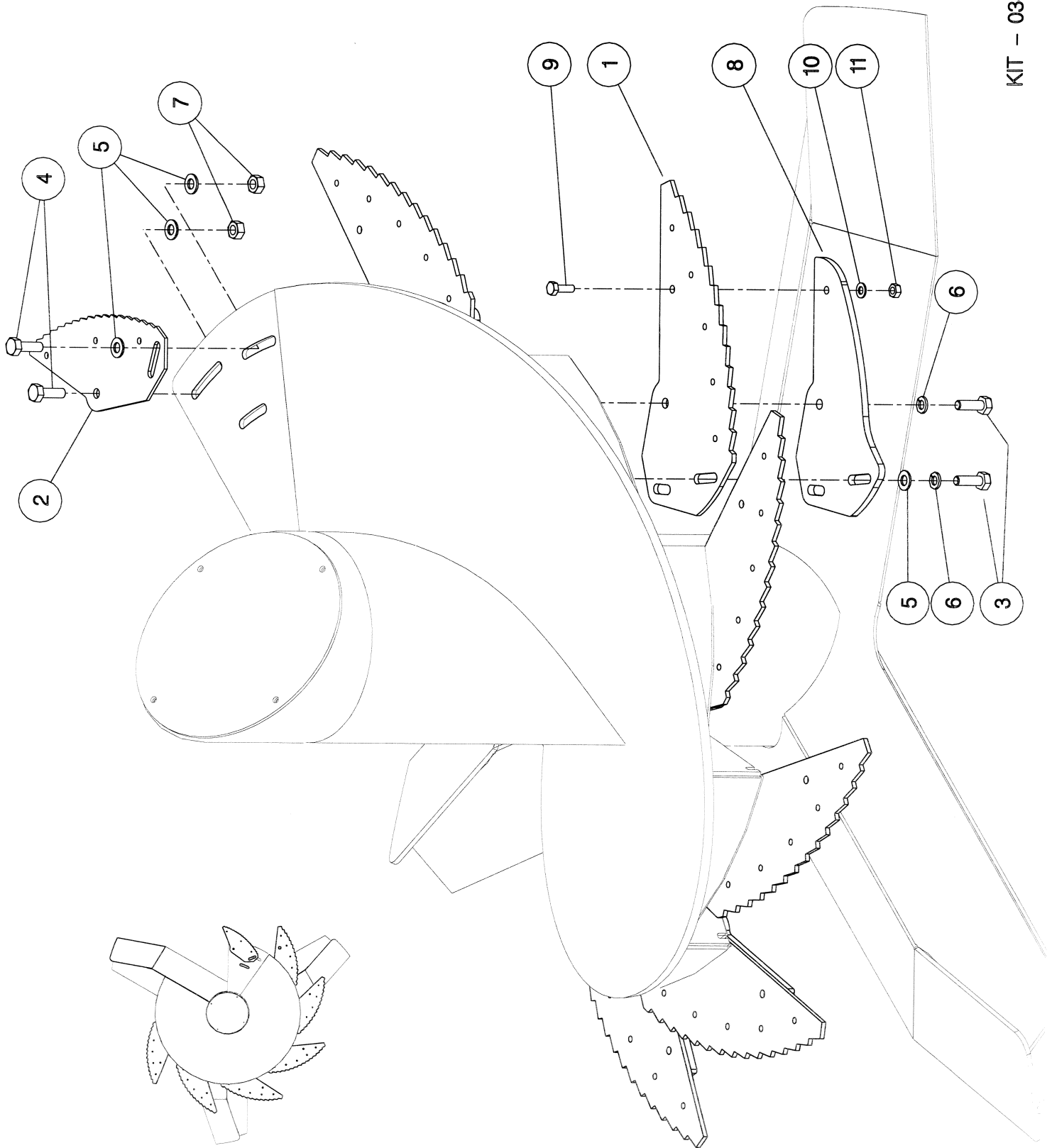
**Shelbourne Reynolds Engineering Limited**

| KIT-03424    |           | ASSY DESCRIPTION: SMALL BLADE KIT |     |      |         |             |     |
|--------------|-----------|-----------------------------------|-----|------|---------|-------------|-----|
| ASSY NUMBER: |           |                                   |     |      |         |             |     |
| ITEM         | PART NO   | DESCRIPTION                       | QTY | ITEM | PART NO | DESCRIPTION | QTY |
| 1            | 610599 02 | LARGE BLADE                       | 3   |      |         |             |     |
| 2            | 610256 01 | SMALL BLADE                       | 4   |      |         |             |     |
| 3            | HSS-0317  | SETSCREW                          | 9   |      |         |             |     |
| 4            | HSS-0316  | SETSCREW                          | 8   |      |         |             |     |
| 5            | WSH-0025  | WASHER                            | 12  |      |         |             |     |
| 6            | WSH-0070  | WASHER                            | 15  |      |         |             |     |
| 7            | NUT-0271  | NUT                               | 2   |      |         |             |     |
| 8            | 612622 01 | KNIFE STRENGTH PLATE              | 3   |      |         |             |     |
| 9            | HSS-0250  | SETSCREW                          | 3   |      |         |             |     |
| 10           | WSH-0018  | WASHER                            | 3   |      |         |             |     |
| 11           | NUT-0269  | NUT                               | 3   |      |         |             |     |



**Shelbourne Reynolds Engineering Limited**

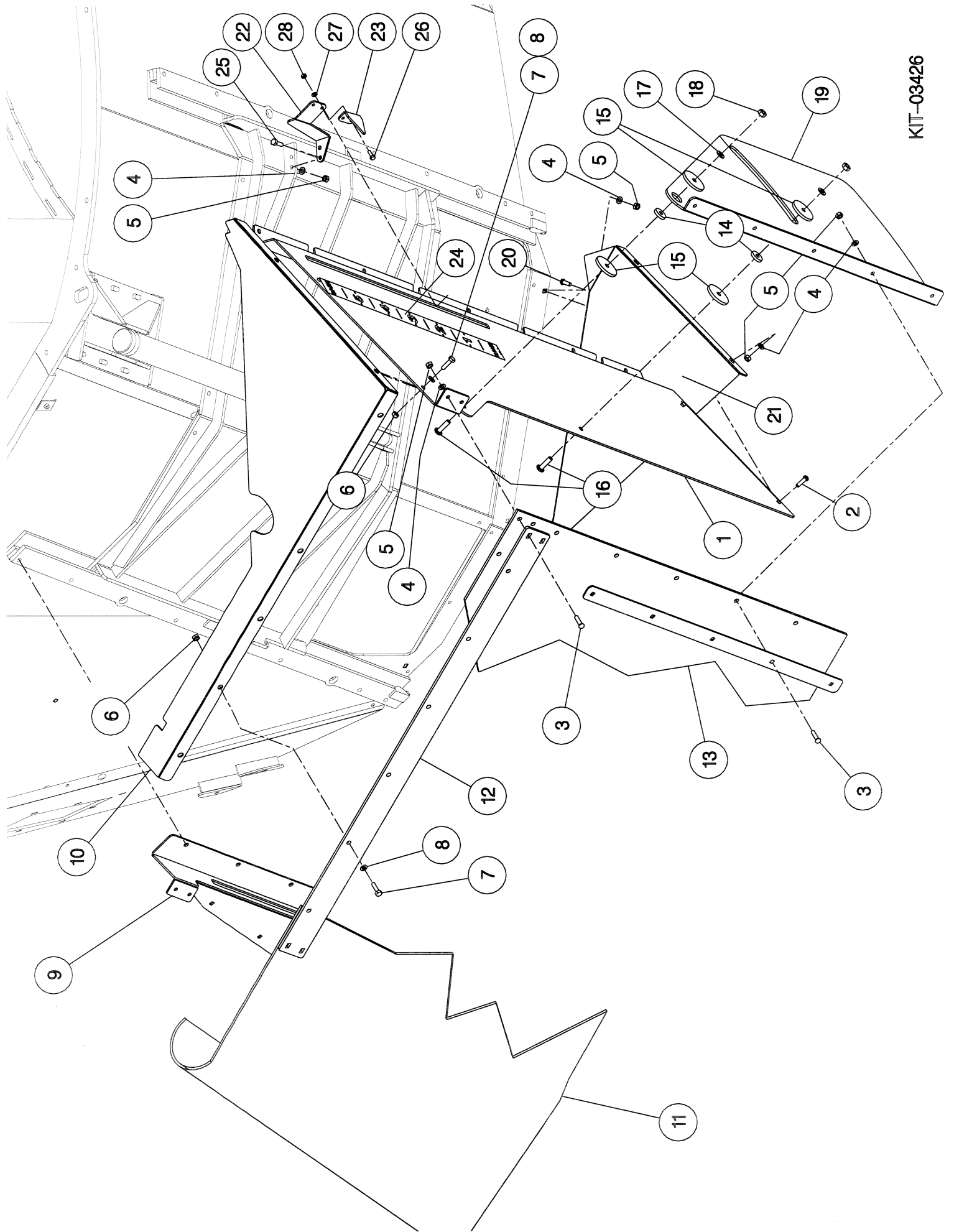
| KIT-03425    |           | ASSY DESCRIPTION: LARGE BLADE KIT |     |      |         |             |     |
|--------------|-----------|-----------------------------------|-----|------|---------|-------------|-----|
| ASSY NUMBER: |           |                                   |     |      |         |             |     |
| ITEM         | PART NO   | DESCRIPTION                       | QTY | ITEM | PART NO | DESCRIPTION | QTY |
| 1            | 610599 02 | LARGE BLADE                       | 6   |      |         |             |     |
| 2            | 610256 01 | SMALL BLADE                       | 1   |      |         |             |     |
| 3            | HSS-0317  | SETSCREW                          | 18  |      |         |             |     |
| 4            | HSS-0316  | SETSCREW                          | 2   |      |         |             |     |
| 5            | WSH-0025  | WASHER                            | 15  |      |         |             |     |
| 6            | WSH-0070  | WASHER                            | 18  |      |         |             |     |
| 7            | NUT-0271  | NUT                               | 2   |      |         |             |     |
| 8            | 612622 01 | KNIFE STRENGTH PLATE              | 6   |      |         |             |     |
| 9            | HSS-0250  | SETSCREW                          | 6   |      |         |             |     |
| 10           | WSH-0018  | WASHER                            | 6   |      |         |             |     |
| 11           | NUT-0269  | NUT                               | 6   |      |         |             |     |



**Shelbourne Reynolds Engineering Limited**

| KIT-03426    |           | ASSY DESCRIPTION: RUBBER DOOR FLAP KIT (RH DOOR) |     |      |         |             |     |
|--------------|-----------|--|-----|------|---------|-------------|-----|
| ASSY NUMBER: |           |  |     |      |         |             |     |
| ITEM         | PART NO   | DESCRIPTION                                      | QTY | ITEM | PART NO | DESCRIPTION | QTY |
| 1            | 613426 01 | SIDE PANEL                                       | 1   |      |         |             |     |
| 2            | BLT-4710  | COACHBOLT  | 2   |      |         |             |     |
| 3            | BLT-2700  | COACHBOLT  | 4   |      |         |             |     |
| 4            | WSH-0012  | WASHER   | 21  |      |         |             |     |
| 5            | NUT-0263  | NUT  | 21  |      |         |             |     |
| 6            | NUTA13080 | NUTSERT  | 8   |      |         |             |     |
| 7            | HSS-0150  | SETSCREW   | 6   |      |         |             |     |
| 8            | WSH-0058  | WASHER   | 8   |      |         |             |     |
| 9            | 613430 01 | SIDE MTG PLATE                                   | 1   |      |         |             |     |
| 10           | 613425 01 | TOP CAPPING PLATE                                | 1   |      |         |             |     |
| 11           | 613466 01 | RUBBER CURTAIN                                   | 1   |      |         |             |     |
| 12           | 613465 01 | FRONT CLAMP PLATE                                | 1   |      |         |             |     |
| 13           | 613429 01 | CLAMP STRIP                                      | 2   |      |         |             |     |
| 14           | 190548 34 | WASHER   | 2   |      |         |             |     |
| 15           | 613750 01 | NYLON DISC                                       | 4   |      |         |             |     |
| 16           | SCW-0515  | BUTT SC HD SCREW                                 | 2   |      |         |             |     |
| 17           | WSH-0015  | WASHER   | 2   |      |         |             |     |
| 18           | NUT-0265  | NUT  | 2   |      |         |             |     |
| 19           | 613427 01 | PIVOT PLATE                                      | 1   |      |         |             |     |
| 20           | BLTF08173 | COACHBOLT  | 13  |      |         |             |     |
| 21           | 613428 01 | BOTTOM SUPPORT CHUTE                             | 1   |      |         |             |     |
| 22           | 613785 01 | POINTER MTG PLATE                                | 1   |      |         |             |     |
| 23           | 613786 01 | POINTER  | 1   |      |         |             |     |
| 24           | 613779 01 | DECAL - DOOR HEIGHT                              | 1   |      |         |             |     |
| 25           | HSS-0145  | SETSCREW   | 4   |      |         |             |     |
| 26           | HSS-0086  | SETSCREW   | 2   |      |         |             |     |
| 27           | WSH-0009  | WASHER   | 2   |      |         |             |     |
| 28           | NUT-0260  | NUT  | 2   |      |         |             |     |

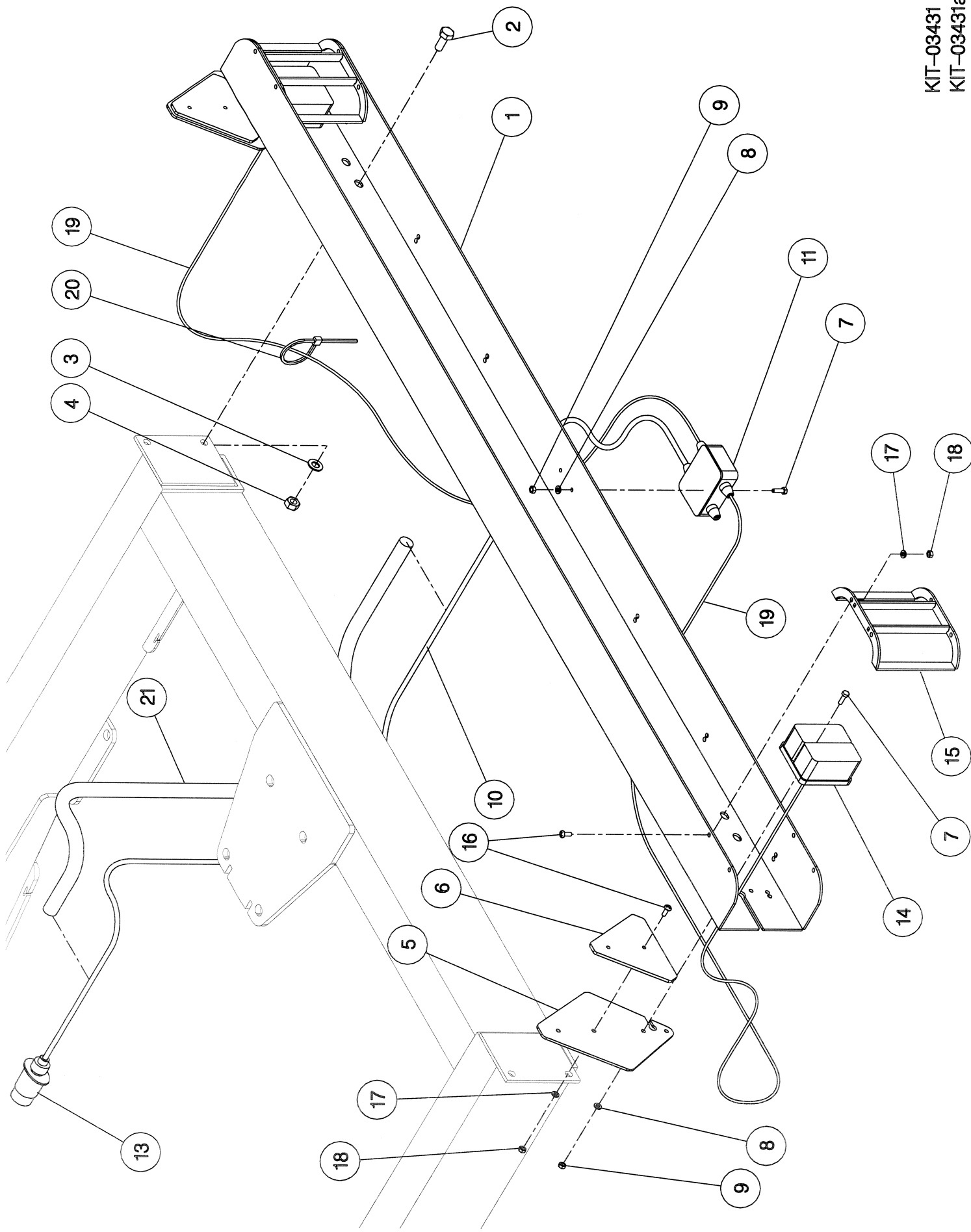




KIT-03426

**Shelbourne Reynolds Engineering Limited**

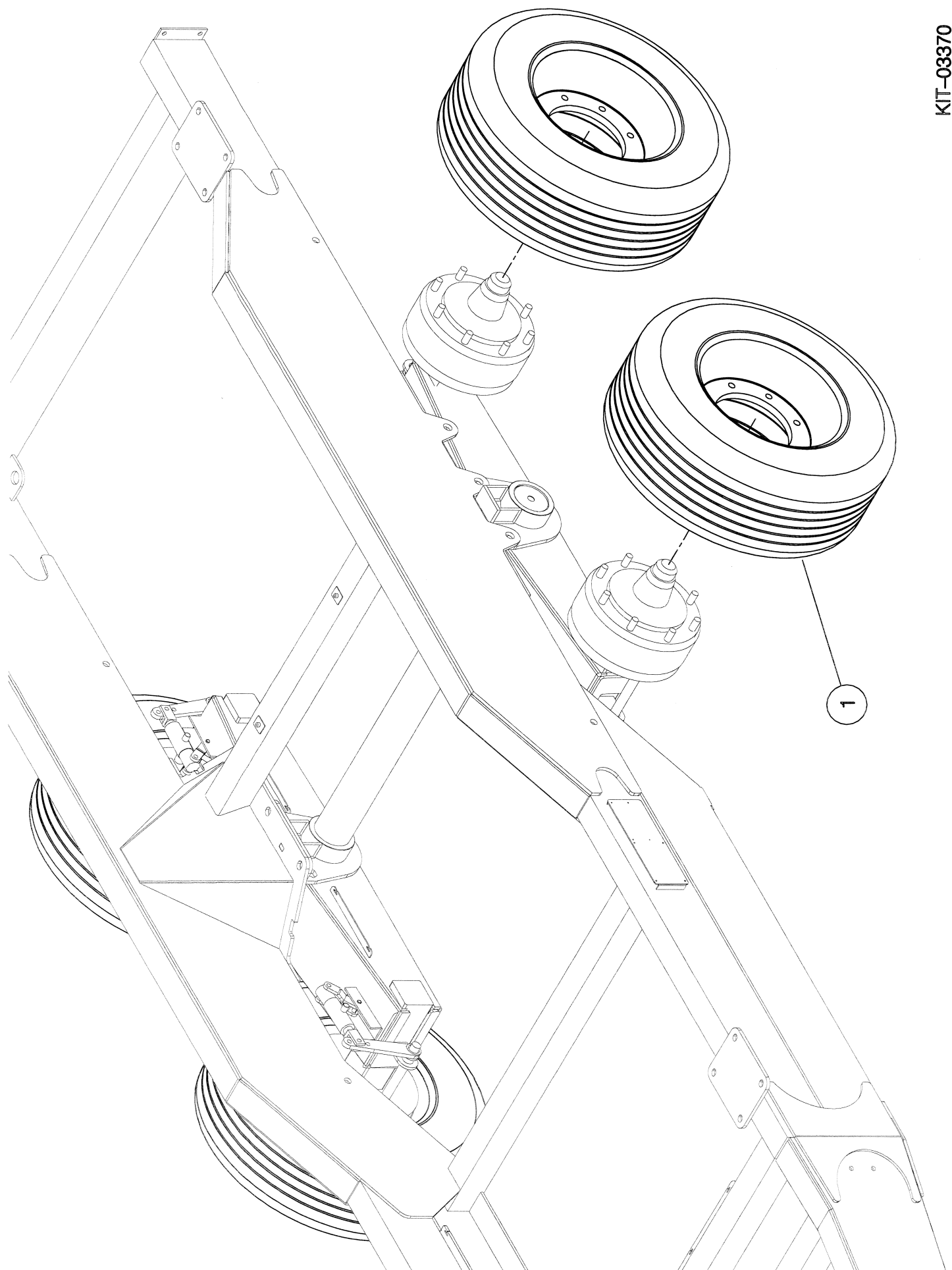
| KIT-03431a   |           | ASSY DESCRIPTION: LIGHTING KIT (TWIN AUGER) |      |      |         |             |     |
|--------------|-----------|---|------|------|---------|-------------|-----|
| ASSY NUMBER: |           |   |      |      |         |             |     |
| ITEM         | PART NO   | DESCRIPTION                                 | QTY  | ITEM | PART NO | DESCRIPTION | QTY |
| 1            | 613455 01 | LIGHTING BOARD                              | 1    |      |         |             |     |
| 2            | HSS-0238  | SETSCREW                                    | 4    |      |         |             |     |
| 3            | WSH-0018  | WASHER                                      | 4    |      |         |             |     |
| 4            | NUT-0269  | NUT   | 4    |      |         |             |     |
| 5            | 613620 01 | REFLECTOR MTG PLATE                         | 2    |      |         |             |     |
| 6            | REF-0030  | REFLECTOR                                   | 2    |      |         |             |     |
| 7            | HSS-0065  | SCREW                                       | 6    |      |         |             |     |
| 8            | WSH-0006  | WASHER                                      | 6    |      |         |             |     |
| 9            | NUT-0258  | NUT   | 6    |      |         |             |     |
| 10           | CBL-03530 | CABLE                                       | 1.1m |      |         |             |     |
| 11           | JNC-00000 | JUNCTION BOX                                | 1    |      |         |             |     |
| 12           |           |   |      |      |         |             |     |
| 13           | PLG-0005  | 7 PIN PLUG                                  | 1    |      |         |             |     |
| 14           | LMP-10400 | LIGHT CLUSTER                               | 2    |      |         |             |     |
| 15           | 613604 01 | LIGHT GUARD W/A                             | 2    |      |         |             |     |
| 16           | SCW-4960  | SCREW                                       | 12   |      |         |             |     |
| 17           | WSH-0009  | WASHER                                      | 12   |      |         |             |     |
| 18           | NUT-0260  | NUT   | 12   |      |         |             |     |
| 19           | CBL-03210 | 4 CORE CABLE                                | 3m   |      |         |             |     |
| 20           | TIE-0004  | TIE WRAP                                    | 8    |      |         |             |     |
| 21           | SLV-00300 | SPIRAL CONVOLUTE TUBING                     | 2m   |      |         |             |     |



KIT-03431  
 KIT-03431a

**Shelbourne Reynolds Engineering Limited**

| KIT-03432a   |            | ASSY DESCRIPTION: WHEEL&TYRE KIT (GOODYEAR 340/65 R18) TWIN |   |      |         |             |     |
|--------------|------------|---|---|------|---------|-------------|-----|
| ASSY NUMBER: | KIT-03432a | ASSY DESCRIPTION:   | WHEEL&TYRE KIT (GOODYEAR 340/65 R18) TWIN |      |         |             |     |
| ITEM         | PART NO    | DESCRIPTION   | QTY                                       | ITEM | PART NO | DESCRIPTION | QTY |
| 1            | WHL-01800  | WHEEL & TYRE ASSY   | 4   |      |         |             |     |

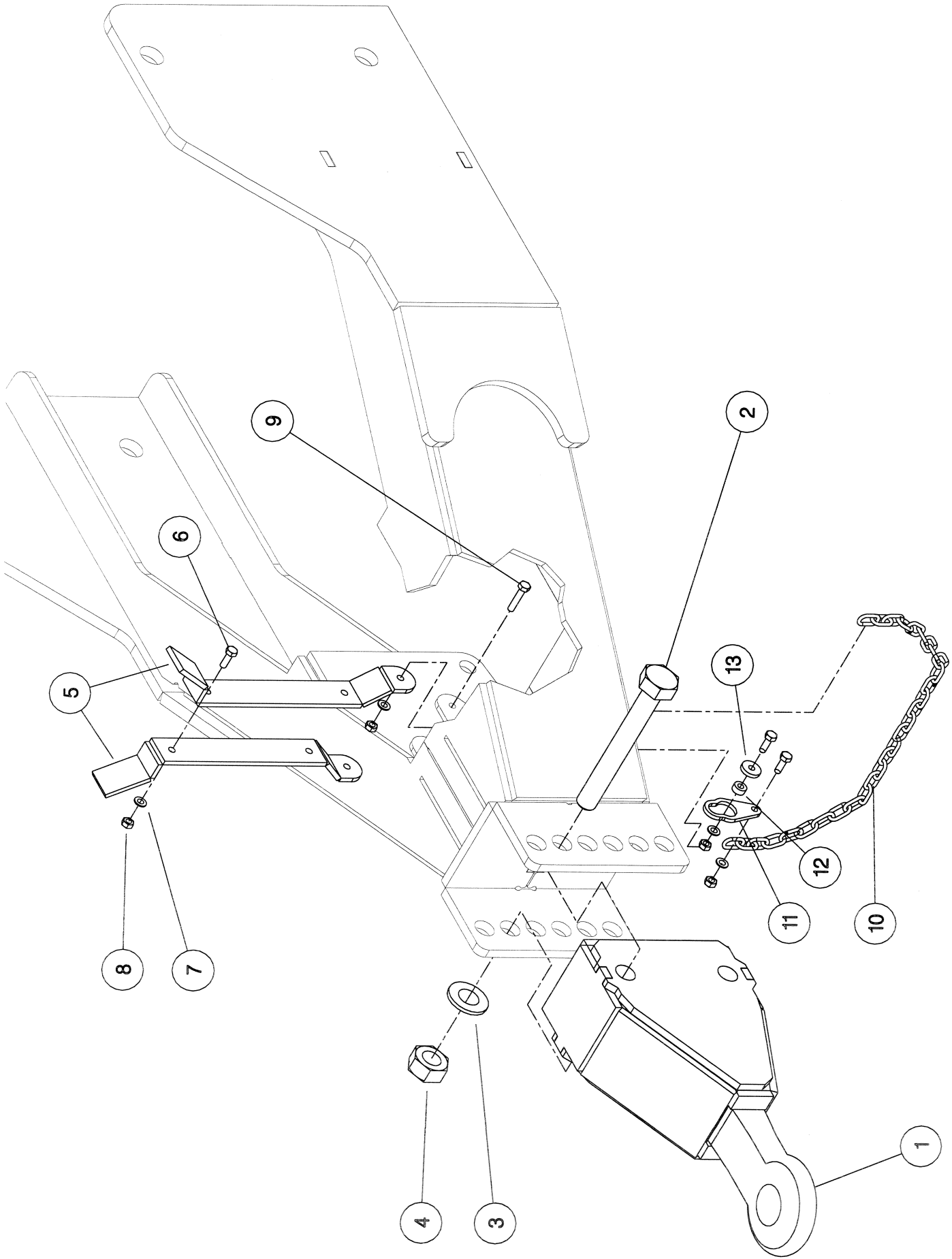


KIT-03370  
KIT-03432a

1

**Shelbourne Reynolds Engineering Limited**

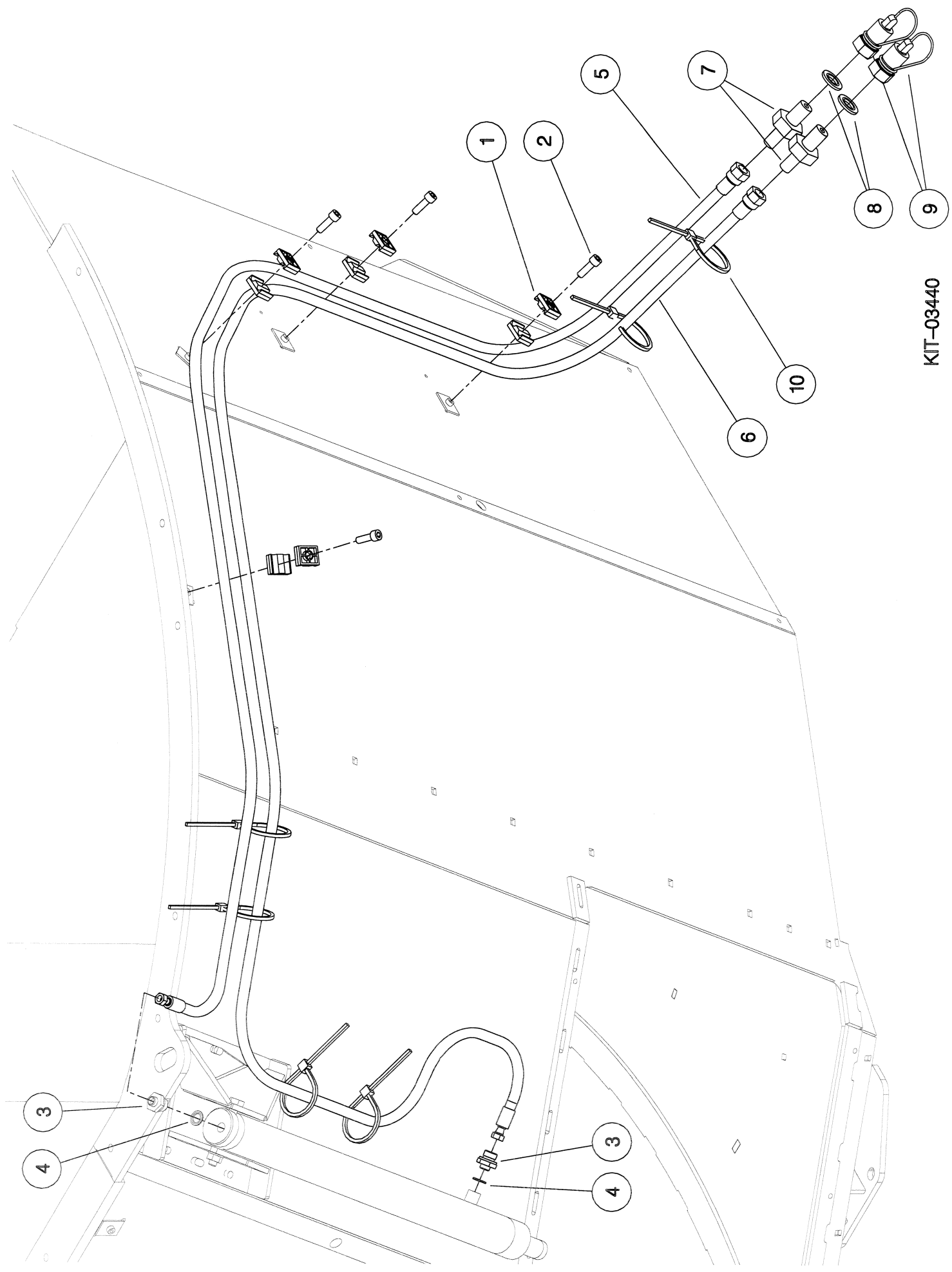
| KIT-03439    |           | ASSY DESCRIPTION: CONTINENTAL TOWING EYE KIT |      |      |         |             |     |
|--------------|-----------|--|------|------|---------|-------------|-----|
| ASSY NUMBER: |           |  |      |      |         |             |     |
| ITEM         | PART NO   | DESCRIPTION                                  | QTY  | ITEM | PART NO | DESCRIPTION | QTY |
| 1            | 613658 01 | CONTINENTAL TOWING EYE W/A                   | 1    |      |         |             |     |
| 2            | BLTA20770 | BOLT   | 2    |      |         |             |     |
| 3            | WSH-0030  | WASHER                                       | 4    |      |         |             |     |
| 4            | NUA02200  | NYLOC  | 4    |      |         |             |     |
| 5            | 613433 01 | PTO REST PLATE                               | 2    |      |         |             |     |
| 6            | HSS-0088  | SETSCREW                                     | 2    |      |         |             |     |
| 7            | WSH-0009  | WASHER                                       | 4    |      |         |             |     |
| 8            | NUT-0260  | NUT  | 4    |      |         |             |     |
| 9            | HSS-0092  | SETSCREW                                     | 2    |      |         |             |     |
| 10           | CHN-0145  | CHAIN  | 0.7m |      |         |             |     |
| 11           | 613977 01 | CHAIN HOOK PLATE                             | 1    |      |         |             |     |
| 12           | 190548 48 | WASHER                                       | 1    |      |         |             |     |
| 13           | 190548 49 | WASHER                                       | 1    |      |         |             |     |



**Shelbourne Reynolds Engineering Limited**

| KIT-03440    |           | ASSY DESCRIPTION: DIRECT COUPLED RH DOOR HYDRAULICS KIT |     |      |         |             |     |
|--------------|-----------|---|-----|------|---------|-------------|-----|
| ASSY NUMBER: |           |   |     |      |         |             |     |
| ITEM         | PART NO   | DESCRIPTION   | QTY | ITEM | PART NO | DESCRIPTION | QTY |
| 1            | HCPD01200 | PIPE CLAMP  | 4   |      |         |             |     |
| 2            | SCW-0083  | CP HD SCREW   | 4   |      |         |             |     |
| 3            | HMA-0052  | M/M ADAPTOR   | 2   |      |         |             |     |
| 4            | WSH-1005  | DOWTY WASHER  | 2   |      |         |             |     |
| 5            | HHBC49005 | HOSE ASSY   | 1   |      |         |             |     |
| 6            | HHBC55005 | HOSE ASSY   | 1   |      |         |             |     |
| 7            | HMA-0055  | M/M ADAPTOR   | 2   |      |         |             |     |
| 8            | WSH-1015  | DOWTY WASHER  | 2   |      |         |             |     |
| 9            | COU-0162  | QUICK REL COUPLING                                      | 2   |      |         |             |     |
| 10           | TIE-0004  | TIE WRAPS (MED)   | 6   |      |         |             |     |

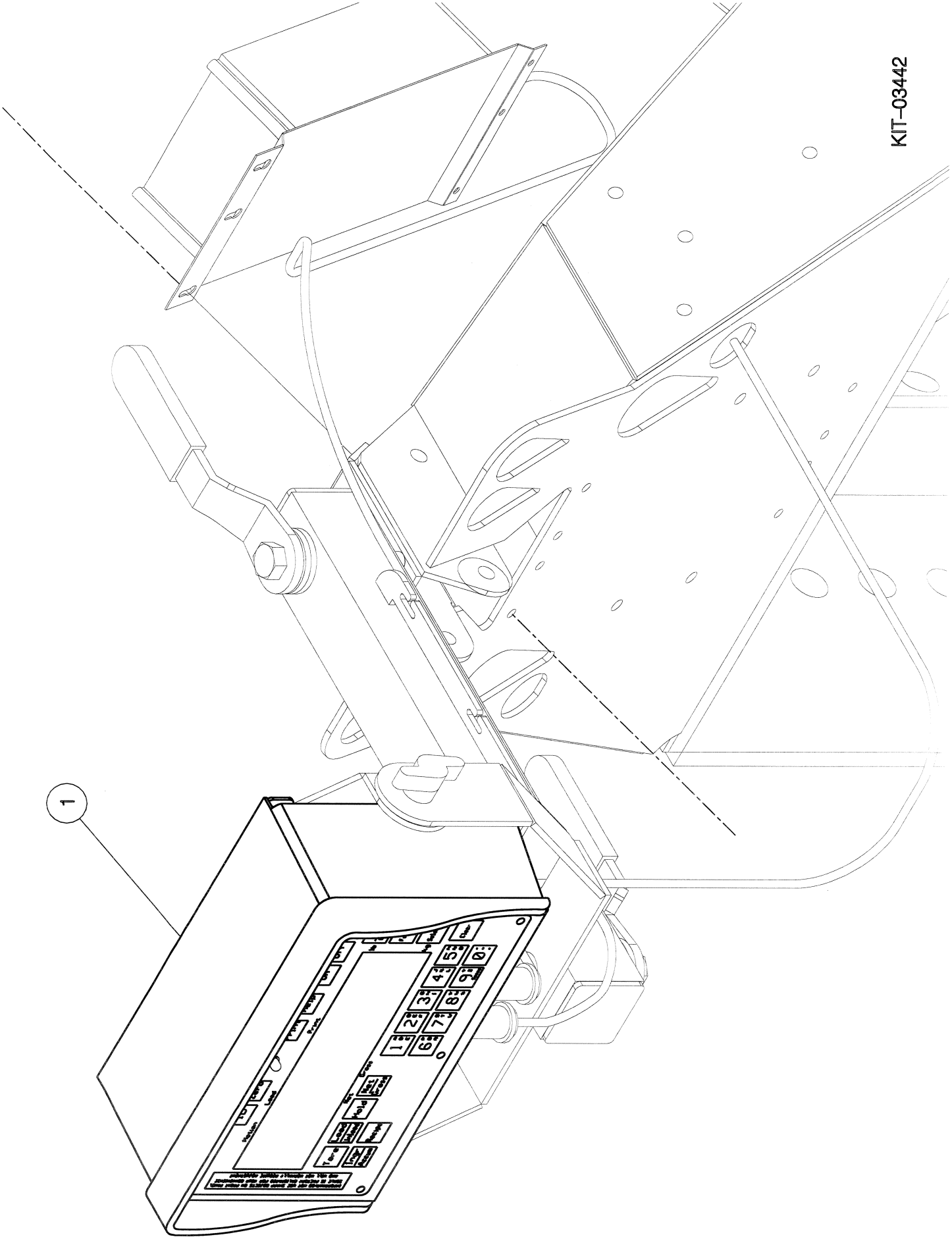




KIT-03440

**Shelbourne Reynolds Engineering Limited**

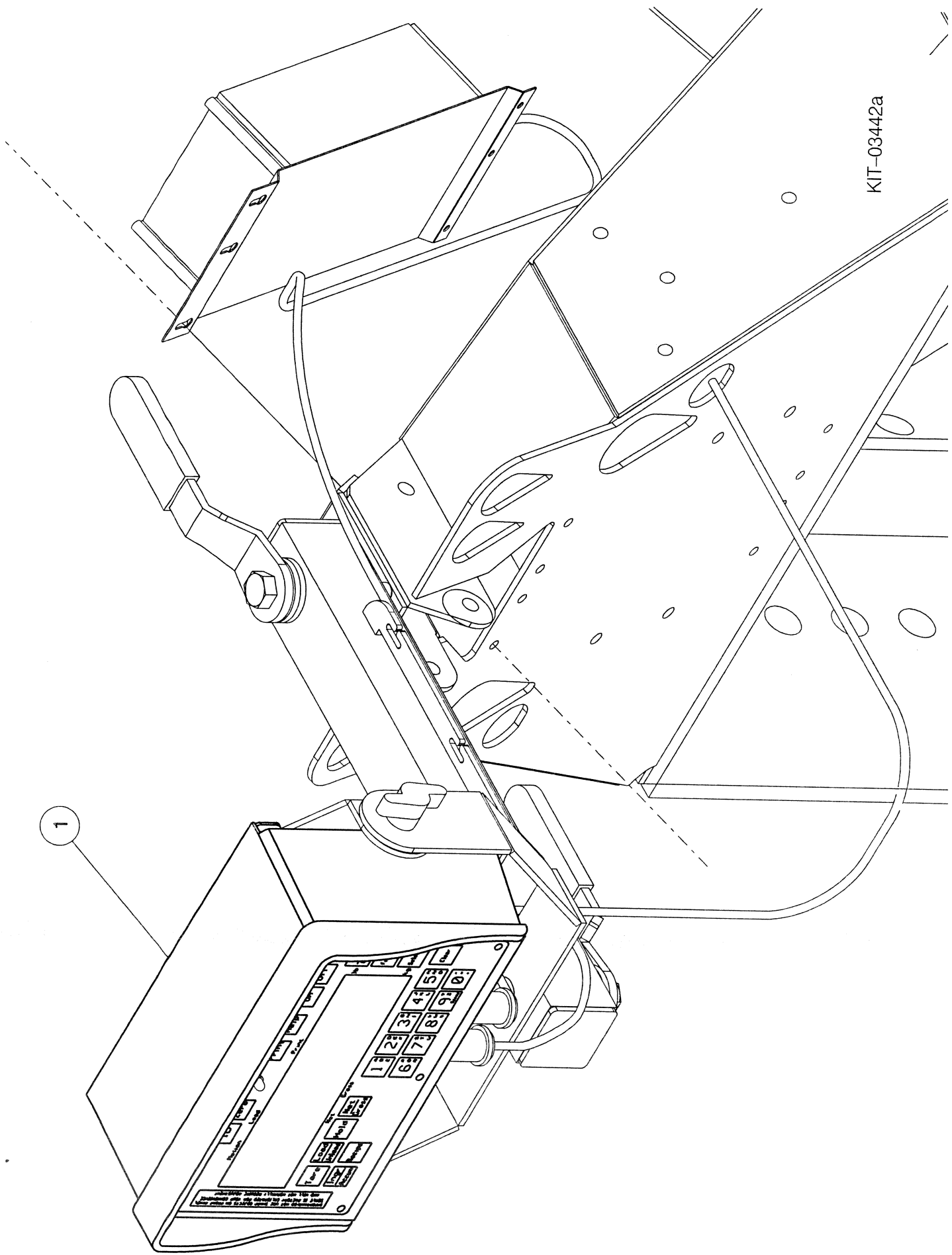
| KIT-03442    |           | ASSY DESCRIPTION: MID LEVEL EZ3200 INDICATOR KIT |     |      |         |             |     |
|--------------|-----------|--|-----|------|---------|-------------|-----|
| ASSY NUMBER: | KIT-03442 | ASSY DESCRIPTION: MID LEVEL EZ3200 INDICATOR KIT |     |      |         |             |     |
| ITEM         | PART NO   | DESCRIPTION                                      | QTY | ITEM | PART NO | DESCRIPTION | QTY |
| 1            | LCL-01216 | EZ3200 INDICATOR                                 | 1   |      |         |             |     |



KIT-03442

**Shelbourne Reynolds Engineering Limited**

| KIT-03442A   |            | ASSY DESCRIPTION: MID EZ3200V INDICATOR KITC/W REMOTE PORT |     |      |         |             |     |
|--------------|------------|--|-----|------|---------|-------------|-----|
| ASSY NUMBER: | PART NO    | DESCRIPTION  | QTY | ITEM | PART NO | DESCRIPTION | QTY |
| 1            | LCL-01216a | EZ3200 INDICATOR   | 1   |      |         |             |     |

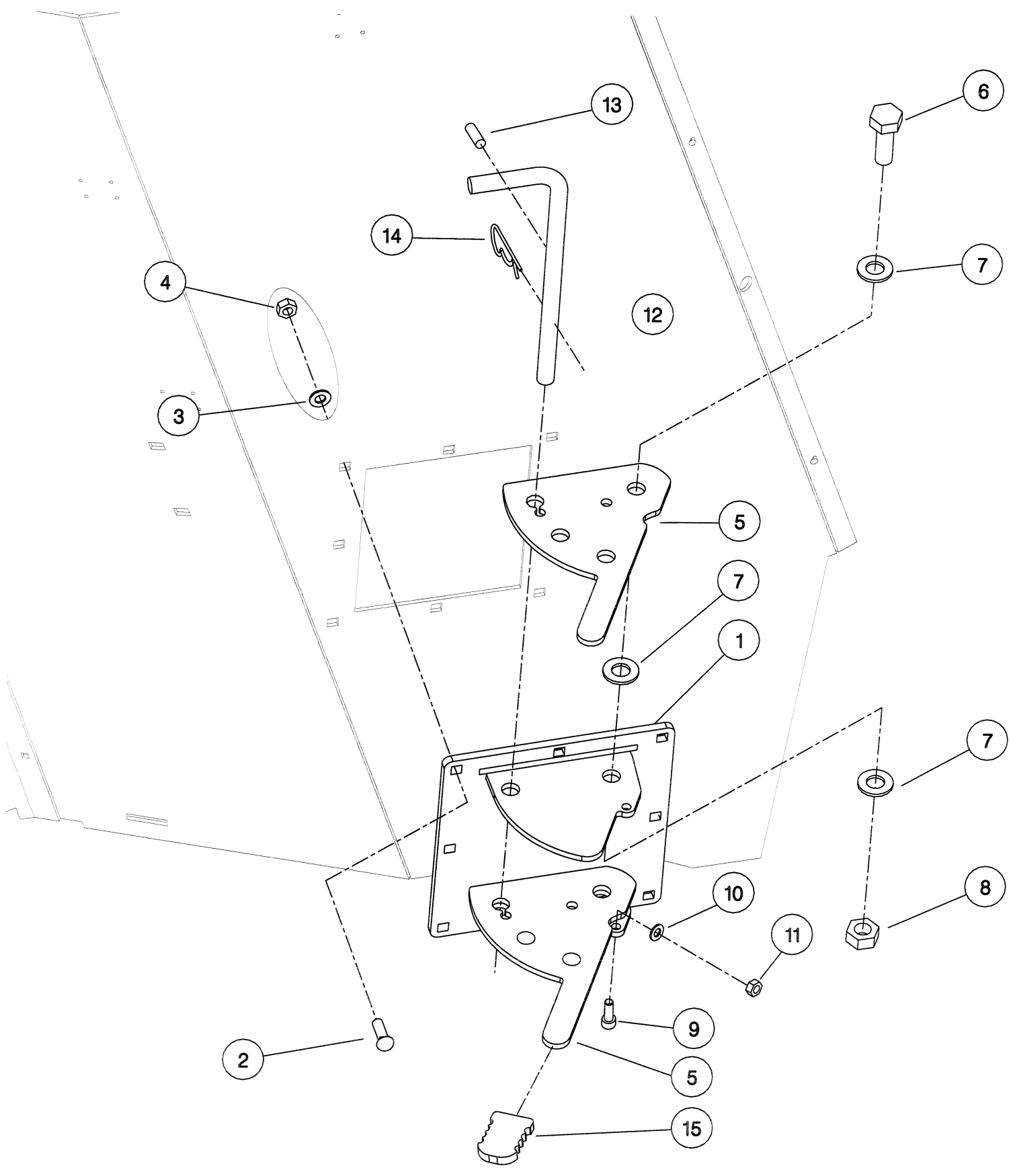


1

KIT-03442a

**Shelbourne Reynolds Engineering Limited**

| KIT-03447    |           | ASSY DESCRIPTION: ANTI-ROTATION BLADE KIT |     |      |         |             |     |
|--------------|-----------|---|-----|------|---------|-------------|-----|
| ASSY NUMBER: | PART NO   | DESCRIPTION                               | QTY | ITEM | PART NO | DESCRIPTION | QTY |
| 1            | 612983 01 | BLADE MOUNTING ASSY                       | 2   |      |         |             |     |
| 2            | BLTF12233 | COACHBOLT                                 | 16  |      |         |             |     |
| 3            | WSH-0018  | WASHER                                    | 16  |      |         |             |     |
| 4            | NUT-0269  | NUT                                       | 16  |      |         |             |     |
| 5            | 612872 01 | ANTI-ROTATION BLADE                       | 4   |      |         |             |     |
| 6            | HSS-0355  | SETSCREW                                  | 4   |      |         |             |     |
| 7            | WSH-0030  | WASHER                                    | 12  |      |         |             |     |
| 8            | NUA02200  | NUT                                       | 4   |      |         |             |     |
| 9            | SCW-0190  | SOCKET CAP HD SCREW                       | 4   |      |         |             |     |
| 10           | WSH-0015  | WASHER                                    | 4   |      |         |             |     |
| 11           | NUT-0265  | NUT                                       | 4   |      |         |             |     |
| 12           | 612874 01 | BLADE LOCKING SHAFT                       | 2   |      |         |             |     |
| 13           | PIN-1783  | ROLL PIN                                  | 2   |      |         |             |     |
| 14           | CLP-00106 | R-CLIP                                    | 2   |      |         |             |     |
| 15           | PTF-00025 | HANDLE GRIP                               | 4   |      |         |             |     |

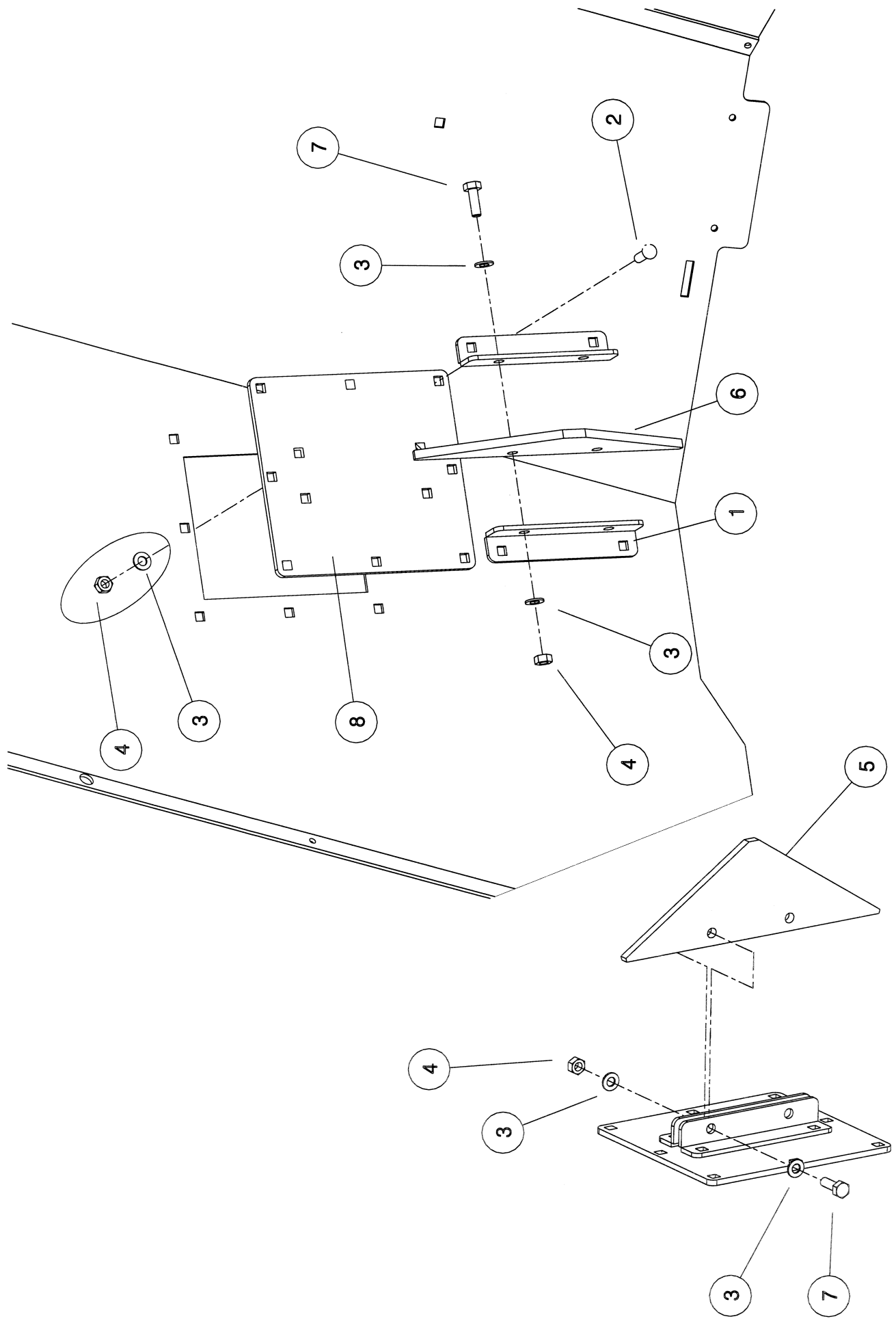


KIT - 03296  
KIT - 03447

**Shelbourne Reynolds Engineering Limited**

| ASSY NUMBER: KIT-03448 |           | SUB ASSY DESCRIPTION: FIXED RETARDER KIT (SINGLE AUGER) |     |      |         |             |     |
|------------------------|-----------|---|-----|------|---------|-------------|-----|
| ITEM                   | PART NO   | DESCRIPTION   | QTY | ITEM | PART NO | DESCRIPTION | QTY |
| 1                      | 612489 01 | ANTI-ROTATION BRKT                                      | 4   |      |         |             |     |
| 2                      | BLTF12233 | COACHBOLT   | 24  |      |         |             |     |
| 3                      | WSH-0018  | WASHER  | 28  |      |         |             |     |
| 4                      | NUT-0269  | NUT   | 28  |      |         |             |     |
| 5                      | 610934 01 | LARGER ANTI-ROTATION PLATE                              | 1   |      |         |             |     |
| 6                      | 612490 01 | SMALL ANTI-ROTATION PLATE                               | 1   |      |         |             |     |
| 7                      | HSS-0260  | SETSCREW  | 4   |      |         |             |     |
| 8                      | 612866 01 | BLANKING PLATE  | 2   |      |         |             |     |

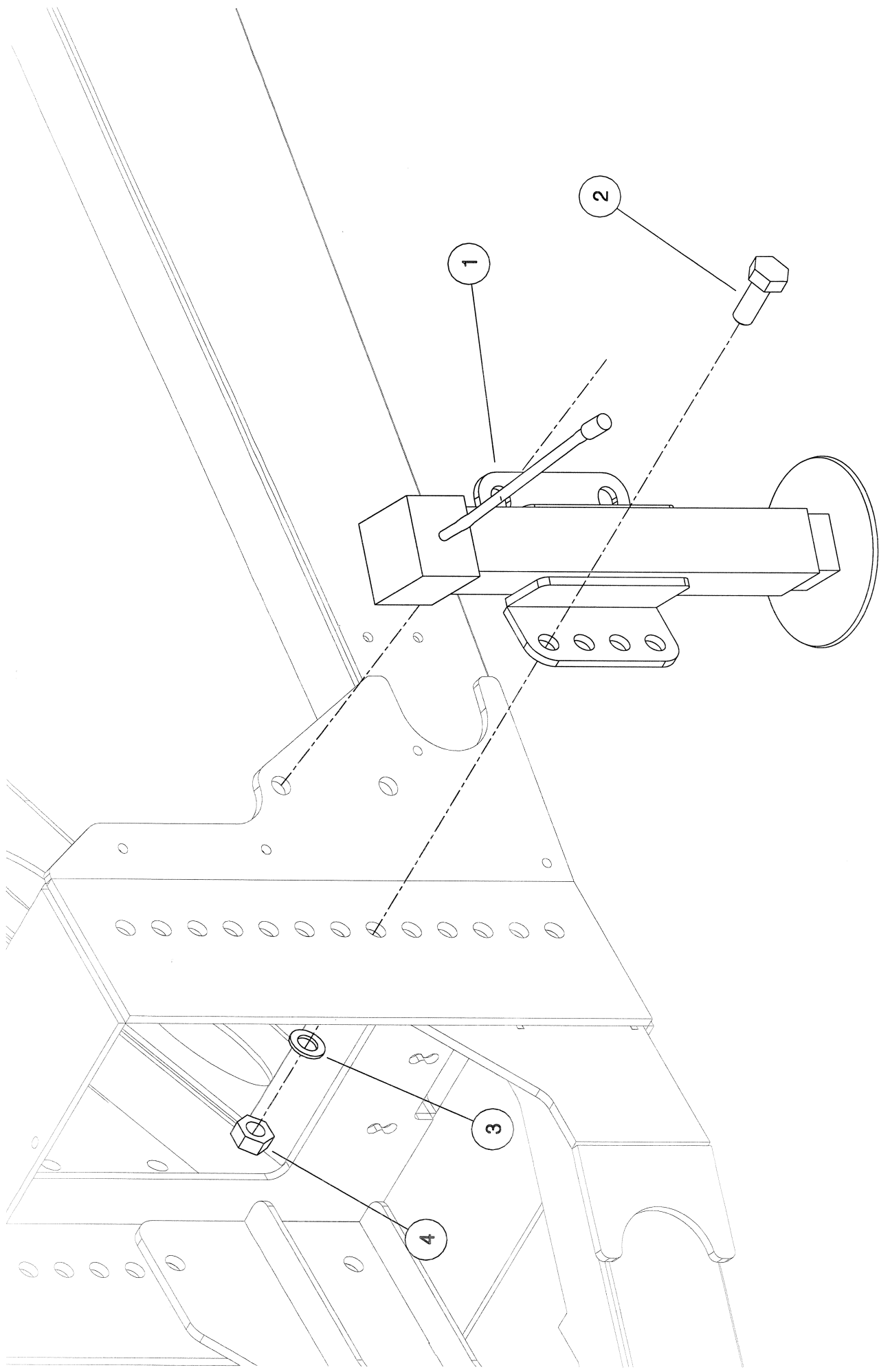




KIT - 03298  
 KIT - 03448

**Shelbourne Reynolds Engineering Limited**

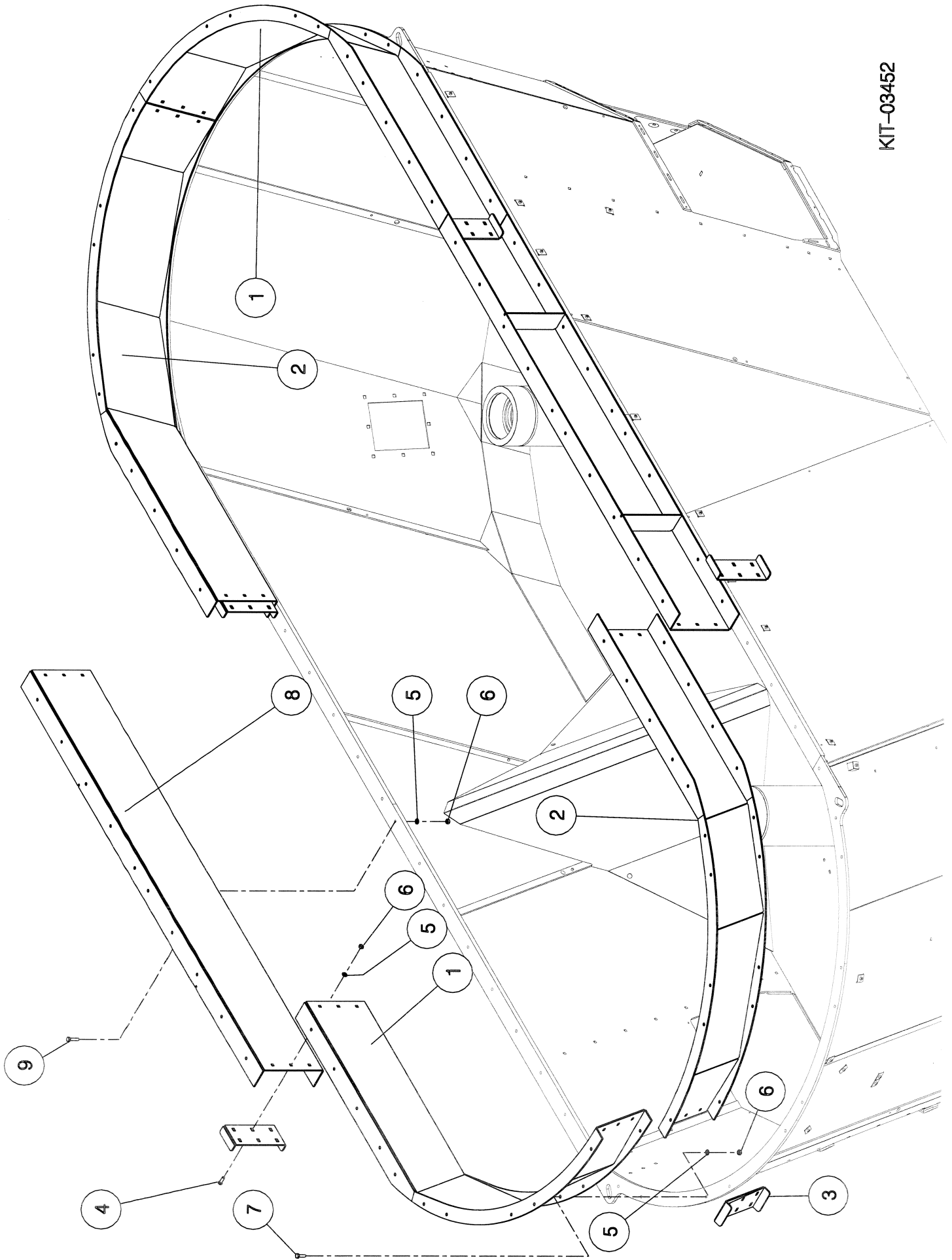
| ASSY NUMBER: KIT-03449 |           | SUB ASSY DESCRIPTION: MECHANICAL JACK KIT |     |      |         |             |     |
|------------------------|-----------|---|-----|------|---------|-------------|-----|
| ITEM                   | PART NO   | DESCRIPTION                               | QTY | ITEM | PART NO | DESCRIPTION | QTY |
| 1                      | 613709 01 | JACK WELD ASSY                            | 1   |      |         |             |     |
| 2                      | HSS-0410  | SETSCREW                                  | 4   |      |         |             |     |
| 3                      | WSH-0036  | WASHER                                    | 4   |      |         |             |     |
| 4                      | NUT-0275  | NUT                                       | 4   |      |         |             |     |



KIT-03449

**Shelbourne Reynolds Engineering Limited**

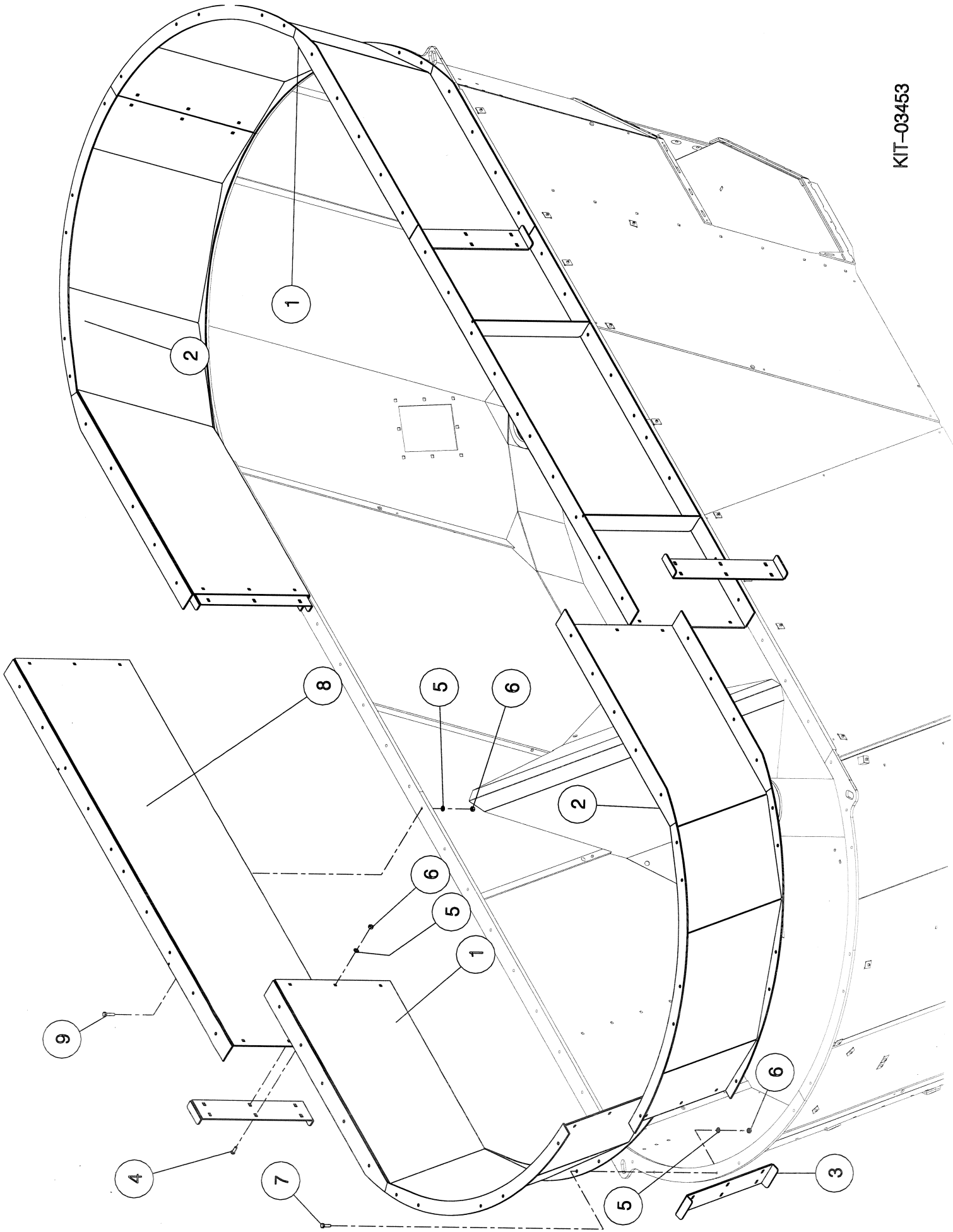
| KIT-03452    |           | ASSY DESCRIPTION: 300mm EXTENSION KIT (TWIN AUGER) |     |      |         |             |     |
|--------------|-----------|--|-----|------|---------|-------------|-----|
| ASSY NUMBER: | KIT-03452 | ASSY DESCRIPTION: 300mm EXTENSION KIT (TWIN AUGER) |     |      |         |             |     |
| ITEM         | PART NO   | DESCRIPTION  | QTY | ITEM | PART NO | DESCRIPTION | QTY |
| 1            | 613269 01 | EXTENSION W/A                                      | 2   |      |         |             |     |
| 2            | 613269 02 | EXTENSION W/A                                      | 2   |      |         |             |     |
| 3            | 613276 01 | SIDE CLAMP PLATE                                   | 6   |      |         |             |     |
| 4            | BLT-3745  | COACHBOLT  | 36  |      |         |             |     |
| 5            | WSH-0015  | WASHER   | 124 |      |         |             |     |
| 6            | NUT-0265  | NUT  | 80  |      |         |             |     |
| 7            | HSS-0198  | SETSCREW   | 20  |      |         |             |     |
| 8            | 613727 01 | 300mm EXTENSION SIDE W/A                           | 2   |      |         |             |     |
| 9            | BLTA12350 | BOLT   | 24  |      |         |             |     |



KIT-03452

**Shelbourne Reynolds Engineering Limited**

| KIT-03453    |           | ASSY DESCRIPTION: 600mm EXTENSION KIT (TWIN AUGER) |     |      |         |             |     |
|--------------|-----------|--|-----|------|---------|-------------|-----|
| ASSY NUMBER: | KIT-03453 | ASSY DESCRIPTION: 600mm EXTENSION KIT (TWIN AUGER) |     |      |         |             |     |
| ITEM         | PART NO   | DESCRIPTION  | QTY | ITEM | PART NO | DESCRIPTION | QTY |
| 1            | 613278 01 | EXTENSION W/A                                      | 2   |      |         |             |     |
| 2            | 613278 02 | EXTENSION W/A                                      | 2   |      |         |             |     |
| 3            | 613273 01 | SIDE CLAMP PLATE                                   | 6   |      |         |             |     |
| 4            | BLT-3745  | COACHBOLT  | 36  |      |         |             |     |
| 5            | WSH-0015  | WASHER   | 124 |      |         |             |     |
| 6            | NUT-0265  | NUT  | 80  |      |         |             |     |
| 7            | HSS-0198  | SETSCREW   | 20  |      |         |             |     |
| 8            | 613729 01 | 600mm EXTENSION SIDE W/A                           | 2   |      |         |             |     |
| 9            | BLTA12350 | BOLT   | 24  |      |         |             |     |



KIT-03453





**Shelbourne Reynolds Engineering Limited**

ASSY NUMBER: KIT-03456      ASSY DESCRIPTION: BASIC EZ2000V INDICATOR KIT

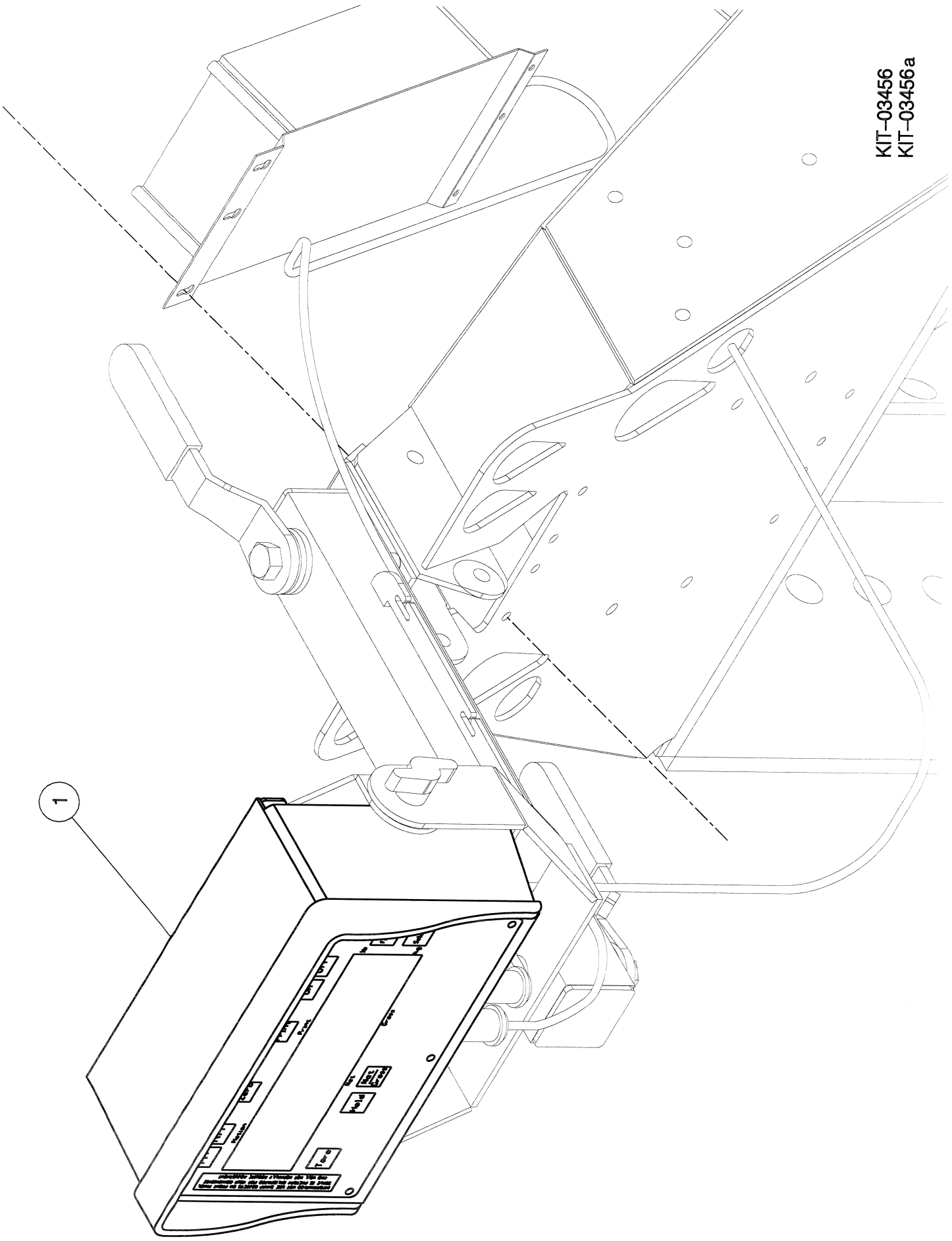
| ITEM | PART NO   | DESCRIPTION       | QTY | ITEM | PART NO | DESCRIPTION | QTY |
|------|-----------|-------------------|-----|------|---------|-------------|-----|
| 1    | LCL-01217 | EZ2000V INDICATOR | 1   |      |         |             |     |

**Shelbourne Reynolds Engineering Limited**

| KIT-03456a   |            | ASSY DESCRIPTION: BASIC EZ2000V INDICATOR KIT |     |      |         |             |     |
|--------------|------------|---|-----|------|---------|-------------|-----|
| ASSY NUMBER: | KIT-03456a |   |     |      |         |             |     |
| ITEM         | PART NO    | DESCRIPTION                                   | QTY | ITEM | PART NO | DESCRIPTION | QTY |
| 1            | LCL-01217  | EZ2000V INDICATOR<br>WITH REMOTE DISPLAY PORT | 1   |      |         |             |     |

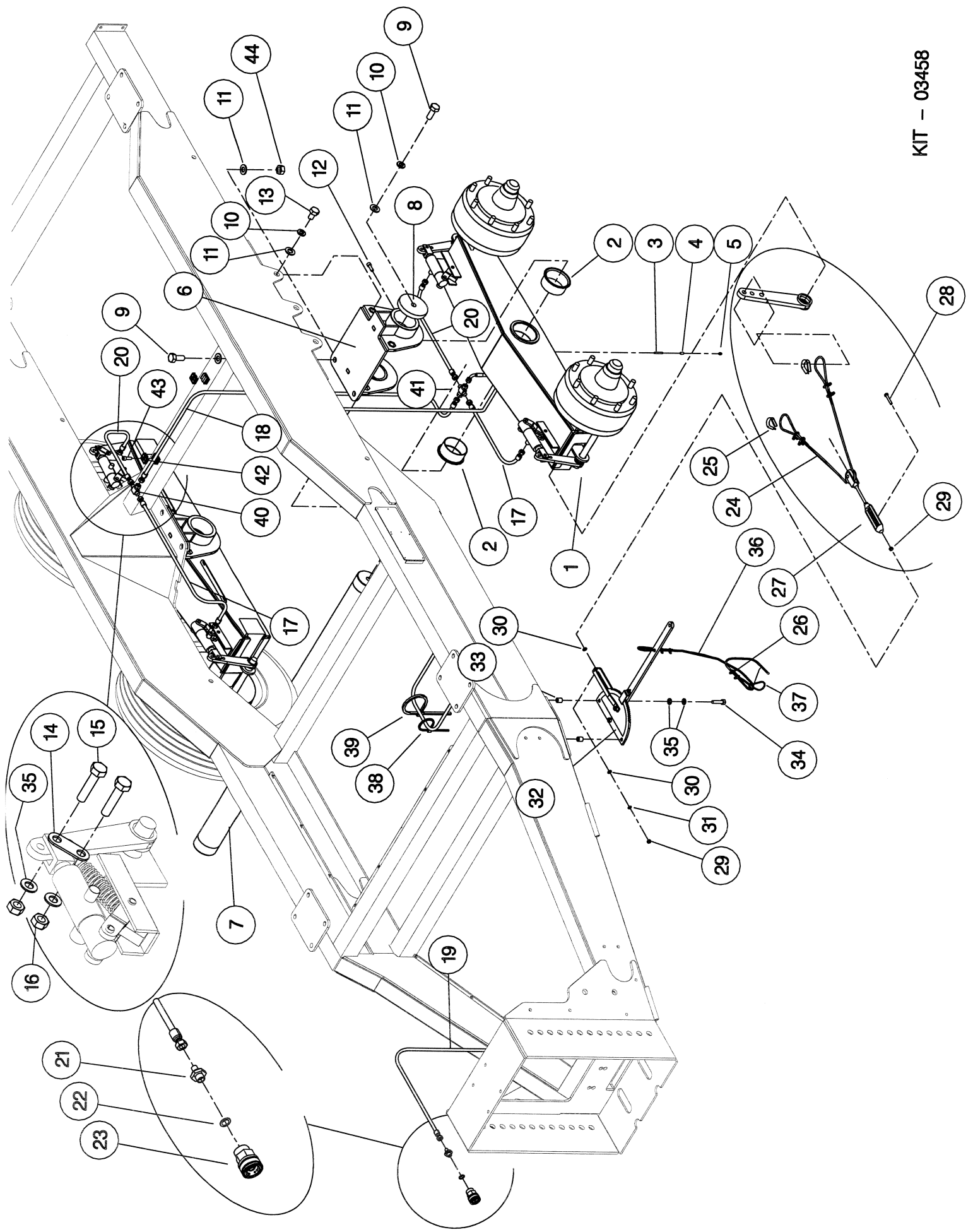
KIT-03456  
KIT-03456 a

1



**Shelbourne Reynolds Engineering Limited**

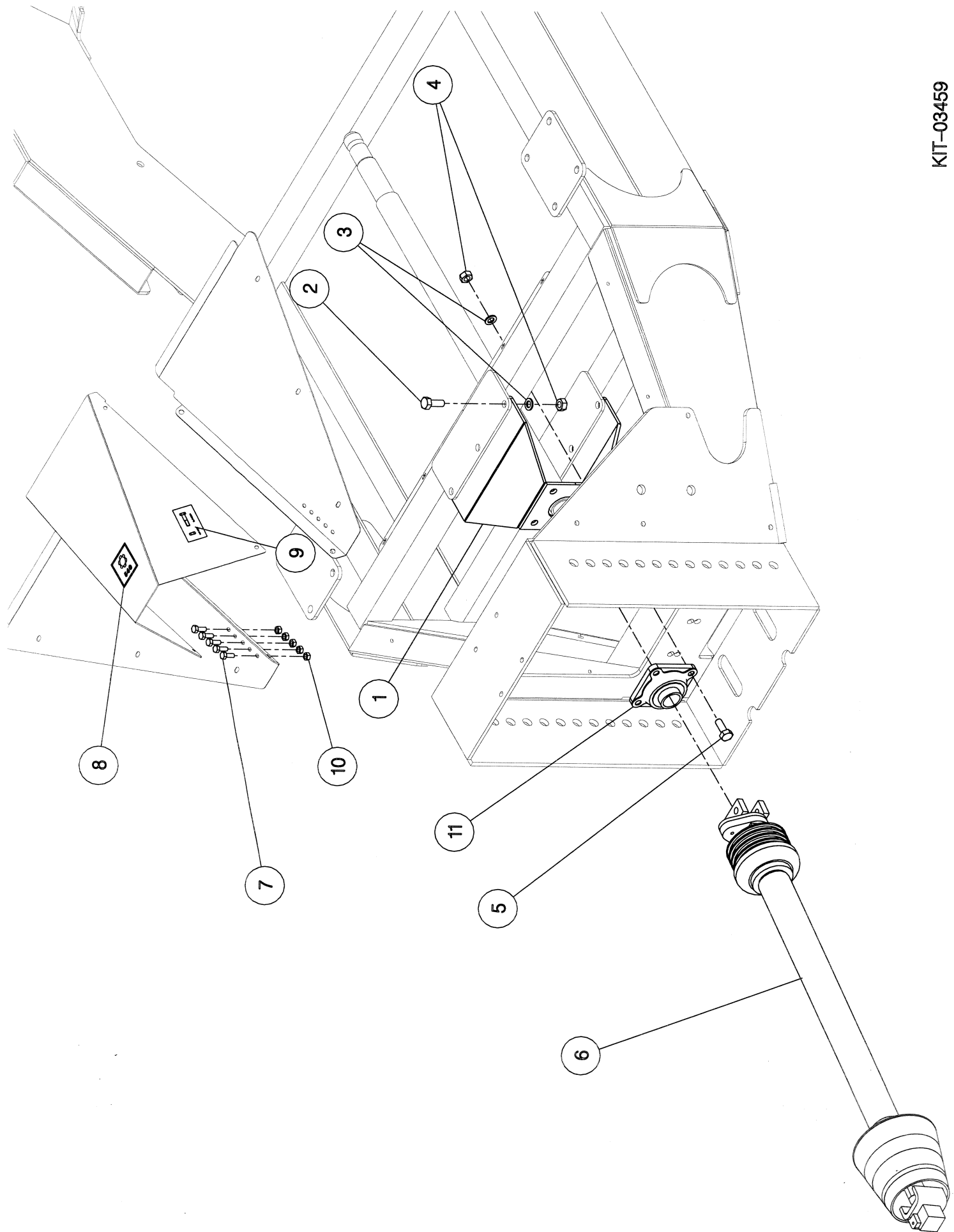
| KIT-03458    |           | ASSY DESCRIPTION: 1.6m <sup>3</sup> BRAKED TANDEM AXLE SUB ASSY |      |      |           |                    |     |
|--------------|-----------|---|------|------|-----------|--------------------|-----|
| ASSY NUMBER: |           |   |      |      |           |                    |     |
| ITEM         | PART NO   | DESCRIPTION   | QTY  | ITEM | PART NO   | DESCRIPTION        | QTY |
| 1            | 613704 01 | BOGEY WELD ASSY   | 2    | 37   | WRP-03000 | SNAP HOOK          | 1   |
| 1a           | NUTF20186 | WHEEL NUT   | 32   | 38   | TIE-0004  | TIE WRAP           | 6   |
| 1b           | AXL-15005 | WASHER  | 32   | 39   | TIE-0012  | TIE WRAP           | 4   |
| 2            | BSHN10065 | BUSH  | 4    | 40   | HMT-0010  | TEE FITTING        | 1   |
| 3            | 193077 02 | GREASING PIPE   | 2    | 41   | FITA11103 | 4 WAY TEE FITTING1 | 2   |
| 4            | 193078 01 | GREASE TUBE ADAPTOR   | 2    | 42   | HCPD01200 | PIPE CLAMP         | 2   |
| 5            | NIP-00600 | GREASE NIPPLE   | 2    | 43   | SCW-0083  | CAP HD SCREW       | 2   |
| 6            | 613705 01 | BOGEY SWIVEL ASSY   | 2    | 44   | NUTAO2200 | NYLOC NUT          | 4   |
| 7            | 612782 01 | BOGEY SHAFT   | 1    |      |           |                    |     |
| 8            | 612784 01 | END DISC  | 2    |      |           |                    |     |
| 9            | HSS-0355  | SETScrew  | 6    |      |           |                    |     |
| 10           | WSH-0075  | SPRING WASHER   | 6    |      |           |                    |     |
| 11           | WSH-0030  | PLAIN WASHER  | 14   |      |           |                    |     |
| 12           | SCW-4600  | GRUBSCREW   | 8    |      |           |                    |     |
| 13           | HSSA20230 | SETScrew  | 4    |      |           |                    |     |
| 14           | 590153 01 | BRAKE RAM PLATE   | 8    |      |           |                    |     |
| 15           | HSS-0265  | SETScrew  | 8    |      |           |                    |     |
| 16           | NUT-0269  | NYLOC NUT   | 8    |      |           |                    |     |
| 17           | HHBC05505 | HOSE ASSY   | 2    |      |           |                    |     |
| 18           | HHAC06005 | HOSE ASSY   | 1    |      |           |                    |     |
| 19           | HHBC80005 | HOSE ASSY   | 1    |      |           |                    |     |
| 20           | HHBC07505 | HOSE ASSY   | 2    |      |           |                    |     |
| 21           | HMA-0055  | HYD ADAPT   | 1    |      |           |                    |     |
| 22           | WSH-1015  | DOWTY WASHER  | 1    |      |           |                    |     |
| 23           | HQR-10007 | QUICK RELEASE COUPLING  | 1    |      |           |                    |     |
| 24           | WRP-00040 | CABLE   | 7.0m |      |           |                    |     |
| 25           | WRP-01040 | THIMBLE   | 2    |      |           |                    |     |
| 26           | WRP-02040 | CABLE CLAMP   | 8    |      |           |                    |     |
| 27           | ADL-00120 | ADJUSTER ASSEMBLY   | 1    |      |           |                    |     |
| 28           | HSS-0155  | SETScrew  | 1    |      |           |                    |     |
| 29           | NUT-0164  | PLAIN NUT   | 1    |      |           |                    |     |
| 30           | WSH-0012  | PLAIN WASHER  | 2    |      |           |                    |     |
| 31           | WSH-0058  | SPRING WASHER   | 1    |      |           |                    |     |
| 32           | 590222 01 | HANDBRAKE LEVER ASSY  | 1    |      |           |                    |     |
| 33           | 610923 01 | SPACER  | 2    |      |           |                    |     |
| 34           | HSS-0260  | SETScrew  | 2    |      |           |                    |     |
| 35           | WSH-0018  | PLAIN WASHER  | 20   |      |           |                    |     |
| 36           | WRP-00040 | CABLE   | 4.0m |      |           |                    |     |



KIT - 03458

**Shelbourne Reynolds Engineering Limited**

| KIT-03459    |           | ASSY DESCRIPTION: SINGLE SPEED DRIVE KIT (POP TWINAUGER) |     |      |         |             |     |
|--------------|-----------|--|-----|------|---------|-------------|-----|
| ASSY NUMBER: | KIT-03459 | DESCRIPTION  | QTY | ITEM | PART NO | DESCRIPTION | QTY |
| 1            | 613822 01 | BEARING MTG PLATE  | 1   |      |         |             |     |
| 2            | HSS-0317  | SETSCREW   | 6   |      |         |             |     |
| 3            | WSH-0024  | WASHER   | 10  |      |         |             |     |
| 4            | NUT-0271  | NUT  | 10  |      |         |             |     |
| 5            | HSS-0318  | SETSCREW   | 4   |      |         |             |     |
| 6            | PTO-17024 | PTO SHAFT ASSY   | 1   |      |         |             |     |
| 7            | BLTA10380 | SHEARBOLT  | 5   |      |         |             |     |
| 8            | 590475 01 | EMBLEM (MAX PTO SPEED)                                   | 1   |      |         |             |     |
| 9            | 195391 01 | SHEARBOLT EMBLEM   | 1   |      |         |             |     |
| 10           | NUT-0265  | NUT  | 5   |      |         |             |     |
| 11           | BRG-25041 | BEARING  | 1   |      |         |             |     |

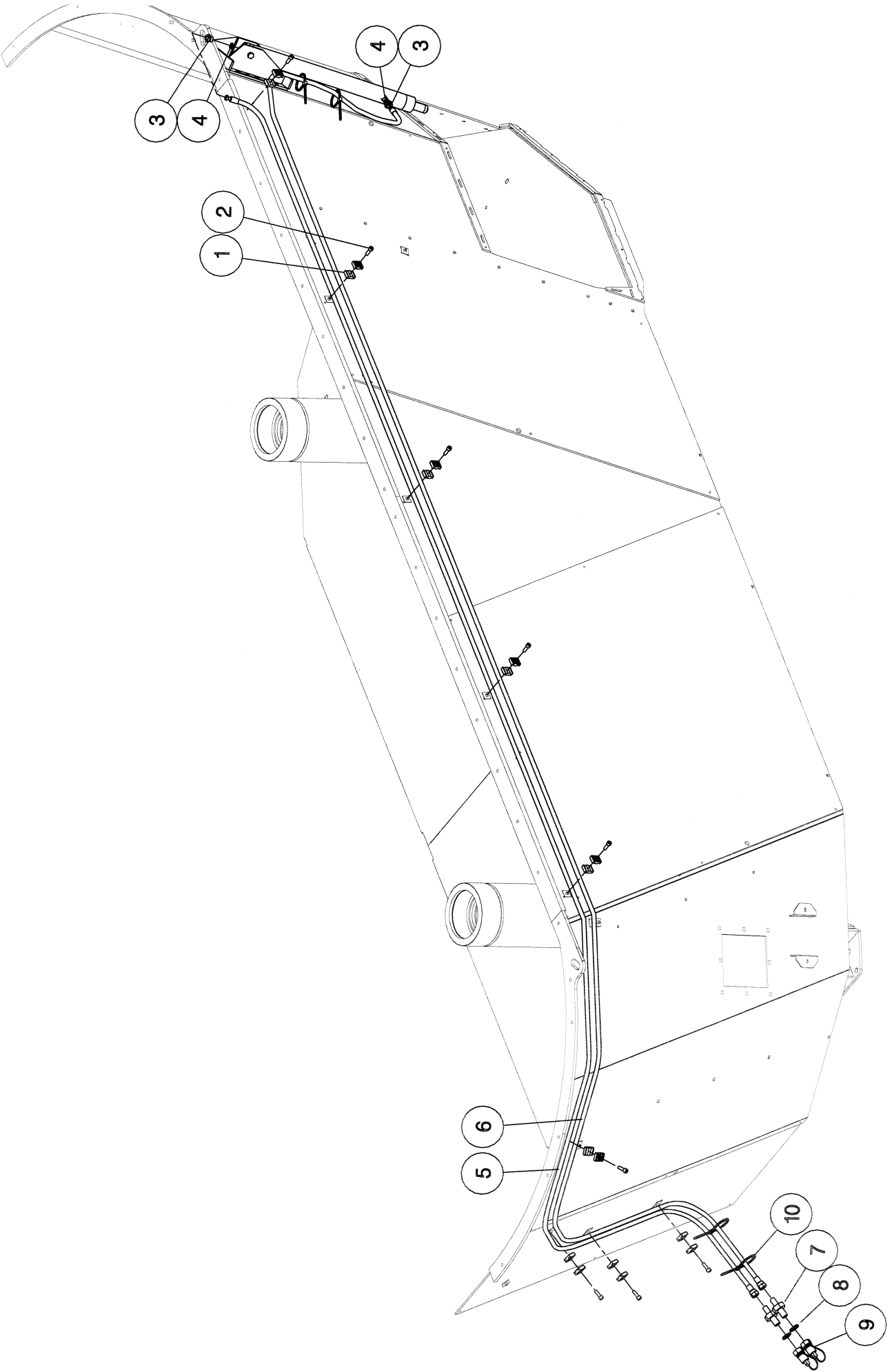


KIT-03459

**Shelbourne Reynolds Engineering Limited**

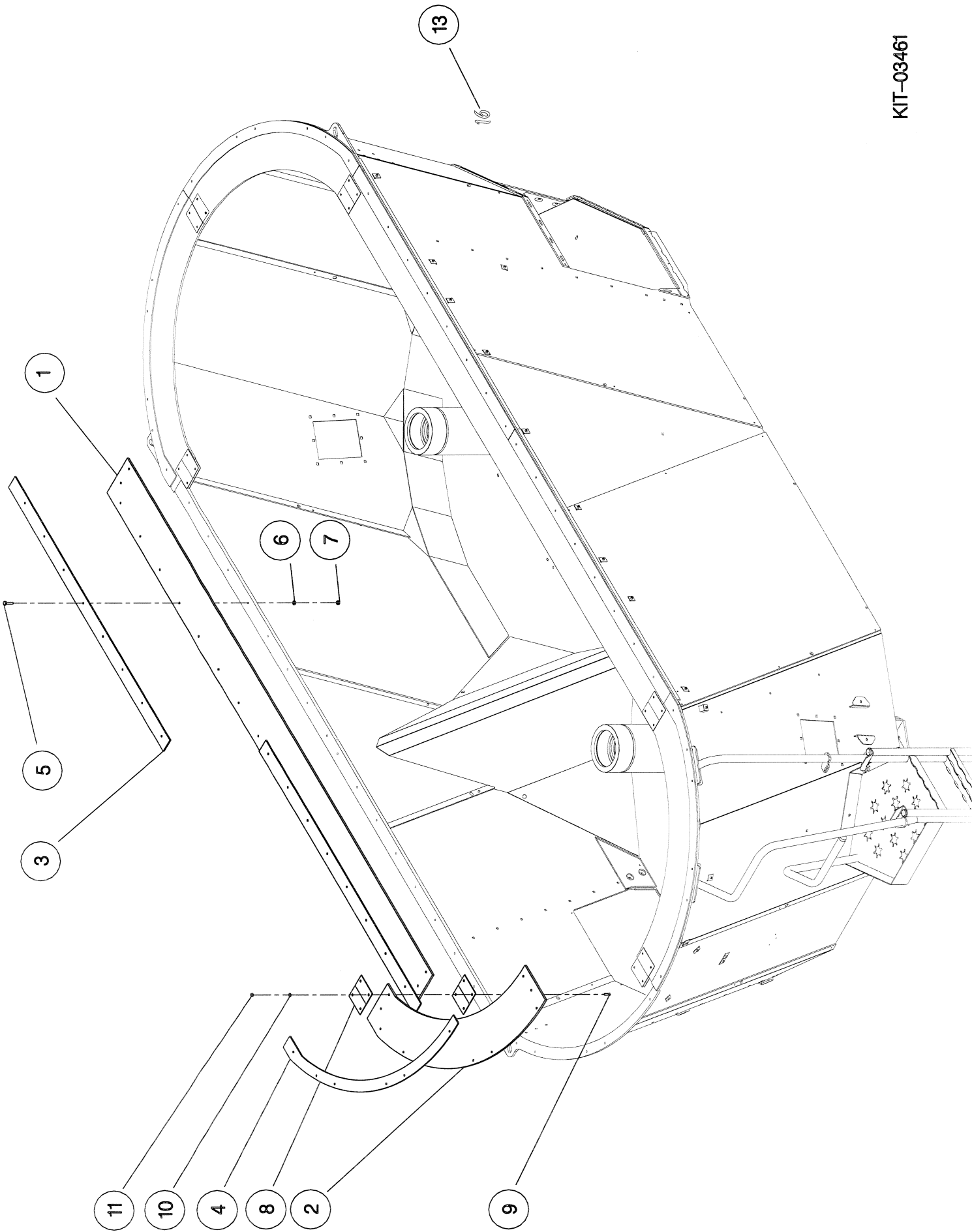
| KIT-03460    |           | ASSY DESCRIPTION: DIRECT COUPLED LH DOOR HYD KIT TWINPOP |     |      |         |             |     |
|--------------|-----------|--|-----|------|---------|-------------|-----|
| ASSY NUMBER: | KIT-03460 | DESCRIPTION  | QTY | ITEM | PART NO | DESCRIPTION | QTY |
| 1            | HCPD01200 | PIPE CLAMP   | 9   |      |         |             |     |
| 2            | SCW-0083  | CP HD SCREW  | 9   |      |         |             |     |
| 3            | HMA-0052  | M/M ADAPTOR  | 2   |      |         |             |     |
| 4            | WSH-1005  | DOWTY WASHER   | 2   |      |         |             |     |
| 5            | HHBC90005 | HOSE ASSY  | 1   |      |         |             |     |
| 6            | HHBC96005 | HOSE ASSY  | 1   |      |         |             |     |
| 7            | HMA-0055  | M/M ADAPTOR  | 2   |      |         |             |     |
| 8            | WSH-1015  | DOWTY WASHER   | 2   |      |         |             |     |
| 9            | COU-0162  | QUICK REL COUPLING                                       | 2   |      |         |             |     |
| 10           | TIE-0004  | TIE WRAP   | 6   |      |         |             |     |





**Shelbourne Reynolds Engineering Limited**

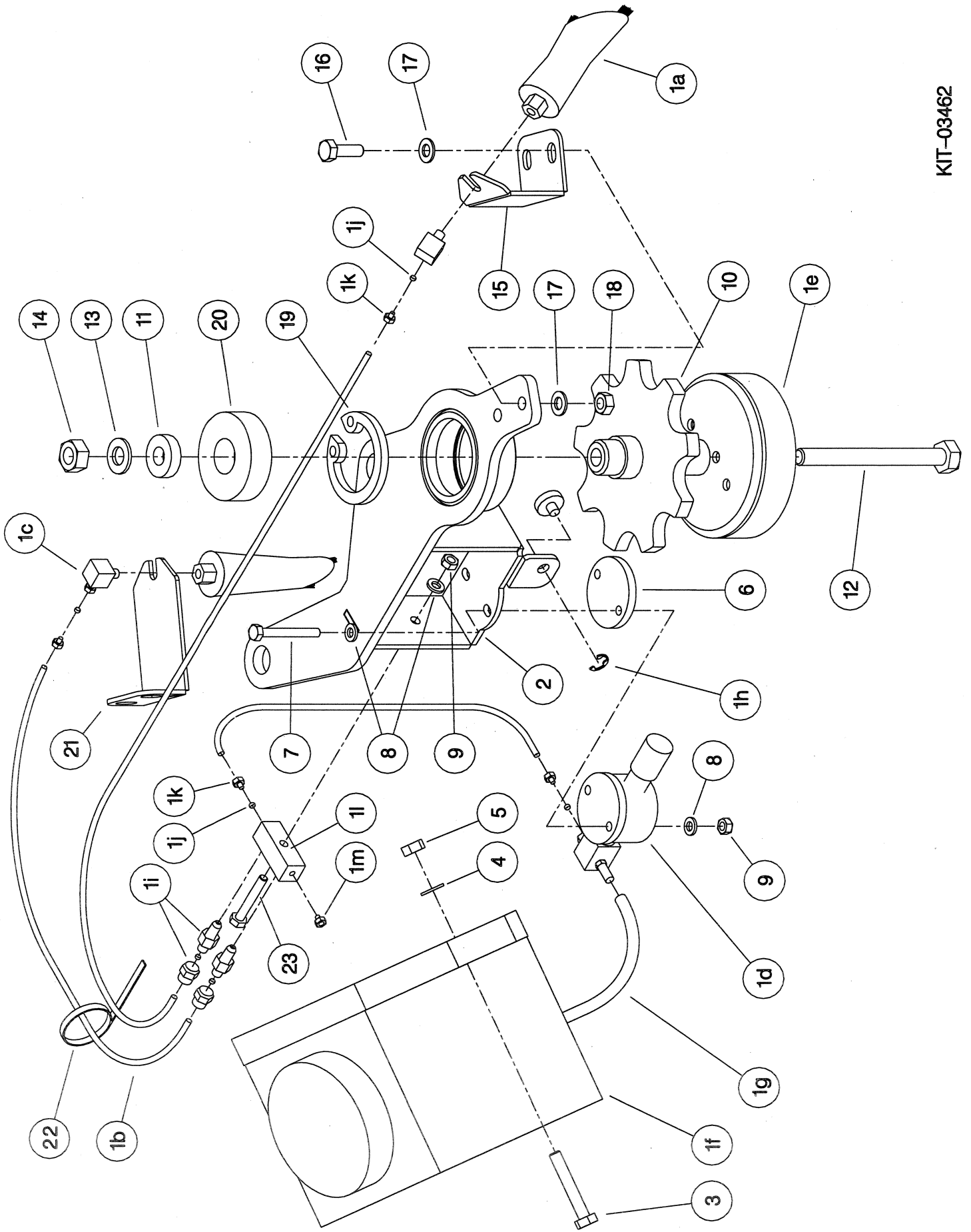
| KIT-03461    |           | ASSY DESCRIPTION: 16m <sup>3</sup> TWIN TUB RUBBER RETAINING KIT |     |      |         |             |     |
|--------------|-----------|--|-----|------|---------|-------------|-----|
| ASSY NUMBER: | KIT-03461 | ASSY DESCRIPTION: 16m <sup>3</sup> TWIN TUB RUBBER RETAINING KIT |     |      |         |             |     |
| ITEM         | PART NO   | DESCRIPTION  | QTY | ITEM | PART NO | DESCRIPTION | QTY |
| 1            | 613824 01 | STRAIGHT RUBBER SECTION  | 2   |      |         |             |     |
| 2            | 610982 01 | CORNER RUBBER SECTION  | 4   |      |         |             |     |
| 3            | 613825 01 | STRAIGHT CLAMP STRIP   | 4   |      |         |             |     |
| 4            | 612817 01 | CORNER CLAMP STRIP   | 4   |      |         |             |     |
| 5            | BLTA10290 | SETSCREW   | 56  |      |         |             |     |
| 6            | WSH-0015  | WASHER   | 56  |      |         |             |     |
| 7            | NUT-0265  | NUT  | 56  |      |         |             |     |
| 8            | 611051 01 | CLAMP STRIP  | 12  |      |         |             |     |
| 9            | BLT-2700  | COACHBOLT  | 24  |      |         |             |     |
| 10           | WSH-0012  | WASHER   | 24  |      |         |             |     |
| 11           | NUT-0263  | NUT  | 24  |      |         |             |     |
| 12           |           |  |     |      |         |             |     |
| 13           | 613879 04 | TRANSFER No 16   | 2   |      |         |             |     |



KIT-03461

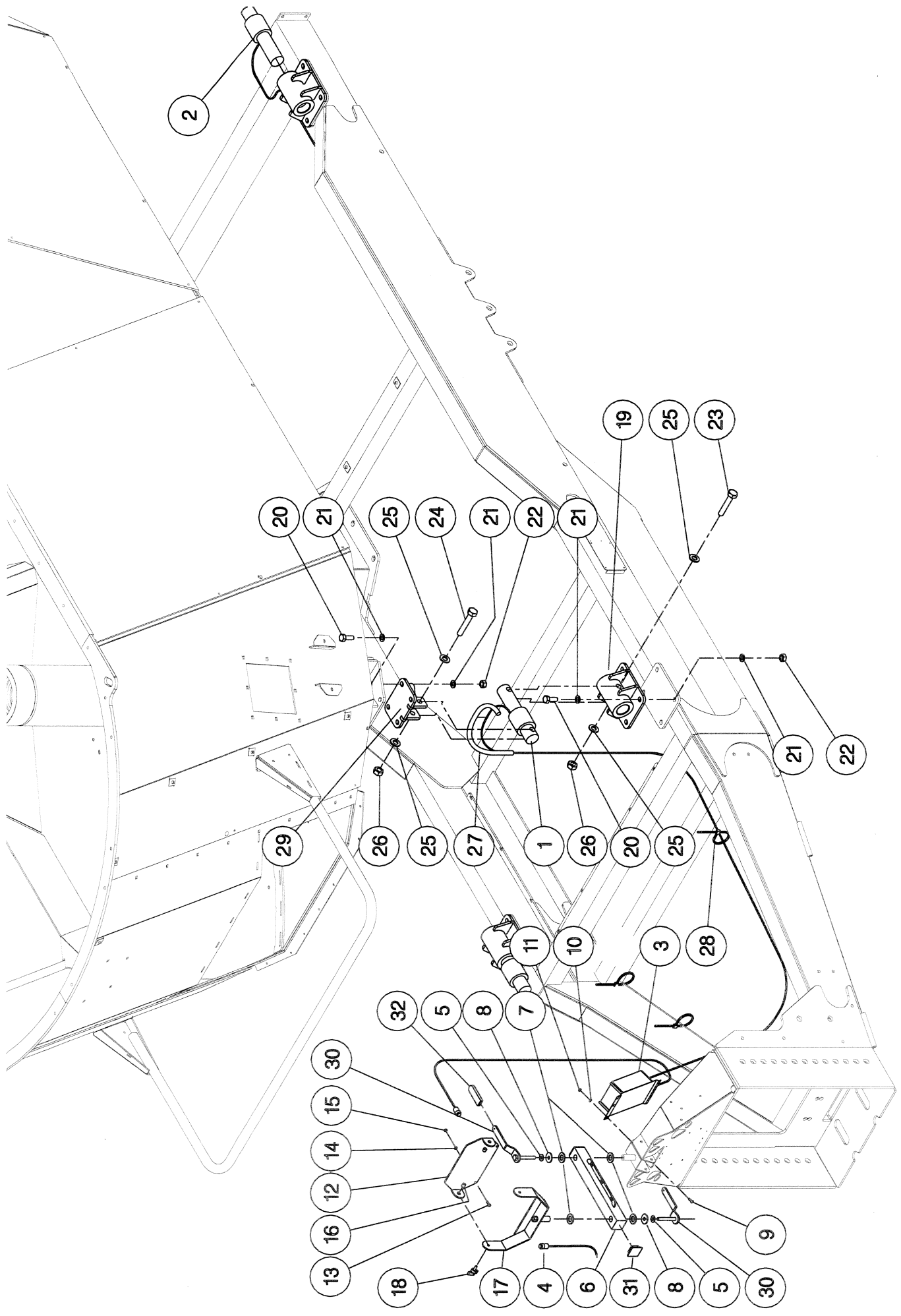
## Shelbourne Reynolds Engineering Limited

| KIT-03462    |           | ASSY DESCRIPTION: POWERMIX SELF LUBRICATION (TWIN AUGER) |       |      |         |             |     |
|--------------|-----------|--|-------|------|---------|-------------|-----|
| ASSY NUMBER: | KIT-03462 | ASSY DESCRIPTION: POWERMIX SELF LUBRICATION (TWIN AUGER) |       |      |         |             |     |
| ITEM         | PART NO   | DESCRIPTION  | QTY   | ITEM | PART NO | DESCRIPTION | QTY |
| 1            | LUB-00034 | MASTERLUBE LUBRICATION SYS                               | 1     |      |         |             |     |
| 1a           | LUB-00031 | DOUBLE BRUSH   | 2     |      |         |             |     |
| 1b           | LUB-00012 | FLEX TUBE  | 1.5mt |      |         |             |     |
| 1c           | LUB-00032 | CONNECTOR  | 2     |      |         |             |     |
| 1d           | LUB-00010 | MINIMASTER PUMP  | 1     |      |         |             |     |
| 1e           | LUB-00004 | ADJ CAM  | 1     |      |         |             |     |
| 1f           | LUB-00011 | RESEVOIR   | 1     |      |         |             |     |
| 1g           | LUB-00013 | NEOPRENE TUBE  | 4mt   |      |         |             |     |
| 1h           | LUB-00014 | CD CAP ASSY  | 1     |      |         |             |     |
| 1i           | LUB-00008 | METER UNIT   | 2     |      |         |             |     |
| 1j           | LUB-00006 | ENOT OLIVE   | 6     |      |         |             |     |
| 1k           | LUB-00009 | SLEEVE NUT   | 4     |      |         |             |     |
| 1L           | LUB-00015 | 2-WAY MANIFOLD   | 1     |      |         |             |     |
| 1m           | LUB-00003 | BLANK PLUG   | 1     |      |         |             |     |
| 2            | 613828 01 | MOUNTING PLATE ASSY                                      | 1     |      |         |             |     |
| 3            | HSS-0210  | SET SCREW  | 2     |      |         |             |     |
| 4            | NUT-0265  | NYLOC NUT  | 2     |      |         |             |     |
| 5            | WSH-0015  | WASHER   | 2     |      |         |             |     |
| 6            | 590775 01 | SPACER DISC  | 1     |      |         |             |     |
| 7            | BLTA06320 | BOLT   | 2     |      |         |             |     |
| 8            | WSH-0009  | WASHER   | 3     |      |         |             |     |
| 9            | NUT-0260  | NYLOC NUT  | 3     |      |         |             |     |
| 10           | 613380 01 | SPROCKET ASSY  | 1     |      |         |             |     |
| 11           | 613374 01 | SPACER DISC  | 1     |      |         |             |     |
| 12           | BLTA12620 | BOLT   | 1     |      |         |             |     |
| 13           | WSH-0018  | WASHER   | 2     |      |         |             |     |
| 14           | NUT-0269  | NYLOC NUT  | 1     |      |         |             |     |
| 15           | 613381 01 | BRUSH HOLDER PLATE                                       | 1     |      |         |             |     |
| 16           | HSS-0145  | BOLT   | 4     |      |         |             |     |
| 17           | WSH-0012  | WASHER   | 4     |      |         |             |     |
| 18           | NUT-0263  | NYLOC NUT  | 4     |      |         |             |     |
| 19           | CIR-0620  | CIRCLIP  | 1     |      |         |             |     |
| 20           | BRG-3358  | BEARING  | 1     |      |         |             |     |
| 21           | 613929 01 | BRUSH HOLDER PLATE                                       | 1     |      |         |             |     |
| 22           | TIE-0002  | CABLE TIE  | 5     |      |         |             |     |
| 23           | BLTA06264 | BOLT   | 1     |      |         |             |     |
| 24           | OIL-0044  | OIL(CIRKAN C 100)  | 2LT   |      |         |             |     |



**Shelbourne Reynolds Engineering Limited**

| KIT-03463    |           | ASSY DESCRIPTION:WEIGH CELL SYSTEM (TWIN AUGER) |     |      |         |             |     |
|--------------|-----------|---|-----|------|---------|-------------|-----|
| ASSY NUMBER: |           |   |     |      |         |             |     |
| ITEM         | PART NO   | DESCRIPTION                                     | QTY | ITEM | PART NO | DESCRIPTION | QTY |
| 1            | LCL-01200 | LOADCELL (FRONT)                                | 2   |      |         |             |     |
| 2            | LCL-01201 | LOADCELL (REAR)                                 | 2   |      |         |             |     |
| 3            | LCL-01205 | JUNCTION BOX                                    | 1   |      |         |             |     |
| 4            | LCL-01210 | POWER CORD                                      | 1   |      |         |             |     |
| 5            | WSHA30121 | LOCKWASHER                                      | 2   |      |         |             |     |
| 6            | 613598 01 | WEIGH HEAD ARM                                  | 1   |      |         |             |     |
| 7            | 190548 43 | WASHER  | 4   |      |         |             |     |
| 8            | 190548 44 | WASHER  | 2   |      |         |             |     |
| 9            | HSS-0058  | SETSCREW  | 6   |      |         |             |     |
| 10           | WSH-0006  | WASHER  | 6   |      |         |             |     |
| 11           | NUT-0258  | NUT   | 6   |      |         |             |     |
| 12           | 613597 01 | REAR PANEL                                      | 1   |      |         |             |     |
| 13           | HSS-0086  | SETSCREW  | 2   |      |         |             |     |
| 14           | WSH-0009  | WASHER  | 2   |      |         |             |     |
| 15           | NUT-0260  | NUT   | 2   |      |         |             |     |
| 16           | NUTA13080 | NUTSERT   | 2   |      |         |             |     |
| 17           | 613600 01 | WEIGH HEAD HOUSING                              | 1   |      |         |             |     |
| 18           | KNO-0001  | THERMOPLASTIC KNOB                              | 2   |      |         |             |     |
| 19           | 613608 01 | LOADCELL MTG BOSS W/A                           | 4   |      |         |             |     |
| 20           | HSS-0318  | SETSCREW  | 32  |      |         |             |     |
| 21           | WSH-0024  | WASHER  | 64  |      |         |             |     |
| 22           | NUT-0271  | NUT   | 32  |      |         |             |     |
| 23           | BLTA20620 | BOLT  | 4   |      |         |             |     |
| 24           | BLTA20590 | BOLT  | 4   |      |         |             |     |
| 25           | WSH-0030  | WASHER  | 16  |      |         |             |     |
| 26           | NUTA02200 | NUT   | 8   |      |         |             |     |
| 27           | SLV-00300 | SPIRAL CONVOLUTE TUBING                         | 5m  |      |         |             |     |
| 28           | TIE-0004  | TIE WRAP  | 40  |      |         |             |     |
| 29           | 613612 01 | LOADCELL CLEVIS W/A                             | 4   |      |         |             |     |
| 30           | 613695 01 | SECURING HANDLE ASSY                            | 2   |      |         |             |     |
| 31           | CAP-0012  | END CAP   | 2   |      |         |             |     |
| 32           | PTF-00026 | PLASTIC HANDLE                                  | 2   |      |         |             |     |





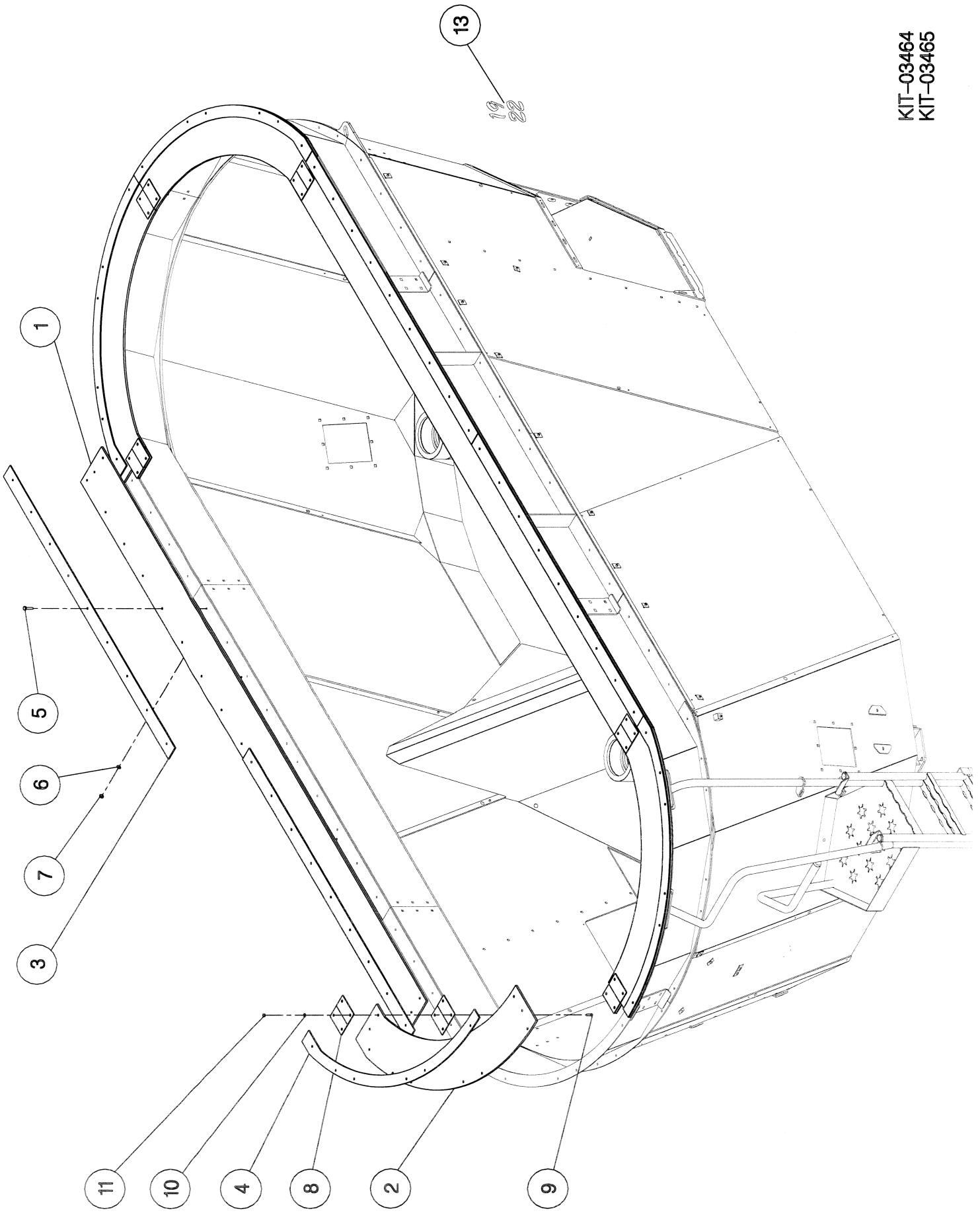


**Shelbourne Reynolds Engineering Limited**

| KIT-03464    |           | ASSY DESCRIPTION: 19m <sup>3</sup> TWIN TUB RUBBER RETAINING KIT |     |      |         |             |     |
|--------------|-----------|--|-----|------|---------|-------------|-----|
| ASSY NUMBER: |           |  |     |      |         |             |     |
| ITEM         | PART NO   | DESCRIPTION  | QTY | ITEM | PART NO | DESCRIPTION | QTY |
| 1            | 613832 01 | STRAIGHT RUBBER SECTION  | 2   |      |         |             |     |
| 2            | 610982 01 | CORNER RUBBER SECTION  | 4   |      |         |             |     |
| 3            | 613833 01 | STRAIGHT CLAMP STRIP   | 4   |      |         |             |     |
| 4            | 612817 01 | CORNER CLAMP STRIP   | 4   |      |         |             |     |
| 5            | BLTA10290 | SETSCREW   | 60  |      |         |             |     |
| 6            | WSH-0015  | WASHER   | 60  |      |         |             |     |
| 7            | NUT-0265  | NUT  | 60  |      |         |             |     |
| 8            | 611051 01 | CLAMP STRIP  | 12  |      |         |             |     |
| 9            | BLT-2700  | COACHBOLT  | 24  |      |         |             |     |
| 10           | WSH-0012  | WASHER   | 24  |      |         |             |     |
| 11           | NUT-0263  | NUT  | 24  |      |         |             |     |
| 12           |           |  |     |      |         |             |     |
| 13           | 613879 05 | TRANSFER No 19   | 2   |      |         |             |     |

**Shelbourne Reynolds Engineering Limited**

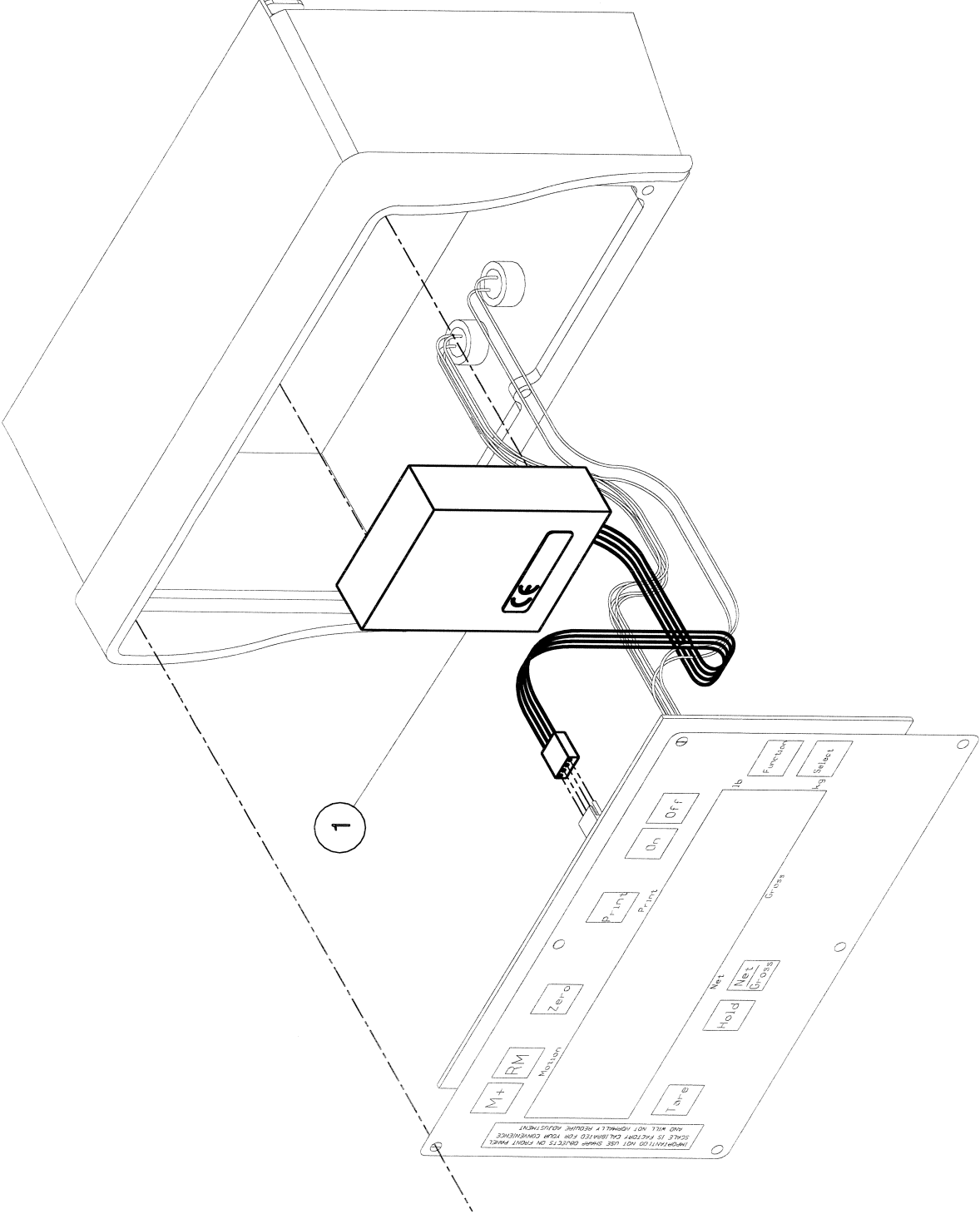
| KIT-03465    |           | ASSY DESCRIPTION: 22m <sup>3</sup> TWIN TUB RUBBER RETAINING KIT |     |      |         |             |     |
|--------------|-----------|--|-----|------|---------|-------------|-----|
| ASSY NUMBER: | KIT-03465 | DESCRIPTION  | QTY | ITEM | PART NO | DESCRIPTION | QTY |
| 1            | 613835 01 | STRAIGHT RUBBER SECTION  | 2   |      |         |             |     |
| 2            | 610982 01 | CORNER RUBBER SECTION  | 4   |      |         |             |     |
| 3            | 613840 01 | STRAIGHT CLAMP STRIP   | 4   |      |         |             |     |
| 4            | 612817 01 | CORNER CLAMP STRIP   | 4   |      |         |             |     |
| 5            | BLTA10290 | SETSCREW   | 60  |      |         |             |     |
| 6            | WSH-0015  | WASHER   | 60  |      |         |             |     |
| 7            | NUT-0265  | NUT  | 60  |      |         |             |     |
| 8            | 611051 01 | CLAMP STRIP  | 12  |      |         |             |     |
| 9            | BLT-2700  | COACHBOLT  | 24  |      |         |             |     |
| 10           | WSH-0012  | WASHER   | 24  |      |         |             |     |
| 11           | NUT-0263  | NUT  | 24  |      |         |             |     |
| 12           |           |  |     |      |         |             |     |
| 13           | 613879 06 | TRANSFER No 22   | 2   |      |         |             |     |



KIT-03464  
KIT-03465

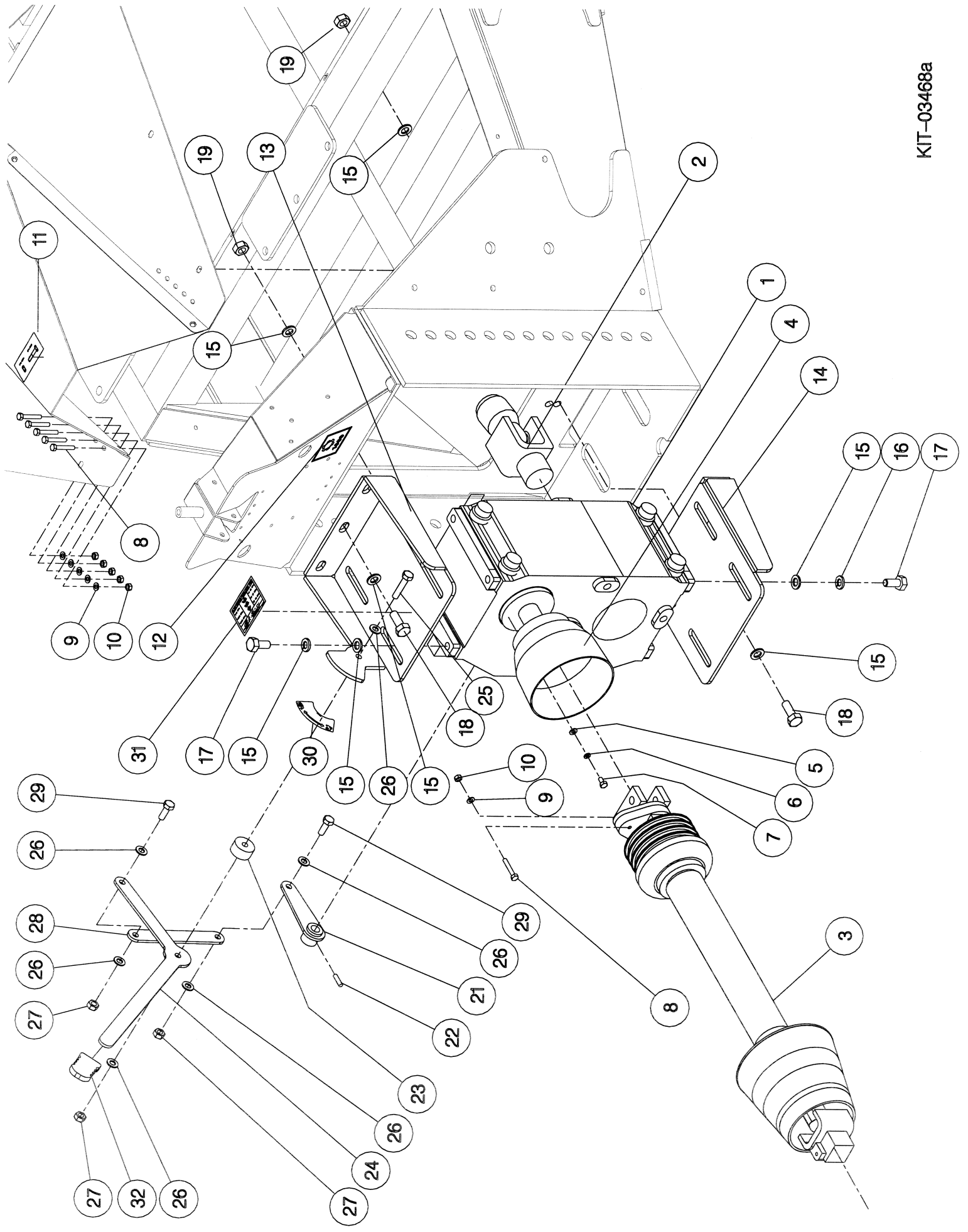
**Shelbourne Reynolds Engineering Limited**

| KIT-03467 |           | ASSY DESCRIPTION: REMOTE ZERO FUNCTION KIT |     |      |         |             |     |
|-----------|-----------|--|-----|------|---------|-------------|-----|
| ITEM      | PART NO   | DESCRIPTION                                | QTY | ITEM | PART NO | DESCRIPTION | QTY |
| 1         | LCL-01226 | REMOTE ZERO FUNCTION                       | 1   |      |         |             |     |



**Shelbourne Reynolds Engineering Limited**

| KIT-03468a   |            | ASSY DESCRIPTION: 2-SPEED KIT POP(1000 RPM INPUT-6 SPLINE) |     |      |         |             |     |
|--------------|------------|--|-----|------|---------|-------------|-----|
| ASSY NUMBER: | KIT-03468a |  |     |      |         |             |     |
| ITEM         | PART NO    | DESCRIPTION  | QTY | ITEM | PART NO | DESCRIPTION | QTY |
| 1            | GEA-0164   | 2-PEED GEARBOX   | 1   |      |         |             |     |
| 2            | PTO-20007  | PTO COUPLING   | 1   |      |         |             |     |
| 3            | PTO-19001  | PTO SHAFT ASSY   | 1   |      |         |             |     |
| 4            | PTO-00903  | PTO MACHINE CONE   | 1   |      |         |             |     |
| 5            | WSH-1038   | WASHER   | 4   |      |         |             |     |
| 6            | WSH-0058   | WASHER   | 4   |      |         |             |     |
| 7            | HSS-0135   | SETSCREW   | 4   |      |         |             |     |
| 8            | BLTA08350  | SHEARBOLT  | 5   |      |         |             |     |
| 9            | WSH-0012   | WASHER   | 5   |      |         |             |     |
| 10           | NUT-0263   | NUT  | 5   |      |         |             |     |
| 11           | 192839 01  | SHEARBOLT EMBLEM   | 1   |      |         |             |     |
| 12           | 590475 02  | EMBLEM(MAX PTO SPEED)                                      | 1   |      |         |             |     |
| 13           | 613850 01  | TOP GEARBOX BRKT   | 1   |      |         |             |     |
| 14           | 613851 01  | BOTTOM GEARBOX BRKT  | 1   |      |         |             |     |
| 15           | WSH-0024   | WASHER   | 14  |      |         |             |     |
| 16           | WSH-0070   | WASHER   | 8   |      |         |             |     |
| 17           | HSS-0315   | SETSCREW   | 8   |      |         |             |     |
| 18           | HSS-0316   | SETSCREW   | 6   |      |         |             |     |
| 19           | NUT-0271   | NUT  | 6   |      |         |             |     |
| 20           |            |  |     |      |         |             |     |
| 21           | 613579 01  | GEAR CHANGE LEVER  | 1   |      |         |             |     |
| 22           | PIN-40817  | ROLL PIN   | 1   |      |         |             |     |
| 23           | 613845 01  | SPACER DISC  | 1   |      |         |             |     |
| 24           | 613846 01  | GEAR CHANGE LEVER  | 1   |      |         |             |     |
| 25           | BLTA12380  | BOLT   | 1   |      |         |             |     |
| 26           | WSH-0018   | WASHER   | 6   |      |         |             |     |
| 27           | NUT-0269   | NUT  | 3   |      |         |             |     |
| 28           | 613844 01  | GEAR CHANGE LEVER  | 1   |      |         |             |     |
| 29           | HSS-0241   | SETSCREW   | 2   |      |         |             |     |
| 30           | 613848 01  | LEVER POSITION EMBLEM                                      | 1   |      |         |             |     |
| 31           | 613847 01  | AUGER SPEED EMBLEM   | 1   |      |         |             |     |
| 32           | PTF-00025  | HANDLE GRIP  | 1   |      |         |             |     |

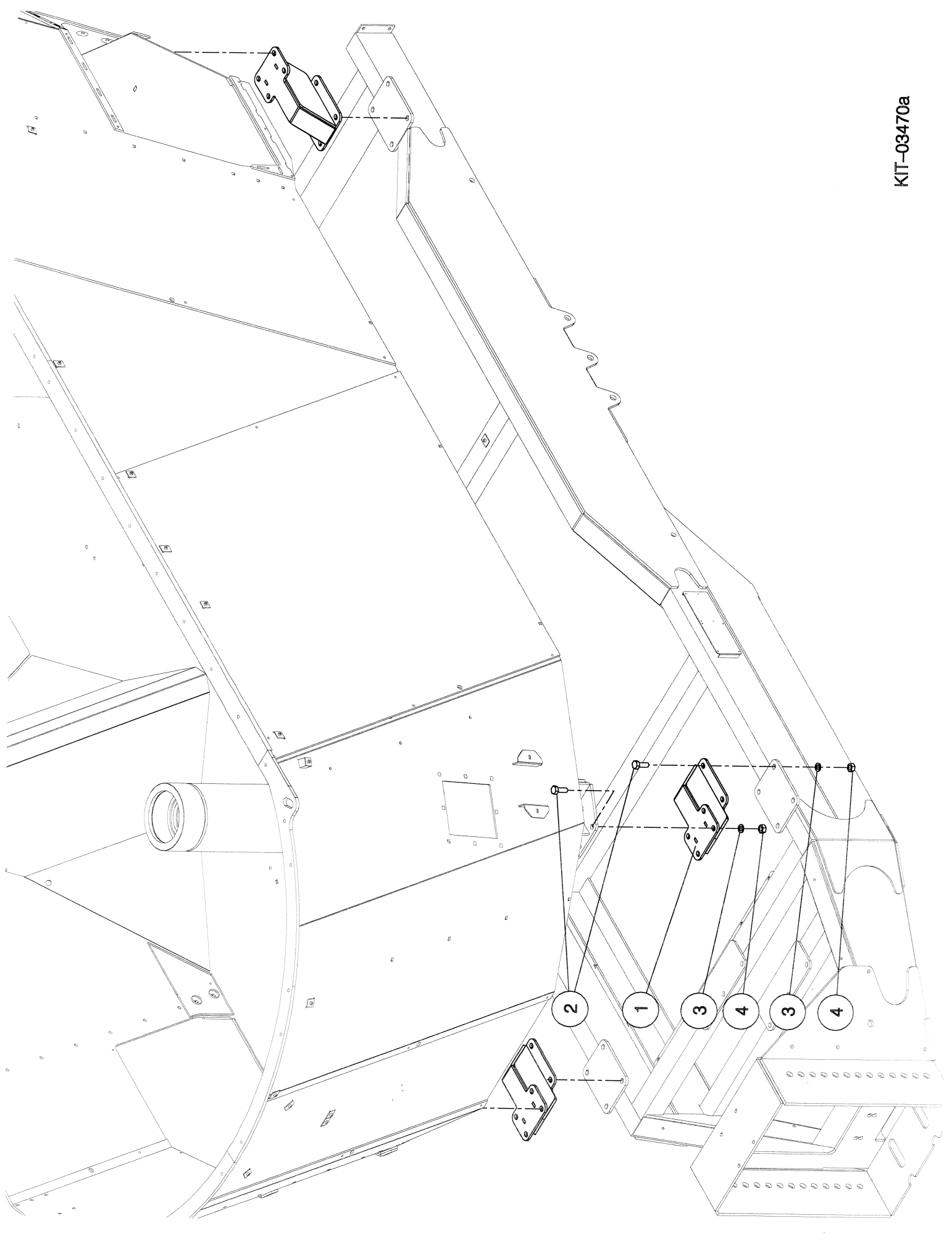


KIT-03468a

**Shelbourne Reynolds Engineering Limited**

| ASSY NUMBER: KIT-03470a |           | ASSY DESCRIPTION: DUMMY WEIGH CELL KIT (TWIN AUGER) |     |      |         |             |     |
|-------------------------|-----------|---|-----|------|---------|-------------|-----|
| ITEM                    | PART NO   | DESCRIPTION   | QTY | ITEM | PART NO | DESCRIPTION | QTY |
| 1                       | 613868 01 | DUMMY LOADCELL                                      | 4   |      |         |             |     |
| 2                       | HSS-0317  | SETSCREW  | 32  |      |         |             |     |
| 3                       | WSH-0024  | WASHER  | 32  |      |         |             |     |
| 4                       | NUT-0271  | NUT   | 32  |      |         |             |     |





KIT-03470a

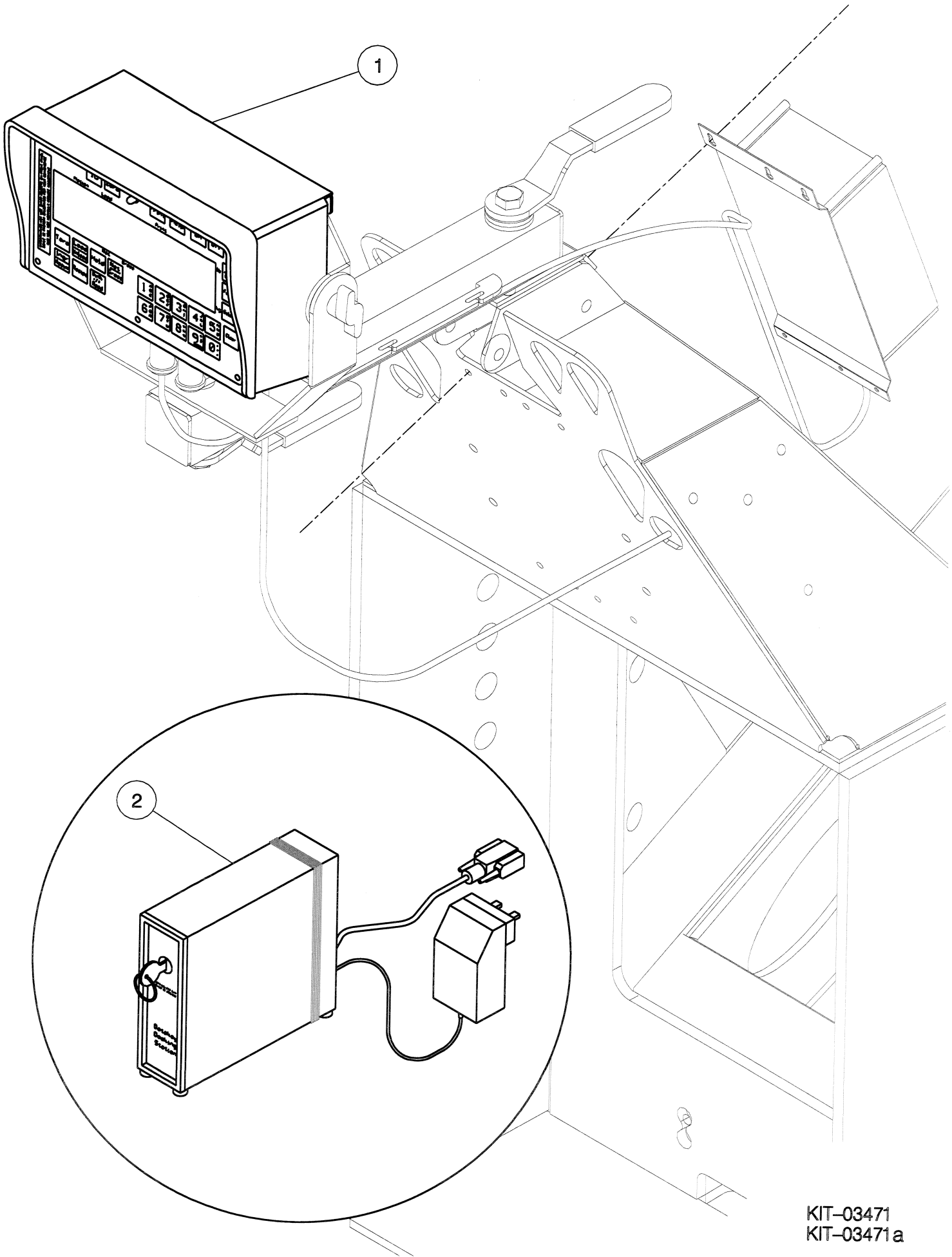


**Shelbourne Reynolds Engineering Limited**

| KIT-03471    |           | ASSY DESCRIPTION: TOP LEVEL EZ3500 INDICATOR KIT |     |      |         |             |     |
|--------------|-----------|--|-----|------|---------|-------------|-----|
| ASSY NUMBER: |           |  |     |      |         |             |     |
| ITEM         | PART NO   | DESCRIPTION                                      | QTY | ITEM | PART NO | DESCRIPTION | QTY |
| 1            | LCL-01218 | EZ3500 INDICATOR                                 | 1   |      |         |             |     |
| 2            | LCL-01219 | SOFTWARE & DOCKING STATION<br>WITH UK 3 PIN PLUG | 1   |      |         |             |     |

**Shelbourne Reynolds Engineering Limited**

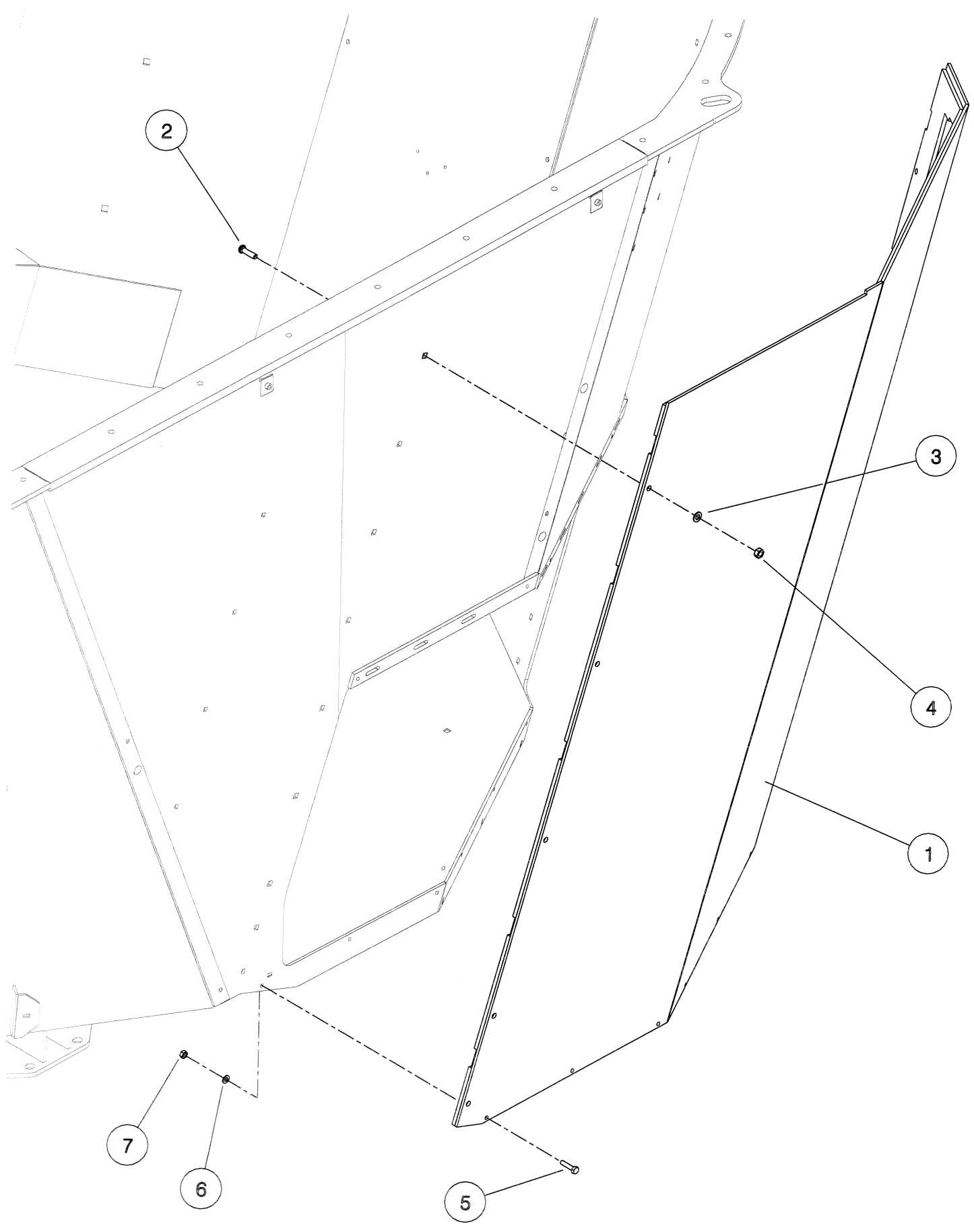
| KIT-03471a   |           | ASSY DESCRIPTION: TOP LEVEL EZ3500 INDICATOR KIT    |     |      |         |             |     |
|--------------|-----------|---|-----|------|---------|-------------|-----|
| ASSY NUMBER: | PART NO   | DESCRIPTION   | QTY | ITEM | PART NO | DESCRIPTION | QTY |
| 1            | LCL-01218 | EZ3500 INDICATOR                                    | 1   |      |         |             |     |
| 2            | LCL-01219 | SOFTWARE & DOCKING STATION<br>WITH CONTINENTAL PLUG | 1   |      |         |             |     |



KIT-03471  
KIT-03471a

**Shelbourne Reynolds Engineering Limited**

| KIT-03472    |           | ASSY DESCRIPTION: DOOR BLANKING PLATE KIT |     |      |         |             |     |
|--------------|-----------|---|-----|------|---------|-------------|-----|
| ASSY NUMBER: |           |   |     |      |         |             |     |
| ITEM         | PART NO   | DESCRIPTION                               | QTY | ITEM | PART NO | DESCRIPTION | QTY |
| 1            | 613874 01 | DOOR BLANKING PLATE W/A                   | 1   |      |         |             |     |
| 2            | BLTF10231 | COACHBOLT                                 | 10  |      |         |             |     |
| 3            | WSH-0015  | WASHER                                    | 10  |      |         |             |     |
| 4            | NUT-0265  | NUT                                       | 10  |      |         |             |     |
| 5            | HSS-0152  | SETSCREW                                  | 6   |      |         |             |     |
| 6            | WSH-0012  | WASHER                                    | 6   |      |         |             |     |
| 7            | NUT-0263  | NUT                                       | 6   |      |         |             |     |

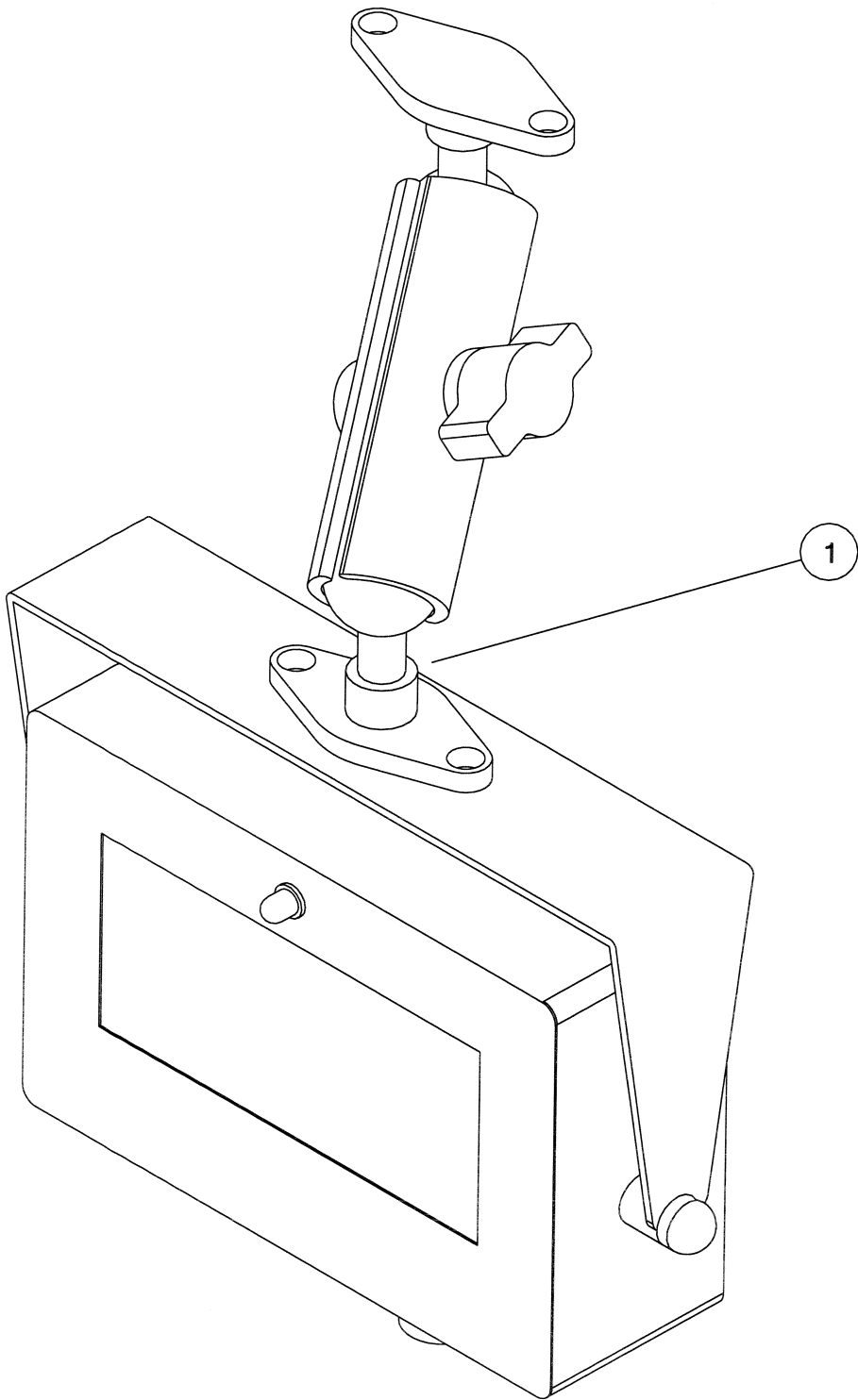


KIT-03472

**Shelbourne Reynolds Engineering Limited**

| KIT-03478    |           | ASSY DESCRIPTION: RD100 DISPLAY KIT |     |      |         |     |
|--------------|-----------|-------------------------------------|-----|------|---------|-----|
| ASSY NUMBER: | PART NO   | DESCRIPTION                         | QTY | ITEM | PART NO | QTY |
| 1            | LCL-01227 | RD100 REMOTE DISPLAY                | 1   |      |         |     |

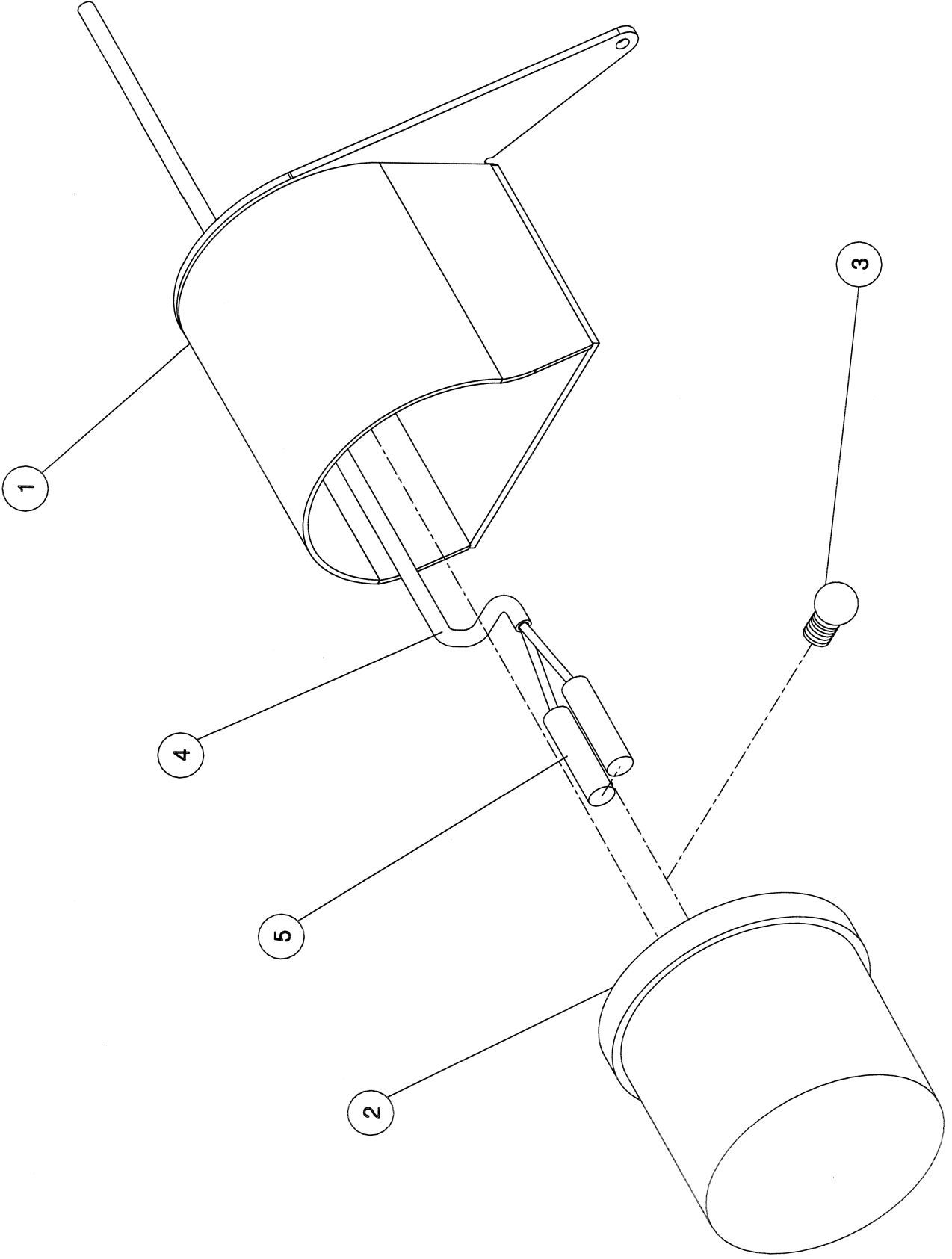




KIT-03478

**Shelbourne Reynolds Engineering Limited**

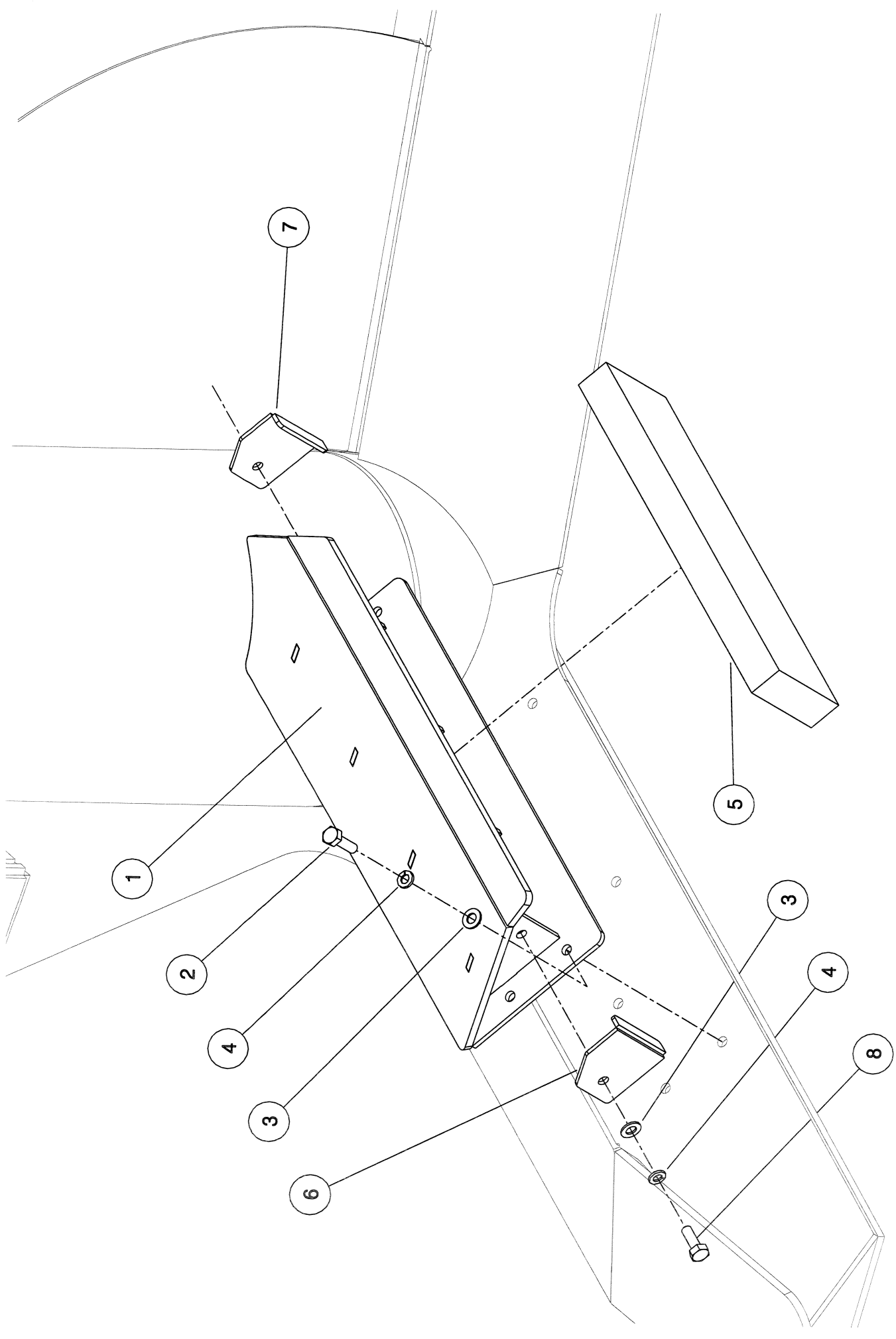
| KIT-03483 |           | ASSY DESCRIPTION: FLASHING LIGHT KIT |     |      |         |             |     |
|-----------|-----------|--------------------------------------|-----|------|---------|-------------|-----|
| ITEM      | PART NO   | DESCRIPTION                          | QTY | ITEM | PART NO | DESCRIPTION | QTY |
| 1         | 613940 01 | LIGHT BRACKET                        | 1   |      |         |             |     |
| 2         | LMP-10502 | INDICATOR LAMP                       | 1   |      |         |             |     |
| 3         | BLB-0015  | BULB                                 | 1   |      |         |             |     |
| 4         | CBL-03010 | CABLE (2 CORE)                       | 3m  |      |         |             |     |
| 5         | ETM-00630 | ELEC BUTT TERMINAL                   | 2   |      |         |             |     |



KIT-03483

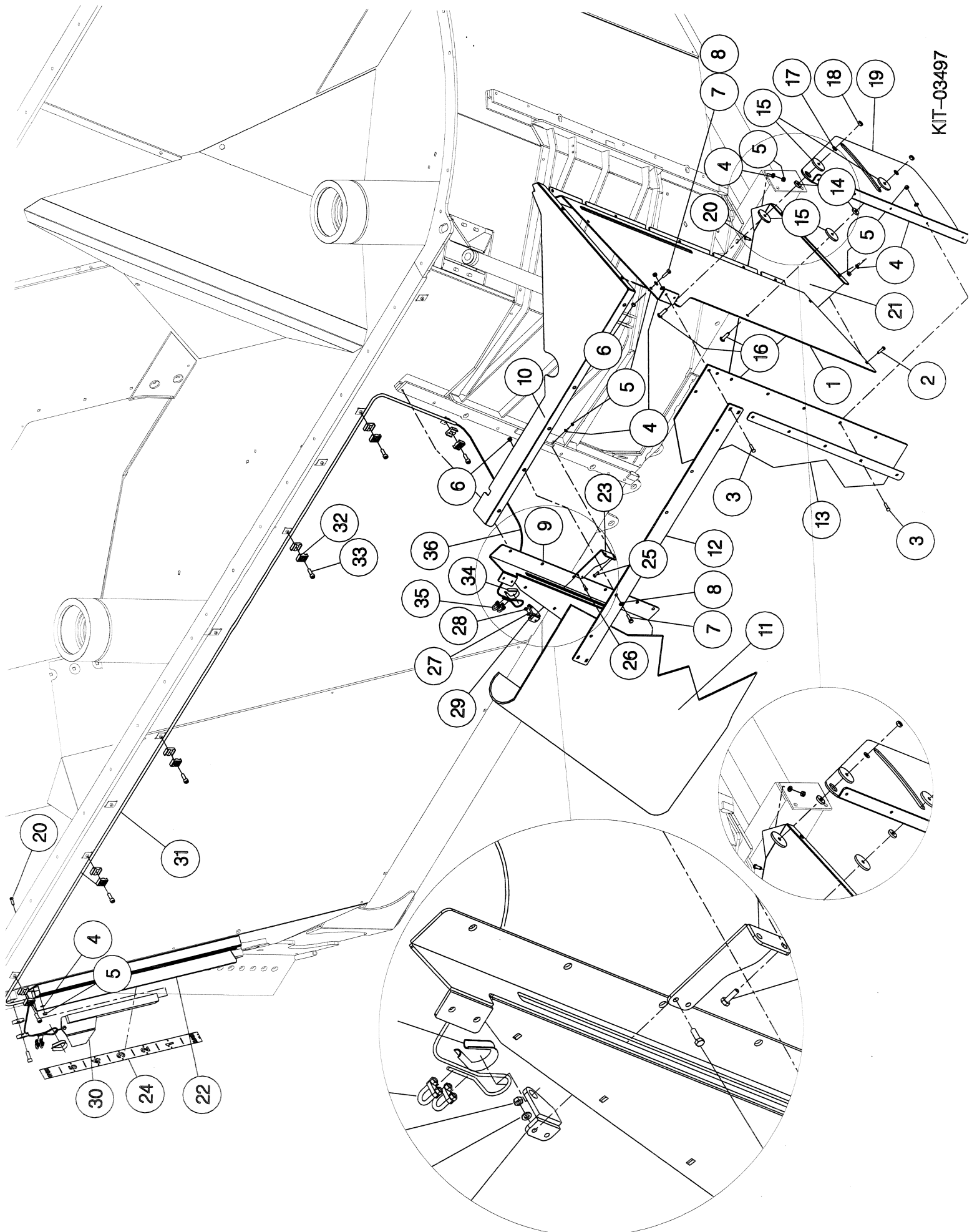
**Shelbourne Reynolds Engineering Limited**

| ASSY NUMBER: |           | KIT-03489           |     |      |         | ASSY DESCRIPTION: AUGER MAGNET KIT (POPULAR STYLE AUGER) |     |  |
|--------------|-----------|---------------------|-----|------|---------|--|-----|--|
| ITEM         | PART NO   | DESCRIPTION         | QTY | ITEM | PART NO | DESCRIPTION  | QTY |  |
| 1            | 613969 01 | MAGNET BRACKET ASSY | 1   |      |         |  |     |  |
| 2            | HSS-0198  | SETSCREW            | 7   |      |         |  |     |  |
| 3            | WSH-0015  | WASHER              | 9   |      |         |  |     |  |
| 4            | WSH-0061  | WASHER              | 9   |      |         |  |     |  |
| 5            | MAG-0002  | MAGNET              | 1   |      |         |  |     |  |
| 6            | 613970 01 | CLAMP BRACKET LH    | 1   |      |         |  |     |  |
| 7            | 613970 02 | CLAMP BRACKET RH    | 1   |      |         |  |     |  |
| 8            | HSS-0194  | SETSCREW            | 2   |      |         |  |     |  |



**Shelbourne Reynolds Engineering Limited**

| KIT-03497    |           | ASSY DESCRIPTION: RUBBER DOOR FLAP (LH DOOR TWIN AUGER) |     |      |         |             |     |
|--------------|-----------|---|-----|------|---------|-------------|-----|
| ASSY NUMBER: | PART NO   | DESCRIPTION   | QTY | ITEM | PART NO | DESCRIPTION | QTY |
| 1            | 613426 01 | SIDE PANEL  | 1   |      |         |             |     |
| 2            | BLT-4710  | COACHBOLT   | 2   |      |         |             |     |
| 3            | BLT-2700  | COACHBOLT   | 4   |      |         |             |     |
| 4            | WSH-0012  | WASHER  | 24  |      |         |             |     |
| 5            | NUT-0263  | NUT   | 24  |      |         |             |     |
| 6            | NUTA13080 | NUTSERT   | 8   |      |         |             |     |
| 7            | HSS-0150  | SETScrew  | 6   |      |         |             |     |
| 8            | WSH-0058  | WASHER  | 8   |      |         |             |     |
| 9            | 613430 01 | SIDE MTG PLATE  | 1   |      |         |             |     |
| 10           | 613425 01 | TOP CAPPING PLATE                                       | 1   |      |         |             |     |
| 11           | 613466 01 | RUBBER CURTAIN  | 1   |      |         |             |     |
| 12           | 613465 01 | FRONT CLAMP PLATE                                       | 1   |      |         |             |     |
| 13           | 613429 01 | CLAMP STRIP   | 2   |      |         |             |     |
| 14           | 190548 34 | WASHER  | 2   |      |         |             |     |
| 15           | 613750 01 | NYLON DISC  | 4   |      |         |             |     |
| 16           | SCW-0515  | BUTT SC HD SCREW  | 2   |      |         |             |     |
| 17           | WSH-0015  | WASHER  | 2   |      |         |             |     |
| 18           | NUT-0265  | NUT   | 2   |      |         |             |     |
| 19           | 613427 01 | PIVOT PLATE   | 1   |      |         |             |     |
| 20           | BLTF08173 | COACHBOLT   | 16  |      |         |             |     |
| 21           | 613428 01 | BOTTOM SUPPORT CHUTE                                    | 1   |      |         |             |     |
| 22           | 613811 01 | DOOR HEIGHT INDICATOR                                   | 1   |      |         |             |     |
| 23           | 613804 01 | DOOR HEIGHT POINTER                                     | 1   |      |         |             |     |
| 24           | 613779 02 | DECAL - DOOR HEIGHT                                     | 1   |      |         |             |     |
| 25           | HSS-0145  | SETScrew  | 4   |      |         |             |     |
| 26           | HSS-0086  | SETScrew  | 2   |      |         |             |     |
| 27           | WSH-0009  | WASHER  | 2   |      |         |             |     |
| 28           | NUT-0260  | NUT   | 2   |      |         |             |     |
| 29           | 613805 01 | HEIGHT INDICATOR BRKT                                   | 1   |      |         |             |     |
| 30           | 613809 01 | INDICATOR POINTER                                       | 1   |      |         |             |     |
| 31           | 613808 01 | CABLE TUBE  | 1   |      |         |             |     |
| 32           | FIT-1000  | CLAMP BASE  | 7   |      |         |             |     |
| 33           | SCW-0092  | SCREW   | 7   |      |         |             |     |
| 34           | WRP-01040 | THIMBLE   | 2   |      |         |             |     |
| 35           | WRP-02040 | CLAMP   | 4   |      |         |             |     |
| 36           | WRP-00040 | CABLE   | 5m  |      |         |             |     |



KIT-03497

20

31

4

5

30

24

22

35

28

36

34

27

29

32

33

6

10

6

5

4

3

12

8

7

11

26

25

5

4

16

13

1

21

4

5

14

15

20

7

8

17

18

19

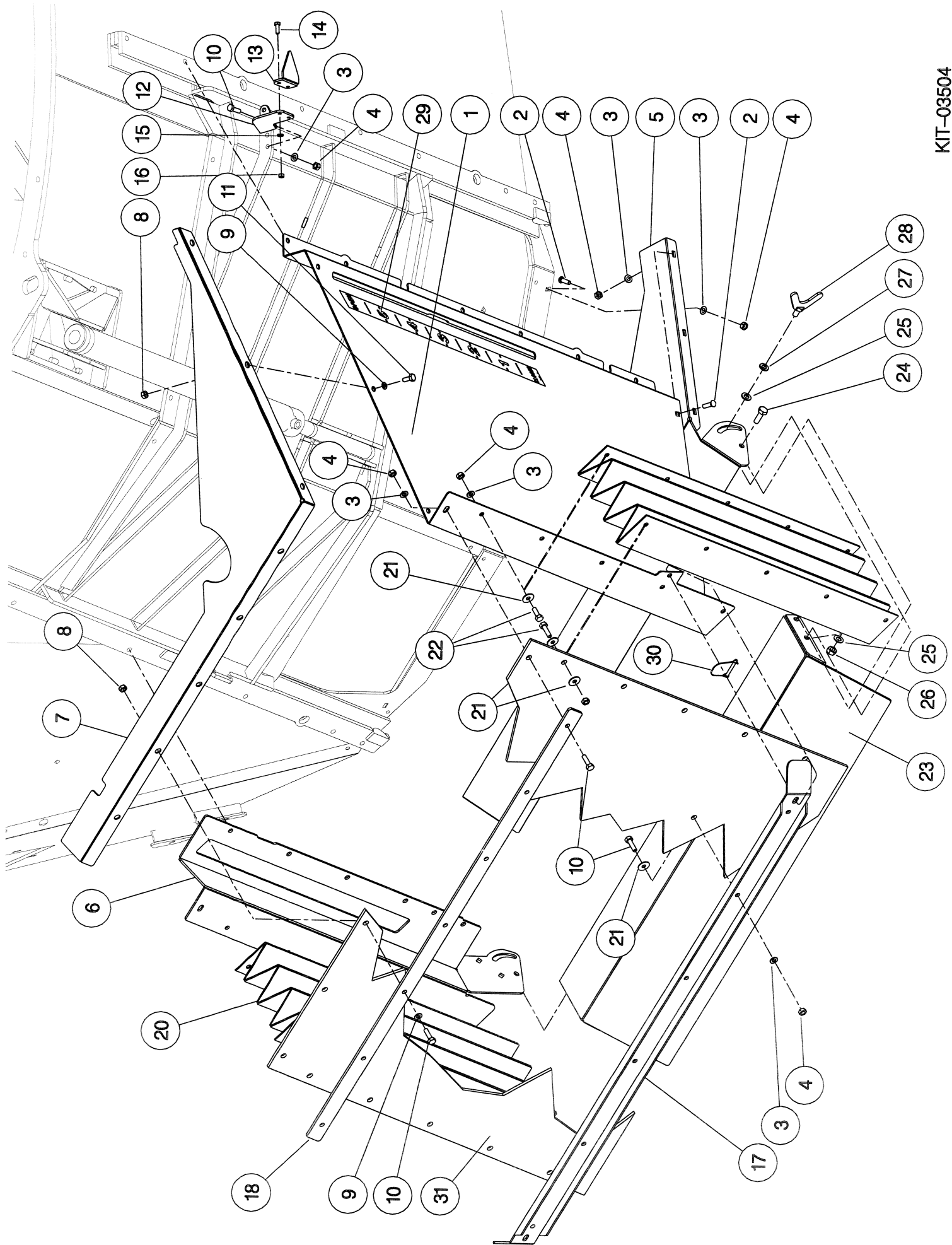
2

3

**Shelbourne Reynolds Engineering Limited**

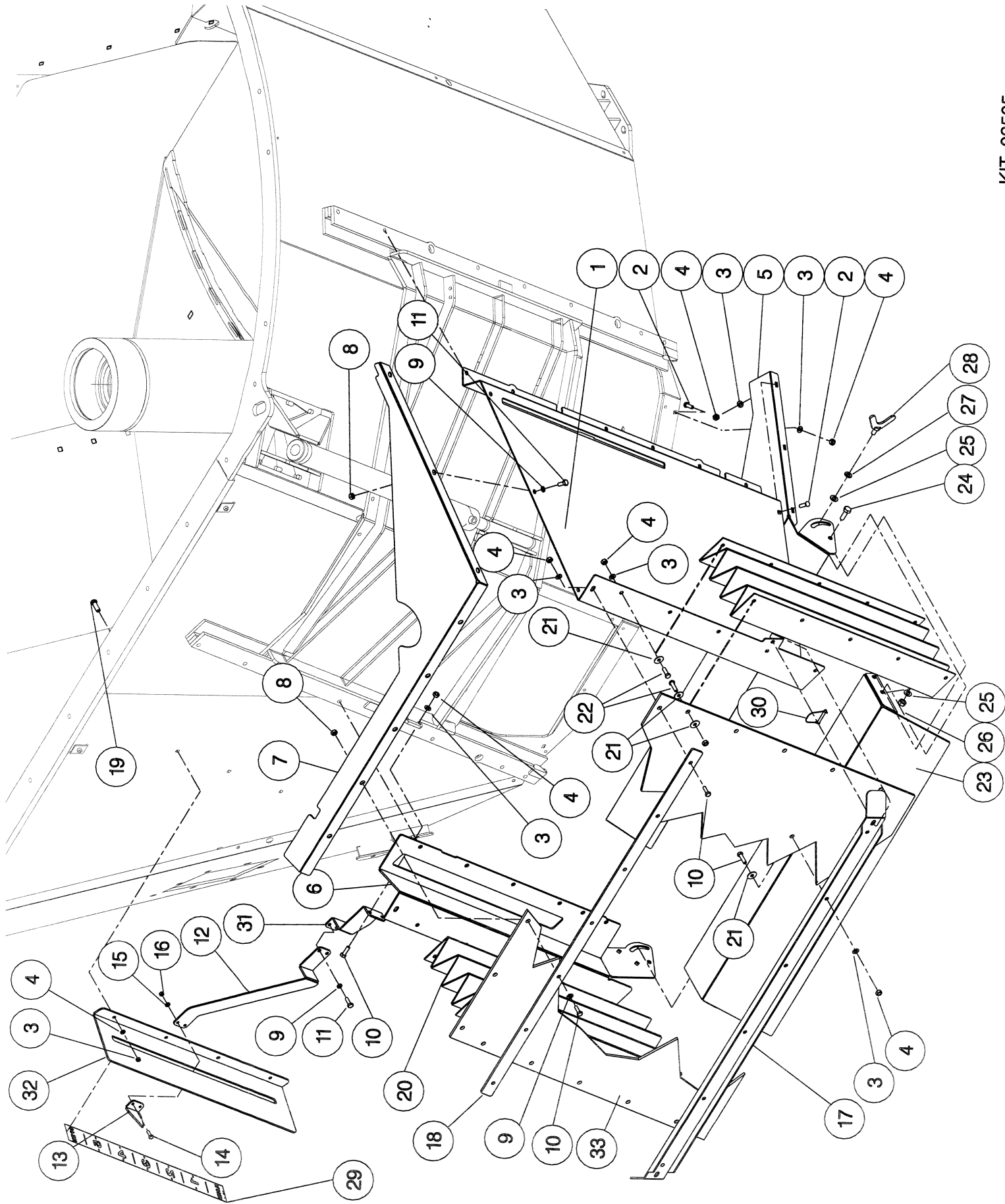
| KIT-03504    |           | ASSY DESCRIPTION: RUBBER DOOR FLAP KIT (RH DOOR) |     |      |         |             |     |
|--------------|-----------|--|-----|------|---------|-------------|-----|
| ASSY NUMBER: | PART NO   | DESCRIPTION                                      | QTY | ITEM | PART NO | DESCRIPTION | QTY |
| 1            | 614015 01 | SIDE PANEL                                       | 1   |      |         |             |     |
| 2            | BLTF08173 | COACHBOLT  | 8   |      |         |             |     |
| 3            | WSH-0012  | WASHER   | 28  |      |         |             |     |
| 4            | NUT-0263  | NUT  | 36  |      |         |             |     |
| 5            | 614169 01 | FIXED CHUTE                                      | 1   |      |         |             |     |
| OR           | 613987 01 | FIXED CHUTE                                      | 1   |      |         |             |     |
| 6            | 614168 01 | SIDE PANEL                                       | 1   |      |         |             |     |
| OR           | 614016 01 | SIDE PANEL                                       | 1   |      |         |             |     |
| 7            | 613986 01 | TOP CAPPING PLATE                                | 1   |      |         |             |     |
| 8            | NUTA13080 | NUTSERT  | 8   |      |         |             |     |
| 9            | WSH-0058  | WASHER   | 8   |      |         |             |     |
| 10           | HSS-0150  | SETSCREW   | 8   |      |         |             |     |
| 11           | HSS-0140  | SETSCREW (M8x20)                                 | 15  |      |         |             |     |
| 12           | 613991 01 | INDICATOR PLATE                                  | 3   |      |         |             |     |
| 13           | 613786 01 | POINTER  | 1   |      |         |             |     |
| 14           | HSS-0086  | SETSCREW   | 1   |      |         |             |     |
| 15           | WSH-0009  | WASHER   | 2   |      |         |             |     |
| 16           | NUT-0260  | NUT  | 2   |      |         |             |     |
| 17           | 614017 01 | SAFETY BELT                                      | 2   |      |         |             |     |
| 18           | 613992 01 | CLAMP PLATE                                      | 1   |      |         |             |     |
| 19           |           |  | 1   |      |         |             |     |
| 20           | 614004 01 | SIDE CURTAIN                                     | 2   |      |         |             |     |
| 21           | WSH-1038  | WASHER (M8 PENNY)                                | 32  |      |         |             |     |
| 22           | HSS-0145  | SETSCREW   | 18  |      |         |             |     |
| 23           | 614170 01 | ADJUSTABLE CHUTE                                 | 1   |      |         |             |     |
| OR           | 613985 01 | ADJUSTABLE CHUTE                                 | 1   |      |         |             |     |
| 24           | HSS-0191  | SETSCREW (M10x25)                                | 2   |      |         |             |     |
| 25           | WSH-0015  | WASHER   | 4   |      |         |             |     |
| 26           | NUT-0265  | NUT  | 2   |      |         |             |     |
| 27           | WSH-0061  | WASHER   | 2   |      |         |             |     |
| 28           | 613995 01 | LOCKING HANDLE                                   | 2   |      |         |             |     |
| 29           | 613779 01 | DECAL - DOOR HEIGHT                              | 2   |      |         |             |     |
| 30           | PIN-1720  | LYNCH PIN  | 1   |      |         |             |     |
| 31           | 614018 01 | SAFETY FLAP                                      | 2   |      |         |             |     |
|              |           |  | 1   |      |         |             |     |





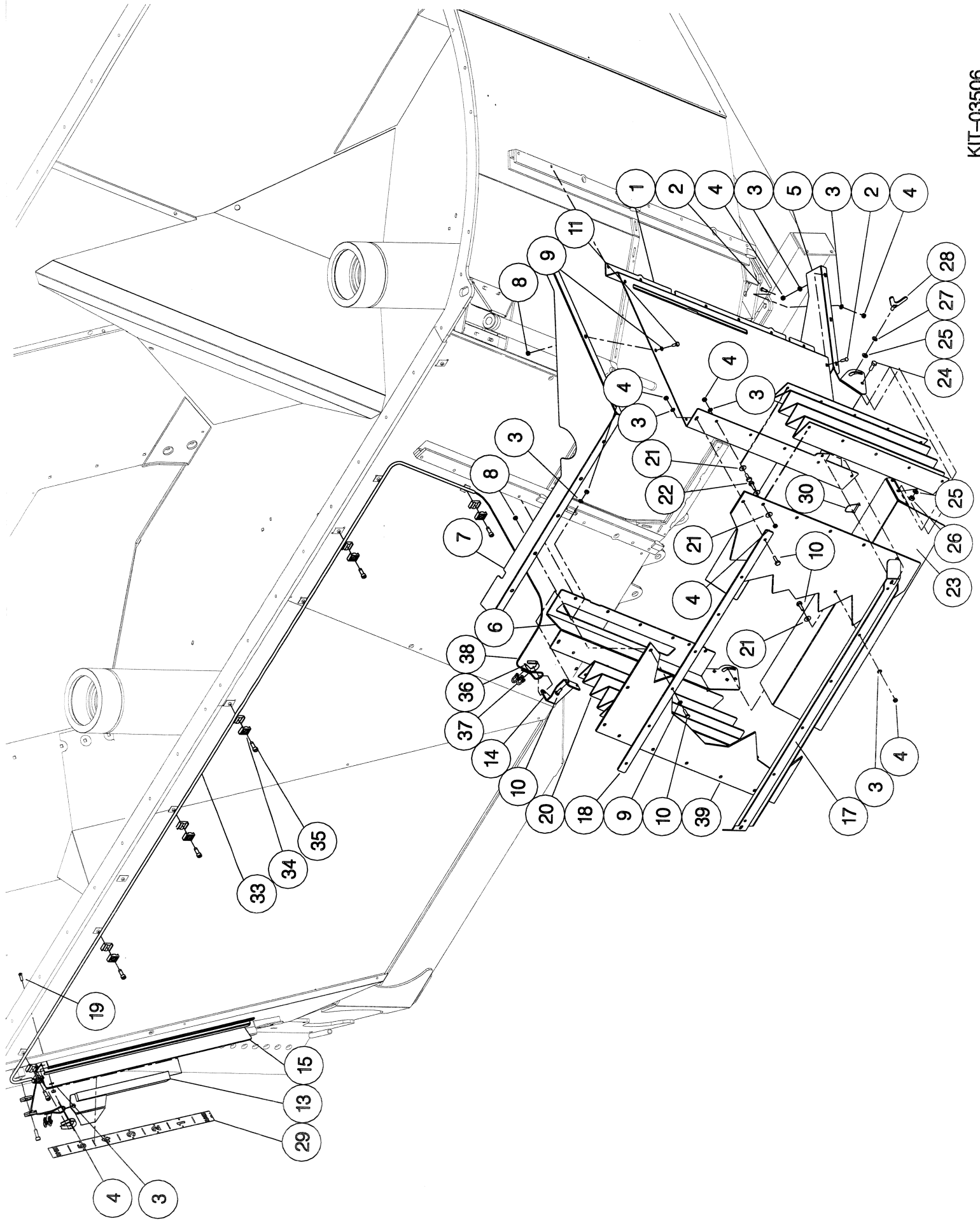
**Shelbourne Reynolds Engineering Limited**

| KIT-03505    |           | ASSY DESCRIPTION: RUBBER DOOR FLAP KIT (LH DOOR) |                                |             |
|--------------|-----------|--|--------------------------------|-------------|
| ASSY NUMBER: | KIT-03505 | ASSY DESCRIPTION:                                | RUBBER DOOR FLAP KIT (LH DOOR) |             |
| ITEM         | PART NO   | DESCRIPTION                                      | QTY                            | ITEM        |
|              |           |  |                                | PART NO     |
|              |           |  |                                | DESCRIPTION |
|              |           |  |                                | QTY         |
| 1            | 614015 01 | SIDE PANEL                                       | 1                              |             |
| 2            | BLTF08173 | COACHBOLT  | 8                              |             |
| 3            | WSH-0012  | WASHER   | 32                             |             |
| 4            | NUT-0263  | NUT  | 40                             |             |
| 5            | 614169 01 | FIXED CHUTE                                      | 1                              |             |
| OR           | 613987 01 | FIXED CHUTE                                      | 1                              |             |
| 6            | 614168 01 | SIDE PANEL                                       | 1                              |             |
| OR           | 614016 01 | SIDE PANEL                                       | 1                              |             |
| 7            | 613986 01 | TOP CAPPING PLATE                                | 1                              |             |
| 8            | NUTA13080 | NUTSERT  | 8                              |             |
| 9            | WSH-0058  | WASHER   | 10                             |             |
| 10           | HSS-0150  | SETSCREW   | 15                             |             |
| 11           | HSS-0140  | SETSCREW (M8x20)                                 | 5                              |             |
| 12           | 613990 01 | INDICATOR PLATE                                  | 1                              |             |
| 13           | 613786 01 | POINTER  | 1                              |             |
| 14           | HSS-0086  | SETSCREW   | 2                              |             |
| 15           | WSH-0009  | WASHER   | 2                              |             |
| 16           | NUT-0260  | NUT  | 2                              |             |
| 17           | 614017 01 | SAFETY BELT                                      | 1                              |             |
| 18           | 613992 01 | CLAMP PLATE                                      | 1                              |             |
| 19           | BLT-2700  | COACHBOLT  | 4                              |             |
| 20           | 614004 01 | SIDE CURTAIN                                     | 2                              |             |
| 21           | WSH-1038  | WASHER (M8 PENNY)                                | 32                             |             |
| 22           | HSS-0145  | SETSCREW   | 18                             |             |
| 23           | 614170 01 | ADJUSTABLE CHUTE                                 | 1                              |             |
| OR           | 613985 01 | ADJUSTABLE CHUTE                                 | 1                              |             |
| 24           | HSS-0191  | SETSCREW (M10x25)                                | 2                              |             |
| 25           | WSH-0015  | WASHER   | 4                              |             |
| 26           | NUT-0265  | NUT  | 2                              |             |
| 27           | WSH-0061  | WASHER   | 2                              |             |
| 28           | 613995 01 | LOCKING HANDLE                                   | 2                              |             |
| 29           | 613779 01 | DECAL - DOOR HEIGHT                              | 2                              |             |
| 30           | PIN-1720  | LYNCH PIN  | 1                              |             |
| 31           | 613989 01 | FIXING PLATE                                     | 2                              |             |
| 32           | 613517 01 | DOOR HEIGHT INDICATOR                            | 1                              |             |
| 33           | 614018 01 | SAFETY FLAP                                      | 1                              |             |



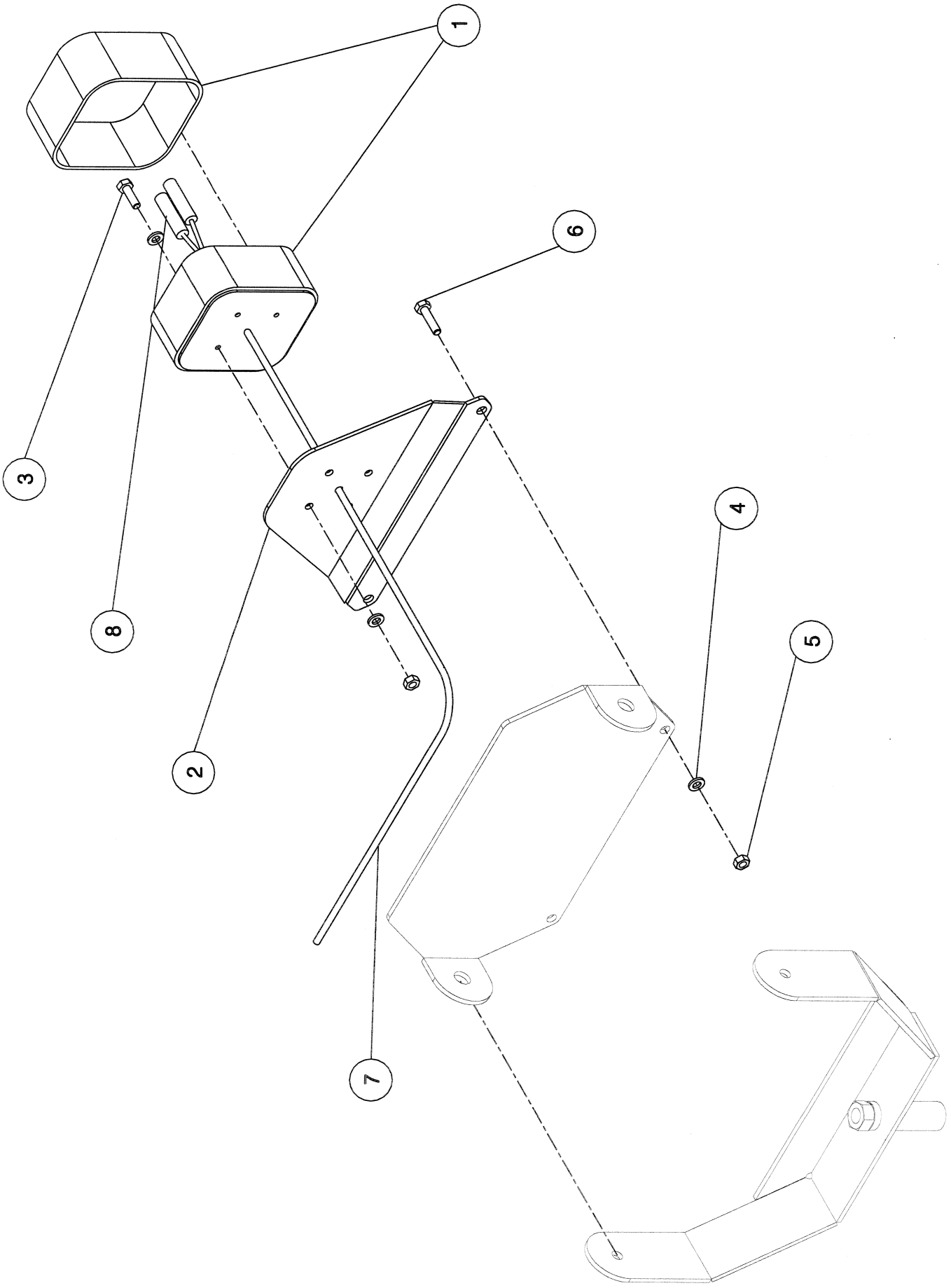
## Shelbourne Reynolds Engineering Limited

| KIT-03506    |           | ASSY DESCRIPTION: RUBBER DOOR FLAP KIT (LH DOOR TWIN AUGER) |     |      |           |             |     |
|--------------|-----------|---|-----|------|-----------|-------------|-----|
| ASSY NUMBER: | PART NO   | DESCRIPTION   | QTY | ITEM | PART NO   | DESCRIPTION | QTY |
| 1            | 614015 01 | SIDE PANEL  | 1   | 36   | WRP-01040 | THIMBLE     | 2   |
| 2            | BLTF08173 | COACHBOLT   | 8   | 37   | WRP-02040 | CLAMP       | 4   |
| 3            | WSH-0012  | WASHER  | 31  | 38   | WRP-00040 | CABLE       | 5m  |
| 4            | NUT-0263  | NUT   | 39  | 39   | 614018 01 | SAFETY FLAP | 1   |
| 5            | 614169 01 | FIXED CHUTE   | 1   |      |           |             |     |
| OR           | 613987 01 | FIXED CHUTE   | 1   |      |           |             |     |
| 6            | 614168 01 | SIDE PANEL  | 1   |      |           |             |     |
| OR           | 614016 01 | SIDE PANEL  | 1   |      |           |             |     |
| 7            | 613986 01 | TOP CAPPING PLATE   | 1   |      |           |             |     |
| 8            | NUTA13080 | NUTSERT   | 8   |      |           |             |     |
| 9            | WSH-0058  | WASHER  | 8   |      |           |             |     |
| 10           | HSS-0150  | SETSCREW  | 15  |      |           |             |     |
| 11           | HSS-0140  | SETSCREW (M8x20)  | 3   |      |           |             |     |
| 12           |           |   |     |      |           |             |     |
| 13           | 613809 01 | POINTER   | 1   |      |           |             |     |
| 14           | 614020 01 | HEIGHT INDICATOR BRKT                                       | 1   |      |           |             |     |
| 15           | 613811 01 | DOOR HEIGHT INDICATOR                                       | 1   |      |           |             |     |
| 16           |           |   |     |      |           |             |     |
| 17           | 614017 01 | SAFETY BELT   | 1   |      |           |             |     |
| 18           | 613992 01 | CLAMP PLATE   | 1   |      |           |             |     |
| 19           | BLT-2700  | COACHBOLT   | 3   |      |           |             |     |
| 20           | 614004 01 | SIDE CURTAIN  | 2   |      |           |             |     |
| 21           | WSH-1038  | WASHER (M8 PENNY)   | 32  |      |           |             |     |
| 22           | HSS-0145  | SETSCREW  | 18  |      |           |             |     |
| 23           | 614170 01 | ADJUSTABLE CHUTE  | 1   |      |           |             |     |
| OR           | 613985 01 | ADJUSTABLE CHUTE  | 1   |      |           |             |     |
| 24           | HSS-0191  | SETSCREW (M10x25)   | 2   |      |           |             |     |
| 25           | WSH-0015  | WASHER  | 4   |      |           |             |     |
| 26           | NUT-0265  | NUT   | 2   |      |           |             |     |
| 27           | WSH-0061  | WASHER  | 2   |      |           |             |     |
| 28           | 613995 01 | LOCKING HANDLE  | 2   |      |           |             |     |
| 29           | 613779 02 | DECAL - DOOR HEIGHT   | 2   |      |           |             |     |
| 30           | PIN-1720  | LYNCH PIN   | 1   |      |           |             |     |
| 31           |           |   | 2   |      |           |             |     |
| 32           |           |   |     |      |           |             |     |
| 33           | 613808 01 | CABLE TUBE  | 1   |      |           |             |     |
| 34           | FIT-1000  | CLAMP BASE  | 7   |      |           |             |     |
| 35           | SCW-0092  | SCREW   | 7   |      |           |             |     |



**Shelbourne Reynolds Engineering Limited**

| KIT-03510    |           | ASSY DESCRIPTION: AUDIBLE ALARM KIT (FOR DIGI-STAR) |     |      |         |             |     |
|--------------|-----------|---|-----|------|---------|-------------|-----|
| ASSY NUMBER: | KIT-03510 | ASSY DESCRIPTION: AUDIBLE ALARM KIT (FOR DIGI-STAR) |     |      |         |             |     |
| ITEM         | PART NO   | DESCRIPTION   | QTY | ITEM | PART NO | DESCRIPTION | QTY |
| 1            | BUZ-00010 | AUDIBLE ALARM                                       | 1   |      |         |             |     |
| 2            | 614030 01 | BUZZER BRACKET                                      | 1   |      |         |             |     |
| 3            | HSS-0086  | SETSCREW  | 4   |      |         |             |     |
| 4            | WSH-0009  | WASHER  | 10  |      |         |             |     |
| 5            | NUT-0260  | NUT   | 6   |      |         |             |     |
| 6            | HSS-0088  | SETSCREW  | 2   |      |         |             |     |
| 7            | CBL-03010 | CABLE (2 CORE)                                      | 3m  |      |         |             |     |
| 8            | ETM-00630 | ELEC BUTT TERMINAL                                  | 2   |      |         |             |     |



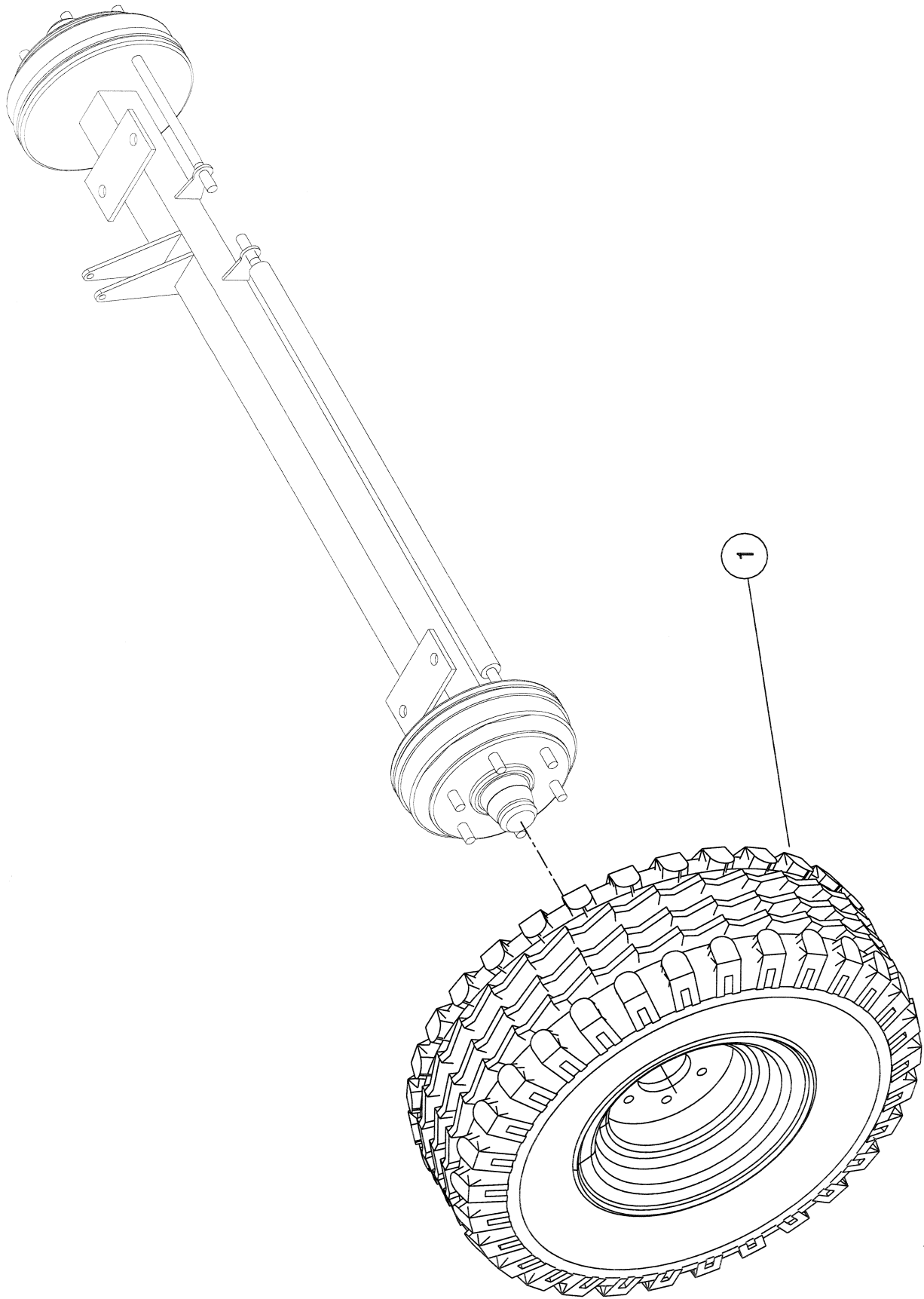
**Shelbourne Reynolds Engineering Limited**

ASSY NUMBER: KIT-03511

SUB ASSY DESCRIPTION: SUPER SINGLE WHEEL & TYRE KIT

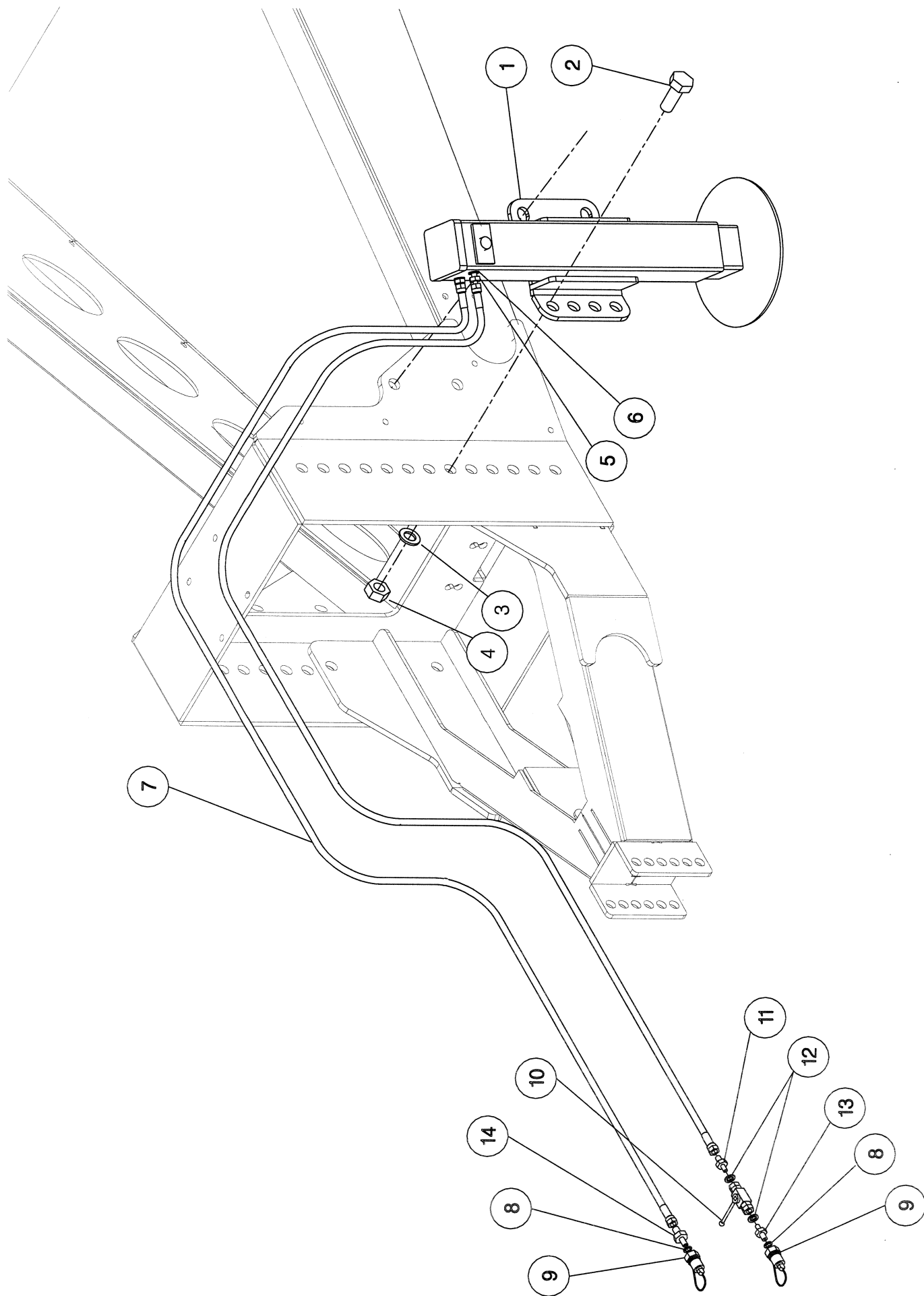
| ITEM | PART NO   | DESCRIPTION                         | QTY | ITEM | PART NO | DESCRIPTION | QTY |
|------|-----------|-------------------------------------|-----|------|---------|-------------|-----|
| 1    | WHL-02201 | WHEEL & TYRE ASSY<br>(385/R65-22.5) | 2   |      |         |             |     |





**Shelbourne Reynolds Engineering Limited**

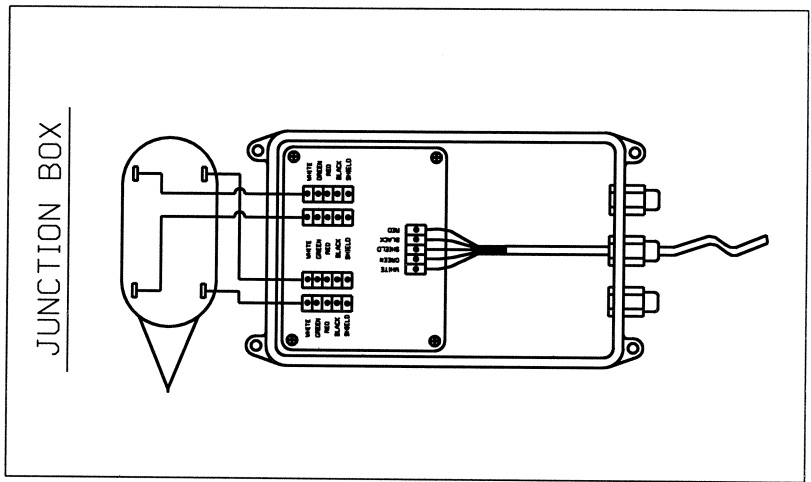
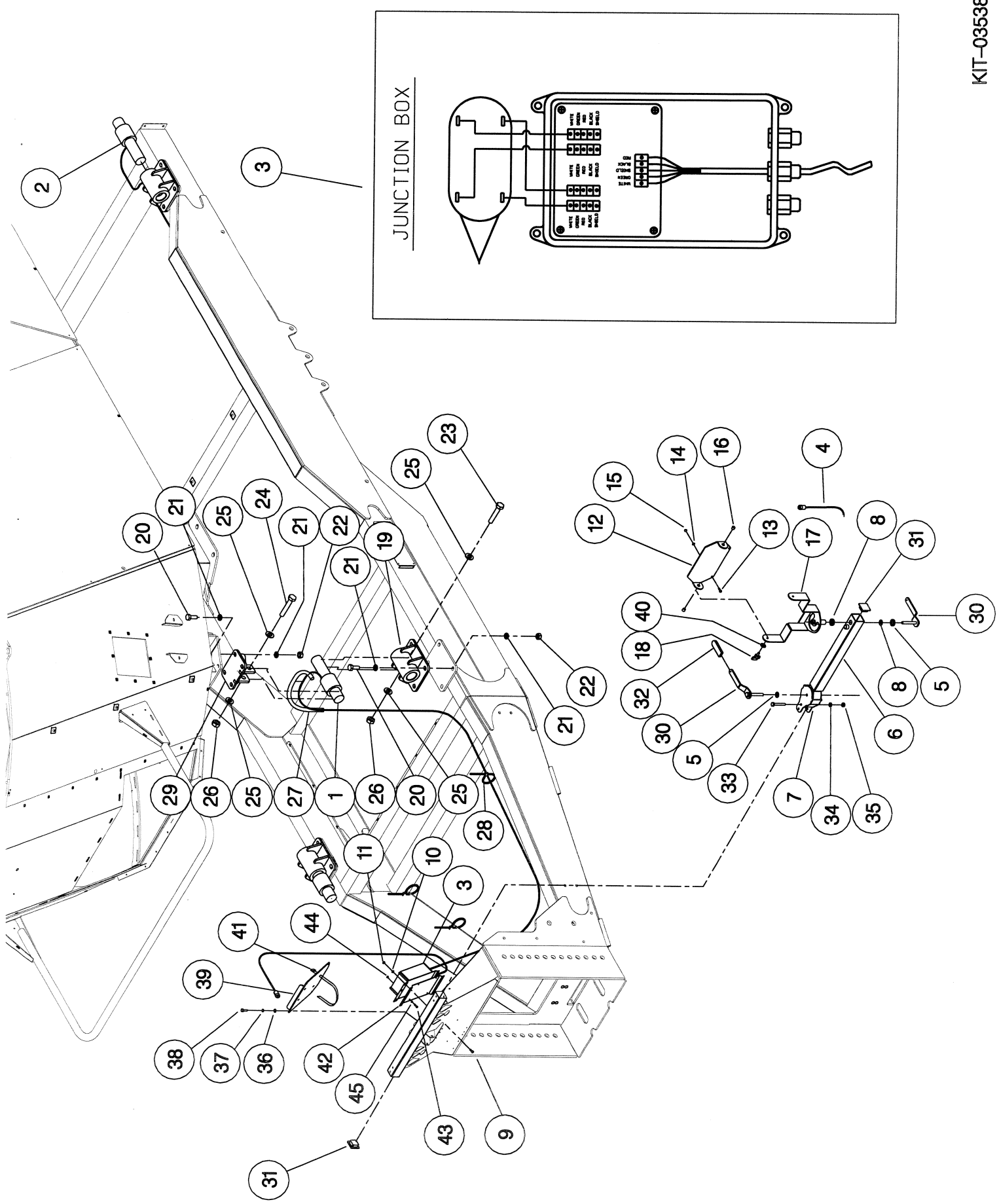
| KIT-03514    |           | SUB ASSY DESCRIPTION:HYD PARKING JACK (TRACTOR CONNECTION) |     |      |         |             |     |
|--------------|-----------|--|-----|------|---------|-------------|-----|
| ASSY NUMBER: | KIT-03514 | SUB ASSY DESCRIPTION:HYD PARKING JACK (TRACTOR CONNECTION) |     |      |         |             |     |
| ITEM         | PART NO   | DESCRIPTION  | QTY | ITEM | PART NO | DESCRIPTION | QTY |
| 1            | 614047 01 | JACK WELD ASSY   | 1   |      |         |             |     |
| 2            | HSS-0410  | SETSCREW   | 4   |      |         |             |     |
| 3            | WSH-0036  | WASHER   | 4   |      |         |             |     |
| 4            | NUT-0275  | NUT  | 4   |      |         |             |     |
| 5            | HMA-0057  | HYD ADPT   | 2   |      |         |             |     |
| 6            | WSH-1010  | DOWTY WASHER   | 2   |      |         |             |     |
| 7            | HHBE25005 | HYD HOSE ASSY  | 2   |      |         |             |     |
| 8            | WSH-1015  | DOWTY WASHER   | 2   |      |         |             |     |
| 9            | COU-0162  | QUICK RELEASE COUPLING                                     | 2   |      |         |             |     |
| 10           | HVB-02600 | 2-WAY BALL VALVE   | 1   |      |         |             |     |
| 11           | FIT-0025  | HYD ADAPT  | 1   |      |         |             |     |
| 12           | WSH-1005  | DOWTY WASHER   | 2   |      |         |             |     |
| 13           | HMA-0055  | HYD ADAPT  | 1   |      |         |             |     |
| 14           | HMA-0065  | HYD ADAPT (3/8"x1/2" M/M)                                  | 1   |      |         |             |     |



KIT-03514

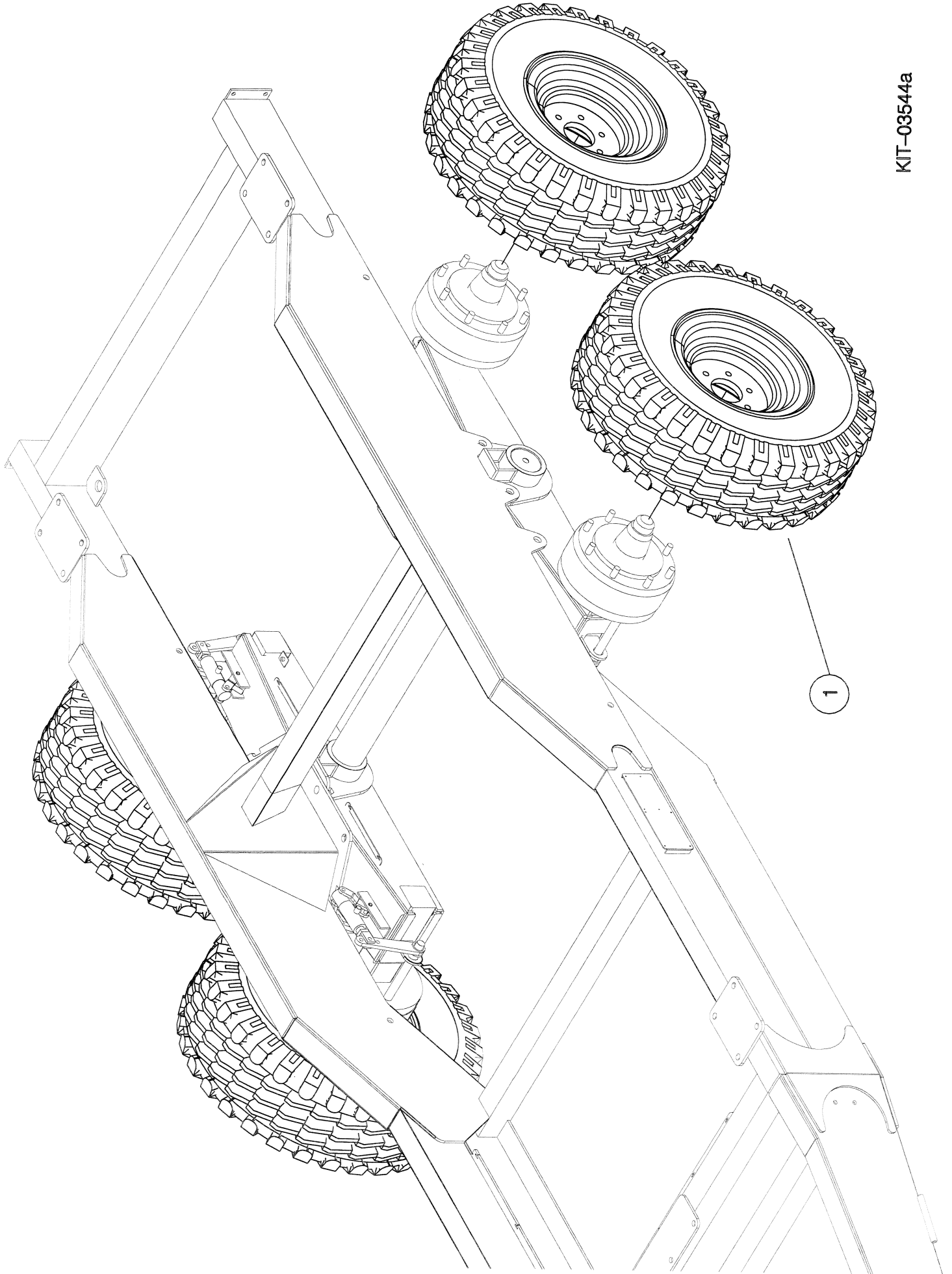
**Shelbourne Reynolds Engineering Limited**

| KIT-03538    |           | ASSY DESCRIPTION:WEIGH CELL SYSTEM (TWIN AUGER) |     |      |           |                    |     |
|--------------|-----------|---|-----|------|-----------|--------------------|-----|
| ASSY NUMBER: | PART NO   | DESCRIPTION                                     | QTY | ITEM | PART NO   | DESCRIPTION        | QTY |
| 1            | LCL-01200 | LOADCELL (FRONT)                                | 2   | 39   | 614178 01 | COVER              | 1   |
| 2            | LCL-01201 | LOADCELL (REAR)                                 | 2   | 40   | WSH-1300  | SHAKERPROOF WASHER | 2   |
| 3            | LCL-01205 | JUNCTION BOX                                    | 1   | 41   | TIE-0012  | LARGE TIE WRAP     | 2   |
| 4            | LCL-01210 | POWER CORD                                      | 1   | 42   | 614949 01 | BRACKET J-BOX      | 1   |
| 5            | WSHA30121 | LOCKWASHER                                      | 2   | 43   | SCW-0035  | CAP HEAD SCREW     | 4   |
| 6            | 614188 01 | WEIGH HEAD ARM W/A                              | 1   | 44   | NUT-0255  | NUT NYLOCK         | 4   |
| 7            | 614187 01 | OUTER COUPLING W/A                              | 1   | 45   | WSH-0003  | PLAIN WASHER       | 4   |
| 8            | 190548 54 | WASHER  | 3   |      |           |                    |     |
| 9            | HSS-0058  | SETSCREW  | 6   |      |           |                    |     |
| 10           | WSH-0006  | WASHER  | 6   |      |           |                    |     |
| 11           | NUT-0258  | NUT   | 6   |      |           |                    |     |
| 12           | 613597 01 | REAR PANEL                                      | 1   |      |           |                    |     |
| 13           | HSS-0086  | SETSCREW  | 2   |      |           |                    |     |
| 14           | WSH-0009  | WASHER  | 2   |      |           |                    |     |
| 15           | NUT-0260  | NUT   | 2   |      |           |                    |     |
| 16           | NUTA13080 | NUTSERT   | 6   |      |           |                    |     |
| 17           | 614189 01 | WEIGH HEAD HOUSING                              | 1   |      |           |                    |     |
| 18           | KNO-0001  | THERMOPLASTIC KNOB                              | 2   |      |           |                    |     |
| 19           | 613608 01 | LOADCELL MTG BOSS W/A                           | 4   |      |           |                    |     |
| 20           | HSS-0318  | SETSCREW  | 32  |      |           |                    |     |
| 21           | WSH-0024  | WASHER  | 64  |      |           |                    |     |
| 22           | NUT-0271  | NUT   | 32  |      |           |                    |     |
| 23           | BLTA20620 | BOLT  | 4   |      |           |                    |     |
| 24           | BLTA20590 | BOLT  | 4   |      |           |                    |     |
| 25           | WSH-0030  | WASHER  | 16  |      |           |                    |     |
| 26           | NUTA02200 | NUT   | 8   |      |           |                    |     |
| 27           | SLV-00300 | SPIRAL CONVOLUTE TUBING                         | 7m  |      |           |                    |     |
| 28           | TIE-0004  | TIE WRAP  | 40  |      |           |                    |     |
| 29           | 613612 01 | LOADCELL CLEVIS W/A                             | 4   |      |           |                    |     |
| 30           | 613695 01 | SECURING HANDLE ASSY                            | 2   |      |           |                    |     |
| 31           | CAP-0012  | END CAP   | 2   |      |           |                    |     |
| 32           | PTF-00026 | PLASTIC HANDLE                                  | 2   |      |           |                    |     |
| 33           | BLTA10470 | BOLT  | 2   |      |           |                    |     |
| 34           | WSH-0015  | WASHER  | 2   |      |           |                    |     |
| 35           | NUT-0265  | NUT   | 2   |      |           |                    |     |
| 36           | WSH-0012  | WASHER  | 4   |      |           |                    |     |
| 37           | WSH-0058  | WASHER  | 4   |      |           |                    |     |
| 38           | HSS-0145  | SETSCREW  | 4   |      |           |                    |     |



**Shelbourne Reynolds Engineering Limited**

| KIT-03544a   |           | ASSY DESCRIPTION: WHEEL&TYRE KIT (BANDENMARKT 305/55R22.5) |     |      |         |             |     |
|--------------|-----------|--|-----|------|---------|-------------|-----|
| ASSY NUMBER: | PART NO   | DESCRIPTION  | QTY | ITEM | PART NO | DESCRIPTION | QTY |
| 1            | WHL-02202 | WHEEL & TYRE ASSY  | 4   |      |         |             |     |



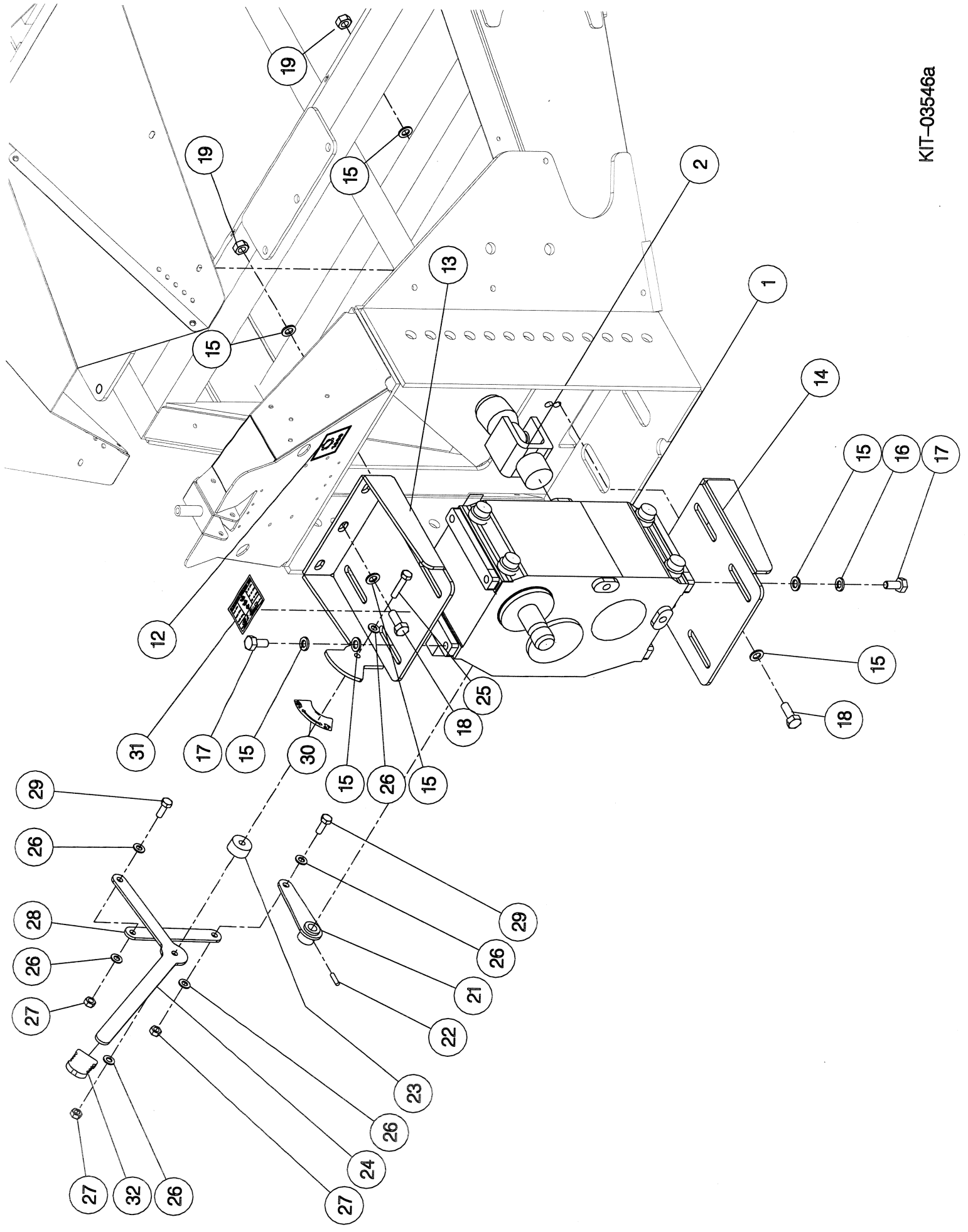
KIT-03544a

1

**Shelbourne Reynolds Engineering Limited**

| ASSY NUMBER: KIT-03546a |           | ASSY DESCRIPTION: 2-SPEED KIT POP (1000 RPM INPUT-6 SPLINE) |     |      |         |             |     |
|-------------------------|-----------|---|-----|------|---------|-------------|-----|
| ITEM                    | PART NO   | DESCRIPTION   | QTY | ITEM | PART NO | DESCRIPTION | QTY |
| 1                       | GEA-0176  | 2-SPEED GEARBOX   | 1   |      |         |             |     |
| 2                       | PTO-20007 | PTO COUPLING  | 1   |      |         |             |     |
| 3                       |           |   |     |      |         |             |     |
| 4                       |           |   |     |      |         |             |     |
| 5                       |           |   |     |      |         |             |     |
| 6                       |           |   |     |      |         |             |     |
| 7                       |           |   |     |      |         |             |     |
| 8                       |           |   |     |      |         |             |     |
| 9                       |           |   |     |      |         |             |     |
| 10                      |           |   |     |      |         |             |     |
| 11                      |           |   |     |      |         |             |     |
| 12                      | 590475 02 | EMBLEM (MAX PTO SPEED)                                      | 1   |      |         |             |     |
| 13                      | 613850 01 | TOP GEARBOX BRKT  | 1   |      |         |             |     |
| 14                      | 613851 01 | BOTTOM GEARBOX BRKT   | 1   |      |         |             |     |
| 15                      | WSH-0024  | WASHER  | 14  |      |         |             |     |
| 16                      | WSH-0070  | WASHER  | 8   |      |         |             |     |
| 17                      | HSS-0315  | SETSCREW  | 8   |      |         |             |     |
| 18                      | HSS-0316  | SETSCREW  | 6   |      |         |             |     |
| 19                      | NUT-0271  | NUT   | 6   |      |         |             |     |
| 20                      |           |   |     |      |         |             |     |
| 21                      | 613579 01 | GEAR CHANGE LEVER   | 1   |      |         |             |     |
| 22                      | PIN-40817 | ROLL PIN  | 1   |      |         |             |     |
| 23                      | 613845 01 | SPACER DISC   | 1   |      |         |             |     |
| 24                      | 613846 01 | GEAR CHANGE LEVER   | 1   |      |         |             |     |
| 25                      | BLTA12380 | BOLT  | 1   |      |         |             |     |
| 26                      | WSH-0018  | WASHER  | 6   |      |         |             |     |
| 27                      | NUT-0269  | NUT   | 3   |      |         |             |     |
| 28                      | 613844 01 | GEAR CHANGE LEVER   | 1   |      |         |             |     |
| 29                      | HSS-0241  | SETSCREW  | 2   |      |         |             |     |
| 30                      | 613848 01 | LEVER POSITION EMBLEM                                       | 1   |      |         |             |     |
| 31                      | 614243 01 | AUGER SPEED EMBLEM  | 1   |      |         |             |     |
| 32                      | PTF-00025 | HANDLE GRIP   |     |      |         |             |     |

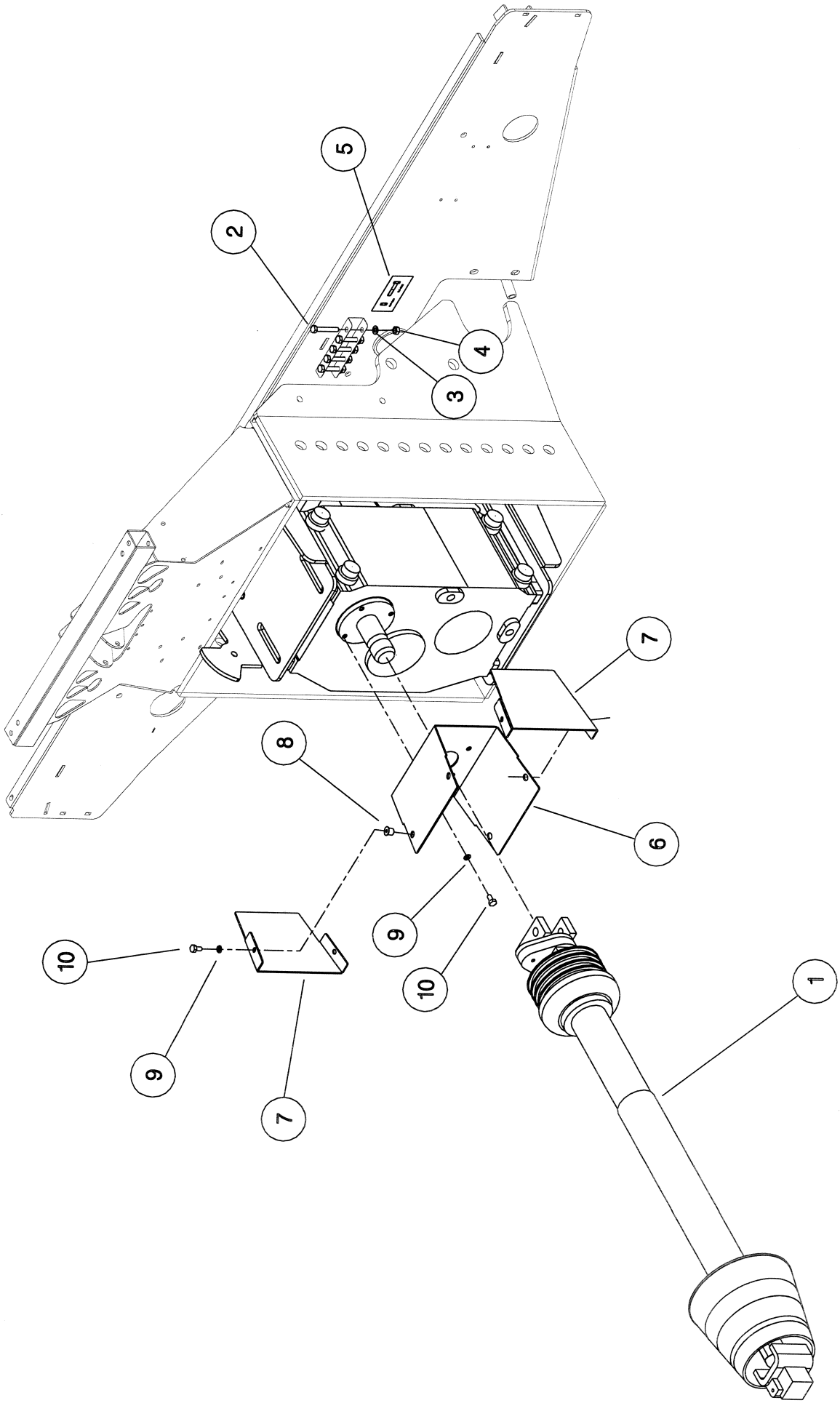




KIT-03546a

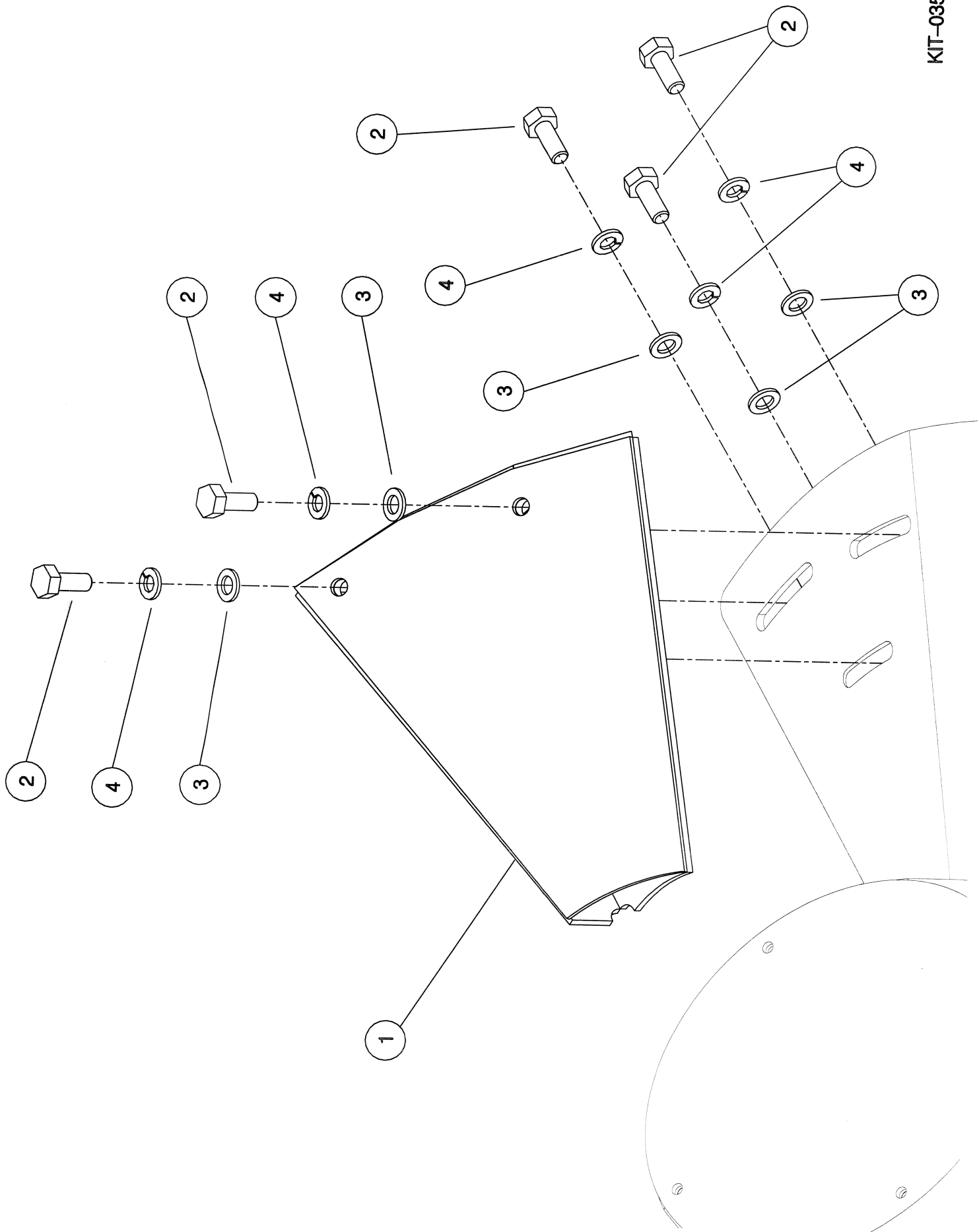
**Shelbourne Reynolds Engineering Limited**

| KIT-03548    |           | ASSY DESCRIPTION: PTO SHAFT KIT |     |      |         |             |     |
|--------------|-----------|---------------------------------|-----|------|---------|-------------|-----|
| ASSY NUMBER: |           |                                 |     |      |         |             |     |
| ITEM         | PART NO   | DESCRIPTION                     | QTY | ITEM | PART NO | DESCRIPTION | QTY |
| 1            | PTO-17031 | PTO SHAFT ASSY                  | 1   |      |         |             |     |
| 2            | BLTA08350 | BOLT                            | 5   |      |         |             |     |
| 3            | WSH-0012  | WASHER                          | 5   |      |         |             |     |
| 4            | NUT-0263  | NUT                             | 5   |      |         |             |     |
| 5            | 192839 01 | SHEARBOLT EMBLEM                | 1   |      |         |             |     |
| 6            | 614425 01 | PTO GUARD                       | 1   |      |         |             |     |
| 7            | 614426 01 | PTO SIDE GUARD                  | 2   |      |         |             |     |
| 8            | NUTA13080 | NUTSERT                         | 4   |      |         |             |     |
| 9            | WSH-0058  | WASHER                          | 8   |      |         |             |     |
| 10           | HSS-0135  | SET SCREW                       | 8   |      |         |             |     |



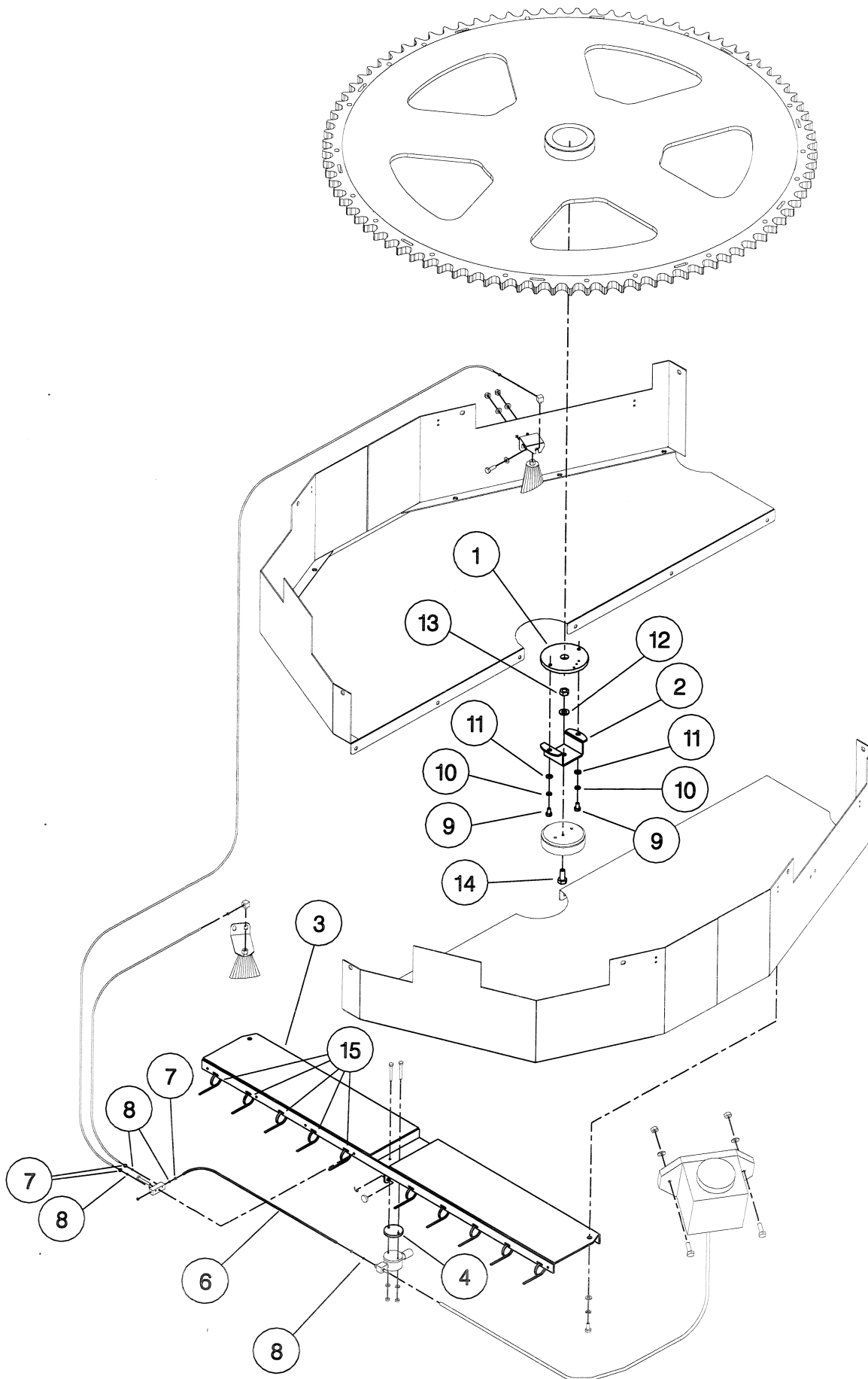
**Shelbourne Reynolds Engineering Limited**

| KIT-03566    |           | ASSY DESCRIPTION: AUGER BLADE KICKER KIT |     |      |         |             |     |
|--------------|-----------|--|-----|------|---------|-------------|-----|
| ASSY NUMBER: |           |  |     |      |         |             |     |
| ITEM         | PART NO   | DESCRIPTION                              | QTY | ITEM | PART NO | DESCRIPTION | QTY |
| 1            | 613687 01 | TOP FLIGHT ASSY                          | 1   |      |         |             |     |
| 2            | HSS-0316  | SETSCREW                                 | 5   |      |         |             |     |
| 3            | WSH-0025  | WASHER                                   | 5   |      |         |             |     |
| 4            | WSH-0070  | WASHER                                   | 5   |      |         |             |     |



**Shelbourne Reynolds Engineering Limited**

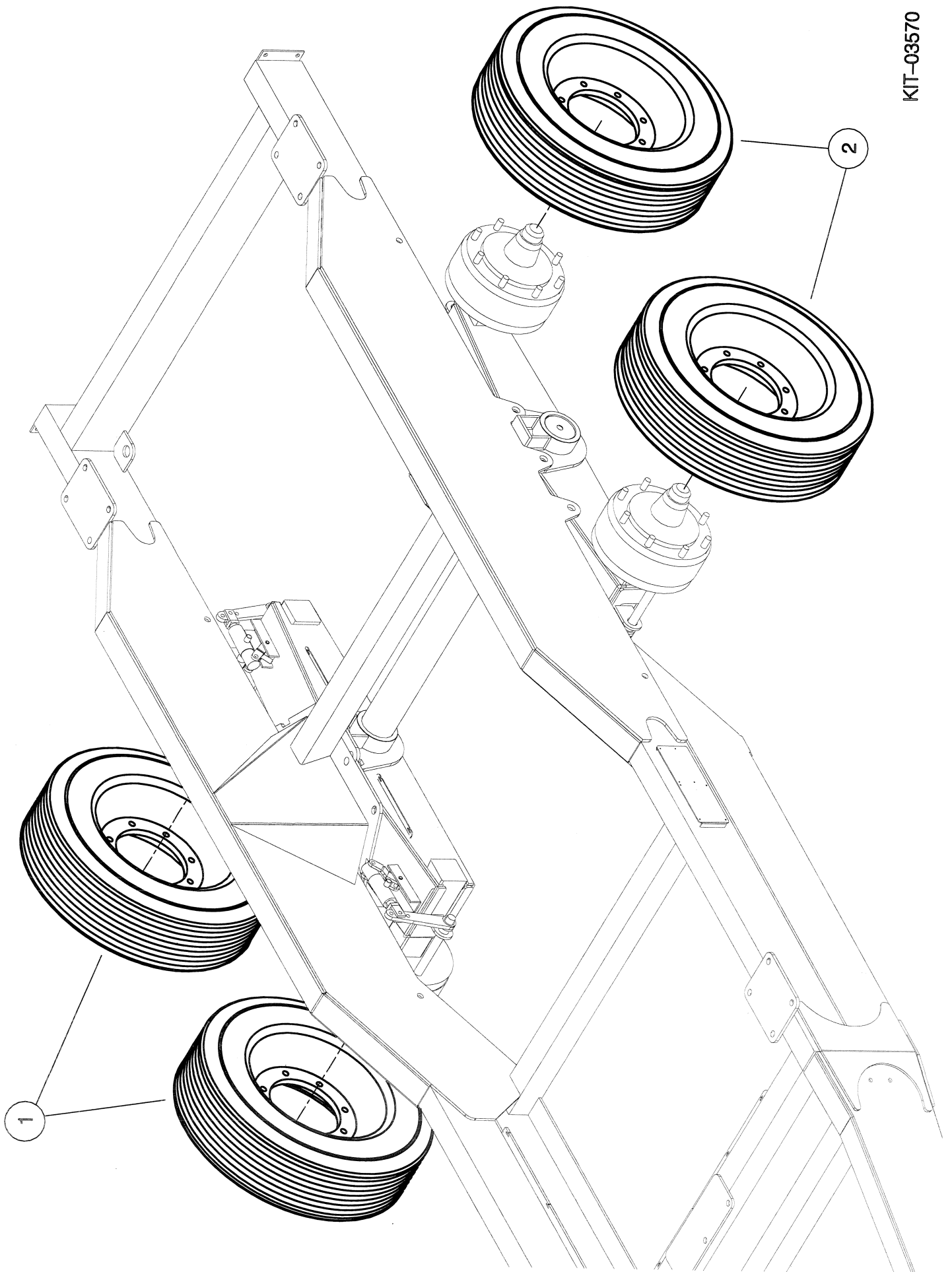
| KIT-03569    |           | ASSY DESCRIPTION: CHAIN OILER CONVERSION KIT (16-22m <sup>3</sup> ) |      |      |         |             |     |
|--------------|-----------|---|------|------|---------|-------------|-----|
| ASSY NUMBER: | KIT-03569 | ASSY DESCRIPTION: CHAIN OILER CONVERSION KIT (16-22m <sup>3</sup> ) |      |      |         |             |     |
| ITEM         | PART NO   | DESCRIPTION   | QTY  | ITEM | PART NO | DESCRIPTION | QTY |
| 1            | 614253 01 | AUGER FIXING DISC   | 1    |      |         |             |     |
| 2            | 614252 01 | CAM BRACKET   | 1    |      |         |             |     |
| 3            | 614346 01 | OIL PUMP MTG PLATE W/A  | 1    |      |         |             |     |
| 4            | 590775 01 | SPACER DISC   | 1    |      |         |             |     |
| 5            |           |   |      |      |         |             |     |
| 6            | LUB-00012 | FLEXIBLE TUBE   | 3.0m |      |         |             |     |
| 7            | LUB-00025 | SLEEVE NUT (N532)   | 2    |      |         |             |     |
| 8            | LUB-00006 | ENOT OLIVE  | 4    |      |         |             |     |
| 9            | HSSA08111 | SETScrew  | 2    |      |         |             |     |
| 10           | WSH-0058  | WASHER  | 2    |      |         |             |     |
| 11           | WSH-0012  | WASHER  | 2    |      |         |             |     |
| 12           | WSH-0018  | WASHER  | 2    |      |         |             |     |
| 13           | NUT-0269  | NYLOC NUT   | 1    |      |         |             |     |
| 14           | HSS-0238  | BOLT  | 1    |      |         |             |     |
| 15           | TIE-0002  | TIE WRAPS   | 10   |      |         |             |     |



**Shelbourne Reynolds Engineering Limited**

| KIT-03570    |           | ASSY DESCRIPTION: WHEEL & TYRE KIT (12.5/60-15 SOFT FILL) |     |      |         |             |     |
|--------------|-----------|---|-----|------|---------|-------------|-----|
| ASSY NUMBER: | PART NO   | DESCRIPTION   | QTY | ITEM | PART NO | DESCRIPTION | QTY |
| 1            | WHL-01444 | RH WHEEL & TYRE   | 2   |      |         |             |     |
| 2            | WHL-01445 | LH WHEEL & TYRE   | 2   |      |         |             |     |

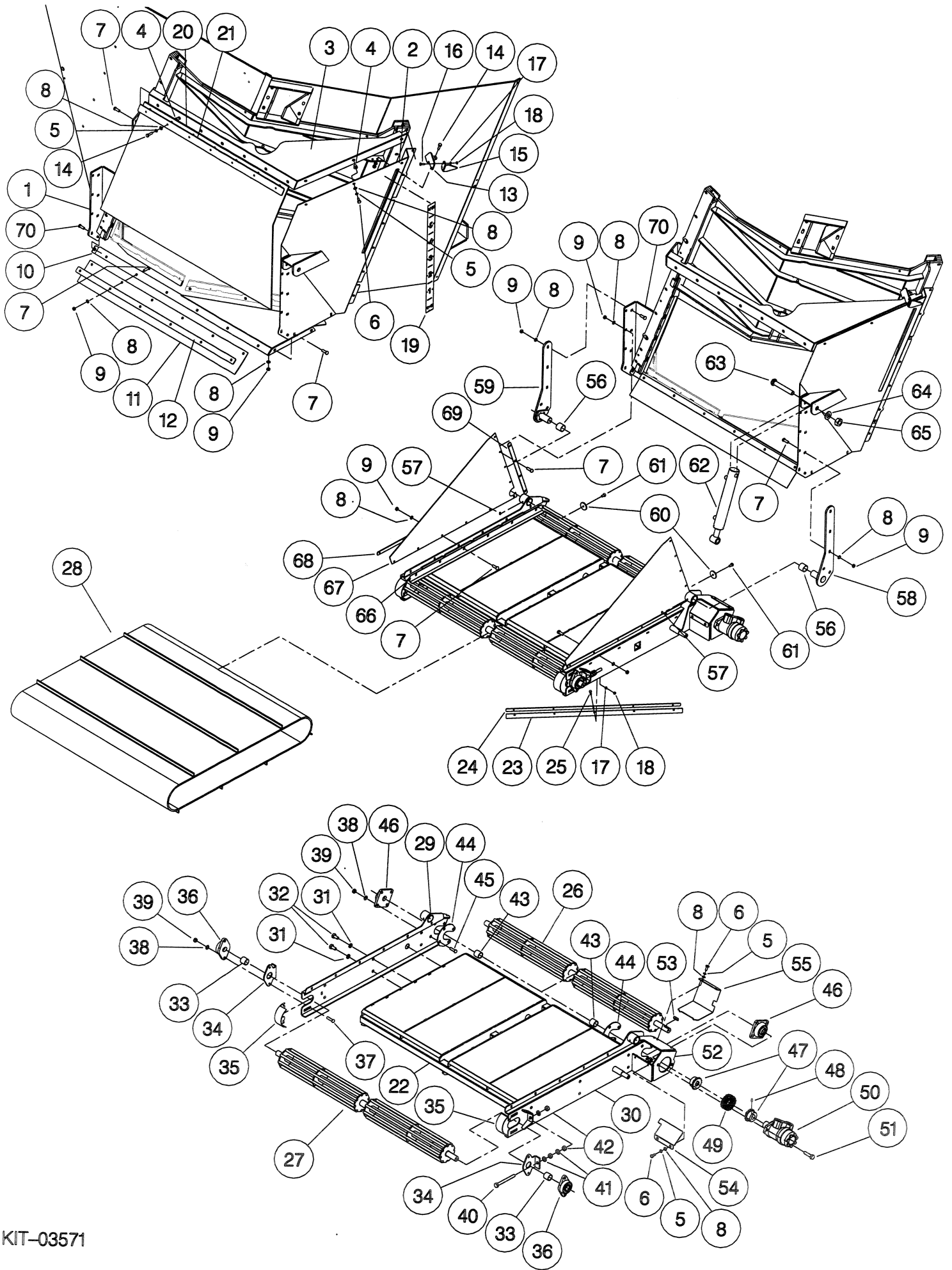




KIT-03570

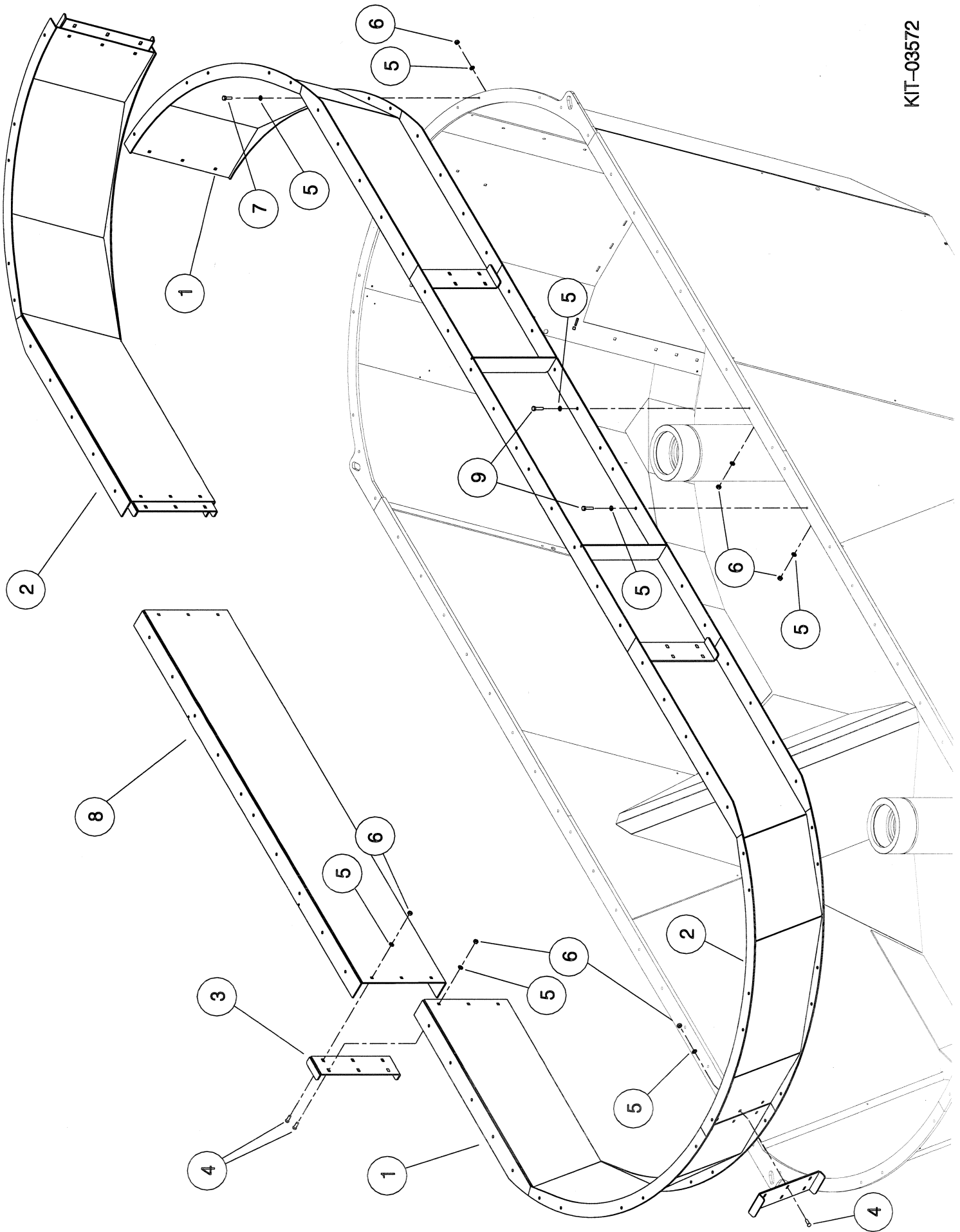
**Shelbourne Reynolds Engineering Limited**

| KIT-03571    |           | ASSY DESCRIPTION: 1m SIDE CONVEYOR RH DOOR- (POWERMIX 2) |     |      |           |                        |     |
|--------------|-----------|--|-----|------|-----------|------------------------|-----|
| ASSY NUMBER: |           |  |     |      |           |                        |     |
| ITEM         | PART NO   | DESCRIPTION  | QTY | ITEM | PART NO   | DESCRIPTION            | QTY |
| 1            | 614401 01 | SIDE MOUNTING PLATE                                      | 1   | 39   | NUT-0265  | NUT                    | 12  |
| 2            | 614398 01 | RAM MOUNTING SIDE PLATE                                  | 1   | 40   | HSSA12530 | SETSCREW               | 2   |
| 3            | 614399 01 | UPPER DOOR FLAP MTG PL.                                  | 1   | 41   | WSH-0018  | WASHER                 | 6   |
| 4            | NUTA13080 | NUTSERT  | 10  | 42   | NUT-0170  | NUT                    | 10  |
| 5            | WSH-0058  | WASHER   | 18  | 43   | 614272 03 | SHAFT SPACER           | 2   |
| 6            | HSS-0140  | SETSCREW   | 7   | 44   | 614383 01 | BEARING PACKER PLATE   | 2   |
| 7            | BLTF08173 | COACHBOLT  | 34  | 45   | BLTF10231 | COACHBOLT              | 2   |
| 8            | WSH-0012  | WASHER   | 41  | 46   | BRG-25255 | BEARING                | 8   |
| 9            | NUT-0263  | NUT  | 41  | 47   | 260030 03 | SPROCKET               | 2   |
| 10           | 614400 01 | LOWER CHUTE PLATE  | 1   | 48   | SCW-4530  | GRUBSCREW              | 2   |
| 11           | 614417 01 | CHUTE  | 1   | 49   | CHN-01380 | CHAIN                  | 1   |
| 12           | 614409 01 | BOTTOM CLAMP STRIP                                       | 1   | 50   | MOTH08000 | HYDRAULIC MOTOR        | 1   |
| 13           | 613991 01 | INDICATOR PLATE  | 1   | 50a  | HMS-08000 | SEAL KIT (SPARES ONLY) | 1   |
| 14           | HSS-0150  | SETSCREW (   | 9   | 51   | HSS-0260  | SETSCREW               | 2   |
| 15           | 613786 01 | POINTER  | 1   | 52   | NUT-0269  | NUT                    | 2   |
| 16           | HSS-0086  | SETSCREW   | 2   | 53   | K0807032  | KEY                    | 1   |
| 17           | WSH-0009  | WASHER   | 12  | 54   | 614387 01 | FRONT DRIVE GUARD      | 1   |
| 18           | NUT-0260  | NUT  | 12  | 55   | 614388 01 | REAR DRIVE GUARD       | 1   |
| 19           | 613779 01 | DECAL - DOOR HEIGHT                                      | 1   | 56   | BSH-3070  | BRONZE BUSH            | 1   |
| 20           | 614419 01 | SAFETY FLAP  | 1   | 57   | NIP-00610 | GREASE NIPPLE          | 4   |
| 21           | 614402 01 | TOP CLAMP PLATE  | 1   | 58   | 614407 01 | PIVOT MTG ASSY RH      | 2   |
| 22           | 614376 01 | MAIN CHASSIS ASSY  | 1   | 59   | 614407 02 | PIVOT MTG ASSY LH      | 1   |
| 23           | 614418 01 | PVC SCRAPER  | 2   | 60   | 190119 12 | WASHER                 | 1   |
| 24           | 614421 01 | CLAMP STRIP  | 2   | 61   | HSS-0130  | SETSCREW               | 4   |
| 25           | HSS-0088  | SETSCREW   | 10  | 62   | RAM-0001  | HYDRAULIC RAM          | 4   |
| 26           | 614380 01 | DRIVE SHAFT W/A  | 1   | 63   | BLTF20653 | COACHBOLT              | 1   |
| 27           | 614382 01 | IDLE SHAFT W/A   | 1   | 64   | WSH-0030  | WASHER                 | 1   |
| 28           | CON-00016 | CONVEYOR BELT  | 1   | 65   | NUTA02200 | NUT                    | 1   |
| 29           | 614393 01 | CONVEYOR SIDE PLATE W/A                                  | 1   | 66   | 614389 01 | SIDE BELT GUARD        | 1   |
| 30           | 614392 01 | CONVEYOR SIDE PLATE W/A                                  | 1   | 67   | 614416 01 | SIDE DEFLECTOR         | 2   |
| 31           | WSH-0065  | WASHER   | 12  | 68   | 614390 01 | CLAMP STRIP            | 2   |
| 32           | HSS-0235  | SETSCREW   | 12  | 69   | 614403 01 | SIDE CLAMP STRIP       | 2   |
| 33           | 614272 04 | SHAFT SPACER   | 2   | 70   | BLT-2700  | COACHBOLT              | 5   |
| 34           | 614275 01 | ADJUSTER BRACKET   | 2   |      |           |                        |     |
| 35           | 614386 01 | BELT GUARD   | 2   |      |           |                        |     |
| 36           | BRG-25260 | BEARING  | 2   |      |           |                        |     |
| 37           | BLT-3755  | COACHBOLT  | 2   |      |           |                        |     |
| 38           | WSH-0018  | WASHER   | 4   |      |           |                        |     |



**Shelbourne Reynolds Engineering Limited**

| KIT-03572    |           | ASSY DESCRIPTION: 450mm EXTENSION KIT (TWIN AUGER) |     |      |         |             |     |
|--------------|-----------|--|-----|------|---------|-------------|-----|
| ASSY NUMBER: | KIT-03572 | ASSY DESCRIPTION: 450mm EXTENSION KIT (TWIN AUGER) |     |      |         |             |     |
| ITEM         | PART NO   | DESCRIPTION  | QTY | ITEM | PART NO | DESCRIPTION | QTY |
| 1            | 614415 01 | EXTENSION W/A                                      | 2   |      |         |             |     |
| 2            | 614415 02 | EXTENSION W/A                                      | 2   |      |         |             |     |
| 3            | 614420 01 | SIDE CLAMP PLATE                                   | 6   |      |         |             |     |
| 4            | BLT-3745  | COACHBOLT  | 36  |      |         |             |     |
| 5            | WSH-0015  | WASHER   | 148 |      |         |             |     |
| 6            | NUT-0265  | NUT  | 80  |      |         |             |     |
| 7            | HSS-0198  | SETSCREW   | 24  |      |         |             |     |
| 8            | 614410 01 | 450mm EXTENSION SIDE W/A                           | 2   |      |         |             |     |
| 9            | BLTA12350 | BOLT   | 32  |      |         |             |     |



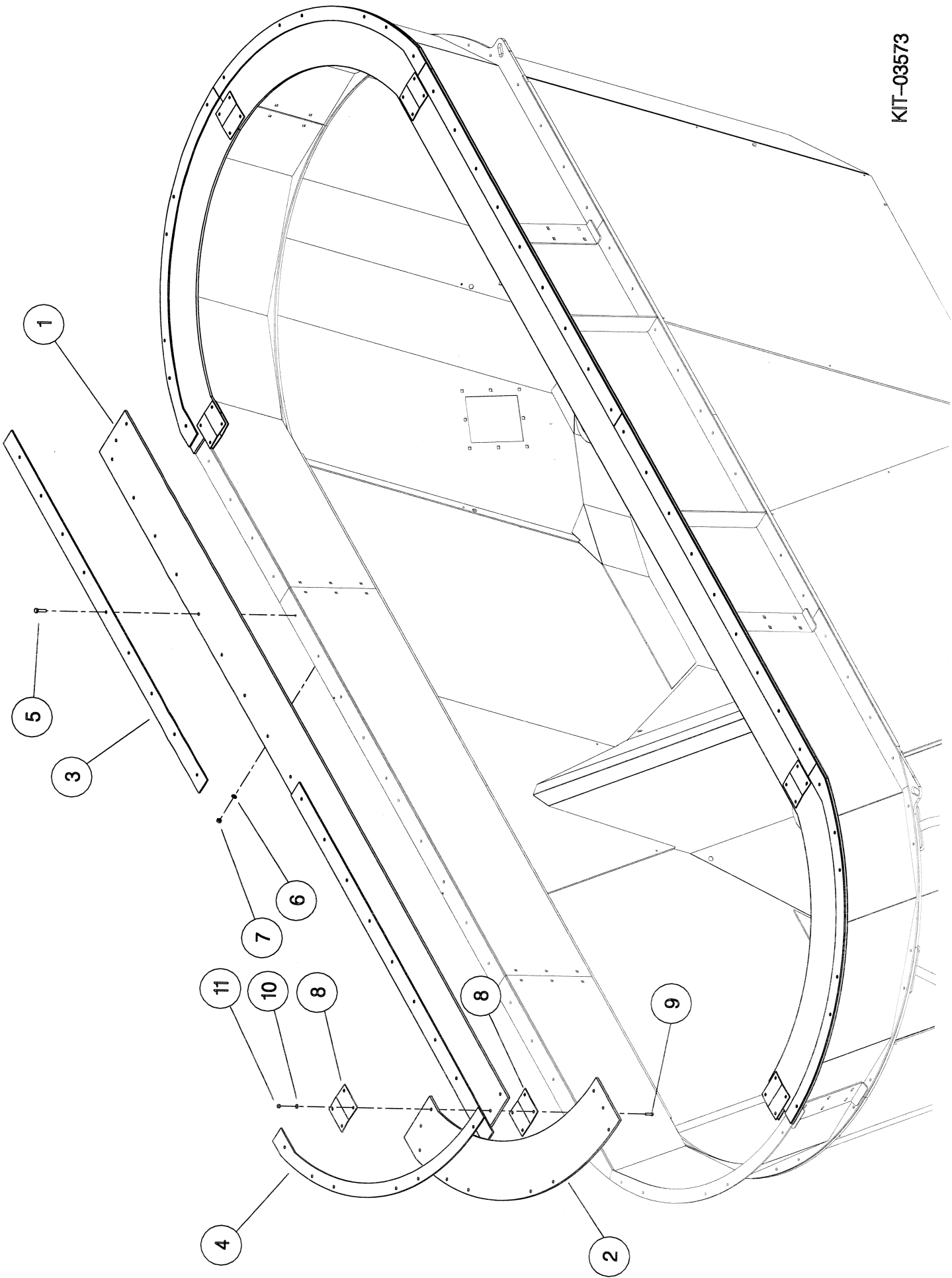
KIT-03572

**Shelbourne Reynolds Engineering Limited**

ASSY NUMBER: KIT-03573

ASSY DESCRIPTION: 450mm EXT TWIN TUB RUBBER RETAINER KIT

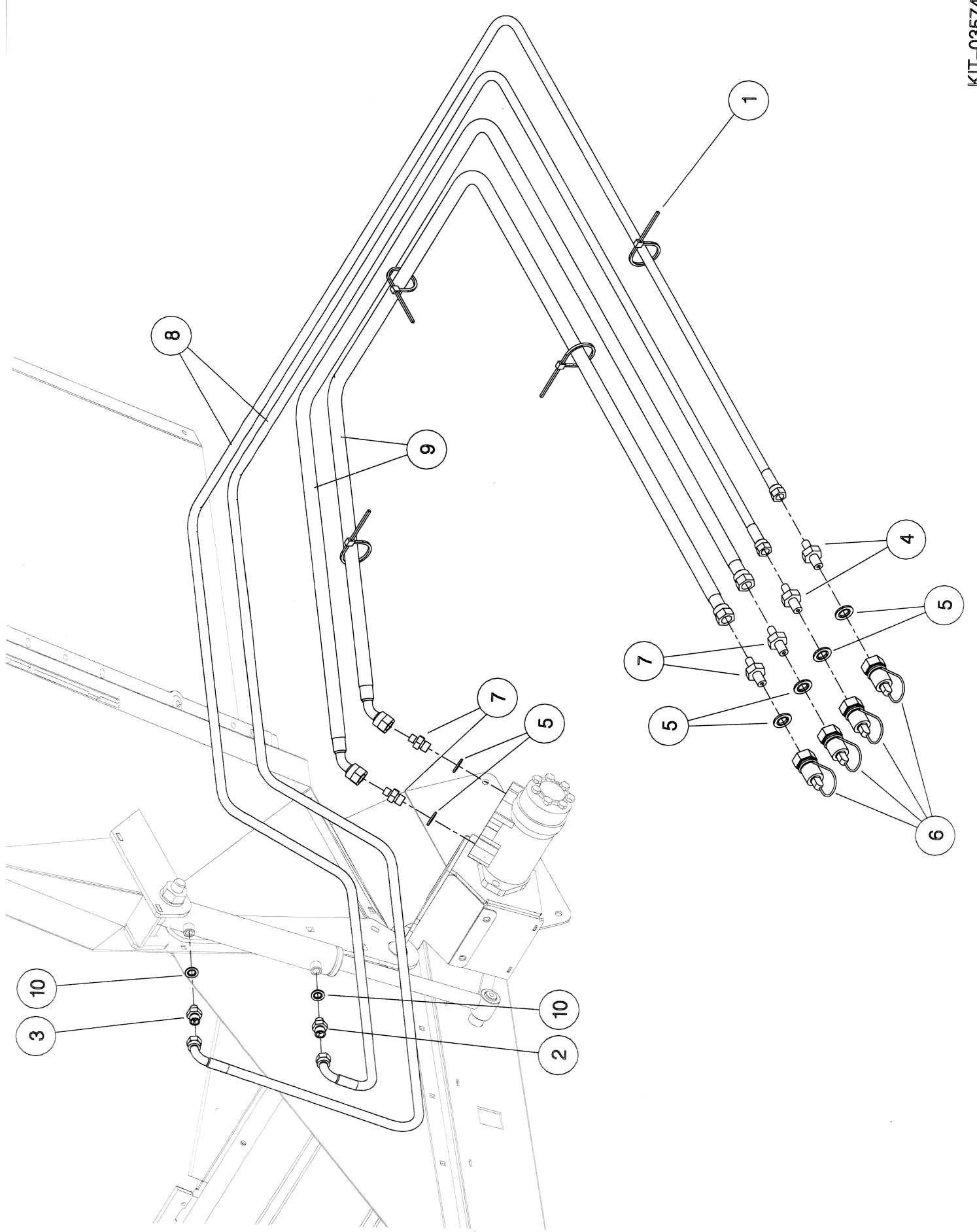
| ITEM | PART NO   | DESCRIPTION             | QTY | ITEM | PART NO | DESCRIPTION | QTY |
|------|-----------|-------------------------|-----|------|---------|-------------|-----|
| 1    | 614422 01 | STRAIGHT RUBBER SECTION | 2   |      |         |             |     |
| 2    | 610982 01 | CORNER RUBBER SECTION   | 4   |      |         |             |     |
| 3    | 614423 01 | STRAIGHT CLAMP STRIP    | 4   |      |         |             |     |
| 4    | 612817 01 | CORNER CLAMP STRIP      | 4   |      |         |             |     |
| 5    | BLTA10290 | SETScrew                | 60  |      |         |             |     |
| 6    | WSH-0015  | WASHER                  | 60  |      |         |             |     |
| 7    | NUT-0265  | NUT                     | 60  |      |         |             |     |
| 8    | 611051 01 | CLAMP STRIP             | 12  |      |         |             |     |
| 9    | BLT-2700  | COACHBOLT               | 24  |      |         |             |     |
| 10   | WSH-0012  | WASHER                  | 24  |      |         |             |     |
| 11   | NUT-0263  | NUT                     | 24  |      |         |             |     |



**Shelbourne Reynolds Engineering Limited**

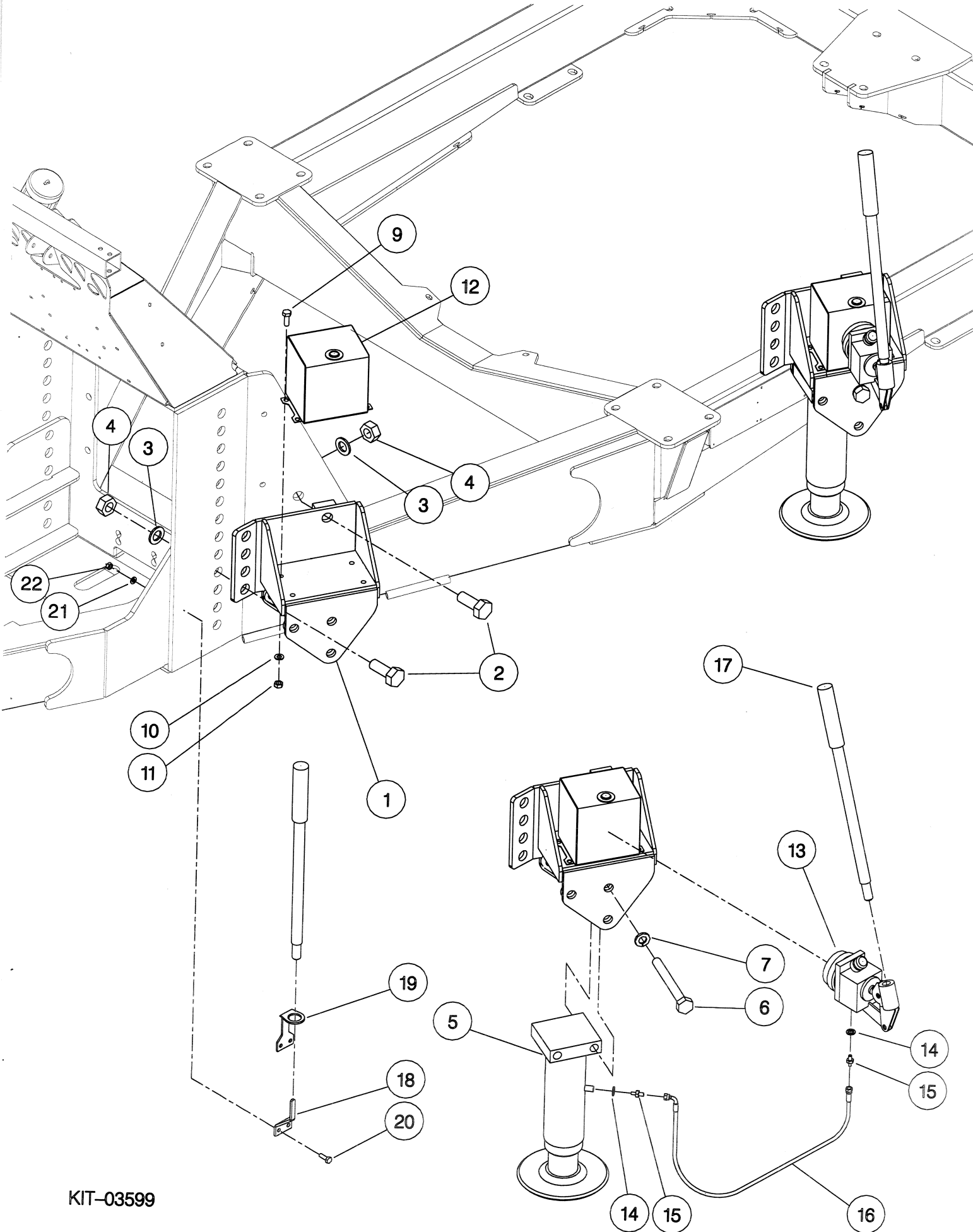
| KIT-03574    |           | ASSY DESCRIPTION: DIRECT COUPLED HYD (RH 1m SIDE CONVEYOR) |     |      |         |             |     |
|--------------|-----------|--|-----|------|---------|-------------|-----|
| ASSY NUMBER: | PART NO   | DESCRIPTION  | QTY | ITEM | PART NO | DESCRIPTION | QTY |
| 1            | TIE-0004  | TIE WRAPS (MED)  | 8   |      |         |             |     |
| 2            | FIT-0025  | M/M ADAPTOR  | 1   |      |         |             |     |
| 3            | 190859 01 | RESTRICTOR   | 1   |      |         |             |     |
| 4            | HMA-0055  | M/M ADAPTOR  | 2   |      |         |             |     |
| 5            | WSH-1015  | DOWTY WASHER   | 6   |      |         |             |     |
| 6            | COU-0162  | QUICK RELEASE COUPLING                                     | 4   |      |         |             |     |
| 7            | HMA-0065  | M/M ADAPTOR  | 4   |      |         |             |     |
| 8            | HHBC42005 | HYD HOSE   | 2   |      |         |             |     |
| 9            | HHDE40005 | HYD HOSE   | 2   |      |         |             |     |
| 10           | WSH-1010  | DOWTY WASHER   | 2   |      |         |             |     |





**Shelbourne Reynolds Engineering Limited**

| KIT-03599    |           | SUB ASSY DESCRIPTION: HYD PARKING JACK WITH HAND PUMP KIT |     |      |         |             |     |
|--------------|-----------|---|-----|------|---------|-------------|-----|
| ASSY NUMBER: |           |   |     |      |         |             |     |
| ITEM         | PART NO   | DESCRIPTION   | QTY | ITEM | PART NO | DESCRIPTION | QTY |
| 1            | 614619    | JACK MNTG BKT   | 1   |      |         |             |     |
| 2            | HSS-0410  | SETSCREW  | 4   |      |         |             |     |
| 3            | WSH-0036  | WASHER  | 4   |      |         |             |     |
| 4            | NUT-0275  | NUT   | 4   |      |         |             |     |
| 5            | JAC-00210 | HYD JACK  | 1   |      |         |             |     |
| 6            | BLTA20770 | BOLT  | 1   |      |         |             |     |
| 7            | WSH-0075  | SPRING WASHER   | 1   |      |         |             |     |
| 8            |           |   |     |      |         |             |     |
| 9            | HSS-0194  | SETSCREW  | 4   |      |         |             |     |
| 10           | WSH-0015  | WASHER  | 4   |      |         |             |     |
| 11           | NUT-0265  | NYLOC NUT   | 4   |      |         |             |     |
| 12           | JAC-00220 | HYD TANK  | 1   |      |         |             |     |
| 13           | JAC-00225 | HAND PUMP   | 1   |      |         |             |     |
| 14           | WSH-1010  | DOWTY WASHER  | 2   |      |         |             |     |
| 15           | HMA-0057  | HYD ADPT  | 2   |      |         |             |     |
| 16           | HHCC03500 | HYD HOSE ASSY   | 1   |      |         |             |     |
| 17           | JAC-00230 | LEVER   | 1   |      |         |             |     |
| 18           | 611654    | LOWER HANDLE BKT  | 1   |      |         |             |     |
| 19           | 611655    | TOP BKT HOOP  | 1   |      |         |             |     |
| 20           | HSS-0145  | SET SCREW   | 4   |      |         |             |     |
| 21           | WSH-0012  | WASHER  | 4   |      |         |             |     |
| 22           | NUT-0263  | NYLOC NUT   | 4   |      |         |             |     |



KIT-03599