

# Shelbourne

REYNOLDS

## 9m<sup>3</sup> Express

### PARTS MANUAL



Shelbourne Reynolds Engineering Ltd  
 Stanton  
 Bury St Edmunds  
 Suffolk  
 IP31 2AR  
 England

Telephone: 01359 250415  
 Fax: 01359 250464

Stores Direct : 01359 251231  
 Stores Direct: 01359 252031

Issue 37      10/01/2024

# POWERMIX PRO

# ORDERING SPARE PARTS

## IMPORTANT

Your Powermix Pro is made up of a Machine assembly number (common parts), specific sub assemblies and also customer optional build kits. The machine, sub assemblies and optional kit numbers are listed in the front pages of your Operators manual, part no. MAN-05005. If you do not have these numbers please contact Shelbourne Reynolds Parts Department direct on (telephone) 01359 251231.

To ensure that you order the correct part from your SRE dealer please use the following procedure.

## **ALWAYS QUOTE THE MACHINE AND SERIAL NUMBERS WHEN ORDERING.**

Refer to the Parts Manuals front page/s, listing the machine assemblies. Select the correct machine assembly number which is printed in the top left corner of the page (starting with 6199\_ \_ 01), This machine number can also be taken off the Powermix Pro identification plate located on the front of the main chassis beam.

On this page you will find the parts listing for the common parts for every configuration of that machine assembly number. You will find the corresponding drawing by either looking at the facing page or progressing through the manual to the next drawing. The drawings indicate the components by item numbers, which you will find, are repeated in the left-hand side of your parts listing, and therefore referring to the correct part.

Note all parts will not be found listed below the machine number. Other parts will be from specific sub assemblies and optional kits. These sub assemblies and kits will be found in numerical order further through the manual. Sub assemblies start with 6190\_ \_ 01 and kits start with  
KIT- \_ \_ \_ \_ .



# List Of Kit Numbers

619928 02	9m <sup>3</sup> Front Door Machine	6
619111 05	Chassis and Drawbar Sub Assembly	8
619132 01	Auger Sub Assembly	10
619133 01	Auger Drives Sub Assy (Express Single)	12
619134 01	Front Door Sub Assembly	14
619135 02	9m <sup>3</sup> Front Door Tub Assembly	16
619144 01	Auger Sub Assembly	18
619145 01	9m <sup>3</sup> Tub Sub Assembly	20
619149 01	Front Door Sub Assembly	22
619152 01	Front Door Sub Assembly	24
619154 01	Auger Drives Sub Assembly	26
619155 01	9m Front Door Tub Assembly	28
619173 01	Auger Drives Sub Assembly	30
619175 01	Chassis And Drawbar Sub Assembly	32
619200 01	9m Front Door Tub Assembly (PME09220860 & ON)	34

## **Kit Options** 37

KIT-02602	Brake Relief Kit	38
KIT-02651	9m <sup>3</sup> Rubber Retaining Kit	40
KIT-03248	German Parts Kit	42
KIT-03249	UK Parts Kit	44
KIT-03250	European Parts Kit	46
KIT-03251	USA Parts Kit	48
KIT-03300	Auger Magnet Kit	50
KIT-03395A	300mm Extension Kit	52
KIT-03396A	600mm Extension Kit	54
KIT-03397	11m <sup>3</sup> Rubber Retaining Kit	56
KIT-03398	13m <sup>3</sup> Rubber Retaining Kit	58
KIT-03431	Lighting Kit	60
KIT-03432	Wheel & Tyre (Goodyear)	62
KIT-03433	Hydraulic Braked Kit	64
KIT-03433B	Hydraulic Braked Kit	66
KIT-03433C	Hydraulic Braked Kit	68
KIT-03434	Spool Valve Lever Arm Kit	70
KIT-03436	Direct Coupled LH Door Hydraulic Kit	72
KIT-03439	Continental Towing Eye Kit	74
KIT-03440	Direct coupled RH Door Hydraulics Kit	76
KIT-03442	MID Level EZ3200 Indicator Kit	78
KIT-03442A	MID EZ3200V Indicator Remote Port	80
KIT-03446	Un-Braked Axle Kit	82
KIT-03446B	Un-Braked Axle Kit	84



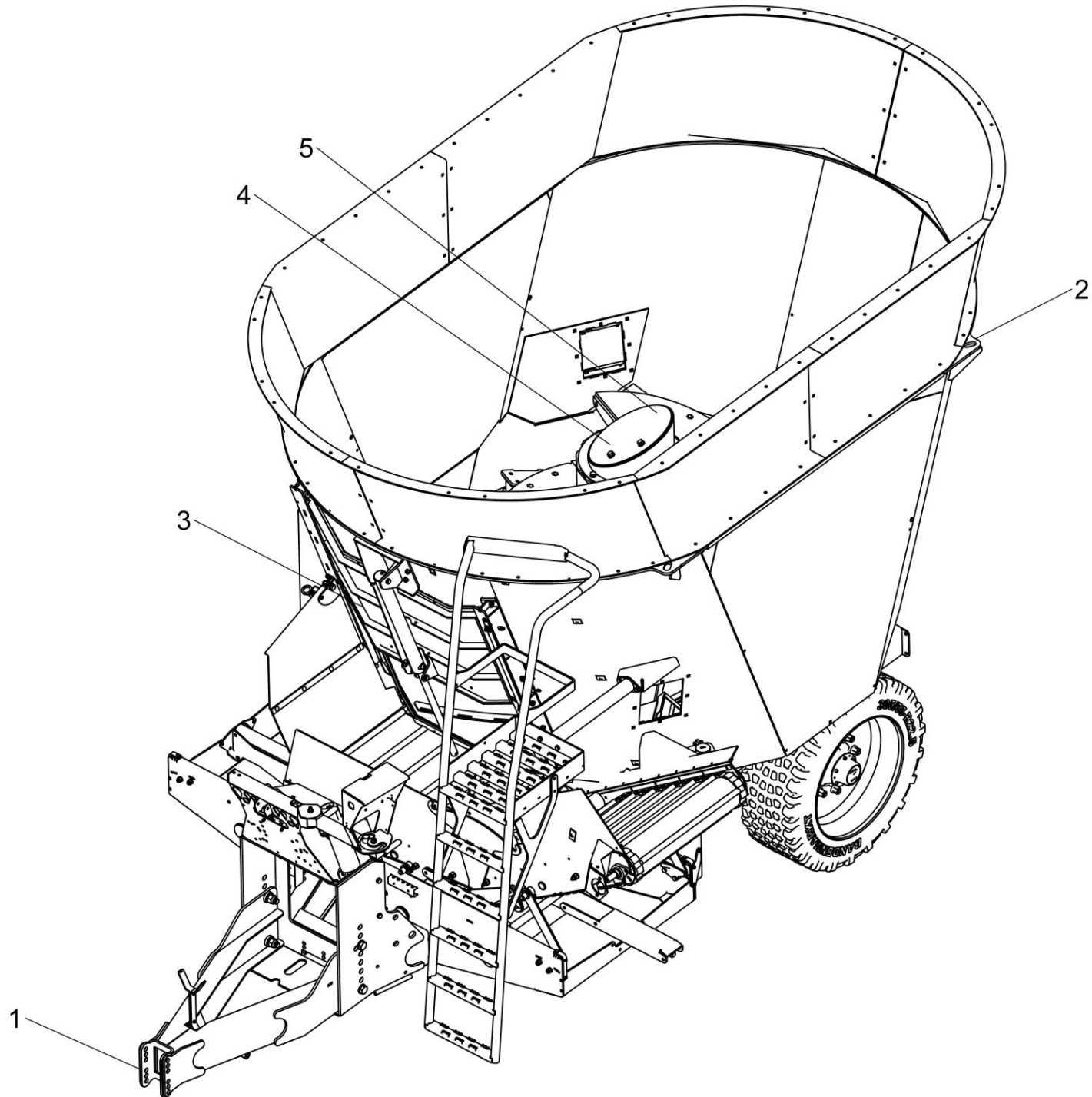
KIT-03447	Anti-Rotation Blade Kit	86
KIT-03448	Fixed Retarder Kit	88
KIT-03449	Mechanical Jack kit	90
KIT-03455	Tractor Mounted Spool Valve Kit	92
KIT-03456	Basic EZ2000V Indicator Kit	94
KIT-03456A	Basic EZ3000V Indicator Kit	96
KIT-03467	Remote Zero Function	98
KIT-03470	Dummy Weigh Cell Kit	100
KIT-03471	Top Level EZ3500 Indicator Kit	102
KIT-03471A	Top Level EZ3500 Indicator Kit	104
KIT-03478	RD100 Display Kit	106
KIT-03483	Flashing Light Kit	108
KIT-03486	Manual Spool Valve Kit, Chain And Slat	110
KIT-03487	Direct Coupled Hydraulic Kit	112
KIT-03492	Electric Solenoid Hydraulic Kit	114
KIT-03504	Rubber Door Flap Kit, RH Door	116
KIT-03505	Rubber Door Flap Kit, LH Door	118
KIT-03507	2 Station Manual Spool Valve Kit	120
KIT-03510	Audible Alarm Kit	122
KIT-03513	Scharmuller Fixing Kit	124
KIT-03514	Hydraulic Parking Jack	126
KIT-03537	Weigh Cell System	128
KIT-03575	Web Express Conveyor Kit	131
KIT-03576	Auger Extension Kit	134
KIT-03577	Small Blade Kit	136
KIT-03579	Express Conveyor Mounting Frame Kit	138
KIT-03580	Single Speed Drive Kit	140
KIT-03588	PTO Shaft Kit	142
KIT-03588B	PTO Shaft Kit (WALT)	144
KIT-03598	Powermix Transfer Kit	146
KIT-03599	Hydraulic Parking Jack	148
KIT-03604	15m <sup>3</sup> Rubber Retaining Kit	150
KIT-03605	900mm Extension Kit	152
KIT-03620	13m <sup>3</sup> Rubber Retaining Kit	154
KIT-03622	11m <sup>3</sup> Rubber Retaining Kit	156
KIT-03629	Wheel & Tyre Kit	158
KIT-03632	Mud Flap Kit	160
KIT-03634	3m Web Conveyor	163
KIT-03635	Electric Solenoid Con HYD (3m Web)	166
KIT-03644	Web Conveyor Kit (Flagged Rollers)	168
KIT-03647	PTO Shaft Kit (Non Wide Angle)	172
KIT-03647A	PTO Shaft Kit (STD Single Auger)	174
KIT-03647B	Input Shaft Kit Walterschied	176

KIT-03658	PTO Shaft Kit	178
KIT-03658B	Standard PTO Shaft Kit (Walterscheid)	180
KIT-03661	1 <sup>st</sup> Stage Hydraulics Kit	182
KIT-03662	Direct Coupled Hydraulics Kit	184
KIT-03663	Electric Solenoid Conveyor Hydraulics	186
KIT-03664	Manual Lever Spool Valve Kit	188
KIT-03683	2-Speed Kit	190
KIT-03691	PVC Web Conveyor Kit	193
KIT-03697	Auger Wear Kit	196
KIT-03699	Standard Flat Web Conveyor Kit	198
KIT-03710	Tungsten Coated Blade Kit	200
KIT-03710A	Standard Blade Kit	202
KIT-03714	Standard Read Ladder Kit	204
KIT-03715	Ladder Extension Kit (11&19m <sup>3</sup> )	206
KIT-03715A	Ladder Extension Kit (13 m <sup>3</sup> And 22m <sup>3</sup> )	208
KIT-03715B	Ladder Extension Kit (15m <sup>3</sup> And 25m <sup>3</sup> )	210
KIT-03716	Auger Extension Kit (Standard Blades)	212
KIT-03716A	Auger Extension Kit (Tungsten Blades)	214
KIT-03734	Wheel And Tyre Kit	216
KIT-03740	Swivel Tow Eye Kit	220
KIT-03741	Heavy Duty UK Tow Eye Kit	222
KIT-03757	Wheel And Tyre Kit	224
KIT-03759	Display Cab Control	226
KIT-03761	PVC Web Conveyor Kit	228
KIT-03767A	Express Web Conveyor Kit	234
KIT-03779	Electric Solenoid Conveyor Hydraulics	236
KIT-03780	Electric Solenoid Conveyor Hydraulics	238
KIT-03797	Hudraulic Valve Electric Proportional Kit	240
KIT-03798	Hydraulic Valve Electric Non-Proportional Kit	242
KIT-03801	Conveyor Deflector Kit Single Auger	244
KIT-03826A	Standard Blade Kit (PME09130316 And On)	248
KIT-03827	600mm Auger Exit Kit (PME09130316 And On)	250
KIT-03827A	600mm Auger Exit Kit Tungsten (PME09130316 And On)	252
KIT-03828	300mm Auger Exit Kit (PME09130316 And On)	254
KIT-03828A	300mm Auger Exit Kit Tungsten (PME09130316 And On)	256
KIT-03845	15m CU Extension KIT	258
KIT-03847	15m CU Straw Ring	260
KIT-03933	Weigh Cell System Single Auger (DG Type)	262
KIT-03934	Wheel And Tyre Kit	264
KIT-03942	Wireless Control Hydraulic Kit	266
KIT-03943	Weigh Cell System Single Auger	268

KIT-03956	Dina Tel 3 Remote Display Kit	270
KIT-03964	Express Web Conveyor Kit (Sprung loaded)	273
KIT-03967	Hydraulic Valve Kit (3/4" Aluminium Version)	276
KIT-03968	Hydraulic Valve Kit (3/4" Steel Version)	278
KIT-60004	Hydraulic Valve Kit (3/4" Steel Version)	280
KIT-60009	Express Web Conveyor Kit	283
KIT-60074	1st Stage Hydraulics Kit (Express Pro)	286
KIT-60084	Hydraulic Braked Axle Kit	288
KIT-60087	Wheel And Tyre Kit (385/55R19.5 10 Stud)	290

**Shelbourne Reynolds Engineering Limited**

ASSY NUMBER: 619928 02				ASSY DESCRIPTION: 9m FRONT DOOR MACHINE ASSY			
ITEM	PART NO	DESCRIPTION	QTY	ITEM	PART NO	DESCRIPTION	QTY
1	619175 01	CHASSIS & DRAWBAR SUB ASSY SER No PME09170568 & ON	1	5	619173 01	AUGER DRIVES SUB ASSY SER No PME09170540 & ON	1
OR	619111 05	CHASSIS & DRAWBAR SUB ASSY UP TO & INC PME09170548	1	OR	619154 01	AUGER DRIVES SUB ASSY PME09120250 - PME09160509	1
2	619200 01	9m TUB SUB ASSY SER No PME09220860 & ON	1	OR	619133 01	AUGER DRIVES SUB ASSY UP TO & INC SER No PME09120239	1
OR	619155 01	9m TUB SUB ASSY SER No PME09150393-PME09210843	1				
OR	619145 01	9m TUB SUB ASSY SER No 187139 - PME09140360	1				
OR	619135 02	9M TUB SUB ASSY UP TO & INC SER No 186139	1				
3	619152 01	FRONT DOOR SUB ASSY SER No PME0915393 & ON	1				
OR	619149 01	FRONT DOOR SUB ASSY SER No PME09110120-PME09140360	1				
OR	619134 01	FRONT DOOR SUB ASSY UP TO & INC SER NO PME09110108	1				
4	619144 01	AUGER SUB ASSY (SER No 187139 & ON)	1				
OR	619132 01	AUGER SUB ASSY UP TO & INC SER No 186139	1				



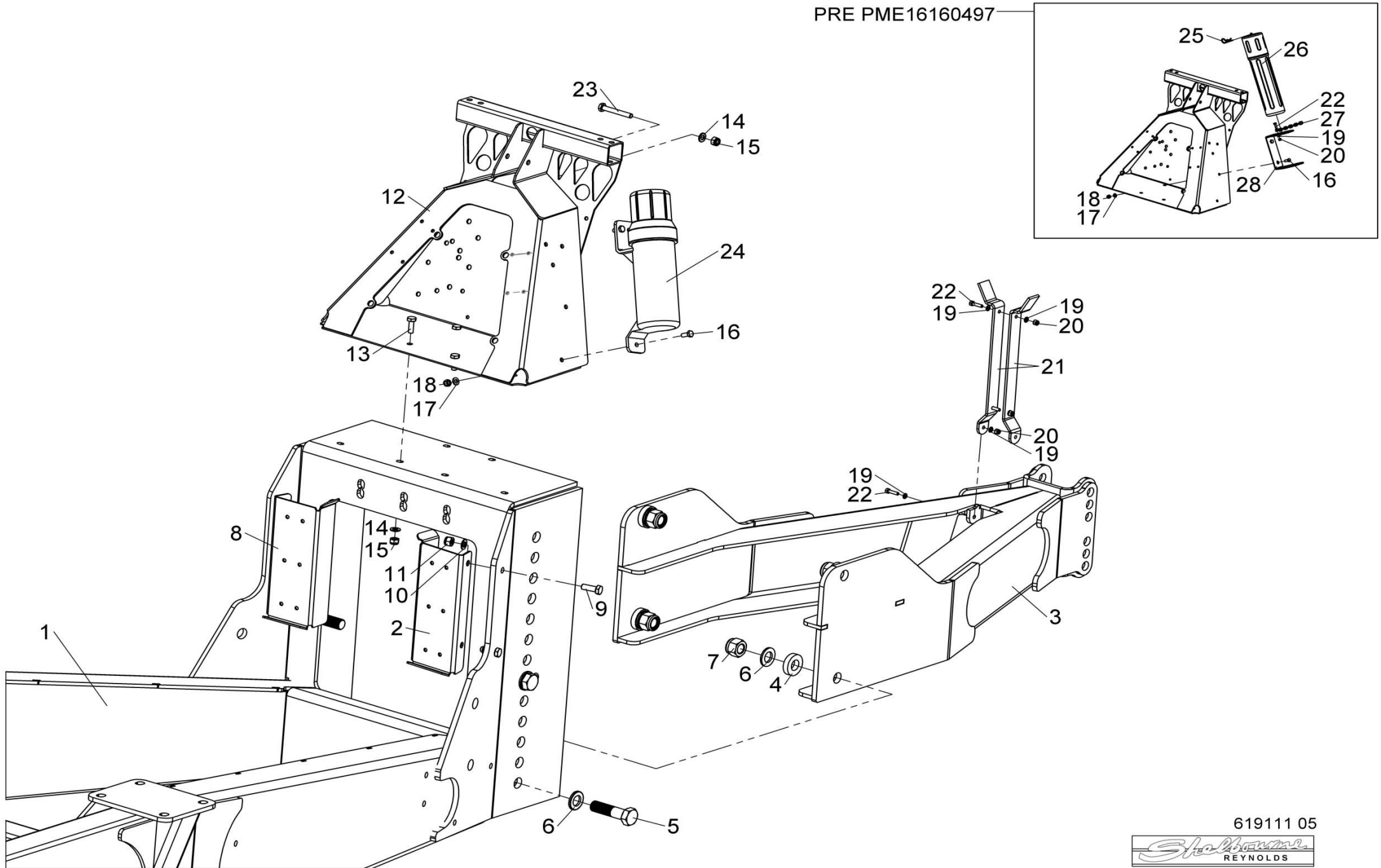
619928 02





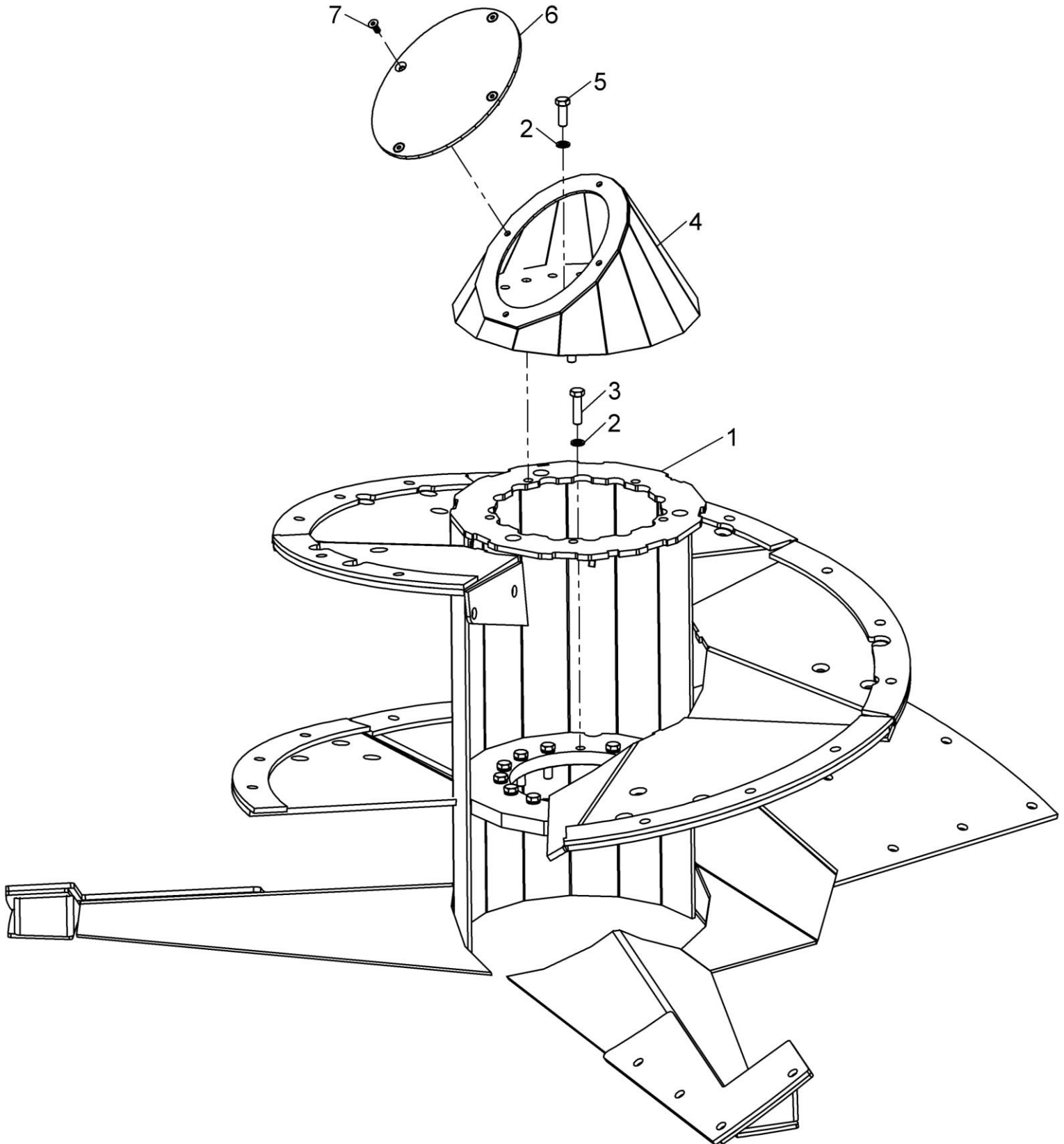
**Shelbourne Reynolds Engineering Limited**

ASSY NUMBER: 619111 05		ASSY DESCRIPTION: CHASSIS & DRAWBAR SUB ASSY (EXPRESS TWIN)					
ITEM	PART NO	DESCRIPTION	QTY	ITEM	PART NO	DESCRIPTION	QTY
1	614488 01	CHASSIS W/A	1				
2	613516 02	HOSE TIDY RH	1				
3	615222 01	DRAWBAR W/A	1				
4	190119 94	WASHER	4				
5	BLTA24530	BOLT	4				
6	WSH-0036	WASHER	8				
7	NUT-0275	NUT	4				
8	613516 01	HOSE TIDY LH	1				
9	HSS-0241	SETSCREW	4				
10	WSH-0018	WASHER	4				
11	NUT-0269	NUT	4				
12	614186 01	PARKING STATION W/A	1				
13	HSS-0194	SETSCREW	4				
14	WSH-0015	WASHER	5				
15	NUT-0265	NUT	5				
16	HSS-0140	SETSCREW	3				
17	WSH-0012	WASHER	3				
18	NUT-0263	NUT	3				
19	WSH-0009	WASHER	5				
20	NUT-0260	NUT	4				
21	613433 01	PTO REST PLATE	2				
22	HSS-0088	SETSCREW	4				
23	BLTA10470	BOLT	1				
24	PCN-00100	PLASTIC CANNISTER	1				
-	-	ITEMS 25-28 PRE PME16160497	-				
25	RCL-0015	R-CLIP	1				
26	WDA-00025	MANUAL HOLDER	1				
27	CHN-0145	CHAIN	.17M				
28	194364 01	CANNISTER BRKT	1				



**Shelbourne Reynolds Engineering Limited**

ASSY NUMBER: 619132 01				ASSY DESCRIPTION: AUGER SUB ASSY			
ITEM	PART NO	DESCRIPTION	QTY	ITEM	PART NO	DESCRIPTION	QTY
1	614452 01	POWERMIX AUGER W/ASSY	1				
2	WSH-0070	WASHER	20				
3	HSS-0320	SETSCREW	15				
4	614513 01	TOP HAT W/A	1				
5	HSS-0317	SETSCREW	5				
6	614515 01	CAPPING PLATE	1				
7	SCEA10170	CSK SKT HEAD SCREW	4				



619132 01



**Shelbourne Reynolds Engineering Limited**

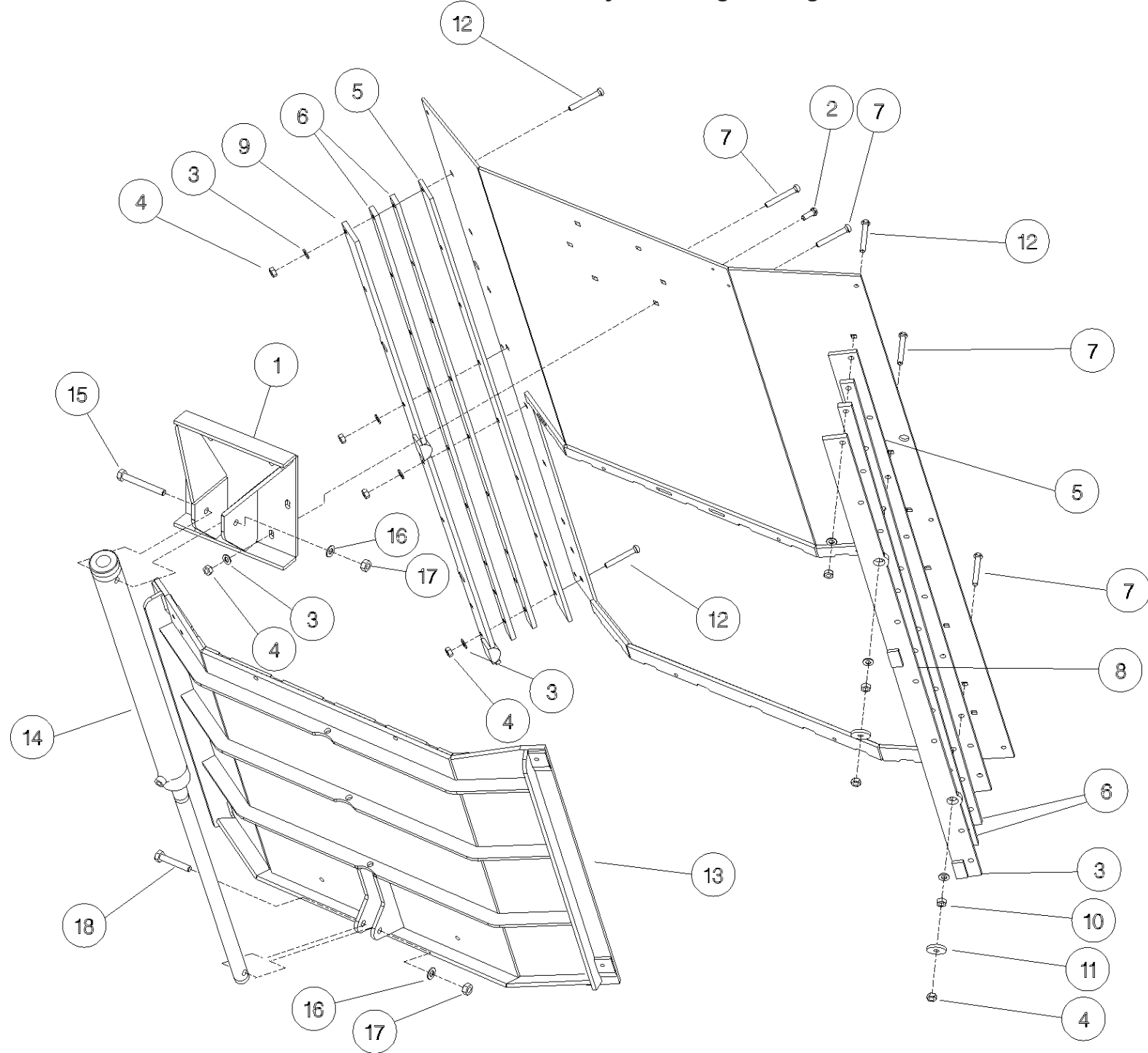
ASSY NUMBER: 619133 01				ASSY DESCRIPTION: AUGER DRIVES SUB ASSY (EXPRESS SINGLE)			
ITEM	PART NO	DESCRIPTION	QTY	ITEM	PART NO	DESCRIPTION	QTY
1	GEA-0177	PLANETARY GEARBOX	1	41	NUT-0269	NUT	4
2	SCCA16533	CAP HEAD SOCKET SCREW	12	42	PTO-29000	PTO SHAFT ASSY	1
3	WSH-0024	WASHER	12	43	HPPB05006	6mm BULKHEAD ELBOW FITTING	1
4	NUT-0271	NUT	12	44	HPTB50001	STUD STANDPIPE ADAPTOR	2
5	614536 01	HYD TUBE	1	45	HAHAA0101	FEMALE FIXED SOCKET	2
6	WSH-1010	DOWTY WASHER	3	46	HPPB01006	6mm ELBOW FITTING	1
7	HMA-0065	HYD ADAPTOR	1	47	614605 04	BOTTOM BEARING HOSE	1
8	614564 01	SHAFT GUARD W/A	1	48	SCW-4960	BUTTON SKT HD SCREW	2
9	HSS-0135	SETSCREW	4				
10	614561 01	HYD ADAPTOR	1				
11	614522 01	OIL FILLER BRKT W/A	1				
12	BLT-3745	COACHBOLT	2				
13	WSH-0015	WASHER	2				
14	NUT-0265	NUT	2				
15	FIT-0240	HYD ADAPTOR	1				
16	HMA-0067	HYD ADAPTOR	1				
17	WSH-1015	DOWTY WASHER	2				
18	GEA-0178	OIL RESERVOIR	1				
19	FIL-0004	FILLER CAP ASSY	1				
20	614927 01	MODIFIED FITTING	1				
21	LUB-00038	FRENCH PIPE CONNECTOR	8				
22	614605 01	GEARBOX BREATHER HOSE	1				
23	614605 02	TOP BEARING GREASE HOSE	1				
24	614605 03	TOP BEARING GREASE HOSE SHORT	1				
25	LUB-00036	BULKHEAD ADAPTOR	2				
26	TIE-0004	TIE WRAPS (MED)	12				
27	614527 01	SEAL PLATE	1				
28	614528 01	SEAL PLATE	1				
29	WSH-0058	WASHER	4				
30	GRM-01155	PLASTIC BLANKING GROMMET	1				
31	NUTA13060	NUTSERT	2				
32	CLP-01012	RUBBER COVERED P CLIP	1				
33	WSH-0056	WASHER	2				
34	SCW-0514	BUTTON SKT HD SCREW	8				
35	WSH-0061	WASHER	8				
36	HHBF10505	HYDRAULIC HOSE ASSY	1				
37	614542 01	DRIVE SHAFT	1				
38	BRG-3275	BEARING	1				
39	HSS-0250	SET SCREW	4				
40	WSH-0018	WASHER	4				





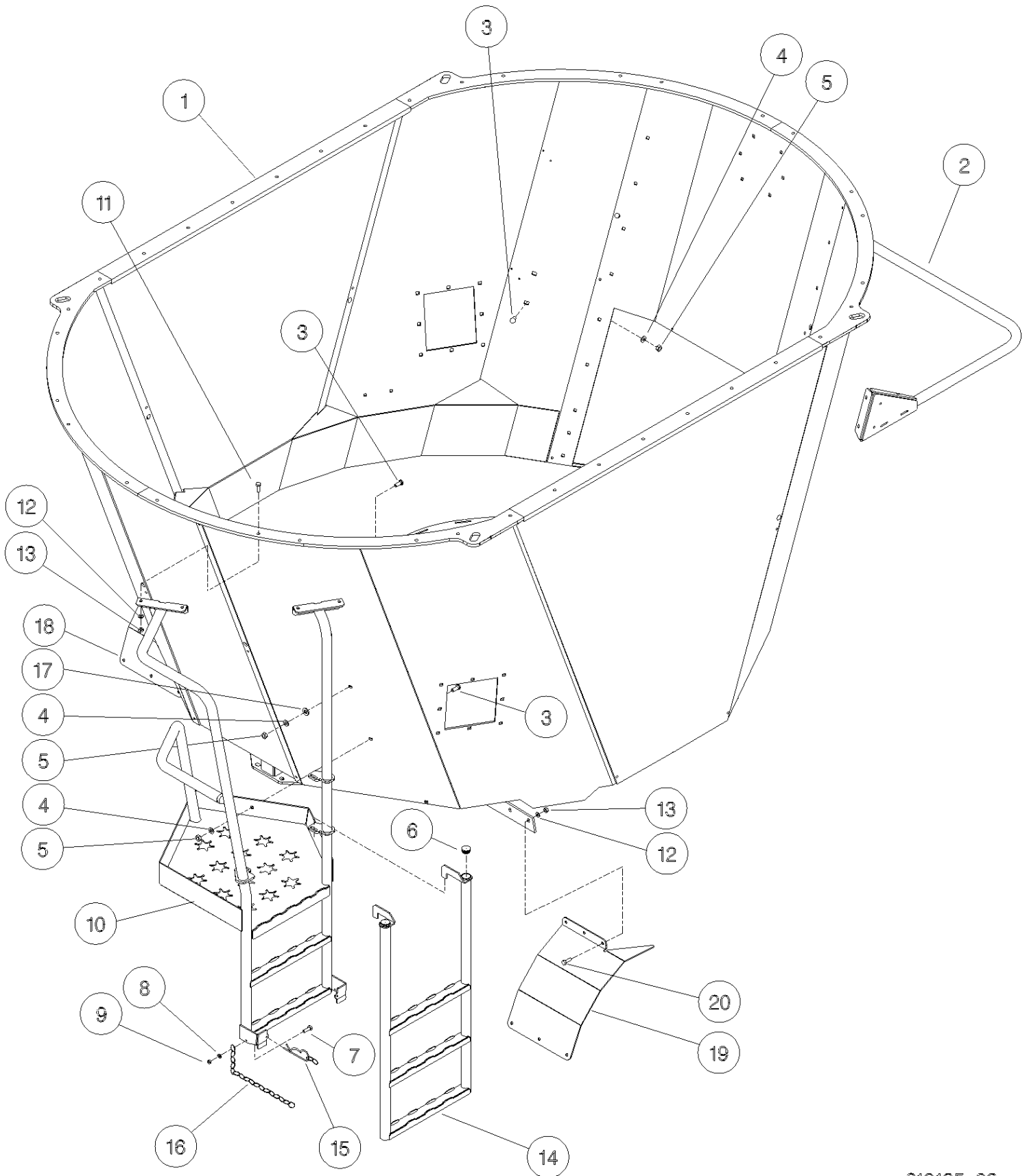
**Shelbourne Reynolds Engineering Limited**

ASSY NUMBER: 619134 01				ASSY DESCRIPTION: FRONT DOOR SUB ASSY			
ITEM	PART NO	DESCRIPTION	QTY	ITEM	PART NO	DESCRIPTION	QTY
1	614524 01	RAM BRACKET W/ASSY	1				
2	BLT-3750	COACH BOLT	6				
3	WSH-0015	PLAIN WASHER	24				
4	NUT-0265	NYLOC NUT	24				
5	614523 01	DOOR RUNNER	2				
6	613504 01	SIDE RUNNER	4				
7	BLTF10443	COACHBOLT	6				
8	613501 01	LH KEEP PLATE W/A	1				
9	613501 02	RH KEEP PLATE W/A	1				
10	NUT-0365	HALF NUT	4				
11	190548 50	WASHER	4				
12	BLTF10413	COACHBOLT	12				
13	614518 01	EXPRESS DOOR W/ASSY	1				
14	610908 01	DOOR RAM (10050POP)	1				
15	BLT-2270	HEX.HEAD BOLT	1				
16	WSH-0018	PLAIN WASHER	2				
17	NUT-0269	NYLOC NUT	2				
18	BLTA12440	HEX.HEAD BOLT	1				



**Shelbourne Reynolds Engineering Limited**

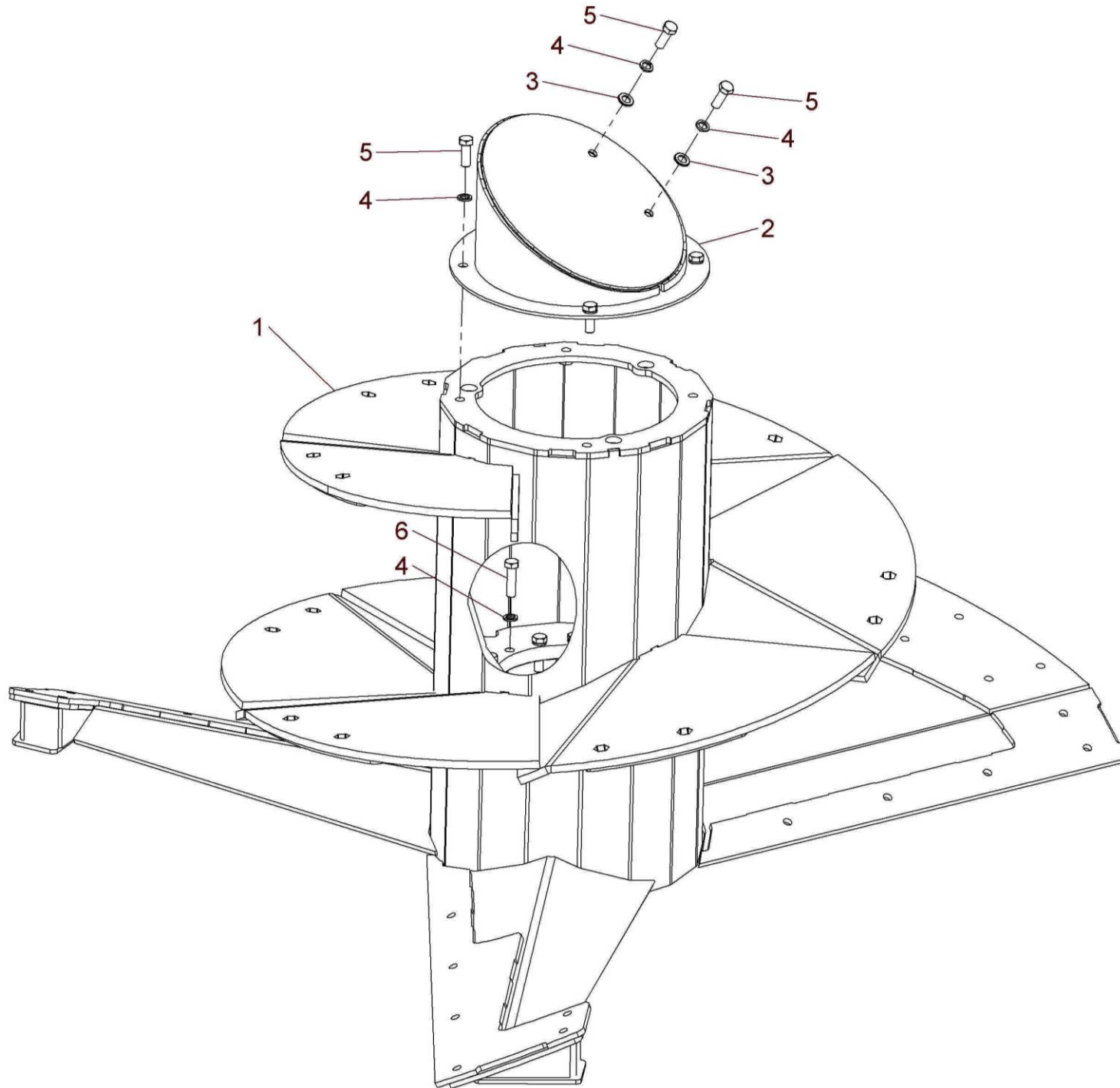
ASSY NUMBER: 619135 02				ASSY DESCRIPTION: 9m CU FRONT DOOR TUB SUB ASSY			
ITEM	PART NO	DESCRIPTION	QTY	ITEM	PART NO	DESCRIPTION	QTY
1	614606 01	9m CU FRONT DOOR TUB W/A	1				
2	613616 01	GUARD RAIL W/A	1				
3	BLT-3790	COACH BOLT	7				
4	WSH-0018	WASHER	7				
5	NUT-0269	NUT	7				
6	PTF-00134	PLASTIC CAP INSERT	2				
7	HSS-0086	SET SCREW	1				
8	WSH-0009	WASHER	1				
9	NUT-0260	NUT	1				
10	613592 01	PLATFORM ASSY (8M3)	1				
11	HSS-0210	SET SCREW	4				
12	WSH-0015	WASHER	10				
13	NUT-0265	NUT	10				
14	613764 01	LADDER WELD ASSY	1				
15	CLP-00105	R CLIP	1				
16	CHN-0145	CHAIN (MT)	0.17				
17	611830 01	SPACER PLATE	2				
18	614551 01	LH MUDGUARD	1				
19	614551 02	RH MUDGUARD	1				
20	HSS-0194	SET SCREW	6				





**Shelbourne Reynolds Engineering Limited**

ASSY NUMBER: 619144 01				ASSY DESCRIPTION: AUGER SUB ASSY			
ITEM	PART NO	DESCRIPTION	QTY	ITEM	PART NO	DESCRIPTION	QTY
1	615678 01	AUGER W/A (PME09130316 & ON)	1				
OR	615100 01	AUGER W/A (UPTO & INC PME09130310)	1				
2	615123 01	TOP HAT W/A	1				
3	WSH-0024	WASHER	2				
4	WSH-0070	WASHER	21				
5	HSS-0317	SETSCREW	6				
6	HSS-0320	SETSCREW	15				

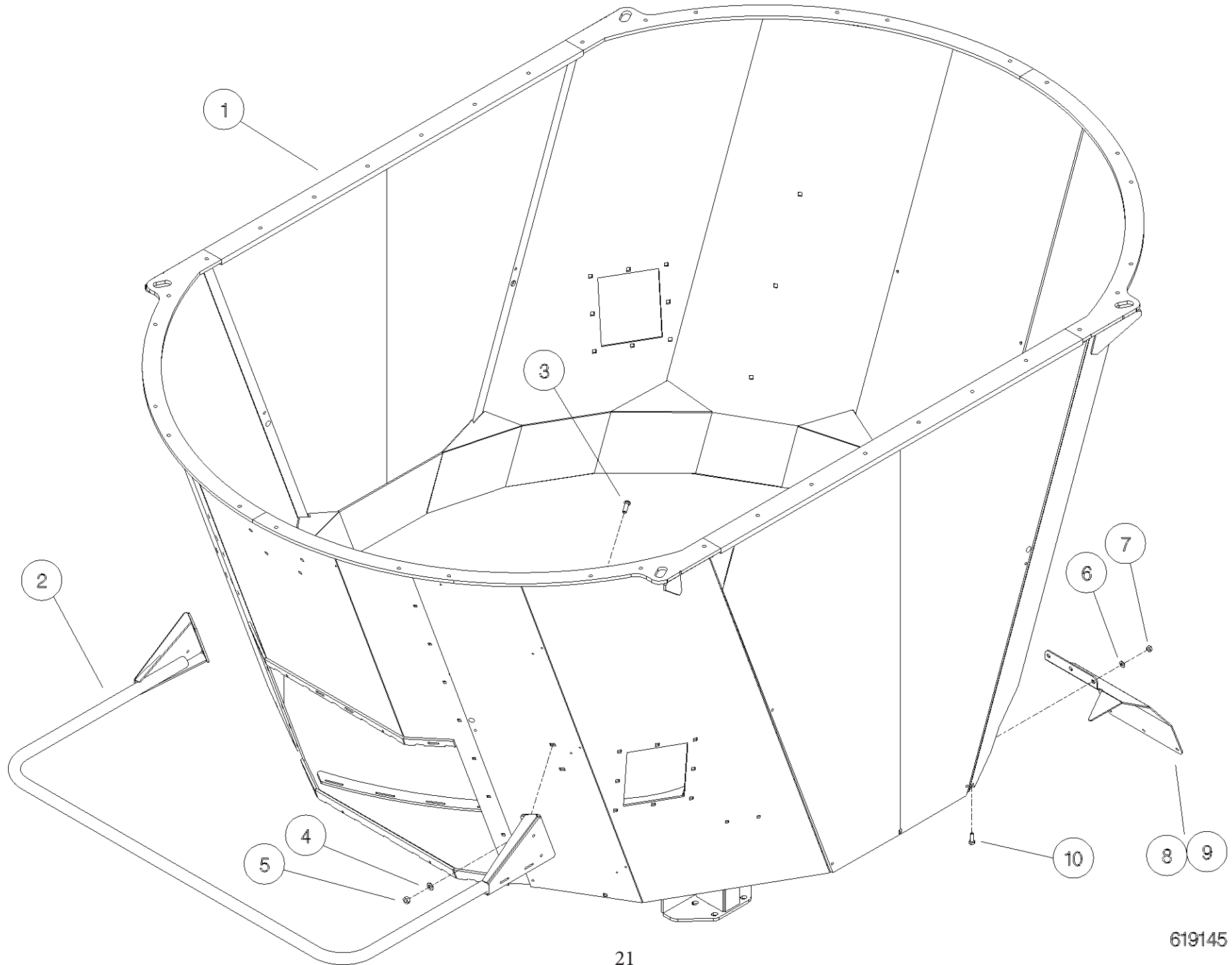


619144 01



**Shelbourne Reynolds Engineering Limited**

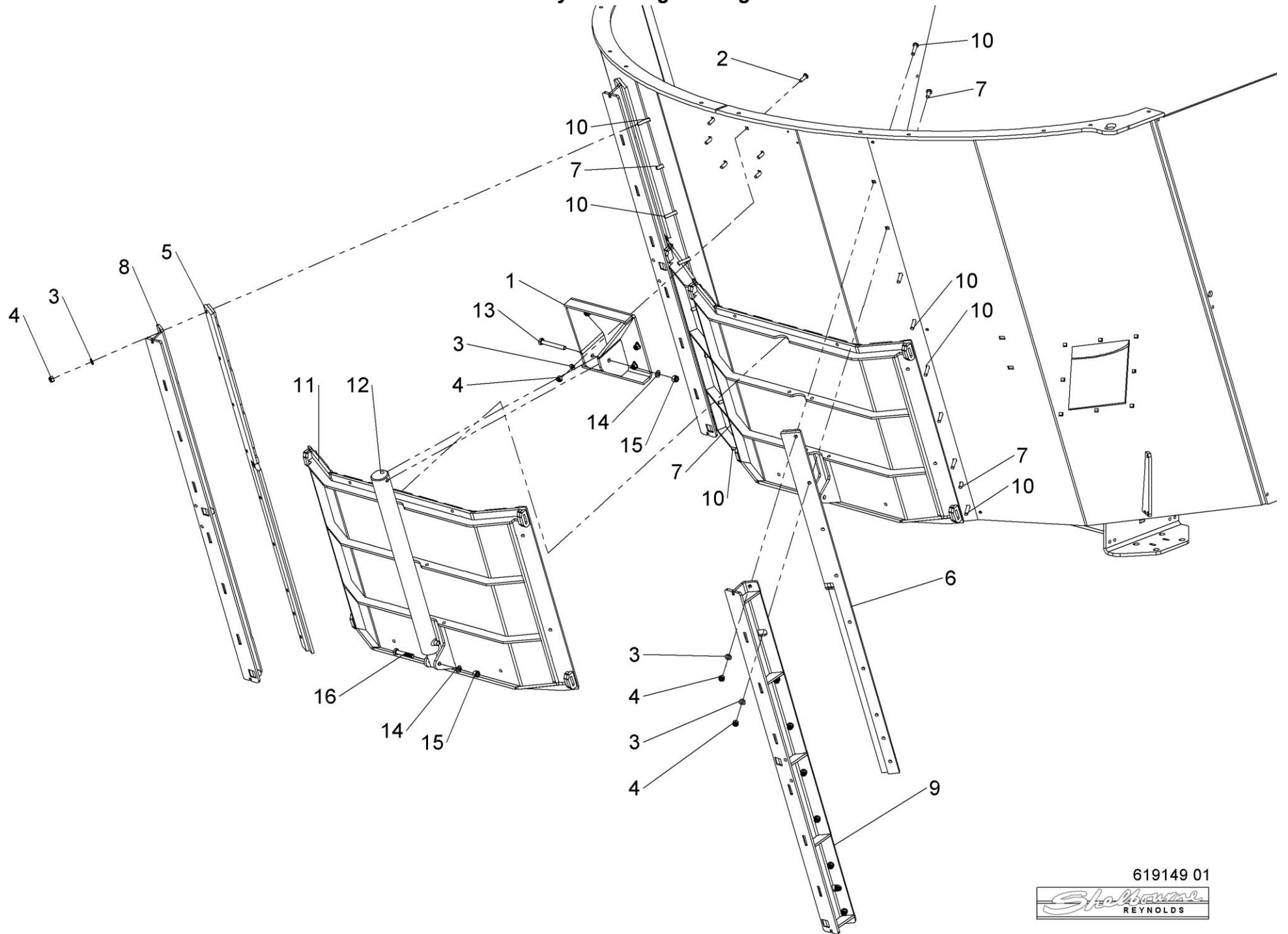
ASSY NUMBER: 619145 01				ASSY DESCRIPTION: 9m CU EXPRESS TUB SUB ASSY			
ITEM	PART NO	DESCRIPTION	QTY	ITEM	PART NO	DESCRIPTION	QTY
1	614606 01	9m CU FRONT DOOR TUB W/A	1				
2	613616 01	GUARD RAIL W/A	1				
3	BLT-3790	COACH BOLT	4				
4	WSH-0018	WASHER	4				
5	NUT-0269	NUT	4				
6	WSH-0015	WASHER	6				
7	NUT-0265	NUT	6				
8	614551 01	LH MUDGUARD	1				
9	614551 02	RH MUDGUARD	1				
10	HSS-0194	SET SCREW	6				



**Shelbourne Reynolds Engineering Limited**

ASSY NUMBER: 619149 01				ASSY DESCRIPTION: FRONT DOOR SUB ASSY			
ITEM	PART NO	DESCRIPTION	QTY	ITEM	PART NO	DESCRIPTION	QTY
1	614524 01	RAM BRACKET W/ASSY	1				
2	BLT-3750	COACHBOLT	6				
3	WSH-0015	PLAIN WASHER	24				
4	NUT-0265	M10, NYLOC NUT	24				
5	615322 01	RH DOOR RUNNER W/A	1				
6	615322 02	LH DOOR RUNNER W/A	1				
7	BLT-3755	COACHBOLT	4				
8	615308 01	RH DOOR RUNNER W/A	1				
9	615308 02	LH DOOR RUNNER W/A	1				
10	BLTF10323	COACH BOLT	14				
11	615300 01	EXPRESS FRONT DOOR W/A	1				
12	610908 01	DOOR RAM (10050POP)	1				
13	BLT-2270	HEX.HEAD BOLT	1				
14	WSH-0018	PLAIN WASHER	2				
15	NUT-0269	NYLOC NUT	2				
16	BLTA12440	HEX.HEAD BOLT	1				



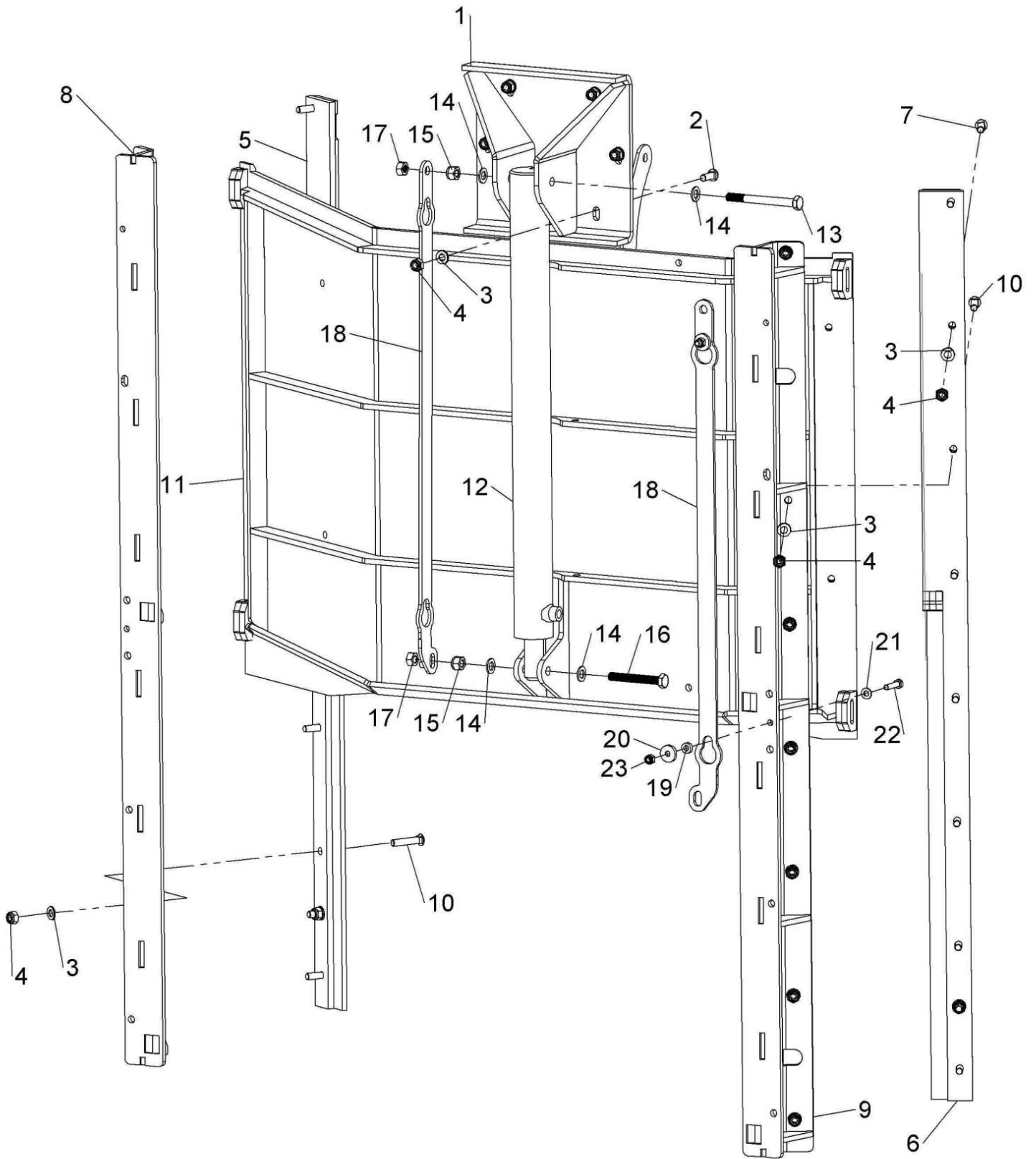


619149 01



**Shelbourne Reynolds Engineering Limited**

ASSY NUMBER: 619152 01				ASSY DESCRIPTION: FRONT DOOR SUB ASSY.			
ITEM	PART NO	DESCRIPTION	QTY	ITEM	PART NO	DESCRIPTION	QTY
1	614524 01	RAM BRACKET W/ASSY	1				
2	BLT-3750	COACHBOLT	6				
3	WSH-0015	WASHER	24				
4	NUT-0265	NUT	24				
5	615322 01	RH DOOR RUNNER W/A	1				
6	615322 02	LH DOOR RUNNER W/A	1				
7	BLT-3755	COACHBOLT	4				
8	615308 01	RH DOOR RUNNER W/A	1				
9	615308 02	LH DOOR RUNNER W/A	1				
10	BLTF10323	COACH BOLT	14				
11	615424 01	DOOR SUB ASSEMBLY	1				
12	610908 01	DOOR RAM (10050POP)	1				
13	BLTA12620	HEX.HEAD BOLT	1				
14	WSH-0018	WASHER	2				
15	NUT-0269	NUT	2				
16	HSSA12530	SETSCREW	1				
17	NUT-0169	NUT	2				
18	618920 01	SAFETY STRAP	1				
19	198800 73	WASHER 8.5 ID x 16 OD x 6mm	2				
20	198800 74	WASHER 8.5 ID x 26 OD x 5mm	2				
21	WSH-0012	WASHER	2				
22	HSS-0152	SETSCREW	2				
23	NUT-0263	NUT	2				



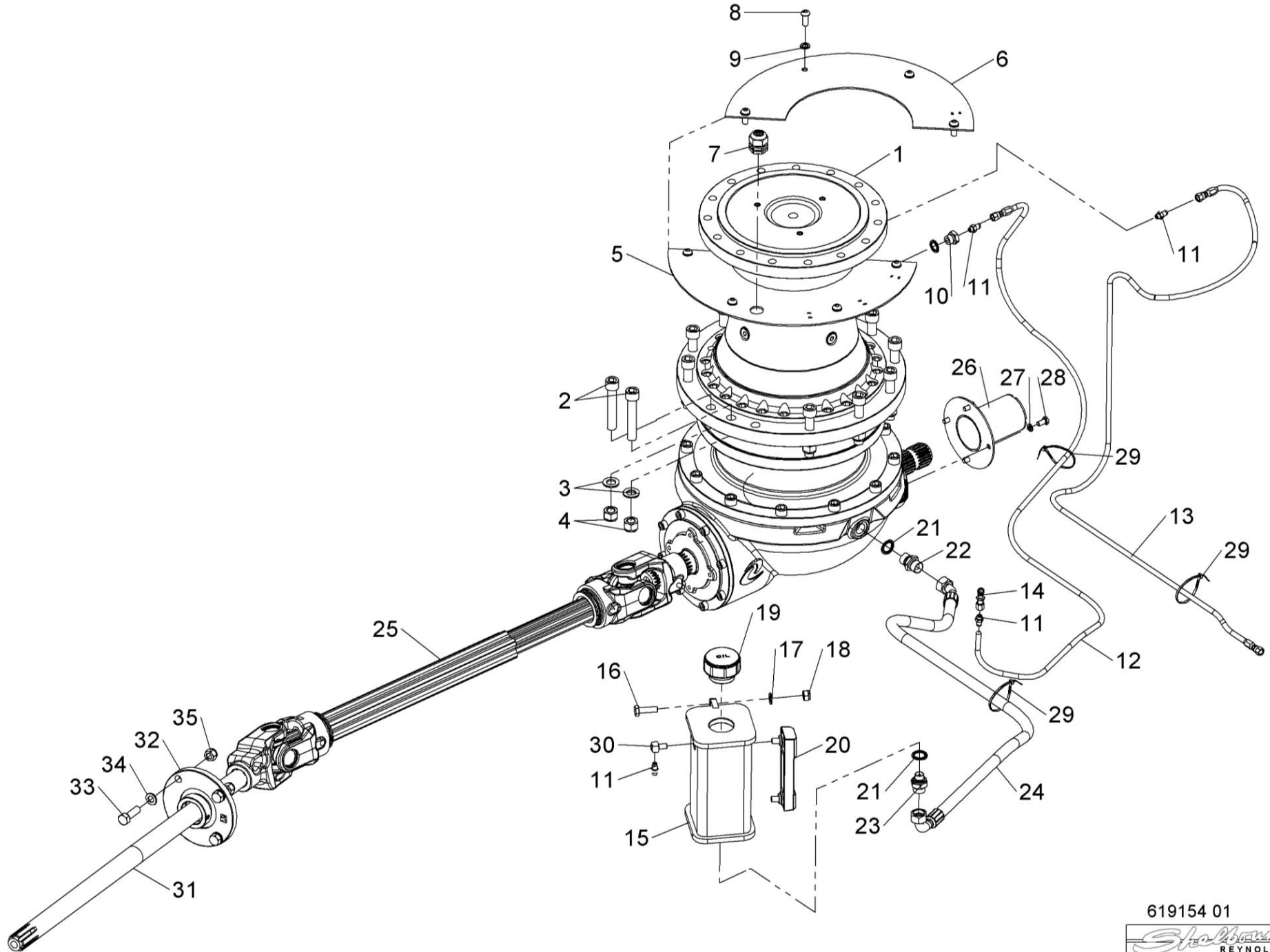
619152 01



**Shelbourne Reynolds Engineering Limited**

ASSY NUMBER: 619154 01				ASSY DESCRIPTION: AUGER DRIVES SUB ASSY (PME09120250 & ON)			
ITEM	PART NO	DESCRIPTION	QTY	ITEM	PART NO	DESCRIPTION	QTY
1	GEA-0177	PLANETARY GEARBOX	1				
2	SCCA16533	CAP SOCKET HEAD SCREW*	12				
3	WSH-0024	WASHER	12				
4	NUT-0271	NUT	12				
5	615377 01	GEARBOX SEAL PLATE	1				
6	615378 01	GEARBOX SEAL PLATE	1				
7	CBG-00252	CABLE GLAND (GREY)	1				
8	SCW-0514	BUTTON SKT HD SCREW	8				
9	WSH-0061	WASHER	8				
10	614927 01	HYD BUSH	1				
11	LUB-00038	FRENCH PIPE CONNECTOR	8				
12	614605 01	GEARBOX HOSE	1				
13	614605 08	GEARBOX HOSE	1				
14	LUB-00036	BULKHEAD ADAPTOR	1				
15	615450 01	OIL RESERVOIR WA	1				
16	HSS-0198	SET SCREW	2				
17	WSH-0015	WASHER	2				
18	NUT-0265	NUT	2				
19	FIL-0004	FILLER CAP ASSY	1				
20	GAU-0010	FLUID LEVEL GUAGE	1				
21	WSH-1015	WASHER	2				
22	HMA-0067	ADAPTOR	1				
23	614561 01	ADAPTOR	1				
24	HHKF13005	HYDRAULIC HOSE ASSY	1				
25	PTO-29000	INTERMEDIATE PTO SHAFT	1				
26	614564 01	SHAFT GUARD W/A	1				
27	WSH-0058	WASHER	4				
28	HSS-0135	SETSCREW	4				
29	TIE-0004	TIE WRAPS	12				
30	LUB-00051	90 DEG ELBOW	1				
31	614542 01	DRIVE SHAFT	1				
32	BRG-3275	BEARING	1				
33	HSS-0250	SET SCREW	4				
34	WSH-0018	WASHER	4				
35	NUT-0269	NUT	4				

**Shelbourne Reynolds Engineering Limited**

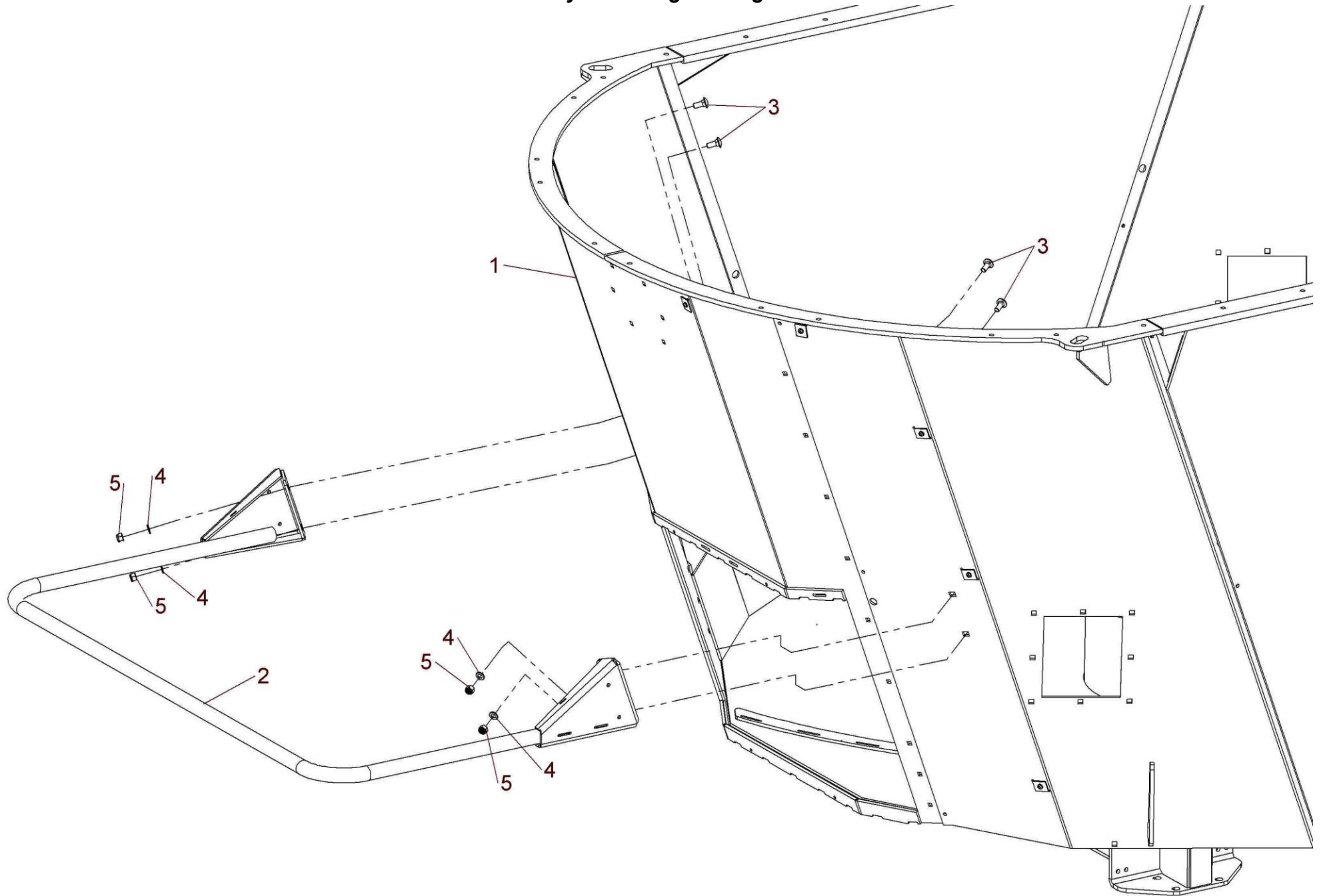


619154 01



**Shelbourne Reynolds Engineering Limited**

ASSY NUMBER: 619155 01				ASSY DESCRIPTION: 9m FRONT DOOR TUB ASSY (PME09150393 & ON)			
ITEM	PART NO	DESCRIPTION	QTY	ITEM	PART NO	DESCRIPTION	QTY
1	615767 01	9m TUB W/A	1				
2	613616 01	GUARD RAIL W/A	1				
3	BLT-3790	COACHBOLT	4				
4	WSH-0018	WASHER	4				
5	NUT-0269	NUT	4				



619155 01



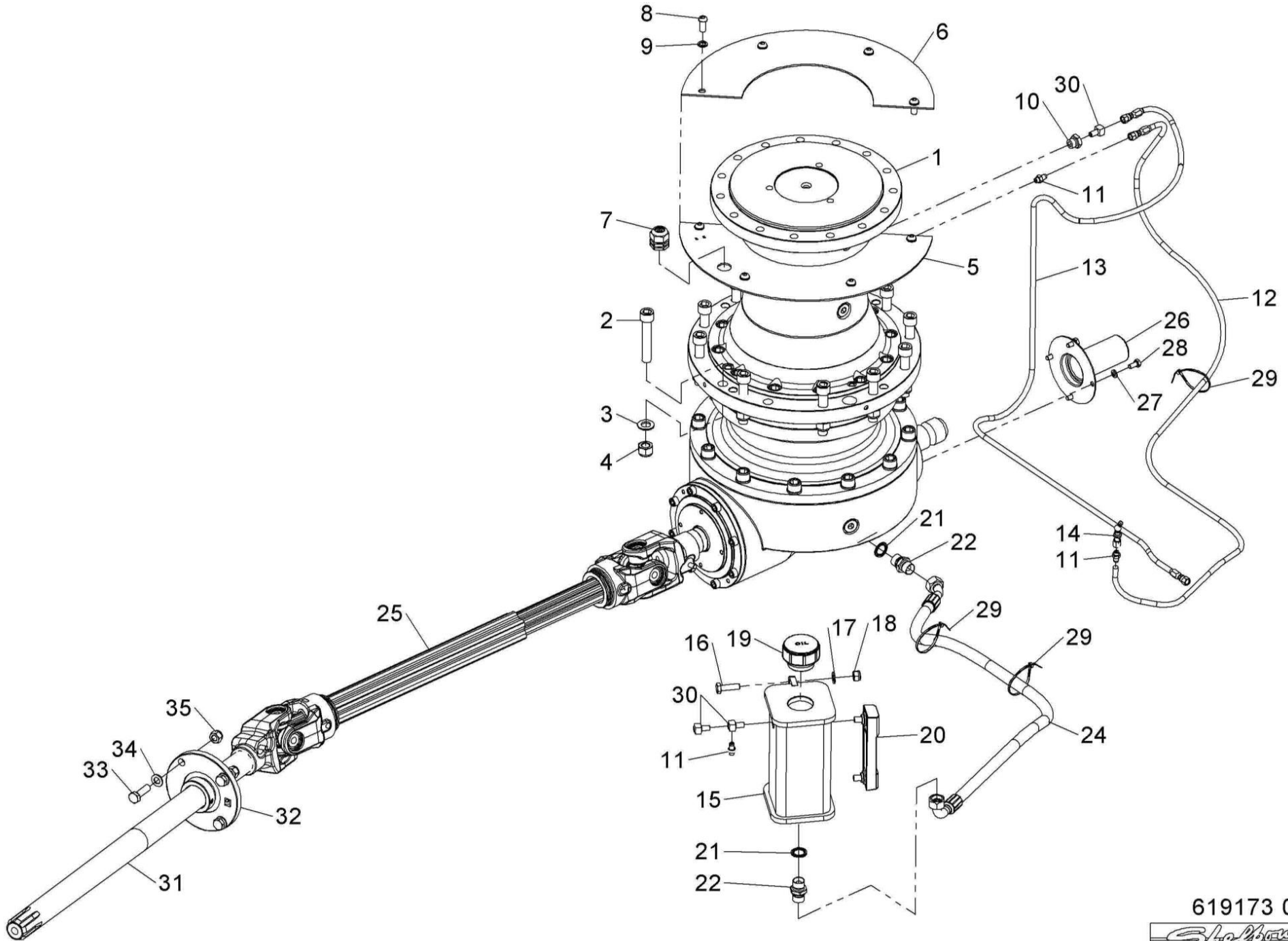


**Shelbourne Reynolds Engineering Limited**

ASSY NUMBER: 619173 01				ASSY DESCRIPTION: AUGER DRIVES SUB ASSY (PME09170540 & ON)			
ITEM	PART NO	DESCRIPTION	QTY	ITEM	PART NO	DESCRIPTION	QTY
1	GEA-0195	PLANETARY GEARBOX	1				
2	SCCA16533	CAP SOCKET HEAD SCREW*	12				
3	WSH-0024	WASHER	12				
4	NUT-0271	NUT	12				
5	616528 01	GEARBOX SEAL PLATE	1				
6	616531 01	GEARBOX SEAL PLATE	1				
7	CBG-00252	CABLE GLAND (GREY)	1				
8	SCW-0514	BUTTON SKT HD SCREW	8				
9	WSH-0061	WASHER	8				
10	HAEEA0107	REDUCING BUSH ADAPTOR	1				
11	LUB-00038	FRENCH PIPE CONNECTOR	4				
12	614605 17	GEARBOX HOSE	1				
13	614605 08	GEARBOX HOSE	1				
14	LUB-00036	BULKHEAD ADAPTOR	1				
15	615450 01	OIL RESERVOIR WA	1				
16	HSS-0198	SET SCREW	2				
17	WSH-0015	WASHER	2				
18	NUT-0265	NUT	2				
19	FIL-0004	FILLER CAP ASSY	1				
20	GAU-0010	FLUID LEVEL GUAGE	1				
21	WSH-1015	WASHER	2				
22	HMA-0067	ADAPTOR	2				
23							
24	HHKF13005	HYDRAULIC HOSE ASSY	1				
25	PTO-29000W	INTERMEDIATE PTO SHAFT PME09200776 & ON	1				
OR	PTO-29000WE	INTERMEDIATE PTO SHAFT PME09190731 TO PME09200764	1				
OR	PTO-29000	INTERMEDIATE PTO SHAFT UP TO & INC PME09180679	1				
26	GEA-0195A	PLASTIC SHAFT GUARD	1				
27	WSH-0058	WASHER	4				
28	HSS-0135	SETSCREW	4				
29	TIE-0004	TIE WRAPS	12				
30	LUB-00051	90 DEG ELBOW	3				
31	614542 01	DRIVE SHAFT	1				
32	BRG-3275	BEARING	1				
33	HSS-0250	SET SCREW	4				
34	WSH-0018	WASHER	4				
35	NUT-0269	NUT	4				



Shelbourne Reynolds Engineering Limited

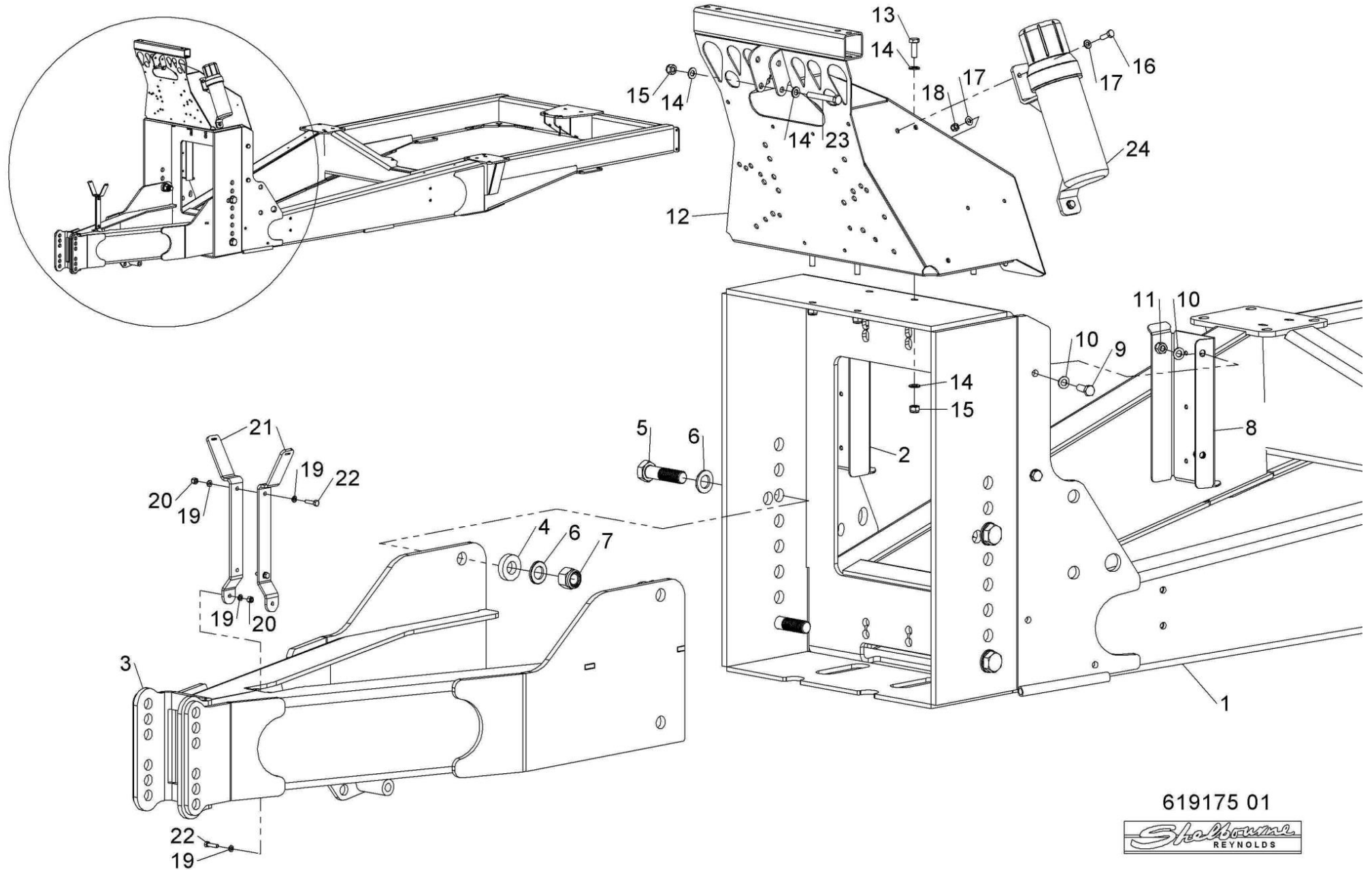


619173 01



**Shelbourne Reynolds Engineering Limited**

ASSY NUMBER: 619175 01		ASSY DESCRIPTION: CHASSIS & DRAWBAR SUB ASSY (EXPRESS SING)					
ITEM	PART NO	DESCRIPTION	QTY	ITEM	PART NO	DESCRIPTION	QTY
1	614908 01	CHASSIS W/A	1				
2	613516 02	HOSE TIDY RH	1				
3	615222 01	DRAWBAR W/A	1				
4	190119 94	WASHER	4				
5	BLTA24530	BOLT	4				
6	WSH-0036	WASHER	8				
7	NUT-0275	NUT	4				
8	613516 01	HOSE TIDY LH	1				
9	HSS-0241	SETSCREW	4				
10	WSH-0018	WASHER	8				
11	NUT-0269	NUT	4				
12	617460 01	PARKING STATION W/A	1				
13	HSS-0194	SETSCREW	6				
14	WSH-0015	WASHER	14				
15	NUT-0265	NUT	7				
16	HSS-0145	SETSCREW	3				
17	WSH-0012	WASHER	6				
18	NUT-0263	NUT	3				
19	WSH-0009	WASHER	5				
20	NUT-0260	NUT	4				
21	613433 01	PTO REST PLATE	2				
22	HSS-0088	SETSCREW	4				
23	BLTA10500	BOLT	1				
24	PCN-00100	PLASTIC CANNISTER	1				

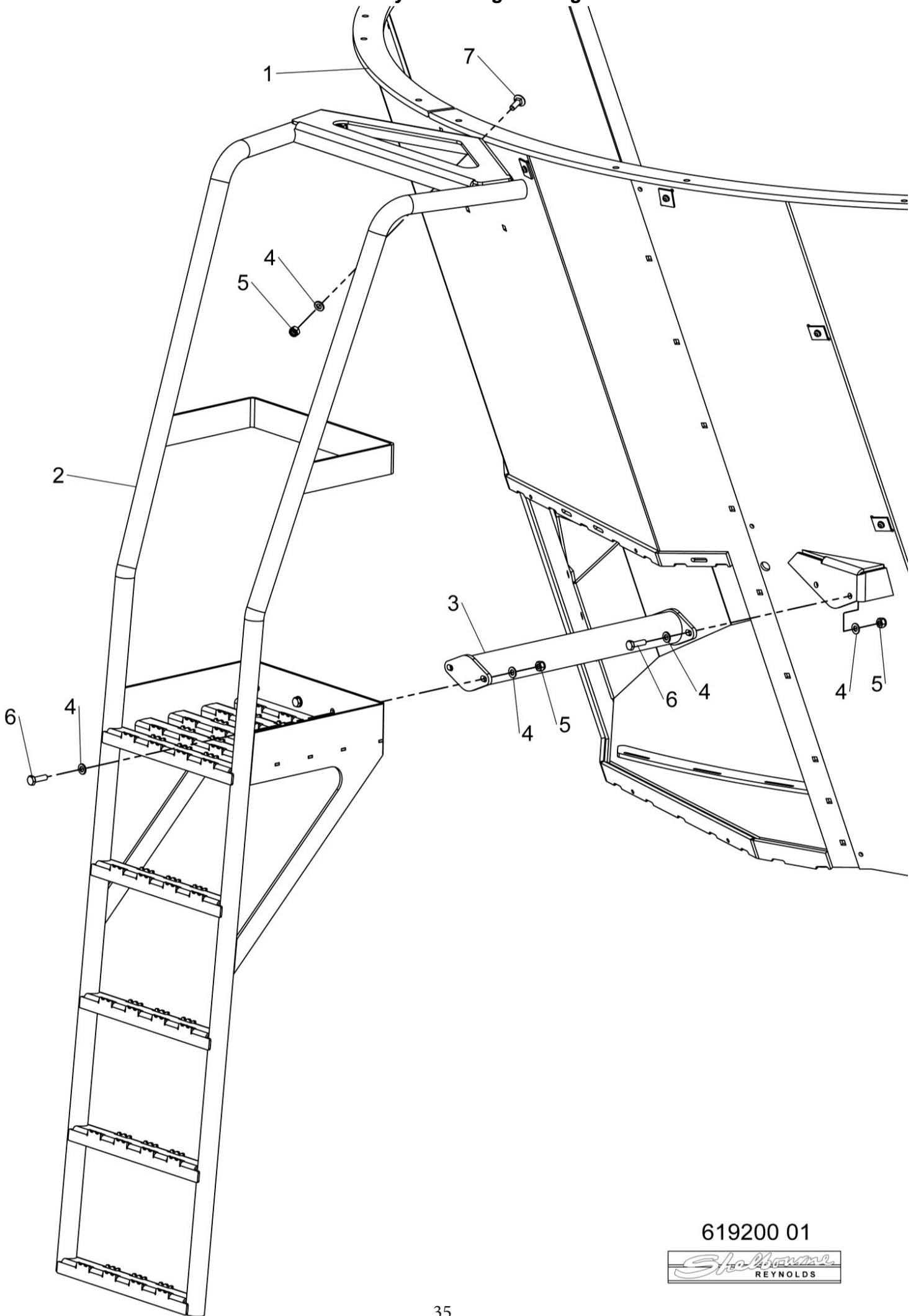


619175 01



**Shelbourne Reynolds Engineering Limited**

ASSY NUMBER: 619200 01				ASSY DESCRIPTION: 9m FRONT DOOR TUB ASSY (PME09220860 & ON)			
ITEM	PART NO	DESCRIPTION	QTY	ITEM	PART NO	DESCRIPTION	QTY
1	615767 01	9m TUB W/A	1				
2	620792 01	FRONT PLATFORM W/A PME09240976 & ON	1				
OR	620138 01	FRONT PLATFORM W/A UP TO & INC PME09230959	1				
3	620796 01	LADDER BRACE W/A PME09240976 & ON	1				
OR	620411 01	LADDER BRACE W/A UP TO & INC PME09230959	1				
4	WSH-0015	WASHER	10				
5	NUT-0265	NUT	6				
6	HSS-0198	SETSCREW	4				
7	BLT-3750	COACHBOLT	2				



619200 01



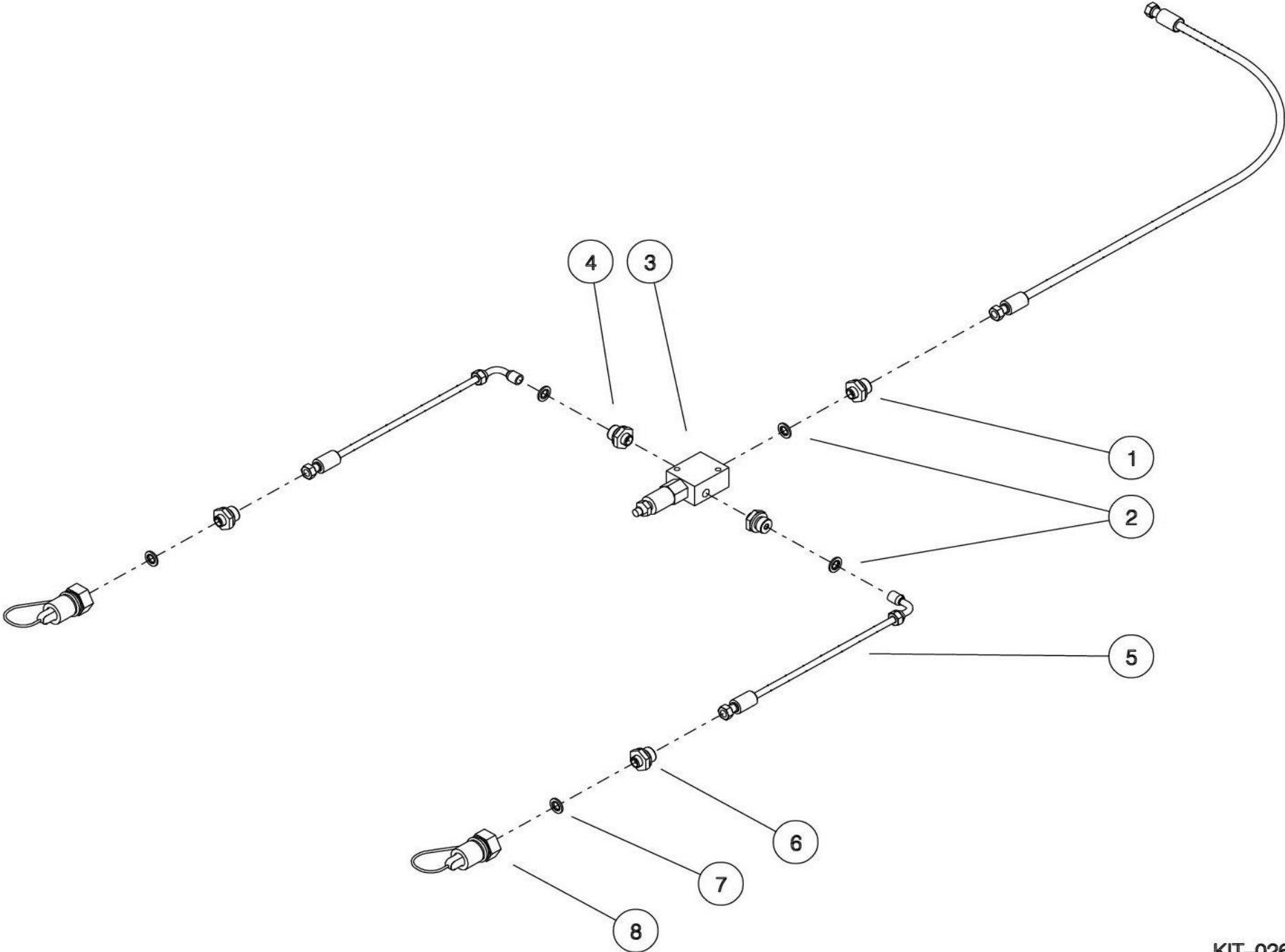


# Kit Options

**Shelbourne Reynolds Engineering Limited**

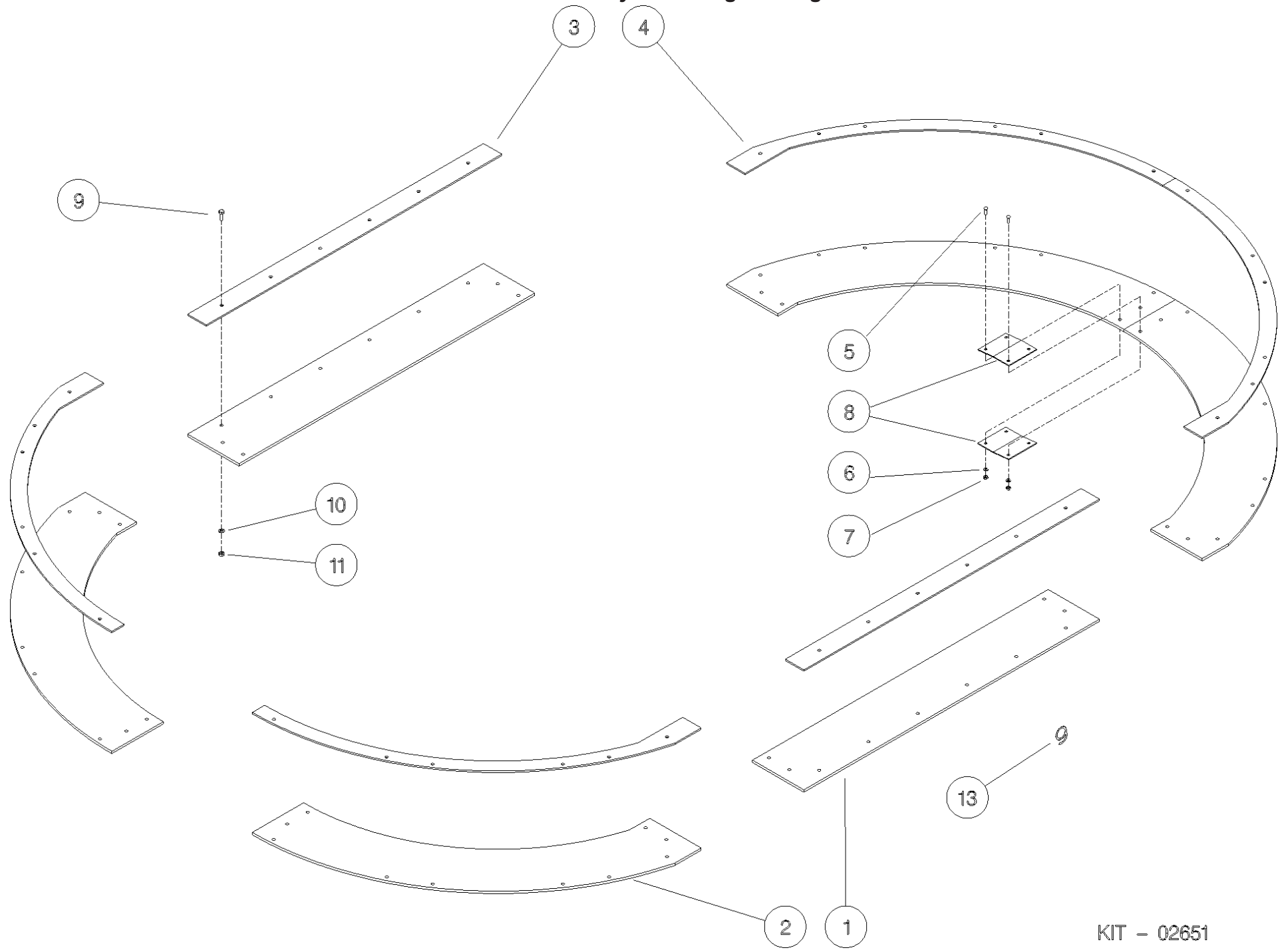
ASSY NUMBER: KIT-02602				ASSY DESCRIPTION: BRAKE RELIEF KIT			
ITEM	PART NO	DESCRIPTION	QTY	ITEM	PART NO	DESCRIPTION	QTY
1							
2	WSH-1005	DOWTY WASHER	3				
3	HVB-22110	RELIEF VALVE	1				
4	HMA-0052	ADAPTOR	3				
5	HHBC02505	HYD HOSE	2				
6	HMA-0055	ADAPTOR	2				
7	WHS-1015	DOWTY WASHER	2				
8	COU-0162	Q.R COUPLING	2				





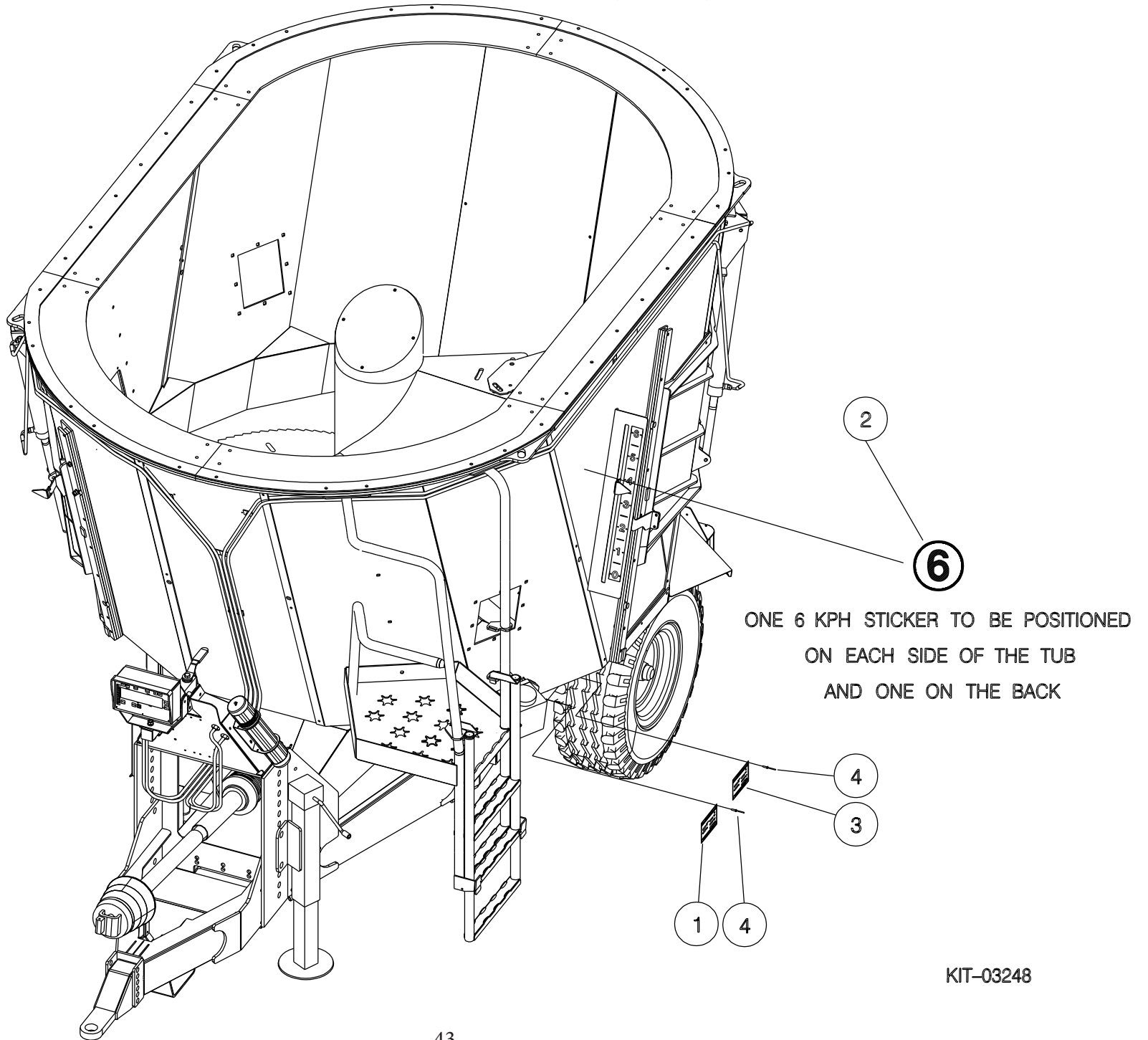
**Shelbourne Reynolds Engineering Limited**

ASSY NUMBER: KIT-02651				ASSY DESCRIPTION: 9m CU RUBBER RETAINER			
ITEM	PART NO	DESCRIPTION	QTY	ITEM	PART NO	DESCRIPTION	QTY
1	611025 01	RUBBER SECTION	2				
2	610982 01	CORNER RUBBER SECTION	4				
3	611029 01	CLAMP STRIP	2				
4	610979 01	CURVED CLAMP STRIP	4				
5	BLTA10290	HEX.HEAD BOLT	34				
6	WSH-0015	WASHER	34				
7	NUT-0265	NUT	34				
8	611051 01	CLAMP STRIP	12				
9	BLT-2700	BOLT	24				
10	WSH-0012	WASHER	24				
11	NUT-0263	NUT	24				
12							
13	615458 01	SIZE TRANSFER - 9 WHITE	2				
OR	613879 01	SIZE TRANSFER - 9 RED	2				



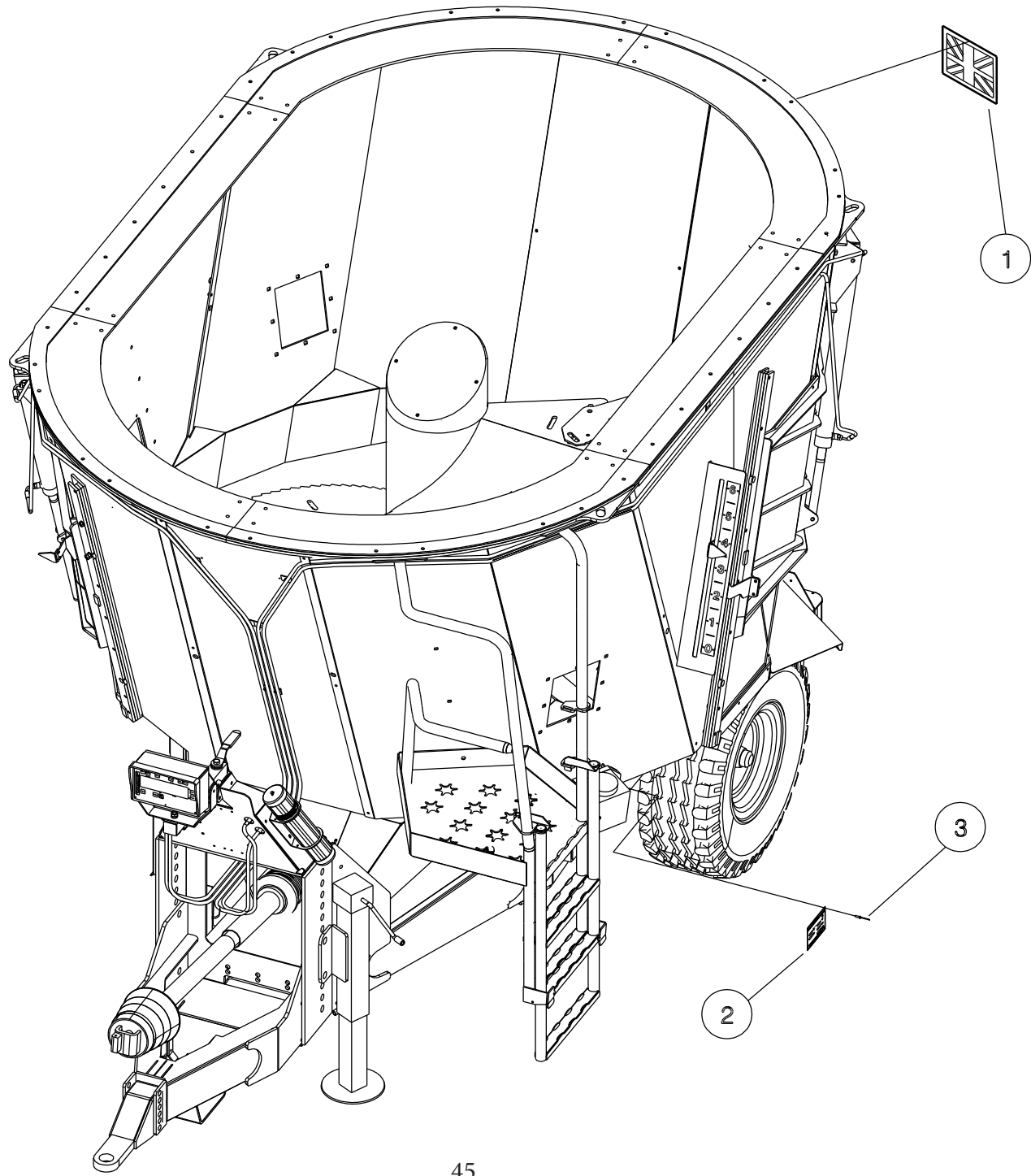
**Shelbourne Reynolds Engineering Limited**

ASSY NUMBER: KIT-03248				ASSY DESCRIPTION: GERMAN PARTS KIT			
ITEM	PART NO	DESCRIPTION	QTY	ITEM	PART NO	DESCRIPTION	QTY
1	TNF-0201	GERMAN IDENTIFICATION PLATE	1				
2	612610 01	6KM/H TRANSFER	3				
3	590145 01	UK IDENTIFICATION PLATE	1				
4	POP-0006	POP RIVET	8				



**Shelbourne Reynolds Engineering Limited**

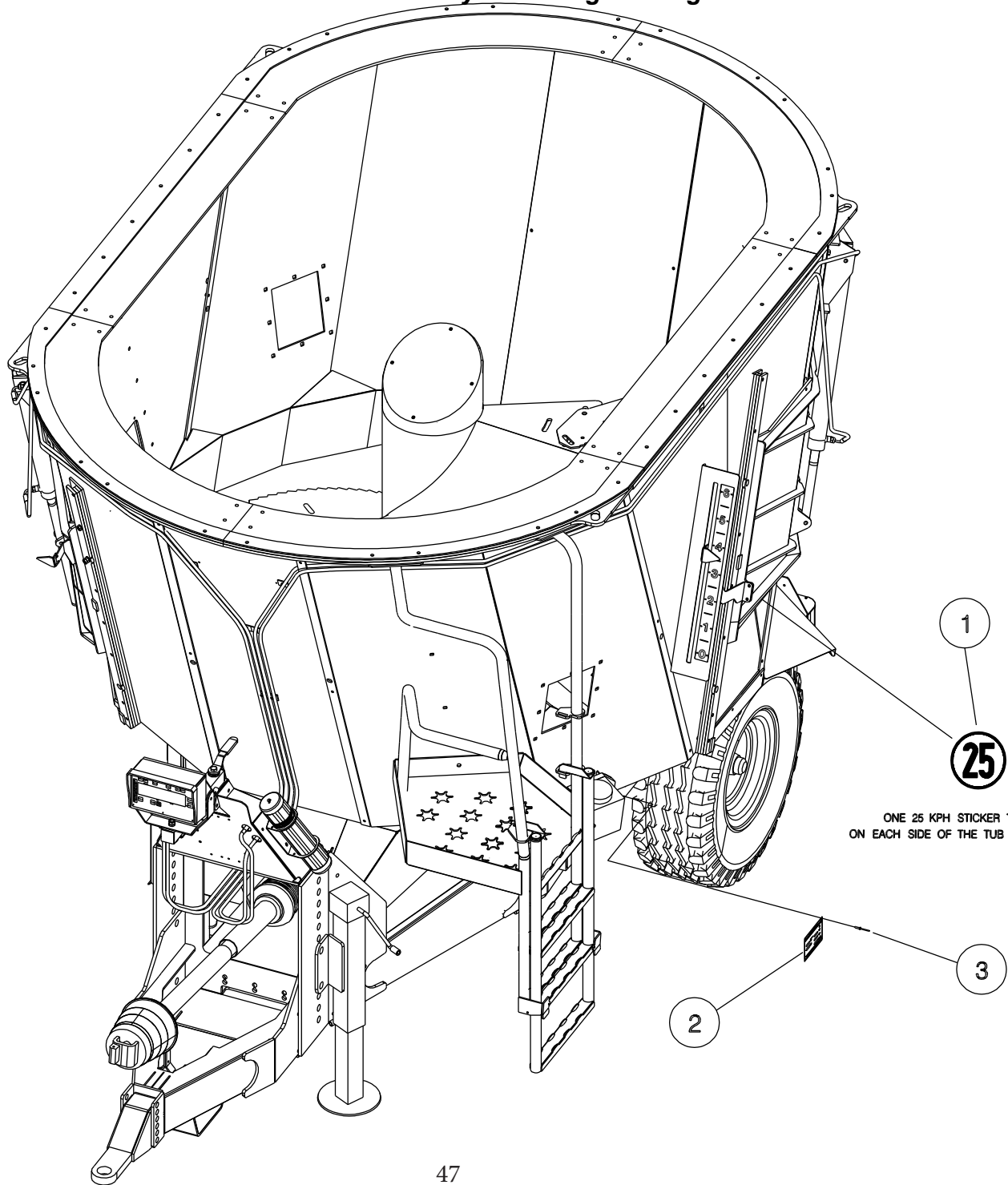
ASSY NUMBER: KIT-03249				ASSY DESCRIPTION: UK PARTS KIT			
ITEM	PART NO	DESCRIPTION	QTY	ITEM	PART NO	DESCRIPTION	QTY
1	610563 01	UNION JACK TRANSFER	1				
2	590145 01	UK IDENTIFICATION PLATE	1				
3	POP-0006	POP RIVET	4				



**Shelbourne Reynolds Engineering Limited**

ASSY NUMBER: KIT-03250				ASSY DESCRIPTION: EUROPEAN PARTS KIT			
ITEM	PART NO	DESCRIPTION	QTY	ITEM	PART NO	DESCRIPTION	QTY
1	611033 01	25km/h TRANSFER	3				
2	590145 01	UK IDENTIFICATION PLATE	1				
3	POP-0006	POP RIVET	4				

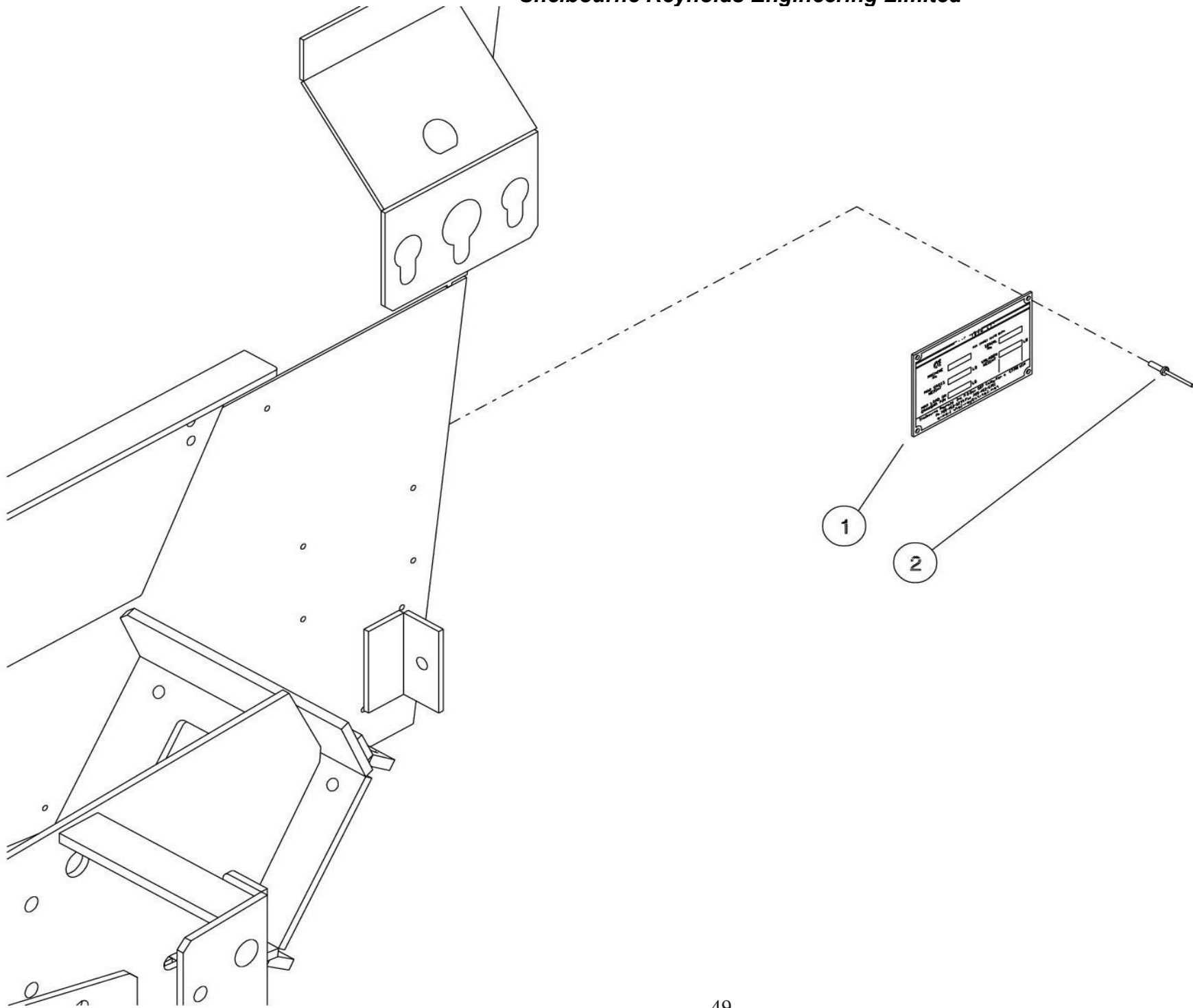




ONE 25 KPH STICKER TO BE POSITIONED  
ON EACH SIDE OF THE TUB AND ONE ON THE BACK

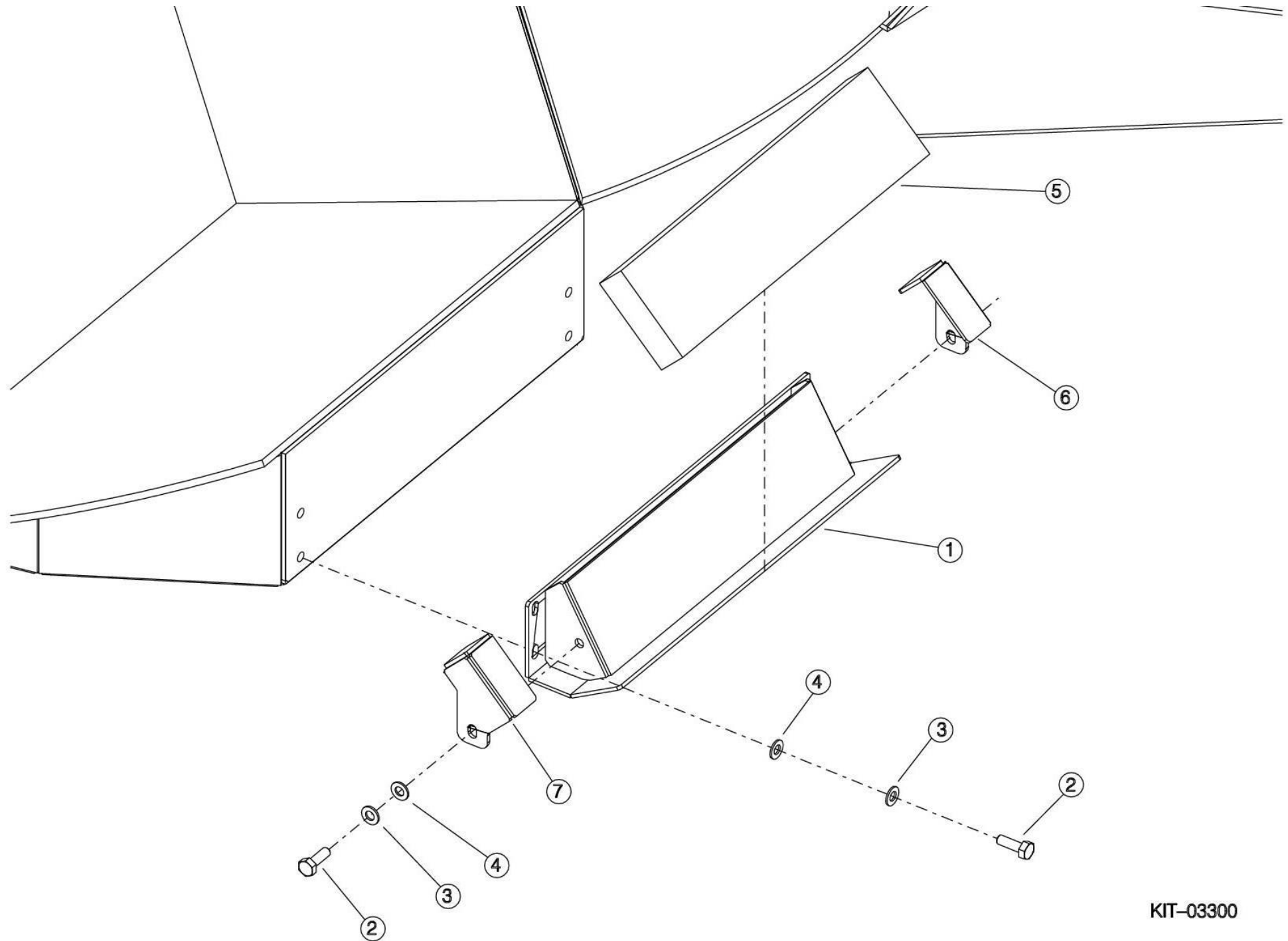
**Shelbourne Reynolds Engineering Limited**

ASSY NUMBER: KIT-03251				ASSY DESCRIPTION: USA PARTS KIT			
ITEM	PART NO	DESCRIPTION	QTY	ITEM	PART NO	DESCRIPTION	QTY
1	612269 01	USA IDENTIFICATION PLATE	1				
2	POP-0006	POP RIVET	4				



**Shelbourne Reynolds Engineering Limited**

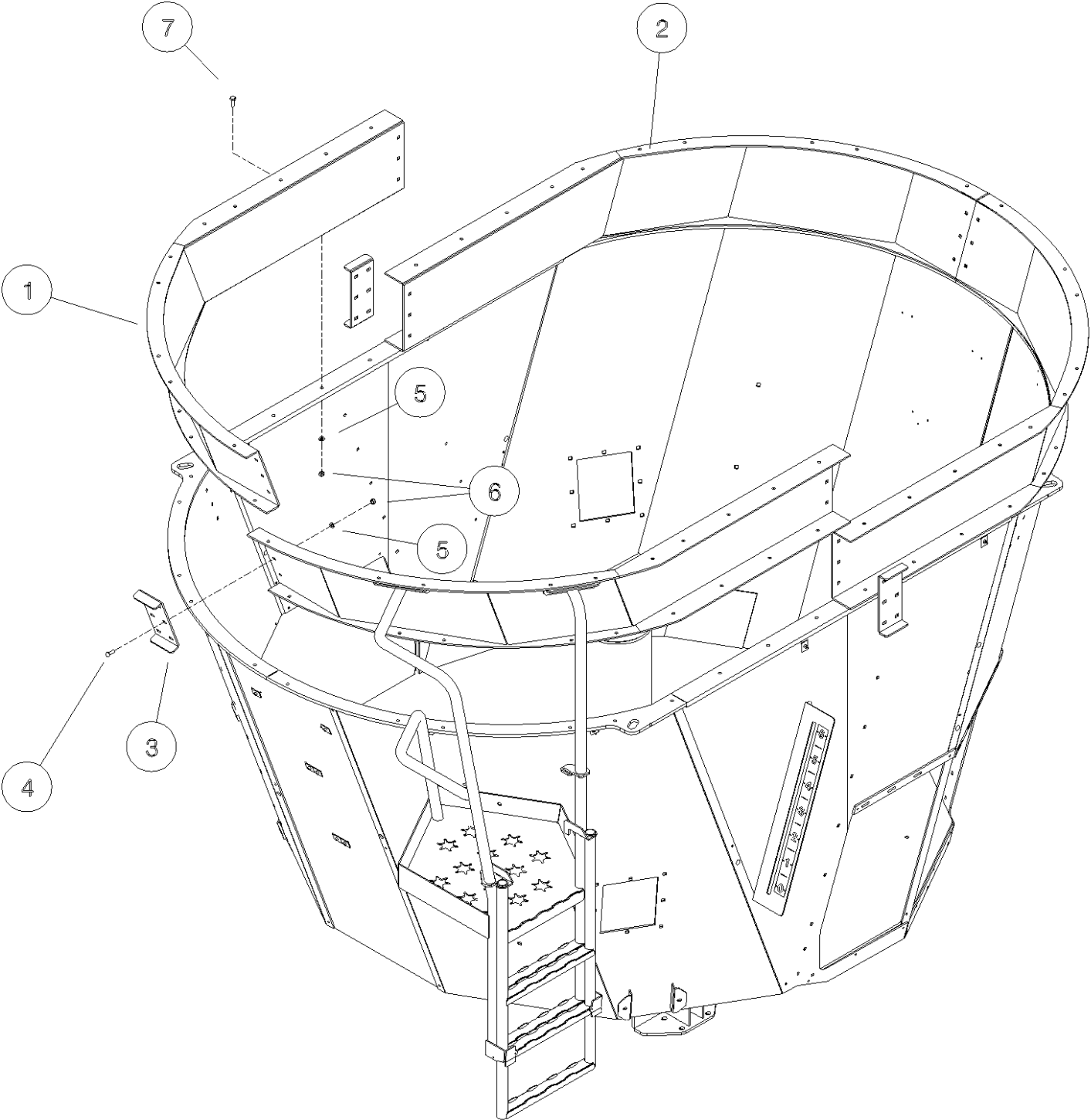
ASSY NUMBER: KIT-03300				ASSY DESCRIPTION: AUGER MAGNET KIT			
ITEM	PART NO	DESCRIPTION	QTY	ITEM	PART NO	DESCRIPTION	QTY
1	612914 01	MAGNET BRACKET W/A	1				
2	HSS-0191	SETSCREW	6				
3	WSH-0061	WASHER	6				
4	WSH-0015	WASHER	4				
5	MAG-0002	17" MAGNET	1				
6	612919 01	RETAINER BRACKET LH	1				
7	612919 02	RETAINER BRACKET RH	1				



KIT-03300

**Shelbourne Reynolds Engineering Limited**

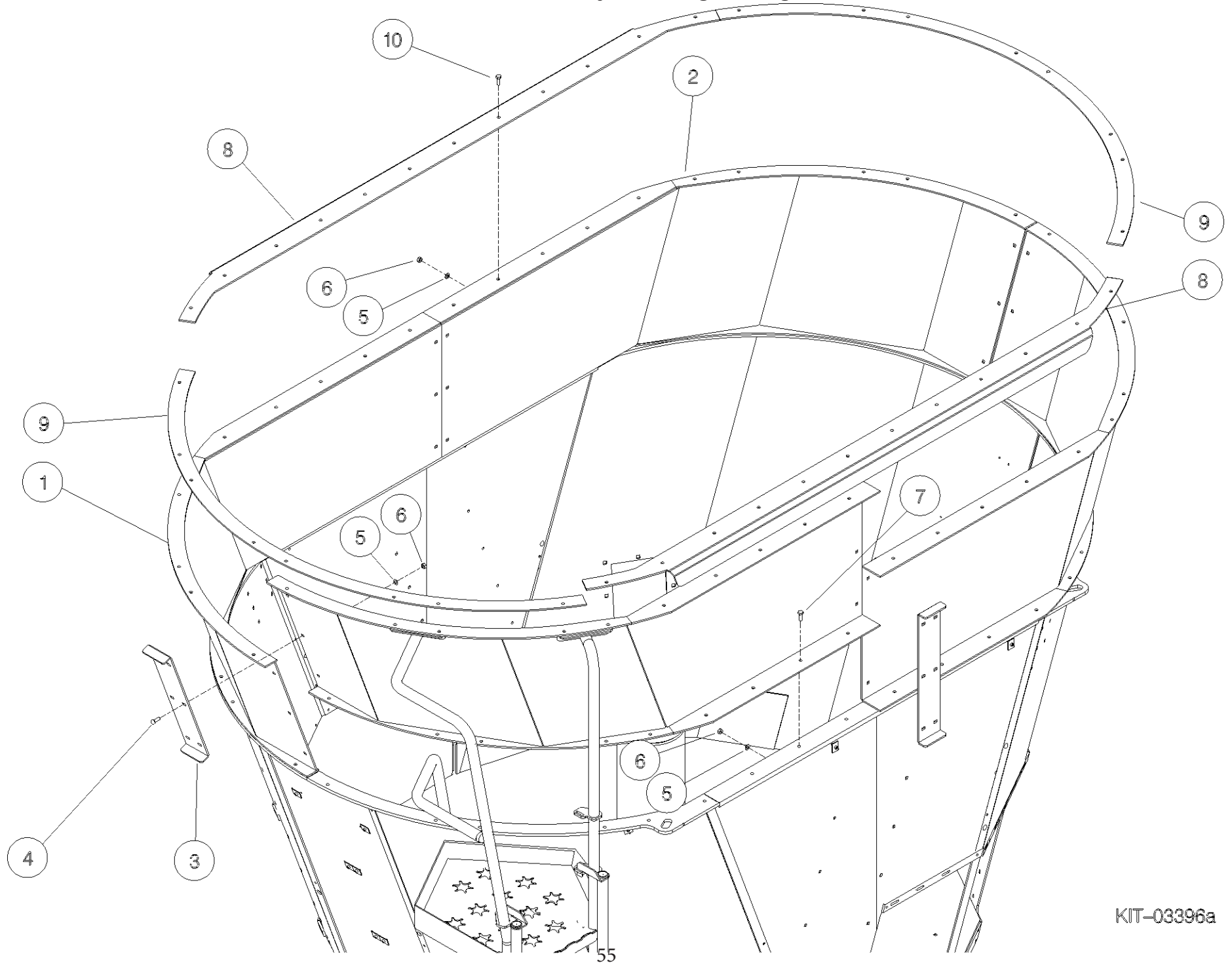
ASSY NUMBER: KIT-03395A				ASSY DESCRIPTION: 300mm EXTENSION KIT			
ITEM	PART NO	DESCRIPTION	QTY	ITEM	PART NO	DESCRIPTION	QTY
1	613269 01	EXTENSION W/A LH (300mm)	2				
2	613269 02	EXTENSION W/A RH (300mm)	2				
3	613276 01	SIDE CLAMP PLATE	4				
4	BLT-3745	COACHBOLT	24				
5	WSH-0015	WASHER	98				
6	NUT-0265	NUT	98				
7	HSS-0198	SET SCREW	34				
8	614950 01	STRAIGHT CLAMP STRIP	2				
9	613282 01	CURVED CLAMP STRIP	2				
10	HSS-0202	SET SCREW	40				



**Shelbourne Reynolds Engineering Limited**

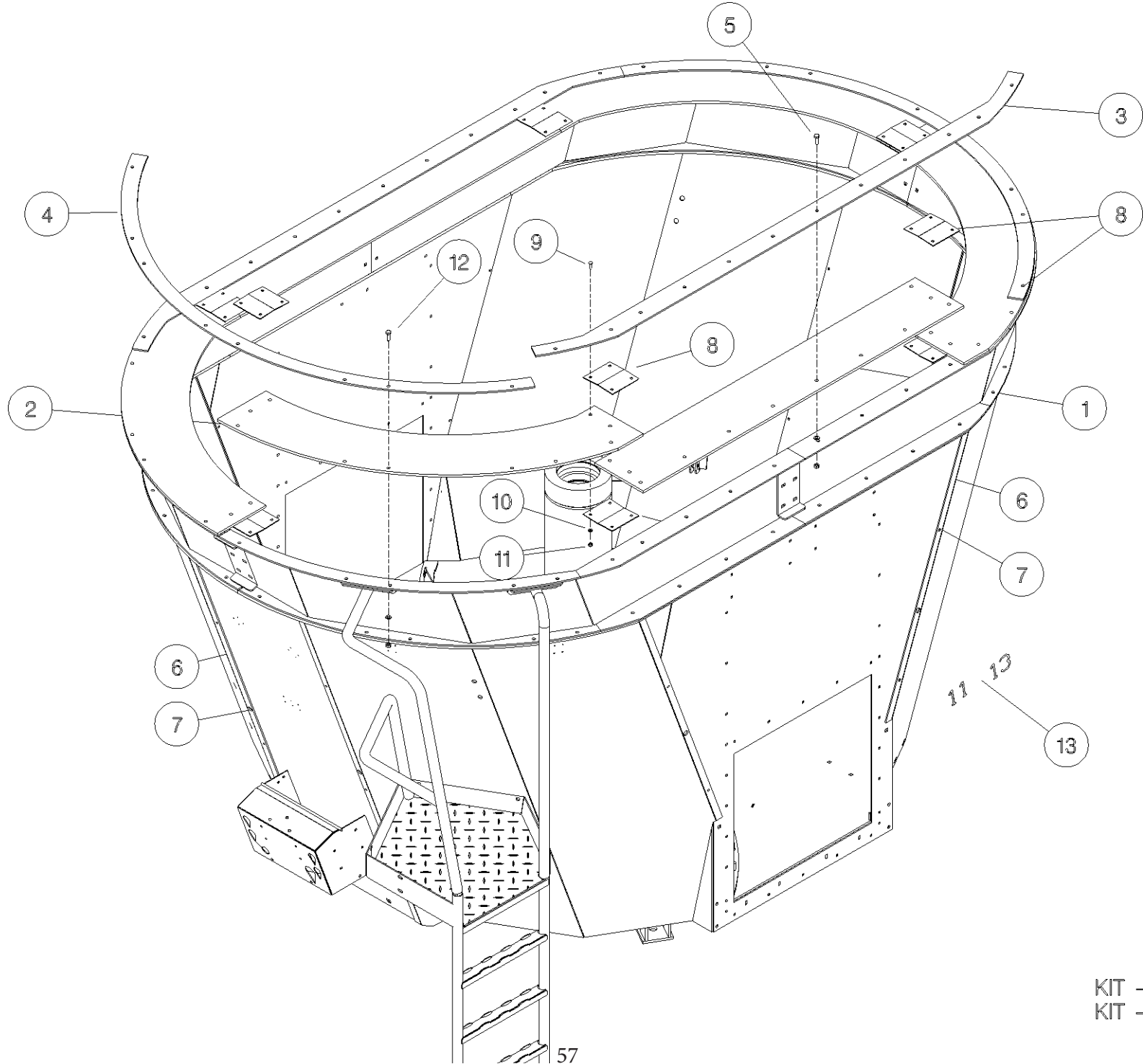
ASSY NUMBER: KIT-03396A				ASSY DESCRIPTION: 600mm EXTENSION KIT			
ITEM	PART NO	DESCRIPTION	QTY	ITEM	PART NO	DESCRIPTION	QTY
1	613278 01	EXTENSION W/A LH (600mm)	2				
2	613278 02	EXTENSION W/A RH (600mm)	2				
3	613273 01	SIDE CLAMP PLATE	4				
4	BLT-3745	COACHBOLT	24				
5	WSH-0015	WASHER	98				
6	NUT-0265	NUT	98				
7	HSS-0198	SET SCREW	34				
8	614948 01	TOP CLAMP STRIP	2				
9	613282 01	CURVED CLAMP STRIP	2				
10	HSS-0202	SET SCREW	40				





**Shelbourne Reynolds Engineering Limited**

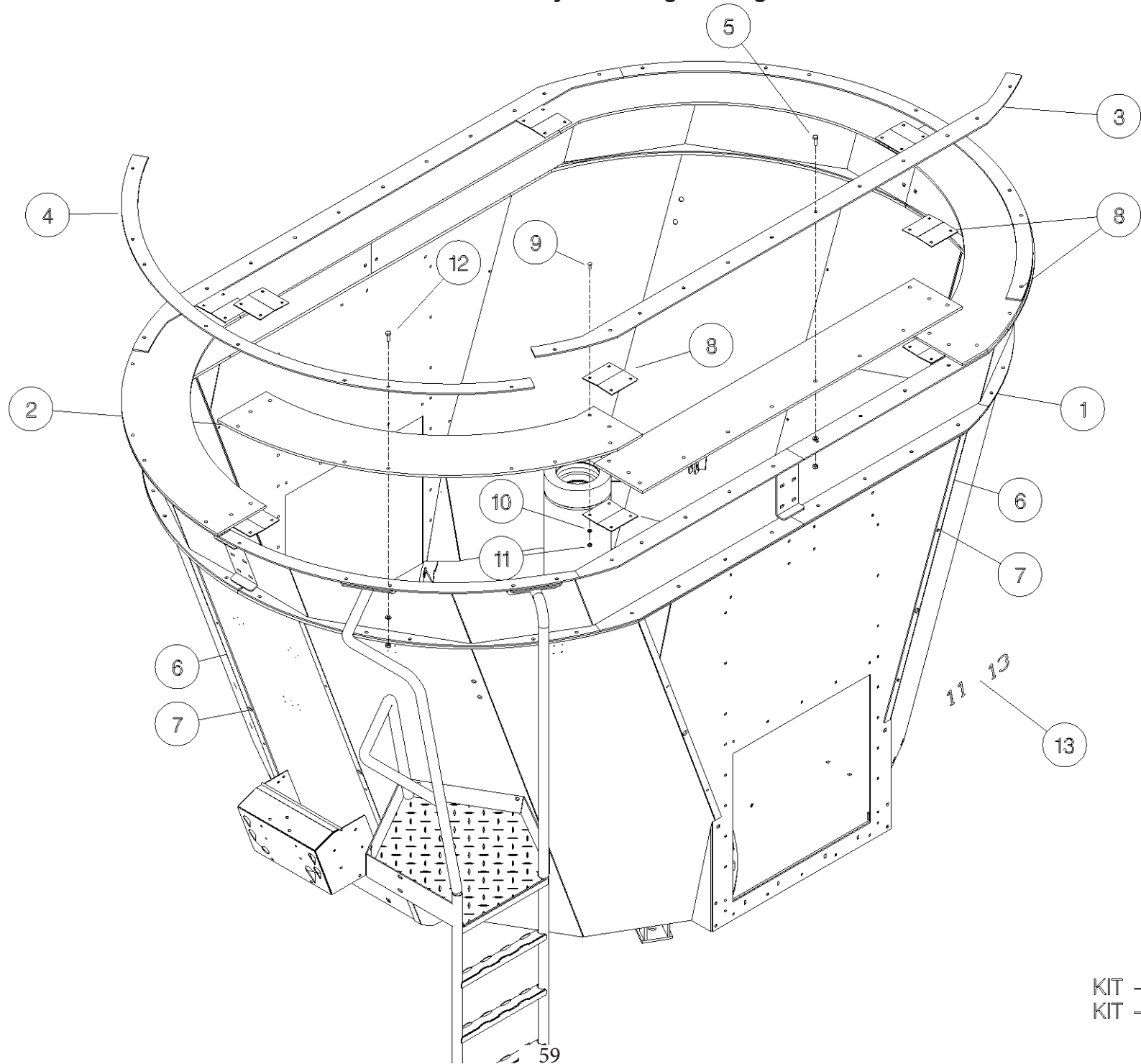
ASSY NUMBER: KIT-03397				ASSY DESCRIPTION: 11m CU RUBBER RETAINING			
ITEM	PART NO	DESCRIPTION	QTY	ITEM	PART NO	DESCRIPTION	QTY
1	613279 01	RUBBER SECTION	2				
2	610982 01	CORNER RUBBER SECTION	4				
3	613281 01	TOP CLAMP STRIP	2				
4	613282 01	CURVED CLAMP STRIP	2				
5	HSS-0202	SET SCREW	36				
6	WSH-0015	WASHER	40				
7	NUT-0265	NUT	40				
8	611051 01	CLAMP STRIP	12				
9	BLT-2700	BOLT	24				
10	WSH-0012	WASHER	24				
11	NUT-0263	NUT	24				
12	BLTA10290	HEX.HEAD BOLT	4				
13	613879 02	DECAL - No SIZE 11	2				



KIT - 03397  
KIT - 03398

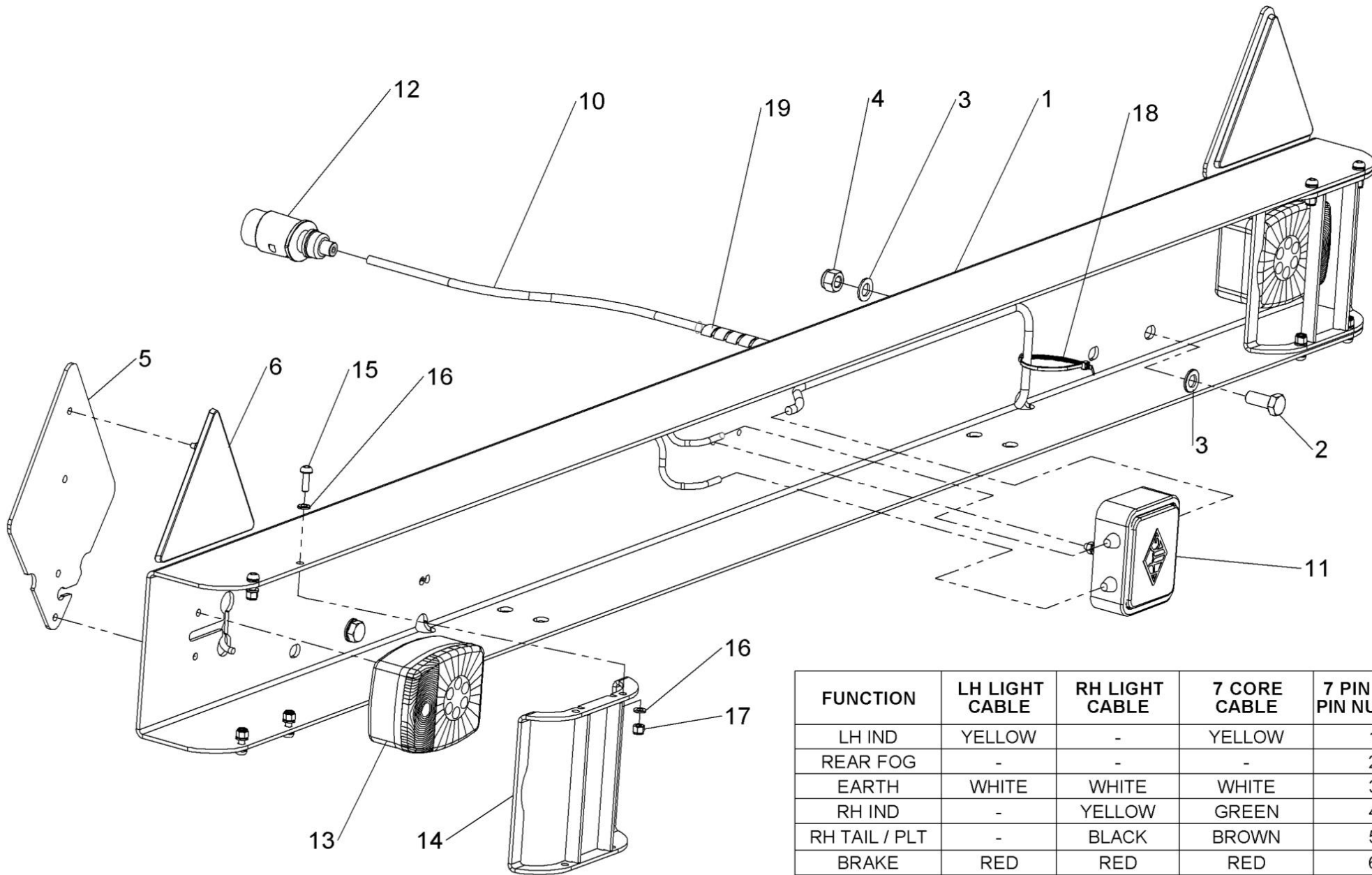
**Shelbourne Reynolds Engineering Limited**

ASSY NUMBER: KIT-03398				ASSY DESCRIPTION: 13m CU RUBBER RETAINING			
ITEM	PART NO	DESCRIPTION	QTY	ITEM	PART NO	DESCRIPTION	QTY
1	613280 01	RUBBER SECTION	2				
2	610982 01	CORNER RUBBER SECTION	4				
3	613277 01	TOP CLAMP STRIP	2				
4	613282 01	CURVED CLAMP STRIP	2				
5	HSS-0202	SET SCREW	36				
6	WSH-0015	WASHER	40				
7	NUT-0265	NUT	40				
8	611051 01	CLAMP STRIP	12				
9	BLT-2700	BOLT	24				
10	WSH-0012	WASHER	24				
11	NUT-0263	NUT	24				
12	BLTA10290	HEX.HEAD BOLT	4				
13	613879 03	DECAL - No SIZE 13	2				



**Shelbourne Reynolds Engineering Limited**

ASSY NUMBER: KIT-03431				ASSY DESCRIPTION: LIGHTING KIT			
ITEM	PART NO	DESCRIPTION	QTY	ITEM	PART NO	DESCRIPTION	QTY
1	613455 01	LIGHTING BOARD	1				
2	HSS-0238	SETSCREW	4				
3	WSH-0018	WASHER	4				
4	NUT-0269	NUT	4				
5	613620 01	REFECTOR MTG PLATE	2				
6	REF-0035	REFLECTOR	2				
7							
8							
9							
10	CBL-03530	CABLE	10m				
11	JNC-00000	JUNCTION BOX	1				
12	PLG-0005	7 PIN PLUG	1				
13	LMP-10412	LIGHT CLUSTER (FULL LED) PME**170530 & ON	2				
OR	LMP-10408	LIGHT CLUSTER (LED BULB) UP TO PME**170530	2				
OR	LMP-10400	LIGHT CLUSTER (BRITAX)	2				
14	613604 01	LIGHT GUARD W/A	2				
15	SCW-4960	SCREW	4				
16	WSH-0009	WASHER	8				
17	NUT-0260	NUT	8				
18	TIE-0004	TIE WRAP (MEDIUM)	8				
19	SLV-00300	SPIRAL CONVOLUTE TUBING	2m				



FUNCTION	LH LIGHT CABLE	RH LIGHT CABLE	7 CORE CABLE	7 PIN PLUG PIN NUMBER
LH IND	YELLOW	-	YELLOW	1
REAR FOG	-	-	-	2
EARTH	WHITE	WHITE	WHITE	3
RH IND	-	YELLOW	GREEN	4
RH TAIL / PLT	-	BLACK	BROWN	5
BRAKE	RED	RED	RED	6
LH TAIL / PLT	BLACK	-	BLACK	7
			BLUE (NOT USED)	

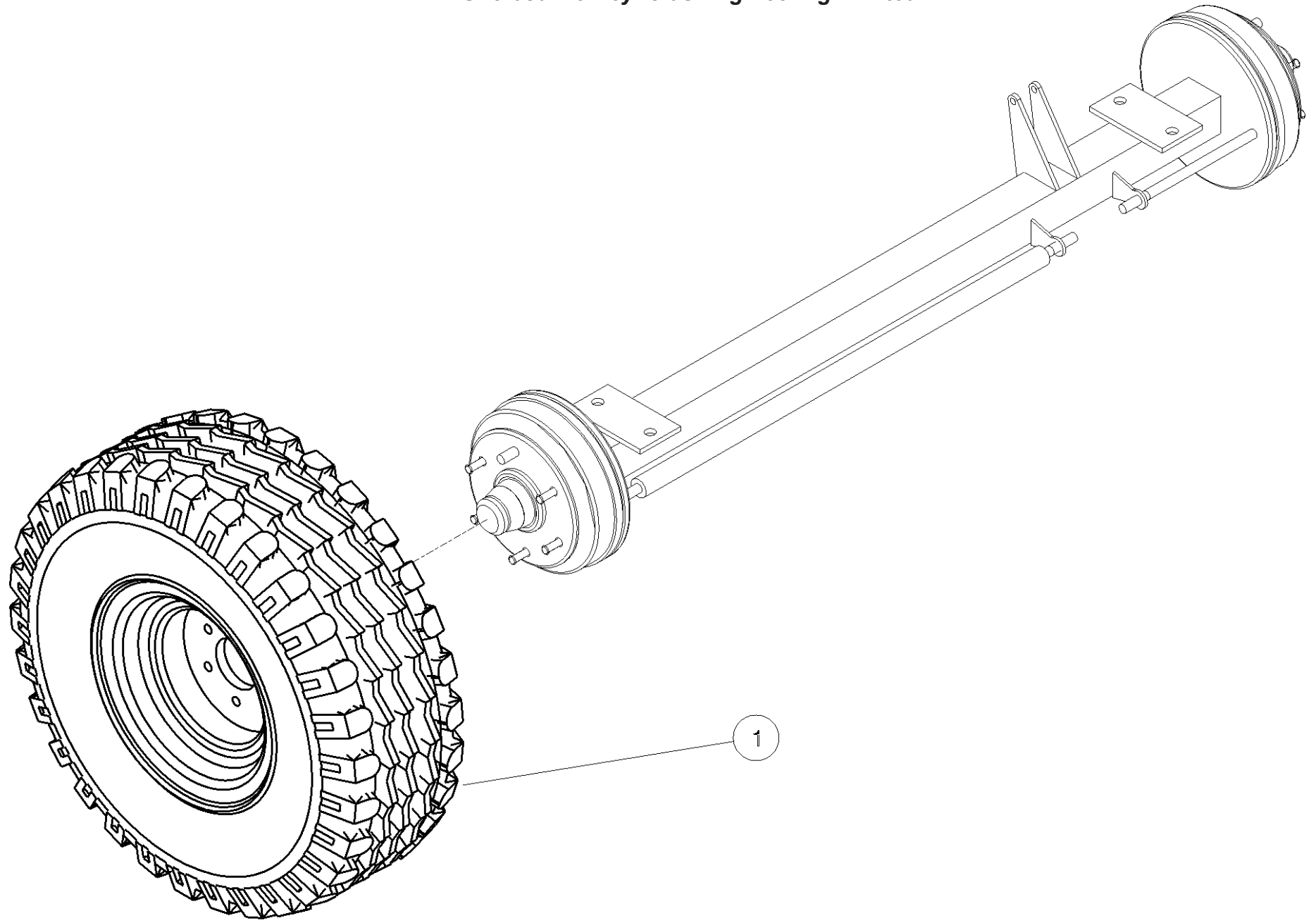
KIT-03431



**Shelbourne Reynolds Engineering Limited**

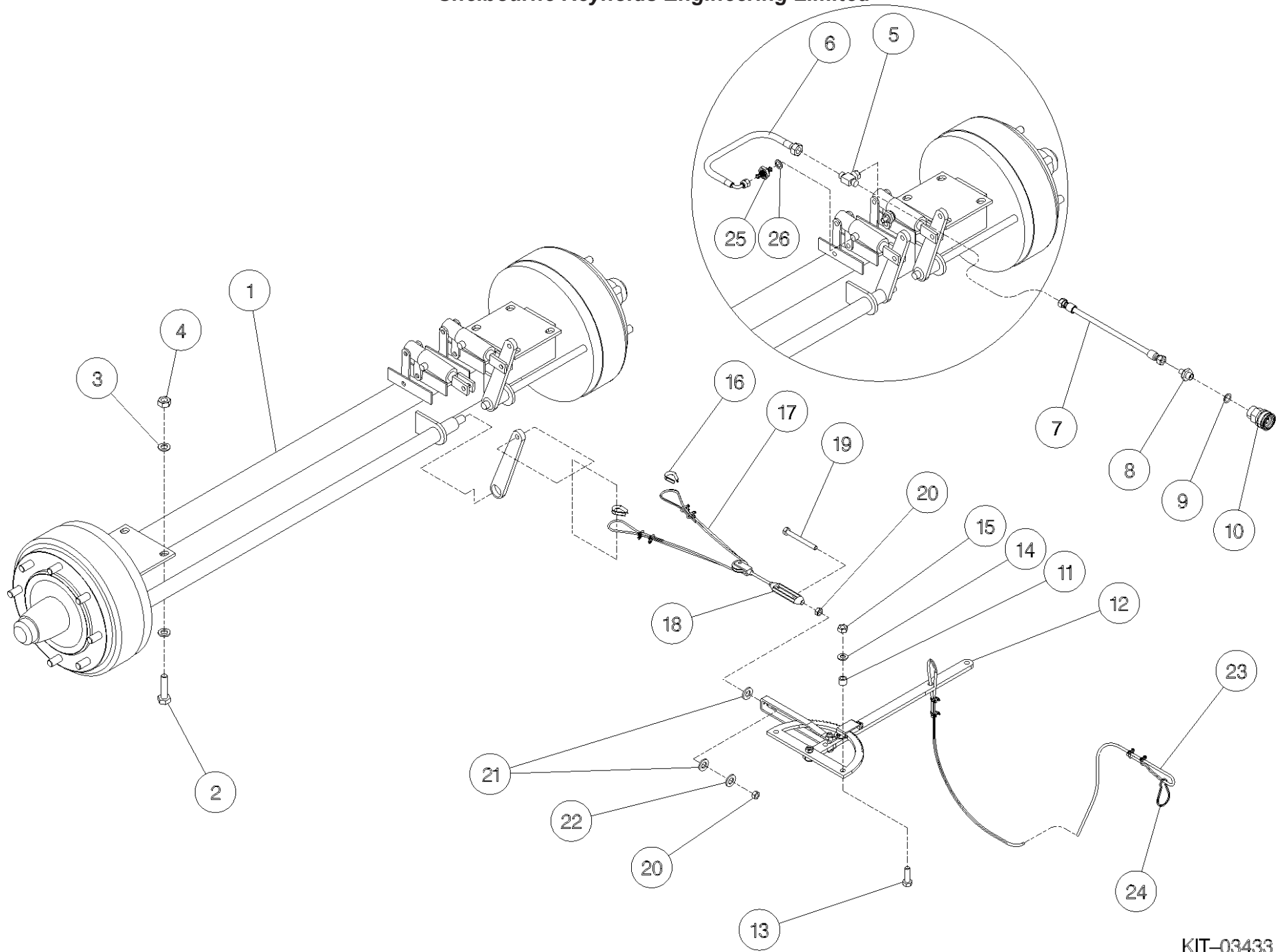
ASSY NUMBER: KIT-03432				ASSY DESCRIPTION: WHEEL & TYRE KIT (GOODYEAR 340/65 R18)			
ITEM	PART NO	DESCRIPTION	QTY	ITEM	PART NO	DESCRIPTION	QTY
1	WHL-01800	WHEEL & TYRE ASSY	2				





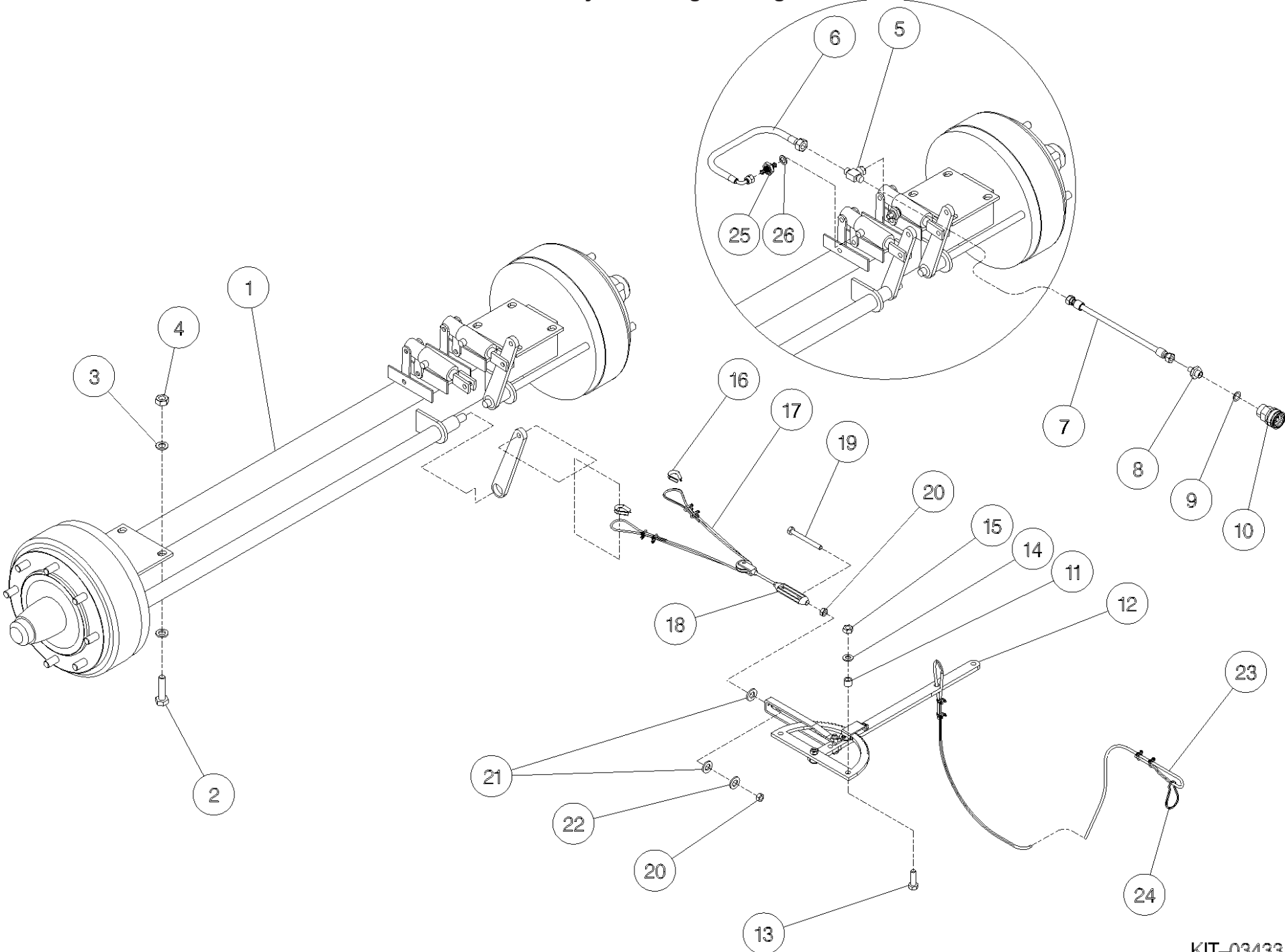
**Shelbourne Reynolds Engineering Limited**

ASSY NUMBER: KIT-03433				ASSY DESCRIPTION: HYD BRAKED AXLE KIT			
ITEM	PART NO	DESCRIPTION	QTY	ITEM	PART NO	DESCRIPTION	QTY
1	AXL-00055	HYDRAULIC BRAKED AXLE	1				
2	BLT-2312	HEX.HEAD BOLT	8				
3	WSH-0024	PLAIN WASHER	16				
4	NUT-0271	NYLOC NUT	8				
5	FITA10140	HYDRAULIC TEE FITTING	1				
6	HHBC03205	HYDRAULIC HOSE ASSY	1				
7	HHBC64005	HYD. HOSE	1				
8	HMA-0055	ADAPTOR	1				
9	WSH-1015	DOWTY WASHER	1				
10	HQR-10007	HYD.QUICK RELEASE COUP.	1				
11	610923 01	SPACER	2				
12	590222 01	*HANDBRAKE LEVER ASSY	1				
13	HSS-0275	SET SCREW	2				
14	WSH-0018	PLAIN WASHER	2				
15	NUT-0269	NYLOC NUT	2				
16	WRP-01040	WIRE CABLE THIMBLE	2				
17	WRP-00040	WIRE CABLE	4.75				
18	ADL-00120	ADJUSTER ASSY	1				
19	HSS-0155	SET SCREW	1				
20	NUT-0164	PLAIN NUT	2				
21	WSH-0012	PLAIN WASHER	2				
22	WSH-0058	SPRING WASHER	1				
23	WRP-02040	WIRE CABLE CLAMP	8				
24	WRP-03000	SNAPHOOK	1				
25	HMA-0057	ADAPTOR	2				
26	WSH-1010	DOWTY WASHER	2				



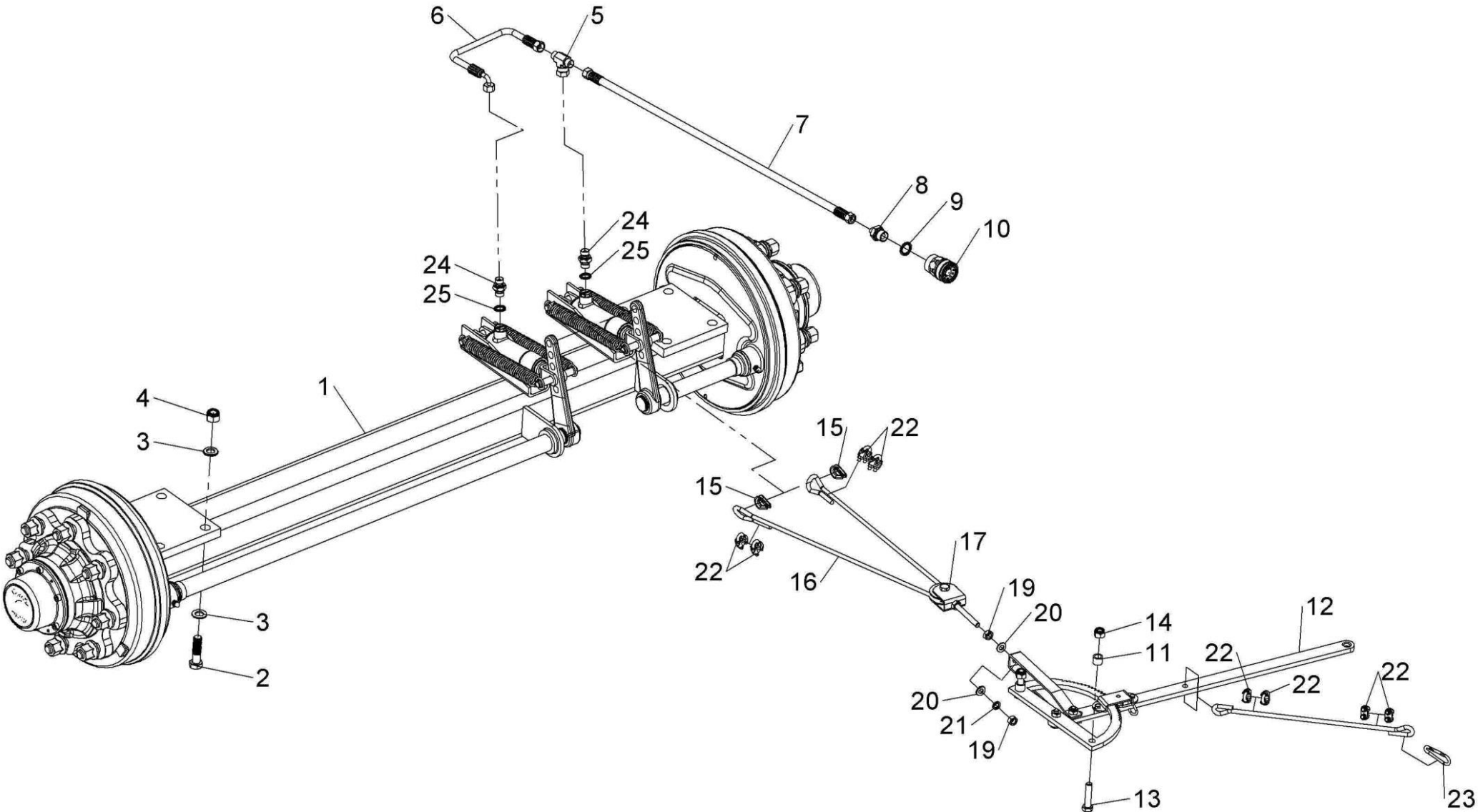
**Shelbourne Reynolds Engineering Limited**

ASSY NUMBER: KIT-03433B				ASSY DESCRIPTION: HYDRAULIC BRAKED AXLE KIT			
ITEM	PART NO	DESCRIPTION	QTY	ITEM	PART NO	DESCRIPTION	QTY
1	AXL-00056	HYDRAULIC BRAKED AXLE ASSY	1				
2	BLT-2312	HEX.HEAD BOLT	8				
3	WSH-0024	WASHER	16				
4	NUT-0271	NUT	8				
5	FITA10140	HYDRAULIC TEE FITTING	1				
6	HHBC03205	HYDRAULIC HOSE ASSY	1				
7	HHBC64005	HYD. HOSE	1				
8	HMA-0055	HYD ADAPTOR	1				
9	WSH-1015	DOWTY WASHER	1				
10	HQR-10007	HYD.QUICK RELEASE COUP.	1				
11	610923 01	SPACER	2				
12	590222 01	HANDBRAKE LEVER ASSY	1				
13	HSS-0275	SET SCREW	2				
14	WSH-0018	WASHER	2				
15	NUT-0269	NUT	2				
16	WRP-01040	WIRE CABLE THIMBLE	2				
17	WRP-00040	WIRE CABLE	4.75				
18	ADL-00120	ADJUSTER ASSY	1				
19	HSS-0155	SET SCREW	1				
20	NUT-0164	NUT	2				
21	WSH-0012	WASHER	2				
22	WSH-0058	WASHER	1				
23	WRP-02040	WIRE CABLE CLAMP	8				
24	WRP-03000	SNAPHOOK	1				
25	HMA-0057	HYD ADAPTOR	2				
26	WSH-1010	DOWTY WASHER	2				



**Shelbourne Reynolds Engineering Limited**

ASSY NUMBER: KIT-03433C				ASSY DESCRIPTION: HYDRAULIC BRAKED AXLE KIT			
ITEM	PART NO	DESCRIPTION	QTY	ITEM	PART NO	DESCRIPTION	QTY
1	AXL-00057	HYDRAULIC BRAKED AXLE	1				
2	BLT-2312	HEX HD BOLT	8				
3	WSH-0024	WASHER	16				
4	NUT-0271	NUT	8				
5	FITA10140	HYDRAULIC TEE FITTING	1				
6	HHBC03205	HYD HOSE	1				
7	HHBC64005	HYD HOSE	1				
8	HMA-0055	HYD ADAPTOR	1				
9	WSH-1015	DOWTY WASHER	1				
10	HQR-10007	HYD QUICK RELEASE COUPLING	1				
11	613621 01	SPACER	2				
12	BRA-14001	HANDBRAKE LEVER ASSY	1				
13	HSS-0265	SETSCREW	2				
OR	WSH-0018	WASHER	2				
14	NUT-0269	NUT	2				
15	WRP-01040	THIMBLE	2				
16	WRP-00040	CABLE	4.75				
17	BRA-14002	ADJUSTER ASSY	1				
18	SCW-0136	CP HD SCREW	1				
19	NUT-0167	NUT	2				
20	WSH-0015	WASHER	2				
21	WSH-0061	WASHER	1				
22	WRP-02040	CLAMP	8				
23	WRP-03000	SNAP HOOK	1				
24	HMA-0057	HYD ADAPTOR	2				
25	WSH-1010	DOWTY WASHER	2				



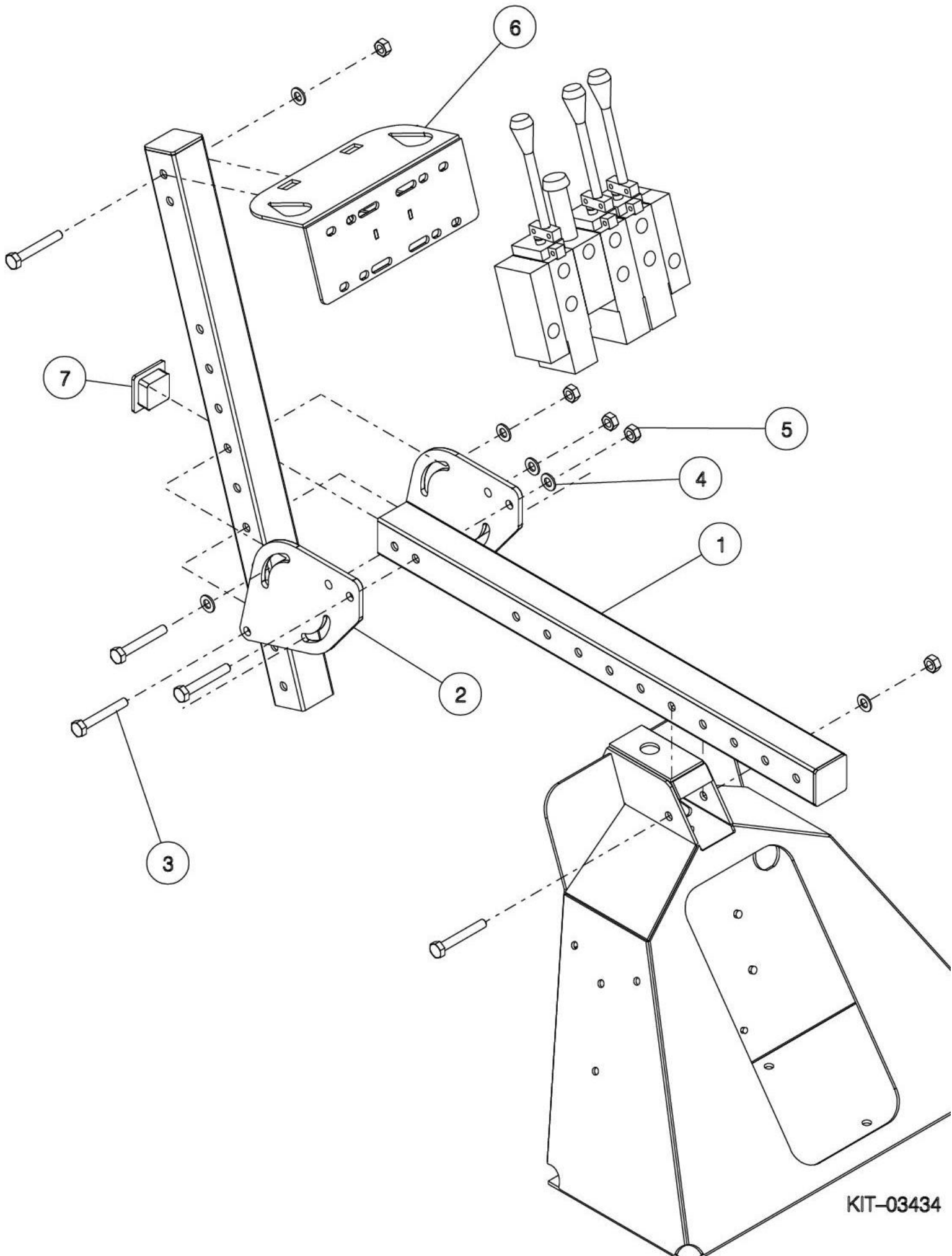
KIT-03433



**Shelbourne Reynolds Engineering Limited**

ASSY NUMBER: KIT-03434				ASSY DESCRIPTION: SPOOL VALVE LEVER ARM KIT			
ITEM	PART NO	DESCRIPTION	QTY	ITEM	PART NO	DESCRIPTION	QTY
1	613542 01	SUPPORT ARM	2				
2	613545 01	VALVE ADJUSTER PLATE	2				
3	BLTA10500	BOLT	9				
4	WSH-0015	WASHER	11				
5	NUT-0265	NUT	9				
6	613547 01	VALVE MTG BRKT	1				
7	CAP-0012	END CAP	3				

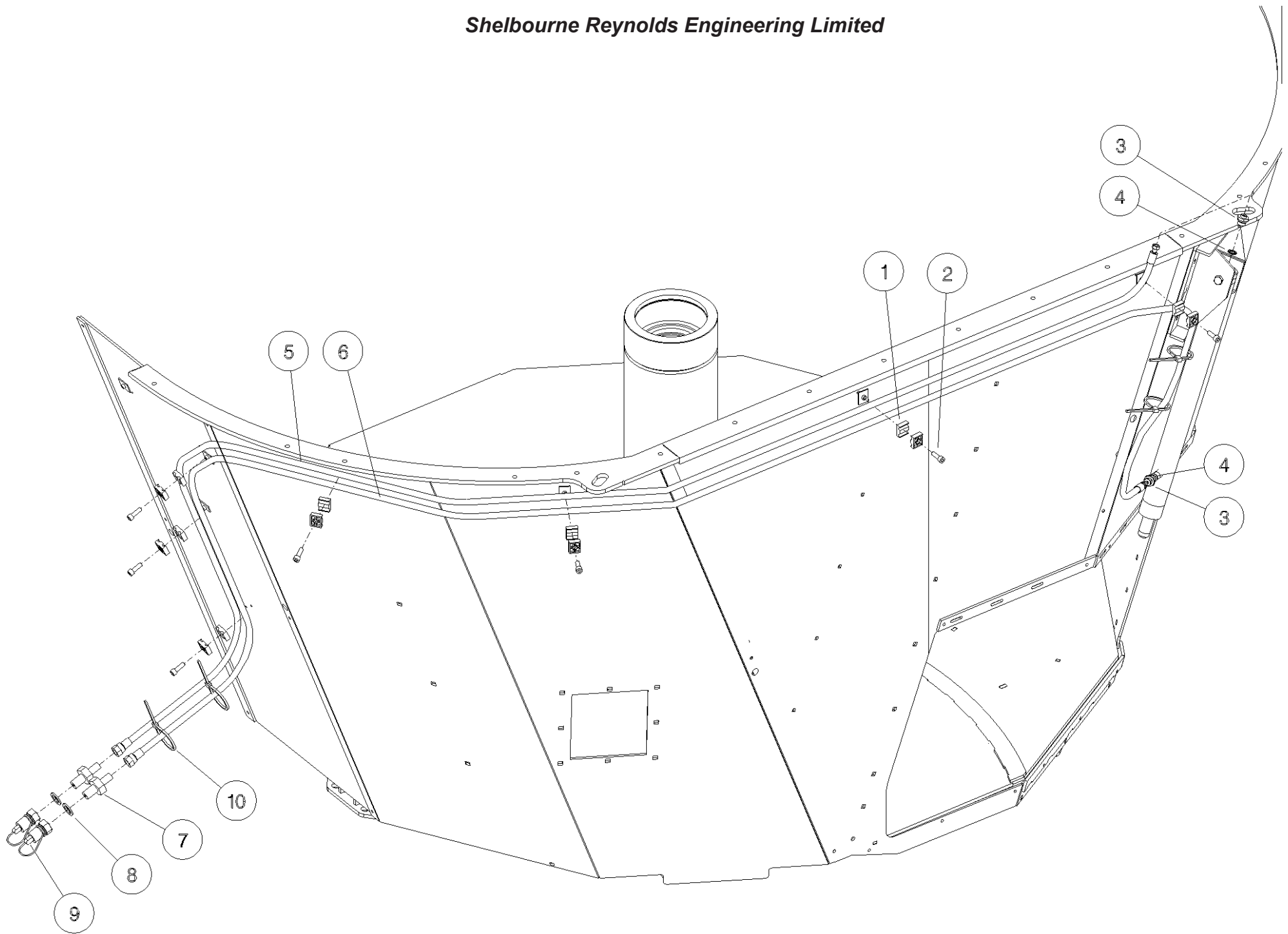




KIT-03434

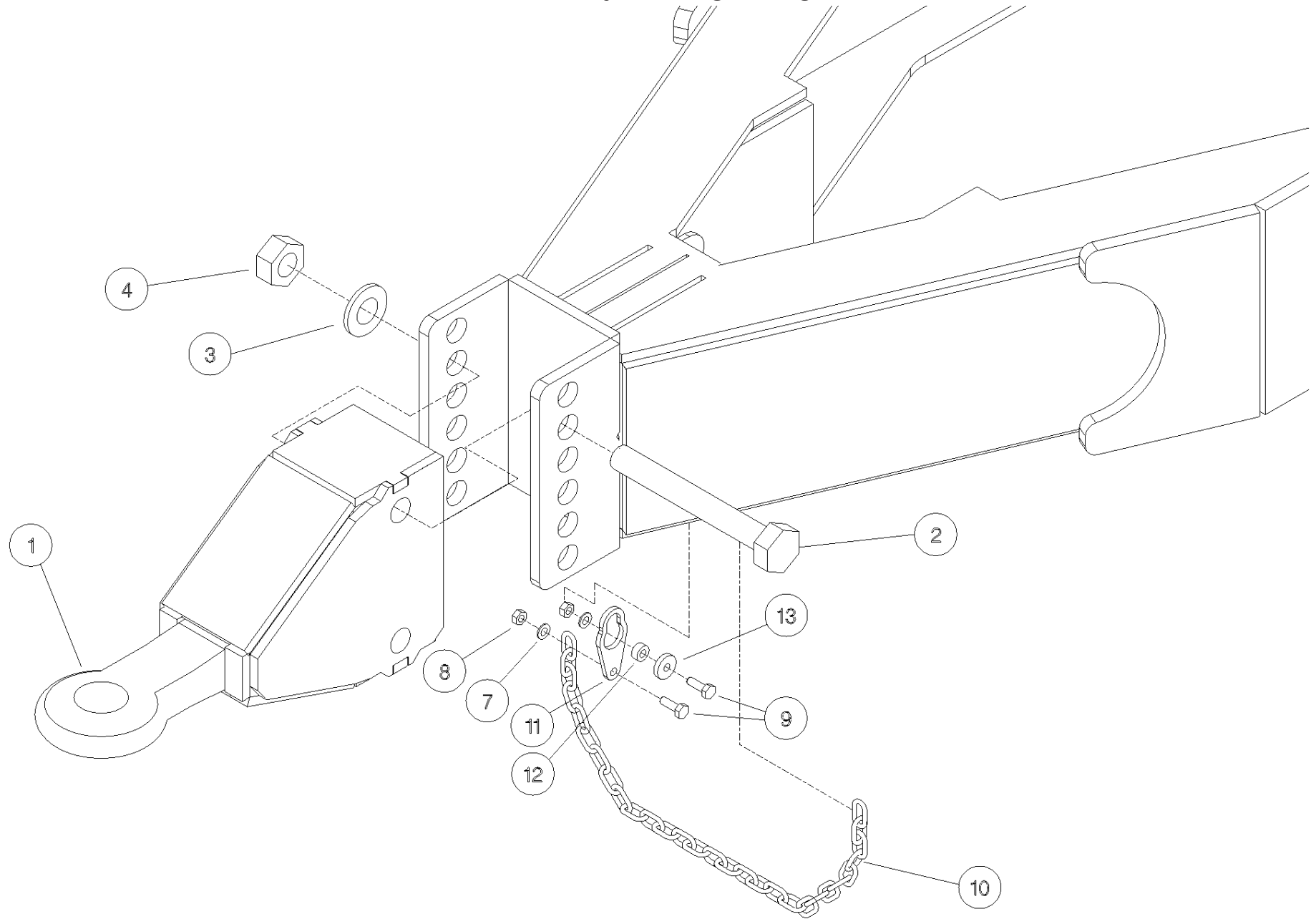
**Shelbourne Reynolds Engineering Limited**

ASSY NUMBER: KIT-03436				ASSY DESCRIPTION: DIRECT COUPLED LH DOOR HYDRAULICS KIT			
ITEM	PART NO	DESCRIPTION	QTY	ITEM	PART NO	DESCRIPTION	QTY
1	HCPD01200	PIPE CLAMP	7				
2	SCW-0083	CP HD SCREW	7				
3	HMA-0052	M/M ADAPTOR	2				
4	WSH-1005	DOWTY WASHER	2				
5	HHBC67105	HOSE ASSY	1				
6	HHBC73005	HOSE ASSY	1				
7	HMA-0055	M/M ADAPTOR	2				
8	WSH-1015	DOWTY WASHER	2				
9	COU-0162	QUICK REL COUPLING	2				
10	TIE-0004	TIE WRAP	4				



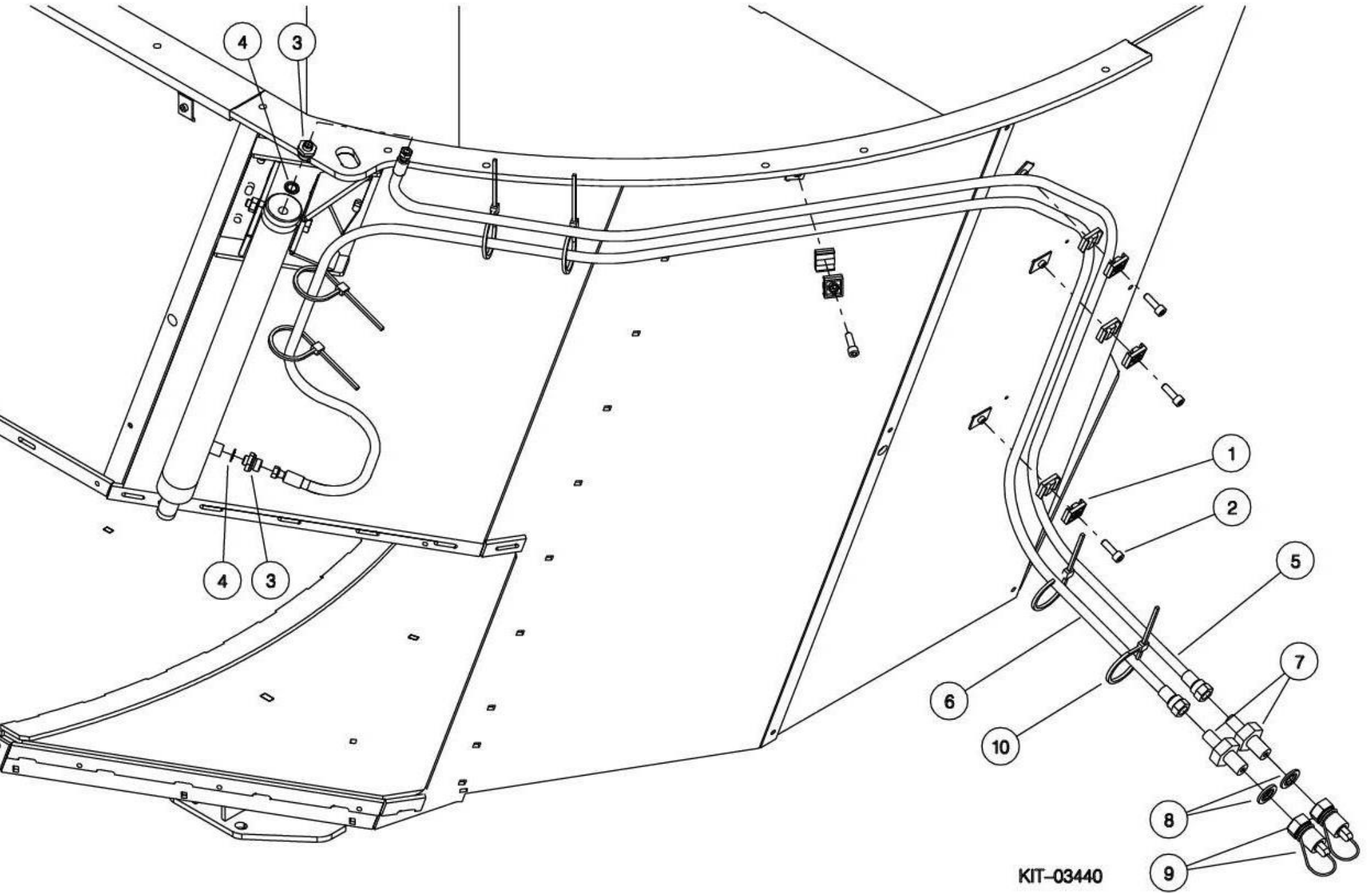
**Shelbourne Reynolds Engineering Limited**

ASSY NUMBER: KIT-03439				ASSY DESCRIPTION: CONTINENTAL TOW EYE KIT			
ITEM	PART NO	DESCRIPTION	QTY	ITEM	PART NO	DESCRIPTION	QTY
1	613658 01	CONTINENTAL TOW EYE	1				
2	BLTA20770	HEXAGON HEAD BOLT	2				
3	WSH-0030	PLAIN WASHER	4				
4	NUTA02200	NYLOC NUT	4				
7	WSH-0009	PLAIN WASHER	4				
8	NUT-0260	NYLOC NUT	4				
9	HSS-0092	SET SCREW	2				
10	CHN-0145	CHAIN (MT)	0.7				
11	613977 01	CHAIN HOOK PLATE	1				
12	190548 48	WASHER	1				
13	190548 49	WASHER	1				



**Shelbourne Reynolds Engineering Limited**

ASSY NUMBER: KIT-03440				ASSY DESCRIPTION: DIRECT COUPLED RH DOOR HYDRAULICS KIT			
ITEM	PART NO	DESCRIPTION	QTY	ITEM	PART NO	DESCRIPTION	QTY
1	HCPD01200	PIPE CLAMP	4				
2	SCW-0083	CP HD SCREW	4				
3	HMA-0052	M/M ADAPTOR	2				
4	WSH-1005	DOWTY WASHER	2				
5	HHBC49005	HOSE ASSY	1				
6	HHBC55005	HOSE ASSY	1				
7	HMA-0055	M/M ADAPTOR	2				
8	WSH-1015	DOWTY WASHER	2				
9	COU-0162	QUICK REL COUPLING	2				
10	TIE-0004	TIE WRAPS (MED)	6				

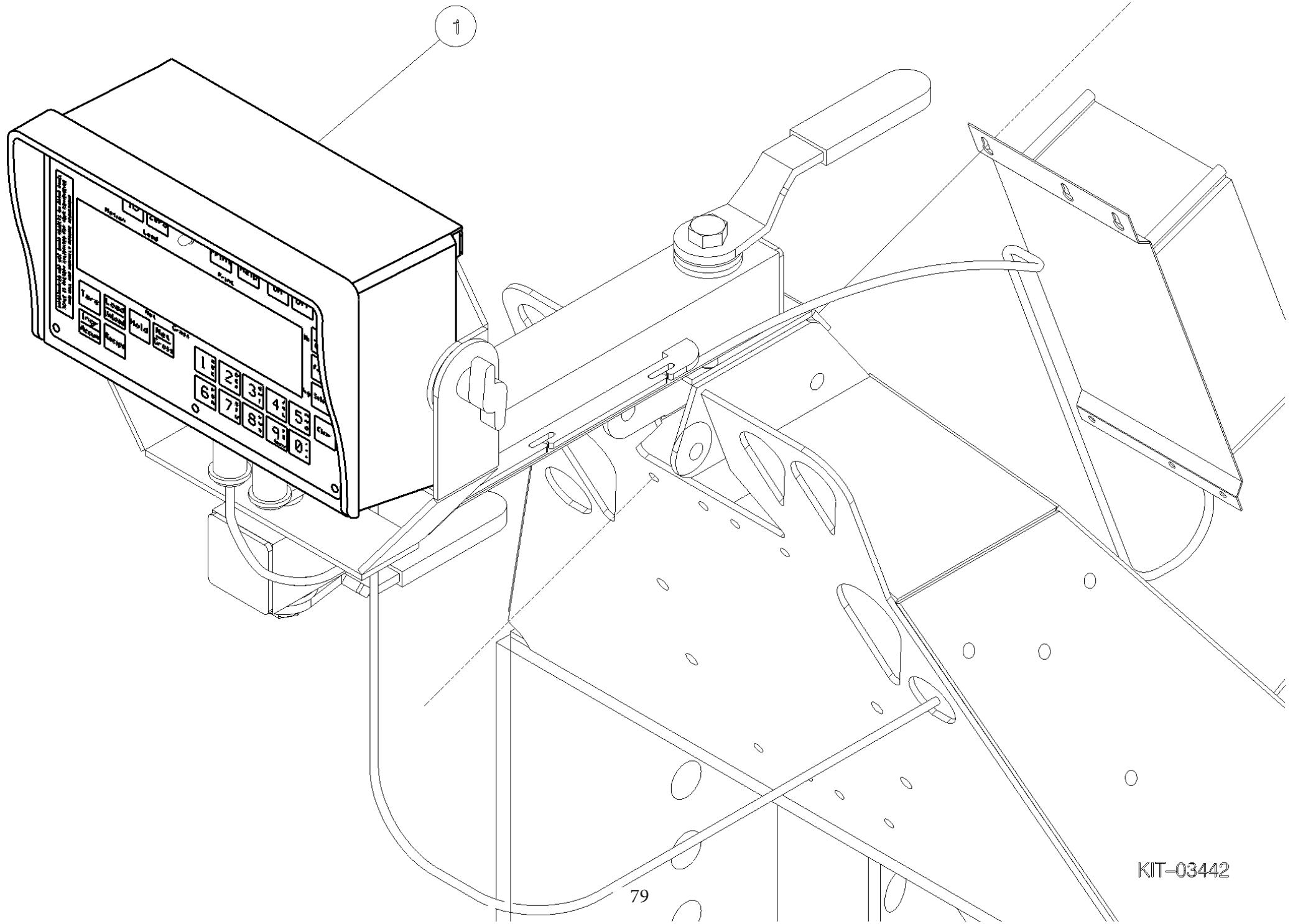


KIT-03440

**Shelbourne Reynolds Engineering Limited**

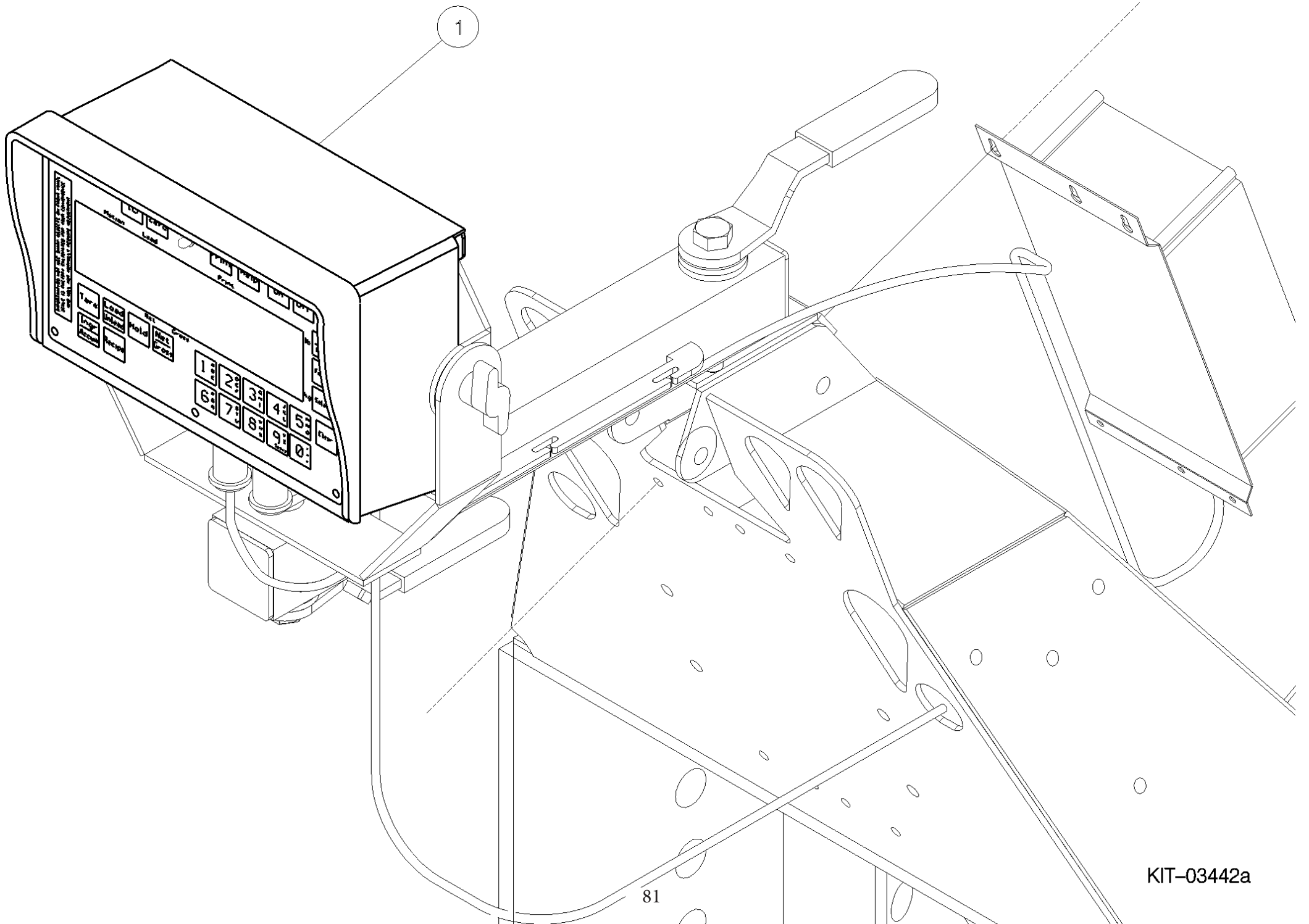
ASSY NUMBER: KIT-03442				ASSY DESCRIPTION: MID LEVEL EZ3200 INDICATOR KIT			
ITEM	PART NO	DESCRIPTION	QTY	ITEM	PART NO	DESCRIPTION	QTY
1	LCL-01216	EZ3200 INDICATOR	1				





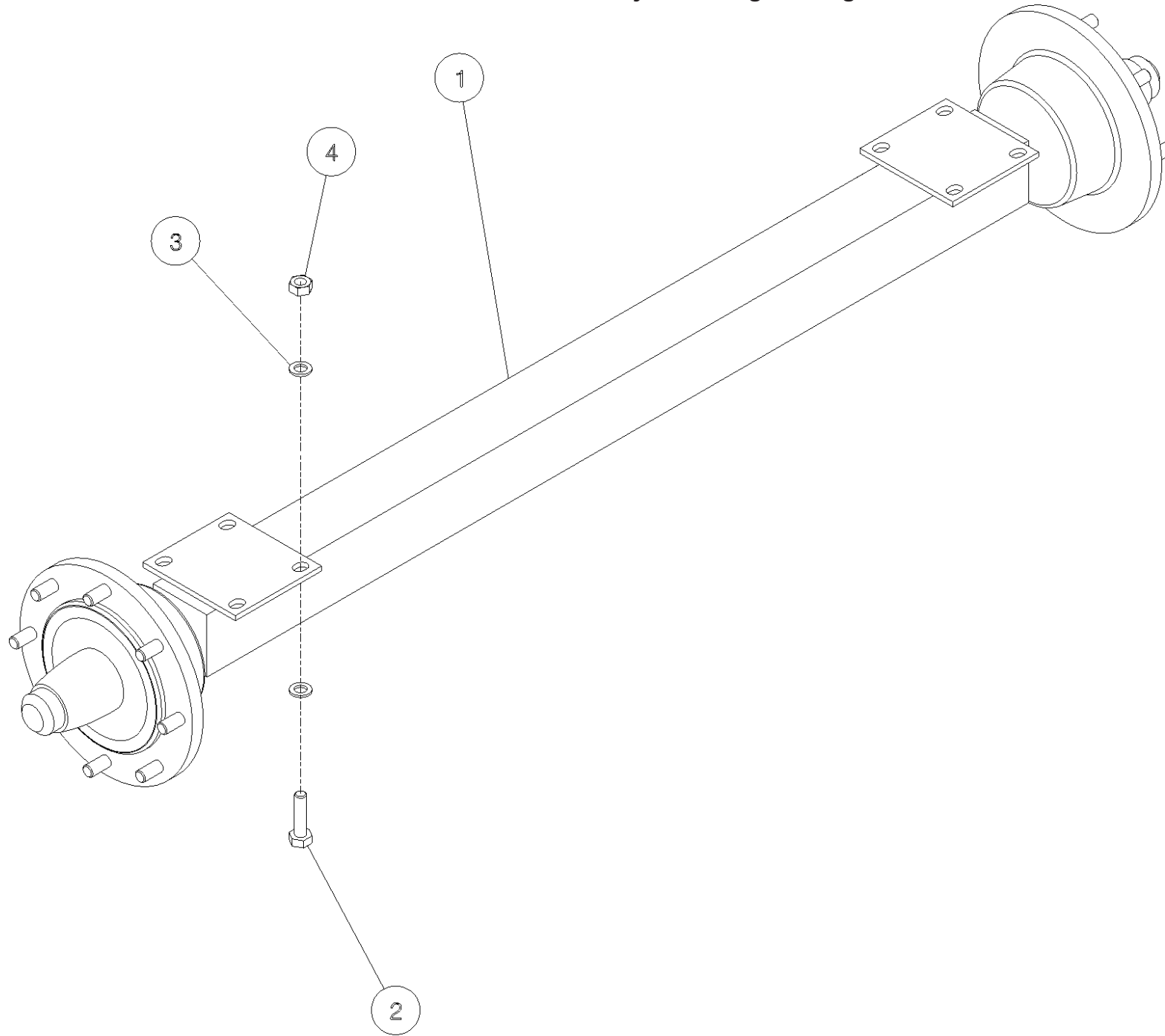
**Shelbourne Reynolds Engineering Limited**

ASSY NUMBER: KIT-03442A				ASSY DESCRIPTION: MID EZ3200V INDICATOR KITC/W REMOTE PORT			
ITEM	PART NO	DESCRIPTION	QTY	ITEM	PART NO	DESCRIPTION	QTY
1	LCL-01216a	EZ3200 INDICATOR	1				



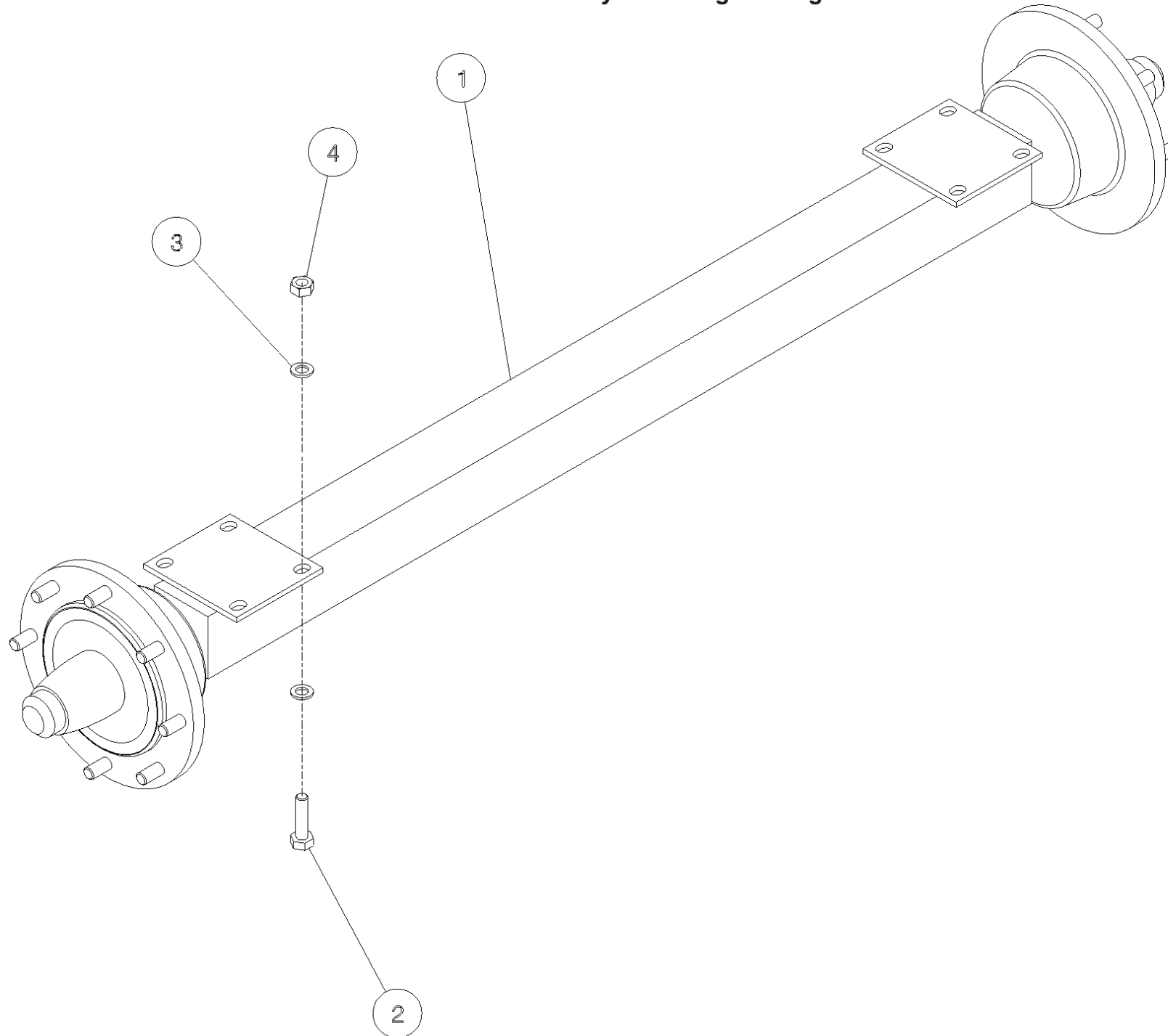
**Shelbourne Reynolds Engineering Limited**

ASSY NUMBER: KIT-03446				ASSY DESCRIPTION: UN-BRAKED AXLE KIT			
ITEM	PART NO	DESCRIPTION	QTY	ITEM	PART NO	DESCRIPTION	QTY
1	AXL-00103	UN-BRAKED AXLE ASSY	1				
2	BLT-2312	HEX.HEAD BOLT	8				
3	WSH-0024	PLAIN WASHER	16				
4	NUT-0271	NYLOC NUT	8				



**Shelbourne Reynolds Engineering Limited**

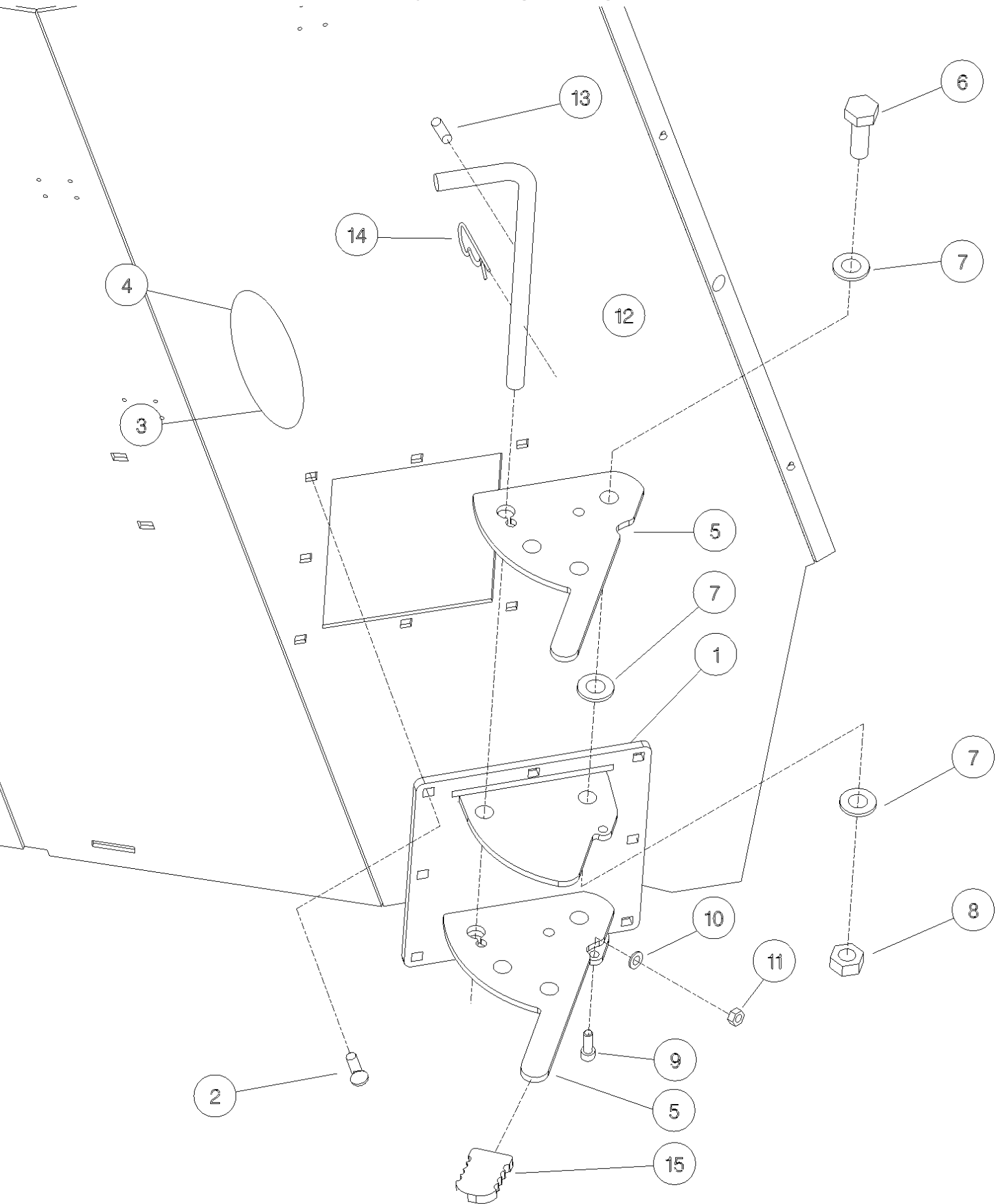
ASSY NUMBER: KIT-03446B				ASSY DESCRIPTION: UNBRAKED AXLE KIT			
ITEM	PART NO	DESCRIPTION	QTY	ITEM	PART NO	DESCRIPTION	QTY
1	AXL-00107	UNBRAKED AXLE ASSY	1				
2	BLT-2312	HEX.HEAD BOLT	8				
3	WSH-0024	WASHER	16				
4	NUT-0271	NUT	8				



**Shelbourne Reynolds Engineering Limited**

ASSY NUMBER: KIT-03447				ASSY DESCRIPTION: ANTI ROTATION BLADE KIT			
ITEM	PART NO	DESCRIPTION	QTY	ITEM	PART NO	DESCRIPTION	QTY
1	612983 01	BLADE MOUNTING ASSY	2				
2	BLTF12233	M12*35 COACHBOLT	16				
3	WSH-0018	PLAIN WASHER	16				
4	NUT-0269	NYLOC NUT	16				
5	612872 01	ANTI ROTATION BLADE	4				
6	HSS-0355	SETSCREW	4				
7	WSH-0030	PLAIN WASHER	12				
8	NUTA02200	NYLOC NUT	4				
9	SCW-0190	SOCKET CAP HEAD SCREW	4				
10	WSH-0015	PLAIN WASHER	4				
11	NUT-0265	NYLOC NUT	4				
12	612874 01	BLADE LOCKING SHAFT	2				
13	PIN-1783	ROLL PIN	2				
14	CLP-00106	R CLIP	2				
15	PTF-00025	HANDLE GRIP	4				

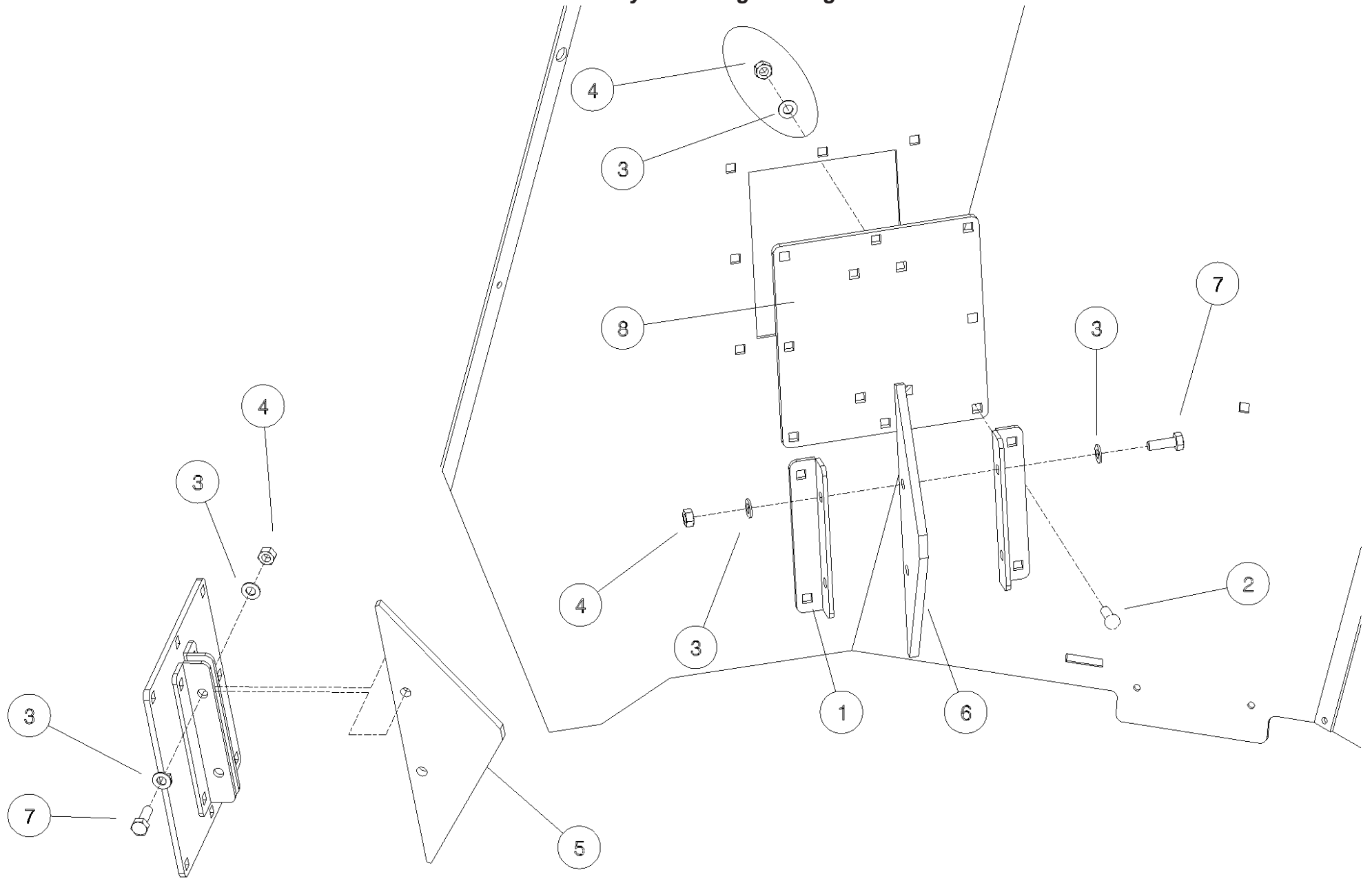




KIT - 03296  
KIT - 03447

**Shelbourne Reynolds Engineering Limited**

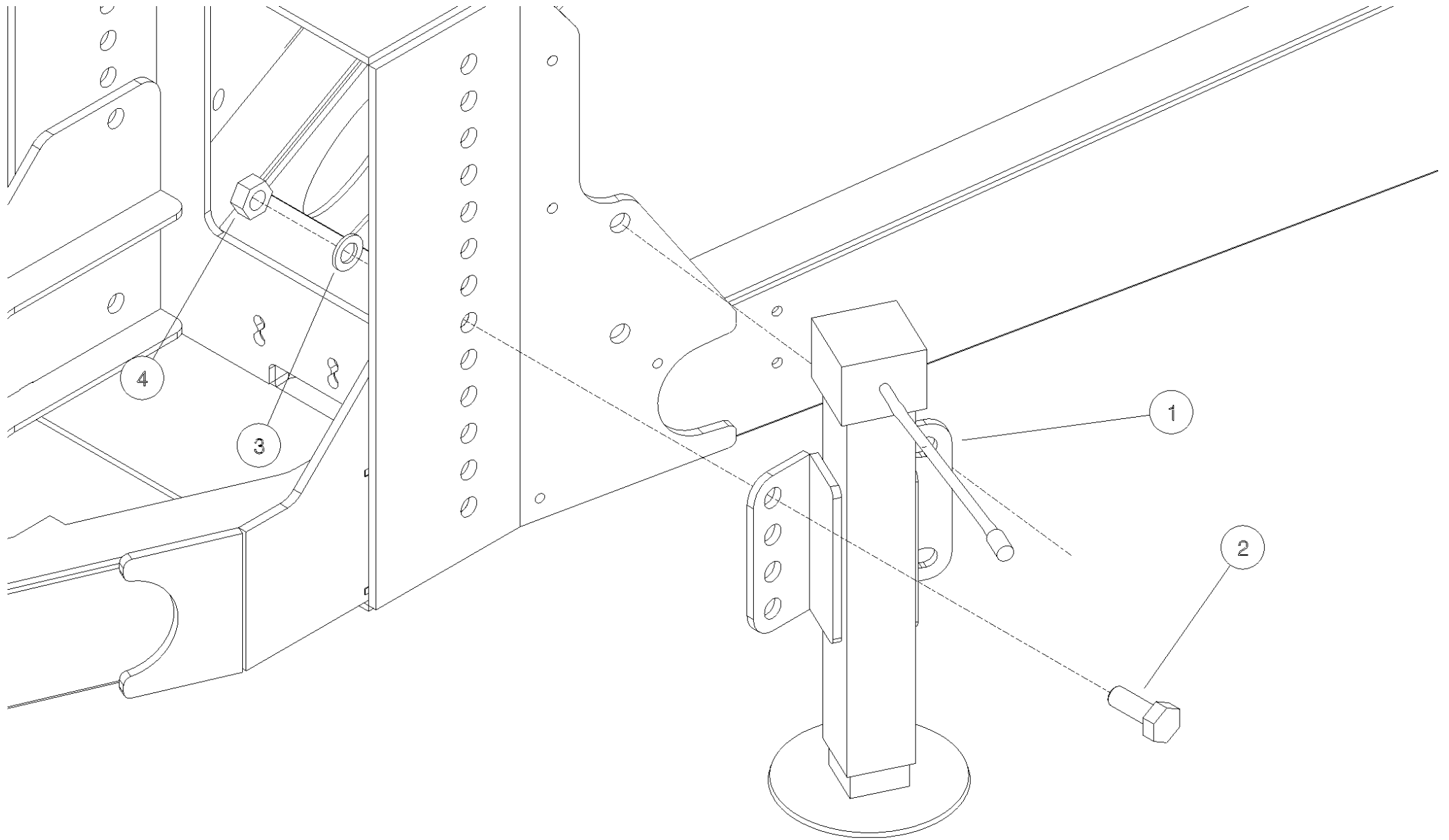
ASSY NUMBER: KIT-03448				ASSY DESCRIPTION: FIXED RETARDER KIT			
ITEM	PART NO	DESCRIPTION	QTY	ITEM	PART NO	DESCRIPTION	QTY
1	612489 01	ANTI-ROTATION BRKT	4				
2	BLTF12233	M12*35 COACHBOLT	24				
3	WSH-0018	PLAIN WASHER	28				
4	NUT-0269	NYLOC NUT	28				
5	610934 01	ANTI-ROTATION PLATE	1				
6	612490 01	SMALL ANTI-ROT PLATE	1				
7	HSS-0260	SET SCREW	4				
8	612866 01	BLANKING PLATE	2				



KIT - 03298  
KIT - 03448

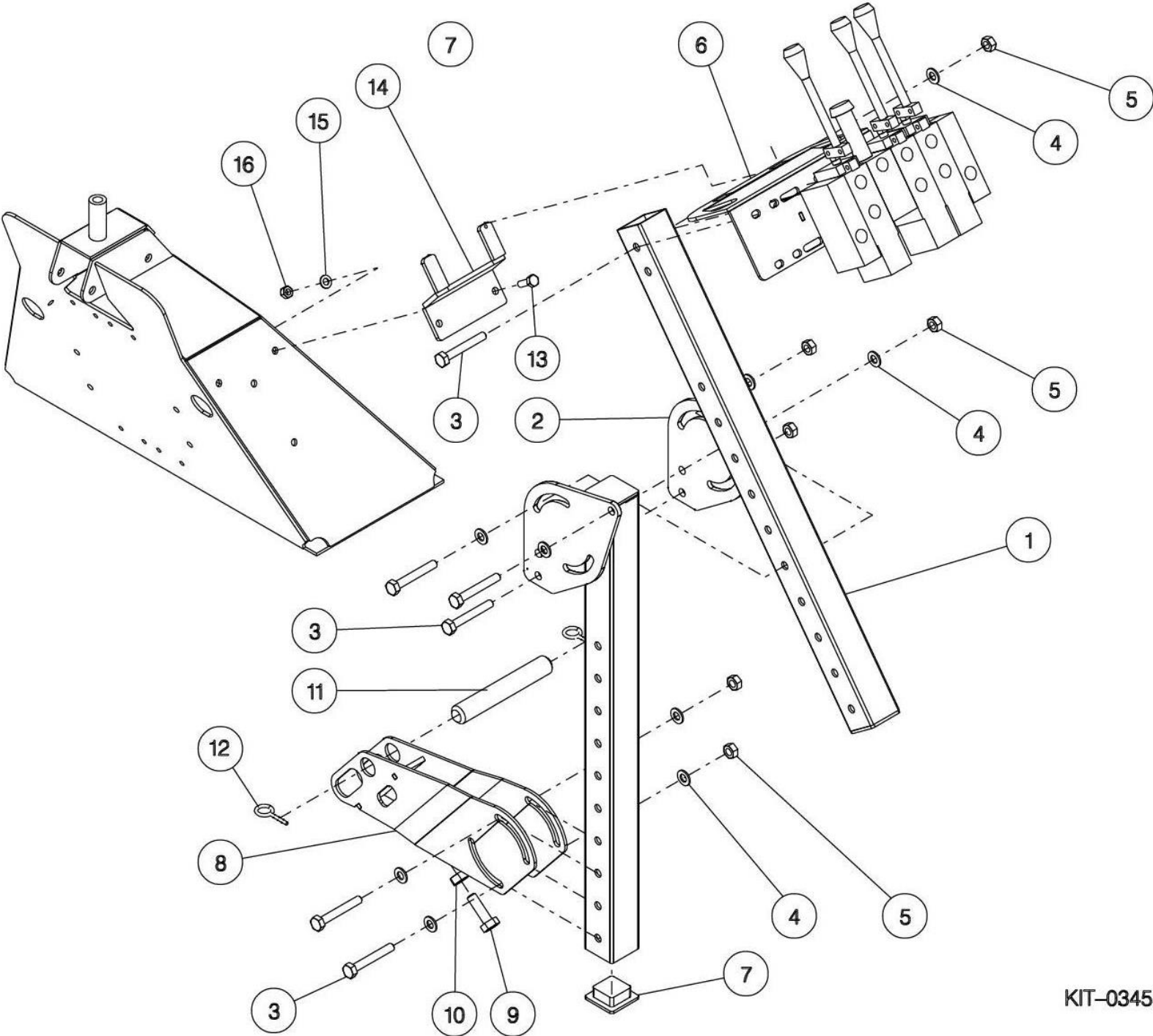
**Shelbourne Reynolds Engineering Limited**

ASSY NUMBER: KIT-03449				ASSY DESCRIPTION: MECHANICAL JACK KIT			
ITEM	PART NO	DESCRIPTION	QTY	ITEM	PART NO	DESCRIPTION	QTY
1	613709 01	JACK WELD ASSY	1				
2	HSS-0410	SETSCREW	4				
3	WSH-0036	WASHER	4				
4	NUT-0275	NUT	4				



**Shelbourne Reynolds Engineering Limited**

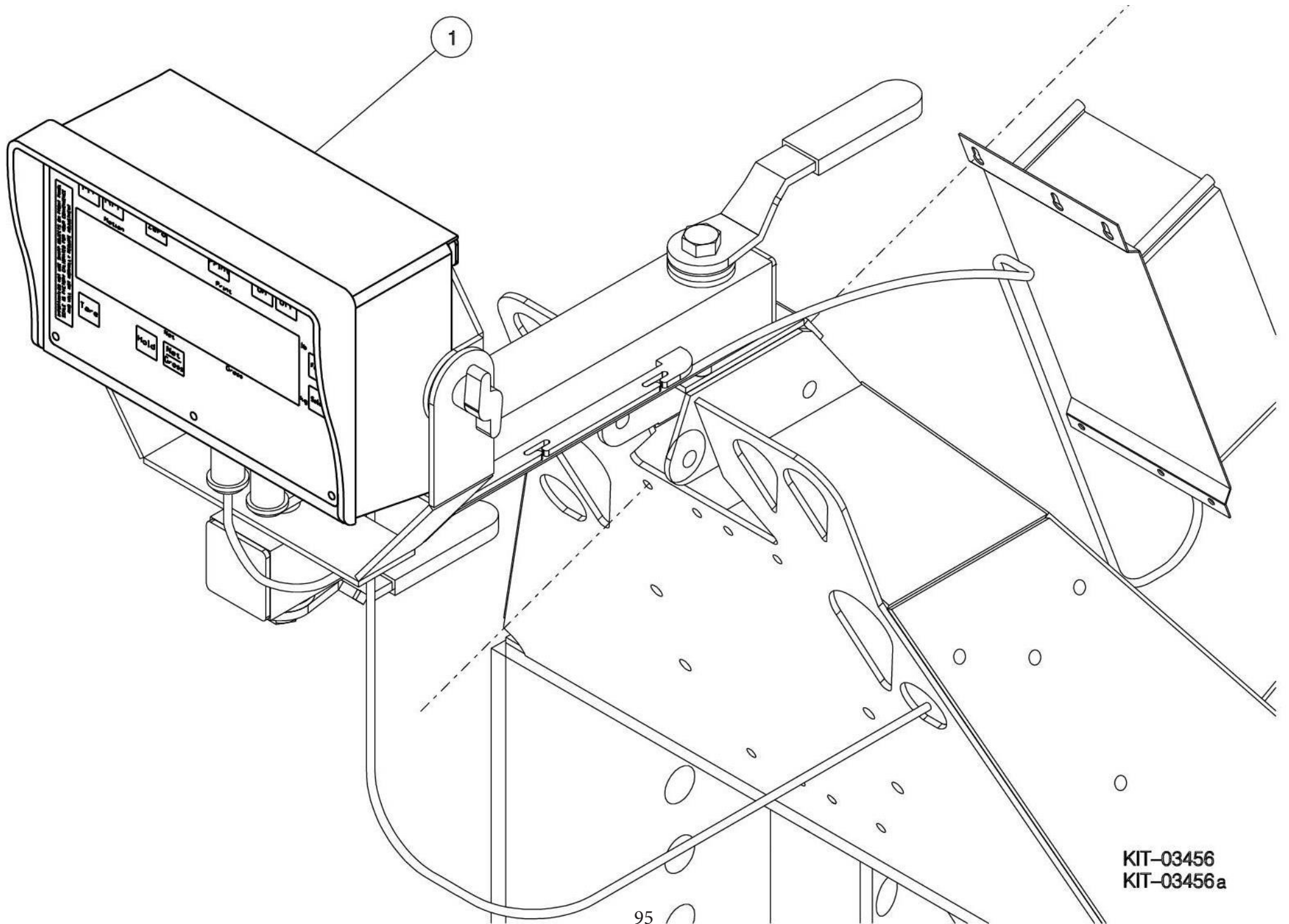
ASSY NUMBER: KIT-03455				ASSY DESCRIPTION: TRACTOR MOUNTED SPOOL VALVE KIT			
ITEM	PART NO	DESCRIPTION	QTY	ITEM	PART NO	DESCRIPTION	QTY
1	613542 01	SUPPORT ARM	2				
2	613545 01	VALVE ADJUSTER PLATE	2				
3	BLTA10500	BOLT	9				
4	WSH-0015	PLAIN WASHER	13				
5	NUT-0265	NYLOC NUT	9				
6	613547 01	VALVE MTG BRKT	1				
7	CAP-0012	END CAP	3				
8	613982 01	SUPPORT ARM	1				
9	HSS-0250	SET SCREW	1				
10	NUT-0170	PLAIN NUT	1				
11	611680 01	PIN	1				
12	PIN-01950	LYNCH PIN	2				
13	HSS-0145	SET SCREW	2				
14	613771 01	DOCKING BRKT	1				
15	WSH-0012	PLAIN WASHER	2				
16	NUT-0263	NYLOC NUT	2				



**Shelbourne Reynolds Engineering Limited**

ASSY NUMBER: KIT-03456				ASSY DESCRIPTION: BASIC EZ2000V INDICATOR KIT			
ITEM	PART NO	DESCRIPTION	QTY	ITEM	PART NO	DESCRIPTION	QTY
1	LCL-01217	EZ2000V INDICATOR	1				

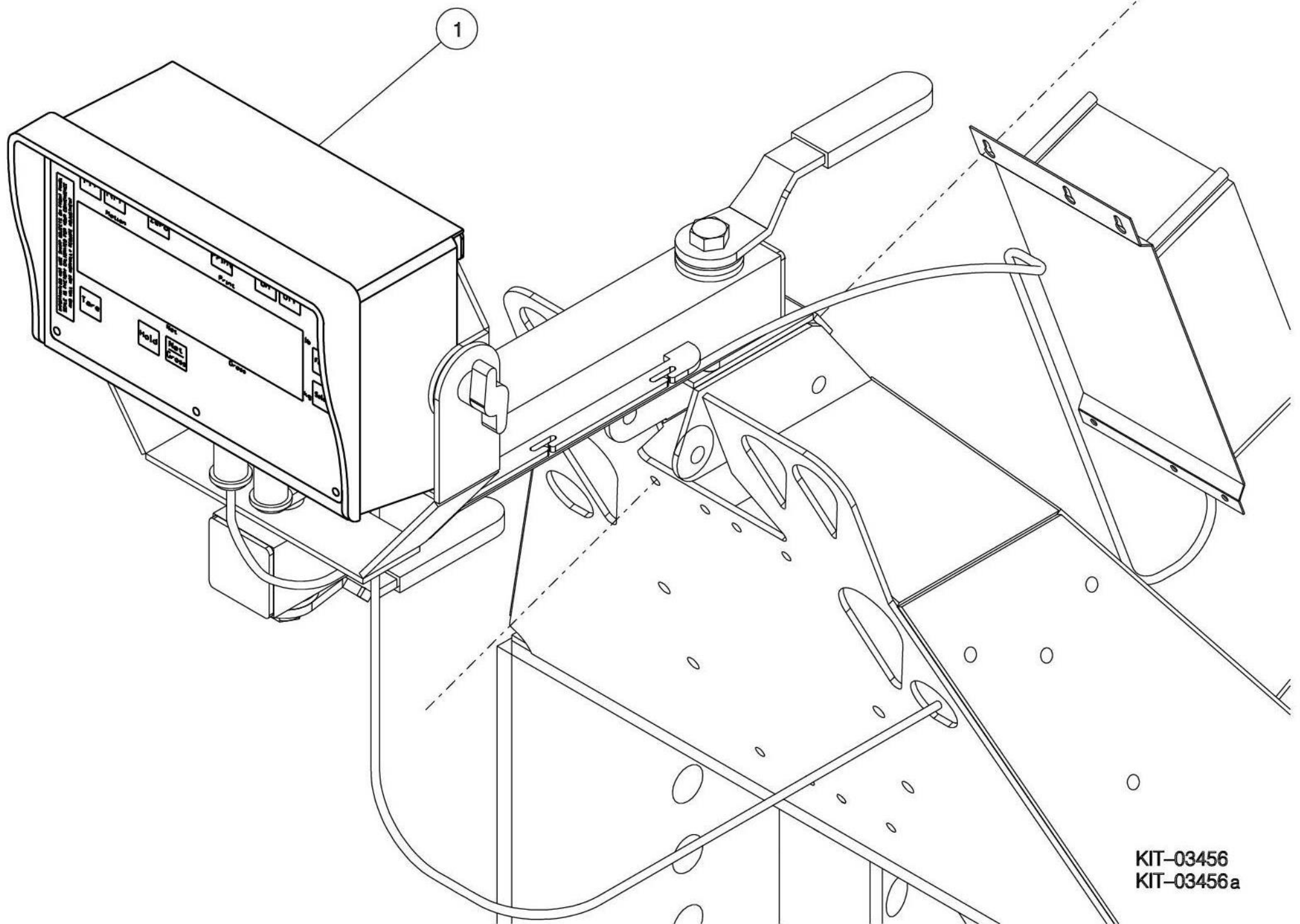




KIT-03456  
KIT-03456a

**Shelbourne Reynolds Engineering Limited**

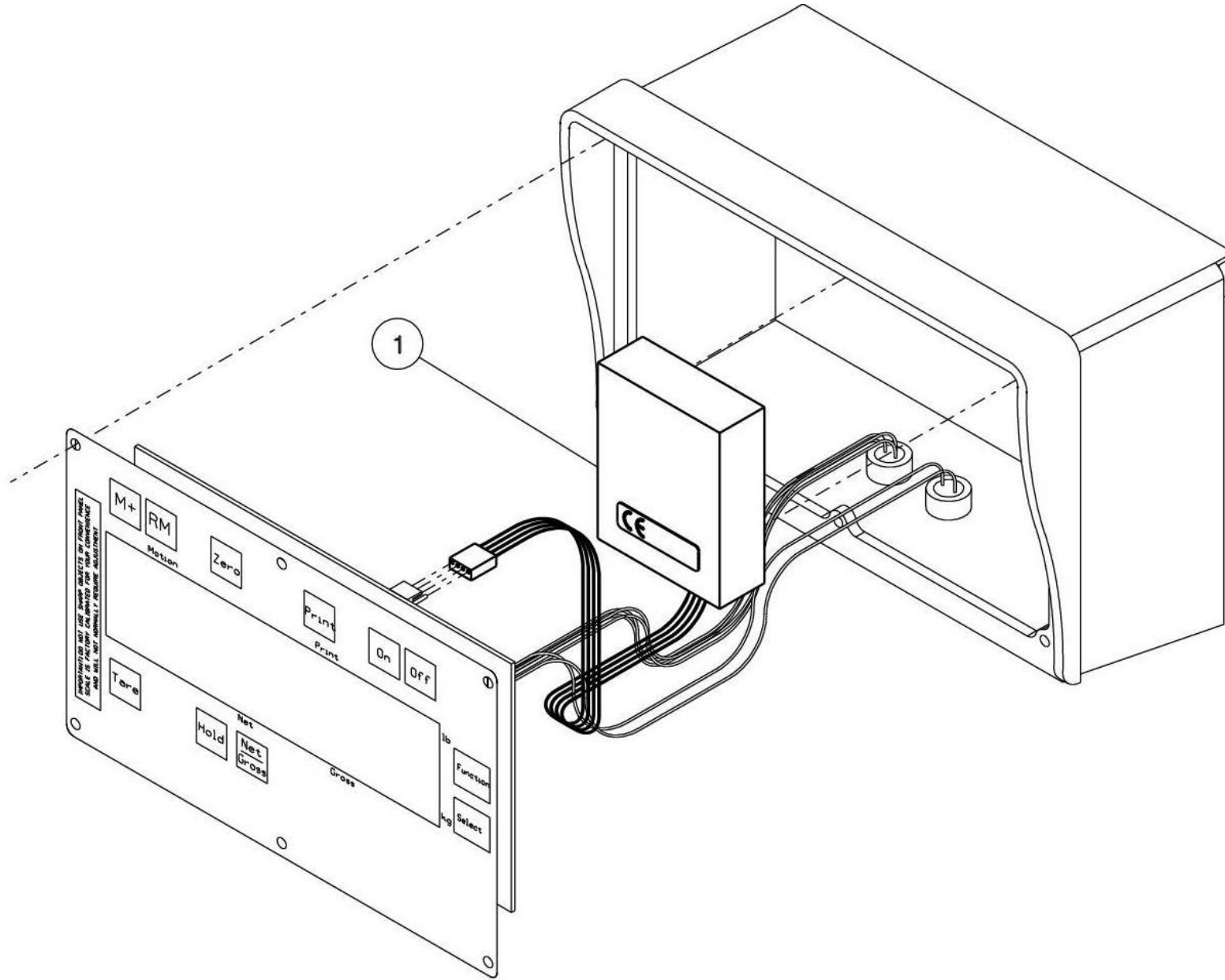
ASSY NUMBER: KIT-03456a				ASSY DESCRIPTION: BASIC EZ2000V INDICATOR KIT			
ITEM	PART NO	DESCRIPTION	QTY	ITEM	PART NO	DESCRIPTION	QTY
1	LCL-01217	EZ2000V INDICATOR WITH REMOTE DISPLAY PORT	1				



KIT-03456  
KIT-03456a

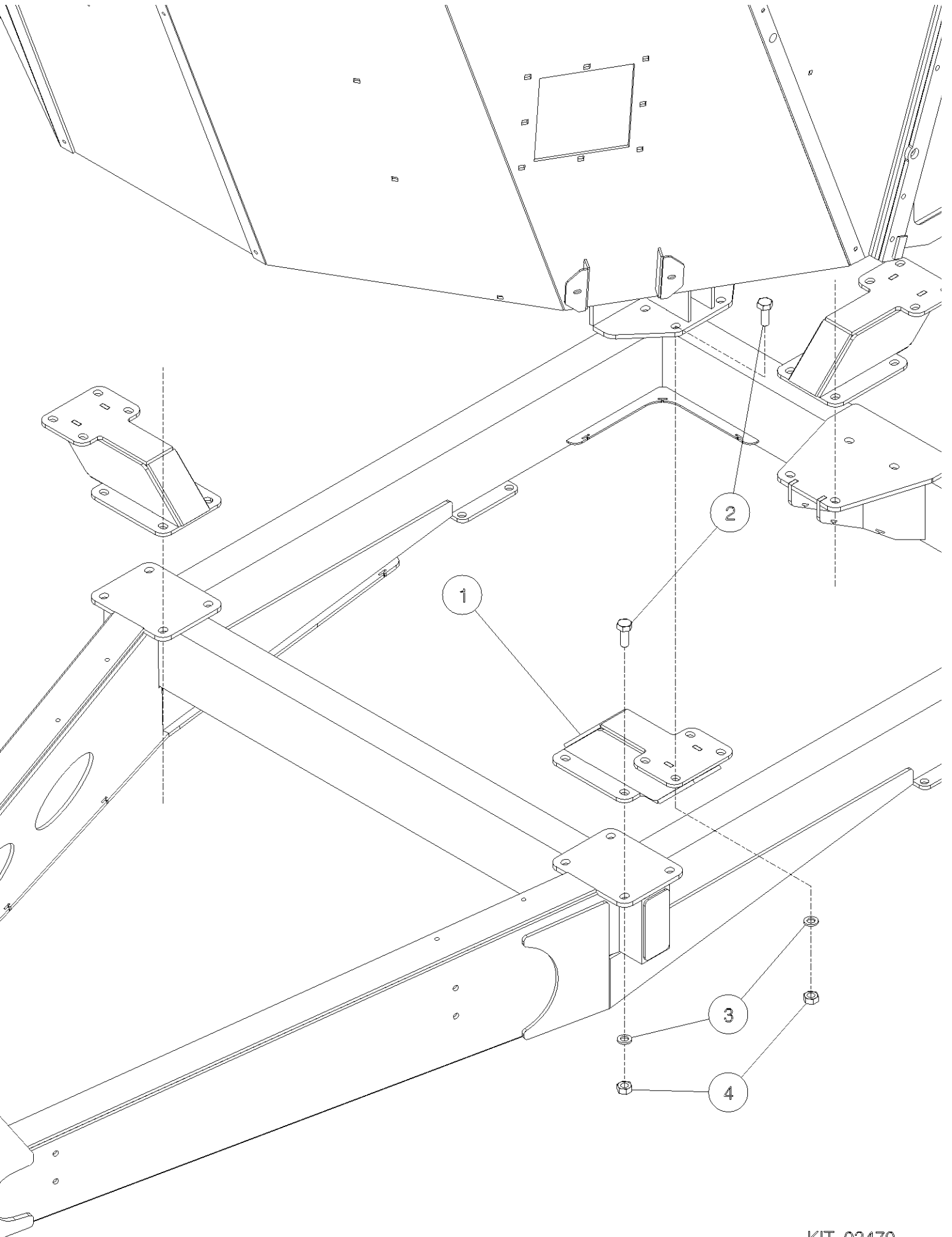
**Shelbourne Reynolds Engineering Limited**

ASSY NUMBER: KIT-03467				ASSY DESCRIPTION: REMOTE ZERO FUNCTION KIT			
ITEM	PART NO	DESCRIPTION	QTY	ITEM	PART NO	DESCRIPTION	QTY
1	LCL-01226	REMOTE ZERO FUNCTION	1				



**Shelbourne Reynolds Engineering Limited**

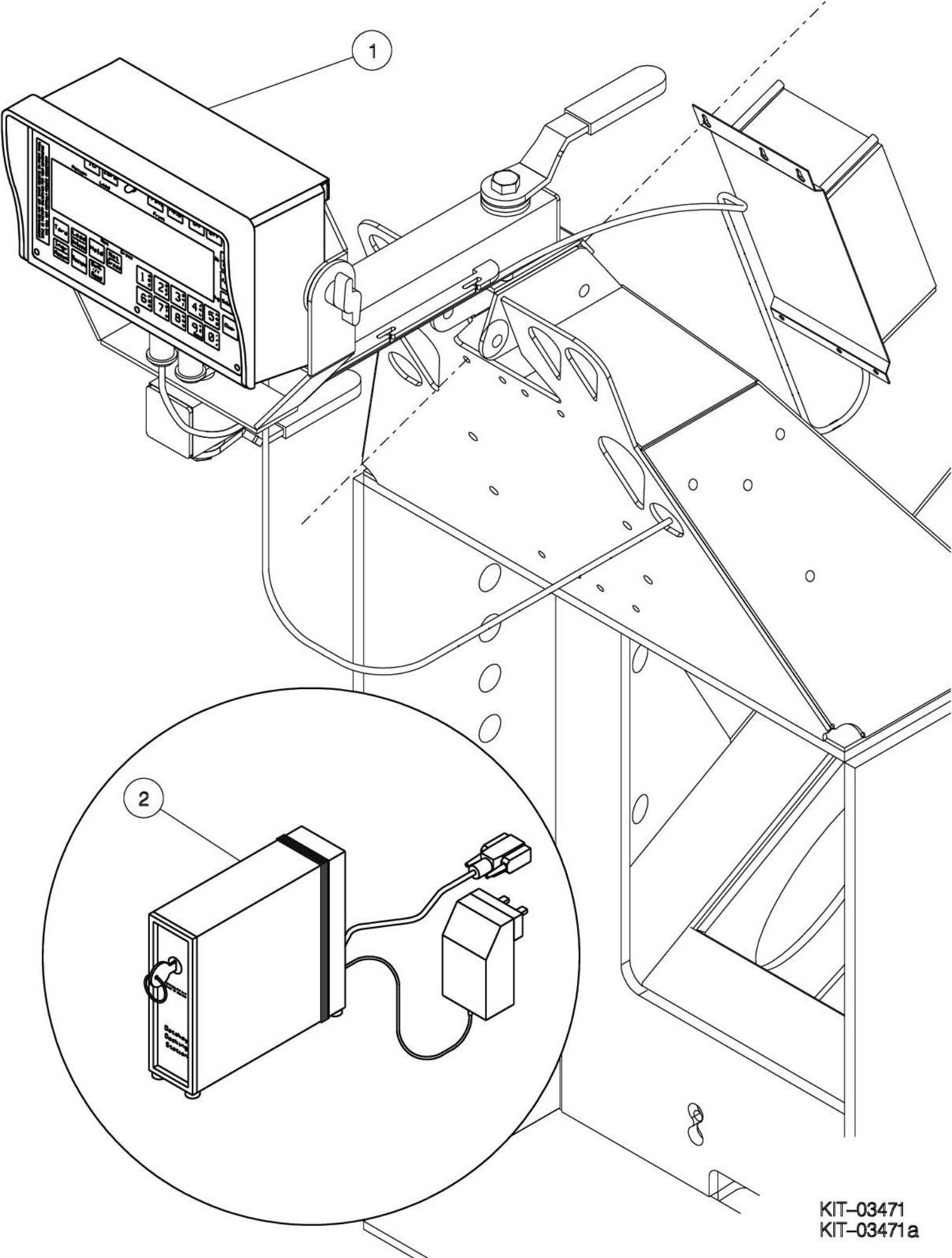
ASSY NUMBER: KIT-03470				ASSY DESCRIPTION: DUMMY WEIGH CELL KIT (SINGLE AUGER)			
ITEM	PART NO	DESCRIPTION	QTY	ITEM	PART NO	DESCRIPTION	QTY
1	613868 01	DUMMY LOADCELL	3				
2	HSS-0317	SETSCREW	24				
3	WSH-0024	WASHER	24				
4	NUT-0271	NUT	24				



**Shelbourne Reynolds Engineering Limited**

ASSY NUMBER: KIT-03471				ASSY DESCRIPTION: TOP LEVEL EZ3500 INDICATOR KIT			
ITEM	PART NO	DESCRIPTION	QTY	ITEM	PART NO	DESCRIPTION	QTY
1	LCL-01218	EZ3500 INDICATOR	1				
2	LCL-01219	SOFTWARE & DOCKING STATION WITH UK 3 PIN PLUG	1				

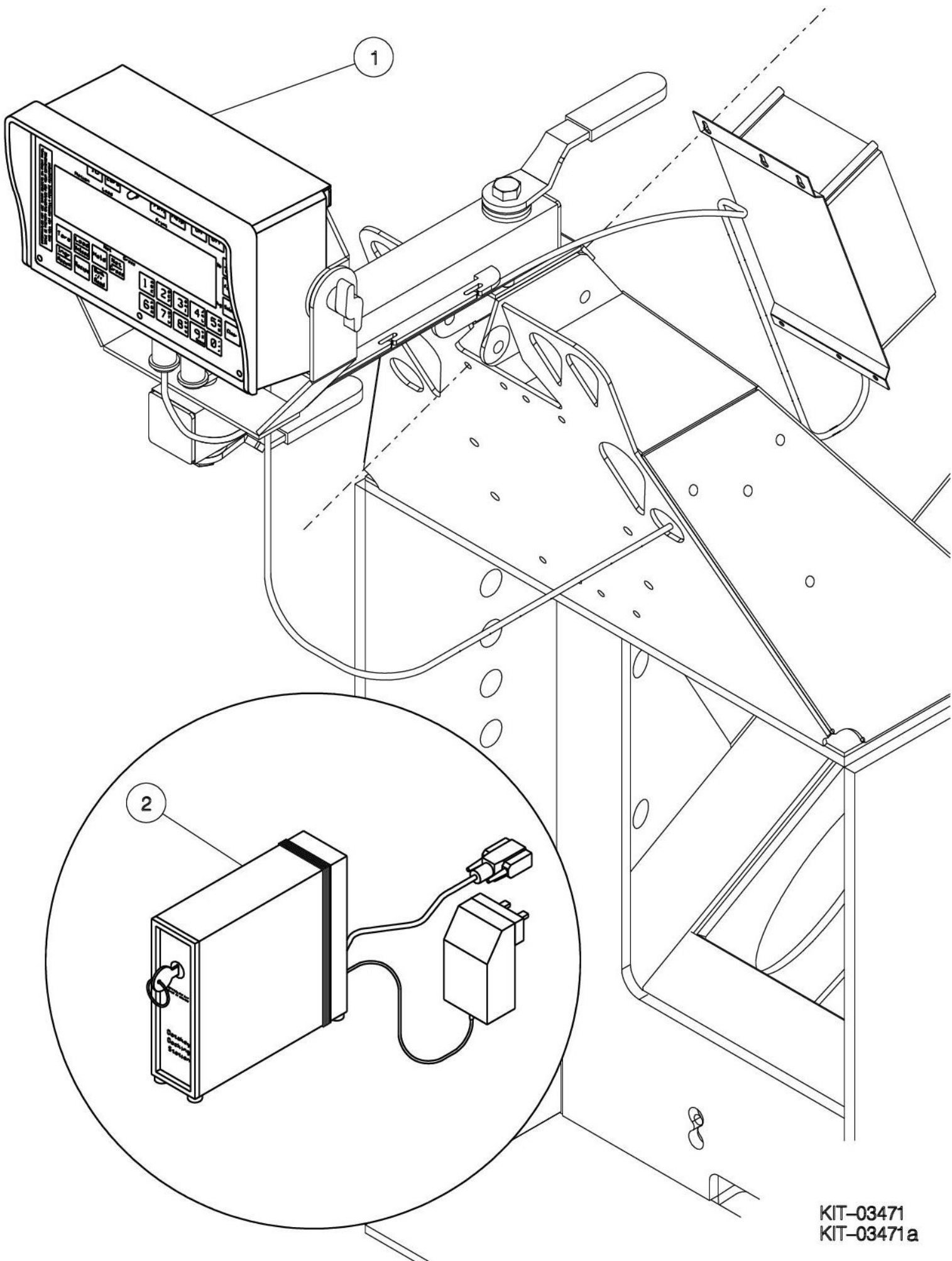




KIT-03471  
KIT-03471a

**Shelbourne Reynolds Engineering Limited**

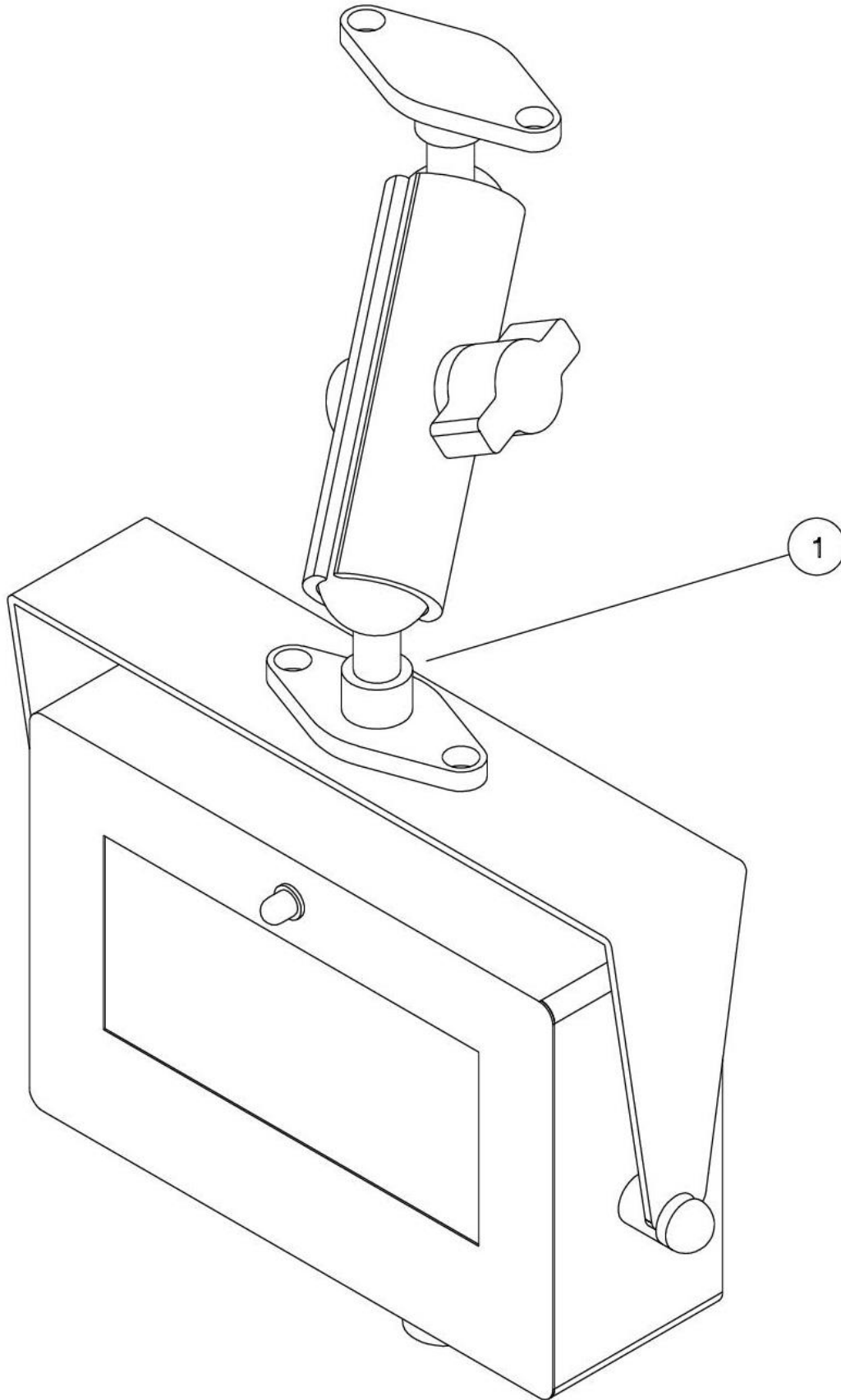
ASSY NUMBER: KIT-03471a				ASSY DESCRIPTION: TOP LEVEL EZ3500 INDICATOR KIT			
ITEM	PART NO	DESCRIPTION	QTY	ITEM	PART NO	DESCRIPTION	QTY
1	LCL-01218	EZ3500 INDICATOR	1				
2	LCL-01219	SOFTWARE & DOCKING STATION WITH CONTINENTAL PLUG	1				



KIT-03471  
KIT-03471a

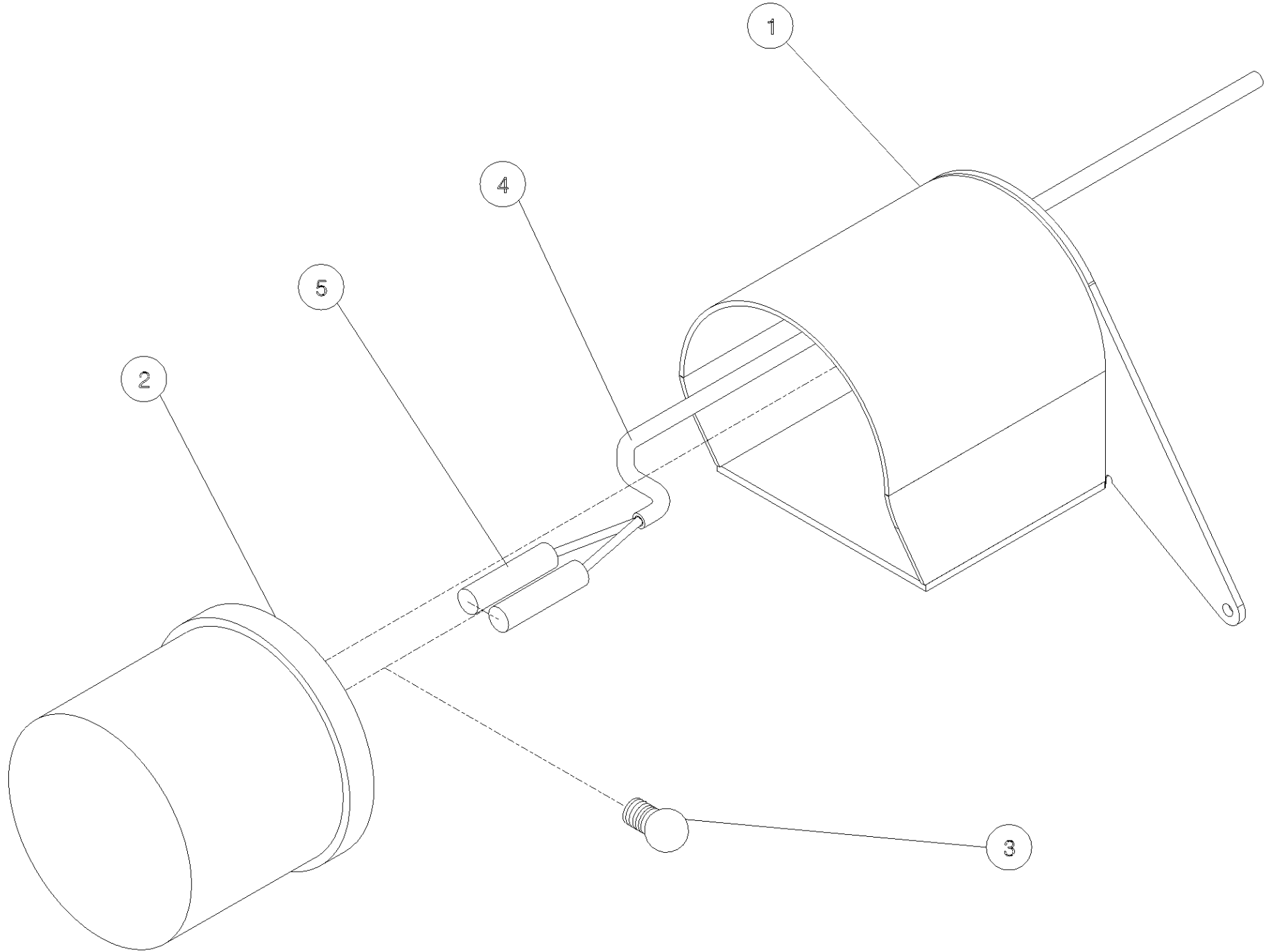
**Shelbourne Reynolds Engineering Limited**

ASSY NUMBER: KIT-03478				ASSY DESCRIPTION: RD100 DISPLAY KIT			
ITEM	PART NO	DESCRIPTION	QTY	ITEM	PART NO	DESCRIPTION	QTY
1	LCL-01227	RD100 REMOTE DISPLAY	1				



**Shelbourne Reynolds Engineering Limited**

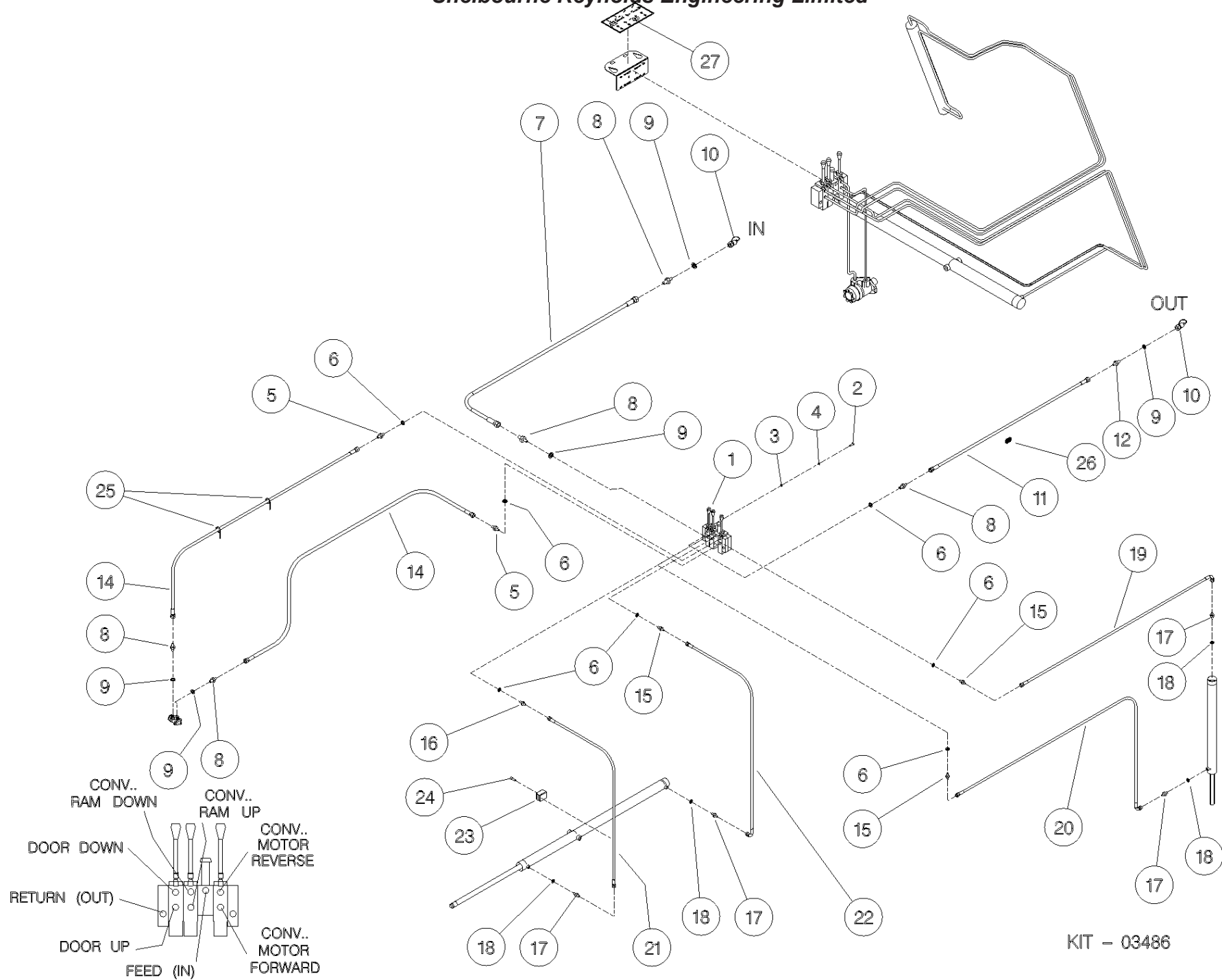
ASSY NUMBER: KIT-03483				ASSY DESCRIPTION: FLASHING LIGHT KIT			
ITEM	PART NO	DESCRIPTION	QTY	ITEM	PART NO	DESCRIPTION	QTY
1	613940 01	LIGHT BRACKET	1				
2	LMP-10502	INDICATOR LAMP	1				
3	BLB-0015	BULB (21W, 12V SINGLE POLE)	1				
4	CBL-03010	CABLE (2 CORE)	3.0m				
5	ETM-00630	ELEC BUTT TERMINAL	2				



**Shelbourne Reynolds Engineering Limited**

ASSY NUMBER: KIT-03486				ASSY DESCRIPTION: MANUAL SPOOL VALVE KIT, CHAIN AND SLAT			
ITEM	PART NO	DESCRIPTION	QTY	ITEM	PART NO	DESCRIPTION	QTY
1	HVB-09045	MANUAL SPOOL VALVE ASSEMBLY	1				
2	HSS-0135	SETSCREW	4				
3	WSH-0012	WASHER	4				
4	WSH-0058	WASHER	4				
5	HMA-0057	HYD ADAPTOR	2				
6	WSH-1010	DOWTY WASHER	7				
7	HHAE16005	3/8" HYD HOSE ASSY	1				
8	HMA-0065	HYD ADAPTOR	5				
9	WSH-1015	DOWTY WASHER	5				
10	COU-0162	QUICK RELEASE COUPLING	2				
11	HHAF16005	HYDRAULIC HOSE ASSY	1				
12	HMA-0067	HYD ADAPTOR	1				
14	HHDE45005	HYD.HOSE ASSY	2				
15	FIT-0025	HYD FITTING	3				
16	190859 01	HYD FITTING	1				
17	HMA-0052	HYD ADAPTOR	4				
18	WSH-1005	DOWTY WASHER	4				
19	HHBC73005	HYDRAULIC HOSE ASSY	1				
20	HHBC79005	HYDRAULIC HOSE ASSY	1				
21	HHBC45005	HYDRAULIC HOSE ASSY	1				
22	HHBC47005	HYDRAULIC HOSE ASSY	1				
23	HCPD01200	HYD.PIPE CLAMP	5				
24	SCW-0083	CAP HEAD SCREW	5				
25	TIE-0006	TIE WRAPS (LARGE)	30				
26	612230 01	EMBLEM	1				
27	612236 01	EMBLEM	1			K	

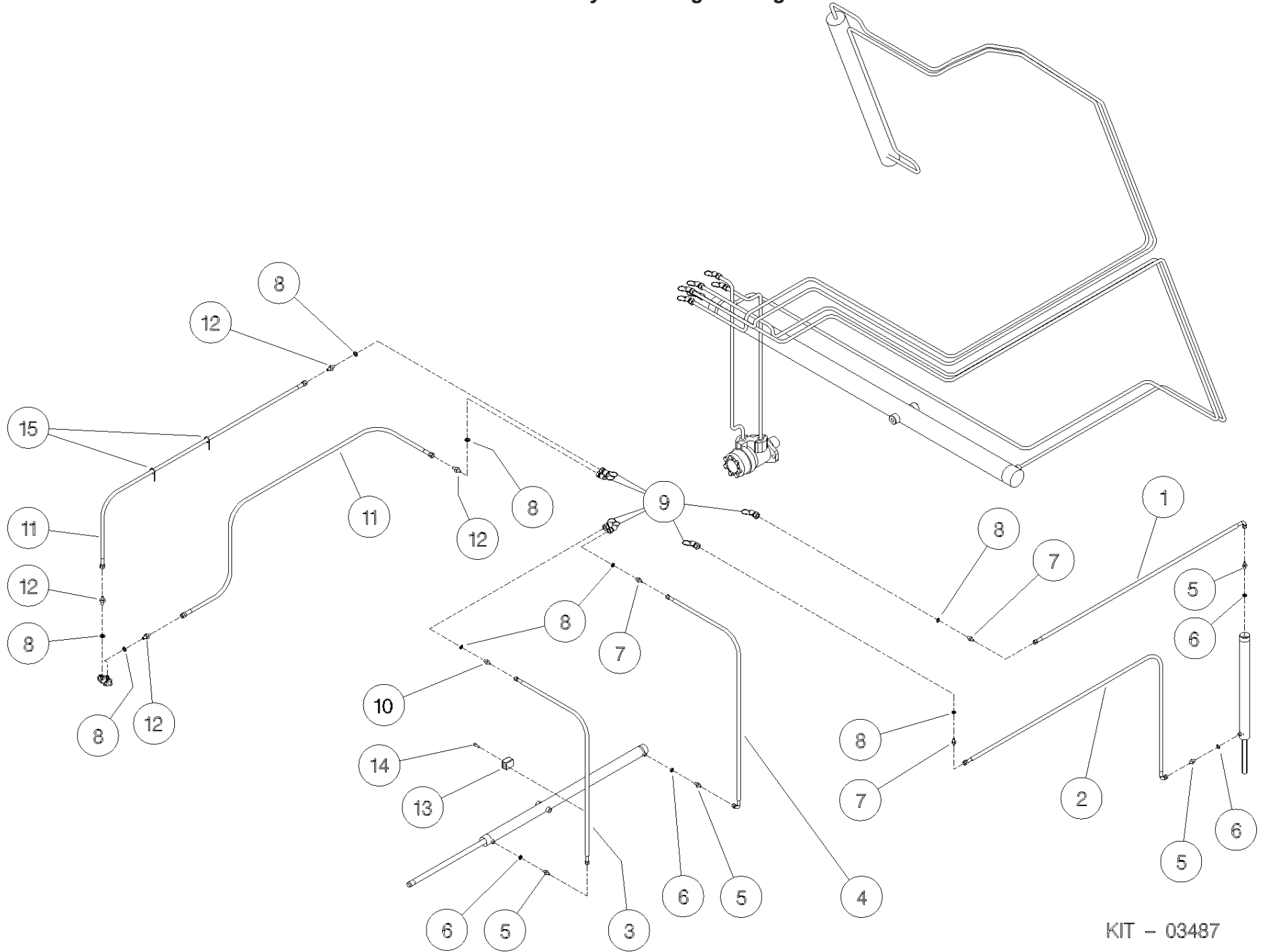




KIT - 03486

**Shelbourne Reynolds Engineering Limited**

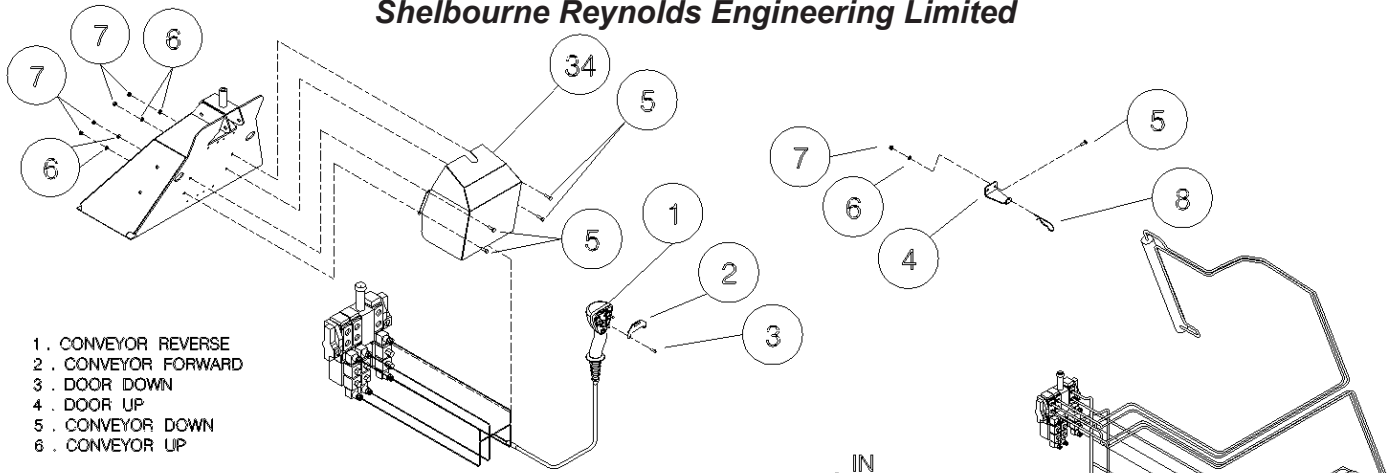
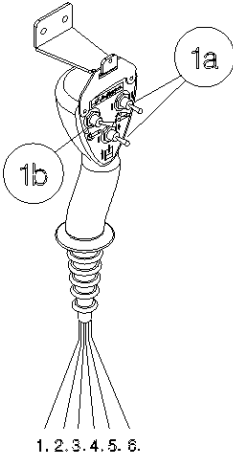
ASSY NUMBER: KIT-03487				ASSY DESCRIPTION: DIRECT COUPLED HYD KIT			
ITEM	PART NO	DESCRIPTION	QTY	ITEM	PART NO	DESCRIPTION	QTY
1	HHBC73005	HYDRAULIC HOSE ASSY	1				
2	HHBC79005	HYDRAULIC HOSE ASSY	1				
3	HHBC45005	HYDRAULIC HOSE ASSY	1				
4	HHBC47005	HYDRAULIC HOSE ASSY	1				
5	HMA-0052	ADAPTOR MALE/MALE	4				
6	WSH-1005	DOWTY WASHER 1/4"	4				
7	HMA-0055	ADAPTOR MALE/MALE	3				
8	WSH-1015	DOWTY WASHER 1/2"	8				
9	COU-0162	QUICK RELEASE COUPLING	6				
10	HAMAA0307	HYD.RESTRICTOR FITTING	1				
11	HHDE45005	HYD.HOSE ASSY	2				
12	HMA-0065	ADAPTOR MALE/MALE	4				
13	HCPD01200	HYD.PIPE CLAMP	5				
14	SCW-0083	CAP HEAD SCREW	5				
15	TIE-0004	TIE WRAPS (MED)	8				



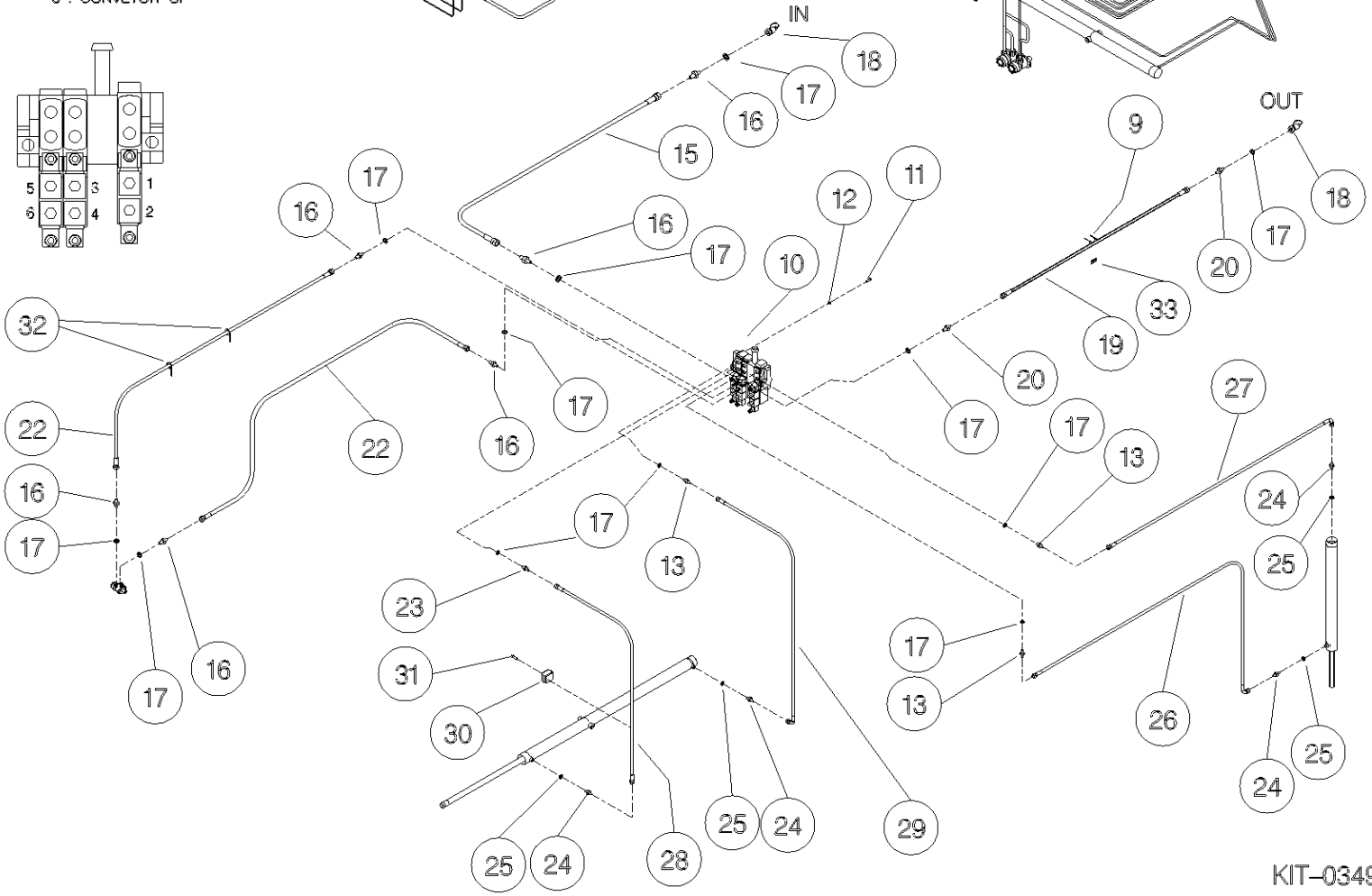
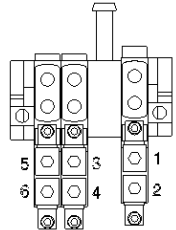
KIT - 03487

**Shelbourne Reynolds Engineering Limited**

ASSY NUMBER: KIT-03492				ASSY DESCRIPTION: ELEC SOLENOID HYD KIT			
ITEM	PART NO	DESCRIPTION	QTY	ITEM	PART NO	DESCRIPTION	QTY
1	611701 01	HAND CONTROL UNIT AND LOOMS	1				
2	611681 01	CONTROL. HANGER BRKT.	1				
3	SCHS07176	SELF TAPPING SCREW	2				
4	611682 01	HOOK BRKT.	1				
5	HSS-0086	SET SCREW	6				
6	WSH-0009	WASHER	6				
7	NUT-0260	NUT	6				
8	RCL-0015	R CLIP	2				
9	TIE-0002	TIE WRAPS (SMALL, BLACK)	4				
10	HVB-19020	ELEC. MULTI SPOOL VALVE	1				
11	HSS-0135	SETSCREW	4				
12	WSH-0058	WASHER	4				
13	HMA-0055	HYD ADAPTOR	3				
15	HHBE22005	HYDRAULIC HOSE ASSY	1				
16	HMA-0065	HYD ADAPTOR	6				
17	WSH-1015	DOWTY WASHER	12				
18	COU-0162	QUICK RELEASE COUPLING	2				
19	HHBF22005	HYDRAULIC HOSE ASSY	1				
20	HMA-0067	HYD ADAPTOR	2				
21	HHHE06005	HYD HOSE ASSY	1				
22	HHDE33005	HYD HOSE ASSY	2				
23	HAMAA0307	HYD.RESTRICTOR FITTING	1				
24	HMA-0052	HYD ADAPTOR	4				
25	WSH-1005	DOWTY WASHER	4				
26	HHBC66005	HYDRAULIC HOSE ASSY	1				
27	HHBC60005	HYDRAULIC HOSE ASSY	1				
28	HHBC32005	HYDRAULIC HOSE ASSY.	1				
29	HHBC34005	HYDRAULIC HOSE ASSY	1				
30	HCPD01200	HYD.PIPE CLAMP	5				
31	SCW-0083	CAP HEAD SCREW	5				
32	TIE-0004	TIE WRAPS (MED)	8				
33	612230 01	EMBLEM	1				
34	614133 01	VALVE COVER	1				

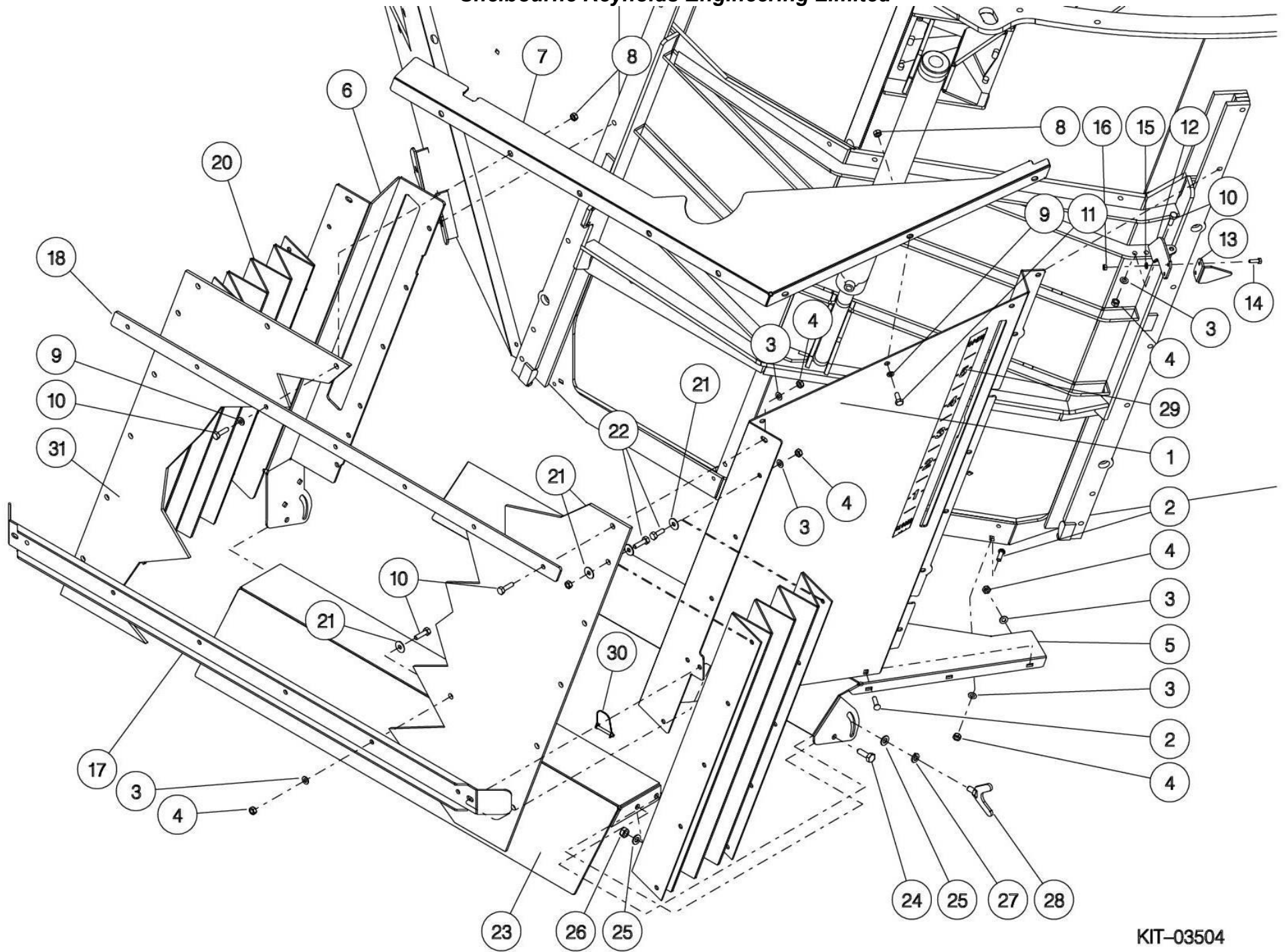


- 1. CONVEYOR REVERSE
- 2. CONVEYOR FORWARD
- 3. DOOR DOWN
- 4. DOOR UP
- 5. CONVEYOR DOWN
- 6. CONVEYOR UP



**Shelbourne Reynolds Engineering Limited**

ASSY NUMBER: KIT-03504				ASSY DESCRIPTION: RUBBER DOOR FLAP KIT (RH DOOR)			
ITEM	PART NO	DESCRIPTION	QTY	ITEM	PART NO	DESCRIPTION	QTY
1	614015 01	SIDE PANEL	1				
2	BLTF08173	COACHBOLT	8				
3	WSH-0012	WASHER	28				
4	NUT-0263	NUT	36				
5	614169 01	FIXED CHUTE	1				
OR	613987 01	FIXED CHUTE	1				
6	614168 01	SIDE PANEL	1				
OR	614016 01	SIDE PANEL	1				
7	613986 01	TOP CAPPING PLATE	1				
8	NUTA13080	NUTSERT	8				
9	WSH-0058	WASHER	8				
10	HSS-0150	SETSCREW	15				
11	HSS-0140	SETSCREW	3				
12	613991 01	INDICATOR PLATE	1				
13	613786 01	POINTER	1				
14	HSS-0086	SETSCREW	2				
15	WSH-0009	WASHER	2				
16	NUT-0260	NUT	2				
17	614017 01	SAFETY BELT	1				
18	613992 01	CLAMP PLATE	1				
19							
20	614004 01	SIDE CURTAIN	2				
21	WSH-1038	WASHER	32				
22	HSS-0145	SETSCREW	18				
23	614170 01	ADJUSTABLE CHUTE	1				
OR	613985 01	ADJUSTABLE CHUTE	1				
24	HSS-0191	SETSCREW	2				
25	WSH-0015	WASHER	4				
26	NUT-0265	NUT	2				
27	WSH-0061	WASHER	2				
28	613995 01	LOCKING HANDLE	2				
29	613779 01	DECAL - DOOR HEIGHT	1				
30	PIN-1720	LYNCH PIN	2				
31	614018 01	SAFETY FLAP	1				



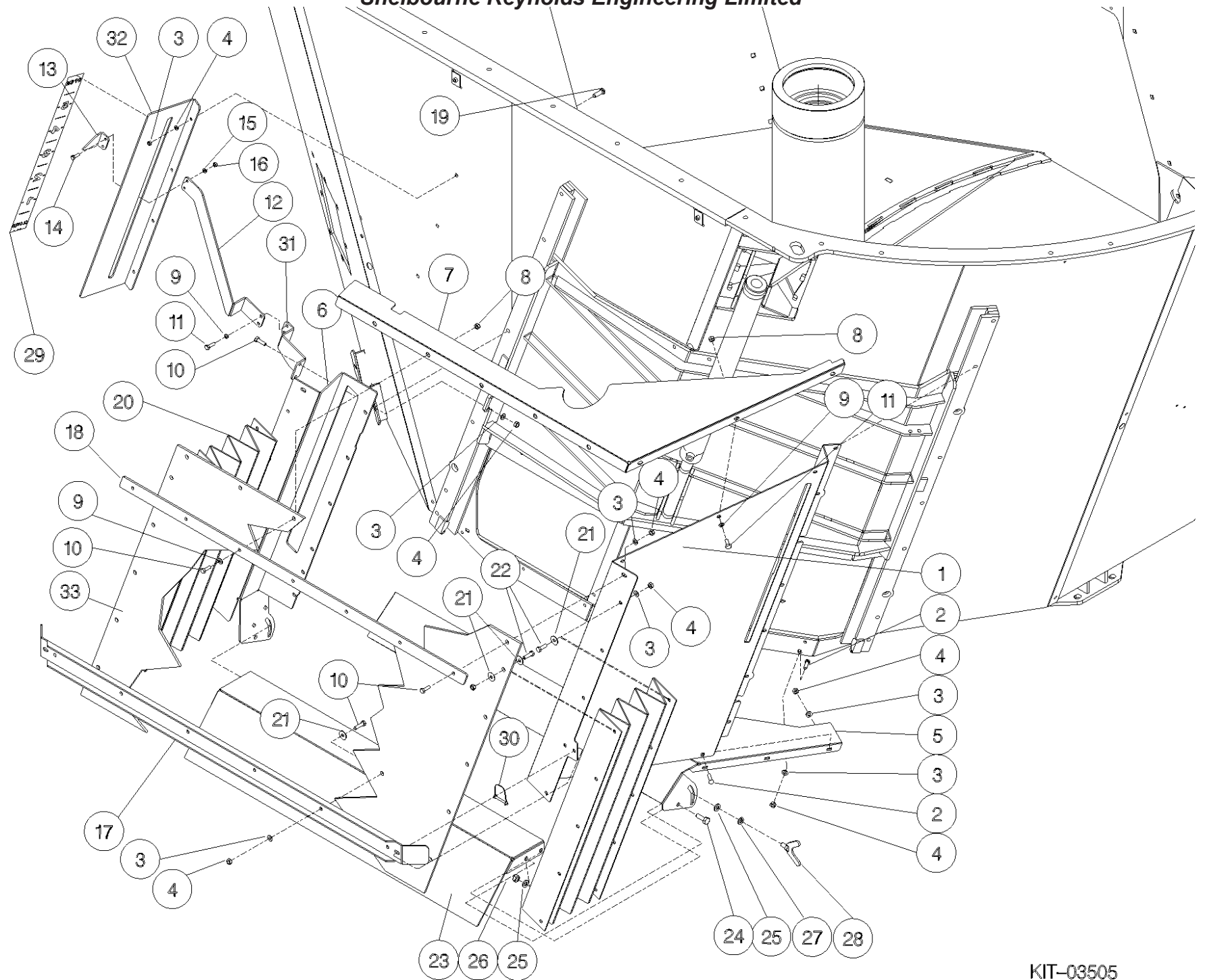
KIT-03504



**Shelbourne Reynolds Engineering Limited**

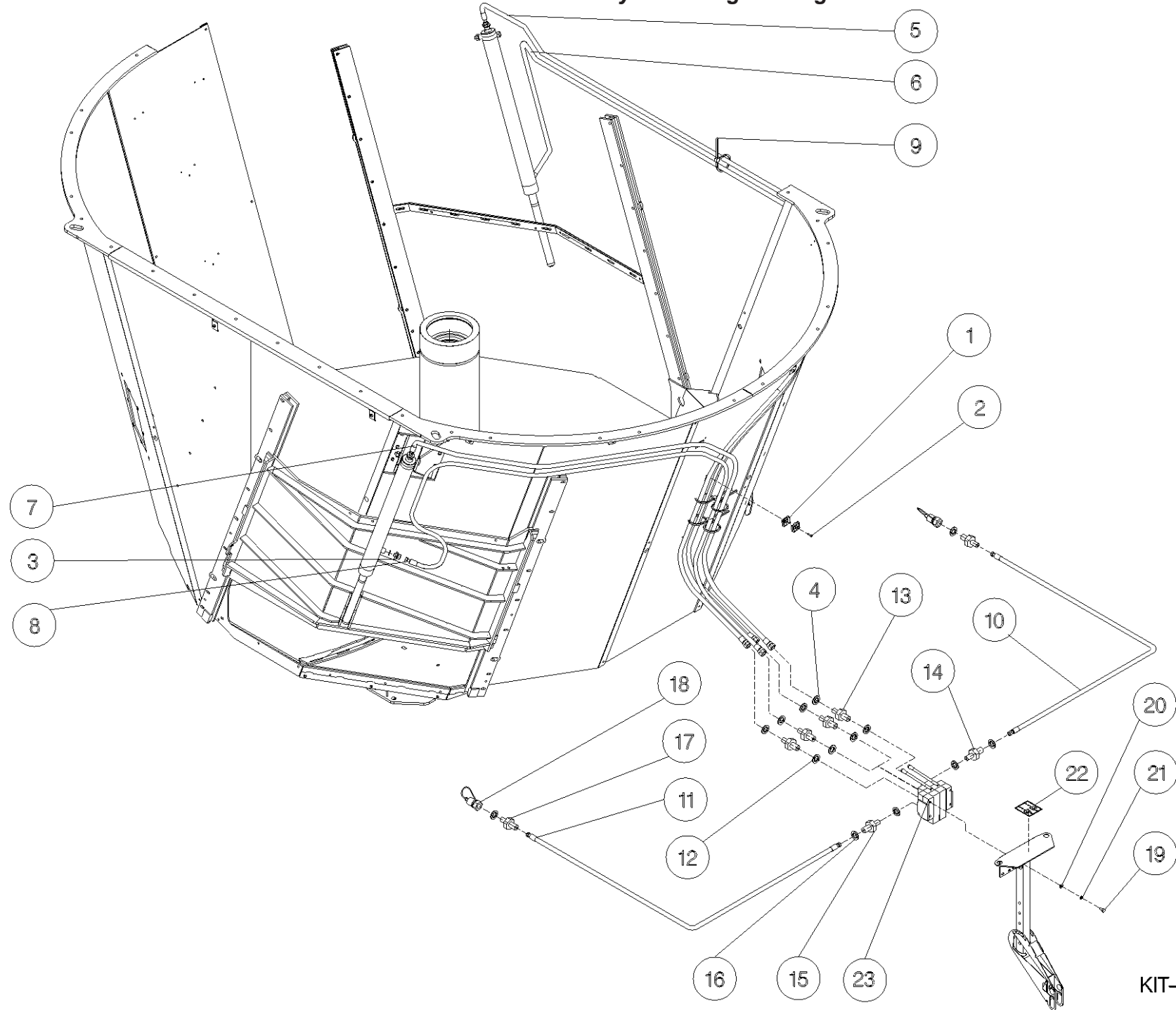
ASSY NUMBER: KIT-03505				ASSY DESCRIPTION: RUBBER DOOR FLAP KIT LH DOOR			
ITEM	PART NO	DESCRIPTION	QTY	ITEM	PART NO	DESCRIPTION	QTY
1	614015 01	SIDE PANEL	1				
2	BLTF08173	COACHBOLT	8				
3	WSH-0012	WASHER	32				
4	NUT-0263	NUT	40				
5	614169 01	FIXED CHUTE	1				
OR	613987 01	FIXED CHUTE	1				
6	614168 01	SIDE PANEL	1				
OR	614016 01	SIDE PANEL	1				
7	613986 01	TOP CAPPING PLATE	1				
8	NUTA13080	NUTSERT	8				
9	WSH-0058	WASHER	10				
10	HSS-0150	SETSCREW	15				
11	HSS-0140	SETSCREW	5				
12	613990 01	INDICATOR PLATE	1				
13	613786 01	POINTER	1				
14	HSS-0086	SETSCREW	2				
15	WSH-0009	WASHER	2				
16	NUT-0260	NUT	2				
17	614017 01	SAFETY BELT	1				
18	613992 01	CLAMP PLATE	1				
19	BLT-2700	COACHBOLT	4				
20	614004 01	SIDE CURTAIN	2				
21	WSH-1038	WASHER	32				
22	HSS-0145	SETSCREW	18				
23	614170 01	ADJUSTABLE CHUTE	1				
OR	613985 01	ADJUSTABLE CHUTE	1				
24	HSS-0191	SETSCREW	2				
25	WSH-0015	WASHER	4				
26	NUT-0265	NUT	2				
27	WSH-0061	WASHER	2				
28	613995 01	LOCKING HANDLE	2				
29	613779 01	DECAL - DOOR HEIGHT	1				
30	PIN-1720	LYNCH PIN	2				
31	613989 01	FIXING PLATE	1				
32	613517 01	DOOR HEIGHT INDICATOR	1				
33	614018 01	SAFETY FLAP	1				





**Shelbourne Reynolds Engineering Limited**

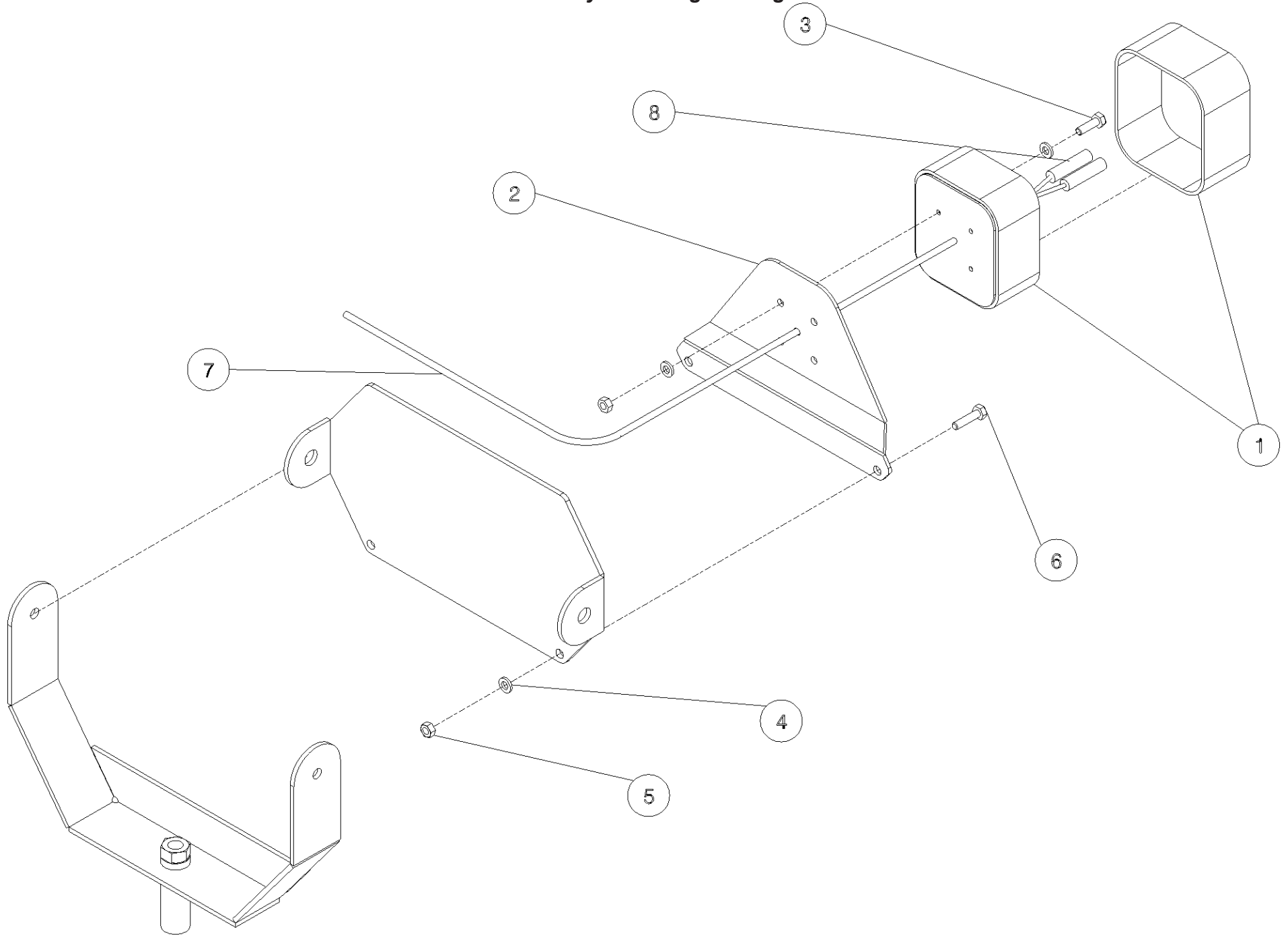
ASSY NUMBER: KIT-03507				ASSY DESCRIPTION: 2 STATION MANUAL SPOOL VALVE KIT			
ITEM	PART NO	DESCRIPTION	QTY	ITEM	PART NO	DESCRIPTION	QTY
1	HCPD01200	PIPE CLAMP	11				
2	SCW-0083	CP HD SCREW	11				
3	HMA-0052	M/M ADAPTOR	4				
4	WSH-1005	DOWTY WASHER	4				
5	HHBC67105	HOSE ASSY	1				
6	HHBC73005	HOSE ASSY	1				
7	HHBC49005	HOSE ASSY	1				
8	HHBC55005	HOSE ASSY	1				
9	TIE-0004	TIE WRAP	10				
10	HHAE16005	HYDRAULIC HOSE	1				
11	HHAF16005	HYDRAULICHOSE	1				
12	WSH-1010	DOWTY WASHER	6				
13	FIT-0025	HYD ADAPT	4				
14	HMA-0057	M/M ADAPTOR	1				
15	HMA-0065	M/M ADAPTOR	2				
16	WSH-1015	DOWTY WASHER	2				
17	HMA-0067	M/M ADAPTOR	1				
18	COU-0162	QUICK RELEASE COUPLING	2				
19	HSS-0135	SET SCREW	4				
20	WSH-0012	PLAIN WASHER	4				
21	WSH-0058	SPRING WASHER	4				
22	610792 01	EMBLEM	1				
23	HVB-09020	VALVE BLOCK	1				
24							
25							
26							
27							
29							
30							
31							
32							
33							
34							
35							
36							
37							
38							
39							
40							
41							



KIT-03507

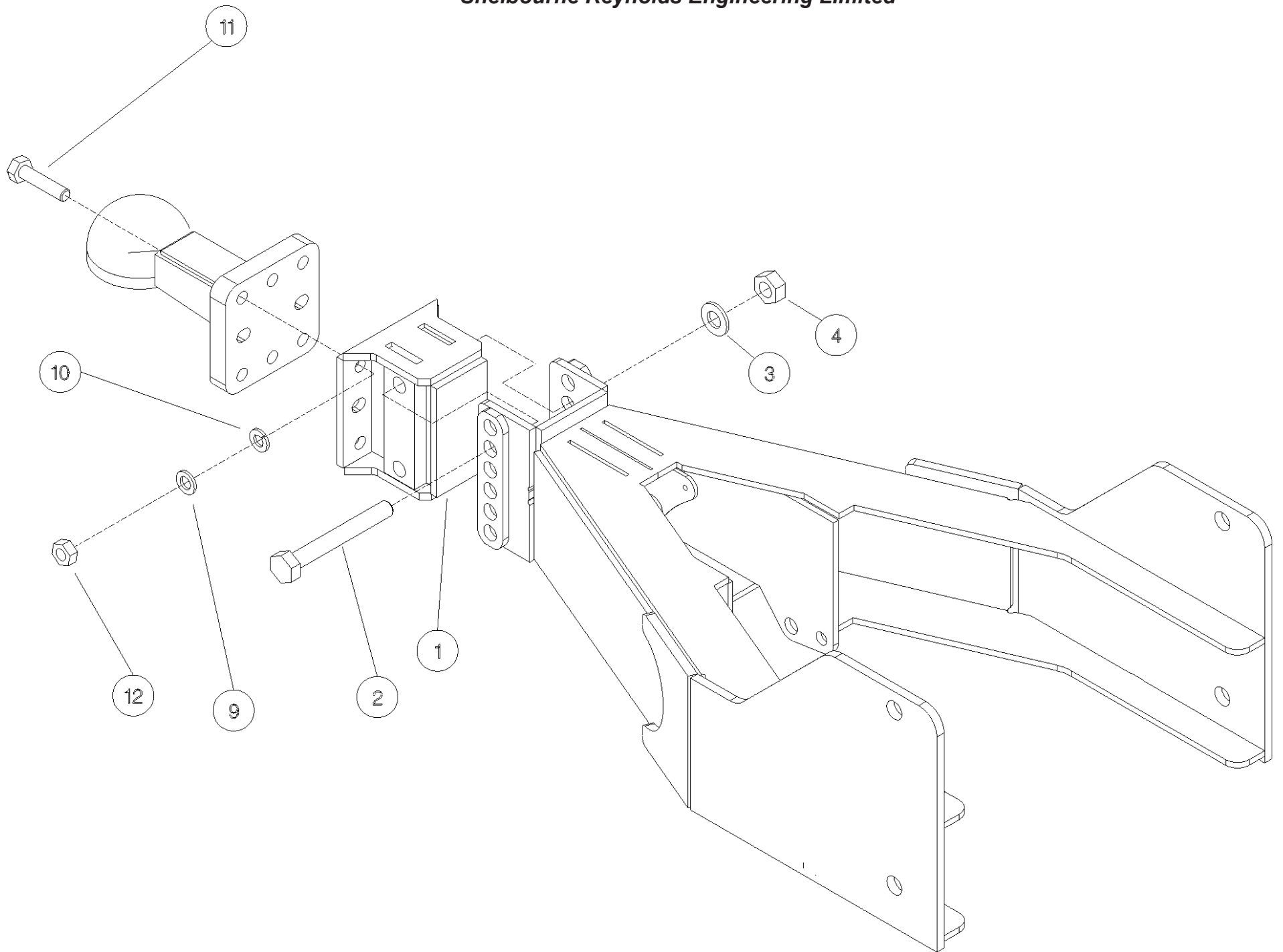
**Shelbourne Reynolds Engineering Limited**

ASSY NUMBER: KIT-03510				ASSY DESCRIPTION: AUDIBLE ALARM KIT (FOR DIGI-STAR)			
ITEM	PART NO	DESCRIPTION	QTY	ITEM	PART NO	DESCRIPTION	QTY
1	BUZ-00010	AUDIBLE ALARM	1				
2	614030 01	BUZZER BRACKET	1				
3	HSS-0086	SETSCREW	4				
4	WSH-0009	WASHER	10				
5	NUT-0260	NUT	6				
6	HSS-0088	SETSCREW	2				
7	CBL-03010	CABLE (2 CORE)	3m				
8	ETM-00630	ELEC BUTT TERMINAL	2				



**Shelbourne Reynolds Engineering Limited**

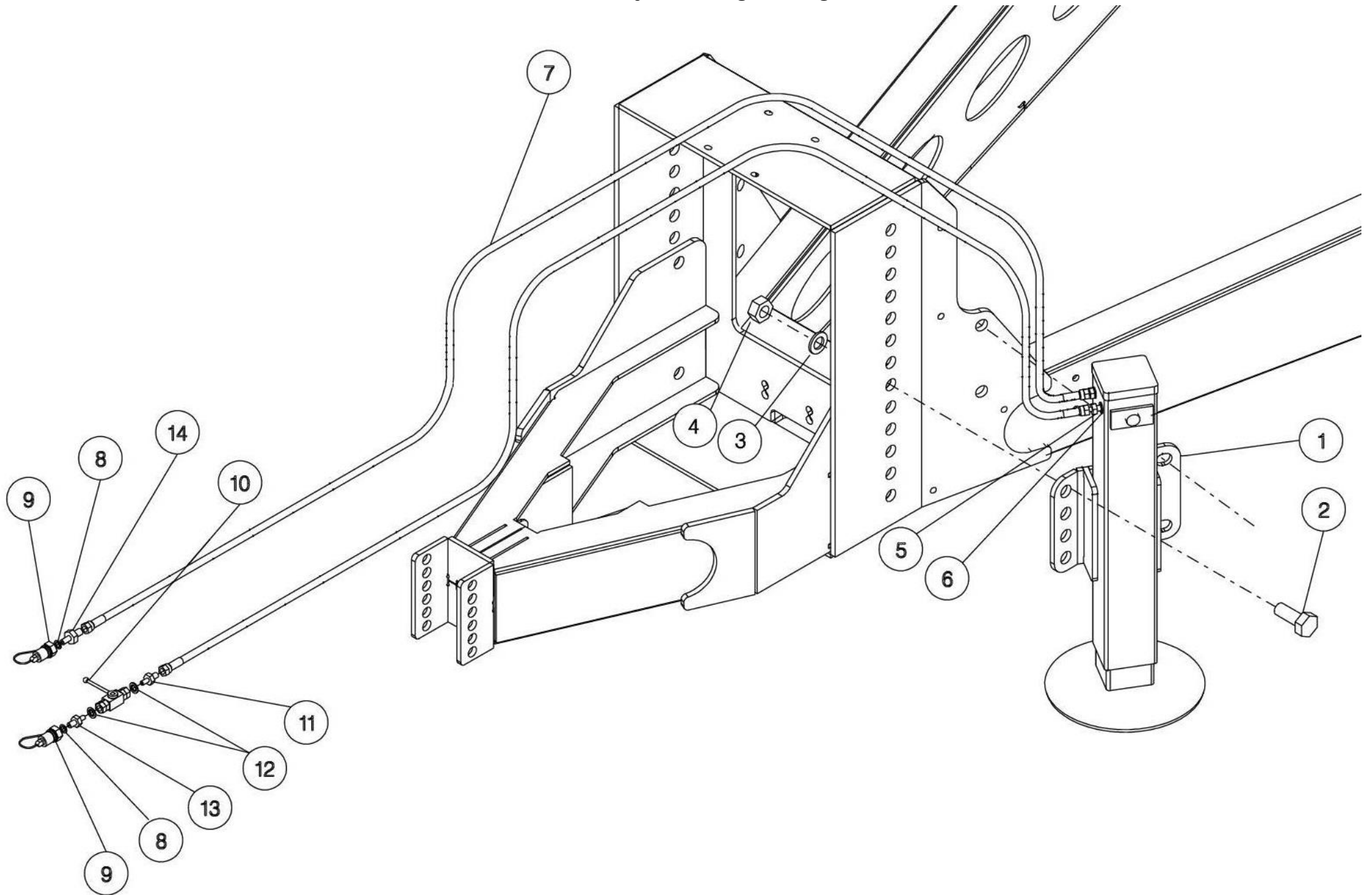
ASSY NUMBER: KIT-03513				ASSY DESCRIPTION: SCHARMULLER FIXING KIT			
ITEM	PART NO	DESCRIPTION	QTY	ITEM	PART NO	DESCRIPTION	QTY
1	614043 01	SCHARMULLER HITCH W/A	1				
2	BLTA20770	HEXAGON HEAD BOLT	2				
3	WSH-0030	PLAIN WASHER	2				
4	NUTA02200	NYLOC NUT	2				
9	WSH-0024	PLAIN WASHER	6				
10	WSH-0070	SPRING WASHER	2				
11	BLT-2314	HEX.HEAD BOLT	8				
12	NUT-0271	NYLOC NUT	6				



**Shelbourne Reynolds Engineering Limited**

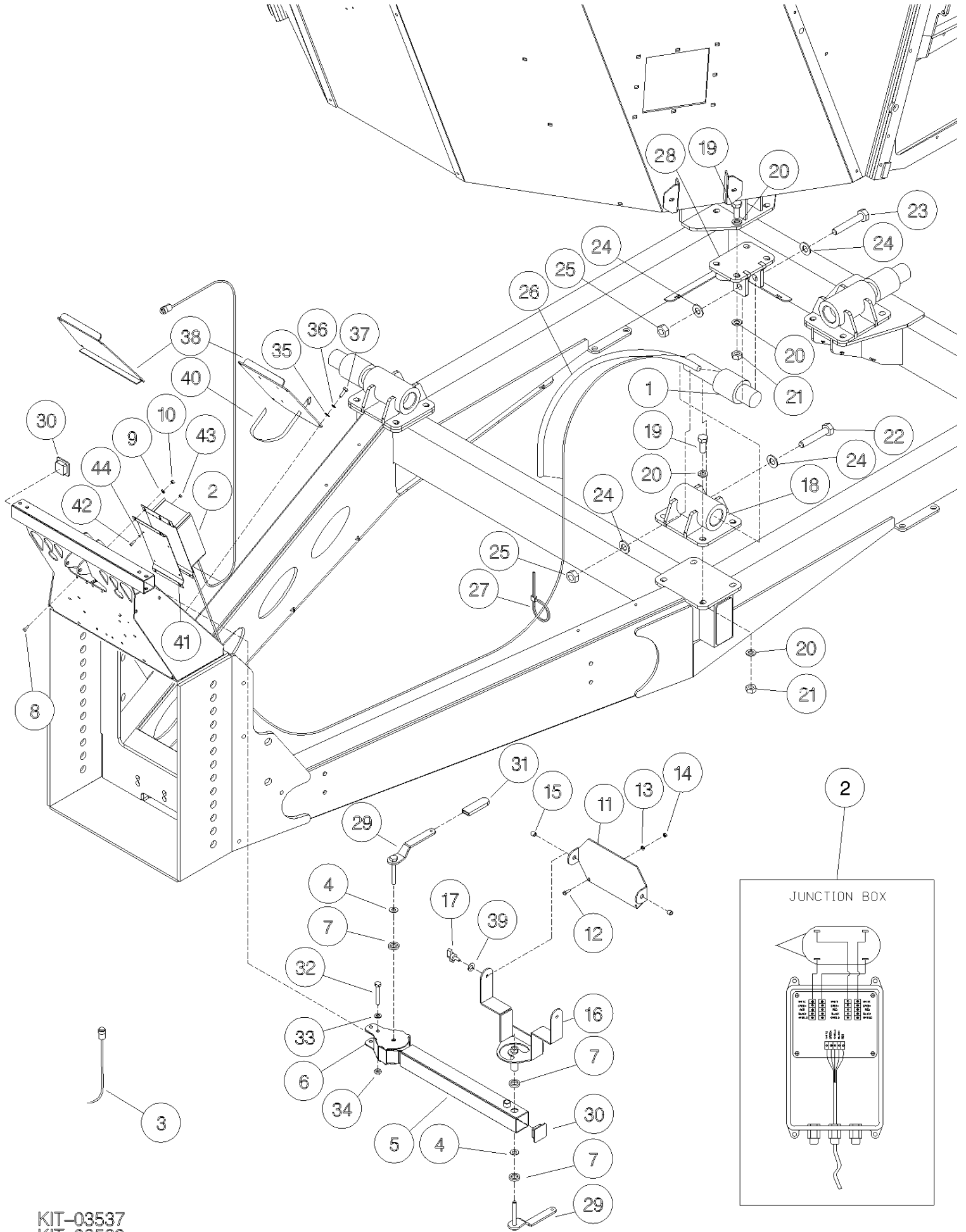
ASSY NUMBER: KIT-03514				ASSY DESCRIPTION: HYD PARKING JACK (TRACTOR CONNECTION)			
ITEM	PART NO	DESCRIPTION	QTY	ITEM	PART NO	DESCRIPTION	QTY
1	614047 01	JACK WELD ASSY	1				
2	HSS-0410	SETSCREW	4				
3	WSH-0036	WASHER	4				
4	NUT-0275	NUT	4				
5	HMA-0057	HYD ADPT	2				
6	WSH-1010	DOWTY WASHER	2				
7	HHBE25005	HYD HOSE ASSY	2				
8	WSH-1015	DOWTY WASHER	2				
9	COU-0162	QUICK RELEASE COUPLING	2				
10	HVB-02600	2-WAY BALL VALVE	1				
11	FIT-0025	HYD ADAPT	1				
12	WSH-1005	DOWTY WASHER	2				
13	HMA-0055	HYD ADAPT	1				
14	HMA-0065	HYD ADAPT	1				





**Shelbourne Reynolds Engineering Limited**

ASSY NUMBER: KIT-03537				ASSY DESCRIPTION: WEIGH CELL SYSTEM			
ITEM	PART NO	DESCRIPTION	QTY	ITEM	PART NO	DESCRIPTION	QTY
1	LCL-01200	DIGISTAR LOADCELL	3	41	614949 01	BRACKET J-BOX	1
2	LCL-01205	LOADCELL JUNCTION BOX	1	42	SCW-0035	CAP HEAD SCREW	4
3	LCL-01210	POWER CORD 10FT 4-WIRE	1	43	NUT-0255	NYLOC NUTS	4
4	WSHA30121	WASHER	2	44	WSH-0003	PLAIN WSH FORM A	4
5	614188 01	WEIGH HEAD ARM W/A	1				
6	614187 01	OUTER COUPLING W/A	1				
7	190548 54	WASHER	3				
8	HSS-0058	SETSCREW	6				
9	WSH-0006	PLAIN WSH FORM A	6				
10	NUT-0258	NYLOC NUT	6				
11	613597 01	REAR PANEL	1				
12	HSS-0086	SET SCREW	2				
13	WSH-0009	PLAIN WASHER	2				
14	NUT-0260	NYLOC NUT	2				
15	NUTA13080	NUTSERT	6				
16	614189 01	WEIGH HEAD HOUSING	1				
17	KNO-0001	BLACK KNOB	2				
18	613608 01	LOADCELL MTG BOSS W/A	3				
19	HSS-0318	SET SCREW	24				
20	WSH-0024	PLAIN WASHER	48				
21	NUT-0271	NYLOC NUT	24				
22	BLTA20620	HEX HEAD BOLT	3				
23	BLTA20590	BOLT HEX. HD.	3				
24	WSH-0030	PLAIN WASHER	12				
25	NUTA02200	NYLOC NUT	6				
26	SLV-00300	SPIRAL CONVOLUTE TUBING	5				
27	TIE-0004	TIE WRAPS (MED)	30				
28	613612 01	LOADCELL CLEVIS W/A	3				
29	613695 01	SECURING HANDLE ASSY	2				
30	CAP-0012	PLASTIC END CAP (2"X 2")	2				
31	PTF-00026	RECTANGULAR SLEEVE	2				
32	BLTA10470	HEX.HEAD BOLT	2				
33	WSH-0015	PLAIN WASHER	2				
34	NUT-0265	NYLOC NUT	2				
35	WSH-0012	PLAIN WASHER	4				
36	WSH-0058	SPRING WASHER	4				
37	HSS-0145	SETSCREW	4				
38	615553 01	COVER	1				
39	WSH-1300	WASHER	2				
40	TIE-0012	TIE WRAP (EX.LARGE)	2				



KIT-03537  
KIT-03539



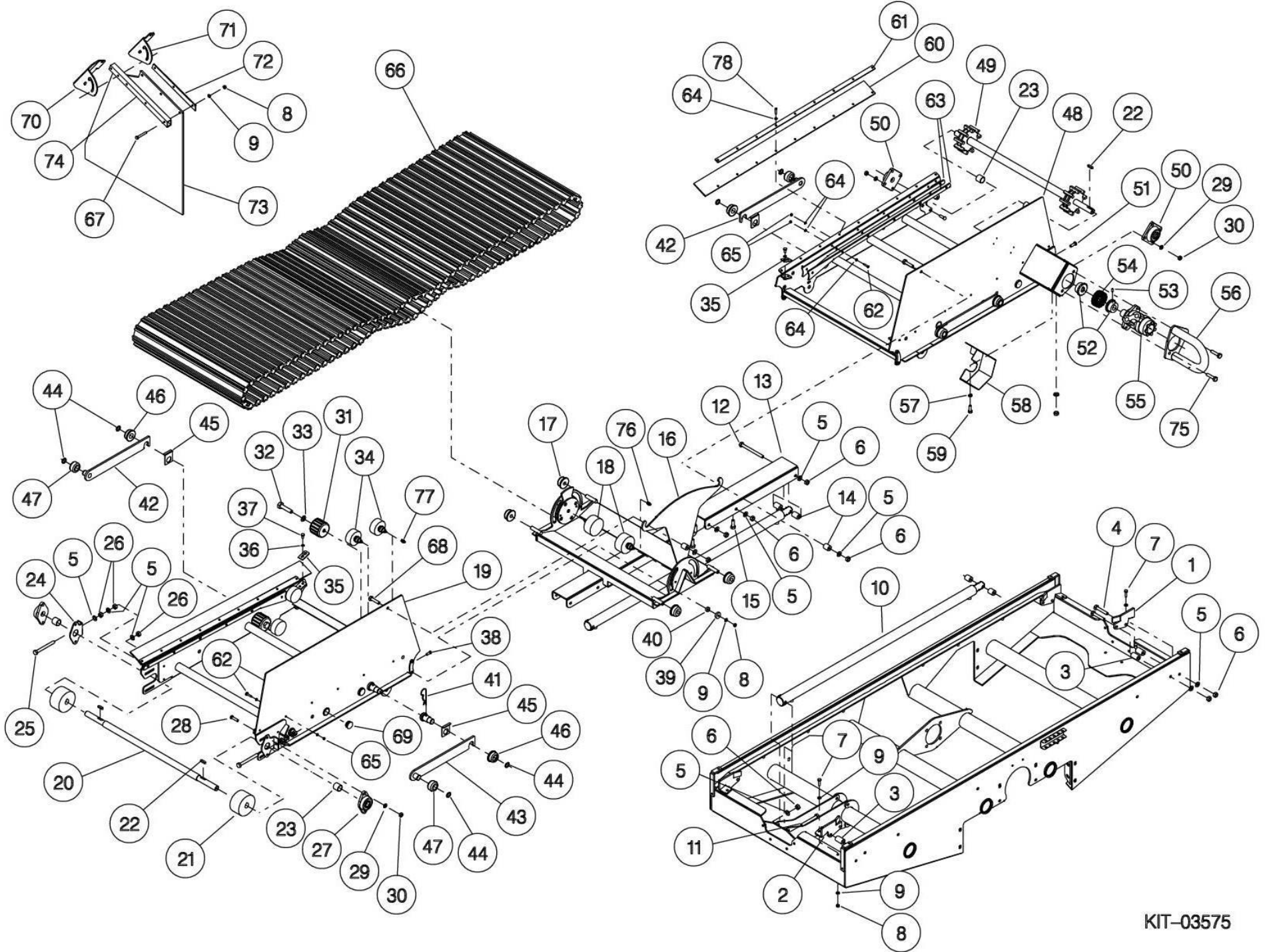
**Shelbourne Reynolds Engineering Limited**

ASSY NUMBER: KIT-03575				ASSY DESCRIPTION: WEB EXPRESS CONVEYOR KIT			
ITEM	PART NO	DESCRIPTION	QTY	ITEM	PART NO	DESCRIPTION	QTY
1	614279 01	LIFT ARM STOP PLATE LH	2	41	CLP-00105	R CLIP	4
2	614279 02	LIFT ARM STOP PLATE RH	2	42	614317 01	LIFT ARM ASSEMBLY	2
3	614280 01	LIFT ARM STOP SPACER TUBE	8	43	614317 02	LIFT ARM ASSEMBLY	2
4	BLTA12470	HEX.HEAD BOLT	8	44	CIR-1125	CIRCLIP EXT	8
5	WSH-0018	WASHER	22	45	613335 01	LATCH	4
6	NUT-0269	NUT	16	46	613333 03	WHEEL	4
7	HSS-0150	SET SCREW	4	47	614278 01	WHEEL	4
8	NUT-0263	NUT	17	48	614470 01	LH CONVEYOR PAN W/A	1
9	WSH-0012	WASHER	21	49	614483 01	DRIVE SHAFT W/ASSY	1
10	610447 01	HYDRAULIC CYLINDER	1	50	BRG-25255	BEARING	2
11	BLT-2270	HEX.HEAD BOLT	1	51	BLTF10231	COACH BOLT	8
12	20146128	BOLT	1	52	260030 03	SPROCKET	2
13	614480 01	RAM BRACKET	1	53	SCW-4530	GRUBSCREW	1
14	613919 03	SPACER TUBE	4	54	CHN-01380	CHAIN	1
15	HSS-0241	SET SCREW	4	55	MOTH08000	HYDRAULIC MOTOR, PAINTED BLACK	1
16	614478 01	CENTRE FRAME W/ASSY	1	56	614304 01	MOTOR GUARD W/ASSY	1
17	613702 01	WHEEL	4	57	WSH-0061	WASHER	2
18	CON-00026	GUIDE ROLLER (DIA 90mm)	2	58	614310 01	COUPLING GUARD	1
19	614468 01	RH CONVEYOR PAN W/A	1	59	HSS-0188	SET SCREW	2
20	614481 01	IDLER SHAFT	1	60	614309 01	RUBBER SEAL STRIP	2
21	CON-00024	IDLE ROLLER (DIA 110mm)	2	61	614487 01	CLAMP STRIP	2
22	K0807032	KEY PARALLEL	3	62	SCBA06200	BUTT SOC HD SCREW	24
23	614272 05	SHAFT SPACER	4	63	614484 01	SEAL PLATE	8
24	614486 01	ADJUSTER PLATE	2	64	WSH-0009	WASHER	84
25	HSSA12560	HEX HEAD SET SCREW	2	65	NUT-0260	NUT	42
26	NUT-0170	NUT	6	66	CON-00028	CONVEYOR BELT	1
27	BRG-25260	BEARING	2	67	BLTA08380	HEX.HEAD BOLT	5
28	BLT-3755	COACHBOLT	4	68	BLTA12380	HEX.HEAD BOLT	2
29	WSH-0018	WASHER	12	69	PTF-00134	PLASTIC CAP INSERT	12
30	NUT-0265	NUT	12	70	613590 01	CURTAIN BRKT RH	1
31	CON-00021	SUPPORT ROLLER	4	71	613589 01	CURTAIN BRKT LH	1
32	BLT-2314	HEX.HEAD BOLT	4	72	613602 01	CLAMP STRIP	1
33	WSHA30161	WASHER	4	73	613587 01	RUBBER CURTAIN	1
34	CON-00025	ROLLER	8	74	613601 01	RUBBER CURTAIN MTG	1
35	614485 01	SCRAPER PLATE	4	75	HSS-0260	SET SCREW	2
36	WSH-0058	WASHER	8	76	NIP-00610	GREASE NIPPLE	2
37	HSS-0135	SETSCREW	8	77	NIP-00600	GREASE NIPPLE	8
38	BLT-2730	COACHBOLT	8	78	SCW-4963	BUTTON HD SCREW	18
39	190548 57	WASHER	8	79	WSH-1545	WASHER	4
40	190548 45	WASHER (PLATED)	8	80	260062 01	TRANSFER-HAND ENTANGL	2

**Shelbourne Reynolds Engineering Limited**

ASSY NUMBER: KIT-03575				ASSY DESCRIPTION: WEB EXPRESS CONVEYOR KIT			
ITEM	PART NO	DESCRIPTION	QTY	ITEM	PART NO	DESCRIPTION	QTY
81	260061 01	TRANSFER-SAFE DISTANC	2				



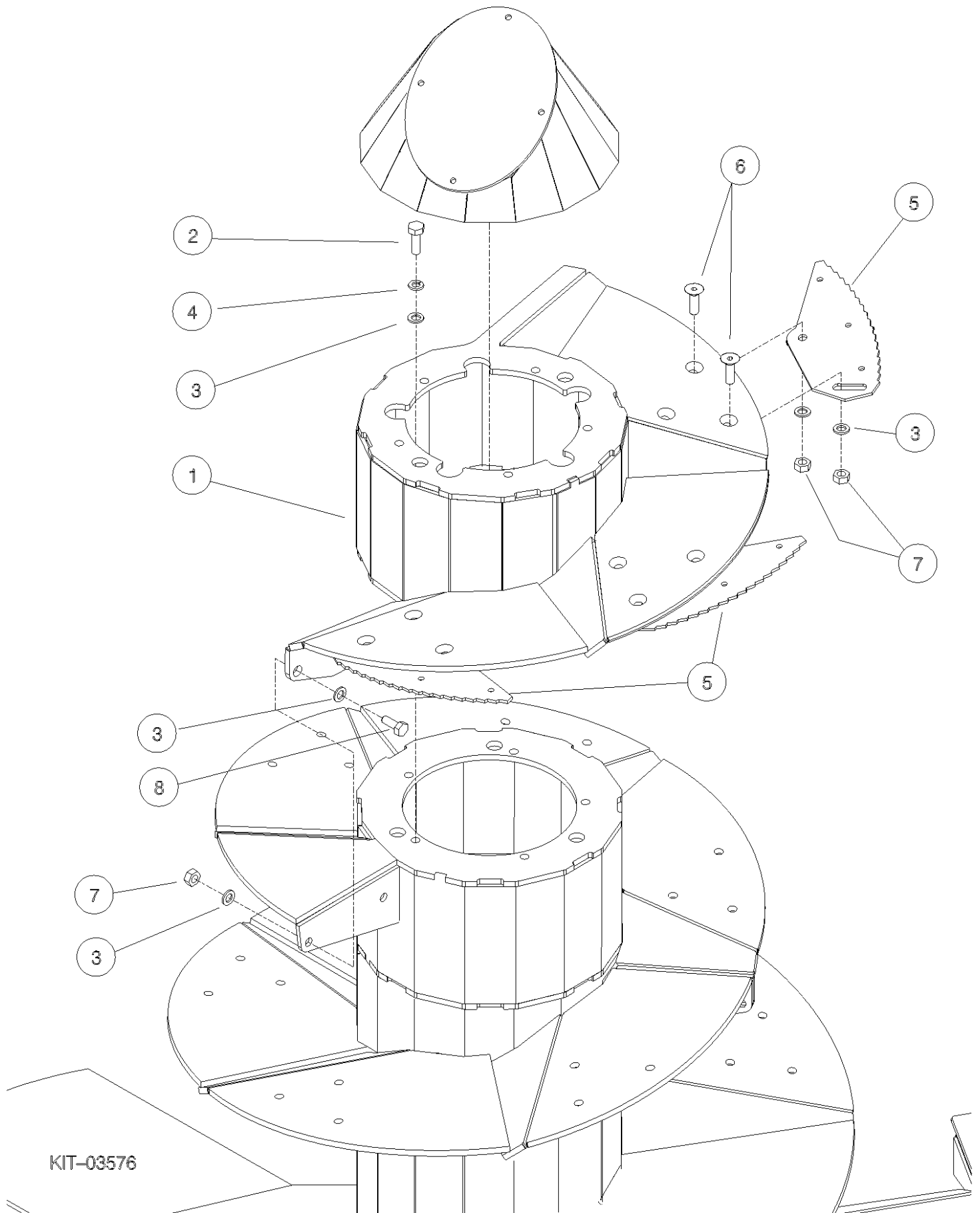


KIT-03575

**Shelbourne Reynolds Engineering Limited**

ASSY NUMBER: KIT-03576				ASSY DESCRIPTION: AUGER EXTENSION KIT			
ITEM	PART NO	DESCRIPTION	QTY	ITEM	PART NO	DESCRIPTION	QTY
1	614507 01	AUGER EXTENSION W/A	1				
2	HSS-0318	SET SCREW	5				
3	WSH-0024	PLAIN WASHER	15				
4	WSH-0070	SPRING WASHER	5				
5	610256 01	BLADE	3				
6	SCEA16290	CSK SOC HD SCREW	6				
7	NUT-0271	NYLOC NUT	8				
8	HSS-0317	SET SCREW	2				
			3				

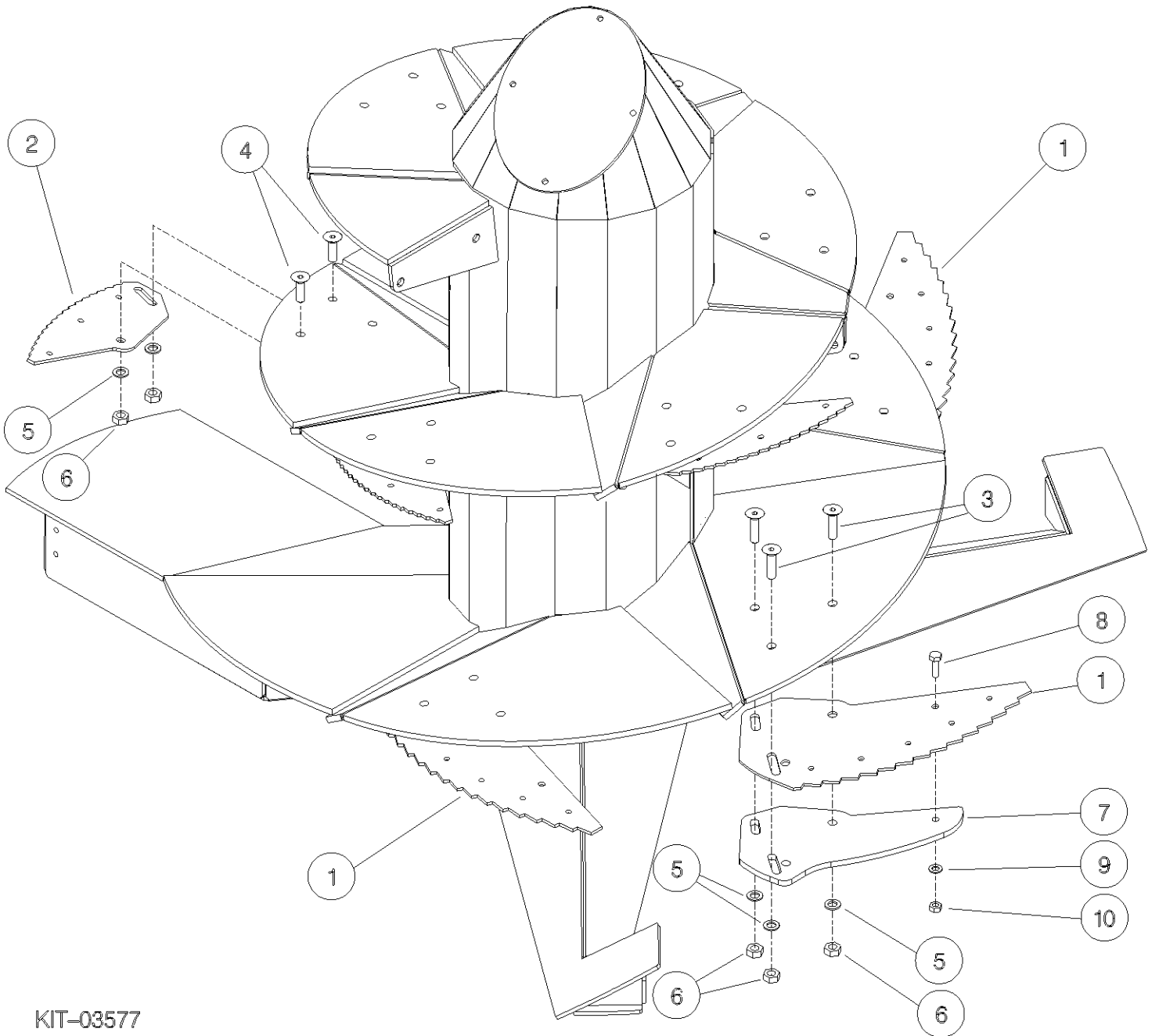
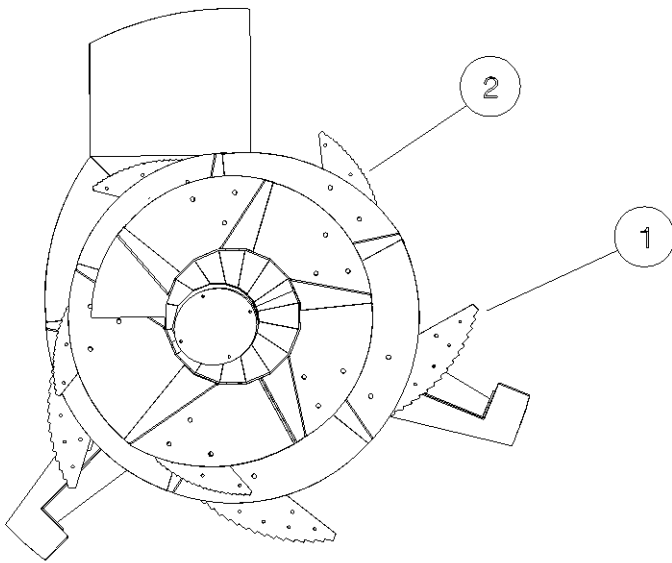




KIT-03576

**Shelbourne Reynolds Engineering Limited**

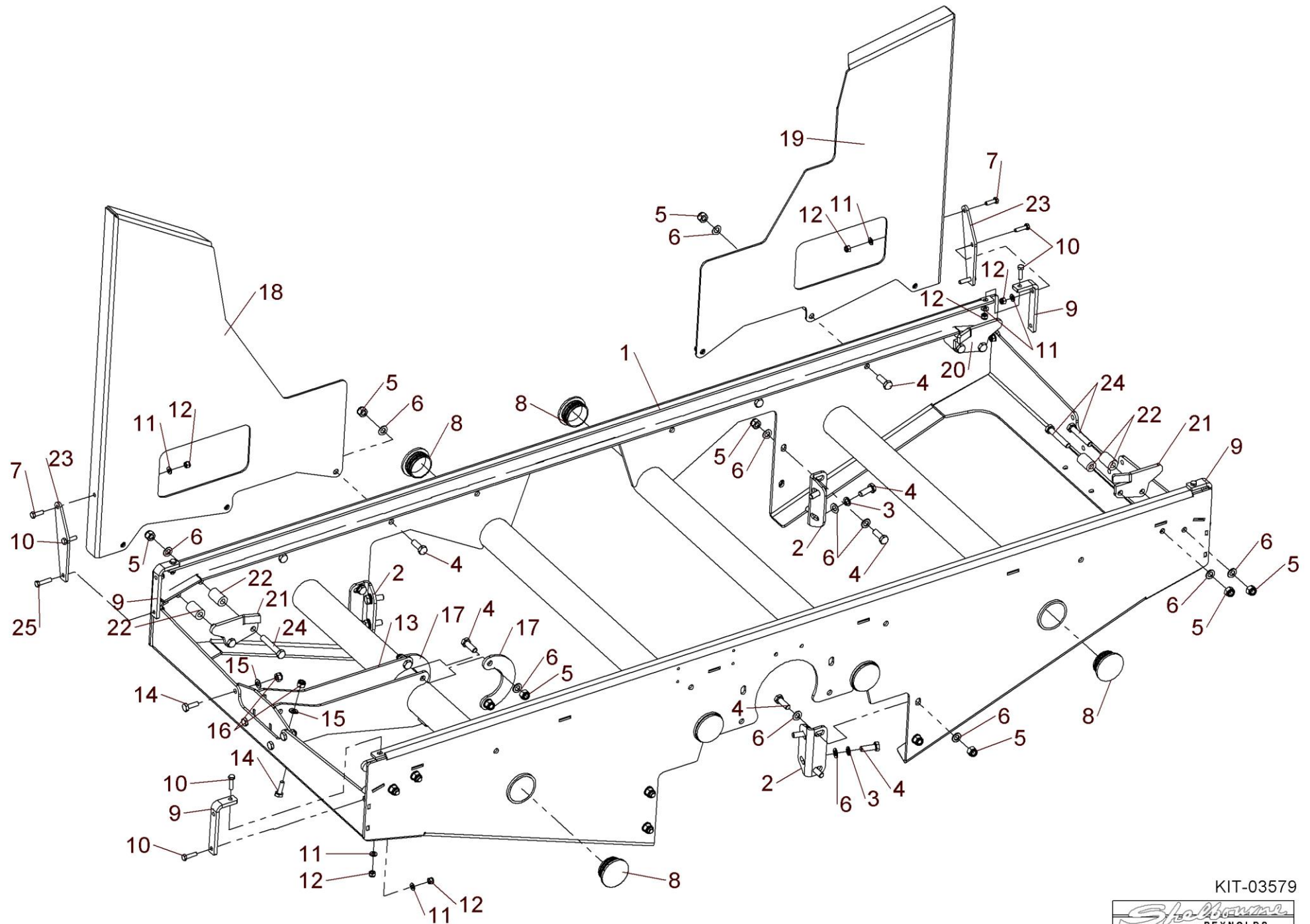
ASSY NUMBER: KIT-03577				ASSY DESCRIPTION: SMALL BLADE KIT			
ITEM	PART NO	DESCRIPTION	QTY	ITEM	PART NO	DESCRIPTION	QTY
1	610599 02	LARGE BLADE	3				
2	610256 01	MEDIUM BLADE	4				
3	SCEA16350	CSK SOC HD SCREW	9				
4	SCEA16290	CSK SOC HD SCREW	8				
5	WSH-0025	PLAIN WASHER FORM B	17				
6	NUT-0271	NYLOC NUT	17				
7	612622 01	BLADE SUPPORT PLATE	3				
8	HSS-0250	SET SCREW	3				
9	WSH-0018	PLAIN WASHER	3				
10	NUT-0269	NYLOC NUT	3				



KIT-03577

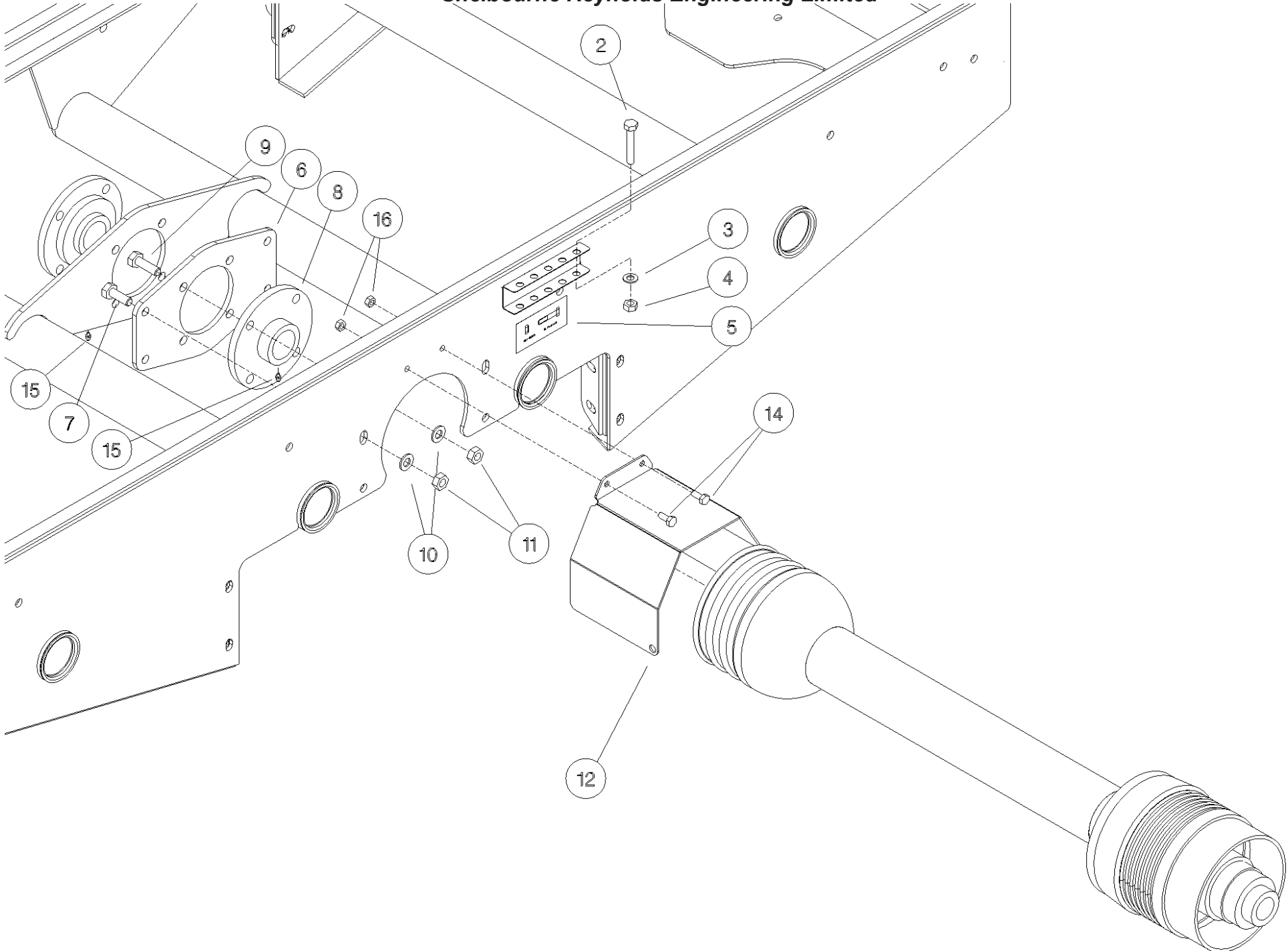
**Shelbourne Reynolds Engineering Limited**

ASSY NUMBER: KIT-03579				ASSY DESCRIPTION: EXPRESS CONVEYOR MTG KIT (SINGLE)			
ITEM	PART NO	DESCRIPTION	QTY	ITEM	PART NO	DESCRIPTION	QTY
1	614555 01	CONVEYOR FRAME W/A	1				
2	613421 01	MOUNTING BRKT	4				
3	WSH-0065	WASHER	8				
4	HSS-0241	SETSCREW	24				
5	NUT-0269	NUT	24				
6	WSH-0018	WASHER	40				
7	HSS-0145	SETSCREW	2				
8	21709036	PLASTIC CAP	8				
9	614233 01	CAPPING PLATE	4				
10	HSS-0150	SETSCREW	8				
11	WSH-0012	WASHER	12				
12	NUT-0263	NUT	12				
13	614224 01	RAM BRKT W/A	1				
14	HSS-0194	SETSCREW	6				
15	WSH-0015	WASHER	6				
16	NUT-0265	NUT	6				
17	614006 01	STRENGTHENER PLATE	2				
18	615533 01	RH ANTI-SPILL PLATE	1				
19	615532 01	LH ANTI-SPILL PLATE	1				
20	614784 01	LIFT ARM STOP PLATE LH	2				
21	614784 02	LIFT ARM STOP PLATE RH	2				
22	614280 01	SPACER TUBE (40mm)	8				
23	615696 01	STRAP	2				
24	BLTA12470	BOLT	8				
25	HSS-0152	SETSCREW	2				



**Shelbourne Reynolds Engineering Limited**

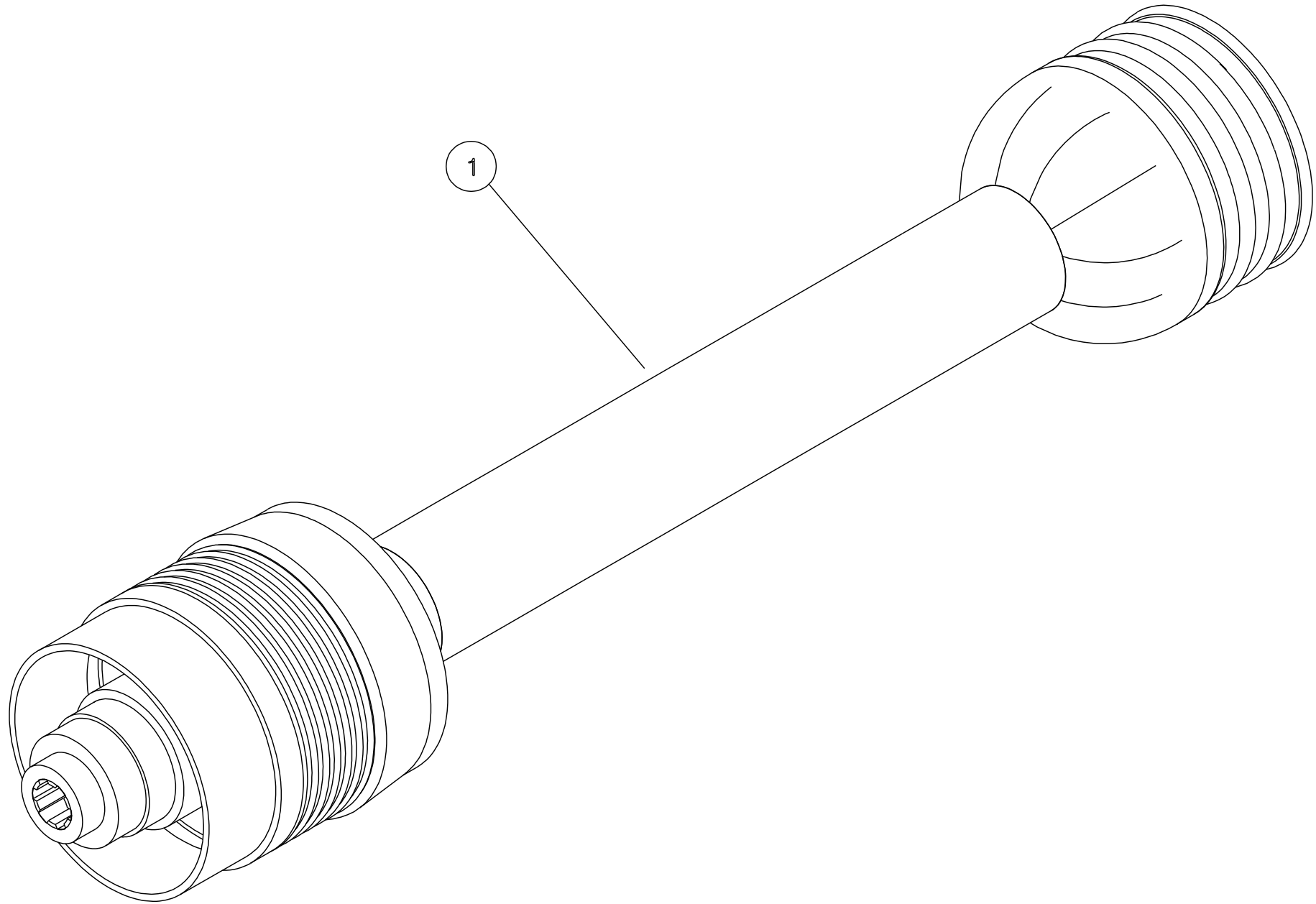
ASSY NUMBER: KIT-03580				ASSY DESCRIPTION: SINGLE SPEED DRIVE KIT			
ITEM	PART NO	DESCRIPTION	QTY	ITEM	PART NO	DESCRIPTION	QTY
2	BLTA10380	HEX.HEAD BOLT	5				
3	WSH-0015	PLAIN WASHER	5				
4	NUT-0265	NYLOC NUT	5				
5	195391 01	TRANSFER SHEARBOLT	1				
6	614556 01	BEARING MTG PLATE	1				
7	HSS-0241	SET SCREW	4				
8	BRG-3275	SUPPORT	1				
9	HSS-0250	SET SCREW	4				
10	WSH-0018	PLAIN WASHER	8				
11	NUT-0269	NYLOC NUT	8				
12	614027 01	FRONT DRIVE GUARD	1				
14	HSSF08204	***HEX HD SETSCREW***	2				
15	NIP-00600	GREASE NIPPLE	2				
16	NUT-0263	NYLOC NUT	2				



**Shelbourne Reynolds Engineering Limited**

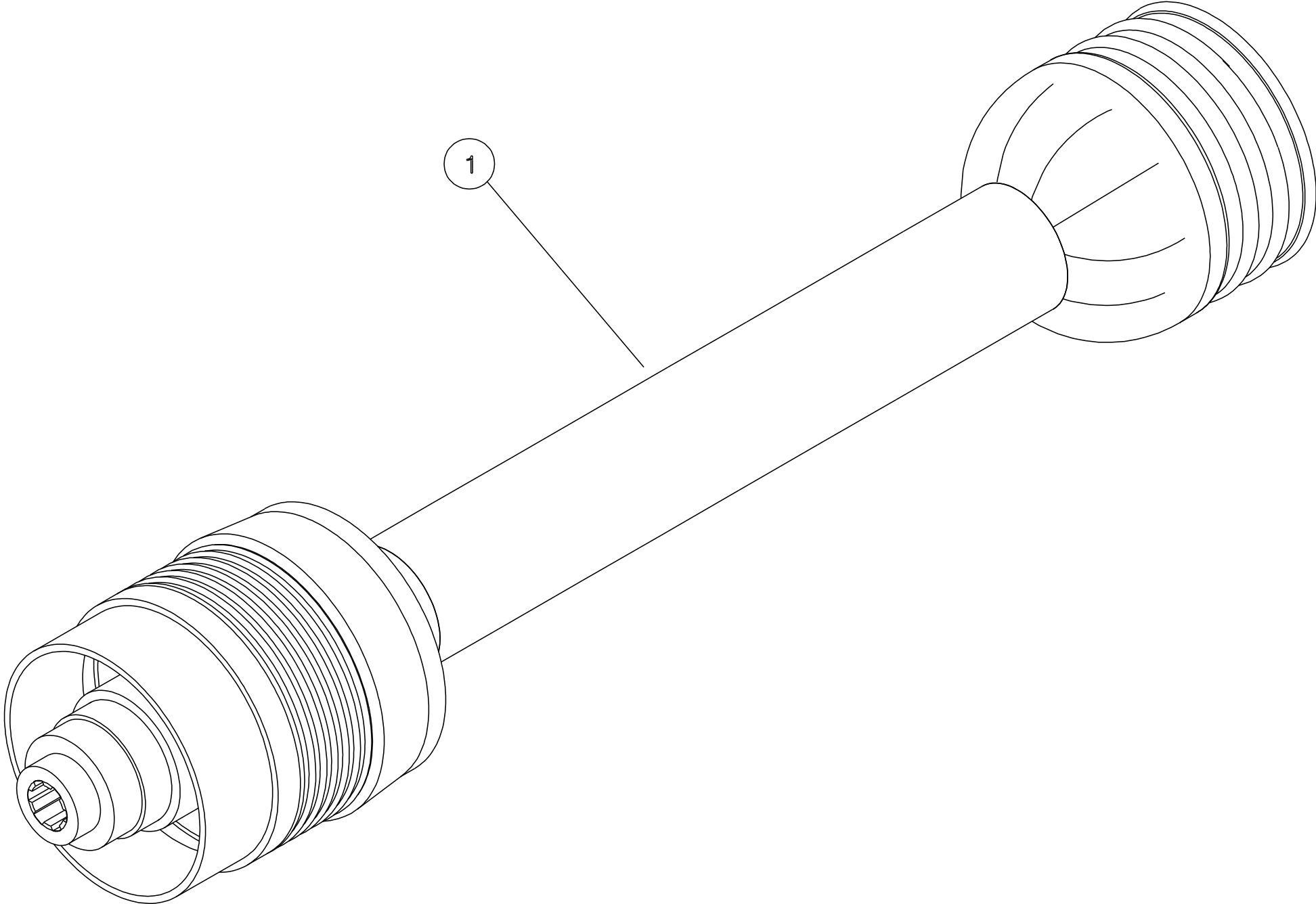
ASSY NUMBER: KIT-03588				ASSY DESCRIPTION: PTO SHAFT KIT			
ITEM	PART NO	DESCRIPTION	QTY	ITEM	PART NO	DESCRIPTION	QTY
1	PTO-29001	PTO SHAFT ASSY	1				





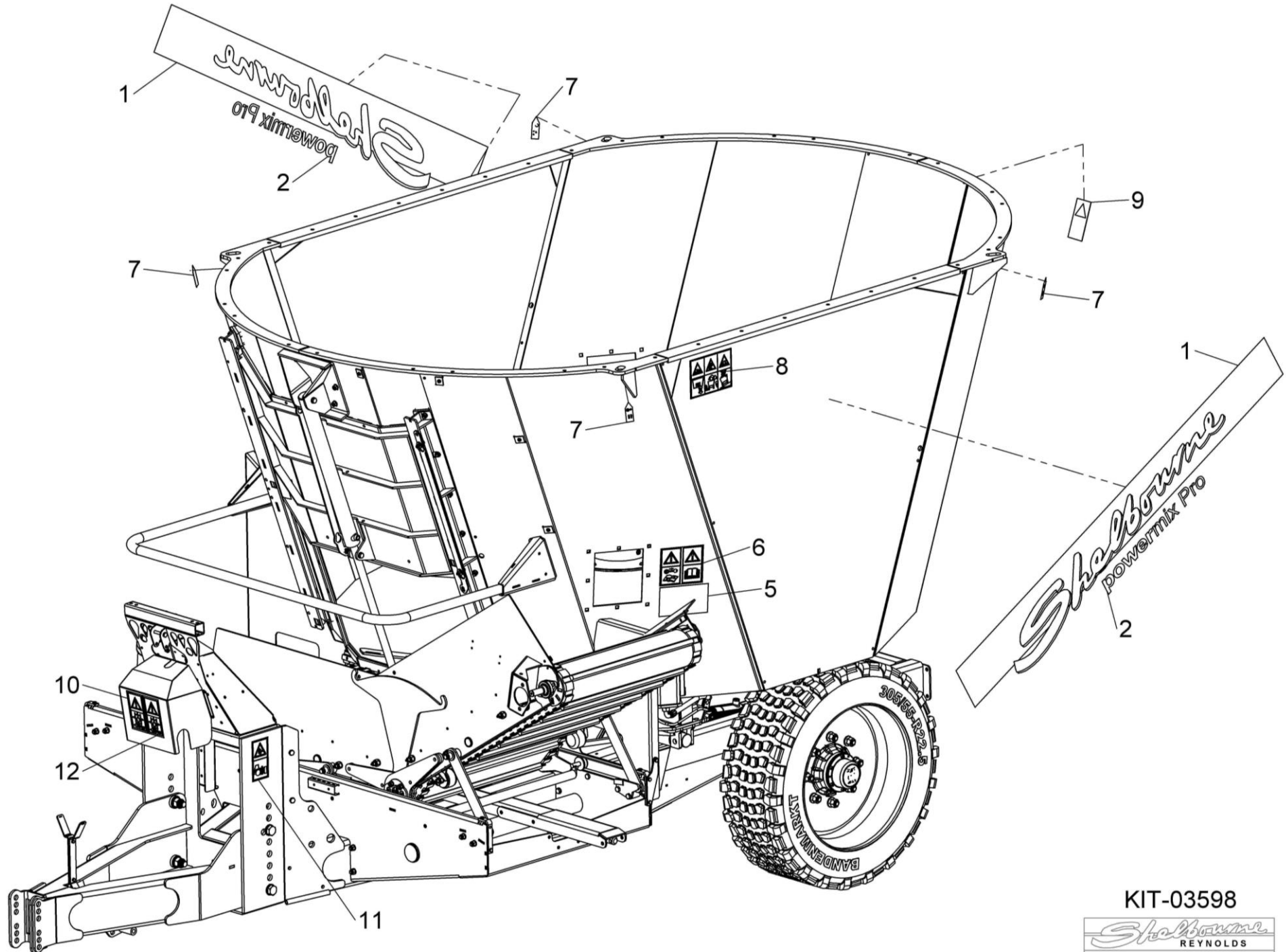
**Shelbourne Reynolds Engineering Limited**

ASSY NUMBER: KIT-03588B				ASSY DESCRIPTION: PTO SHAFT KIT (WALT)			
ITEM	PART NO	DESCRIPTION	QTY	ITEM	PART NO	DESCRIPTION	QTY
1	PTO-29001W	PTO SHAFT ASSY	1				



**Shelbourne Reynolds Engineering Limited**

ASSY NUMBER: KIT-03598				ASSY DESCRIPTION: POWERMIX PRO TRANSFER KIT			
ITEM	PART NO	DESCRIPTION	QTY	ITEM	PART NO	DESCRIPTION	QTY
1	591582 01	SHELBOURNE TRANSFER	2				
2	615408 01	POWERMIX PRO TRANSFER	2				
3							
4							
5	614666 01	SINGLE AUGER EXP GREASE EMBLEM	1				
6	TNF-0011	TRANSFER BLOCK	1				
7	190702 04	SLING POINT TRANSFER	4				
8	610253 01	EMBLEM	1				
9	610259 01	LOGO:DO ENTER USING	1				
10	614962 01	EMBLEM	1				
11	260060 01	TRANSFER-STAY CLEAR	1				
12	614959 01	MAX. HYD. PRESSURE TRANSFER	1				

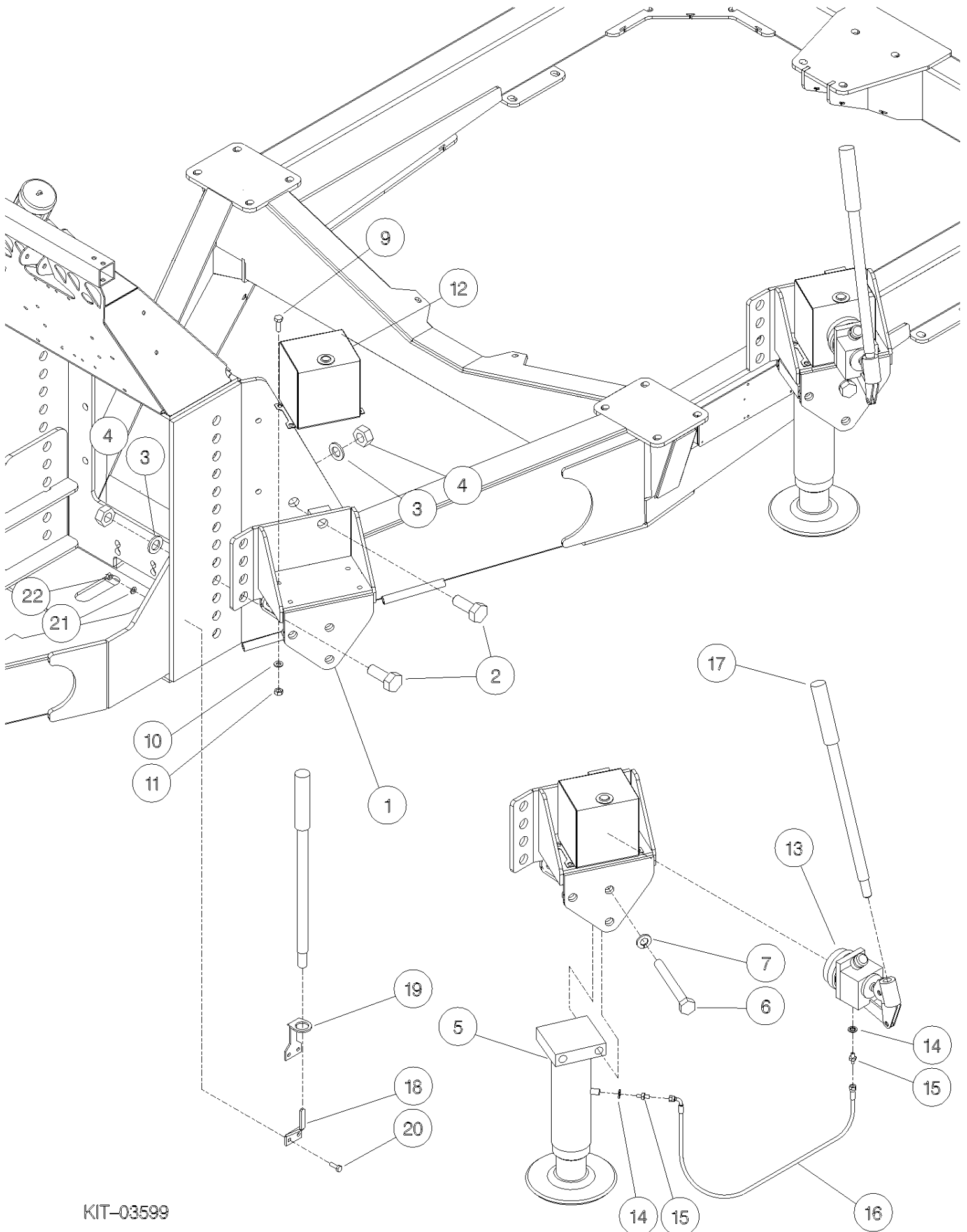


KIT-03598



**Shelbourne Reynolds Engineering Limited**

ASSY NUMBER: KIT-03599				ASSY DESCRIPTION: HYD PARKING JACK KIT			
ITEM	PART NO	DESCRIPTION	QTY	ITEM	PART NO	DESCRIPTION	QTY
1	614619 01	HYDRAULIC RAM BRKT W/A	1				
2	HSS-0410	SETSCREW	4				
3	WSH-0036	PLAIN WASHER FORM A	4				
4	NUT-0275	NYLOC NUT	4				
5	JAC-00210	HYDRAULIC PARKING JACK	1				
6	BLTA20770	HEXAGON HEAD BOLT	1				
7	WSH-0075	SPRING WASHER	1				
9	HSS-0194	SET SCREW	4				
10	WSH-0015	PLAIN WASHER	4				
11	NUT-0265	NYLOC NUT	4				
12	JAC-00220	HYD RESEVOIR - TANK	1				
13	JAC-00225	HYD HAND PUMP	1				
14	WSH-1010	DOWTY WASHER	2				
15	HMA-0057	ADAPTOR MALE/MALE	2				
16	HHCC03500	HYDRAULIC HOSE ASSY	1				
17	JAC-00230	HYD HAND PUMP HANDLE	1				
18	611654 01	LOWER HANDLE BKT	1				
19	611655 01	TOP BKT HOOP	1				
20	HSS-0145	SETSCREW	4				
21	WSH-0012	PLAIN WASHER	4				
22	NUT-0263	NYLOC NUT	4				

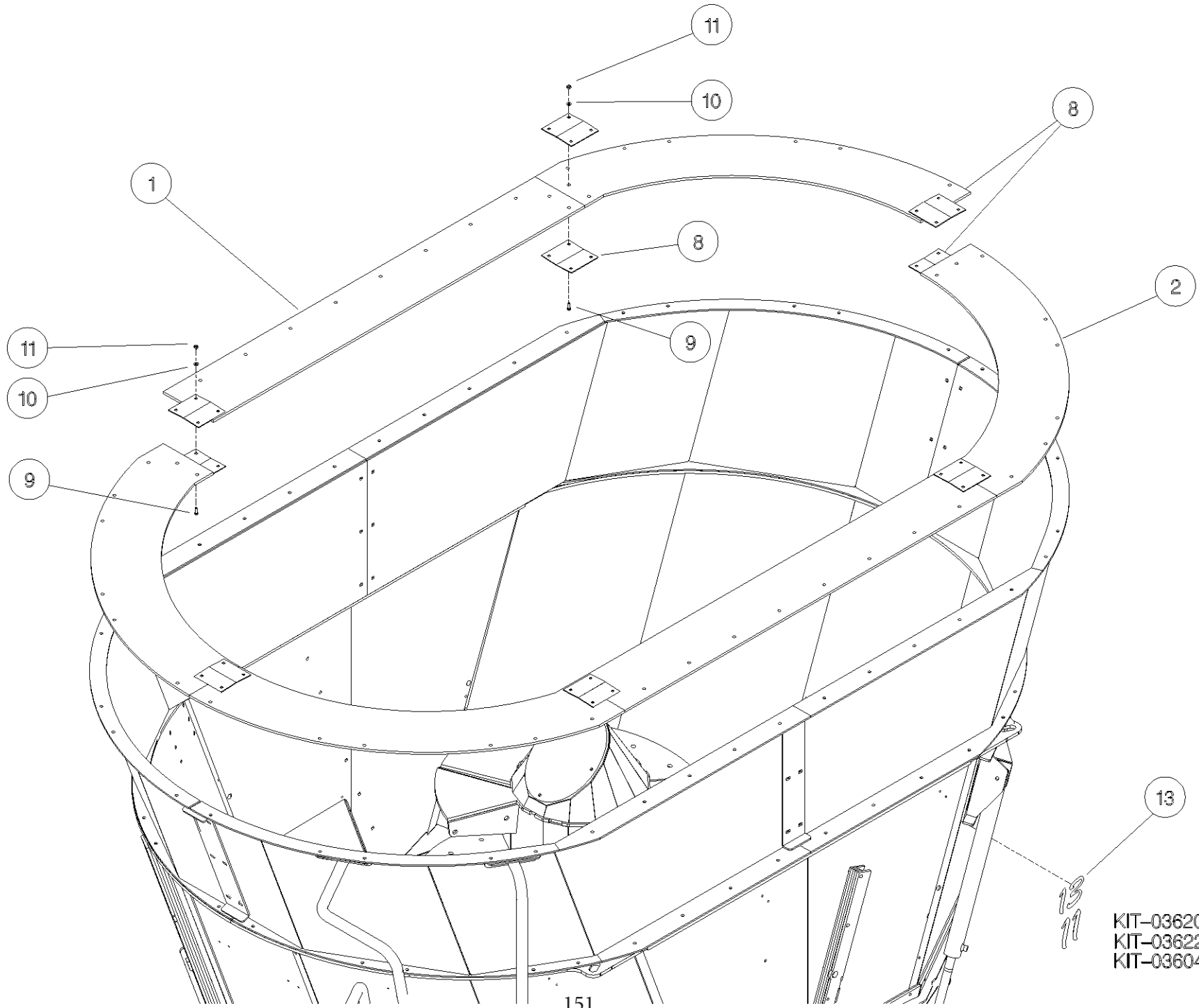


KIT-03599

**Shelbourne Reynolds Engineering Limited**

ASSY NUMBER: KIT-03604				ASSY DESCRIPTION: 900mm (15cu m) RUBBER RETAINER			
ITEM	PART NO	DESCRIPTION	QTY	ITEM	PART NO	DESCRIPTION	QTY
1	614921 01	RUBBER SECTION	2				
2	610982 01	CORNER RUBBER SECTION	4				
3							
4							
5							
6							
7							
8	611051 01	CLAMP STRIP	12				
9	BLT-2700	BOLT	24				
10	WSH-0012	PLAIN WASHER	24				
11	NUT-0263	NYLOC NUT	24				
12							
13	615458 04	SIZE TRANSFER - 15	2				

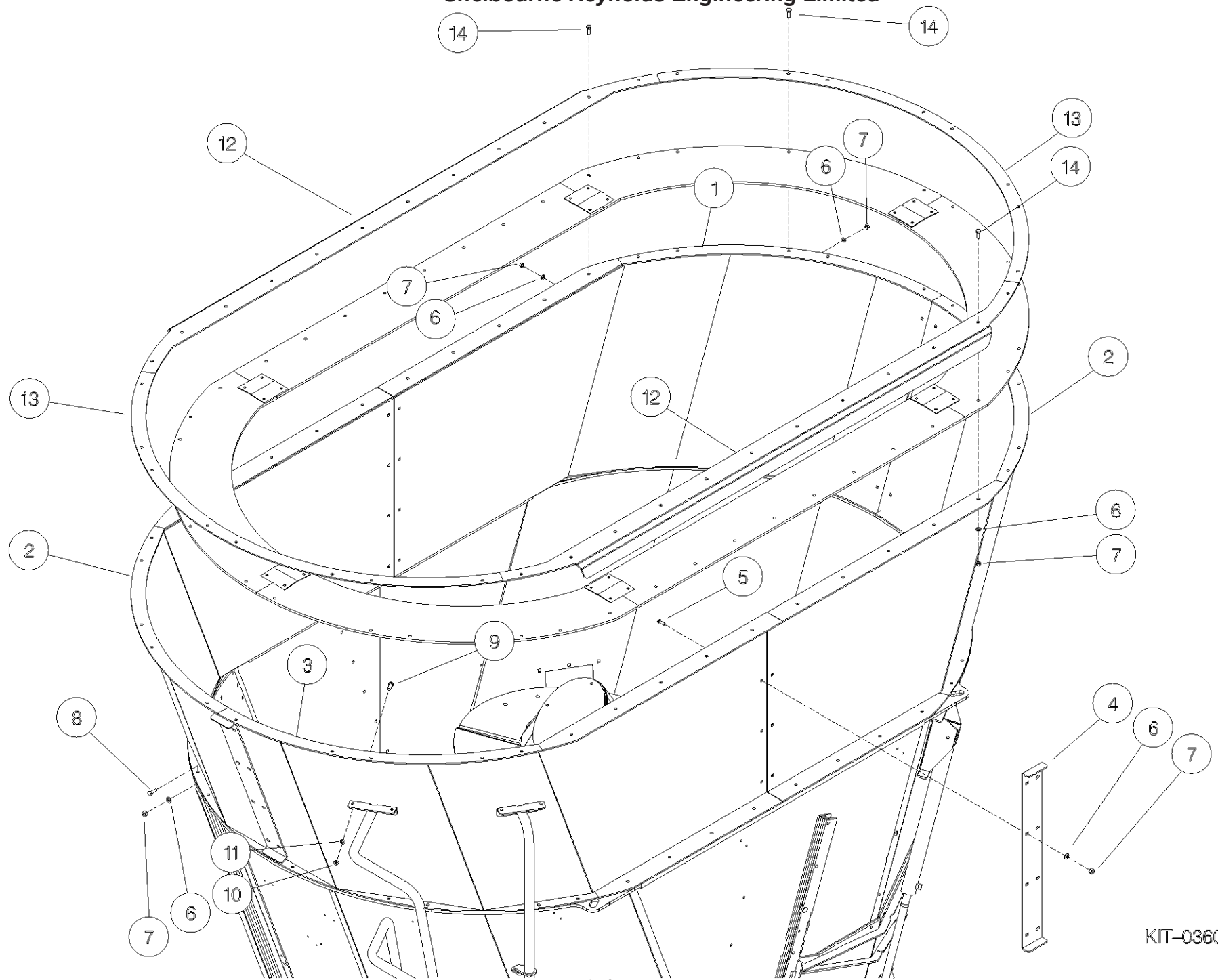




KIT-03620  
KIT-03622  
KIT-03604

**Shelbourne Reynolds Engineering Limited**

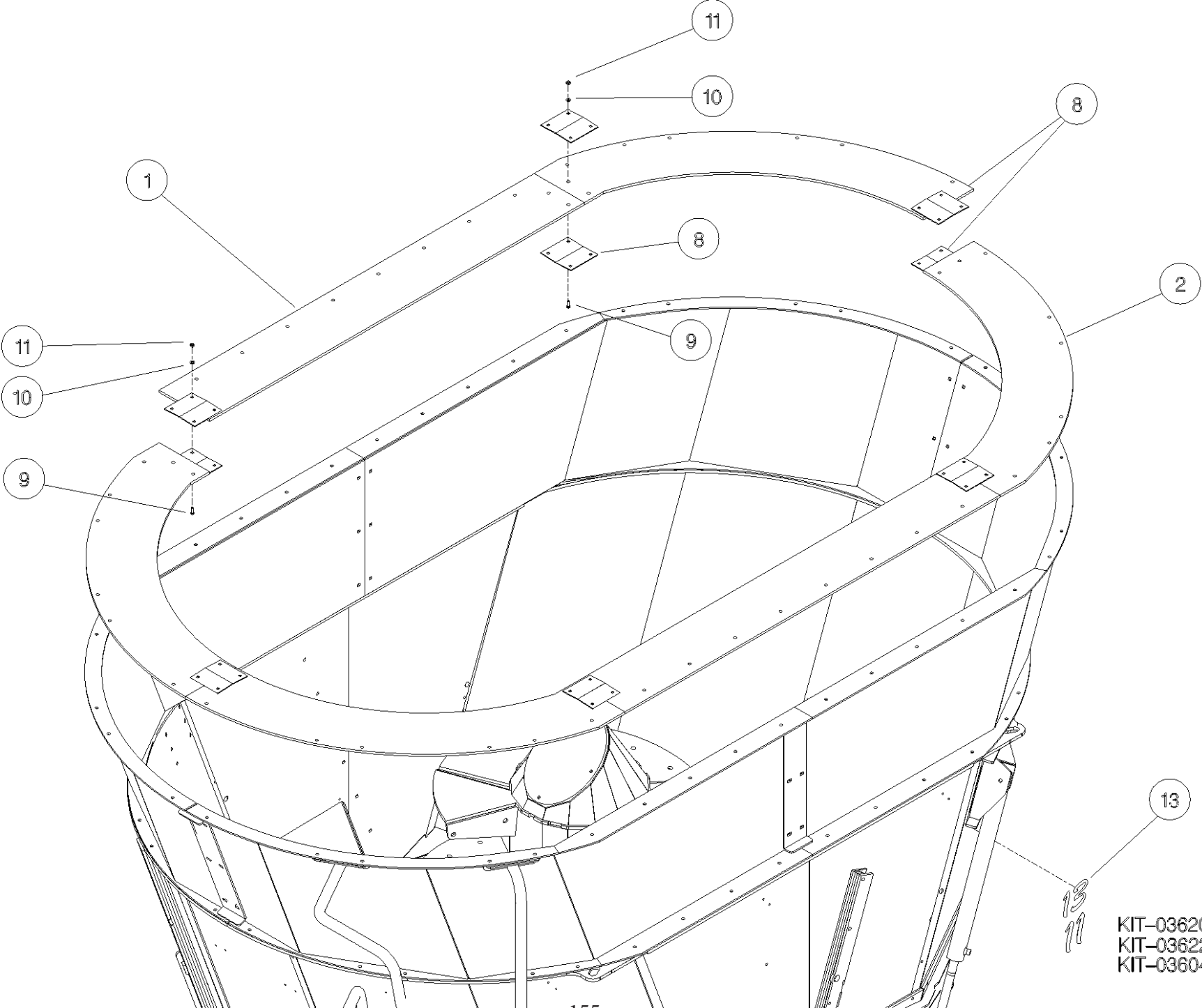
ASSY NUMBER: KIT-03605				ASSY DESCRIPTION: 900mm (15cu m) EXTENSION KIT			
ITEM	PART NO	DESCRIPTION	QTY	ITEM	PART NO	DESCRIPTION	QTY
1	614920 01	LH CORNER EXT ASSY	1				
2	614920 02	RH CORNER EXT ASSY	2				
3	614920 03	LH CORNER EXT ASSY	1				
4	614919 01	CLAMP PLATE	4				
5	BLT-3745	COACHBOLT	24				
6	WSH-0015	PLAIN WASHER	98				
7	NUT-0265	NYLOC NUT	98				
8	HSS-0198	SET SCREW	58				
9	BLT-3790	COACH BOLT	4				
10	NUT-0269	NYLOC NUT	4				
11	WSH-0018	PLAIN WASHER	4				
12	614922 01	STRAIGHT CLAMP STRIP	2				
13	613282 01	CURVED CLAMP STRIP	2				
14	HSS-0202	SET SCREW	40				



KIT-03605

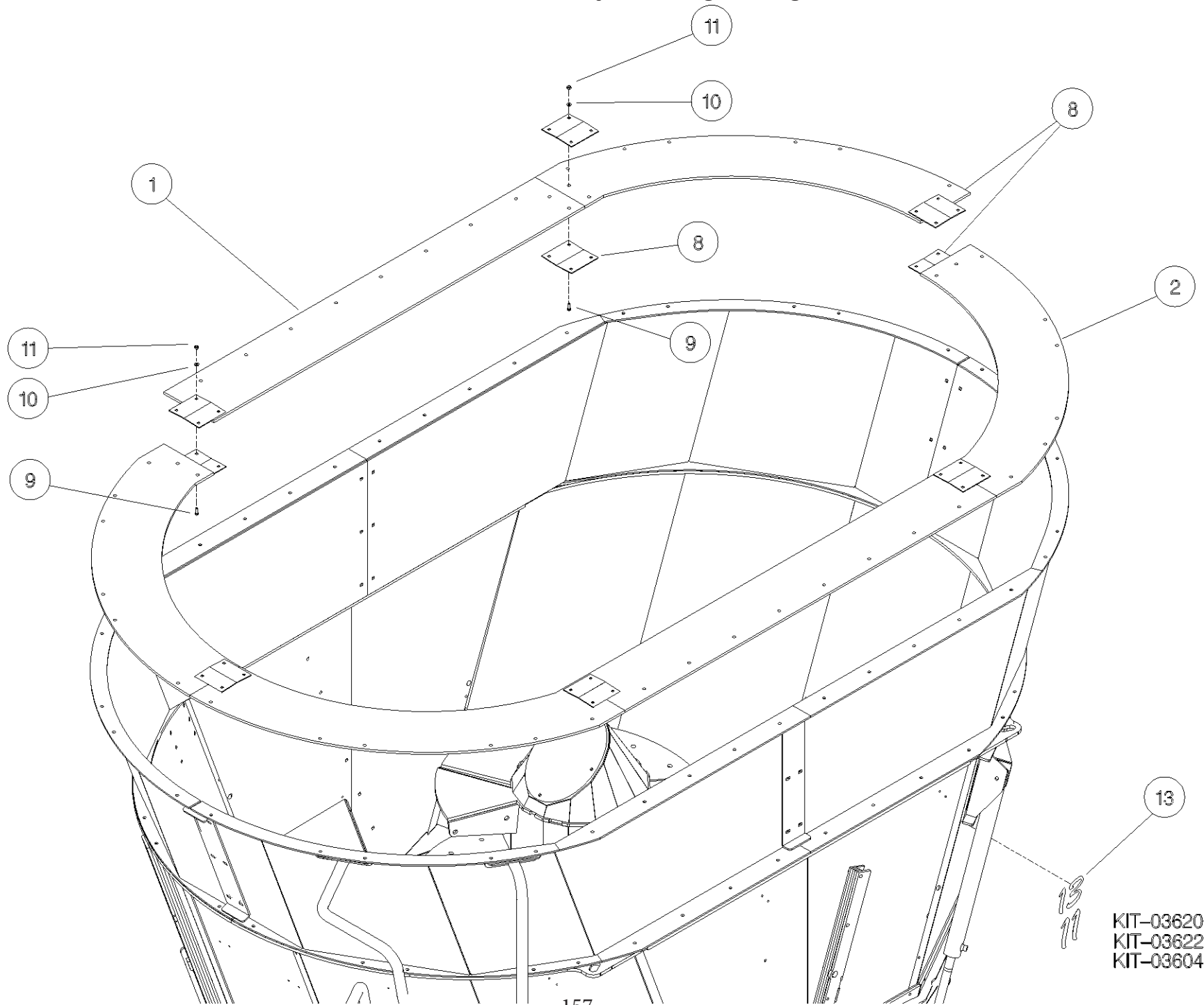
**Shelbourne Reynolds Engineering Limited**

ASSY NUMBER: KIT-03620				ASSY DESCRIPTION: 13m CU RUBBER RETAINING RING KIT			
ITEM	PART NO	DESCRIPTION	QTY	ITEM	PART NO	DESCRIPTION	QTY
1	613280 01	RUBBER SECTION	2				
2	610982 01	CORNER RUBBER SECTION	4				
3							
4							
5							
6							
7							
8	611051 01	CLAMP STRIP	12				
9	BLT-2700	BOLT	24				
10	WSH-0012	PLAIN WASHER	24				
11	NUT-0263	NYLOC NUT	24				
12							
13	615458 03	SIZE TRANSFER - 13	2				



**Shelbourne Reynolds Engineering Limited**

ASSY NUMBER: KIT-03622				ASSY DESCRIPTION: 11m3 RUBBER RETAINING KIT			
ITEM	PART NO	DESCRIPTION	QTY	ITEM	PART NO	DESCRIPTION	QTY
1	613279 01	RUBBER SECTION	2				
2	610982 01	CORNER RUBBER SECTION	4				
3							
4							
5							
6							
7							
8	611051 01	CLAMP STRIP	12				
9	BLT-2700	BOLT	24				
10	WSH-0012	PLAIN WASHER	24				
11	NUT-0263	NYLOC NUT	24				
12							
13	615458 02	SIZE TRANSFER - 11	2				

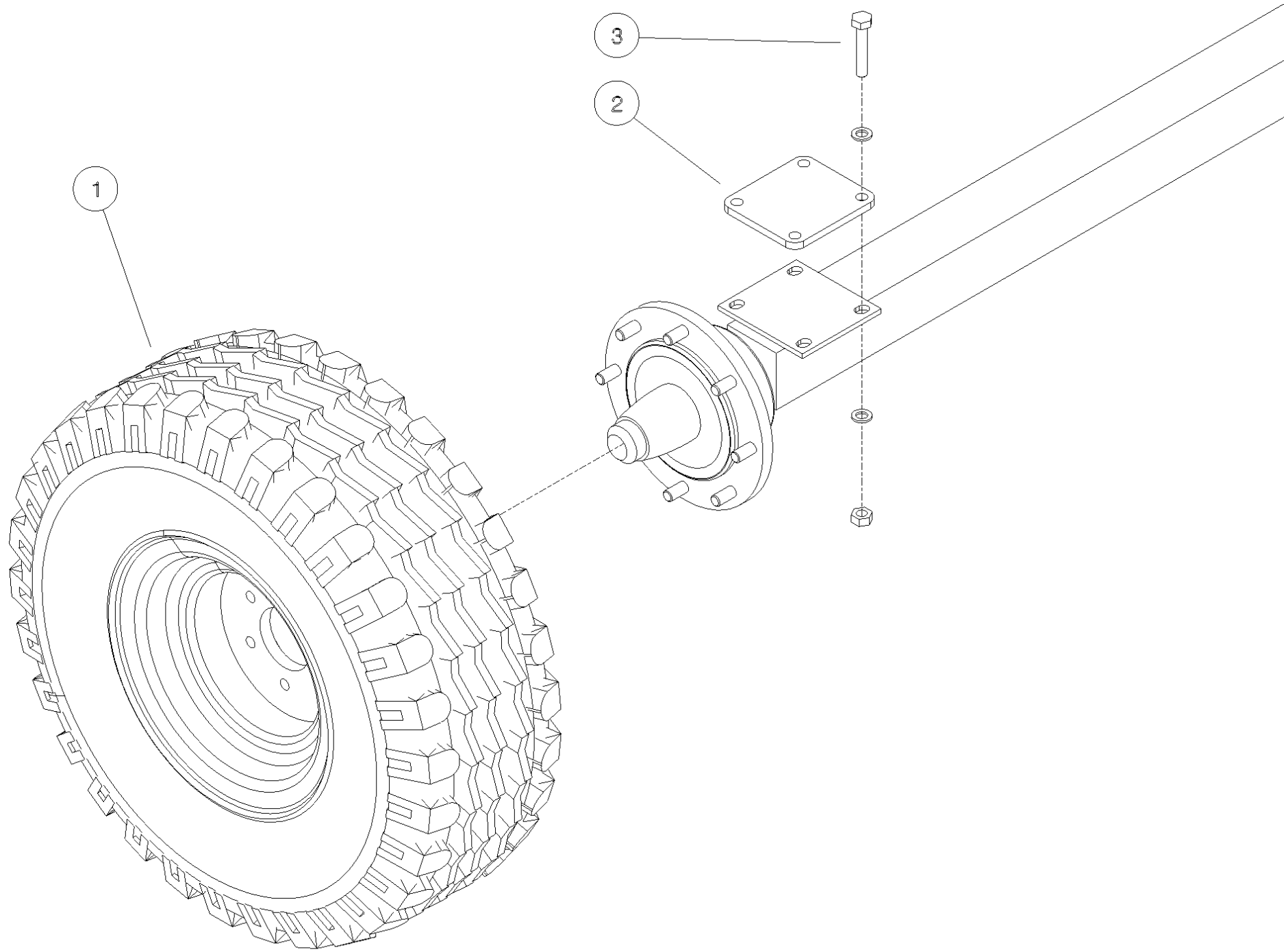


KIT-03620  
KIT-03622  
KIT-03604

**Shelbourne Reynolds Engineering Limited**

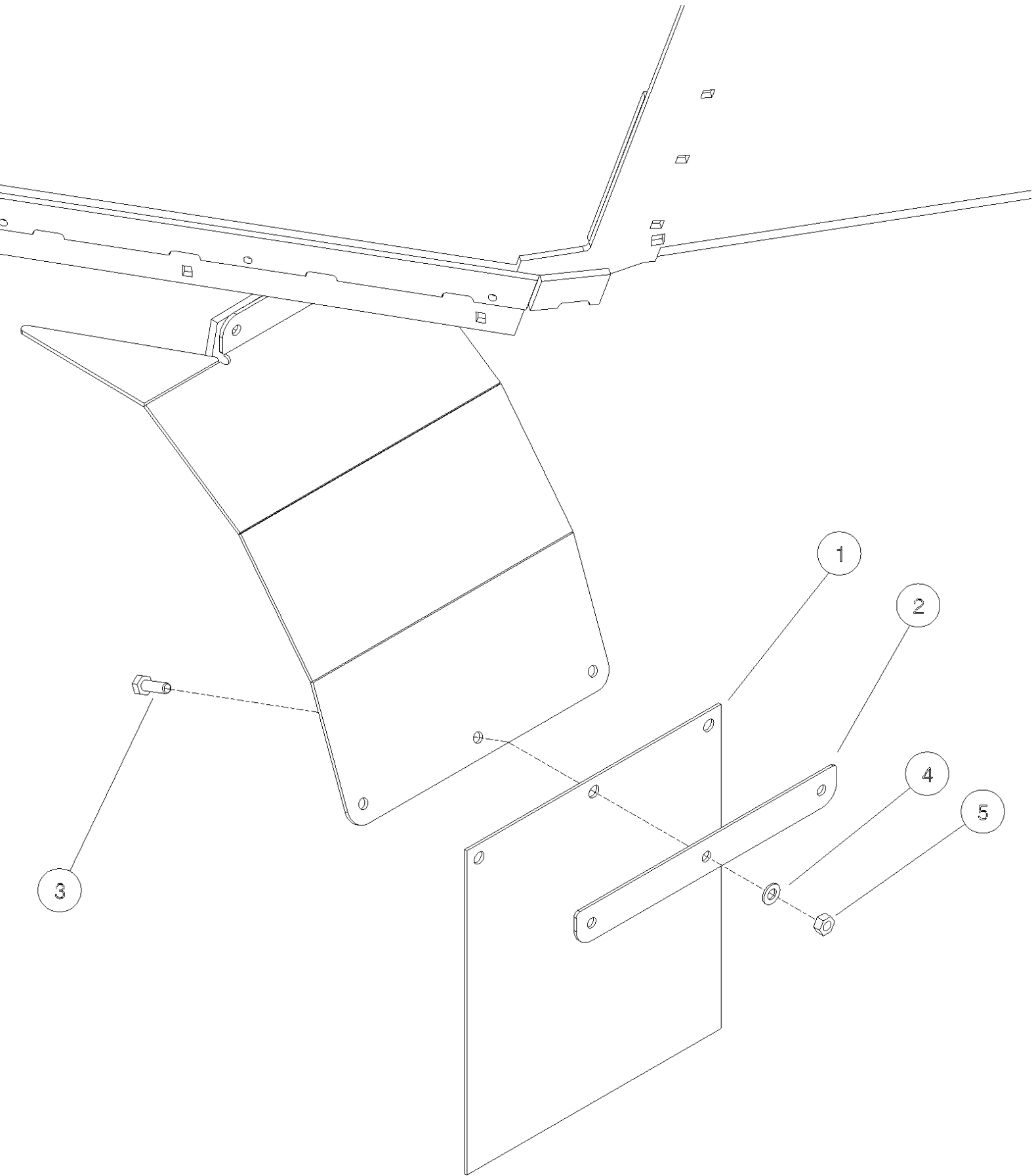
ASSY NUMBER: KIT-03629				ASSY DESCRIPTION: WHEEL & TYRES KIT			
ITEM	PART NO	DESCRIPTION	QTY	ITEM	PART NO	DESCRIPTION	QTY
1	WHL-01916	WHEEL & TYRE ASSY	2				
2	613814 01	AXLE SPACER PLATE	4				
3	HSS-0330	SET SCREW	8				





**Shelbourne Reynolds Engineering Limited**

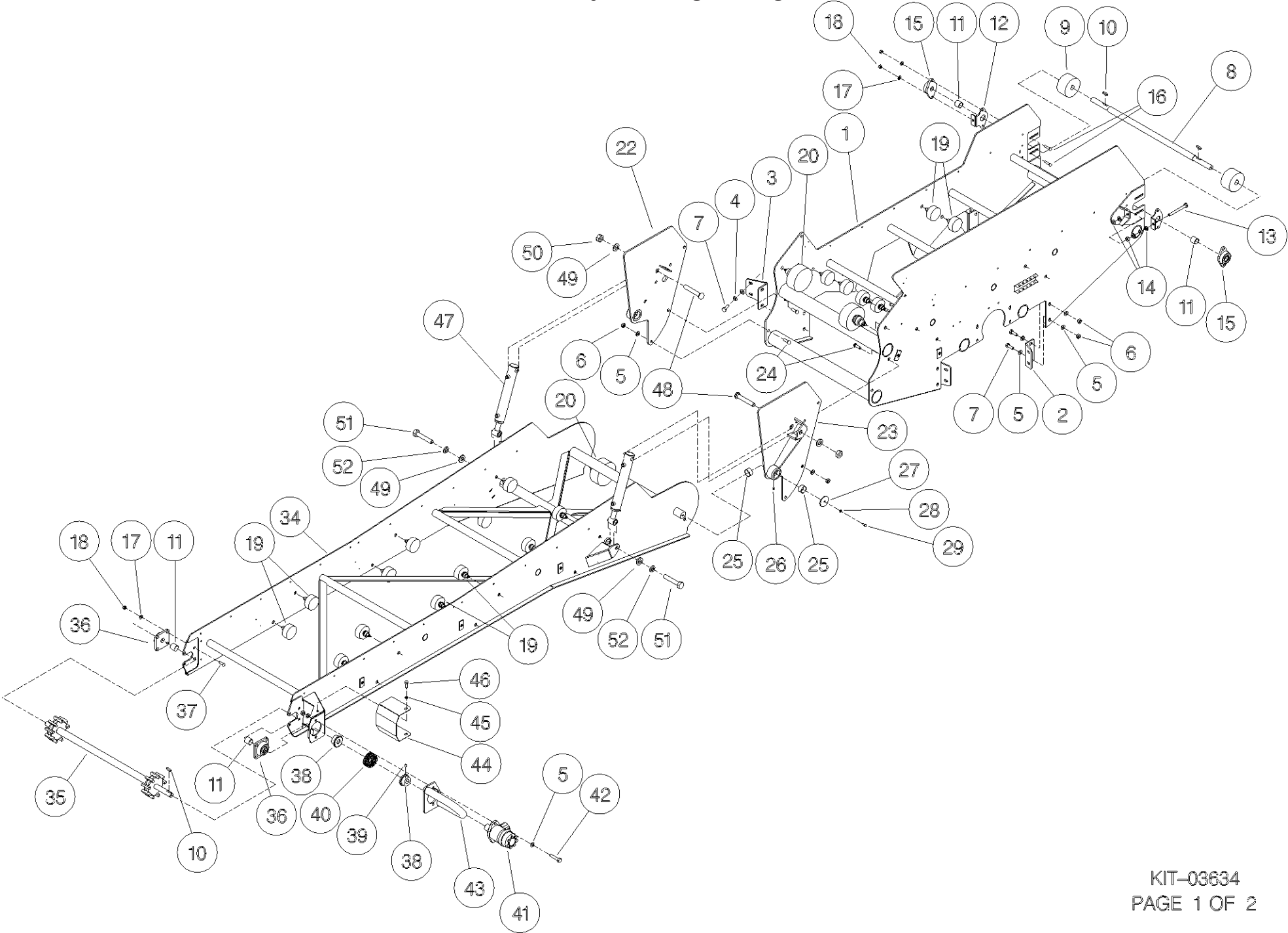
ASSY NUMBER: KIT-03632				ASSY DESCRIPTION: MUD FLAP KIT (SINGLE AUGER)			
ITEM	PART NO	DESCRIPTION	QTY	ITEM	PART NO	DESCRIPTION	QTY
1	614646 01	MUD FLAP	2				
2	614645 01	CLAMP PLATE	2				
3	HSS-0191	SETSCREW	6				
4	WSH-0015	PLAIN WASHER	6				
5	NUT-0265	NYLOC NUT	6				

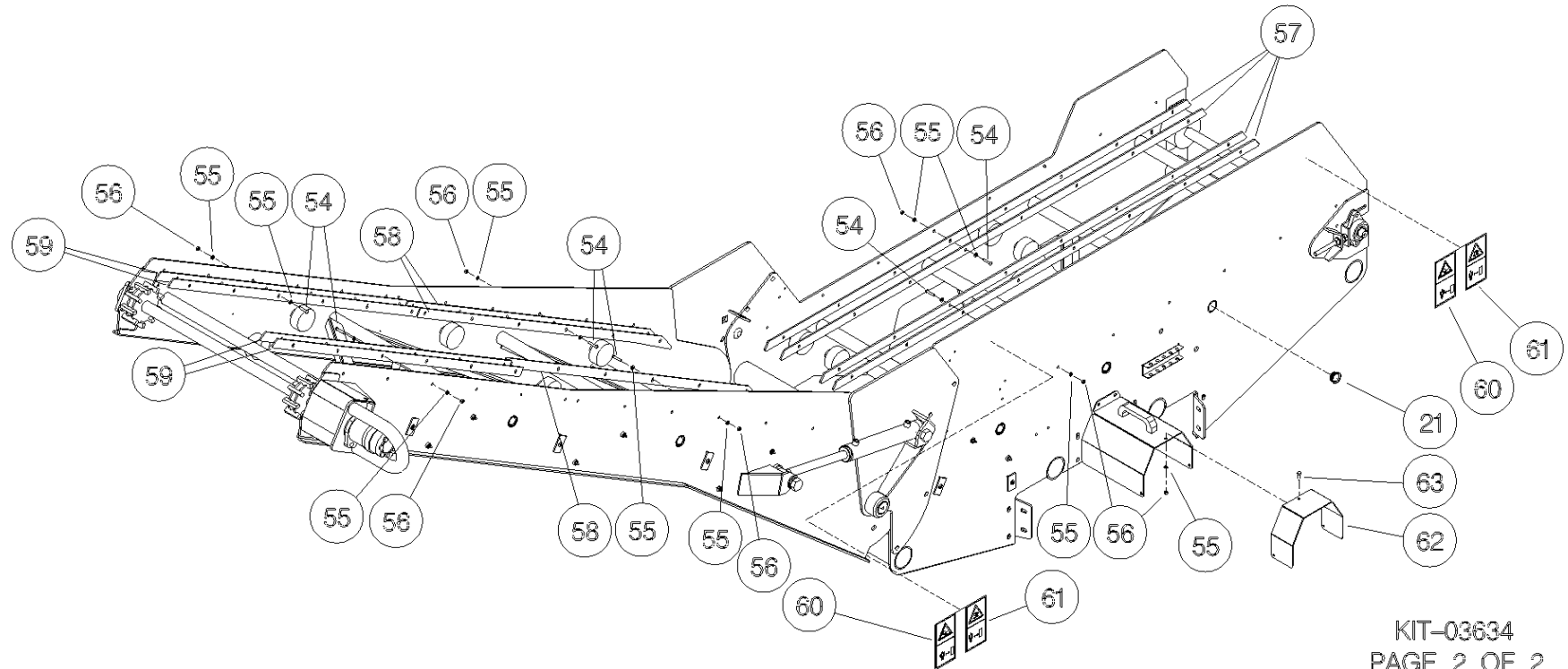
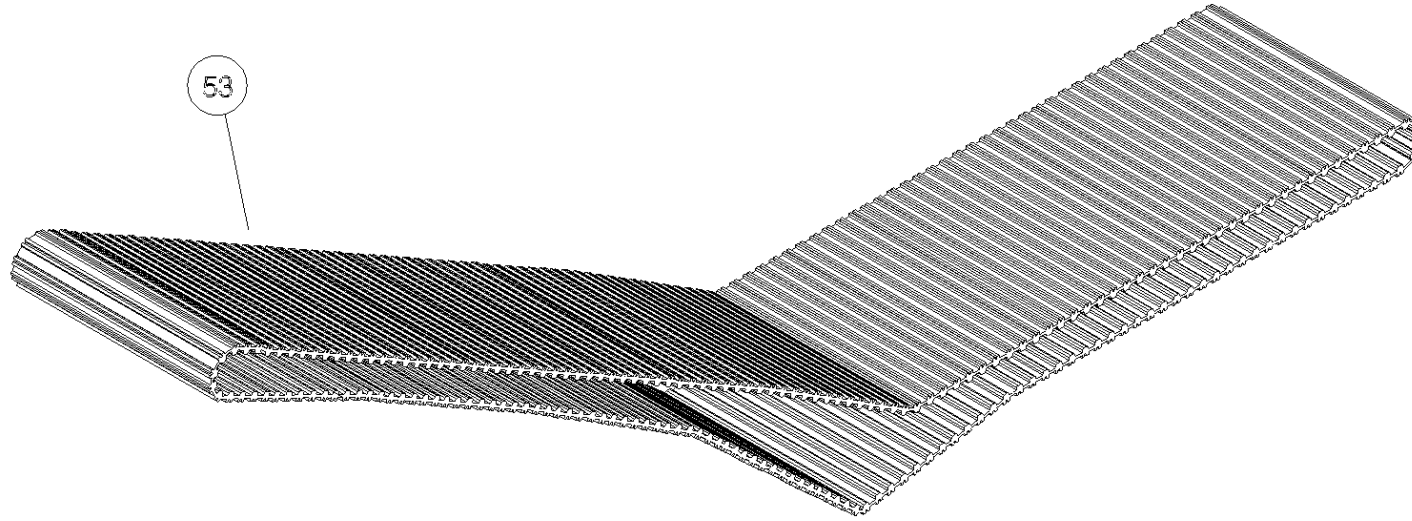




**Shelbourne Reynolds Engineering Limited**

ASSY NUMBER: KIT-03634				ASSY DESCRIPTION: 3m WEB CONVEYOR			
ITEM	PART NO	DESCRIPTION	QTY	ITEM	PART NO	DESCRIPTION	QTY
1	614649 01	CONVEYOR MTG FRAME W/A	1	45	WSH-0061	SPRING WASHER	2
2	614641 01	FRONT FIXING PLATE	2	46	HSS-0188	SET SCREW	2
3	614642 01	REAR FIXING PLATE	2	47	RAM-0001	D/ACTING HYD..RAM 370 CC	2
4	WSH-0065	SPRING WASHER	8	48	BLTF20593	COACHBOLT	2
5	WSH-0018	PLAIN WASHER	40	49	WSH-0030	PLAIN WASHER	4
6	NUT-0269	NYLOC NUT	18	50	NUTA02200	NYLOC NUT	2
7	HSS-0241	SET SCREW	16	51	BLTA20590	BOLT HEX. HD.	2
8	614481 01	IDLER SHAFT	1	52	WSH-0075	SPRING WASHER	2
9	CON-00024	IDLE ROLLER (DIA 110mm)	2	53	CON-00029	BROEKEMA BELT	1
10	K0807032	KEY PARALLEL	3	54	SCBA06200	BUTT SOC HD SCREW	40
11	614272 05	SHAFT SPACER	4	55	WSH-0009	PLAIN WASHER	83
12	614486 01	ADJUSTER PLATE	2	56	NUT-0260	NYLOC NUT	43
13	HSSA12560	HEX HEAD SET SCREW	2	57	614650 01	SEAL STRIP	4
14	NUT-0170	PLAIN NUT	6	58	614652 01	SEAL STRIP	4
15	BRG-25260	BEARING	2	59	614651 01	SEAL STRIP	4
16	BLT-3755	COACHBOLT	4	60	260062 01	TRANSFER-HAND ENTANGL	2
17	WSH-0018	PLAIN WASHER	12	61	260061 01	TRANSFER-SAFE DISTANC	2
18	NUT-0265	NYLOC NUT	12	61	HSS-0140	SETSCREW	3
19	CON-00025a	SUPPORT ROLLER (DIA 75mm)	20	62	615217 01	GUARD EXTENSION	1
20	CON-00019	GUIDE ROLLER (DIA 110mm)	4				
21	PTF-00134	PLASTIC CAP INSERT	10				
22	614636 01	PIVOT PLATE W/A RH	1				
23	614636 02	PIVOT PLATE W/A LH	1				
24	BLTF12233	M12*35 COACHBOLT	8				
25	BSHA04047	BUSH	4				
26	NIP-00600	GREASE NIPPLE	2				
27	190548 59	WASHER	2				
28	WSH-0058	SPRING WASHER	2				
29	HSS-0135	SETSCREW	2				
34	614629 01	3m CONVEYOR PAN W/A	1				
35	614483 01	DRIVE SHAFT W/ASSY	1				
36	BRG-25255	BEARING	2				
37	BLTF10231	COACH BOLT	8				
38	260030 03	SPROCKET 25 ID KEYWAY	2				
39	SCW-4530	GRUBSCREW	4				
40	CHN-01380	CHAIN 1/2"PITCH DUPLEX	1				
41	MOTH08000	HYDRAULIC MOTOR, PAINTED BLACK	1				
42	BLTA12380	HEX.HEAD BOLT	2				
43	614639 01	MOTOR GUARD W/A	1				
44	614640 01	COUPLING GUARD	1				

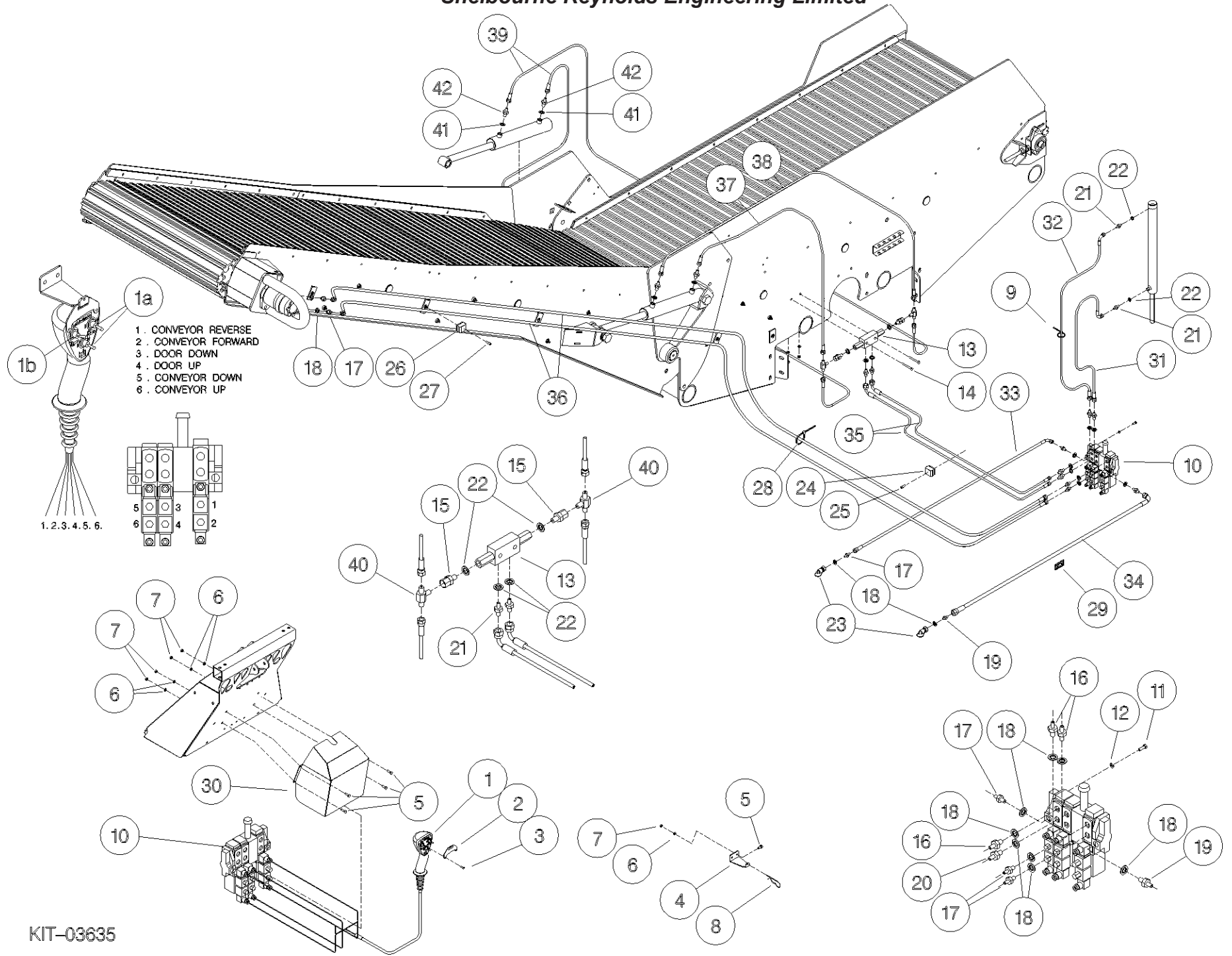




**Shelbourne Reynolds Engineering Limited**

ASSY NUMBER: KIT-03635				ASSY DESCRIPTION: ELECTRIC SOLENOID CONVEYOR HYD			
ITEM	PART NO	DESCRIPTION	QTY	ITEM	PART NO	DESCRIPTION	QTY
1	611701 01	HAND CONTROL UNIT AND LOOMS	1	39	HHAC29505	HYD HOSE ASSY	2
1a	SWT-00310	3 POSITION SPRING CTR SWITCH	2	40	HMT-0010	1/4"BSP EQUAL TEE MALE	2
1b	SWT-00510	ON/OFF/ON POSITION SWITCH	1	41	WSH-1010	DOWTY WASHER	4
2	611681 01	CONTROL. HANGER BRKT.	1	42	FIT-0025	HYD ADAPTOR	4
3	SCHS07176	SELF TAPPING SCREW	2				
4	611682 01	HOOK BRKT.	1				
5	HSS-0086	SET SCREW	6				
6	WSH-0009	WASHER	8				
7	NUT-0260	NUT	8				
8	CLP-00103	R CLIP	2				
9	TIE-0002	TIE WRAPS (SMALL, BLACK)	4				
10	HVB-19020	ELEC. MULTI SPOOL VALVE	1				
11	HSS-0135	SETSCREW	4				
12	WSH-0058	WASHER	4				
13	HVB-27000	PILOT OPERAT CHECK VALVE	1				
14	BLTA06320	HEX.HEAD BOLT	2				
15	FIT-0520	HYD ADAPTOR	2				
16	HMA-0055	HYD ADAPTOR	3				
17	HMA-0065	HYD ADAPTOR	6				
18	WSH-1015	DOWTY WASHER	12				
19	HMA-0067	HYD ADAPTOR	2				
20	HAMAA0703	RESTRICTOR FITTING	1				
21	HMA-0052	HYD ADAPTOR	4				
22	WSH-1005	DOWTY WASHER	6				
23	COU-0162	QUICK RELEASE COUPLING	2				
24	HCPD01200	HYD.PIPE CLAMP	5				
25	SCW-0083	CAP HEAD SCREW	5				
26	HCPD01600	HYDRAULIC PIPE CLAMP	4				
27	HSS-0152	SET SCREW	4				
28	TIE-0004	TIE WRAPS (MED)	15				
29	612230 01	EMBLEM	1				
30	614133 01	VALVE COVER	1				
31	HHBC66005	HYDRAULIC HOSE ASSY	1				
32	HHBC60005	HYDRAULIC HOSE ASSY	1				
33	HHBE22005	HYDRAULIC HOSE ASSY	1				
34	HHBF22005	HYDRAULIC HOSE ASSY	1				
35	HHBC11005	HYDRAULIC HOSE ASSY	2				
36	HHDE49005	HYDRAULIC HOSE ASSY	2				
37	HHAC08105	HYD HOSE ASSY	1				
38	HHAC11905	HYD HOSE ASSY	1				





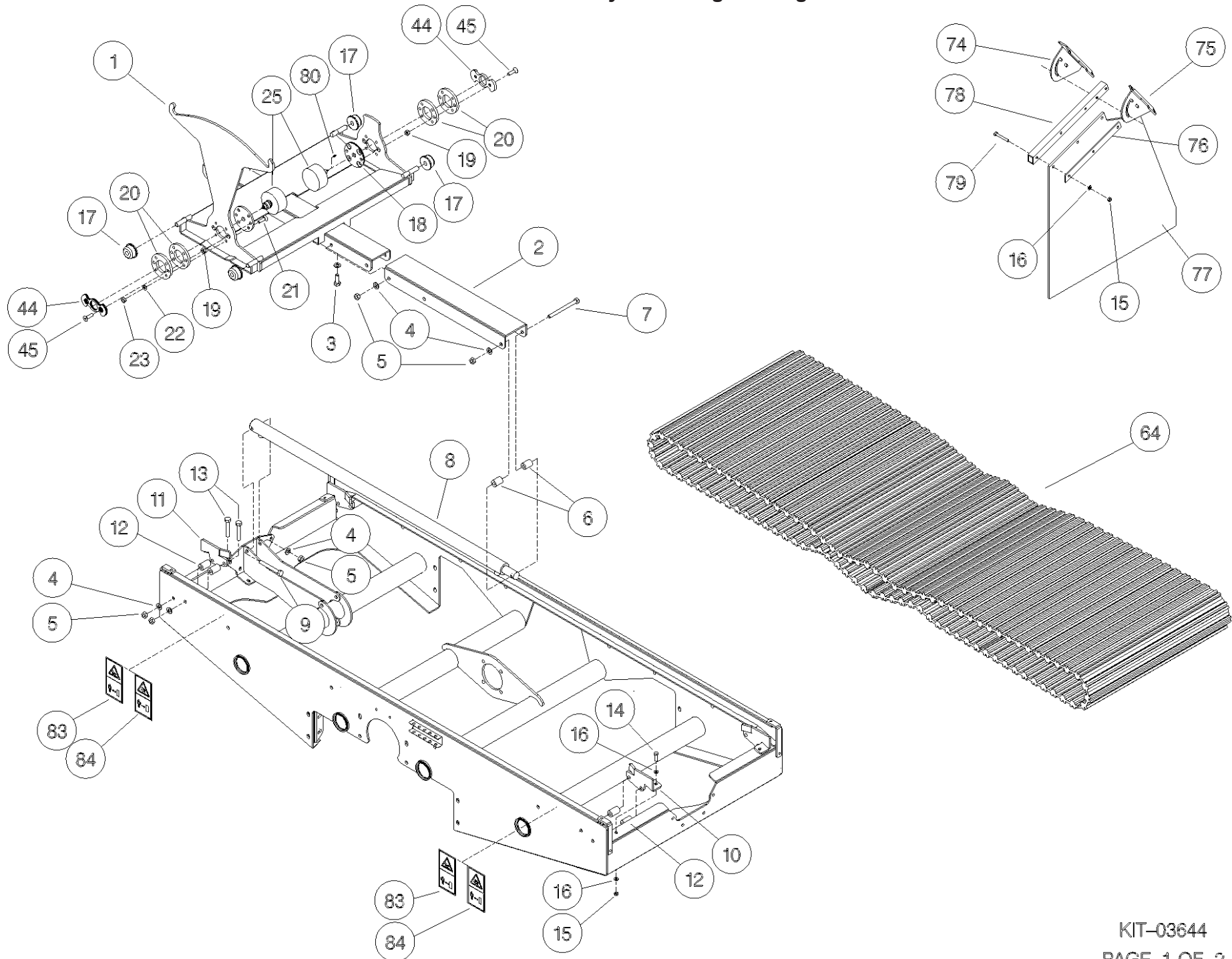
KIT-03635

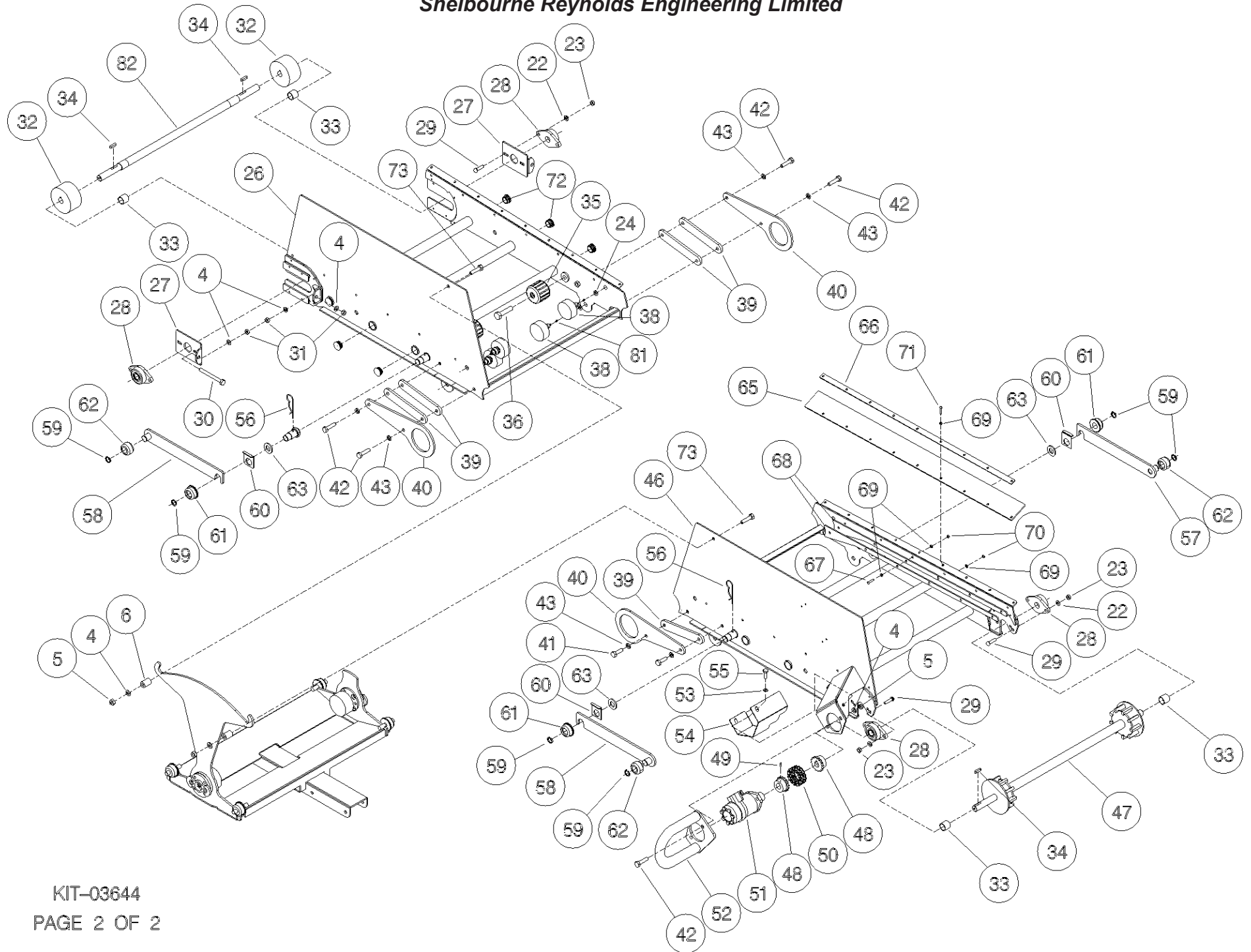
**Shelbourne Reynolds Engineering Limited**

ASSY NUMBER: KIT-03644				ASSY DESCRIPTION: WEB CONVEYOR KIT			
ITEM	PART NO	DESCRIPTION	QTY	ITEM	PART NO	DESCRIPTION	QTY
1	614681 01	CENTRE CARRIAGE FRAME W/ASSY	1	42	HSS-0260	SET SCREW	6
2	614480 01	RAM BRACKET	1	43	WSH-0065	WASHER	8
3	HSS-0241	SET SCREW	4	44	614672 01	SECURING PLATE	2
4	WSH-0018	WASHER	24	45	SCW-1895	CSK SOCKET HEAD SCREW	4
5	NUT-0269	NUT	18	46	614684 01	LH CONVEYOR PAN W/A	1
6	613919 03	SPACER TUBE	4	47	614687 01		1
7	20146128	BOLT	1	48	260030 03	SPROCKET 25 ID KEYWAY	2
8	610447 01	HYDRAULIC CYLINDER	1	49	SCW-4530	GRUBSCREW	4
9	BLT-2270	HEX.HEAD BOLT	1	50	CHN-01380	CHAIN	1
10	614279 01	LIFT ARM STOP PLATE LH	2	51	MOTH08000	HYDRAULIC MOTOR, PAINTED BLACK	1
11	614279 02	LIFT ARM STOP PLATE RH	2	52	614304 01	MOTOR GUARD W/ASSY	1
12	614280 01	LIFT ARM STOP SPACER TUBE	8	53	WSH-0061	WASHER	2
13	BLTA12470	HEX.HEAD BOLT	8	54	614310 01	COUPLING GUARD	1
14	HSS-0150	SET SCREW	4	55	HSS-0188	SET SCREW	2
15	NUT-0263	NUT	9	56	CLP-00105	R CLIP	4
16	WSH-0012	WASHER	15	57	614317 01	LIFT ARM ASSEMBLY	2
17	613702 01	WHEEL	4	58	614317 02	LIFT ARM ASSEMBLY	2
18	614671 01	CSK PIVOT PLATE	2	59	CIR-1125	CIRCLIP EXT	8
19	NUT-0167	NUT	4	60	613335 01	LATCH	4
20	614670 01	PIVOT DISC	4	61	613333 03	WHEEL	4
21	SCEA10324	CSK SOC HD SCREW	8	62	614278 01	WHEEL	4
22	WSH-0015	WASHER	16	63	WSH-1547	WASHER	4
23	NUT-0265	NUT	16	64	CON-00028	CONVEYOR BELT	1
24	WSH-0025	WASHER	10	65	614309 01	RUBBER SEAL STRIP	2
25	CON-00026	GUIDE ROLLER (DIA 90mm)	2	66	614487 01	CLAMP STRIP	2
26	614682 01	RH CONVEYOR PAN W/A	1	67	SCBA06200	BUTT SOC HD SCREW	24
27	614658 01	BEARING SLIDE PLATE	2	68	614484 01	SEAL PLATE	8
28	BRG-22560	CAST FLANGE BEARING	4	69	WSH-0009	WASHER	84
29	BLTF10231	COACH BOLT	8	70	NUT-0260	NUT	42
30	HSSA12560	HEX HEAD SET SCREW	2	71	SCW-4963	BUTTON HD SCREW	18
31	NUT-0170	NUT	6	72	PTF-00134	PLASTIC CAP INSERT	12
32	CON-00020	IDLE ROLLER	2	73	BLTA12380	HEX.HEAD BOLT	2
33	614272 07	SHAFT SPACER	4	74	613590 01	CURTAIN BRKT RH	1
34	K0807032	KEY PARALLEL	3	75	613589 01	CURTAIN BRKT LH	1
35	CON-00021	SUPPORT ROLLER	4	76	613602 01	CLAMP STRIP	1
36	BLT-2314	HEX.HEAD BOLT	4	77	613587 01	RUBBER CURTAIN	1
38	CON-00025	ROLLER	8	78	613601 01	RUBBER CURTAIN MTG	1
39	614669 01	SPACER PLATE	6	79	BLTA08380	HEX.HEAD BOLT	5
40	614667 01	PIVOT PLATE	4	80	NIP-00610	GREASE NIPPLE	2
41	HSS-0250	SET SCREW	4	81	NIP-00600	GREASE NIPPLE	8

**Shelbourne Reynolds Engineering Limited**

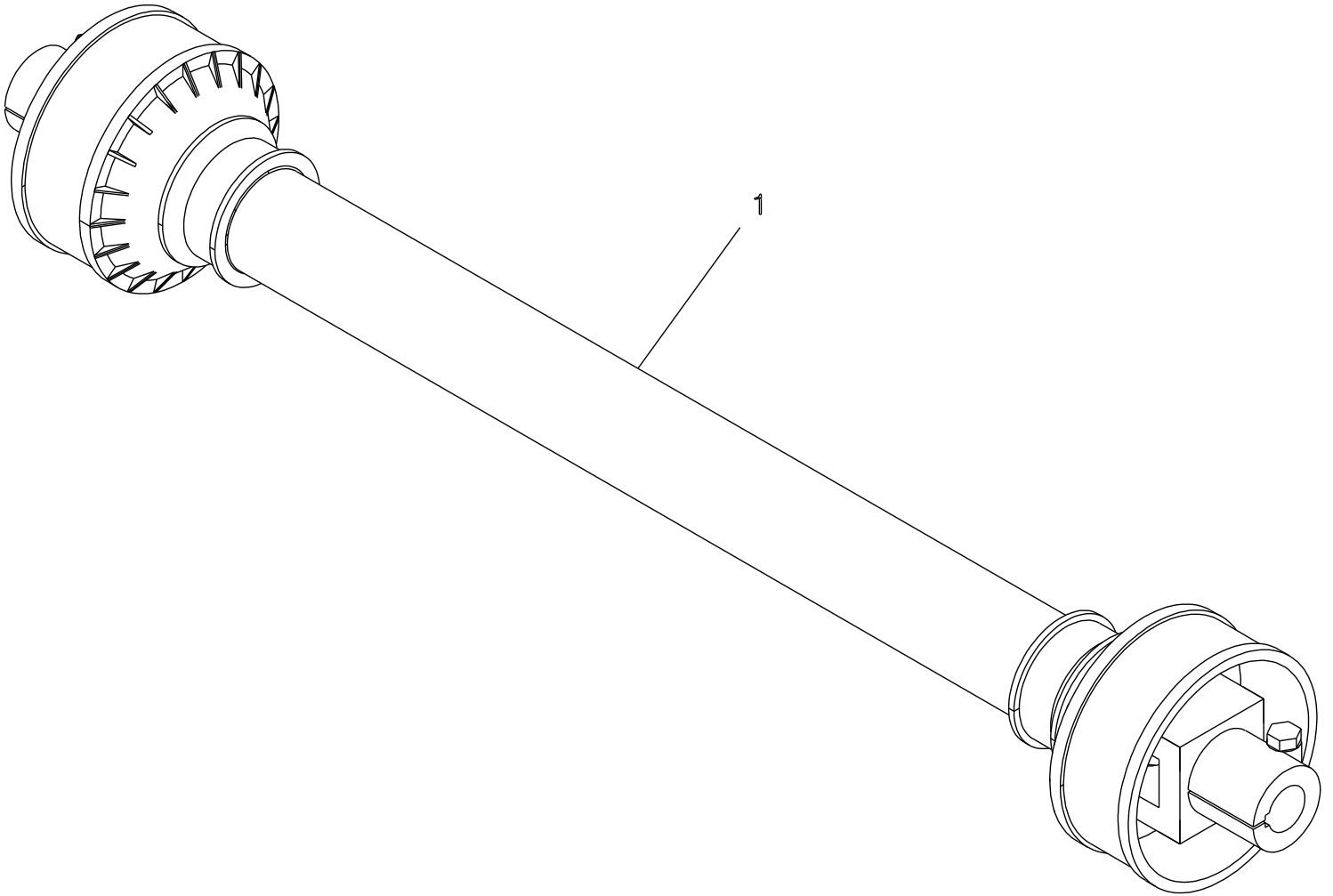
ASSY NUMBER: KIT-03644				ASSY DESCRIPTION: WEB CONVEYOR KIT			
ITEM	PART NO	DESCRIPTION	QTY	ITEM	PART NO	DESCRIPTION	QTY
82	614688 01	IDLE SHAFT	1				
83	260062 01	TRANSFER-HAND ENTANGL	2				
84	260061 01	TRANSFER-SAFE DISTANC	2				





**Shelbourne Reynolds Engineering Limited**

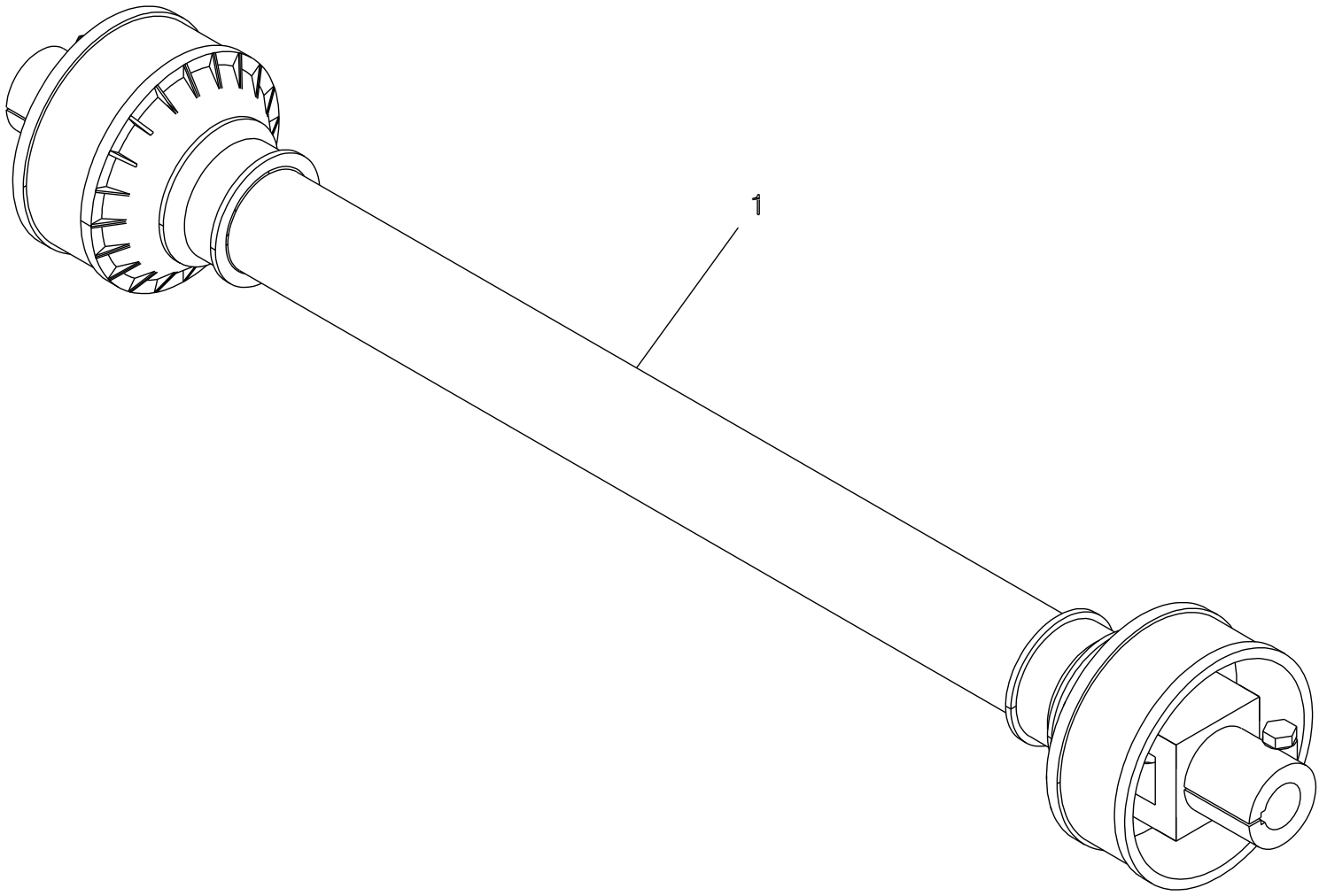
ASSY NUMBER: KIT-03647				ASSY DESCRIPTION: PTO SHAFT KIT			
ITEM	PART NO	DESCRIPTION	QTY	ITEM	PART NO	DESCRIPTION	QTY
1	PTO-29008	PTO SHAFT ASSY	1				



**Shelbourne Reynolds Engineering Limited**

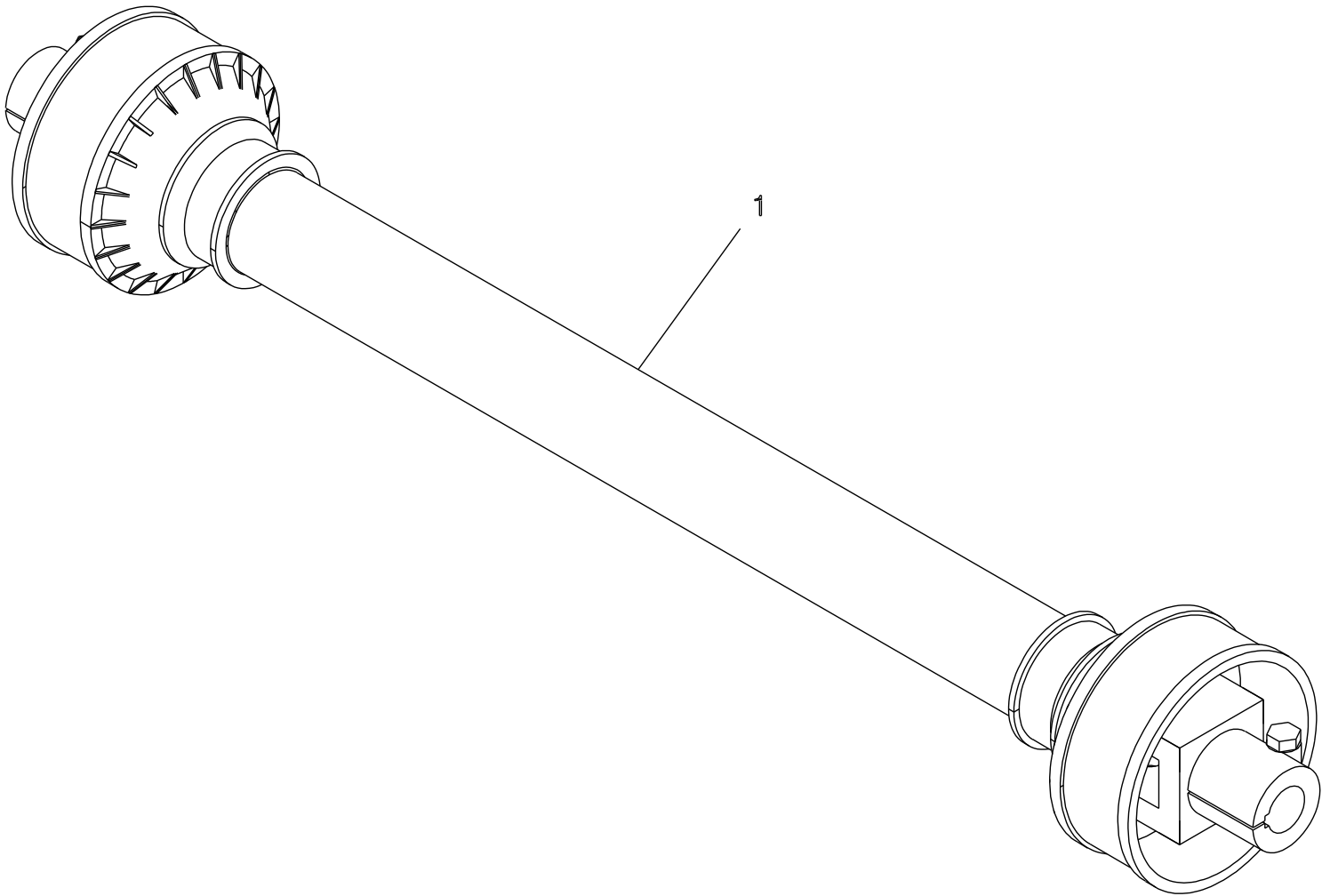
ASSY NUMBER: KIT-03647a				ASSY DESCRIPTION: INPUT SHAFT KIT (STD SINGLE AUGER)			
ITEM	PART NO	DESCRIPTION	QTY	ITEM	PART NO	DESCRIPTION	QTY
1	PTO-29008WE	INPUT PTO SHAFT (WEASLER)	1				





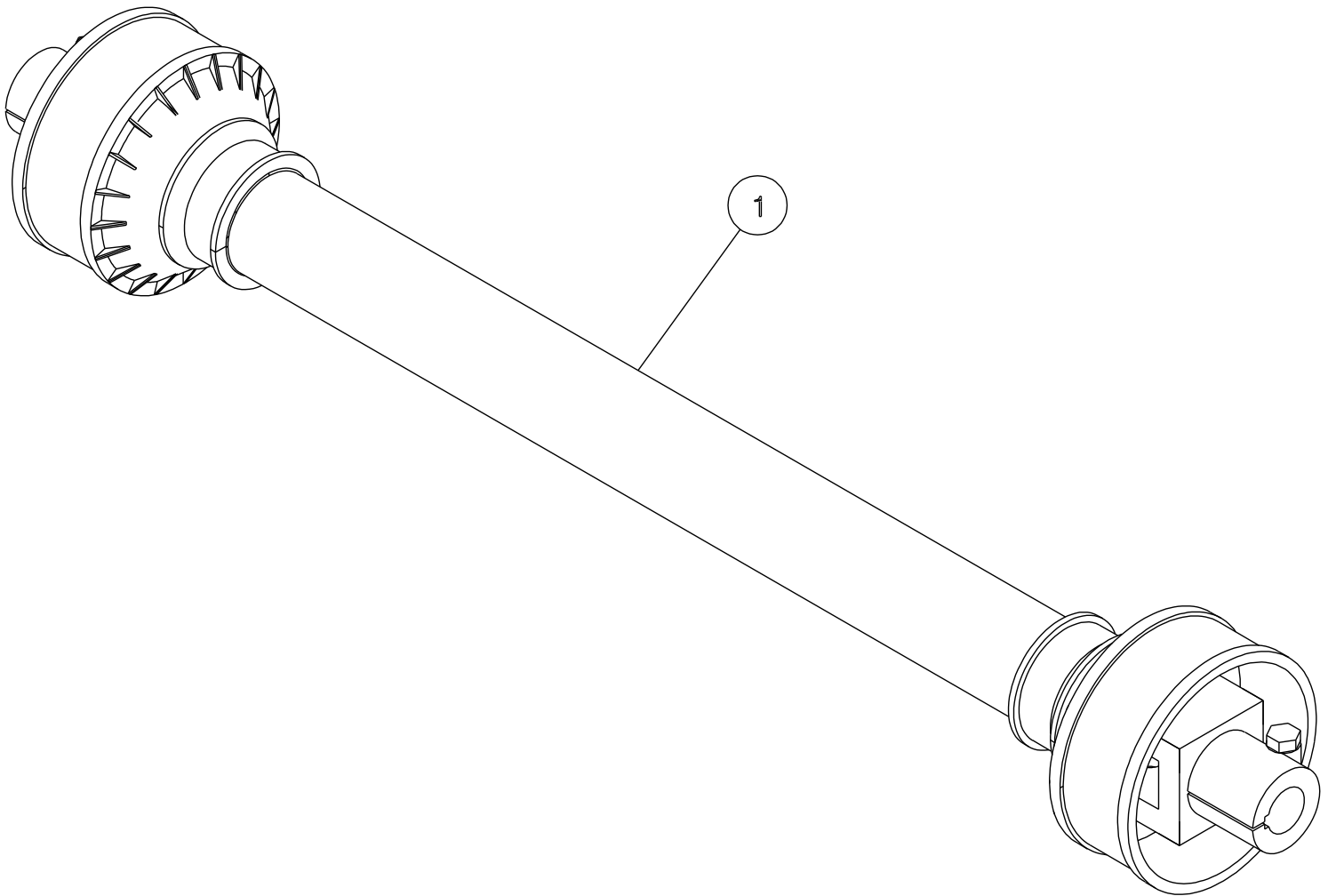
**Shelbourne Reynolds Engineering Limited**

ASSY NUMBER: KIT-03647B				ASSY DESCRIPTION: INPUT SHAFT KIT (WALTERSCHIED)			
ITEM	PART NO	DESCRIPTION	QTY	ITEM	PART NO	DESCRIPTION	QTY
1	PTO-29008W	INPUT PTO SHAFT (WALTERSCHIED)	1				



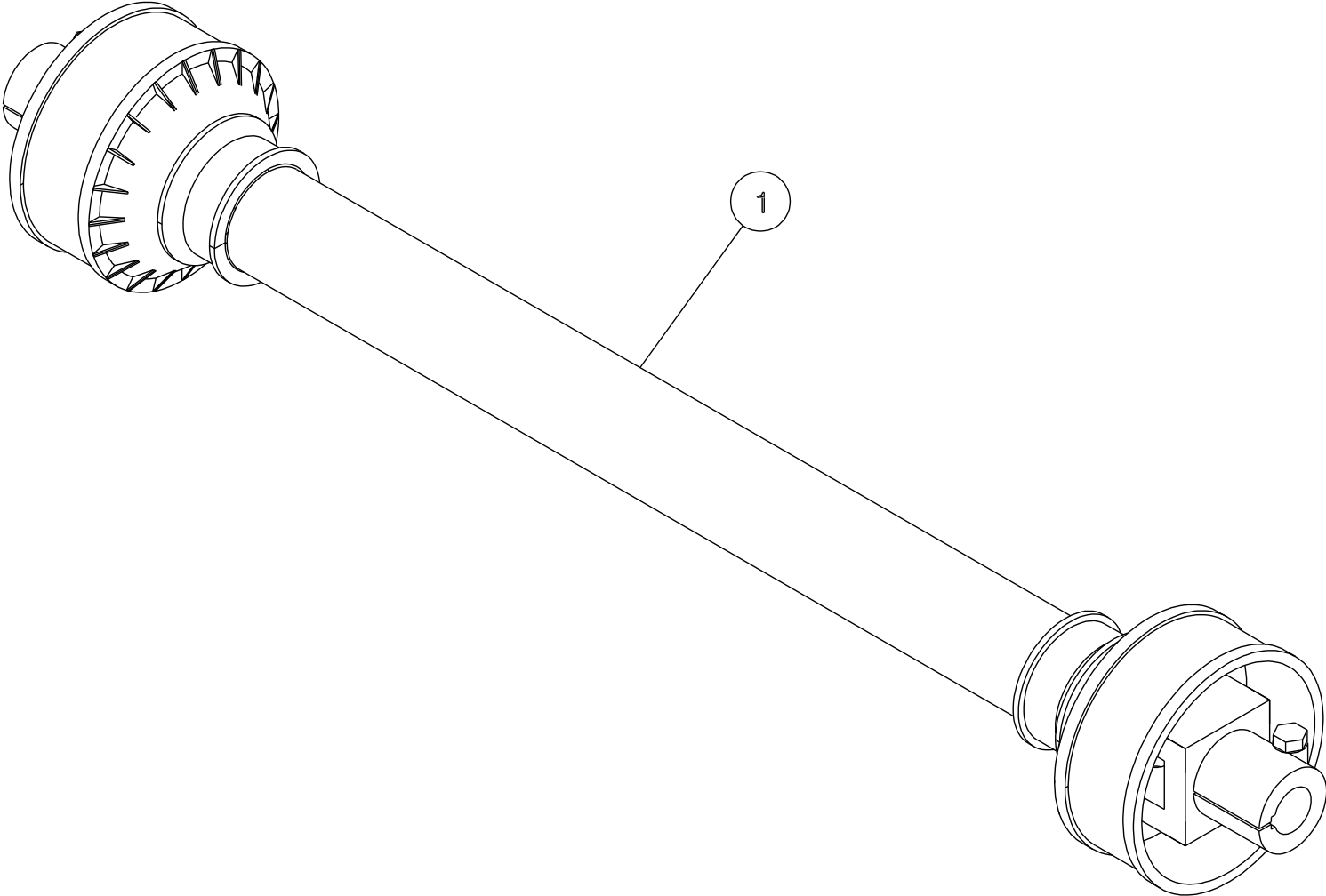
**Shelbourne Reynolds Engineering Limited**

ASSY NUMBER: KIT-03658				ASSY DESCRIPTION: PTO SHAFT KIT			
ITEM	PART NO	DESCRIPTION	QTY	ITEM	PART NO	DESCRIPTION	QTY
0	PTO-29009	PTO SHAFT ASSY	1				



**Shelbourne Reynolds Engineering Limited**

ASSY NUMBER: KIT-03658B				ASSY DESCRIPTION: STD PTO SHAFT KIT (SING AUGER C/W 2-SPEED)			
ITEM	PART NO	DESCRIPTION	QTY	ITEM	PART NO	DESCRIPTION	QTY
1	PTO-29009W	PTO SHAFT ASSY (WALT)	1				



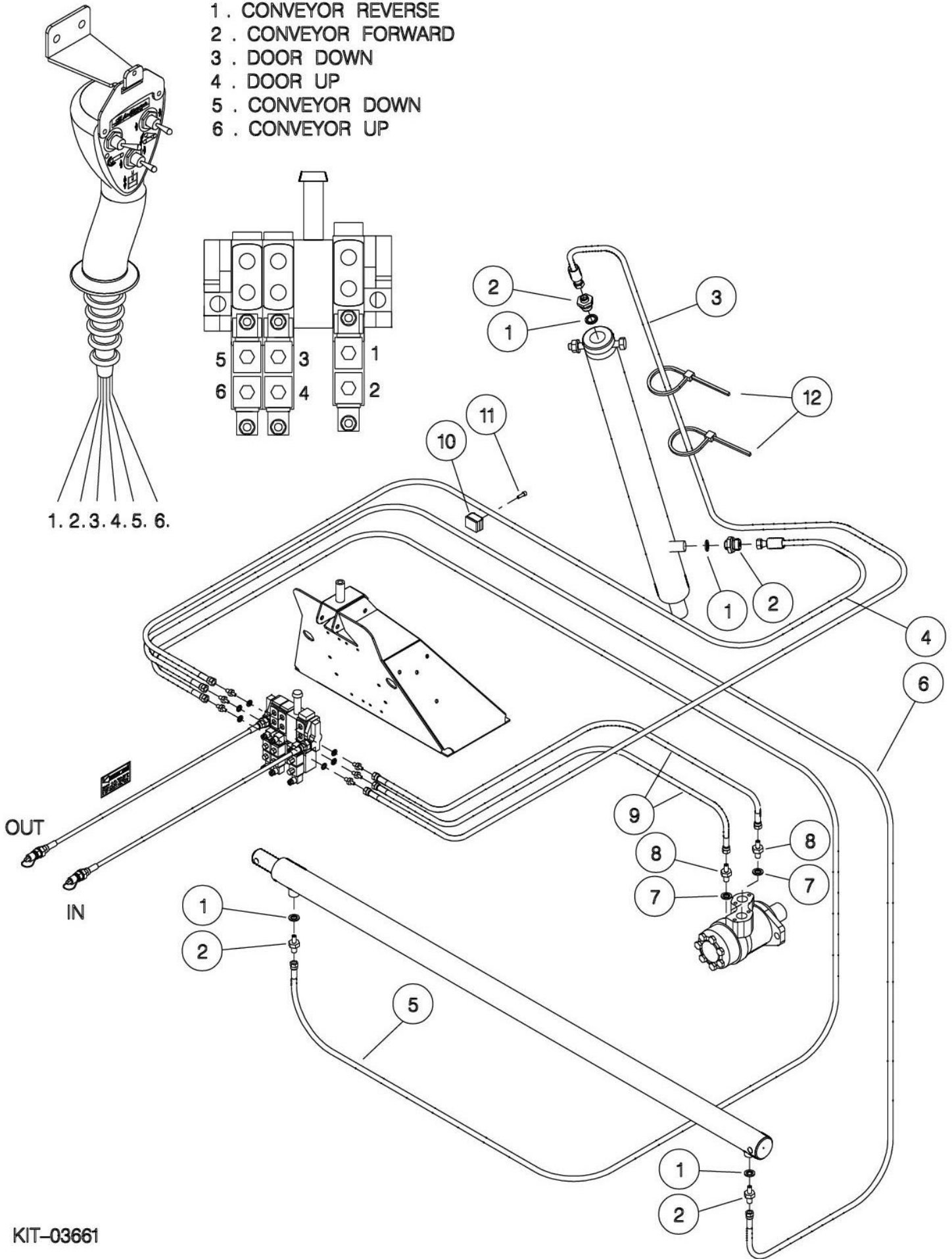
**Shelbourne Reynolds Engineering Limited**

ASSY NUMBER: KIT-03661				ASSY DESCRIPTION: 1 <sup>st</sup> STAGE HYDRAULICS KIT (EXPRESS PRO)			
ITEM	PART NO	DESCRIPTION	QTY	ITEM	PART NO	DESCRIPTION	QTY
1	WSH-1005	DOWTY WASHER	4				
2	HMA-0052	M/M ADAPTOR	4				
3	HHBC60005	HYDRAULIC HOSE	1				
4	HHBC66005	HYDRAULIC HOSE	1				
5	HHBC32005	HYDRAULIC HOSE	1				
6	HHBC34005	HYDRAULIC HOSE	1				
7	WSH-1015	DOWTY WASHER	2				
8	HMA-0065	M/M ADAPTOR	2				
9	HHDE33005	HYDRAULIC HOSE	2				
10	HCPD01200	PIPE CLAMP	5				
11	SCW-0083	CAP HD SCREW	5				
12	TIE-0004	TIE WRAP	8				



**Shelbourne Reynolds Engineering Limited**

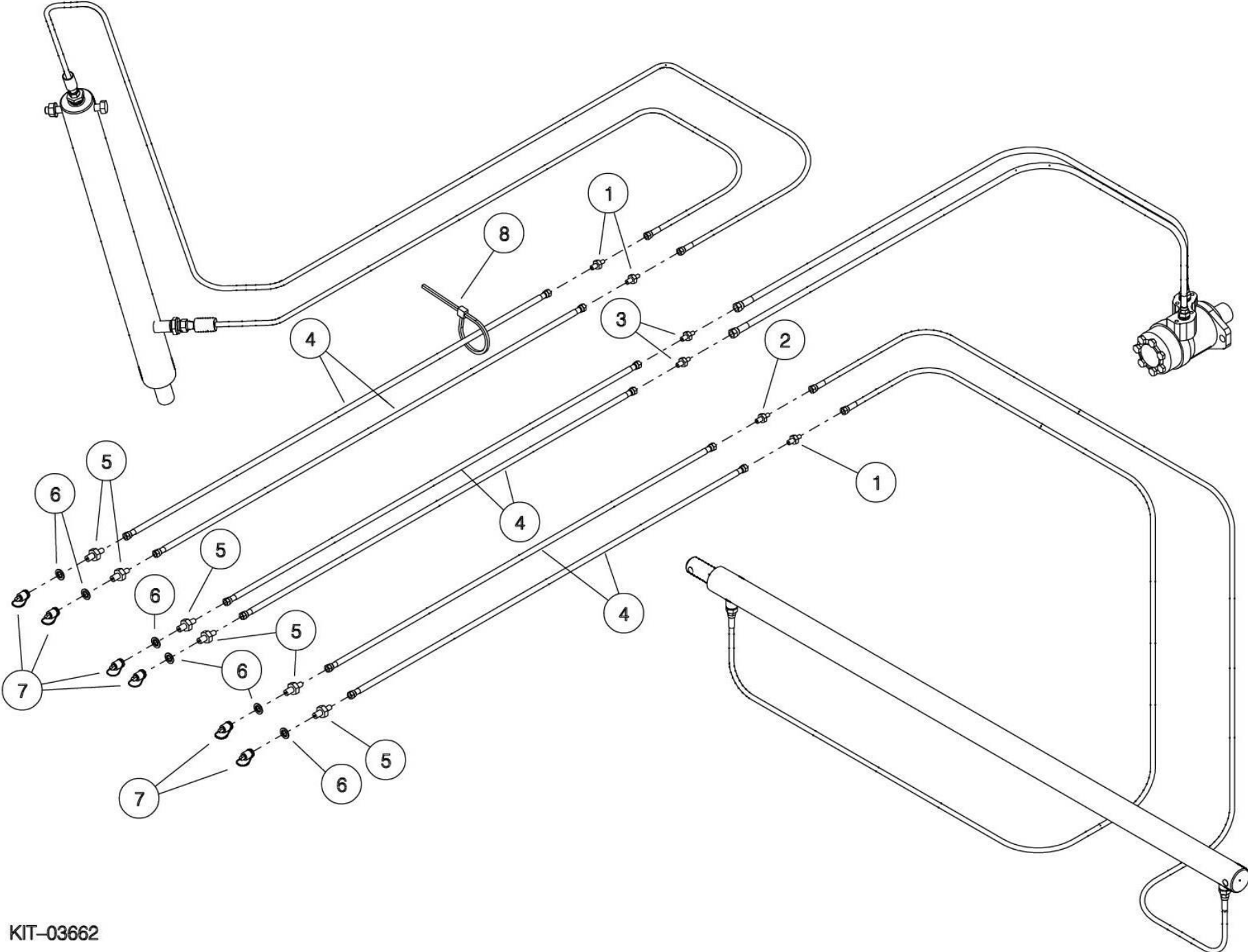
- 1 . CONVEYOR REVERSE
- 2 . CONVEYOR FORWARD
- 3 . DOOR DOWN
- 4 . DOOR UP
- 5 . CONVEYOR DOWN
- 6 . CONVEYOR UP



KIT-03661

**Shelbourne Reynolds Engineering Limited**

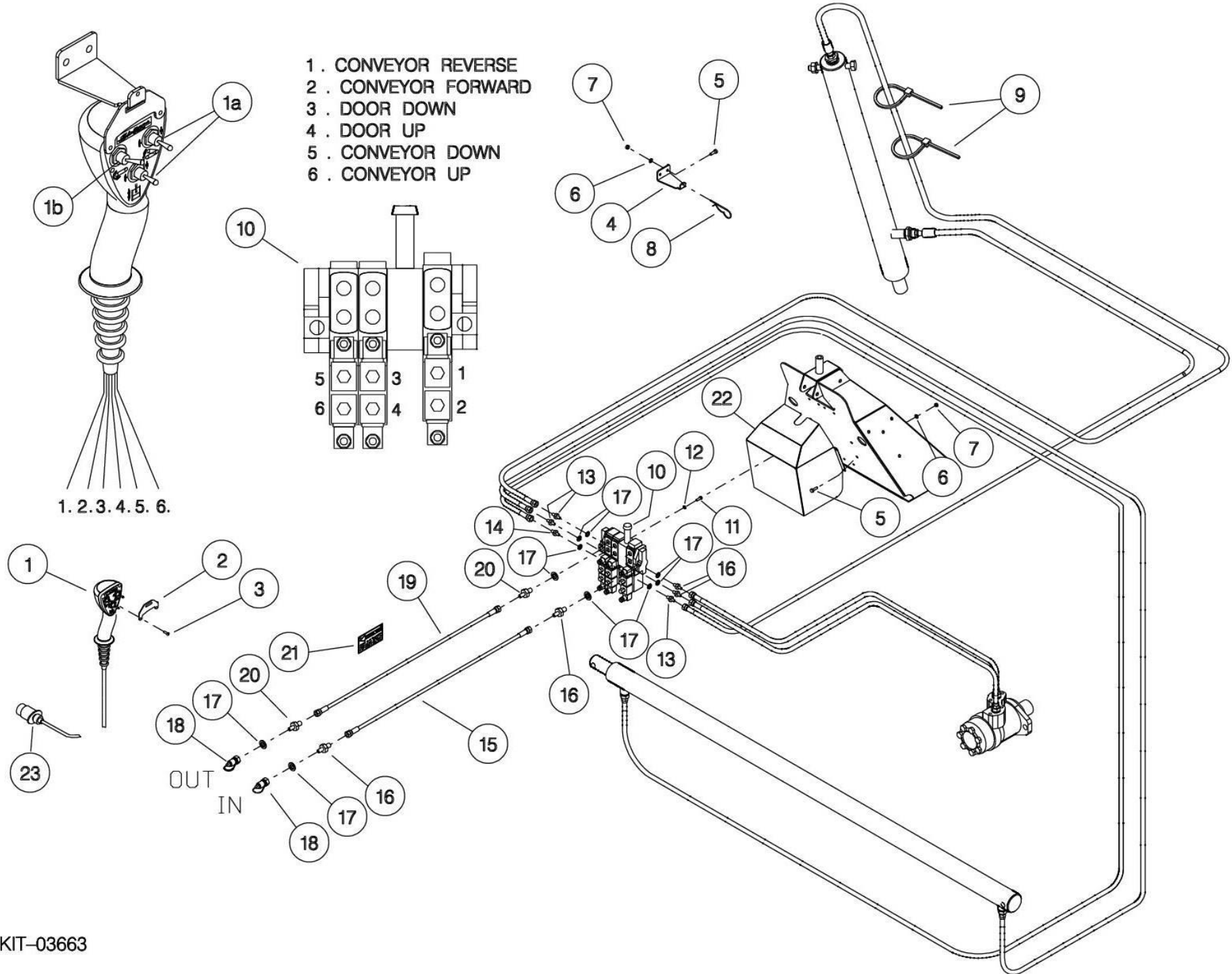
ASSY NUMBER: KIT-03662				ASSY DESCRIPTION: DIRECT COUPLED HYDRAULICS KIT			
ITEM	PART NO	DESCRIPTION	QTY	ITEM	PART NO	DESCRIPTION	QTY
1	FIT-0025	1/4"BSP X 3/8"BSP	3				
2	HAPAA0505	RESTRICTOR FITTING	1				
3	HMA-0057	ADAPTOR MALE/MALE	2				
4	HHAE13505	3/8" HYD HOSE ASSY	6				
5	HMA-0065	ADAPTOR MALE/MALE	6				
6	WSH-1015	DOWTY WASHER 1/2"	6				
7	COU-0162	QUICK RELEASE COUPLING	6				
8	TIE-0004	TIE WRAPS (MED)	9				



KIT-03662

**Shelbourne Reynolds Engineering Limited**

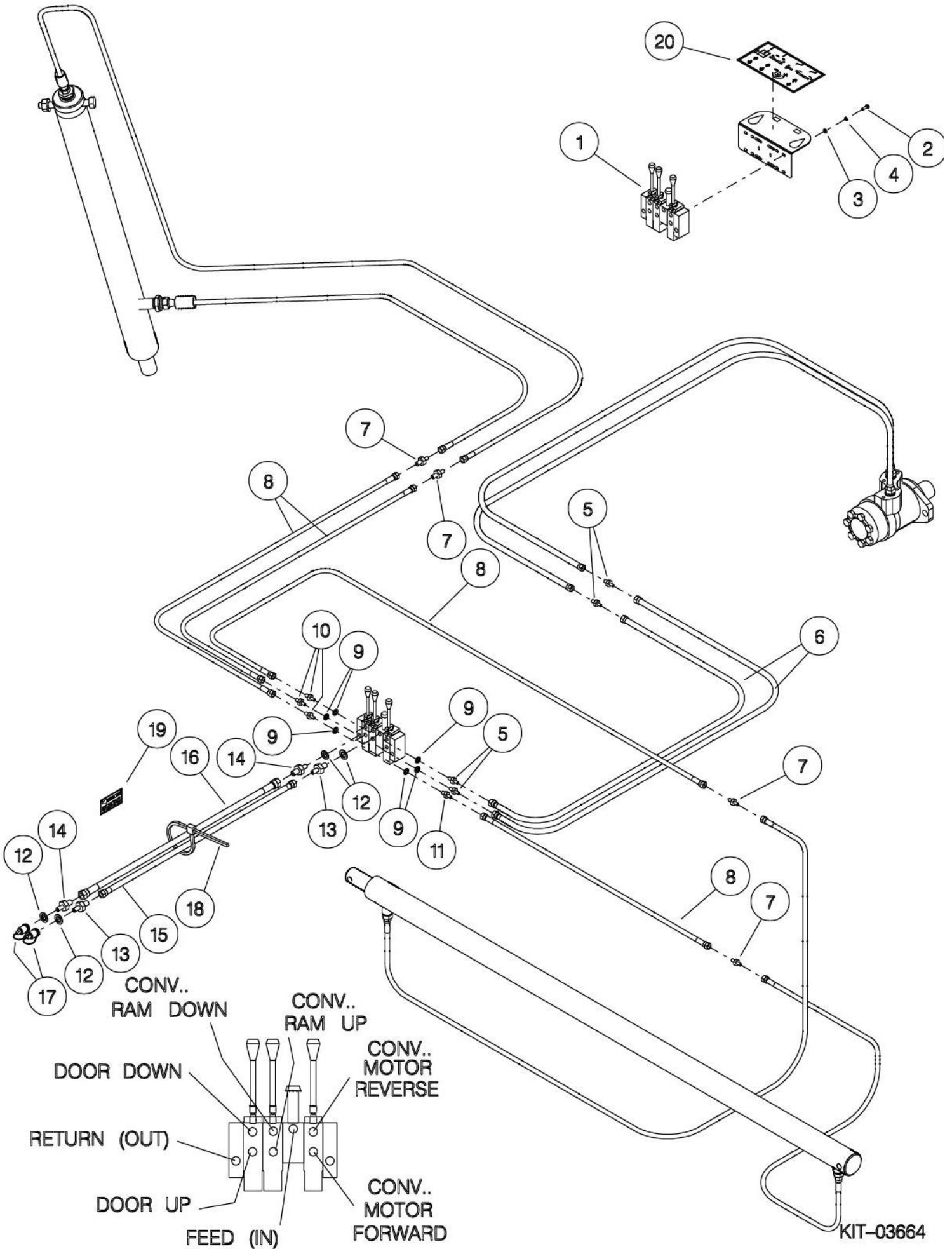
ASSY NUMBER: KIT-03663				ASSY DESCRIPTION: ELECTRIC SOLENOID SPOOL VALVE KIT			
ITEM	PART NO	DESCRIPTION	QTY	ITEM	PART NO	DESCRIPTION	QTY
1	611701 01	HAND CONTROL UNIT AND LOOMS	1				
2	611681 01	CONTROL. HANGER BRKT.	1				
3	SCHS07176	SELF TAPPING SCREW	2				
4	611682 01	HOOK BRKT.	1				
5	HSS-0086	SET SCREW	6				
6	WSH-0009	WASHER	6				
7	NUT-0260	NUT	6				
8	CLP-00103	R CLIP	2				
9	TIE-0002	TIE WRAPS (SMALL, BLACK)	4				
10	HVB-19020	ELEC. MULTI SPOOL VALVE	1				
11	HSS-0135	SETSCREW	4				
12	WSH-0058	WASHER	4				
13	HMA-0055	HYD ADAPTOR	3				
14	HAMAA0307	HYD.RESTRICTOR FITTING	1				
15	HHBE22005	HYDRAULIC HOSE ASSY	1				
16	HMA-0065	HYD ADAPTOR	4				
17	WSH-1015	DOWTY WASHER	10				
18	COU-0162	QUICK RELEASE COUPLING	2				
19	HHBF22005	HYDRAULIC HOSE ASSY	1				
20	HMA-0067	HYD ADAPTOR	2				
21	612230 01	EMBLEM	1				
22	614133 01	VALVE COVER	1				
23	PLG-0005a	7 PIN PLUG	1				



**Shelbourne Reynolds Engineering Limited**

ASSY NUMBER: KIT-03664				ASSY DESCRIPTION: MANUAL LEVER SPOOL VALVE KIT			
ITEM	PART NO	DESCRIPTION	QTY	ITEM	PART NO	DESCRIPTION	QTY
1	HVB-09045	MANUAL SPOOL VALEV ASSEMBLY	1				
2	HSS-0135	SETSCREW	4				
3	WSH-0012	WASHER	4				
4	WSH-0058	WASHER	4				
5	HMA-0057	HYD ADAPTOR	4				
6	HHAE13505	HYDRAULIC HOSE ASSEMBLY	2				
7	HMA-0052	HYD ADAPTOR	4				
8	HHAC13505	HYDRAULIC HOSE ASSY	4				
9	WSH-1010	DOWTY WASHER	6				
10	FIT-0025	HYD ADAPTOR	3				
11	190859 01	HYDRAULIC FITTING	1				
12	WSH-1015	DOWTY WASHER	4				
13	HMA-0065	HYD ADAPTOR	2				
14	HMA-0067	HYD ADAPTOR	2				
15	HHAE16005	HYDRAULIC HOSE ASSEMBLY	1				
16	HHAF16005	HYDRAUCLI HOSE ASSEMBLY	1				
17	COU-0162	QUICK RELEASE COUPLING	2				
19	612230 01	EMBLEM	1				
20	612236 01	EMBLEM	1				
20	TIE-0006	TIE WRAPS (LARGE)	18				

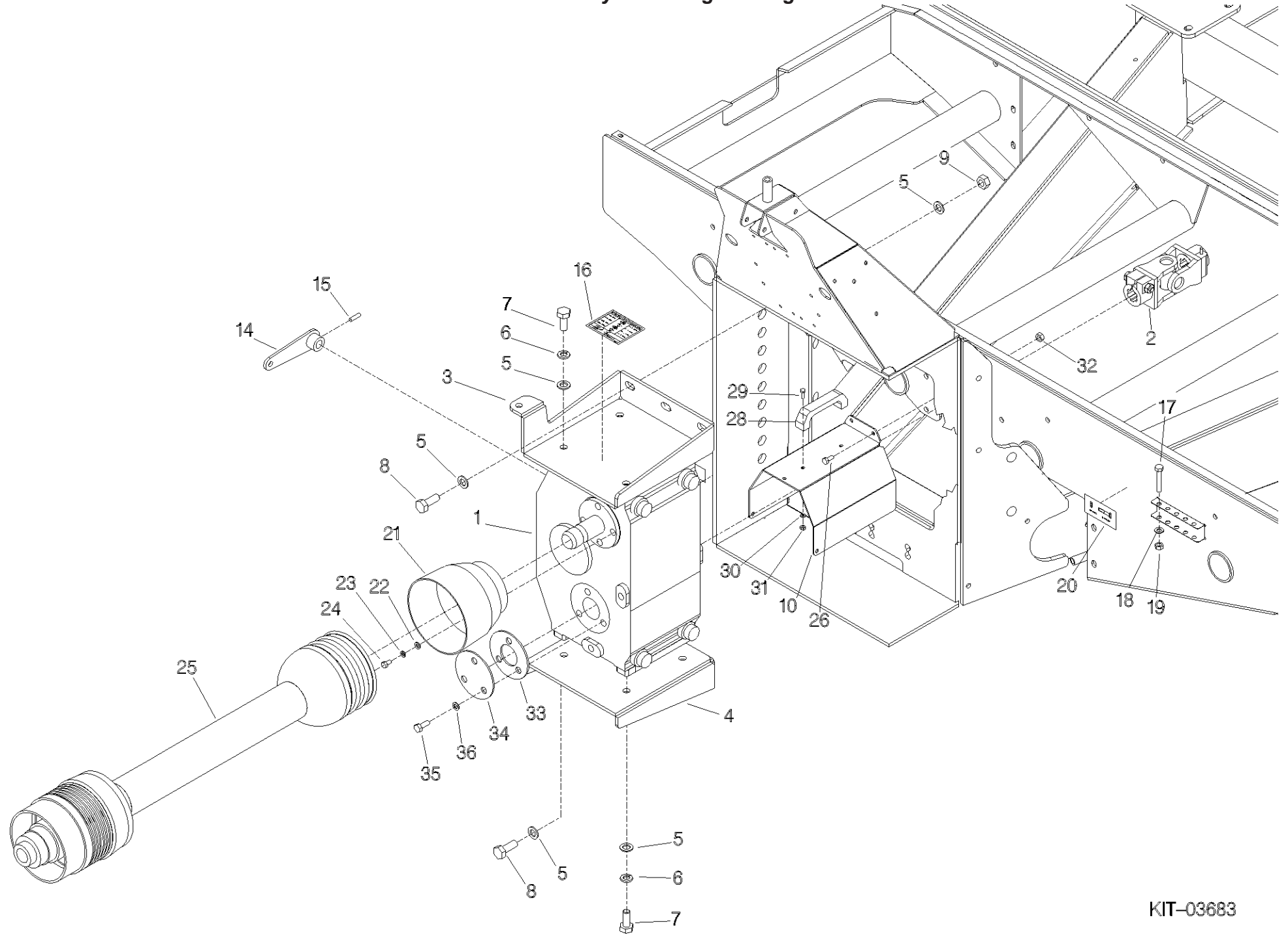




**Shelbourne Reynolds Engineering Limited**

ASSY NUMBER: KIT-03683				ASSY DESCRIPTION: 2 SPEED DRIVE KIT			
ITEM	PART NO	DESCRIPTION	QTY	ITEM	PART NO	DESCRIPTION	QTY
1	GEA-0196	2 SPEED BREVINI GEARBOX ASSY	1				
OR	GEA-0164	2 SPEED C3A GEARBOX ASSY	1				
2	PTO-20007	PTO COUPLING	1				
3	614600 01	UPPER GEARBOX MTG PLATE	1				
4	614599 01	LOWER GEARBOX MTG PLATE	1				
5	WSH-0024	WASHER	20				
6	WSH-0070	WASHER	8				
7	HSS-0315	SET SCREW	8				
8	HSS-0317	SET SCREW	6				
9	NUT-0271	NUT	6				
10	615216 01	DRIVE GUARD	1				
11							
12							
13							
14	614597 01	GEAR CHANGE LEVER	1				
15	PIN-40817	ROLL PIN	1				
16	614939 01	AUGER SPEED EMBLEM	1				
17	BLTA10380	HEX.HEAD BOLT	5				
18	WSH-0015	WASHER	5				
19	NUT-0265	NUT	5				
20	195391 01	TRANSFER SHEARBOLT	1				
21	PTO-00991	PTO GUARD CONE	1				
22	WSH-1038	WASHER	4				
23	WSH-0058	WASHER	4				
24	HSS-0135	SETSCREW	4				
25							
26	HSSF08204	SET SCREW	2				
27							
28	HND-0000	BLACK PLASTIC HANDLE	1				
29	HSS-0086	SET SCREW	2				
30	WSH-0009	WASHER	2				
31	NUT-0260	NUT	2				
32	NUT-0263	NUT	2				
33	615556 01	GEARBOX COVER SPACER PLATE	1				
34	615557 01	GEARBOX COVER PLATE	1				
35	HSS-0191	SETSCREW	3				
36	WSH-0061	WASHER	3				

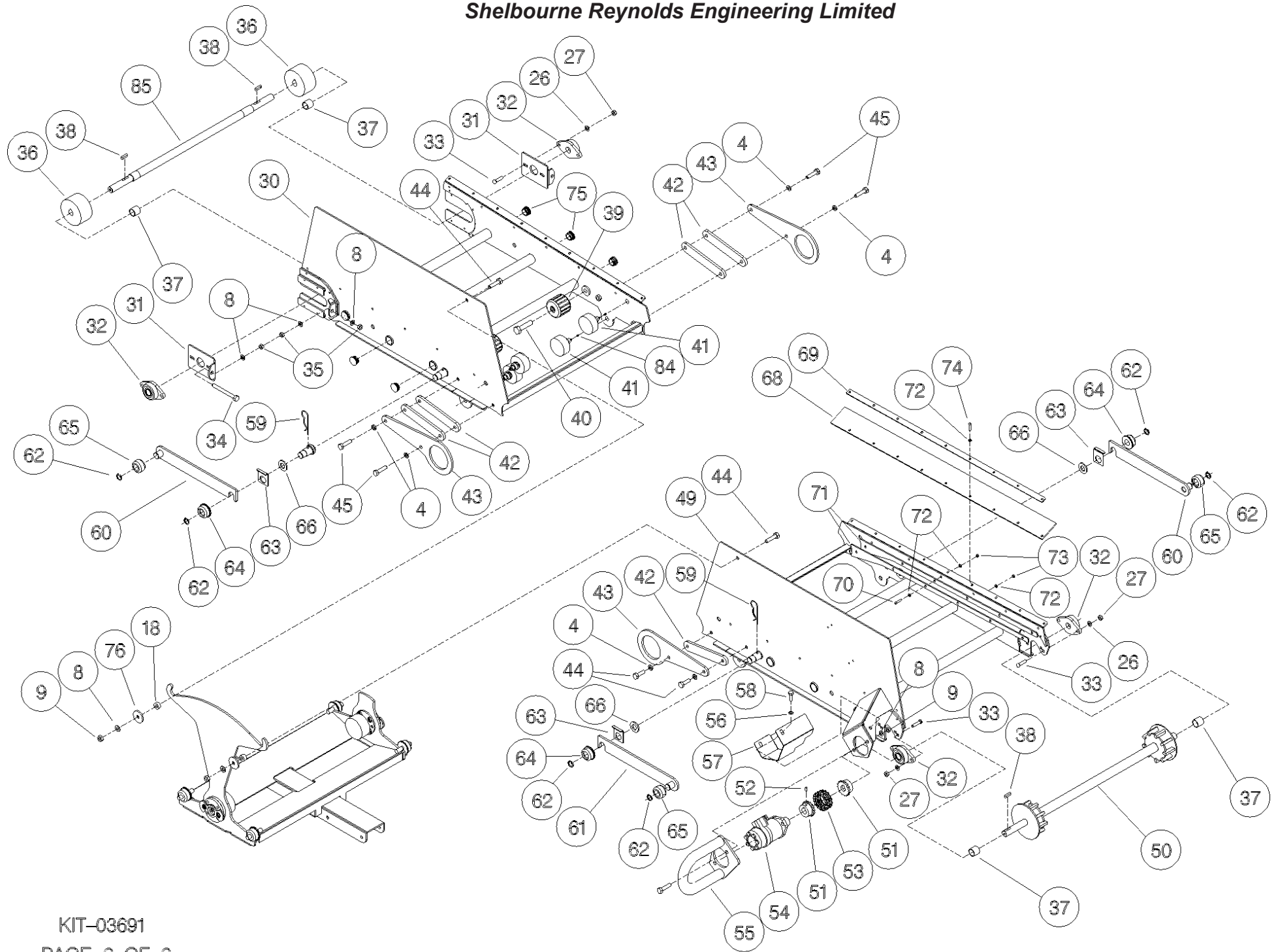


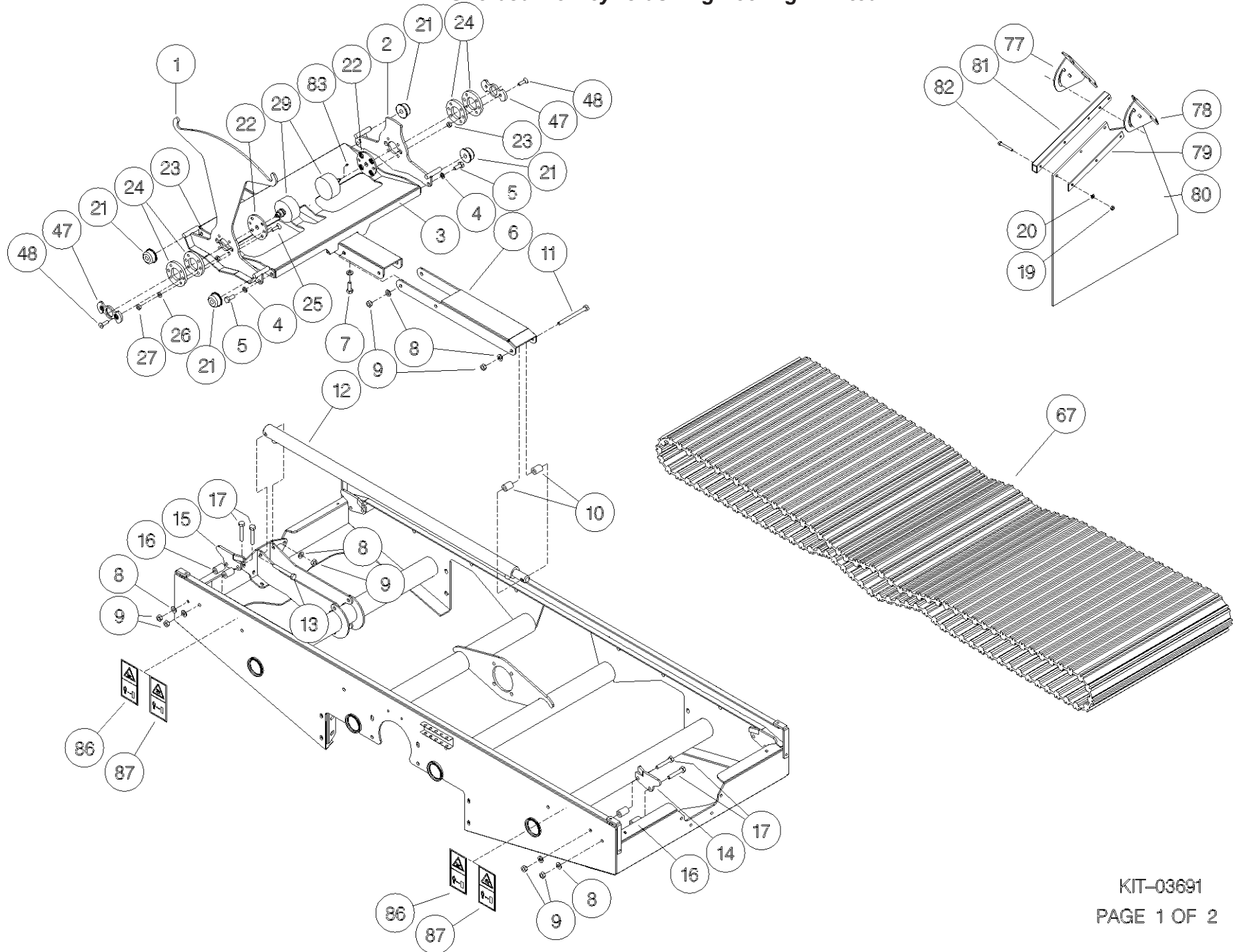




### Shelbourne Reynolds Engineering Limited

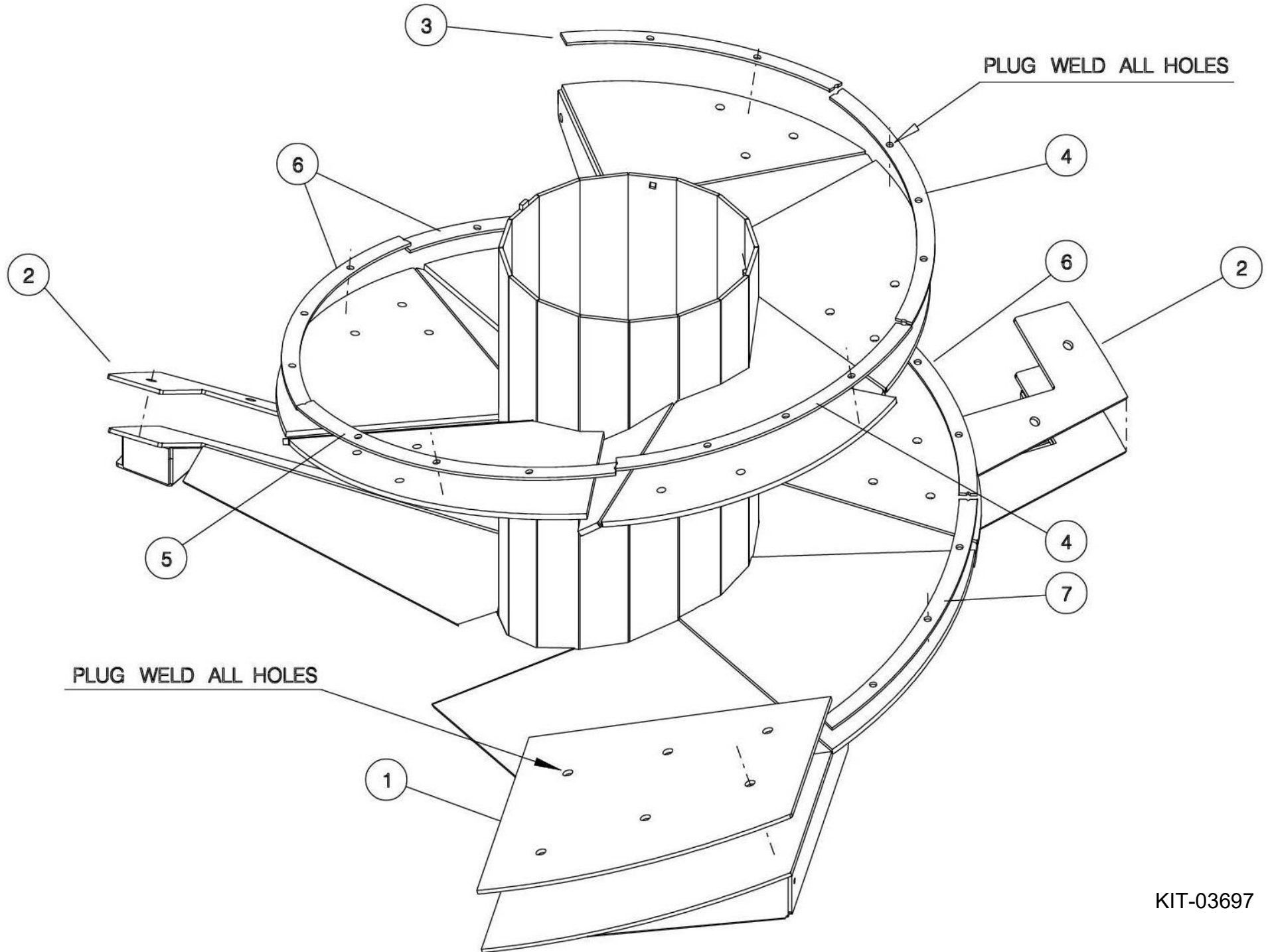
ASSY NUMBER: KIT-03691				ASSY DESCRIPTION: PVC WEB CONVEYOR KIT			
ITEM	PART NO	DESCRIPTION	QTY	ITEM	PART NO	DESCRIPTION	QTY
1	614781 01	FRONT CARRIAGE W/A	1	42	614669 01	SPACER PLATE	6
2	614782 01	REAR CARRIAGE W/A	1	43	614667 01	PIVOT PLATE	4
3	614780 01	CENTRE CARRIAGE W/A	1	44	HSS-0250	SET SCREW	6
4	WSH-0065	SPRING WASHER	12	45	HSS-0260	SET SCREW	6
5	HSS-0238	SET SCREW	4	47	614672 01	SECURING PLATE	2
6	614756 01	RAM BRACKET	1	48	SCW-1895	M10*40 CSK SOCKET HD SCW	4
7	HSS-0241	SET SCREW	4	49	614684 01	LH CONVEYOR PAN W/A	1
8	WSH-0018	PLAIN WASHER	24	50	615048 01	DRIVE SHAFT W/A	1
9	NUT-0269	NYLOC NUT	18	51	260030 03	SPROCKET 25 ID KEYWAY	2
10	613919 03	SPACER TUBE	2	52	SCW-4530	GRUBSCREW	4
11	20146128	BOLT	1	53	CHN-01380	CHAIN 1/2"PITCH DUPLEX	1
12	610447 01	HYDRAULIC CYLINDER	1	54	MOTH08000	HYDRAULIC MOTOR, PAINTED BLACK	1
13	BLT-2270	HEX.HEAD BOLT	1	55	614304 01	MOTOR GUARD W/ASSY	1
14	614784 01	LIFT ARM STOP PLATE LH	2	56	WSH-0061	SPRING WASHER	2
15	614784 02	LIFT ARM STOP PLATE RH	2	57	614310 01	COUPLING GUARD	1
16	614280 01	LIFT ARM STOP SPACER TUBE	8	58	HSS-0188	SET SCREW	2
17	BLTA12470	HEX.HEAD BOLT	8	59	CLP-00105	R CLIP	4
18	613919 04	SPACER TUBE	2	60	614317 01	LIFT ARM ASSY (CHECK )	2
19	NUT-0263	NYLOC NUT	5	61	614317 02	LIFT ARM ASSY ( CHECK )	2
20	WSH-0012	PLAIN WASHER	7	62	CIR-1125	CIRCLIP EXT	8
21	613702 01	WHEEL	4	63	613335 01	LATCH	4
22	614671 01	CSK PIVOT PLATE	2	64	613333 03	WHEEL - SPARES SEE EXT TEXT	4
23	NUT-0167	PLAIN NUT	4	65	614278 01	WHEEL - SPARES SEE EXT TEXT	4
24	614670 01	PIVOT DISC	4	66	WSH-1547	PLAIN WSH FORM B	4
25	SCEA10324	CSK SOC HD SCREW	8	67	CON-00037	**WEB CONVEYOR BELT (PVC	1
26	WSH-0015	PLAIN WASHER	16	68	614309 01	RUBBER SEAL STRIP	2
27	NUT-0265	NYLOC NUT	16	69	614487 01	CLAMP STRIP	2
29	CON-00026	GUIDE ROLLER (DIA 90mm)	2	70	SCBA06200	BUTT SOC HD SCREW	24
30	614682 01	RH CONVEYOR PAN W/A	1	71	614484 01	SEAL PLATE	8
31	614658 01	BEARING SLIDE PLATE	2	72	WSH-0009	PLAIN WASHER	84
32	BRG-22560	CAST FLANGE BEARING	4	73	NUT-0260	NYLOC NUT	42
33	BLTF10231	COACH BOLT	8	74	SCW-4963	BUTTON HD SCREW	18
34	HSSA12650	HEX.HEAD SETSCREW	2	75	PTF-00134	PLASTIC CAP INSERT	12
35	NUT-0170	PLAIN NUT	6	76	190119 15	WASHER	2
36	CON-00020	IDLE ROLLER	2	77	613590 01	CURTAIN BRKT RH	1
37	614272 07	SHAFT SPACER	2	78	613589 01	CURTAIN BRKT LH	1
38	K0807032	KEY PARALLEL	3	79	613602 01	CLAMP STRIP	1
39	CON-00021	SUPPORT ROLLER	4	80	613587 01	RUBBER CURTAIN	1
40	BLT-2314	HEX.HEAD BOLT	4	81	613601 01	RUBBER CURTAIN MTG	1
41	CON-00025a	SUPPORT ROLLER (DIA 75mm)	8	82	BLTA08380	HEX.HEAD BOLT	5





**Shelbourne Reynolds Engineering Limited**

ASSY NUMBER: KIT-03697				ASSY DESCRIPTION: POWERMIX PRO AUGER WEAR KIT			
ITEM	PART NO	DESCRIPTION	QTY	ITEM	PART NO	DESCRIPTION	QTY
1	615364 01	LARGE SWEEP ARM WEAR PLATE	1				
2	615366 01	SWEEP ARM WEAR PLATE	2				
3	615363 01	TOP FLIGHT WEAR STRIP	1				
4	615362 01	6TH & 7TH FLIGHT WEAR STRIP	2				
5	615361 01	5TH FLIGHT WEAR STRIP	1				
6	615360 01	2, 3 & 4TH FLIGHT WEAR STRIP	3				
7	615359 01	LOWER FLIGHT WEAR STRP	1				
8	615365 01	FILL IN PLATE	1				

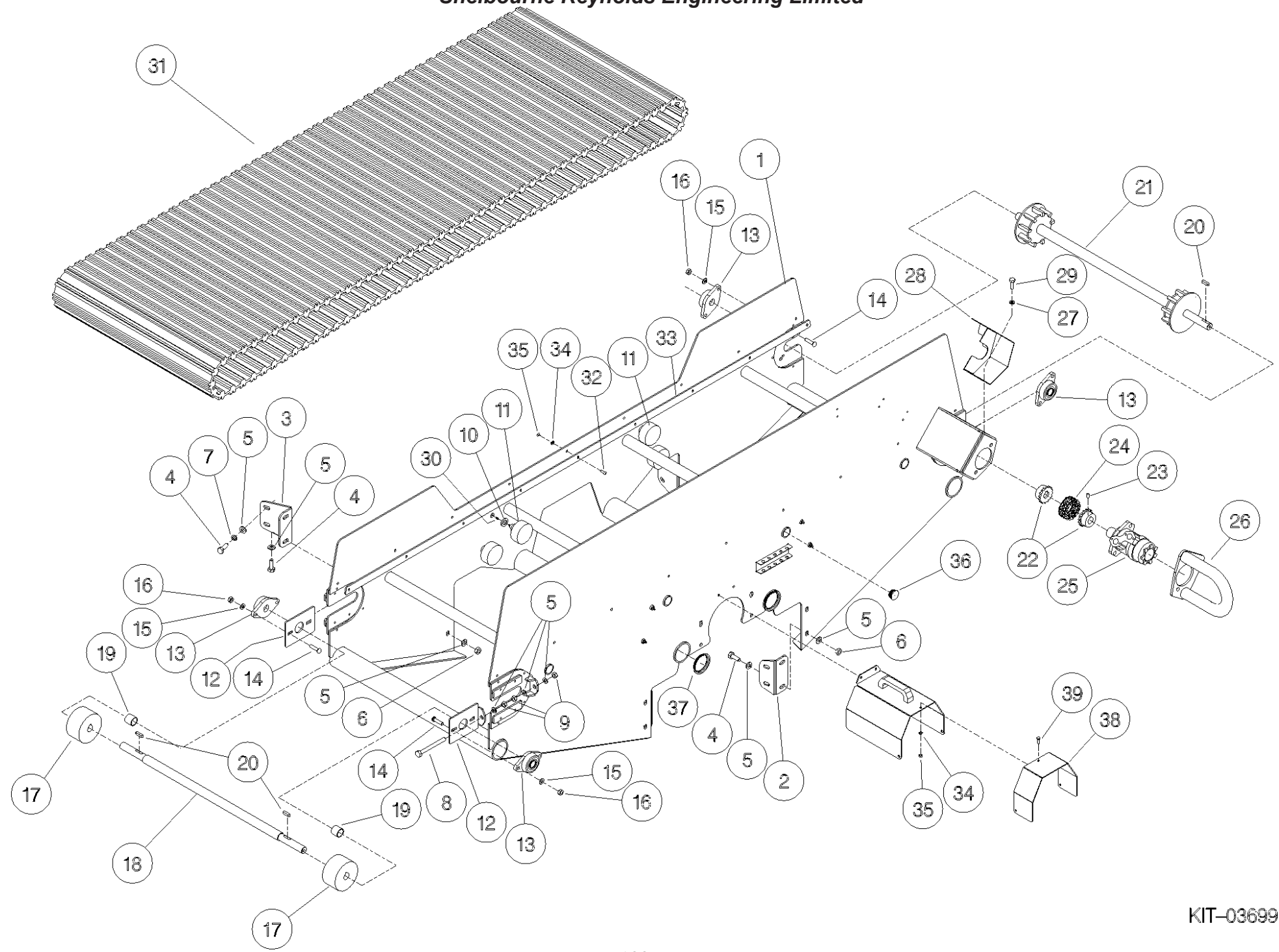




**Shelbourne Reynolds Engineering Limited**

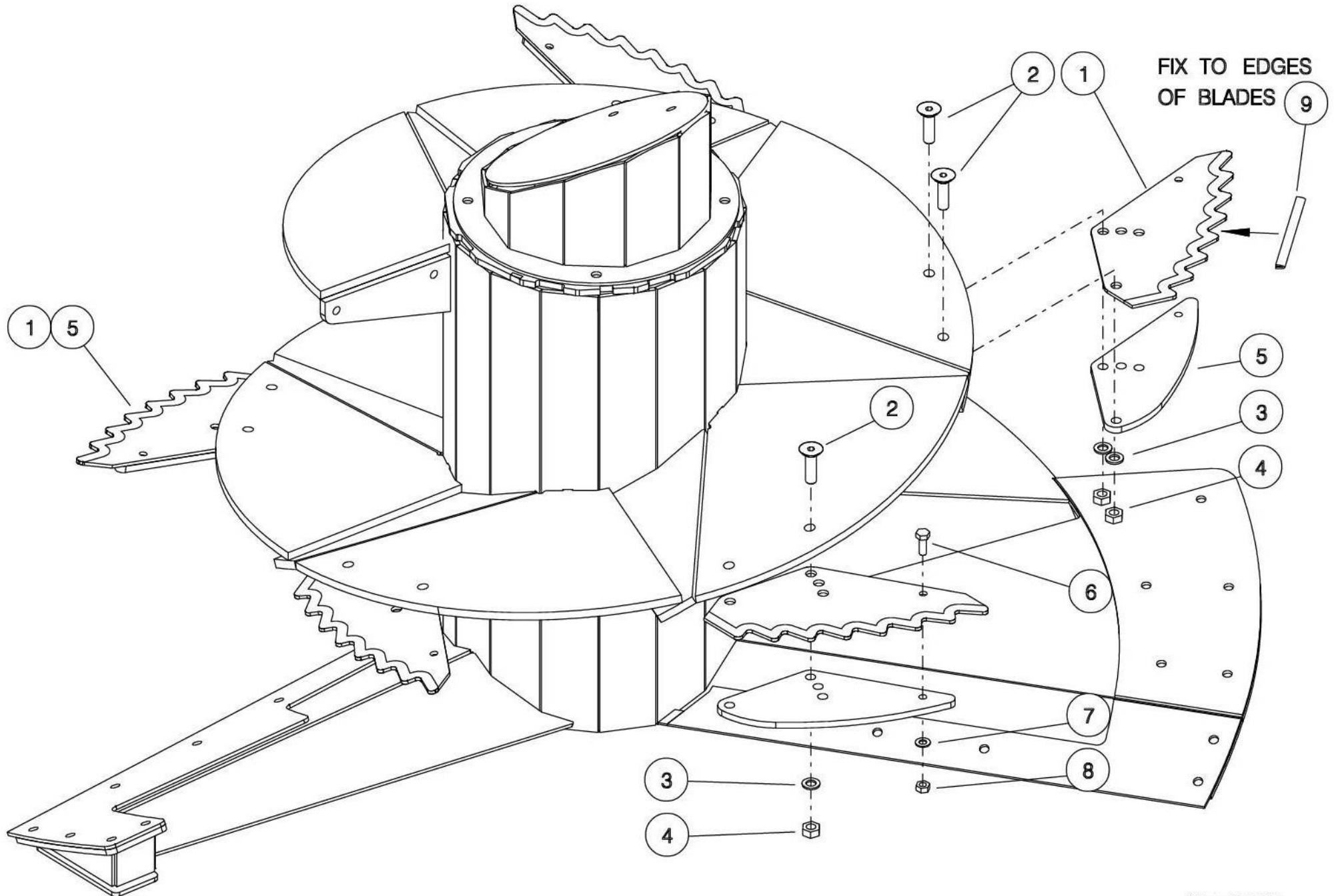
ASSY NUMBER: KIT-03699				ASSY DESCRIPTION: STANDARD FLAT WEB CONVEYOR KIT			
ITEM	PART NO	DESCRIPTION	QTY	ITEM	PART NO	DESCRIPTION	QTY
1	615015 01	STANDARD WEB CONVEYOR FRAME	1				
2	614641 01	FRONT FIXING PLATE	2				
3	614642 01	REAR FIXING PLATE	2				
4	HSS-0241	SET SCREW	16				
5	WSH-0018	WASHER	20				
6	NUT-0269	NUT	8				
7	WSH-0065	WASHER	8				
8	HSSA12560	HEX HEAD SET SCREW	2				
9	NUT-0170	NUT	6				
10	WSH-0025	WASHER	8				
11	CON-00025a	SUPPORT ROLLER (DIA 75mm)	8				
12	614658 01	BEARING SLIDE PLATE	2				
13	BRG-22560	CAST FLANGE BEARING	4				
14	BLTF10231	COACH BOLT	8				
15	WSH-0015	WASHER	8				
16	NUT-0265	NUT	8				
17	CON-00020	IDLE ROLLER	2				
18	614688 01	IDLE SHAFT	1				
19	614272 07	SHAFT SPACER	2				
20	K0807032	KEY PARALLEL	3				
21	615048 01	DRIVE SHAFT W/A	1				
22	260030 03	SPROCKET 25 ID KEYWAY	2				
23	SCW-4530	GRUBSCREW	4				
24	CHN-01380	CHAIN 1/2"PITCH DUPLEX	1				
25	MOTH08000	HYDRAULIC MOTOR, PAINTED BLACK	1				
26	614304 01	MOTOR GUARD W/ASSY	1				
27	WSH-0061	WASHER	2				
28	614310 01	COUPLING GUARD	1				
29	HSS-0188	SET SCREW	2				
30	NIP-00600	GREASE NIPPLE	8				
31	CON-00036	BROEKEMA CONVEYOR BELT (PVC	1				
32	SCBA06200	BUTT SOC HD SCREW	18				
33	614696 01	SEAL STRIP	4				
34	WSH-0009	WASHER	21				
35	NUT-0260	NUT	21				
36	PTF-00134	PLASTIC CAP INSERT	8				
37	190548 76	WASHER	2				
38	615217 01	GUARD EXTENSION	1				
39	HSS-0086	SET SCREW	3				





**Shelbourne Reynolds Engineering Limited**

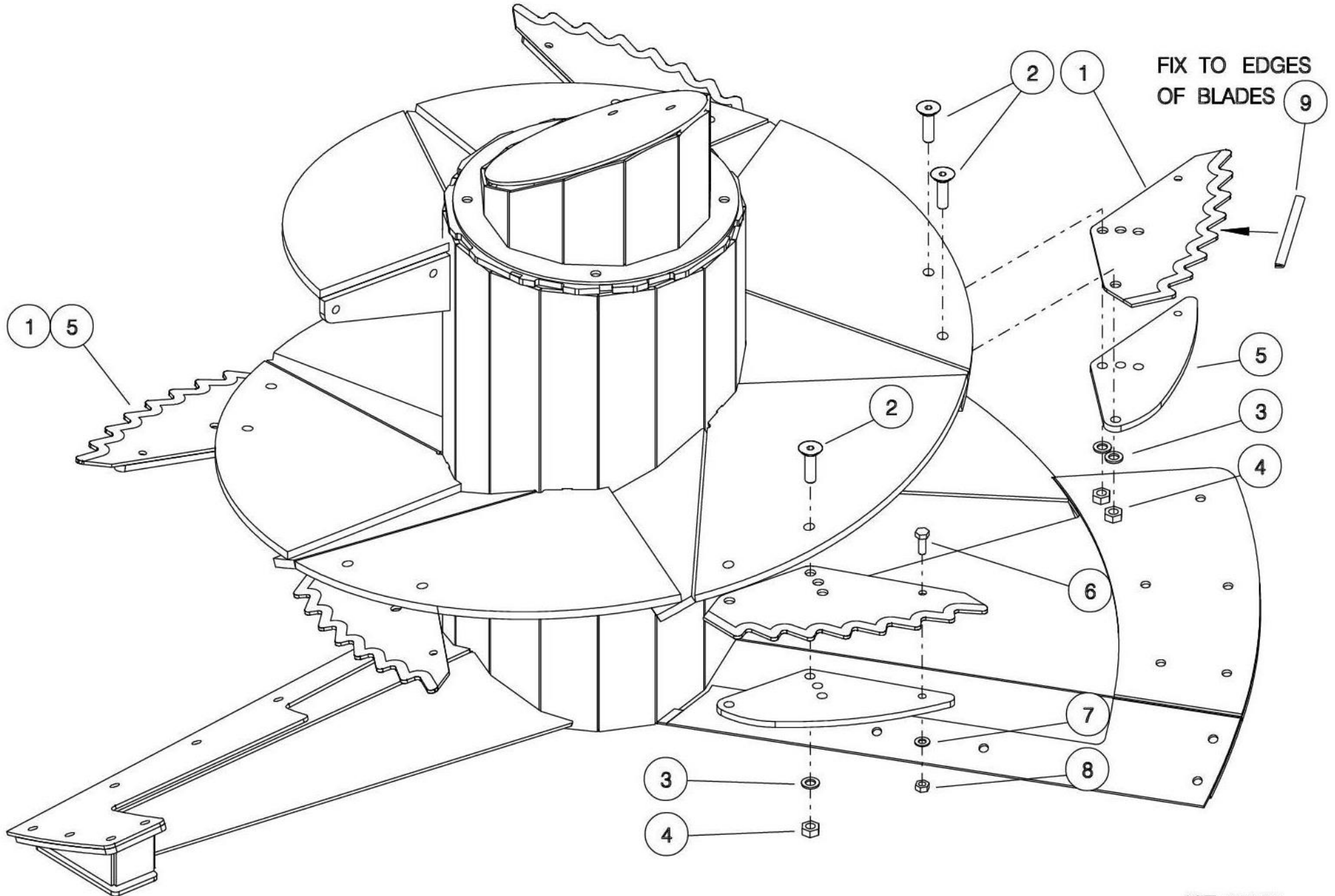
ASSY NUMBER: KIT-03710				ASSY DESCRIPTION: TUNGSTEN COATED BLADE KIT			
ITEM	PART NO	DESCRIPTION	QTY	ITEM	PART NO	DESCRIPTION	QTY
1	614812 01	AUGER BLADE TUNGSTEN	7				
2	SCEA16350	CSK SOC HD SCREW	14				
3	WSH-0025	WASHER	14				
4	NUT-0271	NUT	14				
5	614807 01	BLADE BACK UP PLATE	7				
6	HSS-0241	SET SCREW	7				
7	WSH-0018	WASHER	7				
8	NUT-0269	NUT	7				
9	EDS-11400	PVC EDGING STRIP	3.5				



KIT-03710  
KIT-03710a

**Shelbourne Reynolds Engineering Limited**

ASSY NUMBER: KIT-03710a				ASSY DESCRIPTION: STANDARD BLADE KIT			
ITEM	PART NO	DESCRIPTION	QTY	ITEM	PART NO	DESCRIPTION	QTY
1	614812 02	AUGER BLADE STANDARD	7				
2	SCEA16350	CSK SOC HD SCREW	14				
3	WSH-0025	WASHER	14				
4	NUT-0271	NUT	14				
5	614807 01	BLADE BACK UP PLATE	7				
6	HSS-0241	SET SCREW	7				
7	WSH-0018	WASHER	7				
8	NUT-0269	NUT	7				
9	EDS-11400	PVC EDGING STRIP	3.5				

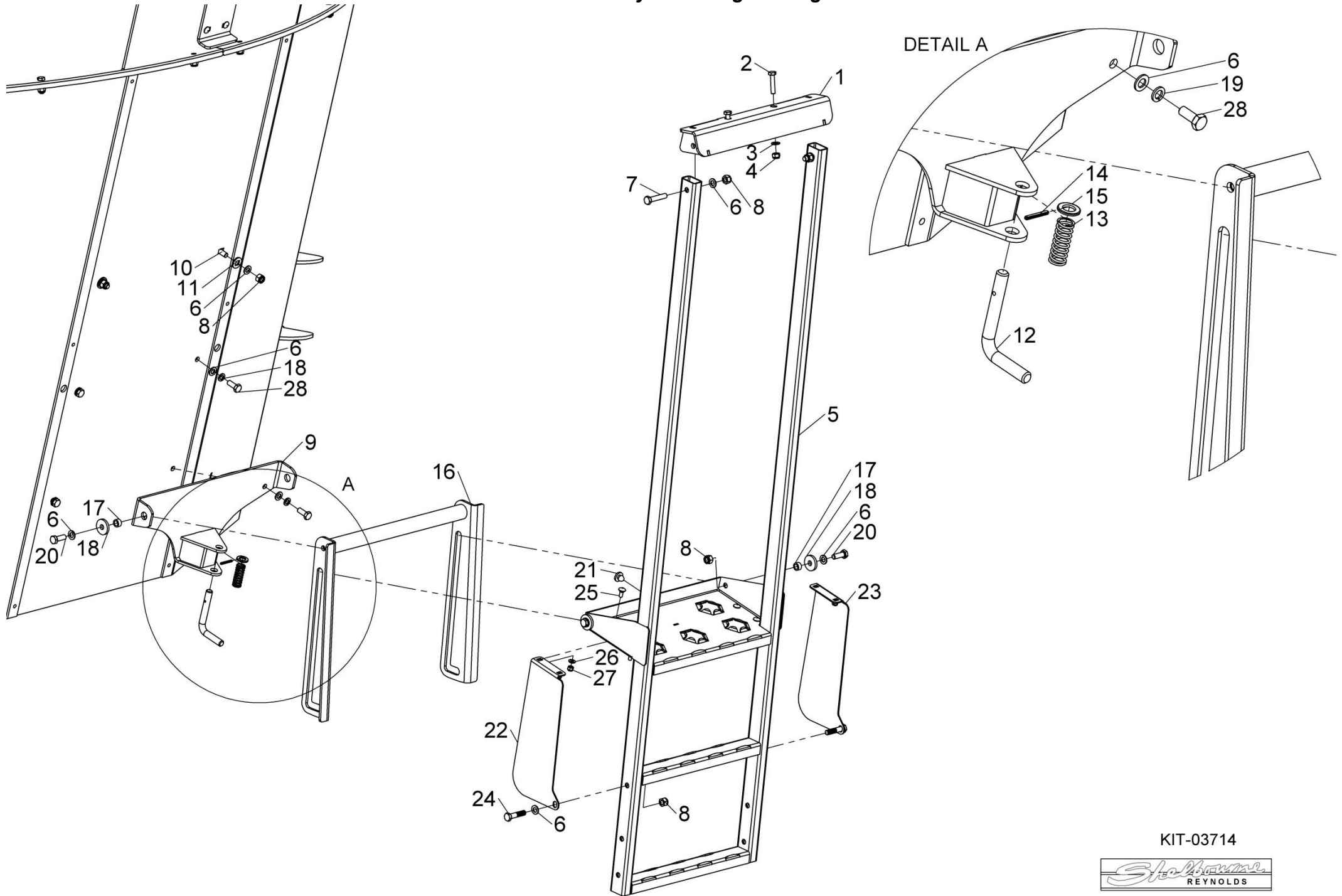


KIT-03710  
KIT-03710a

**Shelbourne Reynolds Engineering Limited**

ASSY NUMBER: KIT-03714				ASSY DESCRIPTION: STANDARD REAR LADDER KIT			
ITEM	PART NO	DESCRIPTION	QTY	ITEM	PART NO	DESCRIPTION	QTY
1	615076 01	FIXING BRKT W/A	1				
2	HSS-0210	SETSCREW	2				
3	WSH-0015	WASHER	2				
4	NUT-0265	NUT	2				
5	615069 01	REAR LADDER W/A	1				
6	WSH-0018	WASHER	16				
7	BLTA12380	BOLT	2				
8	NUT-0269	NUT	12				
9	615073 01	LOWER FIXING BRKT W/A	1				
10	BLT-3790	COACHBOLT	6				
11	611830 01	SPAXCCER	4				
12	591402 01	LOCKING HANDLE	1				
13	SPGC32021	COMPRESSION SPRING	1				
14	PIN-1775	ROLL PIN	1				
15	WSH-0024	WASHER	1				
16	615086 01	RUNNER W/A	1				
17	612316 01	SPACER TUBE	4				
18	190119 51	WASHER	4				
19	WSH-0065	WASHER	4				
20	HSS-0241	SETSCREW	4				
21	RUB-0330	RUBBER FOOT	1				
22	615221 01	LH SAFETY SHIELD	1				
23	615221 02	RH SAFETY SHIELD	1				
24	BLTA12350	BOLT	2				
25	BLT-4710	COACHBOLT	4				
26	WSH-0012	WASHER	4				
27	NUT-0263	NUT	4				
28	HSS-0238	BOLT	4				

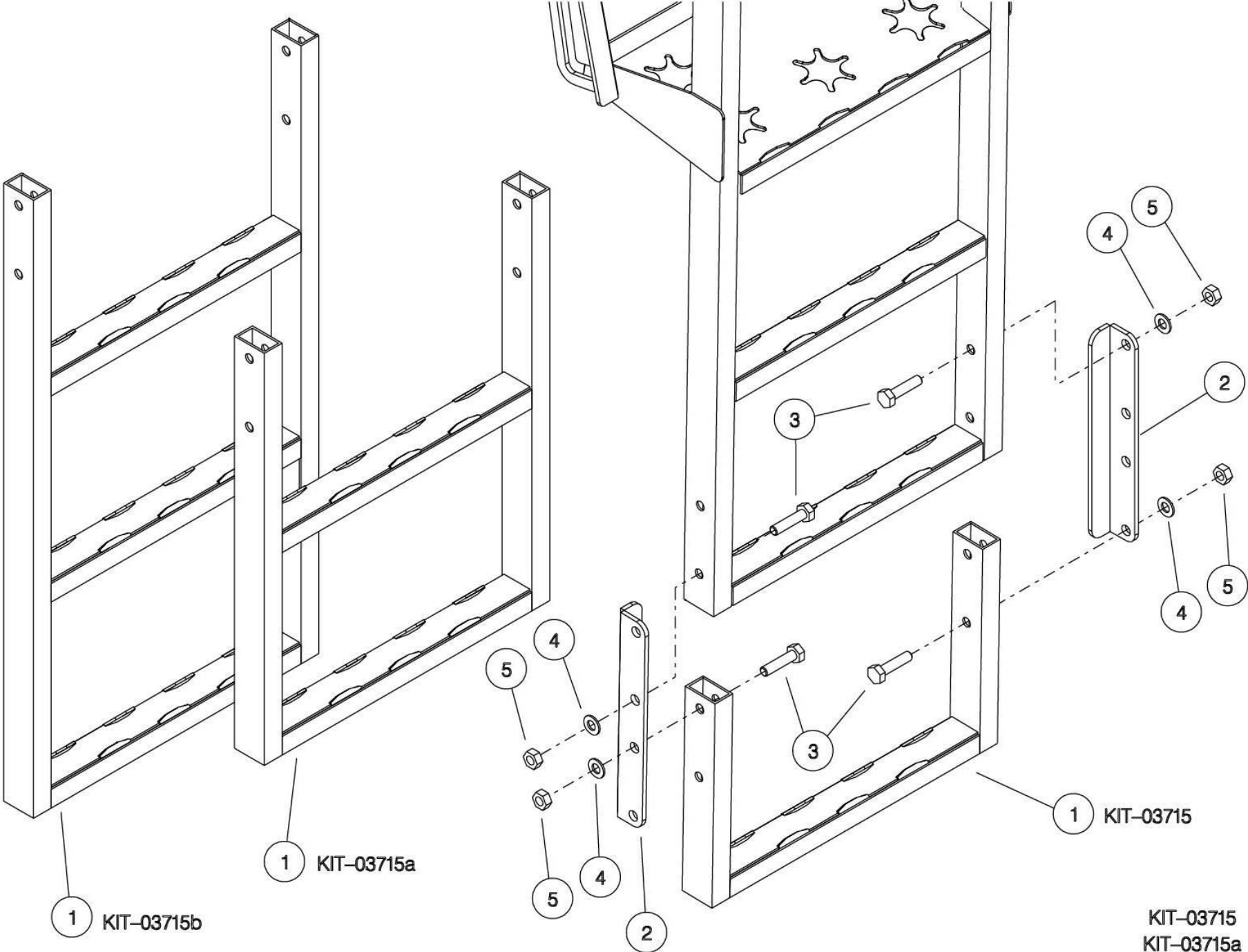




**Shelbourne Reynolds Engineering Limited**

ASSY NUMBER: KIT-03715				ASSY DESCRIPTION: LADDER EXTENSION KIT (11&19mCU)			
ITEM	PART NO	DESCRIPTION	QTY	ITEM	PART NO	DESCRIPTION	QTY
1	615130 01	11/19m CU LADDER EXTENSION W/A	1				
2	615055 01	EXTENSION FIXING BRKT	2				
3	HSS-0260	SET SCREW	8				
4	WSH-0018	PLAIN WASHER	8				
5	NUT-0269	NYLOC NUT	8				

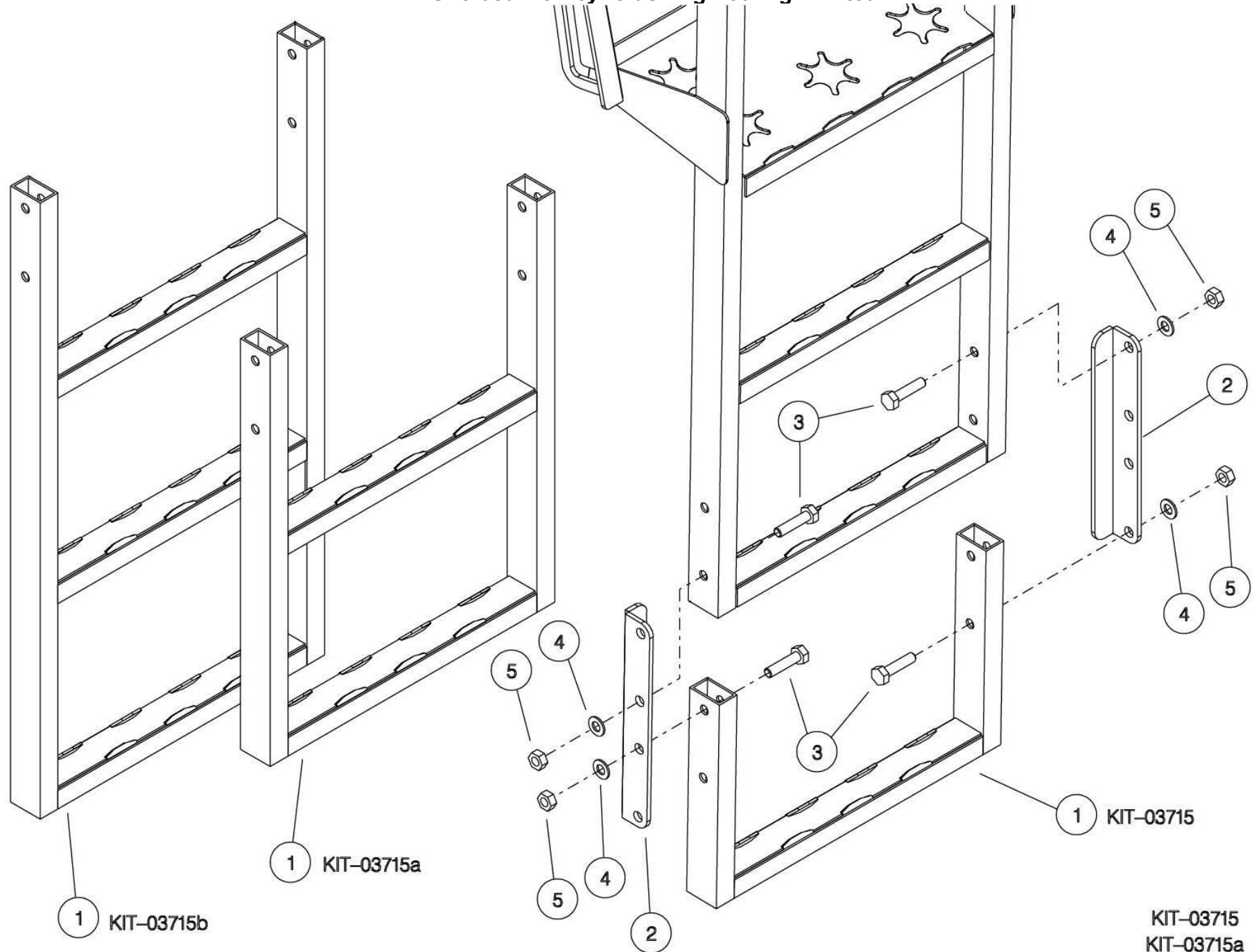




KIT-03715  
KIT-03715a  
KIT-03715b

**Shelbourne Reynolds Engineering Limited**

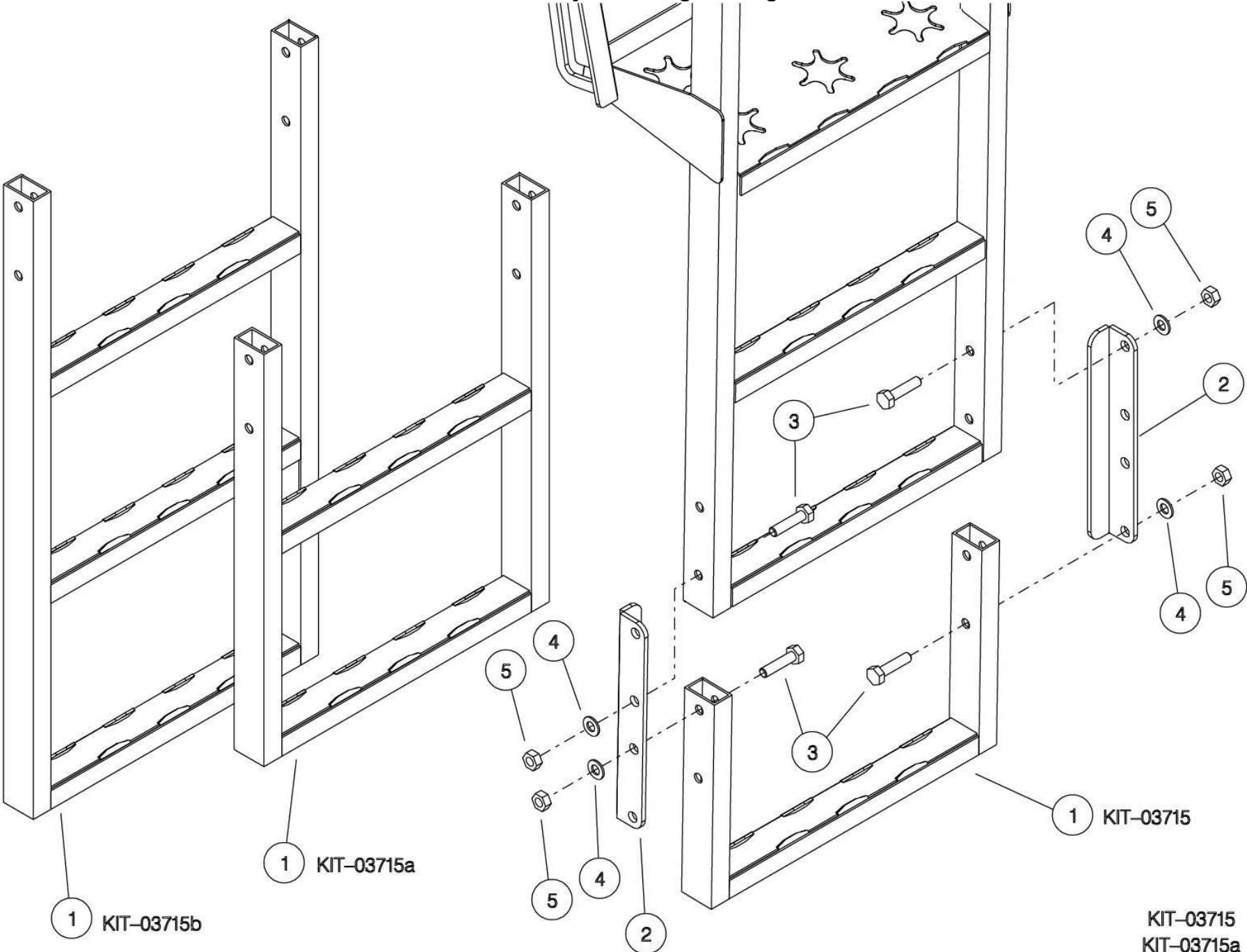
ASSY NUMBER: KIT-03715A				ASSY DESCRIPTION: LADDER EXTENSION KIT (13&22mCU)			
ITEM	PART NO	DESCRIPTION	QTY	ITEM	PART NO	DESCRIPTION	QTY
1	615127 01	13/22m CU LADDER EXTENSION W/A	1				
2	615055 01	EXTENSION FIXING BRKT	2				
3	HSS-0260	SET SCREW	8				
4	WSH-0018	PLAIN WASHER	8				
5	NUT-0269	NYLOC NUT	8				



KIT-03715  
KIT-03715a  
KIT-03715b

**Shelbourne Reynolds Engineering Limited**

ASSY NUMBER: KIT-03715B				ASSY DESCRIPTION: LADDER EXTENSION KIT (15&25mCU)			
ITEM	PART NO	DESCRIPTION	QTY	ITEM	PART NO	DESCRIPTION	QTY
1	615062 01	15/25m CU LADDER EXTENSION W/A	1				
2	615055 01	EXTENSION FIXING BRKT	2				
3	HSS-0260	SET SCREW	8				
4	WSH-0018	PLAIN WASHER	8				
5	NUT-0269	NYLOC NUT	8				

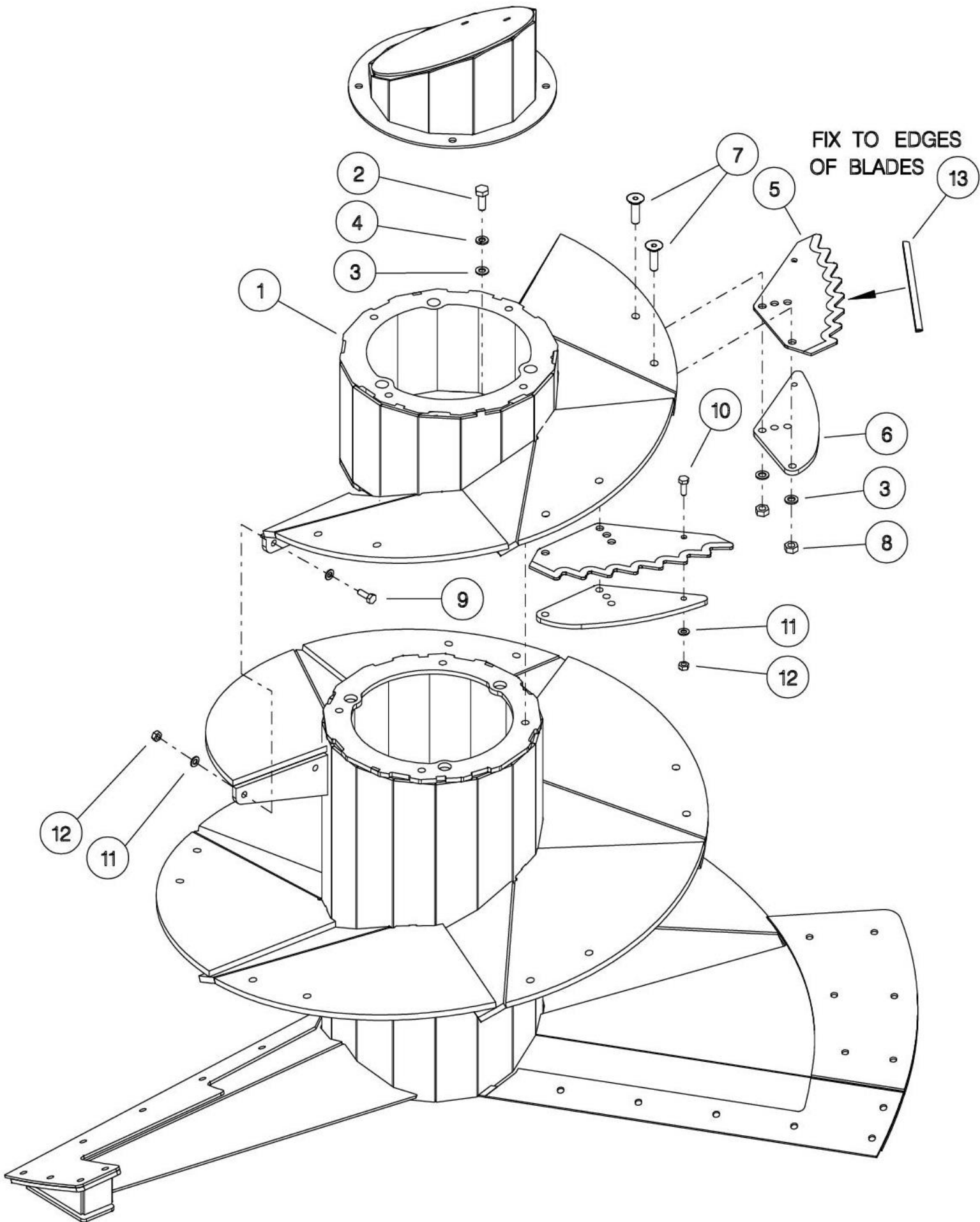


KIT-03715  
KIT-03715a  
KIT-03715b

**Shelbourne Reynolds Engineering Limited**

ASSY NUMBER: KIT-03716				ASSY DESCRIPTION: AUGER EXTENSION KIT			
ITEM	PART NO	DESCRIPTION	QTY	ITEM	PART NO	DESCRIPTION	QTY
1	615107 01	AUGER EXTENSION W/ASSY	1				
2	HSS-0318	SET SCREW	4				
3	WSH-0024	PLAIN WASHER	10				
4	WSH-0070	SPRING WASHER	4				
5	614812 02	AUGER BLADE STANDARD	3				
6	614807 01	BLADE BACK UP PLATE	3				
7	SCEA16350	CSK SOC HD SCREW	6				
8	NUT-0271	NYLOC NUT	6				
9	HSS-0260	SET SCREW	2				
10	HSS-0241	SET SCREW	3				
11	WSH-0018	PLAIN WASHER	7				
12	NUT-0269	NYLOC NUT	5				
13	EDS-11400	PVC EDGING STRIP	1.5				



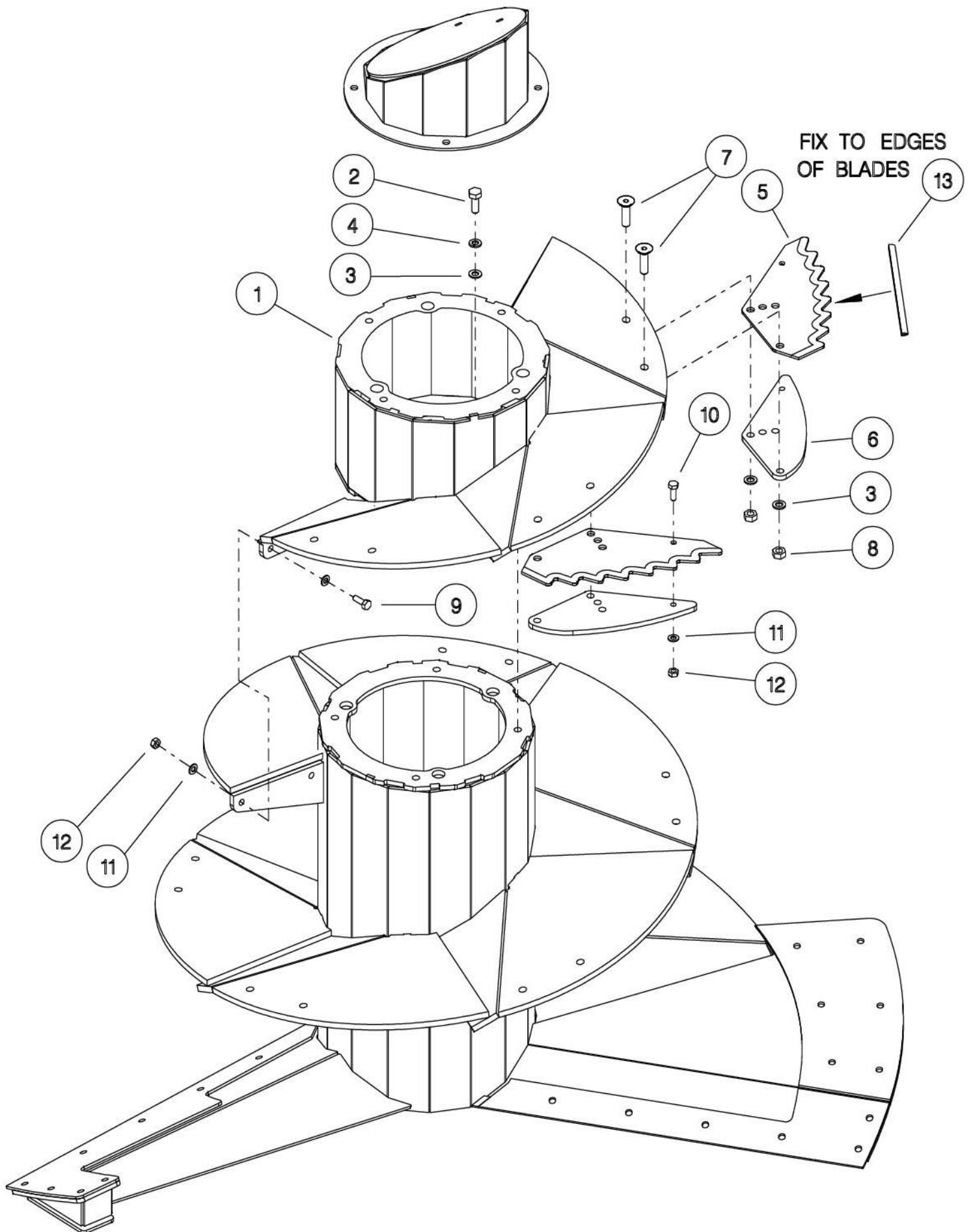


KIT-03716  
KIT-03716a

**Shelbourne Reynolds Engineering Limited**

ASSY NUMBER: KIT-03716a				ASSY DESCRIPTION: AUGER EXTENSION KIT			
ITEM	PART NO	DESCRIPTION	QTY	ITEM	PART NO	DESCRIPTION	QTY
1	615107 01	AUGER EXTENSION W/ASSY	1				
2	HSS-0318	SET SCREW	4				
3	WSH-0024	PLAIN WASHER	10				
4	WSH-0070	SPRING WASHER	4				
5	614812 01	AUGER BLADE TUNGSTEN	3				
6	614807 01	BLADE BACK UP PLATE	3				
7	SCEA16350	CSK SOC HD SCREW	6				
8	NUT-0271	NYLOC NUT	6				
9	HSS-0260	SET SCREW	2				
10	HSS-0241	SET SCREW	3				
11	WSH-0018	PLAIN WASHER	7				
12	NUT-0269	NYLOC NUT	5				
13	EDS-11400	PVC EDGING STRIP	1.5				

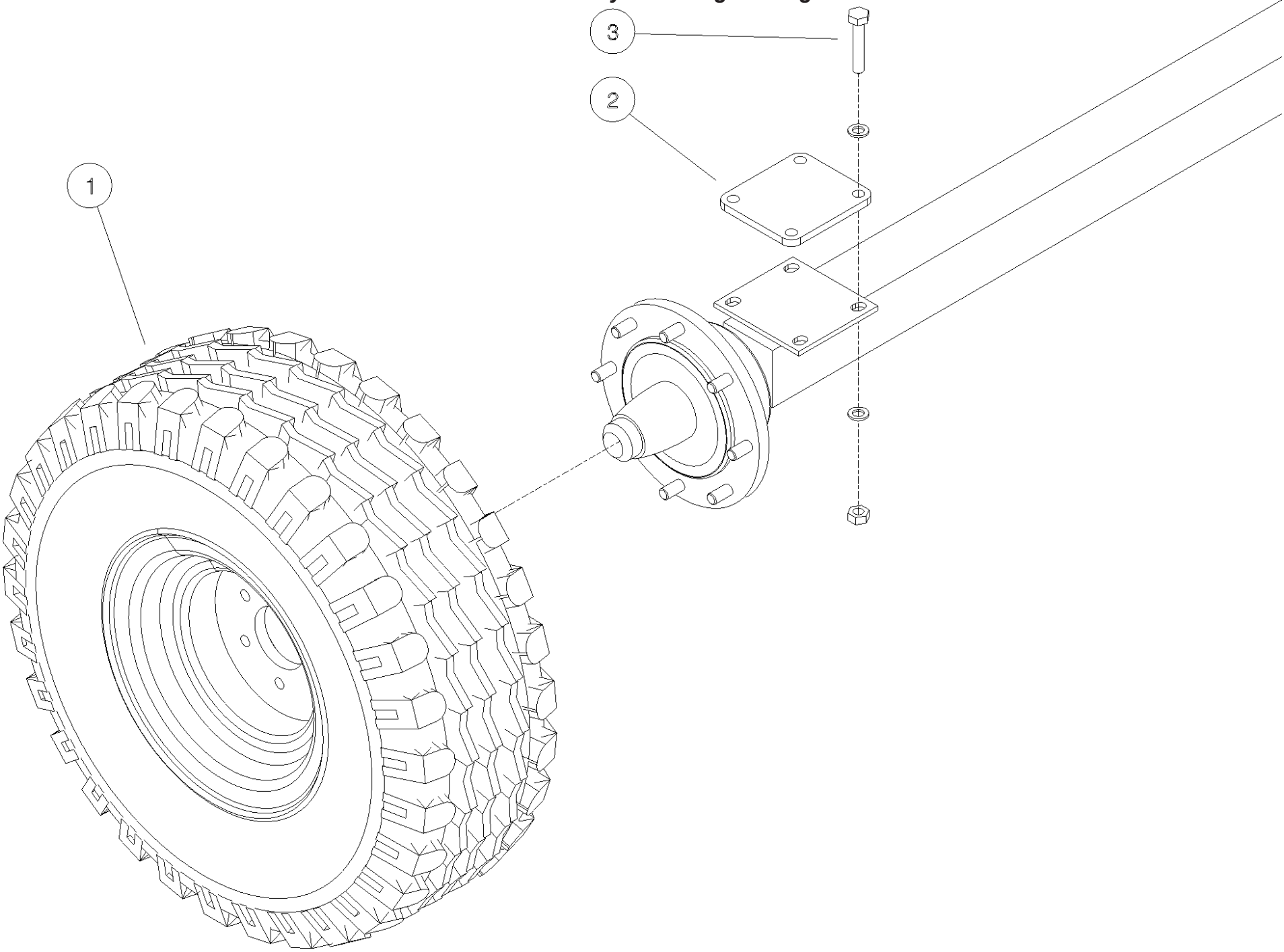




KIT-03716  
KIT-03716a

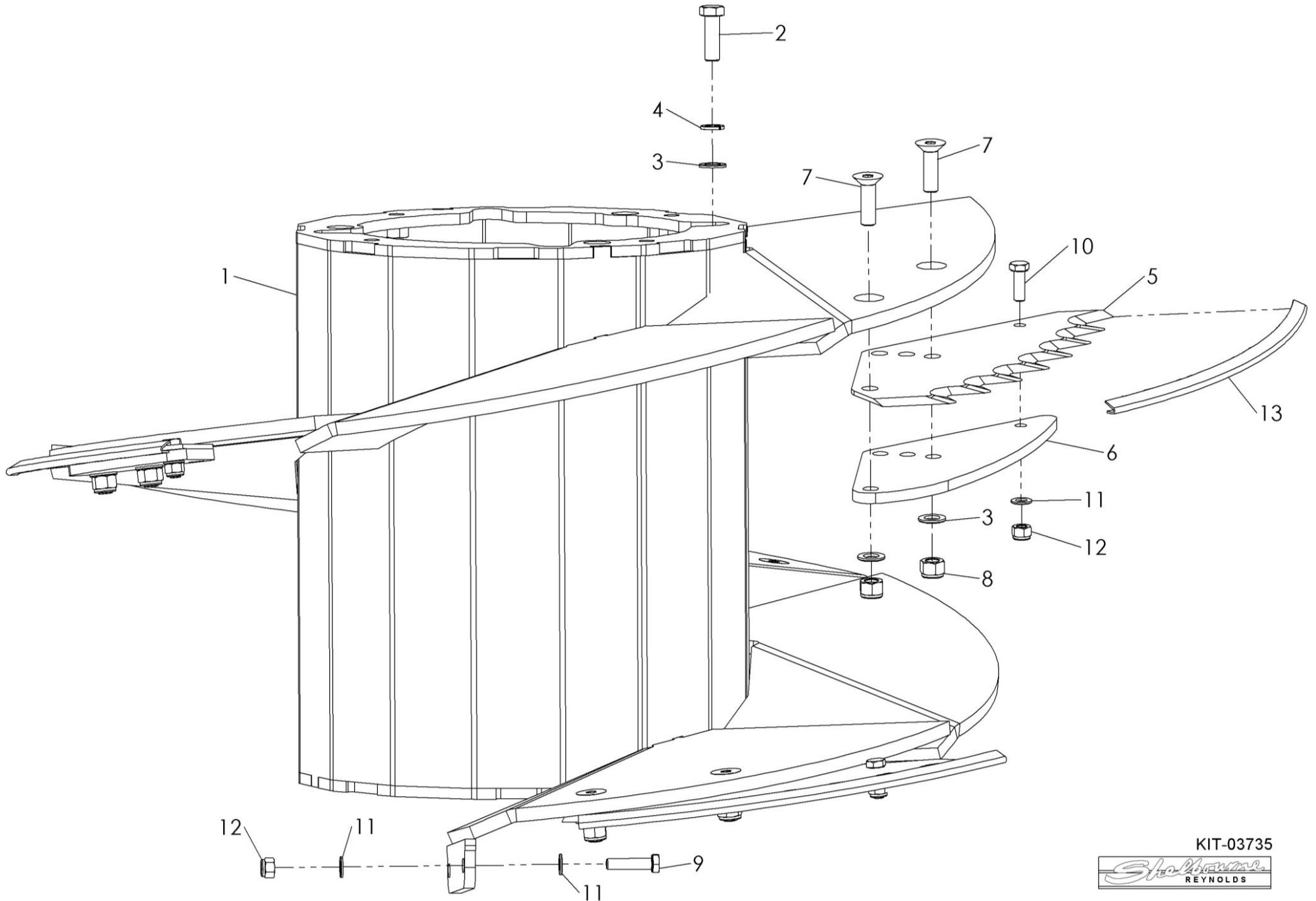
**Shelbourne Reynolds Engineering Limited**

ASSY NUMBER: KIT-03734				ASSY DESCRIPTION: WHEEL & TYE KIT			
ITEM	PART NO	DESCRIPTION	QTY	ITEM	PART NO	DESCRIPTION	QTY
1	WHL-02212	WHEEL & TYRE ASSY	2				
2	613814 01	AXLE SPACER PLATE	10				
3	BLT-2330	HEX.HEAD BOLT	8				



**Shelbourne Reynolds Engineering Limited**

ASSY NUMBER: KIT-03735				ASSY DESCRIPTION: 600mm AUGER EXTENSION KIT			
ITEM	PART NO	DESCRIPTION	QTY	ITEM	PART NO	DESCRIPTION	QTY
1	615260 01	600mm AUGER EXT W/ASSY	1				
2	HSS-0318	SET SCREW	4				
3	WSH-0024	PLAIN WASHER FORM A	12				
4	WSH-0070	SPRING WASHER	4				
5	614812 02	AUGER BLADE STANDARD	4				
6	614807 01	BACK UP PLATE	4				
7	SCEA16350	CSK SOC HD SCREW	8				
8	NUT-0271	NUT	8				
9	HSS-0260	SETSCREW	2				
10	HSS-0241	SET SCREW	4				
11	WSH-0018	PLAIN WASHER	8				
12	NUT-0269	NUT	6				
13	EDS-11400	PVC EDGING STRIP	2				

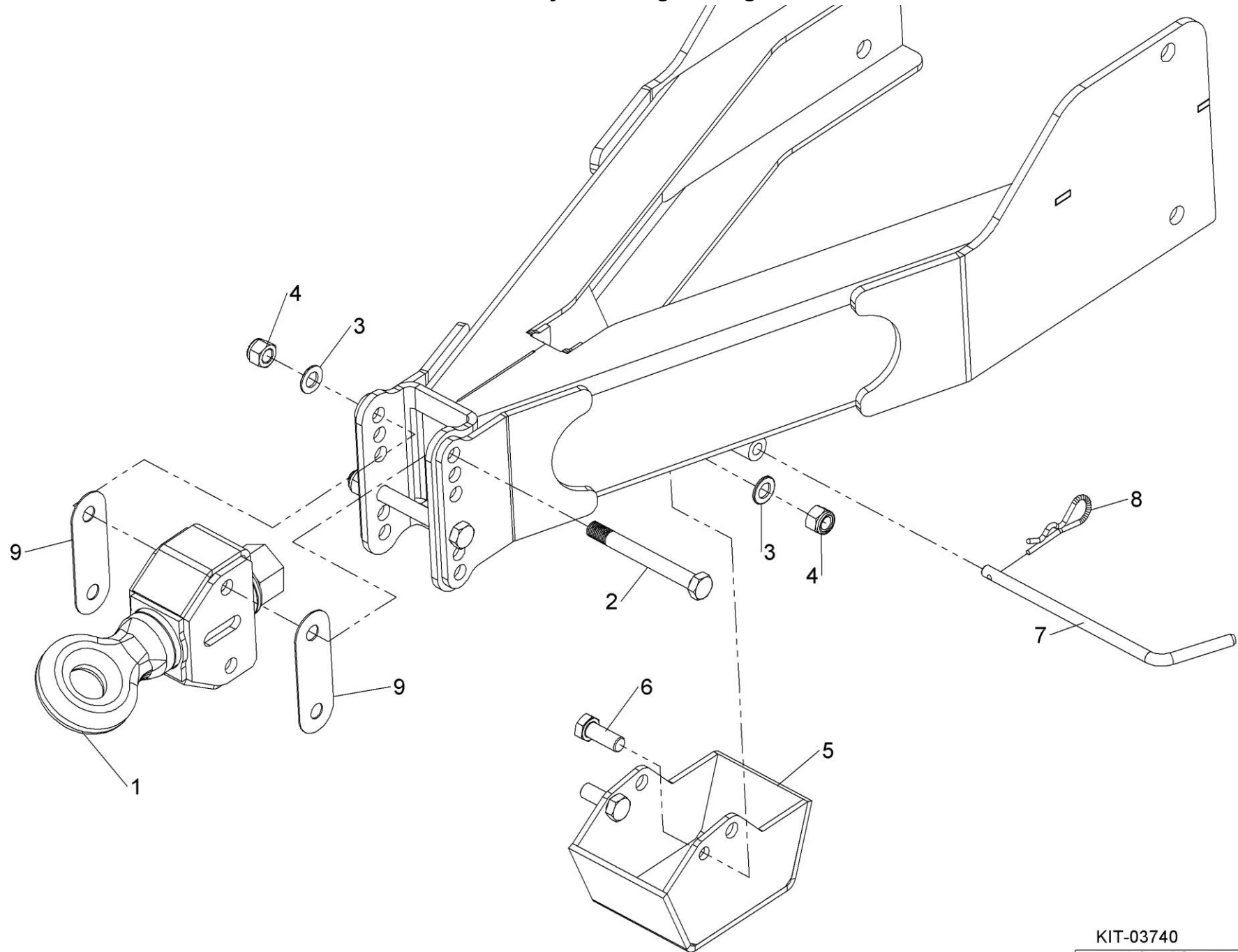


KIT-03735



**Shelbourne Reynolds Engineering Limited**

ASSY NUMBER: KIT-03740				ASSY DESCRIPTION: SWIVEL TOW EYE KIT			
ITEM	PART NO	DESCRIPTION	QTY	ITEM	PART NO	DESCRIPTION	QTY
1	615227 01	SWIVEL TOW EYE W/A	1				
2	BLTA20770	BOLT	2				
3	WSH-0030	WASHER	4				
4	NUTA02200	NUT	4				
5	613418 01	FOOT WELD ASSY	1				
6	HSS-0355	SETSCREW	2				
7	613419 01	SECURING PIN	1				
8	CLP-00106	R CLIP	1				
9	615298 01	TOW EYE SHIM	2				



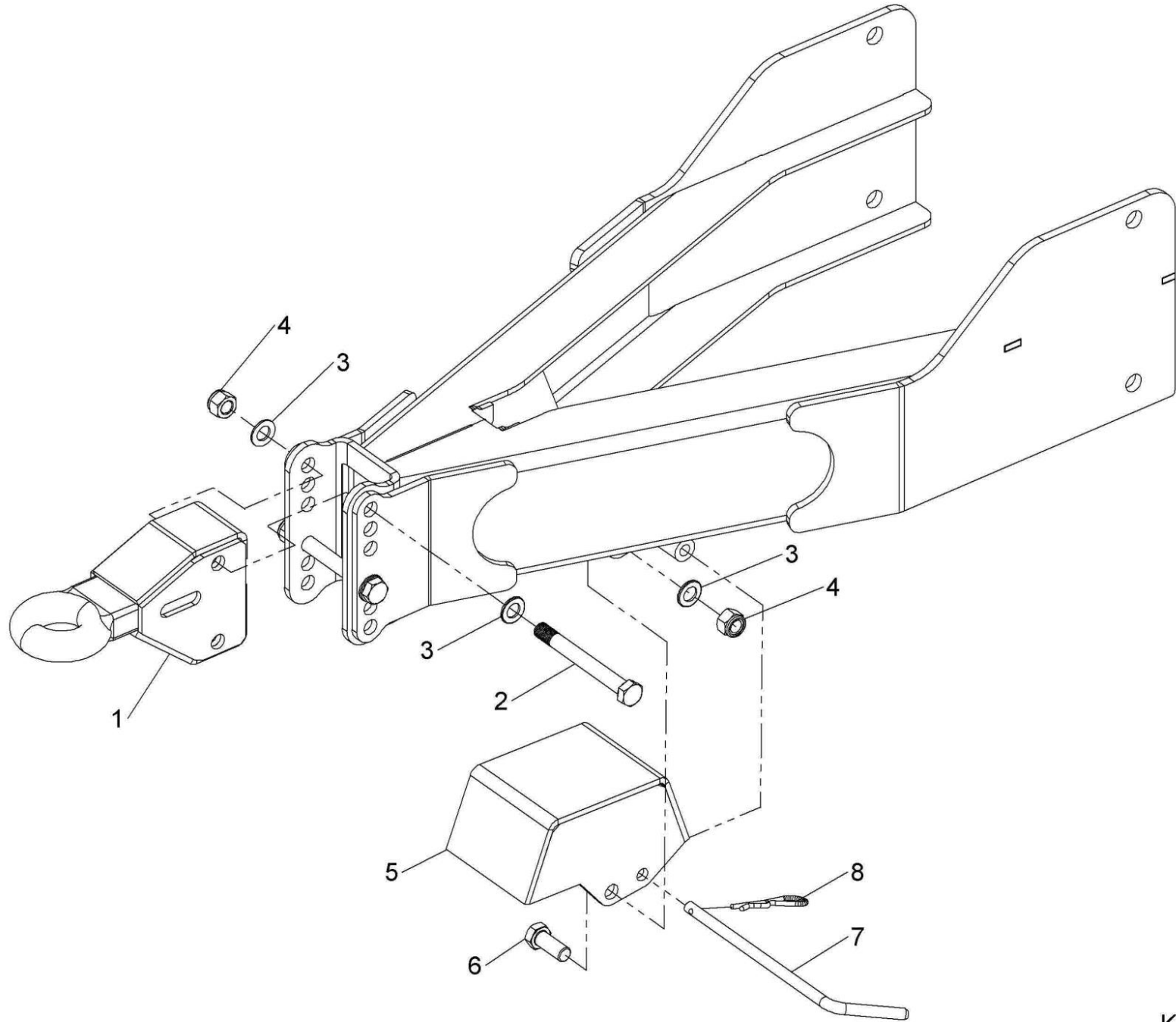
KIT-03740



**Shelbourne Reynolds Engineering Limited**

ASSY NUMBER: KIT-03741				ASSY DESCRIPTION: HEAVY DUTY UK TOW EYE KIT			
ITEM	PART NO	DESCRIPTION	QTY	ITEM	PART NO	DESCRIPTION	QTY
1	615233 01	HEAVY DUTY UK TOW EYE	1				
2	BLTA20770	HEXAGON HEAD BOLT	2				
3	WSH-0030	PLAIN WASHER	4				
4	NUTA02200	NYLOC NUT	4				
5	613418 01	FOOT WELD ASSY	1				
6	HSS-0355	SETSCREW	2				
7	613419 01	FOOT SECURING PIN	1				
8	CLP-00106	R CLIP	1				



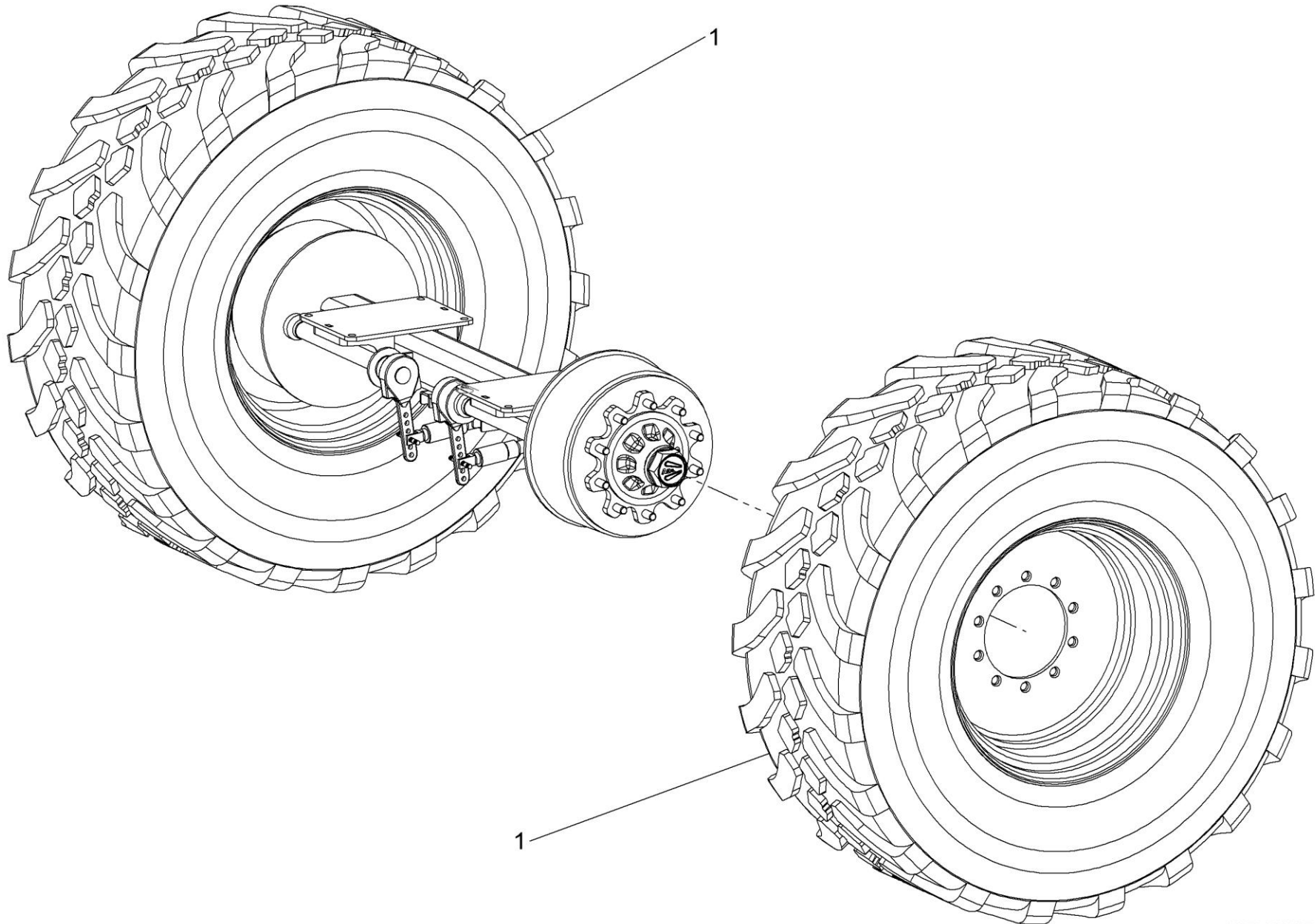


KIT-03741



**Shelbourne Reynolds Engineering Limited**

ASSY NUMBER: KIT-03757				ASSY DESCRIPTION: WHEEL & TYRE KIT			
ITEM	PART NO	DESCRIPTION	QTY	ITEM	PART NO	DESCRIPTION	QTY
1	WHL-02213	WHEEL & TYRE ASSY	2				

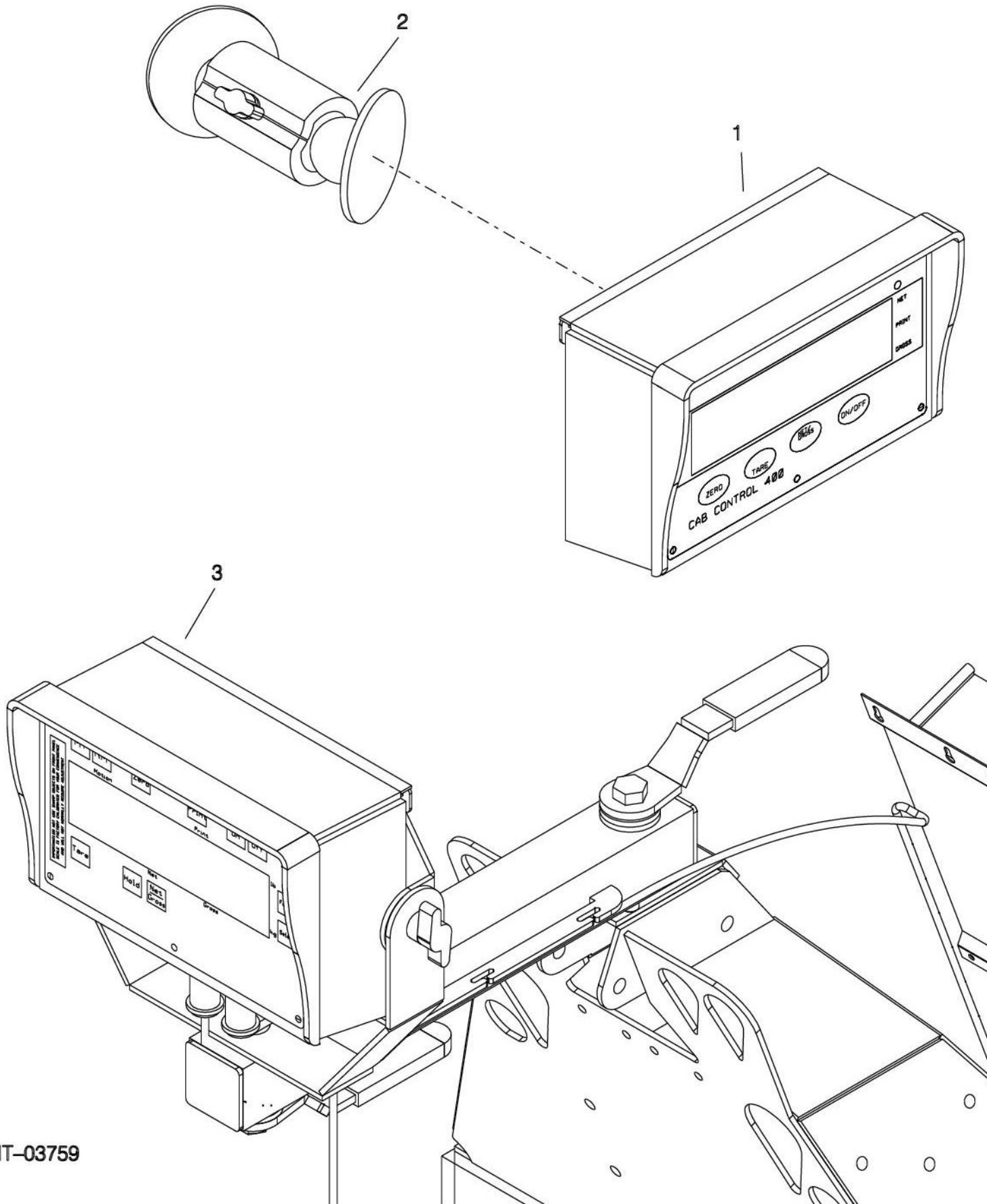


KIT-03757  
KIT-03757a



**Shelbourne Reynolds Engineering Limited**

ASSY NUMBER: KIT-03759				ASSY DESCRIPTION: EZ2400V BASIC DISPLAY KIT			
ITEM	PART NO	DESCRIPTION	QTY	ITEM	PART NO	DESCRIPTION	QTY
1	LCL-01228	CAB CONTROL 400 INDICATOR	1				
2	LCL-01249	RAM MOUNT SUCTION CUP	1				
3	LCL-01243b	EZ2400V BASIC DISPLAY	1				



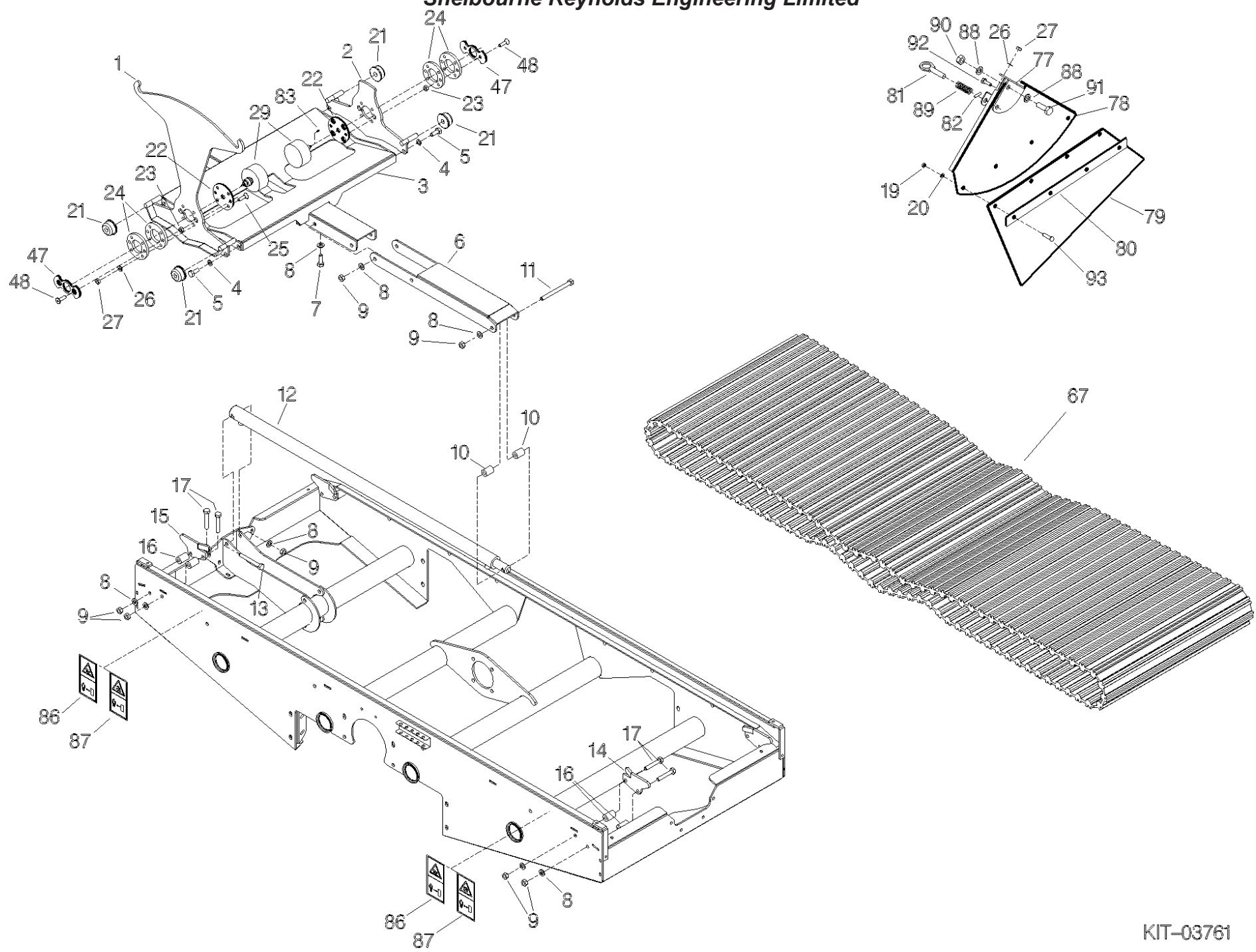
**Shelbourne Reynolds Engineering Limited**

ASSY NUMBER: KIT-03761				ASSY DESCRIPTION: PVC WEB CONVEYOR KIT			
ITEM	PART NO	DESCRIPTION	QTY	ITEM	PART NO	DESCRIPTION	QTY
1	614781 01	FRONT CARRIAGE W/A	1	42	614669 01	SPACER PLATE	6
2	614782 01	REAR CARRIAGE W/A	1	43	614667 01	PIVOT PLATE	4
3	614780 01	CENTRE CARRIAGE W/A	1	44	HSS-0250	SET SCREW	6
4	WSH-0065	WASHER	12	45	HSS-0260	SET SCREW	6
5	HSS-0238	SETSCREW	4	47	614672 01	SECURING PLATE	2
6	614756 01	RAM BRACKET	1	48	SCW-1895	CSK SOCKET HD SCW	4
7	HSS-0241	SET SCREW	4	49	614684 01	LH CONVEYOR PAN W/A	1
8	WSH-0018	WASHER	24	50	615048 01	DRIVE SHAFT W/A	1
9	NUT-0269	NUT	18	51	260030 03	SPROCKET	2
10	613919 03	SPACER TUBE	2	52	SCW-4530	GRUBSCREW	4
11	20146128	BOLT	1	53	CHN-01380	CHAIN	1
12	610447 01	HYDRAULIC CYLINDER	1	54	MOTH08000	HYDRAULIC MOTOR	1
13	BLT-2270	HEX.HEAD BOLT	1	54a	HMS-08001	SEAL KIT (SPARES)	
14	614784 01	LIFT ARM STOP PLATE LH	2	55	614304 01	MOTOR GUARD W/ASSY	1
15	614784 02	LIFT ARM STOP PLATE RH	2	56	WSH-0061	WASHER	2
16	614280 01	SPACER TUBE	8	57	614310 01	COUPLING GUARD	1
17	BLTA12470	HEX.HEAD BOLT	8	58	HSS-0188	SET SCREW	2
18	613919 04	SPACER TUBE	2	59	CLP-00105	R CLIP	4
19	NUT-0263	NUT	4	60	614317 01	LIFT ARM ASSY	2
20	WSH-0012	WASHER	4	61	614317 02	LIFT ARM ASSY	2
21	613702 01	WHEEL	4	62	CIR-1125	CIRCLIP EXT	8
22	614671 01	CSK PIVOT PLATE	2	63	613335 01	LATCH	4
23	NUT-0167	NUT	4	64	613333 03	WHEEL	4
24	614670 01	PIVOT DISC	4	65	614278 01	WHEEL	4
25	SCEA10324	CSK SOC HD SCREW	8	66	WSH-1547	WASHER	4
26	WSH-0015	WASHER	18	67	CON-00037	CONVEYOR BELT (ENDLESS)	1
27	NUT-0265	NUT	18	68	614309 01	RUBBER SEAL STRIP	2
29	CON-00026	GUIDE ROLLER (DIA 90mm)	2	69	614487 01	CLAMP STRIP	2
30	614682 01	RH CONVEYOR PANEL W/A	1	70	SCBA06200	BUTT SOC HD SCREW	24
31	614658 01	BEARING SLIDE PLATE	2	71	614484 01	SEAL PLATE	8
32	BRG-22560	CAST FLANGE BEARING	4	72	WSH-0009	WASHER	84
33	BLTF10231	COACH BOLT	8	73	NUT-0260	NUT	42
34	HSSA12650	SETSCREW	2	74	SCW-4963	BUTTON HD SCREW	18
35	NUT-0170	NUT	6	75	PTF-00134	PLASTIC CAP INSERT	12
36	CON-00020	IDLE ROLLER	2	76	190119 15	WASHER	2
37	614272 07	SHAFT SPACER	2	77	615331 01	DEFLECTOR MTG BRKT W/A	1
38	K0807032	KEY PARALLEL	3	78	615334 01	DEFLECTOR W/A	1
39	CON-00021	SUPPORT ROLLER	4	79	615341 01	RUBBER DEFLECTOR	1
40	BLT-2314	BOLT	4	80	615342 01	CLAMP STRIP	1
41	CON-00025a	SUPPORT ROLLER (DIA 75mm)	8	81	615337 01	LOCKING PIN W/A	1

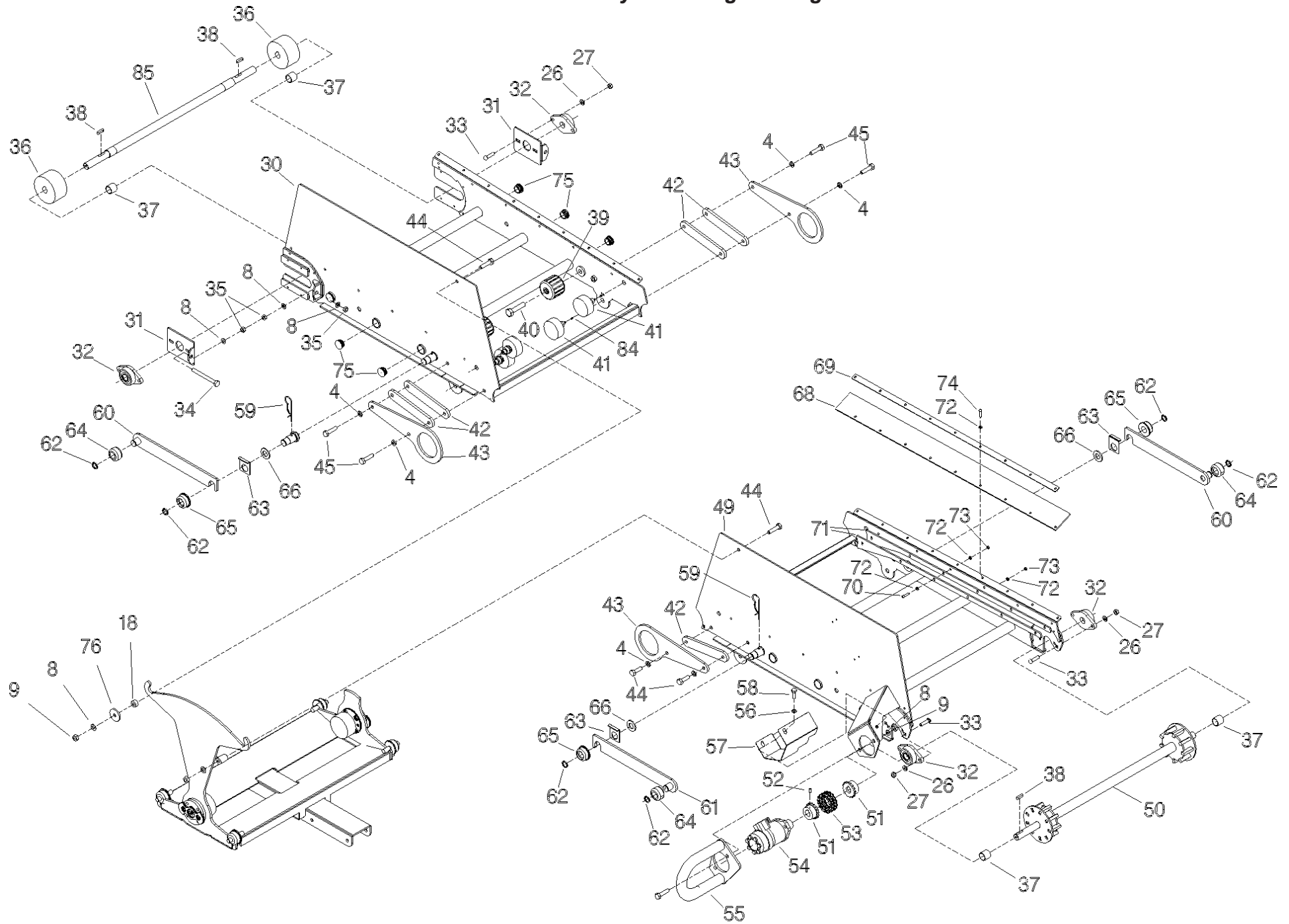
**Shelbourne Reynolds Engineering Limited**

ASSY NUMBER: KIT-03761				ASSY DESCRIPTION: PVC WEB CONVEYOR KIT			
ITEM	PART NO	DESCRIPTION	QTY	ITEM	PART NO	DESCRIPTION	QTY
82	PIN-1620	ROLL PIN	1				KIT-
83	NIP-00610	GREASE NIPPLE	2				
84	NIP-0001	GREASE NIPPLE	8				
85	614688 01	IDLE SHAFT	1				
86	260062 01	TRANSFER-HAND ENTANGL	2				
87	260061 01	TRANSFER-SAFE DISTANC	2				
88	WSH-0024	WASHER	1				
89	SPGC22015	COMPRESSION SPRING	1				
90	NUT-0271	NUT	1				
91	HSS-0318	SET SCREW	1				
92	HSS-0194	BOLT	2				
93	BLT-2700	BOLT	4				





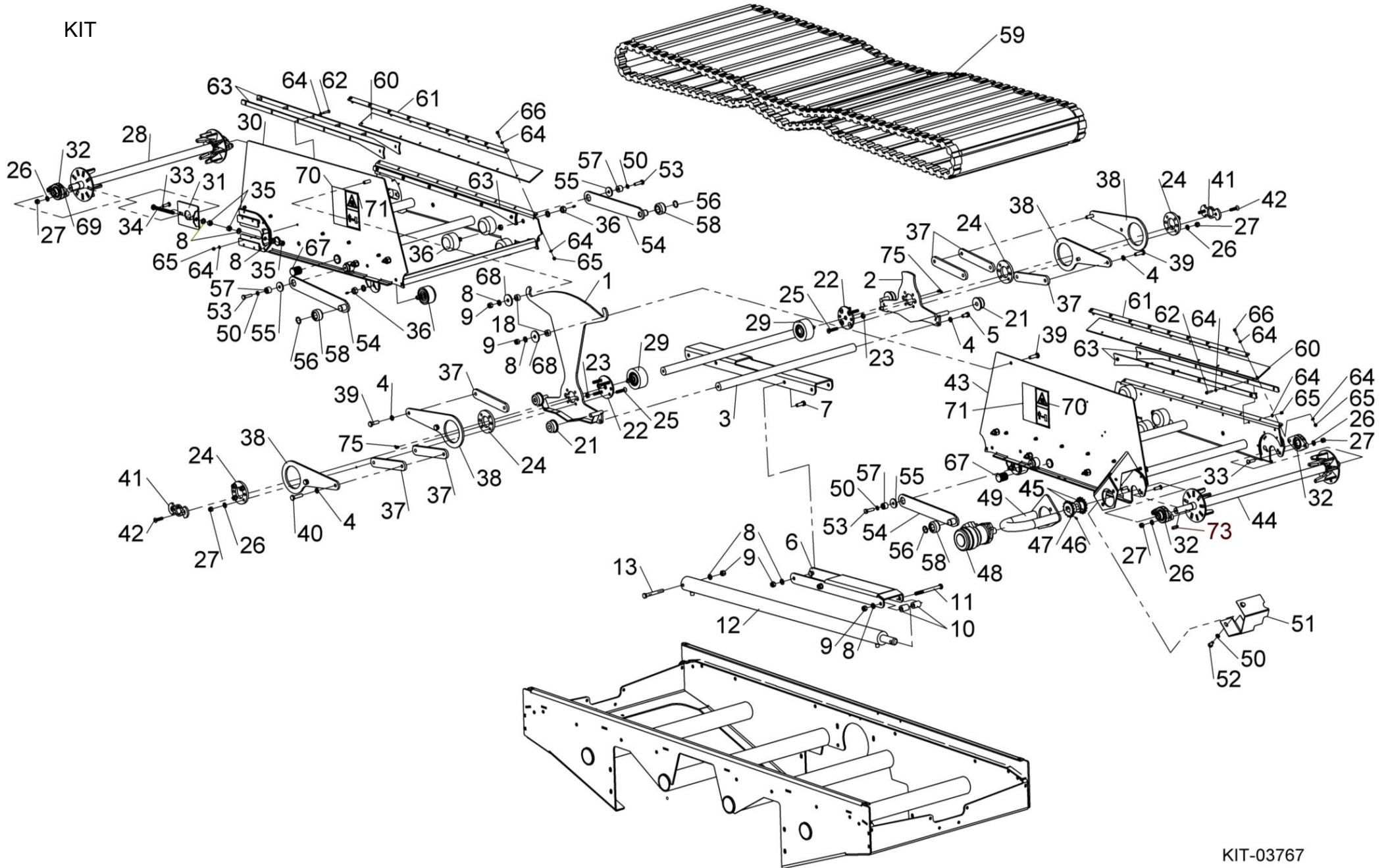




**Shelbourne Reynolds Engineering Limited**

ASSY NUMBER: KIT-03767				ASSY DESCRIPTION: EXPRESS WEB CONVEYOR KIT			
ITEM	PART NO	DESCRIPTION	QTY	ITEM	PART NO	DESCRIPTION	QTY
1	614781 01	FRONT CARRIAGE W/A	1	41	614672 01	SECURING PLATE	2
2	614782 01	REAR CARRIAGE W/A	1	42	SCW-1895	CSK SOCKET HD SCW	4
3	615282 01	CONVEYOR CARRIAGE W/A	1	43	615348 01	LH CONVEYOR PAN W/A	1
4	WSH-0065	WASHER	12	44	615048 01	DRIVE SHAFT W/A	1
5	HSS-0235	SET SCREW	4	45	260030 03	SPROCKET	2
6	614756 01	RAM BRACKET	1	46	SCW-4530	GRUBSCREW	4
7	HSS-0241	SET SCREW	4	47	CHN-01380	CHAIN	1
8	WSH-0018	WASHER	16	48	MOTH08000	HYDRAULIC MOTOR	1
9	NUT-0269	NUT	10	48a	HMS-08001	SEAL KIT	
10	613919 03	SPACER TUBE	2	49	614304 01	MOTOR GUARD W/ASSY	1
11	20146128	BOLT	1	50	WSH-0061	WASHER	6
12	610447 01	HYDRAULIC CYLINDER	1	51	614310 01	COUPLING GUARD	1
13	BLT-2270	BOLT	1	52	HSS-0188	SET SCREW	2
14				53	HSS-0202	SET SCREW	4
15				54	615352 01	LIFT ARM W/A	4
16				55	190548 01	WASHER	4
17				56	CIR-1125	CIRCLIP EXT	4
18	613919 04	SPACER TUBE	2	57	615353 01	NYLON ROLLER	4
				58	614278 01	WHEEL	4
				59	CON-00037	WEB CONVEYOR BELT (40mm DRIVE)	1
21	613702 01	WHEEL	4				
22	614671 01	CSK PIVOT PLATE	2	60	614309 01	RUBBER SEAL STRIP	2
23	NUT-0167	NUT	4	61	614487 01	CLAMP STRIP	2
24	614670 01	PIVOT DISC	4	62	SCBA06200	BUTT SOC HD SCREW	24
25	SCEA10324	CSK SOC HD SCREW	8	63	614484 01	SEAL PLATE	8
26	WSH-0015	WASHER	16	64	WSH-0009	WASHER	84
27	NUT-0265	NUT	16	65	NUT-0260	NUT	42
28	615350 01	IDLE SHAFT W/A	1	66	SCW-4963	BUTTON HD SCREW	18
29	CON-00026	GUIDE ROLLER	2	67	PTF-00134	PLASTIC CAP INSERT	8
30	615346 01	RH CONVEYOR PANEL W/A	1	68	190119 15	WASHER	2
31	614658 01	BEARING SLIDE PLATE	2	69	NIP-0001	GREASE NIPPLE	4
32	BRG-22560	FLANGE BEARING	4	70	260062 01	TRANSFER-HAND ENTANGL	2
33	BLTF10231	COACH BOLT	8	71	260061 01	TRANSFER-SAFE DISTANC	2
34	HSSA12650	SETSCREW	2				
35	NUT-0170	NUT	6	73	K0807032	KEY PARALLEL	1
36	CON-00025a	SUPPORT ROLLER	12				
37	614669 01	SPACER PLATE	6	75	NIP-00610	GREASE NIPPLE	2
38	614667 01	PIVOT PLATE	4				
39	HSS-0250	SET SCREW	6				
40	HSS-0260	SET SCREW	6				

KIT



KIT-03767

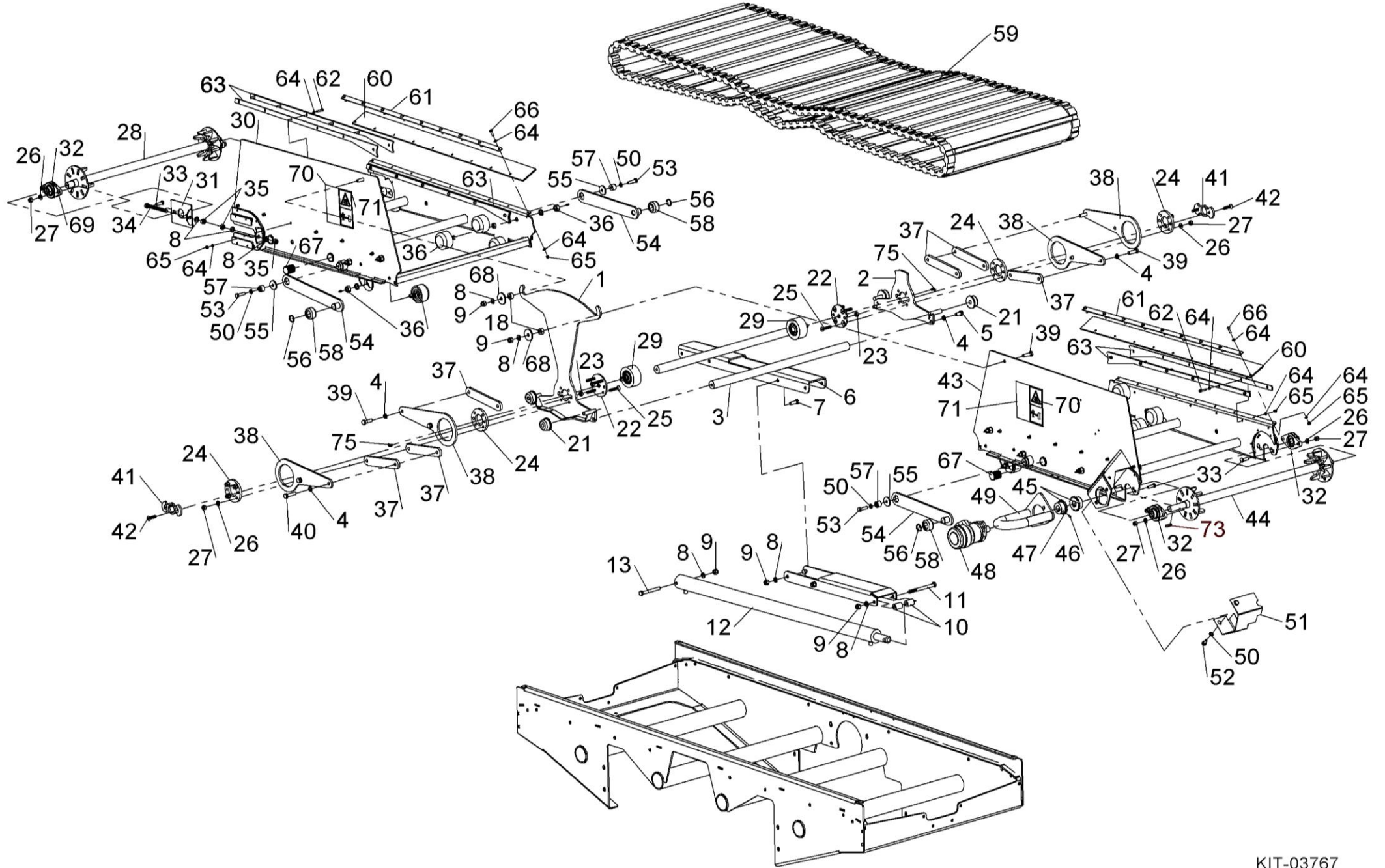


## Shelbourne Reynolds Engineering Limited

ASSY NUMBER: KIT-03767A				ASSY DESCRIPTION: EXPRESS WEB CONVEYOR KIT			
ITEM	PART NO	DESCRIPTION	QTY	ITEM	PART NO	DESCRIPTION	QTY
1	614781 01	FRONT CARRIAGE W/A	1	41	614672 01	SECURING PLATE	2
2	614782 01	REAR CARRIAGE W/A	1	42	SCW-1895	CSK SOCKET HD SCW	4
3	615282 01	CONVEYOR CARRIAGE W/A	1	43	615348 01	LH CONVEYOR PAN W/A	1
4	WSH-0065	WASHER	12	44	615048 01	DRIVE SHAFT W/A	1
5	HSS-0235	SET SCREW	4	45	260030 03	SPROCKET	2
6	614756 01	RAM BRACKET	1	46	SCW-4530	GRUBSCREW	4
7	HSS-0241	SET SCREW	4	47	CHN-01380	CHAIN	1
8	WSH-0018	WASHER	16	48	MOTH08000	HYDRAULIC MOTOR	1
9	NUT-0269	NUT	10	48a	HMS-08001	SEAL KIT	
10	613919 03	SPACER TUBE	2	49	614304 01	MOTOR GUARD W/ASSY	1
11	20146128	BOLT	1	50	WSH-0061	WASHER	6
12	610447 01	HYDRAULIC CYLINDER	1	51	614310 01	COUPLING GUARD	1
13	BLT-2270	BOLT	1	52	HSS-0188	SET SCREW	2
14				53	HSS-0202	SET SCREW	4
15				54	615352 01	LIFT ARM W/A	4
16				55	190548 01	WASHER	4
17				56	CIR-1125	CIRCLIP EXT	4
18	613919 04	SPACER TUBE	2	57	615353 01	NYLON ROLLER	4
				58	614278 01	WHEEL	4
				59	CON-00039	WEB BELT (ENDLESS 50mm TRAC)	1
21	613702 01	WHEEL	4	60	614309 01	RUBBER SEAL STRIP	2
22	614671 01	CSK PIVOT PLATE	2	61	614487 01	CLAMP STRIP	2
23	NUT-0167	NUT	4	62	SCBA06200	BUTT SOC HD SCREW	24
24	614670 01	PIVOT DISC	4	63	614484 01	SEAL PLATE	8
25	SCEA10324	CSK SOC HD SCREW	8	64	WSH-0009	WASHER	84
26	WSH-0015	WASHER	16	65	NUT-0260	NUT	42
27	NUT-0265	NUT	16	66	SCW-4963	BUTTON HD SCREW	18
28	615350 01	IDLE SHAFT W/A	1	67	PTF-00134	PLASTIC CAP INSERT	8
29	CON-00026	GUIDE ROLLER	2	68	190119 15	WASHER	2
30	615346 01	RH CONVEYOR PANEL W/A	1	69	NIP-0001	GREASE NIPPLE	4
31	614658 01	BEARING SLIDE PLATE	2	70	260062 01	TRANSFER-HAND ENTANGL	2
32	BRG-22560	FLANGE BEARING	4	71	260061 01	TRANSFER-SAFE DISTANC	2
33	BLTF10231	COACH BOLT	8				
34	HSSA12650	SETSCREW	2	73	K0807032	KEY PARALLEL	1
35	NUT-0170	NUT	6				
36	CON-00025a	SUPPORT ROLLER	12	75	NIP-00610	GREASE NIPPLE	2
37	614669 01	SPACER PLATE	6				
38	614667 01	PIVOT PLATE	4				
39	HSS-0250	SET SCREW	6				
40	HSS-0260	SET SCREW	6				



Shelbourne Reynolds Engineering Limited

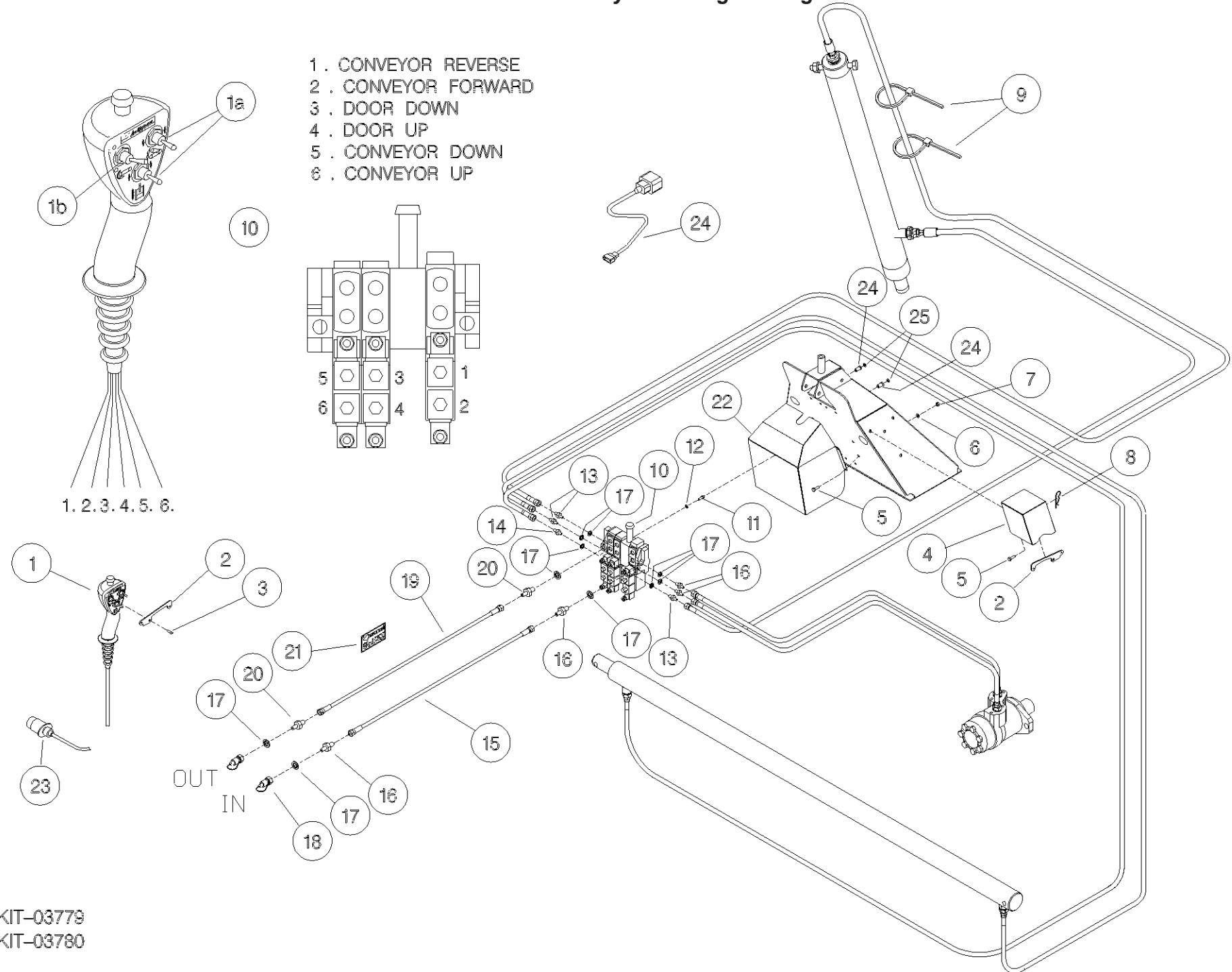


KIT-03767



**Shelbourne Reynolds Engineering Limited**

ASSY NUMBER: KIT-03779				ASSY DESCRIPTION: ELECTRIC SOLENOID CONVEYOR HYDRAULICS			
ITEM	PART NO	DESCRIPTION	QTY	ITEM	PART NO	DESCRIPTION	QTY
1	615392 01	HAND CONTROLLER	1				
1a	SWT-00310	3 POSITION SPRING CTR SWT	2				
1b	SWT-00510	ON/OFF/ON POSITION SWITCH	1				
2	615422 01	CONTROLLER HANGER BRACKET	1				
3	SCHS07176	SELF TAPPING SCREW	2				
4	615421 01	JOYSTICK COVER	1				
5	HSS-0086	SET SCREW	6				
6	WSH-0009	PLAIN WASHER	6				
7	NUT-0260	NYLOC NUT	2				
8	CLP-00103	R CLIP	2				
9	TIE-0002	TIE WRAPS	4				
10	HVB-19020	HYDRAULIC VALVE BLOCK	1				
11	HSS-0135	SETSCREW	4				
12	WSH-0058	SPRING WASHER	4				
13	HMA-0055	ADAPTOR M/M	3				
14	HAMAA0307	RESTRICTOR	1				
15	HHBE22005	HYDRAULIC HOSE ASSY	1				
16	HMA-0065	ADAPTOR M/M	4				
17	WSH-1015	DOWTY WASHER	10				
18	COU-0162	QUICK RELEASE COUPLING	2				
19	HHBF22005	HYDRAULIC HOSE ASSY	1				
20	HMA-0067	ADAPTOR M/M	2				
21	612230 01	EMBLEM	1				
22	614133 01	VALVE COVER	1				
23	PLG-0005a	7 PIN PLUG	1				
24	NUTA13060	NUTSERT	4				
25	WSH-0056	WASHER	4				

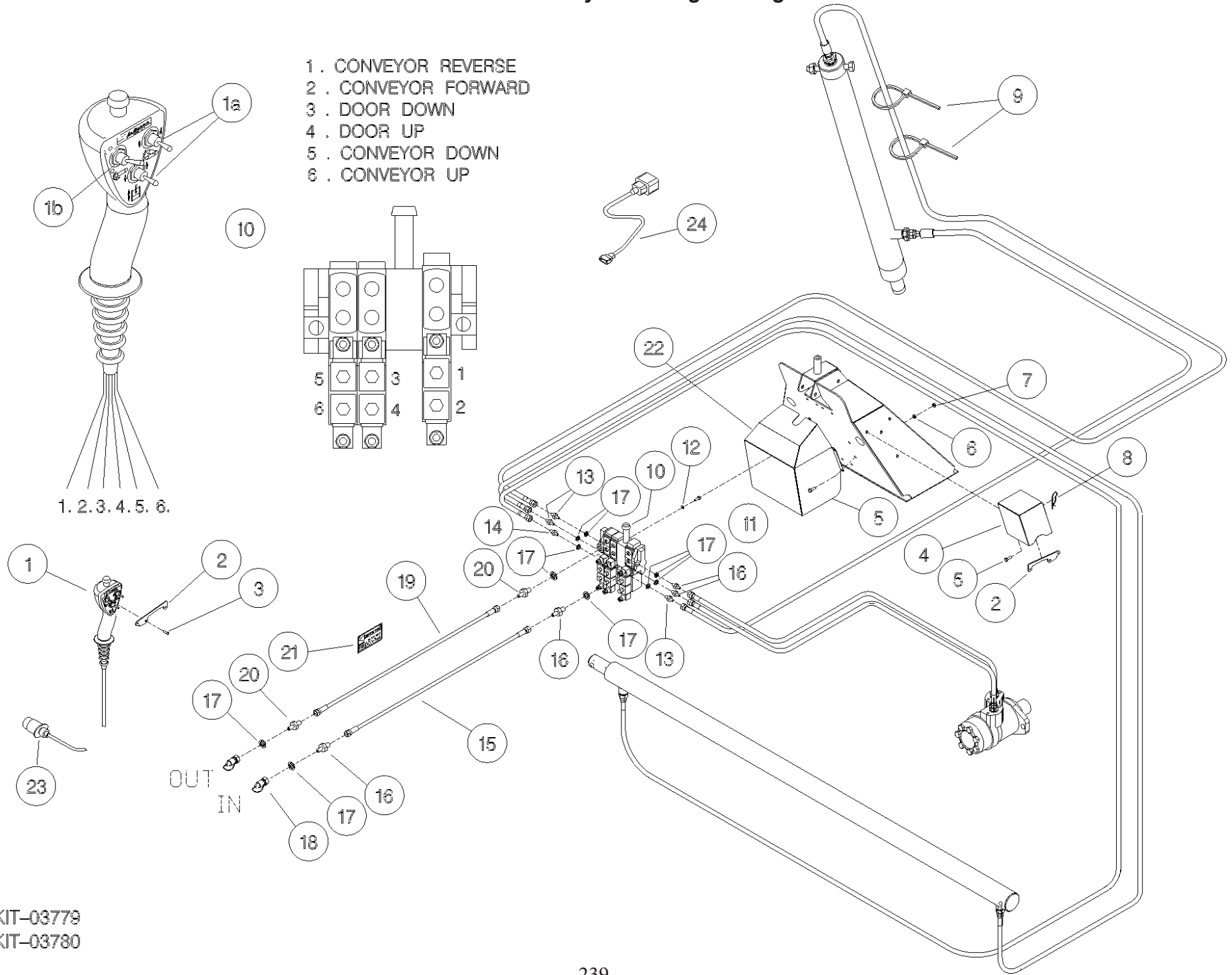


KIT-03779  
 KIT-03780

**Shelbourne Reynolds Engineering Limited**

ASSY NUMBER: KIT-03780				ASSY DESCRIPTION: ELECTRIC SOLENOID CONVEYOR HYDRAULICS			
ITEM	PART NO	DESCRIPTION	QTY	ITEM	PART NO	DESCRIPTION	QTY
1	615393 01	HAND CONTROLLER	1				
1a	SWT-00310	3 POSITION SPRING CTR SWT	2				
1b	SWT-00510	ON/OFF/ON POSITION SWITCH	1				
2	615422 01	JOYSTICK HANGER BRACKET	1				
3	SCHS07176	SELF TAPPING SCREW	2				
4	615421 01	JOYSTICK COVER	1				
5	HSS-0086	SET SCREW	6				
6	WSH-0009	PLAIN WASHER	6				
7	NUT-0260	NYLOC NUT	6				
8	CLP-00103	R CLIP	2				
9	TIE-0002	TIE WRAPS	4				
10	HVB-19110	ELEC. MULTI SPOOL VALVE (ELEC.	1				
11	HSS-0135	SETSCREW	4				
12	WSH-0058	SPRING WASHER	4				
13	HMA-0055	ADAPTOR M/M	3				
14	HAMAA0307	RESTRICTOR	1				
15	HHBE22005	HYDRAULIC HOSE ASSY	1				
16	HMA-0065	ADAPTOR M/M	4				
17	WSH-1015	DOWTY WASHER	10				
18	COU-0162	QUICK RELEASE COUPLING	2				
19	HHBF22005	HYDRAULIC HOSE ASSY	1				
20	HMA-0067	ADAPTOR M/M	2				
21	612230 01	EMBLEM	1				
22	615471 01	HVB-19110 VALVE COVER	1				
23	PLG-0005a	7 PIN PLUG	1				
24	615420 01	XPRO & PLUG ASSY	1				



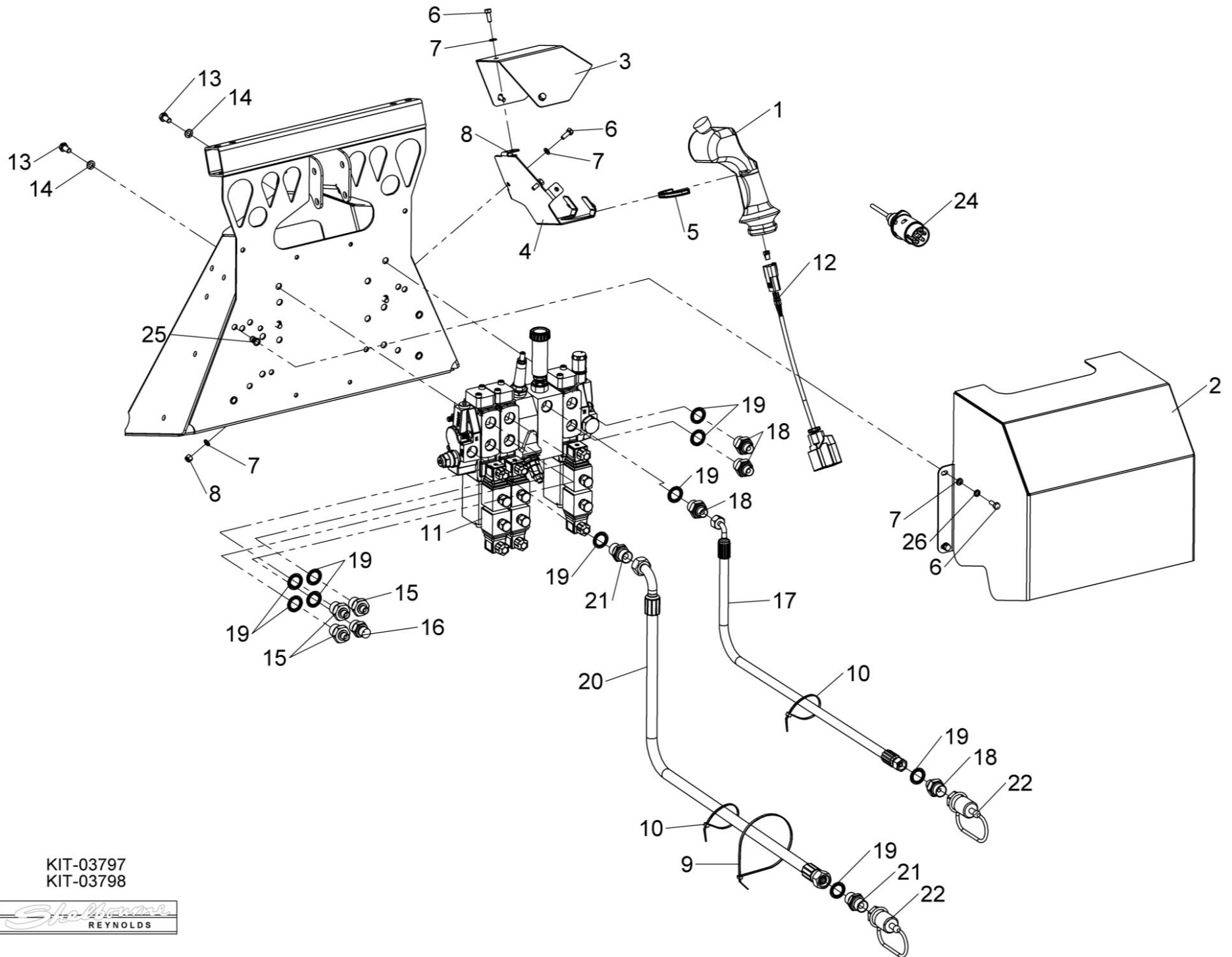


KIT-03779  
 KIT-03780

**Shelbourne Reynolds Engineering Limited**

ASSY NUMBER: KIT-03797				ASSY DESCRIPTION: HYD VALVE ELECTRIC PROPORTIONA			
ITEM	PART NO	DESCRIPTION	QTY	ITEM	PART NO	DESCRIPTION	QTY
1	615393 01	HAND CONTROLLER	1				
2	615510 01	VALVE COVER	1				
3	615564 01	CONTROLLER COVER	1				
OR	615508 01	CONTROLLER COVER	1				
4	615563 01	HOLDER	1				
OR	615523 01	HOLDER	1				
5	EDS-11400	PVC EDGING STRIP	0.5				
6	HSS-0084	BOLT	9				
7	WSH-0009	PLAIN WASHER	15				
8	NUT-0260	NYLOC NUT	5				
9	TIE-0006	TIE WRAPS (LARGE)	1				
10	TIE-0002	TIE WRAPS (SMALL, BLACK)	4				
11	HVB-19110	ELEC. MULTI SPOOL VALVE (ELEC.	1				
12	615749 01	PROPORTIONAL DRIVER PLUG	1				
13	HSS-0135	SETSCREW	4				
14	WSH-0058	SPRING WASHER	4				
15	HMA-0055	ADAPTOR MALE/MALE	3				
16	HAMAA0307	HYD.RESTRICTOR FITTING	1				
17	HHBE22005	HYDRAULIC HOSE ASSY	1				
18	HMA-0065	ADAPTOR MALE/MALE	4				
19	WSH-1015	DOWTY WASHER	10				
20	HHBF22005	HYDRAULIC HOSE ASSY	1				
21	HMA-0067	ADAPTOR MALE/MALE	2				
22	COU-0162	QUICK RELEASE COUPLING	2				
23	612230 01	EMBLEM	1				
24	PLG-0005a	7 PIN PLUG	1				
25	NUTA13060	NUTSERT	4				
26	WSH-0056	SPRING WASHER	4				

Shelbourne Reynolds Engineering Limited



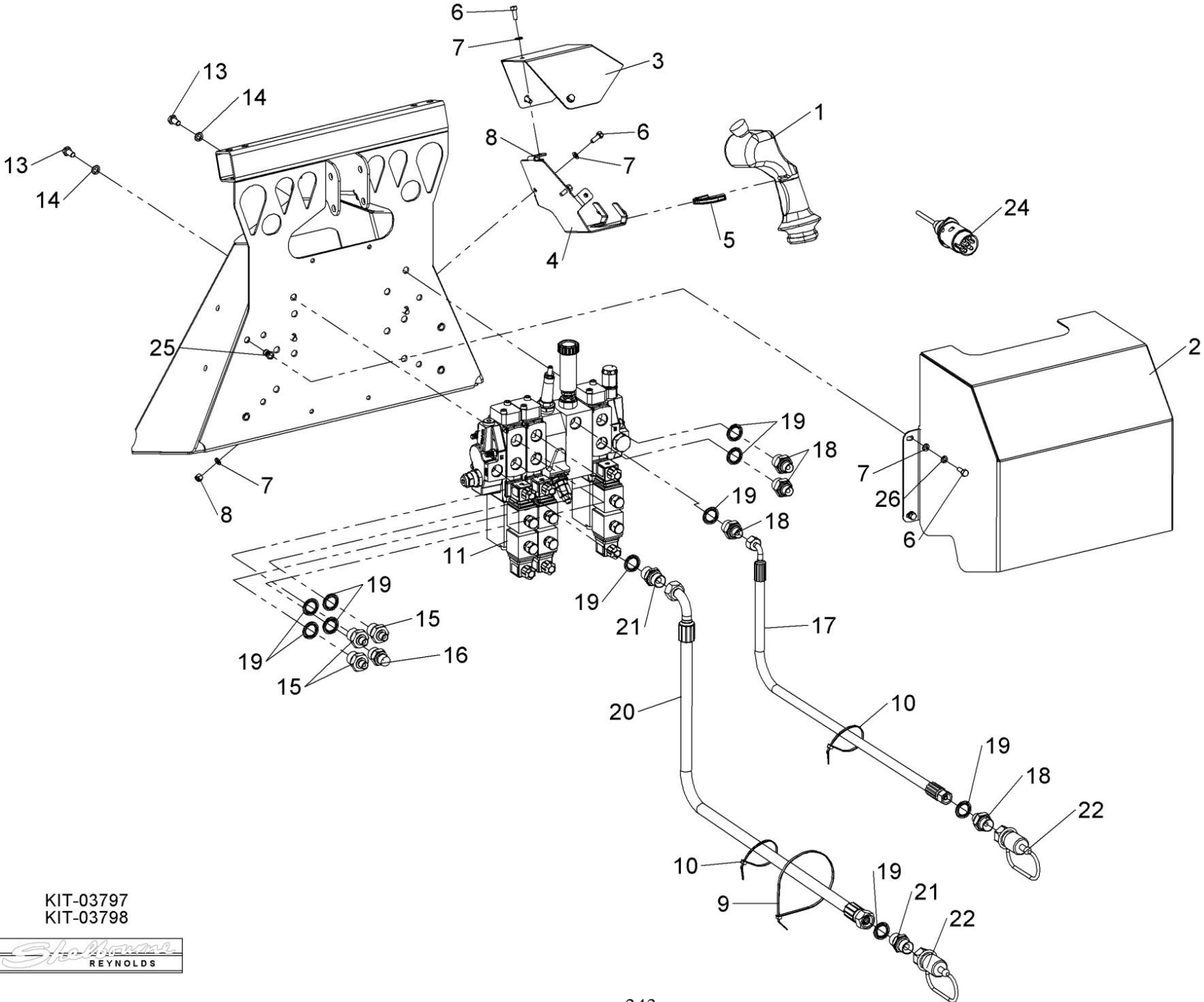
KIT-03797  
KIT-03798



**Shelbourne Reynolds Engineering Limited**

ASSY NUMBER: KIT-03798				ASSY DESCRIPTION: HYD VALVE ELECTRIC NON-PROPORT			
ITEM	PART NO	DESCRIPTION	QTY	ITEM	PART NO	DESCRIPTION	QTY
1	615392 01	HAND CONTROLLER	1				
2	615510 01	VALVE COVER	1				
3	615564 01	CONTROLLER COVER	1				
OR	615508 01	CONTROLLER COVER	1				
4	615563 01	HOLDER	1				
OR	615523 01	HOLDER	1				
5	EDS-11400	PVC EDGING STRIP	0.5				
6	HSS-0084	BOLT	9				
7	WSH-0009	PLAIN WASHER	14				
8	NUT-0260	NYLOC NUT	5				
9	TIE-0006	TIE WRAPS (LARGE)	1				
10	TIE-0002	TIE WRAPS (SMALL, BLACK)	4				
11	HVB-19105	ELEC. MULTI SPOOL VALVE	1				
13	HSS-0135	SETSCREW	4				
14	WSH-0058	SPRING WASHER	4				
15	HMA-0055	ADAPTOR MALE/MALE	3				
16	HAMAA0307	HYD.RESTRICTOR FITTING	1				
17	HHBE22005	HYDRAULIC HOSE ASSY	1				
18	HMA-0065	ADAPTOR MALE/MALE	4				
19	WSH-1015	DOWTY WASHER	10				
20	HHBF22005	HYDRAULIC HOSE ASSY	1				
21	HMA-0067	ADAPTOR MALE/MALE	2				
22	COU-0162	QUICK RELEASE COUPLING	2				
23	612230 01	EMBLEM	1				
24	PLG-0005a	7 PIN PLUG	1				
25	NUTA13060	NUTSERT	4				
26	WSH-0056	SPRING WASHER	4				
27	LCL-01249	RAM SUCTION MOUNT	1				
28	616138 01	CONTROLLER HOLDER	1				

Shelbourne Reynolds Engineering Limited

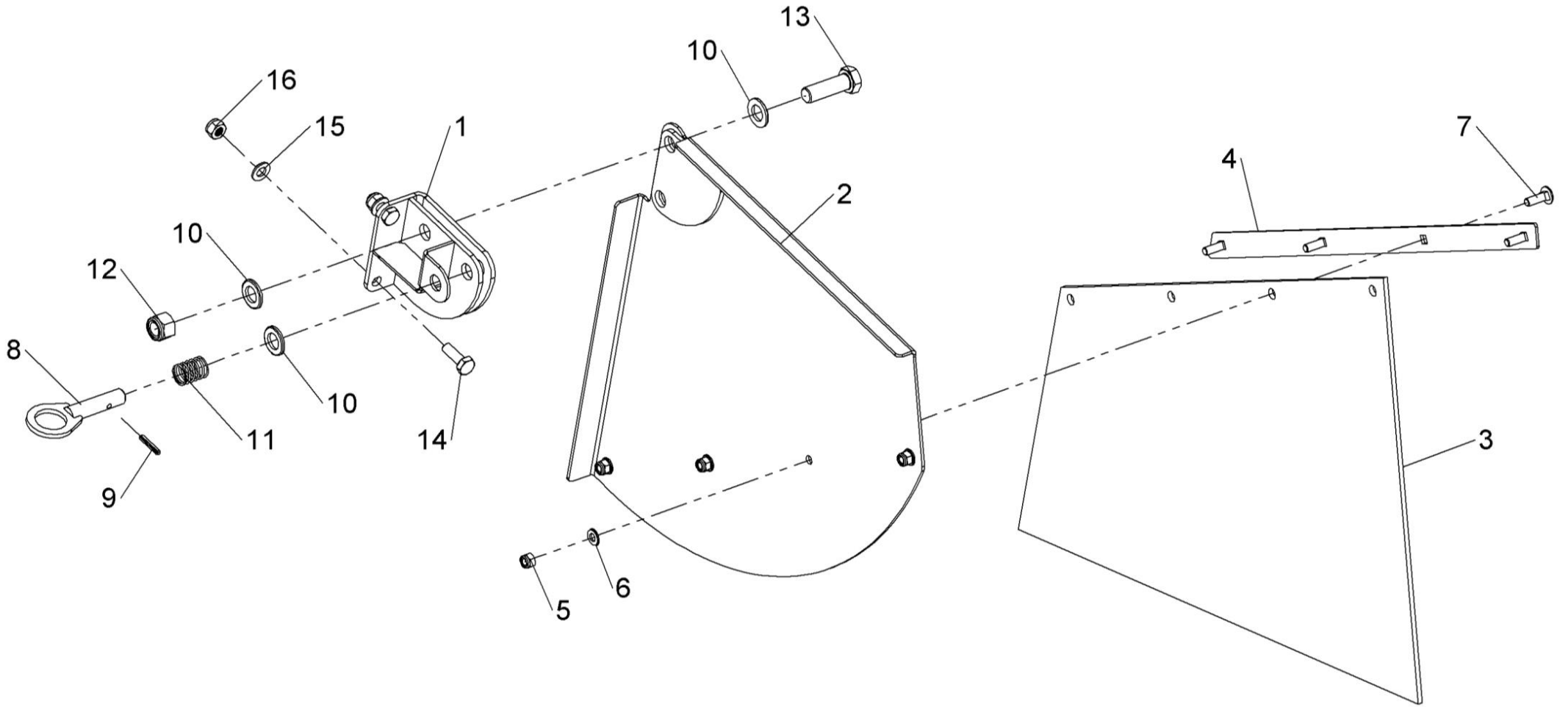


KIT-03797  
KIT-03798



**Shelbourne Reynolds Engineering Limited**

ASSY NUMBER: KIT-03801				ASSY DESCRIPTION: CONVEYOR DEFLECTOR KIT SINGLE AUGER			
ITEM	PART NO	DESCRIPTION	QTY	ITEM	PART NO	DESCRIPTION	QTY
1	615331 01	DEFLECTOR MTG BRKT W/A	1				
2	615334 01	DEFLECTOR W/A	1				
3	615341 01	RUBBER DEFLECTOR	1				
4	615342 01	CLAMP STRIP	1				
5	NUT-0263	NUT	4				
6	WSH-0012	WASHER	4				
7	BLTF08173	COACH BOLT	4				
8	615337 01	LOCKING PIN W/A	1				
9	PIN-1620	ROLL PIN	1				
10	WSH-0024	WASHER	3				
11	SPGC22015	COMPRESSION SPRING	1				
12	NUT-0271	NUT	1				
13	HSS-0318	SET SCREW	1				
14	HSS-0194	BOLT	2				
15	WSH-0015	WASHER	2				
16	NUT-0265	NUT	2				



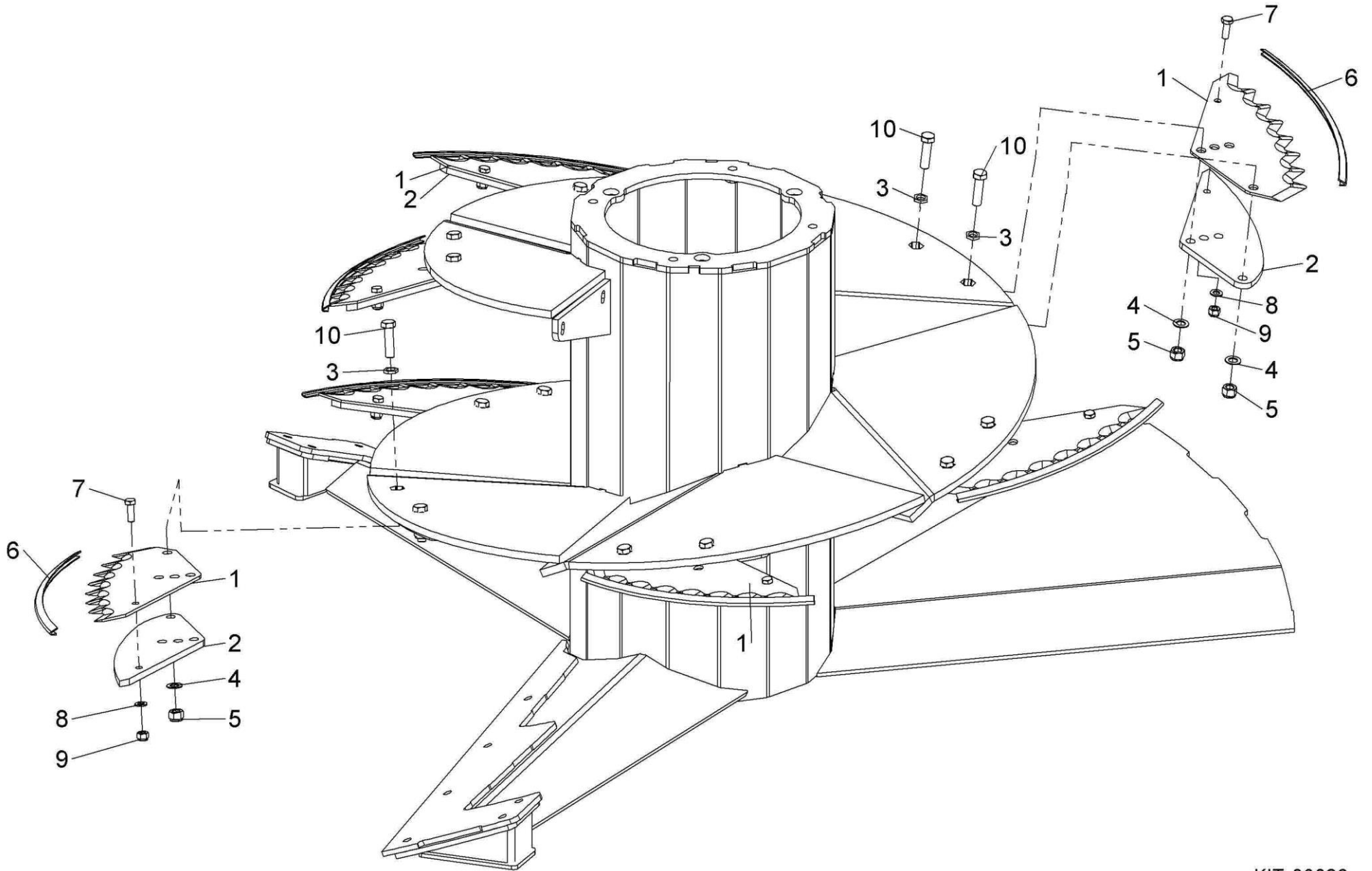
KIT-03801



**Shelbourne Reynolds Engineering Limited**

ASSY NUMBER: KIT-03826				ASSY DESCRIPTION: TUNGSTEN BLADE KIT (PME09130316 & ON)			
ITEM	PART NO	DESCRIPTION	QTY	ITEM	PART NO	DESCRIPTION	QTY
1	614812 01	TUNGSTEN BLADE	7				
2	614807 01	BACK UP PLATE	7				
3	615685 01	HEX WASHER	14				
4	WSH-0025	WASHER	14				
5	NUT-0271	NUT	14				
6	EDS-11400	BLADE EDGE STRIP	3.5m				
7	HSS-0241	SETSCREW	7				
8	WSH-0018	WASHER	7				
9	NUT-0269	NUT	7				
10	HSS-0320	SETSCREW	14				



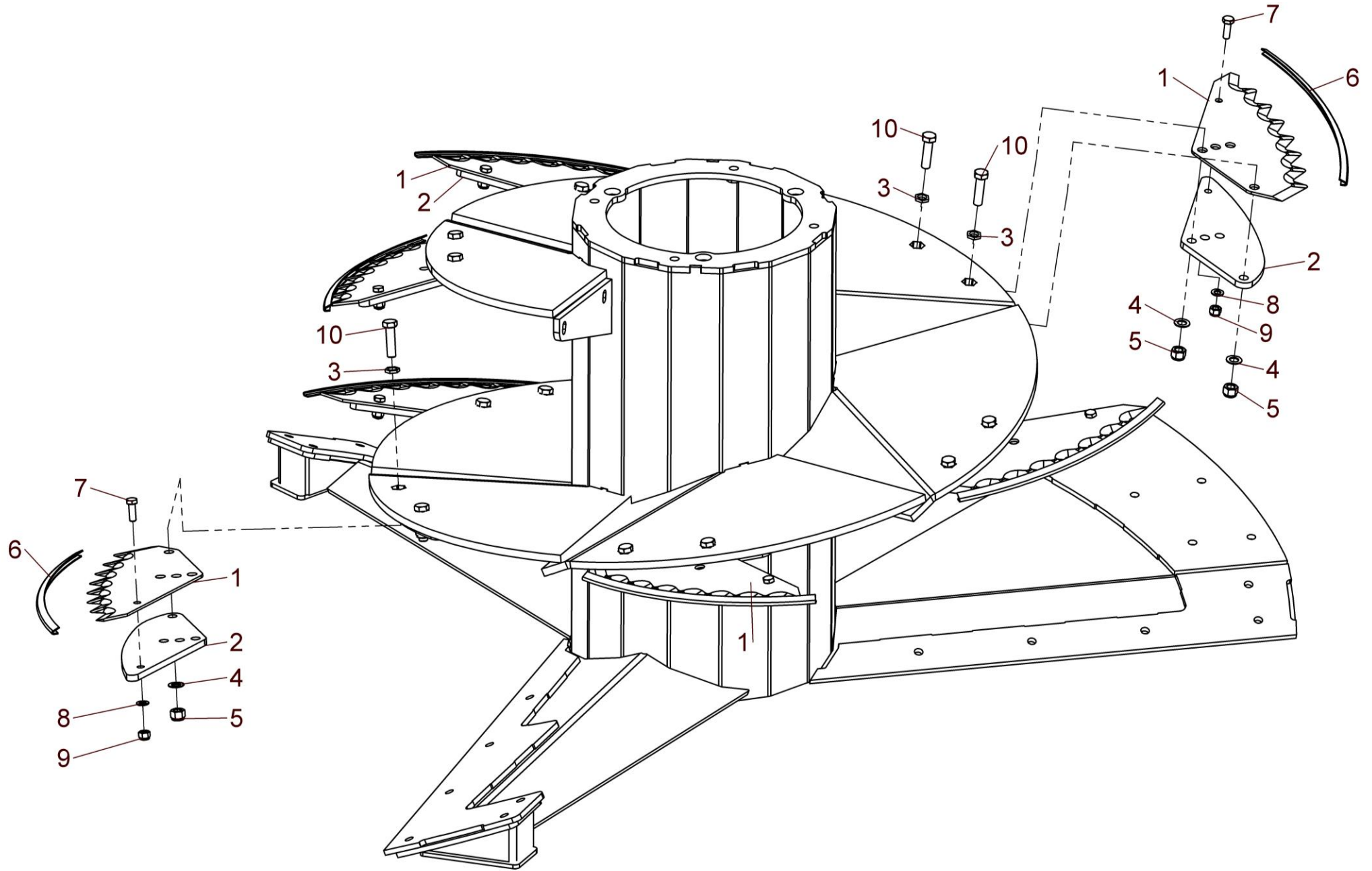


KIT-03826  
KIT-03826a



**Shelbourne Reynolds Engineering Limited**

ASSY NUMBER: KIT-03826a				ASSY DESCRIPTION: STANDARD BLADE KIT (PME09130316 & ON)			
ITEM	PART NO	DESCRIPTION	QTY	ITEM	PART NO	DESCRIPTION	QTY
1	614812 02	STANDARD BLADE	7				
2	614807 01	BACK UP PLATE	7				
3	615685 01	HEX WASHER	14				
4	WSH-0025	WASHER	14				
5	NUT-0271	NUT	14				
6	EDS-11400	BLADE EDGE STRIP	3.5m				
7	HSS-0241	SETSCREW	7				
8	WSH-0018	WASHER	7				
9	NUT-0269	NUT	7				
10	HSS-0320	SETSCREW	14				

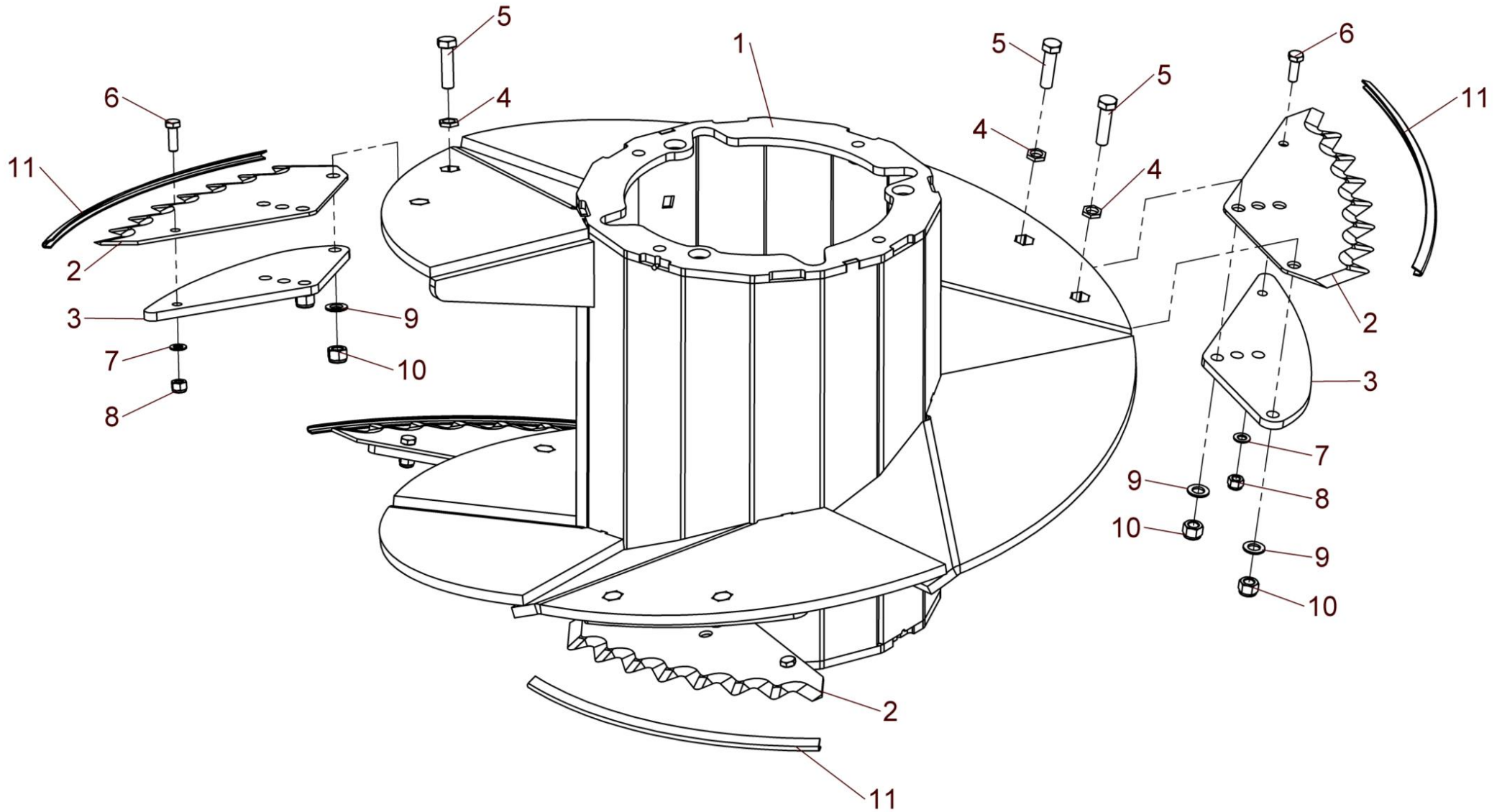


KIT-03826a



**Shelbourne Reynolds Engineering Limited**

ASSY NUMBER: KIT-03827				ASSY DESCRIPTION: 600mm AUGER EXT KIT(PME09130316 & ON)			
ITEM	PART NO	DESCRIPTION	QTY	ITEM	PART NO	DESCRIPTION	QTY
1	615686 01	600mm AUGER EXT W/ASSY	1				
2	614812 02	STANDARD BLADE	4				
3	614807 01	BACK UP PLATE	4				
4	615685 01	HEX WASHER	8				
5	HSS-0320	SETSCREW	8				
6	HSS-0241	SETSCREW	4				
7	WSH-0018	PLAIN WASHER	4				
8	NUT-0269	NUT	4				
9	WSH-0024	WASHER	8				
10	NUT-0271	NUT	8				
11	EDS-11400	PVC EDGING STRIP	2				

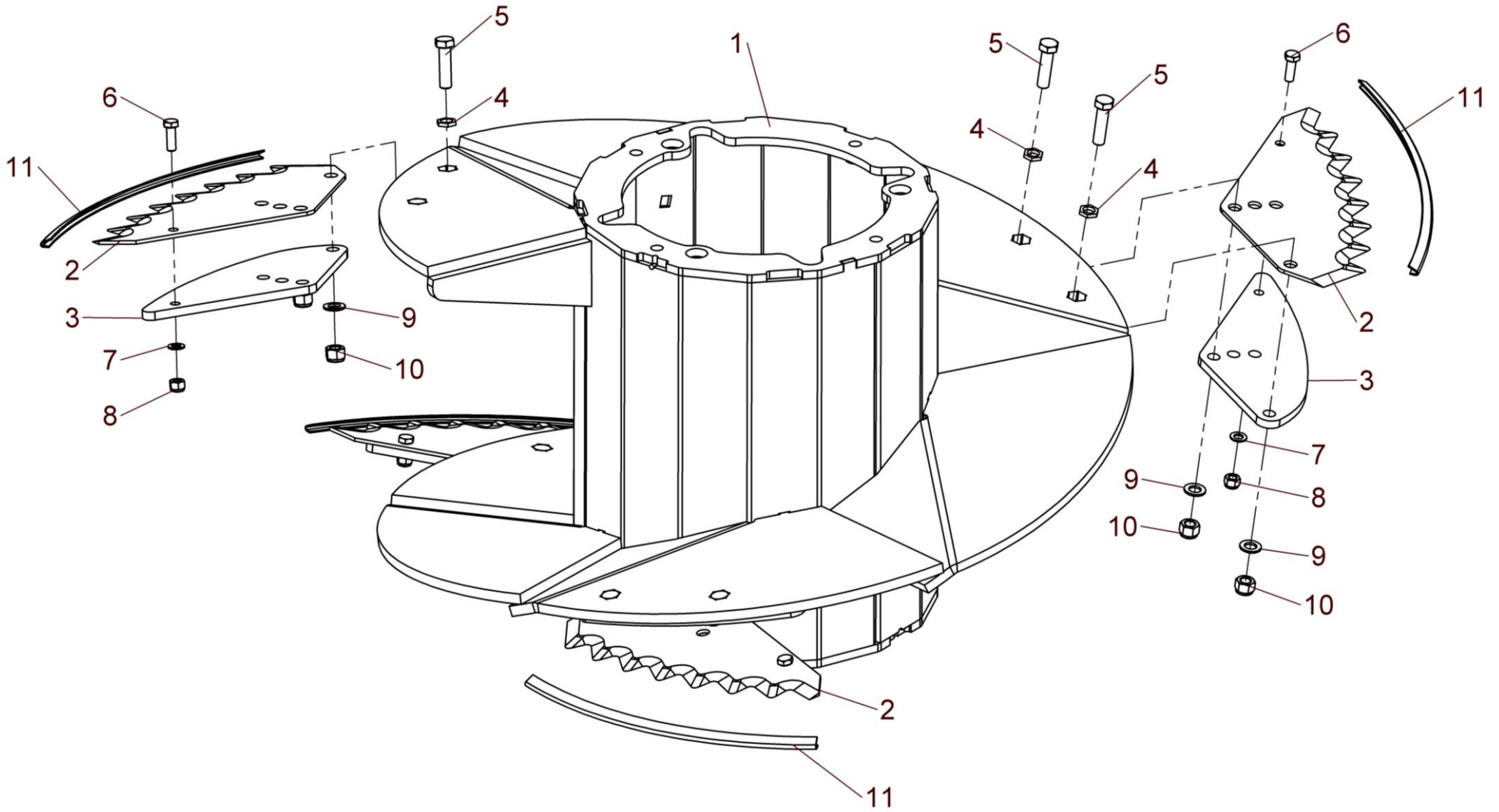


KIT-03827



**Shelbourne Reynolds Engineering Limited**

ASSY NUMBER: KIT-03827a				ASSY DESCRIPTION: 600mmAUGER EXT(TUNGSTEN) (PME09130316 & ON)			
ITEM	PART NO	DESCRIPTION	QTY	ITEM	PART NO	DESCRIPTION	QTY
1	615686 01	600mm AUGER EXT W/ASSY	1				
2	614812 01	TUNGSTEN BLADE	4				
3	614807 01	BACK UP PLATE	4				
4	615685 01	HEX WASHER	8				
5	HSS-0320	SETSCREW	8				
6	HSS-0241	SETSCREW	4				
7	WSH-0018	PLAIN WASHER	4				
8	NUT-0269	NUT	4				
9	WSH-0024	WASHER	8				
10	NUT-0271	NUT	8				
11	EDS-11400	PVC EDGING STRIP	2				



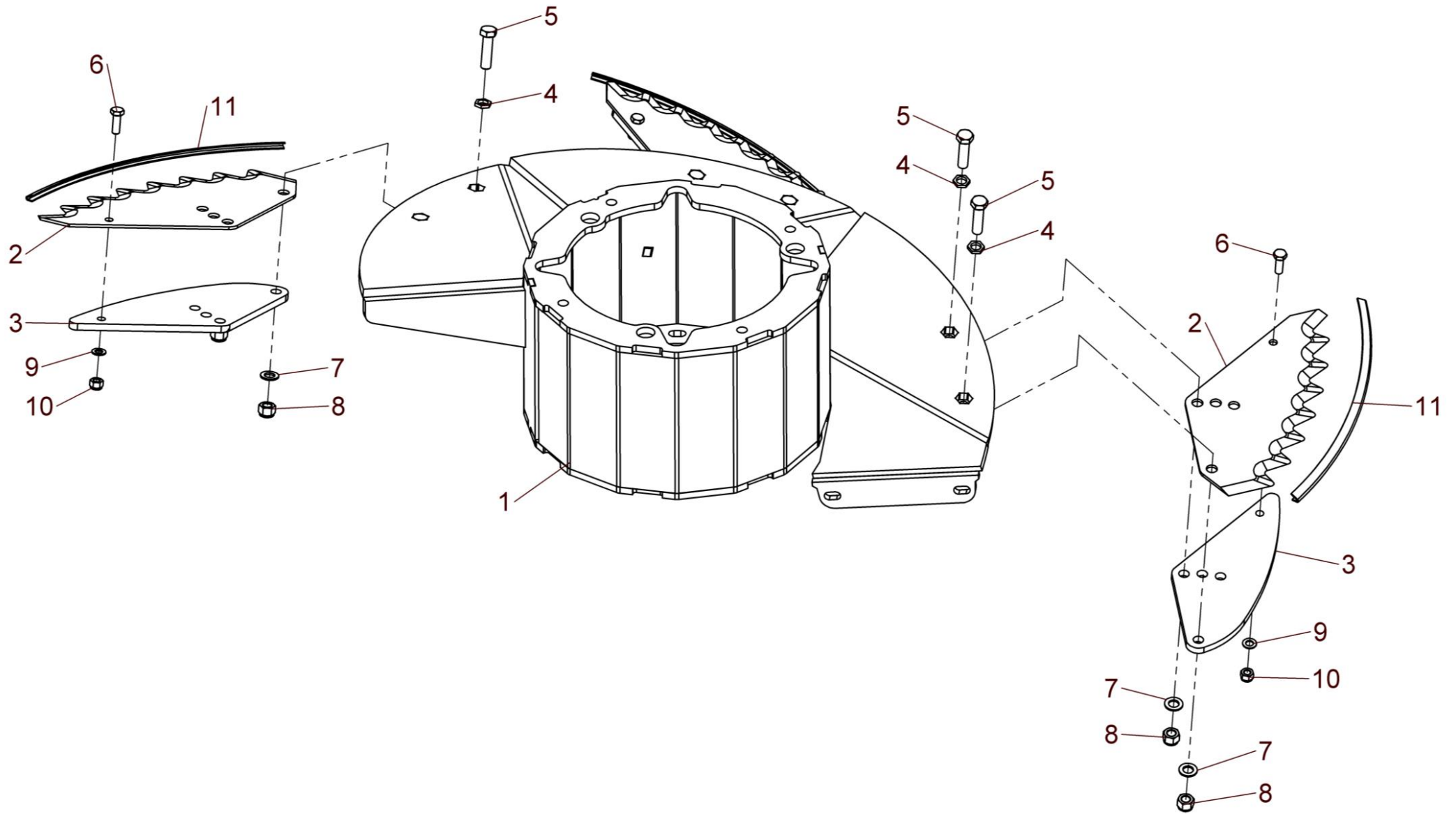
KIT-03827



**Shelbourne Reynolds Engineering Limited**

ASSY NUMBER: KIT-03828				ASSY DESCRIPTION: 300mm AUGER EXT KIT(PME09130316 & ON)			
ITEM	PART NO	DESCRIPTION	QTY	ITEM	PART NO	DESCRIPTION	QTY
1	615688 01	300mm AUGER EXT W/ASSY	1				
2	614812 02	STANDARD BLADE	3				
3	614807 01	BACK UP PLATE	3				
4	615685 01	HEX WASHER	6				
5	HSS-0320	SETSCREW	6				
6	HSS-0241	SETSCREW	3				
7	WSH-0024	WASHER	7				
8	NUT-0271	NUT	7				
9	WSH-0018	WASHER	3				
10	NUT-0269	NUT	4				
11	EDS-11400	PVC EDGING STRIP	1				



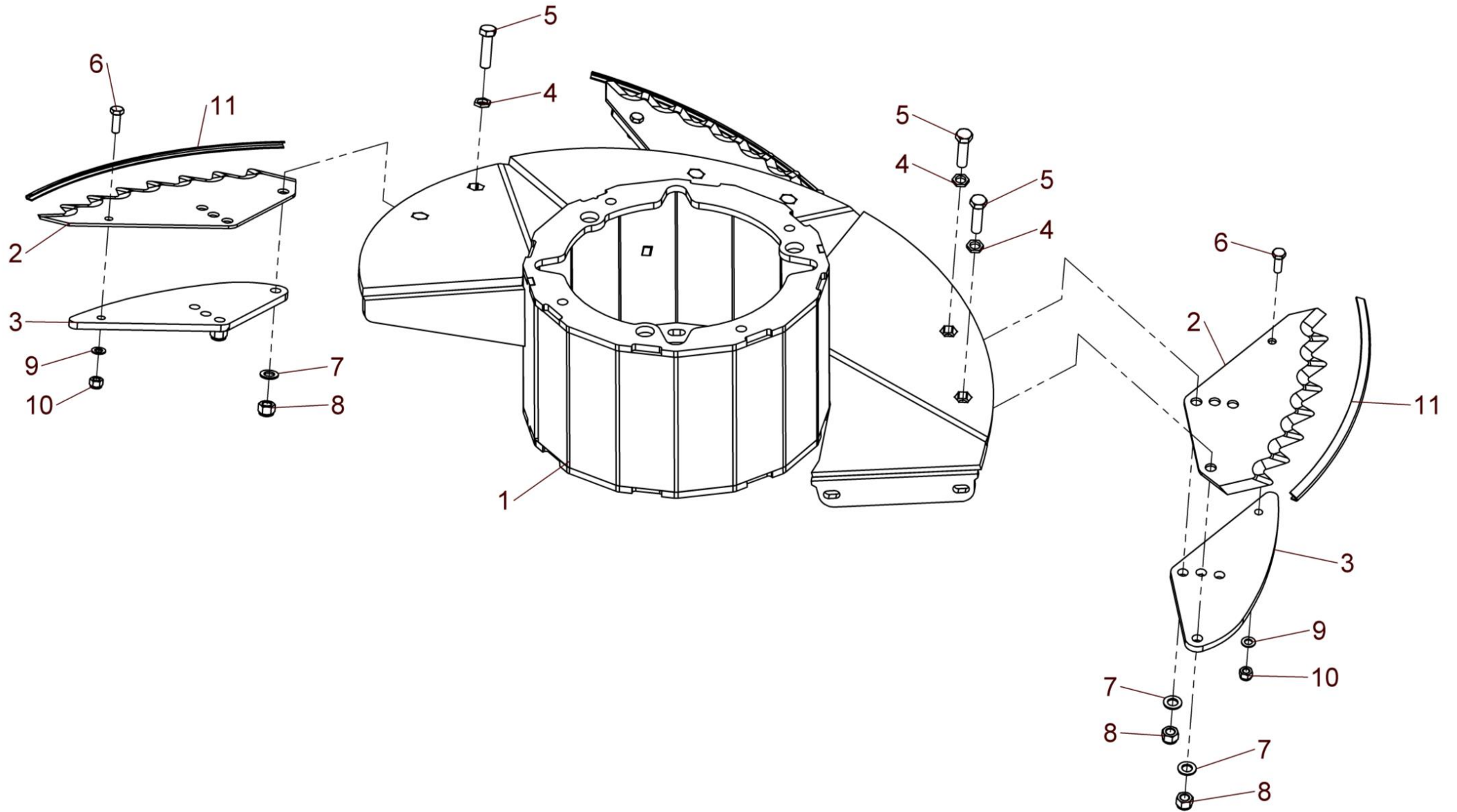


KIT-03828



**Shelbourne Reynolds Engineering Limited**

ASSY NUMBER: KIT-03828a				ASSY DESCRIPTION: 300mmAUGER EXT(TUNGSTEN) (PME09130316 & ON)			
ITEM	PART NO	DESCRIPTION	QTY	ITEM	PART NO	DESCRIPTION	QTY
1	615688 01	300mm AUGER EXT W/ASSY	1				
2	614812 01	TUNGSTEN BLADE	3				
3	614807 01	BACK UP PLATE	3				
4	615685 01	HEX WASHER	6				
5	HSS-0320	SETSCREW	6				
6	HSS-0241	SETSCREW	3				
7	WSH-0024	WASHER	7				
8	NUT-0271	NUT	7				
9	WSH-0018	WASHER	3				
10	NUT-0269	NUT	4				
11	EDS-11400	PVC EDGING STRIP	1.5m				

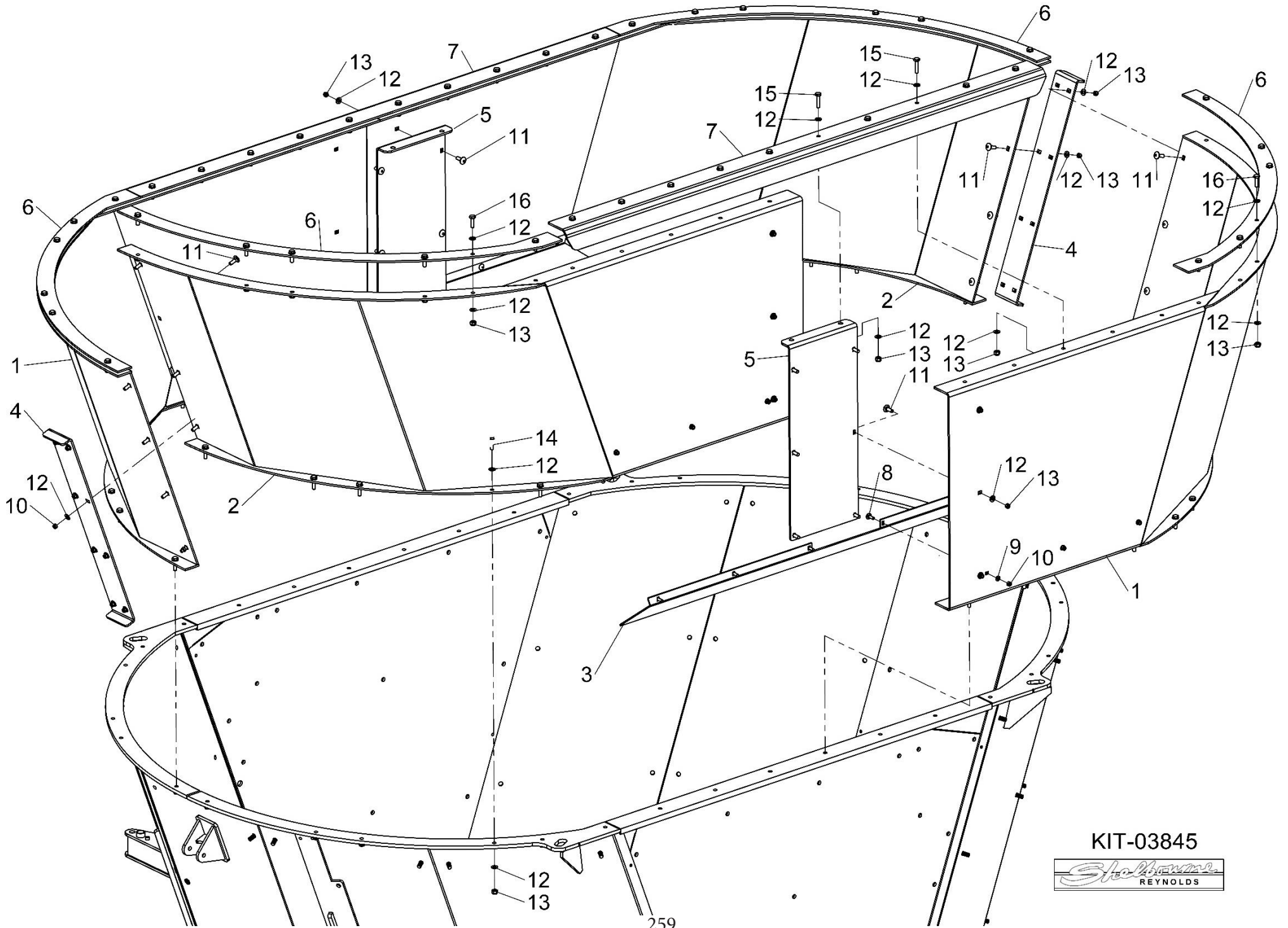


KIT-03828



**Shelbourne Reynolds Engineering Limited**

ASSY NUMBER: KIT-03845				ASSY DESCRIPTION: 15m CU EXTENSION KIT			
ITEM	PART NO	DESCRIPTION	QTY	ITEM	PART NO	DESCRIPTION	QTY
1	614711 01	LH CURVED EXTENSION SIDE	2				
2	614711 02	RH CURVED EXTENSION SIDE	2				
3	615693 01	FILL IN PLATE	2				
4	614706 01	CLAMP PLATE	2				
5	615692 01	SIDE CLAMP PLATE	2				
6	612817 01	CLAMP STRIP	4				
7	615814 01	TOP STRAIGHT CLAMP PLATE	2				
8	BLTF08173	COACHBOLT	12				
9	WSH-0012	WASHER	12				
10	NUT-0263	NUT	12				
11	BLT-3750	COACHBOLT	20				
12	WSH-0015	WASHER	180				
13	NUT-0265	NUT	100				
14	HSS-0202	SETSCREW	40				
15	BLTA10290	SETSCREW	20				
16	HSS-0198	SETSCREW	20				

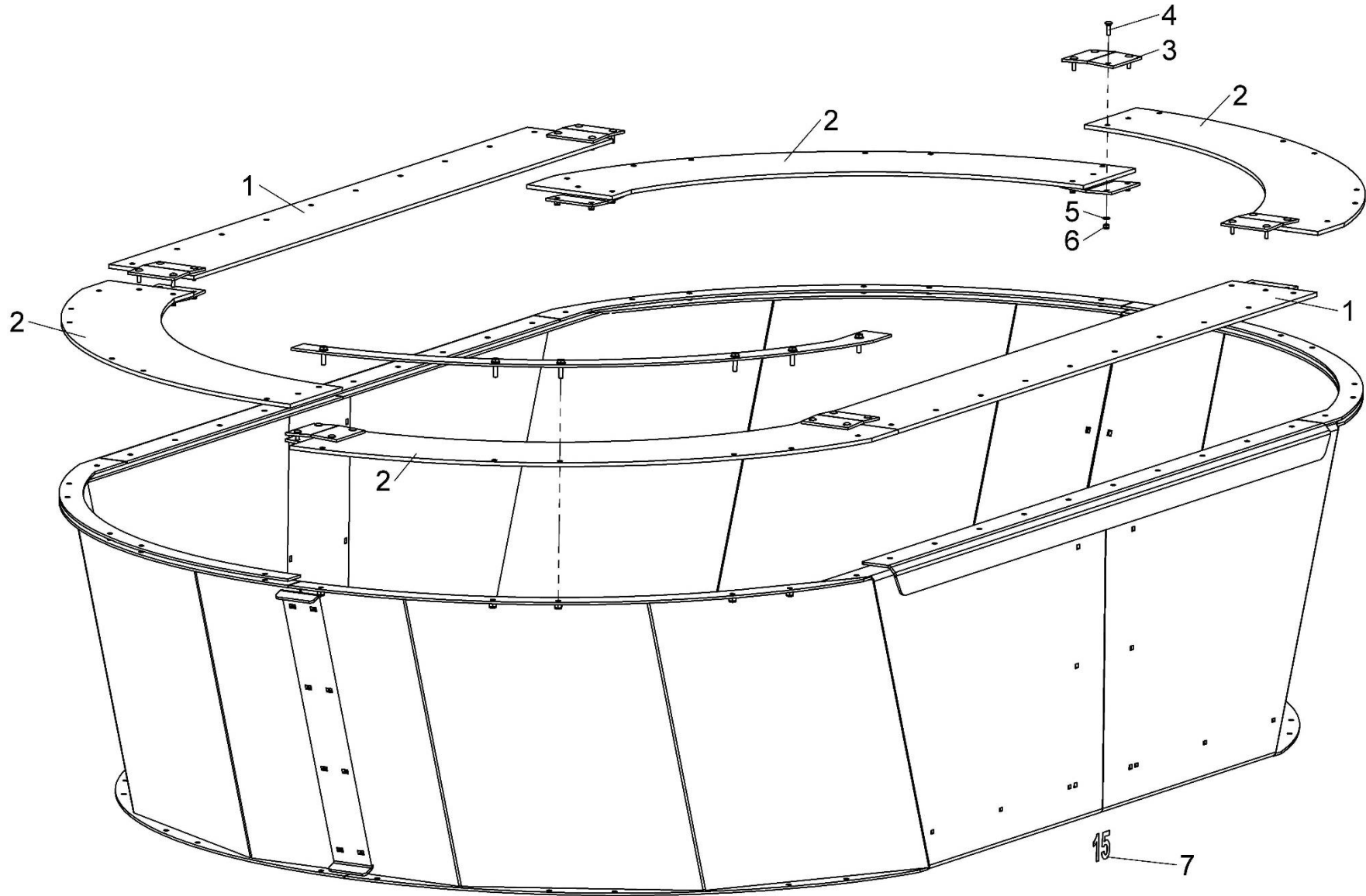


KIT-03845



**Shelbourne Reynolds Engineering Limited**

ASSY NUMBER: KIT-03847				ASSY DESCRIPTION: 15m CU STRAW RING			
ITEM	PART NO	DESCRIPTION	QTY	ITEM	PART NO	DESCRIPTION	QTY
1	616003 01	STRAIGHT RUBBER STRAW RING	2				
2	610982 01	CORNER RUBBER SECTION	4				
3	611051 01	CLAMP STRIP	12				
4	BLT-2700	COACHBOLT (M8x30)	24				
5	WSH-0012	WASHER (M8 PLAIN)	24				
6	NUT-0263	NUT (M8 NYLOC)	24				
7	615458 04	SIZE TRANSFER - 15	2				



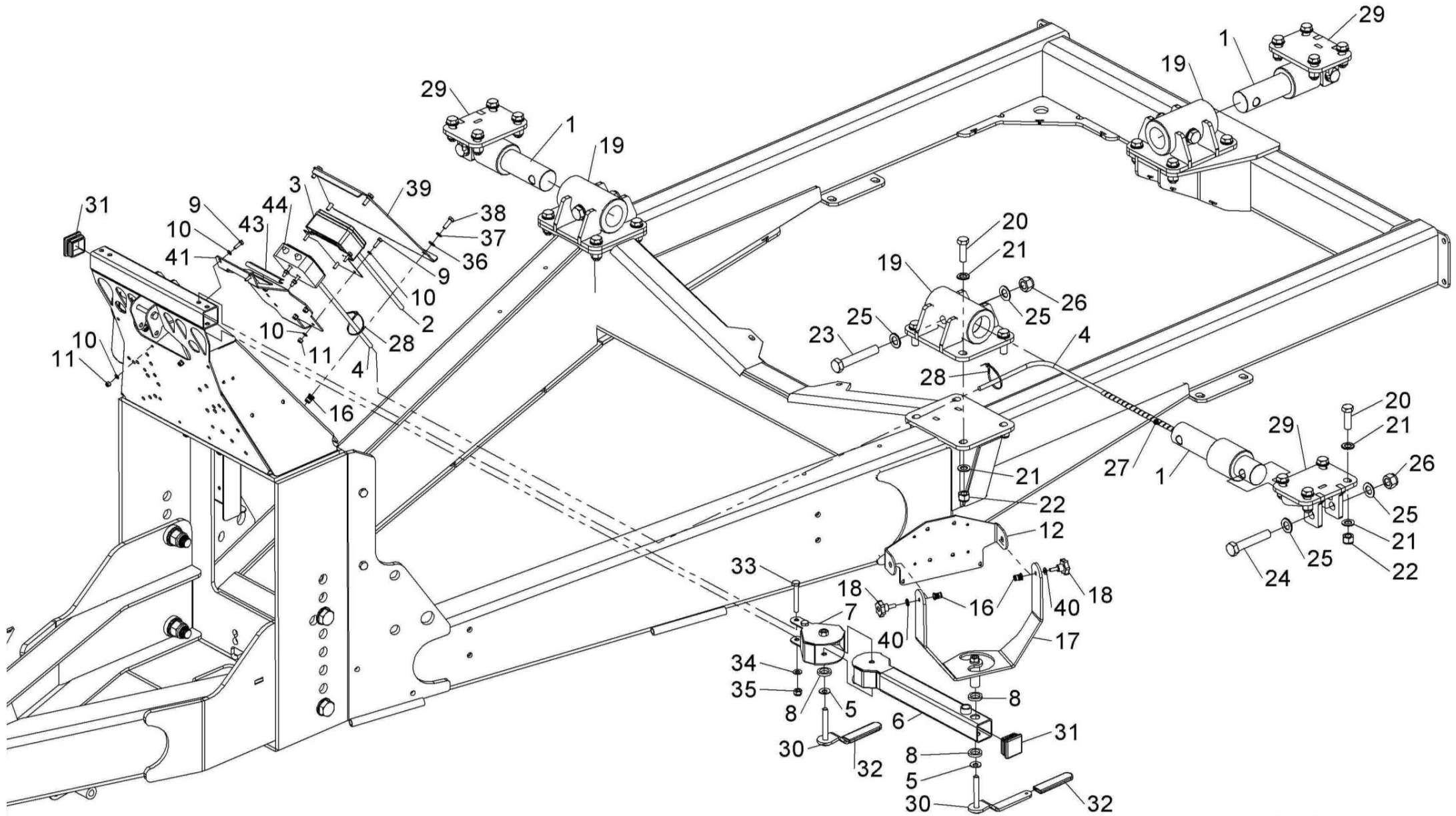
KIT-03847



**Shelbourne Reynolds Engineering Limited**

ASSY NUMBER: KIT-03933				ASSY DESCRIPTION: WEIGH CELL SYSTEM SINGLE AUGER (DG TYPE)			
ITEM	PART NO	DESCRIPTION	QTY	ITEM	PART NO	DESCRIPTION	QTY
1	LCL-04015	LOADCELL	3	41	617464 01	BRACKET J-BOX	1
2	LCL-04030	SENSOR CABLE	1	42			
3	LCL-04080	JUNCTION BOX	1	43	EDS-11400	EDGING STRIP	0.17
4	LCL-04100	POWER CORD	1	44	JNC-00000	JUNCTION BOX	1
5	WSHA30121	LOCKWASHER	2				
6	614188 01	WEIGH HEAD ARM W/A	1				
7	614187 01	OUTER COUPLING W/A	1				
8	190548 54	WASHER	3				
9	HSS-0086	SET SCREW	6				
10	WSH-0009	WASHER	12				
11	NUT-0260	NUT	6				
12	616627 01	REAR PANEL	1				
13							
14							
15							
16	NUTA13080	NUTSERT	6				
17	614189 01	WEIGH HEAD HOUSING	1				
18	KNO-0001	THERMOPLASTIC KNOB	2				
19	613608 01	LOADCELL MTG BOSS W/A	3				
20	HSS-0318	SET SCREW	24				
21	WSH-0024	WASHER	48				
22	NUT-0271	NUT	24				
23	BLTA20620	HEX HEAD BOLT	3				
24	BLTA20590	BOLT HEX. HD.	3				
25	WSH-0030	WASHER	12				
26	NUTA02200	NUT	6				
27	SLV-00300	SPIRAL CONVOLUTE TUBING	5m				
28	TIE-0004	TIE WRAPS	30				
29	613612 01	LOADCELL CLEVIS W/A	3				
30	613695 01	SECURING HANDLE ASSY	2				
31	CAP-0012	PLASTIC END CAP (2"X 2")	2				
32	PTF-00026	PLASTIC HANDLE	2				
33	BLTA10470	HEX.HEAD BOLT	2				
34	WSH-0015	WASHER	2				
35	NUT-0265	NUT	2				
36	WSH-0012	WASHER	4				
37	WSH-0058	WASHER	4				
38	HSS-0145	BOLT	4				
39	615553 01	COVER	1				
40	WSH-1300	SHAKERPROOF WASHER	2				



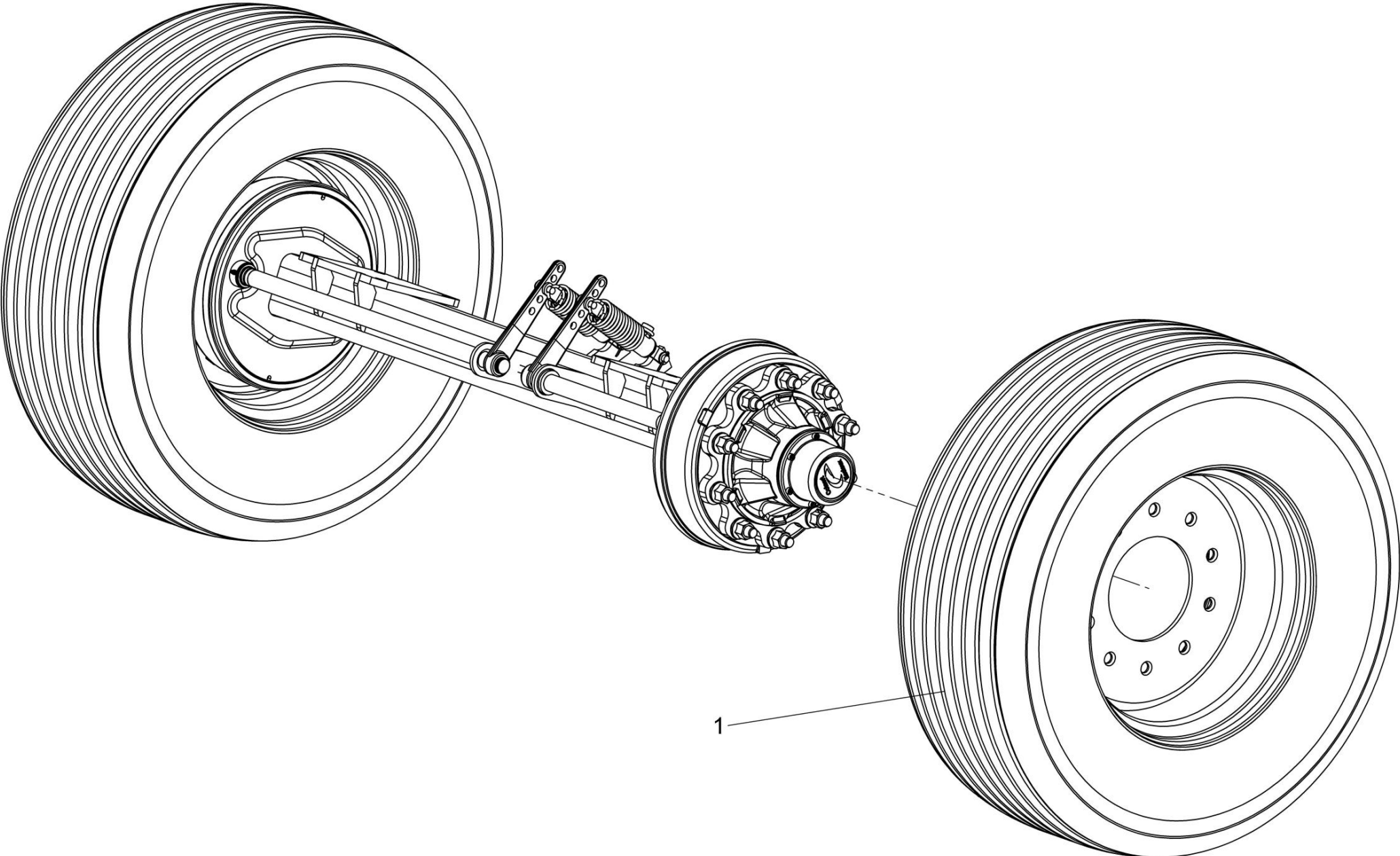


KIT-03933



**Shelbourne Reynolds Engineering Limited**

ASSY NUMBER: KIT-03934				ASSY DESCRIPTION: WHEEL & TYRE KIT (385/55-R19.5 -35m)			
ITEM	PART NO	DESCRIPTION	QTY	ITEM	PART NO	DESCRIPTION	QTY
1	WHL-01921	WHEEL & TYRE ASSY	2				



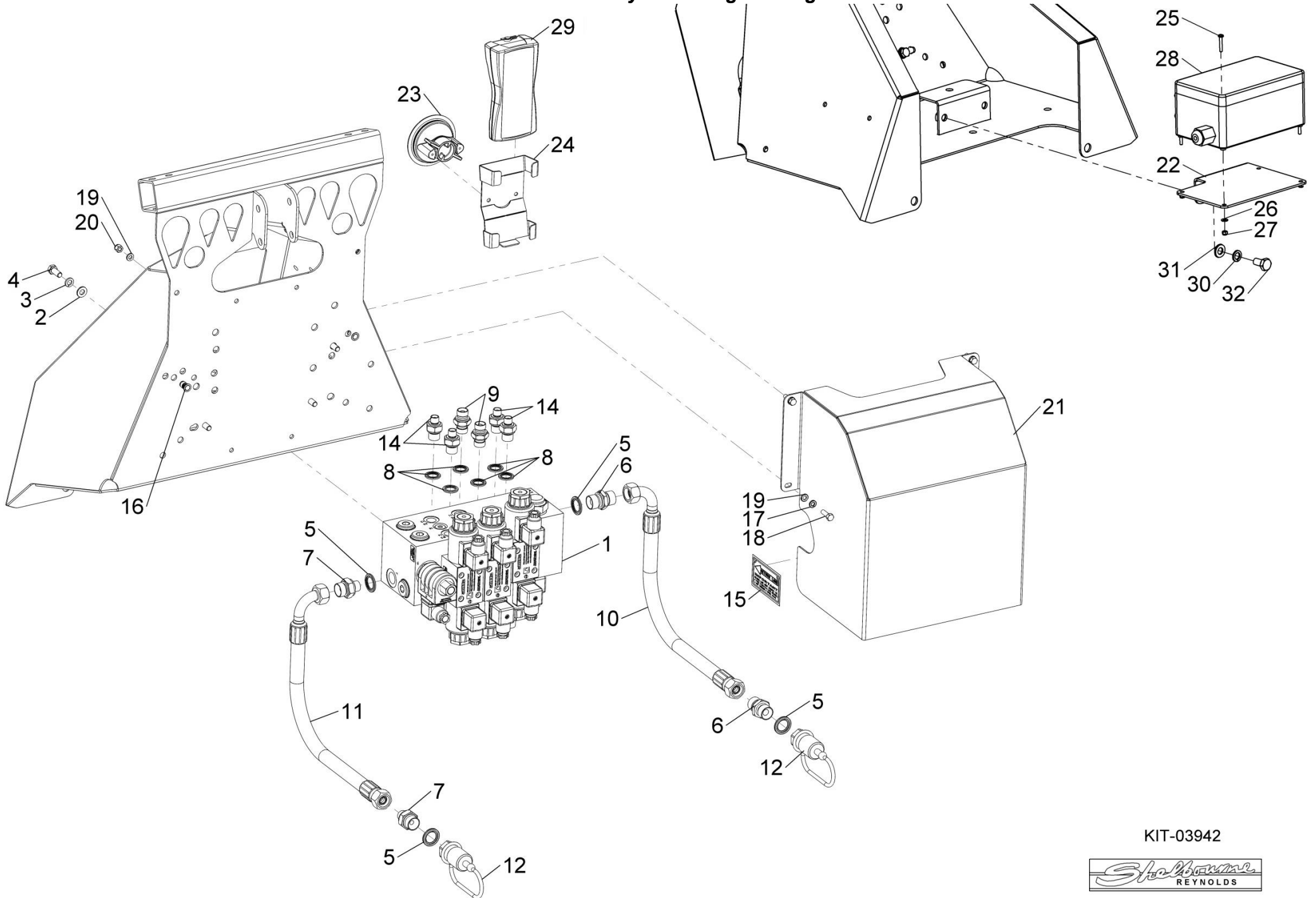
**KIT-03934/A**



**Shelbourne Reynolds Engineering Limited**

ASSY NUMBER: KIT-03942				ASSY DESCRIPTION: WIRELESS CONTROL HYDRAULIC KIT (PRO)			
ITEM	PART NO	DESCRIPTION	QTY	ITEM	PART NO	DESCRIPTION	QTY
1	HVB-19140	PROPORTIONAL CONTROL VALVE	1				
2	WSH-0012	WASHER	4				
3	WSH-0058	WASHER	4				
4	HSS-0140	SETSCREW	4				
5	WSH-1015	DOWTY WASHER	4				
6	HMA-0067	M/M ADAPTOR	2				
7	HMA-0065	M/M ADAPTOR	2				
8	WSH-1010	DOWTY WASHER	6				
9	HMA-0057	M/M ADAPTOR	2				
10	HHBE19505	HYDRAULIC HOSE (FEED 3/8")	1				
11	HHBF19505	HYDRAULIC HOSE (RETURN 1/2")	1				
12	COU-0162	QUICK RELEASE COUPLG	2				
13	TIE-0004	TIE WRAP (MEDIUM)	15				
14	FIT-0025	M/M ADAPTOR	4				
15	612230 01	EMBLEM	1				
16	NUTA13060	NUTSERT	2				
17	WSH-0056	WASHER	2				
18	HSS-0086	BOLT	4				
19	WSH-0009	PLAIN WASHER	6				
20	NUT-0260	NYLOC NUT	2				
21	616867 01	VALVE GUARD	1				
22	617475 01	BASE UNIT MTG BRKT	1				
23	LCL-01249	SUCTION MOUNT ASSY	1				
24	617459 01	HANDSET CRADDLE	1				
25	SCFC04170	PAN HD SCREW	4				
26	WSH-0003	WASHER	4				
27	NUT-0255	NUT	4				
28	HVC-06000	REMOTE CONTROL BASE UNIT	1				
29	HVC-06001	REMOTE CONTROL HANDSET	1				
30	WSH-0061	WASHER	2				
31	WSH-0015	WASHER	2				
32	HSS-0188	SETSCREW	2				



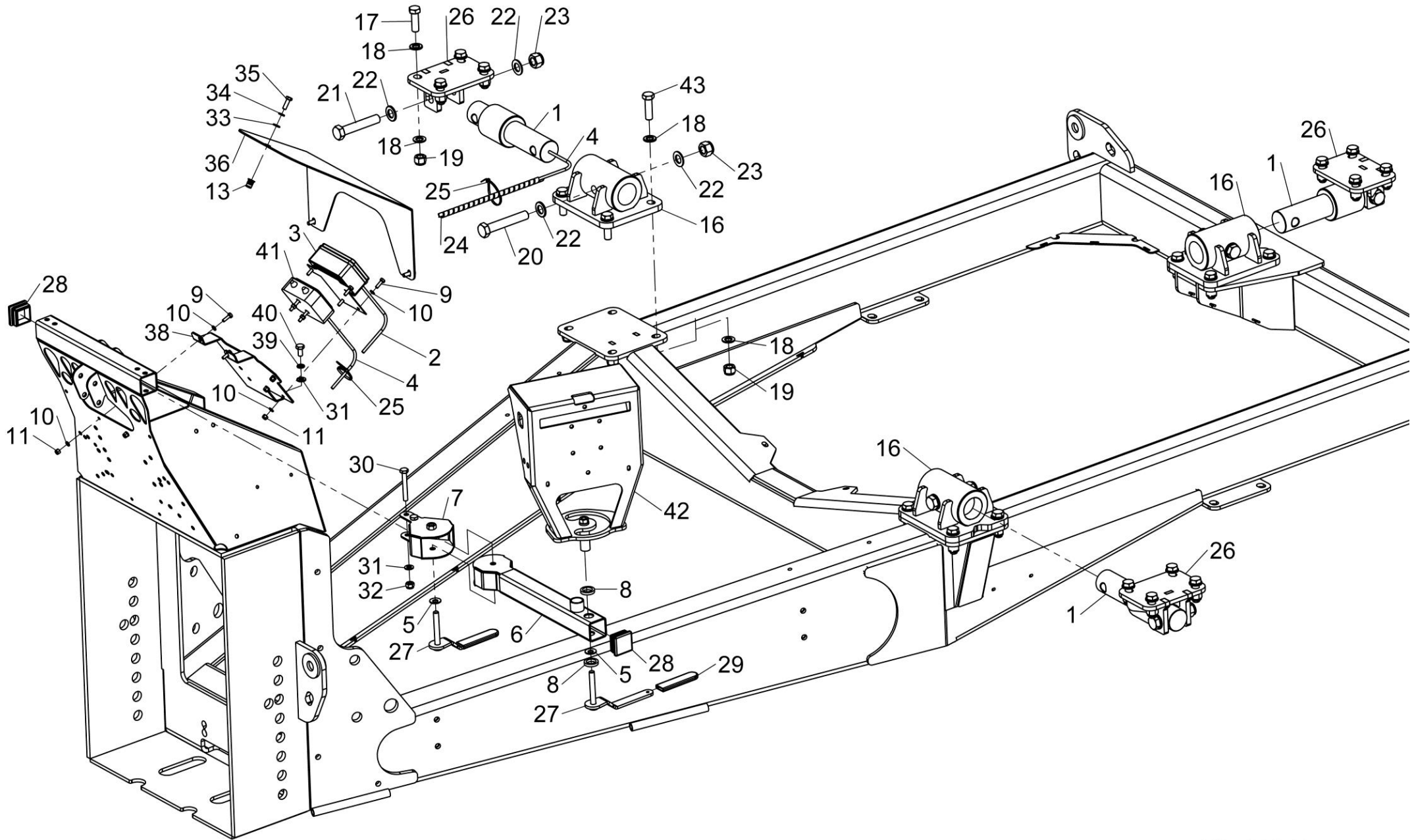


KIT-03942



**Shelbourne Reynolds Engineering Limited**

ASSY NUMBER: KIT-03943				ASSY DESCRIPTION: WEIGH CELL SYSTEM SINGLE AUGER (DG TYPE)			
ITEM	PART NO	DESCRIPTION	QTY	ITEM	PART NO	DESCRIPTION	QTY
1	LCL-04015	LOADCELL	3	35	HSS-0145	BOLT	3
OR	LCL-04021	LOADCELL	3	36	617480 01	REAR GUARD	1
		PME09220860-PME092200871 ONLY		37			
2	LCL-04030	SENSOR CABLE	1	38	617473 01	BRACKET J-BOX	1
3	LCL-04025	JUNCTION BOX	1	39	WSH-0061	WASHER	1
4	LCL-04100	POWER CORD	1	40	HSS-0188	SETSCREW	1
5	WSHA30121	LOCKWASHER	2	41	JNC-00000	JUNCTION BOX	1
6	617476 01	WEIGH HEAD ARM W/A	1	42	620142 01	DISPLAY HOUSING W/A	1
7	614187 01	OUTER COUPLING W/A	1	43	HSS-0319	(PME09220860 & ON ONLY) SETSCREW	12
8	190548 54	WASHER	3				
9	HSS-0086	SET SCREW	6				
10	WSH-0009	WASHER	12				
11	NUT-0260	NUT	6				
12	616627 01	REAR PANEL	1				
		UP TO PME09210843 ONLY					
13	NUTA13080	NUTSERT	3				
14	617478 01	WEIGH HEAD HOUSING	1				
		UP TO PME09210843 ONLY					
15	KNO-0001	THERMOPLASTIC KNOB	2				
		UP TO PME09210843 ONLY					
16	618981 01	LOADCELL MTG BOSS W/A	3				
17	HSS-0318	SET SCREW	12				
18	WSH-0024	WASHER	48				
19	NUT-0271	NUT	24				
20	BLTA20620	HEX HEAD BOLT	3				
21	BLTA20590	BOLT HEX. HD.	3				
22	WSH-0030	WASHER	12				
23	NUTA02200	NUT	6				
24	SLV-00300	SPIRAL CONVOLUTE TUBING	5m				
25	TIE-0004	TIE WRAPS	30				
26	613612 01	LOADCELL CLEVIS W/A	3				
27	613695 01	SECURING HANDLE ASSY	2				
28	CAP-0012	PLASTIC END CAP (2"X 2")	2				
29	PTF-00026	PLASTIC HANDLE	2				
30	BLTA10470	HEX.HEAD BOLT	2				
31	WSH-0015	WASHER	3				
32	NUT-0265	NUT	2				
33	WSH-0012	WASHER	3				
34	WSH-0058	WASHER	3				



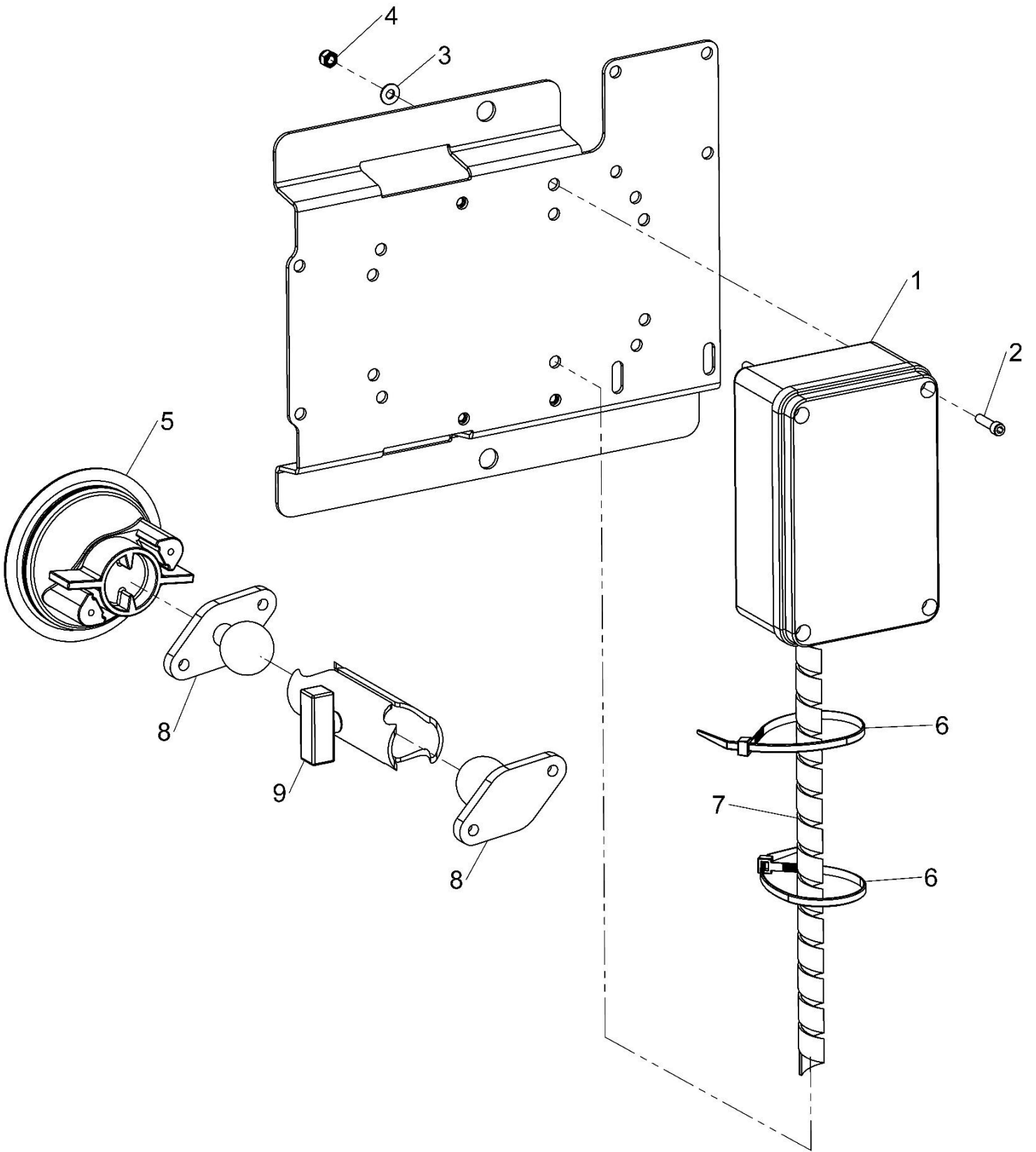
KIT-03943



**Shelbourne Reynolds Engineering Limited**

ASSY NUMBER: KIT-03958				ASSY DESCRIPTION: DINA TEL 3 REMOTE DISPLAY KIT			
ITEM	PART NO	DESCRIPTION	QTY	ITEM	PART NO	DESCRIPTION	QTY
1	LCL-04120	DINA TEL 3 REMOTE DISPLAY KIT	1				
2	SCCA04113	CP SOC HD SCREW	4				
3	WSH-0003	WASHER	4				
4	NUT-0255	NUT	4				
5	LCL-01249	RAM MOUNT SUCTION CUP	1				
6	TIE-0004	TIE WRAP MEDIUM	10				
7	SLV-00300	SPIRAL CONVOLUTE TUBING	2m				
8	LCL-01265	DIAMOND BASE WITH 1" BALL	2				
9	LCL-01268	DOUBLE SOCKET 1"	1				





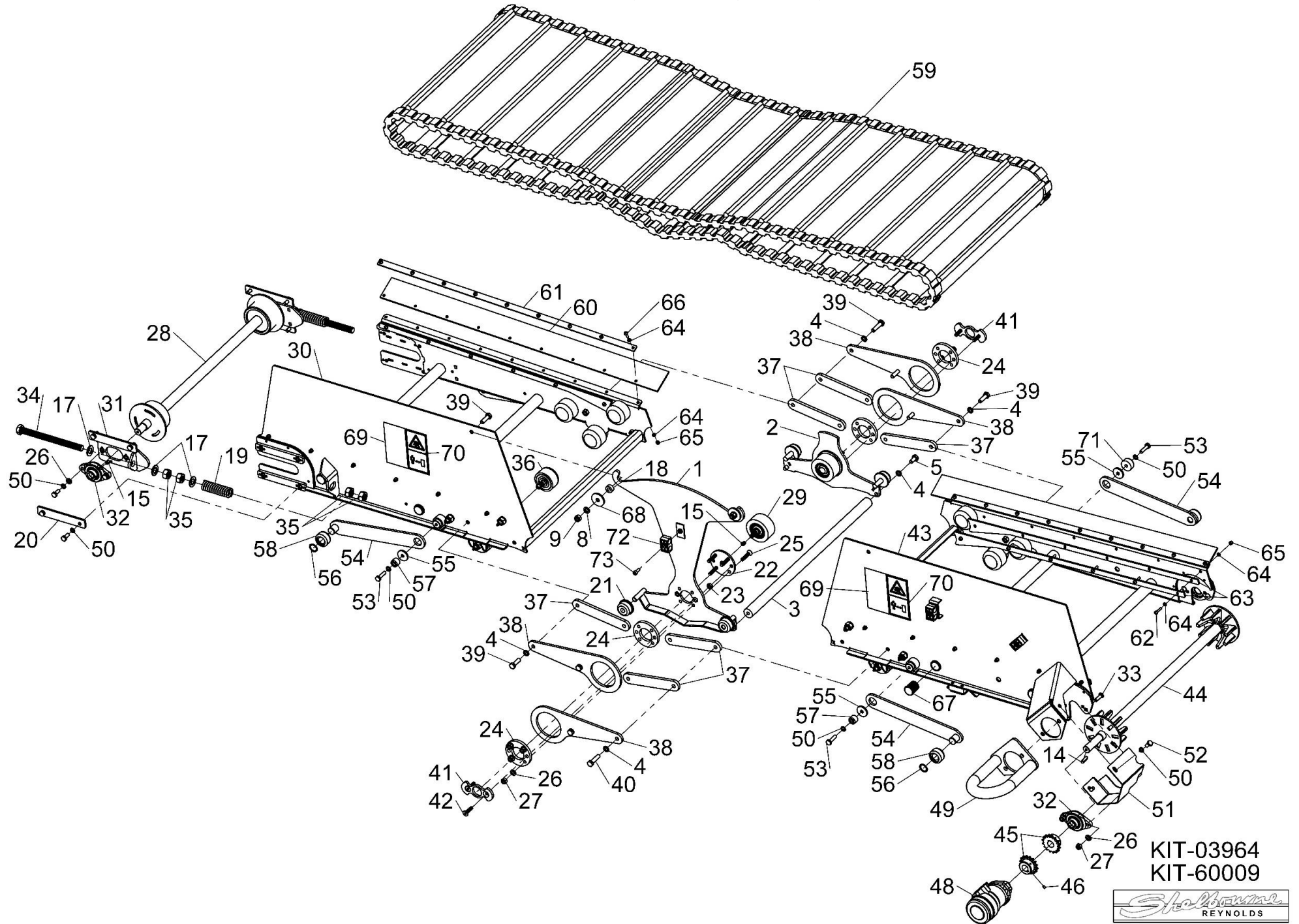
KIT-03958

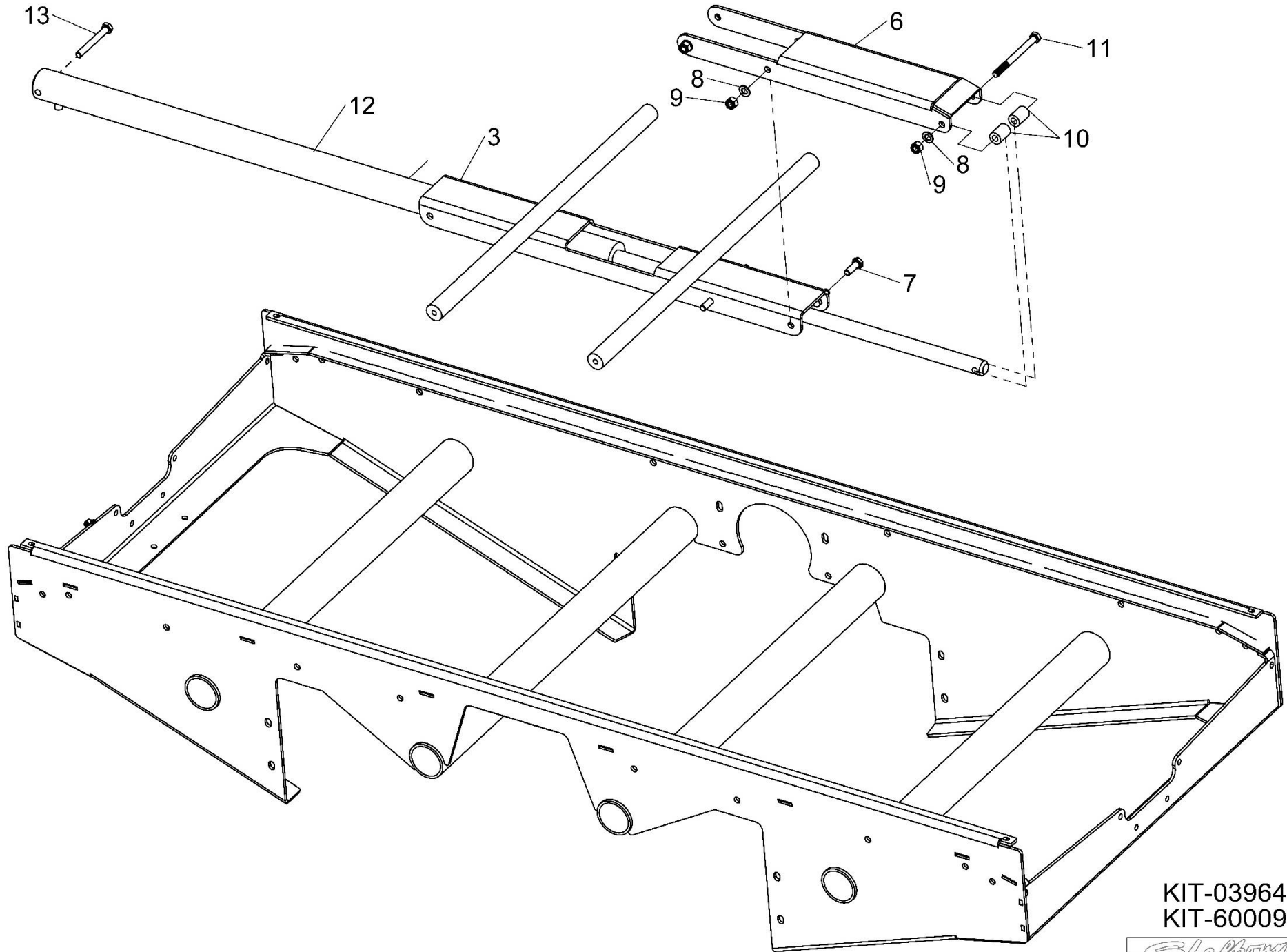




## Shelbourne Reynolds Engineering Limited

ASSY NUMBER: KIT-03964				ASSY DESCRIPTION: EXPRESS WEB CONVEYOR KIT (SPRUNG LOADED)			
ITEM	PART NO	DESCRIPTION	QTY	ITEM	PART NO	DESCRIPTION	QTY
1	614781 01	FRONT CARRIAGE W/A	1	41	614672 01	SECURING PLATE	2
2	614782 01	REAR CARRIAGE W/A	1	42	SCW-1895	CSK SOCKET HD SCW	4
3	615282 01	CONVEYOR CARRIAGE W/A	1	43	615348 01	LH CONVEYOR PAN W/A	1
4	WSH-0065	WASHER	12	44	615048 01	DRIVE SHAFT W/A	1
5	HSS-0235	SET SCREW	4	45	260030 03	SPROCKET	2
6	614756 01	RAM BRACKET	1	46	SCW-4530	GRUBSCREW	4
7	HSS-0241	SET SCREW	4	47	CHN-01380	CHAIN	1
8	WSH-0018	WASHER	10	48	MOTH08000	HYDRAULIC MOTOR	1
9	NUT-0269	NUT	10	48a	HMS-08001	SEAL KIT	
10	613919 03	SPACER TUBE	2	49	614304 01	MOTOR GUARD W/ASSY	1
11	20146128	BOLT	1	50	WSH-0061	WASHER	18
12	610447 01	HYDRAULIC CYLINDER	1	51	614310 01	COUPLING GUARD	1
13	BLT-2270	BOLT	1	52	HSS-0188	SET SCREW	2
14	K0807032	KEY PARALLEL	1	53	HSS-0202	SET SCREW	4
15	NIP-00610	GREASE NIPPLE	4	54	615352 01	LIFT ARM W/A	4
				55	190548 01	WASHER	4
17	WSH-0030	WASHER	6	56	CIR-1125	CIRCLIP EXT	4
18	613919 04	SPACER TUBE	2	57	615353 01	NYLON ROLLER	2
19	SPGC52900	COMPRESSION SPRING	2	58	614278 01	WHEEL	4
20	616090 01	KEEP PLATE	4	59	CON-00039	WEB BELT (ENDLESS 50mm TRAC)	1
21	613702 01	WHEEL	4	60	614309 01	RUBBER SEAL STRIP	2
22	614671 01	CSK PIVOT PLATE	2	61	614487 01	CLAMP STRIP	2
23	NUT-0167	NUT	4	62	SCBA06200	BUTT SOC HD SCREW	24
24	614670 01	PIVOT DISC	4	63	614484 01	SEAL PLATE	8
25	SCEA10324	CSK SOC HD SCREW	8	64	WSH-0009	WASHER	84
26	WSH-0015	WASHER	16	65	NUT-0260	NUT	42
27	NUT-0265	NUT	12	66	SCW-4963	BUTTON HD SCREW	18
28	616543 01	IDLE SHAFT W/A	1	67	PTF-00134	PLASTIC CAP INSERT	8
29	CON-00026	GUIDE ROLLER	2	68	190119 15	WASHER	2
30	615815 01	RH CONVEYOR PANEL W/A	1	69	260062 01	TRANSFER-HAND ENTANGLEMENT	2
31	616092 01	BEARING SLIDE PLATE	2	70	260061 01	TRANSFER-SAFE DISTANCE	2
32	BRG-22560	FLANGE BEARING	4	71	618595 01	NYLON ROLLER	2
33	BLTF10231	COACH BOLT	4				
34	HSSA20930	SETSCREW	2				
35	NUT-0185	NUT	8				
36	CON-00025a	SUPPORT ROLLER	12				
37	614669 01	SPACER PLATE	6				
38	614667 01	PIVOT PLATE	4				
39	HSS-0250	SET SCREW	6				
40	HSS-0260	SET SCREW	6				





KIT-03964  
KIT-60009

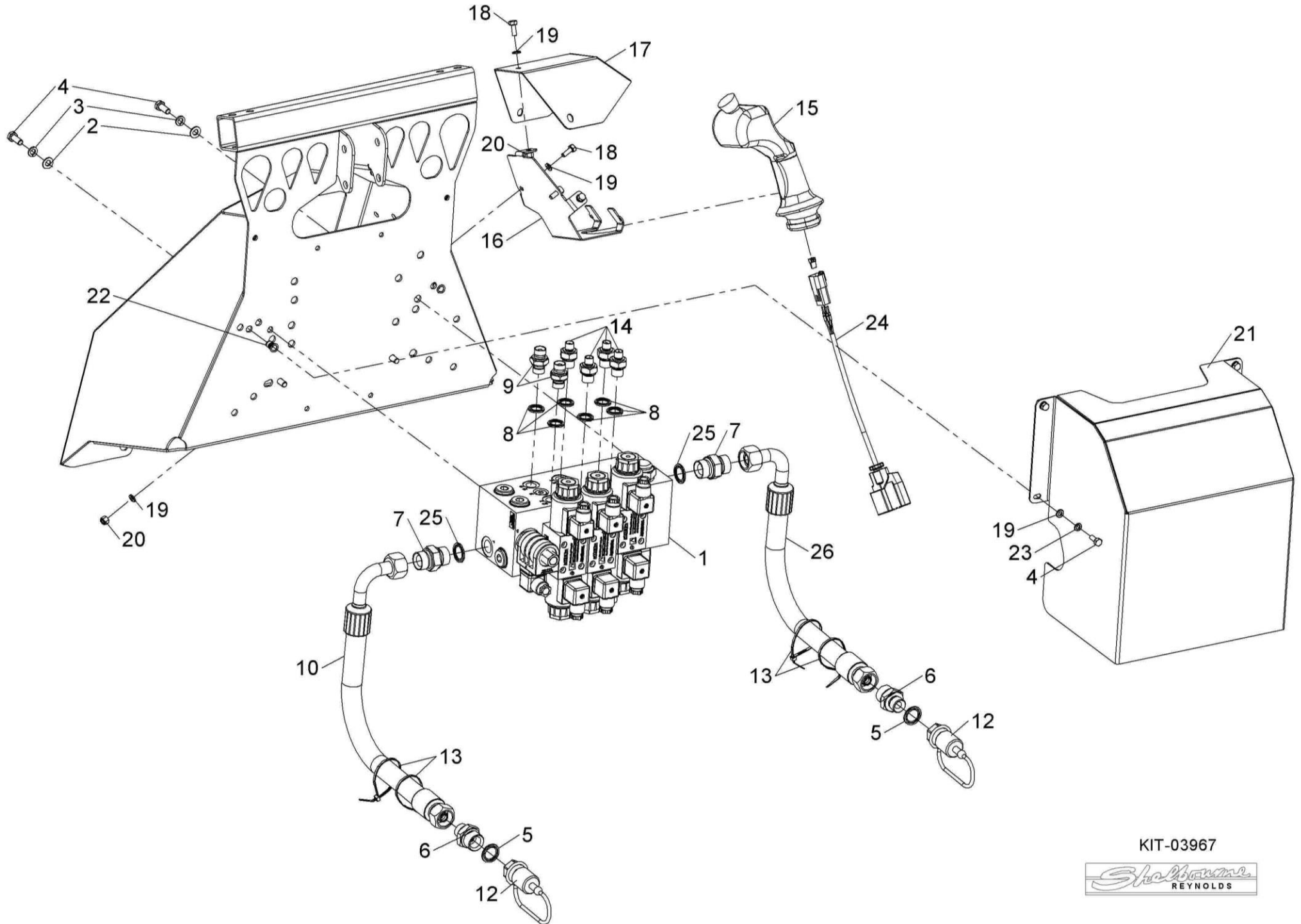


**Shelbourne Reynolds Engineering Limited**

ASSY NUMBER: KIT-03967				ASSY DESCRIPTION: HYD VALVE KIT (3/4" ALUMINIUM VERSION)			
ITEM	PART NO	DESCRIPTION	QTY	ITEM	PART NO	DESCRIPTION	QTY
1	HVB-19140	PROPORTIONAL CONTROL VALVE	1				
2	WSH-0012	WASHER	4				
3	WSH-0058	WASHER	4				
4	HSS-0140	SETSCREW	4				
5	WSH-1015	DOWTY WASHER	4				
6	HMA-0060	M/M ADAPTOR	4				
7	HMA-0074	M/M ADAPTOR	1				
8	WSH-1010	DOWTY WASHER	6				
9	HMA-0057	M/M A SOLTS IN JIGDAPTOR	2				
10	HHBH19505	HYDRAULIC HOSE	1				
11	HVB-20510	NON RETURN VALVE	1				
12	COU-0162	QUICK RELEASE COUPLG	2				
13	TIE-0004	TIE WRAP (MEDIUM)	8				
14	FIT-0025	M/M ADAPTOR	4				
15	616632 01	HAND CONTROLLER	1				
16	615563 01	HOLDER	1				
17	615564 01	CONTROLLER COVER	1				
18	HSS-0084	BOLT	9				
19	WSH-0009	PLAIN WASHER	16				
20	NUT-0260	NYLOC NUT	7				
21	616867 01	VALVE GUARD	1				
22	NUTA13060	NUTSERT	2				
23	WSH-0056	SPRING WASHER	2				
24	615749 01	PROPORTIONAL DRIVER PLUG ASSY	1				
25	WSH-1020	DOWTY WASHER	2				
26	HHBH18305	HYDRAULIC HOSE	1				



**Shelbourne Reynolds Engineering Limited**



KIT-03967

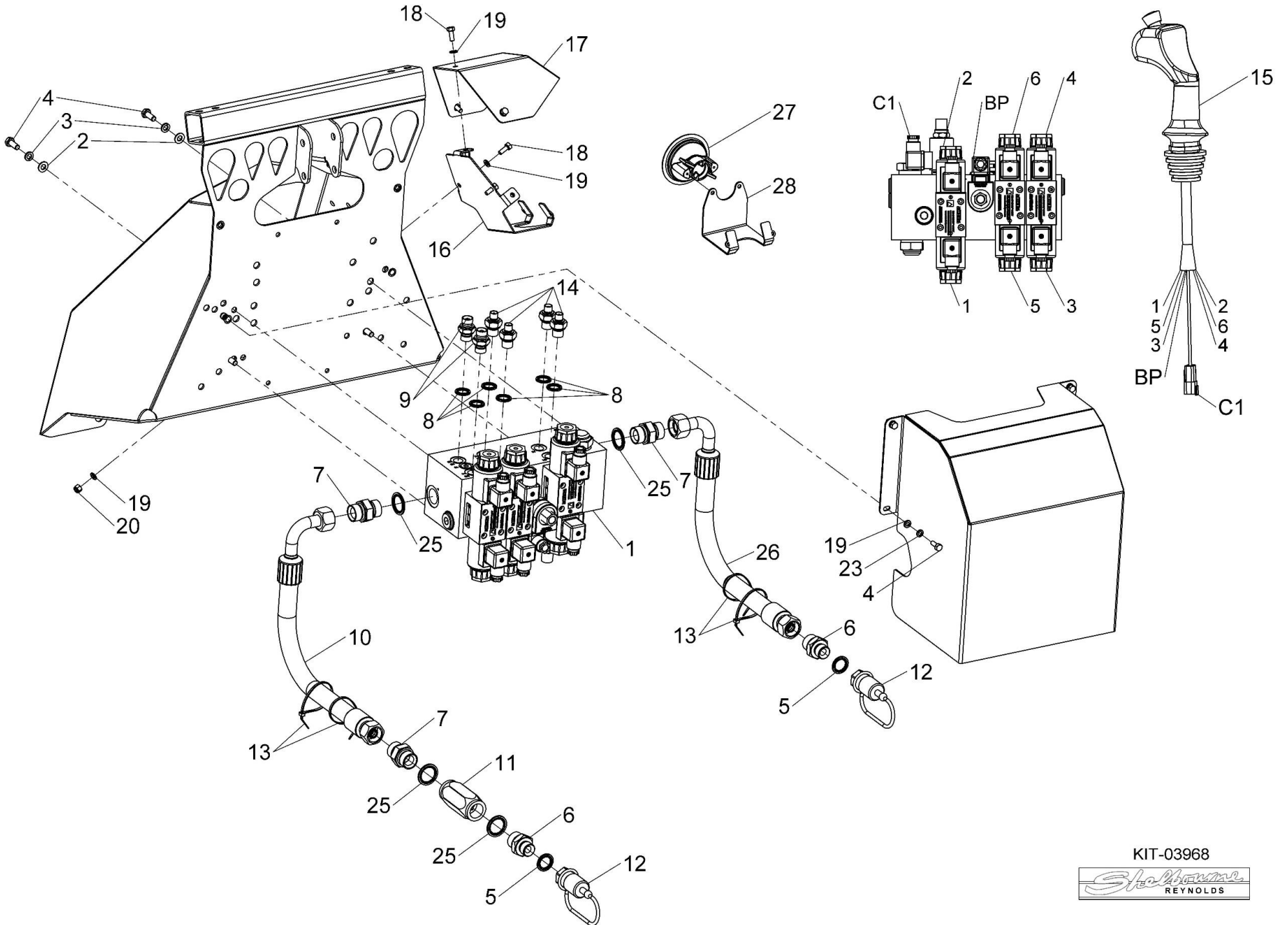


**Shelbourne Reynolds Engineering Limited**

ASSY NUMBER: KIT-03968				ASSY DESCRIPTION: HYD VALVE KIT (3/4" STEEL VERSION)			
ITEM	PART NO	DESCRIPTION	QTY	ITEM	PART NO	DESCRIPTION	QTY
1	HVB-19140S	PROPORTIONAL CONTROL VALVE	1				
2	WSH-0012	WASHER	4				
3	WSH-0058	WASHER	4				
4	HSS-0140	SETSCREW	4				
5	WSH-1015	DOWTY WASHER	2				
6	HMA-0060	M/M ADAPTOR	2				
7	HMA-0074	M/M ADAPTOR	3				
8	WSH-1010	DOWTY WASHER	6				
9	HMA-0057	M/M ADAPTOR	2				
10	HHBH19505	HYDRAULIC HOSE	1				
11	HVB-20510	NON-RETURN VALVE	1				
12	COU-0162	QUICK RELEASE COUPLG	2				
13	TIE-0004	TIE WRAP (MEDIUM)	8				
14	FIT-0025	M/M ADAPTOR	4				
15	616632 01	HAND CONTROLLER	1				
16	615563 01	HOLDER	1				
17	615564 01	CONTROLLER COVER	1				
18	HSS-0084	BOLT	9				
19	WSH-0009	PLAIN WASHER	16				
20	NUT-0260	NYLOC NUT	7				
21	616867 01	VALVE GUARD	1				
22	NUTA13060	NUTSERT	2				
23	WSH-0056	SPRING WASHER	2				
24	615749 01	PROPORTIONAL DRIVER PLUG ASSY	1				
25	WSH-1020	DOWTY WASHER	4				
26	HHBH18305	HYDRAULIC HOSE	1				
27	LCL-01249	RAM SUCTION MOUNT	1				
28	616138 01	CONTROLLER HOLDER	1				



**Shelbourne Reynolds Engineering Limited**

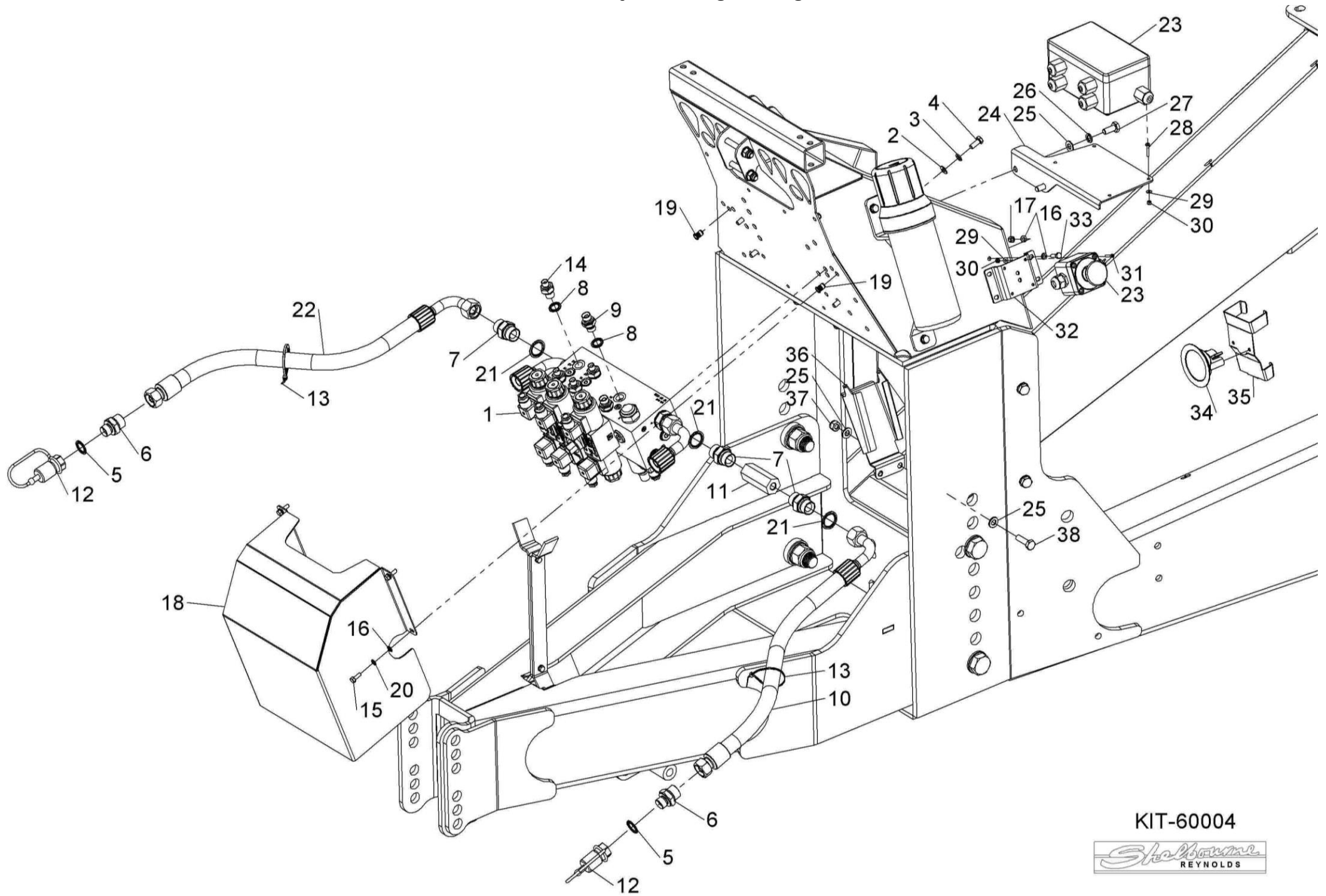


KIT-03968



**Shelbourne Reynolds Engineering Limited**

ASSY NUMBER: KIT-60004				ASSY DESCRIPTION: HYD VALVE KIT (3/4" STEEL VERSION)			
ITEM	PART NO	DESCRIPTION	QTY	ITEM	PART NO	DESCRIPTION	QTY
1	HVB-19140S	PROPORTIONAL CONTROL VALVE	1				
2	WSH-0012	WASHER	4				
3	WSH-0058	WASHER	4				
4	HSS-0140	SETSCREW	4				
5	WSH-1015	DOWTY WASHER	2				
6	HMA-0060	M/M ADAPTOR	2				
7	HMA-0074	M/M ADAPTOR	3				
8	WSH-1010	DOWTY WASHER	6				
9	HMA-0057	M/M ADAPTOR	2				
10	HHBH19505	HYDRAULIC HOSE	1				
11	HVB-20510	NON RETURN VALVE	1				
12	COU-0162	QUICK RELEASE COUPLG	2				
13	TIE-0004	TIE WRAP (MEDIUM)	8				
14	FIT-0025	M/M ADAPTOR	4				
15	HSS-0084	BOLT	2				
16	WSH-0009	PLAIN WASHER	10				
17	NUT-0260	NYLOC NUT	4				
18	616867 01	VALVE GUARD	1				
19	NUTA13060	NUTSERT	2				
20	WSH-0056	SPRING WASHER	2				
21	WSH-1020	DOWTY WASHER	4				
22	HHBH18305	HYDRAULIC HOSE	1				
23	HVC-06002	WIRELESS HANDSET & BASE UNIT	1				
24	618859 01	BASE UNIT MTG PLATE	1				
25	WSH-0015	WASHER	6				
26	WSH-0061	WASHER	2				
27	HSS-0191	SETSCREW	2				
28	SCFC04170	PAN HD SCREW	4				
29	WSH-0003	WASHER	8				
30	NUT-0255	NUT	8				
31	SCW-0035	SOC HD SCREW	4				
32	618860 01	EMERGENCY STOP MTG PLATE	1				
33	HSS-0086	SETSCREW	2				
34	LCL-01249	SUCTION MOUNT ASSY	1				
35	617459 01	HANDSET CRADDLE	1				
36	616450 01	STORAGE CRADDLE	1				
37	NUT-0265	NUT	2				
38	HSS-0198	SETSCREW	2				



KIT-60004

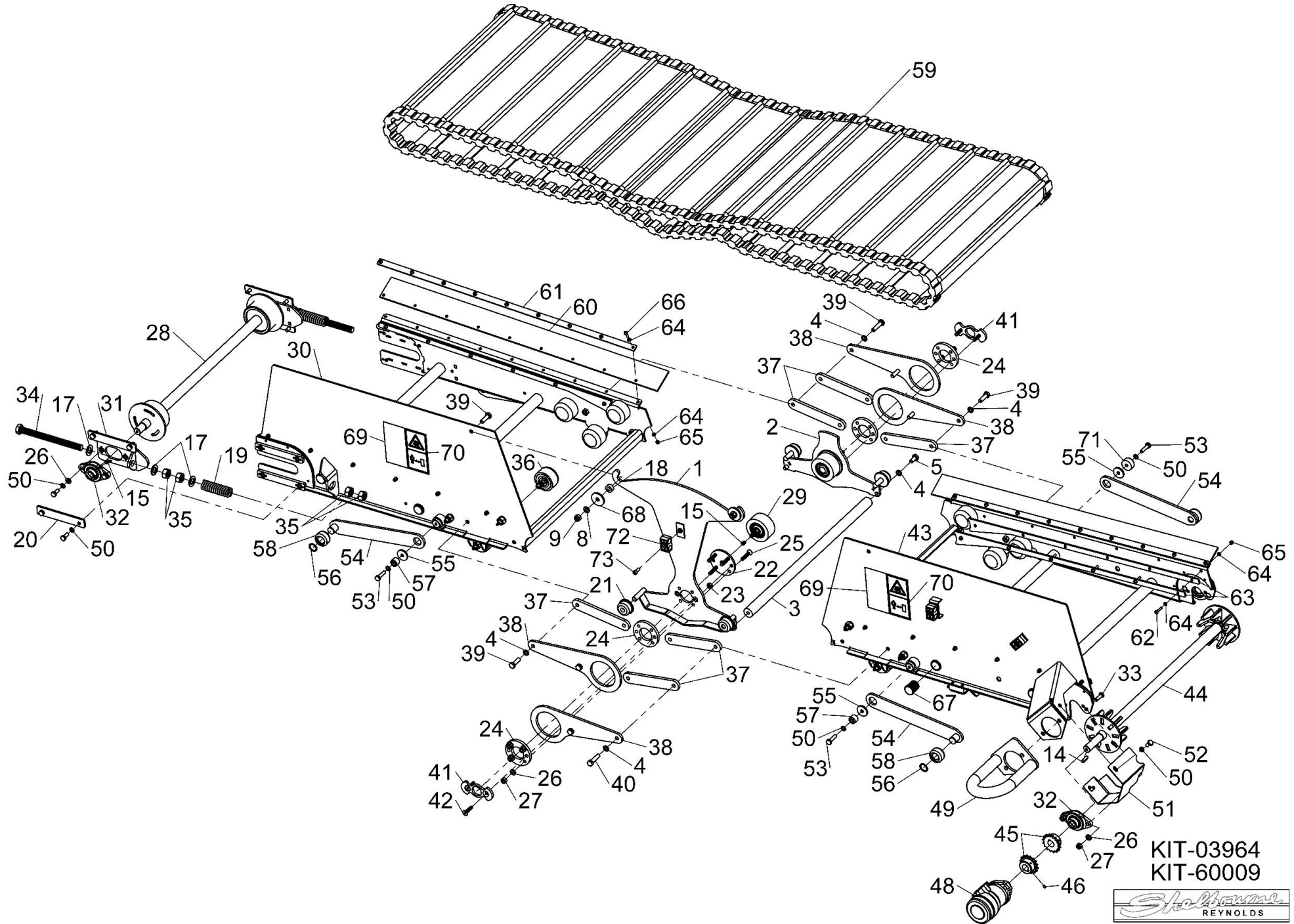




## Shelbourne Reynolds Engineering Limited

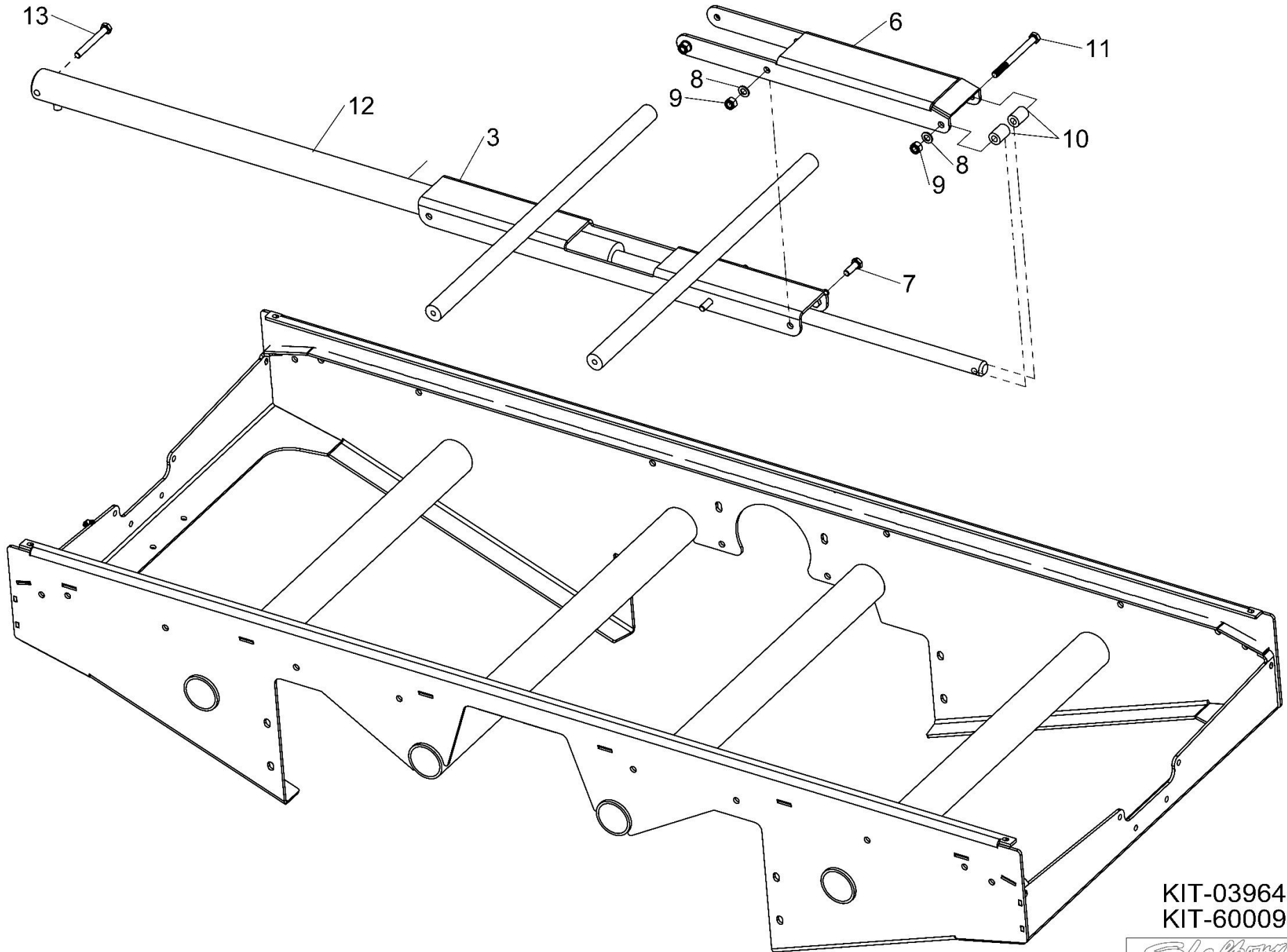
ASSY NUMBER: KIT-60009				ASSY DESCRIPTION: EXPRESS WEB CONVEYOR KIT (SPRUNG LOADED)			
ITEM	PART NO	DESCRIPTION	QTY	ITEM	PART NO	DESCRIPTION	QTY
1	614781 01	FRONT CARRIAGE W/A	1	41	614672 01	SECURING PLATE	2
2	614782 01	REAR CARRIAGE W/A	1	42	SCW-1895	CSK SOCKET HD SCW	4
3	615282 01	CONVEYOR CARRIAGE W/A	1	43	615348 01	LH CONVEYOR PAN W/A	1
4	WSH-0065	WASHER	12	44	615048 01	DRIVE SHAFT W/A	1
5	HSS-0235	SET SCREW	4	45	260030 03	SPROCKET	2
6	614756 01	RAM BRACKET	1	46	SCW-4530	GRUBSCREW	4
7	HSS-0241	SET SCREW	4	47	CHN-01380	CHAIN	1
8	WSH-0018	WASHER	10	48	MOTH08000	HYDRAULIC MOTOR	1
9	NUT-0269	NUT	10	48a	HMS-08001	SEAL KIT	
10	613919 03	SPACER TUBE	2	49	614304 01	MOTOR GUARD W/ASSY	1
11	20146128	BOLT	1	50	WSH-0061	WASHER	18
12	610447 01	HYDRAULIC CYLINDER	1	51	614310 01	COUPLING GUARD	1
13	BLT-2270	BOLT	1	52	HSS-0188	SET SCREW	2
14	K0807032	KEY PARALLEL	1	53	HSS-0202	SET SCREW	4
15	NIP-00610	GREASE NIPPLE	4	54	615352 01	LIFT ARM W/A	4
				55	190548 01	WASHER	4
17	WSH-0030	WASHER	6	56	CIR-1125	CIRCLIP EXT	4
18	613919 04	SPACER TUBE	2	57	615353 01	NYLON ROLLER	2
19	SPGC52900	COMPRESSION SPRING	2	58	614278 01	WHEEL	4
20	616090 01	KEEP PLATE	4	59	CON-00045	WEB BELT (ENDLESS BLUE)	1
21	613702 01	WHEEL	4	60	614309 01	RUBBER SEAL STRIP	2
22	614671 01	CSK PIVOT PLATE	2	61	614487 01	CLAMP STRIP	2
23	NUT-0167	NUT	4	62	SCBA06200	BUTT SOC HD SCREW	24
24	614670 01	PIVOT DISC	4	63	614484 01	SEAL PLATE	8
25	SCEA10324	CSK SOC HD SCREW	8	64	WSH-0009	WASHER	84
26	WSH-0015	WASHER	16	65	NUT-0260	NUT	42
27	NUT-0265	NUT	12	66	SCW-4963	BUTTON HD SCREW	18
28	616543 01	IDLE SHAFT W/A	1	67	PTF-00134	PLASTIC CAP INSERT	8
29	CON-00026	GUIDE ROLLER	2	68	190119 15	WASHER	2
30	615815 01	RH CONVEYOR PANEL W/A	1	69	260062 01	TRANSFER-HAND ENTANGLEMENT	2
31	616092 01	BEARING SLIDE PLATE	2	70	260061 01	TRANSFER-SAFE DISTANCE	2
32	BRG-22560	FLANGE BEARING	4	71	618595 01	NYLON ROLLER	2
33	BLTF10231	COACH BOLT	4	72	HCPD01600	HYDRAULIC PIPE CLAMP TWIN 16mm	3
34	HSSA20930	SETSCREW	2	73	SCW-0133	CP HD SCREW	3
35	NUT-0185	NUT	8				
36	CON-00025a	SUPPORT ROLLER	12				
37	614669 01	SPACER PLATE	6				
38	614667 01	PIVOT PLATE	4				
39	HSS-0250	SET SCREW	6				
40	HSS-0260	SET SCREW	6				





KIT-03964  
KIT-60009





KIT-03964  
KIT-60009



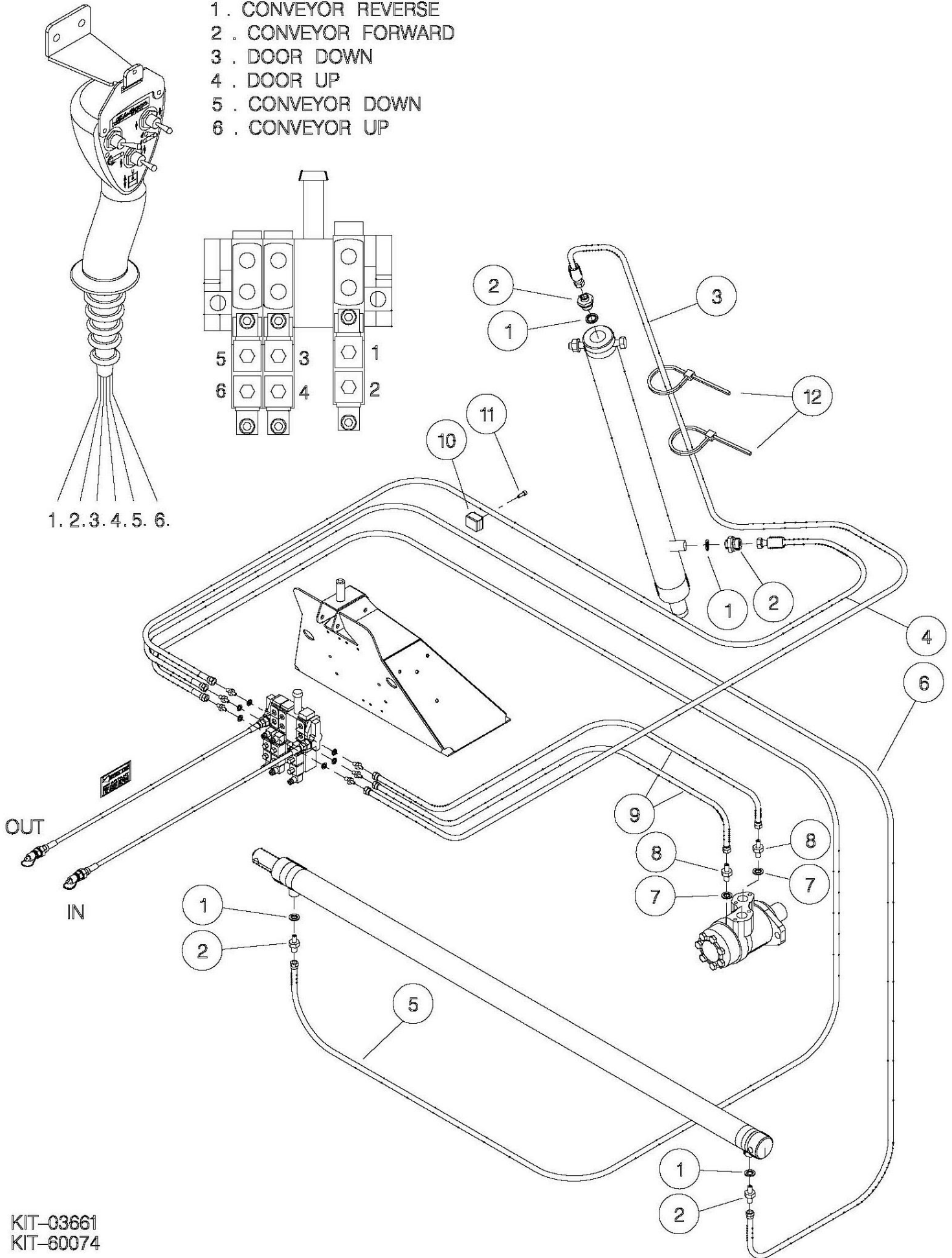
**Shelbourne Reynolds Engineering Limited**

ASSY NUMBER: KIT-60074				ASSY DESCRIPTION: 1 <sup>st</sup> STAGE HYDRAULICS KIT (EXPRESS PRO)			
ITEM	PART NO	DESCRIPTION	QTY	ITEM	PART NO	DESCRIPTION	QTY
1	WSH-1005	DOWTY WASHER	4				
2	HMA-0052	M/M ADAPTOR	4				
3	HHBC60005	HYDRAULIC HOSE	1				
4	HHBC66005	HYDRAULIC HOSE	1				
5	HHBC32005	HYDRAULIC HOSE	1				
6	HHBC34005	HYDRAULIC HOSE	1				
7	WSH-1015	DOWTY WASHER	2				
8	HMA-0065	M/M ADAPTOR	2				
9	HHDE27005	HYDRAULIC HOSE	2				
10	HCPD01200	PIPE CLAMP	5				
11	SCW-0083	CAP HD SCREW	5				
12	TIE-0004	TIE WRAP	8				



**Shelbourne Reynolds Engineering Limited**

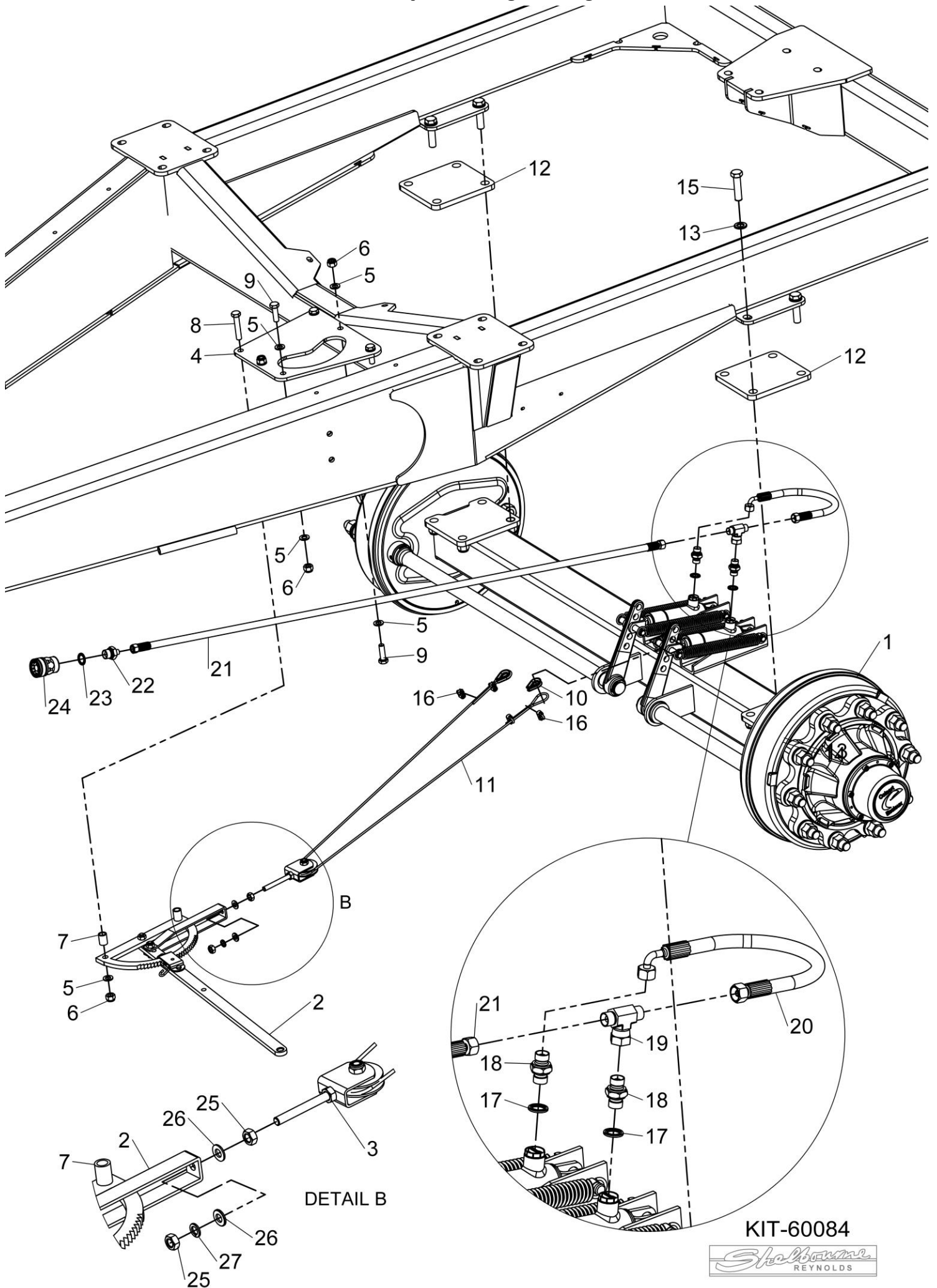
- 1 . CONVEYOR REVERSE
- 2 . CONVEYOR FORWARD
- 3 . DOOR DOWN
- 4 . DOOR UP
- 5 . CONVEYOR DOWN
- 6 . CONVEYOR UP



KIT-03661  
KIT-60074

**Shelbourne Reynolds Engineering Limited**

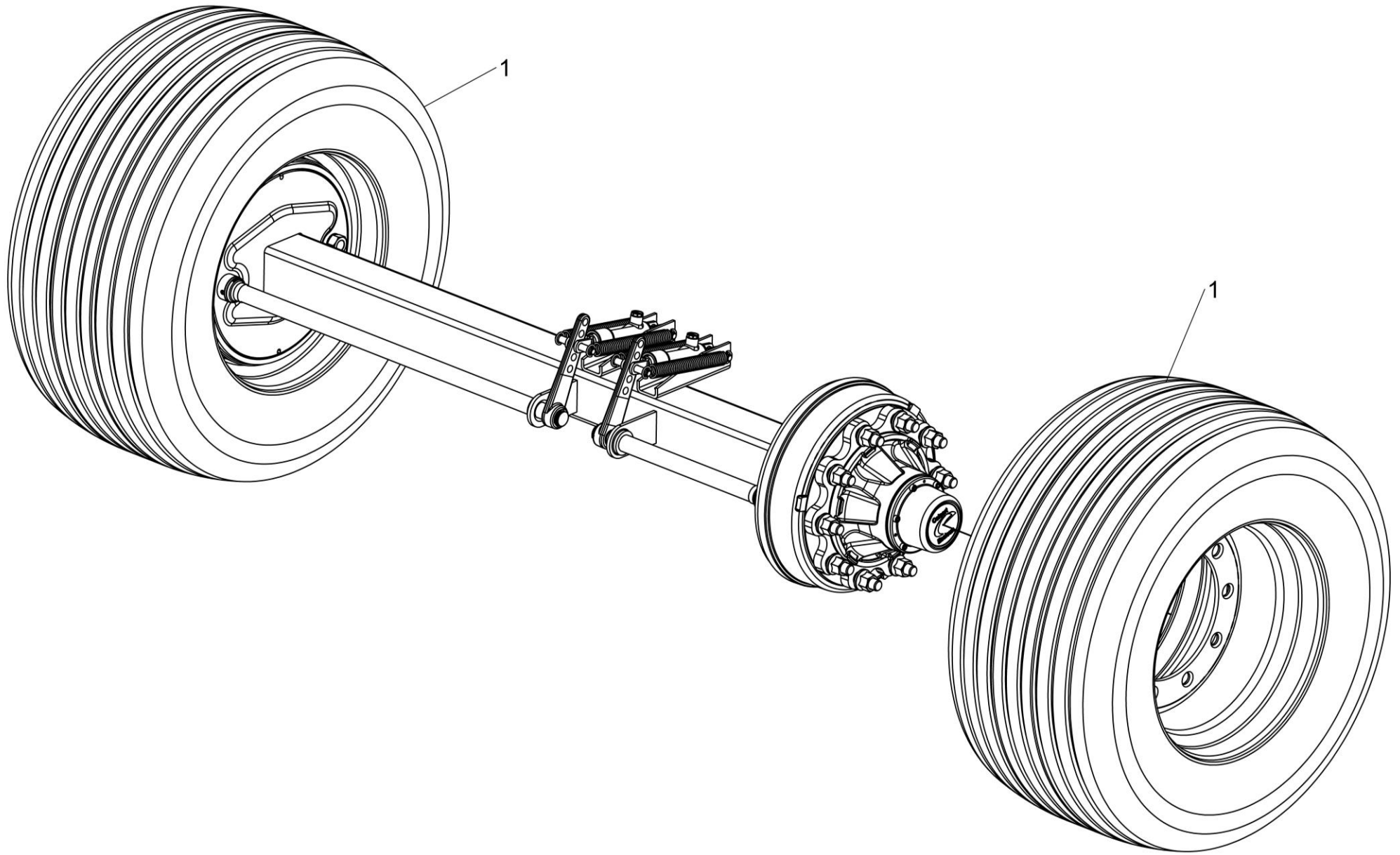
ASSY NUMBER: KIT-60084				ASSY DESCRIPTION: HYDRAULIC BRAKED AXLE KIT			
ITEM	PART NO	DESCRIPTION	QTY	ITEM	PART NO	DESCRIPTION	QTY
1	620628 01	HYDRAULIC BRAKED AXLE	1				
2	BRA-14001	HANDBRAKE LEVER ASSY	1				
3	BRA-14002	ADJUSTER ASSY	1				
4							
5	WSH-0018	WASHER	12				
6	NUT-0269	NUT	6				
7	610923 01	SPACER	2				
8	HSS-0275	SETSCREW	2				
9	HSS-0250	SETSCREW	4				
10	WRP-01040	THIMBLE	2				
11	WRP-00040	CABLE	2m				
12	620630 01	AXLE SPACER	2				
13	WSH-0024	WASHER	16				
14	NUT-0271	NUT	8				
15	HSS-0322	SETSCREW	2				
16	WRP-02040	CLAMP	4				
17	WSH-1010	DOWTY WASHER	2				
18	HMA-0057	HYD ADAPTOR	2				
19	FITA10140	HYDRAULIC TEE FITTING	1				
20	HHBC03205	HYD HOSE ASSY	1				
21	HHBC64005	HYD HOSE ASSY	1				
22	HMA-0055	HYD ADAPTOR	1				
23	WSH-1015	DOWTY WASHER	1				
24	HQR-10007	HYD QUICK RELEASE COUPLING	1				
25	NUT-0167	NUT	2				
26	WSH-0015	WASHER	2				
27	WSH-0061	WASHER	1				



**Shelbourne Reynolds Engineering Limited**

ASSY NUMBER: KIT-60087				ASSY DESCRIPTION: WHEEL & TYRE KIT (385/55R19.5, 10 STUD)			
ITEM	PART NO	DESCRIPTION	QTY	ITEM	PART NO	DESCRIPTION	QTY
1		WHEEL & TYRE ASSY					





KIT-60087

