

Shelbourne

REYNOLDS

9m³ POPULAR PARTS MANUAL



POWERMIX PRO

Shelbourne Reynolds Engineering Ltd
Stanton
Bury St Edmunds
Suffolk
IP31 2AR
England

Telephone: 01359 250415
Fax: 01359 250464

Stores Direct : 01359 251231
Stores Direct: 01359 252031

Issue 28 10/01/2024

www.shelbourne.com



 YouTube

ORDERING SPARE PARTS

IMPORTANT

Your Powermix Pro is made up of a Machine assembly number (common parts) and also customer specific parts from a variety of optional build kits. The machine and optional kit numbers are listed in the front pages of your Operators manual, part no. MAN-05005.

If you do not have these numbers please contact Shelbourne Reynolds Parts Department direct on (telephone) 01359 251231.

To ensure that you order the correct part from your SRE dealer please use the following procedure.

ALWAYS QUOTE THE MACHINE AND SERIAL NUMBERS WHEN ORDERING.

Refer to the Parts Manuals front page/s, listing the machine assemblies. Select the correct machine assembly number which is printed in the top left corner of the page (starting with 6199_ _ 01), This machine number can also be taken off the Powermix Pro's identification plate which is attached midway along the LH side of the chassis.

Looking down the page, select the relevant sub assembly that your required part falls within. Sub assemblies start from 6190_ _ 01. Note the year or serial number of the machine may determine a correct sub assembly if more than one is listed.

Continue through the manual and find the relevant sub assembly parts listing. Again the number will be printed in the top left corner; the sub-assemblies are in numerical order.

Having found the correct parts list, you will find the corresponding drawing by either looking at the facing page or progressing through the manual to the next drawing. The drawings indicate the components by item numbers, which you will find, are repeated in the left-hand side of your parts listing, and therefore referring to the correct part.

Note all parts will not be found from the sub assemblies listed below the machine number. Other parts could be from specific optional kits. These kits will be found in numerical order further through the manual and start with KIT- _ _ _ _ _.

List Of Kit Numbers

619930 01	9m ³ Side Door Machine	8
619111 07	Chassis And Drawbar Sub Assembly	10
619114 02	Side Door Sub Assembly	12
619132 01	Auger Sub Assembly	14
619133 01	Auger Drives Sub Assembly	16
619140 01	9m ³ 2 Door Tub Sub Assembly	18
619144 01	Auger Sub Assembly	20
619146 01	2 Door Popular Tub Assembly	22
619154 02	Auger Drives Sub Assembly (PMP09120247 And On)	24
619173 02	Auger Drives Sub Assembly	26

Kit Options 31

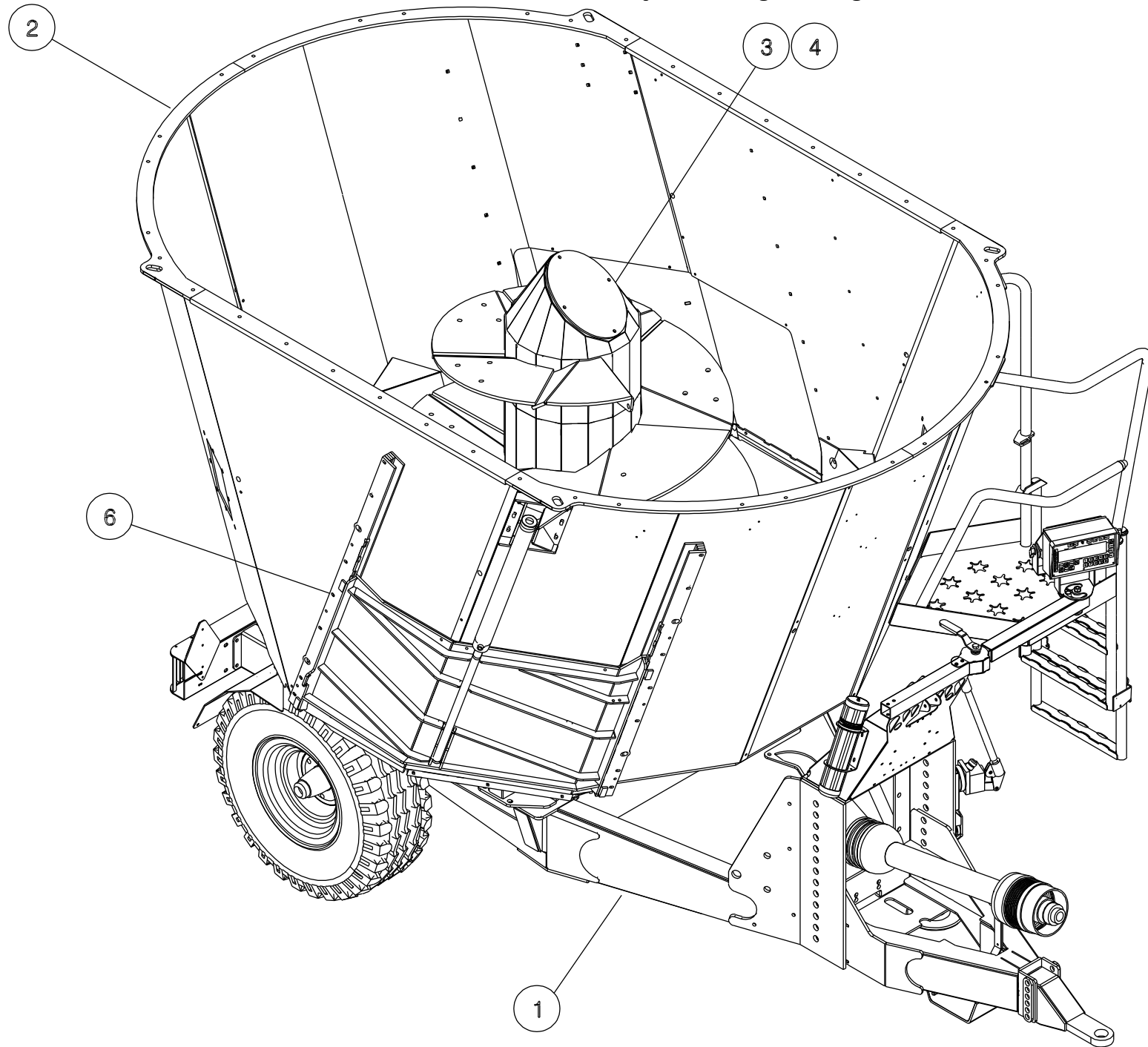
KIT-02602	Brake Relief Kit	32
KIT-02651	9m ³ Rubber Retainer	34
KIT-03248	German Parts Kit	36
KIT-03249	UK Parts Kit	38
KIT-03250	European Parts Kit	40
KIT-03251	USA Parts Kit	42
KIT-03300	Auger Magnet Kit	44
KIT-03395A	300mm Extension Kit	46
KIT-03396A	600mm Extension Kit	48
KIT-03397	11m ³ Rubber Retaining Ring	50
KIT-03398	13m ³ Rubber Retaining Ring	52
KIT-03422	UK Towing Eye Kit	54
KIT-03431	Lighting Kit	56
KIT-03432	Wheel And Tyre Kit (Goodyear R18 340/65)	58
KIT-03433	Hydraulic Braked Axle Kit	60
KIT-03433C	Hydraulic Braked Axle Kit	64
KIT-03436	Direct Coupled LH Door Hydraulics Kit	66
KIT-03439	Continental Tow Eye Kit	68
KIT-03440	Direct Coupled RH Door Hydraulics Kit	70
KIT-03442	Mid Level EZ3200 Indicator Kit	72
KIT-03442A	Mid Level EZ3200V Indicator Kit, Remote Port	74
KIT-03446	Unbraked Axle Kit	76
KIT-03446B	Unbraked Axle Kit	78
KIT-03447	Anti Rotation Blade Kit	80
KIT-03448	Fixed Retarder Kit	82
KIT-03449	Mechanical Jack Kit	84
KIT-03456	Basic EZ2000V Indicator Kit	86
KIT-03456A	Basic EZ2000V Indicator Kit	88

KIT-03467	Remote Zero Function Kit	90
KIT-03470	Dummy Weigh Cell Kit (Single Auger)	92
KIT-03471	Top Level EZ3500 Indicator Kit	94
KIT-03471A	Top Level EZ3500 Indicator Kit	96
KIT-03478	RD100 Display Kit	98
KIT-03483	Flashing Light Kit	100
KIT-03504	Rubber Door Flap Kit (RH Door)	102
KIT-03505	Rubber Door Flap Kit (LH Door)	104
KIT-03507	2 Station Manual Spool Valve Kit	106
KIT-03510	Audible Alarm Kit (Digi-Star)	108
KIT-03513	Scharmuller Fixing Kit	110
KIT-03514	Hydraulic Parking Jack (Tractor Connection)	112
KIT-03537	Weigh Cell System	114
KIT-03544	Wheel And Tyre Kit (Bandenmarkt R22.5 305/55)	116
KIT-03559	Orkney Rubber Flap Kit (RH Door)	118
KIT-03560	Orkney Rubber Flap Kit (LH Door)	120
KIT-03574	Direct Coupled Hydraulic Kit	122
KIT-03576	Auger Extension Kit	124
KIT-03577	Small Blade Kit	126
KIT-03578	Large Blade Kit	128
KIT-03594	Single Speed Drive Kit	130
KIT-03595	PTO Shaft Kit	132
KIT-03596	Powermix Pro Transfer kit	136
KIT-03599	Hydraulic Parking Jack Kit	138
KIT-03604	900mm (15m ³) Rubber Retaining Ring	140
KIT-03605	900mm (15m ³) Extension Kit	142
KIT-03608	2 Speed Drive kit	144
KIT-03609	PTO Shaft Kit	146
KIT-03612	1m Side Conveyor RH Door	148
KIT-03613	Electric Solenoid Side Conveyor	150
KIT-03620	13m ³ Rubber Retaining Ring Kit	152
KIT-03621	Manual Lever Spool Valve Kit	154
KIT-03622	11m ³ Rubber Retaining Ring Kit	156
KIT-03629	Wheel And Tyre Kit	158
KIT-03632	Mud Flap Kit (Single Auger)	160
KIT-03657	PTO Shaft Kit	162
KIT-03757A	PTO Shaft kit Weasler	164
KIT-03657B	PTO Shaft Kit Waltersried	166
KIT-03665	1st Stage Hydraulic Kit	170
KIT-03666	1st Stage Hydraulic Kit	172
KIT-03667	Direct Coupled Hydraulics Kit	174
KIT-03668	Electric Solenoid Spool Valve Kit	176
KIT-03669	Manual Spool Valve Kit	178
KIT-03670	Direct Coupled Hydraulics Kit	180

KIT-03697	Powermix Pro Auger Wear Kit	182
KIT-03710	Tungsten Coated Blade Kit	184
KIT-03710A	Standard Blade Kit	186
KIT-03714	Standard Rear Ladder Kit	188
KIT-03715	Ladder Extension Kit (11m ³ And 19m ³)	190
KIT-03715A	Ladder Extension Kit (13m ³ And 22m ³)	192
KIT-03715B	Ladder Extension Kit (15m ³ And 25m ³)	194
KIT-03716	Auger Extension Kit	196
KIT-03716A	Auger Extension Kit	198
KIT-03717a	Basic Indicator Kit	200
KIT-03719	Auger Magnet Kit	202
KIT-03723	Ladder And Platform Kit	204
KIT-03734	Wheel And Tyre Kit	206
KIT-03735	600mm Auger Extension Kit	208
KIT-03740	Swivel Tow Eye Kit	210
KIT-03741	Heavy Duty UK Tow Eye Kit	212
KIT-03750	Remote Display Kit	214
KIT-03757	Wheel And Tyre Kit	216
KIT-03759	EZ2400V Basic Display Kit	218
KIT-03826	Tungsten Blade Kit (PME09130316 And On)	220
KIT-03826a	Standard Blade Kit (PME09130316 And On)	222
KIT-03827	600mm Auger Extension Kit (PME09130316 And On)	224
KIT-03827A	600mm Auger Tungsten Extension Kit (PME09130316 And On)	226
KIT-03828	300mm Auger Extension Kit (PME09130316 And On)	228
KIT-03828A	300mm Auger Tungsten Extension Kit (PME09130316 And On)	230
KIT-03845	15m ³ Extension KIT	232
KIT-03847	15m ³ Straw Ring	234
KIT-03933	Weigh Cell System Single Auger	236
KIT-03934	Wheel And Tyre Kit	238
KIT-03943	Weigh Cell System Single Auger	240
KIT-60091	Hydraulic Braked Axle Kit	242

Shelbourne Reynolds Engineering Limited

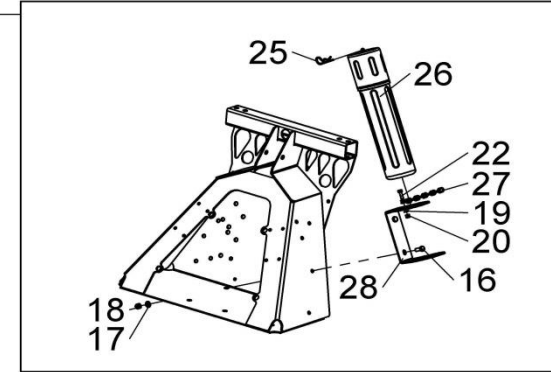
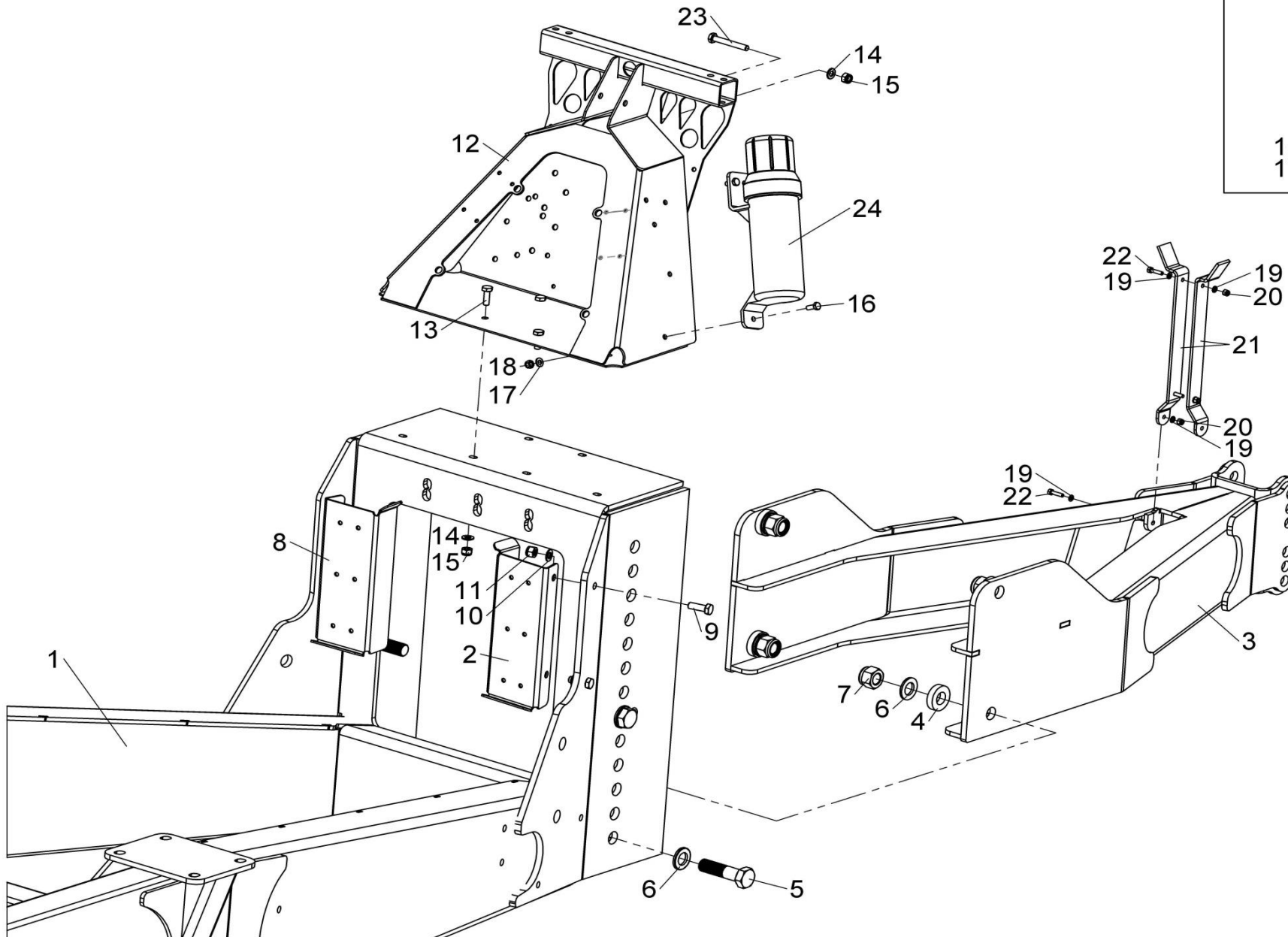
ASSY NUMBER: 619930 01				ASSY DESCRIPTION: 9m SIDE DOOR MACHINE ASSY			
ITEM	PART NO	DESCRIPTION	QTY	ITEM	PART NO	DESCRIPTION	QTY
1	619175 02	CHASSIS & DRAWBAR SUB ASSY SER No PMP09200765 & ON	1				
OR	619111 07	CHASSIS & DRAWBAR SUB ASSY UP TO & INC PMP09190725	1				
2	619146 01	9m TUB SUB ASSY SER No 123159 & ON	1				
OR	619140 01	9m TUB SUB ASSY (UP TO & INC SER No 122159)	1				
3	619144 01	AUGER SUB ASSY SER No 123159 & ON	1				
OR	619132 01	AUGER SUB ASSY (UP TO & INC SER No 122159)	1				
4	619173 02	AUGER DRIVES SUB ASSY (SER No PMP09170549 & ON)	1				
OR	619154 02	AUGER DRIVES SUB ASSY (PMP09120247 - PMP09160512)	1				
OR	619133 01	AUGER DRIVES SUB ASSY UP TO & INC SER No PMP09120242	1				
5	619114 02	SIDE DOOR SUB ASSY	1				



Shelbourne Reynolds Engineering Limited

ASSY NUMBER: 619111 07		ASSY DESCRIPTION: CHASSIS & DRAWBAR SUB ASSY (POPULAR SING)					
ITEM	PART NO	DESCRIPTION	QTY	ITEM	PART NO	DESCRIPTION	QTY
1	614908 01	CHASSIS W/A	1				
2	613516 02	HOSE TIDY RH	1				
3	615222 01	DRAWBAR W/A	1				
4	190119 94	WASHER	4				
5	BLTA24530	BOLT	4				
6	WSH-0036	WASHER	8				
7	NUT-0275	NUT	4				
8	613516 01	HOSE TIDY LH	1				
9	HSS-0241	SETSCREW	4				
10	WSH-0018	WASHER	4				
11	NUT-0269	NUT	4				
12	614186 01	PARKING STATION W/A	1				
13	HSS-0194	SETSCREW	4				
14	WSH-0015	WASHER	5				
15	NUT-0265	NUT	5				
16	HSS-0140	SETSCREW	3				
17	WSH-0012	WASHER	3				
18	NUT-0263	NUT	3				
19	WSH-0009	WASHER	5				
20	NUT-0260	NUT	4				
21	614957 01	PTO REST PLATE	2				
22	HSS-0088	SETSCREW	4				
23	BLTA10470	BOLT	1				
24	PCN-00100	PLASTIC CANNISTER	1				
-	-	ITEMS 25-28 PRE PME16160497	-				
25	RCL-0015	R-CLIP	1				
26	WDA-00025	MANUAL HOLDER	1				
27	CHN-0145	CHAIN	.17M				
28	194364 01	CANNISTER BRKT	1				

PRE PME16160497

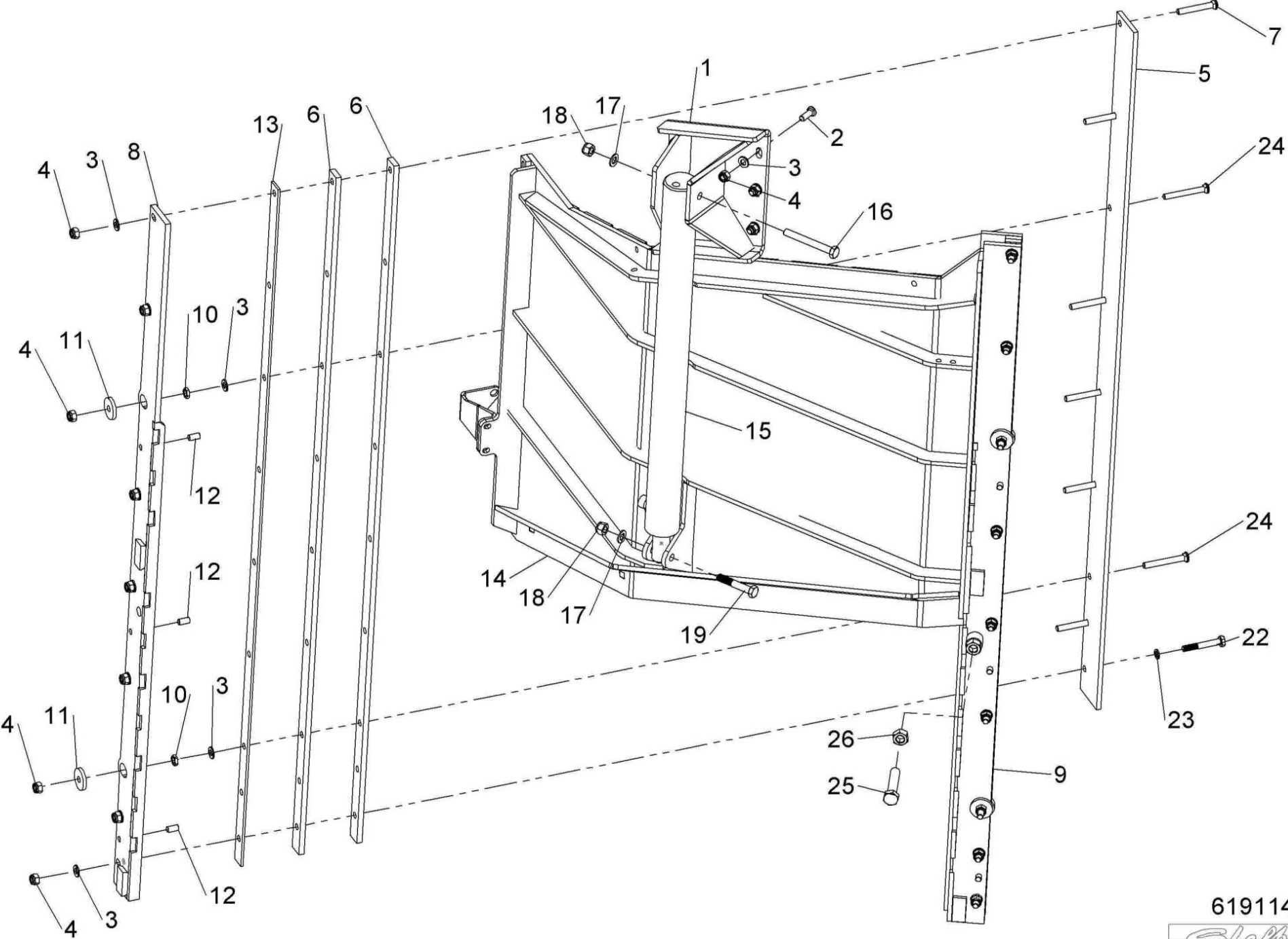


619111 07



Shelbourne Reynolds Engineering Limited

ASSY NUMBER: 619114 02				ASSY DESCRIPTION: SIDE DOOR SUB ASSY			
ITEM	PART NO	DESCRIPTION	QTY	ITEM	PART NO	DESCRIPTION	QTY
1	613510 01	RAM BRACKET W/A	1				
2	BLT-3750	COACH BOLT	6				
3	WSH-0015	PLAIN WASHER	23				
4	NUT-0265	NYLOC NUT	23				
5	613505 01	BACKING STRIP	2				
6	613504 01	SIDE RUNNER	4				
7	BLTF10443	COACHBOLT	13				
8	614036 01	KEEP PLATE LH W/A	1				
9	618927 01	KEEP PLATE RH W/A	1				
		PMP09200765 & ON					
OR	614036 02	KEEP PLATE RH W/A	1				
		UP TO & INC PMP09190725					
10	NUT-0365	HALF NUT	4				
11	190548 50	WASHER	4				
12	PIN-41011	ROLL PIN	6				
13	613504 02	SIDE RUNNER	2				
14	614037 01	SIDE DOOR W/A	1				
15	610908 01	DOOR RAM (10050POP)	1				
16	BLT-2270	HEX.HEAD BOLT	1				
17	WSH-0018	PLAIN WASHER	2				
18	NUT-0269	NYLOC NUT	2				
19	BLTA12440	HEX.HEAD BOLT	1				
20							
21							
22	BLTA10440	HEX.HEAD BOLT	1				
23	WSH-0061	SPRING WASHER	1				
24	BLTF10503	COACHBOLT- STAINLESS STEEL	4				
25	HSSA16500	SETSCREW	1				
26	NUT-0180	NUT	1				

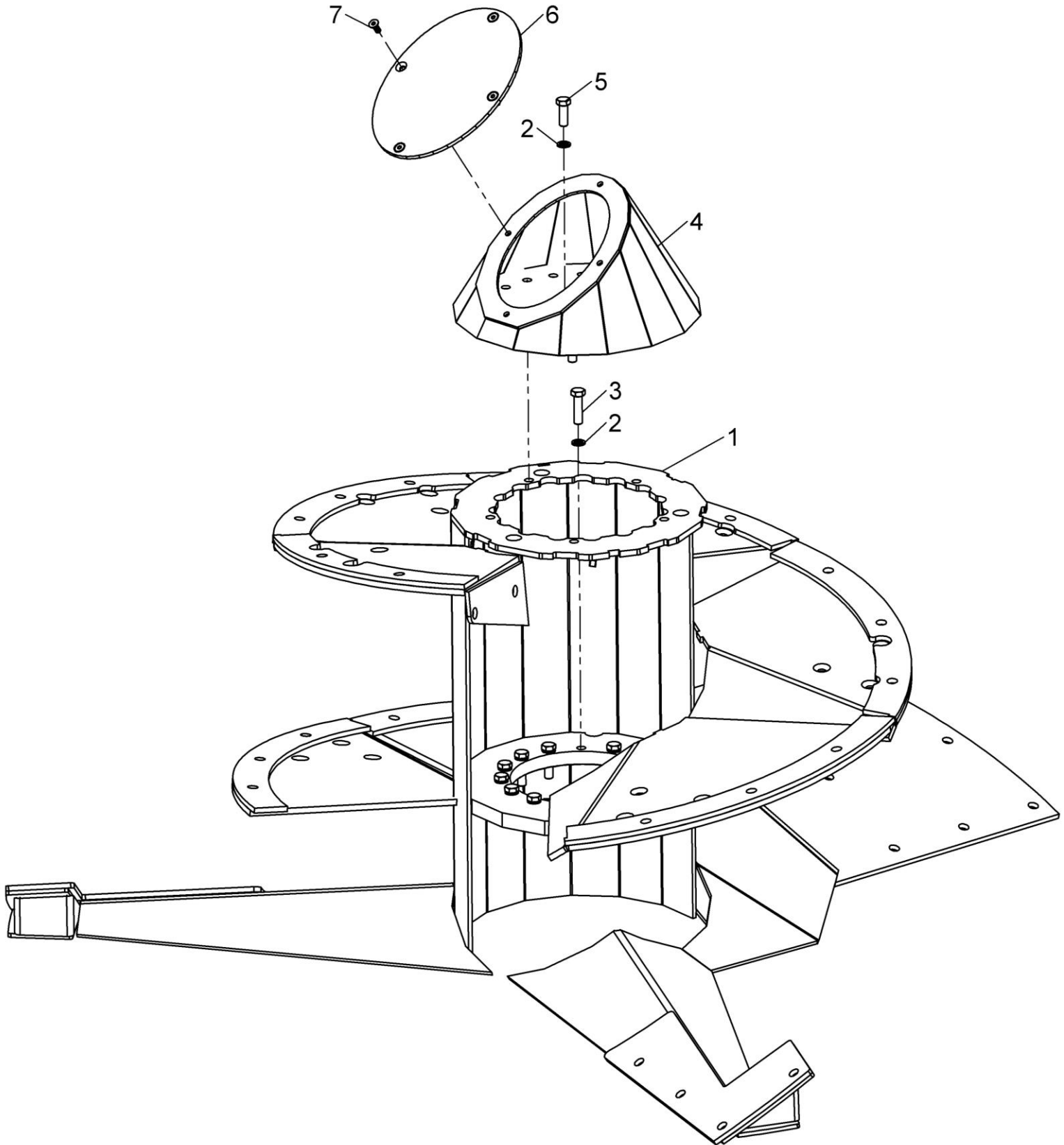


619114 02



Shelbourne Reynolds Engineering Limited

ASSY NUMBER: 619132 01				ASSY DESCRIPTION: AUGER SUB ASSY			
ITEM	PART NO	DESCRIPTION	QTY	ITEM	PART NO	DESCRIPTION	QTY
1	614452 01	POWERMIX AUGER W/ASSY	1				
2	WSH-0070	WASHER	20				
3	HSS-0320	SETSCREW	15				
4	614513 01	TOP HAT W/A	1				
5	HSS-0317	SETSCREW	5				
6	614515 01	CAPPING PLATE	1				
7	SCEA10170	CSK SKT HEAD SCREW	4				

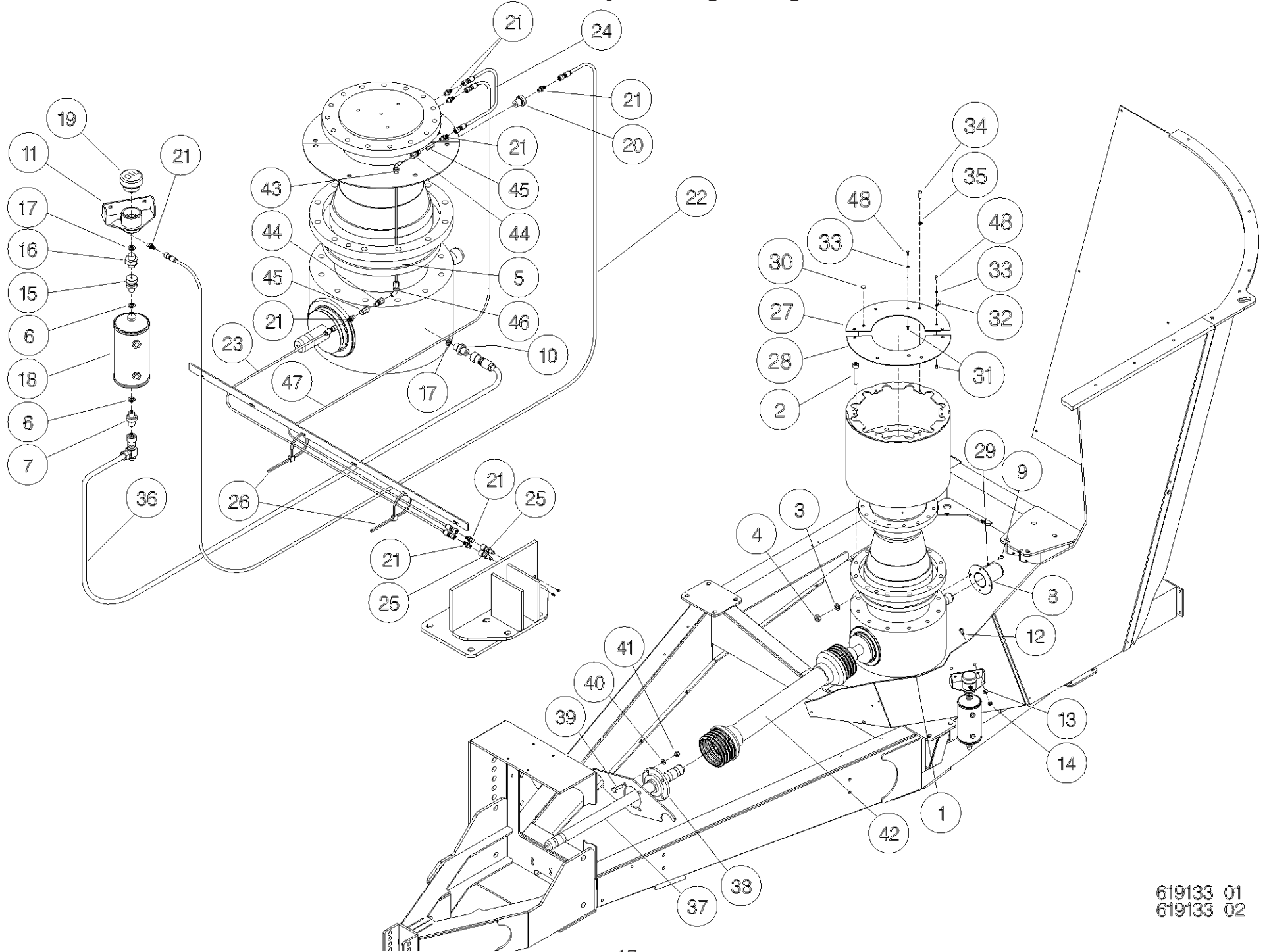


619132 01



Shelbourne Reynolds Engineering Limited

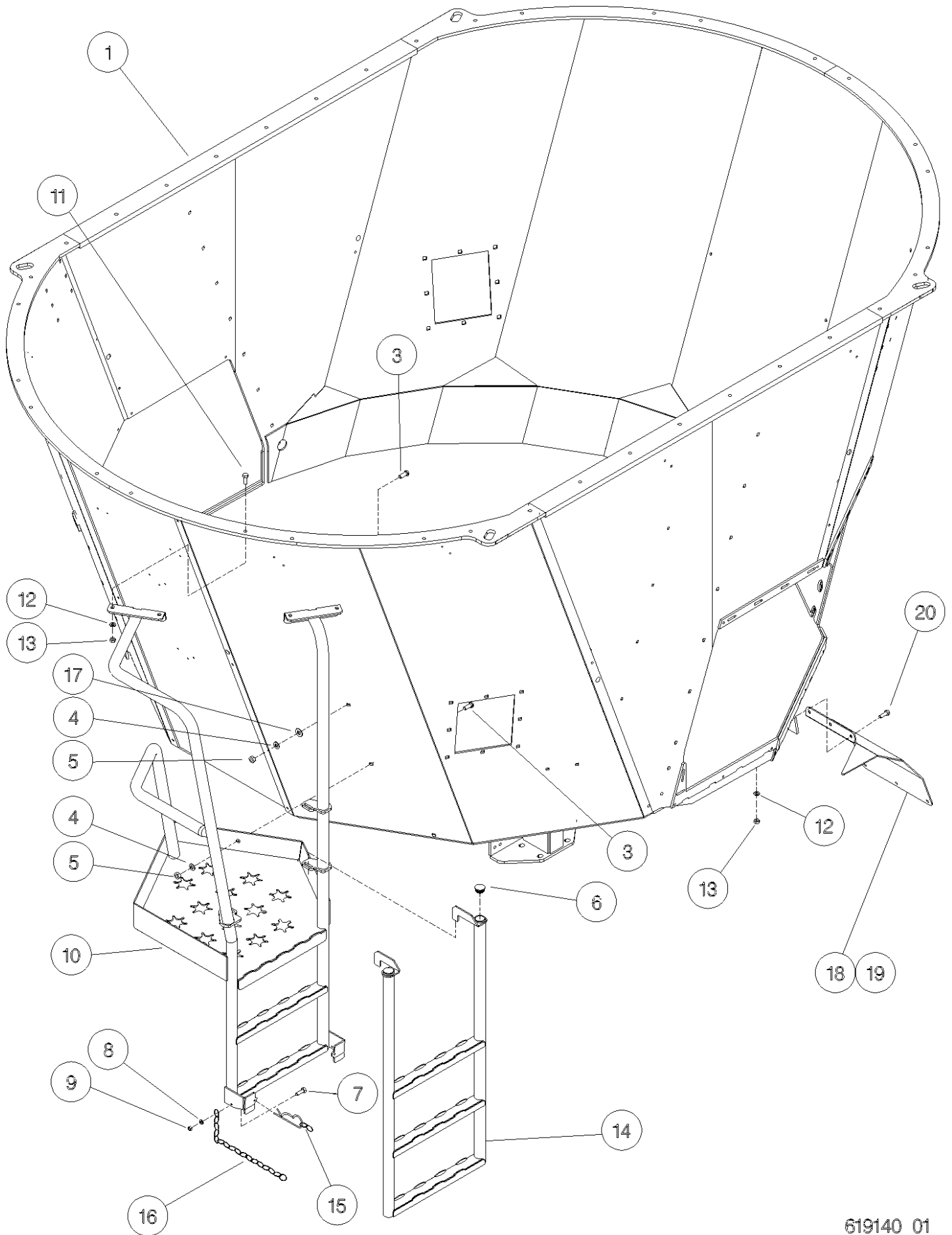
ASSY NUMBER: 619133 01				ASSY DESCRIPTION: AUGER DRIVES SUB ASSY (EXPRESS SINGLE)			
ITEM	PART NO	DESCRIPTION	QTY	ITEM	PART NO	DESCRIPTION	QTY
1	GEA-0177	PLANETARY GEARBOX	1	41	NUT-0269	NUT	4
2	SCCA16533	CAP HEAD SOCKET SCREW	12	42	PTO-29000	PTO SHAFT ASSY	1
3	WSH-0024	WASHER	12	43	HPPB05006	6mm BULKHEAD ELBOW FITTING	1
4	NUT-0271	NUT	12	44	HPTB50001	STUD STANDPIPE ADAPTOR	2
5	614536 01	HYD TUBE	1	45	HAHAA0101	FEMALE FIXED SOCKET	2
6	WSH-1010	DOWTY WASHER	3	46	HPPB01006	6mm ELBOW FITTING	1
7	HMA-0065	HYD ADAPTOR	1	47	614605 04	BOTTOM BEARING HOSE	1
8	614564 01	SHAFT GUARD W/A	1	48	SCW-4960	BUTTON SKT HD SCREW	2
9	HSS-0135	SETSCREW	4				
10	614561 01	HYD ADAPTOR	1				
11	614522 01	OIL FILLER BRKT W/A	1				
12	BLT-3745	COACHBOLT	2				
13	WSH-0015	WASHER	2				
14	NUT-0265	NUT	2				
15	FIT-0240	HYD ADAPTOR	1				
16	HMA-0067	HYD ADAPTOR	1				
17	WSH-1015	DOWTY WASHER	2				
18	GEA-0178	OIL RESERVOIR	1				
19	FIL-0004	FILLER CAP ASSY	1				
20	614927 01	MODIFIED FITTING	1				
21	LUB-00038	FRENCH PIPE CONNECTOR	8				
22	614605 01	GEARBOX BREATHER HOSE	1				
23	614605 02	TOP BEARING GREASE HOSE	1				
24	614605 03	TOP BEARING GREASE HOSE SHORT	1				
25	LUB-00036	BULKHEAD ADAPTOR	2				
26	TIE-0004	TIE WRAPS (MED)	12				
27	614527 01	SEAL PLATE	1				
28	614528 01	SEAL PLATE	1				
29	WSH-0058	WASHER	4				
30	GRM-01155	PLASTIC BLANKING GROMMET	1				
31	NUTA13060	NUTSERT	2				
32	CLP-01012	RUBBER COVERED P CLIP	1				
33	WSH-0056	WASHER	2				
34	SCW-0514	BUTTON SKT HD SCREW	8				
35	WSH-0061	WASHER	8				
36	HBBF10505	HYDRAULIC HOSE ASSY	1				
37	614542 01	DRIVE SHAFT	1				
38	BRG-3275	BEARING	1				
39	HSS-0250	SET SCREW	4				
40	WSH-0018	WASHER	4				



619133 01
619133 02

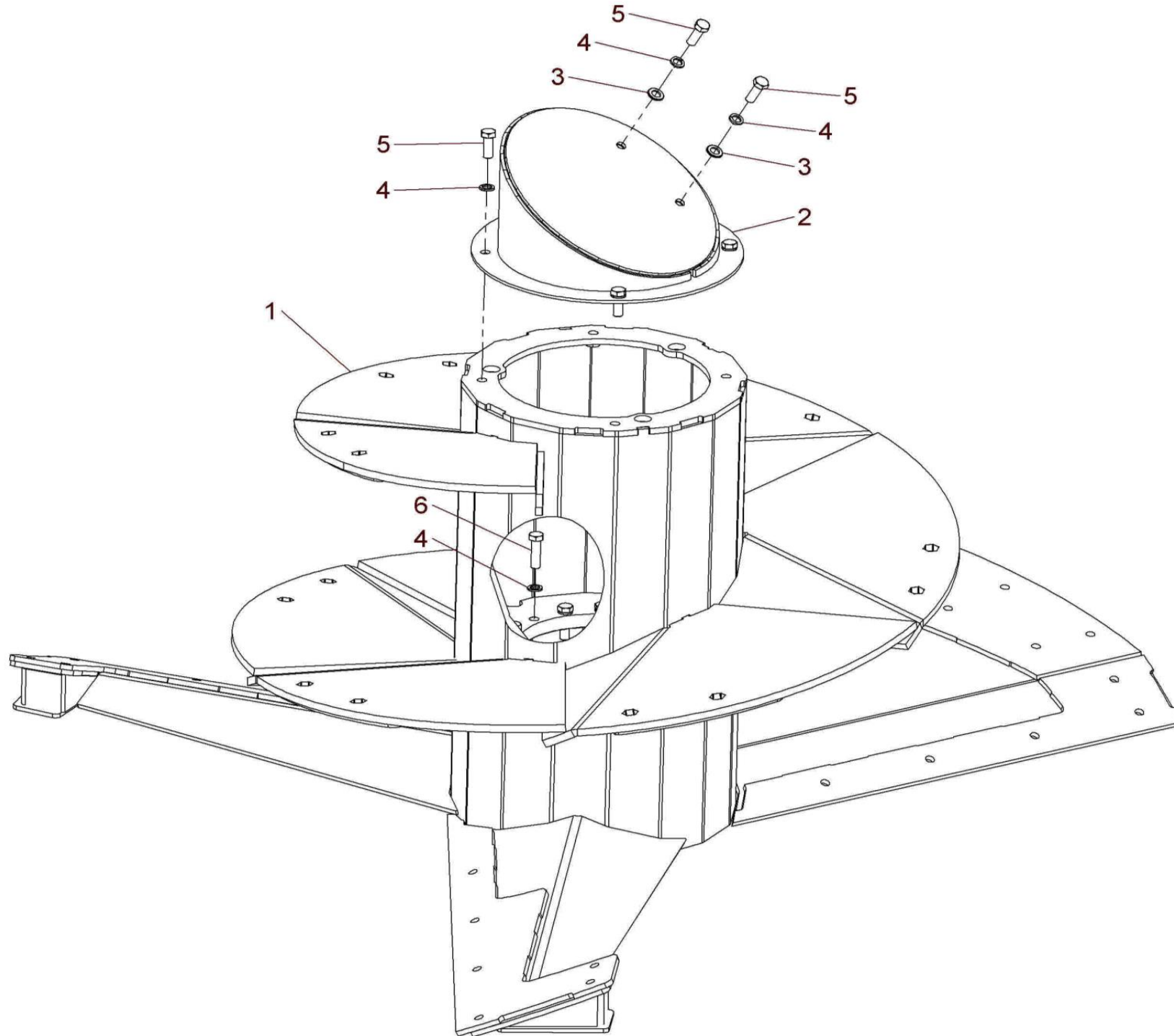
Shelbourne Reynolds Engineering Limited

ASSY NUMBER: 619140 01				ASSY DESCRIPTION: 9m CU 2 DOOR POPULAR TUB SUB ASSY			
ITEM	PART NO	DESCRIPTION	QTY	ITEM	PART NO	DESCRIPTION	QTY
1	614915 01	2 DOOR POPULAR SINGLE AUGER	1				
2							
3	BLT-3790	COACH BOLT	3				
4	WSH-0018	WASHER	3				
5	NUT-0269	NUT	3				
6	PTF-00134	PLASTIC CAP INSERT	2				
7	HSS-0086	SET SCREW	1				
8	WSH-0009	WASHER	1				
9	NUT-0260	NUT	1				
10	613592 01	PLATFORM ASSY (8M3)	1				
11	HSS-0210	SET SCREW	4				
12	WSH-0015	WASHER	10				
13	NUT-0265	NUT	10				
14	613764 01	LADDER WELD ASSY	1				
15	CLP-00105	R CLIP	1				
16	CHN-0145	CHAIN (MT)	0.17				
17	611830 01	SPACER PLATE	2				
18	614551 01	LH MUDGUARD	1				
19	614551 02	RH MUDGUARD	1				
20	HSS-0194	SET SCREW	6				



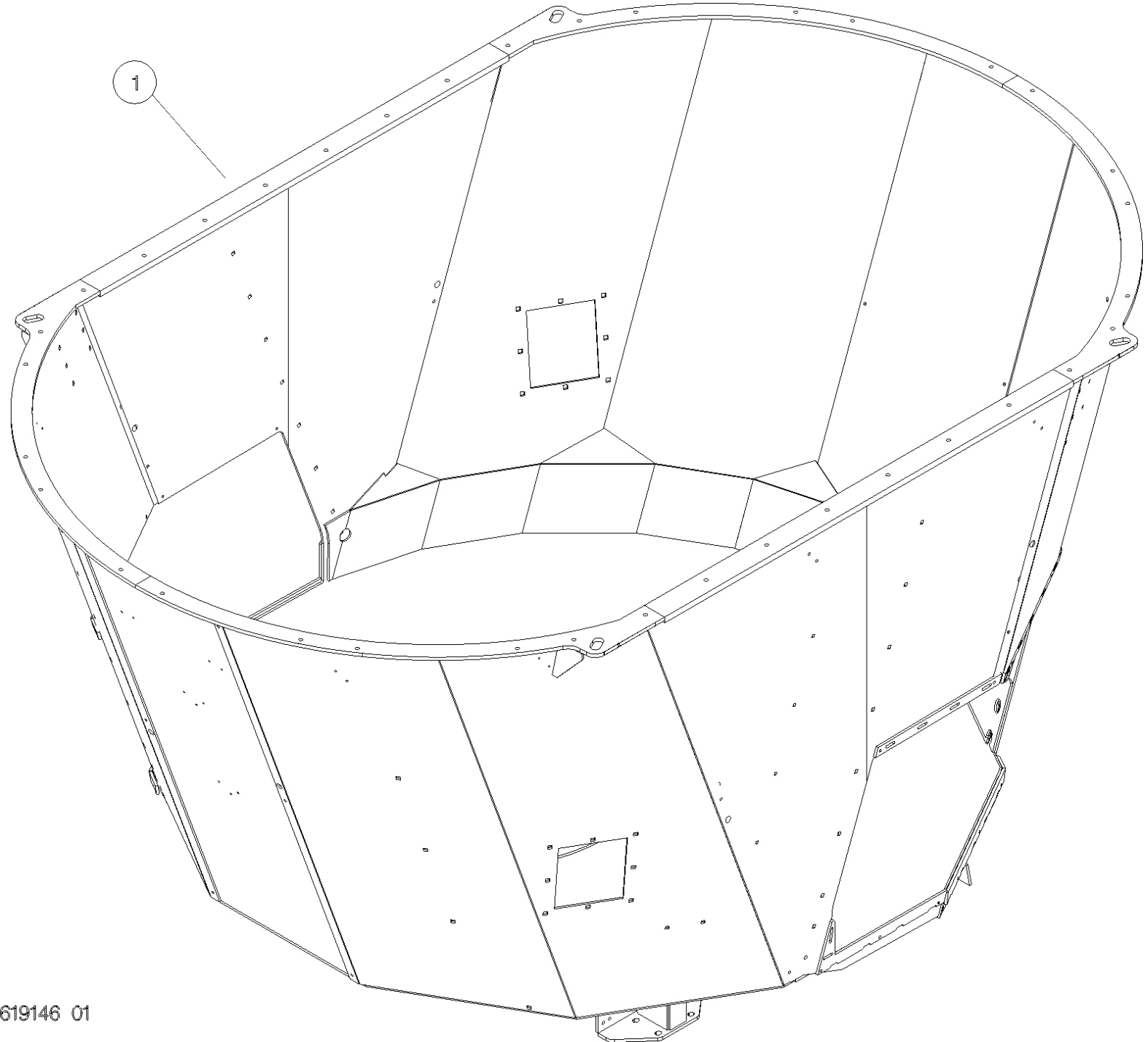
Shelbourne Reynolds Engineering Limited

ASSY NUMBER: 619144 01				ASSY DESCRIPTION: AUGER SUB ASSY			
ITEM	PART NO	DESCRIPTION	QTY	ITEM	PART NO	DESCRIPTION	QTY
1	615678 01	AUGER W/A (PME09130316 & ON)	1				
OR	615100 01	AUGER W/A (UPTO & INC PME09130310)	1				
2	615123 01	TOP HAT W/A	1				
3	WSH-0024	WASHER	2				
4	WSH-0070	WASHER	21				
5	HSS-0317	SETSCREW	6				
6	HSS-0320	SETSCREW	15				



Shelbourne Reynolds Engineering Limited

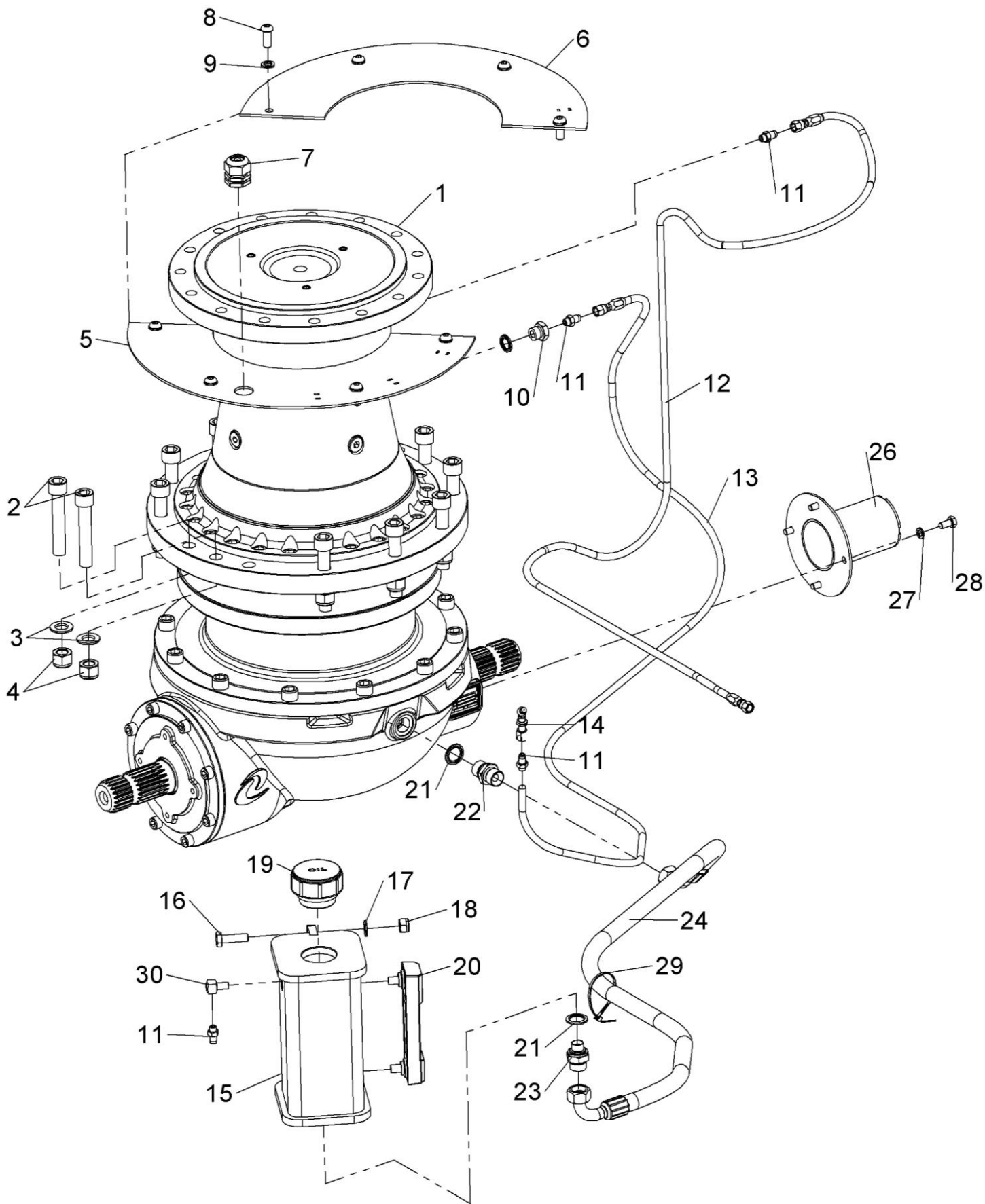
ASSY NUMBER: 619146 01				ASSY DESCRIPTION: 9m 2 DOOR POPULAR TUB SUB ASSY			
ITEM	PART NO	DESCRIPTION	QTY	ITEM	PART NO	DESCRIPTION	QTY
1	614915 01	9m Cu TUB W/A	1				



619146 01

Shelbourne Reynolds Engineering Limited

ASSY NUMBER: 619154 02				ASSY DESCRIPTION: AUGER DRIVES SUB ASSY (PMP09120247 & ON)			
ITEM	PART NO	DESCRIPTION	QTY	ITEM	PART NO	DESCRIPTION	QTY
1	GEA-0177	PLANETARY GEARBOX	1				
2	SCCA16533	CAP HD SOC SCREW	12				
3	WSH-0024	WASHER	12				
4	NUT-0271	NUT	12				
5	615377 01	GEARBOX SEAL PLATE	1				
6	615378 01	GEARBOX SEAL PLATE	1				
7	CBG-00252	CABLE GLAND (GREY)	1				
8	SCW-0514	BUTTON SKT HD SCREW	8				
9	WSH-0061	WASHER	8				
10	614927 01	HYD BUSH	1				
11	LUB-00038	FRENCH PIPE CONNECTOR	8				
12	614605 01	GEARBOX HOSE	1				
13	614605 08	GEARBOX HOSE	1				
14	LUB-00036	BULKHEAD ADAPTOR	1				
15	615450 01	OIL RESERVOIR WA	1				
16	HSS-0198	SET SCREW	2				
17	WSH-0015	WASHER	2				
18	NUT-0265	NUT	2				
19	FIL-0004	FILLER CAP ASSY	1				
20	GAU-0010	FLUID LEVEL GUAGE	1				
21	WSH-1015	WASHER	2				
22	HMA-0067	ADAPTOR	1				
23	614561 01	ADAPTOR	1				
24	HHKF13005	HYDRAULIC HOSE ASSY	1				
25							
26	614564 01	SHAFT GUARD W/A	1				
27	WSH-0058	WASHER	4				
28	HSS-0135	SETSCREW	4				
29	TIE-0004	TIE WRAPS	12				
30	LUB-00051	90 DEG ELBOW	1				



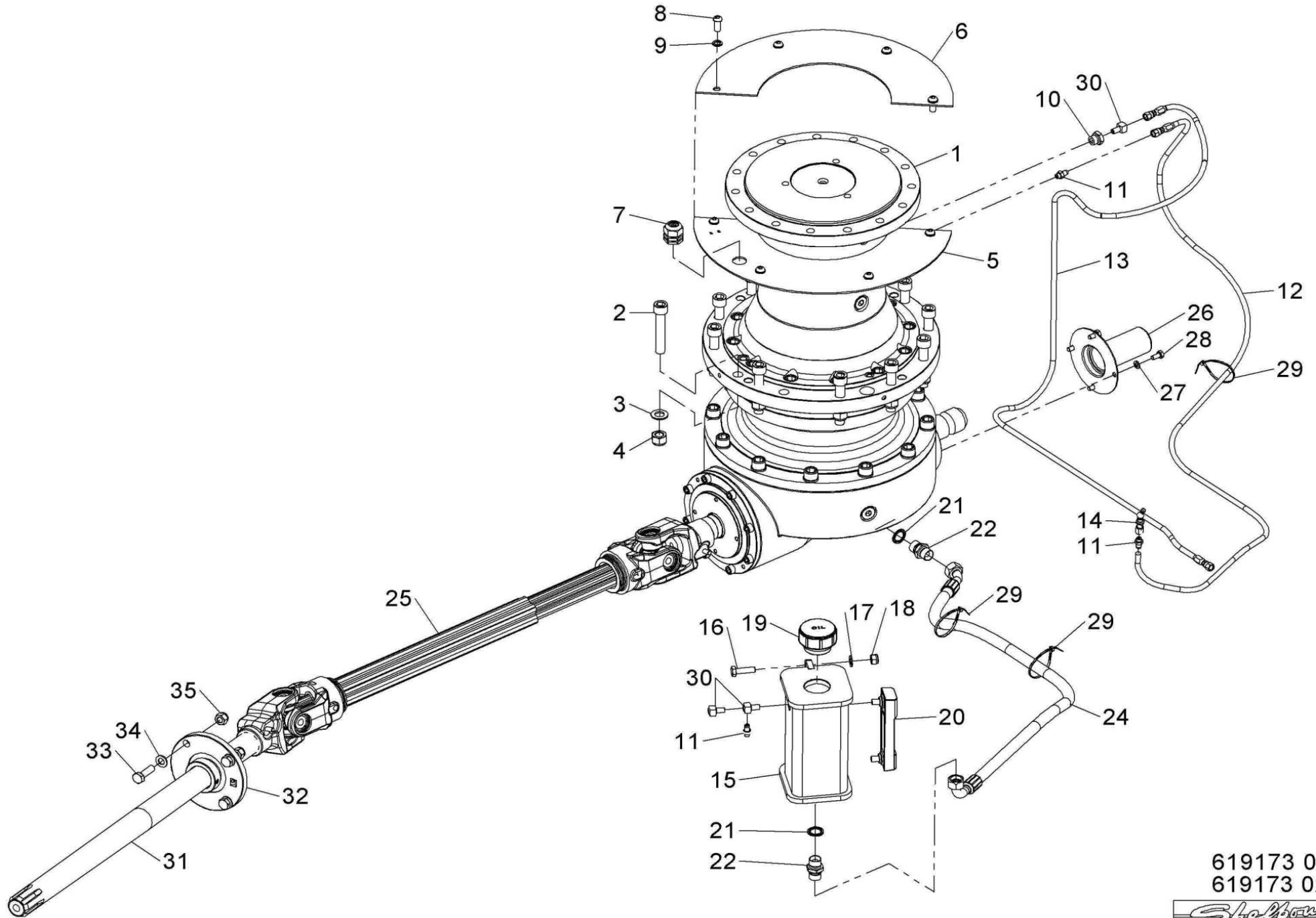
619154 02



Shelbourne Reynolds Engineering Limited

ASSY NUMBER: 619173 02				ASSY DESCRIPTION: AUGER DRIVES SUB ASSY (PMP09170549 & ON)			
ITEM	PART NO	DESCRIPTION	QTY	ITEM	PART NO	DESCRIPTION	QTY
1	GEA-0195	PLANETARY GEARBOX	1				
2	SCCA16533	CAP SOCKET HEAD SCREW*	12				
3	WSH-0024	WASHER	12				
4	NUT-0271	NUT	12				
5	616528 01	GEARBOX SEAL PLATE	1				
6	616531 01	GEARBOX SEAL PLATE	1				
7	CBG-00252	CABLE GLAND (GREY)	1				
8	SCW-0514	BUTTON SKT HD SCREW	8				
9	WSH-0061	WASHER	8				
10	HAEAA0107	REDUCING BUSH ADAPTOR	1				
11	LUB-00038	FRENCH PIPE CONNECTOR	4				
12	614605 17	GEARBOX HOSE	1				
13	614605 08	GEARBOX HOSE	1				
14	LUB-00036	BULKHEAD ADAPTOR	1				
15	615450 01	OIL RESERVOIR WA	1				
16	HSS-0198	SET SCREW	2				
17	WSH-0015	WASHER	2				
18	NUT-0265	NUT	2				
19	FIL-0004	FILLER CAP ASSY	1				
20	GAU-0010	FLUID LEVEL GUAGE	1				
21	WSH-1015	WASHER	2				
22	HMA-0067	ADAPTOR	2				
23							
24	HHKF13005	HYDRAULIC HOSE ASSY	1				
25							
26	GEA-0195A	PLASTIC SHAFT GUARD	1				
27	WSH-0058	WASHER	4				
28	HSS-0135	SETSCREW	4				
29	TIE-0004	TIE WRAPS	12				
30	LUB-00051	90 DEG ELBOW	3				

Shelbourne Reynolds Engineering Limited

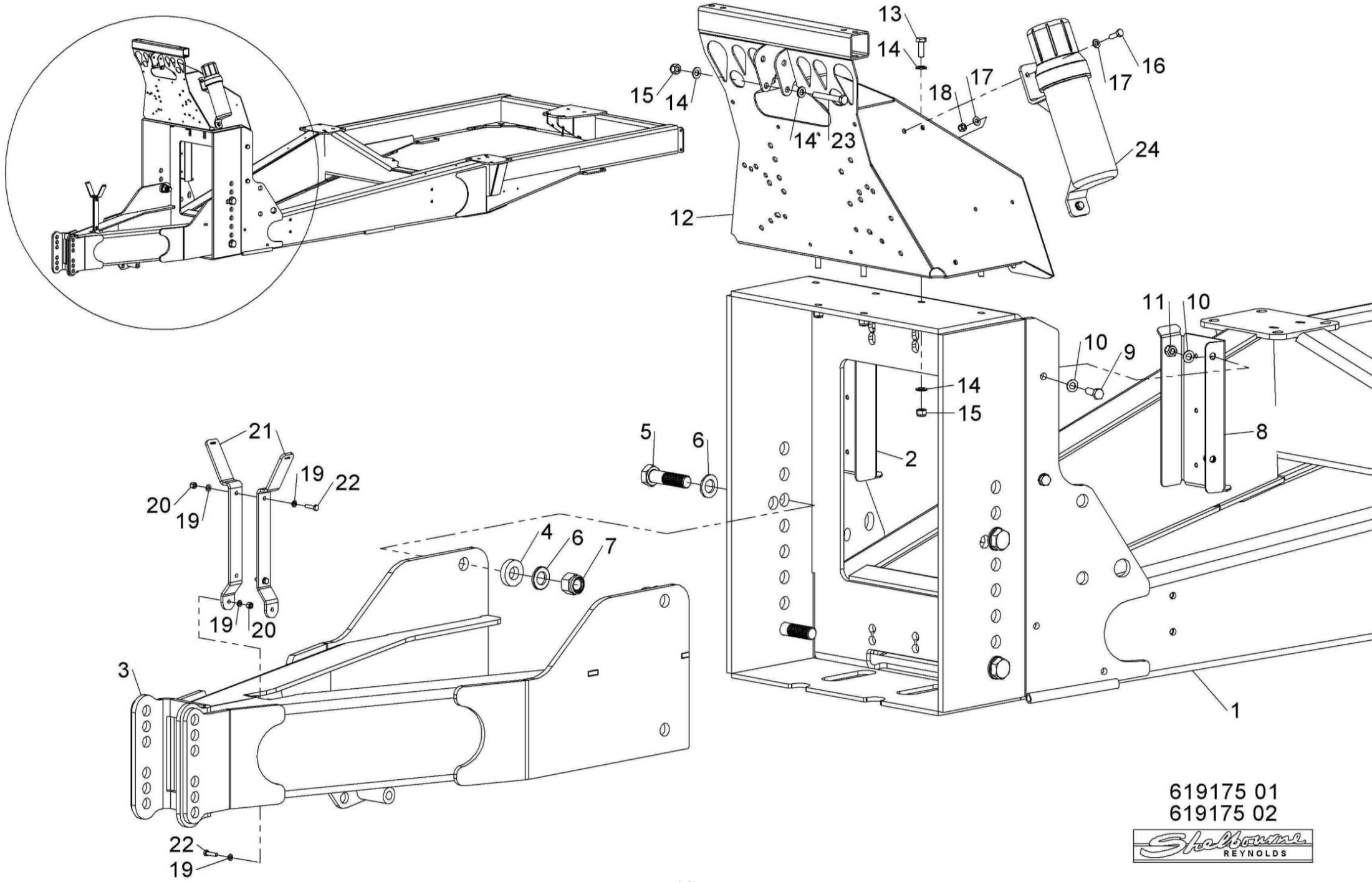


619173 01
619173 02



Shelbourne Reynolds Engineering Limited

ASSY NUMBER: 619175 02		ASSY DESCRIPTION: CHASSIS & DRAWBAR SUB ASSY (POPULAR SING)					
ITEM	PART NO	DESCRIPTION	QTY	ITEM	PART NO	DESCRIPTION	QTY
1	614908 01	CHASSIS W/A	1				
2	613516 02	HOSE TIDY RH	1				
3	615222 01	DRAWBAR W/A	1				
4	190119 94	WASHER	4				
5	BLTA24530	BOLT	4				
6	WSH-0036	WASHER	8				
7	NUT-0275	NUT	4				
8	613516 01	HOSE TIDY LH	1				
9	HSS-0241	SETSCREW	4				
10	WSH-0018	WASHER	8				
11	NUT-0269	NUT	4				
12	617460 01	PARKING STATION W/A	1				
13	HSS-0194	SETSCREW	6				
14	WSH-0015	WASHER	14				
15	NUT-0265	NUT	7				
16	HSS-0145	SETSCREW	3				
17	WSH-0012	WASHER	6				
18	NUT-0263	NUT	3				
19	WSH-0009	WASHER	5				
20	NUT-0260	NUT	4				
21	613433 01	PTO REST PLATE	2				
22	HSS-0088	SETSCREW	4				
23	BLTA10500	BOLT	1				
24	PCN-00100	PLASTIC CANNISTER	1				



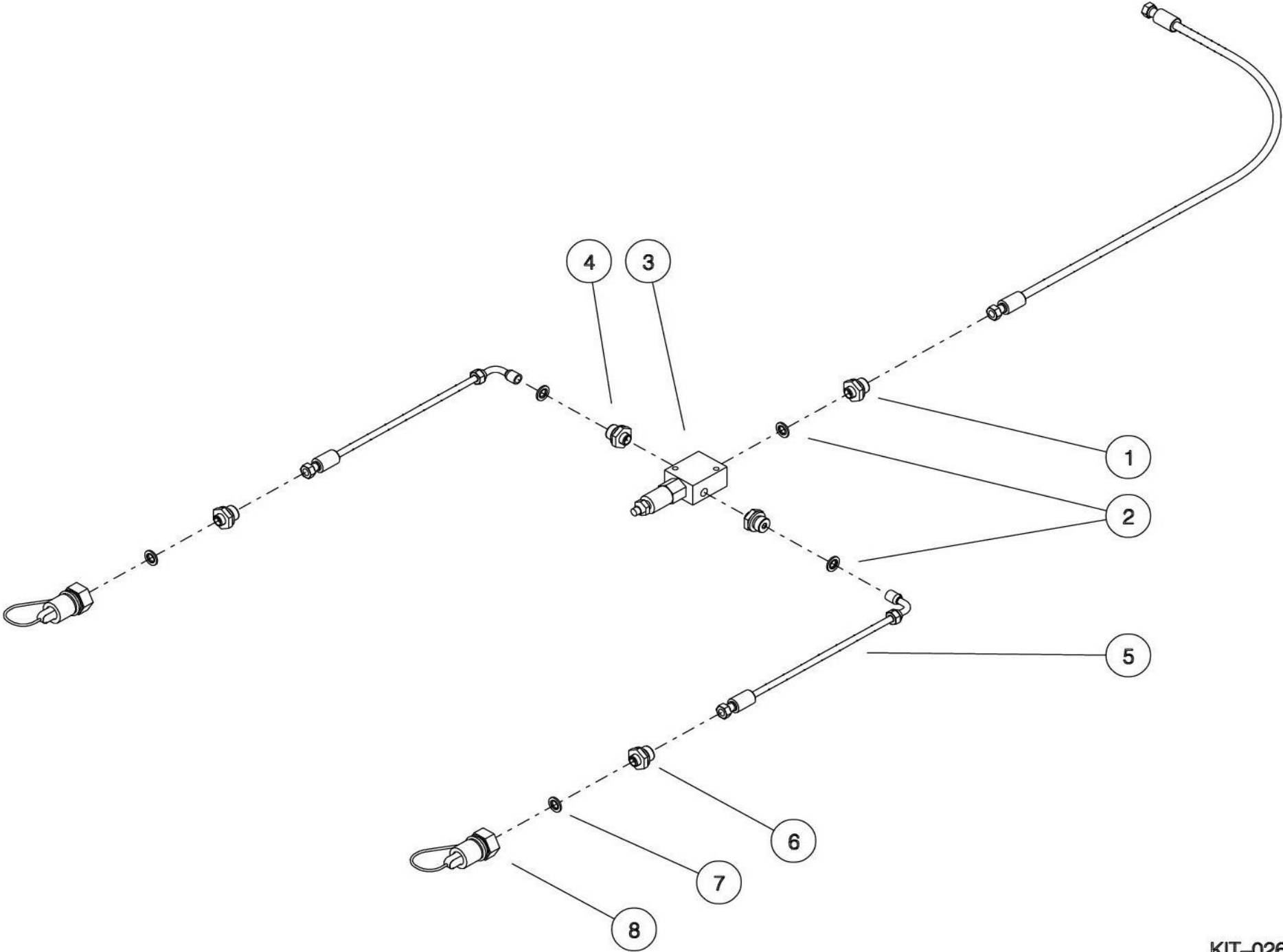
619175 01
619175 02



Kit Options

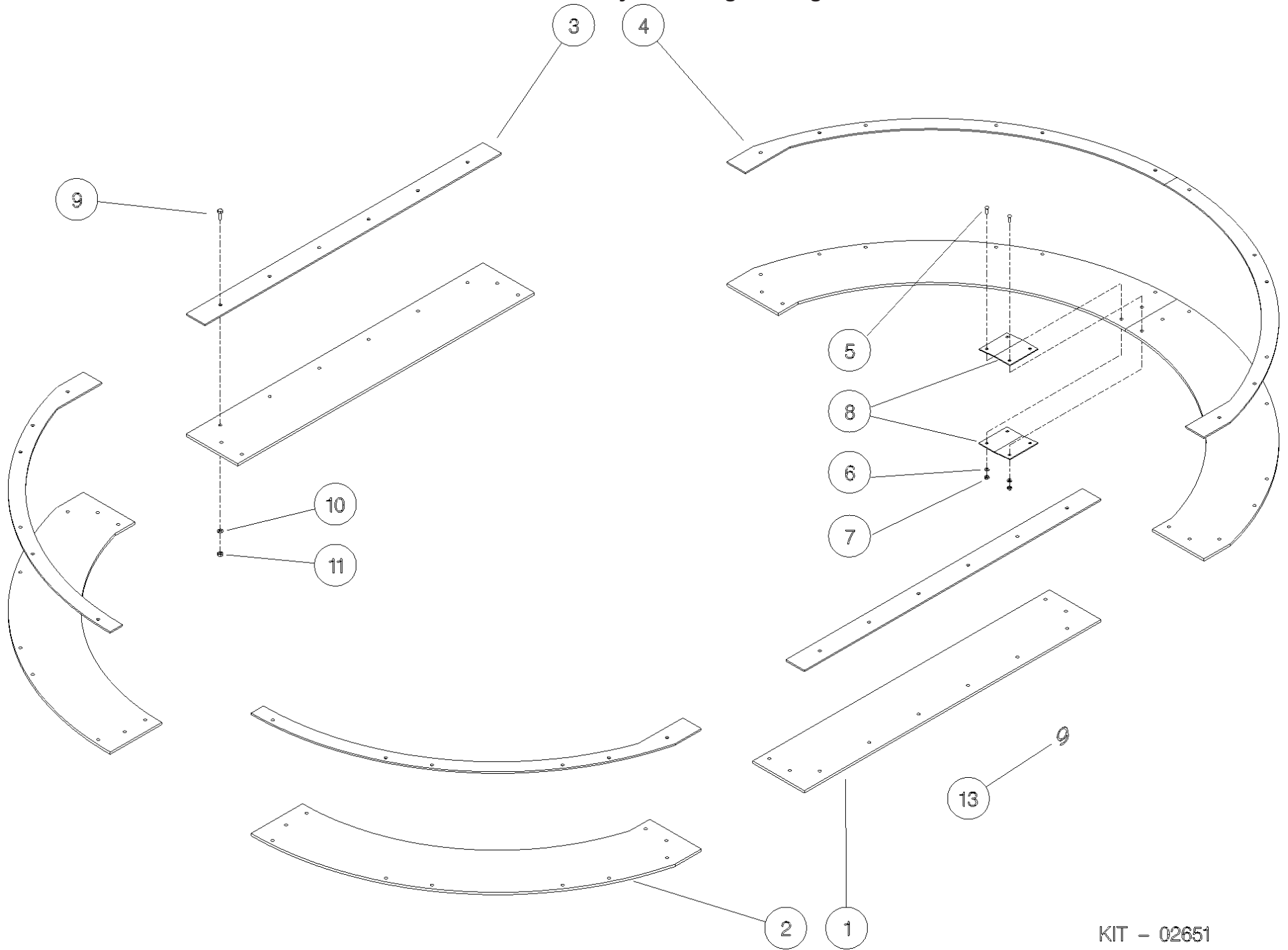
Shelbourne Reynolds Engineering Limited

ASSY NUMBER: KIT-02602				ASSY DESCRIPTION: BRAKE RELIEF KIT			
ITEM	PART NO	DESCRIPTION	QTY	ITEM	PART NO	DESCRIPTION	QTY
1							
2	WSH-1005	DOWTY WASHER	3				
3	HVB-22110	RELIEF VALVE	1				
4	HMA-0052	ADAPTOR	3				
5	HHBC02505	HYD HOSE	2				
6	HMA-0055	ADAPTOR	2				
7	WHS-1015	DOWTY WASHER	2				
8	COU-0162	Q.R COUPLING	2				



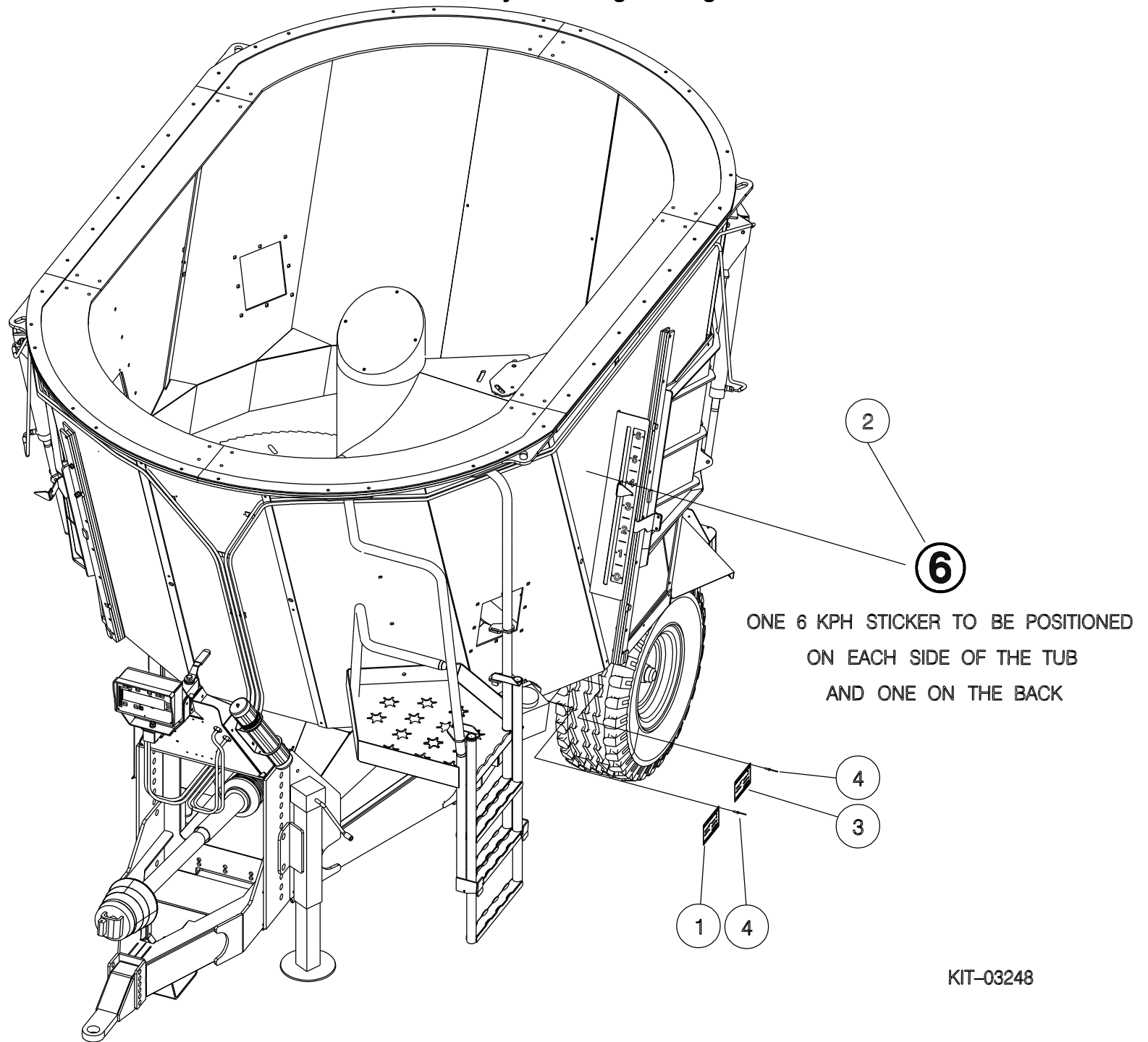
Shelbourne Reynolds Engineering Limited

ASSY NUMBER: KIT-02651				ASSY DESCRIPTION: 9m CU RUBBER RETAINER			
ITEM	PART NO	DESCRIPTION	QTY	ITEM	PART NO	DESCRIPTION	QTY
1	611025 01	RUBBER SECTION	2				
2	610982 01	CORNER RUBBER SECTION	4				
3	611029 01	CLAMP STRIP	2				
4	610979 01	CURVED CLAMP STRIP	4				
5	BLTA10290	HEX.HEAD BOLT	34				
6	WSH-0015	WASHER	34				
7	NUT-0265	NUT	34				
8	611051 01	CLAMP STRIP	12				
9	BLT-2700	BOLT	24				
10	WSH-0012	WASHER	24				
11	NUT-0263	NUT	24				
12							
13	615458 01	SIZE TRANSFER - 9 WHITE	2				
OR	613879 01	SIZE TRANSFER - 9 RED	2				



Shelbourne Reynolds Engineering Limited

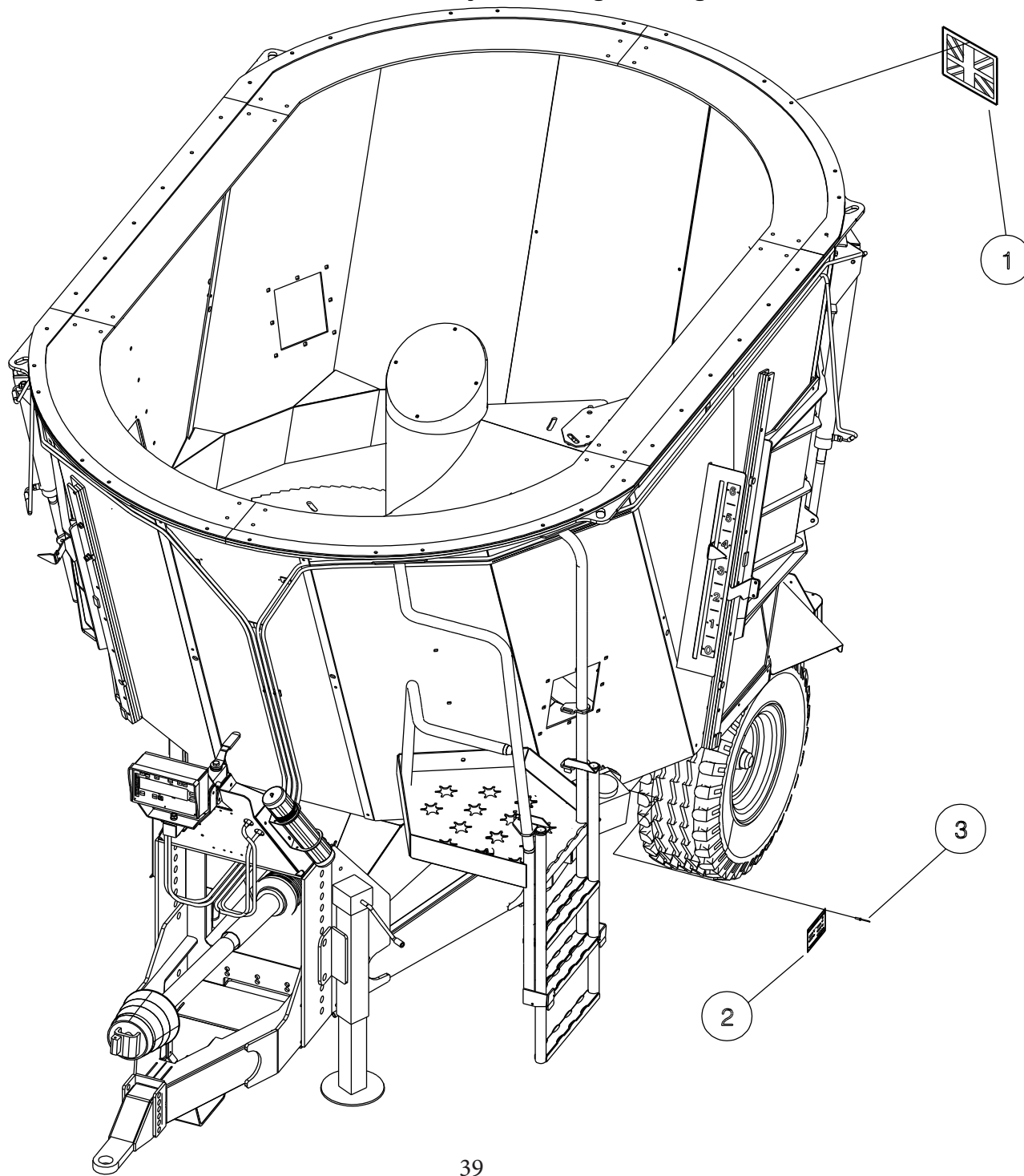
ASSY NUMBER: KIT-03248				ASSY DESCRIPTION: GERMAN PARTS KIT			
ITEM	PART NO	DESCRIPTION	QTY	ITEM	PART NO	DESCRIPTION	QTY
1	TNF-0201	GERMAN IDENTIFICATION PLATE	1				
2	612610 01	6KM/H TRANSFER	3				
3	590145 01	UK IDENTIFICATION PLATE	1				
4	POP-0006	POP RIVET	8				



KIT-03248

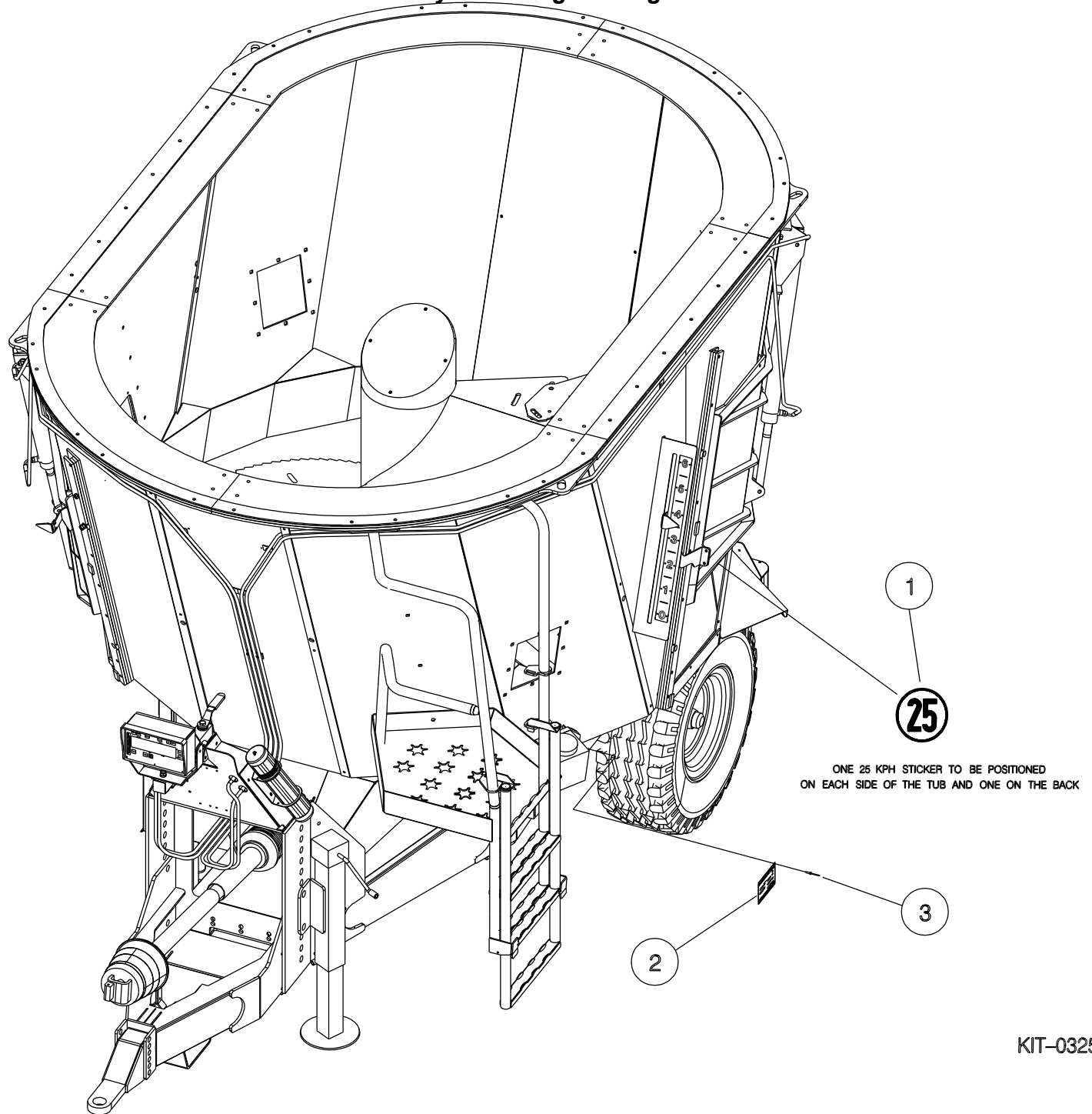
Shelbourne Reynolds Engineering Limited

ASSY NUMBER: KIT-03249				ASSY DESCRIPTION: UK PARTS KIT			
ITEM	PART NO	DESCRIPTION	QTY	ITEM	PART NO	DESCRIPTION	QTY
1	610563 01	UNION JACK TRANSFER	1				
2	590145 01	UK IDENTIFICATION PLATE	1				
3	POP-0006	POP RIVET	4				



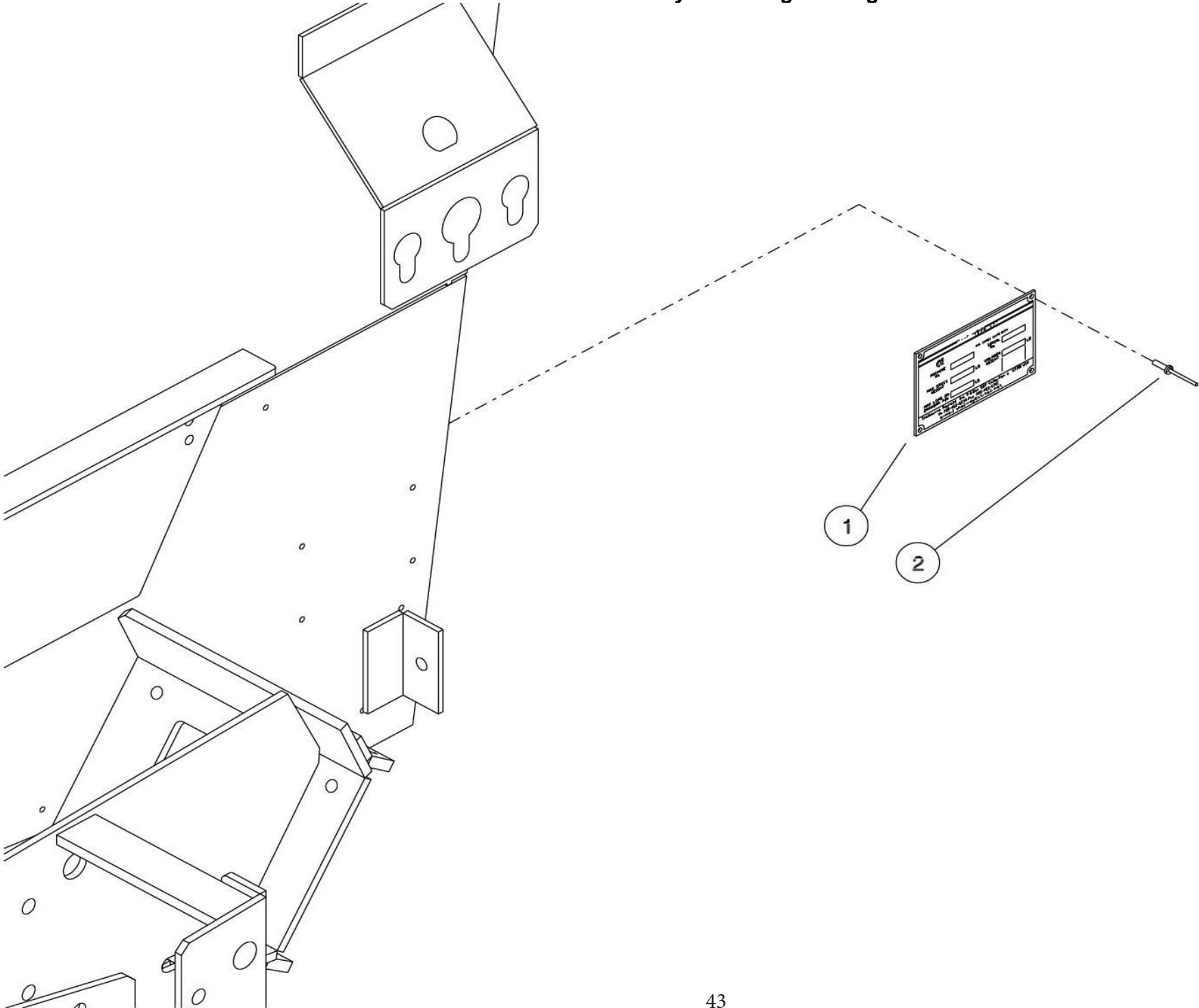
Shelbourne Reynolds Engineering Limited

ASSY NUMBER: KIT-03250				ASSY DESCRIPTION: EUROPEAN PARTS KIT			
ITEM	PART NO	DESCRIPTION	QTY	ITEM	PART NO	DESCRIPTION	QTY
1	611033 01	25Km/h TRANSFER	3				
2	590145 01	UK IDENTIFICATION PLATE	1				
3	POP-0006	POP RIVET	4				



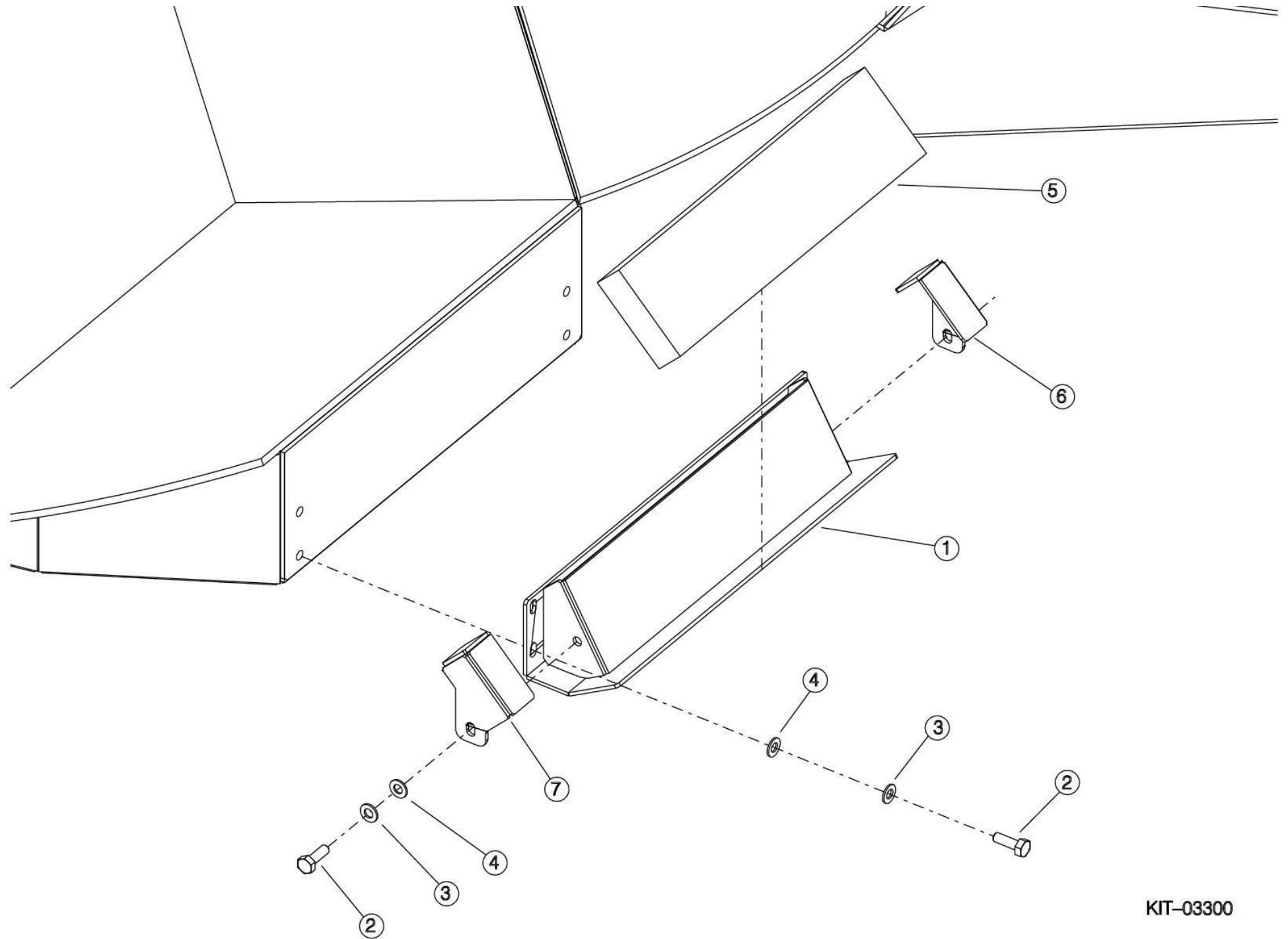
Shelbourne Reynolds Engineering Limited

ASSY NUMBER: KIT-03251				ASSY DESCRIPTION: USA PARTS KIT			
ITEM	PART NO	DESCRIPTION	QTY	ITEM	PART NO	DESCRIPTION	QTY
1	612269 01	USA IDENTIFICATION PLATE	1				
2	POP-0006	POP RIVET	4				



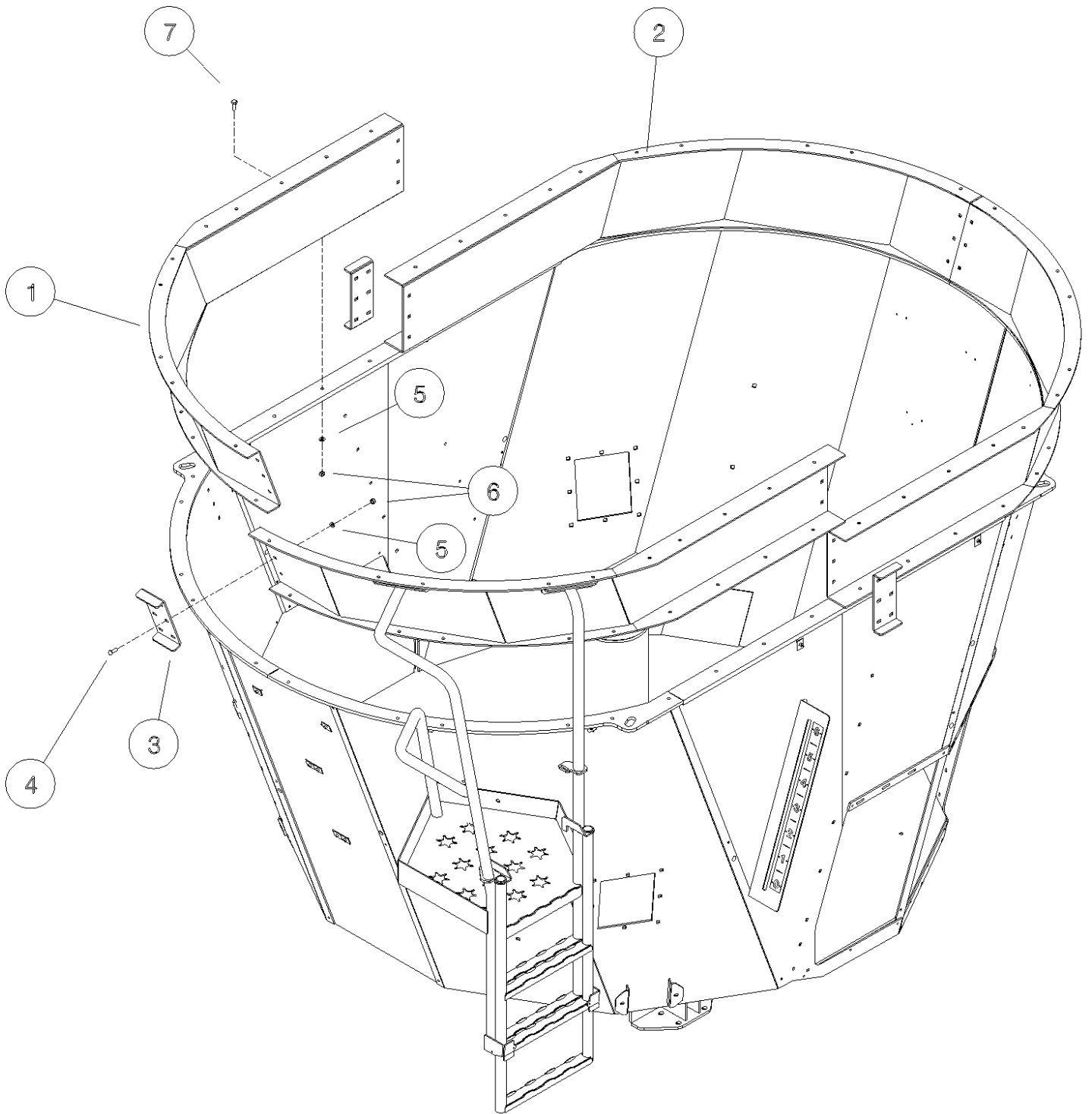
Shelbourne Reynolds Engineering Limited

ASSY NUMBER: KIT-03300				ASSY DESCRIPTION: AUGER MAGNET KIT			
ITEM	PART NO	DESCRIPTION	QTY	ITEM	PART NO	DESCRIPTION	QTY
1	612914 01	MAGNET BRACKET W/A	1				
2	HSS-0191	SETSCREW	6				
3	WSH-0061	WASHER	6				
4	WSH-0015	WASHER	4				
5	MAG-0002	17" MAGNET	1				
6	612919 01	RETAINER BRACKET LH	1				
7	612919 02	RETAINER BRACKET RH	1				



Shelbourne Reynolds Engineering Limited

ASSY NUMBER: KIT-03395A				ASSY DESCRIPTION: 300mm EXTENSION KIT			
ITEM	PART NO	DESCRIPTION	QTY	ITEM	PART NO	DESCRIPTION	QTY
1	613269 01	EXTENSION W/A LH (300mm)	2				
2	613269 02	EXTENSION W/A RH (300mm)	2				
3	613276 01	SIDE CLAMP PLATE	4				
4	BLT-3745	COACHBOLT	24				
5	WSH-0015	WASHER	98				
6	NUT-0265	NUT	98				
7	HSS-0198	SET SCREW	34				
8	614950 01	STRAIGHT CLAMP STRIP	2				
9	613282 01	CURVED CLAMP STRIP	2				
10	HSS-0202	SET SCREW	40				

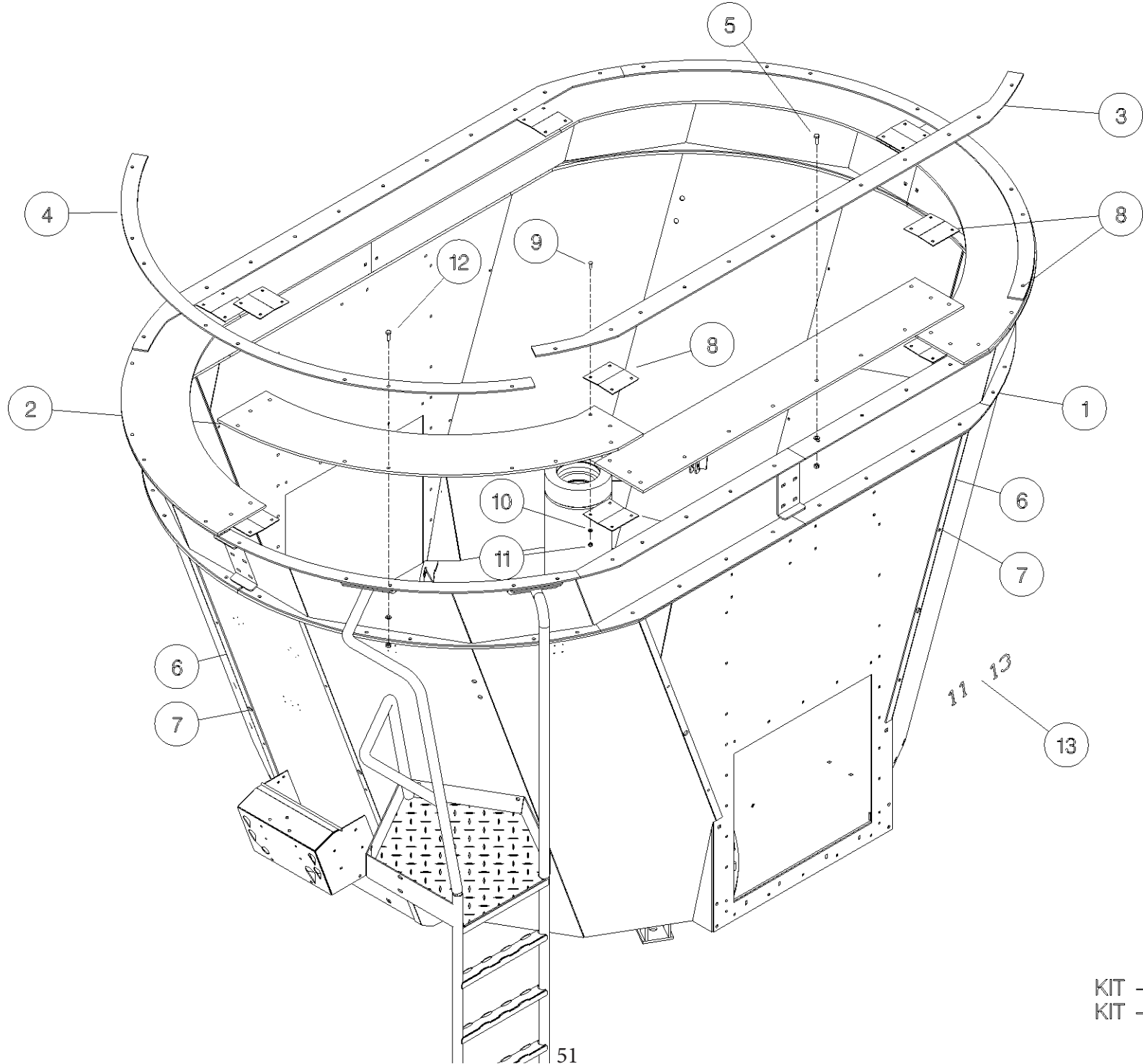


Shelbourne Reynolds Engineering Limited

ASSY NUMBER: KIT-03396A				ASSY DESCRIPTION: 600mm EXTENSION KIT			
ITEM	PART NO	DESCRIPTION	QTY	ITEM	PART NO	DESCRIPTION	QTY
1	613278 01	EXTENSION W/A LH (600mm)	2				
2	613278 02	EXTENSION W/A RH (600mm)	2				
3	613273 01	SIDE CLAMP PLATE	4				
4	BLT-3745	COACHBOLT	24				
5	WSH-0015	WASHER	98				
6	NUT-0265	NUT	98				
7	HSS-0198	SET SCREW	34				
8	614948 01	TOP CLAMP STRIP	2				
9	613282 01	CURVED CLAMP STRIP	2				
10	HSS-0202	SET SCREW	40				

Shelbourne Reynolds Engineering Limited

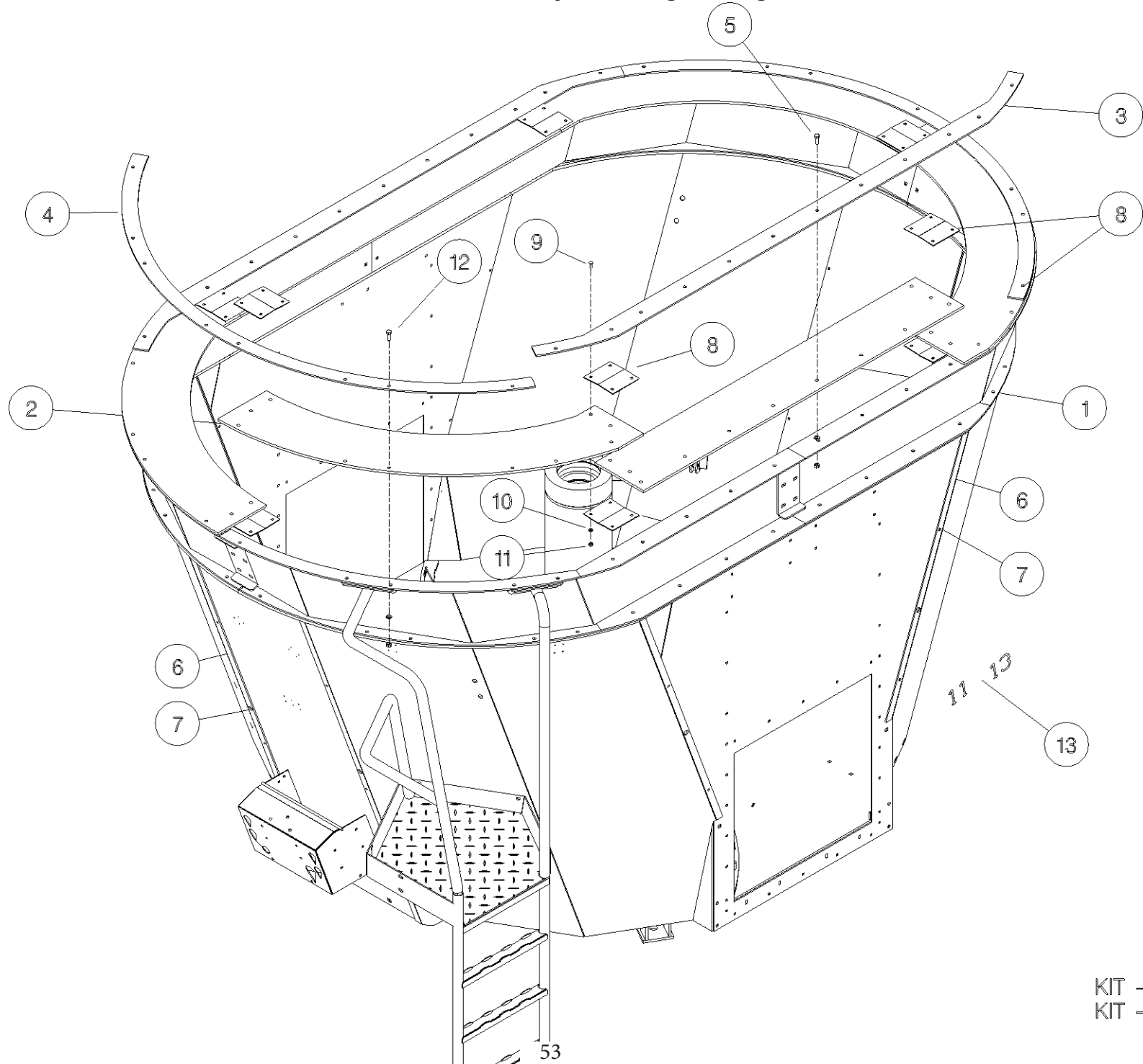
ASSY NUMBER: KIT-03397				ASSY DESCRIPTION: 11m CU RUBBER RETAINING			
ITEM	PART NO	DESCRIPTION	QTY	ITEM	PART NO	DESCRIPTION	QTY
1	613279 01	RUBBER SECTION	2				
2	610982 01	CORNER RUBBER SECTION	4				
3	613281 01	TOP CLAMP STRIP	2				
4	613282 01	CURVED CLAMP STRIP	2				
5	HSS-0202	SET SCREW	36				
6	WSH-0015	WASHER	40				
7	NUT-0265	NUT	40				
8	611051 01	CLAMP STRIP	12				
9	BLT-2700	BOLT	24				
10	WSH-0012	WASHER	24				
11	NUT-0263	NUT	24				
12	BLTA10290	HEX.HEAD BOLT	4				
13	613879 02	DECAL - No SIZE 11	2				



KIT - 03397
KIT - 03398

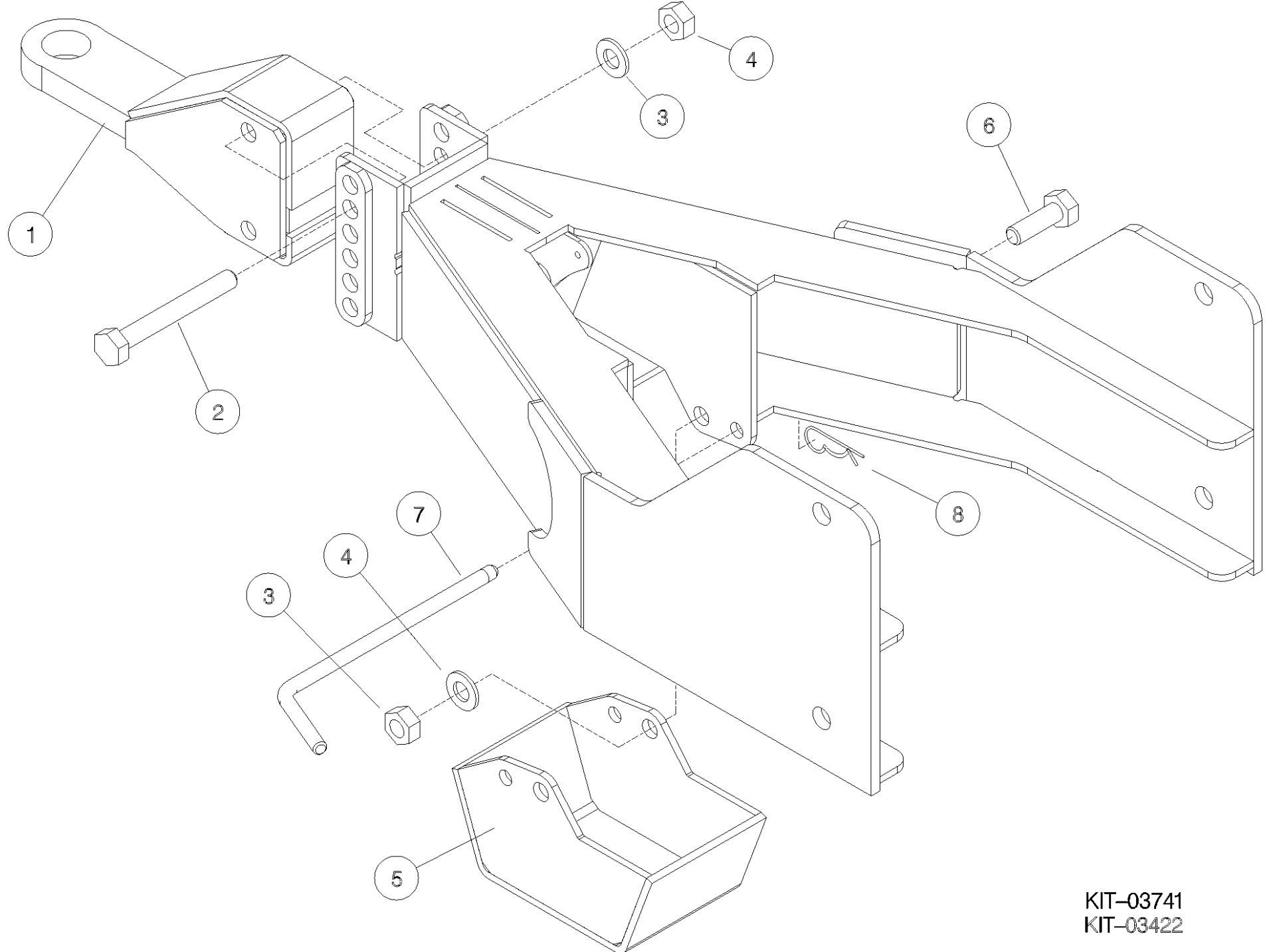
Shelbourne Reynolds Engineering Limited

ASSY NUMBER: KIT-03398				ASSY DESCRIPTION: 13m CU RUBBER RETAINING			
ITEM	PART NO	DESCRIPTION	QTY	ITEM	PART NO	DESCRIPTION	QTY
1	613280 01	RUBBER SECTION	2				
2	610982 01	CORNER RUBBER SECTION	4				
3	613277 01	TOP CLAMP STRIP	2				
4	613282 01	CURVED CLAMP STRIP	2				
5	HSS-0202	SET SCREW	36				
6	WSH-0015	WASHER	40				
7	NUT-0265	NUT	40				
8	611051 01	CLAMP STRIP	12				
9	BLT-2700	BOLT	24				
10	WSH-0012	WASHER	24				
11	NUT-0263	NUT	24				
12	BLTA10290	HEX.HEAD BOLT	4				
13	613879 03	DECAL - No SIZE 13	2				



Shelbourne Reynolds Engineering Limited

ASSY NUMBER: KIT-03422				ASSY DESCRIPTION: UK TOWING EYE KIT			
ITEM	PART NO	DESCRIPTION	QTY	ITEM	PART NO	DESCRIPTION	QTY
1	613437 01	DRAWBAR WELD ASSY	1				
2	BLTA20770	HEXAGON HEAD BOLT	2				
3	WSH-0030	WASHER	4				
4	NUTA02200	NUT	4				
5	613418 01	FOOT WELD ASSY	1				
6	HSS-0355	SETSCREW	2				
7	613419 01	FOOT SECURING PIN	1				
8	CLP-00106	R CLIP	1				

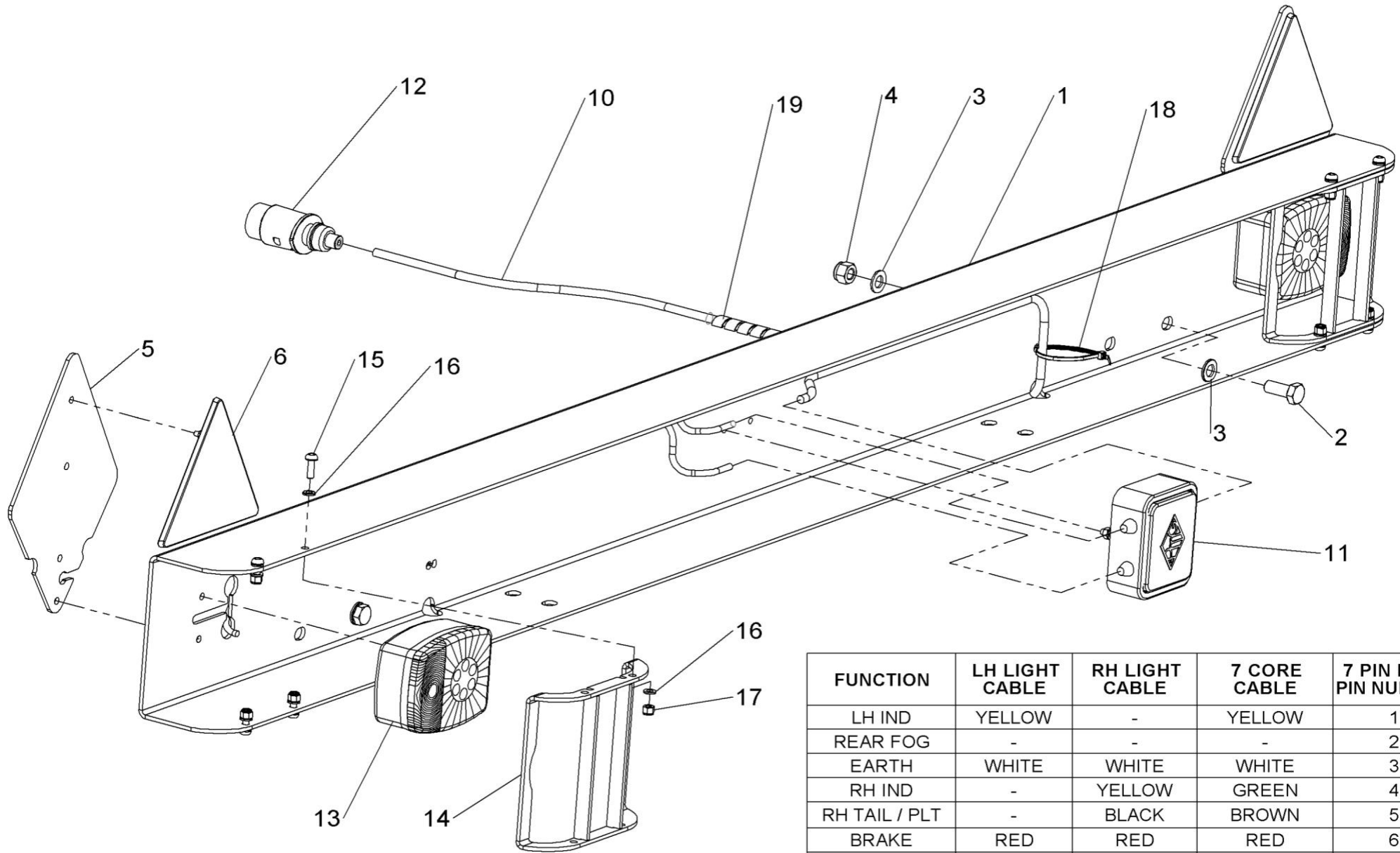


KIT-03741
KIT-03422

Shelbourne Reynolds Engineering Limited

ASSY NUMBER: KIT-03431				ASSY DESCRIPTION: LIGHTING KIT			
ITEM	PART NO	DESCRIPTION	QTY	ITEM	PART NO	DESCRIPTION	QTY
1	613455 01	LIGHTING BOARD	1				
2	HSS-0238	SETSCREW	4				
3	WSH-0018	WASHER	4				
4	NUT-0269	NUT	4				
5	613620 01	REFECTOR MTG PLATE	2				
6	REF-0035	REFLECTOR	2				
7							
8							
9							
10	CBL-03530	CABLE	10m				
11	JNC-00000	JUNCTION BOX	1				
12	PLG-0005	7 PIN PLUG	1				
13	LMP-10412	LIGHT CLUSTER (FULL LED) PME**170530 & ON	2				
OR	LMP-10408	LIGHT CLUSTER (LED BULB) UP TO PME**170530	2				
OR	LMP-10400	LIGHT CLUSTER (BRITAX)	2				
14	613604 01	LIGHT GUARD W/A	2				
15	SCW-4960	SCREW	4				
16	WSH-0009	WASHER	8				
17	NUT-0260	NUT	8				
18	TIE-0004	TIE WRAP (MEDIUM)	8				
19	SLV-00300	SPIRAL CONVOLUTE TUBING	2m				

Shelbourne Reynolds Engineering Limited



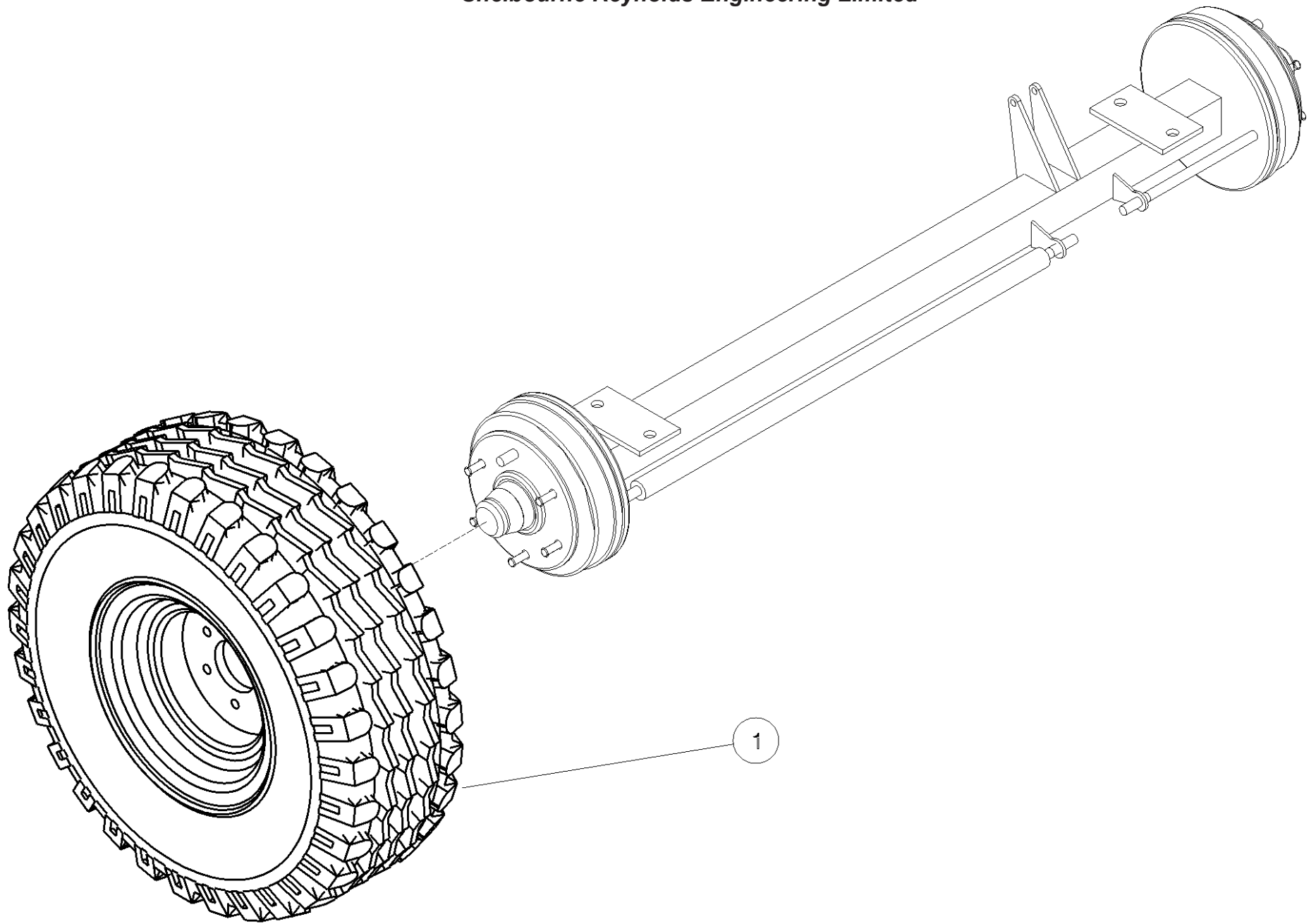
FUNCTION	LH LIGHT CABLE	RH LIGHT CABLE	7 CORE CABLE	7 PIN PLUG PIN NUMBER
LH IND	YELLOW	-	YELLOW	1
REAR FOG	-	-	-	2
EARTH	WHITE	WHITE	WHITE	3
RH IND	-	YELLOW	GREEN	4
RH TAIL / PLT	-	BLACK	BROWN	5
BRAKE	RED	RED	RED	6
LH TAIL / PLT	BLACK	-	BLACK	7
			BLUE (NOT USED)	

KIT-03431



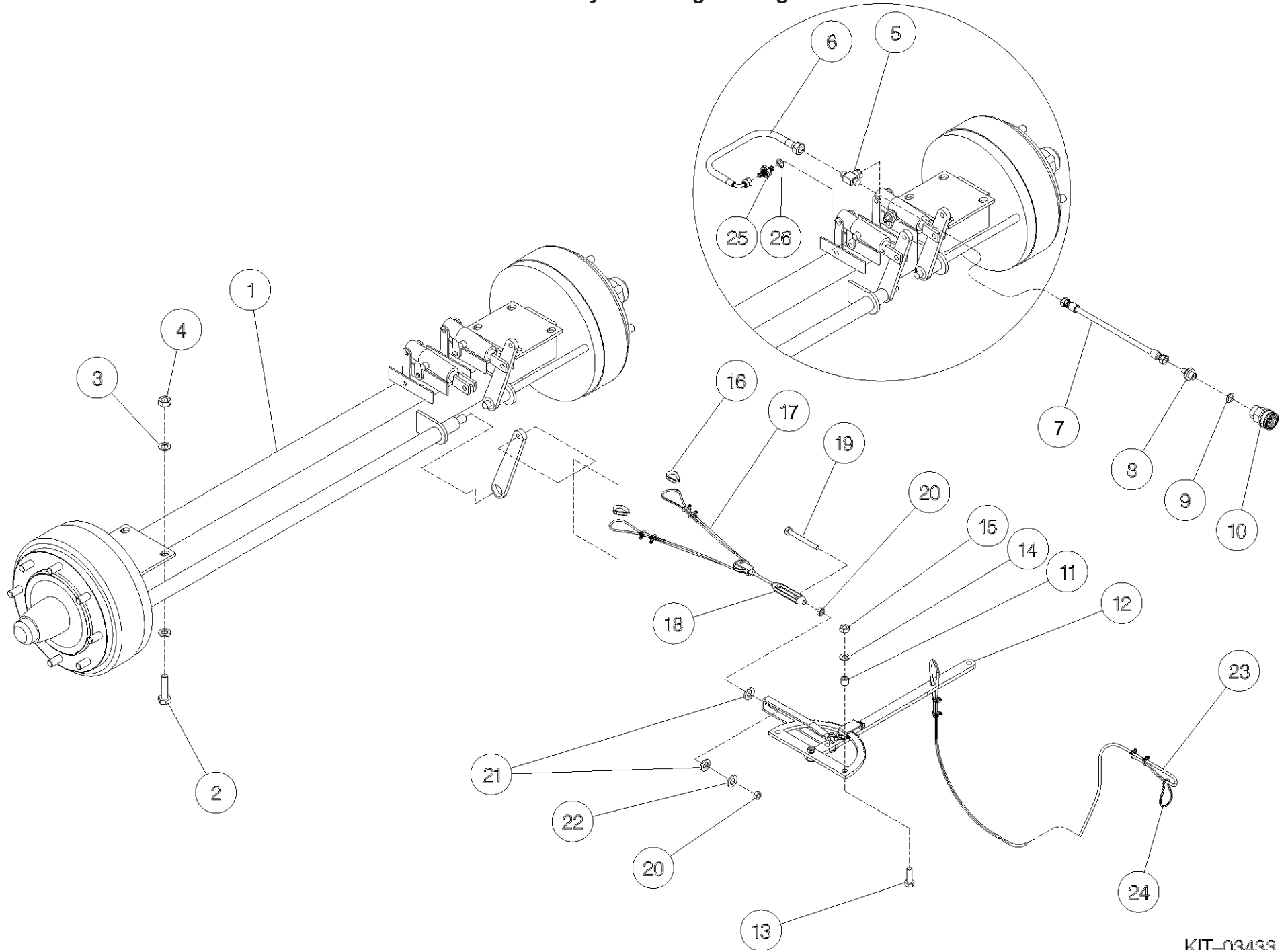
Shelbourne Reynolds Engineering Limited

ASSY NUMBER: KIT-03432				ASSY DESCRIPTION: WHEEL & TYRE KIT (GOODYEAR 340/65 R18)			
ITEM	PART NO	DESCRIPTION	QTY	ITEM	PART NO	DESCRIPTION	QTY
1	WHL-01800	WHEEL & TYRE ASSY	2				



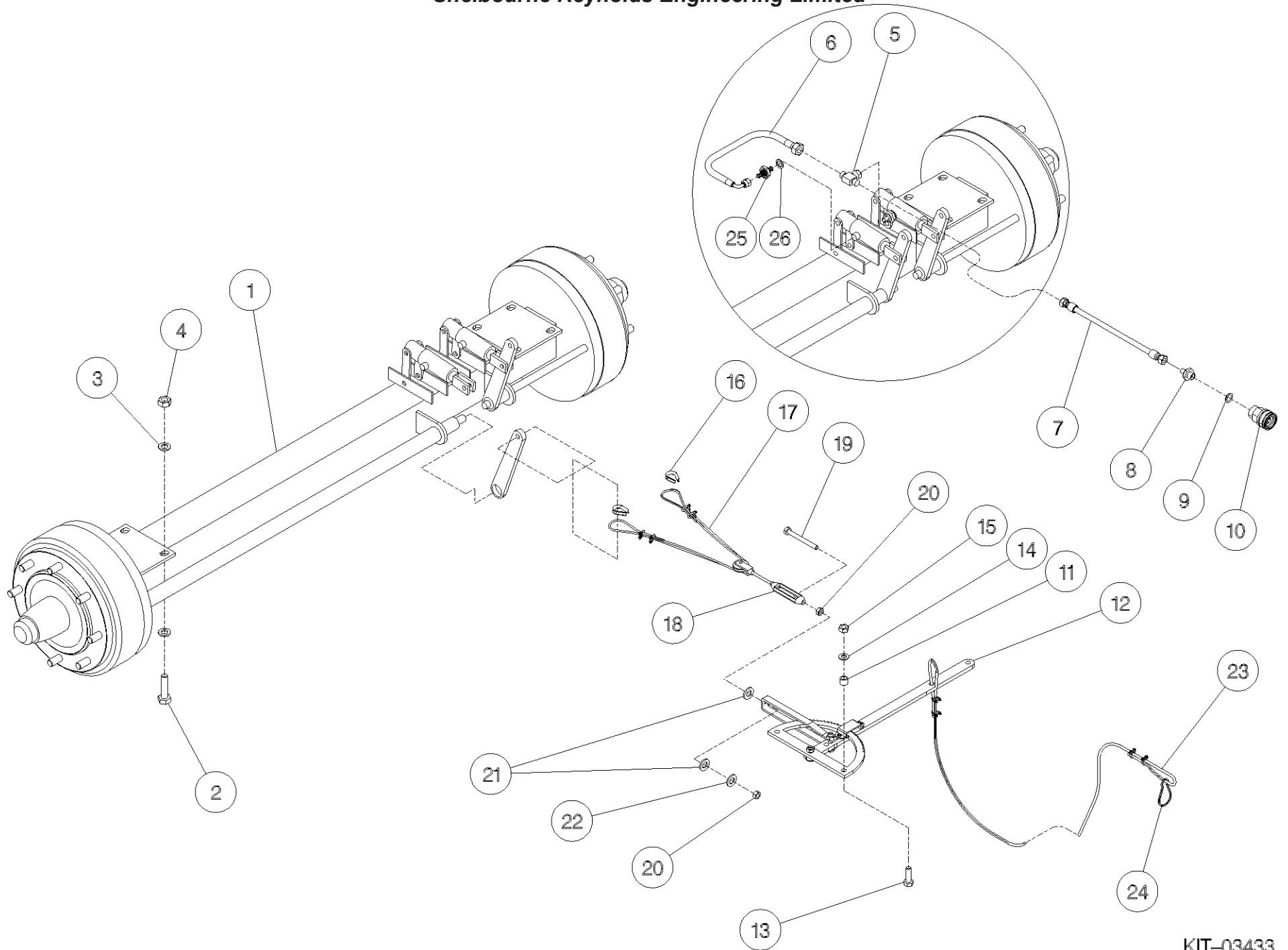
Shelbourne Reynolds Engineering Limited

ASSY NUMBER: KIT-03433				ASSY DESCRIPTION: HYD BRAKED AXLE KIT			
ITEM	PART NO	DESCRIPTION	QTY	ITEM	PART NO	DESCRIPTION	QTY
1	AXL-00055	HYDRAULIC BRAKED AXLE	1				
2	BLT-2312	HEX.HEAD BOLT	8				
3	WSH-0024	PLAIN WASHER	16				
4	NUT-0271	NYLOC NUT	8				
5	FITA10140	HYDRAULIC TEE FITTING	1				
6	HHBC03205	HYDRAULIC HOSE ASSY	1				
7	HHBC64005	HYD. HOSE	1				
8	HMA-0055	ADAPTOR	1				
9	WSH-1015	DOWTY WASHER	1				
10	HQR-10007	HYD.QUICK RELEASE COUP.	1				
11	610923 01	SPACER	2				
12	590222 01	*HANDBRAKE LEVER ASSY	1				
13	HSS-0275	SET SCREW	2				
14	WSH-0018	PLAIN WASHER	2				
15	NUT-0269	NYLOC NUT	2				
16	WRP-01040	WIRE CABLE THIMBLE	2				
17	WRP-00040	WIRE CABLE	4.75				
18	ADL-00120	ADJUSTER ASSY	1				
19	HSS-0155	SET SCREW	1				
20	NUT-0164	PLAIN NUT	2				
21	WSH-0012	PLAIN WASHER	2				
22	WSH-0058	SPRING WASHER	1				
23	WRP-02040	WIRE CABLE CLAMP	8				
24	WRP-03000	SNAPHOOK	1				
25	HMA-0057	ADAPTOR	2				
26	WSH-1010	DOWTY WASHER	2				



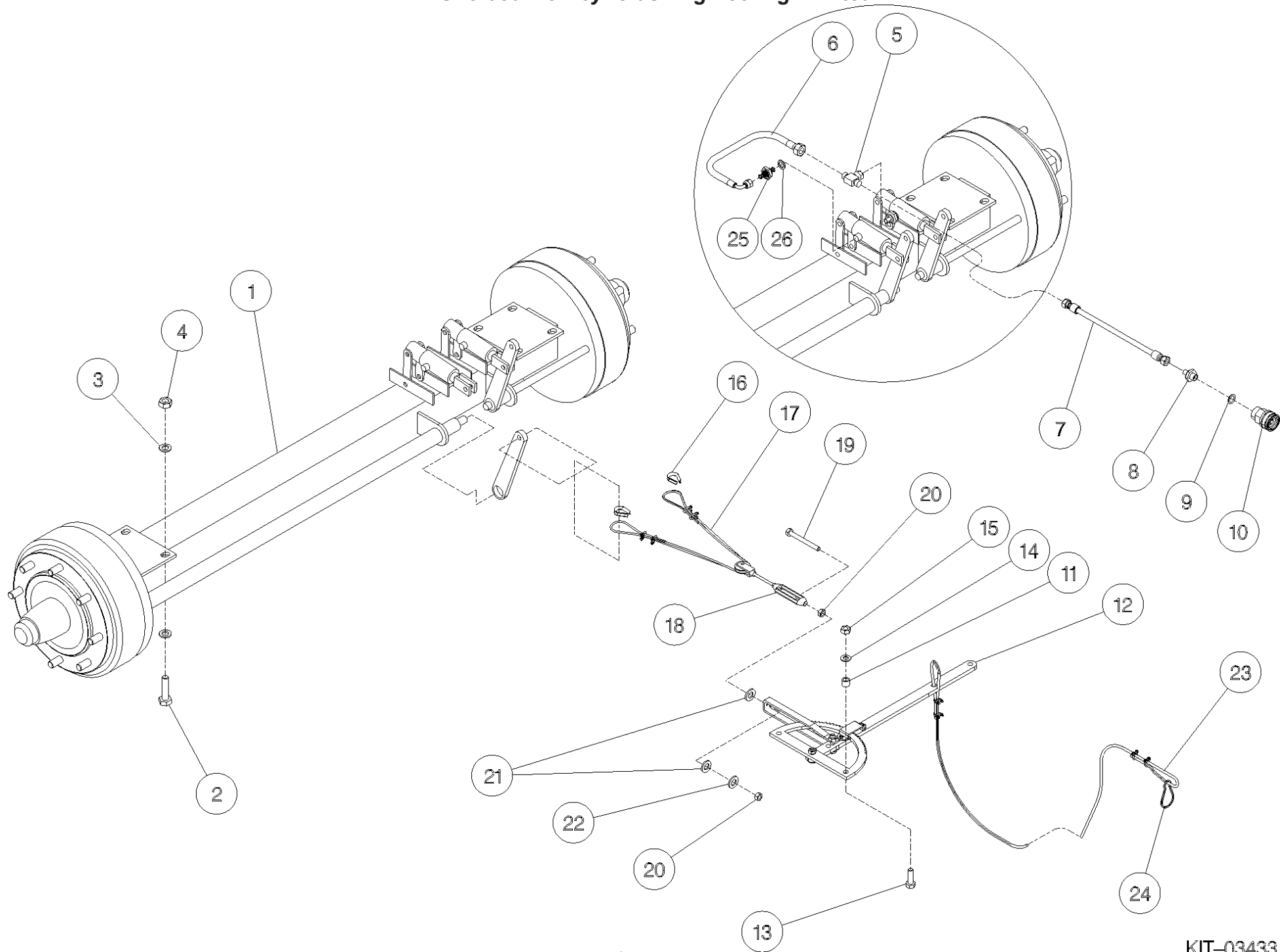
Shelbourne Reynolds Engineering Limited

ASSY NUMBER: KIT-03433B				ASSY DESCRIPTION: HYDRAULIC BRAKED AXLE KIT			
ITEM	PART NO	DESCRIPTION	QTY	ITEM	PART NO	DESCRIPTION	QTY
1	AXL-00056	HYDRAULIC BRAKED AXLE ASSY	1				
2	BLT-2312	HEX.HEAD BOLT	8				
3	WSH-0024	WASHER	16				
4	NUT-0271	NUT	8				
5	FITA10140	HYDRAULIC TEE FITTING	1				
6	HHBC03205	HYDRAULIC HOSE ASSY	1				
7	HHBC64005	HYD. HOSE	1				
8	HMA-0055	HYD ADAPTOR	1				
9	WSH-1015	DOWTY WASHER	1				
10	HQR-10007	HYD.QUICK RELEASE COUP.	1				
11	610923 01	SPACER	2				
12	590222 01	HANDBRAKE LEVER ASSY	1				
13	HSS-0275	SET SCREW	2				
14	WSH-0018	WASHER	2				
15	NUT-0269	NUT	2				
16	WRP-01040	WIRE CABLE THIMBLE	2				
17	WRP-00040	WIRE CABLE	4.75				
18	ADL-00120	ADJUSTER ASSY	1				
19	HSS-0155	SET SCREW	1				
20	NUT-0164	NUT	2				
21	WSH-0012	WASHER	2				
22	WSH-0058	WASHER	1				
23	WRP-02040	WIRE CABLE CLAMP	8				
24	WRP-03000	SNAPHOOK	1				
25	HMA-0057	HYD ADAPTOR	2				
26	WSH-1010	DOWTY WASHER	2				



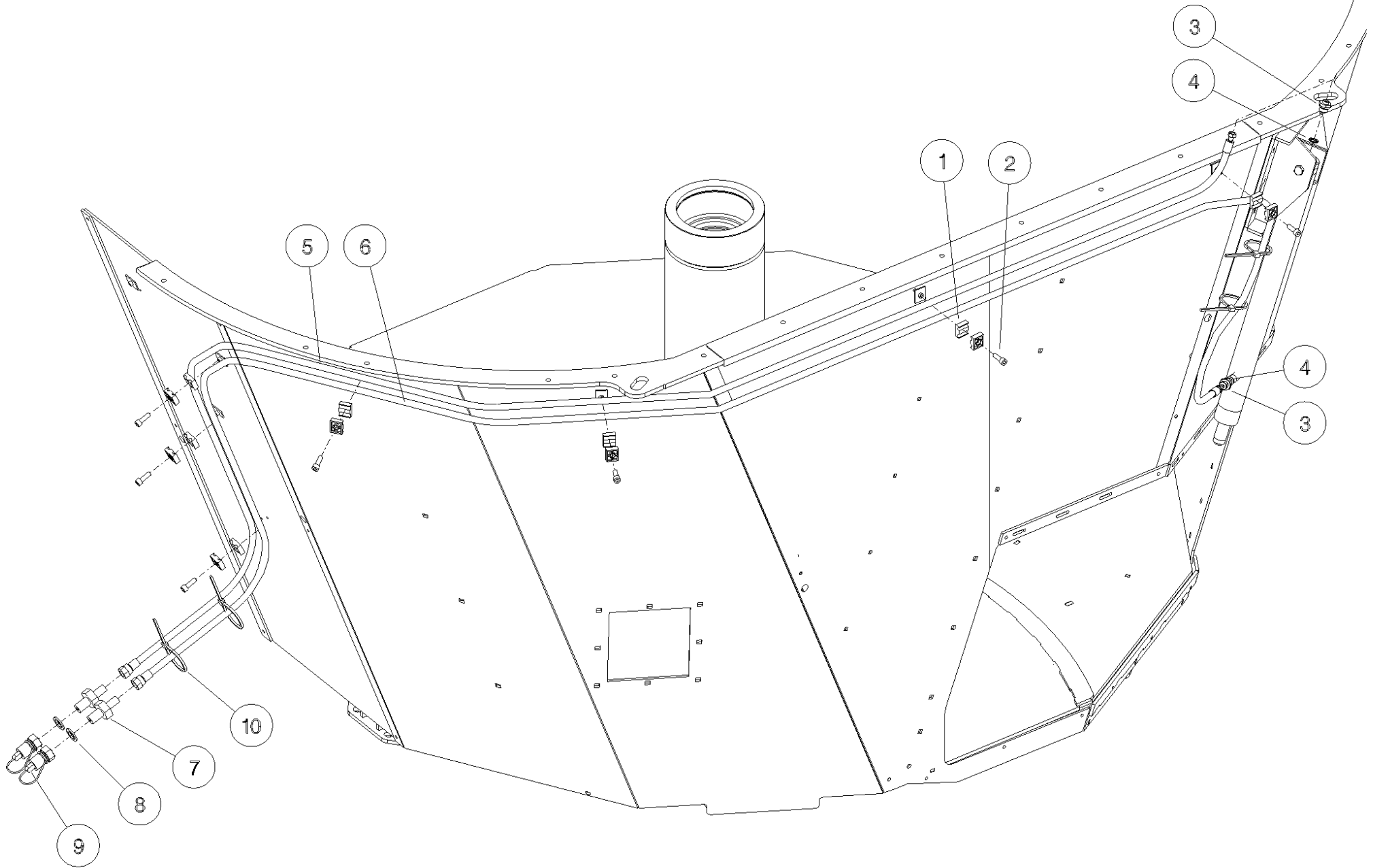
Shelbourne Reynolds Engineering Limited

ASSY NUMBER: KIT-03433C				ASSY DESCRIPTION: HYDRAULIC BRAKED AXLE KIT			
ITEM	PART NO	DESCRIPTION	QTY	ITEM	PART NO	DESCRIPTION	QTY
1	AXL-00057	HYDRAULIC BRAKED AXLE	1				
2	BLT-2312	HEX HD BOLT	8				
3	WSH-0024	WASHER	16				
4	NUT-0271	NUT	8				
5	FITA10140	HYDRAULIC TEE FITTING	1				
6	HHBC03205	HYD HOSE	1				
7	HHBC64005	HYD HOSE	1				
8	HMA-0055	HYD ADAPTOR	1				
9	WSH-1015	DOWTY WASHER	1				
10	HQR-10007	HYD QUICK RELEASE COUPLING	1				
11	613621 01	SPACER	2				
12	BRA-14001	HANDBRAKE LEVER ASSY	1				
13	HSS-0265	SETSCREW	2				
OR	WSH-0018	WASHER	2				
14	NUT-0269	NUT	2				
15	WRP-01040	THIMBLE	2				
16	WRP-00040	CABLE	4.75				
17	BRA-14002	ADJUSTER ASSY	1				
18	SCW-0136	CP HD SCREW	1				
19	NUT-0167	NUT	2				
20	WSH-0015	WASHER	2				
21	WSH-0061	WASHER	1				
22	WRP-02040	CLAMP	8				
23	WRP-03000	SNAP HOOK	1				
24	HMA-0057	HYD ADAPTOR	2				
25	WSH-1010	DOWTY WASHER	2				



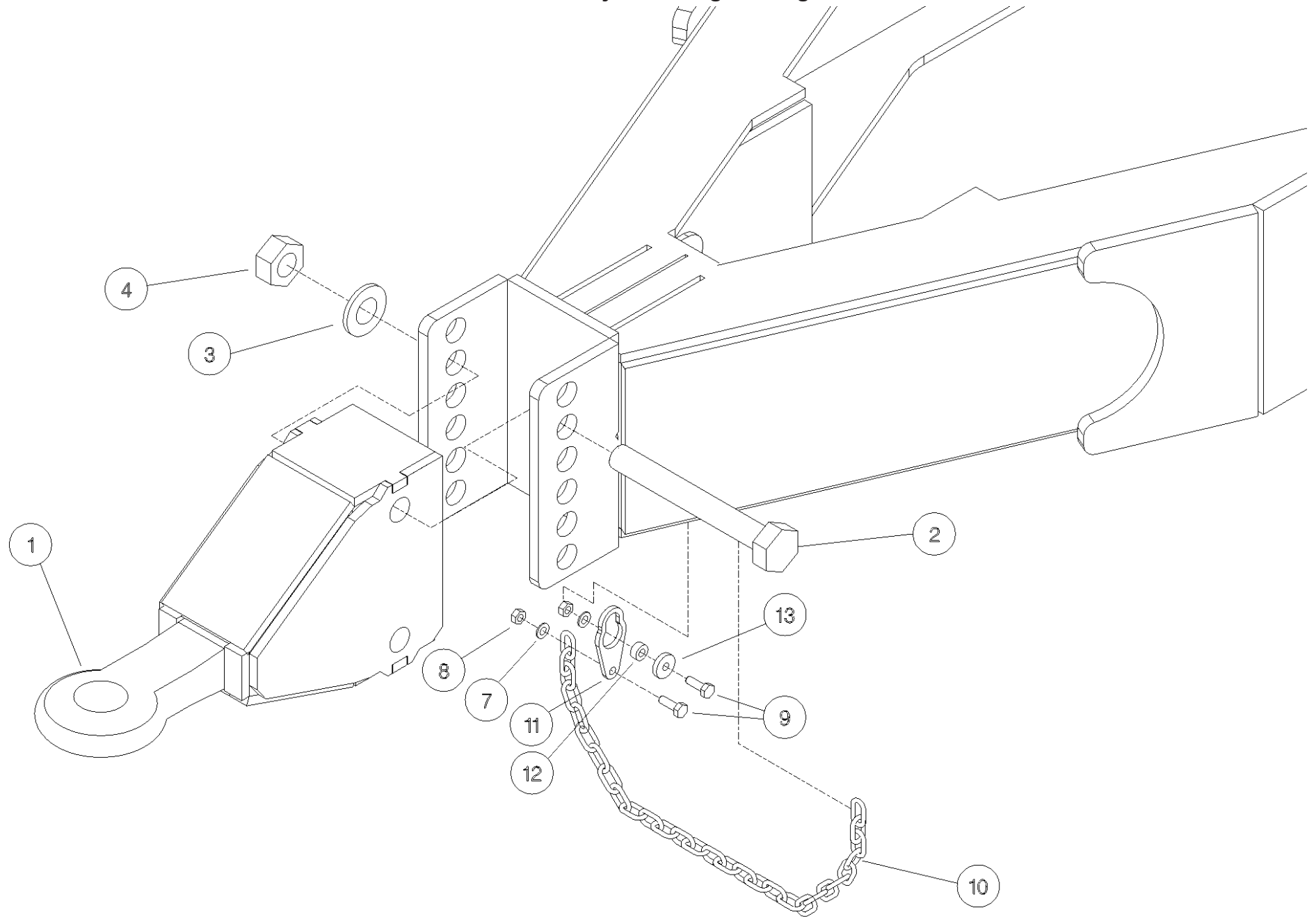
Shelbourne Reynolds Engineering Limited

ASSY NUMBER: KIT-03436				ASSY DESCRIPTION: DIRECT COUPLED LH DOOR HYDRAULICS KIT			
ITEM	PART NO	DESCRIPTION	QTY	ITEM	PART NO	DESCRIPTION	QTY
1	HCPD01200	PIPE CLAMP	7				
2	SCW-0083	CP HD SCREW	7				
3	HMA-0052	M/M ADAPTOR	2				
4	WSH-1005	DOWTY WASHER	2				
5	HHBC67105	HOSE ASSY	1				
6	HHBC73005	HOSE ASSY	1				
7	HMA-0055	M/M ADAPTOR	2				
8	WSH-1015	DOWTY WASHER	2				
9	COU-0162	QUICK REL COUPLING	2				
10	TIE-0004	TIE WRAP	4				



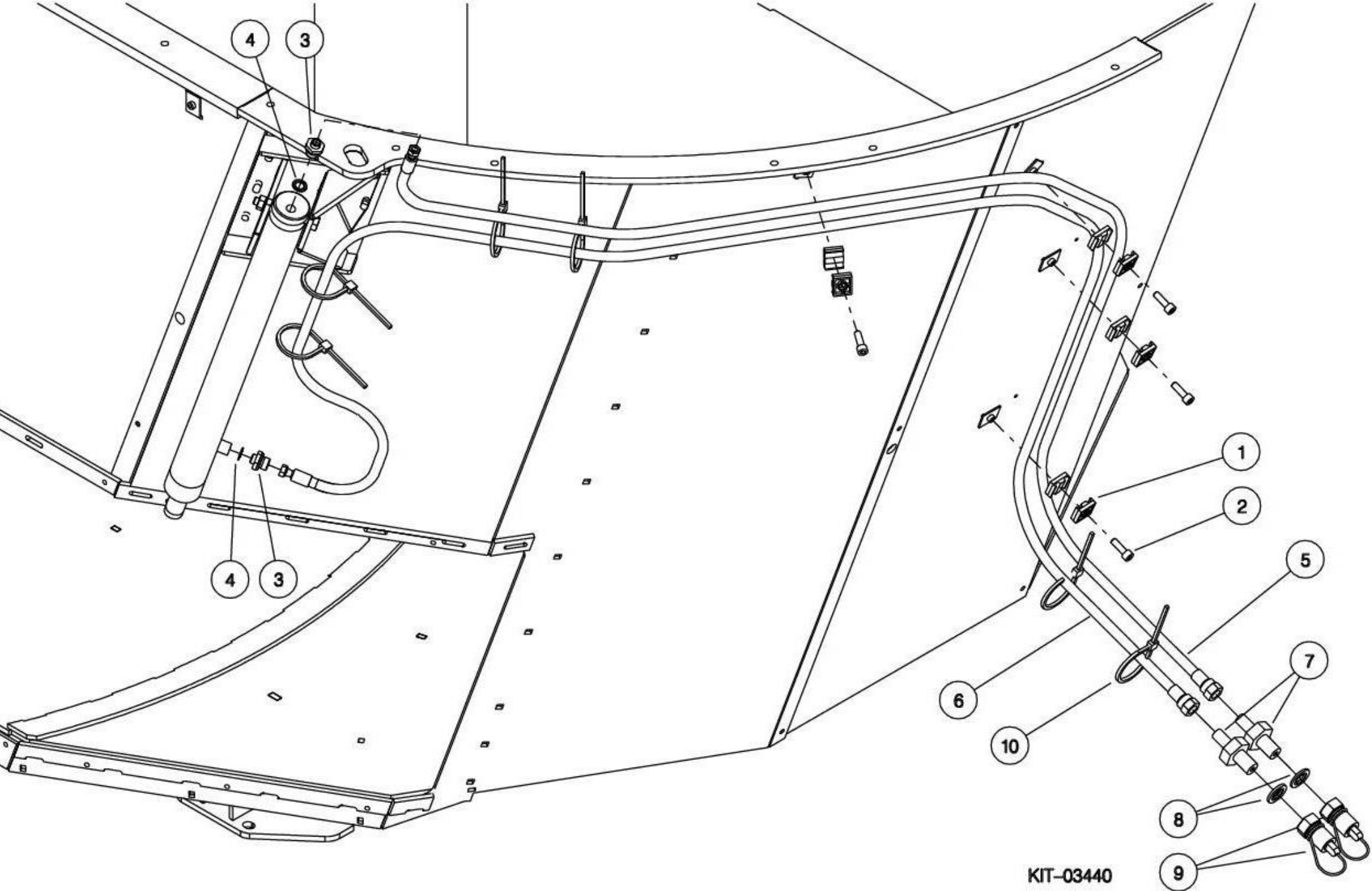
Shelbourne Reynolds Engineering Limited

ASSY NUMBER: KIT-03439				ASSY DESCRIPTION: CONTINENTAL TOW EYE KIT			
ITEM	PART NO	DESCRIPTION	QTY	ITEM	PART NO	DESCRIPTION	QTY
1	613658 01	CONTINENTAL TOW EYE	1				
2	BLTA20770	HEXAGON HEAD BOLT	2				
3	WSH-0030	PLAIN WASHER	4				
4	NUTA02200	NYLOC NUT	4				
7	WSH-0009	PLAIN WASHER	4				
8	NUT-0260	NYLOC NUT	4				
9	HSS-0092	SET SCREW	2				
10	CHN-0145	CHAIN (MT)	0.7				
11	613977 01	CHAIN HOOK PLATE	1				
12	190548 48	WASHER	1				
13	190548 49	WASHER	1				



Shelbourne Reynolds Engineering Limited

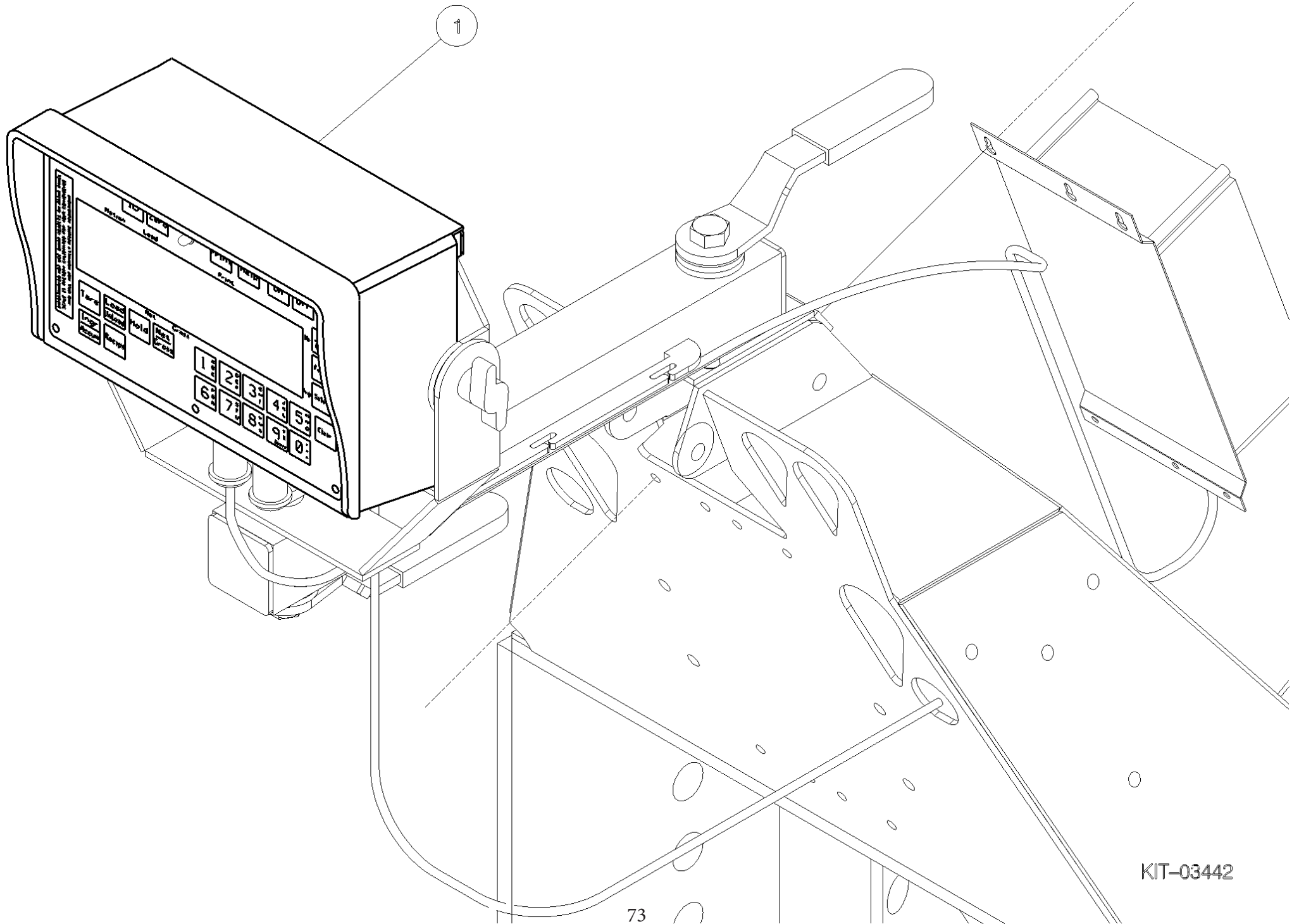
ASSY NUMBER: KIT-03440				ASSY DESCRIPTION: DIRECT COUPLED RH DOOR HYDRAULICS KIT			
ITEM	PART NO	DESCRIPTION	QTY	ITEM	PART NO	DESCRIPTION	QTY
1	HCPD01200	PIPE CLAMP	4				
2	SCW-0083	CP HD SCREW	4				
3	HMA-0052	M/M ADAPTOR	2				
4	WSH-1005	DOWTY WASHER	2				
5	HHBC49005	HOSE ASSY	1				
6	HHBC55005	HOSE ASSY	1				
7	HMA-0055	M/M ADAPTOR	2				
8	WSH-1015	DOWTY WASHER	2				
9	COU-0162	QUICK REL COUPLING	2				
10	TIE-0004	TIE WRAPS (MED)	6				



KIT-03440

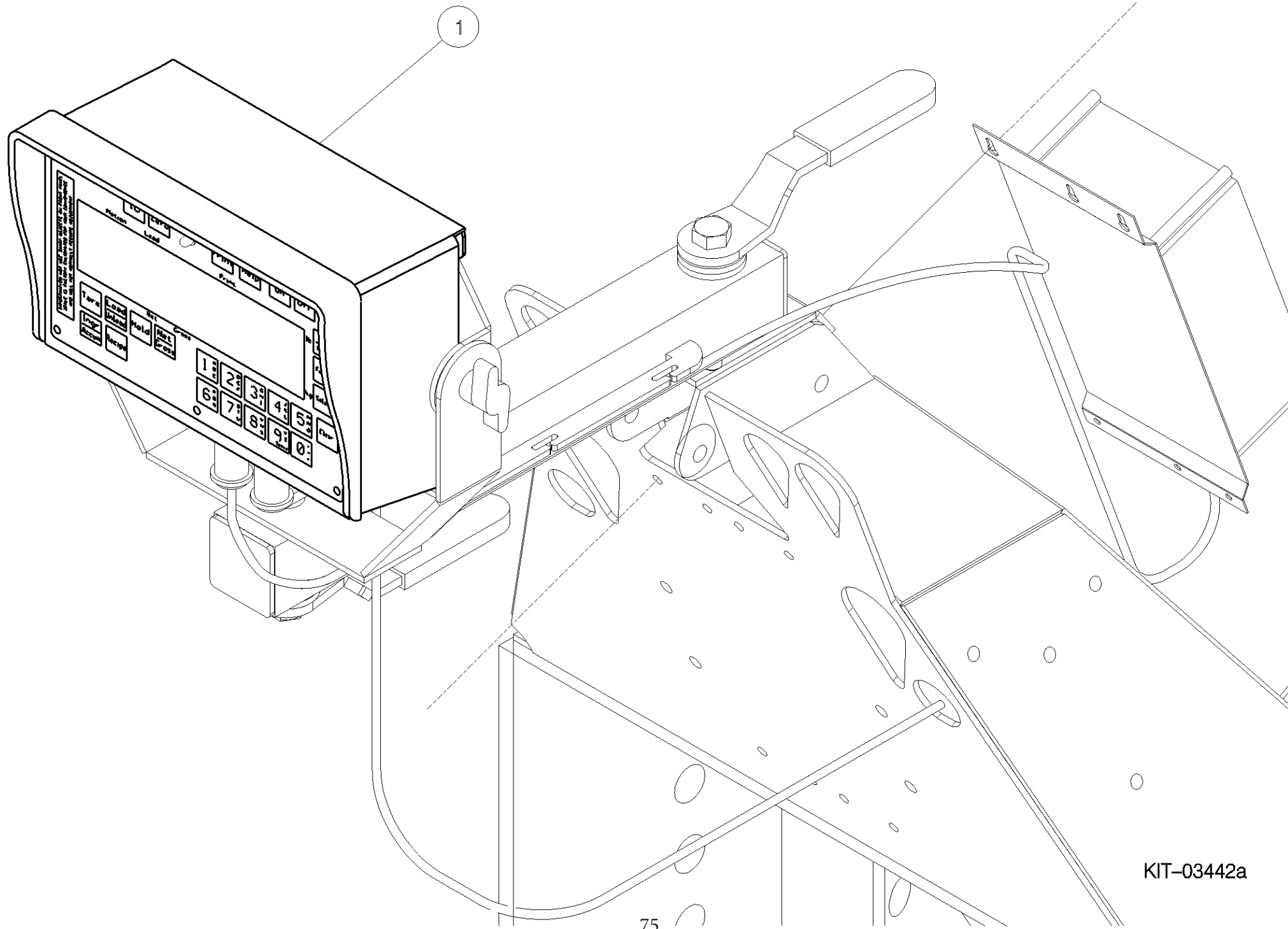
Shelbourne Reynolds Engineering Limited

ASSY NUMBER: KIT-03442				ASSY DESCRIPTION: MID LEVEL EZ3200 INDICATOR KIT			
ITEM	PART NO	DESCRIPTION	QTY	ITEM	PART NO	DESCRIPTION	QTY
1	LCL-01216	EZ3200 INDICATOR	1				



Shelbourne Reynolds Engineering Limited

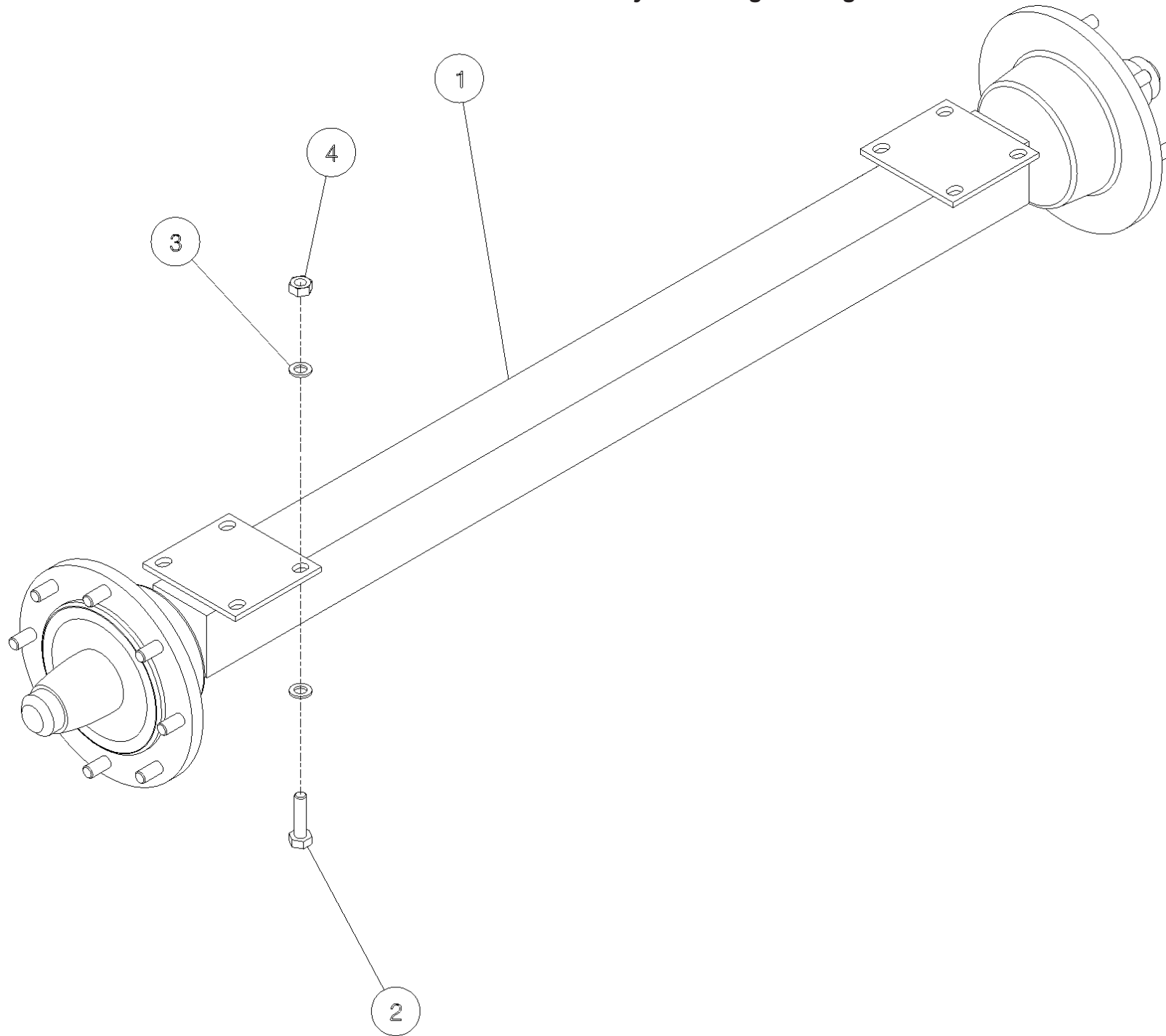
ASSY NUMBER: KIT-03442A				ASSY DESCRIPTION: MID EZ3200V INDICATOR KITC/W REMOTE PORT			
ITEM	PART NO	DESCRIPTION	QTY	ITEM	PART NO	DESCRIPTION	QTY
1	LCL-01216a	EZ3200 INDICATOR	1				



KIT-03442a

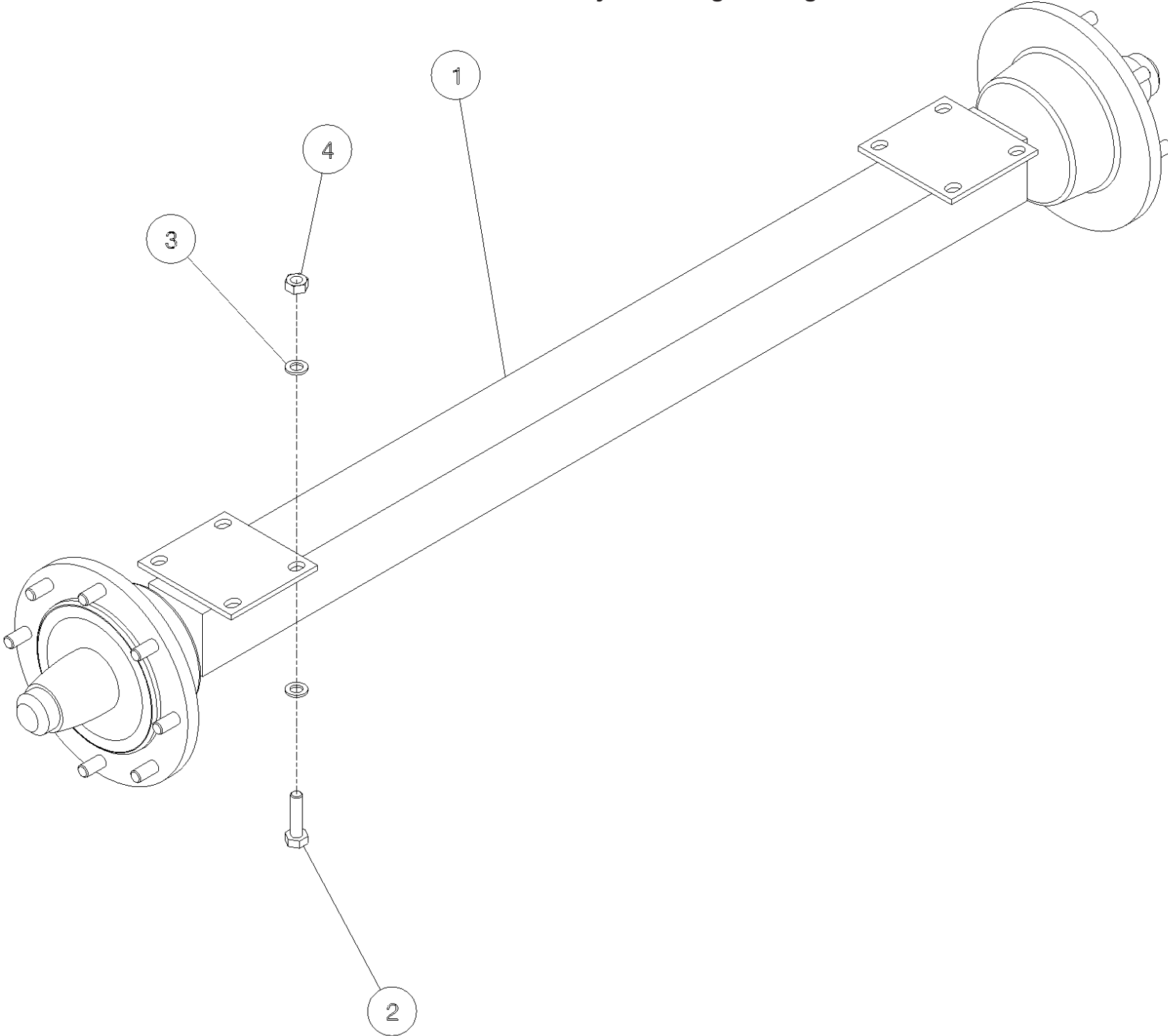
Shelbourne Reynolds Engineering Limited

ASSY NUMBER: KIT-03446				ASSY DESCRIPTION: UN-BRAKED AXLE KIT			
ITEM	PART NO	DESCRIPTION	QTY	ITEM	PART NO	DESCRIPTION	QTY
1	AXL-00103	UN-BRAKED AXLE ASSY	1				
2	BLT-2312	HEX.HEAD BOLT	8				
3	WSH-0024	PLAIN WASHER	16				
4	NUT-0271	NYLOC NUT	8				



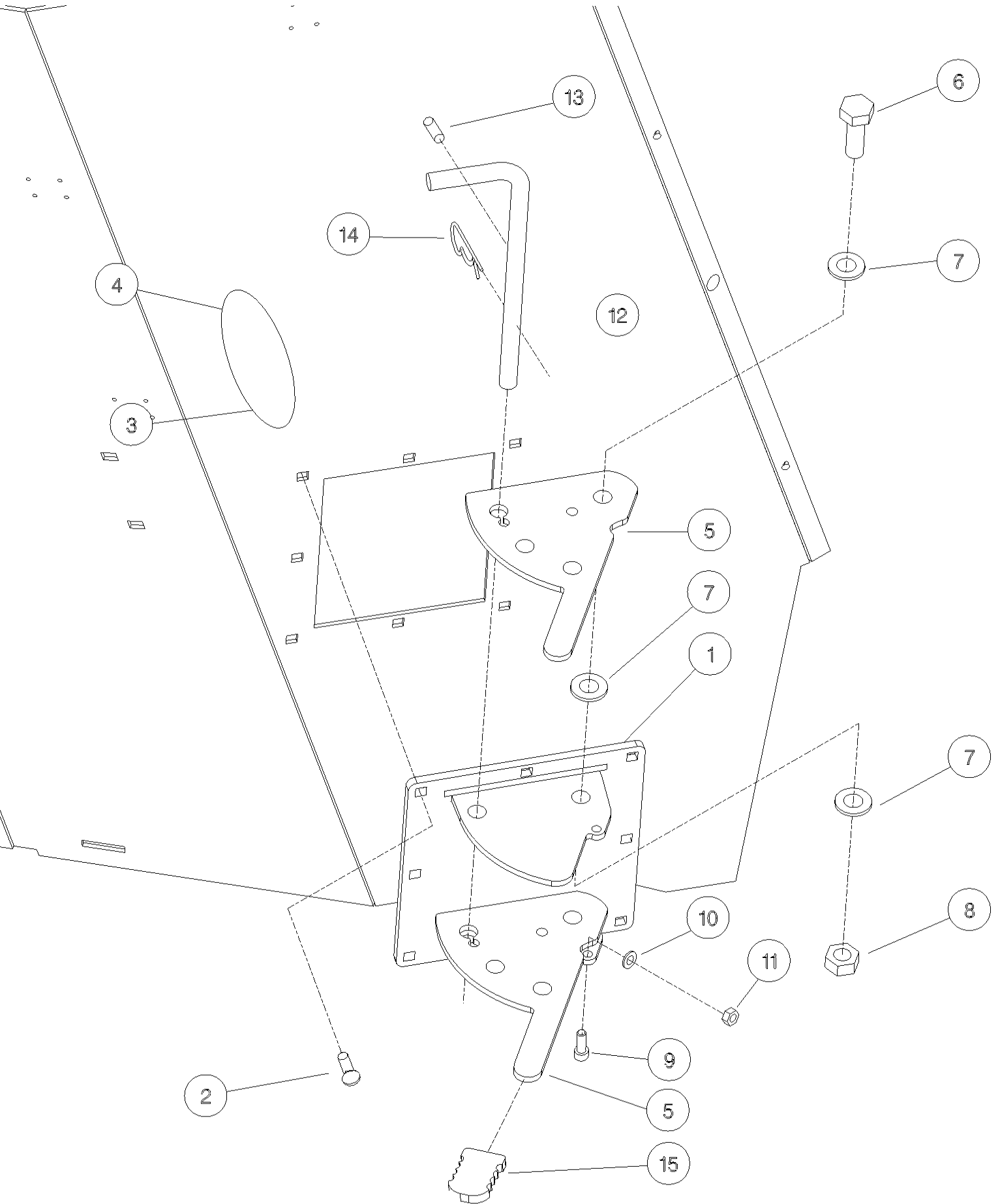
Shelbourne Reynolds Engineering Limited

ASSY NUMBER: KIT-03446B				ASSY DESCRIPTION: UNBRAKED AXLE KIT			
ITEM	PART NO	DESCRIPTION	QTY	ITEM	PART NO	DESCRIPTION	QTY
1	AXL-00107	UNBRAKED AXLE ASSY	1				
2	BLT-2312	HEX.HEAD BOLT	8				
3	WSH-0024	WASHER	16				
4	NUT-0271	NUT	8				



Shelbourne Reynolds Engineering Limited

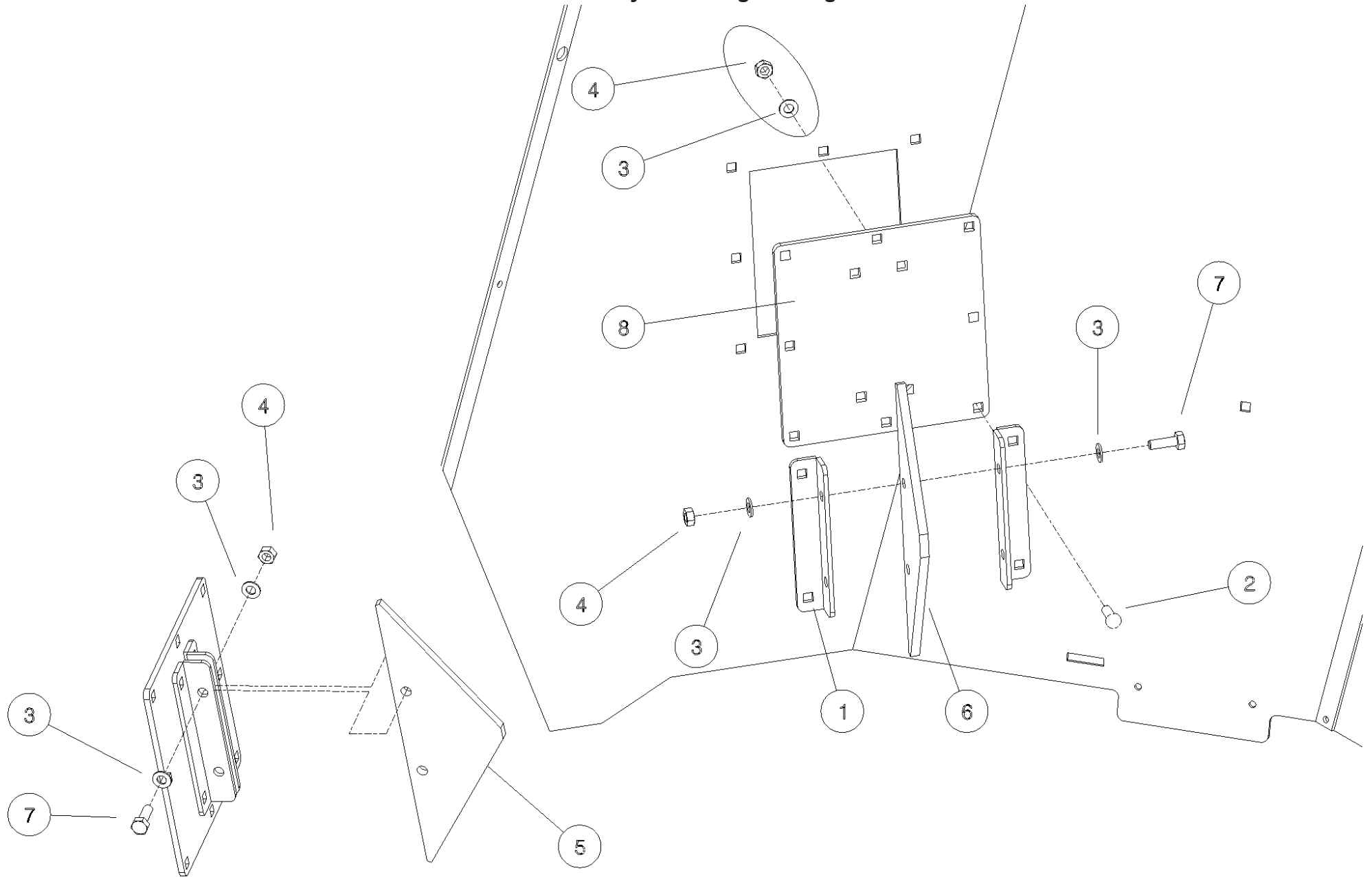
ASSY NUMBER: KIT-03447				ASSY DESCRIPTION: ANTI ROTATION BLADE KIT			
ITEM	PART NO	DESCRIPTION	QTY	ITEM	PART NO	DESCRIPTION	QTY
1	612983 01	BLADE MOUNTING ASSY	2				
2	BLTF12233	M12*35 COACHBOLT	16				
3	WSH-0018	PLAIN WASHER	16				
4	NUT-0269	NYLOC NUT	16				
5	612872 01	ANTI ROTATION BLADE	4				
6	HSS-0355	SETSCREW	4				
7	WSH-0030	PLAIN WASHER	12				
8	NUTA02200	NYLOC NUT	4				
9	SCW-0190	SOCKET CAP HEAD SCREW	4				
10	WSH-0015	PLAIN WASHER	4				
11	NUT-0265	NYLOC NUT	4				
12	612874 01	BLADE LOCKING SHAFT	2				
13	PIN-1783	ROLL PIN	2				
14	CLP-00106	R CLIP	2				
15	PTF-00025	HANDLE GRIP	4				



KIT - 03296
KIT - 03447

Shelbourne Reynolds Engineering Limited

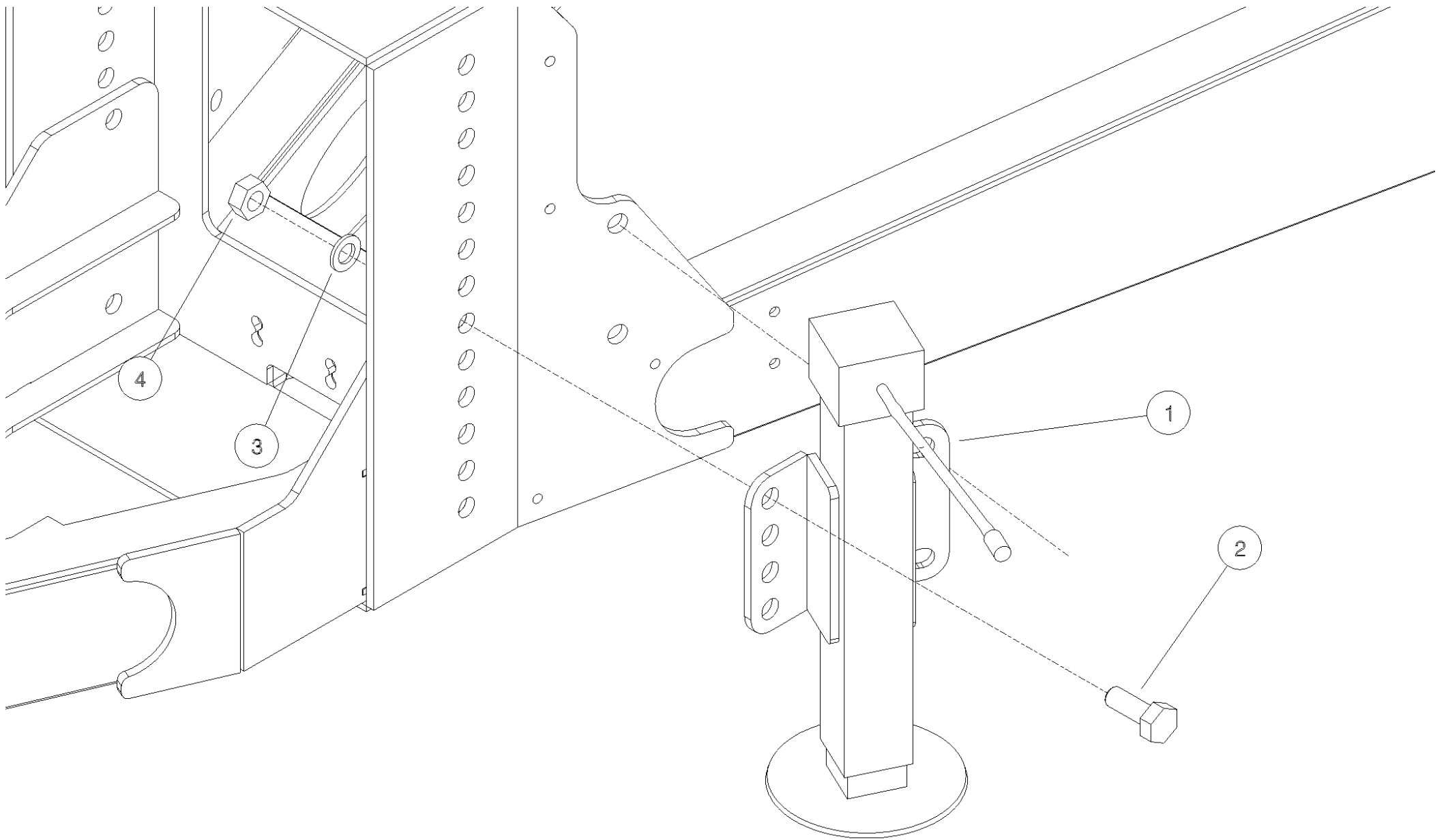
ASSY NUMBER: KIT-03448				ASSY DESCRIPTION: FIXED RETARDER KIT			
ITEM	PART NO	DESCRIPTION	QTY	ITEM	PART NO	DESCRIPTION	QTY
1	612489 01	ANTI-ROTATION BRKT	4				
2	BLTF12233	M12*35 COACHBOLT	24				
3	WSH-0018	PLAIN WASHER	28				
4	NUT-0269	NYLOC NUT	28				
5	610934 01	ANTI-ROTATION PLATE	1				
6	612490 01	SMALL ANTI-ROT PLATE	1				
7	HSS-0260	SET SCREW	4				
8	612866 01	BLANKING PLATE	2				



KIT - 03298
KIT - 03448

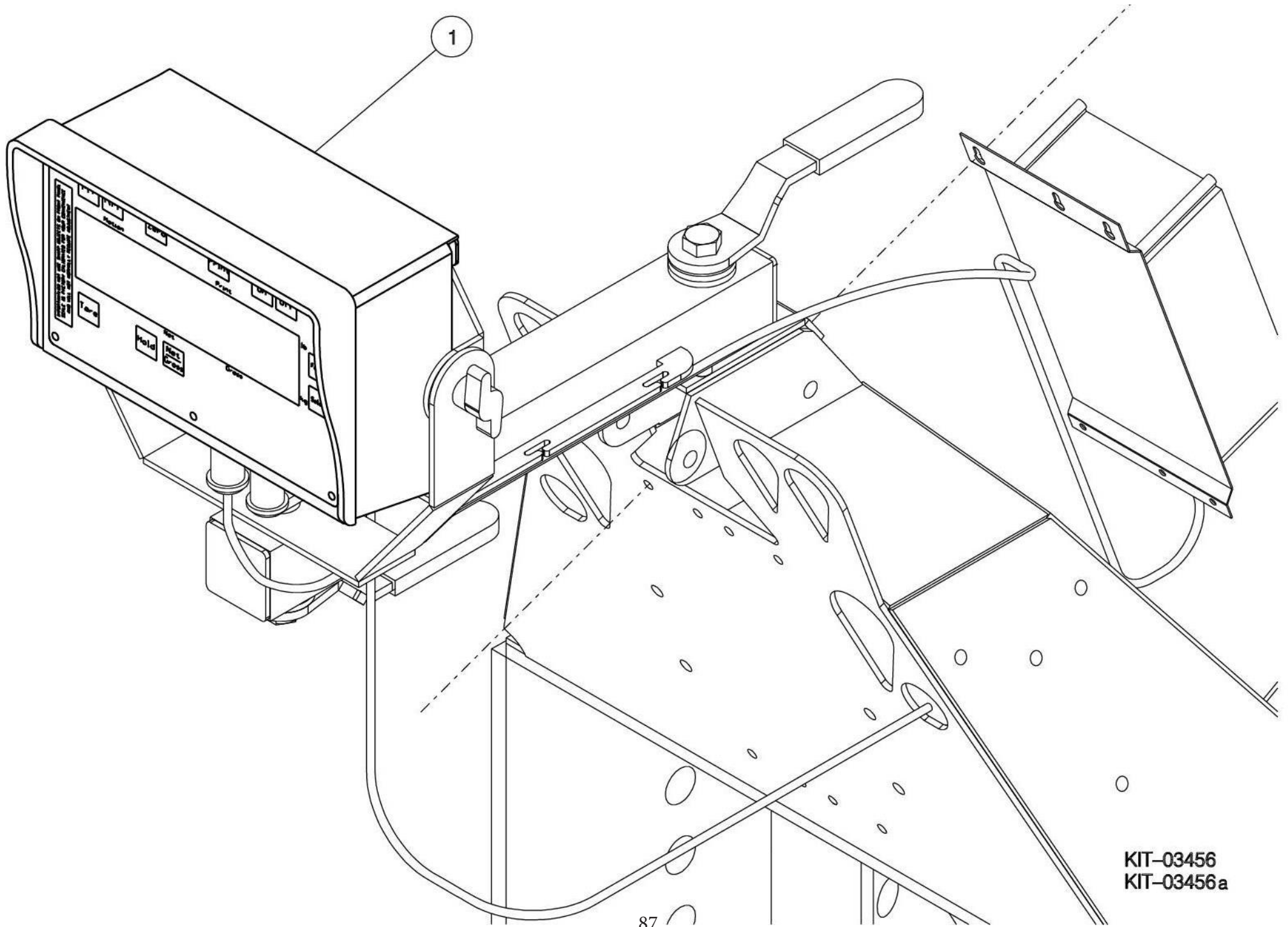
Shelbourne Reynolds Engineering Limited

ASSY NUMBER: KIT-03449				ASSY DESCRIPTION: MECHANICAL JACK KIT			
ITEM	PART NO	DESCRIPTION	QTY	ITEM	PART NO	DESCRIPTION	QTY
1	613709 01	JACK WELD ASSY	1				
2	HSS-0410	SETSCREW	4				
3	WSH-0036	WASHER	4				
4	NUT-0275	NUT	4				



Shelbourne Reynolds Engineering Limited

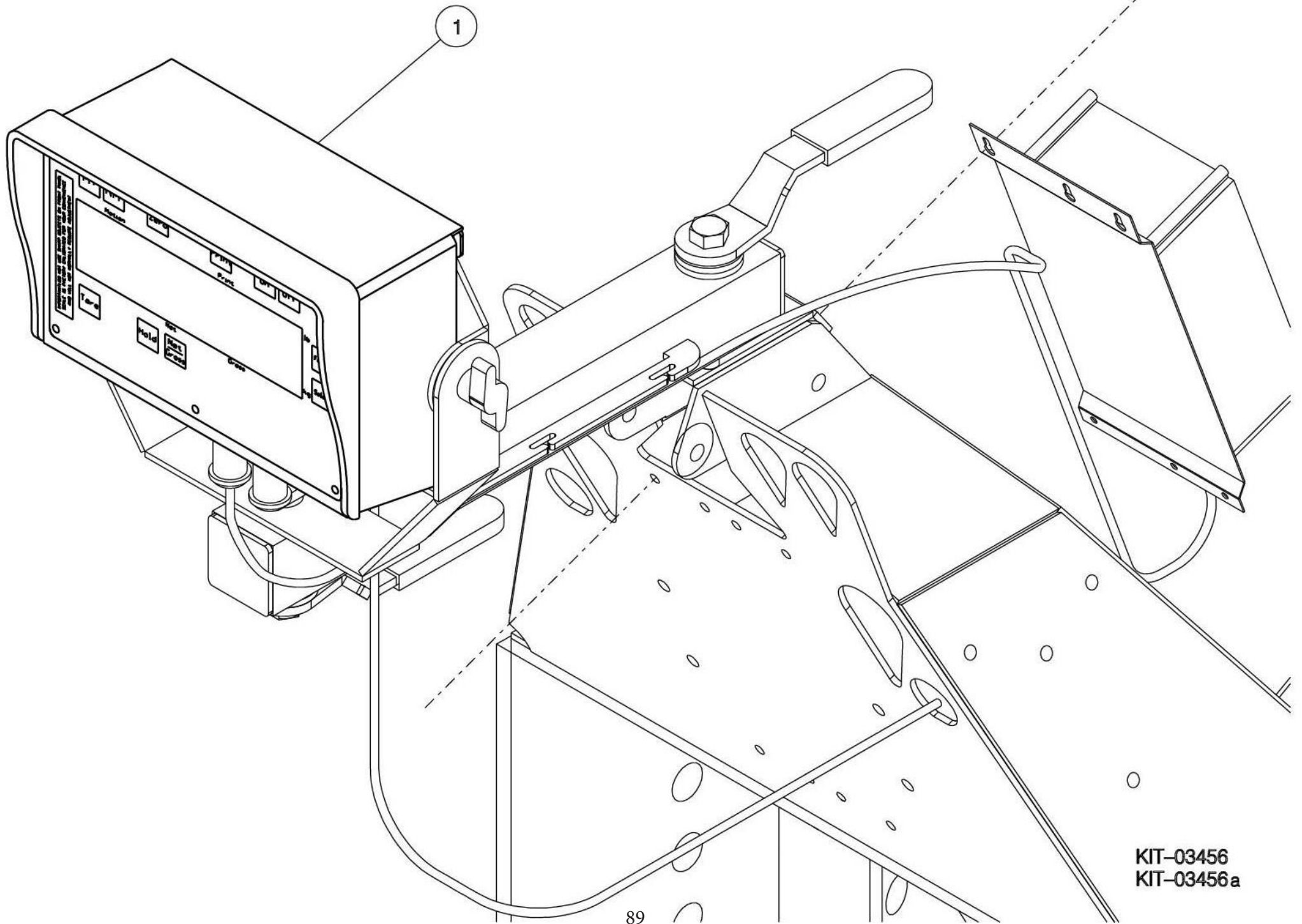
ASSY NUMBER: KIT-03456				ASSY DESCRIPTION: BASIC EZ2000V INDICATOR KIT			
ITEM	PART NO	DESCRIPTION	QTY	ITEM	PART NO	DESCRIPTION	QTY
1	LCL-01217	EZ2000V INDICATOR	1				



KIT-03456
KIT-03456a

Shelbourne Reynolds Engineering Limited

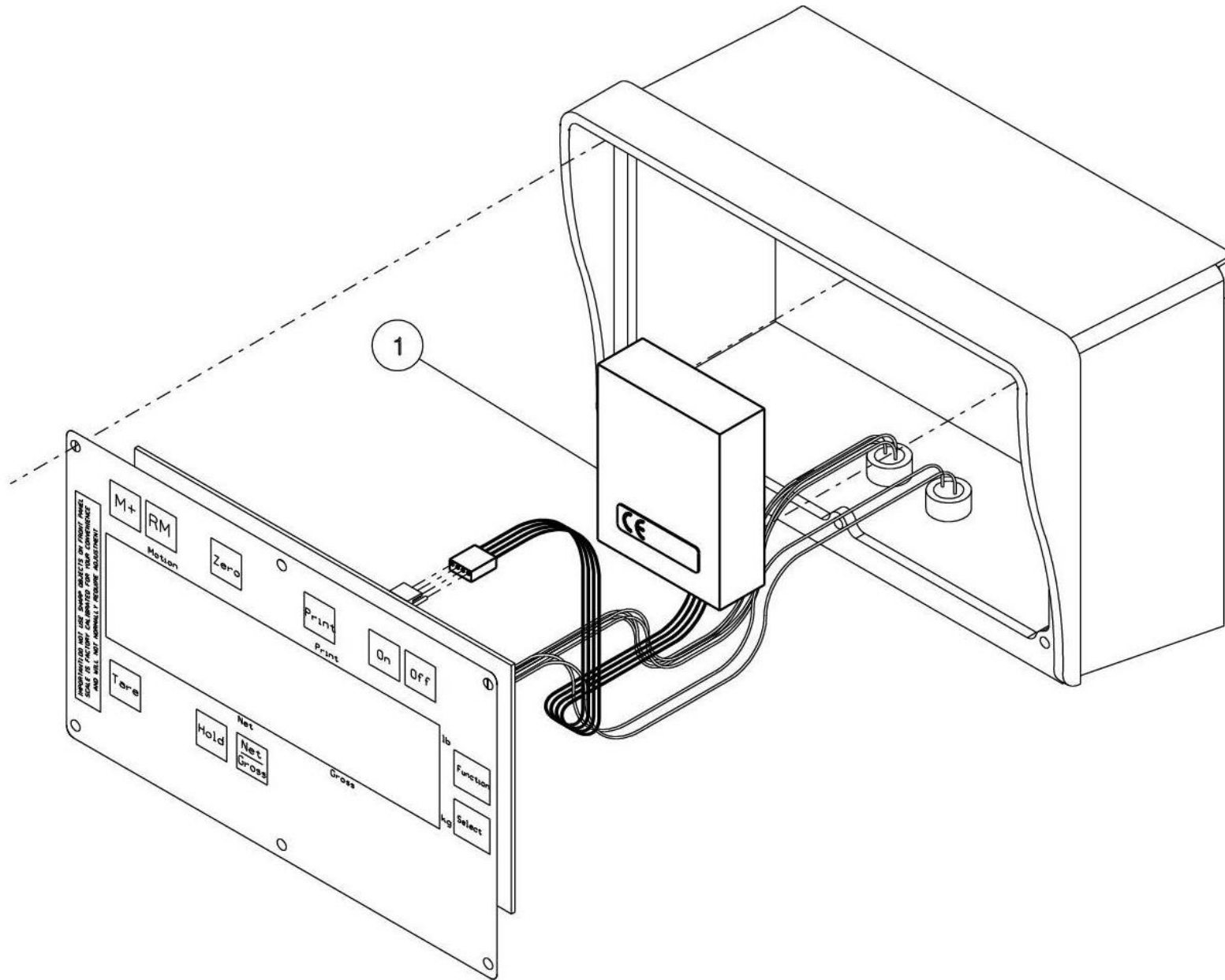
ASSY NUMBER: KIT-03456a				ASSY DESCRIPTION: BASIC EZ2000V INDICATOR KIT			
ITEM	PART NO	DESCRIPTION	QTY	ITEM	PART NO	DESCRIPTION	QTY
1	LCL-01217	EZ2000V INDICATOR WITH REMOTE DISPLAY PORT	1				



KIT-03456
KIT-03456a

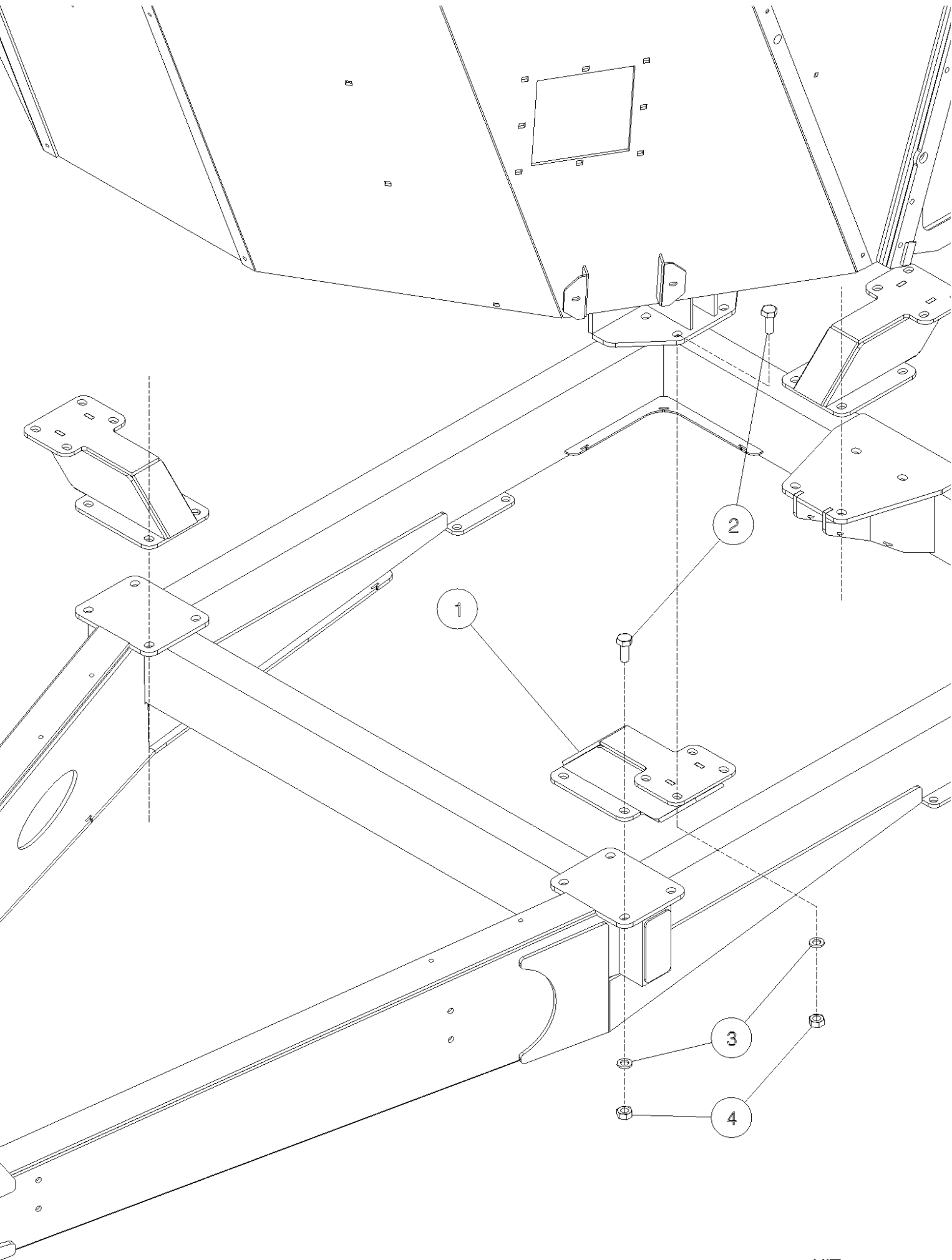
Shelbourne Reynolds Engineering Limited

ASSY NUMBER: KIT-03467				ASSY DESCRIPTION: REMOTE ZERO FUNCTION KIT			
ITEM	PART NO	DESCRIPTION	QTY	ITEM	PART NO	DESCRIPTION	QTY
1	LCL-01226	REMOTE ZERO FUNCTION	1				



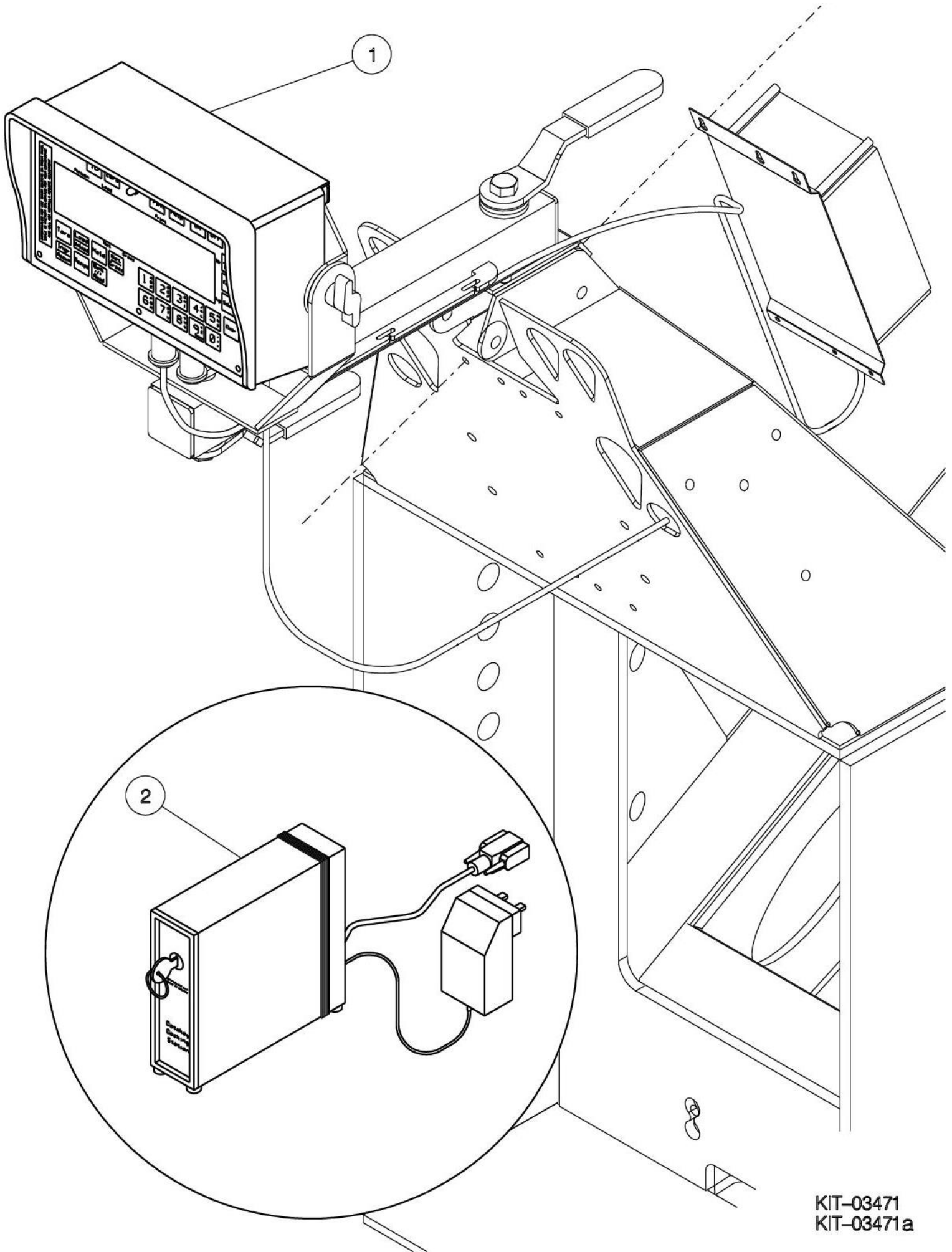
Shelbourne Reynolds Engineering Limited

ASSY NUMBER: KIT-03470				ASSY DESCRIPTION: DUMMY WEIGH CELL KIT (SINGLE AUGER)			
ITEM	PART NO	DESCRIPTION	QTY	ITEM	PART NO	DESCRIPTION	QTY
1	613868 01	DUMMY LOADCELL	3				
2	HSS-0317	SETSCREW	24				
3	WSH-0024	WASHER	24				
4	NUT-0271	NUT	24				



Shelbourne Reynolds Engineering Limited

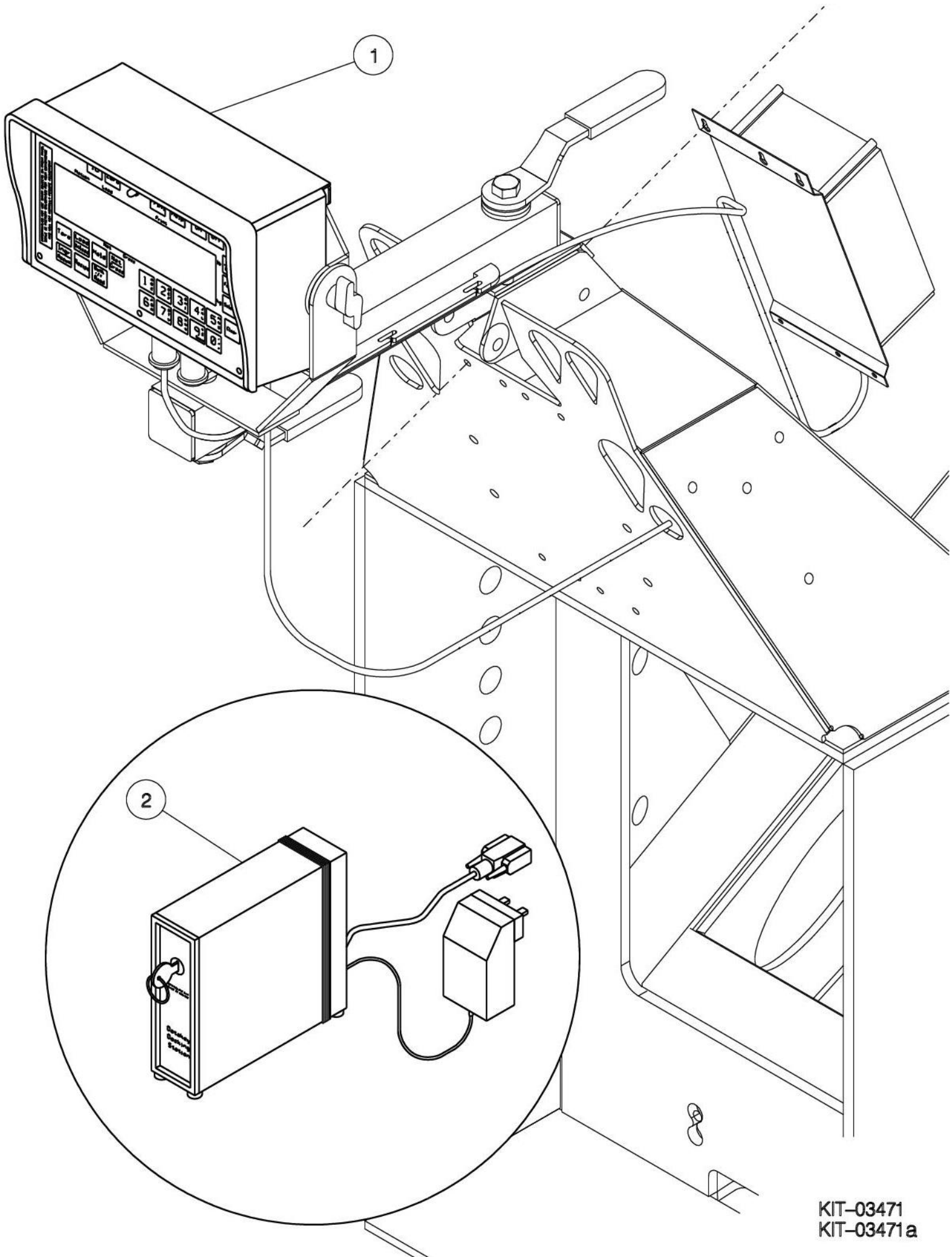
ASSY NUMBER: KIT-03471				ASSY DESCRIPTION: TOP LEVEL EZ3500 INDICATOR KIT			
ITEM	PART NO	DESCRIPTION	QTY	ITEM	PART NO	DESCRIPTION	QTY
1	LCL-01218	EZ3500 INDICATOR	1				
2	LCL-01219	SOFTWARE & DOCKING STATION WITH UK 3 PIN PLUG	1				



KIT-03471
KIT-03471a

Shelbourne Reynolds Engineering Limited

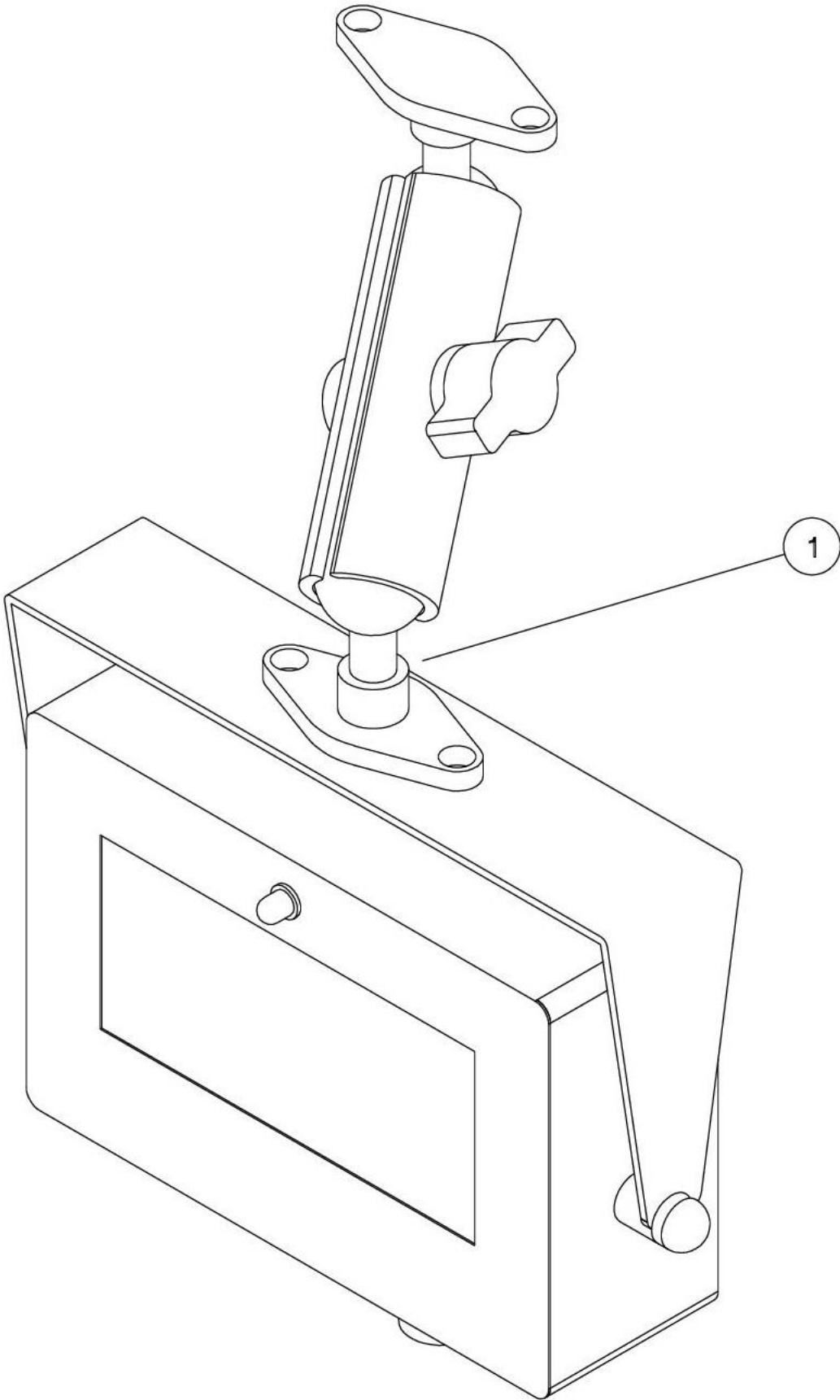
ASSY NUMBER: KIT-03471a				ASSY DESCRIPTION: TOP LEVEL EZ3500 INDICATOR KIT			
ITEM	PART NO	DESCRIPTION	QTY	ITEM	PART NO	DESCRIPTION	QTY
1	LCL-01218	EZ3500 INDICATOR	1				
2	LCL-01219	SOFTWARE & DOCKING STATION WITH CONTINENTAL PLUG	1				



KIT-03471
KIT-03471a

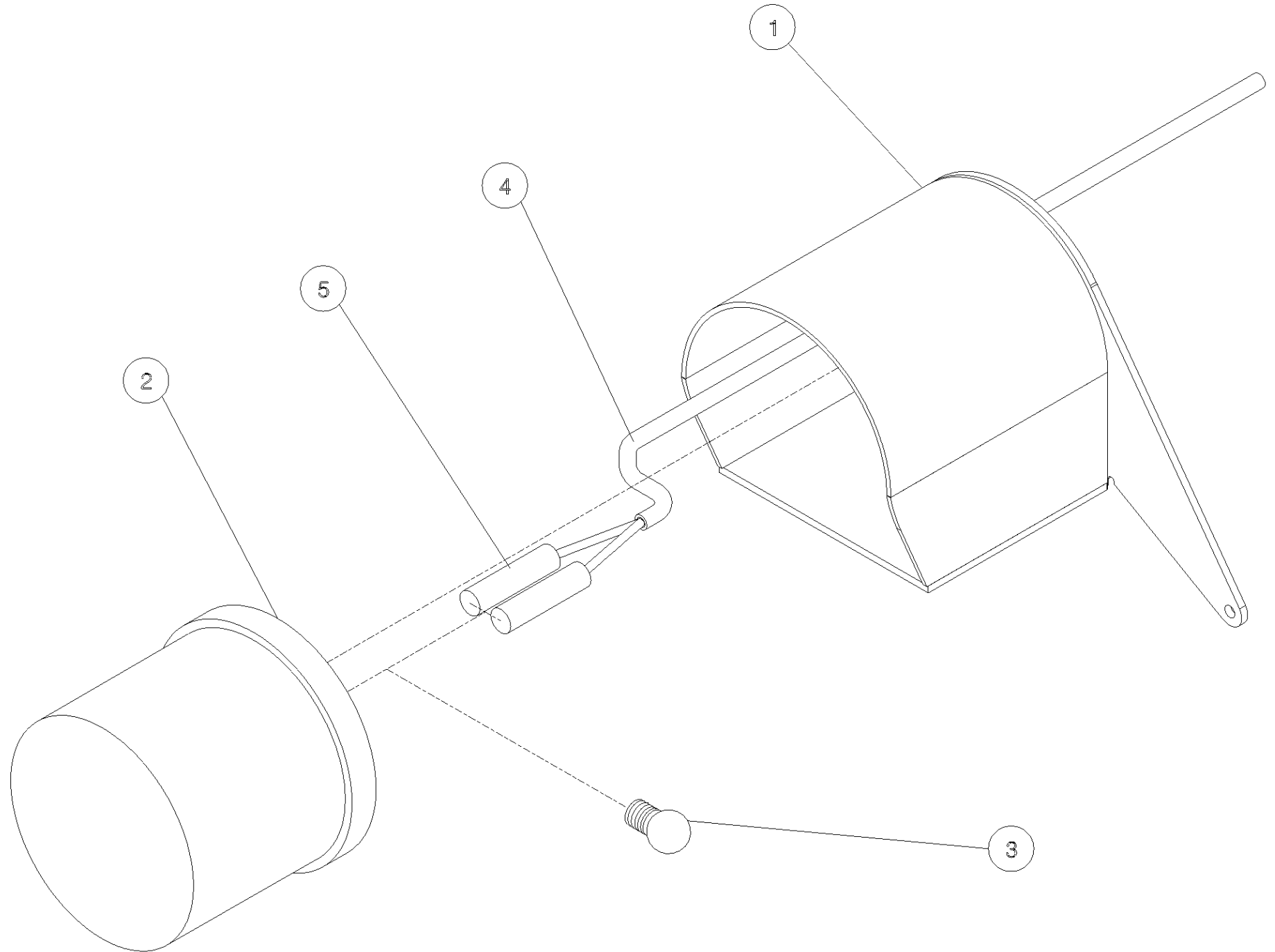
Shelbourne Reynolds Engineering Limited

ASSY NUMBER: KIT-03478				ASSY DESCRIPTION: RD100 DISPLAY KIT			
ITEM	PART NO	DESCRIPTION	QTY	ITEM	PART NO	DESCRIPTION	QTY
1	LCL-01227	RD100 REMOTE DISPLAY	1				



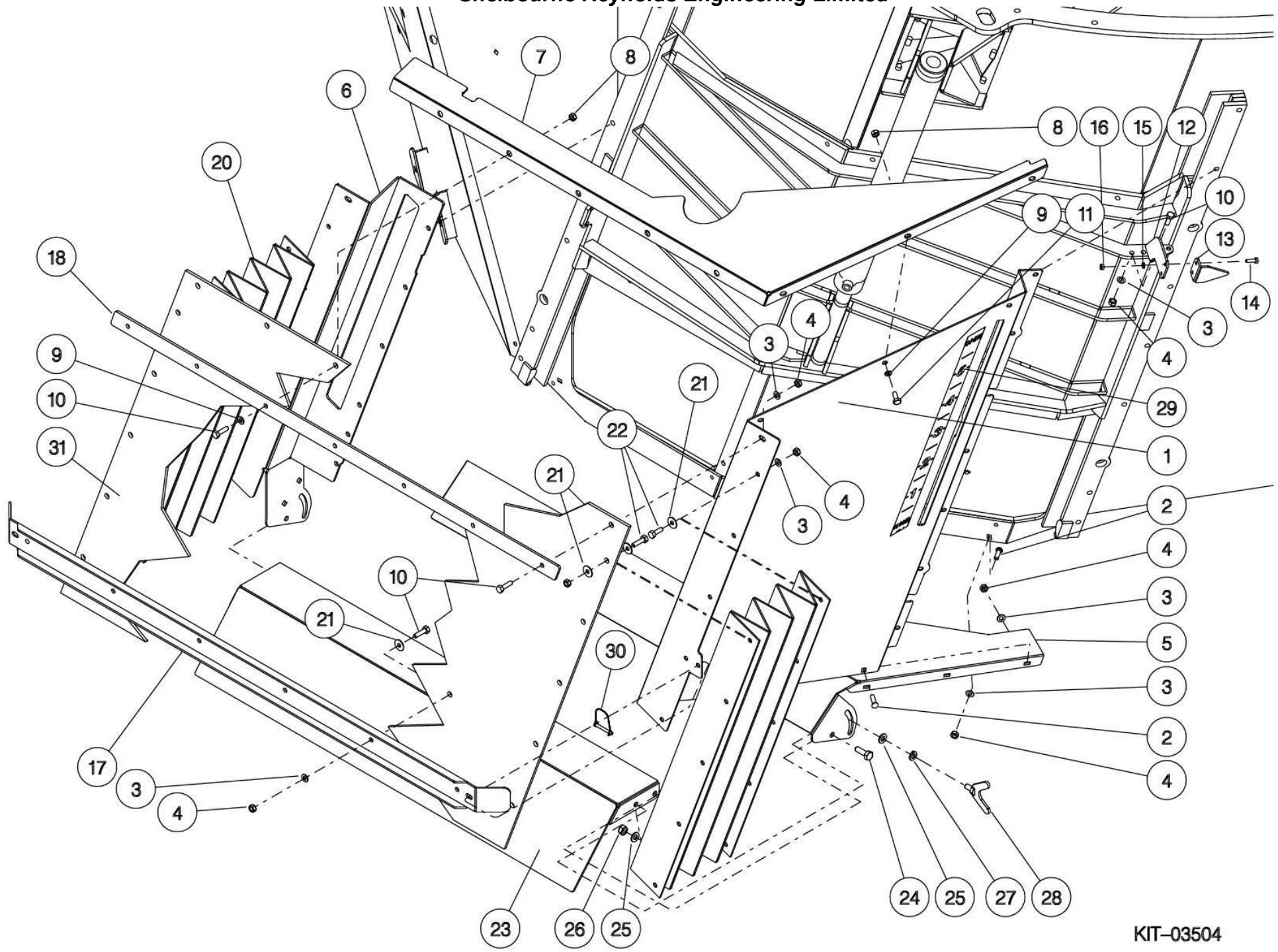
Shelbourne Reynolds Engineering Limited

ASSY NUMBER: KIT-03483				ASSY DESCRIPTION: FLASHING LIGHT KIT			
ITEM	PART NO	DESCRIPTION	QTY	ITEM	PART NO	DESCRIPTION	QTY
1	613940 01	LIGHT BRACKET	1				
2	LMP-10502	INDICATOR LAMP	1				
3	BLB-0015	BULB (21W, 12V SINGLE POLE)	1				
4	CBL-03010	CABLE (2 CORE)	3.0m				
5	ETM-00630	ELEC BUTT TERMINAL	2				



Shelbourne Reynolds Engineering Limited

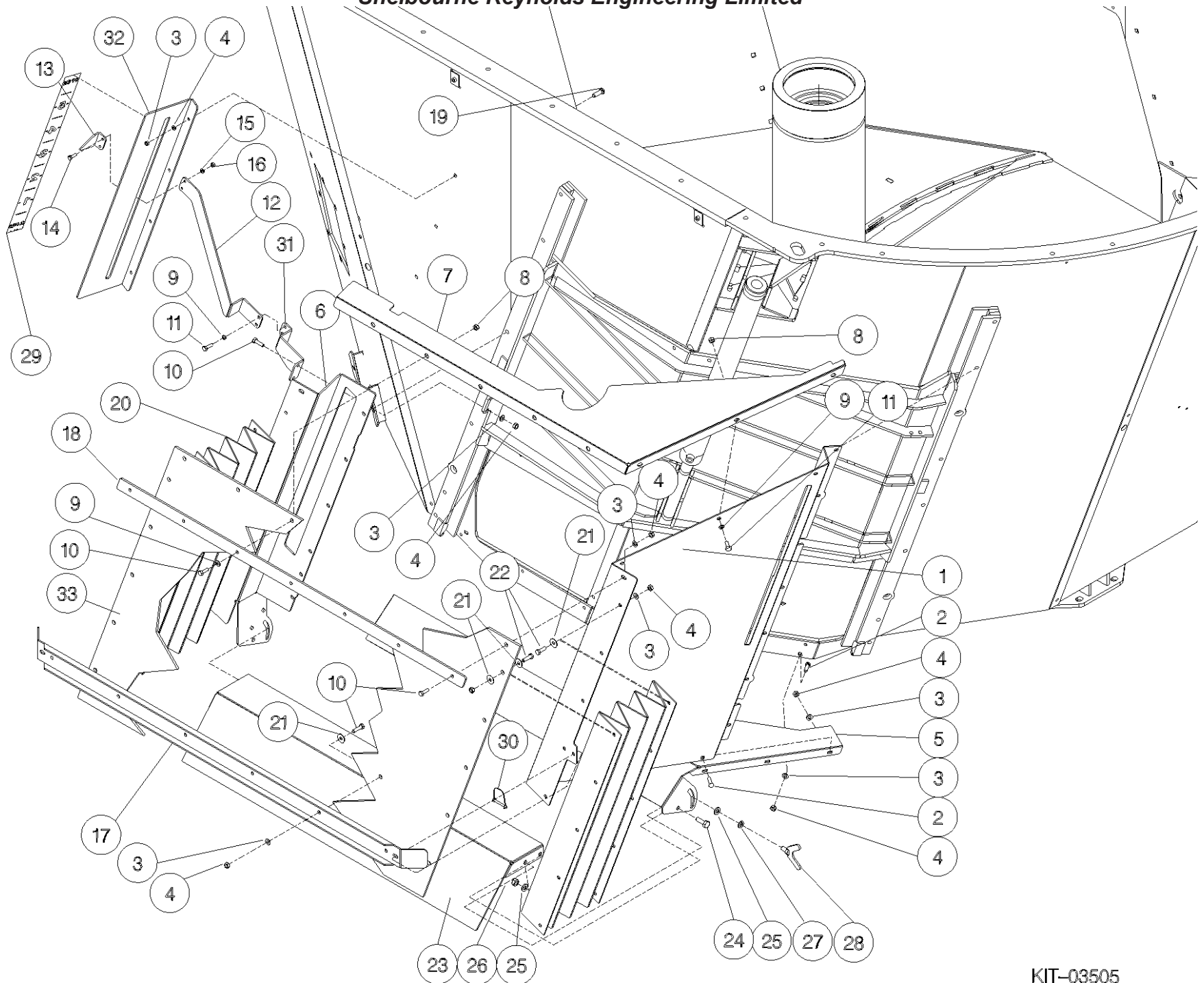
ASSY NUMBER: KIT-03504				ASSY DESCRIPTION: RUBBER DOOR FLAP KIT (RH DOOR)			
ITEM	PART NO	DESCRIPTION	QTY	ITEM	PART NO	DESCRIPTION	QTY
1	614015 01	SIDE PANEL	1				
2	BLTF08173	COACHBOLT	8				
3	WSH-0012	WASHER	28				
4	NUT-0263	NUT	36				
5	614169 01	FIXED CHUTE	1				
OR	613987 01	FIXED CHUTE	1				
6	614168 01	SIDE PANEL	1				
OR	614016 01	SIDE PANEL	1				
7	613986 01	TOP CAPPING PLATE	1				
8	NUTA13080	NUTSERT	8				
9	WSH-0058	WASHER	8				
10	HSS-0150	SETSCREW	15				
11	HSS-0140	SETSCREW	3				
12	613991 01	INDICATOR PLATE	1				
13	613786 01	POINTER	1				
14	HSS-0086	SETSCREW	2				
15	WSH-0009	WASHER	2				
16	NUT-0260	NUT	2				
17	614017 01	SAFETY BELT	1				
18	613992 01	CLAMP PLATE	1				
19							
20	614004 01	SIDE CURTAIN	2				
21	WSH-1038	WASHER	32				
22	HSS-0145	SETSCREW	18				
23	614170 01	ADJUSTABLE CHUTE	1				
OR	613985 01	ADJUSTABLE CHUTE	1				
24	HSS-0191	SETSCREW	2				
25	WSH-0015	WASHER	4				
26	NUT-0265	NUT	2				
27	WSH-0061	WASHER	2				
28	613995 01	LOCKING HANDLE	2				
29	613779 01	DECAL - DOOR HEIGHT	1				
30	PIN-1720	LYNCH PIN	2				
31	614018 01	SAFETY FLAP	1				



KIT-03504

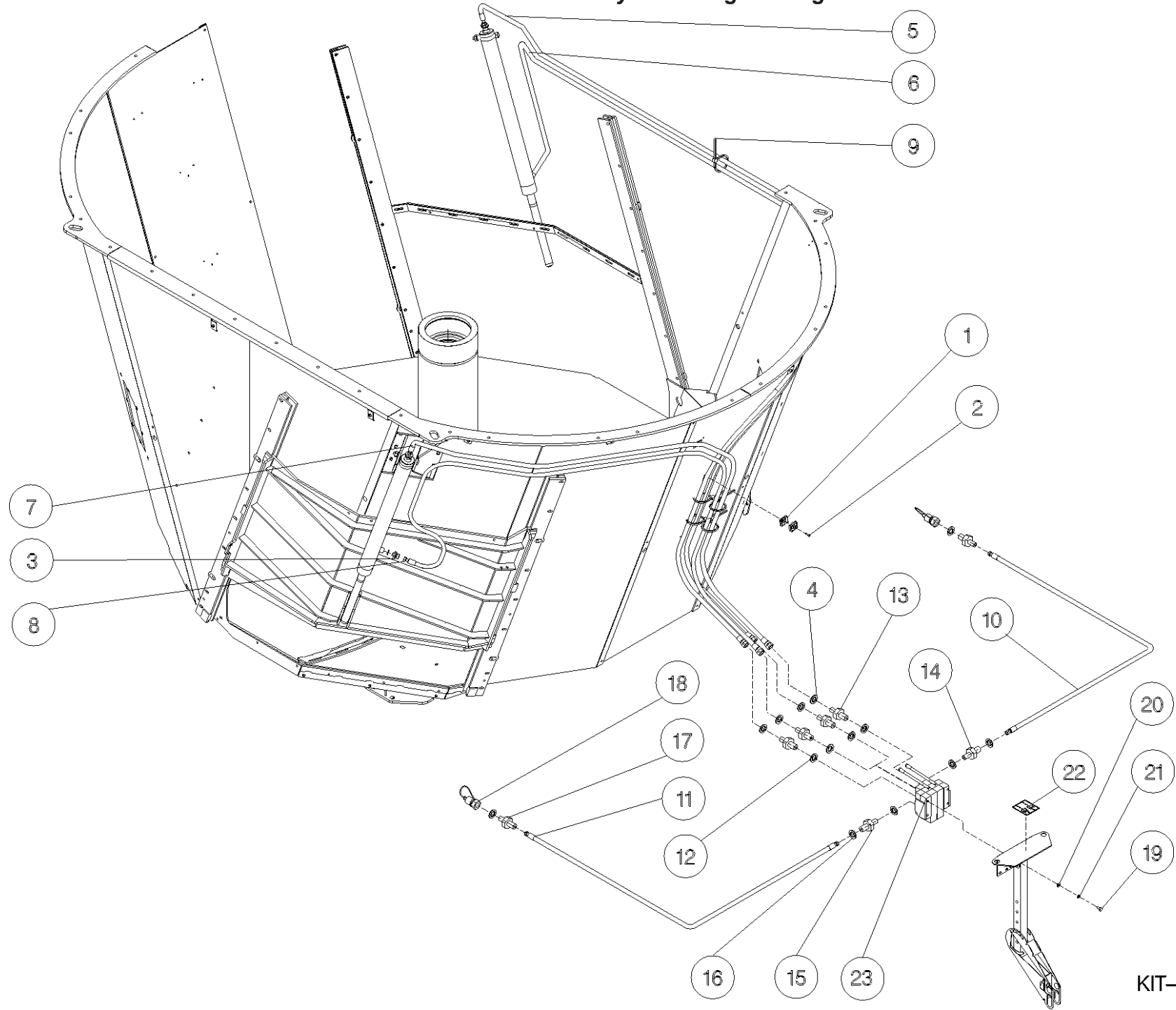
Shelbourne Reynolds Engineering Limited

ASSY NUMBER: KIT-03505				ASSY DESCRIPTION: RUBBER DOOR FLAP KIT LH DOOR			
ITEM	PART NO	DESCRIPTION	QTY	ITEM	PART NO	DESCRIPTION	QTY
1	614015 01	SIDE PANEL	1				
2	BLTF08173	COACHBOLT	8				
3	WSH-0012	WASHER	32				
4	NUT-0263	NUT	40				
5	614169 01	FIXED CHUTE	1				
OR	613987 01	FIXED CHUTE	1				
6	614168 01	SIDE PANEL	1				
OR	614016 01	SIDE PANEL	1				
7	613986 01	TOP CAPPING PLATE	1				
8	NUTA13080	NUTSERT	8				
9	WSH-0058	WASHER	10				
10	HSS-0150	SETSCREW	15				
11	HSS-0140	SETSCREW	5				
12	613990 01	INDICATOR PLATE	1				
13	613786 01	POINTER	1				
14	HSS-0086	SETSCREW	2				
15	WSH-0009	WASHER	2				
16	NUT-0260	NUT	2				
17	614017 01	SAFETY BELT	1				
18	613992 01	CLAMP PLATE	1				
19	BLT-2700	COACHBOLT	4				
20	614004 01	SIDE CURTAIN	2				
21	WSH-1038	WASHER	32				
22	HSS-0145	SETSCREW	18				
23	614170 01	ADJUSTABLE CHUTE	1				
OR	613985 01	ADJUSTABLE CHUTE	1				
24	HSS-0191	SETSCREW	2				
25	WSH-0015	WASHER	4				
26	NUT-0265	NUT	2				
27	WSH-0061	WASHER	2				
28	613995 01	LOCKING HANDLE	2				
29	613779 01	DECAL - DOOR HEIGHT	1				
30	PIN-1720	LYNCH PIN	2				
31	613989 01	FIXING PLATE	1				
32	613517 01	DOOR HEIGHT INDICATOR	1				
33	614018 01	SAFETY FLAP	1				



Shelbourne Reynolds Engineering Limited

ASSY NUMBER: KIT-03507				ASSY DESCRIPTION: 2 STATION MANUAL SPOOL VALVE KIT			
ITEM	PART NO	DESCRIPTION	QTY	ITEM	PART NO	DESCRIPTION	QTY
1	HCPD01200	PIPE CLAMP	11				
2	SCW-0083	CP HD SCREW	11				
3	HMA-0052	M/M ADAPTOR	4				
4	WSH-1005	DOWTY WASHER	4				
5	HHBC67105	HOSE ASSY	1				
6	HHBC73005	HOSE ASSY	1				
7	HHBC49005	HOSE ASSY	1				
8	HHBC55005	HOSE ASSY	1				
9	TIE-0004	TIE WRAP	10				
10	HHAE16005	HYDRAULIC HOSE	1				
11	HHAF16005	HYDRAULICHOSE	1				
12	WSH-1010	DOWTY WASHER	6				
13	FIT-0025	HYD ADAPT	4				
14	HMA-0057	M/M ADAPTOR	1				
15	HMA-0065	M/M ADAPTOR	2				
16	WSH-1015	DOWTY WASHER	2				
17	HMA-0067	M/M ADAPTOR	1				
18	COU-0162	QUICK RELEASE COUPLING	2				
19	HSS-0135	SET SCREW	4				
20	WSH-0012	PLAIN WASHER	4				
21	WSH-0058	SPRING WASHER	4				
22	610792 01	EMBLEM	1				
23	HVB-09020	VALVE BLOCK	1				
24							
25							
26							
27							
29							
30							
31							
32							
33							
34							
35							
36							
37							
38							
39							
40							
41							



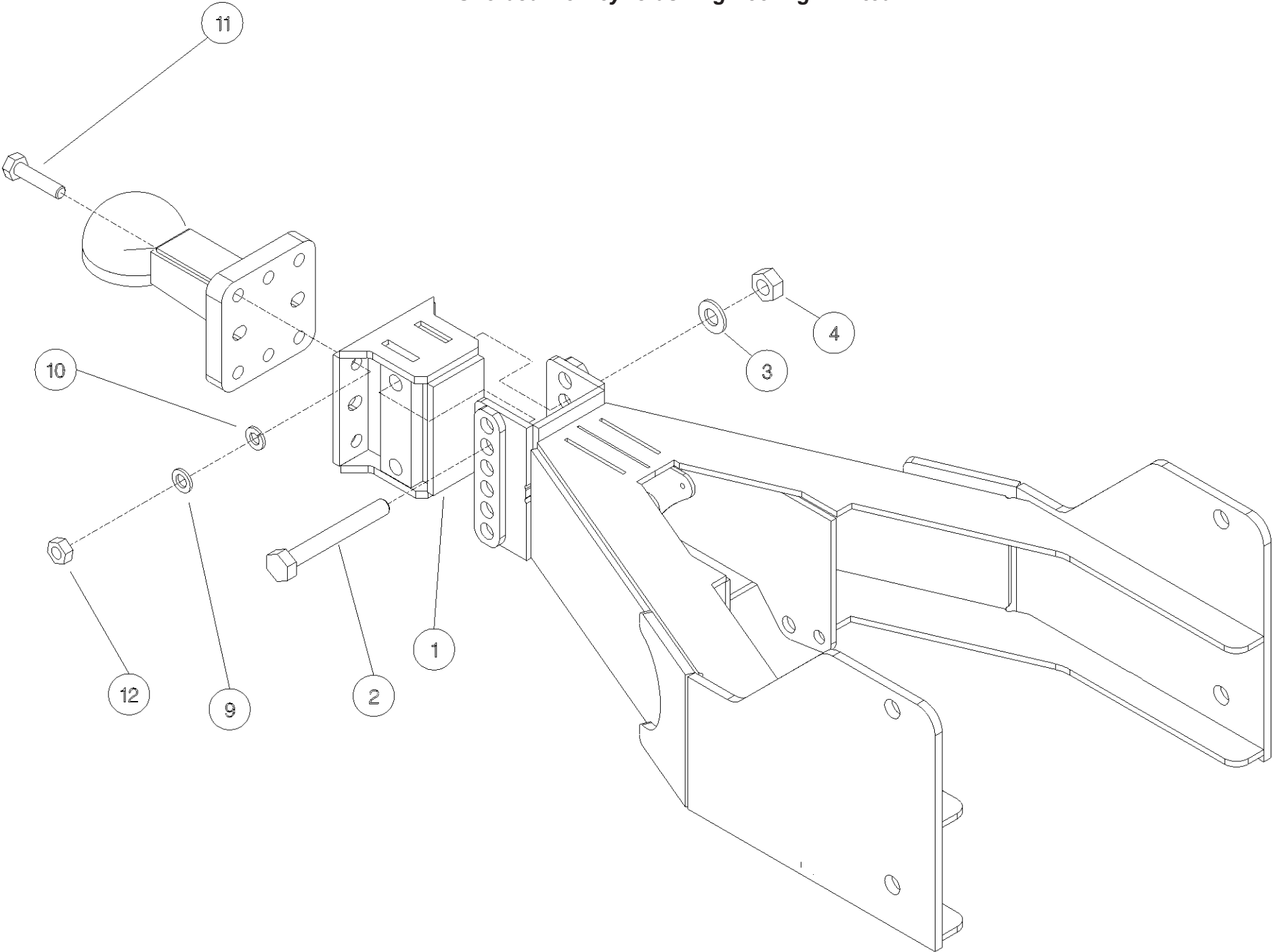
KIT-03507

Shelbourne Reynolds Engineering Limited

ASSY NUMBER: KIT-03510				ASSY DESCRIPTION: AUDIBLE ALARM KIT (FOR DIGI-STAR)			
ITEM	PART NO	DESCRIPTION	QTY	ITEM	PART NO	DESCRIPTION	QTY
1	BUZ-00010	AUDIBLE ALARM	1				
2	614030 01	BUZZER BRACKET	1				
3	HSS-0086	SETSCREW	4				
4	WSH-0009	WASHER	10				
5	NUT-0260	NUT	6				
6	HSS-0088	SETSCREW	2				
7	CBL-03010	CABLE (2 CORE)	3m				
8	ETM-00630	ELEC BUTT TERMINAL	2				

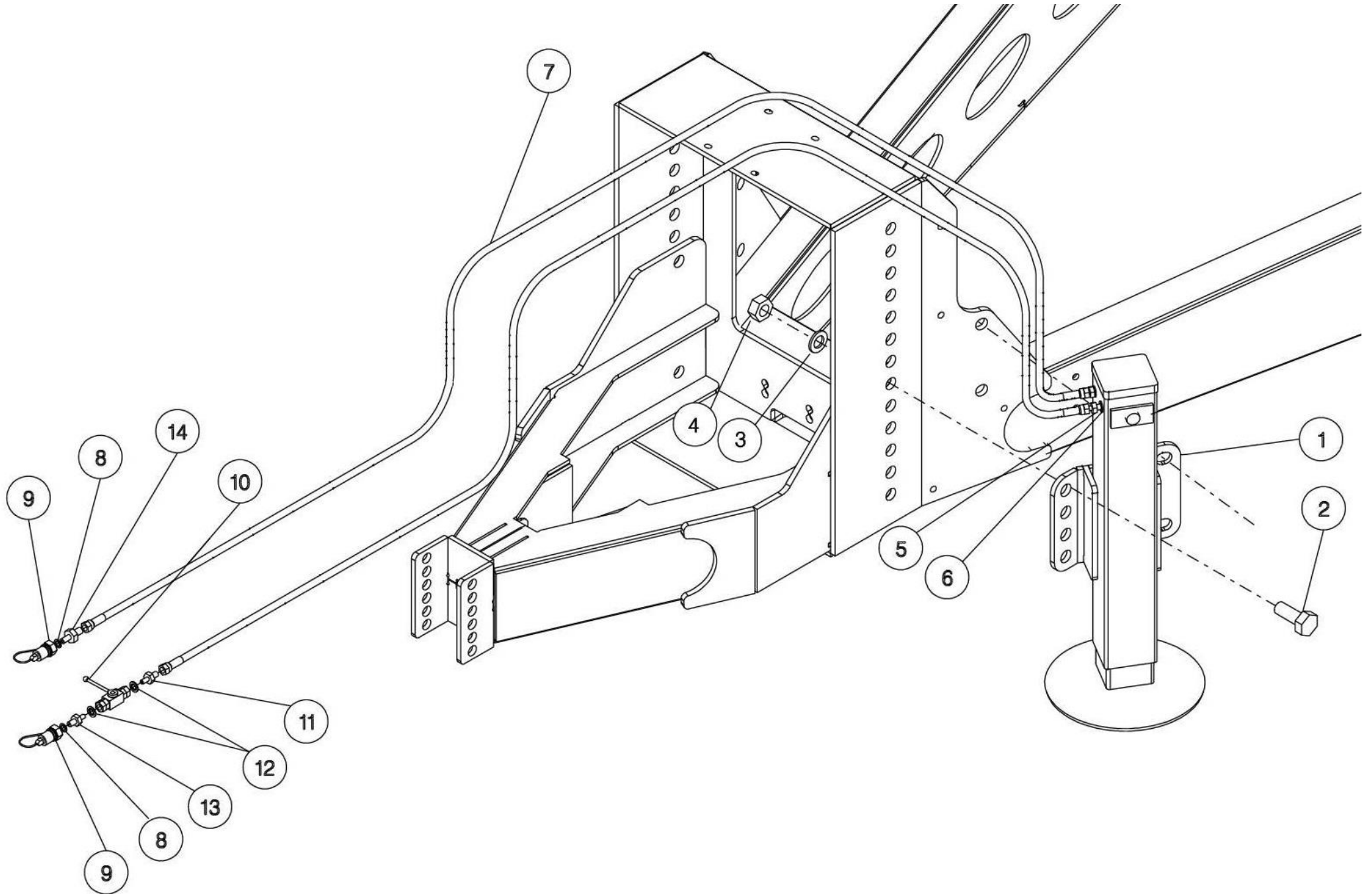
Shelbourne Reynolds Engineering Limited

ASSY NUMBER: KIT-03513				ASSY DESCRIPTION: SCHARMULLER FIXING KIT			
ITEM	PART NO	DESCRIPTION	QTY	ITEM	PART NO	DESCRIPTION	QTY
1	614043 01	SCHARMULLER HITCH W/A	1				
2	BLTA20770	HEXAGON HEAD BOLT	2				
3	WSH-0030	PLAIN WASHER	2				
4	NUTA02200	NYLOC NUT	2				
9	WSH-0024	PLAIN WASHER	6				
10	WSH-0070	SPRING WASHER	2				
11	BLT-2314	HEX.HEAD BOLT	8				
12	NUT-0271	NYLOC NUT	6				



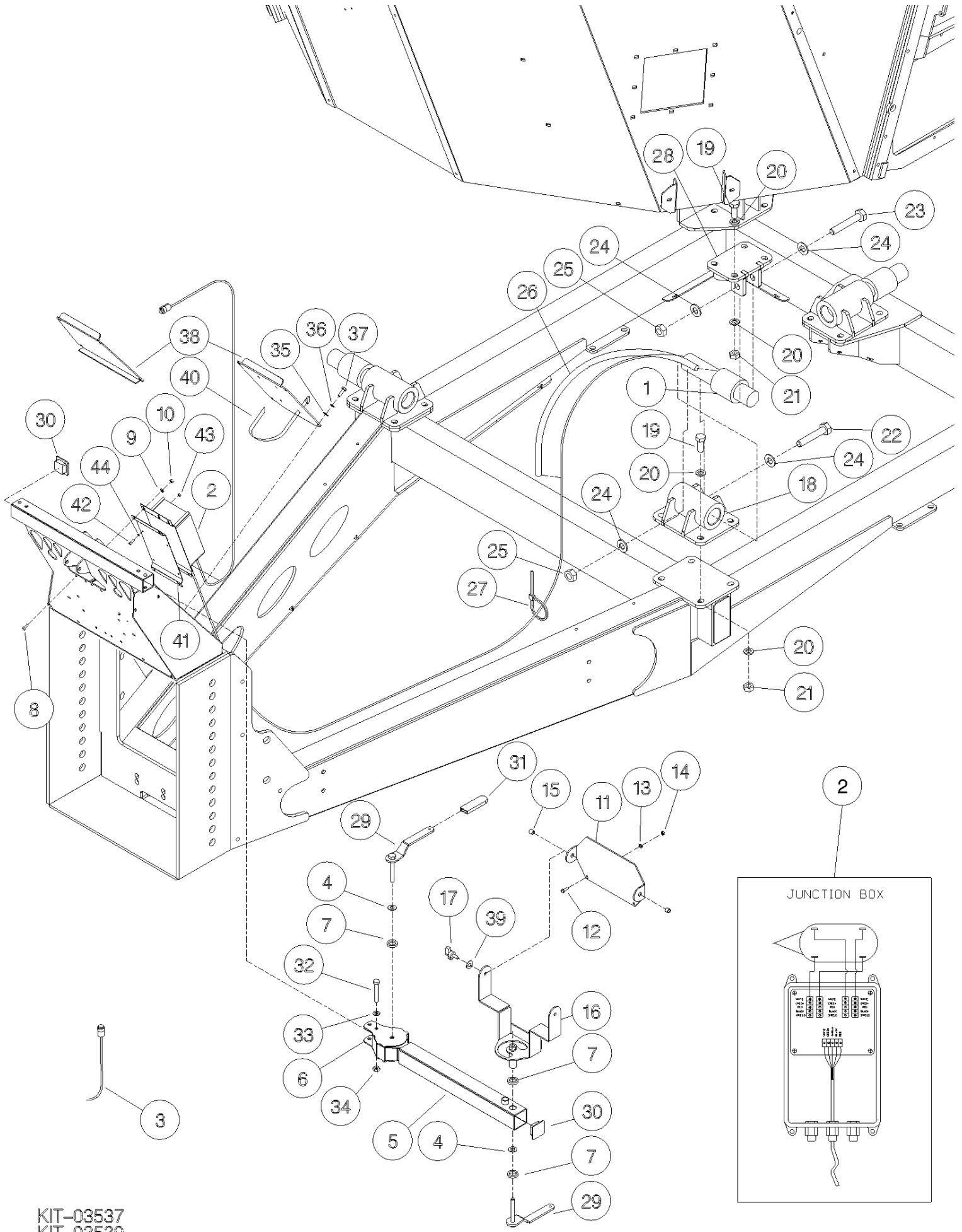
Shelbourne Reynolds Engineering Limited

ASSY NUMBER: KIT-03514				ASSY DESCRIPTION: HYD PARKING JACK (TRACTOR CONNECTION)			
ITEM	PART NO	DESCRIPTION	QTY	ITEM	PART NO	DESCRIPTION	QTY
1	614047 01	JACK WELD ASSY	1				
2	HSS-0410	SETSCREW	4				
3	WSH-0036	WASHER	4				
4	NUT-0275	NUT	4				
5	HMA-0057	HYD ADPT	2				
6	WSH-1010	DOWTY WASHER	2				
7	HHBE25005	HYD HOSE ASSY	2				
8	WSH-1015	DOWTY WASHER	2				
9	COU-0162	QUICK RELEASE COUPLING	2				
10	HVB-02600	2-WAY BALL VALVE	1				
11	FIT-0025	HYD ADAPT	1				
12	WSH-1005	DOWTY WASHER	2				
13	HMA-0055	HYD ADAPT	1				
14	HMA-0065	HYD ADAPT	1				



Shelbourne Reynolds Engineering Limited

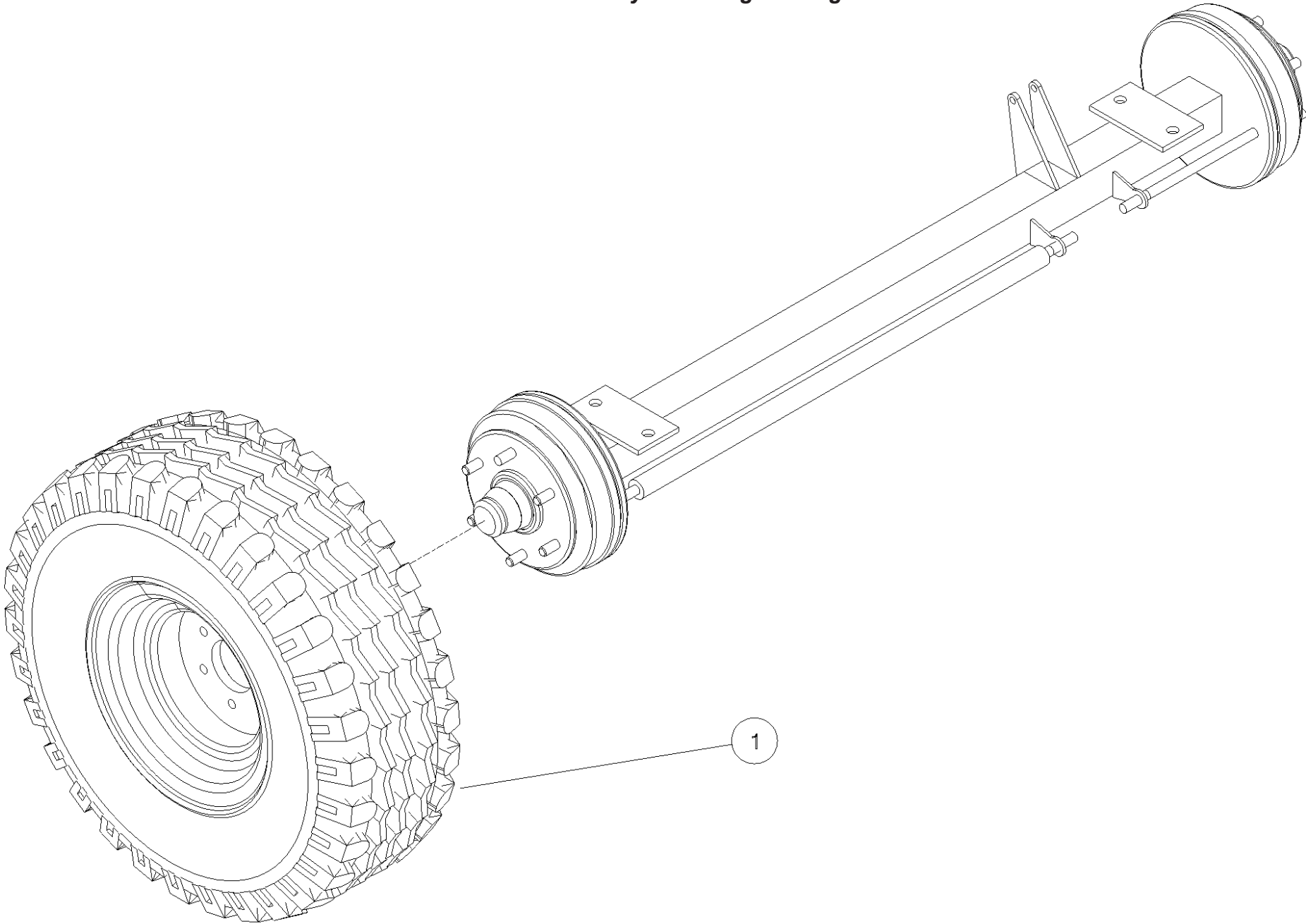
ASSY NUMBER: KIT-03537				ASSY DESCRIPTION: WEIGH CELL SYSTEM			
ITEM	PART NO	DESCRIPTION	QTY	ITEM	PART NO	DESCRIPTION	QTY
1	LCL-01200	DIGISTAR LOADCELL	3	41	614949 01	BRACKET J-BOX	1
2	LCL-01205	LOADCELL JUNCTION BOX	1	42	SCW-0035	CAP HEAD SCREW	4
3	LCL-01210	POWER CORD 10FT 4-WIRE	1	43	NUT-0255	NYLOC NUTS	4
4	WSHA30121	WASHER	2	44	WSH-0003	PLAIN WSH FORM A	4
5	614188 01	WEIGH HEAD ARM W/A	1				
6	614187 01	OUTER COUPLING W/A	1				
7	190548 54	WASHER	3				
8	HSS-0058	SETSCREW	6				
9	WSH-0006	PLAIN WSH FORM A	6				
10	NUT-0258	NYLOC NUT	6				
11	613597 01	REAR PANEL	1				
12	HSS-0086	SET SCREW	2				
13	WSH-0009	PLAIN WASHER	2				
14	NUT-0260	NYLOC NUT	2				
15	NUTA13080	NUTSERT	6				
16	614189 01	WEIGH HEAD HOUSING	1				
17	KNO-0001	BLACK KNOB	2				
18	613608 01	LOADCELL MTG BOSS W/A	3				
19	HSS-0318	SET SCREW	24				
20	WSH-0024	PLAIN WASHER	48				
21	NUT-0271	NYLOC NUT	24				
22	BLTA20620	HEX HEAD BOLT	3				
23	BLTA20590	BOLT HEX. HD.	3				
24	WSH-0030	PLAIN WASHER	12				
25	NUTA02200	NYLOC NUT	6				
26	SLV-00300	SPIRAL CONVOLUTE TUBING	5				
27	TIE-0004	TIE WRAPS (MED)	30				
28	613612 01	LOADCELL CLEVIS W/A	3				
29	613695 01	SECURING HANDLE ASSY	2				
30	CAP-0012	PLASTIC END CAP (2"X 2")	2				
31	PTF-00026	RECTANGULAR SLEEVE	2				
32	BLTA10470	HEX.HEAD BOLT	2				
33	WSH-0015	PLAIN WASHER	2				
34	NUT-0265	NYLOC NUT	2				
35	WSH-0012	PLAIN WASHER	4				
36	WSH-0058	SPRING WASHER	4				
37	HSS-0145	SETSCREW	4				
38	615553 01	COVER	1				
39	WSH-1300	WASHER	2				
40	TIE-0012	TIE WRAP (EX.LARGE)	2				



KIT-03537
KIT-03539

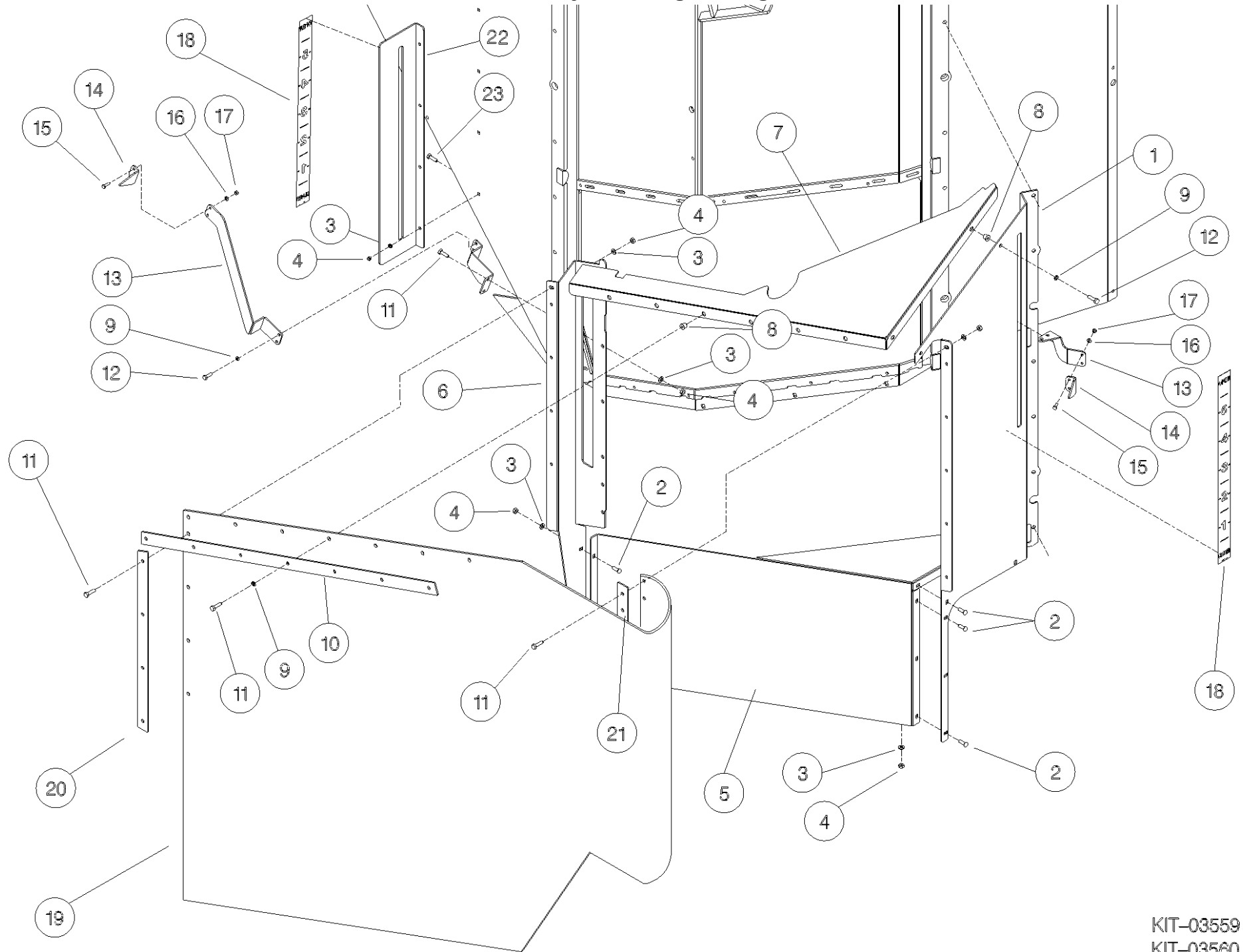
Shelbourne Reynolds Engineering Limited

ASSY NUMBER: KIT-03544				ASSY DESCRIPTION: WHEEL&TYRE KIT (BANDENMARKT 305/55R22.5)			
ITEM	PART NO	DESCRIPTION	QTY	ITEM	PART NO	DESCRIPTION	QTY
1	WHL-02202	WHEEL & TYRE ASSY	2				



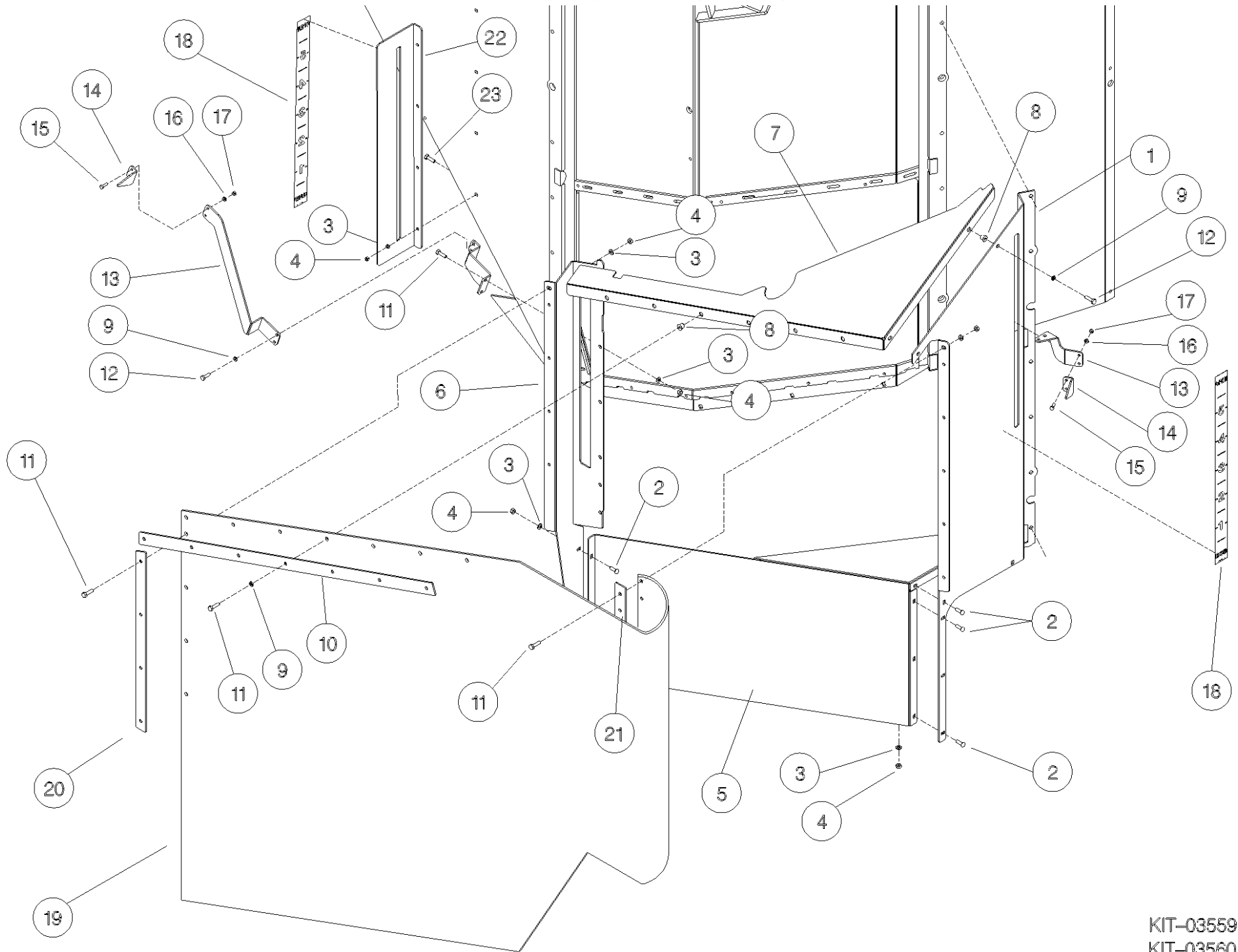
Shelbourne Reynolds Engineering Limited

ASSY NUMBER: KIT-03559				ASSY DESCRIPTION: ORKNEY RUBBER FLAP KIT(RH DOOR			
ITEM	PART NO	DESCRIPTION	QTY	ITEM	PART NO	DESCRIPTION	QTY
1	614296 01	SIDE PANEL	1				
2	BLTF08173	COACH BOLT	12				
3	WSH-0012	WASHER	23				
4	NUT-0263	NUT	23				
5	614294 01	CHUTE PLATE	1				
6	614297 01	SIDE PANEL	1				
7	614295 01	TOP CAPPING PLATE	1				
8	NUTA13080	NUTSERT	8				
9	WSH-0058	WASHER	8				
10	614299 01	CLAMP PLATE	1				
11	HSS-0150	SET SCREW	17				
12	HSS-0140	SETSCREW	2				
13	614302 01	INDICATOR PLATE	1				
14	613786 01	POINTER	1				
15	HSS-0086	SET SCREW	2				
16	WSH-0009	WASHER	2				
17	NUT-0260	NUT	2				
18	613779 01	DECAL-DOOR POSITION	1				
19	614298 01	ORKNEY RUBBER DOOR FLAP	1				
20	614301 01	CLAMP PLATE	1				
21	614300 01	CLAMP PLATE	1				



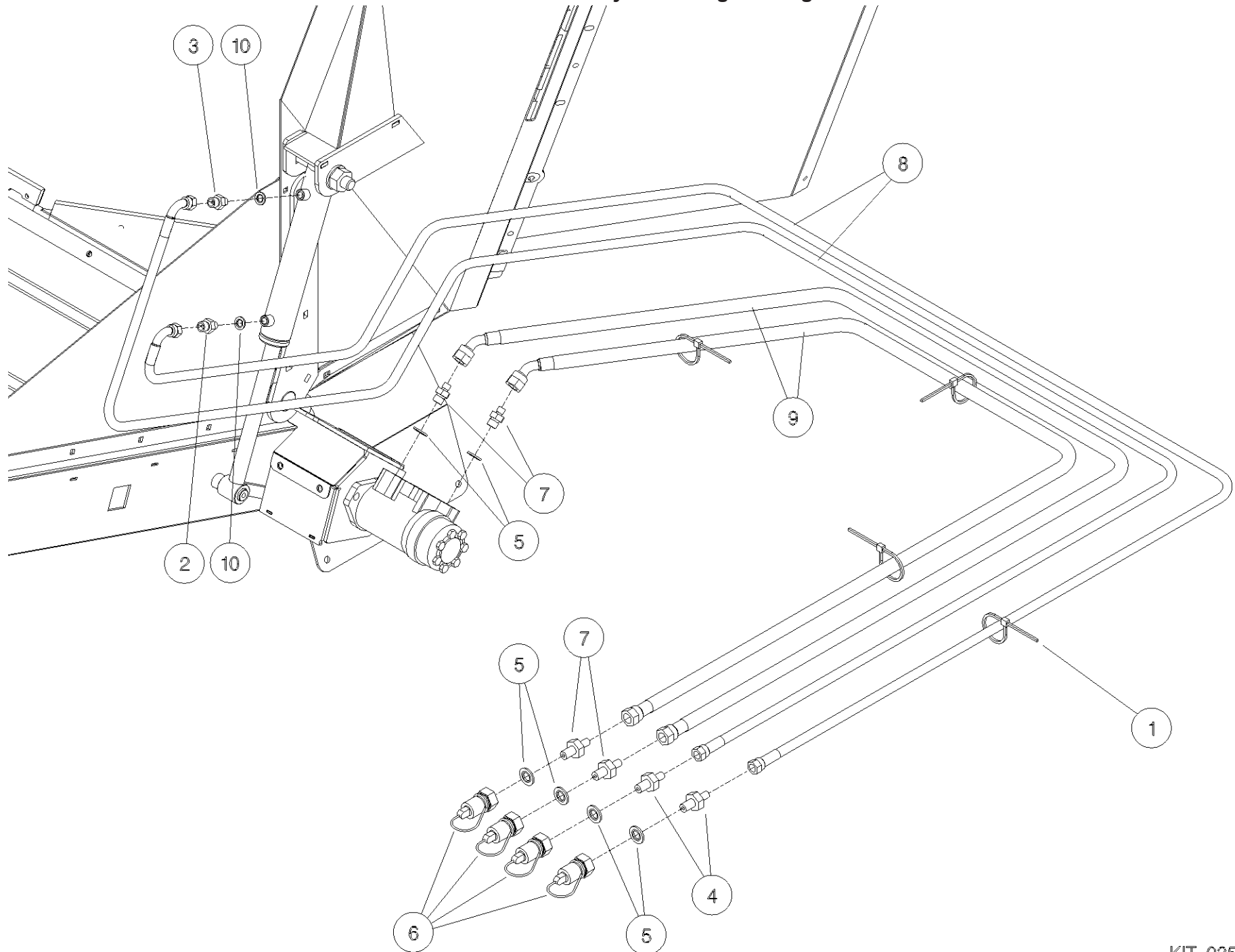
Shelbourne Reynolds Engineering Limited

ASSY NUMBER: KIT-03560				ASSY DESCRIPTION: ORKNEY RUBBER FLAP KIT(LH DOOR)			
ITEM	PART NO	DESCRIPTION	QTY	ITEM	PART NO	DESCRIPTION	QTY
1	614296 01	SIDE PANEL	1				
2	BLTF08173	COACH BOLT	12				
3	WSH-0012	WASHER	27				
4	NUT-0263	NUT	27				
5	614294 01	CHUTE PLATE	1				
6	614297 01	SIDE PANEL	1				
7	614295 01	TOP CAPPING PLATE	1				
8	NUTA13080	NUTSERT	8				
9	WSH-0058	WASHER	10				
10	614299 01	CLAMP PLATE	1				
11	HSS-0150	SET SCREW	17				
12	HSS-0140	SETSCREW	4				
13	613990 01	EXTENSION PLATE	1				
14	613786 01	POINTER	1				
15	HSS-0086	SET SCREW	2				
16	WSH-0009	WASHER	2				
17	NUT-0260	NUT	2				
18	613779 01	DECAL-DOOR POSITION	1				
19	614298 01	ORKNEY RUBBER DOOR FLAP	1				
20	614301 01	CLAMP PLATE	1				
21	614300 01	CLAMP PLATE	1				
22	613517 01	DOOR HEIGHT INDICATOR	1				
23	BLT-2700	BOLT	4				
24	613989 01	FIXING PLATE	1				



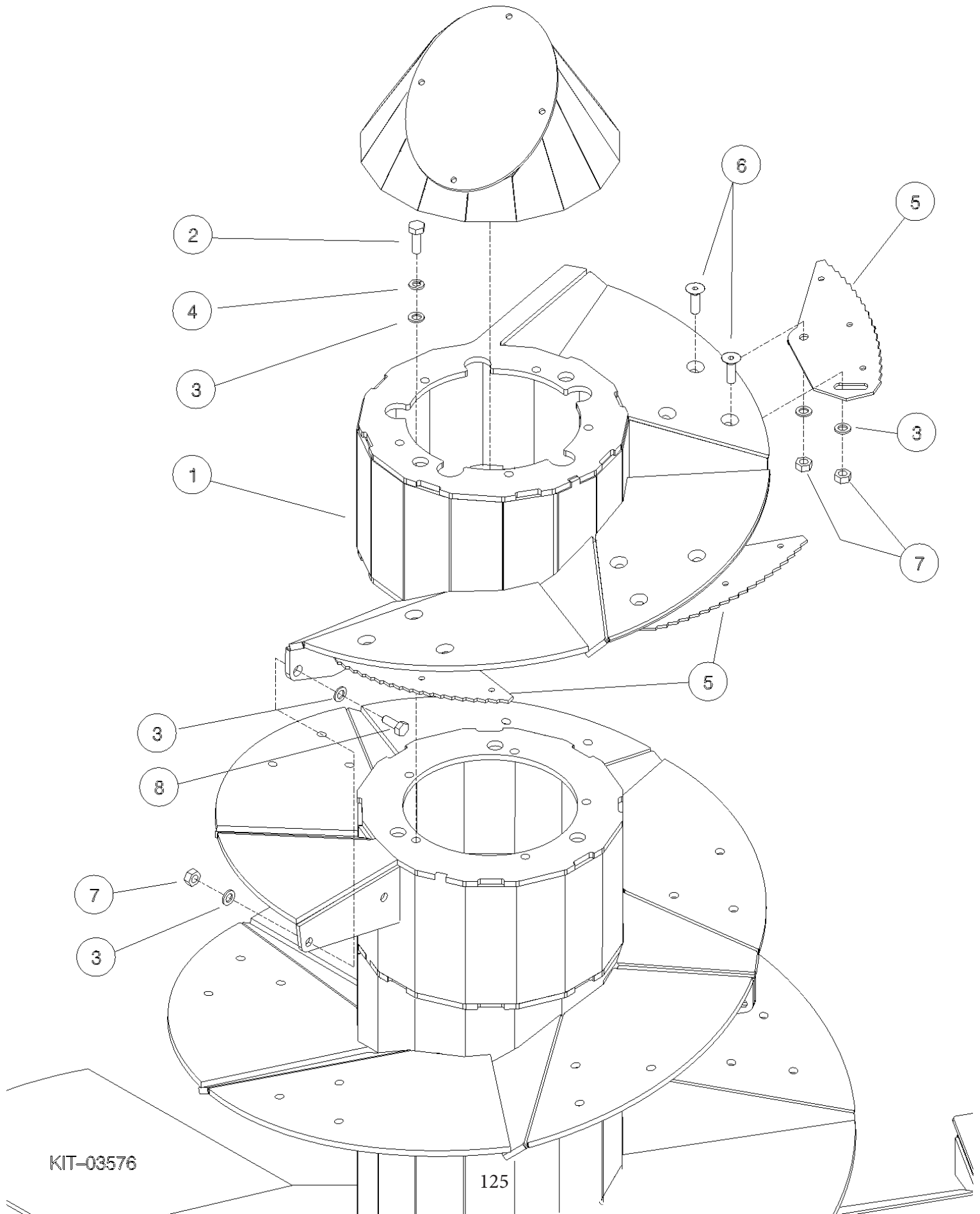
Shelbourne Reynolds Engineering Limited

ASSY NUMBER: KIT-03574				ASSY DESCRIPTION: DIRECT COUPLED HYD KIT			
ITEM	PART NO	DESCRIPTION	QTY	ITEM	PART NO	DESCRIPTION	QTY
1	TIE-0004	TIE WRAPS (MED)	8				
2	FIT-0025	1/4"BSP X 3/8"BSP	1				
3	190859 01	HYDRAULIC FITTING	1				
4	HMA-0055	ADAPTOR MALE/MALE	2				
5	WSH-1015	DOWTY WASHER 1/2"	6				
6	COU-0162	QUICK RELEASE COUPLING	4				
7	HMA-0065	ADAPTOR MALE/MALE	4				
8	HHBC42005	HYDRAULIC HOSE ASSY	2				
9	HHDE40005	HYD HOSE ASSY	2				
10	WSH-1010	DOWTY WASHER	2				



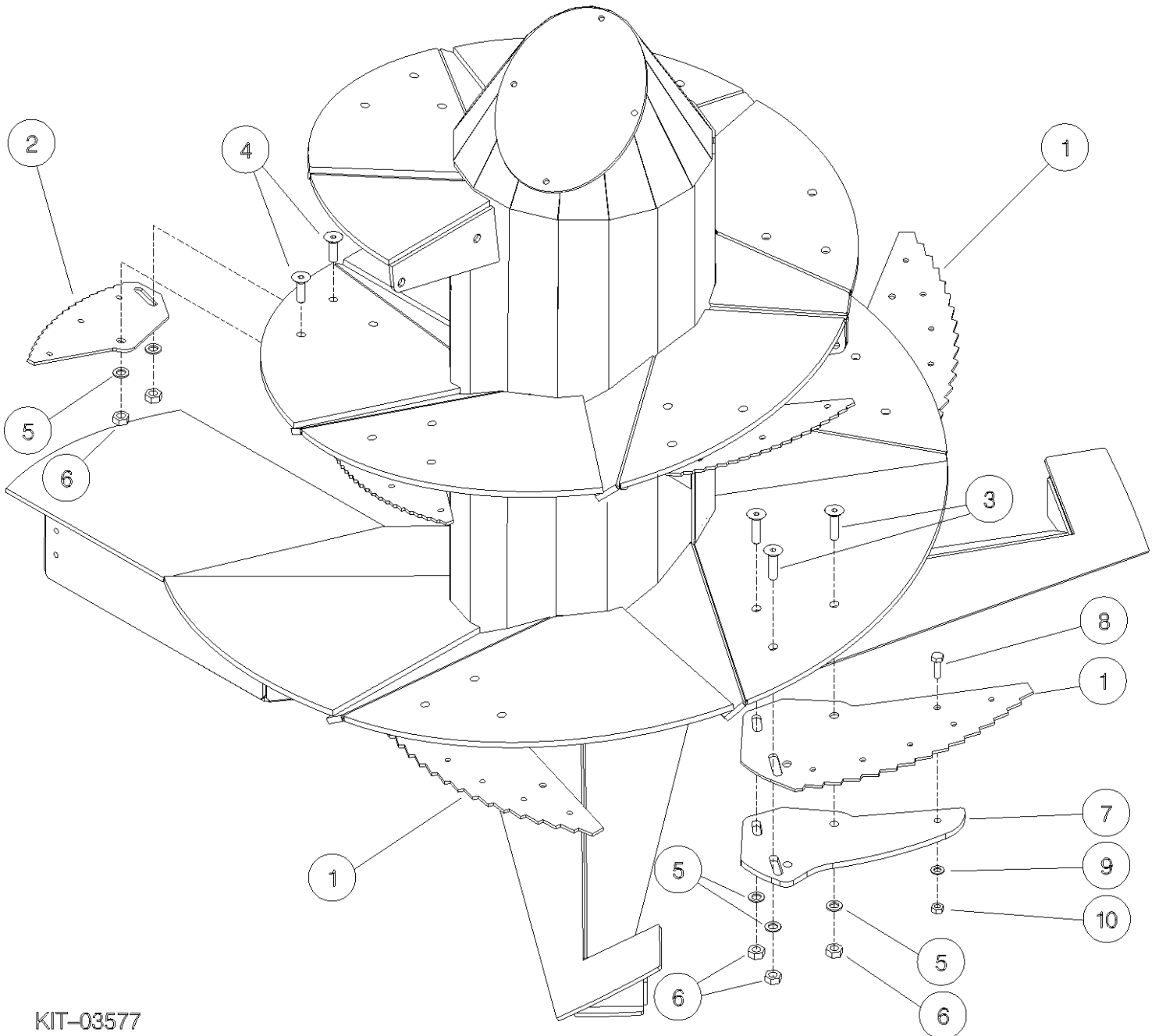
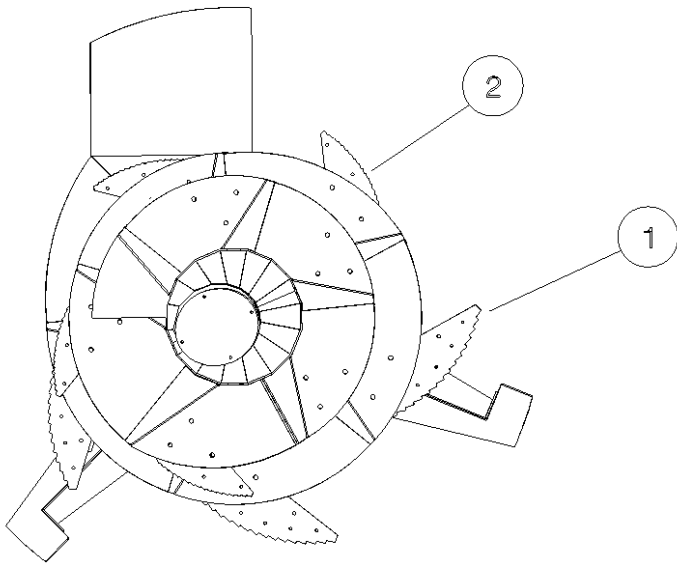
Shelbourne Reynolds Engineering Limited

ASSY NUMBER: KIT-03576				ASSY DESCRIPTION: AUGER EXTENSION KIT			
ITEM	PART NO	DESCRIPTION	QTY	ITEM	PART NO	DESCRIPTION	QTY
1	614507 01	AUGER EXTENSION W/A	1				
2	HSS-0318	SET SCREW	5				
3	WSH-0024	PLAIN WASHER	15				
4	WSH-0070	SPRING WASHER	5				
5	610256 01	BLADE	3				
6	SCEA16290	CSK SOC HD SCREW	6				
7	NUT-0271	NYLOC NUT	8				
8	HSS-0317	SET SCREW	2				
			3				



Shelbourne Reynolds Engineering Limited

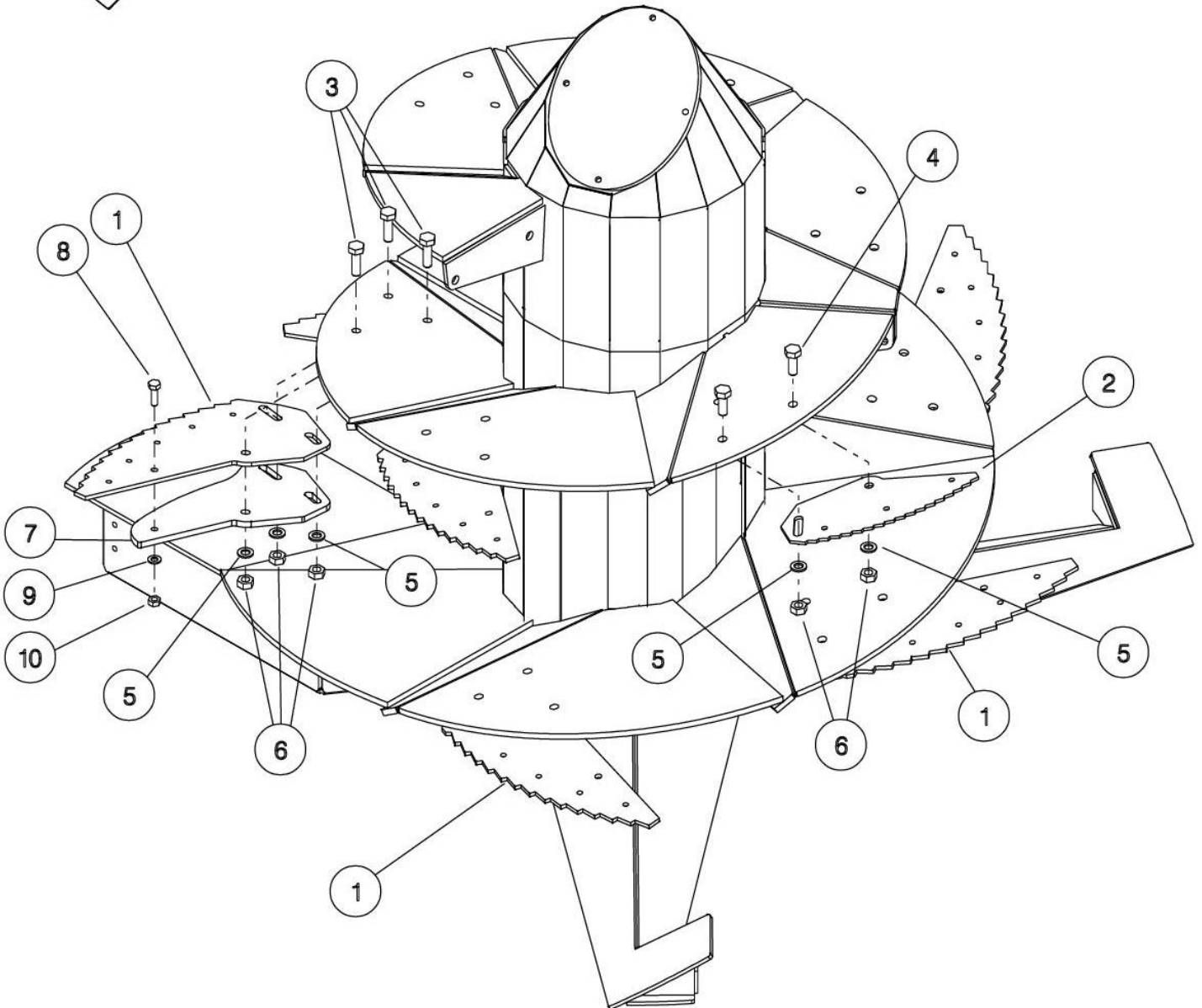
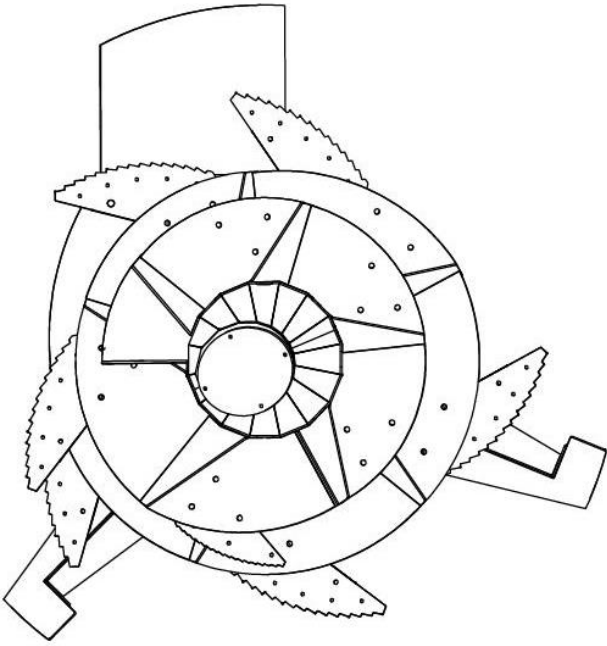
ASSY NUMBER: KIT-03577				ASSY DESCRIPTION: SMALL BLADE KIT			
ITEM	PART NO	DESCRIPTION	QTY	ITEM	PART NO	DESCRIPTION	QTY
1	610599 02	LARGE BLADE	3				
2	610256 01	MEDIUM BLADE	4				
3	SCEA16350	CSK SOC HD SCREW	9				
4	SCEA16290	CSK SOC HD SCREW	8				
5	WSH-0025	PLAIN WASHER FORM B	17				
6	NUT-0271	NYLOC NUT	17				
7	612622 01	BLADE SUPPORT PLATE	3				
8	HSS-0250	SET SCREW	3				
9	WSH-0018	PLAIN WASHER	3				
10	NUT-0269	NYLOC NUT	3				



KIT-03577

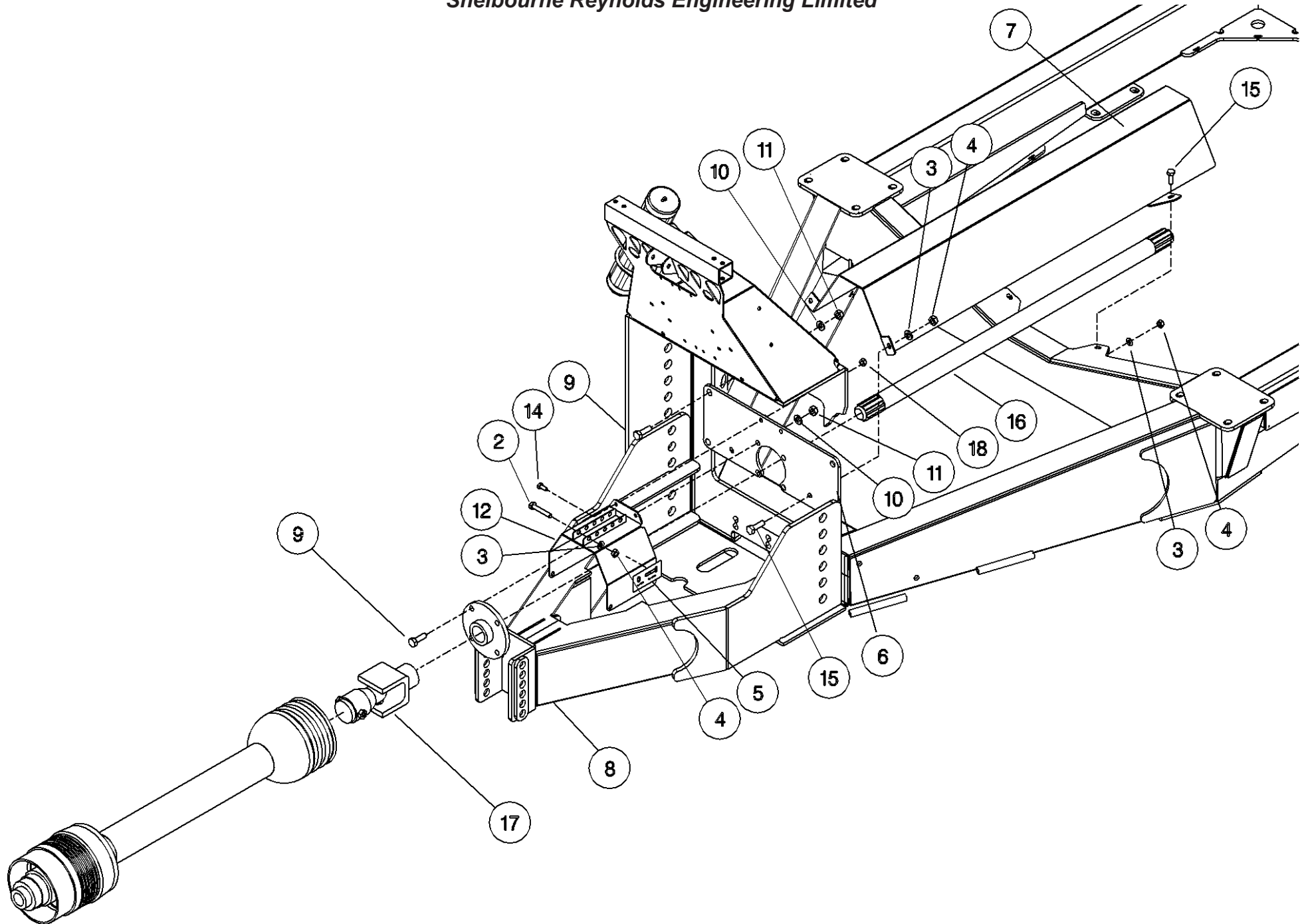
Shelbourne Reynolds Engineering Limited

ASSY NUMBER: KIT-03578				ASSY DESCRIPTION: LARGE BLADE KIT			
ITEM	PART NO	DESCRIPTION	QTY	ITEM	PART NO	DESCRIPTION	QTY
1	610599 02	LARGE BLADE	6				
2	610256 01	SMALL BLADE	1				
3	SCEA16350	CSK SOC HD SCREW	18				
4	SCEA16290	CSK SOC HD SCREW	2				
5	WSH-0025	WASHER	20				
6	NUT-0271	NUT	20				
7	612622 01	KNIFE STRENGTH PLATE	6				
8	HSS-0250	SETSCREW	6				
9	WSH-0018	WASHER	6				
10	NUT-0269	NUT	6				



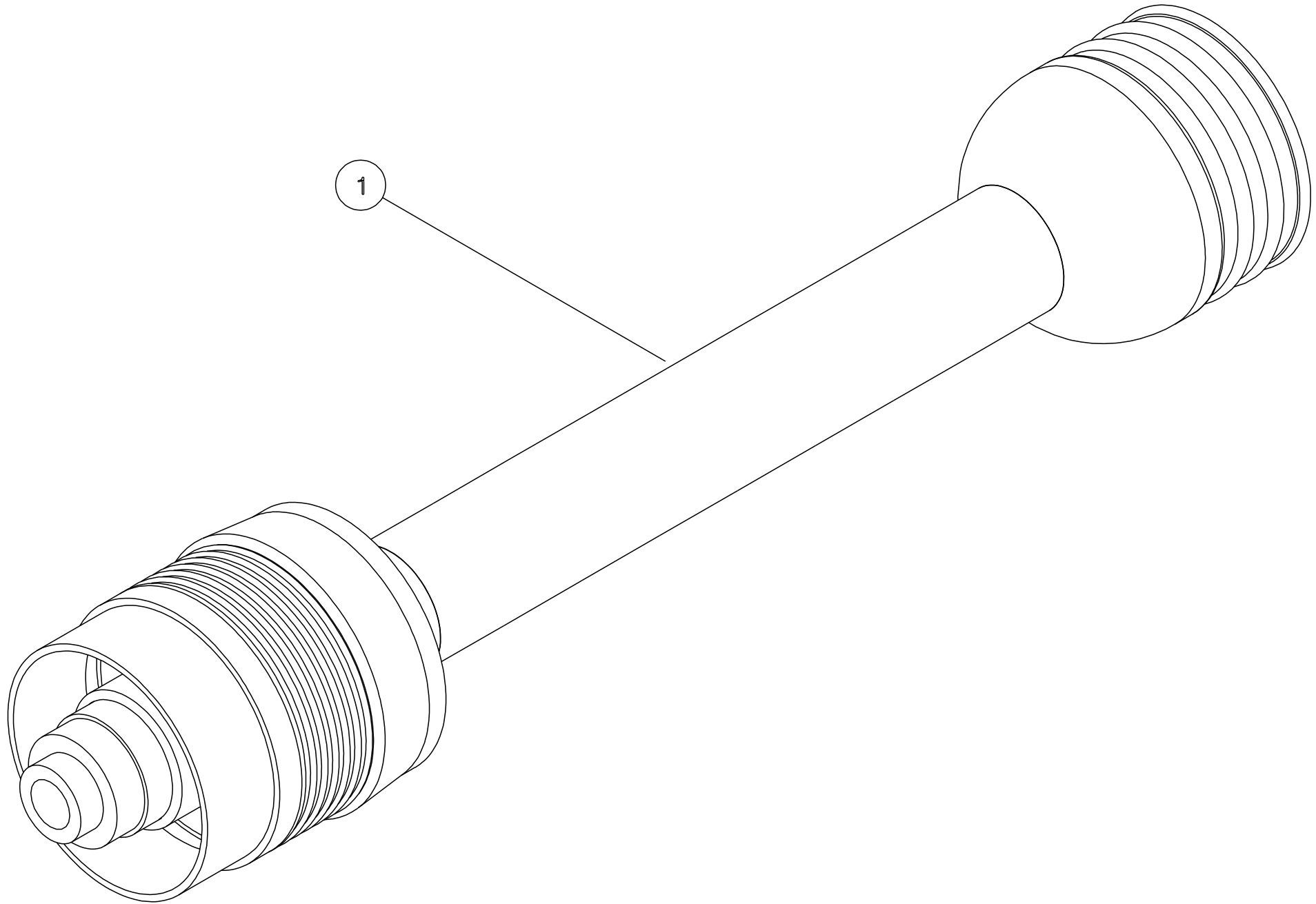
Shelbourne Reynolds Engineering Limited

ASSY NUMBER: KIT-03594				ASSY DESCRIPTION: SINGLE SPEED DRIVE KIT			
ITEM	PART NO	DESCRIPTION	QTY	ITEM	PART NO	DESCRIPTION	QTY
1							
2	BLTA10380	HEX.HEAD BOLT	5				
3	WSH-0015	PLAIN WASHER	13				
4	NUT-0265	NYLOC NUT	9				
5	195391 01	TRANSFER SHEARBOLT	1				
6	614900 01	BEARING MTG PLATE W/A	1				
7	614907 01	DRIVE SHAFT GUARD	1				
8	BRG-3275	SUPPORT	1				
9	HSS-0250	SET SCREW	8				
10	WSH-0018	PLAIN WASHER	8				
11	NUT-0269	NYLOC NUT	8				
12	614958 01	FRONT DRIVE GUARD W/A	1				
13							
14	HSSF08204	SET SCREW	2				
15	HSS-0194	SET SCREW	4				
16	614613 01	DRIVE SHAFT	1				
17	PTO-20007	PTO COUPLING	1				
18	NUT-0263	NYLOC NUT	2				



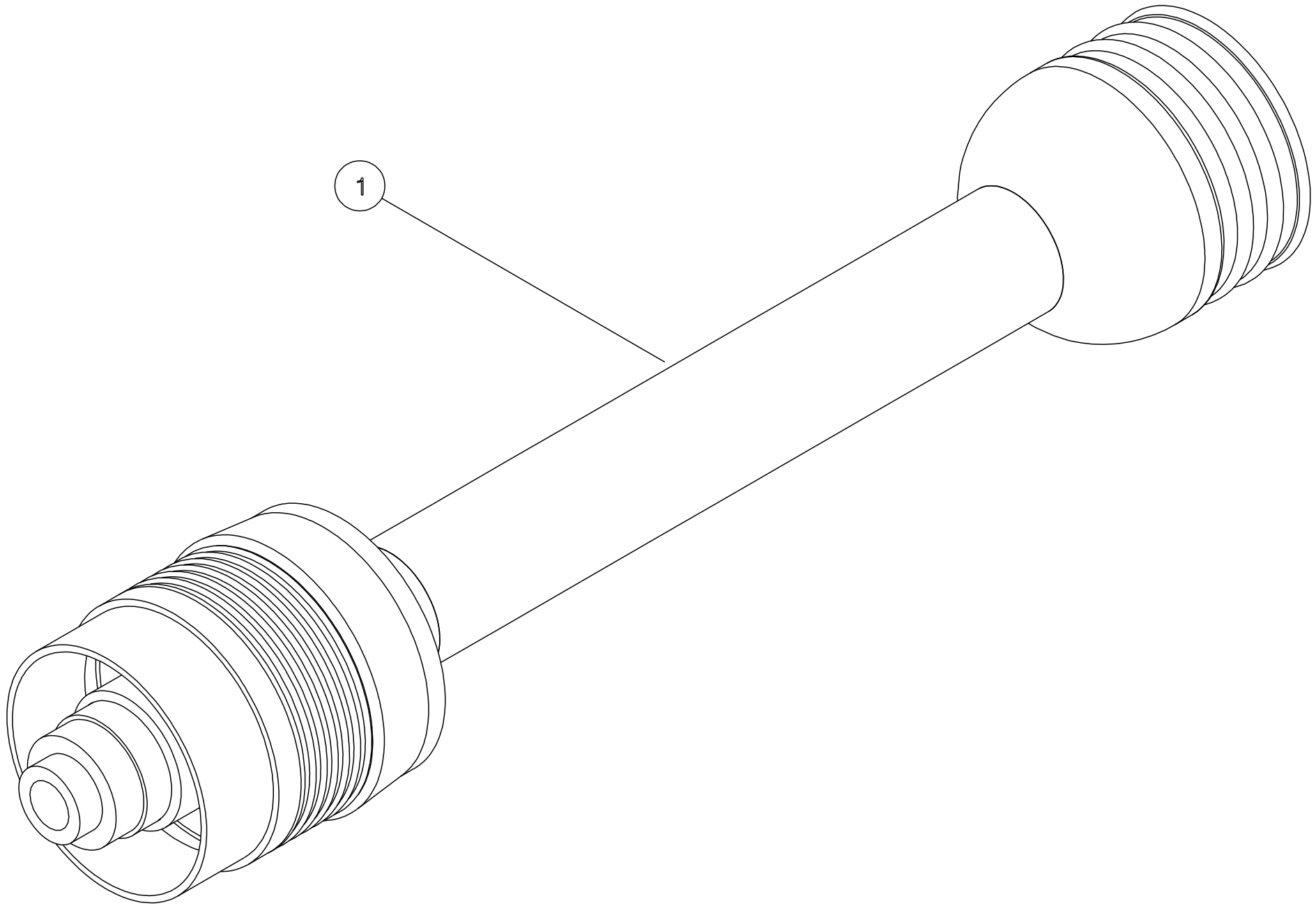
Shelbourne Reynolds Engineering Limited

ASSY NUMBER: KIT-03595				ASSY DESCRIPTION: PTO SHAFT KIT			
ITEM	PART NO	DESCRIPTION	QTY	ITEM	PART NO	DESCRIPTION	QTY
1	PTO-29004	PTO SHAFT ASSY	1				



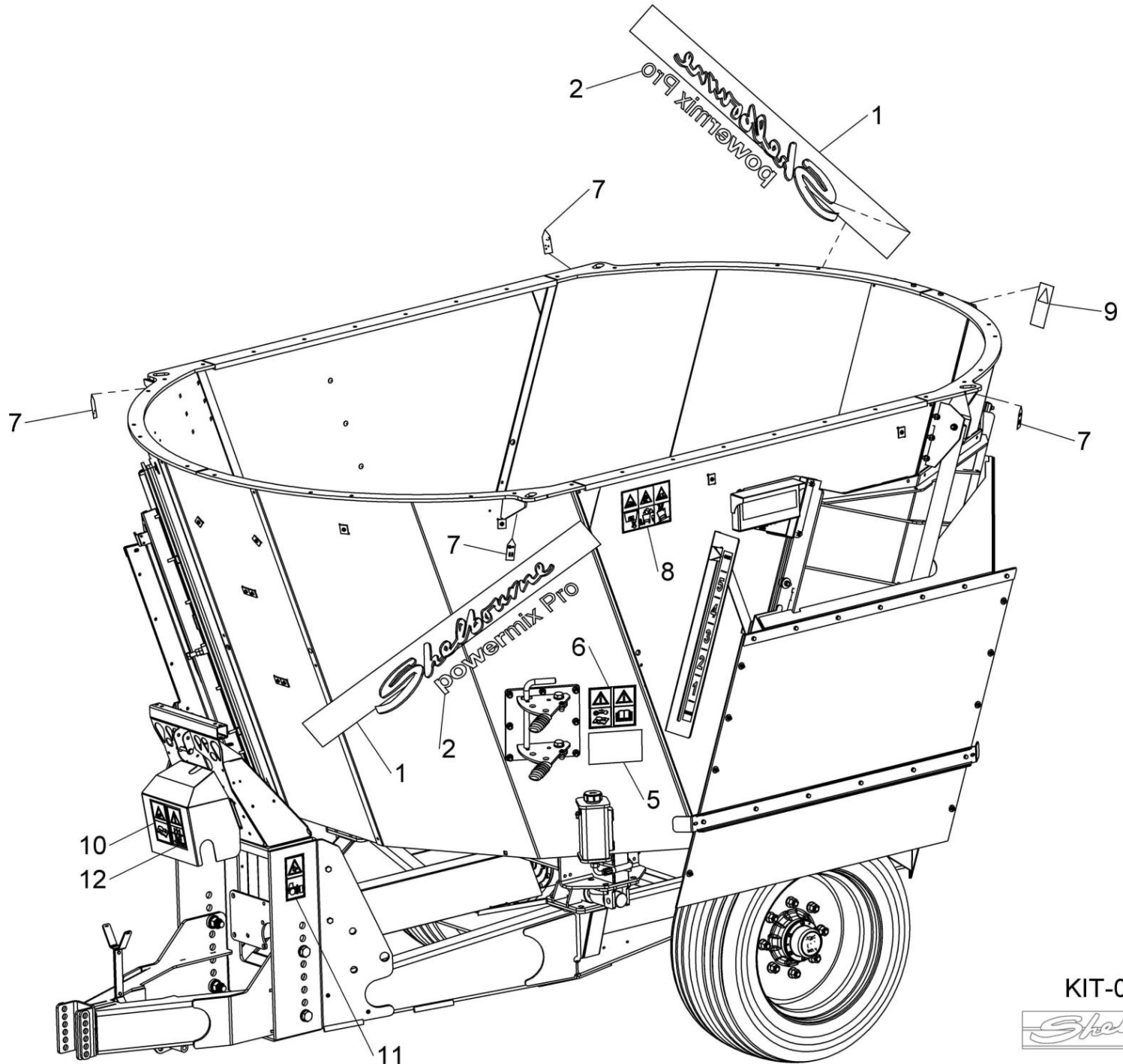
Shelbourne Reynolds Engineering Limited

ASSY NUMBER: KIT-03595B				ASSY DESCRIPTION: W-A PTO SHAFT KIT (SING AUGER POP)			
ITEM	PART NO	DESCRIPTION	QTY	ITEM	PART NO	DESCRIPTION	QTY
1	PTO-29004W	W-A PTO SHAFT ASSY (Walt)	1				



Shelbourne Reynolds Engineering Limited

ASSY NUMBER: KIT-03596				ASSY DESCRIPTION: POWERMIX PRO TRANSFER KIT			
ITEM	PART NO	DESCRIPTION	QTY	ITEM	PART NO	DESCRIPTION	QTY
1	260228 01	SHELBOURNE TRANSFER	2				
OR	614608 01	EMBLEM (LH POWERMIX LOGO)	2				
2	615408 01	POWMIX PRO TRANSFER	2				
OR	614557 01	EMBLEM (AUGER LOGO)	2				
3							
4							
5	614656 01	SINGLE AUGER POP GREASE EMBLEM	1				
6	TNF-0011	TRANSFER BLOCK	1				
7	190702 04	SLING POINT TRANSFER	4				
8	610253 01	EMBLEM	1				
9	610259 01	LOGO:DO ENTER USING	1				
10	800221 01	TRANSFER-MANUAL,OIL	1				
11	260060 01	TRANSFER-STAY CLEAR	1				
12	614959 01	MAX. HYD. PRESSURE TRANSFER	1				

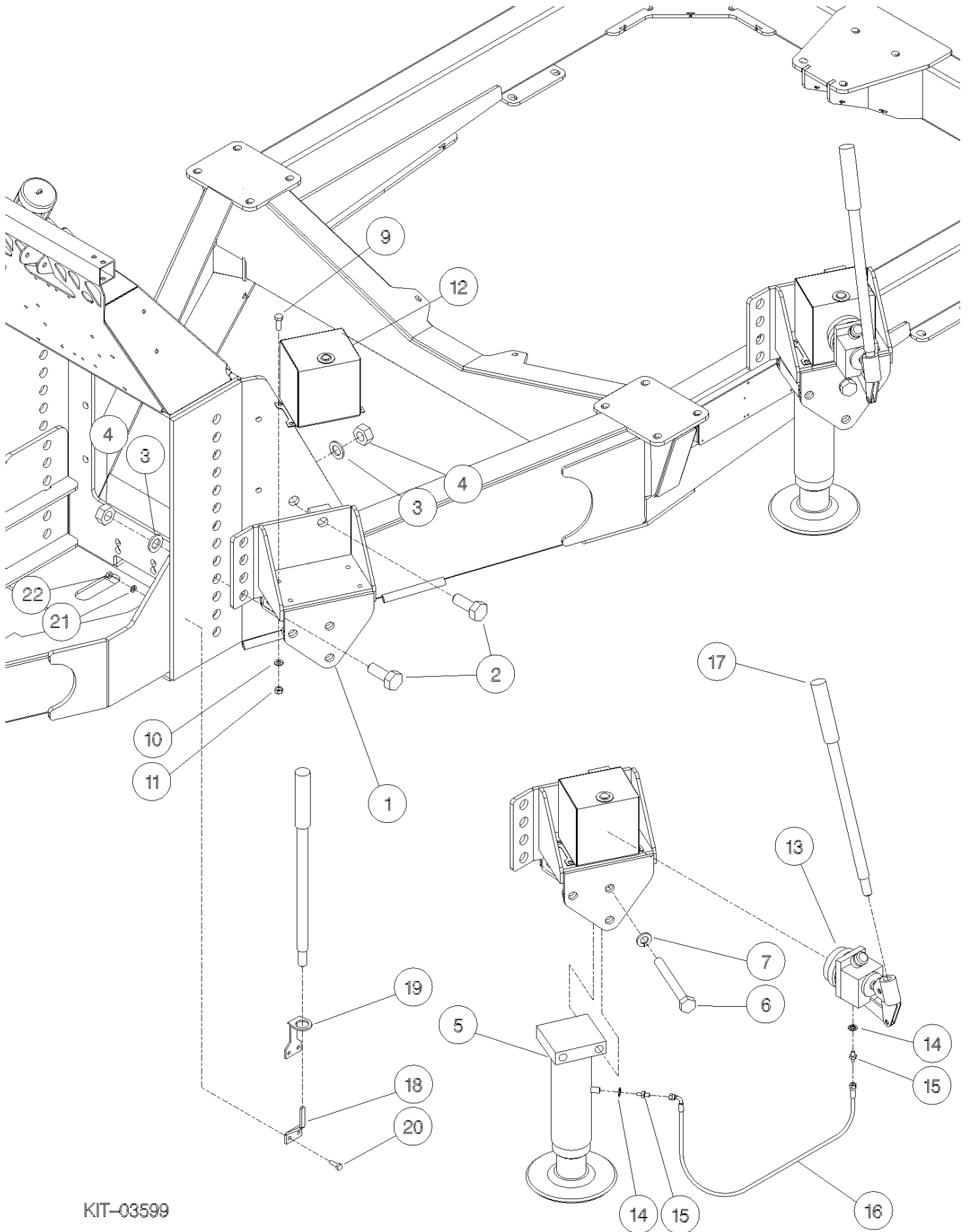


KIT-03596



Shelbourne Reynolds Engineering Limited

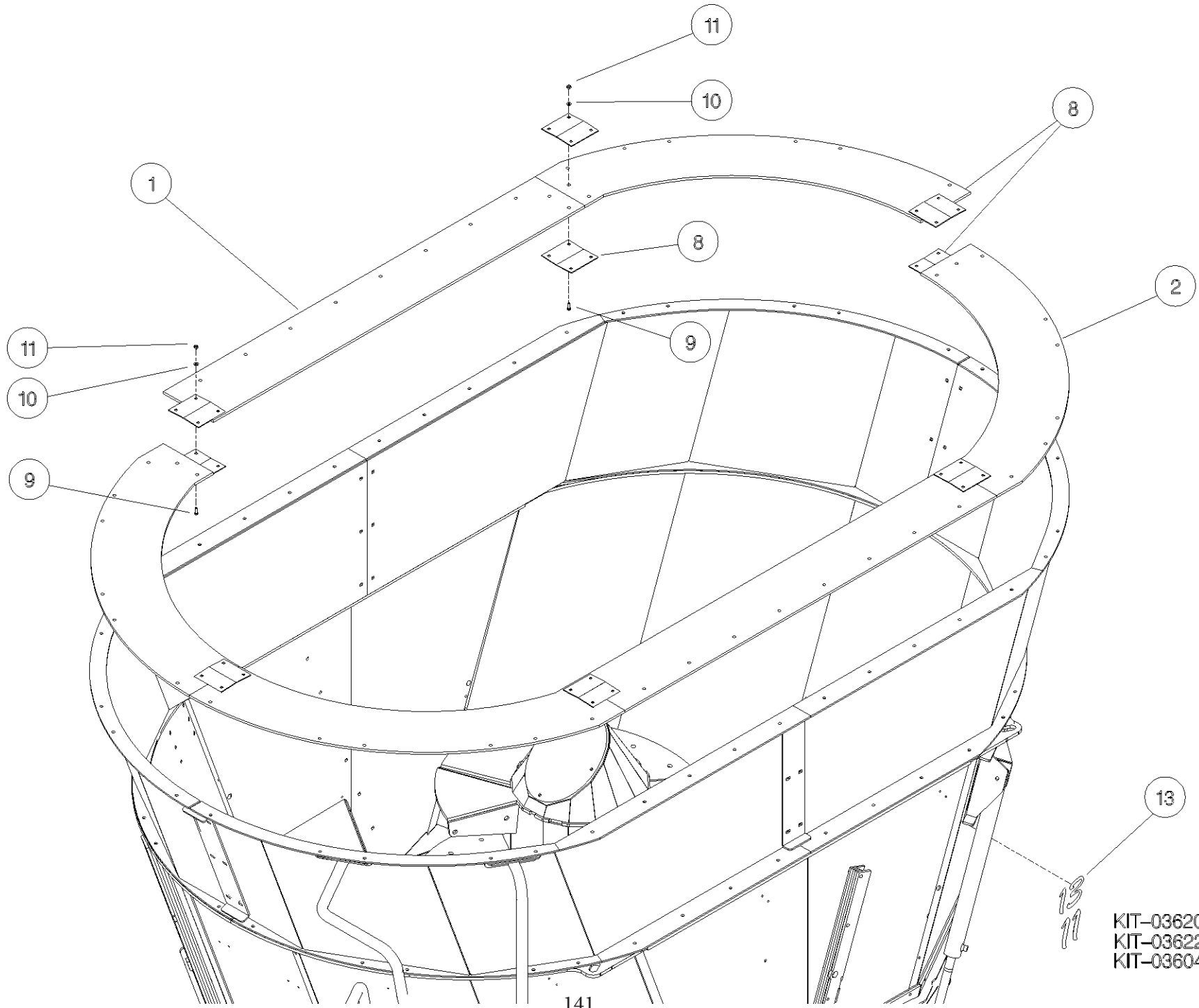
ASSY NUMBER: KIT-03599				ASSY DESCRIPTION: HYD PARKING JACK KIT			
ITEM	PART NO	DESCRIPTION	QTY	ITEM	PART NO	DESCRIPTION	QTY
1	614619 01	HYDRAULIC RAM BRKT W/A	1				
2	HSS-0410	SETSCREW	4				
3	WSH-0036	PLAIN WASHER FORM A	4				
4	NUT-0275	NYLOC NUT	4				
5	JAC-00210	HYDRAULIC PARKING JACK	1				
6	BLTA20770	HEXAGON HEAD BOLT	1				
7	WSH-0075	SPRING WASHER	1				
9	HSS-0194	SET SCREW	4				
10	WSH-0015	PLAIN WASHER	4				
11	NUT-0265	NYLOC NUT	4				
12	JAC-00220	HYD RESEVOIR - TANK	1				
13	JAC-00225	HYD HAND PUMP	1				
14	WSH-1010	DOWTY WASHER	2				
15	HMA-0057	ADAPTOR MALE/MALE	2				
16	HHCC03500	HYDRAULIC HOSE ASSY	1				
17	JAC-00230	HYD HAND PUMP HANDLE	1				
18	611654 01	LOWER HANDLE BKT	1				
19	611655 01	TOP BKT HOOP	1				
20	HSS-0145	SETSCREW	4				
21	WSH-0012	PLAIN WASHER	4				
22	NUT-0263	NYLOC NUT	4				



KIT-03599

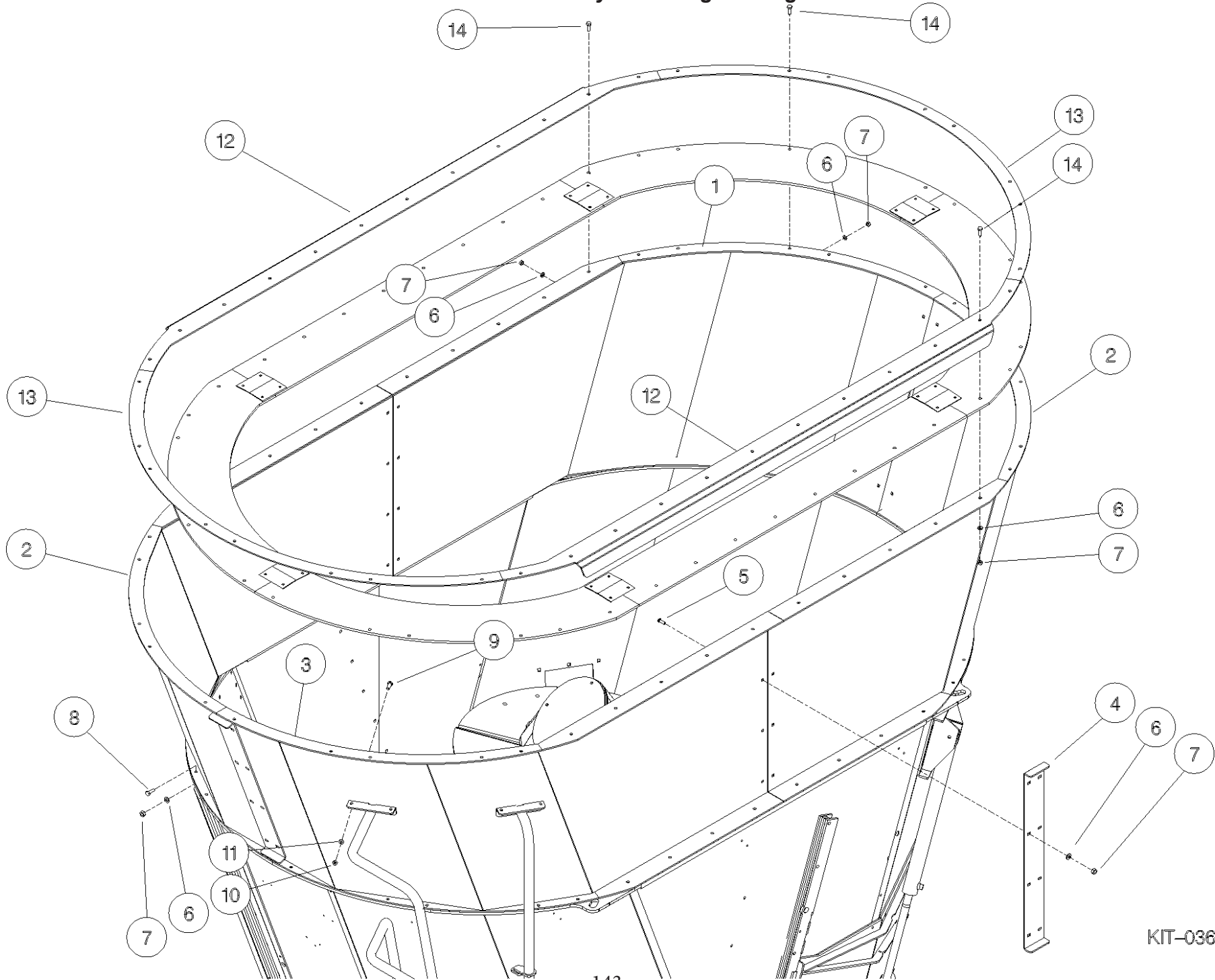
Shelbourne Reynolds Engineering Limited

ASSY NUMBER: KIT-03604				ASSY DESCRIPTION: 900mm (15cu m) RUBBER RETAINER			
ITEM	PART NO	DESCRIPTION	QTY	ITEM	PART NO	DESCRIPTION	QTY
1	614921 01	RUBBER SECTION	2				
2	610982 01	CORNER RUBBER SECTION	4				
3							
4							
5							
6							
7							
8	611051 01	CLAMP STRIP	12				
9	BLT-2700	BOLT	24				
10	WSH-0012	PLAIN WASHER	24				
11	NUT-0263	NYLOC NUT	24				
12							
13	615458 04	SIZE TRANSFER - 15	2				



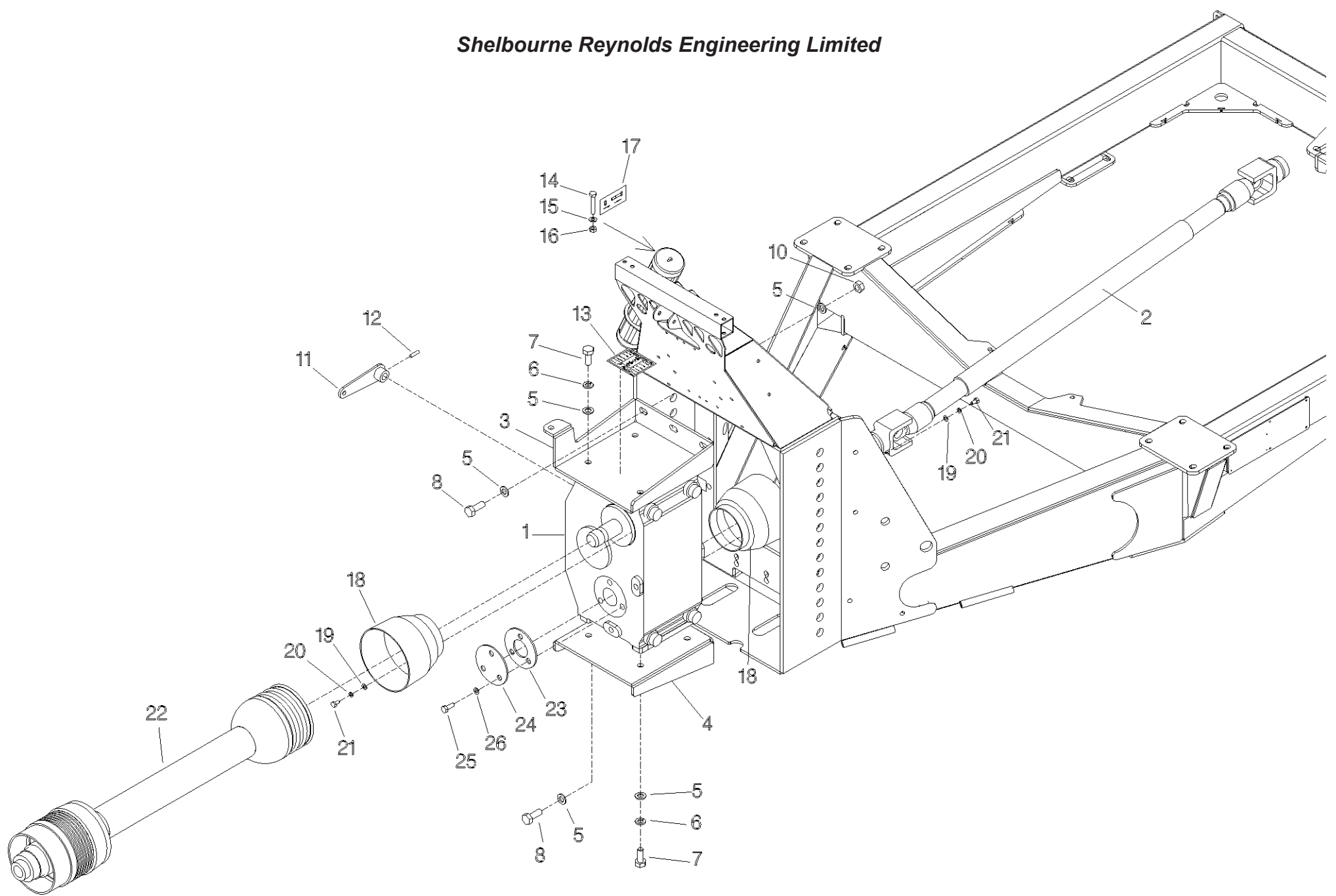
Shelbourne Reynolds Engineering Limited

ASSY NUMBER: KIT-03605				ASSY DESCRIPTION: 900mm (15cu m) EXTENSION KIT			
ITEM	PART NO	DESCRIPTION	QTY	ITEM	PART NO	DESCRIPTION	QTY
1	614920 01	LH CORNER EXT ASSY	1				
2	614920 02	RH CORNER EXT ASSY	2				
3	614920 03	LH CORNER EXT ASSY	1				
4	614919 01	CLAMP PLATE	4				
5	BLT-3745	COACHBOLT	24				
6	WSH-0015	PLAIN WASHER	98				
7	NUT-0265	NYLOC NUT	98				
8	HSS-0198	SET SCREW	58				
9	BLT-3790	COACH BOLT	4				
10	NUT-0269	NYLOC NUT	4				
11	WSH-0018	PLAIN WASHER	4				
12	614922 01	STRAIGHT CLAMP STRIP	2				
13	613282 01	CURVED CLAMP STRIP	2				
14	HSS-0202	SET SCREW	40				



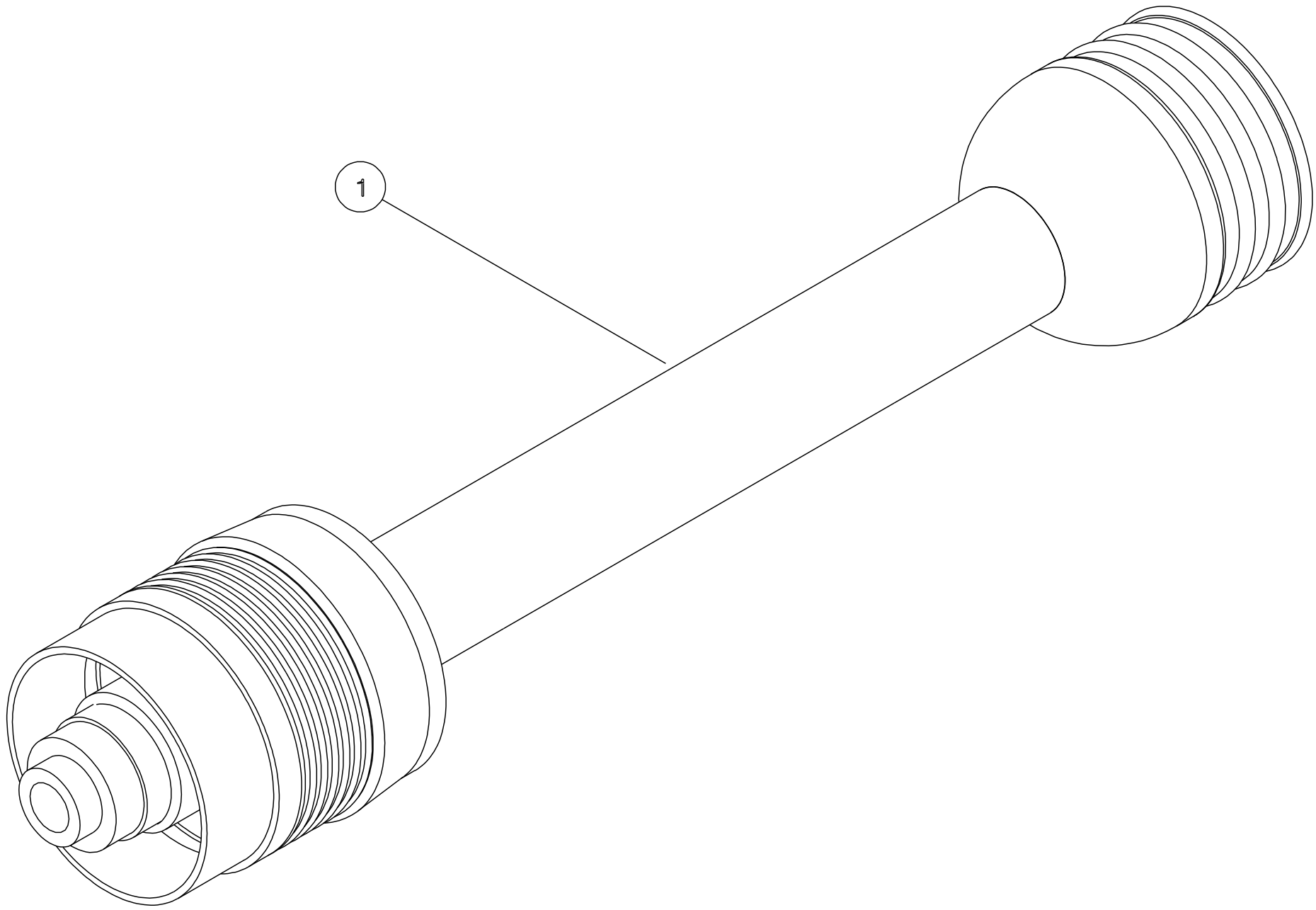
Shelbourne Reynolds Engineering Limited

ASSY NUMBER: KIT-03608				ASSY DESCRIPTION: 2-SPEED DRIVE KIT			
ITEM	PART NO	DESCRIPTION	QTY	ITEM	PART NO	DESCRIPTION	QTY
1	GEA-0164	2 SPEED C3A GEARBOX ASSY	1				
2	PTO-29005	INTERMEDIATE PTO SHAFT	1				
3	614600 01	UPPER GEARBOX MTG PLATE	1				
4	614599 01	LOWER GEARBOX MTG PLATE	1				
5	WSH-0024	WASHER	20				
6	WSH-0070	WASHER	8				
7	HSS-0315	SET SCREW	8				
8	HSS-0317	SET SCREW	6				
10	NUT-0271	NUT	6				
11	614597 01	GEAR CHANGE LEVER	1				
12	PIN-40817	ROLL PIN	1				
13	614939 01	AUGER SPEED EMBLEM	1				
14	BLTA10380	HEX.HEAD BOLT	5				
15	WSH-0015	WASHER	5				
16	NUT-0265	NUT	5				
17	195391 01	TRANSFER SHEARBOLT	1				
18	PTO-00948	PTO MACHINE CONE	2				
19	WSH-1038	PENNY WASHER	8				
20	WSH-0058	WASHER	8				
21	HSS-0135	SETSCREW	8				
22							
23	615556 01	GEARBOX COVER SPACER PLATE	1				
24	615557 01	GEARBOX COVER PLATE	1				
25	HSS-0191	SETSCREW	3				
26	WSH-0061	WASHER	3				



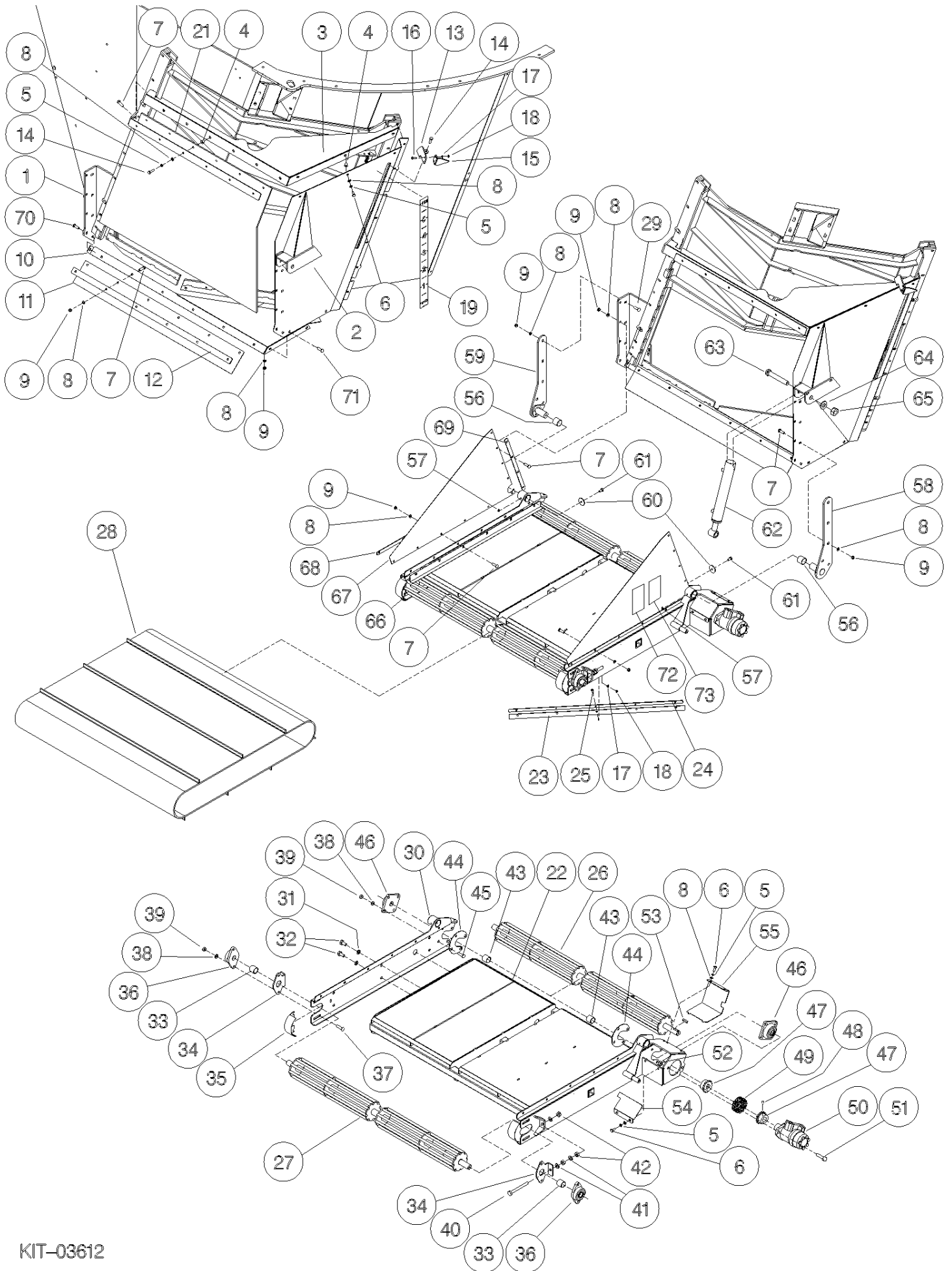
Shelbourne Reynolds Engineering Limited

ASSY NUMBER: KIT-03609				ASSY DESCRIPTION: PTO SHAFT KIT			
ITEM	PART NO	DESCRIPTION	QTY	ITEM	PART NO	DESCRIPTION	QTY
1	PTO-29006	PTO SHAFT ASSY	1				



Shelbourne Reynolds Engineering Limited

ASSY NUMBER: KIT-03612				ASSY DESCRIPTION: 1m SIDE CONVEYOR RH DOOR			
ITEM	PART NO	DESCRIPTION	QTY	ITEM	PART NO	DESCRIPTION	QTY
1	614932 01	SIDE MOUNTING PLATE	1	41	WSH-0018	WASHER	6
2	614929 01	RAM MOUNTING SIDE PLATE	1	42	NUT-0170	NUT	10
3	614928 01	UPPER DOOR FLAP MOUNTING PLATE	1	43	614272 03	SPACER TUBE	2
4	NUTA13080	NUTSERT	9	44	614383 01	BEARING PACKER PLATE	2
5	WSH-0058	WASHER	16	45	BLTF10231	COACH BOLT	8
6	HSS-0140	SETSCREW	7	46	BRG-25255	BEARING	2
7	BLTF08173	COACH BOLT	32	47	260030 03	SPROCKET 25 ID KEYWAY	2
8	WSH-0012	WASHER	40	48	SCW-4530	GRUBSCREW	1
9	NUT-0263	NUT	40	49	CHN-01380	CHAIN 1/2"PITCH DUPLEX	1
10	614400 01	LOWER CHUTE PLATE	1	50	MOTH08000	HYDRAULIC MOTOR, PAINTED BLACK	1
11	614417 01	CHUTE	1	50a	HMS-08000	SEAL KIT(SPARES ONLY)	
12	614409 01	BOTTOM CLAMP STRIP	1	51	HSS-0260	SET SCREW	2
13	613991 01	INDICATOR PLATE	1	52	NUT-0269	NUT	2
14	HSS-0150	SET SCREW	8	53	K0807032	KEY PARALLEL	1
15	613786 01	POINTER	1	54	614387 01	FRONT DRIVE GUARD	1
16	HSS-0086	SET SCREW	2	55	614388 01	REAR DRIVE GUARD	1
17	WSH-0009	WASHER	12	56	BSH-3070	BUSH PLAIN	4
18	NUT-0260	NUT	12	57	NIP-00610	GREASE NIPPLE	2
19	613779 01	DECAL-DOOR POSITION	1	58	614407 01	PIVOT MOUNTING DRIVE SIDE ASSY	1
20	614934 01	SAFETY FLAP	1	59	614407 02	PIVOT MTG NON DRIVE SIDE ASSY	1
21	614933 01	SIDE MOUNTING PLATE	1	60	190119 12	WASHER	3
22	614940 01	MAIN CHASSIS ASSY	1	61	HSS-0130	SET SCREW	3
23	614418 01	SCRAPER	2	62	RAM-0001	D/ACTING HYD..RAM 370 CC	1
24	614421 01	CLAMP STRIP	2	63	BLTF20653	COACHBOLT	1
25	HSS-0088	SET SCREW	10	64	WSH-0030	WASHER	1
26	614380 01	DRIVE SHAFT ASSY	1	65	NUTA02200	NUT	1
27	614382 01	IDLER SHAFT ASSY	1	66	614389 01	SIDE BELT GUARD	2
28	CON-00016	CONVEYOR BELT	1	67	614416 01	SIDE DEFLECTOR	2
29	BLT-2700	BOLT	4	68	614390 01	SIDE CONVEYOR CLAMP STRIP	2
30	614393 01	NON DRIVE SIDE SIDE PLATE ASSY	1	69	614403 01	SIDE CLAMP STRIP	2
31	WSH-0065	WASHER	6	70	BLT-2730	COACHBOLT	1
32	HSS-0235	SET SCREW	6	71	BLT-4710	COACH BOLT	2
33	614272 04	SHAFT SPACER	2	72	260061 01	TRANSFER-SAFE DISTANC	1
34	614486 01	ADJUSTER PLATE	2	73	260062 01	TRANSFER-HAND ENTANGL	1
35	614386 01	BELT GUARD ASSY	2				
36	BRG-25260	BEARING	2				
37	BLT-3755	COACHBOLT	4				
38	WSH-0018	WASHER	12				
39	NUT-0265	NUT	12				
40	HSSA12530	HEX.HEAD SET SCREW	2				



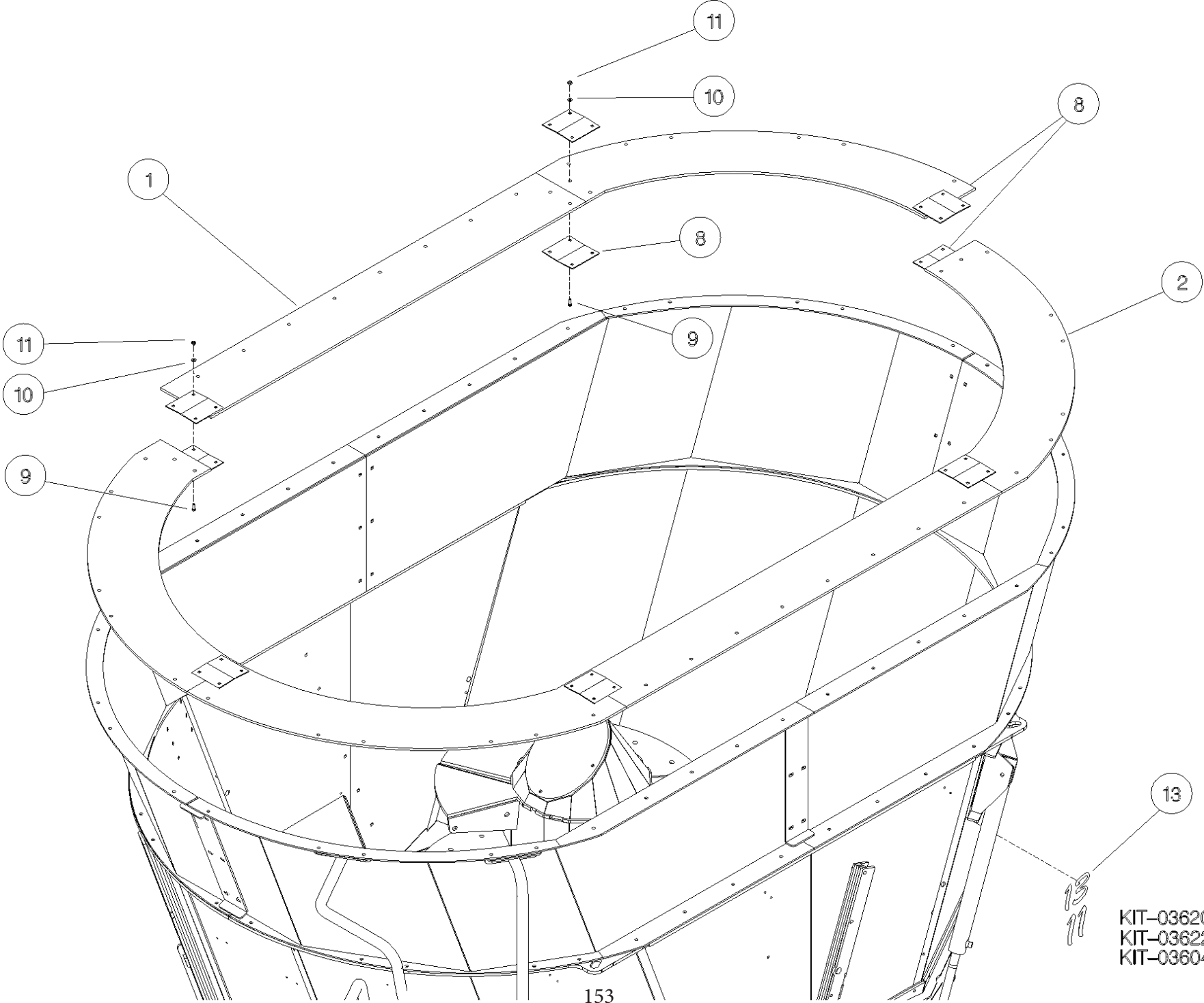
KIT-03612

Shelbourne Reynolds Engineering Limited

ASSY NUMBER: KIT-03613				ASSY DESCRIPTION: ELECTRIC SOLENOID, SIDE CONVEY			
ITEM	PART NO	DESCRIPTION	QTY	ITEM	PART NO	DESCRIPTION	QTY
1	611701 01	HAND CONTROL UNIT AND LOOMS	1				
1a	SWT-00310	3 POSITION SPRING CTR SWT	2				
1b	SWT-00510	ON/OFF/ON POSITION SWITCH	1				
2	611681 01	CONTROL. HANGER BRKT.	1				
3	SCHS07176	SELF TAPPING SCREW	2				
4	611682 01	HOOK BRKT.	1				
5	HSS-0086	SET SCREW	6				
6	WSH-0009	WASHER	8				
7	NUT-0260	NUT	8				
8	CLP-00103	R CLIP	1				
9	TIE-0002	TIE WRAPS (SMALL, BLACK)	4				
10	HVB-19020	ELEC. MULTI SPOOL VALVE	1				
11	HSS-0135	SETSCREW	4				
12	WSH-0058	WASHER	4				
13	HMA-0055	ADAPTOR MALE/MALE	3				
14	HHBE22005	HYDRAULIC HOSE ASSY	1				
15	HMA-0065	ADAPTOR MALE/MALE	6				
16	WSH-1015	DOWTY WASHER 1/2"	12				
17	COU-0162	QUICK RELEASE COUPLING	2				
18	HHBF22005	HYDRAULIC HOSE ASSY	1				
19	HMA-0067	ADAPTOR MALE/MALE	2				
20	HAMAA0307	HYD.RESTRICTOR FITTING	1				
21	HMA-0052	ADAPTOR MALE/MALE	6				
22	WSH-1005	DOWTY WASHER 1/4"	6				
23	HCPD01200	HYD.PIPE CLAMP	4				
24	SCW-0083	CAP HEAD SCREW	4				
25	TIE-0004	TIE WRAPS (MED)	8				
26	612230 01	EMBLEM	1				
27	614133 01	VALVE COVER	1				
28	HHBC36005	HYDRAULIC HOSE ASSY	1				
29	HHBC43005	HYDRAULIC HOSE ASSY	1				
30	HHBC23505	HYDRAULIC HOSE ASSY	2				
31	HHDE23005	HYDRAULIC HOSE ASSY	2				
32	WSH-1010	DOWTY WASHER	2				
33	FIT-0025	1/4"BSP X 3/8"BSP	2				
34	HVB-27000	PILOT OPERAT CHECK VALVE	1				
35	BLTA06320	HEX.HEAD BOLT	2				
36	HHBC03205	HYDRAULIC HOSE ASSY	1				
37	HHBC04005	HYDRAULIC HOSE ASSY	1				

Shelbourne Reynolds Engineering Limited

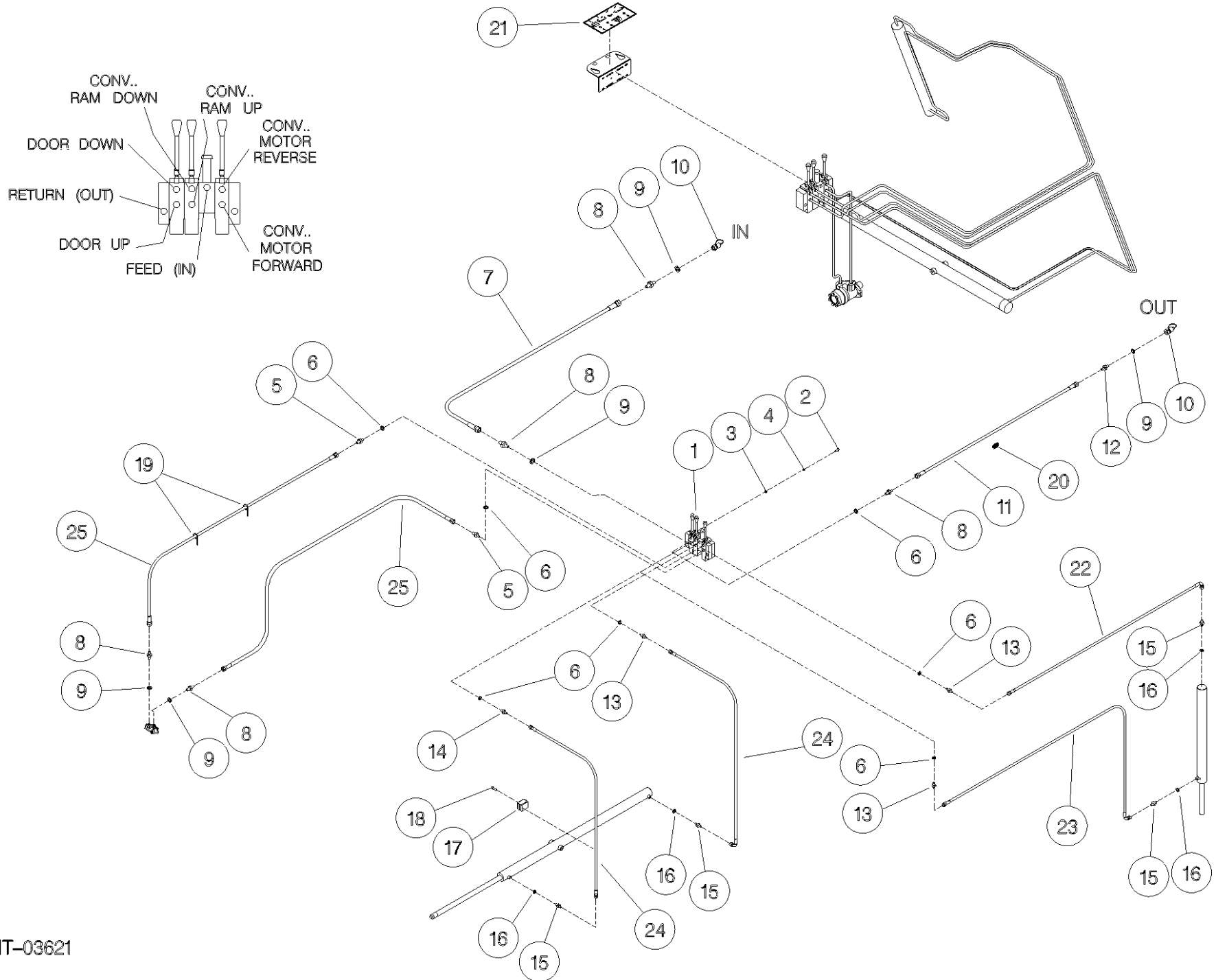
ASSY NUMBER: KIT-03620				ASSY DESCRIPTION: 13m CU RUBBER RETAINING RING KIT			
ITEM	PART NO	DESCRIPTION	QTY	ITEM	PART NO	DESCRIPTION	QTY
1	613280 01	RUBBER SECTION	2				
2	610982 01	CORNER RUBBER SECTION	4				
3							
4							
5							
6							
7							
8	611051 01	CLAMP STRIP	12				
9	BLT-2700	BOLT	24				
10	WSH-0012	PLAIN WASHER	24				
11	NUT-0263	NYLOC NUT	24				
12							
13	615458 03	SIZE TRANSFER - 13	2				



KIT-03620
KIT-03622
KIT-03604

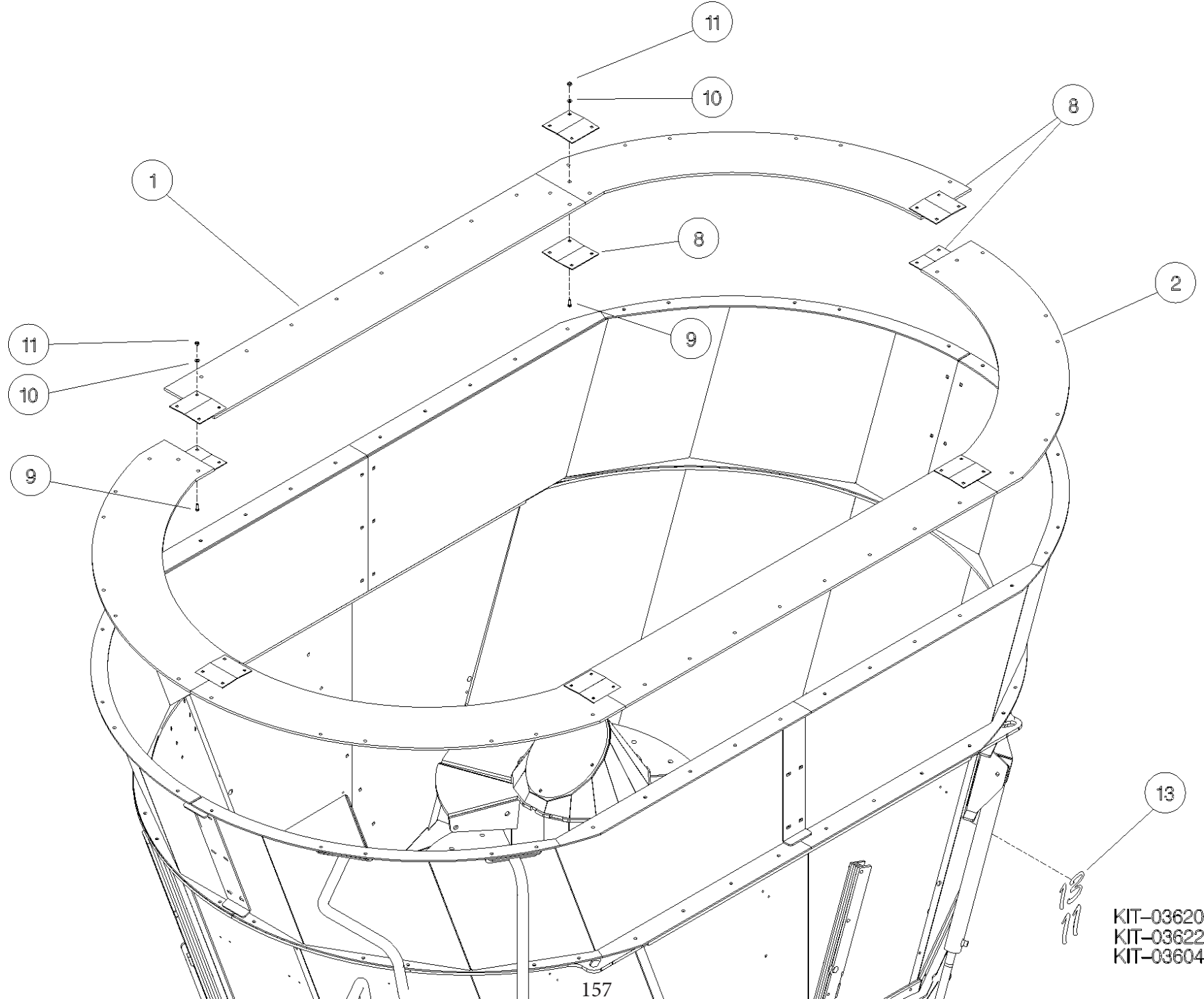
Shelbourne Reynolds Engineering Limited

ASSY NUMBER: KIT-03621				ASSY DESCRIPTION: MAN LEVER SPOOL VALVE KIT			
ITEM	PART NO	DESCRIPTION	QTY	ITEM	PART NO	DESCRIPTION	QTY
1	HVB-09045	MANUAL SPOOL VALVE ASSY					
2	HSS-0135	SETSCREW	4				
3	WSH-0012	WASHER	4				
4	WSH-0058	WASHER	4				
5	HMA-0057	ADAPTOR MALE/MALE	2				
6	WSH-1010	DOWTY WASHER	9				
7	HHAE16005	3/8" HYD HOSE ASSY	1				
8	HMA-0065	ADAPTOR MALE/MALE	5				
9	WSH-1015	DOWTY WASHER 1/2"	5				
10	COU-0162	QUICK RELEASE COUPLING	2				
11	HHAF16005	HYDRAULIC HOSE ASSY	1				
12	HMA-0067	ADAPTOR MALE/MALE	1				
13	FIT-0025	1/4"BSP X 3/8"BSP	5				
14	190859 01	HYDRAULIC FITTING	1				
15	HMA-0052	ADAPTOR MALE/MALE	6				
16	WSH-1005	DOWTY WASHER 1/4"	6				
17	HCPD01200	HYD.PIPE CLAMP	4				
18	SCW-0083	CAP HEAD SCREW	4				
19	TIE-0006	TIE WRAPS (LARGE)	30				
20	612230 01	EMBLEM	1				
21	612236 01	EMBLEM	1				
22	HHBC49005	HYDRAULIC HOSE ASSY	1				
23	HHBC55005	HYDRAULIC HOSE ASSY	1				
24	HHBC47005	HYDRAULIC HOSE ASSY	2				
25	HHDE45005	HYD.HOSE ASSY	2				
26	HVB-27000	PILOT OPERAT CHECK VALVE	1				
27	BLTA06320	HEX.HEAD BOLT	2				
28	WSH-0009	WASHER	2				
29	NUT-0260	NUT	2				
30	HHBC03205	HYDRAULIC HOSE ASSY	1				
31	HHBC04005	HYDRAULIC HOSE ASSY	1				



Shelbourne Reynolds Engineering Limited

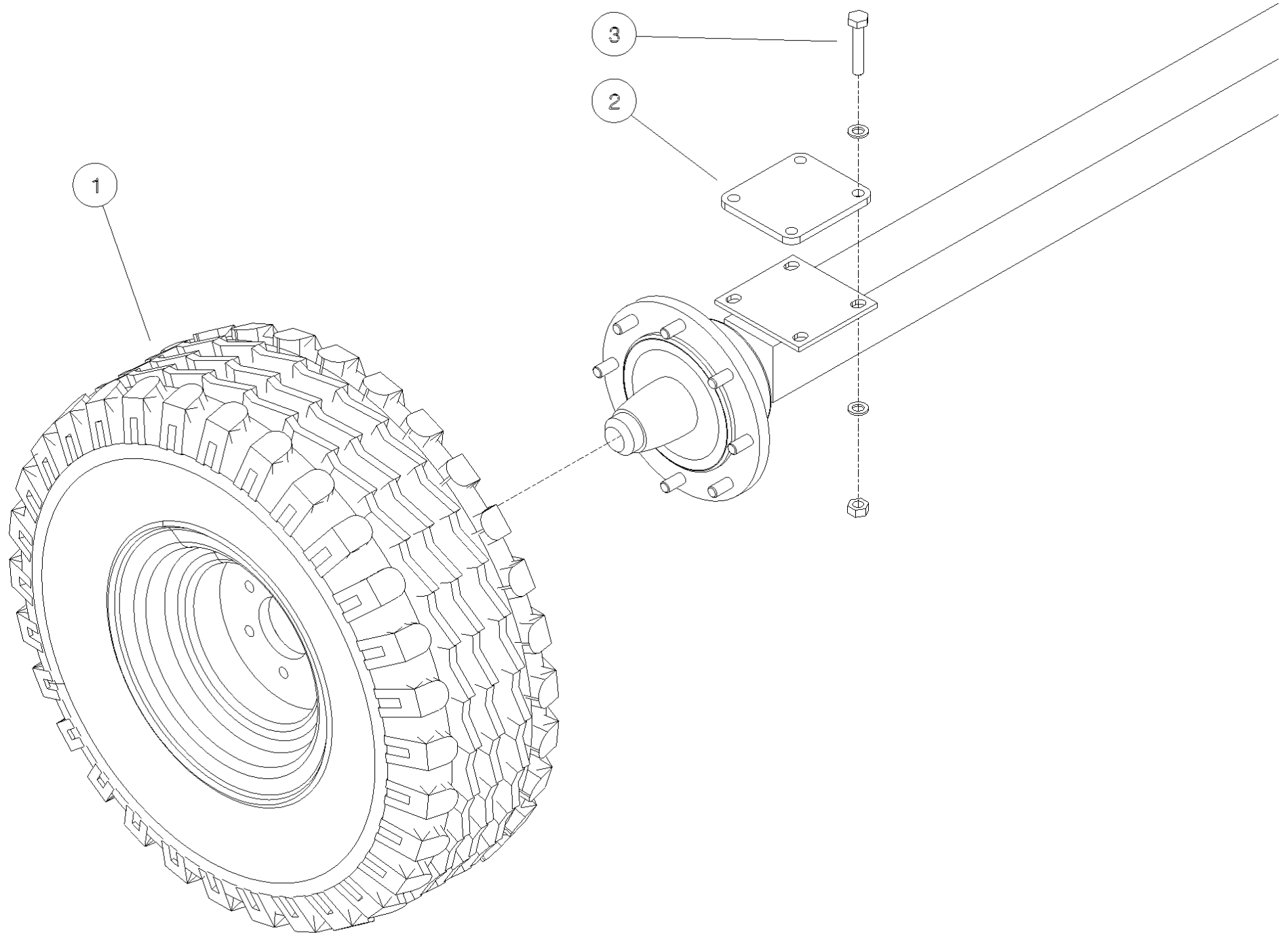
ASSY NUMBER: KIT-03622				ASSY DESCRIPTION: 11m3 RUBBER RETAINING KIT			
ITEM	PART NO	DESCRIPTION	QTY	ITEM	PART NO	DESCRIPTION	QTY
1	613279 01	RUBBER SECTION	2				
2	610982 01	CORNER RUBBER SECTION	4				
3							
4							
5							
6							
7							
8	611051 01	CLAMP STRIP	12				
9	BLT-2700	BOLT	24				
10	WSH-0012	PLAIN WASHER	24				
11	NUT-0263	NYLOC NUT	24				
12							
13	615458 02	SIZE TRANSFER - 11	2				



KIT-03620
KIT-03622
KIT-03604

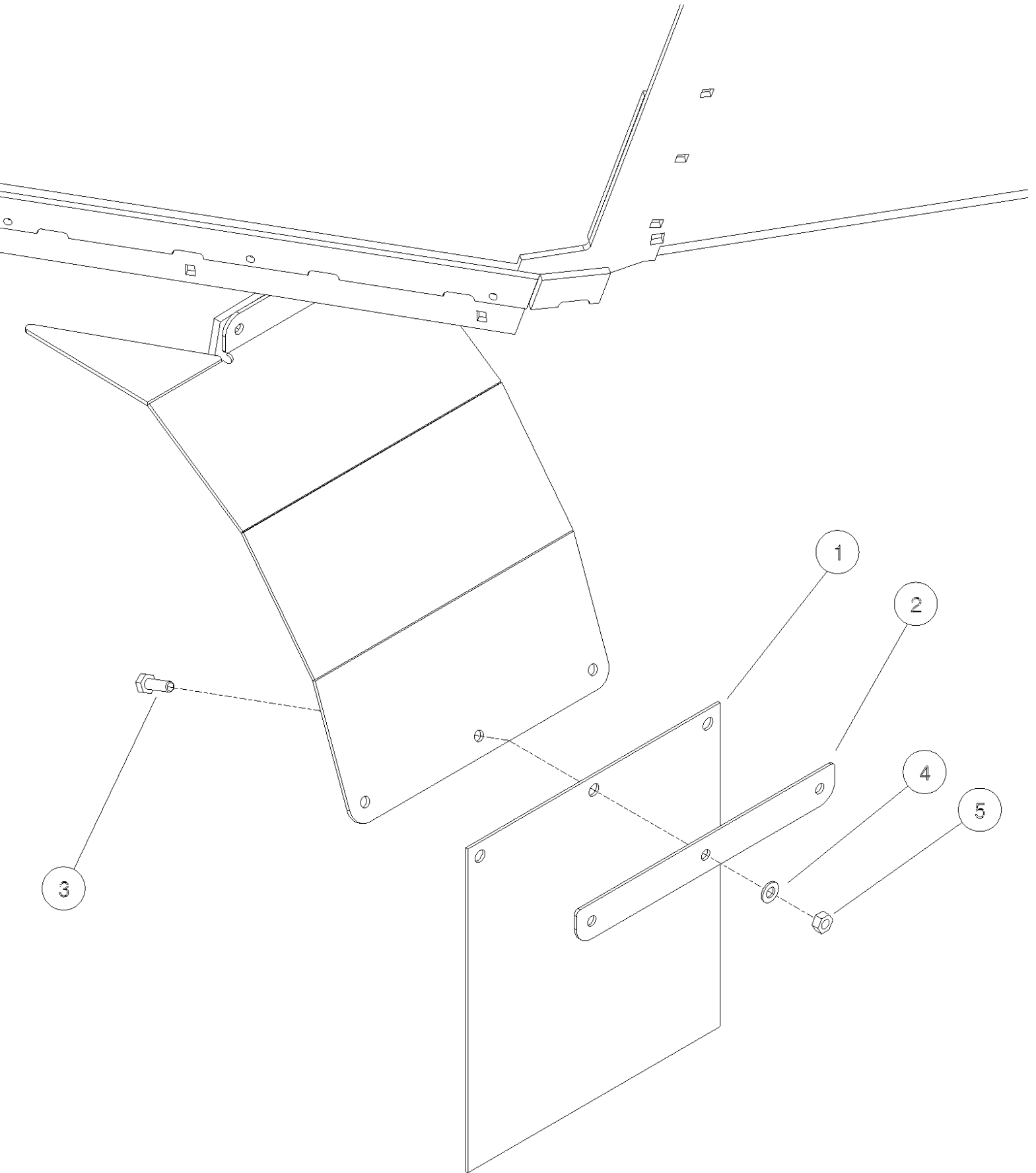
Shelbourne Reynolds Engineering Limited

ASSY NUMBER: KIT-03629				ASSY DESCRIPTION: WHEEL & TYRES KIT			
ITEM	PART NO	DESCRIPTION	QTY	ITEM	PART NO	DESCRIPTION	QTY
1	WHL-01916	WHEEL & TYRE ASSY	2				
2	613814 01	AXLE SPACER PLATE	4				
3	HSS-0330	SET SCREW	8				



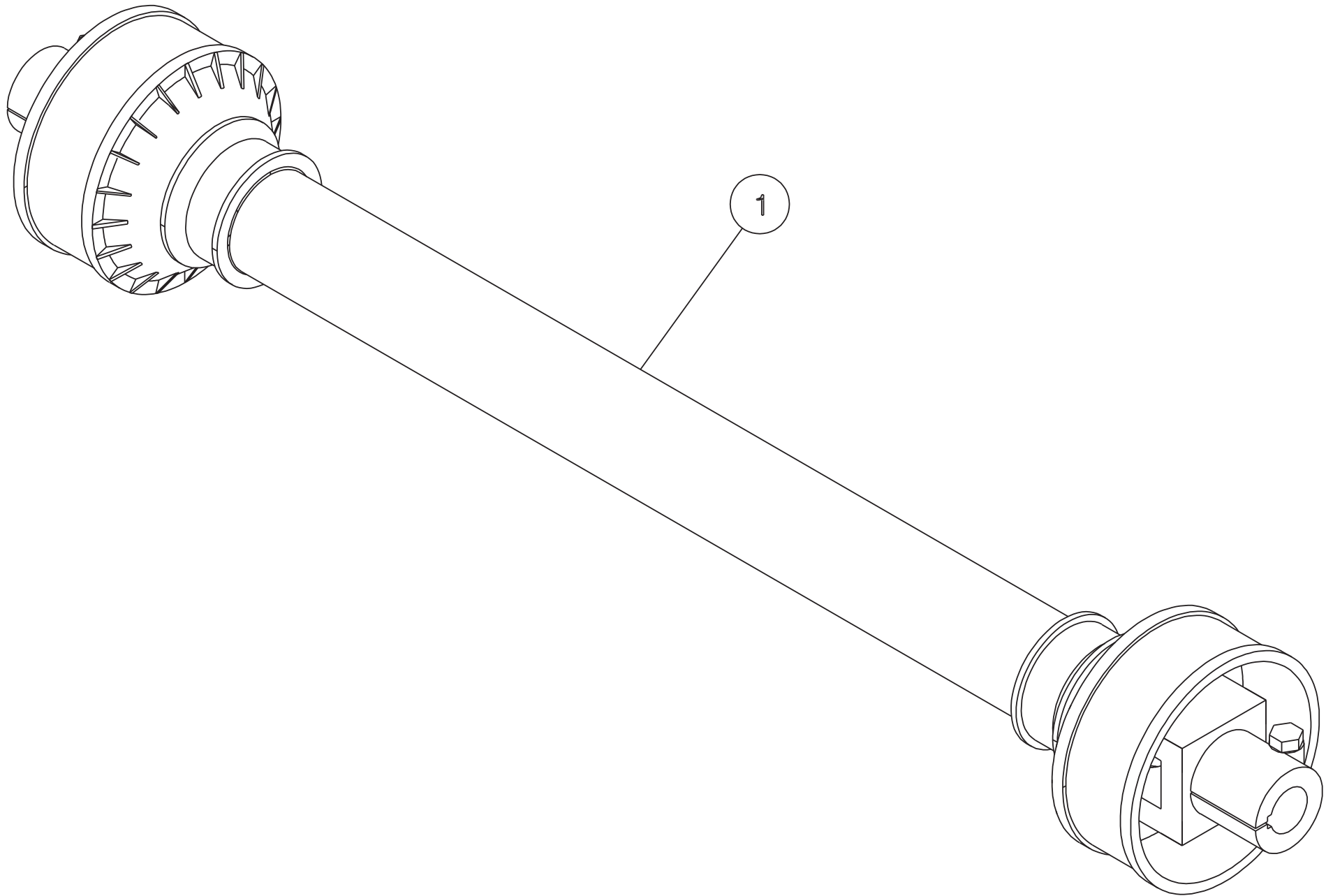
Shelbourne Reynolds Engineering Limited

ASSY NUMBER: KIT-03632				ASSY DESCRIPTION: MUD FLAP KIT (SINGLE AUGER)			
ITEM	PART NO	DESCRIPTION	QTY	ITEM	PART NO	DESCRIPTION	QTY
1	614646 01	MUD FLAP	2				
2	614645 01	CLAMP PLATE	2				
3	HSS-0191	SETSCREW	6				
4	WSH-0015	PLAIN WASHER	6				
5	NUT-0265	NYLOC NUT	6				



Shelbourne Reynolds Engineering Limited

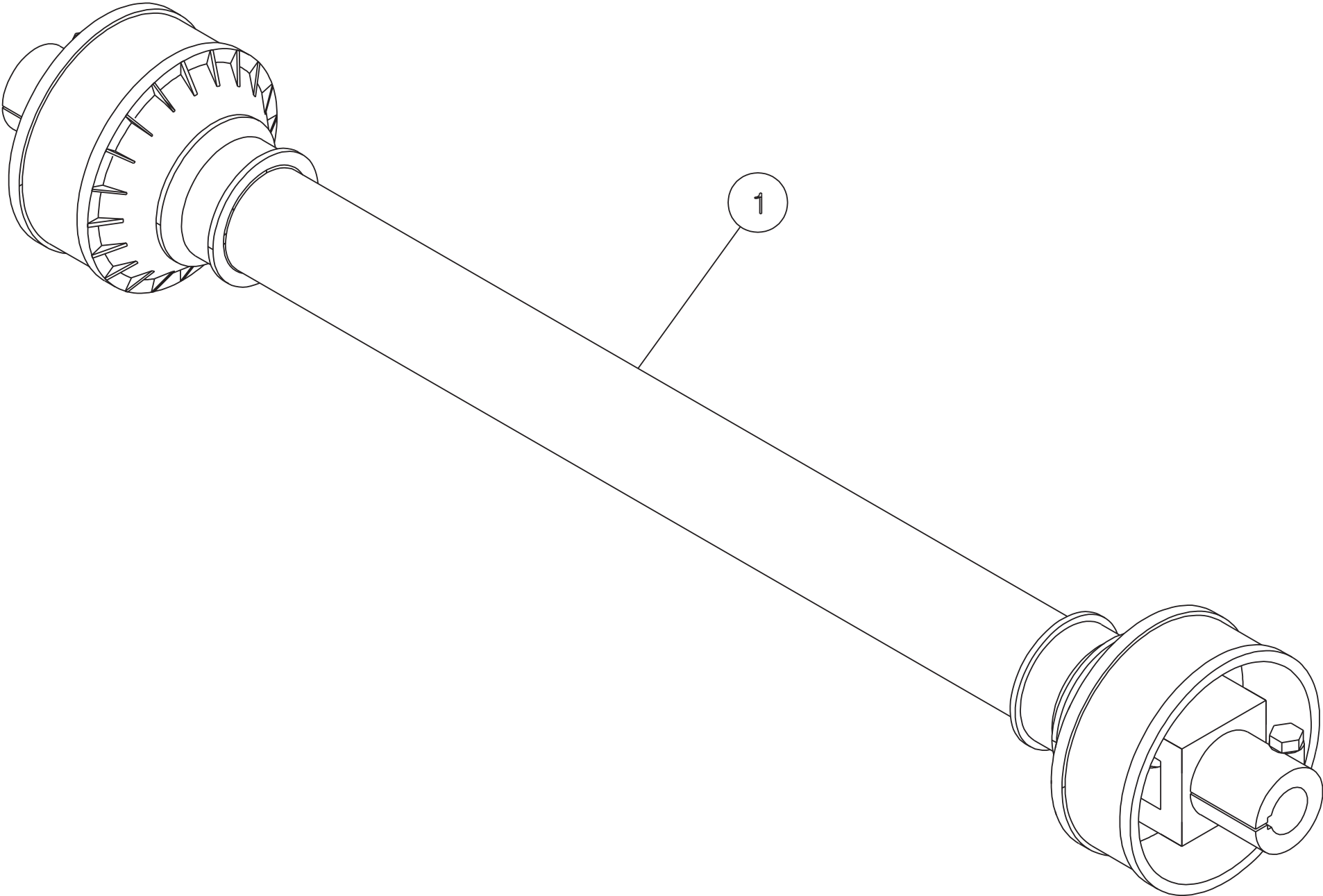
ASSY NUMBER: KIT-03657				ASSY DESCRIPTION: PTO SHAFT KIT			
ITEM	PART NO	DESCRIPTION	QTY	ITEM	PART NO	DESCRIPTION	QTY
0	PTO-29010	PTO SHAFT ASSY	1				



KIT-03657

Shelbourne Reynolds Engineering Limited

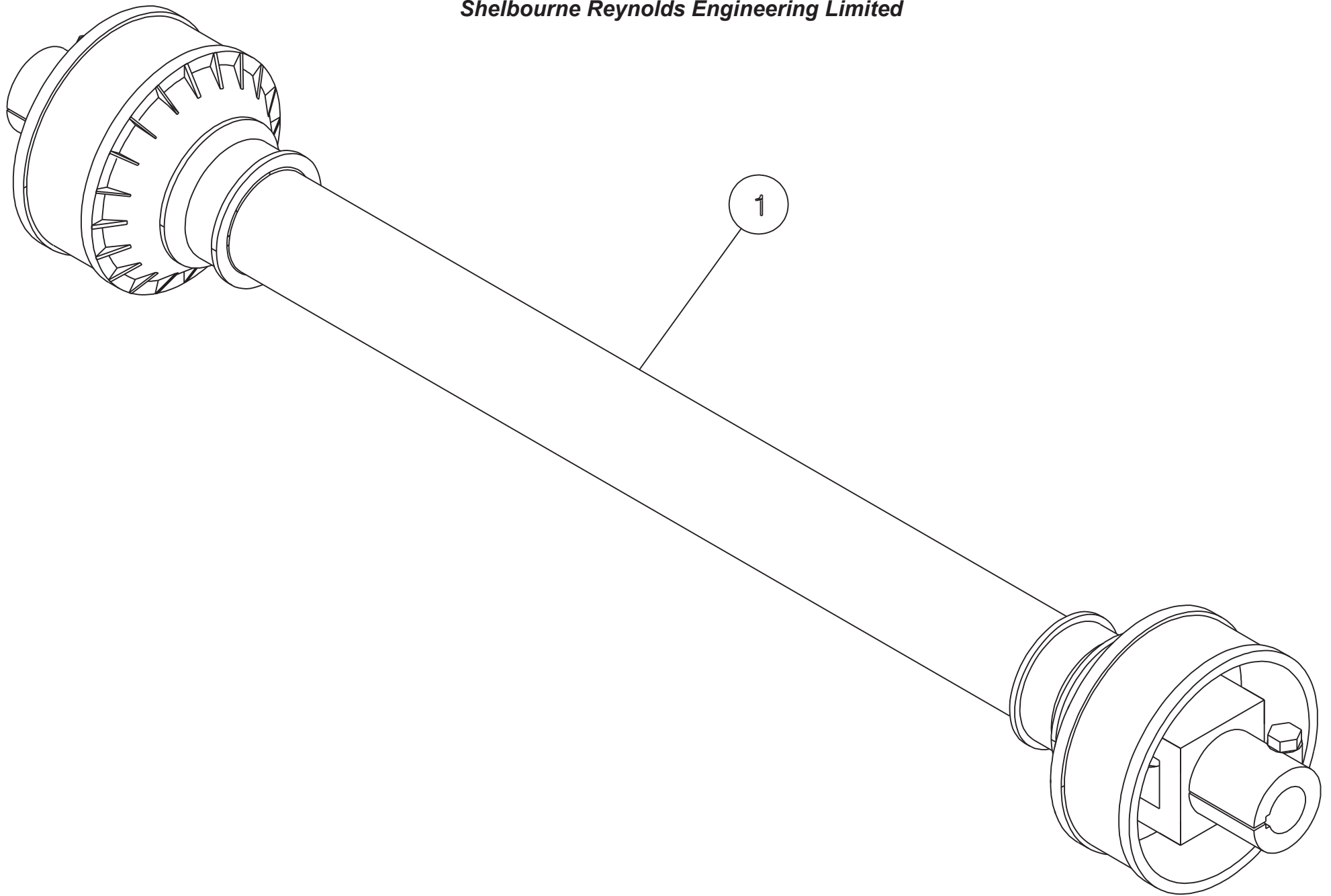
ASSY NUMBER: KIT-03657A				ASSY DESCRIPTION: PTO SHAFT KIT (WEASLER)			
ITEM	PART NO	DESCRIPTION	QTY	ITEM	PART NO	DESCRIPTION	QTY
1	PTO-29010WE	PTO SHAFT ASSY	1				



KIT-03657

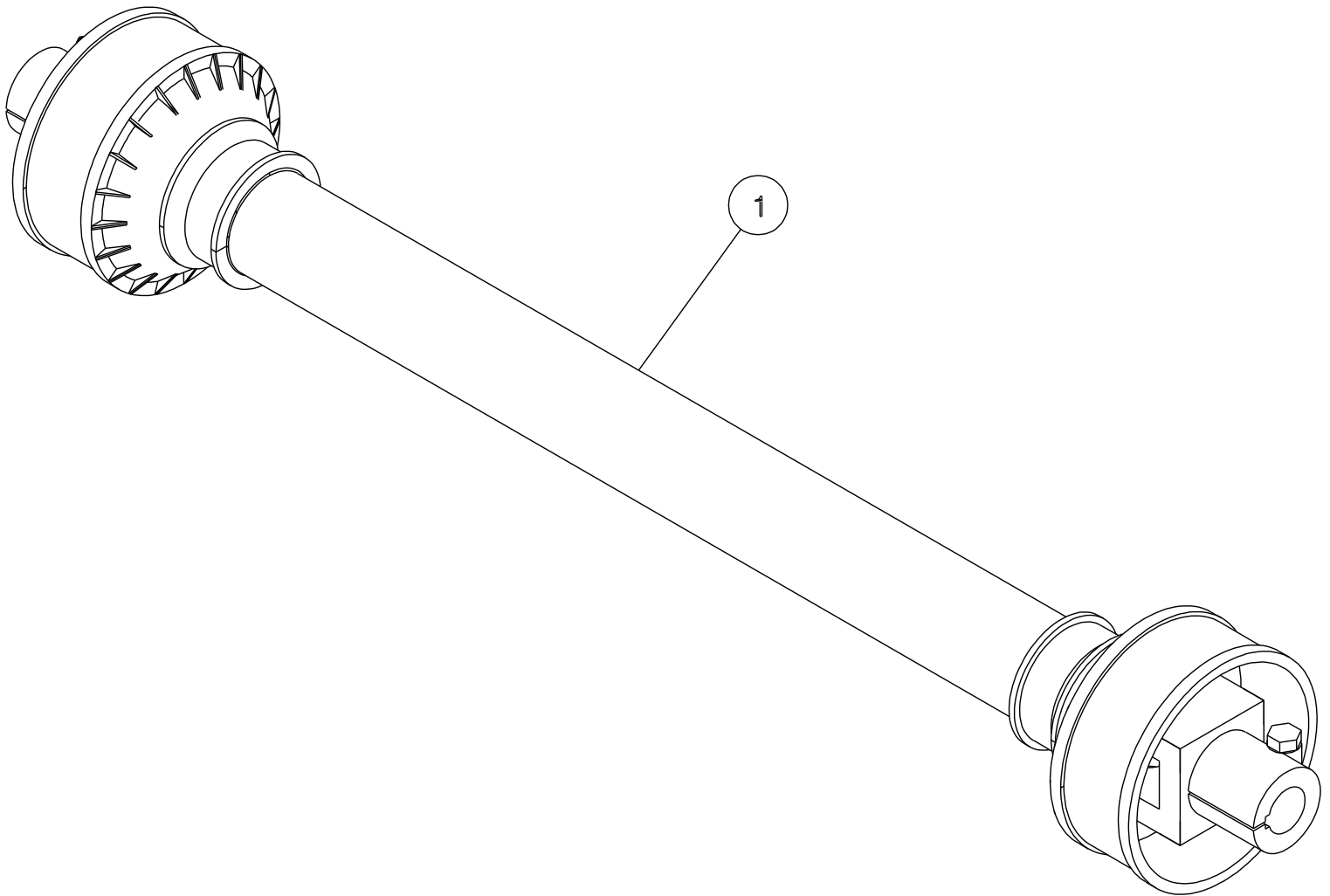
Shelbourne Reynolds Engineering Limited

ASSY NUMBER: KIT-03657B				ASSY DESCRIPTION: PTO SHAFT KIT (WALTERSCHIED)			
ITEM	PART NO	DESCRIPTION	QTY	ITEM	PART NO	DESCRIPTION	QTY
1	PTO-29010W	PTO SHAFT ASSY	1				



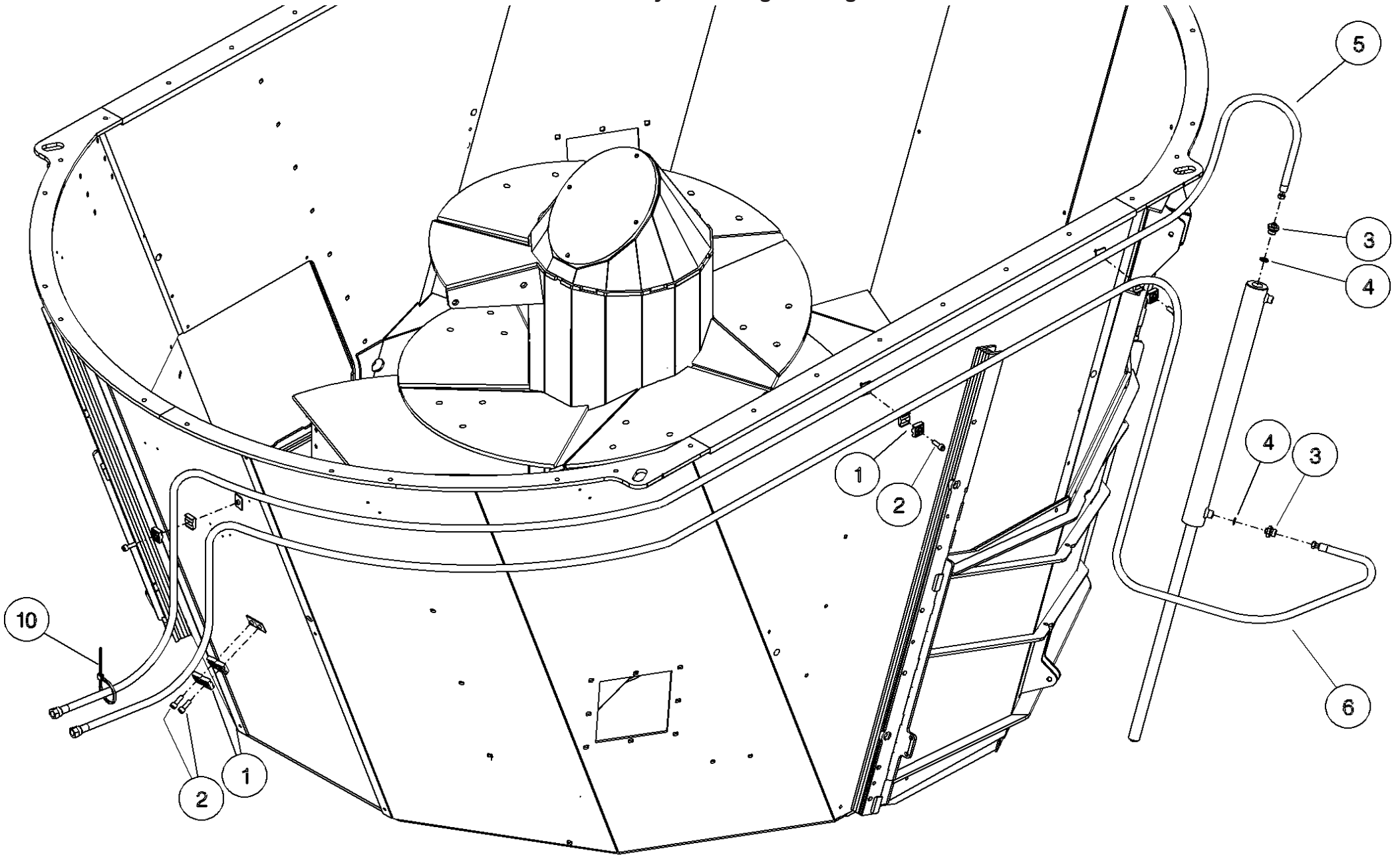
Shelbourne Reynolds Engineering Limited

ASSY NUMBER: KIT-03658B				ASSY DESCRIPTION: STD PTO SHAFT KIT (SING AUGER C/W 2-SPEED)			
ITEM	PART NO	DESCRIPTION	QTY	ITEM	PART NO	DESCRIPTION	QTY
1	PTO-29009W	PTO SHAFT ASSY (WALT)	1				



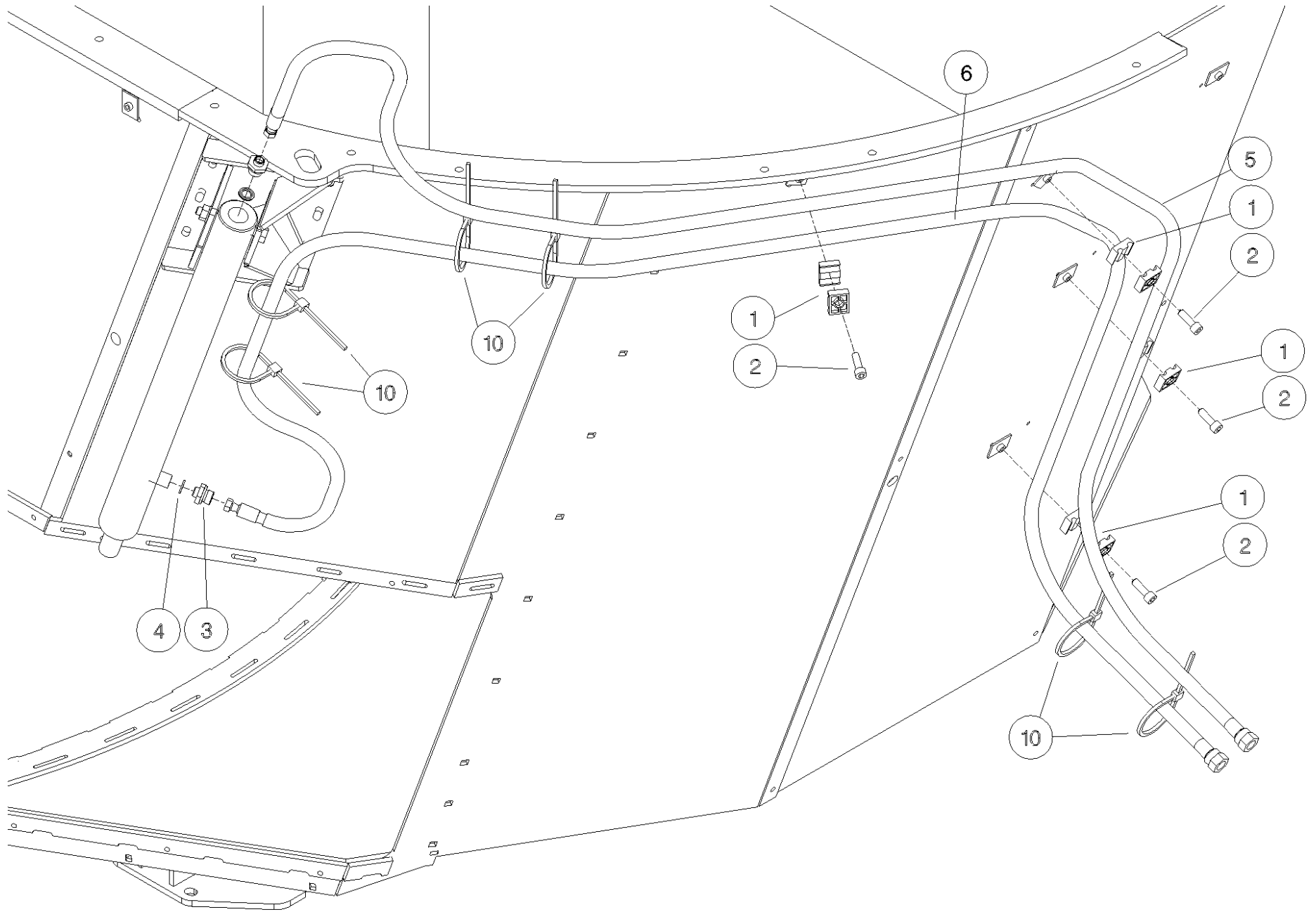
Shelbourne Reynolds Engineering Limited

ASSY NUMBER: KIT-03665				ASSY DESCRIPTION: 1ST STAGE HYDRAULIC KIT			
ITEM	PART NO	DESCRIPTION	QTY	ITEM	PART NO	DESCRIPTION	QTY
1	HCPD01200	HYD.PIPE CLAMP	5				
2	SCW-0083	CAP HEAD SCREW	5				
3	HMA-0052	ADAPTOR MALE/MALE	2				
4	WSH-1005	DOWTY WASHER 1/4"	2				
5	HHBC36005	HYDRAULIC HOSE ASSY	1				
6	HHBC42005	HYDRAULIC HOSE ASSY	1				
7							
8							
9							
10	TIE-0004	TIE WRAPS (MED)	3				



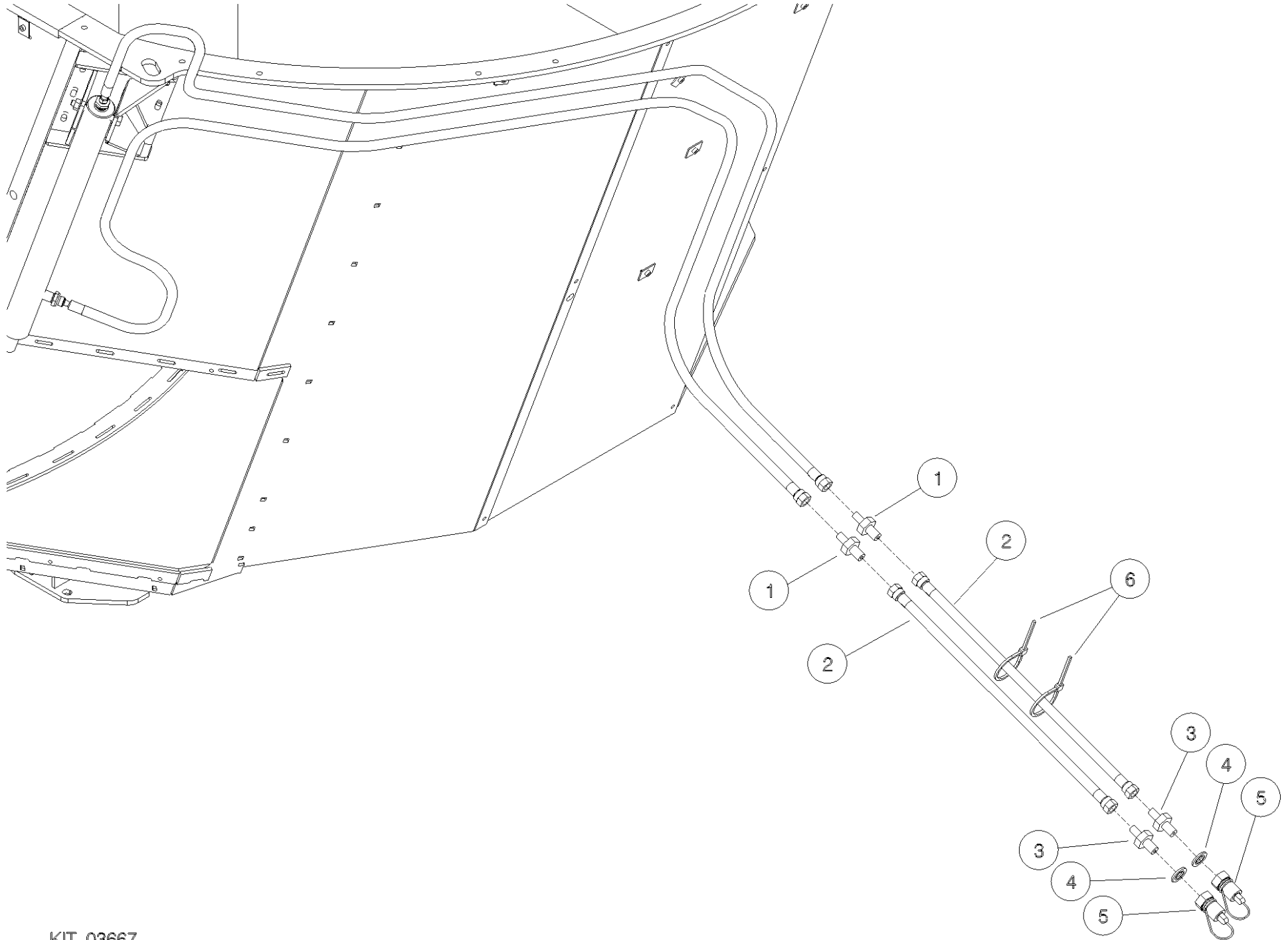
Shelbourne Reynolds Engineering Limited

ASSY NUMBER: KIT-03666				ASSY DESCRIPTION: 1ST STAGE HYDRAULIC KIT			
ITEM	PART NO	DESCRIPTION	QTY	ITEM	PART NO	DESCRIPTION	QTY
1	HCPD01200	HYD.PIPE CLAMP	7				
2	SCW-0083	CAP HEAD SCREW	7				
3	HMA-0052	ADAPTOR MALE/MALE	2				
4	WSH-1005	DOWTY WASHER 1/4"	2				
5	HHBC55005	HYDRAULIC HOSE ASSY	1				
6	HHBC61005	HYDRAULIC HOSE ASSY	1				
7							
8							
9							
10	TIE-0004	TIE WRAPS (MED)	4				



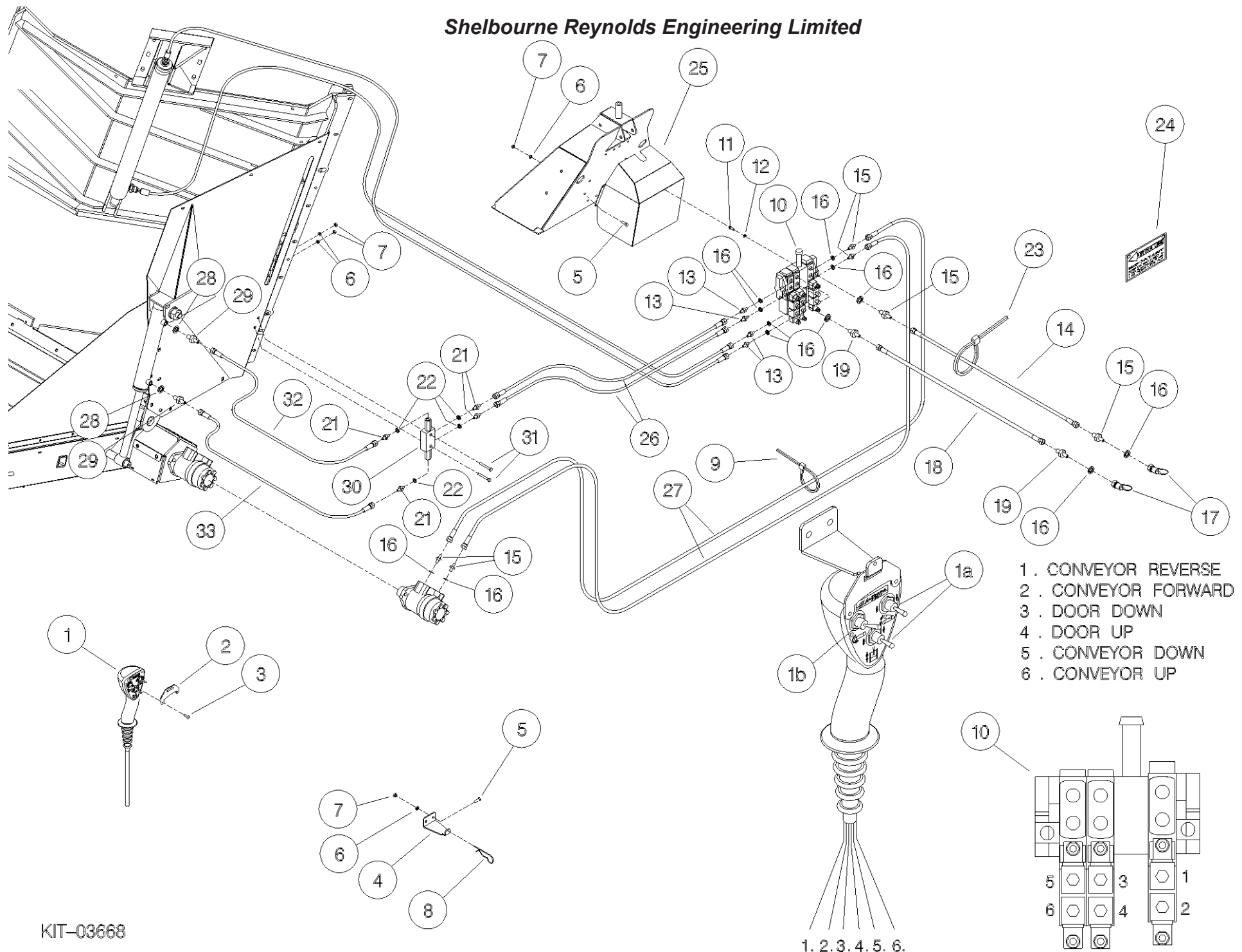
Shelbourne Reynolds Engineering Limited

ASSY NUMBER: KIT-03667				ASSY DESCRIPTION: DIRECT COUPLED HYDRAULIC KIT			
ITEM	PART NO	DESCRIPTION	QTY	ITEM	PART NO	DESCRIPTION	QTY
1	FIT-0025	1/4"BSP X 3/8"BSP	2				
2	HHAE13505	3/8" HYD HOSE ASSY	2				
3	HMA-0065	ADAPTOR MALE/MALE	2				
4	WSH-1015	DOWTY WASHER 1/2"	2				
5	COU-0162	QUICK RELEASE COUPLING	2				
6	TIE-0004	TIE WRAPS (MED)	4				



Shelbourne Reynolds Engineering Limited

ASSY NUMBER: KIT-03668				ASSY DESCRIPTION: ELECTRIC SOLENOID SPOOL VALVE KIT			
ITEM	PART NO	DESCRIPTION	QTY	ITEM	PART NO	DESCRIPTION	QTY
1	611701 01	HAND CONTROL UNIT AND LOOMS	1				
1a	SWT-00310	3 POSITION SPRING CTR SWT	2				
1b	SWT-00510	ON/OFF/ON POSITION SWITCH	1				
2	611681 01	CONTROL. HANGER BRKT.	1				
3	SCHS07176	SELF TAPPING SCREW	2				
4	611682 01	HOOK BRKT.	1				
5	HSS-0086	SET SCREW	6				
6	WSH-0009	WASHER	8				
7	NUT-0260	NUT	8				
8	CLP-00103	R CLIP	1				
9	TIE-0002	TIE WRAPS (SMALL, BLACK)	4				
10	HVB-19020	ELEC. MULTI SPOOL VALVE	1				
11	HSS-0135	SETSCREW	4				
12	WSH-0058	WASHER	4				
13	HMA-0055	ADAPTOR MALE/MALE	2				
14	HHBE22005	HYDRAULIC HOSE ASSY	1				
15	HMA-0065	ADAPTOR MALE/MALE	6				
16	WSH-1015	DOWTY WASHER 1/2"	12				
17	COU-0162	QUICK RELEASE COUPLING	2				
18	HHBF22005	HYDRAULIC HOSE ASSY	1				
19	HMA-0067	ADAPTOR MALE/MALE	2				
20	HAMAA0307	HYD.RESTRICTOR FITTING	2				
21	HMA-0052	ADAPTOR MALE/MALE	4				
22	WSH-1005	DOWTY WASHER 1/4"	4				
23	TIE-0004	TIE WRAPS (MED)	8				
24	612230 01	EMBLEM	1				
25	614133 01	VALVE COVER	1				
26	HHBC21505	HYDRAULIC HOSE ASSY	2				
27	HHDE23005	HYDRAULIC HOSE ASSY	2				
28	WSH-1010	DOWTY WASHER	2				
29	FIT-0025	1/4"BSP X 3/8"BSP	2				
30	HVB-27000	PILOT OPERAT CHECK VALVE	1				
31	BLTA06320	HEX.HEAD BOLT	2				
32	HHBC03305	HYDRAULIC HOSE ASSY	1				
33	HHBC04105	HYDRAULIC HOSE ASSY	1				

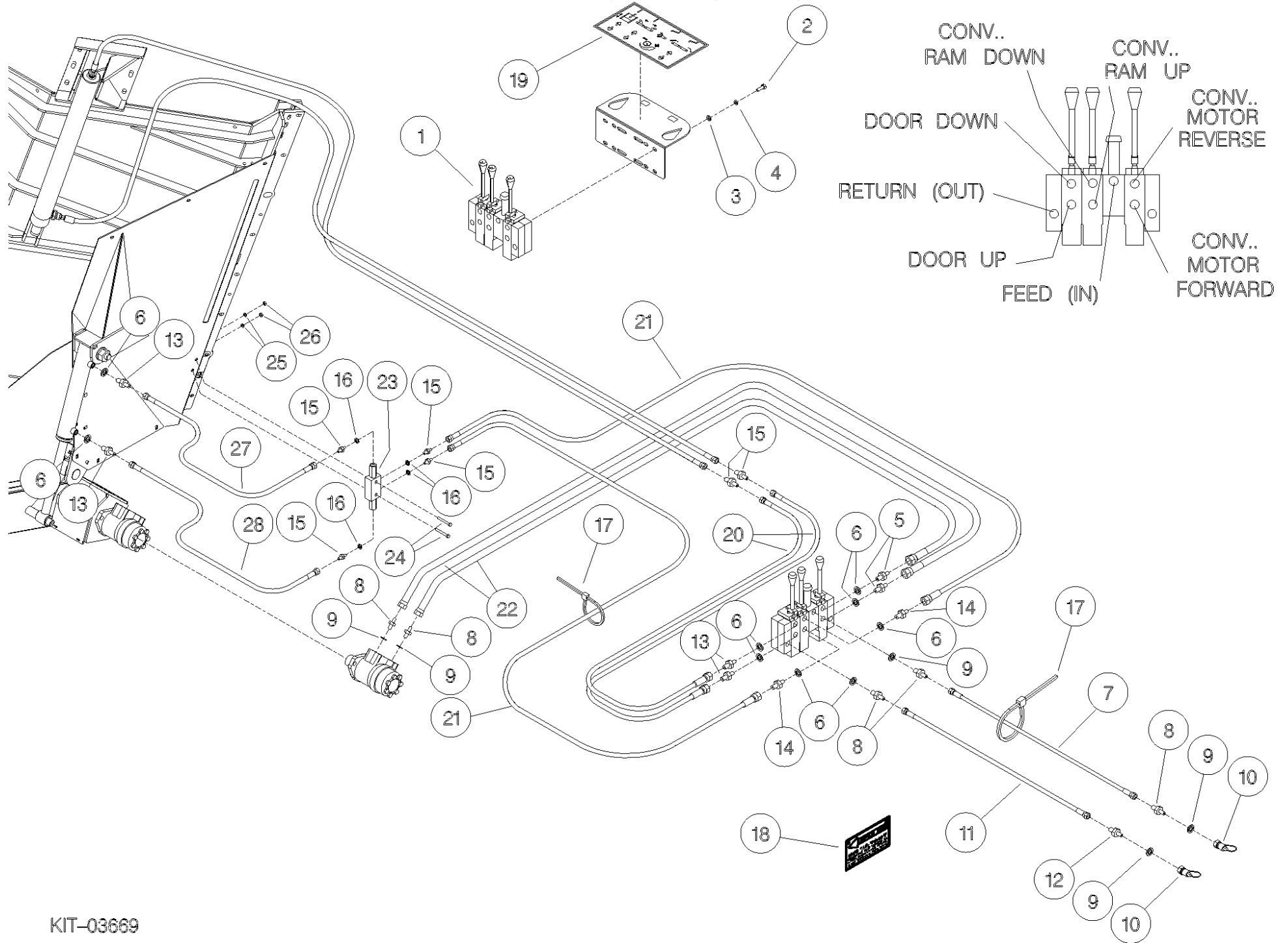


- 1 . CONVEYOR REVERSE
- 2 . CONVEYOR FORWARD
- 3 . DOOR DOWN
- 4 . DOOR UP
- 5 . CONVEYOR DOWN
- 6 . CONVEYOR UP

KIT-03668

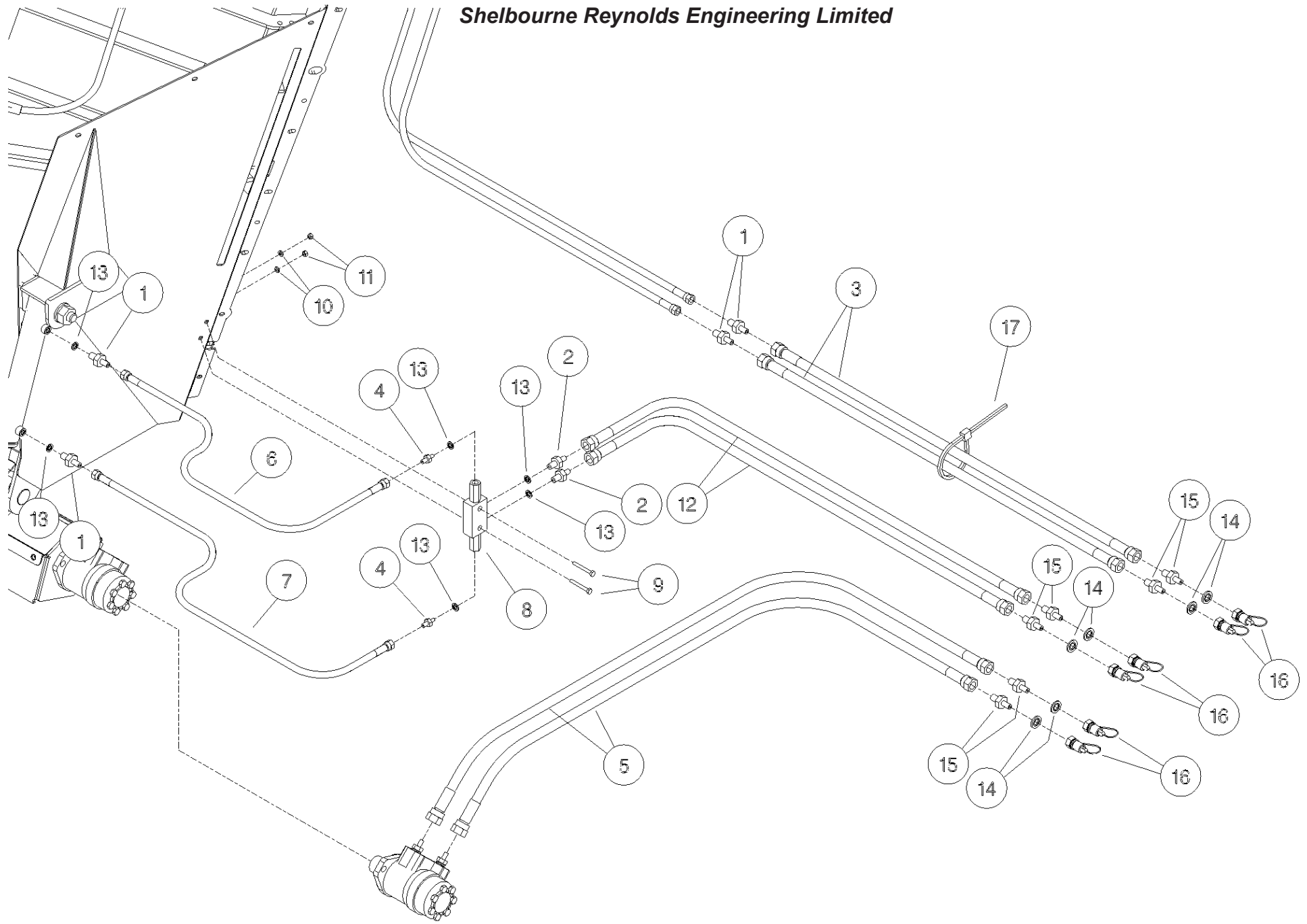
Shelbourne Reynolds Engineering Limited

ASSY NUMBER: KIT-03669				ASSY DESCRIPTION: MANUAL SPOOL VALVE KIT			
ITEM	PART NO	DESCRIPTION	QTY	ITEM	PART NO	DESCRIPTION	QTY
1	HVB-09045	MANUAL SPOOL VALVE ASSY	1				
2	HSS-0135	SETSCREW	4				
3	WSH-0012	WASHER	4				
4	WSH-0058	WASHER	4				
5	HMA-0057	ADAPTOR MALE/MALE	2				
6	WSH-1010	DOWTY WASHER	9				
7	HHAE16005	3/8" HYD HOSE ASSY	1				
8	HMA-0065	ADAPTOR MALE/MALE	5				
9	WSH-1015	DOWTY WASHER 1/2"	5				
10	COU-0162	QUICK RELEASE COUPLING	2				
11	HHAF16005	HYDRAULIC HOSE ASSY	1				
12	HMA-0067	ADAPTOR MALE/MALE	1				
13	FIT-0025	1/4"BSP X 3/8"BSP	4				
14	190859 01	HYDRAULIC FITTING	2				
15	HMA-0052	ADAPTOR MALE/MALE	6				
16	WSH-1005	DOWTY WASHER 1/4"	4				
17	TIE-0006	TIE WRAPS (LARGE)	20				
18	612230 01	EMBLEM	1				
19	612236 01	EMBLEM	1				
20	HHAC13505	HYDRAULIC HOSE ASSY	2				
21	HHBC36005	HYDRAULIC HOSE ASSY	2				
22	HHDE37005	HYDRAULIC HOSE ASSY	2				
23	HVB-27000	PILOT OPERAT CHECK VALVE	1				
24	BLTA06320	HEX.HEAD BOLT	2				
25	WSH-0009	WASHER	2				
26	NUT-0260	NUT	2				
27	HHBC03305	HYDRAULIC HOSE ASSY	1				
28	HHBC04105	HYDRAULIC HOSE ASSY	1				



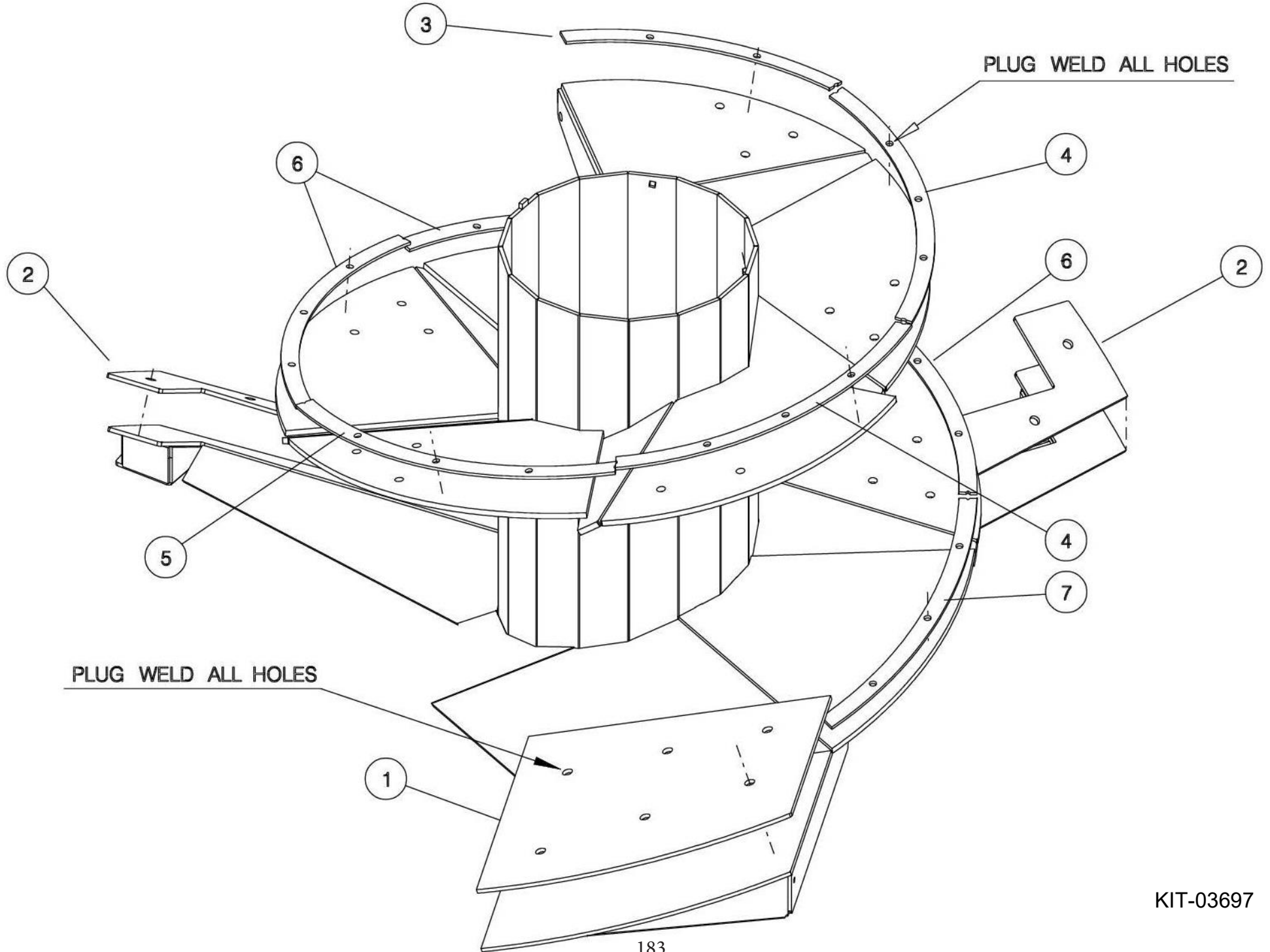
Shelbourne Reynolds Engineering Limited

ASSY NUMBER: KIT-03670				ASSY DESCRIPTION: DIRECT COUPLED HYDRAULICS KIT			
ITEM	PART NO	DESCRIPTION	QTY	ITEM	PART NO	DESCRIPTION	QTY
1	FIT-0025	1/4"BSP X 3/8"BSP	4				
2	190859 01	HYDRAULIC FITTING	2				
3	HHAC13505	HYDRAULIC HOSE ASSY	2				
4	HMA-0052	ADAPTOR MALE/MALE	2				
5	HHDE37005	HYDRAULIC HOSE ASSY	2				
6	HHBC03305	HYDRAULIC HOSE ASSY	1				
7	HHBC04105	HYDRAULIC HOSE ASSY	1				
8	HVB-27000	PILOT OPERAT CHECK VALVE	1				
9	BLTA06320	HEX.HEAD BOLT	2				
10	WSH-0009	WASHER	2				
11	NUT-0260	NUT	2				
12	HHBE35005	HYDRAULIC HOSE ASSY	2				
13	WSH-1005	DOWTY WASHER 1/4"	6				
14	WSH-1015	DOWTY WASHER 1/2"	6				
15	HMA-0065	ADAPTOR MALE/MALE	6				
16	COU-0162	QUICK RELEASE COUPLING	6				
17	TIE-0004	TIE WRAPS (MED)	12				



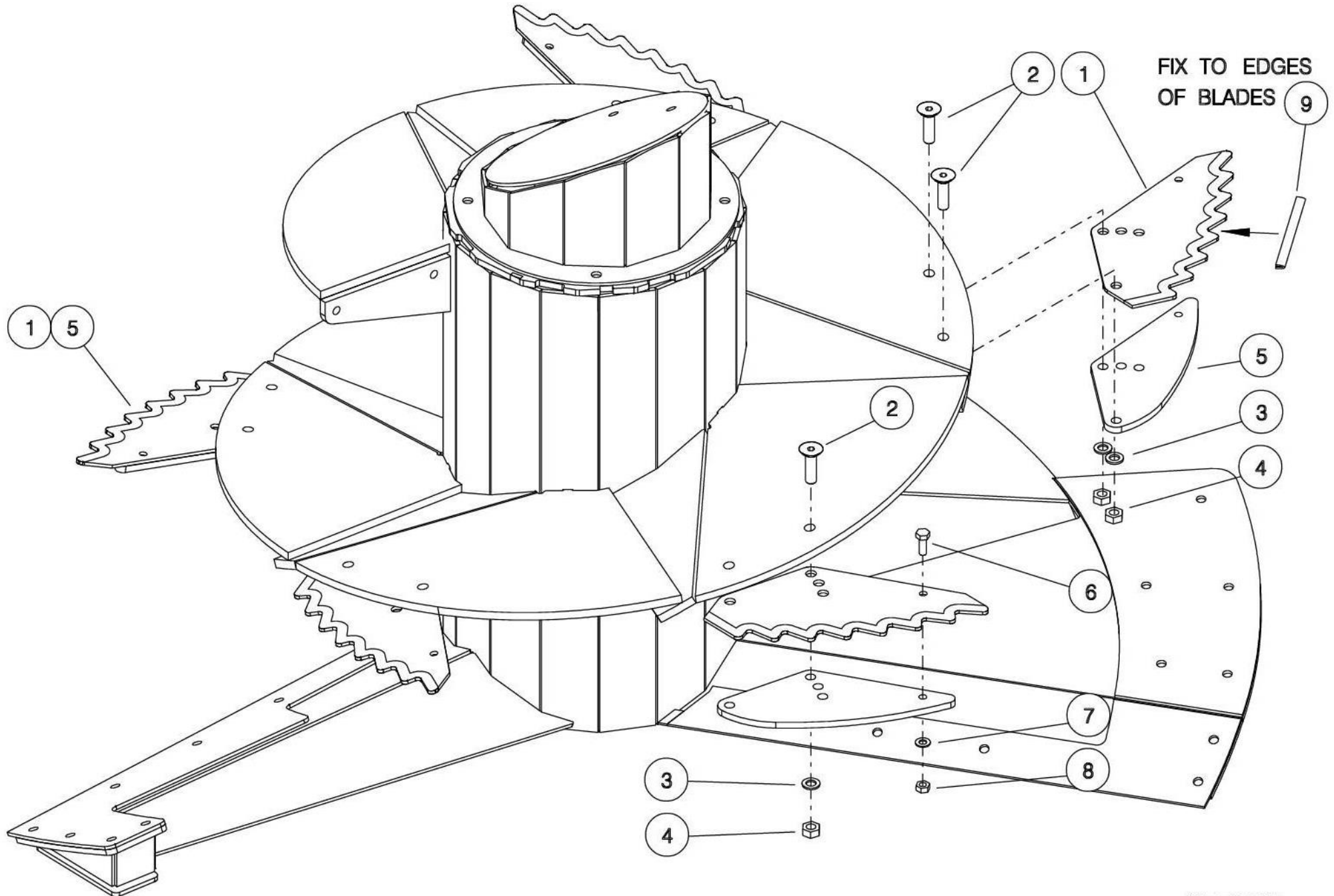
Shelbourne Reynolds Engineering Limited

ASSY NUMBER: KIT-03697				ASSY DESCRIPTION: POWERMIX PRO AUGER WEAR KIT			
ITEM	PART NO	DESCRIPTION	QTY	ITEM	PART NO	DESCRIPTION	QTY
1	615364 01	LARGE SWEEP ARM WEAR PLATE	1				
2	615366 01	SWEEP ARM WEAR PLATE	2				
3	615363 01	TOP FLIGHT WEAR STRIP	1				
4	615362 01	6TH & 7TH FLIGHT WEAR STRIP	2				
5	615361 01	5TH FLIGHT WEAR STRIP	1				
6	615360 01	2, 3 & 4TH FLIGHT WEAR STRIP	3				
7	615359 01	LOWER FLIGHT WEAR STRP	1				
8	615365 01	FILL IN PLATE	1				



Shelbourne Reynolds Engineering Limited

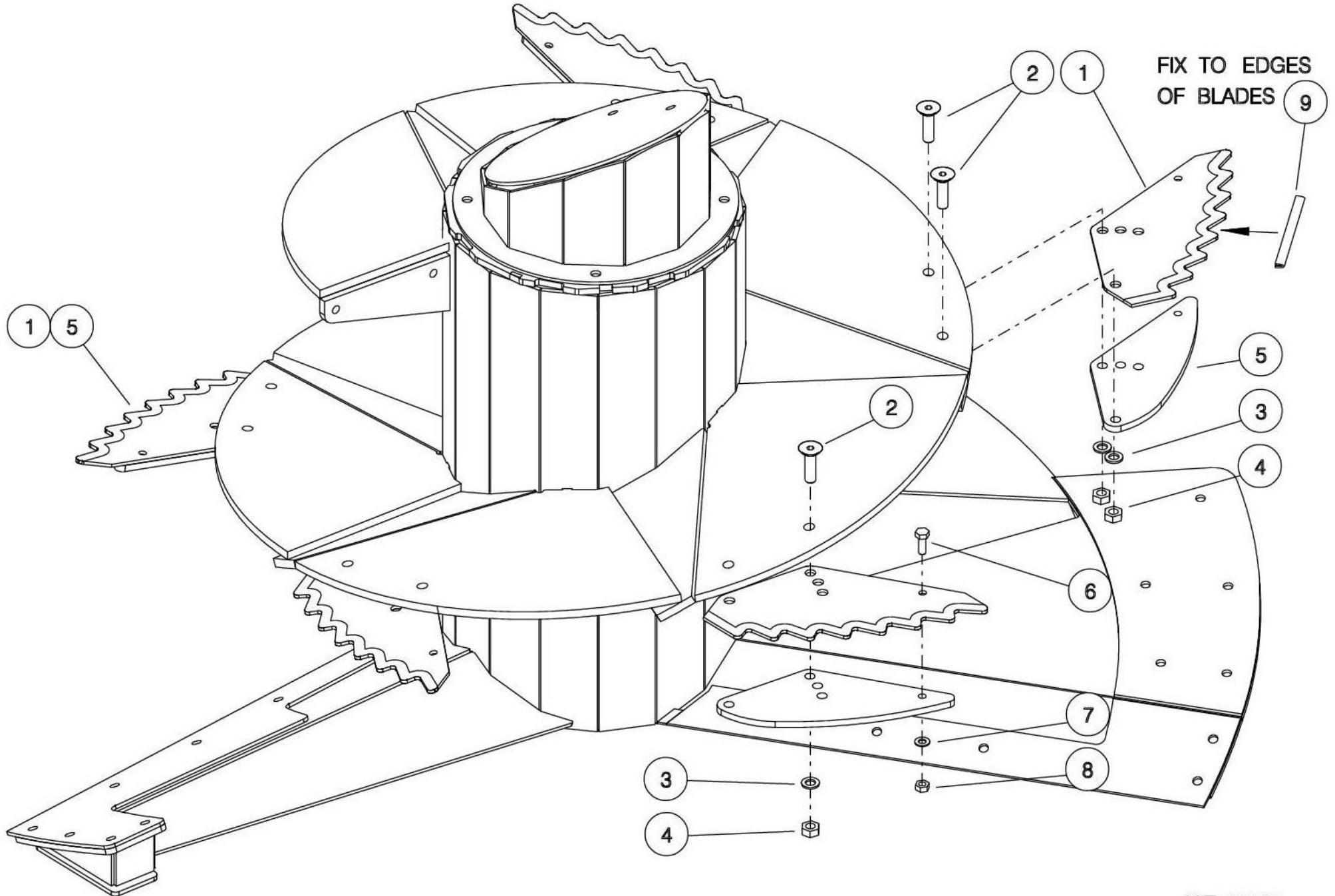
ASSY NUMBER: KIT-03710				ASSY DESCRIPTION: TUNGSTEN COATED BLADE KIT			
ITEM	PART NO	DESCRIPTION	QTY	ITEM	PART NO	DESCRIPTION	QTY
1	614812 01	AUGER BLADE TUNGSTEN	7				
2	SCEA16350	CSK SOC HD SCREW	14				
3	WSH-0025	WASHER	14				
4	NUT-0271	NUT	14				
5	614807 01	BLADE BACK UP PLATE	7				
6	HSS-0241	SET SCREW	7				
7	WSH-0018	WASHER	7				
8	NUT-0269	NUT	7				
9	EDS-11400	PVC EDGING STRIP	3.5				



KIT-03710
KIT-03710a

Shelbourne Reynolds Engineering Limited

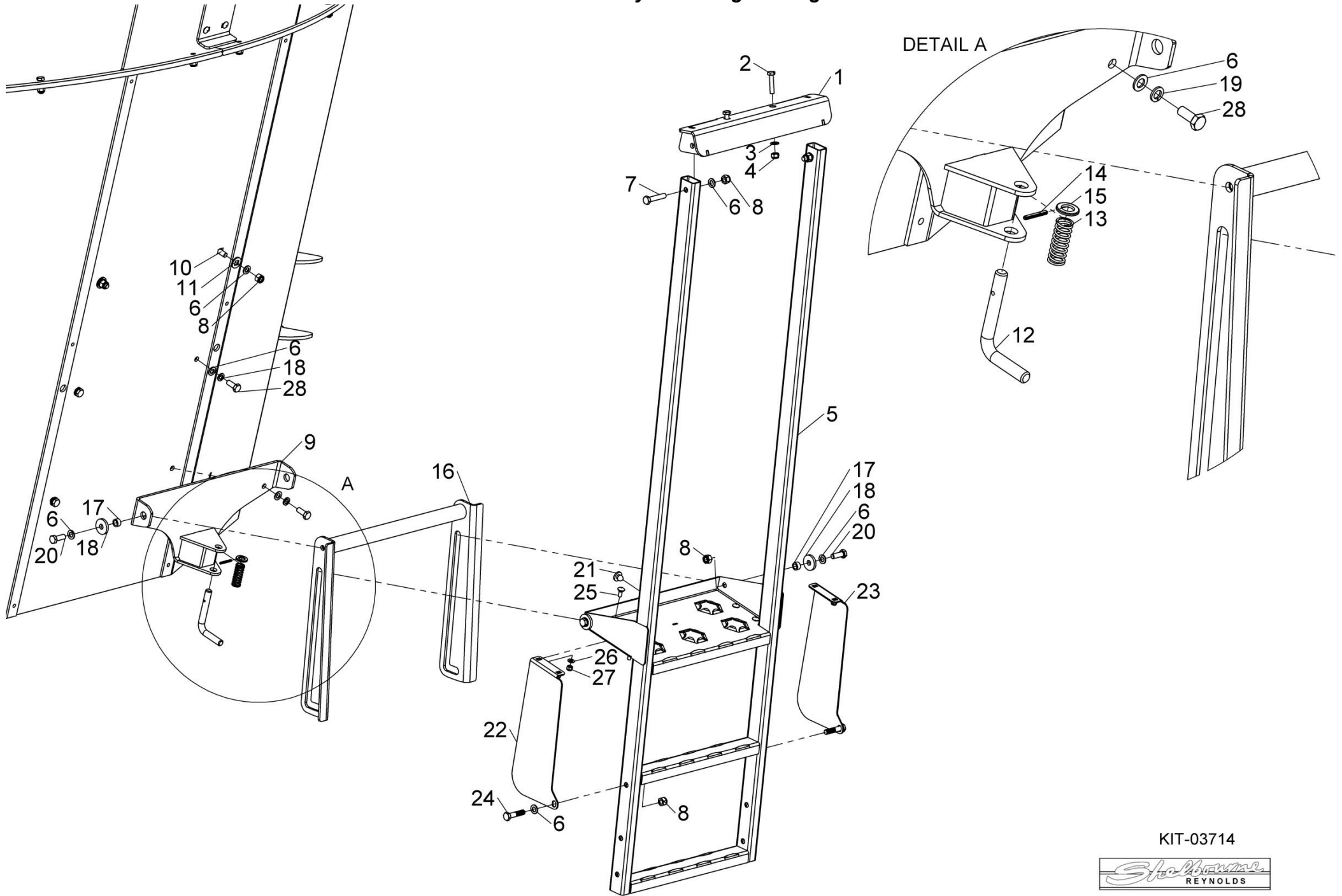
ASSY NUMBER: KIT-03710a				ASSY DESCRIPTION: STANDARD BLADE KIT			
ITEM	PART NO	DESCRIPTION	QTY	ITEM	PART NO	DESCRIPTION	QTY
1	614812 02	AUGER BLADE STANDARD	7				
2	SCEA16350	CSK SOC HD SCREW	14				
3	WSH-0025	WASHER	14				
4	NUT-0271	NUT	14				
5	614807 01	BLADE BACK UP PLATE	7				
6	HSS-0241	SET SCREW	7				
7	WSH-0018	WASHER	7				
8	NUT-0269	NUT	7				
9	EDS-11400	PVC EDGING STRIP	3.5				



KIT-03710
KIT-03710a

Shelbourne Reynolds Engineering Limited

ASSY NUMBER: KIT-03714				ASSY DESCRIPTION: STANDARD REAR LADDER KIT			
ITEM	PART NO	DESCRIPTION	QTY	ITEM	PART NO	DESCRIPTION	QTY
1	615076 01	FIXING BRKT W/A	1				
2	HSS-0210	SETSCREW	2				
3	WSH-0015	WASHER	2				
4	NUT-0265	NUT	2				
5	615069 01	REAR LADDER W/A	1				
6	WSH-0018	WASHER	16				
7	BLTA12380	BOLT	2				
8	NUT-0269	NUT	12				
9	615073 01	LOWER FIXING BRKT W/A	1				
10	BLT-3790	COACHBOLT	6				
11	611830 01	SPAXCCER	4				
12	591402 01	LOCKING HANDLE	1				
13	SPGC32021	COMPRESSION SPRING	1				
14	PIN-1775	ROLL PIN	1				
15	WSH-0024	WASHER	1				
16	615086 01	RUNNER W/A	1				
17	612316 01	SPACER TUBE	4				
18	190119 51	WASHER	4				
19	WSH-0065	WASHER	4				
20	HSS-0241	SETSCREW	4				
21	RUB-0330	RUBBER FOOT	1				
22	615221 01	LH SAFETY SHIELD	1				
23	615221 02	RH SAFETY SHIELD	1				
24	BLTA12350	BOLT	2				
25	BLT-4710	COACHBOLT	4				
26	WSH-0012	WASHER	4				
27	NUT-0263	NUT	4				
28	HSS-0238	BOLT	4				

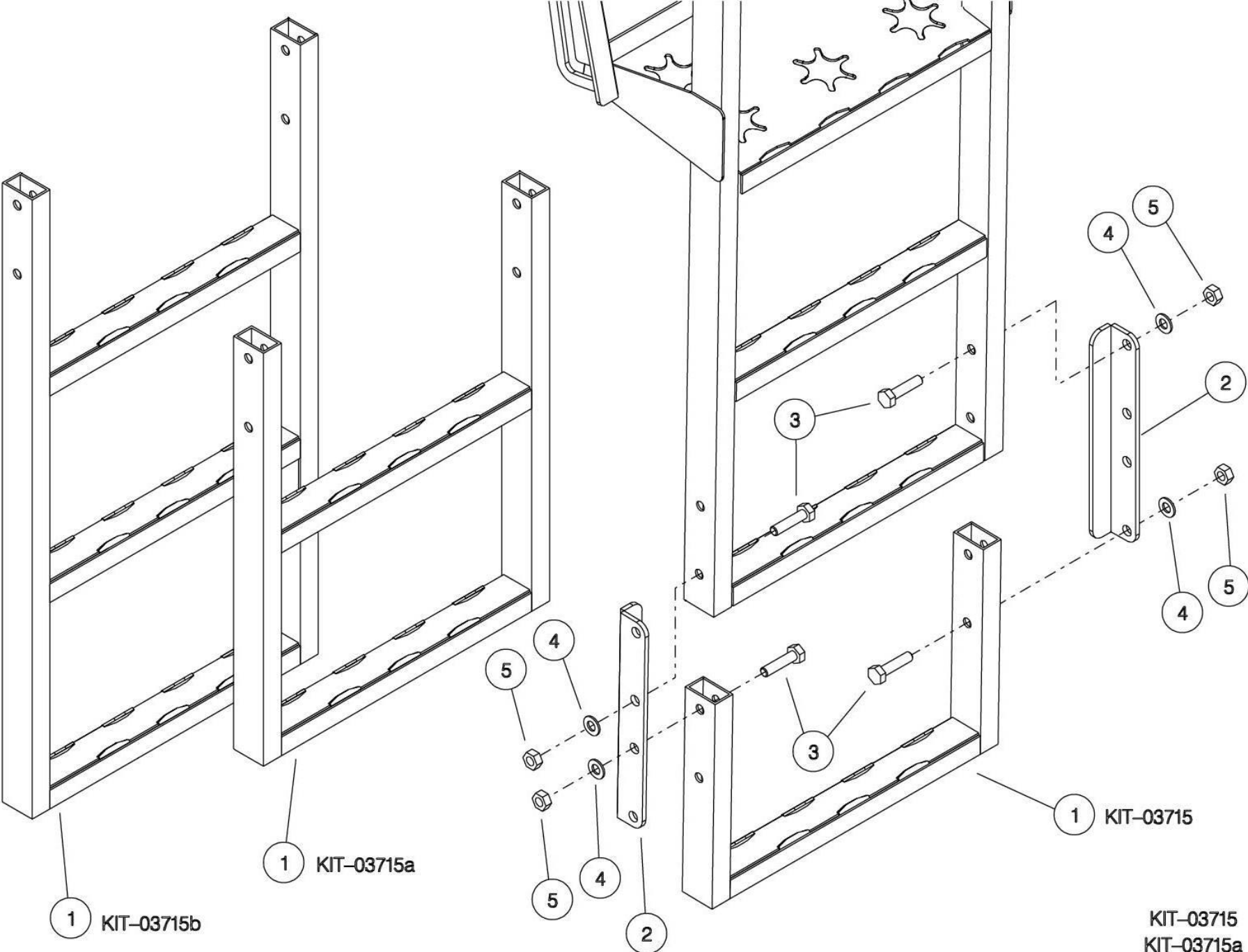


KIT-03714



Shelbourne Reynolds Engineering Limited

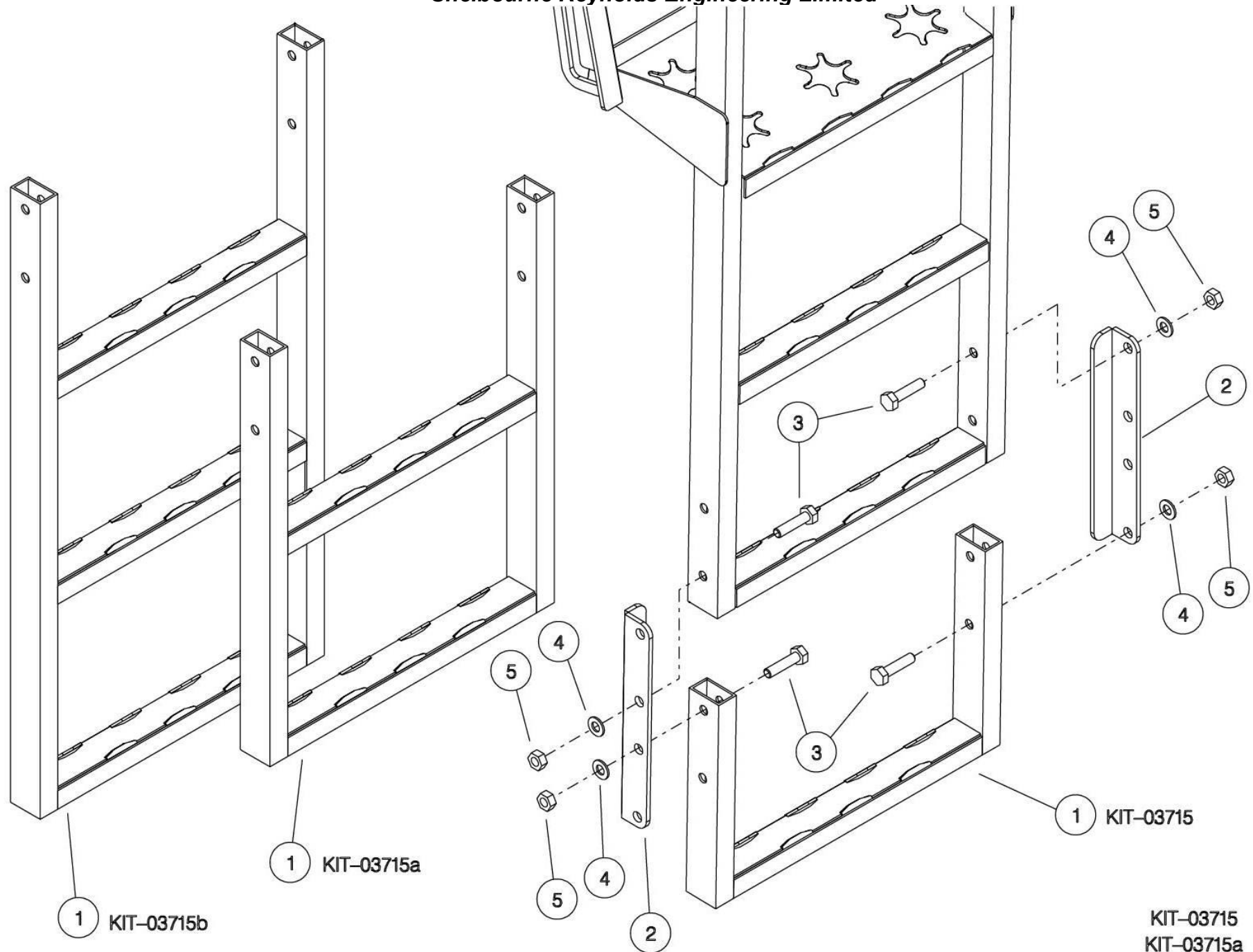
ASSY NUMBER: KIT-03715				ASSY DESCRIPTION: LADDER EXTENSION KIT (11&19mCU)			
ITEM	PART NO	DESCRIPTION	QTY	ITEM	PART NO	DESCRIPTION	QTY
1	615130 01	11/19m CU LADDER EXTENSION W/A	1				
2	615055 01	EXTENSION FIXING BRKT	2				
3	HSS-0260	SET SCREW	8				
4	WSH-0018	PLAIN WASHER	8				
5	NUT-0269	NYLOC NUT	8				



KIT-03715
KIT-03715a
KIT-03715b

Shelbourne Reynolds Engineering Limited

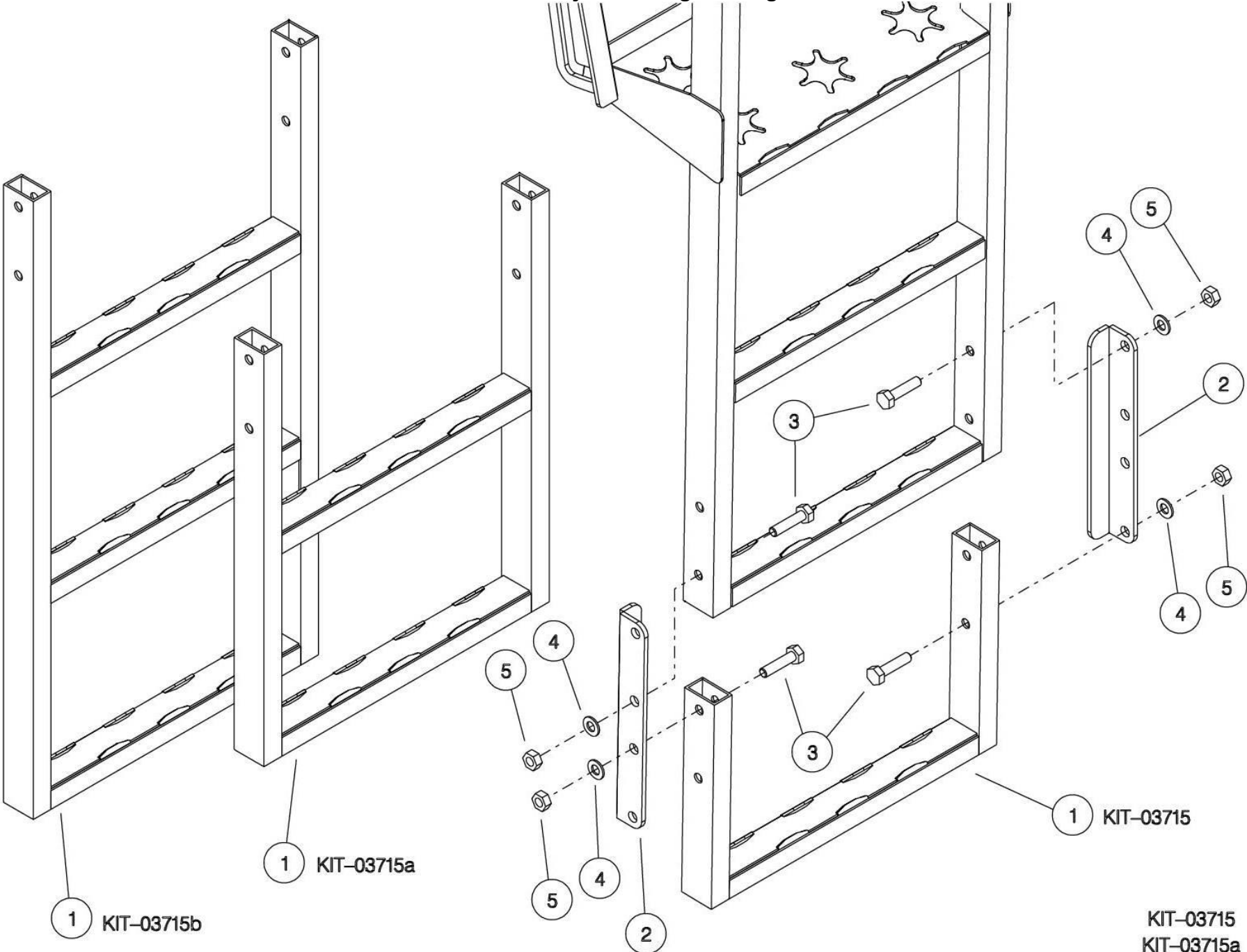
ASSY NUMBER: KIT-03715A				ASSY DESCRIPTION: LADDER EXTENSION KIT (13&22mCU)			
ITEM	PART NO	DESCRIPTION	QTY	ITEM	PART NO	DESCRIPTION	QTY
1	615127 01	13/22m CU LADDER EXTENSION W/A	1				
2	615055 01	EXTENSION FIXING BRKT	2				
3	HSS-0260	SET SCREW	8				
4	WSH-0018	PLAIN WASHER	8				
5	NUT-0269	NYLOC NUT	8				



KIT-03715
KIT-03715a
KIT-03715b

Shelbourne Reynolds Engineering Limited

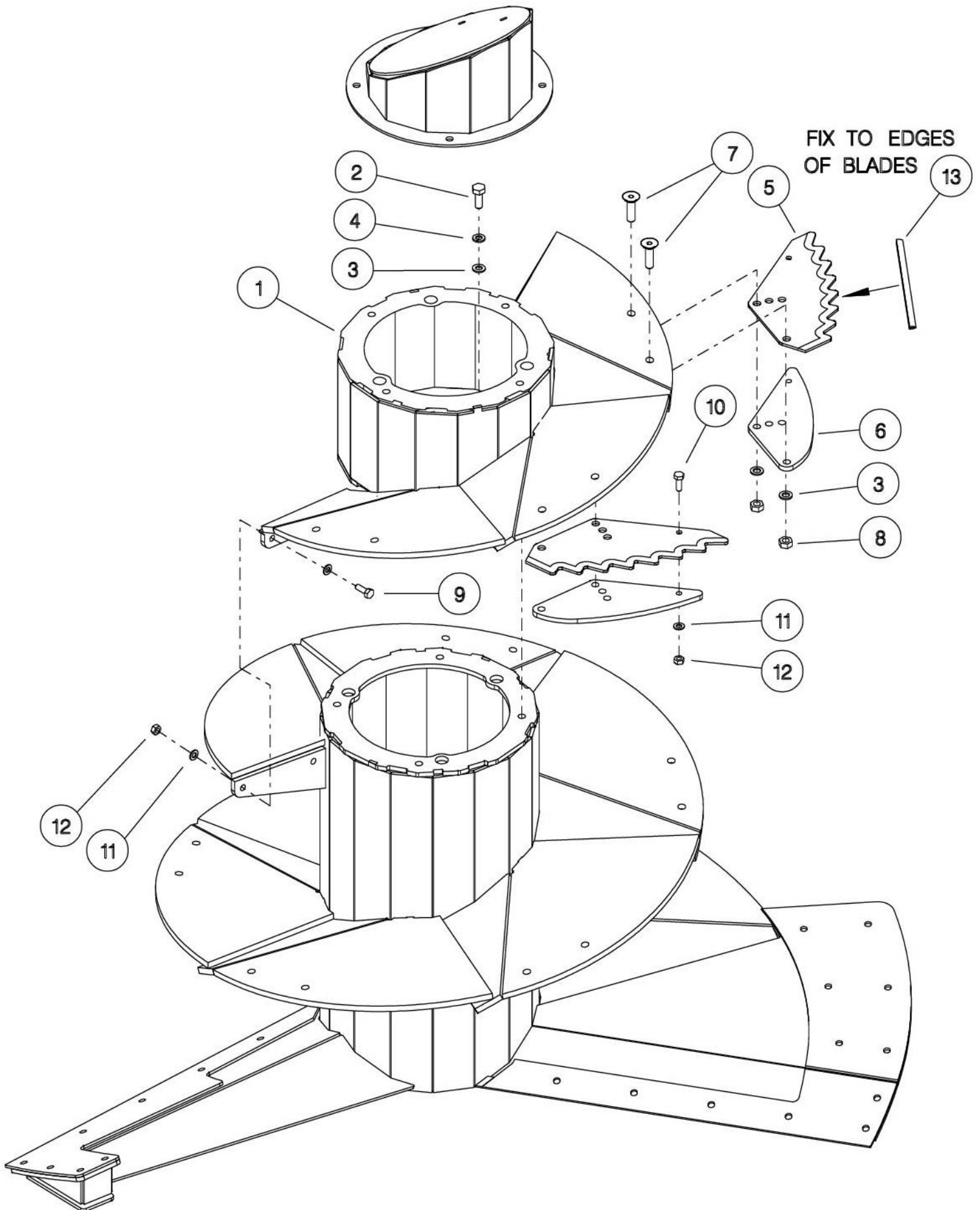
ASSY NUMBER: KIT-03715B				ASSY DESCRIPTION: LADDER EXTENSION KIT (15&25mCU)			
ITEM	PART NO	DESCRIPTION	QTY	ITEM	PART NO	DESCRIPTION	QTY
1	615062 01	15/25m CU LADDER EXTENSION W/A	1				
2	615055 01	EXTENSION FIXING BRKT	2				
3	HSS-0260	SET SCREW	8				
4	WSH-0018	PLAIN WASHER	8				
5	NUT-0269	NYLOC NUT	8				



KIT-03715
KIT-03715a
KIT-03715b

Shelbourne Reynolds Engineering Limited

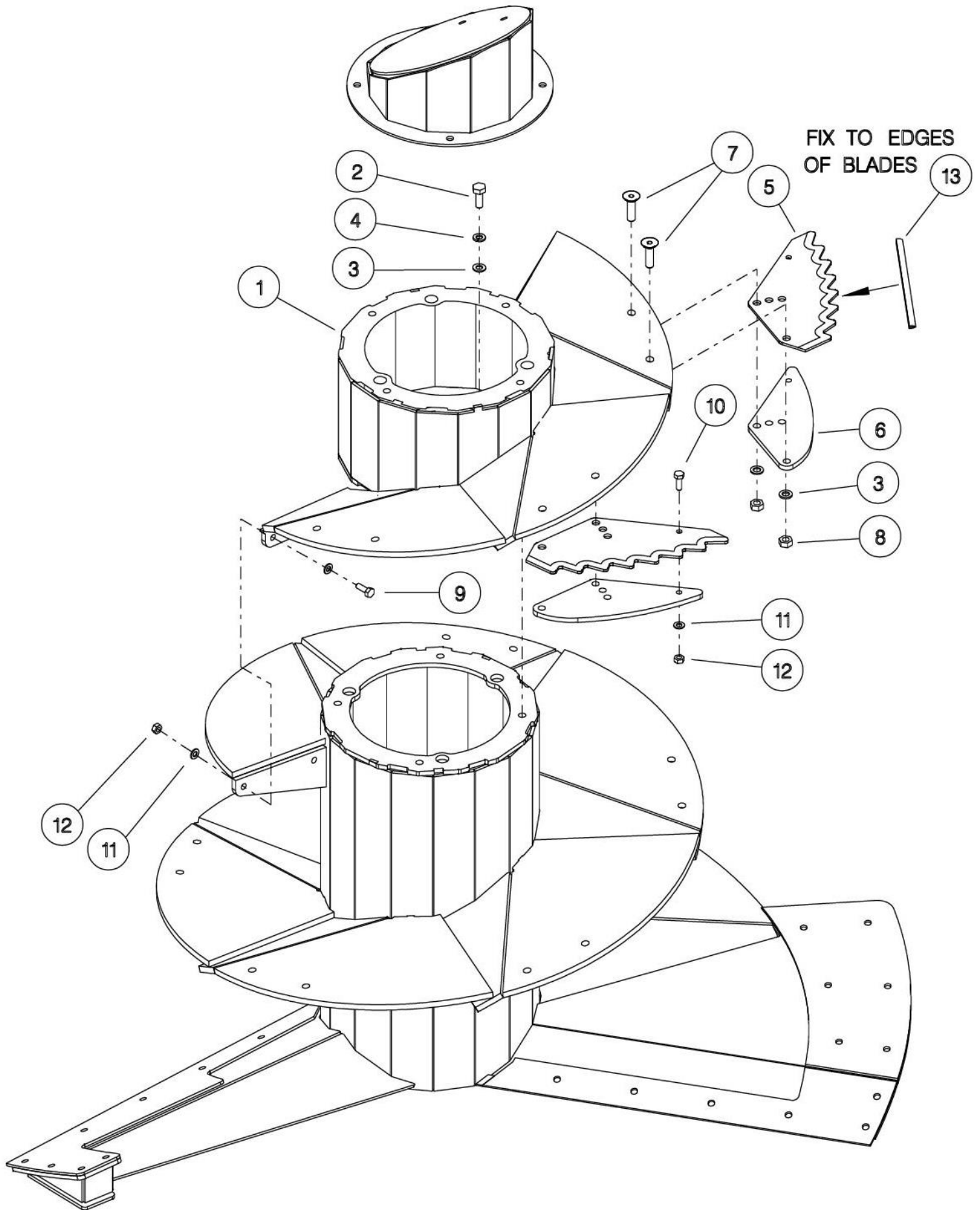
ASSY NUMBER: KIT-03716				ASSY DESCRIPTION: AUGER EXTENSION KIT			
ITEM	PART NO	DESCRIPTION	QTY	ITEM	PART NO	DESCRIPTION	QTY
1	615107 01	AUGER EXTENSION W/ASSY	1				
2	HSS-0318	SET SCREW	4				
3	WSH-0024	PLAIN WASHER	10				
4	WSH-0070	SPRING WASHER	4				
5	614812 02	AUGER BLADE STANDARD	3				
6	614807 01	BLADE BACK UP PLATE	3				
7	SCEA16350	CSK SOC HD SCREW	6				
8	NUT-0271	NYLOC NUT	6				
9	HSS-0260	SET SCREW	2				
10	HSS-0241	SET SCREW	3				
11	WSH-0018	PLAIN WASHER	7				
12	NUT-0269	NYLOC NUT	5				
13	EDS-11400	PVC EDGING STRIP	1.5				



KIT-03716
KIT-03716a

Shelbourne Reynolds Engineering Limited

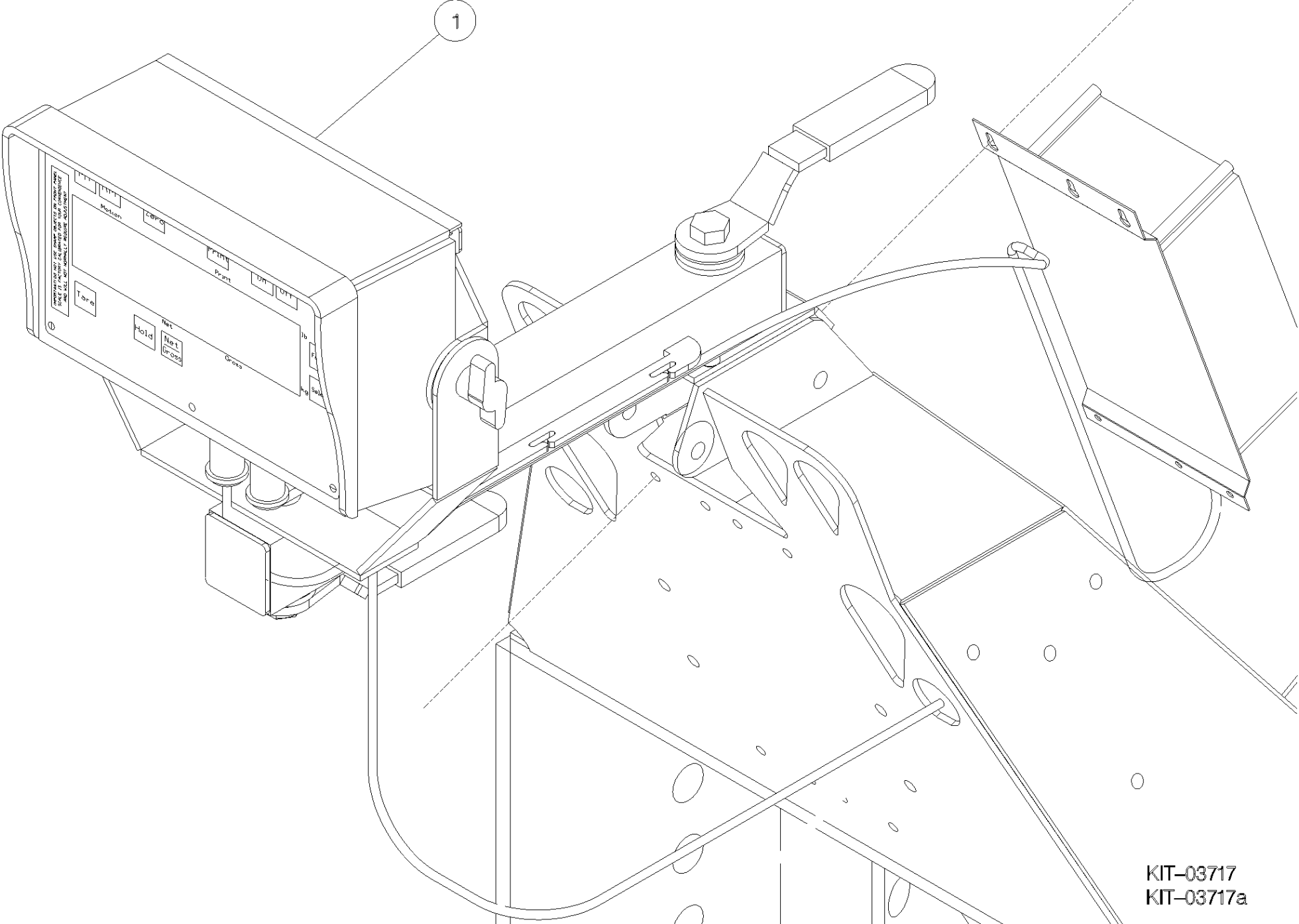
ASSY NUMBER: KIT-03716a				ASSY DESCRIPTION: AUGER EXTENSION KIT			
ITEM	PART NO	DESCRIPTION	QTY	ITEM	PART NO	DESCRIPTION	QTY
1	615107 01	AUGER EXTENSION W/ASSY	1				
2	HSS-0318	SET SCREW	4				
3	WSH-0024	PLAIN WASHER	10				
4	WSH-0070	SPRING WASHER	4				
5	614812 01	AUGER BLADE TUNGSTEN	3				
6	614807 01	BLADE BACK UP PLATE	3				
7	SCEA16350	CSK SOC HD SCREW	6				
8	NUT-0271	NYLOC NUT	6				
9	HSS-0260	SET SCREW	2				
10	HSS-0241	SET SCREW	3				
11	WSH-0018	PLAIN WASHER	7				
12	NUT-0269	NYLOC NUT	5				
13	EDS-11400	PVC EDGING STRIP	1.5				



KIT-03716
KIT-03716a

Shelbourne Reynolds Engineering Limited

ASSY NUMBER: KIT-03717a				ASSY DESCRIPTION: BASIC INDICATOR KIT			
ITEM	PART NO	DESCRIPTION	QTY	ITEM	PART NO	DESCRIPTION	QTY
1	LCL-01243a	BASIC INDICATOR EZ2400V	1				



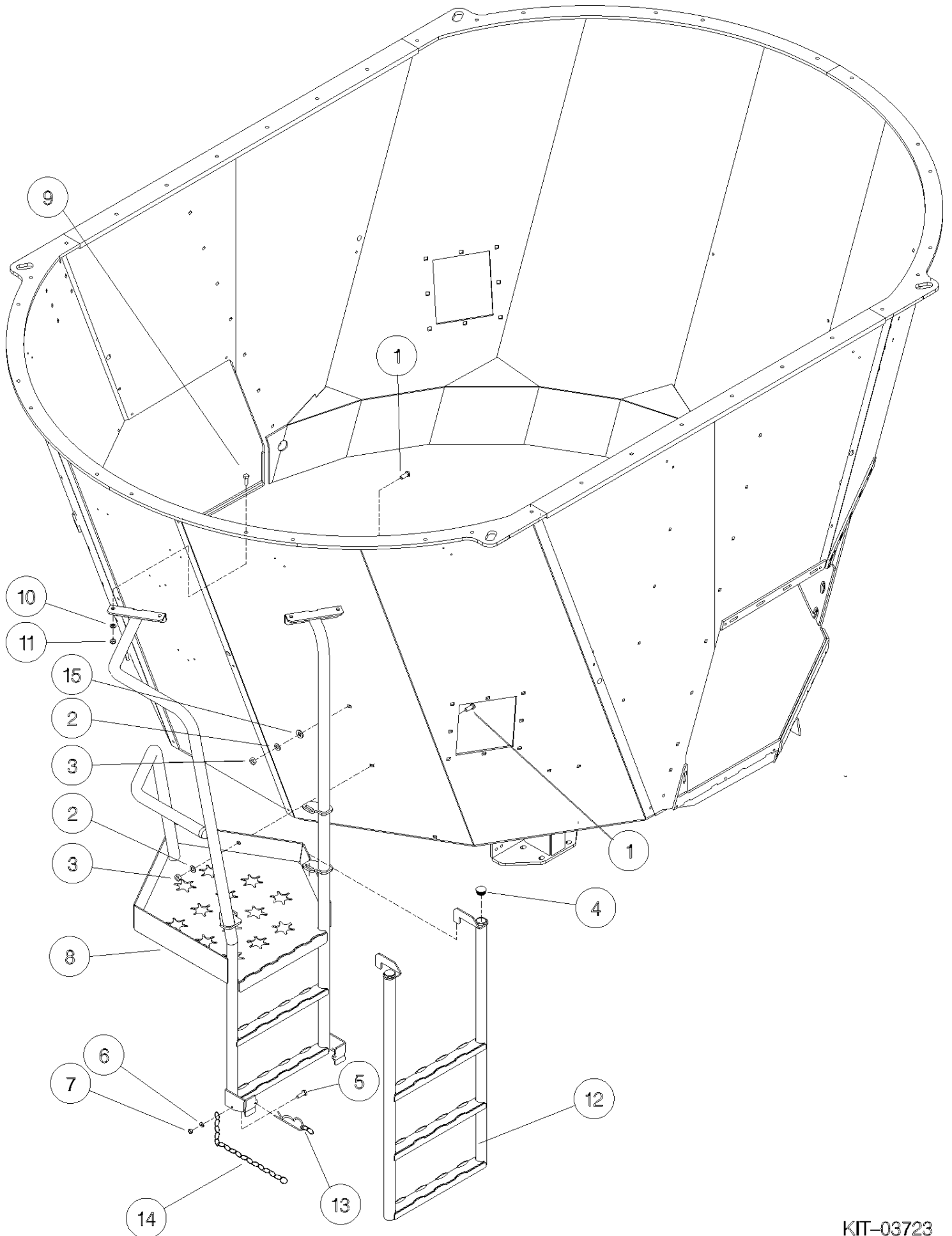
KIT-03717
KIT-03717a

Shelbourne Reynolds Engineering Limited

ASSY NUMBER: KIT-03719				ASSY DESCRIPTION: AUGER MAGNET KIT			
ITEM	PART NO	DESCRIPTION	QTY	ITEM	PART NO	DESCRIPTION	QTY
1	615180 01	MAGNET MTG BRKT W/A	1				
2	WSH-0070	WASHER	2				
3	HSS-0315	SET SCREW	2				
4	MAG-0006	AUGER MAGNET	1				
5	615184 01	SIDE FIXING PLATE	2				
6	WSH-0018	WASHER	2				
7	WSH-0065	WASHER	2				
8	HSS-0238	SETSCREW	2				

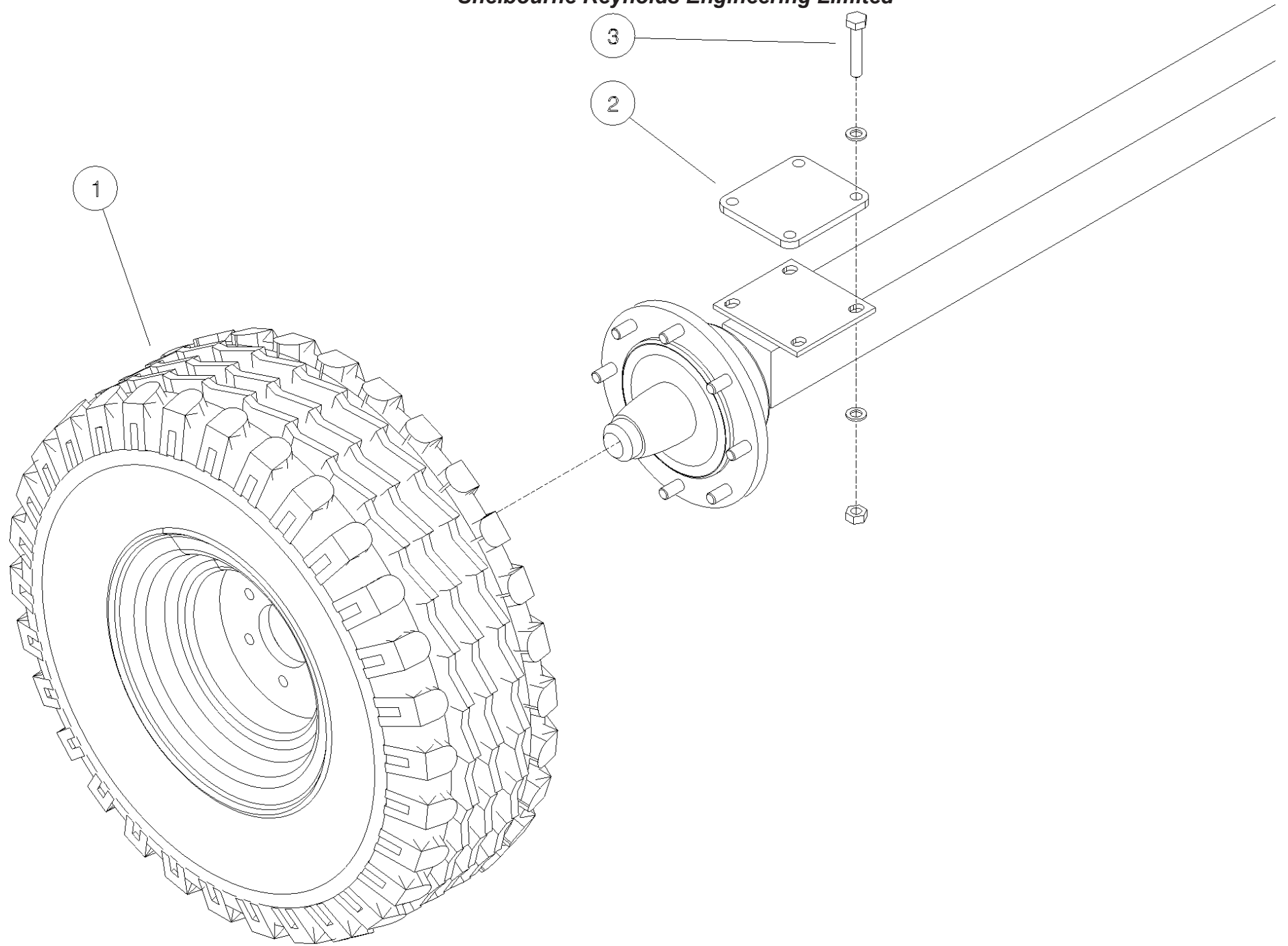
Shelbourne Reynolds Engineering Limited

ASSY NUMBER: KIT-03723				ASSY DESCRIPTION: PLATFORM KIT			
ITEM	PART NO	DESCRIPTION	QTY	ITEM	PART NO	DESCRIPTION	QTY
1	SCW-0518	BUTT SOC HD SCREW	1				
2	WSH-0018	WASHER	1				
3	NUT-0269	NUT	1				
4	PTF-00134	PLASTIC CAP INSERT	2				
5	HSS-0086	SETSCREW	1				
6	WSH-0009	WASHER	1				
7	NUT-0260	NUT	1				
8	613592 01	PLATFORM W/A	1				
9	HSS-0210	BOLT	4				
10	WSH-0015	WASHER	4				
11	NUT-0265	NUT	4				
12	613764 01	LADDER W/A	1				
13	CLP-00105	R-CLIP	1				
14	CHN-0145	CHAIN	.17m				



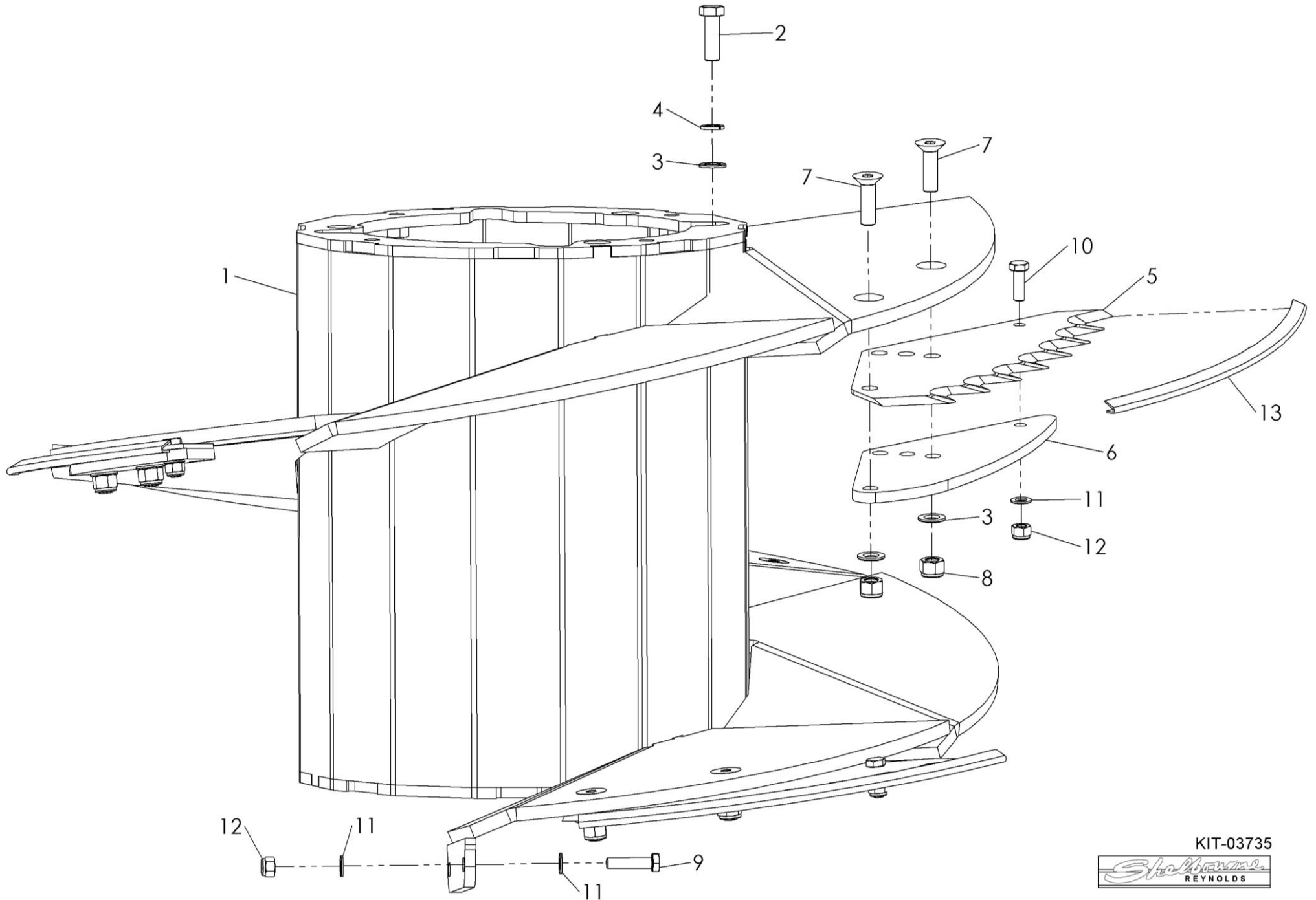
Shelbourne Reynolds Engineering Limited

ASSY NUMBER: KIT-03734				ASSY DESCRIPTION: WHEEL & TYE KIT			
ITEM	PART NO	DESCRIPTION	QTY	ITEM	PART NO	DESCRIPTION	QTY
1	WHL-02212	WHEEL & TYRE ASSY	2				
2	613814 01	AXLE SPACER PLATE	10				
3	BLT-2330	HEX.HEAD BOLT	8				



Shelbourne Reynolds Engineering Limited

ASSY NUMBER: KIT-03735				ASSY DESCRIPTION: 600mm AUGER EXTENSION KIT			
ITEM	PART NO	DESCRIPTION	QTY	ITEM	PART NO	DESCRIPTION	QTY
1	615260 01	600mm AUGER EXT W/ASSY	1				
2	HSS-0318	SET SCREW	4				
3	WSH-0024	PLAIN WASHER FORM A	12				
4	WSH-0070	SPRING WASHER	4				
5	614812 02	AUGER BLADE STANDARD	4				
6	614807 01	BACK UP PLATE	4				
7	SCEA16350	CSK SOC HD SCREW	8				
8	NUT-0271	NUT	8				
9	HSS-0260	SETSCREW	2				
10	HSS-0241	SET SCREW	4				
11	WSH-0018	PLAIN WASHER	8				
12	NUT-0269	NUT	6				
13	EDS-11400	PVC EDGING STRIP	2				

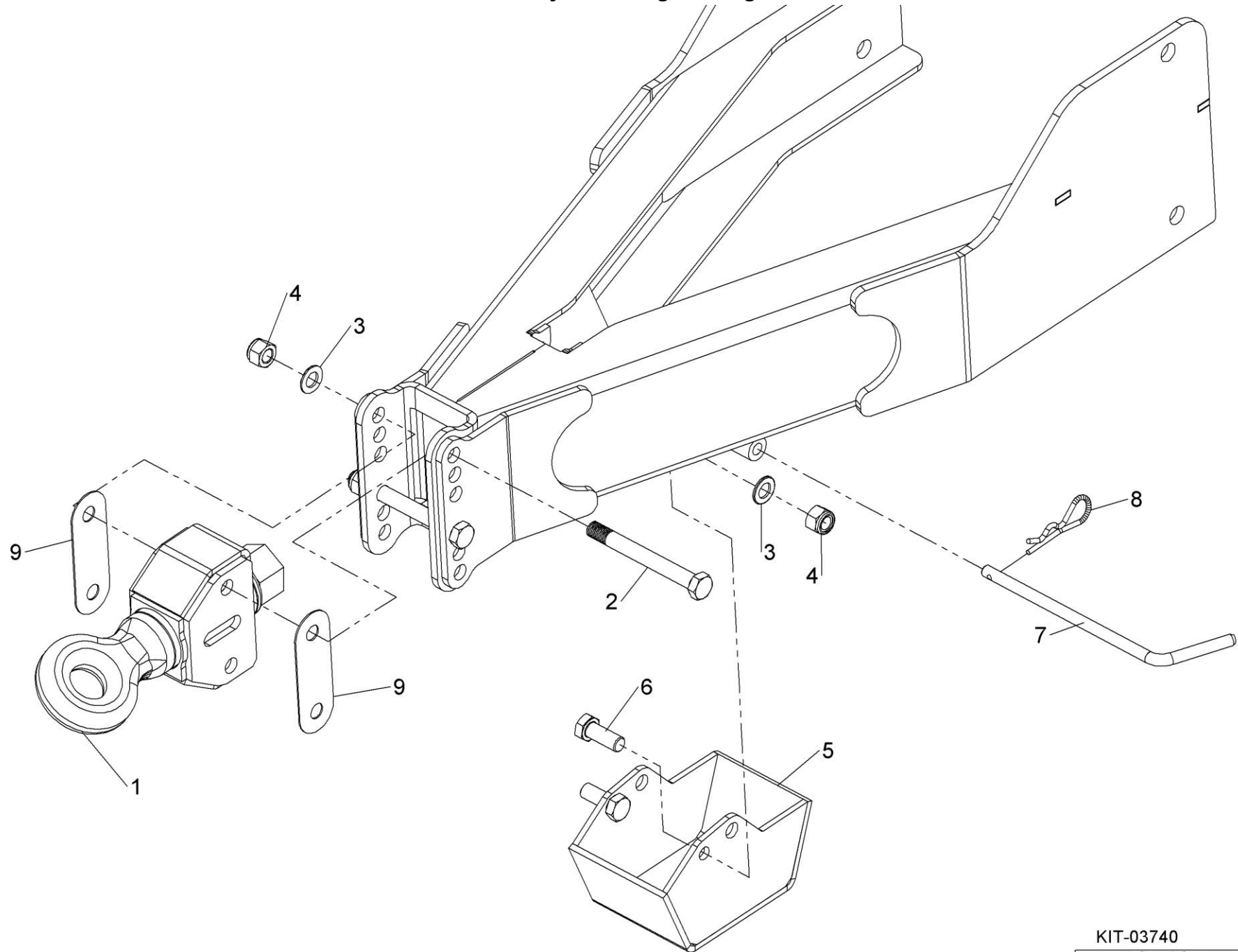


KIT-03735



Shelbourne Reynolds Engineering Limited

ASSY NUMBER: KIT-03740				ASSY DESCRIPTION: SWIVEL TOW EYE KIT			
ITEM	PART NO	DESCRIPTION	QTY	ITEM	PART NO	DESCRIPTION	QTY
1	615227 01	SWIVEL TOW EYE W/A	1				
2	BLTA20770	BOLT	2				
3	WSH-0030	WASHER	4				
4	NUTA02200	NUT	4				
5	613418 01	FOOT WELD ASSY	1				
6	HSS-0355	SETSCREW	2				
7	613419 01	SECURING PIN	1				
8	CLP-00106	R CLIP	1				
9	615298 01	TOW EYE SHIM	2				

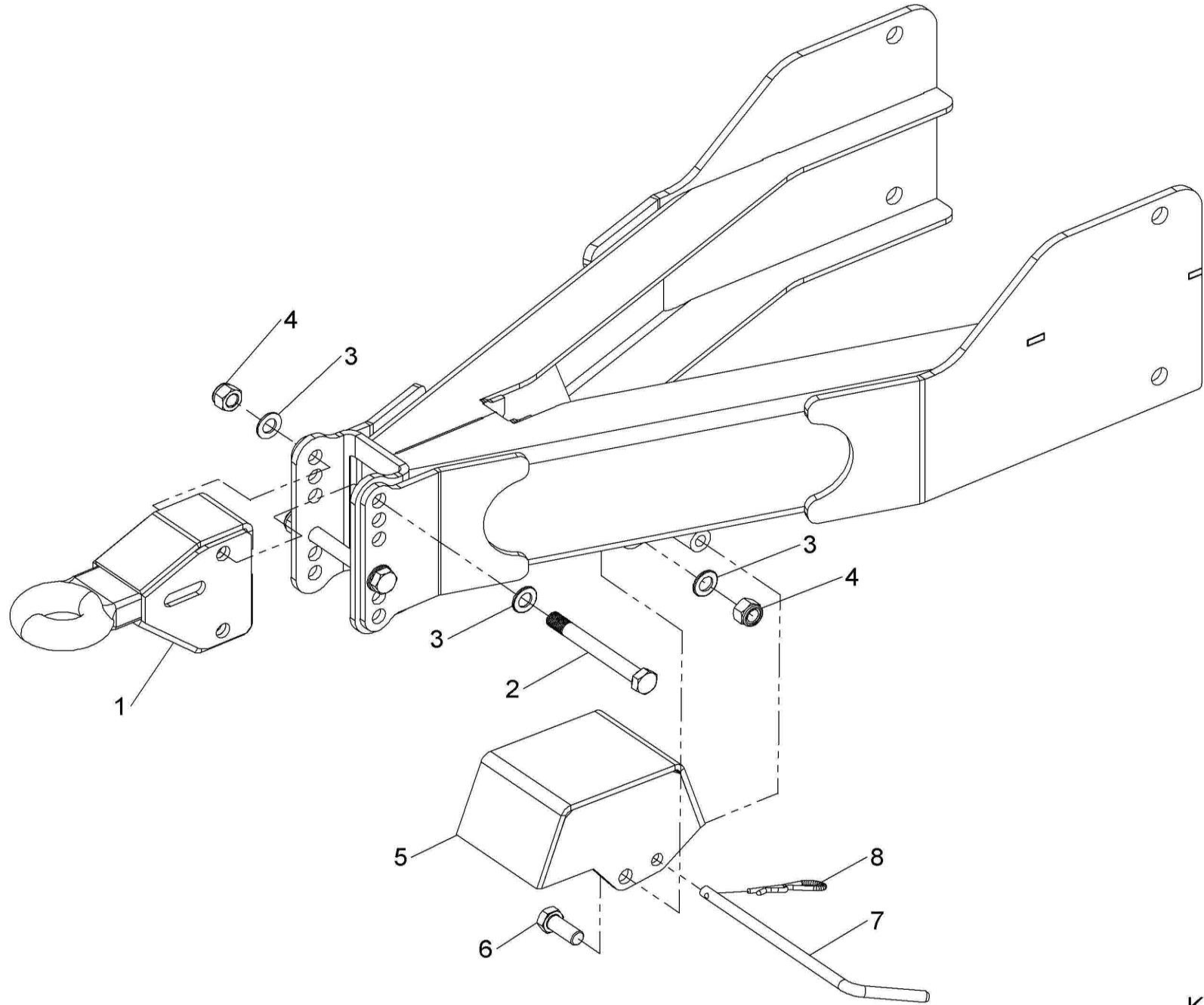


KIT-03740



Shelbourne Reynolds Engineering Limited

ASSY NUMBER: KIT-03741				ASSY DESCRIPTION: HEAVY DUTY UK TOW EYE KIT			
ITEM	PART NO	DESCRIPTION	QTY	ITEM	PART NO	DESCRIPTION	QTY
1	615233 01	HEAVY DUTY UK TOW EYE	1				
2	BLTA20770	HEXAGON HEAD BOLT	2				
3	WSH-0030	PLAIN WASHER	4				
4	NUTA02200	NYLOC NUT	4				
5	613418 01	FOOT WELD ASSY	1				
6	HSS-0355	SETSCREW	2				
7	613419 01	FOOT SECURING PIN	1				
8	CLP-00106	R CLIP	1				

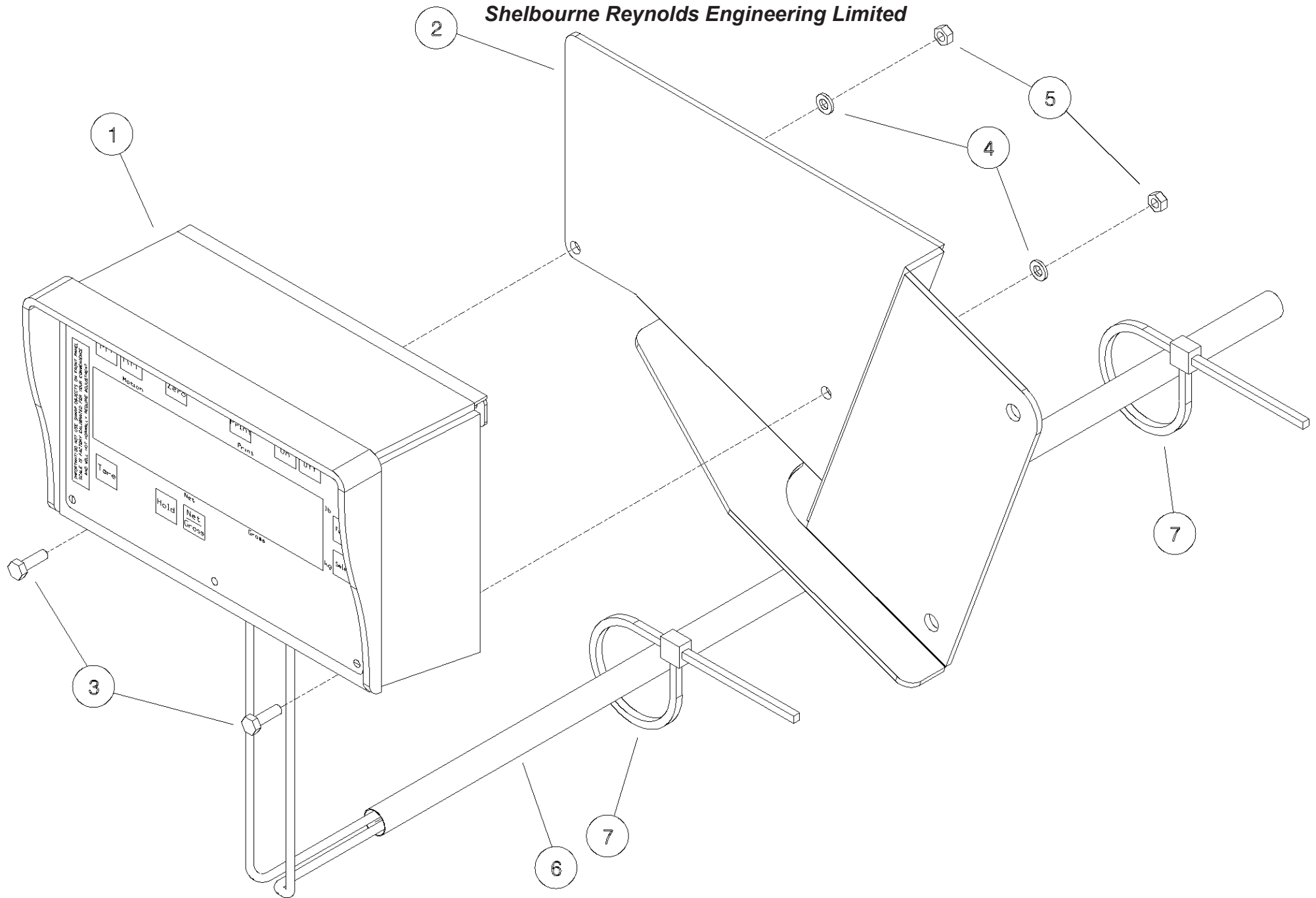


KIT-03741



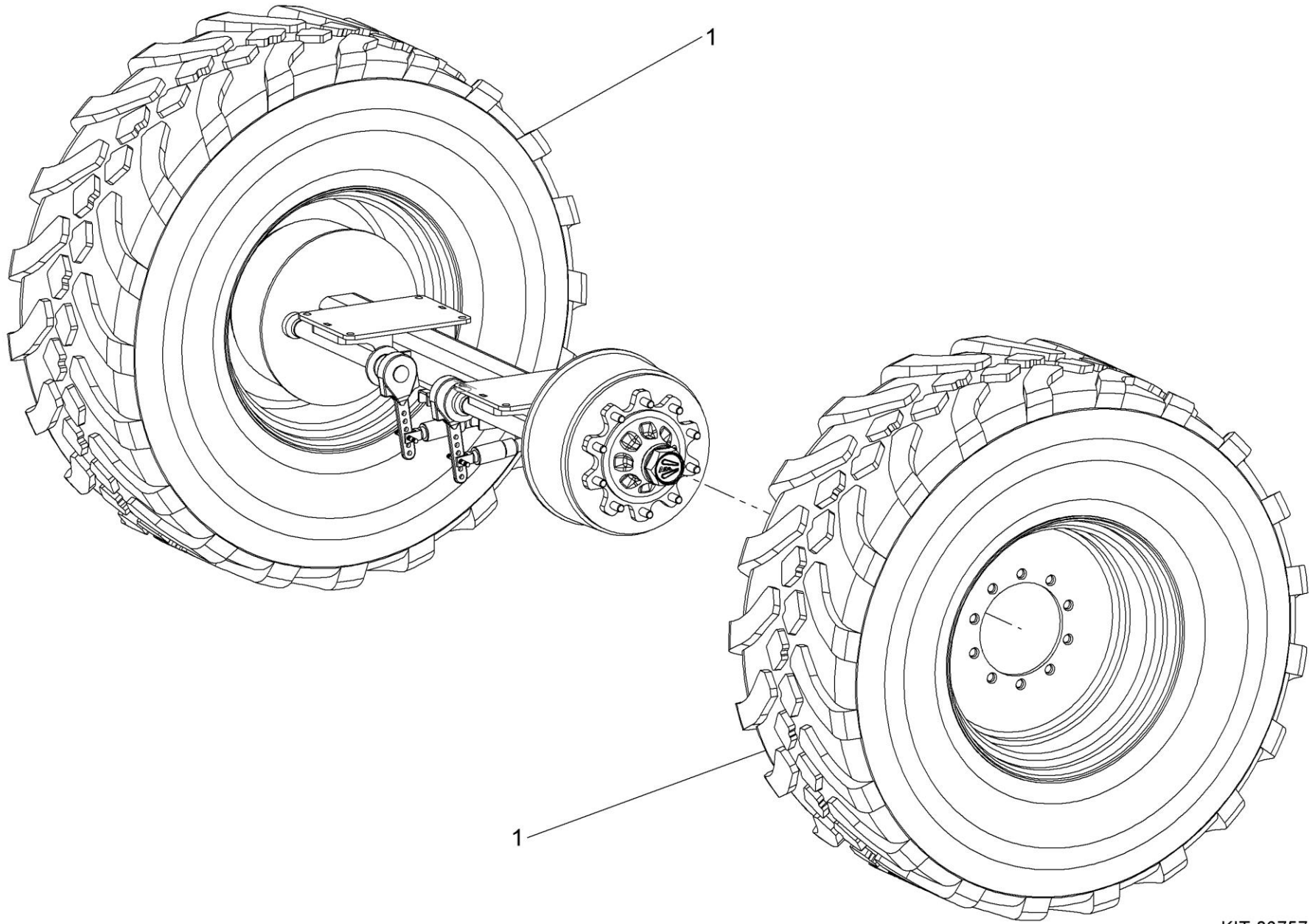
Shelbourne Reynolds Engineering Limited

ASSY NUMBER: KIT-03750				ASSY DESCRIPTION: REMOTE DISPLAY KIT			
ITEM	PART NO	DESCRIPTION	QTY	ITEM	PART NO	DESCRIPTION	QTY
1	LCL-01246	RD2400V RMOTE DISPLAY	1				
2	614347 01	REMOTE DISPLAY BRACKET	1				
3	HSS-0086	SET SCREW	2				
4	WSH-0009	PLAIN WASHER	2				
5	NUT-0260	NYLOC NUT	2				
6	SLV-00300	SPIRAL CONVOLUTE TUBING	1				
7	TIE-0004	TIE WRAPS (MED)	20				



Shelbourne Reynolds Engineering Limited

ASSY NUMBER: KIT-03757				ASSY DESCRIPTION: WHEEL & TYRE KIT			
ITEM	PART NO	DESCRIPTION	QTY	ITEM	PART NO	DESCRIPTION	QTY
1	WHL-02213	WHEEL & TYRE ASSY	2				

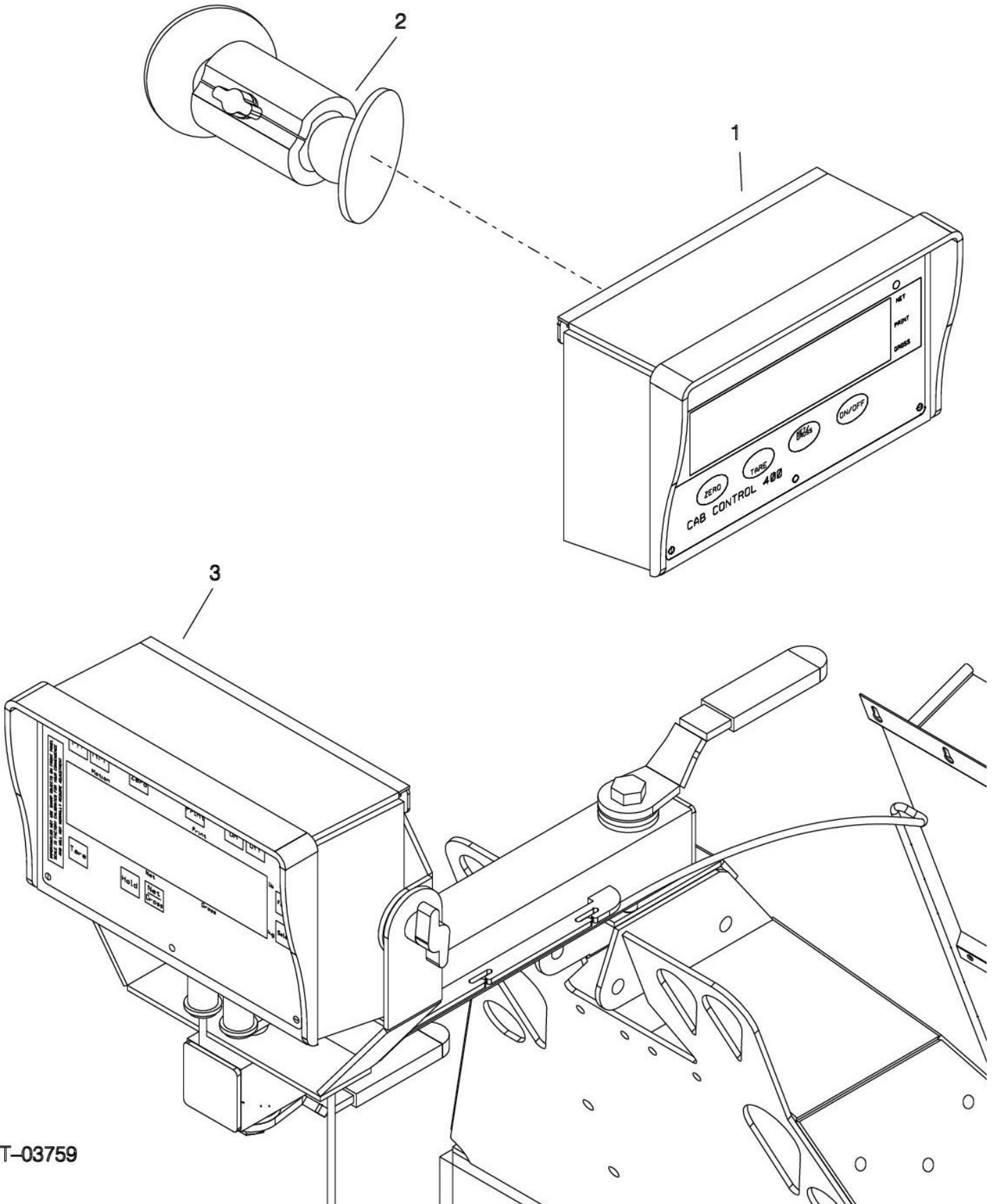


KIT-03757
KIT-03757a



Shelbourne Reynolds Engineering Limited

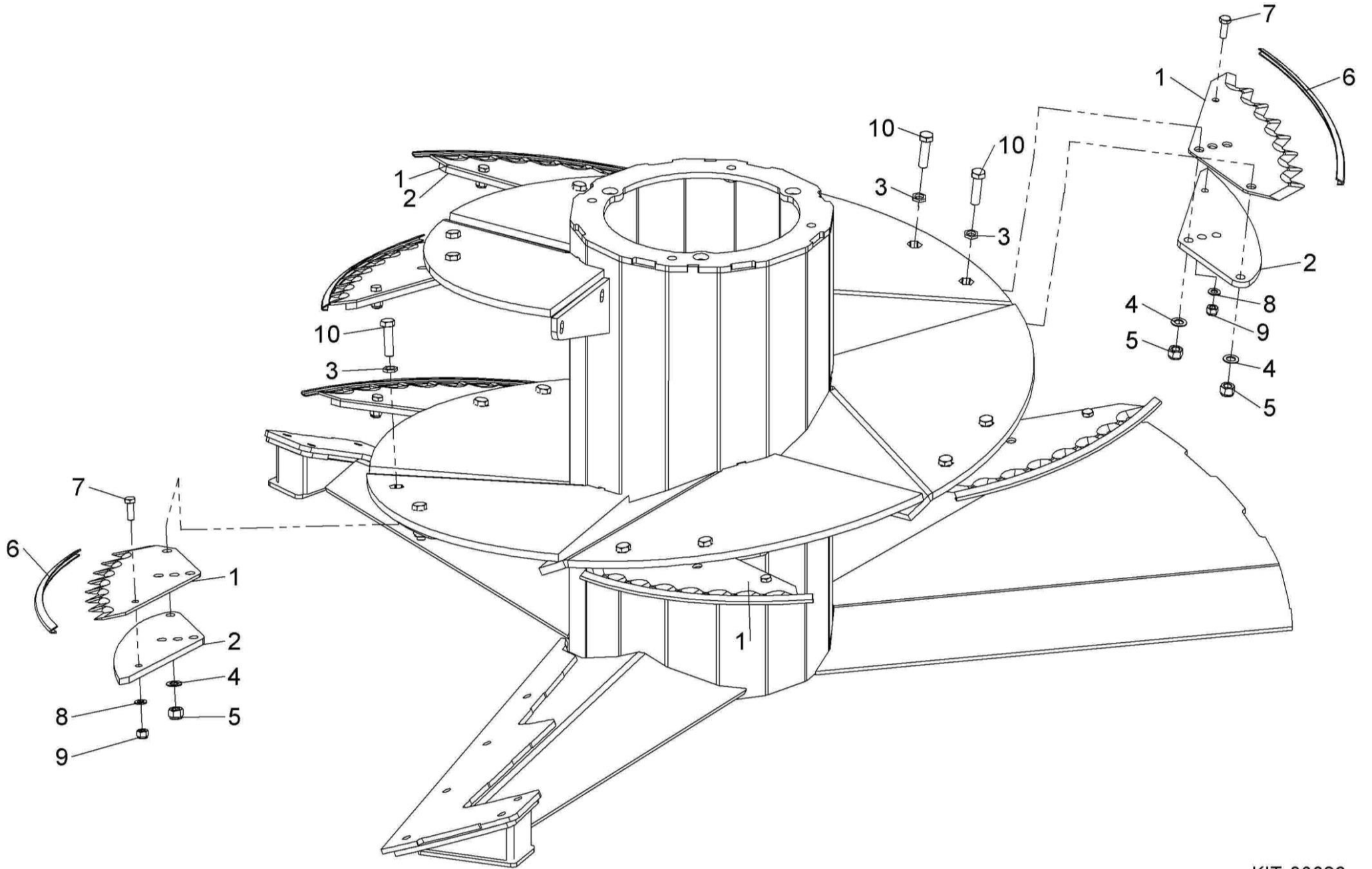
ASSY NUMBER: KIT-03759				ASSY DESCRIPTION: EZ2400V BASIC DISPLAY KIT			
ITEM	PART NO	DESCRIPTION	QTY	ITEM	PART NO	DESCRIPTION	QTY
1	LCL-01228	CAB CONTROL 400 INDICATOR	1				
2	LCL-01249	RAM MOUNT SUCTION CUP	1				
3	LCL-01243b	EZ2400V BASIC DISPLAY	1				



KIT-03759

Shelbourne Reynolds Engineering Limited

ASSY NUMBER: KIT-03826				ASSY DESCRIPTION: TUNGSTEN BLADE KIT (PME09130316 & ON)			
ITEM	PART NO	DESCRIPTION	QTY	ITEM	PART NO	DESCRIPTION	QTY
1	614812 01	TUNGSTEN BLADE	7				
2	614807 01	BACK UP PLATE	7				
3	615685 01	HEX WASHER	14				
4	WSH-0025	WASHER	14				
5	NUT-0271	NUT	14				
6	EDS-11400	BLADE EDGE STRIP	3.5m				
7	HSS-0241	SETSCREW	7				
8	WSH-0018	WASHER	7				
9	NUT-0269	NUT	7				
10	HSS-0320	SETSCREW	14				

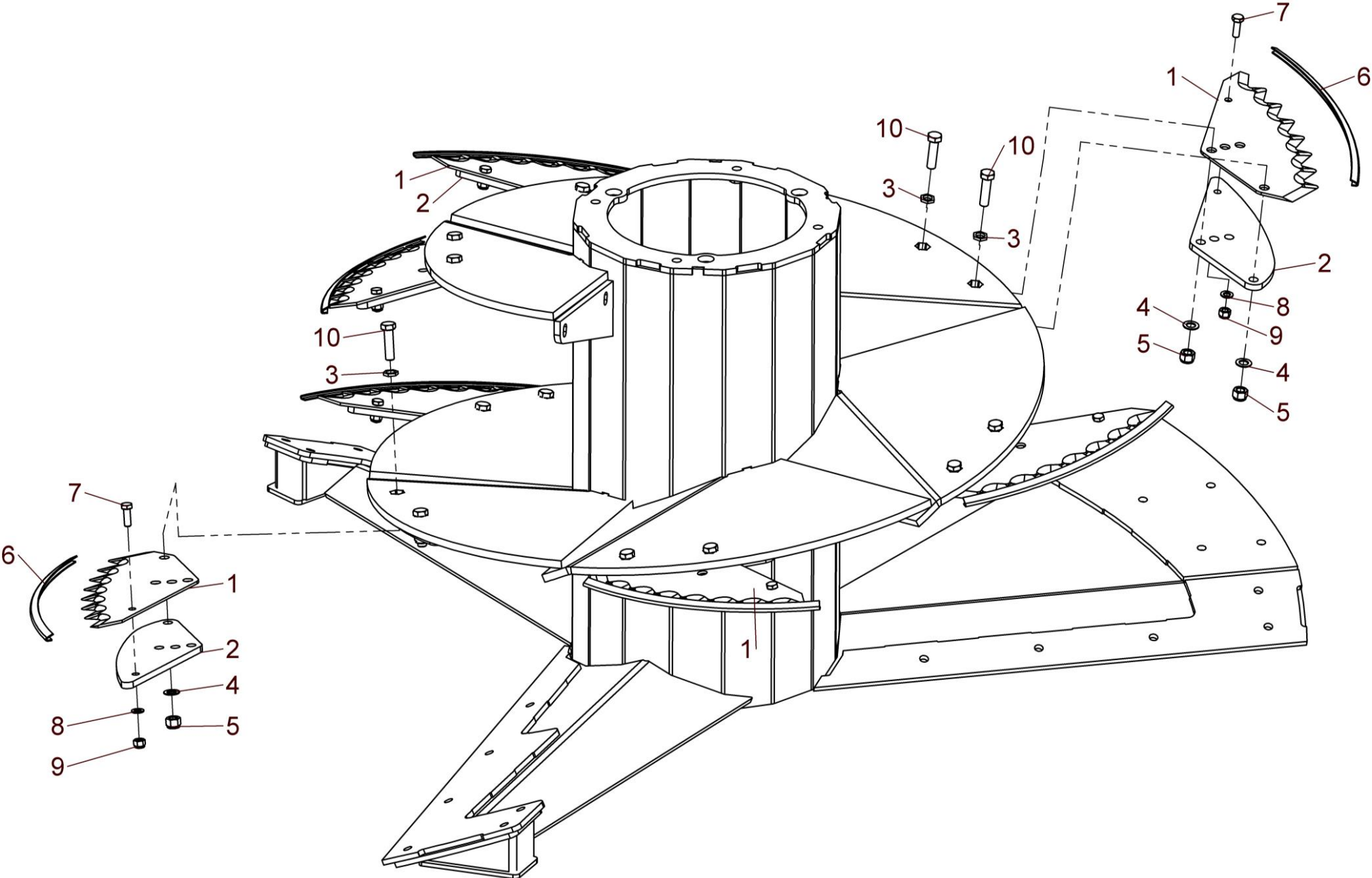


KIT-03826
KIT-03826a



Shelbourne Reynolds Engineering Limited

ASSY NUMBER: KIT-03826a				ASSY DESCRIPTION: STANDARD BLADE KIT (PME09130316 & ON)			
ITEM	PART NO	DESCRIPTION	QTY	ITEM	PART NO	DESCRIPTION	QTY
1	614812 02	STANDARD BLADE	7				
2	614807 01	BACK UP PLATE	7				
3	615685 01	HEX WASHER	14				
4	WSH-0025	WASHER	14				
5	NUT-0271	NUT	14				
6	EDS-11400	BLADE EDGE STRIP	3.5m				
7	HSS-0241	SETSCREW	7				
8	WSH-0018	WASHER	7				
9	NUT-0269	NUT	7				
10	HSS-0320	SETSCREW	14				

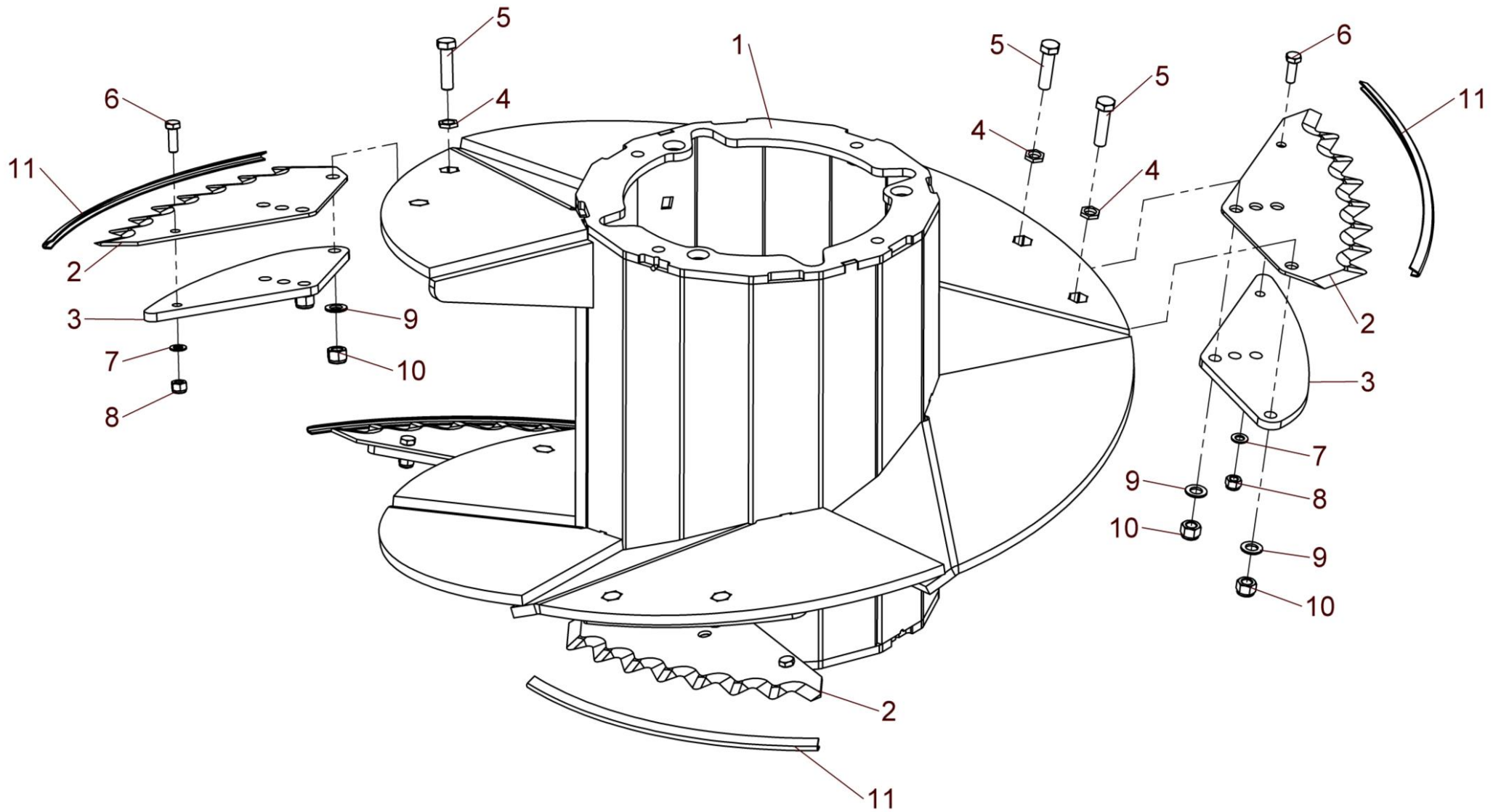


KIT-03826a



Shelbourne Reynolds Engineering Limited

ASSY NUMBER: KIT-03827				ASSY DESCRIPTION: 600mm AUGER EXT KIT(PME09130316 & ON)			
ITEM	PART NO	DESCRIPTION	QTY	ITEM	PART NO	DESCRIPTION	QTY
1	615686 01	600mm AUGER EXT W/ASSY	1				
2	614812 02	STANDARD BLADE	4				
3	614807 01	BACK UP PLATE	4				
4	615685 01	HEX WASHER	8				
5	HSS-0320	SETSCREW	8				
6	HSS-0241	SETSCREW	4				
7	WSH-0018	PLAIN WASHER	4				
8	NUT-0269	NUT	4				
9	WSH-0024	WASHER	8				
10	NUT-0271	NUT	8				
11	EDS-11400	PVC EDGING STRIP	2				

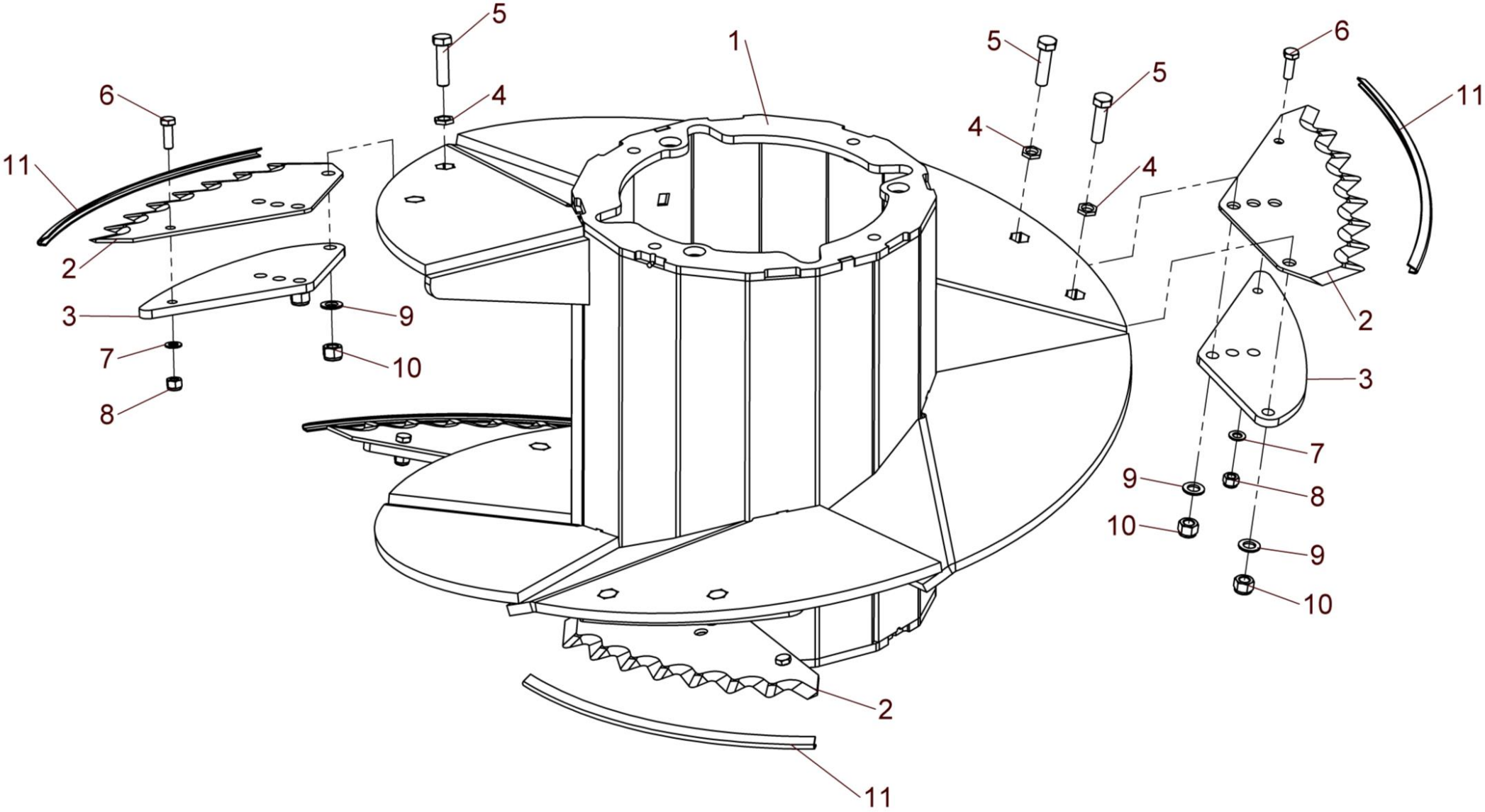


KIT-03827



Shelbourne Reynolds Engineering Limited

ASSY NUMBER: KIT-03827a				ASSY DESCRIPTION: 600mmAUGER EXT(TUNGSTEN) (PME09130316 & ON)			
ITEM	PART NO	DESCRIPTION	QTY	ITEM	PART NO	DESCRIPTION	QTY
1	615686 01	600mm AUGER EXT W/ASSY	1				
2	614812 01	TUNGSTEN BLADE	4				
3	614807 01	BACK UP PLATE	4				
4	615685 01	HEX WASHER	8				
5	HSS-0320	SETSCREW	8				
6	HSS-0241	SETSCREW	4				
7	WSH-0018	PLAIN WASHER	4				
8	NUT-0269	NUT	4				
9	WSH-0024	WASHER	8				
10	NUT-0271	NUT	8				
11	EDS-11400	PVC EDGING STRIP	2				

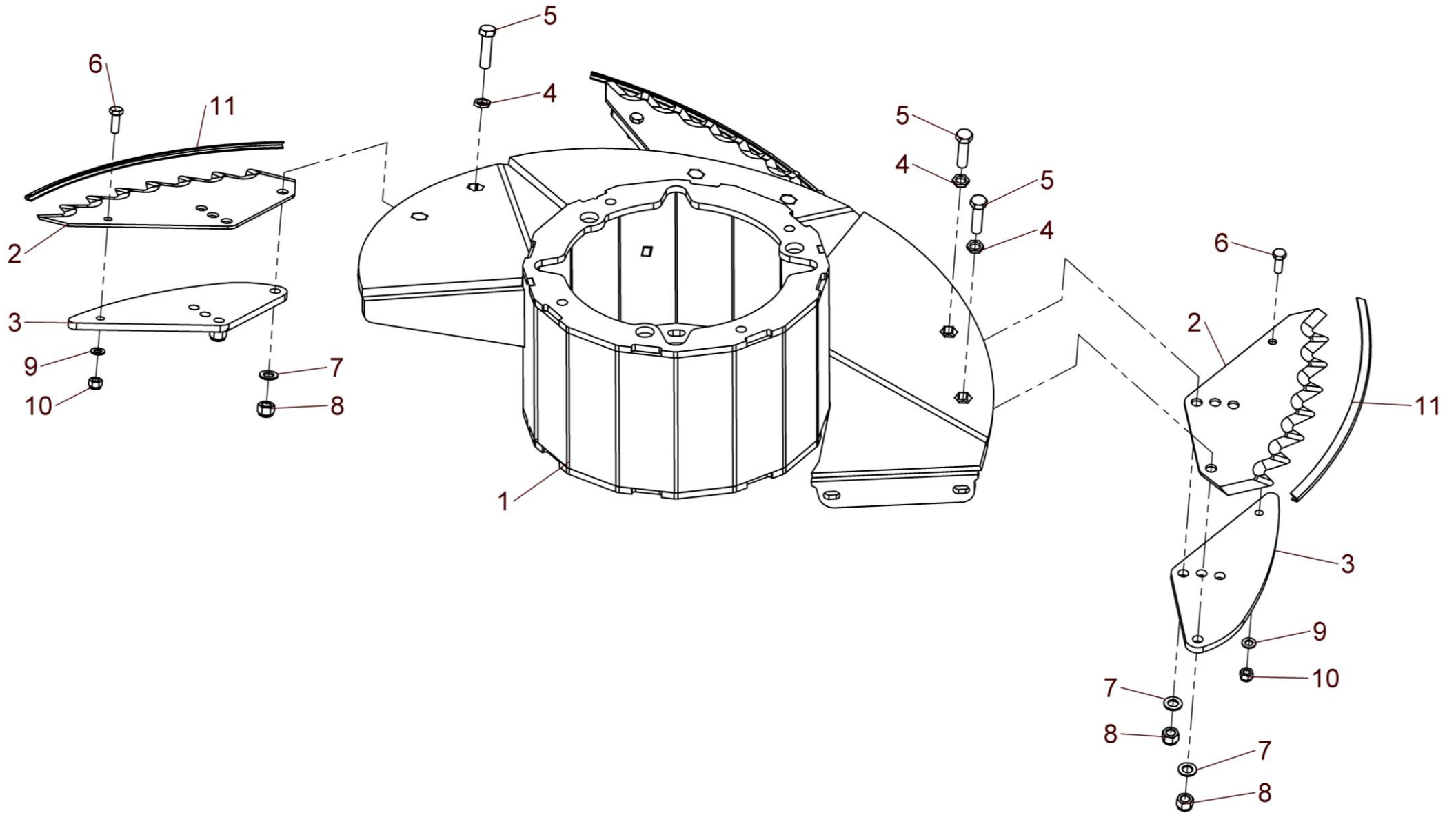


KIT-03827



Shelbourne Reynolds Engineering Limited

ASSY NUMBER: KIT-03828				ASSY DESCRIPTION: 300mm AUGER EXT KIT(PME09130316 & ON)			
ITEM	PART NO	DESCRIPTION	QTY	ITEM	PART NO	DESCRIPTION	QTY
1	615688 01	300mm AUGER EXT W/ASSY	1				
2	614812 02	STANDARD BLADE	3				
3	614807 01	BACK UP PLATE	3				
4	615685 01	HEX WASHER	6				
5	HSS-0320	SETSCREW	6				
6	HSS-0241	SETSCREW	3				
7	WSH-0024	WASHER	7				
8	NUT-0271	NUT	7				
9	WSH-0018	WASHER	3				
10	NUT-0269	NUT	4				
11	EDS-11400	PVC EDGING STRIP	1				

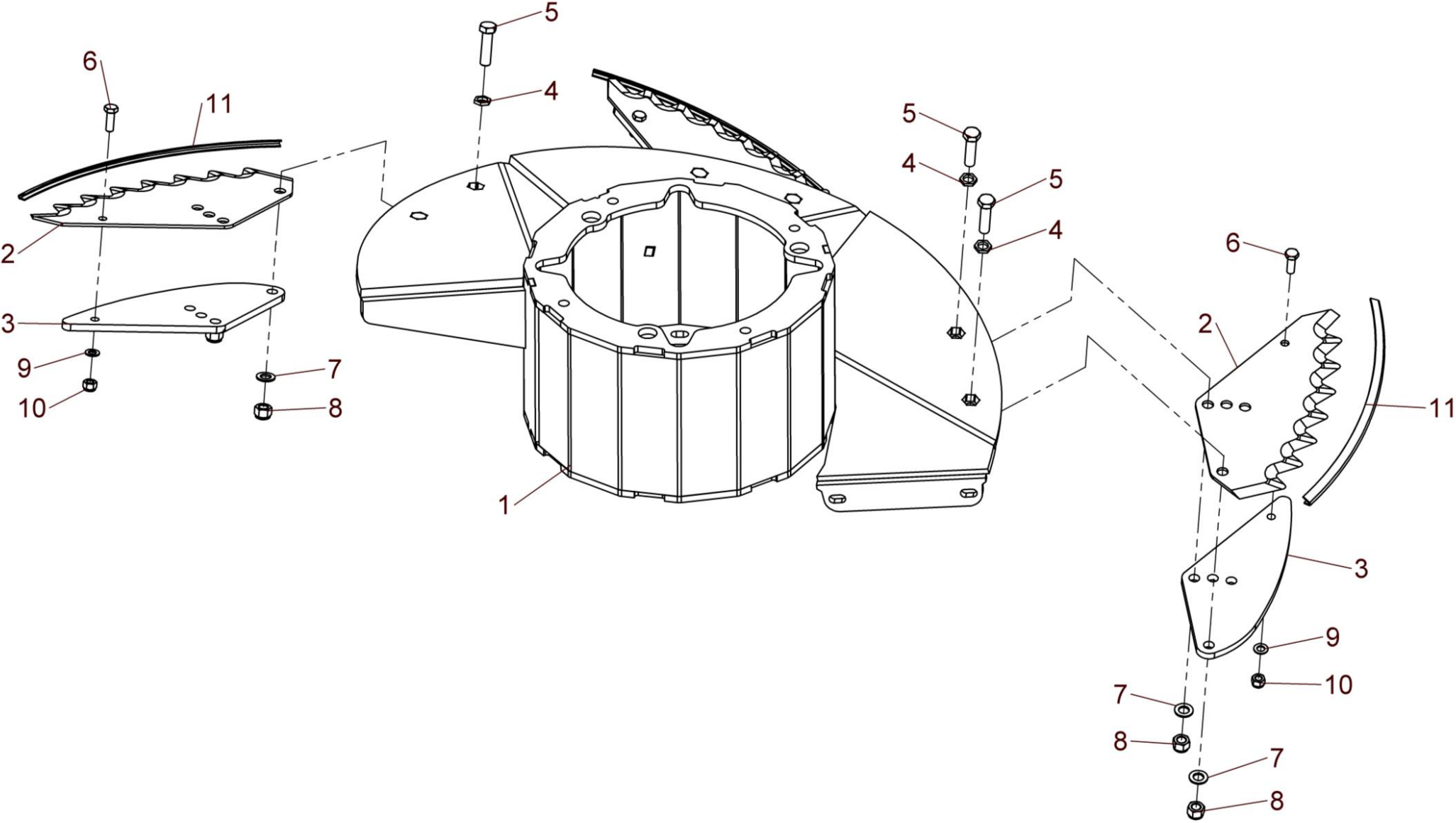


KIT-03828



Shelbourne Reynolds Engineering Limited

ASSY NUMBER: KIT-03828a				ASSY DESCRIPTION: 300mmAUGER EXT(TUNGSTEN) (PME09130316 & ON)			
ITEM	PART NO	DESCRIPTION	QTY	ITEM	PART NO	DESCRIPTION	QTY
1	615688 01	300mm AUGER EXT W/ASSY	1				
2	614812 01	TUNGSTEN BLADE	3				
3	614807 01	BACK UP PLATE	3				
4	615685 01	HEX WASHER	6				
5	HSS-0320	SETSCREW	6				
6	HSS-0241	SETSCREW	3				
7	WSH-0024	WASHER	7				
8	NUT-0271	NUT	7				
9	WSH-0018	WASHER	3				
10	NUT-0269	NUT	4				
11	EDS-11400	PVC EDGING STRIP	1.5m				

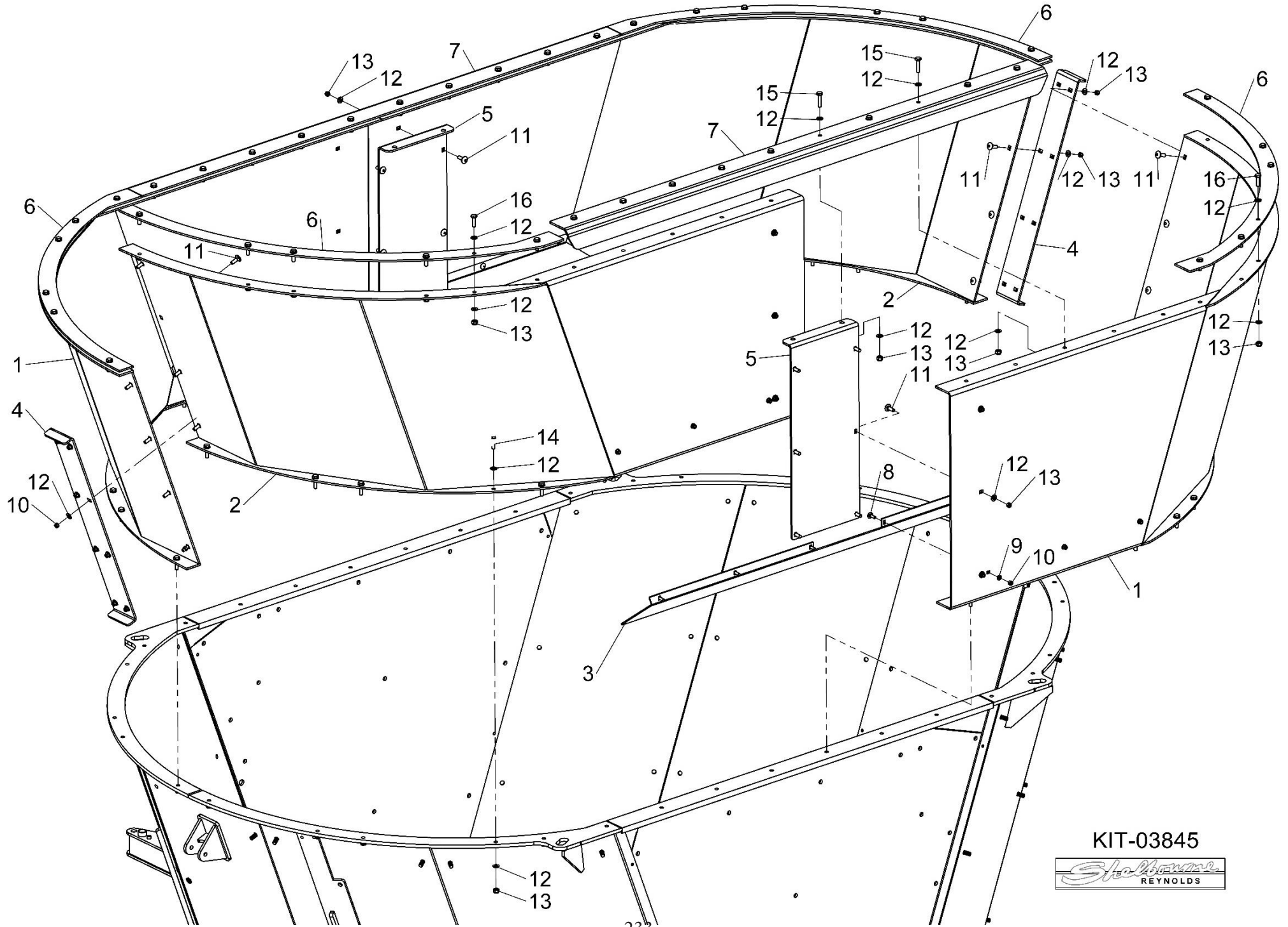


KIT-03828



Shelbourne Reynolds Engineering Limited

ASSY NUMBER: KIT-03845				ASSY DESCRIPTION: 15m CU EXTENSION KIT			
ITEM	PART NO	DESCRIPTION	QTY	ITEM	PART NO	DESCRIPTION	QTY
1	614711 01	LH CURVED EXTENSION SIDE	2				
2	614711 02	RH CURVED EXTENSION SIDE	2				
3	615693 01	FILL IN PLATE	2				
4	614706 01	CLAMP PLATE	2				
5	615692 01	SIDE CLAMP PLATE	2				
6	612817 01	CLAMP STRIP	4				
7	615814 01	TOP STRAIGHT CLAMP PLATE	2				
8	BLTF08173	COACHBOLT	12				
9	WSH-0012	WASHER	12				
10	NUT-0263	NUT	12				
11	BLT-3750	COACHBOLT	20				
12	WSH-0015	WASHER	180				
13	NUT-0265	NUT	100				
14	HSS-0202	SETSCREW	40				
15	BLTA10290	SETSCREW	20				
16	HSS-0198	SETSCREW	20				

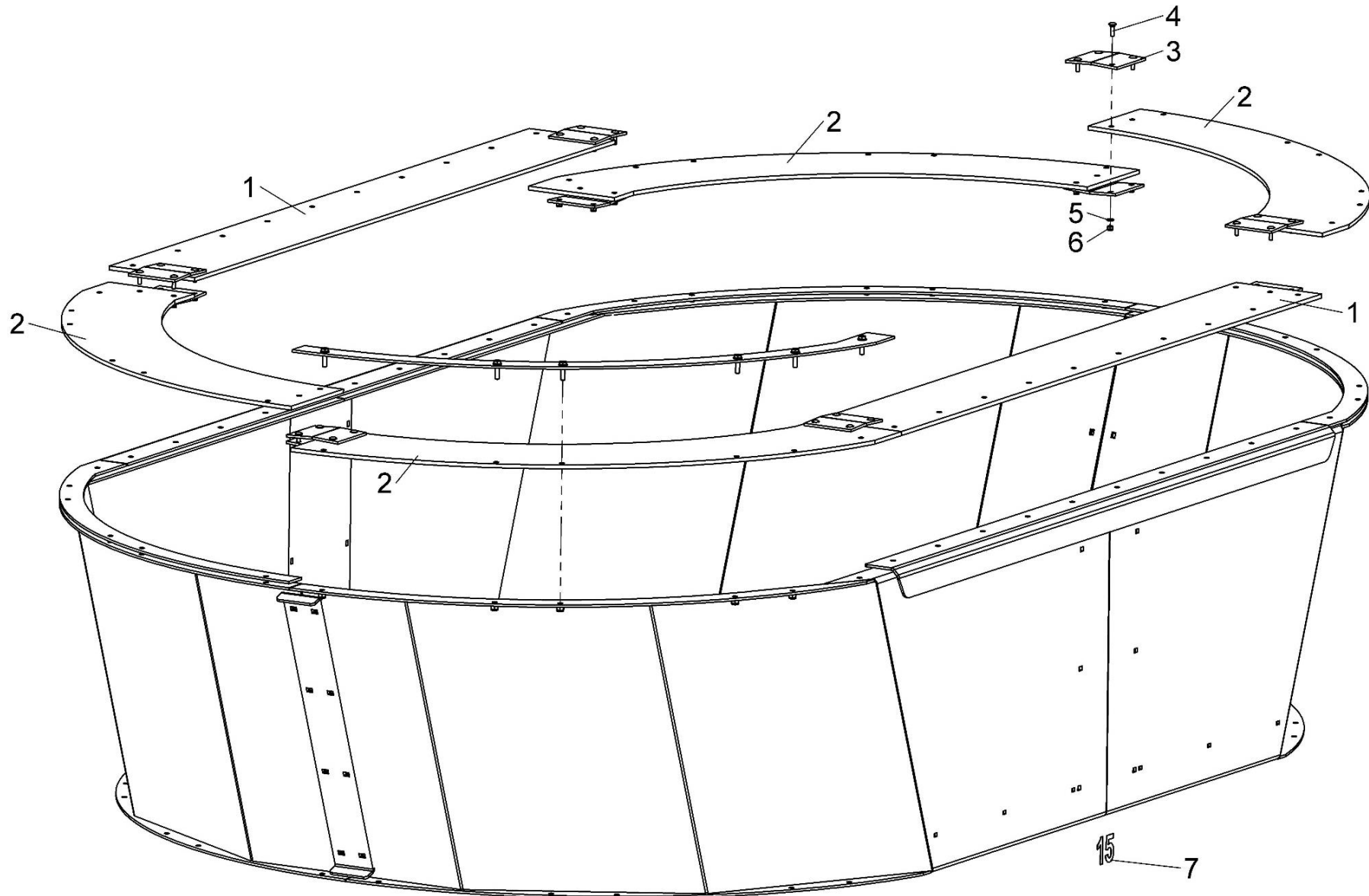


KIT-03845



Shelbourne Reynolds Engineering Limited

ASSY NUMBER: KIT-03847				ASSY DESCRIPTION: 15m CU STRAW RING			
ITEM	PART NO	DESCRIPTION	QTY	ITEM	PART NO	DESCRIPTION	QTY
1	616003 01	STRAIGHT RUBBER STRAW RING	2				
2	610982 01	CORNER RUBBER SECTION	4				
3	611051 01	CLAMP STRIP	12				
4	BLT-2700	COACHBOLT (M8x30)	24				
5	WSH-0012	WASHER (M8 PLAIN)	24				
6	NUT-0263	NUT (M8 NYLOC)	24				
7	615458 04	SIZE TRANSFER - 15	2				

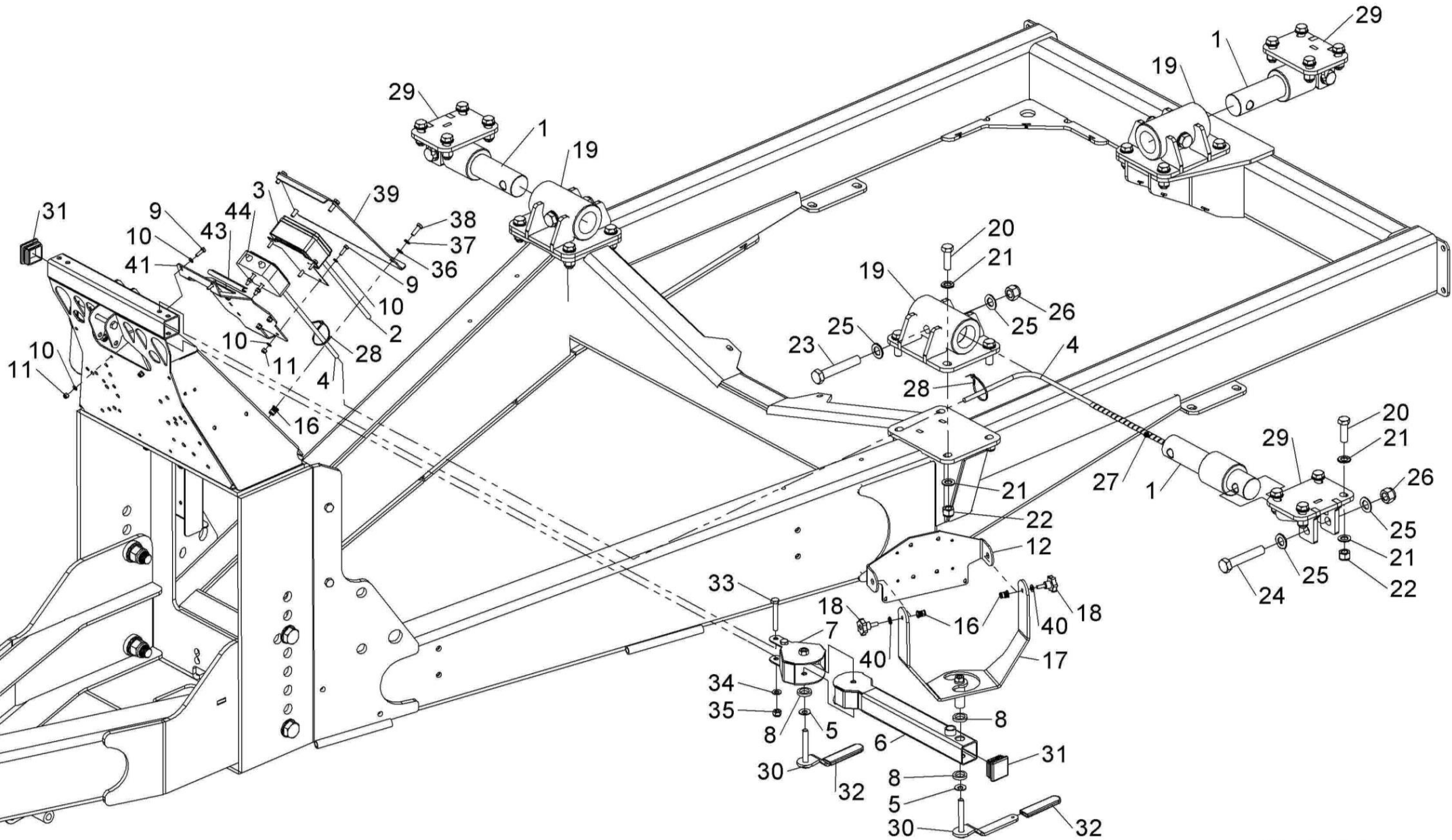


KIT-03847



Shelbourne Reynolds Engineering Limited

ASSY NUMBER: KIT-03933				ASSY DESCRIPTION: WEIGH CELL SYSTEM SINGLE AUGER (DG TYPE)			
ITEM	PART NO	DESCRIPTION	QTY	ITEM	PART NO	DESCRIPTION	QTY
1	LCL-04015	LOADCELL	3	41	617464 01	BRACKET J-BOX	1
2	LCL-04030	SENSOR CABLE	1	42			
3	LCL-04080	JUNCTION BOX	1	43	EDS-11400	EDGING STRIP	0.17
4	LCL-04100	POWER CORD	1	44	JNC-00000	JUNCTION BOX	1
5	WSHA30121	LOCKWASHER	2				
6	614188 01	WEIGH HEAD ARM W/A	1				
7	614187 01	OUTER COUPLING W/A	1				
8	190548 54	WASHER	3				
9	HSS-0086	SET SCREW	6				
10	WSH-0009	WASHER	12				
11	NUT-0260	NUT	6				
12	616627 01	REAR PANEL	1				
13							
14							
15							
16	NUTA13080	NUTSERT	6				
17	614189 01	WEIGH HEAD HOUSING	1				
18	KNO-0001	THERMOPLASTIC KNOB	2				
19	613608 01	LOADCELL MTG BOSS W/A	3				
20	HSS-0318	SET SCREW	24				
21	WSH-0024	WASHER	48				
22	NUT-0271	NUT	24				
23	BLTA20620	HEX HEAD BOLT	3				
24	BLTA20590	BOLT HEX. HD.	3				
25	WSH-0030	WASHER	12				
26	NUTA02200	NUT	6				
27	SLV-00300	SPIRAL CONVOLUTE TUBING	5m				
28	TIE-0004	TIE WRAPS	30				
29	613612 01	LOADCELL CLEVIS W/A	3				
30	613695 01	SECURING HANDLE ASSY	2				
31	CAP-0012	PLASTIC END CAP (2"X 2")	2				
32	PTF-00026	PLASTIC HANDLE	2				
33	BLTA10470	HEX.HEAD BOLT	2				
34	WSH-0015	WASHER	2				
35	NUT-0265	NUT	2				
36	WSH-0012	WASHER	4				
37	WSH-0058	WASHER	4				
38	HSS-0145	BOLT	4				
39	615553 01	COVER	1				
40	WSH-1300	SHAKERPROOF WASHER	2				

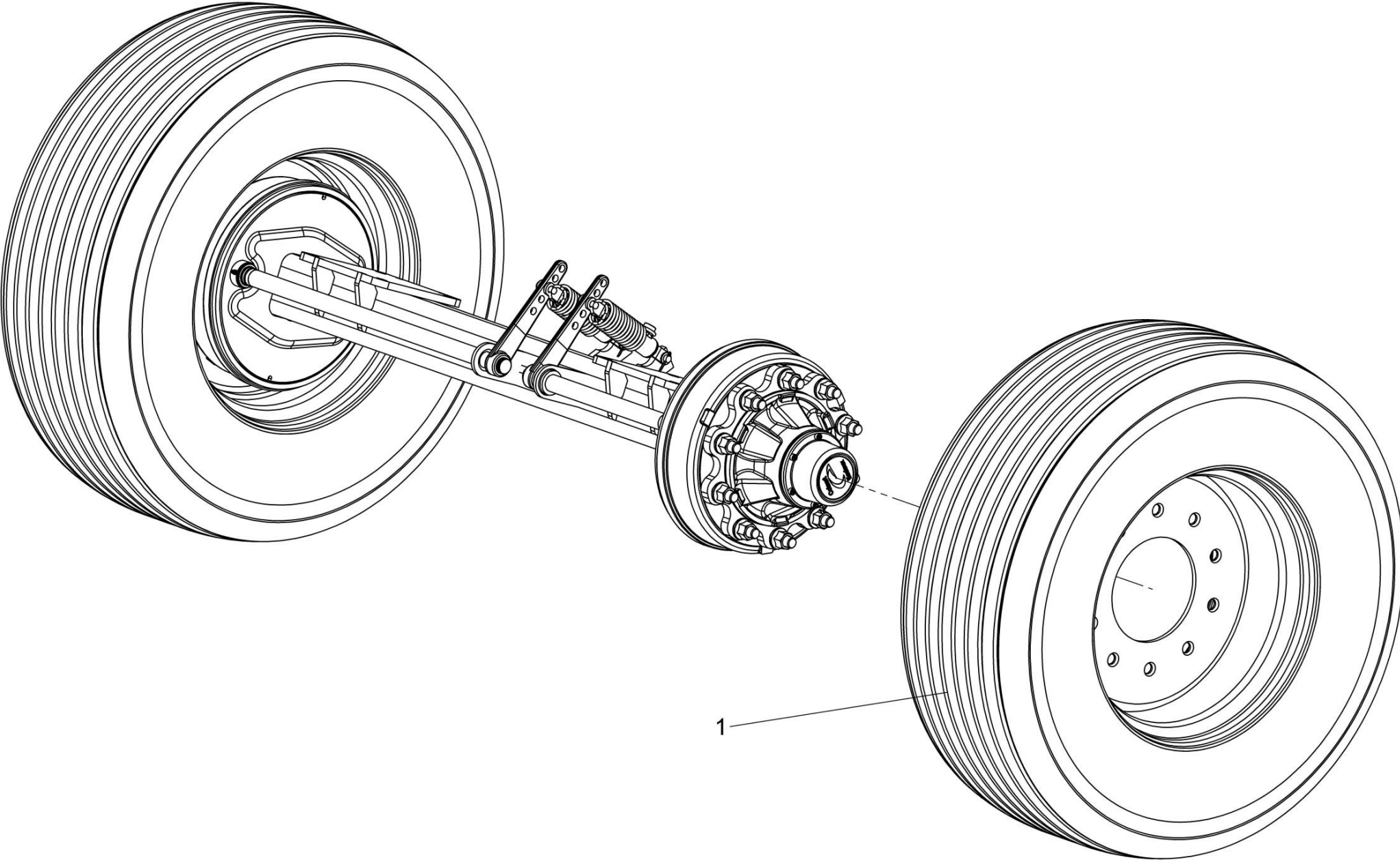


KIT-03933



Shelbourne Reynolds Engineering Limited

ASSY NUMBER: KIT-03934				ASSY DESCRIPTION: WHEEL & TYRE KIT (385/55-R19.5 -35m)			
ITEM	PART NO	DESCRIPTION	QTY	ITEM	PART NO	DESCRIPTION	QTY
1	WHL-01921	WHEEL & TYRE ASSY	2				

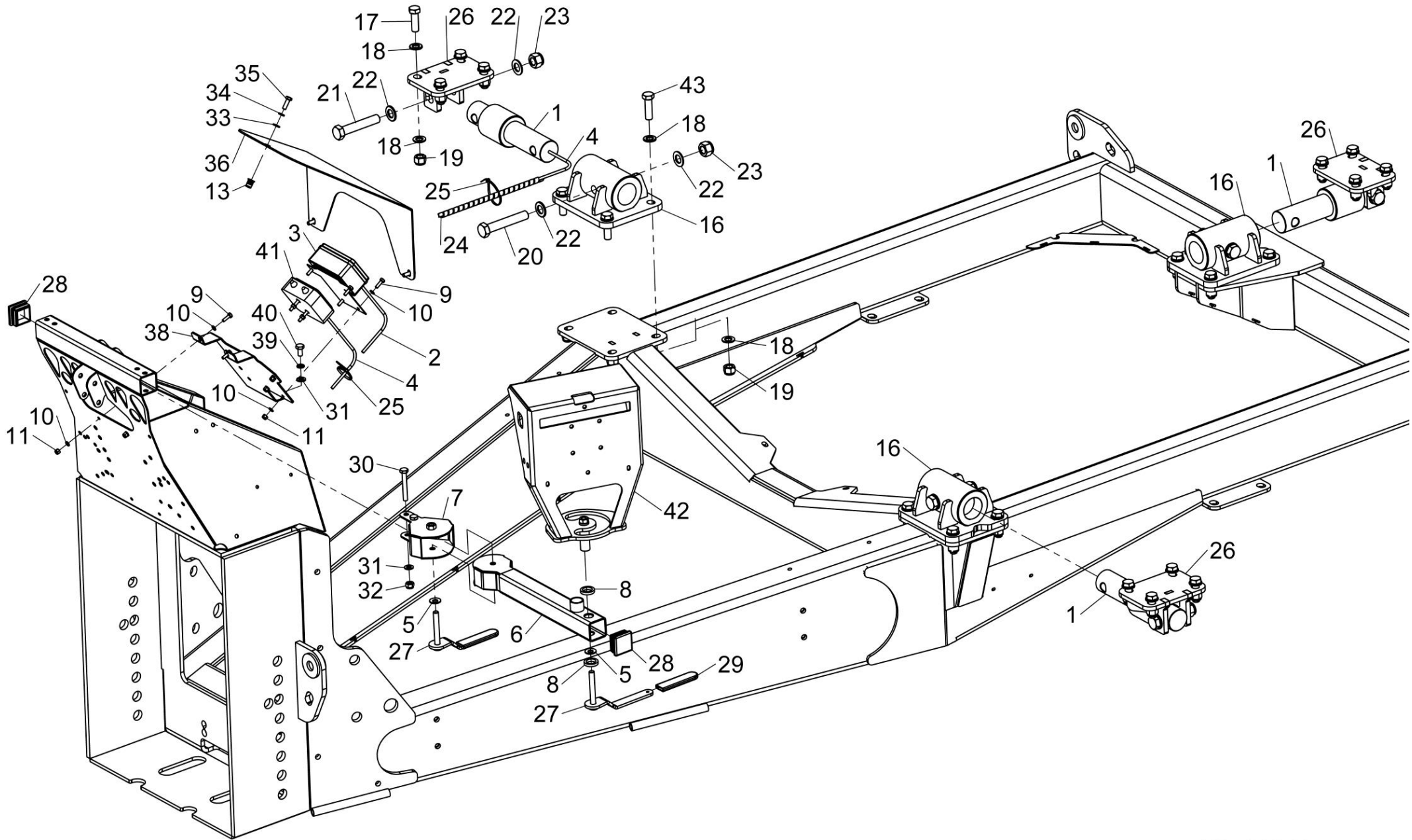


KIT-03934/A



Shelbourne Reynolds Engineering Limited

ASSY NUMBER: KIT-03943				ASSY DESCRIPTION: WEIGH CELL SYSTEM SINGLE AUGER (DG TYPE)			
ITEM	PART NO	DESCRIPTION	QTY	ITEM	PART NO	DESCRIPTION	QTY
1	LCL-04015	LOADCELL	3	35	HSS-0145	BOLT	3
OR	LCL-04021	LOADCELL	3	36	617480 01	REAR GUARD	1
		PME09220860-PME092200871 ONLY		37			
2	LCL-04030	SENSOR CABLE	1	38	617473 01	BRACKET J-BOX	1
3	LCL-04025	JUNCTION BOX	1	39	WSH-0061	WASHER	1
4	LCL-04100	POWER CORD	1	40	HSS-0188	SETSCREW	1
5	WSHA30121	LOCKWASHER	2	41	JNC-00000	JUNCTION BOX	1
6	617476 01	WEIGH HEAD ARM W/A	1	42	620142 01	DISPLAY HOUSING W/A	1
7	614187 01	OUTER COUPLING W/A	1	43	HSS-0319	(PME09220860 & ON ONLY) SETSCREW	12
8	190548 54	WASHER	3				
9	HSS-0086	SET SCREW	6				
10	WSH-0009	WASHER	12				
11	NUT-0260	NUT	6				
12	616627 01	REAR PANEL	1				
		UP TO PME09210843 ONLY					
13	NUTA13080	NUTSERT	3				
14	617478 01	WEIGH HEAD HOUSING	1				
		UP TO PME09210843 ONLY					
15	KNO-0001	THERMOPLASTIC KNOB	2				
		UP TO PME09210843 ONLY					
16	618981 01	LOADCELL MTG BOSS W/A	3				
17	HSS-0318	SET SCREW	12				
18	WSH-0024	WASHER	48				
19	NUT-0271	NUT	24				
20	BLTA20620	HEX HEAD BOLT	3				
21	BLTA20590	BOLT HEX. HD.	3				
22	WSH-0030	WASHER	12				
23	NUTA02200	NUT	6				
24	SLV-00300	SPIRAL CONVOLUTE TUBING	5m				
25	TIE-0004	TIE WRAPS	30				
26	613612 01	LOADCELL CLEVIS W/A	3				
27	613695 01	SECURING HANDLE ASSY	2				
28	CAP-0012	PLASTIC END CAP (2"X 2")	2				
29	PTF-00026	PLASTIC HANDLE	2				
30	BLTA10470	HEX.HEAD BOLT	2				
31	WSH-0015	WASHER	3				
32	NUT-0265	NUT	2				
33	WSH-0012	WASHER	3				
34	WSH-0058	WASHER	3				

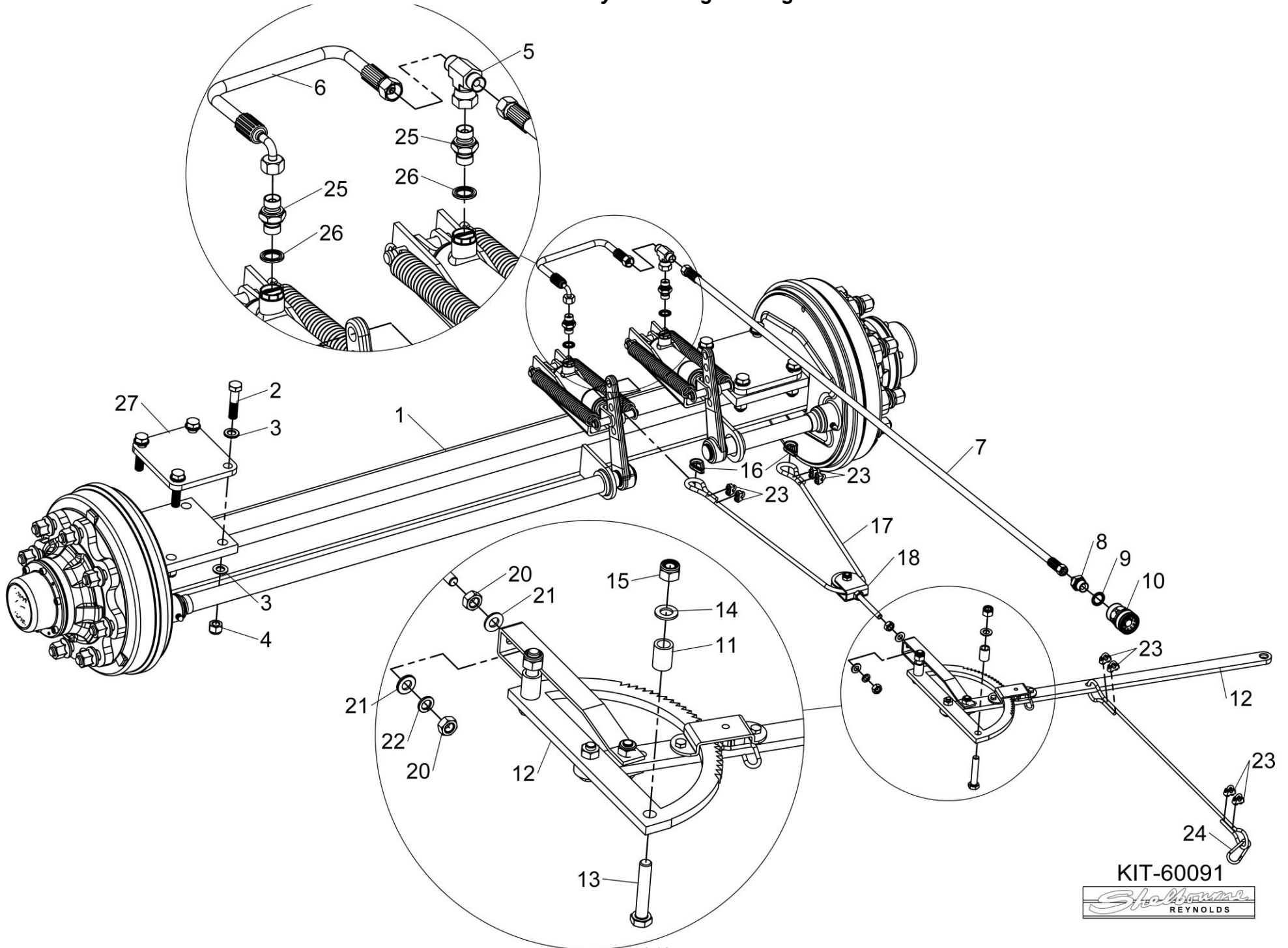


KIT-03943



Shelbourne Reynolds Engineering Limited

ASSY NUMBER: KIT-60091				ASSY DESCRIPTION: HYDRAULIC BRAKED AXLE KIT (POP SING)			
ITEM	PART NO	DESCRIPTION	QTY	ITEM	PART NO	DESCRIPTION	QTY
1	AXL-00057	HYDRAULIC BRAKED AXLE	1				
2	BLT-2314	HEX HD BOLT	8				
3	WSH-0024	WASHER	16				
4	NUT-0271	NUT	8				
5	FITA10140	HYDRAULIC TEE FITTING	1				
6	HHBC03205	HYD HOSE	1				
7	HHAC54005	HYD HOSE	1				
8	HMA-0055	HYD ADAPTOR	1				
9	WSH-1015	DOWTY WASHER	1				
10	HQR-10007	HYD QUICK RELEASE COUPLING	1				
11	610923 01	SPACER	2				
12	BRA-14001	HANDBRAKE LEVER ASSY	1				
13	HSS-0275	SETSCREW	2				
14	WSH-0018	WASHER	2				
15	NUT-0269	NUT	2				
16	WRP-01040	THIMBLE	2				
17	WRP-00040	CABLE	4.75				
18	BRA-14002	ADJUSTER ASSY	1				
19							
20	NUT-0167	NUT	2				
21	WSH-0015	WASHER	2				
22	WSH-0061	WASHER	1				
23	WRP-02040	CLAMP	8				
24	WRP-03000	SNAP HOOK	1				
25	HMA-0057	HYD ADAPTOR	2				
26	WSH-1010	DOWTY WASHER	2				
27	613814 01	AXLE SPACER PLATE	2				



KIT-60091

