

Shelbourne

REYNOLDS

16m³ TWIN EXPRESS PARTS MANUAL



Shelbourne Reynolds Engineering Ltd
Stanton
Bury St Edmunds
Suffolk
IP31 2AR
England

Telephone: 01359 250415
Fax: 01359 250464

Stores Direct : 01359 251231
Stores Direct: 01359 252031

Issue 33 08/03/2022

www.shelbourne.com



 YouTube

POWERMIX PRO

ORDERING SPARE PARTS

IMPORTANT

Your Powermix Pro is made up of a Machine assembly number (common parts), specific sub assemblies and also customer optional build kits. The machine, sub assemblies and optional kit numbers are listed in the front pages of your Operators manual, part no. MAN-05005. If you do not have these numbers please contact Shelbourne Reynolds Parts Department direct on (telephone) 01359 251231.

To ensure that you order the correct part from your SRE dealer please use the following procedure.

ALWAYS QUOTE THE MACHINE AND SERIAL NUMBERS WHEN ORDERING.

Refer to the Parts Manuals front page/s, listing the machine assemblies. Select the correct machine assembly number which is printed in the top left corner of the page (starting with 6199_ _ 01), This machine number can also be taken off the Powermix Pro's identification plate located on the front of the main chassis beam.

On this page you will find the parts listing for the common parts for every configuration of that machine assembly number. You will find the corresponding drawing by either looking at the facing page or progressing through the manual to the next drawing. The drawings indicate the components by item numbers, which you will find, are repeated in the left-hand side of your parts listing, and therefore referring to the correct part.

Note all parts will not be found listed below the machine number. Other parts will be from specific sub assemblies and optional kits. These sub assemblies and kits will be found in numerical order further through the manual. Sub assemblies start with 6190_ _ 01 and kits start with
KIT- _ _ _ _ _.

List Of Kit Numbers

| | | |
|-----------|-----------------------------------------------------|----|
| 619929 04 | 16m ³ Twin Auger Front/Rear Door Machine | 8 |
| 619111 06 | Chassis And Drawbar Sub Assembly | 10 |
| 619132 01 | Auger Sub Assembly | 12 |
| 619134 01 | Front Door Sub Assembly | 14 |
| 619137 01 | 16m ³ Front Door Tub Sub Assembly | 16 |
| 619138 01 | Auger Drives Sub Assembly | 18 |
| 619143 01 | 16m ³ Front Door Tub Sub Assembly | 20 |
| 619144 01 | Auger Sub Assembly | 22 |
| 619149 01 | Front Door Sub Assembly | 24 |
| 619152 01 | Front Door Sub Assembly (2012 And On) | 26 |
| 619153 01 | Auger Drives Sub Assembly (2012 And On) | 28 |
| 619174 01 | Chassis And Drawbar Sub Assembly | 30 |
| 619190 01 | 16m ³ Front/Rear Door Tub Sub Assembly | 32 |
| 619191 01 | Rear Door Sub Assembly | 34 |

Kit Options 37

| | | |
|------------|----------------------------------------------|----|
| KIT-03248 | German Parts Kit | 38 |
| KIT-03249 | UK Parts List | 40 |
| KIT-03250 | European Parts Kit | 42 |
| KIT-03251 | USA Parts Kit | 44 |
| KIT-03300 | Auger Magnet Kit | 46 |
| KIT-03431 | Lighting Kit | 48 |
| KIT-03434 | Spool Valve Lever Arm Kit | 50 |
| KIT-03439 | Continental Tow Eye Kit | 52 |
| KIT-03440 | Direct Coupled RH Door Hydraulics Kit | 54 |
| KIT-03442 | Mid Level EZ3200 Indicator Kit | 56 |
| KIT-03442A | Mid Level EZ3200 Indicator Kit - Remote Port | 58 |
| KIT-03447 | Anti-Rotation Blade Kit | 60 |
| KIT-03448 | Fixed Retarder Kit | 62 |
| KIT-03449 | Mechanical Jack Kit | 64 |
| KIT-03452 | 300mm Extension Kit | 66 |
| KIT-03453 | 600mm Extension Kit | 68 |
| KIT-03455 | Tractor Mounted Spool Valve Kit | 70 |
| KIT-03456 | Basic EZ200V Indicator Kit | 72 |
| KIT-03456A | Basic EZ200V Indicator Kit - Remote Port | 74 |
| KIT-03460 | Direct Coupled LH Door Hydraulics Kit | 76 |
| KIT-03461 | 16m ³ Rubber Retaining Ring Kit | 78 |
| KIT-03464 | 19m ³ Rubber Retaining Ring Kit | 80 |
| KIT-03465 | 22m ³ Rubber Retaining Ring Kit | 82 |
| KIT-03467 | Remote Zero Function Kit | 84 |
| KIT-03470A | Dummy Weigh Cell Kit | 86 |

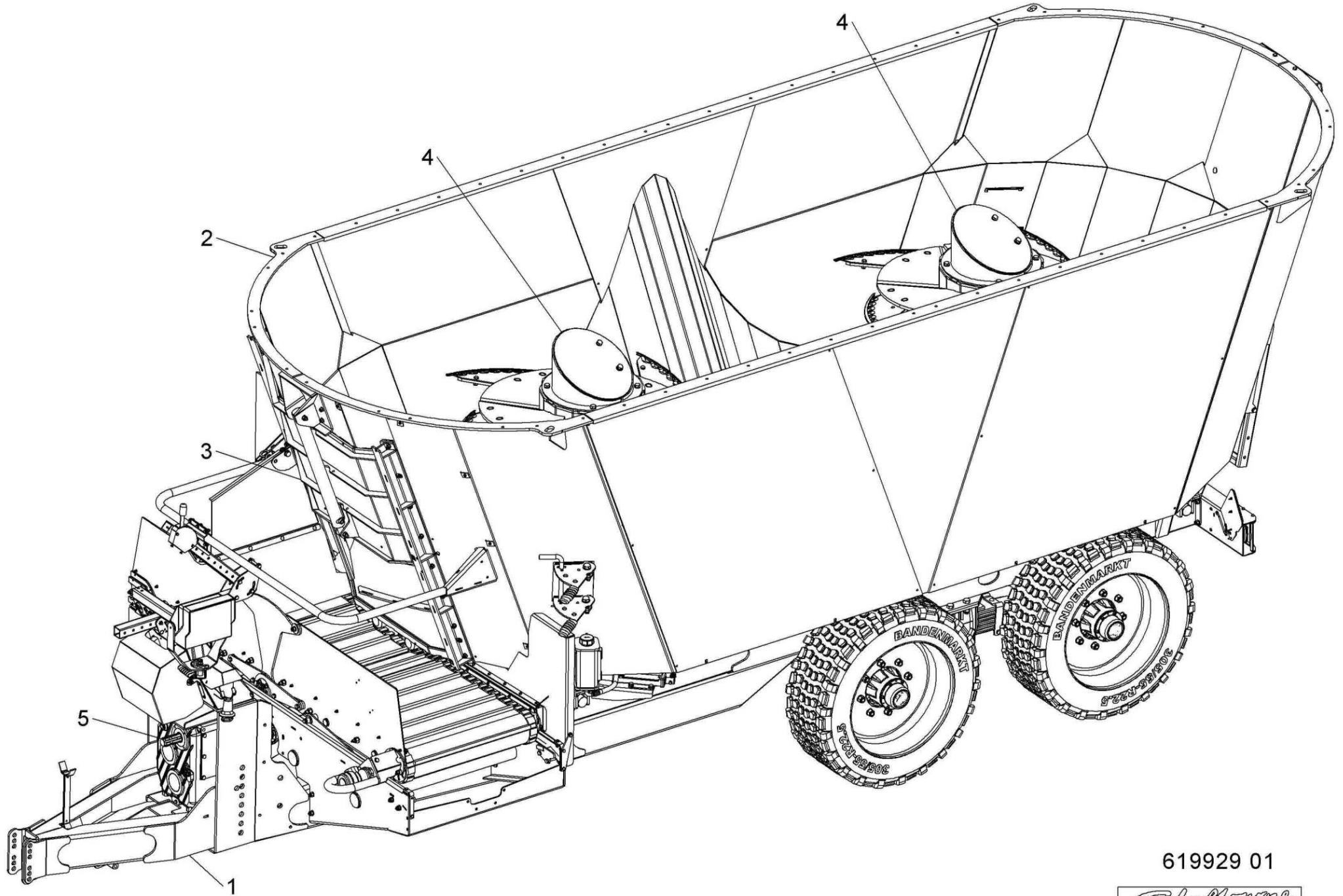
| | | |
|------------|---------------------------------------------------|-----|
| KIT-03471 | Top Level EZ3500 Indicator Kit | 88 |
| KIT-03471A | Top Level EZ3500 Indicator Kit | 90 |
| KIT-03478 | RD100 Display Kit | 92 |
| KIT-03483 | Flashing Light Kit | 94 |
| KIT-03486 | Manual Spool Valve Kit, Chain And Slat | 96 |
| KIT-03487 | Direct Coupled Hydraulic Kit | 98 |
| KIT-03492 | Electric Solenoid Hydraulics Kit | 100 |
| KIT-03504 | Rubber Door Flap Kit | 102 |
| KIT-03510 | Audible Alarm Kit | 104 |
| KIT-03513 | Scharmuller Fixing Kit | 106 |
| KIT-03514 | Hydraulic Parking Jack | 108 |
| KIT-03538 | Weigh Cell System, Twin Auger | 110 |
| KIT-03544A | Wheel And Tyre Kit (Bandenmarkt) | 112 |
| KIT-03572 | 450mm Extension Kit | 114 |
| KIT-03573 | 450mm Extension Rubber Retaining Kit | 116 |
| KIT-03575 | Web Express Conveyor Kit | 119 |
| KIT-03576 | Auger Extension Kit | 122 |
| KIT-03577 | Small Blade Kit | 124 |
| KIT-03578 | Large Blade Kit | 126 |
| KIT-03582 | Express Conveyor Mounting Kit | 128 |
| KIT-03585 | 2 Speed Drive Kit | 132 |
| KIT-03586 | Gear Change Lever Arm Kit | 134 |
| KIT-03587 | PTO Shaft Kit | 136 |
| KIT-03587A | Input Shaft Kit (Wide Angle) | 138 |
| KIT-03587B | Wide Angle PTO Shaft Kit (Walterscheid) | 140 |
| KIT-03597 | Transfer Kit | 142 |
| KIT-03599 | Hydraulic Parking Jack Kit With Hand Pump | 144 |
| KIT-03607 | Wheel And Tyre Kit | 146 |
| KIT-03619 | 22m ³ Rubber Retaining Ring | 148 |
| KIT-03623 | 19m ³ Rubber Retaining Kit | 150 |
| KIT-03624 | Braked Tandem Axle Kit | 152 |
| KIT-03627 | 16m ³ Unbaked Single Axle Sub Assembly | 154 |
| KIT-03628 | Wheel And Tyre Kit (Bandenmarkt) | 156 |
| KIT-03633 | 16m ³ Braked Single Axle Sub Assembly | 158 |
| KIT-03634 | 3m Web Conveyor | 161 |
| KIT-03634A | 3m Web Conveyor Kit | 165 |
| KIT-03644 | Web Conveyor Kit | 168 |
| KIT-03645 | Unbraked Single Axle Kit | 172 |
| KIT-03646 | Wheel And Tyre Kit | 174 |
| KIT-03650 | Standard Flat Web Conveyor Kit | 176 |
| KIT-03651 | 450mm Extension Kit | 178 |
| KIT-03652 | 21m ³ Rubber Retaining Kit | 180 |
| KIT-03654 | 25m ³ Rubber Retaining Kit | 182 |

| | | |
|------------|-------------------------------------------------------------|-----|
| KIT-03655 | 800mm Extension Side Kit | 184 |
| KIT-03659 | PTO Shaft Kit (Non Wide Angle) | 186 |
| KIT-03660 | PTO Shaft Kit (Non Wide Angle) | 188 |
| KIT-03660A | Input Shaft Kit (Standard) | 190 |
| KIT-03660B | Input Shaft Kit (Standard) | 192 |
| KIT-03661 | 1 st Stage Hydraulics Kit | 194 |
| KIT-03662 | Direct Coupled Hydraulics Kit | 196 |
| KIT-03663 | Electric Solenoid Spool Valve Kit | 198 |
| KIT-03664 | Manual Lever Spool Valve Kit | 200 |
| KIT-03671B | Wheel And Tyre Kit | 202 |
| KIT-03672 | Wheel And Tyre Kit | 204 |
| KIT-03673 | Hydraulic Braked Axle Kit (Twin Auger) | 206 |
| KIT-03678 | Axle Packer Plate | 208 |
| KIT-03679 | Handbrake Upgrade Kit | 210 |
| KIT-03692 | PTO Shaft Kit (Non Wide Angle) | 212 |
| KIT-03693 | Single Speed Drive Kit | 214 |
| KIT-03694 | 16m ³ Braked Tandem Axle Kit | 216 |
| KIT-03694B | 16m ³ Braked Tandem Axle Sub Kit | 218 |
| KIT-03697 | Auger Wear Kit | 220 |
| KIT-03710 | Tungsten Coated Blade Kit | 222 |
| KIT-03710A | Standard Blade Kit | 224 |
| KIT-03714 | Standard Rear Ladder Kit | 226 |
| KIT-03715 | Ladder Extension Kit | 228 |
| KIT-03715A | Ladder Extension Kit | 230 |
| KIT-03715B | Ladder Extension Kit | 232 |
| KIT-03716 | Auger Extension Kit (Standard Blades) | 234 |
| KIT-03716A | Auger Extension Kit (Tungsten Blades) | 236 |
| KIT-03719 | Auger Magnet Kit | 238 |
| KIT-03732 | Rear Door Kit | 240 |
| KIT-03735 | 600mm Auger Extension Kit (Standard Blades) | 242 |
| KIT-03740 | Swivel Tow Eye Kit | 244 |
| KIT-03741 | Heavy Duty Uk Tow Eye Kit | 246 |
| KIT-03757A | Wheel And Tyre Kit | 248 |
| KIT-03759 | Basic Display Kit | 250 |
| KIT-03761 | PVC Web Conveyor Kit | 252 |
| KIT-03767 | PVC Web Conveyor Kit | 256 |
| KIT-03767A | Express Web Conveyor Kit | 258 |
| KIT-03779 | Electric Solenoid Conveyor Hydraulics | 260 |
| KIT-03780 | Electric Solenoid Conveyor Hydraulics (Speed Controller) | 262 |
| KIT-03785 | Conveyor Deflector Kit | 264 |
| KIT-03786 | Braked Tandem Axle Sub (2012 And On) | 266 |
| KIT-03787 | Wheel And Tyre Kit | 268 |
| KIT-03794 | Wheel And Tyre Kit | 270 |
| KIT-03797 | Hydraulic Valve Electric Proportional Kit | 272 |

| | | |
|------------|----------------------------------------------|-----|
| KIT-03803 | Braked Tandem Axle Kit | 276 |
| KIT-03809 | Hydraulic Braked Single Axle Kit | 278 |
| KIT-03811 | Braked Tandem Steering Axle Kit | 280 |
| KIT-03820 | Tandem Axle Air Brake Kit | 282 |
| KIT-03826 | Tungsten Blade Kit | 284 |
| KIT-03826A | Standard Blade Kit | 286 |
| KIT-03827 | 600mm Auger Extension Kit | 288 |
| KIT-03827A | 600mm Auger Extension Kit Tungsten | 290 |
| KIT-03828 | 300mm Auger Extension Kit | 292 |
| KIT-03828A | 300mm Auger Extension Kit Tungsten | 294 |
| KIT-03844 | 8" Axle Spacer Kit | 296 |
| KIT-03849 | Anti Rotation Blade Kit | 298 |
| KIT-03941 | Weigh Cell System Twin Auger | 300 |
| KIT-03942 | Wireless Control Hydraulic Kit | 302 |
| KIT-03947 | Electric 2-Speed Kit | 304 |
| KIT-03948 | Wheel And Tyre Kit | 306 |
| KIT-03964 | Express Web Conveyor Kit | 309 |
| KIT-03967 | Hydraulic Valve Kit (3/4" Aluminium Version) | 312 |
| KIT-03968 | Hydraulic Valve Kit | 314 |
| KIT-60004 | Hydraulic Valve Kit (3/4" Steel Version) | 316 |
| KIT-60009 | Express Web Conveyor Kit | 319 |

Shelbourne Reynolds Engineering Limited

| ASSY NUMBER: 619929 01 | | | | ASSY DESCRIPTION: 16m CU TWIN AUGER FRONT DOOR MACHINE ASSY | | | |
|------------------------|-----------|--------------------------------------------------------------|-----|-------------------------------------------------------------|---------|-------------|-----|
| ITEM | PART NO | DESCRIPTION | QTY | ITEM | PART NO | DESCRIPTION | QTY |
| 1 | 619174 01 | CHASSIS & DRAWBAR SUB ASSY SER No PME16170564 & ON | 1 | | | | |
| OR | 619111 06 | CHASSIS & DRAWBAR SUB ASSY UP TO & INC SER No PME16170539 | 1 | | | | |
| 2 | 619143 01 | 16m TUB SUB ASSY SER No 153179 & ON | 1 | | | | |
| OR | 619137 01 | 16m TUB SUB ASSY UP TO & IN SER No 152179 | 1 | | | | |
| 3 | 619152 01 | FRONT DOOR SUB ASSY SER No PME***0212 & ON | 1 | | | | |
| OR | 619149 01 | FRONT DOOR SUB ASSY SER No PME***0116-0211 | 1 | | | | |
| OR | 619134 01 | FRONT DOOR SUB ASSY UP TO & INC SER NO PME***0115 | 1 | | | | |
| 4 | 619144 01 | AUGER SUB ASSY SER No 153179 & ON | 1 | | | | |
| OR | 619132 01 | AUGER SUB ASSY UP TO & INC SER No 152179 | 1 | | | | |
| 5 | 619153 01 | AUGER DRIVES SUB ASSY SER No PME***0212 & ON | 1 | | | | |
| OR | 619138 01 | AUGER DRIVES SUB ASSY UP TO & INC SER NO PME***0211 | 1 | | | | |

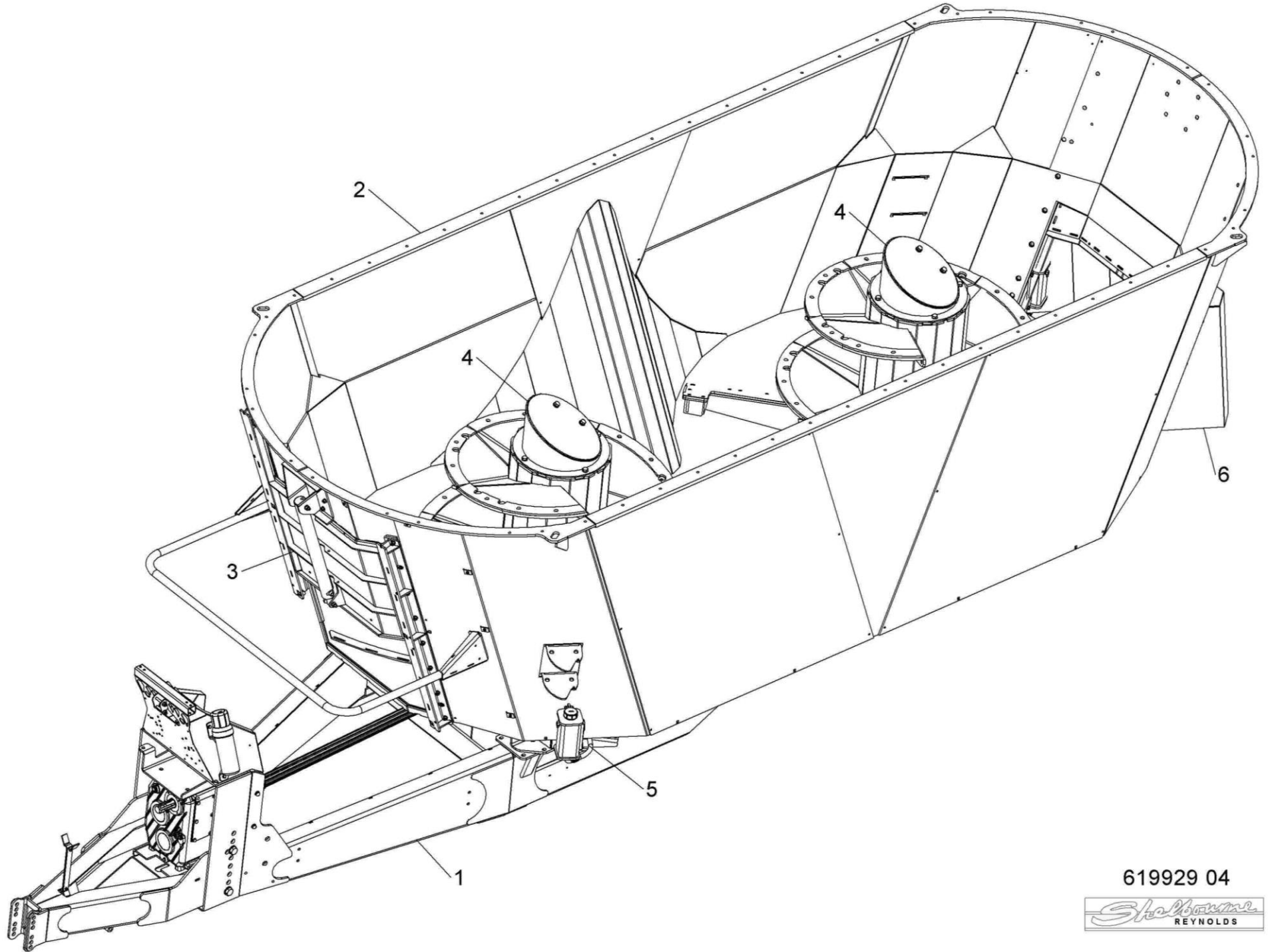


619929 01



Shelbourne Reynolds Engineering Limited

| ASSY NUMBER: 619929 04 | | | | ASSY DESCRIPTION: 16m CU TWIN AUGER FRONT/REAR DOOR MACHINE | | | |
|------------------------|-----------|----------------------------|-----|-------------------------------------------------------------|---------|-------------|-----|
| ITEM | PART NO | DESCRIPTION | QTY | ITEM | PART NO | DESCRIPTION | QTY |
| 1 | 619174 01 | CHASSIS & DRAWBAR SUB ASSY | 1 | | | | |
| 2 | 619190 01 | 16m TUB SUB ASSY | 1 | | | | |
| 3 | 619152 01 | FRONT DOOR SUB ASSY | 1 | | | | |
| 4 | 619144 01 | AUGER SUB ASSY | 2 | | | | |
| 5 | 619153 01 | AUGER DRIVES SUB ASSY | 1 | | | | |
| 6 | 619191 01 | REAR DOOR SUB ASSY | 1 | | | | |

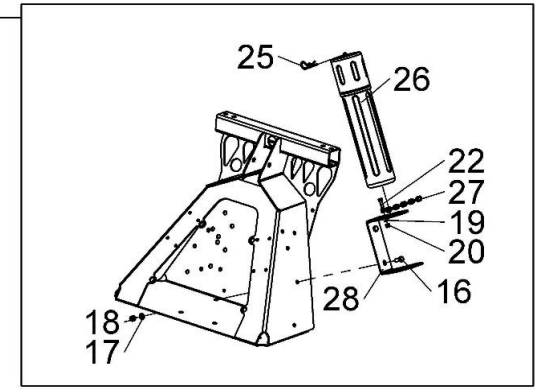
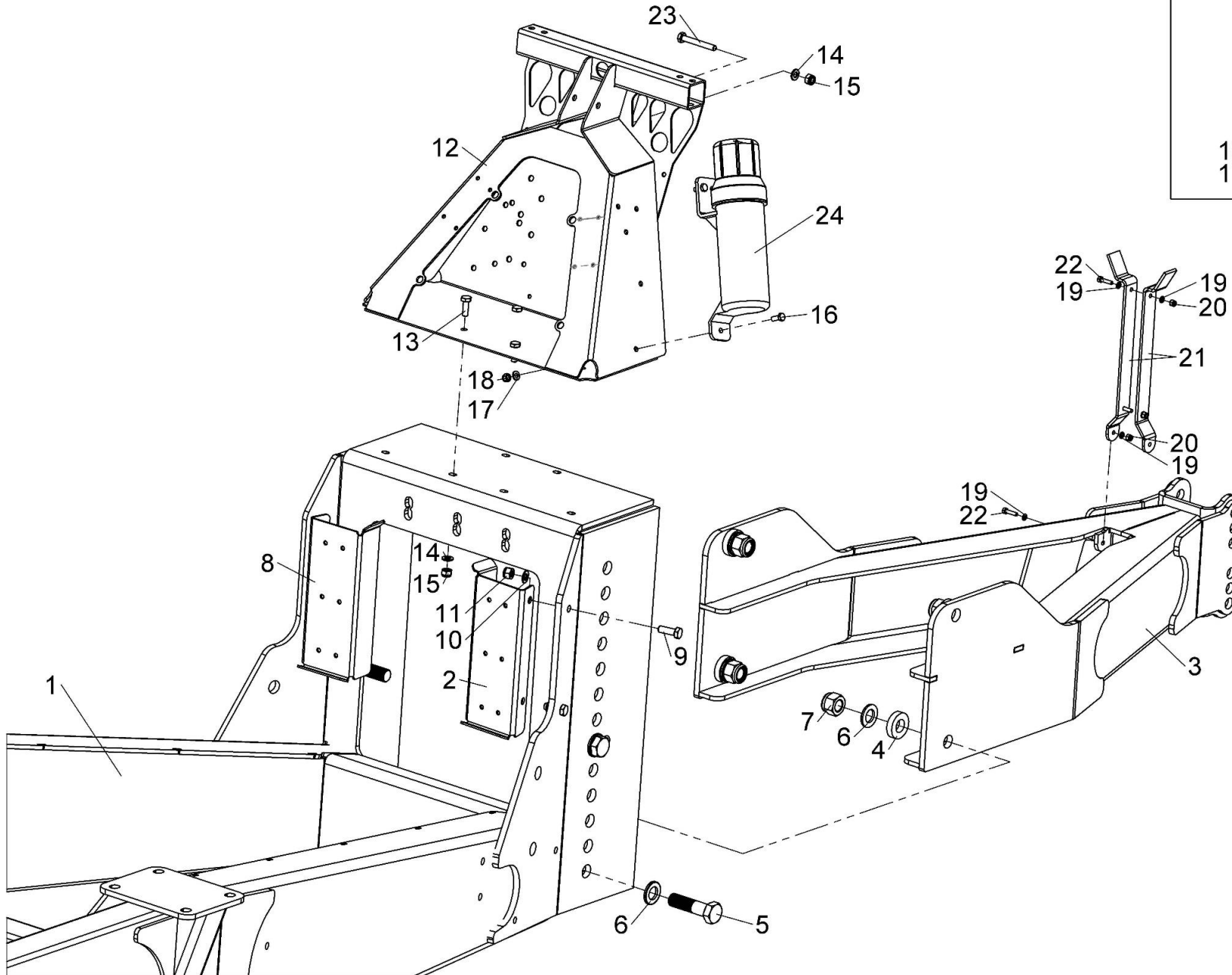


619929 04



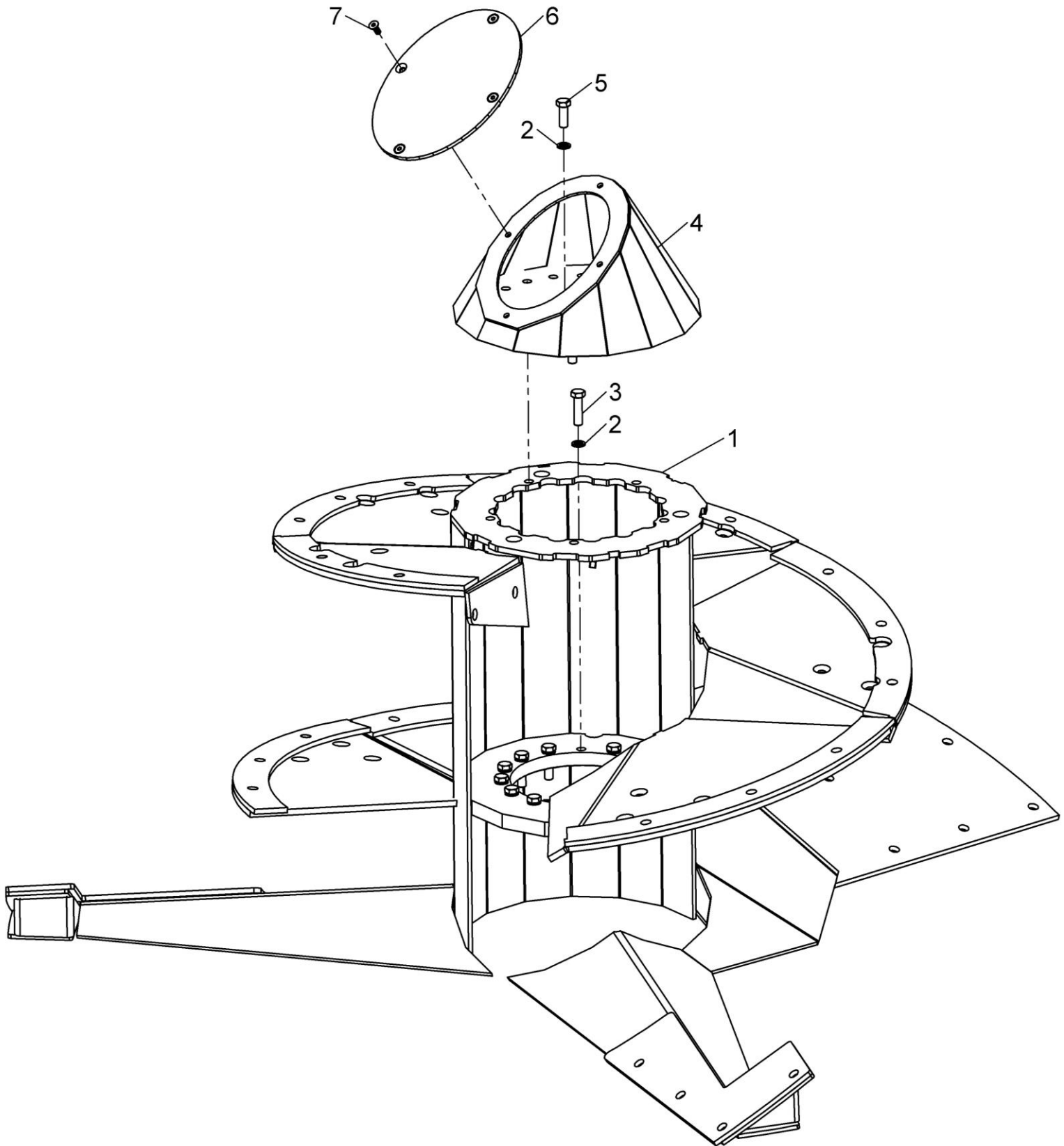
Shelbourne Reynolds Engineering Limited

| ASSY NUMBER: | | 619111 06 | | ASSY DESCRIPTION:CHASSIS & DRAWBAR SUB ASSY(EXPRESS TWIN) | | | |
|--------------|-----------|-----------------------------|------|-----------------------------------------------------------|---------|-------------|-----|
| ITEM | PART NO | DESCRIPTION | QTY | ITEM | PART NO | DESCRIPTION | QTY |
| 1 | 614590 01 | CHASSIS W/A | 1 | | | | |
| 2 | 613516 02 | HOSE TIDY RH | 1 | | | | |
| 3 | 613415 01 | DRAWBAR W/A | 1 | | | | |
| 4 | 190119 94 | WASHER | 4 | | | | |
| 5 | BLTA24530 | BOLT | 4 | | | | |
| 6 | WSH-0036 | WASHER | 8 | | | | |
| 7 | NUT-0275 | NUT | 4 | | | | |
| 8 | 613516 01 | HOSE TIDY LH | 1 | | | | |
| 9 | HSS-0241 | SETSCREW | 4 | | | | |
| 10 | WSH-0018 | WASHER | 4 | | | | |
| 11 | NUT-0269 | NUT | 4 | | | | |
| 12 | 614186 01 | PARKING STATION W/A | 1 | | | | |
| 13 | HSS-0194 | SETSCREW | 4 | | | | |
| 14 | WSH-0015 | WASHER | 5 | | | | |
| 15 | NUT-0265 | NUT | 5 | | | | |
| 16 | HSS-0140 | SETSCREW | 3 | | | | |
| 17 | WSH-0012 | WASHER | 3 | | | | |
| 18 | NUT-0263 | NUT | 3 | | | | |
| 19 | WSH-0009 | WASHER | 5 | | | | |
| 20 | NUT-0260 | NUT | 4 | | | | |
| 21 | 614957 01 | PTO REST PLATE | 2 | | | | |
| 22 | HSS-0088 | SETSCREW | 4 | | | | |
| 23 | BLTA10470 | BOLT | 1 | | | | |
| 24 | PCN-00100 | PLASTIC CANNISTER | 1 | | | | |
| - | - | ITEMS 25-28 PRE PME16160497 | - | | | | |
| 25 | RCL-0015 | R-CLIP | 1 | | | | |
| 26 | WDA-00025 | MANUAL HOLDER | 1 | | | | |
| 27 | CHN-0145 | CHAIN | .17M | | | | |
| 28 | 194364 01 | CANNISTER BRKT | 1 | | | | |



Shelbourne Reynolds Engineering Limited

| ASSY NUMBER: 619132 01 | | | | ASSY DESCRIPTION: AUGER SUB ASSY | | | |
|------------------------|-----------|-----------------------|-----|----------------------------------|---------|-------------|-----|
| ITEM | PART NO | DESCRIPTION | QTY | ITEM | PART NO | DESCRIPTION | QTY |
| 1 | 614452 01 | POWERMIX AUGER W/ASSY | 1 | | | | |
| 2 | WSH-0070 | WASHER | 20 | | | | |
| 3 | HSS-0320 | SETSCREW | 15 | | | | |
| 4 | 614513 01 | TOP HAT W/A | 1 | | | | |
| 5 | HSS-0317 | SETSCREW | 5 | | | | |
| 6 | 614515 01 | CAPPING PLATE | 1 | | | | |
| 7 | SCEA10170 | CSK SKT HEAD SCREW | 4 | | | | |

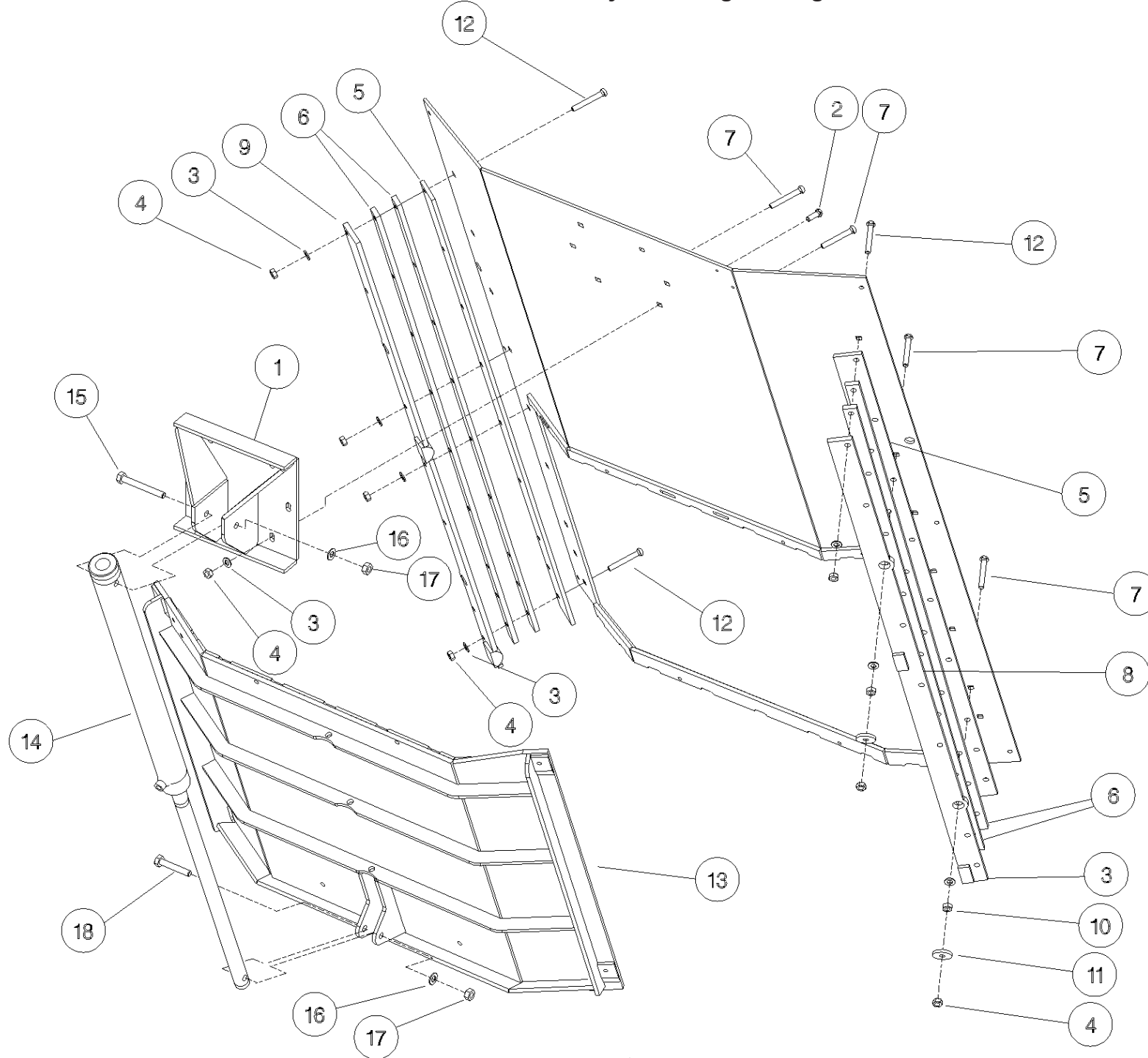


619132 01



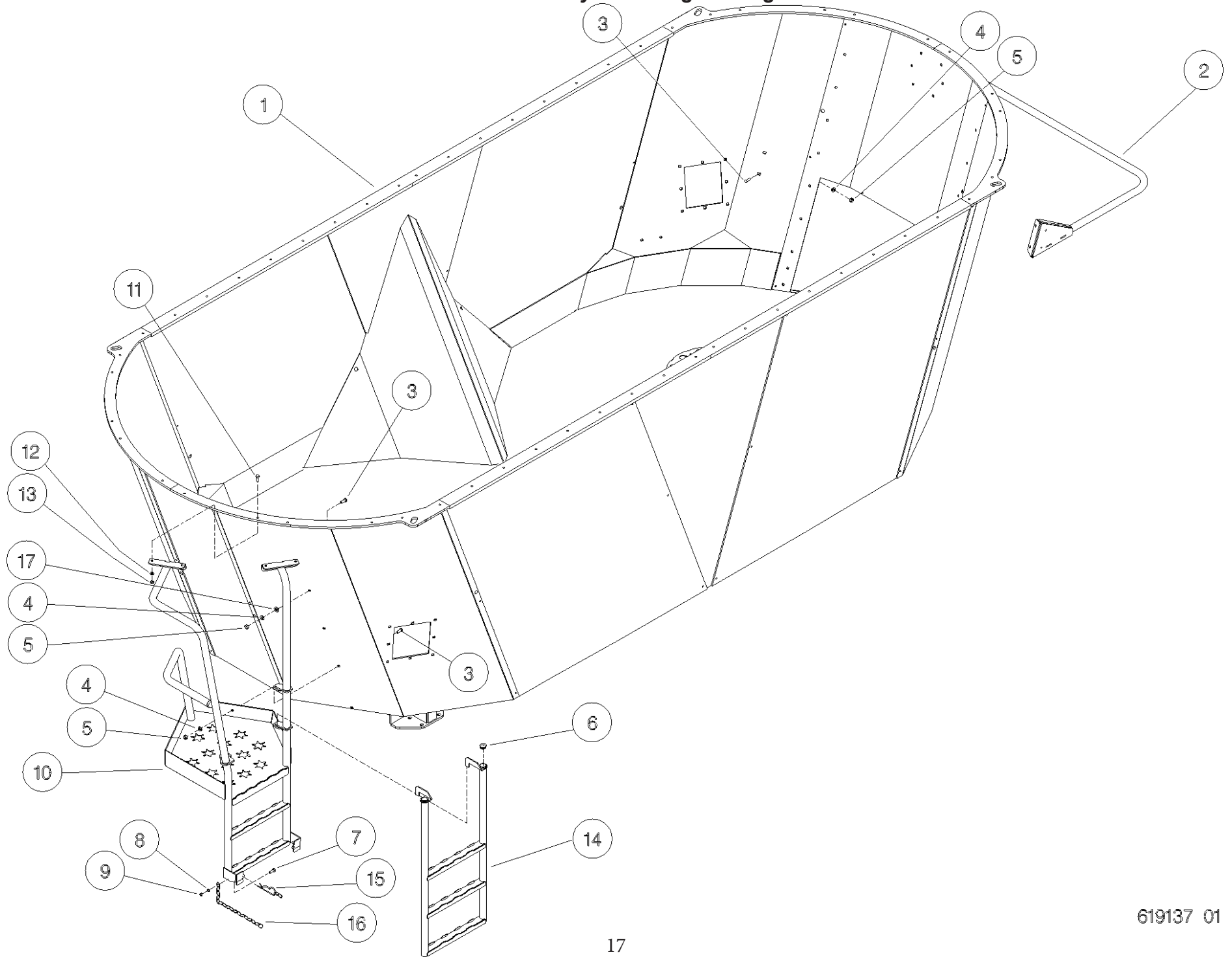
Shelbourne Reynolds Engineering Limited

| ASSY NUMBER: 619134 01 | | | | ASSY DESCRIPTION: FRONT DOOR SUB ASSY | | | |
|------------------------|-----------|---------------------|-----|---------------------------------------|---------|-------------|-----|
| ITEM | PART NO | DESCRIPTION | QTY | ITEM | PART NO | DESCRIPTION | QTY |
| 1 | 614524 01 | RAM BRACKET W/ASSY | 1 | | | | |
| 2 | BLT-3750 | COACH BOLT | 6 | | | | |
| 3 | WSH-0015 | PLAIN WASHER | 24 | | | | |
| 4 | NUT-0265 | NYLOC NUT | 24 | | | | |
| 5 | 614523 01 | DOOR RUNNER | 2 | | | | |
| 6 | 613504 01 | SIDE RUNNER | 4 | | | | |
| 7 | BLTF10443 | COACHBOLT | 6 | | | | |
| 8 | 613501 01 | LH KEEP PLATE W/A | 1 | | | | |
| 9 | 613501 02 | RH KEEP PLATE W/A | 1 | | | | |
| 10 | NUT-0365 | HALF NUT | 4 | | | | |
| 11 | 190548 50 | WASHER | 4 | | | | |
| 12 | BLTF10413 | COACHBOLT | 12 | | | | |
| 13 | 614518 01 | EXPRESS DOOR W/ASSY | 1 | | | | |
| 14 | 610908 01 | DOOR RAM (10050POP) | 1 | | | | |
| 15 | BLT-2270 | HEX.HEAD BOLT | 1 | | | | |
| 16 | WSH-0018 | PLAIN WASHER | 2 | | | | |
| 17 | NUT-0269 | NYLOC NUT | 2 | | | | |
| 18 | BLTA12440 | HEX.HEAD BOLT | 1 | | | | |



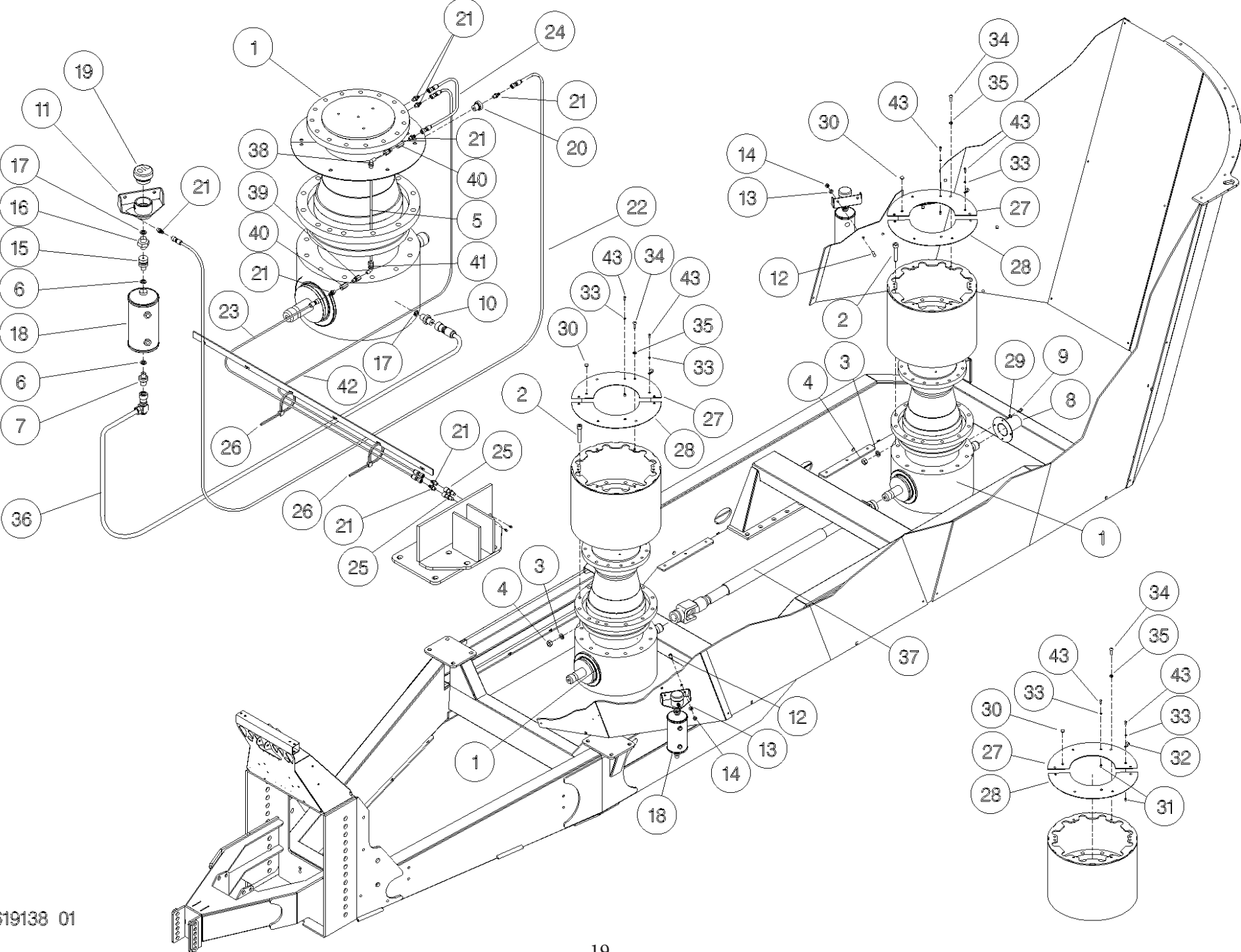
Shelbourne Reynolds Engineering Limited

| ASSY NUMBER: 619137 01 | | | | ASSY DESCRIPTION: 16m CU EXPRESS TUB SUB ASSY | | | |
|------------------------|-----------|------------------------|------|-----------------------------------------------|---------|-------------|-----|
| ITEM | PART NO | DESCRIPTION | QTY | ITEM | PART NO | DESCRIPTION | QTY |
| 1 | 614572 01 | 16m CU EXPRESS TUB W/A | 1 | | | | |
| 2 | 613616 01 | GUARD RAIL W/A | 1 | | | | |
| 3 | BLT-3790 | COACH BOLT | 7 | | | | |
| 4 | WSH-0018 | PLAIN WASHER | 7 | | | | |
| 5 | NUT-0269 | NYLOC NUT | 7 | | | | |
| 6 | PTF-00134 | PLASTIC CAP INSERT | 2 | | | | |
| 7 | HSS-0086 | SET SCREW | 1 | | | | |
| 8 | WSH-0009 | PLAIN WASHER | 1 | | | | |
| 9 | NUT-0260 | NYLOC NUT | 1 | | | | |
| 10 | 613592 01 | PLATFORM ASSY (8M3) | 1 | | | | |
| 11 | HSS-0210 | SET SCREW | 4 | | | | |
| 12 | WSH-0015 | PLAIN WASHER | 4 | | | | |
| 13 | NUT-0265 | NYLOC NUT | 4 | | | | |
| 14 | 613764 01 | LADDER WELD ASSY | 1 | | | | |
| 15 | CLP-00105 | R CLIP | 1 | | | | |
| 16 | CHN-0145 | CHAIN (MT) | 0.17 | | | | |
| 17 | 611830 01 | SPACER PLATE | 2 | | | | |



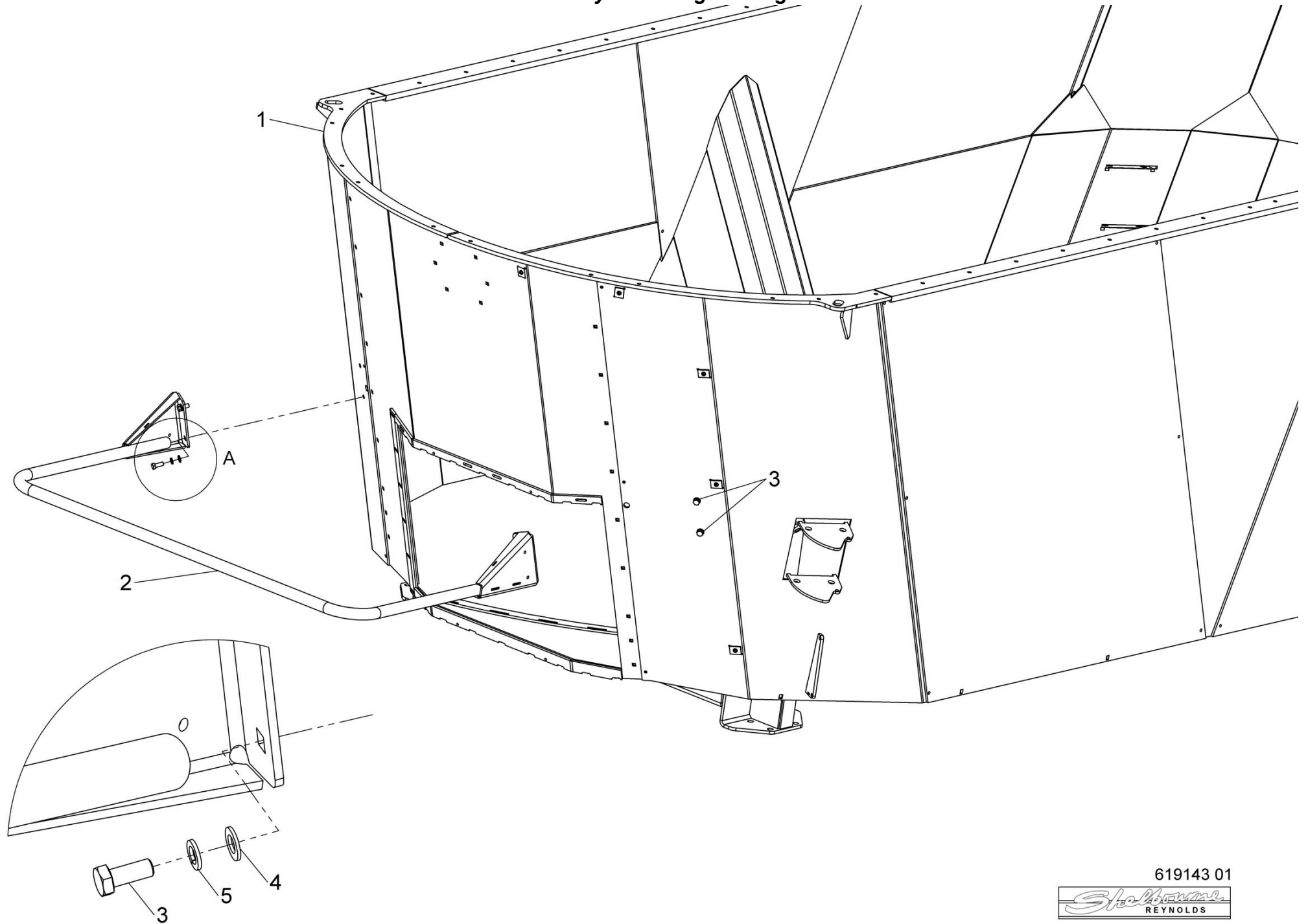
Shelbourne Reynolds Engineering Limited

| ASSY NUMBER: 619138 01 | | | | ASSY DESCRIPTION: AUGER DRIVES SUB ASSY | | | |
|------------------------|-----------|--------------------------------|-----|-----------------------------------------|-----------|----------------------------|-----|
| ITEM | PART NO | DESCRIPTION | QTY | ITEM | PART NO | DESCRIPTION | QTY |
| 1 | GEA-0177 | GEARBOX | 2 | 41 | HPPB01006 | 6mm ELBOW FITTING | 2 |
| 2 | SCCA16533 | CAP HEAD SOCKET SCREW | 24 | 42 | 614605 04 | BOTTOM BEARING GREASE HOSE | 2 |
| 3 | WSH-0024 | WASHER | 24 | 43 | SCW-4960 | BUTTON SKT HEAD SCREW | 4 |
| 4 | NUT-0271 | NUT | 24 | | | | |
| 5 | 614536 01 | HYD TUBE | 2 | | | | |
| 6 | WSH-1010 | DOWTY WASHER | 6 | | | | |
| 7 | HMA-0065 | HYD ADAPTOR | 2 | | | | |
| 8 | 614564 01 | SHAFT GUARD W/A | 1 | | | | |
| 9 | HSS-0135 | SETSCREW | 4 | | | | |
| 10 | 614561 01 | ADAPTOR MODIFIED | 2 | | | | |
| 11 | 614522 01 | OIL FILLER BRKT W/A | 2 | | | | |
| 12 | BLT-3745 | COACHBOLT | 4 | | | | |
| 13 | WSH-0015 | WASHER | 4 | | | | |
| 14 | NUT-0265 | NUT | 4 | | | | |
| 15 | FIT-0240 | HYD ADAPTOR | 2 | | | | |
| 16 | HMA-0067 | HYD ADAPATOR | 2 | | | | |
| 17 | WSH-1015 | DOWTY WASHER | 4 | | | | |
| 18 | GEA-0178 | GEARBOX OIL RESERVOIR | 2 | | | | |
| 19 | FIL-0004 | BREATHER/FILLER CAP ASSY | 2 | | | | |
| 20 | 614927 01 | MODIFIED FITTING | 2 | | | | |
| 21 | LUB-00038 | FRENCH PIPE CONNECTOR | 16 | | | | |
| 22 | 614605 01 | GEARBOX BREATHER HOSE | 2 | | | | |
| 23 | 614605 02 | TOP BEARING GREASE HOSE - LONG | 2 | | | | |
| 24 | 614605 03 | TOP BEARING GREASE HOSE - | 2 | | | | |
| 25 | LUB-00036 | BULKHEAD ADAPTOR | 4 | | | | |
| 26 | TIE-0004 | TIE WRAPS (MED) | 24 | | | | |
| 27 | 614527 01 | SEAL PLATE | 2 | | | | |
| 28 | 614528 01 | SEAL PLATE | 2 | | | | |
| 29 | WSH-0058 | WASHER | 4 | | | | |
| 30 | GRM-01155 | PLASTIC BLANKING GROMMET | 2 | | | | |
| 31 | NUTA13060 | NUTSERT | 4 | | | | |
| 32 | CLP-01012 | RUBBER COVERED P CLIP | 2 | | | | |
| 33 | WSH-0056 | SPRING WASHER | 4 | | | | |
| 34 | SCW-0514 | BUTTON SKT HD SCREW | 16 | | | | |
| 35 | WSH-0061 | WASHER | 16 | | | | |
| 36 | HBBF10505 | HYDRAULIC HOSE ASSY | 2 | | | | |
| 37 | PTO-29002 | INTERMEDIATE PTO SHAFT | 1 | | | | |
| 38 | HPPB05006 | 6mm BULKHEAD ELBOW FITTING | 2 | | | | |
| 39 | HPTB50001 | STUD STANDPIPE ADAPTOR | 4 | | | | |
| 40 | HAHAA0101 | FEMALE FIXED SOCKET | 4 | | | | |



Shelbourne Reynolds Engineering Limited

| ASSY NUMBER: 619143 01 | | | | ASSY DESCRIPTION: 16m CU FRONT DOOR TUB SUB ASSY | | | |
|------------------------|-----------|-----------------------------|-----|--------------------------------------------------|---------|-------------|-----|
| ITEM | PART NO | DESCRIPTION | QTY | ITEM | PART NO | DESCRIPTION | QTY |
| 1 | 615429 01 | 16m Cu TUB W/A | 1 | | | | |
| | | SER No: PME16120212 & ON | | | | | |
| OR | 614572 01 | 16m Cu TUB W/A | 1 | | | | |
| | | UP TO & INC No: PME16120211 | | | | | |
| 2 | 613616 01 | GUARD RAIL W/A | 1 | | | | |
| 3 | HSS-0238 | BOLT | 4 | | | | |
| 4 | WSH-0018 | WASHER | 4 | | | | |
| 5 | WSH-0065 | SPRING WASHER | 4 | | | | |

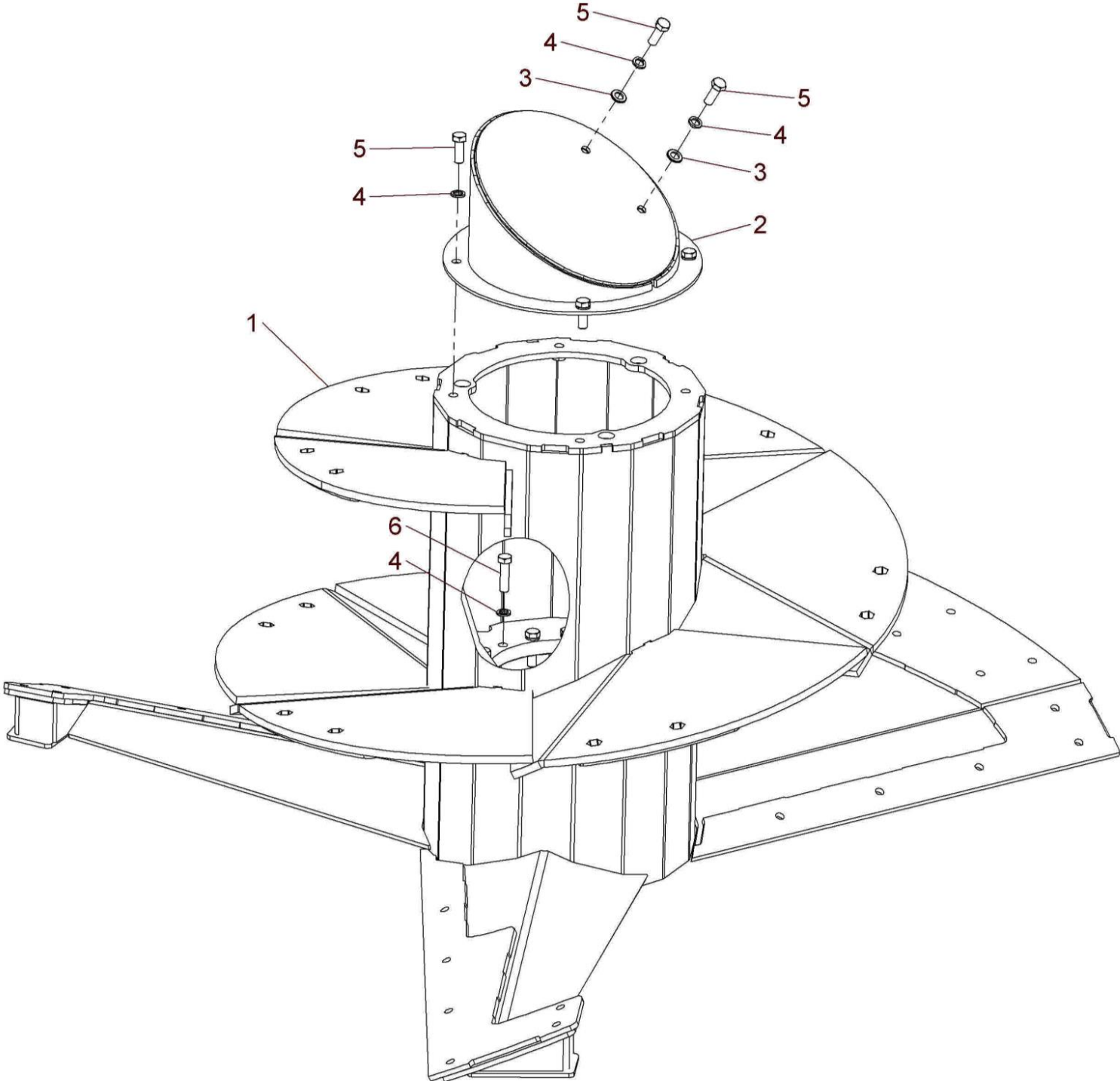


619143 01



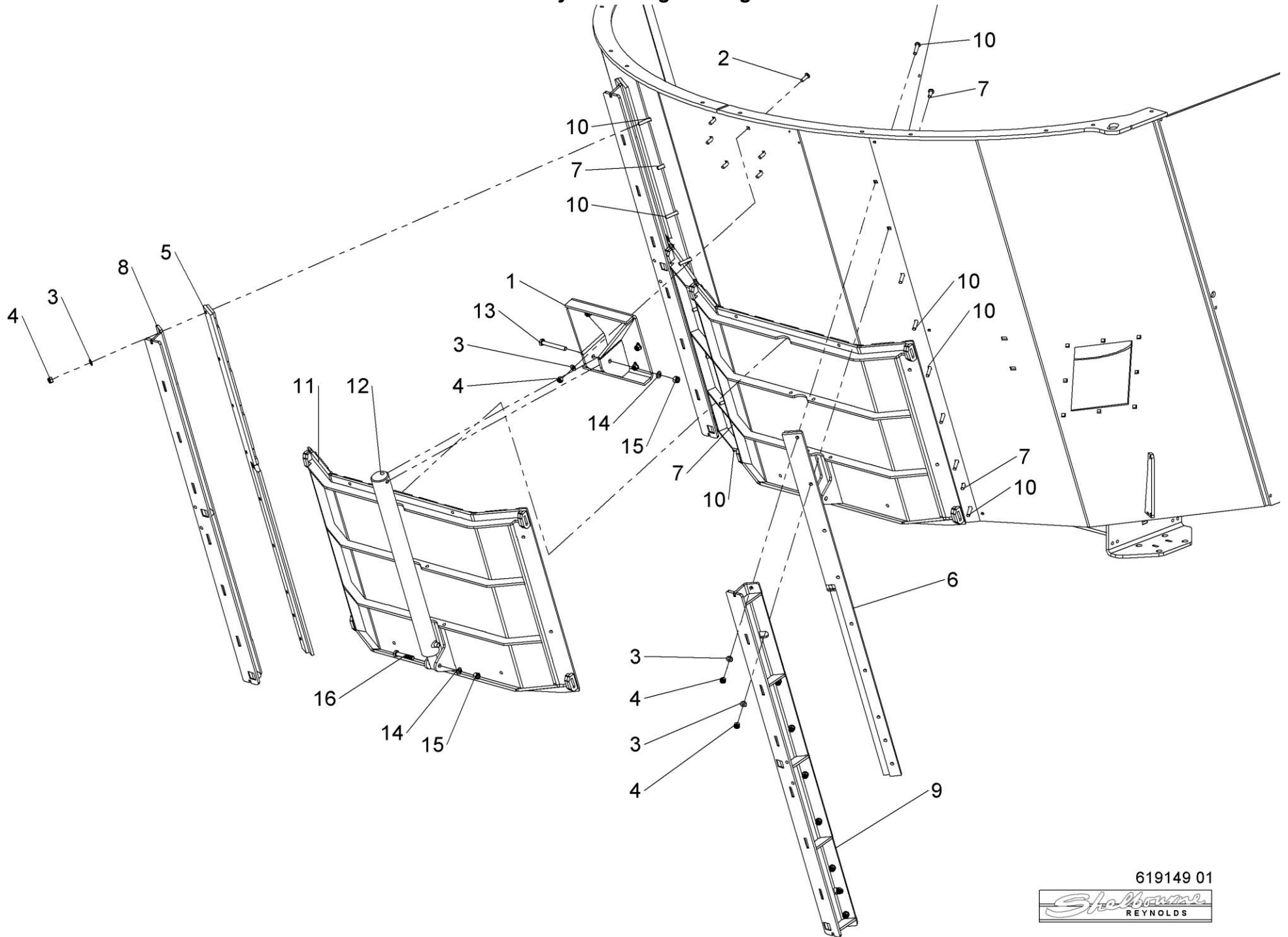
Shelbourne Reynolds Engineering Limited

| ASSY NUMBER: 619144 01 | | | | ASSY DESCRIPTION: AUGER SUB ASSY | | | |
|------------------------|-----------|---------------------------------------|-----|----------------------------------|---------|-------------|-----|
| ITEM | PART NO | DESCRIPTION | QTY | ITEM | PART NO | DESCRIPTION | QTY |
| 1 | 615678 01 | AUGER W/A (PME09130316 & ON) | 1 | | | | |
| OR | 615100 01 | AUGER W/A (UPTO & INC PME09130310) | 1 | | | | |
| 2 | 615123 01 | TOP HAT W/A | 1 | | | | |
| 3 | WSH-0024 | WASHER | 2 | | | | |
| 4 | WSH-0070 | WASHER | 21 | | | | |
| 5 | HSS-0317 | SETSCREW | 6 | | | | |
| 6 | HSS-0320 | SETSCREW | 15 | | | | |



Shelbourne Reynolds Engineering Limited

| ASSY NUMBER: 619149 01 | | | | ASSY DESCRIPTION: FRONT DOOR SUB ASSY | | | |
|------------------------|-----------|------------------------|-----|---------------------------------------|---------|-------------|-----|
| ITEM | PART NO | DESCRIPTION | QTY | ITEM | PART NO | DESCRIPTION | QTY |
| 1 | 614524 01 | RAM BRACKET W/ASSY | 1 | | | | |
| 2 | BLT-3750 | COACHBOLT | 6 | | | | |
| 3 | WSH-0015 | PLAIN WASHER | 24 | | | | |
| 4 | NUT-0265 | M10, NYLOC NUT | 24 | | | | |
| 5 | 615322 01 | RH DOOR RUNNER W/A | 1 | | | | |
| 6 | 615322 02 | LH DOOR RUNNER W/A | 1 | | | | |
| 7 | BLT-3755 | COACHBOLT | 4 | | | | |
| 8 | 615308 01 | RH DOOR RUNNER W/A | 1 | | | | |
| 9 | 615308 02 | LH DOOR RUNNER W/A | 1 | | | | |
| 10 | BLTF10323 | COACH BOLT | 14 | | | | |
| 11 | 615300 01 | EXPRESS FRONT DOOR W/A | 1 | | | | |
| 12 | 610908 01 | DOOR RAM (10050POP) | 1 | | | | |
| 13 | BLT-2270 | HEX.HEAD BOLT | 1 | | | | |
| 14 | WSH-0018 | PLAIN WASHER | 2 | | | | |
| 15 | NUT-0269 | NYLOC NUT | 2 | | | | |
| 16 | BLTA12440 | HEX.HEAD BOLT | 1 | | | | |

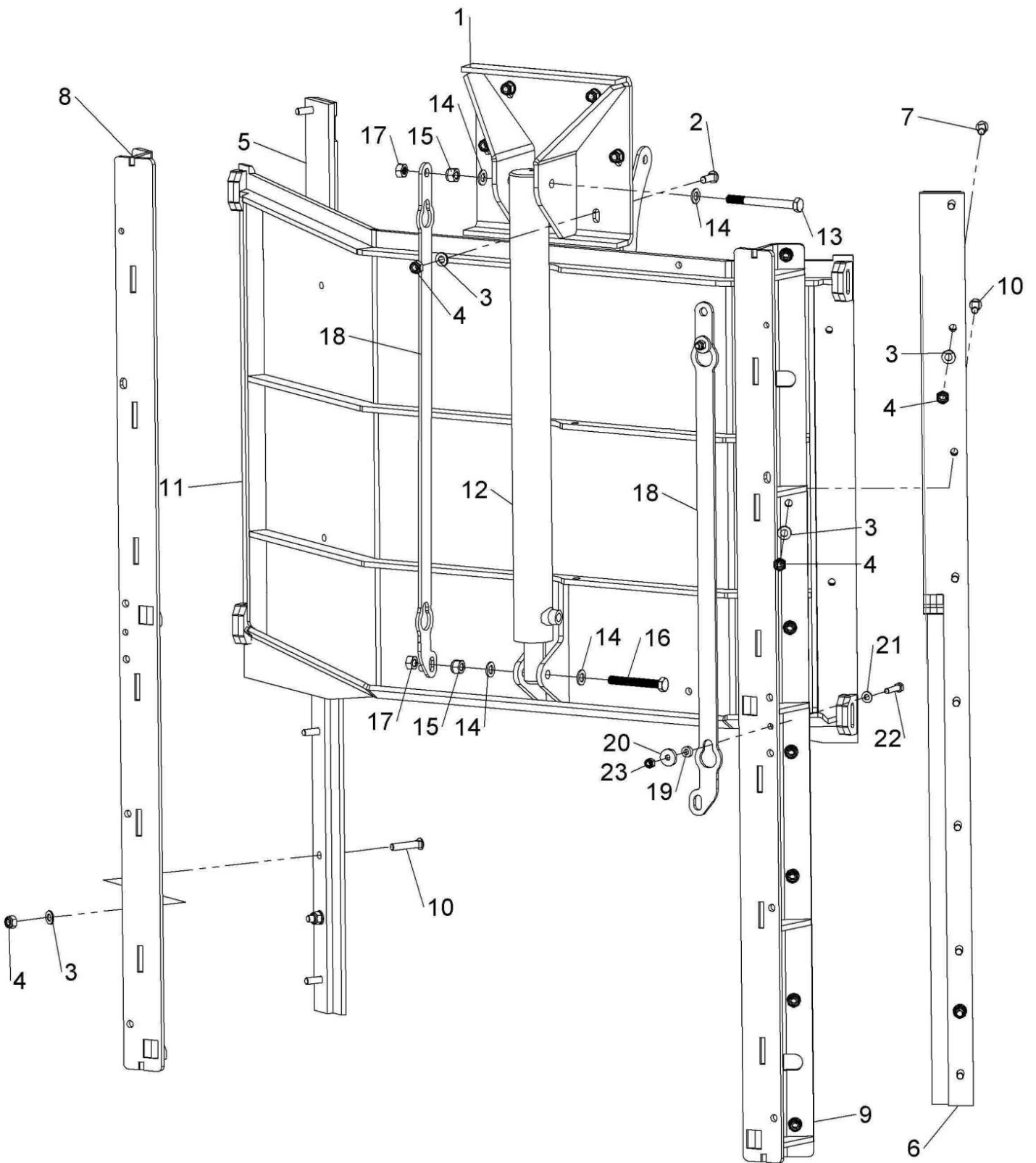


619149 01



Shelbourne Reynolds Engineering Limited

| ASSY NUMBER: 619152 01 | | | | ASSY DESCRIPTION: FRONT DOOR SUB ASSY. | | | |
|------------------------|-----------|-----------------------------|-----|----------------------------------------|---------|-------------|-----|
| ITEM | PART NO | DESCRIPTION | QTY | ITEM | PART NO | DESCRIPTION | QTY |
| 1 | 614524 01 | RAM BRACKET W/ASSY | 1 | | | | |
| 2 | BLT-3750 | COACHBOLT | 6 | | | | |
| 3 | WSH-0015 | WASHER | 24 | | | | |
| 4 | NUT-0265 | NUT | 24 | | | | |
| 5 | 615322 01 | RH DOOR RUNNER W/A | 1 | | | | |
| 6 | 615322 02 | LH DOOR RUNNER W/A | 1 | | | | |
| 7 | BLT-3755 | COACHBOLT | 4 | | | | |
| 8 | 615308 01 | RH DOOR RUNNER W/A | 1 | | | | |
| 9 | 615308 02 | LH DOOR RUNNER W/A | 1 | | | | |
| 10 | BLTF10323 | COACH BOLT | 14 | | | | |
| 11 | 615424 01 | DOOR SUB ASSEMBLY | 1 | | | | |
| 12 | 610908 01 | DOOR RAM (10050POP) | 1 | | | | |
| 13 | BLTA12620 | HEX.HEAD BOLT | 1 | | | | |
| 14 | WSH-0018 | WASHER | 2 | | | | |
| 15 | NUT-0269 | NUT | 2 | | | | |
| 16 | HSSA12530 | SETSCREW | 1 | | | | |
| 17 | NUT-0169 | NUT | 2 | | | | |
| 18 | 618920 01 | SAFETY STRAP | 1 | | | | |
| 19 | 198800 73 | WASHER 8.5 ID x 16 OD x 6mm | 2 | | | | |
| 20 | 198800 74 | WASHER 8.5 ID x 26 OD x 5mm | 2 | | | | |
| 21 | WSH-0012 | WASHER | 2 | | | | |
| 22 | HSS-0152 | SETSCREW | 2 | | | | |
| 23 | NUT-0263 | NUT | 2 | | | | |



619152 01

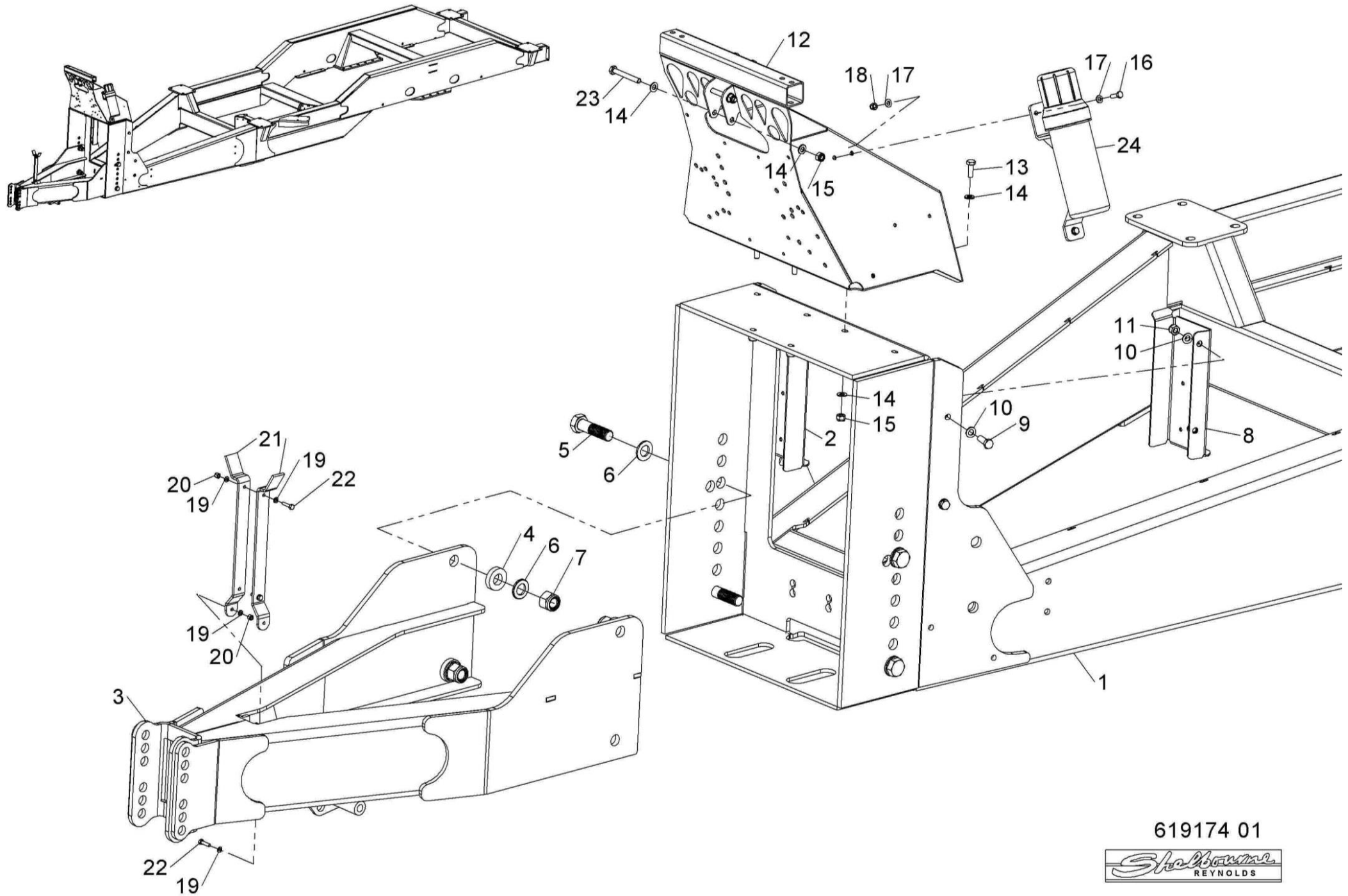


Shelbourne Reynolds Engineering Limited

| ASSY NUMBER: 619153 01 | | | | ASSY DESCRIPTION: AUGER DRIVE SUB ASSY (TWIN AUG | | | |
|------------------------|------------|-------------------------------------------------------|-----|--------------------------------------------------|-----------|-----------------------------|-----|
| ITEM | PART NO | DESCRIPTION | QTY | ITEM | PART NO | DESCRIPTION | QTY |
| 1 | GEA-0197 | PLANETARY GEARBOX PME16170513 & ON | 2 | 31 | HHEF18005 | HYD HOSE ASSY (FRONT G/BOX) | 1 |
| | GEA-0177 | PLANETARY GEARBOX UP TO & INC PME16160500 | | | | | |
| 2 | SCCA16533 | CAP SOCKET HEAD SCREWSCREW*** | 24 | | | | |
| 3 | WSH-0024 | PLAIN WASHER FORM A | 24 | | | | |
| 4 | NUT-0271 | NYLOC NUT | 24 | | | | |
| 5 | 615377 01 | GEARBOX SEAL PLATE | 2 | | | | |
| 6 | 615378 01 | GEARBOX SEAL PLATE | 2 | | | | |
| 7 | CBG-00252 | CABLE GLAND (GREY) | 2 | | | | |
| 8 | SCW-0514 | BUTTON SKT HD SCREW | 16 | | | | |
| 9 | WSH-0061 | SPRING WASHER | 16 | | | | |
| 10 | 614927 01 | MODIFIED FITTING | 2 | | | | |
| 11 | LUB-00038 | FRENCH PIPE CONNECTOR | 8 | | | | |
| 12 | 614605 01 | GEARBOX BREATHER HOSE | 3 | | | | |
| 13 | 614605 08 | BREATHER HOSE FRONT | 1 | | | | |
| 14 | LUB-00036 | BULKHEAD ADAPTOR | 2 | | | | |
| 15 | 615450 01 | OIL RESERVOIR WA | 2 | | | | |
| 16 | HSS-0198 | SET SCREW | 4 | | | | |
| 17 | WSH-0015 | PLAIN WASHER | 4 | | | | |
| 18 | NUT-0265 | M10, NYLOC NUT | 4 | | | | |
| 19 | FIL-0004 | BREATHER/FILLER CAP ASSY | 2 | | | | |
| 20 | GAU-0010 | FLUID LEVEL TEMP.GUAGE | 2 | | | | |
| 21 | WSH-1015 | DOWTY WASHER 1/2" | 4 | | | | |
| 22 | HMA-0067 | ADAPTOR MALE/MALE | 2 | | | | |
| 23 | 614561 01 | ADAPTOR MODIFIED | 2 | | | | |
| 24 | HHKF13005 | HYD HOSE ASSY (REAR G/BOX) | 1 | | | | |
| 25 | PTO-35000W | INTERMEDIATE PTO SHAFT (SER PME16190703 & ON) | 1 | | | | |
| OR | PTO-35000 | INTERMEDIATE PTO SHAFT (PME16180599 - PME16190702) | 1 | | | | |
| OR | PTO-29022 | INTERMEDIATE PTO SHAFT (UP TO & INC PME16180598) | 1 | | | | |
| OR | PTO-29002 | INTERMEDIATE PTO SHAFT (UPTO & INC PME16140371) | 1 | | | | |
| 26 | 614564 01 | SHAFT GUARD W/A | 1 | | | | |
| 27 | WSH-0058 | SPRING WASHER | 4 | | | | |
| 28 | HSS-0135 | SETSCREW | 4 | | | | |
| 29 | TIE-0004 | TIE WRAPS (MED) | 24 | | | | |
| 30 | LUB-00051 | 90 DEG ELBOW | 2 | | | | |

Shelbourne Reynolds Engineering Limited

| ASSY NUMBER: | | ASSY DESCRIPTION: CHASSIS & DRAWBAR SUB ASSY (EXPRESS TWIN) | | | | | |
|--------------|-----------|-------------------------------------------------------------|-----|------|---------|-------------|-----|
| ITEM | PART NO | DESCRIPTION | QTY | ITEM | PART NO | DESCRIPTION | QTY |
| 1 | 614590 01 | CHASSIS W/A | 1 | | | | |
| 2 | 613516 02 | HOSE TIDY RH | 1 | | | | |
| 3 | 615222 01 | DRAWBAR W/A | 1 | | | | |
| 4 | 190119 94 | WASHER | 4 | | | | |
| 5 | BLTA24530 | BOLT | 4 | | | | |
| 6 | WSH-0036 | WASHER | 8 | | | | |
| 7 | NUT-0275 | NUT | 4 | | | | |
| 8 | 613516 01 | HOSE TIDY LH | 1 | | | | |
| 9 | HSS-0241 | SETSCREW | 4 | | | | |
| 10 | WSH-0018 | WASHER | 8 | | | | |
| 11 | NUT-0269 | NUT | 4 | | | | |
| 12 | 617460 01 | PARKING STATION W/A | 1 | | | | |
| 13 | HSS-0194 | SETSCREW | 6 | | | | |
| 14 | WSH-0015 | WASHER | 18 | | | | |
| 15 | NUT-0265 | NUT | 9 | | | | |
| 16 | HSS-0145 | SETSCREW | 3 | | | | |
| 17 | WSH-0012 | WASHER | 6 | | | | |
| 18 | NUT-0263 | NUT | 3 | | | | |
| 19 | WSH-0009 | WASHER | 5 | | | | |
| 20 | NUT-0260 | NUT | 4 | | | | |
| 21 | 614957 01 | PTO REST PLATE | 2 | | | | |
| 22 | HSS-0088 | SETSCREW | 4 | | | | |
| 23 | BLTA10500 | BOLT | 3 | | | | |
| 24 | PCN-00100 | PLASTIC CANNISTER | 1 | | | | |

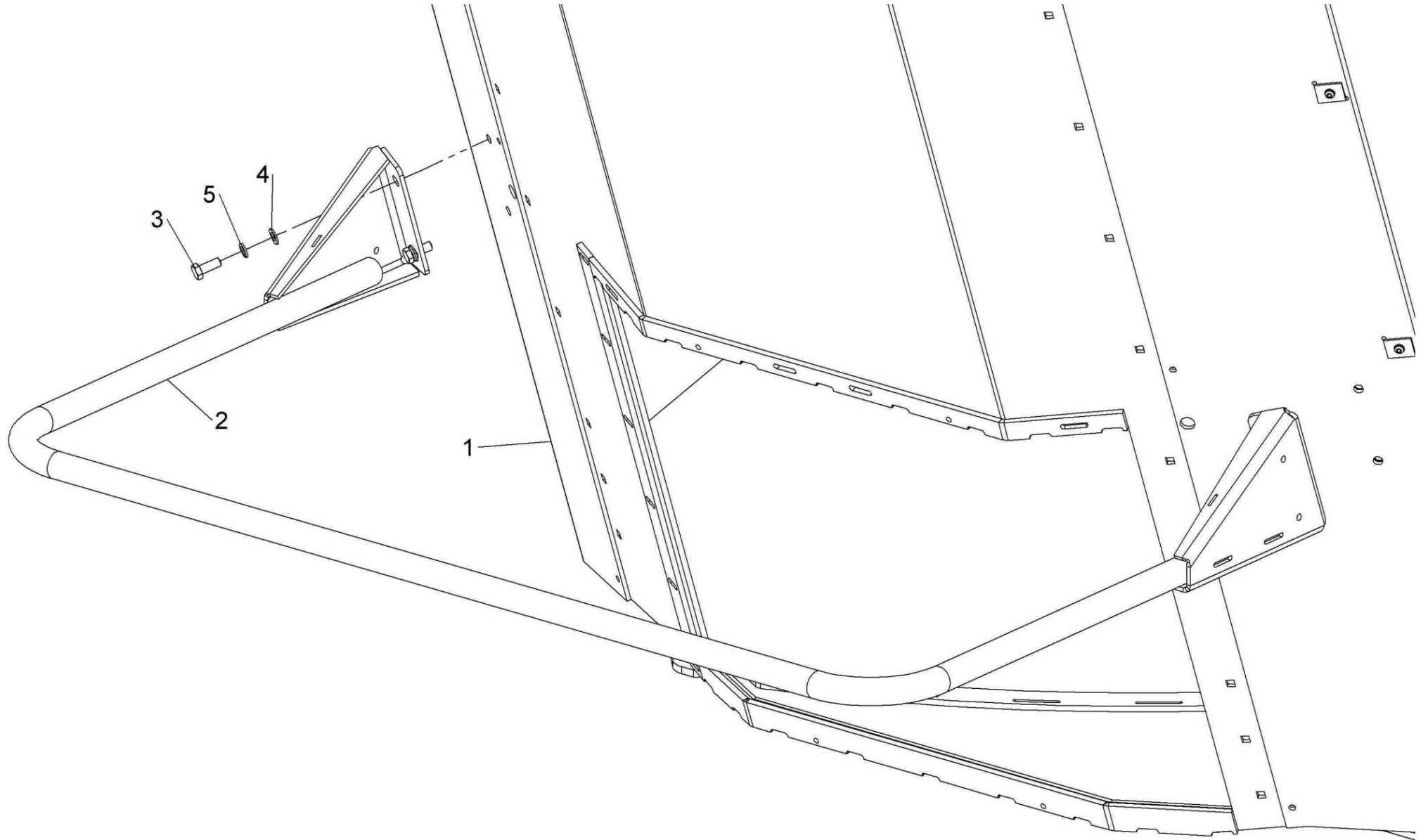


619174 01



Shelbourne Reynolds Engineering Limited

| ASSY NUMBER: 619190 01 | | | | ASSY DESCRIPTION: 16m CU FRONT/REAR DOOR TUB SUB ASSY | | | |
|------------------------|-----------|----------------|-----|-------------------------------------------------------|---------|-------------|-----|
| ITEM | PART NO | DESCRIPTION | QTY | ITEM | PART NO | DESCRIPTION | QTY |
| 1 | 618869 01 | 16m Cu TUB W/A | 1 | | | | |
| 2 | 613616 01 | GUARD RAIL W/A | 1 | | | | |
| 3 | HSS-0238 | BOLT | 4 | | | | |
| 4 | WSH-0018 | WASHER | 4 | | | | |
| 5 | WSH-0065 | SPRING WASHER | 4 | | | | |

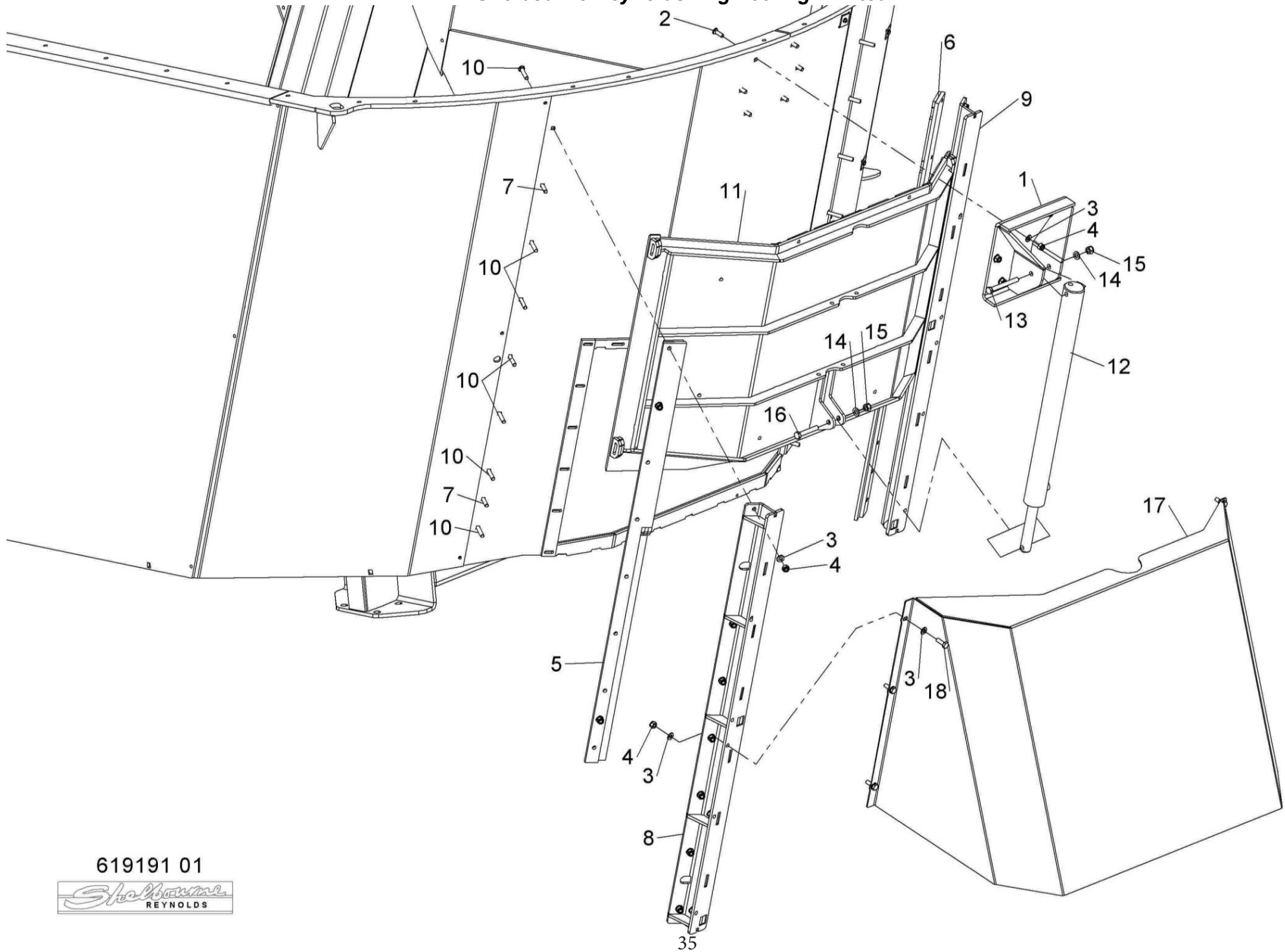


619190 01



Shelbourne Reynolds Engineering Limited

| ASSY NUMBER: 619191 01 | | | | ASSY DESCRIPTION: REAR DOOR SUB ASSY. | | | |
|------------------------|-----------|---------------------|-----|---------------------------------------|---------|-------------|-----|
| ITEM | PART NO | DESCRIPTION | QTY | ITEM | PART NO | DESCRIPTION | QTY |
| 1 | 614524 01 | RAM BRACKET W/ASSY | 1 | | | | |
| 2 | BLT-3750 | COACHBOLT | 6 | | | | |
| 3 | WSH-0015 | WASHER | 36 | | | | |
| 4 | NUT-0265 | NUT | 30 | | | | |
| 5 | 615322 01 | RH DOOR RUNNER W/A | 1 | | | | |
| 6 | 615322 02 | LH DOOR RUNNER W/A | 1 | | | | |
| 7 | BLT-3755 | COACHBOLT | 4 | | | | |
| 8 | 615308 01 | RH DOOR RUNNER W/A | 1 | | | | |
| 9 | 615308 02 | LH DOOR RUNNER W/A | 1 | | | | |
| 10 | BLTF10323 | COACH BOLT | 14 | | | | |
| 11 | 615424 01 | DOOR SUB ASSEMBLY | 1 | | | | |
| 12 | 610908 01 | DOOR RAM (10050POP) | 1 | | | | |
| 13 | BLT-2270 | HEX.HEAD BOLT | 1 | | | | |
| 14 | WSH-0018 | WASHER | 2 | | | | |
| 15 | NUT-0269 | NUT | 2 | | | | |
| 16 | BLTA12440 | BOLT | 1 | | | | |
| 17 | 618873 01 | SAFETY COVER | 1 | | | | |
| 18 | HSS-0194 | SETSCREW | 6 | | | | |

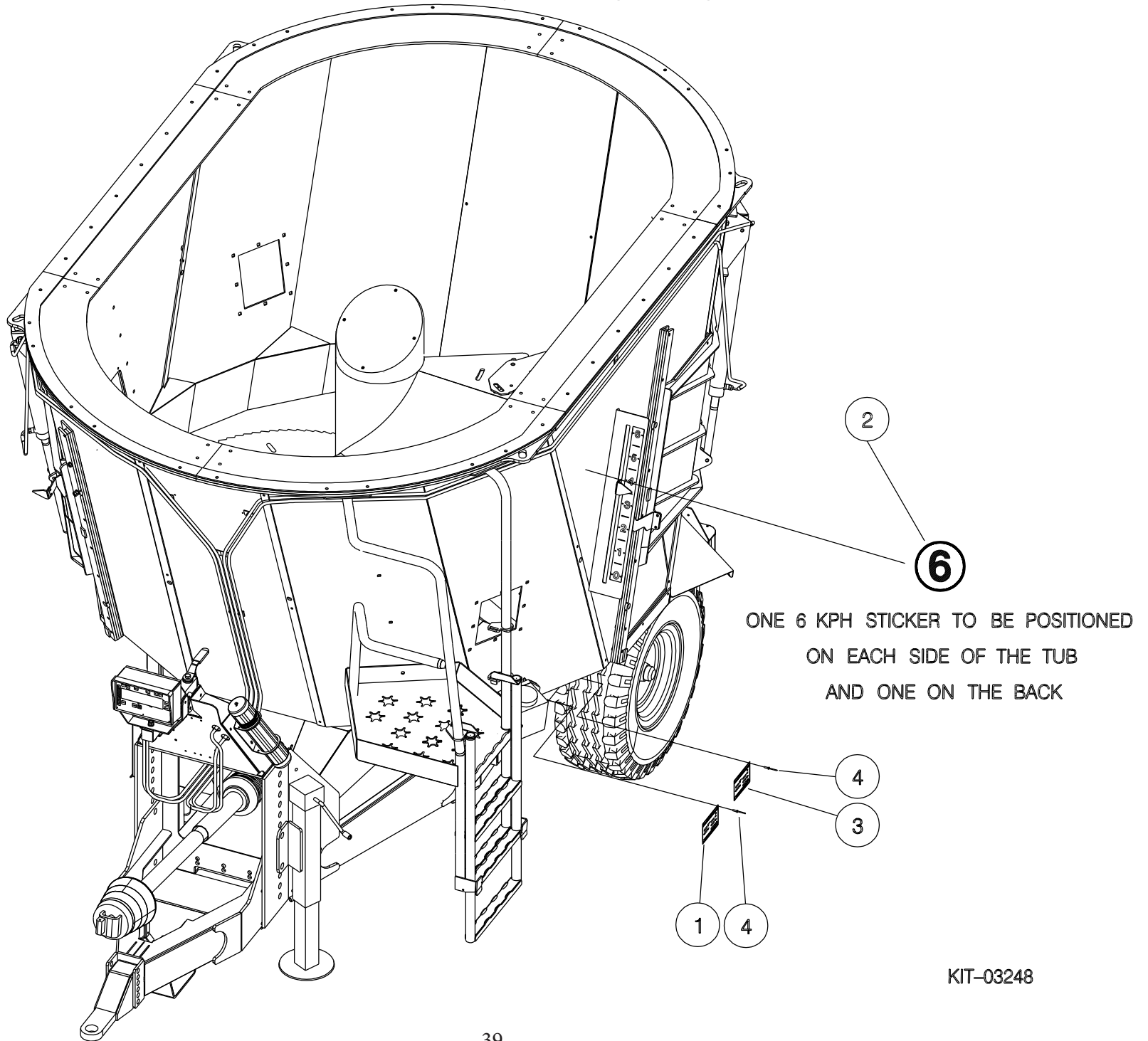


619191 01

Kit Options

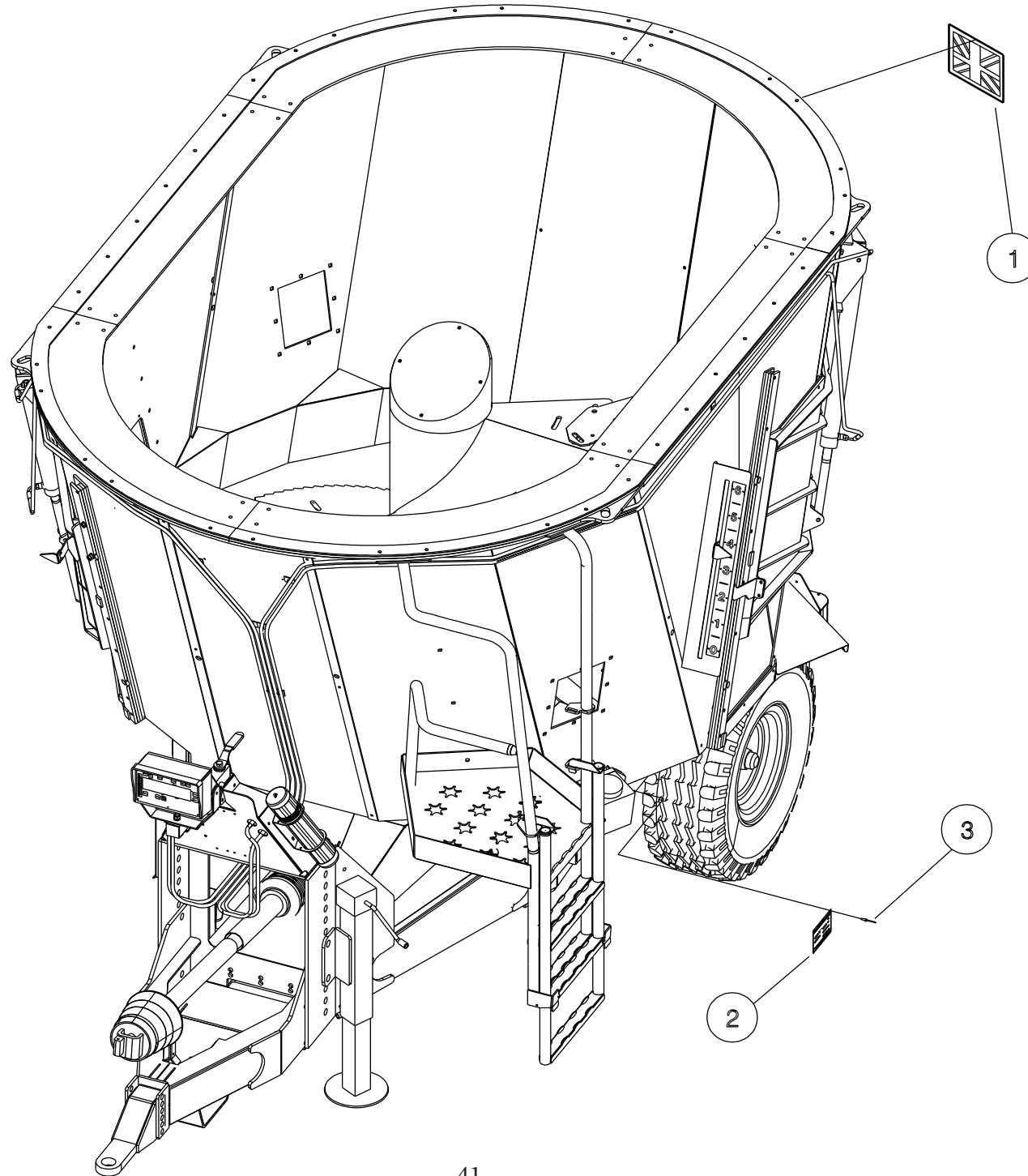
Shelbourne Reynolds Engineering Limited

| ASSY NUMBER: KIT-03248 | | | | ASSY DESCRIPTION: GERMAN PARTS KIT | | | |
|------------------------|-----------|-----------------------------|-----|------------------------------------|---------|-------------|-----|
| ITEM | PART NO | DESCRIPTION | QTY | ITEM | PART NO | DESCRIPTION | QTY |
| 1 | TNF-0201 | GERMAN IDENTIFICATION PLATE | 1 | | | | |
| 2 | 612610 01 | 6KM/H TRANSFER | 3 | | | | |
| 3 | 590145 01 | UK IDENTIFICATION PLATE | 1 | | | | |
| 4 | POP-0006 | POP RIVET | 8 | | | | |



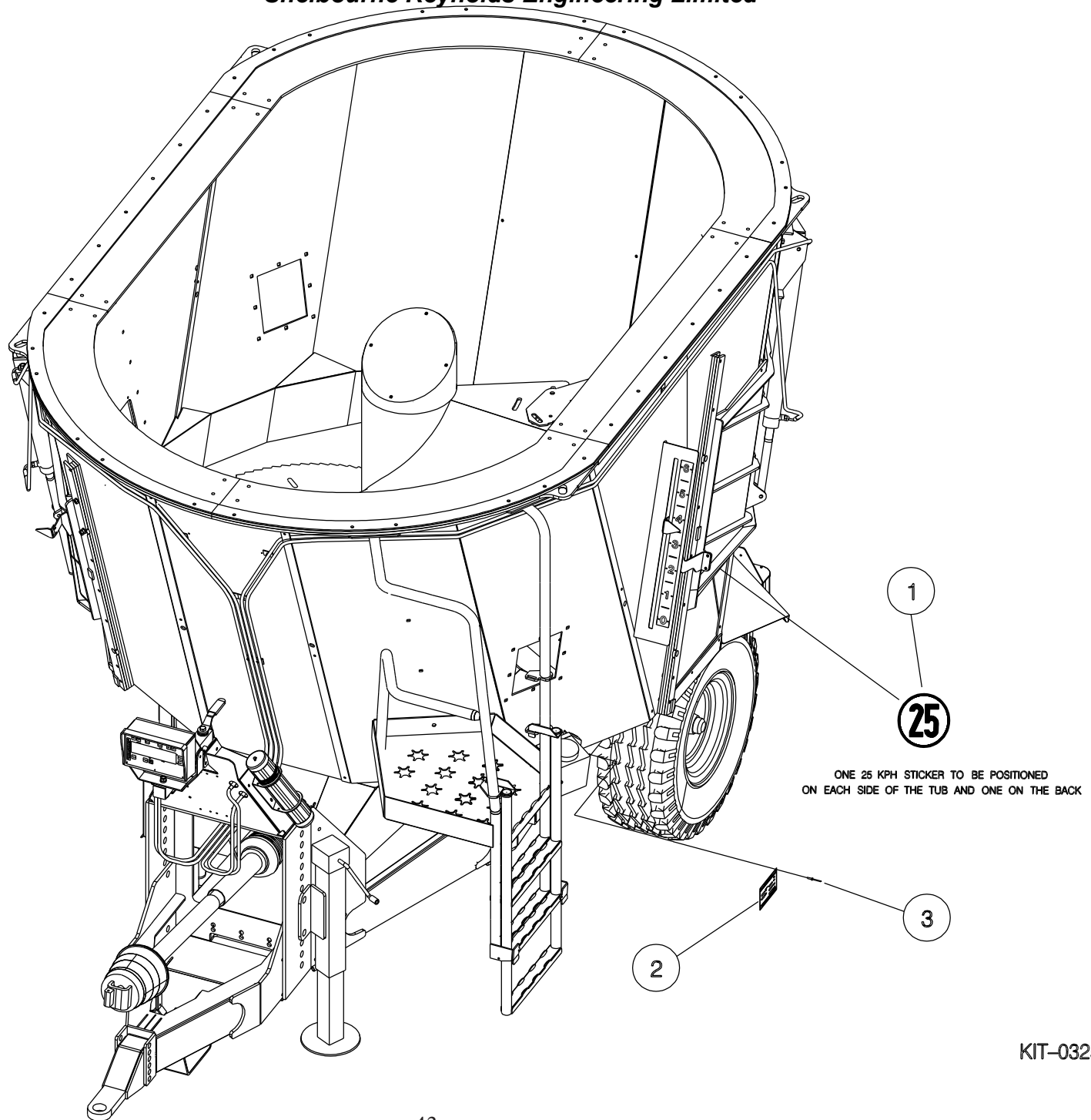
Shelbourne Reynolds Engineering Limited

| ASSY NUMBER: KIT-03249 | | | | ASSY DESCRIPTION: UK PARTS KIT | | | |
|------------------------|-----------|-------------------------|-----|--------------------------------|---------|-------------|-----|
| ITEM | PART NO | DESCRIPTION | QTY | ITEM | PART NO | DESCRIPTION | QTY |
| 1 | 610563 01 | UNION JACK TRANSFER | 1 | | | | |
| 2 | 590145 01 | UK IDENTIFICATION PLATE | 1 | | | | |
| 3 | POP-0006 | POP RIVET | 4 | | | | |



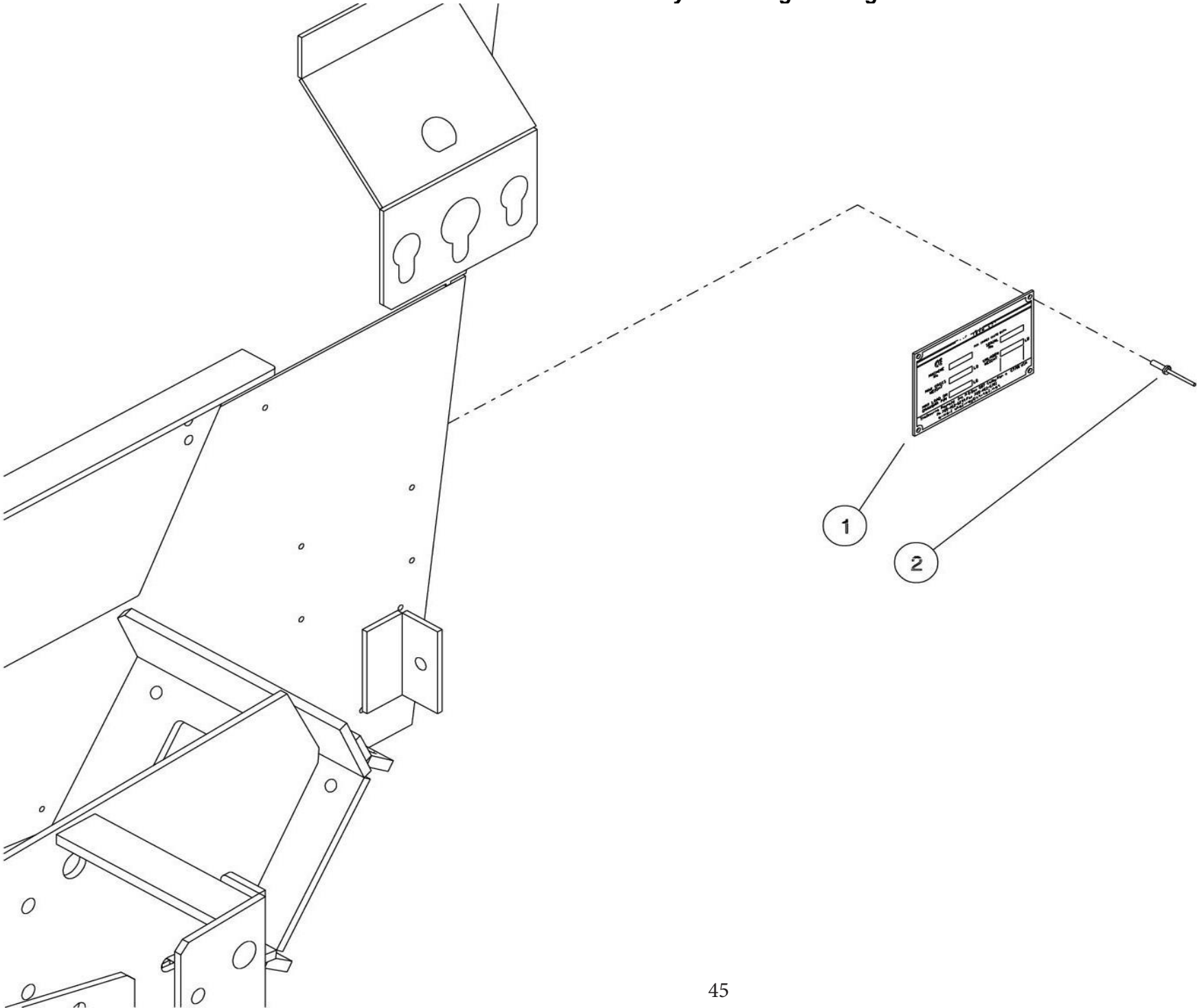
Shelbourne Reynolds Engineering Limited

| ASSY NUMBER: KIT-03250 | | | | ASSY DESCRIPTION: EUROPEAN PARTS KIT | | | |
|------------------------|-----------|-------------------------|-----|--------------------------------------|---------|-------------|-----|
| ITEM | PART NO | DESCRIPTION | QTY | ITEM | PART NO | DESCRIPTION | QTY |
| 1 | 611033 01 | 25Km/h TRANSFER | 3 | | | | |
| 2 | 590145 01 | UK IDENTIFICATION PLATE | 1 | | | | |
| 3 | POP-0006 | POP RIVET | 4 | | | | |



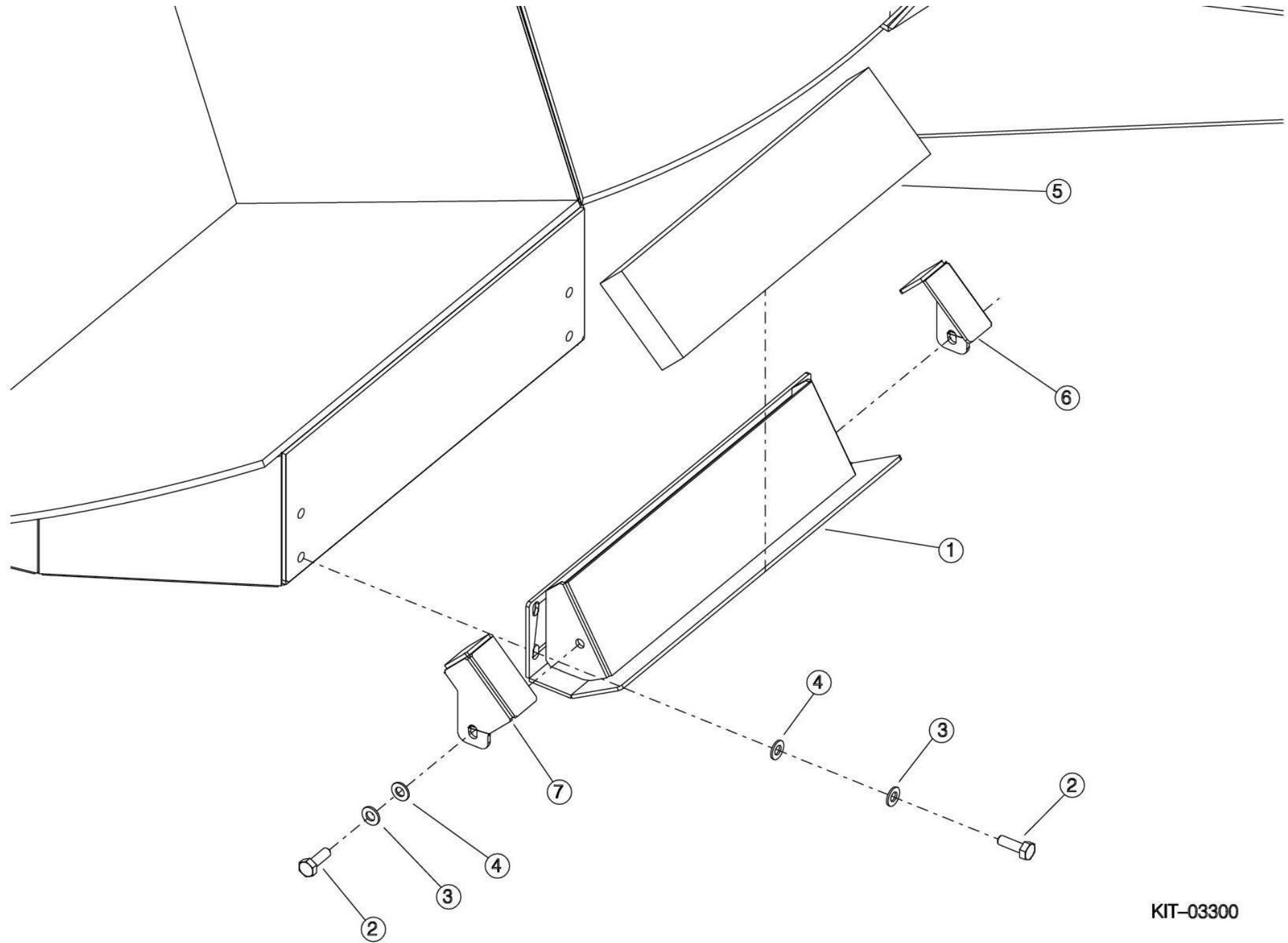
Shelbourne Reynolds Engineering Limited

| ASSY NUMBER: KIT-03251 | | | | ASSY DESCRIPTION: USA PARTS KIT | | | |
|------------------------|-----------|--------------------------|-----|---------------------------------|---------|-------------|-----|
| ITEM | PART NO | DESCRIPTION | QTY | ITEM | PART NO | DESCRIPTION | QTY |
| 1 | 612269 01 | USA IDENTIFICATION PLATE | 1 | | | | |
| 2 | POP-0006 | POP RIVET | 4 | | | | |



Shelbourne Reynolds Engineering Limited

| ASSY NUMBER: KIT-03300 | | | | ASSY DESCRIPTION: AUGER MAGNET KIT | | | |
|------------------------|-----------|---------------------|-----|------------------------------------|---------|-------------|-----|
| ITEM | PART NO | DESCRIPTION | QTY | ITEM | PART NO | DESCRIPTION | QTY |
| 1 | 612914 01 | MAGNET BRACKET W/A | 1 | | | | |
| 2 | HSS-0191 | SETSCREW | 6 | | | | |
| 3 | WSH-0061 | WASHER | 6 | | | | |
| 4 | WSH-0015 | WASHER | 4 | | | | |
| 5 | MAG-0002 | 17" MAGNET | 1 | | | | |
| 6 | 612919 01 | RETAINER BRACKET LH | 1 | | | | |
| 7 | 612919 02 | RETAINER BRACKET RH | 1 | | | | |

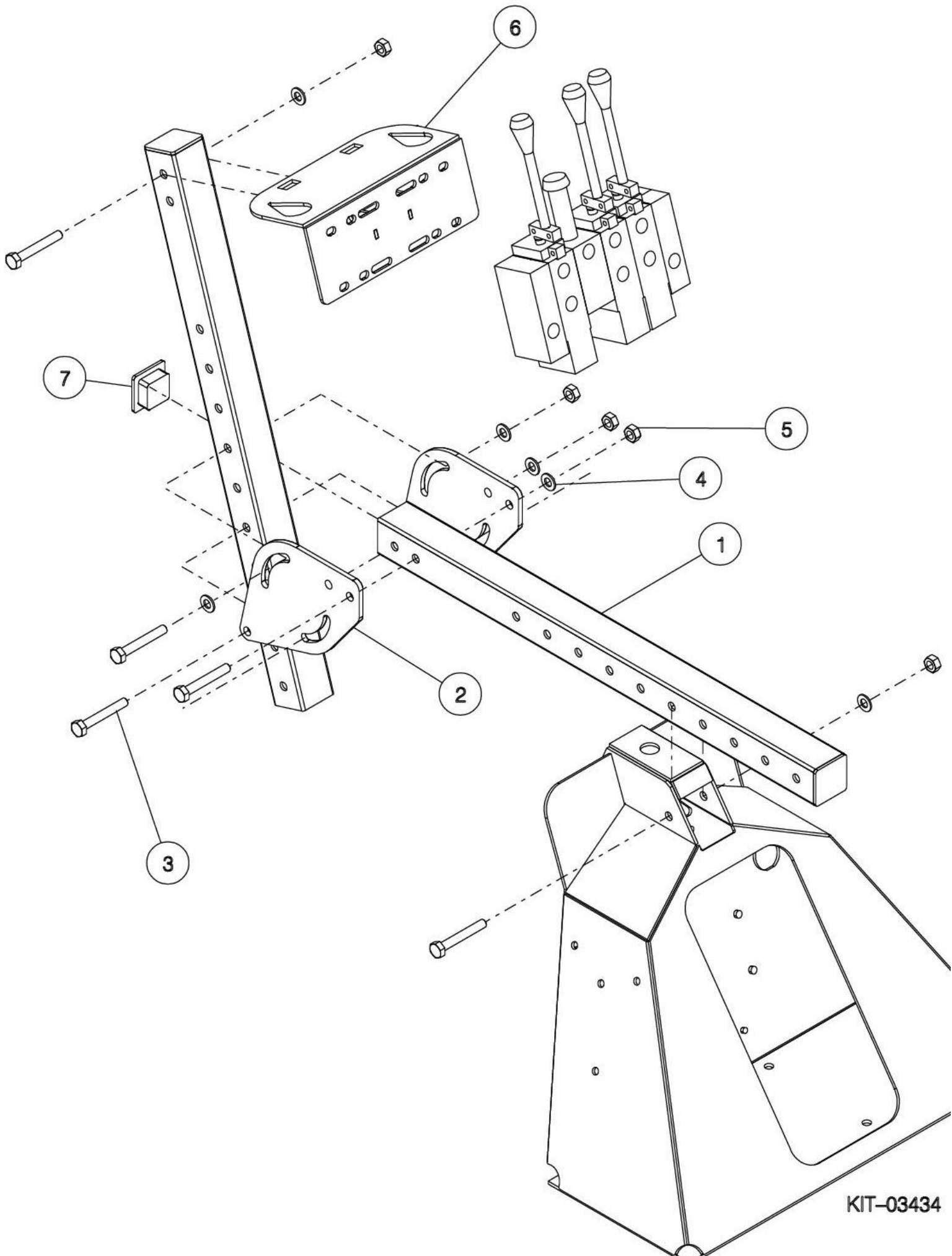


Shelbourne Reynolds Engineering Limited

| ASSY NUMBER: KIT-03431 | | | | ASSY DESCRIPTION: LIGHTING KIT | | | |
|------------------------|-----------|-----------------------------------------------|-----|--------------------------------|---------|-------------|-----|
| ITEM | PART NO | DESCRIPTION | QTY | ITEM | PART NO | DESCRIPTION | QTY |
| 1 | 613455 01 | LIGHTING BOARD | 1 | | | | |
| 2 | HSS-0238 | SETSCREW | 4 | | | | |
| 3 | WSH-0018 | WASHER | 4 | | | | |
| 4 | NUT-0269 | NUT | 4 | | | | |
| 5 | 613620 01 | REFECTOR MTG PLATE | 2 | | | | |
| 6 | REF-0035 | REFLECTOR | 2 | | | | |
| 7 | | | | | | | |
| 8 | | | | | | | |
| 9 | | | | | | | |
| 10 | CBL-03530 | CABLE | 10m | | | | |
| 11 | JNC-00000 | JUNCTION BOX | 1 | | | | |
| 12 | PLG-0005 | 7 PIN PLUG | 1 | | | | |
| 13 | LMP-10412 | LIGHT CLUSTER (FULL LED) PME**170530 & ON | 2 | | | | |
| OR | LMP-10408 | LIGHT CLUSTER (LED BULB) UP TO PME**170530 | 2 | | | | |
| OR | LMP-10400 | LIGHT CLUSTER (BRITAX) | 2 | | | | |
| 14 | 613604 01 | LIGHT GUARD W/A | 2 | | | | |
| 15 | SCW-4960 | SCREW | 4 | | | | |
| 16 | WSH-0009 | WASHER | 8 | | | | |
| 17 | NUT-0260 | NUT | 8 | | | | |
| 18 | TIE-0004 | TIE WRAP (MEDIUM) | 8 | | | | |
| 19 | SLV-00300 | SPIRAL CONVOLUTE TUBING | 2m | | | | |

Shelbourne Reynolds Engineering Limited

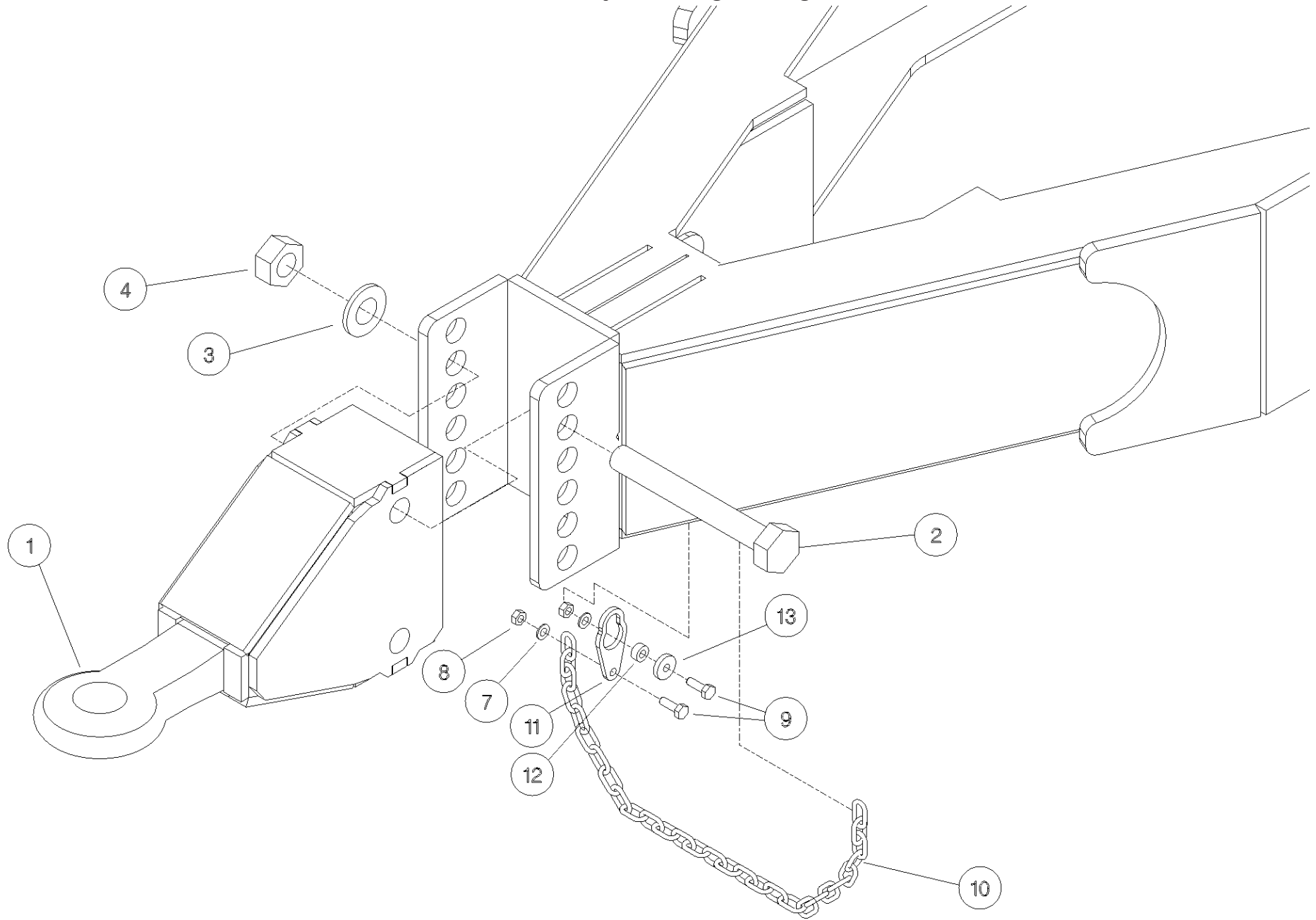
| ASSY NUMBER: KIT-03434 | | | | ASSY DESCRIPTION: SPOOL VALVE LEVER ARM KIT | | | |
|------------------------|-----------|----------------------|-----|---------------------------------------------|---------|-------------|-----|
| ITEM | PART NO | DESCRIPTION | QTY | ITEM | PART NO | DESCRIPTION | QTY |
| 1 | 613542 01 | SUPPORT ARM | 2 | | | | |
| 2 | 613545 01 | VALVE ADJUSTER PLATE | 2 | | | | |
| 3 | BLTA10500 | BOLT | 9 | | | | |
| 4 | WSH-0015 | WASHER | 11 | | | | |
| 5 | NUT-0265 | NUT | 9 | | | | |
| 6 | 613547 01 | VALVE MTG BRKT | 1 | | | | |
| 7 | CAP-0012 | END CAP | 3 | | | | |



KIT-03434

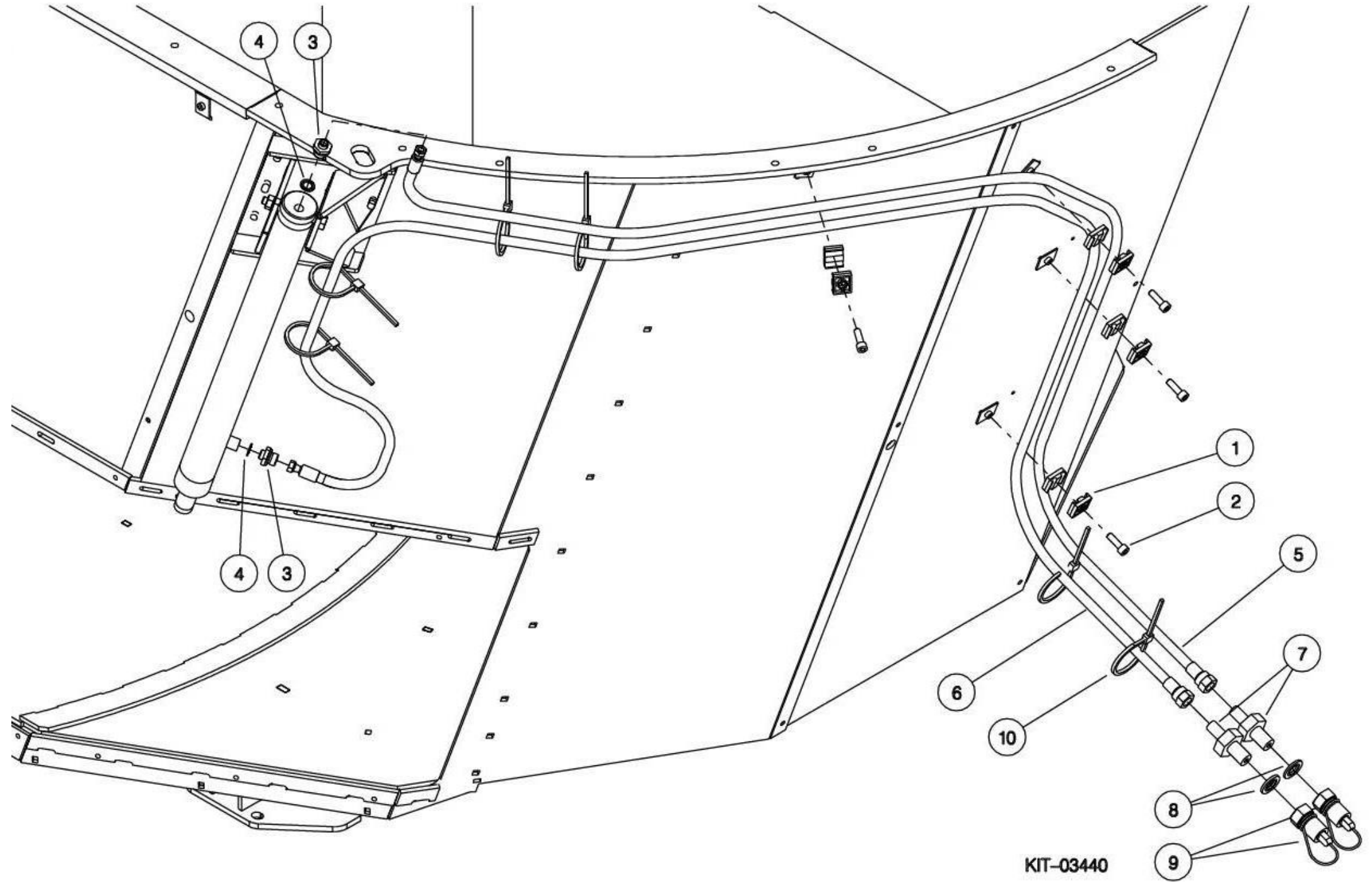
Shelbourne Reynolds Engineering Limited

| ASSY NUMBER: KIT-03439 | | | | ASSY DESCRIPTION: CONTINENTAL TOW EYE KIT | | | |
|------------------------|-----------|---------------------|-----|-------------------------------------------|---------|-------------|-----|
| ITEM | PART NO | DESCRIPTION | QTY | ITEM | PART NO | DESCRIPTION | QTY |
| 1 | 613658 01 | CONTINENTAL TOW EYE | 1 | | | | |
| 2 | BLTA20770 | HEXAGON HEAD BOLT | 2 | | | | |
| 3 | WSH-0030 | PLAIN WASHER | 4 | | | | |
| 4 | NUTA02200 | NYLOC NUT | 4 | | | | |
| 7 | WSH-0009 | PLAIN WASHER | 4 | | | | |
| 8 | NUT-0260 | NYLOC NUT | 4 | | | | |
| 9 | HSS-0092 | SET SCREW | 2 | | | | |
| 10 | CHN-0145 | CHAIN (MT) | 0.7 | | | | |
| 11 | 613977 01 | CHAIN HOOK PLATE | 1 | | | | |
| 12 | 190548 48 | WASHER | 1 | | | | |
| 13 | 190548 49 | WASHER | 1 | | | | |



Shelbourne Reynolds Engineering Limited

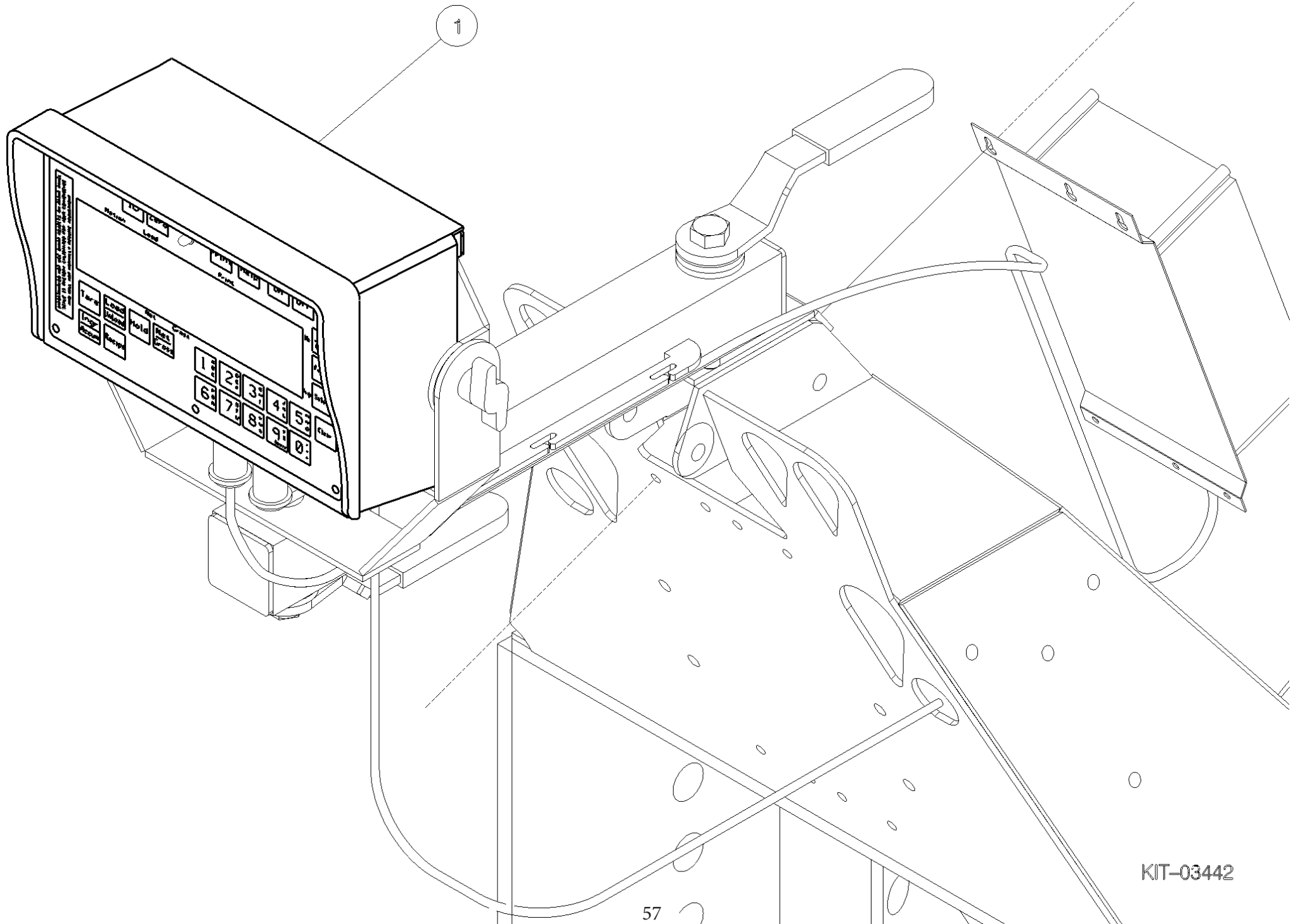
| ASSY NUMBER: KIT-03440 | | | | ASSY DESCRIPTION: DIRECT COUPLED RH DOOR HYDRAULICS KIT | | | |
|------------------------|-----------|--------------------|-----|---------------------------------------------------------|---------|-------------|-----|
| ITEM | PART NO | DESCRIPTION | QTY | ITEM | PART NO | DESCRIPTION | QTY |
| 1 | HCPD01200 | PIPE CLAMP | 4 | | | | |
| 2 | SCW-0083 | CP HD SCREW | 4 | | | | |
| 3 | HMA-0052 | M/M ADAPTOR | 2 | | | | |
| 4 | WSH-1005 | DOWTY WASHER | 2 | | | | |
| 5 | HHBC49005 | HOSE ASSY | 1 | | | | |
| 6 | HHBC55005 | HOSE ASSY | 1 | | | | |
| 7 | HMA-0055 | M/M ADAPTOR | 2 | | | | |
| 8 | WSH-1015 | DOWTY WASHER | 2 | | | | |
| 9 | COU-0162 | QUICK REL COUPLING | 2 | | | | |
| 10 | TIE-0004 | TIE WRAPS (MED) | 6 | | | | |



KIT-03440

Shelbourne Reynolds Engineering Limited

| ASSY NUMBER: KIT-03442 | | | | ASSY DESCRIPTION: MID LEVEL EZ3200 INDICATOR KIT | | | |
|------------------------|-----------|------------------|-----|--------------------------------------------------|---------|-------------|-----|
| ITEM | PART NO | DESCRIPTION | QTY | ITEM | PART NO | DESCRIPTION | QTY |
| 1 | LCL-01216 | EZ3200 INDICATOR | 1 | | | | |

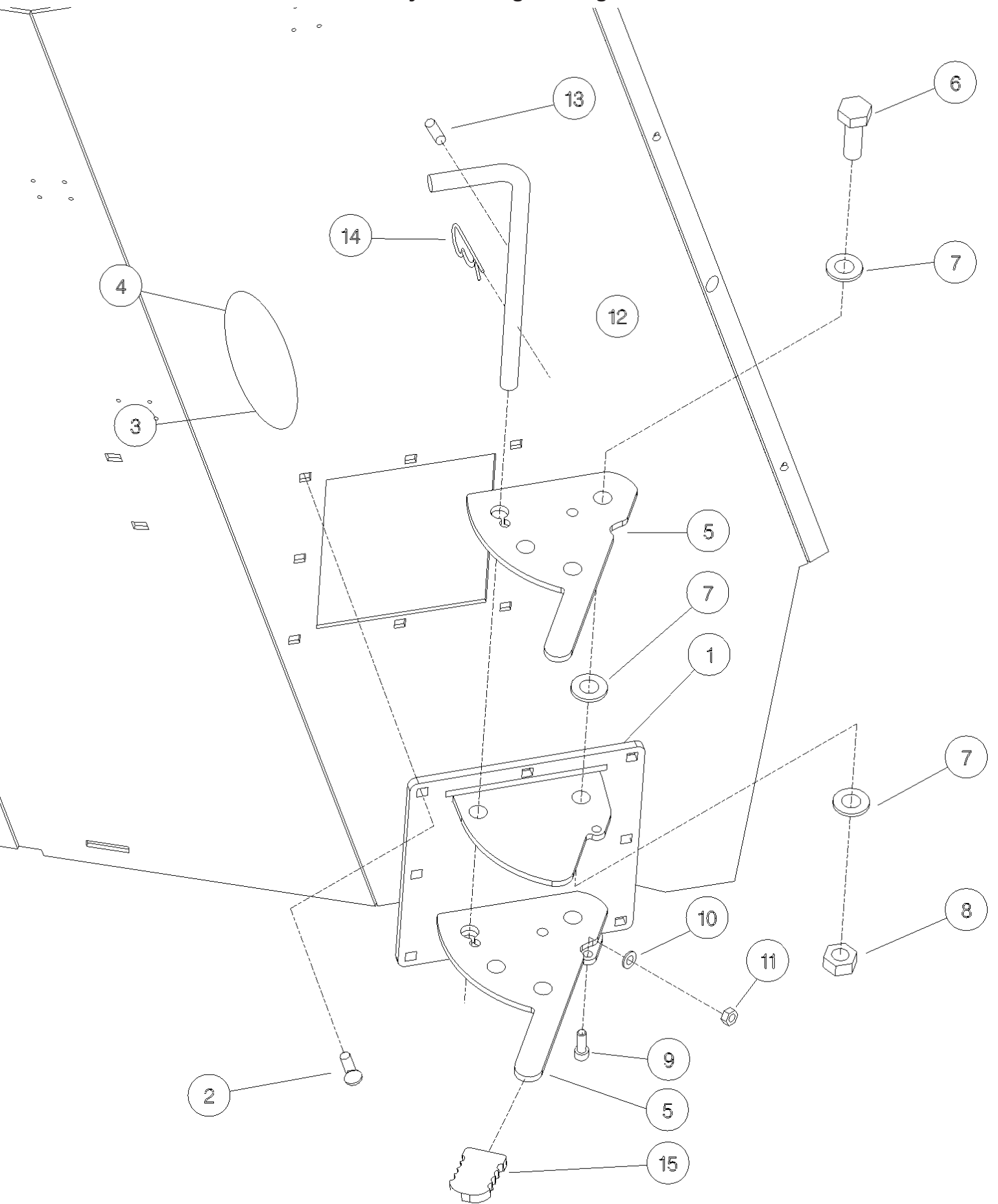


Shelbourne Reynolds Engineering Limited

| ASSY NUMBER: KIT-03442A | | | | ASSY DESCRIPTION: MID EZ3200V INDICATOR KITC/W REMOTE PORT | | | |
|-------------------------|------------|------------------|-----|------------------------------------------------------------|---------|-------------|-----|
| ITEM | PART NO | DESCRIPTION | QTY | ITEM | PART NO | DESCRIPTION | QTY |
| 1 | LCL-01216a | EZ3200 INDICATOR | 1 | | | | |

Shelbourne Reynolds Engineering Limited

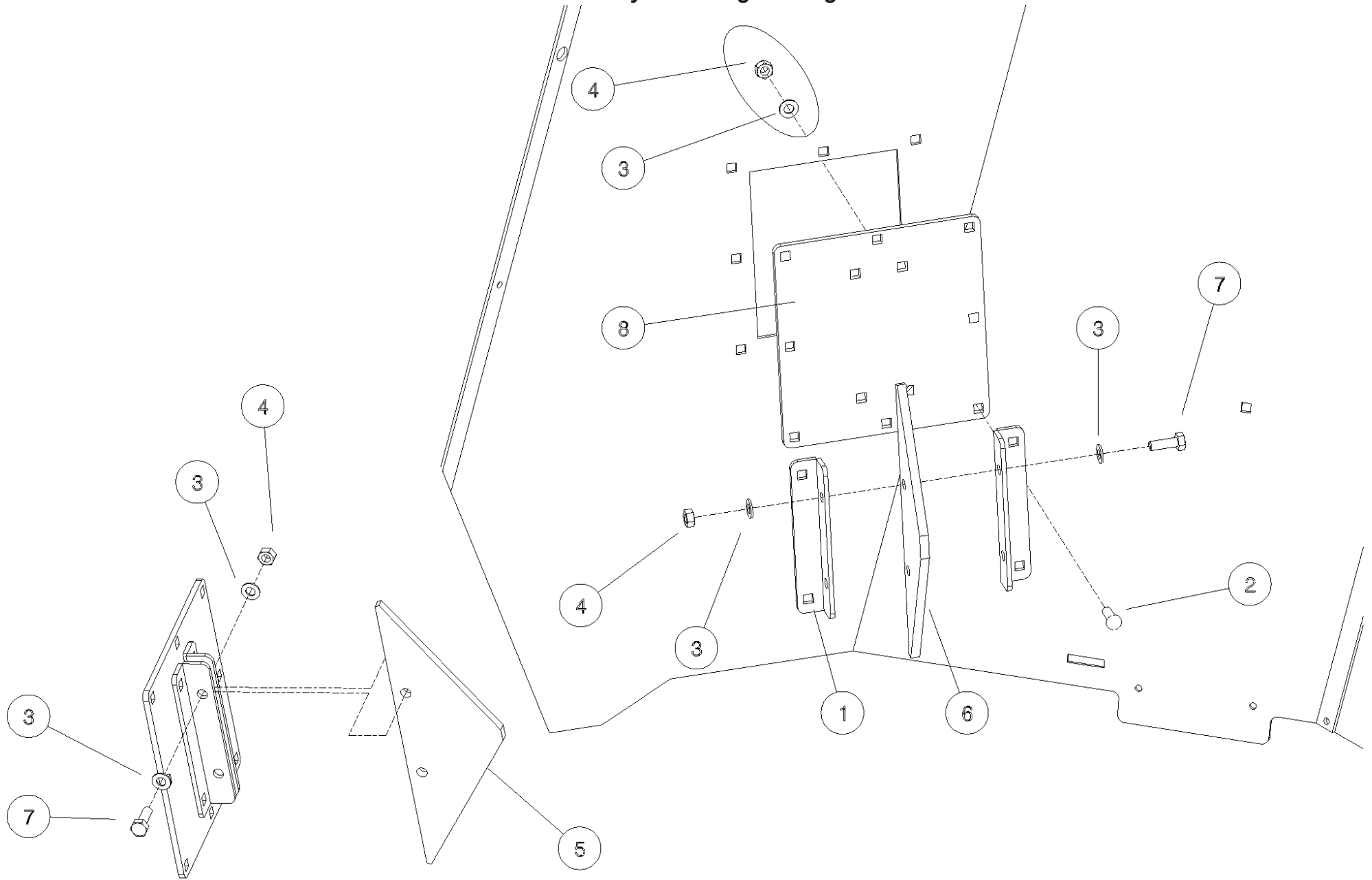
| ASSY NUMBER: KIT-03447 | | | | ASSY DESCRIPTION: ANTI ROTATION BLADE KIT | | | |
|------------------------|-----------|-----------------------|-----|-------------------------------------------|---------|-------------|-----|
| ITEM | PART NO | DESCRIPTION | QTY | ITEM | PART NO | DESCRIPTION | QTY |
| 1 | 612983 01 | BLADE MOUNTING ASSY | 2 | | | | |
| 2 | BLTF12233 | M12*35 COACHBOLT | 16 | | | | |
| 3 | WSH-0018 | PLAIN WASHER | 16 | | | | |
| 4 | NUT-0269 | NYLOC NUT | 16 | | | | |
| 5 | 612872 01 | ANTI ROTATION BLADE | 4 | | | | |
| 6 | HSS-0355 | SETSCREW | 4 | | | | |
| 7 | WSH-0030 | PLAIN WASHER | 12 | | | | |
| 8 | NUTA02200 | NYLOC NUT | 4 | | | | |
| 9 | SCW-0190 | SOCKET CAP HEAD SCREW | 4 | | | | |
| 10 | WSH-0015 | PLAIN WASHER | 4 | | | | |
| 11 | NUT-0265 | NYLOC NUT | 4 | | | | |
| 12 | 612874 01 | BLADE LOCKING SHAFT | 2 | | | | |
| 13 | PIN-1783 | ROLL PIN | 2 | | | | |
| 14 | CLP-00106 | R CLIP | 2 | | | | |
| 15 | PTF-00025 | HANDLE GRIP | 4 | | | | |



KIT - 03296
KIT - 03447

Shelbourne Reynolds Engineering Limited

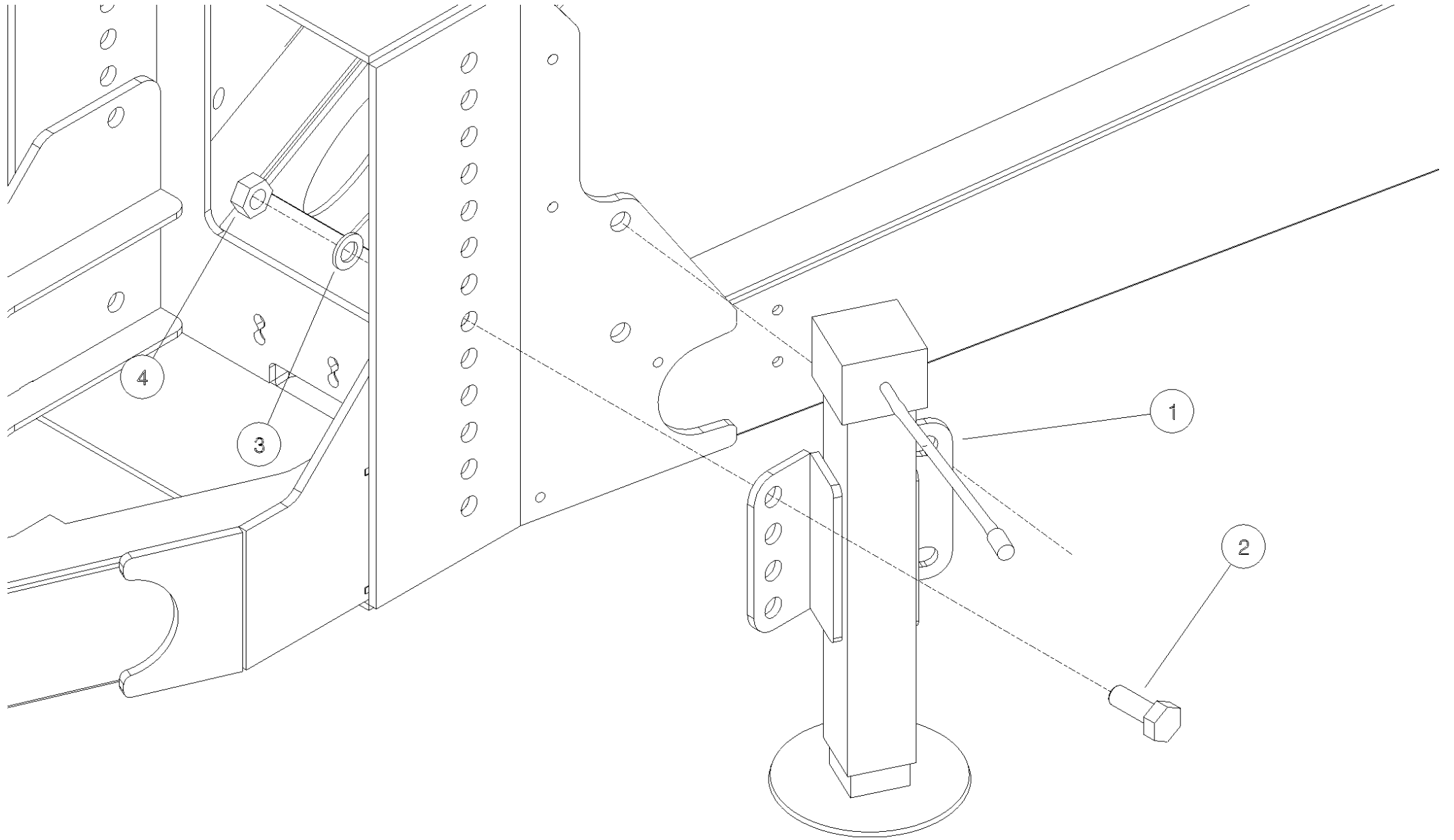
| ASSY NUMBER: KIT-03448 | | | | ASSY DESCRIPTION: FIXED RETARDER KIT | | | |
|------------------------|-----------|----------------------|-----|--------------------------------------|---------|-------------|-----|
| ITEM | PART NO | DESCRIPTION | QTY | ITEM | PART NO | DESCRIPTION | QTY |
| 1 | 612489 01 | ANTI-ROTATION BRKT | 4 | | | | |
| 2 | BLTF12233 | M12*35 COACHBOLT | 24 | | | | |
| 3 | WSH-0018 | PLAIN WASHER | 28 | | | | |
| 4 | NUT-0269 | NYLOC NUT | 28 | | | | |
| 5 | 610934 01 | ANTI-ROTATION PLATE | 1 | | | | |
| 6 | 612490 01 | SMALL ANTI-ROT PLATE | 1 | | | | |
| 7 | HSS-0260 | SET SCREW | 4 | | | | |
| 8 | 612866 01 | BLANKING PLATE | 2 | | | | |



KIT - 03298
KIT - 03448

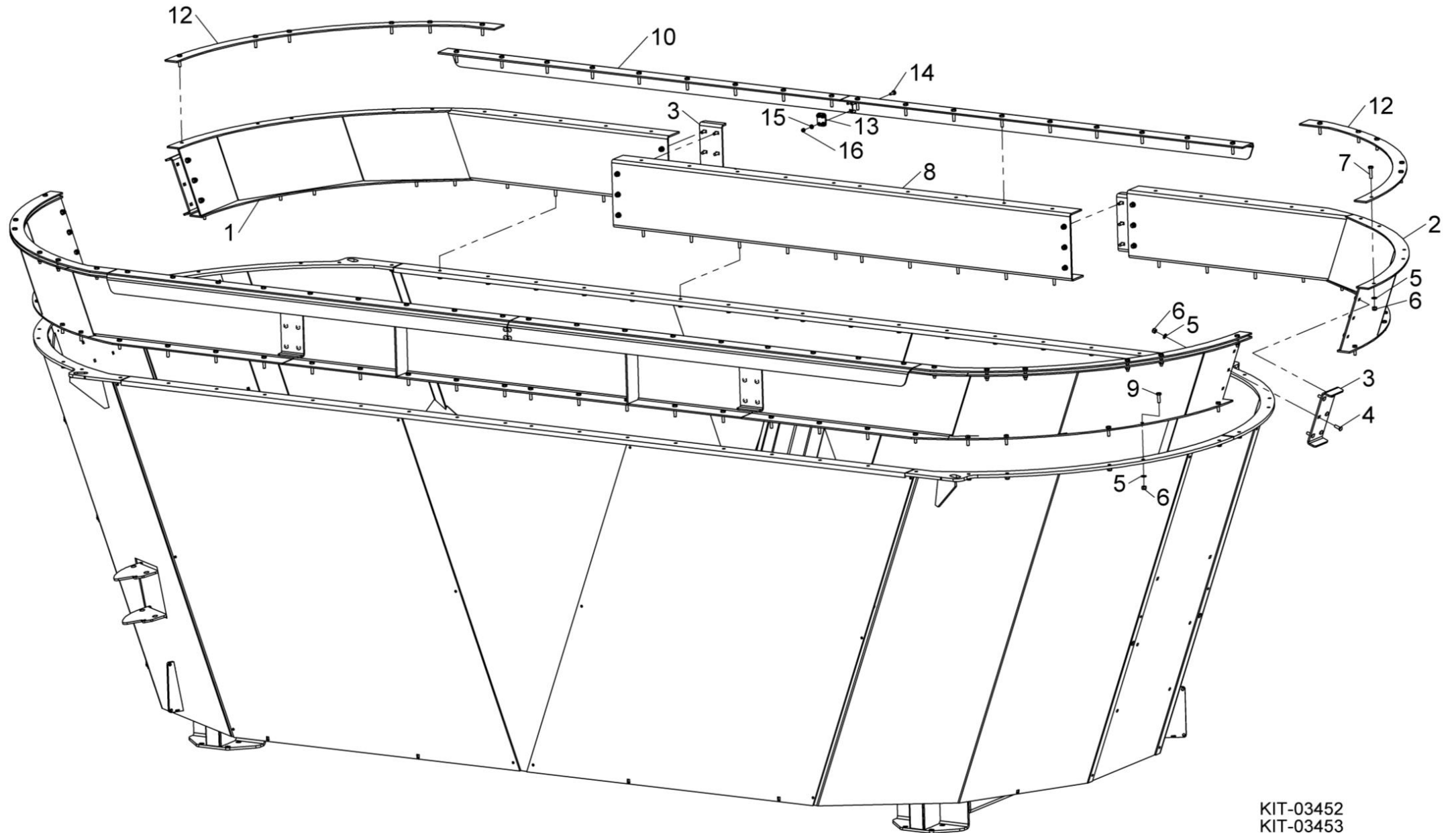
Shelbourne Reynolds Engineering Limited

| ASSY NUMBER: KIT-03449 | | | | ASSY DESCRIPTION: MECHANICAL JACK KIT | | | |
|------------------------|-----------|----------------|-----|---------------------------------------|---------|-------------|-----|
| ITEM | PART NO | DESCRIPTION | QTY | ITEM | PART NO | DESCRIPTION | QTY |
| 1 | 613709 01 | JACK WELD ASSY | 1 | | | | |
| 2 | HSS-0410 | SETSCREW | 4 | | | | |
| 3 | WSH-0036 | WASHER | 4 | | | | |
| 4 | NUT-0275 | NUT | 4 | | | | |



Shelbourne Reynolds Engineering Limited

| ASSY NUMBER: KIT-03452 | | | | ASSY DESCRIPTION: 300mm EXTENSION KIT | | | |
|------------------------|-----------|-------------------------------|-----|---------------------------------------|---------|-------------|-----|
| ITEM | PART NO | DESCRIPTION | QTY | ITEM | PART NO | DESCRIPTION | QTY |
| 1 | 613269 01 | 8-10m CU EXTENSION LH (300mm) | 2 | | | | |
| 2 | 613269 02 | 8-10m CU EXTENSION RH (300mm) | 2 | | | | |
| 3 | 613276 01 | SIDE CLAMP PLATE | 6 | | | | |
| 4 | BLT-3750 | COACH BOLT | 36 | | | | |
| 5 | WSH-0015 | PLAIN WASHER | 208 | | | | |
| 6 | NUT-0265 | NYLOC NUT | 152 | | | | |
| 7 | HSS-0198 | SET SCREW | 24 | | | | |
| 8 | 613727 01 | 300mm EXTENSION SIDE | 2 | | | | |
| 9 | BLTA10290 | HEX.HEAD BOLT | 92 | | | | |
| 10 | 614951 01 | LH STRAIGHT CLAMP STRIP | 2 | | | | |
| 11 | 614951 02 | RH STRAIGHT CLAMP STRIP | 2 | | | | |
| 12 | 612817 01 | CORNER CLAMP STRIP | 4 | | | | |
| 13 | 614947 01 | CTR CLAMP PLATE | 2 | | | | |
| 14 | BLT-2700 | BOLT | 8 | | | | |
| 15 | WSH-0012 | PLAIN WASHER | 8 | | | | |
| 16 | NUT-0263 | NYLOC NUT | 8 | | | | |

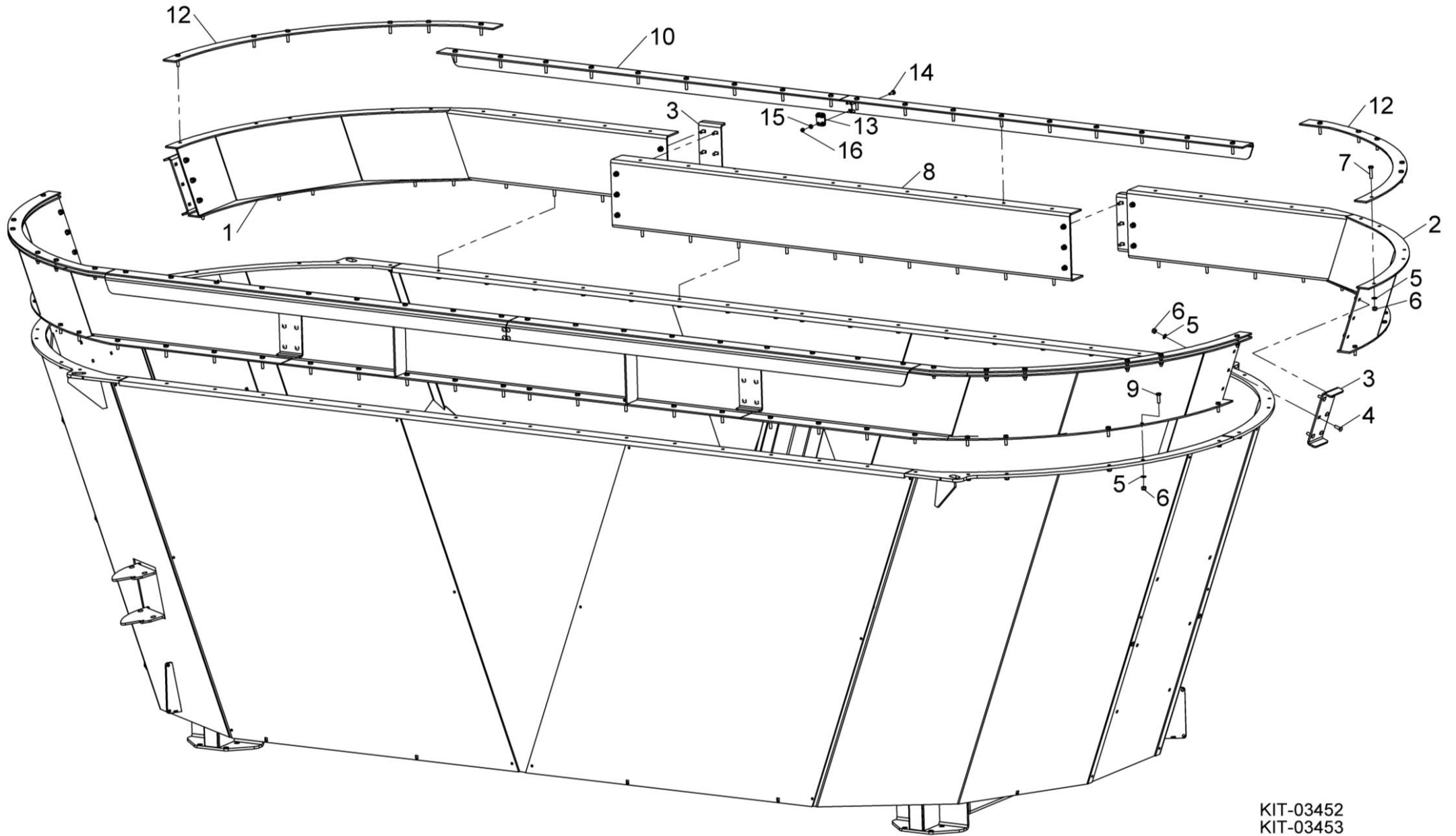


KIT-03452
KIT-03453



Shelbourne Reynolds Engineering Limited

| ASSY NUMBER: KIT-03453 | | | | ASSY DESCRIPTION: 600mm EXTENSION KIT | | | |
|------------------------|-----------|-------------------------------|-----|---------------------------------------|---------|-------------|-----|
| ITEM | PART NO | DESCRIPTION | QTY | ITEM | PART NO | DESCRIPTION | QTY |
| 1 | 613278 01 | 8-12m CU EXTENSION LH (600mm) | 2 | | | | |
| 2 | 613278 02 | 8-12m CU EXTENSION RH (600mm) | 2 | | | | |
| 3 | 613273 01 | SIDE CLAMP PLATE | 6 | | | | |
| 4 | BLT-3750 | COACH BOLT | 36 | | | | |
| 5 | WSH-0015 | PLAIN WASHER | 208 | | | | |
| 6 | NUT-0265 | NYLOC NUT | 152 | | | | |
| 7 | HSS-0198 | SET SCREW | 24 | | | | |
| 8 | 613729 01 | 600mm EXTENSION SIDE | 2 | | | | |
| 9 | BLTA10290 | HEX.HEAD BOLT | 92 | | | | |
| 10 | 614946 01 | STRAIGHT CLAMP STRIP LH | 2 | | | | |
| 11 | 614946 02 | STRAIGHT CLAMP STRIP RH | 2 | | | | |
| 12 | 612817 01 | CORNER CLAMP STRIP | 4 | | | | |
| 13 | 614947 01 | CTR CLAMP PLATE | 2 | | | | |
| 14 | BLT-2700 | BOLT | 8 | | | | |
| 15 | WSH-0012 | PLAIN WASHER | 8 | | | | |
| 16 | NUT-0263 | NYLOC NUT | 8 | | | | |

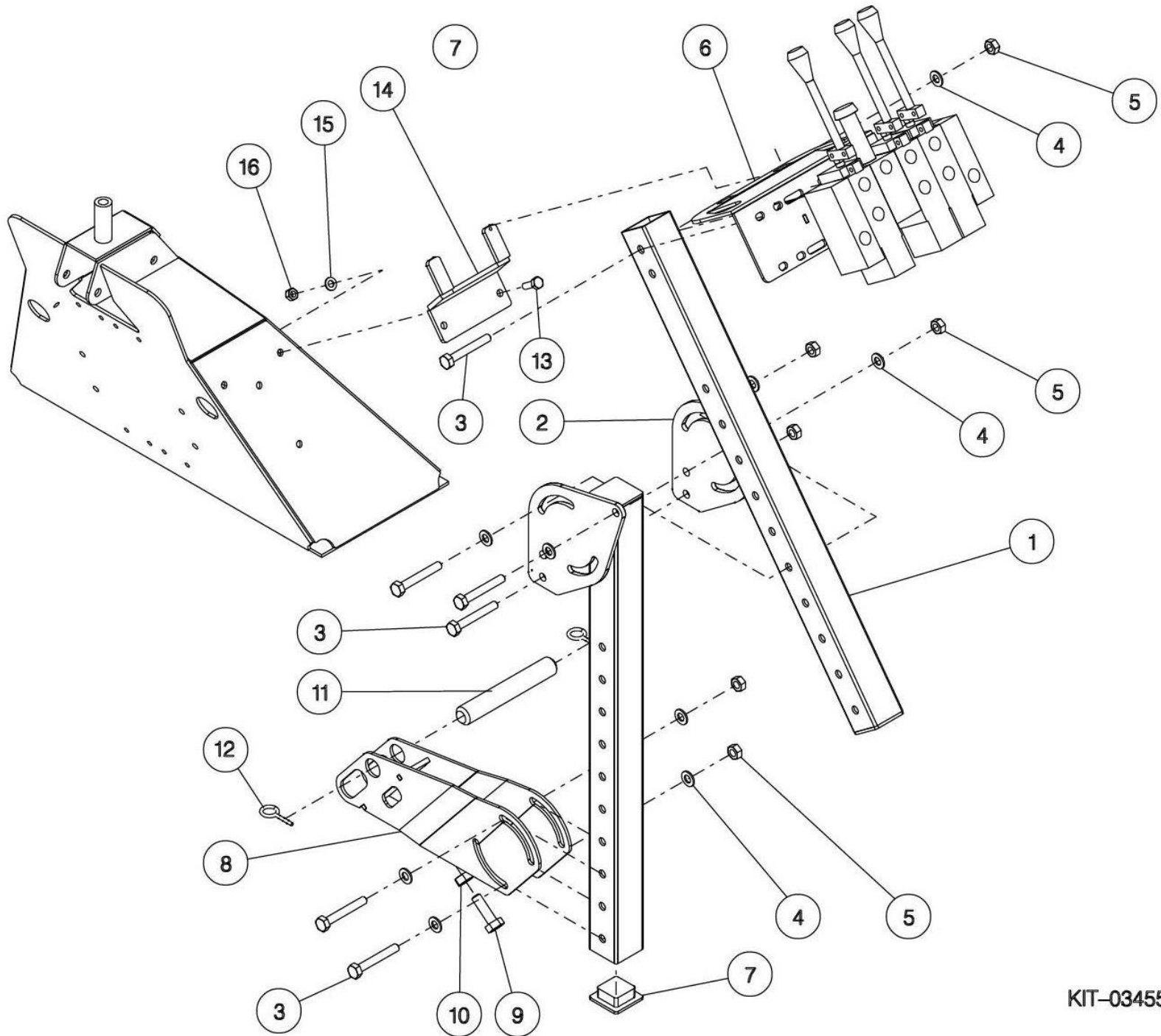


KIT-03452
KIT-03453



Shelbourne Reynolds Engineering Limited

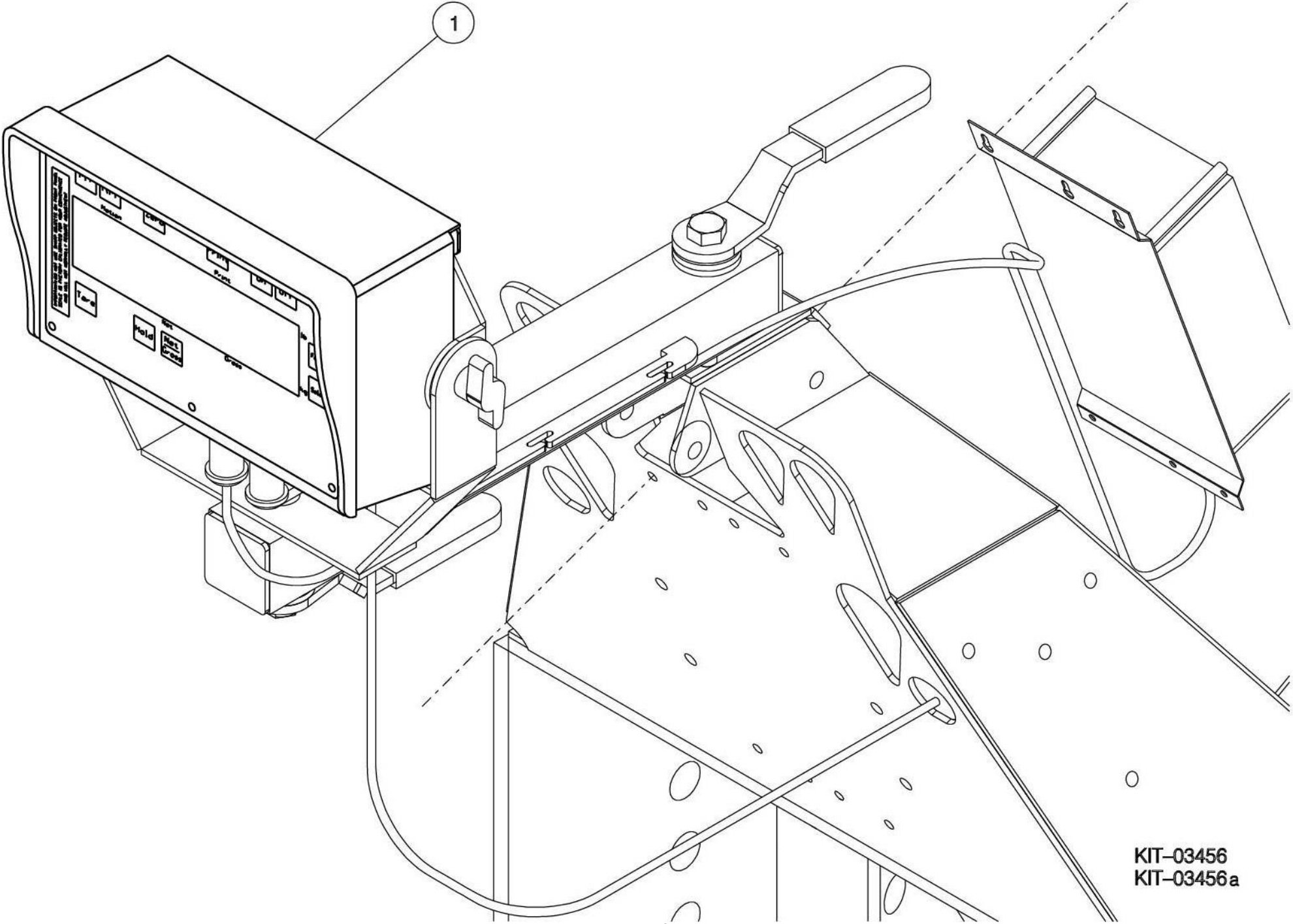
| ASSY NUMBER: KIT-03455 | | | | ASSY DESCRIPTION: TRACTOR MOUNTED SPOOL VALVE KIT | | | |
|------------------------|-----------|----------------------|-----|---------------------------------------------------|---------|-------------|-----|
| ITEM | PART NO | DESCRIPTION | QTY | ITEM | PART NO | DESCRIPTION | QTY |
| 1 | 613542 01 | SUPPORT ARM | 2 | | | | |
| 2 | 613545 01 | VALVE ADJUSTER PLATE | 2 | | | | |
| 3 | BLTA10500 | BOLT | 9 | | | | |
| 4 | WSH-0015 | PLAIN WASHER | 13 | | | | |
| 5 | NUT-0265 | NYLOC NUT | 9 | | | | |
| 6 | 613547 01 | VALVE MTG BRKT | 1 | | | | |
| 7 | CAP-0012 | END CAP | 3 | | | | |
| 8 | 613982 01 | SUPPORT ARM | 1 | | | | |
| 9 | HSS-0250 | SET SCREW | 1 | | | | |
| 10 | NUT-0170 | PLAIN NUT | 1 | | | | |
| 11 | 611680 01 | PIN | 1 | | | | |
| 12 | PIN-01950 | LYNCH PIN | 2 | | | | |
| 13 | HSS-0145 | SET SCREW | 2 | | | | |
| 14 | 613771 01 | DOCKING BRKT | 1 | | | | |
| 15 | WSH-0012 | PLAIN WASHER | 2 | | | | |
| 16 | NUT-0263 | NYLOC NUT | 2 | | | | |



KIT-03455

Shelbourne Reynolds Engineering Limited

| ASSY NUMBER: KIT-03456 | | | | ASSY DESCRIPTION: BASIC EZ2000V INDICATOR KIT | | | |
|------------------------|-----------|-------------------|-----|-----------------------------------------------|---------|-------------|-----|
| ITEM | PART NO | DESCRIPTION | QTY | ITEM | PART NO | DESCRIPTION | QTY |
| 1 | LCL-01217 | EZ2000V INDICATOR | 1 | | | | |



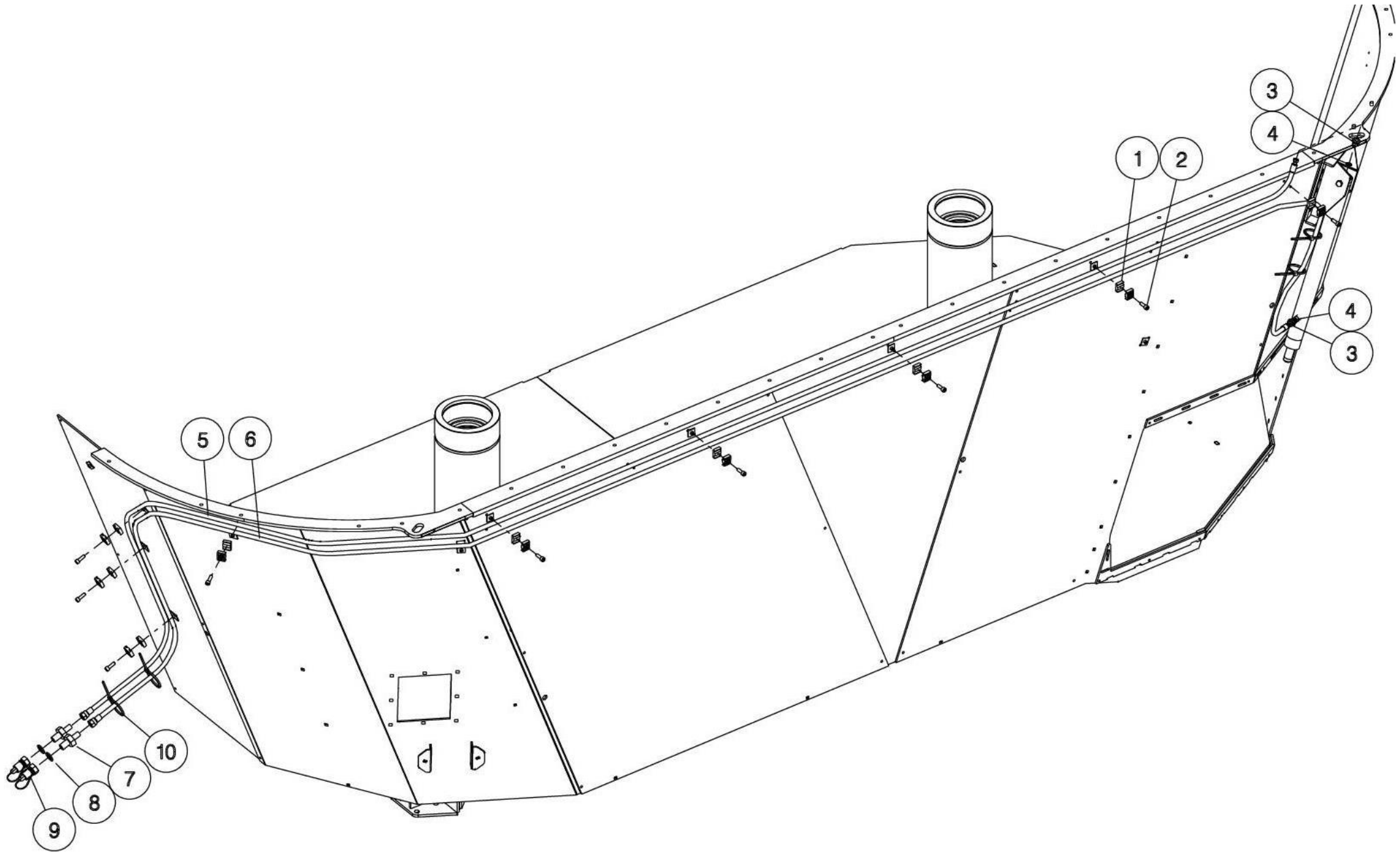
KIT-03456
KIT-03456a

Shelbourne Reynolds Engineering Limited

| ASSY NUMBER: KIT-03456a | | | | ASSY DESCRIPTION: BASIC EZ2000V INDICATOR KIT | | | |
|-------------------------|-----------|-----------------------------------------------|-----|-----------------------------------------------|---------|-------------|-----|
| ITEM | PART NO | DESCRIPTION | QTY | ITEM | PART NO | DESCRIPTION | QTY |
| 1 | LCL-01217 | EZ2000V INDICATOR WITH REMOTE DISPLAY PORT | 1 | | | | |

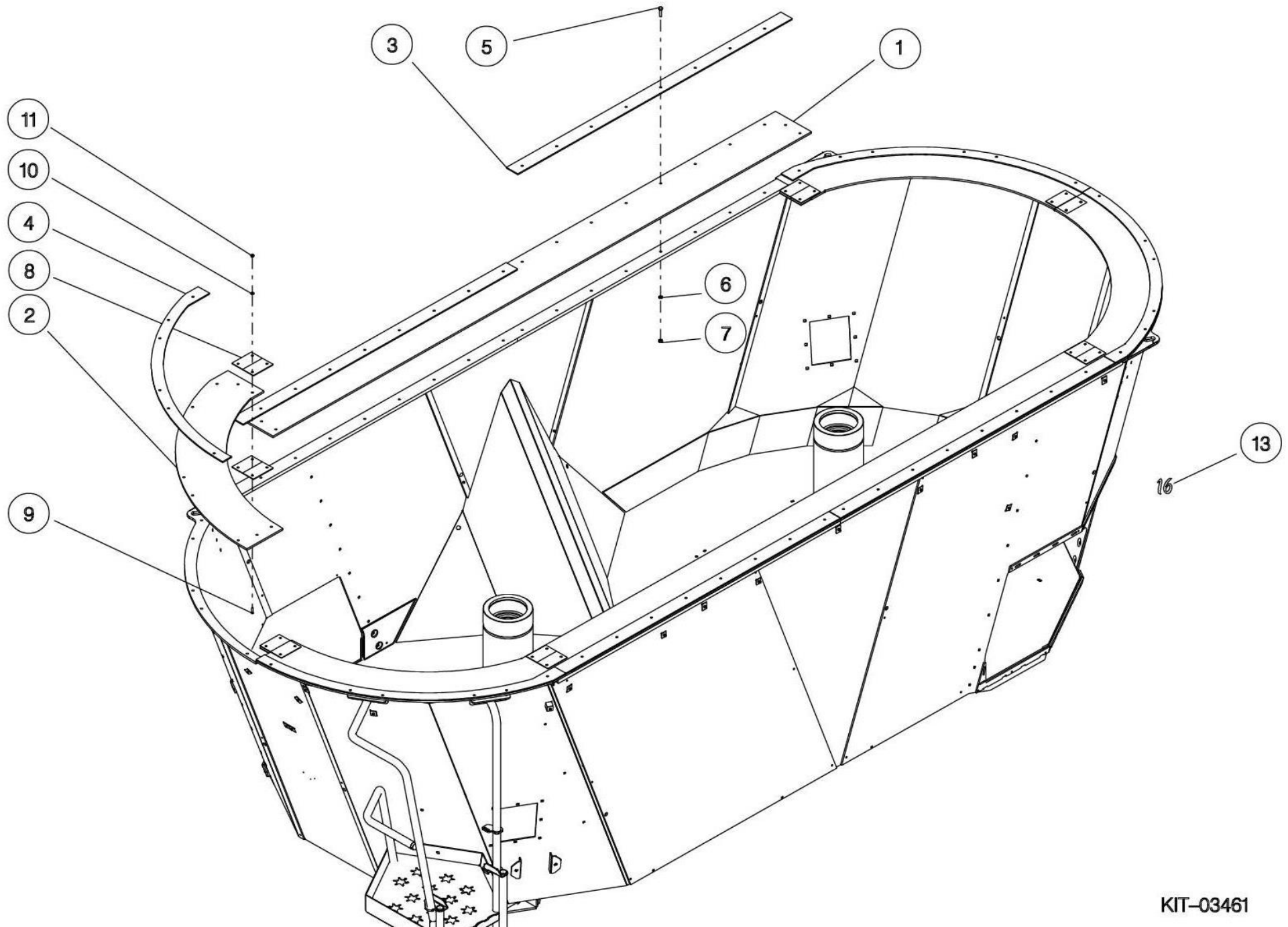
Shelbourne Reynolds Engineering Limited

| ASSY NUMBER: KIT-03460 | | | | ASSY DESCRIPTION: DIRECT COUPLED LH DOOR HYD KIT TWINPOP | | | |
|------------------------|-----------|--------------------|-----|----------------------------------------------------------|---------|-------------|-----|
| ITEM | PART NO | DESCRIPTION | QTY | ITEM | PART NO | DESCRIPTION | QTY |
| 1 | HCPD01200 | PIPE CLAMP | 9 | | | | |
| 2 | SCW-0083 | CP HD SCREW | 9 | | | | |
| 3 | HMA-0052 | M/M ADAPTOR | 2 | | | | |
| 4 | WSH-1005 | DOWTY WASHER | 2 | | | | |
| 5 | HHBC90005 | HOSE ASSY | 1 | | | | |
| 6 | HHBC96005 | HOSE ASSY | 1 | | | | |
| 7 | HMA-0055 | M/M ADAPTOR | 2 | | | | |
| 8 | WSH-1015 | DOWTY WASHER | 2 | | | | |
| 9 | COU-0162 | QUICK REL COUPLING | 2 | | | | |
| 10 | TIE-0004 | TIE WRAP | 6 | | | | |



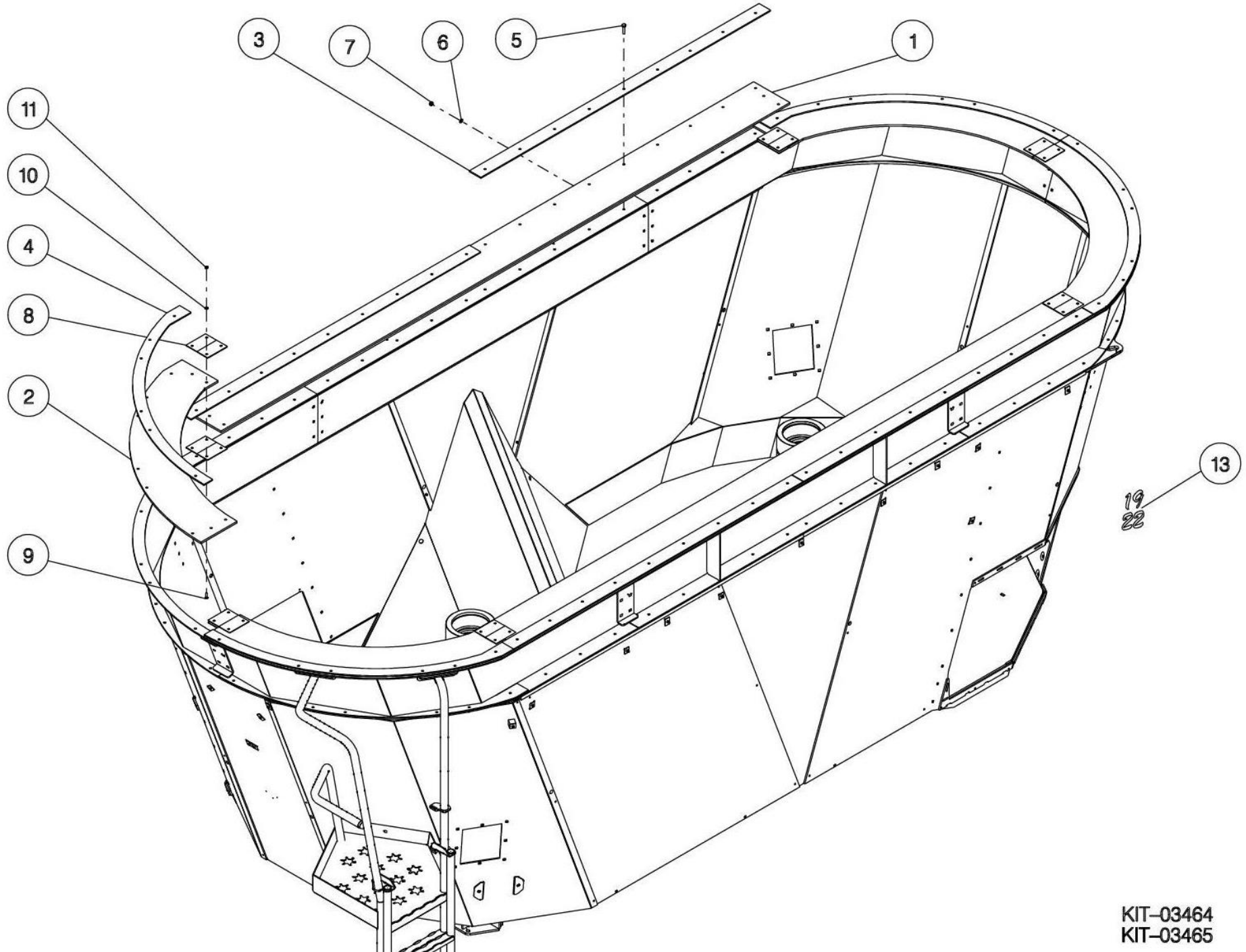
Shelbourne Reynolds Engineering Limited

| ASSY NUMBER: KIT-03461 | | | | ASSY DESCRIPTION: 16m CU RUBBER RETAINING | | | |
|------------------------|-----------|-----------------------|-----|-------------------------------------------|---------|-------------|-----|
| ITEM | PART NO | DESCRIPTION | QTY | ITEM | PART NO | DESCRIPTION | QTY |
| 1 | 613824 01 | SIDE RUBBER SECTION | 2 | | | | |
| 2 | 610982 01 | CORNER RUBBER SECTION | 4 | | | | |
| 3 | 613825 01 | STRAIGHT CLAMP STRIP | 4 | | | | |
| 4 | 612817 01 | CORNER CLAMP STRIP | 4 | | | | |
| 5 | BLTA10290 | HEX.HEAD BOLT | 56 | | | | |
| 6 | WSH-0015 | WASHER | 56 | | | | |
| 7 | NUT-0265 | NUT | 56 | | | | |
| 8 | 611051 01 | CLAMP STRIP | 12 | | | | |
| 9 | BLT-2700 | BOLT | 24 | | | | |
| 10 | WSH-0012 | WASHER | 24 | | | | |
| 11 | NUT-0263 | NUT | 24 | | | | |
| 13 | 615457 01 | SIZE TRANSFER- 16 | 2 | | | | |



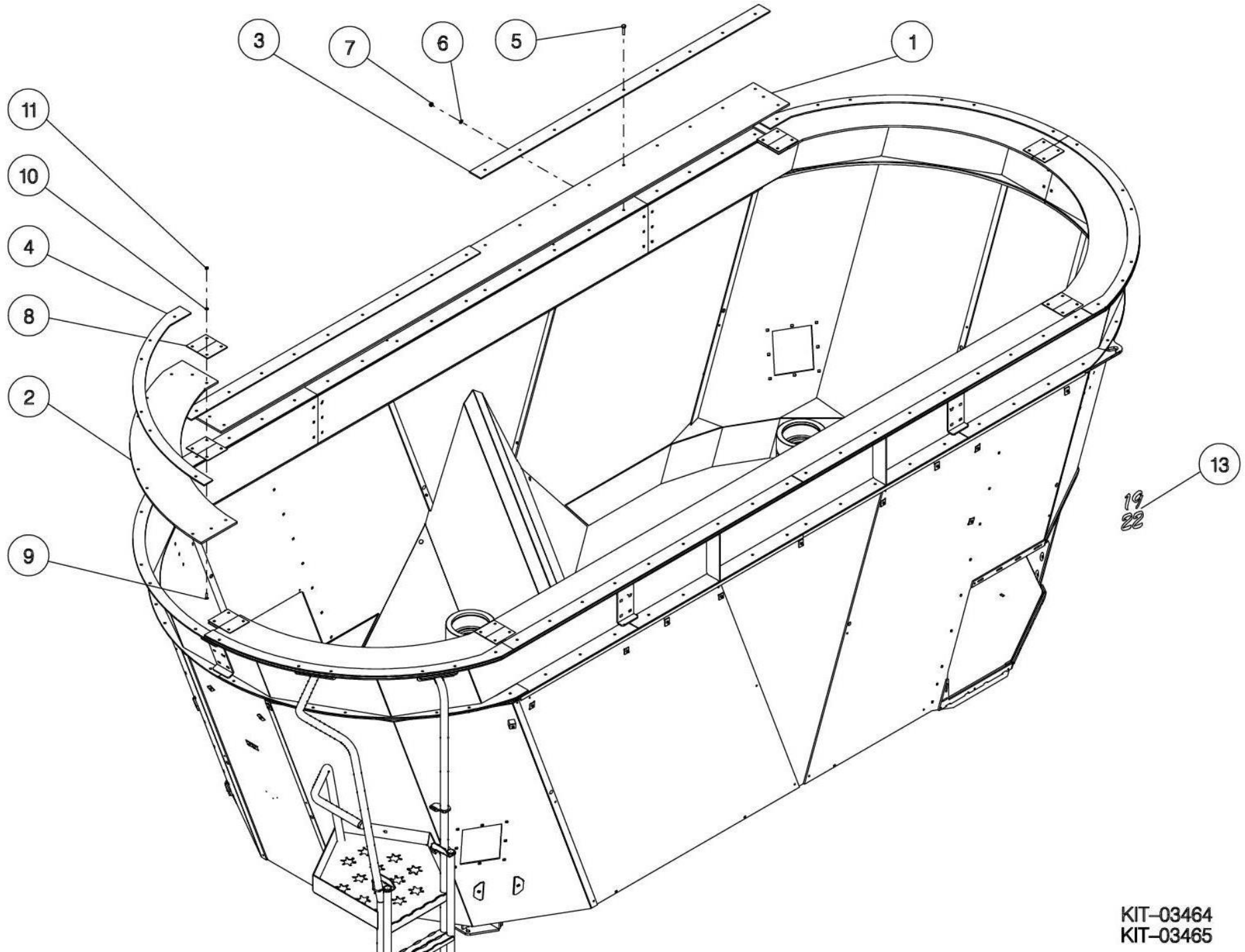
Shelbourne Reynolds Engineering Limited

| ASSY NUMBER: KIT-03464 | | | | ASSY DESCRIPTION: 19m ³ TWIN TUB RUBBER RETAINING KIT | | | |
|------------------------|-----------|-------------------------|-----|------------------------------------------------------------------|---------|-------------|-----|
| ITEM | PART NO | DESCRIPTION | QTY | ITEM | PART NO | DESCRIPTION | QTY |
| 1 | 613832 01 | STRAIGHT RUBBER SECTION | 2 | | | | |
| 2 | 610982 01 | CORNER RUBBER SECTION | 4 | | | | |
| 3 | 613833 01 | STRAIGHT CLAMP STRIP | 4 | | | | |
| 4 | 612817 01 | CORNER CLAMP STRIP | 4 | | | | |
| 5 | BLTA10290 | SETSCREW | 60 | | | | |
| 6 | WSH-0015 | WASHER | 60 | | | | |
| 7 | NUT-0265 | NUT | 60 | | | | |
| 8 | 611051 01 | CLAMP STRIP | 12 | | | | |
| 9 | BLT-2700 | COACHBOLT | 24 | | | | |
| 10 | WSH-0012 | WASHER | 24 | | | | |
| 11 | NUT-0263 | NUT | 24 | | | | |
| 12 | | | | | | | |
| 13 | 613879 05 | TRANSFER No 19 | 2 | | | | |



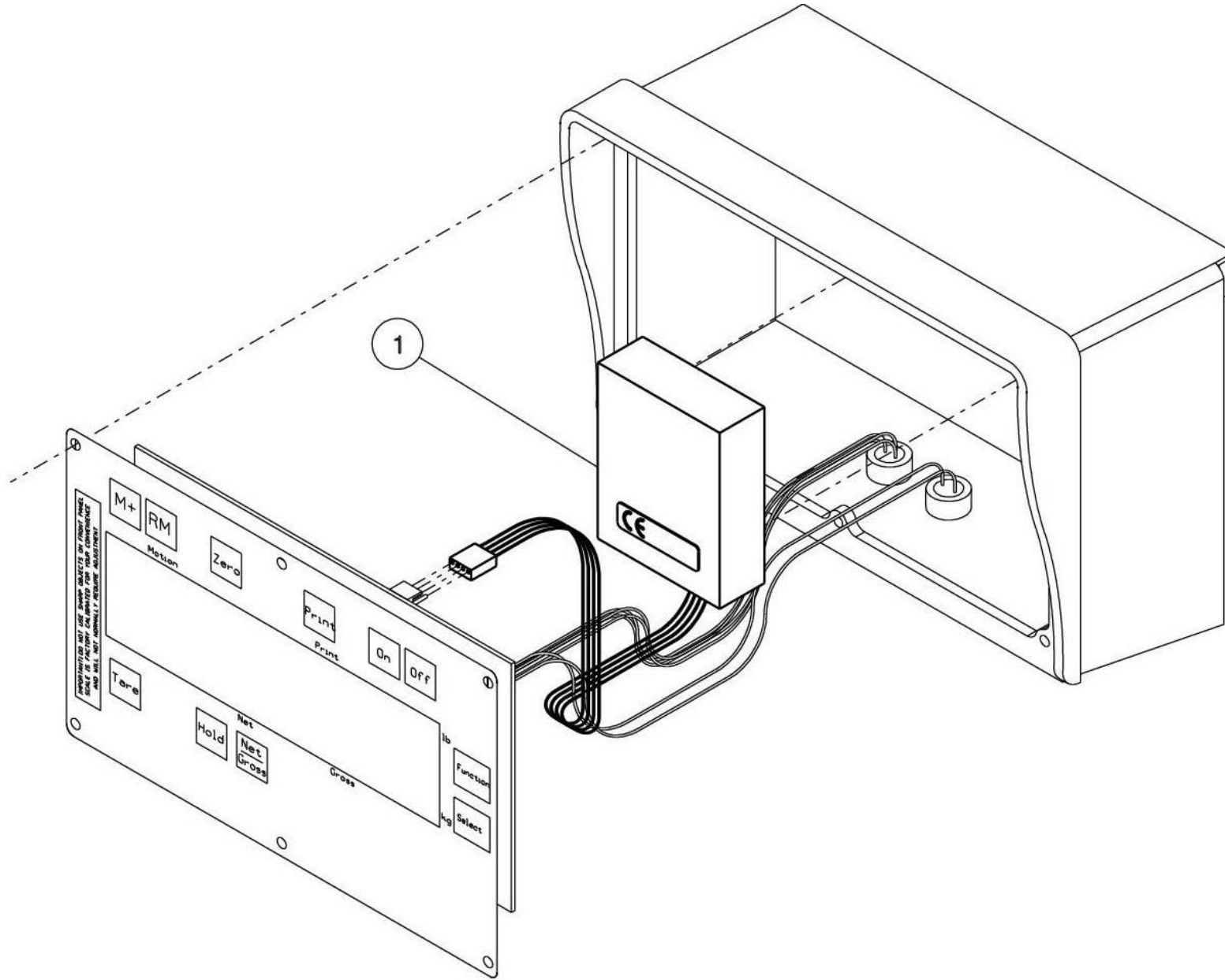
Shelbourne Reynolds Engineering Limited

| ASSY NUMBER: KIT-03465 | | | | ASSY DESCRIPTION: 22m ³ TWIN TUB RUBBER RETAINING KIT | | | |
|------------------------|-----------|-------------------------|-----|------------------------------------------------------------------|---------|-------------|-----|
| ITEM | PART NO | DESCRIPTION | QTY | ITEM | PART NO | DESCRIPTION | QTY |
| 1 | 613835 01 | STRAIGHT RUBBER SECTION | 2 | | | | |
| 2 | 610982 01 | CORNER RUBBER SECTION | 4 | | | | |
| 3 | 613840 01 | STRAIGHT CLAMP STRIP | 4 | | | | |
| 4 | 612817 01 | CORNER CLAMP STRIP | 4 | | | | |
| 5 | BLTA10290 | SETSCREW | 60 | | | | |
| 6 | WSH-0015 | WASHER | 60 | | | | |
| 7 | NUT-0265 | NUT | 60 | | | | |
| 8 | 611051 01 | CLAMP STRIP | 12 | | | | |
| 9 | BLT-2700 | COACHBOLT | 24 | | | | |
| 10 | WSH-0012 | WASHER | 24 | | | | |
| 11 | NUT-0263 | NUT | 24 | | | | |
| 12 | | | | | | | |
| 13 | 613879 06 | TRANSFER No 22 | 2 | | | | |



Shelbourne Reynolds Engineering Limited

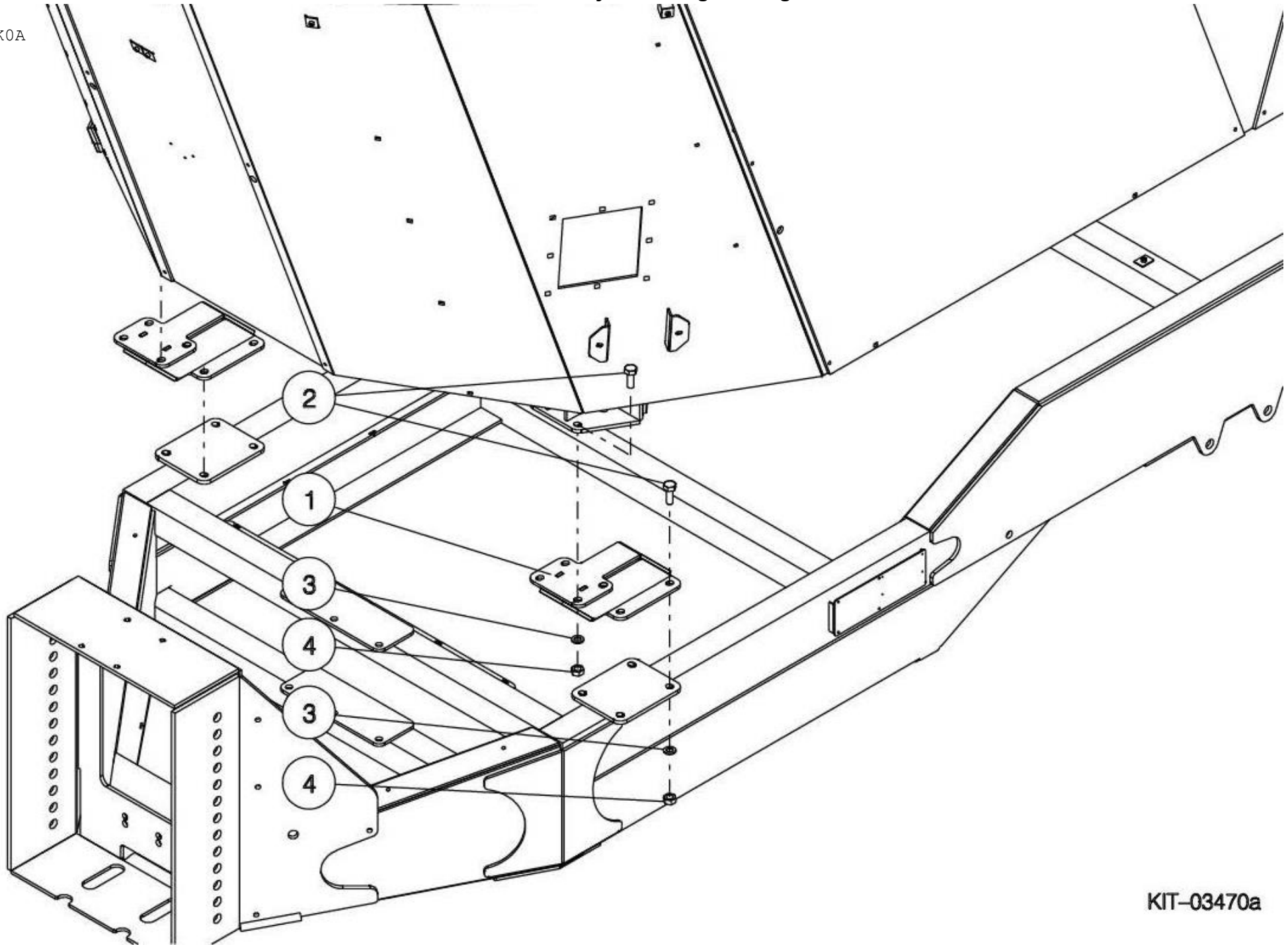
| ASSY NUMBER: KIT-03467 | | | | ASSY DESCRIPTION: REMOTE ZERO FUNCTION KIT | | | |
|------------------------|-----------|----------------------|-----|--------------------------------------------|---------|-------------|-----|
| ITEM | PART NO | DESCRIPTION | QTY | ITEM | PART NO | DESCRIPTION | QTY |
| 1 | LCL-01226 | REMOTE ZERO FUNCTION | 1 | | | | |



Shelbourne Reynolds Engineering Limited

| ASSY NUMBER: KIT-03470a | | | | ASSY DESCRIPTION: DUMMY WEIGH CELL KIT (TWIN AUGER)) | | | |
|-------------------------|-----------|----------------|-----|------------------------------------------------------|---------|-------------|-----|
| ITEM | PART NO | DESCRIPTION | QTY | ITEM | PART NO | DESCRIPTION | QTY |
| 1 | 613868 01 | DUMMY LOADCELL | 4 | | | | |
| 2 | HSS-0317 | SETSCREW | 32 | | | | |
| 3 | WSH-0024 | WASHER | 32 | | | | |
| 4 | NUT-0271 | NUT | 32 | | | | |

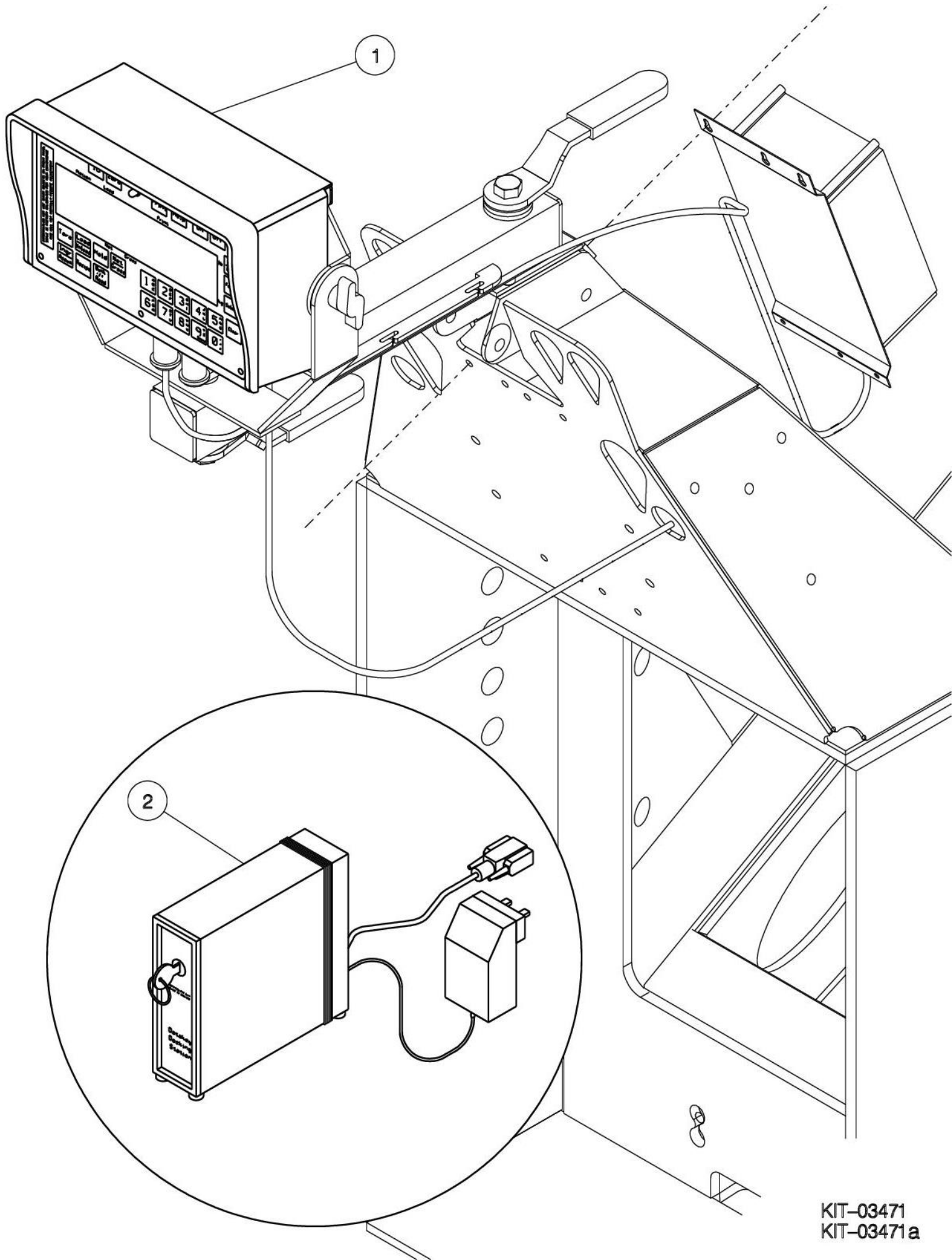
K0A



KIT-03470a

Shelbourne Reynolds Engineering Limited

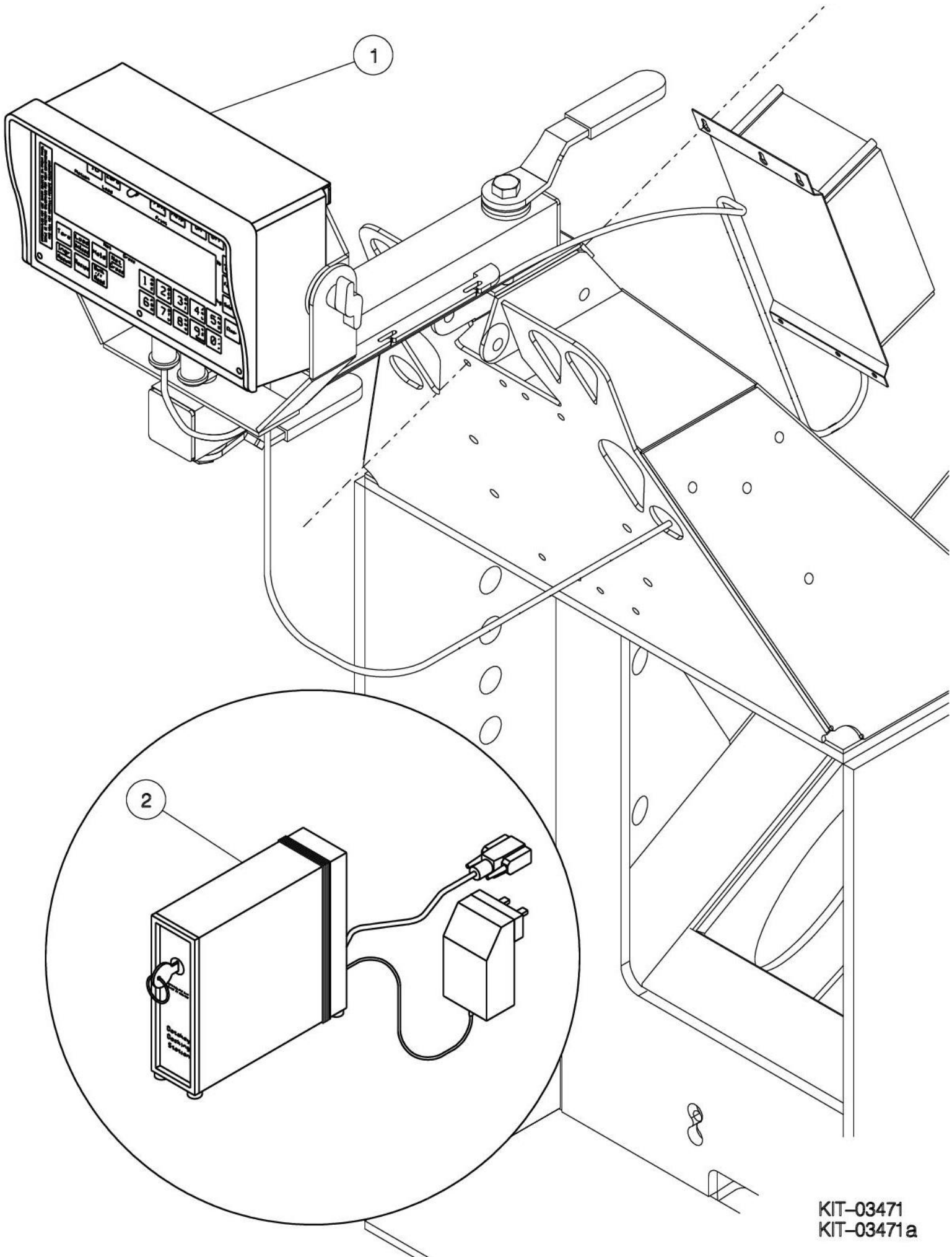
| ASSY NUMBER: KIT-03471 | | | | ASSY DESCRIPTION: TOP LEVEL EZ3500 INDICATOR KIT | | | |
|------------------------|-----------|--------------------------------------------------|-----|--------------------------------------------------|---------|-------------|-----|
| ITEM | PART NO | DESCRIPTION | QTY | ITEM | PART NO | DESCRIPTION | QTY |
| 1 | LCL-01218 | EZ3500 INDICATOR | 1 | | | | |
| 2 | LCL-01219 | SOFTWARE & DOCKING STATION WITH UK 3 PIN PLUG | 1 | | | | |



KIT-03471
KIT-03471a

Shelbourne Reynolds Engineering Limited

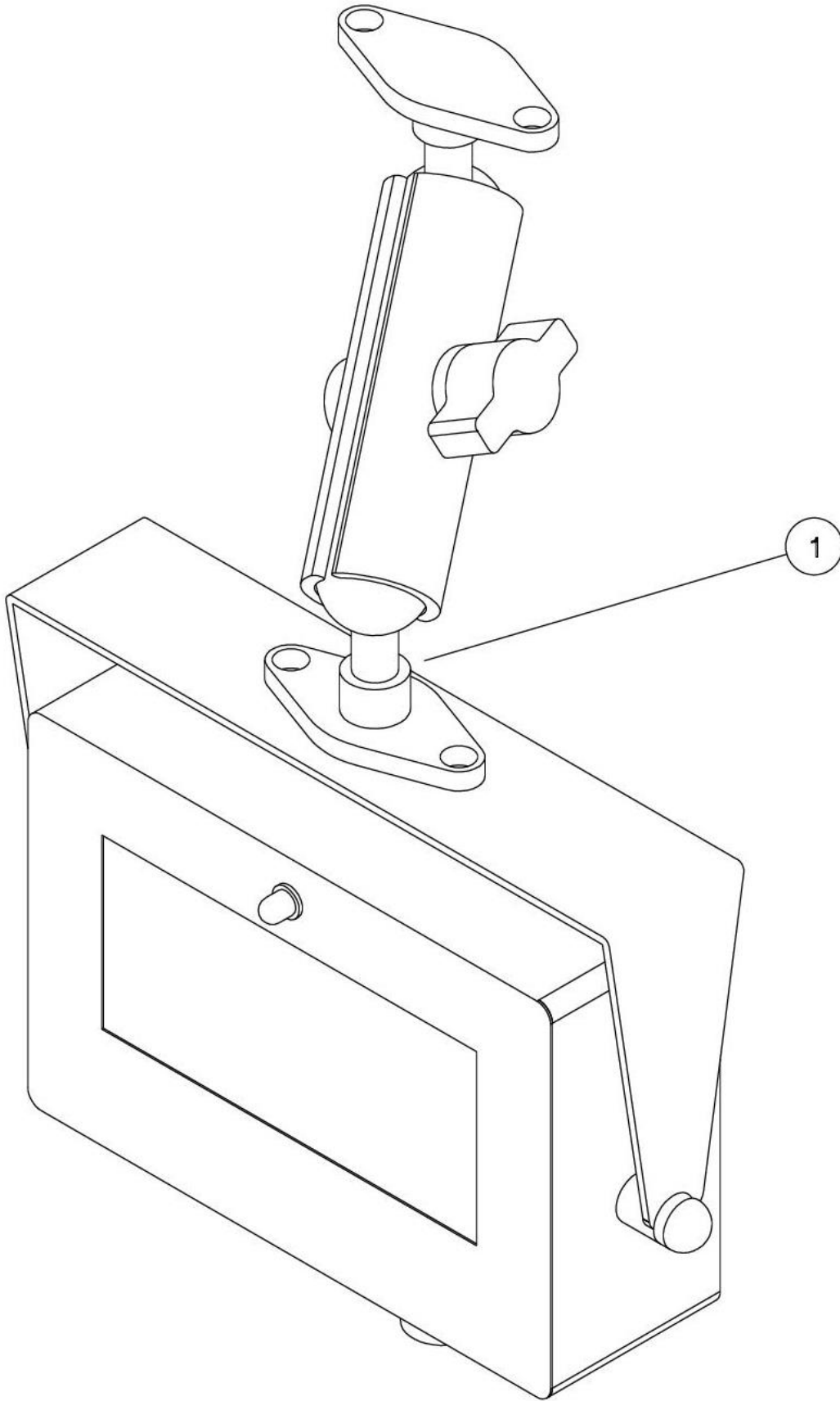
| ASSY NUMBER: KIT-03471a | | | | ASSY DESCRIPTION: TOP LEVEL EZ3500 INDICATOR KIT | | | |
|-------------------------|-----------|-----------------------------------------------------|-----|--------------------------------------------------|---------|-------------|-----|
| ITEM | PART NO | DESCRIPTION | QTY | ITEM | PART NO | DESCRIPTION | QTY |
| 1 | LCL-01218 | EZ3500 INDICATOR | 1 | | | | |
| 2 | LCL-01219 | SOFTWARE & DOCKING STATION WITH CONTINENTAL PLUG | 1 | | | | |



KIT-03471
KIT-03471a

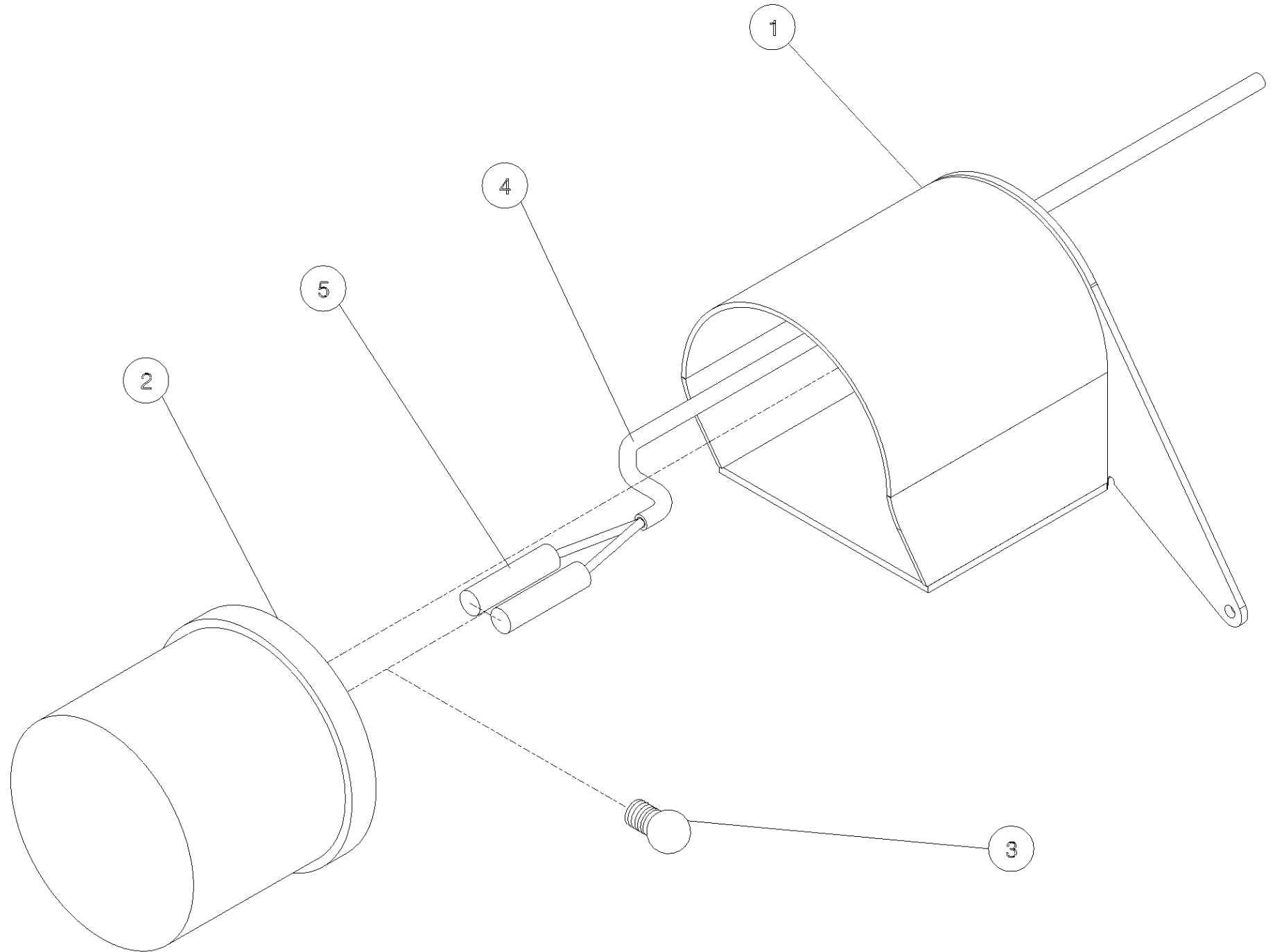
Shelbourne Reynolds Engineering Limited

| ASSY NUMBER: KIT-03478 | | | | ASSY DESCRIPTION: RD100 DISPLAY KIT | | | |
|------------------------|-----------|----------------------|-----|-------------------------------------|---------|-------------|-----|
| ITEM | PART NO | DESCRIPTION | QTY | ITEM | PART NO | DESCRIPTION | QTY |
| 1 | LCL-01227 | RD100 REMOTE DISPLAY | 1 | | | | |



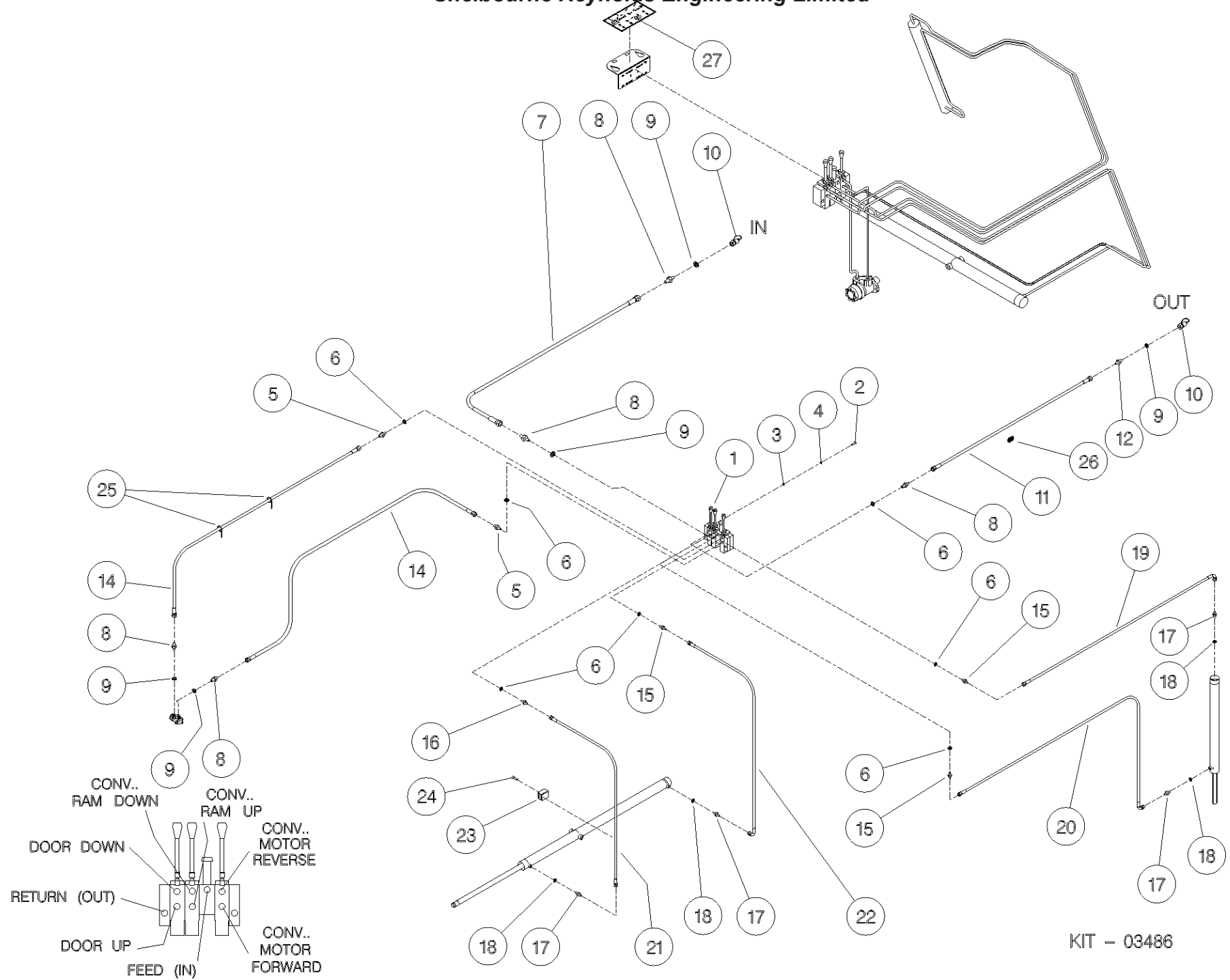
Shelbourne Reynolds Engineering Limited

| ASSY NUMBER: KIT-03483 | | | | ASSY DESCRIPTION: FLASHING LIGHT KIT | | | |
|------------------------|-----------|-----------------------------|------|--------------------------------------|---------|-------------|-----|
| ITEM | PART NO | DESCRIPTION | QTY | ITEM | PART NO | DESCRIPTION | QTY |
| 1 | 613940 01 | LIGHT BRACKET | 1 | | | | |
| 2 | LMP-10502 | INDICATOR LAMP | 1 | | | | |
| 3 | BLB-0015 | BULB (21W, 12V SINGLE POLE) | 1 | | | | |
| 4 | CBL-03010 | CABLE (2 CORE) | 3.0m | | | | |
| 5 | ETM-00630 | ELEC BUTT TERMINAL | 2 | | | | |



Shelbourne Reynolds Engineering Limited

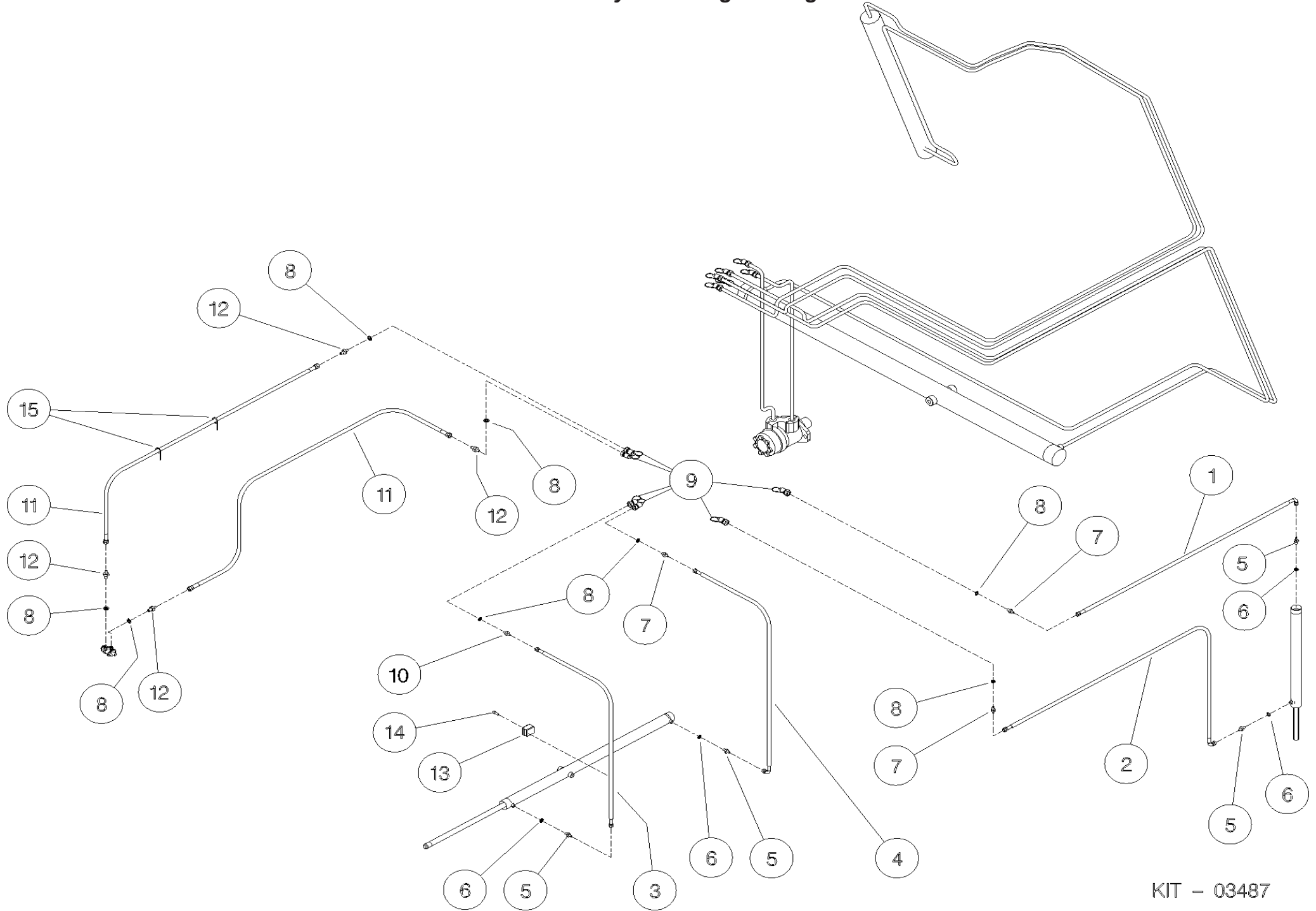
| ASSY NUMBER: KIT-03486 | | | | ASSY DESCRIPTION: MANUAL SPOOL VALVE KIT, CHAIN AND SLAT | | | |
|------------------------|-----------|-----------------------------|-----|----------------------------------------------------------|---------|-------------|-----|
| ITEM | PART NO | DESCRIPTION | QTY | ITEM | PART NO | DESCRIPTION | QTY |
| 1 | HVB-09045 | MANUAL SPOOL VALVE ASSEMBLY | 1 | | | | |
| 2 | HSS-0135 | SETSCREW | 4 | | | | |
| 3 | WSH-0012 | WASHER | 4 | | | | |
| 4 | WSH-0058 | WASHER | 4 | | | | |
| 5 | HMA-0057 | HYD ADAPTOR | 2 | | | | |
| 6 | WSH-1010 | DOWTY WASHER | 7 | | | | |
| 7 | HHAE16005 | 3/8" HYD HOSE ASSY | 1 | | | | |
| 8 | HMA-0065 | HYD ADAPTOR | 5 | | | | |
| 9 | WSH-1015 | DOWTY WASHER | 5 | | | | |
| 10 | COU-0162 | QUICK RELEASE COUPLING | 2 | | | | |
| 11 | HHAF16005 | HYDRAULIC HOSE ASSY | 1 | | | | |
| 12 | HMA-0067 | HYD ADAPTOR | 1 | | | | |
| 14 | HHDE45005 | HYD.HOSE ASSY | 2 | | | | |
| 15 | FIT-0025 | HYD FITTING | 3 | | | | |
| 16 | 190859 01 | HYD FITTING | 1 | | | | |
| 17 | HMA-0052 | HYD ADAPTOR | 4 | | | | |
| 18 | WSH-1005 | DOWTY WASHER | 4 | | | | |
| 19 | HHBC73005 | HYDRAULIC HOSE ASSY | 1 | | | | |
| 20 | HHBC79005 | HYDRAULIC HOSE ASSY | 1 | | | | |
| 21 | HHBC45005 | HYDRAULIC HOSE ASSY | 1 | | | | |
| 22 | HHBC47005 | HYDRAULIC HOSE ASSY | 1 | | | | |
| 23 | HCPD01200 | HYD.PIPE CLAMP | 5 | | | | |
| 24 | SCW-0083 | CAP HEAD SCREW | 5 | | | | |
| 25 | TIE-0006 | TIE WRAPS (LARGE) | 30 | | | | |
| 26 | 612230 01 | EMBLEM | 1 | | | | |
| 27 | 612236 01 | EMBLEM | 1 | | | K | |



Shelbourne Reynolds Engineering Limited

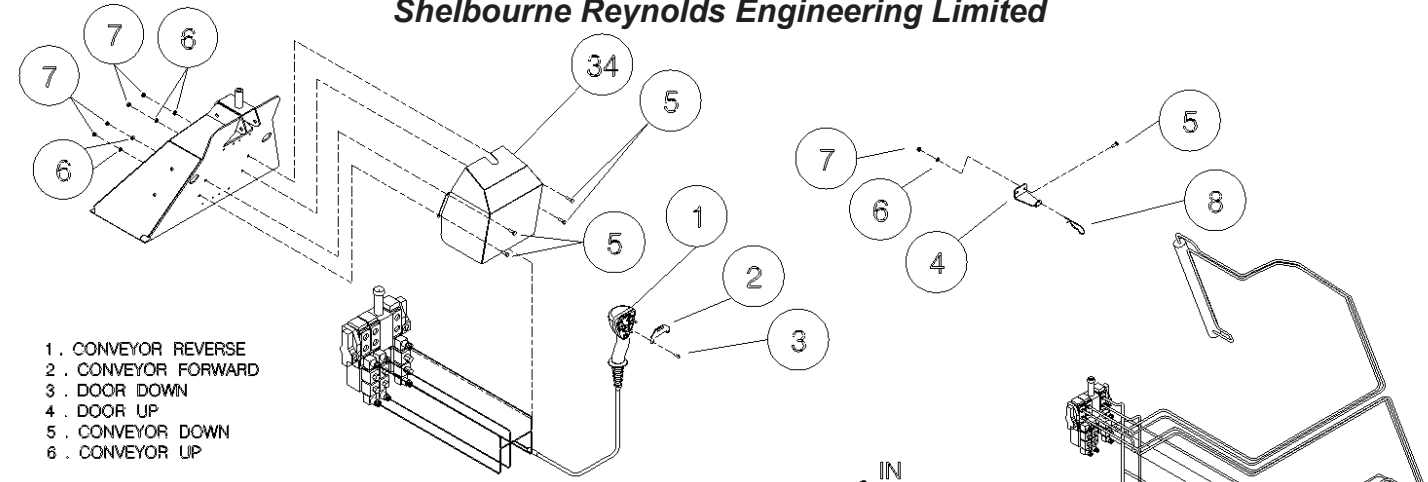
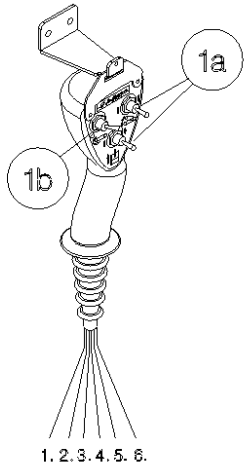
| ASSY NUMBER: KIT-03487 | | | | ASSY DESCRIPTION: DIRECT COUPLED HYD KIT | | | |
|------------------------|-----------|------------------------|-----|------------------------------------------|---------|-------------|-----|
| ITEM | PART NO | DESCRIPTION | QTY | ITEM | PART NO | DESCRIPTION | QTY |
| 1 | HHBC73005 | HYDRAULIC HOSE ASSY | 1 | | | | |
| 2 | HHBC79005 | HYDRAULIC HOSE ASSY | 1 | | | | |
| 3 | HHBC45005 | HYDRAULIC HOSE ASSY | 1 | | | | |
| 4 | HHBC47005 | HYDRAULIC HOSE ASSY | 1 | | | | |
| 5 | HMA-0052 | ADAPTOR MALE/MALE | 4 | | | | |
| 6 | WSH-1005 | DOWTY WASHER 1/4" | 4 | | | | |
| 7 | HMA-0055 | ADAPTOR MALE/MALE | 3 | | | | |
| 8 | WSH-1015 | DOWTY WASHER 1/2" | 8 | | | | |
| 9 | COU-0162 | QUICK RELEASE COUPLING | 6 | | | | |
| 10 | HAMAA0307 | HYD.RESTRICTOR FITTING | 1 | | | | |
| 11 | HHDE45005 | HYD.HOSE ASSY | 2 | | | | |
| 12 | HMA-0065 | ADAPTOR MALE/MALE | 4 | | | | |
| 13 | HCPD01200 | HYD.PIPE CLAMP | 5 | | | | |
| 14 | SCW-0083 | CAP HEAD SCREW | 5 | | | | |
| 15 | TIE-0004 | TIE WRAPS (MED) | 8 | | | | |

Shelbourne Reynolds Engineering Limited

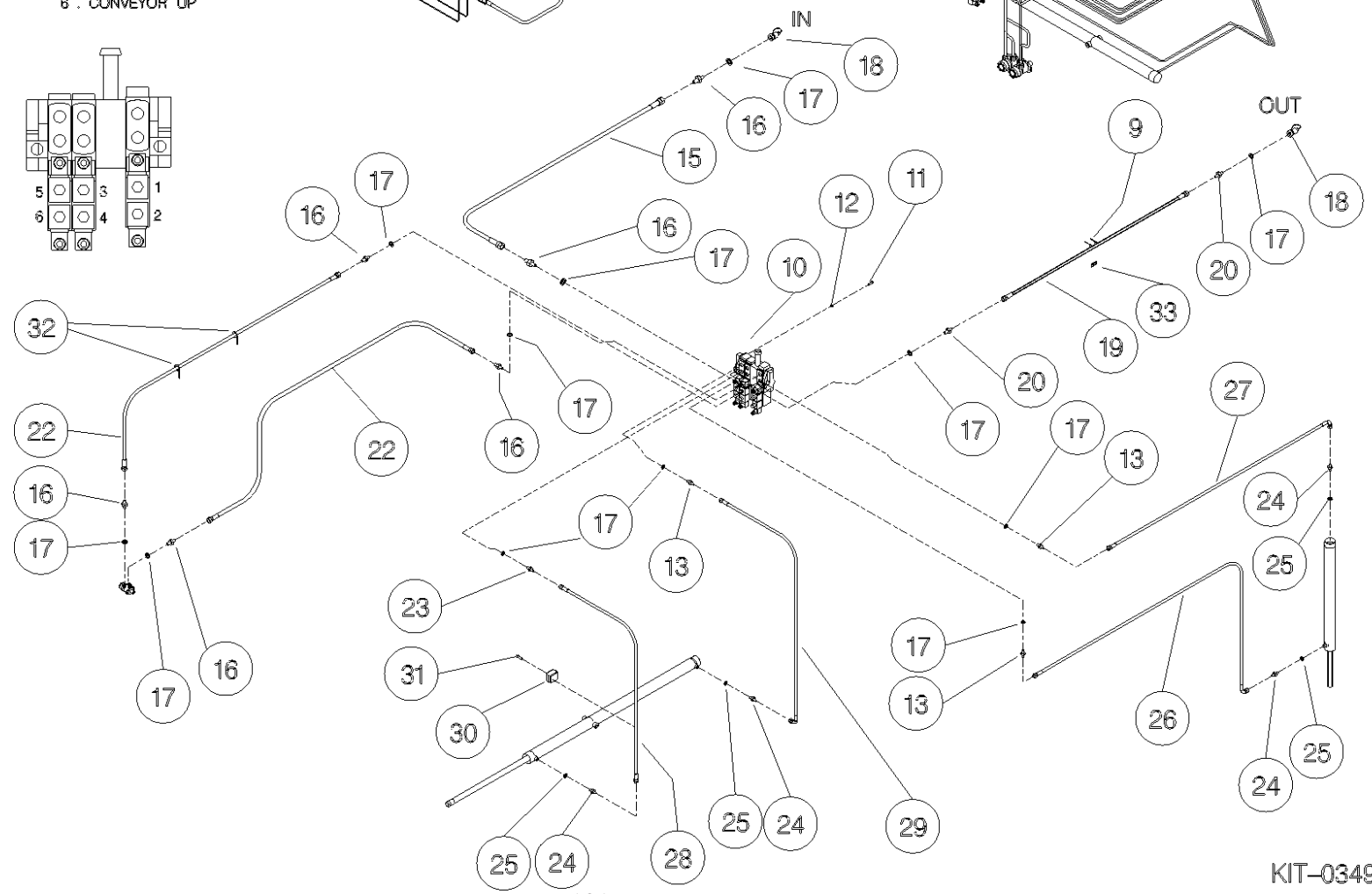
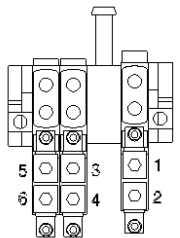


Shelbourne Reynolds Engineering Limited

| ASSY NUMBER: KIT-03492 | | | | ASSY DESCRIPTION: ELEC SOLENOID HYD KIT | | | |
|------------------------|-----------|-----------------------------|-----|-----------------------------------------|---------|-------------|-----|
| ITEM | PART NO | DESCRIPTION | QTY | ITEM | PART NO | DESCRIPTION | QTY |
| 1 | 611701 01 | HAND CONTROL UNIT AND LOOMS | 1 | | | | |
| 2 | 611681 01 | CONTROL. HANGER BRKT. | 1 | | | | |
| 3 | SCHS07176 | SELF TAPPING SCREW | 2 | | | | |
| 4 | 611682 01 | HOOK BRKT. | 1 | | | | |
| 5 | HSS-0086 | SET SCREW | 6 | | | | |
| 6 | WSH-0009 | WASHER | 6 | | | | |
| 7 | NUT-0260 | NUT | 6 | | | | |
| 8 | RCL-0015 | R CLIP | 2 | | | | |
| 9 | TIE-0002 | TIE WRAPS (SMALL, BLACK) | 4 | | | | |
| 10 | HVB-19020 | ELEC. MULTI SPOOL VALVE | 1 | | | | |
| 11 | HSS-0135 | SETSCREW | 4 | | | | |
| 12 | WSH-0058 | WASHER | 4 | | | | |
| 13 | HMA-0055 | HYD ADAPTOR | 3 | | | | |
| 15 | HHBE22005 | HYDRAULIC HOSE ASSY | 1 | | | | |
| 16 | HMA-0065 | HYD ADAPTOR | 6 | | | | |
| 17 | WSH-1015 | DOWTY WASHER | 12 | | | | |
| 18 | COU-0162 | QUICK RELEASE COUPLING | 2 | | | | |
| 19 | HHBF22005 | HYDRAULIC HOSE ASSY | 1 | | | | |
| 20 | HMA-0067 | HYD ADAPTOR | 2 | | | | |
| 21 | HHHE06005 | HYD HOSE ASSY | 1 | | | | |
| 22 | HHDE33005 | HYD HOSE ASSY | 2 | | | | |
| 23 | HAMAA0307 | HYD.RESTRICTOR FITTING | 1 | | | | |
| 24 | HMA-0052 | HYD ADAPTOR | 4 | | | | |
| 25 | WSH-1005 | DOWTY WASHER | 4 | | | | |
| 26 | HHBC66005 | HYDRAULIC HOSE ASSY | 1 | | | | |
| 27 | HHBC60005 | HYDRAULIC HOSE ASSY | 1 | | | | |
| 28 | HHBC32005 | HYDRAULIC HOSE ASSY. | 1 | | | | |
| 29 | HHBC34005 | HYDRAULIC HOSE ASSY | 1 | | | | |
| 30 | HCPD01200 | HYD.PIPE CLAMP | 5 | | | | |
| 31 | SCW-0083 | CAP HEAD SCREW | 5 | | | | |
| 32 | TIE-0004 | TIE WRAPS (MED) | 8 | | | | |
| 33 | 612230 01 | EMBLEM | 1 | | | | |
| 34 | 614133 01 | VALVE COVER | 1 | | | | |

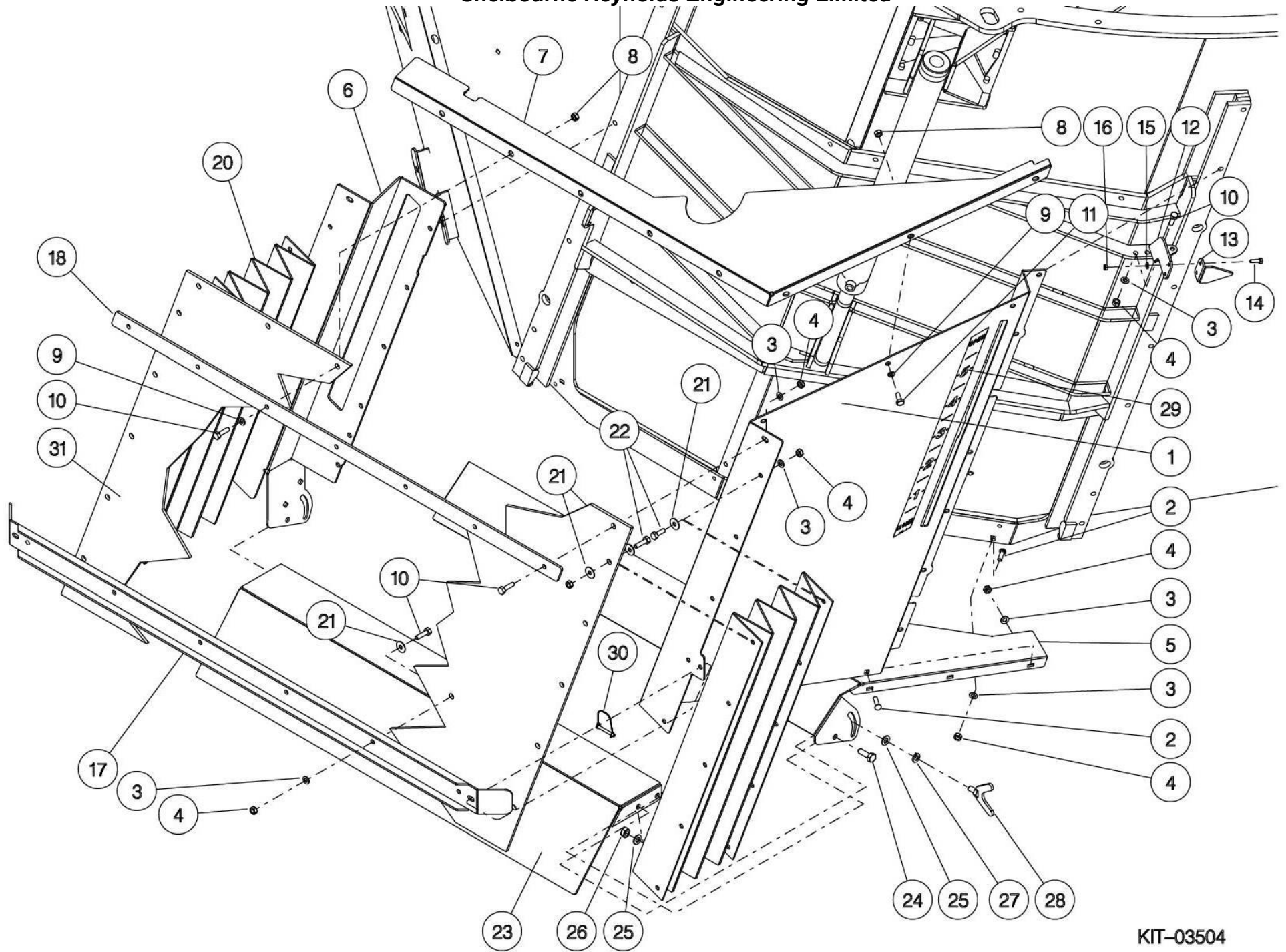


- 1. CONVEYOR REVERSE
- 2. CONVEYOR FORWARD
- 3. DOOR DOWN
- 4. DOOR UP
- 5. CONVEYOR DOWN
- 6. CONVEYOR UP



Shelbourne Reynolds Engineering Limited

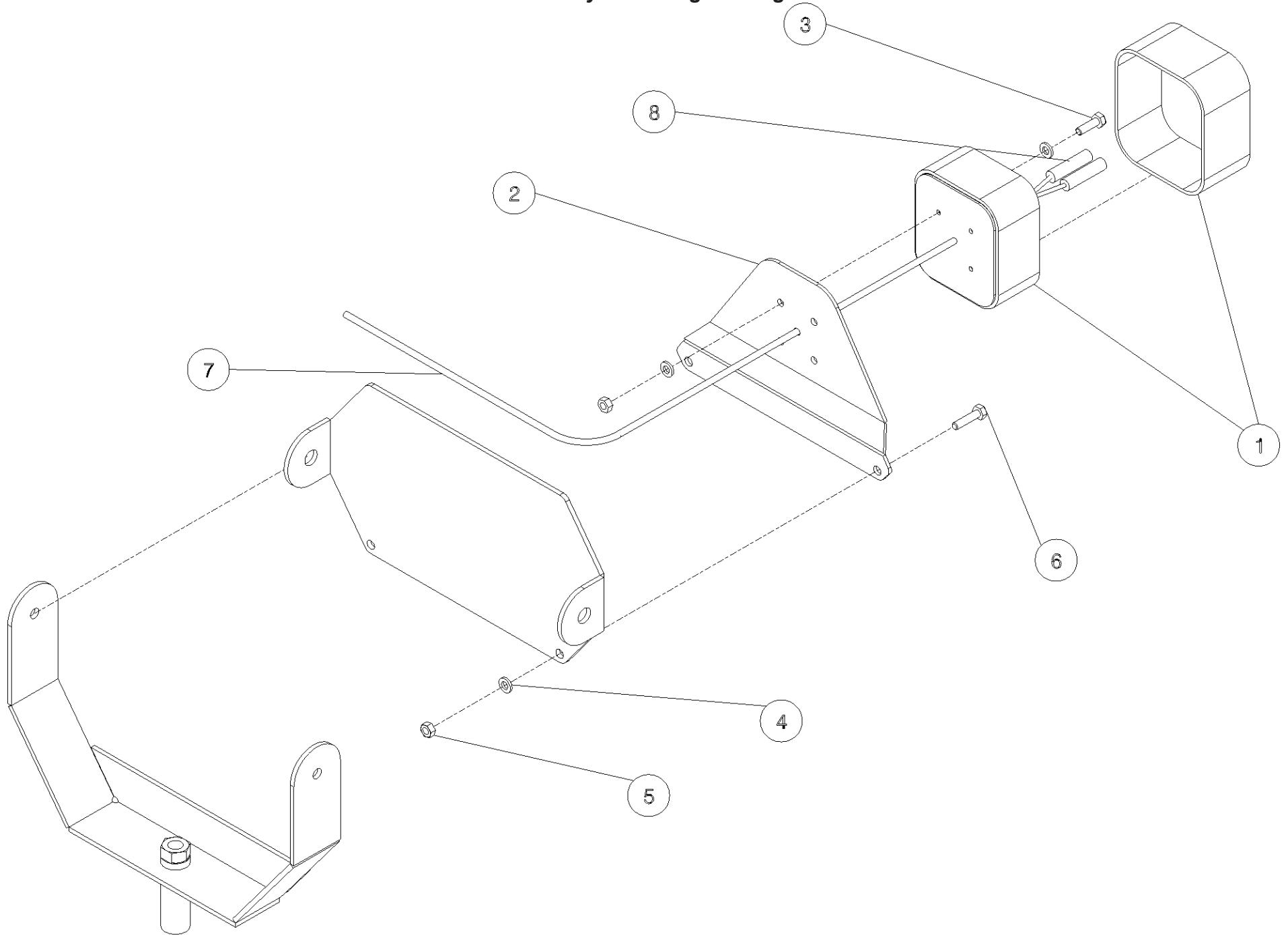
| ASSY NUMBER: KIT-03504 | | | | ASSY DESCRIPTION: RUBBER DOOR FLAP KIT (RH DOOR) | | | |
|------------------------|-----------|---------------------|-----|--------------------------------------------------|---------|-------------|-----|
| ITEM | PART NO | DESCRIPTION | QTY | ITEM | PART NO | DESCRIPTION | QTY |
| 1 | 614015 01 | SIDE PANEL | 1 | | | | |
| 2 | BLTF08173 | COACHBOLT | 8 | | | | |
| 3 | WSH-0012 | WASHER | 28 | | | | |
| 4 | NUT-0263 | NUT | 36 | | | | |
| 5 | 614169 01 | FIXED CHUTE | 1 | | | | |
| OR | 613987 01 | FIXED CHUTE | 1 | | | | |
| 6 | 614168 01 | SIDE PANEL | 1 | | | | |
| OR | 614016 01 | SIDE PANEL | 1 | | | | |
| 7 | 613986 01 | TOP CAPPING PLATE | 1 | | | | |
| 8 | NUTA13080 | NUTSERT | 8 | | | | |
| 9 | WSH-0058 | WASHER | 8 | | | | |
| 10 | HSS-0150 | SETSCREW | 15 | | | | |
| 11 | HSS-0140 | SETSCREW | 3 | | | | |
| 12 | 613991 01 | INDICATOR PLATE | 1 | | | | |
| 13 | 613786 01 | POINTER | 1 | | | | |
| 14 | HSS-0086 | SETSCREW | 2 | | | | |
| 15 | WSH-0009 | WASHER | 2 | | | | |
| 16 | NUT-0260 | NUT | 2 | | | | |
| 17 | 614017 01 | SAFETY BELT | 1 | | | | |
| 18 | 613992 01 | CLAMP PLATE | 1 | | | | |
| 19 | | | | | | | |
| 20 | 614004 01 | SIDE CURTAIN | 2 | | | | |
| 21 | WSH-1038 | WASHER | 32 | | | | |
| 22 | HSS-0145 | SETSCREW | 18 | | | | |
| 23 | 614170 01 | ADJUSTABLE CHUTE | 1 | | | | |
| OR | 613985 01 | ADJUSTABLE CHUTE | 1 | | | | |
| 24 | HSS-0191 | SETSCREW | 2 | | | | |
| 25 | WSH-0015 | WASHER | 4 | | | | |
| 26 | NUT-0265 | NUT | 2 | | | | |
| 27 | WSH-0061 | WASHER | 2 | | | | |
| 28 | 613995 01 | LOCKING HANDLE | 2 | | | | |
| 29 | 613779 01 | DECAL - DOOR HEIGHT | 1 | | | | |
| 30 | PIN-1720 | LYNCH PIN | 2 | | | | |
| 31 | 614018 01 | SAFETY FLAP | 1 | | | | |



KIT-03504

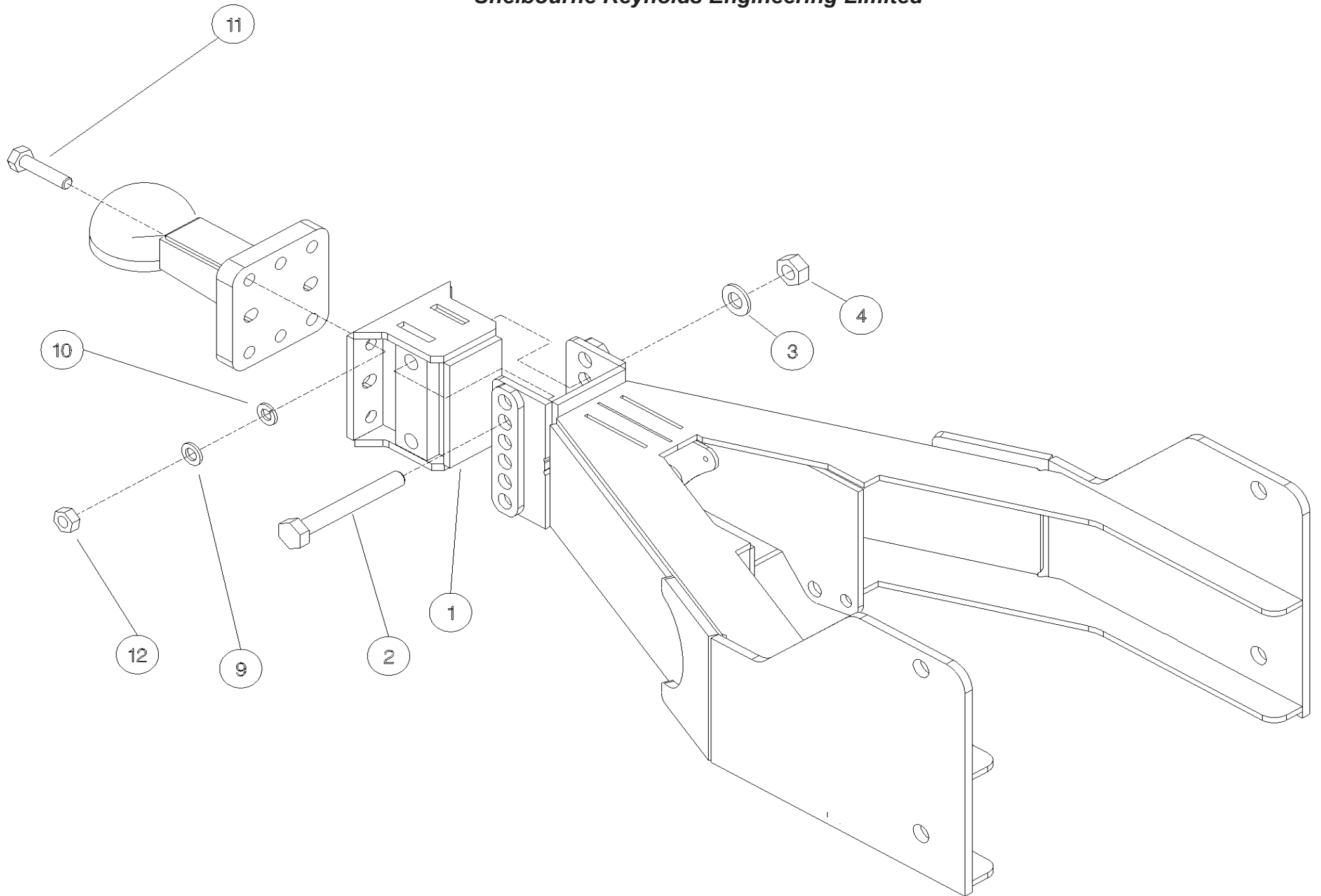
Shelbourne Reynolds Engineering Limited

| ASSY NUMBER: KIT-03510 | | | | ASSY DESCRIPTION: AUDIBLE ALARM KIT (FOR DIGI-STAR) | | | |
|------------------------|-----------|--------------------|-----|-----------------------------------------------------|---------|-------------|-----|
| ITEM | PART NO | DESCRIPTION | QTY | ITEM | PART NO | DESCRIPTION | QTY |
| 1 | BUZ-00010 | AUDIBLE ALARM | 1 | | | | |
| 2 | 614030 01 | BUZZER BRACKET | 1 | | | | |
| 3 | HSS-0086 | SETSCREW | 4 | | | | |
| 4 | WSH-0009 | WASHER | 10 | | | | |
| 5 | NUT-0260 | NUT | 6 | | | | |
| 6 | HSS-0088 | SETSCREW | 2 | | | | |
| 7 | CBL-03010 | CABLE (2 CORE) | 3m | | | | |
| 8 | ETM-00630 | ELEC BUTT TERMINAL | 2 | | | | |



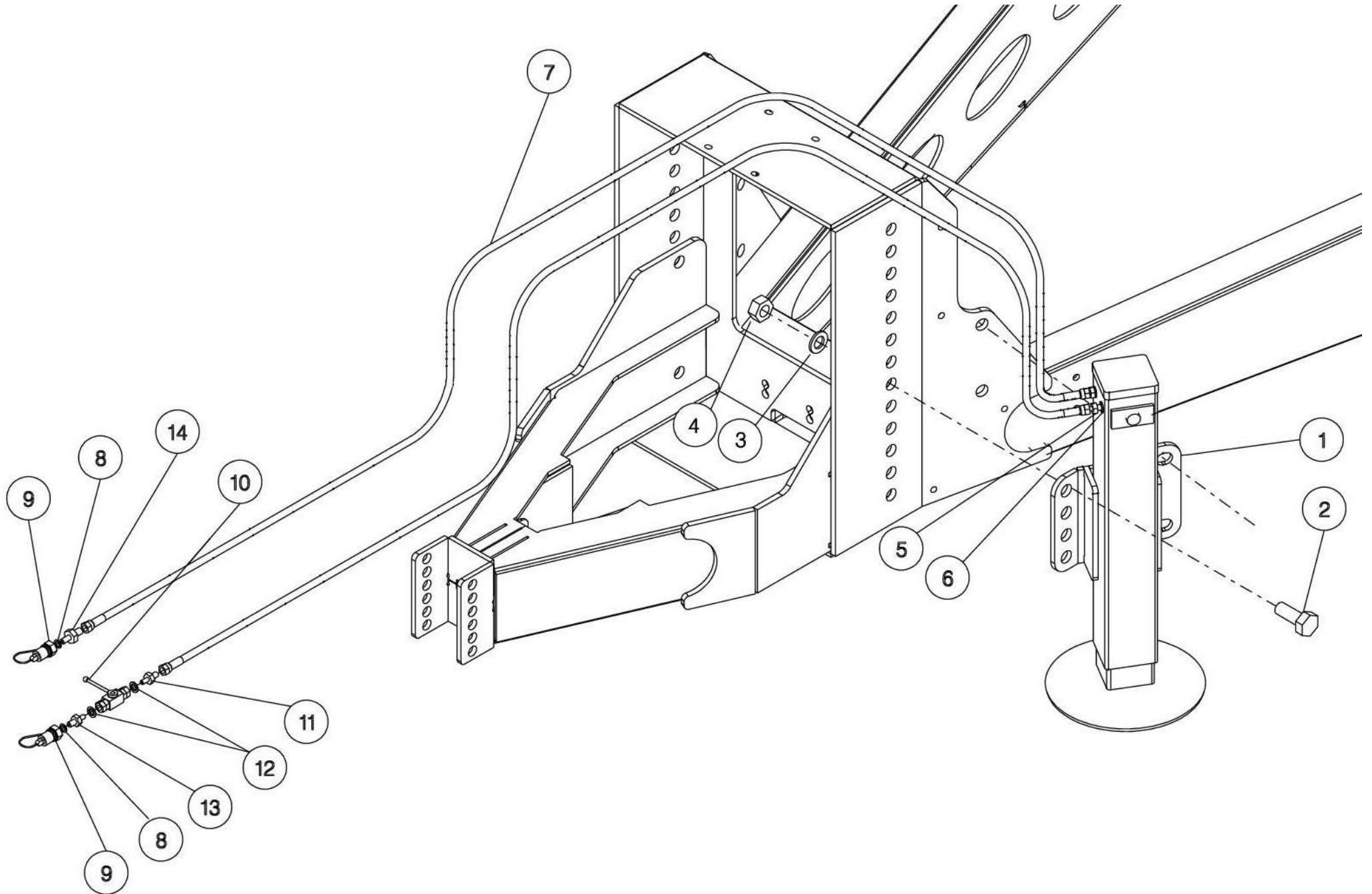
Shelbourne Reynolds Engineering Limited

| ASSY NUMBER: KIT-03513 | | | | ASSY DESCRIPTION: SCHARMULLER FIXING KIT | | | |
|------------------------|-----------|-----------------------|-----|------------------------------------------|---------|-------------|-----|
| ITEM | PART NO | DESCRIPTION | QTY | ITEM | PART NO | DESCRIPTION | QTY |
| 1 | 614043 01 | SCHARMULLER HITCH W/A | 1 | | | | |
| 2 | BLTA20770 | HEXAGON HEAD BOLT | 2 | | | | |
| 3 | WSH-0030 | PLAIN WASHER | 2 | | | | |
| 4 | NUTA02200 | NYLOC NUT | 2 | | | | |
| 9 | WSH-0024 | PLAIN WASHER | 6 | | | | |
| 10 | WSH-0070 | SPRING WASHER | 2 | | | | |
| 11 | BLT-2314 | HEX.HEAD BOLT | 8 | | | | |
| 12 | NUT-0271 | NYLOC NUT | 6 | | | | |



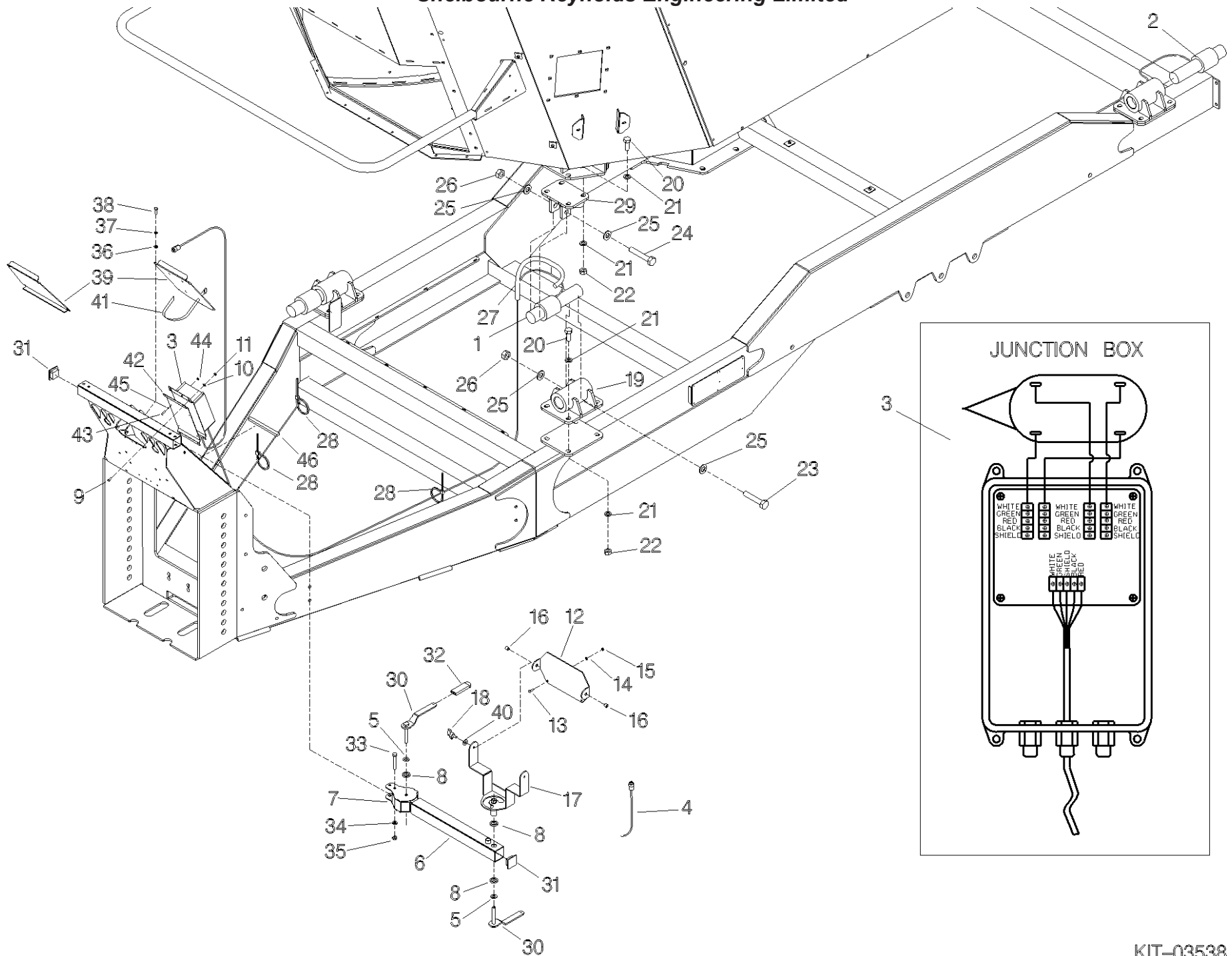
Shelbourne Reynolds Engineering Limited

| ASSY NUMBER: KIT-03514 | | | | ASSY DESCRIPTION: HYD PARKING JACK (TRACTOR CONNECTION) | | | |
|------------------------|-----------|------------------------|-----|---------------------------------------------------------|---------|-------------|-----|
| ITEM | PART NO | DESCRIPTION | QTY | ITEM | PART NO | DESCRIPTION | QTY |
| 1 | 614047 01 | JACK WELD ASSY | 1 | | | | |
| 2 | HSS-0410 | SETSCREW | 4 | | | | |
| 3 | WSH-0036 | WASHER | 4 | | | | |
| 4 | NUT-0275 | NUT | 4 | | | | |
| 5 | HMA-0057 | HYD ADPT | 2 | | | | |
| 6 | WSH-1010 | DOWTY WASHER | 2 | | | | |
| 7 | HHBE25005 | HYD HOSE ASSY | 2 | | | | |
| 8 | WSH-1015 | DOWTY WASHER | 2 | | | | |
| 9 | COU-0162 | QUICK RELEASE COUPLING | 2 | | | | |
| 10 | HVB-02600 | 2-WAY BALL VALVE | 1 | | | | |
| 11 | FIT-0025 | HYD ADAPT | 1 | | | | |
| 12 | WSH-1005 | DOWTY WASHER | 2 | | | | |
| 13 | HMA-0055 | HYD ADAPT | 1 | | | | |
| 14 | HMA-0065 | HYD ADAPT | 1 | | | | |



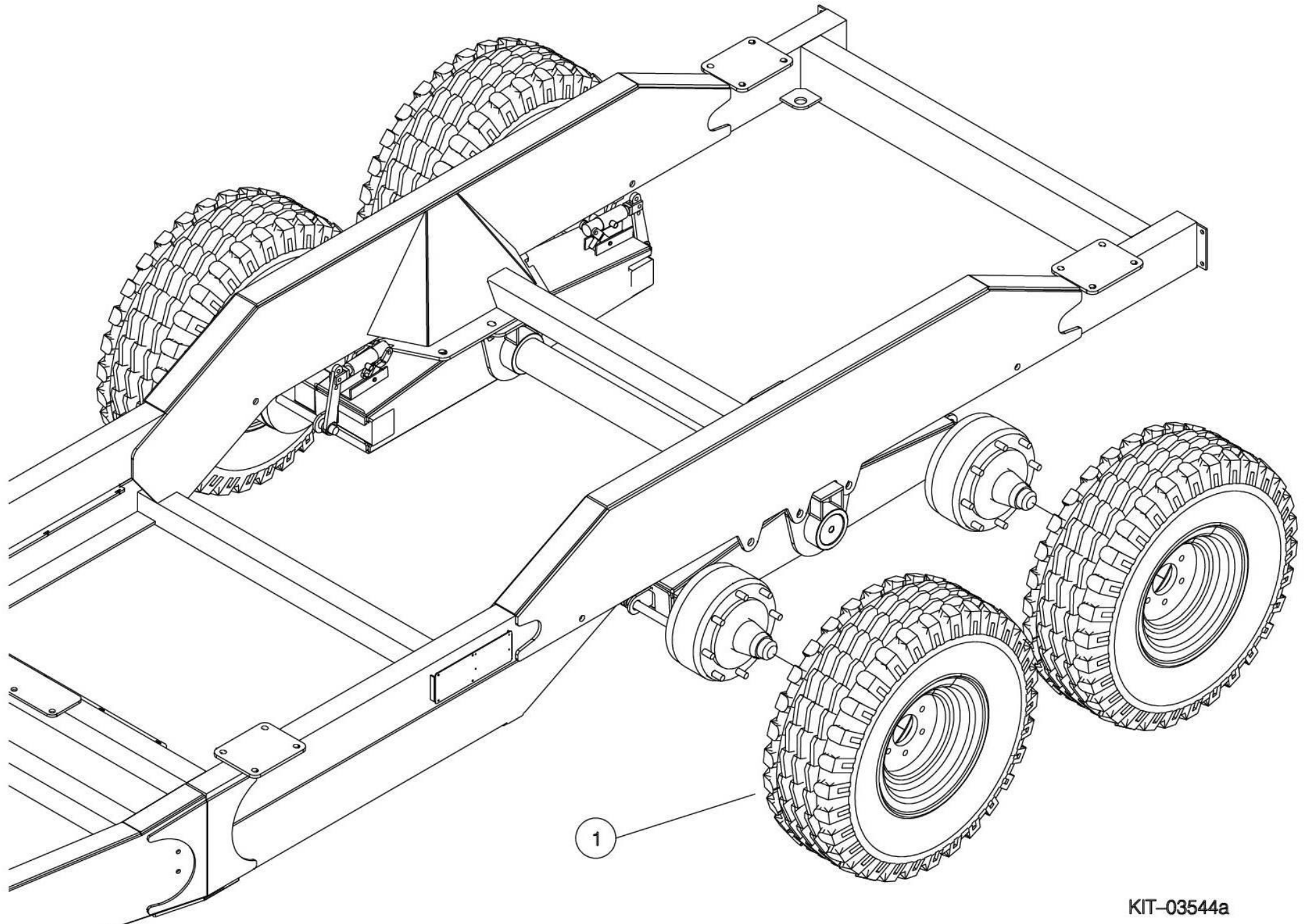
Shelbourne Reynolds Engineering Limited

| ASSY NUMBER: KIT-03538 | | | | ASSY DESCRIPTION: WEIGH CELL SYSTEM TWIN AUGER | | | |
|------------------------|-----------|-------------------------------|-----|------------------------------------------------|-----------|--------------------|------|
| ITEM | PART NO | DESCRIPTION | QTY | ITEM | PART NO | DESCRIPTION | QTY |
| 1 | LCL-01200 | LOADCELL | 2 | 40 | WSH-1300 | SHAKERPROOF WASHER | 2 |
| 2 | LCL-01201 | LOADCELL | 2 | 41 | | | |
| 3 | LCL-01205 | JUNCTION BOX | 1 | 42 | 614949 01 | BRACKET J-BOX | 1 |
| 4 | LCL-01210 | POWER CORD | 1 | 43 | SCW-0035 | CAP HEAD SCREW | 4 |
| 5 | WSHA30121 | LOCKWASHER | 2 | 44 | NUT-0255 | NUT | 4 |
| 6 | 614188 01 | WEIGH HEAD ARM W/A | 1 | 45 | WSH-0003 | WASHER | 4 |
| 7 | 614187 01 | OUTER COUPLING W/A | 1 | 46 | EDS-11400 | EDGING STRIP | 0.17 |
| 8 | 190548 54 | WASHER | 3 | | | | |
| 9 | HSS-0058 | SET SCREW | 6 | | | | |
| 10 | WSH-0006 | WASHER | 6 | | | | |
| 11 | NUT-0258 | NUT | 6 | | | | |
| 12 | 613597 01 | REAR PANEL | 1 | | | | |
| 13 | HSS-0086 | SET SCREW | 2 | | | | |
| 14 | WSH-0009 | WASHER | 2 | | | | |
| 15 | NUT-0260 | NUT | 2 | | | | |
| 16 | NUTA13080 | NUTSERT | 6 | | | | |
| 17 | 614189 01 | WEIGH HEAD HOUSING | 1 | | | | |
| 18 | KNO-0001 | THERMOPLASTIC KNOB | 2 | | | | |
| 19 | 613608 01 | LOADCELL MTG BOSS W/A | 4 | | | | |
| 20 | HSS-0318 | SET SCREW | 32 | | | | |
| 21 | WSH-0024 | WASHER | 64 | | | | |
| 22 | NUT-0271 | NUT | 32 | | | | |
| 23 | BLTA20620 | HEX HEAD BOLT | 4 | | | | |
| 24 | BLTA20590 | BOLT HEX. HD. | 4 | | | | |
| 25 | WSH-0030 | WASHER | 16 | | | | |
| 26 | NUTA02200 | NUT | 8 | | | | |
| 27 | SLV-00300 | SPIRAL CONVOLUTE TUBING | 7 | | | | |
| 28 | TIE-0004 | TIE WRAPS | 40 | | | | |
| 29 | 613612 01 | LOADCELL CLEVIS W/A | 4 | | | | |
| 30 | 613695 01 | SECURING HANDLE ASSY | 2 | | | | |
| 31 | CAP-0012 | PLASTIC END CAP (2"X 2") | 2 | | | | |
| 32 | PTF-00026 | PLASTIC HANDLE | 2 | | | | |
| 33 | BLTA10470 | HEX.HEAD BOLT | 2 | | | | |
| 34 | WSH-0015 | WASHER | 2 | | | | |
| 35 | NUT-0265 | NUT | 2 | | | | |
| 36 | WSH-0012 | WASHER | 4 | | | | |
| 37 | WSH-0058 | WASHER | 4 | | | | |
| 38 | HSS-0145 | BOLT | 4 | | | | |
| 39 | 615553 01 | COVER PME----0295 & ON | 1 | | | | |
| OR | 614178 01 | COVER UP TO & INC PME----0294 | 1 | | | | |



Shelbourne Reynolds Engineering Limited

| ASSY NUMBER: KIT-03544a | | | | ASSY DESCRIPTION: WHEEL&TYRE KIT (BANDENMARKT 305/55R22.5) | | | |
|-------------------------|-----------|-------------------|-----|------------------------------------------------------------|---------|-------------|-----|
| ITEM | PART NO | DESCRIPTION | QTY | ITEM | PART NO | DESCRIPTION | QTY |
| 1 | WHL-02202 | WHEEL & TYRE ASSY | 4 | | | | |

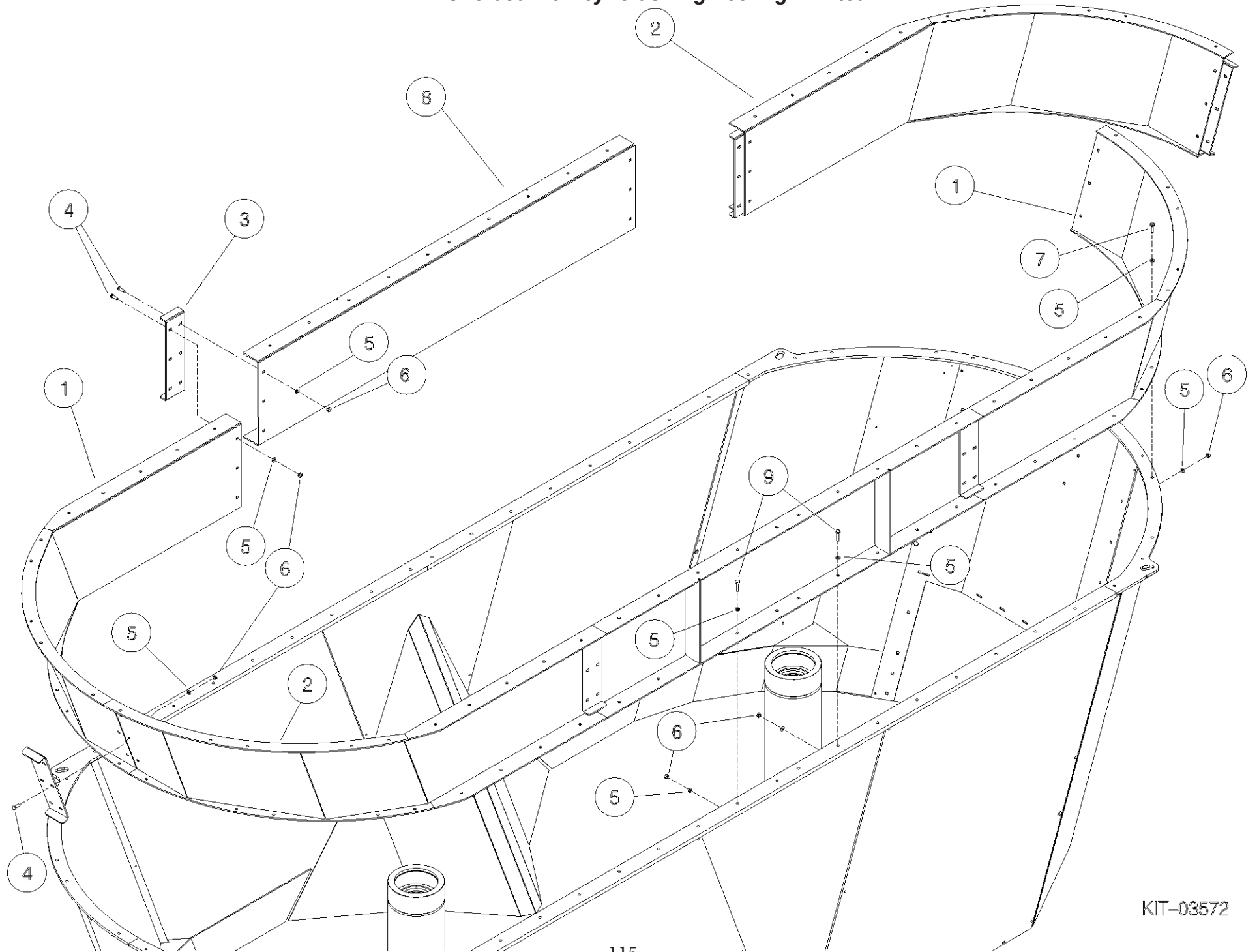


1

KIT-03544a

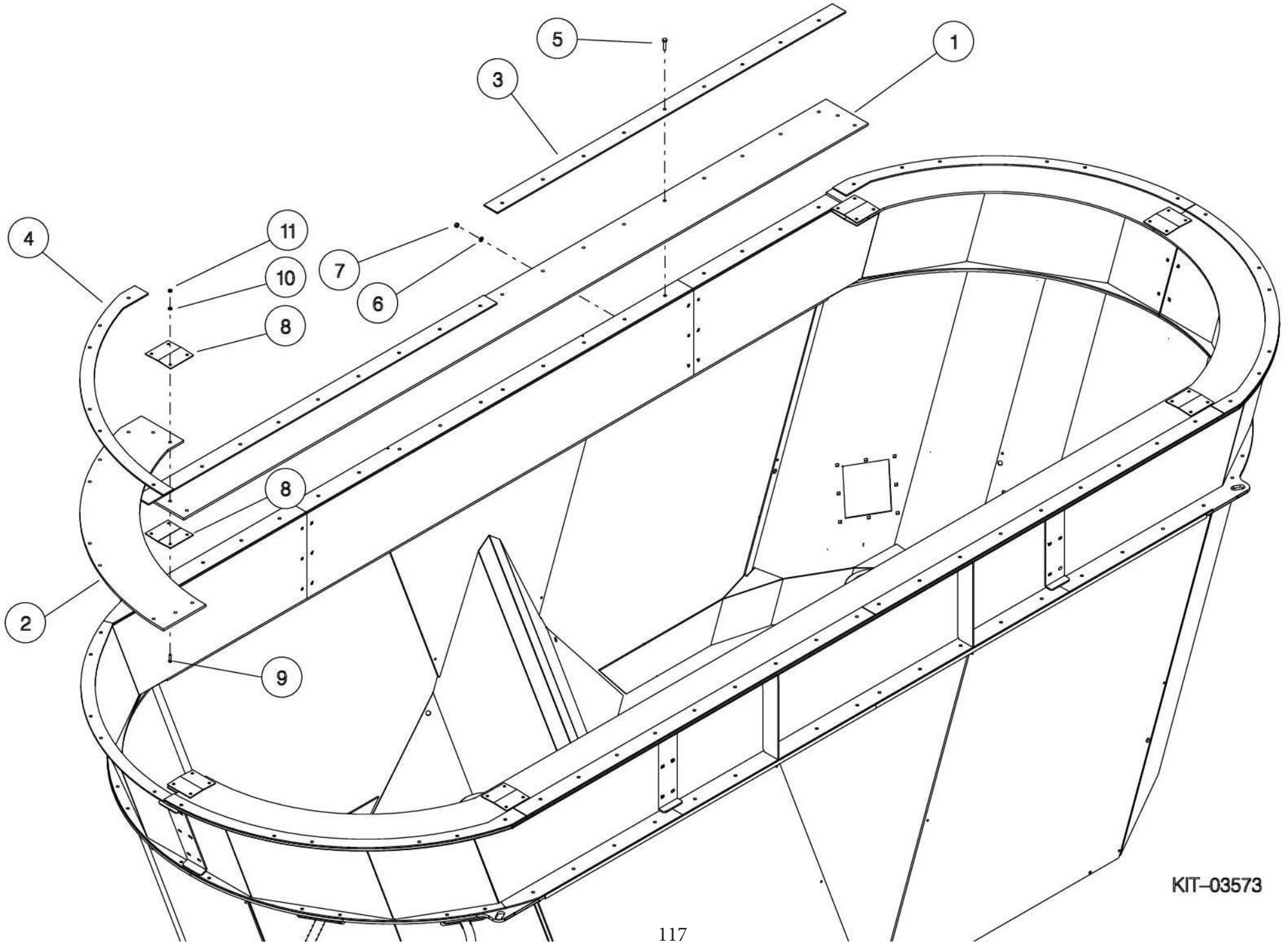
Shelbourne Reynolds Engineering Limited

| ASSY NUMBER: KIT-03572 | | | | ASSY DESCRIPTION: 450mm EXTENSION KIT | | | |
|------------------------|-----------|---------------------------|-----|---------------------------------------|---------|-------------|-----|
| ITEM | PART NO | DESCRIPTION | QTY | ITEM | PART NO | DESCRIPTION | QTY |
| 1 | 614415 01 | EXTENSION TOP CORNER ASSY | 2 | | | | |
| 2 | 614415 02 | EXTENSION TOP CORNER ASSY | 2 | | | | |
| 3 | 614420 01 | SIDE CLAMP PLATE | 6 | | | | |
| 4 | BLT-3745 | COACHBOLT | 36 | | | | |
| 5 | WSH-0015 | PLAIN WASHER | 148 | | | | |
| 6 | NUT-0265 | NYLOC NUT | 80 | | | | |
| 7 | HSS-0198 | SET SCREW | 24 | | | | |
| 8 | 614410 01 | EXTENSION TOP SIDE ASSY | 2 | | | | |
| 9 | BLTA12350 | HEX.HEAD BOLT | 32 | | | | |



Shelbourne Reynolds Engineering Limited

| ASSY NUMBER: KIT-03573 | | | | ASSY DESCRIPTION: 450mm EXT TWIN TUB RUBBER RETAINER KIT | | | |
|------------------------|-----------|-------------------------|-----|----------------------------------------------------------|---------|-------------|-----|
| ITEM | PART NO | DESCRIPTION | QTY | ITEM | PART NO | DESCRIPTION | QTY |
| 1 | 614422 01 | STRAIGHT RUBBER SECTION | 2 | | | | |
| 2 | 610982 01 | CORNER RUBBER SECTION | 4 | | | | |
| 3 | 614423 01 | STRAIGHT CLAMP STRIP | 4 | | | | |
| 4 | 612817 01 | CORNER CLAMP STRIP | 4 | | | | |
| 5 | BLTA10290 | SETSCREW | 60 | | | | |
| 6 | WSH-0015 | WASHER | 60 | | | | |
| 7 | NUT-0265 | NUT | 60 | | | | |
| 8 | 611051 01 | CLAMP STRIP | 12 | | | | |
| 9 | BLT-2700 | COACHBOLT | 24 | | | | |
| 10 | WSH-0012 | WASHER | 24 | | | | |
| 11 | NUT-0263 | NUT | 24 | | | | |

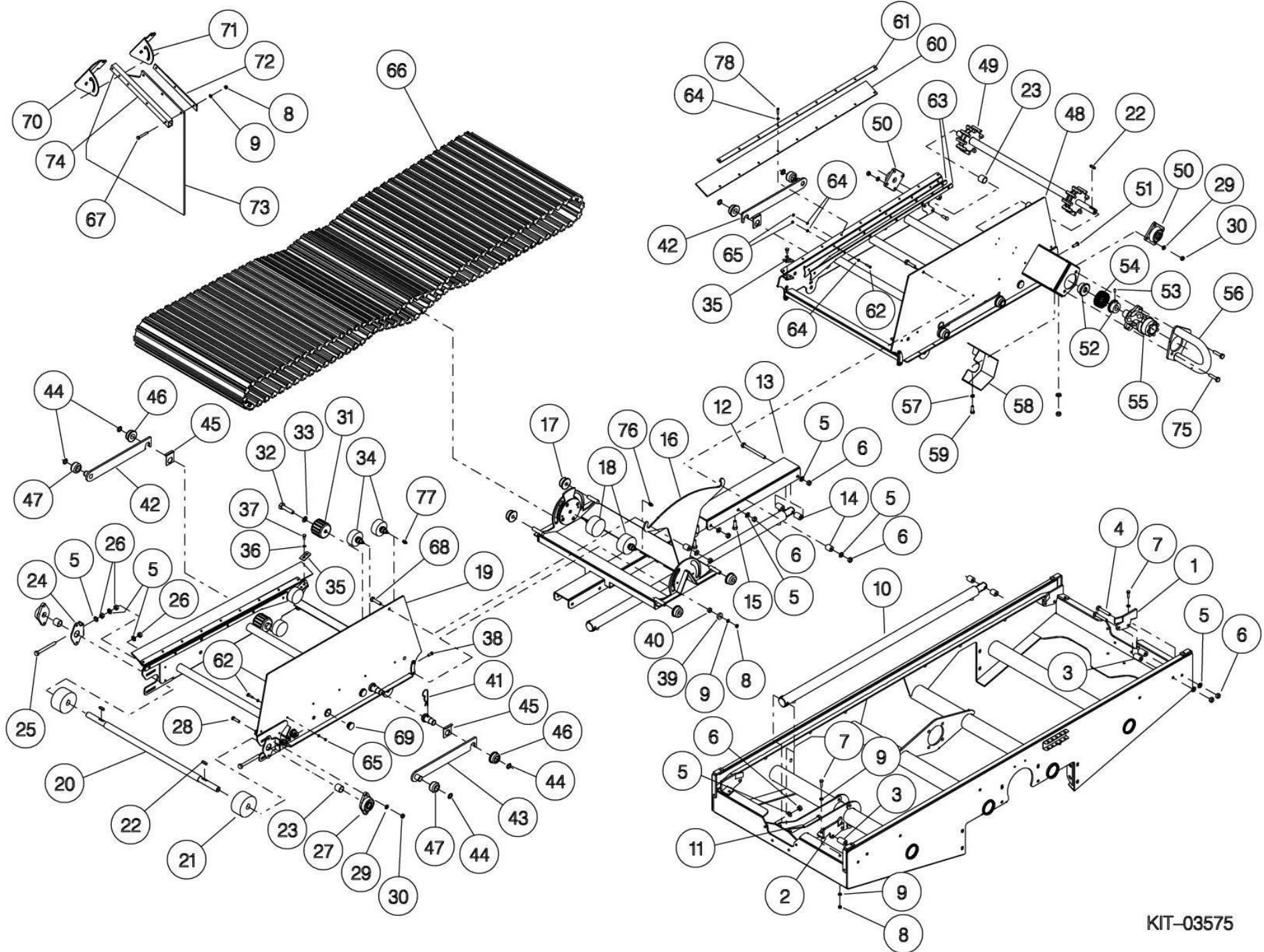


Shelbourne Reynolds Engineering Limited

| ASSY NUMBER: KIT-03575 | | | | ASSY DESCRIPTION: WEB EXPRESS CONVEYOR KIT | | | |
|------------------------|-----------|---------------------------|-----|--------------------------------------------|-----------|--------------------------------|-----|
| ITEM | PART NO | DESCRIPTION | QTY | ITEM | PART NO | DESCRIPTION | QTY |
| 1 | 614279 01 | LIFT ARM STOP PLATE LH | 2 | 41 | CLP-00105 | R CLIP | 4 |
| 2 | 614279 02 | LIFT ARM STOP PLATE RH | 2 | 42 | 614317 01 | LIFT ARM ASSEMBLY | 2 |
| 3 | 614280 01 | LIFT ARM STOP SPACER TUBE | 8 | 43 | 614317 02 | LIFT ARM ASSEMBLY | 2 |
| 4 | BLTA12470 | HEX.HEAD BOLT | 8 | 44 | CIR-1125 | CIRCLIP EXT | 8 |
| 5 | WSH-0018 | WASHER | 22 | 45 | 613335 01 | LATCH | 4 |
| 6 | NUT-0269 | NUT | 16 | 46 | 613333 03 | WHEEL | 4 |
| 7 | HSS-0150 | SET SCREW | 4 | 47 | 614278 01 | WHEEL | 4 |
| 8 | NUT-0263 | NUT | 17 | 48 | 614470 01 | LH CONVEYOR PAN W/A | 1 |
| 9 | WSH-0012 | WASHER | 21 | 49 | 614483 01 | DRIVE SHAFT W/ASSY | 1 |
| 10 | 610447 01 | HYDRAULIC CYLINDER | 1 | 50 | BRG-25255 | BEARING | 2 |
| 11 | BLT-2270 | HEX.HEAD BOLT | 1 | 51 | BLTF10231 | COACH BOLT | 8 |
| 12 | 20146128 | BOLT | 1 | 52 | 260030 03 | SPROCKET | 2 |
| 13 | 614480 01 | RAM BRACKET | 1 | 53 | SCW-4530 | GRUBSCREW | 1 |
| 14 | 613919 03 | SPACER TUBE | 4 | 54 | CHN-01380 | CHAIN | 1 |
| 15 | HSS-0241 | SET SCREW | 4 | 55 | MOTH08000 | HYDRAULIC MOTOR, PAINTED BLACK | 1 |
| 16 | 614478 01 | CENTRE FRAME W/ASSY | 1 | 56 | 614304 01 | MOTOR GUARD W/ASSY | 1 |
| 17 | 613702 01 | WHEEL | 4 | 57 | WSH-0061 | WASHER | 2 |
| 18 | CON-00026 | GUIDE ROLLER (DIA 90mm) | 2 | 58 | 614310 01 | COUPLING GUARD | 1 |
| 19 | 614468 01 | RH CONVEYOR PAN W/A | 1 | 59 | HSS-0188 | SET SCREW | 2 |
| 20 | 614481 01 | IDLER SHAFT | 1 | 60 | 614309 01 | RUBBER SEAL STRIP | 2 |
| 21 | CON-00024 | IDLE ROLLER (DIA 110mm) | 2 | 61 | 614487 01 | CLAMP STRIP | 2 |
| 22 | K0807032 | KEY PARALLEL | 3 | 62 | SCBA06200 | BUTT SOC HD SCREW | 24 |
| 23 | 614272 05 | SHAFT SPACER | 4 | 63 | 614484 01 | SEAL PLATE | 8 |
| 24 | 614486 01 | ADJUSTER PLATE | 2 | 64 | WSH-0009 | WASHER | 84 |
| 25 | HSSA12560 | HEX HEAD SET SCREW | 2 | 65 | NUT-0260 | NUT | 42 |
| 26 | NUT-0170 | NUT | 6 | 66 | CON-00028 | CONVEYOR BELT | 1 |
| 27 | BRG-25260 | BEARING | 2 | 67 | BLTA08380 | HEX.HEAD BOLT | 5 |
| 28 | BLT-3755 | COACHBOLT | 4 | 68 | BLTA12380 | HEX.HEAD BOLT | 2 |
| 29 | WSH-0018 | WASHER | 12 | 69 | PTF-00134 | PLASTIC CAP INSERT | 12 |
| 30 | NUT-0265 | NUT | 12 | 70 | 613590 01 | CURTAIN BRKT RH | 1 |
| 31 | CON-00021 | SUPPORT ROLLER | 4 | 71 | 613589 01 | CURTAIN BRKT LH | 1 |
| 32 | BLT-2314 | HEX.HEAD BOLT | 4 | 72 | 613602 01 | CLAMP STRIP | 1 |
| 33 | WSHA30161 | WASHER | 4 | 73 | 613587 01 | RUBBER CURTAIN | 1 |
| 34 | CON-00025 | ROLLER | 8 | 74 | 613601 01 | RUBBER CURTAIN MTG | 1 |
| 35 | 614485 01 | SCRAPER PLATE | 4 | 75 | HSS-0260 | SET SCREW | 2 |
| 36 | WSH-0058 | WASHER | 8 | 76 | NIP-00610 | GREASE NIPPLE | 2 |
| 37 | HSS-0135 | SETSCREW | 8 | 77 | NIP-00600 | GREASE NIPPLE | 8 |
| 38 | BLT-2730 | COACHBOLT | 8 | 78 | SCW-4963 | BUTTON HD SCREW | 18 |
| 39 | 190548 57 | WASHER | 8 | 79 | WSH-1545 | WASHER | 4 |
| 40 | 190548 45 | WASHER (PLATED) | 8 | 80 | 260062 01 | TRANSFER-HAND ENTANGL | 2 |

Shelbourne Reynolds Engineering Limited

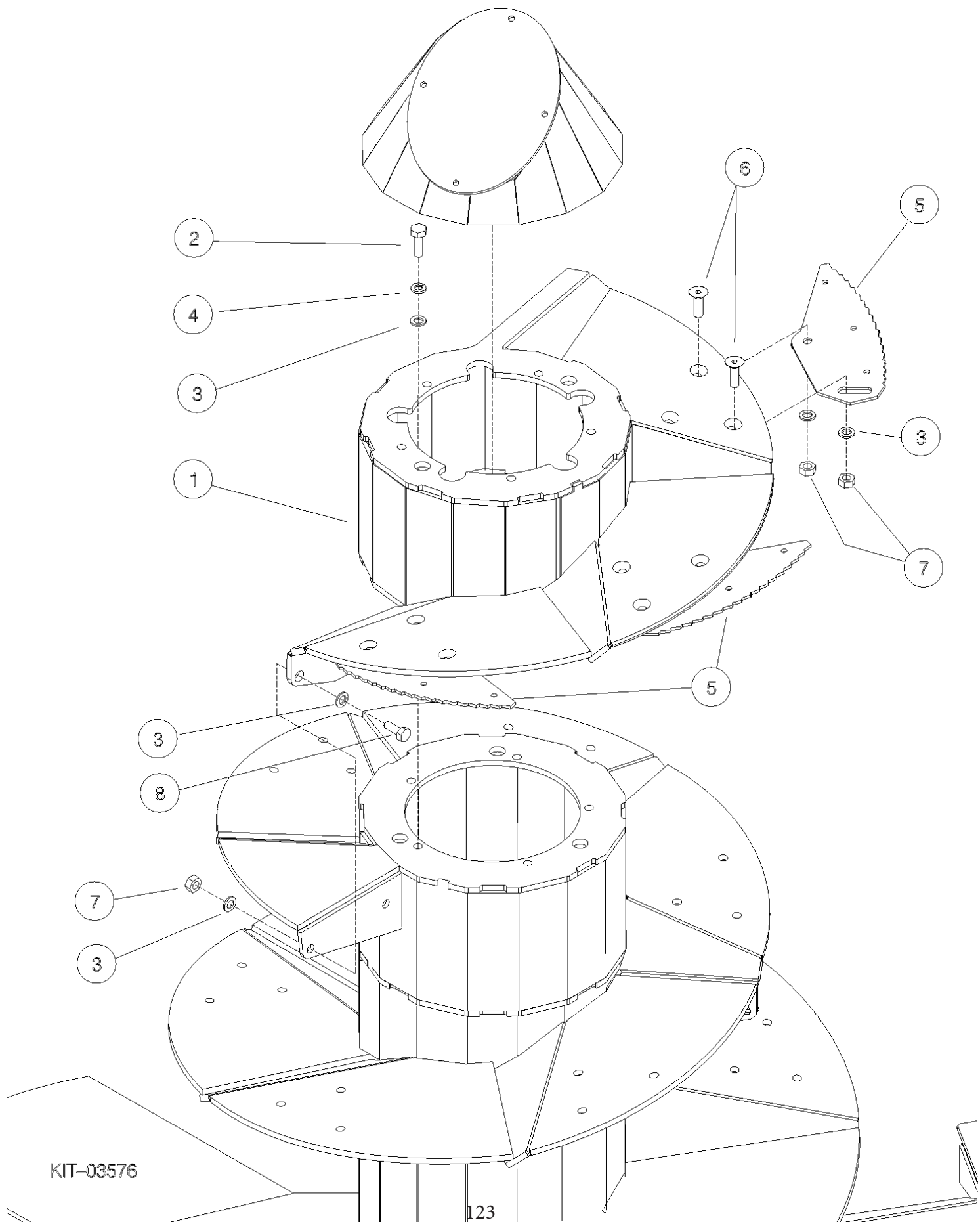
| ASSY NUMBER: KIT-03575 | | | | ASSY DESCRIPTION: WEB EXPRESS CONVEYOR KIT | | | |
|------------------------|-----------|-----------------------|-----|--------------------------------------------|---------|-------------|-----|
| ITEM | PART NO | DESCRIPTION | QTY | ITEM | PART NO | DESCRIPTION | QTY |
| 81 | 260061 01 | TRANSFER-SAFE DISTANC | 2 | | | | |



KIT-03575

Shelbourne Reynolds Engineering Limited

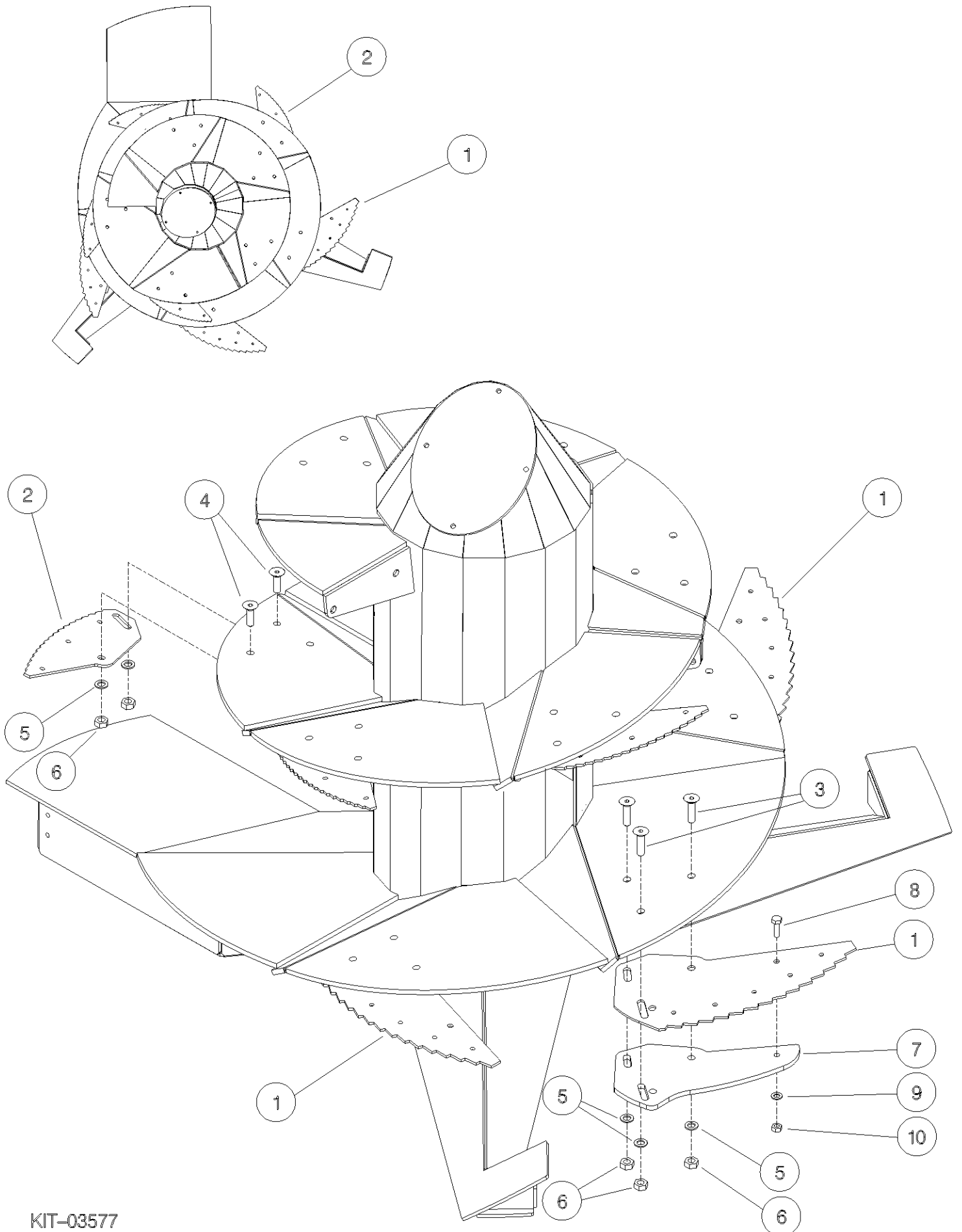
| ASSY NUMBER: KIT-03576 | | | | ASSY DESCRIPTION: AUGER EXTENSION KIT | | | |
|------------------------|-----------|---------------------|-----|---------------------------------------|---------|-------------|-----|
| ITEM | PART NO | DESCRIPTION | QTY | ITEM | PART NO | DESCRIPTION | QTY |
| 1 | 614507 01 | AUGER EXTENSION W/A | 1 | | | | |
| 2 | HSS-0318 | SET SCREW | 5 | | | | |
| 3 | WSH-0024 | PLAIN WASHER | 15 | | | | |
| 4 | WSH-0070 | SPRING WASHER | 5 | | | | |
| 5 | 610256 01 | BLADE | 3 | | | | |
| 6 | SCEA16290 | CSK SOC HD SCREW | 6 | | | | |
| 7 | NUT-0271 | NYLOC NUT | 8 | | | | |
| 8 | HSS-0317 | SET SCREW | 2 | | | | |
| | | | 3 | | | | |



KIT-03576

Shelbourne Reynolds Engineering Limited

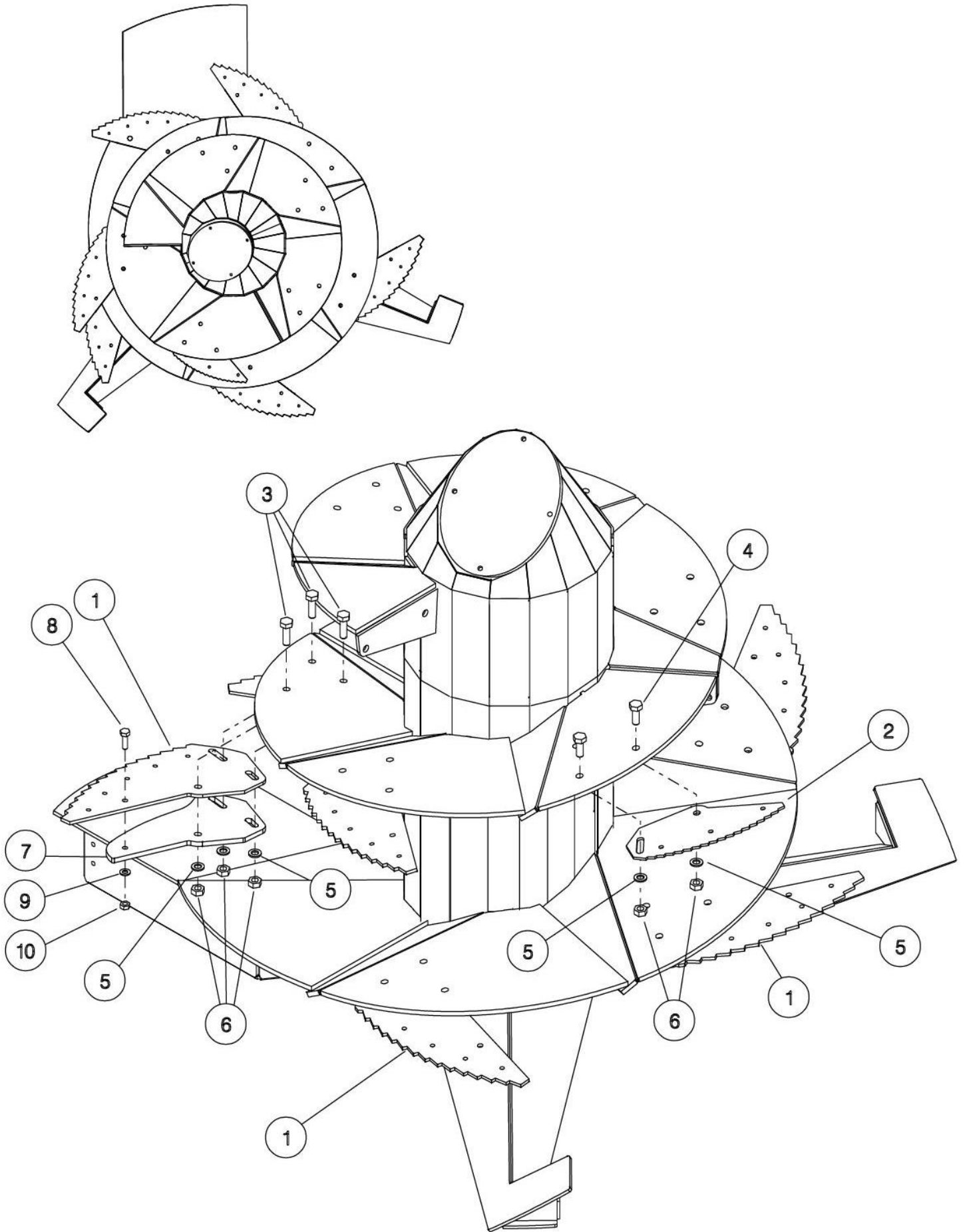
| ASSY NUMBER: KIT-03577 | | | | ASSY DESCRIPTION: SMALL BLADE KIT | | | |
|------------------------|-----------|---------------------|-----|-----------------------------------|---------|-------------|-----|
| ITEM | PART NO | DESCRIPTION | QTY | ITEM | PART NO | DESCRIPTION | QTY |
| 1 | 610599 02 | LARGE BLADE | 3 | | | | |
| 2 | 610256 01 | MEDIUM BLADE | 4 | | | | |
| 3 | SCEA16350 | CSK SOC HD SCREW | 9 | | | | |
| 4 | SCEA16290 | CSK SOC HD SCREW | 8 | | | | |
| 5 | WSH-0025 | PLAIN WASHER FORM B | 17 | | | | |
| 6 | NUT-0271 | NYLOC NUT | 17 | | | | |
| 7 | 612622 01 | BLADE SUPPORT PLATE | 3 | | | | |
| 8 | HSS-0250 | SET SCREW | 3 | | | | |
| 9 | WSH-0018 | PLAIN WASHER | 3 | | | | |
| 10 | NUT-0269 | NYLOC NUT | 3 | | | | |



KIT-03577

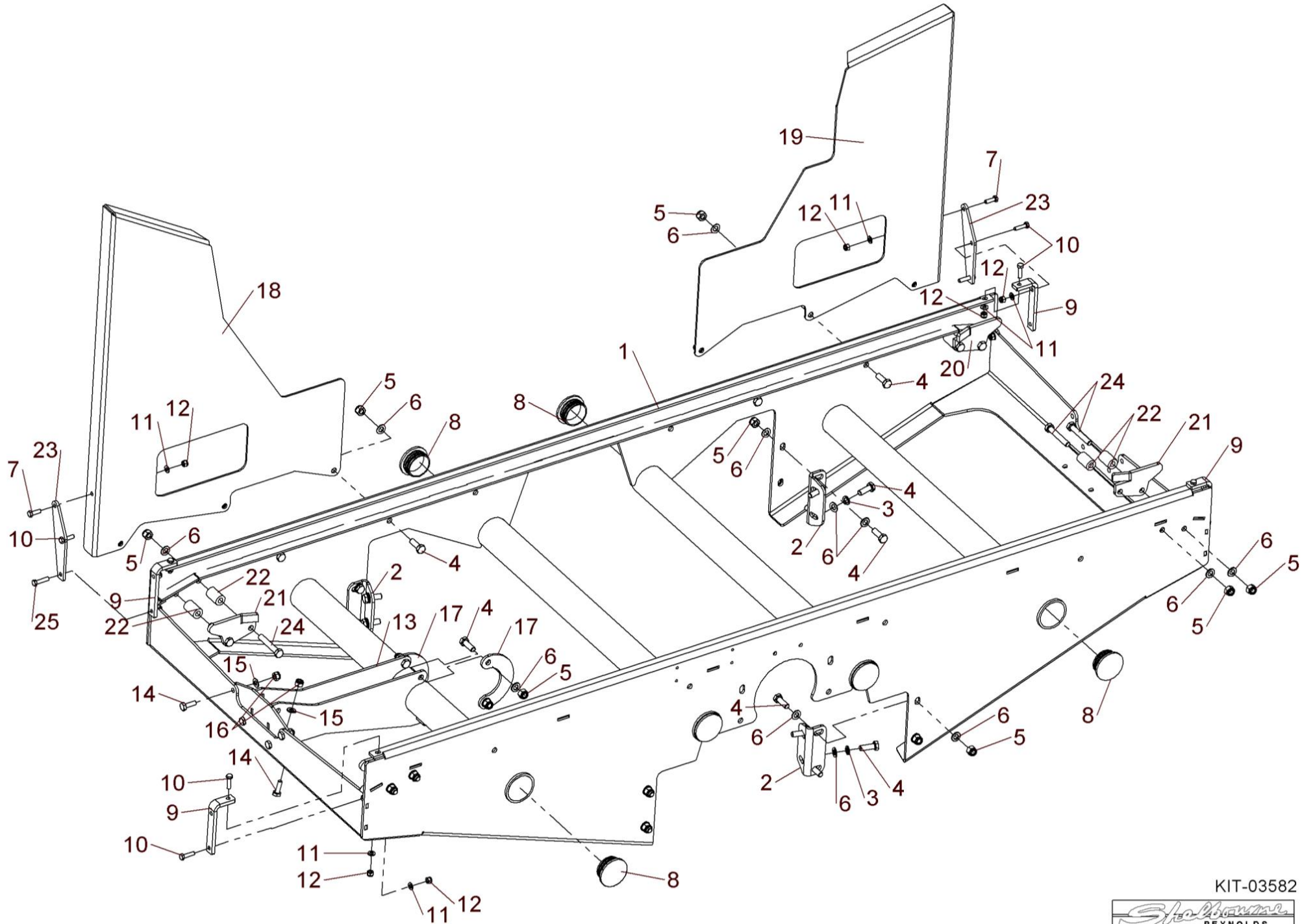
Shelbourne Reynolds Engineering Limited

| ASSY NUMBER: KIT-03578 | | | | ASSY DESCRIPTION: LARGE BLADE KIT | | | |
|------------------------|-----------|----------------------|-----|-----------------------------------|---------|-------------|-----|
| ITEM | PART NO | DESCRIPTION | QTY | ITEM | PART NO | DESCRIPTION | QTY |
| 1 | 610599 02 | LARGE BLADE | 6 | | | | |
| 2 | 610256 01 | SMALL BLADE | 1 | | | | |
| 3 | SCEA16350 | CSK SOC HD SCREW | 18 | | | | |
| 4 | SCEA16290 | CSK SOC HD SCREW | 2 | | | | |
| 5 | WSH-0025 | WASHER | 20 | | | | |
| 6 | NUT-0271 | NUT | 20 | | | | |
| 7 | 612622 01 | KNIFE STRENGTH PLATE | 6 | | | | |
| 8 | HSS-0250 | SETSCREW | 6 | | | | |
| 9 | WSH-0018 | WASHER | 6 | | | | |
| 10 | NUT-0269 | NUT | 6 | | | | |



Shelbourne Reynolds Engineering Limited

| ASSY NUMBER: KIT-03582 | | | | ASSY DESCRIPTION: EXPRESS CONVEYOR MTG KIT (TWIN) | | | |
|------------------------|-----------|------------------------|-----|---------------------------------------------------|---------|-------------|-----|
| ITEM | PART NO | DESCRIPTION | QTY | ITEM | PART NO | DESCRIPTION | QTY |
| 1 | 614595 01 | CONVEYOR FRAME W/A | 1 | | | | |
| 2 | 614594 01 | MOUNTING BRKT | 4 | | | | |
| 3 | WSH-0065 | WASHER | 8 | | | | |
| 4 | HSS-0241 | SETSCREW | 24 | | | | |
| 5 | NUT-0269 | NUT | 24 | | | | |
| 6 | WSH-0018 | WASHER | 40 | | | | |
| 7 | HSS-0145 | SETSCREW | 2 | | | | |
| 8 | 21709036 | PLASTIC CAP | 8 | | | | |
| 9 | 614233 01 | CAPPING PLATE | 4 | | | | |
| 10 | HSS-0150 | SETSCREW | 8 | | | | |
| 11 | WSH-0012 | WASHER | 12 | | | | |
| 12 | NUT-0263 | NUT | 12 | | | | |
| 13 | 614224 01 | RAM BRKT W/A | 1 | | | | |
| 14 | HSS-0194 | SETSCREW | 6 | | | | |
| 15 | WSH-0015 | WASHER | 6 | | | | |
| 16 | NUT-0265 | NUT | 6 | | | | |
| 17 | 614006 01 | STRENGTHENER PLATE | 2 | | | | |
| 18 | 615533 01 | RH ANTI-SPILL PLATE | 1 | | | | |
| 19 | 615532 01 | LH ANTI-SPILL PLATE | 1 | | | | |
| 20 | 614784 01 | LIFT ARM STOP PLATE LH | 2 | | | | |
| 21 | 614784 02 | LIFT ARM STOP PLATE RH | 2 | | | | |
| 22 | 614280 01 | SPACER TUBE (40mm) | 8 | | | | |
| 23 | 615696 01 | STRAP | 2 | | | | |
| 24 | BLTA12470 | BOLT | 8 | | | | |
| 25 | HSS-0152 | SETSCREW | 2 | | | | |

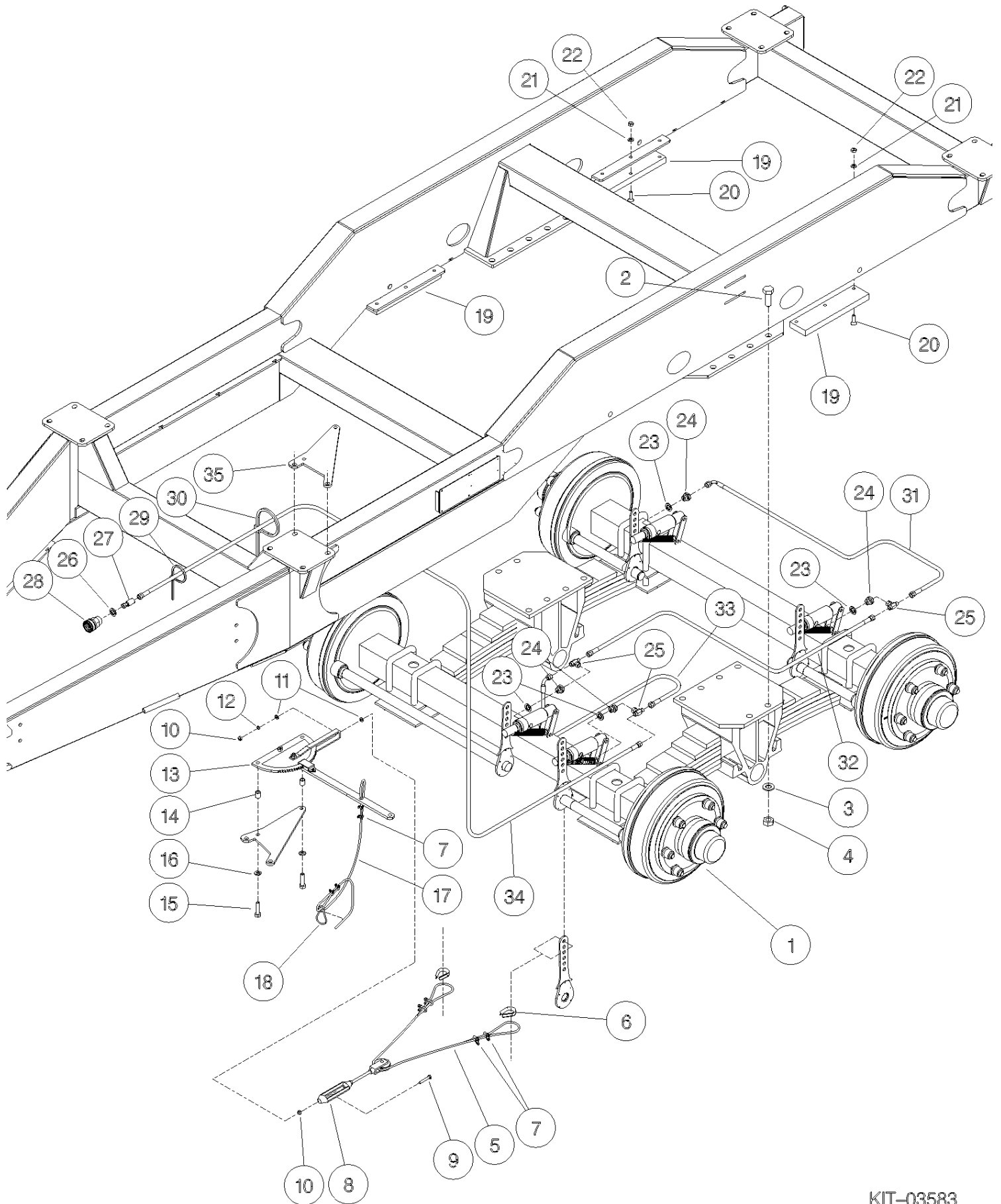


KIT-03582



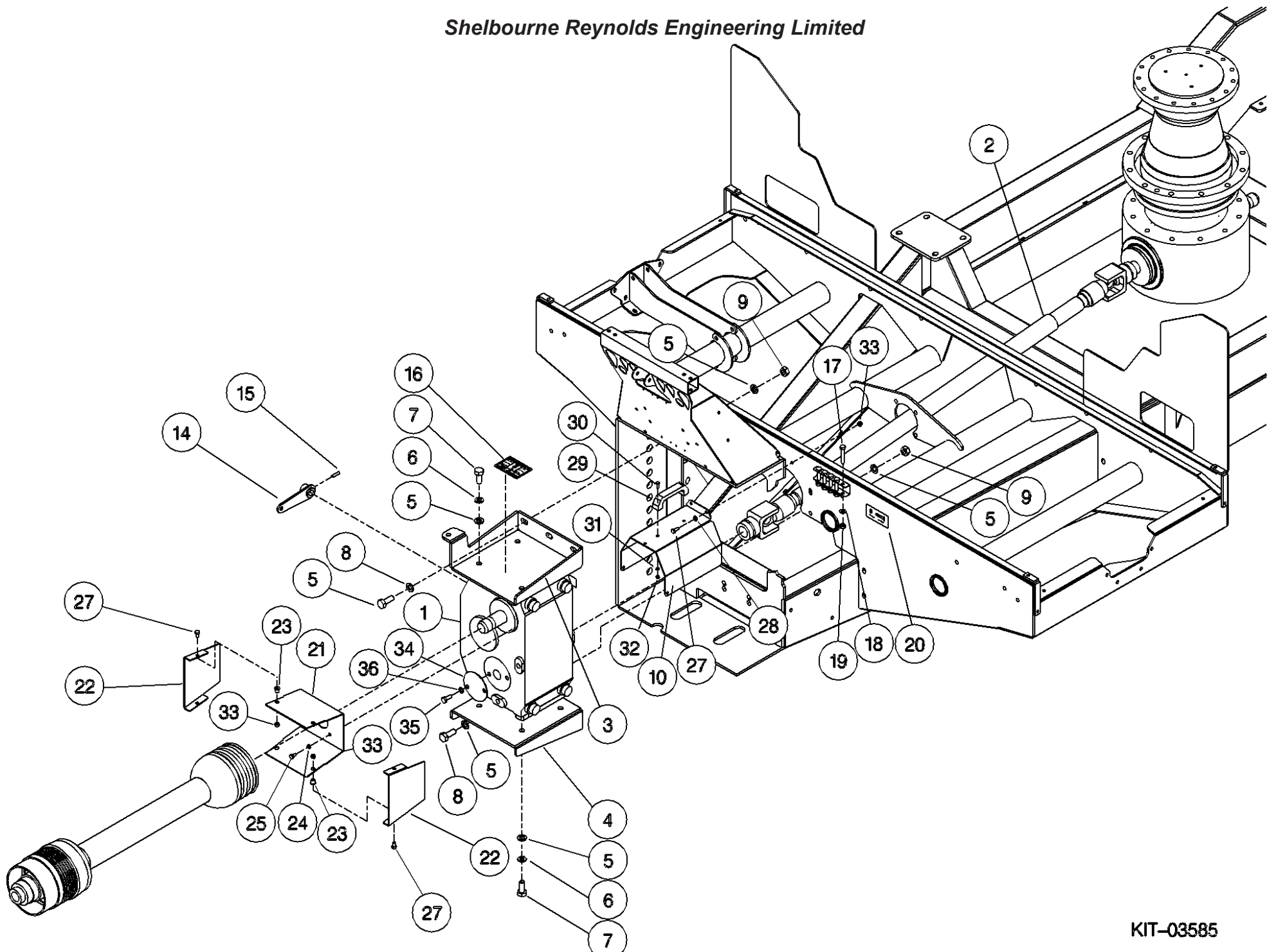
Shelbourne Reynolds Engineering Limited

| ASSY NUMBER: KIT-03583 | | | | ASSY DESCRIPTION: 16m CU BRAKED TANDEM AXLE SUB | | | |
|------------------------|-----------|--------------------------|-----|-------------------------------------------------|---------|-------------|-----|
| ITEM | PART NO | DESCRIPTION | QTY | ITEM | PART NO | DESCRIPTION | QTY |
| 1 | AXL-00205 | UNDSERSLUNG BOGIE ASSY | 1 | | | | |
| 2 | BLT-2366 | BOLT | 12 | | | | |
| 3 | WSH-0030 | PLAIN WASHER | 12 | | | | |
| 4 | NUTA02200 | NYLOC NUT | 12 | | | | |
| 5 | WRP-00040 | WIRE CABLE | 7 | | | | |
| 6 | WRP-01040 | WIRE CABLE THIMBLE | 2 | | | | |
| 7 | WRP-02040 | WIRE CABLE CLAMP | 8 | | | | |
| 8 | ADL-00120 | ADJUSTER ASSY | 1 | | | | |
| 9 | HSS-0155 | SET SCREW | 1 | | | | |
| 10 | NUT-0164 | PLAIN NUT | 2 | | | | |
| 11 | WSH-0012 | PLAIN WASHER | 4 | | | | |
| 12 | WSH-0058 | SPRING WASHER | 1 | | | | |
| 13 | 590222 01 | *HANDBRAKE LEVER ASSY | 1 | | | | |
| 14 | 610923 01 | SPACER | 2 | | | | |
| 15 | HSS-0275 | SET SCREW | 2 | | | | |
| 16 | WSH-0018 | PLAIN WASHER | 2 | | | | |
| 17 | WRP-00040 | WIRE CABLE | 4 | | | | |
| 18 | WRP-03000 | SNAPHOOK | 1 | | | | |
| 19 | 614596 01 | RUBBER BUMPER | 4 | | | | |
| 20 | SCW-1895 | M10*40 CSK SOCKET HD SCW | 12 | | | | |
| 21 | WSH-0015 | PLAIN WASHER | 12 | | | | |
| 22 | NUT-0265 | NYLOC NUT | 12 | | | | |
| 23 | WSH-1010 | DOWTY WASHER | 4 | | | | |
| 24 | FIT-0025 | 1/4"BSP X 3/8"BSP | 4 | | | | |
| 25 | FITA10130 | HYDRAULIC TEE FITTING | 3 | | | | |
| 26 | WSH-1015 | DOWTY WASHER 1/2" | 1 | | | | |
| 27 | HMA-0055 | ADAPTOR MALE/MALE | 1 | | | | |
| 28 | HQR-10007 | HYD.QUICK RELEASE COUP. | 1 | | | | |
| 29 | TIE-0004 | TIE WRAPS (MED) | 16 | | | | |
| 30 | TIE-0012 | TIE WRAP (EX.LARGE) | 4 | | | | |
| 31 | HHBC09205 | HYDRAULIC HOSE ASSY | 1 | | | | |
| 32 | HHAC14005 | HYD HOSE ASSY | 1 | | | | |
| 33 | HHBC03705 | HYD HOSE ASSY | 1 | | | | |
| 34 | HHAC63005 | HYD HOSE ASSY | 1 | | | | |
| 35 | 614924 01 | HANDBRAKE LEVER BRKT | 1 | | | | |



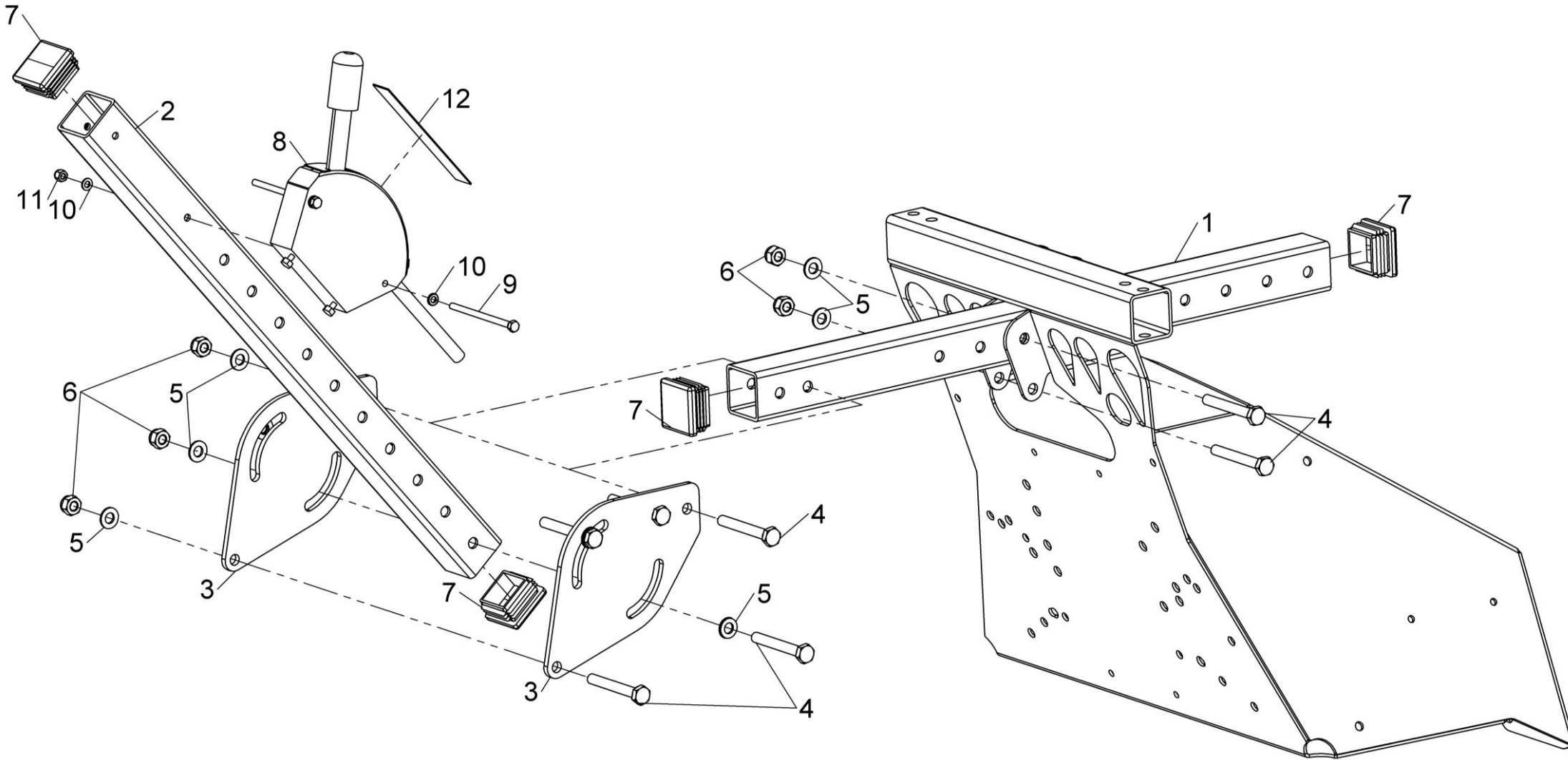
Shelbourne Reynolds Engineering Limited

| ASSY NUMBER: KIT-03585 | | | | ASSY DESCRIPTION: 2-SPEED DRIVE KIT | | | |
|------------------------|------------|-----------------------------------------------------|-----|-------------------------------------|-----------|---------------------|-----|
| ITEM | PART NO | DESCRIPTION | QTY | ITEM | PART NO | DESCRIPTION | QTY |
| 1 | GEA-0199 | C3A 2-SPEED GEARBOX PME16200784 & ON | 1 | 31 | WSH-0009 | WASHER | 2 |
| OR | GEA-0176 | C3A 2-SPEED GEARBOX | 1 | 32 | NUT-0260 | NUT | 2 |
| 2 | PTO-35000W | UP TO & INC PME16200751 INTERMEDIATE PTO SHAFT | 1 | 33 | NUT-0263 | NUT | 6 |
| OR | PTO-35000 | SER No PME16190703 & ON INTERMEDIATE PTO SHAFT | 1 | 34 | 615555 01 | GEARBOX COVER PLATE | 1 |
| OR | PTO-29022 | PME16182599 - PME16190702 INTERMEDIATE PTO SHAFT | 1 | 35 | HSS-0232 | SET SCREW | 2 |
| OR | PTO-29002 | SER No PME16180598 & ON INTERMEDIATE PTO SHAFT | 1 | 36 | WSH-0065 | WASHER | 2 |
| 3 | 614600 01 | UPPER GEARBOX MTG PLATE | 1 | | | | |
| 4 | 614599 01 | LOWER GEARBOX MTG PLATE | 1 | | | | |
| 5 | WSH-0024 | WASHER PLAIN | 20 | | | | |
| 6 | WSH-0070 | WASHER | 8 | | | | |
| 7 | HSS-0315 | SET SCREW | 8 | | | | |
| 8 | HSS-0317 | SET SCREW | 6 | | | | |
| 9 | NUT-0271 | NUT | 6 | | | | |
| 10 | 615216 01 | DRIVE GUARD | 1 | | | | |
| 11 | | | | | | | |
| 12 | | | | | | | |
| 13 | | | | | | | |
| 14 | 614597 01 | GEAR CHANGE LEVER | 1 | | | | |
| 15 | PIN-40817 | ROLL PIN | 1 | | | | |
| 16 | 614603 01 | AUGER SPEED EMBLEM | 1 | | | | |
| 17 | BLTA10380 | SHEARBOLT | 5 | | | | |
| 18 | WSH-0015 | WASHER | 5 | | | | |
| 19 | NUT-0265 | NUT | 5 | | | | |
| 20 | 195391 01 | TRANSFER SHEARBOLT | 1 | | | | |
| 21 | 614425 01 | PTO GUARD FIXING PLATE | 1 | | | | |
| 22 | 614426 01 | PTO GUARD SIDE PLATE | 2 | | | | |
| 23 | NUTA13080 | NUTSERT | 4 | | | | |
| 24 | WSH-0058 | WASHER | 4 | | | | |
| 25 | HSS-0135 | SETSCREW | 4 | | | | |
| 26 | | | | | | | |
| 27 | HSSF08204 | SET SCREW | 6 | | | | |
| 28 | WSH-0012 | WASHER | 2 | | | | |
| 29 | HND-0000 | BLACK PLASTIC HANDLE | 1 | | | | |
| 30 | HSS-0086 | SET SCREW | 2 | | | | |



Shelbourne Reynolds Engineering Limited

| ASSY NUMBER: KIT-03586 | | | | ASSY DESCRIPTION: GEAR CHANGE LEVER ARM KIT | | | |
|------------------------|-----------|-------------------------------|-----|---------------------------------------------|---------|-------------|-----|
| ITEM | PART NO | DESCRIPTION | QTY | ITEM | PART NO | DESCRIPTION | QTY |
| 1 | 613542 01 | SUPPORT ARM | 1 | | | | |
| 2 | 614604 01 | GEAR CHANGE LEVER SUPPORT ARM | 1 | | | | |
| 3 | 613545 01 | VALVE ADJUSTER PLATE | 2 | | | | |
| 4 | BLTA10500 | BOLT | 8 | | | | |
| 5 | WSH-0015 | WASHER | 10 | | | | |
| 6 | NUT-0265 | NUT | 8 | | | | |
| 7 | CAP-0012 | PLASTIC END CAP (2"X 2") | 4 | | | | |
| 8 | LVR-00305 | GEAR CHANGE LEVER | 1 | | | | |
| 9 | BLTA06560 | BOLT | 2 | | | | |
| 10 | WSH-0009 | WASHER | 4 | | | | |
| 11 | NUT-0260 | NUT | 2 | | | | |
| 12 | 614602 01 | LEVER POSITION EMBLEM | 1 | | | | |

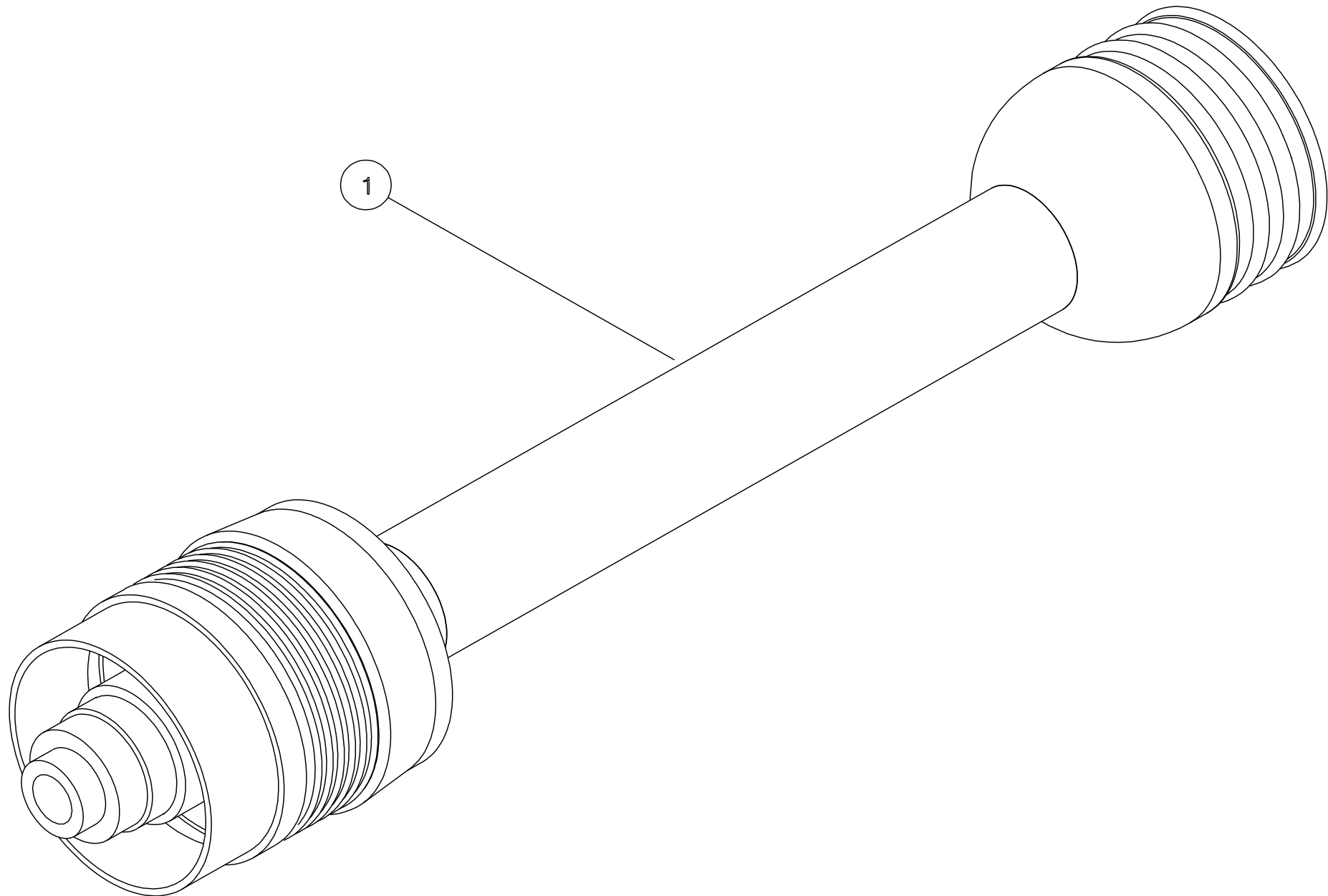


KIT-03586



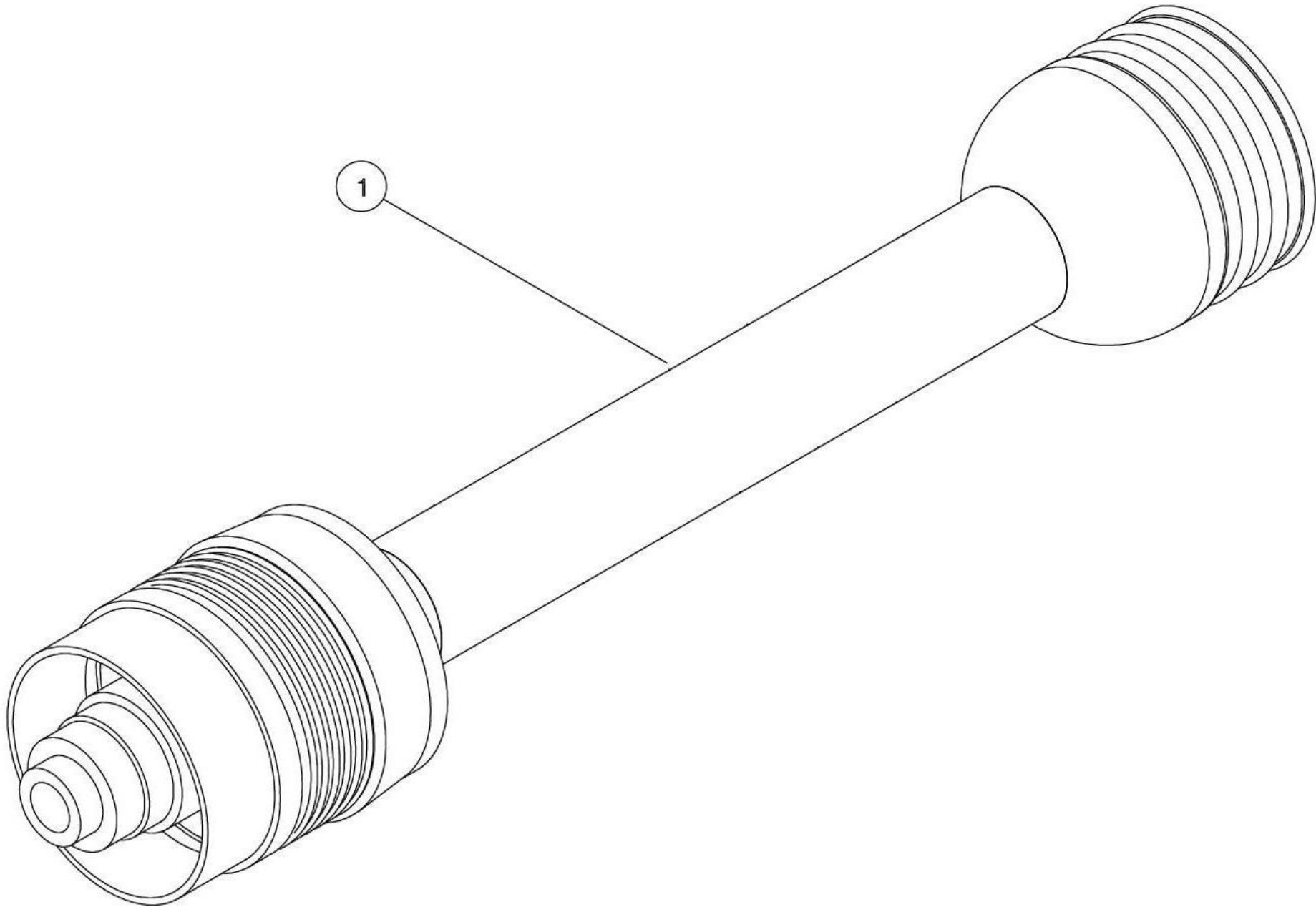
Shelbourne Reynolds Engineering Limited

| ASSY NUMBER: KIT-03587 | | | | ASSY DESCRIPTION: PTO SHAFT KIT | | | |
|------------------------|-----------|--------------------|-----|---------------------------------|---------|-------------|-----|
| ITEM | PART NO | DESCRIPTION | QTY | ITEM | PART NO | DESCRIPTION | QTY |
| 1 | PTO-29003 | PTO SHAFT ASSEMBLY | 1 | | | | |



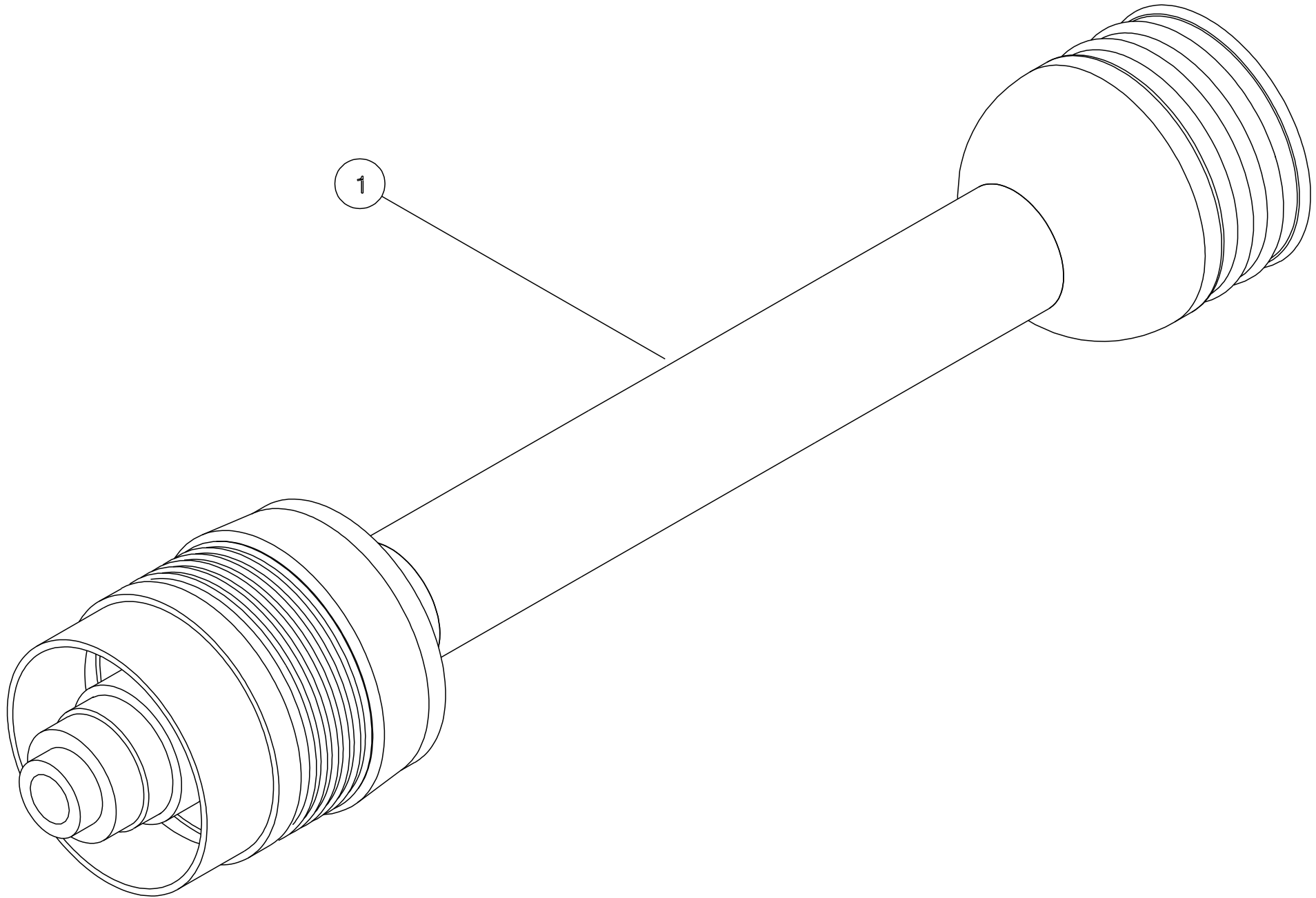
Shelbourne Reynolds Engineering Limited

| ASSY NUMBER: KIT-03587a | | | | ASSY DESCRIPTION: INPUT SHAFT KIT (WIDE ANGLE) | | | |
|-------------------------|-------------|-------------------------------|-----|------------------------------------------------|---------|-------------|-----|
| ITEM | PART NO | DESCRIPTION | QTY | ITEM | PART NO | DESCRIPTION | QTY |
| 1 | PTO-29003WE | W-A INPUT PTO SHAFT (WEASLER) | 1 | | | | |



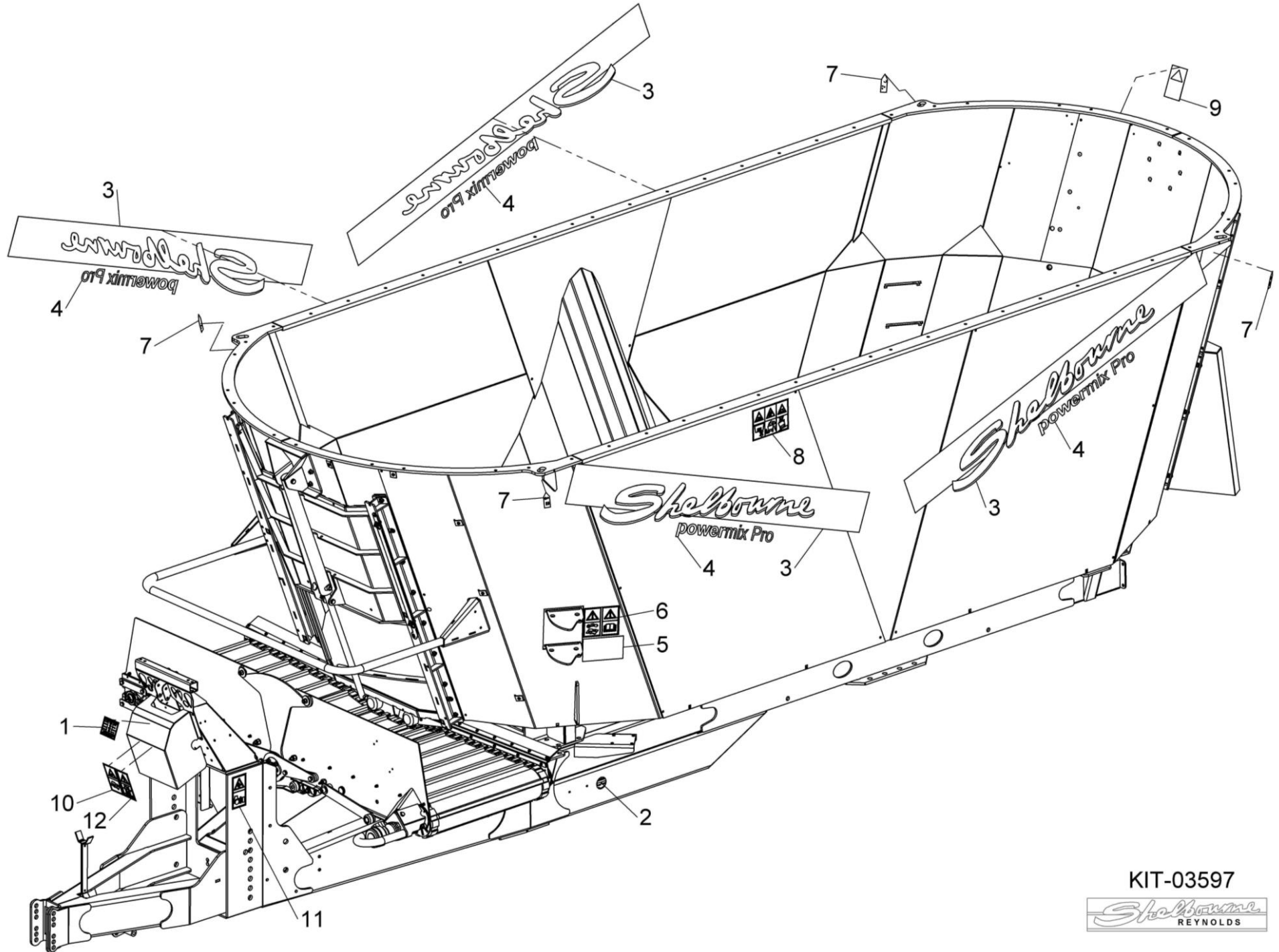
Shelbourne Reynolds Engineering Limited

| ASSY NUMBER: KIT-03587B | | | | ASSY DESCRIPTION: W-A INPUT SHAFT KIT (TWIN AUGER PRO) | | | |
|-------------------------|------------|----------------------------|-----|--------------------------------------------------------|---------|-------------|-----|
| ITEM | PART NO | DESCRIPTION | QTY | ITEM | PART NO | DESCRIPTION | QTY |
| 1 | PTO-29003W | W-A INPUT PTO SHAFT (WALT) | 1 | | | | |



Shelbourne Reynolds Engineering Limited

| ASSY NUMBER: KIT-03597 | | | | ASSY DESCRIPTION: POWERMIX PRO TRANSFER KIT | | | |
|------------------------|-----------|------------------------------|-----|---------------------------------------------|---------|-------------|-----|
| ITEM | PART NO | DESCRIPTION | QTY | ITEM | PART NO | DESCRIPTION | QTY |
| 1 | 614603 01 | AUGER SPEED EMBLEM | 1 | | | | |
| 2 | TNF-0013 | INSPECTION STICKER | 1 | | | | |
| 3 | 591582 01 | SHELBOURNE TRANSFER | 4 | | | | |
| 4 | 615408 01 | POWERMIX PRO TRANSFER | 4 | | | | |
| 5 | 614654 01 | TWIN AUGER EXP GREASE EMBLEM | 1 | | | | |
| 6 | TNF-0011 | TRANSFER BLOCK | 1 | | | | |
| 7 | 190702 04 | SLING POINT TRANSFER | 4 | | | | |
| 8 | 610253 01 | EMBLEM | 1 | | | | |
| 9 | 610259 01 | LOGO:DO ENTER USING | 1 | | | | |
| 10 | 800221 01 | TRANSFER-MANUAL,OIL | 1 | | | | |
| 11 | 260060 01 | TRANSFER-STAY CLEAR | 1 | | | | |
| 12 | 614959 01 | MAX. HYD. PRESSURE TRANSFER | 1 | | | | |

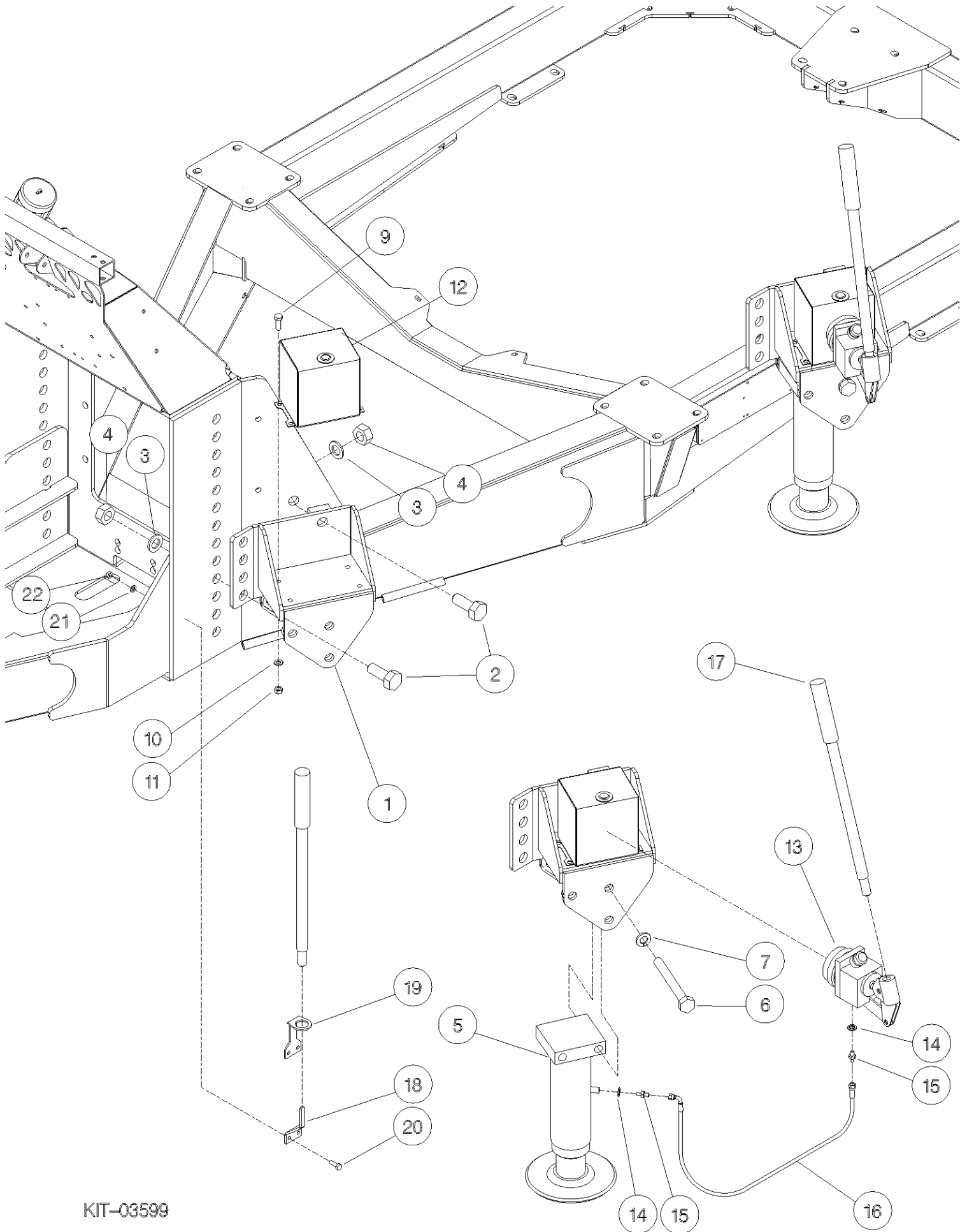


KIT-03597



Shelbourne Reynolds Engineering Limited

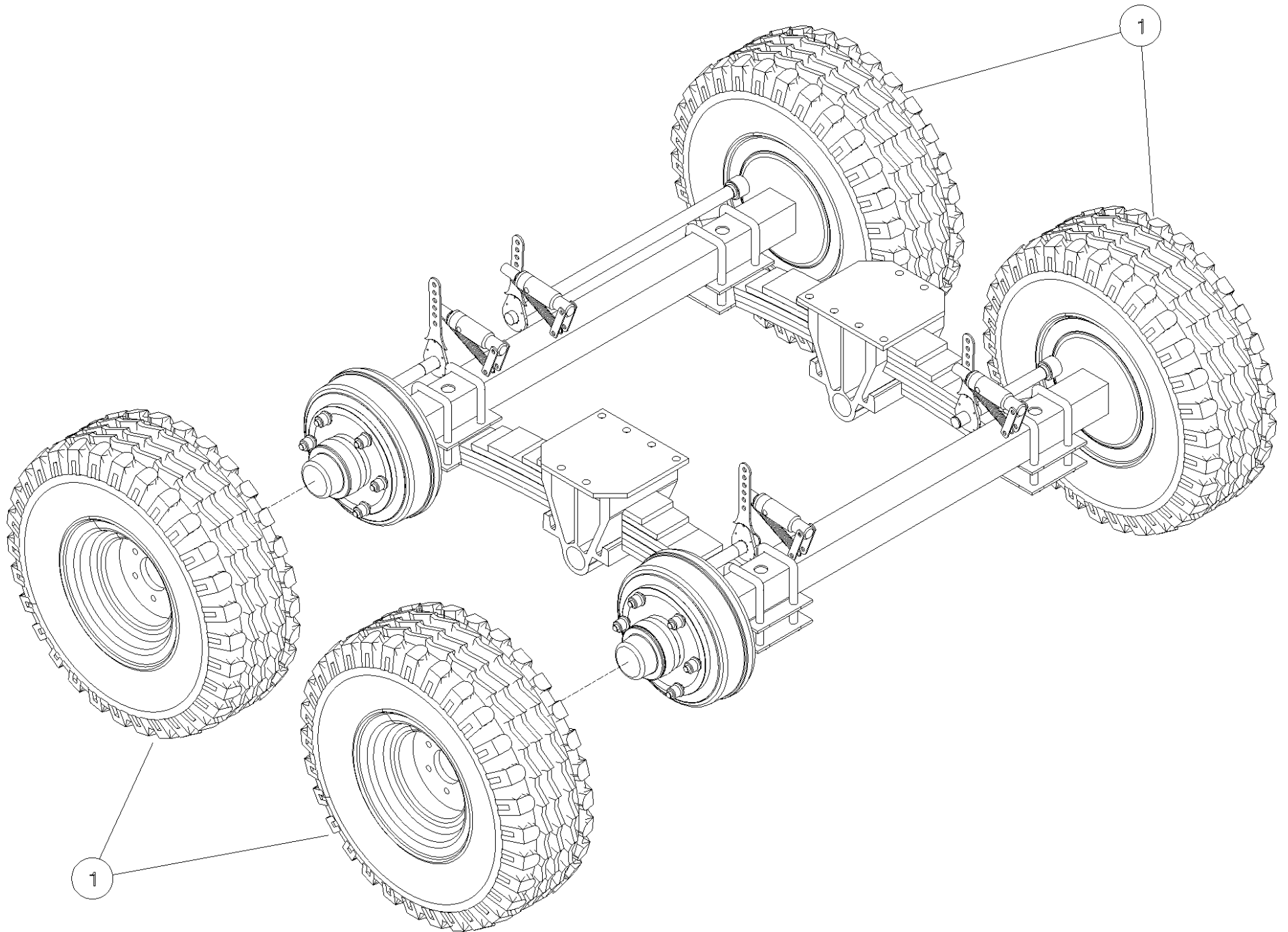
| ASSY NUMBER: KIT-03599 | | | | ASSY DESCRIPTION: HYD PARKING JACK KIT | | | |
|------------------------|-----------|------------------------|-----|----------------------------------------|---------|-------------|-----|
| ITEM | PART NO | DESCRIPTION | QTY | ITEM | PART NO | DESCRIPTION | QTY |
| 1 | 614619 01 | HYDRAULIC RAM BRKT W/A | 1 | | | | |
| 2 | HSS-0410 | SETSCREW | 4 | | | | |
| 3 | WSH-0036 | PLAIN WASHER FORM A | 4 | | | | |
| 4 | NUT-0275 | NYLOC NUT | 4 | | | | |
| 5 | JAC-00210 | HYDRAULIC PARKING JACK | 1 | | | | |
| 6 | BLTA20770 | HEXAGON HEAD BOLT | 1 | | | | |
| 7 | WSH-0075 | SPRING WASHER | 1 | | | | |
| 9 | HSS-0194 | SET SCREW | 4 | | | | |
| 10 | WSH-0015 | PLAIN WASHER | 4 | | | | |
| 11 | NUT-0265 | NYLOC NUT | 4 | | | | |
| 12 | JAC-00220 | HYD RESEVOIR - TANK | 1 | | | | |
| 13 | JAC-00225 | HYD HAND PUMP | 1 | | | | |
| 14 | WSH-1010 | DOWTY WASHER | 2 | | | | |
| 15 | HMA-0057 | ADAPTOR MALE/MALE | 2 | | | | |
| 16 | HHCC03500 | HYDRAULIC HOSE ASSY | 1 | | | | |
| 17 | JAC-00230 | HYD HAND PUMP HANDLE | 1 | | | | |
| 18 | 611654 01 | LOWER HANDLE BKT | 1 | | | | |
| 19 | 611655 01 | TOP BKT HOOP | 1 | | | | |
| 20 | HSS-0145 | SETSCREW | 4 | | | | |
| 21 | WSH-0012 | PLAIN WASHER | 4 | | | | |
| 22 | NUT-0263 | NYLOC NUT | 4 | | | | |



KIT-03599

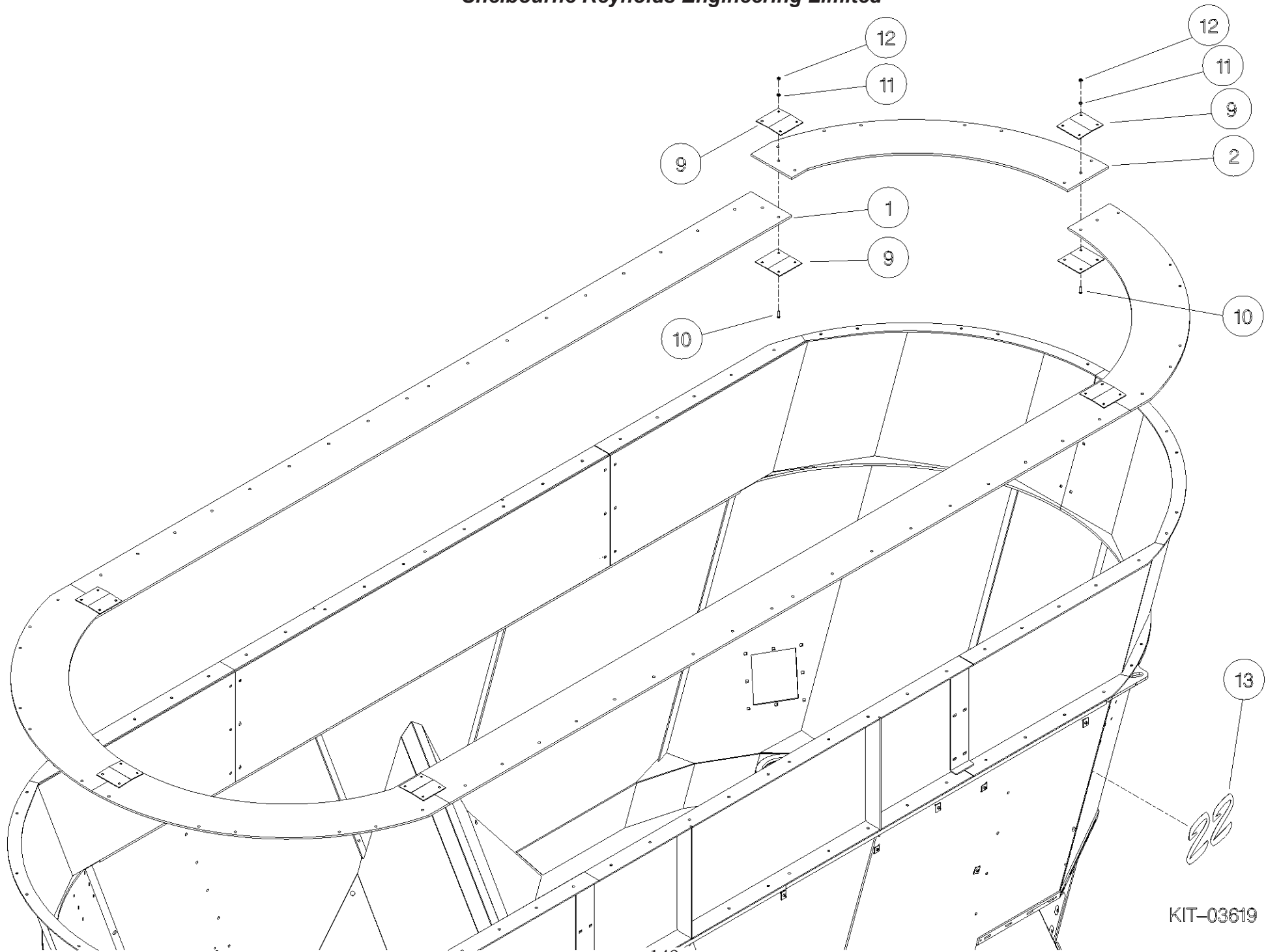
Shelbourne Reynolds Engineering Limited

| ASSY NUMBER: KIT-03607 | | | | ASSY DESCRIPTION: WHEEL & TYRE KIT | | | |
|------------------------|-----------|-------------------|-----|------------------------------------|---------|-------------|-----|
| ITEM | PART NO | DESCRIPTION | QTY | ITEM | PART NO | DESCRIPTION | QTY |
| 1 | WHL-01915 | WHEEL & TYRE ASSY | 4 | | | | |



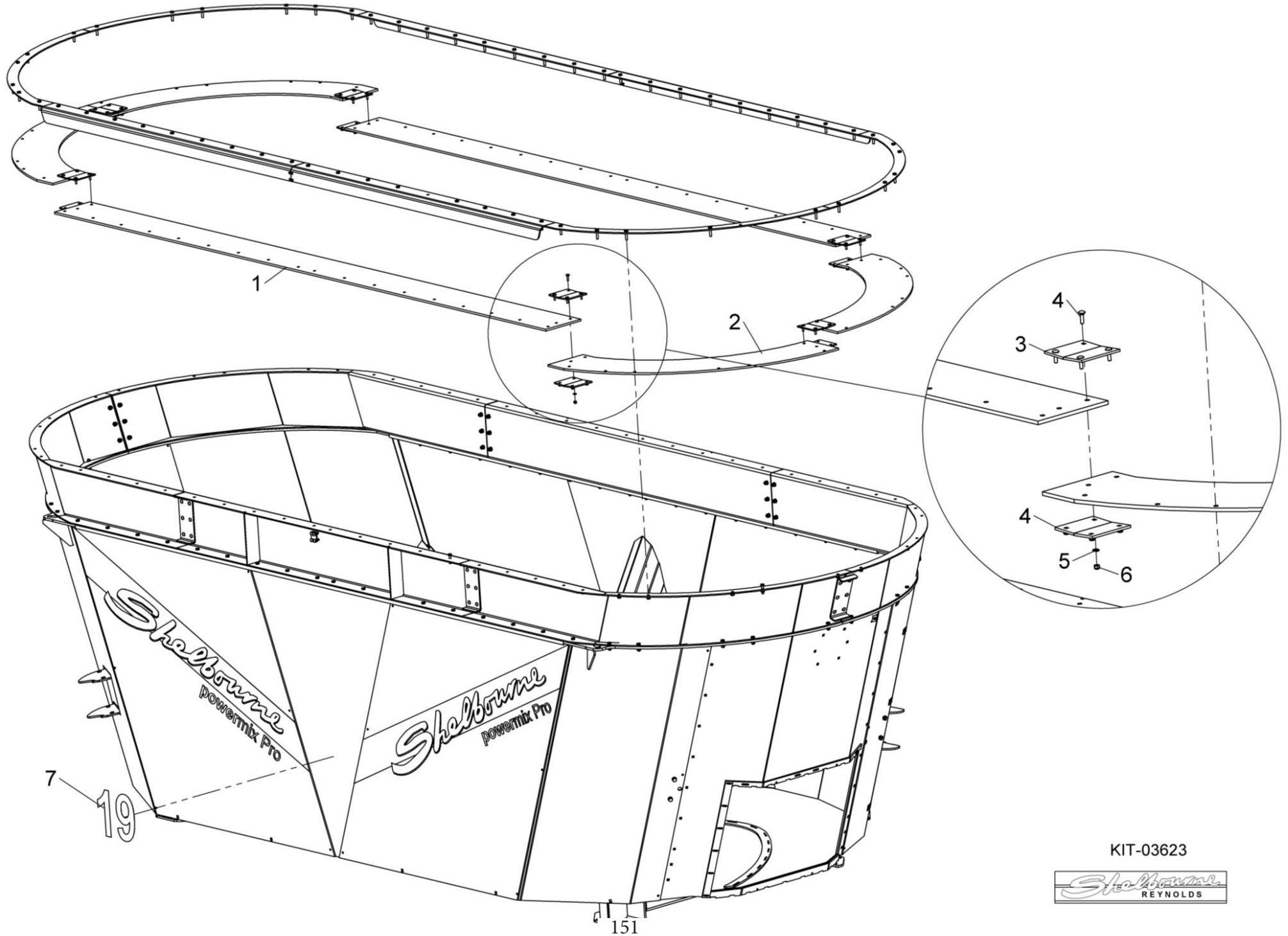
Shelbourne Reynolds Engineering Limited

| ASSY NUMBER: KIT-03619 | | | | ASSY DESCRIPTION: 22m CU RUBBER RETAINING RING | | | |
|------------------------|-----------|-----------------------|-----|------------------------------------------------|---------|-------------|-----|
| ITEM | PART NO | DESCRIPTION | QTY | ITEM | PART NO | DESCRIPTION | QTY |
| 1 | 613835 01 | SIDE RUBBER SECTION | 2 | | | | |
| 2 | 610982 01 | CORNER RUBBER SECTION | 4 | | | | |
| 9 | 611051 01 | CLAMP STRIP | 12 | | | | |
| 10 | BLT-2700 | BOLT | 24 | | | | |
| 11 | WSH-0012 | PLAIN WASHER | 24 | | | | |
| 12 | NUT-0263 | NYLOC NUT | 24 | | | | |
| 13 | 615457 03 | SIZE TRANSFER- 22 | 2 | | | | |



Shelbourne Reynolds Engineering Limited

| ASSY NUMBER: KIT-03623 | | | | ASSY DESCRIPTION: 19m3 TWIN TUB RUBBER RETAINING KIT | | | |
|------------------------|-----------|-----------------------|-----|------------------------------------------------------|---------|-------------|-----|
| ITEM | PART NO | DESCRIPTION | QTY | ITEM | PART NO | DESCRIPTION | QTY |
| 1 | 613832 01 | SIDE RUBBER SECTION | 2 | | | | |
| 2 | 610982 01 | CORNER RUBBER SECTION | 4 | | | | |
| 3 | 611051 01 | CLAMP STRIP | 12 | | | | |
| 4 | BLT-2700 | BOLT | 24 | | | | |
| 5 | WSH-0012 | PLAIN WASHER | 24 | | | | |
| 6 | NUT-0263 | NYLOC NUT | 24 | | | | |
| 7 | 615457 02 | SIZE TRANSFER- 19 | 2 | | | | |

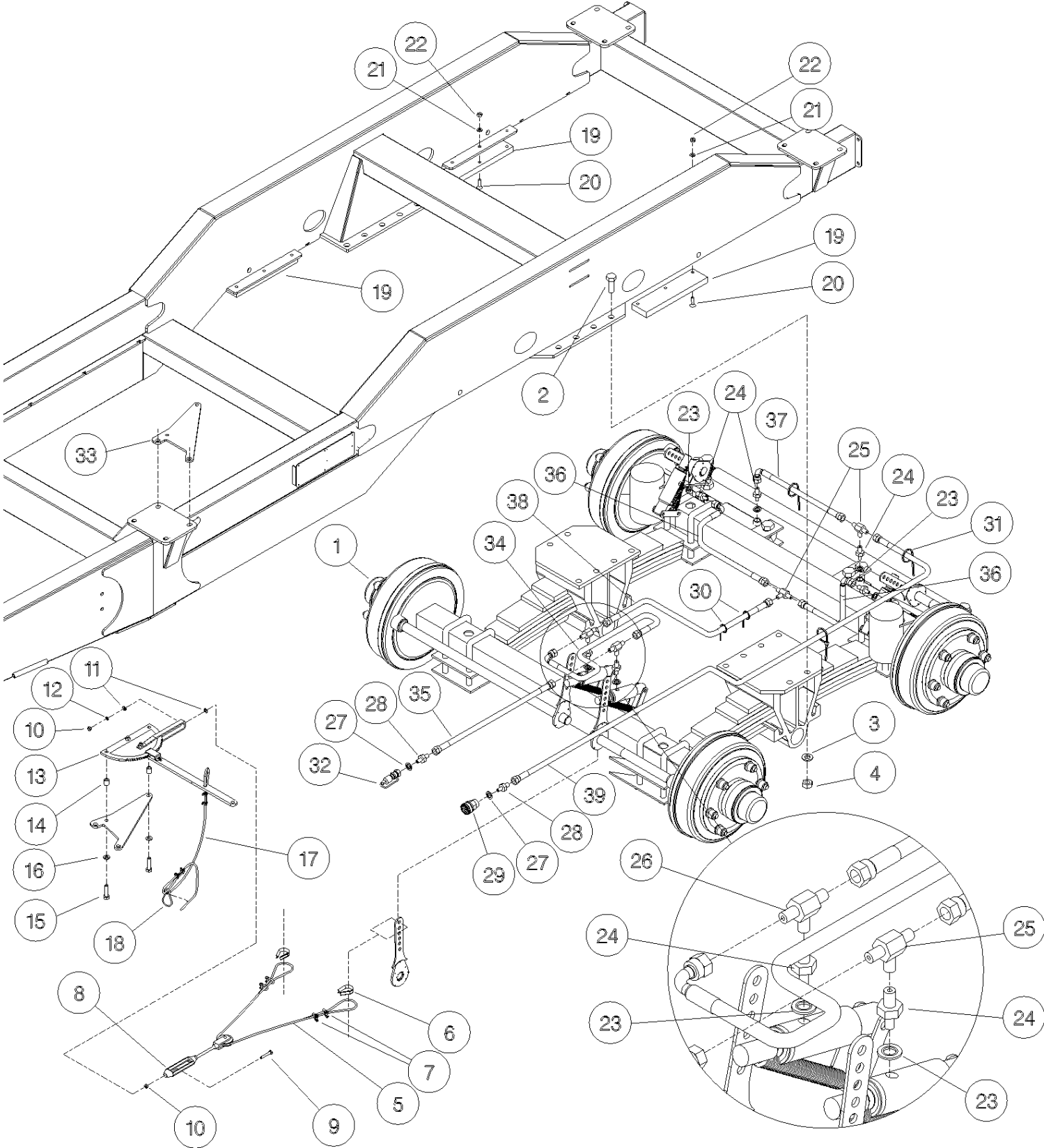


KIT-03623



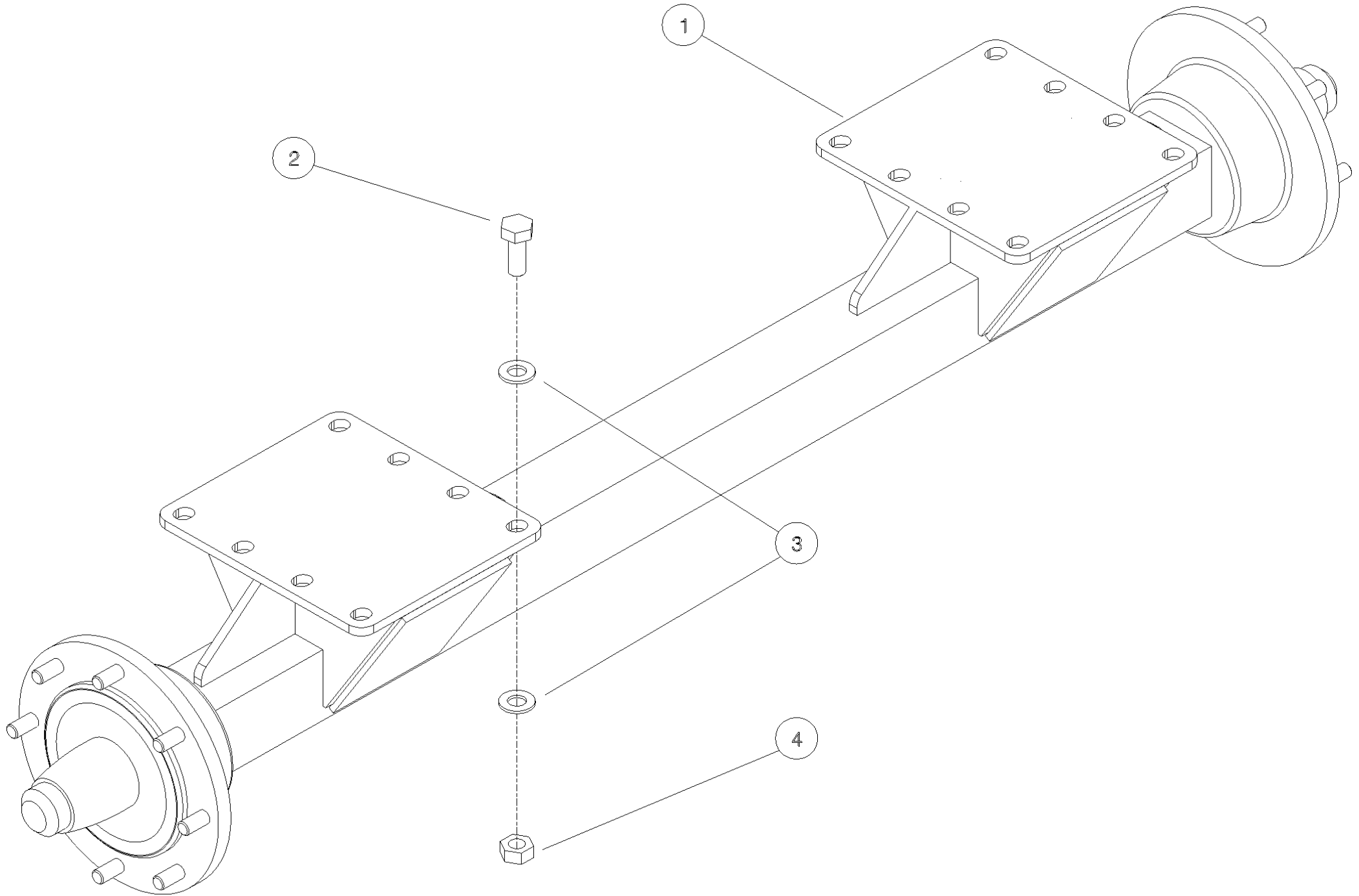
Shelbourne Reynolds Engineering Limited

| ASSY NUMBER: KIT-03624 | | | | ASSY DESCRIPTION: BRAKED TANDEM AXLE KIT | | | |
|------------------------|-----------|--------------------------|-----|------------------------------------------|---------|-------------|-----|
| ITEM | PART NO | DESCRIPTION | QTY | ITEM | PART NO | DESCRIPTION | QTY |
| 1 | AXL-00210 | UNDERSLUNG BOGIE ASSY | 1 | | | | |
| 2 | BLT-2366 | BOLT | 12 | | | | |
| 3 | WSH-0030 | PLAIN WASHER | 12 | | | | |
| 4 | NUTA02200 | NYLOC NUT | 12 | | | | |
| 5 | WRP-00040 | WIRE CABLE | 7 | | | | |
| 6 | WRP-01040 | WIRE CABLE THIMBLE | 2 | | | | |
| 7 | WRP-02040 | WIRE CABLE CLAMP | 8 | | | | |
| 8 | ADL-00120 | ADJUSTER ASSY | 1 | | | | |
| 9 | HSS-0155 | SET SCREW | 1 | | | | |
| 10 | NUT-0164 | PLAIN NUT | 2 | | | | |
| 11 | WSH-0012 | PLAIN WASHER | 4 | | | | |
| 12 | WSH-0058 | SPRING WASHER | 1 | | | | |
| 13 | 590222 01 | *HANDBRAKE LEVER ASSY | 1 | | | | |
| 14 | 610923 01 | SPACER | 2 | | | | |
| 15 | BLTA12380 | HEX.HEAD BOLT | 2 | | | | |
| 16 | WSH-0018 | PLAIN WASHER | 2 | | | | |
| 17 | WRP-00040 | WIRE CABLE | 4 | | | | |
| 18 | WRP-03000 | SNAPHOOK | 1 | | | | |
| 19 | 614596 01 | RUBBER BUMPER | 4 | | | | |
| 20 | SCW-1895 | M10*40 CSK SOCKET HD SCW | 12 | | | | |
| 21 | WSH-0015 | PLAIN WASHER | 12 | | | | |
| 22 | NUT-0265 | NYLOC NUT | 12 | | | | |
| 23 | WSH-1010 | DOWTY WASHER | 6 | | | | |
| 24 | FIT-0025 | 1/4"BSP X 3/8"BSP | 6 | | | | |
| 25 | FITA10130 | HYDRAULIC TEE FITTING | 3 | | | | |
| 26 | HMT-0010 | 1/4"BSP EQUAL TEE MALE | 1 | | | | |
| 27 | WSH-1015 | DOWTY WASHER 1/2" | 2 | | | | |
| 28 | HMA-0055 | ADAPTOR MALE/MALE | 2 | | | | |
| 29 | HQR-10007 | HYD.QUICK RELEASE COUP. | 1 | | | | |
| 30 | TIE-0004 | TIE WRAPS (MED) | 16 | | | | |
| 31 | TIE-0012 | TIE WRAP (EX.LARGE) | 4 | | | | |
| 32 | COU-0162 | QUICK RELEASE COUPLING | 1 | | | | |
| 33 | 614924 01 | HANDBRAKE LEVER BRKT | 1 | | | | |
| 34 | HHBC03705 | HYD HOSE ASSY | 1 | | | | |
| 35 | HHAC63005 | HYD HOSE ASSY | 1 | | | | |
| 36 | HHBC05305 | HYDRAULIC HOSE ASSY | 2 | | | | |
| 37 | HHBC09205 | HYDRAULIC HOSE ASSY | 1 | | | | |
| 38 | HHAC14005 | HYD HOSE ASSY | 1 | | | | |
| 39 | HHBC79005 | HYDRAULIC HOSE ASSY | 1 | | | | |



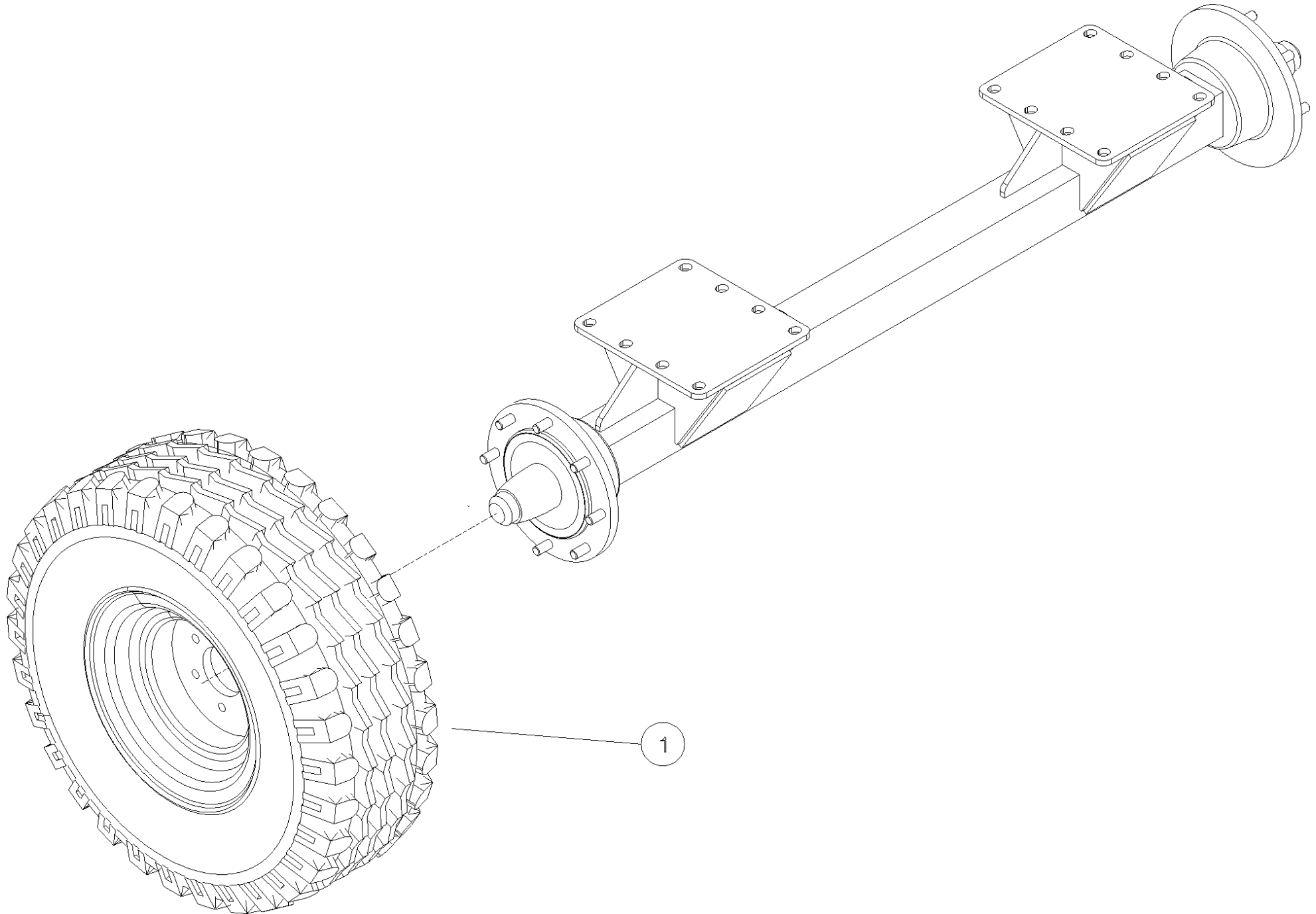
Shelbourne Reynolds Engineering Limited

| ASSY NUMBER: KIT-03627 | | | | ASSY DESCRIPTION: 16m CU UNBRAKED SINGLE AXLE SU | | | |
|------------------------|-----------|----------------------------|-----|--------------------------------------------------|---------|-------------|-----|
| ITEM | PART NO | DESCRIPTION | QTY | ITEM | PART NO | DESCRIPTION | QTY |
| 1 | 614955 01 | TWIN AUGER SINGLE AXLE W/A | 1 | | | | |
| 2 | BLT-2366 | BOLT | 16 | | | | |
| 3 | WSH-0030 | PLAIN WASHER | 32 | | | | |
| 4 | NUTA02200 | NYLOC NUT | 16 | | | | |



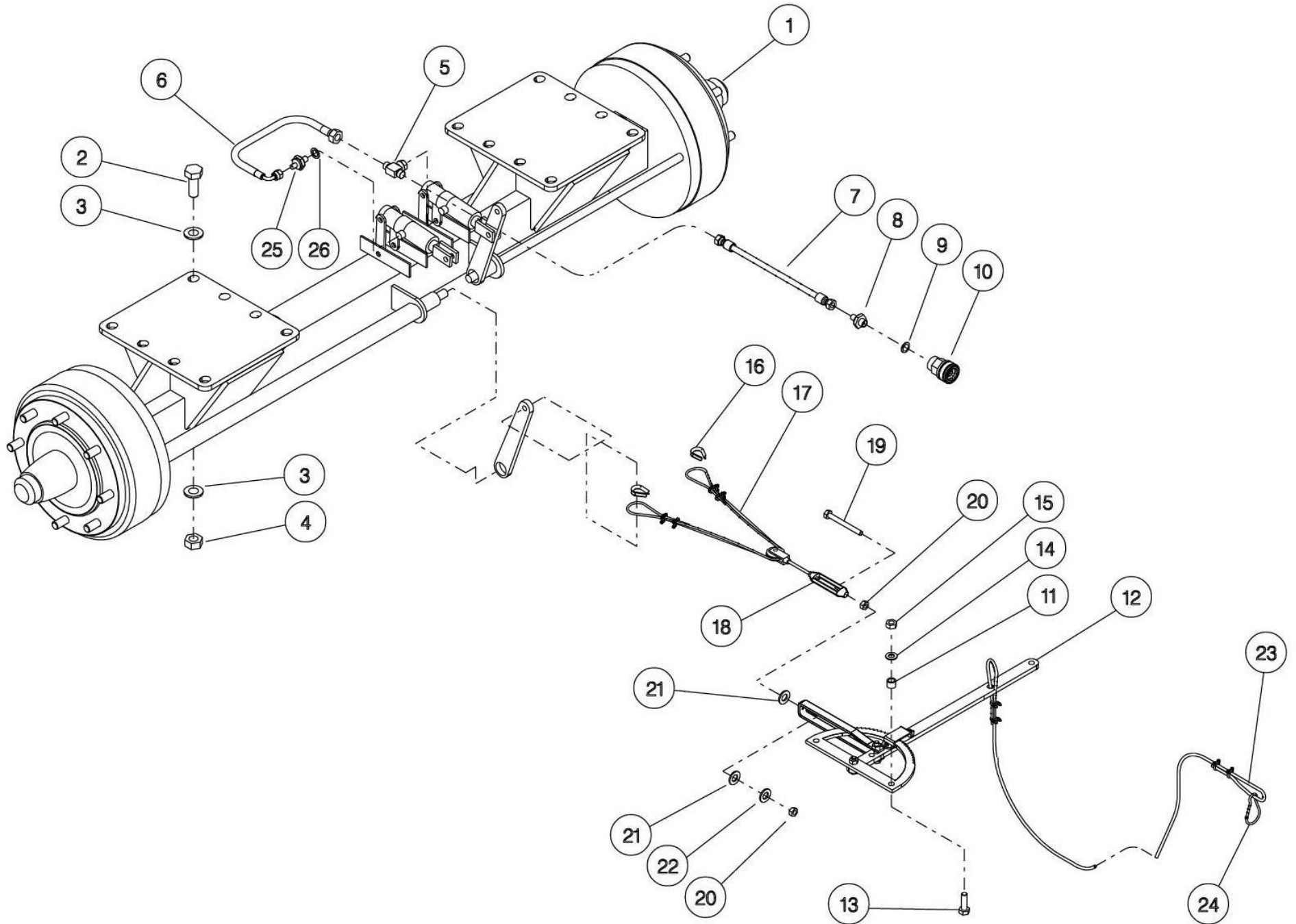
Shelbourne Reynolds Engineering Limited

| ASSY NUMBER: KIT-03628 | | | | ASSY DESCRIPTION: WHEEL & TYRE KIT | | | |
|------------------------|-----------|-------------------|-----|------------------------------------|---------|-------------|-----|
| ITEM | PART NO | DESCRIPTION | QTY | ITEM | PART NO | DESCRIPTION | QTY |
| 1 | WHL-02205 | WHEEL & TYRE ASSY | 2 | | | | |



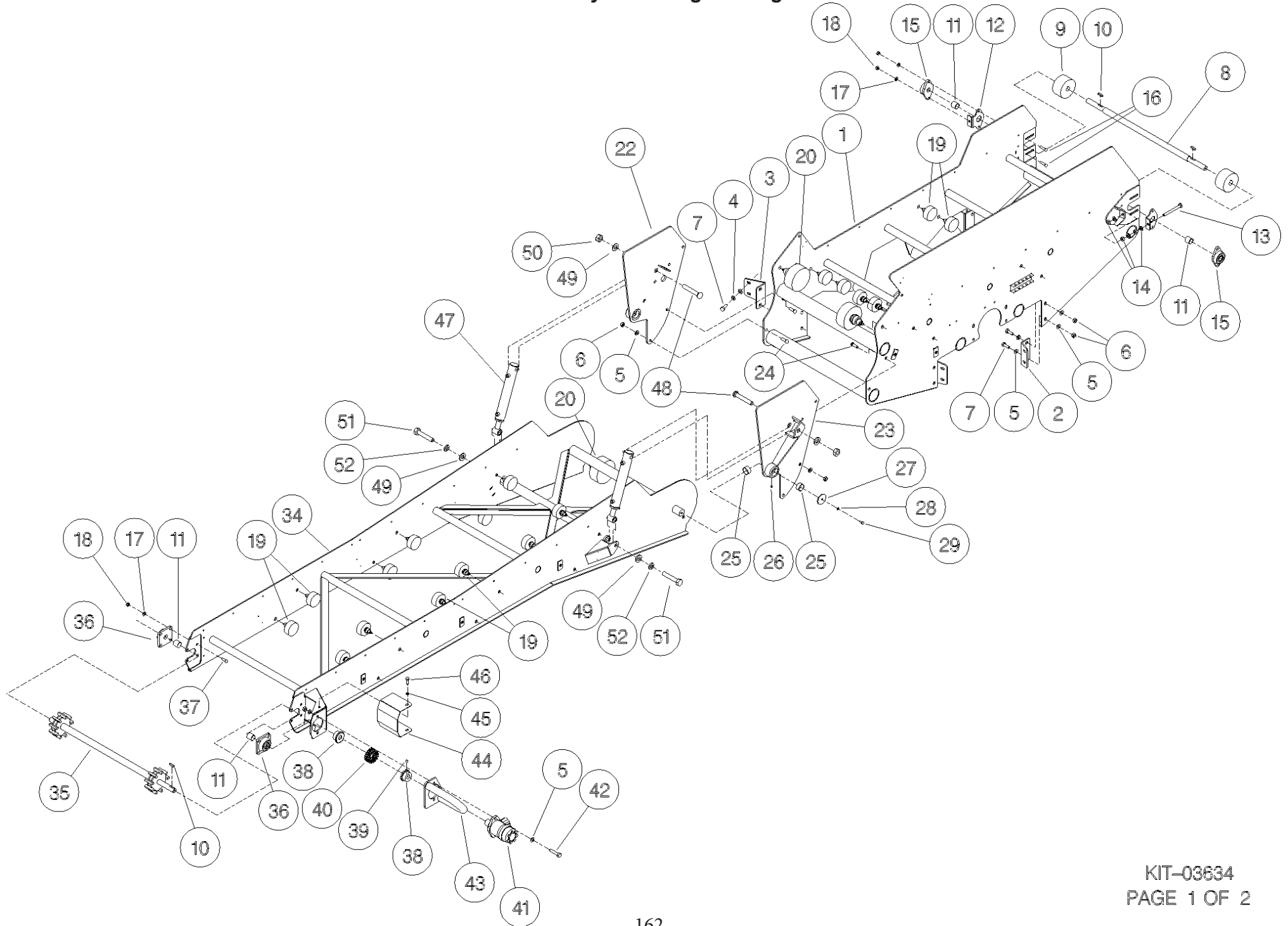
Shelbourne Reynolds Engineering Limited

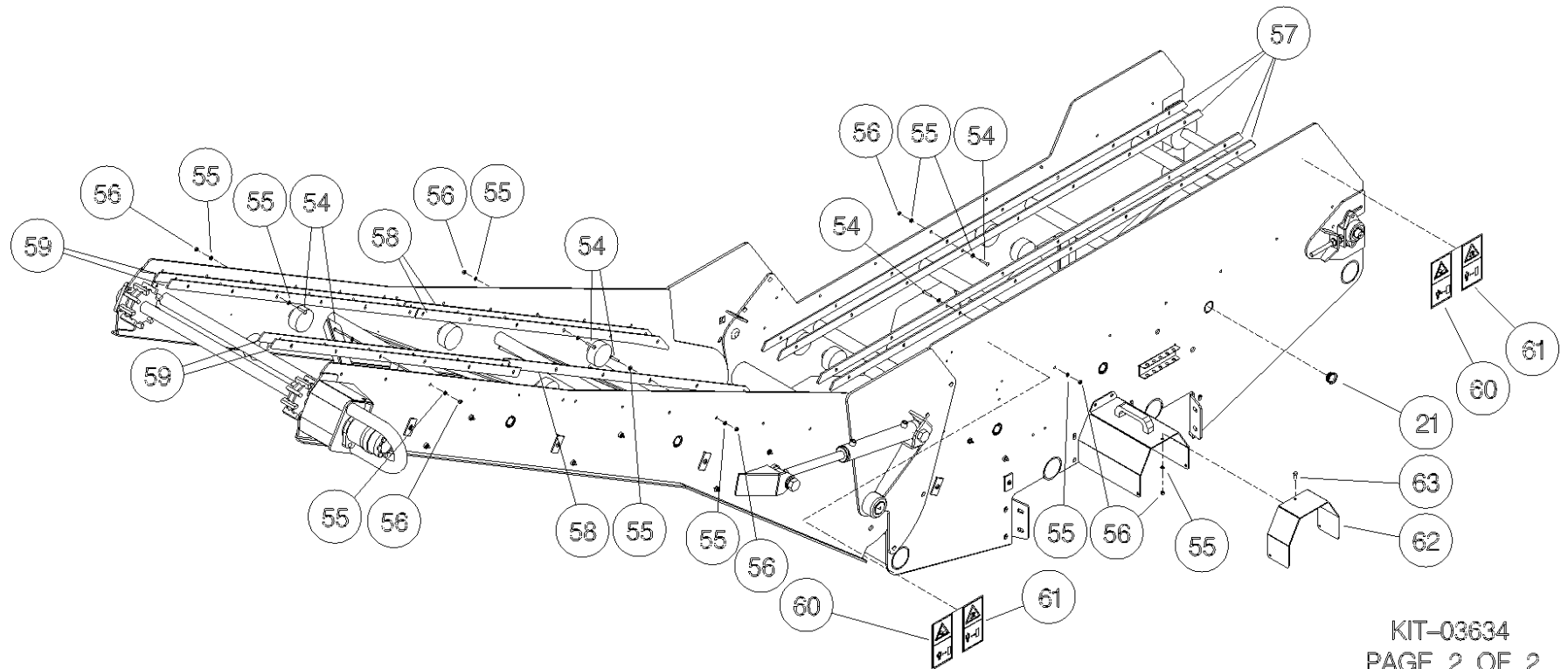
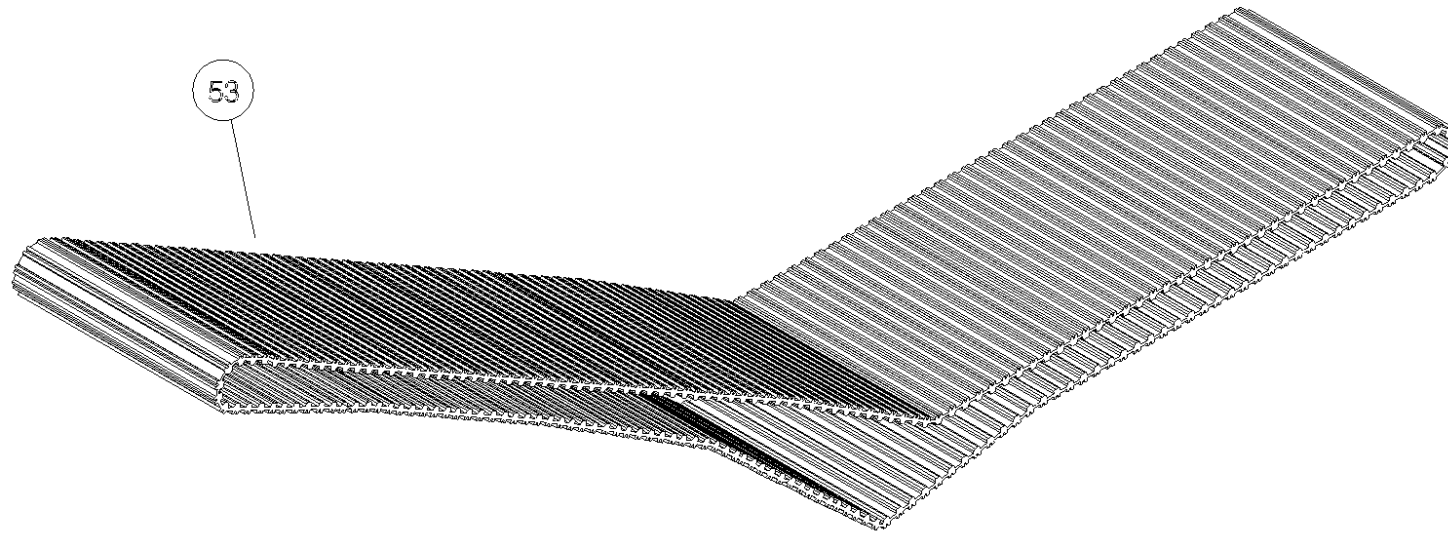
| ASSY NUMBER: KIT-03633 | | | | ASSY DESCRIPTION: 16m ³ BRAKED SINGLE AXLE SUB ASSY | | | |
|------------------------|-----------|----------------------------|-------|----------------------------------------------------------------|---------|-------------|-----|
| ITEM | PART NO | DESCRIPTION | QTY | ITEM | PART NO | DESCRIPTION | QTY |
| 1 | 614956 01 | BRAKED AXLE W/A | 1 | | | | |
| 2 | BLT-2366 | BOLT | 16 | | | | |
| 3 | WSH-0030 | PLAIN WASHER | 32 | | | | |
| 4 | NUTA02200 | NUT | 16 | | | | |
| 5 | FITA10140 | HYDRAULIC TEE FITTING | 1 | | | | |
| 6 | HHBC03205 | HYD HOSE | 1 | | | | |
| 7 | HHBC73005 | HYD HOSE | 1 | | | | |
| 8 | HMA-0055 | HYD ADAPTOR | 1 | | | | |
| 9 | WSH-1015 | DOWTY WASHER | 1 | | | | |
| 10 | HQR-10007 | HYD QUICK RELEASE COUPLING | 1 | | | | |
| 11 | 610923 01 | SPACER | 2 | | | | |
| 12 | 590222 01 | HANDBRAKE LEVER ASSY | 1 | | | | |
| 13 | BLTA12380 | SETSCREW | 2 | | | | |
| 14 | WSH-0018 | WASHER | 2 | | | | |
| 15 | NUT-0269 | NUT | 2 | | | | |
| 16 | WRP-01040 | THIMBLE | 2 | | | | |
| 17 | WRP-00040 | CABLE | 12.5m | | | | |
| 18 | ADL-00120 | ADJUSTER ASSY | 1 | | | | |
| 19 | HSS-0155 | SETSCREW | 1 | | | | |
| 20 | NUT-0164 | NUT | 2 | | | | |
| 21 | WSH-0012 | WASHER | 2 | | | | |
| 22 | WSH-0058 | WASHER | 1 | | | | |
| 23 | WRP-02040 | CLAMP | 8 | | | | |
| 24 | WRP-03000 | SNAP HOOK | 1 | | | | |
| 25 | HMA-0057 | HYD ADAPTOR | 2 | | | | |
| 26 | WSH-1010 | DOWTY WASHER | 2 | | | | |



Shelbourne Reynolds Engineering Limited

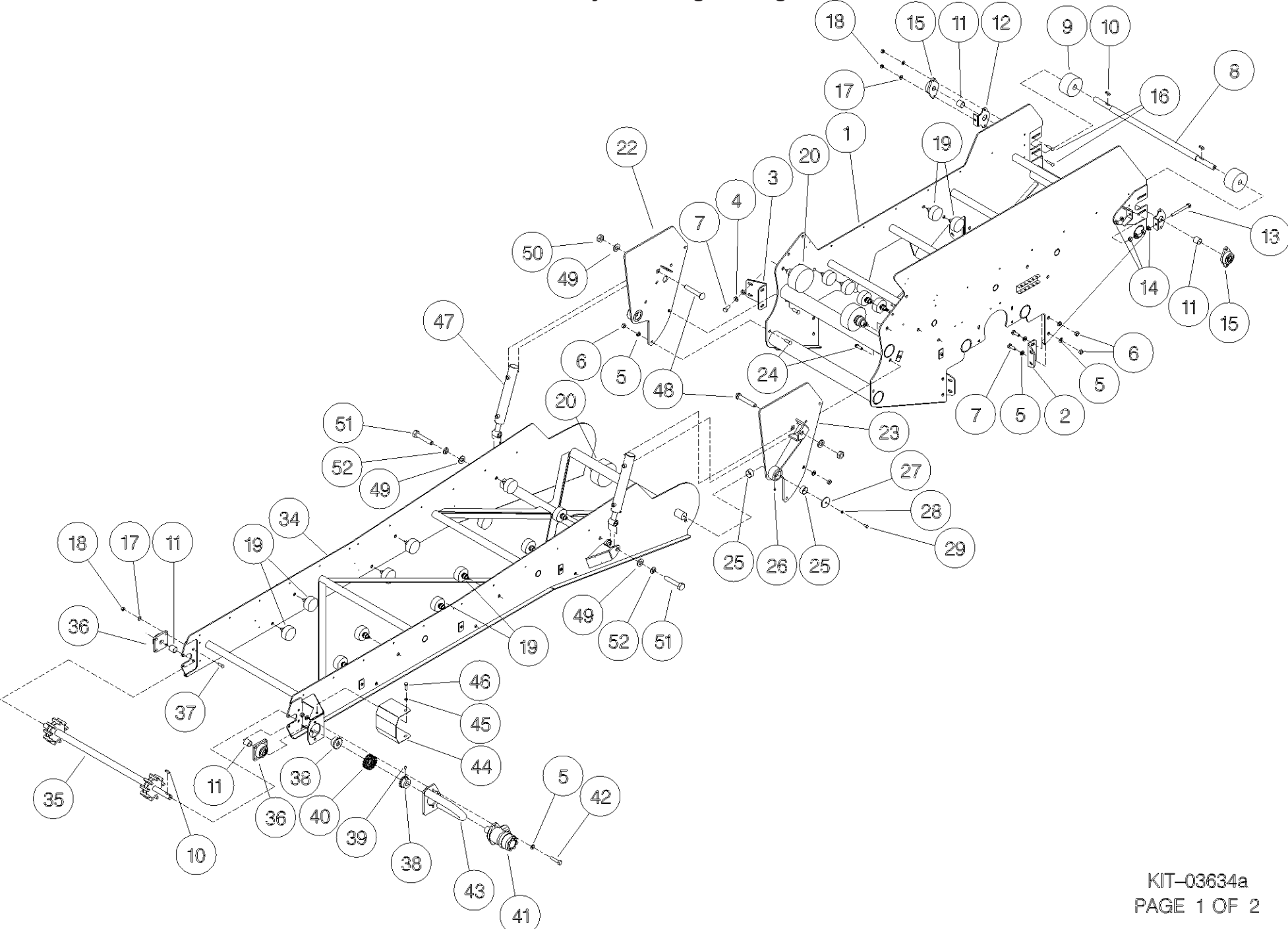
| ASSY NUMBER: KIT-03634 | | | | ASSY DESCRIPTION: 3m WEB CONVEYOR | | | |
|------------------------|------------|--------------------------------|-----|-----------------------------------|-----------|--------------------------|-----|
| ITEM | PART NO | DESCRIPTION | QTY | ITEM | PART NO | DESCRIPTION | QTY |
| 1 | 614649 01 | CONVEYOR MTG FRAME W/A | 1 | 45 | WSH-0061 | SPRING WASHER | 2 |
| 2 | 614641 01 | FRONT FIXING PLATE | 2 | 46 | HSS-0188 | SET SCREW | 2 |
| 3 | 614642 01 | REAR FIXING PLATE | 2 | 47 | RAM-0001 | D/ACTING HYD..RAM 370 CC | 2 |
| 4 | WSH-0065 | SPRING WASHER | 8 | 48 | BLTF20593 | COACHBOLT | 2 |
| 5 | WSH-0018 | PLAIN WASHER | 40 | 49 | WSH-0030 | PLAIN WASHER | 4 |
| 6 | NUT-0269 | NYLOC NUT | 18 | 50 | NUTA02200 | NYLOC NUT | 2 |
| 7 | HSS-0241 | SET SCREW | 16 | 51 | BLTA20590 | BOLT HEX. HD. | 2 |
| 8 | 614481 01 | IDLER SHAFT | 1 | 52 | WSH-0075 | SPRING WASHER | 2 |
| 9 | CON-00024 | IDLE ROLLER (DIA 110mm) | 2 | 53 | CON-00029 | BROEKEMA BELT | 1 |
| 10 | K0807032 | KEY PARALLEL | 3 | 54 | SCBA06200 | BUTT SOC HD SCREW | 40 |
| 11 | 614272 05 | SHAFT SPACER | 4 | 55 | WSH-0009 | PLAIN WASHER | 83 |
| 12 | 614486 01 | ADJUSTER PLATE | 2 | 56 | NUT-0260 | NYLOC NUT | 43 |
| 13 | HSSA12560 | HEX HEAD SET SCREW | 2 | 57 | 614650 01 | SEAL STRIP | 4 |
| 14 | NUT-0170 | PLAIN NUT | 6 | 58 | 614652 01 | SEAL STRIP | 4 |
| 15 | BRG-25260 | BEARING | 2 | 59 | 614651 01 | SEAL STRIP | 4 |
| 16 | BLT-3755 | COACHBOLT | 4 | 60 | 260062 01 | TRANSFER-HAND ENTANGL | 2 |
| 17 | WSH-0018 | PLAIN WASHER | 12 | 61 | 260061 01 | TRANSFER-SAFE DISTANC | 2 |
| 18 | NUT-0265 | NYLOC NUT | 12 | 61 | HSS-0140 | SETSCREW | 3 |
| 19 | CON-00025a | SUPPORT ROLLER (DIA 75mm) | 20 | 62 | 615217 01 | GUARD EXTENSION | 1 |
| 20 | CON-00019 | GUIDE ROLLER (DIA 110mm) | 4 | | | | |
| 21 | PTF-00134 | PLASTIC CAP INSERT | 10 | | | | |
| 22 | 614636 01 | PIVOT PLATE W/A RH | 1 | | | | |
| 23 | 614636 02 | PIVOT PLATE W/A LH | 1 | | | | |
| 24 | BLTF12233 | M12*35 COACHBOLT | 8 | | | | |
| 25 | BSHA04047 | BUSH | 4 | | | | |
| 26 | NIP-00600 | GREASE NIPPLE | 2 | | | | |
| 27 | 190548 59 | WASHER | 2 | | | | |
| 28 | WSH-0058 | SPRING WASHER | 2 | | | | |
| 29 | HSS-0135 | SETSCREW | 2 | | | | |
| 34 | 614629 01 | 3m CONVEYOR PAN W/A | 1 | | | | |
| 35 | 614483 01 | DRIVE SHAFT W/ASSY | 1 | | | | |
| 36 | BRG-25255 | BEARING | 2 | | | | |
| 37 | BLTF10231 | COACH BOLT | 8 | | | | |
| 38 | 260030 03 | SPROCKET 25 ID KEYWAY | 2 | | | | |
| 39 | SCW-4530 | GRUBSCREW | 4 | | | | |
| 40 | CHN-01380 | CHAIN 1/2"PITCH DUPLEX | 1 | | | | |
| 41 | MOTH08000 | HYDRAULIC MOTOR, PAINTED BLACK | 1 | | | | |
| 42 | BLTA12380 | HEX.HEAD BOLT | 2 | | | | |
| 43 | 614639 01 | MOTOR GUARD W/A | 1 | | | | |
| 44 | 614640 01 | COUPLING GUARD | 1 | | | | |

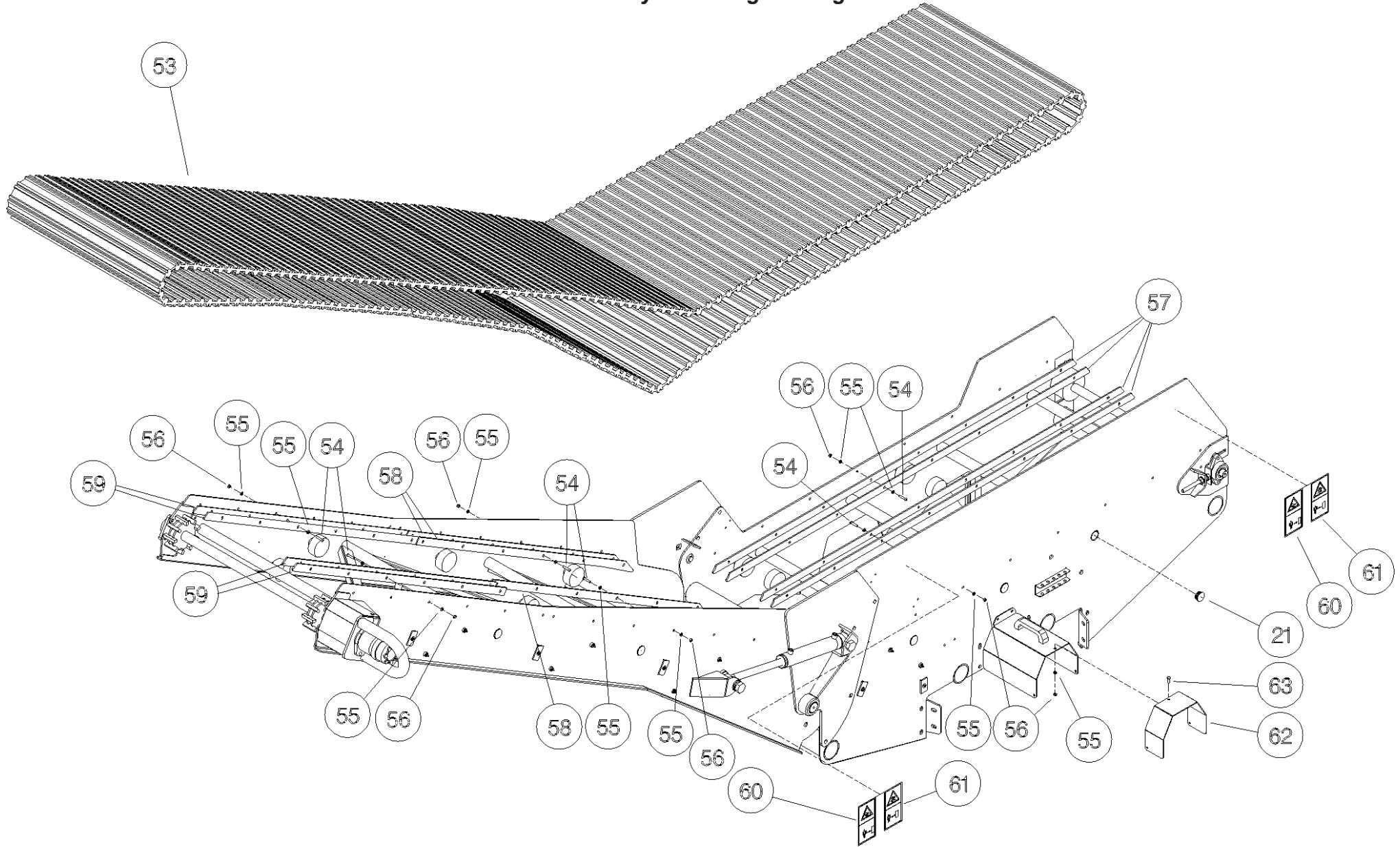




Shelbourne Reynolds Engineering Limited

| ASSY NUMBER: KIT-03634a | | | | ASSY DESCRIPTION: 3m WEB CONVEYOR KIT | | | |
|-------------------------|------------|--------------------------------|-----|---------------------------------------|-----------|--------------------------|-----|
| ITEM | PART NO | DESCRIPTION | QTY | ITEM | PART NO | DESCRIPTION | QTY |
| 1 | 615135 01 | CONVEYOR MTG FRAME W/A | 1 | 45 | WSH-0061 | SPRING WASHER | 2 |
| 2 | 614694 01 | FRONT FIXING PLATE | 2 | 46 | HSS-0188 | SET SCREW | 2 |
| 3 | 614695 01 | REAR FIXING PLATE | 2 | 47 | RAM-0001 | D/ACTING HYD..RAM 370 CC | 2 |
| 4 | WSH-0065 | SPRING WASHER | 8 | 48 | BLTF20593 | COACHBOLT | 2 |
| 5 | WSH-0018 | PLAIN WASHER | 40 | 49 | WSH-0030 | PLAIN WASHER | 4 |
| 6 | NUT-0269 | NYLOC NUT | 18 | 50 | NUTA02200 | NYLOC NUT | 2 |
| 7 | HSS-0241 | SET SCREW | 16 | 51 | BLTA20590 | BOLT HEX. HD. | 2 |
| 8 | 614481 01 | IDLER SHAFT | 1 | 52 | WSH-0075 | SPRING WASHER | 2 |
| 9 | CON-00024 | IDLE ROLLER (DIA 110mm) | 2 | 53 | CON-00029 | BROEKEMA BELT | 1 |
| 10 | K0807032 | KEY PARALLEL | 3 | 54 | SCBA06200 | BUTT SOC HD SCREW | 40 |
| 11 | 614272 05 | SHAFT SPACER | 4 | 55 | WSH-0009 | PLAIN WASHER | 83 |
| 12 | 614486 01 | ADJUSTER PLATE | 2 | 56 | NUT-0260 | NYLOC NUT | 43 |
| 13 | HSSA12560 | HEX HEAD SET SCREW | 2 | 57 | 614650 01 | SEAL STRIP | 4 |
| 14 | NUT-0170 | PLAIN NUT | 6 | 58 | 614652 01 | SEAL STRIP | 4 |
| 15 | BRG-25260 | BEARING | 2 | 59 | 614651 01 | SEAL STRIP | 4 |
| 16 | BLT-3755 | COACHBOLT | 4 | 60 | 260062 01 | TRANSFER-HAND ENTANGL | 2 |
| 17 | WSH-0018 | PLAIN WASHER | 12 | 61 | 260061 01 | TRANSFER-SAFE DISTANC | 2 |
| 18 | NUT-0265 | NYLOC NUT | 12 | 62 | 615217 01 | GUARD EXTENSION | 1 |
| 19 | CON-00025a | SUPPORT ROLLER (DIA 75mm) | 20 | 63 | HSS-0140 | SETSCREW | 3 |
| 20 | CON-00019 | GUIDE ROLLER (DIA 110mm) | 4 | | | | |
| 21 | PTF-00134 | PLASTIC CAP INSERT | 10 | | | | |
| 22 | 614636 01 | PIVOT PLATE W/A RH | 1 | | | | |
| 23 | 614636 02 | PIVOT PLATE W/A LH | 1 | | | | |
| 24 | BLTF12233 | M12*35 COACHBOLT | 8 | | | | |
| 25 | BSHA04047 | BUSH | 4 | | | | |
| 26 | NIP-00600 | GREASE NIPPLE | 2 | | | | |
| 27 | 190548 59 | WASHER | 2 | | | | |
| 28 | WSH-0058 | SPRING WASHER | 2 | | | | |
| 29 | HSS-0135 | SETSCREW | 2 | | | | |
| 34 | 614629 01 | 3m CONVEYOR PAN W/A | 1 | | | | |
| 35 | 614483 01 | DRIVE SHAFT W/ASSY | 1 | | | | |
| 36 | BRG-25255 | BEARING | 2 | | | | |
| 37 | BLTF10231 | COACH BOLT | 8 | | | | |
| 38 | 260030 03 | SPROCKET 25 ID KEYWAY | 2 | | | | |
| 39 | SCW-4530 | GRUBSCREW | 4 | | | | |
| 40 | CHN-01380 | CHAIN 1/2"PITCH DUPLEX | 1 | | | | |
| 41 | MOTH08000 | HYDRAULIC MOTOR, PAINTED BLACK | 1 | | | | |
| 42 | BLTA12380 | HEX.HEAD BOLT | 2 | | | | |
| 43 | 614639 01 | MOTOR GUARD W/A | 1 | | | | |
| 44 | 614640 01 | COUPLING GUARD | 1 | | | | |



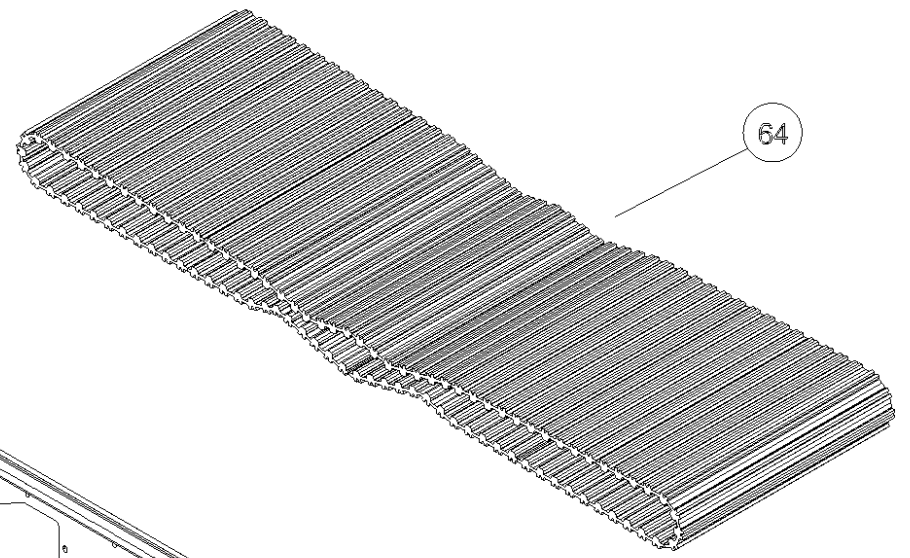
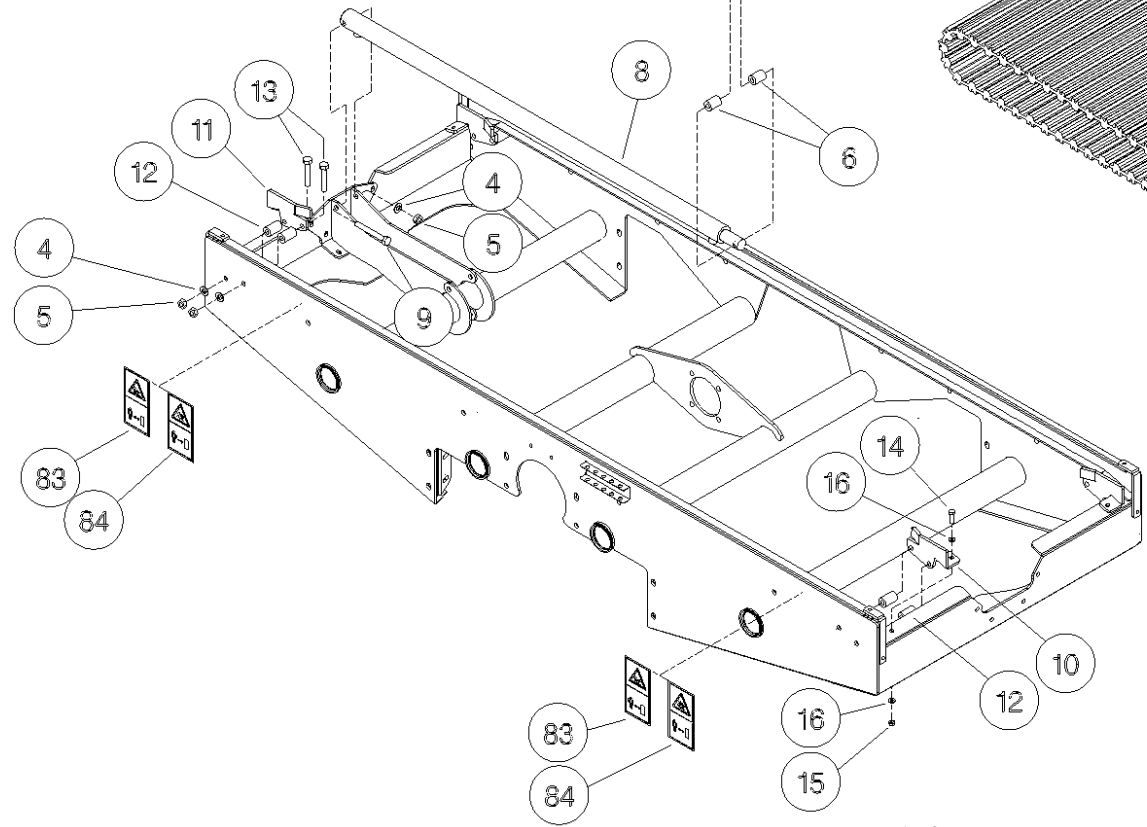
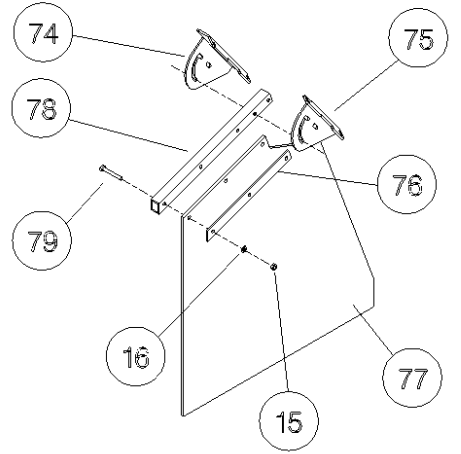
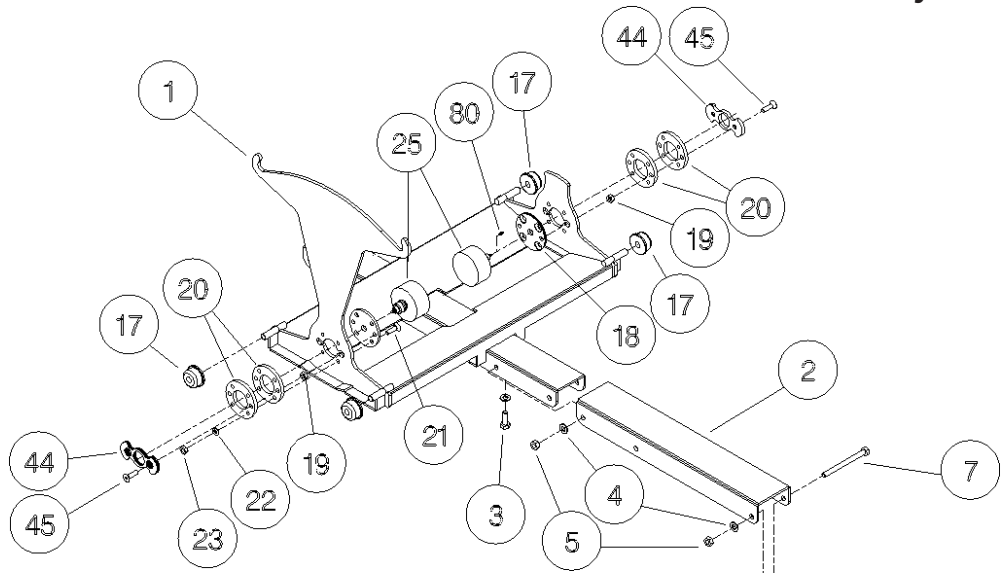


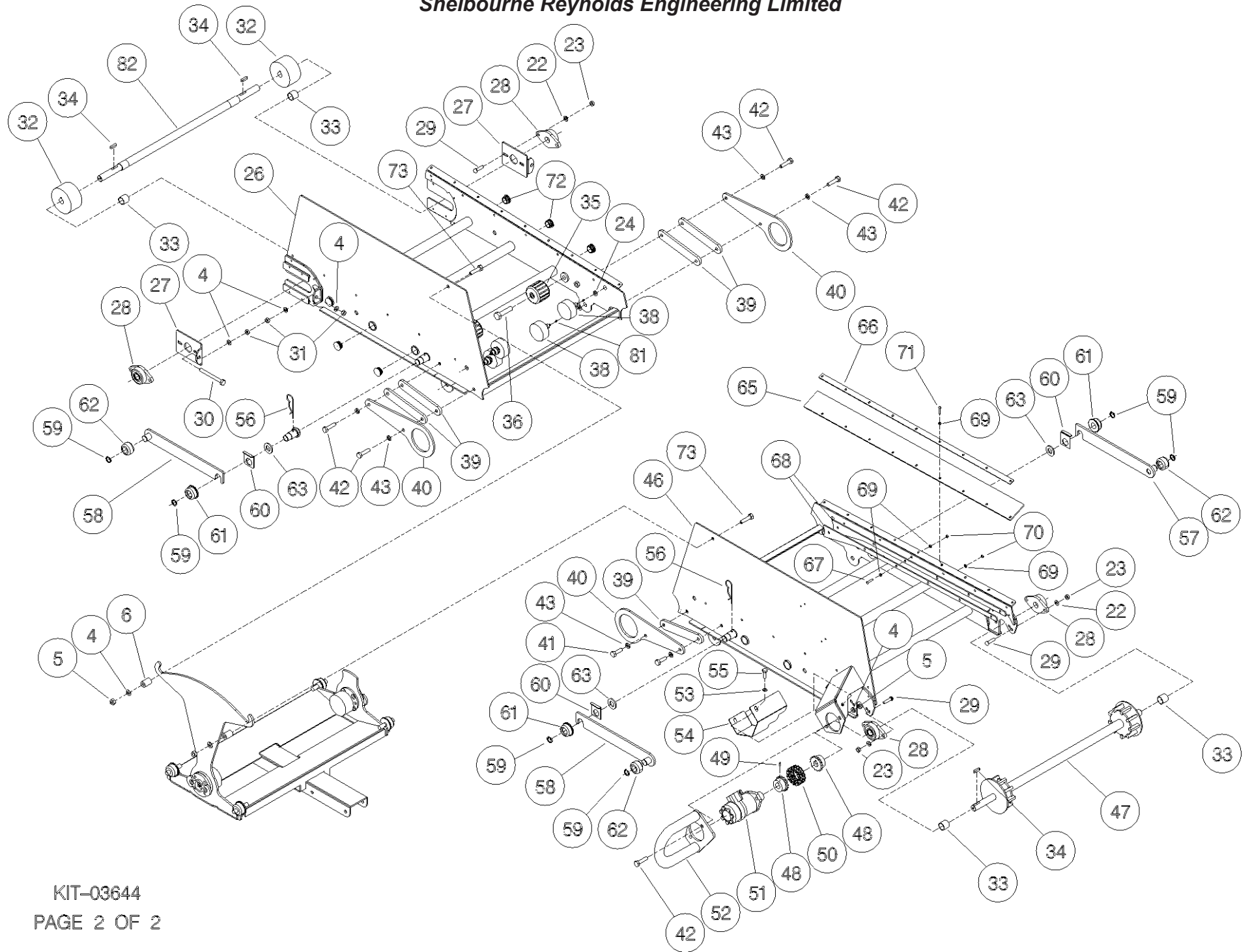
Shelbourne Reynolds Engineering Limited

| ASSY NUMBER: KIT-03644 | | | | ASSY DESCRIPTION: WEB CONVEYOR KIT | | | |
|------------------------|-----------|------------------------------|-----|------------------------------------|-----------|--------------------------------|-----|
| ITEM | PART NO | DESCRIPTION | QTY | ITEM | PART NO | DESCRIPTION | QTY |
| 1 | 614681 01 | CENTRE CARRIAGE FRAME W/ASSY | 1 | 42 | HSS-0260 | SET SCREW | 6 |
| 2 | 614480 01 | RAM BRACKET | 1 | 43 | WSH-0065 | WASHER | 8 |
| 3 | HSS-0241 | SET SCREW | 4 | 44 | 614672 01 | SECURING PLATE | 2 |
| 4 | WSH-0018 | WASHER | 24 | 45 | SCW-1895 | CSK SOCKET HEAD SCREW | 4 |
| 5 | NUT-0269 | NUT | 18 | 46 | 614684 01 | LH CONVEYOR PAN W/A | 1 |
| 6 | 613919 03 | SPACER TUBE | 4 | 47 | 614687 01 | | 1 |
| 7 | 20146128 | BOLT | 1 | 48 | 260030 03 | SPROCKET 25 ID KEYWAY | 2 |
| 8 | 610447 01 | HYDRAULIC CYLINDER | 1 | 49 | SCW-4530 | GRUBSCREW | 4 |
| 9 | BLT-2270 | HEX.HEAD BOLT | 1 | 50 | CHN-01380 | CHAIN | 1 |
| 10 | 614279 01 | LIFT ARM STOP PLATE LH | 2 | 51 | MOTH08000 | HYDRAULIC MOTOR, PAINTED BLACK | 1 |
| 11 | 614279 02 | LIFT ARM STOP PLATE RH | 2 | 52 | 614304 01 | MOTOR GUARD W/ASSY | 1 |
| 12 | 614280 01 | LIFT ARM STOP SPACER TUBE | 8 | 53 | WSH-0061 | WASHER | 2 |
| 13 | BLTA12470 | HEX.HEAD BOLT | 8 | 54 | 614310 01 | COUPLING GUARD | 1 |
| 14 | HSS-0150 | SET SCREW | 4 | 55 | HSS-0188 | SET SCREW | 2 |
| 15 | NUT-0263 | NUT | 9 | 56 | CLP-00105 | R CLIP | 4 |
| 16 | WSH-0012 | WASHER | 15 | 57 | 614317 01 | LIFT ARM ASSEMBLY | 2 |
| 17 | 613702 01 | WHEEL | 4 | 58 | 614317 02 | LIFT ARM ASSEMBLY | 2 |
| 18 | 614671 01 | CSK PIVOT PLATE | 2 | 59 | CIR-1125 | CIRCLIP EXT | 8 |
| 19 | NUT-0167 | NUT | 4 | 60 | 613335 01 | LATCH | 4 |
| 20 | 614670 01 | PIVOT DISC | 4 | 61 | 613333 03 | WHEEL | 4 |
| 21 | SCEA10324 | CSK SOC HD SCREW | 8 | 62 | 614278 01 | WHEEL | 4 |
| 22 | WSH-0015 | WASHER | 16 | 63 | WSH-1547 | WASHER | 4 |
| 23 | NUT-0265 | NUT | 16 | 64 | CON-00028 | CONVEYOR BELT | 1 |
| 24 | WSH-0025 | WASHER | 10 | 65 | 614309 01 | RUBBER SEAL STRIP | 2 |
| 25 | CON-00026 | GUIDE ROLLER (DIA 90mm) | 2 | 66 | 614487 01 | CLAMP STRIP | 2 |
| 26 | 614682 01 | RH CONVEYOR PAN W/A | 1 | 67 | SCBA06200 | BUTT SOC HD SCREW | 24 |
| 27 | 614658 01 | BEARING SLIDE PLATE | 2 | 68 | 614484 01 | SEAL PLATE | 8 |
| 28 | BRG-22560 | CAST FLANGE BEARING | 4 | 69 | WSH-0009 | WASHER | 84 |
| 29 | BLTF10231 | COACH BOLT | 8 | 70 | NUT-0260 | NUT | 42 |
| 30 | HSSA12560 | HEX HEAD SET SCREW | 2 | 71 | SCW-4963 | BUTTON HD SCREW | 18 |
| 31 | NUT-0170 | NUT | 6 | 72 | PTF-00134 | PLASTIC CAP INSERT | 12 |
| 32 | CON-00020 | IDLE ROLLER | 2 | 73 | BLTA12380 | HEX.HEAD BOLT | 2 |
| 33 | 614272 07 | SHAFT SPACER | 4 | 74 | 613590 01 | CURTAIN BRKT RH | 1 |
| 34 | K0807032 | KEY PARALLEL | 3 | 75 | 613589 01 | CURTAIN BRKT LH | 1 |
| 35 | CON-00021 | SUPPORT ROLLER | 4 | 76 | 613602 01 | CLAMP STRIP | 1 |
| 36 | BLT-2314 | HEX.HEAD BOLT | 4 | 77 | 613587 01 | RUBBER CURTAIN | 1 |
| 38 | CON-00025 | ROLLER | 8 | 78 | 613601 01 | RUBBER CURTAIN MTG | 1 |
| 39 | 614669 01 | SPACER PLATE | 6 | 79 | BLTA08380 | HEX.HEAD BOLT | 5 |
| 40 | 614667 01 | PIVOT PLATE | 4 | 80 | NIP-00610 | GREASE NIPPLE | 2 |
| 41 | HSS-0250 | SET SCREW | 4 | 81 | NIP-00600 | GREASE NIPPLE | 8 |

Shelbourne Reynolds Engineering Limited

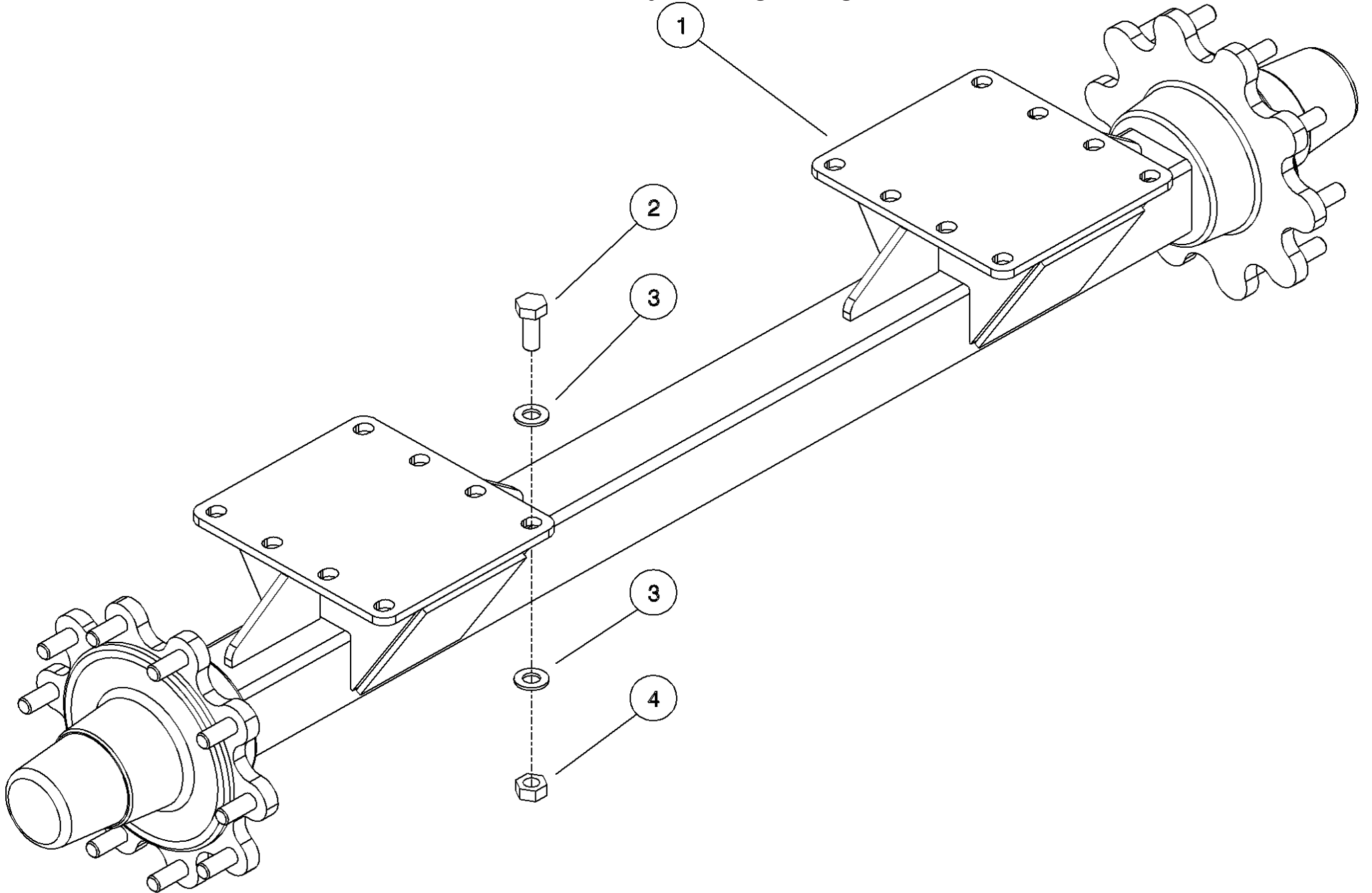
| ASSY NUMBER: KIT-03644 | | | | ASSY DESCRIPTION: WEB CONVEYOR KIT | | | |
|------------------------|-----------|-----------------------|-----|------------------------------------|---------|-------------|-----|
| ITEM | PART NO | DESCRIPTION | QTY | ITEM | PART NO | DESCRIPTION | QTY |
| 82 | 614688 01 | IDLE SHAFT | 1 | | | | |
| 83 | 260062 01 | TRANSFER-HAND ENTANGL | 2 | | | | |
| 84 | 260061 01 | TRANSFER-SAFE DISTANC | 2 | | | | |





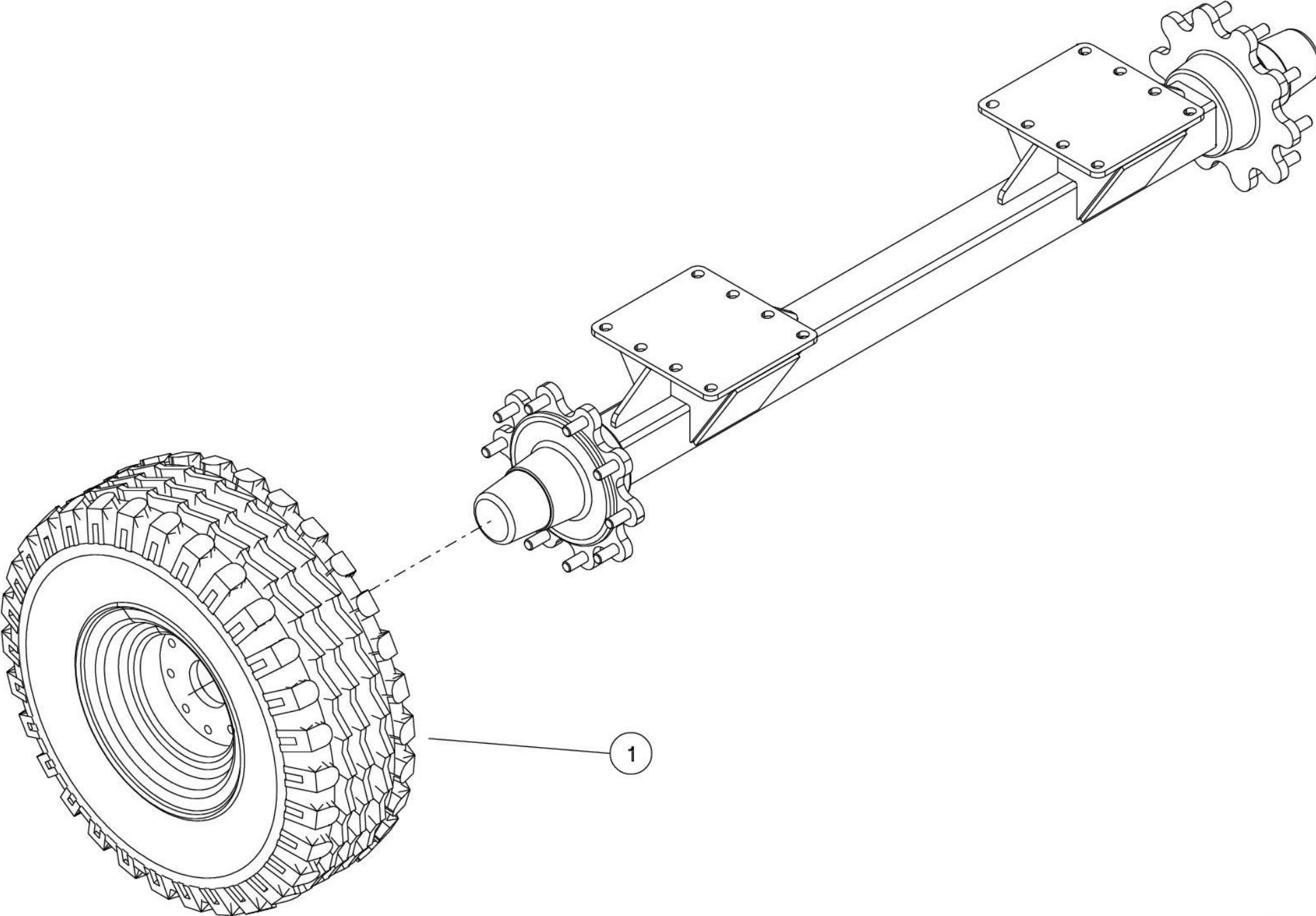
Shelbourne Reynolds Engineering Limited

| ASSY NUMBER: KIT-03645 | | | | ASSY DESCRIPTION: 16m3 UNBRAKED AXLE KIT | | | |
|------------------------|-----------|----------------------------|-----|------------------------------------------|---------|-------------|-----|
| ITEM | PART NO | DESCRIPTION | QTY | ITEM | PART NO | DESCRIPTION | QTY |
| 1 | 614689 01 | TWIN AUGER SINGLE AXLE W/A | 1 | | | | |
| 2 | BLT-2366 | BOLT | 16 | | | | |
| 3 | WSH-0030 | PLAIN WASHER | 32 | | | | |
| 4 | NUTA02200 | NYLOC NUT | 16 | | | | |



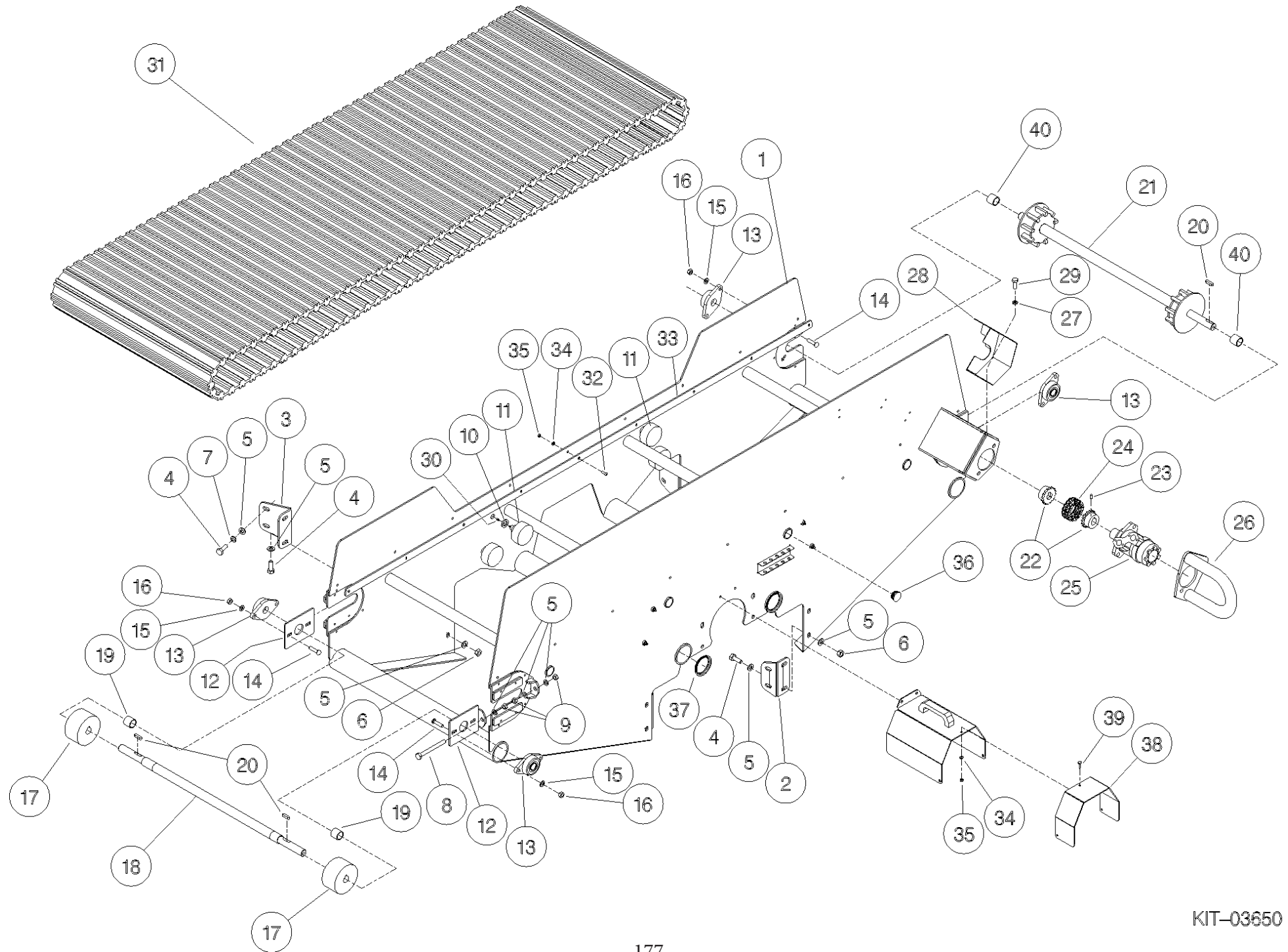
Shelbourne Reynolds Engineering Limited

| ASSY NUMBER: KIT-03646 | | | | ASSY DESCRIPTION: WHEEL & TYRE KIT | | | |
|------------------------|-----------|-------------------|-----|------------------------------------|---------|-------------|-----|
| ITEM | PART NO | DESCRIPTION | QTY | ITEM | PART NO | DESCRIPTION | QTY |
| 1 | WHL-02207 | WHEEL & TYRE ASSY | 2 | | | | |



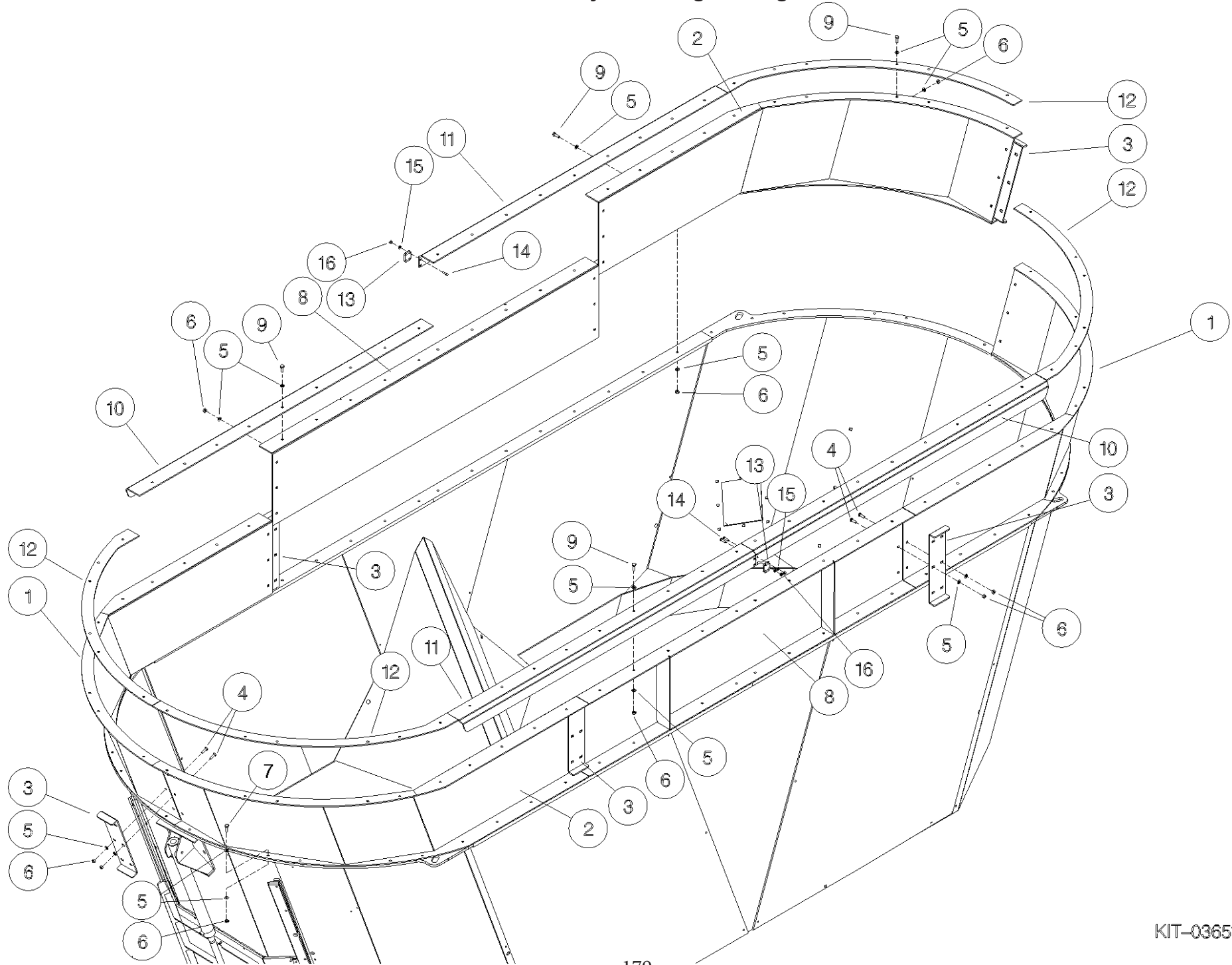
Shelbourne Reynolds Engineering Limited

| ASSY NUMBER: KIT-03650 | | | | ASSY DESCRIPTION: STANDARD FLAT WEB CONVEYOR KIT | | | |
|------------------------|------------|--------------------------------|-----|--------------------------------------------------|---------|-------------|-----|
| ITEM | PART NO | DESCRIPTION | QTY | ITEM | PART NO | DESCRIPTION | QTY |
| 1 | 614699 01 | STANDARD WEB CONVEYOR FRAME W/ | 1 | | | | |
| 2 | 614694 01 | FRONT FIXING PLATE | 2 | | | | |
| 3 | 614695 01 | REAR FIXING PLATE | 2 | | | | |
| 4 | HSS-0241 | SET SCREW | 16 | | | | |
| 5 | WSH-0018 | PLAIN WASHER | 20 | | | | |
| 6 | NUT-0269 | NYLOC NUT | 8 | | | | |
| 7 | WSH-0065 | SPRING WASHER | 8 | | | | |
| 8 | HSSA12560 | HEX HEAD SET SCREW | 2 | | | | |
| 9 | NUT-0170 | PLAIN NUT | 6 | | | | |
| 10 | WSH-0025 | PLAIN WASHER FORM B | 8 | | | | |
| 11 | CON-00025a | SUPPORT ROLLER (DIA 75mm) | 8 | | | | |
| 12 | 614658 01 | BEARING SLIDE PLATE | 2 | | | | |
| 13 | BRG-22560 | CAST FLANGE BEARING | 4 | | | | |
| 14 | BLTF10231 | COACH BOLT | 8 | | | | |
| 15 | WSH-0015 | PLAIN WASHER | 8 | | | | |
| 16 | NUT-0265 | NYLOC NUT | 8 | | | | |
| 17 | CON-00020 | IDLE ROLLER | 2 | | | | |
| 18 | 614688 01 | IDLE SHAFT | 1 | | | | |
| 19 | 614272 07 | SHAFT SPACER | 2 | | | | |
| 20 | K0807032 | KEY PARALLEL | 3 | | | | |
| 21 | 615048 01 | DRIVE SHAFT W/A | 1 | | | | |
| 22 | 260030 03 | SPROCKET 25 ID KEYWAY | 2 | | | | |
| 23 | SCW-4530 | GRUBSCREW | 4 | | | | |
| 24 | CHN-01380 | CHAIN 1/2"PITCH DUPLEX | 1 | | | | |
| 25 | MOTH08000 | HYDRAULIC MOTOR, PAINTED BLACK | 1 | | | | |
| 26 | 614304 01 | MOTOR GUARD W/ASSY | 1 | | | | |
| 27 | WSH-0061 | SPRING WASHER | 2 | | | | |
| 28 | 614310 01 | COUPLING GUARD | 1 | | | | |
| 29 | HSS-0188 | SET SCREW | 2 | | | | |
| 30 | NIP-00600 | GREASE NIPPLE | 8 | | | | |
| 31 | CON-00036 | BROEKEMA CONVEYOR BELT (PVC | 1 | | | | |
| 32 | SCBA06200 | BUTT SOC HD SCREW | 18 | | | | |
| 33 | 614696 01 | SEAL STRIP | 4 | | | | |
| 34 | WSH-0009 | PLAIN WASHER | 21 | | | | |
| 35 | NUT-0260 | NYLOC NUT | 21 | | | | |
| 36 | PTF-00134 | PLASTIC CAP INSERT | 8 | | | | |
| 38 | HSS-0086 | SET SCREW | 3 | | | | |
| 39 | 615217 01 | GUARD EXTENSION | 1 | | | | |
| 40 | 190548 76 | WASHER | 2 | | | | |



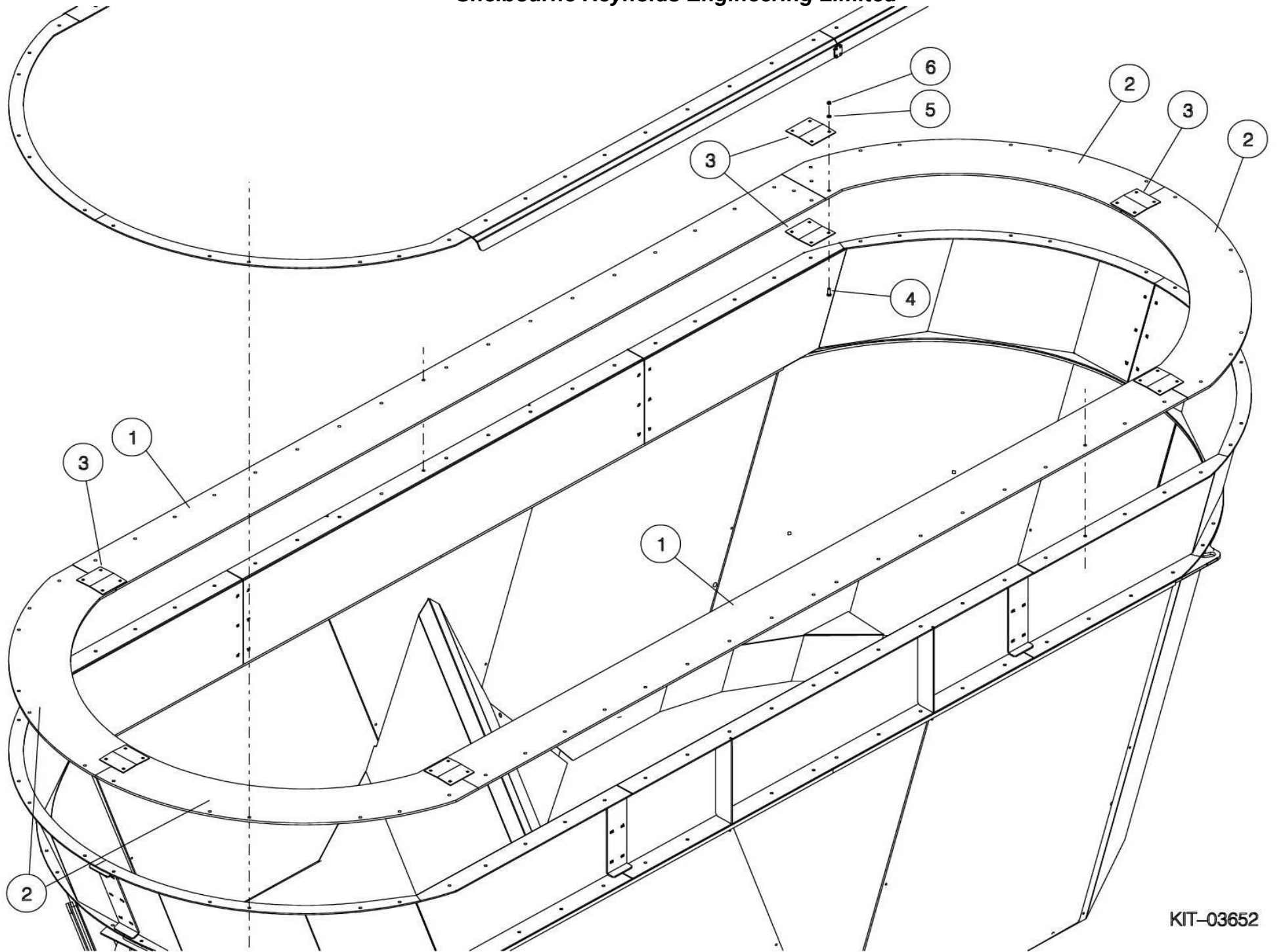
Shelbourne Reynolds Engineering Limited

| ASSY NUMBER: KIT-03651 | | | | ASSY DESCRIPTION: 450mm EXTENSION KIT | | | |
|------------------------|-----------|-------------------------------|-----|---------------------------------------|---------|-------------|-----|
| ITEM | PART NO | DESCRIPTION | QTY | ITEM | PART NO | DESCRIPTION | QTY |
| 1 | 614415 01 | EXTENSION TOP CORNER ASSEMBLY | 2 | | | | |
| 2 | 614415 02 | EXTENSION TOP CORNER ASSEMBLY | 2 | | | | |
| 3 | 614420 01 | SIDE CLAMP PLATE | 6 | | | | |
| 4 | BLT-3750 | COACH BOLT | 36 | | | | |
| 5 | WSH-0015 | WASHER | 208 | | | | |
| 6 | NUT-0265 | NUT | 152 | | | | |
| 7 | HSS-0198 | SET SCREW | 24 | | | | |
| 8 | 614410 01 | EXTENSION TOP SIDE ASSEMBLY | 2 | | | | |
| 9 | BLTA10290 | HEX HEAD BOLT | 92 | | | | |
| 10 | 614701 01 | STRAIGHT CLAMP STRIP LH | 2 | | | | |
| 11 | 614701 02 | STRAIGHT CLAMP STRIP RH | 2 | | | | |
| 12 | 612817 01 | CORNER CLAMP STRIP | 4 | | | | |
| 13 | 614947 01 | CENTRE CLAMP PLATE | 2 | | | | |
| 14 | BLT-2700 | COACH BOLT | 8 | | | | |
| 15 | WSH-0012 | WASHER | 8 | | | | |
| 16 | NUT-0263 | NUT | 8 | | | | |



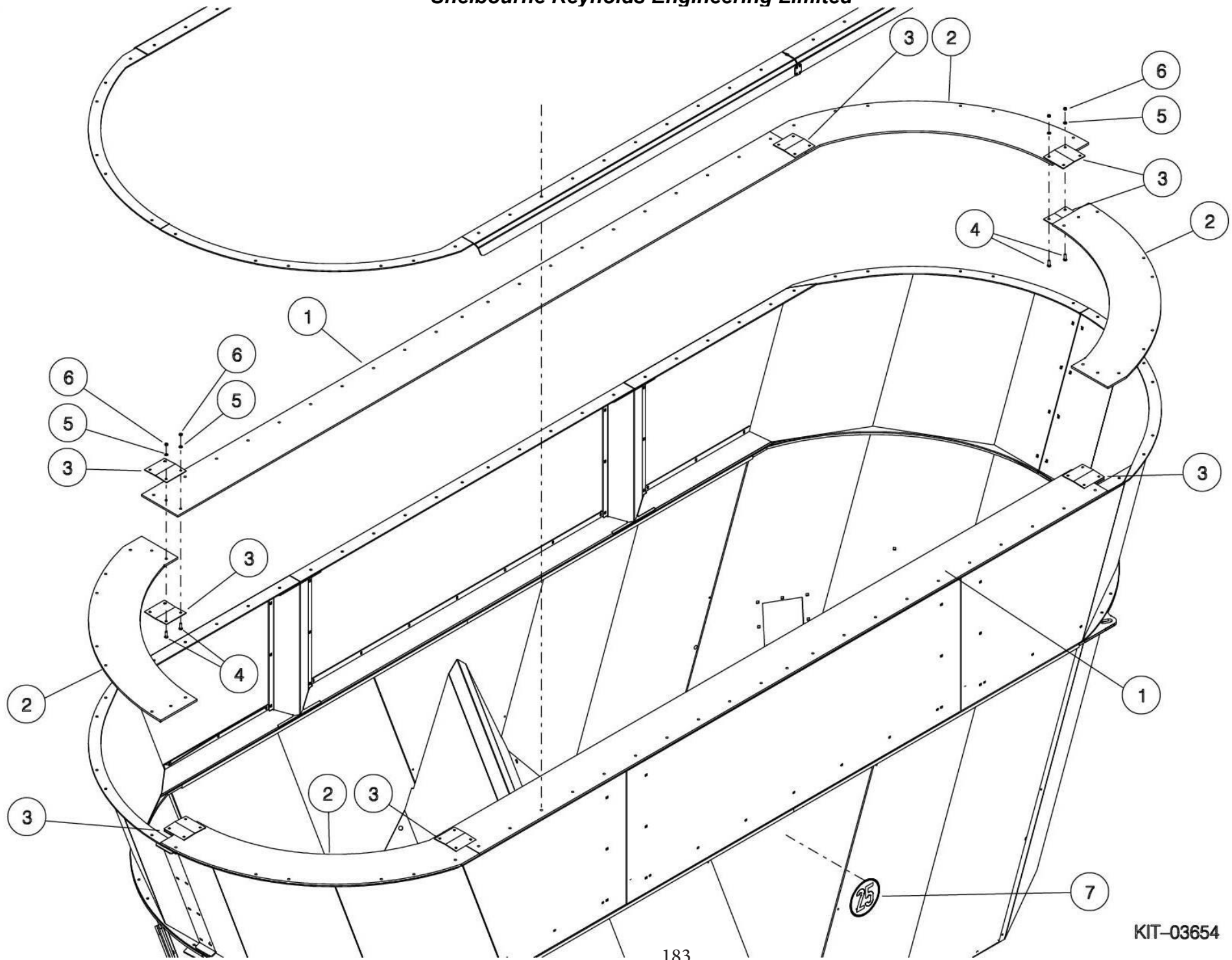
Shelbourne Reynolds Engineering Limited

| ASSY NUMBER: KIT-03652 | | | | ASSY DESCRIPTION: 21m Cu RUBBER RETAINING KIT | | | |
|------------------------|-----------|-------------------------|-----|-----------------------------------------------|---------|-------------|-----|
| ITEM | PART NO | DESCRIPTION | QTY | ITEM | PART NO | DESCRIPTION | QTY |
| 1 | 614422 01 | STRAIGHT RUBBER SECTION | 2 | | | | |
| 2 | 610982 01 | CORNER RUBBER SECTION | 4 | | | | |
| 3 | 611051 01 | CLAMP STRIP | 12 | | | | |
| 4 | BLT-2700 | BOLT | 24 | | | | |
| 5 | WSH-0012 | PLAIN WASHER | 24 | | | | |
| 6 | NUT-0263 | NYLOC NUT | 24 | | | | |



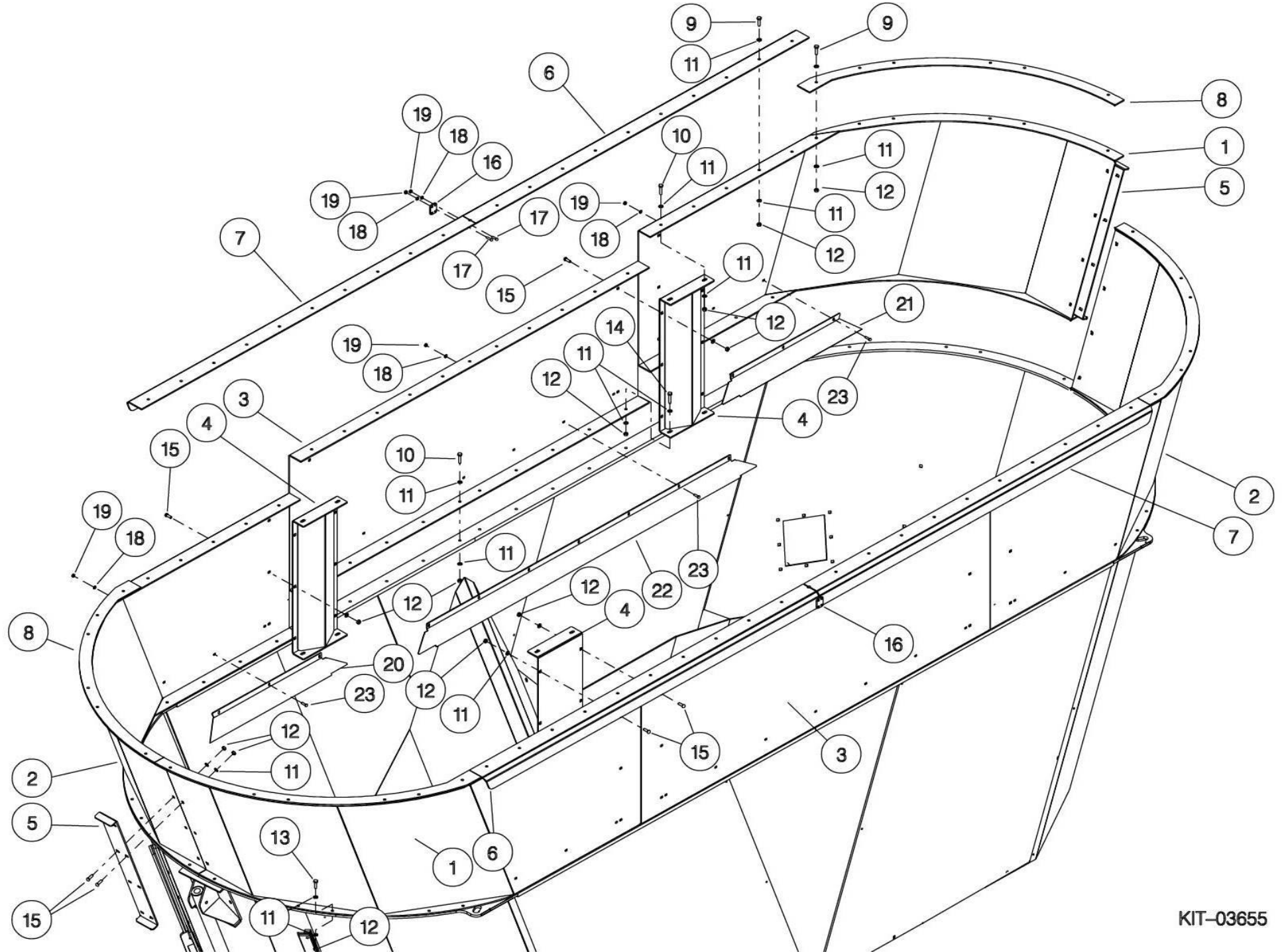
Shelbourne Reynolds Engineering Limited

| ASSY NUMBER: KIT-03654 | | | | ASSY DESCRIPTION: 25m CU RUBBER RETAINING KIT | | | |
|------------------------|-----------|---------------------------|-----|-----------------------------------------------|---------|-------------|-----|
| ITEM | PART NO | DESCRIPTION | QTY | ITEM | PART NO | DESCRIPTION | QTY |
| 1 | 614712 01 | TOP STRAIGHT RUBBER STRIP | 2 | | | | |
| 2 | 610982 01 | CORNER RUBBER SECTION | 4 | | | | |
| 3 | 611051 01 | CLAMP STRIP | 12 | | | | |
| 4 | BLT-2700 | BOLT | 24 | | | | |
| 5 | WSH-0012 | PLAIN WASHER | 24 | | | | |
| 6 | NUT-0263 | NYLOC NUT | 24 | | | | |
| 7 | 615457 04 | SIZE TRANSFER- 25 | 4 | | | | |



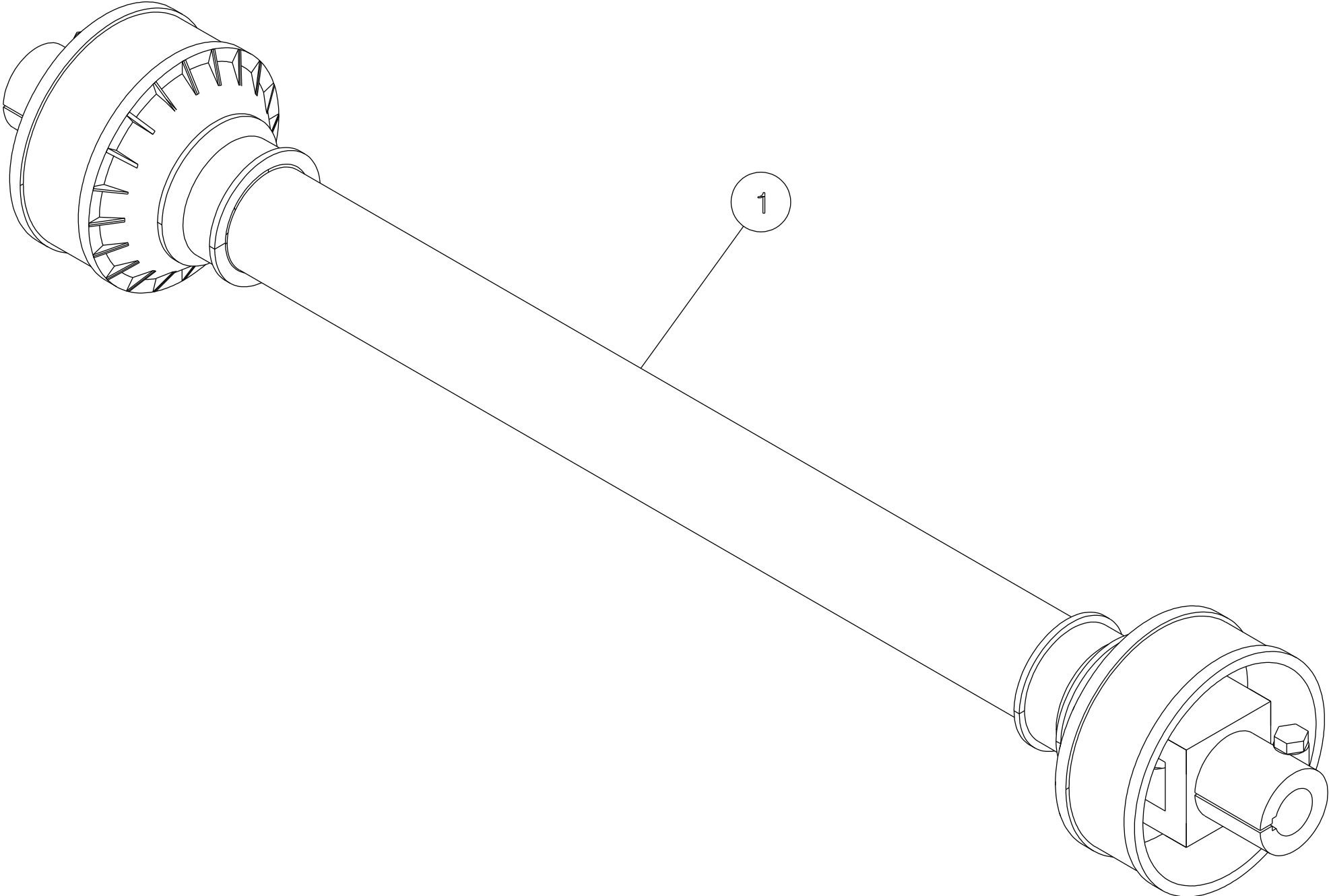
Shelbourne Reynolds Engineering Limited

| ASSY NUMBER: KIT-03655 | | | | ASSY DESCRIPTION: 800mm HIGH EXTENSION SIDE KIT (25m CU) | | | |
|------------------------|-----------|-------------------------------|-----|----------------------------------------------------------|---------|-------------|-----|
| ITEM | PART NO | DESCRIPTION | QTY | ITEM | PART NO | DESCRIPTION | QTY |
| 1 | 614711 01 | 800mm CURVED EXT SIDE W/A LH | 2 | | | | |
| 2 | 614711 02 | 800mm CURVED EXT SIDE W/A RH | 2 | | | | |
| 3 | 614703 01 | 800mm STRAIGHT EXT SIDE PLATE | 2 | | | | |
| 4 | 614710 01 | CLAMP PLATE W/A | 4 | | | | |
| 5 | 614706 01 | CLAMP PLATE | 2 | | | | |
| 6 | 614713 01 | STRAIGHT CLAMP STRIP LH | 2 | | | | |
| 7 | 614713 02 | STRAIGHT CLAMP STRIP RH | 2 | | | | |
| 8 | 612817 01 | CORNER CLAMP STRIP | 4 | | | | |
| 9 | HSS-0202 | SET SCREW | 58 | | | | |
| 10 | BLTA10290 | HEX.HEAD BOLT | 36 | | | | |
| 11 | WSH-0015 | PLAIN WASHER | 292 | | | | |
| 12 | NUT-0265 | NYLOC NUT | 166 | | | | |
| 13 | HSS-0198 | SET SCREW | 24 | | | | |
| 14 | HSS-0210 | SET SCREW | 8 | | | | |
| 15 | BLT-3750 | COACH BOLT | 40 | | | | |
| 16 | 614947 01 | CTR CLAMP PLATE | 2 | | | | |
| 17 | BLT-2700 | BOLT | 8 | | | | |
| 18 | WSH-0012 | PLAIN WASHER | 34 | | | | |
| 19 | NUT-0263 | NYLOC NUT | 34 | | | | |
| 20 | 614704 01 | FILL IN PLATE LH | 2 | | | | |
| 21 | 614704 02 | FILL IN PLATE RH | 2 | | | | |
| 22 | 614705 01 | CENTRAL FILL IN PLATE | 2 | | | | |
| 23 | BLTF08173 | COACH BOLT | 26 | | | | |



Shelbourne Reynolds Engineering Limited

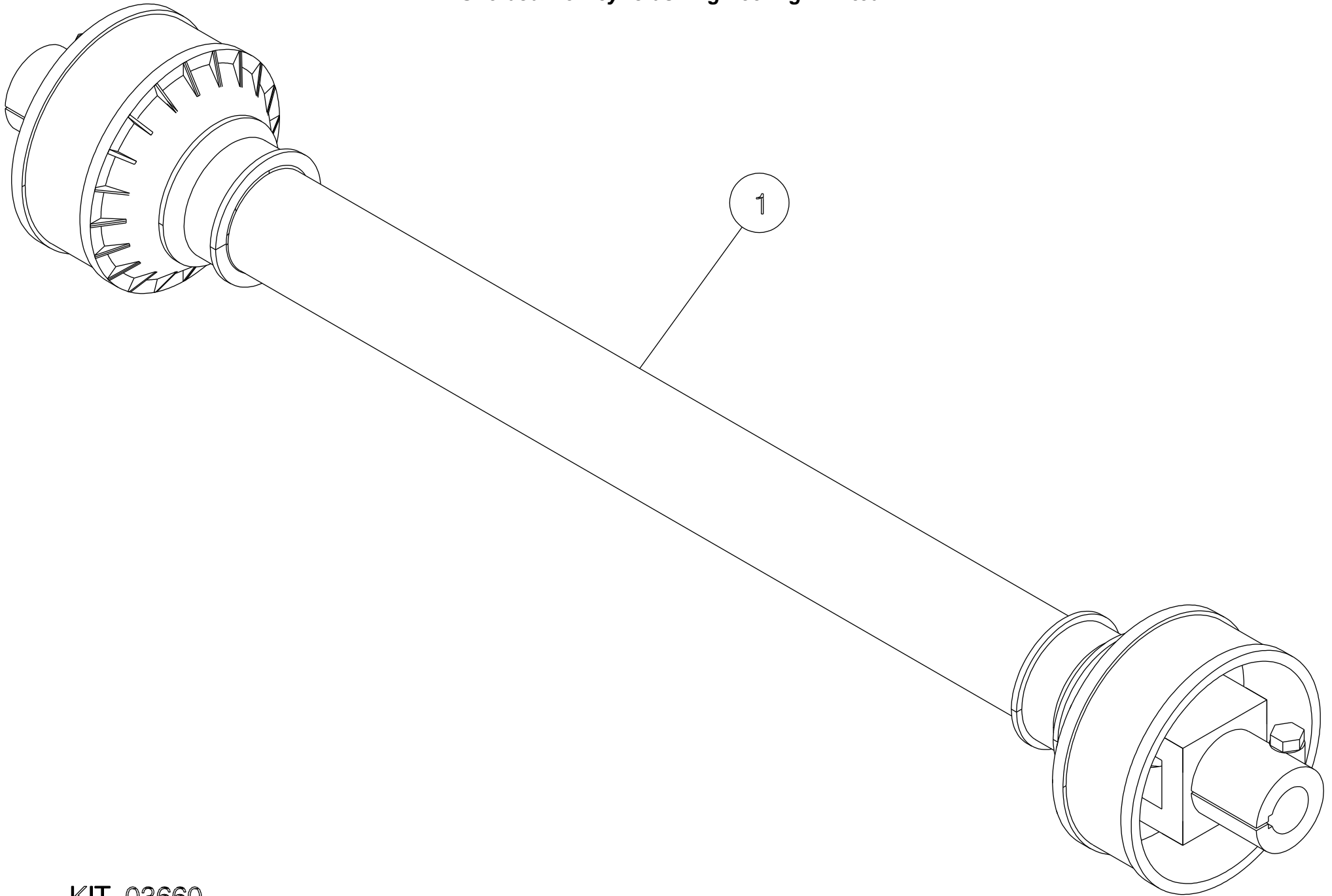
| ASSY NUMBER: KIT-03659 | | | | ASSY DESCRIPTION: PTO SHAFT KIT | | | |
|------------------------|-----------|----------------|-----|---------------------------------|---------|-------------|-----|
| ITEM | PART NO | DESCRIPTION | QTY | ITEM | PART NO | DESCRIPTION | QTY |
| 1 | PTO-29011 | PTO SHAFT ASSY | 1 | | | | |



KIT-03659

Shelbourne Reynolds Engineering Limited

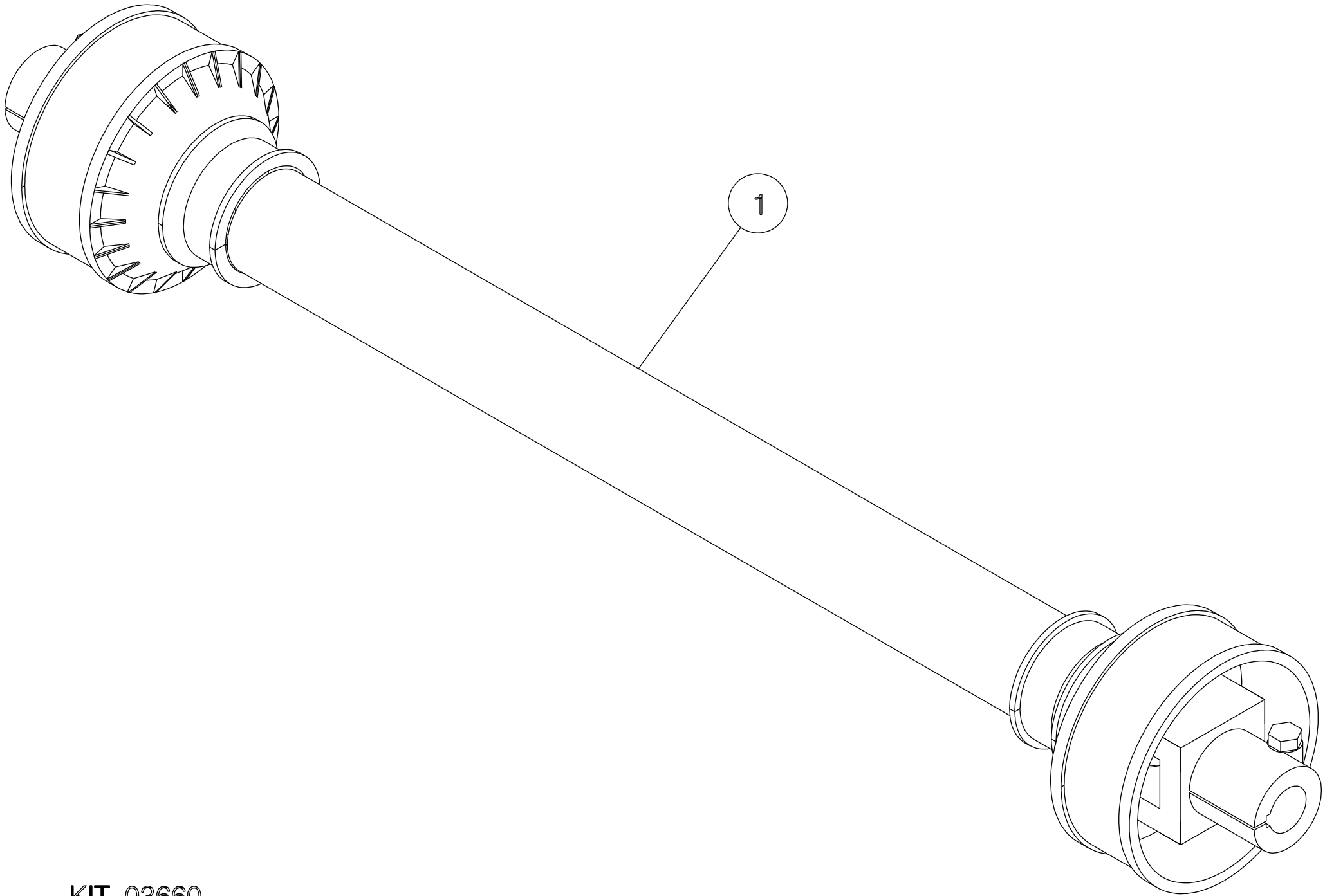
| ASSY NUMBER: KIT-03660 | | | | ASSY DESCRIPTION: PTO SHAFT KIT | | | |
|------------------------|-----------|----------------|-----|---------------------------------|---------|-------------|-----|
| ITEM | PART NO | DESCRIPTION | QTY | ITEM | PART NO | DESCRIPTION | QTY |
| 1 | PTO-29012 | PTO SHAFT ASSY | 1 | | | | |



KIT-03660

Shelbourne Reynolds Engineering Limited

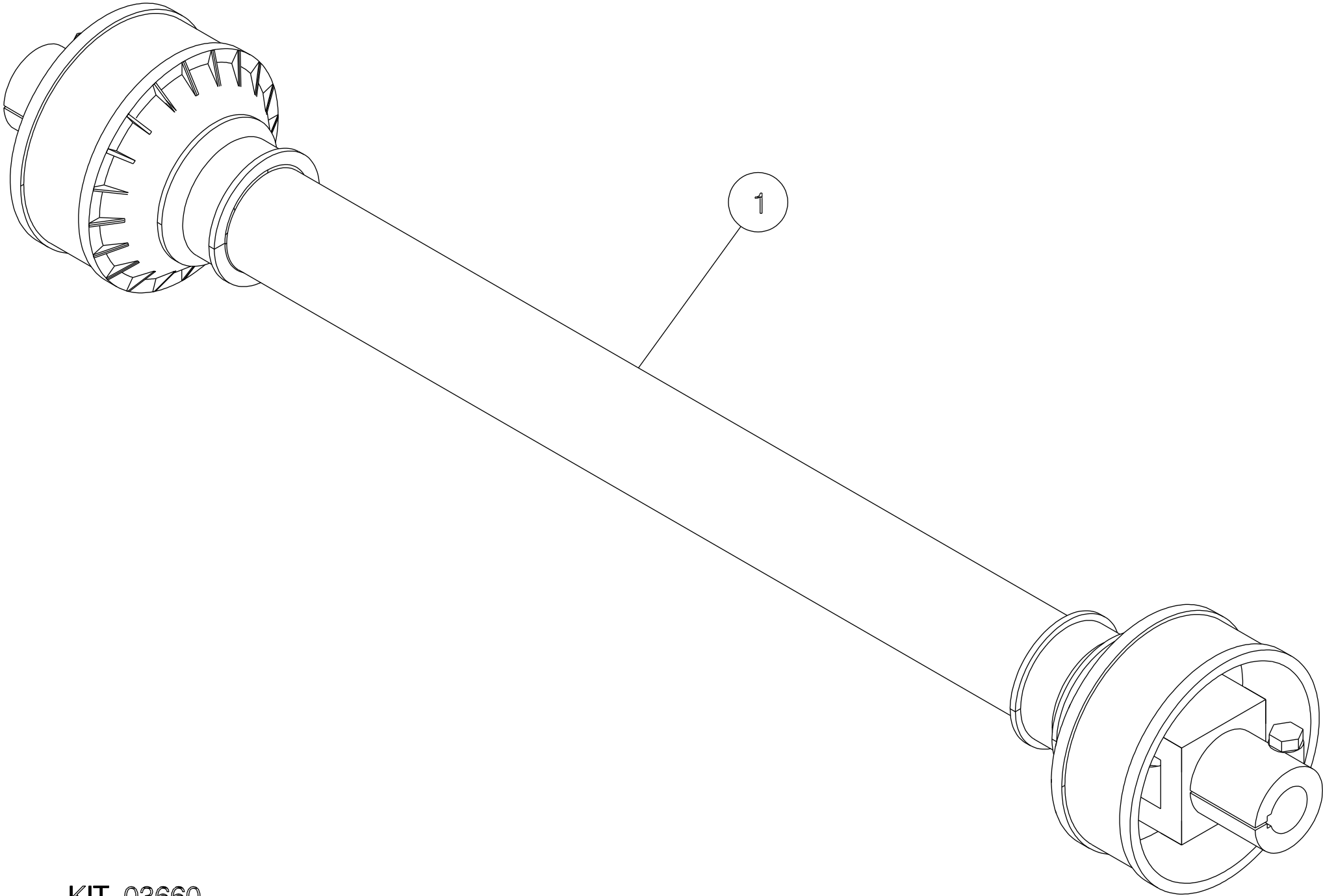
| ASSY NUMBER: KIT-03660a | | | | ASSY DESCRIPTION: INPUT SHAFT KIT (STANDARD) | | | |
|-------------------------|-------------|-----------------|-----|----------------------------------------------|---------|-------------|-----|
| ITEM | PART NO | DESCRIPTION | QTY | ITEM | PART NO | DESCRIPTION | QTY |
| 1 | PTO-29012WE | INPUT PTO SHAFT | 1 | | | | |



KIT-03660

Shelbourne Reynolds Engineering Limited

| ASSY NUMBER: KIT-03660b | | | | ASSY DESCRIPTION: INPUT SHAFT KIT (STANDARD) | | | |
|-------------------------|------------|-----------------|-----|----------------------------------------------|---------|-------------|-----|
| ITEM | PART NO | DESCRIPTION | QTY | ITEM | PART NO | DESCRIPTION | QTY |
| 1 | PTO-29012W | INPUT PTO SHAFT | 1 | | | | |



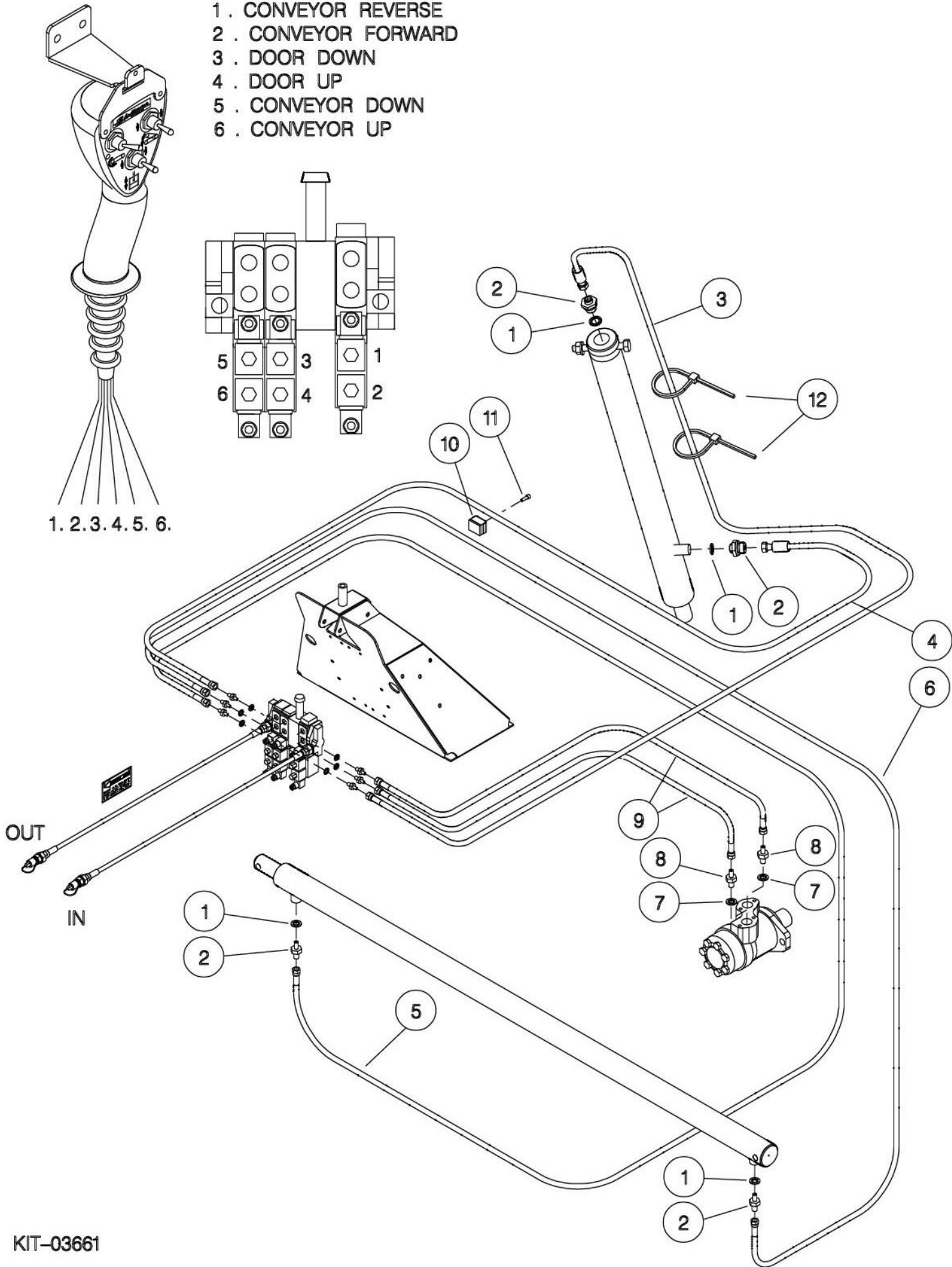
KIT-03660

Shelbourne Reynolds Engineering Limited

| ASSY NUMBER: KIT-03661 | | | | ASSY DESCRIPTION: 1 st STAGE HYDRAULICS KIT (EXPRESS PRO) | | | |
|------------------------|-----------|----------------|-----|----------------------------------------------------------------------|---------|-------------|-----|
| ITEM | PART NO | DESCRIPTION | QTY | ITEM | PART NO | DESCRIPTION | QTY |
| 1 | WSH-1005 | DOWTY WASHER | 4 | | | | |
| 2 | HMA-0052 | M/M ADAPTOR | 4 | | | | |
| 3 | HHBC60005 | HYDRAULIC HOSE | 1 | | | | |
| 4 | HHBC66005 | HYDRAULIC HOSE | 1 | | | | |
| 5 | HHBC32005 | HYDRAULIC HOSE | 1 | | | | |
| 6 | HHBC34005 | HYDRAULIC HOSE | 1 | | | | |
| 7 | WSH-1015 | DOWTY WASHER | 2 | | | | |
| 8 | HMA-0065 | M/M ADAPTOR | 2 | | | | |
| 9 | HHDE33005 | HYDRAULIC HOSE | 2 | | | | |
| 10 | HCPD01200 | PIPE CLAMP | 5 | | | | |
| 11 | SCW-0083 | CAP HD SCREW | 5 | | | | |
| 12 | TIE-0004 | TIE WRAP | 8 | | | | |

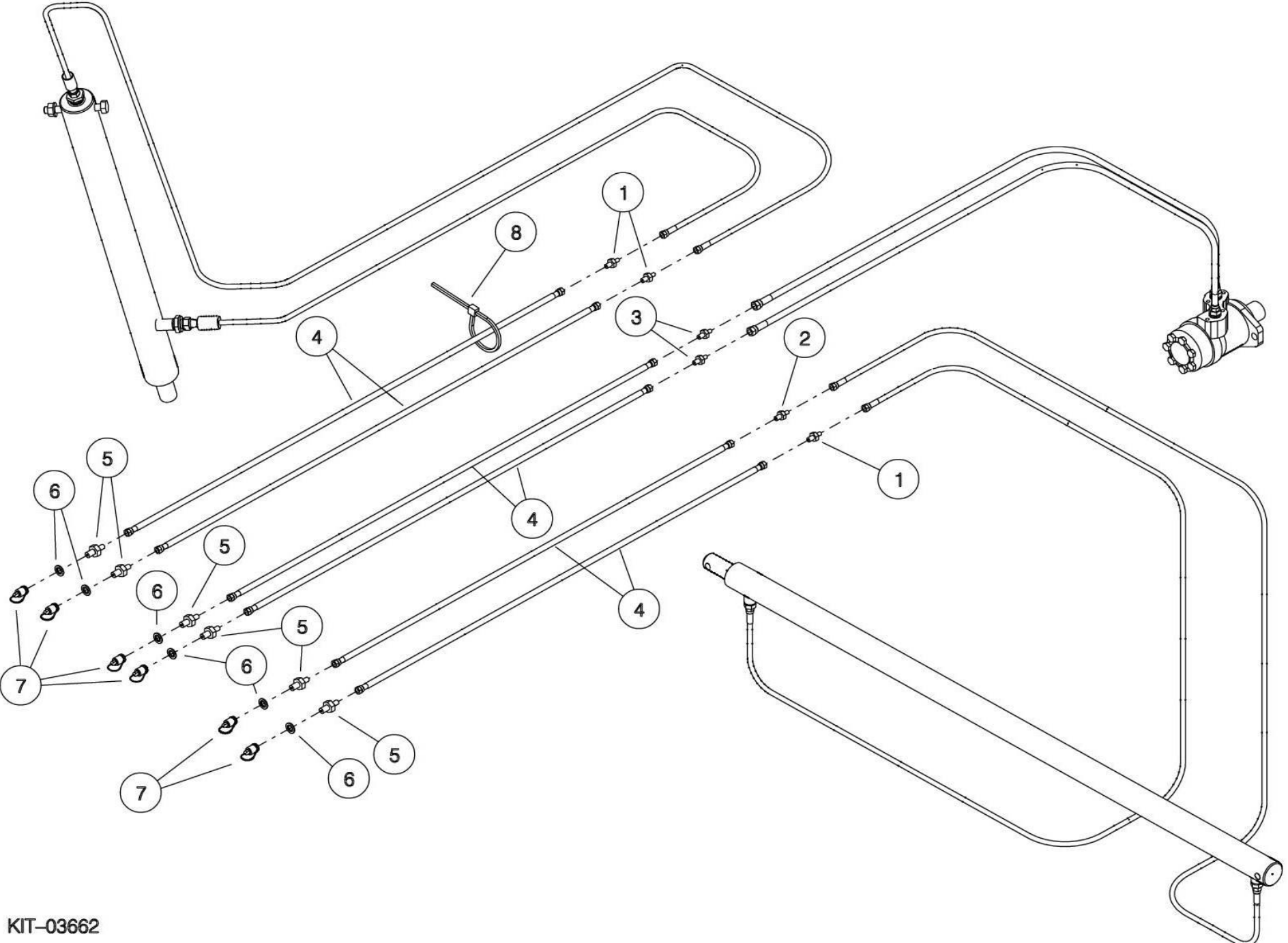
Shelbourne Reynolds Engineering Limited

- 1 . CONVEYOR REVERSE
- 2 . CONVEYOR FORWARD
- 3 . DOOR DOWN
- 4 . DOOR UP
- 5 . CONVEYOR DOWN
- 6 . CONVEYOR UP



Shelbourne Reynolds Engineering Limited

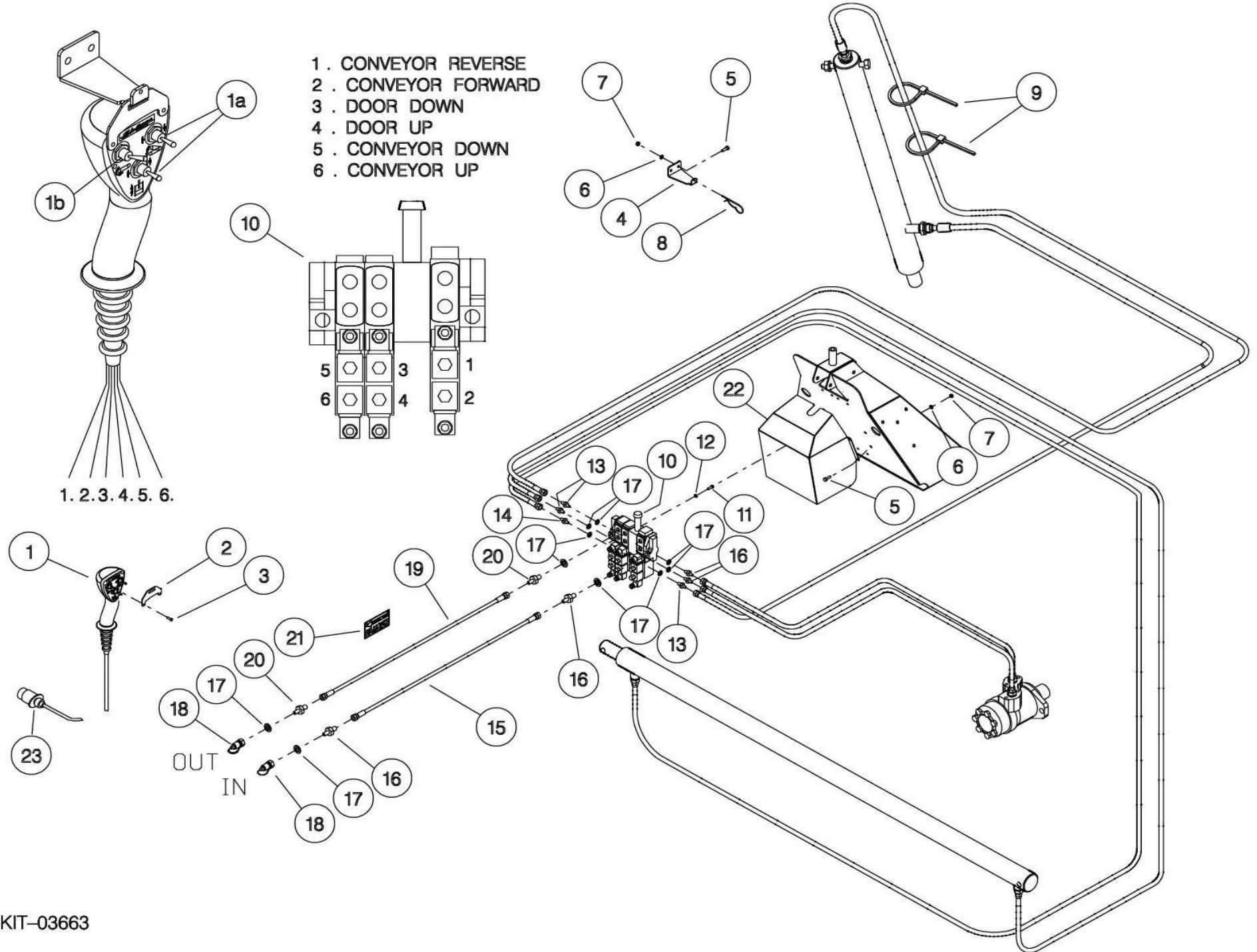
| ASSY NUMBER: KIT-03662 | | | | ASSY DESCRIPTION: DIRECT COUPLED HYDRAULICS KIT | | | |
|------------------------|-----------|------------------------|-----|-------------------------------------------------|---------|-------------|-----|
| ITEM | PART NO | DESCRIPTION | QTY | ITEM | PART NO | DESCRIPTION | QTY |
| 1 | FIT-0025 | 1/4"BSP X 3/8"BSP | 3 | | | | |
| 2 | HAPAA0505 | RESTRICTOR FITTING | 1 | | | | |
| 3 | HMA-0057 | ADAPTOR MALE/MALE | 2 | | | | |
| 4 | HHAE13505 | 3/8" HYD HOSE ASSY | 6 | | | | |
| 5 | HMA-0065 | ADAPTOR MALE/MALE | 6 | | | | |
| 6 | WSH-1015 | DOWTY WASHER 1/2" | 6 | | | | |
| 7 | COU-0162 | QUICK RELEASE COUPLING | 6 | | | | |
| 8 | TIE-0004 | TIE WRAPS (MED) | 9 | | | | |



KIT-03662

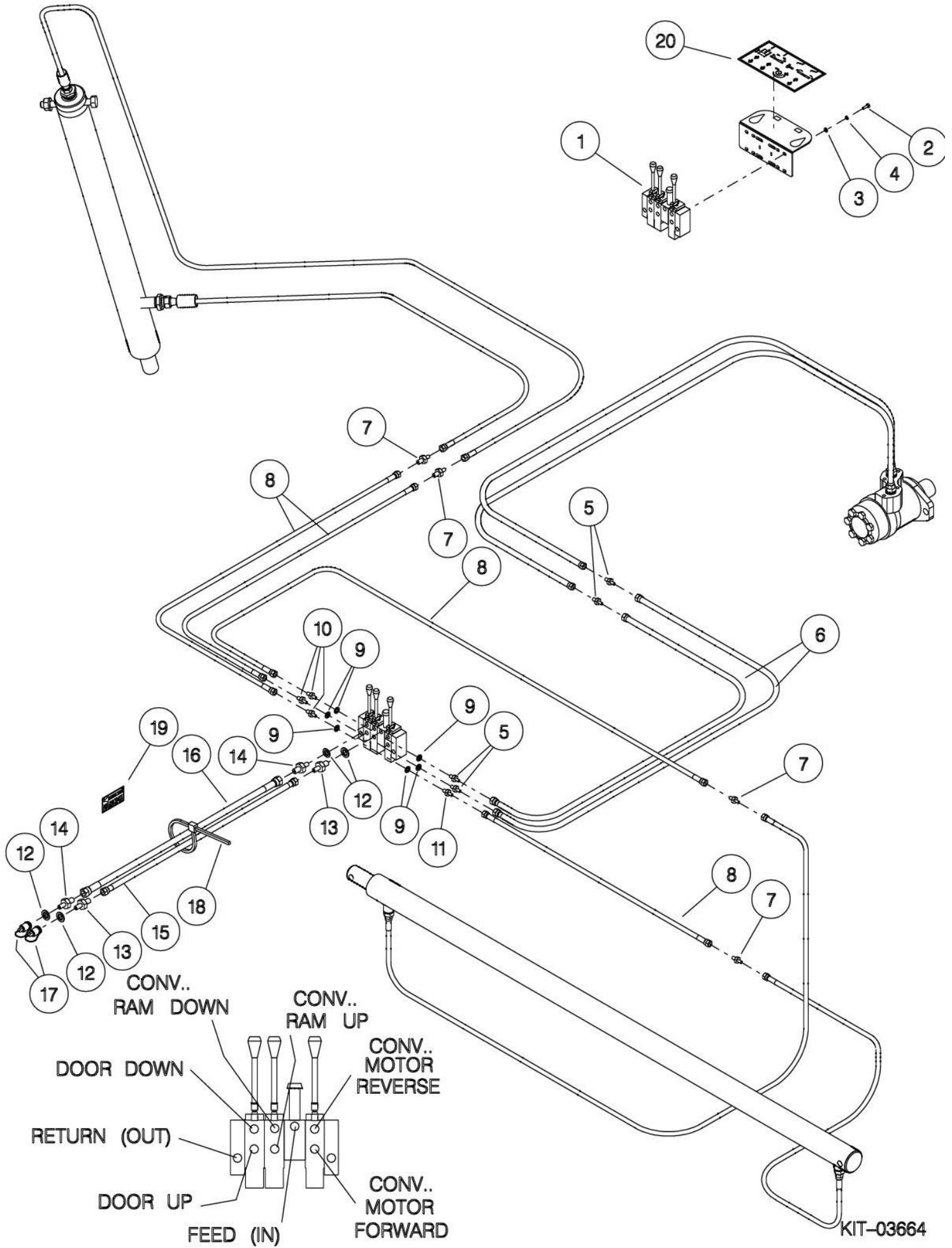
Shelbourne Reynolds Engineering Limited

| ASSY NUMBER: KIT-03663 | | | | ASSY DESCRIPTION: ELECTRIC SOLENOID SPOOL VALVE KIT | | | |
|------------------------|-----------|-----------------------------|-----|-----------------------------------------------------|---------|-------------|-----|
| ITEM | PART NO | DESCRIPTION | QTY | ITEM | PART NO | DESCRIPTION | QTY |
| 1 | 611701 01 | HAND CONTROL UNIT AND LOOMS | 1 | | | | |
| 2 | 611681 01 | CONTROL. HANGER BRKT. | 1 | | | | |
| 3 | SCHS07176 | SELF TAPPING SCREW | 2 | | | | |
| 4 | 611682 01 | HOOK BRKT. | 1 | | | | |
| 5 | HSS-0086 | SET SCREW | 6 | | | | |
| 6 | WSH-0009 | WASHER | 6 | | | | |
| 7 | NUT-0260 | NUT | 6 | | | | |
| 8 | CLP-00103 | R CLIP | 2 | | | | |
| 9 | TIE-0002 | TIE WRAPS (SMALL, BLACK) | 4 | | | | |
| 10 | HVB-19020 | ELEC. MULTI SPOOL VALVE | 1 | | | | |
| 11 | HSS-0135 | SETSCREW | 4 | | | | |
| 12 | WSH-0058 | WASHER | 4 | | | | |
| 13 | HMA-0055 | HYD ADAPTOR | 3 | | | | |
| 14 | HAMAA0307 | HYD.RESTRICTOR FITTING | 1 | | | | |
| 15 | HHBE22005 | HYDRAULIC HOSE ASSY | 1 | | | | |
| 16 | HMA-0065 | HYD ADAPTOR | 4 | | | | |
| 17 | WSH-1015 | DOWTY WASHER | 10 | | | | |
| 18 | COU-0162 | QUICK RELEASE COUPLING | 2 | | | | |
| 19 | HHBF22005 | HYDRAULIC HOSE ASSY | 1 | | | | |
| 20 | HMA-0067 | HYD ADAPTOR | 2 | | | | |
| 21 | 612230 01 | EMBLEM | 1 | | | | |
| 22 | 614133 01 | VALVE COVER | 1 | | | | |
| 23 | PLG-0005a | 7 PIN PLUG | 1 | | | | |



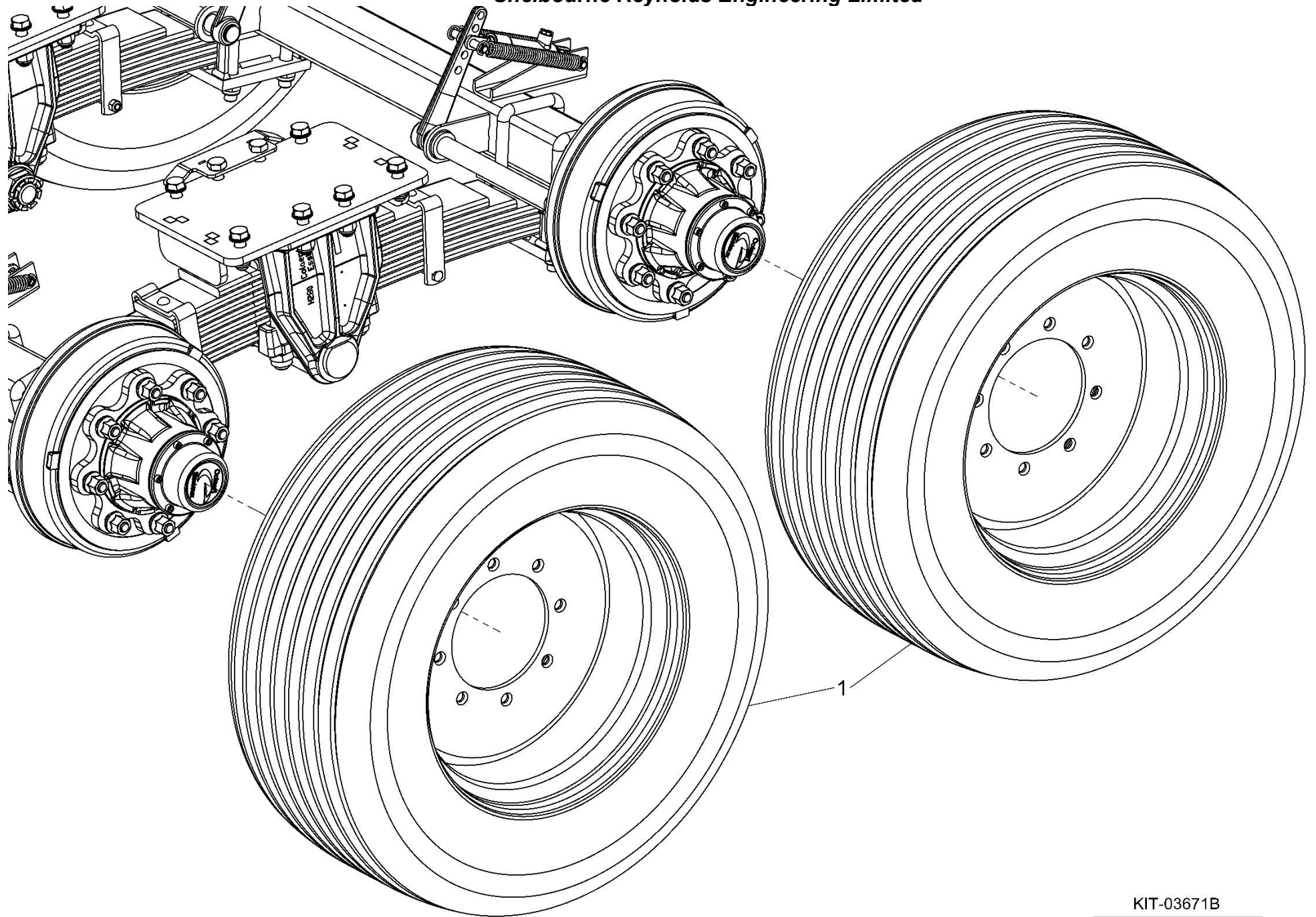
Shelbourne Reynolds Engineering Limited

| ASSY NUMBER: KIT-03664 | | | | ASSY DESCRIPTION: MANUAL LEVER SPOOL VALVE KIT | | | |
|------------------------|-----------|-----------------------------|-----|------------------------------------------------|---------|-------------|-----|
| ITEM | PART NO | DESCRIPTION | QTY | ITEM | PART NO | DESCRIPTION | QTY |
| 1 | HVB-09045 | MANUAL SPOOL VALEV ASSEMBLY | 1 | | | | |
| 2 | HSS-0135 | SETSCREW | 4 | | | | |
| 3 | WSH-0012 | WASHER | 4 | | | | |
| 4 | WSH-0058 | WASHER | 4 | | | | |
| 5 | HMA-0057 | HYD ADAPTOR | 4 | | | | |
| 6 | HHAE13505 | HYDRAULIC HOSE ASSEMBLY | 2 | | | | |
| 7 | HMA-0052 | HYD ADAPTOR | 4 | | | | |
| 8 | HHAC13505 | HYDRAULIC HOSE ASSY | 4 | | | | |
| 9 | WSH-1010 | DOWTY WASHER | 6 | | | | |
| 10 | FIT-0025 | HYD ADAPTOR | 3 | | | | |
| 11 | 190859 01 | HYDRAULIC FITTING | 1 | | | | |
| 12 | WSH-1015 | DOWTY WASHER | 4 | | | | |
| 13 | HMA-0065 | HYD ADAPTOR | 2 | | | | |
| 14 | HMA-0067 | HYD ADAPTOR | 2 | | | | |
| 15 | HHAE16005 | HYDRAULIC HOSE ASSEMBLY | 1 | | | | |
| 16 | HHAF16005 | HYDRAUCLI HOSE ASSEMBLY | 1 | | | | |
| 17 | COU-0162 | QUICK RELEASE COUPLING | 2 | | | | |
| 19 | 612230 01 | EMBLEM | 1 | | | | |
| 20 | 612236 01 | EMBLEM | 1 | | | | |
| 20 | TIE-0006 | TIE WRAPS (LARGE) | 18 | | | | |



Shelbourne Reynolds Engineering Limited

| ASSY NUMBER: KIT-03671B | | | | ASSY DESCRIPTION: WHEEL & TYRE KIT (385/55R22.5 LONGMARCH) | | | |
|-------------------------|-----------|-------------------|-----|------------------------------------------------------------|---------|-------------|-----|
| ITEM | PART NO | DESCRIPTION | QTY | ITEM | PART NO | DESCRIPTION | QTY |
| 1 | WHL-02223 | WHEEL & TYRE ASSY | 4 | | | | |

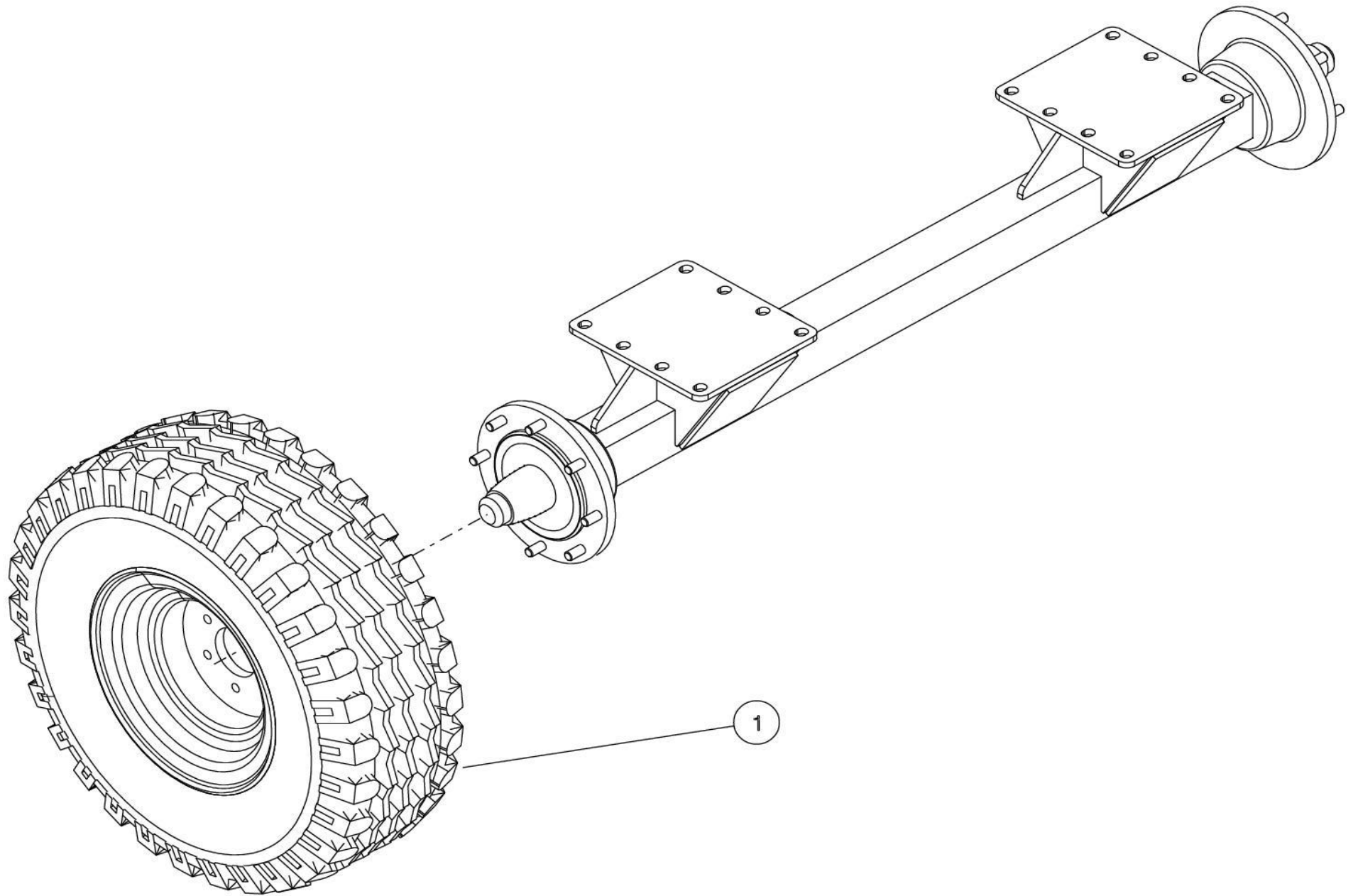


KIT-03671B



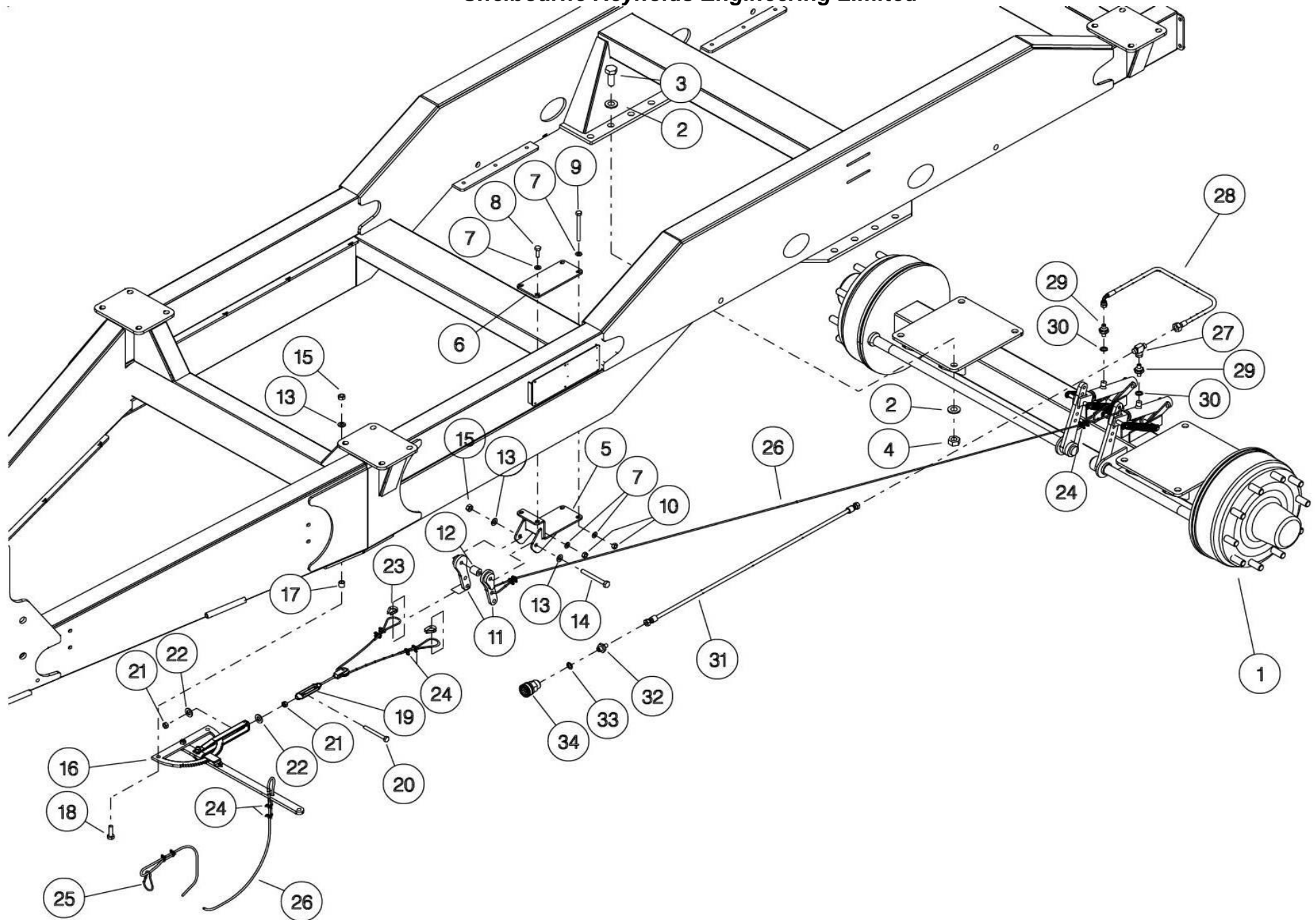
Shelbourne Reynolds Engineering Limited

| ASSY NUMBER: KIT-03672 | | | | ASSY DESCRIPTION: WHEEL & TYRE KIT(435/50R19.5)TWIN AUGER | | | |
|------------------------|-----------|-------------------|-----|-----------------------------------------------------------|---------|-------------|-----|
| ITEM | PART NO | DESCRIPTION | QTY | ITEM | PART NO | DESCRIPTION | QTY |
| 1 | WHL-02208 | WHEEL & TYRE ASSY | 2 | | | | |



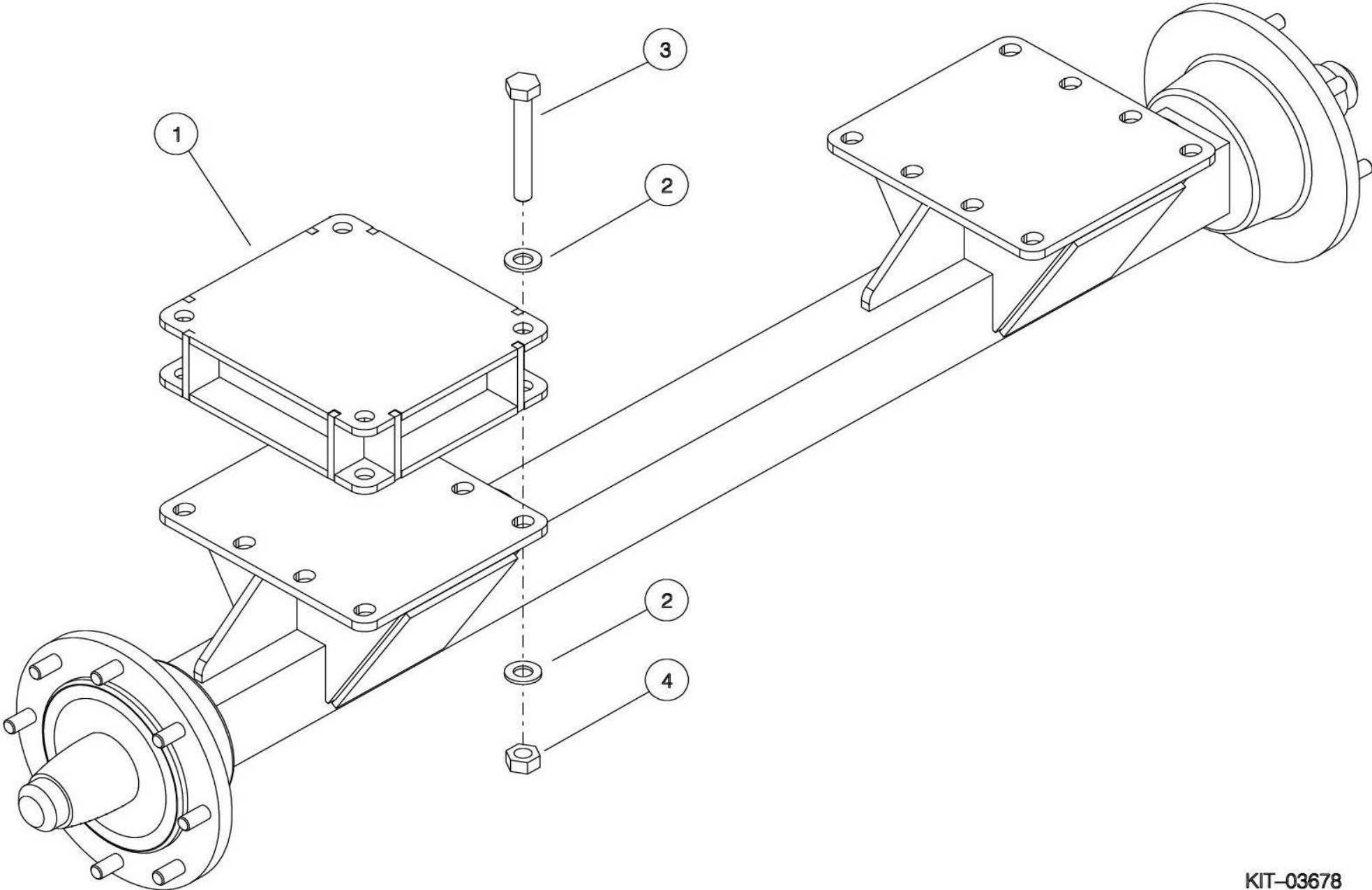
Shelbourne Reynolds Engineering Limited

| ASSY NUMBER: KIT-03673 | | | | ASSY DESCRIPTION: HYDRAULIC BRAKED AXLE KIT | | | |
|------------------------|-----------|-------------------------|-----|---------------------------------------------|---------|-------------|-----|
| ITEM | PART NO | DESCRIPTION | QTY | ITEM | PART NO | DESCRIPTION | QTY |
| 1 | 614723 01 | BRAKED AXLE W/A | 1 | | | | |
| 2 | WSH-0030 | WASHER | 16 | | | | |
| 3 | BLT-2365 | BOLT | 8 | | | | |
| 4 | NUTA02200 | NUT | 8 | | | | |
| 5 | 614727 01 | LOWER CLAMP PLATE W/A | 1 | | | | |
| 6 | 614724 01 | UPPER CLAMP PLATE | 1 | | | | |
| 7 | WSH-0015 | WASHER | 8 | | | | |
| 8 | HSS-0198 | SET SCREW | 2 | | | | |
| 9 | BLTA10590 | HEX.HEAD BOLT | 2 | | | | |
| 10 | NUT-0265 | NUT | 4 | | | | |
| 11 | 614730 01 | HANDBRAKE LEVER W/A | 2 | | | | |
| 12 | 613919 01 | SPACER TUBE | 1 | | | | |
| 13 | WSH-0018 | WASHER | 4 | | | | |
| 14 | BLTA12590 | HEX.HEAD BOLT | 1 | | | | |
| 15 | NUT-0269 | NUT | 3 | | | | |
| 16 | 590222 01 | HANDBRAKE LEVER ASSY | 1 | | | | |
| 17 | 610923 01 | SPACER | 2 | | | | |
| 18 | HSS-0275 | SET SCREW | 2 | | | | |
| 19 | ADL-00120 | ADJUSTER ASSY | 1 | | | | |
| 20 | HSS-0155 | SET SCREW | 1 | | | | |
| 21 | NUT-0164 | NUT | 2 | | | | |
| 22 | WSH-0012 | WASHER | 2 | | | | |
| 23 | WRP-01040 | WIRE CABLE THIMBLE | 6 | | | | |
| 24 | WRP-02040 | WIRE CABLE CLAMP | 16 | | | | |
| 25 | WRP-03000 | SNAPHOOK | 1 | | | | |
| 26 | WRP-00040 | WIRE CABLE | 13 | | | | |
| 27 | FITA10140 | HYDRAULIC TEE FITTING | 1 | | | | |
| 28 | HHBC03205 | HYDRAULIC HOSE ASSY | 1 | | | | |
| 29 | HMA-0057 | HYD ADAPTOR | 2 | | | | |
| 30 | WSH-1010 | DOWTY WASHER | 2 | | | | |
| 31 | HHAC73005 | HYDRAULIC HOSE ASSEMBLY | 1 | | | | |
| 32 | HMA-0055 | HYD ADAPTOR | 1 | | | | |
| 33 | WSH-1015 | DOWTY WASHER | 1 | | | | |
| 34 | HQR-10007 | HYD.QUICK RELEASE COUP. | 1 | | | | |



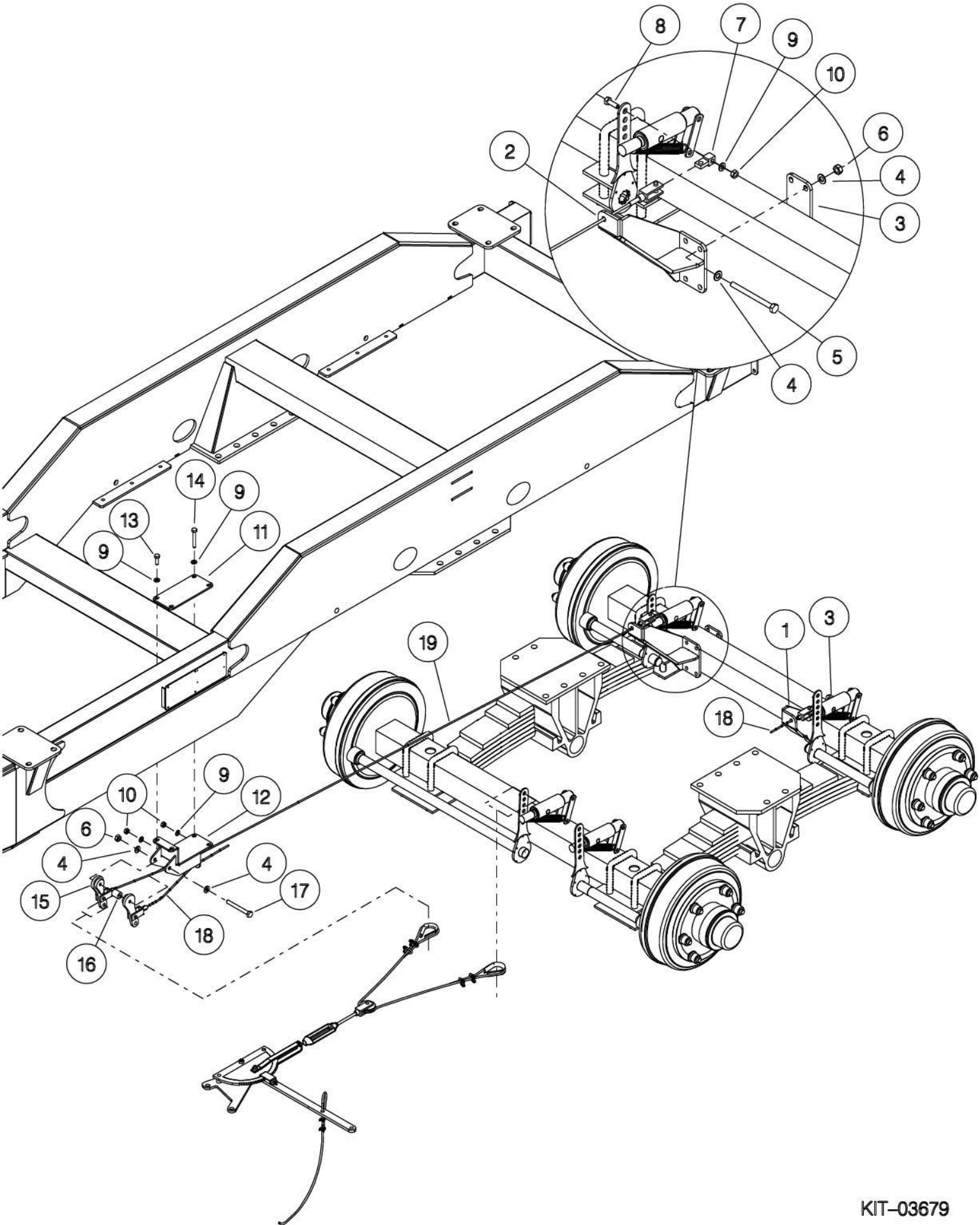
Shelbourne Reynolds Engineering Limited

| ASSY NUMBER: KIT-03678 | | | | ASSY DESCRIPTION: AXLE PACKER PLATE | | | |
|------------------------|-----------|------------------|-----|-------------------------------------|---------|-------------|-----|
| ITEM | PART NO | DESCRIPTION | QTY | ITEM | PART NO | DESCRIPTION | QTY |
| 1 | 614755 01 | PACKER PLATE W/A | 2 | | | | |
| 2 | WSH-0030 | WASHER | 16 | | | | |
| 3 | BLT-2375 | HEX HEAD BOLT | 8 | | | | |
| 4 | NUTA02200 | NUT | 8 | | | | |



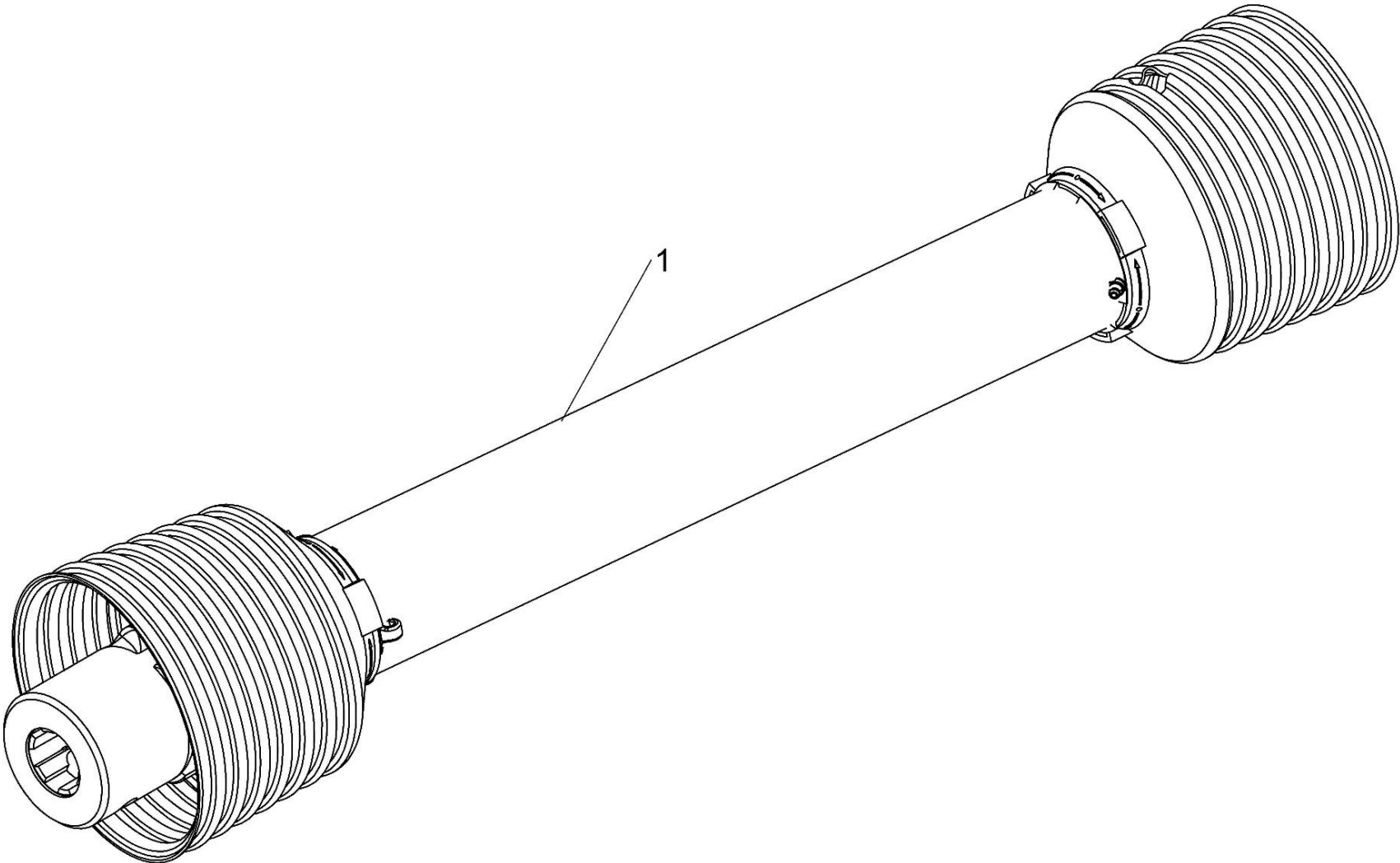
Shelbourne Reynolds Engineering Limited

| ASSY NUMBER: KIT-03679 | | | | ASSY DESCRIPTION: HANDBRAKE UPGRADE KIT | | | |
|------------------------|-----------|------------------------|-----|-----------------------------------------|---------|-------------|-----|
| ITEM | PART NO | DESCRIPTION | QTY | ITEM | PART NO | DESCRIPTION | QTY |
| 1 | 614748 01 | CABLE BRACKET ASSY LH | 1 | | | | |
| 2 | 614748 02 | CABLE BRACKET ASSY RH | 1 | | | | |
| 3 | 614746 01 | CLAMP PLATE | 2 | | | | |
| 4 | WSH-0018 | PLAIN WASHER | 16 | | | | |
| 5 | 20146128 | BOLT | 8 | | | | |
| 6 | NUT-0269 | NYLOC NUT | 8 | | | | |
| 7 | 590062 01 | PIVOT BLOCK DTL | 2 | | | | |
| 8 | HSS-0210 | SET SCREW | 2 | | | | |
| 9 | WSH-0015 | PLAIN WASHER | 10 | | | | |
| 10 | NUT-0265 | NYLOC NUT | 6 | | | | |
| 11 | 614724 01 | UPPER CLAMP PLATE | 1 | | | | |
| 12 | 614751 01 | LOWER CLAMP PLATE ASSY | 1 | | | | |
| 13 | HSS-0198 | SET SCREW | 2 | | | | |
| 14 | BLTA10590 | HEX.HEAD BOLT | 2 | | | | |
| 15 | 614730 04 | HANDBRAKE LEVER W/A | 2 | | | | |
| 16 | 613919 01 | SPACER TUBE | 1 | | | | |
| 17 | BLTA12590 | HEX.HEAD BOLT | 1 | | | | |
| 18 | 614745 01 | HANDBRAKE CABLE | 1 | | | | |
| 19 | 614745 02 | HANDBRAKE CABLE | 1 | | | | |



Shelbourne Reynolds Engineering Limited

| ASSY NUMBER: KIT-03692 | | | | ASSY DESCRIPTION: PTO SHAFT KIT (NON WIDE ANGLE-EXP TWIN) | | | |
|------------------------|-----------|----------------|-----|-----------------------------------------------------------|---------|-------------|-----|
| ITEM | PART NO | DESCRIPTION | QTY | ITEM | PART NO | DESCRIPTION | QTY |
| 1 | PTO-29014 | PTO SHAFT ASSY | 1 | | | | |

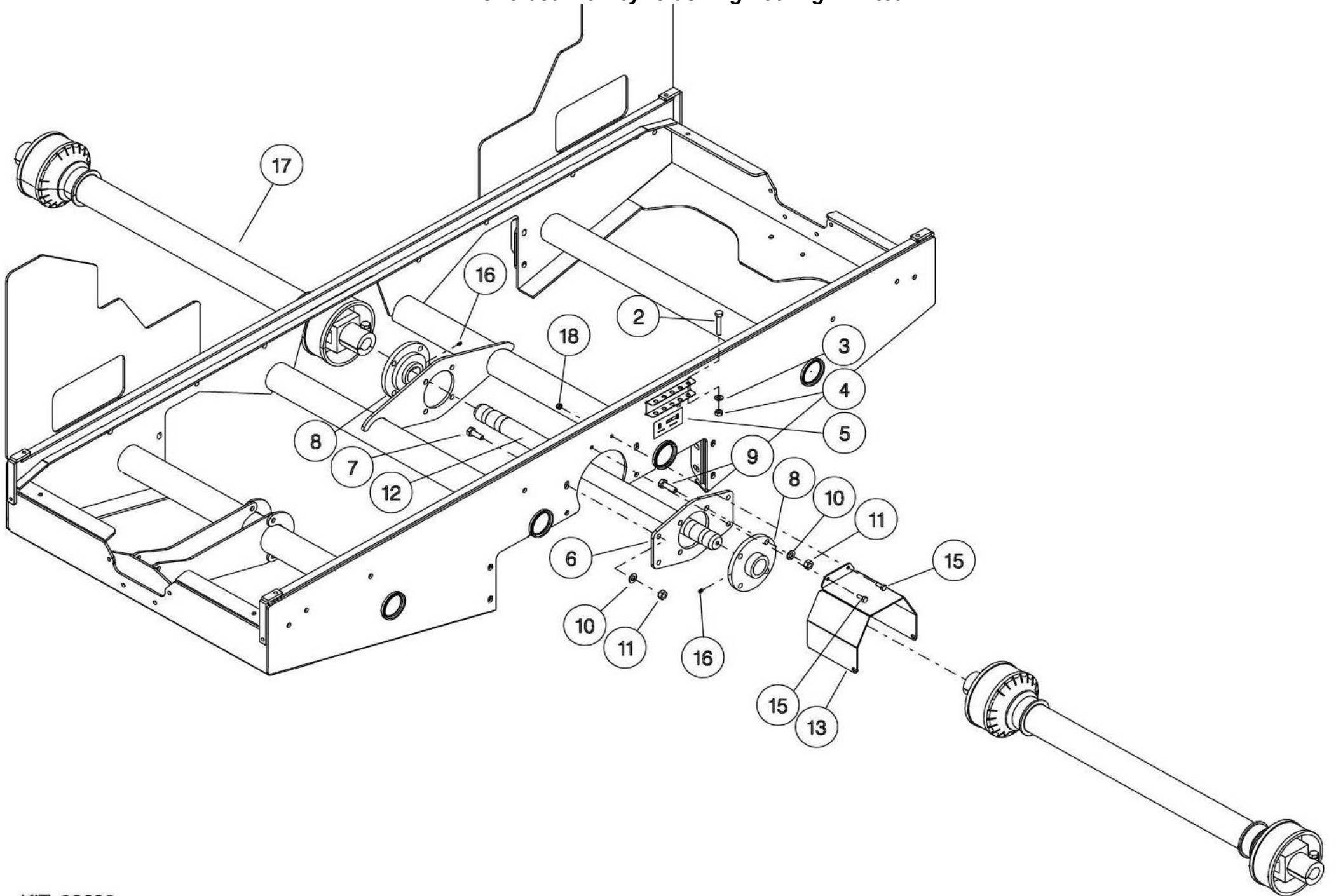


KIT-03692 & KIT-3692A



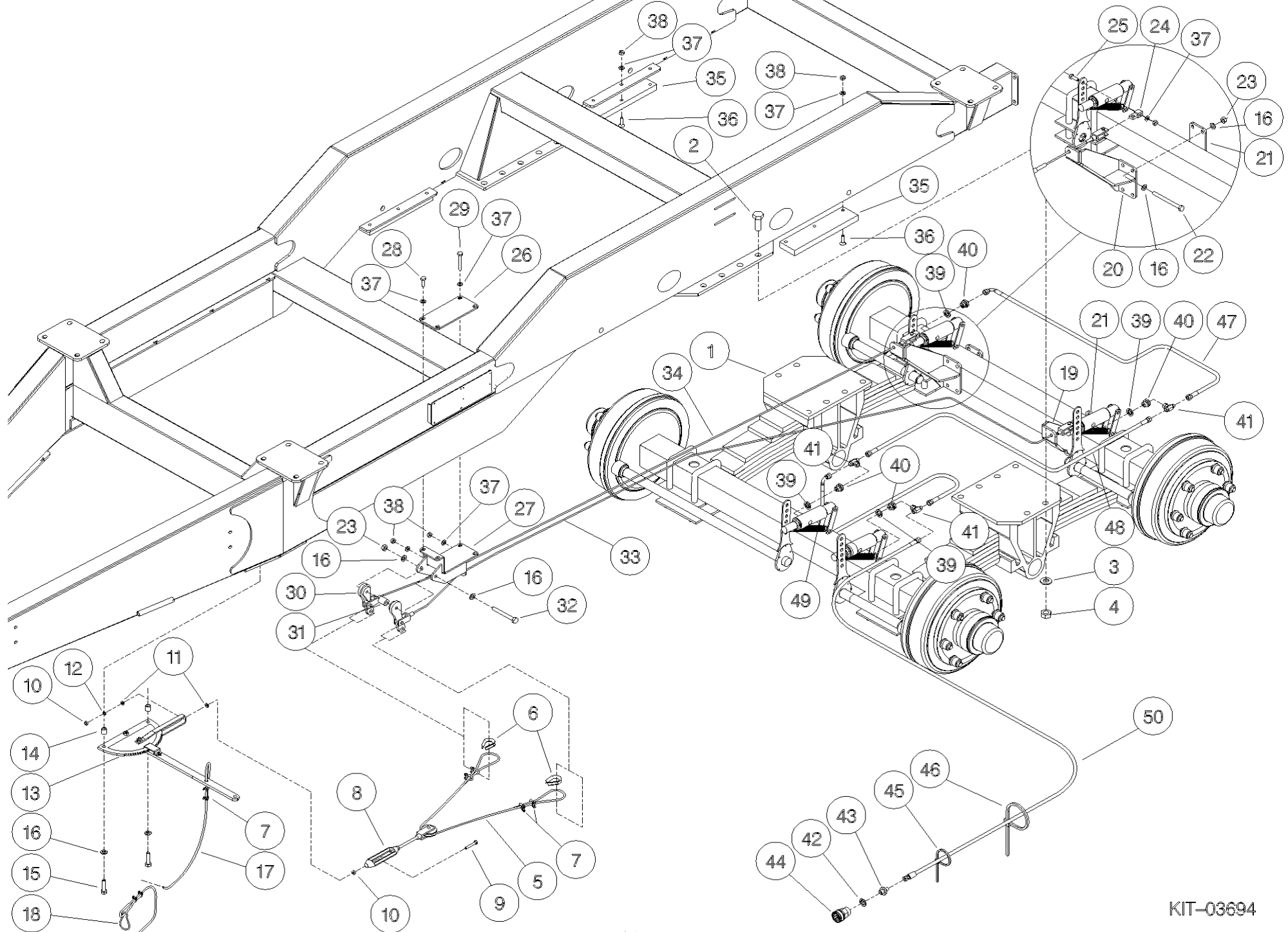
Shelbourne Reynolds Engineering Limited

| ASSY NUMBER: KIT-03693 | | | | ASSY DESCRIPTION: SINGLE SPEED DRIVE KIT | | | |
|------------------------|-----------|--------------------|-----|------------------------------------------|---------|-------------|-----|
| ITEM | PART NO | DESCRIPTION | QTY | ITEM | PART NO | DESCRIPTION | QTY |
| 1 | | | | | | | |
| 2 | BLTA10380 | HEX.HEAD BOLT | 5 | | | | |
| 3 | WSH-0015 | WASHER | 5 | | | | |
| 4 | NUT-0265 | NUT | 5 | | | | |
| 5 | 195391 01 | TRANSFER SHEARBOLT | 1 | | | | |
| 6 | 614556 01 | BEARING MTG PLATE | 1 | | | | |
| 7 | HSS-0241 | SET SCREW | 4 | | | | |
| 8 | BRG-3275 | SUPPORT | 2 | | | | |
| 9 | HSS-0250 | SET SCREW | 8 | | | | |
| 10 | WSH-0018 | WASHER | 12 | | | | |
| 11 | NUT-0269 | NUT | 12 | | | | |
| 12 | 614542 01 | DRIVE SHAFT | 1 | | | | |
| 13 | 614027 01 | FRONT DRIVE GUARD | 1 | | | | |
| 15 | HSSF08204 | SET SCREW | 2 | | | | |
| 16 | NIP-00600 | GREASE NIPPLE | 2 | | | | |
| 17 | PTO-29013 | PTO SHAFT ASSY | 1 | | | | |
| 18 | NUT-0263 | NUT | 2 | | | | |



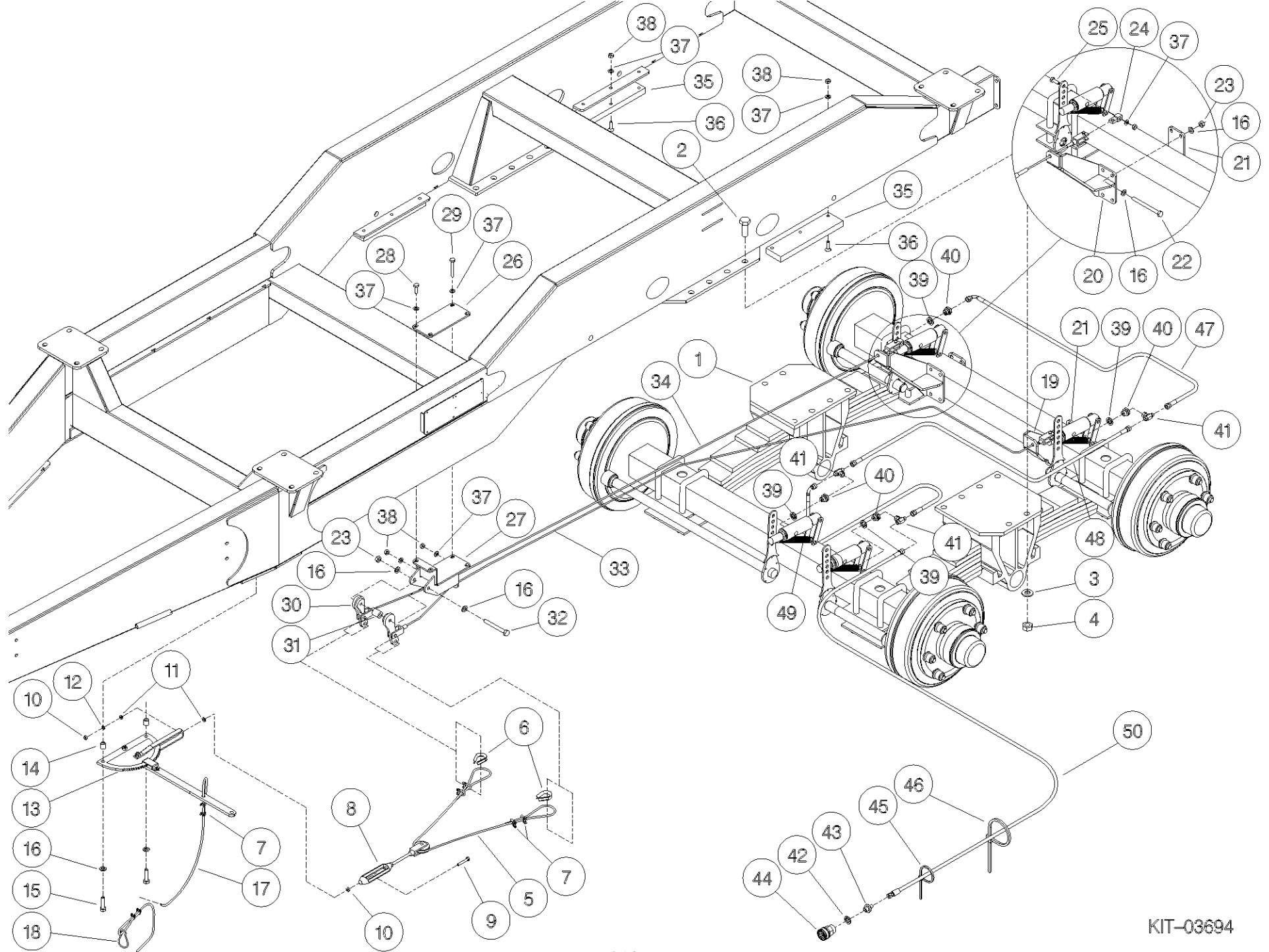
Shelbourne Reynolds Engineering Limited

| ASSY NUMBER: KIT-03694 | | | | ASSY DESCRIPTION: BRAKED TANDEM AXLE KIT | | | |
|------------------------|-----------|------------------------|-----|------------------------------------------|-----------|-------------------------|-----|
| ITEM | PART NO | DESCRIPTION | QTY | ITEM | PART NO | DESCRIPTION | QTY |
| 1 | AXL-00205 | UNDERSLUNG BOGIE ASSY | 1 | 41 | FITA10130 | HYDRAULIC TEE FITTING | 3 |
| 2 | BLT-2366 | BOLT | 12 | 42 | WSH-1015 | DOWTY WASHER | 1 |
| 3 | WSH-0030 | WASHER | 12 | 43 | HMA-0055 | HYD ADAPTOR | 1 |
| 4 | NUTA02200 | NUT | 12 | 44 | HQR-10007 | HYD.QUICK RELEASE COUP. | 1 |
| 5 | WRP-00040 | WIRE CABLE | 5.7 | 45 | TIE-0004 | TIE WRAPS (MED) | 16 |
| 6 | WRP-01040 | WIRE CABLE THIMBLE | 2 | 46 | TIE-0012 | TIE WRAP (EX.LARGE) | 4 |
| 7 | WRP-02040 | WIRE CABLE CLAMP | 8 | 47 | HHBC09205 | HYDRAULIC HOSE ASSY | 1 |
| 8 | ADL-00120 | ADJUSTER ASSY | 1 | 48 | HHAC14005 | HYDRAULIC HOSE ASSY | 1 |
| 9 | HSS-0155 | SET SCREW | 1 | 49 | HHBC03705 | HYDRAULIC HOSE ASSY | 1 |
| 10 | NUT-0164 | NUT | 2 | 50 | HHAC63005 | HYDRAULIC HOSE ASSY | 1 |
| 11 | WSH-0012 | WASHER | 4 | | | | |
| 12 | WSH-0058 | WASHER | 1 | | | | |
| 13 | 590222 01 | HANDBRAKE LEVER ASSY | 1 | | | | |
| 14 | 610923 01 | SPACER | 2 | | | | |
| 15 | HSS-0275 | SET SCREW | 2 | | | | |
| 16 | WSH-0018 | WASHER | 18 | | | | |
| 17 | WRP-00040 | WIRE CABLE | 4 | | | | |
| 18 | WRP-03000 | SNAPHOOK | 1 | | | | |
| 19 | 614748 01 | CABLE BRACKET ASSY LH | 1 | | | | |
| 20 | 614748 02 | CABLE BRACKET ASSY RH | 1 | | | | |
| 21 | 614746 01 | CLAMP PLATE | 2 | | | | |
| 22 | 20146128 | BOLT | 8 | | | | |
| 23 | NUT-0269 | NUT | 8 | | | | |
| 24 | 590062 01 | PIVOT BLOCK DTL | 2 | | | | |
| 25 | HSS-0210 | SET SCREW | 2 | | | | |
| 26 | 614724 01 | UPPER CLAMP PLATE | 1 | | | | |
| 27 | 614751 01 | LOWER CLAMP PLATE ASSY | 1 | | | | |
| 28 | HSS-0198 | SET SCREW | 2 | | | | |
| 29 | BLTA10590 | HEX.HEAD BOLT | 2 | | | | |
| 30 | 614730 04 | HANDBRAKE LEVER W/A | 2 | | | | |
| 31 | 613919 01 | SPACER TUBE | 1 | | | | |
| 32 | BLTA12590 | HEX.HEAD BOLT | 1 | | | | |
| 33 | 614745 01 | HANDBRAKE CABLE | 1 | | | | |
| 34 | 614745 02 | HANDBRAKE CABLE | 1 | | | | |
| 35 | 614596 01 | RUBBER BUMPER | 4 | | | | |
| 36 | SCW-1895 | CSK SOCKET HD SCW | 12 | | | | |
| 37 | WSH-0015 | WASHER | 22 | | | | |
| 38 | NUT-0265 | NUT | 18 | | | | |
| 39 | WSH-1010 | DOWTY WASHER | 4 | | | | |
| 40 | FIT-0025 | HYD ADAPTOR | 4 | | | | |



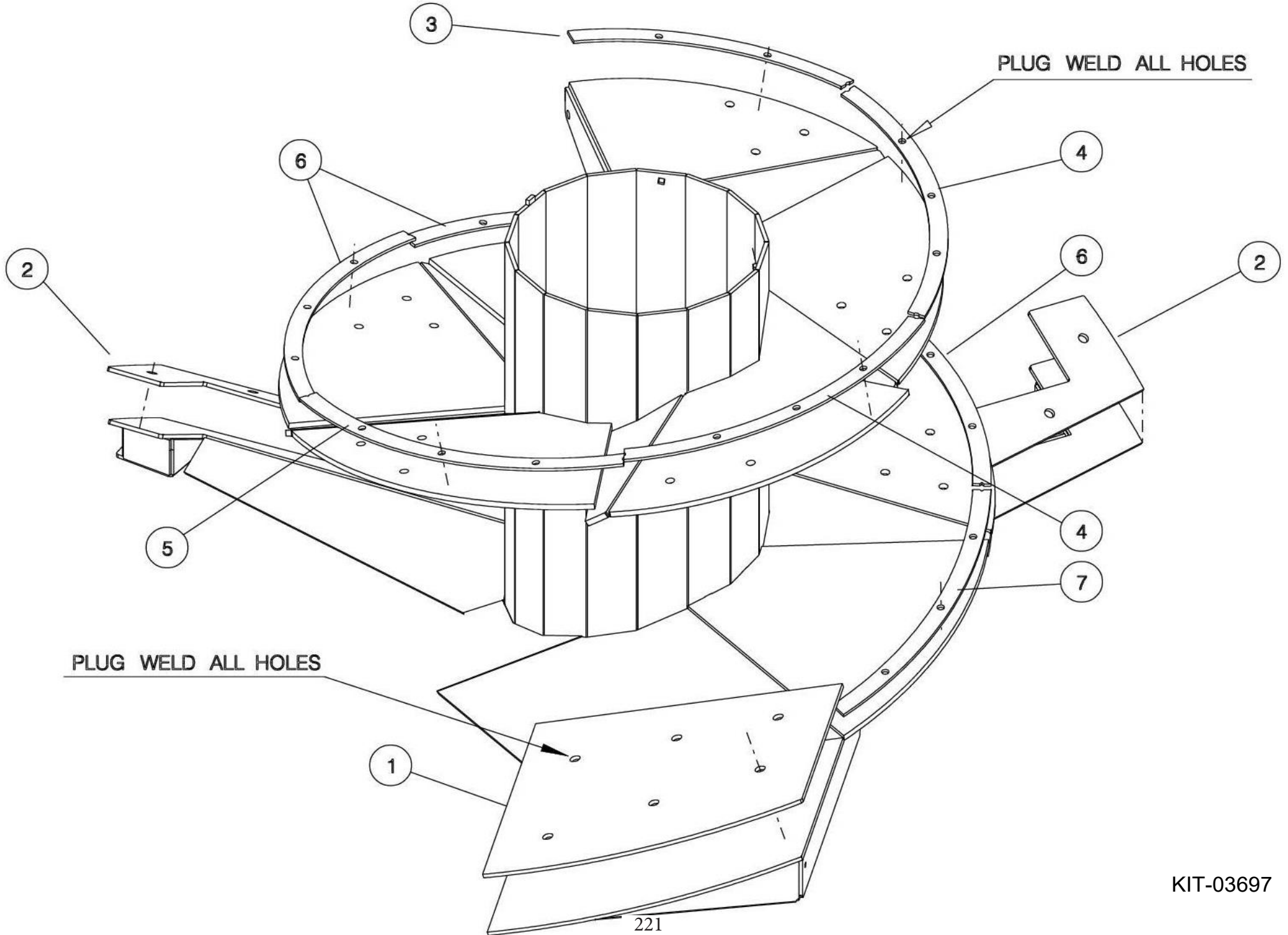
Shelbourne Reynolds Engineering Limited

| ASSY NUMBER: KIT-03694B | | | | ASSY DESCRIPTION: BRAKED TANDEM AXLE KIT | | | |
|-------------------------|-----------|------------------------|-----|------------------------------------------|-----------|-------------------------|-----|
| ITEM | PART NO | DESCRIPTION | QTY | ITEM | PART NO | DESCRIPTION | QTY |
| 1 | AXL-00206 | UNDERSLUNG BOGIE ASSY | 1 | 41 | FITA10130 | HYDRAULIC TEE FITTING | 3 |
| 2 | BLT-2366 | BOLT | 12 | 42 | WSH-1015 | DOWTY WASHER | 1 |
| 3 | WSH-0030 | WASHER | 12 | 43 | HMA-0055 | HYD ADAPTOR | 1 |
| 4 | NUTA02200 | NUT | 12 | 44 | HQR-10007 | HYD.QUICK RELEASE COUP. | 1 |
| 5 | WRP-00040 | WIRE CABLE | 5.7 | 45 | TIE-0004 | TIE WRAPS (MED) | 16 |
| 6 | WRP-01040 | WIRE CABLE THIMBLE | 2 | 46 | TIE-0012 | TIE WRAP (EX.LARGE) | 4 |
| 7 | WRP-02040 | WIRE CABLE CLAMP | 8 | 47 | HHBC09205 | HYDRAULIC HOSE ASSY | 1 |
| 8 | ADL-00120 | ADJUSTER ASSY | 1 | 48 | HHAC14005 | HYDRAULIC HOSE ASSY | 1 |
| 9 | HSS-0155 | SET SCREW | 1 | 49 | HHBC03705 | HYDRAULIC HOSE ASSY | 1 |
| 10 | NUT-0164 | NUT | 2 | 50 | HHAC63005 | HYDRAULIC HOSE ASSY | 1 |
| 11 | WSH-0012 | WASHER | 4 | | | | |
| 12 | WSH-0058 | WASHER | 1 | | | | |
| 13 | 590222 01 | HANDBRAKE LEVER ASSY | 1 | | | | |
| 14 | 610923 01 | SPACER | 2 | | | | |
| 15 | HSS-0275 | SET SCREW | 2 | | | | |
| 16 | WSH-0018 | WASHER | 18 | | | | |
| 17 | WRP-00040 | WIRE CABLE | 4 | | | | |
| 18 | WRP-03000 | SNAPHOOK | 1 | | | | |
| 19 | 614748 01 | CABLE BRACKET ASSY LH | 1 | | | | |
| 20 | 614748 02 | CABLE BRACKET ASSY RH | 1 | | | | |
| 21 | 614746 01 | CLAMP PLATE | 2 | | | | |
| 22 | 20146128 | BOLT | 8 | | | | |
| 23 | NUT-0269 | NUT | 8 | | | | |
| 24 | 590062 01 | PIVOT BLOCK DTL | 2 | | | | |
| 25 | HSS-0210 | SET SCREW | 2 | | | | |
| 26 | 614724 01 | UPPER CLAMP PLATE | 1 | | | | |
| 27 | 614751 01 | LOWER CLAMP PLATE ASSY | 1 | | | | |
| 28 | HSS-0198 | SET SCREW | 2 | | | | |
| 29 | BLTA10590 | HEX.HEAD BOLT | 2 | | | | |
| 30 | 614730 04 | HANDBRAKE LEVER W/A | 2 | | | | |
| 31 | 613919 01 | SPACER TUBE | 1 | | | | |
| 32 | BLTA12590 | HEX.HEAD BOLT | 1 | | | | |
| 33 | 614745 01 | HANDBRAKE CABLE | 1 | | | | |
| 34 | 614745 02 | HANDBRAKE CABLE | 1 | | | | |
| 35 | 614596 01 | RUBBER BUMPER | 4 | | | | |
| 36 | SCW-1895 | CSK SOCKET HD SCW | 12 | | | | |
| 37 | WSH-0015 | WASHER | 22 | | | | |
| 38 | NUT-0265 | NUT | 18 | | | | |
| 39 | WSH-1010 | DOWTY WASHER | 4 | | | | |
| 40 | FIT-0025 | HYD ADAPTOR | 4 | | | | |



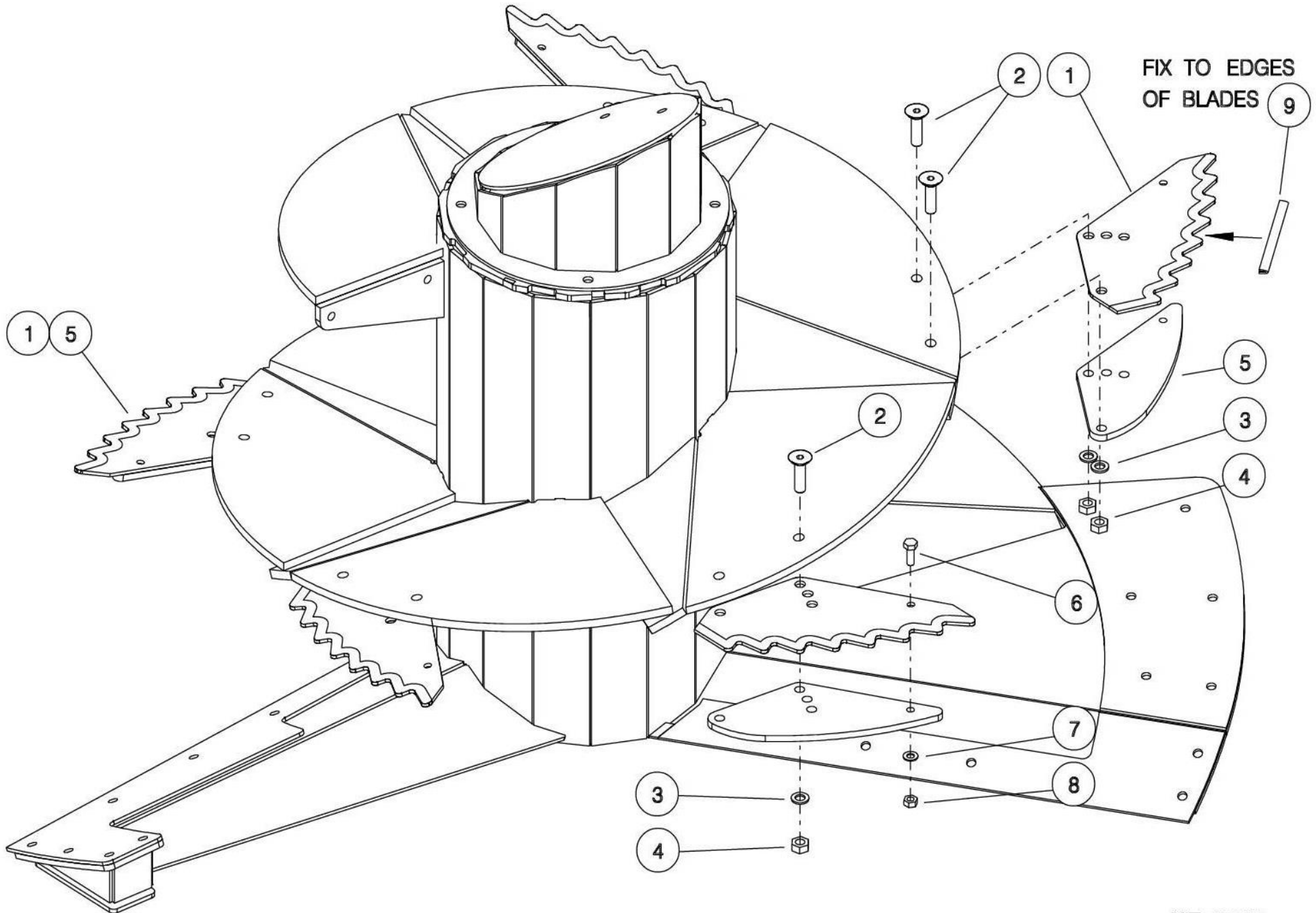
Shelbourne Reynolds Engineering Limited

| ASSY NUMBER: KIT-03697 | | | | ASSY DESCRIPTION: POWERMIX PRO AUGER WEAR KIT | | | |
|------------------------|-----------|------------------------------|-----|-----------------------------------------------|---------|-------------|-----|
| ITEM | PART NO | DESCRIPTION | QTY | ITEM | PART NO | DESCRIPTION | QTY |
| 1 | 615364 01 | LARGE SWEEP ARM WEAR PLATE | 1 | | | | |
| 2 | 615366 01 | SWEEP ARM WEAR PLATE | 2 | | | | |
| 3 | 615363 01 | TOP FLIGHT WEAR STRIP | 1 | | | | |
| 4 | 615362 01 | 6TH & 7TH FLIGHT WEAR STRIP | 2 | | | | |
| 5 | 615361 01 | 5TH FLIGHT WEAR STRIP | 1 | | | | |
| 6 | 615360 01 | 2, 3 & 4TH FLIGHT WEAR STRIP | 3 | | | | |
| 7 | 615359 01 | LOWER FLIGHT WEAR STRP | 1 | | | | |
| 8 | 615365 01 | FILL IN PLATE | 1 | | | | |



Shelbourne Reynolds Engineering Limited

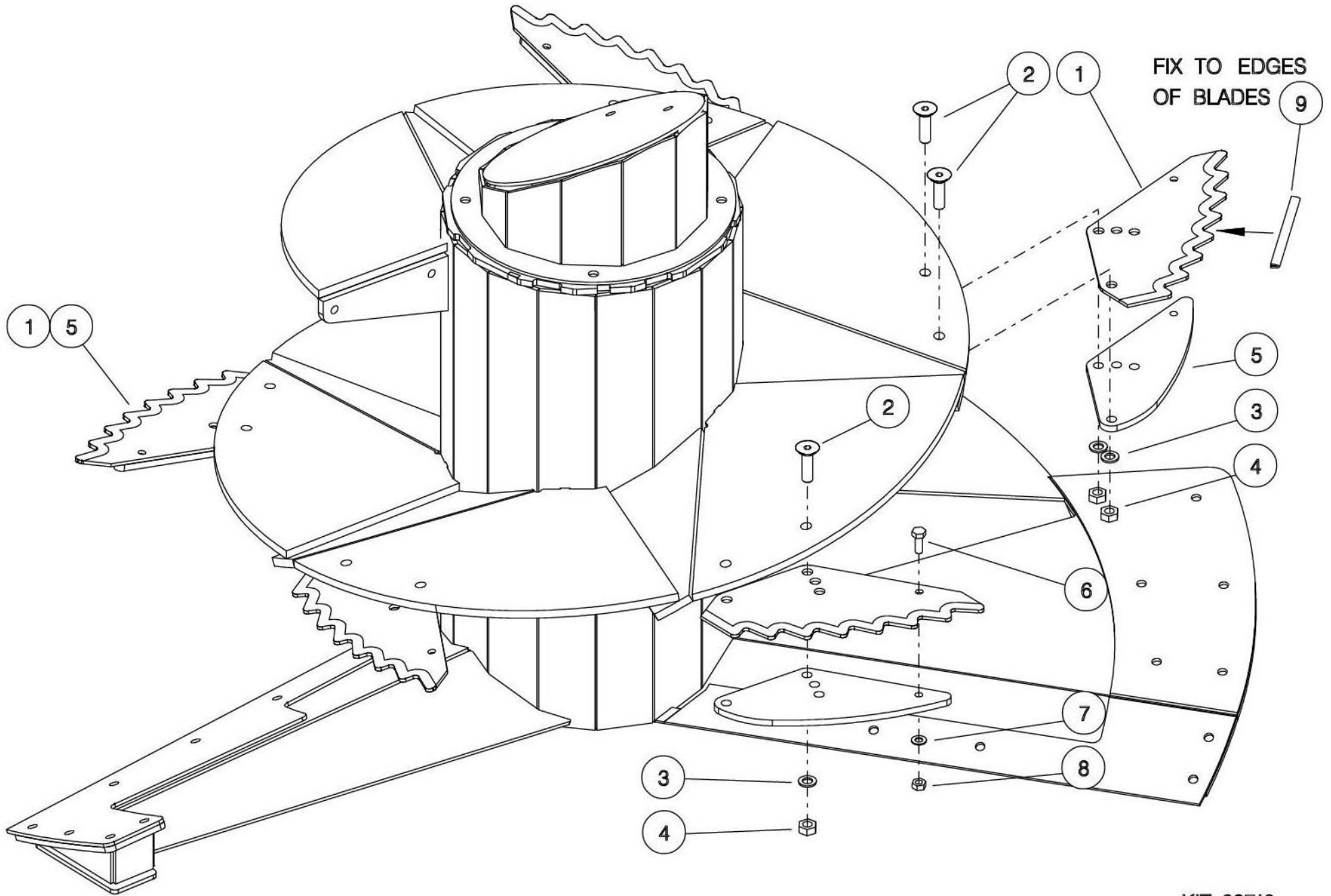
| ASSY NUMBER: KIT-03710 | | | | ASSY DESCRIPTION: TUNGSTEN COATED BLADE KIT | | | |
|------------------------|-----------|----------------------|-----|---------------------------------------------|---------|-------------|-----|
| ITEM | PART NO | DESCRIPTION | QTY | ITEM | PART NO | DESCRIPTION | QTY |
| 1 | 614812 01 | AUGER BLADE TUNGSTEN | 7 | | | | |
| 2 | SCEA16350 | CSK SOC HD SCREW | 14 | | | | |
| 3 | WSH-0025 | WASHER | 14 | | | | |
| 4 | NUT-0271 | NUT | 14 | | | | |
| 5 | 614807 01 | BLADE BACK UP PLATE | 7 | | | | |
| 6 | HSS-0241 | SET SCREW | 7 | | | | |
| 7 | WSH-0018 | WASHER | 7 | | | | |
| 8 | NUT-0269 | NUT | 7 | | | | |
| 9 | EDS-11400 | PVC EDGING STRIP | 3.5 | | | | |



KIT-03710
KIT-03710a

Shelbourne Reynolds Engineering Limited

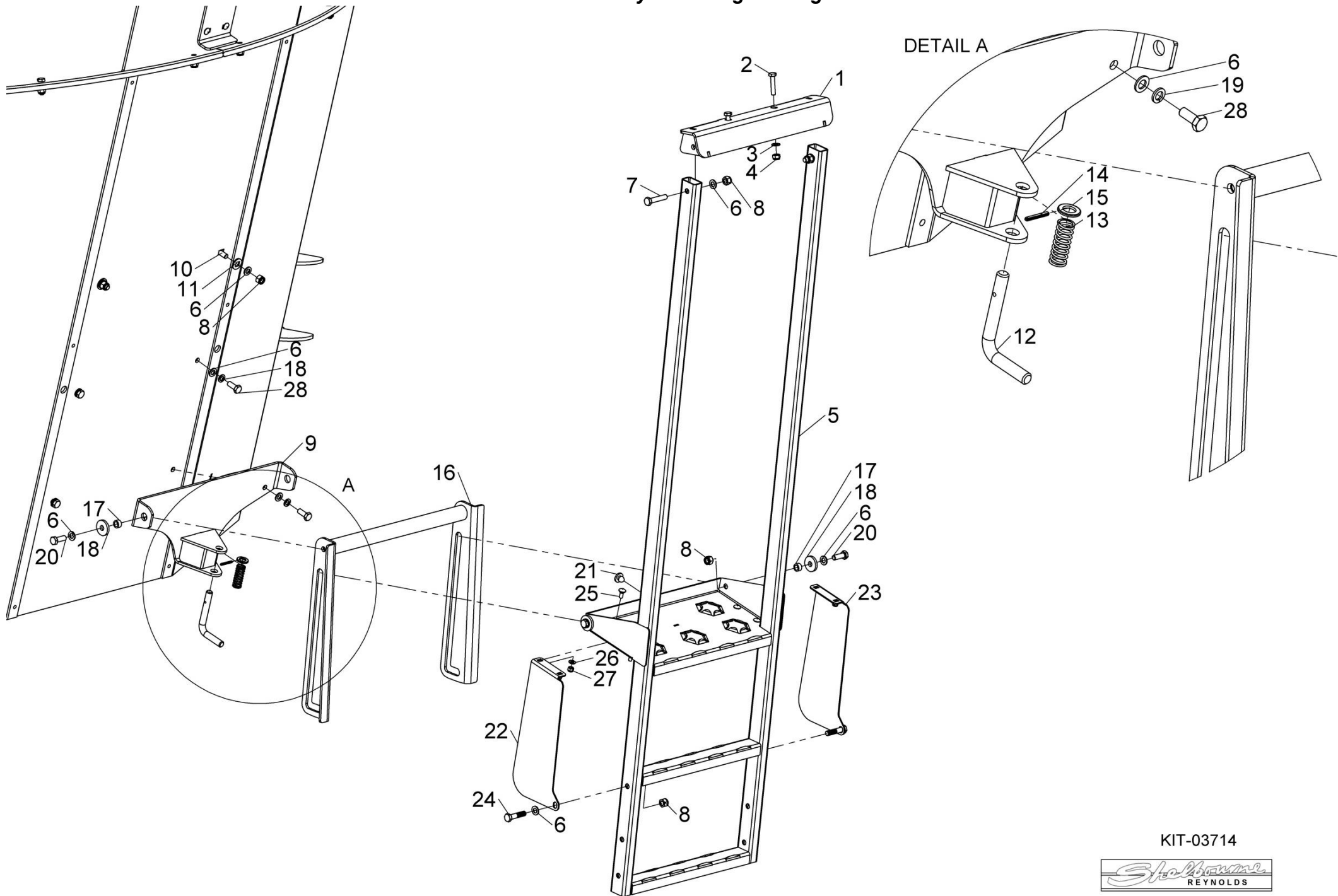
| ASSY NUMBER: KIT-03710a | | | | ASSY DESCRIPTION: STANDARD BLADE KIT | | | |
|-------------------------|-----------|----------------------|-----|--------------------------------------|---------|-------------|-----|
| ITEM | PART NO | DESCRIPTION | QTY | ITEM | PART NO | DESCRIPTION | QTY |
| 1 | 614812 02 | AUGER BLADE STANDARD | 7 | | | | |
| 2 | SCEA16350 | CSK SOC HD SCREW | 14 | | | | |
| 3 | WSH-0025 | WASHER | 14 | | | | |
| 4 | NUT-0271 | NUT | 14 | | | | |
| 5 | 614807 01 | BLADE BACK UP PLATE | 7 | | | | |
| 6 | HSS-0241 | SET SCREW | 7 | | | | |
| 7 | WSH-0018 | WASHER | 7 | | | | |
| 8 | NUT-0269 | NUT | 7 | | | | |
| 9 | EDS-11400 | PVC EDGING STRIP | 3.5 | | | | |



KIT-03710
KIT-03710a

Shelbourne Reynolds Engineering Limited

| ASSY NUMBER: KIT-03714 | | | | ASSY DESCRIPTION: STANDARD REAR LADDER KIT | | | |
|------------------------|-----------|-----------------------|-----|--------------------------------------------|---------|-------------|-----|
| ITEM | PART NO | DESCRIPTION | QTY | ITEM | PART NO | DESCRIPTION | QTY |
| 1 | 615076 01 | FIXING BRKT W/A | 1 | | | | |
| 2 | HSS-0210 | SETSCREW | 2 | | | | |
| 3 | WSH-0015 | WASHER | 2 | | | | |
| 4 | NUT-0265 | NUT | 2 | | | | |
| 5 | 615069 01 | REAR LADDER W/A | 1 | | | | |
| 6 | WSH-0018 | WASHER | 16 | | | | |
| 7 | BLTA12380 | BOLT | 2 | | | | |
| 8 | NUT-0269 | NUT | 12 | | | | |
| 9 | 615073 01 | LOWER FIXING BRKT W/A | 1 | | | | |
| 10 | BLT-3790 | COACHBOLT | 6 | | | | |
| 11 | 611830 01 | SPAXCCER | 4 | | | | |
| 12 | 591402 01 | LOCKING HANDLE | 1 | | | | |
| 13 | SPGC32021 | COMPRESSION SPRING | 1 | | | | |
| 14 | PIN-1775 | ROLL PIN | 1 | | | | |
| 15 | WSH-0024 | WASHER | 1 | | | | |
| 16 | 615086 01 | RUNNER W/A | 1 | | | | |
| 17 | 612316 01 | SPACER TUBE | 4 | | | | |
| 18 | 190119 51 | WASHER | 4 | | | | |
| 19 | WSH-0065 | WASHER | 4 | | | | |
| 20 | HSS-0241 | SETSCREW | 4 | | | | |
| 21 | RUB-0330 | RUBBER FOOT | 1 | | | | |
| 22 | 615221 01 | LH SAFETY SHIELD | 1 | | | | |
| 23 | 615221 02 | RH SAFETY SHIELD | 1 | | | | |
| 24 | BLTA12350 | BOLT | 2 | | | | |
| 25 | BLT-4710 | COACHBOLT | 4 | | | | |
| 26 | WSH-0012 | WASHER | 4 | | | | |
| 27 | NUT-0263 | NUT | 4 | | | | |
| 28 | HSS-0238 | BOLT | 4 | | | | |

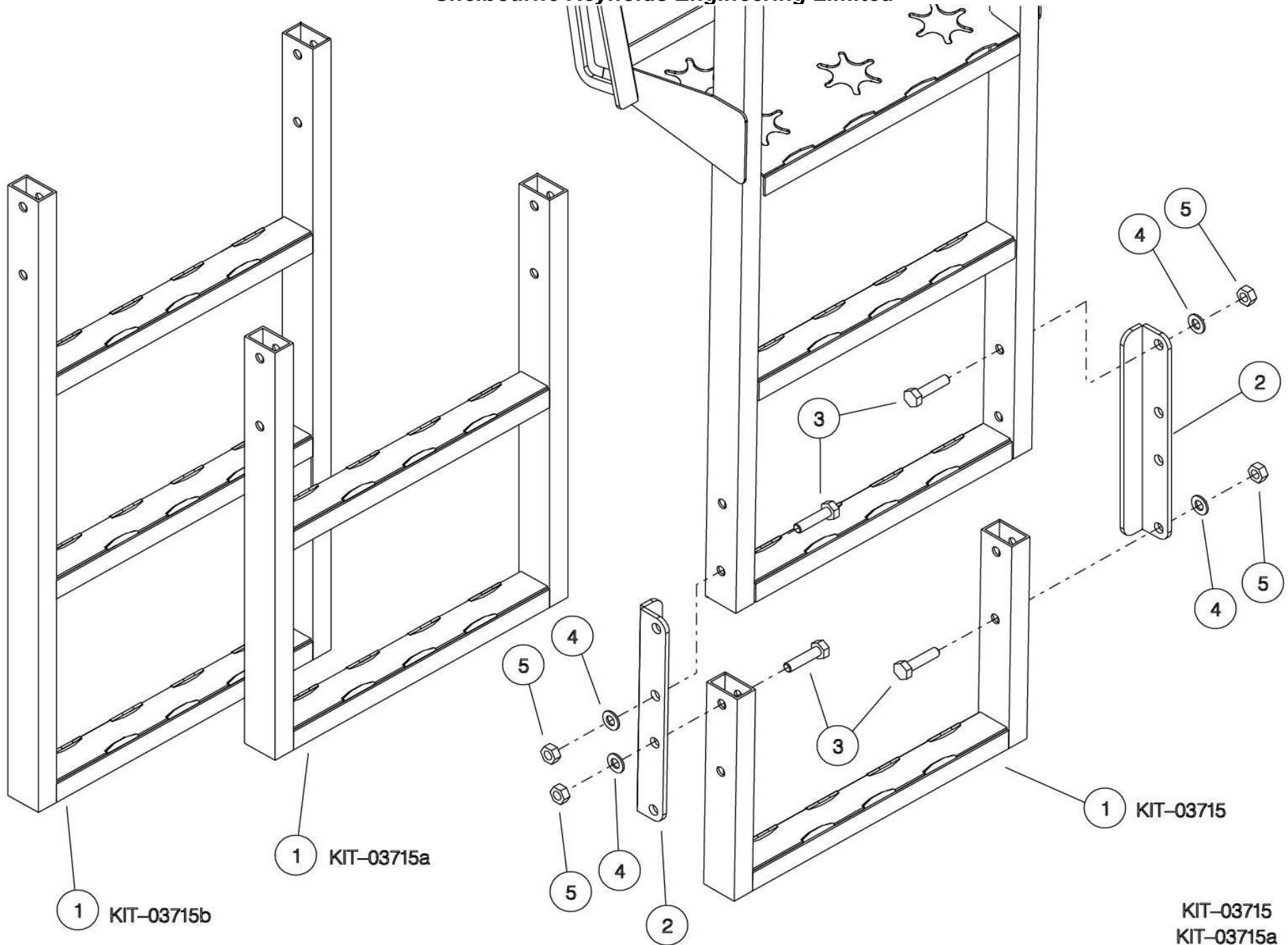


KIT-03714



Shelbourne Reynolds Engineering Limited

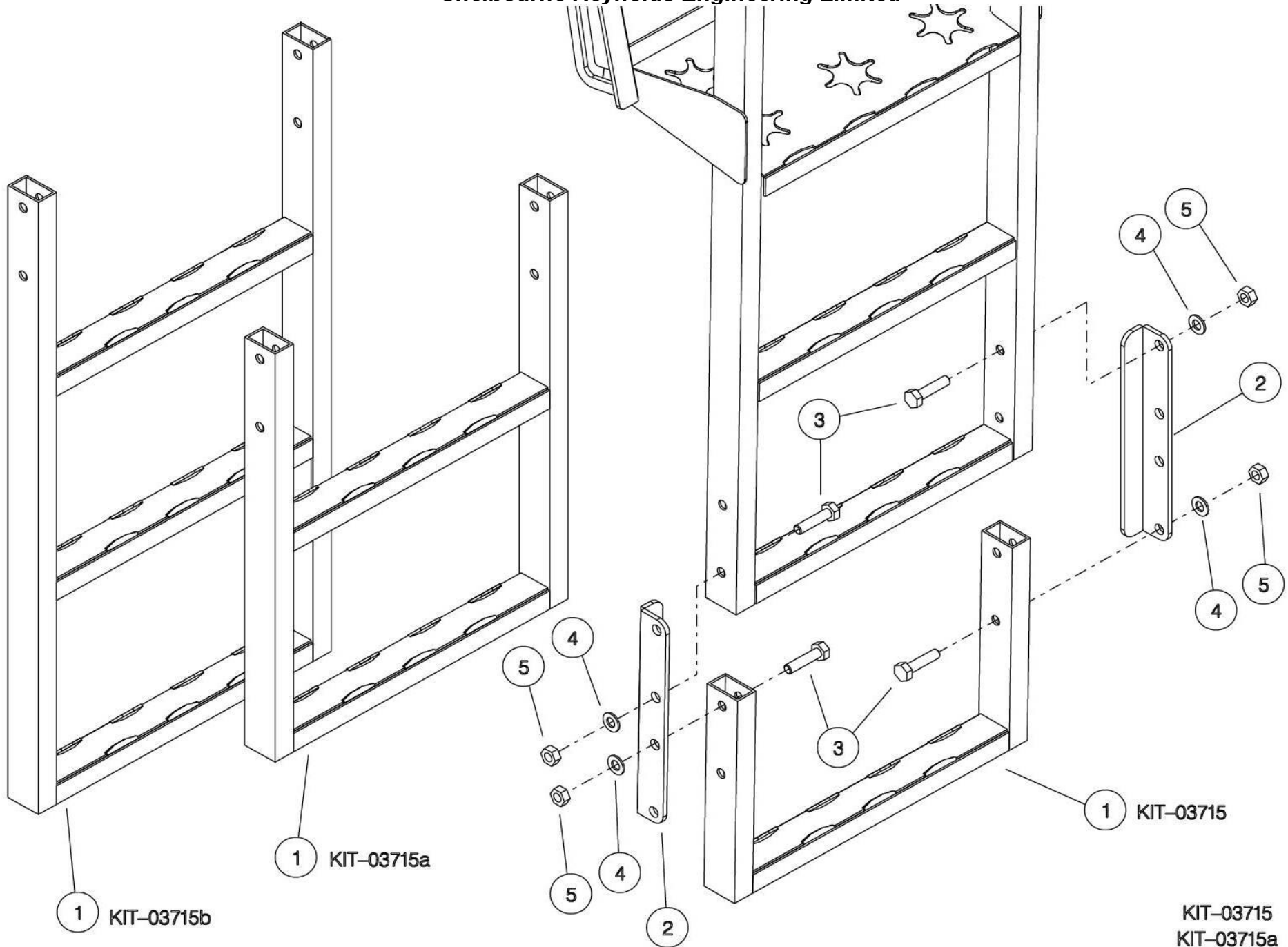
| ASSY NUMBER: KIT-03715 | | | | ASSY DESCRIPTION: LADDER EXTENSION KIT (11&19mCU) | | | |
|------------------------|-----------|--------------------------------|-----|---------------------------------------------------|---------|-------------|-----|
| ITEM | PART NO | DESCRIPTION | QTY | ITEM | PART NO | DESCRIPTION | QTY |
| 1 | 615130 01 | 11/19m CU LADDER EXTENSION W/A | 1 | | | | |
| 2 | 615055 01 | EXTENSION FIXING BRKT | 2 | | | | |
| 3 | HSS-0260 | SET SCREW | 8 | | | | |
| 4 | WSH-0018 | PLAIN WASHER | 8 | | | | |
| 5 | NUT-0269 | NYLOC NUT | 8 | | | | |



KIT-03715
KIT-03715a
KIT-03715b

Shelbourne Reynolds Engineering Limited

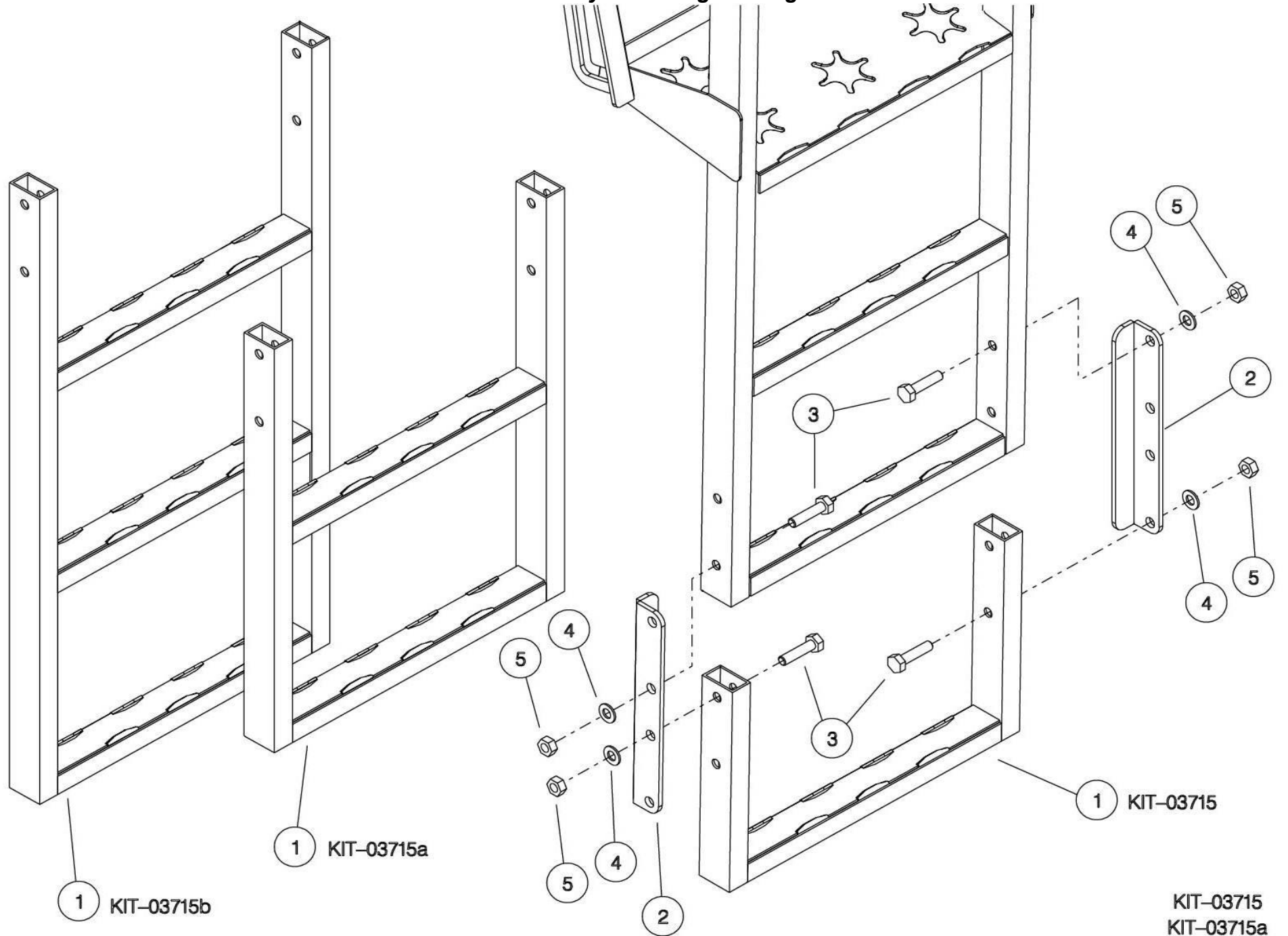
| ASSY NUMBER: KIT-03715A | | | | ASSY DESCRIPTION: LADDER EXTENSION KIT (13&22mCU) | | | |
|-------------------------|-----------|--------------------------------|-----|---------------------------------------------------|---------|-------------|-----|
| ITEM | PART NO | DESCRIPTION | QTY | ITEM | PART NO | DESCRIPTION | QTY |
| 1 | 615127 01 | 13/22m CU LADDER EXTENSION W/A | 1 | | | | |
| 2 | 615055 01 | EXTENSION FIXING BRKT | 2 | | | | |
| 3 | HSS-0260 | SET SCREW | 8 | | | | |
| 4 | WSH-0018 | PLAIN WASHER | 8 | | | | |
| 5 | NUT-0269 | NYLOC NUT | 8 | | | | |



KIT-03715
KIT-03715a
KIT-03715b

Shelbourne Reynolds Engineering Limited

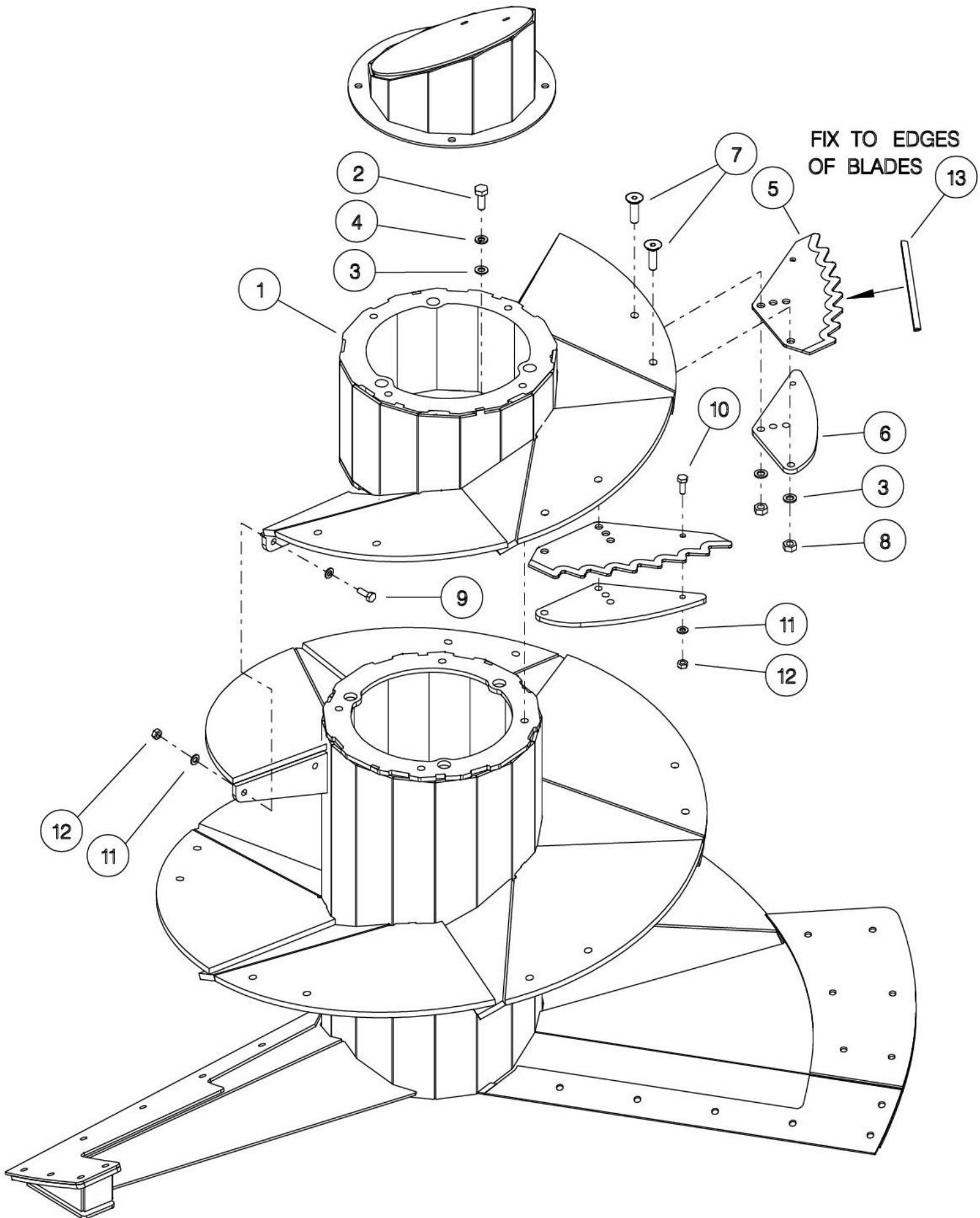
| ASSY NUMBER: KIT-03715B | | | | ASSY DESCRIPTION: LADDER EXTENSION KIT (15&25mCU) | | | |
|-------------------------|-----------|--------------------------------|-----|---------------------------------------------------|---------|-------------|-----|
| ITEM | PART NO | DESCRIPTION | QTY | ITEM | PART NO | DESCRIPTION | QTY |
| 1 | 615062 01 | 15/25m CU LADDER EXTENSION W/A | 1 | | | | |
| 2 | 615055 01 | EXTENSION FIXING BRKT | 2 | | | | |
| 3 | HSS-0260 | SET SCREW | 8 | | | | |
| 4 | WSH-0018 | PLAIN WASHER | 8 | | | | |
| 5 | NUT-0269 | NYLOC NUT | 8 | | | | |



KIT-03715
KIT-03715a
KIT-03715b

Shelbourne Reynolds Engineering Limited

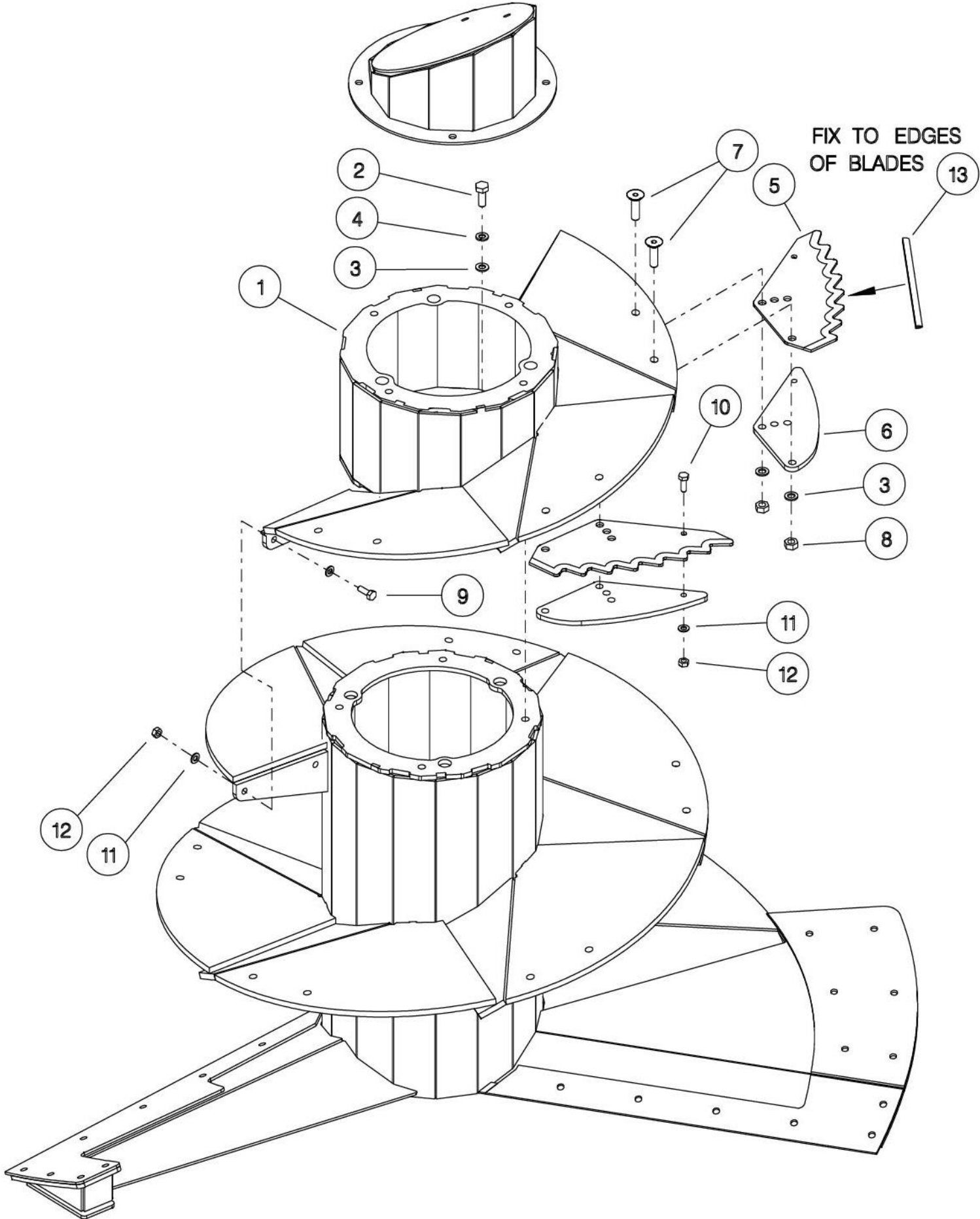
| ASSY NUMBER: KIT-03716 | | | | ASSY DESCRIPTION: AUGER EXTENSION KIT | | | |
|------------------------|-----------|------------------------|-----|---------------------------------------|---------|-------------|-----|
| ITEM | PART NO | DESCRIPTION | QTY | ITEM | PART NO | DESCRIPTION | QTY |
| 1 | 615107 01 | AUGER EXTENSION W/ASSY | 1 | | | | |
| 2 | HSS-0318 | SET SCREW | 4 | | | | |
| 3 | WSH-0024 | PLAIN WASHER | 10 | | | | |
| 4 | WSH-0070 | SPRING WASHER | 4 | | | | |
| 5 | 614812 02 | AUGER BLADE STANDARD | 3 | | | | |
| 6 | 614807 01 | BLADE BACK UP PLATE | 3 | | | | |
| 7 | SCEA16350 | CSK SOC HD SCREW | 6 | | | | |
| 8 | NUT-0271 | NYLOC NUT | 6 | | | | |
| 9 | HSS-0260 | SET SCREW | 2 | | | | |
| 10 | HSS-0241 | SET SCREW | 3 | | | | |
| 11 | WSH-0018 | PLAIN WASHER | 7 | | | | |
| 12 | NUT-0269 | NYLOC NUT | 5 | | | | |
| 13 | EDS-11400 | PVC EDGING STRIP | 1.5 | | | | |



KIT-03716
KIT-03716a

Shelbourne Reynolds Engineering Limited

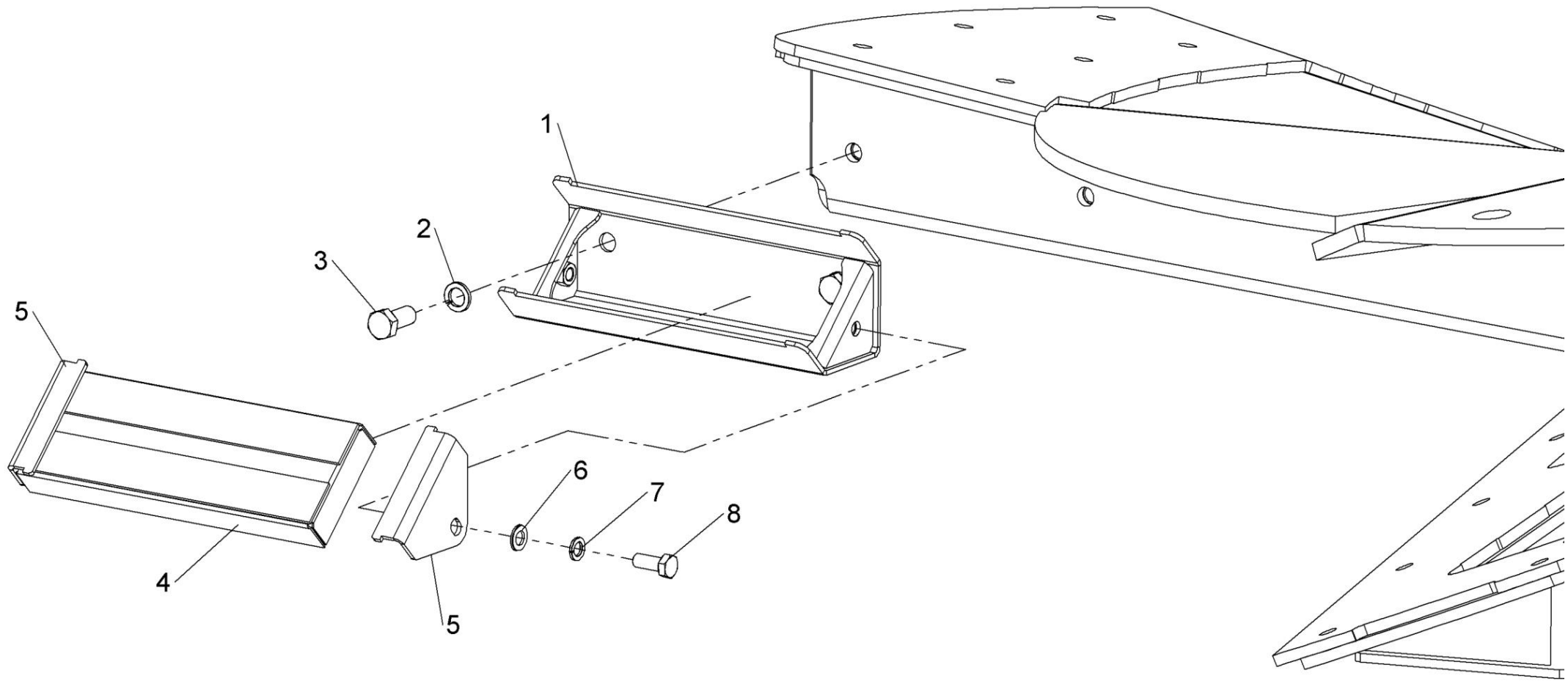
| ASSY NUMBER: KIT-03716a | | | | ASSY DESCRIPTION: AUGER EXTENSION KIT | | | |
|-------------------------|-----------|------------------------|-----|---------------------------------------|---------|-------------|-----|
| ITEM | PART NO | DESCRIPTION | QTY | ITEM | PART NO | DESCRIPTION | QTY |
| 1 | 615107 01 | AUGER EXTENSION W/ASSY | 1 | | | | |
| 2 | HSS-0318 | SET SCREW | 4 | | | | |
| 3 | WSH-0024 | PLAIN WASHER | 10 | | | | |
| 4 | WSH-0070 | SPRING WASHER | 4 | | | | |
| 5 | 614812 01 | AUGER BLADE TUNGSTEN | 3 | | | | |
| 6 | 614807 01 | BLADE BACK UP PLATE | 3 | | | | |
| 7 | SCEA16350 | CSK SOC HD SCREW | 6 | | | | |
| 8 | NUT-0271 | NYLOC NUT | 6 | | | | |
| 9 | HSS-0260 | SET SCREW | 2 | | | | |
| 10 | HSS-0241 | SET SCREW | 3 | | | | |
| 11 | WSH-0018 | PLAIN WASHER | 7 | | | | |
| 12 | NUT-0269 | NYLOC NUT | 5 | | | | |
| 13 | EDS-11400 | PVC EDGING STRIP | 1.5 | | | | |



KIT-03716
KIT-03716a

Shelbourne Reynolds Engineering Limited

| ASSY NUMBER: KIT-03719 | | | | ASSY DESCRIPTION: AUGER MAGNET KIT | | | |
|------------------------|-----------|---------------------|-----|------------------------------------|---------|-------------|-----|
| ITEM | PART NO | DESCRIPTION | QTY | ITEM | PART NO | DESCRIPTION | QTY |
| 1 | 615180 01 | MAGNET MTG BRKT W/A | 1 | | | | |
| 2 | WSH-0070 | WASHER | 2 | | | | |
| 3 | HSS-0315 | SET SCREW | 2 | | | | |
| 4 | MAG-0006 | AUGER MAGNET | 1 | | | | |
| 5 | 615184 01 | SIDE FIXING PLATE | 2 | | | | |
| 6 | WSH-0018 | WASHER | 2 | | | | |
| 7 | WSH-0065 | WASHER | 2 | | | | |
| 8 | HSS-0238 | SETSCREW | 2 | | | | |

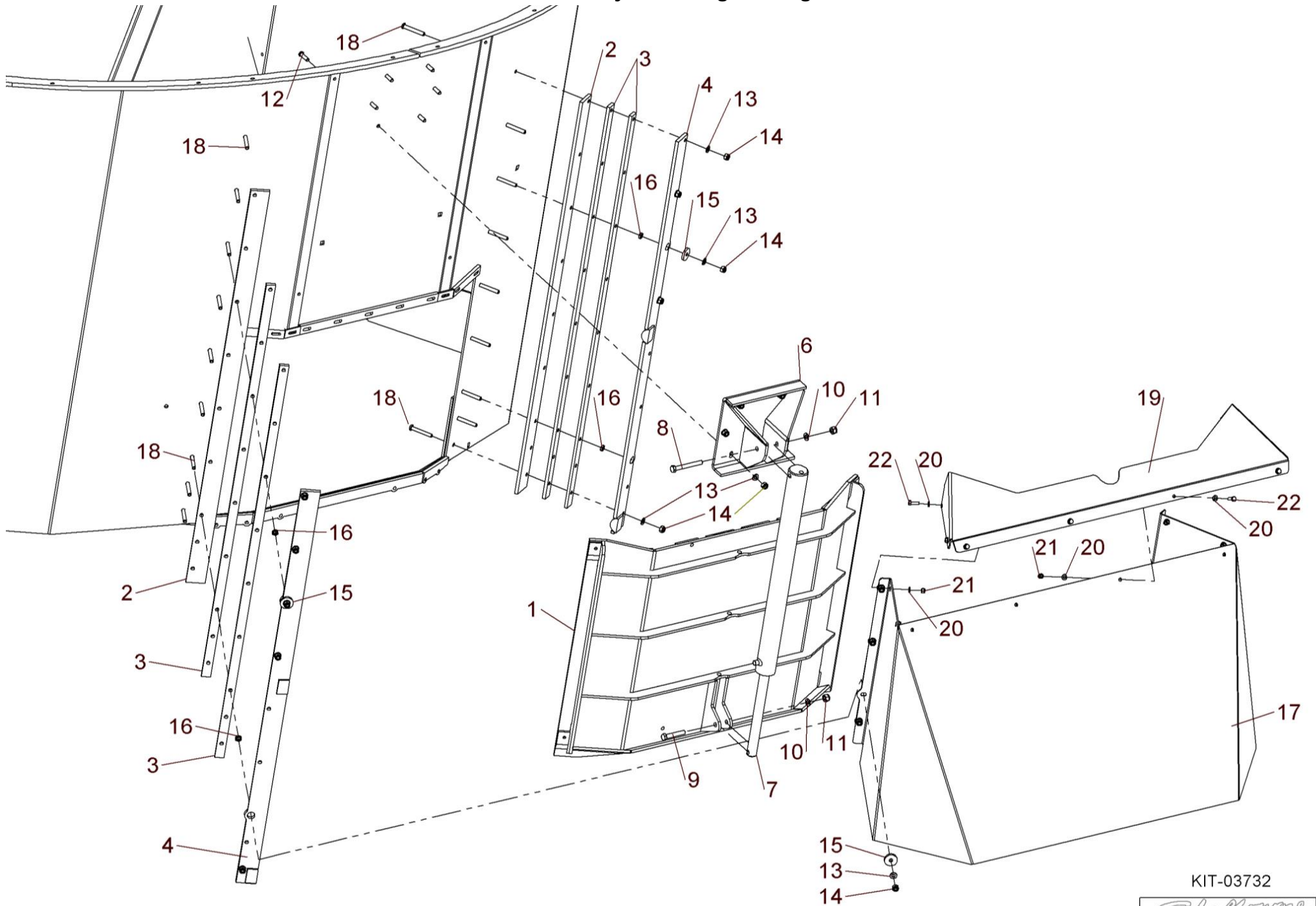


KIT-03719



Shelbourne Reynolds Engineering Limited

| ASSY NUMBER: KIT-03732 | | | | ASSY DESCRIPTION: REAR DOOR KIT | | | |
|------------------------|-----------|------------------------|-----|---------------------------------|---------|-------------|-----|
| ITEM | PART NO | DESCRIPTION | QTY | ITEM | PART NO | DESCRIPTION | QTY |
| 1 | 615246 01 | REAR DOOR WELD ASSY | 1 | | | | |
| 2 | 614523 02 | DOOR RUNNER | 2 | | | | |
| 3 | 613504 01 | SIDE RUNNER | 4 | | | | |
| 4 | 613501 01 | LH KEEP PLATE W/A | 1 | | | | |
| 5 | 613501 02 | RH KEEP PLATE W/A | 1 | | | | |
| 6 | 614524 01 | RAM BRACKET W/ASSY | 1 | | | | |
| 7 | 610908 01 | DOOR RAM (10050POP) | 1 | | | | |
| 8 | BLT-2270 | BOLT | 1 | | | | |
| 9 | BLTA12440 | BOLT | 1 | | | | |
| 10 | WSH-0018 | PLAIN WASHER | 2 | | | | |
| 11 | NUT-0269 | NYLOC NUT | 2 | | | | |
| 12 | SCW-0515 | SCKT BUTTON HEAD | 6 | | | | |
| 13 | WSH-0015 | PLAIN WASHER | 24 | | | | |
| 14 | NUT-0265 | NYLOC NUT | 24 | | | | |
| 15 | 190548 50 | WASHER | 4 | | | | |
| 16 | NUT-0365 | HALF NUT | 4 | | | | |
| 17 | 615250 01 | DOOR SAFETY COVER | 1 | | | | |
| 18 | SCBA10440 | BUTT SOC HD SCREW | 18 | | | | |
| 19 | 615714 01 | TOP COVER | 1 | | | | |
| 20 | WSH-0012 | PLAIN WASHER | 16 | | | | |
| 21 | NUT-0163 | NUT | 8 | | | | |
| 22 | HSS-0145 | SETSCREW | 8 | | | | |
| 23 | WSH-1005 | DOWTY WASHER | 2 | | | | |
| 24 | HMA-0052 | ADAPTER | 2 | | | | |
| 25 | HHBC96005 | HYD HOSE ASSY | 1 | | | | |
| 26 | 617035 01 | HYD HOSE ASSY | 1 | | | | |
| 27 | FIT-0025 | M/M ADAPTOR | 2 | | | | |
| 28 | HHAE13505 | HYD HOSE ASSY | 2 | | | | |
| 29 | HMA-0065 | M/M ADAPTER | 2 | | | | |
| 30 | WSH-1015 | DOWTY WASHER | 2 | | | | |
| 31 | COU-0162 | QUICK RELEASE COUPLING | 2 | | | | |
| 32 | HCPD01200 | PIPE CLAMP | 5 | | | | |
| 33 | SCW-0083 | CP HD SCREW | 5 | | | | |
| 34 | TIE-0004 | TIE WRAP | 12 | | | | |

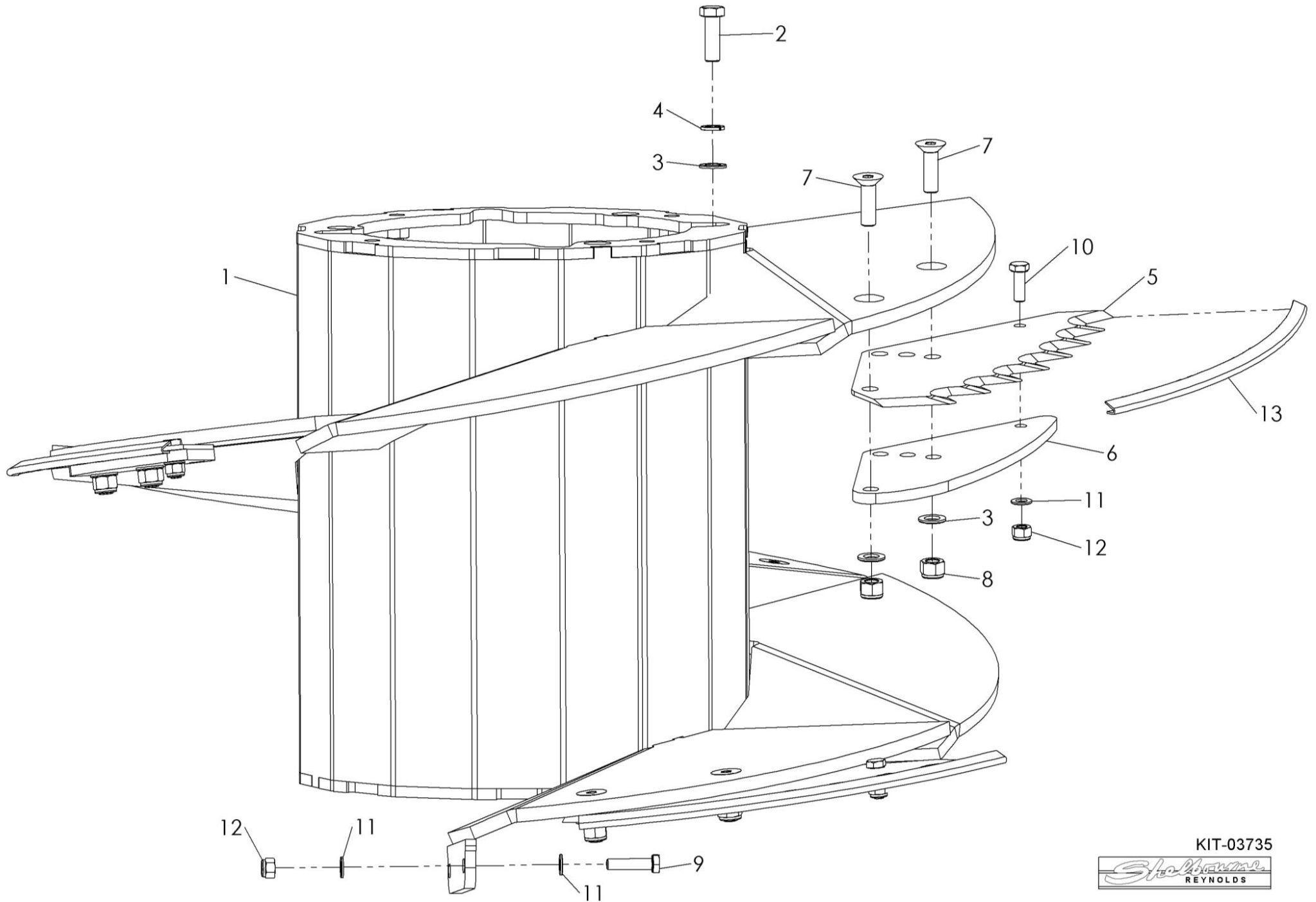


KIT-03732



Shelbourne Reynolds Engineering Limited

| ASSY NUMBER: KIT-03735 | | | | ASSY DESCRIPTION: 600mm AUGER EXTENSION KIT | | | |
|------------------------|-----------|------------------------|-----|---------------------------------------------|---------|-------------|-----|
| ITEM | PART NO | DESCRIPTION | QTY | ITEM | PART NO | DESCRIPTION | QTY |
| 1 | 615260 01 | 600mm AUGER EXT W/ASSY | 1 | | | | |
| 2 | HSS-0318 | SET SCREW | 4 | | | | |
| 3 | WSH-0024 | PLAIN WASHER FORM A | 12 | | | | |
| 4 | WSH-0070 | SPRING WASHER | 4 | | | | |
| 5 | 614812 02 | AUGER BLADE STANDARD | 4 | | | | |
| 6 | 614807 01 | BACK UP PLATE | 4 | | | | |
| 7 | SCEA16350 | CSK SOC HD SCREW | 8 | | | | |
| 8 | NUT-0271 | NUT | 8 | | | | |
| 9 | HSS-0260 | SETSCREW | 2 | | | | |
| 10 | HSS-0241 | SET SCREW | 4 | | | | |
| 11 | WSH-0018 | PLAIN WASHER | 8 | | | | |
| 12 | NUT-0269 | NUT | 6 | | | | |
| 13 | EDS-11400 | PVC EDGING STRIP | 2 | | | | |

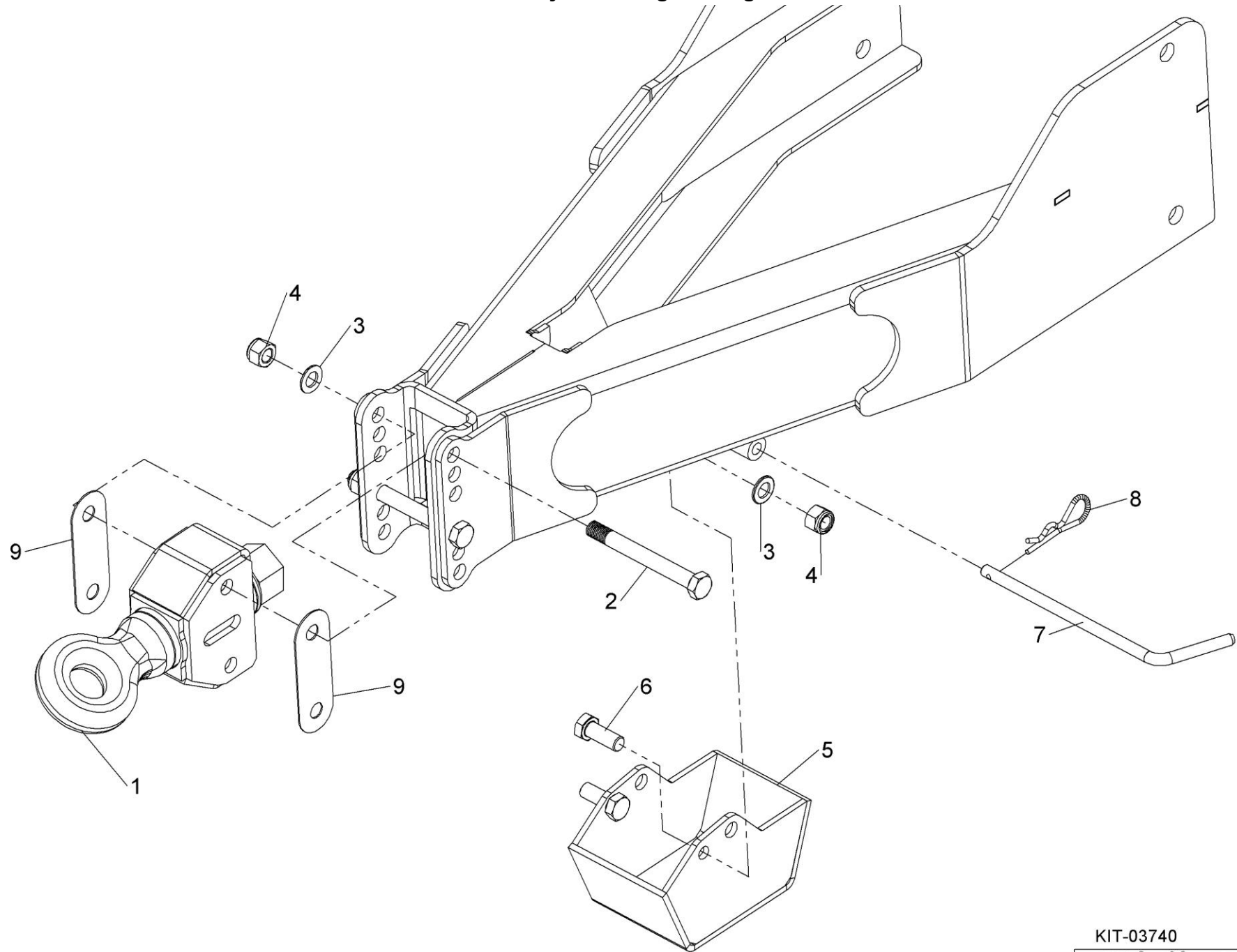


KIT-03735



Shelbourne Reynolds Engineering Limited

| ASSY NUMBER: KIT-03740 | | | | ASSY DESCRIPTION: SWIVEL TOW EYE KIT | | | |
|------------------------|-----------|--------------------|-----|--------------------------------------|---------|-------------|-----|
| ITEM | PART NO | DESCRIPTION | QTY | ITEM | PART NO | DESCRIPTION | QTY |
| 1 | 615227 01 | SWIVEL TOW EYE W/A | 1 | | | | |
| 2 | BLTA20770 | BOLT | 2 | | | | |
| 3 | WSH-0030 | WASHER | 4 | | | | |
| 4 | NUTA02200 | NUT | 4 | | | | |
| 5 | 613418 01 | FOOT WELD ASSY | 1 | | | | |
| 6 | HSS-0355 | SETSCREW | 2 | | | | |
| 7 | 613419 01 | SECURING PIN | 1 | | | | |
| 8 | CLP-00106 | R CLIP | 1 | | | | |
| 9 | 615298 01 | TOW EYE SHIM | 2 | | | | |

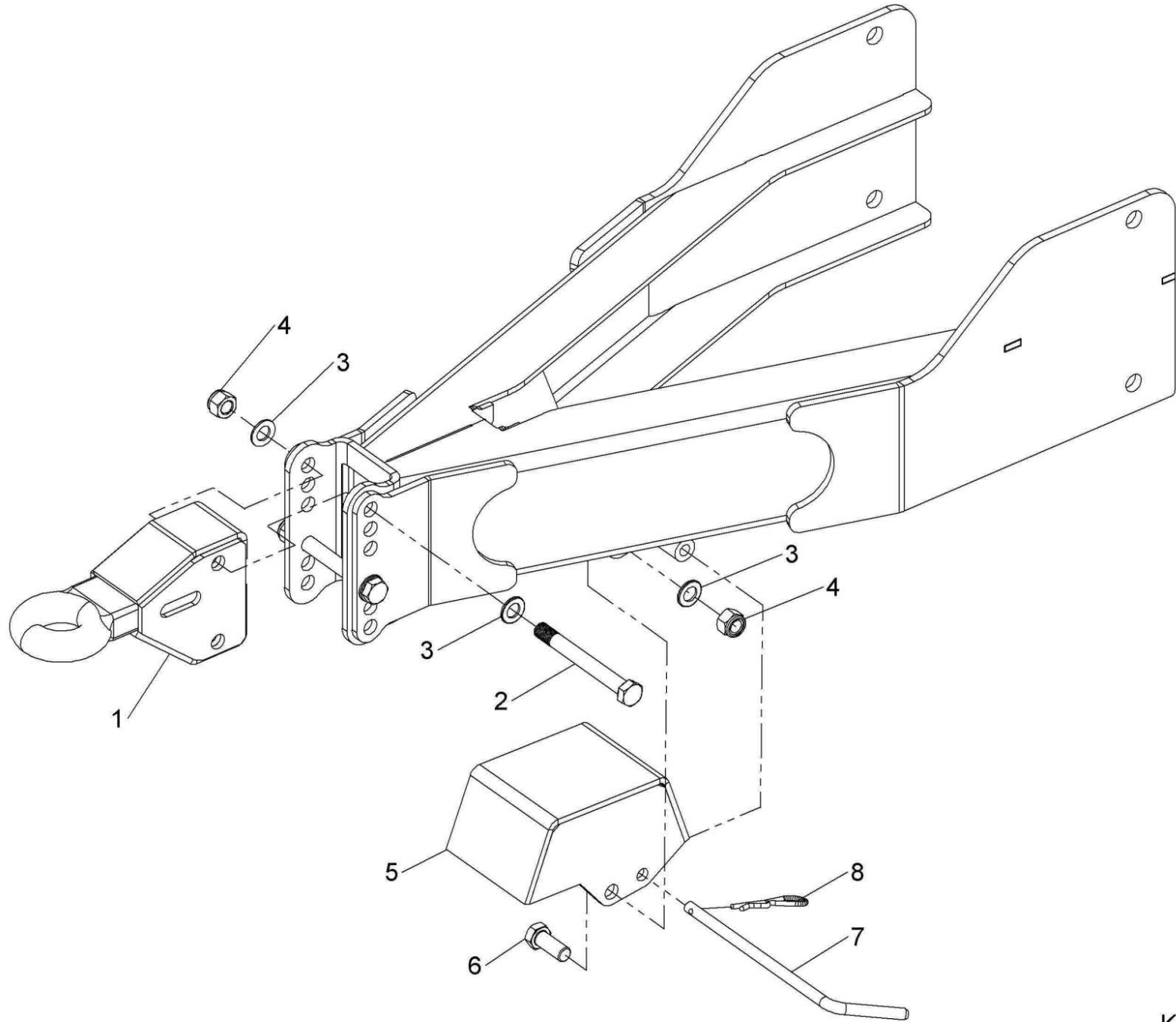


KIT-03740



Shelbourne Reynolds Engineering Limited

| ASSY NUMBER: KIT-03741 | | | | ASSY DESCRIPTION: HEAVY DUTY UK TOW EYE KIT | | | |
|------------------------|-----------|-----------------------|-----|---------------------------------------------|---------|-------------|-----|
| ITEM | PART NO | DESCRIPTION | QTY | ITEM | PART NO | DESCRIPTION | QTY |
| 1 | 615233 01 | HEAVY DUTY UK TOW EYE | 1 | | | | |
| 2 | BLTA20770 | HEXAGON HEAD BOLT | 2 | | | | |
| 3 | WSH-0030 | PLAIN WASHER | 4 | | | | |
| 4 | NUTA02200 | NYLOC NUT | 4 | | | | |
| 5 | 613418 01 | FOOT WELD ASSY | 1 | | | | |
| 6 | HSS-0355 | SETSCREW | 2 | | | | |
| 7 | 613419 01 | FOOT SECURING PIN | 1 | | | | |
| 8 | CLP-00106 | R CLIP | 1 | | | | |

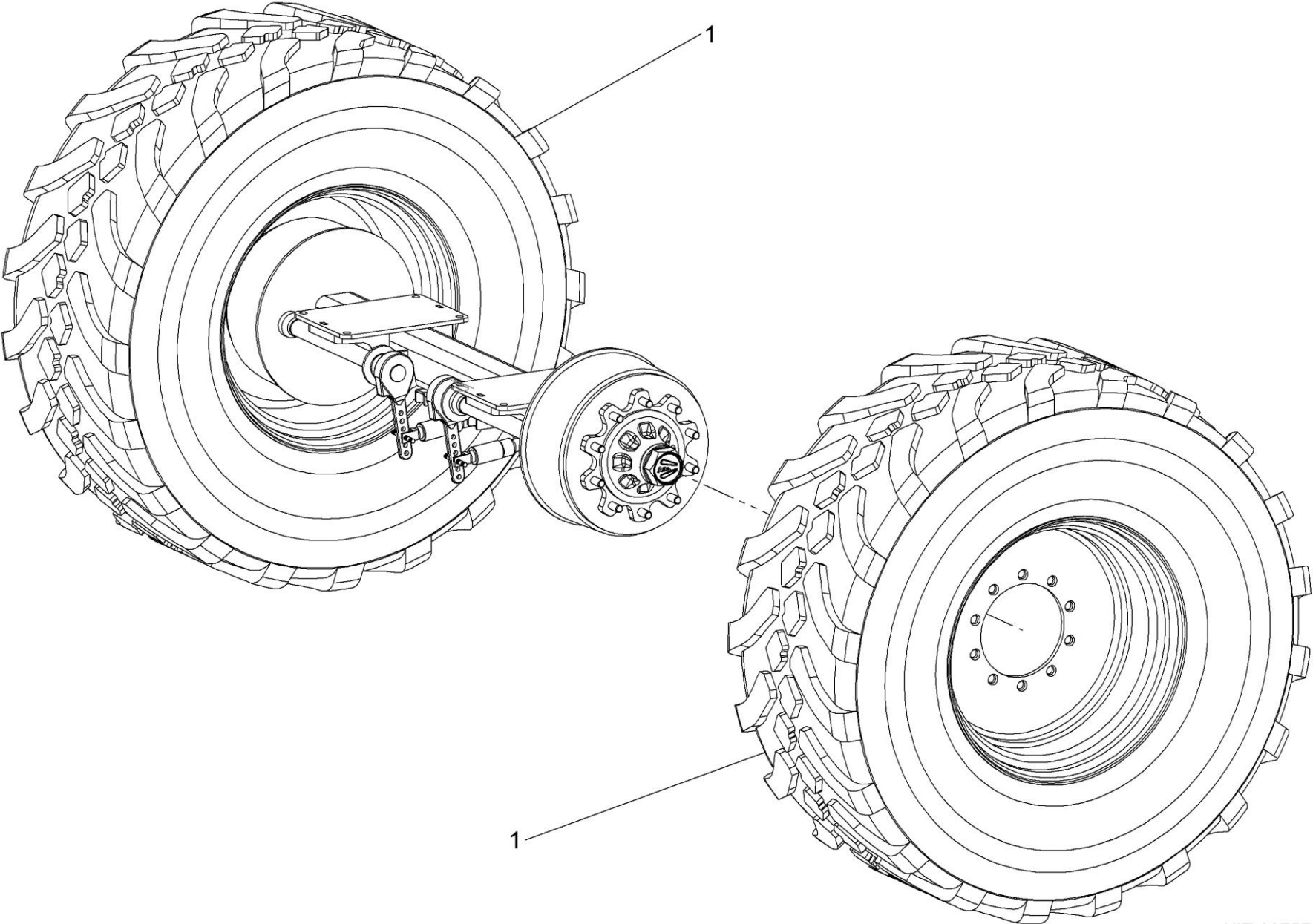


KIT-03741



Shelbourne Reynolds Engineering Limited

| ASSY NUMBER: KIT-03757A | | | | ASSY DESCRIPTION: WHEEL & TYRE KIT | | | |
|-------------------------|-----------|-------------------|-----|------------------------------------|---------|-------------|-----|
| ITEM | PART NO | DESCRIPTION | QTY | ITEM | PART NO | DESCRIPTION | QTY |
| 1 | WHL-02213 | WHEEL & TYRE ASSY | 4 | | | | |



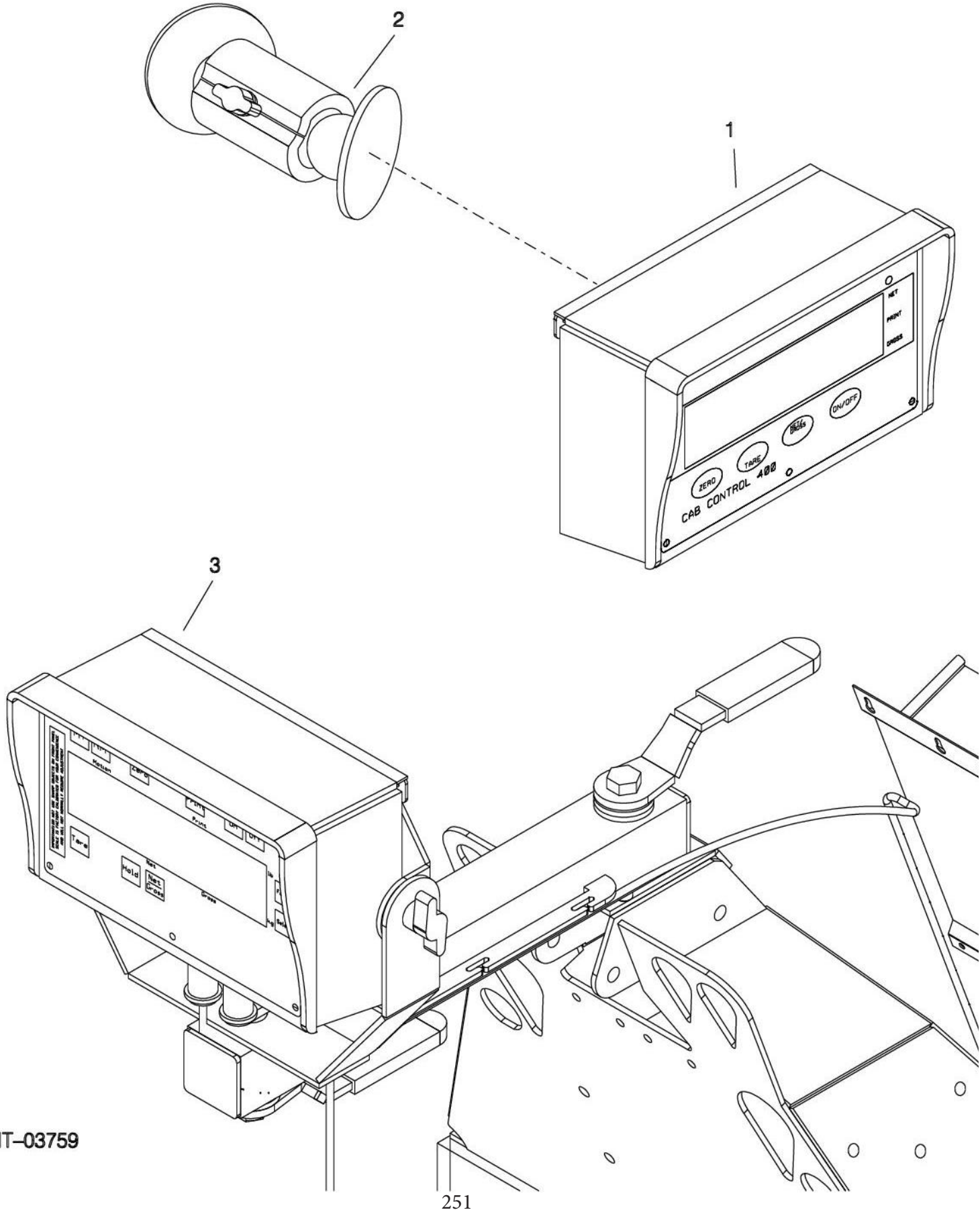
KIT-03757
KIT-03757a



Shelbourne Reynolds Engineering Limited

| ASSY NUMBER: KIT-03759 | | | | ASSY DESCRIPTION: EZ2400V BASIC DISPLAY KIT | | | |
|------------------------|------------|---------------------------|-----|---------------------------------------------|---------|-------------|-----|
| ITEM | PART NO | DESCRIPTION | QTY | ITEM | PART NO | DESCRIPTION | QTY |
| 1 | LCL-01228 | CAB CONTROL 400 INDICATOR | 1 | | | | |
| 2 | LCL-01249 | RAM MOUNT SUCTION CUP | 1 | | | | |
| 3 | LCL-01243b | EZ2400V BASIC DISPLAY | 1 | | | | |

Shelbourne Reynolds Engineering Limited



KIT-03759

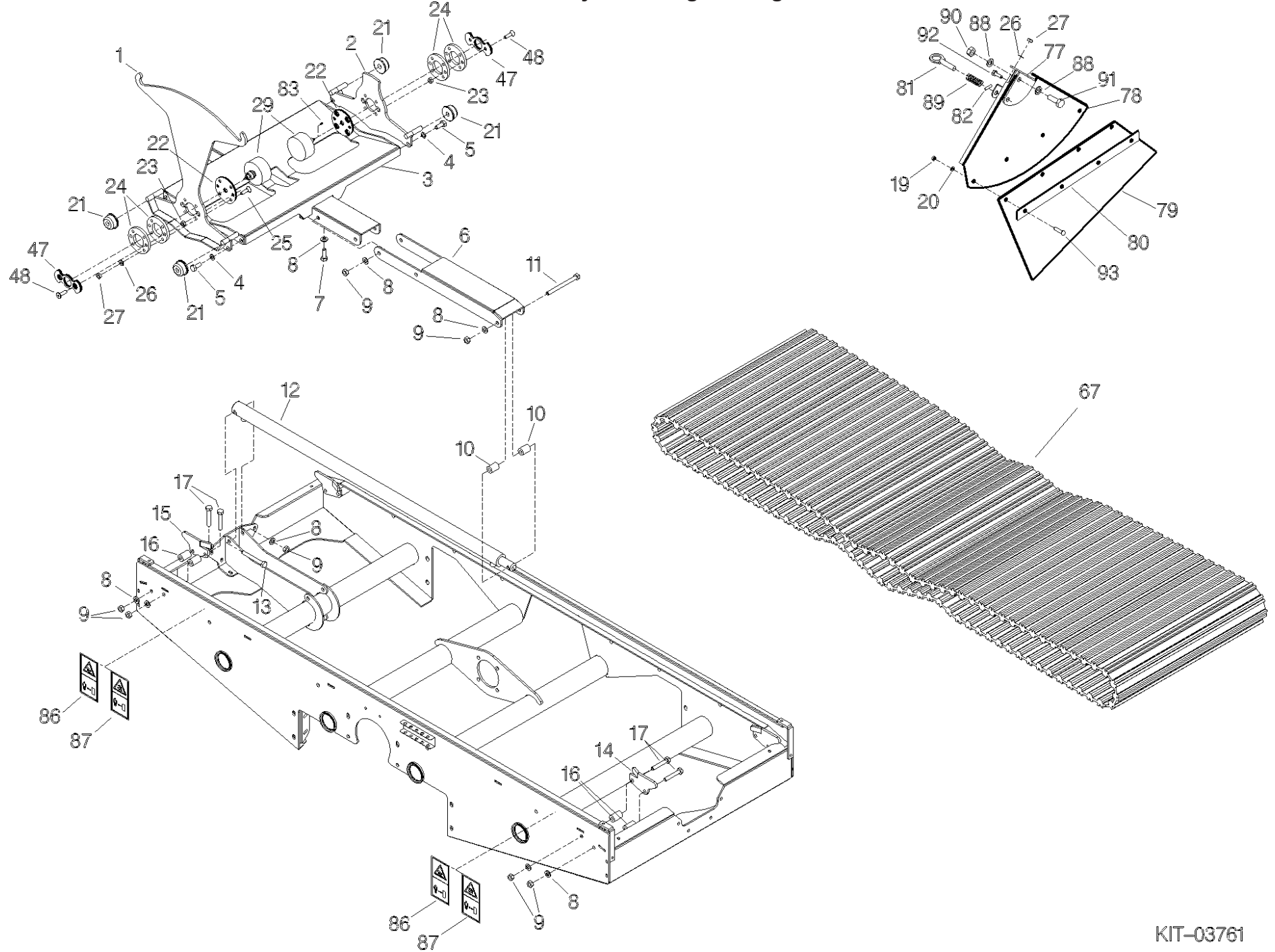
251

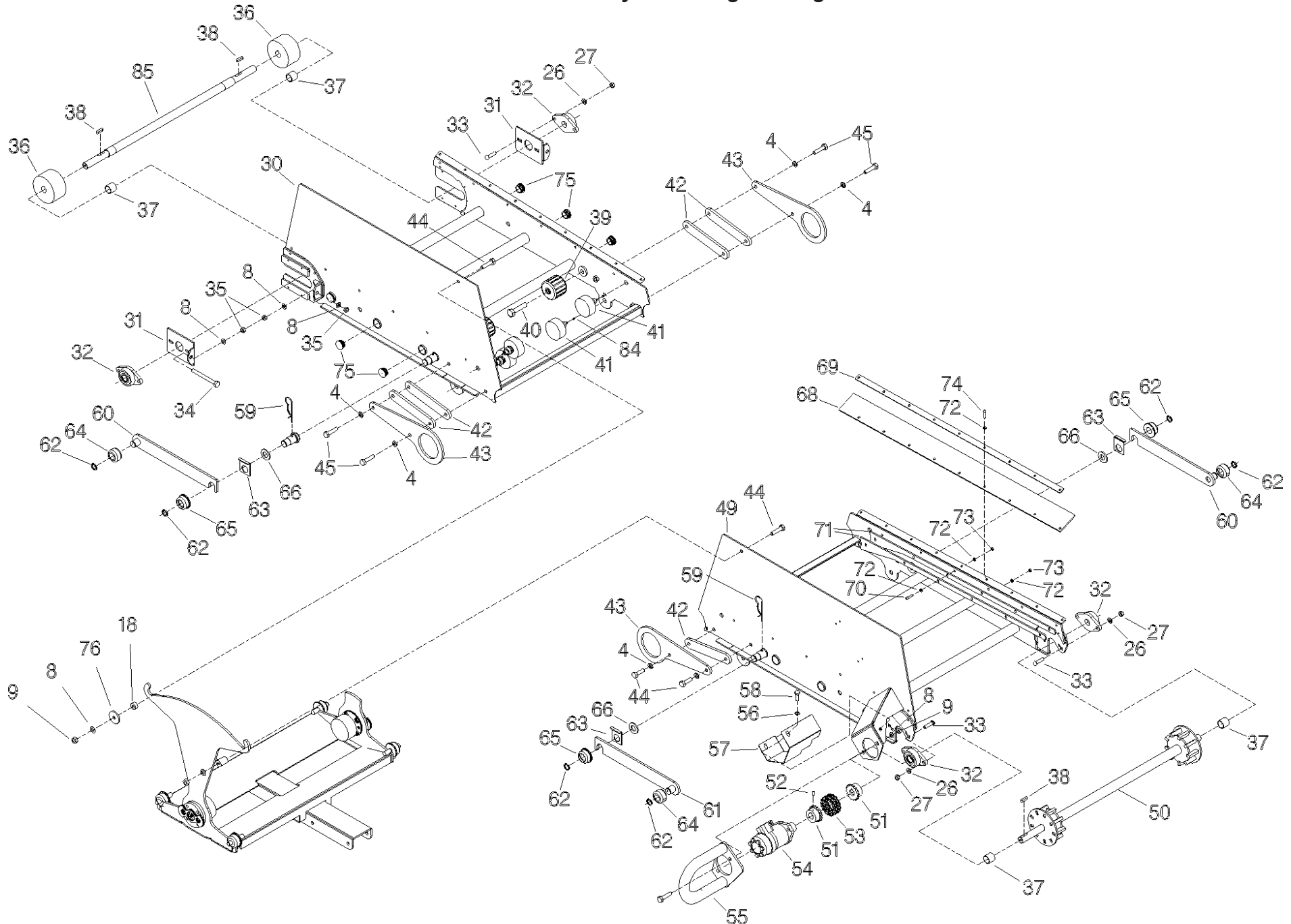
Shelbourne Reynolds Engineering Limited

| ASSY NUMBER: KIT-03761 | | | | ASSY DESCRIPTION: PVC WEB CONVEYOR KIT | | | |
|------------------------|------------|---------------------------|-----|----------------------------------------|-----------|-------------------------|-----|
| ITEM | PART NO | DESCRIPTION | QTY | ITEM | PART NO | DESCRIPTION | QTY |
| 1 | 614781 01 | FRONT CARRIAGE W/A | 1 | 42 | 614669 01 | SPACER PLATE | 6 |
| 2 | 614782 01 | REAR CARRIAGE W/A | 1 | 43 | 614667 01 | PIVOT PLATE | 4 |
| 3 | 614780 01 | CENTRE CARRIAGE W/A | 1 | 44 | HSS-0250 | SET SCREW | 6 |
| 4 | WSH-0065 | WASHER | 12 | 45 | HSS-0260 | SET SCREW | 6 |
| 5 | HSS-0238 | SETSCREW | 4 | 47 | 614672 01 | SECURING PLATE | 2 |
| 6 | 614756 01 | RAM BRACKET | 1 | 48 | SCW-1895 | CSK SOCKET HD SCW | 4 |
| 7 | HSS-0241 | SET SCREW | 4 | 49 | 614684 01 | LH CONVEYOR PAN W/A | 1 |
| 8 | WSH-0018 | WASHER | 24 | 50 | 615048 01 | DRIVE SHAFT W/A | 1 |
| 9 | NUT-0269 | NUT | 18 | 51 | 260030 03 | SPROCKET | 2 |
| 10 | 613919 03 | SPACER TUBE | 2 | 52 | SCW-4530 | GRUBSCREW | 4 |
| 11 | 20146128 | BOLT | 1 | 53 | CHN-01380 | CHAIN | 1 |
| 12 | 610447 01 | HYDRAULIC CYLINDER | 1 | 54 | MOTH08000 | HYDRAULIC MOTOR | 1 |
| 13 | BLT-2270 | HEX.HEAD BOLT | 1 | 54a | HMS-08001 | SEAL KIT (SPARES) | |
| 14 | 614784 01 | LIFT ARM STOP PLATE LH | 2 | 55 | 614304 01 | MOTOR GUARD W/ASSY | 1 |
| 15 | 614784 02 | LIFT ARM STOP PLATE RH | 2 | 56 | WSH-0061 | WASHER | 2 |
| 16 | 614280 01 | SPACER TUBE | 8 | 57 | 614310 01 | COUPLING GUARD | 1 |
| 17 | BLTA12470 | HEX.HEAD BOLT | 8 | 58 | HSS-0188 | SET SCREW | 2 |
| 18 | 613919 04 | SPACER TUBE | 2 | 59 | CLP-00105 | R CLIP | 4 |
| 19 | NUT-0263 | NUT | 4 | 60 | 614317 01 | LIFT ARM ASSY | 2 |
| 20 | WSH-0012 | WASHER | 4 | 61 | 614317 02 | LIFT ARM ASSY | 2 |
| 21 | 613702 01 | WHEEL | 4 | 62 | CIR-1125 | CIRCLIP EXT | 8 |
| 22 | 614671 01 | CSK PIVOT PLATE | 2 | 63 | 613335 01 | LATCH | 4 |
| 23 | NUT-0167 | NUT | 4 | 64 | 613333 03 | WHEEL | 4 |
| 24 | 614670 01 | PIVOT DISC | 4 | 65 | 614278 01 | WHEEL | 4 |
| 25 | SCEA10324 | CSK SOC HD SCREW | 8 | 66 | WSH-1547 | WASHER | 4 |
| 26 | WSH-0015 | WASHER | 18 | 67 | CON-00037 | CONVEYOR BELT (ENDLESS) | 1 |
| 27 | NUT-0265 | NUT | 18 | 68 | 614309 01 | RUBBER SEAL STRIP | 2 |
| 29 | CON-00026 | GUIDE ROLLER (DIA 90mm) | 2 | 69 | 614487 01 | CLAMP STRIP | 2 |
| 30 | 614682 01 | RH CONVEYOR PANEL W/A | 1 | 70 | SCBA06200 | BUTT SOC HD SCREW | 24 |
| 31 | 614658 01 | BEARING SLIDE PLATE | 2 | 71 | 614484 01 | SEAL PLATE | 8 |
| 32 | BRG-22560 | CAST FLANGE BEARING | 4 | 72 | WSH-0009 | WASHER | 84 |
| 33 | BLTF10231 | COACH BOLT | 8 | 73 | NUT-0260 | NUT | 42 |
| 34 | HSSA12650 | SETSCREW | 2 | 74 | SCW-4963 | BUTTON HD SCREW | 18 |
| 35 | NUT-0170 | NUT | 6 | 75 | PTF-00134 | PLASTIC CAP INSERT | 12 |
| 36 | CON-00020 | IDLE ROLLER | 2 | 76 | 190119 15 | WASHER | 2 |
| 37 | 614272 07 | SHAFT SPACER | 2 | 77 | 615331 01 | DEFLECTOR MTG BRKT W/A | 1 |
| 38 | K0807032 | KEY PARALLEL | 3 | 78 | 615334 01 | DEFLECTOR W/A | 1 |
| 39 | CON-00021 | SUPPORT ROLLER | 4 | 79 | 615341 01 | RUBBER DEFLECTOR | 1 |
| 40 | BLT-2314 | BOLT | 4 | 80 | 615342 01 | CLAMP STRIP | 1 |
| 41 | CON-00025a | SUPPORT ROLLER (DIA 75mm) | 8 | 81 | 615337 01 | LOCKING PIN W/A | 1 |

Shelbourne Reynolds Engineering Limited

| ASSY NUMBER: KIT-03761 | | | | ASSY DESCRIPTION: PVC WEB CONVEYOR KIT | | | |
|------------------------|-----------|-----------------------|-----|----------------------------------------|---------|-------------|------|
| ITEM | PART NO | DESCRIPTION | QTY | ITEM | PART NO | DESCRIPTION | QTY |
| 82 | PIN-1620 | ROLL PIN | 1 | | | | KIT- |
| 83 | NIP-00610 | GREASE NIPPLE | 2 | | | | |
| 84 | NIP-0001 | GREASE NIPPLE | 8 | | | | |
| 85 | 614688 01 | IDLE SHAFT | 1 | | | | |
| 86 | 260062 01 | TRANSFER-HAND ENTANGL | 2 | | | | |
| 87 | 260061 01 | TRANSFER-SAFE DISTANC | 2 | | | | |
| 88 | WSH-0024 | WASHER | 1 | | | | |
| 89 | SPGC22015 | COMPRESSION SPRING | 1 | | | | |
| 90 | NUT-0271 | NUT | 1 | | | | |
| 91 | HSS-0318 | SET SCREW | 1 | | | | |
| 92 | HSS-0194 | BOLT | 2 | | | | |
| 93 | BLT-2700 | BOLT | 4 | | | | |

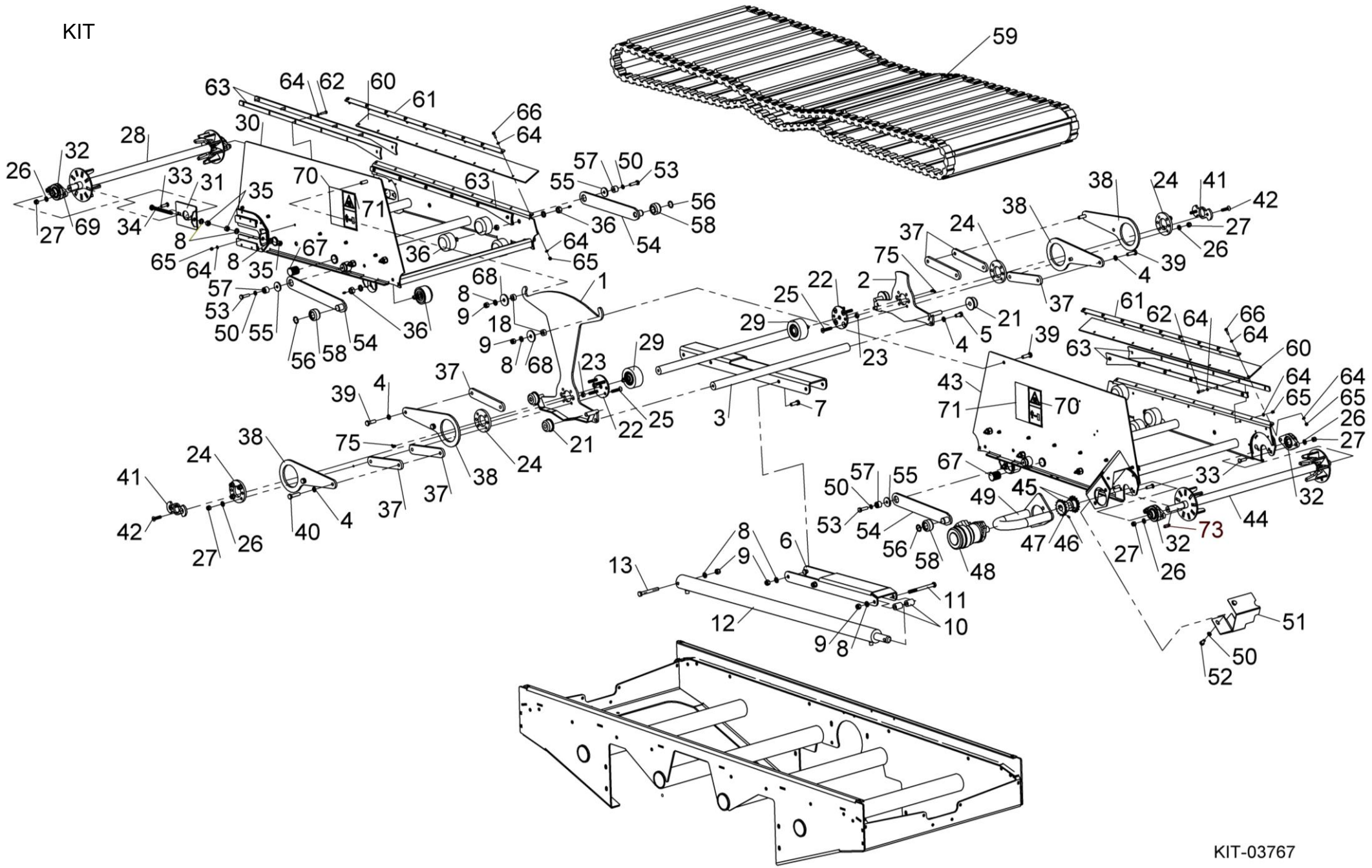




Shelbourne Reynolds Engineering Limited

| ASSY NUMBER: KIT-03767 | | | | ASSY DESCRIPTION: EXPRESS WEB CONVEYOR KIT | | | |
|------------------------|------------|-----------------------|-----|--------------------------------------------|-----------|--------------------------------|-----|
| ITEM | PART NO | DESCRIPTION | QTY | ITEM | PART NO | DESCRIPTION | QTY |
| 1 | 614781 01 | FRONT CARRIAGE W/A | 1 | 41 | 614672 01 | SECURING PLATE | 2 |
| 2 | 614782 01 | REAR CARRIAGE W/A | 1 | 42 | SCW-1895 | CSK SOCKET HD SCW | 4 |
| 3 | 615282 01 | CONVEYOR CARRIAGE W/A | 1 | 43 | 615348 01 | LH CONVEYOR PAN W/A | 1 |
| 4 | WSH-0065 | WASHER | 12 | 44 | 615048 01 | DRIVE SHAFT W/A | 1 |
| 5 | HSS-0235 | SET SCREW | 4 | 45 | 260030 03 | SPROCKET | 2 |
| 6 | 614756 01 | RAM BRACKET | 1 | 46 | SCW-4530 | GRUBSCREW | 4 |
| 7 | HSS-0241 | SET SCREW | 4 | 47 | CHN-01380 | CHAIN | 1 |
| 8 | WSH-0018 | WASHER | 16 | 48 | MOTH08000 | HYDRAULIC MOTOR | 1 |
| 9 | NUT-0269 | NUT | 10 | 48a | HMS-08001 | SEAL KIT | |
| 10 | 613919 03 | SPACER TUBE | 2 | 49 | 614304 01 | MOTOR GUARD W/ASSY | 1 |
| 11 | 20146128 | BOLT | 1 | 50 | WSH-0061 | WASHER | 6 |
| 12 | 610447 01 | HYDRAULIC CYLINDER | 1 | 51 | 614310 01 | COUPLING GUARD | 1 |
| 13 | BLT-2270 | BOLT | 1 | 52 | HSS-0188 | SET SCREW | 2 |
| 14 | | | | 53 | HSS-0202 | SET SCREW | 4 |
| 15 | | | | 54 | 615352 01 | LIFT ARM W/A | 4 |
| 16 | | | | 55 | 190548 01 | WASHER | 4 |
| 17 | | | | 56 | CIR-1125 | CIRCLIP EXT | 4 |
| 18 | 613919 04 | SPACER TUBE | 2 | 57 | 615353 01 | NYLON ROLLER | 4 |
| | | | | 58 | 614278 01 | WHEEL | 4 |
| | | | | 59 | CON-00037 | WEB CONVEYOR BELT (40mm DRIVE) | 1 |
| 21 | 613702 01 | WHEEL | 4 | | | | |
| 22 | 614671 01 | CSK PIVOT PLATE | 2 | 60 | 614309 01 | RUBBER SEAL STRIP | 2 |
| 23 | NUT-0167 | NUT | 4 | 61 | 614487 01 | CLAMP STRIP | 2 |
| 24 | 614670 01 | PIVOT DISC | 4 | 62 | SCBA06200 | BUTT SOC HD SCREW | 24 |
| 25 | SCEA10324 | CSK SOC HD SCREW | 8 | 63 | 614484 01 | SEAL PLATE | 8 |
| 26 | WSH-0015 | WASHER | 16 | 64 | WSH-0009 | WASHER | 84 |
| 27 | NUT-0265 | NUT | 16 | 65 | NUT-0260 | NUT | 42 |
| 28 | 615350 01 | IDLE SHAFT W/A | 1 | 66 | SCW-4963 | BUTTON HD SCREW | 18 |
| 29 | CON-00026 | GUIDE ROLLER | 2 | 67 | PTF-00134 | PLASTIC CAP INSERT | 8 |
| 30 | 615346 01 | RH CONVEYOR PANEL W/A | 1 | 68 | 190119 15 | WASHER | 2 |
| 31 | 614658 01 | BEARING SLIDE PLATE | 2 | 69 | NIP-0001 | GREASE NIPPLE | 4 |
| 32 | BRG-22560 | FLANGE BEARING | 4 | 70 | 260062 01 | TRANSFER-HAND ENTANGL | 2 |
| 33 | BLTF10231 | COACH BOLT | 8 | 71 | 260061 01 | TRANSFER-SAFE DISTANC | 2 |
| 34 | HSSA12650 | SETSCREW | 2 | | | | |
| 35 | NUT-0170 | NUT | 6 | 73 | K0807032 | KEY PARALLEL | 1 |
| 36 | CON-00025a | SUPPORT ROLLER | 12 | | | | |
| 37 | 614669 01 | SPACER PLATE | 6 | 75 | NIP-00610 | GREASE NIPPLE | 2 |
| 38 | 614667 01 | PIVOT PLATE | 4 | | | | |
| 39 | HSS-0250 | SET SCREW | 6 | | | | |
| 40 | HSS-0260 | SET SCREW | 6 | | | | |

KIT



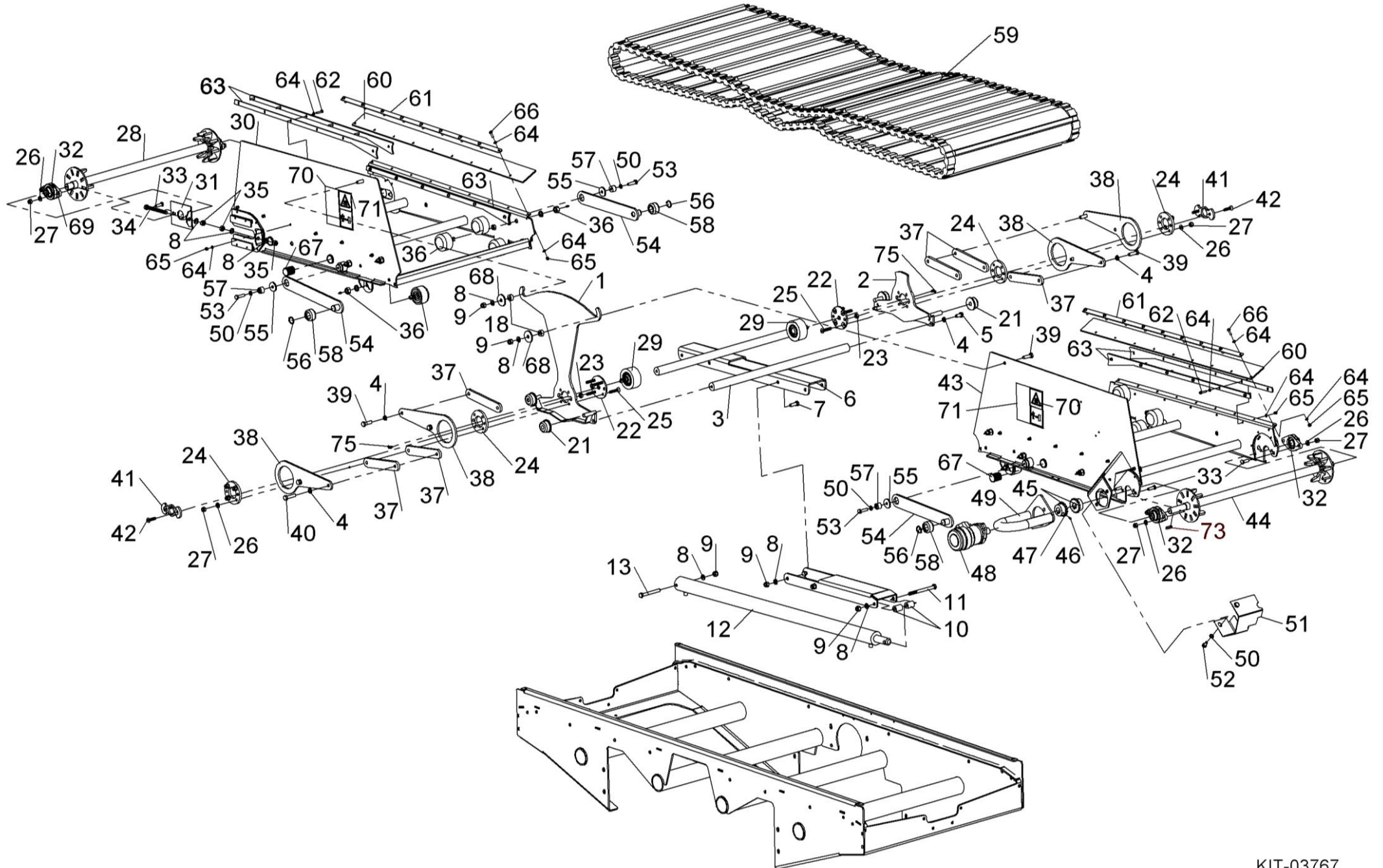
KIT-03767



Shelbourne Reynolds Engineering Limited

| ASSY NUMBER: KIT-03767A | | | | ASSY DESCRIPTION: EXPRESS WEB CONVEYOR KIT | | | |
|-------------------------|------------|-----------------------|-----|--------------------------------------------|-----------|------------------------------|-----|
| ITEM | PART NO | DESCRIPTION | QTY | ITEM | PART NO | DESCRIPTION | QTY |
| 1 | 614781 01 | FRONT CARRIAGE W/A | 1 | 41 | 614672 01 | SECURING PLATE | 2 |
| 2 | 614782 01 | REAR CARRIAGE W/A | 1 | 42 | SCW-1895 | CSK SOCKET HD SCW | 4 |
| 3 | 615282 01 | CONVEYOR CARRIAGE W/A | 1 | 43 | 615348 01 | LH CONVEYOR PAN W/A | 1 |
| 4 | WSH-0065 | WASHER | 12 | 44 | 615048 01 | DRIVE SHAFT W/A | 1 |
| 5 | HSS-0235 | SET SCREW | 4 | 45 | 260030 03 | SPROCKET | 2 |
| 6 | 614756 01 | RAM BRACKET | 1 | 46 | SCW-4530 | GRUBSCREW | 4 |
| 7 | HSS-0241 | SET SCREW | 4 | 47 | CHN-01380 | CHAIN | 1 |
| 8 | WSH-0018 | WASHER | 16 | 48 | MOTH08000 | HYDRAULIC MOTOR | 1 |
| 9 | NUT-0269 | NUT | 10 | 48a | HMS-08001 | SEAL KIT | |
| 10 | 613919 03 | SPACER TUBE | 2 | 49 | 614304 01 | MOTOR GUARD W/ASSY | 1 |
| 11 | 20146128 | BOLT | 1 | 50 | WSH-0061 | WASHER | 6 |
| 12 | 610447 01 | HYDRAULIC CYLINDER | 1 | 51 | 614310 01 | COUPLING GUARD | 1 |
| 13 | BLT-2270 | BOLT | 1 | 52 | HSS-0188 | SET SCREW | 2 |
| 14 | | | | 53 | HSS-0202 | SET SCREW | 4 |
| 15 | | | | 54 | 615352 01 | LIFT ARM W/A | 4 |
| 16 | | | | 55 | 190548 01 | WASHER | 4 |
| 17 | | | | 56 | CIR-1125 | CIRCLIP EXT | 4 |
| 18 | 613919 04 | SPACER TUBE | 2 | 57 | 615353 01 | NYLON ROLLER | 4 |
| | | | | 58 | 614278 01 | WHEEL | 4 |
| | | | | 59 | CON-00039 | WEB BELT (ENDLESS 50mm TRAC) | 1 |
| 21 | 613702 01 | WHEEL | 4 | 60 | 614309 01 | RUBBER SEAL STRIP | 2 |
| 22 | 614671 01 | CSK PIVOT PLATE | 2 | 61 | 614487 01 | CLAMP STRIP | 2 |
| 23 | NUT-0167 | NUT | 4 | 62 | SCBA06200 | BUTT SOC HD SCREW | 24 |
| 24 | 614670 01 | PIVOT DISC | 4 | 63 | 614484 01 | SEAL PLATE | 8 |
| 25 | SCEA10324 | CSK SOC HD SCREW | 8 | 64 | WSH-0009 | WASHER | 84 |
| 26 | WSH-0015 | WASHER | 16 | 65 | NUT-0260 | NUT | 42 |
| 27 | NUT-0265 | NUT | 16 | 66 | SCW-4963 | BUTTON HD SCREW | 18 |
| 28 | 615350 01 | IDLE SHAFT W/A | 1 | 67 | PTF-00134 | PLASTIC CAP INSERT | 8 |
| 29 | CON-00026 | GUIDE ROLLER | 2 | 68 | 190119 15 | WASHER | 2 |
| 30 | 615346 01 | RH CONVEYOR PANEL W/A | 1 | 69 | NIP-0001 | GREASE NIPPLE | 4 |
| 31 | 614658 01 | BEARING SLIDE PLATE | 2 | 70 | 260062 01 | TRANSFER-HAND ENTANGL | 2 |
| 32 | BRG-22560 | FLANGE BEARING | 4 | 71 | 260061 01 | TRANSFER-SAFE DISTANC | 2 |
| 33 | BLTF10231 | COACH BOLT | 8 | | | | |
| 34 | HSSA12650 | SETSCREW | 2 | 73 | K0807032 | KEY PARALLEL | 1 |
| 35 | NUT-0170 | NUT | 6 | | | | |
| 36 | CON-00025a | SUPPORT ROLLER | 12 | 75 | NIP-00610 | GREASE NIPPLE | 2 |
| 37 | 614669 01 | SPACER PLATE | 6 | | | | |
| 38 | 614667 01 | PIVOT PLATE | 4 | | | | |
| 39 | HSS-0250 | SET SCREW | 6 | | | | |
| 40 | HSS-0260 | SET SCREW | 6 | | | | |

Shelbourne Reynolds Engineering Limited



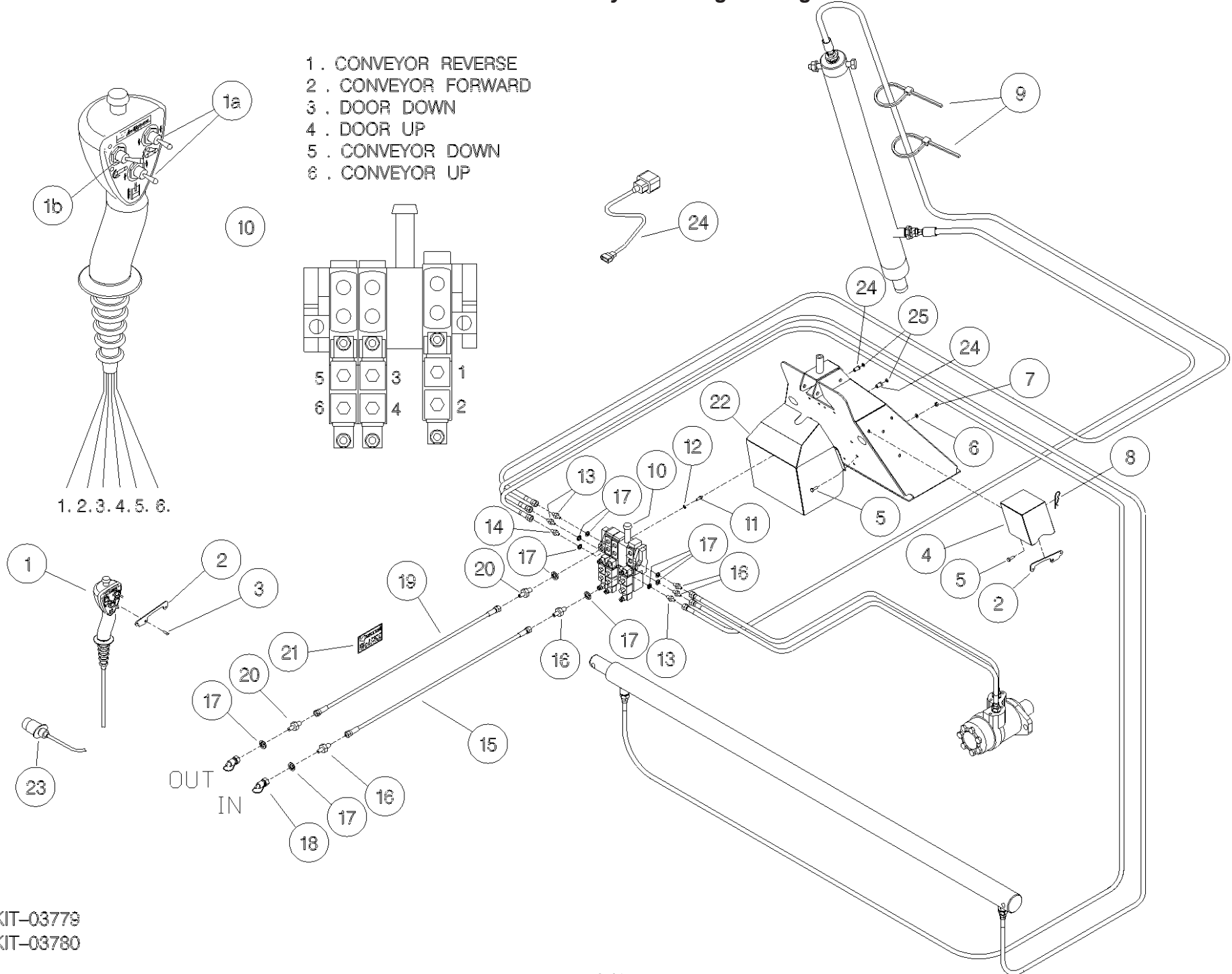
KIT-03767



Shelbourne Reynolds Engineering Limited

| ASSY NUMBER: KIT-03779 | | | | ASSY DESCRIPTION: ELECTRIC SOLENOID CONVEYOR HYDRAULICS | | | |
|------------------------|-----------|---------------------------|-----|---------------------------------------------------------|---------|-------------|-----|
| ITEM | PART NO | DESCRIPTION | QTY | ITEM | PART NO | DESCRIPTION | QTY |
| 1 | 615392 01 | HAND CONTROLLER | 1 | | | | |
| 1a | SWT-00310 | 3 POSITION SPRING CTR SWT | 2 | | | | |
| 1b | SWT-00510 | ON/OFF/ON POSITION SWITCH | 1 | | | | |
| 2 | 615422 01 | CONTROLLER HANGER BRACKET | 1 | | | | |
| 3 | SCHS07176 | SELF TAPPING SCREW | 2 | | | | |
| 4 | 615421 01 | JOYSTICK COVER | 1 | | | | |
| 5 | HSS-0086 | SET SCREW | 6 | | | | |
| 6 | WSH-0009 | PLAIN WASHER | 6 | | | | |
| 7 | NUT-0260 | NYLOC NUT | 2 | | | | |
| 8 | CLP-00103 | R CLIP | 2 | | | | |
| 9 | TIE-0002 | TIE WRAPS | 4 | | | | |
| 10 | HVB-19020 | HYDRAULIC VALVE BLOCK | 1 | | | | |
| 11 | HSS-0135 | SETSCREW | 4 | | | | |
| 12 | WSH-0058 | SPRING WASHER | 4 | | | | |
| 13 | HMA-0055 | ADAPTOR M/M | 3 | | | | |
| 14 | HAMAA0307 | RESTRICTOR | 1 | | | | |
| 15 | HHBE22005 | HYDRAULIC HOSE ASSY | 1 | | | | |
| 16 | HMA-0065 | ADAPTOR M/M | 4 | | | | |
| 17 | WSH-1015 | DOWTY WASHER | 10 | | | | |
| 18 | COU-0162 | QUICK RELEASE COUPLING | 2 | | | | |
| 19 | HHBF22005 | HYDRAULIC HOSE ASSY | 1 | | | | |
| 20 | HMA-0067 | ADAPTOR M/M | 2 | | | | |
| 21 | 612230 01 | EMBLEM | 1 | | | | |
| 22 | 614133 01 | VALVE COVER | 1 | | | | |
| 23 | PLG-0005a | 7 PIN PLUG | 1 | | | | |
| 24 | NUTA13060 | NUTSERT | 4 | | | | |
| 25 | WSH-0056 | WASHER | 4 | | | | |

- 1 . CONVEYOR REVERSE
- 2 . CONVEYOR FORWARD
- 3 . DOOR DOWN
- 4 . DOOR UP
- 5 . CONVEYOR DOWN
- 6 . CONVEYOR UP

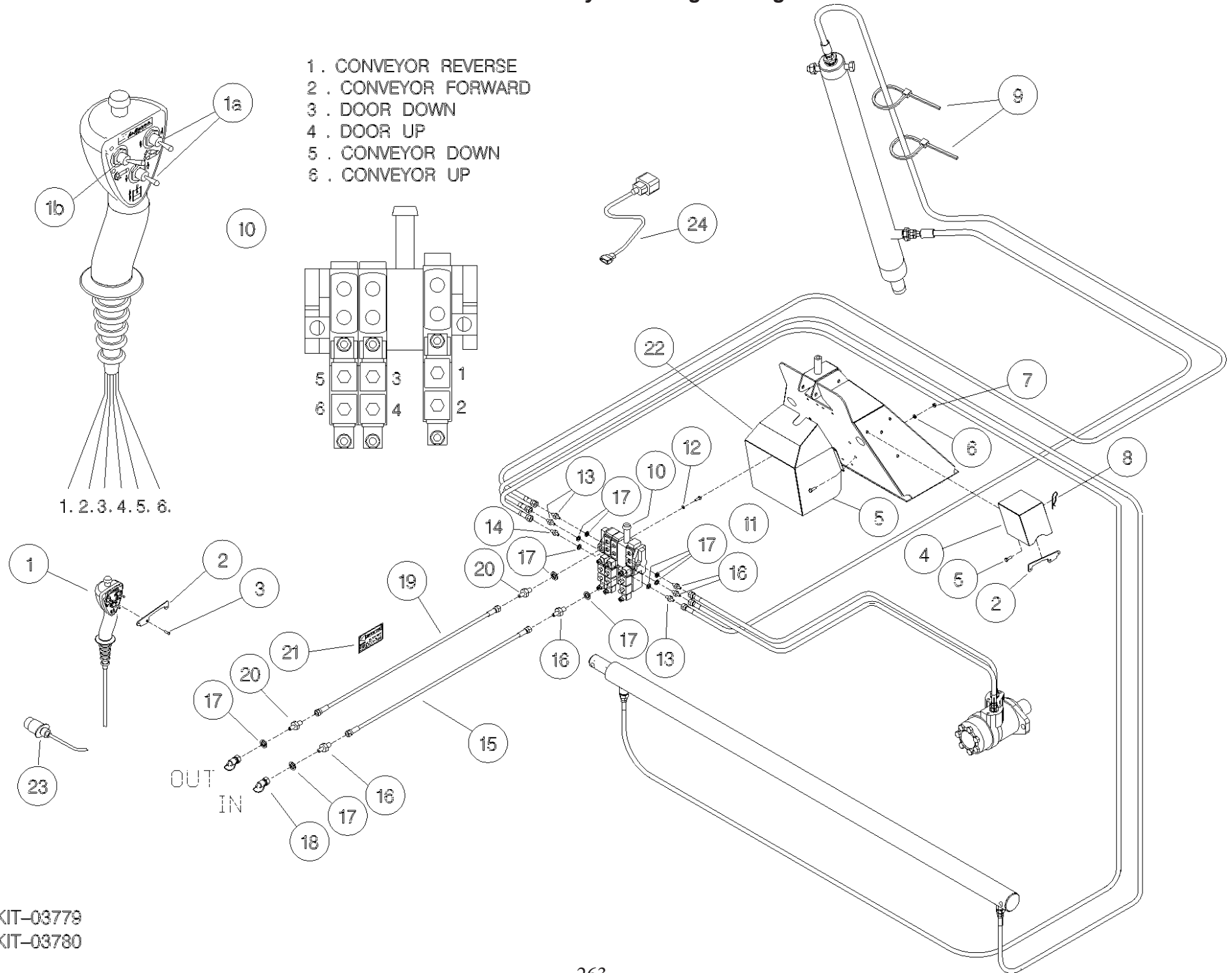


KIT-03779
KIT-03780

Shelbourne Reynolds Engineering Limited

| ASSY NUMBER: KIT-03780 | | | | ASSY DESCRIPTION: ELECTRIC SOLENOID CONVEYOR HYDRAULICS | | | |
|------------------------|-----------|--------------------------------|-----|---------------------------------------------------------|---------|-------------|-----|
| ITEM | PART NO | DESCRIPTION | QTY | ITEM | PART NO | DESCRIPTION | QTY |
| 1 | 615393 01 | HAND CONTROLLER | 1 | | | | |
| 1a | SWT-00310 | 3 POSITION SPRING CTR SWT | 2 | | | | |
| 1b | SWT-00510 | ON/OFF/ON POSITION SWITCH | 1 | | | | |
| 2 | 615422 01 | JOYSTICK HANGER BRACKET | 1 | | | | |
| 3 | SCHS07176 | SELF TAPPING SCREW | 2 | | | | |
| 4 | 615421 01 | JOYSTICK COVER | 1 | | | | |
| 5 | HSS-0086 | SET SCREW | 6 | | | | |
| 6 | WSH-0009 | PLAIN WASHER | 6 | | | | |
| 7 | NUT-0260 | NYLOC NUT | 6 | | | | |
| 8 | CLP-00103 | R CLIP | 2 | | | | |
| 9 | TIE-0002 | TIE WRAPS | 4 | | | | |
| 10 | HVB-19110 | ELEC. MULTI SPOOL VALVE (ELEC. | 1 | | | | |
| 11 | HSS-0135 | SETSCREW | 4 | | | | |
| 12 | WSH-0058 | SPRING WASHER | 4 | | | | |
| 13 | HMA-0055 | ADAPTOR M/M | 3 | | | | |
| 14 | HAMAA0307 | RESTRICTOR | 1 | | | | |
| 15 | HHBE22005 | HYDRAULIC HOSE ASSY | 1 | | | | |
| 16 | HMA-0065 | ADAPTOR M/M | 4 | | | | |
| 17 | WSH-1015 | DOWTY WASHER | 10 | | | | |
| 18 | COU-0162 | QUICK RELEASE COUPLING | 2 | | | | |
| 19 | HHBF22005 | HYDRAULIC HOSE ASSY | 1 | | | | |
| 20 | HMA-0067 | ADAPTOR M/M | 2 | | | | |
| 21 | 612230 01 | EMBLEM | 1 | | | | |
| 22 | 615471 01 | HVB-19110 VALVE COVER | 1 | | | | |
| 23 | PLG-0005a | 7 PIN PLUG | 1 | | | | |
| 24 | 615420 01 | XPRO & PLUG ASSY | 1 | | | | |

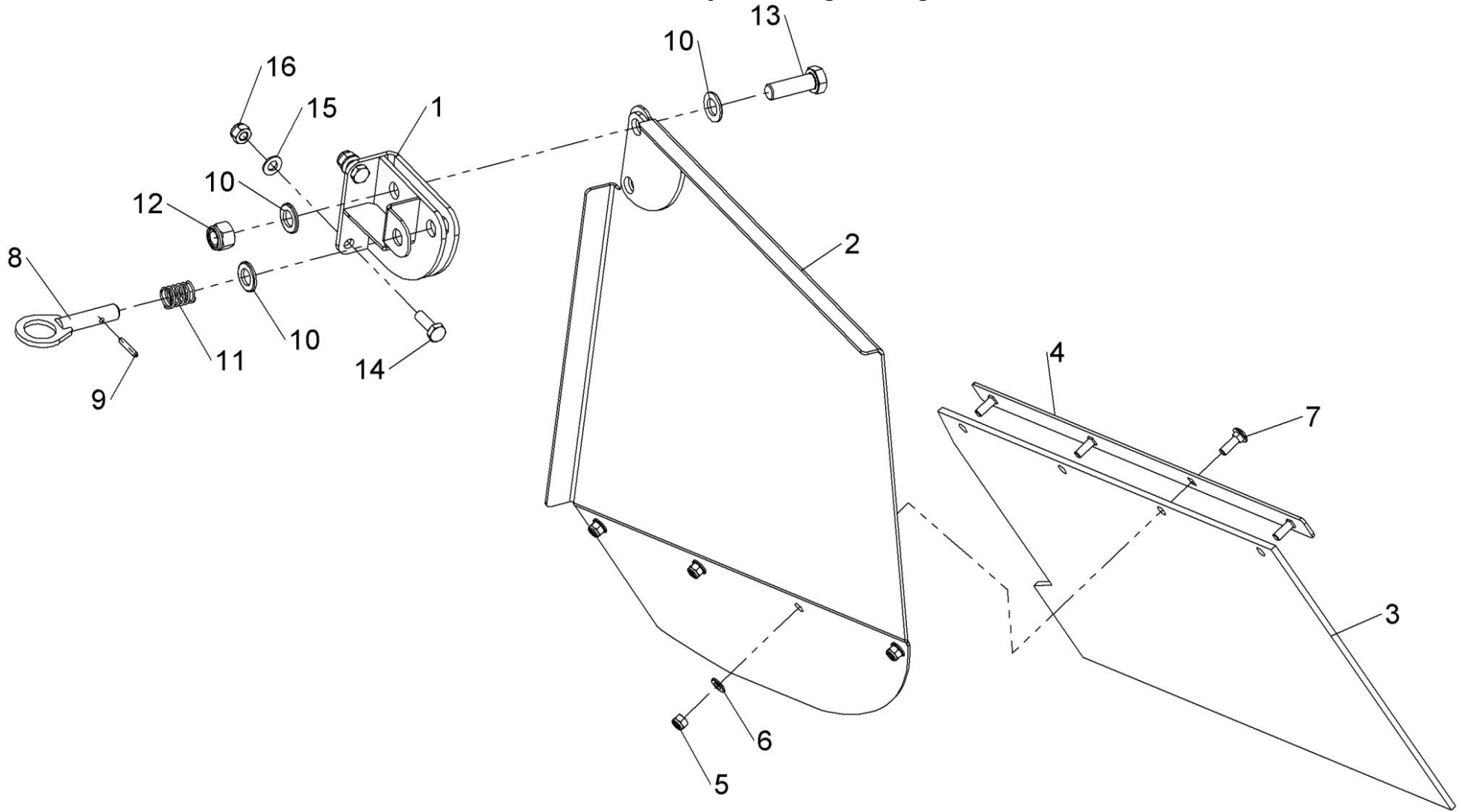
- 1 . CONVEYOR REVERSE
- 2 . CONVEYOR FORWARD
- 3 . DOOR DOWN
- 4 . DOOR UP
- 5 . CONVEYOR DOWN
- 6 . CONVEYOR UP



KIT-03779
KIT-03780

Shelbourne Reynolds Engineering Limited

| ASSY NUMBER: KIT-03785 | | | | ASSY DESCRIPTION: CONVEYOR DEFLECTOR KIT | | | |
|------------------------|-----------|------------------------|-----|------------------------------------------|---------|-------------|-----|
| ITEM | PART NO | DESCRIPTION | QTY | ITEM | PART NO | DESCRIPTION | QTY |
| 1 | 615331 01 | DEFLECTOR MTG BRKT W/A | 1 | | | | |
| 2 | 615444 01 | DEFLECTOR W/A | 1 | | | | |
| 3 | 615449 01 | RUBBER DEFLECTOR | 1 | | | | |
| 4 | 615446 01 | CLAMP STRIP | 1 | | | | |
| 5 | NUT-0263 | NUT | 4 | | | | |
| 6 | WSH-0012 | WASHER | 4 | | | | |
| 7 | BLTF08173 | COACH BOLT | 4 | | | | |
| 8 | 615337 01 | LOCKING PIN W/A | 1 | | | | |
| 9 | PIN-1620 | ROLL PIN | 1 | | | | |
| 10 | WSH-0024 | WASHER | 3 | | | | |
| 11 | SPGC22015 | COMPRESSION SPRING | 1 | | | | |
| 12 | NUT-0271 | NUT | 1 | | | | |
| 13 | HSS-0318 | SET SCREW | 1 | | | | |
| 14 | HSS-0194 | BOLT | 2 | | | | |
| 15 | WSH-0015 | WASHER | 2 | | | | |
| 16 | NUT-0265 | NUT | 2 | | | | |

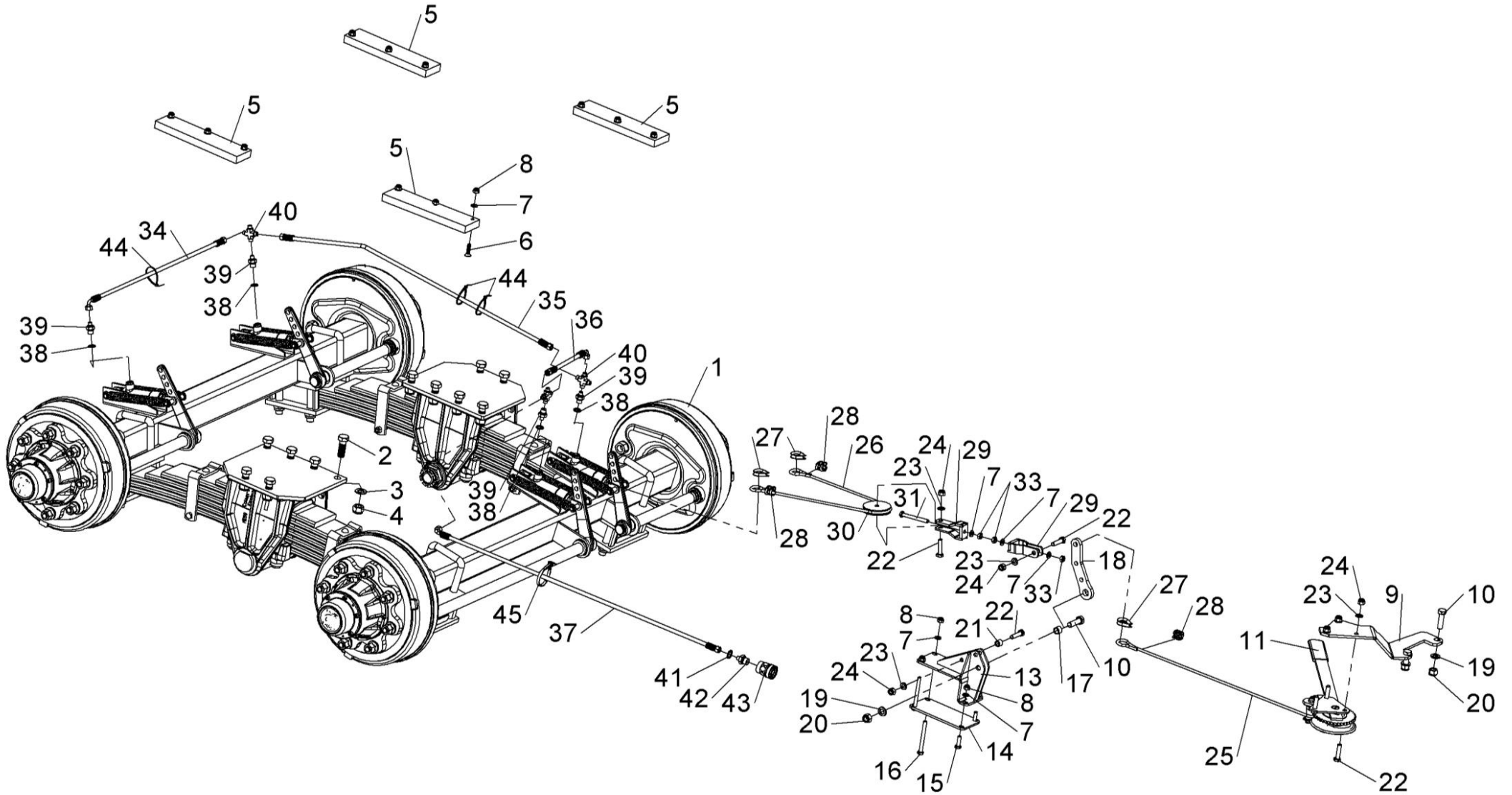


KIT-03785



Shelbourne Reynolds Engineering Limited

| ASSY NUMBER: KIT-03786 | | | | ASSY DESCRIPTION: BRAKED TANDEM AXLE KIT | | | |
|------------------------|-----------|-----------------------|------|------------------------------------------|-----------|-------------------------|-----|
| ITEM | PART NO | DESCRIPTION | QTY | ITEM | PART NO | DESCRIPTION | QTY |
| 1 | AXL-00206 | UNDERSLUNG BOGIE ASSY | 1 | 41 | WSH-1015 | DOWTY WASHER | 1 |
| 2 | BLT-2366 | BOLT | 12 | 42 | HMA-0055 | HYD ADAPTOR | 1 |
| 3 | WSH-0030 | WASHER | 12 | 43 | HQR-10007 | HYD.QUICK RELEASE COUP. | 1 |
| 4 | NUTA02200 | NUT | 12 | 44 | TIE-0004 | TIE WRAPS (MED) | 16 |
| 5 | 614596 01 | RUBBER BUMPER | 4 | 45 | TIE-0012 | TIE WRAP (EX.LARGE) | 1 |
| 6 | SCW-1895 | CSK SOCKET HD SCW | 12 | | | | |
| 7 | WSH-0015 | WASHER | 23 | | | | |
| 8 | NUT-0265 | NUT | 16 | | | | |
| 9 | 615394 01 | HANDBRAKE BRKT | 1 | | | | |
| 10 | HSS-0319 | SET SCREW | 3 | | | | |
| 11 | LVR-00020 | HANDBRAKE LEVER | 1 | | | | |
| 12 | WSH-0015 | WASHER | 2 | | | | |
| 13 | 615399 01 | LEVER BRKT W/A | 1 | | | | |
| 14 | 614724 01 | UPPER CLAMP PLATE | 1 | | | | |
| 15 | HSS-0198 | SET SCREW | 2 | | | | |
| 16 | BLTA10590 | BOLT | 2 | | | | |
| 17 | 591393 01 | PIVOT TUBE | 1 | | | | |
| 18 | 615396 01 | LEVER | 1 | | | | |
| 19 | WSH-0024 | WASHER | 2 | | | | |
| 20 | NUT-0271 | NUT | 1 | | | | |
| 21 | 615459 01 | SPACER TUBE | 1 | | | | |
| 22 | HSS-0260 | SET SCREW | 2 | | | | |
| 23 | WSH-0018 | WASHER | 6 | | | | |
| 24 | NUT-0269 | NUT | 4 | | | | |
| 25 | CBL-30010 | CABLE | 1.75 | | | | |
| 26 | CBL-30010 | CABLE | 1.3 | | | | |
| 27 | WRP-01050 | WIRE ROPE THIMBLE | 3 | | | | |
| 28 | WRP-02080 | WIRE CABLE CLAMP | 6 | | | | |
| 29 | 591397 01 | BRAKE CLEVIS W/A | 2 | | | | |
| 30 | 591399 01 | CABLE PULLEY | 1 | | | | |
| 31 | HSSA10500 | SET SCREW | 1 | | | | |
| 32 | HSS-0260 | SET SCREW | 2 | | | | |
| 33 | NUT-0167 | NUT | 3 | | | | |
| 34 | HHBC09205 | HYDRAULIC HOSE ASSY | 1 | | | | |
| 35 | HHAC14005 | HYD HOSE ASSY | 1 | | | | |
| 36 | HHBC03705 | HYD HOSE ASSY | 1 | | | | |
| 37 | HHAC63005 | HYD HOSE ASSY | 1 | | | | |
| 38 | WSH-1010 | DOWTY WASHER | 4 | | | | |
| 39 | FIT-0025 | ADAPTOR | 4 | | | | |
| 40 | FITA10130 | HYDRAULIC TEE FITTING | 3 | | | | |

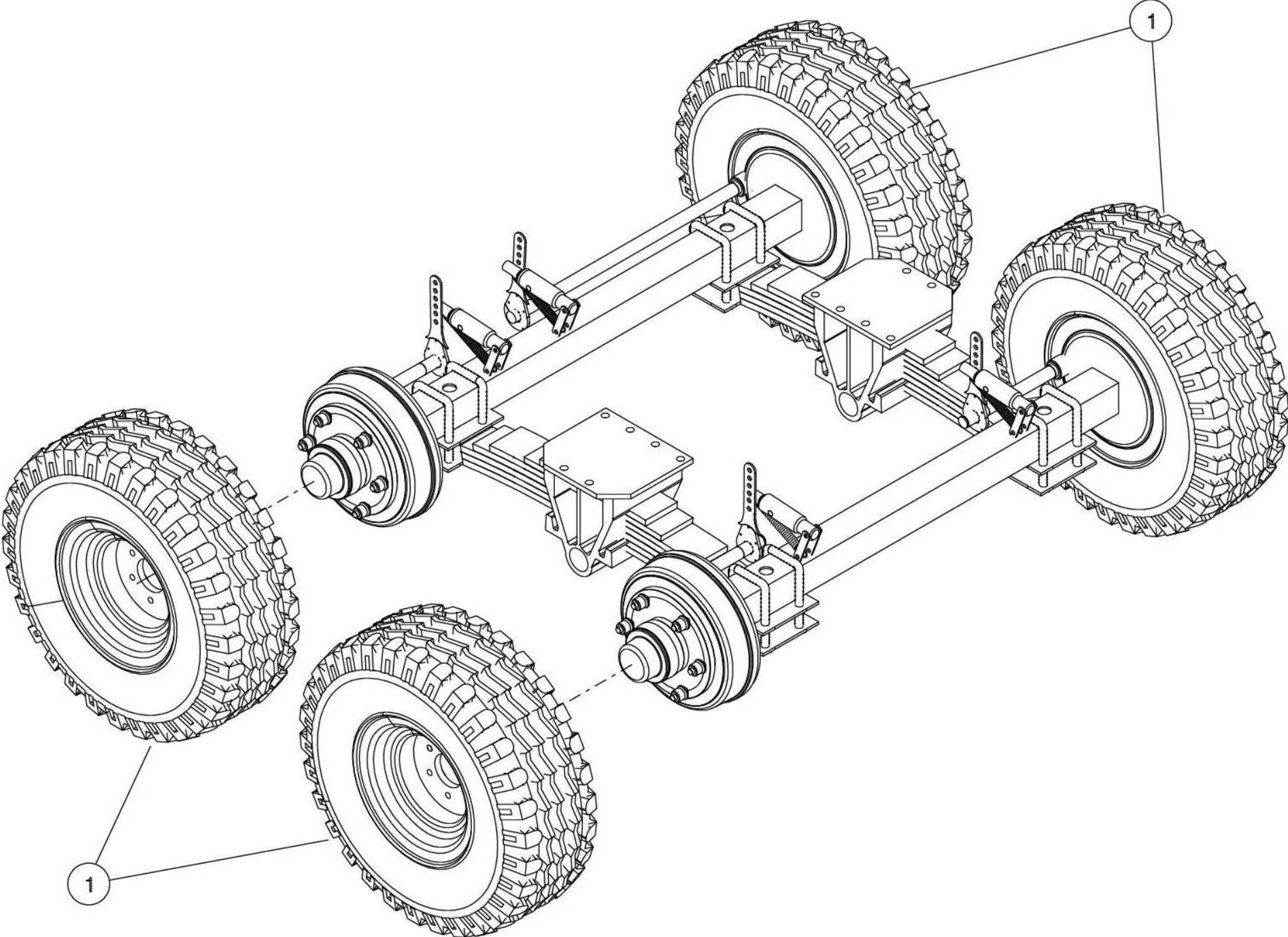


KIT-03786



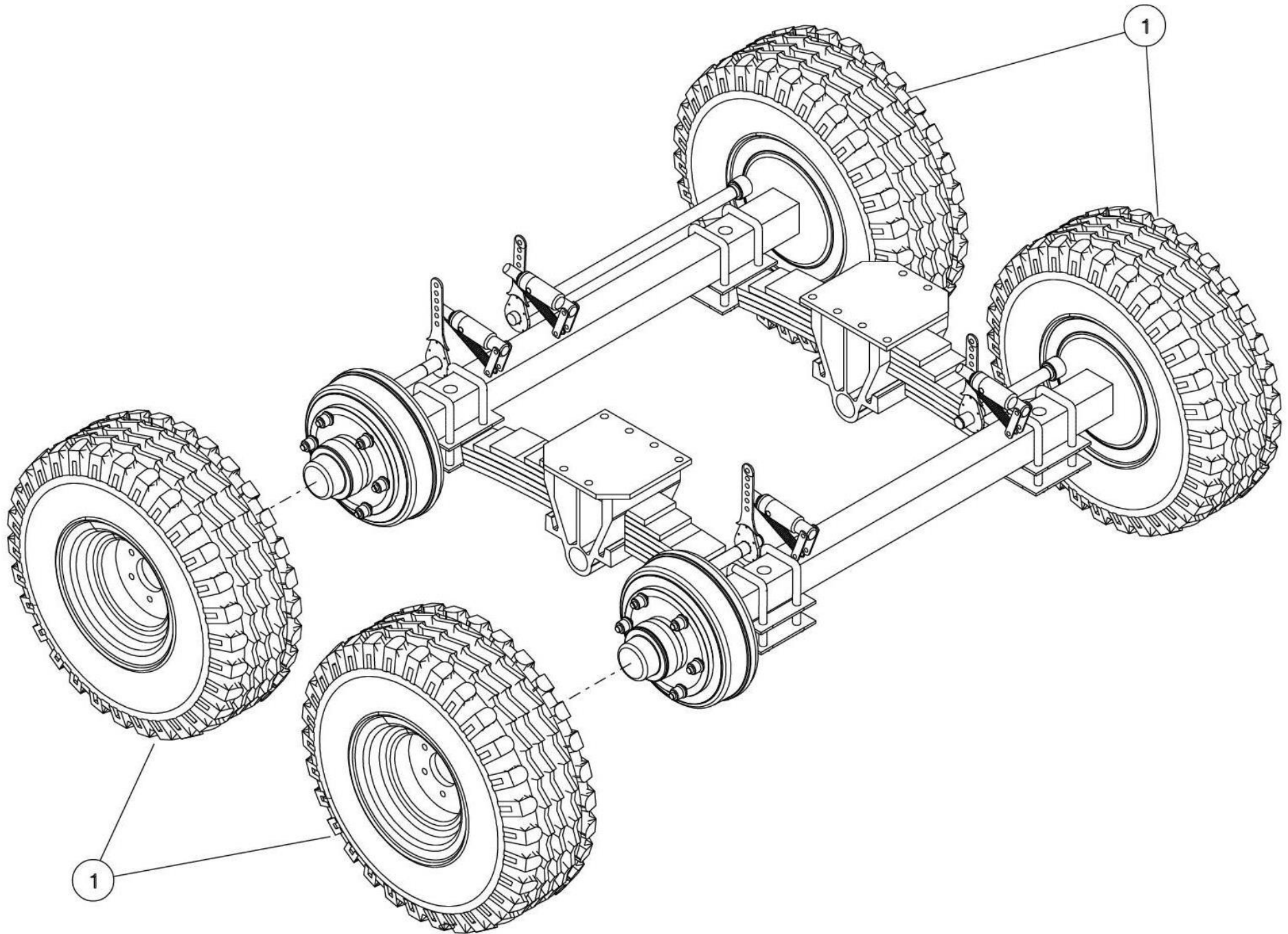
Shelbourne Reynolds Engineering Limited

| ASSY NUMBER: KIT-03787 | | | | ASSY DESCRIPTION: WHEEL & TYRE KIT | | | |
|------------------------|-----------|-------------------|-----|------------------------------------|---------|-------------|-----|
| ITEM | PART NO | DESCRIPTION | QTY | ITEM | PART NO | DESCRIPTION | QTY |
| 1 | WHL-01918 | WHEEL & TYRE ASSY | 4 | | | | |



Shelbourne Reynolds Engineering Limited

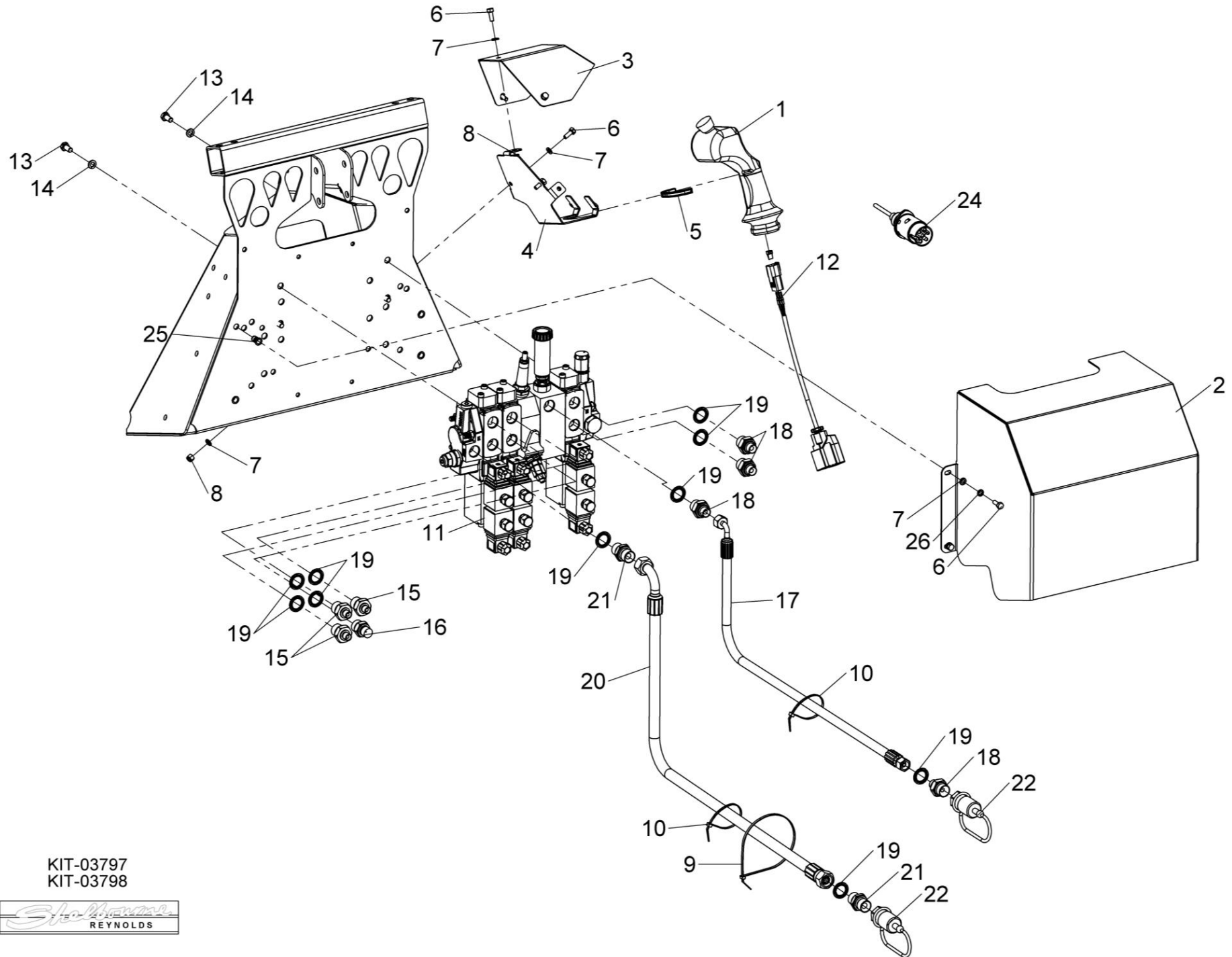
| ASSY NUMBER: KIT-03794 | | | | ASSY DESCRIPTION: WHEEL & TYRE KIT | | | |
|------------------------|-----------|-------------------|-----|------------------------------------|---------|-------------|-----|
| ITEM | PART NO | DESCRIPTION | QTY | ITEM | PART NO | DESCRIPTION | QTY |
| 1 | WHL-02220 | WHEEL & TYRE ASSY | 4 | | | | |



Shelbourne Reynolds Engineering Limited

| ASSY NUMBER: KIT-03797 | | | | ASSY DESCRIPTION: HYD VALVE ELECTRIC PROPORTIONA | | | |
|------------------------|-----------|--------------------------------|-----|--------------------------------------------------|---------|-------------|-----|
| ITEM | PART NO | DESCRIPTION | QTY | ITEM | PART NO | DESCRIPTION | QTY |
| 1 | 615393 01 | HAND CONTROLLER | 1 | | | | |
| 2 | 615510 01 | VALVE COVER | 1 | | | | |
| 3 | 615564 01 | CONTROLLER COVER | 1 | | | | |
| OR | 615508 01 | CONTROLLER COVER | 1 | | | | |
| 4 | 615563 01 | HOLDER | 1 | | | | |
| OR | 615523 01 | HOLDER | 1 | | | | |
| 5 | EDS-11400 | PVC EDGING STRIP | 0.5 | | | | |
| 6 | HSS-0084 | BOLT | 9 | | | | |
| 7 | WSH-0009 | PLAIN WASHER | 15 | | | | |
| 8 | NUT-0260 | NYLOC NUT | 5 | | | | |
| 9 | TIE-0006 | TIE WRAPS (LARGE) | 1 | | | | |
| 10 | TIE-0002 | TIE WRAPS (SMALL, BLACK) | 4 | | | | |
| 11 | HVB-19110 | ELEC. MULTI SPOOL VALVE (ELEC. | 1 | | | | |
| 12 | 615749 01 | PROPORTIONAL DRIVER PLUG | 1 | | | | |
| 13 | HSS-0135 | SETSCREW | 4 | | | | |
| 14 | WSH-0058 | SPRING WASHER | 4 | | | | |
| 15 | HMA-0055 | ADAPTOR MALE/MALE | 3 | | | | |
| 16 | HAMAA0307 | HYD.RESTRICTOR FITTING | 1 | | | | |
| 17 | HHBE22005 | HYDRAULIC HOSE ASSY | 1 | | | | |
| 18 | HMA-0065 | ADAPTOR MALE/MALE | 4 | | | | |
| 19 | WSH-1015 | DOWTY WASHER | 10 | | | | |
| 20 | HHBF22005 | HYDRAULIC HOSE ASSY | 1 | | | | |
| 21 | HMA-0067 | ADAPTOR MALE/MALE | 2 | | | | |
| 22 | COU-0162 | QUICK RELEASE COUPLING | 2 | | | | |
| 23 | 612230 01 | EMBLEM | 1 | | | | |
| 24 | PLG-0005a | 7 PIN PLUG | 1 | | | | |
| 25 | NUTA13060 | NUTSERT | 4 | | | | |
| 26 | WSH-0056 | SPRING WASHER | 4 | | | | |

Shelbourne Reynolds Engineering Limited



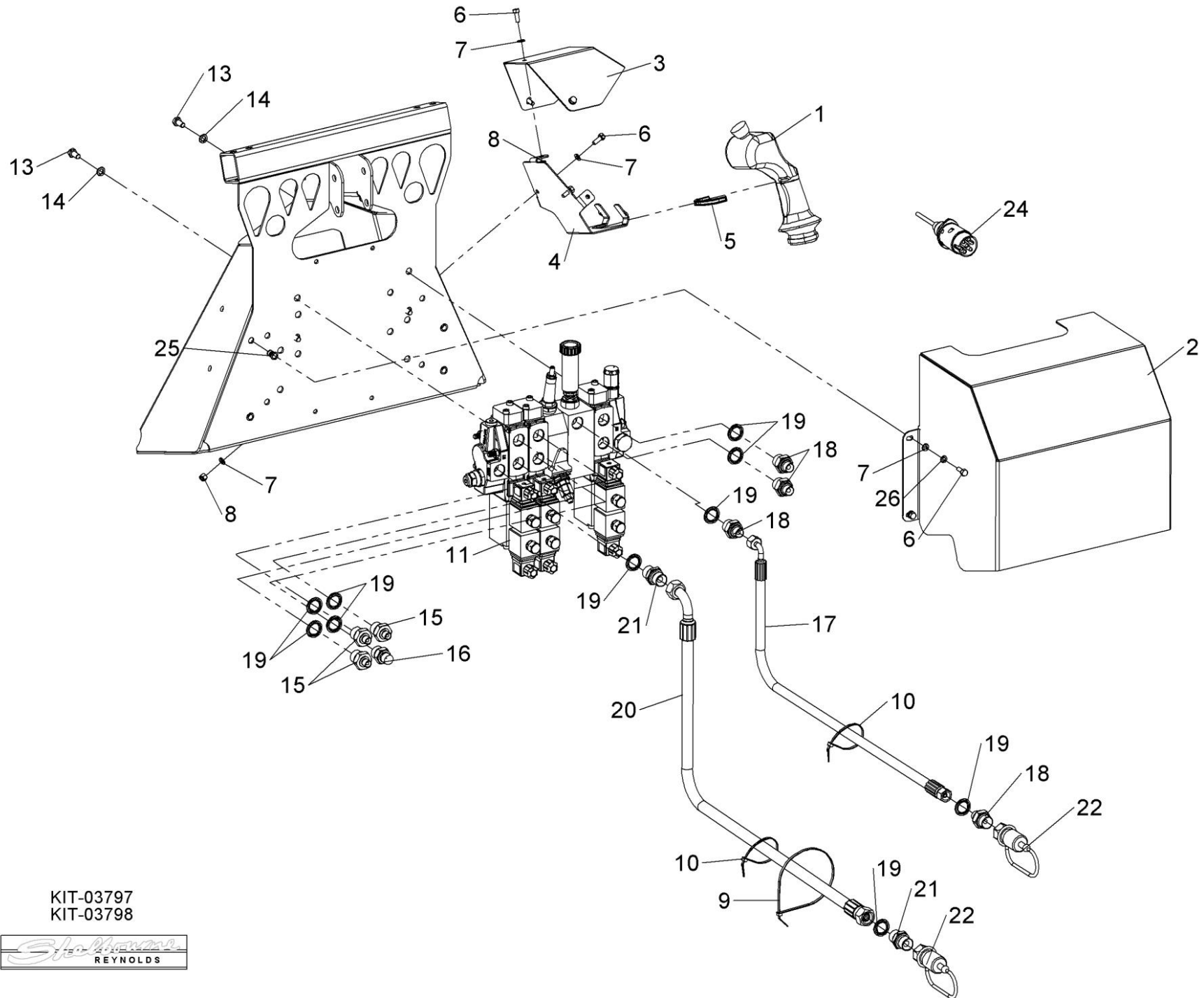
KIT-03797
KIT-03798



Shelbourne Reynolds Engineering Limited

| ASSY NUMBER: KIT-03798 | | | | ASSY DESCRIPTION: HYD VALVE ELECTRIC NON-PROPORT | | | |
|------------------------|-----------|--------------------------|-----|--------------------------------------------------|---------|-------------|-----|
| ITEM | PART NO | DESCRIPTION | QTY | ITEM | PART NO | DESCRIPTION | QTY |
| 1 | 615392 01 | HAND CONTROLLER | 1 | | | | |
| 2 | 615510 01 | VALVE COVER | 1 | | | | |
| 3 | 615564 01 | CONTROLLER COVER | 1 | | | | |
| OR | 615508 01 | CONTROLLER COVER | 1 | | | | |
| 4 | 615563 01 | HOLDER | 1 | | | | |
| OR | 615523 01 | HOLDER | 1 | | | | |
| 5 | EDS-11400 | PVC EDGING STRIP | 0.5 | | | | |
| 6 | HSS-0084 | BOLT | 9 | | | | |
| 7 | WSH-0009 | PLAIN WASHER | 14 | | | | |
| 8 | NUT-0260 | NYLOC NUT | 5 | | | | |
| 9 | TIE-0006 | TIE WRAPS (LARGE) | 1 | | | | |
| 10 | TIE-0002 | TIE WRAPS (SMALL, BLACK) | 4 | | | | |
| 11 | HVB-19105 | ELEC. MULTI SPOOL VALVE | 1 | | | | |
| 13 | HSS-0135 | SETSCREW | 4 | | | | |
| 14 | WSH-0058 | SPRING WASHER | 4 | | | | |
| 15 | HMA-0055 | ADAPTOR MALE/MALE | 3 | | | | |
| 16 | HAMAA0307 | HYD.RESTRICTOR FITTING | 1 | | | | |
| 17 | HHBE22005 | HYDRAULIC HOSE ASSY | 1 | | | | |
| 18 | HMA-0065 | ADAPTOR MALE/MALE | 4 | | | | |
| 19 | WSH-1015 | DOWTY WASHER | 10 | | | | |
| 20 | HHBF22005 | HYDRAULIC HOSE ASSY | 1 | | | | |
| 21 | HMA-0067 | ADAPTOR MALE/MALE | 2 | | | | |
| 22 | COU-0162 | QUICK RELEASE COUPLING | 2 | | | | |
| 23 | 612230 01 | EMBLEM | 1 | | | | |
| 24 | PLG-0005a | 7 PIN PLUG | 1 | | | | |
| 25 | NUTA13060 | NUTSERT | 4 | | | | |
| 26 | WSH-0056 | SPRING WASHER | 4 | | | | |
| 27 | LCL-01249 | RAM SUCTION MOUNT | 1 | | | | |
| 28 | 616138 01 | CONTROLLER HOLDER | 1 | | | | |

Shelbourne Reynolds Engineering Limited



KIT-03797
KIT-03798

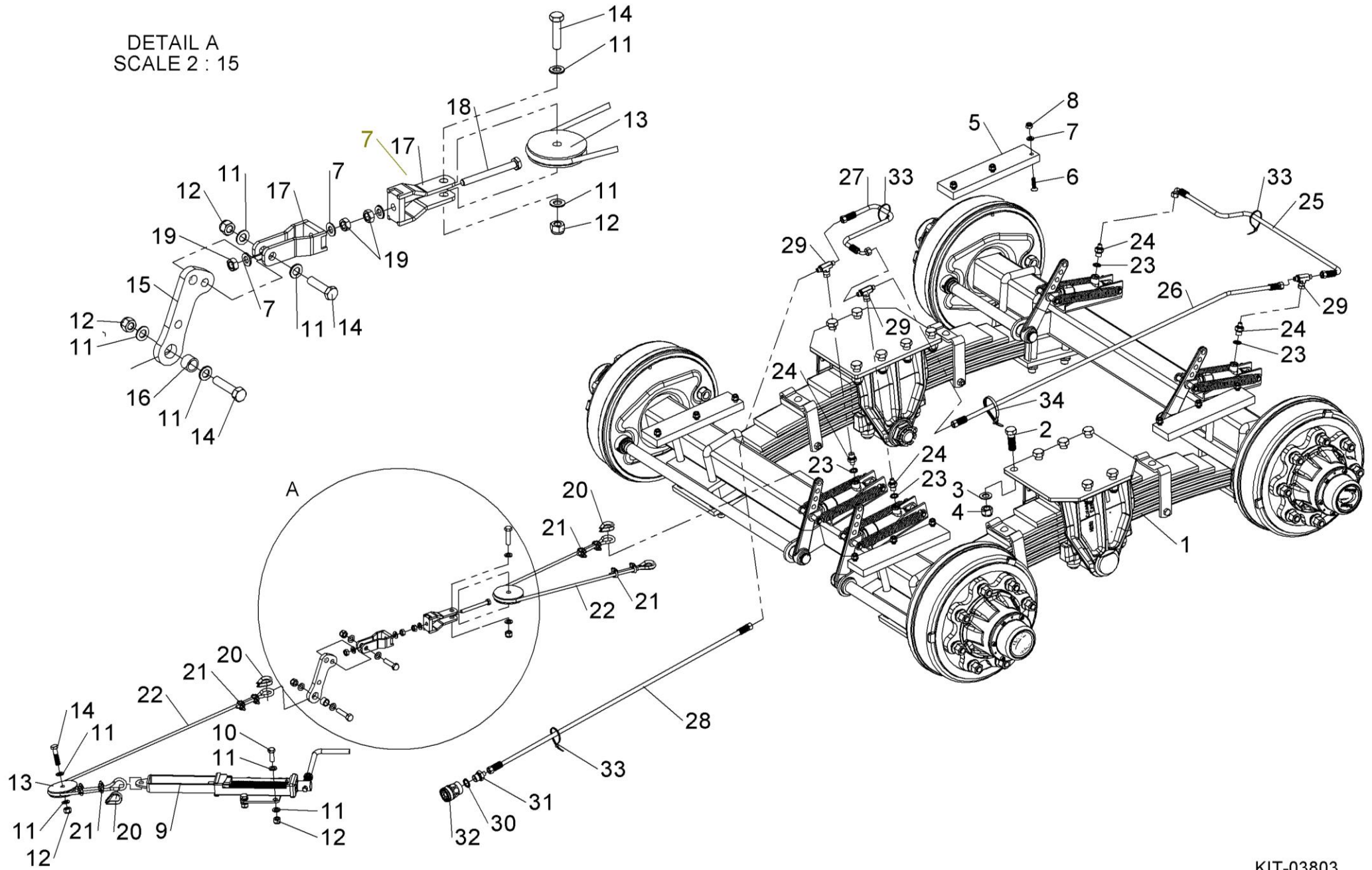


Shelbourne Reynolds Engineering Limited

| ASSY NUMBER: KIT-03803 | | | | ASSY DESCRIPTION: BRAKED TANDEM AXLE KIT | | | |
|------------------------|-----------|-----------------------|-----|------------------------------------------|---------|-------------|-----|
| ITEM | PART NO | DESCRIPTION | QTY | ITEM | PART NO | DESCRIPTION | QTY |
| 1 | AXL-00206 | UNDERSLUNG BOGIE ASSY | 1 | | | | |
| 2 | BLT-2366 | BOLT | 12 | | | | |
| 3 | WSH-0030 | WASHER | 12 | | | | |
| 4 | NUTA02200 | NUT | 12 | | | | |
| 5 | 614596 01 | RUBBER BUMPER | 4 | | | | |
| 6 | SCW-1895 | CSK SOCKET HD SCW | 12 | | | | |
| 7 | WSH-0015 | WASHER | 15 | | | | |
| 8 | NUT-0265 | NUT | 12 | | | | |
| 9 | 591880 01 | HANDBRAKE W/A | 1 | | | | |
| 10 | HSS-0241 | SET SCREW | 4 | | | | |
| 11 | WSH-0018 | WASHER | 18 | | | | |
| 12 | NUT-0269 | NUT | 9 | | | | |
| 13 | 591399 01 | CABLE PULLEY | 2 | | | | |
| 14 | HSS-0265 | SET SCREW | 5 | | | | |
| 15 | 615499 01 | LINK LEVER | 1 | | | | |
| 16 | 591393 01 | PIVOT TUBE | 1 | | | | |
| 17 | 591397 01 | BRAKE CLEVIS W/A | 2 | | | | |
| 18 | HSSA10500 | SET SCREW | 1 | | | | |
| 19 | NUT-0167 | NUT | 3 | | | | |
| 20 | WRP-01050 | WIRE ROPE THIMBLE | 4 | | | | |
| 21 | WRP-02080 | WIRE CABLE CLAMP | 8 | | | | |
| 22 | 591400 06 | HANDBRAKE CABLE | 2 | | | | |
| 23 | WSH-1010 | DOWTY WASHER | 4 | | | | |
| 24 | FIT-0025 | ADAPTOR | 4 | | | | |
| 25 | HHBC09205 | HYDRAULIC HOSE ASSY | 1 | | | | |
| 26 | HHAC14005 | HYD HOSE ASSY | 1 | | | | |
| 27 | HHBC03705 | HYD HOSE ASSY | 1 | | | | |
| 28 | HHAC63005 | HYD HOSE ASSY | 1 | | | | |
| 29 | FITA10130 | HYDRAULIC TEE FITTING | 3 | | | | |
| 30 | WSH-1015 | DOWTY WASHER | 1 | | | | |
| 31 | HMA-0055 | HYD ADAPTOR | 1 | | | | |
| 32 | HQR-10007 | QUICK RELEASE COUP. | 1 | | | | |
| 33 | TIE-0004 | TIE WRAPS | 16 | | | | |
| 34 | TIE-0012 | TIE WRAPS | 2 | | | | |

Shelbourne Reynolds Engineering Limited

DETAIL A
SCALE 2 : 15



KIT-03803

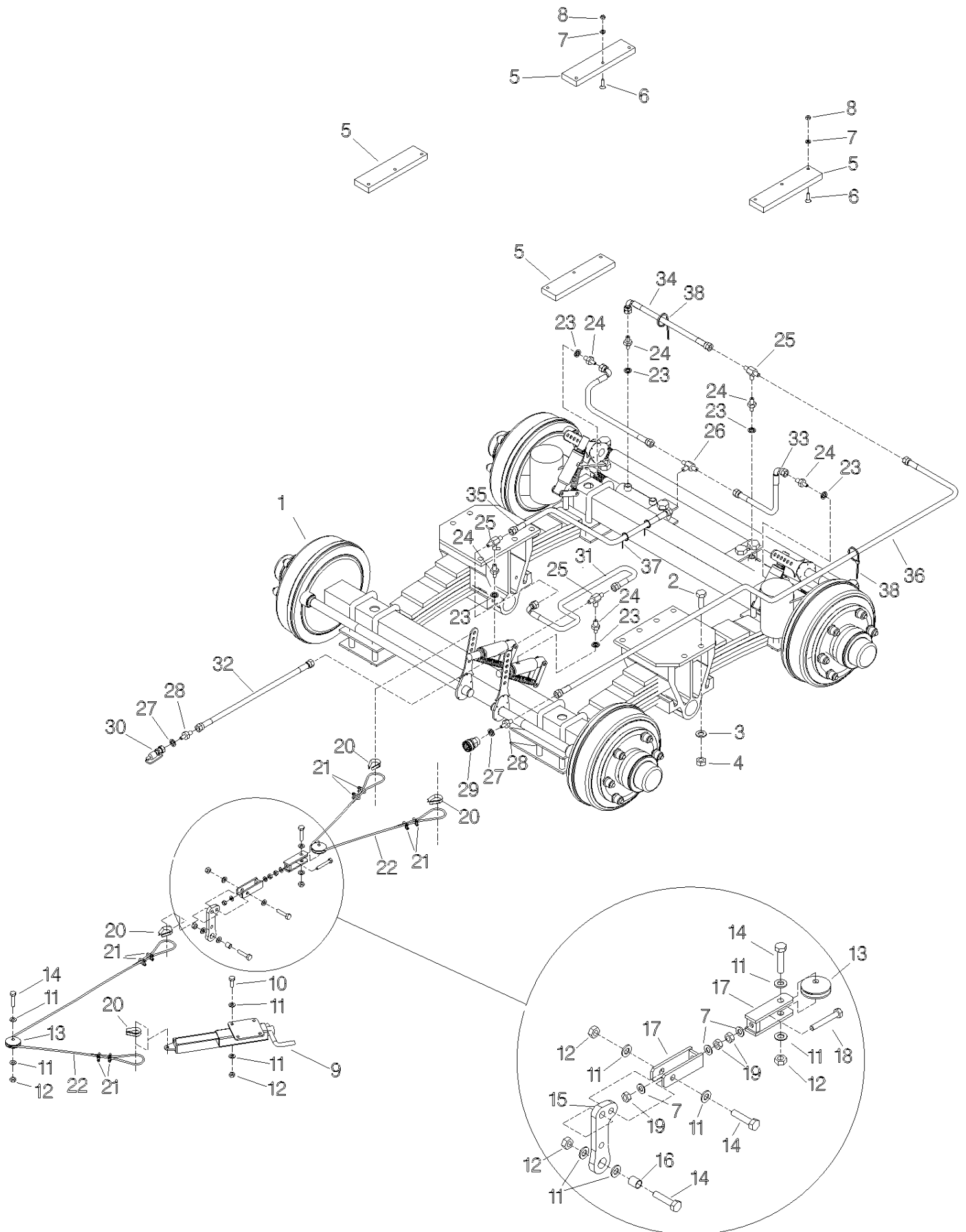


Shelbourne Reynolds Engineering Limited

| ASSY NUMBER: KIT-03809 | | | | ASSY DESCRIPTION: HYDRAULIC BRAKED SINGLE AXLE KIT | | | |
|------------------------|-----------|-------------------------|-----|----------------------------------------------------|---------|-------------|-----|
| ITEM | PART NO | DESCRIPTION | QTY | ITEM | PART NO | DESCRIPTION | QTY |
| 1 | 614723 01 | BRAKED AXLE W/A | 1 | | | | |
| 2 | WSH-0030 | WASHER | 16 | | | | |
| 3 | BLT-2365 | BOLT | 8 | | | | |
| 4 | NUTA02200 | NUT | 8 | | | | |
| 5 | 591880 01 | HANDBRAKE W/A | 1 | | | | |
| 6 | HSS-0241 | SET SCREW | 4 | | | | |
| 7 | WSH-0018 | WASHER | 18 | | | | |
| 8 | NUT-0269 | NUT | 9 | | | | |
| 9 | 591399 01 | CABLE PULLEY | 2 | | | | |
| 10 | HSS-0265 | SET SCREW | 5 | | | | |
| 11 | 615499 01 | LINK LEVER | 1 | | | | |
| 12 | 591393 01 | PIVOT TUBE | 1 | | | | |
| 13 | 591397 01 | BRAKE CLEVIS W/A | 2 | | | | |
| 14 | HSSA10500 | SET SCREW | 1 | | | | |
| 15 | WSH-0015 | WASHER | 3 | | | | |
| 16 | NUT-0167 | PLAIN NUT PLATED | 3 | | | | |
| 17 | WRP-01050 | WIRE ROPE THIMBLE | 4 | | | | |
| 18 | WRP-02080 | WIRE CABLE CLAMP | 8 | | | | |
| 19 | 591400 06 | HANDBRAKE CABLE | 1 | | | | |
| 20 | 591400 03 | HANDBRAKE CABLE | 1 | | | | |
| 21 | FITA10140 | HYDRAULIC TEE FITTING | 1 | | | | |
| 22 | HHBC03205 | HYDRAULIC HOSE ASSY | 1 | | | | |
| 23 | HMA-0057 | HYD ADAPTOR | 2 | | | | |
| 24 | WSH-1010 | DOWTY WASHER | 2 | | | | |
| 25 | HHAC73005 | HYDRAULIC HOSE ASSEMBLY | 1 | | | | |
| 26 | HMA-0055 | HYD ADAPTOR | 1 | | | | |
| 27 | WSH-1015 | DOWTY WASHER | 1 | | | | |
| 28 | HQR-10007 | HYD.QUICK RELEASE COUP. | 1 | | | | |
| 29 | TIE-0004 | TIE WRAPS (MED) | 16 | | | | |

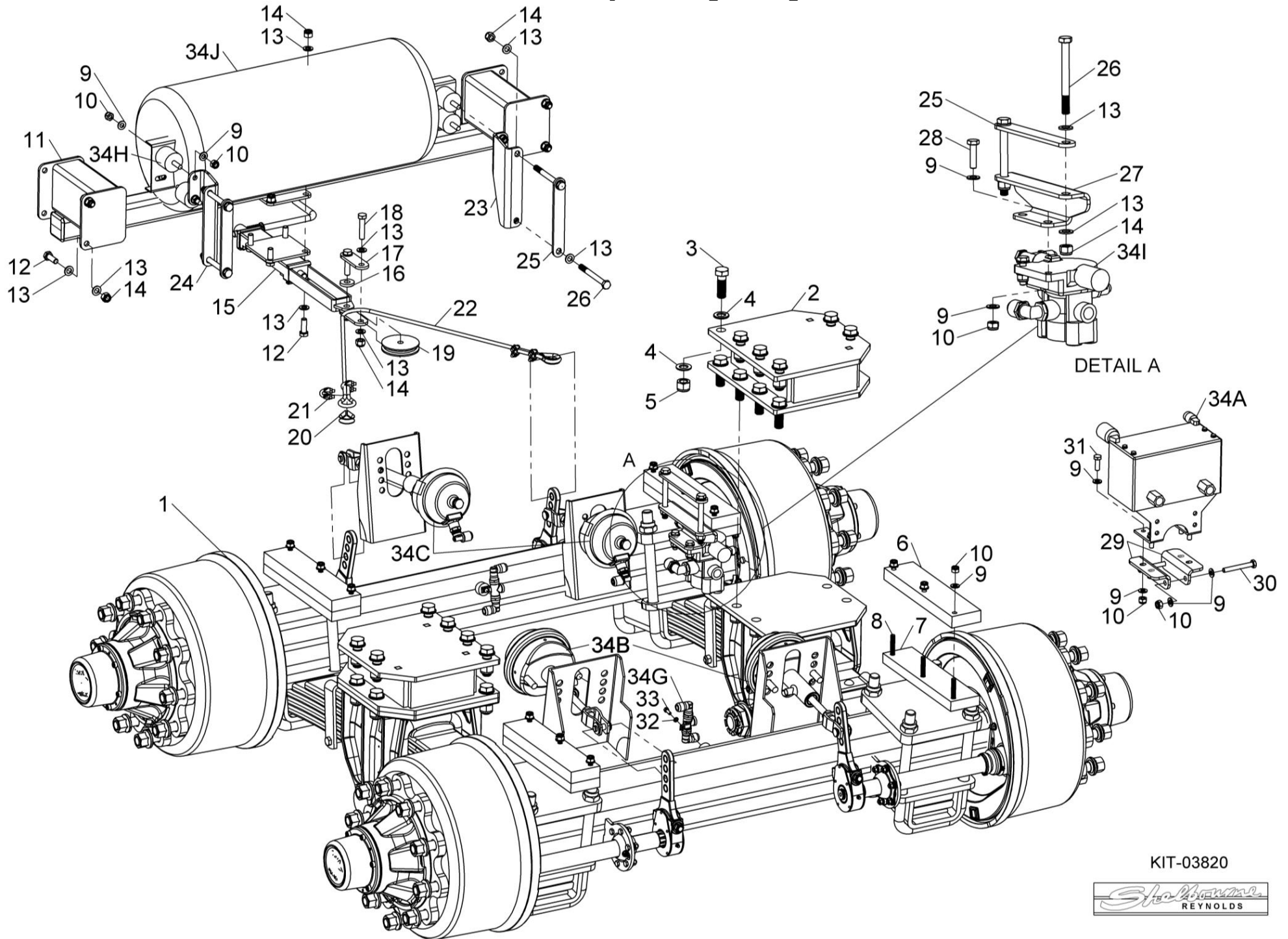
Shelbourne Reynolds Engineering Limited

| ASSY NUMBER: KIT-03811 | | | | ASSY DESCRIPTION: BRAKED TANDEM STEERING AXLE KIT | | | |
|------------------------|-----------|-------------------------|-----|---------------------------------------------------|---------|-------------|-----|
| ITEM | PART NO | DESCRIPTION | QTY | ITEM | PART NO | DESCRIPTION | QTY |
| 1 | AXL-00210 | UNDERSLUNG BOGIE ASSY | 1 | | | | |
| 2 | BLT-2366 | BOLT | 12 | | | | |
| 3 | WSH-0030 | WASHER | 12 | | | | |
| 4 | NUTA02200 | NUT | 12 | | | | |
| 5 | 614596 01 | RUBBER BUMPER | 4 | | | | |
| 6 | SCW-1895 | CSK SOCKET HD SCW | 12 | | | | |
| 7 | WSH-0015 | WASHER | 15 | | | | |
| 8 | NUT-0265 | NUT | 12 | | | | |
| 9 | 591880 01 | HANDBRAKE W/A | 1 | | | | |
| 10 | HSS-0241 | SET SCREW | 4 | | | | |
| 11 | WSH-0018 | WASHER | 18 | | | | |
| 12 | NUT-0269 | NUT | 9 | | | | |
| 13 | 591399 01 | CABLE PULLEY | 2 | | | | |
| 14 | HSS-0265 | SET SCREW | 5 | | | | |
| 15 | 615499 01 | LINK LEVER | 1 | | | | |
| 16 | 591393 01 | PIVOT TUBE | 1 | | | | |
| 17 | 591397 01 | BRAKE CLEVIS W/A | 2 | | | | |
| 18 | HSSA10500 | SET SCREW | 1 | | | | |
| 19 | NUT-0167 | NUT PLATED | 3 | | | | |
| 20 | WRP-01050 | WIRE ROPE THIMBLE | 4 | | | | |
| 21 | WRP-02080 | WIRE CABLE CLAMP | 8 | | | | |
| 22 | 591400 06 | HANDBRAKE CABLE | 2 | | | | |
| 23 | WSH-1010 | DOWTY WASHER | 6 | | | | |
| 24 | FIT-0025 | 1/4"BSP X 3/8"BSP | 6 | | | | |
| 25 | FITA10130 | HYDRAULIC TEE FITTING | 3 | | | | |
| 26 | HMT-0010 | 1/4"BSP EQUAL TEE MALE | 1 | | | | |
| 27 | WSH-1015 | DOWTY WASHER 1/2" | 2 | | | | |
| 28 | HMA-0055 | ADAPTOR MALE/MALE | 2 | | | | |
| 29 | HQR-10007 | HYD.QUICK RELEASE COUP. | 1 | | | | |
| 30 | COU-0162 | QUICK RELEASE COUPLING | 1 | | | | |
| 31 | HHBC03705 | HYD HOSE ASSY | 1 | | | | |
| 32 | HHAC63005 | HYD HOSE ASSY | 1 | | | | |
| 33 | HHBC05305 | HYDRAULIC HOSE ASSY | 2 | | | | |
| 34 | HHBC09205 | HYDRAULIC HOSE ASSY | 1 | | | | |
| 35 | HHAC14005 | HYD HOSE ASSY | 1 | | | | |
| 36 | HHBC79005 | HYDRAULIC HOSE ASSY | 1 | | | | |
| 37 | TIE-0004 | TIE WRAP | 16 | | | | |
| 38 | TIE-0012 | TIE WRAP | 4 | | | | |



Shelbourne Reynolds Engineering Limited

| ASSY NUMBER: KIT-03820 | | | | ASSY DESCRIPTION: TANDEM AXLE AIR BRAKE KIT | | | |
|------------------------|------------|-------------------------------------------------------------------------------|------|---------------------------------------------|------------|-------------------------|-----|
| ITEM | PART NO | DESCRIPTION | QTY | ITEM | PART NO | DESCRIPTION | QTY |
| 1 | 615589 01 | UNDERSLUNG BOGIE W/A | 1 | 34H | BRA-07115H | RUBBER MOUNT | 4 |
| 2 | 615572 01 | AXLE SPACER W/A | 2 | 34I | BRA-07115I | RELAY EMERGENCY VALVE | 1 |
| 3 | BLT-2366 | BOLT | 24 | 34J | BRA-07115J | AIR TANK | 1 |
| 4 | WSH-0030 | WASHER | 48 | 34K | BRA-07115K | 1.6m FLEXIBLE AIR HOSE | 2 |
| 5 | NUTA02200 | NUT | 24 | 34L | BRA-07115L | 12mm AIR CHAMBER PIPE | 4m |
| 6 | 615575 01 | BUMPER MTG PLATE | 4 | 34M | BRA-07115M | 10mm O/D RED PIPE | 24m |
| 7 | 614596 01 | RUBBER BUMPER | 4 | 34N | BRA-07115N | 10mm O/D YELLOW PIPE | 10m |
| 8 | SCEA10473 | CSK SOC HD SCREW | 12 | 34P | BRA-07115P | AIR COIL YELLOW SERVICE | 1 |
| 9 | WSH-0015 | WASHER | 32 | 34Q | BRA-07115Q | AIR COIL RED EMERGENCY | 1 |
| 10 | NUT-0265 | NUT | 22 | 35 | HMA-0057 | M/M ADAPTOR | 1 |
| 11 | 615566 01 | LIGHT BOARD EXTENSION W/A | 1 | 36 | HMA-0065 | M/M ADAPTOR | 1 |
| 12 | HSS-0241 | SETSCREW | 8 | 37 | WSH-1015 | DOWTY WASHER | 1 |
| 13 | WSH-0018 | WASHER | 32 | 38 | HQR-10007 | QUICK RELEASE COUPLING | 1 |
| 14 | NUT-0269 | NUT | 16 | 39 | TIE-0004 | TIE WRAP | 40 |
| 15 | 615569 01 | HANDBRAKE W/A | 1 | 40 | TIE-0012 | TIE WRAP | 20 |
| 16 | 615570 01 | SPACER | 2 | 41 | HOSI03050 | HYD HOSE ASSY | 15m |
| 17 | 615671 01 | FIXING PLATE | 2 | 42 | HFAF72005 | HOSE END FITTING | 8 |
| 18 | HSS-0265 | SETSCREW | 2 | 43 | HFAG72005 | HOSE END FITTING | 2 |
| 19 | 591399 01 | CABLE PULLEY | 1 | | | | |
| 20 | WRP-01050 | CABLE THIMBLE | 2 | | | | |
| 21 | WRP-02080 | CABLE CLAMP | 4 | | | | |
| 22 | CBL-30010 | 8mm CABLE | 1.6m | | | | |
| 23 | 614992 01 | TANK MTG PLATE LH | 1 | | | | |
| 24 | 614992 02 | TANK MTG PLATE RH | 1 | | | | |
| 25 | 614997 01 | CLAMP PLATE | 3 | | | | |
| 26 | BLTA12620 | BOLT | 6 | | | | |
| 27 | 615588 01 | VALVE MTG BRAKT | 1 | | | | |
| 28 | HSS-0198 | SETSCREW | 2 | | | | |
| 29 | 615586 01 | MTG BRACKET | 2 | | | | |
| 30 | BLTA10500 | BOLT | 2 | | | | |
| 31 | HSS-0194 | SETSCREW | 4 | | | | |
| 32 | WSH-0056 | WASHER | 2 | | | | |
| 33 | HSS-0084 | SETSCREW | 2 | | | | |
| 34 | BRA-07115 | AIR BRAKE KIT | 1 | | | | |
| 34A | BRA-07115A | PARKING STATION, C/W SHUNT VALVE, LOAD SENSING, LINE FILTER & COUPLINGS | 1 | | | | |
| 34B | BRA-07115B | BRAKE ACTUATOR | 2 | | | | |
| 34C | BRA-07115C | BRAKE ACTUATOR | 2 | | | | |
| 34G | BRA-07115G | TEE FITTING | 2 | | | | |

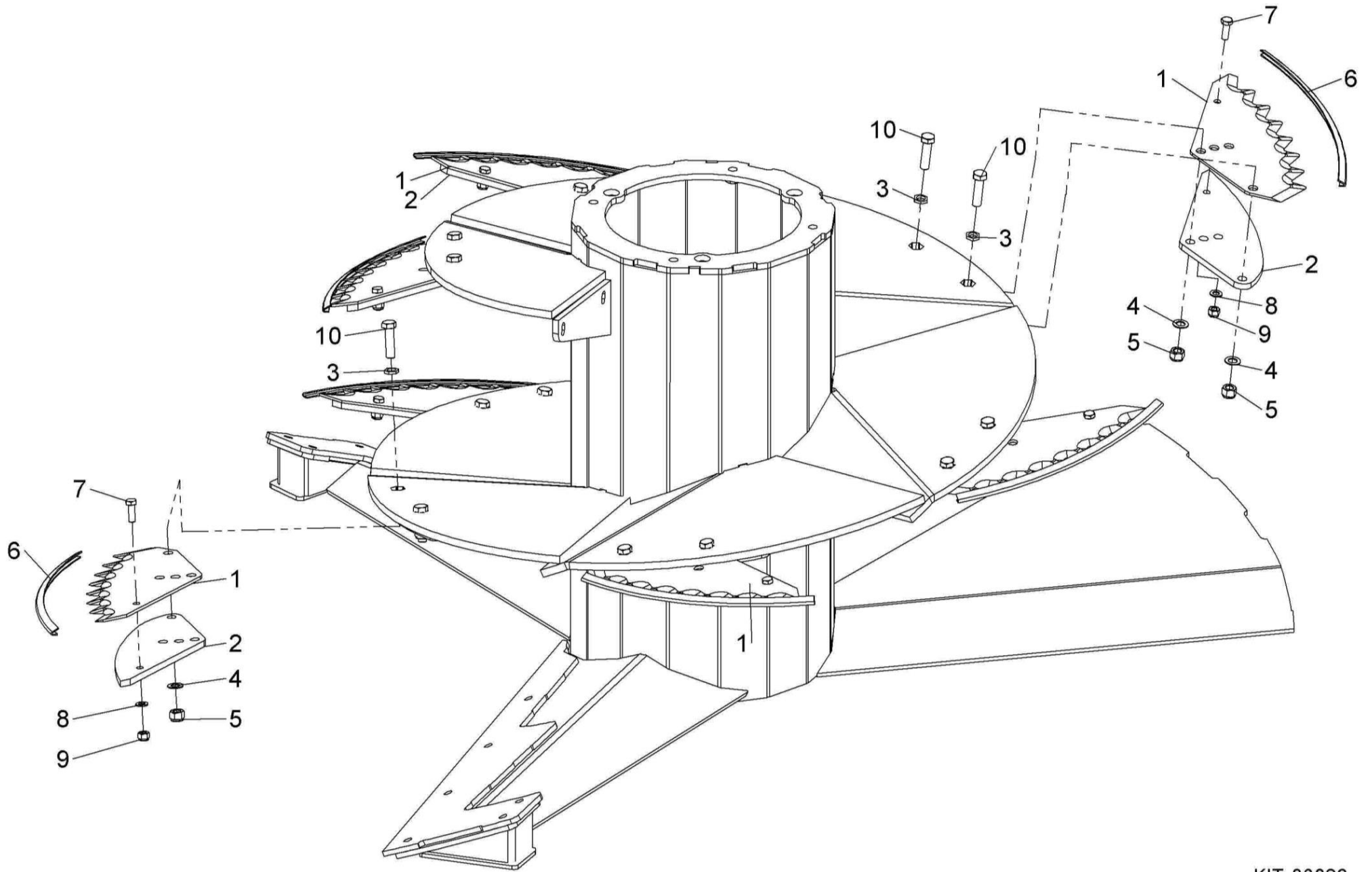


KIT-03820



Shelbourne Reynolds Engineering Limited

| ASSY NUMBER: KIT-03826 | | | | ASSY DESCRIPTION: TUNGSTEN BLADE KIT (PME09130316 & ON) | | | |
|------------------------|-----------|------------------|------|---------------------------------------------------------|---------|-------------|-----|
| ITEM | PART NO | DESCRIPTION | QTY | ITEM | PART NO | DESCRIPTION | QTY |
| 1 | 614812 01 | TUNGSTEN BLADE | 7 | | | | |
| 2 | 614807 01 | BACK UP PLATE | 7 | | | | |
| 3 | 615685 01 | HEX WASHER | 14 | | | | |
| 4 | WSH-0025 | WASHER | 14 | | | | |
| 5 | NUT-0271 | NUT | 14 | | | | |
| 6 | EDS-11400 | BLADE EDGE STRIP | 3.5m | | | | |
| 7 | HSS-0241 | SETSCREW | 7 | | | | |
| 8 | WSH-0018 | WASHER | 7 | | | | |
| 9 | NUT-0269 | NUT | 7 | | | | |
| 10 | HSS-0320 | SETSCREW | 14 | | | | |

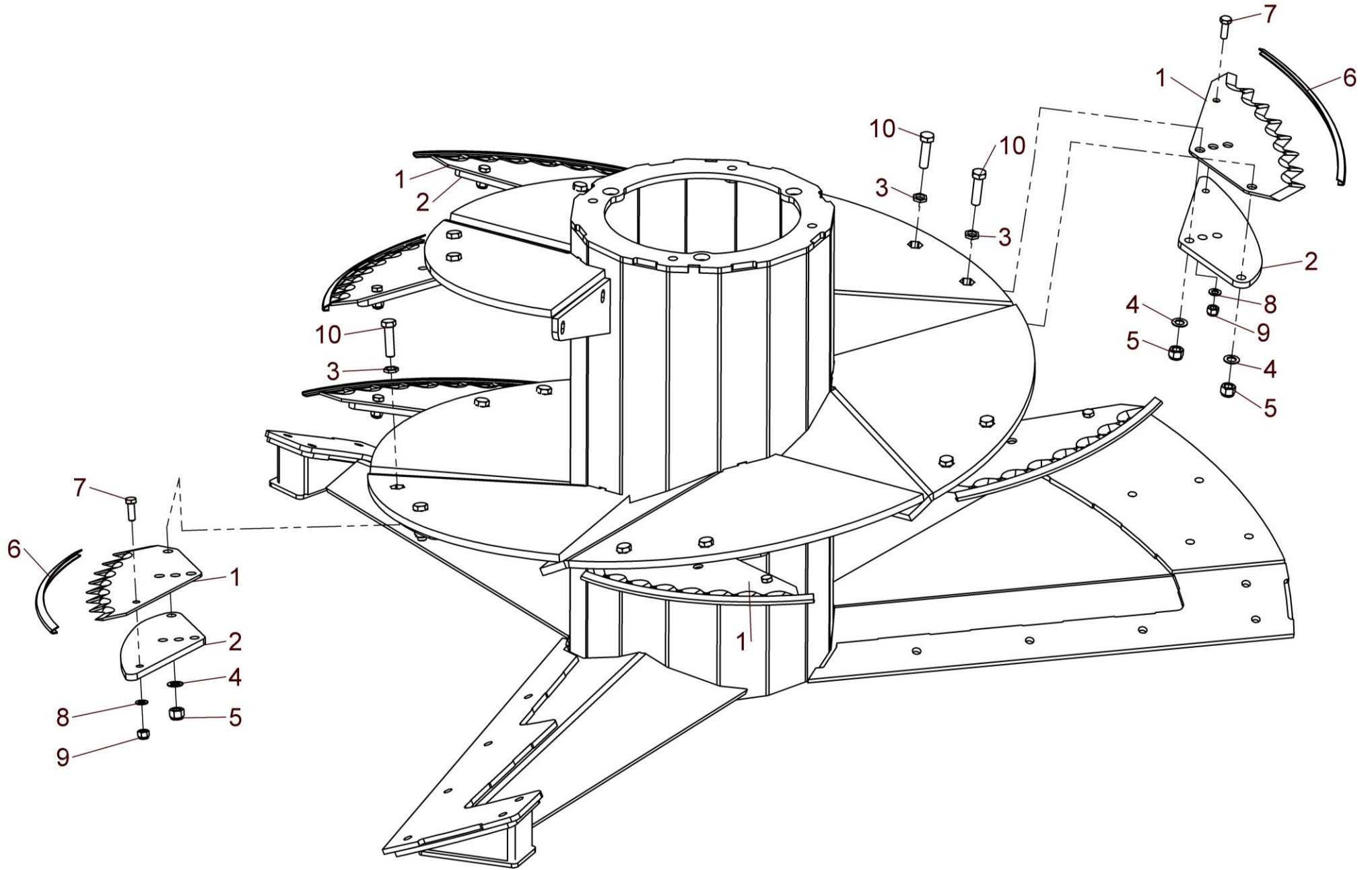


KIT-03826
KIT-03826a



Shelbourne Reynolds Engineering Limited

| ASSY NUMBER: KIT-03826a | | | | ASSY DESCRIPTION: STANDARD BLADE KIT (PME09130316 & ON) | | | |
|-------------------------|-----------|------------------|------|---------------------------------------------------------|---------|-------------|-----|
| ITEM | PART NO | DESCRIPTION | QTY | ITEM | PART NO | DESCRIPTION | QTY |
| 1 | 614812 02 | STANDARD BLADE | 7 | | | | |
| 2 | 614807 01 | BACK UP PLATE | 7 | | | | |
| 3 | 615685 01 | HEX WASHER | 14 | | | | |
| 4 | WSH-0025 | WASHER | 14 | | | | |
| 5 | NUT-0271 | NUT | 14 | | | | |
| 6 | EDS-11400 | BLADE EDGE STRIP | 3.5m | | | | |
| 7 | HSS-0241 | SETSCREW | 7 | | | | |
| 8 | WSH-0018 | WASHER | 7 | | | | |
| 9 | NUT-0269 | NUT | 7 | | | | |
| 10 | HSS-0320 | SETSCREW | 14 | | | | |

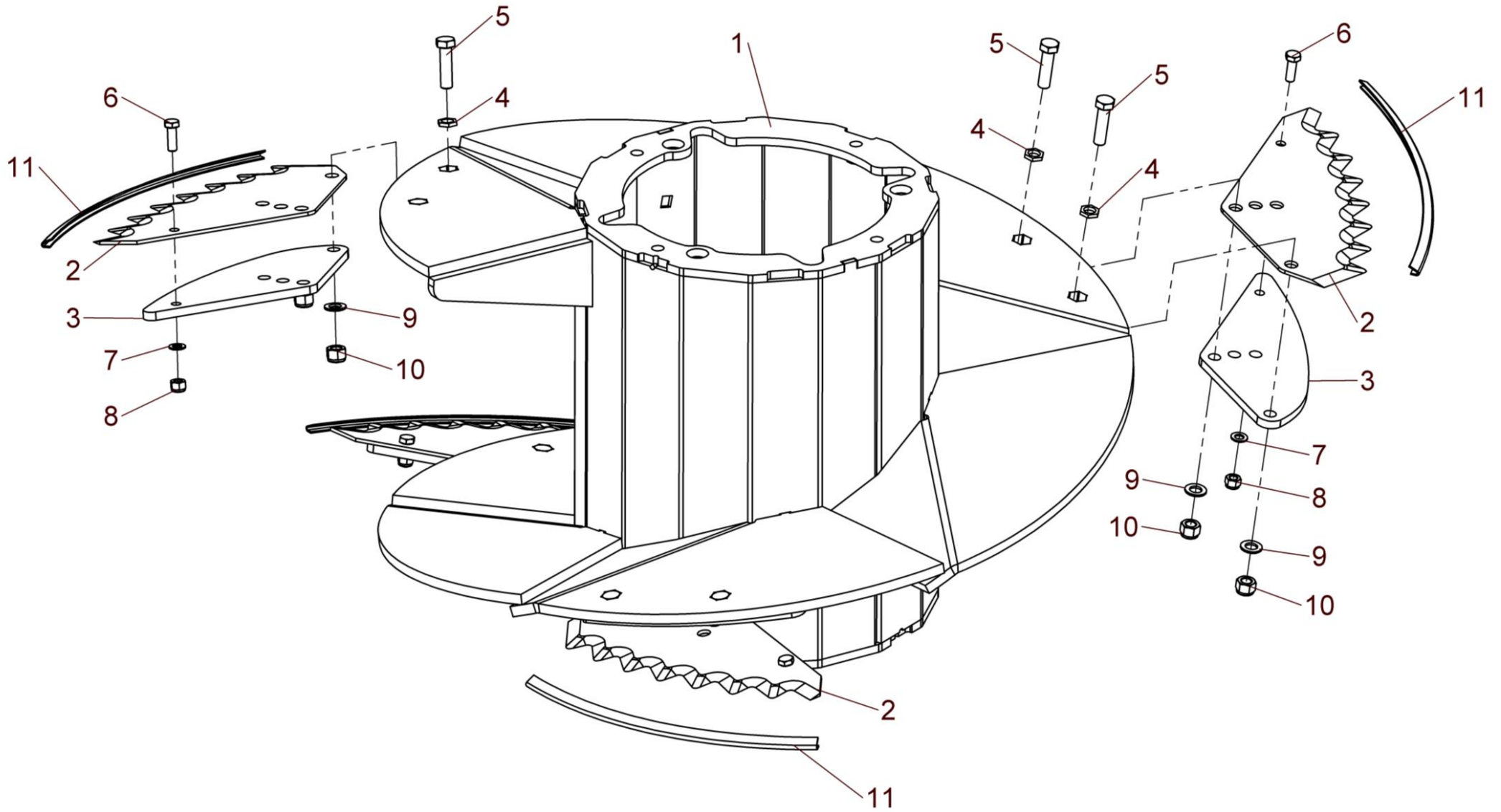


KIT-03826a



Shelbourne Reynolds Engineering Limited

| ASSY NUMBER: KIT-03827 | | | | ASSY DESCRIPTION: 600mm AUGER EXT KIT(PME09130316 & ON) | | | |
|------------------------|-----------|------------------------|-----|---------------------------------------------------------|---------|-------------|-----|
| ITEM | PART NO | DESCRIPTION | QTY | ITEM | PART NO | DESCRIPTION | QTY |
| 1 | 615686 01 | 600mm AUGER EXT W/ASSY | 1 | | | | |
| 2 | 614812 02 | STANDARD BLADE | 4 | | | | |
| 3 | 614807 01 | BACK UP PLATE | 4 | | | | |
| 4 | 615685 01 | HEX WASHER | 8 | | | | |
| 5 | HSS-0320 | SETSCREW | 8 | | | | |
| 6 | HSS-0241 | SETSCREW | 4 | | | | |
| 7 | WSH-0018 | PLAIN WASHER | 4 | | | | |
| 8 | NUT-0269 | NUT | 4 | | | | |
| 9 | WSH-0024 | WASHER | 8 | | | | |
| 10 | NUT-0271 | NUT | 8 | | | | |
| 11 | EDS-11400 | PVC EDGING STRIP | 2 | | | | |

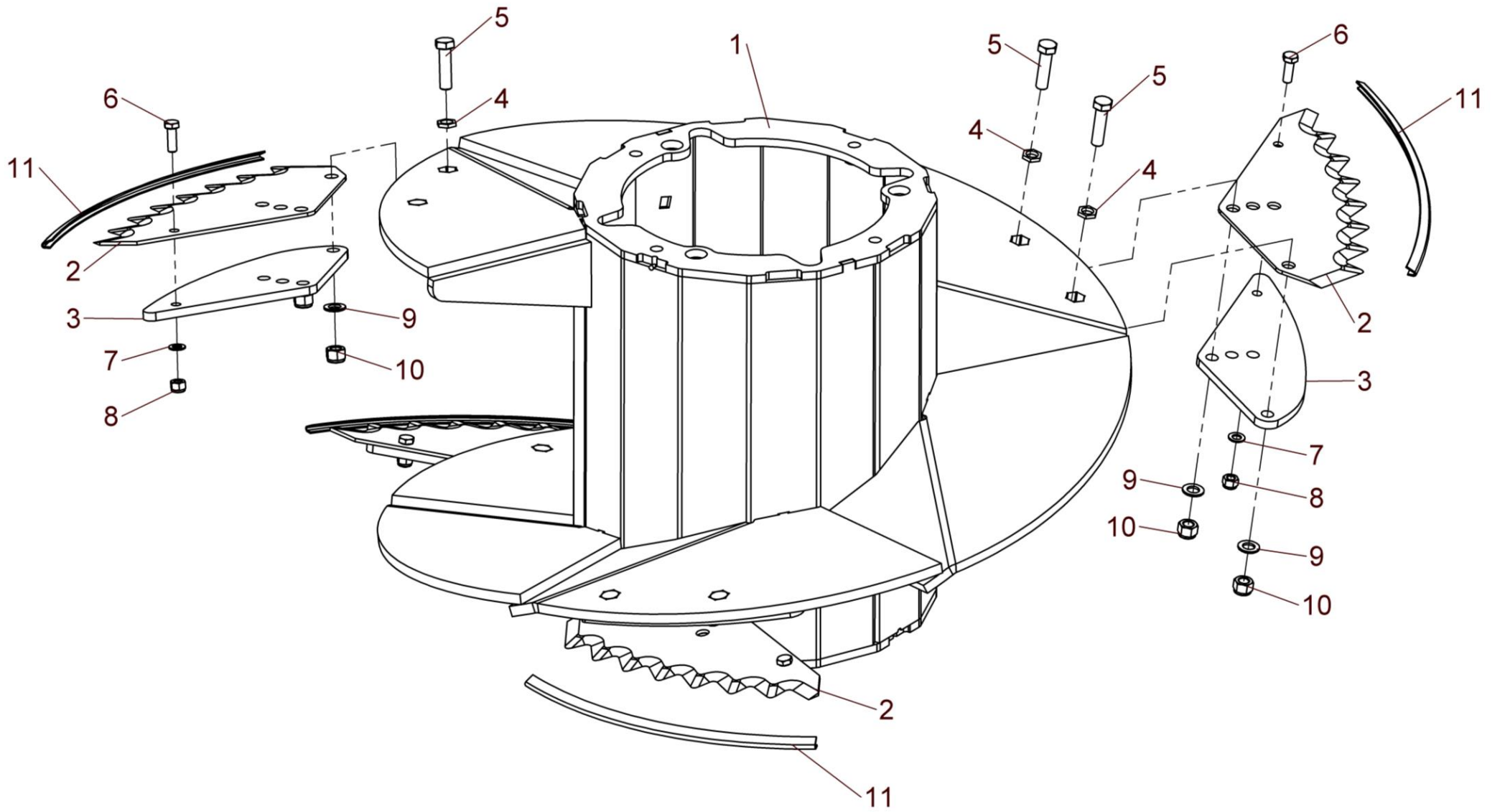


KIT-03827



Shelbourne Reynolds Engineering Limited

| ASSY NUMBER: KIT-03827a | | | | ASSY DESCRIPTION: 600mmAUGER EXT(TUNGSTEN) (PME09130316 & ON) | | | |
|-------------------------|-----------|------------------------|-----|---------------------------------------------------------------|---------|-------------|-----|
| ITEM | PART NO | DESCRIPTION | QTY | ITEM | PART NO | DESCRIPTION | QTY |
| 1 | 615686 01 | 600mm AUGER EXT W/ASSY | 1 | | | | |
| 2 | 614812 01 | TUNGSTEN BLADE | 4 | | | | |
| 3 | 614807 01 | BACK UP PLATE | 4 | | | | |
| 4 | 615685 01 | HEX WASHER | 8 | | | | |
| 5 | HSS-0320 | SETSCREW | 8 | | | | |
| 6 | HSS-0241 | SETSCREW | 4 | | | | |
| 7 | WSH-0018 | PLAIN WASHER | 4 | | | | |
| 8 | NUT-0269 | NUT | 4 | | | | |
| 9 | WSH-0024 | WASHER | 8 | | | | |
| 10 | NUT-0271 | NUT | 8 | | | | |
| 11 | EDS-11400 | PVC EDGING STRIP | 2 | | | | |

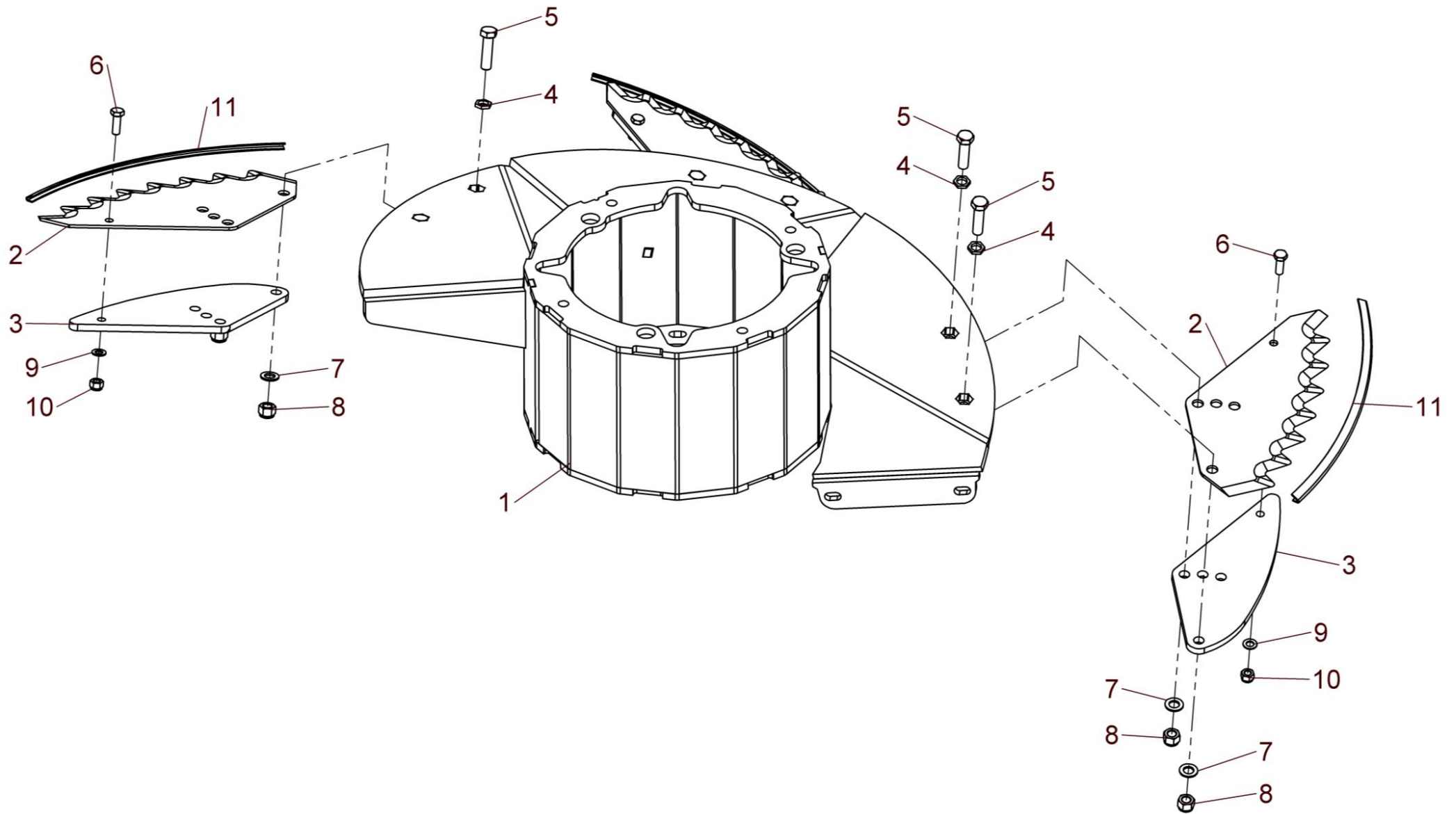


KIT-03827



Shelbourne Reynolds Engineering Limited

| ASSY NUMBER: KIT-03828 | | | | ASSY DESCRIPTION: 300mm AUGER EXT KIT(PME09130316 & ON) | | | |
|------------------------|-----------|------------------------|-----|---------------------------------------------------------|---------|-------------|-----|
| ITEM | PART NO | DESCRIPTION | QTY | ITEM | PART NO | DESCRIPTION | QTY |
| 1 | 615688 01 | 300mm AUGER EXT W/ASSY | 1 | | | | |
| 2 | 614812 02 | STANDARD BLADE | 3 | | | | |
| 3 | 614807 01 | BACK UP PLATE | 3 | | | | |
| 4 | 615685 01 | HEX WASHER | 6 | | | | |
| 5 | HSS-0320 | SETSCREW | 6 | | | | |
| 6 | HSS-0241 | SETSCREW | 3 | | | | |
| 7 | WSH-0024 | WASHER | 7 | | | | |
| 8 | NUT-0271 | NUT | 7 | | | | |
| 9 | WSH-0018 | WASHER | 3 | | | | |
| 10 | NUT-0269 | NUT | 4 | | | | |
| 11 | EDS-11400 | PVC EDGING STRIP | 1 | | | | |

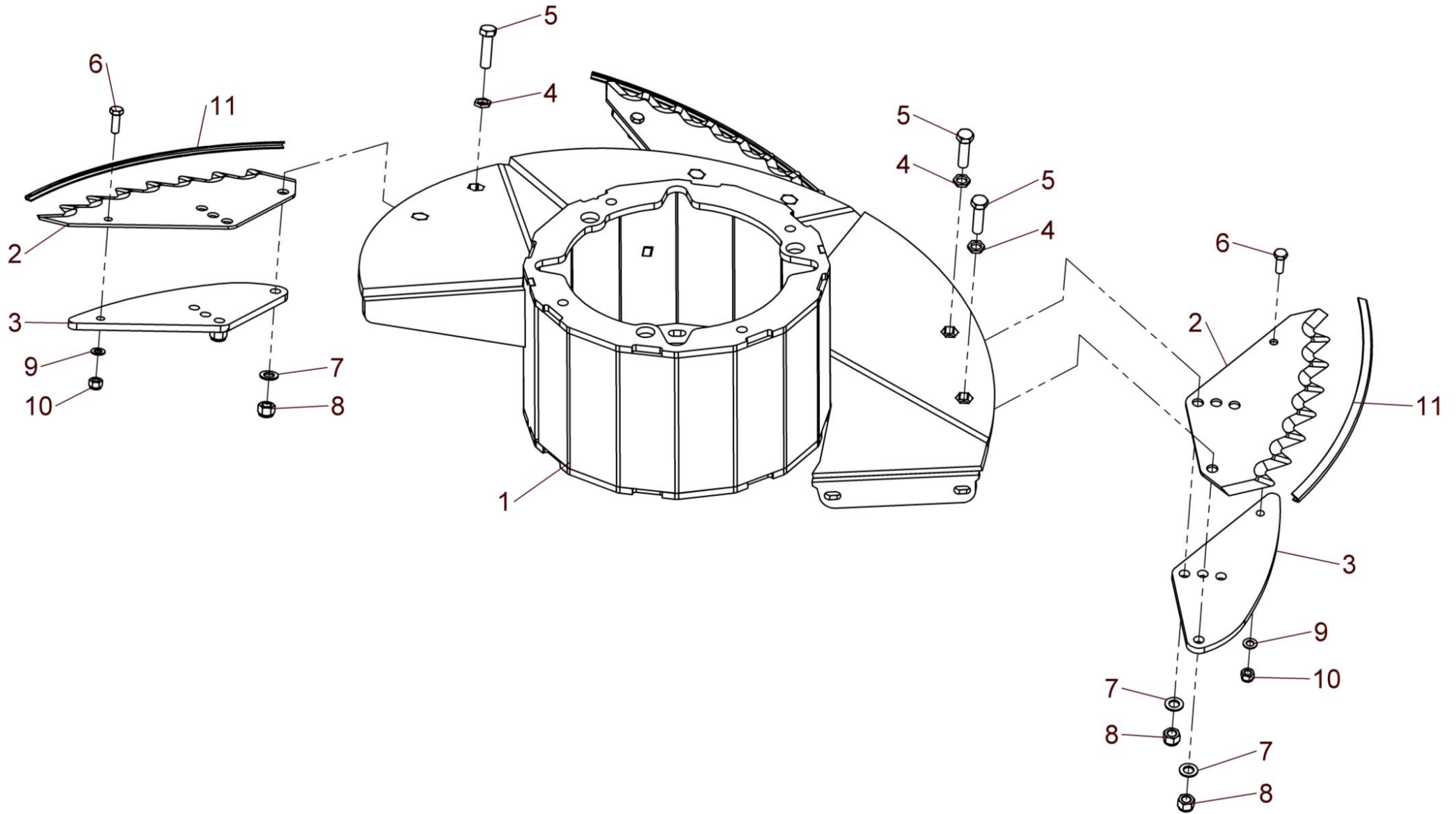


KIT-03828



Shelbourne Reynolds Engineering Limited

| ASSY NUMBER: KIT-03828a | | | | ASSY DESCRIPTION: 300mmAUGER EXT(TUNGSTEN) (PME09130316 & ON) | | | |
|-------------------------|-----------|------------------------|------|---------------------------------------------------------------|---------|-------------|-----|
| ITEM | PART NO | DESCRIPTION | QTY | ITEM | PART NO | DESCRIPTION | QTY |
| 1 | 615688 01 | 300mm AUGER EXT W/ASSY | 1 | | | | |
| 2 | 614812 01 | TUNGSTEN BLADE | 3 | | | | |
| 3 | 614807 01 | BACK UP PLATE | 3 | | | | |
| 4 | 615685 01 | HEX WASHER | 6 | | | | |
| 5 | HSS-0320 | SETSCREW | 6 | | | | |
| 6 | HSS-0241 | SETSCREW | 3 | | | | |
| 7 | WSH-0024 | WASHER | 7 | | | | |
| 8 | NUT-0271 | NUT | 7 | | | | |
| 9 | WSH-0018 | WASHER | 3 | | | | |
| 10 | NUT-0269 | NUT | 4 | | | | |
| 11 | EDS-11400 | PVC EDGING STRIP | 1.5m | | | | |

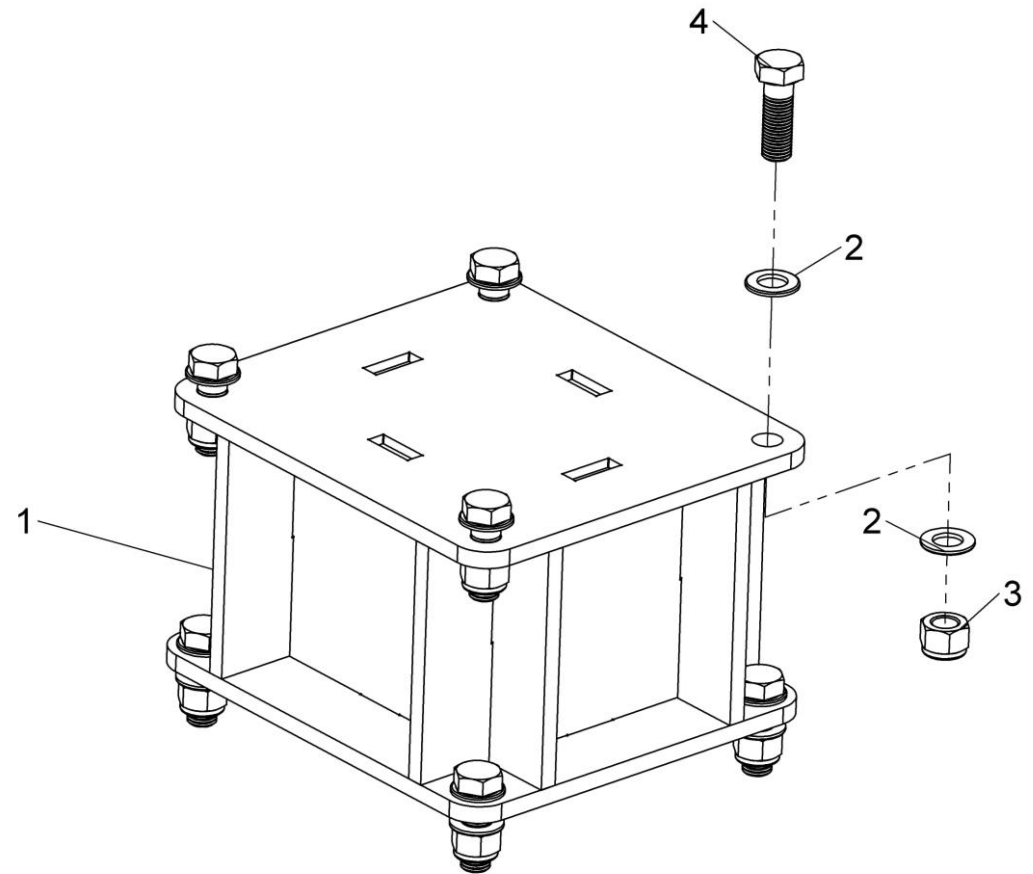
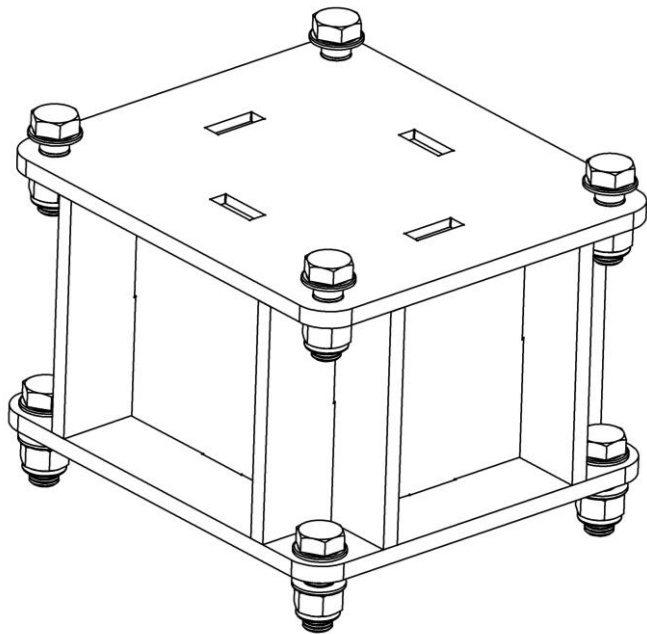


KIT-03828



Shelbourne Reynolds Engineering Limited

| ASSY NUMBER: KIT-03844 | | | | ASSY DESCRIPTION: 8" AXLE SPACER KIT | | | |
|------------------------|-----------|--------------------|-----|--------------------------------------|---------|-------------|-----|
| ITEM | PART NO | DESCRIPTION | QTY | ITEM | PART NO | DESCRIPTION | QTY |
| 1 | 615922 01 | 8" AXLE SPACER W/A | 2 | | | | |
| 2 | WSH-0030 | WASHER | 32 | | | | |
| 3 | NUTA02200 | NUT | 16 | | | | |
| 4 | BLT-2366 | BOLT | 16 | | | | |

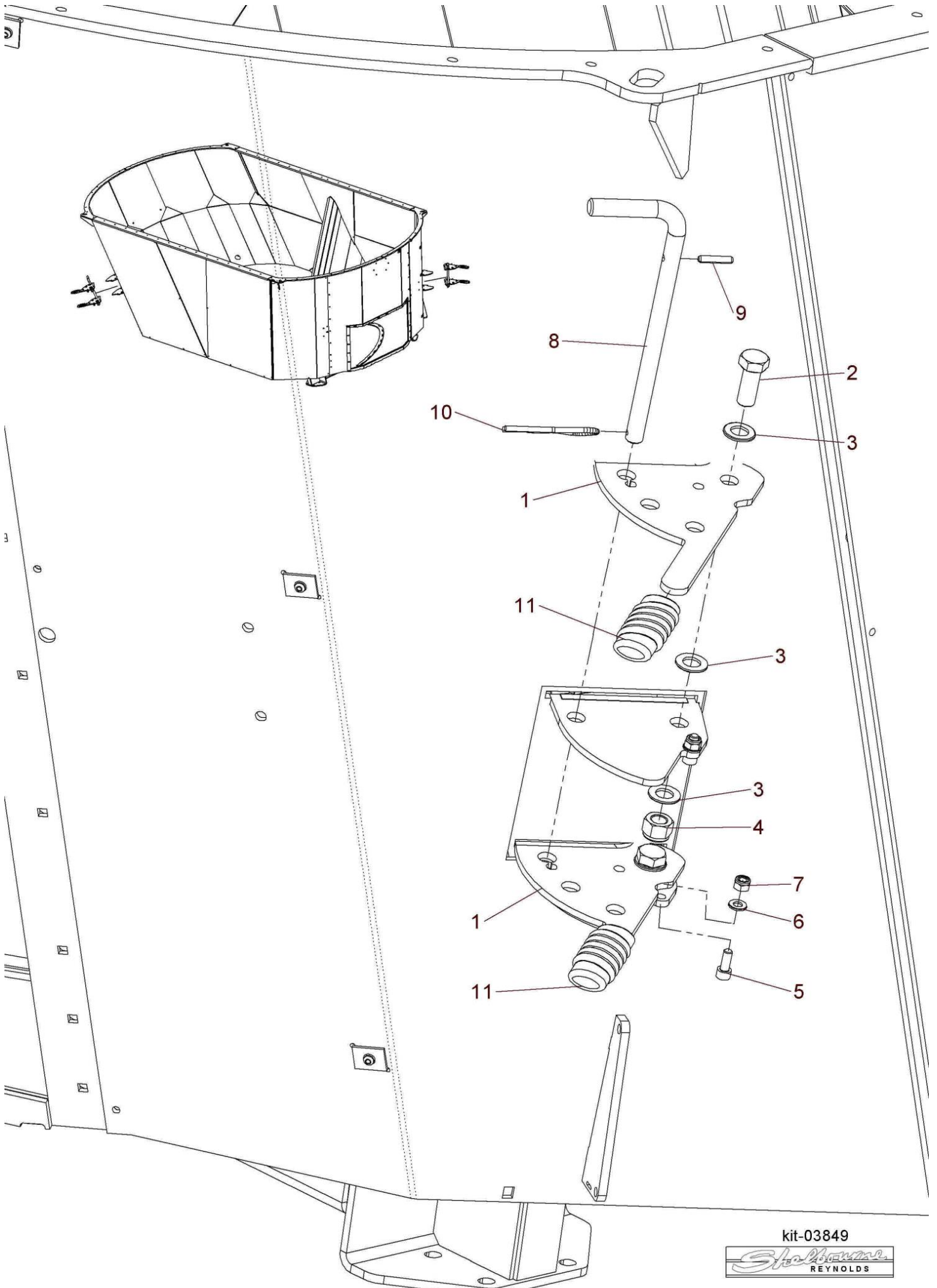


KIT-03844



Shelbourne Reynolds Engineering Limited

| ASSY NUMBER: KIT-03849 | | | | ASSY DESCRIPTION: ANT- ROTATION BLADE KIT (TWIN) | | | |
|------------------------|-----------|---------------------|-----|--------------------------------------------------|---------|-------------|-----|
| ITEM | PART NO | DESCRIPTION | QTY | ITEM | PART NO | DESCRIPTION | QTY |
| 1 | 612872 01 | ANTI ROTATION BLADE | 4 | | | | |
| 2 | HSS-0355 | SETSCREW | 4 | | | | |
| 3 | WSH-0030 | WASHER | 12 | | | | |
| 4 | NUTA02200 | NUT | 4 | | | | |
| 5 | SCW-0190 | SOC CAP HD SCREW | 4 | | | | |
| 6 | WSH-0015 | WASHER | 4 | | | | |
| 7 | NUT-0265 | NUT | 4 | | | | |
| 8 | 612874 01 | BLADE LOCKING SHAFT | 2 | | | | |
| 9 | PIN-1783 | ROLL PIN | 2 | | | | |
| 10 | CLP-00106 | R-CLIP | 2 | | | | |
| 11 | PTF-00025 | HANDLE GRIP | 4 | | | | |

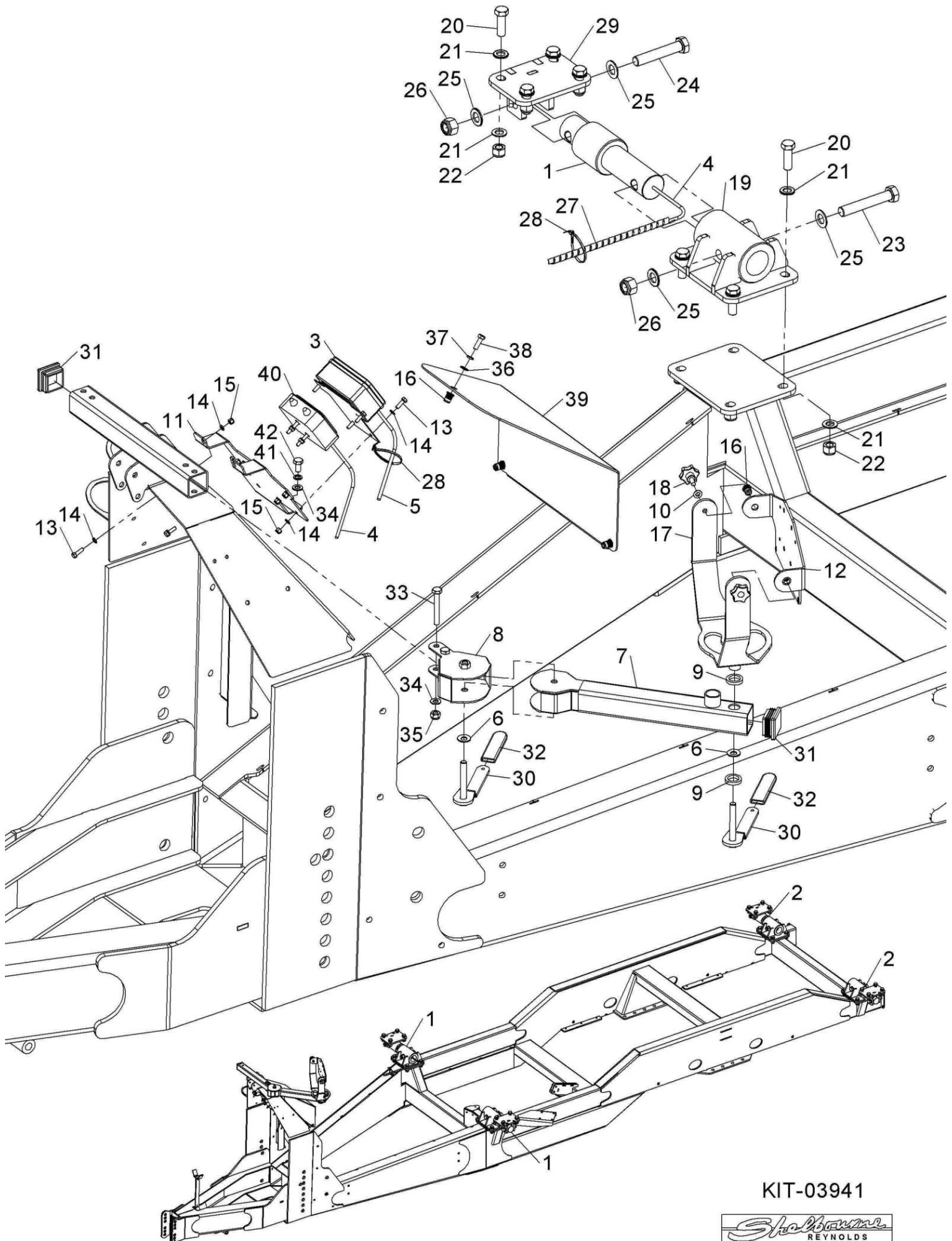


kit-03849



Shelbourne Reynolds Engineering Limited

| ASSY NUMBER: KIT-03941 | | | | ASSY DESCRIPTION: WEIGH CELL SYSTEM TWIN AUGER (DG) | | | |
|------------------------|-----------|-------------------------|-----|-----------------------------------------------------|----------|-------------|-----|
| ITEM | PART NO | DESCRIPTION | QTY | ITEM | PART NO | DESCRIPTION | QTY |
| 1 | LCL-04015 | LOADCELL | 2 | 41 | WSH-0061 | WASHER | 1 |
| 2 | LCL-04020 | LOADCELL | 2 | 42 | HSS-0188 | SETSCREW | 1 |
| 3 | LCL-04025 | JUNCTION BOX | 1 | | | | |
| 4 | LCL-04100 | POWER CORD | 1 | | | | |
| 5 | LCL-04030 | SENSOR CABLE | 1 | | | | |
| 6 | WSHA30121 | LOCKWASHER | 2 | | | | |
| 7 | 617476 01 | WEIGH HEAD ARM W/A | 1 | | | | |
| 8 | 614187 01 | OUTER COUPLING W/A | 1 | | | | |
| 9 | 190548 54 | WASHER | 2 | | | | |
| 10 | WSH-1300 | SHAKERPROOF WASHER | 2 | | | | |
| 11 | 617473 01 | J-BOX BRKT | 1 | | | | |
| 12 | 616627 01 | REAR PANEL | 1 | | | | |
| 13 | HSS-0086 | SET SCREW | 6 | | | | |
| 14 | WSH-0009 | WASHER | 12 | | | | |
| 15 | NUT-0260 | NUT | 6 | | | | |
| 16 | NUTA13080 | NUTSERT | 5 | | | | |
| 17 | 617478 01 | WEIGH HEAD HOUSING | 1 | | | | |
| 18 | KNO-0001 | THERMOPLASTIC KNOB | 2 | | | | |
| 19 | 613608 01 | LOADCELL MTG BOSS W/A | 4 | | | | |
| 20 | HSS-0318 | SET SCREW | 32 | | | | |
| 21 | WSH-0024 | WASHER | 64 | | | | |
| 22 | NUT-0271 | NUT | 32 | | | | |
| 23 | BLTA20620 | HEX HEAD BOLT | 4 | | | | |
| 24 | BLTA20590 | BOLT HEX. HD. | 4 | | | | |
| 25 | WSH-0030 | WASHER | 16 | | | | |
| 26 | NUTA02200 | NUT | 8 | | | | |
| 27 | SLV-00300 | SPIRAL CONVOLUTE TUBING | 7 | | | | |
| 28 | TIE-0004 | TIE WRAPS | 40 | | | | |
| 29 | 613612 01 | LOADCELL CLEVIS W/A | 4 | | | | |
| 30 | 613695 01 | SECURING HANDLE ASSY | 2 | | | | |
| 31 | CAP-0012 | PLASTIC END CAP (2"x2") | 2 | | | | |
| 32 | PTF-00026 | PLASTIC HANDLE | 2 | | | | |
| 33 | BLTA10470 | HEX.HEAD BOLT | 2 | | | | |
| 34 | WSH-0015 | WASHER | 3 | | | | |
| 35 | NUT-0265 | NUT | 2 | | | | |
| 36 | WSH-0012 | WASHER | 3 | | | | |
| 37 | WSH-0058 | WASHER | 3 | | | | |
| 38 | HSS-0145 | BOLT | 3 | | | | |
| 39 | 617480 01 | REAR GUARD | 1 | | | | |
| 40 | JNC-00000 | J-BOX | 1 | | | | |

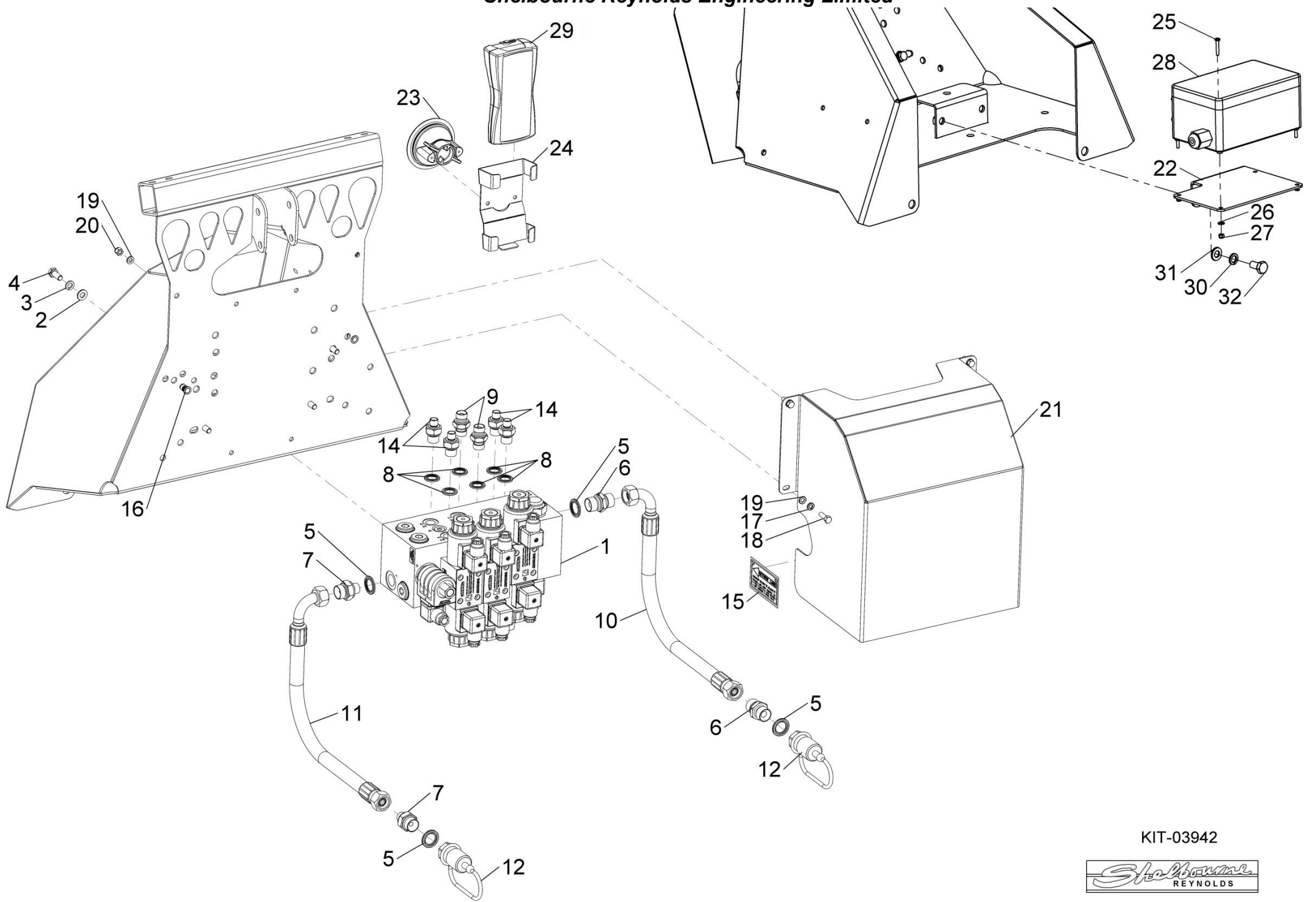


KIT-03941



Shelbourne Reynolds Engineering Limited

| ASSY NUMBER: KIT-03942 | | | | ASSY DESCRIPTION: WIRELESS CONTROL HYDRAULIC KIT (PRO) | | | |
|------------------------|-----------|------------------------------|-----|--------------------------------------------------------|---------|-------------|-----|
| ITEM | PART NO | DESCRIPTION | QTY | ITEM | PART NO | DESCRIPTION | QTY |
| 1 | HVB-19140 | PROPORTIONAL CONTROL VALVE | 1 | | | | |
| 2 | WSH-0012 | WASHER | 4 | | | | |
| 3 | WSH-0058 | WASHER | 4 | | | | |
| 4 | HSS-0140 | SETSCREW | 4 | | | | |
| 5 | WSH-1015 | DOWTY WASHER | 4 | | | | |
| 6 | HMA-0067 | M/M ADAPTOR | 2 | | | | |
| 7 | HMA-0065 | M/M ADAPTOR | 2 | | | | |
| 8 | WSH-1010 | DOWTY WASHER | 6 | | | | |
| 9 | HMA-0057 | M/M ADAPTOR | 2 | | | | |
| 10 | HHBE19505 | HYDRAULIC HOSE (FEED 3/8") | 1 | | | | |
| 11 | HHBF19505 | HYDRAULIC HOSE (RETURN 1/2") | 1 | | | | |
| 12 | COU-0162 | QUICK RELEASE COUPLG | 2 | | | | |
| 13 | TIE-0004 | TIE WRAP (MEDIUM) | 15 | | | | |
| 14 | FIT-0025 | M/M ADAPTOR | 4 | | | | |
| 15 | 612230 01 | EMBLEM | 1 | | | | |
| 16 | NUTA13060 | NUTSERT | 2 | | | | |
| 17 | WSH-0056 | WASHER | 2 | | | | |
| 18 | HSS-0086 | BOLT | 4 | | | | |
| 19 | WSH-0009 | PLAIN WASHER | 6 | | | | |
| 20 | NUT-0260 | NYLOC NUT | 2 | | | | |
| 21 | 616867 01 | VALVE GUARD | 1 | | | | |
| 22 | 617475 01 | BASE UNIT MTG BRKT | 1 | | | | |
| 23 | LCL-01249 | SUCTION MOUNT ASSY | 1 | | | | |
| 24 | 617459 01 | HANDSET CRADDLE | 1 | | | | |
| 25 | SCFC04170 | PAN HD SCREW | 4 | | | | |
| 26 | WSH-0003 | WASHER | 4 | | | | |
| 27 | NUT-0255 | NUT | 4 | | | | |
| 28 | HVC-06000 | REMOTE CONTROL BASE UNIT | 1 | | | | |
| 29 | HVC-06001 | REMOTE CONTROL HANDSET | 1 | | | | |
| 30 | WSH-0061 | WASHER | 2 | | | | |
| 31 | WSH-0015 | WASHER | 2 | | | | |
| 32 | HSS-0188 | SETSCREW | 2 | | | | |

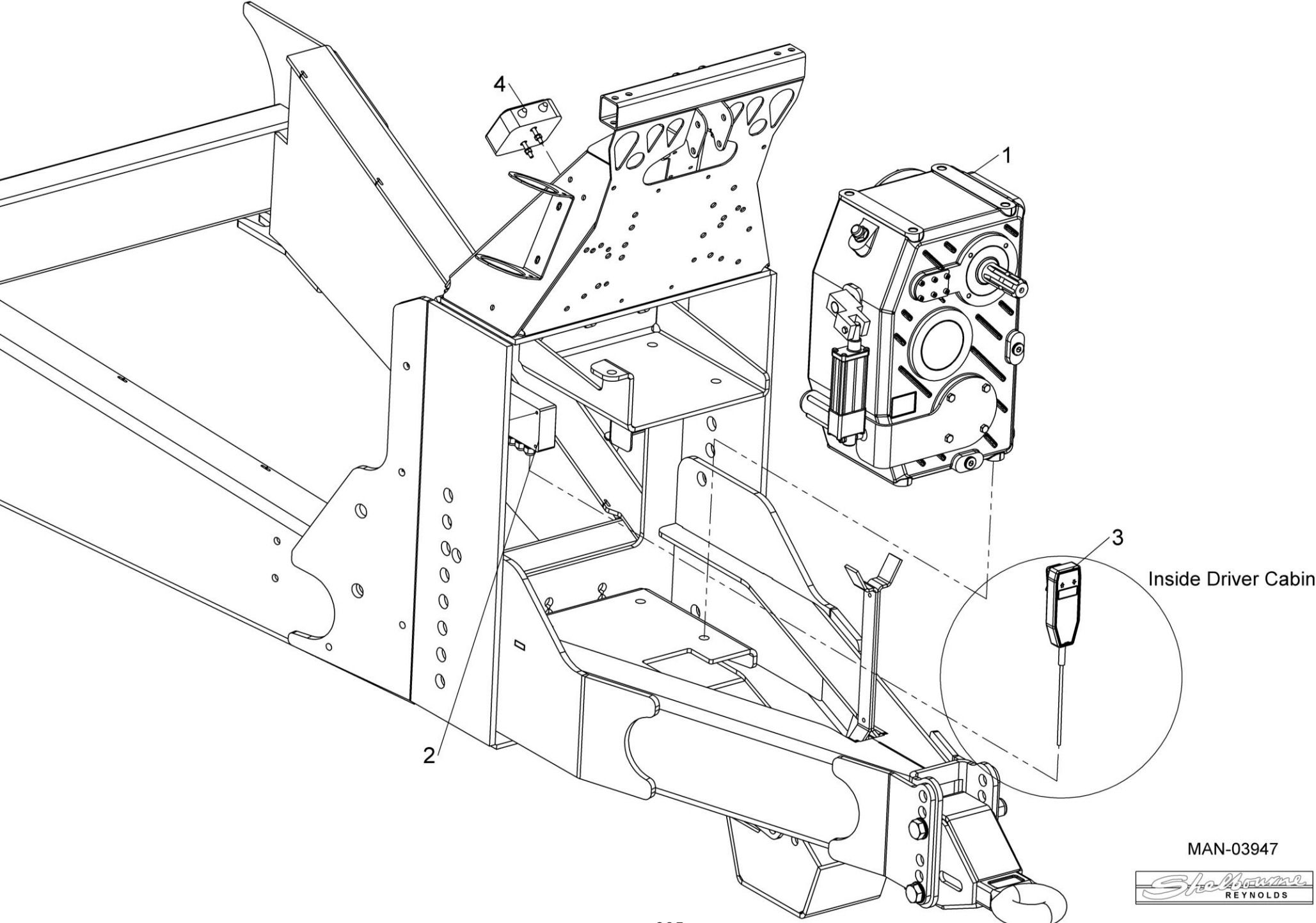


KIT-03942



Shelbourne Reynolds Engineering Limited

| ASSY NUMBER: KIT-03947 | | | | ASSY DESCRIPTION: ELECTRIC 2-SPEED KIT (PRO) | | | |
|------------------------|------------|----------------------------|-----|----------------------------------------------|---------|-------------|-----|
| ITEM | PART NO | DESCRIPTION | QTY | ITEM | PART NO | DESCRIPTION | QTY |
| 1 | GEA-0200 | 2-SPEED GEARBOX (ACTUATOR) | 1 | | | | |
| 2 | MOTE11020B | ACTUATOR CONTROL BOX | 1 | | | | |
| 3 | MOTE11020C | HB40 HANDSET | 1 | | | | |
| 4 | JNC-00000 | JUNCTION BOX | 1 | | | | |

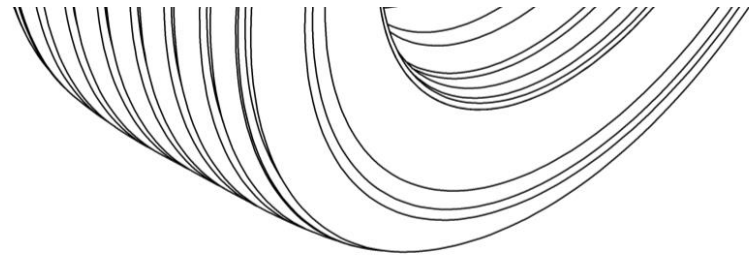
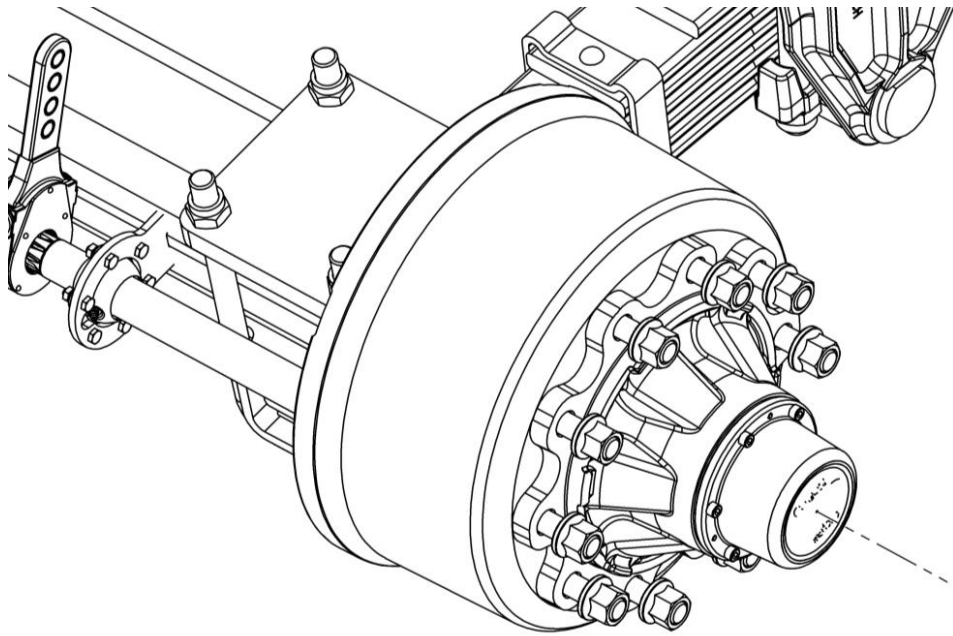


MAN-03947

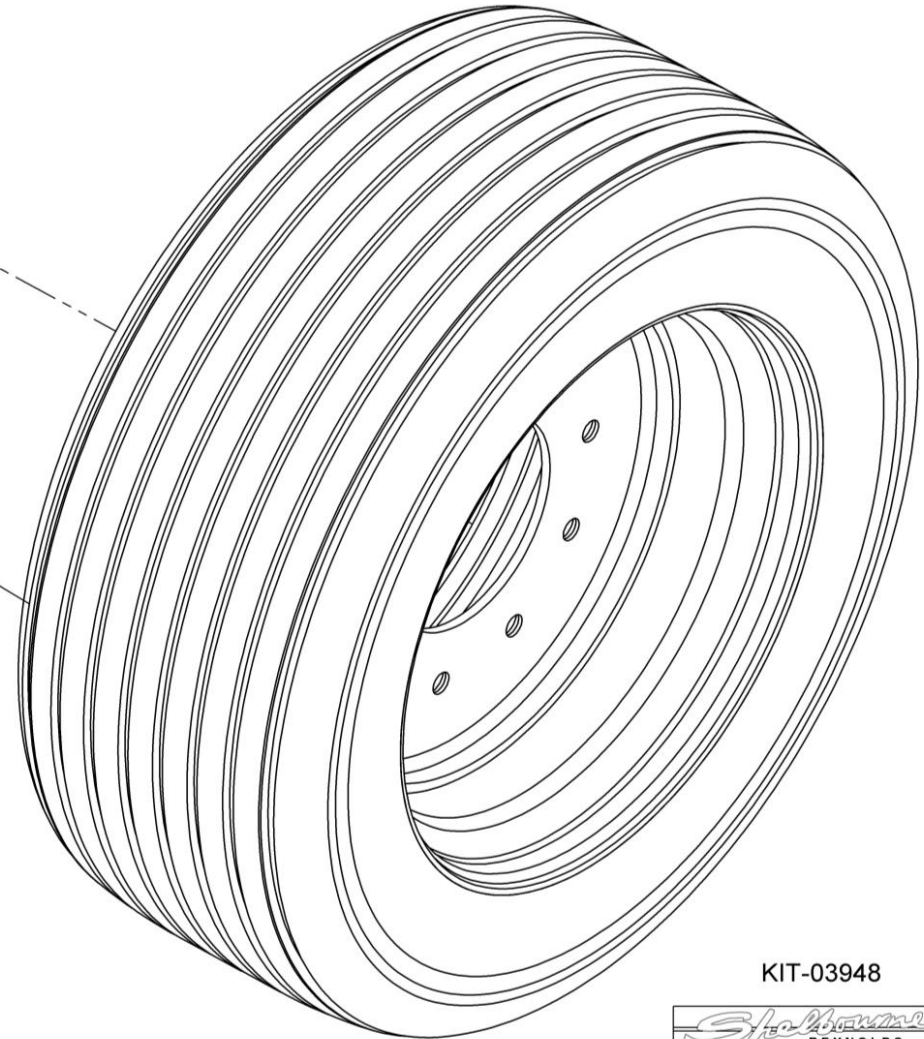


Shelbourne Reynolds Engineering Limited

| ASSY NUMBER: KIT-03948 | | | | ASSY DESCRIPTION: WHEEL & TYRE KIT (385/55R22.5 LONGMARCH) | | | |
|------------------------|-----------|---------------------------------------------|-----|------------------------------------------------------------|---------|-------------|-----|
| ITEM | PART NO | DESCRIPTION | QTY | ITEM | PART NO | DESCRIPTION | QTY |
| 1 | WHL-02230 | WHEEL & TYRE ASSY (385/55R22.5, 10 STUD) | 4 | | | | |



1

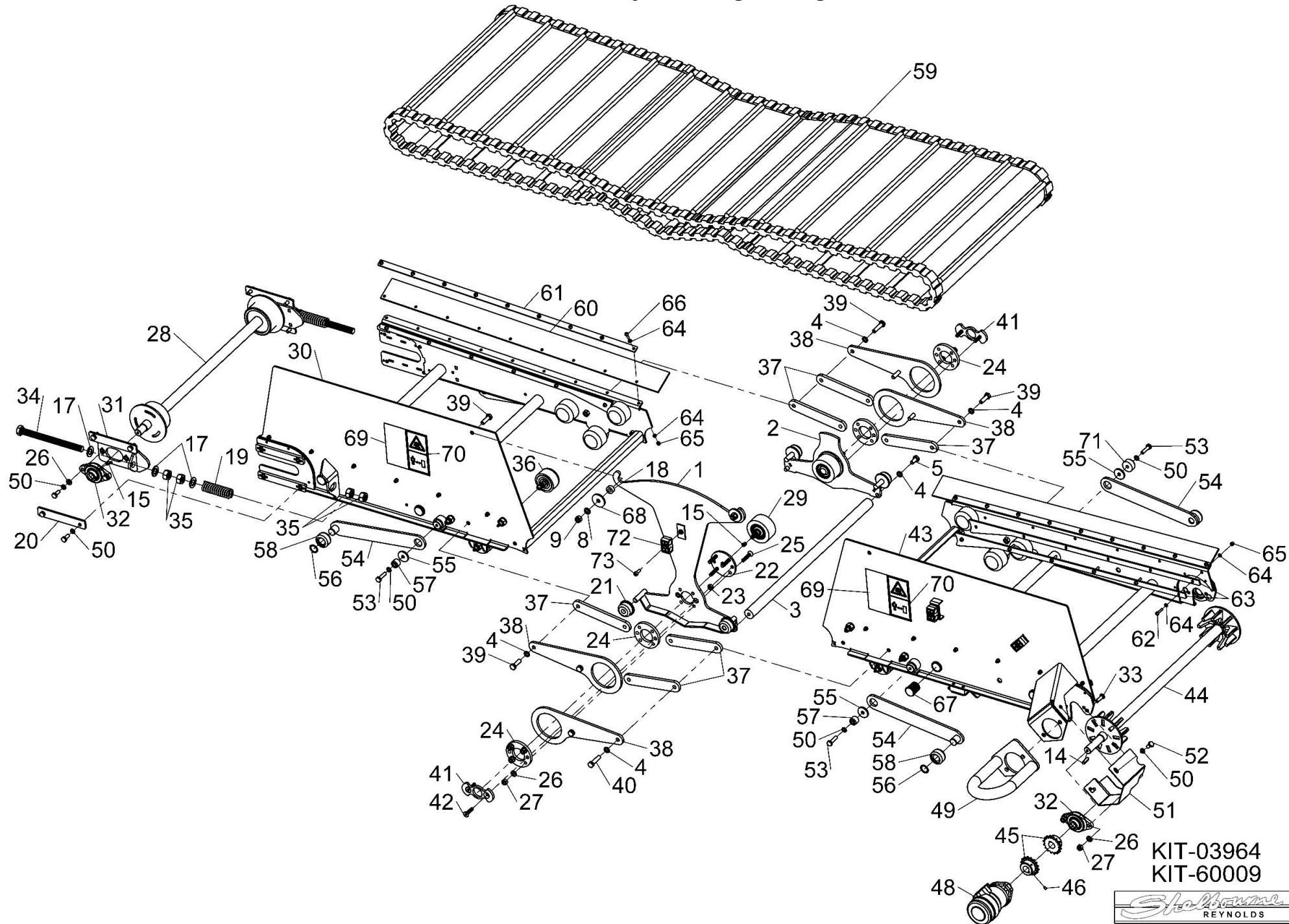


KIT-03948



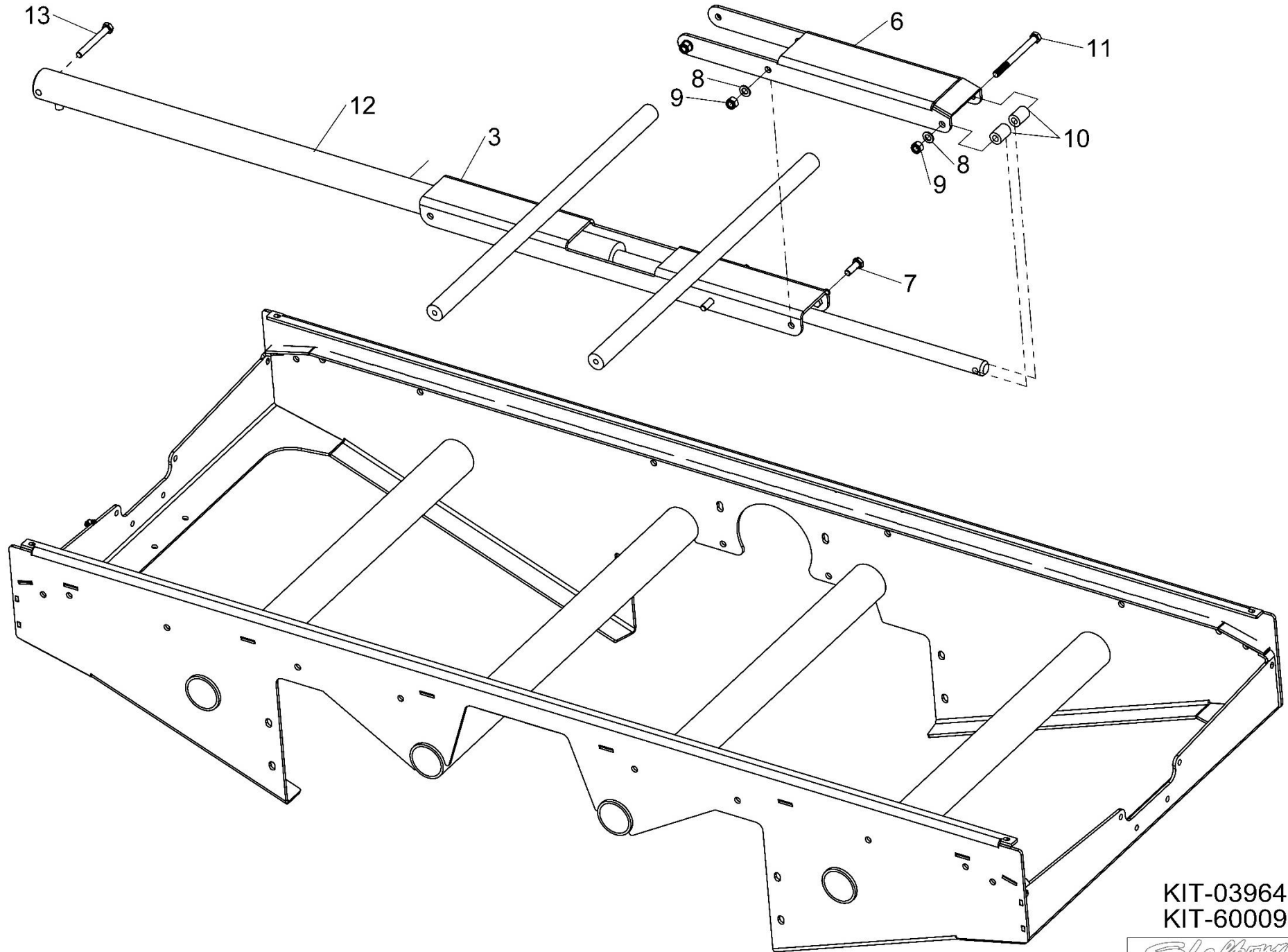
Shelbourne Reynolds Engineering Limited

| ASSY NUMBER: KIT-03964 | | | | ASSY DESCRIPTION: EXPRESS WEB CONVEYOR KIT (SPRUNG LOADED) | | | |
|------------------------|------------|-----------------------|-----|------------------------------------------------------------|-----------|------------------------------|-----|
| ITEM | PART NO | DESCRIPTION | QTY | ITEM | PART NO | DESCRIPTION | QTY |
| 1 | 614781 01 | FRONT CARRIAGE W/A | 1 | 41 | 614672 01 | SECURING PLATE | 2 |
| 2 | 614782 01 | REAR CARRIAGE W/A | 1 | 42 | SCW-1895 | CSK SOCKET HD SCW | 4 |
| 3 | 615282 01 | CONVEYOR CARRIAGE W/A | 1 | 43 | 615348 01 | LH CONVEYOR PAN W/A | 1 |
| 4 | WSH-0065 | WASHER | 12 | 44 | 615048 01 | DRIVE SHAFT W/A | 1 |
| 5 | HSS-0235 | SET SCREW | 4 | 45 | 260030 03 | SPROCKET | 2 |
| 6 | 614756 01 | RAM BRACKET | 1 | 46 | SCW-4530 | GRUBSCREW | 4 |
| 7 | HSS-0241 | SET SCREW | 4 | 47 | CHN-01380 | CHAIN | 1 |
| 8 | WSH-0018 | WASHER | 10 | 48 | MOTH08000 | HYDRAULIC MOTOR | 1 |
| 9 | NUT-0269 | NUT | 10 | 48a | HMS-08001 | SEAL KIT | |
| 10 | 613919 03 | SPACER TUBE | 2 | 49 | 614304 01 | MOTOR GUARD W/ASSY | 1 |
| 11 | 20146128 | BOLT | 1 | 50 | WSH-0061 | WASHER | 18 |
| 12 | 610447 01 | HYDRAULIC CYLINDER | 1 | 51 | 614310 01 | COUPLING GUARD | 1 |
| 13 | BLT-2270 | BOLT | 1 | 52 | HSS-0188 | SET SCREW | 2 |
| 14 | K0807032 | KEY PARALLEL | 1 | 53 | HSS-0202 | SET SCREW | 4 |
| 15 | NIP-00610 | GREASE NIPPLE | 4 | 54 | 615352 01 | LIFT ARM W/A | 4 |
| | | | | 55 | 190548 01 | WASHER | 4 |
| 17 | WSH-0030 | WASHER | 6 | 56 | CIR-1125 | CIRCLIP EXT | 4 |
| 18 | 613919 04 | SPACER TUBE | 2 | 57 | 615353 01 | NYLON ROLLER | 2 |
| 19 | SPGC52900 | COMPRESSION SPRING | 2 | 58 | 614278 01 | WHEEL | 4 |
| 20 | 616090 01 | KEEP PLATE | 4 | 59 | CON-00039 | WEB BELT (ENDLESS 50mm TRAC) | 1 |
| 21 | 613702 01 | WHEEL | 4 | 60 | 614309 01 | RUBBER SEAL STRIP | 2 |
| 22 | 614671 01 | CSK PIVOT PLATE | 2 | 61 | 614487 01 | CLAMP STRIP | 2 |
| 23 | NUT-0167 | NUT | 4 | 62 | SCBA06200 | BUTT SOC HD SCREW | 24 |
| 24 | 614670 01 | PIVOT DISC | 4 | 63 | 614484 01 | SEAL PLATE | 8 |
| 25 | SCEA10324 | CSK SOC HD SCREW | 8 | 64 | WSH-0009 | WASHER | 84 |
| 26 | WSH-0015 | WASHER | 16 | 65 | NUT-0260 | NUT | 42 |
| 27 | NUT-0265 | NUT | 12 | 66 | SCW-4963 | BUTTON HD SCREW | 18 |
| 28 | 616543 01 | IDLE SHAFT W/A | 1 | 67 | PTF-00134 | PLASTIC CAP INSERT | 8 |
| 29 | CON-00026 | GUIDE ROLLER | 2 | 68 | 190119 15 | WASHER | 2 |
| 30 | 615815 01 | RH CONVEYOR PANEL W/A | 1 | 69 | 260062 01 | TRANSFER-HAND ENTANGLEMENT | 2 |
| 31 | 616092 01 | BEARING SLIDE PLATE | 2 | 70 | 260061 01 | TRANSFER-SAFE DISTANCE | 2 |
| 32 | BRG-22560 | FLANGE BEARING | 4 | 71 | 618595 01 | NYLON ROLLER | 2 |
| 33 | BLTF10231 | COACH BOLT | 4 | | | | |
| 34 | HSSA20930 | SETSCREW | 2 | | | | |
| 35 | NUT-0185 | NUT | 8 | | | | |
| 36 | CON-00025a | SUPPORT ROLLER | 12 | | | | |
| 37 | 614669 01 | SPACER PLATE | 6 | | | | |
| 38 | 614667 01 | PIVOT PLATE | 4 | | | | |
| 39 | HSS-0250 | SET SCREW | 6 | | | | |
| 40 | HSS-0260 | SET SCREW | 6 | | | | |



KIT-03964
KIT-60009



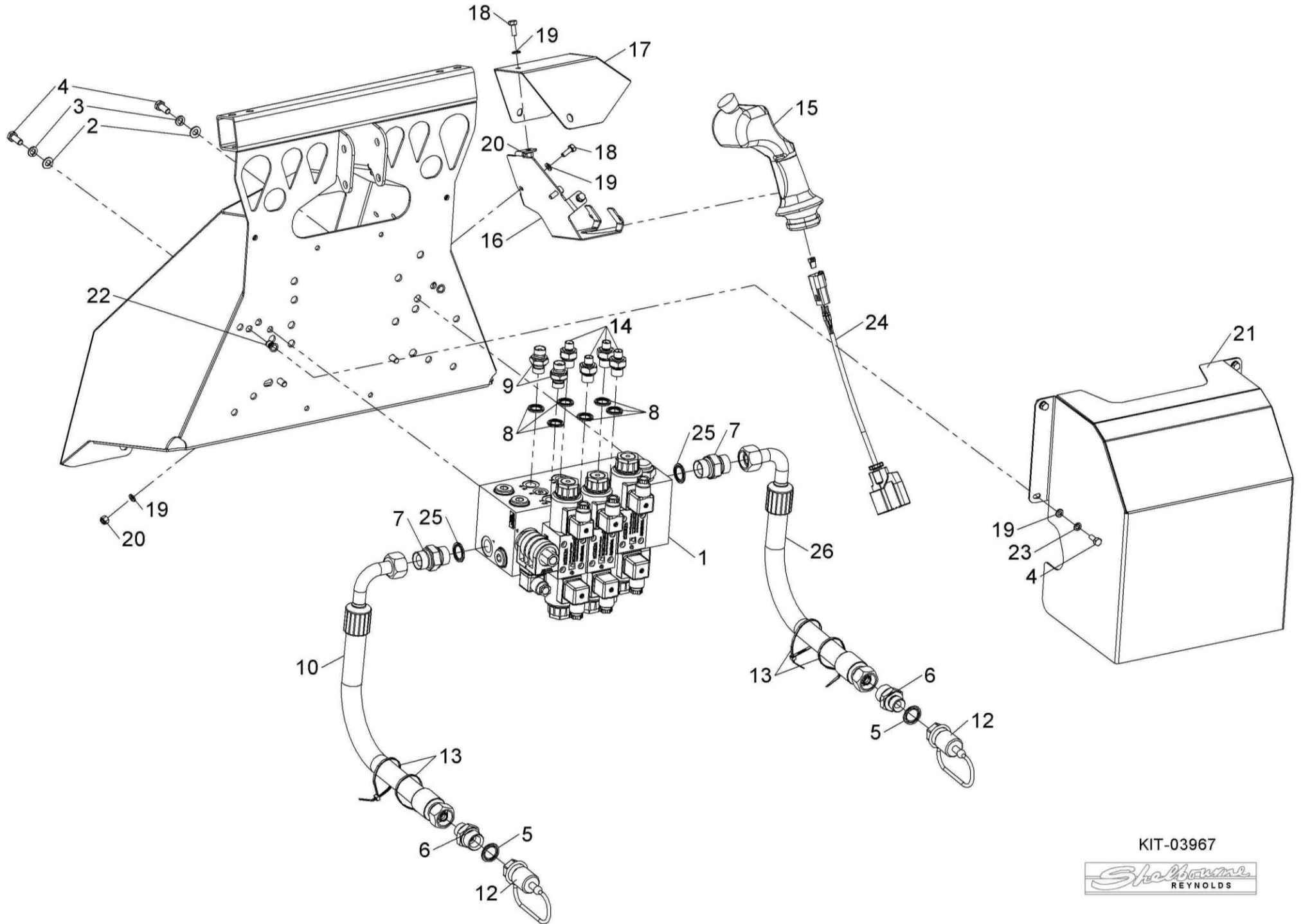


KIT-03964
KIT-60009



Shelbourne Reynolds Engineering Limited

| ASSY NUMBER: KIT-03967 | | | | ASSY DESCRIPTION: HYD VALVE KIT (3/4" ALUMINIUM VERSION) | | | |
|------------------------|-----------|-------------------------------|-----|----------------------------------------------------------|---------|-------------|-----|
| ITEM | PART NO | DESCRIPTION | QTY | ITEM | PART NO | DESCRIPTION | QTY |
| 1 | HVB-19140 | PROPORTIONAL CONTROL VALVE | 1 | | | | |
| 2 | WSH-0012 | WASHER | 4 | | | | |
| 3 | WSH-0058 | WASHER | 4 | | | | |
| 4 | HSS-0140 | SETSCREW | 4 | | | | |
| 5 | WSH-1015 | DOWTY WASHER | 4 | | | | |
| 6 | HMA-0060 | M/M ADAPTOR | 4 | | | | |
| 7 | HMA-0074 | M/M ADAPTOR | 1 | | | | |
| 8 | WSH-1010 | DOWTY WASHER | 6 | | | | |
| 9 | HMA-0057 | M/M A SOLTS IN JIGDAPTOR | 2 | | | | |
| 10 | HHBH19505 | HYDRAULIC HOSE | 1 | | | | |
| 11 | HVB-20510 | NON RETURN VALVE | 1 | | | | |
| 12 | COU-0162 | QUICK RELEASE COUPLG | 2 | | | | |
| 13 | TIE-0004 | TIE WRAP (MEDIUM) | 8 | | | | |
| 14 | FIT-0025 | M/M ADAPTOR | 4 | | | | |
| 15 | 616632 01 | HAND CONTROLLER | 1 | | | | |
| 16 | 615563 01 | HOLDER | 1 | | | | |
| 17 | 615564 01 | CONTROLLER COVER | 1 | | | | |
| 18 | HSS-0084 | BOLT | 9 | | | | |
| 19 | WSH-0009 | PLAIN WASHER | 16 | | | | |
| 20 | NUT-0260 | NYLOC NUT | 7 | | | | |
| 21 | 616867 01 | VALVE GUARD | 1 | | | | |
| 22 | NUTA13060 | NUTSERT | 2 | | | | |
| 23 | WSH-0056 | SPRING WASHER | 2 | | | | |
| 24 | 615749 01 | PROPORTIONAL DRIVER PLUG ASSY | 1 | | | | |
| 25 | WSH-1020 | DOWTY WASHER | 2 | | | | |
| 26 | HHBH18305 | HYDRAULIC HOSE | 1 | | | | |



KIT-03967

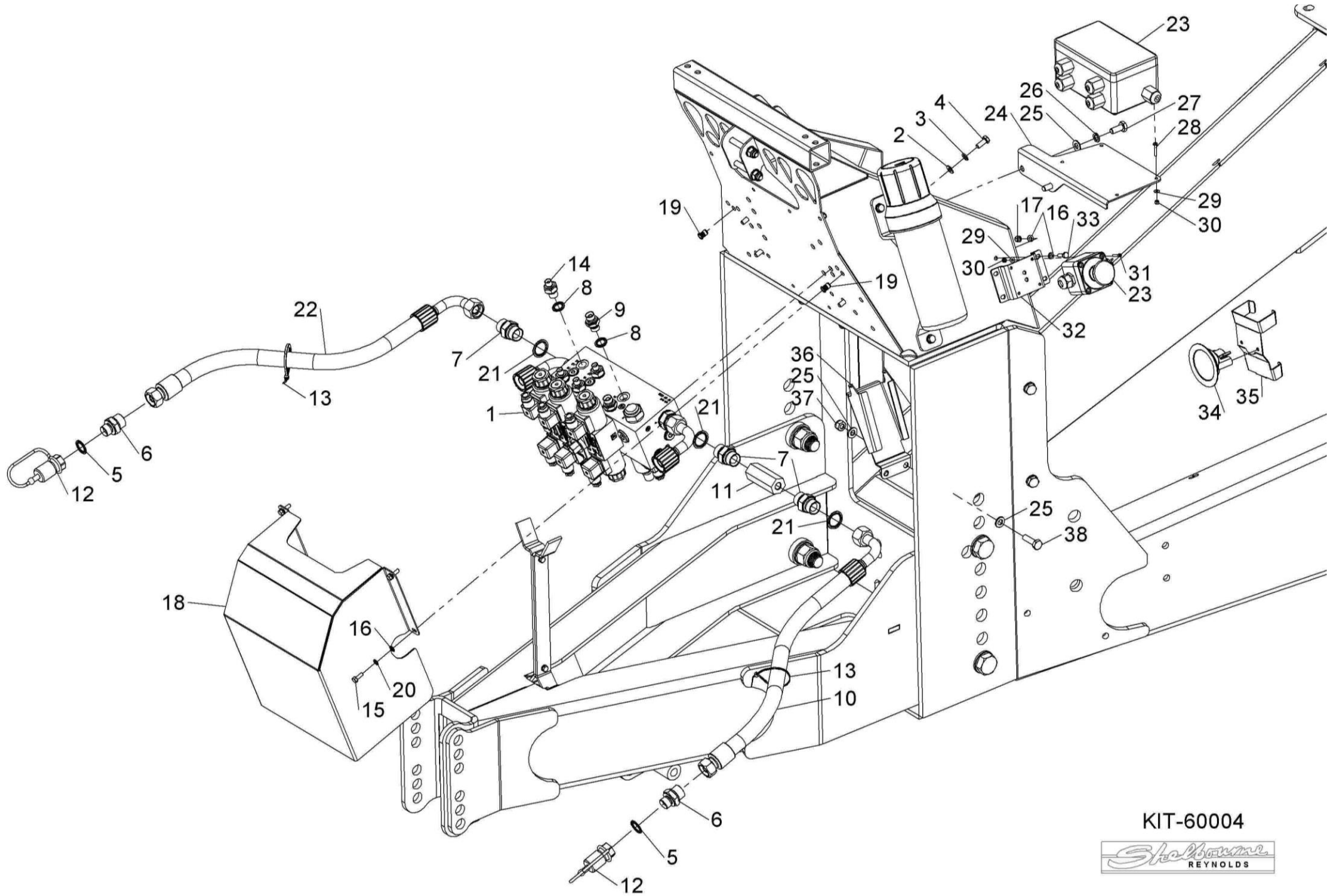


Shelbourne Reynolds Engineering Limited

| ASSY NUMBER: KIT-03968 | | | | ASSY DESCRIPTION: HYD VALVE KIT (3/4" STEEL VERSION) | | | |
|------------------------|------------|-------------------------------|-----|------------------------------------------------------|---------|-------------|-----|
| ITEM | PART NO | DESCRIPTION | QTY | ITEM | PART NO | DESCRIPTION | QTY |
| 1 | HVB-19140S | PROPORTIONAL CONTROL VALVE | 1 | | | | |
| 2 | WSH-0012 | WASHER | 4 | | | | |
| 3 | WSH-0058 | WASHER | 4 | | | | |
| 4 | HSS-0140 | SETSCREW | 4 | | | | |
| 5 | WSH-1015 | DOWTY WASHER | 2 | | | | |
| 6 | HMA-0060 | M/M ADAPTOR | 2 | | | | |
| 7 | HMA-0074 | M/M ADAPTOR | 3 | | | | |
| 8 | WSH-1010 | DOWTY WASHER | 6 | | | | |
| 9 | HMA-0057 | M/M ADAPTOR | 2 | | | | |
| 10 | HHBH19505 | HYDRAULIC HOSE | 1 | | | | |
| 11 | HVB-20510 | NON-RETURN VALVE | 1 | | | | |
| 12 | COU-0162 | QUICK RELEASE COUPLG | 2 | | | | |
| 13 | TIE-0004 | TIE WRAP (MEDIUM) | 8 | | | | |
| 14 | FIT-0025 | M/M ADAPTOR | 4 | | | | |
| 15 | 616632 01 | HAND CONTROLLER | 1 | | | | |
| 16 | 615563 01 | HOLDER | 1 | | | | |
| 17 | 615564 01 | CONTROLLER COVER | 1 | | | | |
| 18 | HSS-0084 | BOLT | 9 | | | | |
| 19 | WSH-0009 | PLAIN WASHER | 16 | | | | |
| 20 | NUT-0260 | NYLOC NUT | 7 | | | | |
| 21 | 616867 01 | VALVE GUARD | 1 | | | | |
| 22 | NUTA13060 | NUTSERT | 2 | | | | |
| 23 | WSH-0056 | SPRING WASHER | 2 | | | | |
| 24 | 615749 01 | PROPORTIONAL DRIVER PLUG ASSY | 1 | | | | |
| 25 | WSH-1020 | DOWTY WASHER | 4 | | | | |
| 26 | HHBH18305 | HYDRAULIC HOSE | 1 | | | | |
| 27 | LCL-01249 | RAM SUCTION MOUNT | 1 | | | | |
| 28 | 616138 01 | CONTROLLER HOLDER | 1 | | | | |

Shelbourne Reynolds Engineering Limited

| ASSY NUMBER: KIT-60004 | | | | ASSY DESCRIPTION: HYD VALVE KIT (3/4" STEEL VERSION) | | | |
|------------------------|------------|------------------------------|-----|------------------------------------------------------|---------|-------------|-----|
| ITEM | PART NO | DESCRIPTION | QTY | ITEM | PART NO | DESCRIPTION | QTY |
| 1 | HVB-19140S | PROPORTIONAL CONTROL VALVE | 1 | | | | |
| 2 | WSH-0012 | WASHER | 4 | | | | |
| 3 | WSH-0058 | WASHER | 4 | | | | |
| 4 | HSS-0140 | SETSCREW | 4 | | | | |
| 5 | WSH-1015 | DOWTY WASHER | 2 | | | | |
| 6 | HMA-0060 | M/M ADAPTOR | 2 | | | | |
| 7 | HMA-0074 | M/M ADAPTOR | 3 | | | | |
| 8 | WSH-1010 | DOWTY WASHER | 6 | | | | |
| 9 | HMA-0057 | M/M ADAPTOR | 2 | | | | |
| 10 | HHBH19505 | HYDRAULIC HOSE | 1 | | | | |
| 11 | HVB-20510 | NON RETURN VALVE | 1 | | | | |
| 12 | COU-0162 | QUICK RELEASE COUPLG | 2 | | | | |
| 13 | TIE-0004 | TIE WRAP (MEDIUM) | 8 | | | | |
| 14 | FIT-0025 | M/M ADAPTOR | 4 | | | | |
| 15 | HSS-0084 | BOLT | 2 | | | | |
| 16 | WSH-0009 | PLAIN WASHER | 10 | | | | |
| 17 | NUT-0260 | NYLOC NUT | 4 | | | | |
| 18 | 616867 01 | VALVE GUARD | 1 | | | | |
| 19 | NUTA13060 | NUTSERT | 2 | | | | |
| 20 | WSH-0056 | SPRING WASHER | 2 | | | | |
| 21 | WSH-1020 | DOWTY WASHER | 4 | | | | |
| 22 | HHBH18305 | HYDRAULIC HOSE | 1 | | | | |
| 23 | HVC-06002 | WIRELESS HANDSET & BASE UNIT | 1 | | | | |
| 24 | 618859 01 | BASE UNIT MTG PLATE | 1 | | | | |
| 25 | WSH-0015 | WASHER | 6 | | | | |
| 26 | WSH-0061 | WASHER | 2 | | | | |
| 27 | HSS-0191 | SETSCREW | 2 | | | | |
| 28 | SCFC04170 | PAN HD SCREW | 4 | | | | |
| 29 | WSH-0003 | WASHER | 8 | | | | |
| 30 | NUT-0255 | NUT | 8 | | | | |
| 31 | SCW-0035 | SOC HD SCREW | 4 | | | | |
| 32 | 618860 01 | EMERGENCY STOP MTG PLATE | 1 | | | | |
| 33 | HSS-0086 | SETSCREW | 2 | | | | |
| 34 | LCL-01249 | SUCTION MOUNT ASSY | 1 | | | | |
| 35 | 617459 01 | HANDSET CRADDLE | 1 | | | | |
| 36 | 616450 01 | STORAGE CRADDLE | 1 | | | | |
| 37 | NUT-0265 | NUT | 2 | | | | |
| 38 | HSS-0198 | SETSCREW | 2 | | | | |

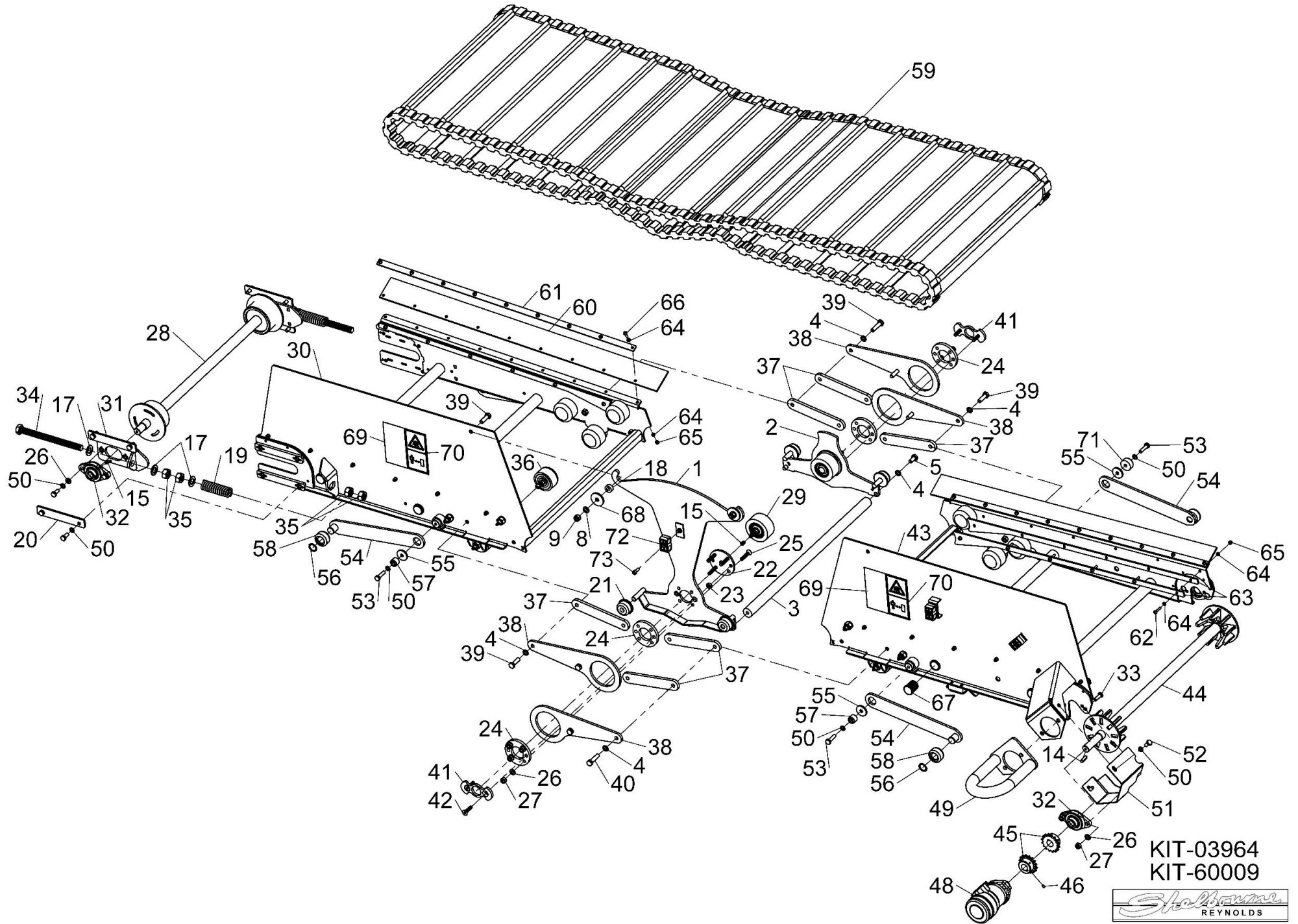


KIT-60004



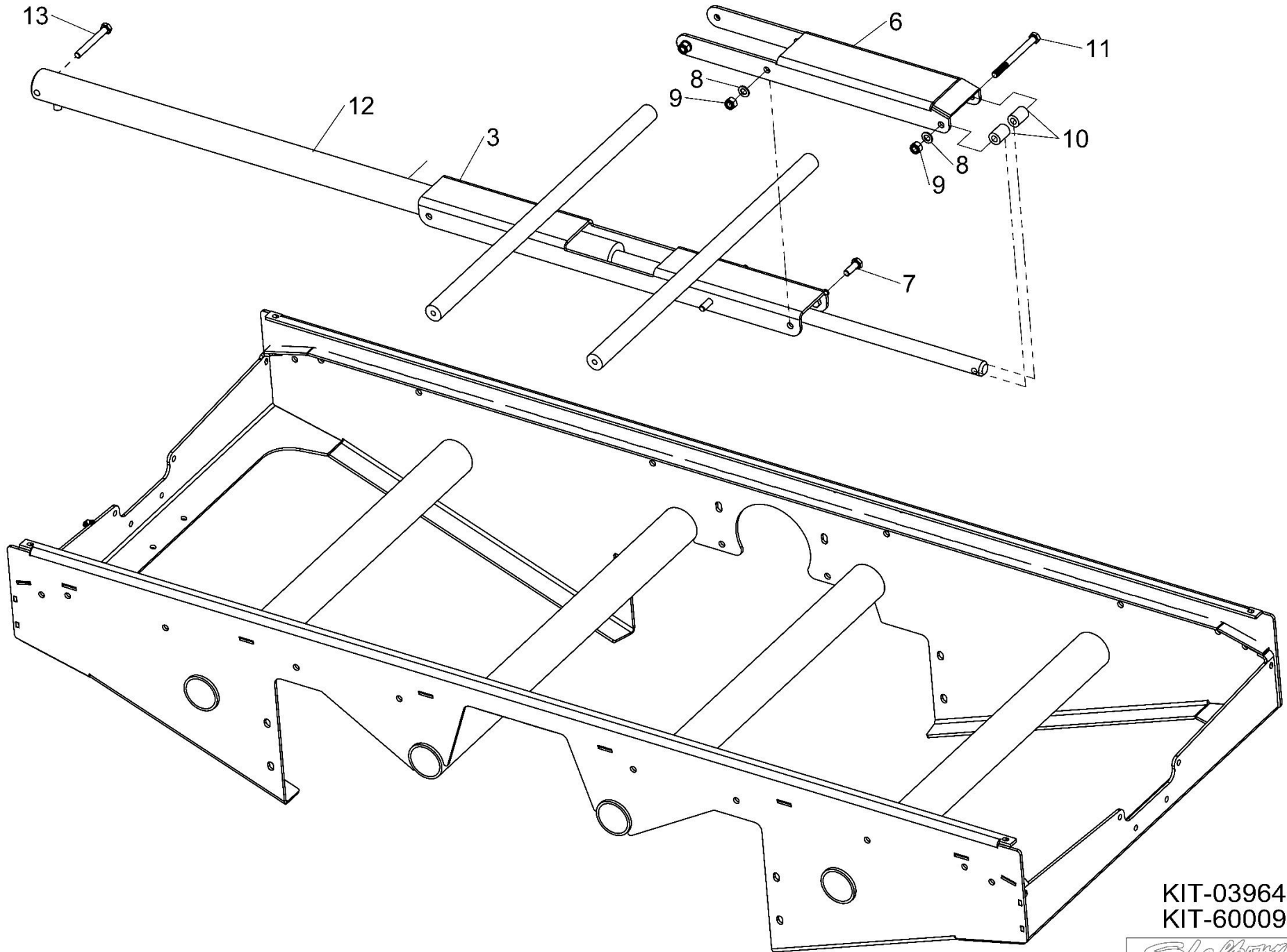
Shelbourne Reynolds Engineering Limited

| ASSY NUMBER: KIT-60009 | | | | ASSY DESCRIPTION: EXPRESS WEB CONVEYOR KIT (SPRUNG LOADED) | | | |
|------------------------|------------|-----------------------|-----|------------------------------------------------------------|-----------|--------------------------------|-----|
| ITEM | PART NO | DESCRIPTION | QTY | ITEM | PART NO | DESCRIPTION | QTY |
| 1 | 614781 01 | FRONT CARRIAGE W/A | 1 | 41 | 614672 01 | SECURING PLATE | 2 |
| 2 | 614782 01 | REAR CARRIAGE W/A | 1 | 42 | SCW-1895 | CSK SOCKET HD SCW | 4 |
| 3 | 615282 01 | CONVEYOR CARRIAGE W/A | 1 | 43 | 615348 01 | LH CONVEYOR PAN W/A | 1 |
| 4 | WSH-0065 | WASHER | 12 | 44 | 615048 01 | DRIVE SHAFT W/A | 1 |
| 5 | HSS-0235 | SET SCREW | 4 | 45 | 260030 03 | SPROCKET | 2 |
| 6 | 614756 01 | RAM BRACKET | 1 | 46 | SCW-4530 | GRUBSCREW | 4 |
| 7 | HSS-0241 | SET SCREW | 4 | 47 | CHN-01380 | CHAIN | 1 |
| 8 | WSH-0018 | WASHER | 10 | 48 | MOTH08000 | HYDRAULIC MOTOR | 1 |
| 9 | NUT-0269 | NUT | 10 | 48a | HMS-08001 | SEAL KIT | |
| 10 | 613919 03 | SPACER TUBE | 2 | 49 | 614304 01 | MOTOR GUARD W/ASSY | 1 |
| 11 | 20146128 | BOLT | 1 | 50 | WSH-0061 | WASHER | 18 |
| 12 | 610447 01 | HYDRAULIC CYLINDER | 1 | 51 | 614310 01 | COUPLING GUARD | 1 |
| 13 | BLT-2270 | BOLT | 1 | 52 | HSS-0188 | SET SCREW | 2 |
| 14 | K0807032 | KEY PARALLEL | 1 | 53 | HSS-0202 | SET SCREW | 4 |
| 15 | NIP-00610 | GREASE NIPPLE | 4 | 54 | 615352 01 | LIFT ARM W/A | 4 |
| | | | | 55 | 190548 01 | WASHER | 4 |
| 17 | WSH-0030 | WASHER | 6 | 56 | CIR-1125 | CIRCLIP EXT | 4 |
| 18 | 613919 04 | SPACER TUBE | 2 | 57 | 615353 01 | NYLON ROLLER | 2 |
| 19 | SPGC52900 | COMPRESSION SPRING | 2 | 58 | 614278 01 | WHEEL | 4 |
| 20 | 616090 01 | KEEP PLATE | 4 | 59 | CON-00045 | WEB BELT (ENDLESS BLUE) | 1 |
| 21 | 613702 01 | WHEEL | 4 | 60 | 614309 01 | RUBBER SEAL STRIP | 2 |
| 22 | 614671 01 | CSK PIVOT PLATE | 2 | 61 | 614487 01 | CLAMP STRIP | 2 |
| 23 | NUT-0167 | NUT | 4 | 62 | SCBA06200 | BUTT SOC HD SCREW | 24 |
| 24 | 614670 01 | PIVOT DISC | 4 | 63 | 614484 01 | SEAL PLATE | 8 |
| 25 | SCEA10324 | CSK SOC HD SCREW | 8 | 64 | WSH-0009 | WASHER | 84 |
| 26 | WSH-0015 | WASHER | 16 | 65 | NUT-0260 | NUT | 42 |
| 27 | NUT-0265 | NUT | 12 | 66 | SCW-4963 | BUTTON HD SCREW | 18 |
| 28 | 616543 01 | IDLE SHAFT W/A | 1 | 67 | PTF-00134 | PLASTIC CAP INSERT | 8 |
| 29 | CON-00026 | GUIDE ROLLER | 2 | 68 | 190119 15 | WASHER | 2 |
| 30 | 615815 01 | RH CONVEYOR PANEL W/A | 1 | 69 | 260062 01 | TRANSFER-HAND ENTANGLEMENT | 2 |
| 31 | 616092 01 | BEARING SLIDE PLATE | 2 | 70 | 260061 01 | TRANSFER-SAFE DISTANCE | 2 |
| 32 | BRG-22560 | FLANGE BEARING | 4 | 71 | 618595 01 | NYLON ROLLER | 2 |
| 33 | BLTF10231 | COACH BOLT | 4 | 72 | HCPD01600 | HYDRAULIC PIPE CLAMP TWIN 16mm | 3 |
| 34 | HSSA20930 | SETSCREW | 2 | 73 | SCW-0133 | CP HD SCREW | 3 |
| 35 | NUT-0185 | NUT | 8 | | | | |
| 36 | CON-00025a | SUPPORT ROLLER | 12 | | | | |
| 37 | 614669 01 | SPACER PLATE | 6 | | | | |
| 38 | 614667 01 | PIVOT PLATE | 4 | | | | |
| 39 | HSS-0250 | SET SCREW | 6 | | | | |
| 40 | HSS-0260 | SET SCREW | 6 | | | | |



KIT-03964
KIT-60009





KIT-03964
KIT-60009

