

Shelbourne
REYNOLDS

Powermix Pro

2 REAR DOOR POPULAR PARTS MANUAL



Shelbourne Reynolds Engineering Ltd
Stanton
Bury St Edmunds
Suffolk IP31 2AR
England

Telephone: 01359 250415
Fax. No:- 01359 250464

(Stores direct 01359 251231)
(Stores direct 01359 252031)

ORDERING SPARE PARTS

IMPORTANT

Your Powermix Pro is made up of a Machine assembly number (common parts) and also customer specific parts from a variety of optional build kits. The machine and optional kit numbers are listed in the front pages of your Operators manual, part no. MAN-05005. If you do not have these numbers please contact Shelbourne Reynolds Parts Department direct on (telephone) 01359 251231.

To ensure that you order the correct part from your SRE dealer please use the following procedure.

ALWAYS QUOTE THE MACHINE AND SERIAL NUMBERS WHEN ORDERING.

Refer to the Parts Manuals front page/s, listing the machine assemblies. Select the correct machine assembly number which is printed in the top left corner of the page (starting with 6199__ 01), This machine number can also be taken off the Powermix Pro's identification plate which is attached midway along the LH side of the chassis.

Looking down the page, select the relevant sub assembly that your required part falls within. Sub assemblies start from 6190__ 01. Note the year or serial number of the machine may determine a correct sub assembly if more than one is listed.

Continue through the manual and find the relevant sub assembly parts listing. Again the number will be printed in the top left corner; the sub-assemblies are in numerical order.

Having found the correct parts list, you will find the corresponding drawing by either looking at the facing page or progressing through the manual to the next drawing. The drawings indicate the components by item numbers, which you will find, are repeated in the left-hand side of your parts listing, and therefore referring to the correct part.

Note all parts will not be found from the sub assemblies listed below the machine number. Other parts could be from specific optional kits. These kits will be found in numerical order further through the manual and start with KIT- _____.

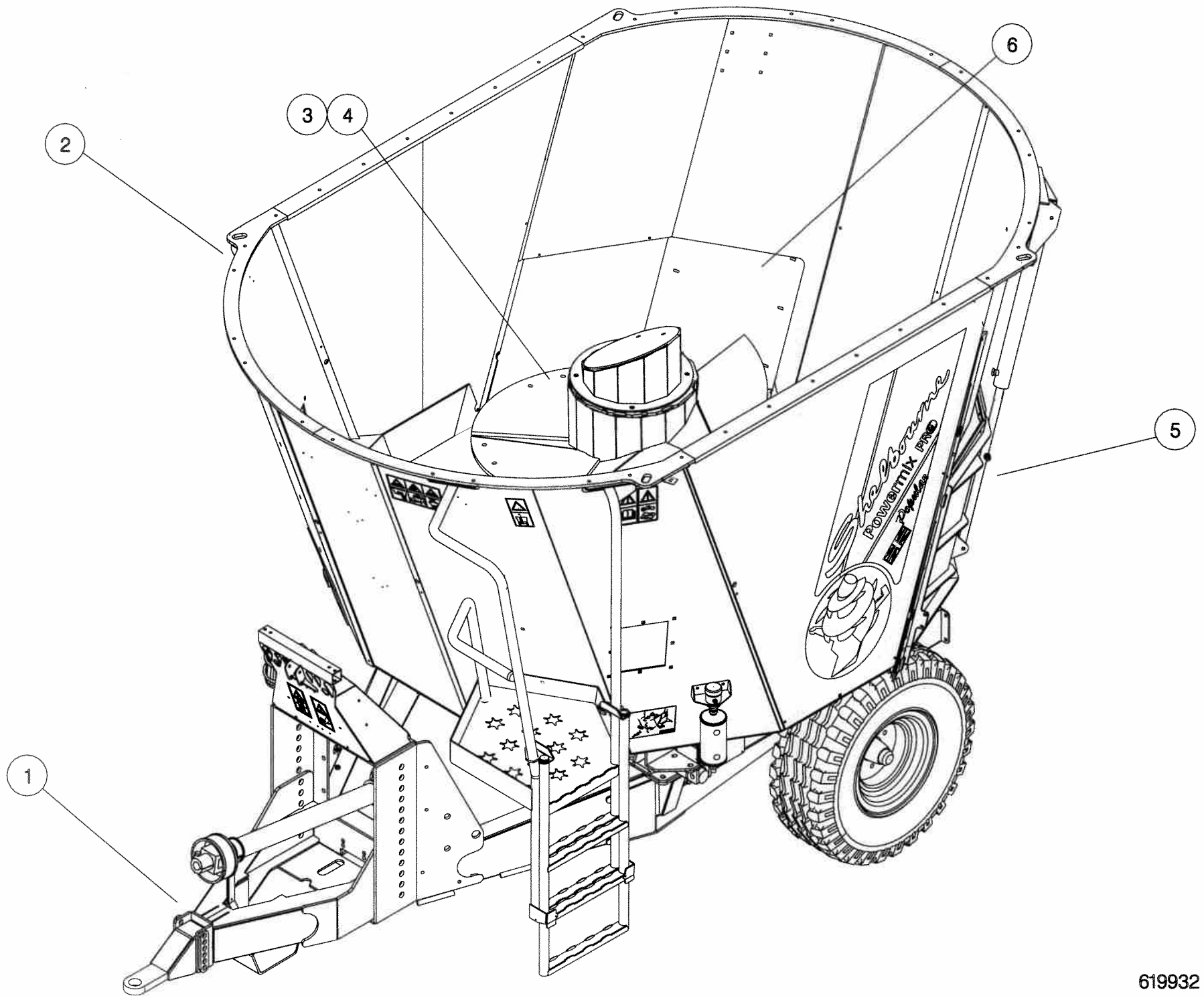
LIST OF KIT NUMBERS FOR
2 REAR DOOR POPULAR MACHINE

1. 619932 01	9m ³ 2 REAR DOOR POPULAR MACHINE
2. 619111 07	CHASSIS AND DRAWBAR SUB ASSY
3. 619133 02	AUGER DRIVES SUB ASSY
4. 619144 01	AUGER SUB ASSY
5. 619147 01	LH CORNER REAR DOOR SUB ASSY
6. 619147 02	RH CORNER REAR DOOR SUB ASSY
7. 619148 01	9m ³ DOUBLE REAR DOOR POPULAR TUB SUB ASSY
8. 619154 02	AUGER DRIVES SUB ASSY
9. KIT-02602	BRAKE RELIEF KIT
10. KIT-02651	9m ³ RUBBER RETAINING KIT
11. KIT-03248	GERMAN PARTS KIT
12. KIT-03249	UK PARTS KIT
13. KIT-03250	EUROPEAN PARTS KIT
14. KIT-03251	USA PARTS KIT
15. KIT-03300	AUGER MAGNET KIT
16. KIT-03395a	300mm EXTENSION KIT
17. KIT-03396a	600mm EXTENSION KIT
18. KIT-03397	11m ³ RUBBER RETAINING KIT
19. KIT-03398	13m ³ RUBBER RETAINING KIT
20. KIT-03422	UK TOWING EYE KIT
21. KIT-03431	LIGHTING KIT
22. KIT-03432	WHEEL AND TYRE KIT (GOODYEAR)
23. KIT-03433	HYDRAULIC BRAKED AXLE KIT
24. KIT-03433B	HYDRAULIC BRAKED AXLE KIT
25. KIT-03433c	HYDRAULIC BRAKED AXLE KIT
26. KIT-03439	CONTINENTAL TOWING EYE KIT
27. KIT-03442	MID LEVEL EZ3200 INDICATOR KIT
28. KIT-03442a	MID LEVEL EZ3200V INDICATOR KIT/REMOTE ZERO
29. KIT-03446	UN-BRAKED AXLE KIT
30. KIT-03446B	UN BRAKED AXLE KIT
31. KIT-03447	ANTI-ROTATION BLADE KIT
32. KIT-03448	FIXED RETARDER KIT
33. KIT-03449	MECHANICAL JACK KIT
34. KIT-03456	BASIC EZ2000V INDICATOR KIT
35. KIT-03456a	BASIC EZ2000V INDICATOR KIT
36. KIT-03467	REMOTE ZERO FUNCTION KIT
37. KIT-03470	DUMMY WEIGH CELL KIT
38. KIT-03471	TOP LEVEL EZ3500 INDICATOR KIT
39. KIT-03471a	TOP LEVEL EZ3500 INDICATOR KIT
40. KIT-03478	RD100 DISPLAY UNIT
41. KIT-03483	FLASHING LIGHT KIT
42. KIT-03504	RUBBER DOOR FLAP KIT (RH DOOR)
43. KIT-03505	RUBBER DOOR FLAP KIT (LH DOOR)
44. KIT-03507	2 STATION MANUAL SPOOL VALVE KIT
45. KIT-03510	AUDIBLE ALARM KIT
46. KIT-03513	SCHARMULLER FIXING KIT

47. KIT-03514	HYDRAULIC PARKING JACK KIT
48. KIT-03537	WEIGH CELL SYSTEM
49. KIT-03544	WHEEL AND TYRE KIT (BANDENMARKT)
50. KIT-03576	AUGER EXTENSION KIT
51. KIT-03577	SMALL BLADE KIT
52. KIT-03578	LARGE BLADE KIT
53. KIT-03594	SINGLE SPEED DRIVE KIT
54. KIT-03595	PTO KIT
55. KIT-03596	POWERMIX TRANSFER KIT
56. KIT-03599	HYDRAULIC PARKING JACK WITH HAND PUMP KIT
57. KIT-03604	15m ³ RUBBER RETAINING KIT
58. KIT-03605	900mm EXTENSION KIT
59. KIT-03608	2 SPEED KIT
60. KIT-03609	PTO SHAFT KIT
61. KIT-03620	13m ³ RUBBER RETAINING KIT
62. KIT-03622	11m ³ RUBBER RETAINING KIT
63. KIT-03629	WHEEL AND TYRE KIT
64. KIT-03632	MUD FLAP KIT
65. KIT-03657	PTO SHAFT KIT (NON WIDE ANGLE)
66. KIT-03667	DIRECT COUPLED HYDRAULICS KIT
67. KIT-03710	TUNGSTEN COATED BLADE KIT
68. KIT-03710a	STANDARD BLADE KIT
69. KIT-03715	LADDER EXTENSION KIT (11 & 19m ³)
70. KIT-03715a	LADDER EXTENSION KIT (13 & 22m ³)
71. KIT-03715b	LADDER EXTENSION KIT (15 & 25m ³)
72. KIT-03716	AUGER EXTENSION KIT(STANDARD BLADES)
73. KIT-03716a	AUGER EXTENSION KIT (TUNGSTEN BLADES)
74. KIT-03717	BASIC INDICATOR KIT
75. KIT-03719	AUGER MAGNET KIT
76. KIT-03720	LH DOOR FLAP KIT
77. KIT-03720a	RH DOOR FLAP KIT
78. KIT-03722	1 ST STAGE HYDRAULICS KIT
79. KIT-03723	LADDER AND PLATFORM KIT
80. KIT-03759	DISPLAY CAB CONTROL

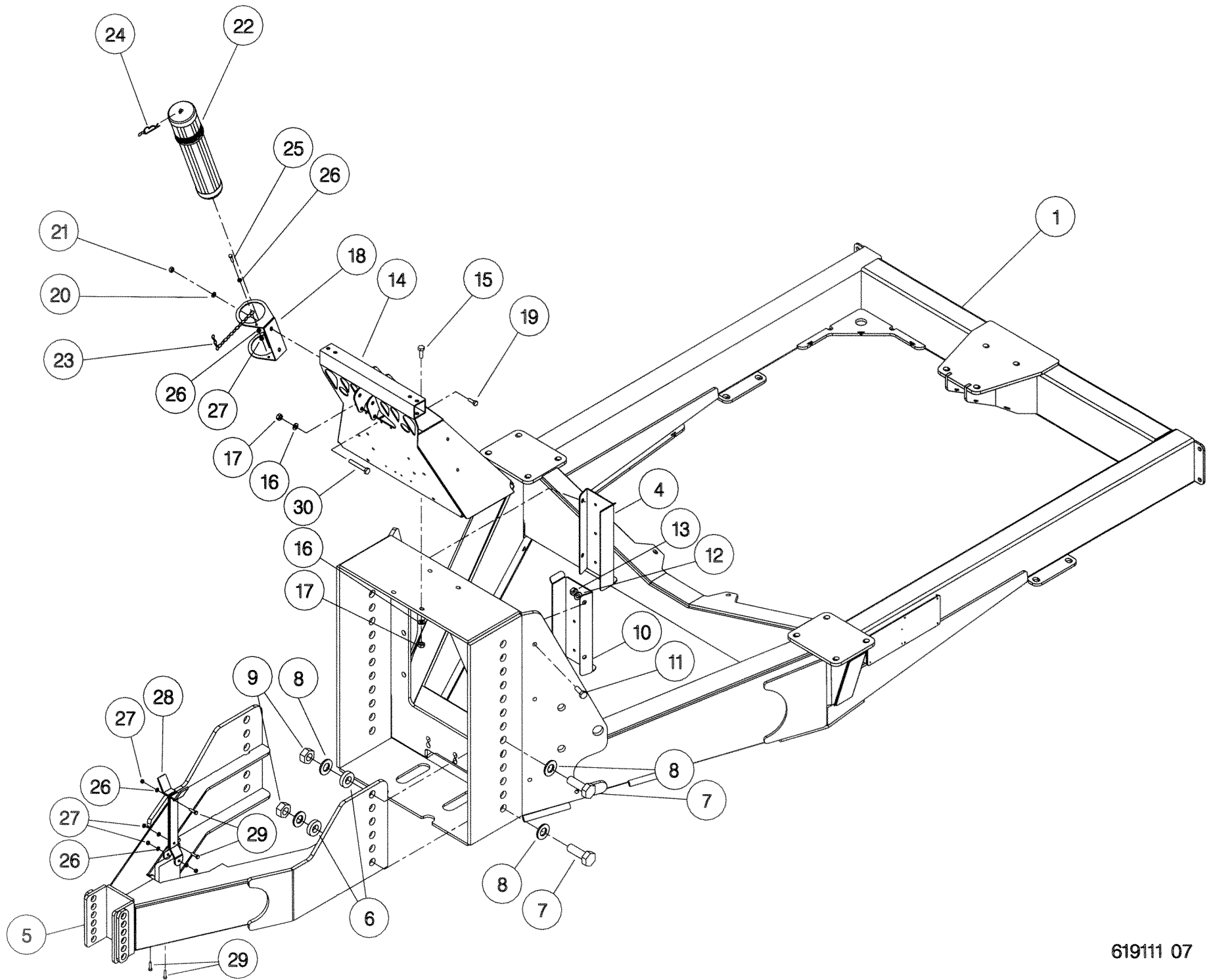
Shelbourne Reynolds Engineering Limited

ASSY NUMBER:		619932 01		SUB ASSY DESCRIPTION: 9m ³ 2 REAR DOOR POPULAR MACHINE			
ITEM	PART NO	DESCRIPTION	QTY	ITEM	PART NO	DESCRIPTION	QTY
1	619111 07	CHASSIS & DRAWBAR SUB ASSY	1				
2	619148 01	9m ³ TUB SUB ASSY	1				
3	619144 01	AUGER SUB ASSY	1				
4	619154 02	AUGER DRIVES SUB ASSY (SER No PMP****0247 & ON)	1				
OR	619133 02	AUGER DRIVES SUB ASSY (UP TO & INC SER No PMP****0242)	1				
5	619147 01	LH DOOR SUB ASSY	1				
6	619147 02	RH DOOR SUB ASSY	1				



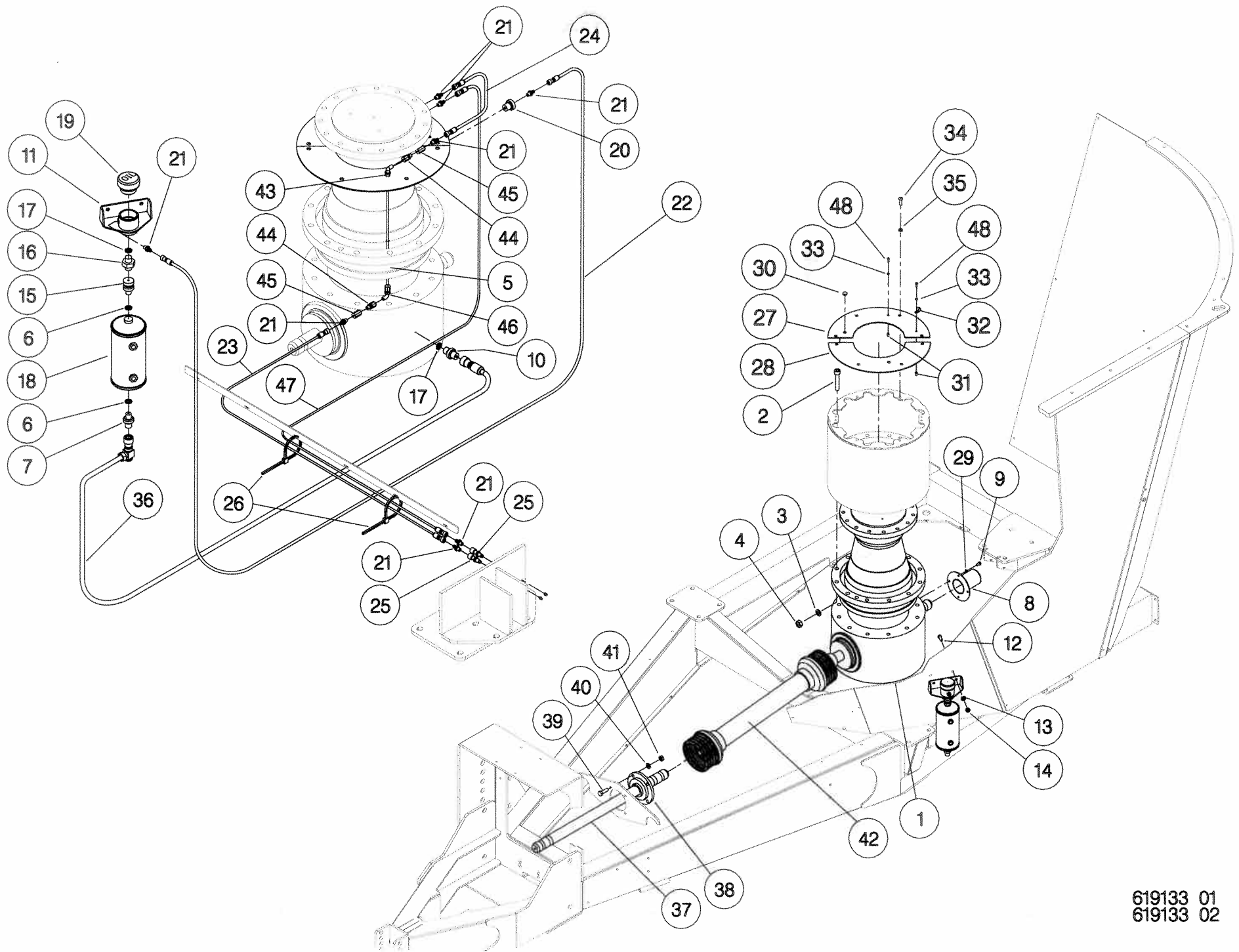
Shelbourne Reynolds Engineering Limited

ASSY NUMBER:		619111 07		ASSY DESCRIPTION:CHASSIS & DRAWBAR SUB ASSY (POPULAR SING)			
ITEM	PART NO	DESCRIPTION	QTY	ITEM	PART NO	DESCRIPTION	QTY
1	614908 01	CHASSIS W/A	1				
2							
3							
4	613516 02	HOSE TIDY RH	1				
5	615222 01	DRAWBAR W/A	1				
	SERIAL No	PM* ** 10 0026 & ON					
OR	613415 01	DRAWBAR W/A	1				
	UP TO SERIAL No	PM* ** 10 0025					
6	190119 94	WASHER	4				
7	BLTA24530	BOLT	4				
8	WSH-0036	WASHER	8				
9	NUT-0275	NUT	4				
10	613516 01	HOSE TIDY LH	1				
11	HSS-0241	SETSCREW	4				
12	WSH-0018	WASHER	4				
13	NUT-0269	NUT	4				
14	614186 01	PARKING STATION W/A	1				
15	HSS-0194	SETSCREW	4				
16	WSH-0015	WASHER	5				
17	NUT-0265	NUT	5				
18	194364 01	CANNISTER BRKT	1				
19	HSS-0140	SETSCREW	2				
20	WSH-0012	WASHER	2				
21	NUT-0263	NUT	2				
22	WDA-00025	MANUAL HOLDER	1				
23	CHN-0145	CHAIN	.17m				
24	RCL-0015	R-CLIP	1				
25	HSS-0086	SETSCREW	1				
26	WSH-0009	WASHER	6				
27	NUT-0260	NUT	5				
28	613433 01	PTO REST PLATE	2				
29	HSS-0088	SETSCREW	4				
30	BLTA10470	BOLT	1				



Shelbourne Reynolds Engineering Limited

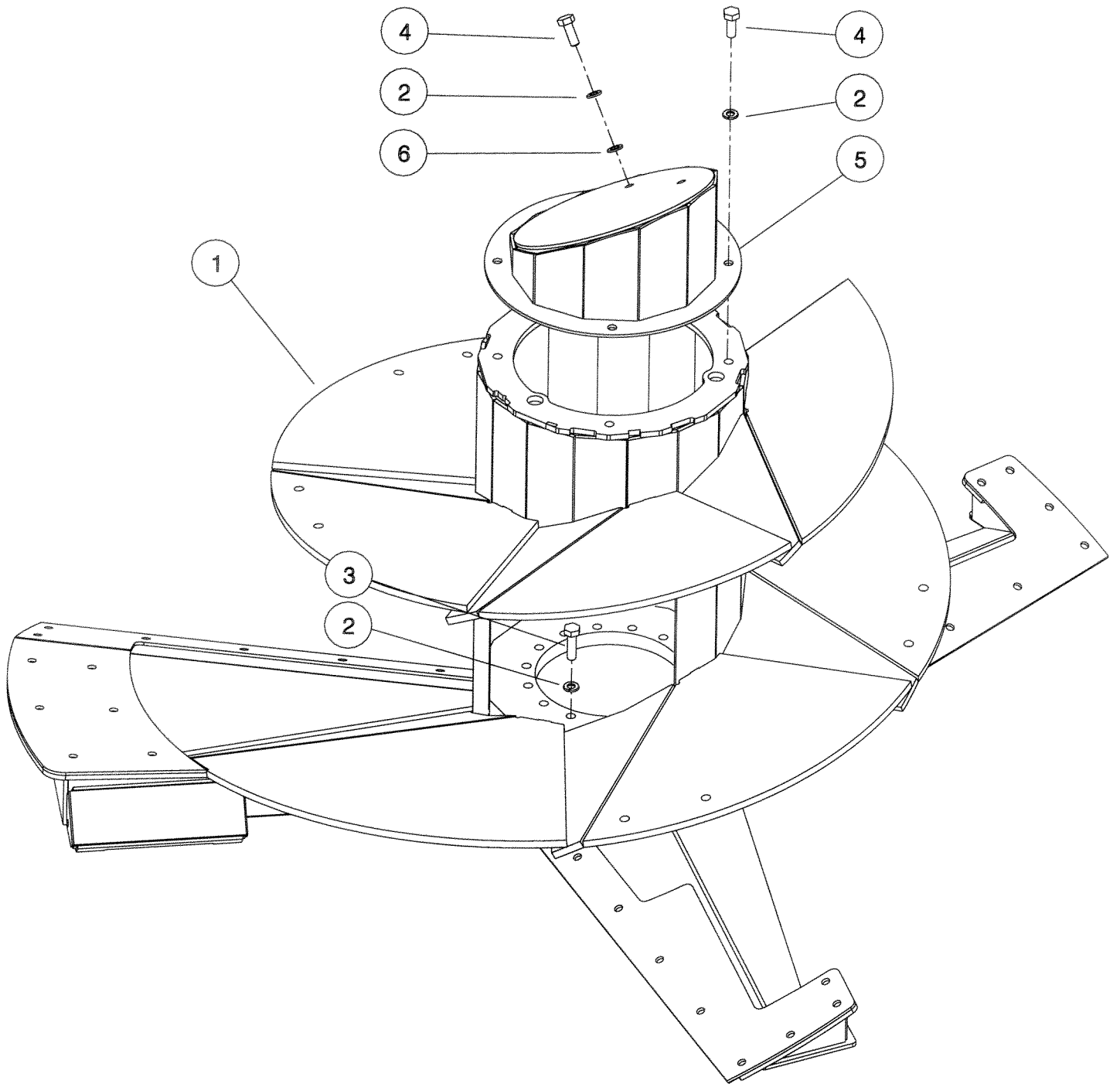
ASSY NUMBER: 619133 02		ASSY DESCRIPTION: AUGER DRIVES SUB ASSY (POPULAR SINGLE)					
ITEM	PART NO	DESCRIPTION	QTY	ITEM	PART NO	DESCRIPTION	QTY
1	GEA-0177	PLANETARY GEARBOX	1	39			
2	SCCA16533	CP HD SOC SCREW	12	40			
3	WSH-0024	WASHER	12	41			
4	NUT-0271	NUT	12	42			
5	614536 01	HYD TUBE	1	43	HPPB05006	6mm BULKHEAD ELBOW	1
6	WSH-1010	DOWTY WASHER	3	44	HPTB50001	6mm STUD STANDPIPE ADAPTOR	2
7	HMA-0065	HYD ADAPTOR	1	45	HAHAA0101	FEMALE FIXED SOCKET	2
8	614564 01	SHAFT GUARD W/A	1	46	HPPB01006	6mm ELBOW FITTING	1
9	HSS-0135	SETSCREW	4	47	614605 04	BOTTOM BEARING HOSE	1
10	614561 0	ADAPTOR	1	48	SCW-4960	BUTT SOC HD SCREW	2
11	614522 01	OIL FILLER BRKT W/A	1				
12	BLT-3745	COACHBOLT	2				
13	WSH-0015	WASHER	2				
14	NUT-0265	NYLOC)	2				
15	FIT-0240	HYD ADAPTOR	1				
16	HMA-0067	HYD ADAPTOR	1				
17	WSH-1015	DOWTY WASHER	2				
18	GEA-0178	OIL RESERVOIR	1				
19	FIL-0004	FILLER CAP	1				
20	614927 01	HYD BUSH	1				
21	LUB-00038	FRENCH PIPE CONNECTOR	8				
22	614605 01	GEARBOX BREATHER HOSE	1				
23	614605 02	TOP BEARING HOSE	1				
24	614605 03	TOP BEARING HOSE	1				
25	LUB-00036	BULKHEAD ADAPTOR	2				
26	TIE-0004	TIE WRAP	12				
27	614527 01	SEAL PLATE	1				
28	614528 01	SEAL PLATE	1				
29	WSH-0058	WASHER	4				
30	GRM-01155	GROMMET	1				
31	NUTA13060	NUTSERT	2				
32	CLP-01012	P CLIP	1				
33	WSH-0056	WASHER	2				
34	SCW-0514	BUTT SOC HD SCREW	8				
35	WSH-0061	WASHER	8				
36	HBBF10505	HYD HOSE ASSY	1				
37							
38							



619133 01
619133 02

Shelbourne Reynolds Engineering Limited

ASSY NUMBER:		619144 01		ASSY DESCRIPTION: AUGER SUB ASSY			
ITEM	PART NO	DESCRIPTION	QTY	ITEM	PART NO	DESCRIPTION	QTY
1	615100 01	AUGER W/A	1				
2	WSH-0070	WASHER	21				
3	HSS-0320	SETSCREW	15				
4	HSS-0317	SETSCREW	6				
5	615123 01	TOP HAT W/A	1				
6	WSH-0024	WASHER	2				

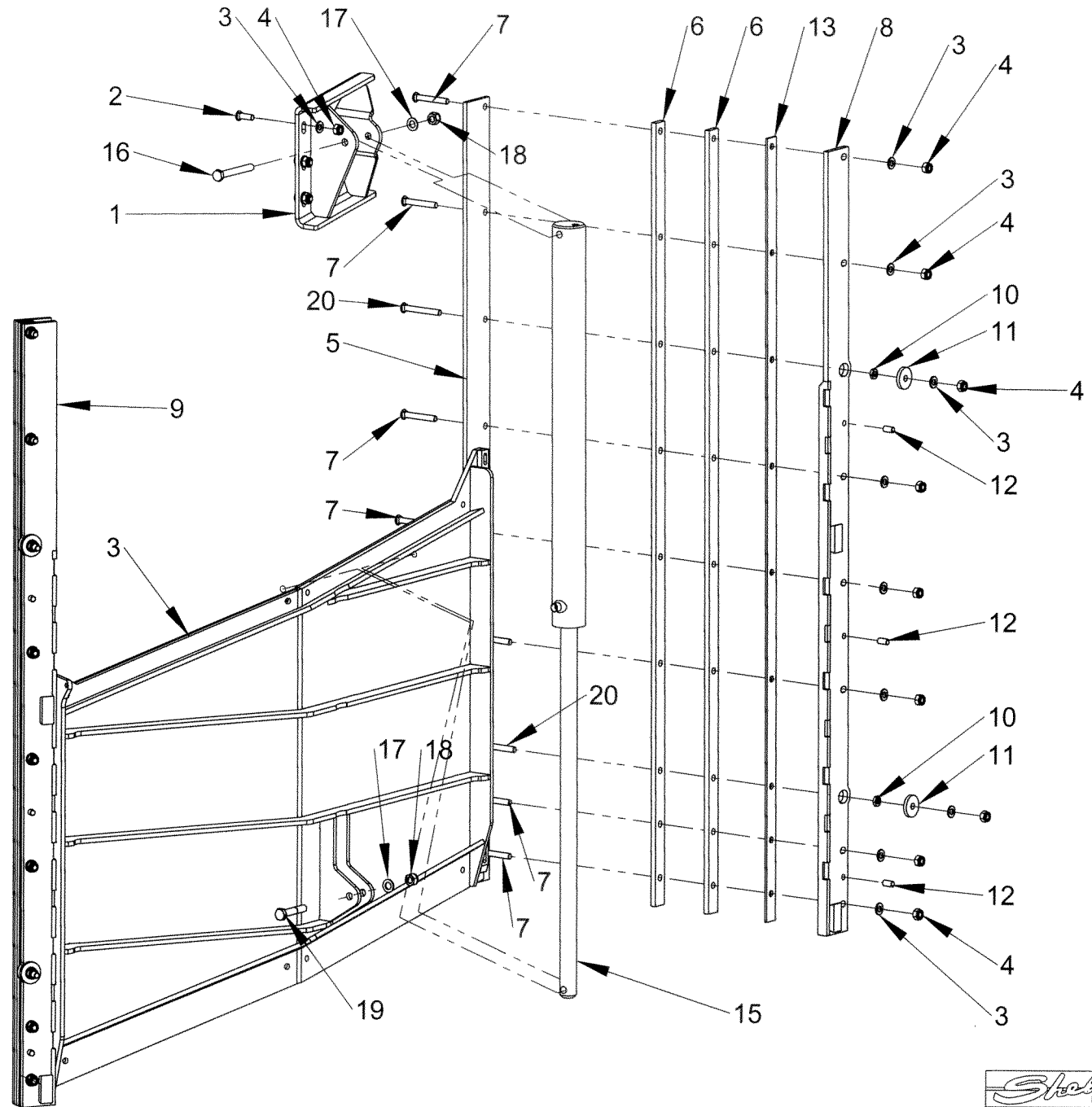


Shelbourne Reynolds Engineering Limited

ASSY NUMBER:		619147 01		ASSY DESCRIPTION: LH CORNER REAR DOOR SUB ASSY			
ITEM	PART NO	DESCRIPTION	QTY	ITEM	PART NO	DESCRIPTION	QTY
1	615148 01	LH RAM BRKT W/A	1				
2	BLT-3750	COACHBOLT	6				
3	WSH-0015	WASHER	24				
4	NUT-0265	NUT	24				
5	613505 01	BACKING STRIP	2				
6	613504 01	SIDE RUNNER	4				
7	BLTF10443	COACHBOLT	14				
8	614036 01	LH KEEP PLATE W/A	1				
9	614036 02	RH KEEP PLATE W/A	1				
10	NUT-0365	NUT	4				
11	190548 50	WASHER	4				
12	PIN-41011	ROLL PIN	6				
13	613504 02	SIDE RUNNER	2				
14	615144 01	LH REAR CORNER DOOR W/A	1				
15	610908 01	HYDRAULIC RAM	1				
16	BLT-2270	BOLT	1				
17	WSH-0018	WASHER	2				
18	NUT-0269	NUT	2				
19	BLTA12440	BOLT	1				
20	BLTF10503	COACHBOLT	4				

Shelbourne Reynolds Engineering Limited

ASSY NUMBER:		619147 02		ASSY DESCRIPTION: RH CORNER REAR DOOR SUB ASSY			
ITEM	PART NO	DESCRIPTION	QTY	ITEM	PART NO	DESCRIPTION	QTY
1	615148 02	RH RAM BRKT W/A	1				
2	BLT-3750	COACHBOLT	6				
3	WSH-0015	WASHER	24				
4	NUT-0265	NUT	24				
5	613505 01	BACKING STRIP	2				
6	613504 01	SIDE RUNNER	4				
7	BLTF10443	COACHBOLT	14				
8	614036 01	LH KEEP PLATE W/A	1				
9	614036 02	RH KEEP PLATE W/A	1				
10	NUT-0365	NUT	4				
11	190548 50	WASHER	4				
12	PIN-41011	ROLL PIN	6				
13	613504 02	SIDE RUNNER	2				
14	615144 02	RH REAR CORNER DOOR W/A	1				
15	610908 01	HYDRAULIC RAM	1				
16	BLT-2270	BOLT	1				
17	WSH-0018	WASHER	2				
18	NUT-0269	NUT	2				
19	BLTA12440	BOLT	1				
20	BLTF10503	COACHBOLT	4				

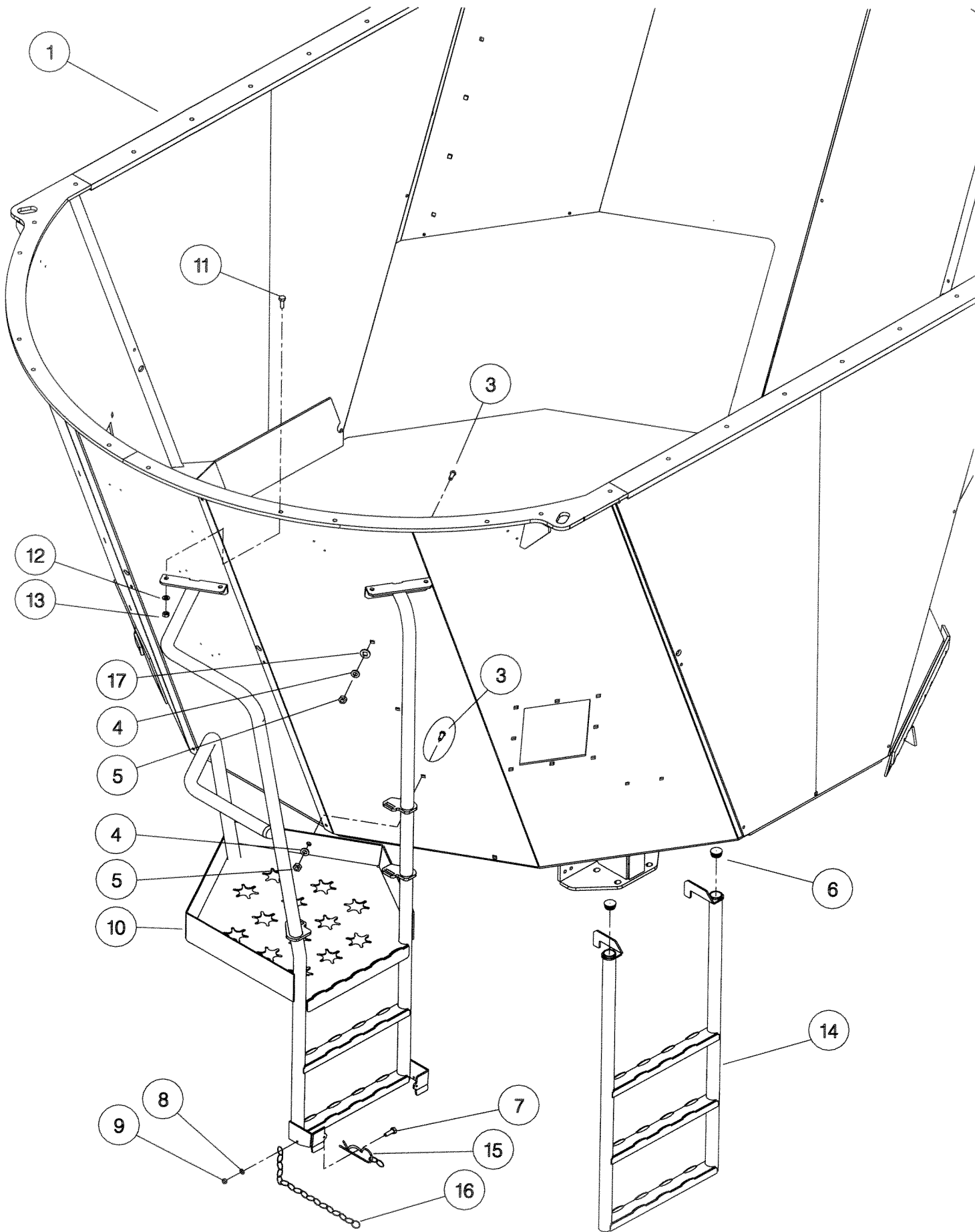


619147 RH
 619147 LH



Shelbourne Reynolds Engineering Limited

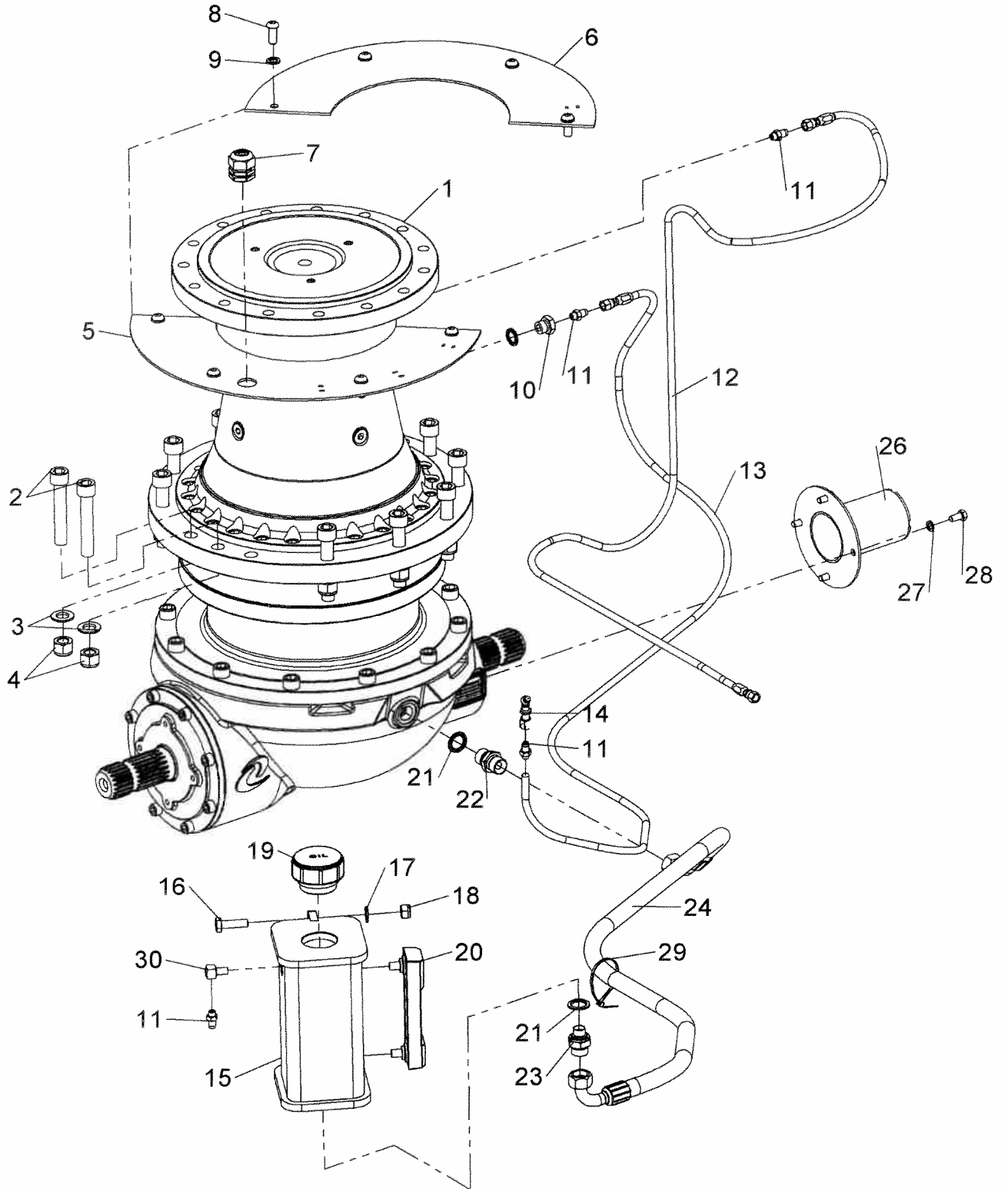
ASSY NUMBER: 619148 01		ASSY DESCRIPTION: 9m CU DOUBLE REAR DOOR POP TUB SUB ASSY					
ITEM	PART NO	DESCRIPTION	QTY	ITEM	PART NO	DESCRIPTION	QTY
1	615138 01	9m Cu TUB W/A	1				
2							
3	BLT-3790	COACHBOLT	3				
4	WSH-0018	WASHER	3				
5	NUT-0269	NUT	3				
6	PTF-00134	PLASTIC CAP INSERT	2				
7	HSS-0086	SETSCREW	1				
8	WSH-0009	WASHER	1				
9	NUT-0260	NUT	1				
10	613592 01	PLATFORM W/A	1				
11	HSS-0210	BOLT	4				
12	WSH-0015	WASHER	4				
13	NUT-0265	NUT	4				
14	613764 01	LADDER W/A	1				
15	CLP-00105	R-CLIP	1				
16	CHN-0145	CHAIN	.17m				
17	611830 01	SPACER PLATE	2				



Shelbourne Reynolds Engineering Limited

ASSY NUMBER: 619154 02				ASSY DESCRIPTION: AUGER DRIVES SUB ASSY			
ITEM	PART NO	DESCRIPTION	QTY	ITEM	PART NO	DESCRIPTION	QTY
1	GEA-0177	PLANETARY GEARBOX	1				
2	SCCA16533	CAP HD SOC SCREW	12				
3	WSH-0024	WASHER	12				
4	NUT-0271	NUT	12				
5	615377 01	GEARBOX SEAL PLATE	1				
6	615378 01	GEARBOX SEAL PLATE	1				
7	CBG-00252	CABLE GLAND (GREY)	1				
8	SCW-0514	BUTTON SKT HD SCREW	8				
9	WSH-0061	WASHER	8				
10	614927 01	HYD BUSH	1				
11	LUB-00038	FRENCH PIPE CONNECTOR	8				
12	614605 01	GEARBOX HOSE	1				
13	614605 08	GEARBOX HOSE	1				
14	LUB-00036	BULKHEAD ADAPTOR	1				
15	615450 01	OIL RESERVOIR WA	1				
16	HSS-0198	SET SCREW	2				
17	WSH-0015	WASHER	2				
18	NUT-0265	NUT	2				
19	FIL-0004	FILLER CAP ASSY	1				
20	GAU-0010	FLUID LEVEL GUAGE	1				
21	WSH-1015	WASHER	2				
22	HMA-0067	ADAPTOR	1				
23	614561 01	ADAPTOR	1				
24	HHKF13005	HYDRAULIC HOSE ASSY	1				
25							
26	614564 01	SHAFT GUARD W/A	1				
27	WSH-0058	WASHER	4				
28	HSS-0135	SETSCREW	4				
29	TIE-0004	TIE WRAPS	12				
30	LUB-00051	90 DEG ELBOW	1				

Shelbourne Reynolds Engineering Limited



619154 02

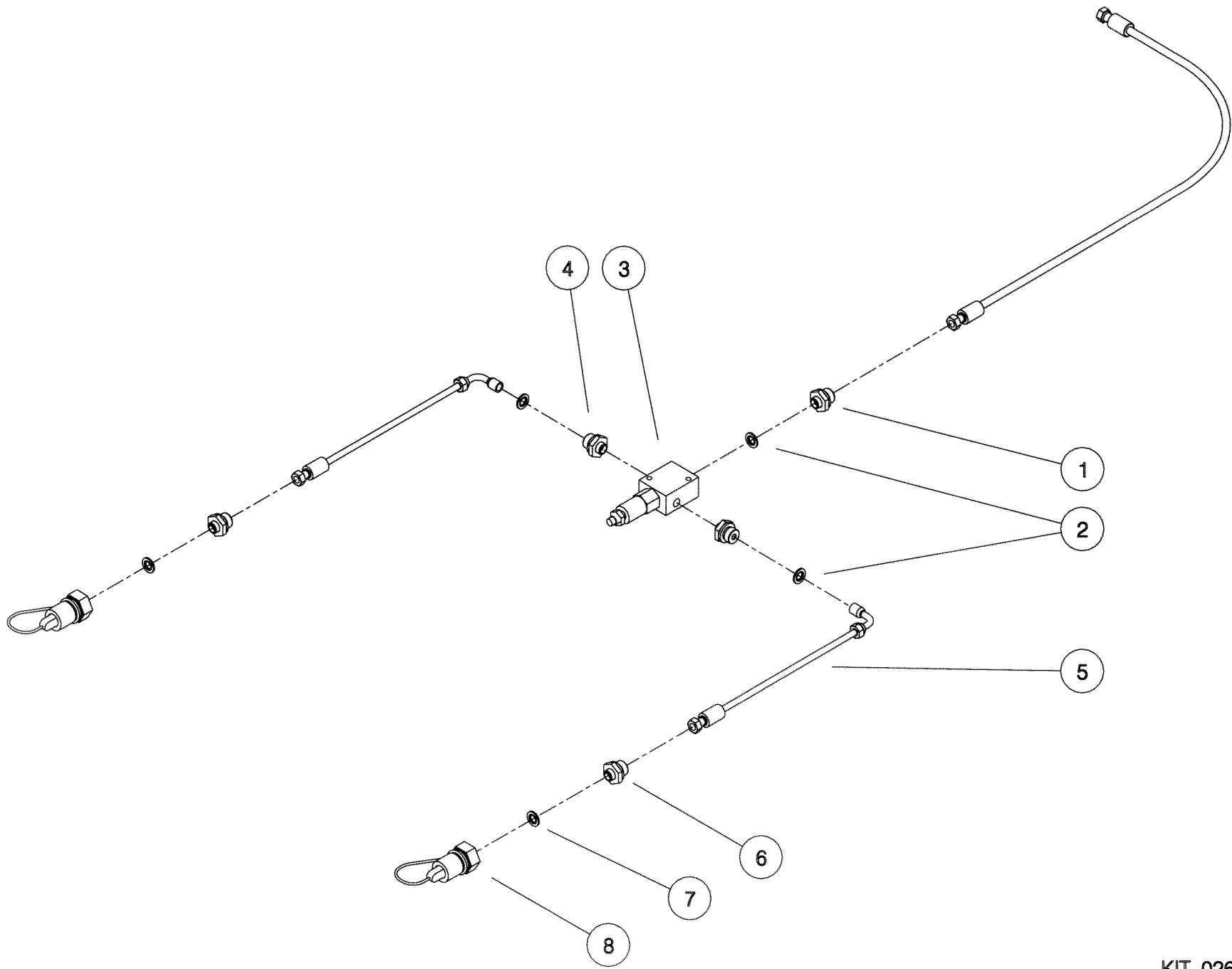


Powermix Pro

KIT OPTIONS

Shelbourne Reynolds Engineering Limited

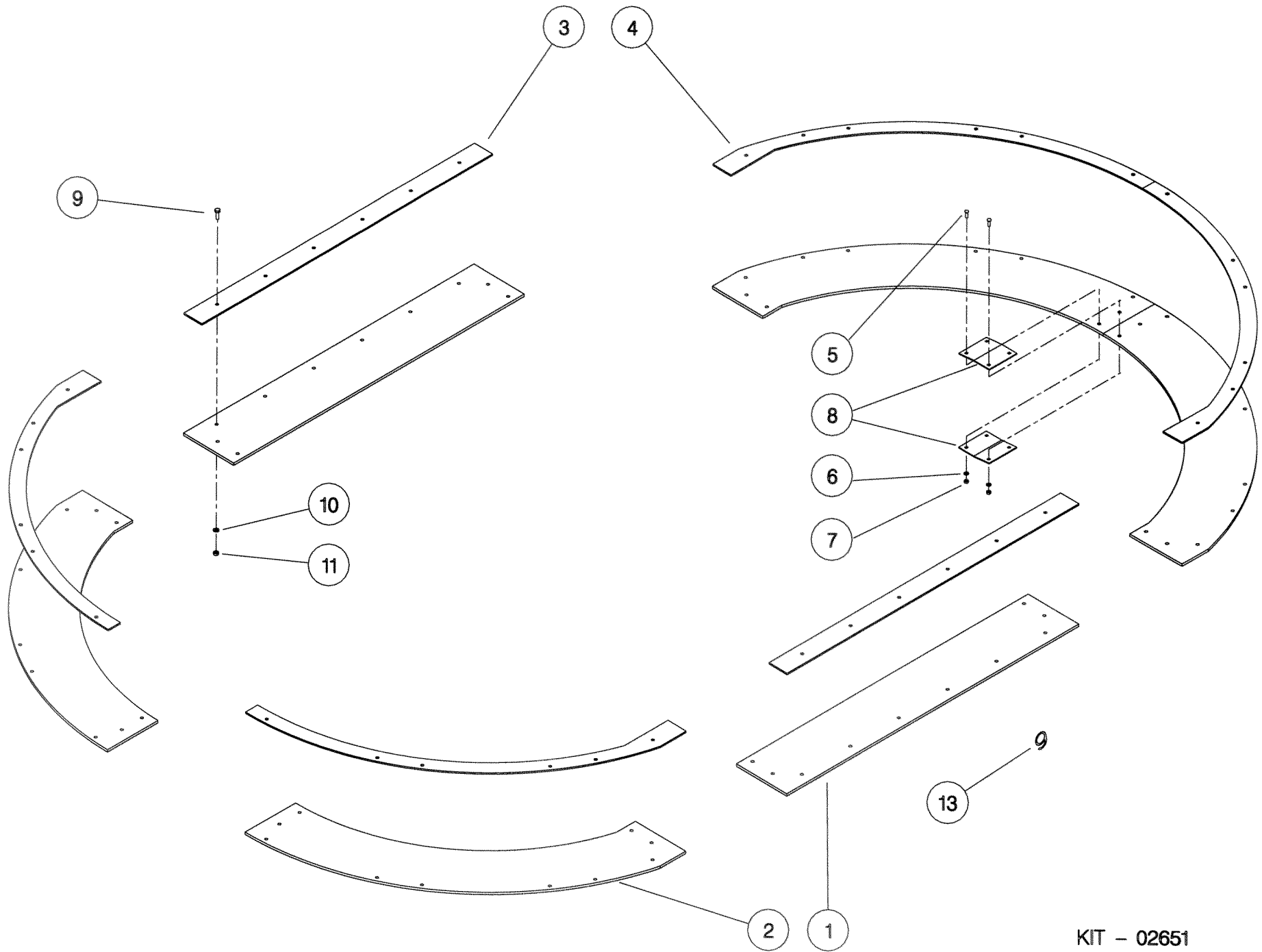
ASSY NUMBER:		KIT-02602		ASSY DESCRIPTION: BRAKE RELIEF KIT			
ITEM	PART NO	DESCRIPTION	QTY	ITEM	PART NO	DESCRIPTION	QTY
1							
2	WSH-1005	DOWTY WASHER	3				
3	HVB-22110	RELIEF VALVE	1				
4	HMA-0052	ADAPTOR	3				
5	HHBC02505	HYDRAULIC HOSE ASSY	2				
6	HMA-0055	ADAPTOR	2				
7	WSH-1015	DOWTY WASHER	2				
8	COU-0162	Q.R COUPLING	2				



KIT-02602

Shelbourne Reynolds Engineering Limited

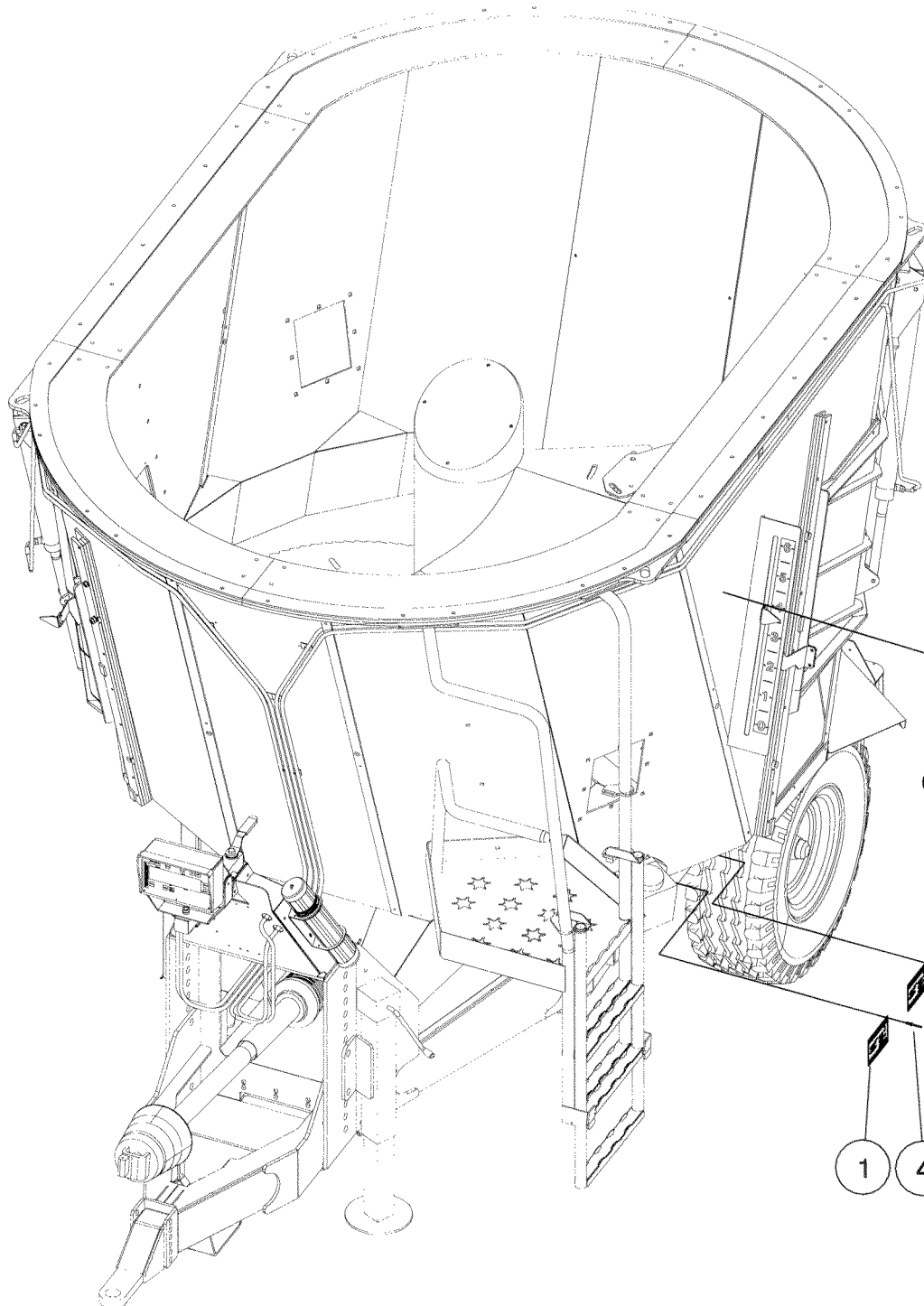
ASSY NUMBER:		KIT-02651		ASSY DESCRIPTION: 9m ³ RUBBER RETAINING KIT			
ITEM	PART NO	DESCRIPTION	QTY	ITEM	PART NO	DESCRIPTION	QTY
1	611025 01	RUBBER SECTION	2				
2	610982 01	RUBBER SECTION	4				
3	611029 01	STRAIGHT CLAMP STRIP	2				
4	610979 01	CURVED CLAMP STRIP	4				
5	BLTA10290	SETSCREW	36				
6	WSH-0015	WASHER	36				
7	NUT-0265	NUT	36				
8	611051 01	CLAMP STRIP	12				
9	BLT-2700	COACHBOLT	24				
10	WSH-0012	WASHER	24				
11	NUT-0263	NUT	24				
12							
13	613879 01	TRANSFER No 9	2				



KIT - 02651

Shelbourne Reynolds Engineering Limited

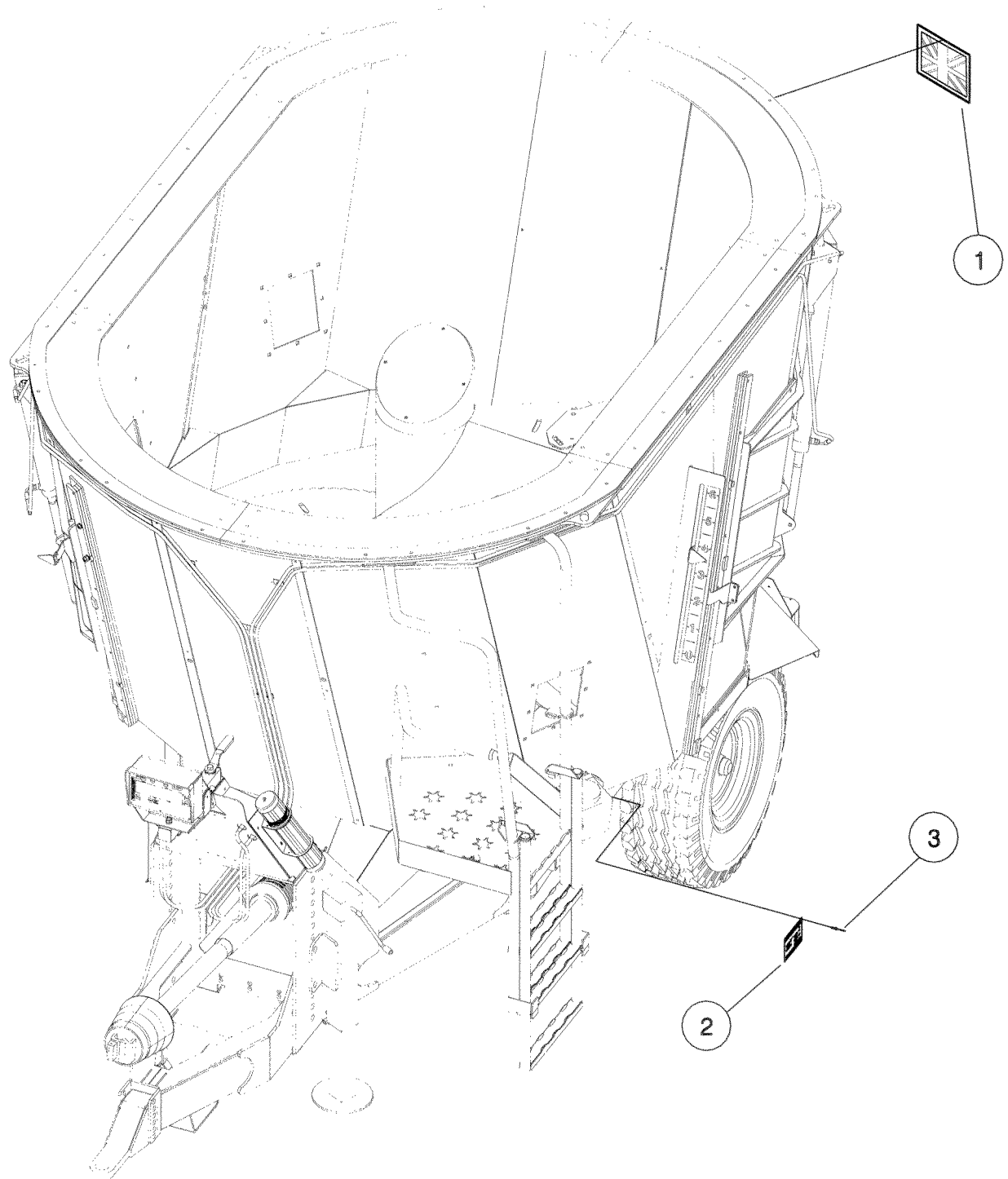
ASSY NUMBER:		KIT-03248		ASSY DESCRIPTION:GERMAN PARTS KIT			
ITEM	PART NO	DESCRIPTION	QTY	ITEM	PART NO	DESCRIPTION	QTY
1	TNF-0201	GERMAN IDENTIFICATION PLATE	1				
2	612610 01	6Km/h TRANSFER	3				
3	590145 01	UK IDENTIFICATION PLATE	1				
4	POP-0006	POP RIVET	8				



ONE 6 KPH STICKER TO BE POSITIONED
ON EACH SIDE OF THE TUB
AND ONE ON THE BACK

Shelbourne Reynolds Engineering Limited

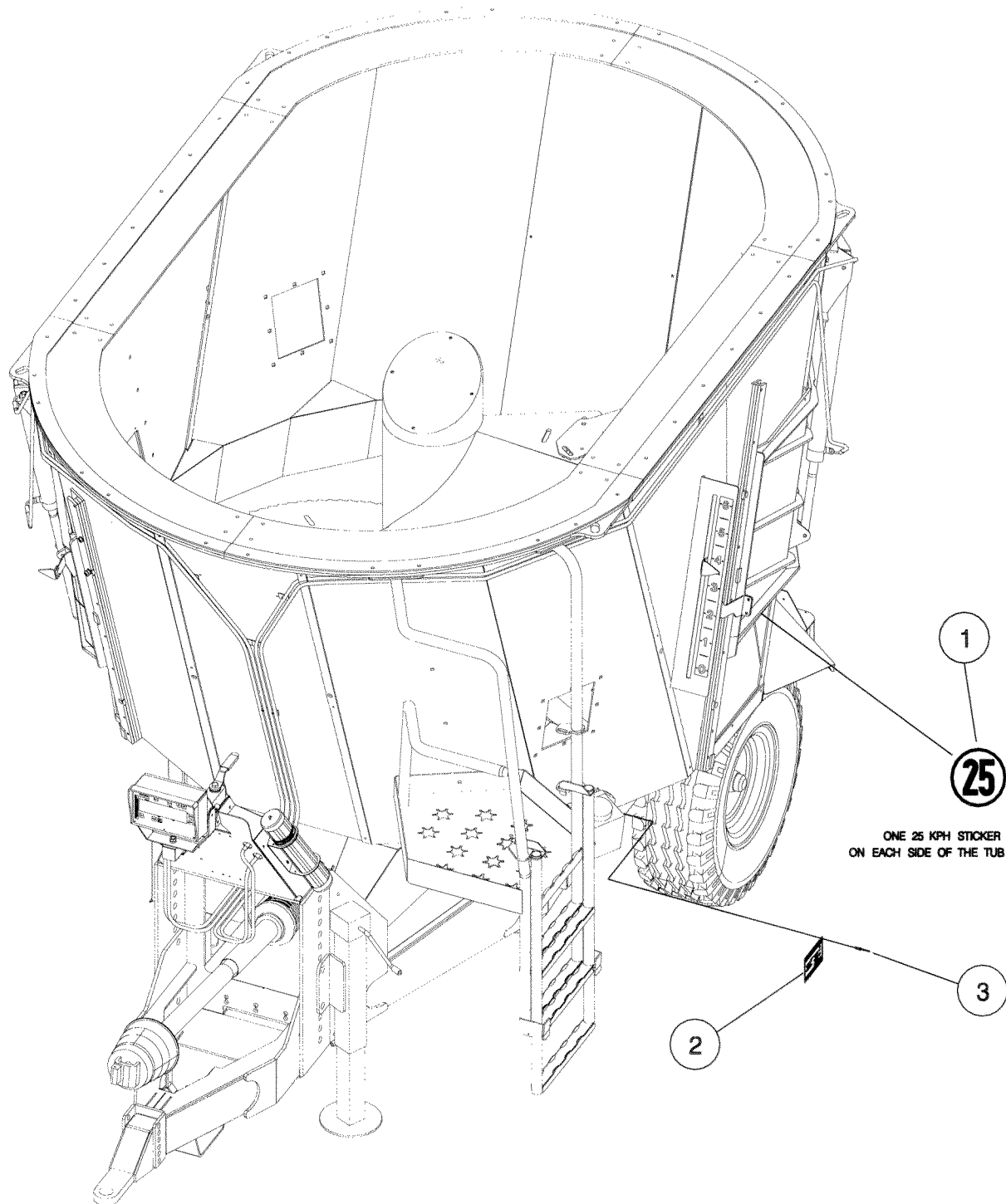
ASSY NUMBER:		KIT-03249		ASSY DESCRIPTION:UK PARTS KIT			
ITEM	PART NO	DESCRIPTION	QTY	ITEM	PART NO	DESCRIPTION	QTY
1	610563 01	UNION JACK TRANSFER	1				
2	590145 01	UK IDENTIFICATION PLATE	1				
3	POP-0006	POP RIVET	4				



KIT-03249

Shelbourne Reynolds Engineering Limited

ASSY NUMBER:		KIT-03250		ASSY DESCRIPTION:EUROPEAN PARTS KIT			
ITEM	PART NO	DESCRIPTION	QTY	ITEM	PART NO	DESCRIPTION	QTY
1	611033 01	25Km/h TRANSFER	3				
2	590145 01	UK IDENTIFICATION PLATE	1				
3	POP-0006	POP RIVET	4				

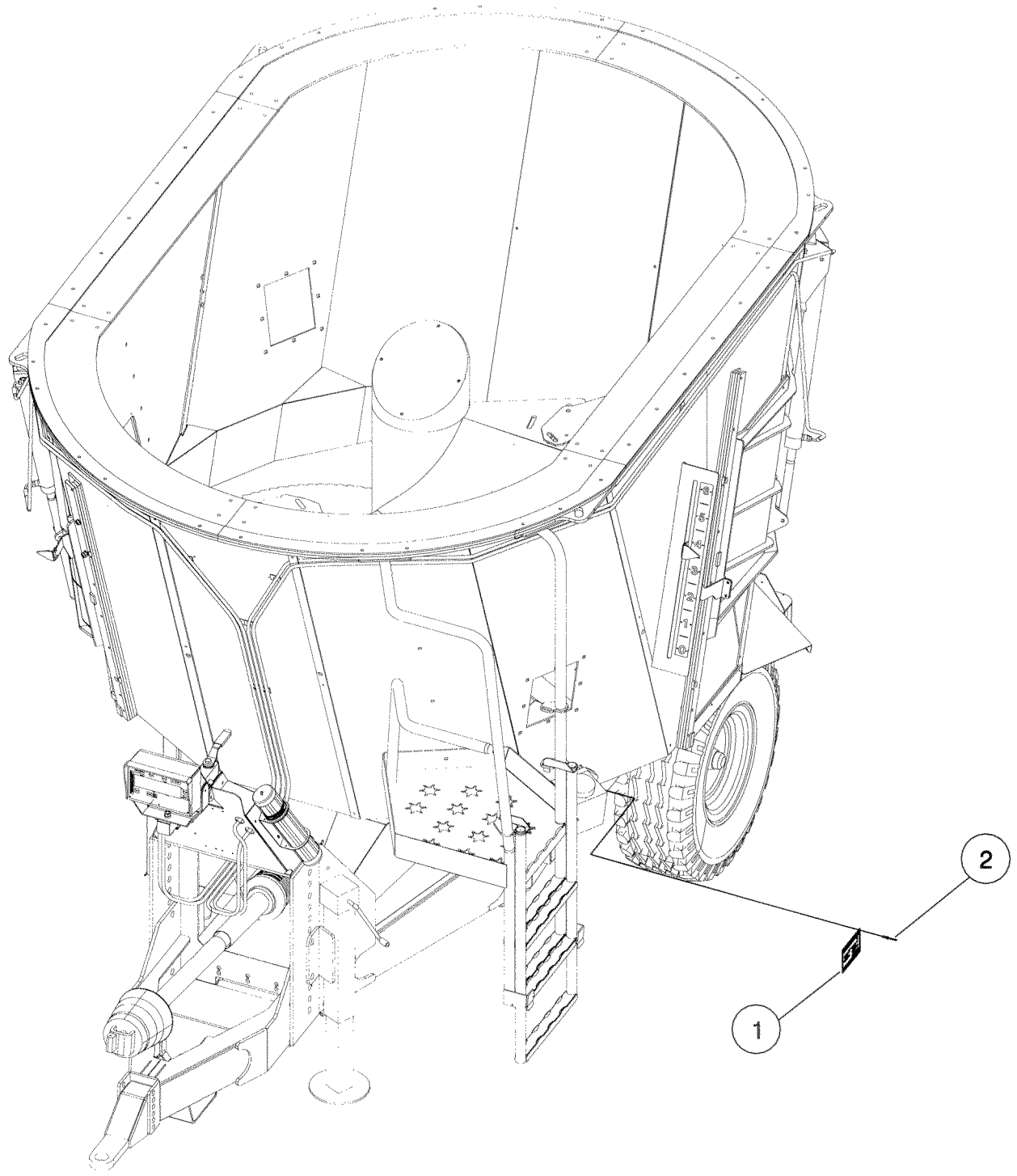


ONE 25 KPH STICKER TO BE POSITIONED
ON EACH SIDE OF THE TUB AND ONE ON THE BACK

KIT-03250

Shelbourne Reynolds Engineering Limited

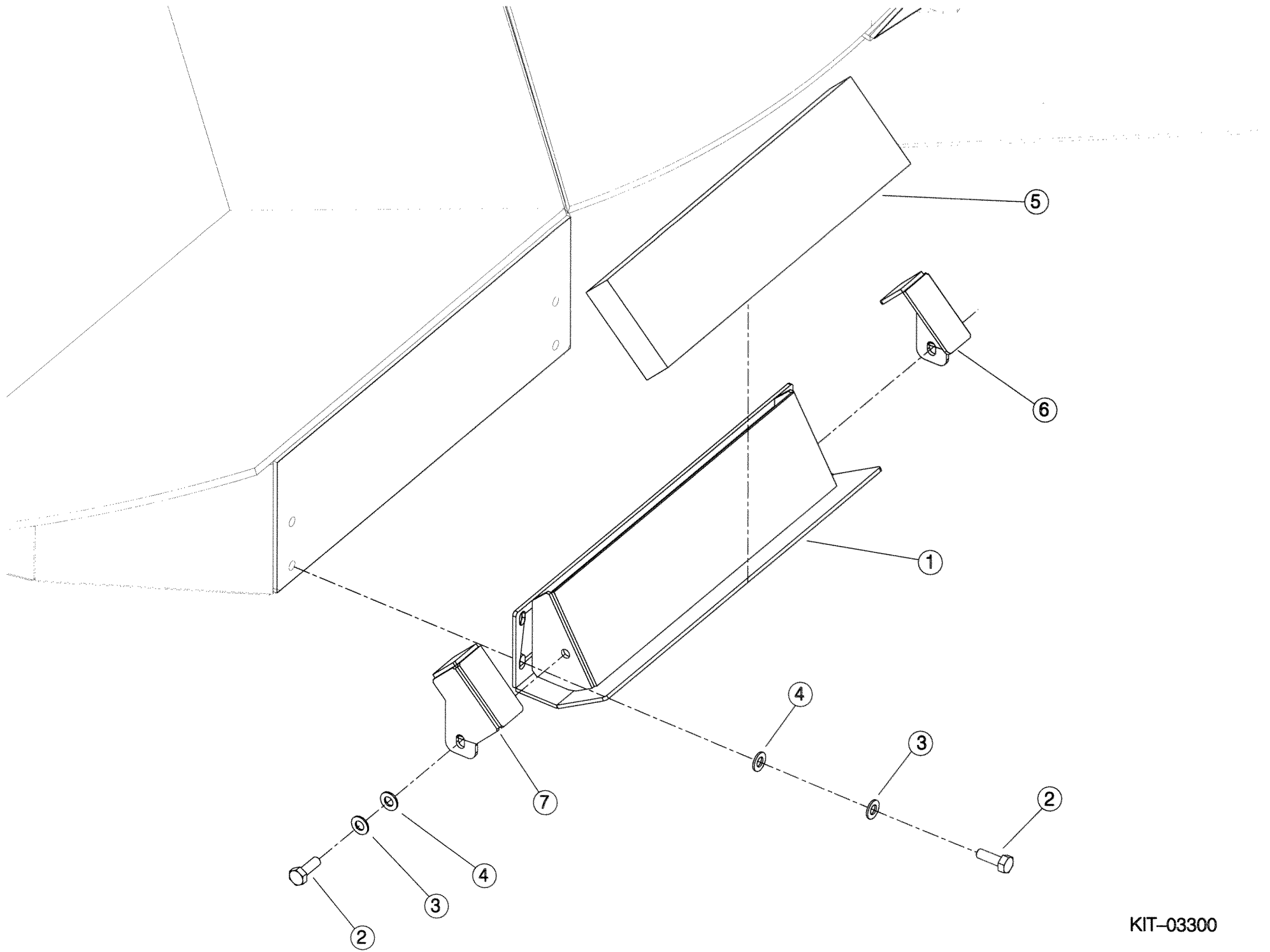
ASSY NUMBER:		KIT-03251		ASSY DESCRIPTION:USA PARTS KIT			
ITEM	PART NO	DESCRIPTION	QTY	ITEM	PART NO	DESCRIPTION	QTY
1	612269 01	USA IDENTIFICATION PLATE	1				
2	POP-0006	POP RIVET	4				



KIT-03251

Shelbourne Reynolds Engineering Limited

ASSY NUMBER:		KIT-03300		SUB ASSY DESCRIPTION: AUGER MAGNET KIT			
ITEM	PART NO	DESCRIPTION	QTY	ITEM	PART NO	DESCRIPTION	QTY
1	612914 01	MAGNET BRACKET W/A	1				
2	HSS-0191	SETSCREW	6				
3	WSH-0061	WASHER	6				
4	WSH-0015	WASHER	4				
5	MAG-0002	17'' MAGNET	1				
6	612919 01	RETAINER BRACKET LH	1				
7	612919 02	RETAINER BRACKET RH	1				



KIT-03300

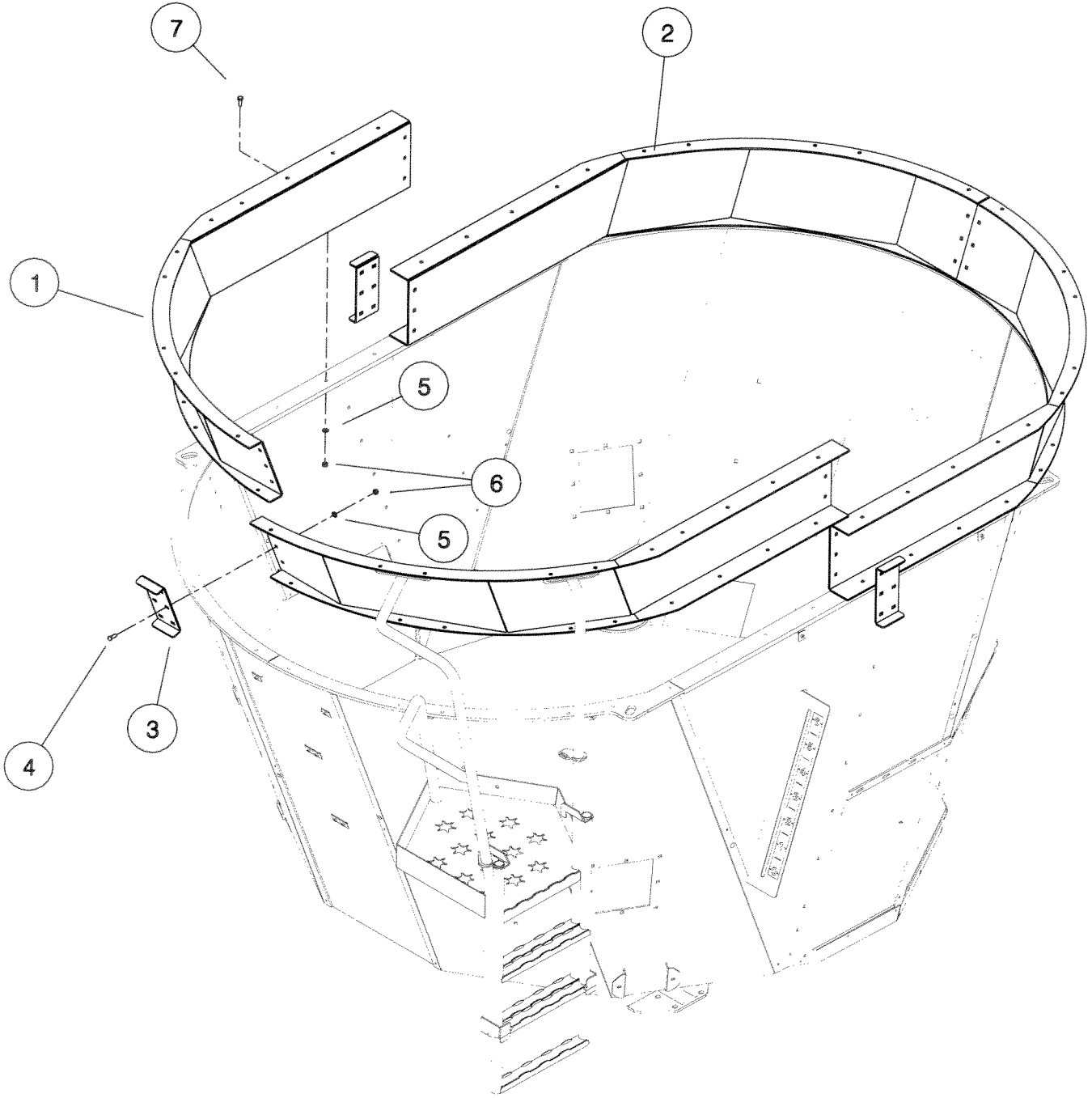
Shelbourne Reynolds Engineering Limited

ASSY NUMBER:

KIT-03395a

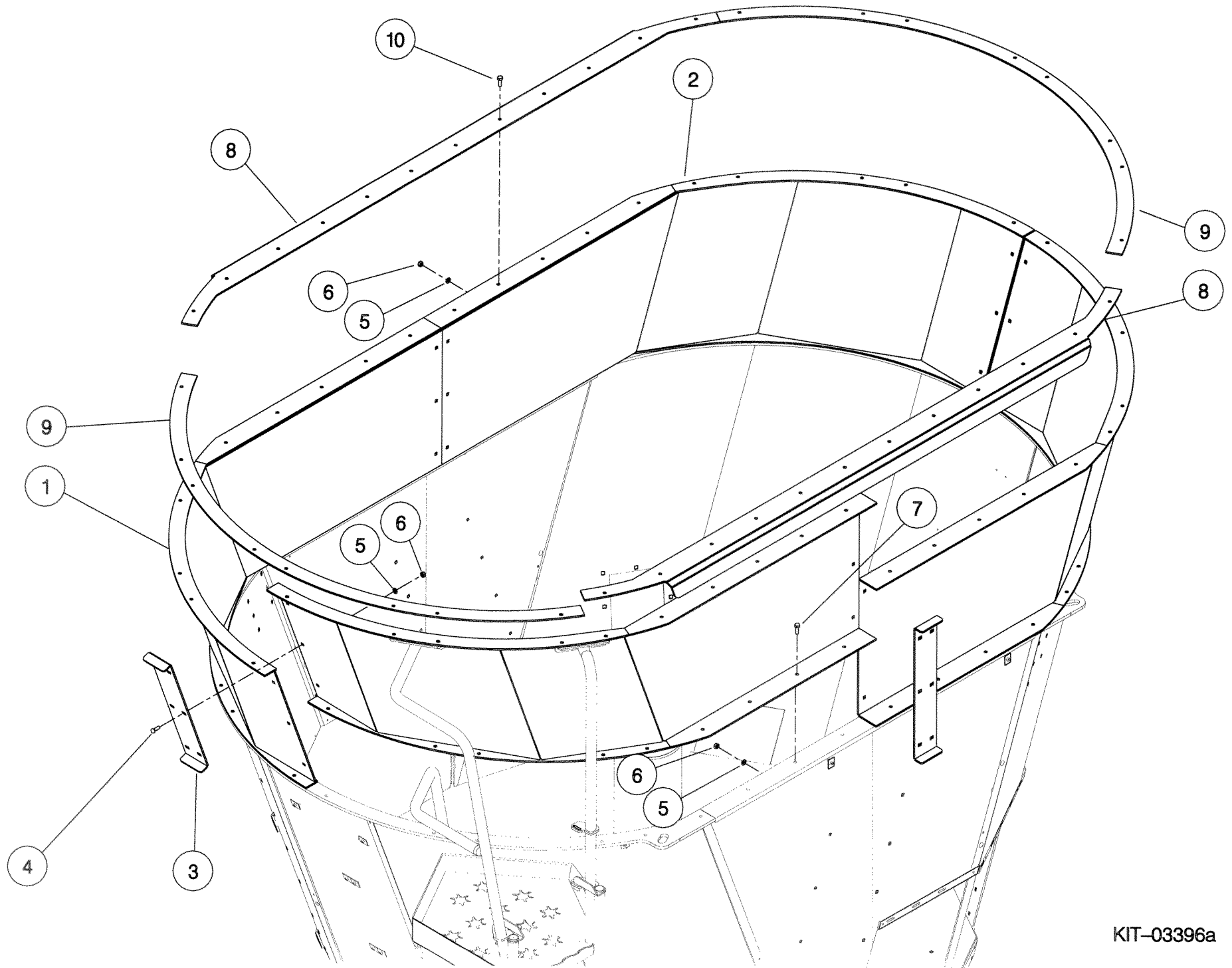
SUB ASSY DESCRIPTION: 300mm EXTENSION KIT (MK II POWERMIX)

ITEM	PART NO	DESCRIPTION	QTY	ITEM	PART NO	DESCRIPTION	QTY
1	613269 01	EXTENSION W/A	2				
2	613269 02	EXTENSION W/A	2				
3	613276 01	SIDE CLAMP PLATE	4				
4	BLT-3745	COACHBOLT	24				
5	WSH-0015	WASHER	98				
6	NUT-0265	NUT	98				
7	HSS-0198	SETSCREW	34				
8	614950 01	STRAIGHT CLAMP STRIP	2				
9	613282 01	CURVED CLAMP STRIP	2				
10	HSS-0202	SETSCREW	40				



Shelbourne Reynolds Engineering Limited

ASSY NUMBER:		KIT-03396a		ASSY DESCRIPTION: 600mm EXTENSION KIT (MK II POWERMIX)			
ITEM	PART NO	DESCRIPTION	QTY		ITEM	PART NO	QTY
1	613278 01	EXTENSION W/A	2				
2	613278 02	EXTENSION W/A	2				
3	613273 01	SIDE CLAMP PLATE	4				
4	BLT-3745	COACHBOLT	24				
5	WSH-0015	WASHER	98				
6	NUT-0265	NUT	98				
7	HSS-0198	SETSCREW	34				
8	614948 01	STRAIGHT CLAMP STRIP	2				
9	613282 01	CURVED CLAMP STRIP	2				
10	HSS-0202	SETSCREW	40				



KIT-03396a

Shelbourne Reynolds Engineering Limited

ASSY NUMBER:		KIT-03397		ASSY DESCRIPTION: 11m ³ RUBBER RETAINING KIT			
ITEM	PART NO	DESCRIPTION	QTY	ITEM	PART NO	DESCRIPTION	QTY
1	613279 01	RUBBER SECTION	2				
2	610982 01	RUBBER SECTION	4				
3	613281 01	STRAIGHT CLAMP STRIP	2				
4	613282 01	CURVED CLAMP STRIP	2				
5	HSS-0202	SETSCREW	36				
6	WSH-0015	WASHER	40				
7	NUT-0265	NUT	40				
8	611051 01	CLAMP STRIP	12				
9	BLT-2700	COACHBOLT	24				
10	WSH-0012	WASHER	24				
11	NUT-0263	NUT	24				
12	BLTA10290	BOLT	4				
13	613879 02	TRANSFER No 11	2				

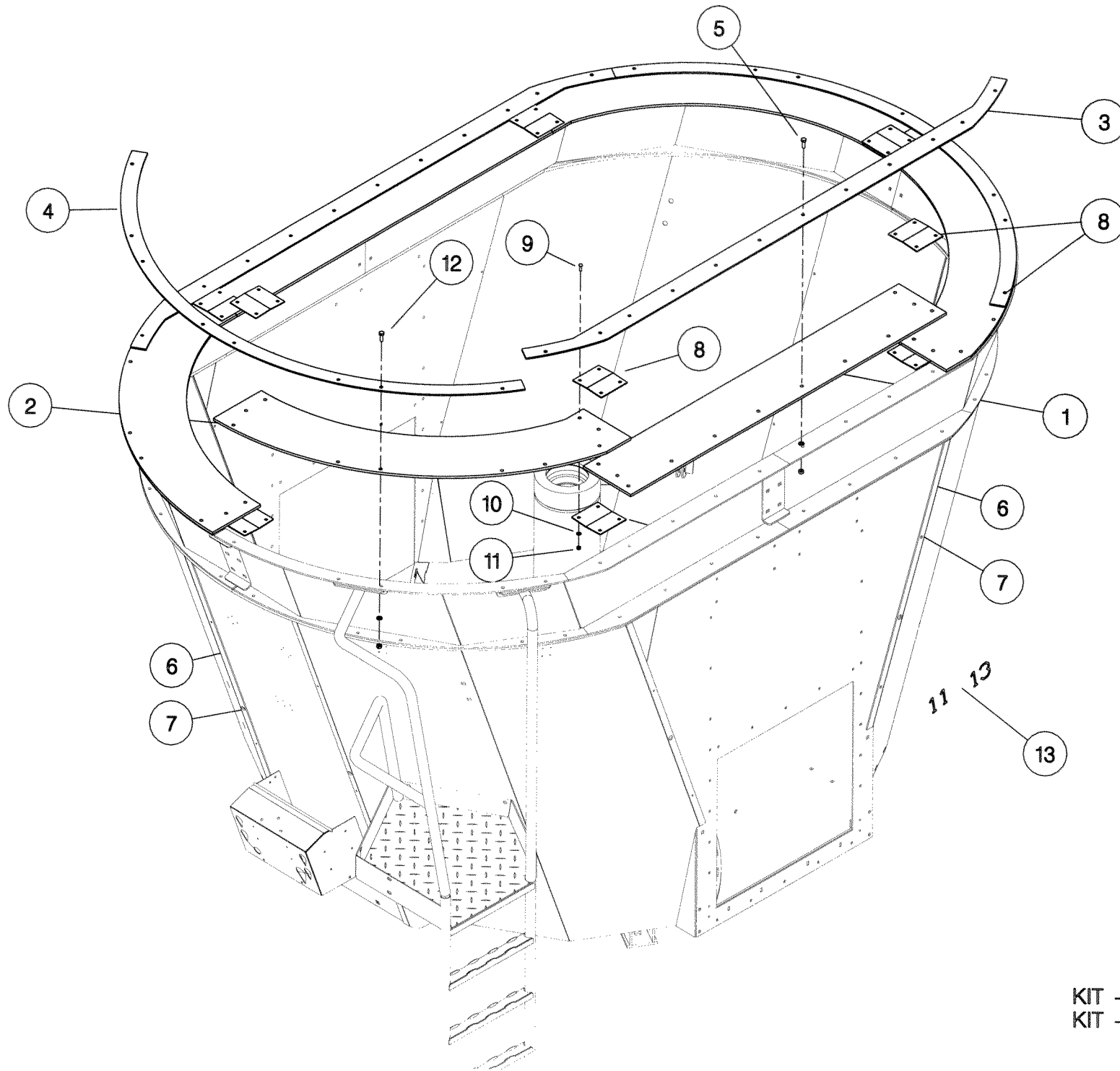
Shelbourne Reynolds Engineering Limited

ASSY NUMBER:

KIT-03398

ASSY DESCRIPTION: 13m³ RUBBER RETAINING KIT

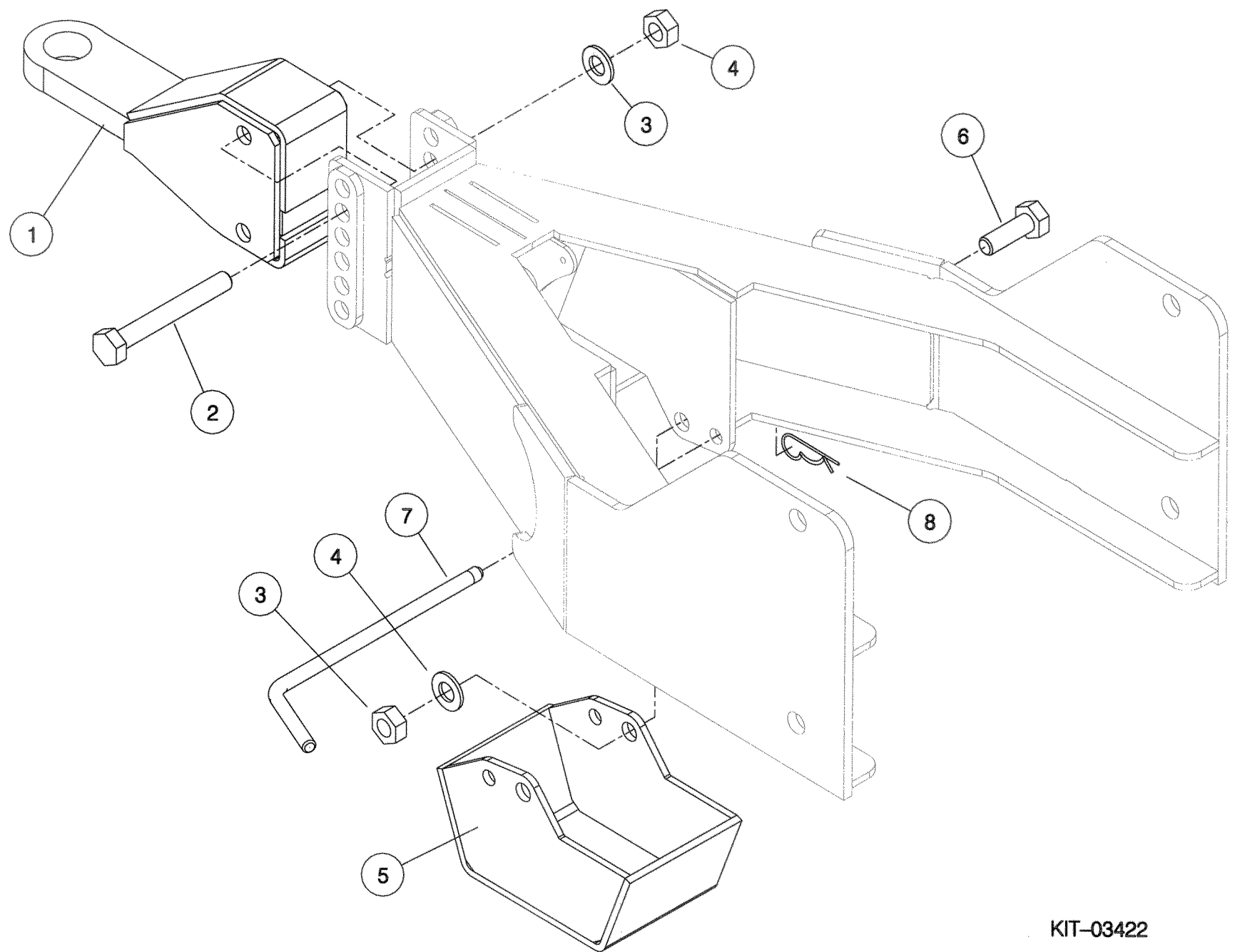
ITEM	PART NO	DESCRIPTION	QTY	ITEM	PART NO	DESCRIPTION	QTY
1	613280 01	RUBBER SECTION	2				
2	610982 01	RUBBER SECTION	4				
3	613277 01	STRAIGHT CLAMP STRIP	2				
4	613282 01	CURVED CLAMP STRIP	2				
5	HSS-0202	SETSCREW	36				
6	WSH-0015	WASHER	40				
7	NUT-0265	NUT	40				
8	611051 01	CLAMP STRIP	12				
9	BLT-2700	COACHBOLT	24				
10	WSH-0012	WASHER	24				
11	NUT-0263	NUT	24				
12	BLTA10290	BOLT	4				
13	613879 03	TRANSFER No 13	2				



KIT - 03397
KIT - 03398

Shelbourne Reynolds Engineering Limited

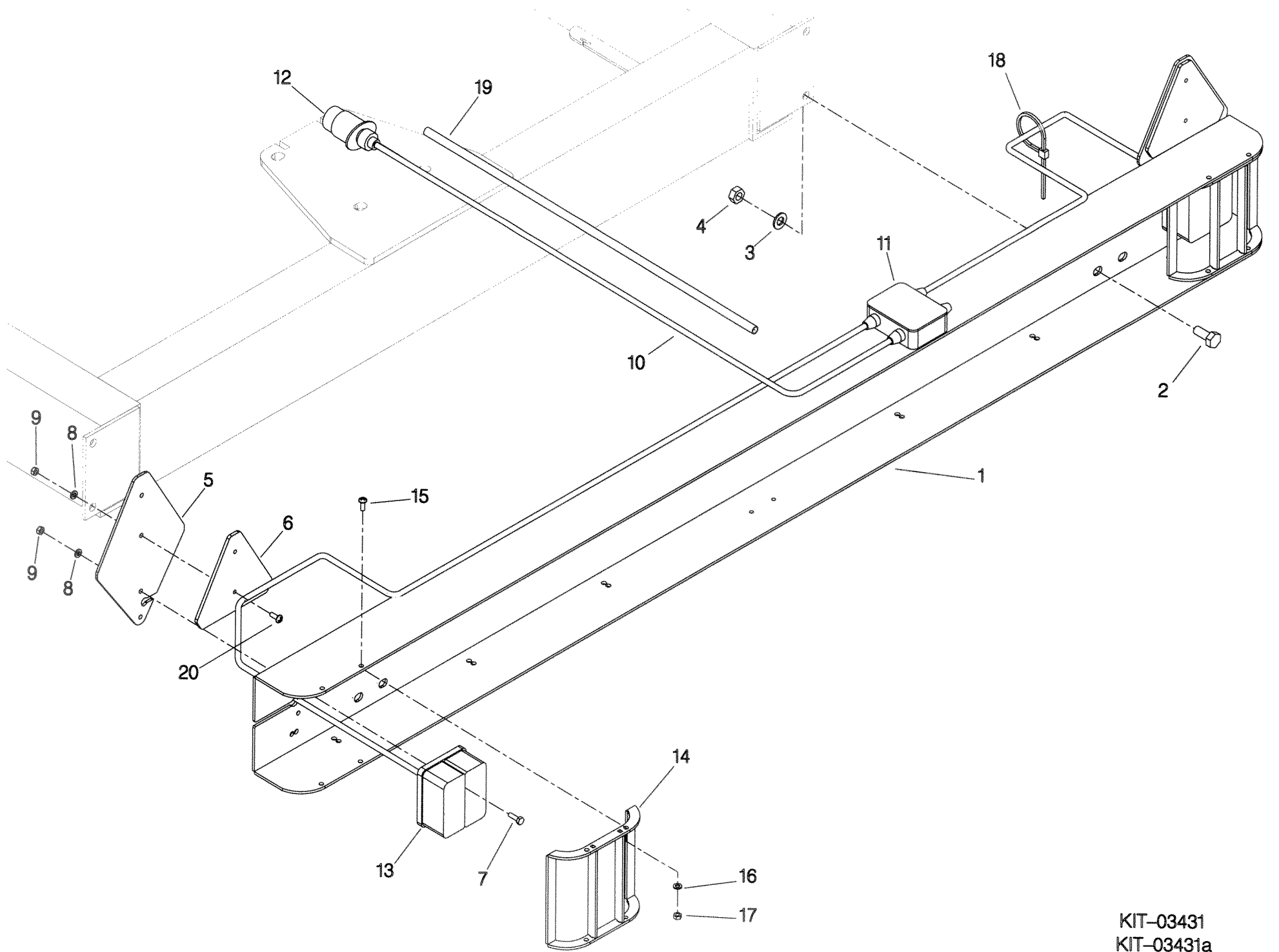
ASSY NUMBER:		KIT-03422		ASSY DESCRIPTION: UK TOWING EYE KIT			
ITEM	PART NO	DESCRIPTION	QTY	ITEM	PART NO	DESCRIPTION	QTY
1	613437 01	UK TOWING EYE W/A	1				
2	BLTA20770	BOLT	2				
3	WSH-0030	WASHER	4				
4	NUTA02200	NYLOC NUT	4				
5	613418 01	FOOT W/A	1				
6	HSS-0355	SETSCREW	2				
7	613419 01	SECURING PIN	1				
8	CLP-00106	R-CLIP	1				



KIT-03422

Shelbourne Reynolds Engineering Limited

ASSY NUMBER:		KIT-03431		ASSY DESCRIPTION: LIGHTING KIT (SINGLE/TWIN)			
ITEM	PART NO	DESCRIPTION	QTY	ITEM	PART NO	DESCRIPTION	QTY
1	613455 01	LIGHTING BOARD	1				
2	HSS-0238	SETSCREW	4				
3	WSH-0018	WASHER	4				
4	NUT-0269	NUT	4				
5	613620 01	REFECTOR MTG PLATE	2				
6	REF-0035	REFLECTOR	2				
7	HSS-0070	SETSCREW	4				
8	WSH-0006	WASHER	4				
9	NUT-0258	NUT	4				
10	CBL-03530	CABLE	10m				
11	JNC-00000	JUNCTION BOX	1				
12	PLG-0005	7 PIN PLUG	1				
13	LMP-10408	LIGHT CLUSTER (LED VENTA)	2				
OR	LMP-10400	LIGHT CLUSTER (BRITAX)	2				
14	613604 01	LIGHT GUARD W/A	2				
15	SCW-4960	SCREW	4				
16	WSH-0009	WASHER	8				
17	NUT-0260	NUT	8				
18	TIE-0004	TIE WRAP	8				
19	SLV-00300	SPIRAL CONVOLUTE TUBING	2m				
20	SCFC05110	PAN HEAD POZI DRIVE	4				

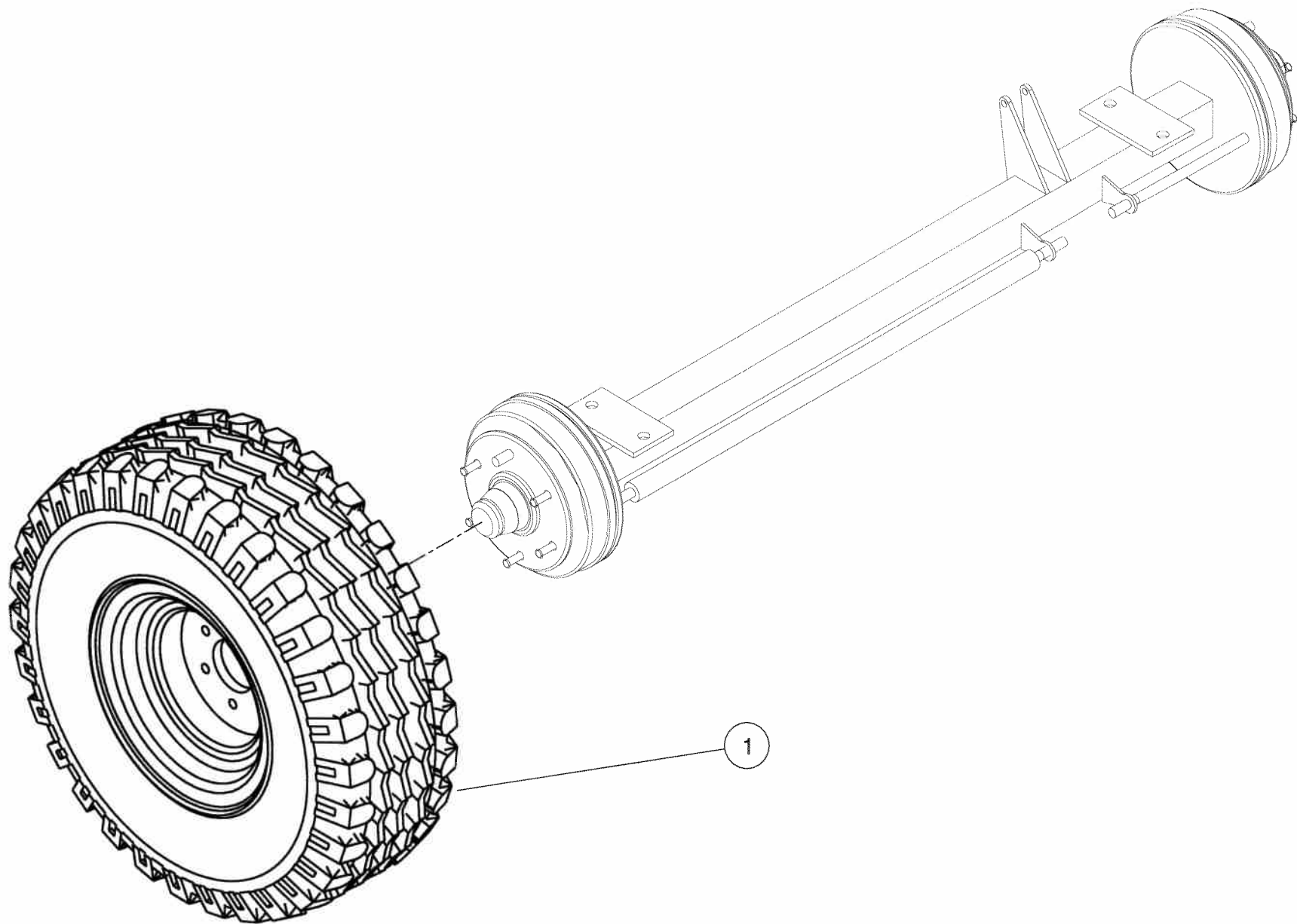


KIT-03431
KIT-03431a

Shelbourne Reynolds Engineering Limited

ASSY NUMBER: KIT-03432 ASSY DESCRIPTION: WHEEL & TYRE KIT (GOODYEAR 340/65 R18)

ITEM	PART NO	DESCRIPTION	QTY	ITEM	PART NO	DESCRIPTION	QTY
1	WHL-01800	WHEEL & TYRE ASSY	2				



KIT - 03432

Shelbourne Reynolds Engineering Limited

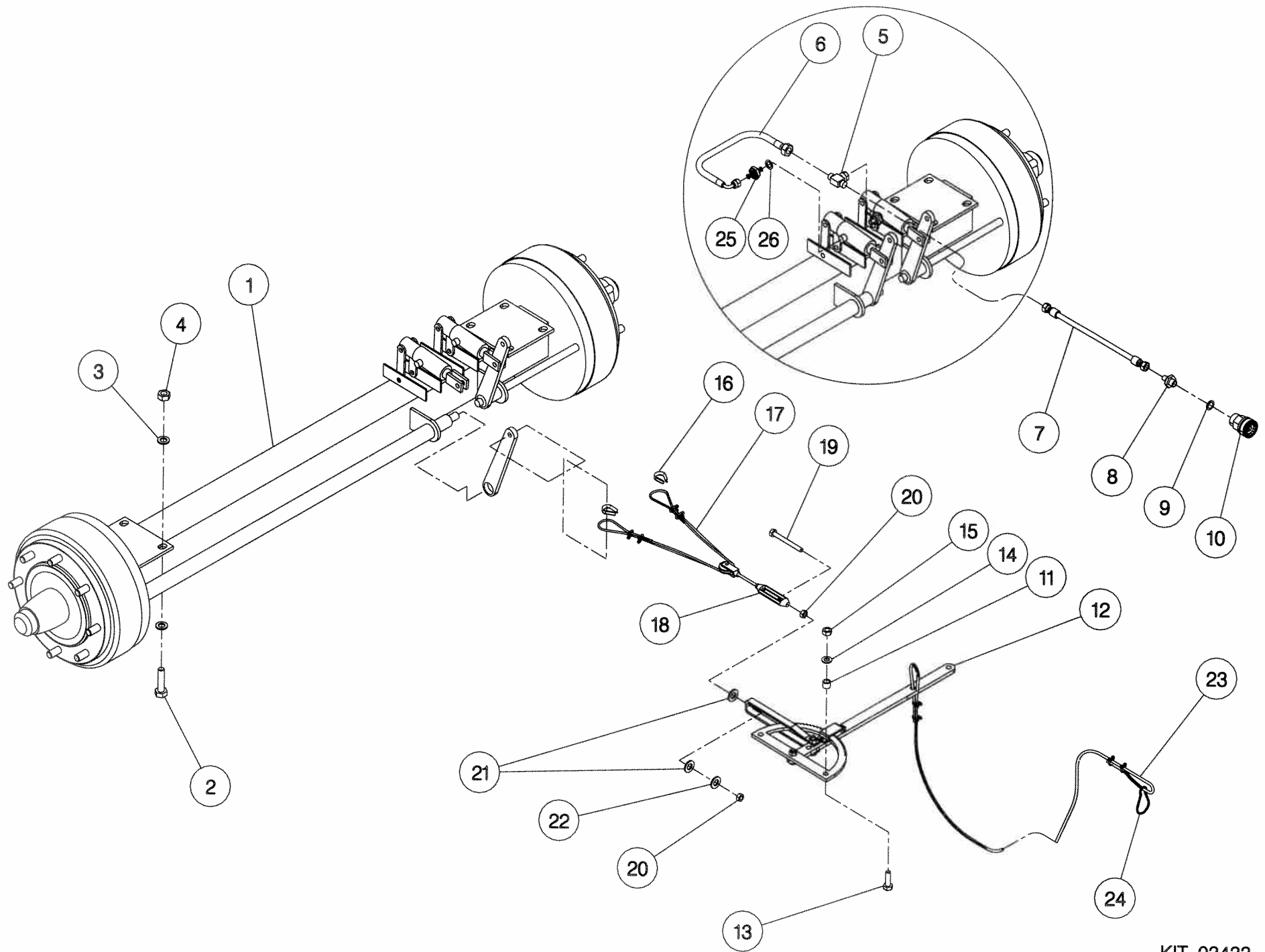
ASSY NUMBER:		KIT-03433		ASSY DESCRIPTION: HYDRAULIC BRAKED AXLE KIT			
ITEM	PART NO	DESCRIPTION	QTY	ITEM	PART NO	DESCRIPTION	QTY
1	AXL-00055	HYDRAULIC BRAKED AXLE	1				
2	BLT-2312	HEX HD BOLT	8				
3	WSH-0024	WASHER	16				
4	NUT-0271	NUT	8				
5	FITA10140	HYDRAULIC TEE FITTING	1				
6	HHBC03205	HYD HOSE	1				
7	HHBC64005	HYD HOSE	1				
8	HMA-0055	HYD ADAPTOR	1				
9	WSH-1015	DOWTY WASHER	1				
10	HQR-10007	HYD QUICK RELEASE COUPLING	1				
11	610923 01	SPACER (26mm LG)	2				
12	590222 01	HANDBRAKE LEVER ASSY	1				
13	HSS-0275	SETSCREW	2				
14	WSH-0018	WASHER	2				
15	NUT-0269	NUT	2				
16	WRP-01040	THIMBLE	2				
17	WRP-00040	CABLE	4.75m				
18	ADL-00120	ADJUSTER ASSY	1				
19	HSS-0155	SETSCREW	1				
20	NUT-0164	NUT	2				
21	WSH-0012	WASHER	2				
22	WSH-0058	WASHER	1				
23	WRP-02040	CLAMP	8				
24	WRP-03000	SNAP HOOK	1				
25	HMA-0057	HYD ADAPTOR	2				
26	WSH-1010	DOWTY WASHER	2				

Shelbourne Reynolds Engineering Limited

ASSY NUMBER:		KIT-03433B		ASSY DESCRIPTION: HYDRAULIC BRAKED AXLE KIT			
ITEM	PART NO	DESCRIPTION	QTY	ITEM	PART NO	DESCRIPTION	QTY
1	AXL-00056	HYDRAULIC BRAKED AXLE	1				
2	BLT-2312	HEX HD BOLT	8				
3	WSH-0024	WASHER	16				
4	NUT-0271	NUT	8				
5	FITA10140	HYDRAULIC TEE FITTING	1				
6	HHBC03205	HYD HOSE	1				
7	HHBC64005	HYD HOSE	1				
8	HMA-0055	HYD ADAPTOR	1				
9	WSH-1015	DOWTY WASHER	1				
10	HQR-10007	HYD QUICK RELEASE COUPLING	1				
11	613621 01	SPACER	2				
12	590222 01	HANDBRAKE LEVER ASSY	1				
13	HSS-0265	SETSCREW	2				
14	WSH-0018	WASHER	2				
15	NUT-0269	NUT	2				
16	WRP-01040	THIMBLE	2				
17	WRP-00040	CABLE	4.75m				
18	ADL-00120	ADJUSTER ASSY	1				
19	HSS-0145	SETSCREW	1				
20	NUT-0164	NUT	2				
21	WSH-0012	WASHER	2				
22	WSH-0058	WASHER	1				
23	WRP-02040	CLAMP	8				
24	WRP-03000	SNAP HOOK	1				
25	HMA-0057	HYD ADAPTOR	2				
26	WSH-1010	DOWTY WASHER	2				

Shelbourne Reynolds Engineering Limited

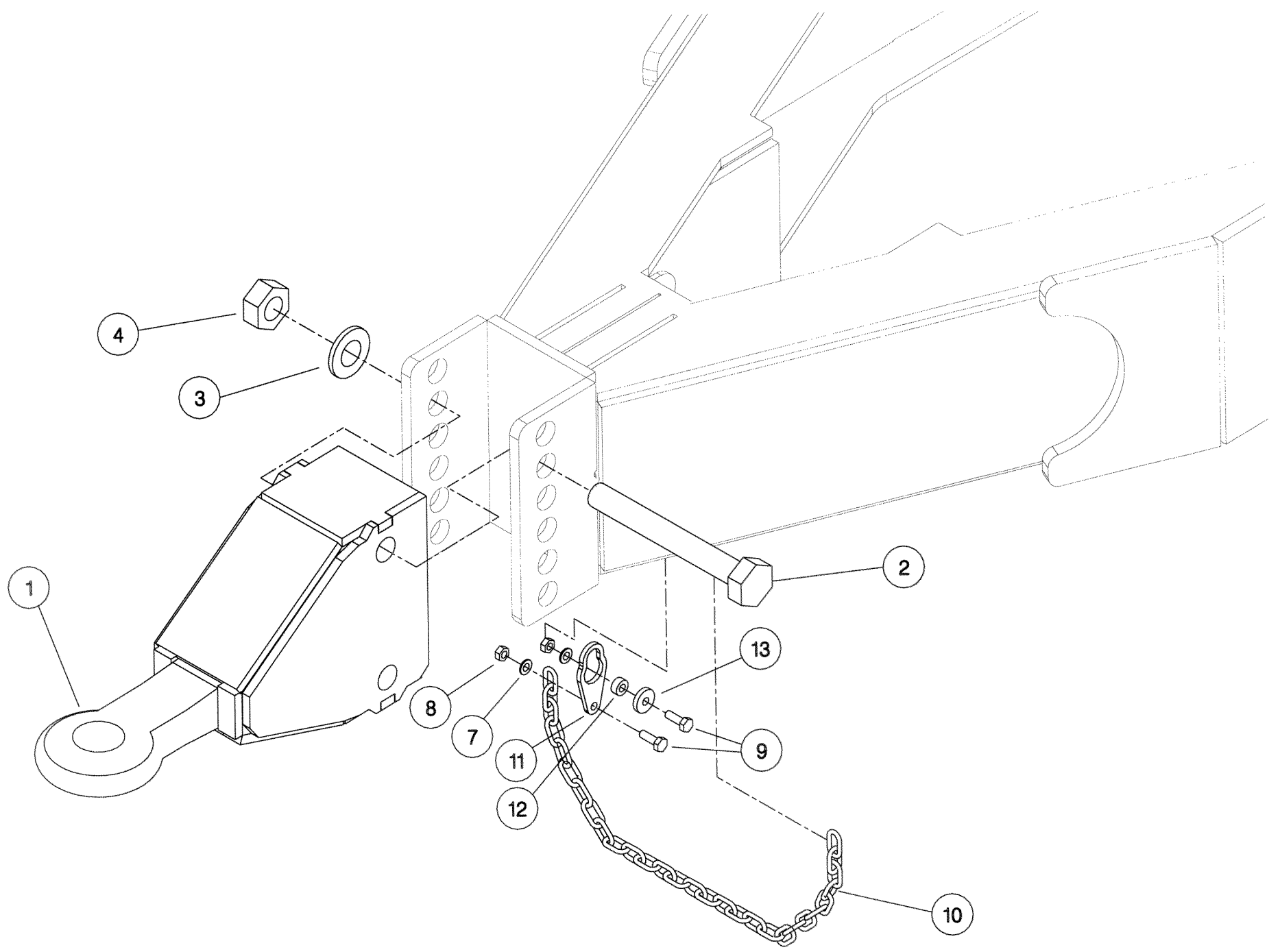
ASSY NUMBER:		KIT-03433C		ASSY DESCRIPTION: HYDRAULIC BRAKED AXLE KIT			
ITEM	PART NO	DESCRIPTION	QTY	ITEM	PART NO	DESCRIPTION	QTY
1	AXL-00057	HYDRAULIC BRAKED AXLE	1				
2	BLT-2312	HEX HD BOLT	8				
3	WSH-0024	WASHER	16				
4	NUT-0271	NUT	8				
5	FITA10140	HYDRAULIC TEE FITTING	1				
6	HHBC03205	HYD HOSE	1				
7	HHBC64005	HYD HOSE	1				
8	HMA-0055	HYD ADAPTOR	1				
9	WSH-1015	DOWTY WASHER	1				
10	HQR-10007	HYD QUICK RELEASE COUPLING	1				
11	613621 01	SPACER	2				
12	590222 01	HANDBRAKE LEVER ASSY	1				
13	HSS-0265	SETSCREW	2				
14	WSH-0018	WASHER	2				
15	NUT-0269	NUT	2				
16	WRP-01040	THIMBLE	2				
17	WRP-00040	CABLE	4.75m				
18	ADL-00120	ADJUSTER ASSY	1				
19	HSS-0145	SETSCREW	1				
20	NUT-0164	NUT	2				
21	WSH-0012	WASHER	2				
22	WSH-0058	WASHER	1				
23	WRP-02040	CLAMP	8				
24	WRP-03000	SNAP HOOK	1				
25	HMA-0057	HYD ADAPTOR	2				
26	WSH-1010	DOWTY WASHER	2				



KIT-03433

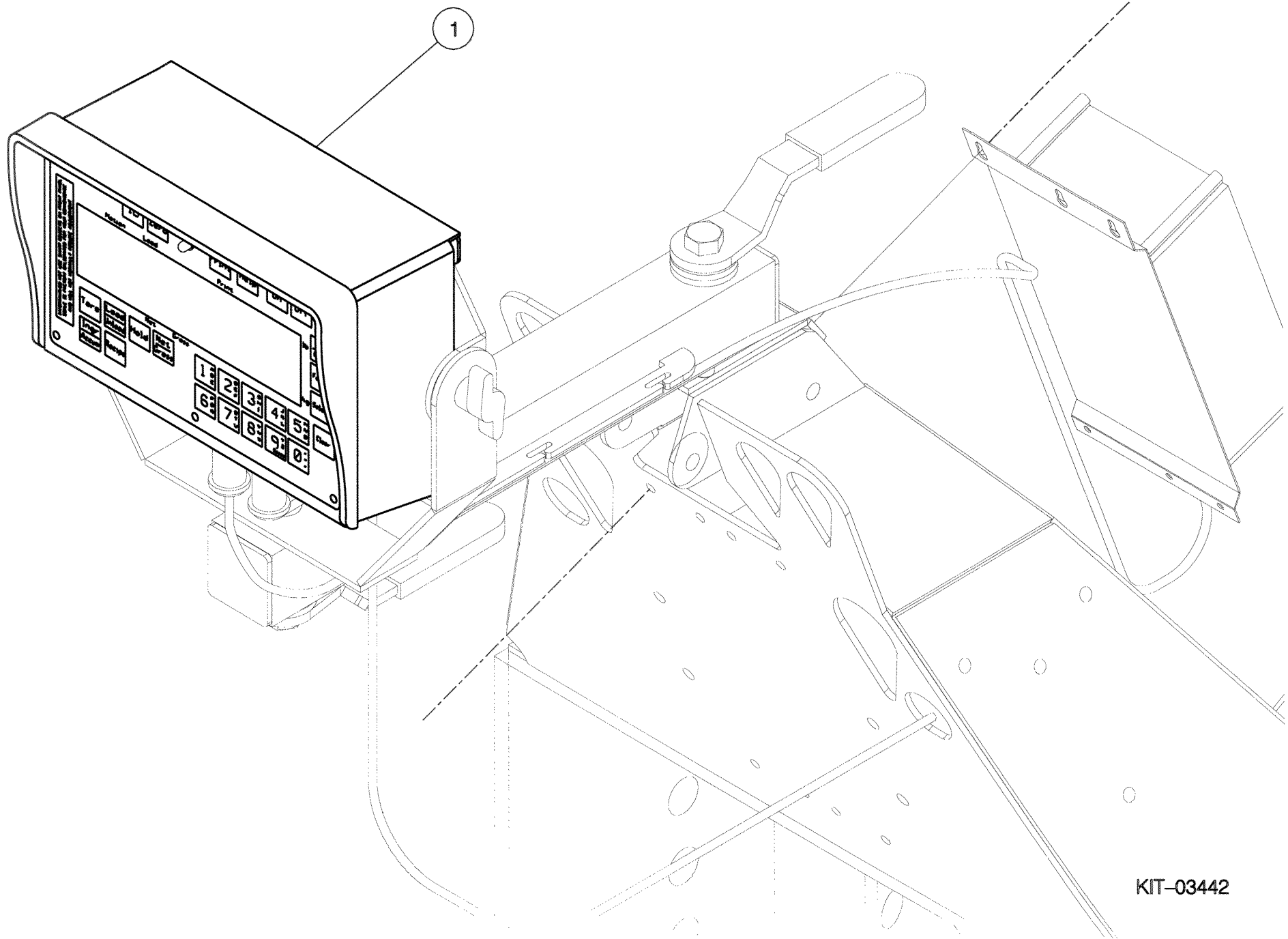
Shelbourne Reynolds Engineering Limited

ASSY NUMBER: KIT-03439		ASSY DESCRIPTION: CONTINENTAL TOWING EYE KIT					
ITEM	PART NO	DESCRIPTION	QTY	ITEM	PART NO	DESCRIPTION	QTY
1	613658 01	CONTINENTAL TOWING EYE W/A	1				
2	BLTA20770	BOLT	2				
3	WSH-0030	WASHER	4				
4	NUTA02200	NYLOC	4				
5							
6							
7	WSH-0009	WASHER	2				
8	NUT-0260	NUT	2				
9	HSS-0092	SETSCREW	2				
10	CHN-0145	CHAIN	0.7m				
11	613977 01	CHAIN HOOK PLATE	1				
12	190548 48	WASHER	1				
13	190548 49	WASHER	1				



Shelbourne Reynolds Engineering Limited

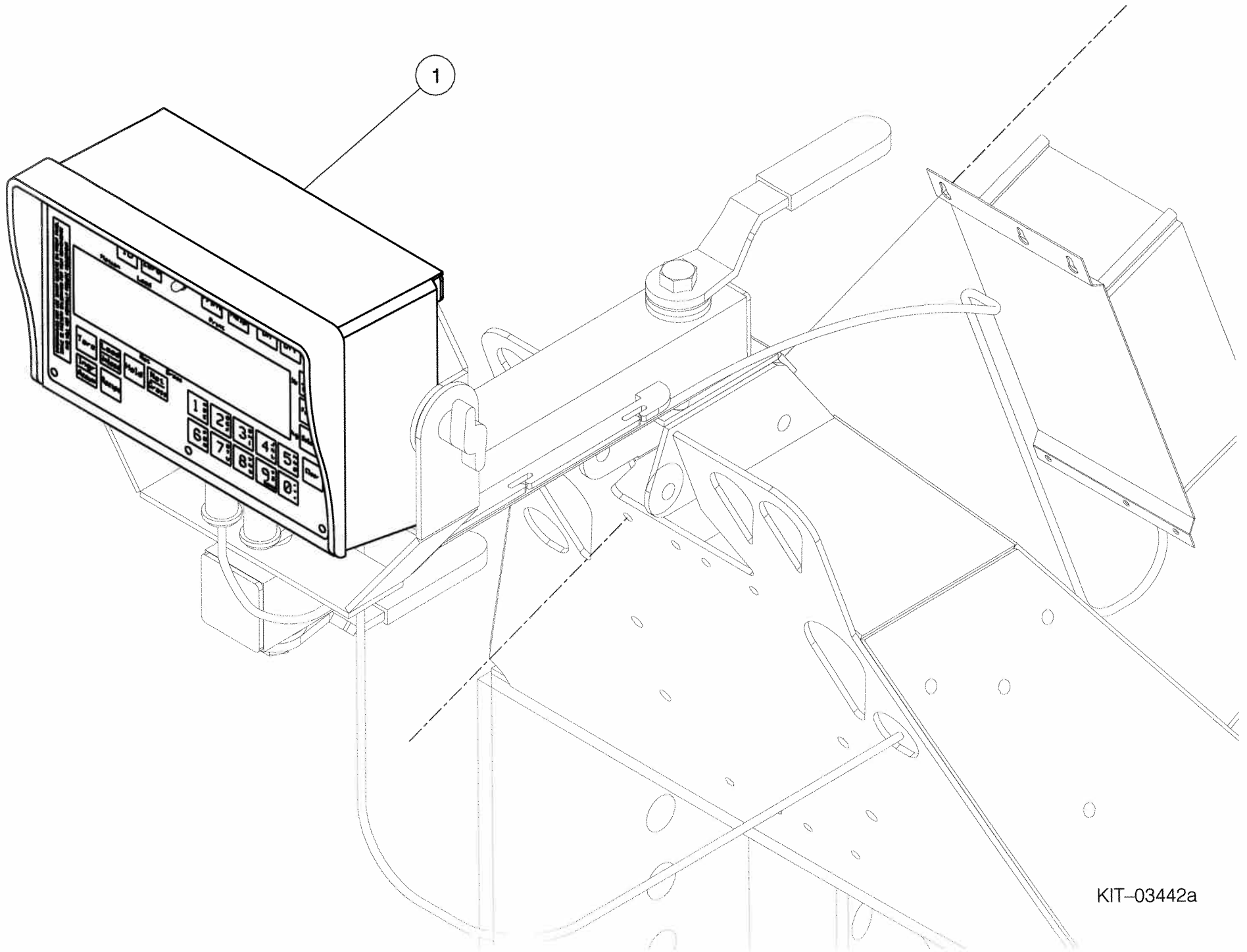
ASSY NUMBER: KIT-03442		ASSY DESCRIPTION: MID LEVEL EZ3200 INDICATOR KIT					
ITEM	PART NO	DESCRIPTION	QTY	ITEM	PART NO	DESCRIPTION	QTY
1	LCL-01216	EZ3200 INDICATOR	1				



KIT-03442

Shelbourne Reynolds Engineering Limited

ASSY NUMBER:		KIT-03442A		ASSY DESCRIPTION: MID EZ3200V INDICATOR KITC/W REMOTE PORT			
ITEM	PART NO	DESCRIPTION	QTY	ITEM	PART NO	DESCRIPTION	QTY
1	LCL-01216a	EZ3200 INDICATOR	1				



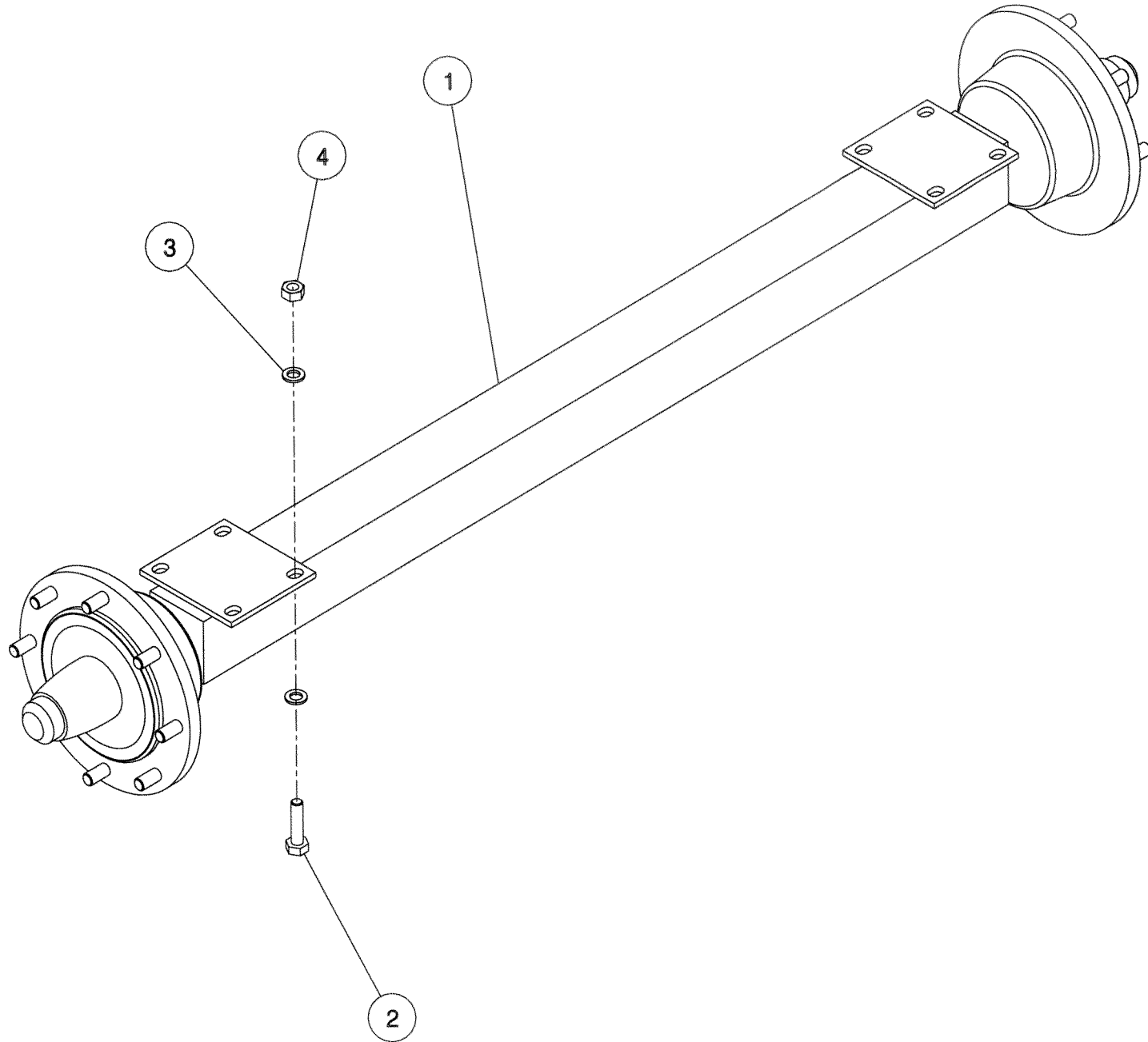
KIT-03442a

Shelbourne Reynolds Engineering Limited

ASSY NUMBER:		KIT-03446		ASSY DESCRIPTION: UN-BRAKED AXLE KIT			
ITEM	PART NO	DESCRIPTION	QTY	ITEM	PART NO	DESCRIPTION	QTY
1	AXL-00103	UN-BRAKED AXLE	1				
2	BLT-2312	HEX HD BOLT	8				
3	WSH-0024	WASHER	16				
4	NUT-0271	NUT	8				

Shelbourne Reynolds Engineering Limited

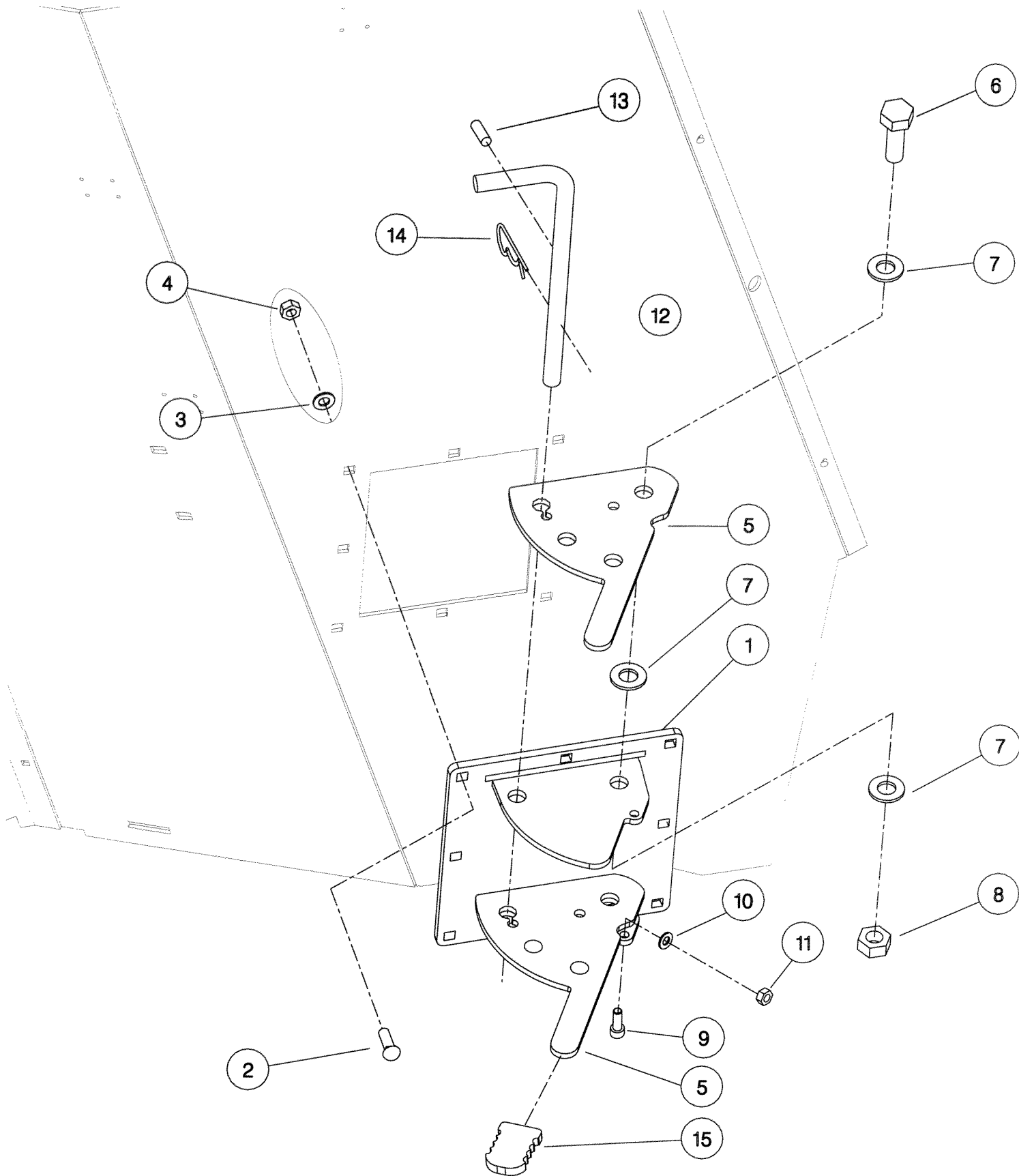
ASSY NUMBER: KIT-03446B		ASSY DESCRIPTION: UN-BRAKED AXLE KIT					
ITEM	PART NO	DESCRIPTION	QTY	ITEM	PART NO	DESCRIPTION	QTY
1	AXL-00107	UN-BRAKED AXLE	1				
2	BLT-2312	HEX HD BOLT	8				
3	WSH-0024	WASHER	16				
4	NUT-0271	NUT	8				



KIT-03446

Shelbourne Reynolds Engineering Limited

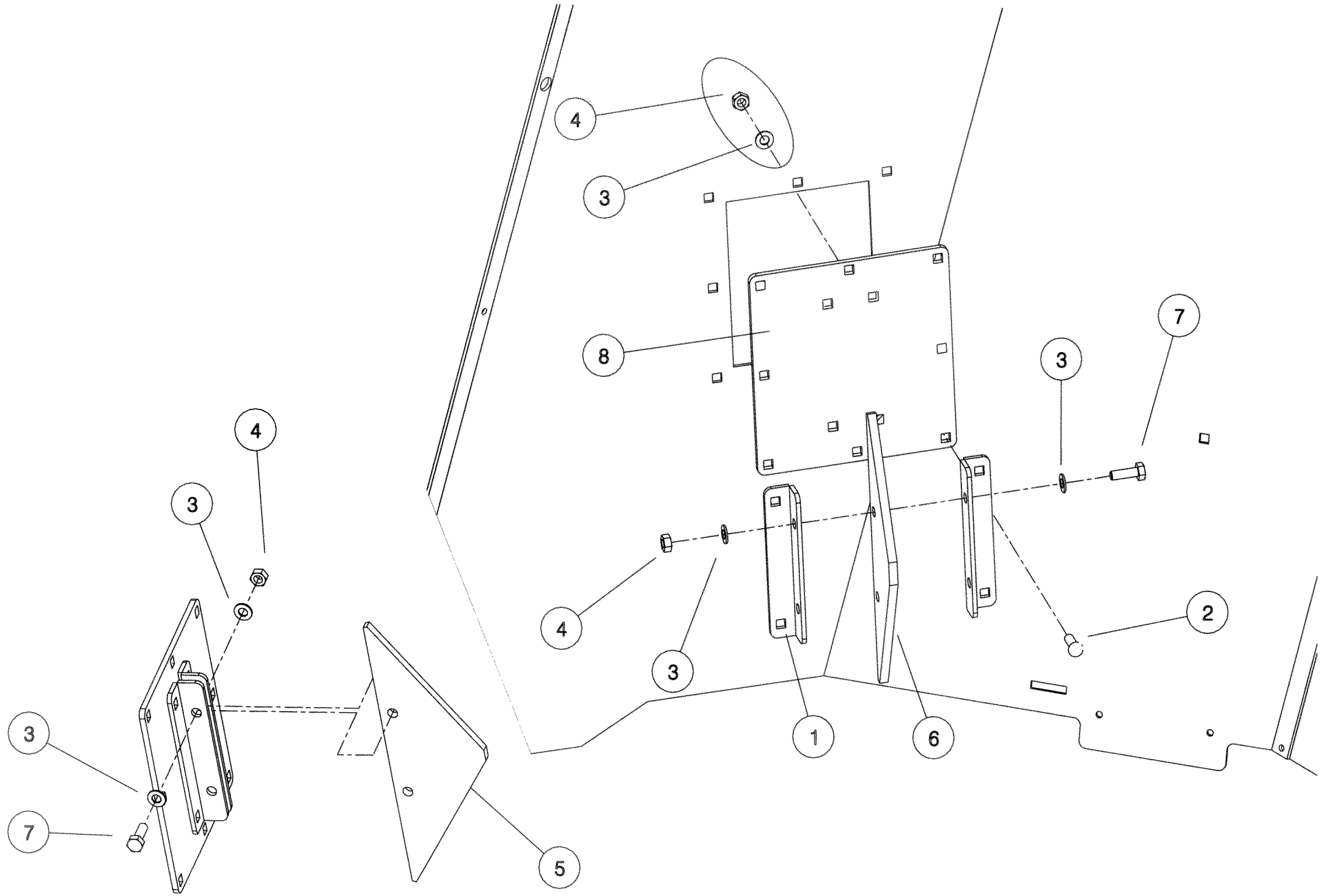
ASSY NUMBER:		KIT-03447		ASSY DESCRIPTION: ANTI-ROTATION BLADE KIT			
ITEM	PART NO	DESCRIPTION	QTY	ITEM	PART NO	DESCRIPTION	QTY
1	612983 01	BLADE MOUNTING ASSY	2				
2	BLTF12233	COACHBOLT	16				
3	WSH-0018	WASHER	16				
4	NUT-0269	NUT	16				
5	612872 01	ANTI-ROTATION BLADE	4				
6	HSS-0355	SETSCREW	4				
7	WSH-0030	WASHER	12				
8	NUTA02200	NUT	4				
9	SCW-0190	SOCKET CAP HD SCREW	4				
10	WSH-0015	WASHER	4				
11	NUT-0265	NUT	4				
12	612874 01	BLADE LOCKING SHAFT	2				
13	PIN-1783	ROLL PIN	2				
14	CLP-00106	R-CLIP	2				
15	PTF-00025	HANDLE GRIP	4				



KIT - 03296
 KIT - 03447

Shelbourne Reynolds Engineering Limited

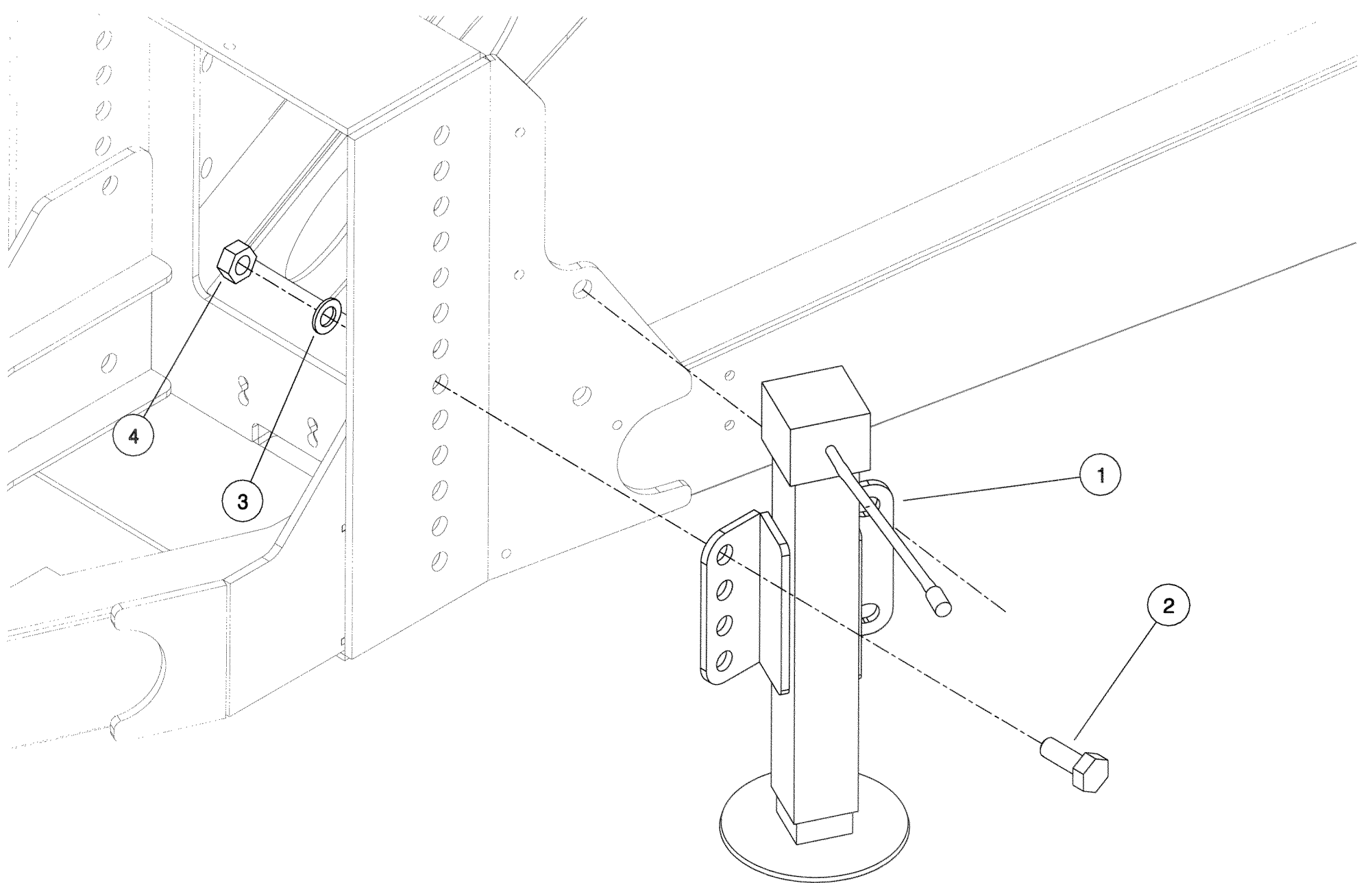
ASSY NUMBER:		KIT-03448		SUB ASSY DESCRIPTION:FIXED RETARDER KIT (SINGLE AUGER)			
ITEM	PART NO	DESCRIPTION	QTY	ITEM	PART NO	DESCRIPTION	QTY
1	612489 01	ANTI-ROTATION BRKT	4				
2	BLTF12233	COACHBOLT	24				
3	WSH-0018	WASHER	28				
4	NUT-0269	NUT	28				
5	610934 01	LARGER ANTI-ROTATION PLATE	1				
6	612490 01	SMALL ANTI-ROTATION PLATE	1				
7	HSS-0260	SETSCREW	4				
8	612866 01	BLANKING PLATE	2				



KIT - 03298
KIT - 03448

Shelbourne Reynolds Engineering Limited

ASSY NUMBER:		KIT-03449		SUB ASSY DESCRIPTION: MECHANICAL JACK KIT			
ITEM	PART NO	DESCRIPTION	QTY	ITEM	PART NO	DESCRIPTION	QTY
1	613709 01	JACK WELD ASSY	1				
2	HSS-0410	SETSCREW	4				
3	WSH-0036	WASHER	4				
4	NUT-0275	NUT	4				

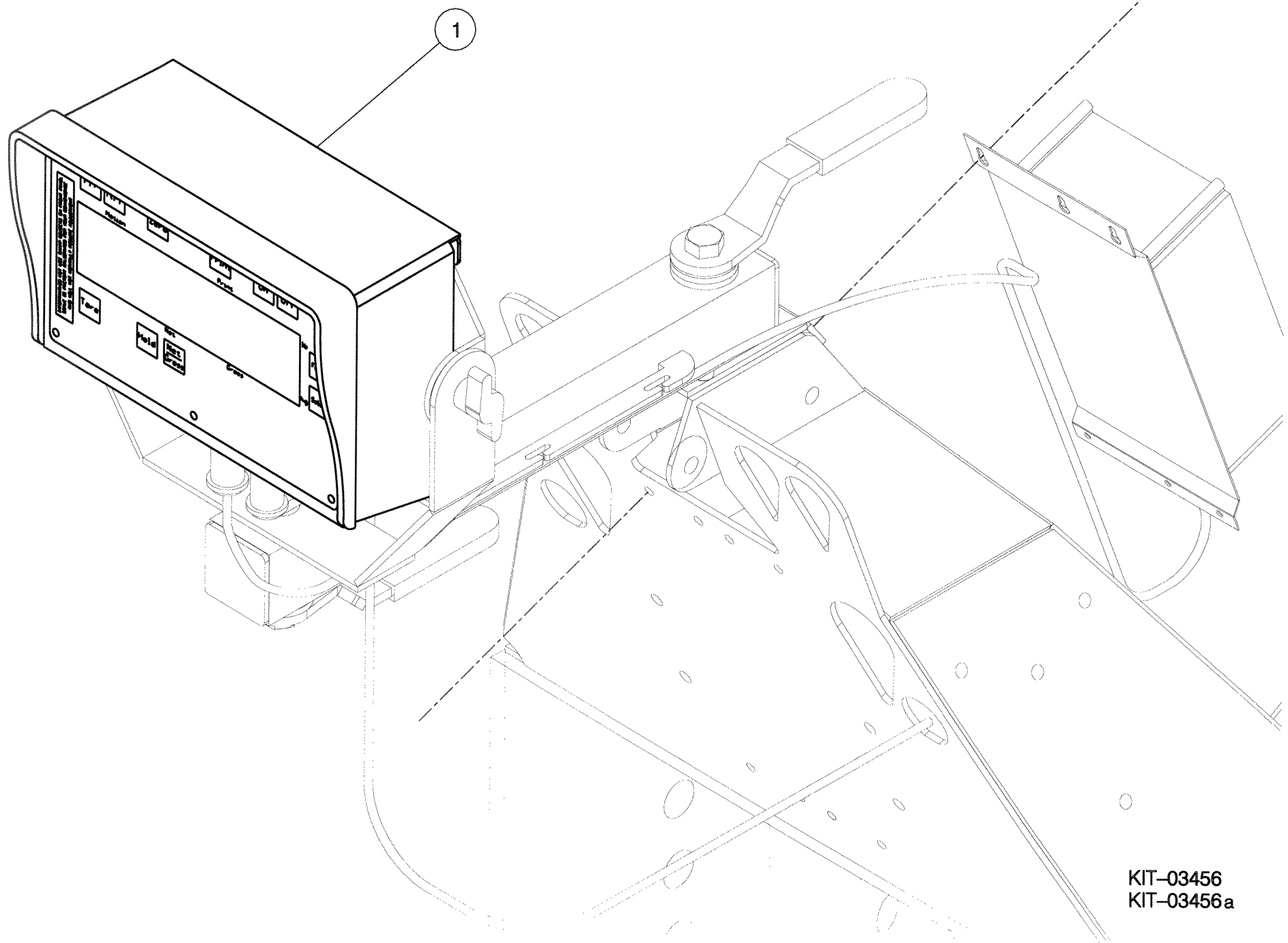


Shelbourne Reynolds Engineering Limited

ASSY NUMBER:		KIT-03456		ASSY DESCRIPTION: BASIC EZ2000V INDICATOR KIT			
ITEM	PART NO	DESCRIPTION	QTY	ITEM	PART NO	DESCRIPTION	QTY
1	LCL-01217	EZ2000V INDICATOR	1				

Shelbourne Reynolds Engineering Limited

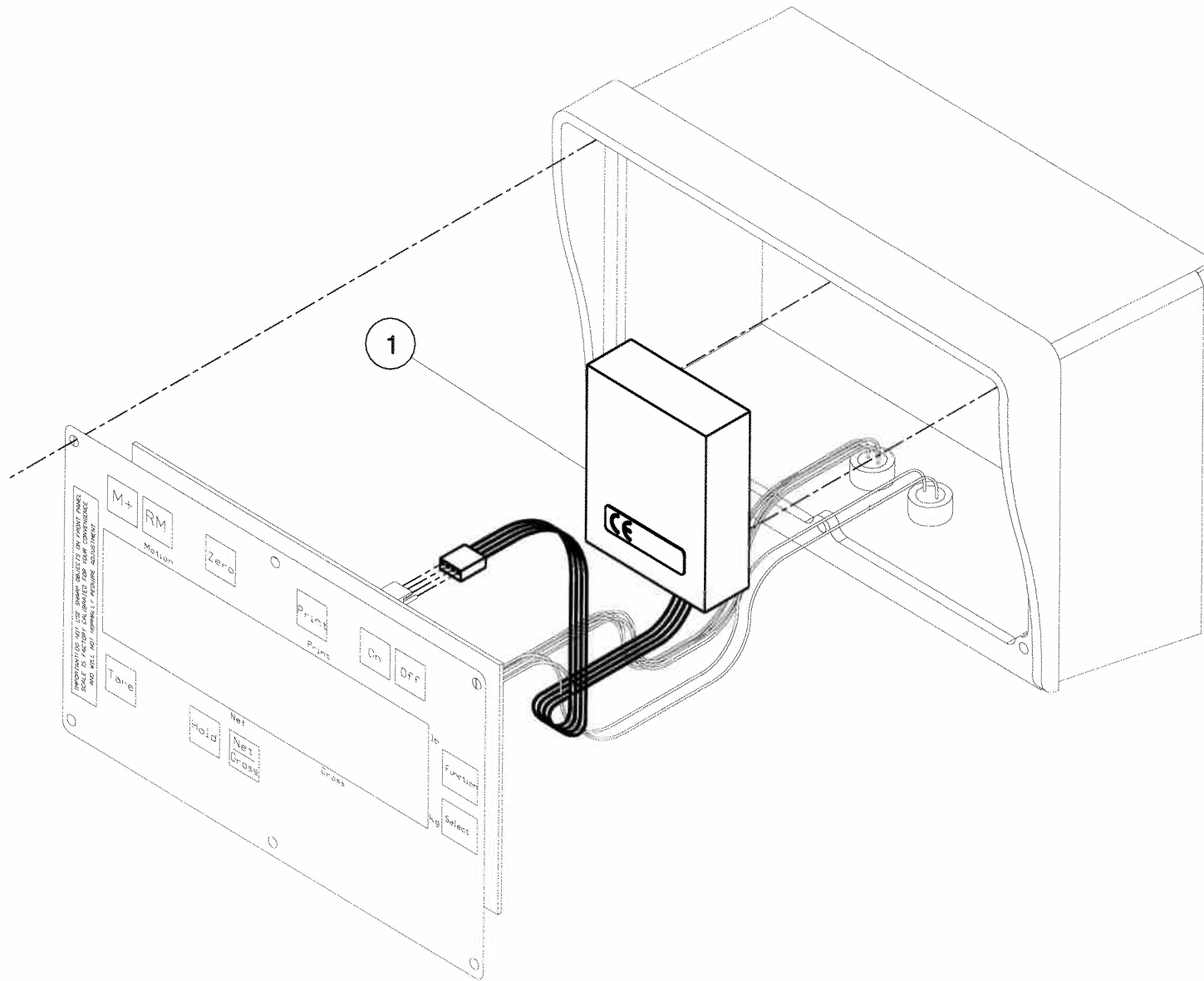
ASSY NUMBER:		KIT-03456a		ASSY DESCRIPTION: BASIC EZ2000V INDICATOR KIT			
ITEM	PART NO	DESCRIPTION	QTY	ITEM	PART NO	DESCRIPTION	QTY
1	LCL-01217	EZ2000V INDICATOR WITH REMOTE DISPLAY PORT	1				



KIT-03456
KIT-03456a

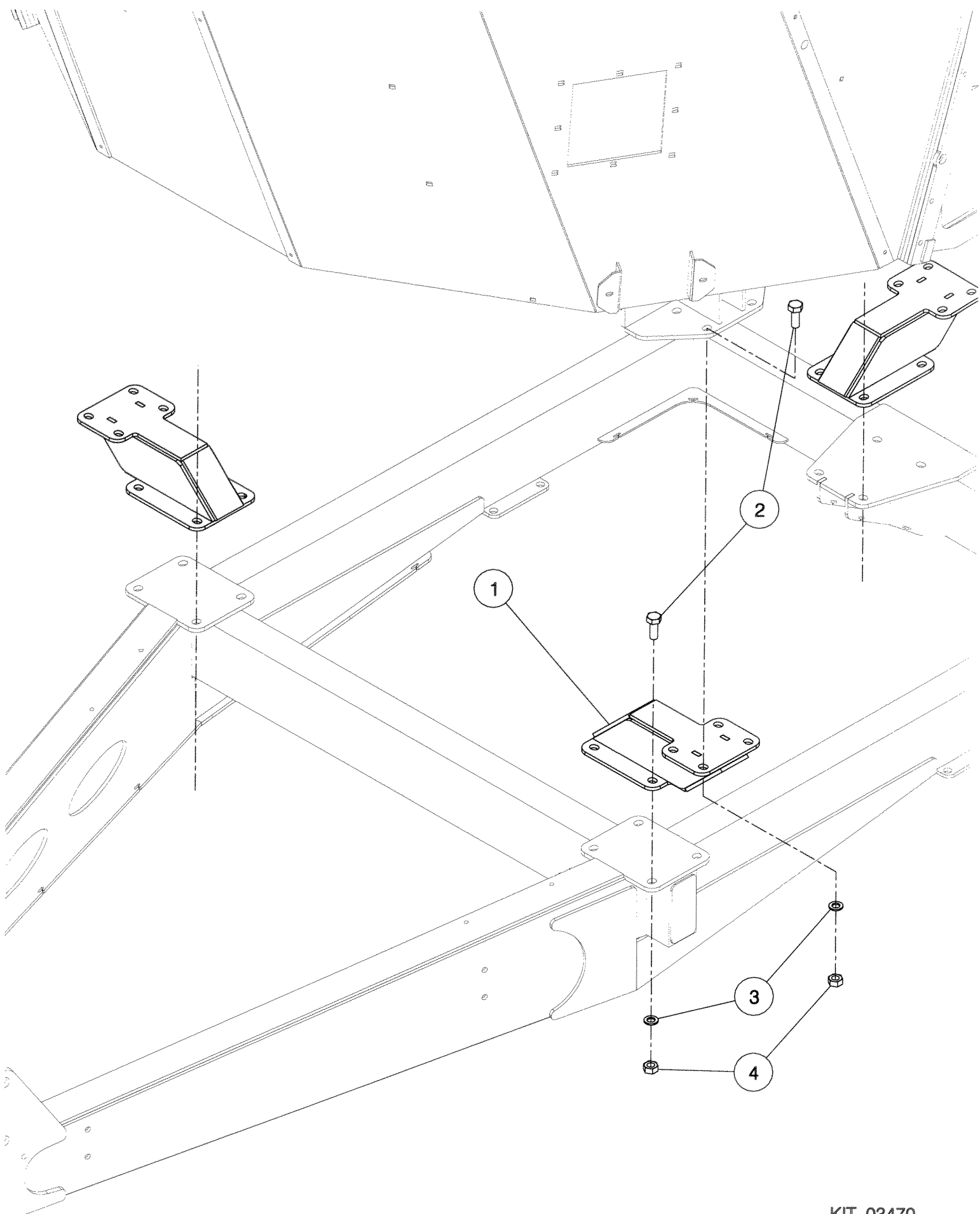
Shelbourne Reynolds Engineering Limited

ASSY NUMBER:		KIT-03467		ASSY DESCRIPTION: REMOTE ZERO FUNCTION KIT			
ITEM	PART NO	DESCRIPTION	QTY	ITEM	PART NO	DESCRIPTION	QTY
1	LCL-01226	REMOTE ZERO FUNCTION	1				



Shelbourne Reynolds Engineering Limited

ASSY NUMBER:		KIT-03470		ASSY DESCRIPTION:DUMMY WEIGH CELL KIT (SINGLE AUGER)			
ITEM	PART NO	DESCRIPTION	QTY	ITEM	PART NO	DESCRIPTION	QTY
1	613868 01	DUMMY LOADCELL	3				
2	HSS-0317	SETSCREW	24				
3	WSH-0024	WASHER	24				
4	NUT-0271	NUT	24				



KIT-03470

Shelbourne Reynolds Engineering Limited

ASSY NUMBER:

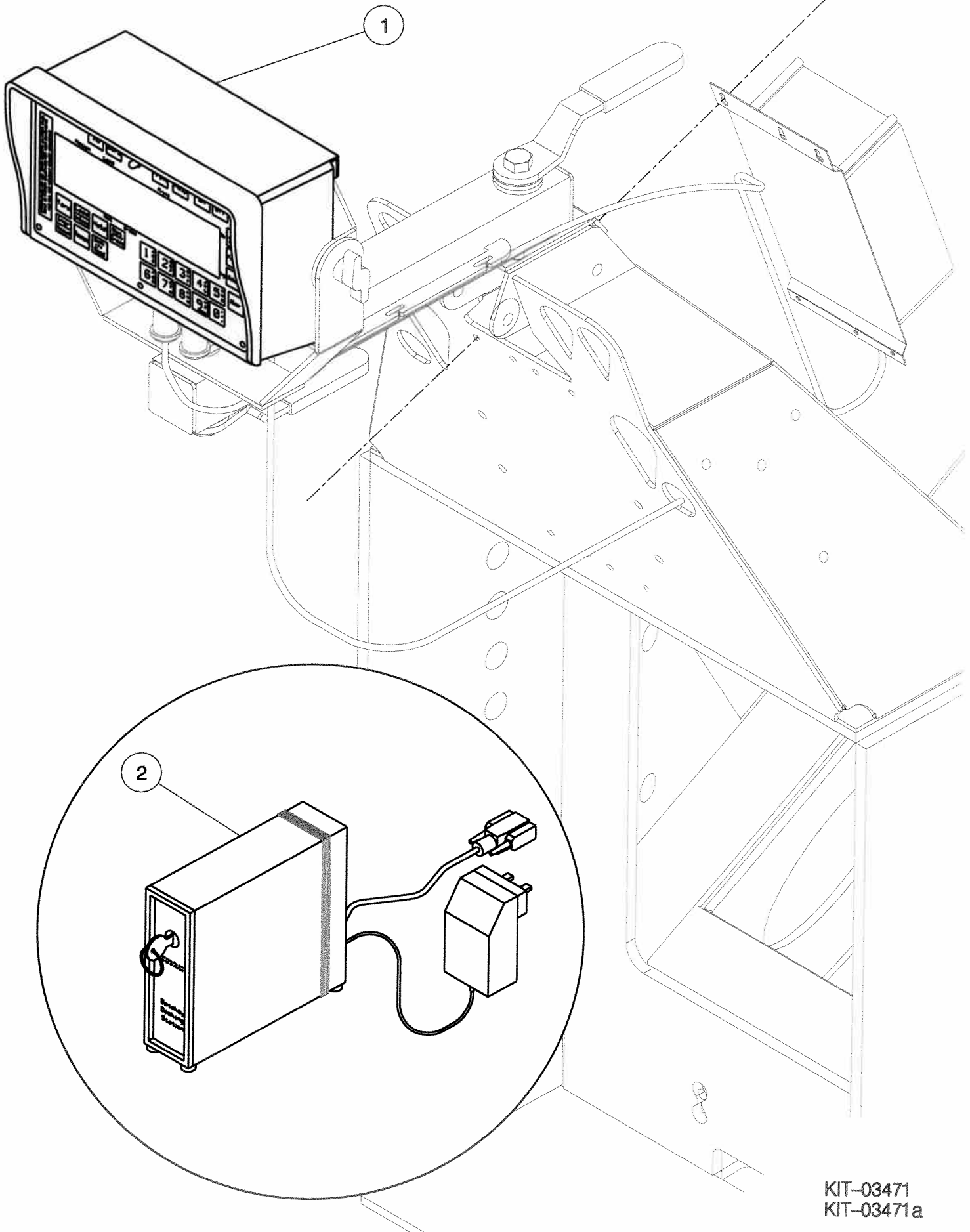
KIT-03471

ASSY DESCRIPTION:TOP LEVEL EZ3500 INDICATOR KIT

ITEM	PART NO	DESCRIPTION	QTY	ITEM	PART NO	DESCRIPTION	QTY
1	LCL-01218	EZ3500 INDICATOR	1				
2	LCL-01219	SOFTWARE & DOCKING STATION WITH UK 3 PIN PLUG	1				

Shelbourne Reynolds Engineering Limited

ASSY NUMBER:		KIT-03471a		ASSY DESCRIPTION:TOP LEVEL EZ3500 INDICATOR KIT			
ITEM	PART NO	DESCRIPTION	QTY	ITEM	PART NO	DESCRIPTION	QTY
1	LCL-01218	EZ3500 INDICATOR	1				
2	LCL-01219	SOFTWARE & DOCKING STATION WITH CONTINENTAL PLUG	1				



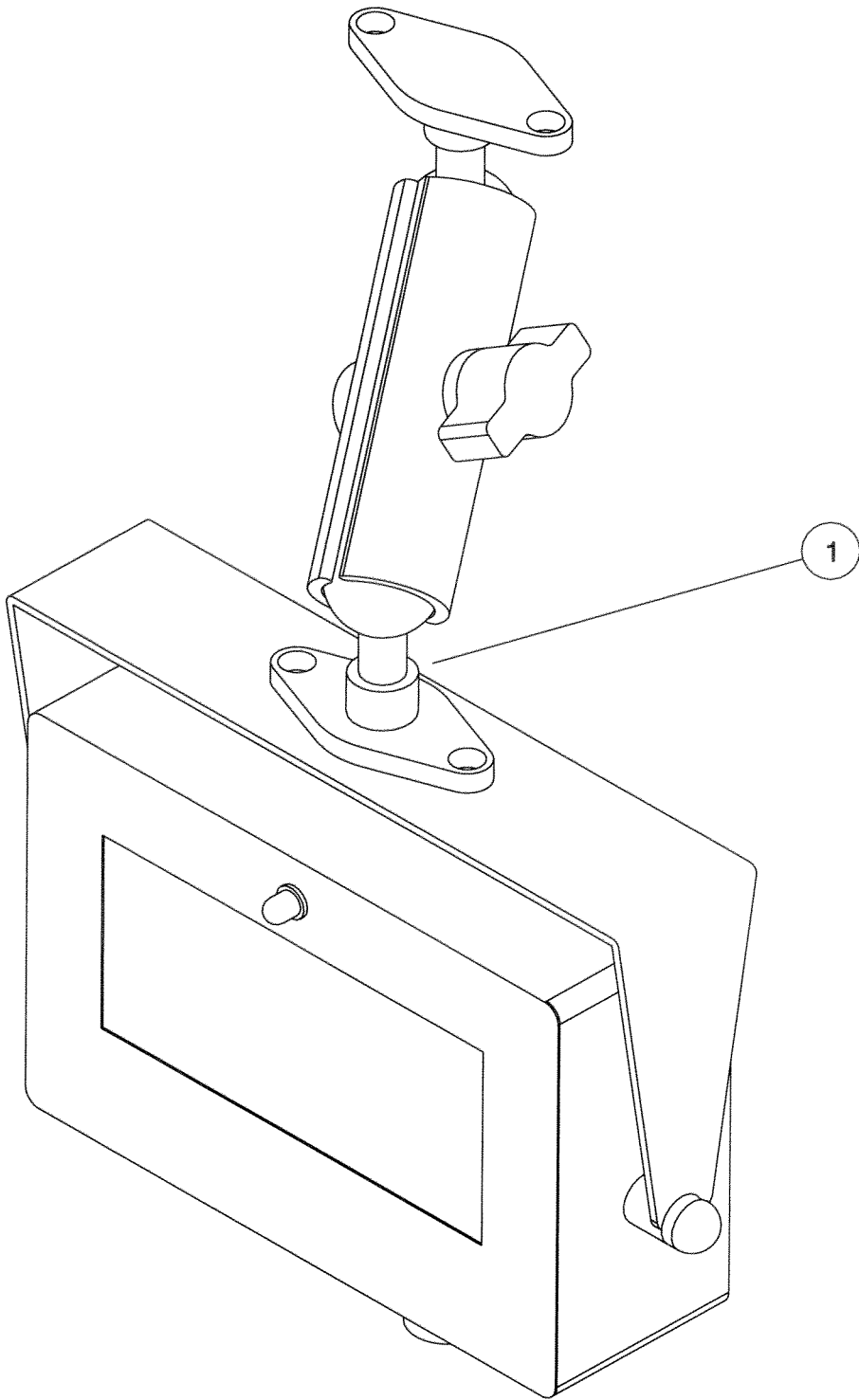
KIT-03471
KIT-03471a

Shelbourne Reynolds Engineering Limited

ASSY NUMBER: KIT-03478

ASSY DESCRIPTION: RD100 DISPLAY KIT

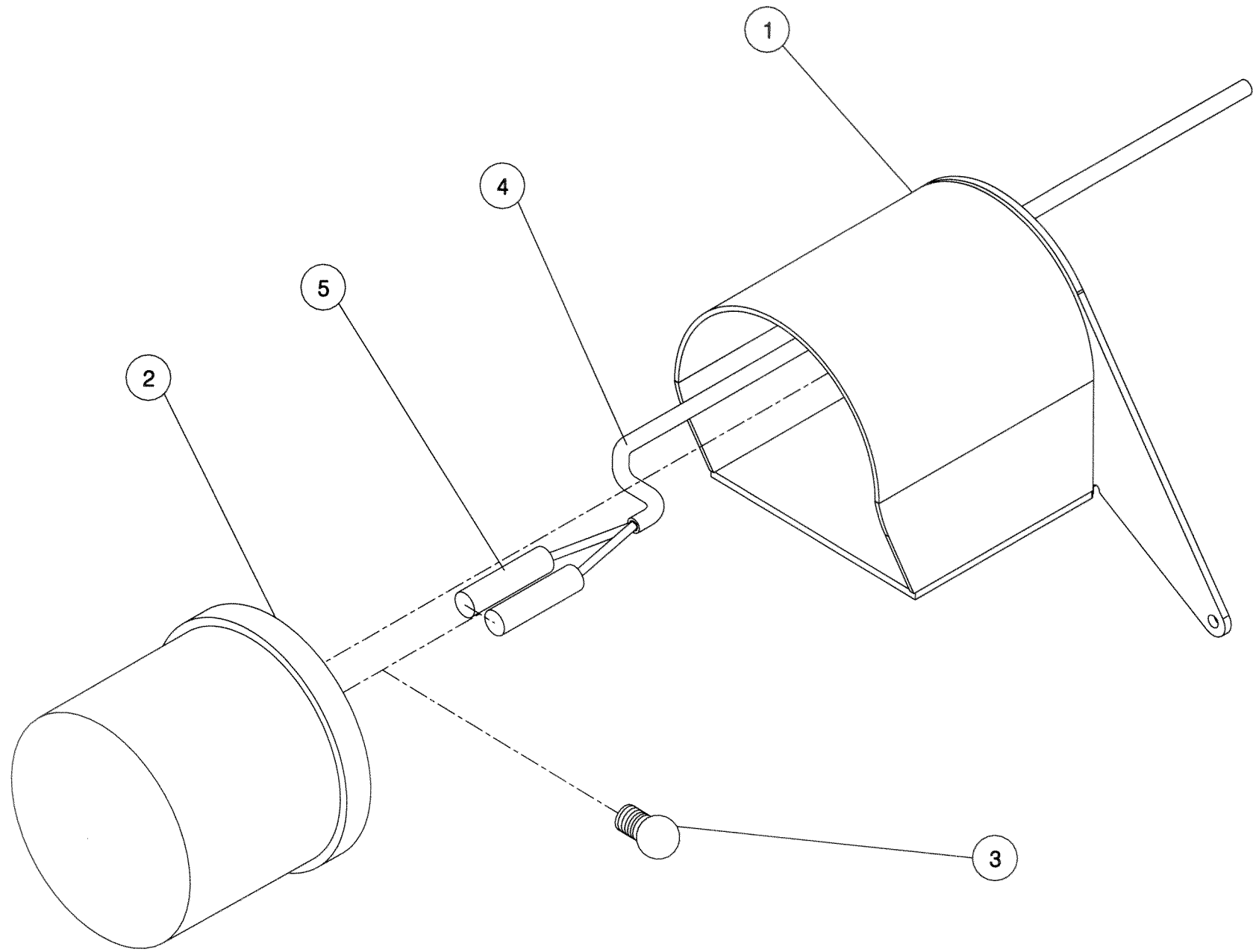
ITEM	PART NO	DESCRIPTION	QTY	ITEM	PART NO	QTY
1	LCL-01227	RD100 REMOTE DISPLAY	1			



KIT-03478

Shelbourne Reynolds Engineering Limited

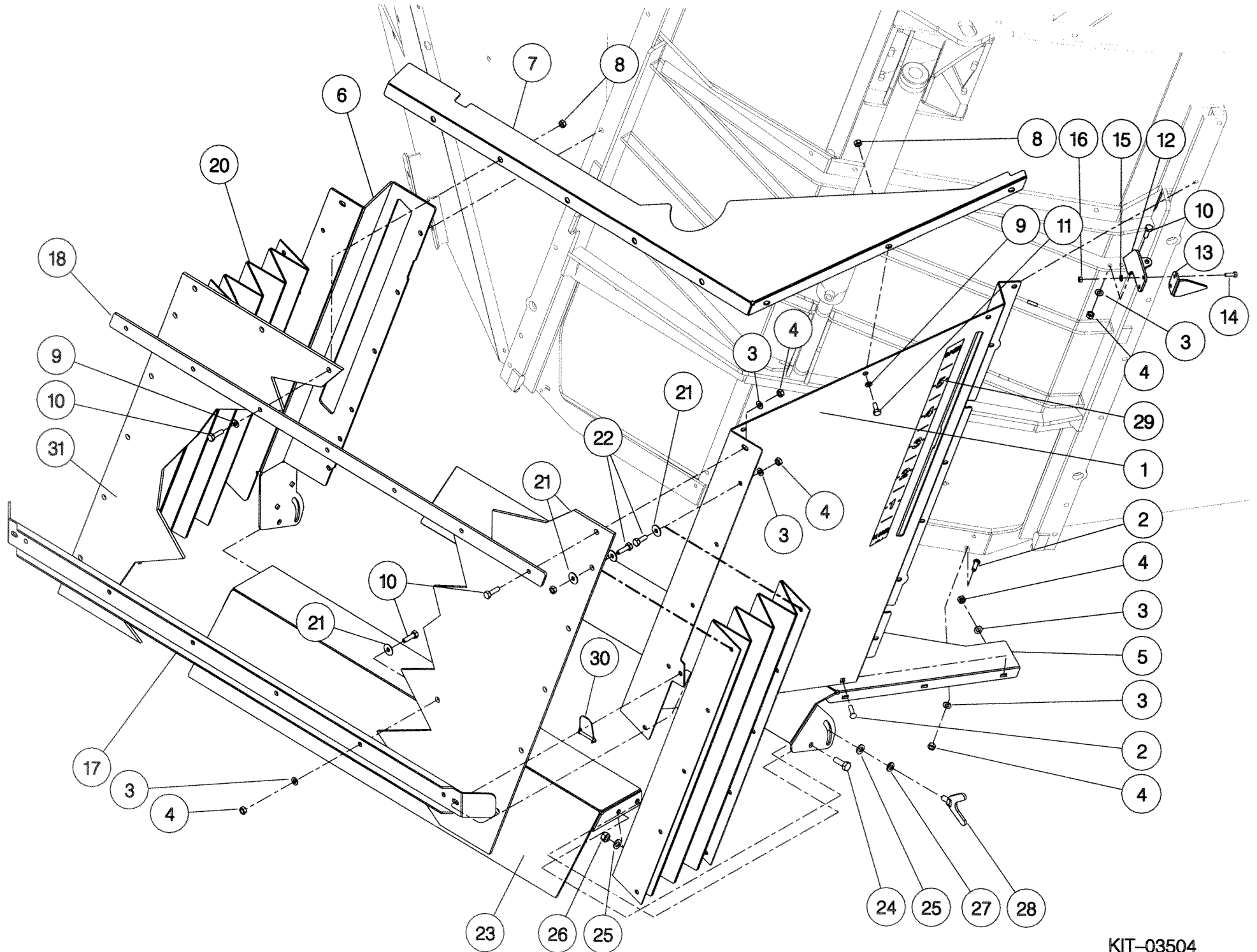
ASSY NUMBER:		KIT-03483		ASSY DESCRIPTION:FLASHING LIGHT KIT			
ITEM	PART NO	DESCRIPTION	QTY	ITEM	PART NO	DESCRIPTION	QTY
1	613940 01	LIGHT BRACKET	1				
2	LMP-10502	INDICATOR LAMP	1				
3	BLB-0015	BULB	1				
4	CBL-03010	CABLE(2 CORE)	3m				
5	ETM-00630	ELEC BUTT TERMINAL	2				



KIT-03483

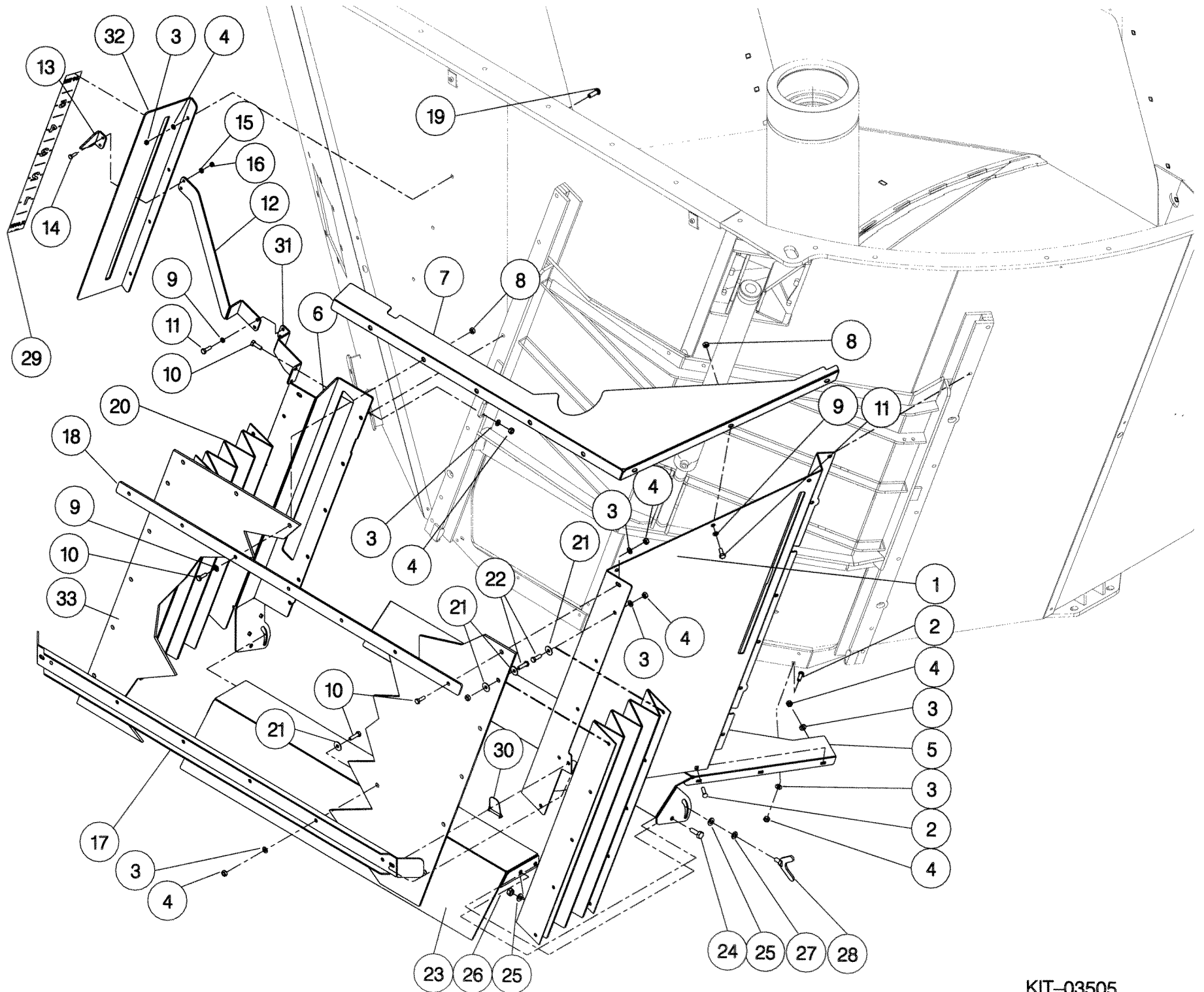
Shelbourne Reynolds Engineering Limited

ASSY NUMBER :		KIT-03504		ASSY DESCRIPTION: RUBBER DOOR FLAP KIT (RH DOOR)			
ITEM	PART NO	DESCRIPTION	QTY	ITEM	PART NO	DESCRIPTION	QTY
1	614015 01	SIDE PANEL	1				
2	BLTF08173	COACHBOLT	8				
3	WSH-0012	WASHER	28				
4	NUT-0263	NUT	36				
5	614169 01	FIXED CHUTE	1				
OR	613987 01	FIXED CHUTE	1				
6	614168 01	SIDE PANEL	1				
OR	614016 01	SIDE PANEL	1				
7	613986 01	TOP CAPPING PLATE	1				
8	NUTA13080	NUTSERT	8				
9	WSH-0058	WASHER	8				
10	HSS-0150	SETSCREW	15				
11	HSS-0140	SETSCREW	3				
12	613991 01	INDICATOR PLATE	1				
13	613786 01	POINTER	1				
14	HSS-0086	SETSCREW	2				
15	WSH-0009	WASHER	2				
16	NUT-0260	NUT	2				
17	614017 01	SAFETY BELT	1				
18	613992 01	CLAMP PLATE	1				
19							
20	614004 01	SIDE CURTAIN	2				
21	WSH-1038	WASHER	32				
22	HSS-0145	SETSCREW	18				
23	614170 01	ADJUSTABLE CHUTE	1				
OR	613985 01	ADJUSTABLE CHUTE	1				
24	HSS-0191	SETSCREW	2				
25	WSH-0015	WASHER	4				
26	NUT-0265	NUT	2				
27	WSH-0061	WASHER	2				
28	613995 01	LOCKING HANDLE	2				
29	613779 01	DECAL - DOOR HEIGHT	1				
30	PIN-1720	LYNCH PIN	2				
31	614018 01	SAFETY FLAP	1				



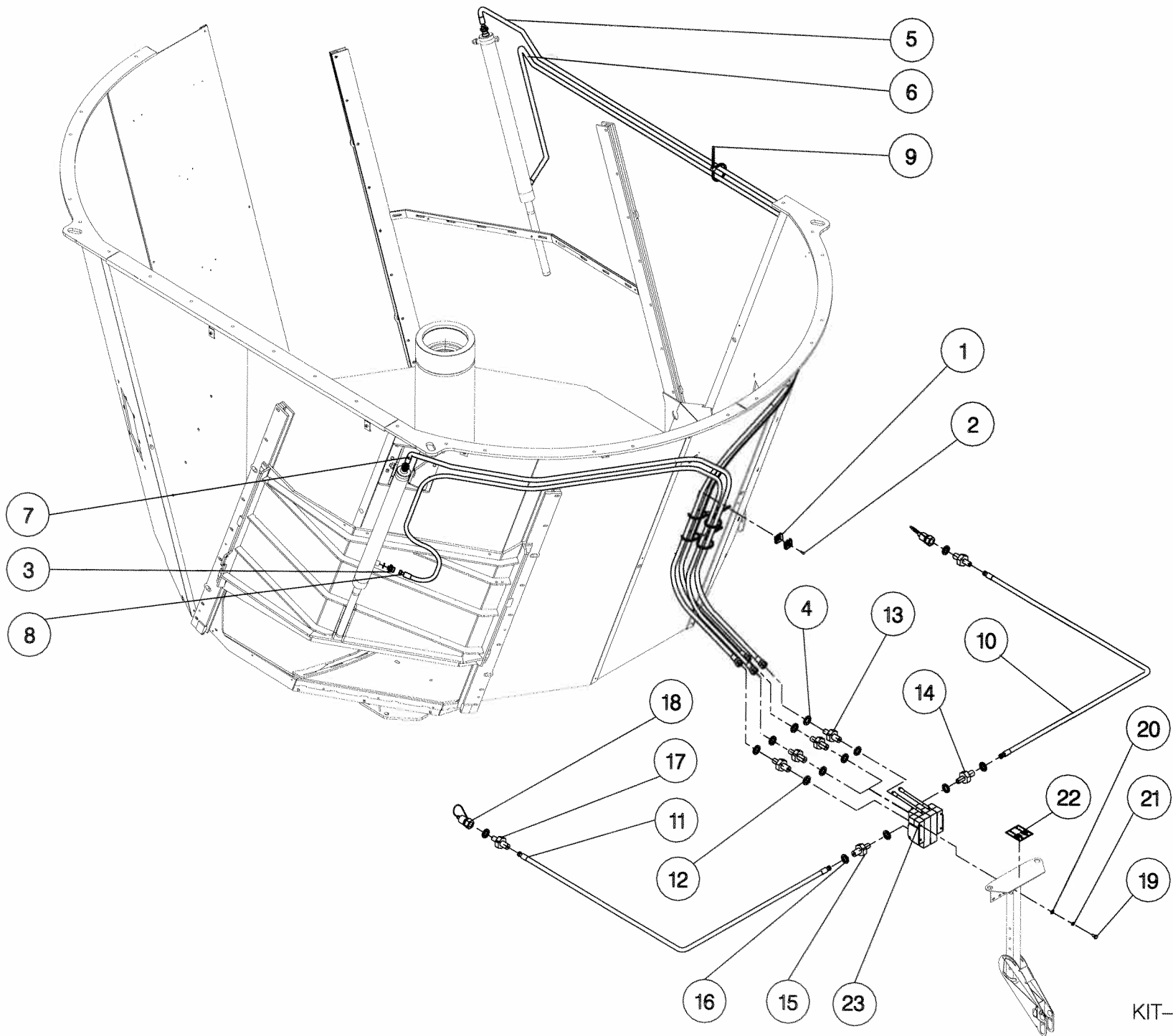
Shelbourne Reynolds Engineering Limited

ASSY NUMBER:		KIT-03505		ASSY DESCRIPTION: RUBBER DOOR FLAP KIT (LH DOOR)			
ITEM	PART NO	DESCRIPTION	QTY	ITEM	PART NO	DESCRIPTION	QTY
1	614015 01	SIDE PANEL	1				
2	BLTF08173	COACHBOLT	8				
3	WSH-0012	WASHER	32				
4	NUT-0263	NUT	40				
5	614169 01	FIXED CHUTE	1				
OR	613987 01	FIXED CHUTE	1				
6	614168 01	SIDE PANEL	1				
OR	614016 01	SIDE PANEL	1				
7	613986 01	TOP CAPPING PLATE	1				
8	NUTA13080	NUTSERT	8				
9	WSH-0058	WASHER	10				
10	HSS-0150	SETSCREW	15				
11	HSS-0140	SETSCREW	5				
12	613990 01	INDICATOR PLATE	1				
13	613786 01	POINTER	1				
14	HSS-0086	SETSCREW	2				
15	WSH-0009	WASHER	2				
16	NUT-0260	NUT	2				
17	614017 01	SAFETY BELT	1				
18	613992 01	CLAMP PLATE	1				
19	BLT-2700	COACHBOLT	4				
20	614004 01	SIDE CURTAIN	2				
21	WSH-1038	WASHER	32				
22	HSS-0145	SETSCREW	18				
23	614170 01	ADJUSTABLE CHUTE	1				
OR	613985 01	ADJUSTABLE CHUTE	1				
24	HSS-0191	SETSCREW	2				
25	WSH-0015	WASHER	4				
26	NUT-0265	NUT	2				
27	WSH-0061	WASHER	2				
28	613995 01	LOCKING HANDLE	2				
29	613779 01	DECAL - DOOR HEIGHT	1				
30	PIN-1720	LYNCH PIN	2				
31	613989 01	FIXING PLATE	1				
32	613517 01	DOOR HEIGHT INDICATOR	1				
33	614018 01	SAFETY FLAP	1				



Shelbourne Reynolds Engineering Limited

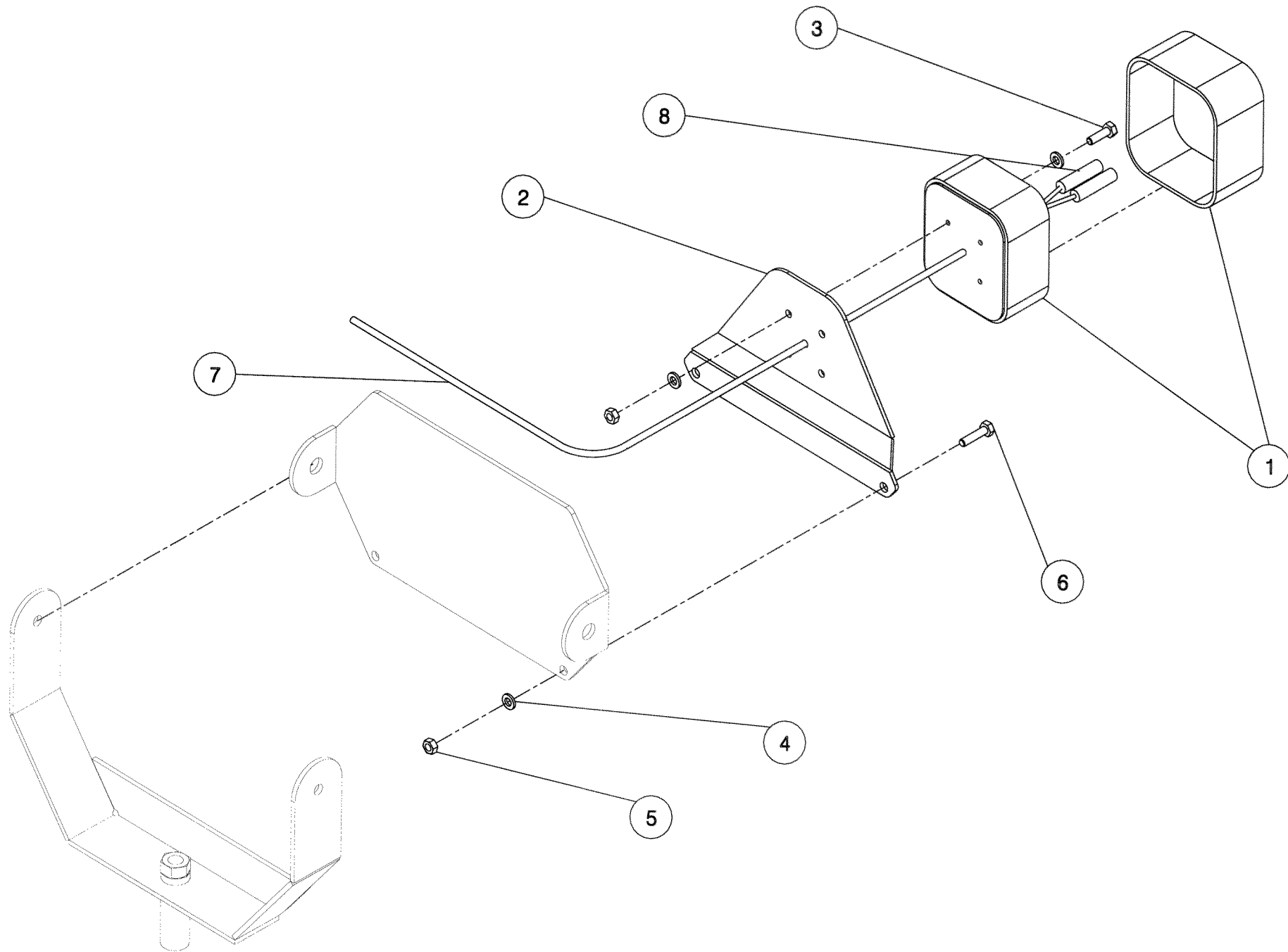
ASSY NUMBER:		KIT-03507		SUB ASSY DESCRIPTION: 2 STATION MANUAL SPOOL VALVE KIT			
ITEM	PART NO	DESCRIPTION	QTY	ITEM	PART NO	DESCRIPTION	QTY
1	HCPD01200	PIPE CLAMP	11				
2	SCW-0083	CP HD SCREW	11				
3	HMA-0052	M/M ADAPTOR	4				
4	WSH-1005	DOWTY WASHER	4				
5	HHBC67105	HOSE ASSY	1				
6	HHBC73005	HOSE ASSY	1				
7	HHBC49005	HOSE ASSY	1				
8	HHBC55005	HOSE ASSY	1				
9	TIE-0004	TIE WRAP	10				
10	HHAE16005	HYDRAULIC HOSE	1				
11	HHAF16005	HYDRAULIC HOSE	1				
12	WSH-1010	DOWTY WASHER	6				
13	FIT-0025	HYD ADAPT	4				
14	HMA-0057	M/M ADAPTOR	1				
15	HMA-0065	M/M ADAPTOR	2				
16	WSH-1015	DOWTY WASHER	2				
17	HMA-0067	M/M ADAPTOR	1				
18	COU-0162	QUICK RELEASE COUPLING	2				
19	HSS-0135	SET SCREW	4				
20	WSH-0012	PLAIN WASHER	4				
21	WSH-0058	SPRING WASHER	4				
22	610792 01	EMBLEM	1				
23	HVB-09020	VALVE BLOCK	1				



KIT-03507

Shelbourne Reynolds Engineering Limited

ASSY NUMBER:		KIT-03510		ASSY DESCRIPTION: AUDIBLE ALARM KIT (FOR DIGI-STAR)			
ITEM	PART NO	DESCRIPTION	QTY	ITEM	PART NO	DESCRIPTION	QTY
1	BUZ-00010	AUDIBLE ALARM	1				
2	614030 01	BUZZER BRACKET	1				
3	HSS-0086	SETSCREW	4				
4	WSH-0009	WASHER	10				
5	NUT-0260	NUT	6				
6	HSS-0088	SETSCREW	2				
7	CBL-03010	CABLE (2 CORE)	3m				
8	ETM-00630	ELEC BUTT TERMINAL	2				

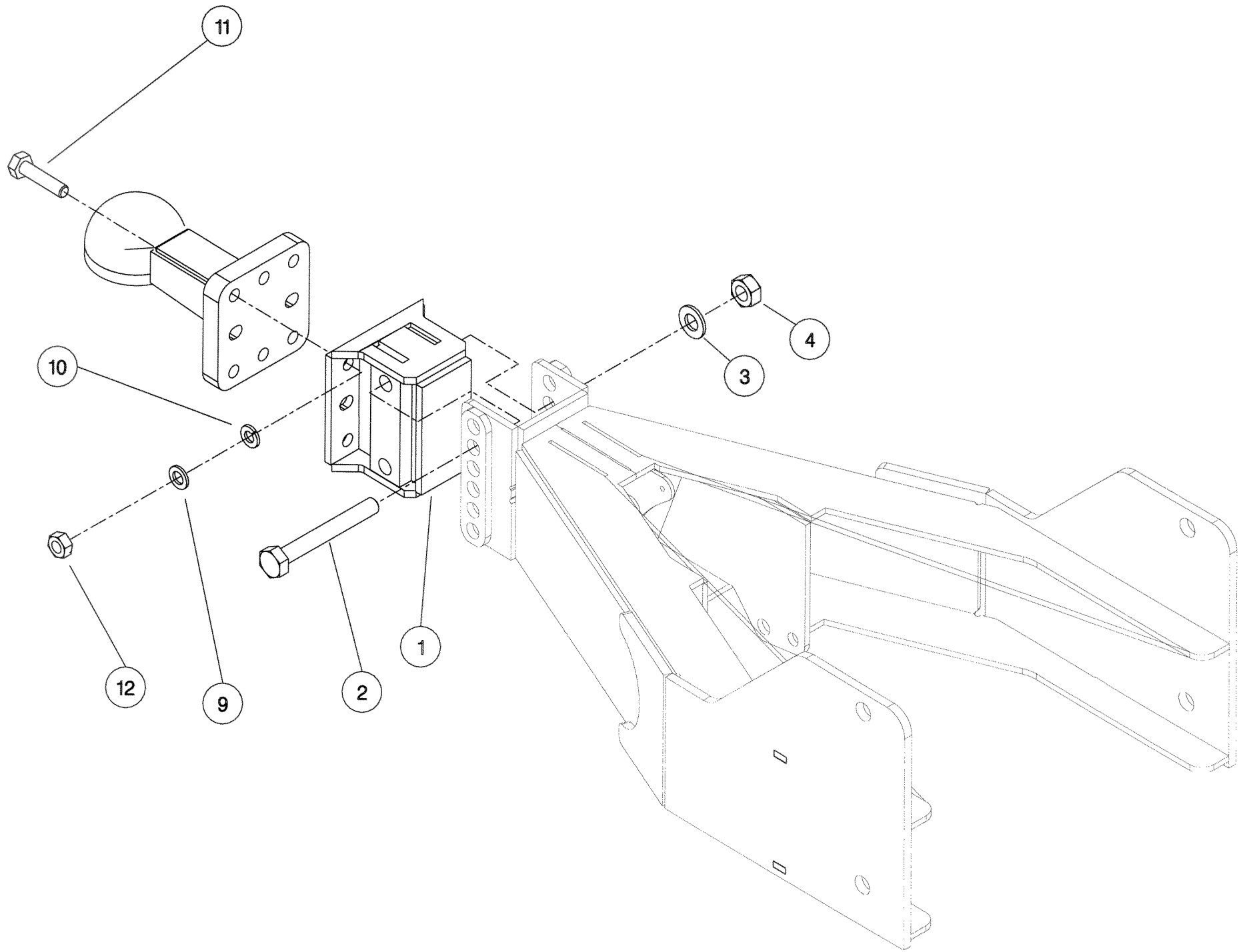


Shelbourne Reynolds Engineering Limited

ASSY NUMBER: KIT-03513

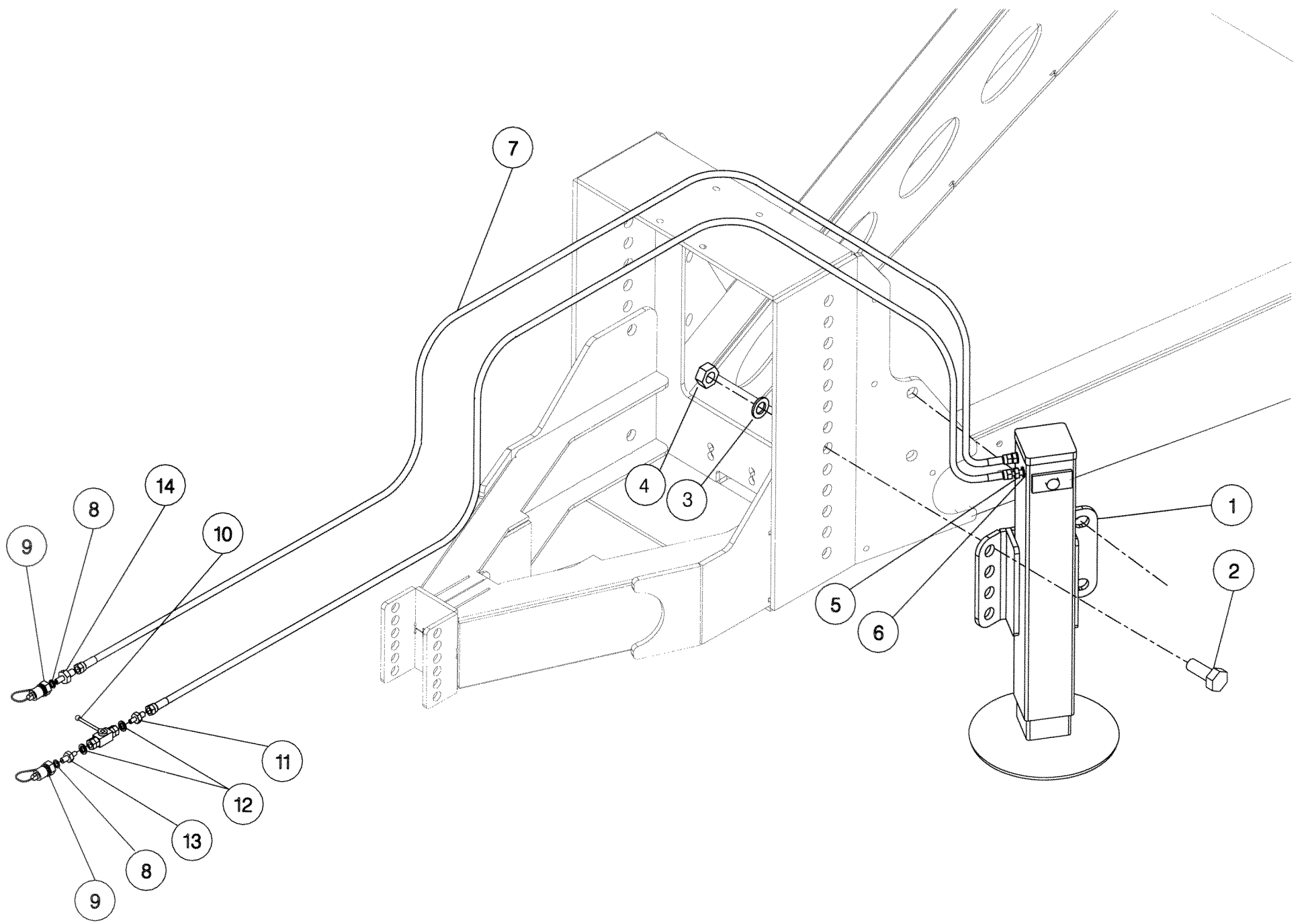
SUB ASSY DESCRIPTION: SCHARMULLER FIXING KIT

ITEM	PART NO	DESCRIPTION	QTY	ITEM	PART NO	DESCRIPTION	QTY
1	614043 01	SCHARMULLER FIXING ASSY	1				
2	BLTA20770	BOLT	2				
3	WSH-0030	WASHER	2				
4	NUTA02200	NYLOC NUT	2				
5							
6							
7							
8							
9	WSH-0024	WASHER	6				
10	WSH-0070	WASHER	2				
11	BLT-2314	BOLT	8				
12	NUT-0271	NUT	6				



Shelbourne Reynolds Engineering Limited

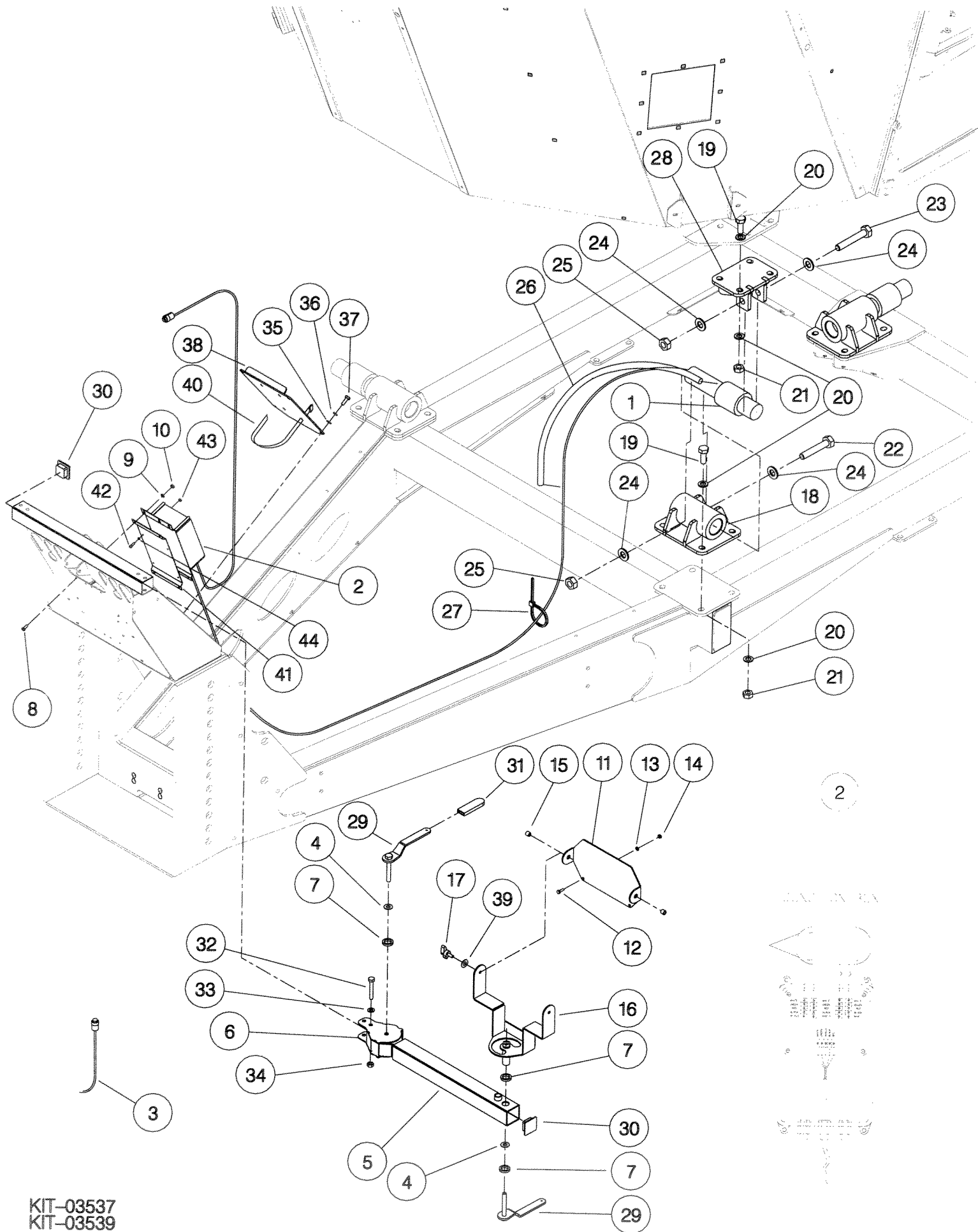
ASSY NUMBER:		KIT-03514		SUB ASSY DESCRIPTION:HYD PARKING JACK (TRACTOR CONNECTION)			
ITEM	PART NO	DESCRIPTION	QTY	ITEM	PART NO	DESCRIPTION	QTY
1	614047 01	JACK WELD ASSY	1				
2	HSS-0410	SETSCREW	4				
3	WSH-0036	WASHER	4				
4	NUT-0275	NUT	4				
5	HMA-0057	HYD ADPT	2				
6	WSH-1010	DOWTY WASHER	2				
7	HHBE25005	HYD HOSE ASSY	2				
8	WSH-1015	DOWTY WASHER	2				
9	COU-0162	QUICK RELEASE COUPLING	2				
10	HVB-02600	2-WAY BALL VALVE	1				
11	FIT-0025	HYD ADAPT	1				
12	WSH-1005	DOWTY WASHER	2				
13	HMA-0055	HYD ADAPT	1				
14	HMA-0065	HYD ADAPT	1				



KIT-03514

Shelbourne Reynolds Engineering Limited

ASSY NUMBER:		KIT-03537						ASSY DESCRIPTION:WEIGH CELL SYSTEM (SINGLE AUGER)	
ITEM	PART NO	DESCRIPTION	QTY	ITEM	PART NO	DESCRIPTION	QTY		
1	LCL-01200	LOADCELL	3	39	WSH-1300	SHAKERPROOF WASHER	2		
2	LCL-01205	JUNCTION BOX	1	40	TIE-0012	LARGE TIE WRAP	2		
3	LCL-01210	POWER CORD	1	41	614949 01	BRACKET J-BOX	1		
4	WSHA30121	LOCKWASHER	2	42	SCW-0035	CAP HEAD SCREW	4		
5	614188 01	WEIGH HEAD ARM W/A	1	43	NUT-0255	NUT NYLOCK	4		
6	614187 01	OUTER COUPLING W/A	1	44	WSH-0003	PLAIN WASHER	4		
7	190548 54	WASHER	3						
8	HSS-0058	SETSCREW	6						
9	WSH-0006	WASHER	6						
10	NUT-0258	NUT	6						
11	613597 01	REAR PANEL	1						
12	HSS-0086	SETSCREW	2						
13	WSH-0009	WASHER	2						
14	NUT-0260	NUT	2						
15	NUTA13080	NUTSERT	6						
16	614189 01	WEIGH HEAD HOUSING	1						
17	KNO-0001	THERMOPLASTIC KNOB	2						
18	613608 01	LOADCELL MTG BOSS W/A	3						
19	HSS-0318	SETSCREW	24						
20	WSH-0024	WASHER	48						
21	NUT-0271	NUT	24						
22	BLTA20620	BOLT	3						
23	BLTA20590	BOLT	3						
24	WSH-0030	WASHER	12						
25	NUTA02200	NUT	6						
26	SLV-00300	SPIRAL CONVOLUTE TUBING	5m						
27	TIE-0004	TIE WRAP	30						
28	613612 01	LOADCELL CLEVIS W/A	3						
29	613695 01	SECURING HANDLE ASSY	2						
30	CAP-0012	END CAP	2						
31	PTF-00026	PLASTIC HANDLE	2						
32	BLTA10470	BOLT	2						
33	WSH-0015	WASHER	2						
34	NUT-0265	NUT	2						
35	WSH-0012	WASHER	4						
36	WSH-0058	WASHER	4						
37	HSS-0145	SETSCREW	4						
38	614178 01	COVER	1						



KIT-03537
KIT-03539

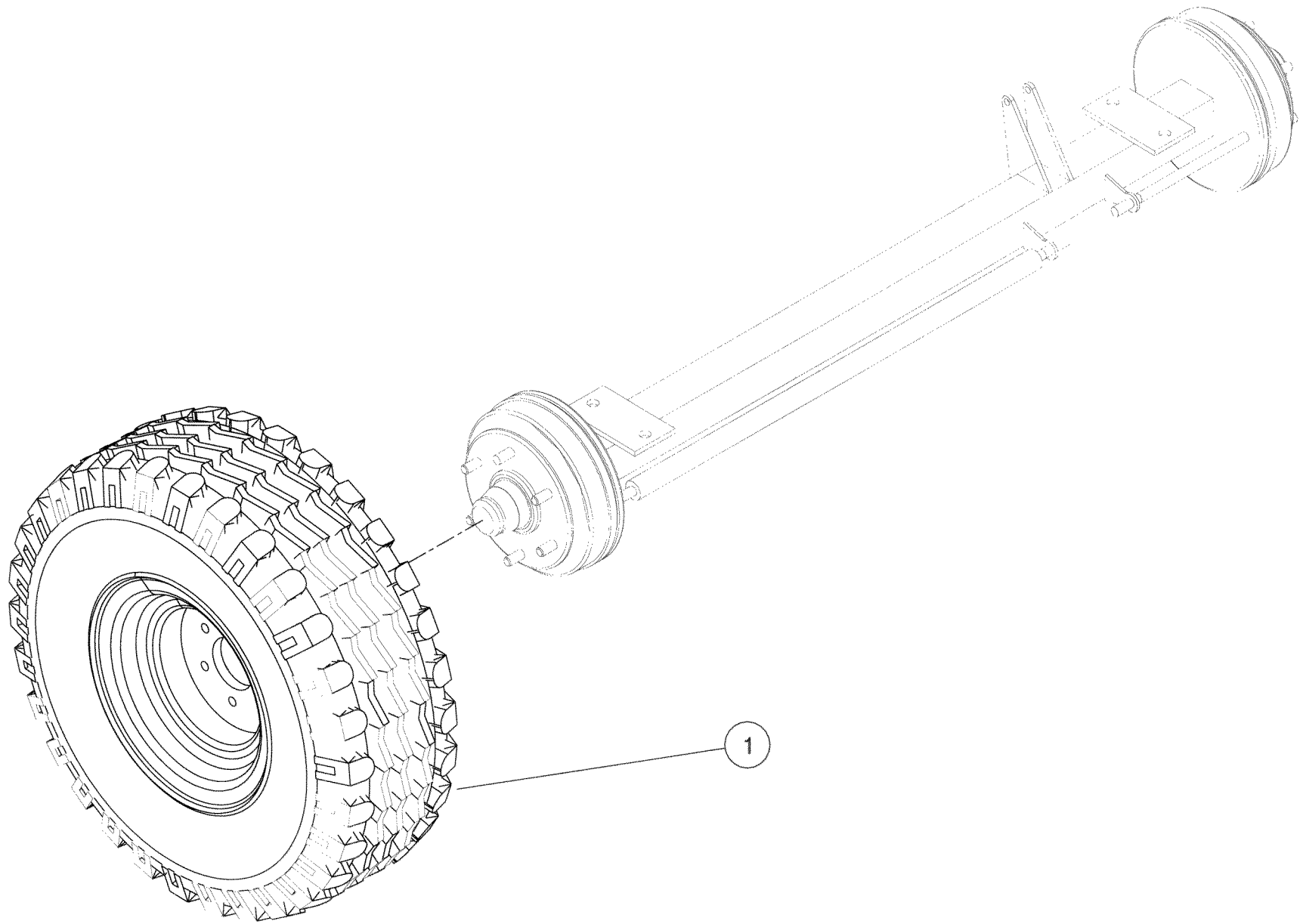
Shelbourne Reynolds Engineering Limited

ASSY NUMBER:

KIT-03544

ASSY DESCRIPTION: WHEEL&TYRE KIT(BANDENMARKT305/55R22.5)

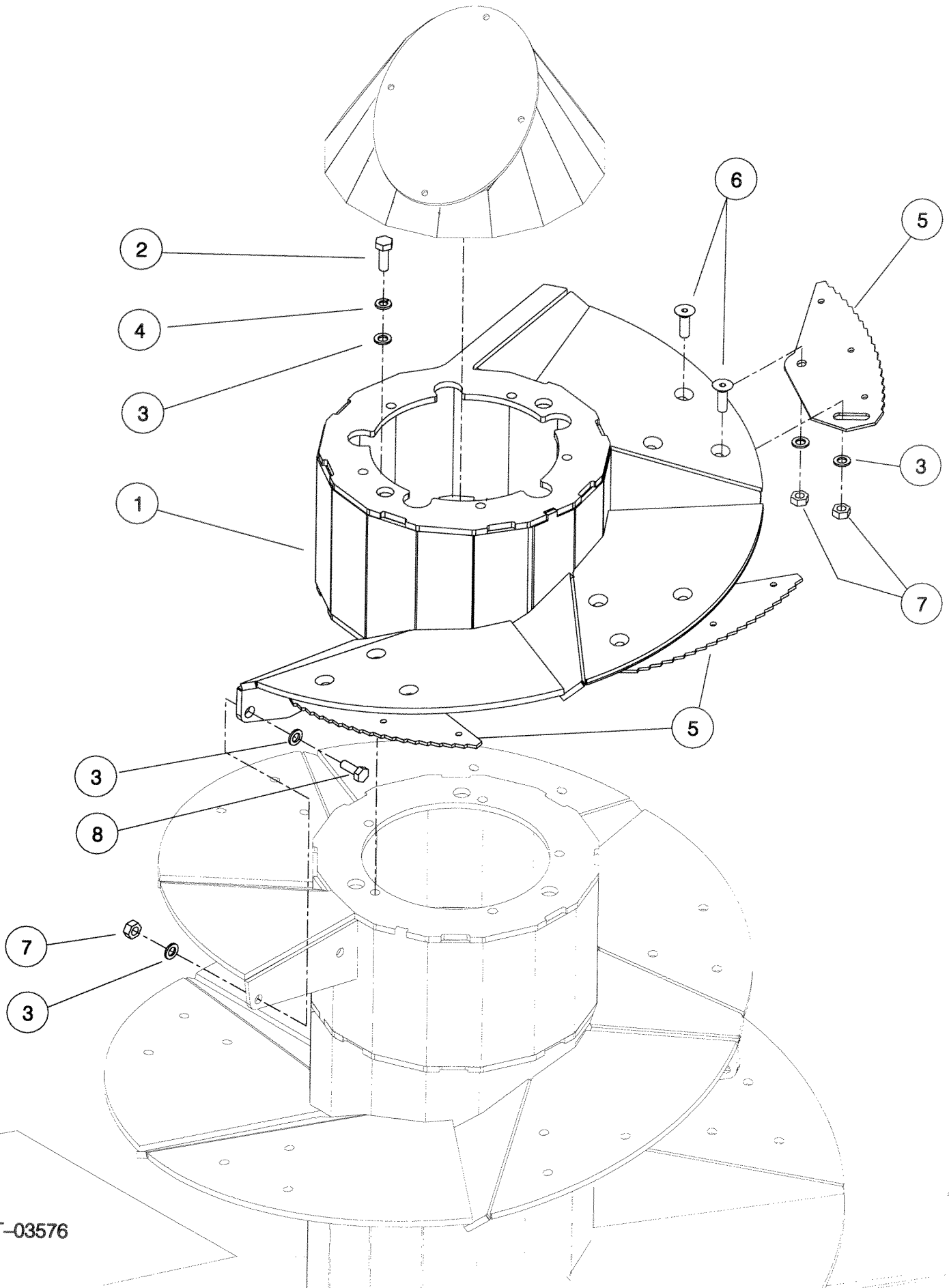
ITEM	PART NO	DESCRIPTION	QTY	ITEM	PART NO	DESCRIPTION	QTY
1	WHL-02202	WHEEL & TYRE ASSY	2				



KIT - 03544

Shelbourne Reynolds Engineering Limited

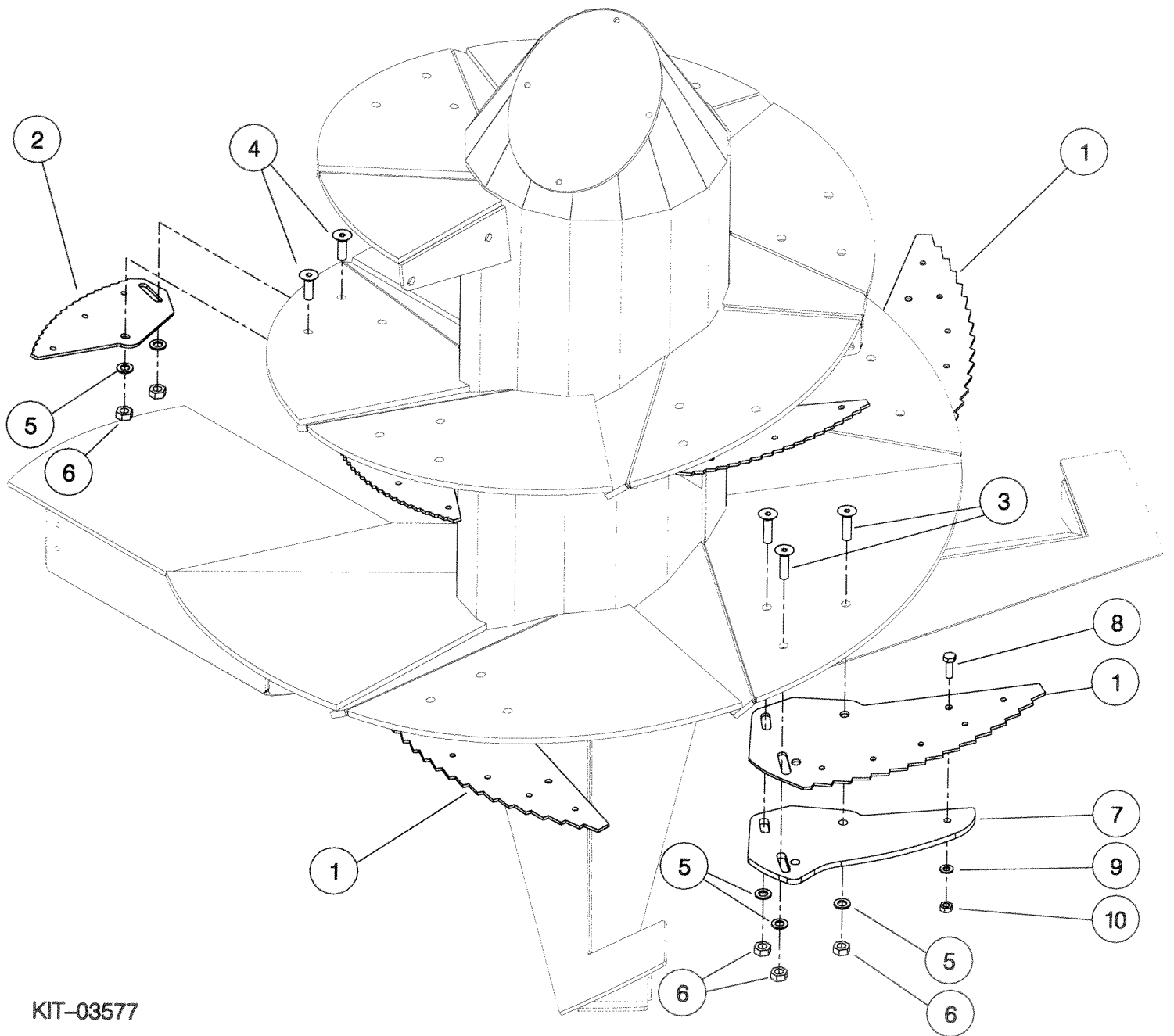
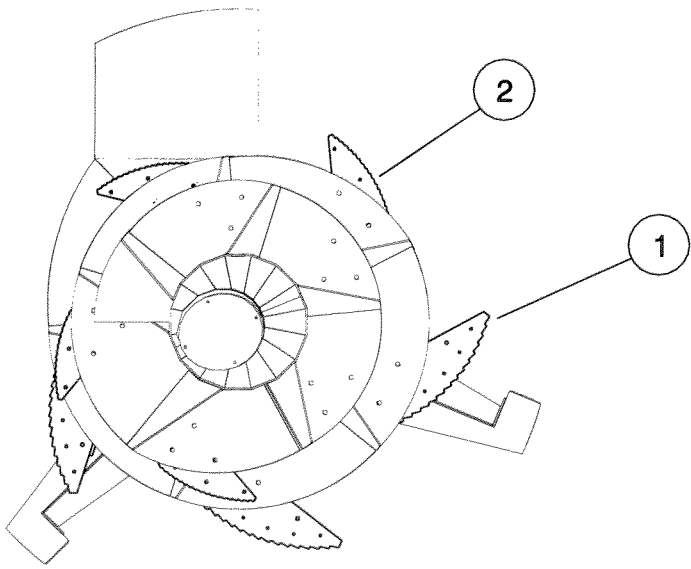
ASSY NUMBER:		KIT-03576		ASSY DESCRIPTION: AUGER EXTENSION KIT			
ITEM	PART NO	DESCRIPTION	QTY	ITEM	PART NO	DESCRIPTION	QTY
1	614507 01	AUGER EXTENSION W/A	1				
2	HSS-0318	SETSCREW	5				
3	WSH-0024	WASHER	15				
4	WSH-0070	WASHER	5				
5	610256 01	SMALL BLADE	3				
6	SCEA16290	CSK SOC HD SCREW	6				
7	NUT-0271	NUT	8				
8	HSS-0317	SETSCREW	2				



KIT-03576

Shelbourne Reynolds Engineering Limited

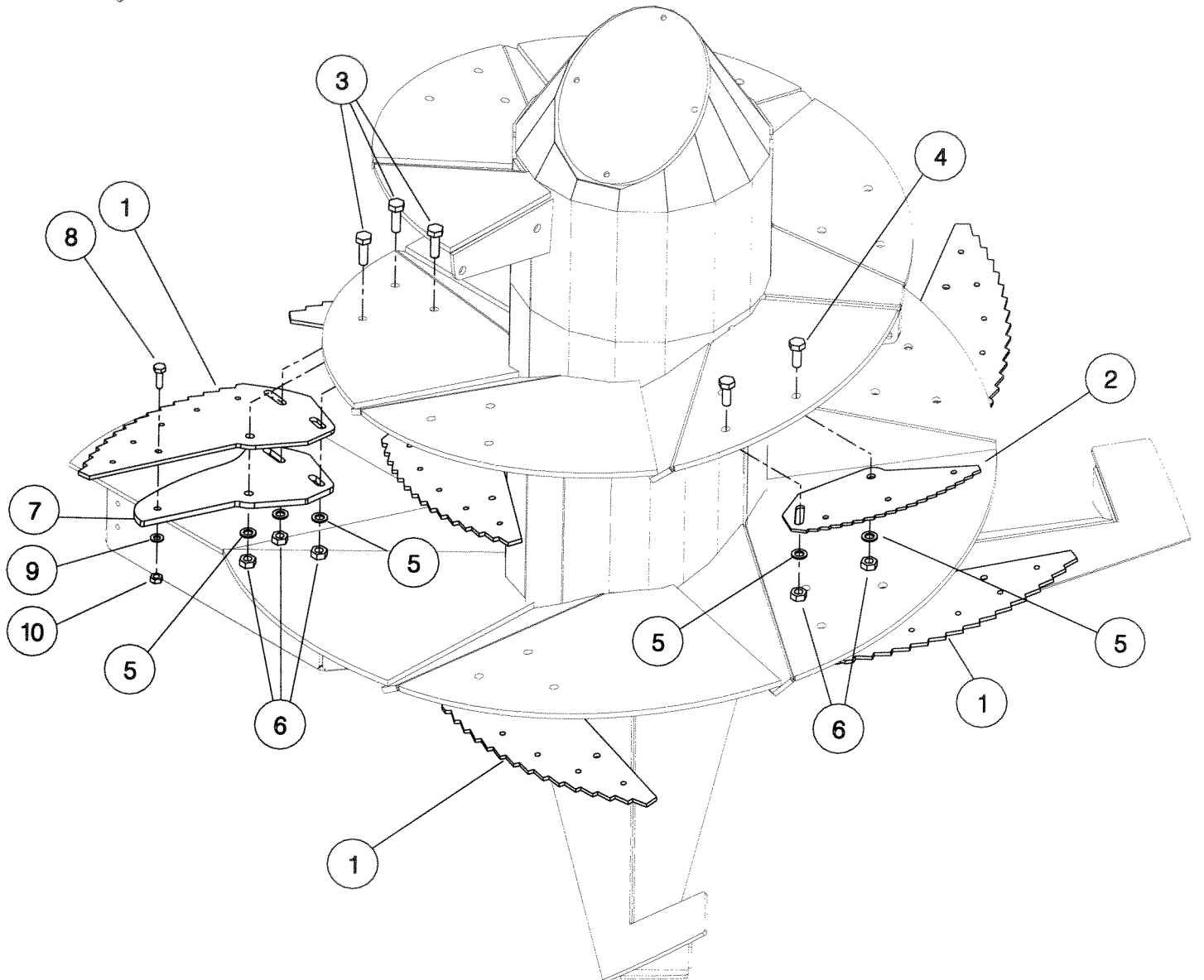
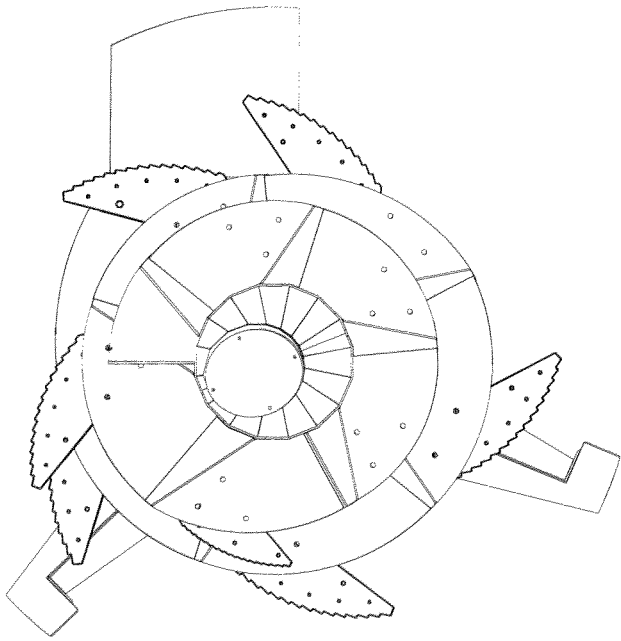
ASSY NUMBER:		KIT-03577		ASSY DESCRIPTION: SMALL BLADE KIT			
ITEM	PART NO	DESCRIPTION	QTY	ITEM	PART NO	DESCRIPTION	QTY
1	610599 02	LARGE BLADE	3				
2	610256 01	SMALL BLADE	4				
3	SCEA16350	CSK SOC HD SCREW	9				
4	SCEA16290	CSK SOC HD SCREW	8				
5	WSH-0025	WASHER	17				
6	NUT-0271	NUT	17				
7	612622 01	KNIFE STRENGTH PLATE	3				
8	HSS-0250	SETSCREW	3				
9	WSH-0018	WASHER	3				
10	NUT-0269	NUT	3				



KIT-03577

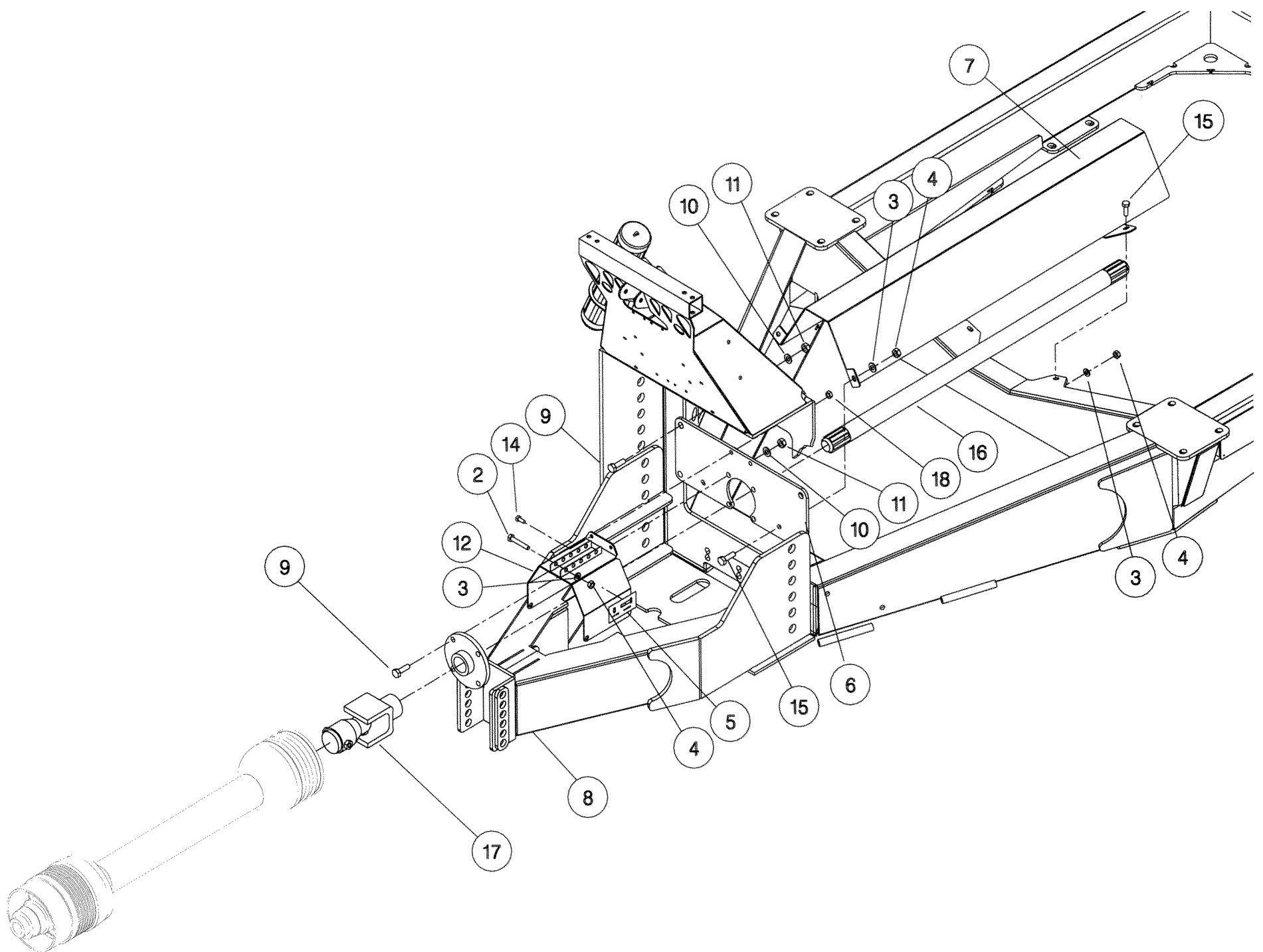
Shelbourne Reynolds Engineering Limited

ASSY NUMBER:		KIT-03578		ASSY DESCRIPTION: LARGE BLADE KIT			
ITEM	PART NO	DESCRIPTION	QTY	ITEM	PART NO	DESCRIPTION	QTY
1	610599 02	LARGE BLADE	6				
2	610256 01	SMALL BLADE	1				
3	SCEA16350	CSK SOC HD SCREW	18				
4	SCEA16290	CSK SOC HD SCREW	2				
5	WSH-0025	WASHER	20				
6	NUT-0271	NUT	20				
7	612622 01	KNIFE STRENGTH PLATE	6				
8	HSS-0250	SETSCREW	6				
9	WSH-0018	WASHER	6				
10	NUT-0269	NUT	6				



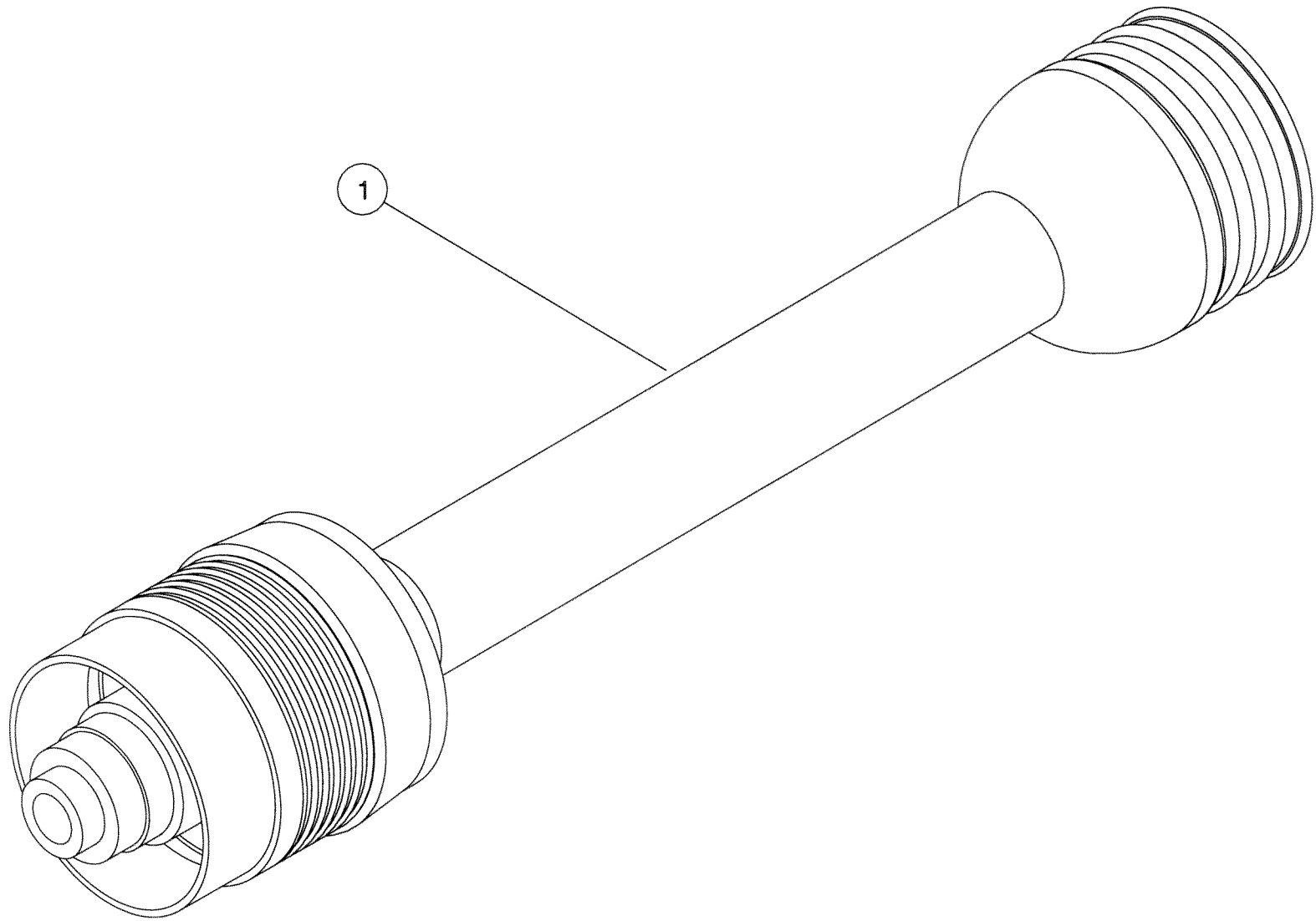
Shelbourne Reynolds Engineering Limited

ASSY NUMBER:		KIT-03594		ASSY DESCRIPTION: SINGLE SPEED DRIVE KIT (POP SINGLE)			
ITEM	PART NO	DESCRIPTION	QTY	ITEM	PART NO	DESCRIPTION	QTY
1							
2	BLTA10380	SHEARBOLT	5				
3	WSH-0015	WASHER	13				
4	NUT-0265	NUT	9				
5	195391 01	SHEARBOLT EMBLEM	1				
6	614900 01	BEARING MOUNTING PLATE	1				
7	614907 01	DRIVE SHAFT GUARD	1				
8	BRG-3275	BEARING	1				
9	HSS-0250	SETSCREW	8				
10	WSH-0018	WASHER	8				
11	NUT-0269	NUT	8				
12	614958 01	FRONT PTO GUARD	1				
13							
14	HSSF08204	SETSCREW	2				
15	HSS-0194	SETSCREW	4				
16	614613 01	DRIVE SHAFT	1				
17	PTO-20007	COUPLING	1				
18	NUT-0263	NUT	2				



Shelbourne Reynolds Engineering Limited

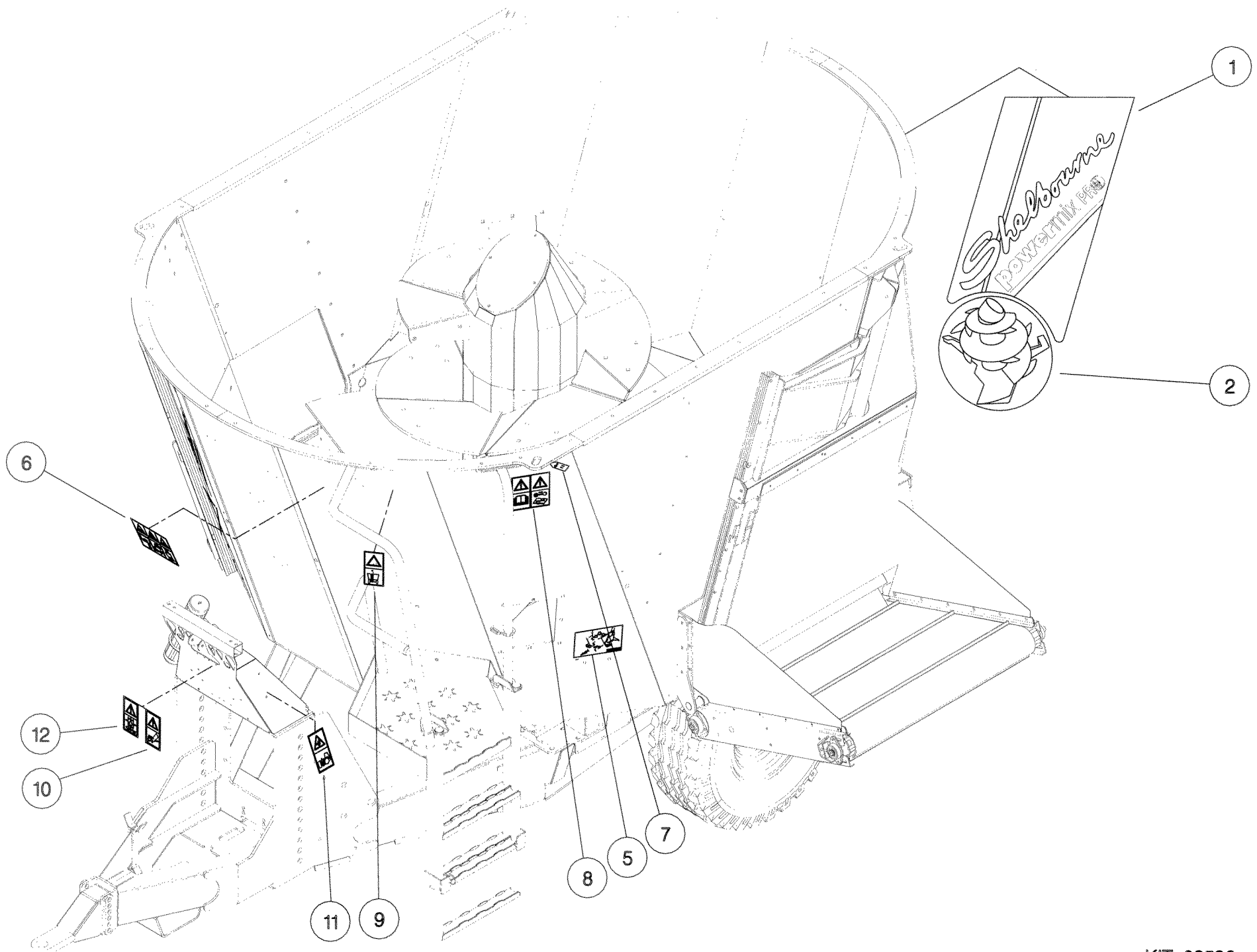
ASSY NUMBER:		KIT-03595		ASSY DESCRIPTION: PTO KIT (SINGLE SPEED - POPULARSINGLE)			
ITEM	PART NO	DESCRIPTION	QTY	ITEM	PART NO	DESCRIPTION	QTY
1	PTO-29004	PTO SHAFT ASSY	1				



KIT-03595

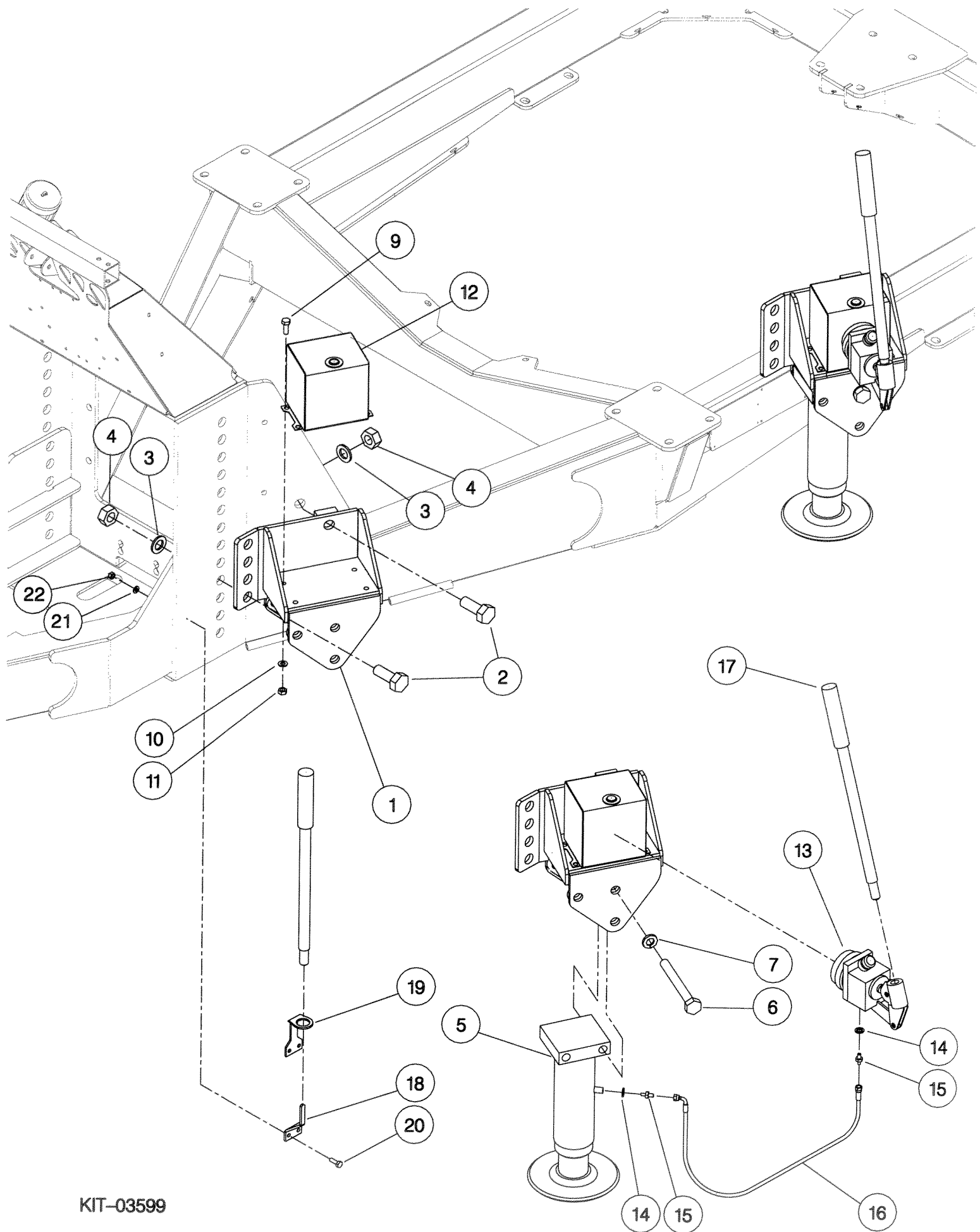
Shelbourne Reynolds Engineering Limited

ASSY NUMBER:		KIT-03596		ASSY DESCRIPTION: POWERMIX TRANSFER KIT(SINGLE AUGERPOP)			
ITEM	PART NO	DESCRIPTION	QTY	ITEM	PART NO	DESCRIPTION	QTY
1	260228 01	EMBLEM (SHELBOURNE)	2				
OR	614608 01	EMBLEM (LH POWERMIX LOGO)	2				
2	615408 01	EMBLEM (POWERMIX PRO)	2				
OR	614557 01	EMBLEM (AUGER LOGO)	2				
3							
4							
5	614656 01	EMBLEM (GREASE MAINTENANCE)	1				
6	TNF-0011	EMBLEM (SAFETY BLOCK)	1				
7	190702 04	EMBLEM (SLING POINT)	4				
8	610253 01	EMBLEM (SAFETY MAINTENANCE)	1				
9	610259 01	EMBLEM (DO NOT ENTER/LADDER)	1				
10	614962 01	EMBLEM (HIGH PRESSURE FLUID)	1				
11	260060 01	EMBLEM (STAY CLEAR)	1				
12	614959 01	EMBLEM (MAX HYD PRESSURE)	1				



Shelbourne Reynolds Engineering Limited

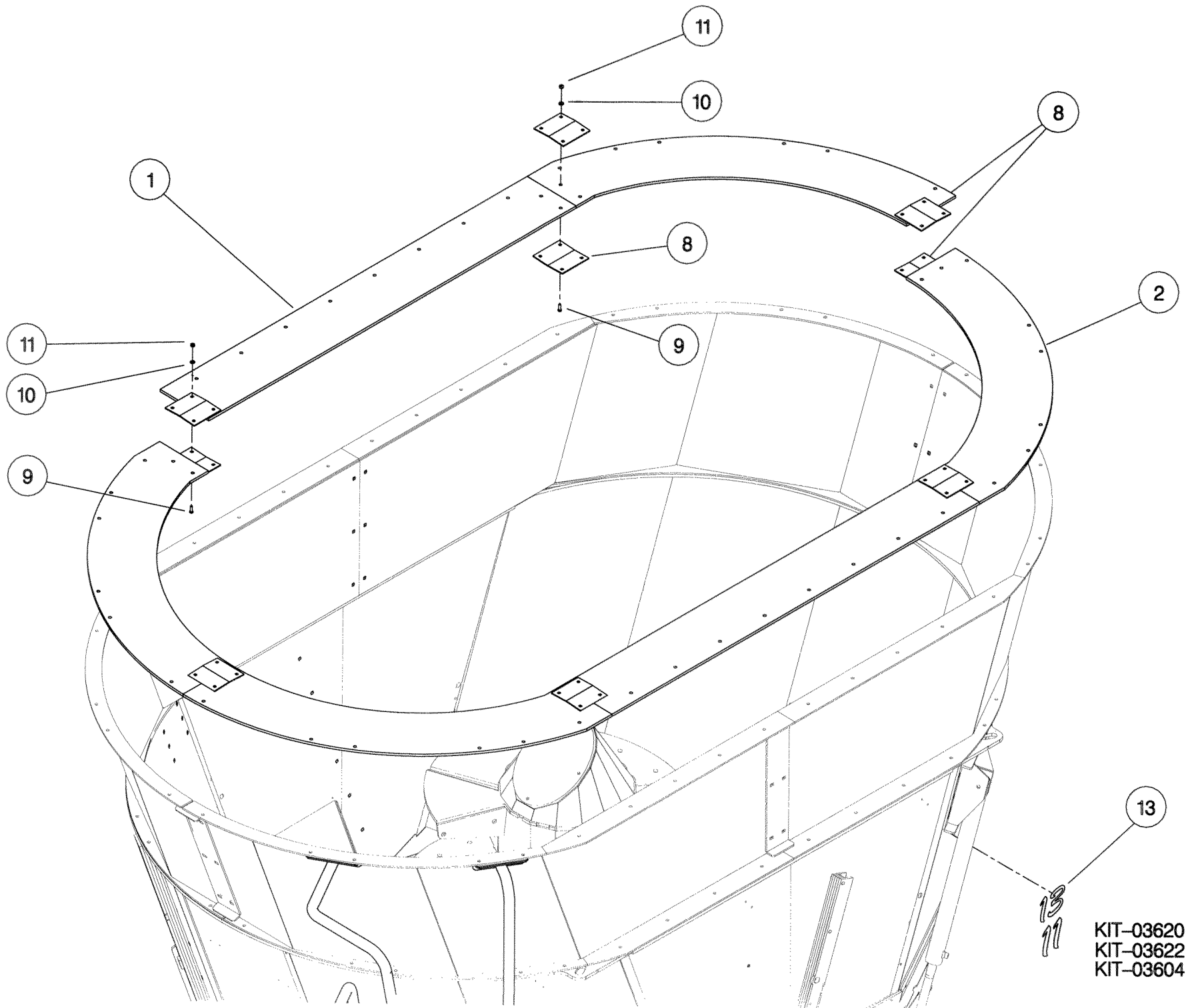
ASSY NUMBER:		KIT-03599		SUB ASSY DESCRIPTION:HYD PARKING JACK WITH HAND PUMP KIT			
ITEM	PART NO	DESCRIPTION	QTY	ITEM	PART NO	DESCRIPTION	QTY
1	614619 01	JACK MNTG BKT	1				
2	HSS-0410	SETSCREW	4				
3	WSH-0036	WASHER	4				
4	NUT-0275	NUT	4				
5	JAC-00210	HYD JACK	1				
6	BLTA20770	BOLT	1				
7	WSH-0075	SPRING WASHER	1				
8							
9	HSS-0194	SETSCREW	4				
10	WSH-0015	WASHER	4				
11	NUT-0265	NYLOC NUT	4				
12	JAC-00220	HYD TANK	1				
13	JAC-00225	HAND PUMP	1				
14	WSH-1010	DOWTY WASHER	2				
15	HMA-0057	HYD ADPT	2				
16	HHCC03500	HYD HOSE ASSY	1				
17	JAC-00230	LEVER	1				
18	611654 01	LOWER HANDLE BKT	1				
19	611655 01	TOP BKT HOOP	1				
20	HSS-0145	SET SCREW	4				
21	WSH-0012	WASHER	4				
22	NUT-0263	NYLOC NUT	4				



KIT-03599

Shelbourne Reynolds Engineering Limited

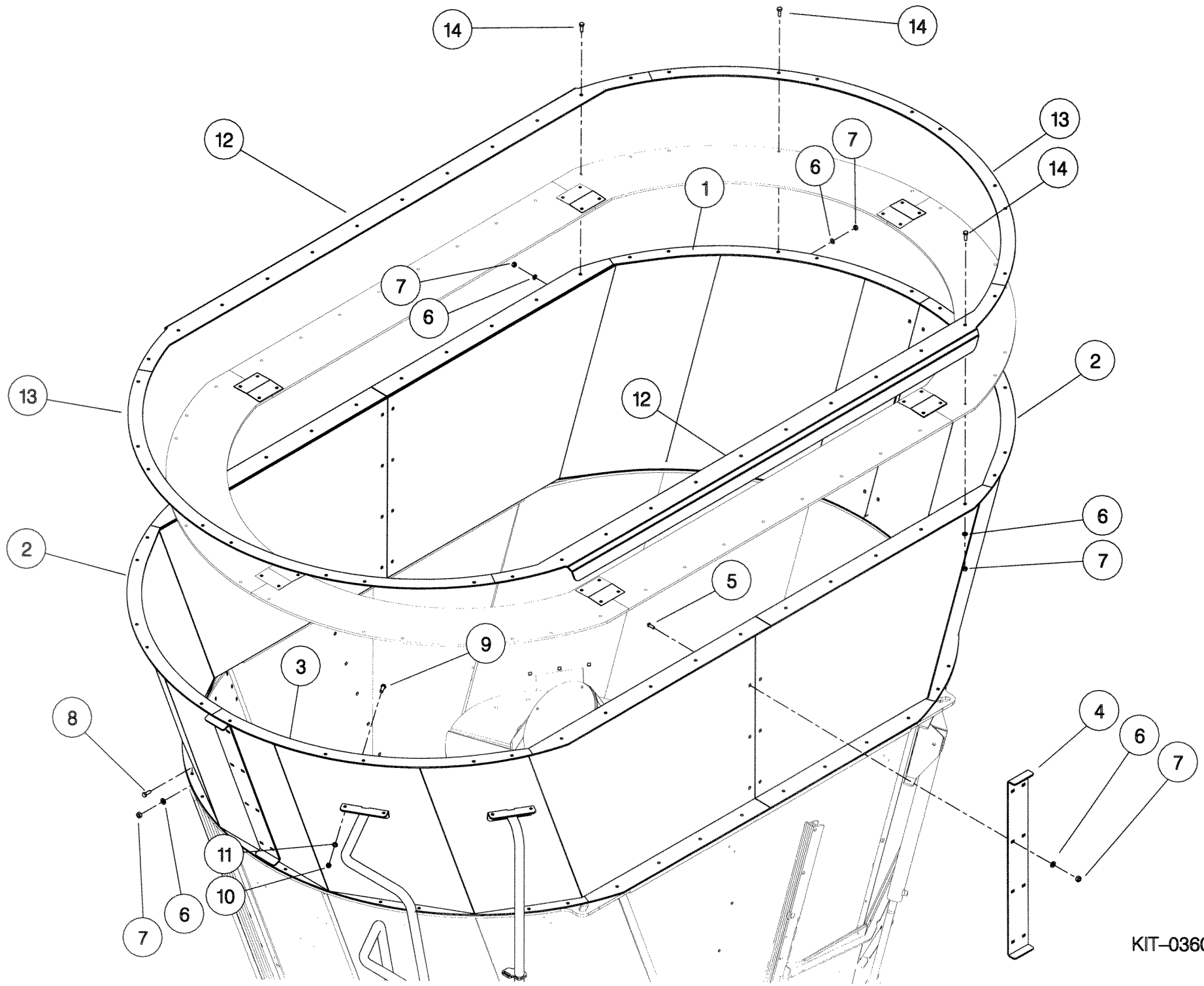
ASSY NUMBER:		KIT-03604		ASSY DESCRIPTION: 15m ³ (900mm) RUBBER RETAINING KIT			
ITEM	PART NO	DESCRIPTION	QTY	ITEM	PART NO	DESCRIPTION	QTY
1	614921 01	RUBBER SECTION	2				
2	610982 01	RUBBER SECTION	4				
3							
4							
5							
6							
7							
8	611051 01	CLAMP STRIP	12				
9	BLT-2700	COAC HBOLT	24				
10	WSH-0012	WASHER	24				
11	NUT-0263	NUT	24				
12							



KIT-03620
KIT-03622
KIT-03604

Shelbourne Reynolds Engineering Limited

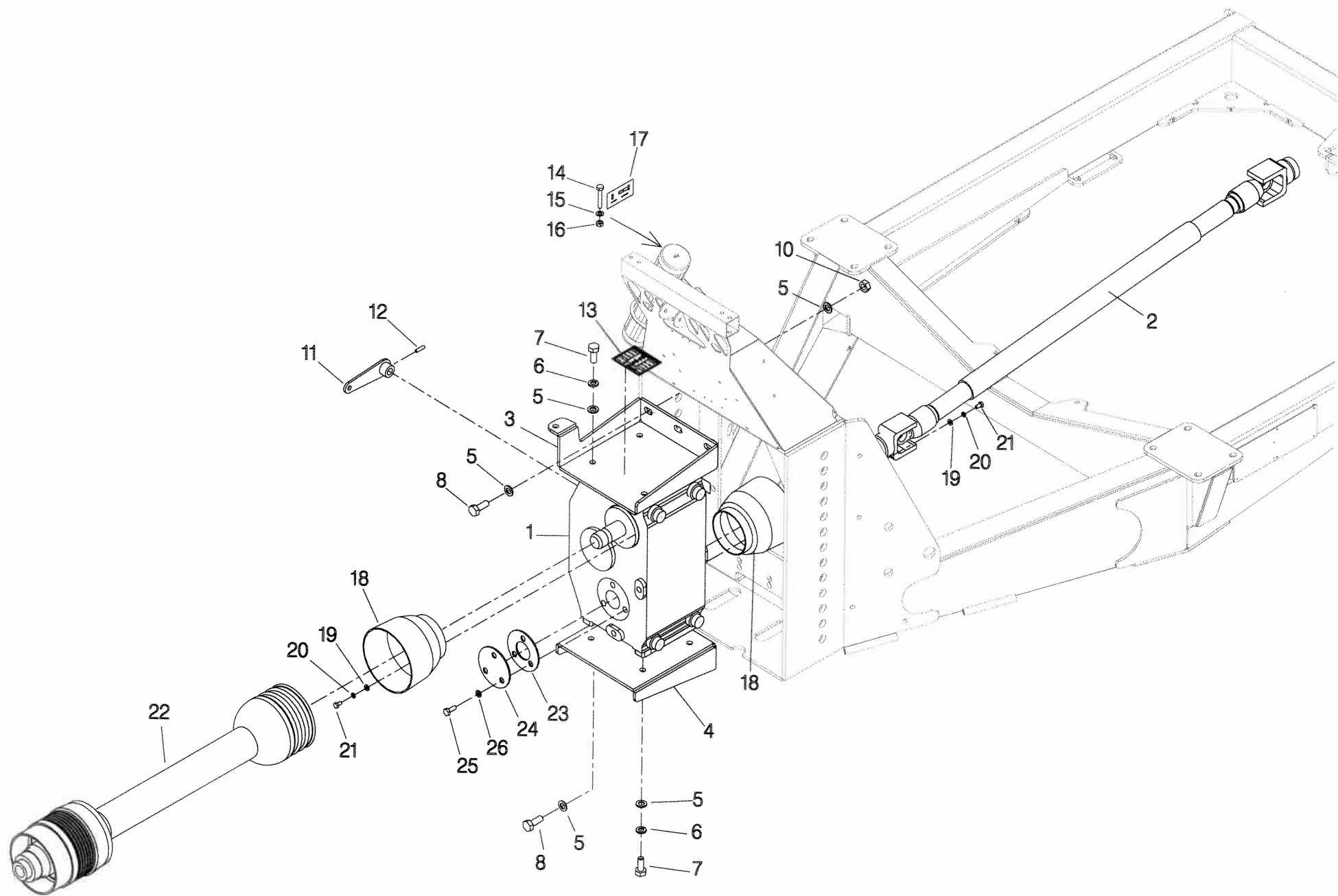
ASSY NUMBER:		KIT-03605		ASSY DESCRIPTION: 900mm (15cu mt) EXTENSION KIT			
ITEM	PART NO	DESCRIPTION	QTY		ITEM	PART NO	QTY
1	614920 01	EXTENSION W/A	1				
2	614920 02	EXTENSION W/A	2				
3	614920 03	EXTENSION W/A	1				
4	614919 01	SIDE CLAMP PLATE	4				
5	BLT-3745	COACHBOLT	24				
6	WSH-0015	WASHER	98				
7	NUT-0265	NUT	98				
8	HSS-0198	SETSCREW	34				
9	BLT-3790	COACH BOLT	4				
10	NUT-0269	NUT	4				
11	WSH-0018	WASHER	4				
12	614922 01	STRAIGHT CLAMP STRIP	2				
13	613282 01	CURVED CLAMP STRIP	2				
14	HSS-0202	SETSCREW	40				



KIT-03605

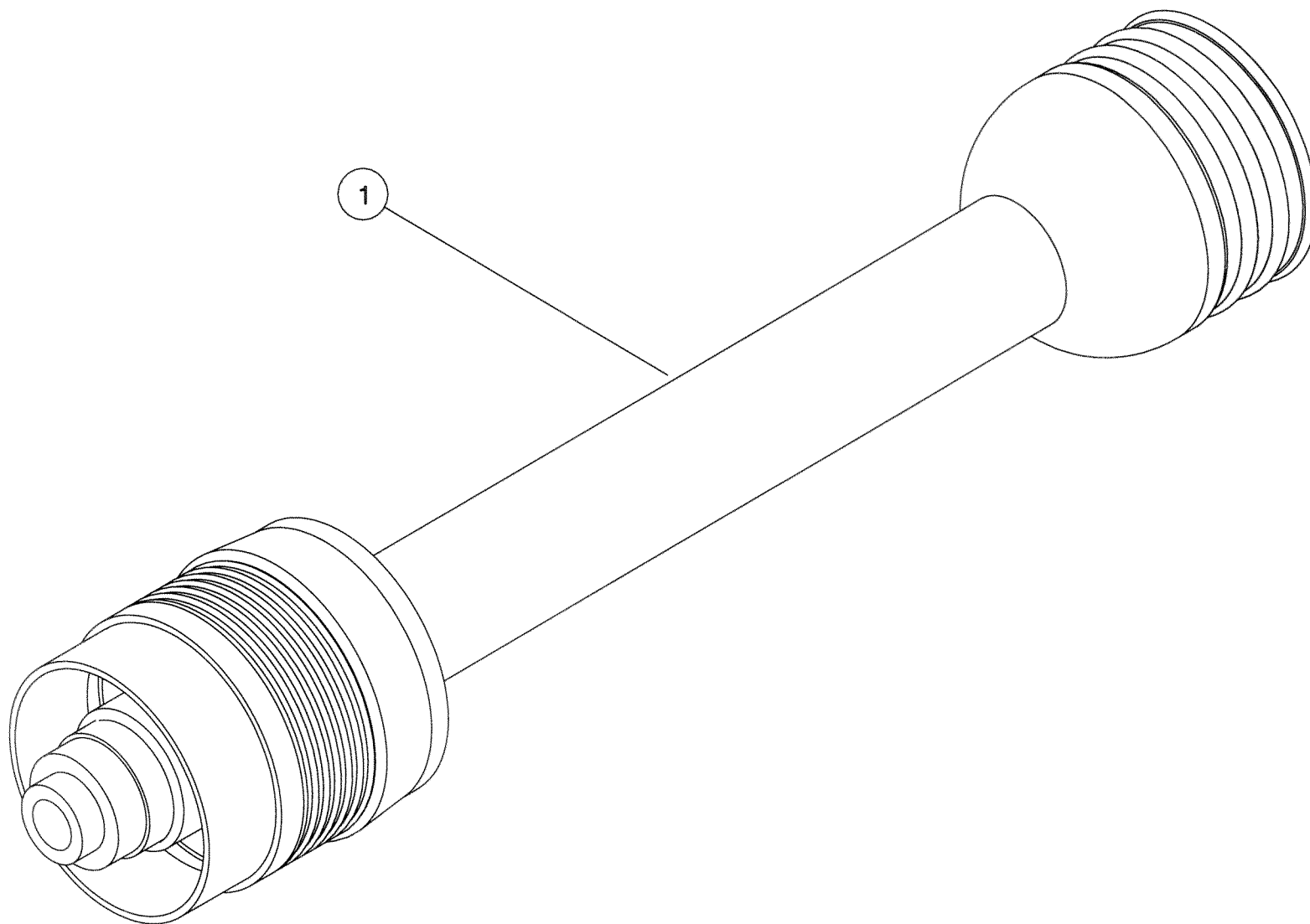
Shelbourne Reynolds Engineering Limited

ASSY NUMBER:		KIT-03608		ASSY DESCRIPTION:2-SPEED KIT POP SING(540 RPM-6 SPLINE)			
ITEM	PART NO	DESCRIPTION	QTY	ITEM	PART NO	DESCRIPTION	QTY
1	GEA-0164	2-SPEED GEARBOX	1				
2	PTO-29005	INTERMEDIETE PTO SHAFT	1				
3	614600 01	UPPER GEARBOX MTG PLATE	1				
4	614599 01	LOWER GEARBOX MTG PLATE	1				
5	WSH-0024	WASHER	20				
6	WSH-0070	WASHER	8				
7	HSS-0315	SETSCREW	8				
8	HSS-0317	SETSCREW	6				
9							
10	NUT-0271	NUT	6				
11	614597 01	GEAR CHANGE LEVER	1				
12	PIN-40817	ROLL PIN	1				
13	614939 01	AUGER SPEED EMBLEM	1				
14	BLTA10380	SHEARBOLT	5				
15	WSH-0015	WASHER	5				
16	NUT-0265	NUT	5				
17	195391 01	SHEARBOLT EMBLEM	1				
18	PTO-00903	PTO GUARD	2				
19	WSH-1038	WASHER	8				
20	WSH-0058	WASHER	8				
21	HSS-0135	SET SCREW	8				
22							
23	615556 01	GEARBOX COVER SPACER PLATE	1				
24	615557 01	GEARBOX COVER PLATE	1				
25	HSS-0191	SETSCREW	3				
26	WSH-0061	WASHER	3				



Shelbourne Reynolds Engineering Limited

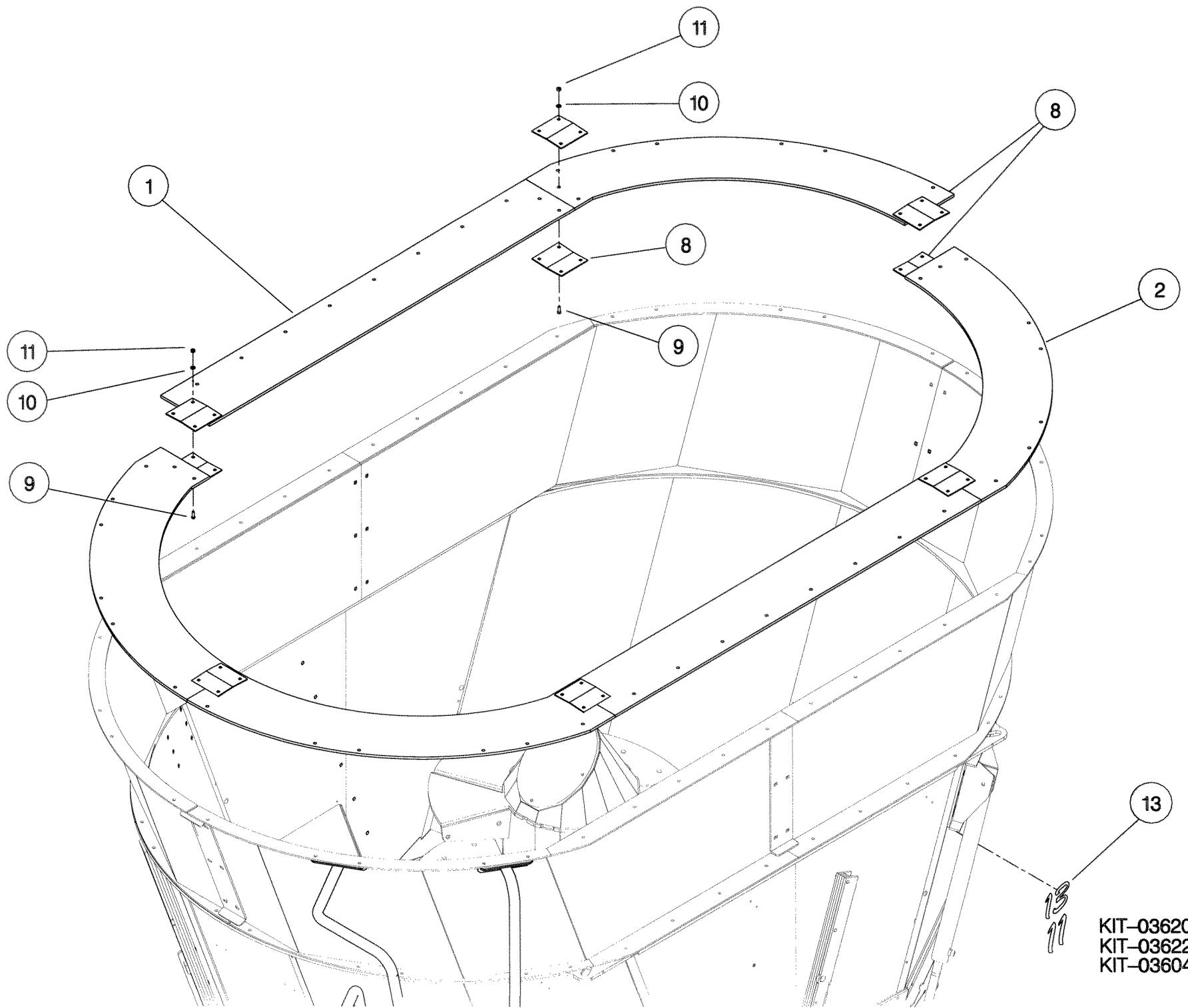
ASSY NUMBER:		KIT-03609		ASSY DESCRIPTION: PTO SHAFT KIT (FOR SING AUGER 2-SPEED)			
ITEM	PART NO	DESCRIPTION	QTY	ITEM	PART NO	DESCRIPTION	QTY
1	PTO-29006	PTO SHAFT ASSY	1				



KIT-03609

Shelbourne Reynolds Engineering Limited

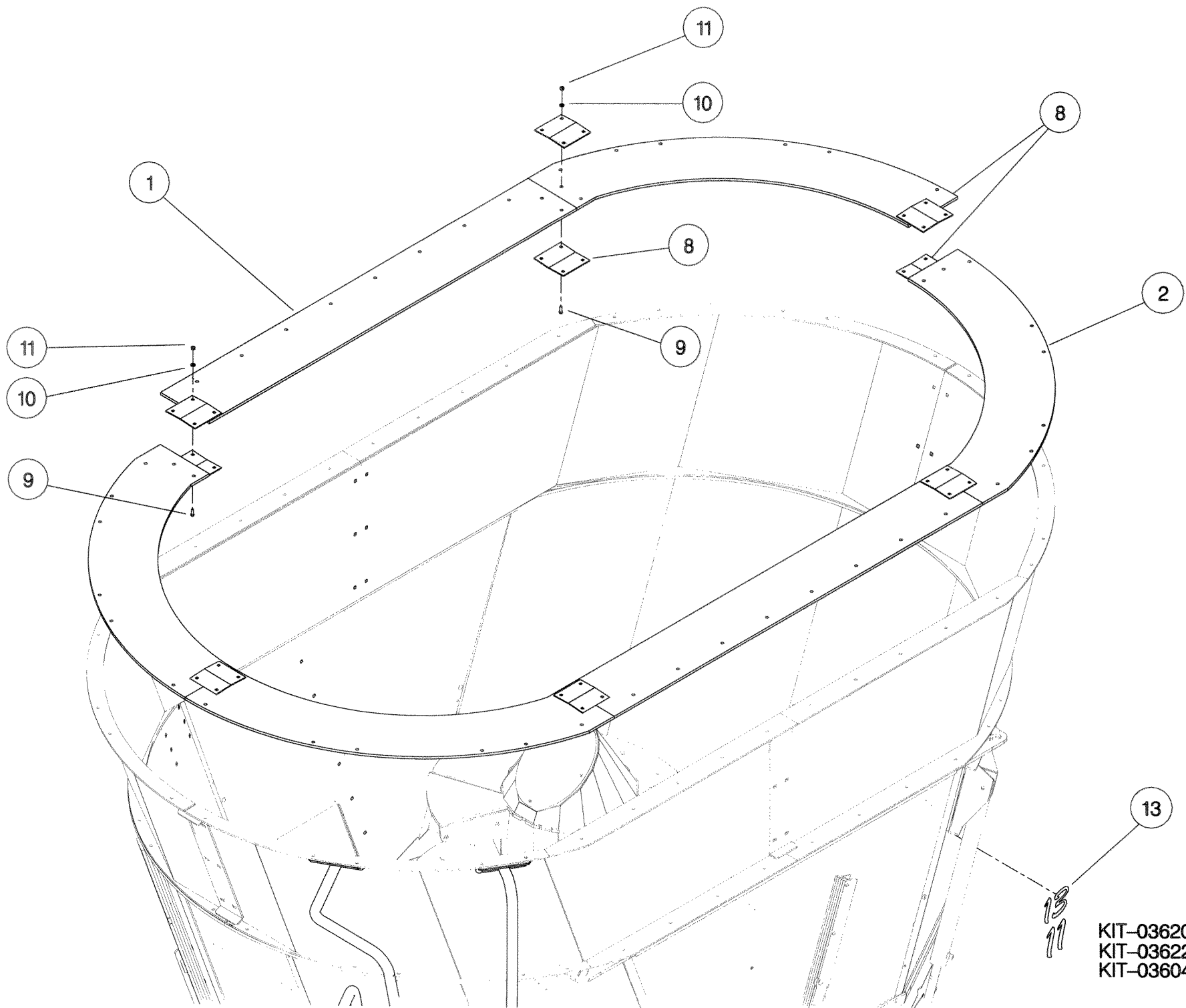
ASSY NUMBER:		KIT-03620		ASSY DESCRIPTION: 13m ³ RUBBER RETAINING KIT			
ITEM	PART NO	DESCRIPTION	QTY	ITEM	PART NO	DESCRIPTION	QTY
1	613280 01	RUBBER SECTION	2				
2	610982 01	RUBBER SECTION	4				
3							
4							
5							
6							
7							
8	611051 01	CLAMP STRIP	12				
9	BLT-2700	COACHBOLT	24				
10	WSH-0012	WASHER	24				
11	NUT-0263	NUT	24				
12							
13	613879 03	TRANSFER No 13	2				



KIT-03620
KIT-03622
KIT-03604

Shelbourne Reynolds Engineering Limited

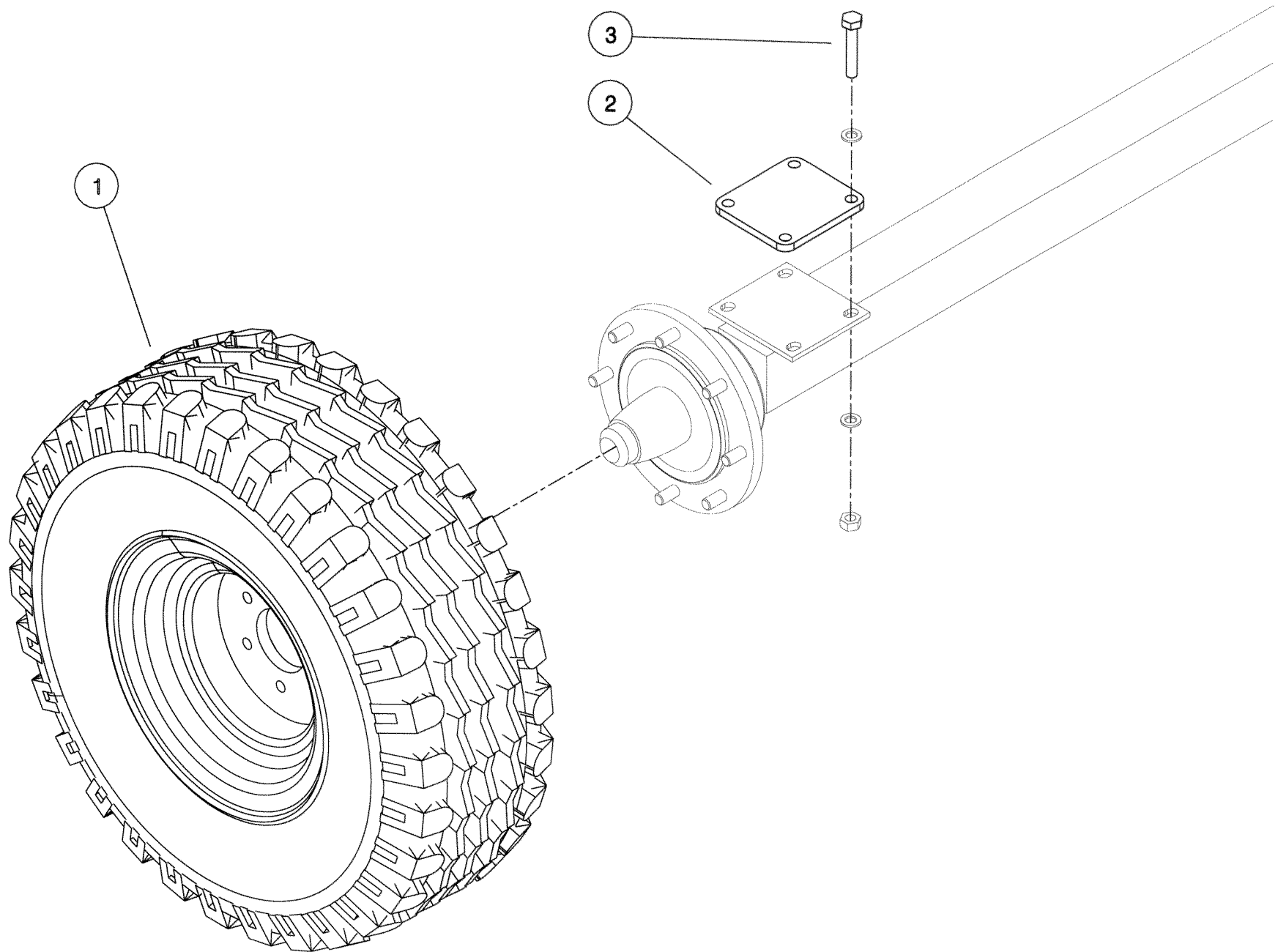
ASSY NUMBER:		KIT-03622		ASSY DESCRIPTION: 11m ³ RUBBER RETAINING KIT			
ITEM	PART NO	DESCRIPTION	QTY	ITEM	PART NO	DESCRIPTION	QTY
1	613279 01	RUBBER SECTION	2				
2	610982 01	RUBBER SECTION	4				
3							
4							
5							
6							
7							
8	611051 01	CLAMP STRIP	12				
9	BLT-2700	COACHBOLT	24				
10	WSH-0012	WASHER	24				
11	NUT-0263	NUT	24				
12							
13	613879 02	TRANSFER No 11	2				



KIT-03620
KIT-03622
KIT-03604

Shelbourne Reynolds Engineering Limited

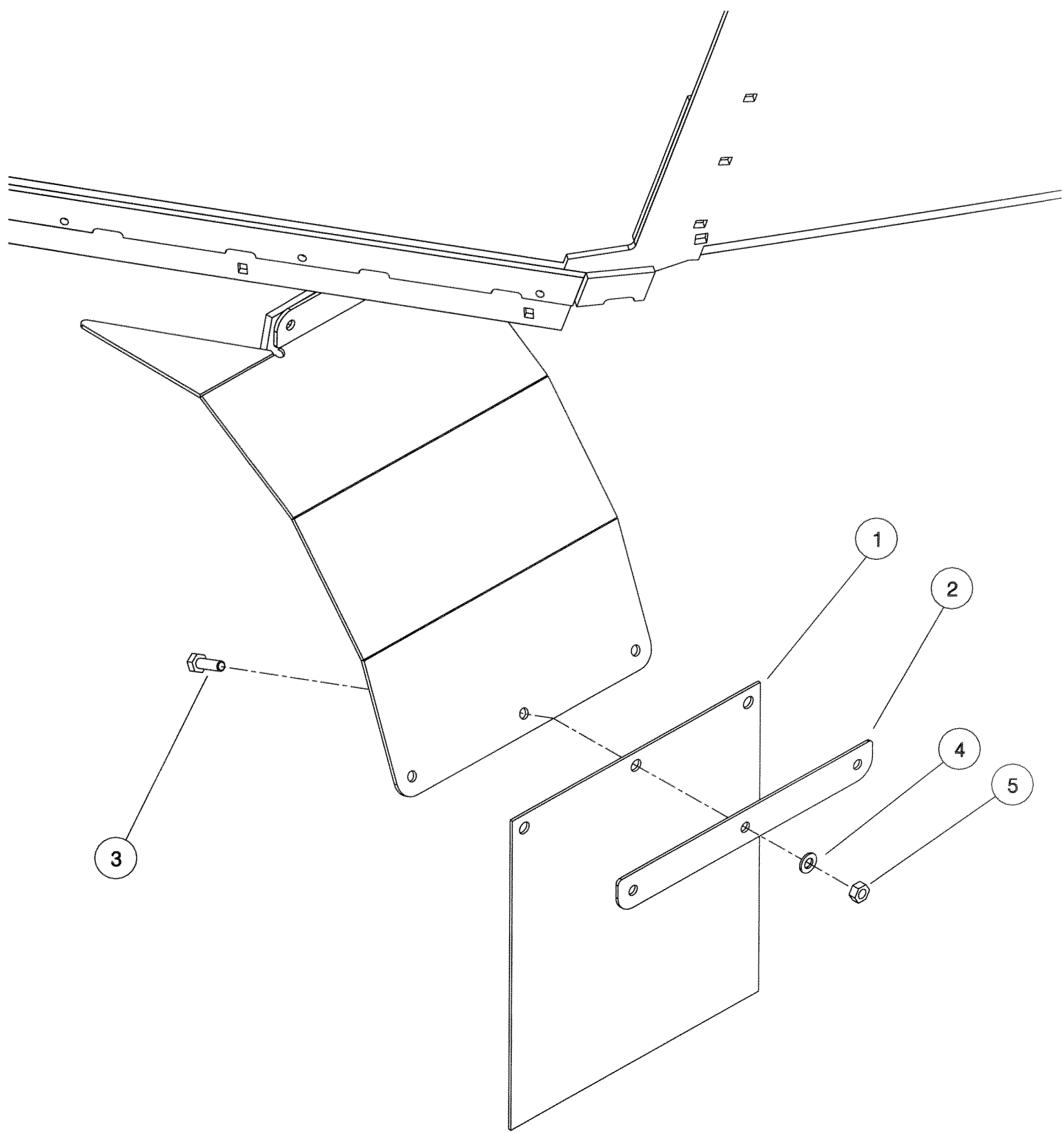
ASSY NUMBER:		KIT-03629		ASSY DESCRIPTION: WHEEL & TYRE KIT (445/45R19.5-50mm OFFSET)			
ITEM	PART NO	DESCRIPTION	QTY	ITEM	PART NO	DESCRIPTION	QTY
1	WHL-01916	WHEEL & TYRE ASSY	2				
2	613814 01	SPACER PLATE	4				
3	HSS-0330	BOLT	8				



KIT-03629

Shelbourne Reynolds Engineering Limited

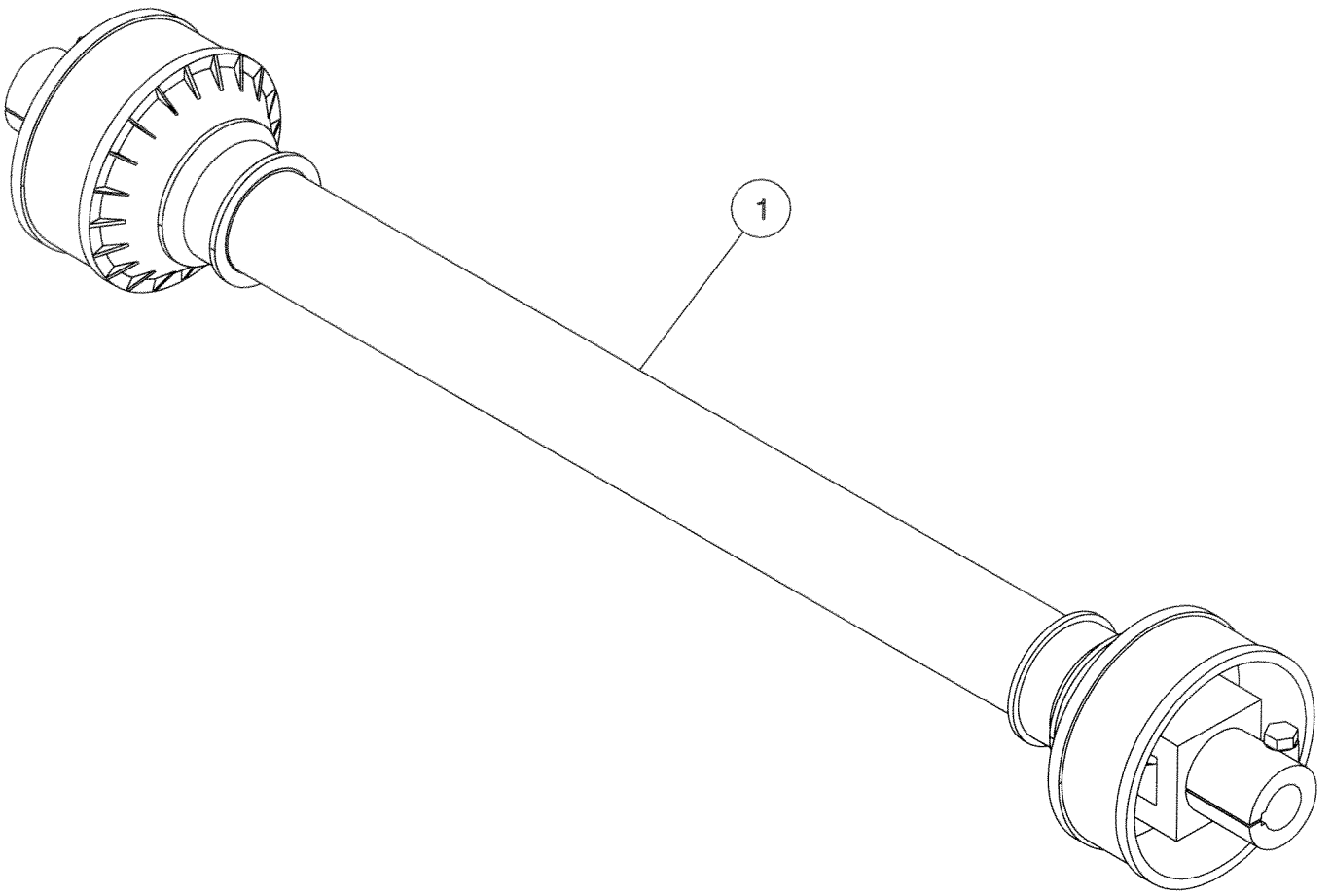
ASSY NUMBER:		KIT-03632		SUB ASSY DESCRIPTION: MUD FLAP KIT (SINGLE AUGER)			
ITEM	PART NO	DESCRIPTION	QTY	ITEM	PART NO	DESCRIPTION	QTY
1	614646 01	MUD FLAP	2				
2	614645 01	CLAMP PLATE	2				
3	HSS-0191	SETSCREW	6				
4	WSH-0015	WASHER	6				
5	NUT-0265	NUT	6				



Shelbourne Reynolds Engineering Limited

ASSY NUMBER: KIT-03657 ASSY DESCRIPTION: PTO SHAFT KIT (NON WIDE ANGLE-POP SING)

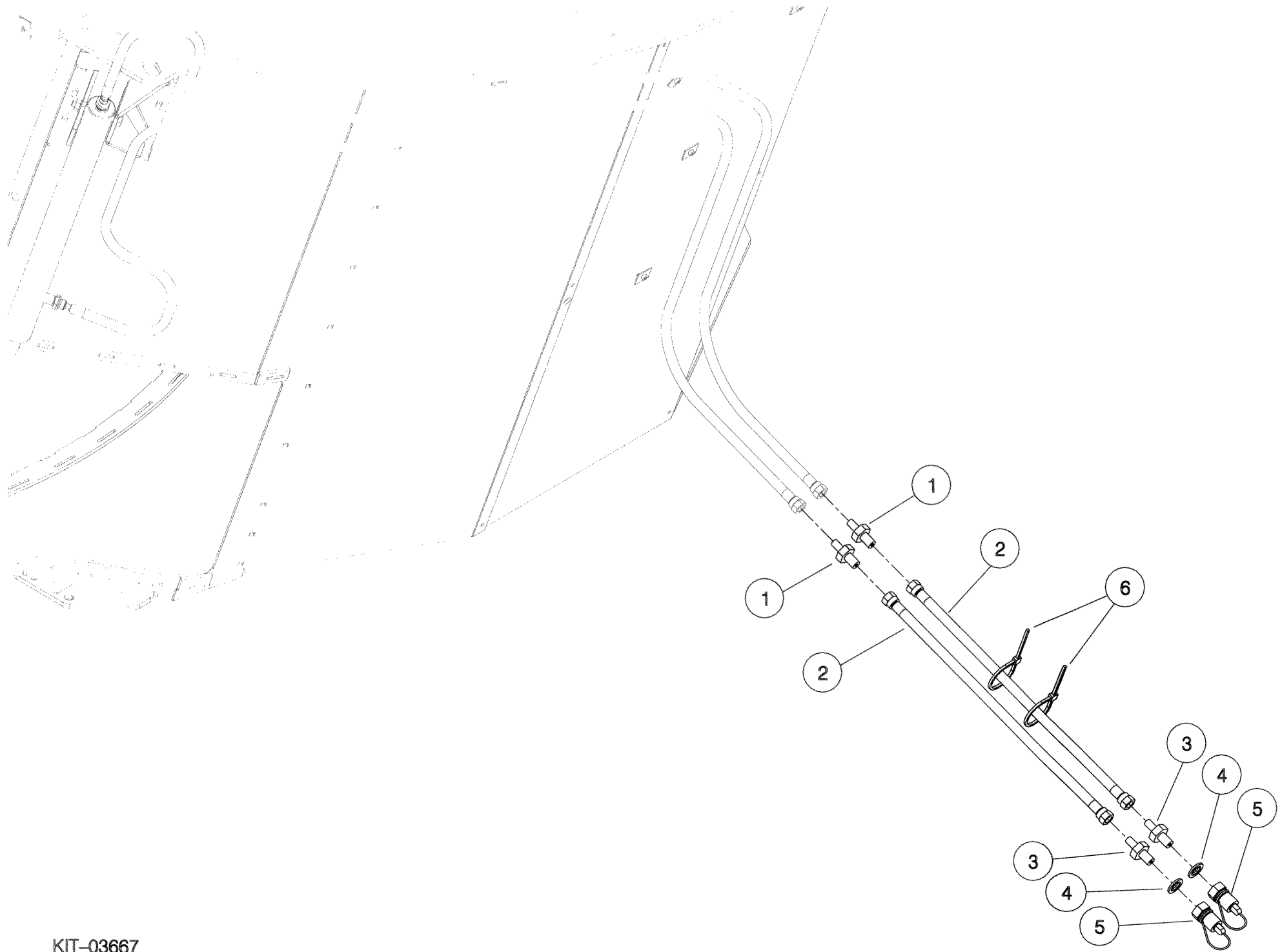
ITEM	PART NO	DESCRIPTION	QTY	ITEM	PART NO	DESCRIPTION	QTY
1	PTO-29010	PTO SHAFT ASSY	1				



KIT-03657

Shelbourne Reynolds Engineering Limited

ASSY NUMBER:		KIT-03667		ASSY DESCRIPTION: DIRECT COUPLED HYD KIT (POP 1 PERDOOR)			
ITEM	PART NO	DESCRIPTION	QTY	ITEM	PART NO	DESCRIPTION	QTY
1	FIT-0025	M/M ADAPTOR	2				
2	HHAE13505	HYDRAULIC HOSE ASSY	2				
3	HMA-0065	M/M ADAPTOR	2				
4	WSH-1015	DOWTY WASHER	2				
5	COU-0162	QUICK REL COUPLING	2				
6	TIE-0004	TIE WRAPS (MED)	4				



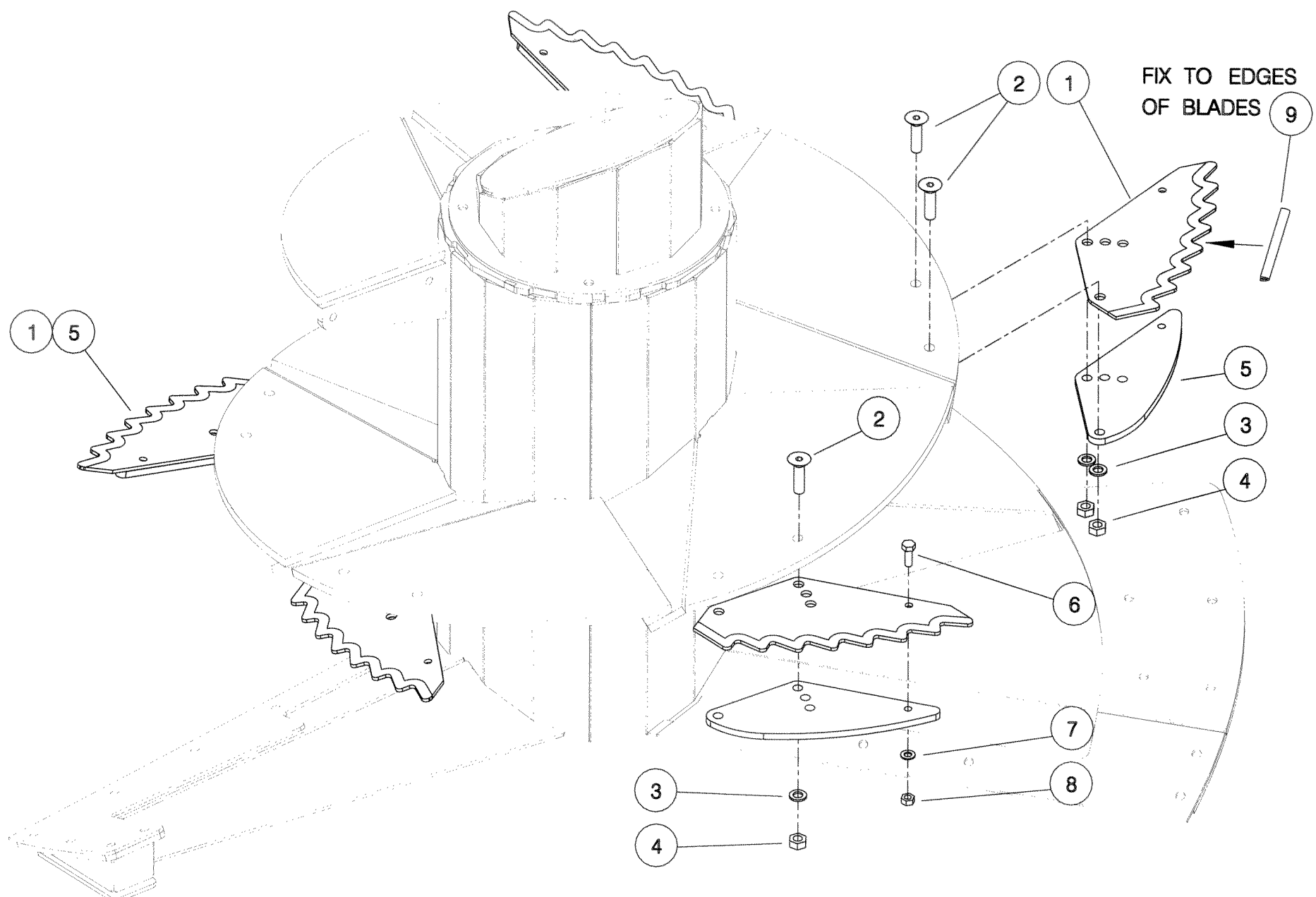
KIT-03667

Shelbourne Reynolds Engineering Limited

ASSY NUMBER:		KIT-03710		ASSY DESCRIPTION: TUNGSTEN COATED BLADE KIT			
ITEM	PART NO	DESCRIPTION	QTY	ITEM	PART NO	DESCRIPTION	QTY
1	614812 01	TUNGSTEN COATED BLADE	7				
2	SCEA16350	CSK SOC HD SCREW	14				
3	WSH-0025	WASHER	14				
4	NUT-0271	NUT	14				
5	614807 01	BACK UP PLATE	7				
6	HSS-0241	SETSCREW	7				
7	WSH-0018	WASHER	7				
8	NUT-0269	NUT	7				
9	EDS-11400	BLADE EDGE STRIP (500mm)	3.5m				

Shelbourne Reynolds Engineering Limited

ASSY NUMBER:		KIT-03710a		ASSY DESCRIPTION: STANDARD BLADE KIT			
ITEM	PART NO	DESCRIPTION	QTY	ITEM	PART NO	DESCRIPTION	QTY
1	614812 02	STANDARD AUGER BLADE	7				
2	SCEA16350	CSK SOC HD SCREW	14				
3	WSH-0025	WASHER	14				
4	NUT-0271	NUT	14				
5	614807 01	BACK UP PLATE	7				
6	HSS-0241	SETSCREW	7				
7	WSH-0018	WASHER	7				
8	NUT-0269	NUT	7				
9	EDS-11400	BLADE EDGE STRIP (500mm)	3.5m				



KIT-03710
 KIT-03710a

Shelbourne Reynolds Engineering Limited

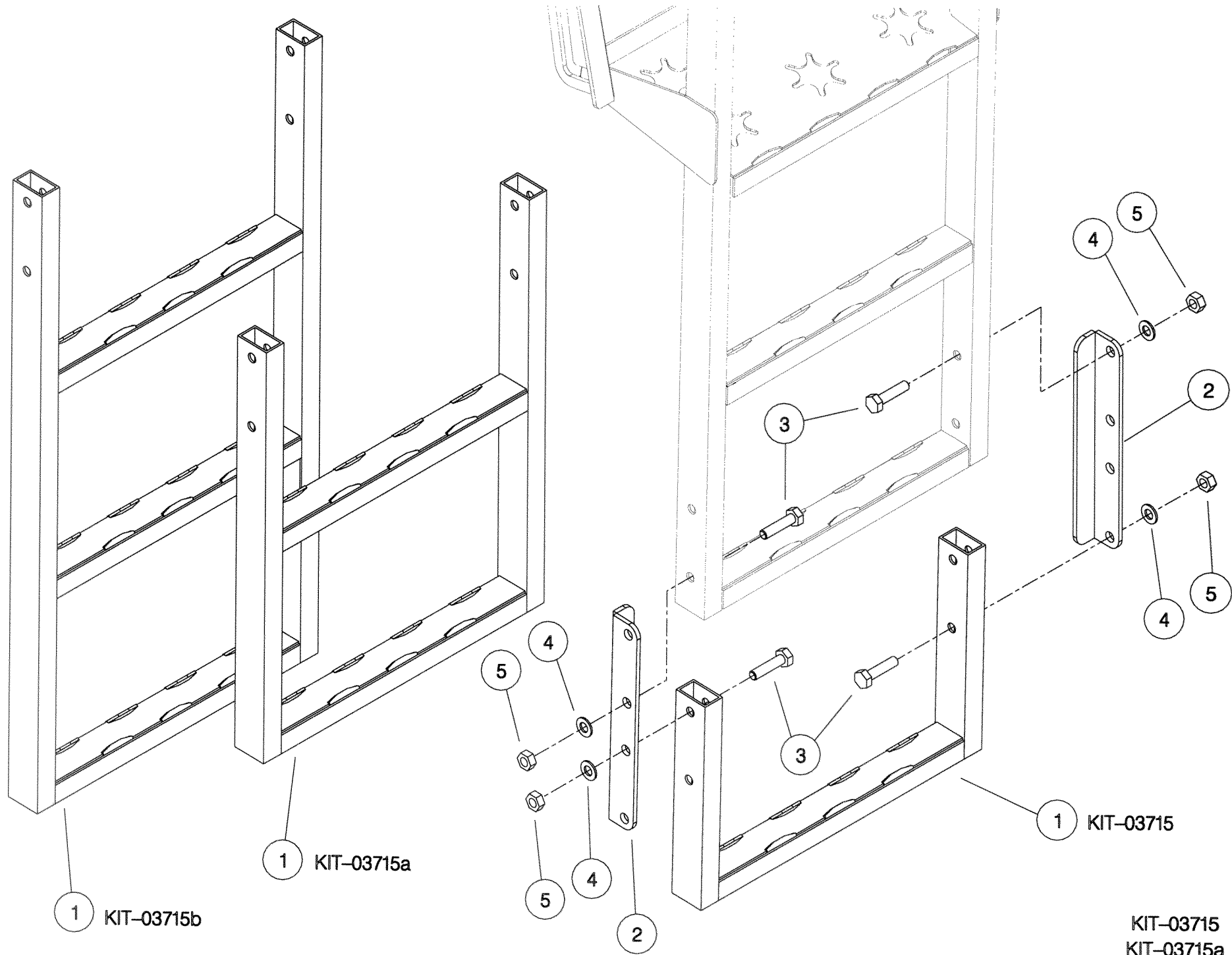
ASSY NUMBER:		KIT-03715		ASSY DESCRIPTION: LADDER EXTENSION KIT (11&19m CU)			
ITEM	PART NO	DESCRIPTION	QTY	ITEM	PART NO	DESCRIPTION	QTY
1	615130 01	LADDER EXTENSION	1				
2	615055 01	FIXING BRACKET	2				
3	HSS-0260	SETSCREW	8				
4	WSH-0018	WASHER	8				
5	NUT-0269	NUT	8				

Shelbourne Reynolds Engineering Limited

ASSY NUMBER:		KIT-03715A		ASSY DESCRIPTION: LADDER EXTENSION KIT (13&22m CU)			
ITEM	PART NO	DESCRIPTION	QTY	ITEM	PART NO	DESCRIPTION	QTY
1	615127 01	LADDER EXTENSION	1				
2	615055 01	FIXING BRACKET	2				
3	HSS-0260	SETSCREW	8				
4	WSH-0018	WASHER	8				
5	NUT-0269	NUT	8				

Shelbourne Reynolds Engineering Limited

ASSY NUMBER:		KIT-03715B		ASSY DESCRIPTION: LADDER EXTENSION KIT (15&25m CU)			
ITEM	PART NO	DESCRIPTION	QTY	ITEM	PART NO	DESCRIPTION	QTY
1	615062 01	LADDER EXTENSION	1				
2	615055 01	FIXING BRACKET	2				
3	HSS-0260	SETSCREW	8				
4	WSH-0018	WASHER	8				
5	NUT-0269	NUT	8				



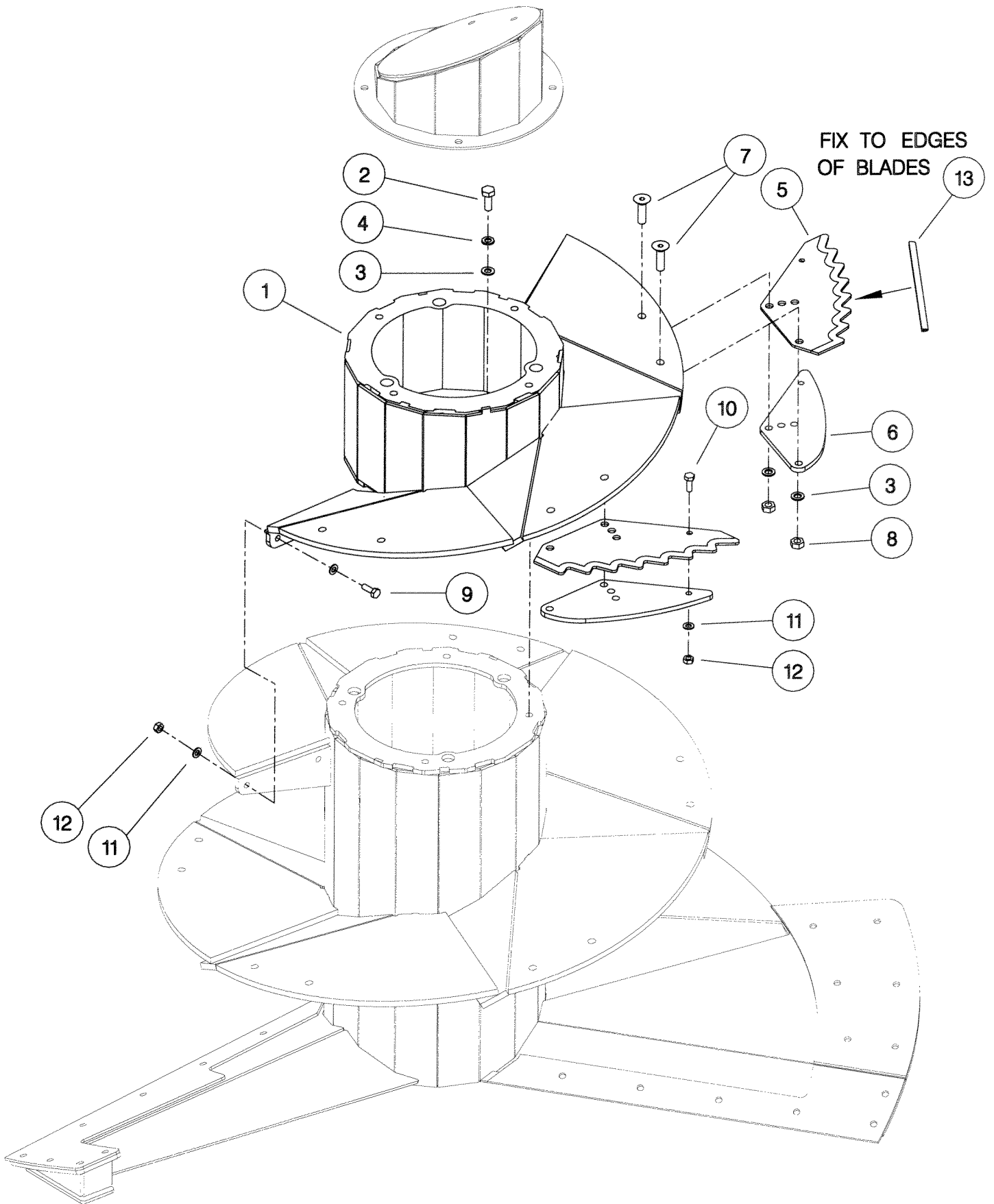
KIT-03715
 KIT-03715a
 KIT-03715b

Shelbourne Reynolds Engineering Limited

ASSY NUMBER:		KIT-03716		ASSY DESCRIPTION: AUGER EXTENSION KIT (STANDARD BLADES)			
ITEM	PART NO	DESCRIPTION	QTY	ITEM	PART NO	DESCRIPTION	QTY
1	615107 01	AUGER EXTENSION W/A	1				
2	HSS-0318	SETSCREW	4				
3	WSH-0024	WASHER	10				
4	WSH-0070	WASHER	4				
5	614812 02	STANDARD BLADE	3				
6	614807 01	BACK UP PLATE	3				
7	SCEA16350	CSK SOC HD SCREW	6				
8	NUT-0271	NUT	6				
9	HSS-0260	SETSCREW	2				
10	HSS-0241	SETSCREW	3				
11	WSH-0018	WASHER	7				
12	NUT-0269	NUT	5				
13	EDS-11400	BLADE EDGE STRIP	1.5m				

Shelbourne Reynolds Engineering Limited

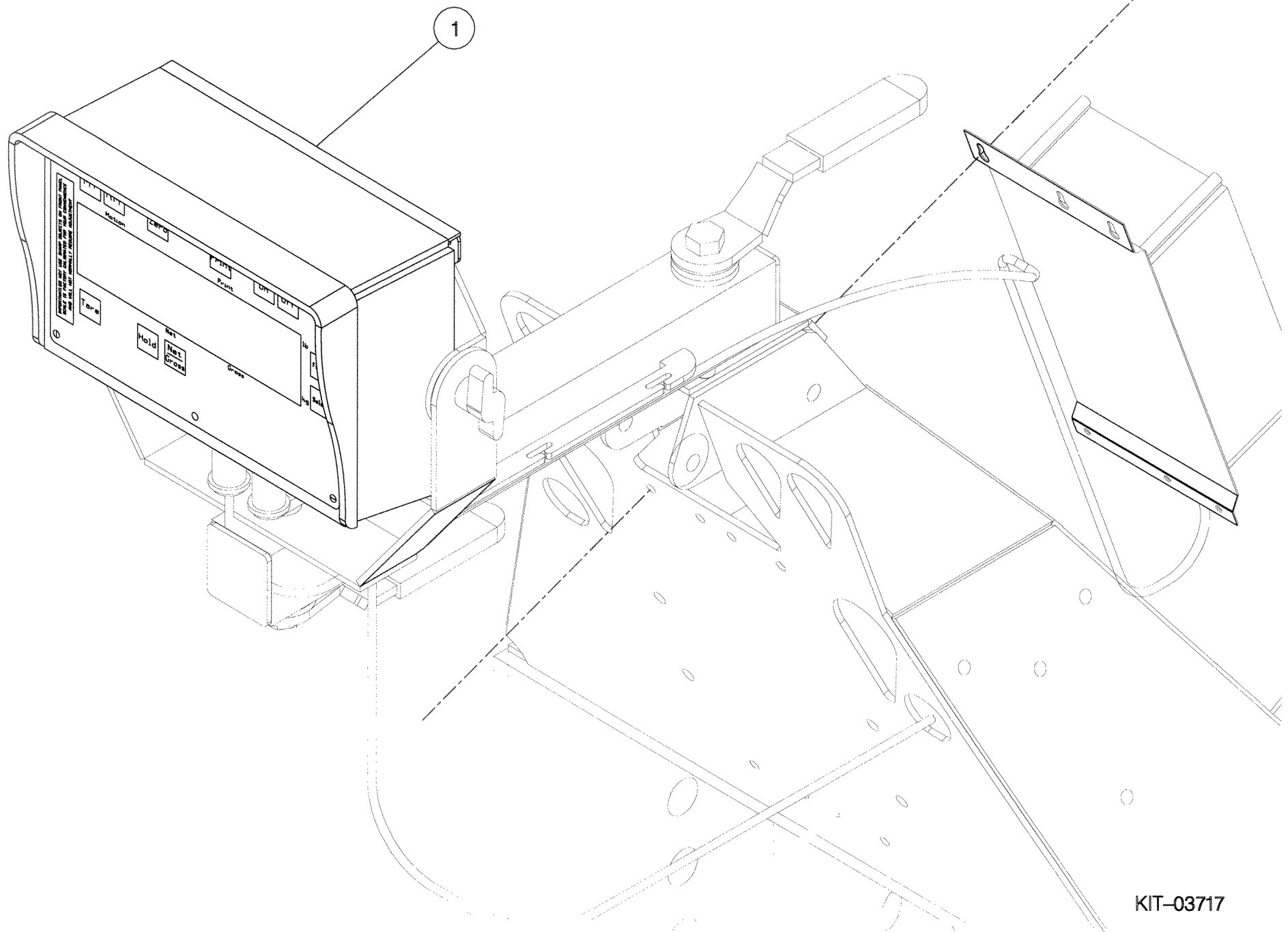
ASSY NUMBER:		KIT-03716a		ASSY DESCRIPTION: AUGER EXTENSION KIT (TUNGSTEN BLADES)			
ITEM	PART NO	DESCRIPTION	QTY	ITEM	PART NO	DESCRIPTION	QTY
1	615107 01	AUGER EXTENSION W/A	1				
2	HSS-0318	SETSCREW	4				
3	WSH-0024	WASHER	10				
4	WSH-0070	WASHER	4				
5	614812 01	TUNGSTEN BLADE	3				
6	614807 01	BACK UP PLATE	3				
7	SCEA16350	CSK SOC HD SCREW	6				
8	NUT-0271	NUT	6				
9	HSS-0260	SETSCREW	2				
10	HSS-0241	SETSCREW	3				
11	WSH-0018	WASHER	7				
12	NUT-0269	NUT	5				
13	EDS-11400	BLADE EDGE STRIP	1.5m				



KIT-03716
KIT-03716a

Shelbourne Reynolds Engineering Limited

ASSY NUMBER:		KIT-03717		ASSY DESCRIPTION: BASIC INDICATOR (EZ2400V)			
ITEM	PART NO	DESCRIPTION	QTY	ITEM	PART NO	DESCRIPTION	QTY
1	LCL-01243	BASIC EZ2400V INDICATOR	1				

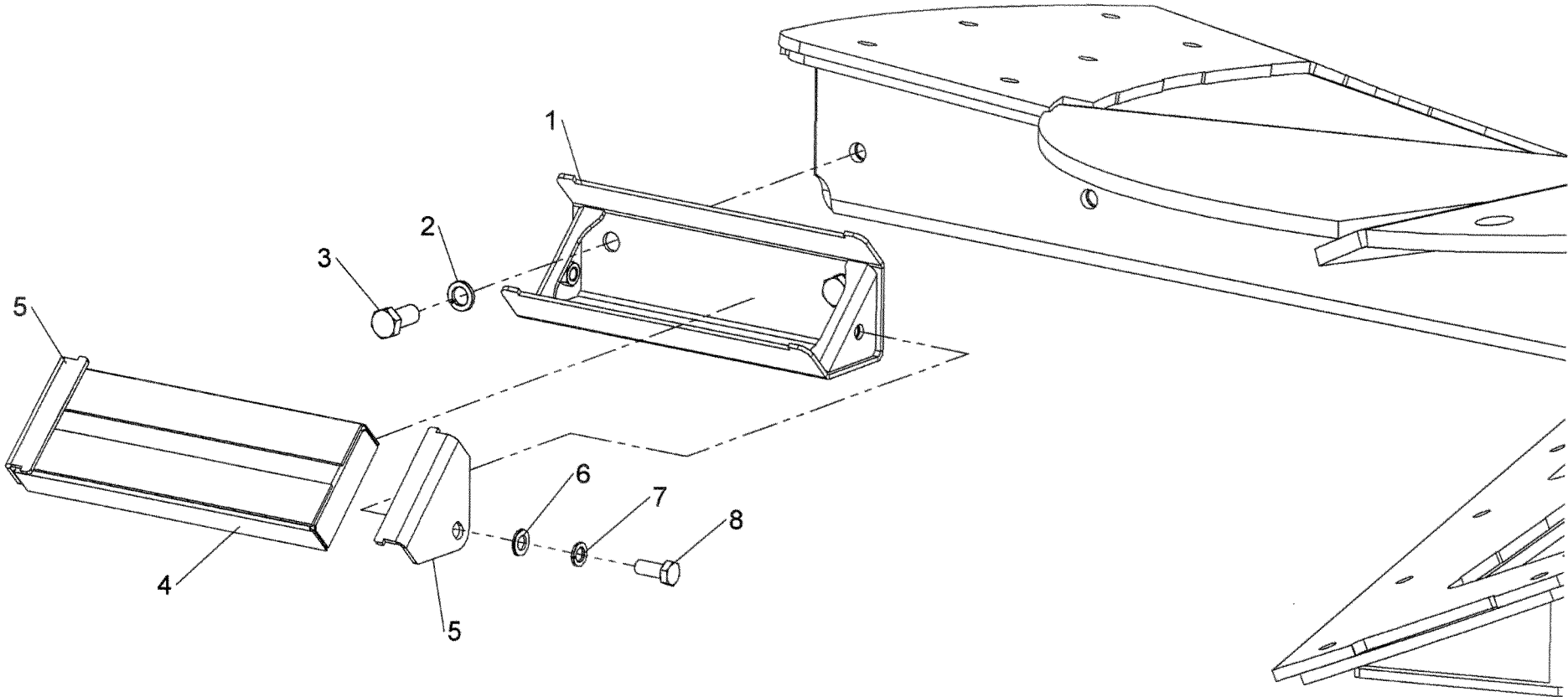


1

Shelbourne Reynolds Engineering Limited

ASSY NUMBER: KIT-03719				ASSY DESCRIPTION: **** AUGER MAGNET KIT ****			
ITEM	PART NO	DESCRIPTION	QTY	ITEM	PART NO	DESCRIPTION	QTY
1	615180 01	MAGNET MTG BRKT W/A	1				
2	WSH-0070	WASHER	2				
3	HSS-0315	SET SCREW	2				
4	MAG-0006	AUGER MAGNET	1				
5	615184 01	SIDE FIXING PLATE	2				
6	WSH-0018	WASHER	2				
7	WSH-0065	WASHER	2				
8	HSS-0238	SETSCREW	2				

Shelbourne Reynolds Engineering Limited



KIT-03719

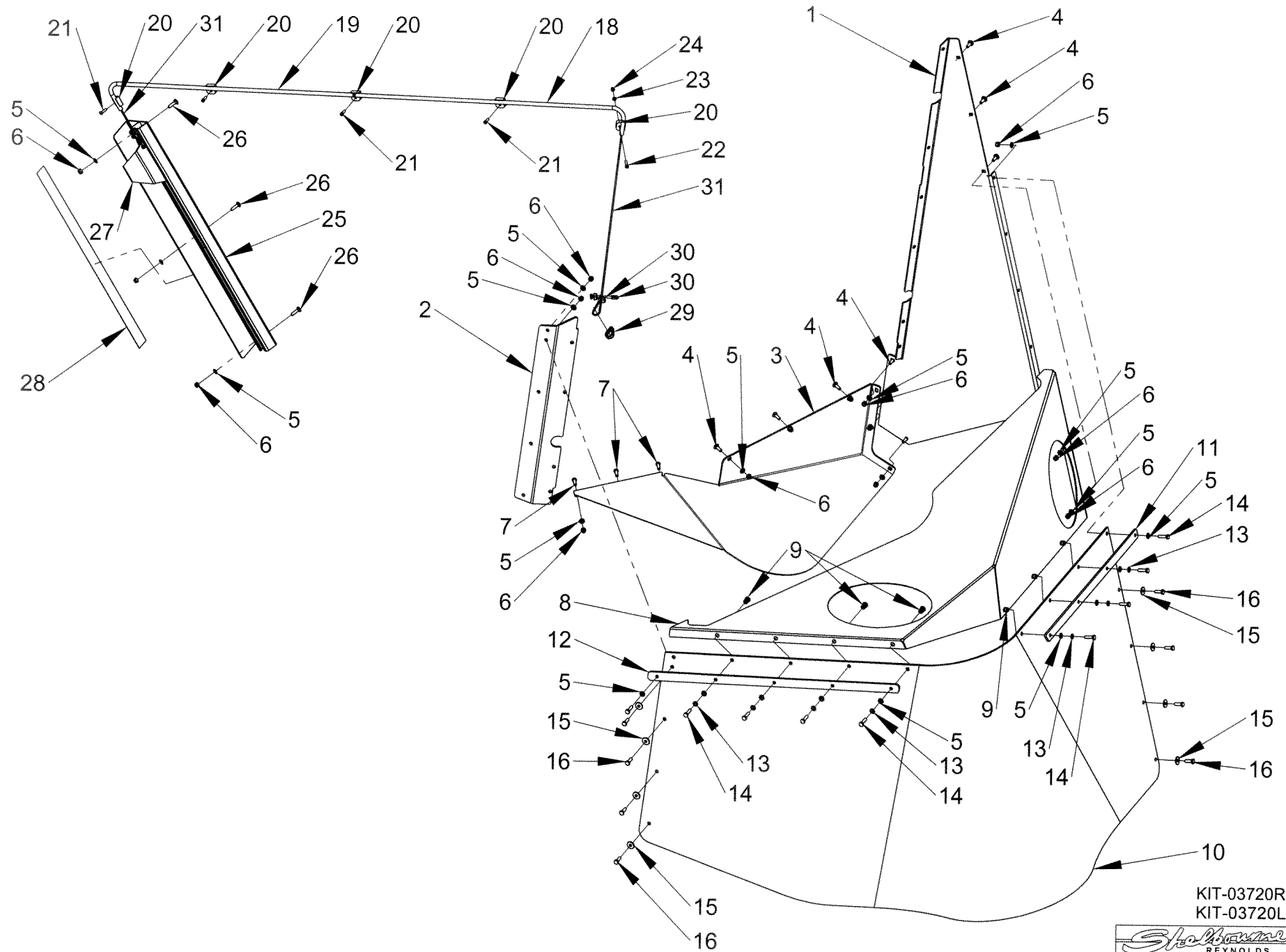


Shelbourne Reynolds Engineering Limited

ASSY NUMBER:		KIT-03720		ASSY DESCRIPTION:LH DOOR FLAP KIT			
ITEM	PART NO	DESCRIPTION	QTY	ITEM	PART NO	DESCRIPTION	QTY
1	615187 01	SIDE PANEL LH	1				
2	615185 01	VERTICAL MTG PLATE LH	1				
3	615186 01	DOOR CHUTE LH	1				
4	BLTF08173	COACHBOLT	9				
5	WSH-0012	WASHER	34				
6	NUT-0263	NUT	25				
7	SCBA08172	BUTT SOC HD SCREW	3				
8	615188 01	CAPPING PLATE LH	1				
9	NUTA13080	NUTSERT	7				
10	615189 01	DOOR FLAP	1				
11	615200 01	REAR CLAMP STRIP	1				
12	615201 01	CLAMP STRIP	1				
13	WSH-0058	WASHER	7				
14	HSS-0150	SETSCREW	9				
15	WSH--1038	WASHER	8				
16	HSS-0145	SETSCREW	8				
17							
18	615171 01	CABLE TUBE REAR	1				
19	615168 01	CABLE TUBE FRONT	1				
20	HCPA01200	SINGLE PIPE CLAMP	5				
21	SCW-0083	CAP HD SCREW	4				
22	SCW-0089	CAP HD SCREW	1				
23	WSH-0009	WASHER	1				
24	NUT-0260	NUT	1				
25	613811 01	DOOR HEIGHT INDICATOR	1				
26	BLT-2700	COACHBOLT	3				
27	613809 01	POINTER	1				
28	613779 02	DECAL - DOOR HEIGHT	1				
29	WRP-01040	THIMBLE	2				
30	WRP-02040	CLAMP	4				
31	WRP-00040	CABLE	3.5m				

Shelbourne Reynolds Engineering Limited

ASSY NUMBER:		KIT-03720a		ASSY DESCRIPTION:RH DOOR FLAP KIT			
ITEM	PART NO	DESCRIPTION	QTY	ITEM	PART NO	DESCRIPTION	QTY
1	615187 02	SIDE PANEL RH	1				
2	615185 02	VERTICAL MTG PLATE RH	1				
3	615186 02	DOOR CHUTE RH	1				
4	BLTF08173	COACHBOLT	9				
5	WSH-0012	WASHER	34				
6	NUT-0263	NUT	25				
7	SCBA08172	BUTT SOC HD SCREW	3				
8	615188 02	CAPPING PLATE RH	1				
9	NUTA13080	NUTSERT	7				
10	615189 01	DOOR FLAP	1				
11	615200 01	REAR CLAMP STRIP	1				
12	615201 01	CLAMP STRIP	1				
13	WSH-0058	WASHER	7				
14	HSS-0150	SETSCREW	9				
15	WSH--1038	WASHER	8				
16	HSS-0145	SETSCREW	8				
17							
18	615171 01	CABLE TUBE REAR	1				
19	615168 01	CABLE TUBE FRONT	1				
20	HCPA01200	SINGLE PIPE CLAMP	5				
21	SCW-0083	CAP HD SCREW	4				
22	SCW-0089	CAP HD SCREW	1				
23	WSH-0009	WASHER	1				
24	NUT-0260	NUT	1				
25	613811 01	DOOR HEIGHT INDICATOR	1				
26	BLT-2700	COACHBOLT	3				
27	613809 04	POINTER	1				
28	613779 02	DECAL - DOOR HEIGHT	1				
29	WRP-01040	THIMBLE	2				
30	WRP-02040	CLAMP	4				
31	WRP-00040	CABLE	3.5m				

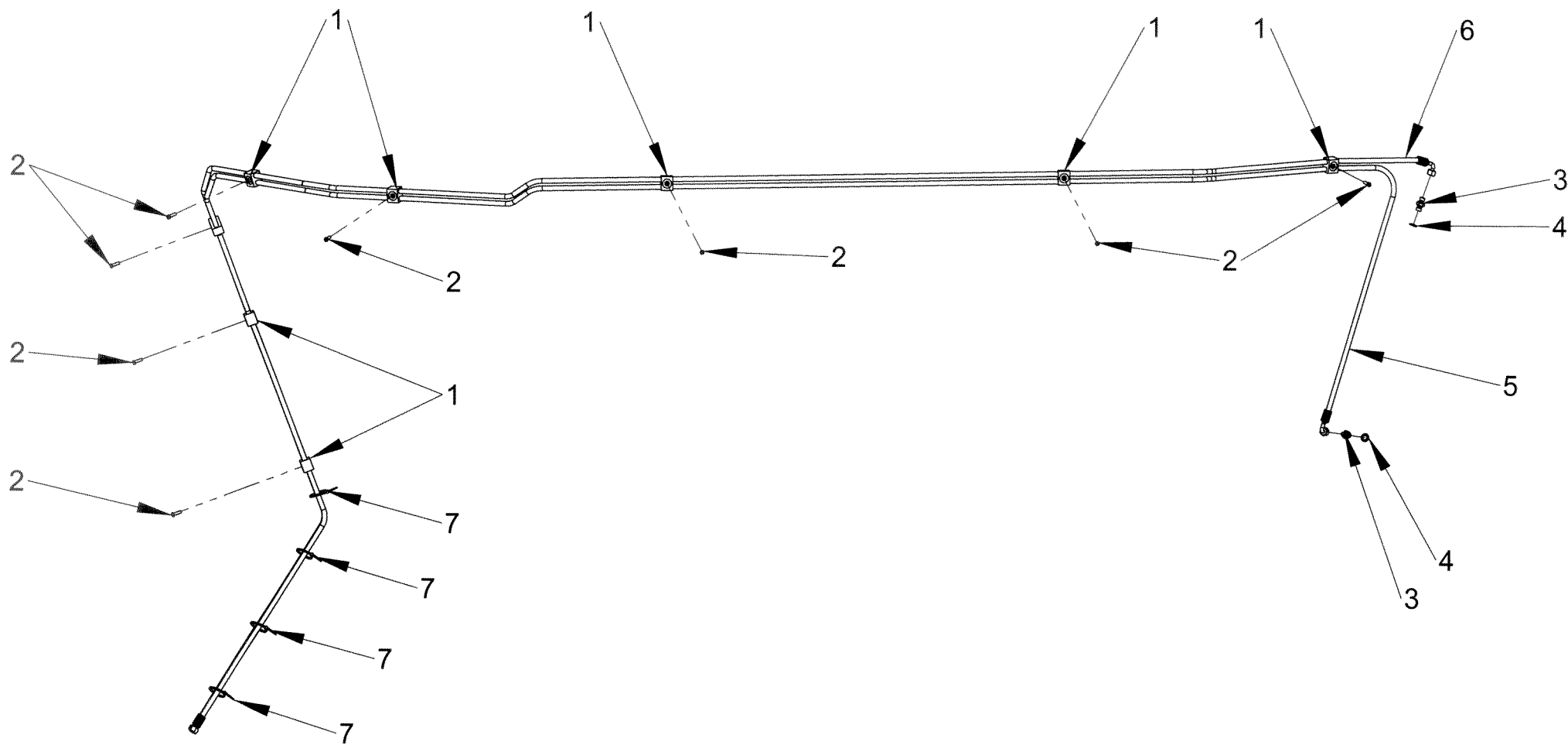


KIT-03720RH
 KIT-03720LH



Shelbourne Reynolds Engineering Limited

ASSY NUMBER:		KIT-03722		ASSY DESCRIPTION: 1 st STAGE HYD KIT (REAR CORNER DOOR)			
ITEM	PART NO	DESCRIPTION	QTY	ITEM	PART NO	DESCRIPTION	QTY
1	HCPD01200	PIPE CLAMP	8				
2	SCW-0083	CP HD SCREW	8				
3	HMA-0052	M/M ADAPTOR	2				
4	WSH-1005	DOWTY WASHER	2				
5	HHBC71005	HOSE ASSY	1				
6	HHBC65005	HOSE ASSY	1				
7	TIE-0004	TIE WRAPS (MED)	4				

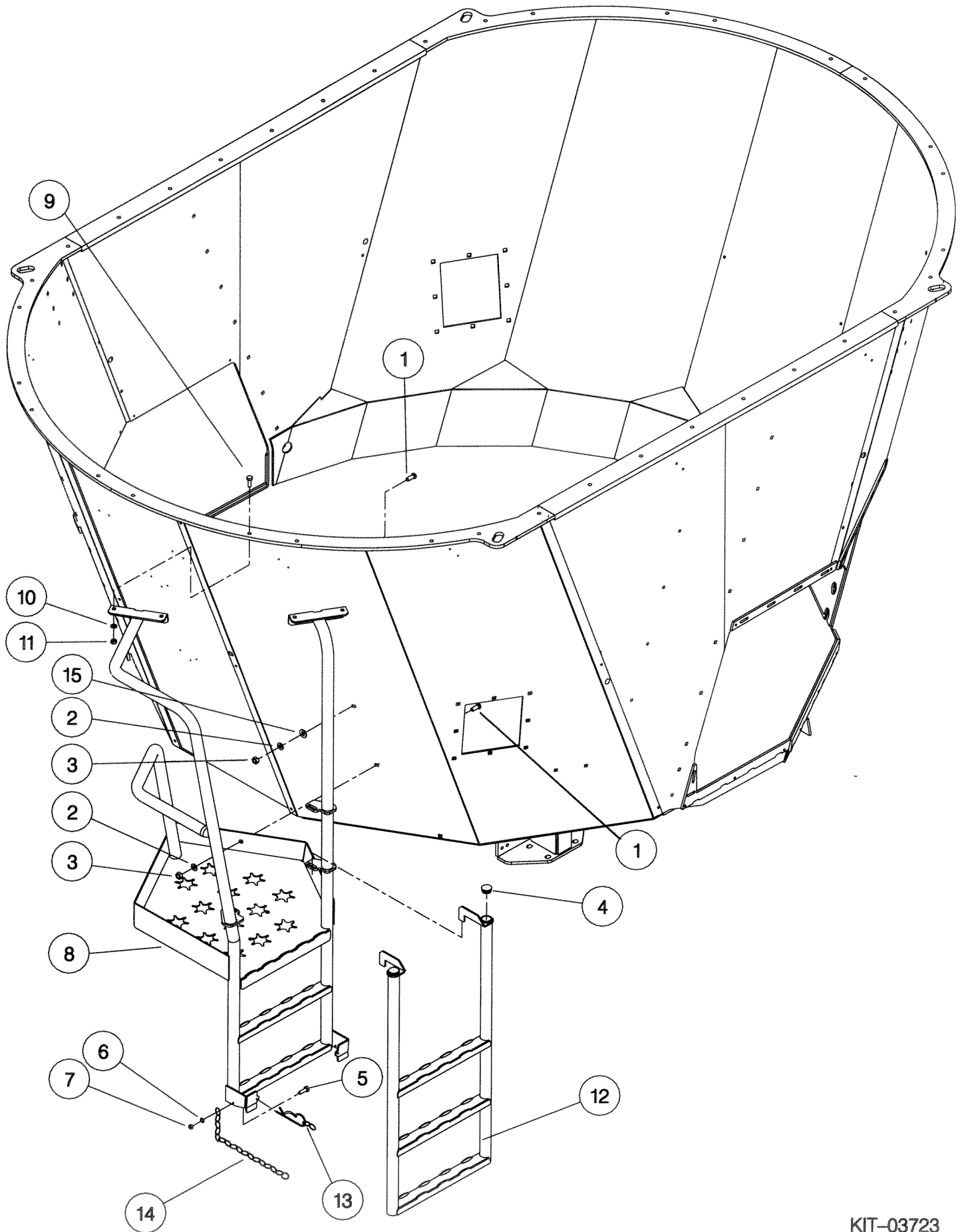


KIT-03722



Shelbourne Reynolds Engineering Limited

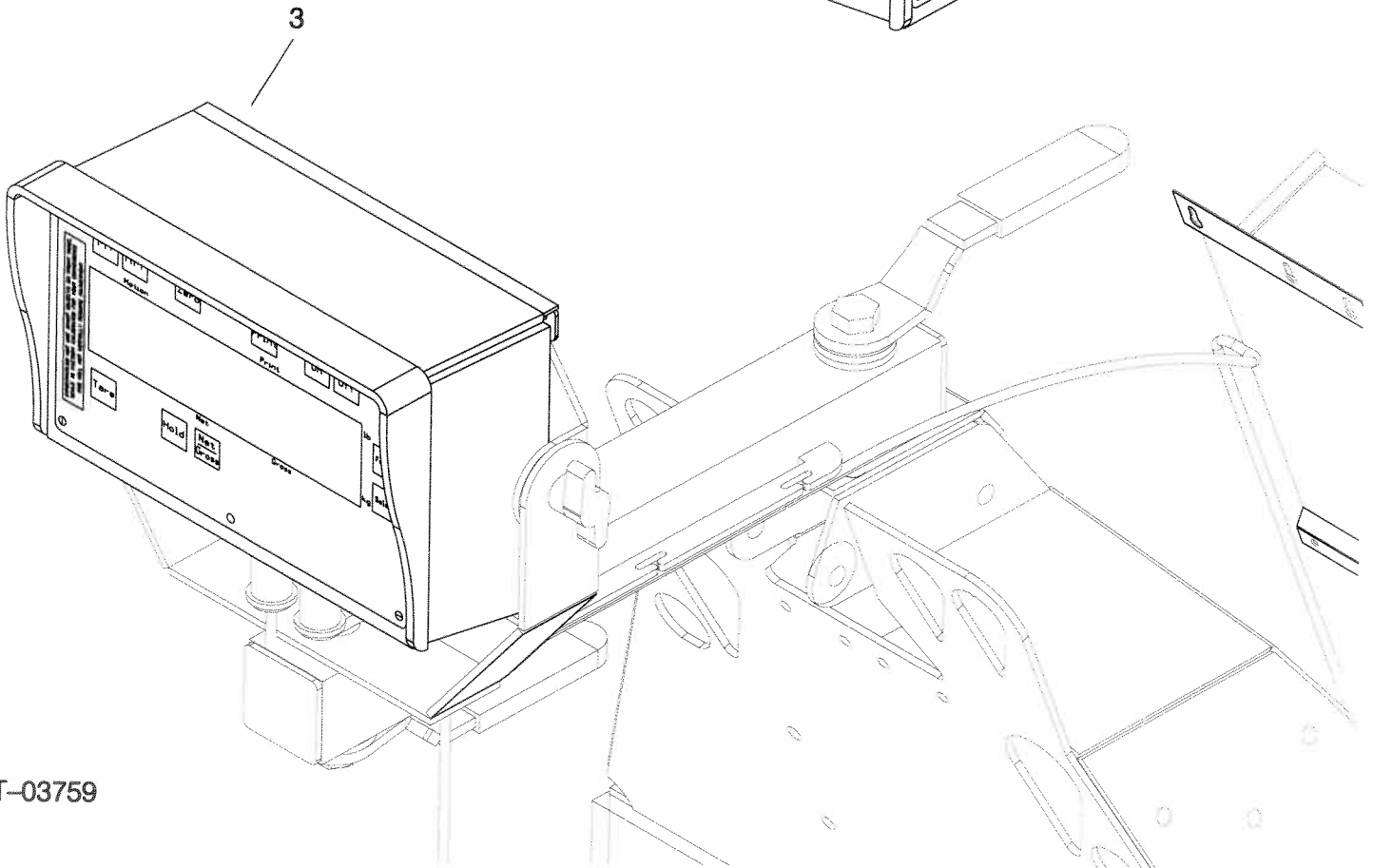
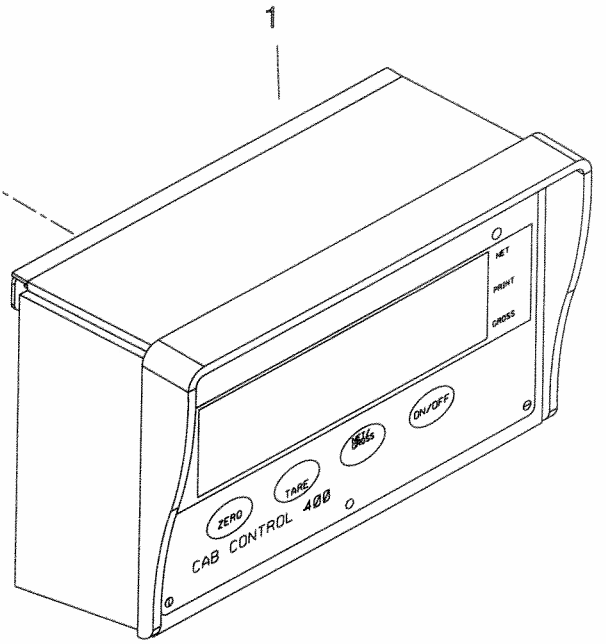
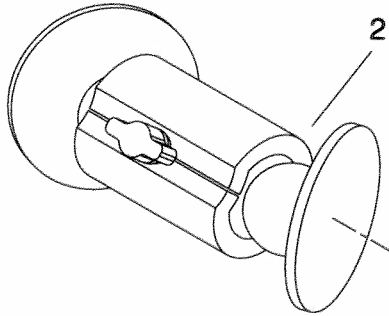
ASSY NUMBER:		KIT-03723		ASSY DESCRIPTION: LADDER AND PLATFORM KIT			
ITEM	PART NO	DESCRIPTION	QTY	ITEM	PART NO	DESCRIPTION	QTY
1	BLT-3790	COACHBOLT	3				
2	WSH-0018	WASHER	3				
3	NUT-0269	NUT	3				
4	PTF-00134	PLASTIC CAP INSERT	2				
5	HSS-0086	SETSCREW	1				
6	WSH-0009	WASHER	1				
7	NUT-0260	NUT	1				
8	613592 01	PLATFORM W/A	1				
9	HSS-0210	BOLT	4				
10	WSH-0015	WASHER	4				
11	NUT-0265	NUT	4				
12	613764 01	LADDER W/A	1				
13	CLP-00105	R-CLIP	1				
14	CHN-0145	CHAIN	.17m				
15	611830 01	SPACER PLATE	2				
16							
17							



Shelbourne Reynolds Engineering Limited

ASSY NUMBER: KIT-03759 ASSY DESCRIPTION: EZ2400V DISPLAY C/W 400CAB CONTROL

ITEM	PART NO	DESCRIPTION	QTY	ITEM	PART NO	QTY
1	LCL-01228	CAB CONTROL 400 DISPLAY	1			
2	LCL-01249	RAM MTG KIT	1			
3	LCL-01243B	EZ2400V DISPLAY (RADIO LINK)	1			



KIT-03759