

# Shelbourne

REYNOLDS

## 18m<sup>3</sup> PLUS

### PARTS MANUAL



# POWERMIX

Shelbourne Reynolds Engineering Ltd  
 Stanton  
 Bury St Edmunds  
 Suffolk  
 IP31 2AR  
 England

Telephone: 01359 250415  
 Fax: 01359 250464

Stores Direct : 01359 251231  
 Stores Direct: 01359 252031

Issue 12      17/01/2024

[www.shelbourne.com](http://www.shelbourne.com)



 YouTube

## ORDERING SPARE PARTS

### IMPORTANT

Your Powermix Plus is made up of a Machine assembly number (common parts), specific sub assemblies and also customer optional build kits. The machine, sub assemblies and optional kit numbers are listed in the front pages of your Operators manual, part no. MAN-05110. If you do not have these numbers please contact Shelbourne Reynolds Parts Department direct on (telephone) 01359 251231.

To ensure that you order the correct part from your SRE dealer please use the following procedure.

### **ALWAYS QUOTE THE MACHINE AND SERIAL NUMBERS WHEN ORDERING.**

Refer to the Parts Manuals front page/s, listing the machine assemblies. Select the correct machine assembly number which is printed in the top left corner of the page (starting with 6199\_ \_ 01), This machine number can also be taken off the Powermix Plus identification plate located on the front of the main chassis beam.

On this page you will find the parts listing for the common parts for every configuration of that machine assembly number.

You will find the corresponding drawing by either looking at the facing page or progressing through the manual to the next drawing.

The drawings indicate the components by item numbers, which you will find, are repeated in the left-hand side of your parts listing, and therefore referring to the correct part.

Note all parts will not be found listed below the machine number. Other parts will be from specific sub assemblies and optional kits. These sub assemblies and kits will be found in numerical order further through the manual. Sub assemblies start with 619\_ \_ \_ 01 and kits start with  
KIT- \_ \_ \_ \_ \_.



# List Of Kit Numbers

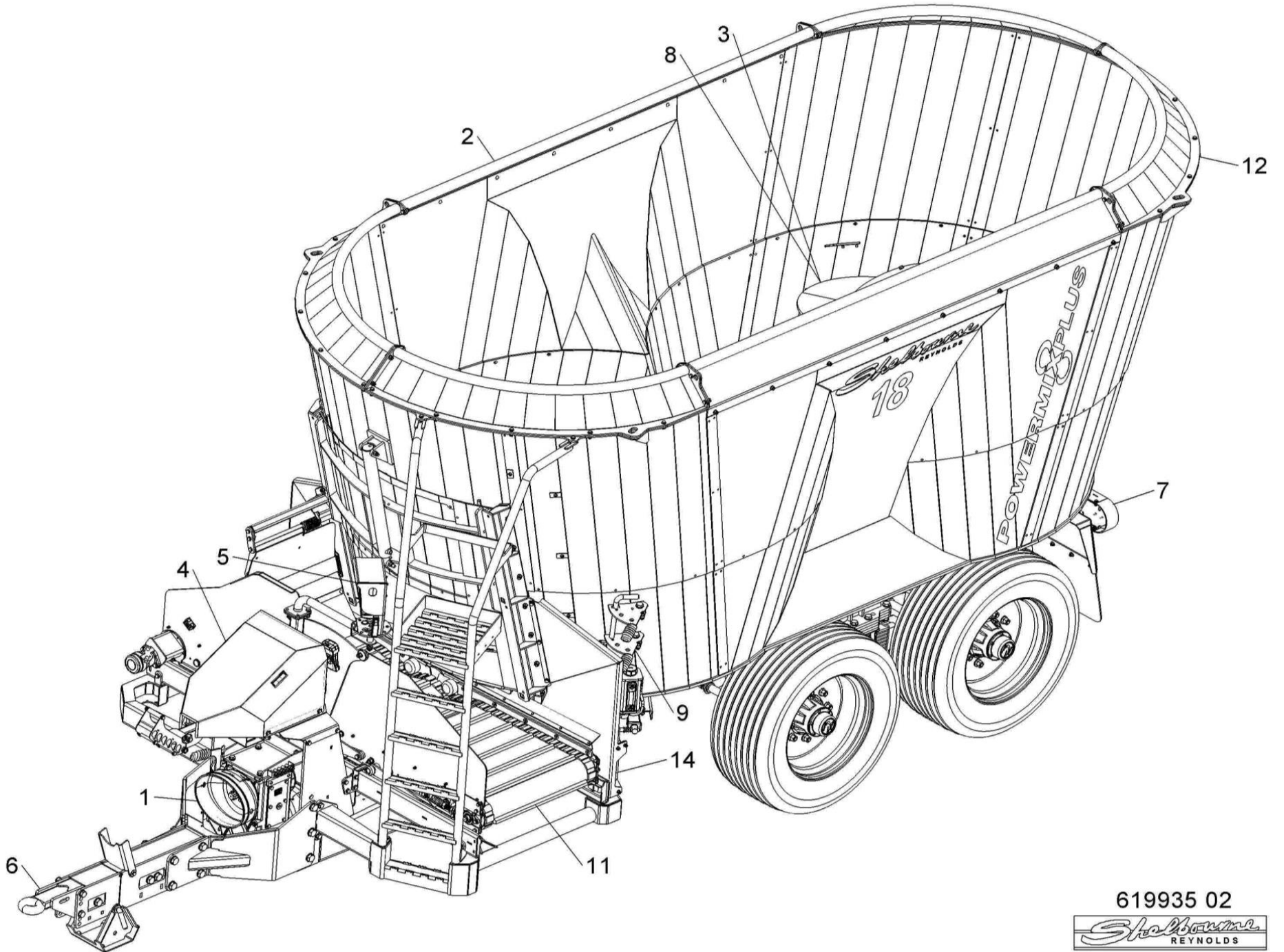
619935 02	18m <sup>3</sup> Powermix Express	6
619935 05	18m <sup>3</sup> Powermix Express (Rear Door)	8
619935 07	18m <sup>3</sup> Powermix Express (Rear Door)	10
619156 02	Auger Drives Sub Assembly	12
619160 01	Auger Sub Assembly	14
619161 01	Hydraulics Mounting Sub Assembly	16
619167 01	Tub And Chassis Sub Assembly	18
619177 01	Tub And Chassis Sub Assembly (Rear Door)	21
619182 01	Tub And Chassis Sub Assembly (Rear Door)	24
KIT-03671B	Wheel And Tyre Kit	26
KIT-03672A	Wheel And Tyre Kit	28
KIT-03719	Auger Magnet Kit	30
KIT-03842	Extension Top Kit	32
KIT-03843	Tandem Axle Kit	34
KIT-03846	Single Axle Kit	36
KIT-03848	Drawbar And UK Tow Eye Kit	38
KIT-03857	Standard Blade Kit	40
KIT-03859	Auger Extension Kit	42
KIT-03863	Anti Rotation Kit	44
KIT-03867	Straw Ring Kit	46
KIT-03868	Mudguard Kit	49
KIT-03869	Manual Canister Kit	52
KIT-03870	Axle Spacer Kit	54
KIT-03873	Hydraulic Valve Kit	56
KIT-03876	Input PTO Shaft Kit	58
KIT-03876A	Standard Input Shaft Kit (16-22m, Walterscheid)	60
KIT-03877	Manual Gear Change Kit	62
KIT-03879	Tubular Tub Rim Kit	64
KIT-03882	Lighting Kit	66
KIT-03884	Weighing Kit	68
KIT-03888	Express Conveyor Kit	71
KIT-03889	Electric Gear Change Kit	76
KIT-03890	Wheel And Tyre Kit	78
KIT-03894	Conveyor Deflector Kit	80
KIT-03895	DG400 Basic Display Kit	82
KIT-03896	DG600 Programmable Display Kit	84
KIT-03897	Transfers Kit 16m	86
KIT-03897A	Transfers Kit 18m	88
KIT-03897B	Transfers Kit 22m	90

KIT-03897C	Transfers Kit 20m	92
KIT-03898	Hydraulic Controls Kit	94
KIT-03899	Direct Coupled Hydraulic Kit	96
KIT-03900	3-Pin Plug Connection Kit	98
KIT-03901	Hydraulic Controls Kit	100
KIT-03904	Bluetooth Modem Kit	102
KIT-03905	Wireless Hydraulic Control Kit	104
KIT-03908	Input PTO Shaft Kit	106
KIT-03908A	Wide Angle Input Shaft Kit (16-22m)	108
KIT-03910	Weighing Kit	110
KIT-03922	Express Conveyor Kit	112
KIT-03923	Standard Blade Kit	116
KIT-03925	Tandem Axle Kit	118
KIT-03932	Axle And Wheel Kit	120
KIT-03934A	Tandem Wheel And Tyre Kit	122
KIT-03935	Steering Tandem Axle Kit	124
KIT-03936	Tub Conversion Kit (Steering Axle)	126
KIT-03938	20cu mt Extension Kit	128
KIT-03946	Battery Tray Kit	130
KIT-03955	DG GPRS Data Transfer Kit	132
KIT-03956	2-Speed Gear Change Handset Kit	134
KIT-03958	Dina Tel 3 Remote Display Kit	136
KIT-03960	Rear Door Kit	138
KIT-03961	Tandem Axle Kit (Air Hydraulics)	140
KIT-03965	Hydraulic Valve Kit	142
KIT-03966	Hydraulic Valve Kit	144
KIT-03971	Door Blanking Plate Kit	146
KIT-03995	DG Options Mounting Bracket Kit	148
KIT-03998	Standard Blade Kit	150
KIT-03999	Rear Door Kit	152
KIT-60002	Electric Gear Change Kit	154
KIT-60073	Wireless Hydraulic Control Kit	156

## Shelbourne Reynolds Engineering Limited

ASSY NUMBER: 619935 02				ASSY DESCRIPTION: 18m CU POWERMIX EXPRESS (19.1:1 RATIO)			
ITEM	PART NO	DESCRIPTION	QTY	ITEM	PART NO	DESCRIPTION	QTY
1	619156 02	AUGER DRIVES SUB ASSY	1				
2	619167 01	TUB & CHASSIS SUB ASSY PME18160485 & ON	1				
OR	619157 01	TUB & CHASSIS SUB ASSY PME18150473 & PME18150474 ONLY	1				
3	619160 01	AUGER SUB ASSY	1				
4	619161 01	HYDRAULIC MTG SUB ASSY	1				
5	KIT-03910	WEIGHING KIT PME18170522 & ON	1				
OR	KIT-03884	WEIGHING KIT PME18160485-0496	1				
OR	KIT-03841	WEIGHING KIT PME18150473 & PME18150474 ONLY	1				
6	KIT-03848	DRAWBAR & UK TOW EYE KIT	1				
7	KIT-03882	LIGHTING KIT	1				
8	KIT-03998	STANDARD BLADE KIT (PME18210820 & ON)	1				
OR	KIT-03923	STANDARD BLADE KIT (PME18170522 TO PME18210799)	2				
OR	KIT-03857	STANDARD BLADE KIT (UP TO & INC PME18160496)	2				
9	KIT-03863	ANTI-ROTATION KIT	1				
11	KIT-03922	EXPRESS CONVEYOR KIT PME18170522 & ON	1				
OR	KIT-03888	EXPRESS CONVEYOR KIT UP TO & INC PME18160496	1				
OR	KIT-03851	EXPRESS CONVEYOR KIT PME18150473 & PME18150474 ONLY	1				
12	KIT-03867	STRAW RING KIT	1				
13	KIT-03601	CONSUMABLE KIT	1				
14	KIT-03869	MANUAL CANNISTER KIT	1				

Shelbourne Reynolds Engineering Limited



619935 02

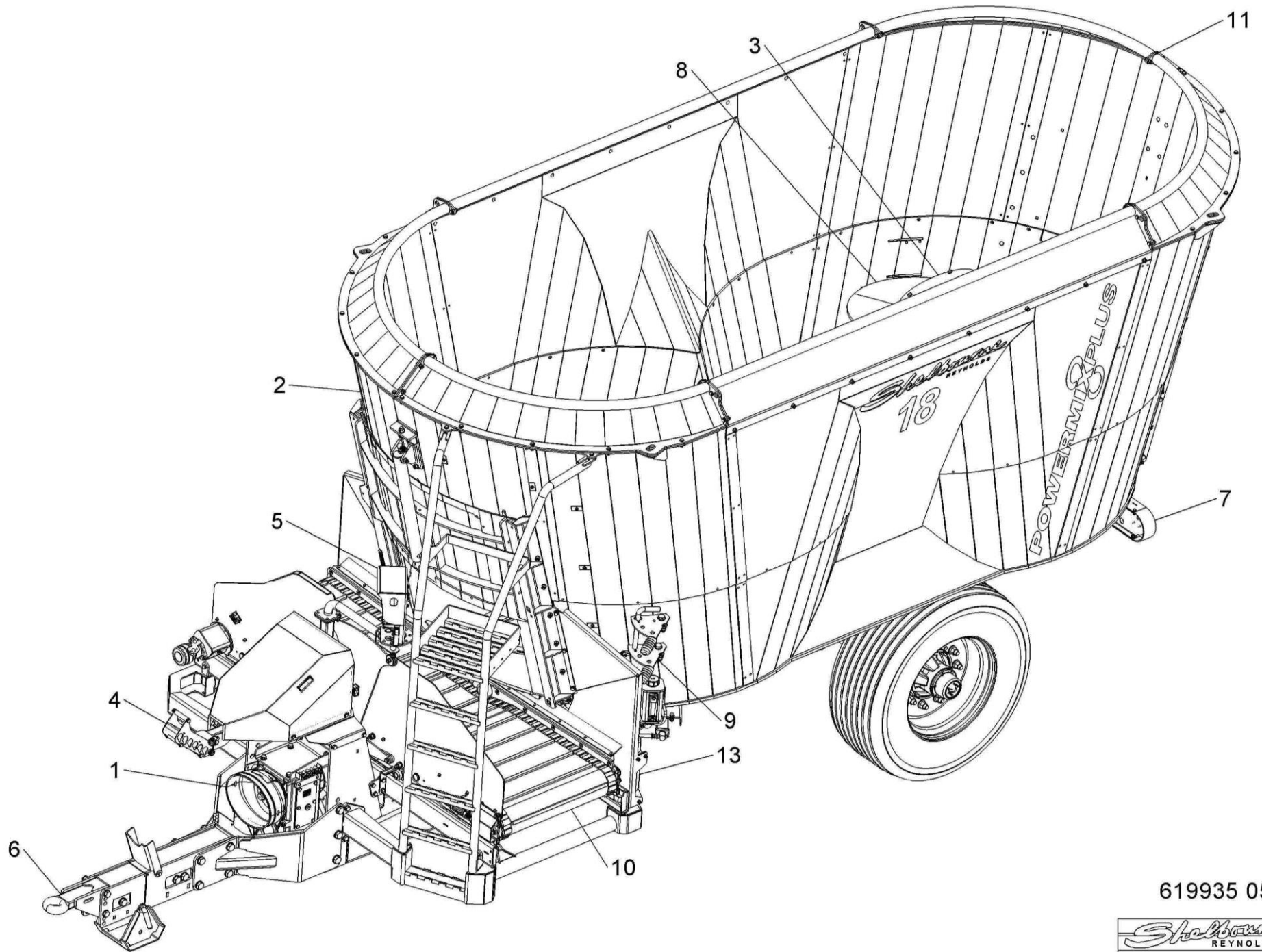


## Shelbourne Reynolds Engineering Limited

ASSY NUMBER: 619935 05				ASSY DESCRIPTION: 18m CU POWERMIX EXPRESS (REAR DOOR)			
ITEM	PART NO	DESCRIPTION	QTY	ITEM	PART NO	DESCRIPTION	QTY
1	619156 02	AUGER DRIVES SUB ASSY	1				
2	619177 01	TUB & CHASSIS SUB ASSY	1				
3	619160 01	AUGER SUB ASSY	1				
4	619161 01	HYDRAULIC MTG SUB ASSY	1				
5	KIT-03910	WEIGHING KIT	1				
6	KIT-03848	DRAWBAR & UK TOW EYE KIT	1				
7	KIT-03882	LIGHTING KIT	1				
8	KIT-03923	STANDARD BLADE KIT	2				
9	KIT-03863	ANTI-ROTATION KIT	1				
10	KIT-03922	EXPRESS CONVEYOR KIT	1				
11	KIT-03867	STRAW RING KIT	1				
12	KIT-03601	CONSUMABLE KIT	1				
13	KIT-03869	MANUAL CANNISTER KIT	1				



Shelbourne Reynolds Engineering Limited



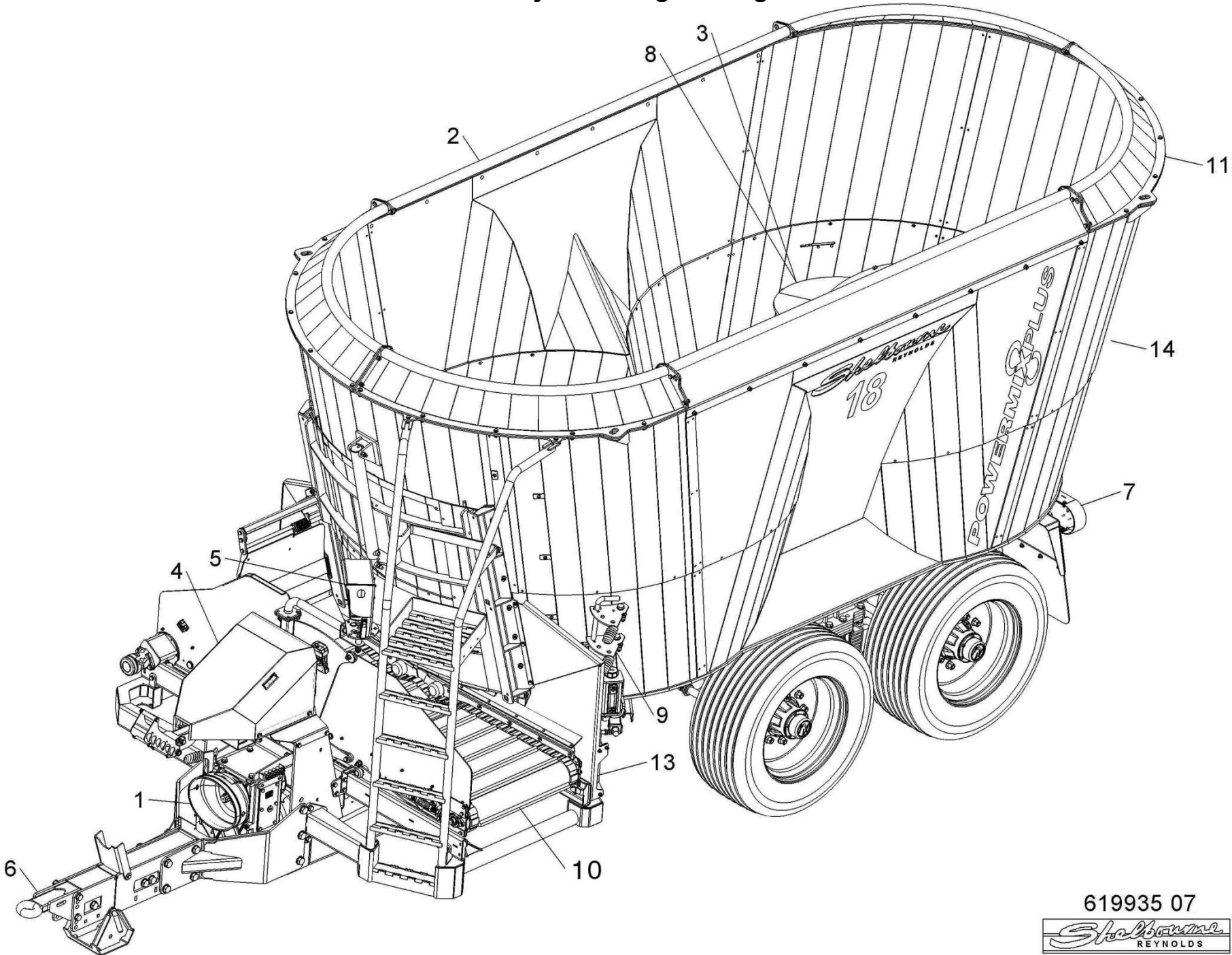
619935 05



## Shelbourne Reynolds Engineering Limited

ASSY NUMBER: 619935 07				ASSY DESCRIPTION: 18m CU POWERMIX EXPRESS (REAR DOOR)			
ITEM	PART NO	DESCRIPTION	QTY	ITEM	PART NO	DESCRIPTION	QTY
1	619156 02	AUGER DRIVES SUB ASSY	1				
2	619182 01	TUB & CHASSIS SUB ASSY	1				
3	619160 01	AUGER SUB ASSY	1				
4	619161 01	HYDRAULIC MTG SUB ASSY	1				
5	KIT-03910	WEIGHING KIT	1				
6	KIT-03848	DRAWBAR & UK TOW EYE KIT	1				
7	KIT-03882	LIGHTING KIT	1				
8	KIT-03998	STANDARD BLADE KIT (PME18210820 & ON)	2				
OR	KIT-03923	STANDARD BLADE KIT (PME18170522 TO PME18210799)	2				
9	KIT-03863	ANTI-ROTATION KIT	1				
10	KIT-03922	EXPRESS CONVEYOR KIT	1				
11	KIT-03867	STRAW RING KIT	1				
12	KIT-03601	CONSUMABLE KIT	1				
13	KIT-03869	MANUAL CANNISTER KIT	1				
14	KIT-03960	REAR DOOR KIT	1				

Shelbourne Reynolds Engineering Limited



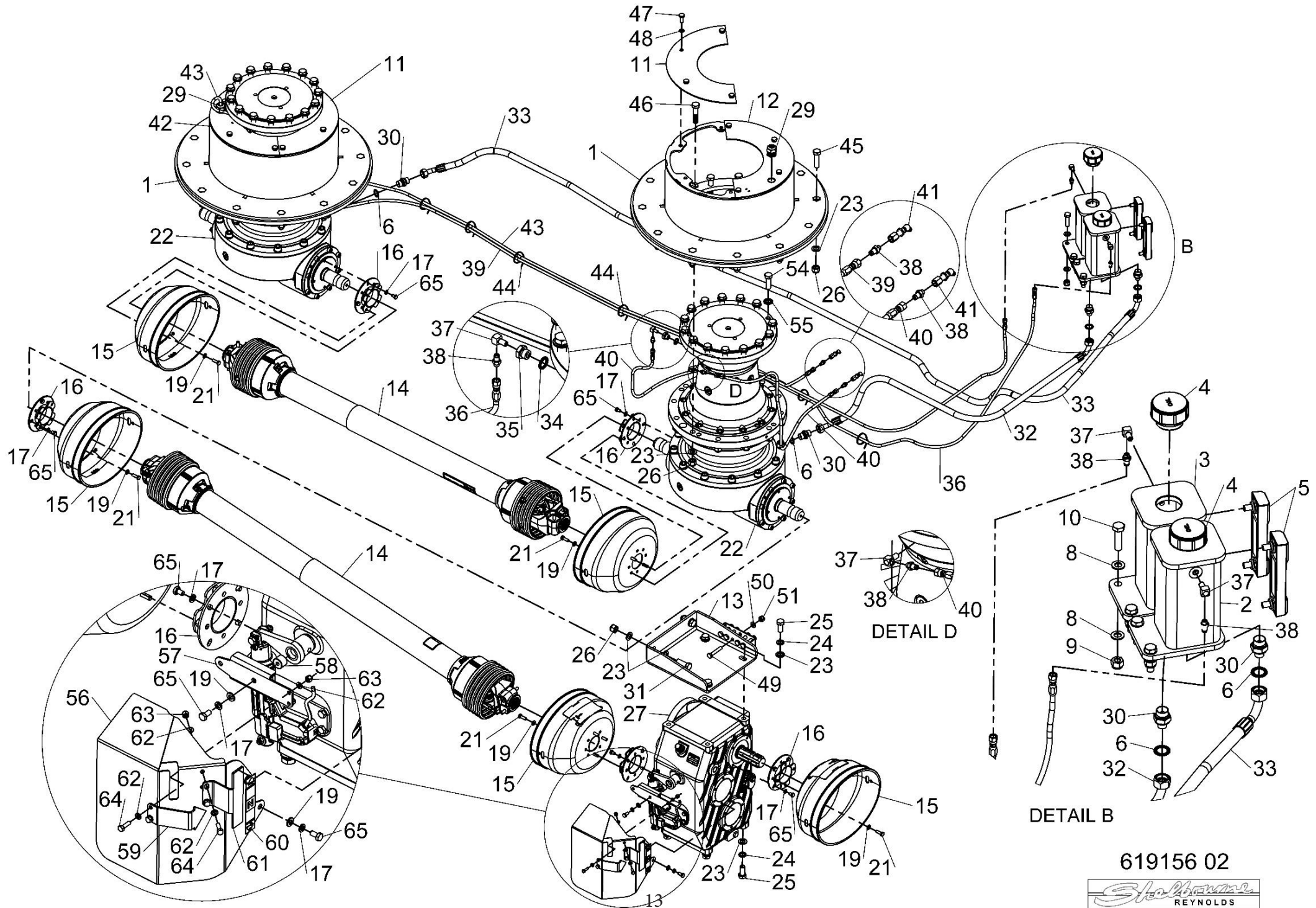
619935 07



## Shelbourne Reynolds Engineering Limited

ASSY NUMBER: 619156 02				ASSY DESCRIPTION: AUGER DRIVES SUB ASSY (19.1 : 1 RATIO)			
ITEM	PART NO	DESCRIPTION	QTY	ITEM	PART NO	DESCRIPTION	QTY
1	615810 01	GEARBOX MTG PLATE W/A	2	33	HHKF34005	HYD HOSE ASSY	1
2	615808 01	LH OIL RESERVOIR W/A	1	34	WSH-1010	WASHER	1
3	615808 02	RH OIL RESERVOIR W/A	1	35	HAEEA0107	REDUCING BUSH ADAPTER	2
4	FIL-0004	FILLER CAP	2	36	614605 12	FRONT BREATHER HOSE	1
5	GAU-0010	LEVEL GAUGE	2	37	LUB-00051	90 DEG ELBOW	6
6	WSH-1015	WASHER	4	38	LUB-00038	FRENCH PIPE CONNECTOR	8
7				39	614605 13	REAR BREATHER HOSE	1
8	WSH-0018	WASHER	8	40	614605 16	TOP BEARING FRONT HOSE	1
9	NUT-0269	NUT	4	41	LUB-00036	BULKHEAD ADAPTER	2
10	BLTA12290	BOLT	4	42	616532 01	RH REAR SEAL PLATE	1
11	616531 01	GEARBOX SEAL PLATE	2	43	614605 15	TOP BEARING REAR HOSE	1
12	616528 01	GEARBOX SEAL PLATE	1	44	TIE-0004	TIE WRAP (MEDIUM)	30
13	616533 01	TOP GEARBOX BRKT W/A	1	45	HSS-0320	SETSCREW	24
14	PTO-35015W	INTERMEDIATE PTO SHAFT PME18190708 & ON	2	46	BLT-2314	BOLT	24
OR	PTO-35015	INTERMEDIATE PTO SHAFT UP TO & INC PME18190699	2	47	HSS-0191	BOLT	16
15	PTO-00965	PTO CONE	5	48	WSH-0061	WASHER	16
16	615985 01	PTO CONE BRKT W/A	5	49	BLTA10380	SHEARBOLT	5
17	WSH-0058	WASHER	23	50	WSH-0015	WASHER	5
18				51	NUT-0265	NUT	5
19	WSH-0012	WASHER	27	52			
20				53			
21	HSS-0145	BOLT	20	54	HSS-0318	SETSCREW	30
22	GEA-0195	PLANETARY GEARBOX	2	55	WSHA30161	LOCKWASHER	30
23	WSH-0024	WASHER	60	56	620475 01	ACTUATOR GUARD	1
24	WSH-0070	WASHER	8	57	620523 01	LEVER BRKT	1
25	HSS-0315	SETSCREW	8	58	620524 01	PIVOT BOSS	1
26	NUT-0271	NUT	50	59	620525 01	POINTER	1
27	GEA-0206	2-SPEED GEARBOX PME18220884 & ON	1	60	620526 01	2-SPEED EMBLEM	1
OR	GEA-0204	2-SPEED GEARBOX PME18200788 - PME18220883	1	61	620527 01	EMBLEM BRKT	1
OR	GEA-0196	2-SPEED GEARBOX UP TO & INC PME18200785	1	62	WSH-0009	WASHER	8
28				63	NUT-0260	NUT	4
29	CBG-00252	CABLE GLAND	2	64	HSS-0086	SETSCREW	4
30	HMA-0067	M/M ADAPTER	4	65	HSS-0135	SETSCREW	27
31	HSS-0317	SETSCREW	2				
32	HHKF12505	HYD HOSE ASSY	1				

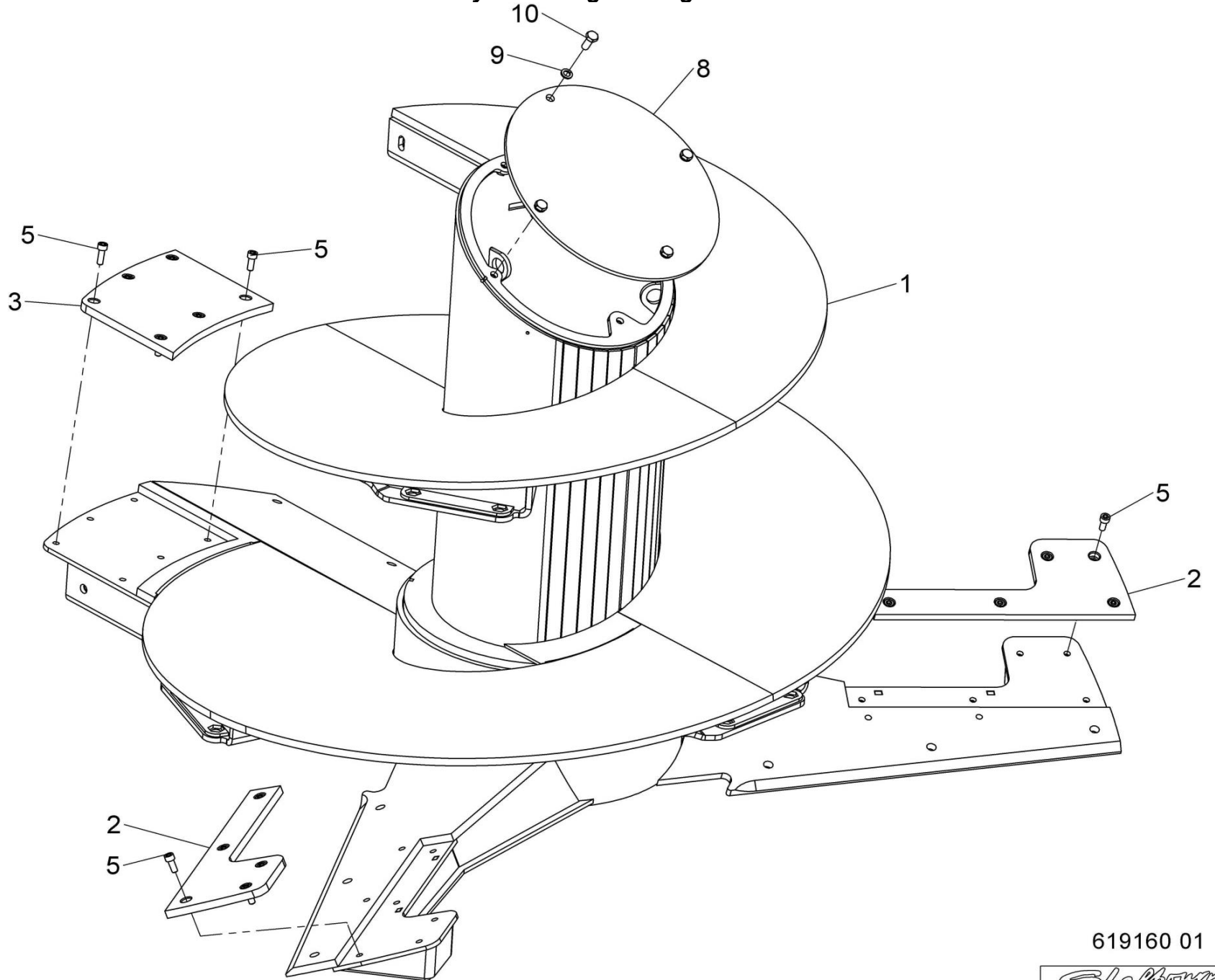
Shelbourne Reynolds Engineering Limited



619156 02

**Shelbourne Reynolds Engineering Limited**

ASSY NUMBER: 619160 01				ASSY DESCRIPTION: AUGER SUB ASSY (TWIN AUGER)			
ITEM	PART NO	DESCRIPTION	QTY	ITEM	PART NO	DESCRIPTION	QTY
1	620040 01	AUGER W/A (PME18210820 & ON)	2				
OR	617004 01	AUGER W/A (PME18170522 TO PME18210799)	2				
OR	616171 01	AUGER W/A (UP TO & INC PME18160496)	2				
2	617486 01	WEAR PAD	4				
3	617483 01	WEAR PAD	2				
4							
5	SCW-0190	CP HD SCREW	32				
6							
7							
8	616196 01	AUGER CAP	2				
9	WSH-0065	WASHER	8				
10	HSS-0238	SETSCREW	8				



619160 01

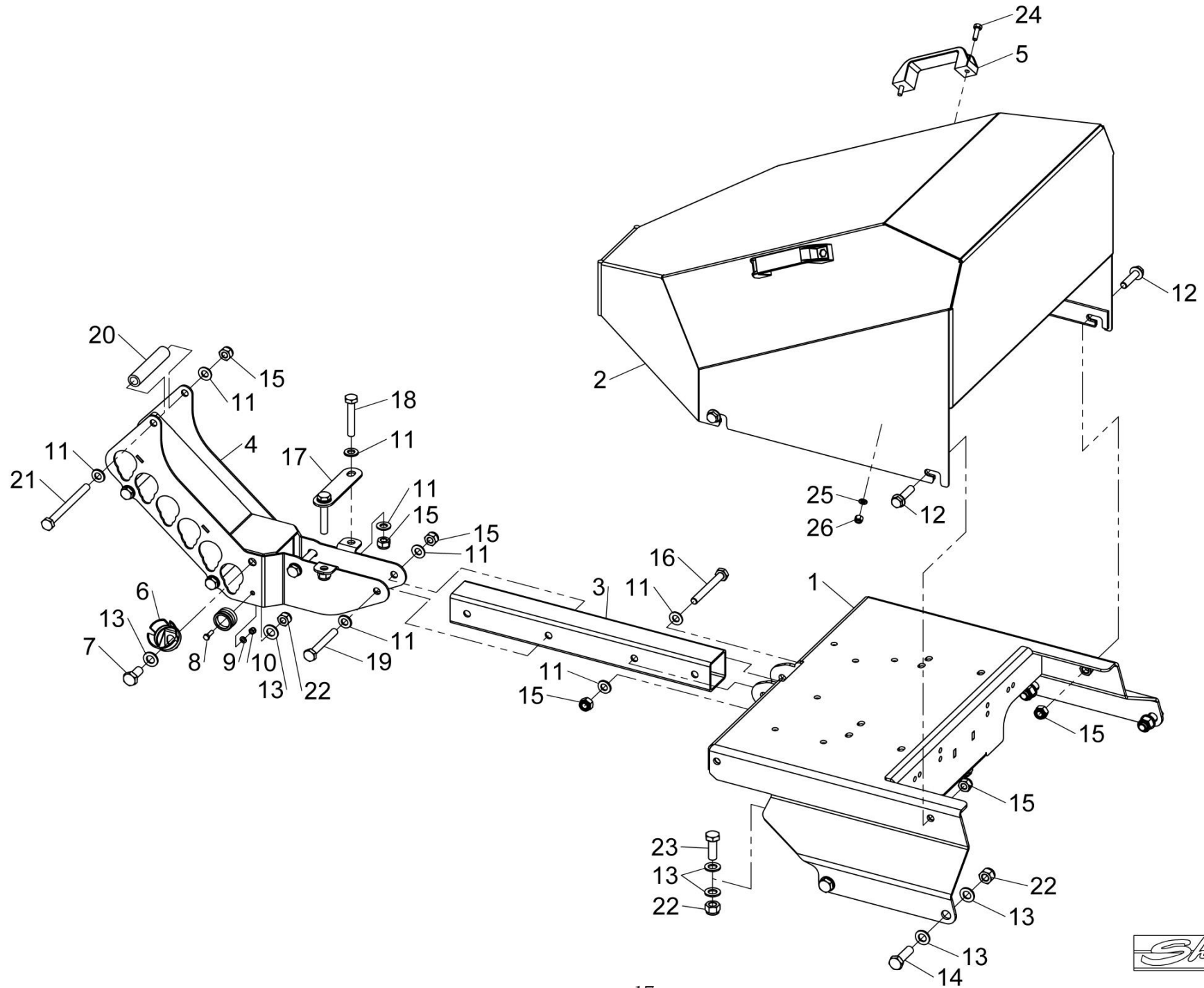


## Shelbourne Reynolds Engineering Limited

ASSY NUMBER: 619161 01				ASSY DESCRIPTION: HYDRAULICS MTG SUB ASSY (TWIN AUGER)			
ITEM	PART NO	DESCRIPTION	QTY	ITEM	PART NO	DESCRIPTION	QTY
1	616123 01	VALVE MTG PLATE W/A	1				
2	616134 01	GUARD W/A	1				
3	616139 01	SUPPORT ARM	1				
4	616320 01	HOSE STORAGE W/A	1				
5	HND-0000	PULL HANDLE	2				
6	PLG-0065	7 PIN PLUG HOLDER	1				
7	HSS-0235	SETSCREW (M12x25)	1				
8	SCW-0056	CP HD SCREW	1				
9	WSH-0006	WASHER	1				
10	NUT-0258	NUT	1				
11	WSH-0015	WASHER	18				
12	HSSG10260	TENSILOCK	4				
13	WSH-0018	WASHER	14				
14	HSS-0250	SETSCREW	4				
15	NUT-0265	NUT	14				
16	BLTA10520	BOLT	2				
17	616293 01	HOSE CLAMP PLATE	1				
18	BLTA10380	BOLT	2				
19	BLTA10470	BOLT	2				
20	616322 01	GUIDE TUBE	1				
21	BLTA10620	BOLT	3				
22	NUT-0269	NUT	6				
23	HSS-0241	SETSCREW	2				
24	HSS-0086	SETSCREW	4				
25	WSH-0009	PLAIN WASHER	4				
26	NUT-0260	NYLOC NUT	4				



# Shelbourne Reynolds Engineering Limited



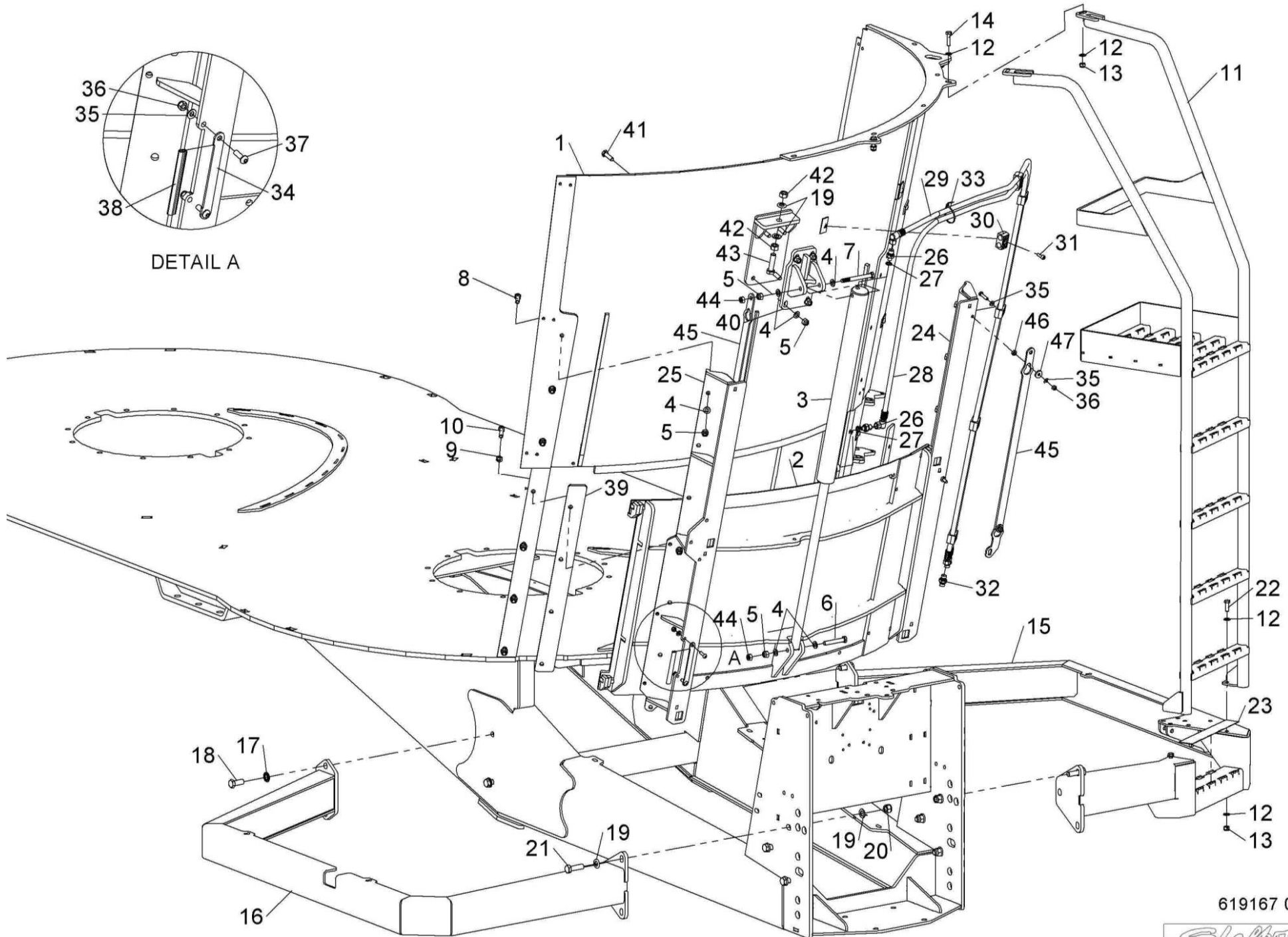
619161 01



## Shelbourne Reynolds Engineering Limited

ASSY NUMBER: 619167 01				ASSY DESCRIPTION: TUB & CHASSIS SUB			
ITEM	PART NO	DESCRIPTION	QTY	ITEM	PART NO	DESCRIPTION	QTY
1	615887 01	TWIN AUGER TUB/CHASSIS W/ASSY	1	35	WSH-0012	WASHER	4
2	615844 01	DOOR W/ASSY	1	36	NUT-0263	NUT	4
3	610908 01	DOOR RAM	1	37	SCBA08172	BUTT SOC HD SCREW	2
4	WSH-0018	PLAIN WASHER	22	38	EDS-11400	EDGING STRIP	0.12m
5	NUT-0269	NYLOC NUT	20	39	617037 01	SPACER PLATE	2
6	Hssa12560	HEX.HEAD BOLT	1	40	617538 01	RAM ADJUSTER W/A	1
7	BLT-2273	HEX.HEAD BOLT	1			PME18170580 & ON ONLY	
8	HSS-0241	SET SCREW	6	41	HSS-0250	SETSCREW	4
9	615879 01	BOLT SPACER	8	42	NUT-0180	NUT	2
10	HSS-0260	SET SCREW	8	43	HSS-0320	SETSCREW	1
11	616055 01	LADDER W/ASSY	1	44	NUT-0170	NUT	2
12	WSH-0015	PLAIN WASHER	8	45	618920 01	SAFETY STRAP	1
13	NUT-0265	NYLOC NUT	4	46	198800 73	WASHER (8.5 IDx16 ODx6 THK)	2
14	HSS-0202	SET SCREW	2	47	198800 74	WASHER (8.5 IDx26 ODx5 THK)	2
15	616921 01	CRASH BAR W/ASSY	1				
		PME18170522 & ON					
OR	616361 01	CRASH BAR W/ASSY	1				
		UP TO & INC PME18160496					
16	616920 01	CRASH BAR W/ASSY	1				
		PME18170522 & ON					
OR	616761 01	CRASH BAR W/ASSY	1				
		UP TO & INC PME18160496					
17	WSHA30161	WASHER	4				
18	HSS-0316	SETSCREW	4				
19	WSH-0024	PLAIN WASHER	14				
20	NUT-0271	NYLOC NUT	6				
21	HSS-0319	SET SCREW	6				
22	HSS-0194	SET SCREW	2				
23							
24	615849 01	LH DOOR SLIDER W/A	1				
25	616749 01	RH DOOR SLIDER W/A	1				
26	FIT-0025	M/M ADAPTOR	2				
27	WSH-1005	WASHER	2				
28	HHCE60105	HYD HOSE	1				
29	HHCE54005	HYD HOSE	1				
30	HCPD01800	HYD PIPE CLAMP	6				
31	SCW-0133	CP HD SCREW	6				
32	HMA-0057	M/M ADAPTOR	2				
33	TIE-0004	TIE WRAP	20				
34	616863 01	MTG PLATE	1				

Shelbourne Reynolds Engineering Limited



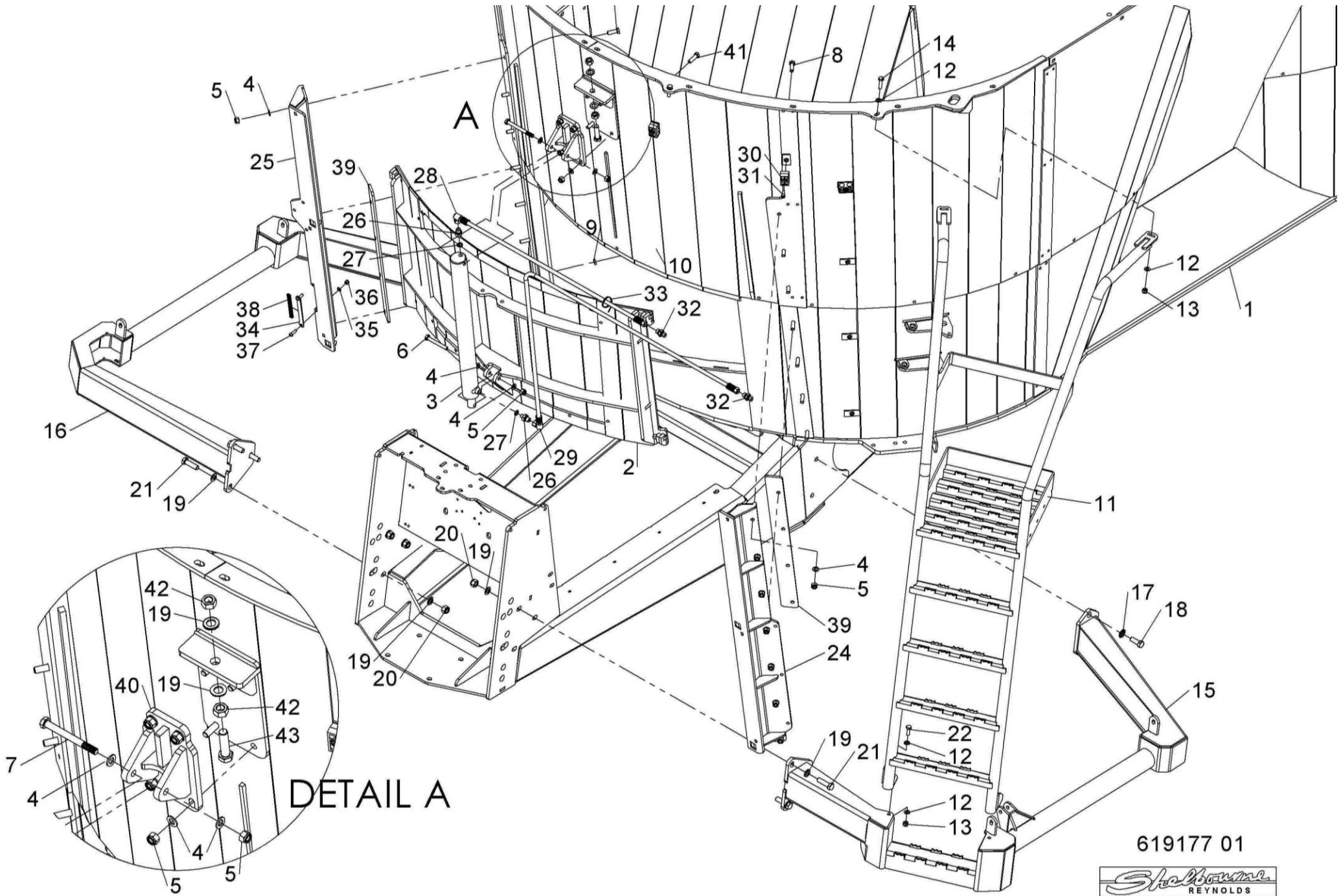
619167 01





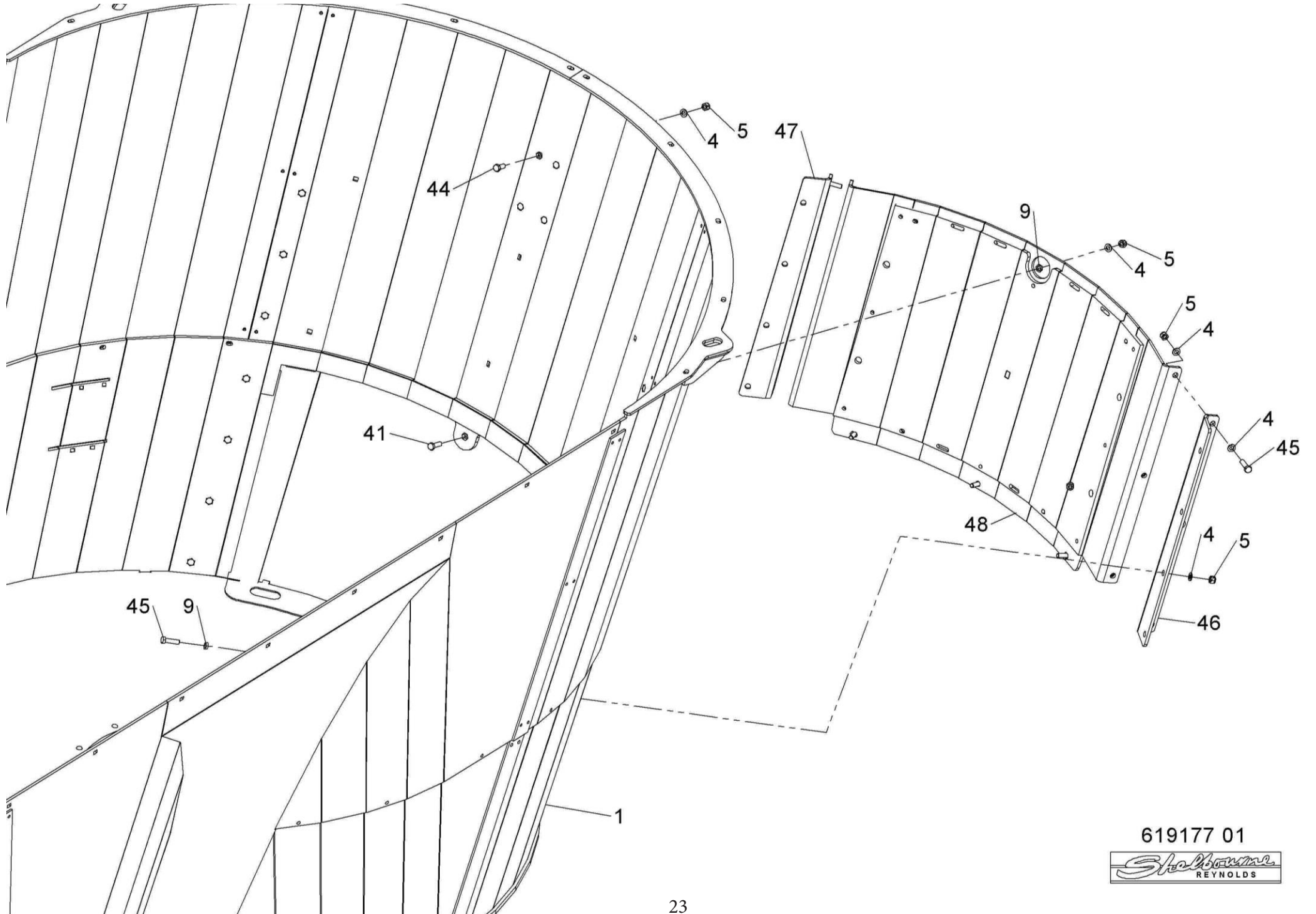
## Shelbourne Reynolds Engineering Limited

ASSY NUMBER: 619177 01				ASSY DESCRIPTION: TUB & CHASSIS SUB (REAR DOOR VERSION)			
ITEM	PART NO	DESCRIPTION	QTY	ITEM	PART NO	DESCRIPTION	QTY
1	617527 01	TUB/CHASSIS W/A (REAR DOOR)	1	41	HSS-0250	SETSCREW	8
2	615844 01	DOOR W/ASSY	1	42	NUT-0180	NUT	2
3	610908 01	DOOR RAM	1	43	HSS-0320	SETSCREW	1
4	WSH-0018	PLAIN WASHER	59	44	HSS-0238	SETSCREW	10
5	NUT-0269	NYLOC NUT	48	45	BLTA12290	SETSCREW	14
6	BLT-2267	HEX.HEAD BOLT	1	46	617553 01	LH SIDE PLATE	1
7	BLTA12620	HEX.HEAD BOLT	1	47	617553 02	RH SIDE PLATE	1
8	HSS-0241	SET SCREW	6	48	617549 01	DOOR BLANKING PLATE W/A	1
9	615879 01	BOLT SPACER	17	49	617564 01	BLANKING WASHER	1
10	HSS-0260	SET SCREW	8				
11	616055 01	LADDER W/ASSY	1				
12	WSH-0015	PLAIN WASHER	8				
13	NUT-0265	NYLOC NUT	4				
14	HSS-0202	SET SCREW	2				
15	616921 01	CRASH BAR W/ASSY	1				
16	616920 01	CRASH BAR W/ASSY	1				
17	WSHA30161	WASHER	4				
18	HSS-0316	SETSCREW	4				
19	WSH-0024	PLAIN WASHER	14				
20	NUT-0271	NYLOC NUT	6				
21	HSS-0319	SET SCREW	6				
22	HSS-0194	SET SCREW	2				
23							
24	615849 01	LH DOOR SLIDER W/A	1				
25	616749 01	RH DOOR SLIDER W/A	1				
26	FIT-0025	M/M ADAPTOR	2				
27	WSH-1005	WASHER	2				
28	HHCE60105	HYD HOSE	1				
29	HHCE54005	HYD HOSE	1				
30	HCPD01800	HYD PIPE CLAMP	6				
31	SCW-0133	CP HD SCREW	6				
32	HMA-0057	M/M ADAPTOR	2				
33	TIE-0004	TIE WRAP	20				
34	616863 01	MTG PLATE	1				
35	WSH-0012	WASHER	2				
36	NUT-0263	NUT	2				
37	SCBA08172	BUTT SOC HD SCREW	2				
38	EDS-11400	EDGING STRIP	0.12m				
39	617037 01	SPACER PLATE	2				
40	617538 01	RAM ADJUSTER W/A	1				



619177 01





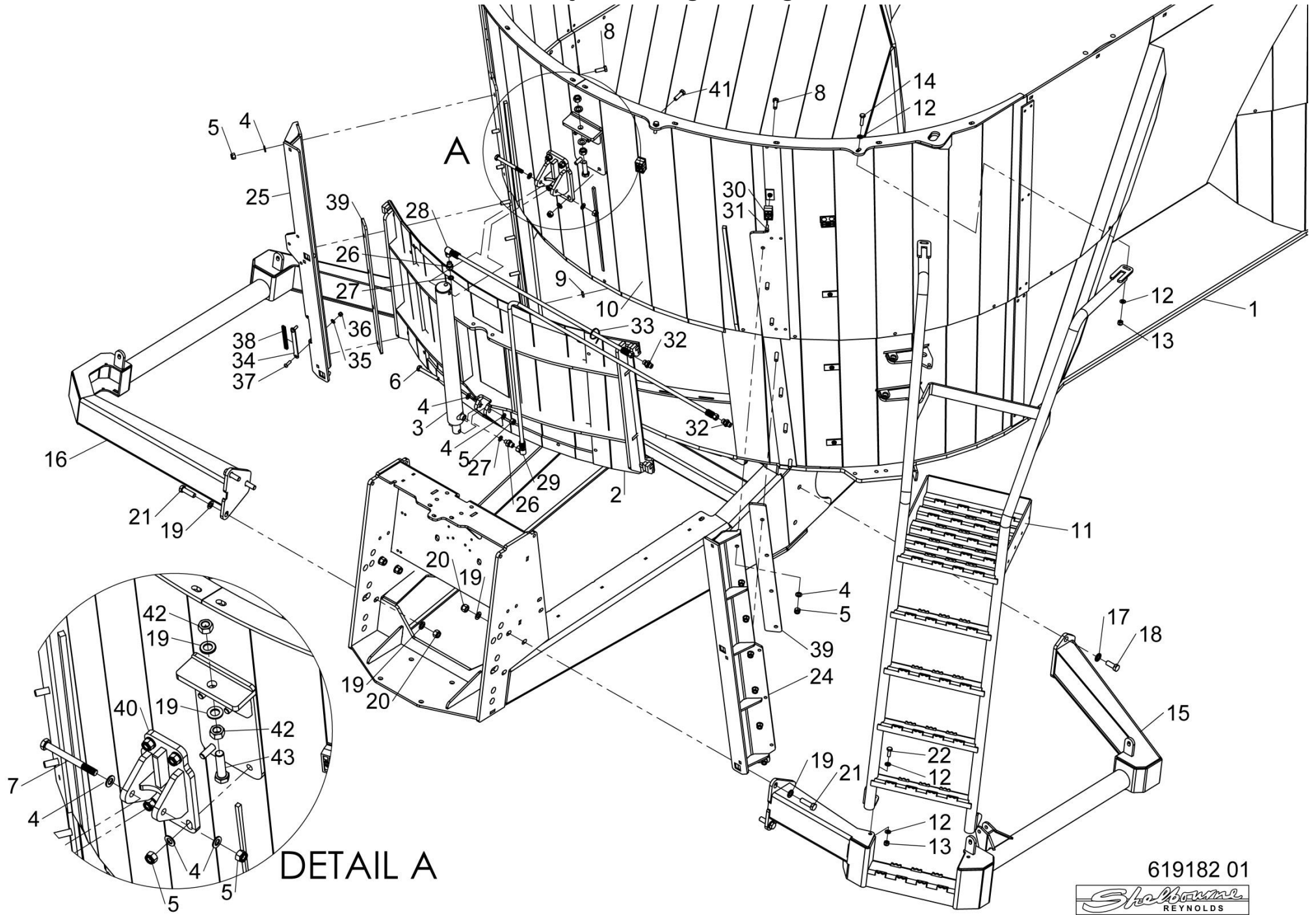
619177 01



## Shelbourne Reynolds Engineering Limited

ASSY NUMBER: 619182 01				ASSY DESCRIPTION: TUB & CHASSIS SUB (REAR DOOR VERSION)			
ITEM	PART NO	DESCRIPTION	QTY	ITEM	PART NO	DESCRIPTION	QTY
1	617527 01	TUB/CHASSIS W/A (REAR DOOR)	1	41	HSS-0250	SETSCREW	4
2	615844 01	DOOR W/ASSY	1	42	NUT-0180	NUT	2
3	610908 01	DOOR RAM	1	43	HSS-0320	SETSCREW	1
4	WSH-0018	PLAIN WASHER	22				
5	NUT-0269	NYLOC NUT	20				
6	BLT-2267	HEX.HEAD BOLT	1				
7	BLTA12620	HEX.HEAD BOLT	1				
8	HSS-0241	SET SCREW	6				
9	615879 01	BOLT SPACER	8				
10	HSS-0260	SET SCREW	8				
11	616055 01	LADDER W/ASSY	1				
12	WSH-0015	PLAIN WASHER	8				
13	NUT-0265	NYLOC NUT	4				
14	HSS-0202	SET SCREW	2				
15	616921 01	CRASH BAR W/ASSY	1				
16	616920 01	CRASH BAR W/ASSY	1				
17	WSHA30161	WASHER	4				
18	HSS-0316	SETSCREW	4				
19	WSH-0024	PLAIN WASHER	14				
20	NUT-0271	NYLOC NUT	6				
21	HSS-0319	SET SCREW	6				
22	HSS-0194	SET SCREW	2				
23							
24	615849 01	LH DOOR SLIDER W/A	1				
25	616749 01	RH DOOR SLIDER W/A	1				
26	FIT-0025	M/M ADAPTOR	2				
27	WSH-1005	WASHER	2				
28	HHCE60105	HYD HOSE	1				
29	HHCE54005	HYD HOSE	1				
30	HCPD01800	HYD PIPE CLAMP	6				
31	SCW-0133	CP HD SCREW	6				
32	HMA-0057	M/M ADAPTOR	2				
33	TIE-0004	TIE WRAP	20				
34	616863 01	MTG PLATE	1				
35	WSH-0012	WASHER	2				
36	NUT-0263	NUT	2				
37	SCBA08172	BUTT SOC HD SCREW	2				
38	EDS-11400	EDGING STRIP	0.12m				
39	617037 01	SPACER PLATE	2				
40	617538 01	RAM ADJUSTER W/A	1				



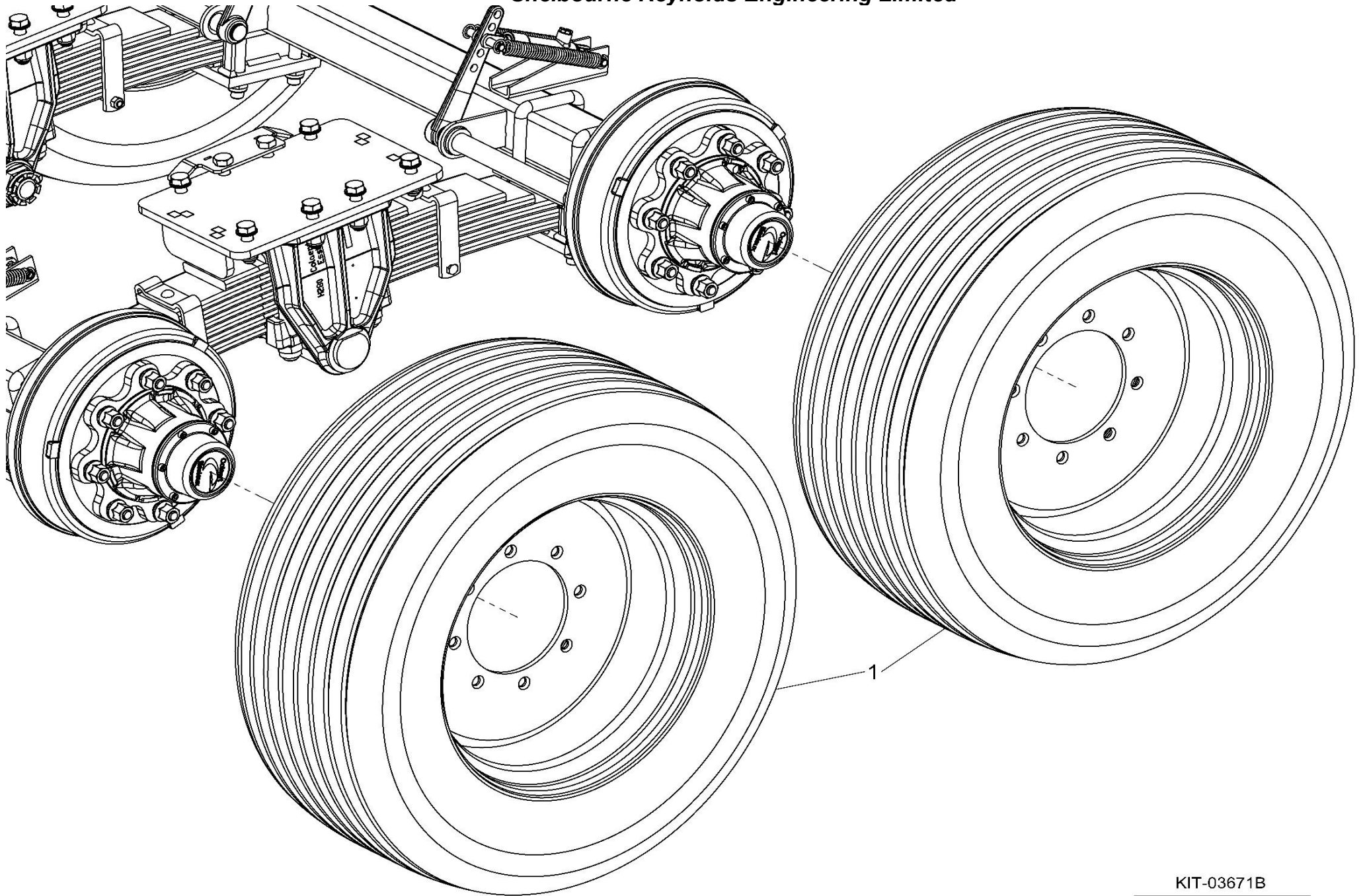


619182 01



**Shelbourne Reynolds Engineering Limited**

ASSY NUMBER: KIT-03671B				ASSY DESCRIPTION: WHEEL & TYRE KIT (385/55R22.5 LONGMARCH)			
ITEM	PART NO	DESCRIPTION	QTY	ITEM	PART NO	DESCRIPTION	QTY
1	WHL-02223	WHEEL & TYRE ASSY	4				

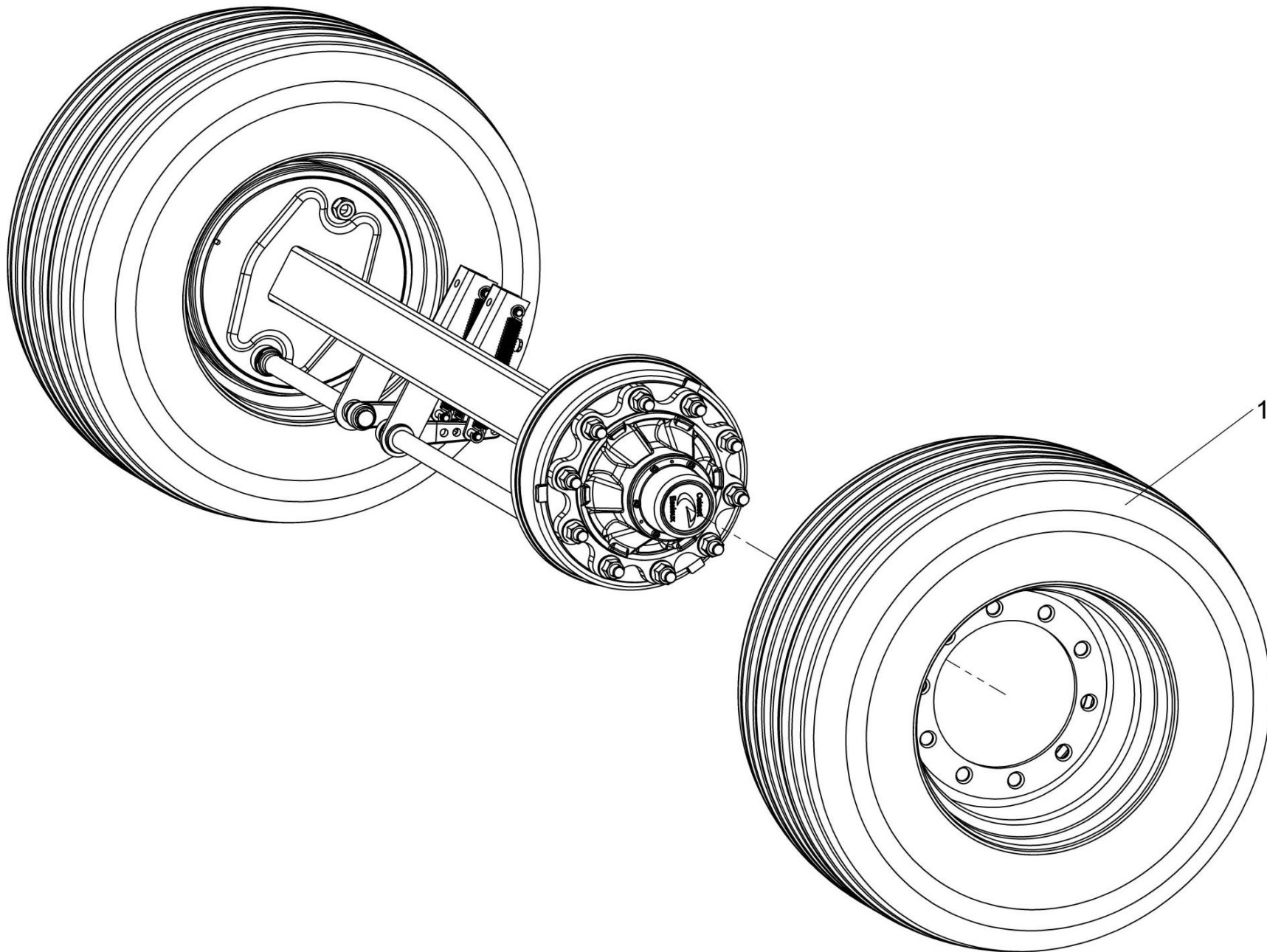


KIT-03671B



**Shelbourne Reynolds Engineering Limited**

ASSY NUMBER: KIT-03672A				ASSY DESCRIPTION: WHEEL & TYRE KIT (435/50R19.5 DOUBLECOIN)			
ITEM	PART NO	DESCRIPTION	QTY	ITEM	PART NO	DESCRIPTION	QTY
1	WHL-01920	WHEEL & TYRE ASSY	2				

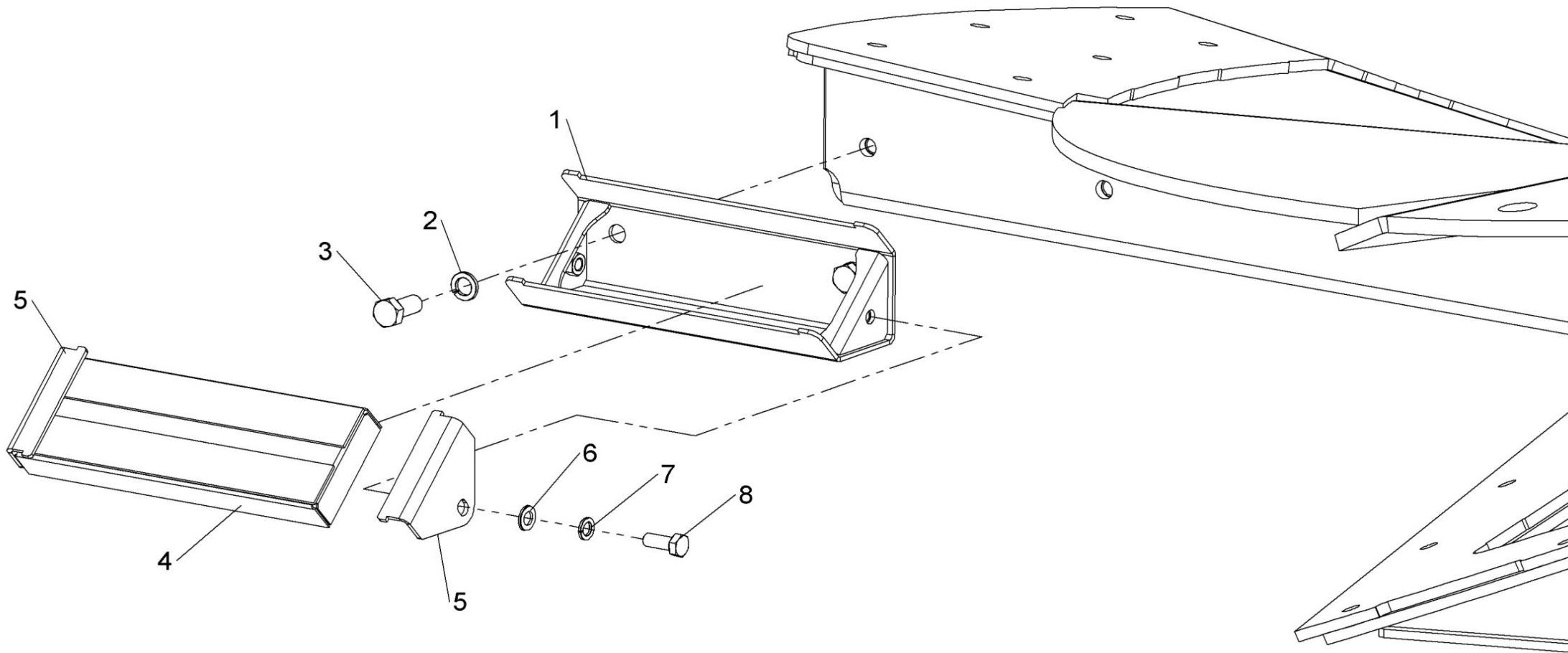


KIT-03672a



**Shelbourne Reynolds Engineering Limited**

ASSY NUMBER: KIT-03719				ASSY DESCRIPTION: AUGER MAGNET KIT			
ITEM	PART NO	DESCRIPTION	QTY	ITEM	PART NO	DESCRIPTION	QTY
1	615180 01	MAGNET MTG BRKT W/A	1				
2	WSH-0070	WASHER	2				
3	HSS-0315	SET SCREW	2				
4	MAG-0006	AUGER MAGNET	1				
5	615184 01	SIDE FIXING PLATE	2				
6	WSH-0018	WASHER	2				
7	WSH-0065	WASHER	2				
8	HSS-0238	SETSCREW	2				



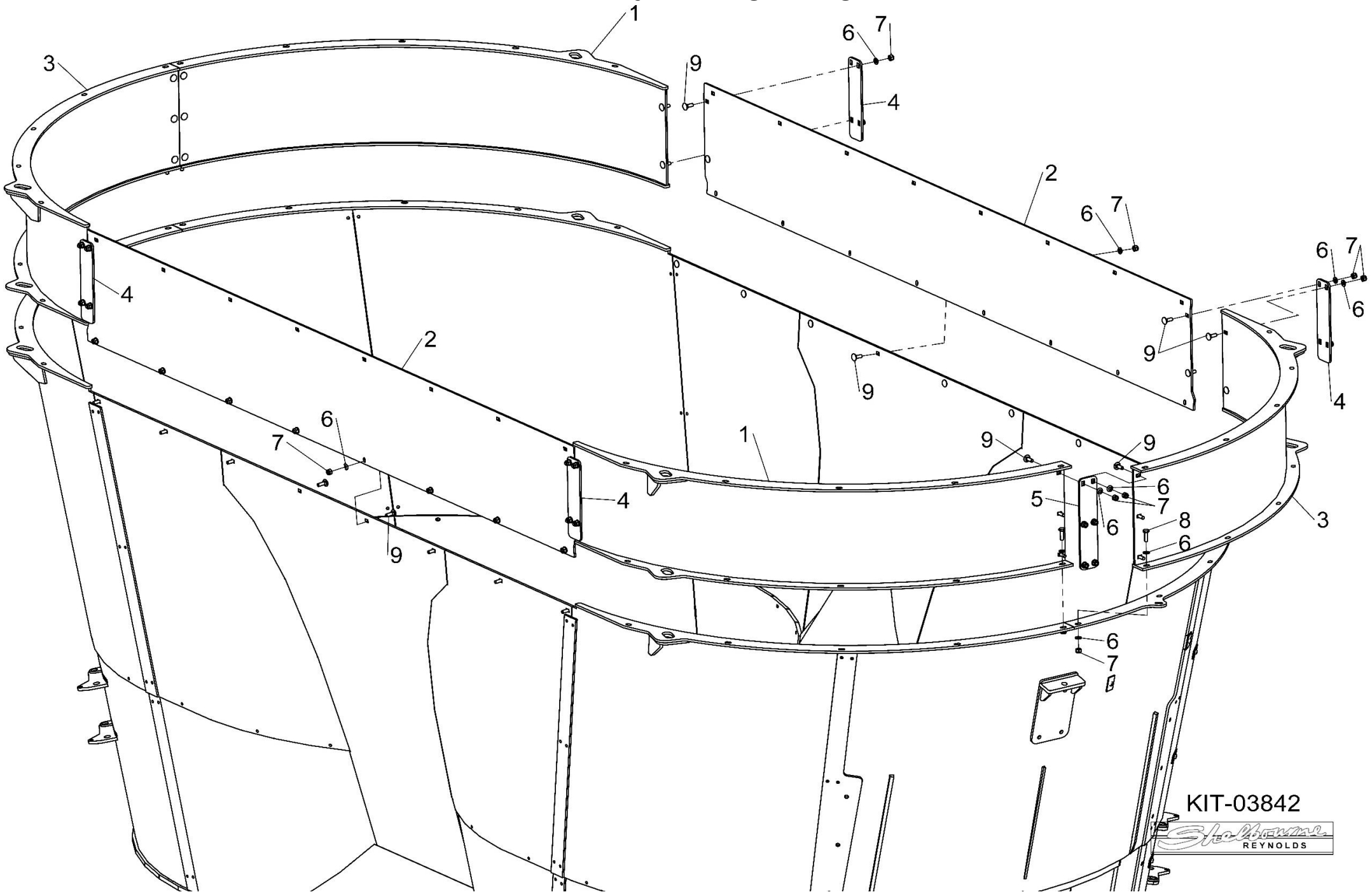
KIT-03719



## Shelbourne Reynolds Engineering Limited

ASSY NUMBER: KIT-03842				ASSY DESCRIPTION: 22cu mt EXTENSION KIT			
ITEM	PART NO	DESCRIPTION	QTY	ITEM	PART NO	DESCRIPTION	QTY
1	615906 01	LH CURVED EXTENSION W/ASSY	2				
2	615908 01	SIDE EXTENSION PLATE	2				
3	615906 02	RH CURVED EXTENSION W/ASSY	2				
4	616514 01	CLAMP PLATE	4				
5	616216 01	FRONT/REAR CLAMP PLATE	2				
6	WSH-0015	PLAIN WASHER	52				
7	NUT-0265	NYLOC NUT	48				
8	HSS-0198	SET SCREW	4				
9	BLT-3750	COACH BOLT	44				



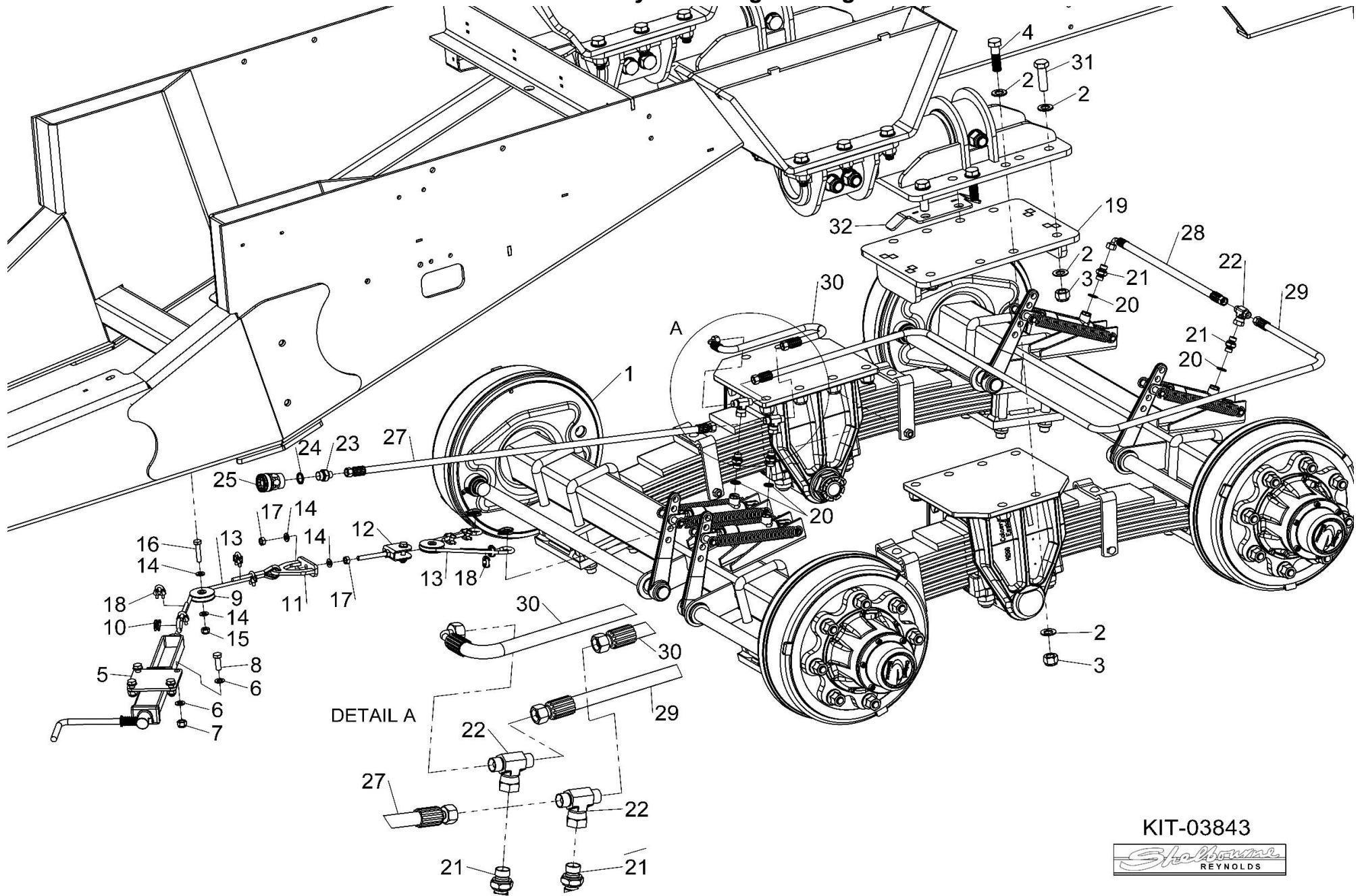


KIT-03842

*Shelbourne*  
REYNOLDS

## Shelbourne Reynolds Engineering Limited

ASSY NUMBER: KIT-03843				ASSY DESCRIPTION: TANDEM AXLE KIT			
ITEM	PART NO	DESCRIPTION	QTY	ITEM	PART NO	DESCRIPTION	QTY
1	AXL-00235	TANDEM AXLE	1				
2	WSH-0030	WASHER	32				
3	NUTA02200	NUT	16				
4	BLTA20500	BOLT	12				
5	616300 01	HANDBRAKE W/A	1				
6	WSH-0018	WASHER	8				
7	NUT-0269	NUT	4				
8	HSS-0241	SETSCREW	4				
9	BRA-14101	HANDBRAKE PULLEY	1				
10	WRP-01040	WIRE CABLE THIMBLE	4				
11	616303 01	TENSIONER W/A	1				
12	BRA-14002	PULLEY CARRIER ASSY	1				
13	CBL-30010	CABLE	0.8m				
14	WSH-0015	WASHER	4				
15	NUT-0265	NUT	1				
16	HSS-0210	SETSCREW	1				
17	NUT-0167	NUT	2				
18	WRP-02080	WIRE CLAMP	8				
19	616770 01	AXLE STOP W/A	2				
20	WSH-1010	DOWTY WASHER	4				
21	HMA-0057	ADAPTOR M/M	4				
22	FITA10140	TEE FITTING	3				
23	HMA-0065	ADAPTOR M/M	1				
24	WSH-1015	DOWTY WASER	1				
25	HQR-10007	QUICK RELEASE BRAKE COUPLING	1				
26	CBL-30010	CABLE	0.9m				
27	HHAE63005	HYD HOSE ASSY	1				
28	HHBE09205	HYD HOSE ASSY	1				
29	HHAE14005	HYD HOSE ASSY	1				
30	HHBE03605	HYD HOSE ASSY	1				
31	BLTA20410	BOLT	4				
32	591889 01	HOSE FIXING PLATE	1				



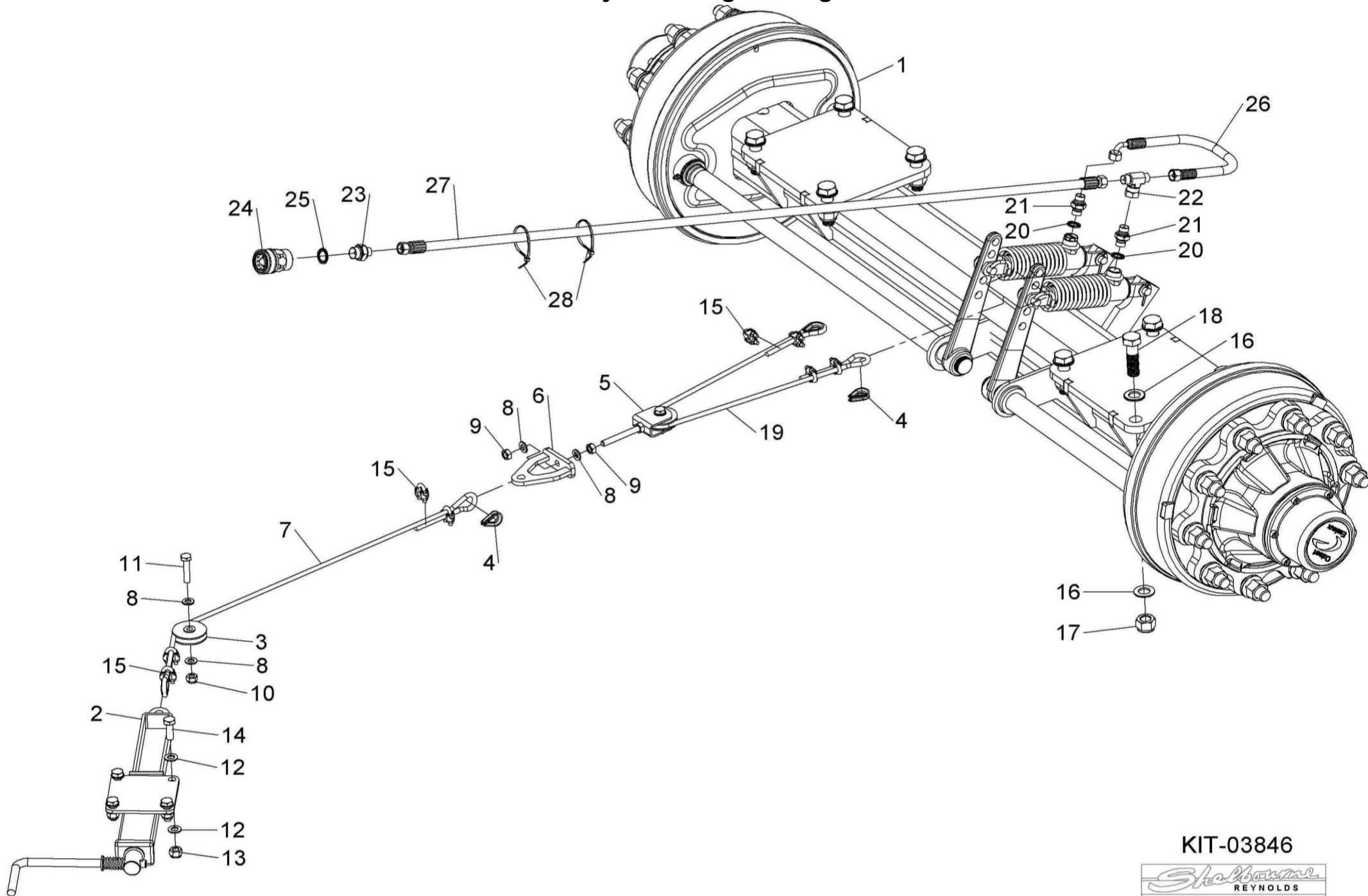
KIT-03843



## Shelbourne Reynolds Engineering Limited

ASSY NUMBER: KIT-03846				ASSY DESCRIPTION: SINGLE AXLE KIT			
ITEM	PART NO	DESCRIPTION	QTY	ITEM	PART NO	DESCRIPTION	QTY
1	615932 01	SINGLE AXLE W/A	1				
2	616300 01	HANDBRAKE W/A	1				
3	BRA-14101	HANDBRAKE PULLEY	1				
4	WRP-01040	WIRE CABLE THIMBLE	4				
5	BRA-14002	PULLEY CARRIER	1				
6	616303 01	TENSIONER W/A	1				
7	CBL-30010	8mm CABLE	1.4m				
8	WSH-0015	WASHER	4				
9	NUT-0167	NUT	2				
10	NUT-0265	NUT	1				
11	HSS-0210	SETSCREW	1				
12	WSH-0018	WASHER	8				
13	NUT-0269	NUT	4				
14	HSS-0241	SETSCREW	4				
15	WRP-02080	WIRE CLAMP	8				
16	WSH-0030	WASHER	16				
17	NUTA02200	NUT	8				
18	BLT-2367	BOLT	8				
19	CBL-30010	8mm CABLE	1.1m				
20	WSH-1010	DOWTY WASHER	2				
21	HMA-0057	ADAPTOR M/M	2				
22	FITA10140	TEE FITTING	1				
23	HMA-0065	ADAPTOR M/M	1				
24	HQR-10007	QUICK RELEASE BRAKE COUPLING	1				
25	WSH-1015	DOWTY WASHER	1				
26	HHBC03205	HYD HOSE ASSY	1				
27	HHAE67005	HYD HOSE ASSY	1				
28	TIE-0004	TIE WRAPS (MED)	16				
29							
30							
31							
32							
33							
34							
35							
36							
37							
38							
39							
40							

# Shelbourne Reynolds Engineering Limited

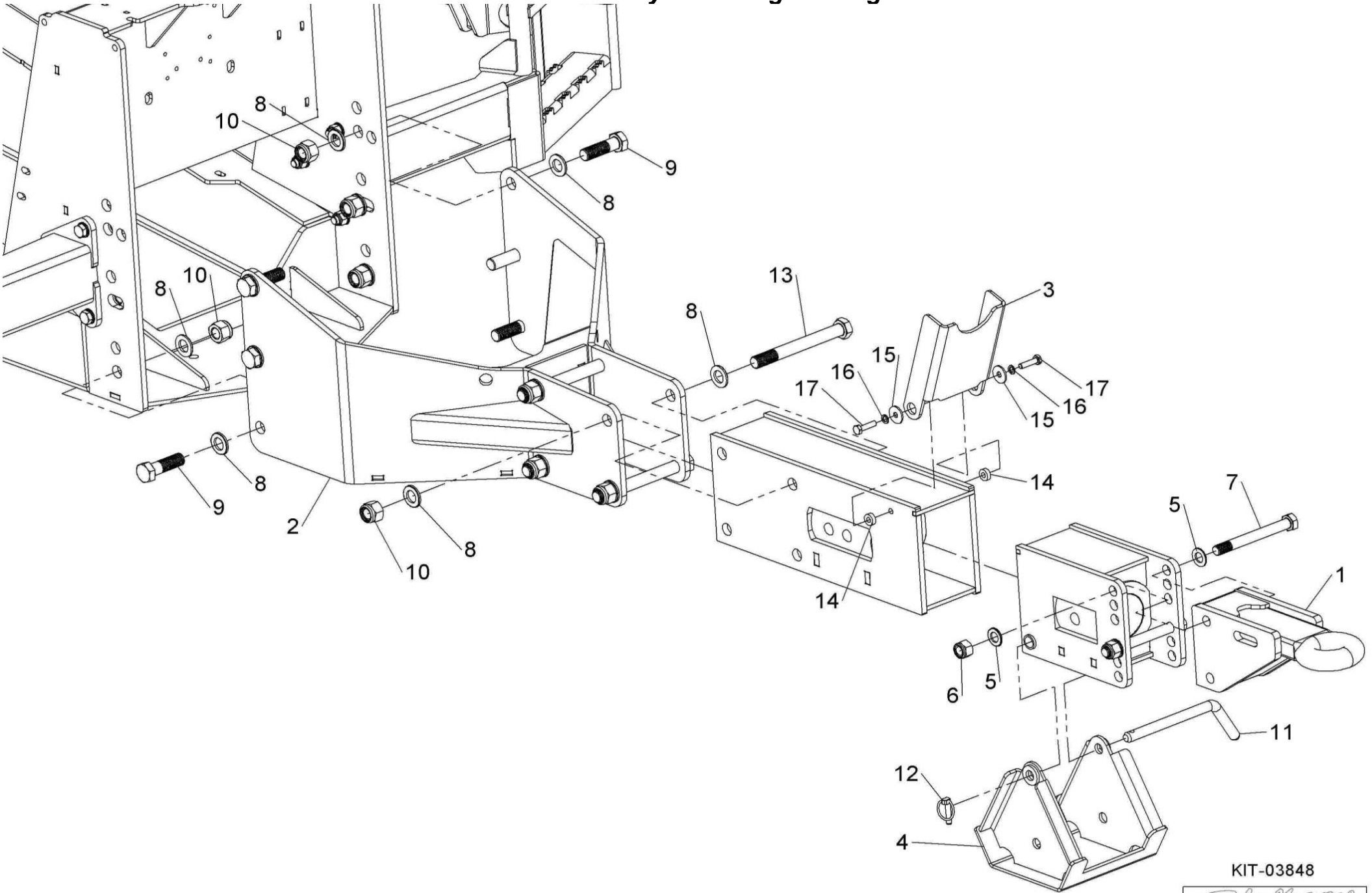


KIT-03846



## Shelbourne Reynolds Engineering Limited

ASSY NUMBER: KIT-03848				ASSY DESCRIPTION: DRAWBAR & UK TOW EYE KIT			
ITEM	PART NO	DESCRIPTION	QTY	ITEM	PART NO	DESCRIPTION	QTY
1	617000 01	HEAVY DUTY UK TOW EYE	1				
2	617231 01	DRAWBAR ASSY	1				
3	617047 01	PTO STAND	1				
4	615962 01	FOOT W/A	1				
5	WSH-0030	WASHER	4				
6	NUTA02200	NUT	2				
7	BLTA20770	BOLT	2				
8	WSH-0036	WASHER	20				
9	616862 01	MODIFIED BOLT	6				
10	NUT-0275	NUT	10				
11	591567 01	LOCKING PIN	1				
12	PIN-01950	LYNCH PIN	1				
13	BLTA24840	BOLT	4				
14	198800 50	WASHER	2				
15	198800 51	WASHER	2				
16	WSH-0061	WASHER	2				
17	HSS-0202	SETSCREW	2				



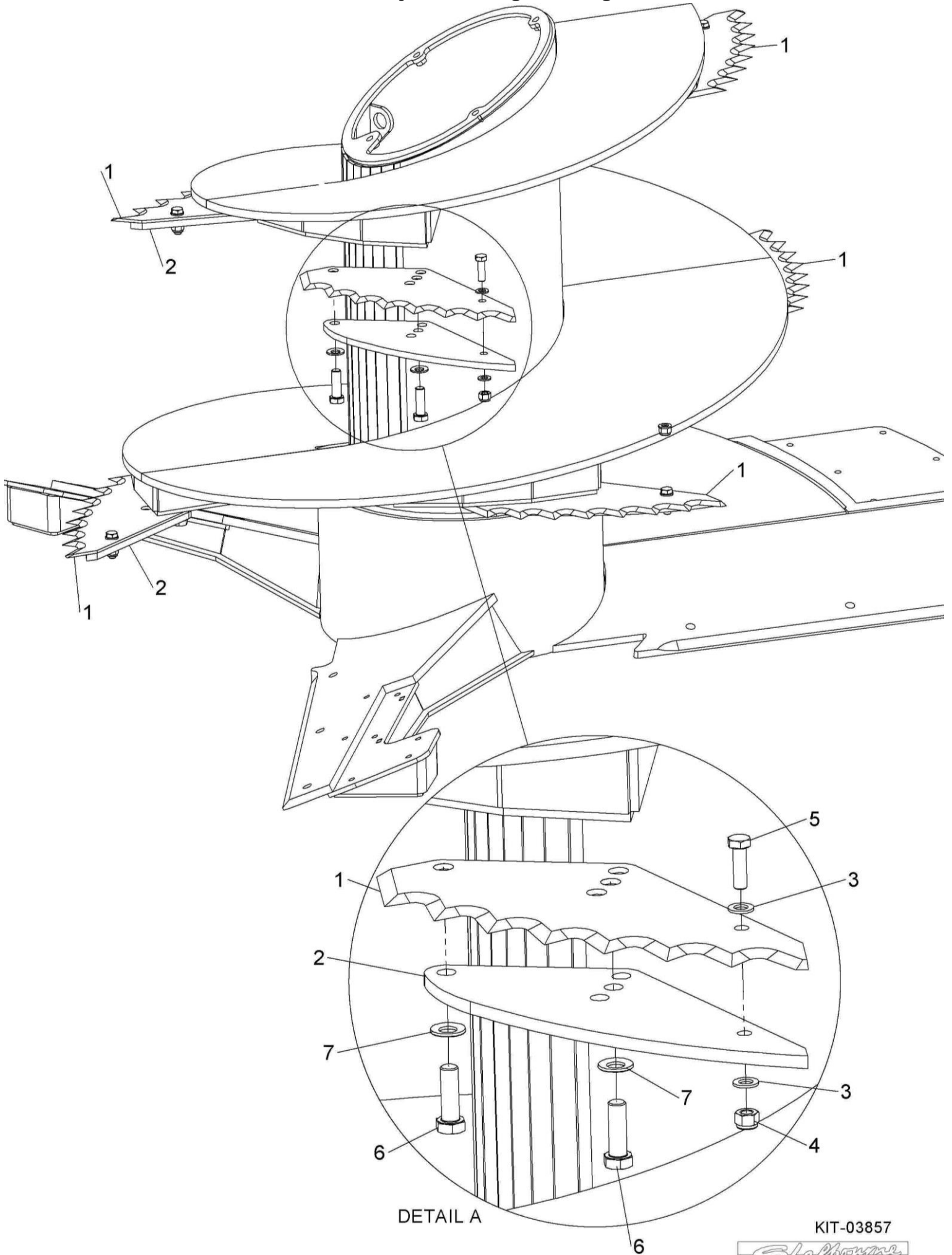
KIT-03848



## Shelbourne Reynolds Engineering Limited

ASSY NUMBER: KIT-03857				ASSY DESCRIPTION: STANDARD BLADE KIT (1 PER AUGER)			
ITEM	PART NO	DESCRIPTION	QTY	ITEM	PART NO	DESCRIPTION	QTY
1	614812 02	STANDARD AUGER BLADE	7				
2	614807 02	BACK UP PLATE	7				
3	WSH-0018	WASHER	14				
4	NUT-0269	NUT	7				
5	HSS-0250	SETSCREW	7				
6	HSS-0318	SETSCREW	14				
7	WSHA30161	LOCKWASHER	14				



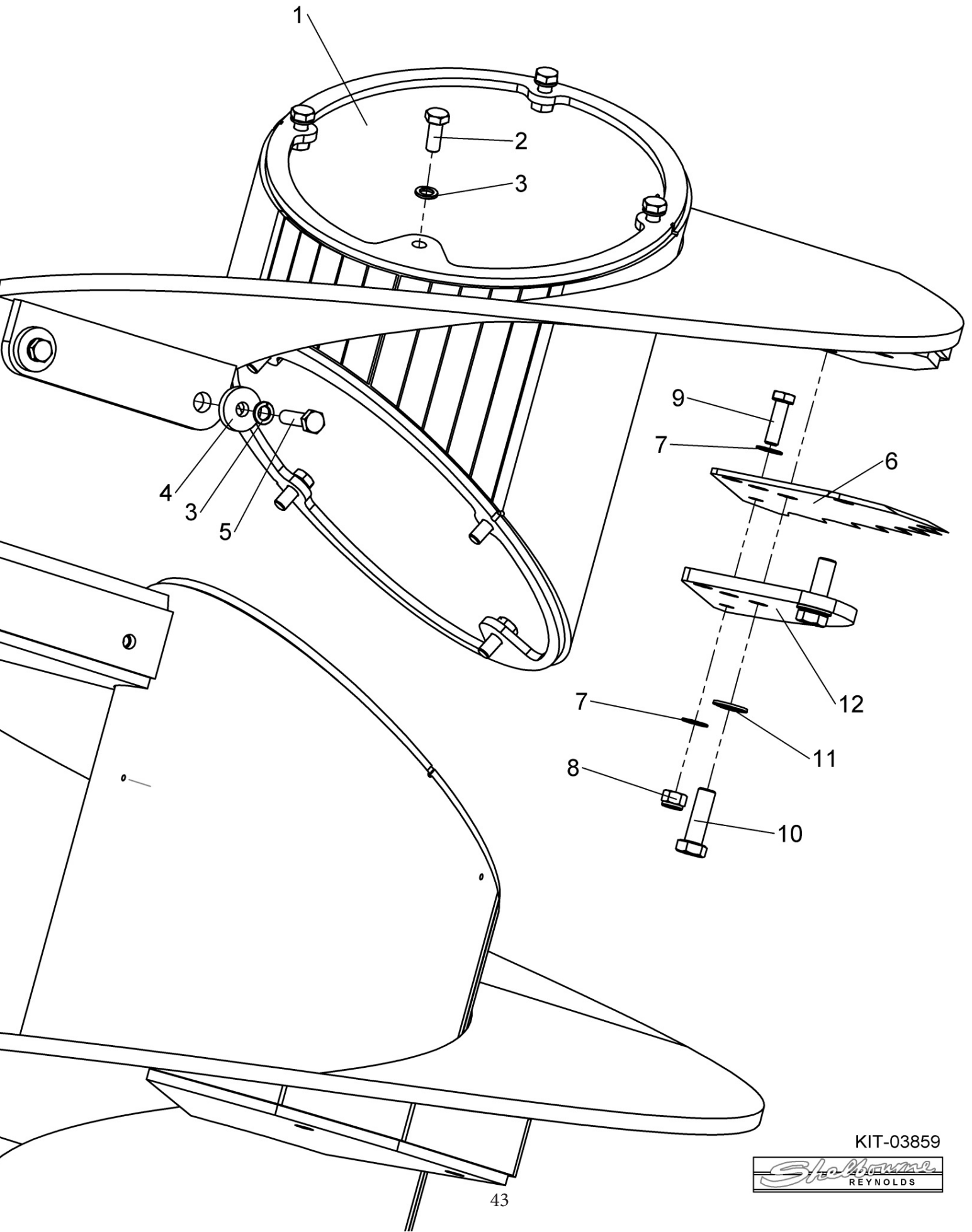


KIT-03857



## Shelbourne Reynolds Engineering Limited

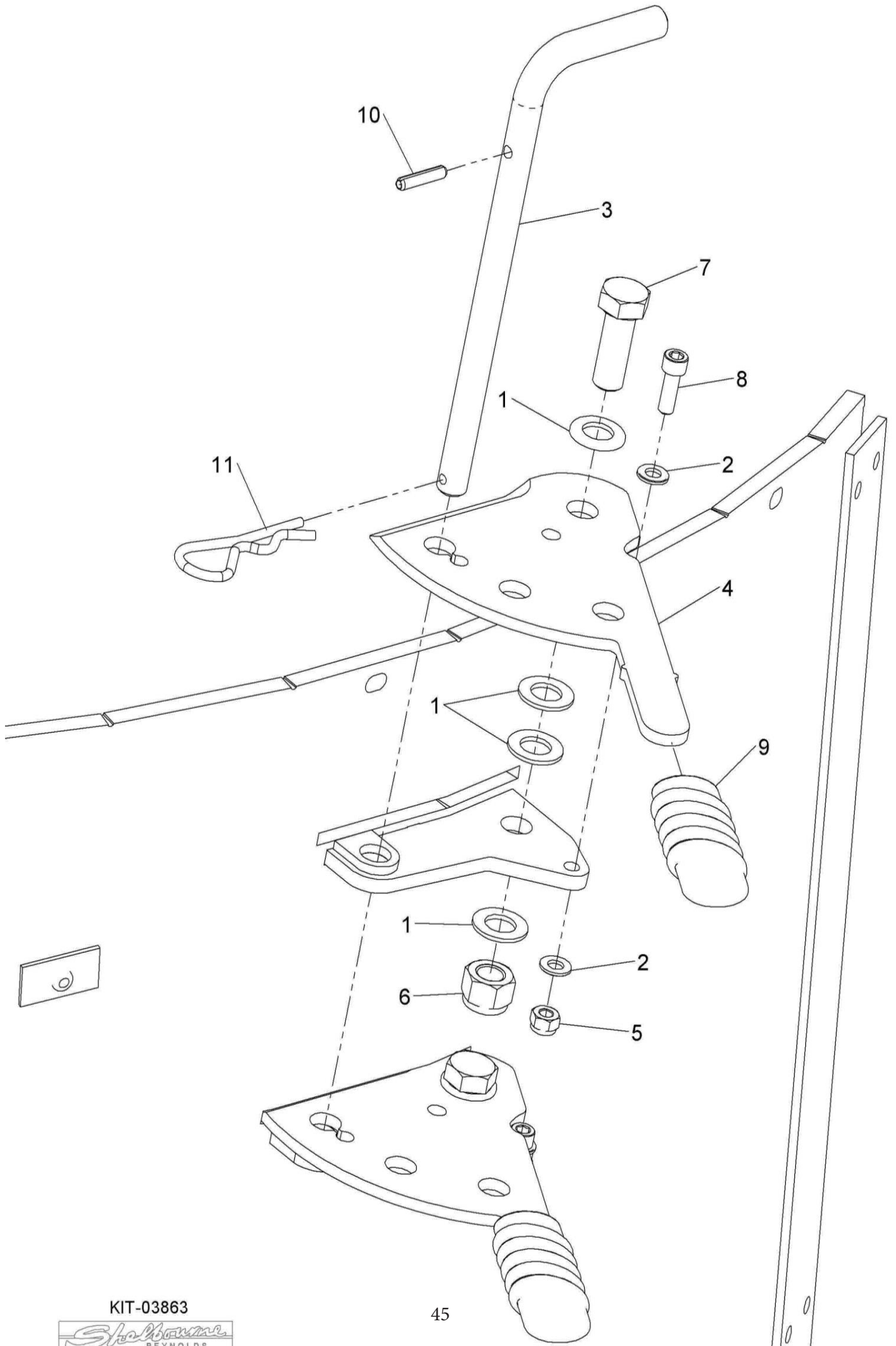
ASSY NUMBER: KIT-03859				ASSY DESCRIPTION: AUGER EXTENSION KIT(STD BLADE)			
ITEM	PART NO	DESCRIPTION	QTY	ITEM	PART NO	DESCRIPTION	QTY
1	616198 01	AUGER EXTENSION W/A	1				
2	HSS-0238	SETSCREW	4				
3	WSH-0065	WASHER	6				
4	190119 13	WASHER	2				
5	BLTA12290	BOLT	2				
6	614812 02	STANDARD BLADE	1				
7	WSH-0019	WASHER	2				
8	NUT-0269	NUT	1				
9	HSS-0250	SETSCREW	1				
10	HSS-0318	SETSCREW	2				
11	WSHA30161	LOCKWASHER	2				
12	614807 02	BACK UP PLATE	1				



KIT-03859

**Shelbourne Reynolds Engineering Limited**

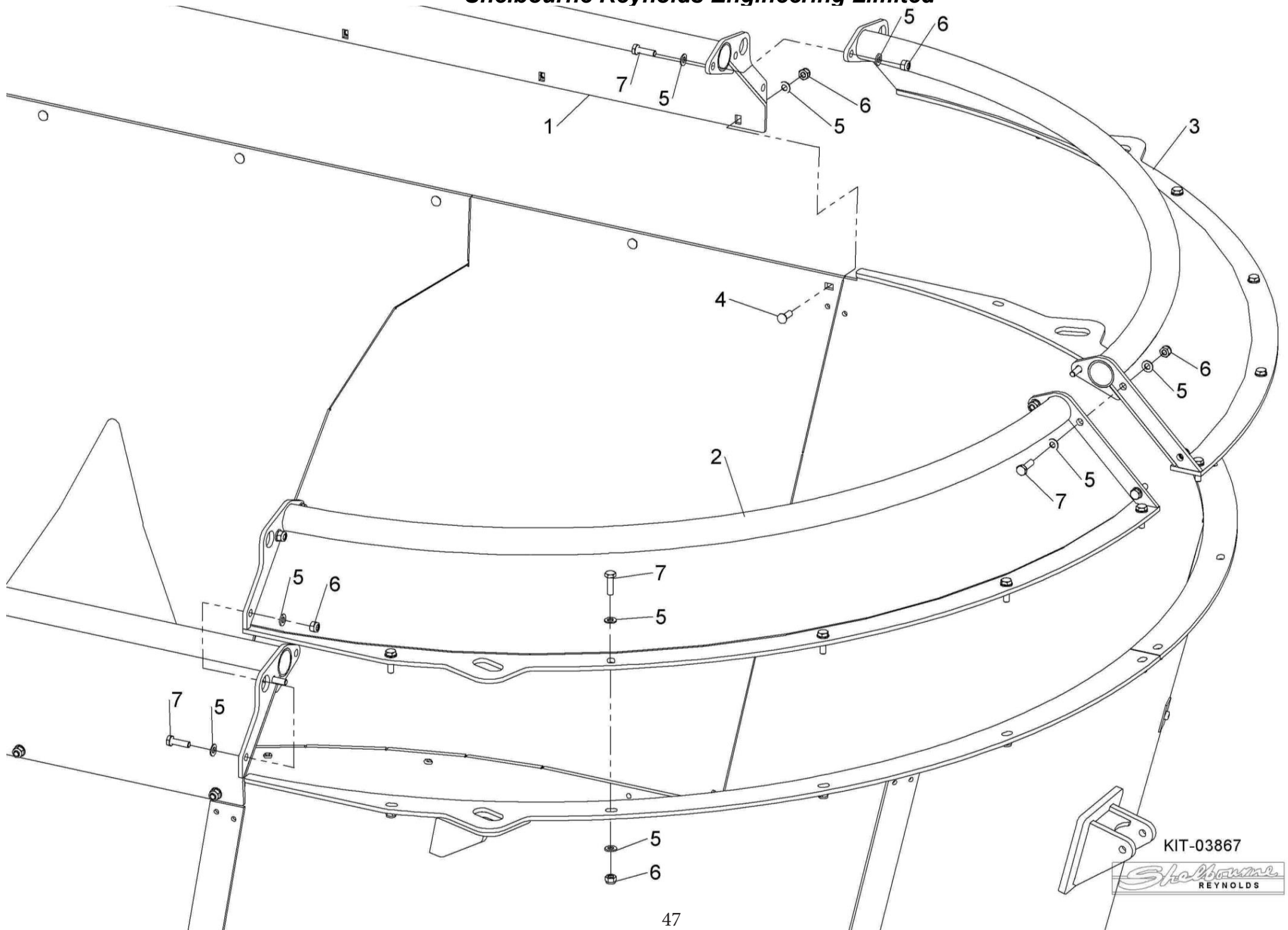
ASSY NUMBER: KIT-03863				ASSY DESCRIPTION: ANTI ROTATION KIT			
ITEM	PART NO	DESCRIPTION	QTY	ITEM	PART NO	DESCRIPTION	QTY
1	WSH-0030	WASHER	16				
2	WSH-0015	WASHER	8				
3	612874 01	BLADE LOCKING SHAFT	2				
4	612872 01	ANTI-ROTATION BLADE	4				
5	NUT-0265	NUT	4				
6	NUTA02200	NUT	4				
7	BLT-2365	BOLT	4				
8	SCW-0195	CP HD SCREW	4				
9	PTF-00025	HANDLE	4				
10	PIN-1783	ROLL PIN	2				
11	CLP-00106	R-CLIP	2				



## Shelbourne Reynolds Engineering Limited

ASSY NUMBER: KIT-03867				ASSY DESCRIPTION: STRAW RING KIT			
ITEM	PART NO	DESCRIPTION	QTY	ITEM	PART NO	DESCRIPTION	QTY
1	616325 01	SIDE STRAW RING W/A	2				
2	616338 01	LH STRAW RING W/A	2				
3	616338 02	RH STRAW RING W/A	2				
4	BLT-3750	COACHBOLT	16				
5	WSH-0015	WASHER	92				
6	NUT-0265	NUT	54				
7	HSS-0198	SETSCREW	38				

**Shelbourne Reynolds Engineering Limited**

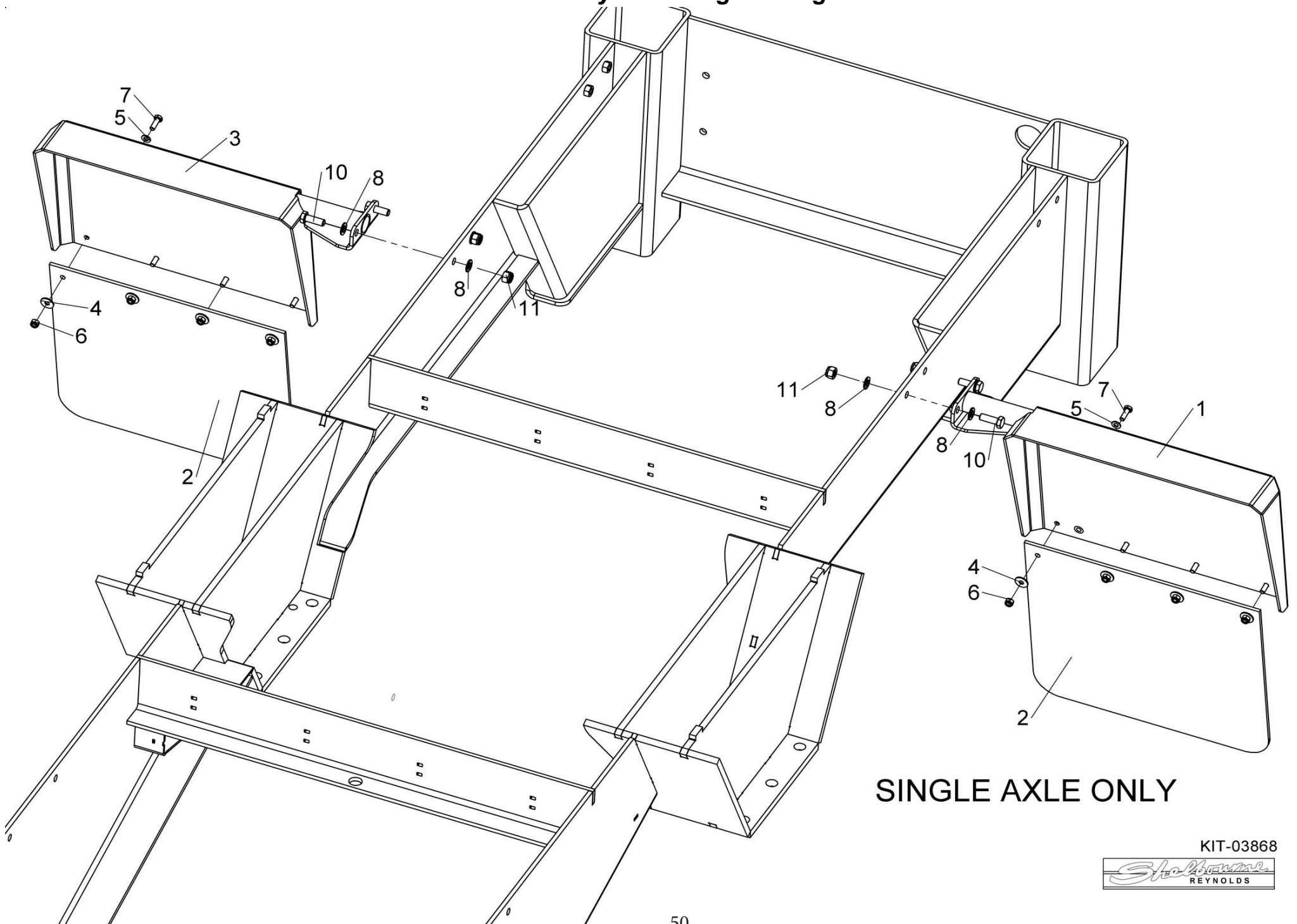






## Shelbourne Reynolds Engineering Limited

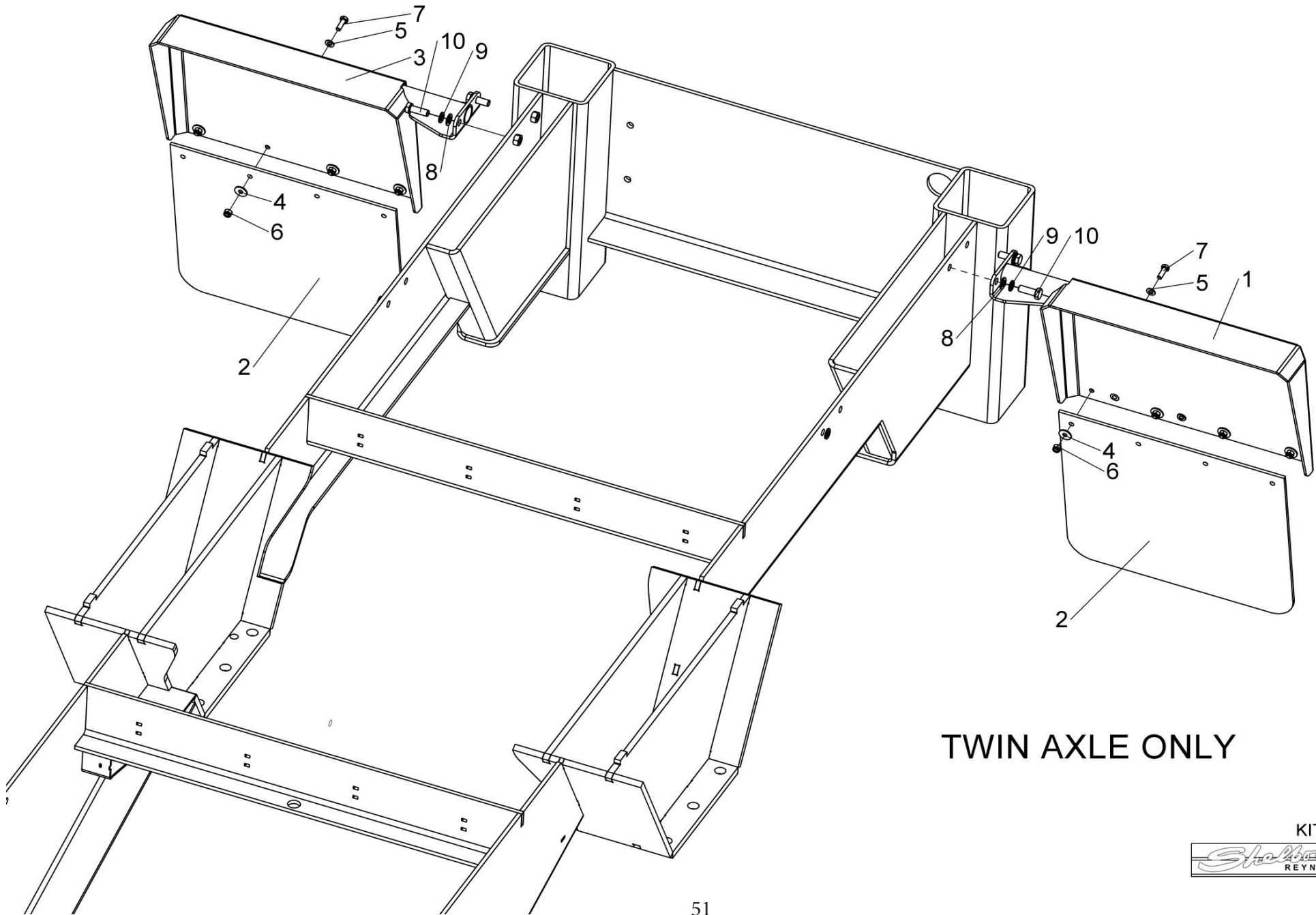
ASSY NUMBER: KIT-03868				ASSY DESCRIPTION: MUDGUARD KIT			
ITEM	PART NO	DESCRIPTION	QTY	ITEM	PART NO	DESCRIPTION	QTY
1	616341 01	MUDGUARD W/A LH	1				
2	616342 01	MUDFLAP	2				
3	616341 02	MUDGUARD W/A RH	1				
4	WSH-1038	WASHER	8				
5	WSH-0012	WASHER	8				
6	NUT-0263	NUT	8				
7	HSS-0145	SETSCREW	8				
8	WSH-0018	WASHER	8				
9	WSH-0065	WASHER	4				
10	HSS-0241	SETSCREW	4				
11	NUT-0269	NUT	4				



SINGLE AXLE ONLY

KIT-03868





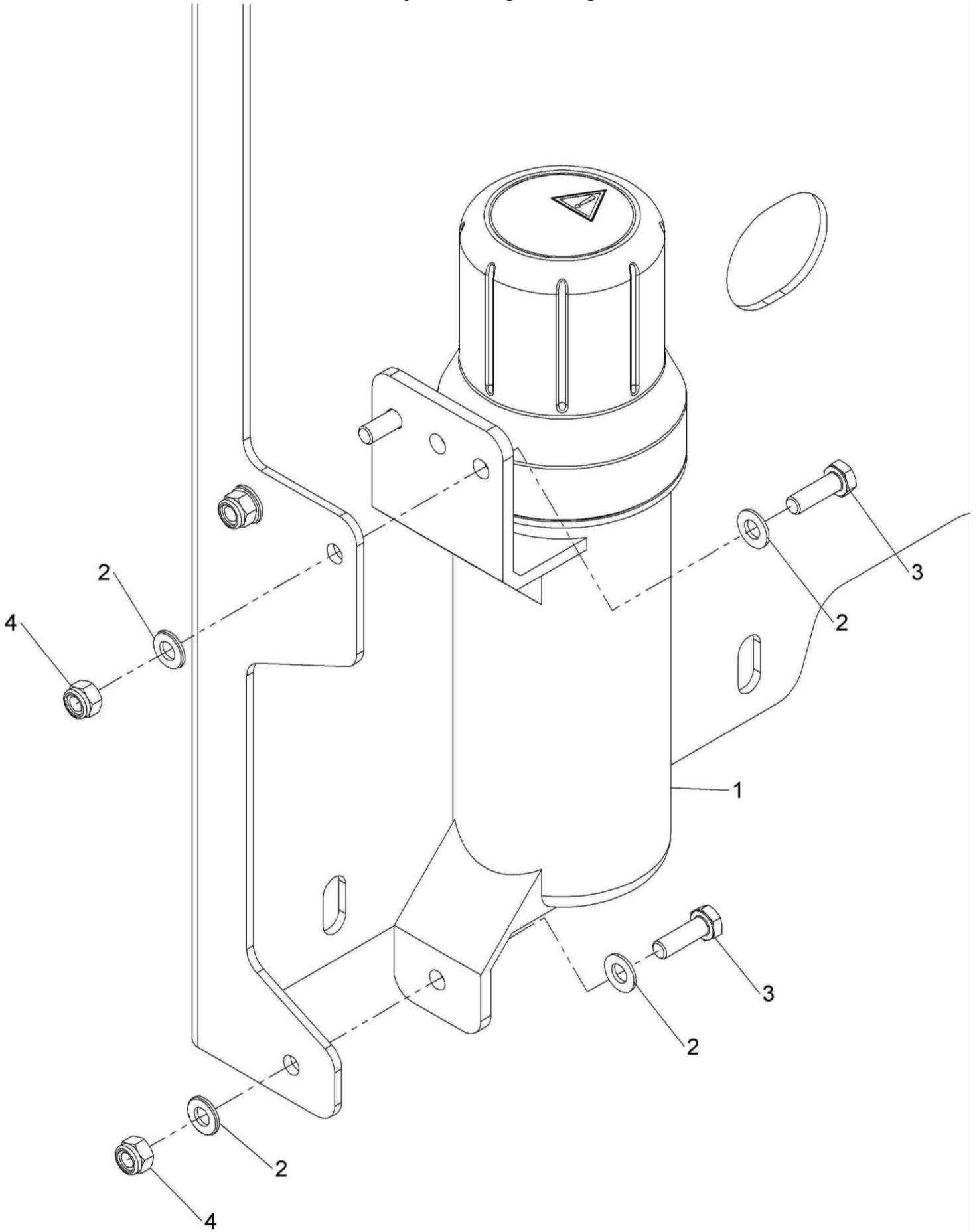
TWIN AXLE ONLY

KIT-03868



**Shelbourne Reynolds Engineering Limited**

ASSY NUMBER: KIT-03869				ASSY DESCRIPTION: MANUAL CANNISTER KIT			
ITEM	PART NO	DESCRIPTION	QTY	ITEM	PART NO	DESCRIPTION	QTY
1	PCN-00100	MANUAL CANNISTER	1				
2	WSH-0012	WASHER	6				
3	HSS-0145	SETSCREW	3				
4	NUT-0263	NUT	3				

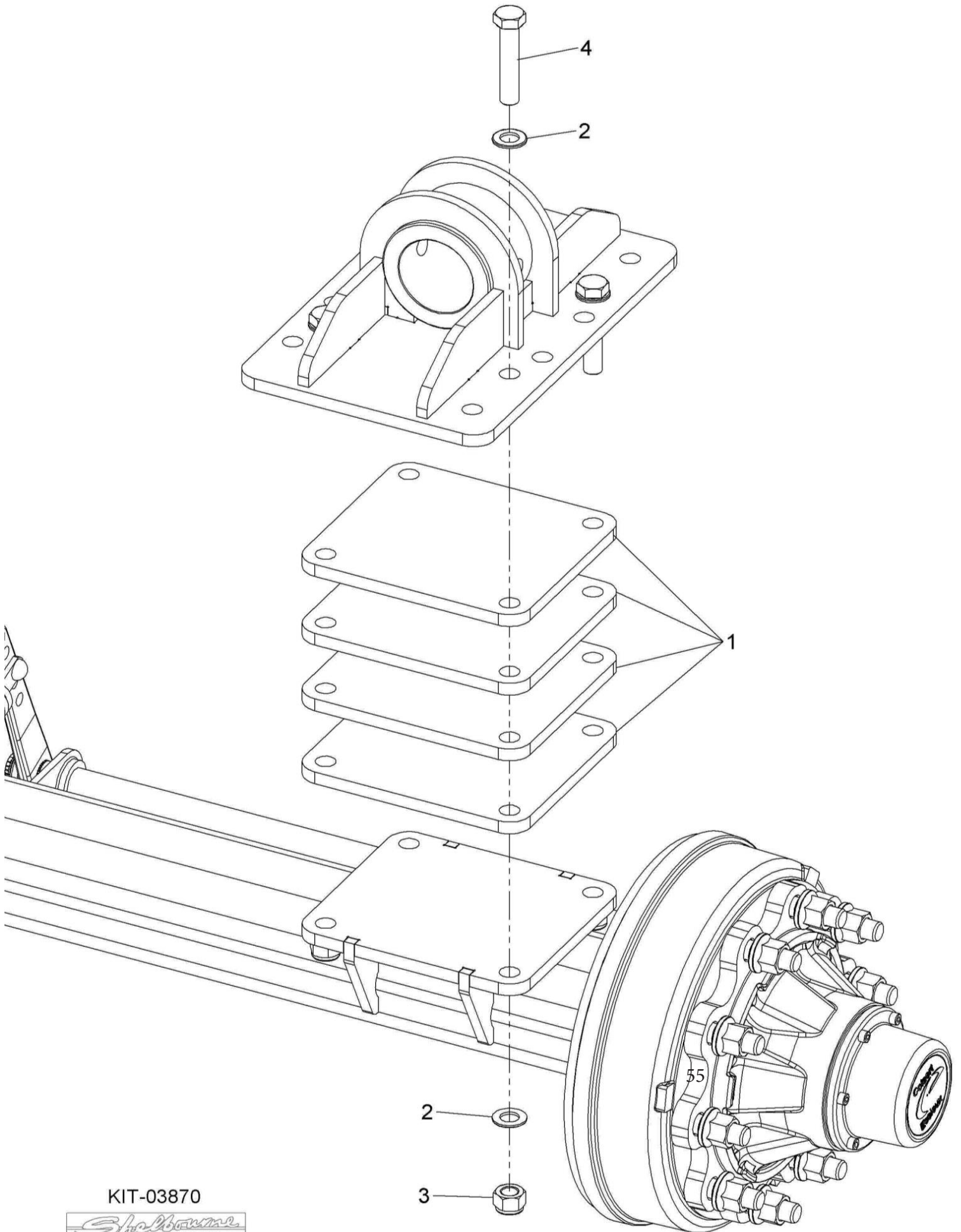


KIT-03869



**Shelbourne Reynolds Engineering Limited**

ASSY NUMBER: KIT-03870				ASSY DESCRIPTION: AXLE SPACER KIT (FOR 385/65-R22.5)			
ITEM	PART NO	DESCRIPTION	QTY	ITEM	PART NO	DESCRIPTION	QTY
1	616447 01	AXLE SPACER PLATE	8				
2	WSH-0030	WASHER	16				
3	NUTA02200	NUT	8				
4	BLTA20654	BOLT	8				



KIT-03870

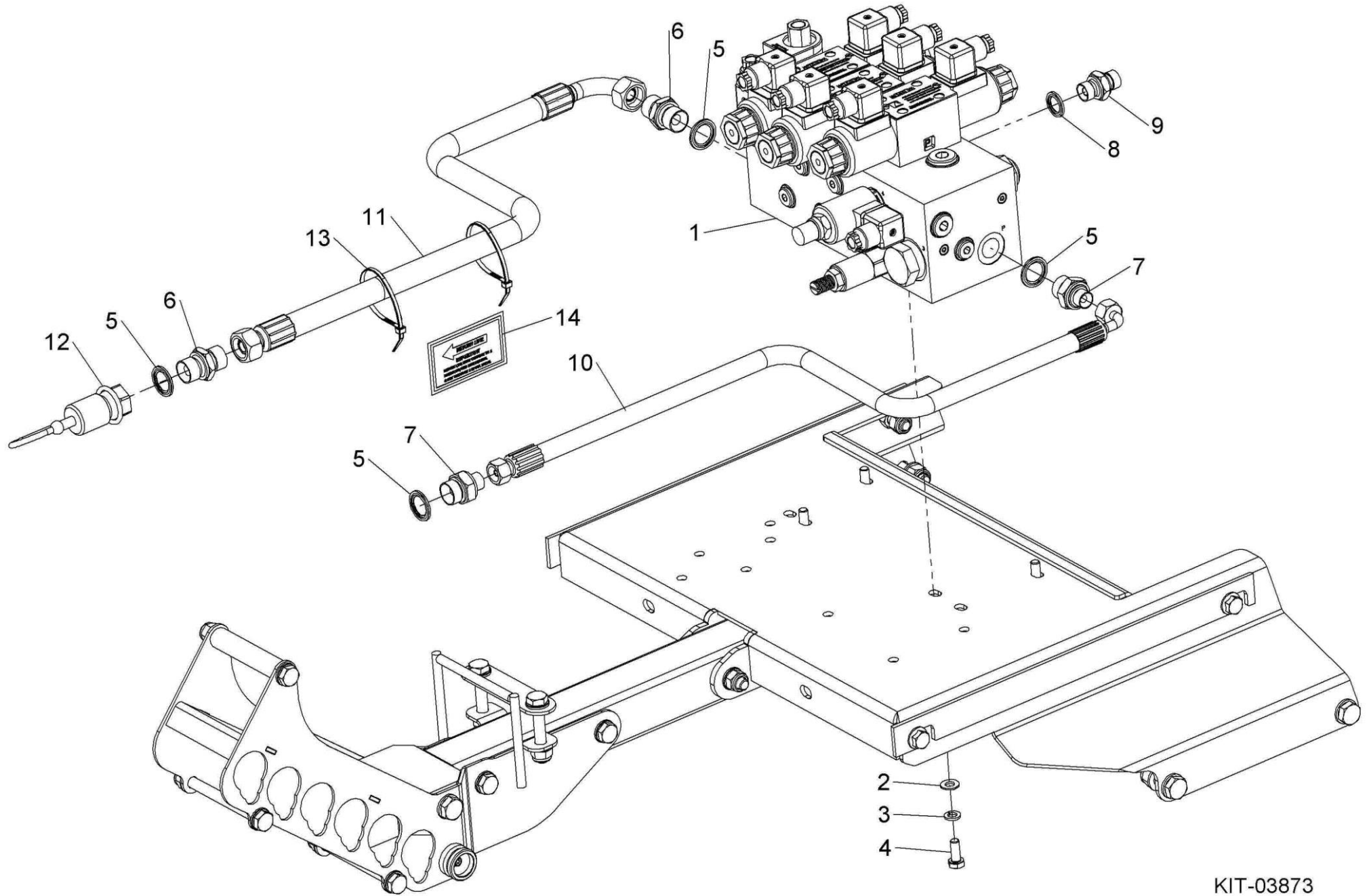


## Shelbourne Reynolds Engineering Limited

ASSY NUMBER: KIT-03873				ASSY DESCRIPTION: HYDRAULIC VALVE KIT			
ITEM	PART NO	DESCRIPTION	QTY	ITEM	PART NO	DESCRIPTION	QTY
1	HVB-19140	PROPORTIONAL CONTROL VALVE	1				
2	WSH-0012	WASHER	4				
3	WSH-0058	WASHER	4				
4	HSS-0140	SETSCREW	4				
5	WSH-1015	DOWTY WASHER	4				
6	HMA-0067	M/M ADAPTOR	2				
7	HMA-0065	M/M ADAPTOR	2				
8	WSH-1010	DOWTY WASHER	6				
9	HMA-0057	M/M ADAPTOR	6				
10	HHBE19505	HYDRAULIC HOSE	1				
11	HHBF19505	HYDRAULIC HOSE	1				
12	COU-0162	QUICK RELEASE COUPLG	2				
13	TIE-0004	TIE WRAP	8				



# Shelbourne Reynolds Engineering Limited

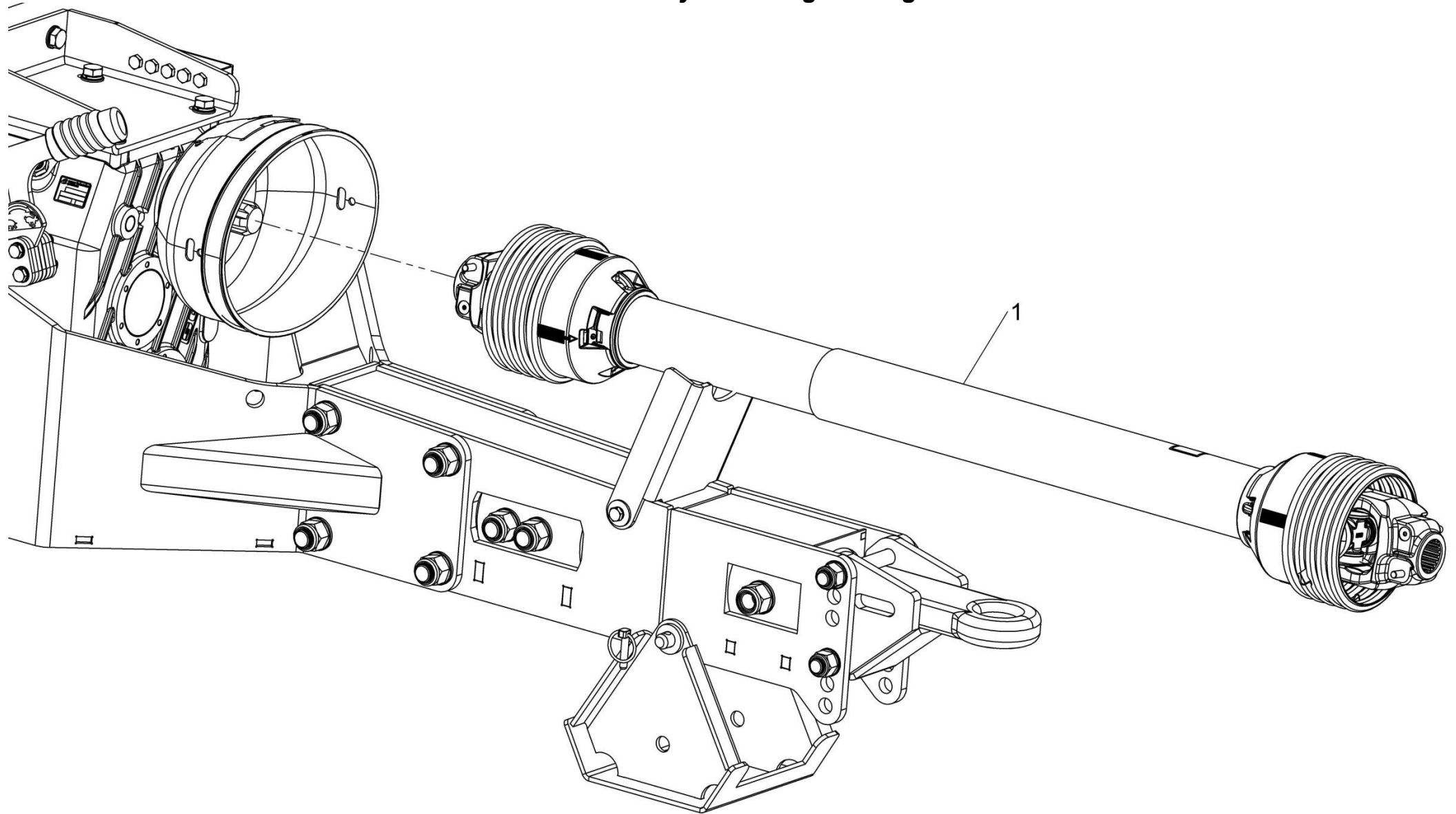


KIT-03873



## Shelbourne Reynolds Engineering Limited

ASSY NUMBER: KIT-03876				ASSY DESCRIPTION: INPUT PTO SHAFT KIT (NON WIDE ANGLE)			
ITEM	PART NO	DESCRIPTION	QTY	ITEM	PART NO	DESCRIPTION	QTY
1	PTO-35005	INPUT PTO SHAFT	1				

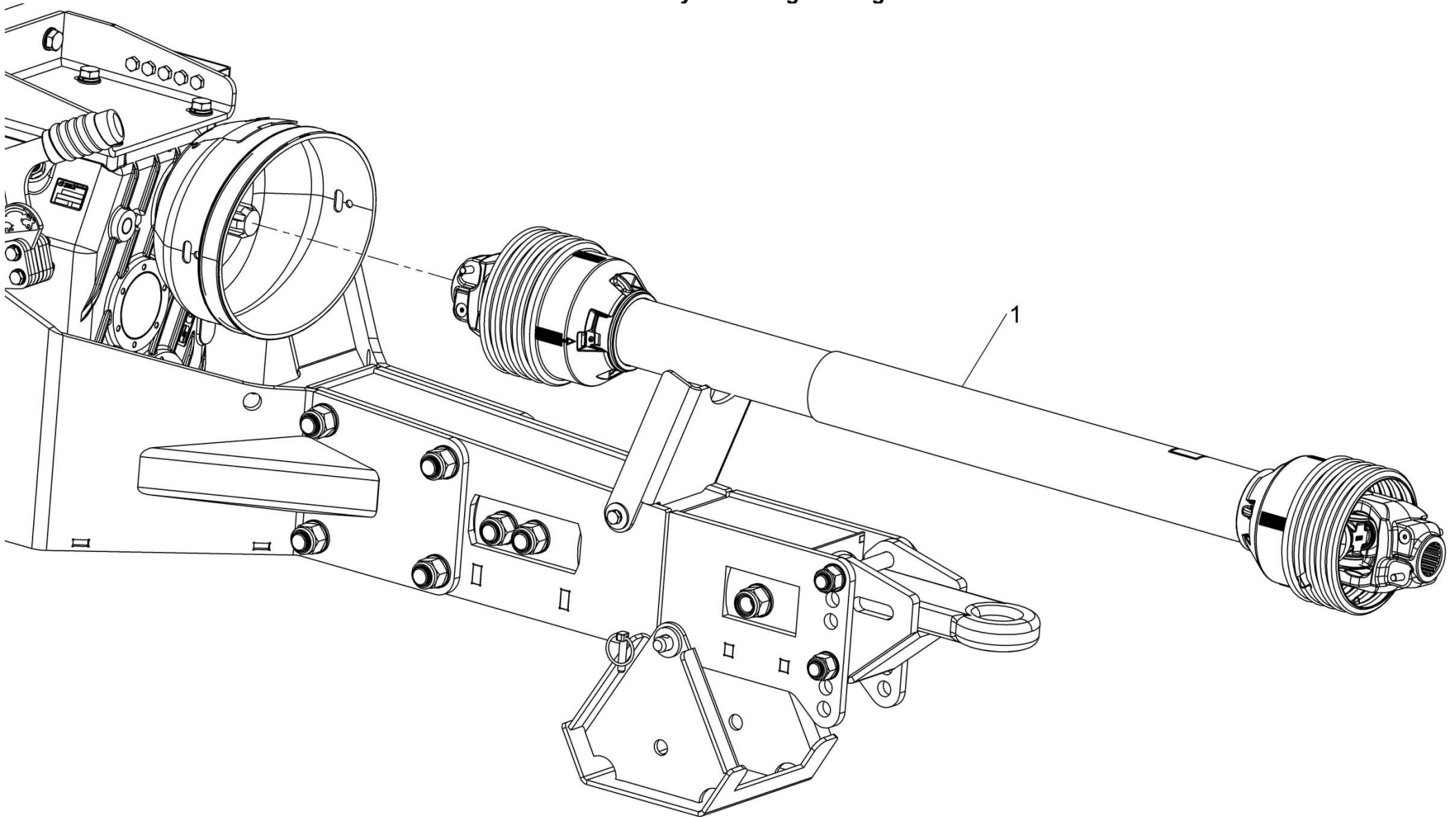


KIT-03876  
KIT-03876A



**Shelbourne Reynolds Engineering Limited**

ASSY NUMBER: KIT-03876A				ASSY DESCRIPTION: STD INPUT PTO SHAFT KIT (16-22m PLUS)			
ITEM	PART NO	DESCRIPTION	QTY	ITEM	PART NO	DESCRIPTION	QTY
1	PTO-35005W	INPUT PTO SHAFT (WALTERCHIED)	1				

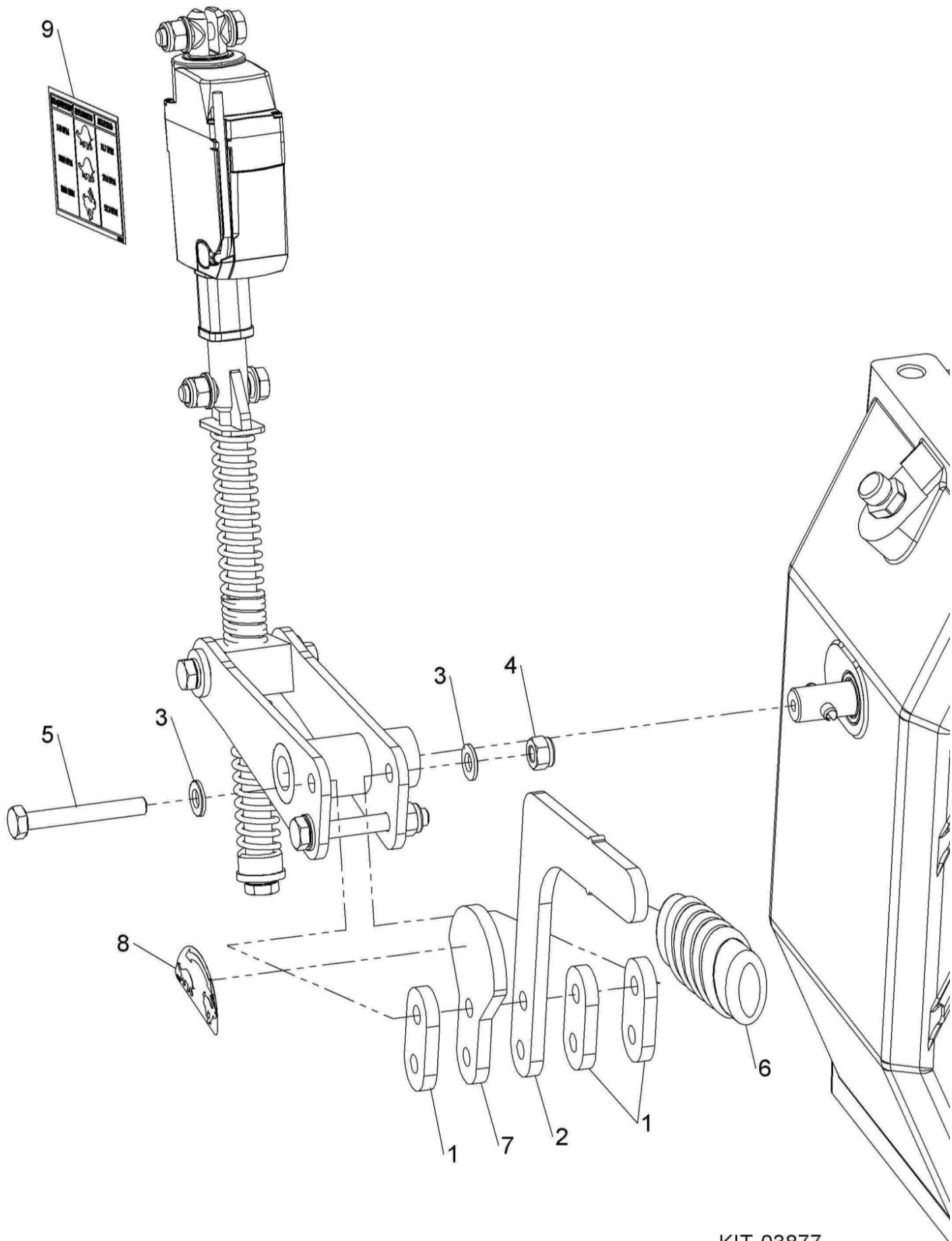


KIT-03876  
KIT-03876A



## Shelbourne Reynolds Engineering Limited

ASSY NUMBER: KIT-03877				ASSY DESCRIPTION: MANUAL GEAR CHANGE KIT			
ITEM	PART NO	DESCRIPTION	QTY	ITEM	PART NO	DESCRIPTION	QTY
1	616526 01	SPACER PLATE	3				
2	616527 01	GEAR LEVER	1				
3	WSH-0015	WASHER	4				
4	NUT-0265	NUT	2				
5	BLTA10470	BOLT	2				
6	PTF-00025	PLASTIC HANDLE	1				
7	617490 01	EMBLEM MTG PLATE	1				
8	617489 01	GEARBOX SPEED EMBLEM	1				
9	617491 01	AUGER SPEED EMBLEM	1				



KIT-03877

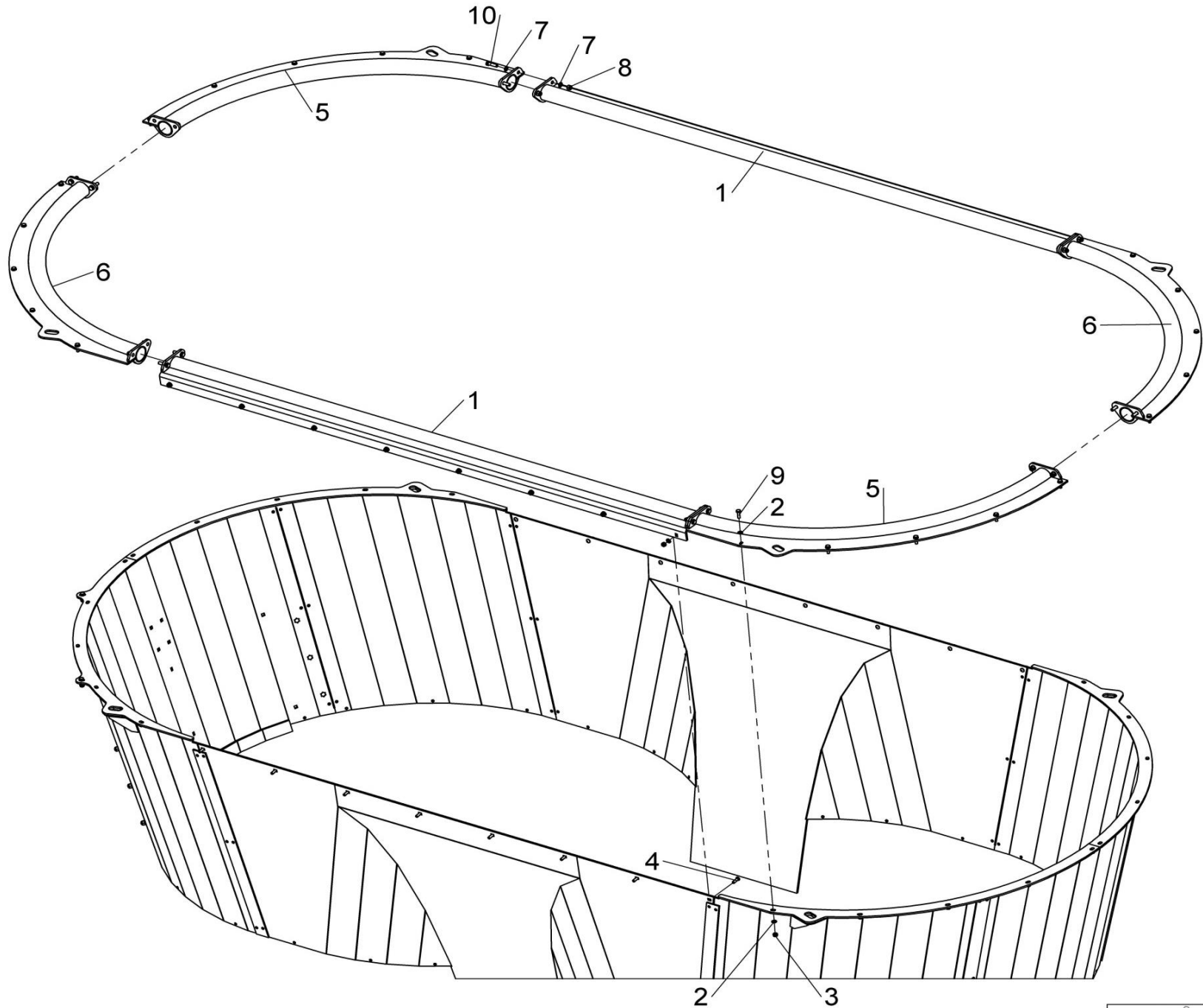


## Shelbourne Reynolds Engineering Limited

ASSY NUMBER: KIT-03879				ASSY DESCRIPTION: TUBULAR TUB RIM KIT			
ITEM	PART NO	DESCRIPTION	QTY	ITEM	PART NO	DESCRIPTION	QTY
1	616449 01	STRAIGHT TUB RIM W/A	2				
2	WSH-0015	WASHER	56				
3	NUT-0265	NUT	36				
4	BLTF10231	COACHBOLT	16				
5	616472 01	CORNER TUB RIM W/A	2				
6	616589 01	CORNER TUB RIM W/A	2				
7	WSH-0018	WASHER	24				
8	NUT-0269	NUT	12				
9	HSS-0198	SETSCREW	20				
10	BLTA12290	BOLT	12				



**Shelbourne Reynolds Engineering Limited**

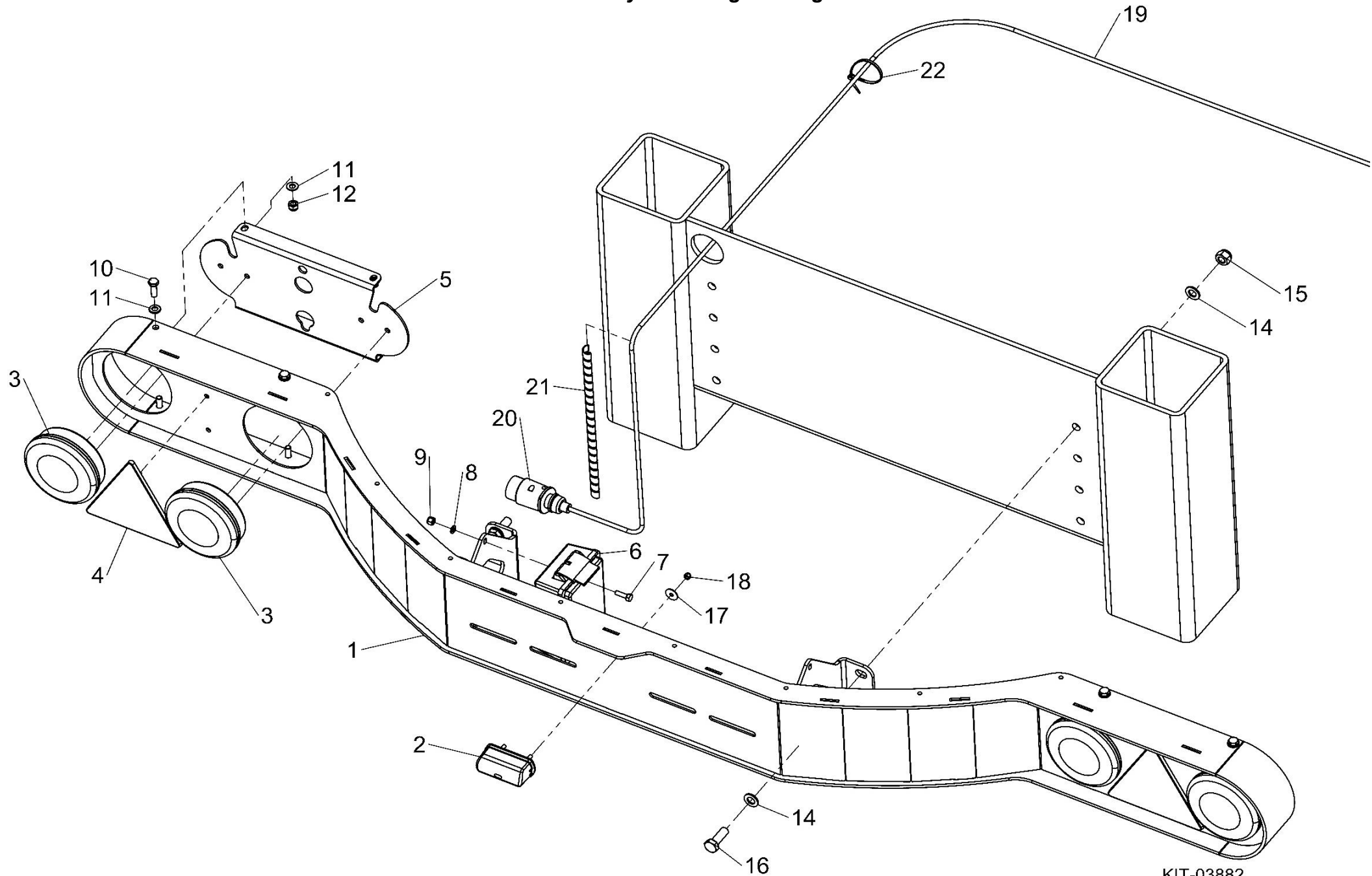


KIT-03879



**Shelbourne Reynolds Engineering Limited**

ASSY NUMBER: KIT-03882				ASSY DESCRIPTION: LIGHTING KIT			
ITEM	PART NO	DESCRIPTION	QTY	ITEM	PART NO	DESCRIPTION	QTY
1	616614 01	LIGHTBOARD W/A	1				
2	LMP-10805	LED NUMBER PLATE LIGHT	1				
3	LMP-10410	LED REAR LIGHT	4				
4	REF-0035	REFLECTOR	2				
5	616613 01	LIGHT BACKING PLATE	2				
6	JNC-00002	JUNCTION BOX	1				
7	HSS-0086	SETSCREW	2				
8	WSH-0009	WASHER	2				
9	NUT-0260	NUT	2				
10	HSS-0145	SETSCREW	8				
11	WSH-0012	WASHER	16				
12	NUT-0263	NUT	8				
13	ETM-00130	FEMALE SPADE TERMINAL	24				
14	WSH-0018	WASHER	9				
15	NUT-0269	NUT	4				
16	HSS-0241	SETSCREW	4				
17	WSH-1034	WASHER	2				
18	NUT-0258	NUT	2				
19	CBL-03530	7 CORE CABLE	10m				
20	PLG-0005	7-PIN PLUG	1				
21	SLV-00300	SPIRAL CONVOLUTE TUBING	3m				
22	TIE-0004	TIE WRAP MEDIUM	20				

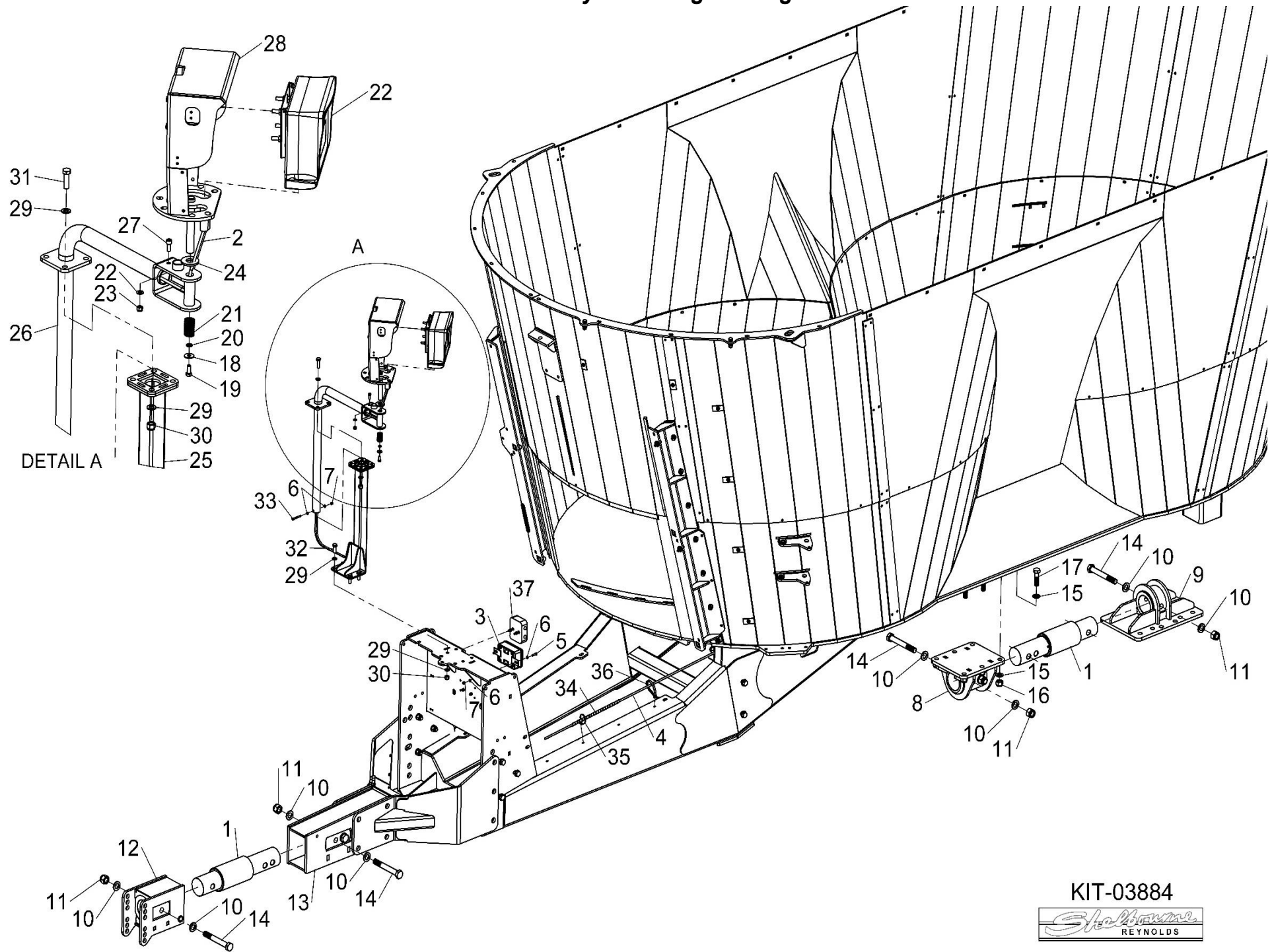


KIT-03882



## Shelbourne Reynolds Engineering Limited

ASSY NUMBER: KIT-03884				ASSY DESCRIPTION: WEIGHING KIT (PME18160485-0496)			
ITEM	PART NO	DESCRIPTION	QTY	ITEM	PART NO	DESCRIPTION	QTY
1	LCL-04090	LOADCELL	3				
2	LCL-04035	POWER CORD	1				
3	LCL-04095	JUNCTION BOX	1				
4	LCL-04070	SENSOR CABLE	1				
5	HSS-0088	SETSCREW	4				
6	WSH-0009	WASHER	10				
7	NUT-0260	NUT	5				
8	615912 01	LOADCELL MTG BOSS W/A	2				
9	615913 01	LOADCELL MTG BOSS W/A	2				
10	WSH-0036	WASHER	18				
11	NUT-0275	NUT	9				
12	615945 01	FRONT LOADCELL MTG W/A	1				
13	615947 01	FRONT LOADCELL MTG BOSS W/A	1				
14	BLTA24774	BOLT	9				
15	WSH-0030	WASHER	24				
16	NUTA02200	NUT	12				
17	BLT-2367	BOLT	12				
18	WSH-1038	WASHER	1				
19	HSS-0140	BOLT	1				
20	WSH-0058	WASHER	1				
21	SPGC32355	COMPRESSION SPRING	1				
22	WSH-0012	WASHER	1				
23	NUT-0263	NUT	1				
24	198800 46	WASHER	1				
25	616259 01	WEIGH HEAD SUPPORT ARM W/A	1				
26	616112 01	DISPLAY PIVOT ARM W/A	1				
27	SCW-0133	CP HD SCREW	1				
28	616630 01	DISPLAY COVER W/A	1				
29	WSH-0018	WASHER	10				
30	NUT-0269	NUT	5				
31	HSS-0250	SETSCREW	1				
32	HSS-0241	SETSCREW	4				
33	BLTA06320	BOLT	1				
34	SLV-00300	SPIRAL CONVOLUTE TUBING	10m				
35	TIE-0004	TIE WRAP	40				
36	TIE-0012	TIE WRAP EXTRA LARGE	2				
37	JNC-00000	JUNCTION BOX	1				



KIT-03884





## Shelbourne Reynolds Engineering Limited

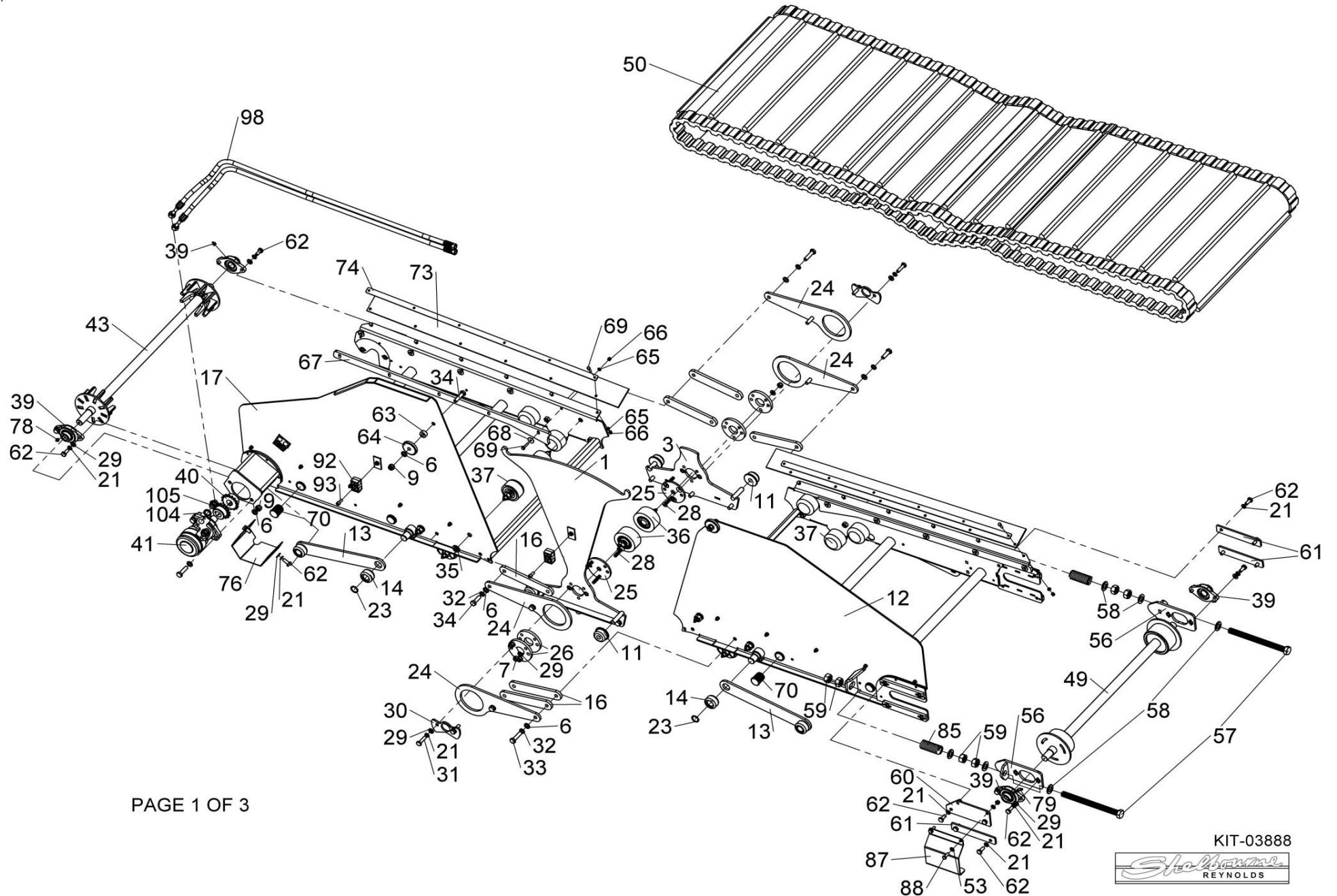
ASSY NUMBER: KIT-03888				ASSY DESCRIPTION: EXPRESS CONVEYOR KIT			
ITEM	PART NO	DESCRIPTION	QTY	ITEM	PART NO	DESCRIPTION	QTY
1	615969 01	FRONT CARRIAGE W/A	1	41	MOTH08000	HYDRAULIC MOTOR	1
2	610908 01	HYDRAULIC CYLINDER	2	41a	HMS-08001	SEAL KIT	
3	615972 01	REAR CARRIAGE W/A	1	42	HSS-0241	SETSCREW	17
4	616753 01	CONVEYOR CARRIAGE W/A	1	43	616017 01	DRIVE SHAFT W/A	1
5	616705 01	RAM BODY CLAMP W/A	1	44	SCW-4530	GRUBSCREW	4
6	WSH-0018	WASHER	76	45	CHN-01380	CHAIN	1
7	NUT-0265	NUT	20	46			
8	BLT-2270	BOLT	4	47	616079 01	LH STOP W/A	2
9	NUT-0269	NUT	27	48	616079 02	RH STOP W/A	2
10	BLTA12440	BOLT	2	49	616543 01	IDLE SHAFT W/A	1
11	613702 01	WHEEL	4	50	CON-00039	CONVEYOR BELT	1
12	615981 01	LH CONVEYOR PAN W/A	1	51	616775 01	BULKHEAD FIXING PLATE	1
13	615352 01	LIFY ARM W/A	4	52	HBK-0012	BULKHEAD	2
14	614278 01	WHEEL	8	53	WSH-0012	WASHER	5
15	615995 01	CONVEYOR MTG W/A	1	54	NUT-0263	NUT	3
16	614669 01	SPACER PLATE	6	55			
17	615983 01	RH CONVEYOR PAN W/A	1	56	616092 01	BEARING SLIDE W/A	2
18	HALAA0303	HYD FITTING	1	57	HSSA20930	SETSCREW	2
19	616752 01	COVER PLATE	1	58	WSH-0030	WASHER	6
20				59	NUT-0185	NUT )	8
21	WSH-0061	WASHER	36	60	616351 01	KEEP PLATE	1
22	HSS-0194	SETSCREW	12	61	616090 01	KEEP PLATE	3
23	CIR-1125	EXTERNAL CIRCLIP	8	62	HSS-0191	SETSCREW	18
24	614667 01	PIVOT PLATE	4	63	613919 04	SPACER TUBE	2
25	615997 01	COUNTERSUNK DISC	2	64	616768 01	NYLON WASHER	2
26	615998 01	PIVOT DISC	4	65	WSH-0009	WASHER	32
27	NUT-0167	NUT	4	66	NUT-0260	NUT	32
28	SCEA10324	CSK SOC HD SCREW	6	67	616097 01	SEAL PLATE W/A	4
29	WSH-0015	WASHER	54	68	WSH-1036	WASHER	20
30	615999 01	SECURING PLATE	2	69	HSS-0092	SETSCREW	20
31	HSS-0202	SETSCREW	12	70	PTF-00134	PLASTIC CAP	8
32	WSH-0065	WASHER	14	71	616098 01	RH REAR SPILL PLATE	1
33	HSS-0260	SETSCREW	6	72	616098 02	LH REAR SPILL PLATE	1
34	HSS-0250	SETSCRE	4	73	616766 01	RUBBER SEAL STRIP	2
35	WSH-0024	WASHER	14	74	616767 01	CLAMP PLATE	2
36	CON-00026	GUIDE ROLLER	2	75			
37	CON-00025a	SUPPORT ROLLER	12	76	616558 01	COUPLING GUARD	1
38	HSS-0198	SETSCREW	4	77	BLTA12290	BOLT	12
39	BRG-22560	FLANGE BEARING	4	78	NIP-0001	GREASE NIPPLE	2
40	260030 03	12T SPROCKET	2	79	NIP-0203	GREASE NIPPLE	2

## Shelbourne Reynolds Engineering Limited

ASSY NUMBER: KIT-03888 CONTINUED...				ASSY DESCRIPTION: EXPRESS CONVEYOR KIT			
ITEM	PART NO	DESCRIPTION	QTY	ITEM	PART NO	DESCRIPTION	QTY
80	260062 01	TRANSFER-HAND ENTANGL	2				
81	260061 01	TRANSFER-SAFE DISTANC	2				
82	K0807032	KEY PARALLEL	1				
83	198800 52	WASHER	6				
84	616700 01	CONVEYOR MTG W/A	1				
85	SPGC52900	COMPRESSION SPRING	2				
86	WSH-1005	DOWTY WASHER	4				
87	616352 01	BEARING COVER	1				
88	HSS-0145	SETSCREW	2				
89	616763 01	NYLON SLIPPER	2				
90	616764 01	SUPPORT PLATE	1				
91	HSS-0088	SETSCREW	12				
92	HCPD01800	HYD PIPE CLAMP	4				
93	SCW-0133	CP HD SCREW	3				
94	SCW-0142	CP HD SCREW	1				
95	HMA-0052	HYD ADAPTOR	4				
96	FITA10130	HYD TEE FITTING	1				
97	FITA10480	HYD TEE FITTING	1				
98	HHDE23205	HYD HOSE ASSY	2				
99	HHBE29005	HYD HOSE ASSY	2				
100	HHEC09505	HYD HOSE ASSY	1				
101	HHGC07505	HYD HOSE ASSY	1				
102	HHCC07505	HYD HOSE ASSY	1				
103	HHCC09605	HYD HOSE ASSY	1				
104	WSH-1015	DOWTY WASHER	2				
105	HMA-0065	M/M ADAPTOR	2				



# Shelbourne Reynolds Engineering Limited

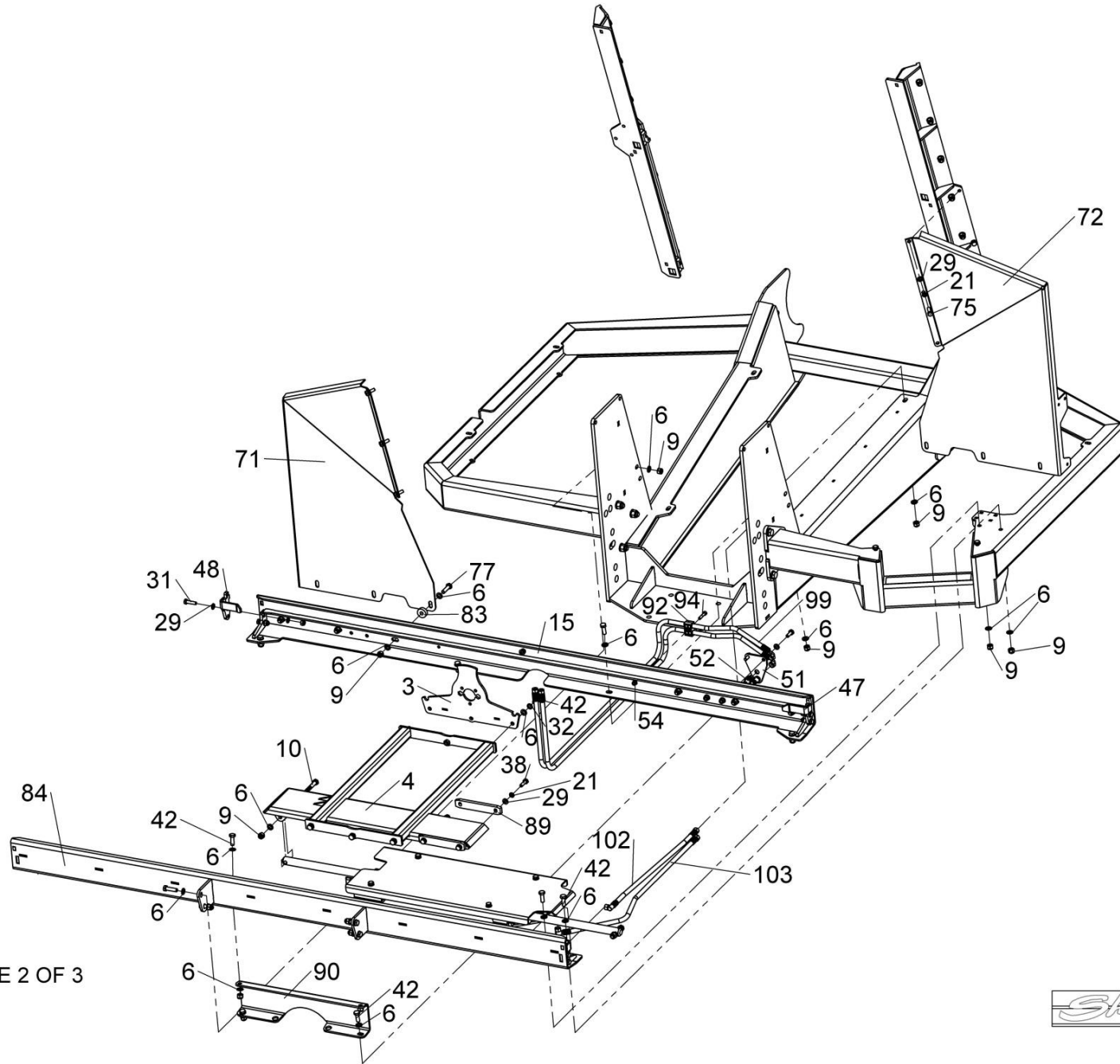


PAGE 1 OF 3

KIT-03888



**Shelbourne Reynolds Engineering Limited**

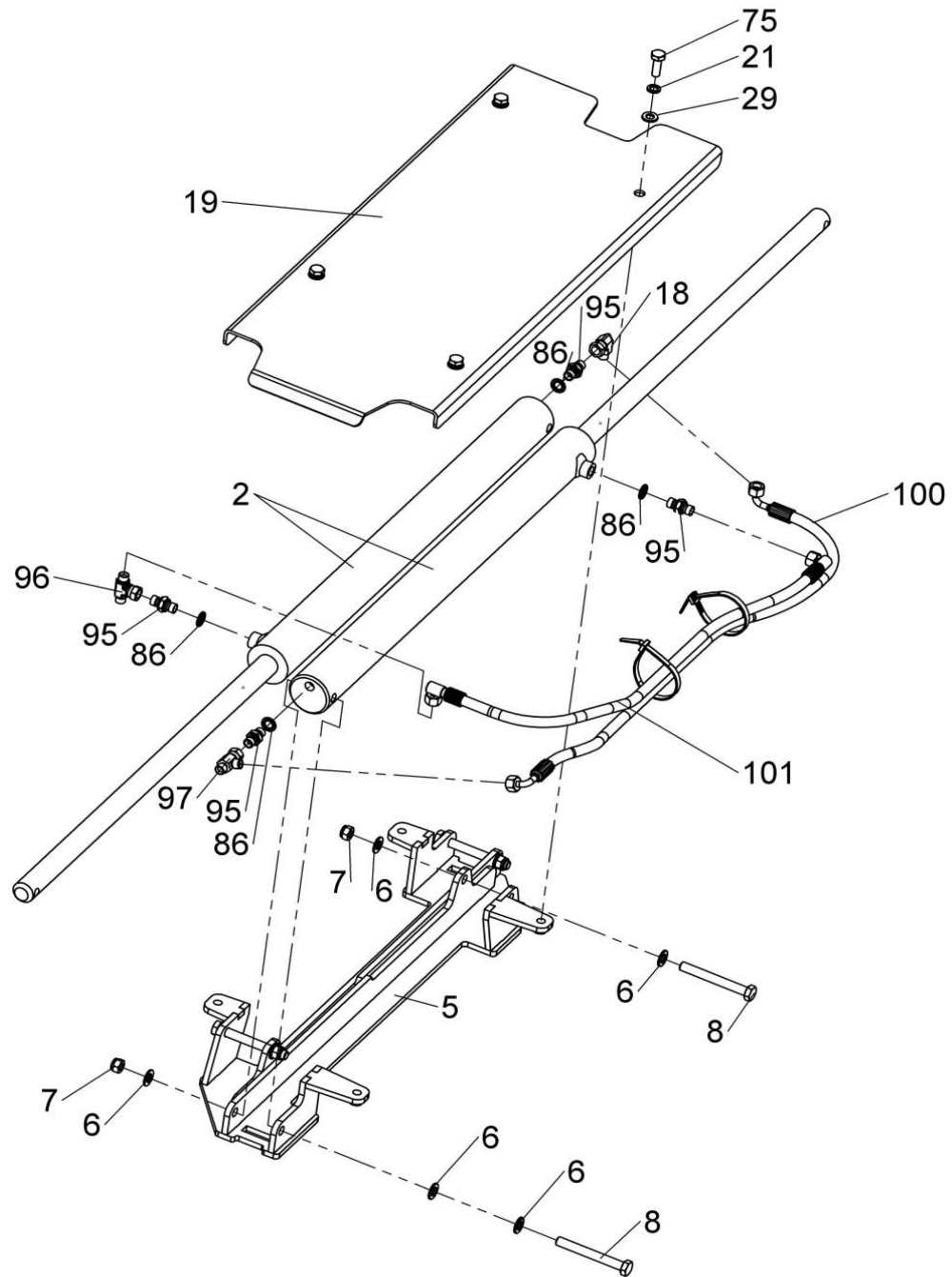


PAGE 2 OF 3

KIT-03888



# Shelbourne Reynolds Engineering Limited

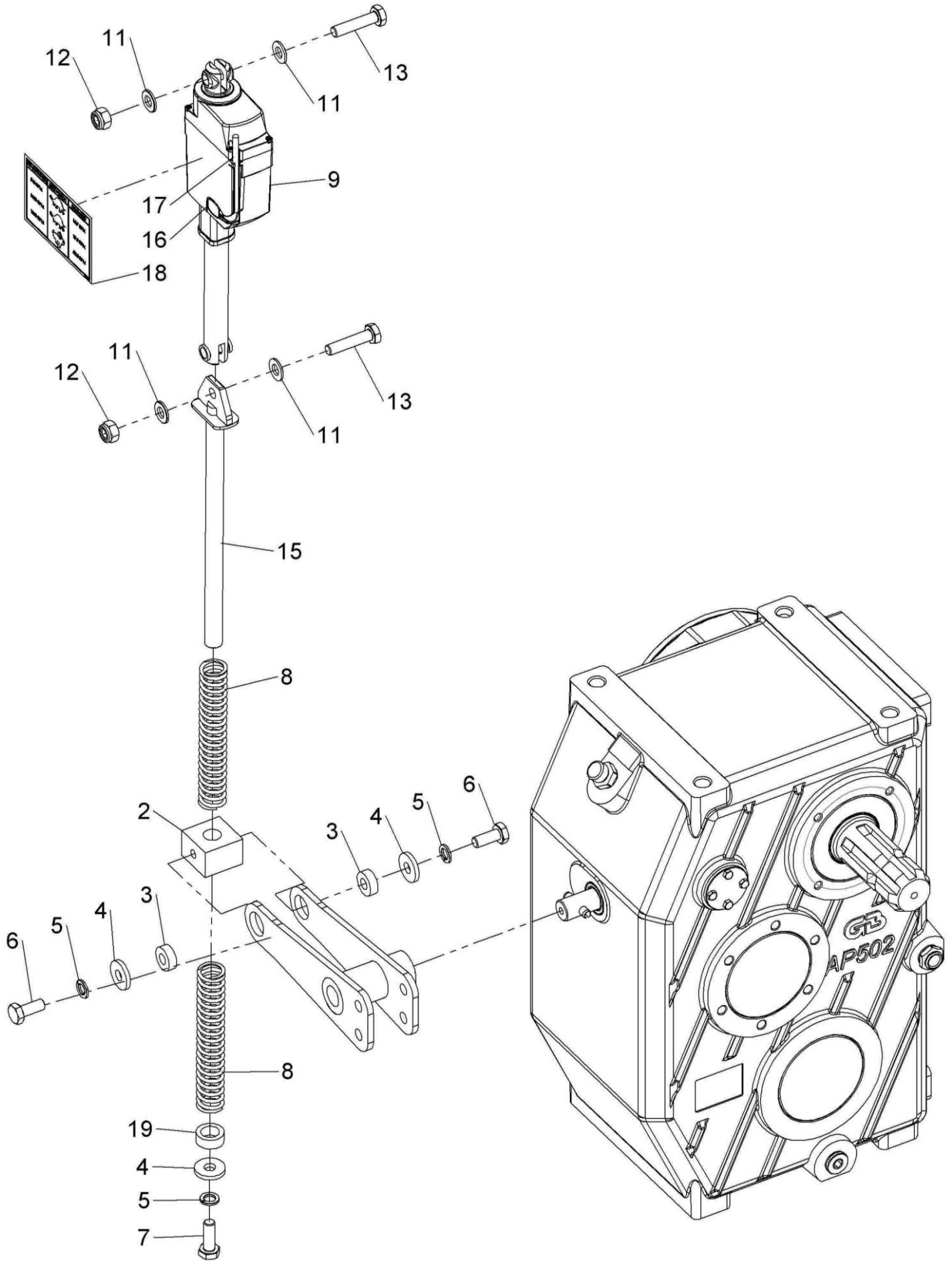


PAGE 3 OF 3

## Shelbourne Reynolds Engineering Limited

ASSY NUMBER: KIT-03889				ASSY DESCRIPTION: ELECTIC GEAR CHANGE KIT			
ITEM	PART NO	DESCRIPTION	QTY	ITEM	PART NO	DESCRIPTION	QTY
1							
2	616227 01	PIVOT BLOCK	1				
3	198800 50	WASHER	2				
4	198800 49	WASHER	3				
5	WSH-0061	SPRING WASHER	3				
6	HSS-0191	SETSCREW	2				
7	HSS-0194	SET SCREW	1				
8	SPGC43034	COMPRESSION SRING	2				
9	MOTE11020	12V LINEAR ACTUATOR	1				
11	WSH-0015	PLAIN WASHER	4				
12	NUT-0265	NYLOC NUT	2				
13	BLTA10290	HEX.HEAD BOLT	2				
15	616776 01	EXTENDED SHAFT W/A	1				
16	MOTE11020D	CABLE LOCK	1				
17	MOTE11020A	ACTUATOR CABLE	1				
18	617491 01	AUGER SPEED EMBLEM	1				
19	190548 99	WASHER (17 I/Dx 25.5 O/D x 10)	1				

# Shelbourne Reynolds Engineering Limited

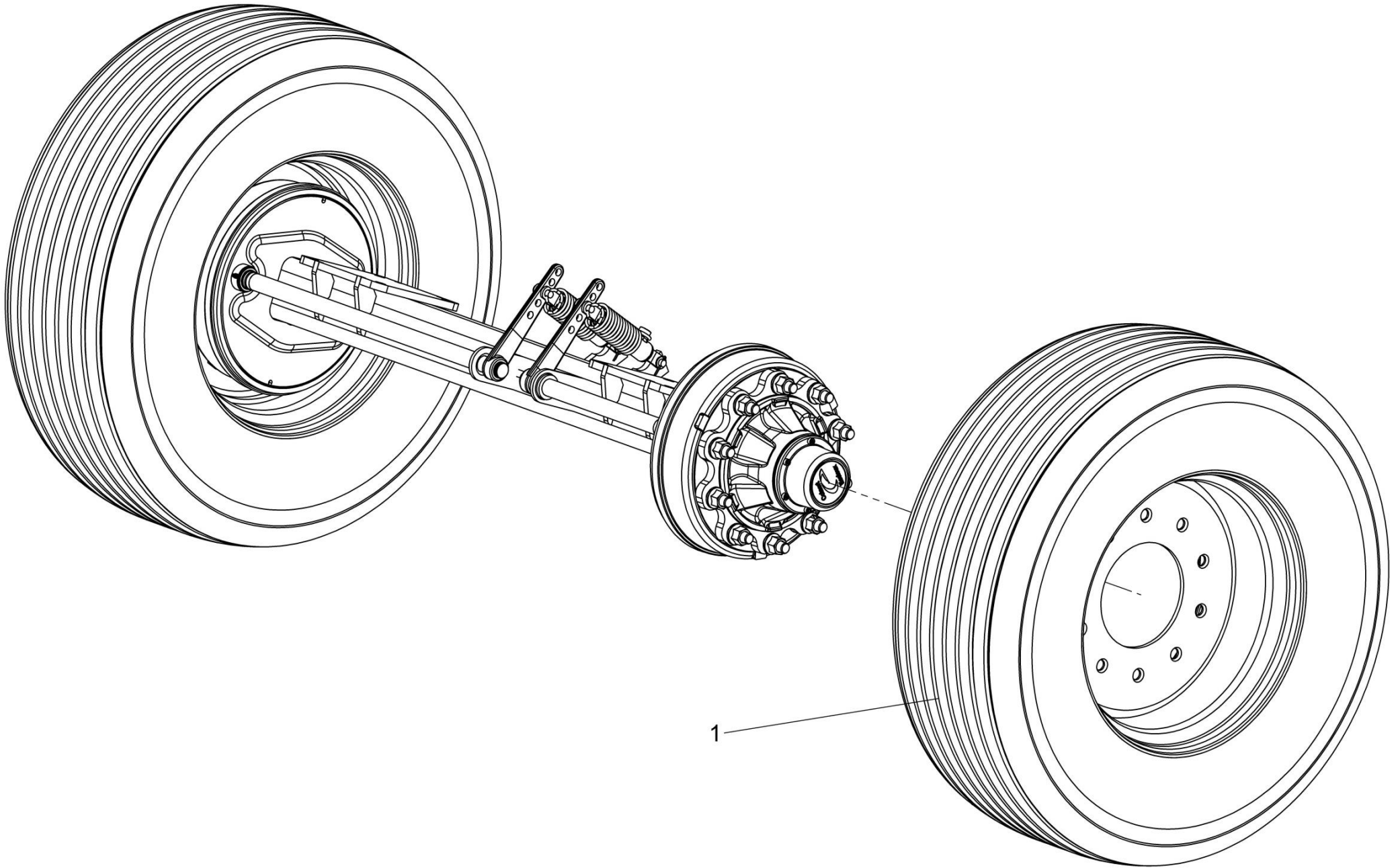


KIT-03889



**Shelbourne Reynolds Engineering Limited**

ASSY NUMBER: KIT-03890				ASSY DESCRIPTION: WHEEL & TYRE KIT (385/65-R22.5)			
ITEM	PART NO	DESCRIPTION	QTY	ITEM	PART NO	DESCRIPTION	QTY
1	WHL-02222	WHEEL & TYRE ASSY	2				



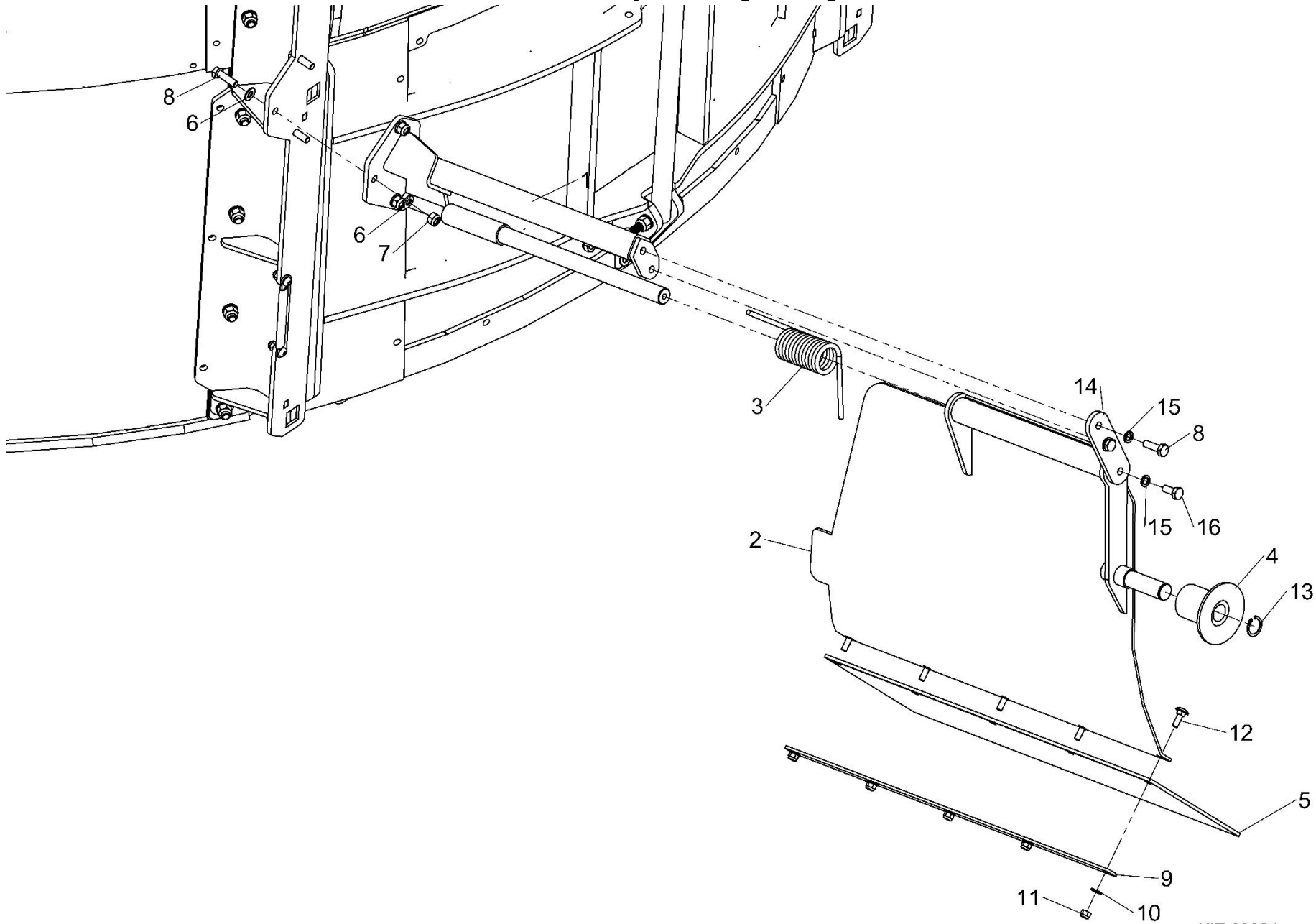
KIT-03890



**Shelbourne Reynolds Engineering Limited**

ASSY NUMBER: KIT-03894				ASSY DESCRIPTION: CONVEYOR DEFLECTOR KIT			
ITEM	PART NO	DESCRIPTION	QTY	ITEM	PART NO	DESCRIPTION	QTY
1	615991 01	DEFLECTOR PIVOT BAR W/A	1				
2	615989 01	CONVEYOR DEFLECTOR W/A	1				
3	SPGJ74300	TORSION SPRING	1				
4	616830 01	NYLON ROLLER	1				
5	616087 01	RUBBER DEFLECTOR	1				
6	WSH-0015	WASHER	8				
7	NUT-0265	NUT	4				
8	HSS-0198	SETSCREW	5				
9	616837 01	CLAMP STRIP	1				
10	WSH-0012	WASHER	5				
11	NUT-0263	NUT	5				
12	BLTF08173	COACHBOLT	5				
13	CIR-1125	EXTERNAL CIRCLIP	1				
14	616838 01	SUPPORT PLATE	1				
15	WSH-0061	WASHER	2				
16	HSS-0191	SETSCREW	1				



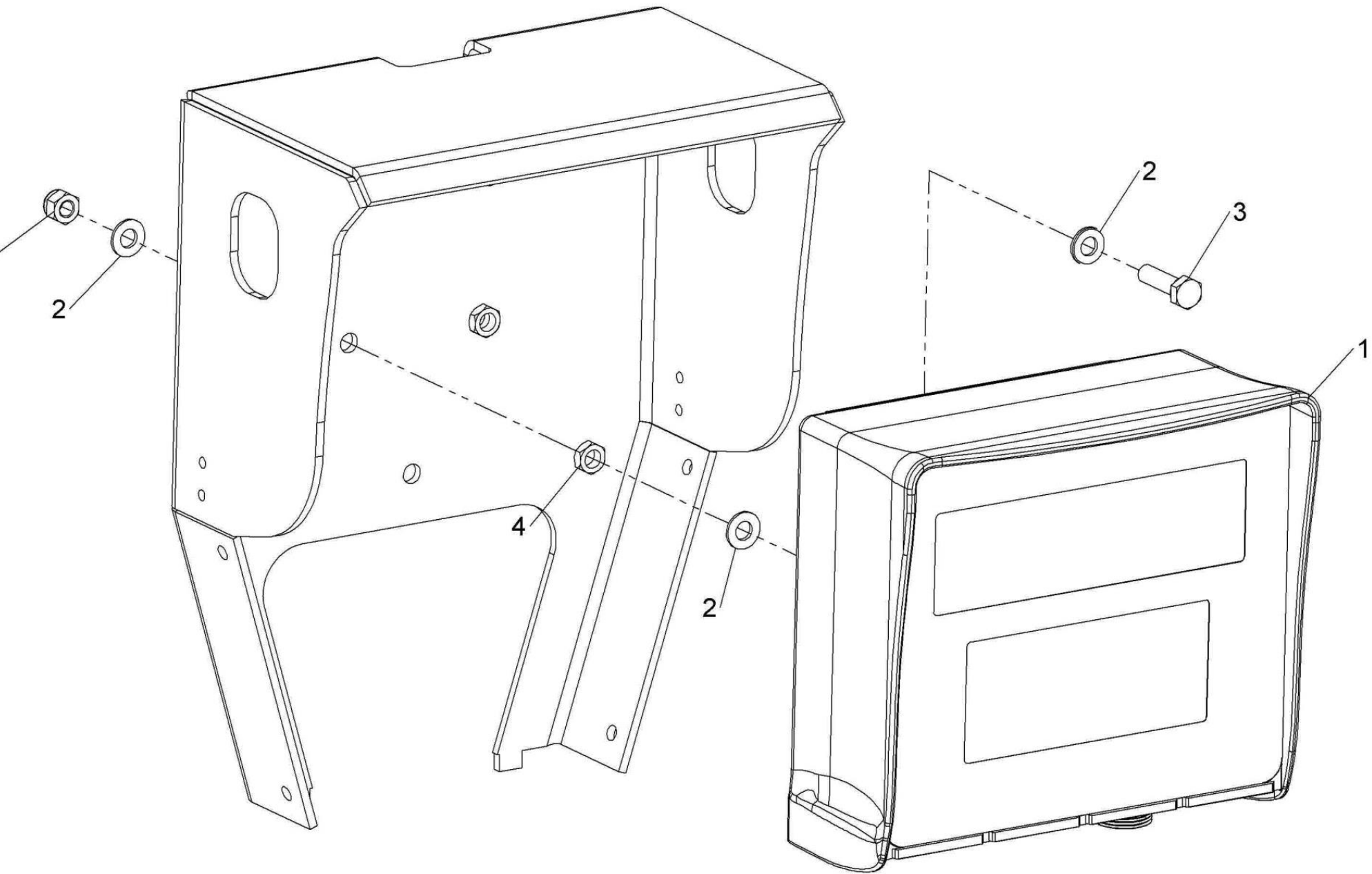


KIT-03894



**Shelbourne Reynolds Engineering Limited**

ASSY NUMBER: KIT-03895				ASSY DESCRIPTION: DG400 BASIC DISPLAY KIT			
ITEM	PART NO	DESCRIPTION	QTY	ITEM	PART NO	DESCRIPTION	QTY
1	LCL-04060	DG400 BASIC DISPLAY	1				
2	WSH-0012	WASHER	12				
3	HSS-0150	SETSCREW	4				
4	NUT-0164	NUT	4				
5	NUT-0263	NUT	4				

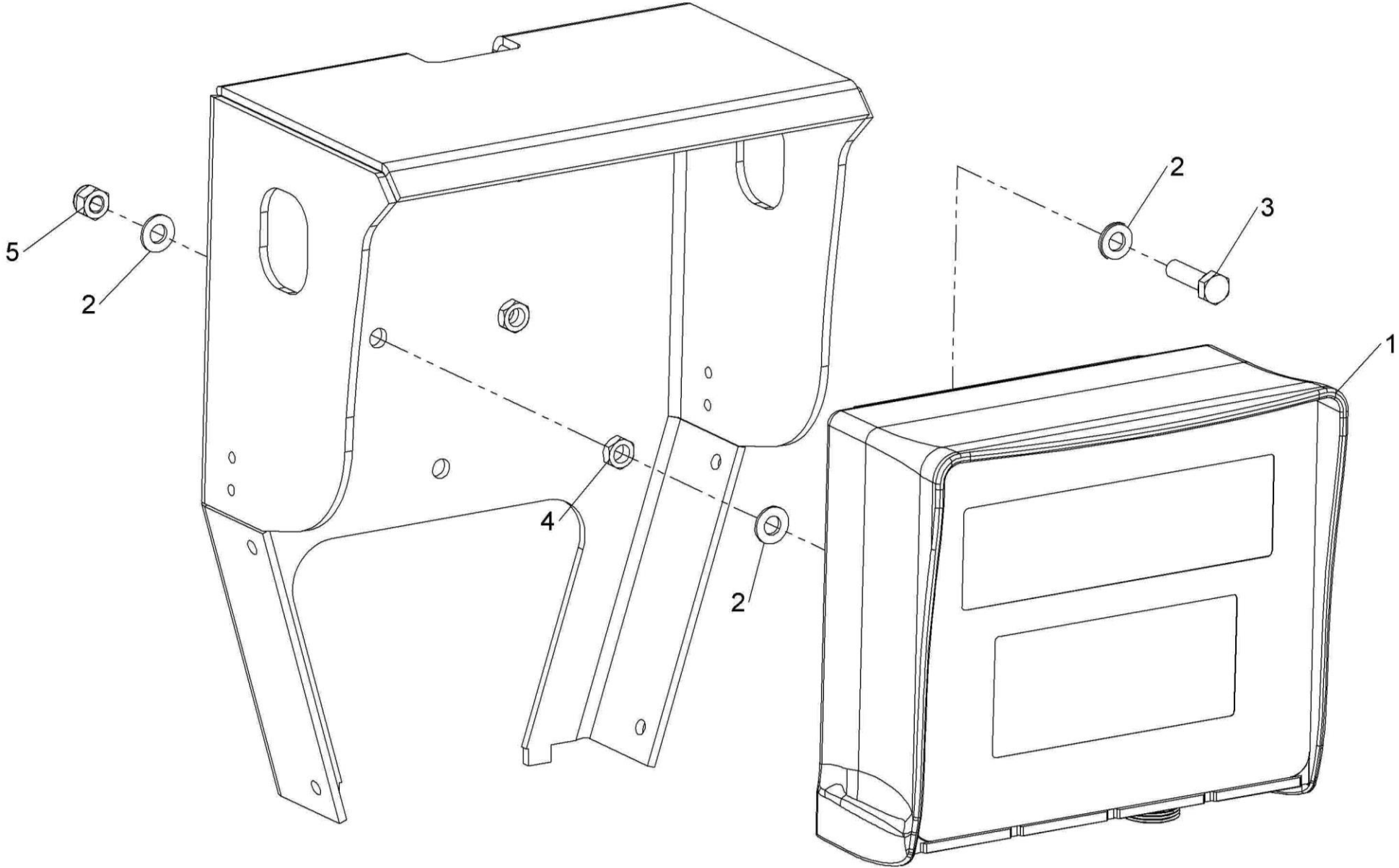


KIT-03896  
KIT-03895



**Shelbourne Reynolds Engineering Limited**

ASSY NUMBER: KIT-03896				ASSY DESCRIPTION: DG600 PROGRAMMABLE DISPLAY KIT			
ITEM	PART NO	DESCRIPTION	QTY	ITEM	PART NO	DESCRIPTION	QTY
1	LCL-04165	DG600SB PROGRAMMABLE DISPLAY	1				
2	WSH-0012	WASHER	12				
3	HSS-0150	SETSCREW	4				
4	NUT-0164	NUT	4				
5	NUT-0263	NUT	4				

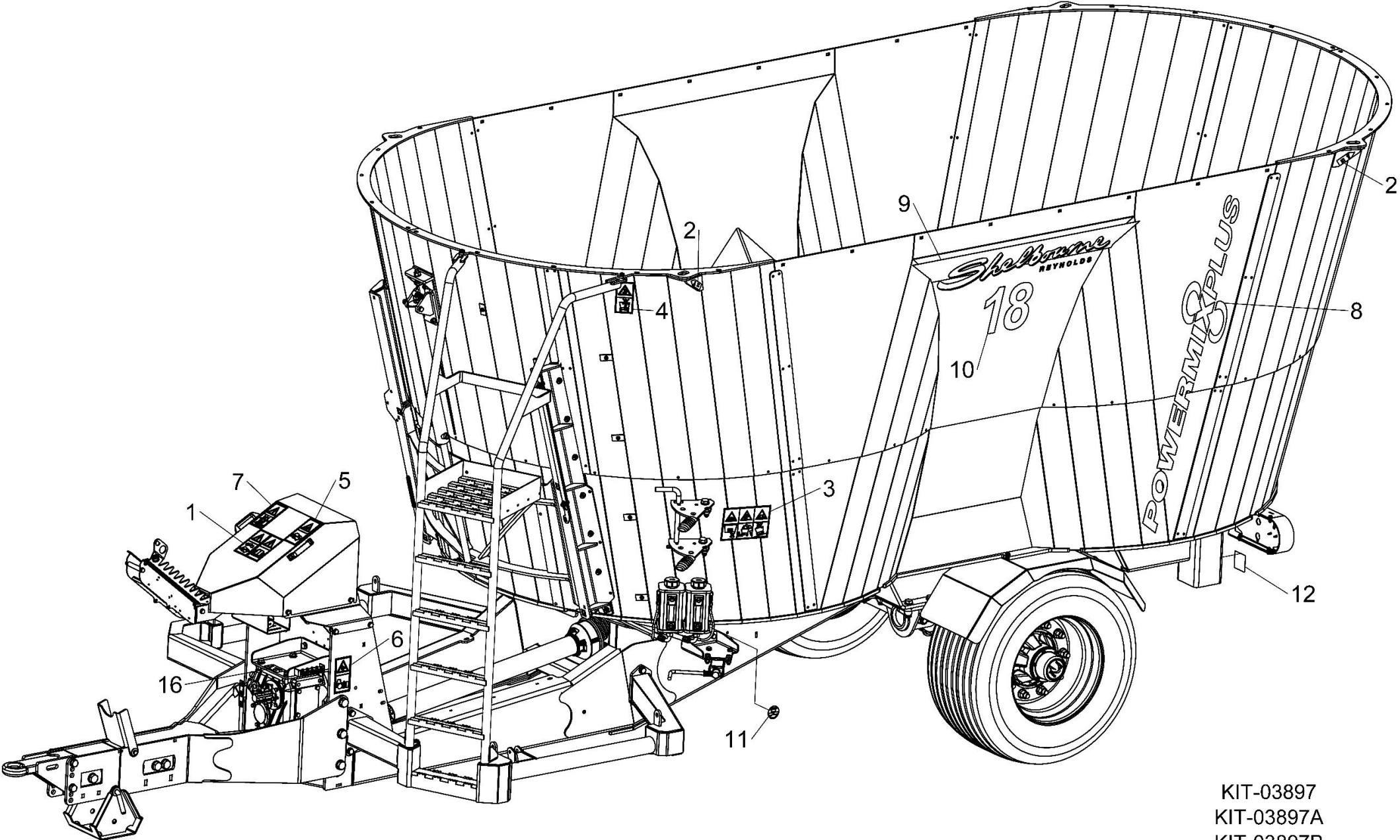


KIT-03896  
KIT-03895



**Shelbourne Reynolds Engineering Limited**

ASSY NUMBER: KIT-03897				ASSY DESCRIPTION: TRANSFERS KIT 16m			
ITEM	PART NO	DESCRIPTION	QTY	ITEM	PART NO	DESCRIPTION	QTY
1	TNF-0011	EMBLEM	1				
2	190702 04	EMBLEM	4				
3	610253 01	EMBLEM	1				
4	610259 01	EMBLEM	1				
5	800221 01	EMBLEM	1				
6	260060 01	EMBLEM	1				
7	614959 01	EMBLEM	1				
8	616839 01	EMBLEM	2				
9	616840 01	EMBLEM	2				
10	615457 01	SIZE TRANSFER - 16	2				
11	TNF-0013	INSPECTION STICKER	1				
12	591927 01	JACKING POINT TRANSFER	2				
13	617491 01	AUGER SPEED EMBELM	1				
14	620172 01	TENSION TRANSFER	1				
15	620173 01	POWERMIX PLUS GREASE TRANSFER	1				
16	195391 01	SHEARBOLT EMBLEM	1				



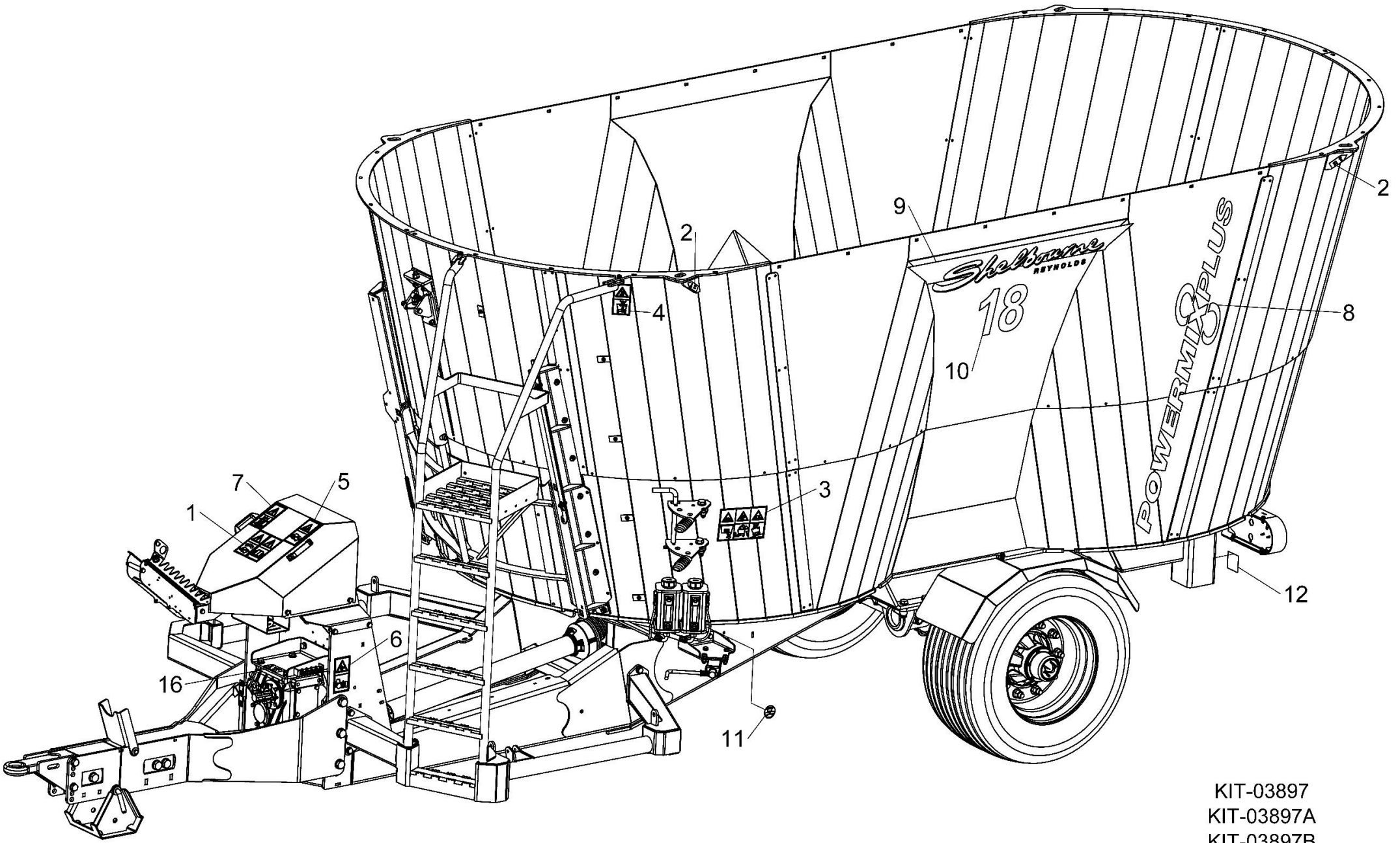
KIT-03897  
KIT-03897A  
KIT-03897B  
KIT-03897C



**Shelbourne Reynolds Engineering Limited**

ASSY NUMBER: KIT-03897A				ASSY DESCRIPTION: TRANSFERS KIT 18m			
ITEM	PART NO	DESCRIPTION	QTY	ITEM	PART NO	DESCRIPTION	QTY
1	TNF-0011	EMBLEM	1				
2	190702 04	EMBLEM	4				
3	610253 01	EMBLEM	1				
4	610259 01	EMBLEM	1				
5	800221 01	EMBLEM	1				
6	260060 01	EMBLEM	1				
7	614959 01	EMBLEM	1				
8	616839 01	EMBLEM	2				
9	616840 01	EMBLEM	2				
10	615457 05	SIZE TRANSFER - 18	2				
11	TNF-0013	INSPECTION STICKER	1				
12	591927 01	JACKING POINT TRANSFER	2				
13	617491 01	AUGER SPEED EMBELM	1				
14	620172 01	TENSION TRANSFER	1				
15	620173 01	POWERMIX PLUS GREASE TRANSFER	1				
16	195391 01	SHEARBOLT EMBLEM	1				



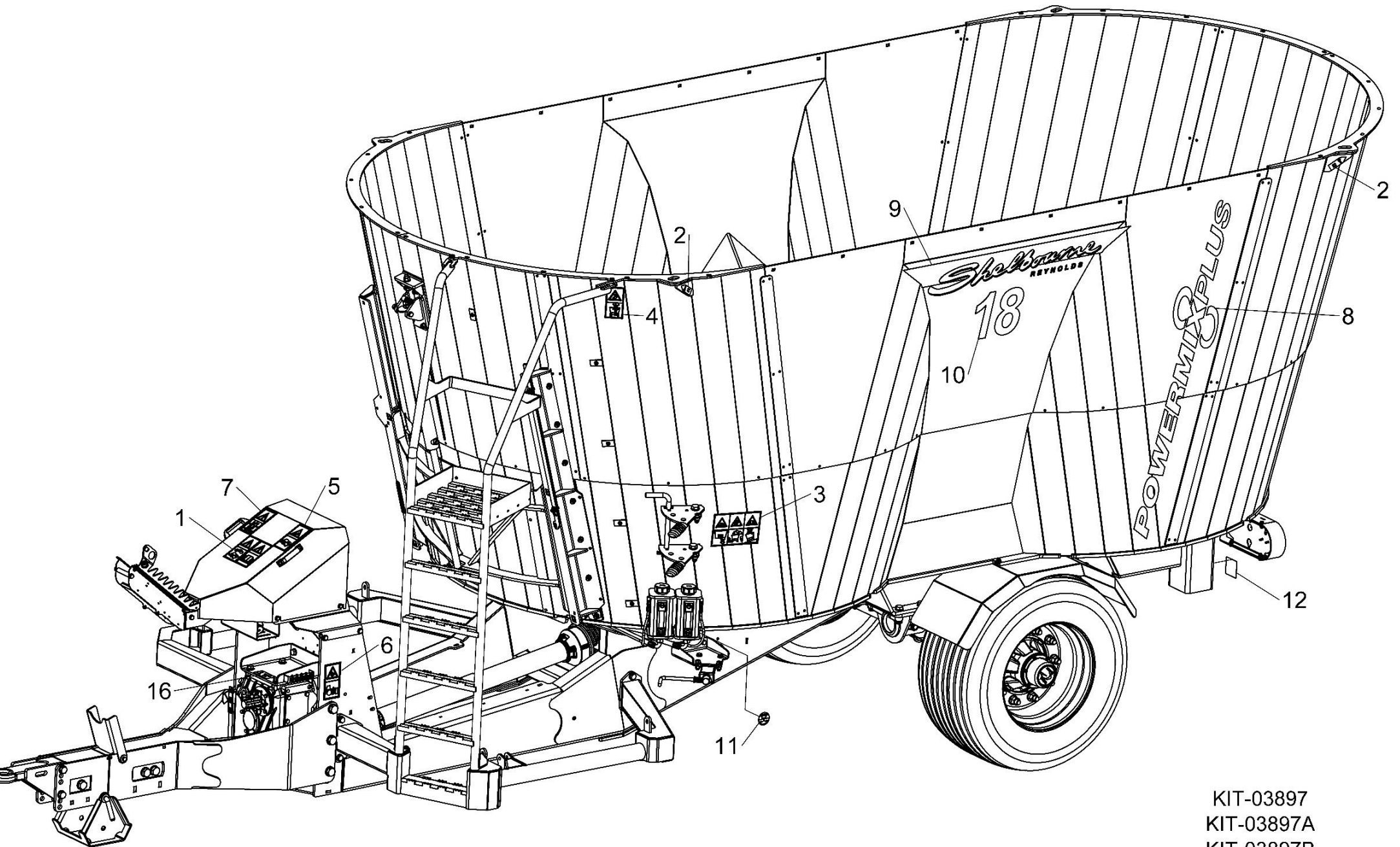


KIT-03897  
KIT-03897A  
KIT-03897B  
KIT-03897C



**Shelbourne Reynolds Engineering Limited**

ASSY NUMBER: KIT-03897B				ASSY DESCRIPTION: TRANSFERS KIT 22m			
ITEM	PART NO	DESCRIPTION	QTY	ITEM	PART NO	DESCRIPTION	QTY
1	TNF-0011	EMBLEM	1				
2	190702 04	EMBLEM	4				
3	610253 01	EMBLEM	1				
4	610259 01	EMBLEM	1				
5	800221 01	EMBLEM	1				
6	260060 01	EMBLEM	1				
7	614959 01	EMBLEM	1				
8	616839 01	EMBLEM	2				
9	616840 01	EMBLEM	2				
10	615457 03	SIZE TRANSFER - 22	2				
11	TNF-0013	INSPECTION STICKER	1				
12	591927 01	JACKING POINT TRANSFER	2				
13	617491 01	AUGER SPEED EMBELM	1				
14	620172 01	TENSION TRANSFER	1				
15	620173 01	POWERMIX PLUS GREASE TRANSFER	1				
16	195391 01	SHEARBOLT EMBLEM	1				

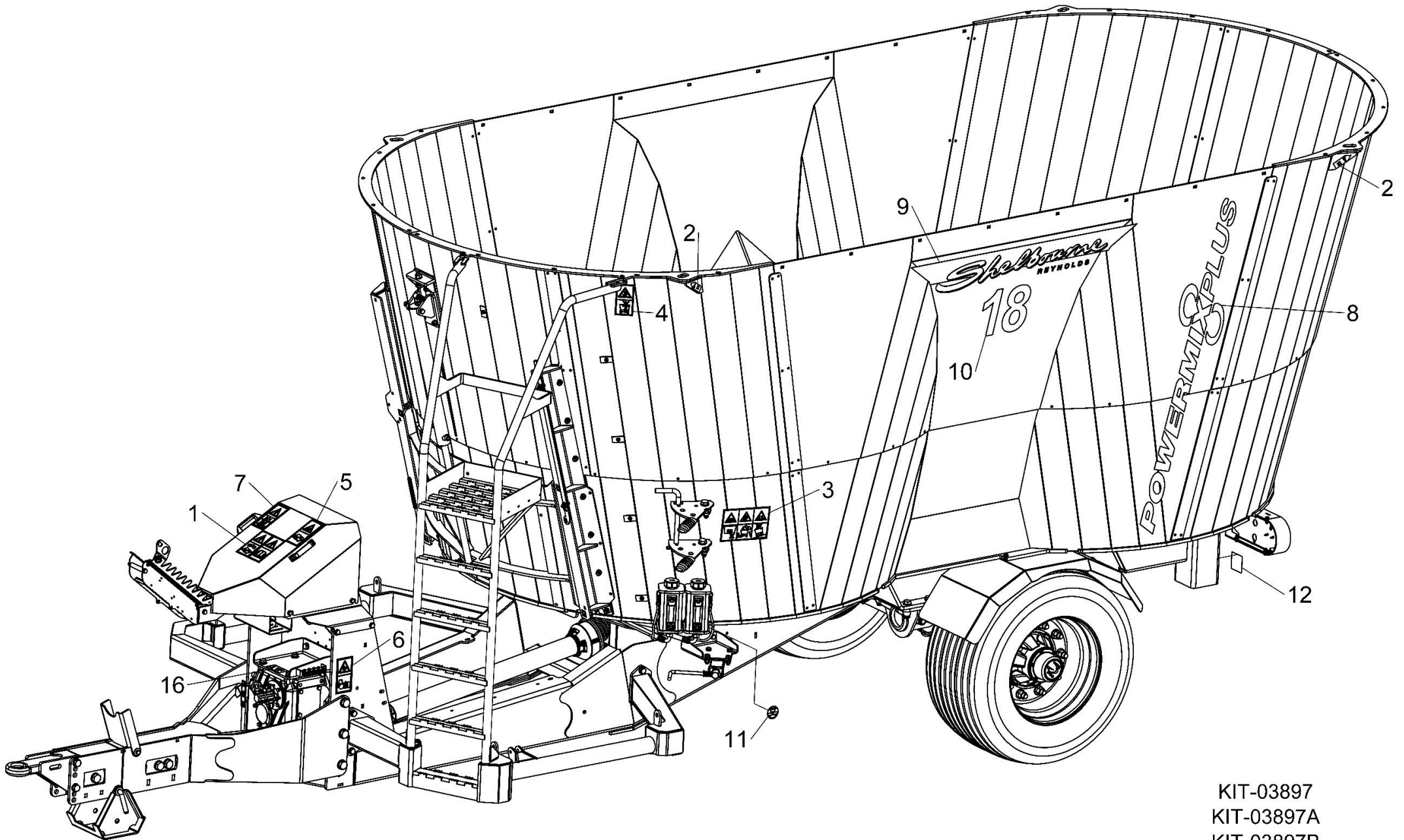


KIT-03897  
KIT-03897A  
KIT-03897B  
KIT-03897C



**Shelbourne Reynolds Engineering Limited**

ASSY NUMBER: KIT-03897C				ASSY DESCRIPTION: TRANSFERS KIT 20m			
ITEM	PART NO	DESCRIPTION	QTY	ITEM	PART NO	DESCRIPTION	QTY
1	TNF-0011	EMBLEM	1				
2	190702 04	EMBLEM	4				
3	610253 01	EMBLEM	1				
4	610259 01	EMBLEM	1				
5	800221 01	EMBLEM	1				
6	260060 01	EMBLEM	1				
7	614959 01	EMBLEM	1				
8	616839 01	EMBLEM	2				
9	616840 01	EMBLEM	2				
10	615457 07	SIZE TRANSFER - 20	2				
11	TNF-0013	INSPECTION STICKER	1				
12	591927 01	JACKING POINT TRANSFER	2				
13	617491 01	AUGER SPEED EMBELM	1				
14	620172 01	TENSION TRANSFER	1				
15	620173 01	POWERMIX PLUS GREASE TRANSFER	1				
16	195391 01	SHEARBOLT EMBLEM	1				

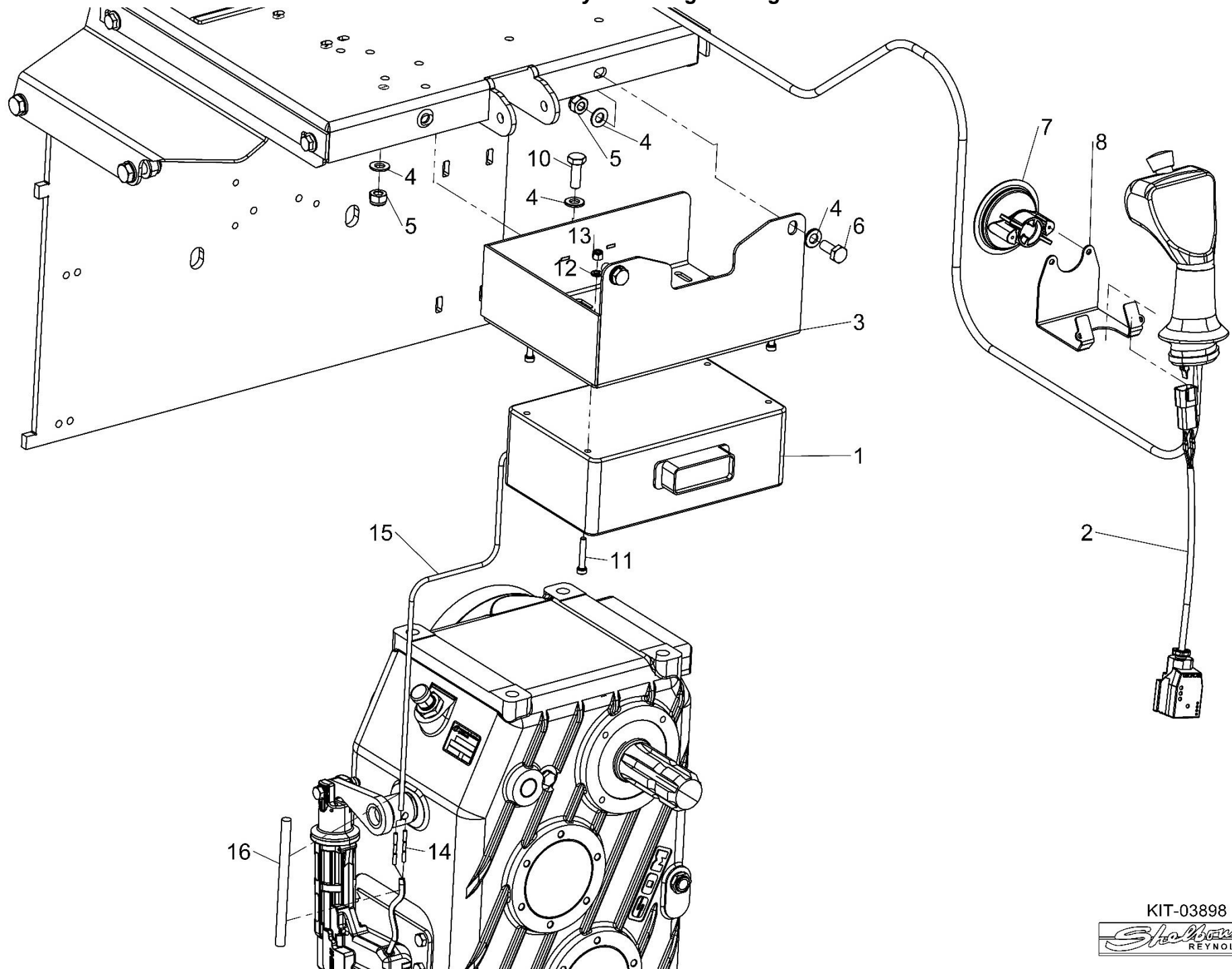


KIT-03897  
KIT-03897A  
KIT-03897B  
KIT-03897C



**Shelbourne Reynolds Engineering Limited**

ASSY NUMBER: KIT-03898				ASSY DESCRIPTION: HYDRAULIC CONTROLS KIT (2-SPEED OPTION)			
ITEM	PART NO	DESCRIPTION	QTY	ITEM	PART NO	DESCRIPTION	QTY
1	616535 01	HYDRAULIC CONTROLLER	1				
2	615749 01	PROPORTIONAL VALVE DRIVER ASSY	1				
3	616843 01	STORAGE BOX W/A	1				
4	WSH-0015	WASHER	6				
5	NUT-0265	NUT	3				
6	HSS-0191	SETSCREW	2				
7	LCL-01249	SUCTION MOUNT ASSY	1				
8	616138 01	CONTROLLER HOLDER	1				
9							
10	HSS-0194	SETSCREW	1				
11	SCW-0092	CP HD SCREW	4				
12	WSH-0009	WASHER	4				
13	NUT-0260	NUT	4				
14	ETM-04630	HEAT SHRINK CRIMP CONNECTOR	2				
15	CBL-03010	CABLE (2-CORE)	2m				
16	PHS-00455	HEAT SHRINK TUBE (10mm)	0.1m				



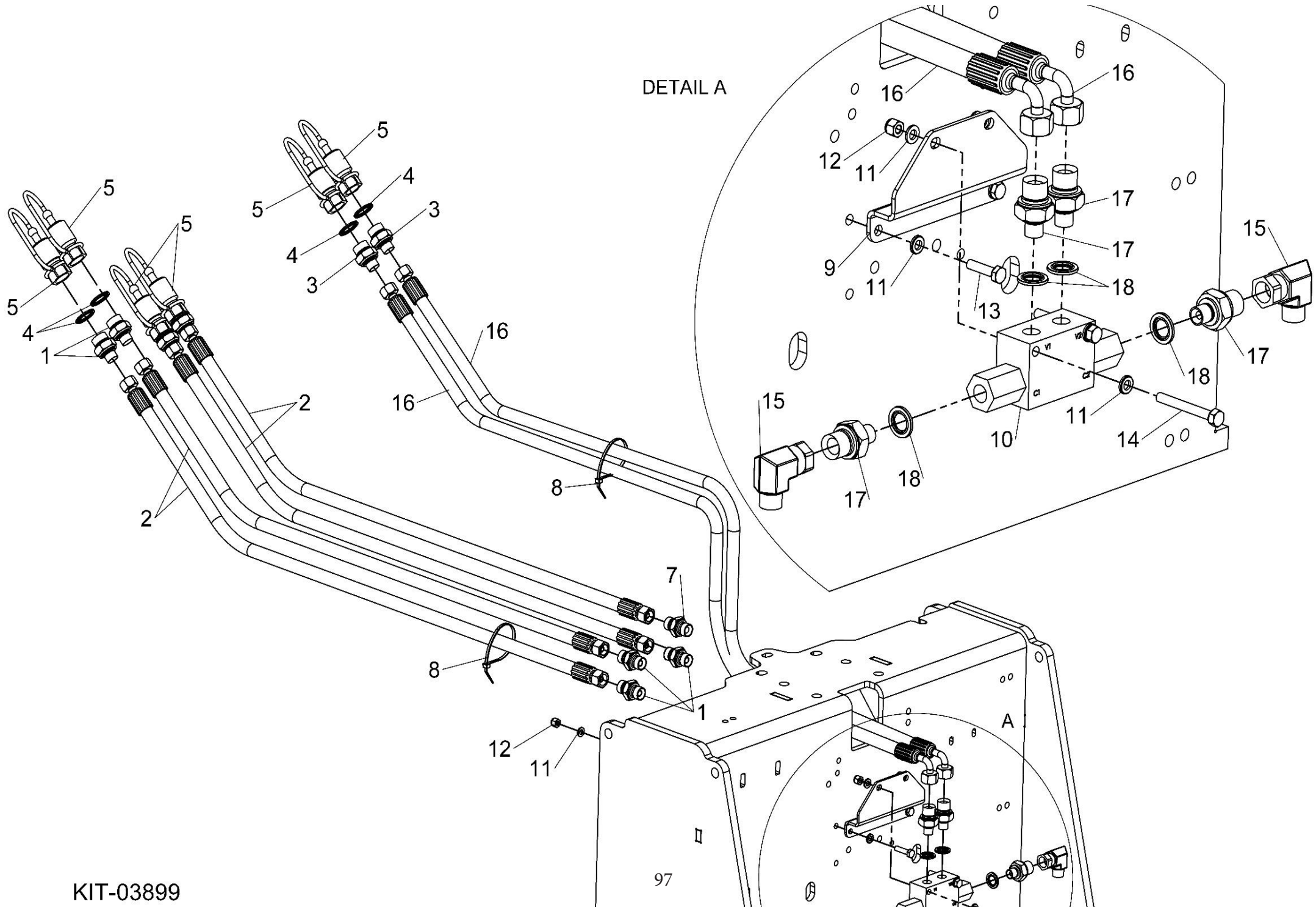
KIT-03898



**Shelbourne Reynolds Engineering Limited**

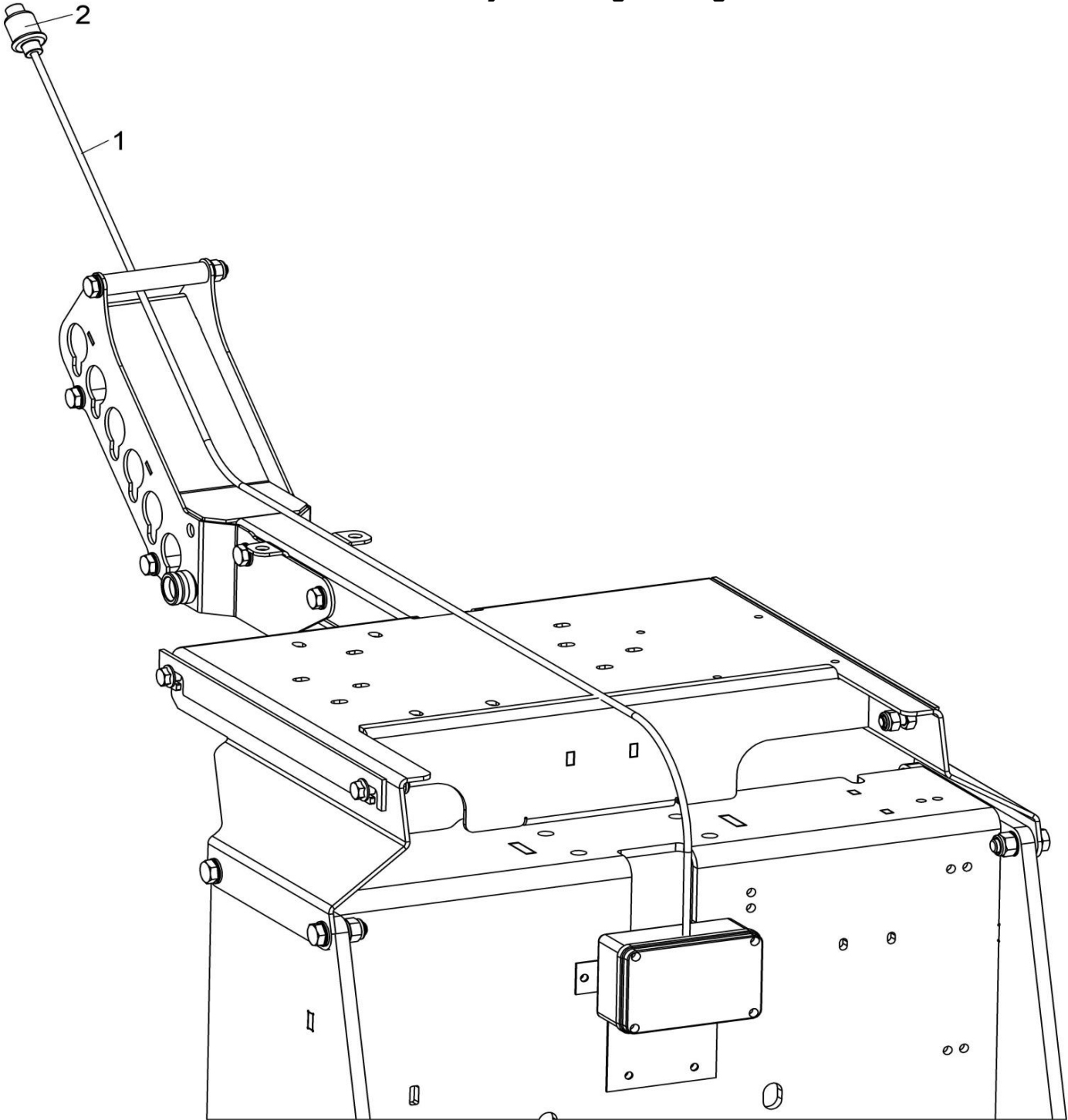
ASSY NUMBER: KIT-03899				ASSY DESCRIPTION: DIRECT COUPLED HYDRAULIC KIT			
ITEM	PART NO	DESCRIPTION	QTY	ITEM	PART NO	DESCRIPTION	QTY
1	HMA-0057	M/M ADAPTOR	3				
2	HHAE19505	HYDRAULIC HOSE	4				
3	HMA-0065	M/M ADAPTOR	6				
4	WSH-1015	DOWTY WASHER	6				
5	COU-0162	QUICK RELEASE COUPLG	6				
6							
7	HAPAA0505	RESTRICTOR	1				
8	TIE-0004	TIE WRAP	12				
9	620613 01	PO CHECK MTG BRKT	1				
10	HVB-27000	PO CHECK VALVE	1				
11	WSH-0009	WASHER	8				
12	NUT-0260	NUT	4				
13	HSS-0088	SETSCREW	2				
14	BLTA06320	BOLT	2				
15	HALAA0505	90 DEG ELBLOW FITTING	2				
16	HHBE25005	HYD HOSE ASSY	2				
17	FIT-0025	M/M ADAPTOR	4				
18	WSH-1005	DOWTY WASHER	4				





**Shelbourne Reynolds Engineering Limited**

ASSY NUMBER: KIT-03900				ASSY DESCRIPTION: 3-PIN PLUG CONNECTION KIT			
ITEM	PART NO	DESCRIPTION	QTY	ITEM	PART NO	DESCRIPTION	QTY
1	CBL-03235	4 CORE CABLE	4m				
2	PLG-0060	3 PIN PLUG	1				

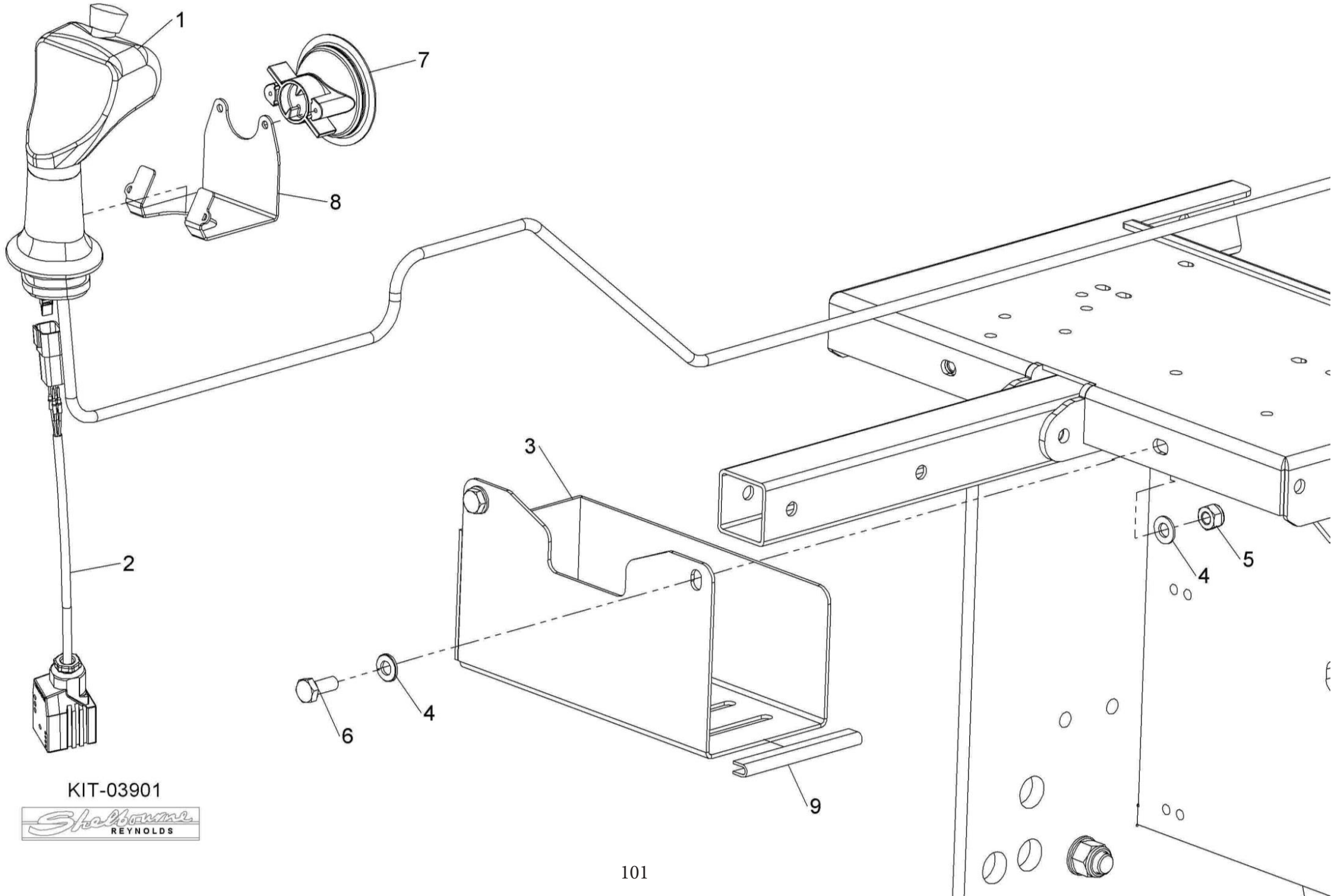


KIT-03900



## Shelbourne Reynolds Engineering Limited

ASSY NUMBER: KIT-03901				ASSY DESCRIPTION: HYDRAULIC CONTROLS KIT (NO 2-SPEED OPTION)			
ITEM	PART NO	DESCRIPTION	QTY	ITEM	PART NO	DESCRIPTION	QTY
1	616632 01	HYDRAULIC CONTROLLER	1				
2	615749 01	PROPORTIONAL VALVE DRIVER ASSY	1				
3	616841 01	STORAGE BOX	1				
4	WSH-0015	WASHER	4				
5	NUT-0265	NUT	2				
6	HSS-0191	SETSCREW	2				
7	LCL-01249	SUCTION MOUNT ASSY	1				
8	616138 01	CONTROLLER HOLDER	1				
9	EDS-11400	PVC EDGING STRIP	0.12m				

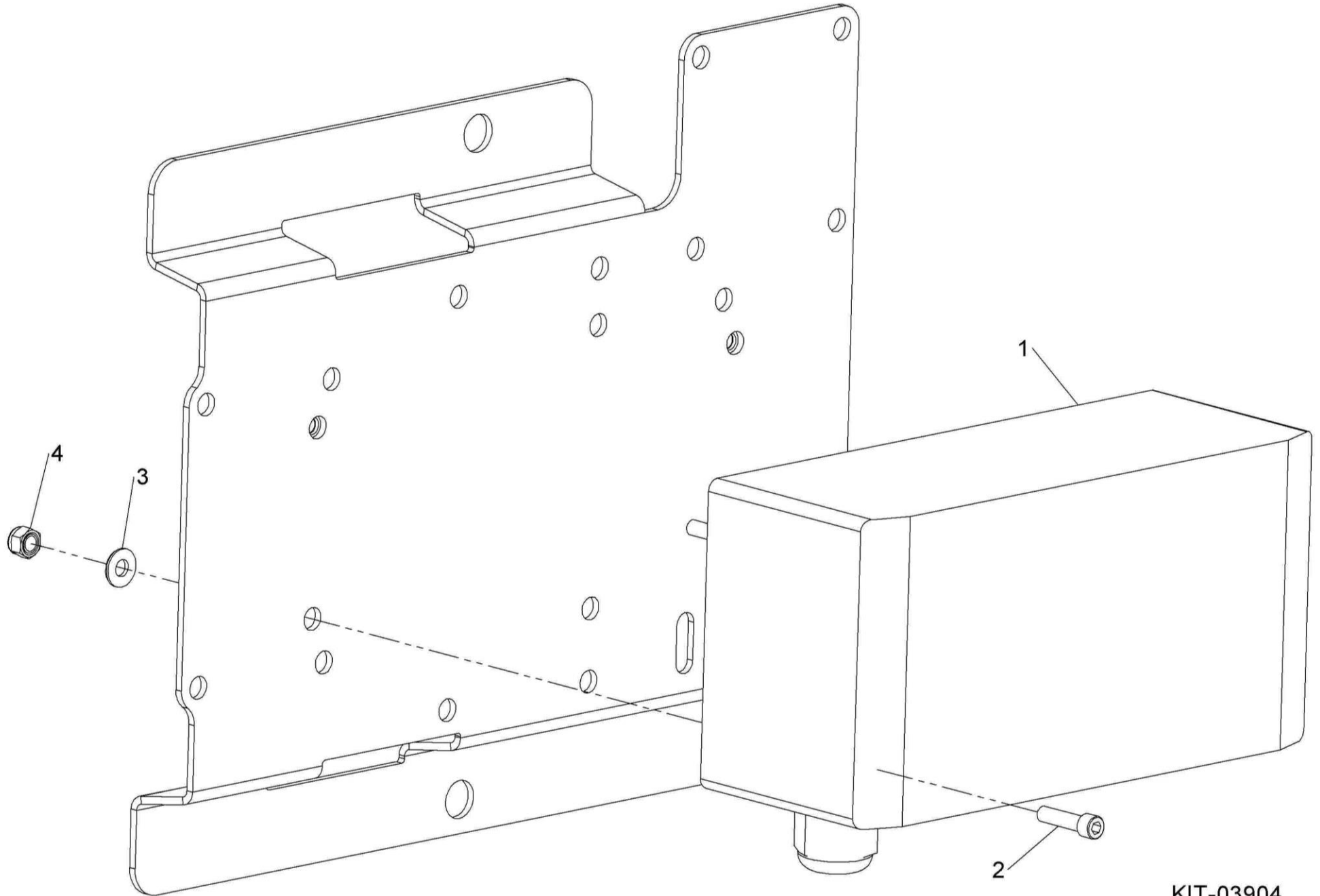


KIT-03901



## Shelbourne Reynolds Engineering Limited

ASSY NUMBER: KIT-03904				ASSY DESCRIPTION: BLUETOOTH MODEM KIT			
ITEM	PART NO	DESCRIPTION	QTY	ITEM	PART NO	DESCRIPTION	QTY
1	LCL-04055	BLUETOOTH MODEM	1				
2	SCCA04113	CP SOC HD SCREW	4				
3	WSH-0003	WASHER	4				
4	NUT-0255	NUT	4				



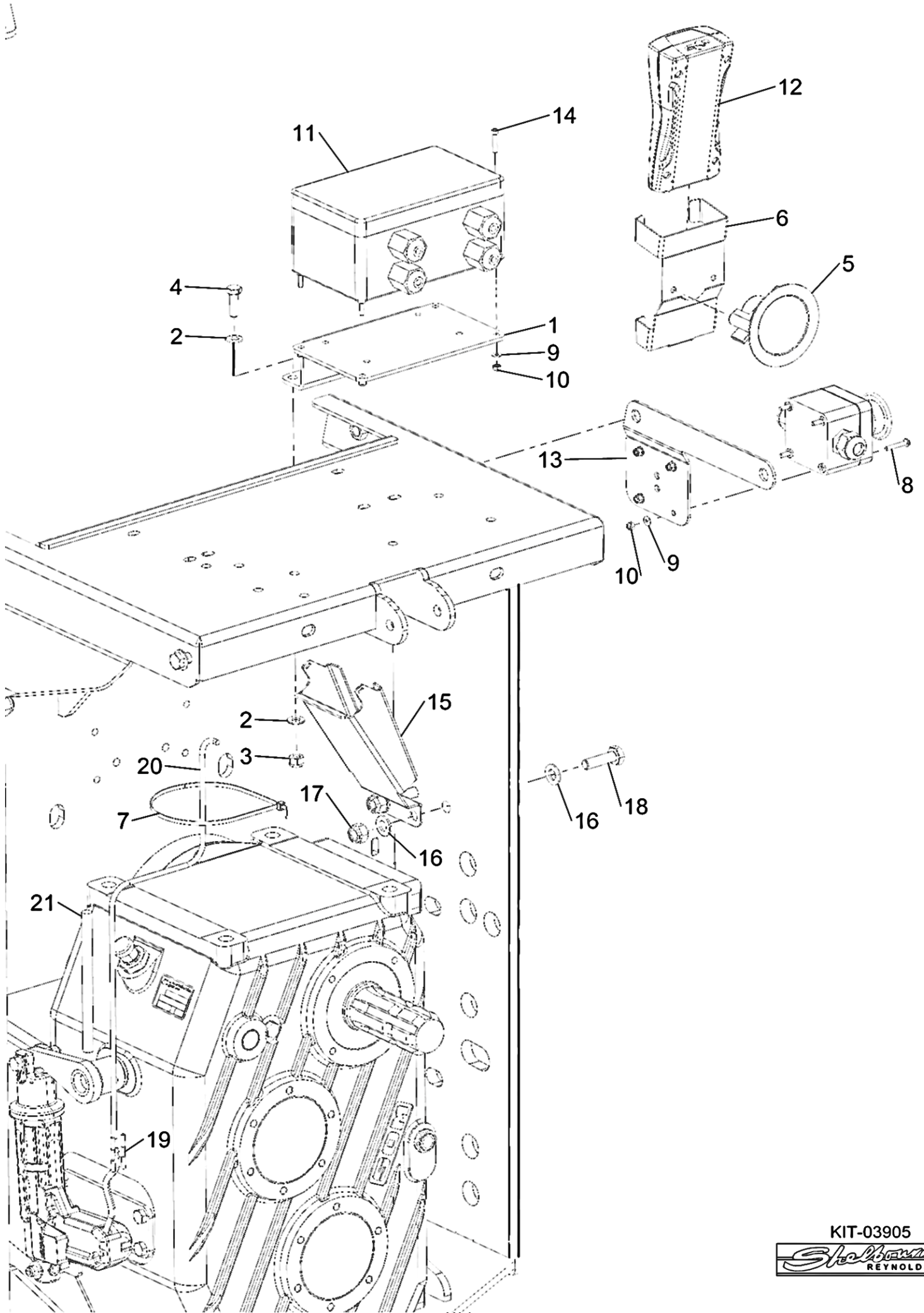
KIT-03904



**Shelbourne Reynolds Engineering Limited**

ASSY NUMBER: KIT-03905				ASSY DESCRIPTION: WIRELESS HYDRAULIC CONTROL KIT			
ITEM	PART NO	DESCRIPTION	QTY	ITEM	PART NO	DESCRIPTION	QTY
1	617693 01	CONTROL BOX MTG BRKT	1				
2	WSH-0012	WASHER (M8 PLAIN)	4				
3	NUT-0263	NUT	2				
4	HSS-0145	SETSCREW	2				
5	LCL-01249	SUCTION MOUNT ASSY	1				
6	617459 01	HANDSET CRADDLE	1				
7	TIE-0006	TIE WRAP LARGE	10				
8	SCFC04170	PAN HD SCREW	4				
9	WSH-0003	WASHER	8				
10	NUT-0255	NUT	8				
11	HVC-06000	REMOTE CONTROL BASE UNIT	1				
12	HVC-06001	REMOTE CONTROL HANDSET	1				
13	617587 01	EMERGENCY STOP MTG BRKT	1				
14	SCW-0035	SOC HD SCREW	4				
15	616450 01	STORAGE CRADDLE	1				
16	WSH-0015	WASHER	4				
17	NUT-0265	NUT	2				
18	HSS-0198	SETSCREW	2				
19	ETM-04630	HEAT SHRINK CRIMP CONNECTOR	2				
20	CBL-03010	CABLE (2-CORE)	2m				
21	PHS-00455	HEAT SHRINK TUBE (10mm)	0.1m				

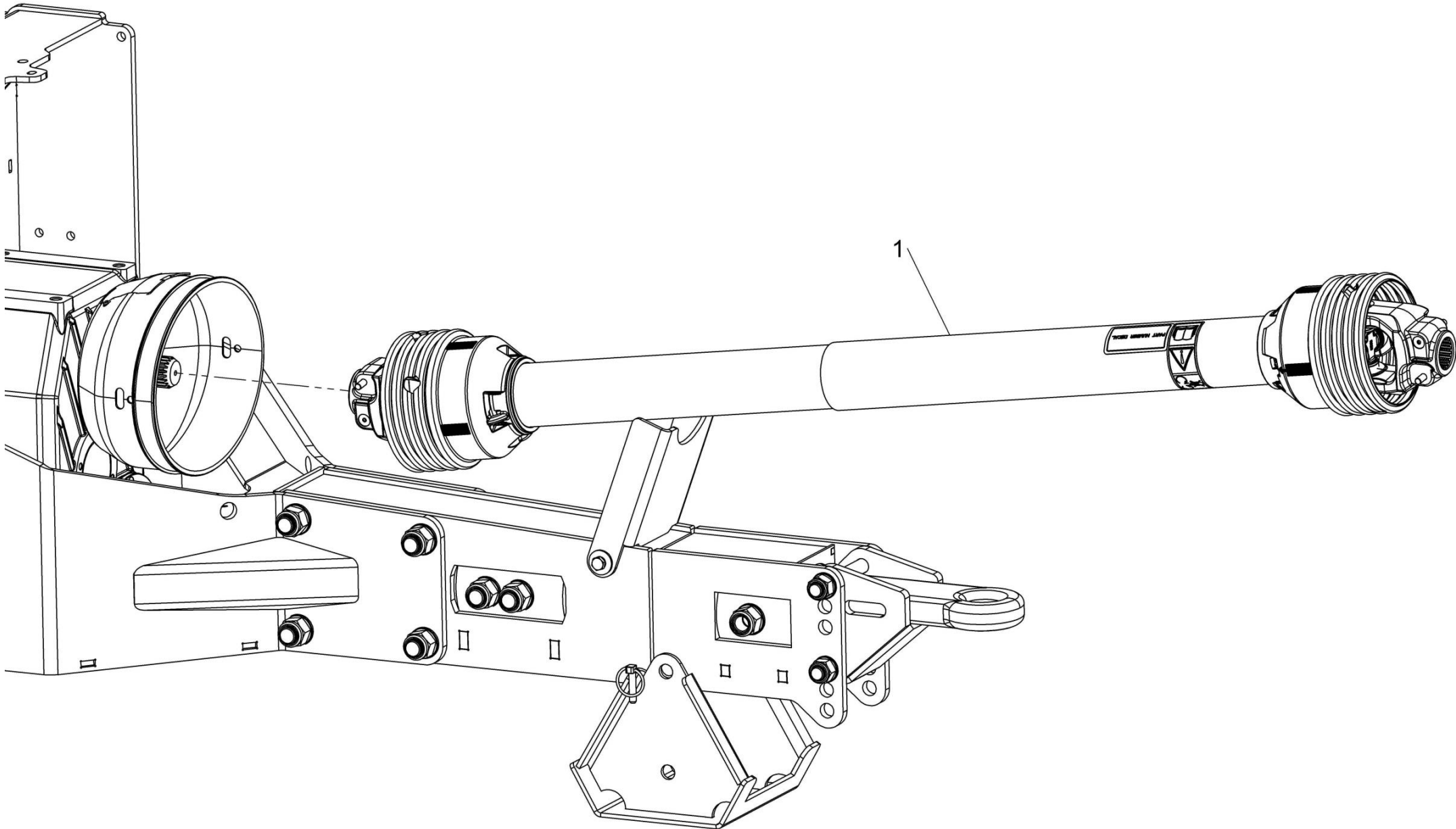




KIT-03905

## Shelbourne Reynolds Engineering Limited

ASSY NUMBER: KIT-03908				ASSY DESCRIPTION: INPUT PTO SHAFT KIT (WIDE ANGLE)			
ITEM	PART NO	DESCRIPTION	QTY	ITEM	PART NO	DESCRIPTION	QTY
1	PTO-35020	INPUT PTO SHAFT	1				

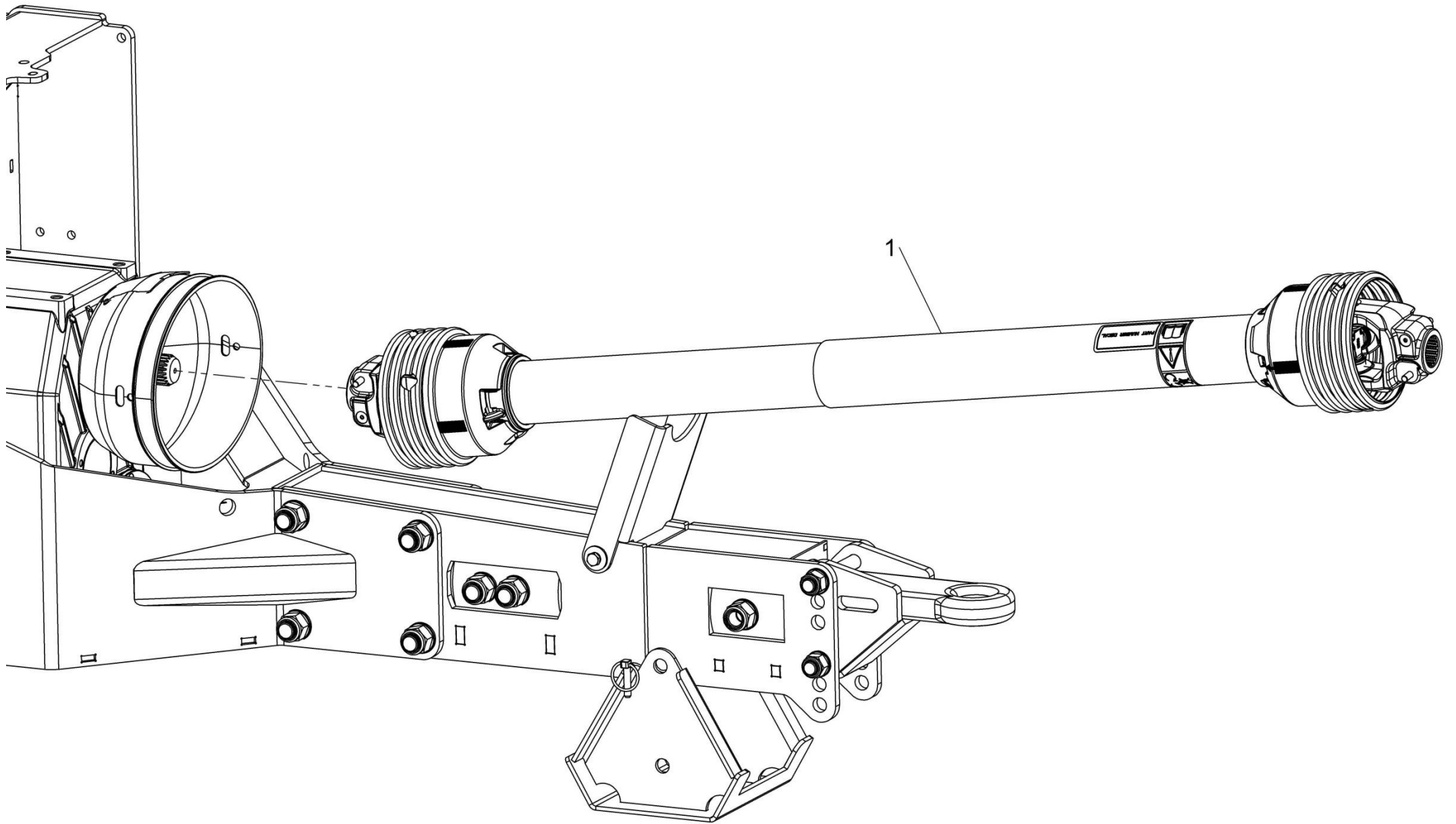


KIT-03908  
KIT-03908A



**Shelbourne Reynolds Engineering Limited**

ASSY NUMBER: KIT-03908A				ASSY DESCRIPTION: W-A INPUT PTO SHAFT KIT (16-22M PLUS)			
ITEM	PART NO	DESCRIPTION	QTY	ITEM	PART NO	DESCRIPTION	QTY
1	PTO-35020W	W-A INPUT PTO SHAFT (WALT)	1				

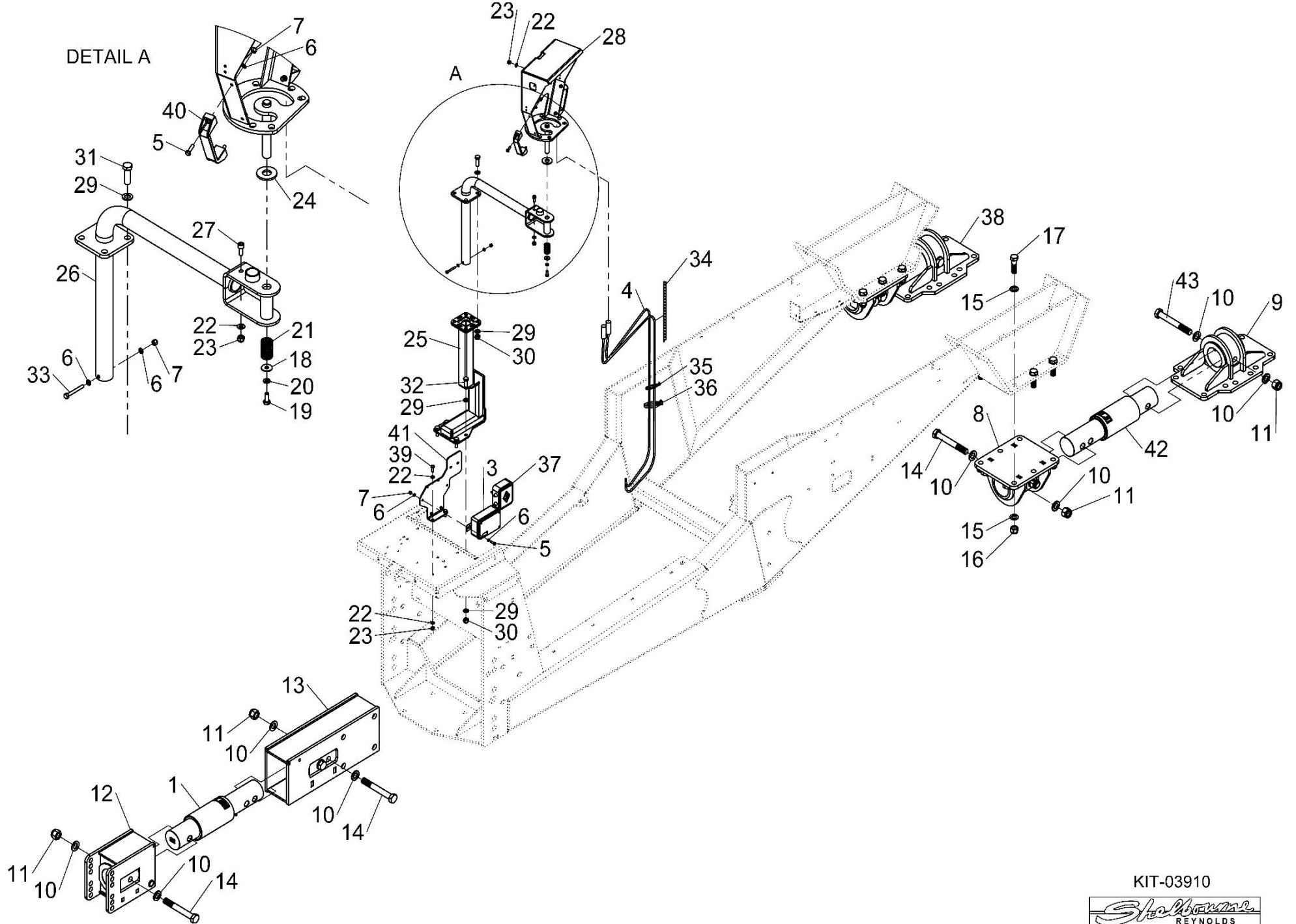


KIT-03908  
KIT-03908A



### Shelbourne Reynolds Engineering Limited

ASSY NUMBER: KIT-03910				ASSY DESCRIPTION: WEIGHING KIT (DG TYPE)			
ITEM	PART NO	DESCRIPTION	QTY	ITEM	PART NO	DESCRIPTION	QTY
1	LCL-04075	LOADCELL	1				
2	LCL-04100	POWER CORD	1	35	TIE-0004	TIE WRAP	40
3	LCL-04025	JUNCTION BOX	1	36	TIE-0012	TIE WRAP EXTRA LARGE	2
4	LCL-04030	SENSOR CABLE	1	37	JNC-00000	JUNCTION BOX	1
5	HSS-0086	SETSCREW	8	38	620126 02	RH LOADCELL MTG BOSS W/A	1
6	WSH-0009	WASHER	14	39	HSS-0145	SETSCREW	2
7	NUT-0260	NUT	9	40	HND-0000	PLASTIC HANDLE	2
8	615912 01	LOADCELL MTG BOSS W/A	2	41	617691 01	JUNCTION BOX MTG BRKT (PME18180622 & ON)	1
9	620126 01	LH LOADCELL MTG BOSS W/A	1				
10	WSH-0036	WASHER	18	OR	616874 01	JUNCTION BOX MTG BRKT (UP TO & INC PME18180608)	1
11	NUT-0275	NUT	9				
12	617049 01	FRONT LOADCELL MTG W/A	1	42	LCL-04076	LOADCELL	2
13	617050 01	FRONT LOADCELL MTG BOSS W/A	1	43	BLTA24804	BOLT	2
14	BLTA24774	BOLT	7				
15	WSH-0030	WASHER	24				
16	NUTA02200	NUT	12				
17	BLT-2367	BOLT	12				
18	WSH-1038	WASHER	1				
19	HSS-0140	BOLT	1				
20	WSH-0058	WASHER	1				
21	SPGC32355	COMPRESSION SPRING	1				
22	WSH-0012	WASHER	17				
23	NUT-0263	NUT	7				
24	198800 46	WASHER	1				
25	618038 01	WEIGH HEAD SUPPORT ARM W/A (PME18180664 & ON)	1				
OR	616259 01	WEIGH HEAD SUPPORT ARM W/A (UP TO & INC PME18180655)	1				
26	617835 01	DISPLAY PIVOT ARM W/A (PME 18180664 & ON)	1				
OR	616870 01	DISPLAY PIVOT ARM W/A (UP TO & INC PME18180664)	1				
27	SCW-0133	CP HD SCREW	1				
28	618846 01	DISPLAY COVER W/A	1				
29	WSH-0018	WASHER	10				
30	NUT-0269	NUT	5				
31	HSS-0250	SETSCREW	1				
32	HSS-0241	SETSCREW	4				
33	BLTA06320	BOLT	1				
34	SLV-00300	SPIRAL CONVOLUTE TUBING	10M				



KIT-03910



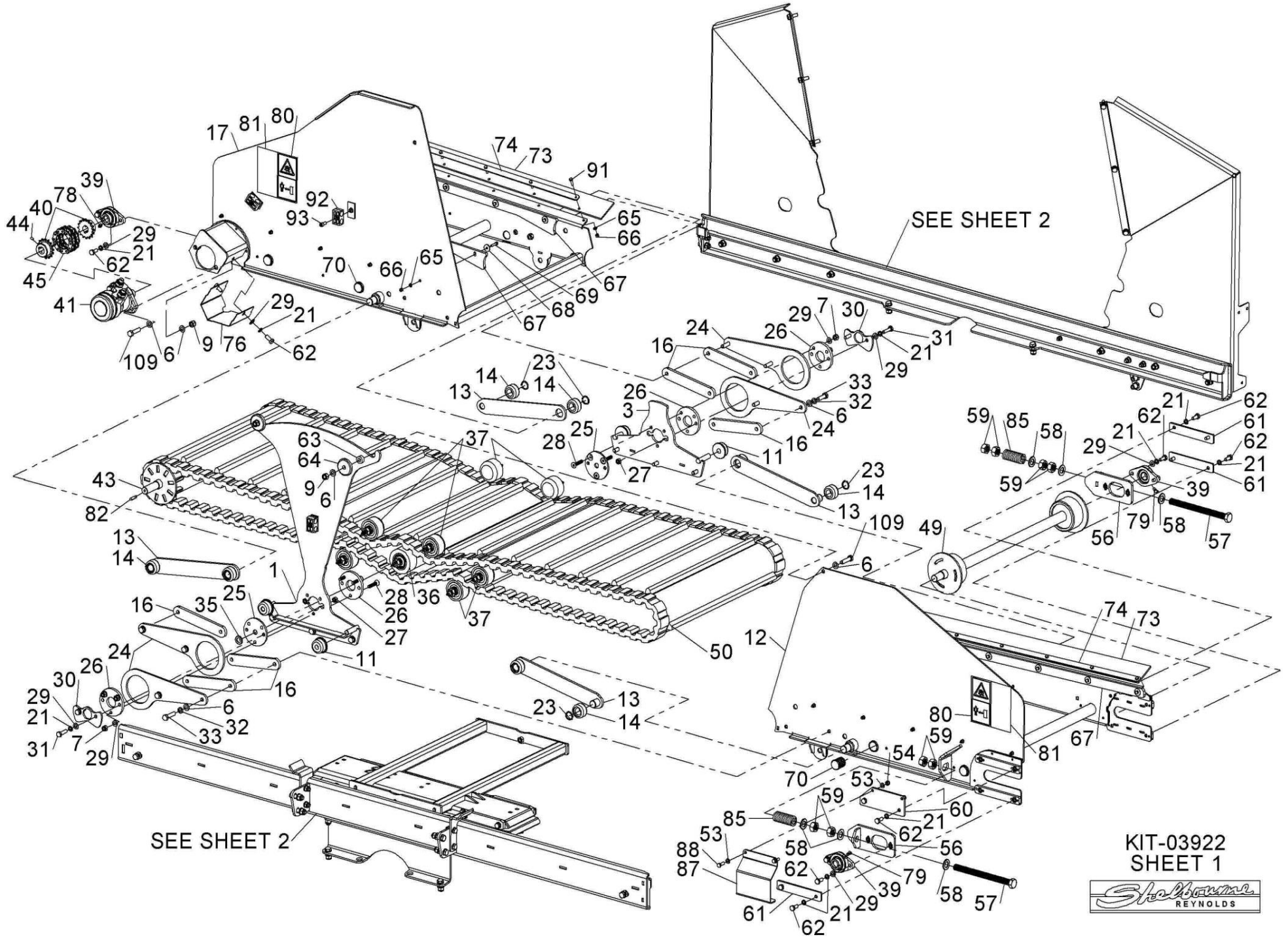
## Shelbourne Reynolds Engineering Limited

ASSY NUMBER: KIT-03922				ASSY DESCRIPTION: EXPRESS CONVEYOR KIT			
ITEM	PART NO	DESCRIPTION	QTY	ITEM	PART NO	DESCRIPTION	QTY
1	615969 01	FRONT CARRIAGE W/A	1	41	MOTH08000	HYDRAULIC MOTOR	1
2	610908 01	HYDRAULIC CYLINDER	2	41a	HMS-08001	SEAL KIT	
3	615972 01	REAR CARRIAGE W/A	1	42	HSS-0241	SETSCREW	12
4	616753 01	CONVEYOR CARRIAGE W/A	1	43	616017 01	DRIVE SHAFT W/A	1
5	616705 01	RAM BODY CLAMP W/A	1	44	SCW-4530	GRUBSCREW	4
6	WSH-0018	WASHER	64	45	CHN-01380	CHAIN	1
7	NUT-0265	NUT	16	46			
8	BLT-2270	BOLT	4	47	616079 01	LH STOP W/A	1
9	NUT-0269	NUT	23	48	616079 02	RH STOP W/A	1
10	BLTA12440	BOLT	2	49	616543 01	IDLE SHAFT W/A	1
11	613702 01	WHEEL	4	50	CON-00045	CONVEYOR BELT	1
12	615981 01	LH CONVEYOR PAN W/A	1			(SER No PME18200772 & ON)	
13	615352 01	LIFY ARM W/A	4	OR	CON-00039	CONVEYOR BELT	1
14	614278 01	WHEEL	8			(UP TO & INC PME18200747)	
15	616917 01	CONVEYOR MTG W/A	1	51	616775 01	BULKHEAD FIXING PLATE	1
16	614669 01	SPACER PLATE	6	52	HBK-0012	BULKHEAD	2
17	615983 01	RH CONVEYOR PAN W/A	1	53	WSH-0012	WASHER	5
18	HALAA0303	HYD FITTING	1	54	NUT-0263	NUT	3
19	616752 01	COVER PLATE	1	55			
20				56	616092 01	BEARING SLIDE W/A	2
21	WSH-0061	WASHER	34	57	HSSA20930	SETSCREW	2
22	HSS-0194	SETSCREW	18	58	WSH-0030	WASHER	6
23	CIR-1125	EXTERNAL CIRCLIP	8	59	NUT-0185	NUT )	8
24	614667 01	PIVOT PLATE	4	60	616351 01	KEEP PLATE	1
25	615997 01	COUNTERSUNK DISC	2	61	616090 01	KEEP PLATE	3
26	615998 01	PIVOT DISC	4	62	HSS-0191	SETSCREW	18
27	NUT-0167	NUT	4	63	613919 04	SPACER TUBE	2
28	SCEA10324	CSK SOC HD SCREW	6	64	616768 01	NYLON WASHER	2
29	WSH-0015	WASHER	50	65	WSH-0009	WASHER	32
30	615999 01	SECURING PLATE	2	66	NUT-0260	NUT	32
31	HSS-0202	SETSCREW	8	67	616097 01	SEAL PLATE W/A	4
32	WSH-0065	WASHER	12	68	WSH-1036	WASHER	20
33	HSS-0260	SETSCREW	4	69	HSS-0092	SETSCREW	20
34	HSS-0250	SETSCREW	4	70	PTF-00134	PLASTIC CAP	8
35	WSH-0024	WASHER	14	71	616098 01	RH REAR SPILL PLATE	1
36	CON-00026	GUIDE ROLLER	2	72	616098 02	LH REAR SPILL PLATE	1
37	CON-00025a	SUPPORT ROLLER	12	73	616766 01	RUBBER SEAL STRIP	2
38	HSS-0198	SETSCREW	10	74	616767 01	CLAMP PLATE	2
39	BRG-22560	FLANGE BEARING	4	75			
40	260030 03	12T SPROCKET	2	76	616558 01	COUPLING GUARD	1



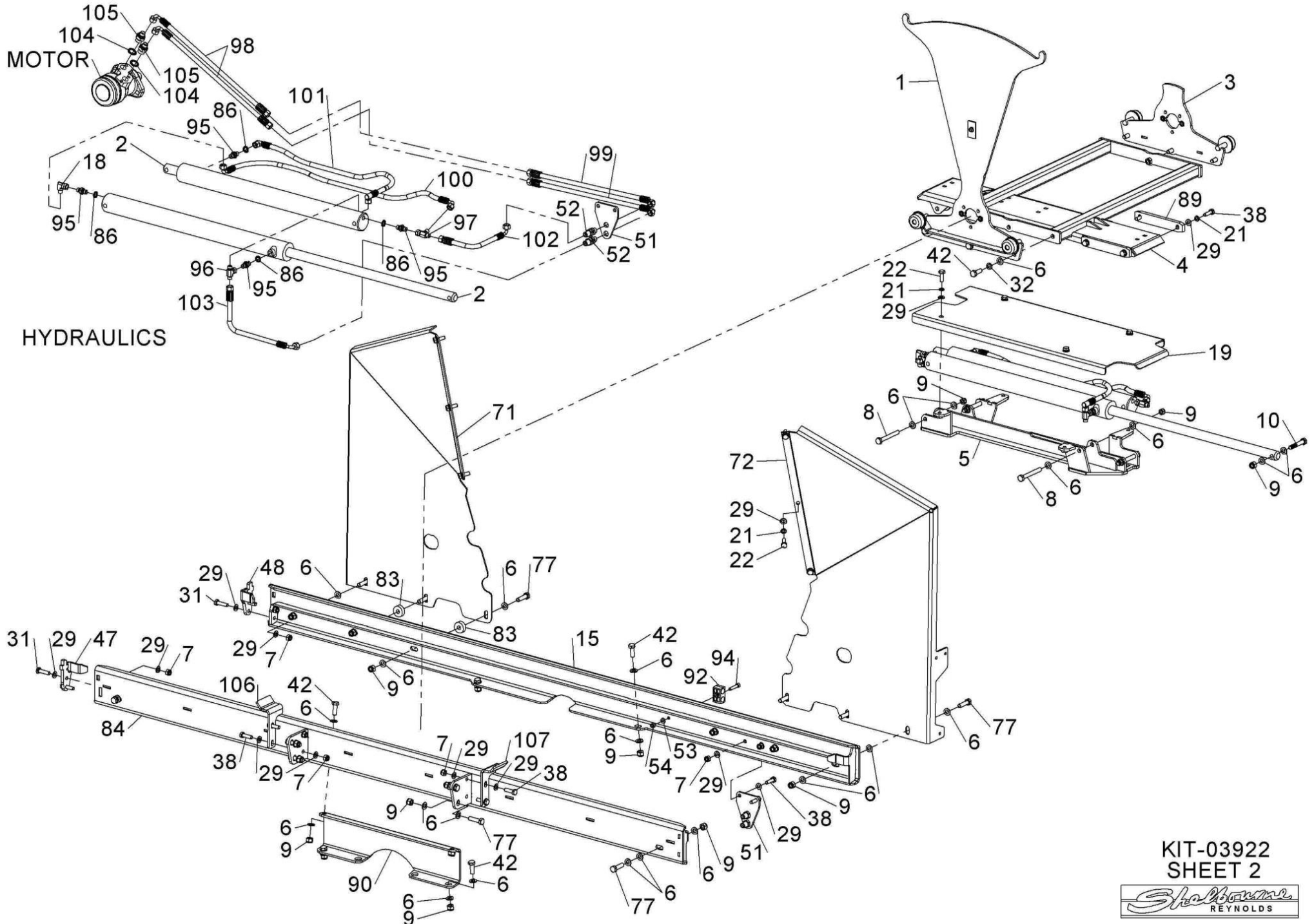
**Shelbourne Reynolds Engineering Limited**

ASSY NUMBER: KIT-03922 CONTINUED...				ASSY DESCRIPTION: EXPRESS CONVEYOR KIT			
ITEM	PART NO	DESCRIPTION	QTY	ITEM	PART NO	DESCRIPTION	QTY
77	BLTA12290	BOLT	12				
78	NIP-00600	GREASE NIPPLE	2				
79	NIP-00610	GREASE NIPPLE	2				
80	260062 01	TRANSFER-HAND ENTANGL	2				
81	260061 01	TRANSFER-SAFE DISTANCE	2				
82	K0807032	KEY PARALLEL	1				
83	198800 52	WASHER	4				
84	616913 01	CONVEYOR MTG W/A	1				
85	SPGC52900	COMPRESSION SPRING	2				
86	WSH-1005	DOWTY WASHER	4				
87	616352 01	BEARING COVER	1				
88	HSS-0145	SETSCREW	2				
89	616763 01	NYLON SLIPPER	2				
90	616764 01	SUPPORT PLATE	1				
91	HSS-0088	SETSCREW	12				
92	HCPD01800	HYD PIPE CLAMP	4				
93	SCW-0133	CP HD SCREW	3				
94	SCW-0142	CP HD SCREW	1				
95	HMA-0052	HYD ADAPTOR	4				
96	FITA10130	HYD TEE FITTING	1				
97	FITA10480	HYD TEE FITTING	1				
98	HHDE23205	HYD HOSE ASSY	2				
99	HHBE29005	HYD HOSE ASSY	2				
100	HHEC09505	HYD HOSE ASSY	1				
101	HHGC07505	HYD HOSE ASSY	1				
102	HHCC07505	HYD HOSE ASSY	1				
103	HHCC09605	HYD HOSE ASSY	1				
104	WSH-1015	DOWTY WASHER	2				
105	HMA-0065	M/M ADAPTOR	2				
106	617444 01	SHIPPING BRKT LH	1				
107	617444 02	SHIPPING BRKT RH	1				
108							
109	BLTA12320	BOLT	4				



KIT-03922  
SHEET 1



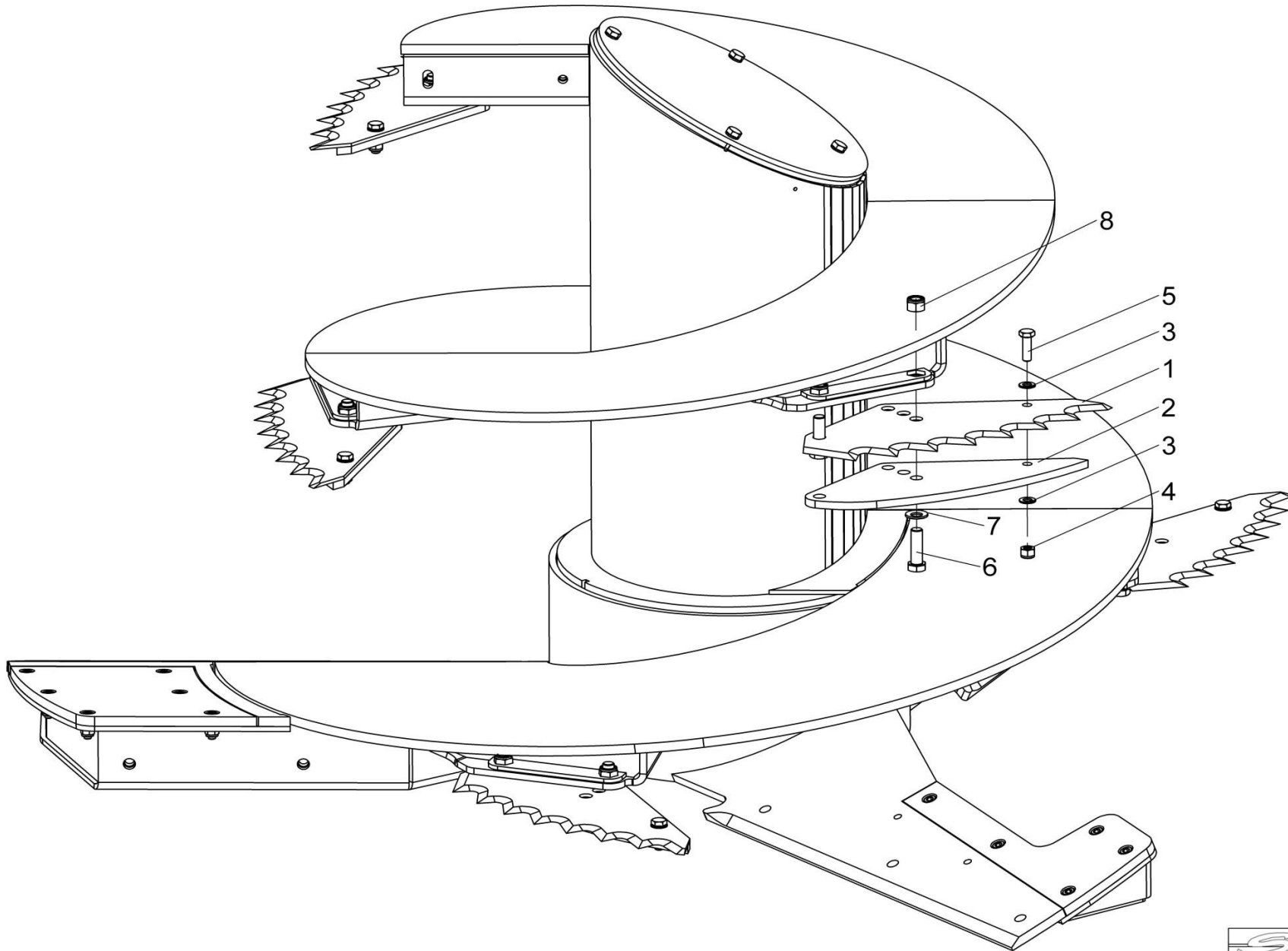


KIT-03922  
SHEET 2



## Shelbourne Reynolds Engineering Limited

ASSY NUMBER: KIT-03923				ASSY DESCRIPTION: STANDARD BLADE KIT (1 PER AUGER)			
ITEM	PART NO	DESCRIPTION	QTY	ITEM	PART NO	DESCRIPTION	QTY
1	614812 02	STANDARD AUGER BLADE	7				
2	614807 02	BACK UP PLATE	7				
3	WSH-0018	WASHER	14				
4	NUT-0269	NUT	7				
5	HSS-0250	SETSCREW	7				
6	HSS-0319	SETSCREW	14				
7	WSHA30161	LOCKWASHER	14				
8	NUT-0271	NUT	14				



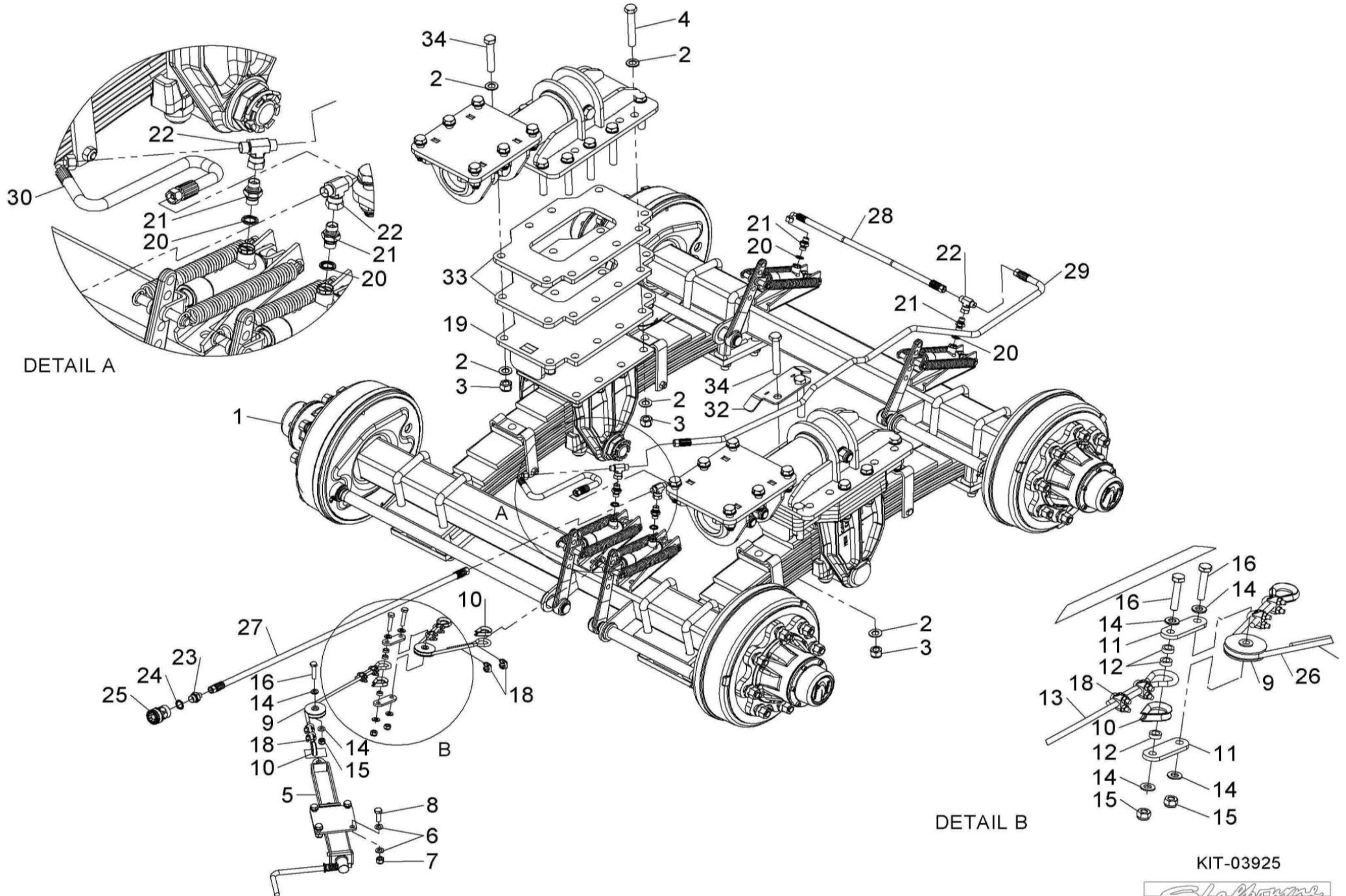
KIT-03923



## Shelbourne Reynolds Engineering Limited

ASSY NUMBER: KIT-03925				ASSY DESCRIPTION: TANDEM AXLE KIT			
ITEM	PART NO	DESCRIPTION	QTY	ITEM	PART NO	DESCRIPTION	QTY
1	AXL-00235	TANDEM AXLE	1				
2	WSH-0030	WASHER	38				
3	NUTA02200	NUT	20				
4	BLTA20590	BOLT	12				
5	616300 01	HANDBRAKE W/A	1				
6	WSH-0018	WASHER	8				
7	NUT-0269	NUT	4				
8	HSS-0241	SETSCREW	4				
9	BRA-14101	HANDBRAKE PULLEY	2				
10	WRP-01050	WIRE CABLE THIMBLE	4				
11	617590 01	LINK PLATE	2				
12	198800 68	SPACER	3				
13	CBL-30010	CABLE	1m				
14	WSH-0015	WASHER	6				
15	NUT-0265	NUT	3				
16	HSS-0210	SETSCREW	3				
17							
18	WRP-02080	WIRE CLAMP	8				
19	617054 01	AXLE STOP W/A	2				
20	WSH-1010	DOWTY WASHER	4				
21	HMA-0057	ADAPTOR M/M	4				
22	FITA10140	TEE FITTING	3				
23	HMA-0065	ADAPTOR M/M	1				
24	WSH-1015	DOWTY WASHER	1				
25	HQR-10007	QUICK RELEASE BRAKE COUPLING	1				
26	CBL-30010	CABLE	0.9m				
27	HHAE63005	HYD HOSE ASSY	1				
28	HHBE09205	HYD HOSE ASSY	1				
29	HHAE14005	HYD HOSE ASSY	1				
30	HHBE03605	HYD HOSE ASSY	1				
31	BLTA20410	BOLT	4				
32	591889 01	HOSE FIXING PLATE	1				
33	617058 01	SPACER PLATE	4				
34	BLTA20560	BOLT	8				

# Shelbourne Reynolds Engineering Limited



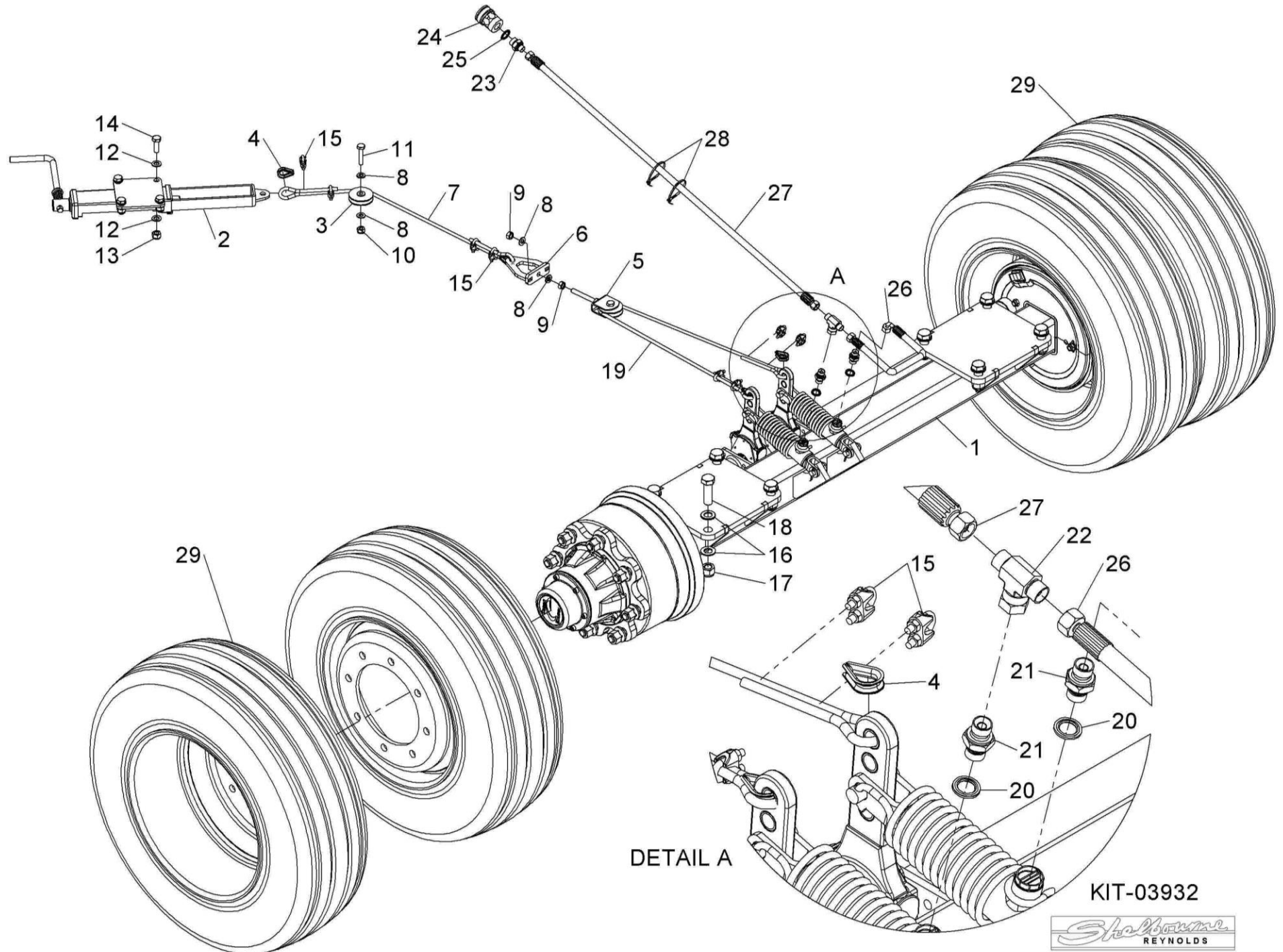
KIT-03925



**Shelbourne Reynolds Engineering Limited**

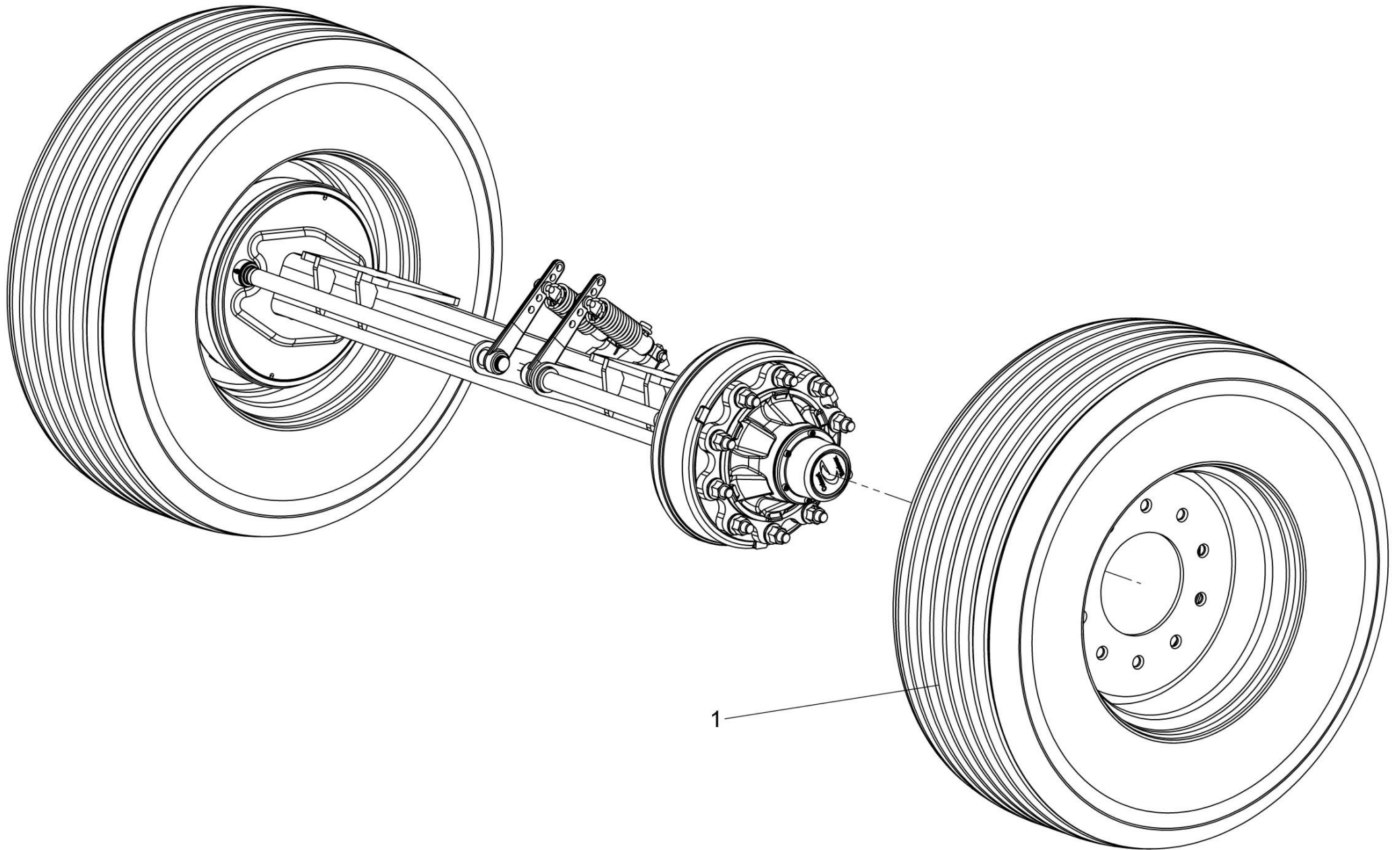
ASSY NUMBER: KIT-03932				ASSY DESCRIPTION: AXLE & WHEEL KIT (235/75R17.5 DUAL)			
ITEM	PART NO	DESCRIPTION	QTY	ITEM	PART NO	DESCRIPTION	QTY
1	617230 01	SINGLE AXLE W/A	1				
2	616300 01	HANDBRAKE W/A	1				
3	BRA-14101	HANDBRAKE PULLEY	1				
4	WRP-01040	WIRE CABLE THIMBLE	4				
5	BRA-14002	PULLEY CARRIER ASSY	1				
6	616303 01	TENSIONER W/A	1				
7	CBL-30010	8mm CABLE	1.5m				
8	WSH-0015	WASHER	4				
9	NUT-0167	NUT	2				
10	NUT-0265	NUT	1				
11	HSS-0210	SETSCREW	1				
12	WSH-0018	WASHER	8				
13	NUT-0269	NUT	4				
14	HSS-0241	SETSCREW	4				
15	WRP-02080	WIRE CLAMP	8				
16	WSH-0030	WASHER	16				
17	NUTA02200	NUT	8				
18	HSSA20410	SETSCREW	8				
19	CBL-30010	8mm CABLE	1.1m				
20	WSH-1010	DOWTY WASHER	2				
21	HMA-0057	ADAPTOR M/M	2				
22	FITA10140	TEE FITTING	1				
23	HMA-0065	ADAPTOR M/M	1				
24	HQR-10007	QUICK RELEASE BRAKE COUPLING	1				
25	WSH-1015	DOWTY WASHER	1				
26	HHBC03205	HYD HOSE ASSY	1				
27	HHAE67005	HYD HOSE ASSY	1				
28	TIE-0004	TIE WRAPS (MED)	16				
29	WHL-01740	WHEEL & TYRE ASSY 235/75R17.5	4				
30							
31							
32							
33							
34							
35							
36							
37							
38							
39							
40							





**Shelbourne Reynolds Engineering Limited**

ASSY NUMBER: KIT-03934A				ASSY DESCRIPTION: TANDEM WHEEL & TYRE KIT(385/55-R19.5-35m)			
ITEM	PART NO	DESCRIPTION	QTY	ITEM	PART NO	DESCRIPTION	QTY
1	WHL-01921	WHEEL & TYRE ASSY	4				



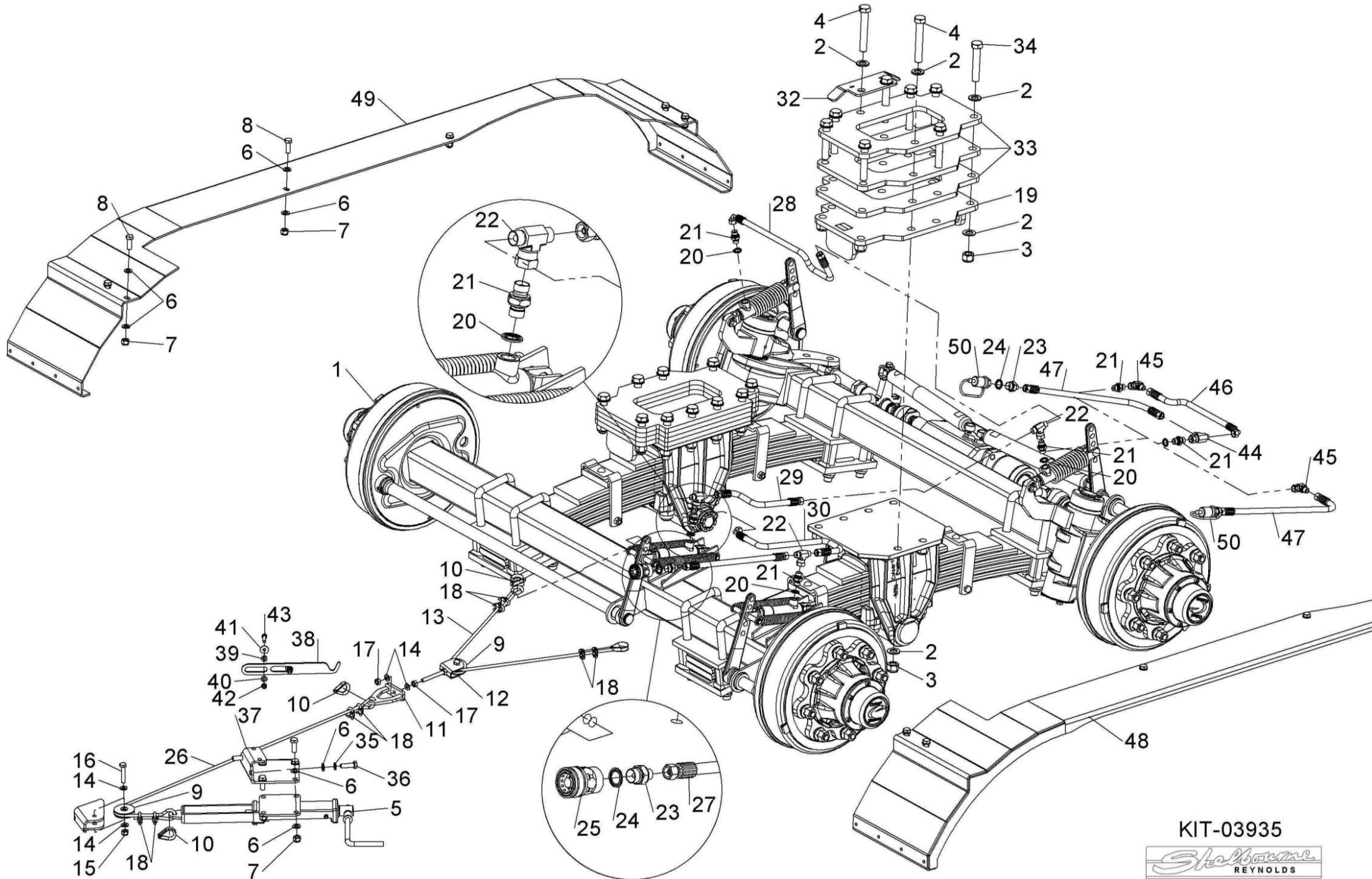
**KIT-03934/A**



## Shelbourne Reynolds Engineering Limited

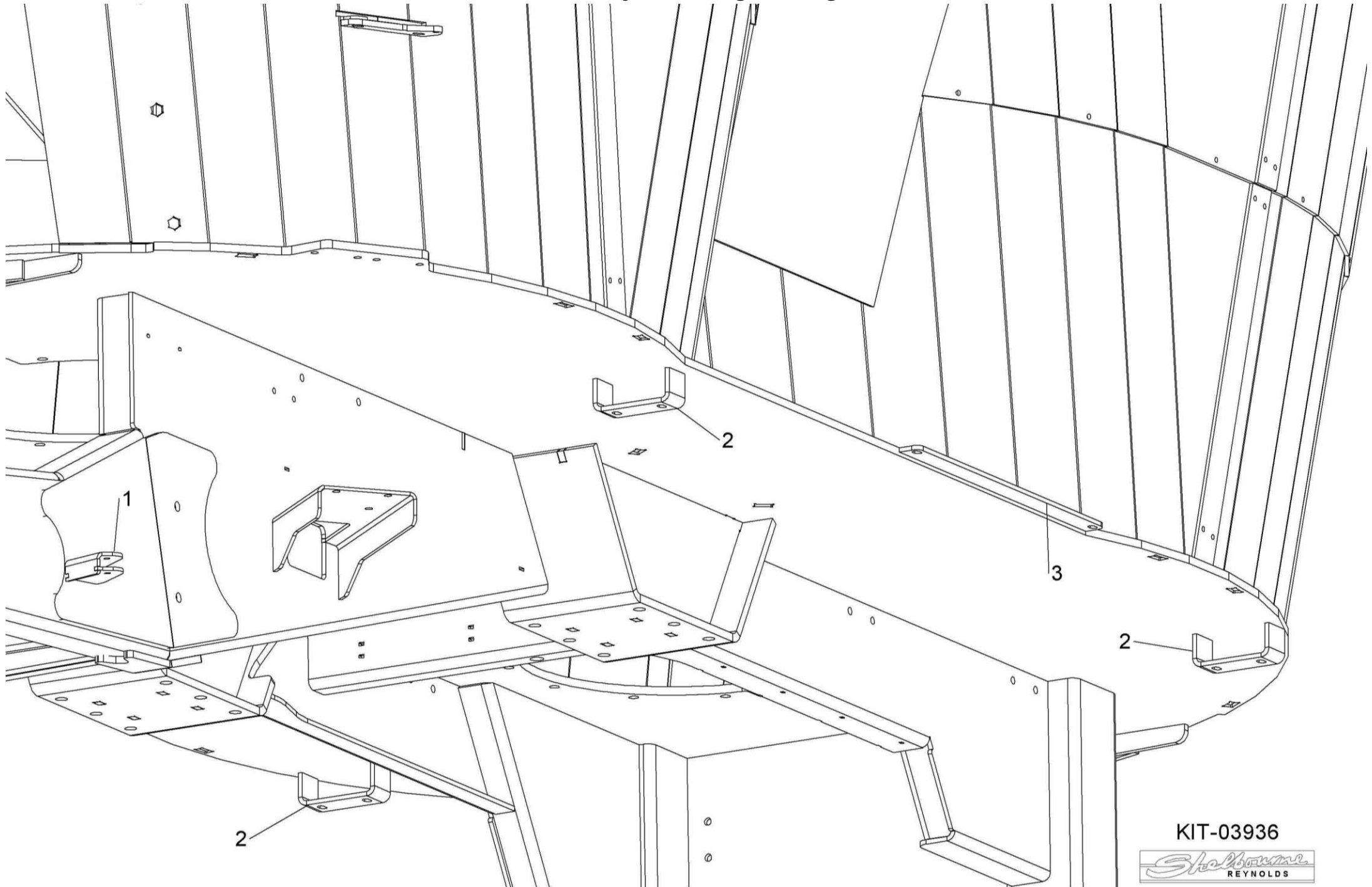
ASSY NUMBER: KIT-03935				ASSY DESCRIPTION: STEERING TANDEM AXLE KIT			
ITEM	PART NO	DESCRIPTION	QTY	ITEM	PART NO	DESCRIPTION	QTY
1	AXL-00265	STEERING TANDEM AXLE	1	41	WSH-1038	WASHER	2
2	WSH-0030	WASHER	38	42	NUT-0263	NUT	2
3	NUTA02200	NUT	20	43	HSS-0150	SETSCREW	2
4	BLTA20650	BOLT	12	44	FITA10410	TEE FITTING	1
5	616300 01	HANDBRAKE W/A	1	45	HALAA0505	ELBOW	2
6	WSH-0018	WASHER	34	46	HHBE03605	HYD HOSE ASSY	1
7	NUT-0269	NUT	16	47	HHAE84005	HYD HOSE ASSY	2
8	HSS-0241	SETSCREW	16	48	616987 01	LH MUDGUARD W/A	1
9	BRA-14101	HANDBRAKE PULLEY	1	49	616987 02	RH MUDGUARD W/A	1
10	WRP-01050	WIRE CABLE THIMBLE	4	50	COU-0162	QUICK RELEASE COUPLING	2
11	616303 01	TENSIONER W/A	1	51	612230 01	TRANSFER (RETURN LINE)	1
12	BRA-14002	PULLEY CARRIER ASSY	1				
13	CBL-30010	CABLE	1.6m				
14	WSH-0015	WASHER	4				
15	NUT-0265	NUT	1				
16	BLTA10350	SETSCREW	1				
17	NUT-0167	NUT	2				
18	WRP-02080	WIRE CLAMP	8				
19	617054 01	AXLE STOP W/A	2				
20	WSH-1010	DOWTY WASHER	5				
21	HMA-0057	ADAPTOR M/M	6				
22	FITA10140	TEE FITTING	3				
23	HMA-0065	ADAPTOR M/M	3				
24	WSH-1015	DOWTY WASHER	3				
25	HQR-10007	QUICK RELEASE BRAKE COUPLING	1				
26	CBL-30010	CABLE	1.4m				
27	HHAE63005	HYD HOSE ASSY	1				
28	HHBE08805	HYD HOSE ASSY	2				
29	HHBE07405	HYD HOSE ASSY	1				
30	HHKE14005	HYD HOSE ASSY	1				
31	BLTA20410	BOLT	4				
32	591889 01	HOSE FIXING PLATE	1				
33	617058 01	SPACER PLATE	6				
34	BLTA20590	BOLT	8				
35	WSH-0065	WASHER	2				
36	HSS-0250	SETSCREW	2				
37	616965 01	HANDBRAKE BRKT	1				
38	616983 01	HANDLE SUPPORT PLATE	1				
39	198800 55	SPACER 16 O/D x 9 I/D x 5 THK	2				
40	WSH-0012	WASHER	2				

# Shelbourne Reynolds Engineering Limited



## Shelbourne Reynolds Engineering Limited

ASSY NUMBER: KIT-03936				ASSY DESCRIPTION: TUB CONVERSION KIT (STEERING AXLE)			
ITEM	PART NO	DESCRIPTION	QTY	ITEM	PART NO	DESCRIPTION	QTY
1	616964 01	HANDBRAKE ROLLER BRKT W/A	1				
2	616992 01	MUDGUARD MTG BRKT	4				
3	616991 01	MUDGUARD MTG BRKT	2				



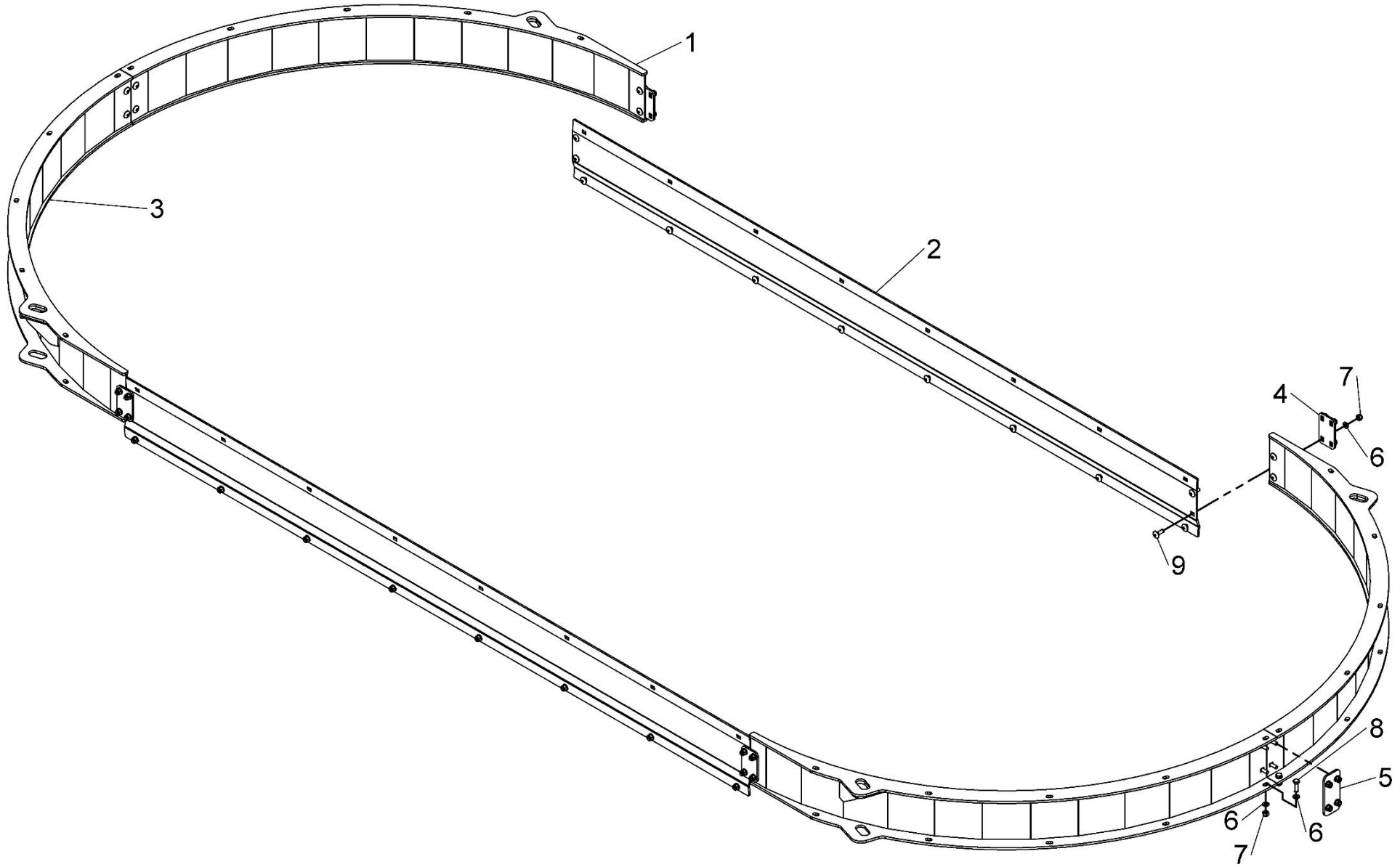
KIT-03936



## Shelbourne Reynolds Engineering Limited

ASSY NUMBER: KIT-03938				ASSY DESCRIPTION: 20cu mt EXTENSION KIT			
ITEM	PART NO	DESCRIPTION	QTY	ITEM	PART NO	DESCRIPTION	QTY
1	617351 01	LH CURVED EXTENSION W/ASSY	2				
2	617352 01	SIDE EXTENSION PLATE	2				
3	617351 02	RH CURVED EXTENSION W/ASSY	2				
4	617353 01	CLAMP PLATE	4				
5	617354 01	FRONT/REAR CLAMP PLATE	2				
6	WSH-0015	PLAIN WASHER	48				
7	NUT-0265	NYLOC NUT	44				
8	HSS-0198	SET SCREW	20				
9	BLT-3750	COACH BOLT	40				





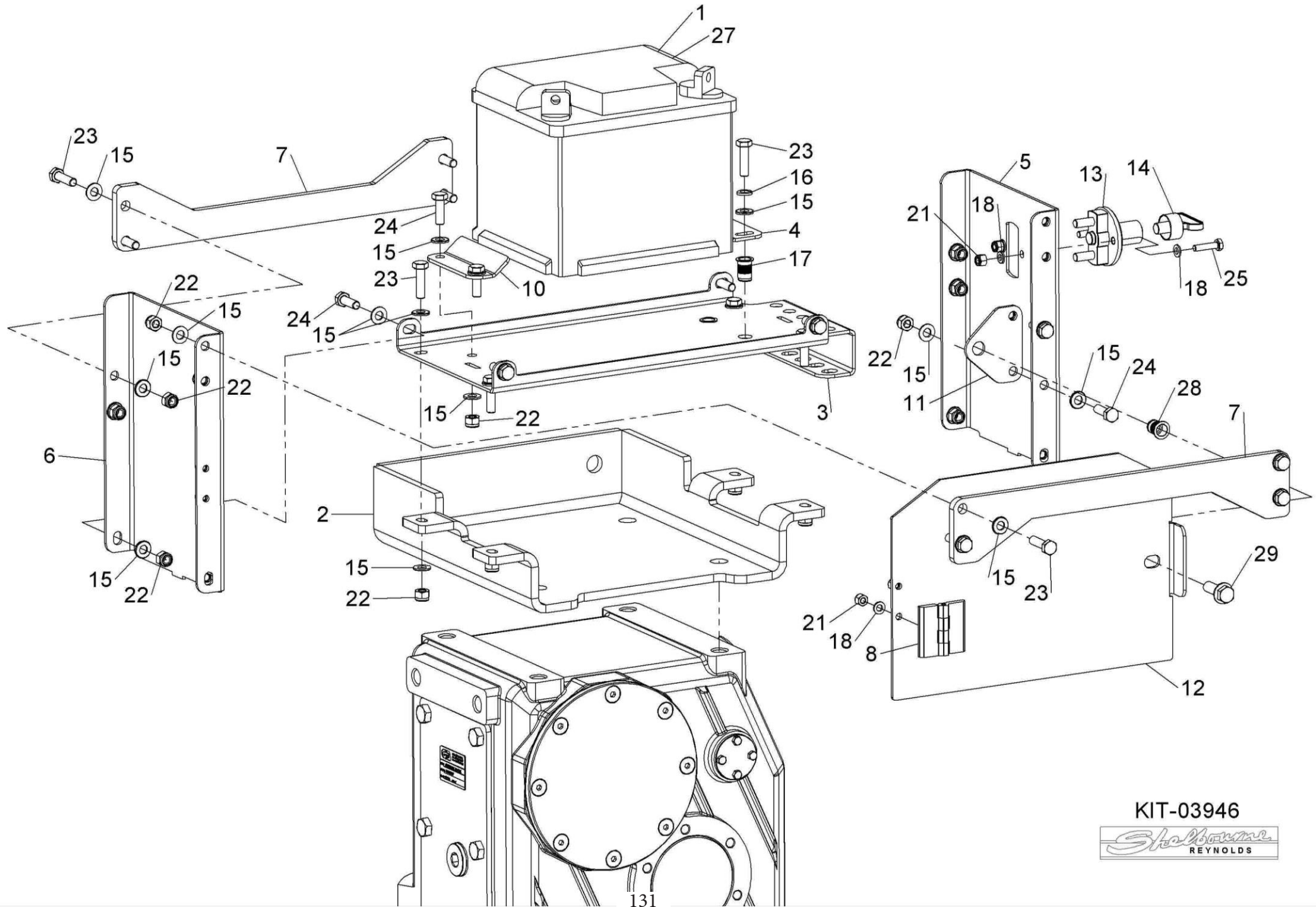
KIT-03938



## Shelbourne Reynolds Engineering Limited

ASSY NUMBER: KIT-03946				ASSY DESCRIPTION: BATTERY TRAY KIT			
ITEM	PART NO	DESCRIPTION	QTY	ITEM	PART NO	DESCRIPTION	QTY
1	BAT-0002	BATTERY	1				
2	617500 01	TOP GEARBOC MG BRKT	1				
3	617523 01	BATTERY PLATE	1				
4	617502 01	BATTERY CLAMP	1				
5	617501 01	SWITCH PLATE	1				
6	617522 01	SIDE PLATE	1				
7	617524 01	BRACE PLATE	2				
8	HIN-10100	LEAF HINGE	1				
9							
10	617531 01	BATTERY CLAMPING PLATE	1				
11	617525 01	LOCKING PLATE	1				
12	617526 01	BATTERY DOOR	1				
13	SWT-32000	BATTERY MASTER SWITCH	1				
14	SWT-32001	SWITCH KEY	1				
15	WSH-0012	WASHER	42				
16	WSH-0058	SPRING WASHER	2				
17	NUTA13087	NUTSERT	2				
18	WSH-0009	WASHER	8				
19							
20							
21	NUT-0260	NYLOC NUT	6				
22	NUT-0263	NYLOC NUT	20				
23	HSS-0150	BOLT	14				
24	HSS-0145	BOLT	8				
25	HSS-0088	BOLT	2				
26							
27	611693 01	POWER FEED LOOM	1				
27a	FUS-00505	GLASS TUBE FUSE	1				
28	NUTA13100	NUTSERT	1				
29	HSSG10204	TENSILOCK BOLT	1				

# Shelbourne Reynolds Engineering Limited

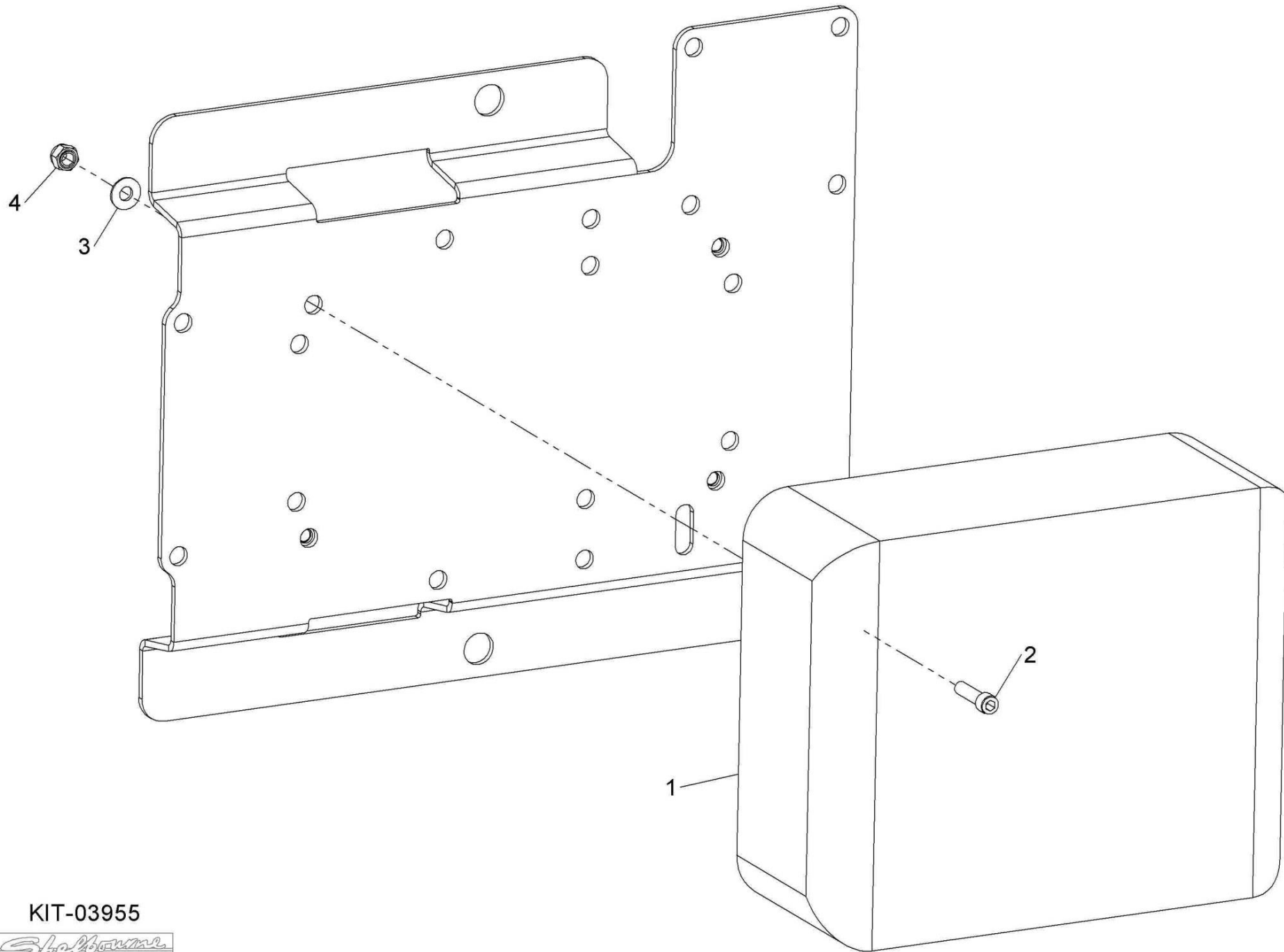


KIT-03946



## Shelbourne Reynolds Engineering Limited

ASSY NUMBER: KIT-03955				ASSY DESCRIPTION: DG GPRS DATA TRANSFER KIT			
ITEM	PART NO	DESCRIPTION	QTY	ITEM	PART NO	DESCRIPTION	QTY
1	LCL-04040	GPRS MODEM	1				
2	SCCA04113	CP HD SCREW	4				
3	WSH-0003	WASHER	4				
4	NUT-0255	NUT	4				

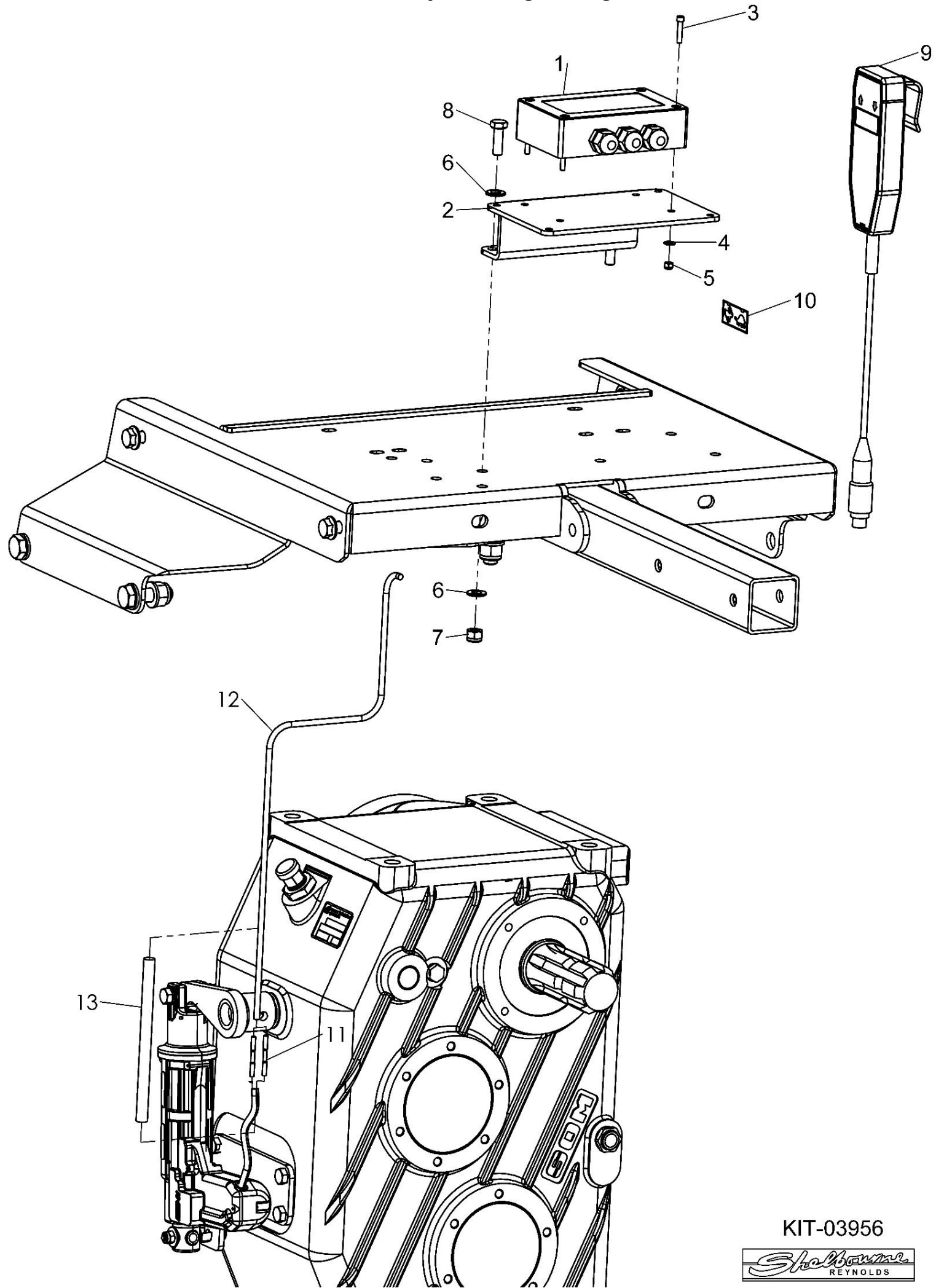


KIT-03955



**Shelbourne Reynolds Engineering Limited**

ASSY NUMBER: KIT-03956				ASSY DESCRIPTION: 2-SPEED GEAR CHANGE HANDSET KIT			
ITEM	PART NO	DESCRIPTION	QTY	ITEM	PART NO	DESCRIPTION	QTY
1	MOTE11020B	ACTUATOR CONTROL BOX	1				
2	617693 01	CONTROL BOX MTG BRACKET	1				
3	SCW-0035	CP HD SCREW	4				
4	WSH-0003	WASHER	4				
5	NUT-0255	NUT	4				
6	WSH-0012	WASHER	4				
7	NUT-0263	NUT	2				
8	HSS-0145	SETSCREW	2				
9	MOTE11020C	HB40 HANDSET	1				
10	617586 01	AUGER SPEED EMBLEM	1				
11	ETM-04630	HEAT SHRINK CRIMP CONNECTOR	2				
12	CBL-03010	CABLE (2-CORE)	2m				
13	PHS-00455	HEAT SHRINK TUBE (10mm)	0.1m				



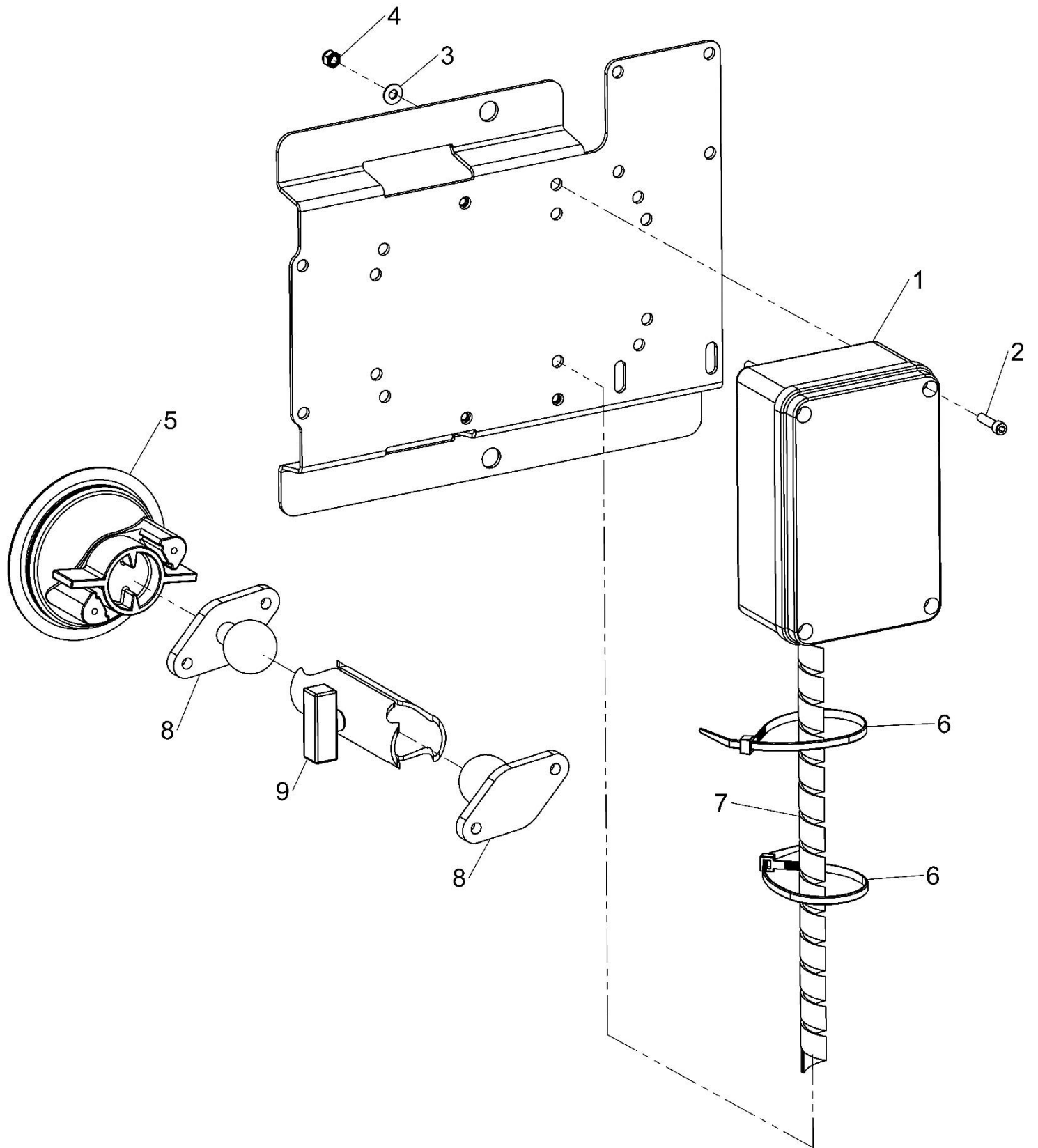
KIT-03956



**Shelbourne Reynolds Engineering Limited**

ASSY NUMBER: KIT-03958				ASSY DESCRIPTION: DINA TEL 3 REMOTE DISPLAY KIT			
ITEM	PART NO	DESCRIPTION	QTY	ITEM	PART NO	DESCRIPTION	QTY
1	LCL-04120	DINA TEL 3 REMOTE DISPLAY KIT	1				
2	SCCA04113	CP SOC HD SCREW	4				
3	WSH-0003	WASHER	4				
4	NUT-0255	NUT	4				
5	LCL-01249	RAM MOUNT SUCTION CUP	1				
6	TIE-0004	TIE WRAP MEDIUM	10				
7	SLV-00300	SPIRAL CONVOLUTE TUBING	2m				
8	LCL-01265	DIAMOND BASE WITH 1" BALL	2				
9	LCL-01268	DOUBLE SOCKET 1"	1				



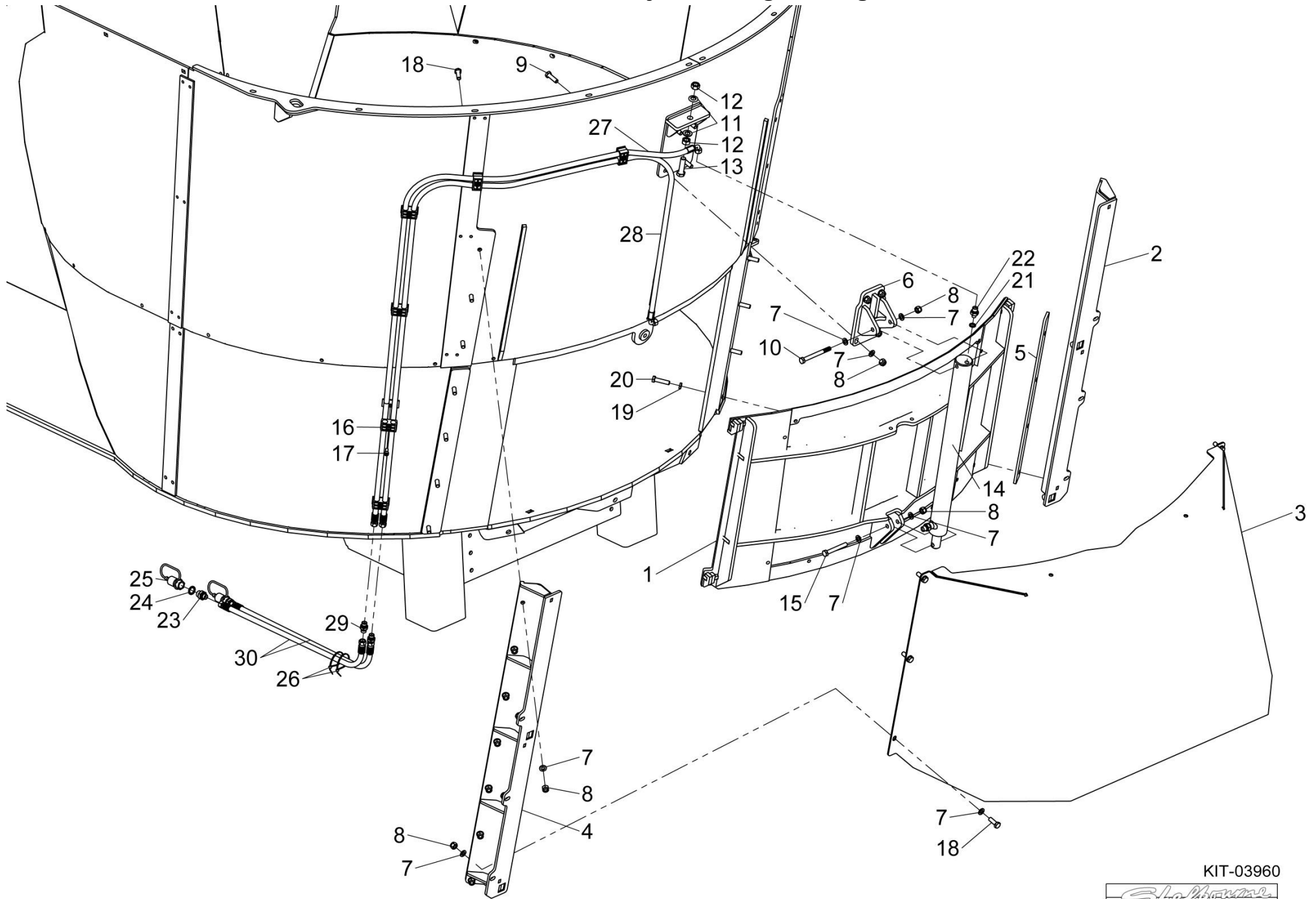


KIT-03958



## Shelbourne Reynolds Engineering Limited

ASSY NUMBER: KIT-03960				ASSY DESCRIPTION: REAR DOOR KIT (PLUS MODEL)			
ITEM	PART NO	DESCRIPTION	QTY	ITEM	PART NO	DESCRIPTION	QTY
1	615844 01	DOOR W/A	1				
2	617591 01	LH DOOR SLIDER W/A	1				
3	617595 01	SAFETY GUARD PLATE	1				
4	617591 02	RH DOOR SLIDER W/A	1				
5	617037 01	SPACER PLATE	2				
6	617538 01	RAM ADJUSTER W/A	1				
7	WSH-0018	WASHER	34				
8	NUT-0269	NUT	26				
9	HSS-0250	SETSCREW	4				
10	BLTA12620	BOLT	1				
11	WSH-0024	WASHER	2				
12	NUT-0180	NUT	2				
13	HSS-0320	SETSCREW	1				
14	610908 01	DOOR RAM	1				
15	BLT-2267	BOLT	1				
16	HCPD01800	HYD PIPE CLAMP	6				
17	SCW-0133	CP HD SCREW	6				
18	HSS-0241	SETSCREW	9				
19	615879 01	BOLT SPACER	8				
20	HSS-0260	SETSCREW	8				
21	WSH-1005	DOWTY WASHER	2				
22	FIT-0025	M/M ADAPTOR	2				
23	HMA-0065	M/M ADAPTOR	2				
24	WSH-1015	DOWTY WASHER	2				
25	COU-0162	QUICK RELEASE COUPLG	2				
26	TIE-0004	TIE WRAP	20				
27	HHCE89005	HYD HOSE ASSY	1				
28	HHCE94005	HYD HOSE ASSY	1				
29	HMA-0057	M/M ADAPTOR	2				
30	HHAE19505	HYD HOSE ASSY	2				

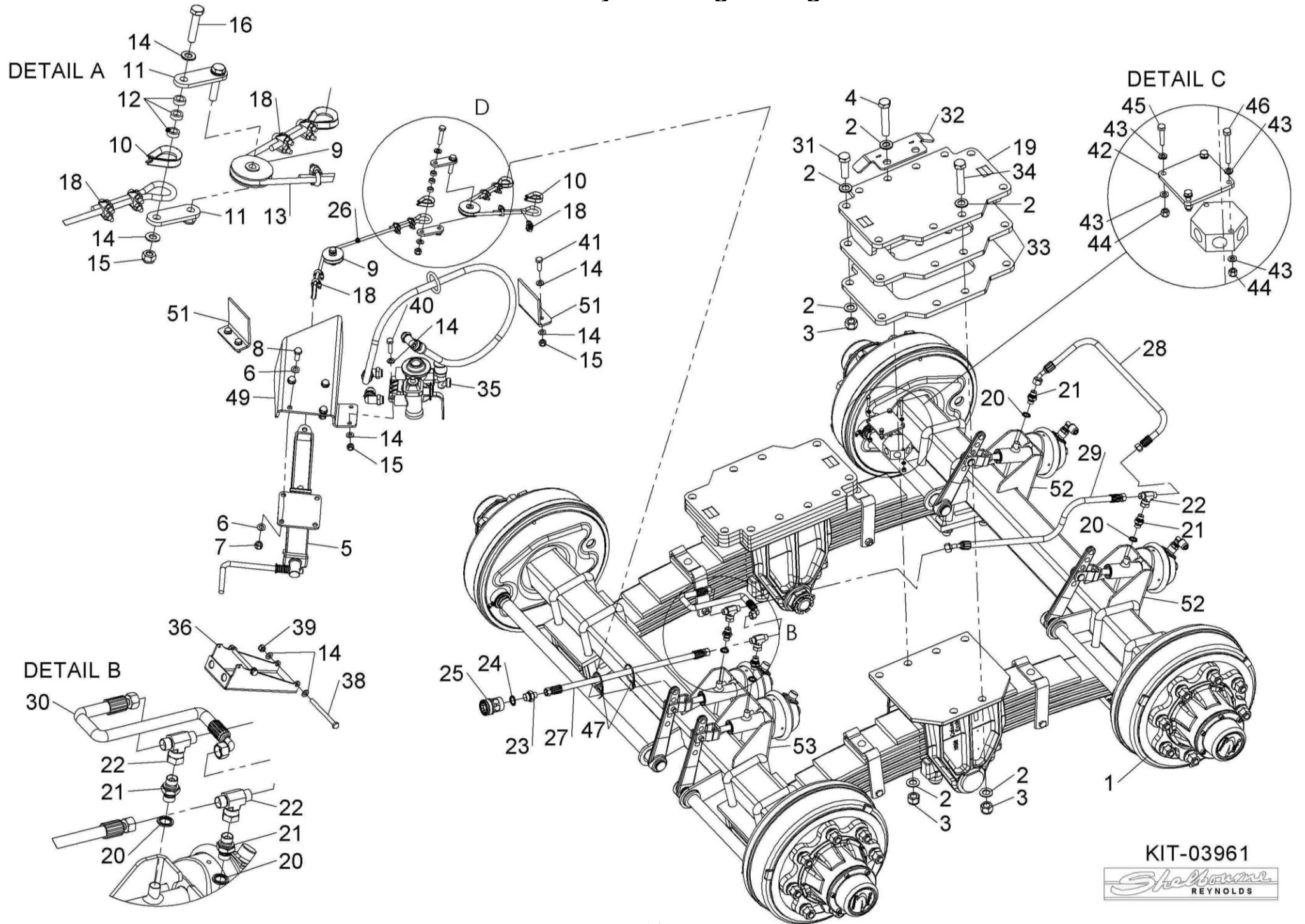


KIT-03960



## Shelbourne Reynolds Engineering Limited

ASSY NUMBER: KIT-03961				ASSY DESCRIPTION: TANDEM AXLE KIT (AIR HYDRAULIC)			
ITEM	PART NO	DESCRIPTION	QTY	ITEM	PART NO	DESCRIPTION	QTY
1	AXL-00235	TANDEM AXLE	1	41	HSS-0198	SETSCREW	4
2	WSH-0030	WASHER	38	42	616967 01	MANIFOLD MTG BRKT	1
3	NUTA02200	NUT	20	43	WSH-0009	WASHER	8
4	BLTA20590	BOLT	12	44	NUT-0260	NUT	4
5	616300 01	HANDBRAKE W/A	1	45	HSS-0092	SETSCREW	2
6	WSH-0018	WASHER	8	46	BLTA06350	BOLT	2
7	NUT-0269	NUT	4	47	TIE-0004	TIE WRAP MEDIUM	20
8	HSS-0241	SETSCREW	4	48	SLV-00300	SPIRAL TUBING	3M
9	BRA-14101	HANDBRAKE PULLEY	2				
10	WRP-01050	WIRE CABLE THIMBLE	4			<u>PARTS TO BE WELDED</u>	
11	617590 01	LINK PLATE	2	49	617618 01	HANDBRAKE BRKT	1
12	198800 68	SPACER	3	50			
13	CBL-30010	CABLE	1m	51	616966 01	AIR TANK MTG BRKT	2
14	WSH-0015	WASHER	22	52	617599 01	REAR AIR CHAMBER MTG BRKT	2
15	NUT-0265	NUT	3	53	617597 01	FRONT AIR CHAMBER MTG BRKT	1
16	HSS-0210	SETSCREW	3				
17							
18	WRP-02080	WIRE CLAMP	8				
19	617054 01	AXLE STOP W/A	2				
20	WSH-1010	DOWTY WASHER	4				
21	HMA-0057	ADAPTOR M/M	4				
22	FITA10140	TEE FITTING	3				
23	HMA-0065	ADAPTOR M/M	1				
24	WSH-1015	DOWTY WASHER	1				
25	HQR-10007	QUICK RELEASE BRAKE COUPLING	1				
26	CBL-30010	CABLE	0.9m				
27	HHAE63005	HYD HOSE ASSY	1				
28	HHDE08205	HYD HOSE ASSY	1				
29	HHDE14005	HYD HOSE ASSY	1				
30	HHBE03605	HYD HOSE ASSY	1				
31	BLTA20410	BOLT	4				
32	591889 01	HOSE FIXING PLATE	1				
33	617058 01	SPACER PLATE	4				
34	BLTA20560	BOLT	8				
35	BRA-07136	AIR/HYD KIT	1				
36	616968 01	AIR SUZIE DOCKING STATION	1				
37							
38	BLTA10630	BOLT	2				
39	NUT-0265	NUT	8				
40	HSS-0202	SETSCREW	2				

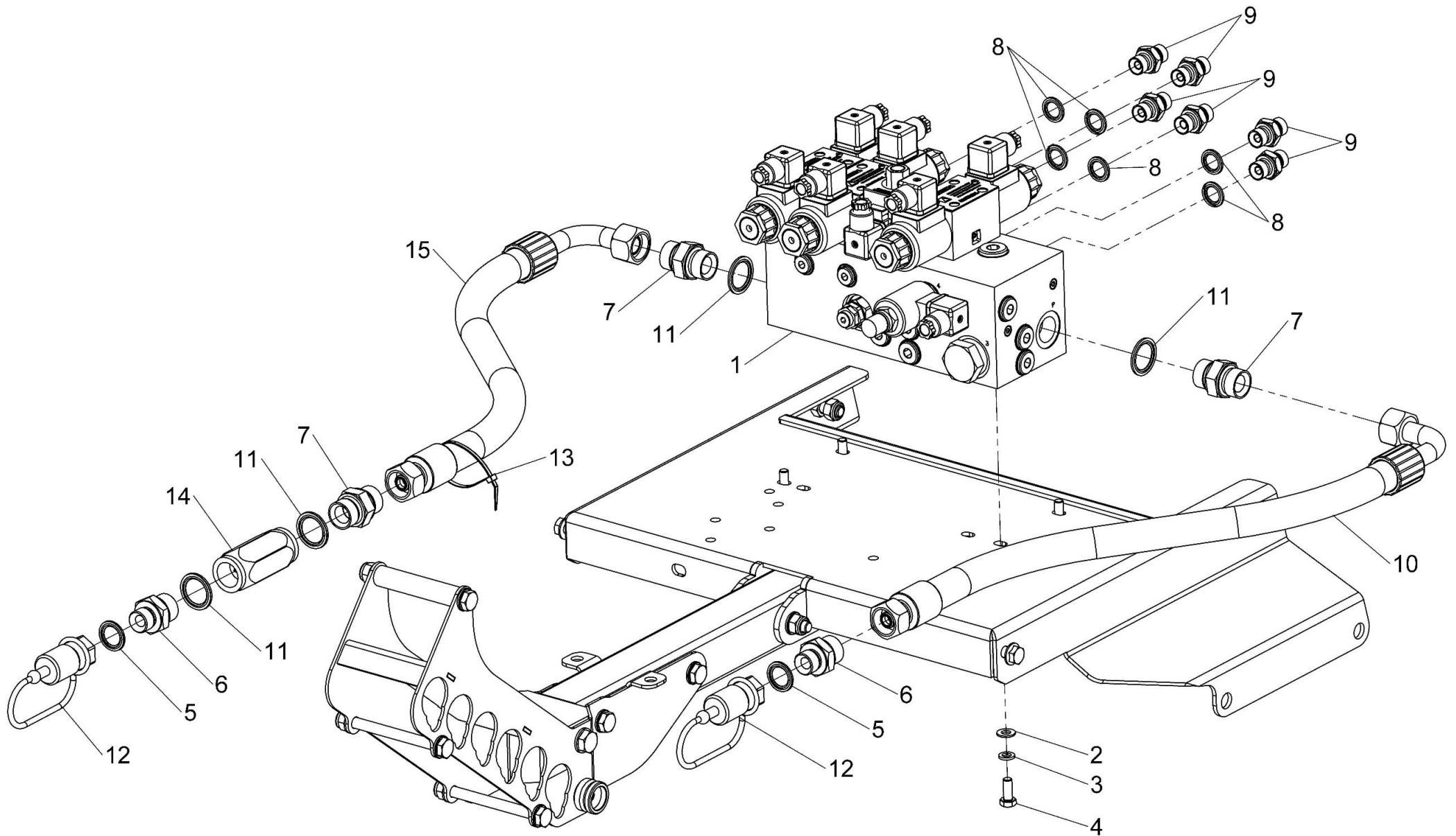


KIT-03961



**Shelbourne Reynolds Engineering Limited**

ASSY NUMBER: KIT-03965				ASSY DESCRIPTION: HYDRAULIC VALVE KIT (3/4" HOSES STEEL V)			
ITEM	PART NO	DESCRIPTION	QTY	ITEM	PART NO	DESCRIPTION	QTY
1	HVB-19140S	PROPORTIONAL CONTROL VALVE	1				
2	WSH-0012	WASHER	4				
3	WSH-0058	WASHER	4				
4	HSS-0140	SETSCREW	4				
5	WSH-1015	DOWTY WASHER	2				
6	HMA-0060	M/M ADAPTOR	2				
7	HMA-0074	M/M ADAPTOR	3				
8	WSH-1010	DOWTY WASHER	6				
9	HMA-0057	M/M ADAPTOR	6				
10	HHBH19505	HYDRAULIC HOSE	1				
11	WSH-1020	DOWTY WASHER	4				
12	COU-0162	QUICK RELEASE COUPLG	2				
13	TIE-0004	TIE WRAP	8				
14	HVB-20510	NON RETURN VALVE	1				
15	HHBH18305	HYDRAULIC HOSE	1				



KIT-03965  
KIT-03966

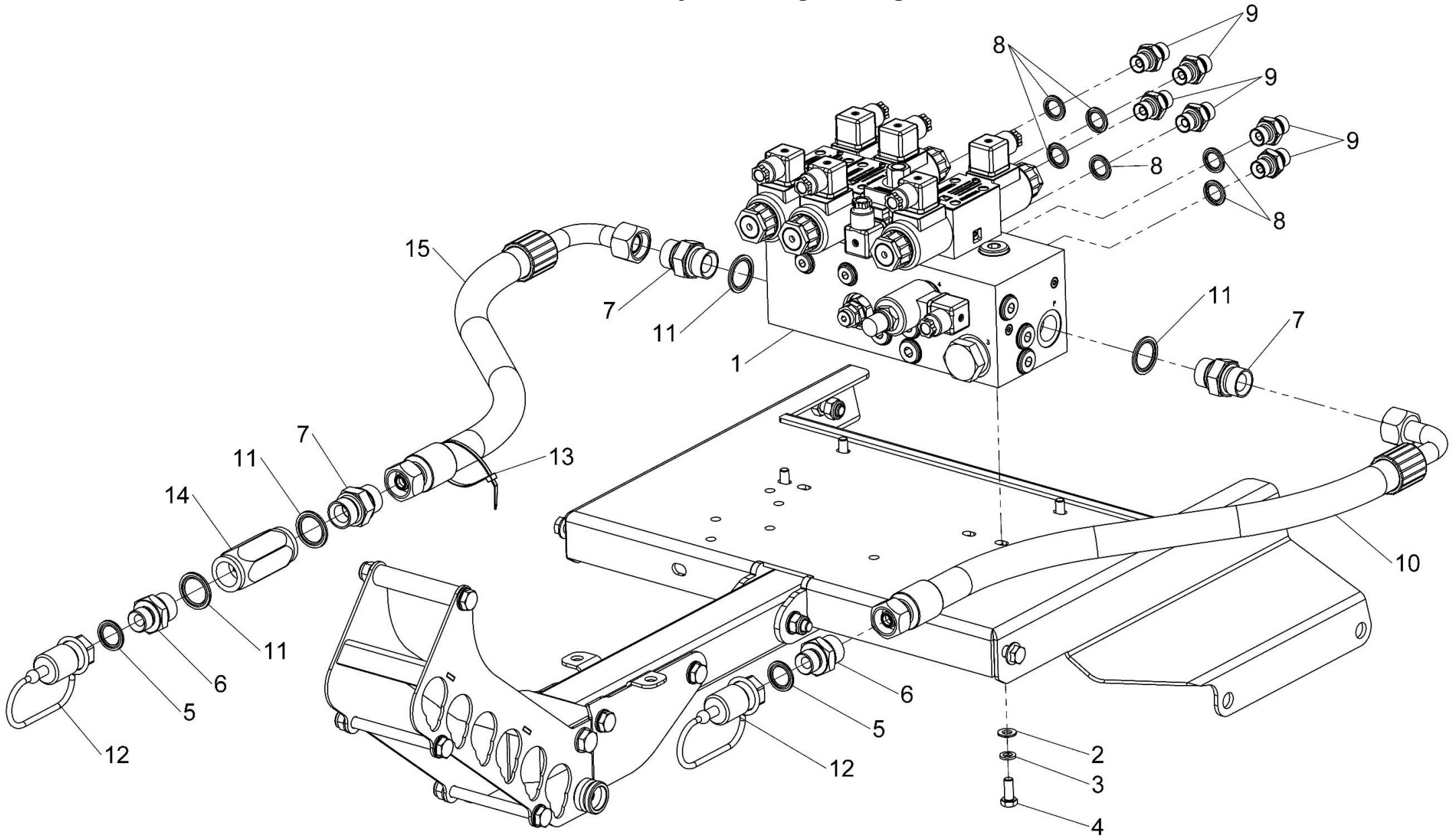


## Shelbourne Reynolds Engineering Limited

ASSY NUMBER: KIT-03966				ASSY DESCRIPTION: HYDRAULIC VALVE KIT (3/4" HOSES)			
ITEM	PART NO	DESCRIPTION	QTY	ITEM	PART NO	DESCRIPTION	QTY
1	HVB-19140	PROPORTIONAL CONTROL VALVE	1				
2	WSH-0012	WASHER	4				
3	WSH-0058	WASHER	4				
4	HSS-0140	SETSCREW	4				
5	WSH-1015	DOWTY WASHER	4				
6	HMA-0060	M/M ADAPTOR	4				
7	HMA-0074	M/M ADAPTOR	1				
8	WSH-1010	DOWTY WASHER	6				
9	HMA-0057	M/M ADAPTOR	6				
10	HHBH19505	HYDRAULIC HOSE	1				
11	WSH-1020	DOWTY WASHER	2				
12	COU-0162	QUICK RELEASE COUPLG	2				
13	TIE-0004	TIE WRAP	8				
14	HVB-20510	NON RETURN VALVE	1				
15	HHBH18305	HYDRAULIC HOSE	1				



**Shelbourne Reynolds Engineering Limited**

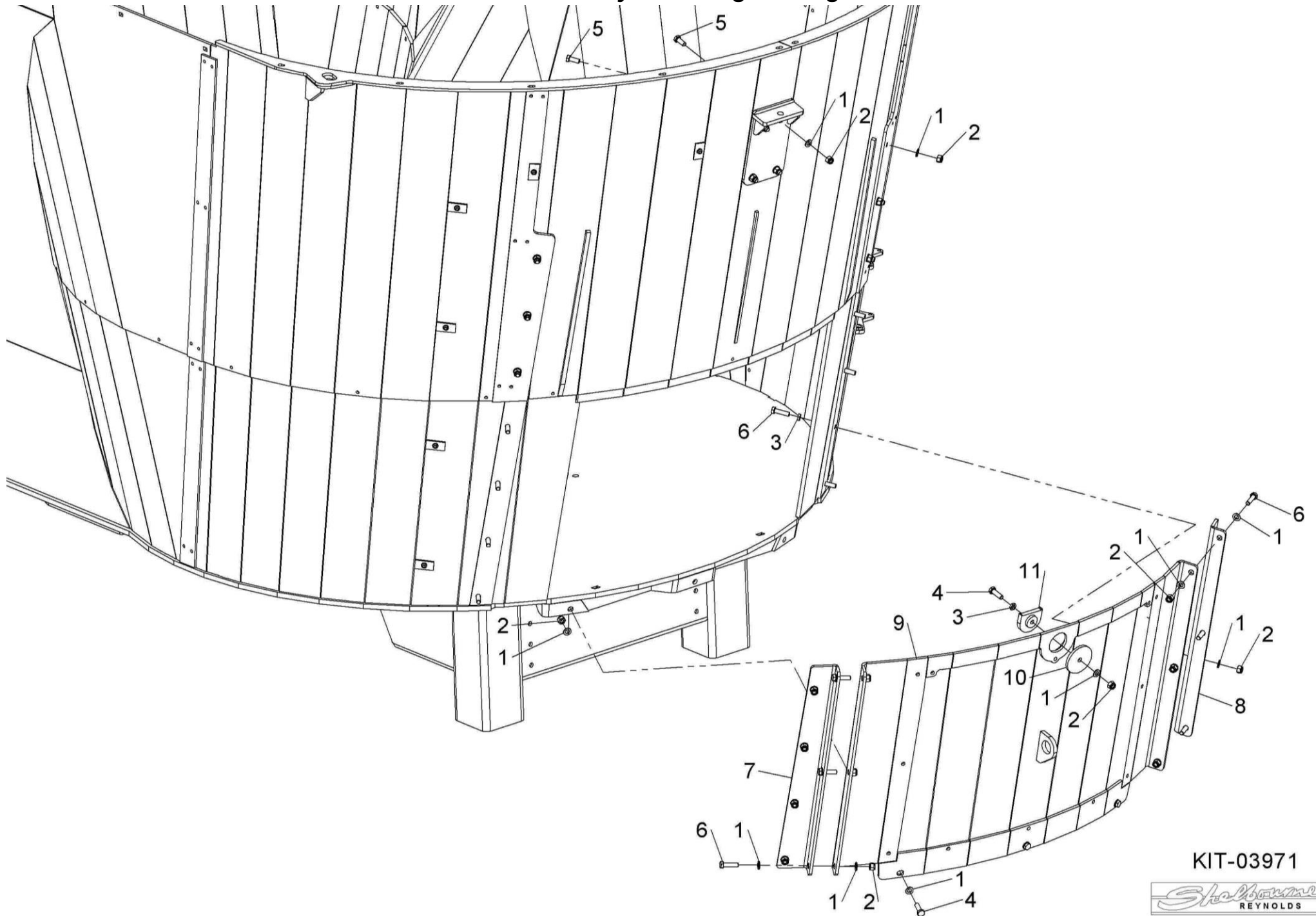


KIT-03965  
KIT-03966



## Shelbourne Reynolds Engineering Limited

ASSY NUMBER: KIT-03971				ASSY DESCRIPTION: DOOR BLANKING PLATE KIT			
ITEM	PART NO	DESCRIPTION	QTY	ITEM	PART NO	DESCRIPTION	QTY
1	WSH-0018	PLAIN WASHER	37				
2	NUT-0269	NYLOC NUT	28				
3	615879 01	BOLT SPACER	8				
4	HSS-0250	SETSCREW	4				
5	HSS-0238	SETSCREW	10				
6	BLTA12290	SETSCREW	14				
7	617553 01	LH SIDE PLATE	1				
8	617553 02	RH SIDE PLATE	1				
9	617549 01	DOOR BLANKING PLATE W/A	1				
10	617564 01	BLANKING WASHER	1				
11	618034 01	FIXING PLATE W/A (WELDED TO TUB)	1				

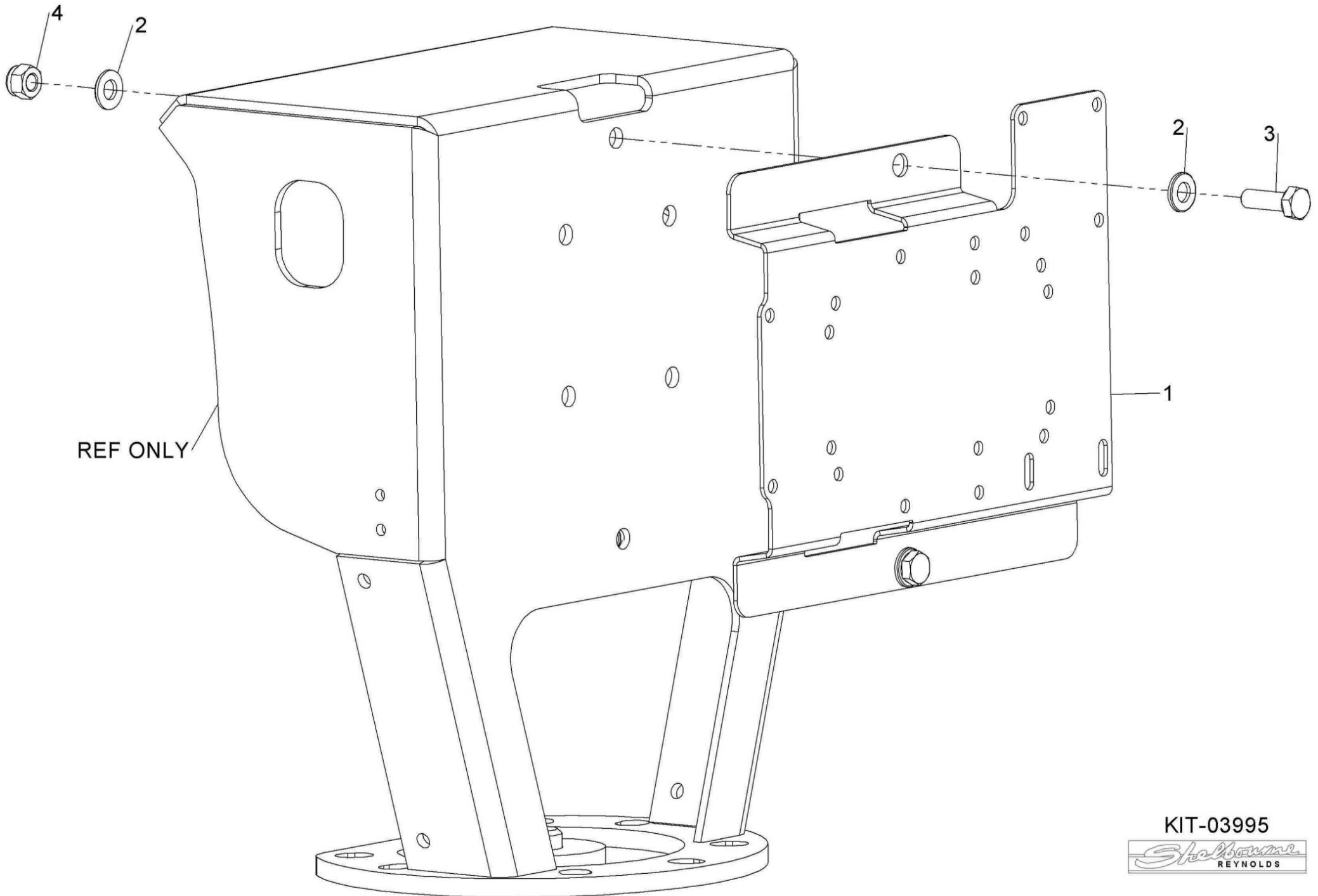


KIT-03971



## Shelbourne Reynolds Engineering Limited

ASSY NUMBER: KIT-03995				ASSY DESCRIPTION: DG OPTIONS MTG BRKT KIT			
ITEM	PART NO	DESCRIPTION	QTY	ITEM	PART NO	DESCRIPTION	QTY
1	617585 01	MTG BRKT	1				
2	WSH-0012	WASHER	4				
3	HSS-0145	SETSCREW	2				
4	NUT-0263	NUT	2				

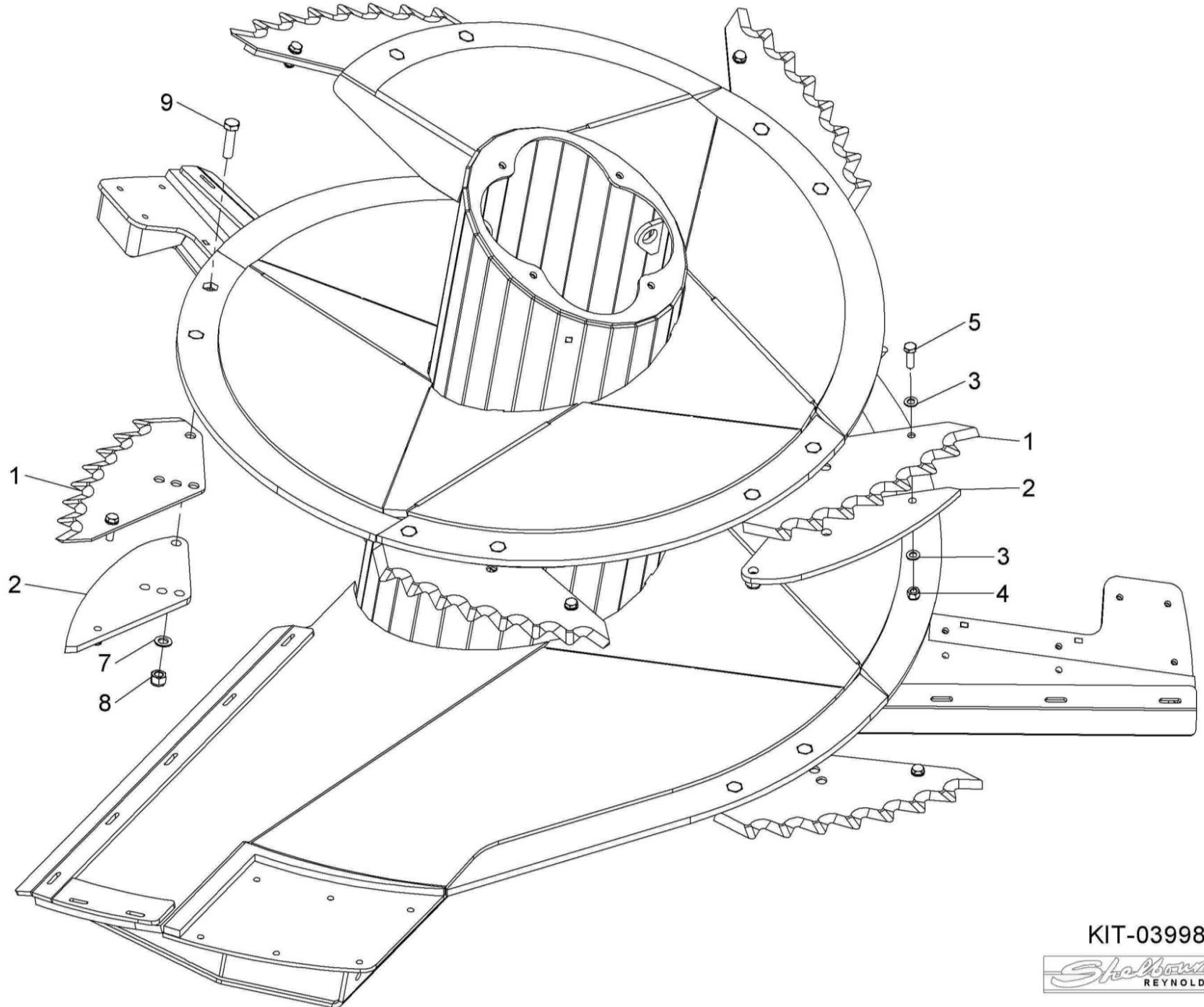


KIT-03995



**Shelbourne Reynolds Engineering Limited**

ASSY NUMBER: KIT-03998				ASSY DESCRIPTION: STANDARD BLADE KIT (24m cu)			
ITEM	PART NO	DESCRIPTION	QTY	ITEM	PART NO	DESCRIPTION	QTY
1	614812 02	STANDARD AUGER BLADE	7				
2	614807 02	BACK UP PLATE	7				
3	WSH-0018	WASHER	14				
4	NUT-0269	NUT	7				
5	HSS-0250	SETSCREW	7				
6	615685 01	HEX SPACER	14				
7	WSHA30161	LOCK WASHER	14				
8	NUT-0271	NUT	14				
9	HSS-0320	SETSCREW	14				



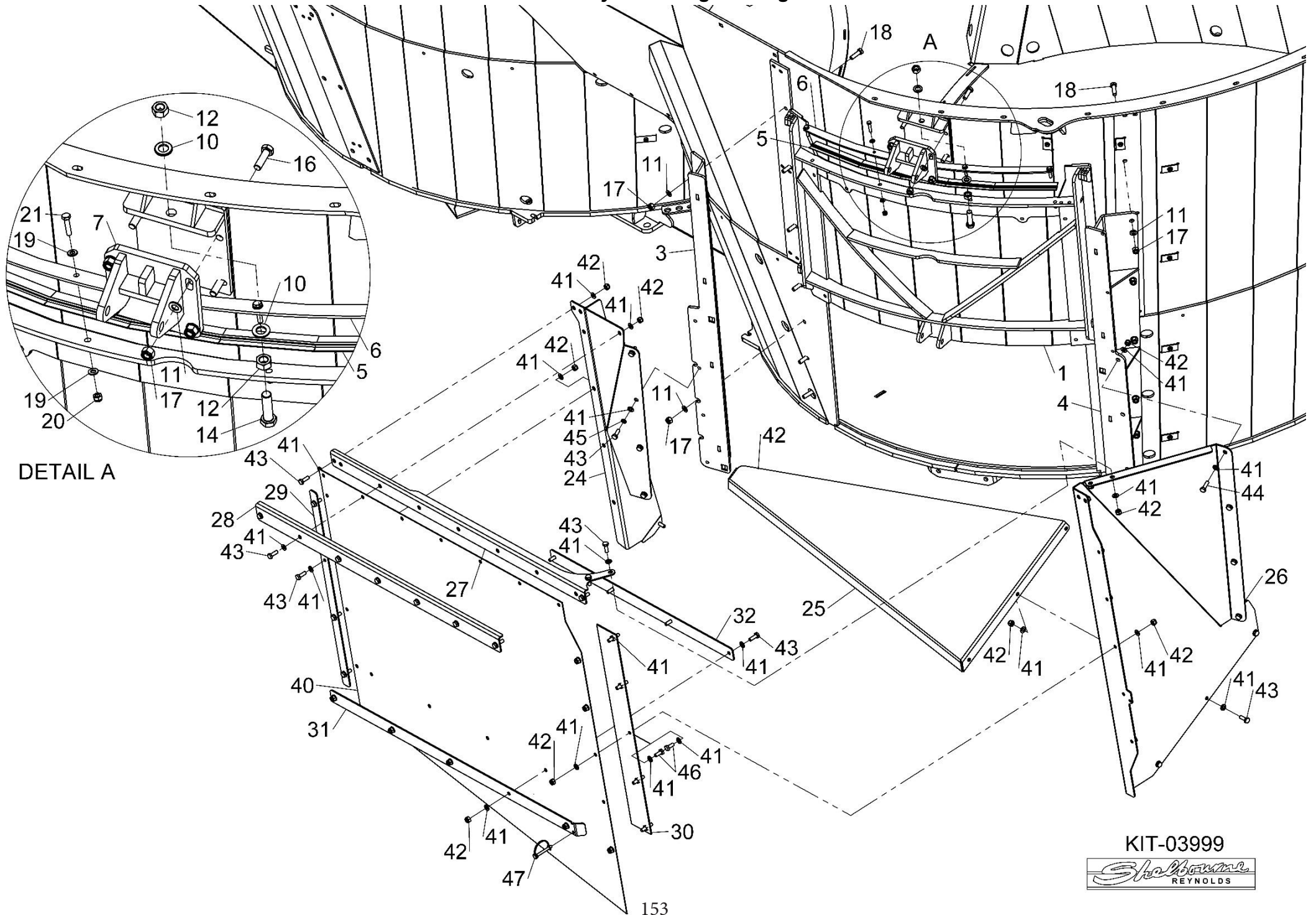
KIT-03998



**Shelbourne Reynolds Engineering Limited**

ASSY NUMBER: KIT-03999				ASSY DESCRIPTION: REAR DOOR KIT			
ITEM	PART NO	DESCRIPTION	QTY	ITEM	PART NO	DESCRIPTION	QTY
1	617638 01H	REAR DOOR W/A	1	38	620627 01	HYDRAULIC HOSE ASSY (10.1m)	1
2	618364 01	DOOR CYLINDER	1			(PO CHECK VALVE FITTED)	
3	617688 01	REAR RH DOOR GUIDE W/A	1	OR	618433 01	HYDRAULIC HOSE ASSY (12.6m)	
4	617690 01	REAR LH DOOR GUIDE W/A	1			(NO PO CHECK VALVE FITTED)	
5	617733 01	DOOR BRUSH	1	39	HMA-0057	ADAPTER M/M	2
6	617734 01	BRUSH CLAMP	1	40	618720 01	PVC DOOR FLAP	1
7	618030 01	DOOR RAM BRACKET W/A	1	41	WSH-0015	WASHER	78
8	HCPD01800	HYDRAULIC PIPE CLAMP 18mm	9	42	NUT-0265	NUT	37
9	SCW-0133	CAP HEAD SCREW	8	43	HSS-0194	SETSCREW	25
10	WSH-0024	PLAIN WASHER	6	44	HSS-0198	SETSCREW	6
11	WSH-0018	PLAIN WASHER	18	45	WSH-0061	WASHER	4
12	NUT-0180	PLAIN NUT	2	46	HSS-0191	SETSCREW	10
13	NUT-0271	NYLOC NUT	2	47	PIN-1720	'D' CLIP	1
14	HSS-0320	SET SCREW	1	48	SCCA08233	SOC HD SCREW	1
15	BLTA16680	HEX HEAD BOLT	1	49	620625 01	PO CHECK MTG BRKT	1
16	BLTA12260	HEX HEAD BOLT	4	50	HVB-27000	PO CHECK VALVE	1
17	NUT-0269	NYLOC NUT	18	51	WSH-0009	WASHER	8
18	HSS-0250	SET SCREW	14	52	NUT-0260	NUT	4
19	WSH-0012	PLAIN WASHER	8	53	HSS-0088	SETSCREW	2
20	NUT-0263	NYLOC NUT	4	54	BLTA06320	BOLT	2
21	HSS-0152	SET SCREW	4	55	HALAA0505	90 DEG ELBLOW FITTING	2
22	592098 01	SPACER TUBE	1	56	HHBE25005	HYD HOSE ASSY	2
23	BLT-2330	HEX HEAD BOLT	1	57	FIT-0025	M/M ADAPTOR	4
24	618719 01	DOOR CHUTE SIDE W/A	1	58	WSH-1005	DOWTY WASHER	4
25	618714 01	CHUTE BOTTOM PLATE	1	59	TIE-0004	TIE WRAP	12
26	618716 01	CHUTE SIDE PANEL	1				
27	618250 01	CHUTE TOP PANEL	1				
28	618233 01	CLAMP STRIP	1				
29	618234 01	DOOR FLAP CLAMP STRIP	1				
30	614004 01	SIDE CURTAIN	1				
31	618721 01	SAFETY STRAP	1				
32	618722 01	CLAMP PLATE	1				
33	WSH-1010	DOWTY WASHER	2				
34	COU-0162	QUICK RELEASE COUPLING	2				
35	WSH-1015	DOWTY WASHER	2				
36	HMA-0065	ADAPTER M/M	2				
37	HHDE96505	HYDRAULIC HOSE ASSY (9.65m)	1				
		(PO CHECK VALVE FITTED)					
OR	618432 01	HYDRAULIC HOSE ASSY (11.85m)					
		(NO PO CHECK VALVE FITTED)					





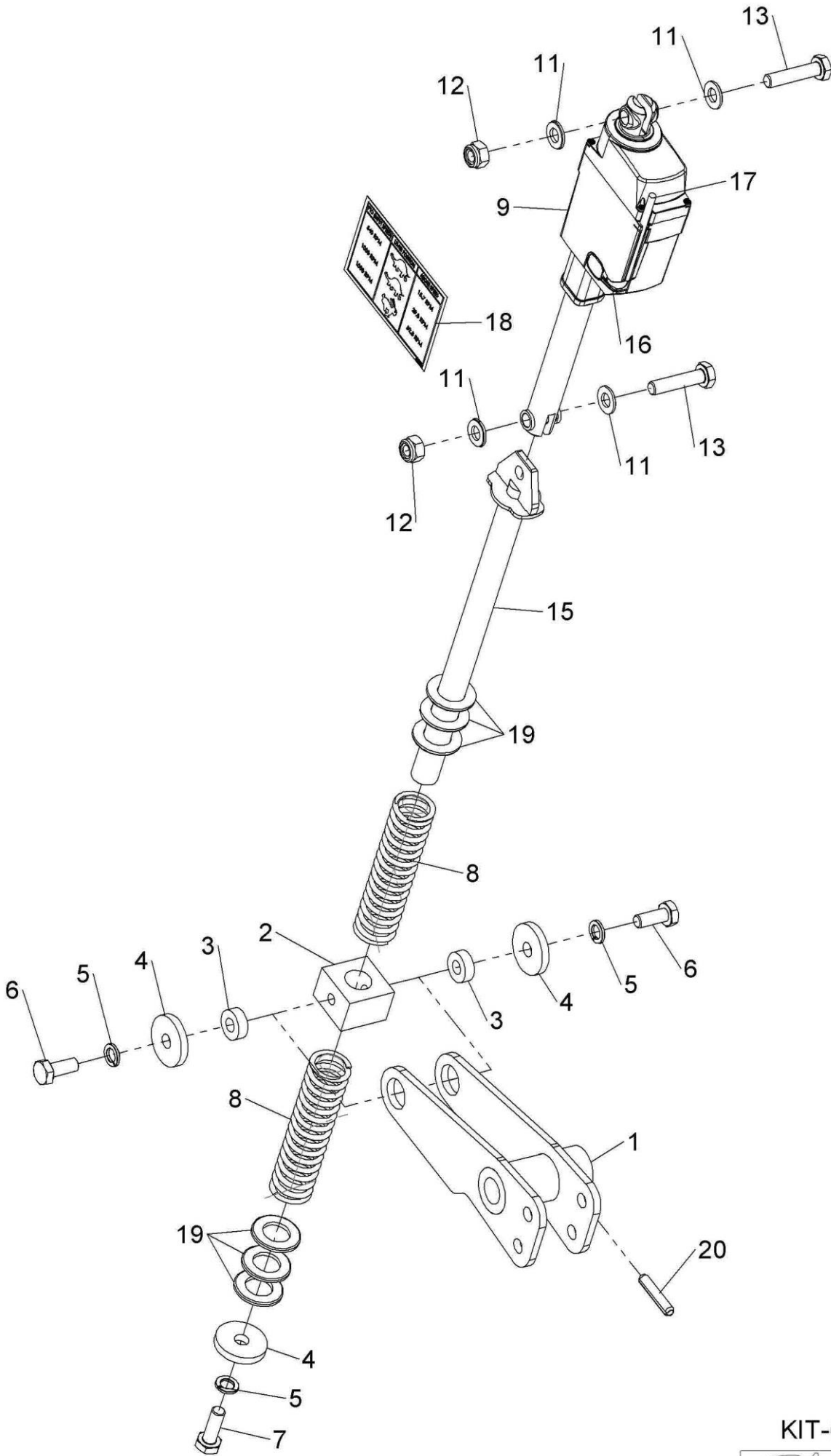
DETAIL A

KIT-03999



## Shelbourne Reynolds Engineering Limited

ASSY NUMBER: KIT-60002				ASSY DESCRIPTION: ELECTIC GEAR CHANGE KIT			
ITEM	PART NO	DESCRIPTION	QTY	ITEM	PART NO	DESCRIPTION	QTY
1	618807 01	GEAR CHANGE LEVER W/A	1				
2	618818 01	PIVOT BLOCK	1				
3	198800 50	WASHER	2				
4	190548 50	WASHER	3				
5	WSH-0061	SPRING WASHER	3				
6	HSS-0191	SETSCREW	2				
7	HSS-0194	SET SCREW	1				
8	SPGC43242	COMPRESSION SRING	2				
9	MOTE11020	12V LINEAR ACTUATOR	1				
11	WSH-0015	PLAIN WASHER	4				
12	NUT-0265	NYLOC NUT	2				
13	BLTA10290	HEX.HEAD BOLT	2				
15	618815 01	EXTENDED SHAFT W/A	1				
16	MOTE11020D	CABLE LOCK	1				
17	MOTE11020A	ACTUATOR CABLE	1				
18	617491 01	AUGER SPEED EMBLEM	1				
19	WSH-00030	WASHER	6				
20	PIN-1783	ROLL PIN	1				



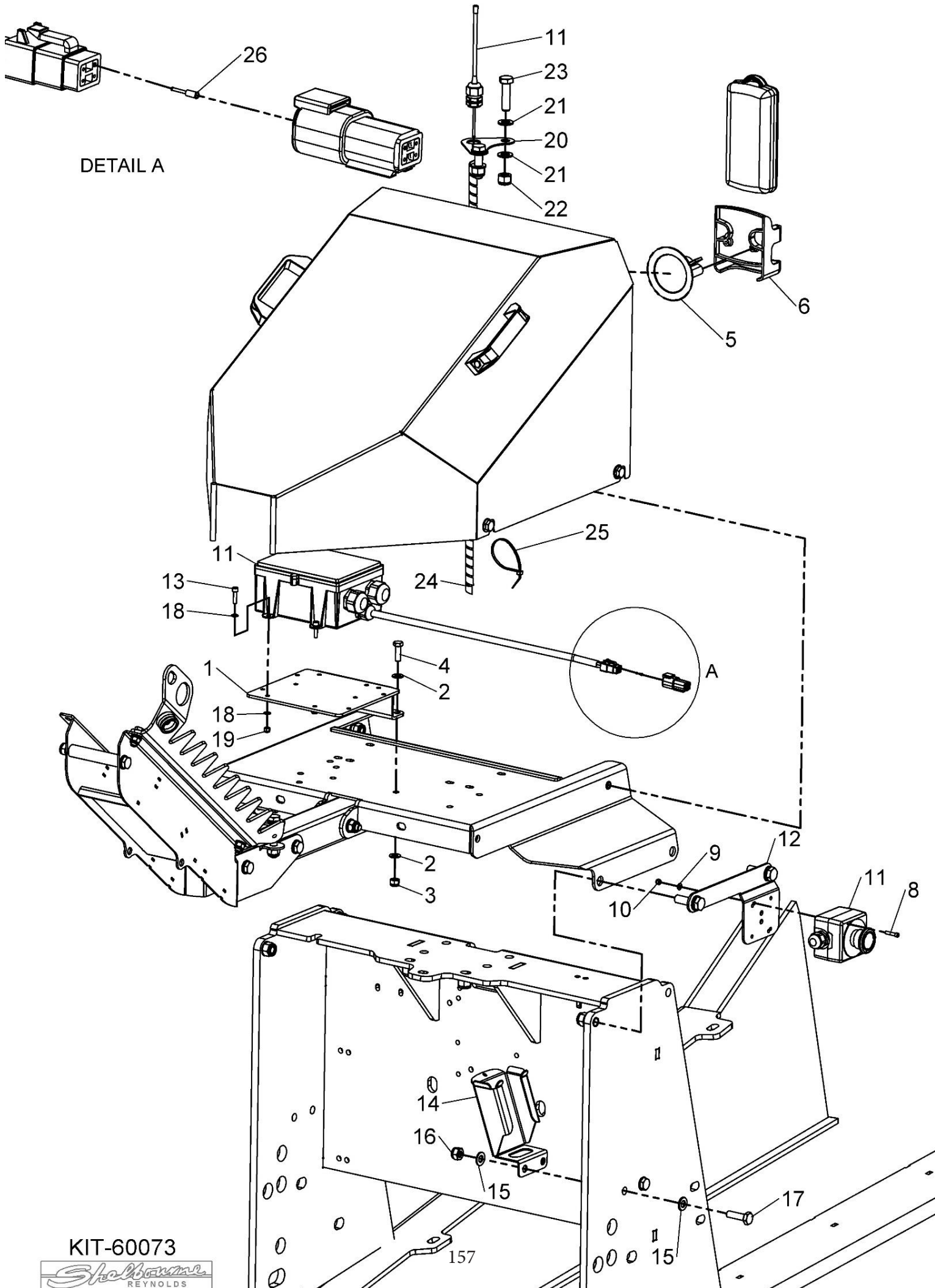
KIT-60002



**Shelbourne Reynolds Engineering Limited**

ASSY NUMBER: KIT-60073				ASSY DESCRIPTION: WIRELESS HYDRAULIC CONTROL KIT			
ITEM	PART NO	DESCRIPTION	QTY	ITEM	PART NO	DESCRIPTION	QTY
1	620580 01	RECEIVER UNIT MTG BRKT	1				
2	WSH-0012	WASHER	4				
3	NUT-0263	NUT	2				
4	HSS-0145	SETSCREW	2				
5	LCL-01249	SUCTION MOUNT ASSY	1				
6	HVC-06006	HANDSET CRADLE	1				
7	TIE-0006	TIE WRAP LARGE	10				
8	SCW-0035	CAP HD SCREW	2				
9	WSH-0003	WASHER	2				
10	NUT-0255	NUT	2				
11	HVC-06005	WIRELESS KIT	1				
12	620581 01	EMERGENCY STOP BRKT	1				
13	SCW-0056	CAP HD SCREW	4				
14	620582 01	STORAGE CRADLE	1				
15	WSH-0015	WASHER	4				
16	NUT-0265	NUT	2				
17	HSS-0198	SETSCREW	2				
18	WSH-0006	WASHER	8				
19	NUT-0258	NUT	4				
20	620776 01	AERIAL MTG PLATE	1				
21	WSH-0018	WASHER	4				
22	NUT-0269	NUT	2				
23	BLTA12290	BOLT	2				
24	SLV-00300	SPIRAL CONVOLUTE TUBING	0.6m				
25	TIE-0023	TIE WRAP (SMALL)	12				
26	ETM-01755	DEUTSCH MALE TERMINAL	2				

Shelbourne Reynolds Engineering Limited



KIT-60073

