

Shelbourne

REYNOLDS

24m³ AND 30m³ PARTS MANUAL



Shelbourne Reynolds Engineering Ltd
Stanton
Bury St Edmunds
Suffolk
IP31 2AR
England

Telephone: 01359 250415
Fax: 01359 250464

Stores Direct : 01359 251231
Stores Direct: 01359 252031

Issue 18 17/01/2024

www.shelbourne.com



 YouTube



POWERMIX PLUS

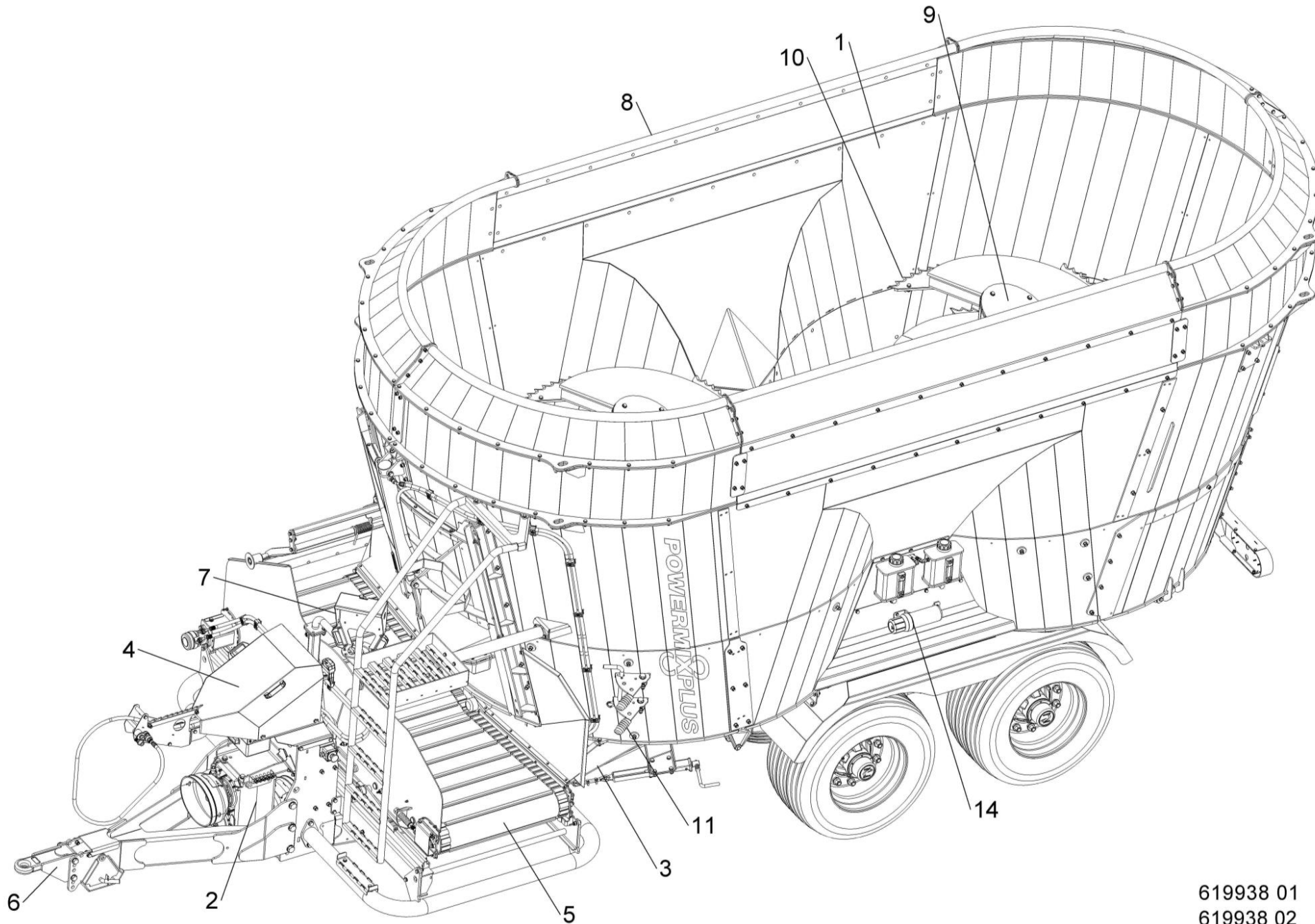
List Of Kit Numbers

619938 01	24m Powermix Plus	4
619938 02	30m ³ Powermix Plus	6
619938 03	24m ³ Powermix Plus Corner Door	8
619178 01	Tub Assembly	11
619179 01	30m ³ Drive Sub Assembly	15
619183 01	24m ³ Drive Sub Assembly	19
619184 01	Chassis Sub Assembly	22
619185 01	30m ³ Twin Auger Sub Assembly	24
619186 01	Hydraulic Mounting Sub Assembly	26
619187 01	24m ³ Twin Auger Sub Assembly	28
619188 01	30m ³ Auger Sub Assembly	30
619189 01	24m ³ Auger Sub Assembly	32
619192 01	2 Door Popular Tub Sub Assembly (24-30m ³)	34
619199 01	Hydraulic Mounting Sub Assembly (Twin Auger)	36
KIT-03719	Auger Magnet Kit	38
KIT-03876A	Standard Input PTO Shaft Kit	40
KIT-03898	Hydraulic Controls Kit (2-Speed Option)	42
KIT-03900	3-Pin Plug Connection Kit	44
KIT-03905	Wireless Hydraulic Control Kit	46
KIT-03908A	Wide Angle PTO Shaft Kit	48
KIT-03956	2-Speed Gear Change Handset Kit	50
KIT-03958	Dina Tel 3 Remote Display Kit	52
KIT-03965	Hydraulic Valve Kit	54
KIT-03969	Rear Steering Axle Kit	56
KIT-03970	Conveyor Kit	58
KIT-03976	Drawbar And Tow Eye Kit	62
KIT-03977	Weighing Kit	64
KIT-03980	Anti Rotation Kit	66
KIT-03981	Door Blanking Kit	68
KIT-03983	Tandem Air Brake Kit	70
KIT-03984	Fixed Axle Kit	72
KIT-03988A	Input PTO Shaft Kit (Walterscheid)	74
KIT-03989	Light Assembly Kit	76
KIT-03990	Wheel And Tyre Kit (435/50R19.5)	78
KIT-03991	Manual Canister Kit	80
KIT-03996	24m ³ Transfers Kit	82
KIT-03996A	30m ³ Transfers Kit	84
KIT-03996B	22m ³ Transfers Kit	86
KIT-03996C	28m ³ Transfers Kit	88
KIT-03997	30m ³ Standard Blade Kit	90

KIT-03998	24m ³ Standard Blade Kit	92
KIT-03999	Rear Door Kit	95
KIT-60000	Straw Ring Kit	98
KIT-60003	22m ³ Retaining Ring Kit	100
KIT-60005	Wide Angle PTO Shaft kit (Walterscheid)	102
KIT-60019	Rear Steering Axle Kit	104
KIT-60020	Wheel And Tyre Kit (445/45R19.5)	106
KIT-60021	Light Assembly Kit	108
KIT-60024	Direct Coupled Hydraulic Kit	110
KIT-60026	Fixed Axle Kit	112
KIT-60031	Weighing Kit (DIGI-STAR)	114
KIT-60032	EZ3410 BT Display Kit	116
KIT-60045	Tandem Air Brake Kit	118
KIT-60073	Wireless Hydraulic Control Kit	120
KIT-60076	Axle Spacer Kit	122
KIT-60082	Rear Steering Axle Kit	124

Shelbourne Reynolds Engineering Limited

ASSY NUMBER: 619938 01				ASSY DESCRIPTION: 24m CU POWERMIX PLUS			
ITEM	PART NO	DESCRIPTION	QTY	ITEM	PART NO	DESCRIPTION	QTY
1	619178 01	TUB SUB ASSY	1	14	KIT-03991	MANUAL CANISTER KIT	1
2	619183 01	DRIVES SUB ASSY	1	15	KIT-03992	CONSUMABLE KIT	1
3	619184 01	CHASSIS SUB ASSY	1				
4	619199 01	HYDRAULIC MTG SUB ASSY PME24220876 & ON	1				
OR	619186 01	HYDRAULIC MTG SUB ASSY (UP TO & INC PME24220853)	1				
5	KIT-03970	CONVEYOR KIT	5				
6	KIT-03976	UK DRAWBAR KIT	6				
7	KIT-03977	WEIGHING KIT (DINAMICA)	1				
OR	KIT-60031	WEIGHING KIT (DIGI-STAR) PME24220852-PME24220855 PME24230933-PME24240967	1				
8	KIT-60000	STRAW RING KIT	8				
OR	KIT-03974	STRAW RING KIT PME24180660 & PME24180662 ONLY	OR				
9	619189 01	AUGER SUB ASSY	9				
OR	619187 01	AUGER SUB ASSY PME24180660 & PME24180662 ONLY	OR				
10	KIT-03998	STANDARD BLADE KIT	10				
OR	KIT-03987	STANDARD BLADE KIT PME24180660 & PME24180662 ONLY	OR				
11	KIT-03980	ANTI-ROTATION BLADE KIT	11				
12							
13							



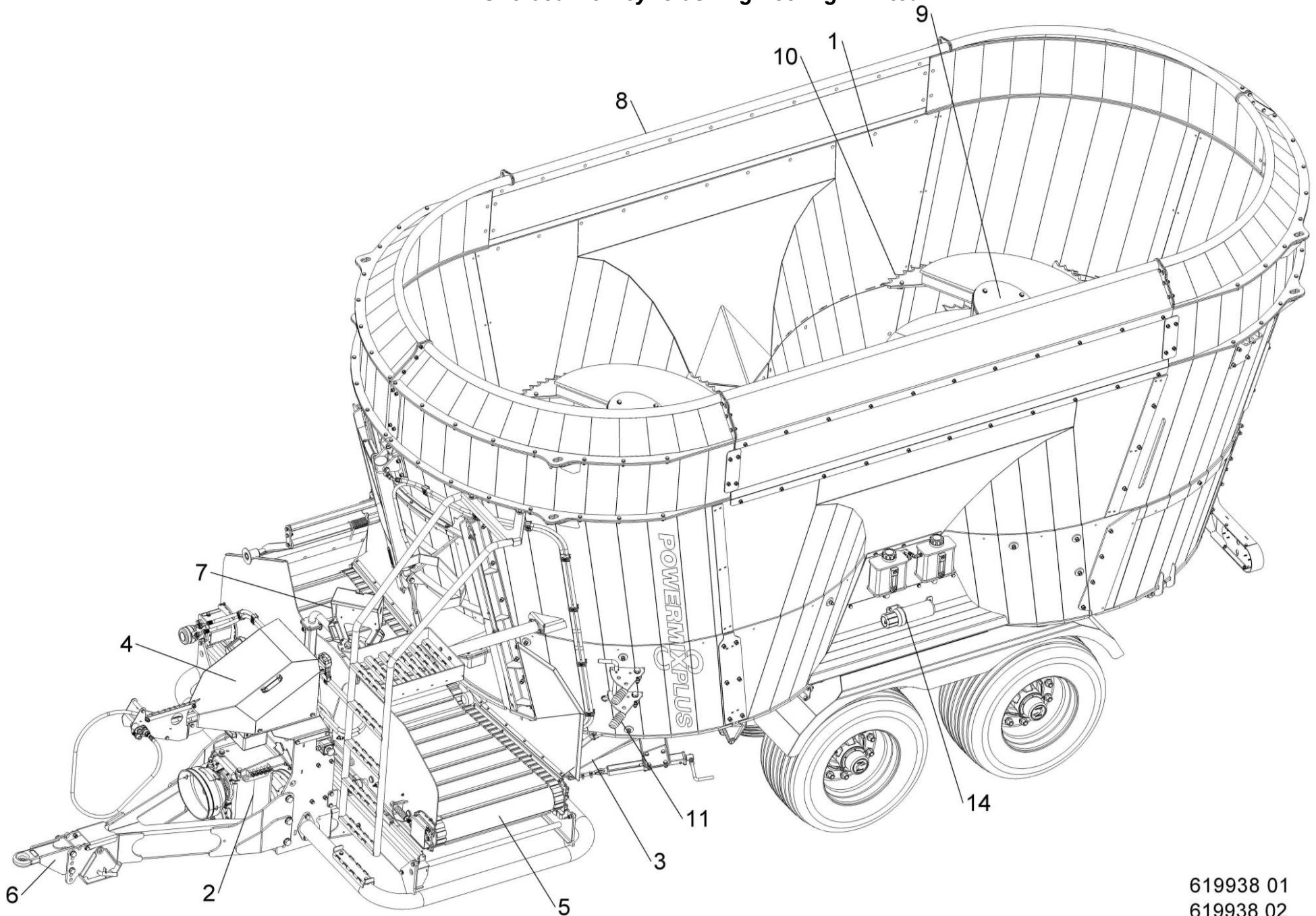
619938 01

619938 02



Shelbourne Reynolds Engineering Limited

ASSY NUMBER: 619938 02				ASSY DESCRIPTION: 30m CU POWERMIX PLUS			
ITEM	PART NO	DESCRIPTION	QTY	ITEM	PART NO	DESCRIPTION	QTY
1	619178 01	TUB SUB ASSY	1	14	KIT-03991	MANUAL CANISTER KIT	1
2	619179 01	DRIVES SUB ASSY	1				
3	619184 01	CHASSIS SUB ASSY	1	15	KIT-03993	CONSUMABLE BUILD KIT	1
4	619199 01	HYDRAULIC MTG SUB ASSY PME24220878 & ON	1				
OR	619186 01	HYDRAULIC MTG SUB ASSY (UP TO & INC PME24220854)	1				1
5	KIT-03970	CONVEYOR KIT	1				
6	KIT-03976	UK DRAWBAR KIT	1				
7	KIT-03977	WEIGHING KIT (DINAMICA)	1				
OR	KIT-60031	WEIGHING KIT (DIGI-STAR) PME24220852-PME24220855 PME24230933-PME24240967	1				
8	KIT-60000	STRAW RING KIT	1				
OR	KIT-03974	STRAW RING KIT PME24180661 & PME24180663 ONLY	1				
9	619188 01	AUGER SUB ASSY	1				
OR	619185 01	AUGER SUB ASSY PME24180661 & PME24180663 ONLY	1				
10	KIT-03997	STANDARD BLADE KIT	2				
OR	KIT-03986	STANDARD BLADE KIT PME24180661 & PME24180663 ONLY	2				
11	KIT-03980	ANTI-ROTATION BLADE KIT	1				
12							
13							

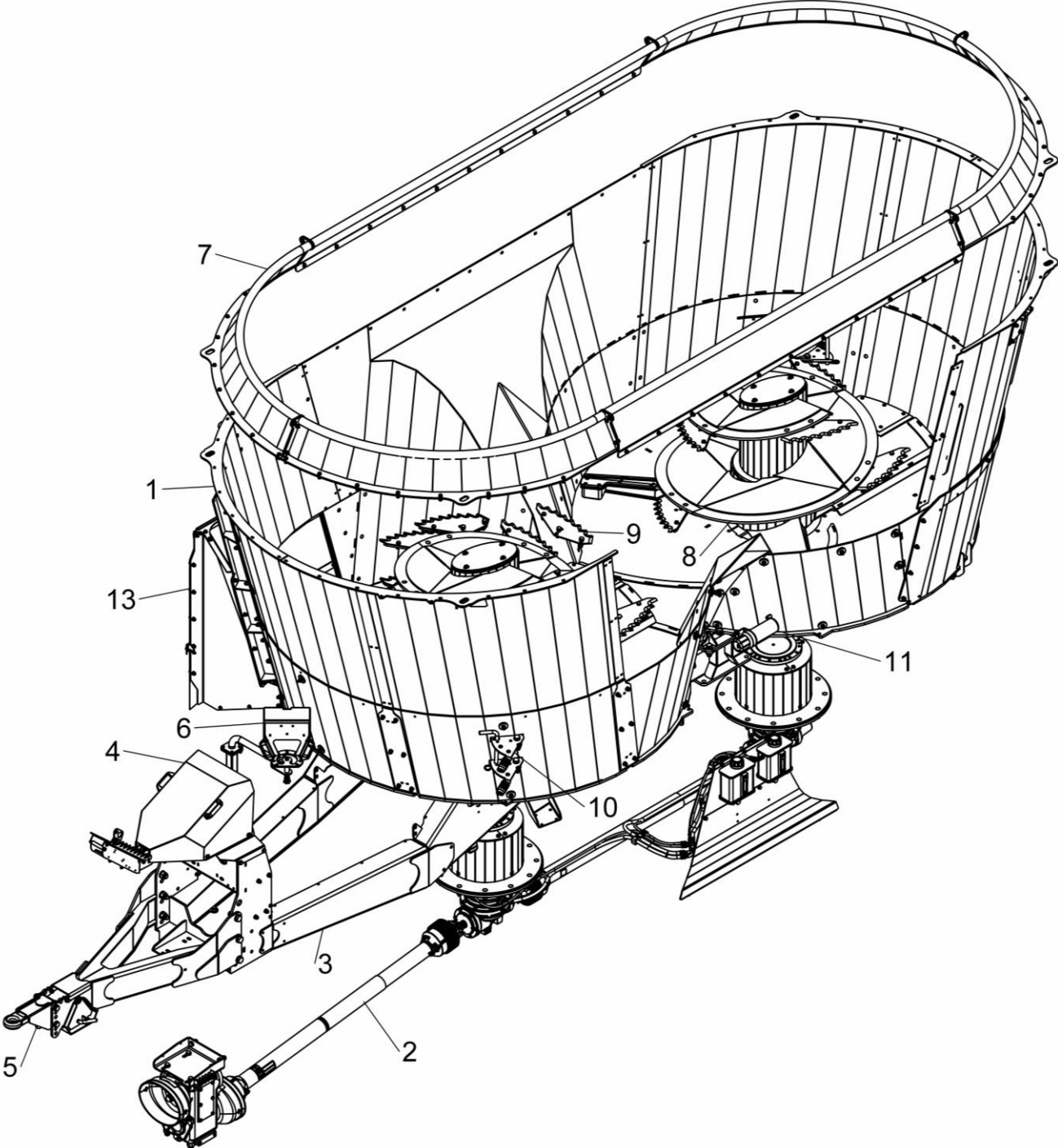


619938 01
619938 02



Shelbourne Reynolds Engineering Limited

ASSY NUMBER: 619938 03				ASSY DESCRIPTION: 24m CU POWERMIX PLUS CORNER DOOR			
ITEM	PART NO	DESCRIPTION	QTY	ITEM	PART NO	DESCRIPTION	QTY
1	619192 01	TUB SUB ASSY	1				
2	619183 01	DRIVES SUB ASSY	1				
3	619184 01	CHASSIS SUB ASSY	1				
4	619199 01	HYDRAULIC MTG SUB ASSY	1				
5	KIT-03976	UK DRAWBAR KIT	1				
6	KIT-03977	WEIGHING KIT (DINAMICA)	1				
7	KIT-60000	STRAW RING KIT	1				
8	619189 01	AUGER SUB ASSY	1				
9	KIT-03998	STANDARD BLADE KIT	1				
10	KIT-03980	ANTI-ROTATION BLADE KIT	1				
11	KIT-03991	MANUAL CANISTER KIT	1				
12	KIT-03992	CONSUMABLE KIT	1				
13	KIT-03999	SIDE DOOR KIT	1				

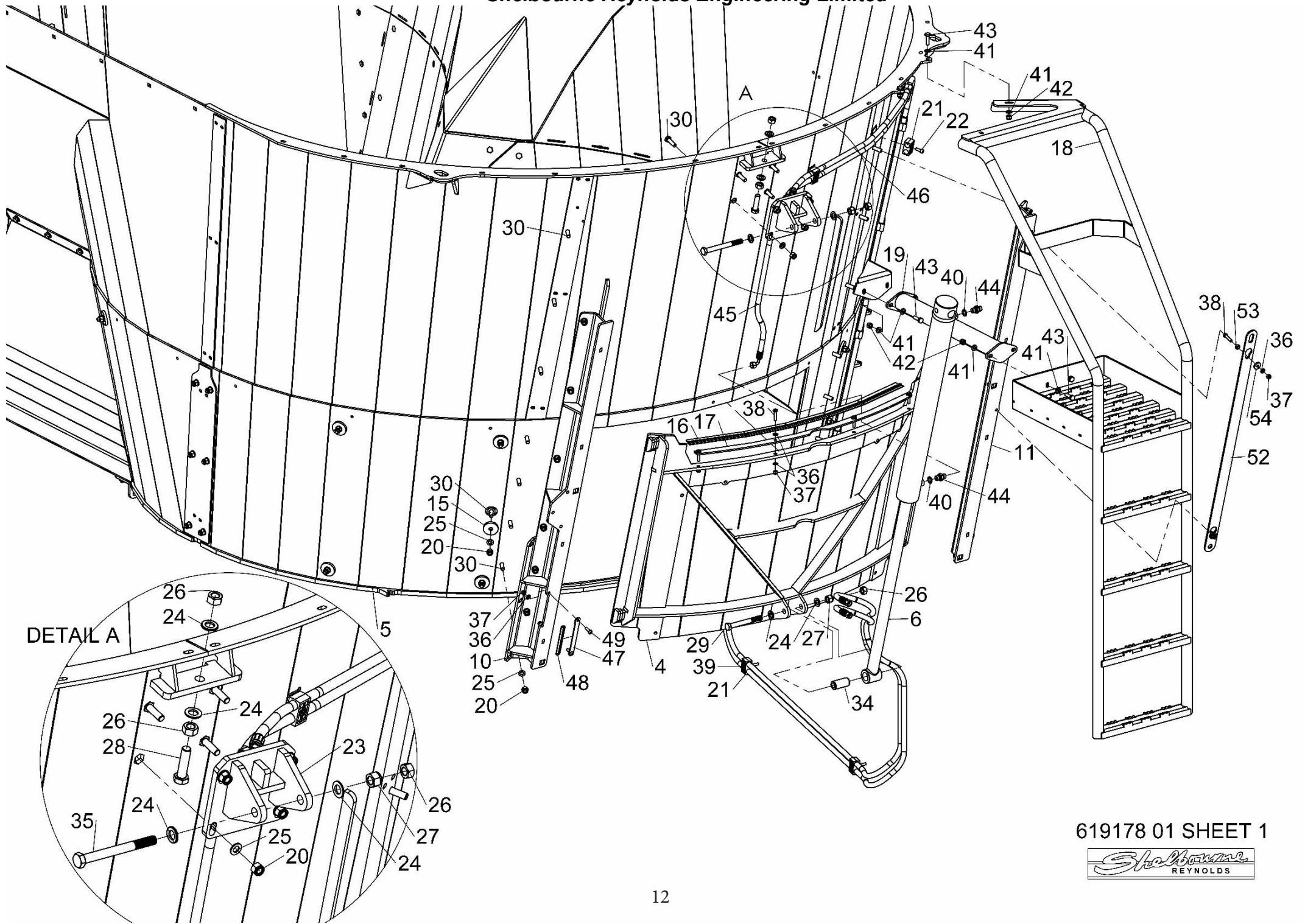


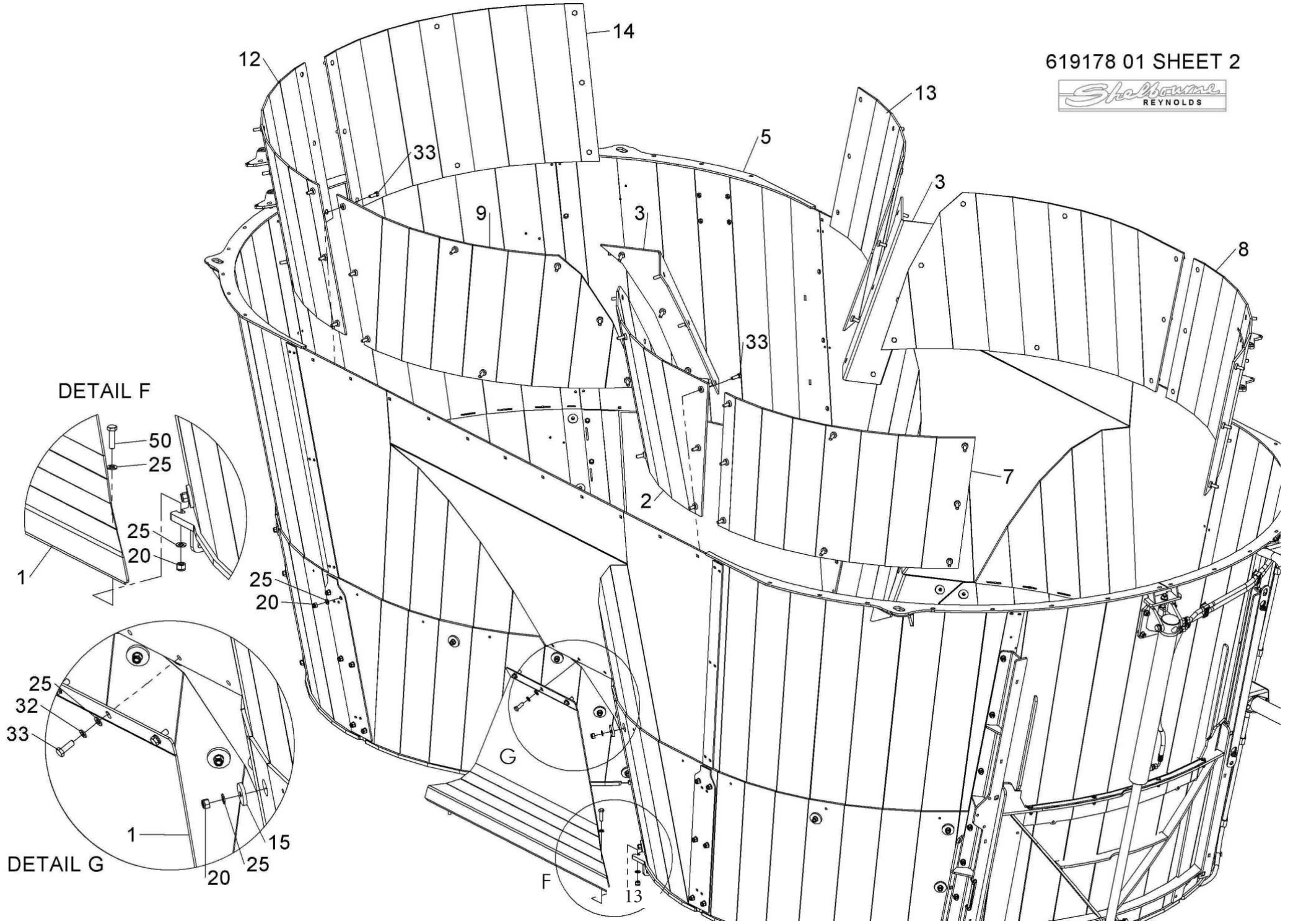
619938 03



Shelbourne Reynolds Engineering Limited

ASSY NUMBER: 619178 01				ASSY DESCRIPTION: TUB ASSY			
ITEM	PART NO	DESCRIPTION	QTY	ITEM	PART NO	DESCRIPTION	QTY
1	618140 01	CENTRE FILL W/A	1	41	WSH-0015	PLAIN WASHER	12
2	617642 01	CENTRE WEAR W/A	1	42	NUT-0265	NYLOC NUT	6
3	617632 01	MIDDLE LINING W/A	2	43	HSS-0198	BOLT	6
4	617636 01	DOOR W/A	1	44	HMA-0057	ADAPTOR	2
5	617621 01	TUB W/A	1	45	HHDE60005	HOSE	1
6	618364 01	DOOR RAM	1	46	HHBE66205	HOSE	1
7	617645 01	CORNER WEAR W/A	1	47	616863 01	MTG PLATE	1
8	617653 01	FRONT WEAR W/A	1	48	EDS-11400	EDGING STRIP	0.12m
9	617642 02	CENTRE WEAR W/A	2	49	SCBA08172	BUTT SOC HD SCREW	2
10	617663 01	SLIDER W/A	1	50	BLTA12290	BOLT	2
11	618359 01	SLIDER W/A	1	51			
12	617707 01	REAR WEAR W/A	1	52	618919 01	SAFETY STRAP	1
13	617706 01	CENTRE WEAR W/A	1	53	198800 73	WASHER (8.5x16x5)	2
14	617710 01	REAR WEAR W/A	1	54	198800 74	WASHER (8.5x26x5)	2
15	617711 01	STAINLESS WASHER	53				
16	617733 01	MODIFIED BRUSH	1				
17	617734 01	BRUSH CLAMP	1				
18	617773 01	LADDER W/A	1				
19	617787 01	LADDER BRACE W/A	1				
20	NUT-0269	NYLOC NUT	97				
21	HCPD01800	TWIN PIPE CLAMP	10				
22	SCW-0133	CAP HEAD SCREW	8				
23	618030 01	DOOR RAM BRACKET W/A	1				
24	WSH-0024	PLAIN WASHER	6				
25	WSH-0018	PLAIN WASHER	102				
26	NUT-0180	PLAIN NUT	4				
27	NUT-0271	NYLOC NUT	2				
28	HSS-0320	SETSCREW	1				
29	BLT-2334	BOLT	1				
30	HSS-0250	SETSCREW	71				
31							
32	WSH-0065	SPRING WASHER	3				
33	HSS-0241	SETSCREW	27				
34	592098 01	SPACER TUBE	1				
35	BLTA16740	BOLT	1				
36	WSH-0012	PLAIN WASHER	12				
37	NUT-0263	NYLOC NUT	8				
38	HSS-0152	BOLT	6				
39	SCW-0145	CAP HEAD SCREW	2				
40	WSH-1010	DOWTY WASHER	2				

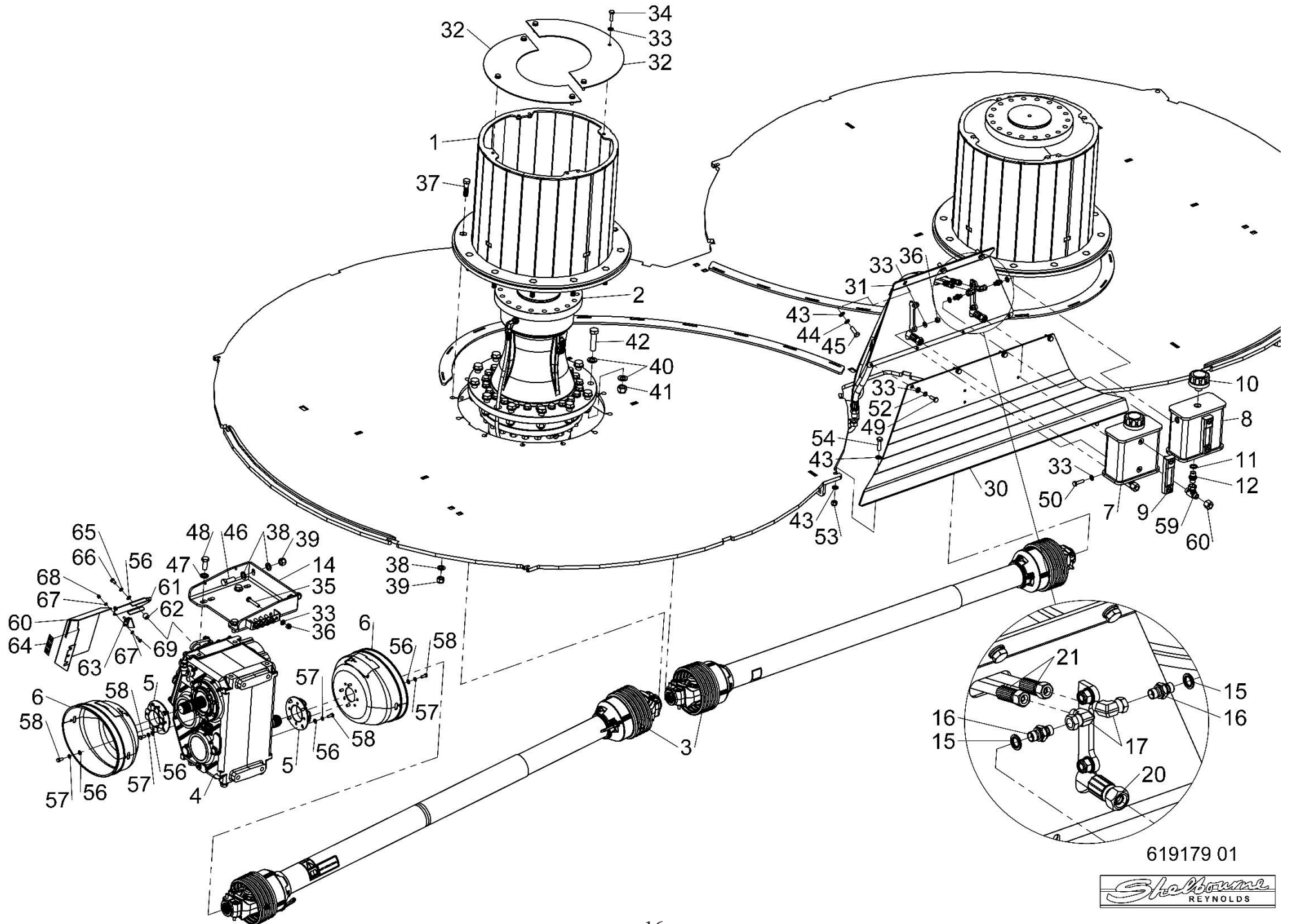




Shelbourne Reynolds Engineering Limited

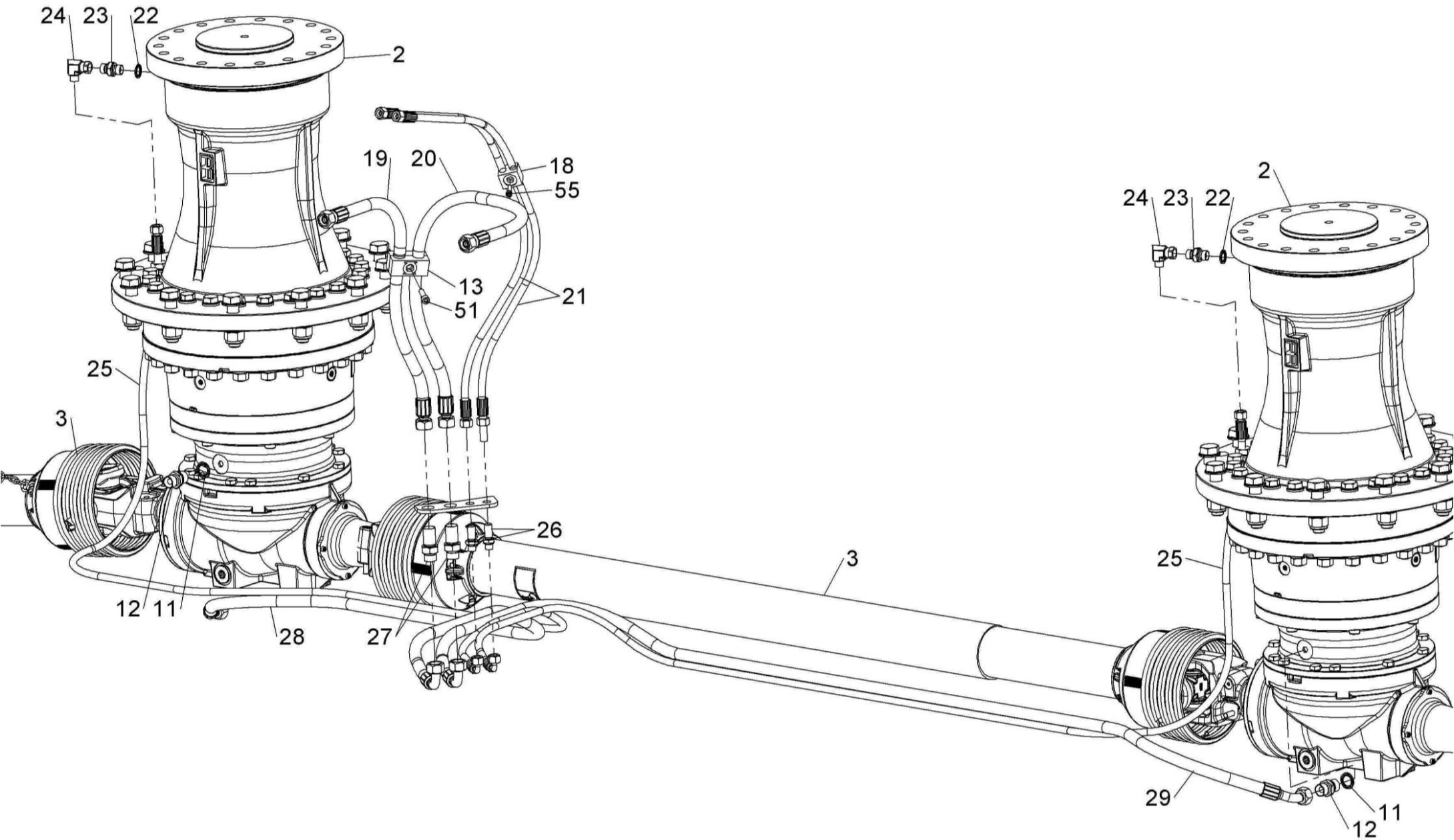
ASSY NUMBER: 619179 01				ASSY DESCRIPTION: 30CU M DRIVE SUB ASSY			
ITEM	PART NO	DESCRIPTION	QTY	ITEM	PART NO	DESCRIPTION	QTY
1	617719 01	GEARBOX MOUNTING PLATE W/A	2	38	WSH-0024	PLAIN WASHER	28
2	GEA-0192	RR3200 GEARBOX	2	39	NUT-0271	NYLOC NUT	26
3	PTO-35045W	INTERMEDIATE PTO SHAFT	2	40	WSH-0030	PLAIN WASHER	48
		PME24190692 & ON		41	NUTA02200	NYLOC NUT	24
OR	PTO-35045	INTERMEDIATE PTO SHAFT	2	42	BLTA20500	HEX HEAD BOLT	24
		UP TO & INC PME24180663		43	WSH-0018	PLAIN WASHER	7
4	GEA-0203	2 SPEED GEARBOX	1	44	WSH-0065	SPRING WASHER	3
5	615985 01	PTO CONE BRACKET W/A	2	45	HSS-0241	SET SCREW	3
6	PTO-00965	PTO CONE	2	46	HSS-0317	SET SCREW	2
7	617996 01	RESERVOIR W/A	1	47	WSHA30161	LOCKWASHER	8
8	617996 02	RESERVOIR W/A	1	48	HSS-0316	SET SCREW	8
9	GAU-0010	FLUID LEVEL GAUGE	2	49	HSS-0194	SET SCREW	4
10	FIL-0005	RESERVOIR FILLER CAP	2	50	HSS-0202	SET SCREW	4
11	WSH-1015	DOWTY WASHER	4	51	SCW-0139	CAP HEAD SCREW	2
12	HMA-0067	ADAPTER	4	52	WSH-0061	SPRING WASHER	4
13	HCPD02000	HYDRAULIC PIP CLAMP	2	53	NUT-0269	NYLOC NUT	2
14	618118 01	TOP GEARBOX BRACKET W/A	1	54	BLTA12290	HEX HEAD BOLT	2
15	WSH-1005	DOWTY WASHER	2	55	SCW-0083	CAP HEAD SCREW	2
16	HMA-0052	ADAPTER	2	56	WSH-0012	PLAIN WASHER	17
17	HALAA0303	90 ELBOW	2	57	WSH-0058	SPRING WASHER	16
18	HCPD01200	HYDRAULIC PIPE CLAMP	2	58	HSS-0140	SET SCREW	16
19	HHAF06005	HYDRAULIC HOSE ASSEMBLY	1	59	HALAA0707	90 DEG ELBOW (1/2"M/F)	2
20	HHAF08905	HYDRAULIC HOSE ASSEMBLY	1	60	620476 01	ACTUATOR GUARD	1
21	HHAC09305	HYDRAULIC HOSE ASSEMBLY	2	61	620636 01	LEVER BRKT	1
22	WSH-1010	DOWTY WASHER	2	62	620524 01	PIVOT BOSS	1
23	HMA-0057	ADAPTER	2	63	620637 01	POINTER	1
24	HALAA0305	90 ELBOW	2	64	620638 01	2-SPEED EMBLEM	1
25	HHBC23505	HYDRAULIC HOSE ASSEMBLY	2	65	WSH-0058	WASHER	1
26	HBK-0010	BULKHEAD	2	66	HSS-0135	SETSCREW	1
27	HAGAA0707	BULKHEAD	2	67	WSH-0009	WASHER	4
28	HHKF14505	HYDRAULIC HOSE ASSEMBLY	1	68	NUT-0260	NUT	2
29	HHKF21005	HYDRAULIC HOSE ASSEMBLY	1	69	HSS-0086	SETSCREW	2
30	618139 01	DRIVE SUB SIDE PLATE W/A	1				
31	618132 01	RESERVOIR MOUNTING BRACKET W/A	1				
32	618236 01	GEARBOX SEAL PLATE	4				
33	WSH-0015	PLAIN WASHER	30				
34	HSS-0198	SET SCREW	12				
35	BLTA10380	HEX HEAD BOLT	5				
36	NUT-0265	NYLOC NUT	9				
37	BLT-2312	HEX HEAD BOLT	24				

Shelbourne Reynolds Engineering Limited



619179 01





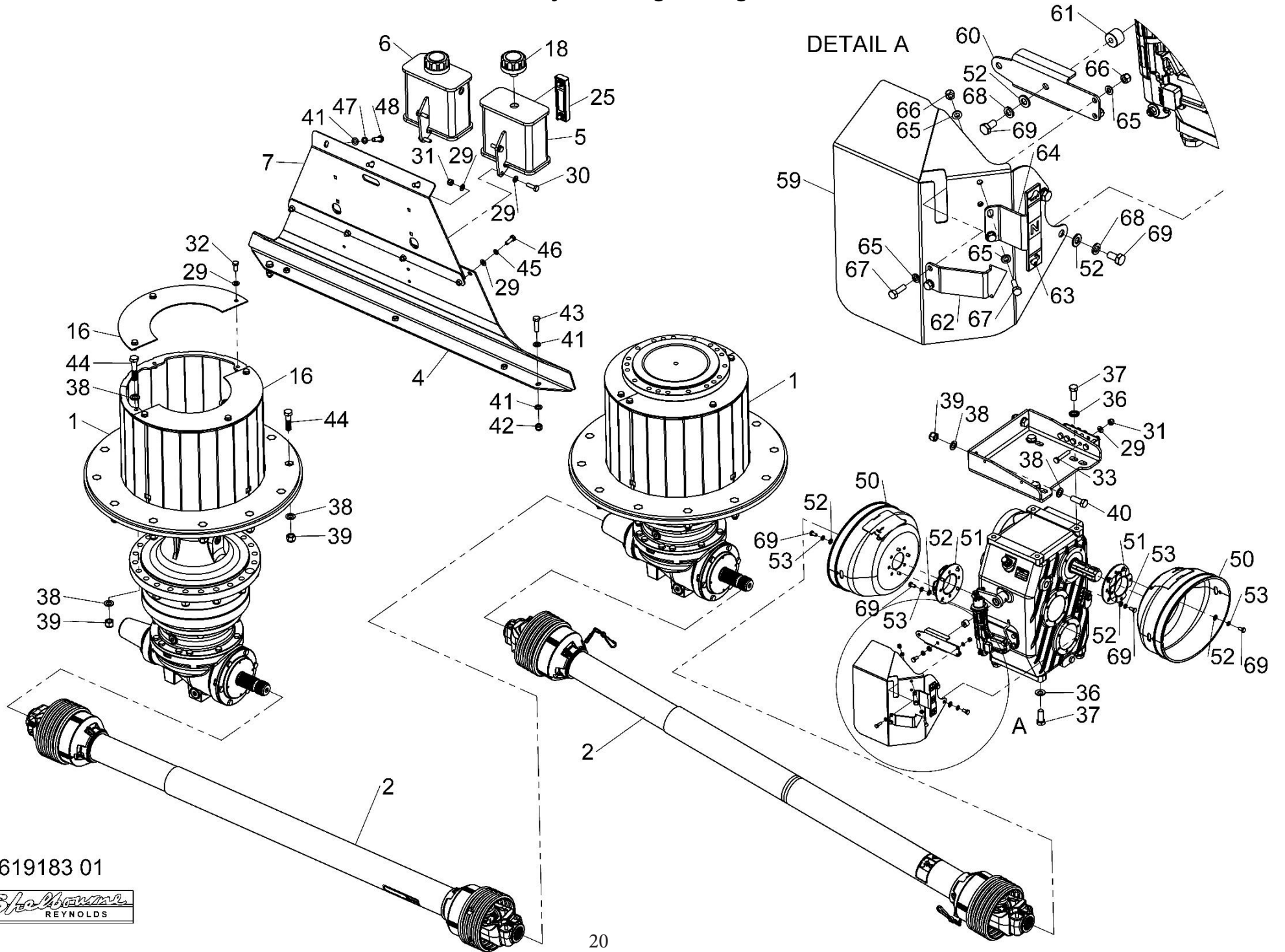
619179 01



Shelbourne Reynolds Engineering limited

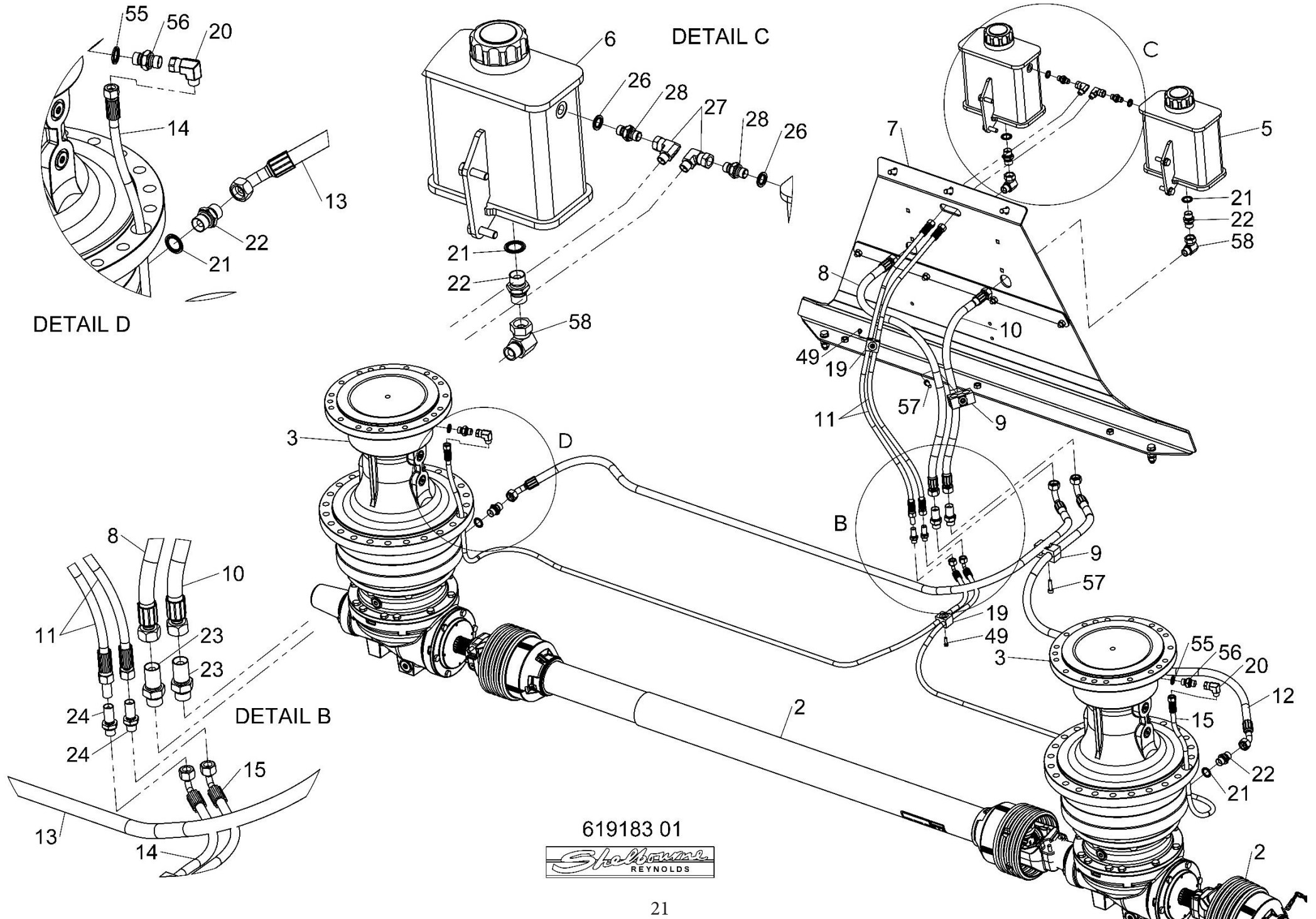
ASSY NUMBER: 619183 01				ASSY DESCRIPTION: 24CU M DRIVE SUB ASSY			
ITEM	PART NO	DESCRIPTION	QTY	ITEM	PART NO	DESCRIPTION	QTY
1	617793 01	GEARBOX MOUNTING PLATE W/A	2	35	GEA-0206	2 SPEED GEARBOX (24m ONLY)	1
2	PTO-35045W	INTERMEDIATE PTO SHAFT	2			PME24220876 & ON	
OR	PTO-35045	PME24190692 & ON INTERMEDIATE PTO SHAFT	2	OR	GEA-0204	2 SPEED GEARBOX (24m ONLY)	1
		UP TO & INC PME24180663		OR	GEA-0203	PME24210800 - PME24220853 2 SPEED GEARBOX	1
3	GEA-0202	RR2100 GEARBOX	2			UPTO & INC PME24200769	
4	618139 01	DRIVE SUB SIDE PLATE W/A	1	36	WSHA30161	LOCKWASHER	8
5	617996 01	RESERVOIR W/A	1	37	HSS-0316	SET SCREW	8
6	617996 02	RESERVOIR W/A	1	38	WSH-0024	PLAIN WASHER	76
7	618132 01	RESERVOIR MOUNTING BRACKET W/A	1	39	NUT-0271	NYLOC NUT	50
8	HHAF08905	HYDRAULIC HOSE ASSEMBLY	1	40	HSS-0317	SET SCREW	2
9	HCPD02000	HYDRAULIC PIPE CLAMP	2	41	WSH-0018	PLAIN WASHER	7
10	HHAF06005	HYDRAULIC HOSE ASSEMBLY	1	42	NUT-0269	NYLOC NUT	2
11	HHAC09305	HYDRAULIC HOSE ASSEMBLY	2	43	BLTA12290	HEX HEAD BOLT	2
12	HHKF14505	HYDRAULIC HOSE ASSEMBLY	1	44	BLTA16470	HEX HEAD BOLT	24
13	HHKF21005	HYDRAULIC HOSE ASSEMBLY	1	45	WSH-0061	SPRING WASHER	4
14	HHBC23505	HYDRAULIC HOSE ASSEMBLY	1	46	HSS-0194	HEX HEAD BOLT	4
15	HHBC21505	HYDRAULIC HOSE ASSEMBLY	1	47	WSH-0065	SPRING WASHER	3
16	618237 01	GEARBOX SEAL PLATE	4	48	HSS-0241	SET SCREW	3
17	618118 01	TOP GEARBOX BRACKET W/A	1	49	SCW-0083	CAP HEAD SCREW	2
18	FIL-0005	RESERVOIR FILLER CAP	2	50	PTO-00965	PTO CONE	2
19	HCPD01200	HYDRAULIC CLAMP PLATE	2	51	615985 01	PTO CONE BRACKET W/A	2
20	HALAA0305	90 ELBOW	2	52	WSH-0012	PLAIN WASHER	19
21	WSH-1015	DOWTY WASHER	4	53	WSH-0058	SPRING WASHER	16
22	HMA-0067	ADAPTER	4	54			
23	HAGAA0707	BULKHEAD	2	55	WSH-1010	DOWTY WASHER	2
24	HBK-0010	BULKHEAD	2	56	HMA-0057	ADAPTER	2
25	GAU-0010	FLUID LEVEL GAUGE	2	57	SCW-0139	BOLT	2
26	WSH-1005	DOWTY WASHER	2	58	HALAA0707	90 DEG ELBOW FIT (1/2" M/F)	2
27	HALAA0303	90 ELBOW	2	59	620475 01	ACTUATOR GUARD	1
28	HMA-0052	ADAPTER	2	60	620523 01	LEVER BRKT	1
29	WSH-0015	PLAIN WASHER	29	61	620524 01	PIVOT BOSS	1
30	HSS-0198	SET SCREW	4	62	620525 01	POINTER	1
31	NUT-0265	NYLOC NUT	9	63	620526 01	2-SPEED EMBLEM	1
32	HSS-0191	SET SCREW	12	64	620527 01	EMBLEM BRKT	1
33	BLTA10384	SHEARBOLT	5	65	WSH-0009	WASHER	8
		PME24210800 & ON		66	NUT-0260	NUT	4
OR	BLTA10380	SHEARBOLT	5	67	HSS-0086	SETSCREW	4
		UPTO & INC PME24200769		68	WSH-0058	WASHER	3
34	BLT-2312	BOLT	24	69	HSS-0135	SETSCREW	19

Shelbourne Reynolds Engineering limited



619183 01



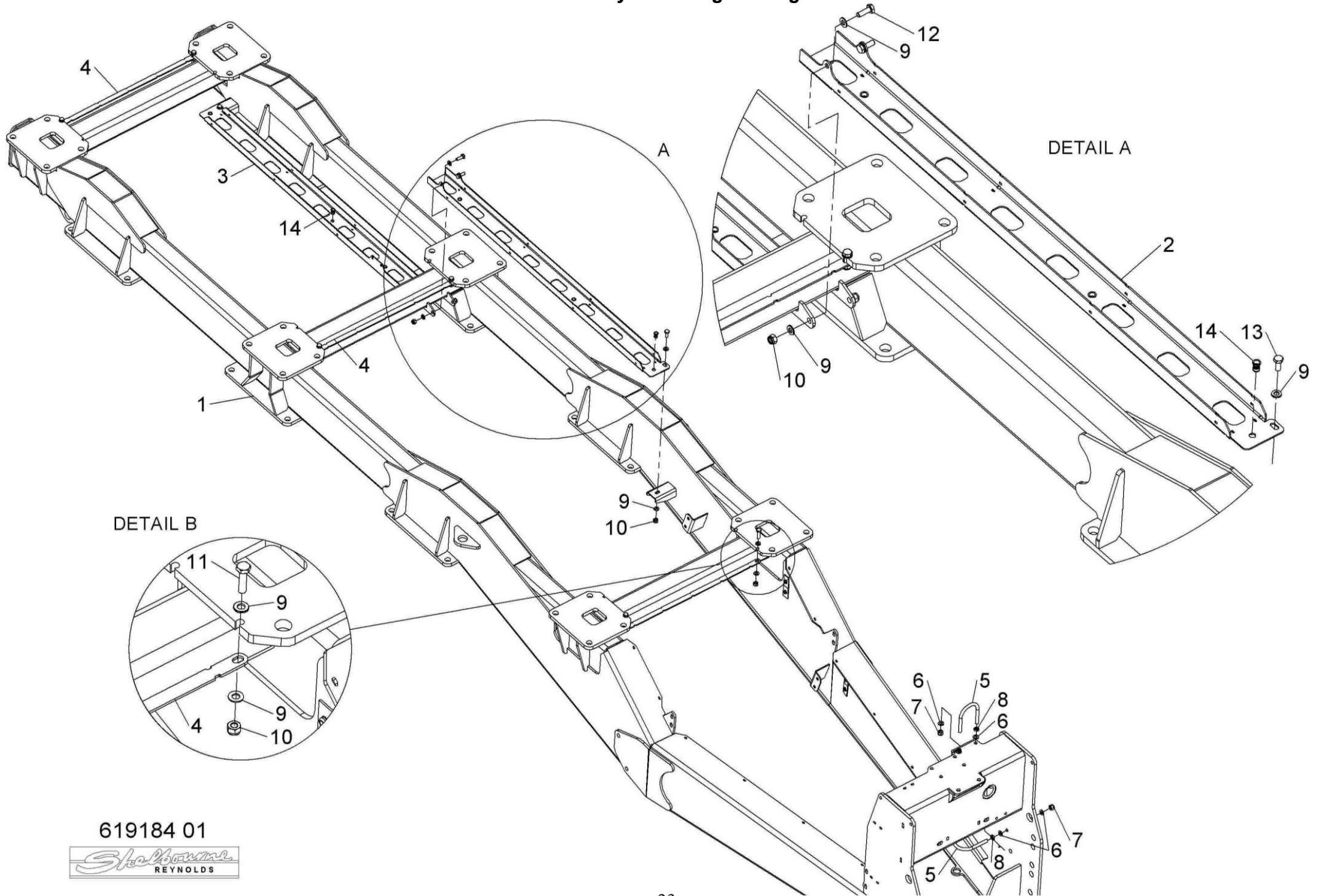


619183 01



Shelbourne Reynolds Engineering Limited

ASSY NUMBER: 619184 01				ASSY DESCRIPTION: CHASSIS SUB ASSY			
ITEM	PART NO	DESCRIPTION	QTY	ITEM	PART NO	DESCRIPTION	QTY
1	618126 01	CHASSIS WELD ASSEMBLY	1				
2	618162 01	FORWARD PIPE RAIL	1				
3	618184 01	REAR PIPE RAIL	1				
4	618178 01	WIRE SUPPORT	3				
5	BLTU12000	U-BOLT	3				
6	WSH-0018	WASHER	12				
7	NUT-0269	NUT	6				
8	NUT-0370	HALF NUT	6				
9	WSH-0015	WASHER	24				
10	NUT-0265	NUT	12				
11	HSS-0202	SETSCREW	6				
12	HSS-0194	SETSCREW	4				
13	HSS-0191	SETSCREW	2				
14	NUTA13087	NUTSERT	6				

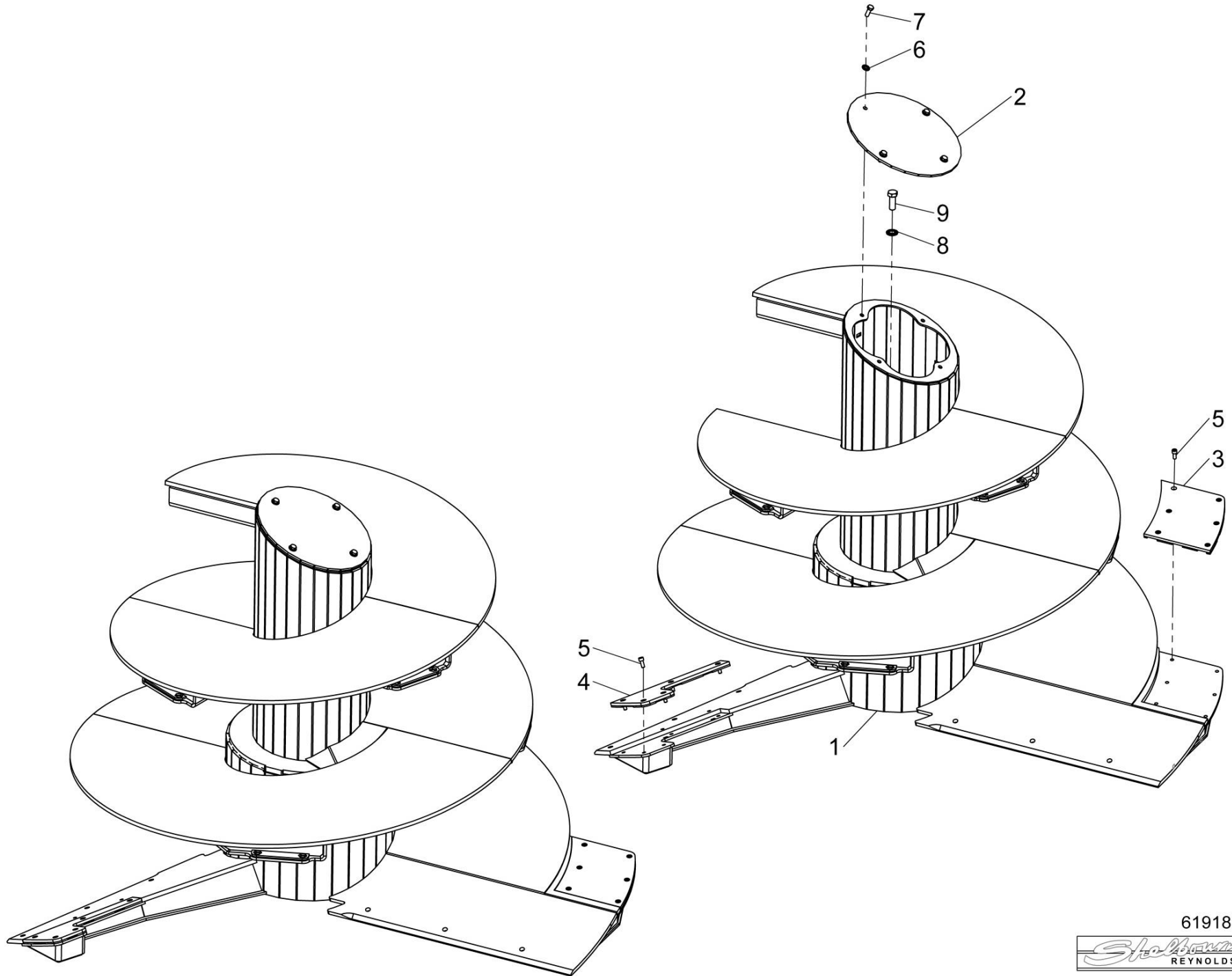


619184 01



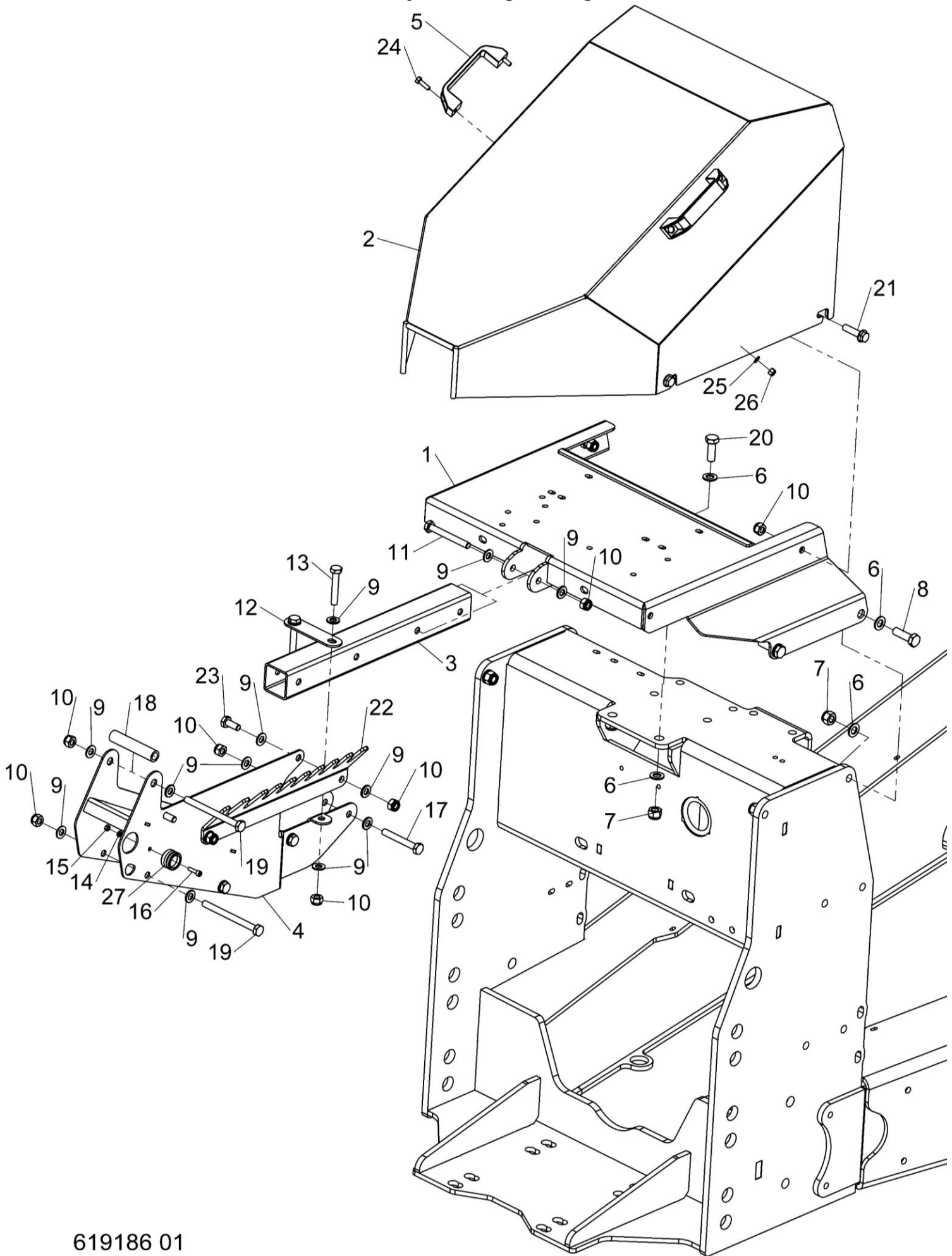
Shelbourne Reynolds Engineering Limited

ASSY NUMBER: 619185 01				ASSY DESCRIPTION: AUGER SUB ASSY (30m cu TWIN AUGER)			
ITEM	PART NO	DESCRIPTION	QTY	ITEM	PART NO	DESCRIPTION	QTY
1	617840 01	AUGER W/A	2				
2	617858 01	SHAFT LID	2				
3	617483 01	WEAR PAD	2				
4	617486 01	WEAR PAD	4				
5	SCW-0190	CP HD SCREW	32				
6	WSHA30121	LOCK WASHWER	8				
7	HSS-0241	SETSCREW	8				
8	WSHA30201	LOCK WASHER	36				
9	BLT-2365	BOLT	36				



Shelbourne Reynolds Engineering Limited

ASSY NUMBER: 619186 01				ASSY DESCRIPTION: HYDRAULIC MTG SUB ASSY			
ITEM	PART NO	DESCRIPTION	QTY	ITEM	PART NO	DESCRIPTION	QTY
1	616123 01	VALVE MTG PLATE W/A	1				
2	616134 01	GUARD W/A	1				
3	616139 01	SUPPORT ARM	1				
4	617988 01	HOSE STORAGE W/A	1				
5	HND-0000	HANDLE	2				
6	WSH-0018	PLAIN WASHER	12				
7	NUT-0269	NYLOC NUT	6				
8	HSS-0250	SETSCREW	4				
9	WSH-0015	PLAIN WASHER	22				
10	NUT-0265	NYLOC NUT	15				
11	BLTA10520	HEX HEAD BOLT	2				
12	616293 01	HOSE CLAMP PLATE	1				
13	BLTA10380	HEX HEAD BOLT	2				
14	WSH-0006	PLAIN WASHER	1				
15	NUT-0258	NYLOC NUT	1				
16	SCW-0056	CP HD SCREW	1				
17	BLTA10470	HEX HEAD BOLT	2				
18	616322 01	TUBE GUIDE	1				
19	BLTA10620	HEX HEAD BOLT	3				
20	HSS-0241	SETSCREW	2				
21	HSSG10260	TENSILOCK BOLT	4				
22	617990 01	HOSE HOLDER	1				
23	HSS-0191	SETSCREW	2				
24	HSS-0086	SETSCREW	4				
25	WSH-0009	PLAIN WASHER	4				
26	NUT-0260	NYLOC NUT	4				
27	HQR-10007A	BRAKE PARKING FITTING	1				

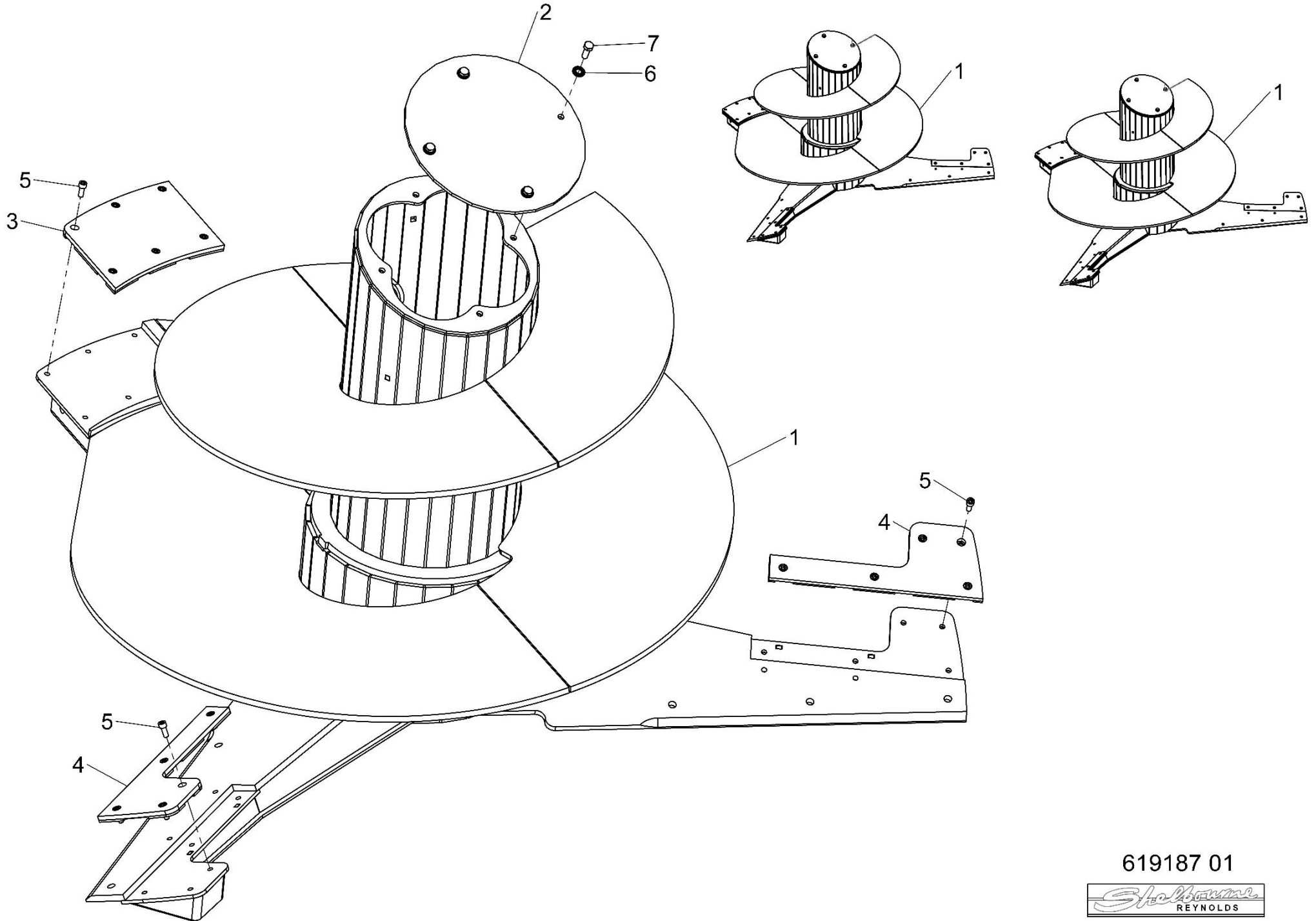


619186 01



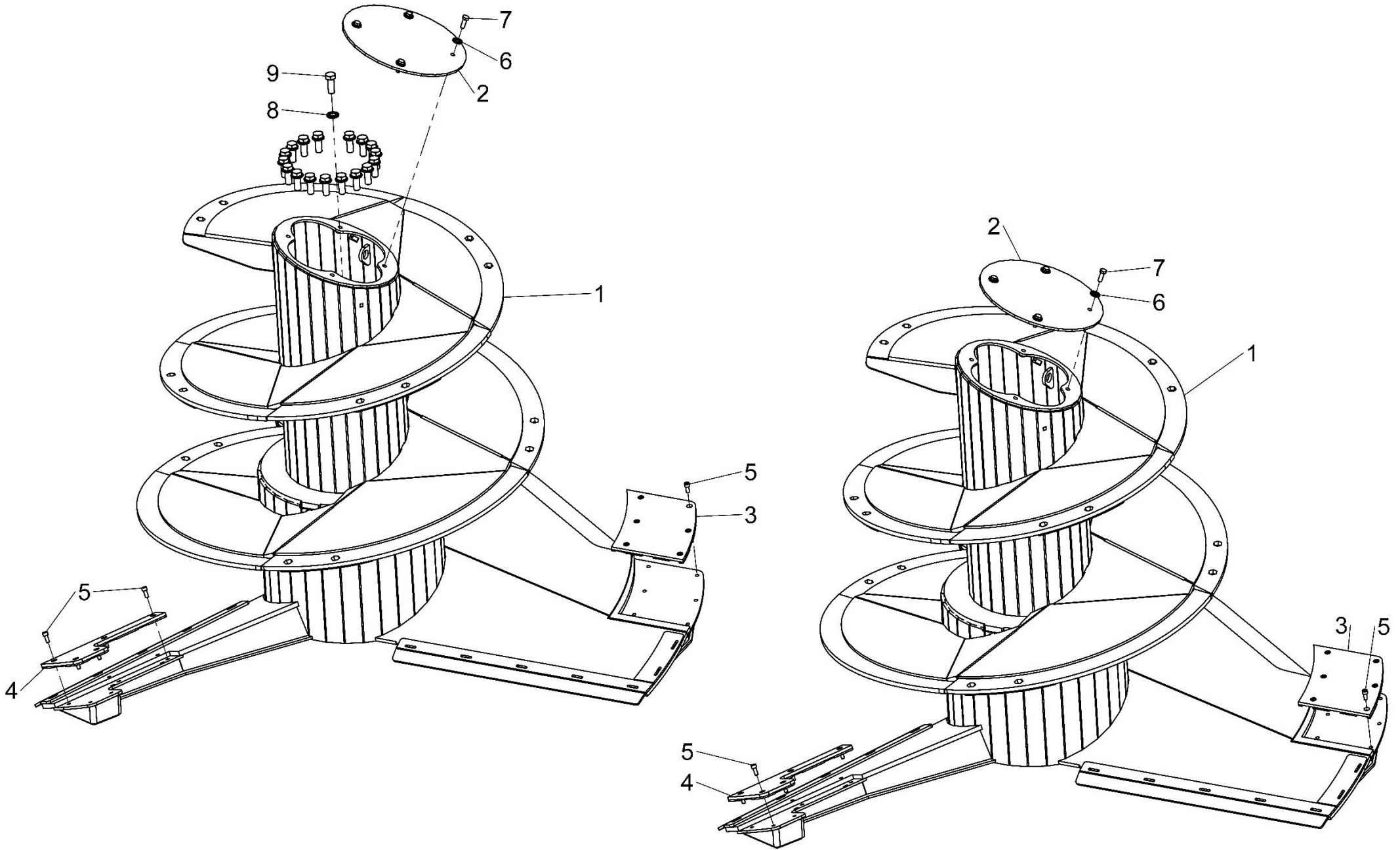
Shelbourne Reynolds Engineering Limited

ASSY NUMBER: 619187 01				ASSY DESCRIPTION: AUGER SUB ASSY (24m cu TWIN AUGER)			
ITEM	PART NO	DESCRIPTION	QTY	ITEM	PART NO	DESCRIPTION	QTY
1	618057 01	AUGER W/A	2				
2	618350 01	SHAFT LID	2				
3	617483 01	WEAR PAD	2				
4	617486 01	WEAR PAD	4				
5	SCW-0190	CP HD SCREW	32				
6	WSHA30121	LOCK WASHWER	8				
7	HSS-0241	SETSCREW	8				
8	WSHA30161	LOCK WASHER	30				
9	BLTA16322	BOLT	30				



Shelbourne Reynolds Engineering Limited

ASSY NUMBER: 619188 01				ASSY DESCRIPTION: AUGER SUB ASSY (30m cu TWIN AUGER)			
ITEM	PART NO	DESCRIPTION	QTY	ITEM	PART NO	DESCRIPTION	QTY
1	618780 01	AUGER W/A	2				
2	618350 01	AUGER SHAFT CAP	2				
3	617483 01	WEAR PAD	2				
4	617486 01	WEAR PAD	4				
5	SCW-0190	CP HD SCREW	32				
6	WSHA30121	LOCK WASHWER	8				
7	HSS-0241	SETSCREW	8				
8	WSHA30201	LOCK WASHER	36				
9	BLT-2365	BOLT	36				

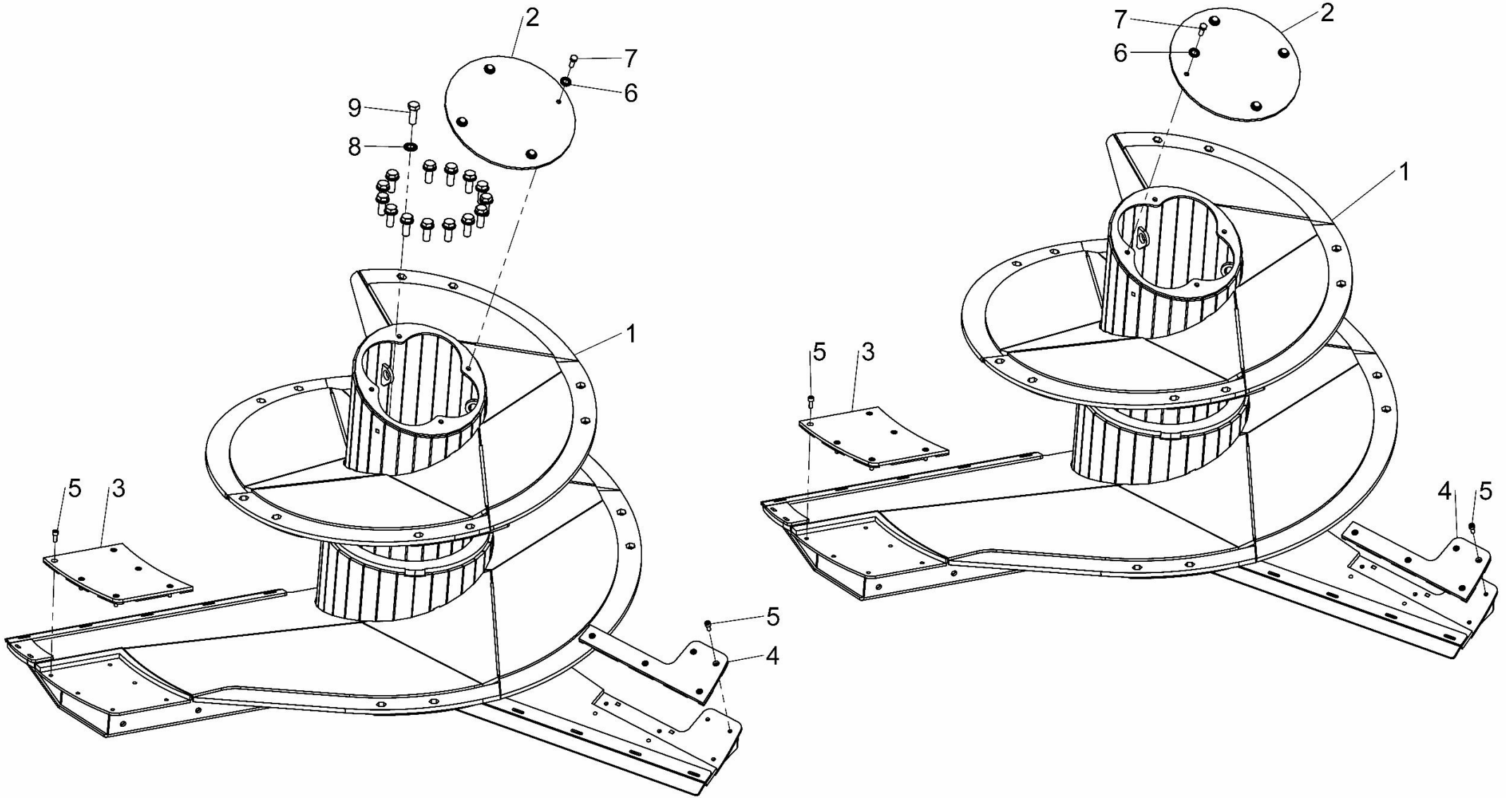


619188 01



Shelbourne Reynolds Engineering Limited

ASSY NUMBER: 619189 01				ASSY DESCRIPTION: AUGER SUB ASSY (24m cu TWIN AUGER)			
ITEM	PART NO	DESCRIPTION	QTY	ITEM	PART NO	DESCRIPTION	QTY
1	618781 01	AUGER W/A	2				
2	618350 01	AUGER SHAFT CAP	2				
3	617483 01	WEAR PAD	2				
4	617486 01	WEAR PAD	4				
5	SCW-0190	CP HD SCREW	32				
6	WSHA30121	LOCK WASHER	8				
7	HSS-0241	SETSCREW	8				
8	WSHA30161	LOCK WASHER	30				
9	HSS-0319	BOLT	30				

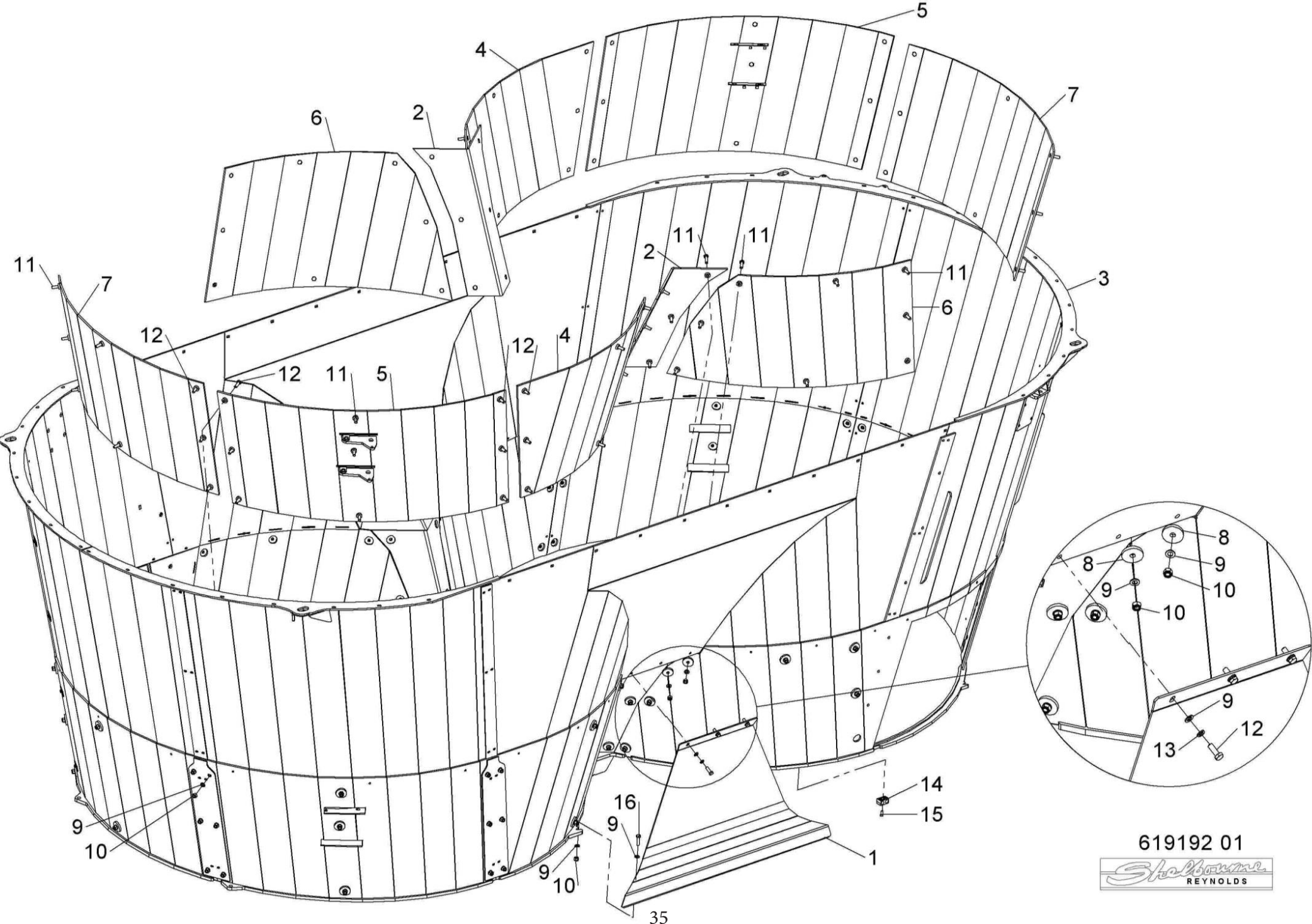


619189 01



Shelbourne Reynolds Engineering Limited

ASSY NUMBER: 619192 01				ASSY DESCRIPTION: 2 DOOR POPULAR TUB SUB ASSY (24-30m)			
ITEM	PART NO	DESCRIPTION	QTY	ITEM	PART NO	DESCRIPTION	QTY
1	618140 01	CENTER FILL W/A	1				
2	617632 01	MIDDLE LINING W/A	2				
3	618875 01	2 DOOR POPULAR TUB W/A	1				
4	617642 02	CENTER WEAR W/A	2				
5	617707 01	REAR WEAR W/A	2				
6	617706 01	CENTER WEAR W/A	2				
7	617710 01	REAR WEAR W/A	2				
8	617711 01	STAINLESS WASHER	52				
9	WSH-0018	WASHER	84				
10	NUT-0269	NUT	78				
11	HSS-0250	SETSCREW	52				
12	HSS-0241	SETSCREW	27				
13	WSH-0065	WASHER	3				
14	HCPD01800	HYD PIPE CLAMP	1				
15	SCW-0133	CAP HD SCREW	1				
16	BLTA12290	BOLT	2				

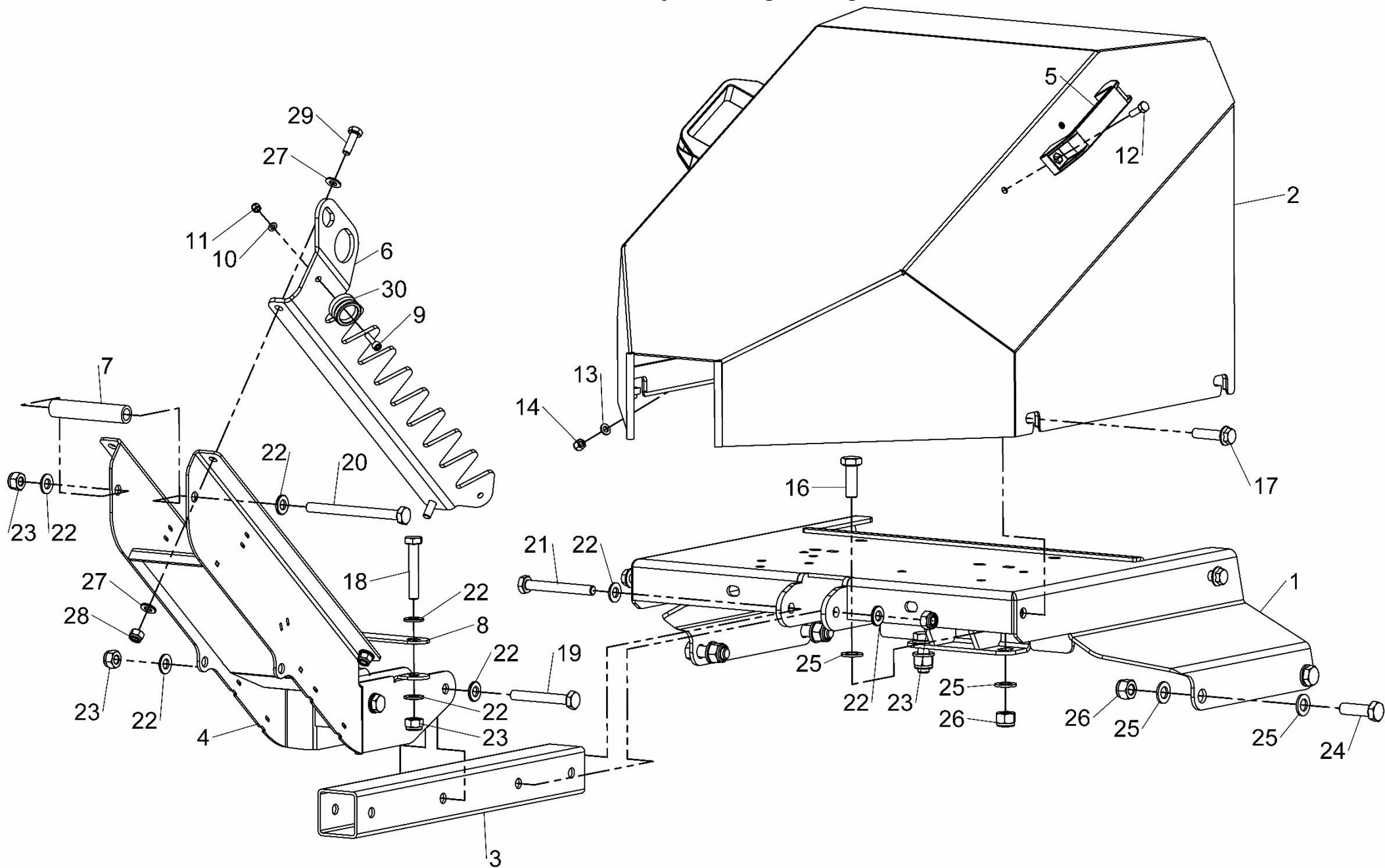


619192 01



Shelbourne Reynolds Engineering Limited

ASSY NUMBER: 619199 01				ASSY DESCRIPTION: HYDRAULICS MTG SUB ASSY (TWIN AUGER)			
ITEM	PART NO	DESCRIPTION	QTY	ITEM	PART NO	DESCRIPTION	QTY
1	616123 01	VALVE MTG PLATE W/A	1				
2	616134 01	GUARD W/A	1				
3	616139 01	SUPPORT ARM	1				
4	620423 01	HOSE STORAGE W/A	1				
5	HND-0000	BLACK PLASTIC HANDLE	2				
6	620422 01	HOSE HOLDER	1				
7	616322 01	TUBE GUIDE	1				
8	616293 01	HOSE CLAMP PLATE	1				
9	SCW-0056	CAP HD SCREW	1				
10	WSH-0006	WASHER	1				
11	NUT-0258	NYLOC NUT	1				
12	HSS-0086	HEX HD BOLT	4				
13	WSH-0009	WASHER FORM	4				
14	NUT-0260	NYLOC NUT	4				
15							
16	HSS-0241	HEX HD SETSCREW	2				
17	HSSG10260	HEX HD TENSILOCK BOLT 8.8	4				
18	BLTA10380	HEX HD BOLT	2				
19	BLTA10470	HEX HD BOLT	2				
20	BLTA10620	HEX HD BOLT	1				
21	BLTA10520	HEX HD BOLT	2				
22	WSH-0015	WASHER	14				
23	NUT-0265	NYLOC NUT	11				
24	HSS-0250	HEX HD SETSCREW	4				
25	WSH-0018	WASHER	12				
26	NUT-0269	NYLOC NUT	6				
27	WSH-0012	WASHER	4				
28	NUT-0263	NUT	2				
29	HSS-0145	SETSCREW	2				
30	HQR-10007A	BRAKE COUPLING PARKING STATION	1				

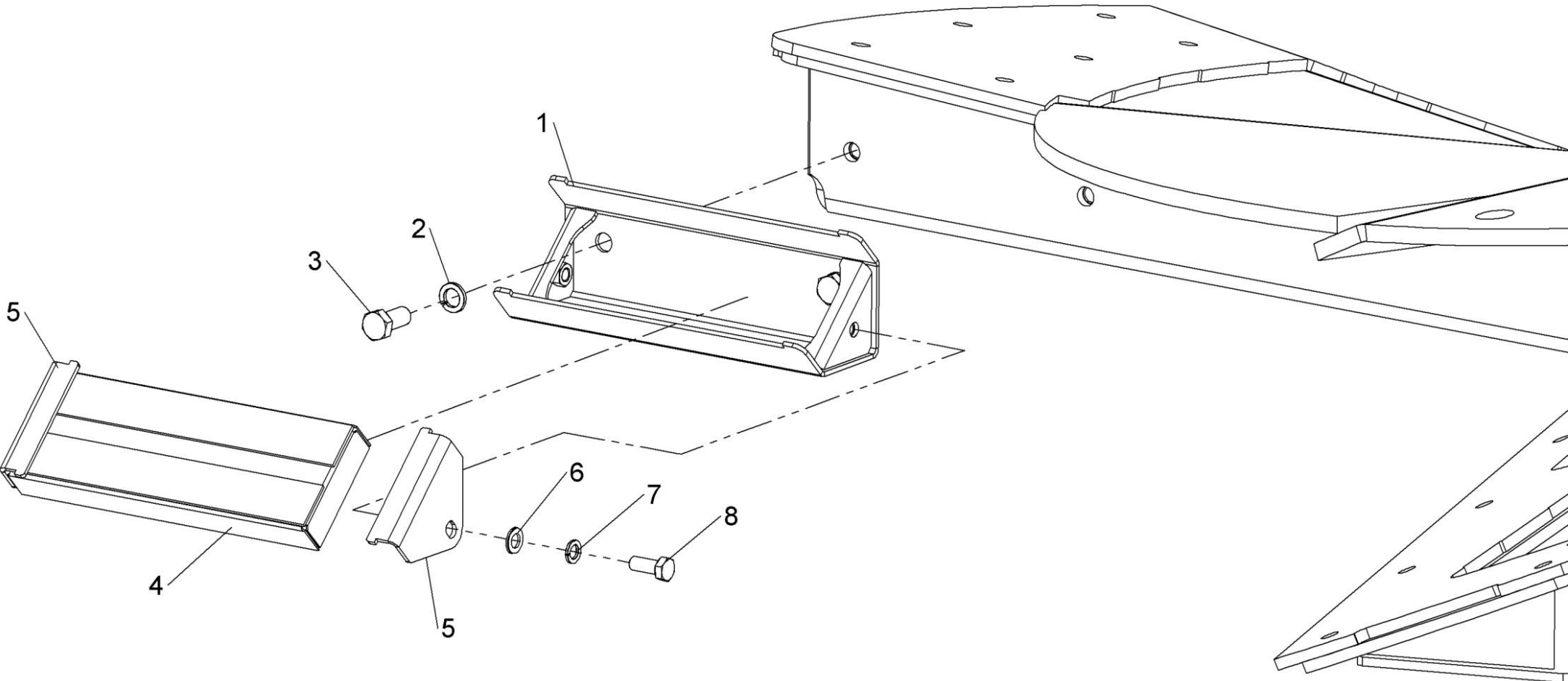


619199 01



Shelbourne Reynolds Engineering Limited

ASSY NUMBER: KIT-03719				ASSY DESCRIPTION: AUGER MAGNET KIT			
ITEM	PART NO	DESCRIPTION	QTY	ITEM	PART NO	DESCRIPTION	QTY
1	615180 01	MAGNET MTG BRKT W/A	1				
2	WSH-0070	WASHER	2				
3	HSS-0315	SET SCREW	2				
4	MAG-0006	AUGER MAGNET	1				
5	615184 01	SIDE FIXING PLATE	2				
6	WSH-0018	WASHER	2				
7	WSH-0065	WASHER	2				
8	HSS-0238	SETSCREW	2				

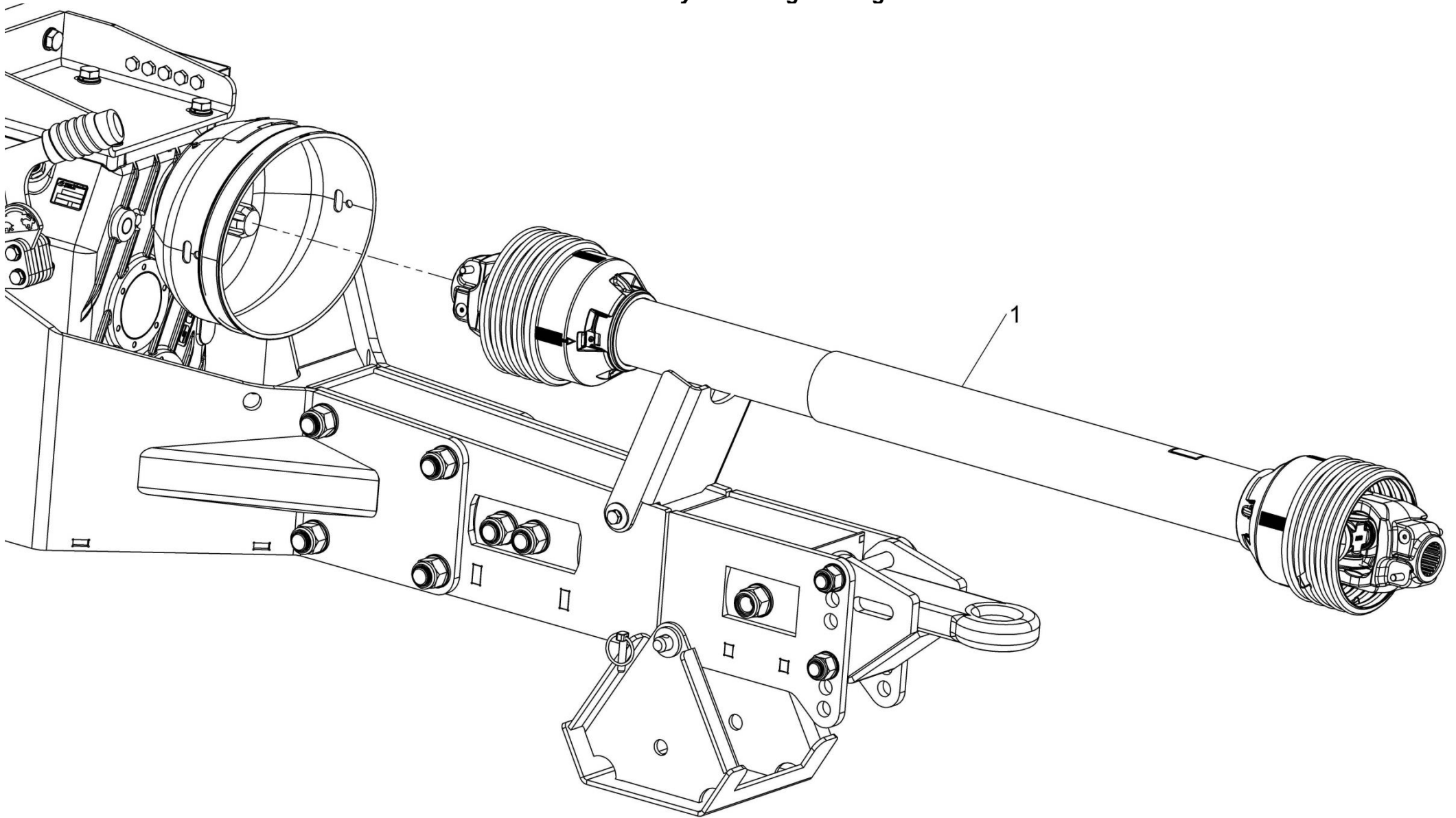


KIT-03719



Shelbourne Reynolds Engineering Limited

ASSY NUMBER: KIT-03876A				ASSY DESCRIPTION: STD INPUT PTO SHAFT KIT (16-22m PLUS)			
ITEM	PART NO	DESCRIPTION	QTY	ITEM	PART NO	DESCRIPTION	QTY
1	PTO-35005W	INPUT PTO SHAFT (WALTERCHIED)	1				

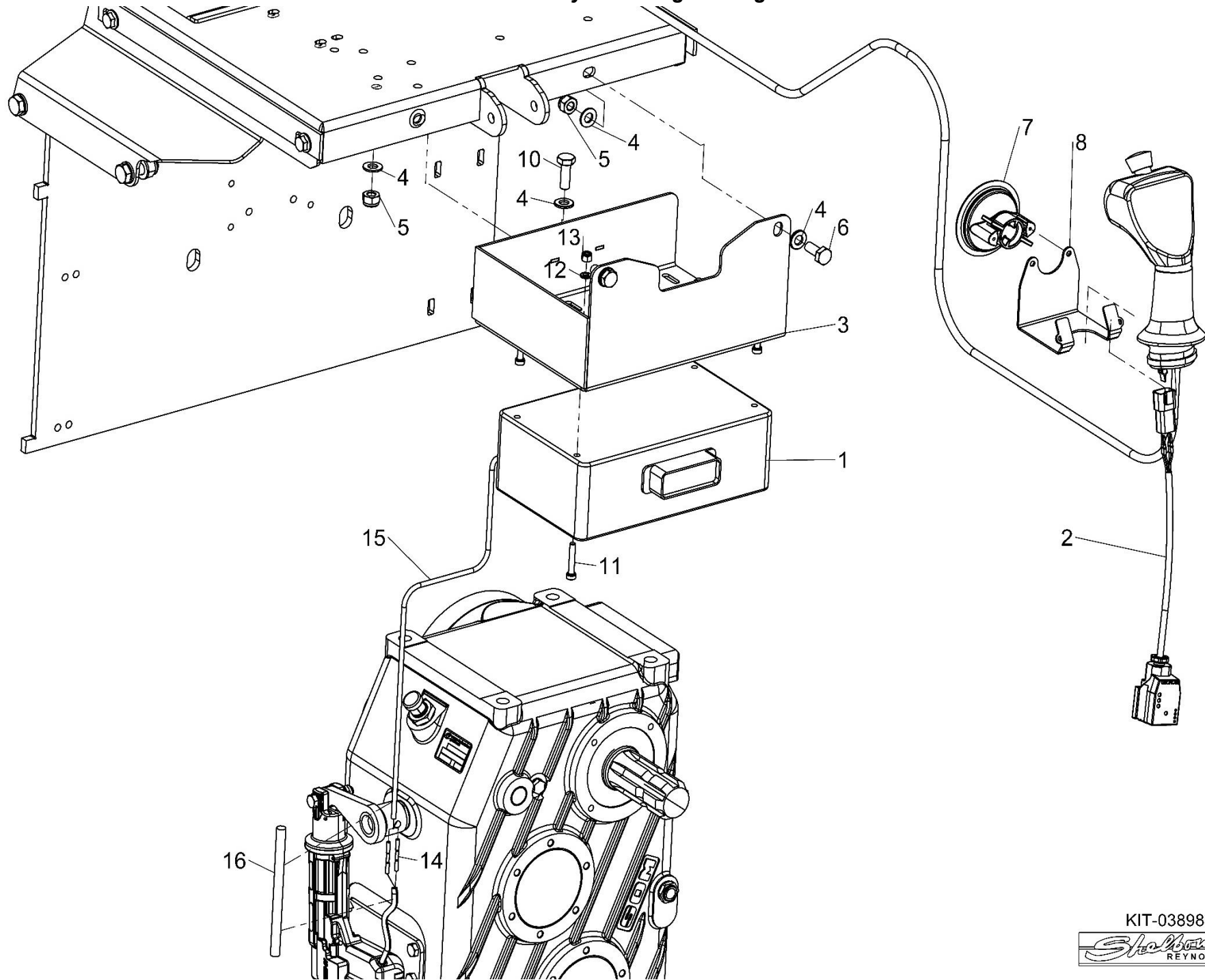


KIT-03876
KIT-03876A



Shelbourne Reynolds Engineering Limited

ASSY NUMBER: KIT-03898				ASSY DESCRIPTION: HYDRAULIC CONTROLS KIT (2-SPEED OPTION)			
ITEM	PART NO	DESCRIPTION	QTY	ITEM	PART NO	DESCRIPTION	QTY
1	616535 01	HYDRAULIC CONTROLLER	1				
2	615749 01	PROPORTIONAL VALVE DRIVER ASSY	1				
3	616843 01	STORAGE BOX W/A	1				
4	WSH-0015	WASHER	6				
5	NUT-0265	NUT	3				
6	HSS-0191	SETSCREW	2				
7	LCL-01249	SUCTION MOUNT ASSY	1				
8	616138 01	CONTROLLER HOLDER	1				
9							
10	HSS-0194	SETSCREW	1				
11	SCW-0092	CP HD SCREW	4				
12	WSH-0009	WASHER	4				
13	NUT-0260	NUT	4				
14	ETM-04630	HEAT SHRINK CRIMP CONNECTOR	2				
15	CBL-03010	CABLE (2-CORE)	2m				
16	PHS-00455	HEAT SHRINK TUBE (10mm)	0.1m				

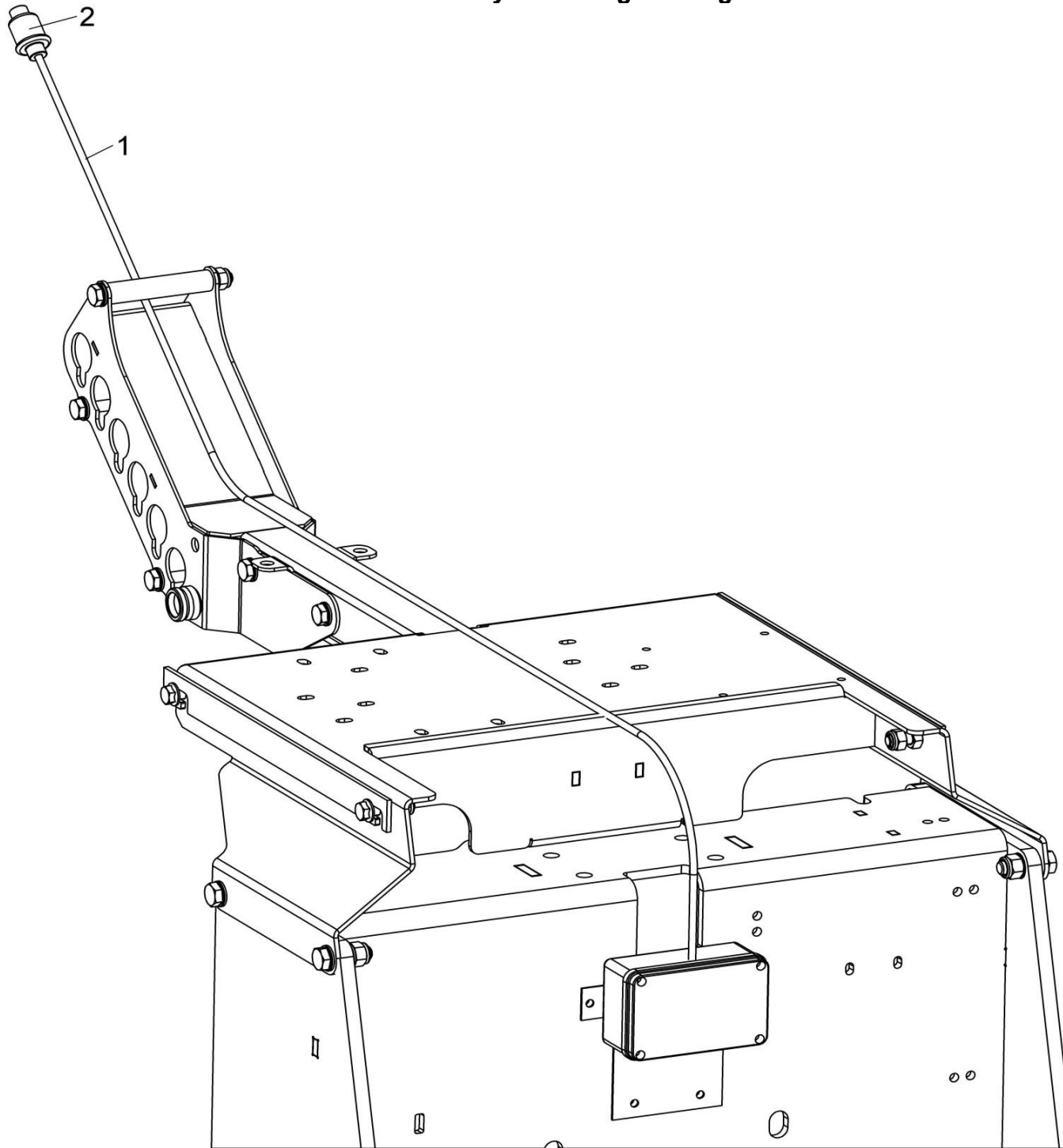


KIT-03898



Shelbourne Reynolds Engineering Limited

ASSY NUMBER: KIT-03900				ASSY DESCRIPTION: 3-PIN PLUG CONNECTION KIT			
ITEM	PART NO	DESCRIPTION	QTY	ITEM	PART NO	DESCRIPTION	QTY
1	CBL-03235	4 CORE CABLE	4m				
2	PLG-0060	3 PIN PLUG	1				

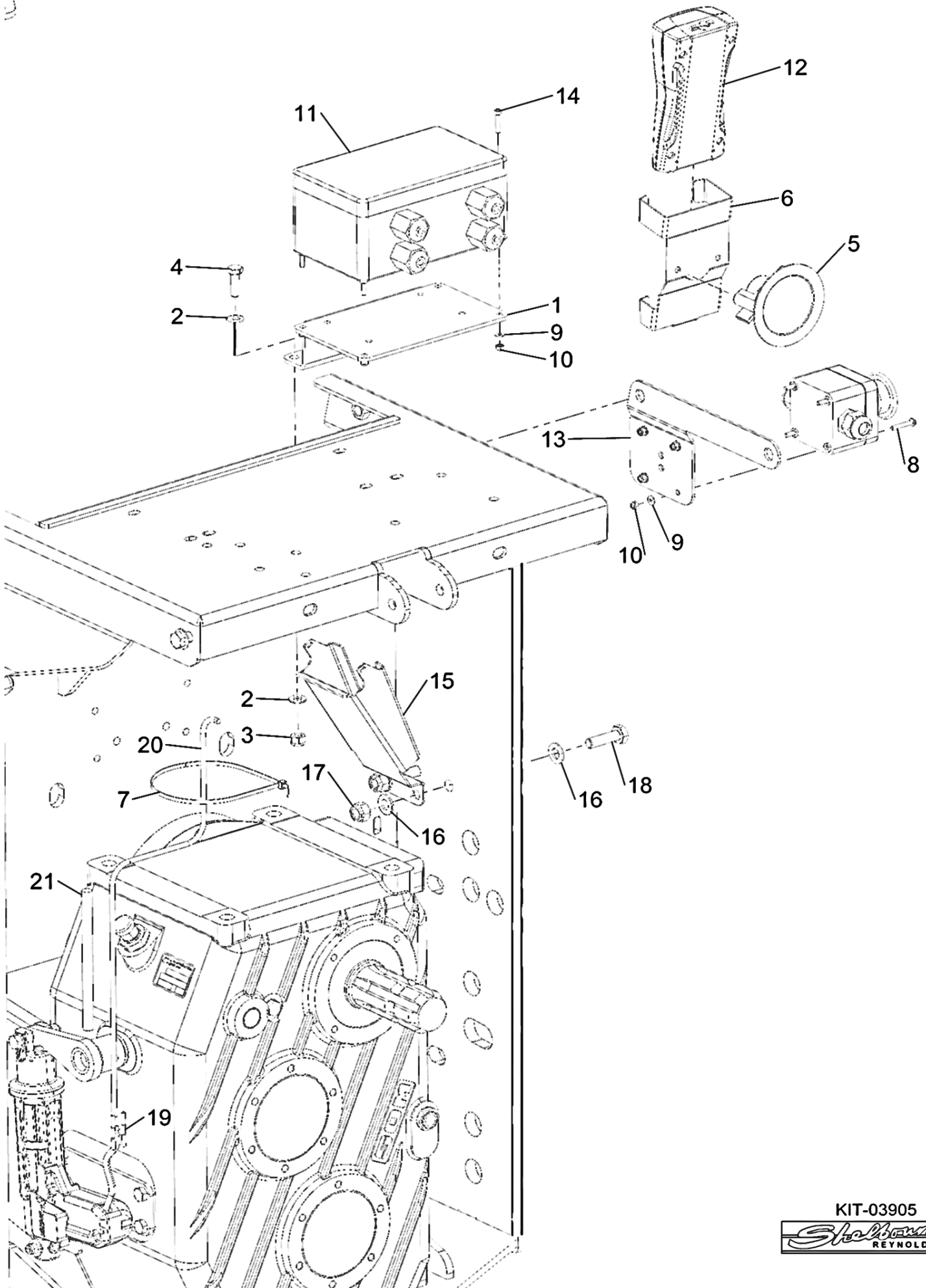


KIT-03900



Shelbourne Reynolds Engineering Limited

ASSY NUMBER: KIT-03905				ASSY DESCRIPTION: WIRELESS HYDRAULIC CONTROL KIT			
ITEM	PART NO	DESCRIPTION	QTY	ITEM	PART NO	DESCRIPTION	QTY
1	617693 01	CONTROL BOX MTG BRKT	1				
2	WSH-0012	WASHER (M8 PLAIN)	4				
3	NUT-0263	NUT	2				
4	HSS-0145	SETSCREW	2				
5	LCL-01249	SUCTION MOUNT ASSY	1				
6	617459 01	HANDSET CRADDLE	1				
7	TIE-0006	TIE WRAP LARGE	10				
8	SCFC04170	PAN HD SCREW	4				
9	WSH-0003	WASHER	8				
10	NUT-0255	NUT	8				
11	HVC-06000	REMOTE CONTROL BASE UNIT	1				
12	HVC-06001	REMOTE CONTROL HANDSET	1				
13	617587 01	EMERGENCY STOP MTG BRKT	1				
14	SCW-0035	SOC HD SCREW	4				
15	616450 01	STORAGE CRADDLE	1				
16	WSH-0015	WASHER	4				
17	NUT-0265	NUT	2				
18	HSS-0198	SETSCREW	2				
19	ETM-04630	HEAT SHRINK CRIMP CONNECTOR	2				
20	CBL-03010	CABLE (2-CORE)	2m				
21	PHS-00455	HEAT SHRINK TUBE (10mm)	0.1m				

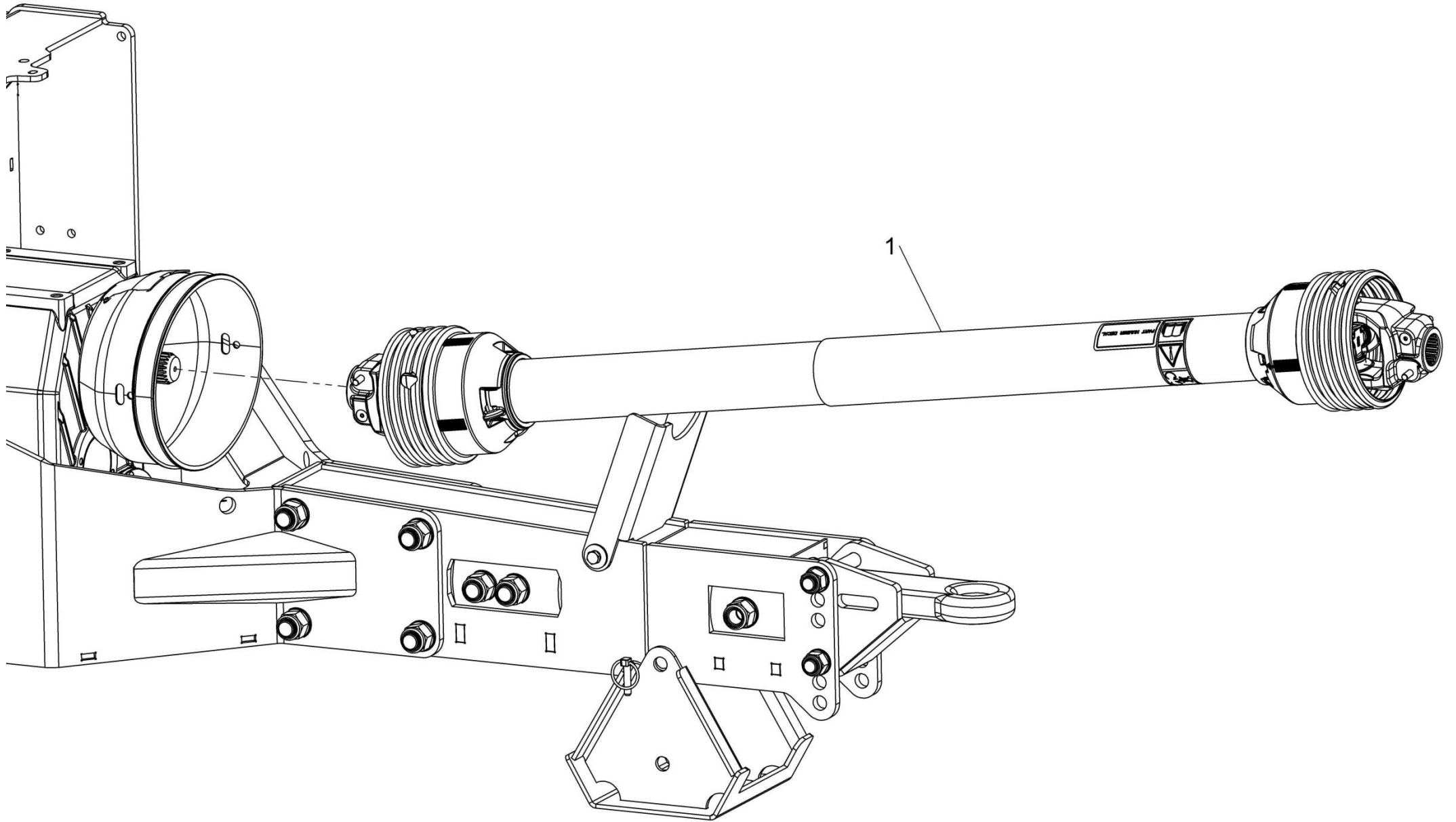


KIT-03905



Shelbourne Reynolds Engineering Limited

ASSY NUMBER: KIT-03908A				ASSY DESCRIPTION: W-A INPUT PTO SHAFT KIT (16-22M PLUS)			
ITEM	PART NO	DESCRIPTION	QTY	ITEM	PART NO	DESCRIPTION	QTY
1	PTO-35020W	W-A INPUT PTO SHAFT (WALT)	1				

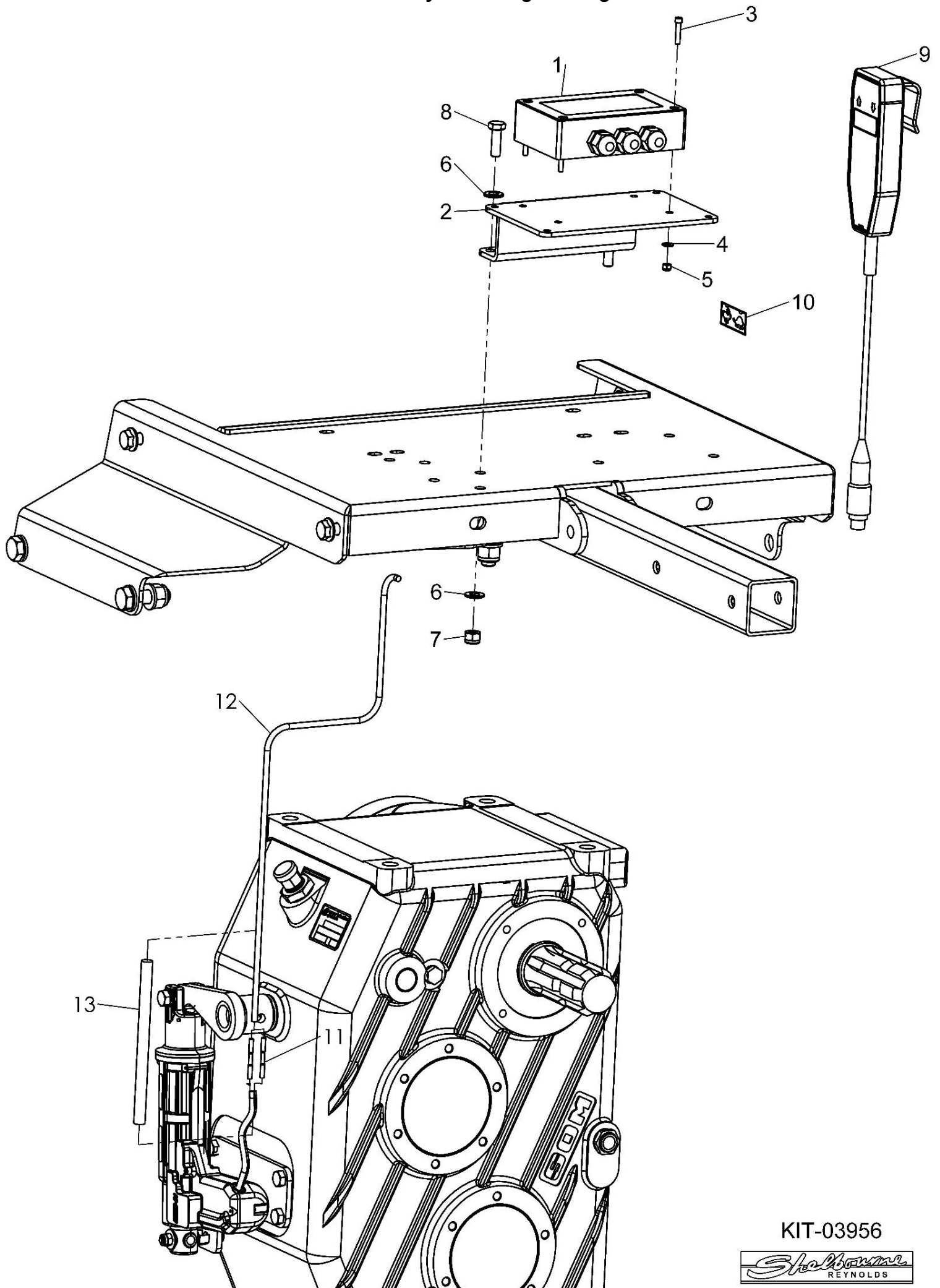


KIT-03908
KIT-03908A



Shelbourne Reynolds Engineering Limited

ASSY NUMBER: KIT-03956				ASSY DESCRIPTION: 2-SPEED GEAR CHANGE HANDSET KIT			
ITEM	PART NO	DESCRIPTION	QTY	ITEM	PART NO	DESCRIPTION	QTY
1	MOTE11020B	ACTUATOR CONTROL BOX	1				
2	617693 01	CONTROL BOX MTG BRACKET	1				
3	SCW-0035	CP HD SCREW	4				
4	WSH-0003	WASHER	4				
5	NUT-0255	NUT	4				
6	WSH-0012	WASHER	4				
7	NUT-0263	NUT	2				
8	HSS-0145	SETSCREW	2				
9	MOTE11020C	HB40 HANDSET	1				
10	617586 01	AUGER SPEED EMBLEM	1				
11	ETM-04630	HEAT SHRINK CRIMP CONNECTOR	2				
12	CBL-03010	CABLE (2-CORE)	2m				
13	PHS-00455	HEAT SHRINK TUBE (10mm)	0.1m				

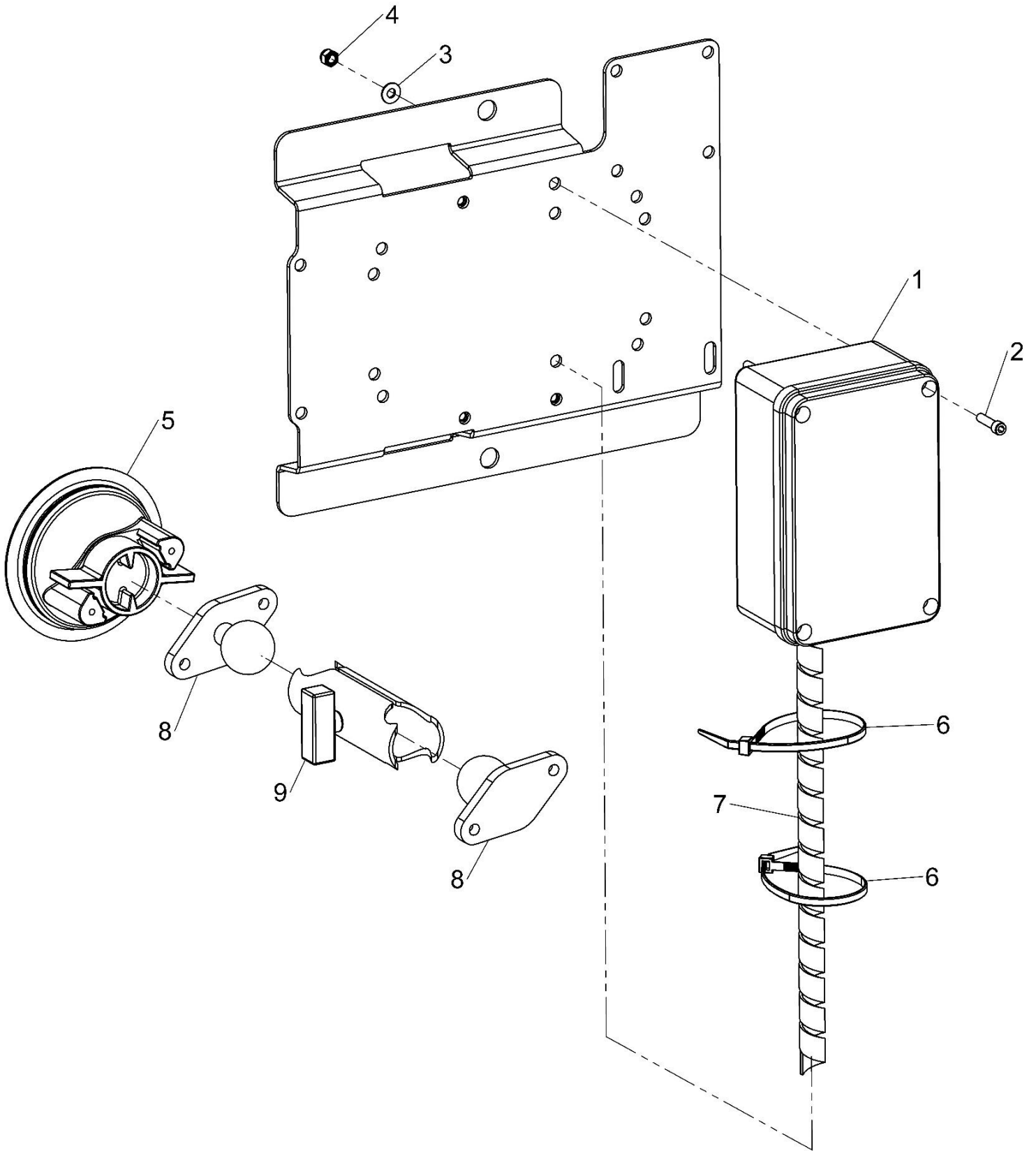


KIT-03956



Shelbourne Reynolds Engineering Limited

ASSY NUMBER: KIT-03958				ASSY DESCRIPTION: DINA TEL 3 REMOTE DISPLAY KIT			
ITEM	PART NO	DESCRIPTION	QTY	ITEM	PART NO	DESCRIPTION	QTY
1	LCL-04120	DINA TEL 3 REMOTE DISPLAY KIT	1				
2	SCCA04113	CP SOC HD SCREW	4				
3	WSH-0003	WASHER	4				
4	NUT-0255	NUT	4				
5	LCL-01249	RAM MOUNT SUCTION CUP	1				
6	TIE-0004	TIE WRAP MEDIUM	10				
7	SLV-00300	SPIRAL CONVOLUTE TUBING	2m				
8	LCL-01265	DIAMOND BASE WITH 1" BALL	2				
9	LCL-01268	DOUBLE SOCKET 1"	1				

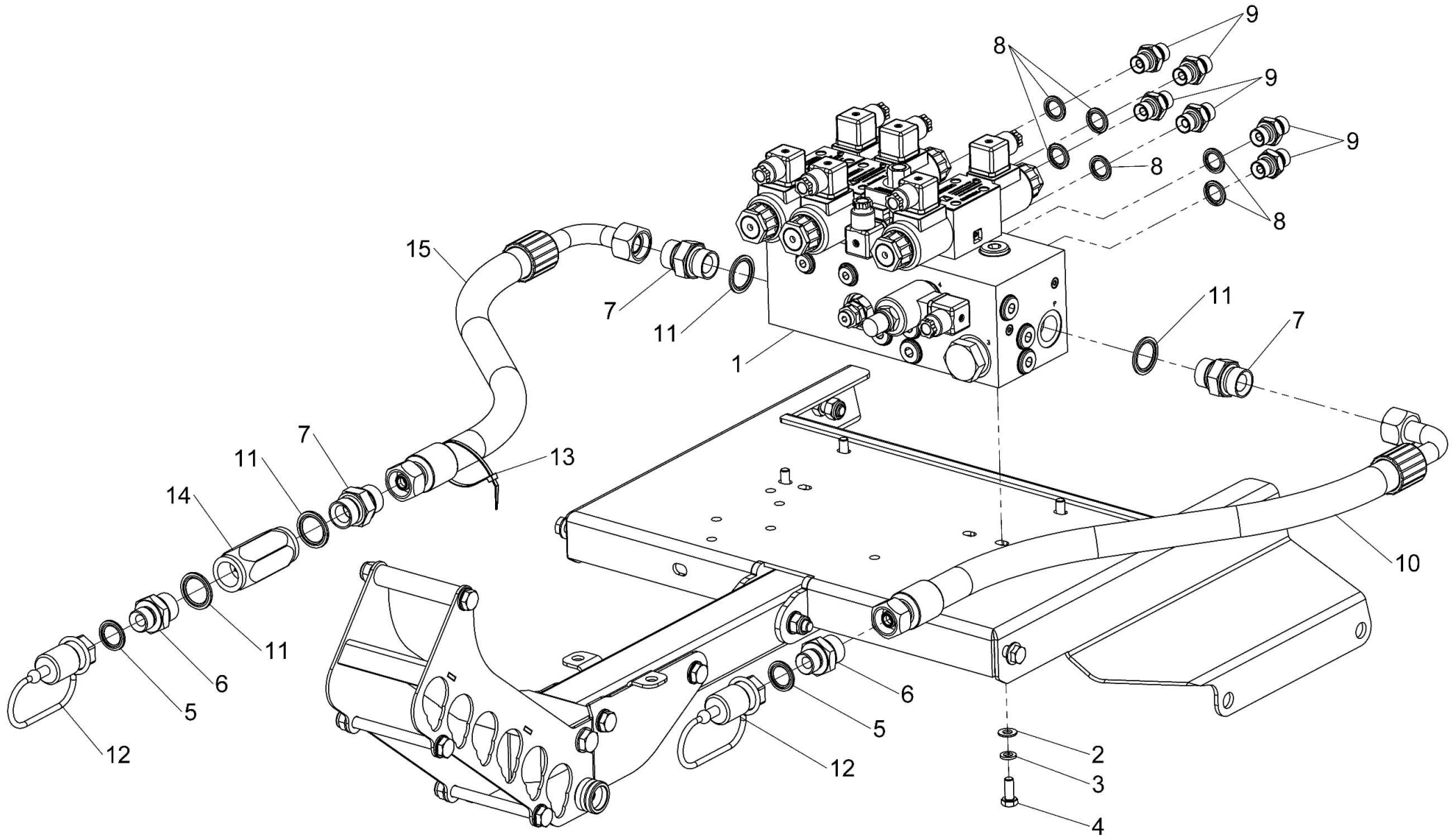


KIT-03958



Shelbourne Reynolds Engineering Limited

ASSY NUMBER: KIT-03965				ASSY DESCRIPTION: HYDRAULIC VALVE KIT (3/4" HOSES STEEL V)			
ITEM	PART NO	DESCRIPTION	QTY	ITEM	PART NO	DESCRIPTION	QTY
1	HVB-19140S	PROPORTIONAL CONTROL VALVE	1				
2	WSH-0012	WASHER	4				
3	WSH-0058	WASHER	4				
4	HSS-0140	SETSCREW	4				
5	WSH-1015	DOWTY WASHER	2				
6	HMA-0060	M/M ADAPTOR	2				
7	HMA-0074	M/M ADAPTOR	3				
8	WSH-1010	DOWTY WASHER	6				
9	HMA-0057	M/M ADAPTOR	6				
10	HHBH19505	HYDRAULIC HOSE	1				
11	WSH-1020	DOWTY WASHER	4				
12	COU-0162	QUICK RELEASE COUPLG	2				
13	TIE-0004	TIE WRAP	8				
14	HVB-20510	NON RETURN VALVE	1				
15	HHBH18305	HYDRAULIC HOSE	1				

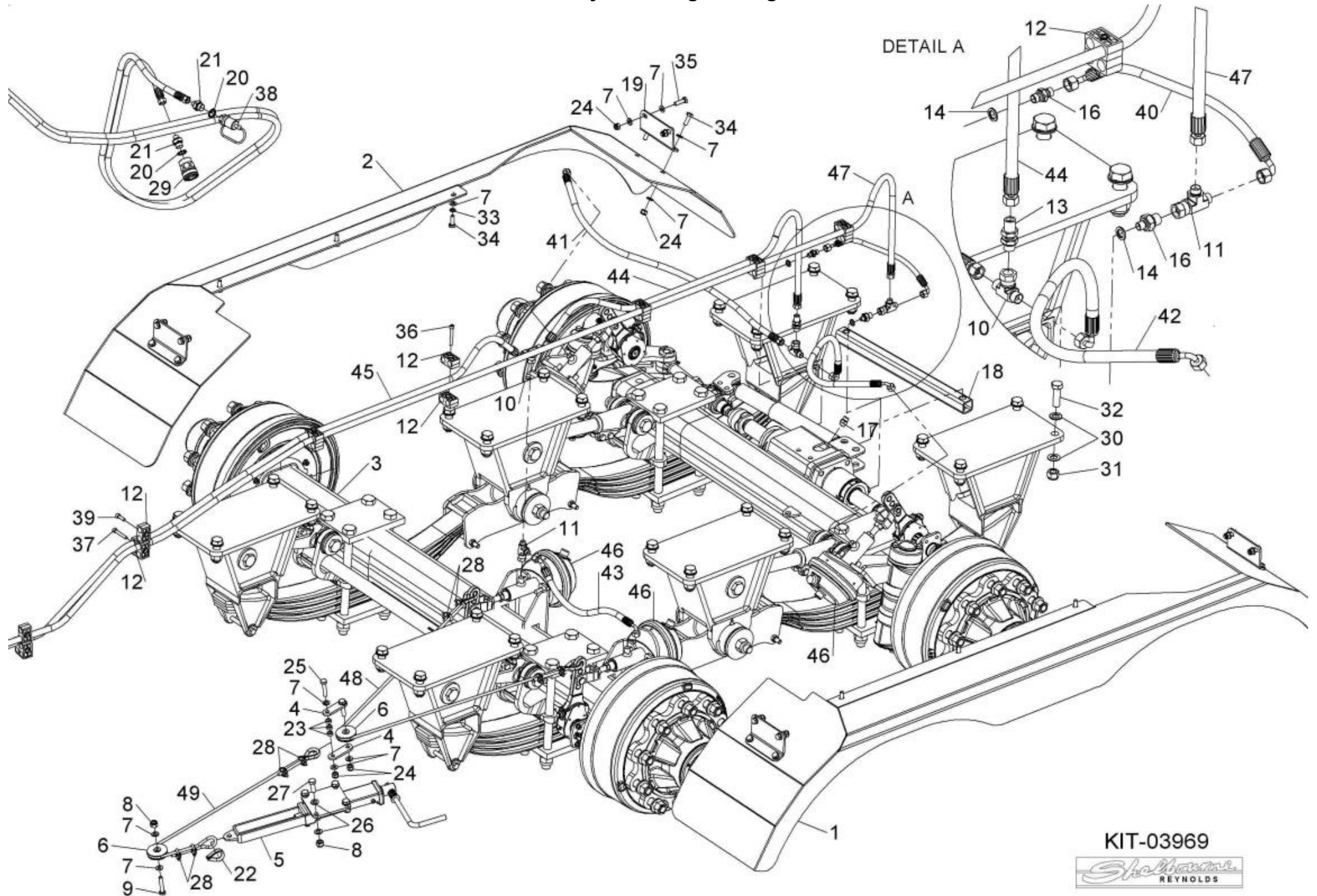


KIT-03965
KIT-03966



Shelbourne Reynolds Engineering Limited

ASSY NUMBER: KIT-03969				ASSY DESCRIPTION: REAR STEERING AXLE KIT			
ITEM	PART NO	DESCRIPTION	QTY	ITEM	PART NO	DESCRIPTION	QTY
1	618136 01	MUDGUARD W/A	1	41	HHBE09805	HYDRUALIC HOSE	1
2	618136 02	MUDGUARD W/A	1	42	HHEE06605	HYDRUALIC HOSE	1
3	618146 01	AXLE W/A	1	43	HHKE04405	HYDRUALIC HOSE	1
4	617590 01	LINK PLATE	2	44	HHDE13705	HYDRUALIC HOSE	1
5	616300 01	HANDBRAKE W/A	1	45	HHDE65005	HYDRUALIC HOSE	1
6	BRA-14101	HANDBRAKE PULLEY	2	46	BRA-07130A	HYDRUALIC ACTUATOR	4
7	WSH-0015	PLAIN WASHER	44	47	HHAE81705	HYDRUALIC HOSE	1
8	NUT-0269	NYLOC NUT	5	48	CBL-30010	CABLE	1.3m
9	BLTA10350	BOLT	1	49	CBL-30010	CABLE	2m
10	FITA10140	TEE FITTING	2				
11	FITA10410	TEE FITTING	2				
12	HCPD01800	TWIN PIPE CLAMP	19				
13	HBK-0012	BULKHEAD	1				
14	WSH-1005	DOWTY WASHER	2				
15			1				
16	FIT-0025	ADAPTOR	2				
17	FIT-0218	BREATHER	1				
18	618593 01	TRANSPORT STRAP	1				
19	618180 01	MUDGUARD LUG	4				
20	WSH-1015	DOWTY WASHER	2				
21	HMA-0065	ADAPTOR	2				
22	WRP-01050	WIRE CABLE THIMBLE	4				
23	198800 68	WASHER	3				
24	NUT-0265	NYLOC NUT	18				
25	HSS-0210	BOLT	2				
26	WSH-0018	PLAIN WASHER	8				
27	HSS-0241	SETSCREW	4				
28	WRP-02080	WIRE CLAMP	8				
29	HQR-10007	QUICK RELEASE COUPLING	1				
30	WSH-0030	PLAIN WASHER	48				
31	NUTA02200	NYLOC NUT	24				
32	BLTA20410	BOLT	24				
33	WSH-0061	SPRING WASHER	6				
34	HSS-0194	BOLT	14				
35	HSS-0198	BOLT	8				
36	SCCA08413	CAP HEAD SCREW	5				
37	SCW-0145	CAP HEAD SCREW	3				
38	COU-0162	QUICK RELEASE COUPLING	1				
39	SCW-0136	CAP HEAD SCREW	2				
40	HHEC03605	HYDRUALIC HOSE	1				



KIT-03969

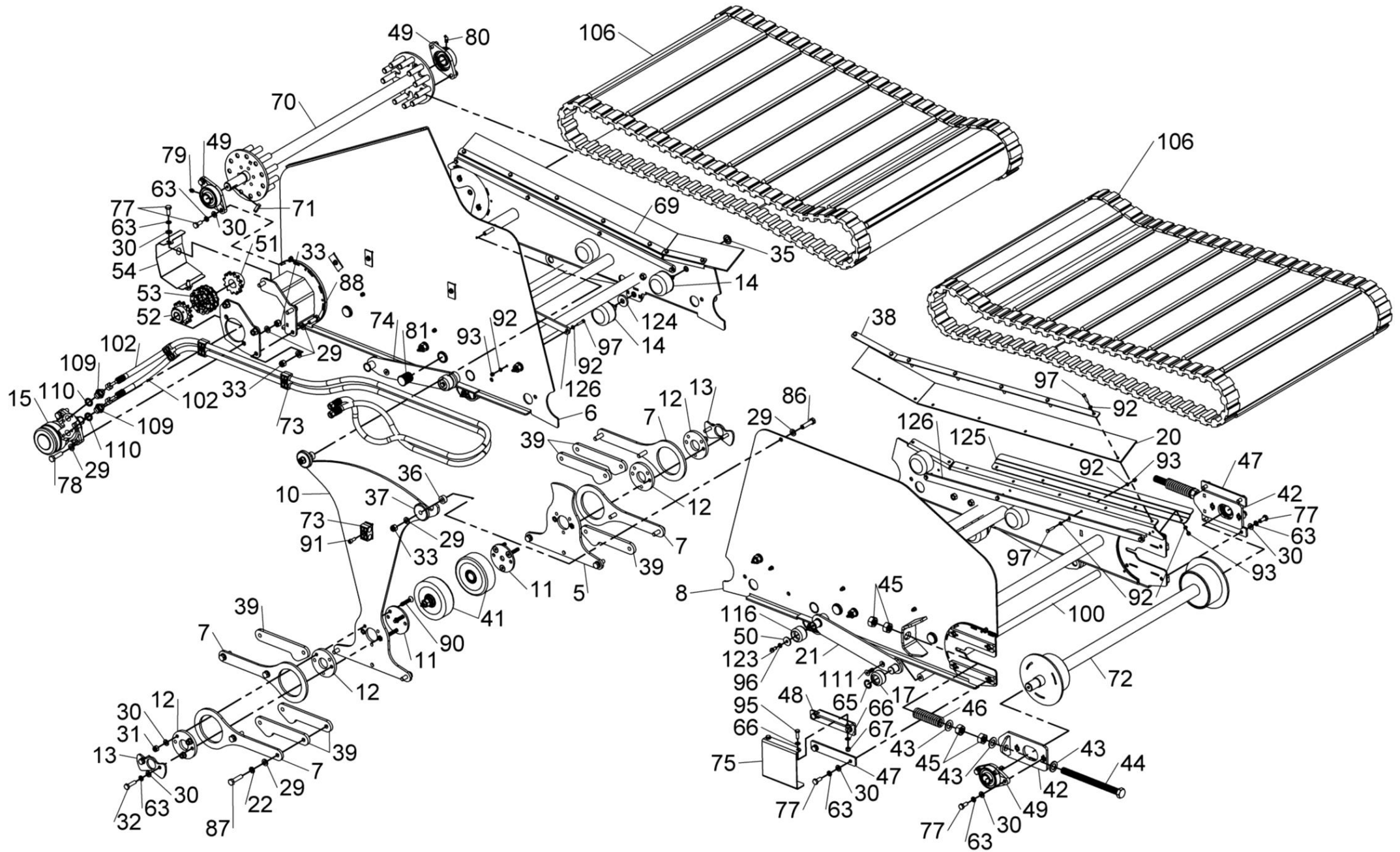


Shelbourne Reynolds Engineering Limited

ASSY NUMBER: KIT-03970				ASSY DESCRIPTION: CONVEYOR KIT			
ITEM	PART NO	DESCRIPTION	QTY	ITEM	PART NO	DESCRIPTION	QTY
1	617741 01	SIDE SHIFT CARRIAGE W/A	1	38	617815 01	CLAMP PLATE	1
2	613702 01	WHEEL	4	39	617826 01	CONNECTOR	6
3	617747 01	CONVEYOR RAIL W/A	1	40	620119 02	DEFLECTOR PLATE W/A	1
4	617749 01	CONVEYOR RAIL FRONT	1	41	CON-00041	SUPPORT ROLLER	2
5	617751 01	REAR PLATE	1	42	617829 01	BEARING SLIDE W/ASSY	2
6	617765 01	CONVEYOR PAN W/A	1	43	WSH-0030	WASHER	6
7	617753 01	GUIDE	4	44	HSSA20930	SETSCREW	2
8	617819 01	CONVEYOR PAN LH W/A	1	45	NUT-0185	NUT	8
9	617778 01	HYDRAULIC CYLINDER	1	46	SPGC52900	COMPRESSION SPRING	2
10	618354 01	CENTER BRACKET FRONT W/A	1	47	616090 01	KEEP PLATE	3
11	615997 01	CSK PIVOT DISC	2	48	618357 01	KEEP PLATE	1
12	615998 01	PIVOT DISC	4	49	BRG-23055	BEARING	4
13	615999 01	SECURING PLATE	2	50	292600 08	WASHER (9/I/D x 30 OD x 3THK)	4
14	CON-00025A	SUPPORT ROLLER	12	51	592123 02	DRIVE COUPLING	1
15	MOTH08000	HYDRAULIC MOTOR PAINTED BLACK	1	52	592123 01	DRIVE COUPLING	1
16	617770 01	CONVEYOR GUARD	1	53	CHN-01998	CHAIN	1
17	614278 01	WHEEL	4	54	618366 01	MOTOR COVER	1
18	617780 01	CONVEYOR GUARD	1	55	618704 01	DEFLECTOR PIVOT BAR W/A	1
19	620119 01	DEFLECTOR PLATE W/A	1	56	618708 01	CONVEYOR DEFLECTOR W/A	1
20	617814 01	RUBBER SEAL STRIP	2	57	616830 01	NYLON ROLLER	1
21	618932 01	LH LIFT ARM W/A	2	58	617878 01	RUBBER STRIP	1
22	WSH-0065	SPRING WASHER	23	59	616838 01	SUPPORT PLATE	1
23	BLTA12350	BOLT	1	60	618124 01	SECURING PLATE	1
24	618863 01	ROLLER END STOP W/A	1	61	SPGJ74300	TORSION SPRING	1
		SER No PME24190704 & ON		62	HSS-0198	BOLT	5
OR	617803 01	ROLLER END STOP W/A	1	63	WSH-0061	SPRING WASHER	35
		UPTO & INC PME24190695		64	HSS-0194	BOLT	15
25	WSH-1005	DOWTY WASHER	1	65	CIR-1125	EXTERNAL CIRCLIP	5
26	HMA-0052	M/M ADAPTOR	1	66	WSH-0012	WASHER	9
27	CAP-0010	END CAP	3	67	NUT-0263	NYLOC NUT	7
28	BLT-2270	BOLT	1	68	BLT-2700	COACH BOLT	5
29	WSH-0018	WASHER	62	69	617815 02	CLAMP PLATE	1
30	WSH-0015	WASHER	72	70	618194 01	DRIVE SHAFT W/A	1
31	NUT-0265	NYLOC NUT	24	71	K1008030	KEY	1
32	HSS-0202	BOLT	12	72	618198 01	ROLLER	1
33	NUT-0269	NYLOC NUT	20	73	HCDP01800	HYDRAULIC PIPE CLAMP	4
34	617808 01	ROLLER END STOP	1	74	618932 02	RH LIFT ARM W/A	2
35	WSH-0024	WASHER	18	75	618355 01	BEARING COVER	1
36	613919 04	SPACER TUBER	2	76	HSS-0250	SETSCREW	16
37	616768 01	CONVEYOR PAN GUIDE	2	77	HSS-0191	BOLT	18

Shelbourne Reynolds Engineering Limited

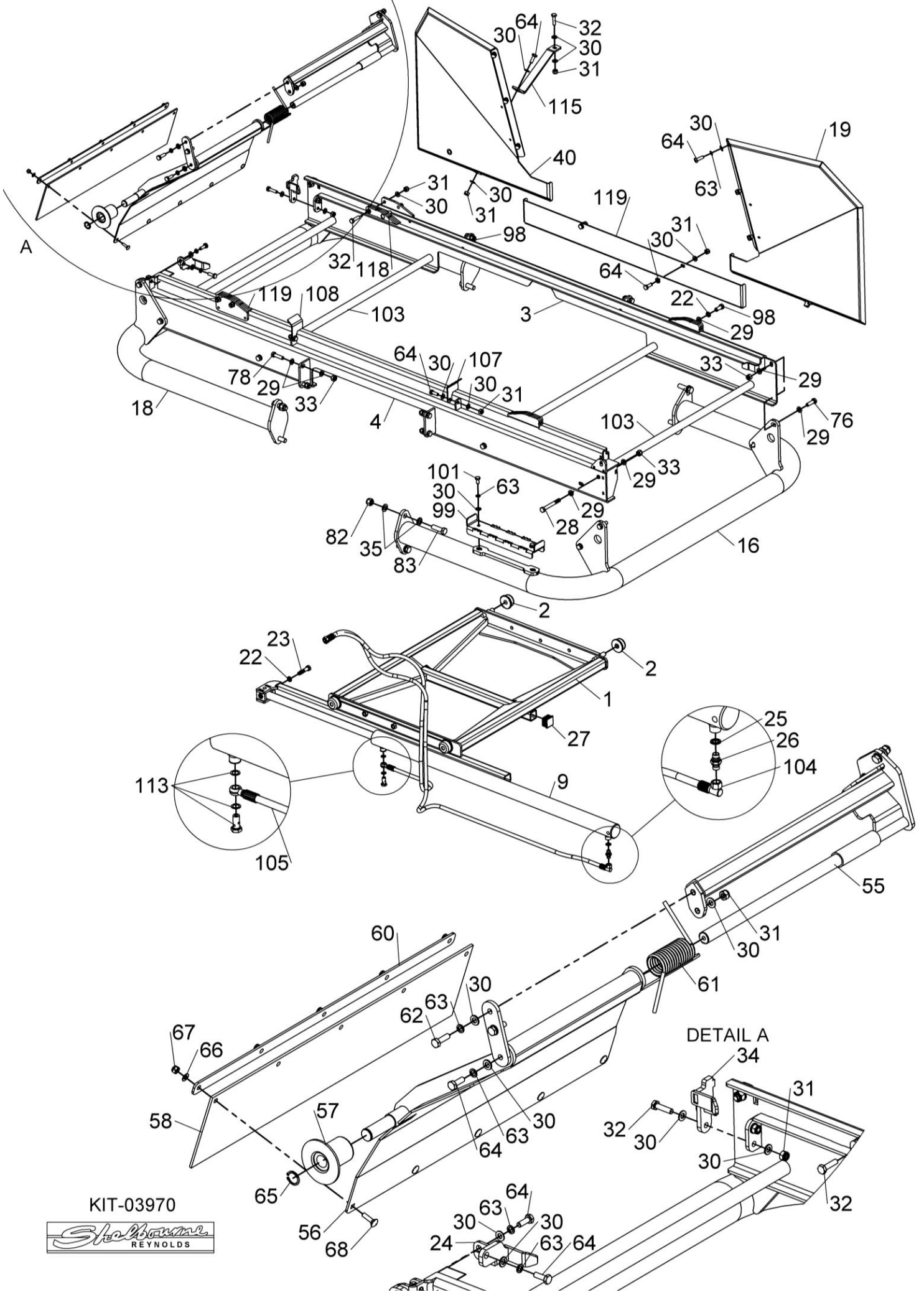
ASSY NUMBER: KIT-03970 CONTINUED...				ASSY DESCRIPTION: CONVEYOR KIT			
ITEM	PART NO	DESCRIPTION	QTY	ITEM	PART NO	DESCRIPTION	QTY
78	BLTA12290	BOLT)	6	118	618687 02	RH RAMP W/A	1
79	NIP-0001	GREASE NIPPLE	1	119	618823 01	DEFLECTOR PLATE	1
80	NIP-0203	GREASE NIPPLE	3	120	HSS-0188	SETSCREW	2
81	PTF-00134	PLASTIC CAP INSERT	8	121	620166 01	MOTOR MTG PLATE	1
82	NUT-0271	NYLOC NUT	2	122			
83	HSS-0319	SETSCREW	6	123	HSS-0135	SETSCREW	4
84	WSH-0070	SPRING WASHER	6	124	190119 99	WASHER (10 OD x 16.5 ID x 6)	4
85	HSS-0318	SETSCREW	2	125	620085 01	DEFLECTOR PLATE	2
86	BLTA12320	BOLT	2	126	618358 01	SECURING PLATE	4
87	HSS-0260	SETSCREW	4				
88	HSS-0241	SETSCREW	7				
89	NUT-0167	NUT	4				
90	SCEA10324	SCREW	6				
91	SCW-0133	CAP HD SCREW	4				
92	WSH-0009	WASHER	66				
93	NUT-0260	NYLOC NUT	33				
94	HSS-0088	BOLT	4				
95	HSS-0145	BOLT	2				
96	WSH-0058	WASHER	4				
97	HSS-0092	BOLT	26				
98	HSS-0238	SETSCREW	4				
99	618535 01	LADDER SLAT	1				
100	618934 01	SPACER BAR	2				
101	HSS-0188	BOLT	2				
102	HHBE25005	HYD HOSE ASSY	2				
103	618931 01	SPACER BAR	4				
104	HHBC21005	HYD HOSE ASSY	1				
105	HHLC13005	HYD HOSE ASSY	1				
106	CON-00044	ENDLESS CONVEYOR BELT	1				
107	617879 01	SHIPPING PLATE LH	1				
108	617879 02	SHIPPING PLATE RH	1				
109	HMA-0065	M/M ADAPTOR	2				
110	WSH-1015	DOWTY WASHER	2				
111	SCW-1885	CSK SOC HD SCREW	4				
112	BLT-2270	BOLT	1				
113	HFAW50003	BANJO	1				
114	HSS-0194	SETSCREW	15				
115	618695 01	STRAP	2				
116	618702 01	WIDE WHEEL	4				
117	618687 01	LH RAMP W/A	1				



KIT-03970



Shelbourne Reynolds Engineering Limited

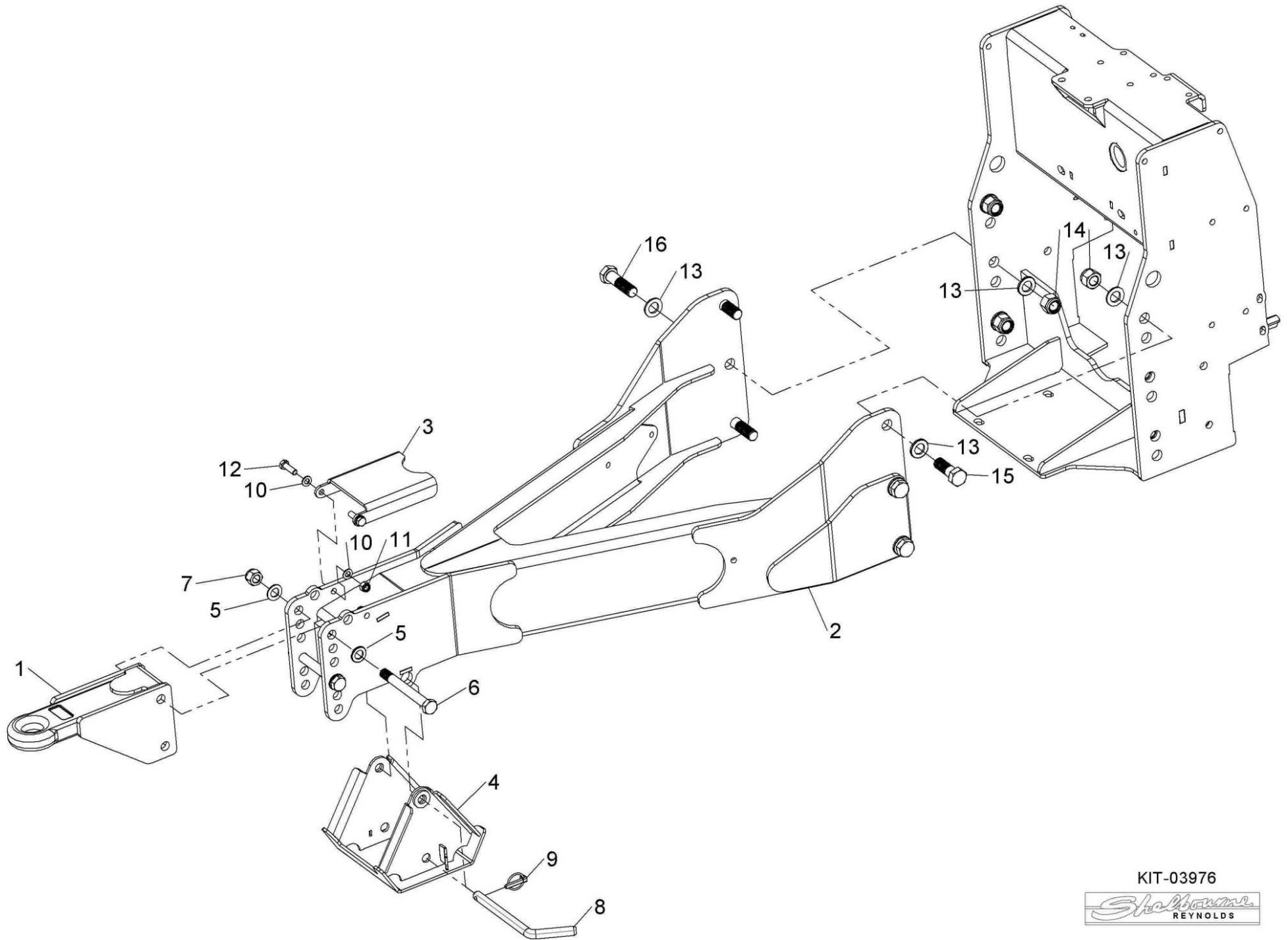


KIT-03970



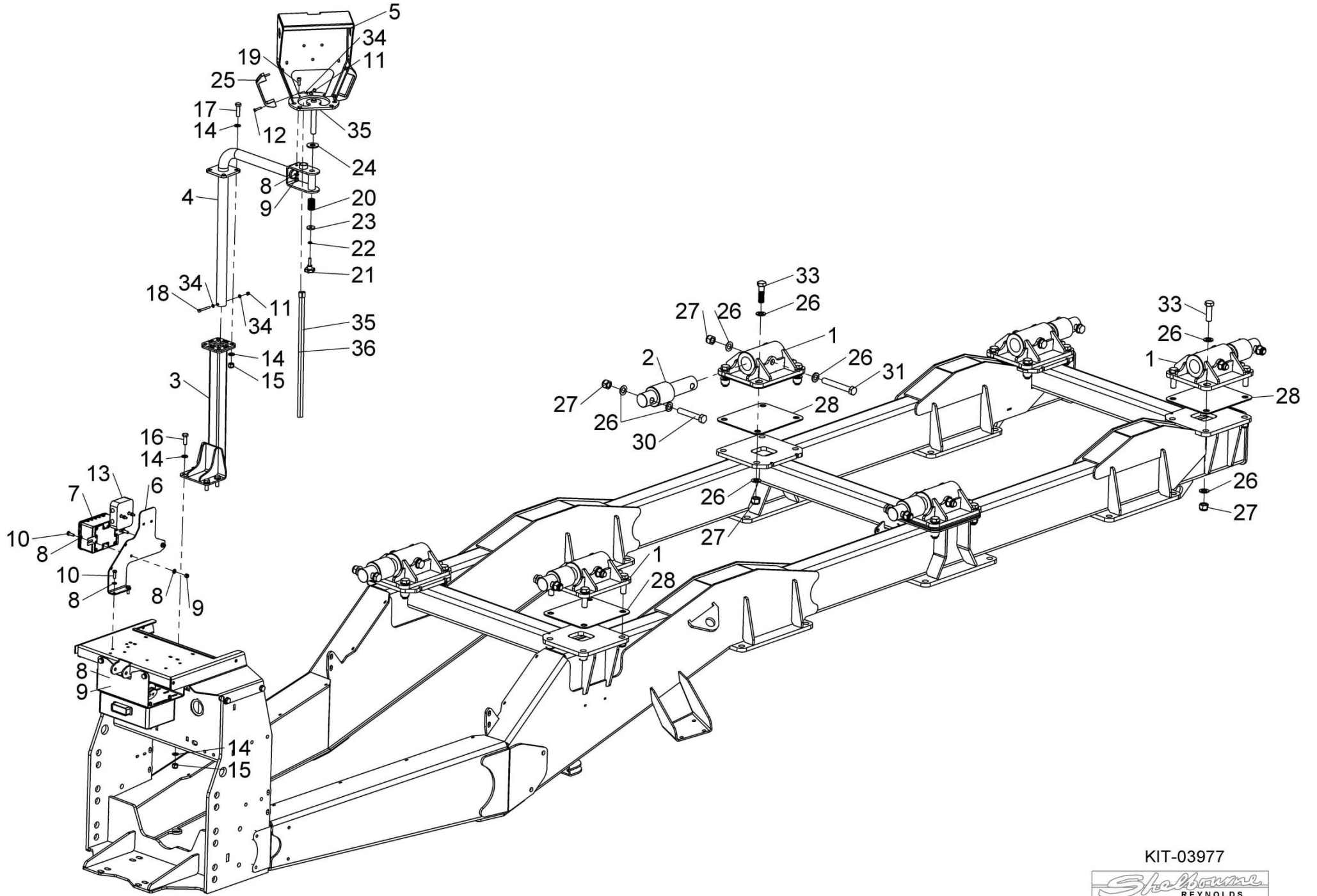
Shelbourne Reynolds Engineering Limited

ASSY NUMBER: KIT-03976				ASSY DESCRIPTION: DRAWBAR & TOW EYE KIT			
ITEM	PART NO	DESCRIPTION	QTY	ITEM	PART NO	DESCRIPTION	QTY
1	617967 01	HEAVY DUTY TOW EYE W/A	1				
2	617969 01	DRAWBAR W/A	1				
3	617973 01	PTO REST	1				
4	617974 01	FOOT W/A	1				
5	WSH-0030	PLAIN WASHER	4				
6	BLTA20770	BOLT	2				
7	NUTA02200	NYLOC NUT	2				
8	591567 01	LOCKING PIN	1				
9	PIN-01950	LYNCH PIN	1				
10	WSH-0018	PLAIN WASHER	4				
11	NUT-0269	NYLOC NUT	2				
12	HSSA12269	SETSCREW	2				
13	WSH-0036	PLAIN WASHER	12				
14	NUT-0275	NYLOC NUT	6				
15	616862 01	MODIFIED BOLT	2				
16	BLTA24530	BOLT	4				



Shelbourne Reynolds Engineering Limited

ASSY NUMBER: KIT-03977				ASSY DESCRIPTION: WEIGHING KIT			
ITEM	PART NO	DESCRIPTION	QTY	ITEM	PART NO	DESCRIPTION	QTY
1	618102 01	LOADCELL BRACKET W/A	6				
2	LCL-04021	LOADCELL	6				
3	616259 01	WEIGH HEAD SUPPORT ARM W/A	1				
4	616870 01	DISPLAY PIVOT ARM W/A	1				
5	618846 01	DISPLAY COVER W/A	1				
6	617124 01	JUNCTION BOX BRACKET	1				
7	LCL-04135	JUNCTION BOX	1				
8	WSH-0012	PLAIN WASHER	9				
9	NUT-0263	NYLOC NUT	5				
10	HSS-0145	BOLT	4				
11	NUT-0260	NYLOC NUT	5				
12	HSS-0088	BOLT	4				
13	JNC-00000	JUNCTION BOX	1				
14	WSH-0018	PLAIN WASHER	10				
15	NUT-0269	NYLOC NUT	5				
16	HSS-0241	SETSCREW	4				
17	BLTA12290	BOLT	1				
18	BLTA06350	BOLT	1				
19	SCW-0133	CAP HEAD SCREW	1				
20	SPGC32355	COMPRESSION SPRING	1				
21	KNO-0002	PLASTIC KNOB	1				
22	WSH-0058	SPRING WASHER	1				
23	190548 29	WASHER	1				
24	198800 46	WASHER	1				
25	HND-0000	PLASTIC HANDLE	2				
26	WSH-0030	PLAIN WASHER	72				
27	NUTA02200	NYLOC NUT	36				
28	618182 04	SHIM (5mm)	3				
29							
30	BLTA20620	BOLT	6				
31	BLTA20710	BOLT	6				
32							
33	BLT-2367	BOLT	24				
34	WSH-0009	PLAIN WASHER	6				
35	LCL-04100	POWER CORD (989-0109)	1				
36	LCL-04030	SENSOR CABLE (989-0003)	1				
37							

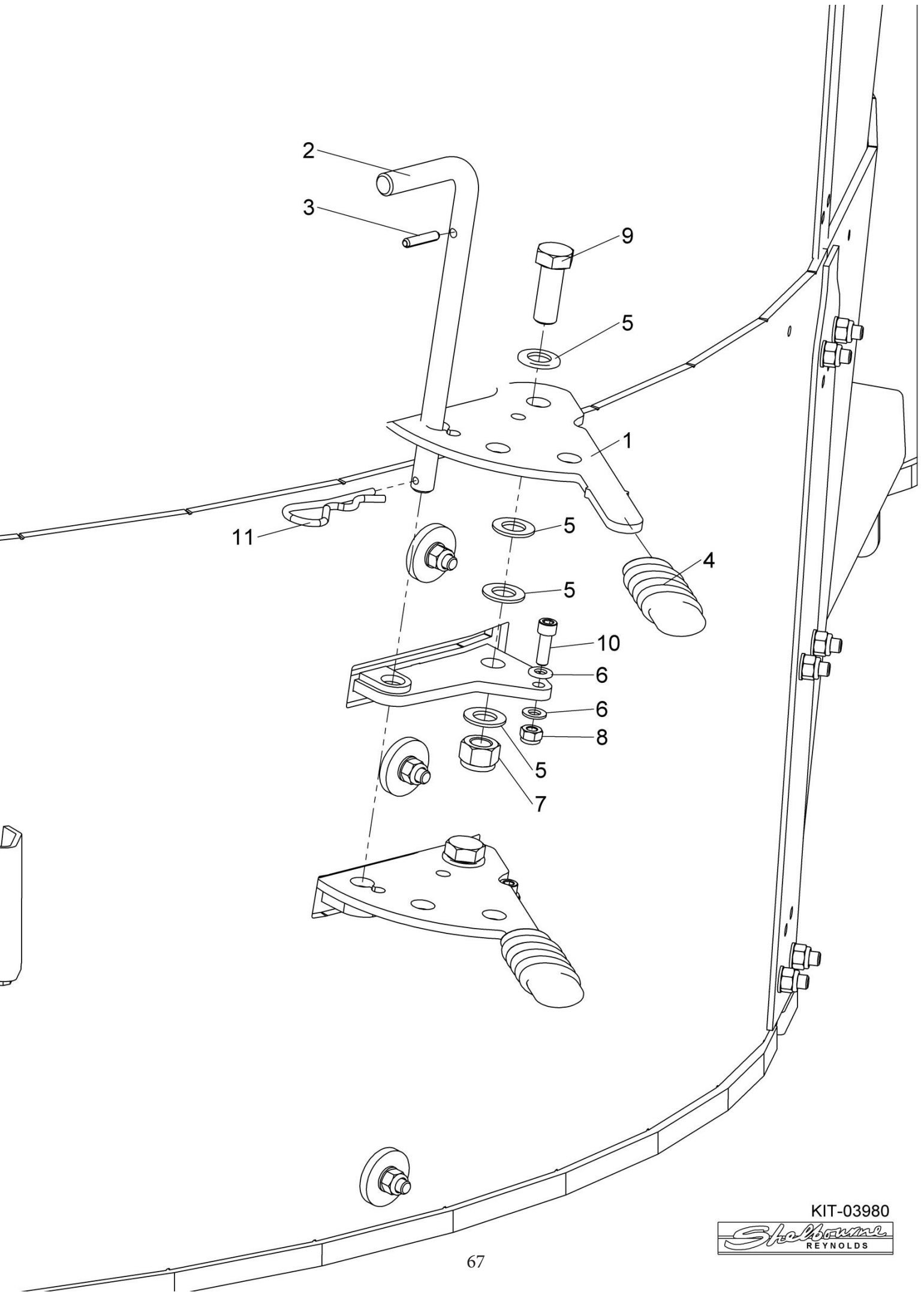


KIT-03977



Shelbourne Reynolds Engineering Limited

ASSY NUMBER: KIT-03980				ASSY DESCRIPTION: ANTI ROTATION KIT			
ITEM	PART NO	DESCRIPTION	QTY	ITEM	PART NO	DESCRIPTION	QTY
1	612872 01	BLADE	4				
2	612874 01	SECURING PIN	2				
3	PIN-1783	ROLL PIN	2				
4	PTF-00025	HANDLE GRIP	4				
5	WSH-0030	PLAIN WASHER	16				
6	WSH-0015	PLAIN WASHER	8				
7	NUTA02200	NYLOC NUT	4				
8	NUT-0265	NYLOC NUT	4				
9	BLT-2365	BOLT	4				
10	SCW-0195	CAP HD SCREW	4				
11	CLP-00106	R CLIP	2				

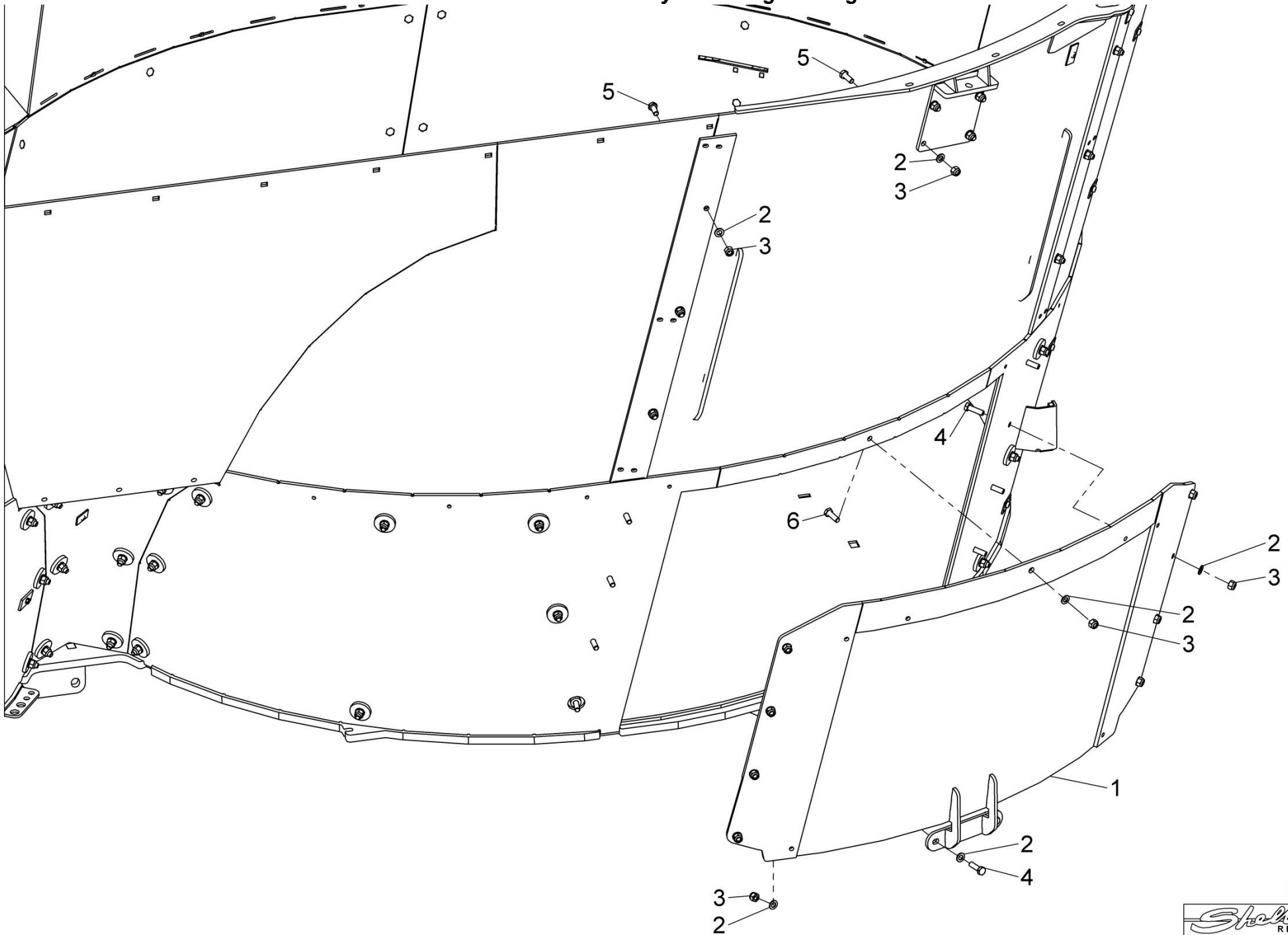


KIT-03980



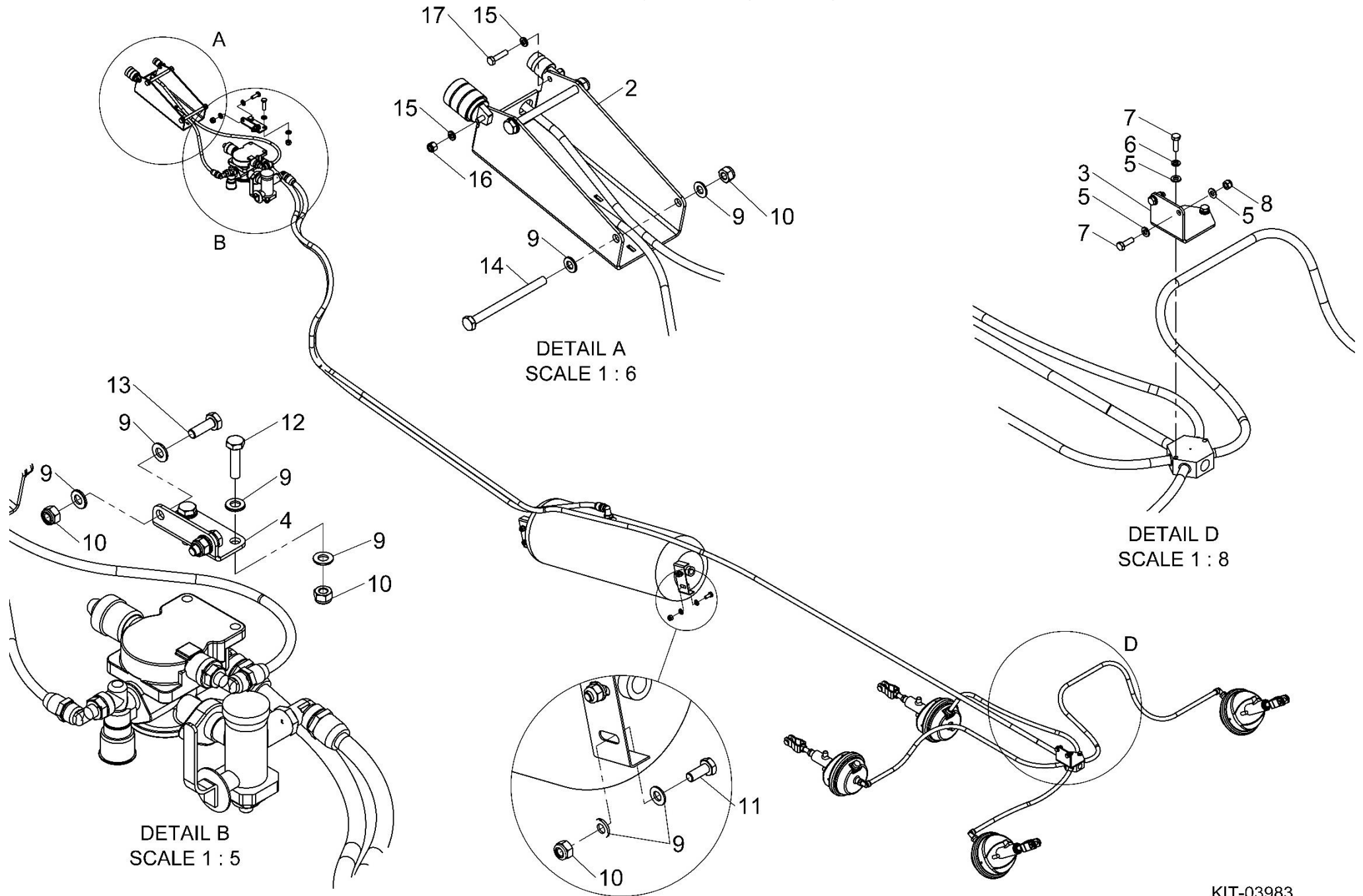
Shelbourne Reynolds Engineering Limited

ASSY NUMBER: KIT-03981				ASSY DESCRIPTION: DOOR BLANKING KIT			
ITEM	PART NO	DESCRIPTION	QTY	ITEM	PART NO	DESCRIPTION	QTY
1	618225 01	DOOR BLANKING W/A	1				
2	WSH-0018	PLAIN WASHER	23				
3	NUT-0269	NYLOC NUT	21				
4	HSS-0250	SETSCREW	10				
5	HSS-0238	SETSCREW	10				
6	HSS-0241	SETSCREW	1				



Shelbourne Reynolds Engineering Limited

ASSY NUMBER: KIT-03983				ASSY DESCRIPTION: TANDEM AIR BRAKE KIT			
ITEM	PART NO	DESCRIPTION	QTY	ITEM	PART NO	DESCRIPTION	QTY
1	BRA-07140	TANDEM AIR BRAKE KIT	1				
2	618160 01	AIR SUSIE DOCKING STATION BRKT	1				
3	618164 01	MANIFOLD BRKT	1				
4	617957 01	MANUAL LPV BRKT	1				
5	WSH-0012	WASHER	6				
6	WSH-0058	WASHER	2				
7	HSS-0145	SETSCREW	4				
8	NUT-0263	NUT	2				
9	WSH-0015	WASHER	20				
10	NUT-0265	NUT	10				
11	HSS-0191	SETSCREW	4				
12	HSS-0202	SETSCREW	2				
13	HSS-0194	SETSCREW	2				
14	BLTA10630	SETSCREW	2				
15	WSH-0009	WASHER	4				
16	NUT-0260	NUT	2				
17	HSS-0088	SETSCREW	2				



DETAIL A
SCALE 1 : 6

DETAIL D
SCALE 1 : 8

DETAIL B
SCALE 1 : 5

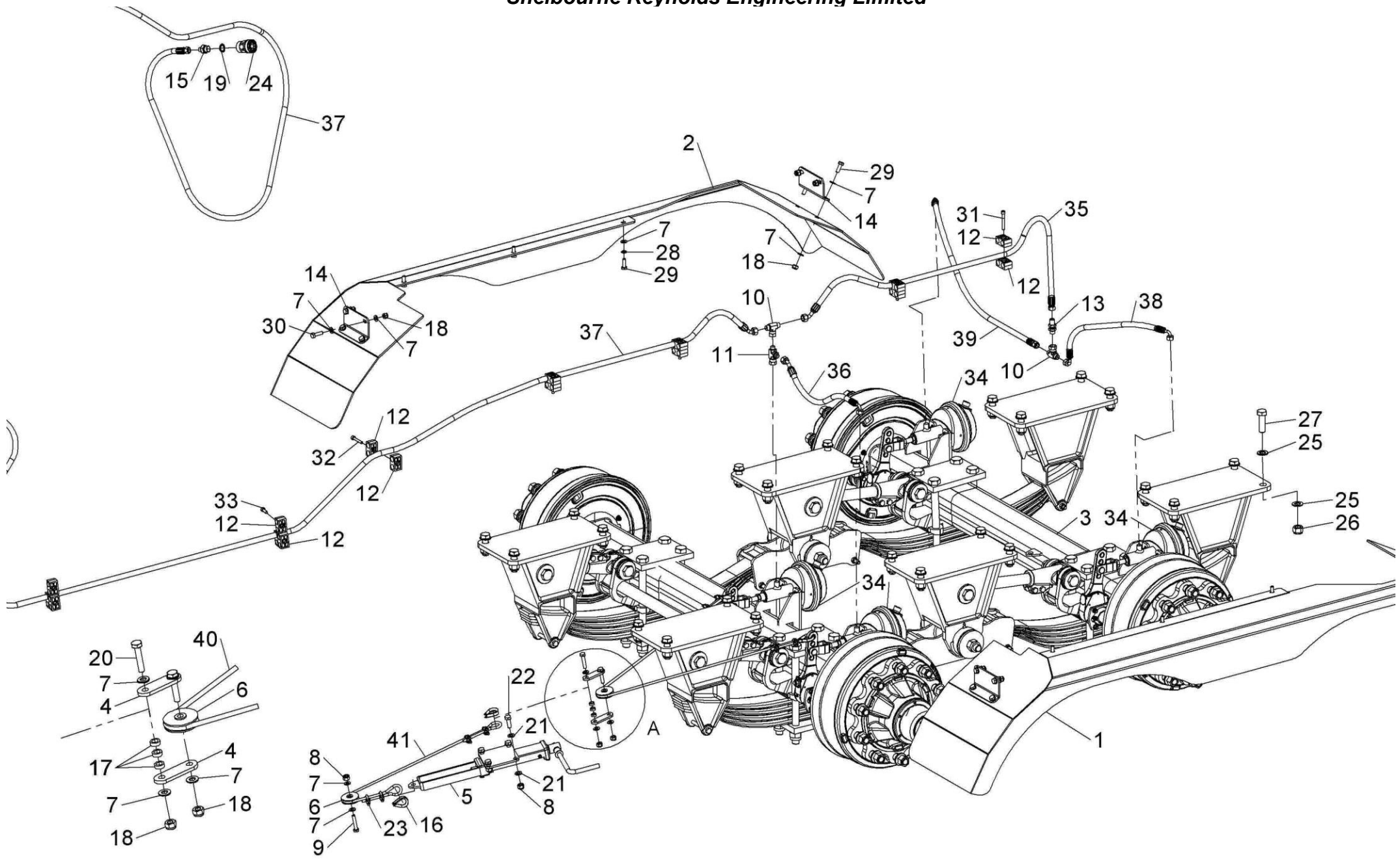
DETAIL C
SCALE 1 : 5

KIT-03983



Shelbourne Reynolds Engineering Limited

ASSY NUMBER: KIT-03984				ASSY DESCRIPTION: FIXED AXLE KIT			
ITEM	PART NO	DESCRIPTION	QTY	ITEM	PART NO	DESCRIPTION	QTY
1	618136 01	MUDGUARD W/A	1	41	CBL-30010	CABLE	2m
2	618136 02	MUDGUARD W/A	1				
3	618186 01	FIXED AXLE W/A	1				
4	617590 01	LINK PLATE	2				
5	616300 01	HANDBRAKE W/A	1				
6	BRA-14101	HANDBRAKE PULLEY	2				
7	WSH-0015	PLAIN WASHER	44				
8	NUT-0269	NYLOC NUT	5				
9	BLTA10350	BOLT	1				
10	FITA10140	TEE FITTING	2				
11	FITA10410	TEE FITTING	1				
12	HCPD01800	TWIN PIPE CLAMP	16				
13	HBK-0012	BULKHEAD	1				
14	618180 01	MUDGUARD LUG	4				
15	HMA-0065	ADAPTOR	1				
16	WRP-01050	WIRE CABLE THIMBLE	4				
17	198800 68	WASHER	3				
18	NUT-0265	NYLOC NUT	18				
19	WSH-1015	DOWTY WASHER	1				
20	HSS-0210	BOLT	2				
21	WSH-0018	PLAIN WASHER	8				
22	HSS-0241	SETSCREW	4				
23	WRP-02080	WIRE CLAMP	8				
24	HQR-10007	QUICK RELEASE COUPLING	1				
25	WSH-0030	PLAIN WASHER	48				
26	NUTA02200	NYLOC NUT	24				
27	BLTA20410	BOLT	24				
28	WSH-0061	SPRING WASHER	6				
29	HSS-0194	BOLT	14				
30	HSS-0198	BOLT	8				
31	SCCA08413	CAP HEAD SCREW	4				
32	SCW-0145	CAP HEAD SCREW	3				
33	SCW-0136	CAP HEAD SCREW	1				
34	BRA-07130A	HYDRAULIC ACTUATOR	4				
35	HHDE13705	HYDRAULIC HOSE	1				
36	HHKE04405	HYDRAULIC HOSE	1				
37	HHDE71105	HYDRAULIC HOSE	1				
38	HHEE05005	HYDRAULIC HOSE	1				
39	HHBE08805	HYDRAULIC HOSE	1				
40	CBL-30010	CABLE	1.3m				



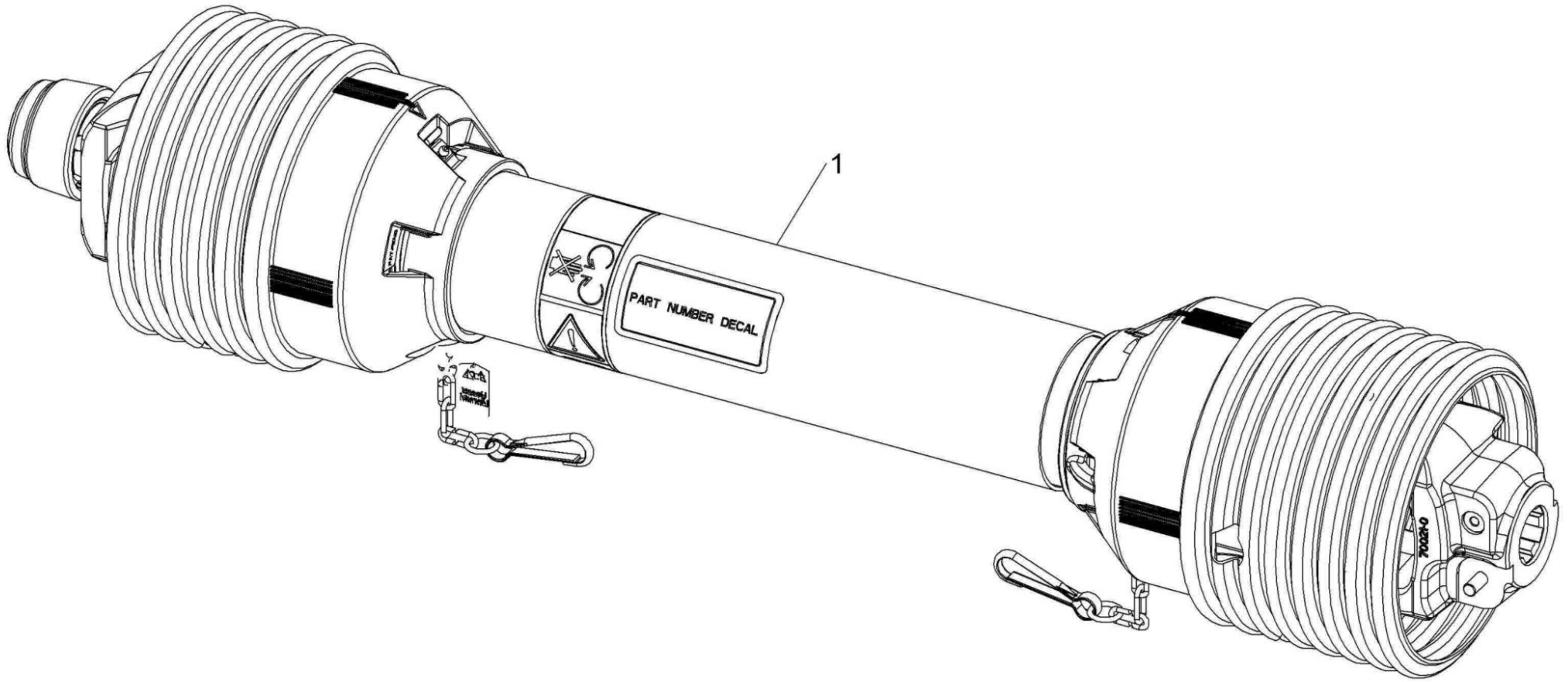
DETAIL A

KIT-03984



Shelbourne Reynolds Engineering Limited

ASSY NUMBER: KIT-03988A				ASSY DESCRIPTION: INPUT PTO SHAFT KIT (WALTERSCHIED)			
ITEM	PART NO	DESCRIPTION	QTY	ITEM	PART NO	DESCRIPTION	QTY
1	PTO-35050W	INPUT PTO SHAFT	1				

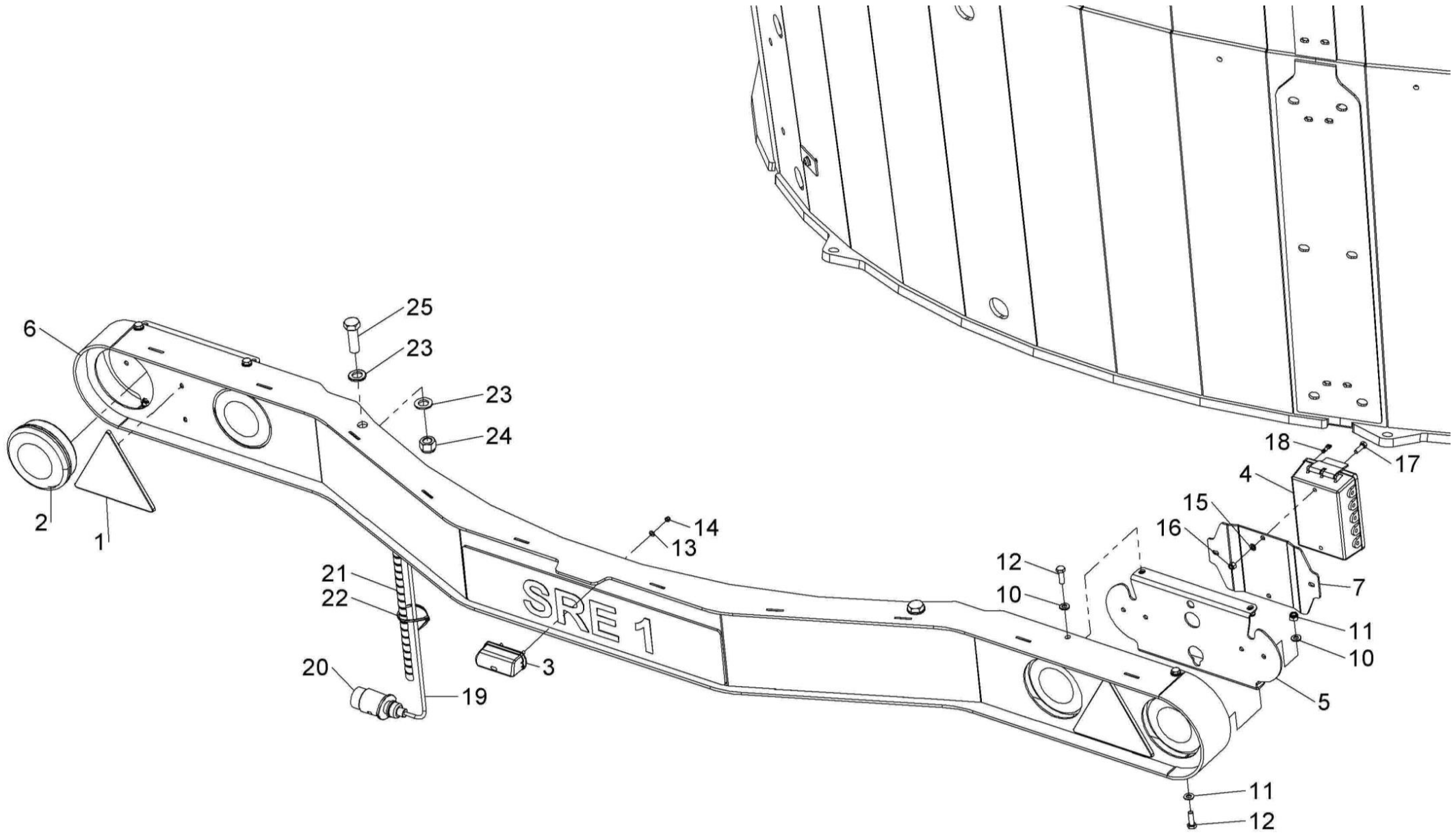


KIT-03988a



Shelbourne Reynolds Engineering Limited

ASSY NUMBER: KIT-03989				ASSY DESCRIPTION: LIGHT ASSEMBLY KIT			
ITEM	PART NO	DESCRIPTION	QTY	ITEM	PART NO	DESCRIPTION	QTY
1	REF-0035	TRIANGLE REFLECTOR	2				
2	LMP10410	LED REAR LIGHT	4				
3	LMP-10805	LED NUMBER PLATE LIGHT	1				
4	JNC-00002	JUNCTION BOX	1				
5	616613 01	LIGHT BACKING PLATE	2				
6	618339 01	LIGHT FRAME W/ASSY	1				
7	618340 01	JUNCTION BOX MOUNT	1				
8	WSHA30121	LOCKWASHER	4				
9	HSS-0238	SETSCREW	4				
10	WSH-0012	WASHER	16				
11	NUT-0263	NYLOC NUT	8				
12	HSS-0145	BOLT	8				
13	WSH-0006	WASHER	2				
14	NUT-0255	NYLOC NUT	2				
15	WSH-0009	WASHER	2				
16	NUT-0260	NYLOC NUT	2				
17	HSS-0086	BOLT	2				
18	ETM-00130	FEMALE SPADE TERMINAL	24				
19	CBL-03530	7 CORE CABLE	11m				
20	PLG-0005	7-PIN PLUG	1				
21	SLV-00300	SPIRAL CONVOLUTE TUBING	4m				
22	TIE-0004	TIE WRAP MEDIUM	30				

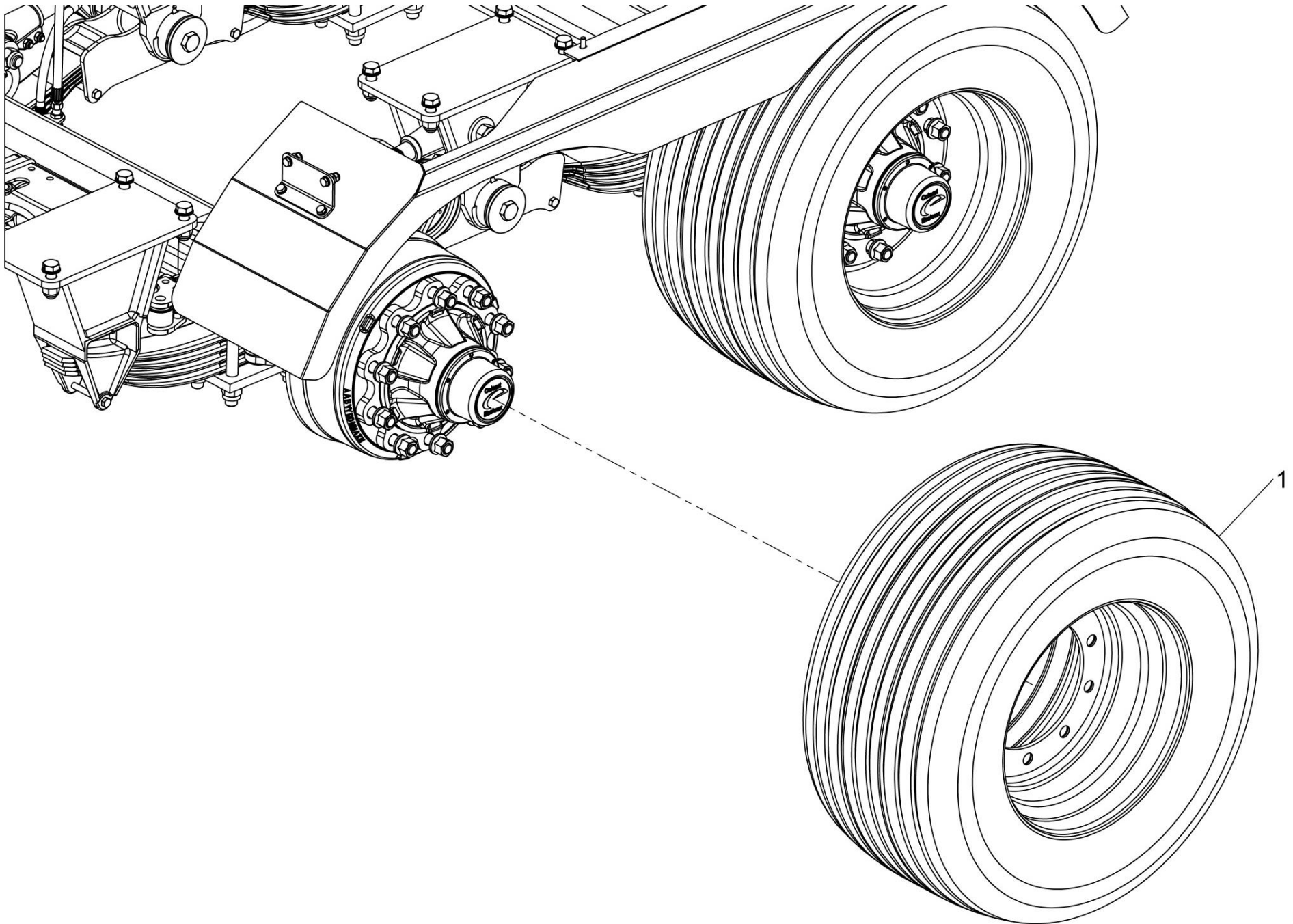


KIT-03989



Shelbourne Reynolds Engineering Limited

ASSY NUMBER: KIT-03990				ASSY DESCRIPTION: WHEEL & TYRE KIT (435/50R19.5)			
ITEM	PART NO	DESCRIPTION	QTY	ITEM	PART NO	DESCRIPTION	QTY
1	WHL-01920	WHEEL & TYRE (435/50R19.5)	4				

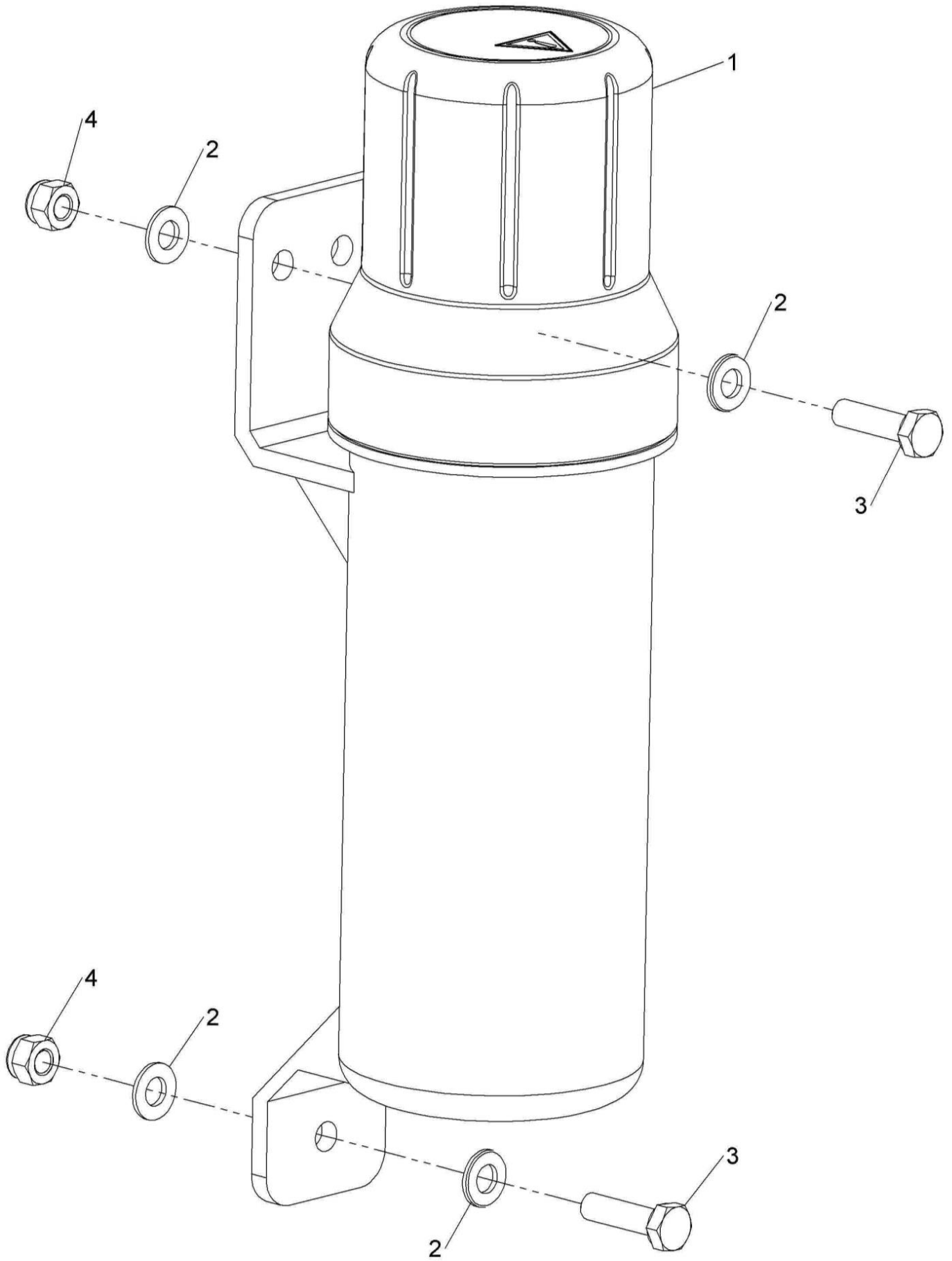


KIT-03990



Shelbourne Reynolds Engineering Limited

ASSY NUMBER: KIT-03991				ASSY DESCRIPTION: MANUAL CANNISTER KIT			
ITEM	PART NO	DESCRIPTION	QTY	ITEM	PART NO	DESCRIPTION	QTY
1	PCN-00100	MANUAL CANNISTER	1				
2	WSH-0012	WASHER	6				
3	HSS-0150	SETSCREW	3				
4	NUT-0263	NUT	3				

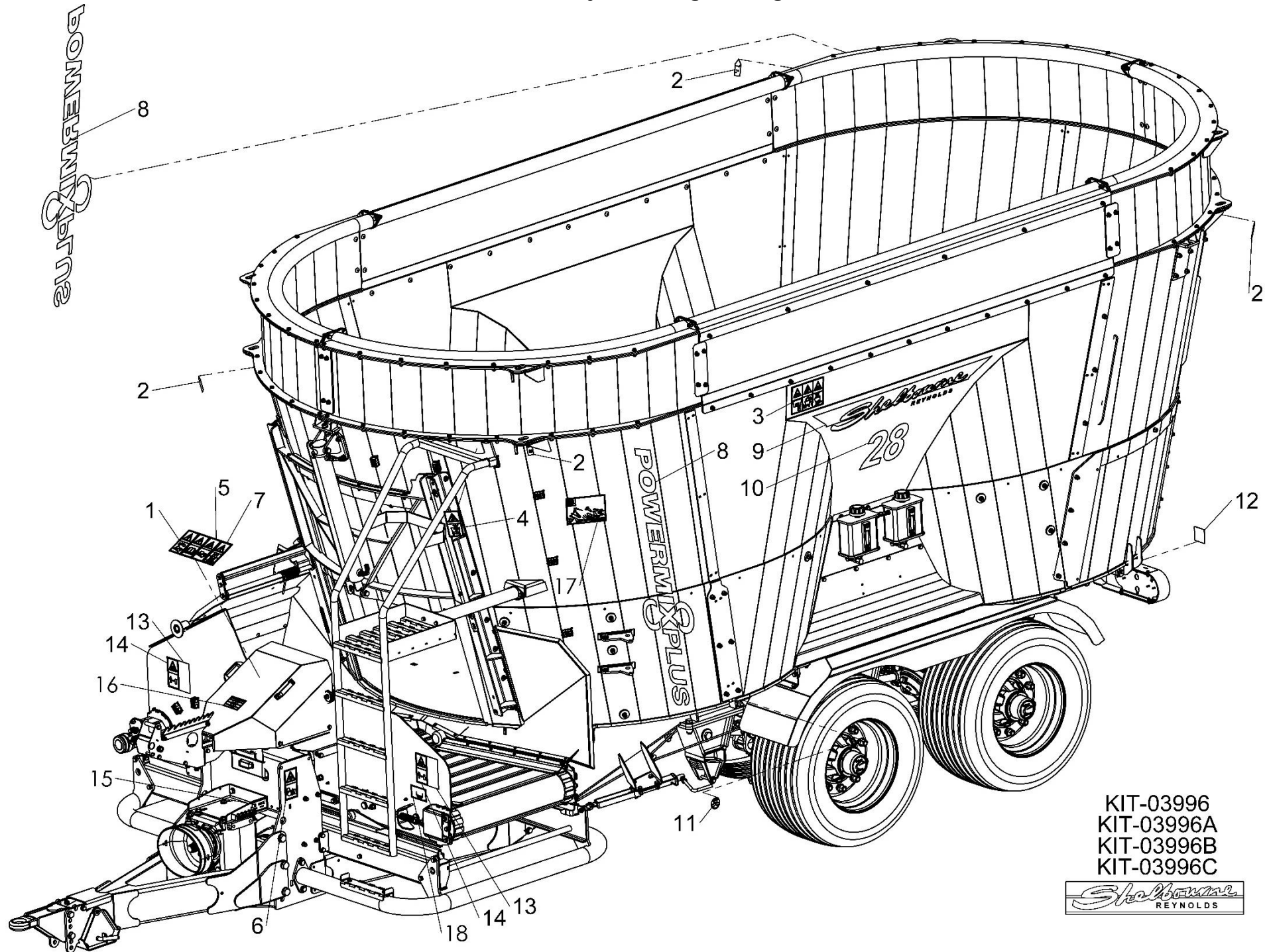


KIT-03991



Shelbourne Reynolds Engineering Limited

ASSY NUMBER: KIT-03996				ASSY DESCRIPTION: TRANSFERS KIT 24m			
ITEM	PART NO	DESCRIPTION	QTY	ITEM	PART NO	DESCRIPTION	QTY
1	TNF-0011	EMBLEM	1				
2	190702 04	EMBLEM	4				
3	610253 01	EMBLEM	1				
4	610259 01	EMBLEM	1				
5	800221 01	EMBLEM	1				
6	260060 01	EMBLEM	1				
7	614959 01	EMBLEM	1				
8	616839 01	EMBLEM	2				
9	616840 01	EMBLEM	2				
10	615457 08	SIZE TRANSFER - 24	2				
11	TNF-0013	INSPECTION STICKER	1				
12	591927 01	JACKING POINT TRANSFER	2				
13	260062 01	EMBLEM	2				
14	260061 01	EMBLEM	2				
15	613205 01	SHEARBOLT EMBLEM	1				
16	618844 01	AUGER SPEED EMBELM	1				
17	620171 01	WIDE BODY PLUS GREASE TRANSFER	1				
18	620172 01	TENSION TRANSFER	1				

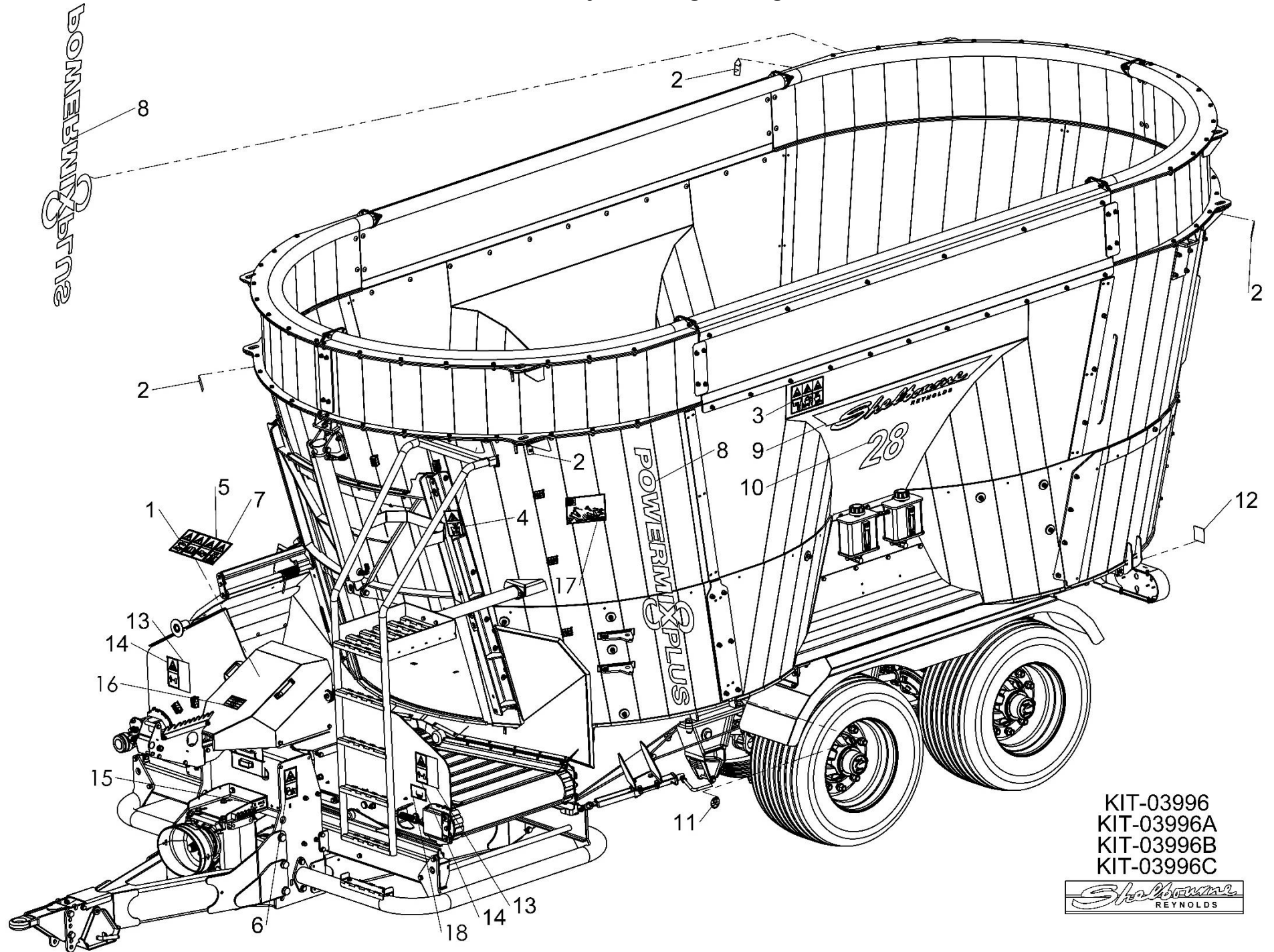


KIT-03996
KIT-03996A
KIT-03996B
KIT-03996C



Shelbourne Reynolds Engineering Limited

ASSY NUMBER: KIT-03996A				ASSY DESCRIPTION: TRANSFERS KIT 30m			
ITEM	PART NO	DESCRIPTION	QTY	ITEM	PART NO	DESCRIPTION	QTY
1	TNF-0011	EMBLEM	1				
2	190702 04	EMBLEM	4				
3	610253 01	EMBLEM	1				
4	610259 01	EMBLEM	1				
5	800221 01	EMBLEM	1				
6	260060 01	EMBLEM	1				
7	614959 01	EMBLEM	1				
8	616839 01	EMBLEM	2				
9	616840 01	EMBLEM	2				
10	615457 09	SIZE TRANSFER - 30	2				
11	TNF-0013	INSPECTION STICKER	1				
12	591927 01	JACKING POINT TRANSFER	2				
13	260062 01	EMBLEM	2				
14	260061 01	EMBLEM	2				
15	195391 01	SHEARBOLT EMBLEM	1				
16	618845 01	AUGER SPEED EMBELM	1				
17	620171 01	WIDE BODY PLUS GREASE TRANSFER	1				
18	620172 01	TENSION TRANSFER	1				

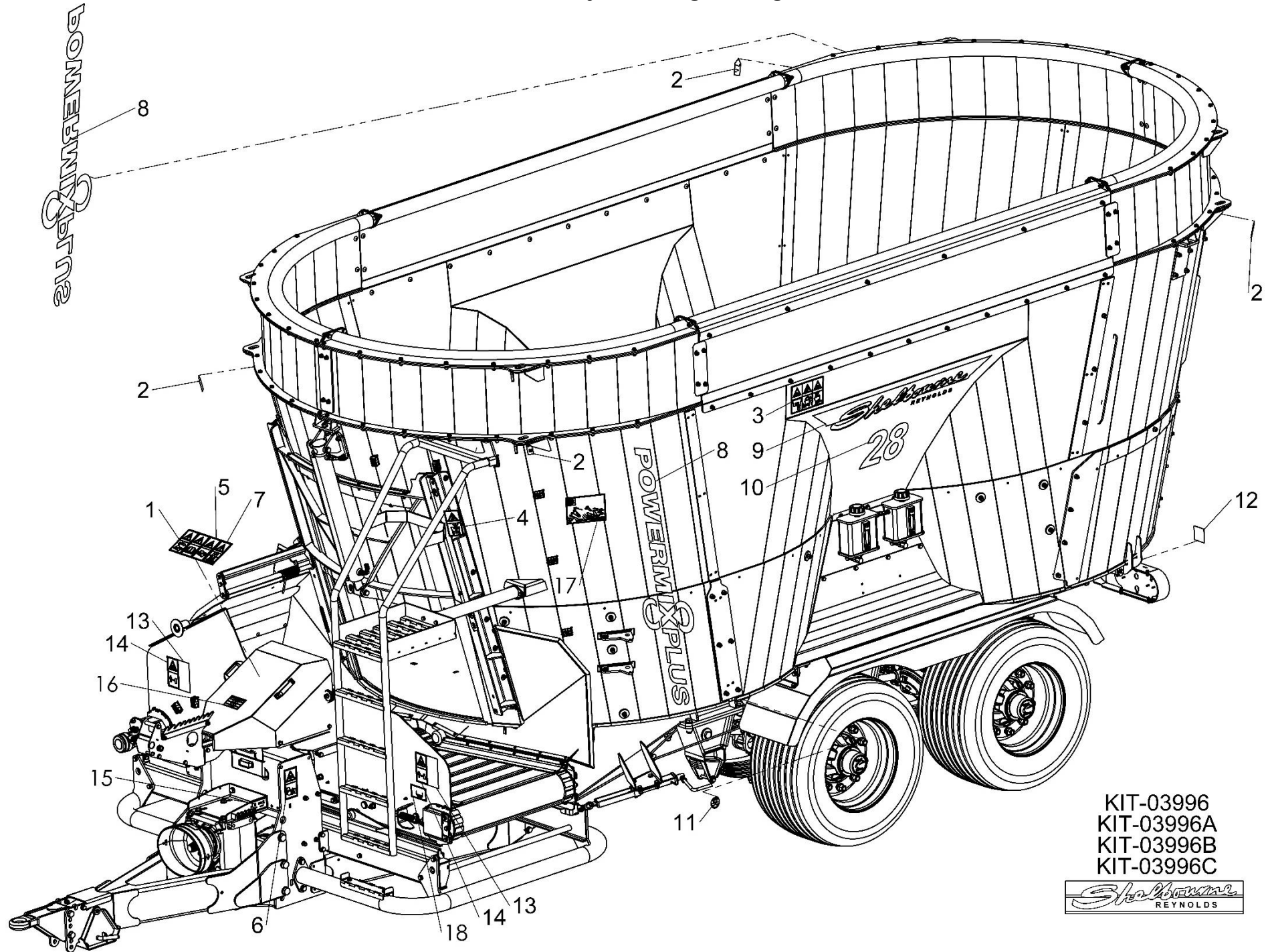


KIT-03996
KIT-03996A
KIT-03996B
KIT-03996C



Shelbourne Reynolds Engineering Limited

ASSY NUMBER: KIT-03996B				ASSY DESCRIPTION: TRANSFERS KIT 22m			
ITEM	PART NO	DESCRIPTION	QTY	ITEM	PART NO	DESCRIPTION	QTY
1	TNF-0011	EMBLEM	1				
2	190702 04	EMBLEM	4				
3	610253 01	EMBLEM	1				
4	610259 01	EMBLEM	1				
5	800221 01	EMBLEM	1				
6	260060 01	EMBLEM	1				
7	614959 01	EMBLEM	1				
8	616839 01	EMBLEM	2				
9	616840 01	EMBLEM	2				
10	615457 03	SIZE TRANSFER - 22	2				
11	TNF-0013	INSPECTION STICKER	1				
12	591927 01	JACKING POINT TRANSFER	2				
13	260062 01	EMBLEM	2				
14	260061 01	EMBLEM	2				
15	613205 01	SHEARBOLT EMBLEM	1				
16	618844 01	AUGER SPEED EMBELM	1				
17	620171 01	WIDE BODY PLUS GREASE TRANSFER	1				
18	620172 01	TENSION TRANSFER	1				

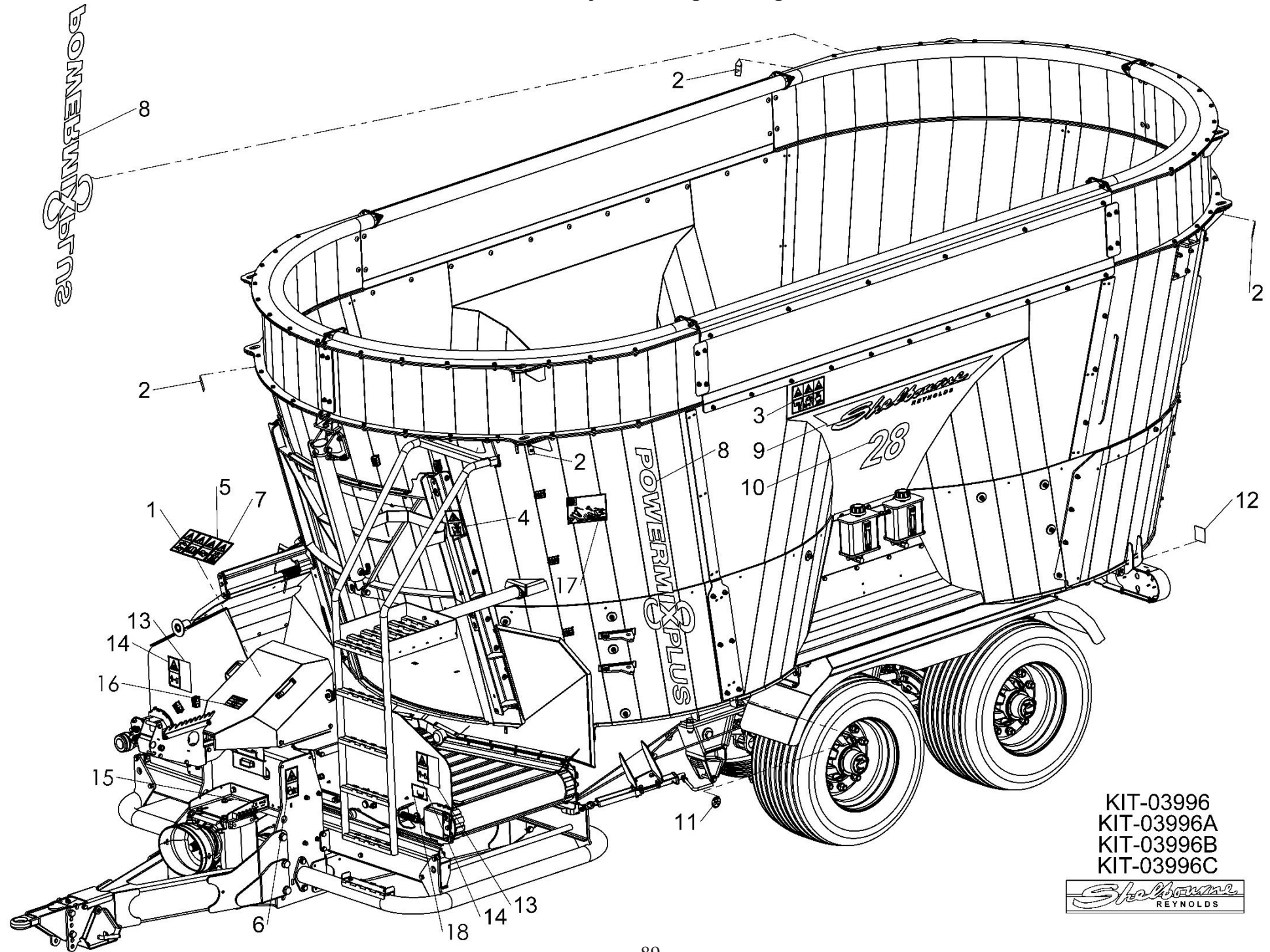


KIT-03996
KIT-03996A
KIT-03996B
KIT-03996C



Shelbourne Reynolds Engineering Limited

ASSY NUMBER: KIT-03996C				ASSY DESCRIPTION: TRANSFERS KIT 28m			
ITEM	PART NO	DESCRIPTION	QTY	ITEM	PART NO	DESCRIPTION	QTY
1	TNF-0011	EMBLEM	1				
2	190702 04	EMBLEM	4				
3	610253 01	EMBLEM	1				
4	610259 01	EMBLEM	1				
5	800221 01	EMBLEM	1				
6	260060 01	EMBLEM	1				
7	614959 01	EMBLEM	1				
8	616839 01	EMBLEM	2				
9	616840 01	EMBLEM	2				
10	615457 06	SIZE TRANSFER - 28	2				
11	TNF-0013	INSPECTION STICKER	1				
12	591927 01	JACKING POINT TRANSFER	2				
13	260062 01	EMBLEM	2				
14	260061 01	EMBLEM	2				
15	195391 01	SHEARBOLT EMBLEM	1				
16	618845 01	AUGER SPEED EMBELM	1				
17	620171 01	WIDE BODY PLUS GREASE TRANSFER	1				
18	620172 01	TENSION TRANSFER	1				

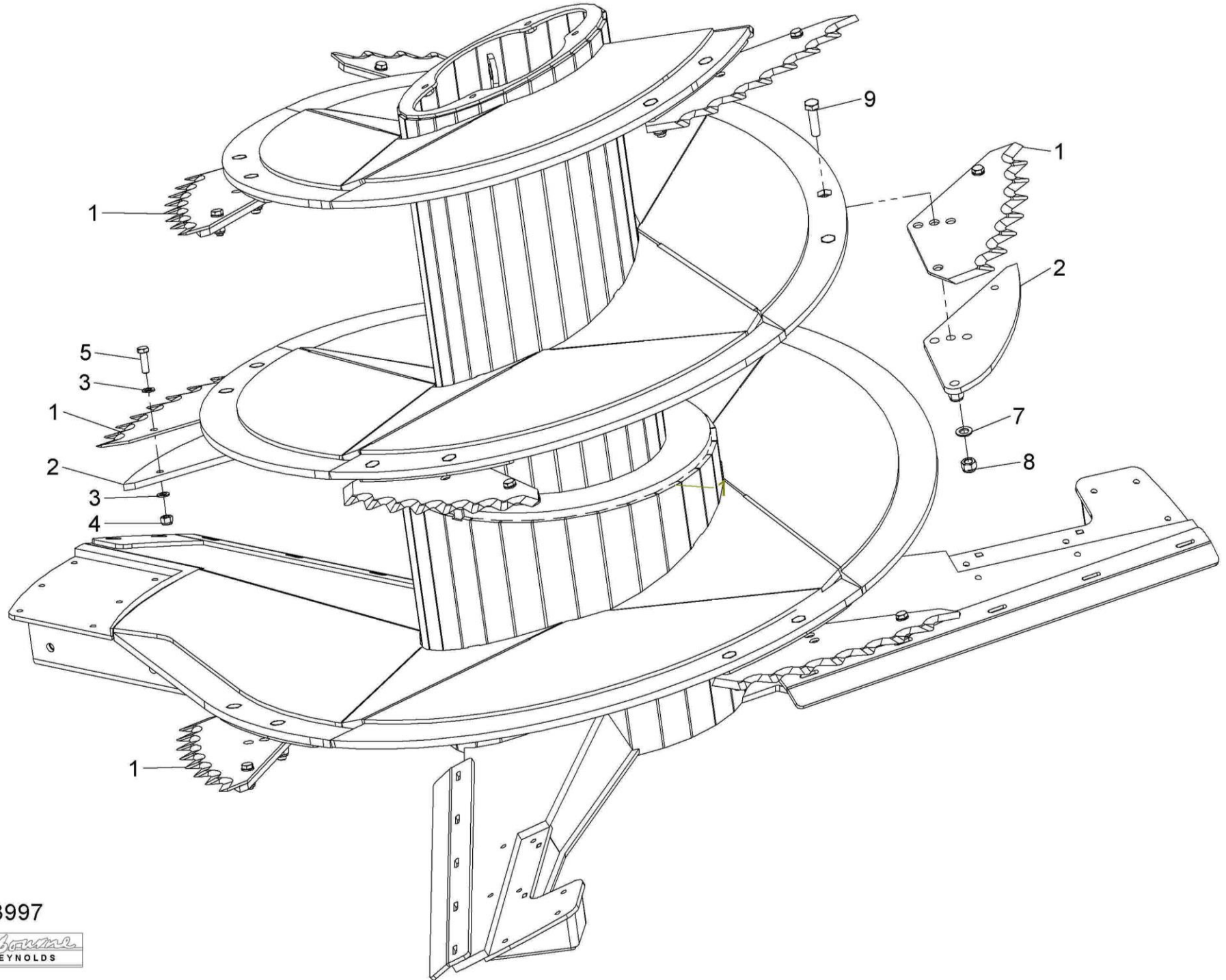


KIT-03996
KIT-03996A
KIT-03996B
KIT-03996C



Shelbourne Reynolds Engineering Limited

ASSY NUMBER: KIT-03997				ASSY DESCRIPTION: STANDARD BLADE KIT (30m cu)			
ITEM	PART NO	DESCRIPTION	QTY	ITEM	PART NO	DESCRIPTION	QTY
1	614812 02	STANDARD AUGER BLADE	9				
2	614807 02	BACK UP PLATE	9				
3	WSH-0018	WASHER	18				
4	NUT-0269	NUT	9				
5	HSS-0250	SETSCREW	9				
6	615685 01	HEX WASHER	18				
7	WSHA30161	LOCK WASHER	18				
8	NUT-0271	NUT	18				
9	HSS-0320	SETSCREW	18				

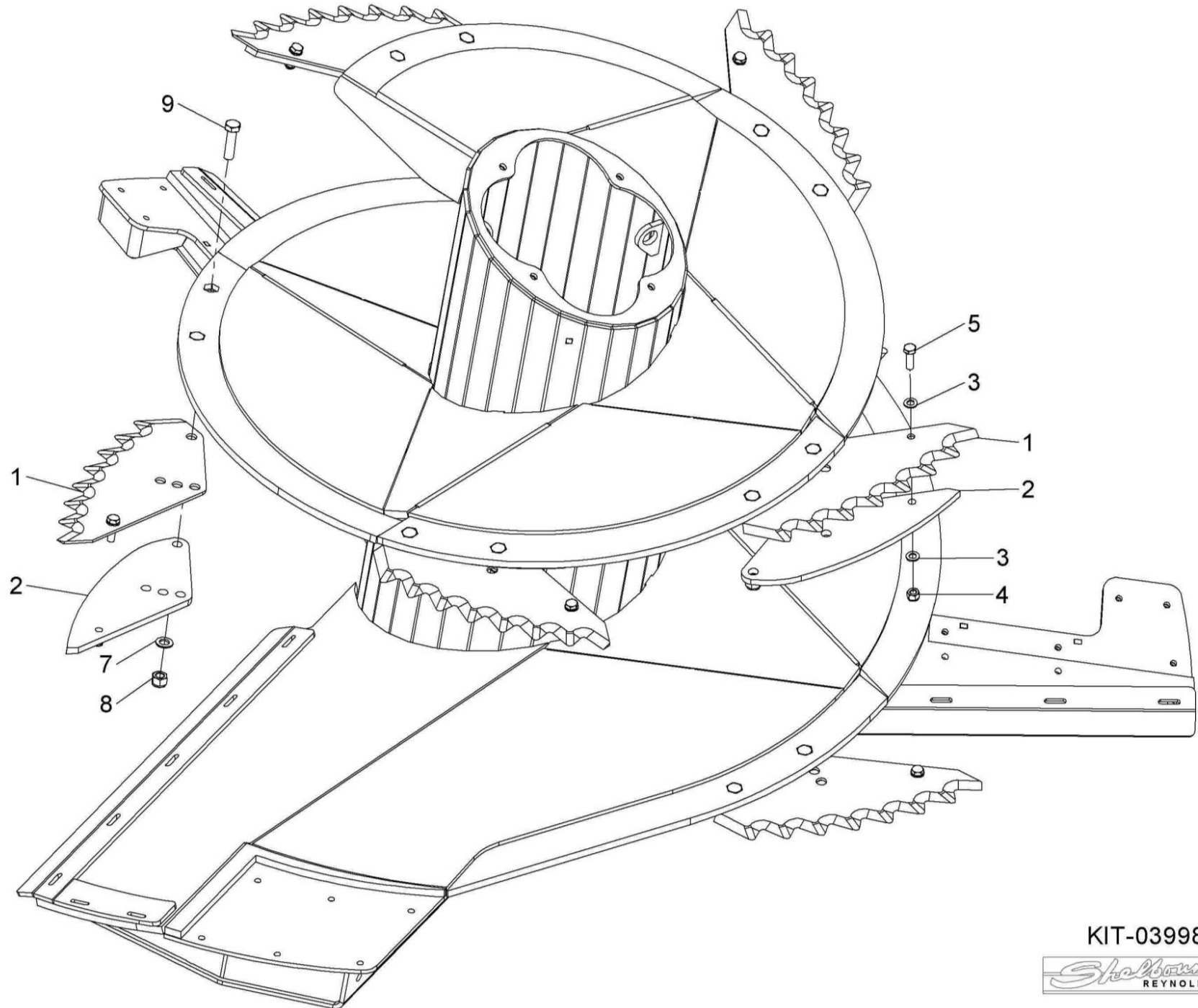


KIT-03997



Shelbourne Reynolds Engineering Limited

ASSY NUMBER: KIT-03998				ASSY DESCRIPTION: STANDARD BLADE KIT (24m cu)			
ITEM	PART NO	DESCRIPTION	QTY	ITEM	PART NO	DESCRIPTION	QTY
1	614812 02	STANDARD AUGER BLADE	7				
2	614807 02	BACK UP PLATE	7				
3	WSH-0018	WASHER	14				
4	NUT-0269	NUT	7				
5	HSS-0250	SETSCREW	7				
6	615685 01	HEX SPACER	14				
7	WSHA30161	LOCK WASHER	14				
8	NUT-0271	NUT	14				
9	HSS-0320	SETSCREW	14				

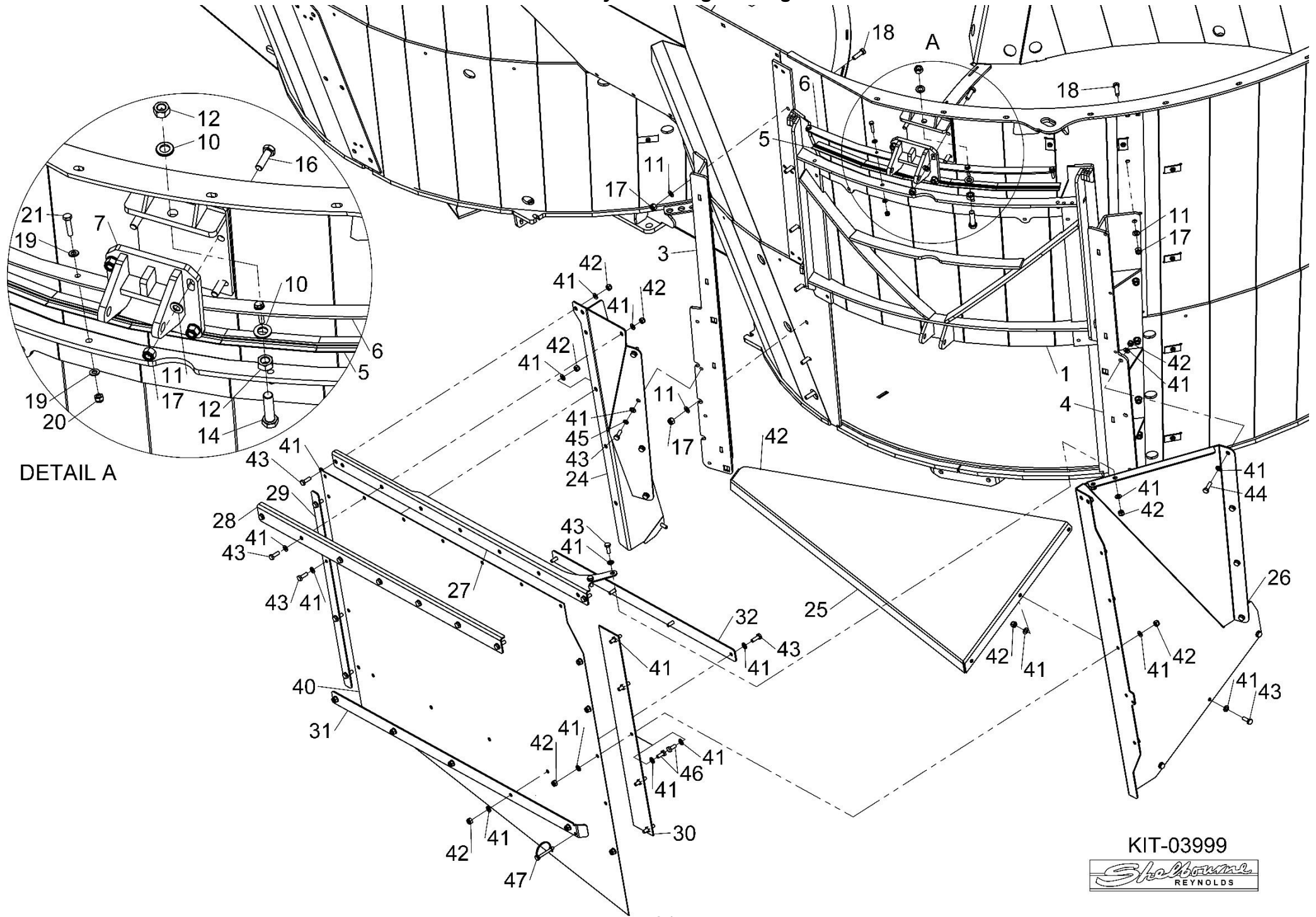


KIT-03998



Shelbourne Reynolds Engineering Limited

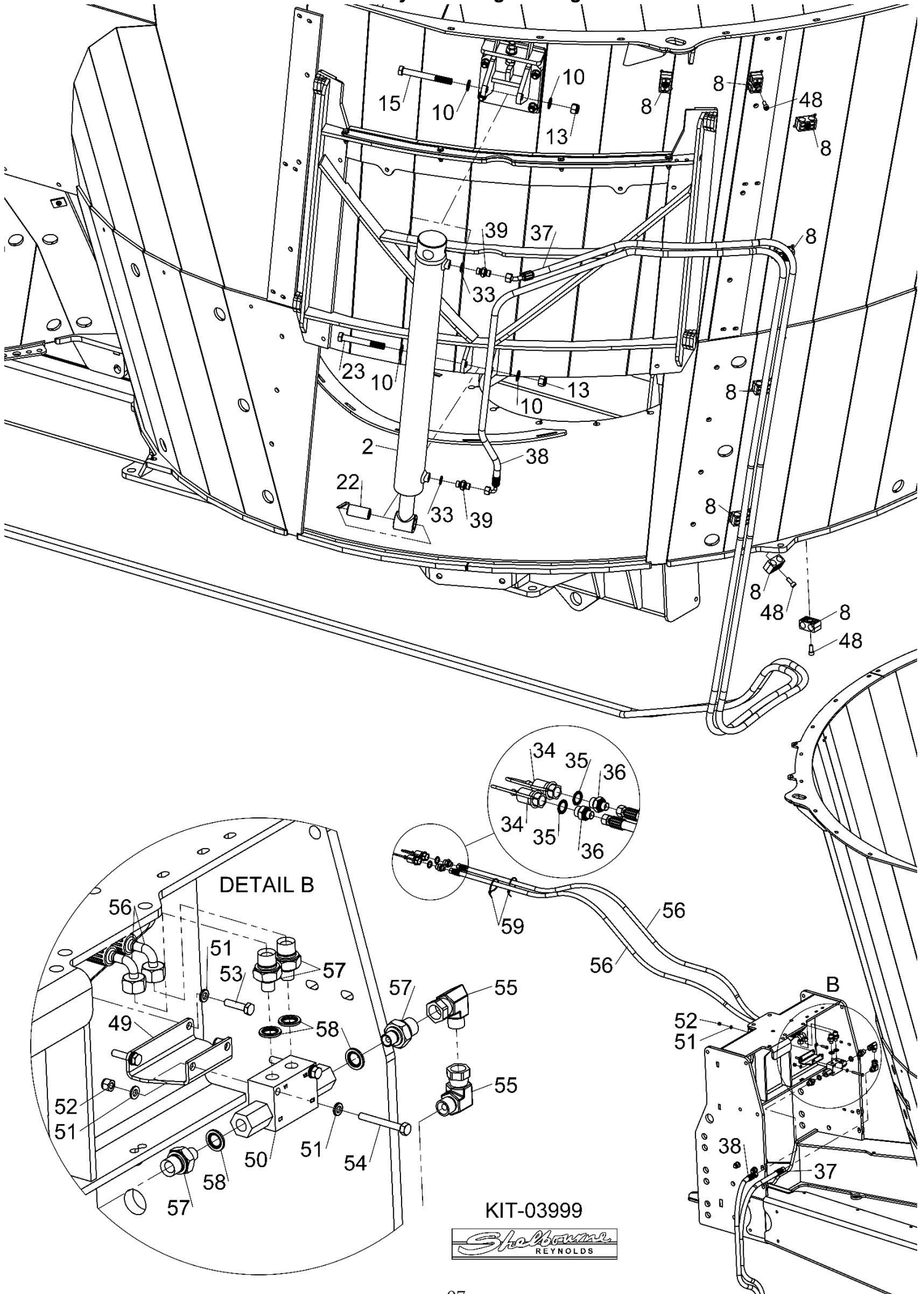
ASSY NUMBER: KIT-03999				ASSY DESCRIPTION: REAR DOOR KIT			
ITEM	PART NO	DESCRIPTION	QTY	ITEM	PART NO	DESCRIPTION	QTY
1	617638 01H	REAR DOOR W/A	1	38	620627 01	HYDRAULIC HOSE ASSY (10.1m)	1
2	618364 01	DOOR CYLINDER	1			(PO CHECK VALVE FITTED)	
3	617688 01	REAR RH DOOR GUIDE W/A	1	OR	618433 01	HYDRAULIC HOSE ASSY (12.6m)	
4	617690 01	REAR LH DOOR GUIDE W/A	1			(NO PO CHECK VALVE FITTED)	
5	617733 01	DOOR BRUSH	1	39	HMA-0057	ADAPTER M/M	2
6	617734 01	BRUSH CLAMP	1	40	618720 01	PVC DOOR FLAP	1
7	618030 01	DOOR RAM BRACKET W/A	1	41	WSH-0015	WASHER	78
8	HCPD01800	HYDRAULIC PIPE CLAMP 18mm	9	42	NUT-0265	NUT	37
9	SCW-0133	CAP HEAD SCREW	8	43	HSS-0194	SETSCREW	25
10	WSH-0024	PLAIN WASHER	6	44	HSS-0198	SETSCREW	6
11	WSH-0018	PLAIN WASHER	18	45	WSH-0061	WASHER	4
12	NUT-0180	PLAIN NUT	2	46	HSS-0191	SETSCREW	10
13	NUT-0271	NYLOC NUT	2	47	PIN-1720	`D' CLIP	1
14	HSS-0320	SET SCREW	1	48	SCCA08233	SOC HD SCREW	1
15	BLTA16680	HEX HEAD BOLT	1	49	620625 01	PO CHECK MTG BRKT	1
16	BLTA12260	HEX HEAD BOLT	4	50	HVB-27000	PO CHECK VALVE	1
17	NUT-0269	NYLOC NUT	18	51	WSH-0009	WASHER	8
18	HSS-0250	SET SCREW	14	52	NUT-0260	NUT	4
19	WSH-0012	PLAIN WASHER	8	53	HSS-0088	SETSCREW	2
20	NUT-0263	NYLOC NUT	4	54	BLTA06320	BOLT	2
21	HSS-0152	SET SCREW	4	55	HALAA0505	90 DEG ELBLOW FITTING	2
22	592098 01	SPACER TUBE	1	56	HHBE25005	HYD HOSE ASSY	2
23	BLT-2330	HEX HEAD BOLT	1	57	FIT-0025	M/M ADAPTOR	4
24	618719 01	DOOR CHUTE SIDE W/A	1	58	WSH-1005	DOWTY WASHER	4
25	618714 01	CHUTE BOTTOM PLATE	1	59	TIE-0004	TIE WRAP	12
26	618716 01	CHUTE SIDE PANEL	1				
27	618250 01	CHUTE TOP PANEL	1				
28	618233 01	CLAMP STRIP	1				
29	618234 01	DOOR FLAP CLAMP STRIP	1				
30	614004 01	SIDE CURTAIN	1				
31	618721 01	SAFETY STRAP	1				
32	618722 01	CLAMP PLATE	1				
33	WSH-1010	DOWTY WASHER	2				
34	COU-0162	QUICK RELEASE COUPLING	2				
35	WSH-1015	DOWTY WASHER	2				
36	HMA-0065	ADAPTER M/M	2				
37	HHDE96505	HYDRAULIC HOSE ASSY (9.65m)	1				
		(PO CHECK VALVE FITTED)					
OR	618432 01	HYDRAULIC HOSE ASSY (11.85m)					
		(NO PO CHECK VALVE FITTED)					



DETAIL A

KIT-03999



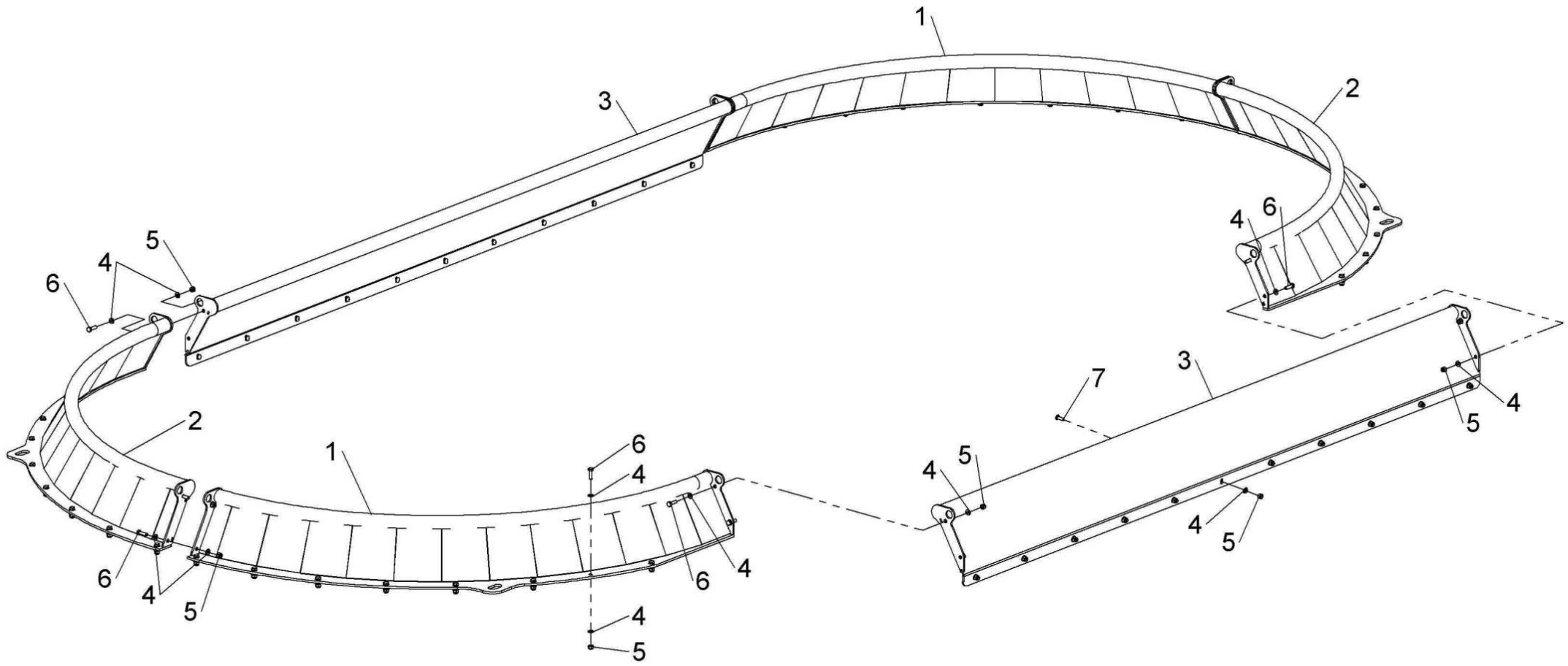


KIT-03999



Shelbourne Reynolds Engineering Limited

ASSY NUMBER: KIT-60000				ASSY DESCRIPTION: STRAW RING KIT			
ITEM	PART NO	DESCRIPTION	QTY	ITEM	PART NO	DESCRIPTION	QTY
1	618724 01	RH STRAW RING W/A	2				
2	618724 02	LH STRAW RING W/A	2				
3	618728 01	STRAW RING SIDE W/A	2				
4	WSH-0015	PLAIN WASHER	122				
5	NUT-0265	NYLOC NUT	72				
6	HSS-0198	SETSCREW	50				
7	BLT-3750	COACH BOLT	22				

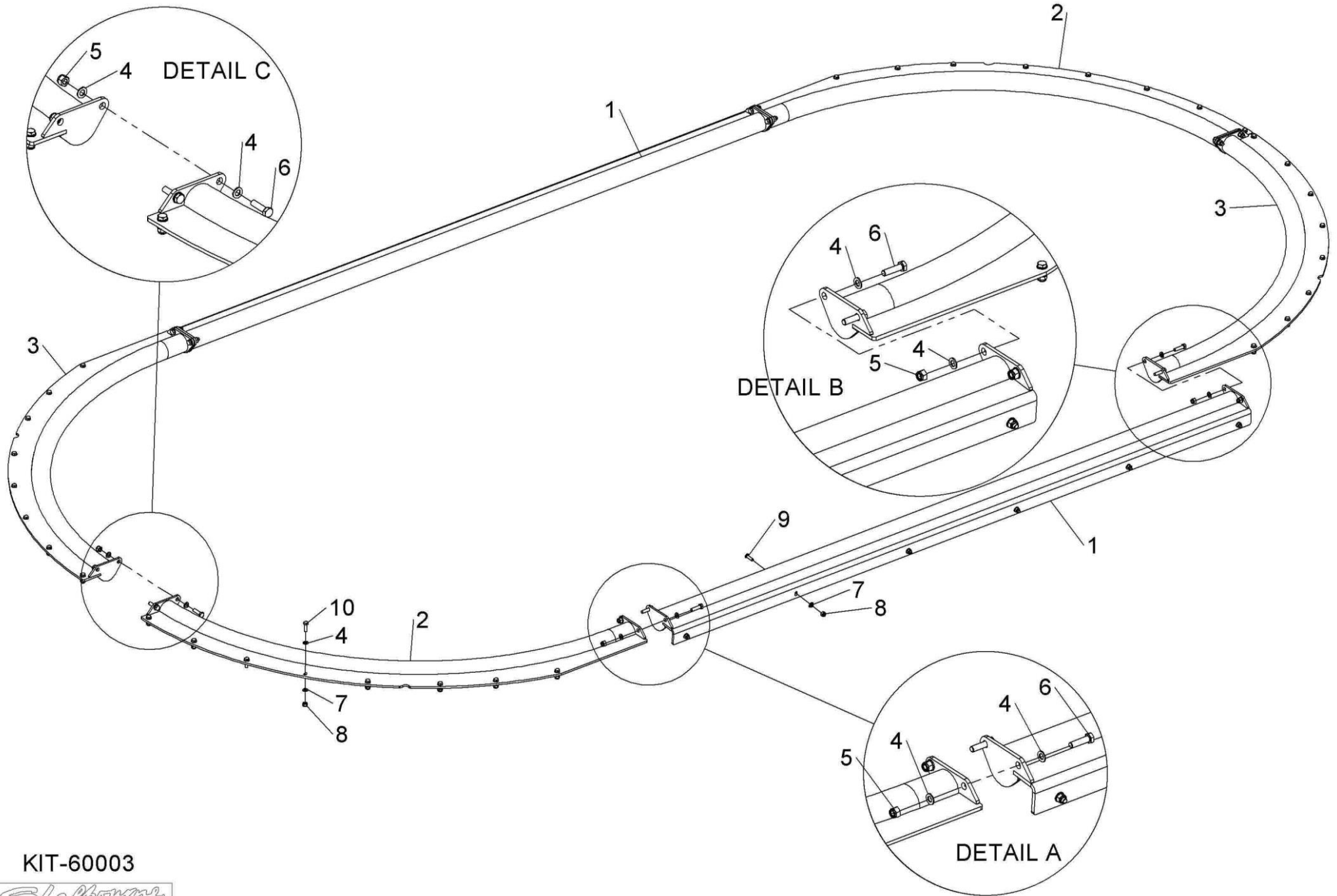


KIT-60000



Shelbourne Reynolds Engineering Limited

ASSY NUMBER: KIT-60003				ASSY DESCRIPTION: 22m CU RETAINING RING KIT			
ITEM	PART NO	DESCRIPTION	QTY	ITEM	PART NO	DESCRIPTION	QTY
1	618837 01	STRAIGHT TUB RIM W/A	2				
2	618840 01	LH CURVED RETAINING RING W/A	2				
3	618840 02	RH CURVED RETAINING RING W/A	2				
4	WSH-0018	WASHER	24				
5	NUT-0269	NUT	12				
6	BLTA12290	BOLT	12				
7	WSH-0015	WASHER	76				
8	NUT-0265	NUT	44				
9	BLTF10231	COACHBOLT	12				
10	HSS-0198	BOLT	32				

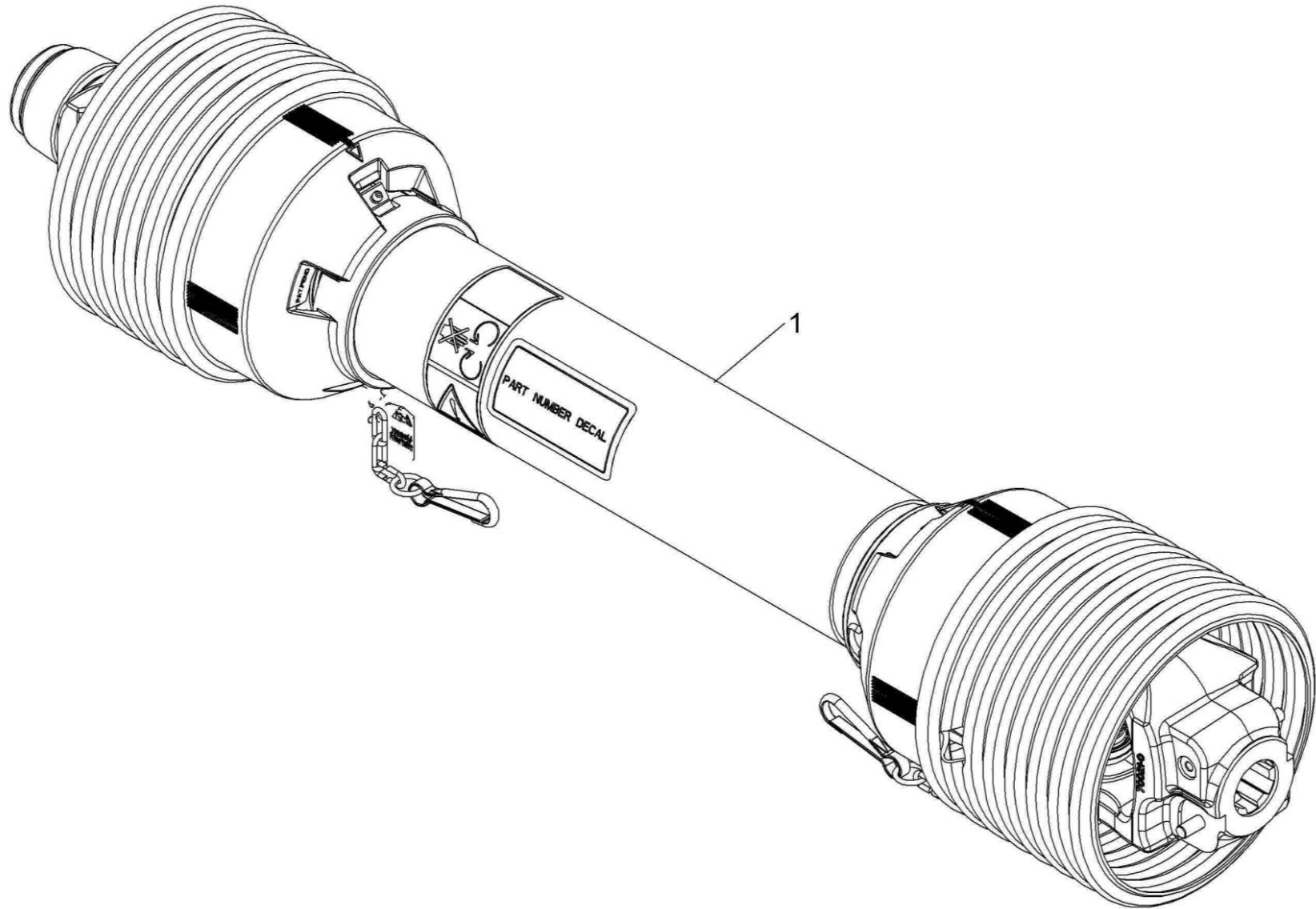


KIT-60003



Shelbourne Reynolds Engineering Limited

ASSY NUMBER: KIT-60005				ASSY DESCRIPTION: WIDE ANGLE PTO SHAFT KIT (WALTERSCHIED)			
ITEM	PART NO	DESCRIPTION	QTY	ITEM	PART NO	DESCRIPTION	QTY
1	PTO-35055W	WIDE ANGLE PTO SHAFT	1				



KIT-60005

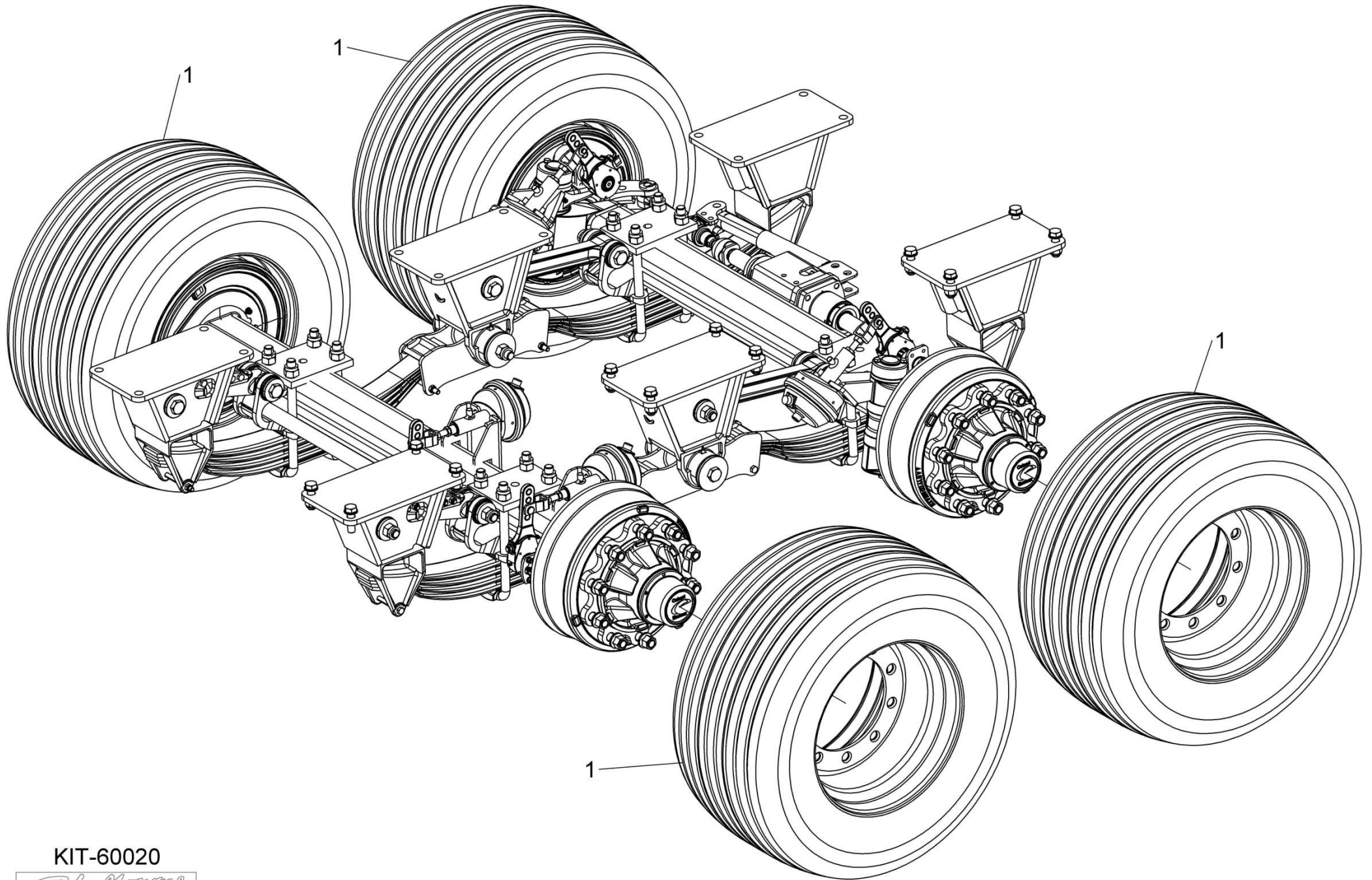


Shelbourne Reynolds Engineering Limited

ASSY NUMBER: KIT-60019				ASSY DESCRIPTION: REAR STEERING AXLE KIT			
ITEM	PART NO	DESCRIPTION	QTY	ITEM	PART NO	DESCRIPTION	QTY
1	618136 01	MUDGUARD W/A	1	41	HHBE09805	HYDRAULIC HOSE	1
2	618136 02	MUDGUARD W/A	1	42	HHEE06605	HYDRAULIC HOSE	1
3	618995 01	AXLE W/A	1	43	HHKE04405	HYDRAULIC HOSE	1
4	617590 01	LINK PLATE	2	44	HHDE13705	HYDRAULIC HOSE	1
5	616300 01	HANDBRAKE W/A	1	45	HHDE65005	HYDRAULIC HOSE	1
6	BRA-14101	HANDBRAKE PULLEY	2	46	BRA-07130A	HYDRAULIC ACTUATOR	4
7	WSH-0015	PLAIN WASHER	44	47	HHAE81705	HYDRAULIC HOSE	1
8	NUT-0269	NYLOC NUT	5	48	CBL-30010	CABLE	1.3m
9	BLTA10350	BOLT	1	49	CBL-30010	CABLE	2m
10	FITA10140	TEE FITTING	2				
11	FITA10410	TEE FITTING	2				
12	HCPD01800	TWIN PIPE CLAMP	19				
13	HBK-0012	BULKHEAD	1				
14	WSH-1005	DOWTY WASHER	2				
15			1				
16	FIT-0025	ADAPTOR	2				
17	FIT-0218	BREATHER	1				
18	618593 01	TRANSPORT STRAP	1				
19	618180 01	MUDGUARD LUG	4				
20	WSH-1015	DOWTY WASHER	2				
21	HMA-0065	ADAPTOR	2				
22	WRP-01050	WIRE CABLE THIMBLE	4				
23	198800 68	WASHER	3				
24	NUT-0265	NYLOC NUT	18				
25	HSS-0210	BOLT	2				
26	WSH-0018	PLAIN WASHER	8				
27	HSS-0241	SETSCREW	4				
28	WRP-02080	WIRE CLAMP	8				
29	HQR-10007	QUICK RELEASE COUPLING	1				
30	WSH-0030	PLAIN WASHER	48				
31	NUTA02200	NYLOC NUT	24				
32	BLTA20410	BOLT	24				
33	WSH-0061	SPRING WASHER	6				
34	HSS-0194	BOLT	14				
35	HSS-0198	BOLT	8				
36	SCCA08413	CAP HEAD SCREW	5				
37	SCW-0145	CAP HEAD SCREW	3				
38	COU-0162	QUICK RELEASE COUPLING	1				
39	SCW-0136	CAP HEAD SCREW	2				
40	HHEC03605	HYDRUALIC HOSE	1				

Shelbourne Reynolds Engineering Limited

ASSY NUMBER: KIT-60020				ASSY DESCRIPTION: WHEEL & TYRE KIT (445/45R19.5)			
ITEM	PART NO	DESCRIPTION	QTY	ITEM	PART NO	DESCRIPTION	QTY
1	WHL-01923	WHEEL & TYRE (445/45R19.5)	4				

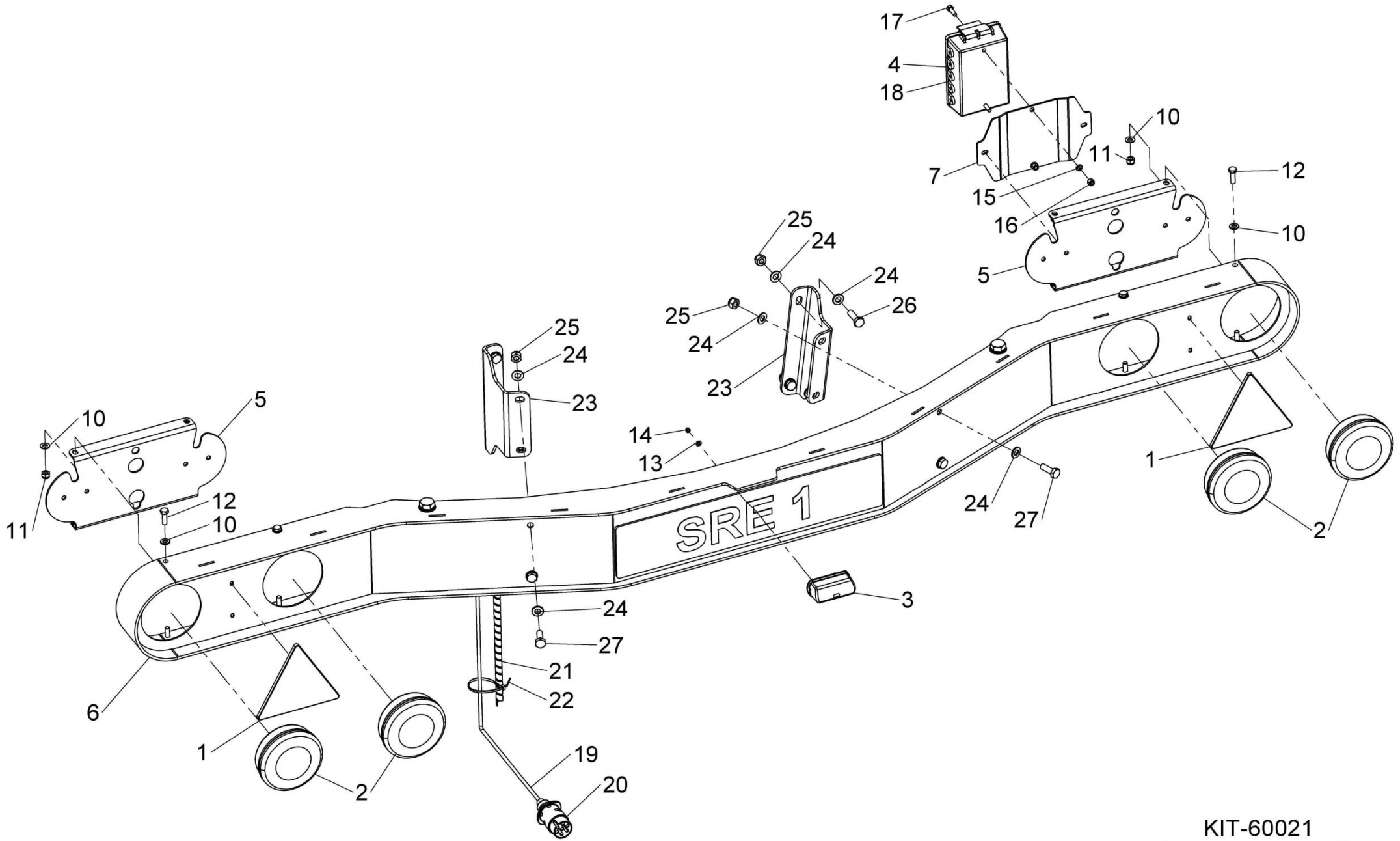


KIT-60020



Shelbourne Reynolds Engineering Limited

ASSY NUMBER: KIT-60021				ASSY DESCRIPTION: LIGHT ASSEMBLY KIT			
ITEM	PART NO	DESCRIPTION	QTY	ITEM	PART NO	DESCRIPTION	QTY
1	REF-0035	TRIANGLE REFLECTOR	2				
2	LMP10410	LED REAR LIGHT	4				
3	LMP-10805	LED NUMBER PLATE LIGHT	1				
4	JNC-00002	JUNCTION BOX	1				
5	616613 01	LIGHT BACKING PLATE	2				
6	618339 01	LIGHT FRAME W/ASSY	1				
7	618340 01	JUNCTION BOX MOUNT	1				
8							
9							
10	WSH-0012	WASHER	16				
11	NUT-0263	NYLOC NUT	8				
12	HSS-0145	BOLT	8				
13	WSH-0006	WASHER	2				
14	NUT-0255	NYLOC NUT	2				
15	WSH-0009	WASHER	2				
16	NUT-0260	NYLOC NUT	2				
17	HSS-0086	BOLT	2				
18	ETM-00130	FEMALE SPADE TERMINAL	24				
19	CBL-03530	7 CORE CABLE	11m				
20	PLG-0005	7-PIN PLUG	1				
21	SLV-00300	SPIRAL CONVOLUTE TUBING	4m				
22	TIE-0004	TIE WRAP MEDIUM	30				
23	618996 01	LIGHTBOARD BRKT	2				
24	WSH-0015	WASHER	16				
25	NUT-0265	NUT	8				
26	HSS-0198	SETSCREW	4				
27	HSS-0194	SETSCREW	4				

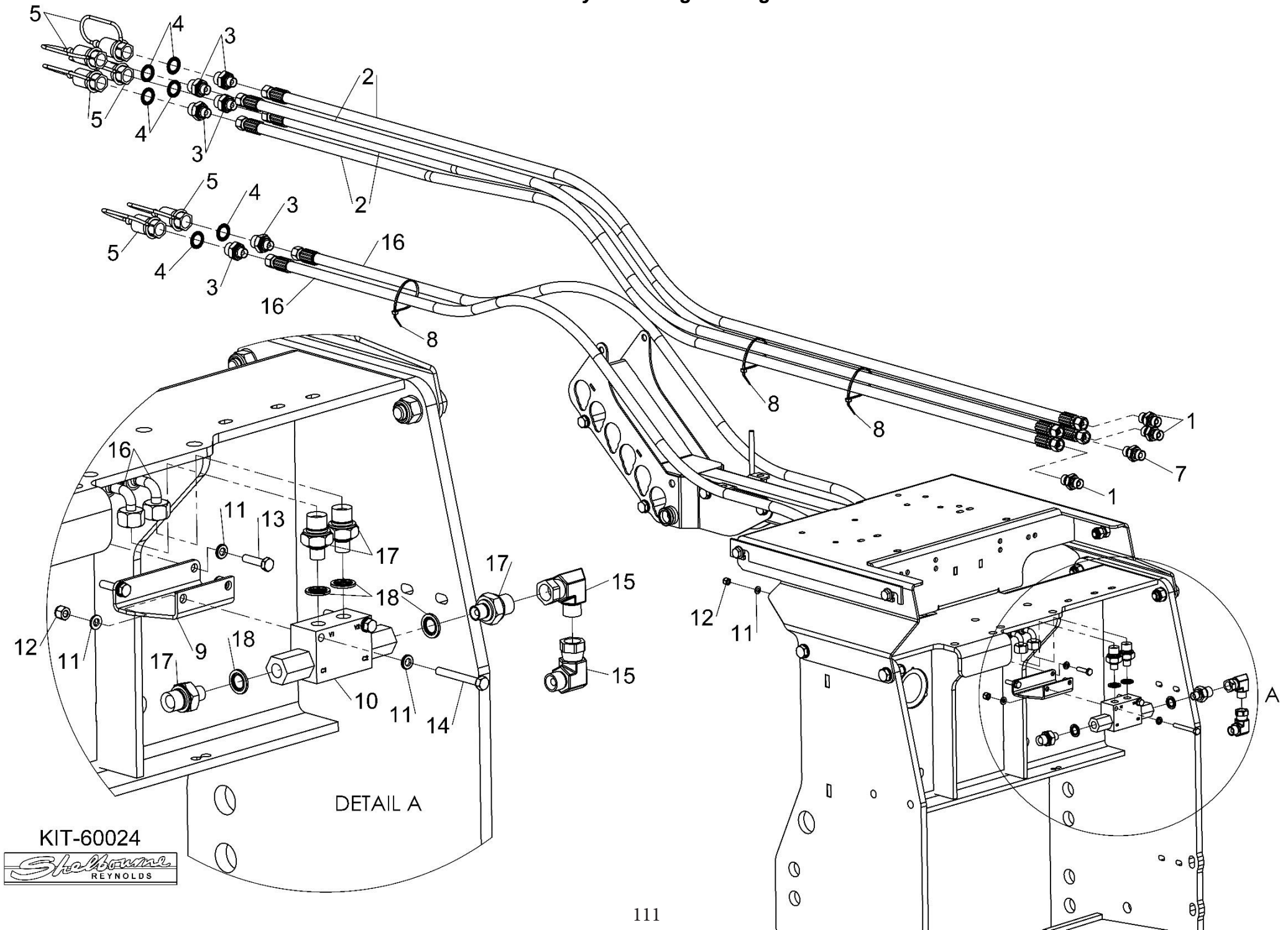


KIT-60021



Shelbourne Reynolds Engineering Limited

ASSY NUMBER: KIT-60024				ASSY DESCRIPTION: DIRECT COUPLED HYDRAULIC KIT (24&30M)			
ITEM	PART NO	DESCRIPTION	QTY	ITEM	PART NO	DESCRIPTION	QTY
1	HMA-0057	M/M ADAPTOR	3				
2	HHAE19505	HYDRAULIC HOSE	4				
3	HMA-0065	M/M ADAPTOR	6				
4	WSH-1015	DOWTY WASHER	6				
5	COU-0162	QUICK RELEASE COUPLG	6				
6							
7	HAPAA0505	RESTRICTOR	1				
8	TIE-0004	TIE WRAP	12				
9	620625 01	PO CHECK MTG BRKT	1				
10	HVB-27000	PO CHECK VALVE	1				
11	WSH-0009	WASHER	8				
12	NUT-0260	NUT	4				
13	HSS-0088	SETSCREW	2				
14	BLTA06320	BOLT	2				
15	HALAA0505	90 DEG ELBLOW FITTING	2				
16	HHBE25005	HYD HOSE ASSY	2				
17	FIT-0025	M/M ADAPTOR	4				
18	WSH-1005	DOWTY WASHER	4				

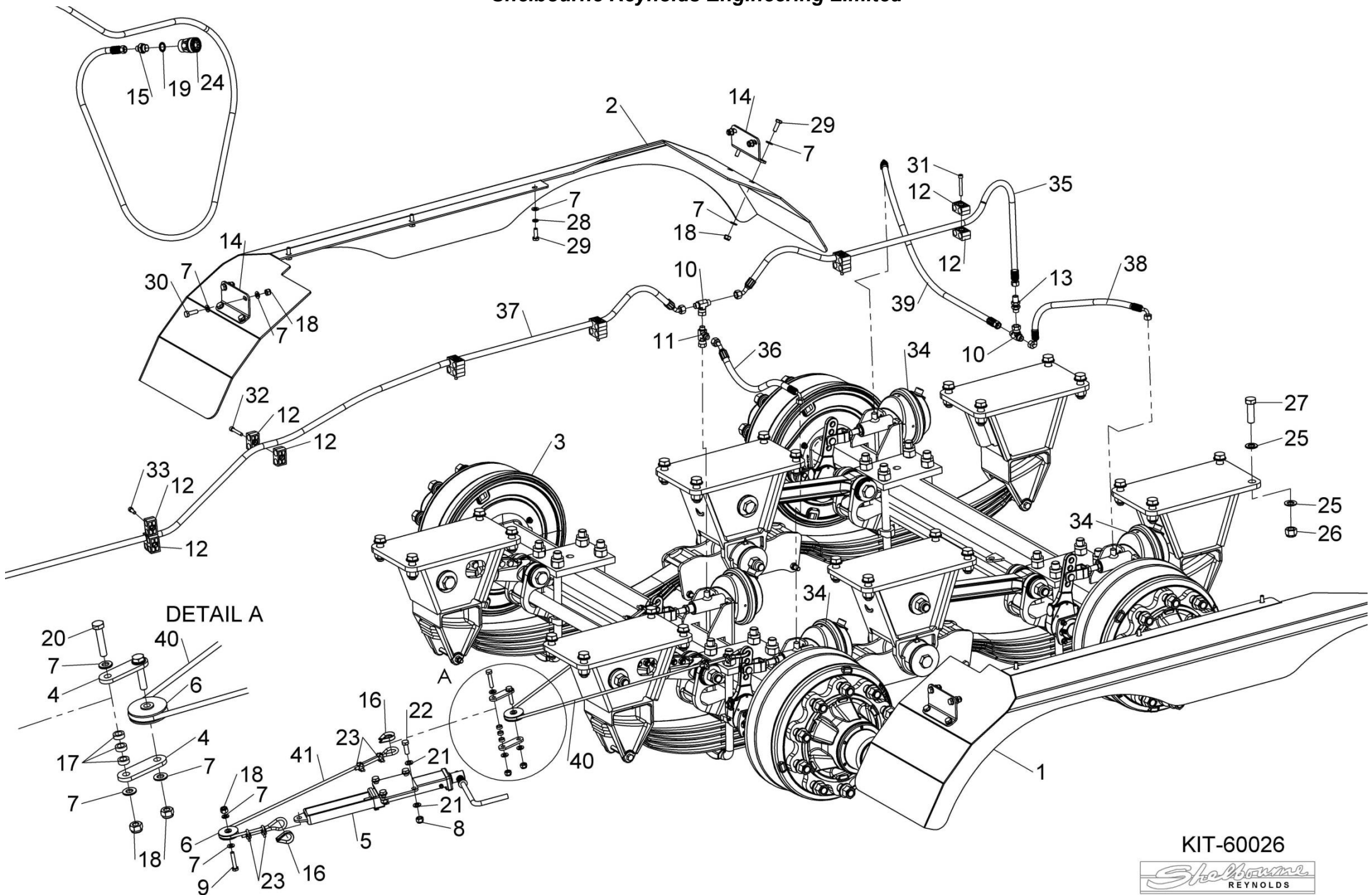


KIT-60024



Shelbourne Reynolds Engineering Limited

ASSY NUMBER: KIT-60026				ASSY DESCRIPTION: FIXED AXLE KIT			
ITEM	PART NO	DESCRIPTION	QTY	ITEM	PART NO	DESCRIPTION	QTY
1	618136 01	MUDGUARD W/A	1	41	CBL-30010	CABLE	2m
2	618136 02	MUDGUARD W/A	1				
3	620102 01	FIXED AXLE W/A	1				
4	617590 01	LINK PLATE	2				
5	616300 01	HANDBRAKE W/A	1				
6	BRA-14101	HANDBRAKE PULLEY	2				
7	WSH-0015	PLAIN WASHER	44				
8	NUT-0269	NYLOC NUT	5				
9	BLTA10350	BOLT	1				
10	FITA10140	TEE FITTING	2				
11	FITA10410	TEE FITTING	1				
12	HCPD01800	TWIN PIPE CLAMP	16				
13	HBK-0012	BULKHEAD	1				
14	618180 01	MUDGUARD LUG	4				
15	HMA-0065	ADAPTOR	1				
16	WRP-01050	WIRE CABLE THIMBLE	4				
17	198800 68	WASHER	3				
18	NUT-0265	NYLOC NUT	18				
19	WSH-1015	DOWTY WASHER	1				
20	HSS-0210	BOLT	2				
21	WSH-0018	PLAIN WASHER	8				
22	HSS-0241	SETSCREW	4				
23	WRP-02080	WIRE CLAMP	8				
24	HQR-10007	QUICK RELEASE COUPLING	1				
25	WSH-0030	PLAIN WASHER	48				
26	NUTA02200	NYLOC NUT	24				
27	BLTA20410	BOLT	24				
28	WSH-0061	SPRING WASHER	6				
29	HSS-0194	BOLT	14				
30	HSS-0198	BOLT	8				
31	SCCA08413	CAP HEAD SCREW	4				
32	SCW-0145	CAP HEAD SCREW	3				
33	SCW-0136	CAP HEAD SCREW	1				
34	BRA-07130A	HYDRAULIC ACTUATOR	4				
35	HHDE13705	HYDRAULIC HOSE	1				
36	HHKE04405	HYDRAULIC HOSE	1				
37	HHDE71105	HYDRAULIC HOSE	1				
38	HHEE05005	HYDRAULIC HOSE	1				
39	HHBE08805	HYDRAULIC HOSE	1				
40	CBL-30010	CABLE	1.3m				

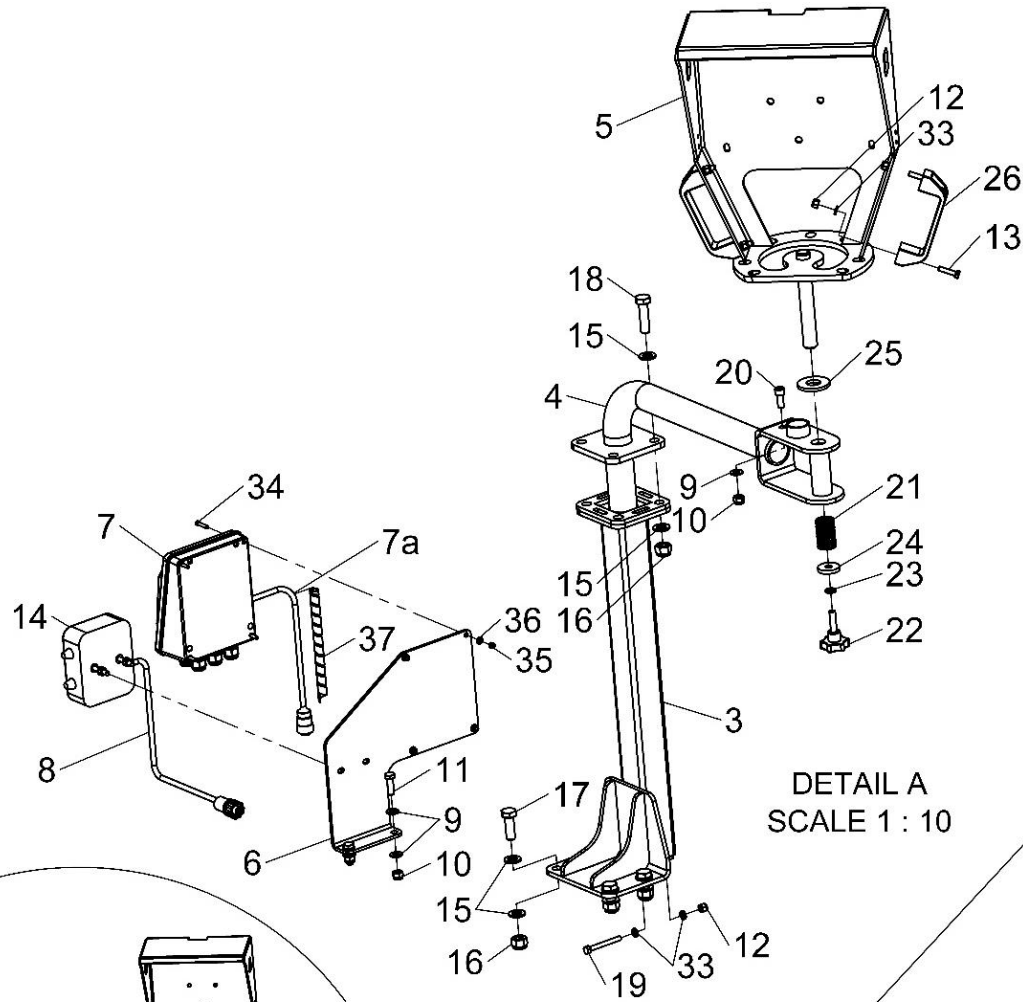


KIT-60026

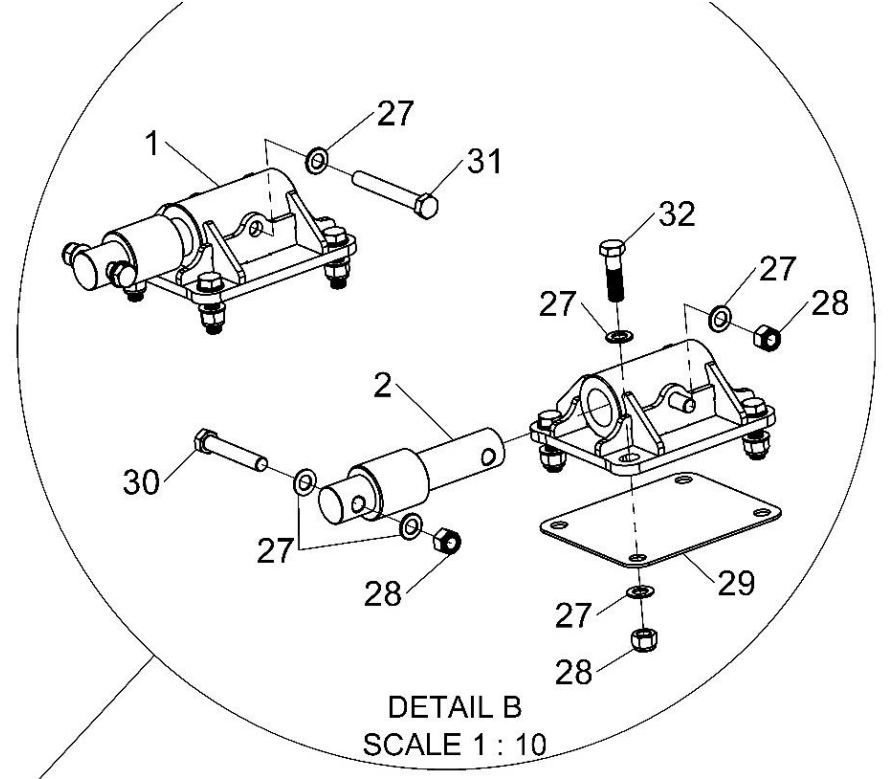


Shelbourne Reynolds Engineering Limited

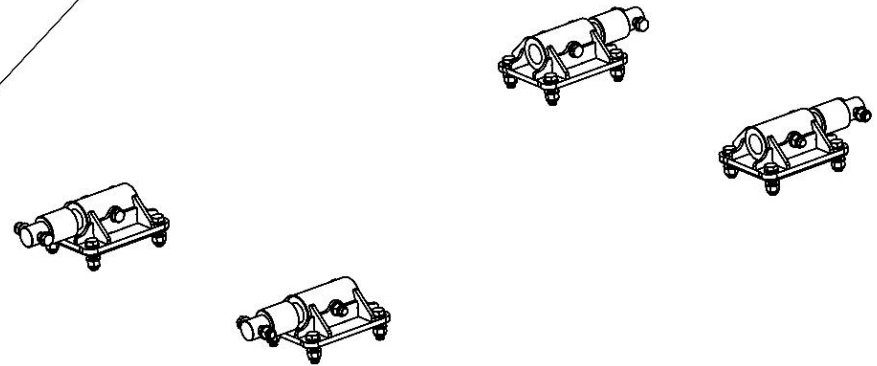
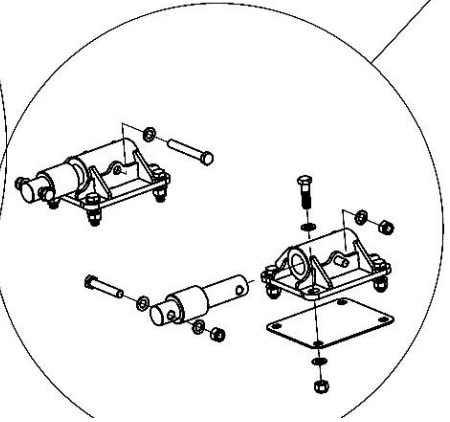
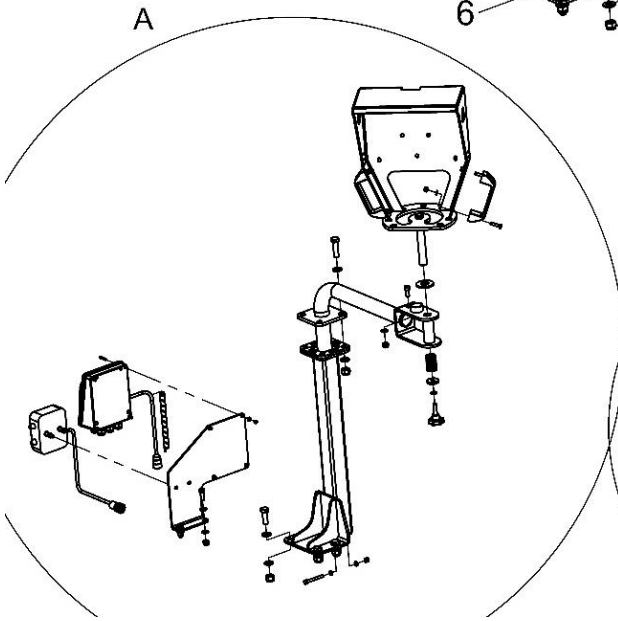
ASSY NUMBER: KIT-60031				ASSY DESCRIPTION: WEIGHING KIT (DIGI-STAR)			
ITEM	PART NO	DESCRIPTION	QTY	ITEM	PART NO	DESCRIPTION	QTY
1	618102 01	LOADCELL BRACKET W/A	6				
2	LCL-01201	2.125" LOADCELL	6				
3	616259 01	WEIGH HEAD SUPPORT ARM W/A	1				
4	616870 01	DISPLAY PIVOT ARM W/A	1				
5	618846 01	DISPLAY COVER W/A	1				
6	620158 01	J-BOX MTG BRKT	1				
7	LCL-01207	6-POINT JUNCTION BOX	1				
7a	LCL-01206	SENSOR CABLE	1				
8	LCL-01210	POWER CORD	1				
9	WSH-0012	PLAIN WASHER	5				
10	NUT-0263	NYLOC NUT	3				
11	HSS-0145	BOLT	2				
12	NUT-0260	NYLOC NUT	5				
13	HSS-0088	BOLT	4				
14	JNC-00000	JUNCTION BOX	1				
15	WSH-0018	PLAIN WASHER	10				
16	NUT-0269	NYLOC NUT	5				
17	HSS-0241	SETSCREW	4				
18	BLTA12290	BOLT	1				
19	BLTA06350	BOLT	1				
20	SCW-0133	CAP HEAD SCREW	1				
21	SPGC32355	COMPRESSION SPRING	1				
22	KNO-0002	PLASTIC KNOB	1				
23	WSH-0058	SPRING WASHER	1				
24	190548 29	WASHER	1				
25	198800 46	WASHER	1				
26	HND-0000	PLASTIC HANDLE	2				
27	WSH-0030	PLAIN WASHER	72				
28	NUTA02200	NYLOC NUT	36				
29	618182 04	SHIM (5mm)	3				
30	BLTA20620	BOLT	6				
31	BLTA20710	BOLT	6				
32	BLT-2367	BOLT	24				
33	WSH-0009	PLAIN WASHER	6				
34	SCW-0035	CAP HEAD SCREW	4				
35	NUT-0255	NUT	4				
36	WSH-0003	WASHER	4				
37	SLV-00300	SPIRAL CONVOLUTE TUBING	20m				



DETAIL A
SCALE 1 : 10



DETAIL B
SCALE 1 : 10

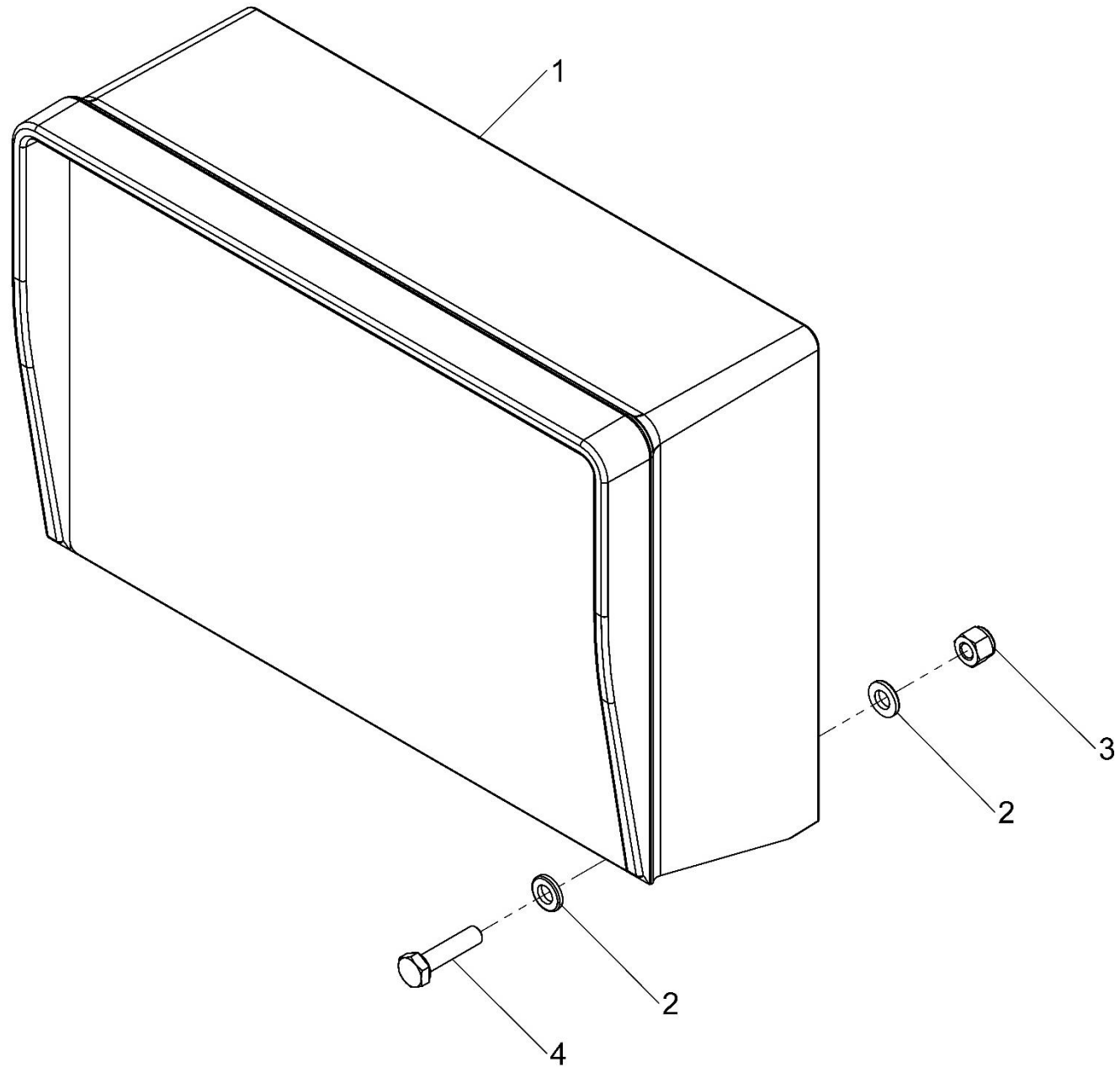


KIT-60031



Shelbourne Reynolds Engineering Limited

ASSY NUMBER: KIT-60032				ASSY DESCRIPTION: EZ3410 BT DISPLAY KIT			
ITEM	PART NO	DESCRIPTION	QTY	ITEM	PART NO	DESCRIPTION	QTY
1	LCL-01270	EZ3410 BT DISPLAY	1				
2	WSH-0009	PLAIN WAASHER	4				
3	NUT-0260	NYLOC NUT	2				
4	HSS-0088	SETSCREW	2				

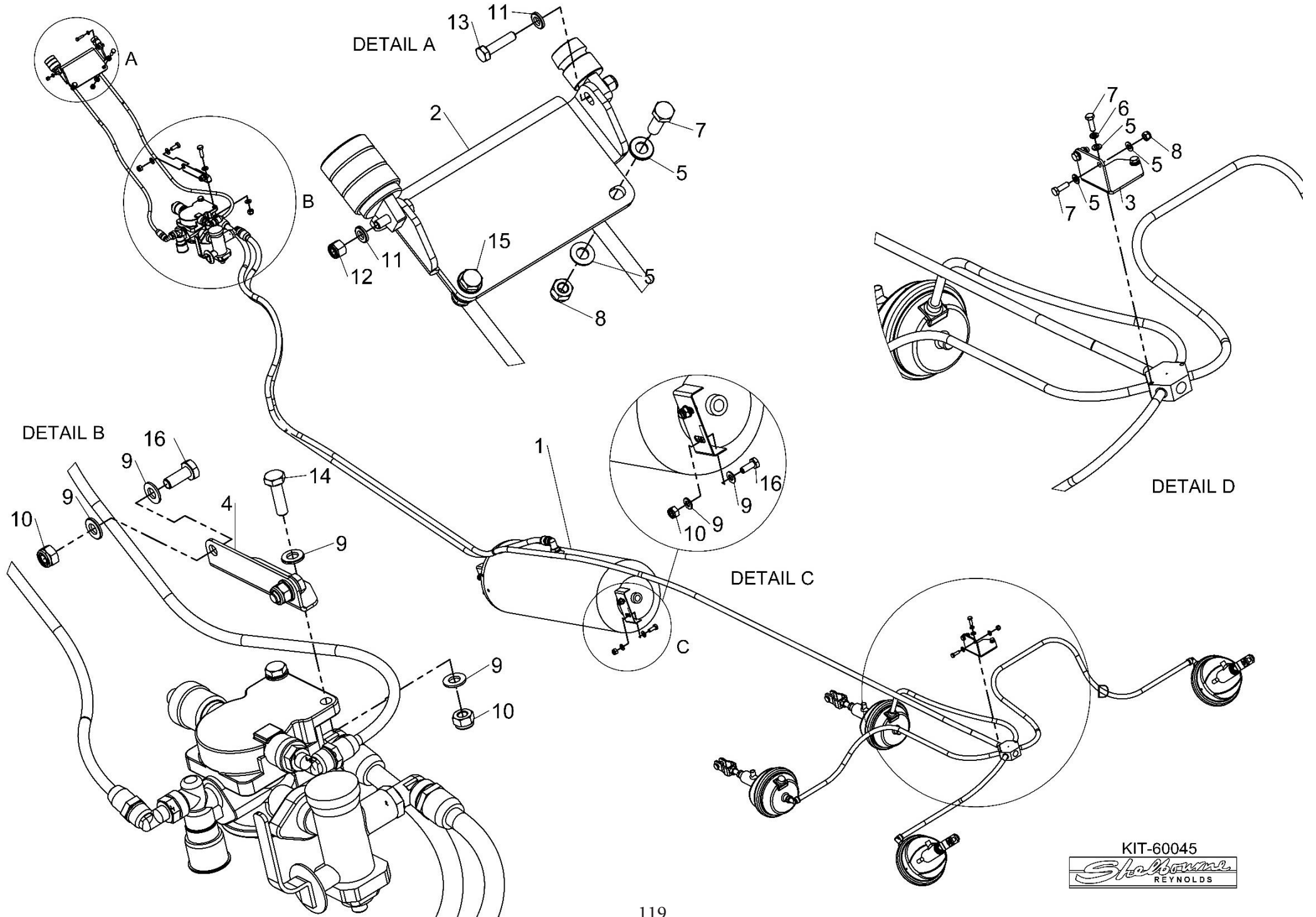


KIT-60032



Shelbourne Reynolds Engineering Limited

ASSY NUMBER: KIT-60045				ASSY DESCRIPTION: TANDEM AIR BRAKE KIT			
ITEM	PART NO	DESCRIPTION	QTY	ITEM	PART NO	DESCRIPTION	QTY
1	BRA-07140	TANDEM AIR BRAKE KIT	1				
2	620418 01	AIR SUSIE DOCKING STATION BRKT	1				
3	618164 01	MANIFOLD BRKT	1				
4	620424 01	MANUAL LPV BRKT	1				
5	WSH-0012	WASHER	11				
6	WSH-0058	WASHER	2				
7	HSS-0145	SETSCREW	5				
8	NUT-0263	NUT	4				
9	WSH-0015	WASHER	16				
10	NUT-0265	NUT	8				
11	WSH-0009	WASHER	4				
12	NUT-0260	NUT	2				
13	HSS-0088	SETSCREW	2				
14	HSS-0198	SETSCREW	2				
15	HSS-0150	SETSCREW	1				
16	HSS-0191	SETSCREW	2				



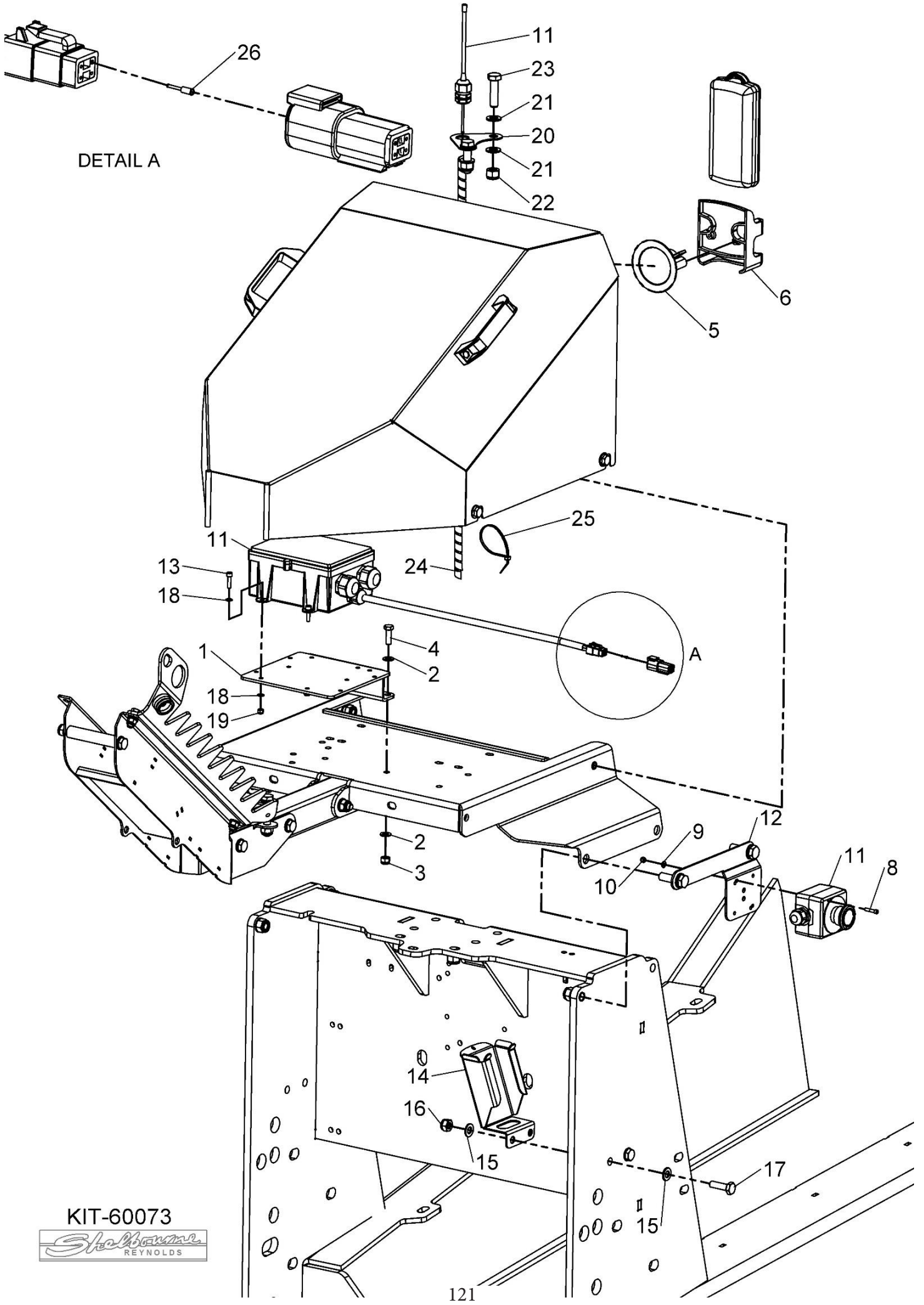
KIT-60045



Shelbourne Reynolds Engineering Limited

ASSY NUMBER: KIT-60073				ASSY DESCRIPTION: WIRELESS HYDRAULIC CONTROL KIT			
ITEM	PART NO	DESCRIPTION	QTY	ITEM	PART NO	DESCRIPTION	QTY
1	620580 01	RECEIVER UNIT MTG BRKT	1				
2	WSH-0012	WASHER	4				
3	NUT-0263	NUT	2				
4	HSS-0145	SETSCREW	2				
5	LCL-01249	SUCTION MOUNT ASSY	1				
6	HVC-06006	HANDSET CRADLE	1				
7	TIE-0006	TIE WRAP LARGE	10				
8	SCW-0035	CAP HD SCREW	2				
9	WSH-0003	WASHER	2				
10	NUT-0255	NUT	2				
11	HVC-06005	WIRELESS KIT	1				
12	620581 01	EMERGENCY STOP BRKT	1				
13	SCW-0056	CAP HD SCREW	4				
14	620582 01	STORAGE CRADLE	1				
15	WSH-0015	WASHER	4				
16	NUT-0265	NUT	2				
17	HSS-0198	SETSCREW	2				
18	WSH-0006	WASHER	8				
19	NUT-0258	NUT	4				
20	620776 01	AERIAL MTG PLATE	1				
21	WSH-0018	WASHER	4				
22	NUT-0269	NUT	2				
23	BLTA12290	BOLT	2				
24	SLV-00300	SPIRAL CONVOLUTE TUBING	0.6m				
25	TIE-0023	TIE WRAP (SMALL)	12				
26	ETM-01755	DEUTSCH MALE TERMINAL	2				

Shelbourne Reynolds Engineering Limited



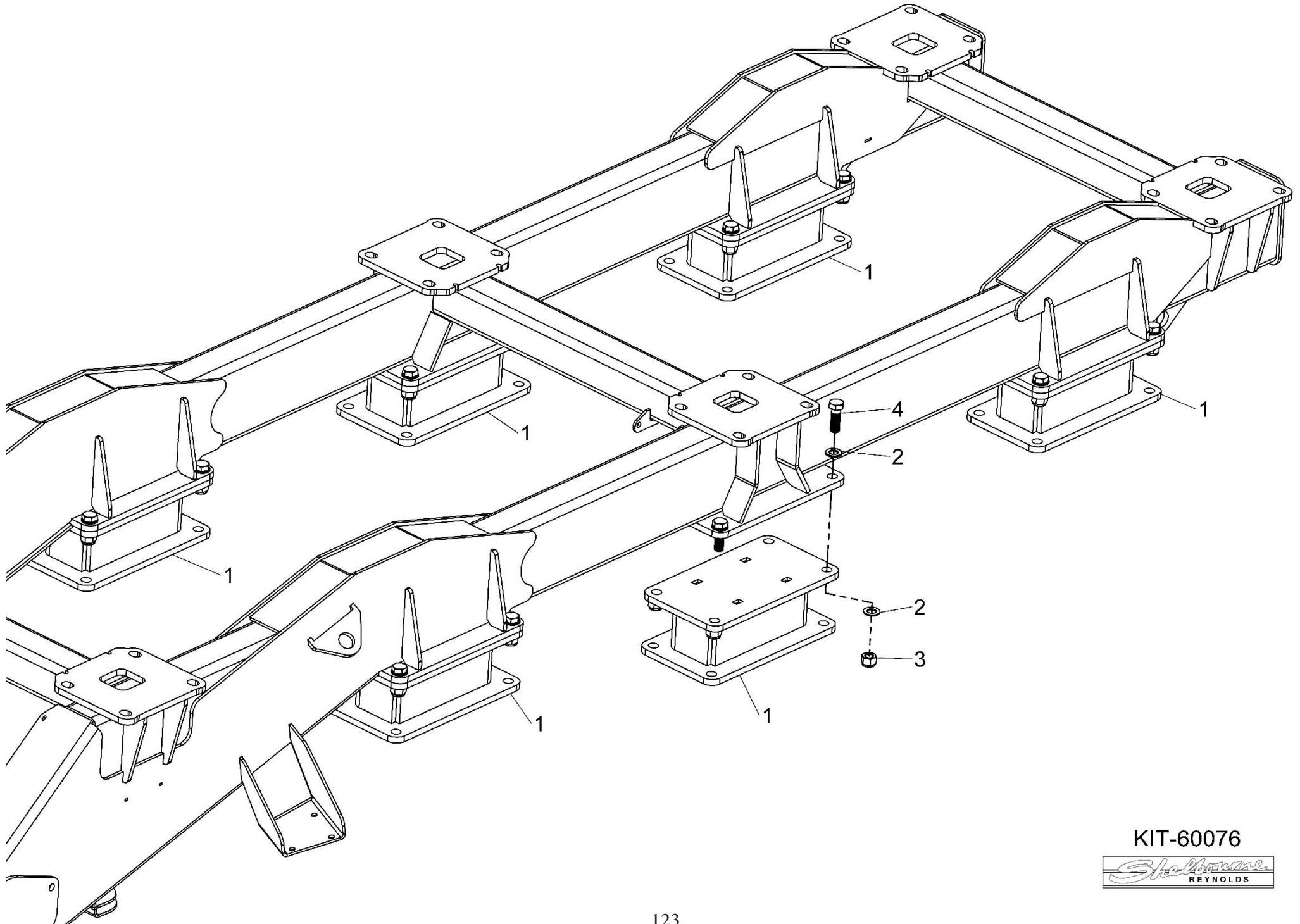
DETAIL A

KIT-60073



Shelbourne Reynolds Engineering Limited

ASSY NUMBER: KIT-60076				ASSY DESCRIPTION: AXLE SPACER KIT			
ITEM	PART NO	DESCRIPTION	QTY	ITEM	PART NO	DESCRIPTION	QTY
1	620590 01	AXLE SPACER W/A	6				
2	WSH-0030	WASHER	48				
3	NUTA02200	NUT	24				
4	BLT-2366	HEX BOLT	24				



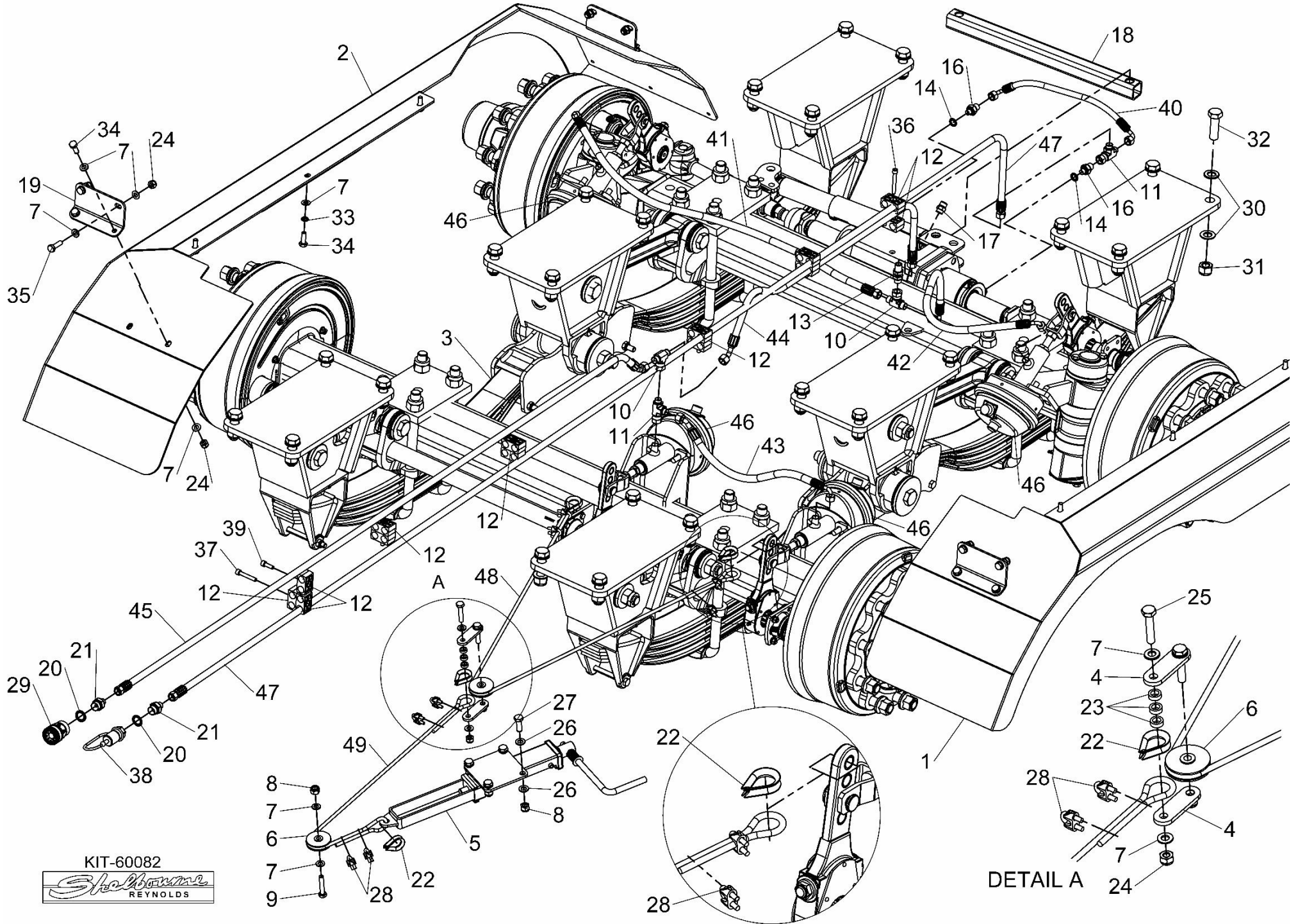
KIT-60076



Shelbourne Reynolds Engineering Limited

ASSY NUMBER: KIT-60082				ASSY DESCRIPTION: REAR STEERING AXLE KIT			
ITEM	PART NO	DESCRIPTION	QTY	ITEM	PART NO	DESCRIPTION	QTY
1	618136 01	MUDGUARD W/A	1	41	HHBE09805	HYDRAULIC HOSE	1
2	618136 02	MUDGUARD W/A	1	42	HHEE06605	HYDRAULIC HOSE	1
3	620620 01	AXLE W/A	1	43	HHKE04405	HYDRAULIC HOSE	1
4	617590 01	LINK PLATE	2	44	HHDE13705	HYDRAULIC HOSE	1
5	616300 01	HANDBRAKE W/A	1	45	HHDE65005	HYDRAULIC HOSE	1
6	BRA-14101	HANDBRAKE PULLEY	2	46	BRA-07130A	HYDRAULIC ACTUATOR	4
7	WSH-0015	PLAIN WASHER	44	47	HHA81705	HYDRAULIC HOSE	1
8	NUT-0269	NYLOC NUT	5	48	CBL-30010	CABLE	1.3m
9	BLTA10350	BOLT	1	49	CBL-30010	CABLE	2m
10	FITA10140	TEE FITTING	2				
11	FITA10410	TEE FITTING	2				
12	HCPD01800	TWIN PIPE CLAMP	19				
13	HBK-0012	BULKHEAD	1				
14	WSH-1005	DOWTY WASHER	2				
15			1				
16	FIT-0025	ADAPTOR	2				
17	FIT-0218	BREATHER	1				
18	618593 01	TRANSPORT STRAP	1				
19	618180 01	MUDGUARD LUG	4				
20	WSH-1015	DOWTY WASHER	2				
21	HMA-0065	ADAPTOR	2				
22	WRP-01050	WIRE CABLE THIMBLE	4				
23	198800 68	WASHER	3				
24	NUT-0265	NYLOC NUT	18				
25	HSS-0210	BOLT	2				
26	WSH-0018	PLAIN WASHER	8				
27	HSS-0241	SETSCREW	4				
28	WRP-02080	WIRE CLAMP	8				
29	HQR-10007	QUICK RELEASE COUPLING	1				
30	WSH-0030	PLAIN WASHER	48				
31	NUTA02200	NYLOC NUT	24				
32	BLTA20410	BOLT	24				
33	WSH-0061	SPRING WASHER	6				
34	HSS-0194	BOLT	14				
35	HSS-0198	BOLT	8				
36	SCCA08413	CAP HEAD SCREW	5				
37	SCW-0145	CAP HEAD SCREW	3				
38	COU-0162	QUICK RELEASE COUPLING	1				
39	SCW-0136	CAP HEAD SCREW	2				
40	HHEC03605	HYDRUALIC HOSE	1				

Shelbourne Reynolds Engineering Limited



KIT-60082

