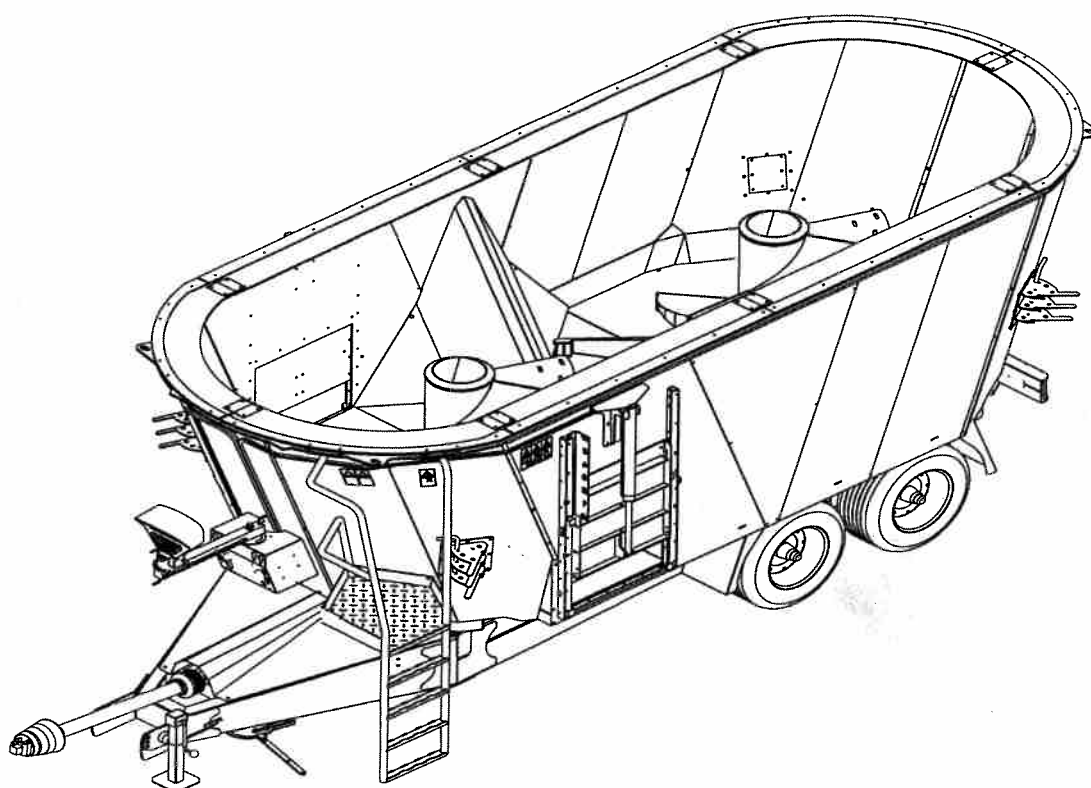


powermix

Twin Auger POPULAR

PARTS LIST MANUAL



Shelbourne Reynolds Engineering Ltd
Stanton
Bury St Edmunds
Suffolk IP31 2AR
England

Telephone: 01359 250415
Fax. No: 01359 250464

(Stores direct 01359 251231)
(Stores direct 01359 252031)



INVESTOR IN PEOPLE

ISSUE 4
05.02.04

Visit our website www.shelbourne.com

PARTS LISTINGS

MACHINE IDENTIFICATION

The Powermix machine and serial identification numbers are engraved on a plate situated on the left-hand side of the chain guard.

To ensure component parts are supplied correctly, we recommend that you record the serial no, machine no and any kit option numbers in the space below.

POWERMIX SERIAL NUMBER _____

POWERMIX MACHINE NUMBER _____

KIT OPTION	KIT OPTION	KIT OPTION
KIT OPTION	KIT OPTION	KIT OPTION
KIT OPTION	KIT OPTION	KIT OPTION
KIT OPTION	KIT OPTION	KIT OPTION
KIT OPTION	KIT OPTION	KIT OPTION

ORDERING SPARE PARTS

To ensure that you order the correct part from your SRE dealer please use the following procedure.

ALWAYS QUOTE THE MACHINE AND SERIAL NUMBERS WHEN ORDERING.

Refer to the front page of this parts list section (machine assemblies), listing all the sub assemblies.

The appropriate assemblies part number (in the top left-hand corner) will match the machine number from the Powermix identification plate.

Use the following sub assembly numbers and descriptions to find the area of the machine that your part is required, i.e. if you need a part which is fitted to the conveyor, your part will be in the conveyor sub assembly parts list.

Having decided which sub-assembly your part should be under, use the number beside that sub-assembly description which will begin with 6190-- -- to find the parts listing of the sub-assembly further on in the manual. The number will be printed in the top left-hand corner; the sub-assemblies are in numerical order.

Having found the correct parts list, you will find the corresponding drawing by either looking at the facing page or progressing through the manual to the next drawing.

The drawings indicate the components by item numbers, which you will find, are repeated in the left-hand side of your parts listing, and therefore referring to the correct part.

**LIST OF KIT NUMBERS
FOR 14 m3 TWIN AUGER POPULAR MACHINES**

1. 619921 01	14m3 SIDE DOOR.M/c
2. 619921 02	14m3 DOUBLE FRONT RH REAR DOOR.M/c
3. 619054 01	TRANSFER SUB ASSY
4. 619054 02	14-20m3 TRANSFER SUB ASSY
5. 619057 02	STANDARD REAR DOOR HYD SUB ASSY
6. 619094 01	AUGER DRIVE SUB ASSY
7. 619095 01	CHASSIS SUB ASSY
8. 619096 01	AUGER FIXING SUB ASSY
9. 619098 02	AUGER SUB ASSY
10. 619099 01	14m3 TUB SUB ASSY
11. 619099 02	14m3 TUB SUB ASSY DOUBLE FRONT RH REAR
12. 619100 01	TWIN AUGER DRIVE ASSY (for serial no: 107173 on)
13. 619101 01	AUGER DRIVE ASSY (for serial no: 113173 on)
14. GEA-0159	BEVEL GEARBOX ASSY
15. GEA-0165	BEVEL GEARBOX ASSY
16. KIT-02654	DIRECT TRACTOR HYD KIT
17. KIT-02684	DOOR CHUTE KIT SEALS
18. KIT-03103	UK DRAWBAR (POPULAR ONLY)
19. KIT-03105	CONTINENTAL DRAWBAR (SWAN NECK)
20. KIT-03106	CONTINENTAL DRAWBAR (FLAT)
21. KIT-03110	TWO STATION MANUAL SPOOL VALVE
22. KIT-03114	WHEEL STOP KIT
23. KIT-03117	BATTERY PACK KIT
24. KIT-03122	HYDRAULICS FOR 1m CONV (SOLENOID)
25. KIT-03125	USA DRAWBAR
26. KIT-03148	STANDARD DOOR FLAP KIT
27. KIT-03227	2 & 3m DOOR CONV HYD KIT (LEVER USA)
28. KIT-03229	HYDRAULICS FOR 1m CONV (MANUAL LEVER)
29. KIT-03231	2m SIDE CONVEYOR KIT
30. KIT-03232	3m SIDE CONVEYOR KIT
31. KIT-03265	1m SIDE CONVEYOR KIT
32. KIT-03288	14m3 – 20m3 (600mm) EXTENTSION KIT (for serial no:1011172 & 102172 only)
33. KIT-03289	FEED DOOR & RAM KIT (WITH SEALS)
34. KIT-03290	LOADCELL KIT BEAM TYPE (TWIN AUGER)
35. LCL-00028	WEIGH HEAD SYSTEM 4 POINT
36. KIT-03293	TWIN TUB LIGHTS KIT
37. KIT-03294	TWIN TUB RUBBER RETAINING KIT
38. KIT-03295	PARKING JACK KIT (for serial no:1011172 & 102172 only)
39. KIT-03296	ANTI ROTATION BLADE KIT
40. KIT-03298	FIXED RETARDER KIT
41. KIT-03299	AUGER EXTENTION KIT (300mm)
42. KIT-03300	AUGER MAGNET KIT
43. KIT-03308	14m3 – 16m3 EXTENTION SIDE KIT (for serial no:1011172 & 102172 only)
44. KIT-03320	SIDE BLANKING PLATE (TWIN AUGER M/C)
45. KIT-03324	BRAKED TANDEM AXLE KIT

46. KIT-03325	UNBRAKED TANDEM AXLE KIT
47. KIT-03326	14m ³ – 20m ³ (600mm) EXTENTION KIT (serial no 101272 on)
48. KIT-03328	PARKING JACK KIT
49. KIT-03329	14m ³ – 18m ³ (400mm) EXTENTION KIT
50. KIT-03330	PTO SHAFT KIT (UK & EUROPE TWIN AUGER)
51. KIT-03331	PTO SHAFT KIT (USA / CANADIAN TWIN AUGER)
52. KIT-03332	ANTI ROTATION BLADE KIT (x2)
53. KIT-03333	USA DRAWBAR
54. KIT-03339	UK DRAWBAR(serial no 101173 on)
55. KIT-03342	14 m ³ -20 m ³ (600mm)EXTENSION (serial no 105173 & on)
56. KIT-03349	LOADCELL KIT (LCD) DISPLAY
57. KIT-03353	1m CONVEYOR HYDRAULIC KIT (DIVERTER VALVE)
58. KIT-03360	2 SPEED GEARBOX DRIVE KIT (1000 rpm)
59. KIT-03361	SINGLE SPEED DRIVE KIT 540rpm INPUT
60. KIT-03362	3 STATION MANUAL SPOOL VALVE KIT
61. KIT-03370	WHEEL AND TYRE (SMOOTH)
62. KIT-03371	WHEEL AND TYRE (CLEATED)
63. KIT-03372	2 SPEED GEAR BOX (540RPM)
64. KIT-03373	2 SPEED GEAR BOX (1000RPM)
65. KIT-03376	RUBBER FLAP KIT

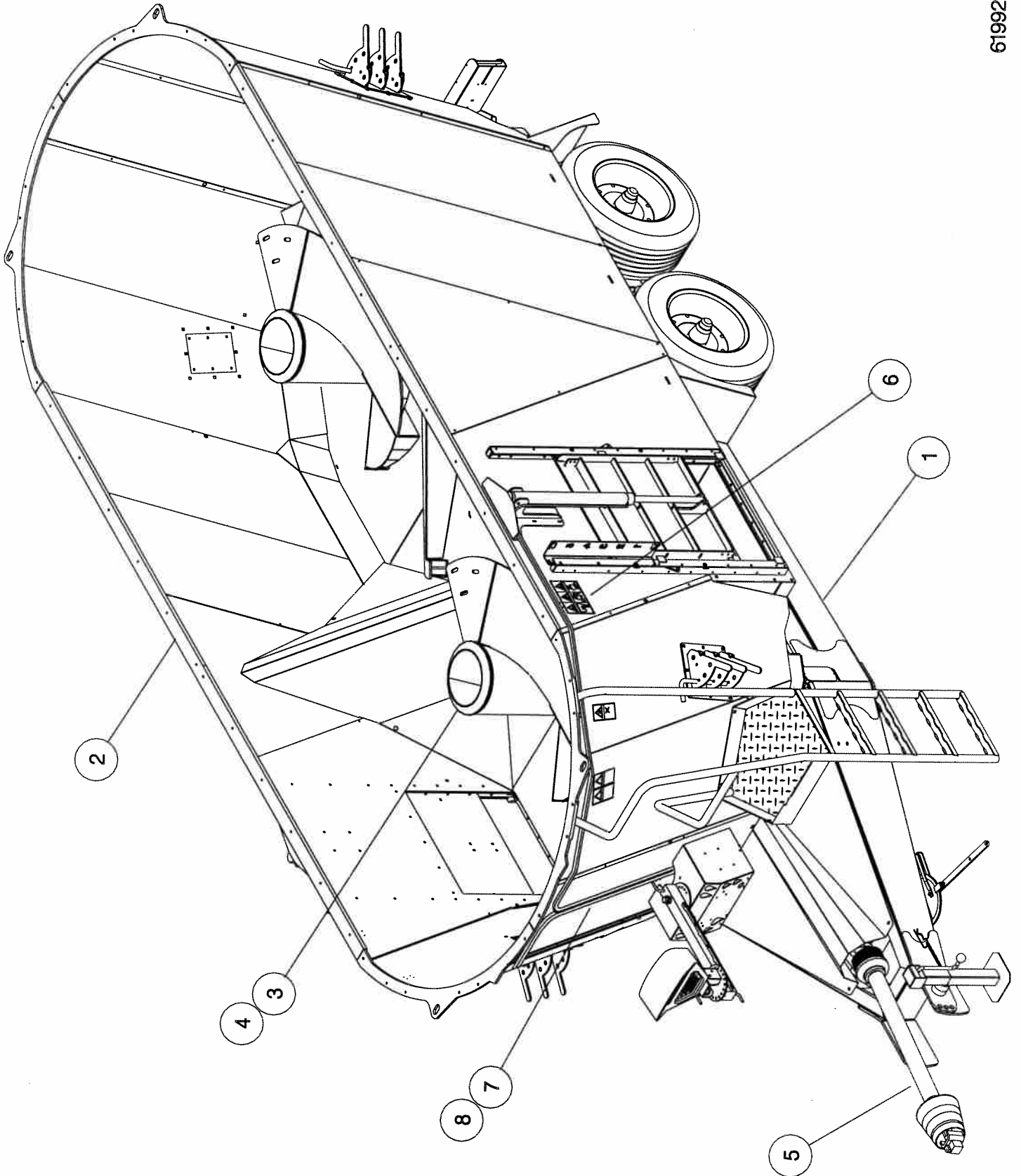
PRINTED 06/02/04

Shelbourne Reynolds Engineering Limited

ASSY NUMBER: 619921 01		SUB ASSY DESCRIPTION: 14m ³ DOUBLE FRONT DOOR POPULAR					
ITEM	PART NO	DESCRIPTION	QTY	ITEM	PART NO	DESCRIPTION	QTY
1	619095 01	CHASSIS SUB ASSY	1				
2	619099 01	14m ³ TUB SUB ASSY	1				
3	619098 02	AUGER SUB ASSY	2				
4	619096 01	AUGER FIXING SUB ASSY	1				
5	619101 01	AUGER DRIVE SUB ASSY (Serial No 113173 & ON)	1				
OR	619100 01	AUGER DRIVE SUB ASSY (Serial No 107173-112173)	1				
OR	619094 01	AUGER DRIVE SUB ASSY (Up to & inc 106173 ONLY)	1				
6	619090 02	TRANSFERS SUB ASSY	1				
7	619057 03	STANDARD DOOR HYDRAULICS	2				

Shelbourne Reynolds Engineering Limited

ASSY NUMBER: 619921 02		SUB ASSY DESCRIPTION: 14m ³ DOUBLE FRONT, RH REAR DOOR POP					
ITEM	PART NO	DESCRIPTION	QTY	ITEM	PART NO	DESCRIPTION	QTY
1	619095 01	CHASSIS SUB ASSY	1				
2	619099 02	14m ³ TUB SUB ASSY	1				
3	619098 02	AUGER SUB ASSY	2				
4	619096 01	AUGER FIXING SUB ASSY	1				
5	619101 01	AUGER DRIVE SUB ASSY (Serial No 113173 & ON)	1				
OR	619100 01	AUGER DRIVE SUB ASSY (Serial No 107173-112173)	1				
OR	619094 01	AUGER DRIVE SUB ASSY (Up to & inc 106173 ONLY)	1				
6	619090 02	TRANSFERS SUB ASSY	1				
7	619057 03	STANDARD DOOR HYDRAULICS	2				
8	619057 04	REAR DOOR HYDRAULICS	1				



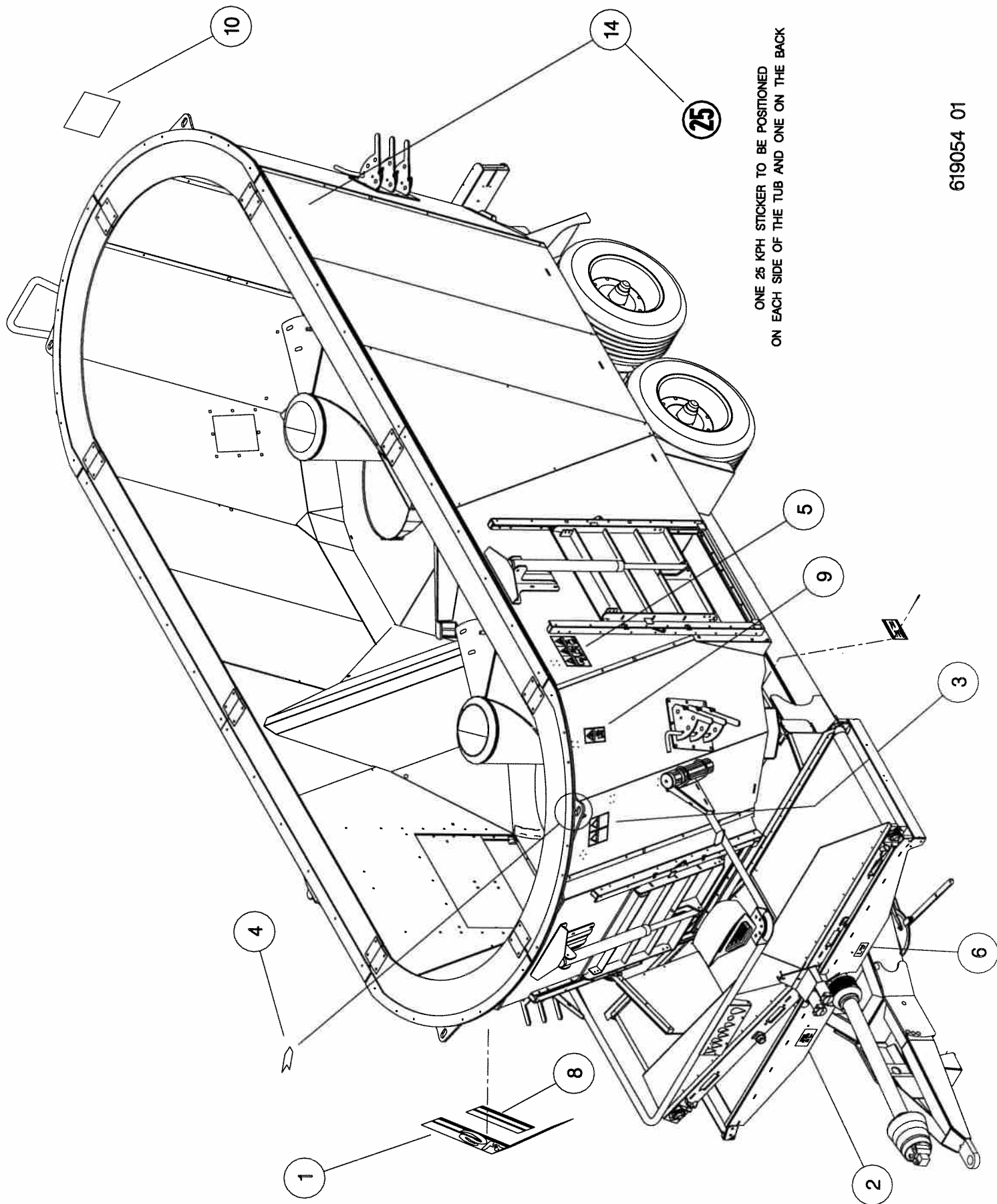


Shelbourne Reynolds Engineering Limited

ASSY NUMBER: 619054 01		ASSY DESCRIPTION: 8m3 TRANSFERS SUB ASSY					
ITEM	PART NO	DESCRIPTION	QTY	ITEM	PART NO	DESCRIPTION	QTY
1	191981 01	EMBLEM (SHELBOURNE 3 COL.)	2				
2	590475 01	EMBLEM (MAX. P. T. O. SPEED)	1				
3	TNF-0011	EMBLEM (BLOCK TRANSFER)	1				
4	190702 04	EMBLEM (SLING POINT)	4				
5	610253 01	EMBLEM (BLOCK TRANSFER)	2				
6	590474 01	EMBLEM (SHEARBOLT/NUT)	1				
7							
8	610731 01	EMBLEM (POWERMIX POPULAR)	2				
9	610259 01	EMBLEM (LADDER WARNING)	1				
10	610563 01	EMBLEM (UNION JACK)	1				
11							
12	POP-0006	POP RIVET	4				
13	590145 01	IDENTIFICATION PLATE (UK)	1				
OR	TNF-0201	IDENTIFICATION PLATE (GER)	1				
OR	612269 01	IDENTIFICATION PLATE (US)	1				
14	611033 01	25 KMPH EMBLEM	3				
OR	612610 01	6 KMPH EMBLEM	3				

Shelbourne Reynolds Engineering Limited

ASSY NUMBER: 619054 02		ASSY DESCRIPTION: 14-20m3 TRANSFERS SUB ASSY					
ITEM	PART NO	DESCRIPTION	QTY	ITEM	PART NO	DESCRIPTION	QTY
1	191981 01	EMBLEM	2				
2	590475 01	EMBLEM	1				
3	TNF-0011	EMBLEM	1				
4	190702 04	EMBLEM	4				
5	610253 01	EMBLEM	2				
6	613148 01	EMBLEM	1				
7							
8	610731 01	EMBLEM	2				
9	610259 01	EMBLEM	1				
10	610563 01	EMBLEM	1				
11							
12	POP-0006	POP RIVET	4				
14	590145 01	IDENTIFICATION PLATE	1				
OR	TNF-0201	IDENTIFICATION PLATE	1				
OR	612269 01	IDENTIFICATION PLATE	1				
14	611033 01	25 KMPH EMBLEM	3				
OR	612610 01	6 KMPH EMBLEM	3				



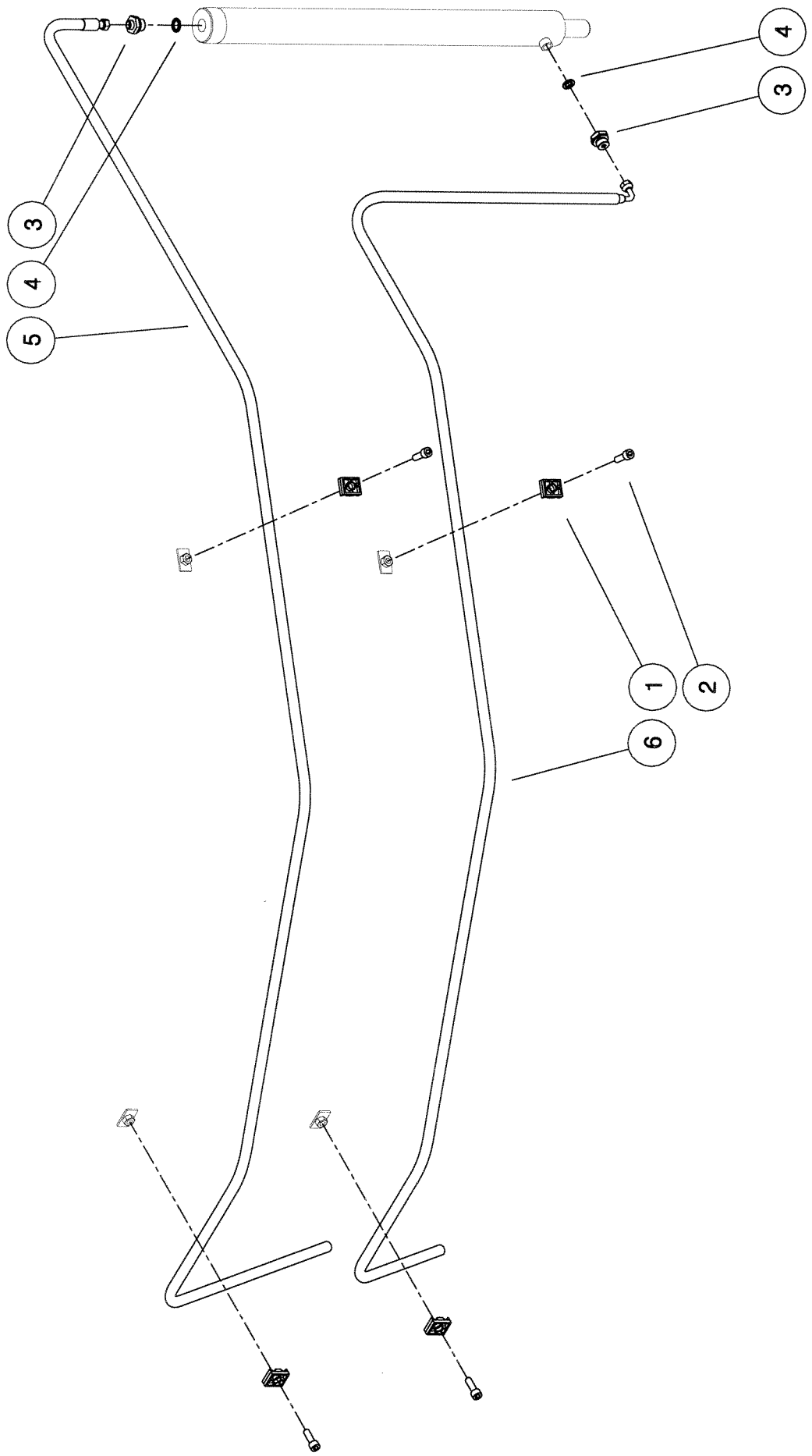
ONE 25 KPH STICKER TO BE POSITIONED
ON EACH SIDE OF THE TUB AND ONE ON THE BACK

Shelbourne Reynolds Engineering Limited

ASSY NUMBER: 619057 03		ASSY DESCRIPTION: SIDE DOOR HYDRAULICS TWIN AUGER POPULAR					
ITEM	PART NO	DESCRIPTION	QTY	ITEM	PART NO	DESCRIPTION	QTY
1	HCPD01200	PIPE CLAMP	5				
2	SCW-0083	CP HD SCREW	5				
3	HMA-0052	M/M ADAPTOR	2				
4	WSH-1005	DOWTY WASHER	2				
5	HHBC49005	HOSE ASSY	1				
6	HHBC57005	HOSE ASSY	1				

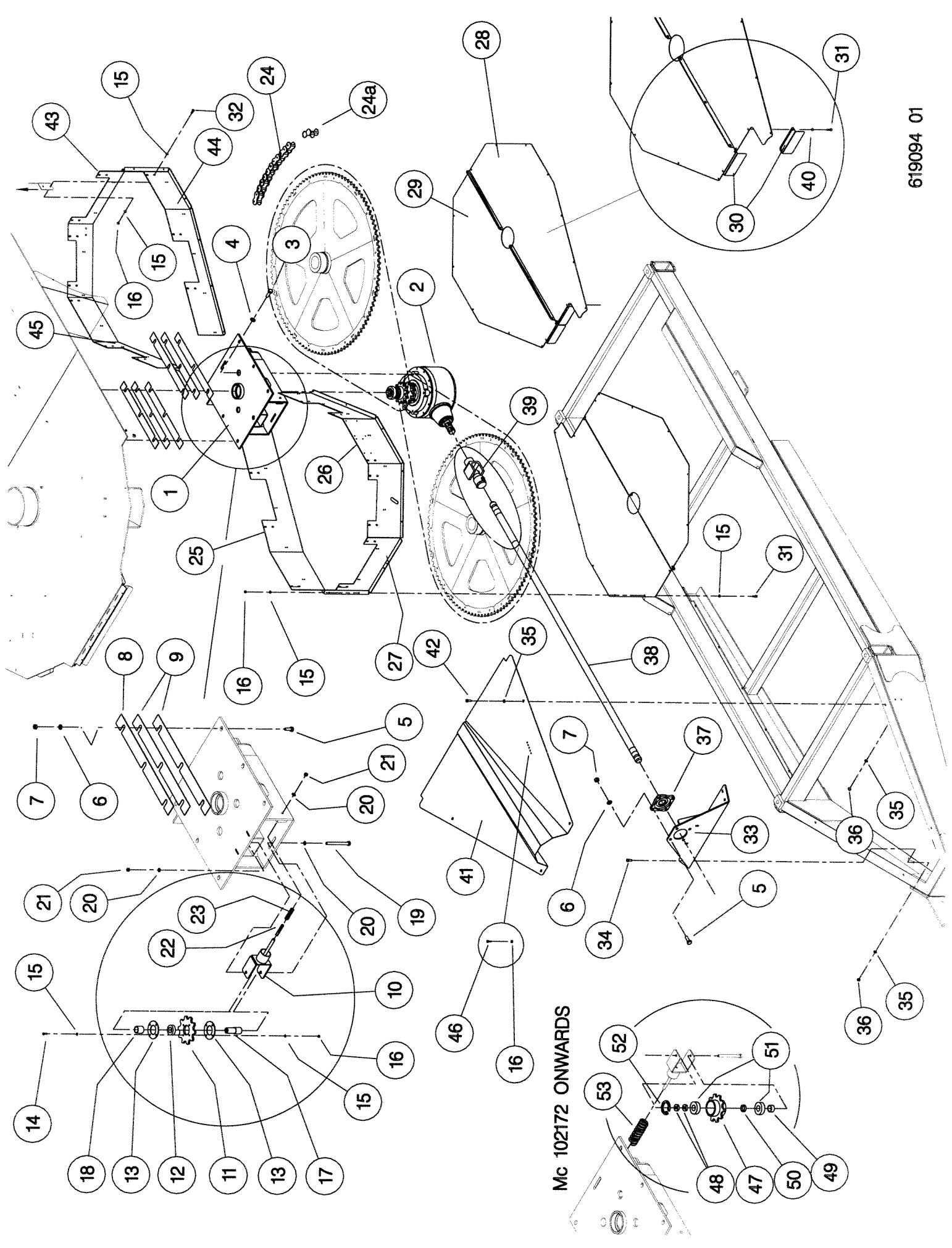
Shelbourne Reynolds Engineering Limited

ASSY NUMBER: 619057 04		ASSY DESCRIPTION: REAR DOOR HYDRAULICS TWIN AUGER					
ITEM	PART NO	DESCRIPTION	QTY	ITEM	PART NO	DESCRIPTION	QTY
1	HCPD01200	PIPE CLAMP	5				
2	SCW-0083	CP HD SCREW	5				
3	HMA-0052	M/M ADAPTOR	2				
4	WSH-1005	DOWTY WASHER	2				
5	HHBC72005	HOSE ASSY	1				
6	HHBC80005	HOSE ASSY	1				



Shelbourne Reynolds Engineering Limited

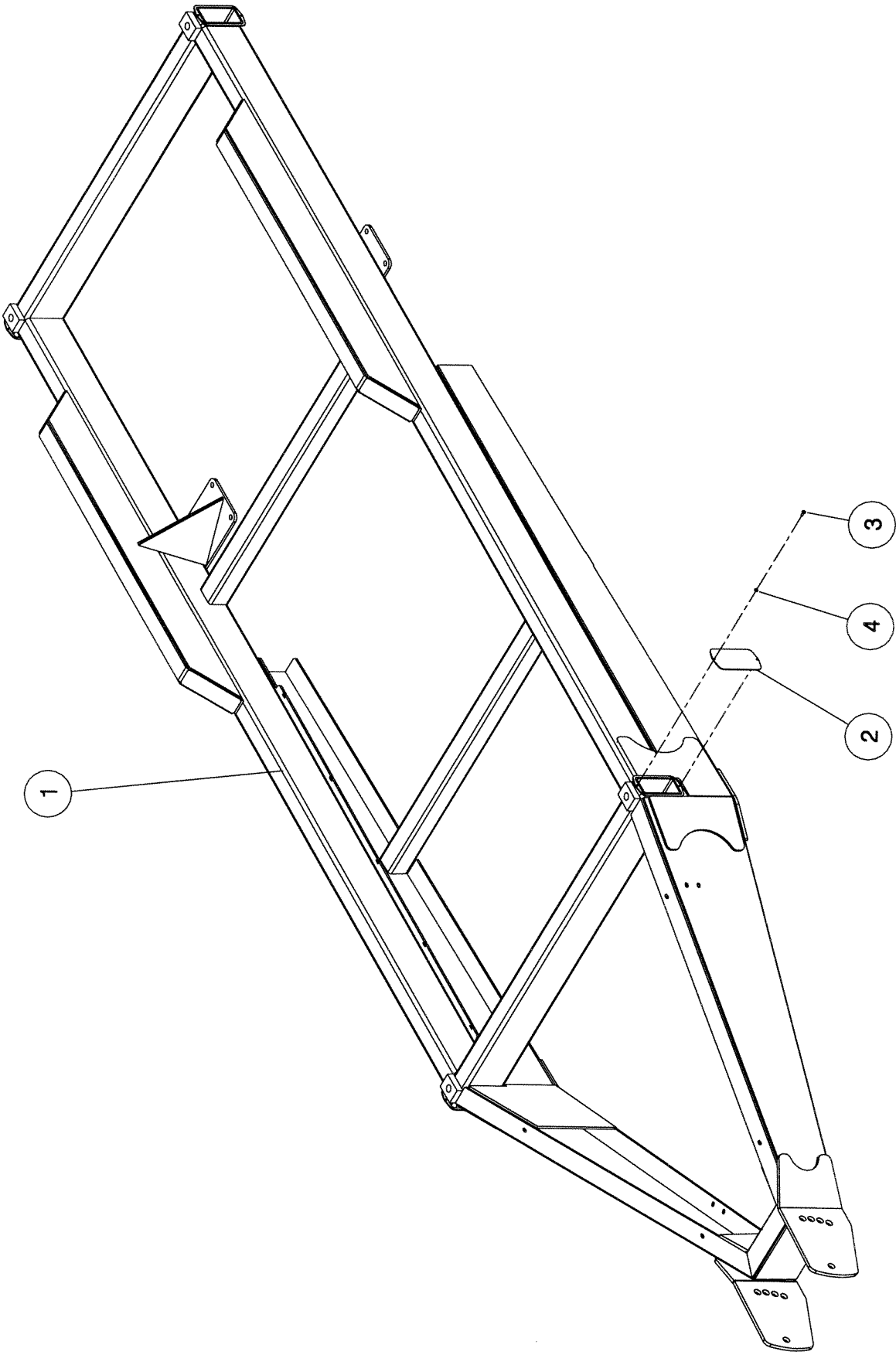
ASSY NUMBER: 619094 01		ASSY DESCRIPTION: TWIN AUGER DRIVE SUB ASSY (POPULAR)					
ITEM	PART NO	DESCRIPTION	QTY	ITEM	PART NO	DESCRIPTION	QTY
1	613090 01	GEARBOX MOUNTING BRACKET	1	28	612824 01	CHAIN GUARD PLATE	2
OR	612748 01	MC 102172 & ONWARDS	1	29	612825 01	CHAIN GUARD PLATE	2
		GEARBOX MOUNTING BRACKET	1	30	612823 01	GEARBOX GUARD PLATE	2
		MC 101172 ONLY	1	31	HSS-0140	SETSCREW	46
2	GEA-0159	BEVEL GEARBOX ASSY	4	32	HSS-0145	SETSCREW	23
3	HSS-0315	SETSCREW	4	33	612753 01	BEARING BRACKET	1
4	WSHA30161	LOCK WASHER	4	34	HSS-0198	SETSCREW	4
5	HSS-0318	SETSCREW	10	35	WSH-0015	PLAIN WASHER	8
6	WSH-0024	PLAIN WASHER	10	36	NUT-0265	NYLOC NUT	8
7	NUT-0271	NYLOC NUT	10	37	BRG-25041	BEARING	1
8	612875 01	SHIM	2	38	612884 01	DRIVE SHAFT	1
9	612875 02	SHIM	4	39	PTO-20004	PTO COUPLING	1
10	613091 01	SPROCKET ADJUSTER ASSY	2	40	WSH-0058	WASHER	4
OR	612803 01	MC 102172 & ONWARDS	4	41	613047 01	FRONT DRIVE GUARD	1
		SPROCKET ADJUSTER ASSY	4	OR	612860 01	MC 101173 & ONWARDS	1
		MC 101172 ONLY	4	42	HSS-0191	FRONT DRIVE GUARD	4
11	612770 01	SPROCKET PLATE (101172 ONLY)	2	43	612921 01	(MC'S 101172 & 102172 ONLY)	1
12	BRG-1995	BEARING (101172 ONLY)	4	44	612922 01	SETSCREW (M10x25)	4
13	612769 01	BEARING SECURING PLATE (101172 ONLY)	4	45	612923 01	CHAIN GUARD FIX PLT	1
14	HSS-0150	SETSCREW(101172 ONLY)	8	46	BLTA08357	CHAIN GUARD FIX PLT	1
15	WSH-0012	PLAIN WASHER	138	47	613086 01	SHEARBOLT	5
16	NUT-0263	NYLOC NUT	89	48	612806 02	TENSIONER SPROCKET	2
17	613088 01	TENSIONER SPROCKET BOSS	2	49	612806 03	MC 102172 & ONWARDS	2
OR	612805 01	MC'S 102172 ONWARDS	1	50	190119 96	SPACER TUBE	2
		TENSIONER SPROCKET BOSS	2	51	BRG-3358	MC 102172 & ONWARDS	2
		(101172 ONLY)	2	52	CIR-0620	WASHER MC 102172 & ONWARDS	4
18	612806 01	SPACER TUBE (101172 ONLY)	2	53	SPGE02046	BEARING MC 102172 & ONWARDS	2
19	BLT-2273	BOLT	2			CIRCLIP	2
20	WSH-0018	PLAIN WASHER	6			MC 102172 & ONWARDS	2
21	NUT-0269	NYLOC NUT	4			DIE SPRING	4
22	SPG-0144	SPRING (101172 ONLY)	2			MC 102172 & ONWARDS	2
23	SPGC32233	SPRING (101172 ONLY)	2			DIE SPRING	2
24	CHN-03883	CHAIN	2			MC 102172 & ONWARDS	2
24a	CHN-03800	JOINER LINK	2			MC 102172 & ONWARDS	2
25	612813 01	CHAIN GUARD FIXING PLATE	1			MC 102172 & ONWARDS	2
26	612814 01	CHAIN GUARD FIXING PLATE	1			MC 102172 & ONWARDS	2
27	612821 01	CHAIN GUARD FIXING PLATE	1			MC 102172 & ONWARDS	2



Mc 102172 ONWARDS

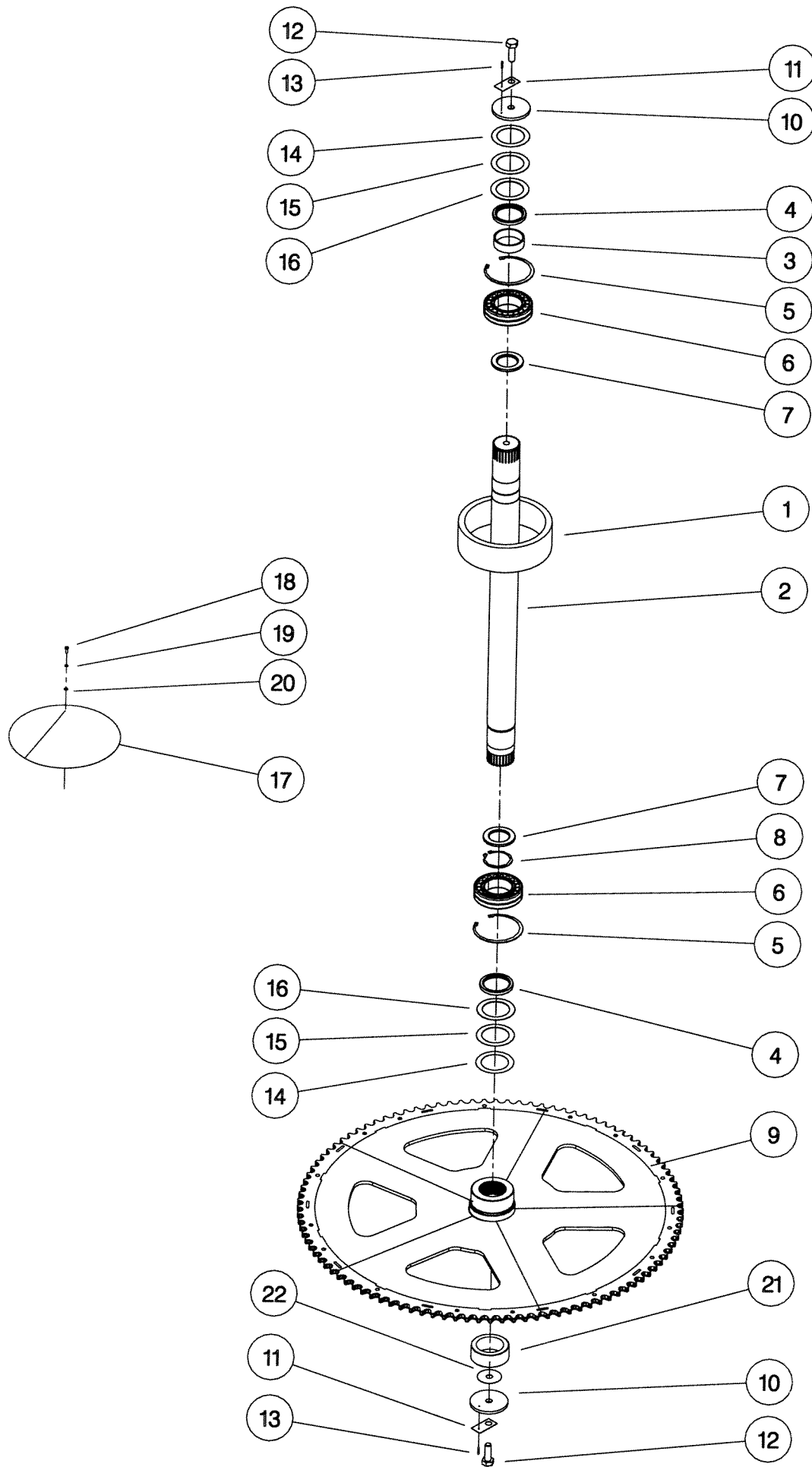
Shelbourne Reynolds Engineering Limited

ASSY NUMBER: 619095 01		ASSY DESCRIPTION: CHASSIS SUB ASSY TWIN AUGER					
ITEM	PART NO	DESCRIPTION	QTY	ITEM	PART NO	DESCRIPTION	QTY
1	612775 01	CHASSIS W/A	1				
2	612791 01	END CAP	4				
3	HSS-0185	SETSCREW	8				
4	WSH-0061	WASHER	8				



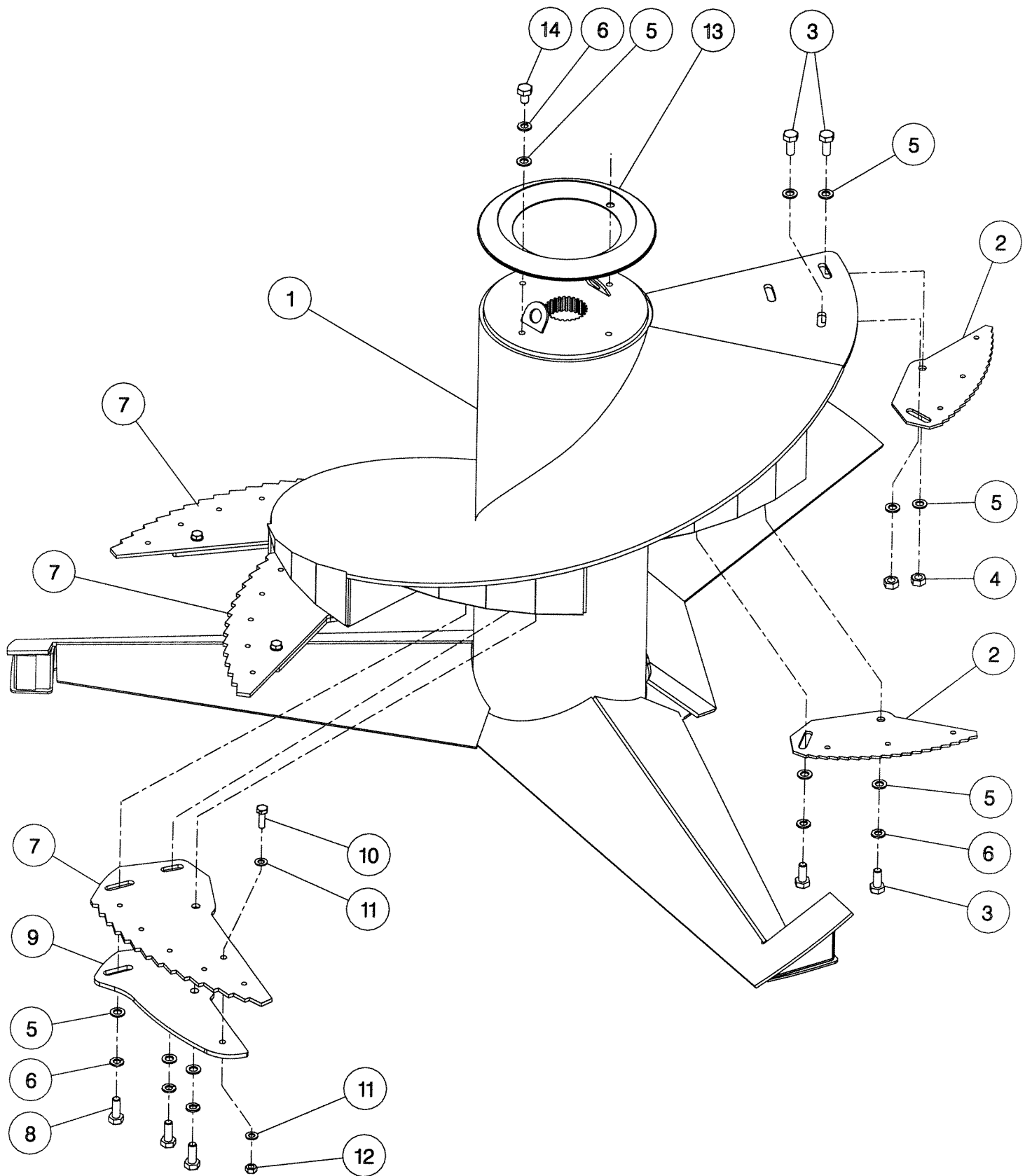
Shelbourne Reynolds Engineering Limited

ASSY NUMBER: 619096 01		ASSY DESCRIPTION: AUGER FIXING SUB ASSY					
ITEM	PART NO	DESCRIPTION	QTY	ITEM	PART NO	DESCRIPTION	QTY
1	610412 01	AUGER BUSH	2				
2	612898 01	SHAFT	2				
3	610629 01	SPACER	2				
4	SEAB12500	OIL LIP SEAL	4				
5	CIR010160	INT.CIRCLIP	4				
6	BRG-19080	ROLLER BEARING	4				
7	SEAB09015	OIL LIP SEAL	4				
8	CIR-1457	EXTERNAL CIRCLIP	2				
9	612754 01	SPROCKET ASSY (94T)	2				
10	610413 01	FIXING DISC	4				
11	610414 01	FIXING TAB	4				
12	HSSA20260	SETScrew	4				
13	PIN-1770	ROLL PIN	4				
14	610415 01	SHIM	10				
15	610415 02	SHIM	4				
16	610415 03	SHIM	4				
17	610410 01	CHINESE HAT	2				
18	HSS-0084	SETScrew	6				
19	WSH-0009	WASHER	6				
20	WSH-0056	SPRING WASHER	6				
21	612901 01	SPACER TUBE	2				
22	190119 93	WASHER	10				



Shelbourne Reynolds Engineering Limited

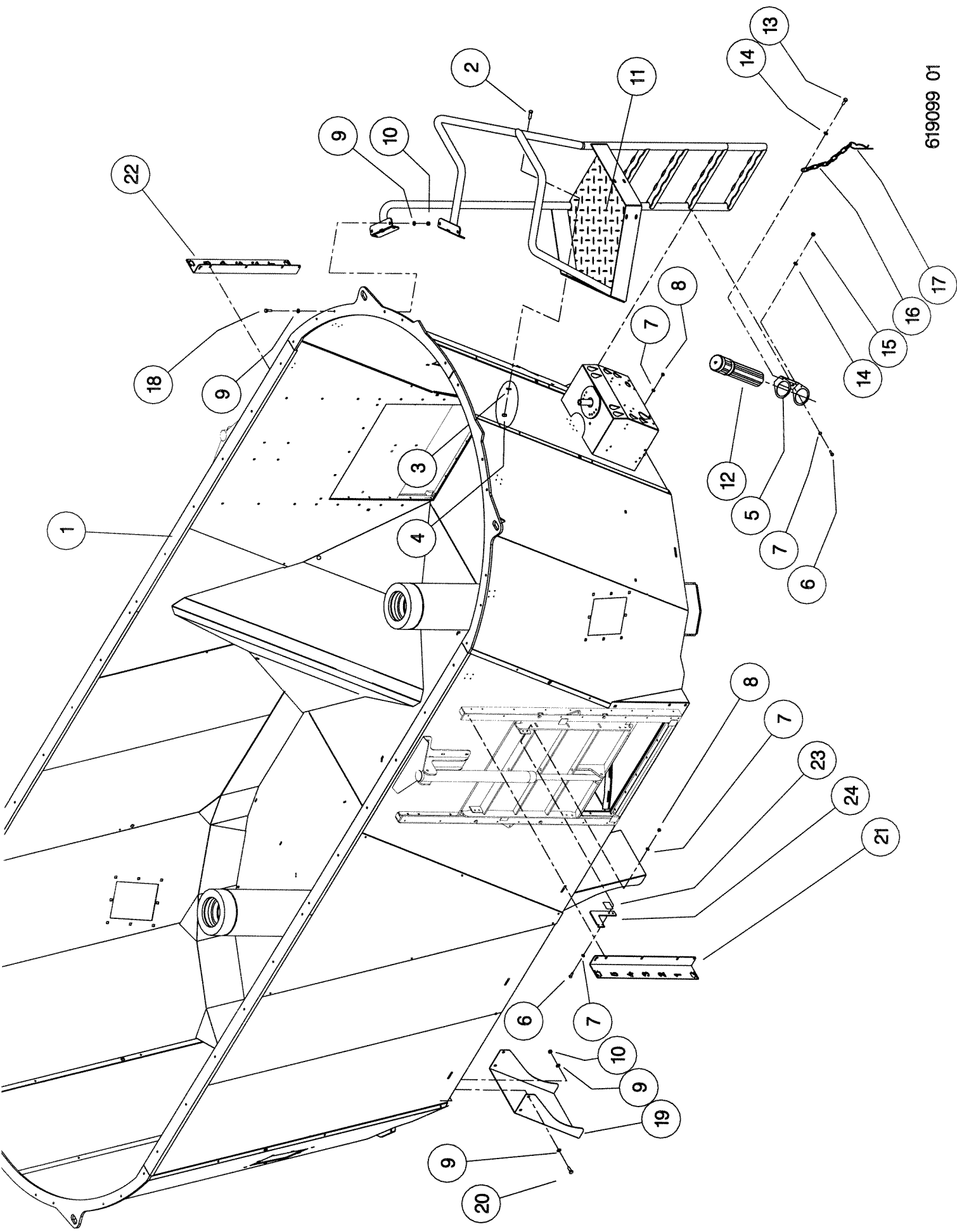
ASSY NUMBER: 619098 02		ASSY DESCRIPTION: SHORT AUGER SUB ASSY (POPULAR)					
ITEM	PART NO	DESCRIPTION	QTY	ITEM	PART NO	DESCRIPTION	QTY
1	613082 01	AUGER WELD ASSY	1				
2	610256 01	BLADE	2				
3	HSS-0316	BOLT	4				
4	NUT-0271	NUT	2				
5	WSH-0025	WASHER	17				
6	WSH-0070	WASHER	13				
7	610599 02	LARGE BLADE	3				
8	HSS-0317	BOLT	9				
9	612622 01	KNIFE STRENGTH PLATE	3				
10	HSS-0250	BOLT	3				
11	WSH-0018	WASHER	6				
12	NUT-0269	NUT	3				
13	612908 01	AUGER COVER FIXING	1				
14	HSS-0312	SETSCREW	2				



619098 01
 619098 02

Shelbourne Reynolds Engineering Limited

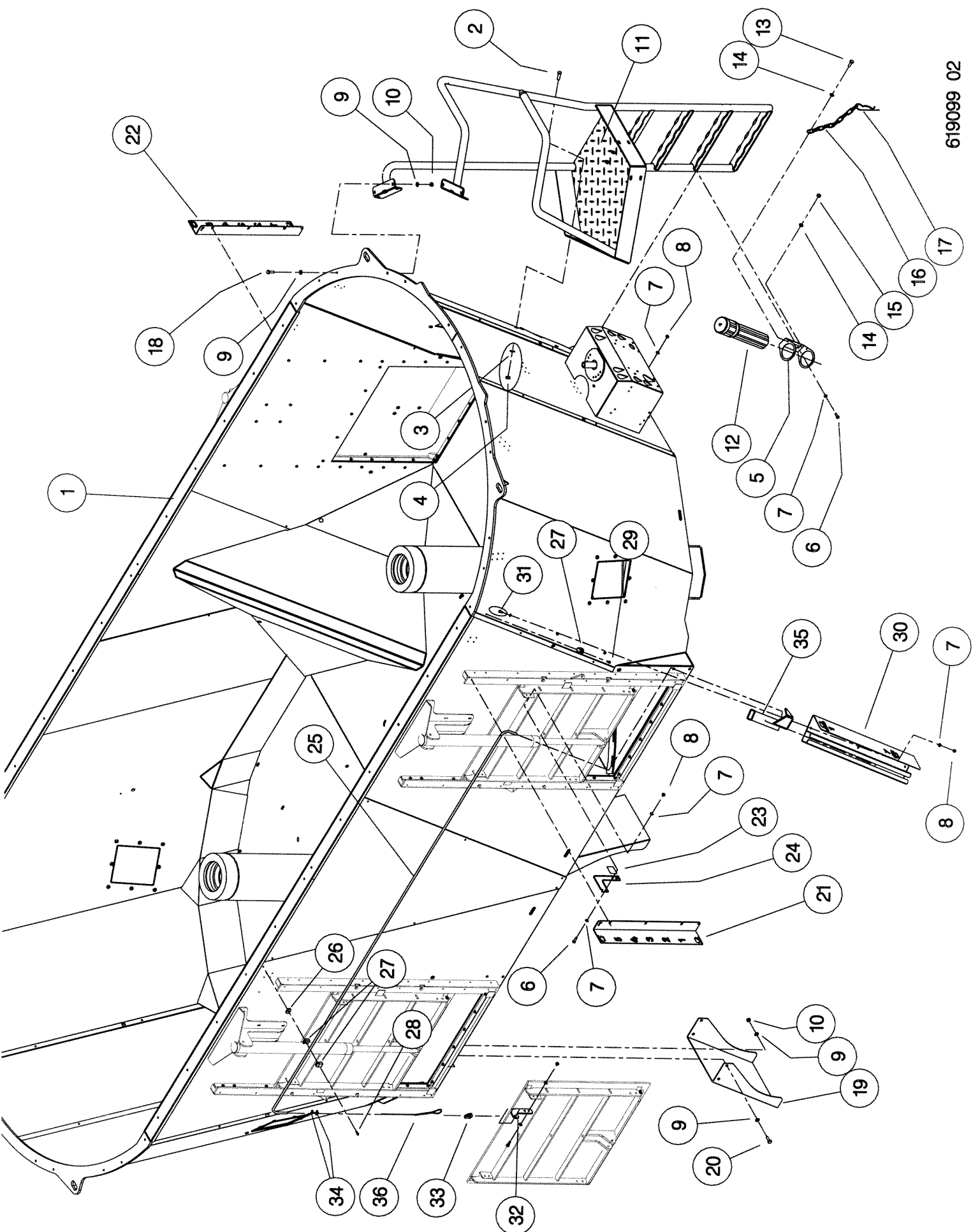
ASSY NUMBER: 619099 01		ASSY DESCRIPTION: 14mCU RH & LH SIDE DOOR TUB SUB ASSY					
ITEM	PART NO	DESCRIPTION	QTY	ITEM	PART NO	DESCRIPTION	QTY
1	613069 01	14M CU TWIN TUB W/A	1				
2	BLT-3790	COACH BOLT	2				
3	WSH-0018	PLAIN WASHER	2				
4	NUT-0269	NYLOC NUT	2				
5	194364 01	CANNISTER BKT	1				
6	HSS-0145	SET SCREW	6				
7	WSH-0012	PLAIN WASHER	12				
8	NUT-0263	NYLOC NUT	6				
9	WSH-0015	PLAIN WASHER	40				
10	NUT-0265	NYLOC NUT	20				
11	611552 01	PLATFORM	1				
12	WDA-00025	MANUAL HOLDER	1				
13	HSS-0086	SET SCREW	1				
14	WSH-0009	WASHER	2				
15	NUT-0260	NUT	1				
16	CHN-0145	CHAIN	.17m				
17	RCL-0015	CLIP	1				
18	BLTA10290	HEX HD BOLT	4				
19	612827 01	MUDGUARD	4				
20	HSS-0188	SETSCREW	16				
21	611966 01	RH DOOR HEIGHT INDICATOR	1				
22	611966 02	LH DOOR HEIGHT INDICATOR	1				
23	TPE-00251	RED REFLECTIVE TAPE	0.18				
24	611965 01	DOOR HEIGHT POINTER	2				



619099 01

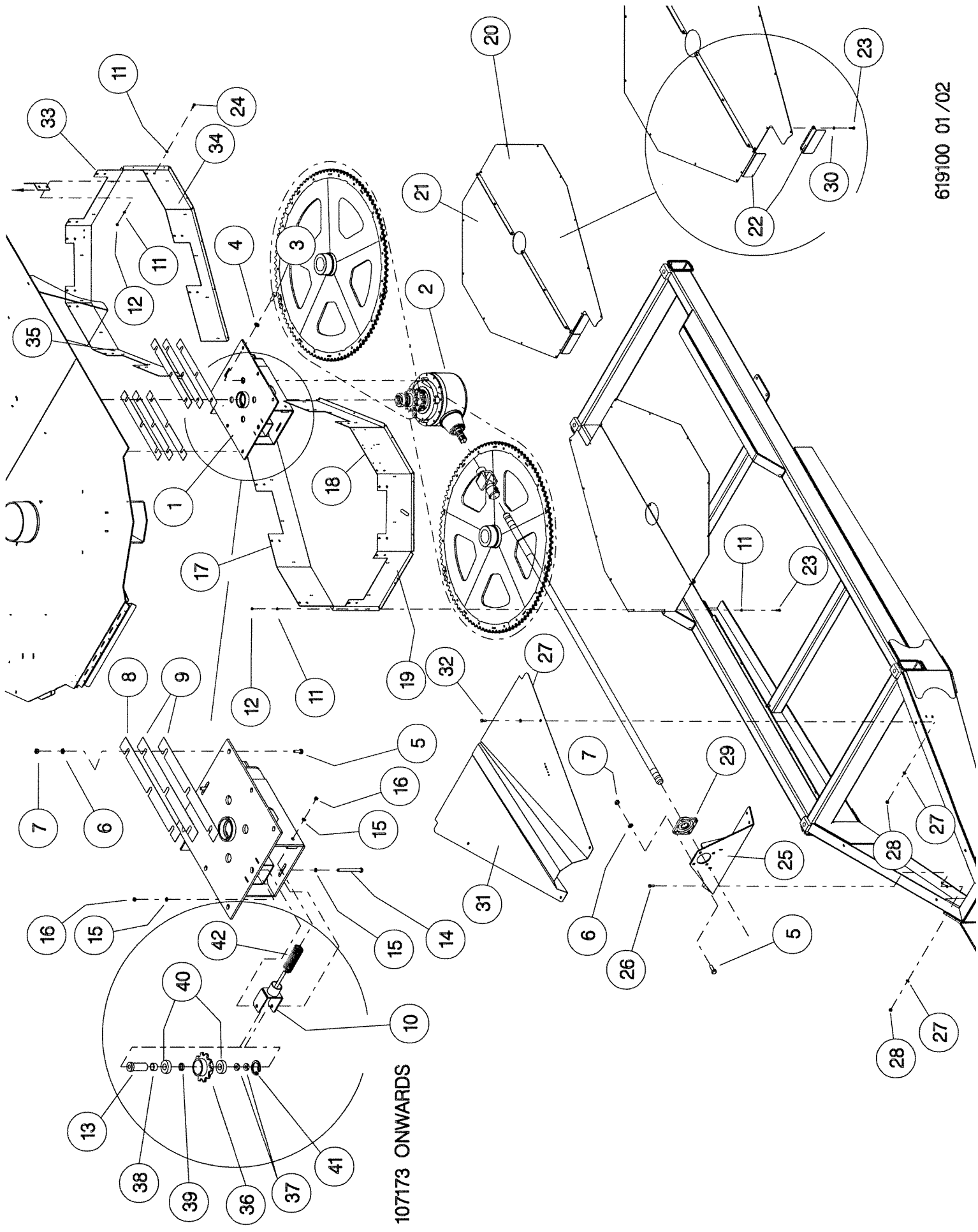
Shelbourne Reynolds Engineering Limited

ASSY NUMBER: 619099 02		ASSY DESCRIPTION: 14mCU DOUBLE FRONT/RH REAR DOOR TUB SUB					
ITEM	PART NO	DESCRIPTION	QTY	ITEM	PART NO	DESCRIPTION	QTY
1	613117 01	14M CU TWIN TUB W/A	1				
2	BLT-3790	COACH BOLT	2				
3	WSH-0018	PLAIN WASHER	2				
4	NUT-0269	NYLOC NUT	2				
5	194364 01	CANNISTER BKT	1				
6	HSS-0145	SET SCREW	8				
7	WSH-0012	PLAIN WASHER	17				
8	NUT-0263	NYLOC NUT	11				
9	WSH-0015	PLAIN WASHER	40				
10	NUT-0265	NYLOC NUT	20				
11	611552 01	PLATFORM	1				
12	WDA-00025	MANUAL HOLDER	1				
13	HSS-0086	SET SCREW	1				
14	WSH-0009	WASHER	9				
15	NUT-0260	NUT	8				
16	CHN-0145	CHAIN	.17m				
17	RCL-0015	CLIP	1				
18	BLTA10290	HEX HD BOLT	4				
19	612827 01	MUDGUARD	4				
20	HSS-0188	SETSCREW	16				
21	611966 01	RH DOOR HEIGHT INDICATOR	1				
22	611966 02	LH DOOR HEIGHT INDICATOR	1				
23	TPE-00251	RED REFLECTIVE TAPE	0.18				
24	611965 01	DOOR HEIGHT POINTER	2				
25	613092 01	CABLE TUBE	1				
26	613093 01	CLAMP BASE SPACER	6				
27	FIT-1000	CLAMP BASE	7				
28	SCW-0095	CP HD SCREW	6				
29	SCW-0092	CP HD SCREW	1				
30	612297 01	INDICATOR PLATE W/A	1				
31	BLT-4710	COACHBOLT	3				
32	613118 01	CABLE CLAMP PLATE	1				
33	WRP-01040	THIMBLE	2				
34	WRP-02040	CLAMP	4				
35	612294 01	POINTER W/A	1				
36	WRP-00040	CABLE	4m				



Shelbourne Reynolds Engineering Limited

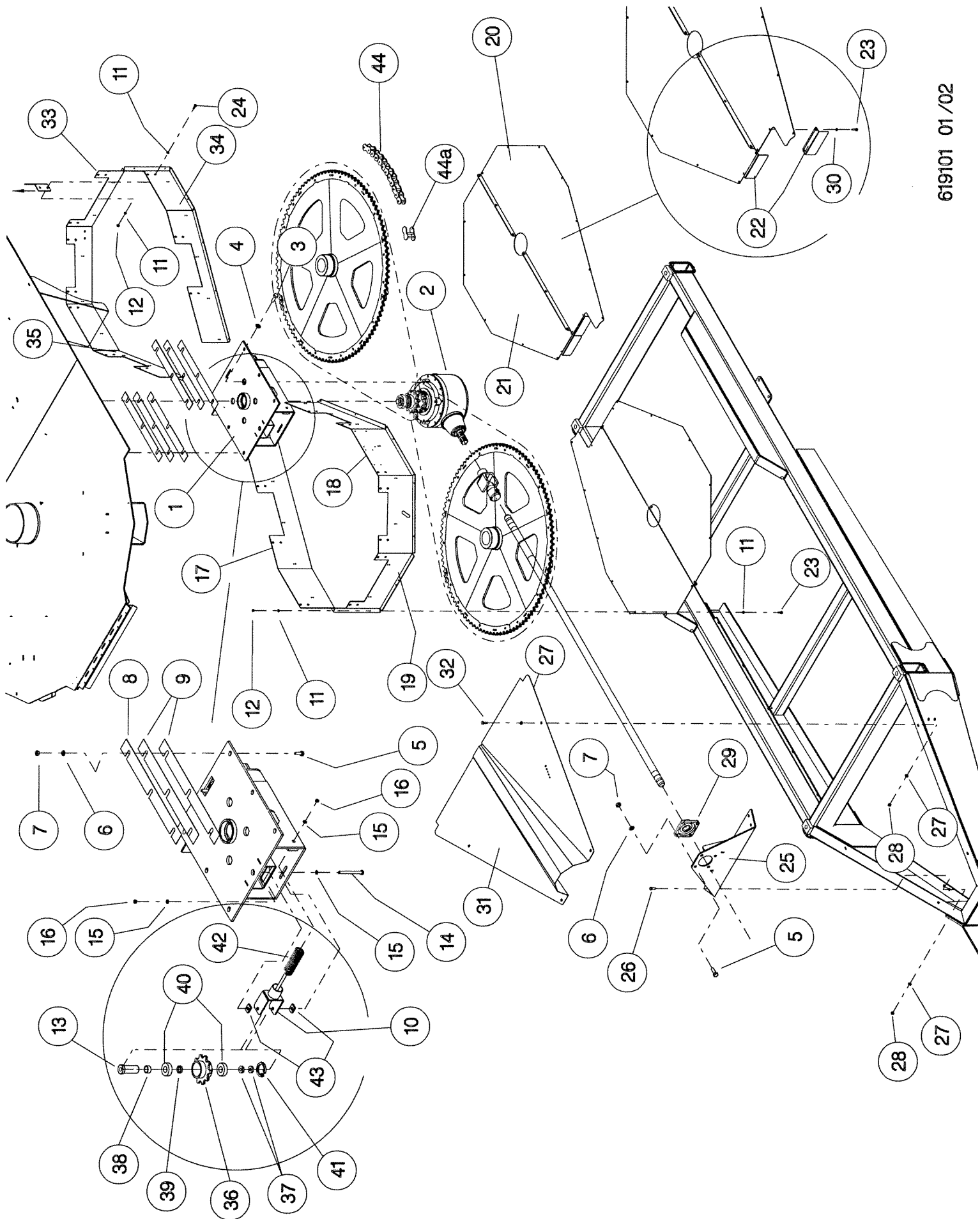
ASSY NUMBER: 619100 01		ASSY DESCRIPTION: TWIN AUGER DRIVES (POPULAR-1071173-112173)					
ITEM	PART NO	DESCRIPTION	QTY	ITEM	PART NO	DESCRIPTION	QTY
1	613090 01	GEARBOX MOUNTING BRACKET	1	39	190119 96	WASHER	2
2	REF.	BEVEL GEARBOX ASSY	1	40	BRG-3358	BEARING	4
3	HSS-0315	SETSCREW	4	41	CIR-0620	CIRCLIP	2
4	WSHA30161	LOCK WASHER	4	42	SPGE02046	DIE SPRING	2
5	HSS-0318	SETSCREW	10				
6	WSH-0024	PLAIN WASHER	10				
7	NUT-0271	NYLOC NUT	10				
8	612875 01	SHIM	2				
9	612875 02	SHIM	4				
10	613091 01	SPROCKET ADJUSTER ASSY	2				
11	WSH-0012	PLAIN WASHER	138				
12	NUT-0263	NYLOC NUT	89				
13	613088 01	TENSIONER SPROCKET BOSS	2				
14	BLT-2273	BOLT	2				
15	WSH-0018	PLAIN WASHER	6				
16	NUT-0269	NYLOC NUT	4				
17	612813 01	CHAIN GUARD FIXING PLATE	1				
18	612814 01	CHAIN GUARD FIXING PLATE	1				
19	612821 01	CHAIN GUARD FIXING PLATE	1				
20	612824 01	CHAIN GUARD PLATE	2				
21	612825 01	CHAIN GUARD PLATE	2				
22	612823 01	GEARBOX GUARD PLATE	2				
23	HSS-0140	SETSCREW	46				
24	HSS-0145	SETSCREW	23				
25	612753 01	BEARING BRACKET	1				
26	HSS-0198	SETSCREW	4				
27	WSH-0015	PLAIN WASHER	8				
28	NUT-0265	NYLOC NUT	8				
29	BRG-25041	BEARING	1				
30	WSH-0058	WASHER	4				
31	613047 01	FRONT DRIVE GUARD	1				
32	HSS-0191	SETSCREW	4				
33	612921 01	CHAIN GUARD FIX PLT	1				
34	612922 01	CHAIN GUARD FIX PLT	1				
35	612923 01	CHAIN GUARD FIX PLT	1				
36	613086 01	TENSIONER SPROCKET	2				
37	612806 02	SPACER TUBE	2				
38	612806 03	SPACER TUBE	2				



Mc 107173 ONWARDS

Shelbourne Reynolds Engineering Limited

ASSY NUMBER: 619101 01		ASSY DESCRIPTION: TWIN AUGER DRIVES (POPULAR-113173 & ON)					
ITEM	PART NO	DESCRIPTION	QTY	ITEM	PART NO	DESCRIPTION	QTY
1	613237 01	GEARBOX MOUNTING BRACKET	1	39	190119 96	WASHER	2
2	GEA-0165	BEVEL GEARBOX ASSY	1	40	BRG-3358	BEARING	4
3	HSS-0315	SETSCREW	4	41	CIR-0620	CIRCLIP	2
4	WSHA30161	LOCK WASHER	4	42	SPGE02046	DIE SPRING	2
5	HSS-0318	SETSCREW	10	43	613238 01	SLIDING PLATE	4
6	WSH-0024	PLAIN WASHER	10	44	CHN-03883	CHAIN	2
7	NUT-0271	NYLOC NUT	10	44a	CHN-03800	JOINING LINK)	2
8	612875 01	SHIM	2				
9	612875 02	SHIM	4				
10	613091 01	SPROCKET ADJUSTER ASSY	2				
11	WSH-0012	PLAIN WASHER	148				
12	NUT-0263	NYLOC NUT	74				
13	613088 01	TENSIONER SPROCKET BOSS	2				
14	BLT-2273	BOLT	2				
15	WSH-0018	PLAIN WASHER	2				
16	NUT-0269	NYLOC NUT	6				
17	612813 01	CHAIN GUARD FIXING PLATE	4				
18	612814 01	CHAIN GUARD FIXING PLATE	1				
19	612821 01	CHAIN GUARD FIXING PLATE	1				
20	612824 01	CHAIN GUARD PLATE	1				
21	612825 01	CHAIN GUARD PLATE	2				
22	612823 01	GEARBOX GUARD PLATE	2				
23	HSS-0140	SETSCREW	2				
24	HSS-0145	SETSCREW	54				
25	612753 01	BEARING BRACKET	24				
26	HSS-0198	SETSCREW	1				
27	WSH-0015	PLAIN WASHER	4				
28	NUT-0265	NYLOC NUT	8				
29	BRG-25041	BEARING	8				
30	WSH-0058	WASHER	1				
31	613047 01	FRONT DRIVE GUARD	4				
32	HSS-0191	SETSCREW	1				
33	612921 01	CHAIN GUARD FIX PLT	4				
34	612922 01	CHAIN GUARD FIX PLT	1				
35	612923 01	CHAIN GUARD FIX PLT	1				
36	613086 01	TENSIONER SPROCKET	1				
37	612806 02	SPACER TUBE	2				
38	612806 03	SPACER TUBE	2				



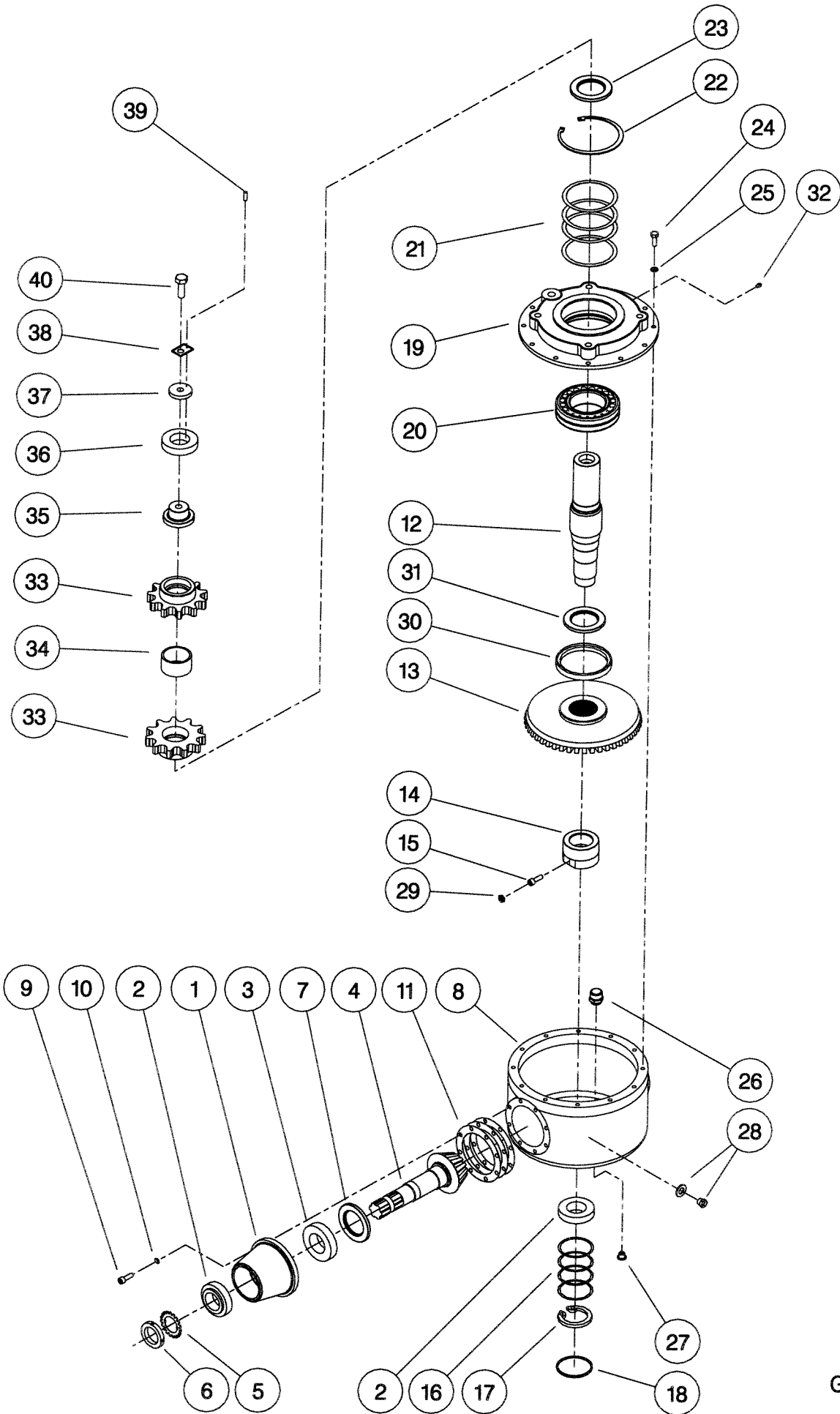
powermix

TWINAUGER POPULAR

KIT OPTIONS

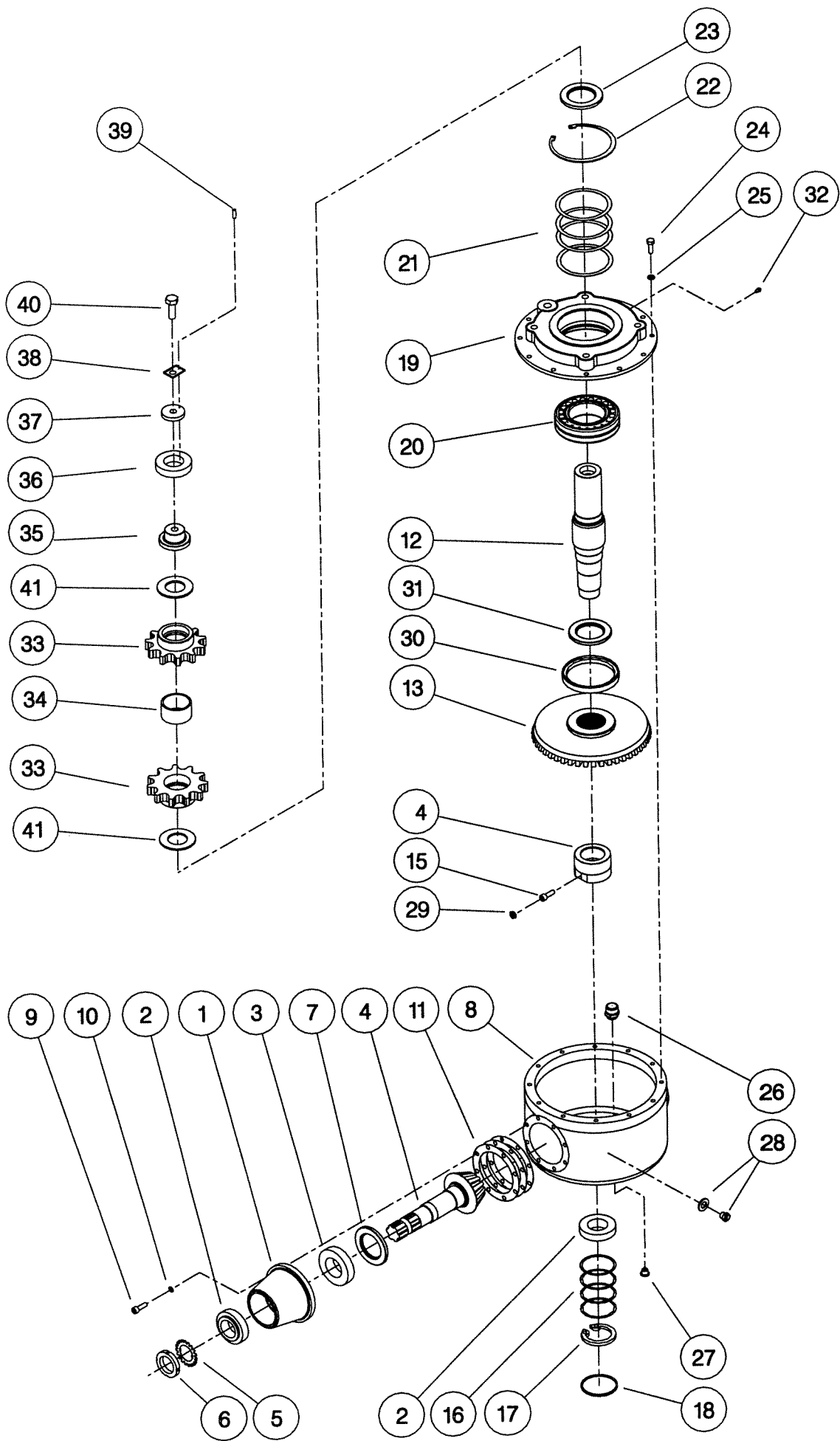
Shelbourne Reynolds Engineering Limited

ASSY NUMBER: GEA-0159		ASSY DESCRIPTION:TWIN TUB POWERMIX BEVEL GEARBOX (3.07:1)					
ITEM	PART NO	DESCRIPTION	QTY	ITEM	PART NO	DESCRIPTION	QTY
1	610858 01	INPUT HOUSING	1	39	PIN-40414	ROLL PIN	1
2	BRG-7000	TAPER ROLLER BEARING	2	40	BLT-2313	BOLT	1
3	BRG-7020	TAPER ROLLER BEARING	1				
4	610862 01	INPUT PINION (15T)	1				
5	BRG-95015	LOCKWASHER	1				
6	BRG-95010	LOCKNUT	1				
7	SEAB04510	SHAFT SEAL	1				
8	610859 01	MAIN CASE	1				
9	SCW-0195	CAP HEAD SCREW	8				
10	WSH-1301	SHAKEPROOF WASHER	8				
11	610863	INPUT SHIM PACK	1				
12	612895 01	OUTPUT SHAFT	1				
13	610861 01	OUTPUT BEVEL GEAR (46T)	1				
14	611346 01	LOCKING NUT	1				
15	SCGA10178	GRUB SCREW	2				
16	610864	OUTPUT SHIM PACK	1				
17	CIR010090	INTERNAL CIRCLIP	1				
18	SEAZ09000	CORE PLUG SEAL	1				
19	610860 01	OUTPUT HOUSING	1				
20	BRG-18041	TAPER ROLLER BEARING	1				
21	610865	OUTPUT SHIM PACK	1				
22	CIR010140	INTERNAL CIRCLIP	1				
23	SEAB08000	SHAFT SEAL	1				
24	HSS-0194	SET SCREW	12				
25	WSH-0061	SPRING WASHER	12				
26	FIT-0255	FILLER/BREATHER	1				
27	FIT-0253	MAGNET. DRAIN PLUG	1				
28	FITD00005	LEVEL GAUGE	1				
29	NUT-0365	HALF NUT	2				
30	610966 01	SLEEVE	1				
31	SEAA14000	SHAFT SEAL	1				
32	NIP-00600	GREASE NIPPLE	1				
33	612897 01	SPROCKET 11T	2				
34	612899 01	SPROCKET SPACER	1				
35	612900 01	BEARING BOSS	1				
36	BRG-15050	BEARING	1				
37	612896 01	SECURING WASHER	1				
38	612902 01	LOCK TAB	1				



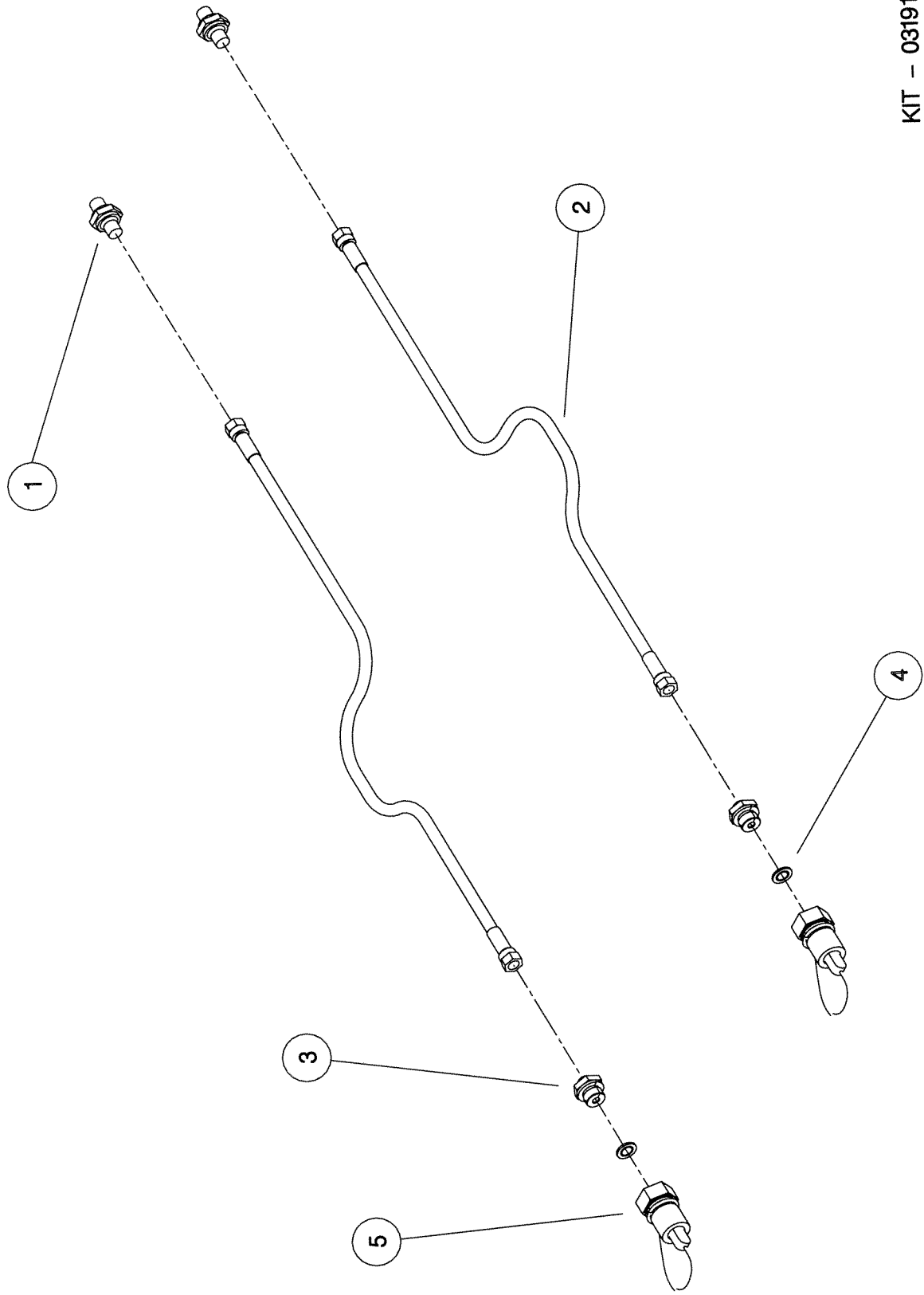
Shelbourne Reynolds Engineering Limited

ASSY NUMBER: GEA-0165		ASSY DESCRIPTION: TWIN TUB POWERMIX BEVEL GEARBOX (3.36:1)					
ITEM	PART NO	DESCRIPTION	QTY	ITEM	PART NO	DESCRIPTION	QTY
1	610858 01	INPUT HOUSING	1	39	PIN-40414	ROLL PIN	1
2	BRG-7000	TAPER ROLLER BEARING	2	40	BLT-2313	BOLT	1
3	BRG-7020	TAPER ROLLER BEARING	1	41	190548 15	WASHER	2
4	613225 01	INPUT PINION (14T)	1				
5	BRG-95015	LOCKWASHER	1				
6	BRG-95010	LOCKNUT	1				
7	SEAB04510	SHAFT SEAL	1				
8	610859 01	MAIN CASE	1				
9	SCW-0195	CAP HEAD SCREW	1				
10	WSH-1301	SHAKEPROOF WASHER	8				
11	610863	INPUT SHIM PACK	8				
12	612895 01	OUTPUT SHAFT	1				
13	613223 01	OUTPUT BEVEL GEAR (47T)	1				
14	611346 01	LOCKING NUT	1				
15	SCGA10178	GRUB SCREW	1				
16	610864	OUTPUT SHIM PACK	2				
17	CIR010090	INTERNAL CIRCLIP	1				
18	SEAZ09000	CORE PLUG SEAL	1				
19	610860 01	OUTPUT HOUSING	1				
20	BRG-18041	TAPER ROLLER BEARING	1				
21	610865	OUTPUT SHIM PACK	1				
22	CIR010140	INTERNAL CIRCLIP	1				
23	SEAB08000	SHAFT SEAL	1				
24	HSS-0194	SET SCREW	1				
25	WSH-0061	SPRING WASHER	12				
26	FIT-0255	FILLER/BREATHER	12				
27	FIT-0253	MAGNET. DRAIN PLUG	1				
28	FITD00005	LEVEL GAUGE	1				
29	NUT-0365	HALF NUT	2				
30	610966 01	SLEEVE	1				
31	SEAA14000	SHAFT SEAL	1				
32	NIP-00600	GREASE NIPPLE	1				
33	613230 01	SPROCKET 10T	1				
34	612899 01	SPROCKET SPACER	2				
35	612900 01	BEARING BOSS	1				
36	BRG-15050	BEARING	1				
37	612896 01	SECURING WASHER	1				
38	612902 01	LOCK TAB	1				



Shelbourne Reynolds Engineering Limited

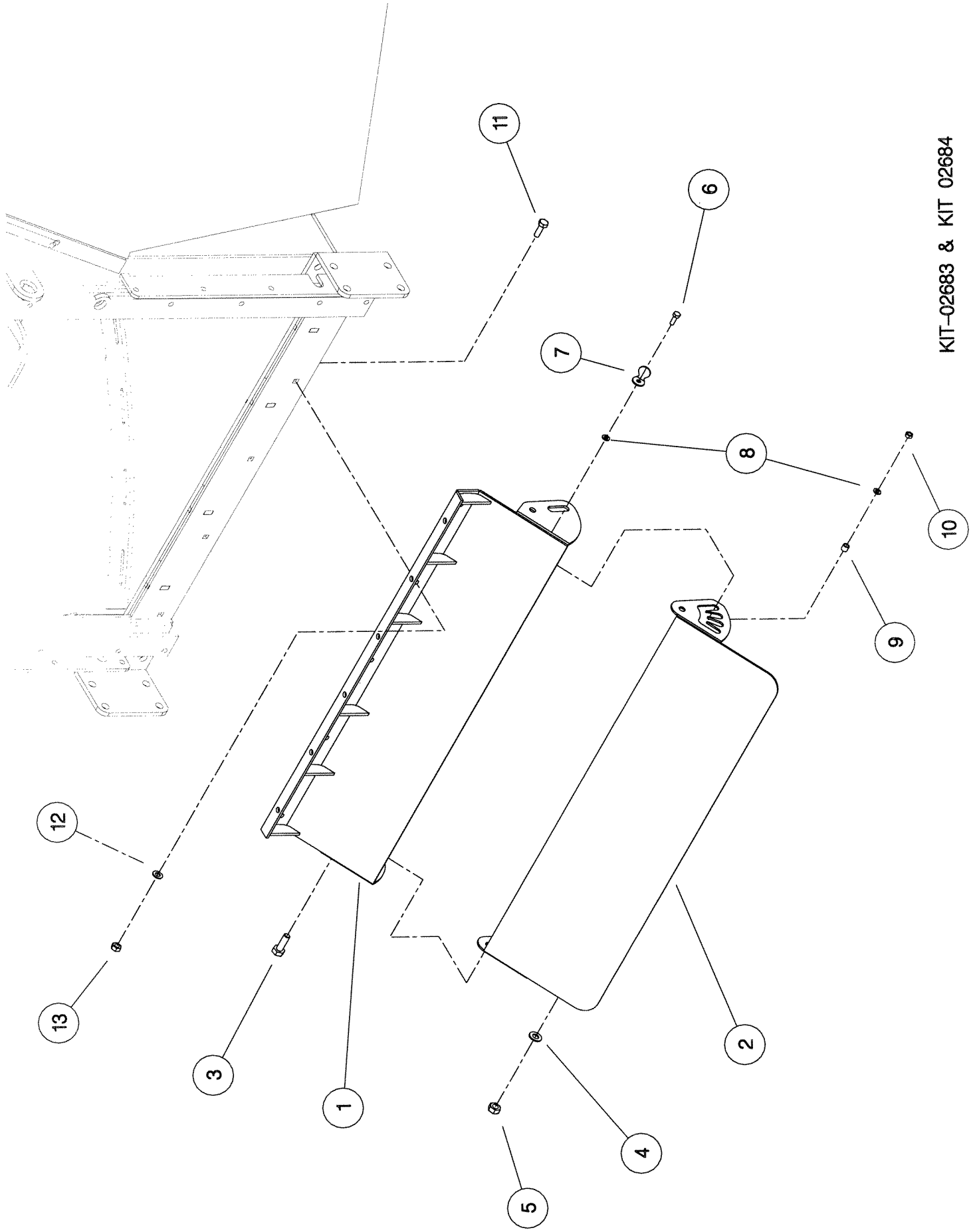
KIT-02654		ASSY DESCRIPTION: DIRECT TRACTOR HYDRAULICS KIT					
ASSY NUMBER:	KIT-02654	ASSY DESCRIPTION: DIRECT TRACTOR HYDRAULICS KIT					
ITEM	PART NO	DESCRIPTION	QTY	ITEM	PART NO	DESCRIPTION	QTY
1	HMA-0052	M/M ADAPTOR	2				
2	HHAC13005	HOSE ASSY	2				
3	HMA-0055	M/M ADAPTOR	2				
4	WSH-1015	DOWTY WASHER	2				
5	COU-0162	QUICK REL COUPLING	2				



KIT - 03191
KIT - 02654
KIT - 03159

Shelbourne Reynolds Engineering Limited

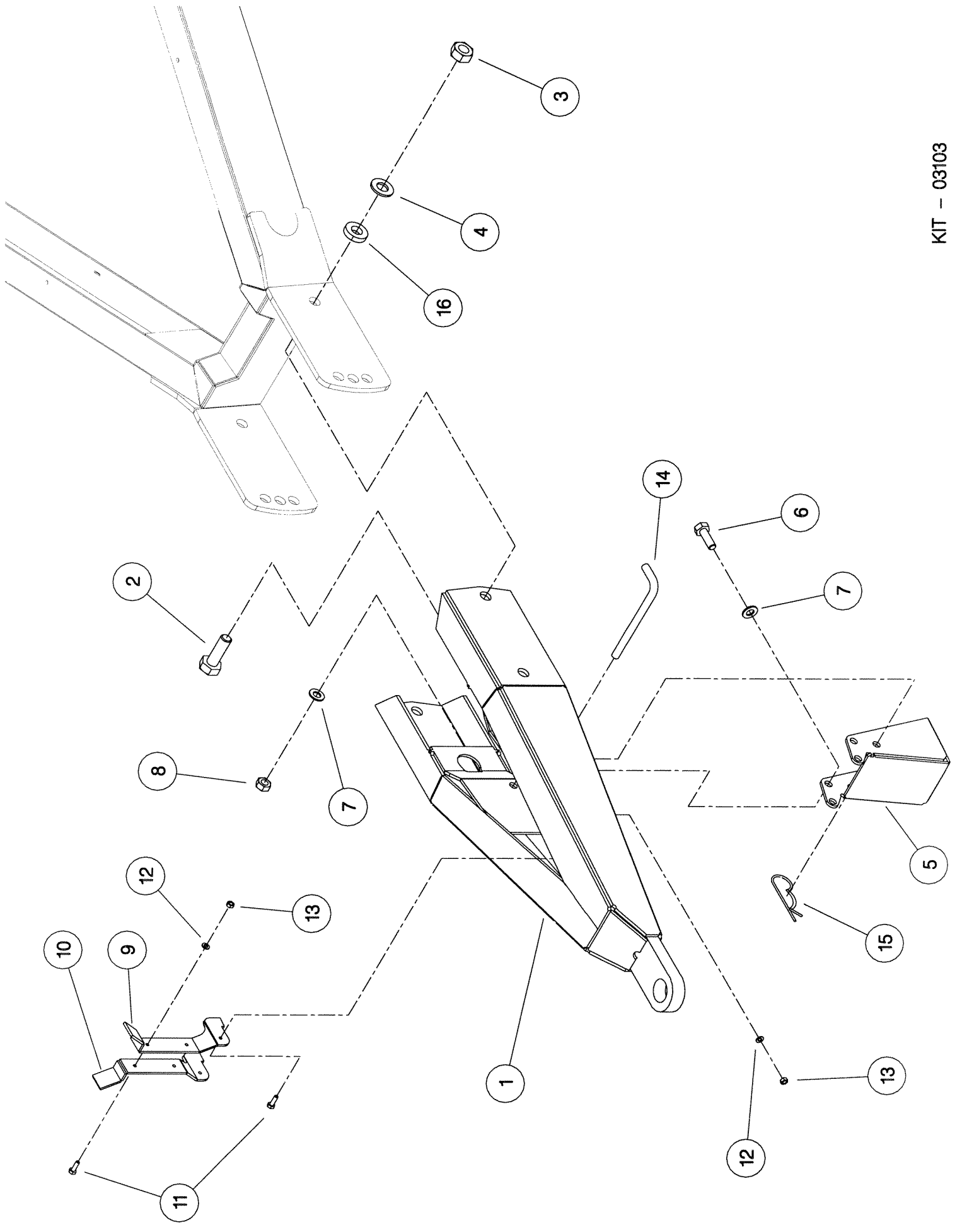
KIT-02684		ASSY DESCRIPTION: DOOR CHUTE KIT SEALS				
ASSY NUMBER:						
ITEM	PART NO	DESCRIPTION	QTY	ITEM	PART NO	DESCRIPTION
1	610938 01	BOTTOM SEAL PLATE W/A	1			
2	611058 01	BIB PLATE	1			
3	HSS-0191	SETSCREW	2			
4	WSH-0015	PLAIN WASHER	2			
5	NUT-0265	NYLOC NUT	2			
6	HSS-0092	SETSCREW	1			
7	611059 01	ADJUSTER	1			
8	WSH-1036	PENNY WASHER	2			
9	611130 01	SPACER	1			
10	NUT-0260	NYLOC NUT	1			
11	BLTF08173	COACHBOLT	5			
12	WSH-0012	PLAIN WASHER	5			
13	NUT-0263	NYLOC NUT	5			



KIT-02683 & KIT 02684

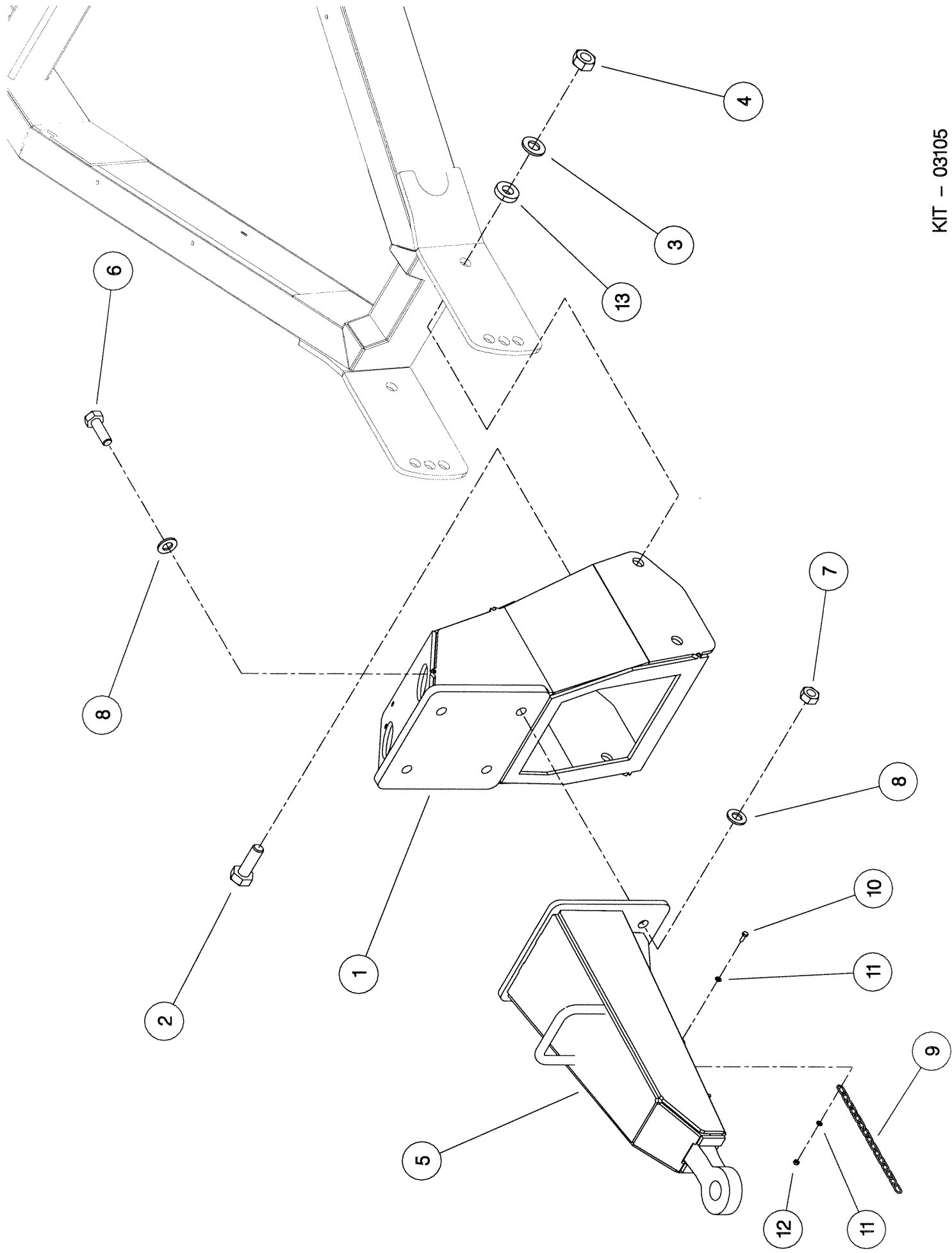
Shelbourne Reynolds Engineering Limited

KIT-03103		SUB ASSY DESCRIPTION: UK DRAWBAR (POPULAR ONLY)					
ASSY NUMBER:							
ITEM	PART NO	DESCRIPTION	QTY	ITEM	PART NO	DESCRIPTION	QTY
1	611532 01	DRAWBAR W/ASSY	1				
2	BLTA24530	BOLT	4				
3	NUT-0275	NYLOC NUT	4				
4	WSH-0036	WASHER	8				
5	611524 01	FOOT W/ASSY	1				
6	HSS-0315	SET SCREW	2				
7	WSH-0024	WASHER	4				
8	NUT-0271	NYLOC NUT	2				
9	590594 01	LH PTO REST	1				
10	590594 02	RH PTO REST	1				
11	HSS-0086	SET SCREW	4				
12	WSH-0009	WASHER	4				
13	NUT-0260	NYLOC NUT	4				
14	611745 01	HANDLE	1				
15	RCL-0013	R CLIP	1				
16	190119 94	WASHER	4				



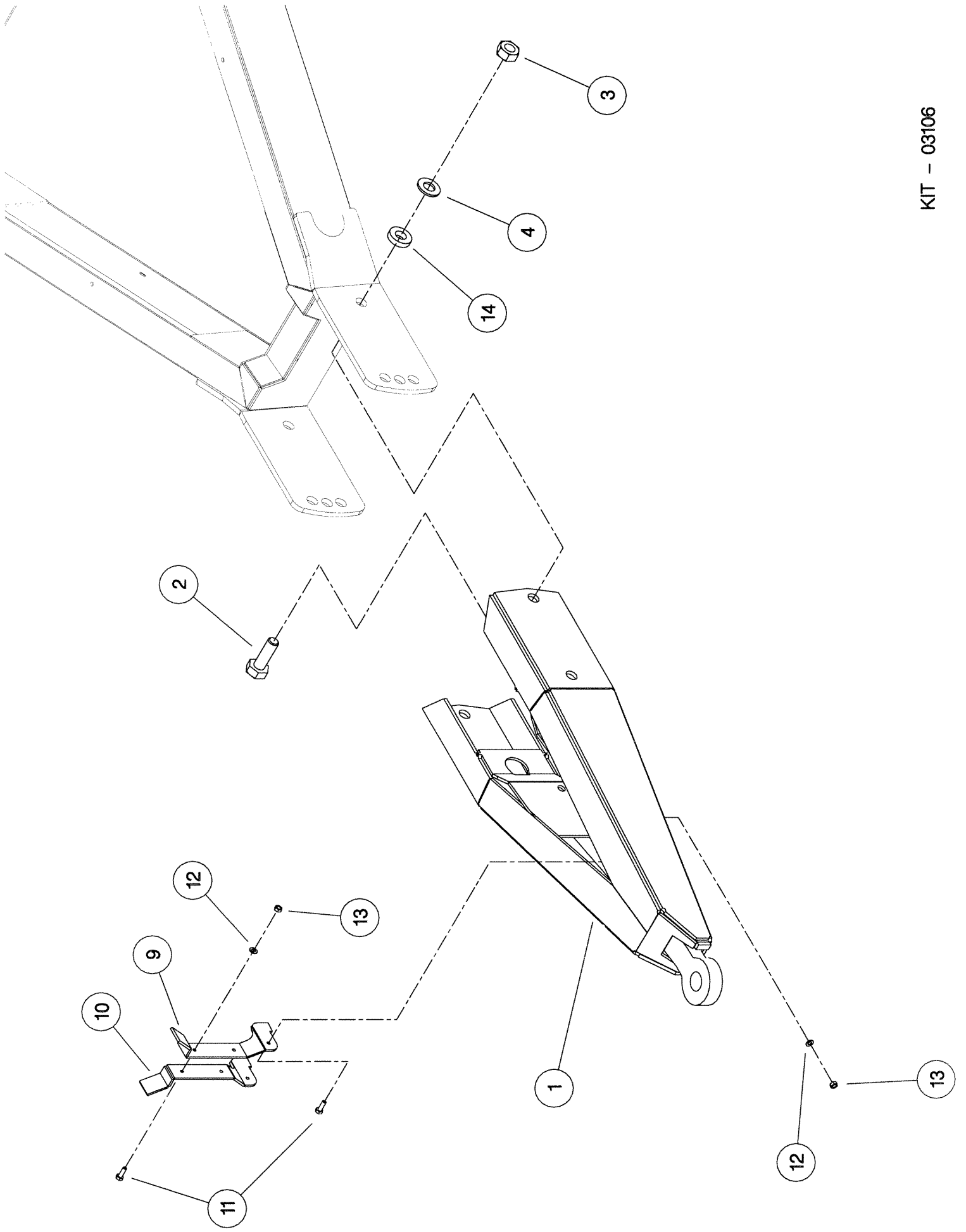
Shelbourne Reynolds Engineering Limited

KIT-03105		ASSY DESCRIPTION: CONTINENTAL D/BAR (SWAN NECK)					
ASSY NUMBER:							
ITEM	PART NO	DESCRIPTION	QTY	ITEM	PART NO	DESCRIPTION	QTY
1	611586 01	NECK ASSY	1				
2	BLTA24530	BOLT	4				
3	WSH-0036	PLAIN WASHER	8				
4	NUT-0275	NYLOC NUT	4				
5	611588 01	DRAWBAR ASSY	1				
6	BLT-2367	BOLT	4				
7	NUA02200	NYLOC NUT	4				
8	WSH-0030	PLAIN WASHER	6				
9	CHN-0145	CHAIN	0.45m				
10	HSS-0088	SET SCREW	1				
11	WSH-0009	PLAIN WASHER	2				
12	NUT-0260	NYLOC NUT	1				
13	190119 94	WASHER	4				



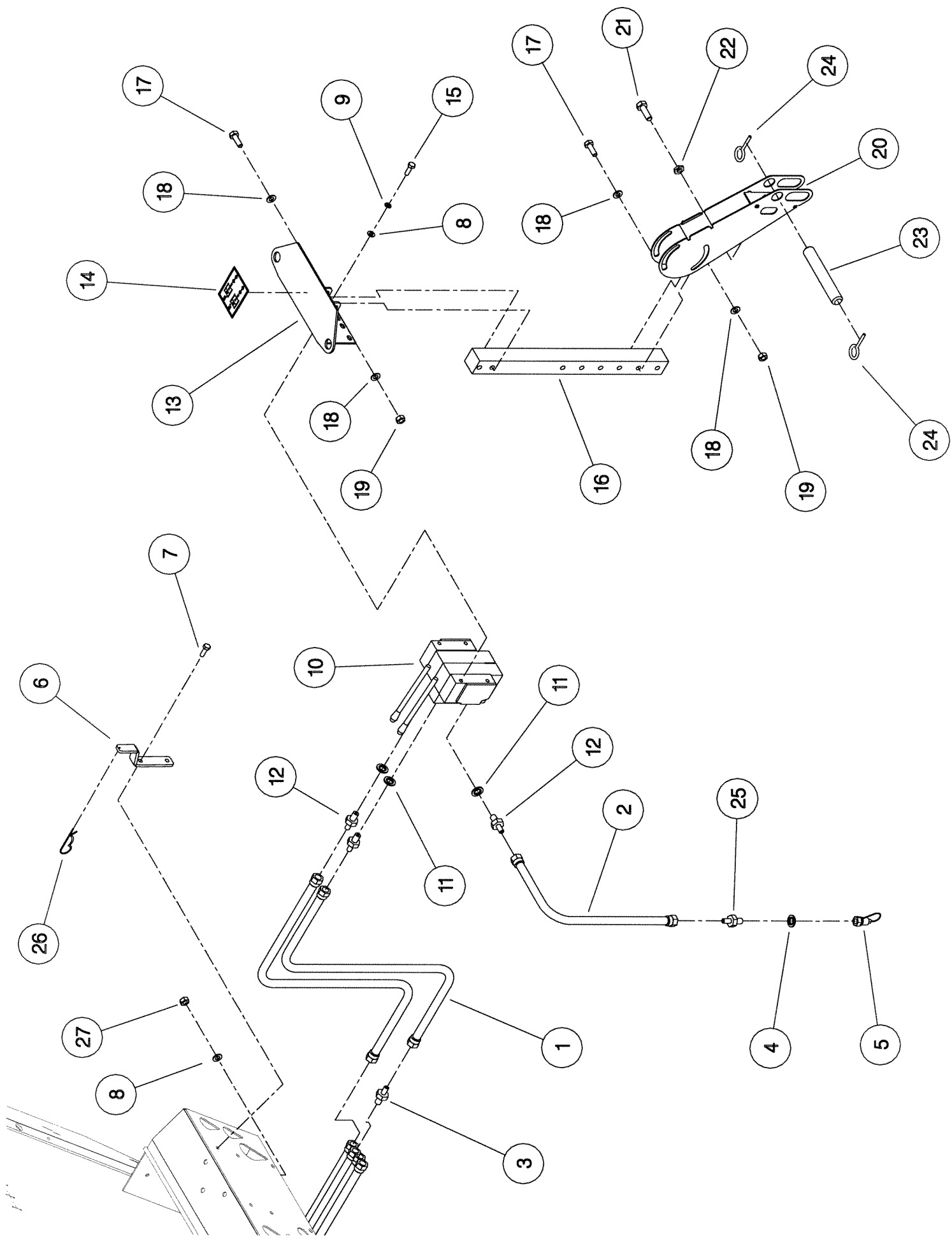
Shelbourne Reynolds Engineering Limited

ASSY NUMBER: KIT-03106		SUB ASSY DESCRIPTION: CONTINENTAL D/BAR (FLAT)					
ITEM	PART NO	DESCRIPTION	QTY	ITEM	PART NO	DESCRIPTION	QTY
1	611602 01	DRAWBAR W/ASSY	1				
2	BLTA24530	BOLT	4				
3	NUT-0275	NYLOC NUT	4				
4	WSH-0036	WASHER	8				
5							
6							
7							
8							
9	590594 01	PTO REST L.H.	1				
10	590594 02	PTO REST R.H.	1				
11	HSS-0086	SET SCREW	4				
12	WSH-0009	WASHER	4				
13	NUT-0260	NYLOC NUT	4				
14	190119 94	WASHER	4				



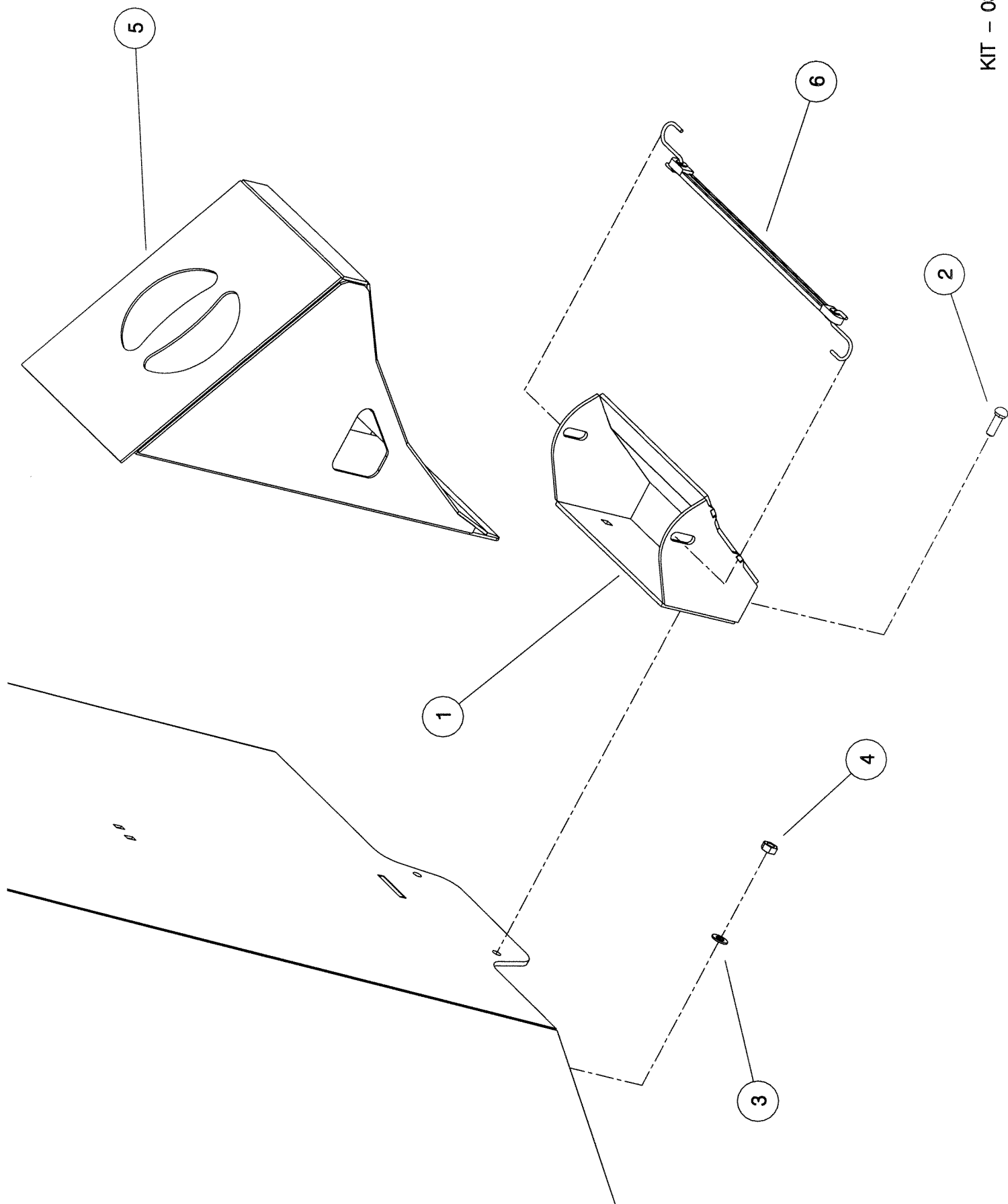
Shelbourne Reynolds Engineering Limited

KIT-03110		SUB ASSY DESCRIPTION: 2 STATION MANUAL SPOOL VALVE KIT					
ASSY NUMBER:							
ITEM	PART NO	DESCRIPTION	QTY	ITEM	PART NO	DESCRIPTION	QTY
1	HHAC13005	HOSE ASSY	4				
2	HHAC07505	HOSE ASSY	2				
3	HMA-0052	HYD ADAPT	4				
4	WSH-1015	DOWTY WASHER	2				
5	COU-0162	QUICK RELEASE COUPLING	2				
6	611676 01	PARKING LUG	1				
7	HSS-0148	SET SCREW	2				
8	WSH-0012	PLAIN WASHER	8				
9	WSH-0058	SPRING WASHER	4				
10	HVB-09020	VALVE BLOCK	1				
11	WSH-1010	DOWTY WASHER	6				
12	FIT-0025	HYD ADAPT	6				
13	611670 01	VALVE MOUNTING BRACKET	1				
14	610792 01	EMBLEM	1				
15	HSS-0135	SET SCREW	4				
16	611677 01	ADJUSTER ARM	1				
17	BLTA10380	BOLT	4				
18	WSH-0015	PLAIN WASHER	8				
19	NUT-0265	NYLOC NUT	4				
20	611675 01	SUPPORT ARM	1				
21	HSS-0250	SET SCREW	1				
22	NUT-0170	PLAIN NUT	1				
23	611680 01	PIN	1				
24	PIN-01950	LYNCH PIN	2				
25	HMA-0055	FITTING	2				
26	RCL-0015	R CLIP	1				
27	NUT-0263	NUT	2				



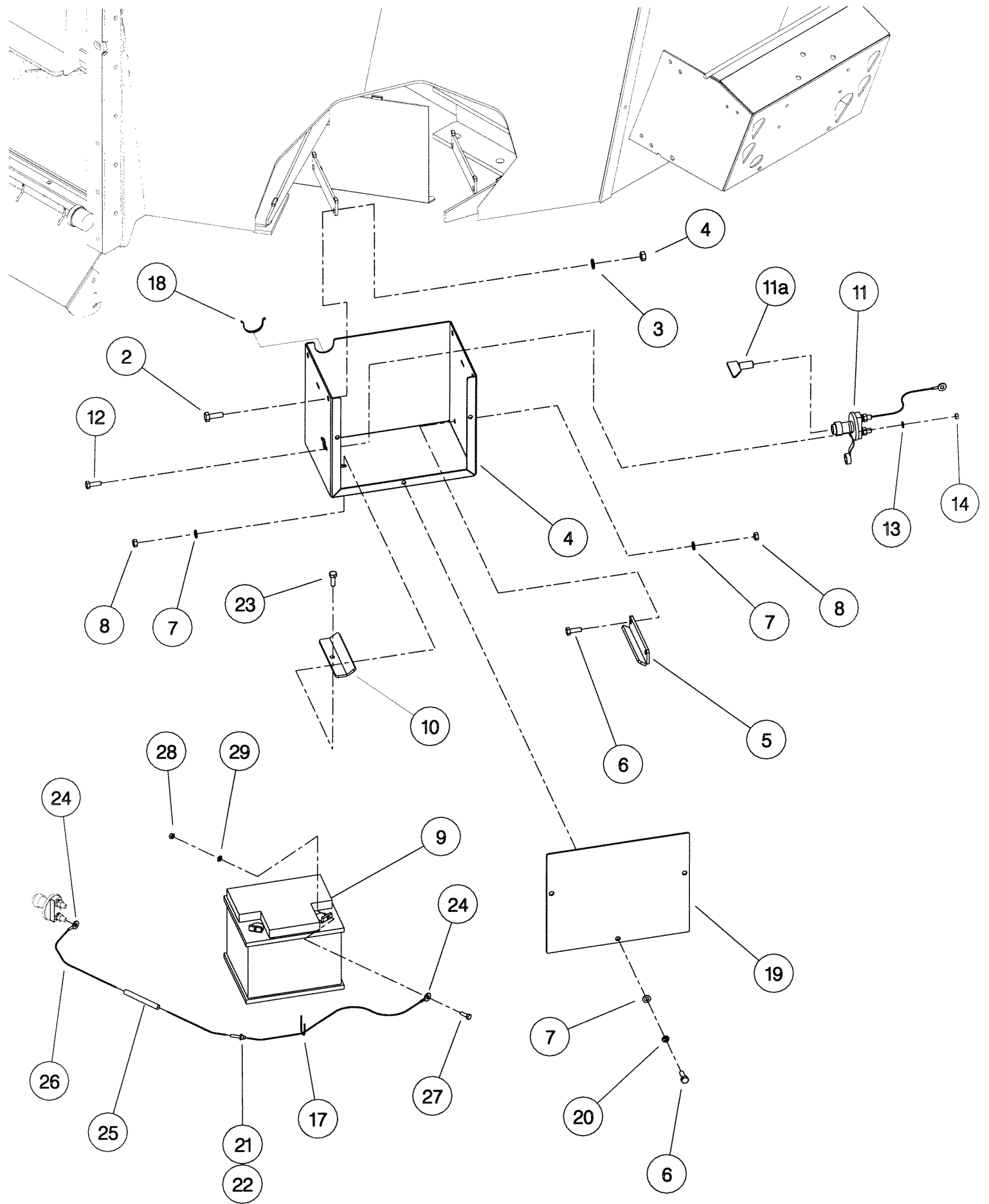
Shelbourne Reynolds Engineering Limited

ASSY NUMBER: KIT-03114		SUB ASSY DESCRIPTION: WHEEL STOP KIT 6,8,10 & 12m ³					
ITEM	PART NO	DESCRIPTION	QTY	ITEM	PART NO	DESCRIPTION	QTY
1	611690 01	WHEEL STOP BRACKET	2				
2	BLT-2700	COACH BOLT	4				
3	WSH-0012	PLAIN WASHER	4				
4	NUT-0263	NYLOC NUT	4				
5	611054 01	WHEEL STOP	2				
6	STP-0002	RUBBER STRAP	2				



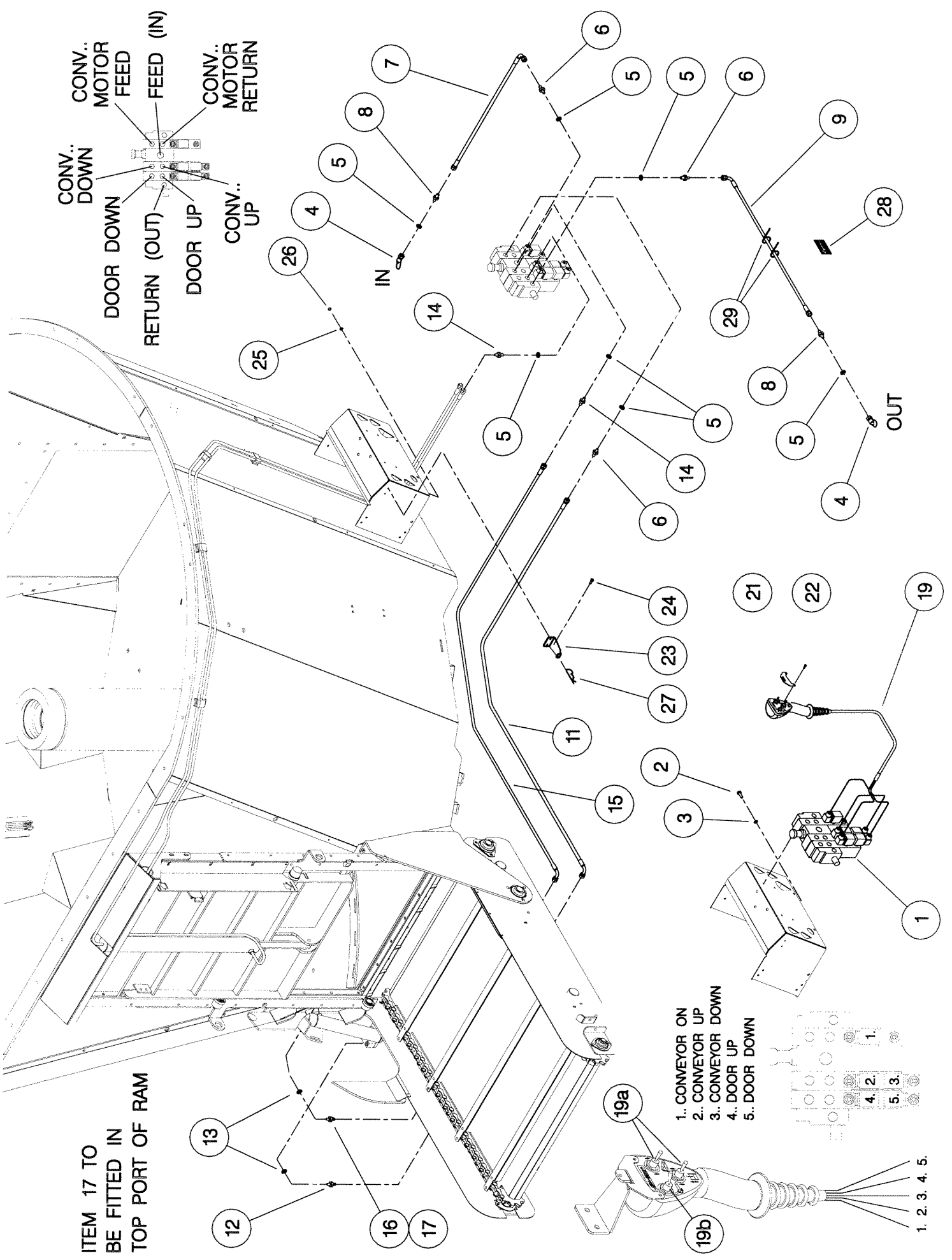
Shelbourne Reynolds Engineering Limited

KIT-03117		ASSY DESCRIPTION: BATTERY PACK KIT					
ASSY NUMBER:	KIT-03117	ASSY DESCRIPTION: BATTERY PACK KIT					
ITEM	PART NO	DESCRIPTION	QTY	ITEM	PART NO	DESCRIPTION	QTY
1	611691 01	BATTERY BOX	1				
2	HSS-0191	SET SCREW	4				
3	WSH-0015	PLAIN WASHER	4				
4	NUT-0265	NYLOC NUT	4				
5	611647 01	RETAINER BRACKET	1				
6	HSS-0140	SET SCREW	5				
7	WSH-0012	PLAIN WASHER	6				
8	NUT-0263	NYLOC NUT	6				
9	BAT-0002	12V BATTERY	1				
10	611646 01	ADJ.RETAINER BRACKET	1				
11	SWT-32000	BATTERY MASTER SWITCH	1				
11a	SWT-32001	SWITCH KEY	1				
12	HSS-0088	SET SCREW	2				
13	WSH-0009	PLAIN WASHER	2				
14	NUT-0260	NYLOC NUT	2				
15							
16							
17	TIE-0004	TIE WRAP	2				
18	EDS-11400	EDGING STRIP	0.1				
19	611636 01	LID	1				
20	WSH-0058	SPRING WASHER	3				
21	FUS-0010	IN LINE FUSE HOLDER	1				
22	FUS-00505	FUSE	1				
23	HSS-0145	SET SCREW	1				
24	ETM-0045	EYELET TERMINAL	4				
25	ETM-00630	BUTT TERMINAL	1				
26	CBL-0025	ELECTRIC CABLE	.35				
27	HSS-0086	SET SCREW	2				
28	WSH-0009	PLAIN WASHER	4				
29	NUT-0260	PLAIN NUT	2				



Shelbourne Reynolds Engineering Limited

KIT-03122		ASSY DESCRIPTION: HYDRAULICS FOR 1m CONVEYOR (SOLENOID)					
ASSY NUMBER:	PART NO	DESCRIPTION	QTY	ITEM	PART NO	DESCRIPTION	QTY
1	HVB-19020	HYDRAULIC VALVE BLOCK	1				
2	HSS-0135	SET SCREW	4				
3	WSH-0058	SPRING WASHER	4				
4	COU-0162	QUICK REL. COUPLING	2				
5	WSH-1015	DOWTY WASHER	10				
6	HMA-0065	HYD ADAPT	4				
7	HHBE22005	HOSE ASSY	1				
8	HMA-0067	HYD ADAPT	2				
9	HHBF22005	HOSE ASSY	1				
10							
11	HHBE32005	HOSE ASSY	2				
12	HMA-0057	HYD ADAPT	2				
13	WSH-1010	DOWTY WASHER	4				
14	HMA-0055	HYD ADAPT	4				
15	HHBC42005	HOSE ASSY	2				
16	FIT-0025	HYD ADAPT	1				
17	HAPAA0305	RESTRICTOR	1				
18	TIE-0004	TIE WRAP	10				
19	611701 01	HAND CONTROL. UNIT & LOOMS					
19A	SWT-00310	3 POSITION SPRING CTR SWT	2				
19B	SWT-00410	2 POSITION SWITCH	1				
20							
21	611681 01	CONTROLLER HANGER BRKT.	1				
22	SCHS07176	SELF TAPPING SCREWS	2				
23	611682 01	HOOK BRACKET	2				
24	HSS-0086	SET SCREW	2				
25	WSH-0009	PLAIN WASHER	2				
26	NUT-0260	NYLOC NUT	2				
27	RCL-0015	R CLIP	2				
28	612230 01	EMBLEM	1				
29	TIE-0002	TIE WRAP	2				



CONV. DOWN
 CONVEYOR MOTOR FEED
 DOOR DOWN
 RETURN (OUT)
 DOOR UP
 CONVEYOR MOTOR RETURN
 FEED (IN)
 CONV. UP
 RETURN

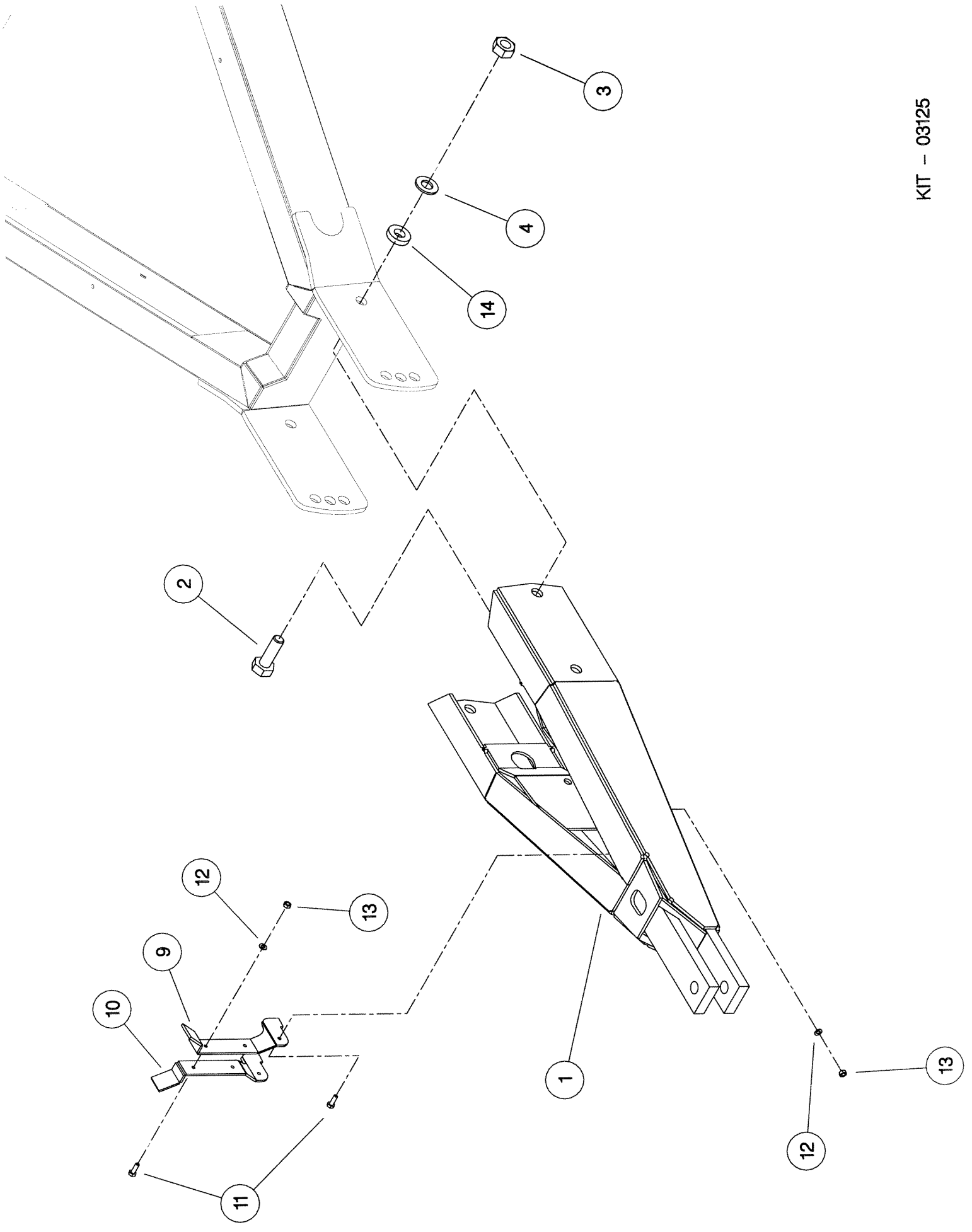
- 1.. CONVEYOR ON
- 2.. CONVEYOR UP
- 3.. CONVEYOR DOWN
- 4.. DOOR UP
- 5.. DOOR DOWN

ITEM 17 TO
 BE FITTED IN
 TOP PORT OF RAM

- 1.
- 2.
- 3.
- 4.
- 5.

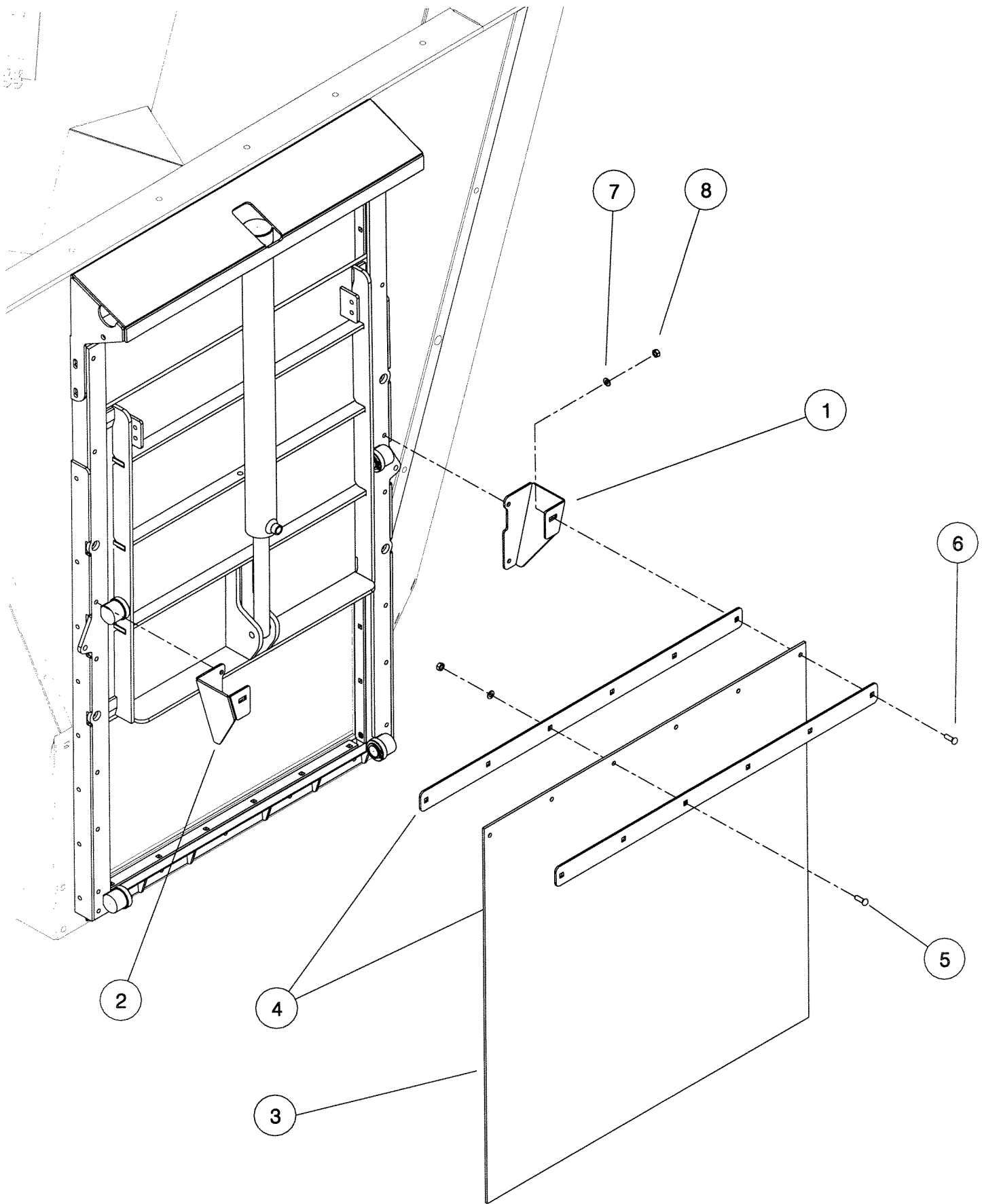
Shelbourne Reynolds Engineering Limited

ASSY NUMBER:		KIT-03125		SUB ASSY DESCRIPTION: USA DRAWBAR			
ITEM	PART NO	DESCRIPTION	QTY	ITEM	PART NO	DESCRIPTION	QTY
1	611703 01	DRAWBAR W/ASSY	1				
2	BLTA24530	BOLT	4				
3	NUT-0275	NYLOC NUT	4				
4	WSH-0036	WASHER	8				
5							
6							
7							
8							
9	590594 01	PTO REST L.H.	1				
10	590594 02	PTO REST R.H.	1				
11	HSS-0086	SET SCREW	4				
12	WSH-0009	WASHER	4				
13	NUT-0260	NYLOC NUT	4				
14	190119 94	WASHER	4				



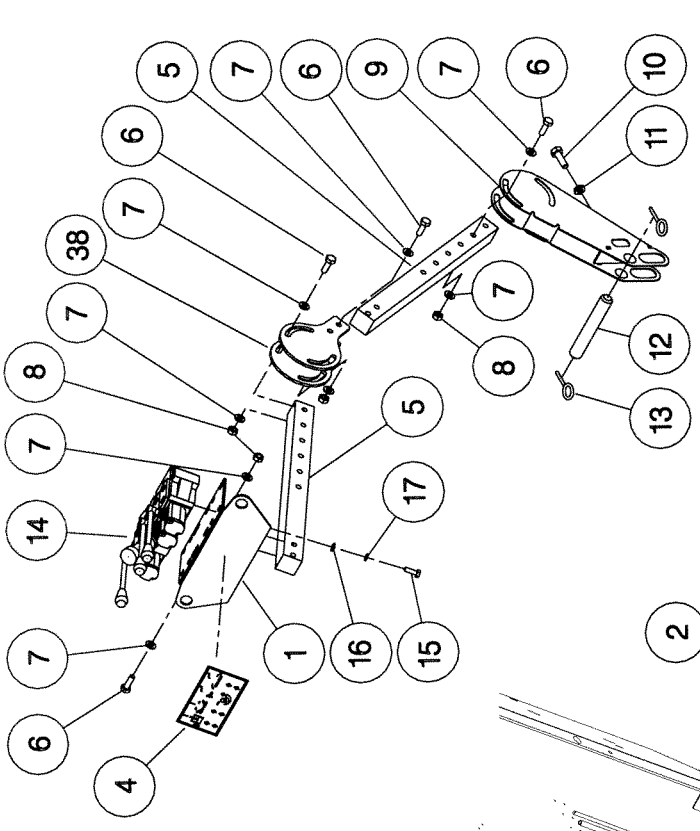
Shelbourne Reynolds Engineering Limited

KIT-03148		ASSY DESCRIPTION: STANDARD DOOR FLAP KIT(8&10mCu)					
ASSY NUMBER:							
ITEM	PART NO	DESCRIPTION	QTY	ITEM	PART NO	DESCRIPTION	QTY
1	611962 01	FLAP BRACKET LH	1				
2	611962 02	FLAP BRACKET RH	1				
3	610955 01	DOOR FLAP	1				
4	611963 01	CLAMP STRIP	2				
5	BLTF08173	COACHBOLT	4				
6	BLT-2700	COACHBOLT	2				
7	WSH-0012	WASHER	6				
8	NUT-0263	NUT	6				



Shelbourne Reynolds Engineering Limited

KIT-03229		ASSY DESCRIPTION: HYDRAULICS KIT FOR 1m CON (MANUAL LEVER)				
ASSY NUMBER:	DESCRIPTION	QTY	ITEM	PART NO	DESCRIPTION	QTY
1	VALVE MOUNTING BRACKET	1	33	COU-0162	HYD COUPLING	2
2	PARKING LUG	1	34	612230 01	EMBLEM	1
3	SETSCREW	2	35	TIE-0002	TIE WRAP	2
4	EMBLEM (SPOOL VALVE OP.)	1	36	WSH-0012	WASHER	2
5	ADJUSTER ARM	2	37	NUT-0263	NYLOC NUT	2
6	BOLT	8	38	612504 01	VALVE ADJUSTER PLATE	2
7	PLAIN WASHER	16				
8	NYLOC NUT	8				
9	SUPPORT ARM	1				
10	SET SCREW	1				
11	PLAIN NUT	1				
12	PIN	1				
13	LYNCH PIN	2				
14	HYDRAULIC VALVE BLOCK	1				
OR	HYDRAULIC VALVE BLOCK (UP TO & INC SERIAL NO.'S 104142, 125152, & 118162 ONLY)	1				
15	SET SCREW	4				
16	PLAIN WASHER	6				
17	SPRING WASHER	4				
18	HOSE ASSY	2				
19	HYD ADAPT	2				
20	HYD ADAPT	4				
21	DOWTY WASHER	12				
22	RESTRICTOR	1				
23						
24						
25	HOSE ASSY	2				
26	HYD ADPAT	5				
27	HOSE ASSY	2				
28	HOSE ASSY	1				
29	HYD ADAPT	2				
30	DOWTY WASHER	2				
31	HOSE ASSY	1				
32	HYD ADAPT	1				



CONV..
RAM DOWN

CONV..
MOTOR REVERSE

FEED (IN)

CONV..
MOTOR FORWARD

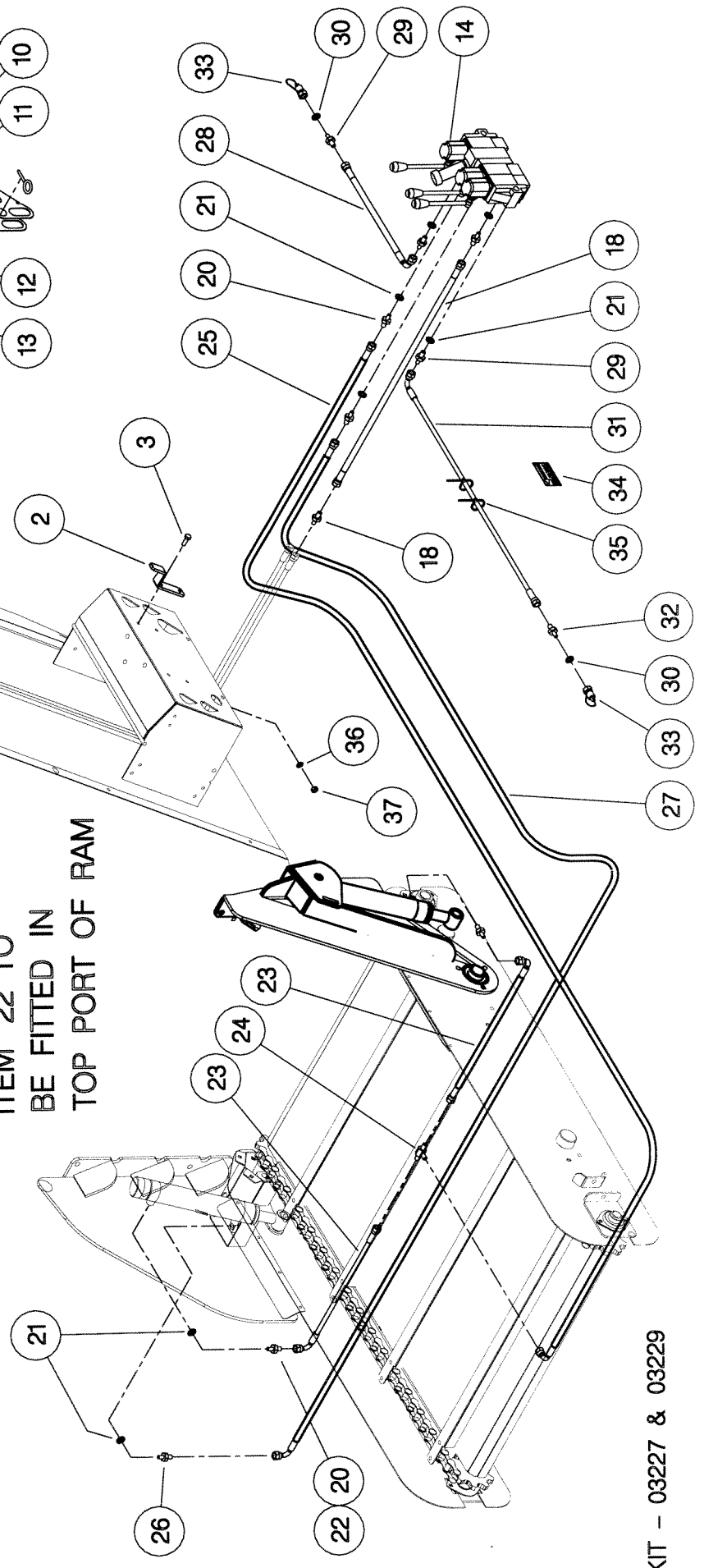
CONV..
RAM UP

DOOR DOWN

RETURN (OUT)

DOOR UP

ITEM 22 TO
BE FITTED IN
TOP PORT OF RAM

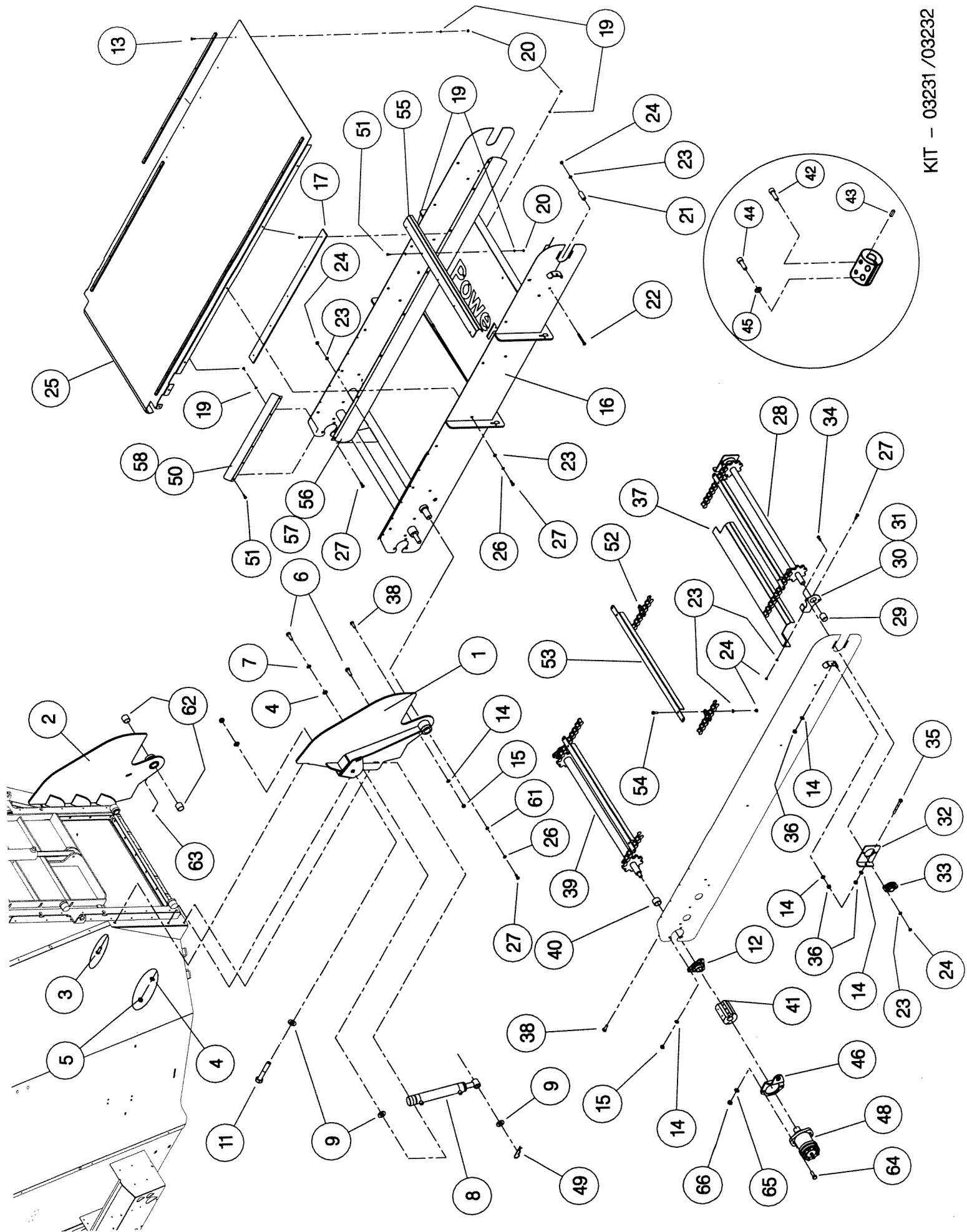


Shelbourne Reynolds Engineering Limited

KIT-03231		ASSY DESCRIPTION: 2m SIDE CONVEYOR KIT (8m ³ & 10m ³)					
ASSY NUMBER:							
ITEM	PART NO	DESCRIPTION	QTY	ITEM	PART NO	DESCRIPTION	QTY
1	613143 01	RH CONVEYOR MTG BRKT (107153,111163,102172 ON)	1	33	BRG-22505	BEARING	2
OR	612586 01	RH CONVEYOR MTG BRKT (UP TO & INC106153,110163)		34	BLT-2700	COACHBOLT	4
2	613143 02	LH CONVEYOR MTG BRKT (107153,111163,102172 ON)	1	35	HSSA10680	BOLT	2
OR	612586 02	LH CONVEYOR MTG BRKT (UP TO & INC106153,110163)		36	NUT-0167	NUT	6
3	BLT-3790	COACHBOLT	2	37	611309 01	SHAFT COVER	1
4	WSH-0018	WASHER	6	38	BLT-3740	COACHBOLT	6
5	NUT-0269	NUT	4	39	612390 01	DRIVE SHAFT	1
6	HSS-0238	SETSCREW	4	40	611327 01	SPACER TUBE	2
7	WSH-0065	WASHER	2	41	122086 01	MOTOR COUPLING	1
8	RAM-0001	DOUBLE ACTING RAM	2	42	SCW-4543	GRUBSCREW	2
9	WSH-0030	WASHER	4	43	K0807030	KEY	1
10				44	SCW-0139	CAP HD SCREW	1
11	BLTA20590	BOLT	2	45	WSH-0058	WASHER	3
12	BRG-0240	BEARING	2	46	612388 01	MOTOR SUPPORT PLATE	3
13	SCW-1600	CSK SOC HD SCREW	20	47	612597 01	CHAIN RUNNER	3
14	WSH-0015	WASHER	13	48	MOTH08000	HYD MOTOR	1
15	NUT-0265	NUT	7	49	RCL-0015	R-CLIP	1
16	612598 01	2m CONVEYOR FRAME W/A	1	50	612600 01	FILL IN PLATE	1
17	611358 01	WEAR STRIP	2	51	HSS-0082	SETSCREW	2
18	SCW-1580	CSK SOC HD SCREW	10	52	CHN-13543	1 3/8" P CHAIN	17
19	WSH-0009	WASHER	47	53	612593 01	SLAT	2
20	NUT-0260	NUT	47	54	HSS-0140	SETSCREW	22
21	611235 02	CHAIN RUNNER	4	55	612601 01	ANTI-WRAP PLATE	88
22	BLTA08560	BOLT	4	56	613227 01	DEFLECTOR PLATE	1
23	WSH-0012	WASHER	4	57	613227 02	DEFLECTOR PLATE	1
24	NUT-0263	NUT	126	58			
25	611827 01	2m MAIN CHASSIS PLATE	114	59			
26	WSH-0058	WASHER	1	60			
27	HSS-0140	SETSCREW	16	61	190119 12	WASHER	2
28	611303 01	IDLE AXLE	34	62	BSH-3070	BUSH	4
29	611306 01	SPACER TUBE	1	63	NIP-00610	GREASE NIPPLE	2
30	611313 01	SUPPORT PLATE RH	2	64	HSS-0250	SETSCREW	2
31	611313 02	SUPPORT PLATE LH	1	65	WSH-0018	WASHER	2
32	611311 01	TENSIONING BRKT	2	66	NUT-0269	NYLOC NUT	2

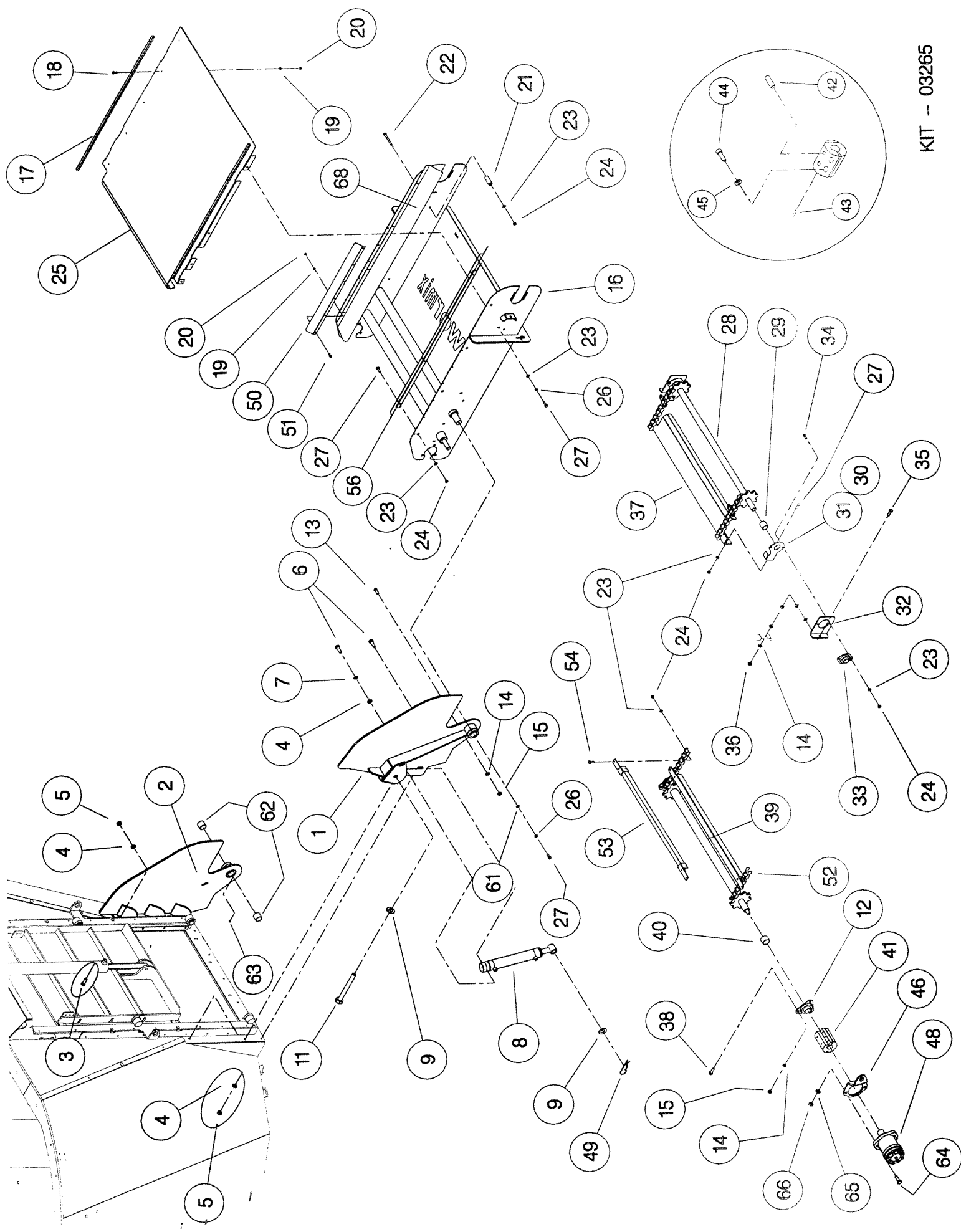
Shelbourne Reynolds Engineering Limited

KIT-03232		ASSY DESCRIPTION: 3m SIDE CONVEYOR KIT (8m ³ & 10m ³)					
ASSY NUMBER:	KIT-03232	DESCRIPTION	QTY	ITEM	PART NO	DESCRIPTION	QTY
1	613143 01	RH CONVEYOR MTG BRKT (107153,111163,102172 ON)	1	33	BRG-22505	BEARING	2
OR	612586 01	RH CONVEYOR MTG BRKT (UP TO & INC106153,110163)		34	BLT-2700	COACHBOLT	4
2	6113143 02	LH CONVEYOR MTG BRKT (107153,111163,102172 ON)	1	35	HSSA10680	BOLT	2
OR	612586 02	LH CONVEYOR MTG BRKT (UP TO & INC106153,110163)		36	NUT-0167	NUT	6
3	BLT-3790	COACHBOLT	2	37	611309 01	SHAFT COVER	1
4	WSH-0018	WASHER	6	38	BLT-3740	COACHBOLT	6
5	NUT-0269	NUT	4	39	612390 01	DRIVE SHAFT	1
6	HSS-0238	SETSCREW	4	40	611327 01	SPACER TUBE	2
7	WSH-0065	WASHER	2	41	122086 01	MOTOR COUPLING	1
8	RAM-0001	DOUBLE ACTING RAM	2	42	SCW-4543	GRUBSCREW	2
9	WSH-0030	WASHER	4	43	K0807030	KEY	1
10				44	SCW-0139	CAP HD SCREW	1
11	BLTA20590	BOLT	2	45	WSH-0058	WASHER	3
12	BRG-0240	BEARING	2	46	612388 01	MOTOR SUPPORT PLATE	3
13	SCW-1600	CSK SOC HD SCREW	24	47	612602 01	CHAIN RUNNER	1
14	WSH-0015	WASHER	13	48	MOTH08000	HYD MOTOR	4
15	NUT-0265	NUT	7	49	RCL-0015	R-CLIP	1
16	612596 01	3m CONVEYOR FRAME W/A	1	50	612600 01	FILL IN PLATE	1
17	611358 01	WEAR STRIP	2	51	HSS-0082	SETSCREW	2
18	SCW-1580	CSK SOC HD SCREW	10	52	CHN-13540	1 3/8" P CHAIN	8
19	WSH-0009	WASHER	51	53	612593 01	SLAT	2
20	NUT-0260	NUT	51	54	HSS-0140	SETSCREW	30
21	611235 02	CHAIN RUNNER	4	55	612601 01	ANTI-WRAP PLATE	120
22	BLTA08560	BOLT	4	56	613228 01	DEFLECTOR PLATE	1
23	WSH-0012	WASHER	170	57	613228 02	DEFLECTOR PLATE	1
24	NUT-0263	NUT	162	58			1
25	611333 01	3m MAIN CHASSIS PLATE	1	59			2
26	WSH-0058	WASHER	20	60			4
27	HSS-0140	SETSCREW	46	61	190119 12	WASHER	2
28	611303 01	IDLE AXLE	1	62	BSH-3070	BUSH	4
29	611306 01	SPACER TUBE	2	63	NIP-00610	GREASE NIPPLE	2
30	611313 01	SUPPORT PLATE RH	1	64	HSS-0250	SETSCREW	2
31	611313 02	SUPPORT PLATE LH	1	65	WSH-0018	WASHER	2
32	611311 01	TENSIONING BRKT	2	66	NUT-0269	NYLOC NUT	2



Shelbourne Reynolds Engineering Limited

KIT-03265		ASSY DESCRIPTION: 1m SIDE CONVEYOR KIT (8m ³ & 10m ³)					
ASSY NUMBER:	KIT-03265	DESCRIPTION	QTY	ITEM	PART NO	DESCRIPTION	QTY
1	612586 01	RH CONVEYOR MTG BRKT (107153,111163,102172 ON)	1	33	BRG-22505	BEARING	2
OR	612586 01	RH CONVEYOR MTG BRKT (UP TO & INC106153,110163)		34	BLT-2700	COACHBOLT	4
2	612586 02	LH CONVEYOR MTG BRKT (107153,111163,102172 ON)	1	35	HSSA10680	BOLT	2
OR	612586 02	LH CONVEYOR MTG BRKT (UP TO & INC106153,110163)		36	NUT-0167	NUT	6
3	BLT-3790	COACHBOLT	2	37	611309 01	SHAFT COVER	1
4	WSH-0018	WASHER	6	38	BLT-3740	COACHBOLT	6
5	NUT-0269	NUT	4	39	612390 01	DRIVE SHAFT	1
6	HSS-0238	SETScrew	4	40	611327 01	SPACER TUBE	2
7	WSH-0065	WASHER	2	41	122086 01	MOTOR COUPLING	1
8	RAM-0001	DOUBLE ACTING RAM	1	42	SCW-4543	SOCKET GRUBSCREW	2
9	WSH-0030	WASHER	2	43	K0807030	KEY	1
10	BLTA20590	BOLT	1	44	SCW-0139	CAP HD SCREW	3
11	BRG-0240	BEARING	2	45	WSH-0058	WASHER	3
12	WSH-0015	WASHER	19	46	612388 01	MOTOR SUPPORT PLATE	1
13	NUT-0265	NUT	13	47	MOTH08000	HYD MOTOR	1
14	612643 01	1m CONVEYOR FRAME W/A	1	48	RCL-0015	R-CLIP	1
15	612597 01	WEAR STRIP	2	49	612600 01	FILL IN PLATE	2
16	SCW-1600	CSK SOC HD SCREW	10	50	HSS-0082	SETScrew	12
17	WSH-0009	WASHER	22	51	CHN-13541	1 3/8" P CHAIN	2
18	NUT-0260	NUT	22	52	612593 01	SLAT	12
19	611235 02	CHAIN RUNNER	4	53	HSS-0140	SETScrew	48
20	BLTA08560	BOLT	4	54	613226 01	DEFLECTOR PLATE	1
21	WSH-0012	WASHER	74	55			
22	NUT-0263	NUT	66	56			
23	611359 01	MAIN CHASSIS PLATE	1	57			
24	WSH-0058	WASHER	12	58			
25	HSS-0140	SETScrew	22	59			
26	611303 01	IDLE AXLE	1	60			
27	611306 01	SPACER TUBE	2	61	190119 12	WASHER	2
28	611313 01	SUPPORT PLATE RH	1	62	BSH-3070	BUSH	4
29	611313 02	SUPPORT PLATE LH	1	63	NIP-00610	GREASE NIPPLE	2
30	611311 01	TENSIONING BRKT	2	64	HSS-0250	SETScrew	2
31			1	65	WSH-0018	WASHER	2
32			2	66	NUT-0269	NUT	2
			1	67	613226 02	DEFLECTOR PLATE	1
			2	68			

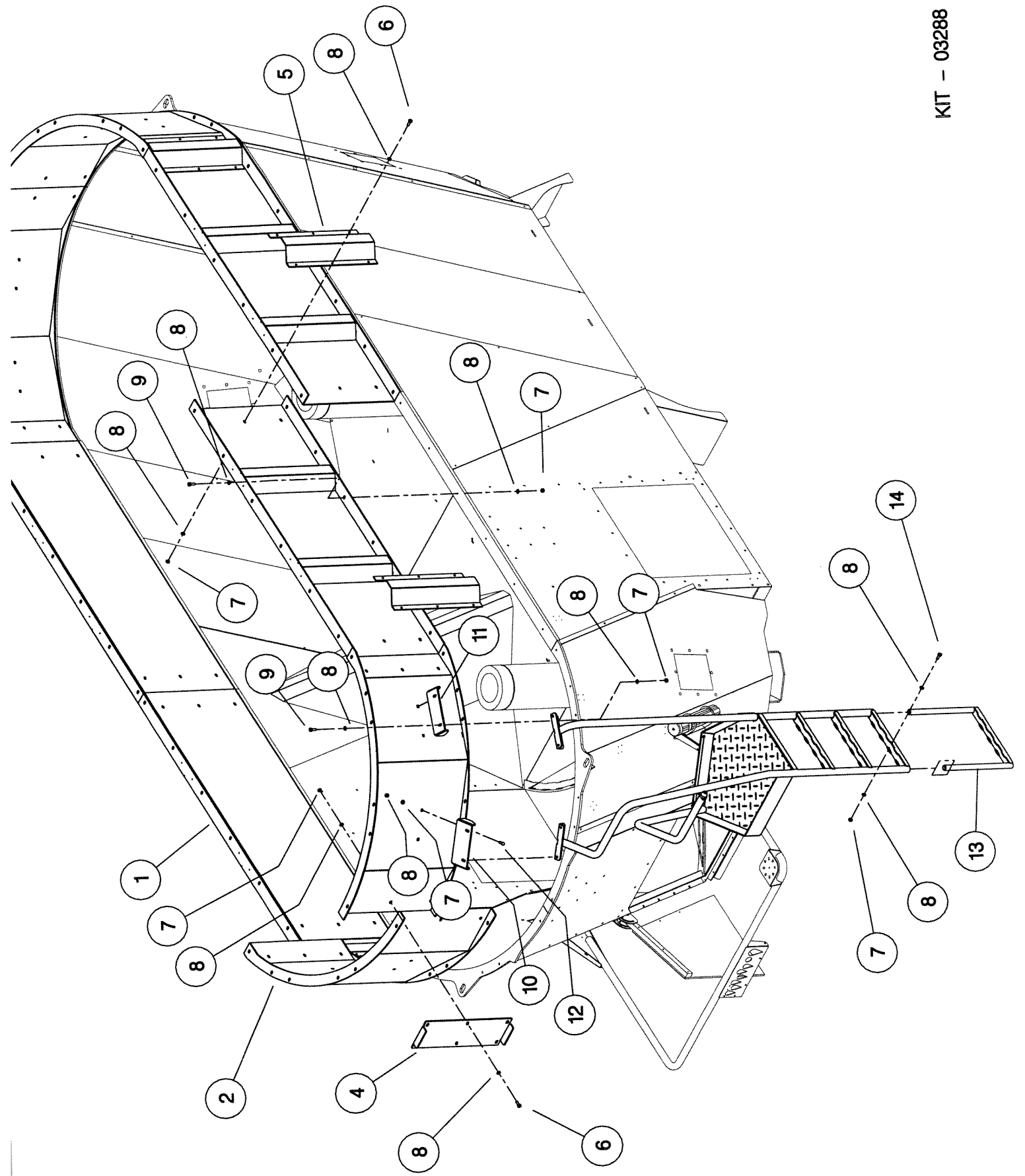


KIT -- 03265

Shelbourne Reynolds Engineering Limited

ASSY NUMBER: KIT-03288 SUB ASSY DESCRIPTION: 14 m³ -20 m³ (600mm) EXTENSION SERIAL No 101172 ONLY

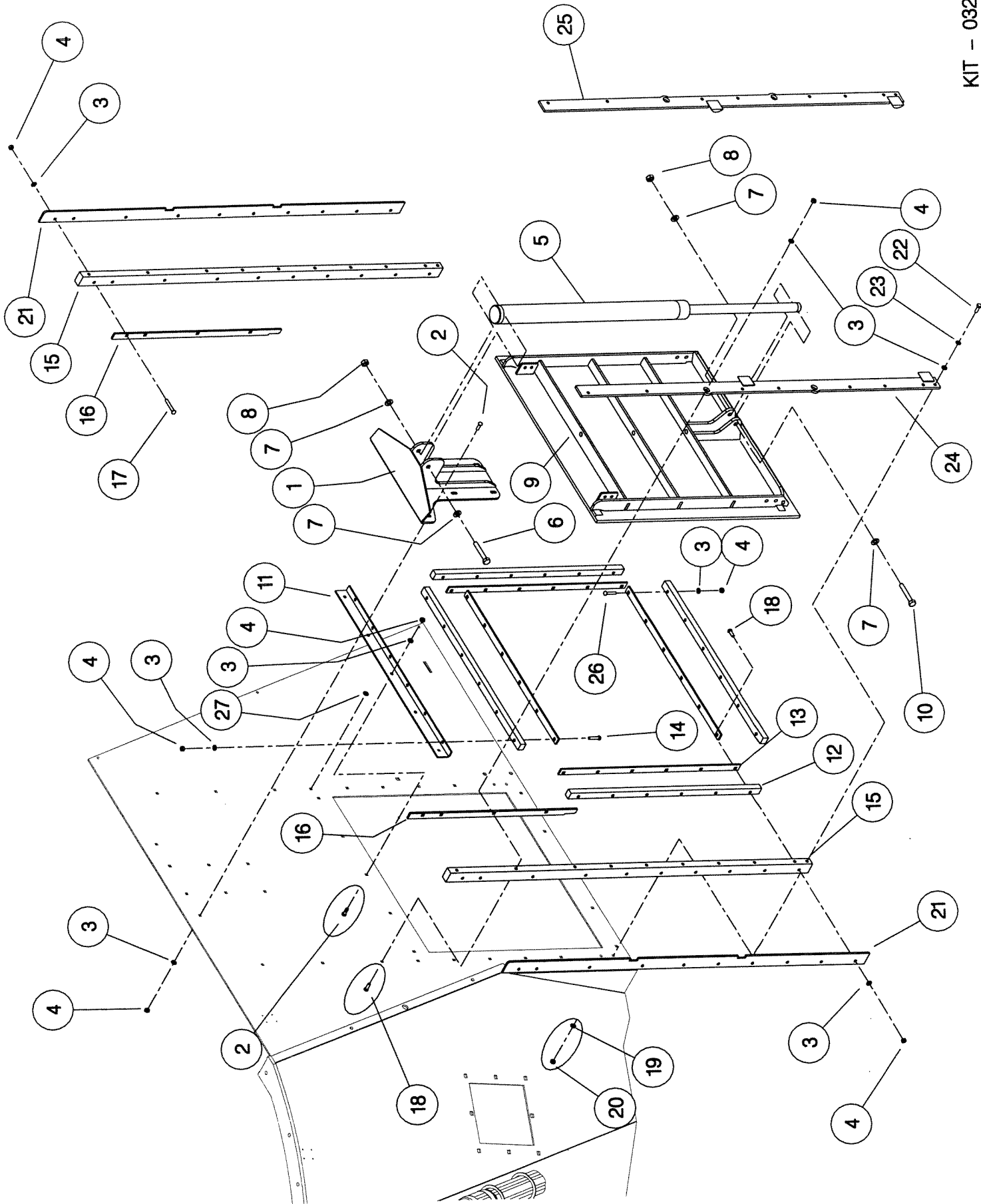
ITEM	PART NO	DESCRIPTION	QTY	ITEM	PART NO	DESCRIPTION	QTY
1	612844 01	SIDE EXTENTION	4				
2	612841 01	CURVED EXTENTION	3				
3	612846 01	CURVED EXTENTION	1				
4	612395 01	CLAMP PLATE	2				
5	612845 01	CLAMP PLATE	6				
6	HSS-0198	SETSCREW	48				
7	NUT-0265	NUT	84				
8	WSH-0015	WASHER	160				
9	HSS-0191	SETSCREW	24				
10	612483 01	PLATFORM BRACKET	1				
11	612484 01	PLATFORM BRACKET	1				
12	BLT-3750	COACHBOLT	8				
13	611554 01	LADDER EXTENSION	1				
14	BLTA10350	BOLT	4				



KIT - 03288

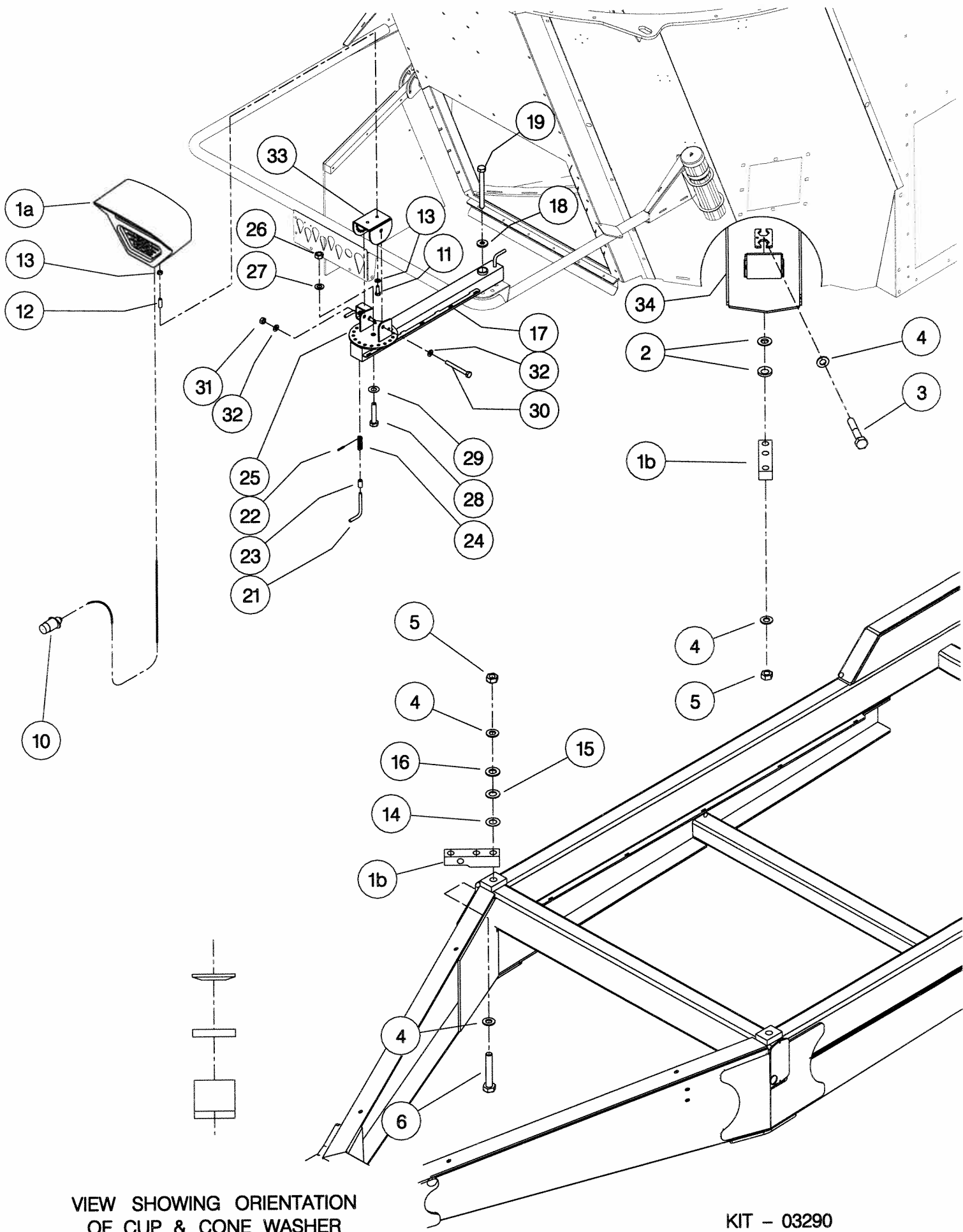
Shelbourne Reynolds Engineering Limited

KIT-03289		ASSY DESCRIPTION: FEED DOOR & RAM KIT (WITH SEALS)					
ASSY NUMBER:	PART NO	DESCRIPTION	QTY	ITEM	PART NO	DESCRIPTION	QTY
1	612810 01	TOP RAM BRACKET W/A	1				
2	BLTF08173	COACHBOLT	13				
3	WSH-0012	WASHER	67				
4	NUT-0263	NUT	63				
5	610908 01	HYDRAULIC RAM	1				
6	BLT-2270	BOLT	1				
7	WSH-0018	WASHER	4				
8	NUT-0269	NUT	2				
9	611560 01	DOOR W/A	1				
10	BLTA12440	BOLT	1				
11	610941 01	TOP SEAL PLATE	1				
12	610937 01	DOOR SEAL	4				
13	610936 01	CLAMP STRIP	4				
14	BLTF08290	COACHBOLT	6				
15	611563 01	VERTICAL FRAME	2				
16	610943 01	DOOR RUNNER	4				
17	BLTF08380	COACHBOLT	8				
18	BLTF08443	COACHBOLT	28				
19	WSH-1038	WASHER	4				
20	NUT-0164	NUT	4				
21	612858 01	CAPPING PLATE	2				
22	BLTA08440	BOLT	4				
23	WSH-0058	WASHER	2				
24	612085 01	KEEP PLATE LH	1				
25	612085 02	KEEP PLATE RH	1				
26	BLTF08293	COACHBOLT	6				
27	611830 01	WASHER	2				



Shelbourne Reynolds Engineering Limited

KIT-03290		SUB ASSY DESCRIPTION: LOADCELL KIT BEAM TYPE (TWIN AUGER)					
ASSY NUMBER:	PART NO	DESCRIPTION	QTY	ITEM	PART NO	DESCRIPTION	QTY
1	LCL-00028	WEIGHING SYSTEM	1				
1a	LCL-00027	LOADCELL COMPUTER HEAD	1				
1b	LCL-00023	LOADCELL BEAM	4				
2	WSHA45245	CUP & CONE WASHER	4				
3	BLTA24590	BOLT	8				
4	WSH-0036	WSHER	20				
5	NUT-0275	NUT	12				
6	BLTA24650	BOLT	4				
7							
8							
9							
10	PLG-0005	7 PIN PLUG	1				
11	HSS-0191	BOLT	1				
12	PIN-41011	ROLL PIN	1				
13	WSH-0061	WASHER	1				
14	612971 03	LOADCELL SPACER	4				
15	612971 02	LOADCELL SPACER	4				
16	612971 01	LOADCELL SPACER	4				
17	613104 01	CONTROL BOX SUPP ARM	1				
18	190119 99	WASHER	1				
19	BLTA16810	BOLT	1				
20							
21	613105 01	SPRUNG HANDLE	3				
22	PIN-1620	PIN	3				
23	613112 01	STOP TUBE	3				
24	SPGC22015	SPRING	3				
25	613109 01	HEAD PIVOT MOUNT	1				
26	NUT-0271	NUT (M16 NYLOC)	1				
27	WSH-0024	WASHER	2				
28	BLT-2320	BOLT	1				
29	121132 03	SPACER	1				
30	BLTA12590	BOLT	1				
31	NUT-0269	NUT	1				
32	WSH-0018	WASHER	2				
33	613114 01	HEAD PIVOT PLATE	1				
34	613259 01	LOADCELL FIXING PLATE	4				

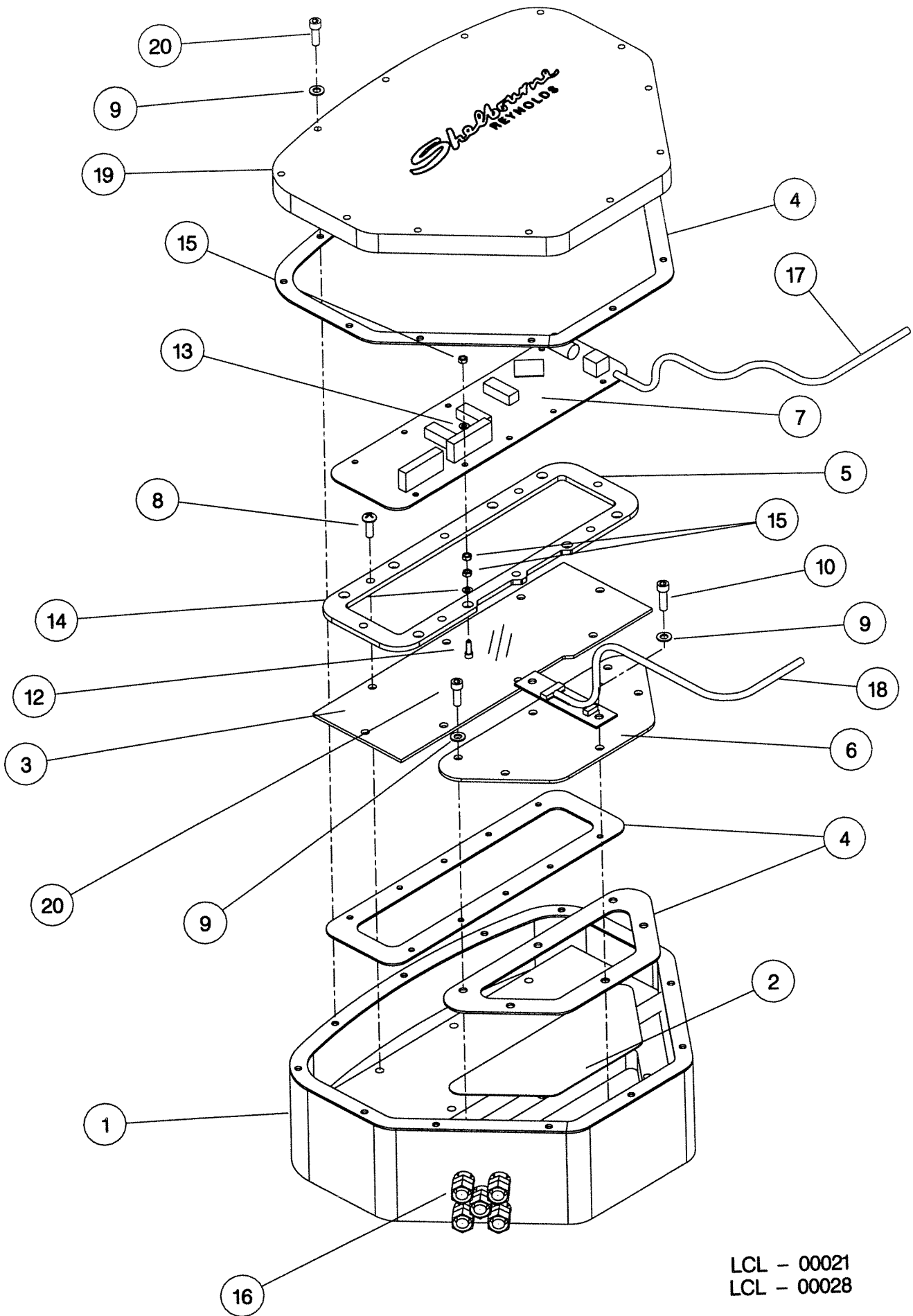


VIEW SHOWING ORIENTATION
OF CUP & CONE WASHER

KIT - 03290
KIT - 03349

Shelbourne Reynolds Engineering Limited

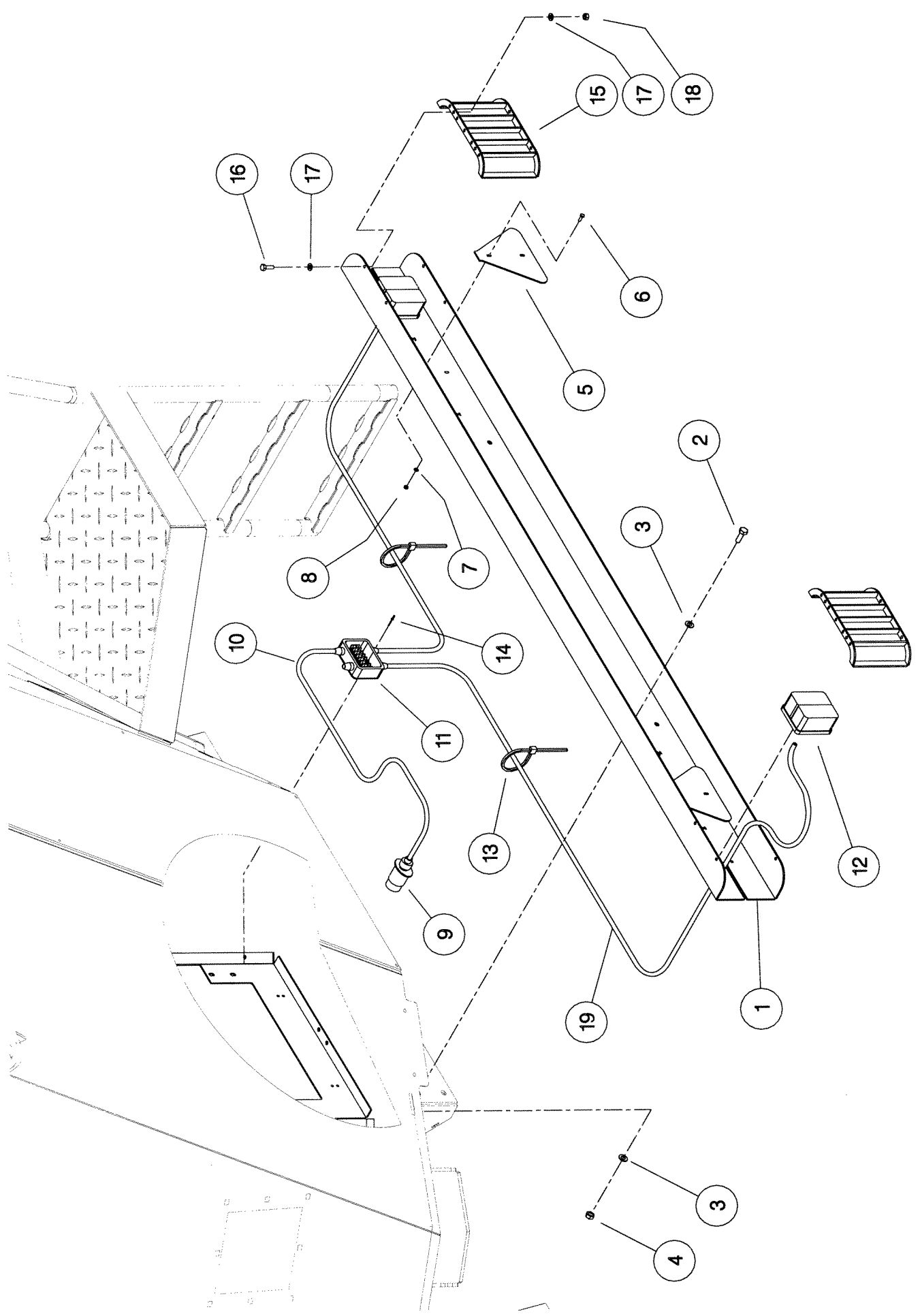
ASSY NUMBER: LCL-00028		SUB ASSY DESCRIPTION: WEIGH HEAD SYSTEM (4 POINT SYSTEM)					
ITEM	PART NO	DESCRIPTION	QTY	ITEM	PART NO	DESCRIPTION	QTY
1	611608 01	BODY CASTING	1				
2	LCL-00026	KEYPAD	1				
3	611735 01	PERSPEX COVER	1				
4	611806 01	GASKET PK	1				
5	611733 01	FIXING PLATE	1				
6	611734 01	COVER PLATE KEYPAD COVER	1				
7	LCL-00025	CIRCUIT BRD	1				
8	SCW-3695	SCREW	8				
9	WSH-0056	WASHER	18				
10	SCW-0083	SCREW SCKT HD	2				
11							
12	SCW-1510	SCREW	8				
13	WSH-0003	WASHER	8				
14	WSHA20041	WASHER	8				
15	NUT-0155	NUT	24				
16	CBG-00123	GLANDS ROUND	6				
17	1LCL-01007	POWER CABLE ASS	1				
18	LCL-01008	LIGHT/BUZZER CBL	1				
19	611609 01	LID CASTING	1				
20	SCW-0081	SCREW	18				



LCL - 00021
 LCL - 00028

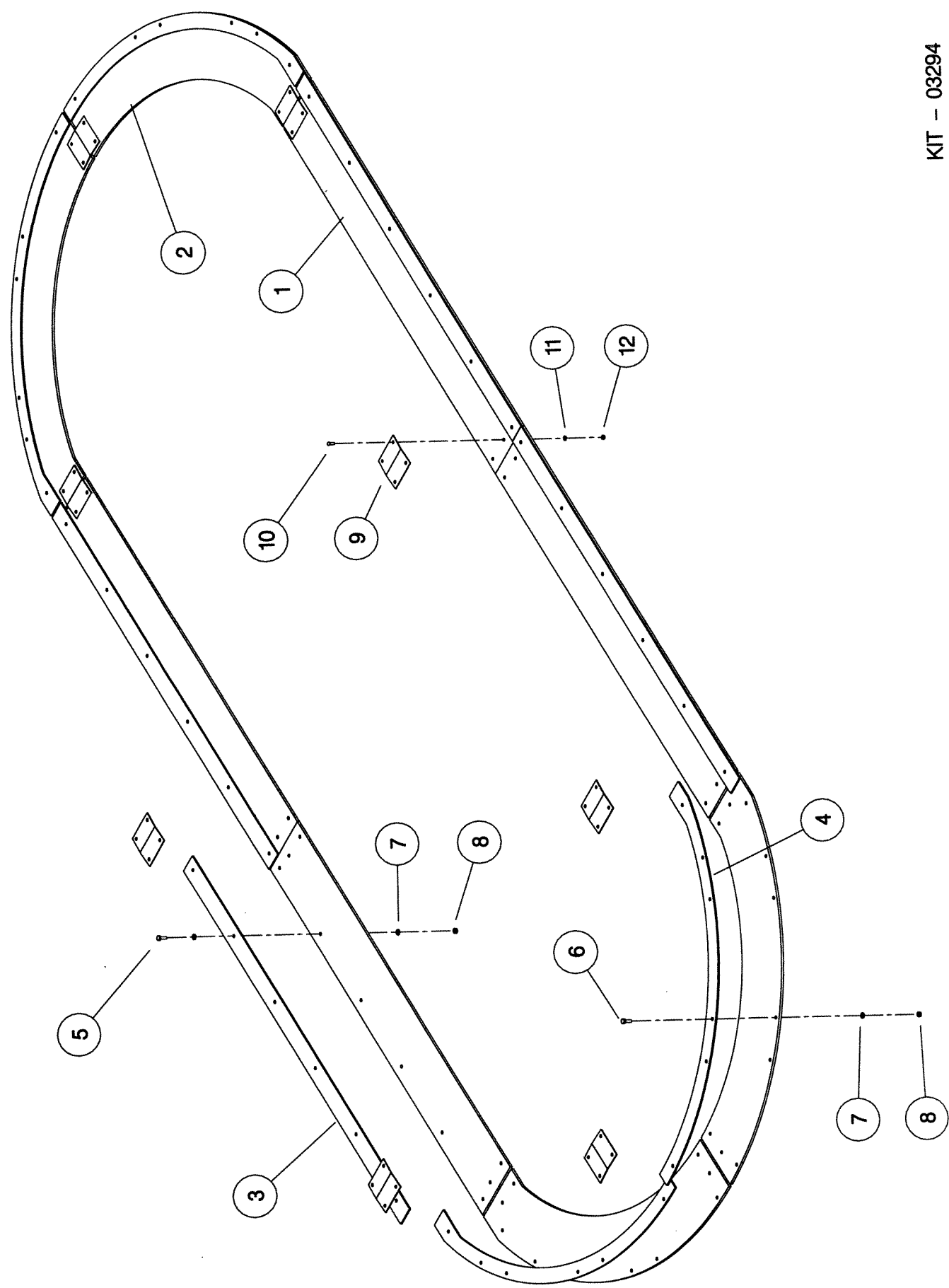
Shelbourne Reynolds Engineering Limited

KIT-03293		ASSY DESCRIPTION: TWIN TUB LIGHTS KIT					
ASSY NUMBER:	PART NO	DESCRIPTION	QTY	ITEM	PART NO	DESCRIPTION	QTY
1	612861 01	LIGHT BOARD	1				
2	HSS-0191	SETSCREW	4				
3	WSH-0015	WASHER	8				
4	NUT-0265	NUT	4				
5	REF-0030	REFLECTOR	2				
6	HSS-0065	SETSCREW	4				
7	WSH-0006	WASHER	4				
8	NUT-0258	NUT	4				
9	PLG-0005	7 PIN PLUG	1				
10	CBL-03530	CABLE	15m				
11	JNC-0000	JUNCTION BOX	1				
12	LMP-10400	LIGHT CLUSTER	2				
13	TIE-0004	CABLE TIE	20				
14	POP-0007	POP RIVET	2				
15	612548 01	LIGHT GUARD W/A	2				
16	HSS-0145	SETSCREW	8				
17	WSH-0012	WASHER	8				
18	NUT-0263	NUT	8				
19	CBL-03210	4 CORE CABLE	5m				



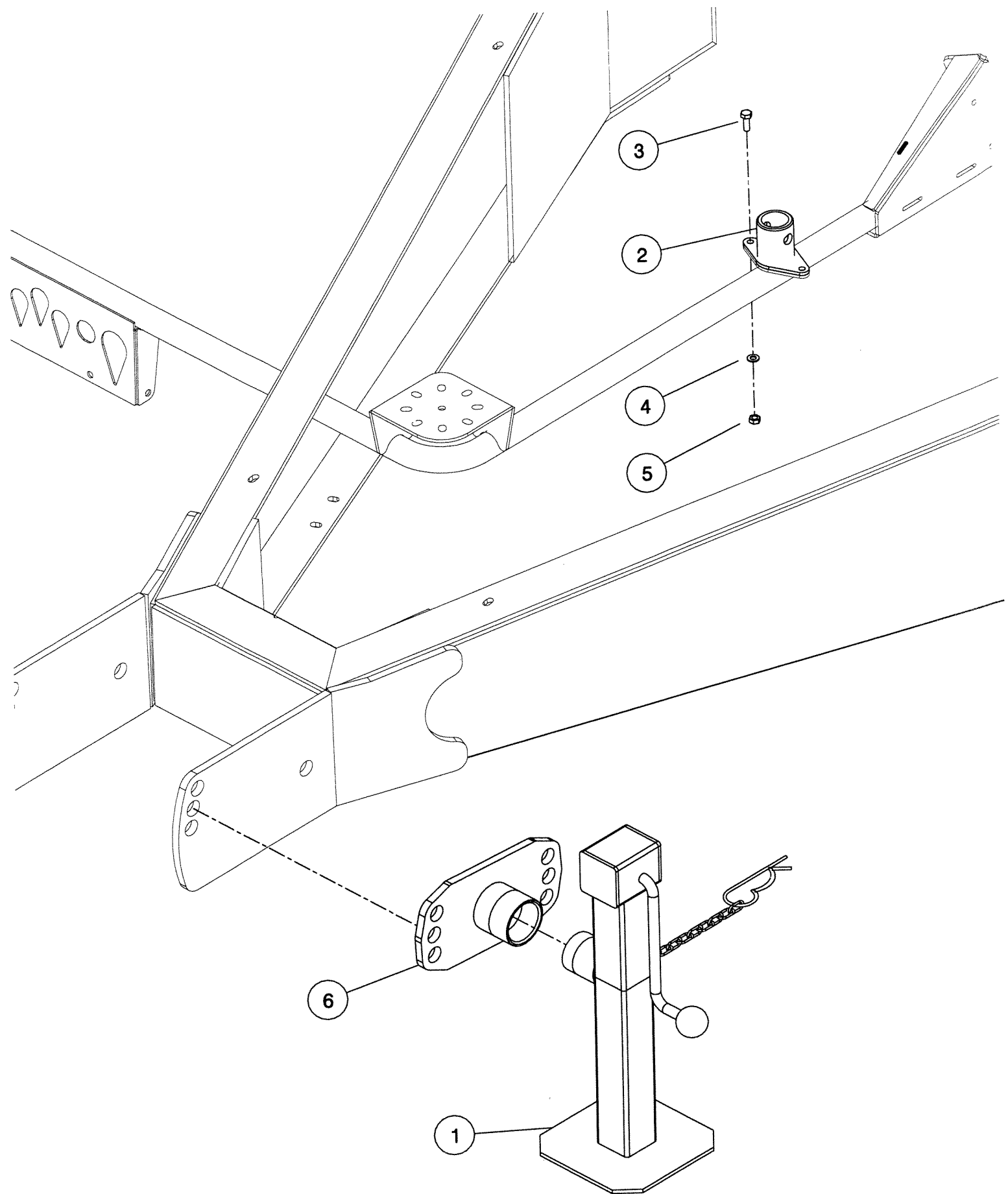
Shelbourne Reynolds Engineering Limited

KIT-03294		ASSY DESCRIPTION: TWIN TUB RUBBER RETAINING KIT					
ASSY NUMBER:							
ITEM	PART NO	DESCRIPTION	QTY	ITEM	PART NO	DESCRIPTION	QTY
1	612820 01	RUBBER SECTION	4				
2	610982 01	RUBBER SECTION	4				
3	612818 01	STRAIGHT CLAMP STRIP	4				
4	612817 01	CURVED CLAMP STRIP	4				
5	BLTA10350	SETSCREW	24				
6	BLTA10290	SETSCREW	24				
7	WSH-0015	WASHER	48				
8	NUT-0265	NUT	48				
9	611051 01	CLAMP STRIP	16				
10	BLT-2700	COACHBOLT	32				
11	WSH-0012	WASHER	32				
12	NUT-0263	NUT	32				



Shelbourne Reynolds Engineering Limited

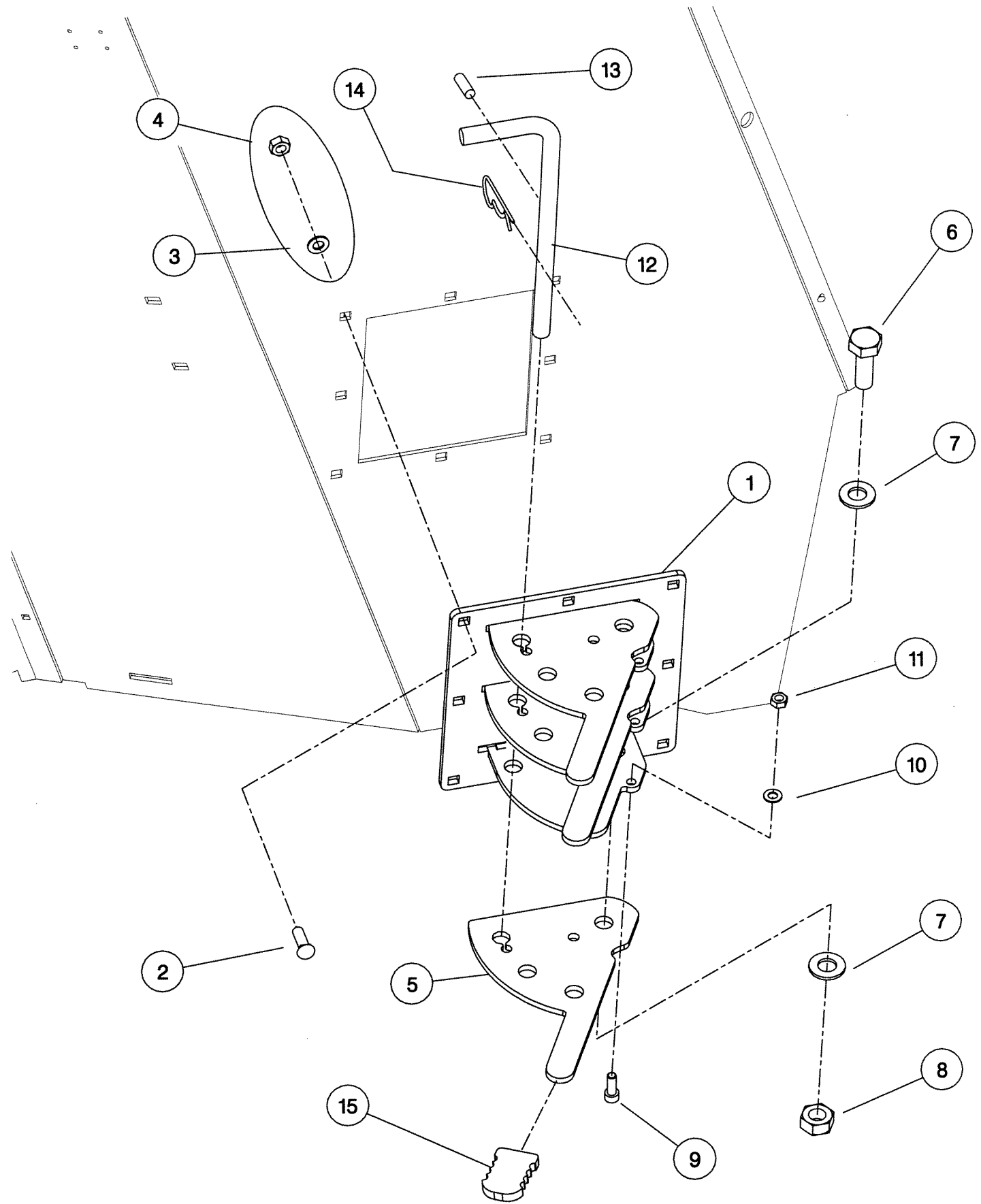
ASSY NUMBER:		SUB ASSY DESCRIPTION: PARK.JACK KIT (TWIN TUB)					
ITEM	PART NO	DESCRIPTION	QTY	ITEM	PART NO	DESCRIPTION	QTY
1	JAC-00020	PARKING JACK	1				
2	610568 01	JACK STOW BRACKET	1				
3	HSS-0145	SET SCREW	2				
4	WSH-0012	PLAIN WASHER	2				
5	NUT-0263	NYLOC NUT	2				
6	612859 01	PARKING JACK FIXING	1				



KIT - 03295

Shelbourne Reynolds Engineering Limited

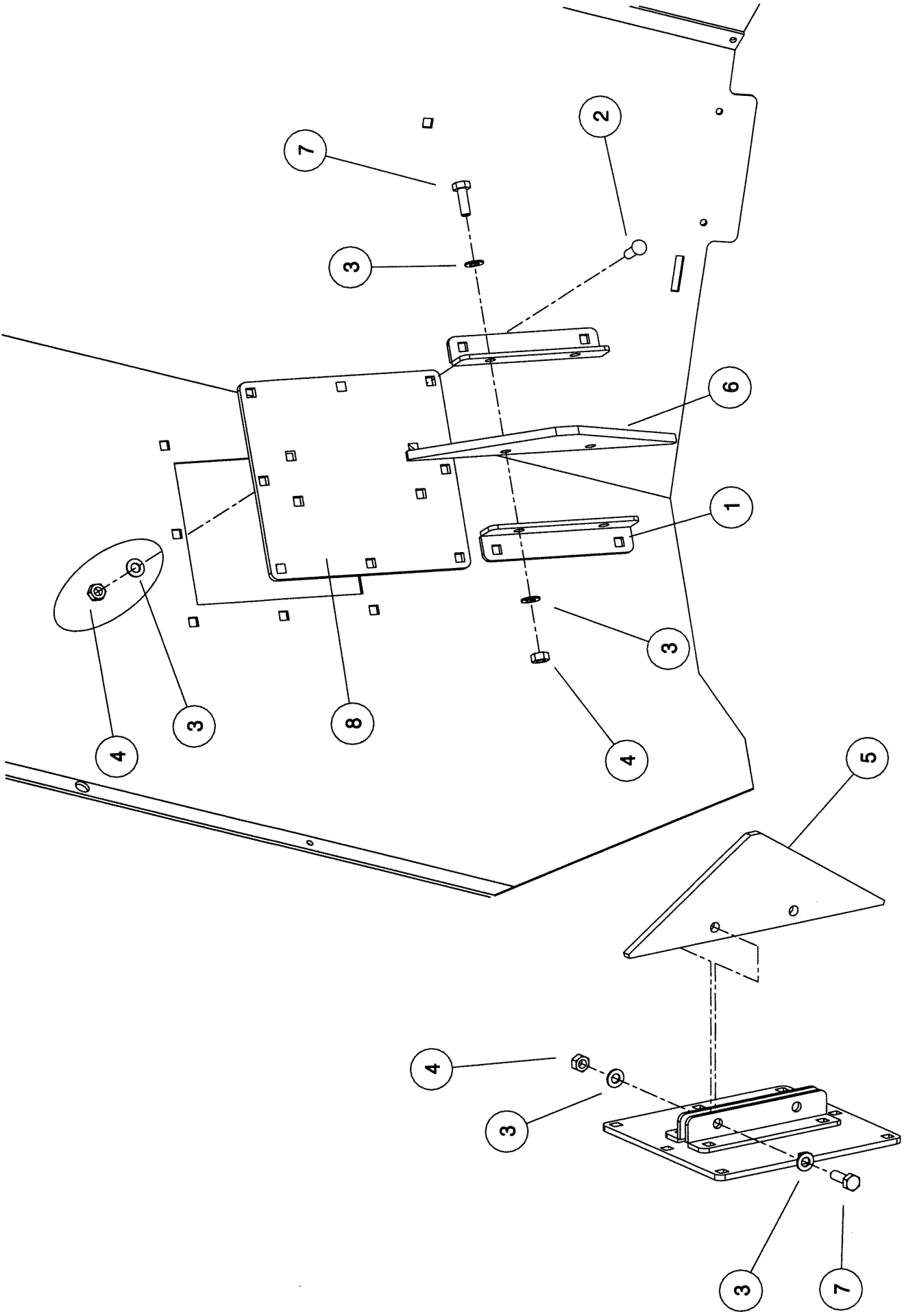
KIT-03296		SUB ASSY DESCRIPTION: ANTI-ROTATION BLADE KIT					
ASSY NUMBER:							
ITEM	PART NO	DESCRIPTION	QTY	ITEM	PART NO	DESCRIPTION	QTY
1	612983 01	BLADE MOUNTING ASSY	4				
2	BLT-3800	COACHBOLT	32				
3	WSH-0018	WASHER	32				
4	NUT-0269	NUT	32				
5	612872 01	ANTI-ROTATION BLADE	12				
6	HSS-0355	SETSCREW	12				
7	WSH-0030	WASHER	24.				
8	NUITA02200	NUT	12				
9	SCW-0190	SOCKET CAP HD SCREW 12	12				
10	WSH-0015	WASHER	12				
11	NUT-0265	NUT	4				
12	612874 01	BLADE LOCKING SHAFT	4				
13	PIN-1783	ROLL PIN	4				
14	CLP-00106	R-CLIP	4				
15	PTF-00025	HANDLE GRIP	12				



KIT - 03296

Shelbourne Reynolds Engineering Limited

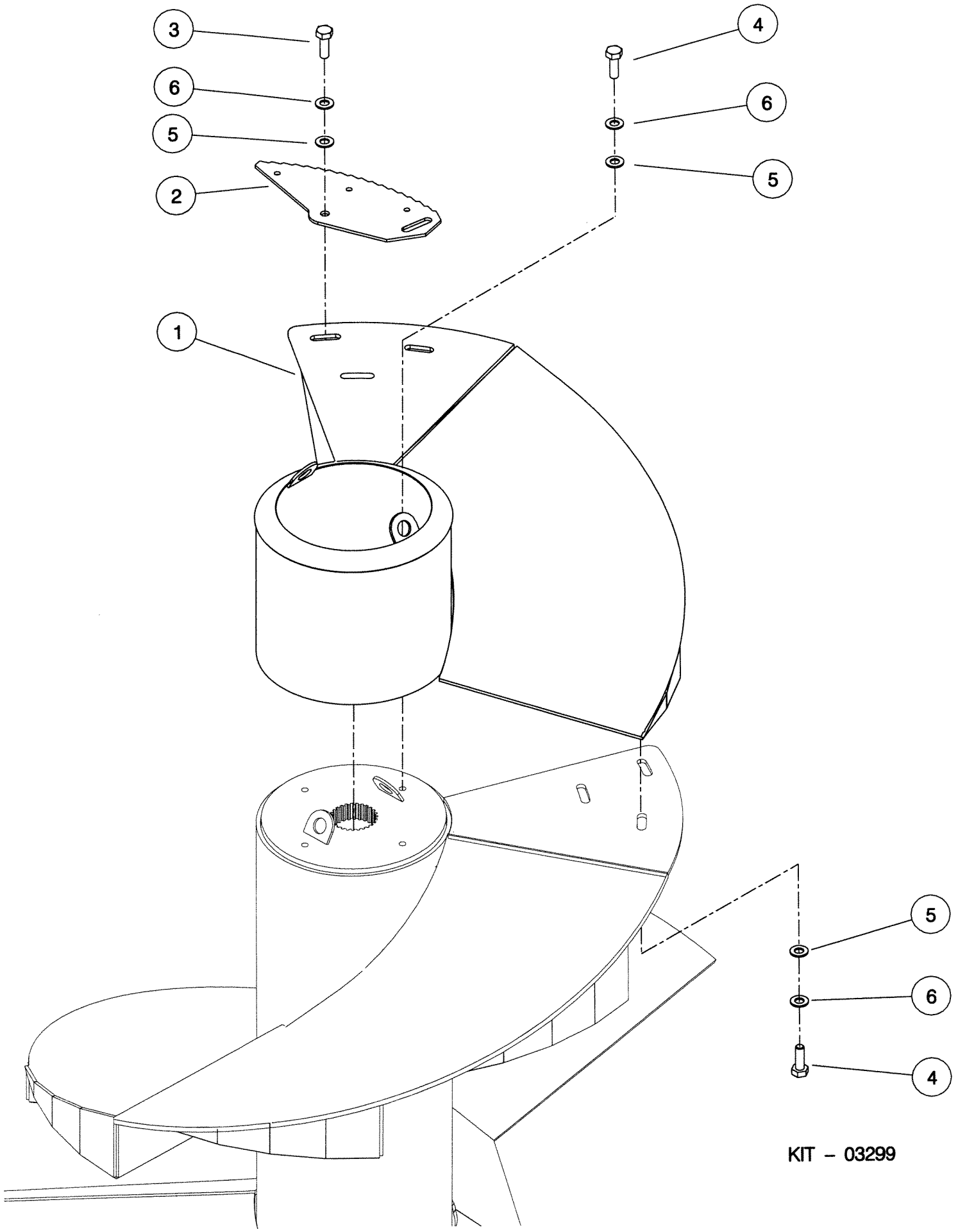
ASSY NUMBER: KIT-03298		SUB ASSY DESCRIPTION: (FIXED RETARDER KIT)				QTY
ITEM	PART NO	DESCRIPTION	QTY	ITEM	PART NO	DESCRIPTION
1	612489 01	ANTI-ROTATION BRKT	8			
2	BLT-3790	COACHBOLT	48			
3	WSH-0018	WASHER	56			
4	NUT-0269	NUT	56			
5	610934 01	LARGER ANTI-ROTATION PLATE	2			
6	612490 01	SMALL ANTI-ROTATION PLATE	2			
7	HSS-0260	SETSCREW	8			
8	612866 01	BLANKING PLATE	4			



KIT - 03298

Shelbourne Reynolds Engineering Limited

KIT-03299		SUB ASSY DESCRIPTION:AUGER EXTENSION KIT (300mm)					
ASSY NUMBER:	KIT-03299	SUB ASSY DESCRIPTION:AUGER EXTENSION KIT (300mm)					
ITEM	PART NO	DESCRIPTION	QTY	ITEM	PART NO	DESCRIPTION	QTY
1	612912 01	AUGER EXTENSION W/A	1				
2	610256 01	BLADE	1				
3	HSS-0316	SETSCREW	3				
4	HSS-0317	SETSCREW	6				
5	WSH-0025	WASHER	9				
6	WSH-0070	WASHER	9				

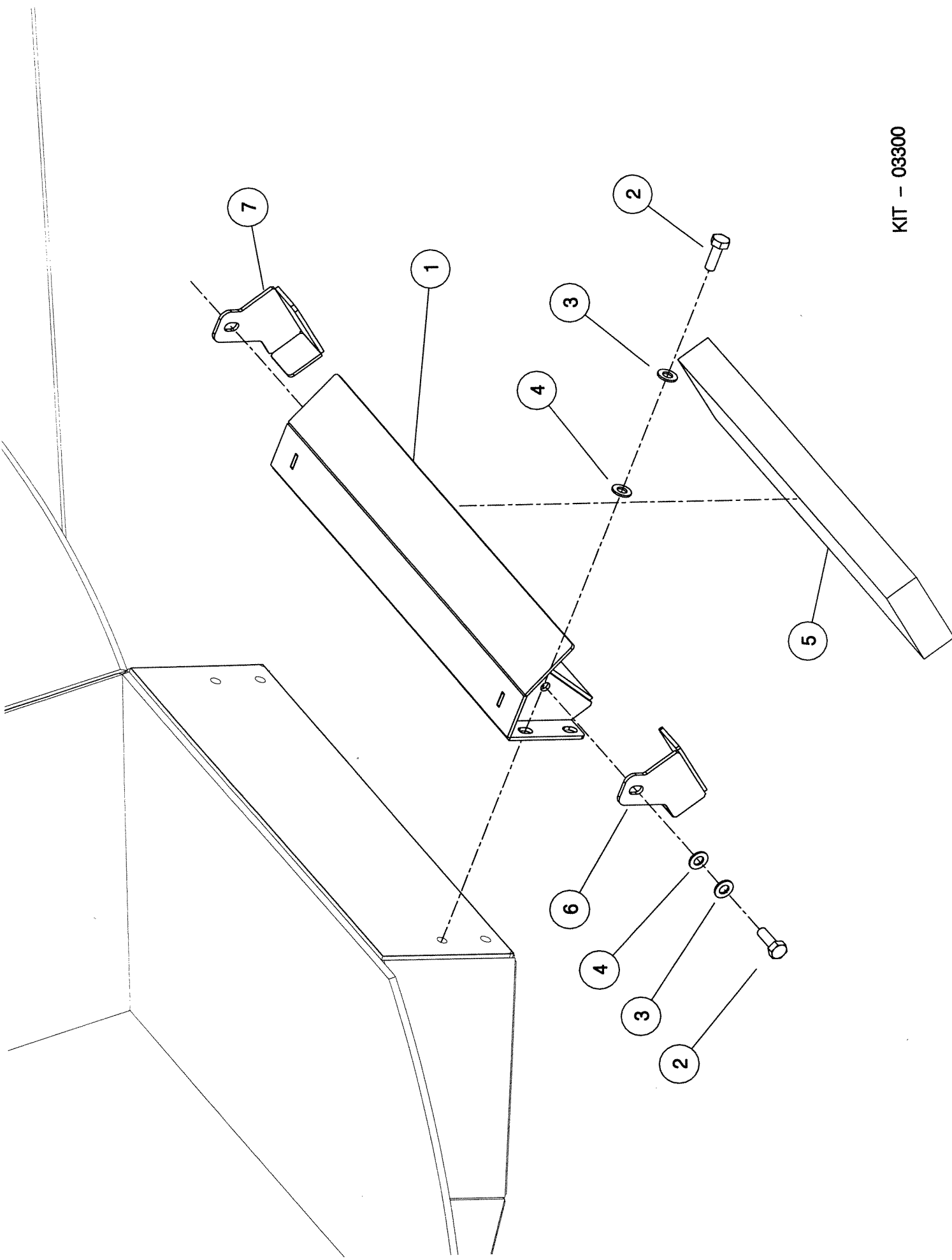


KIT - 03299

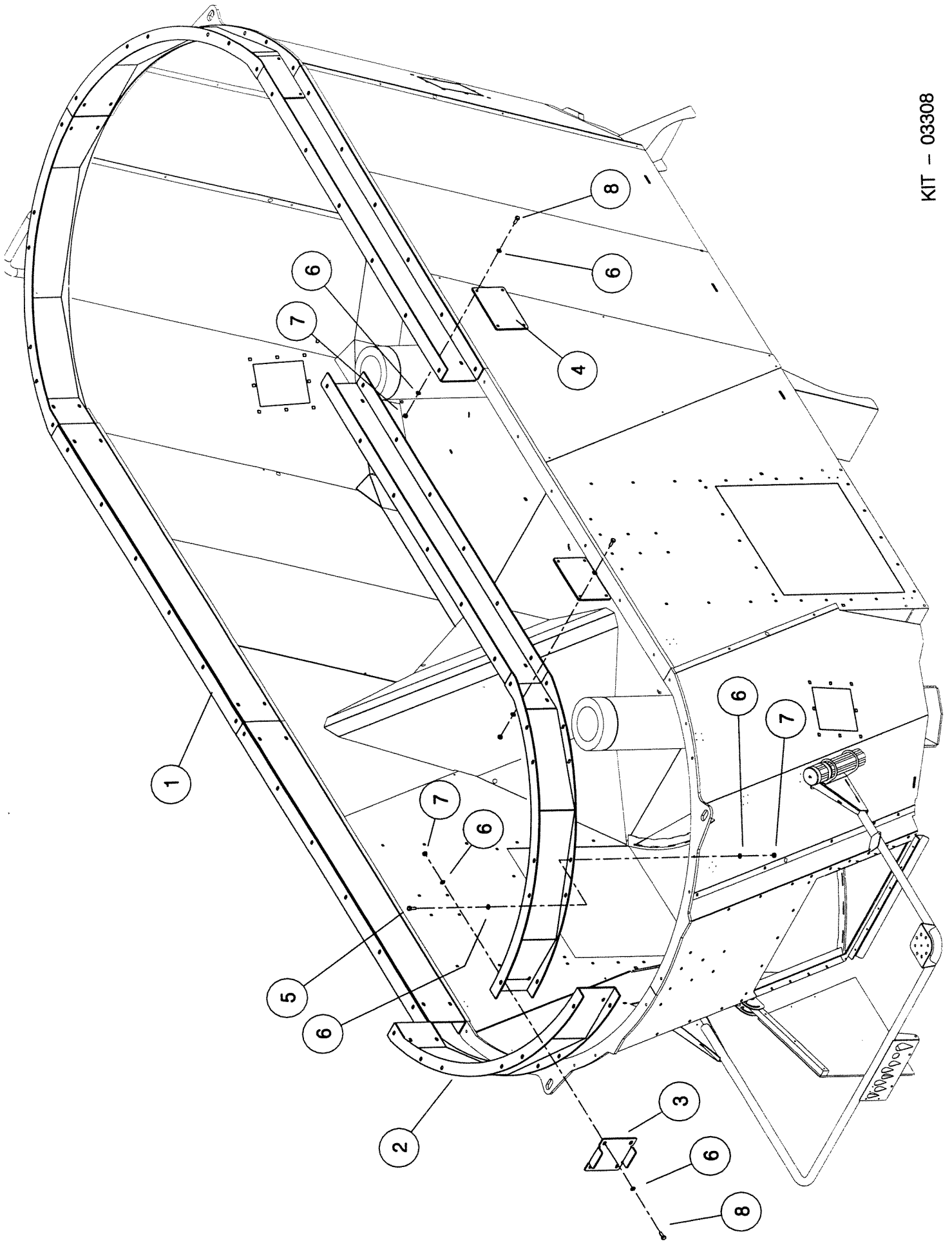
Shelbourne Reynolds Engineering Limited

ASSY NUMBER: KIT-03300 SUB ASSY DESCRIPTION: AUGER MAGNET KIT

ITEM	PART NO	DESCRIPTION	QTY	ITEM	PART NO	DESCRIPTION	QTY
1	612914 01	MAGNET BRACKET W/A	1				
2	HSS-0191	SETSCREW	6				
3	WSH-0061	WASHER	6				
4	WSH-0015	WASHER	4				
5	MAG-????	MAGNET	1				
6	612919 01	RETAINER BRACKET LH	1				
7	612919 02	RETAINER BRACKET RH	1				

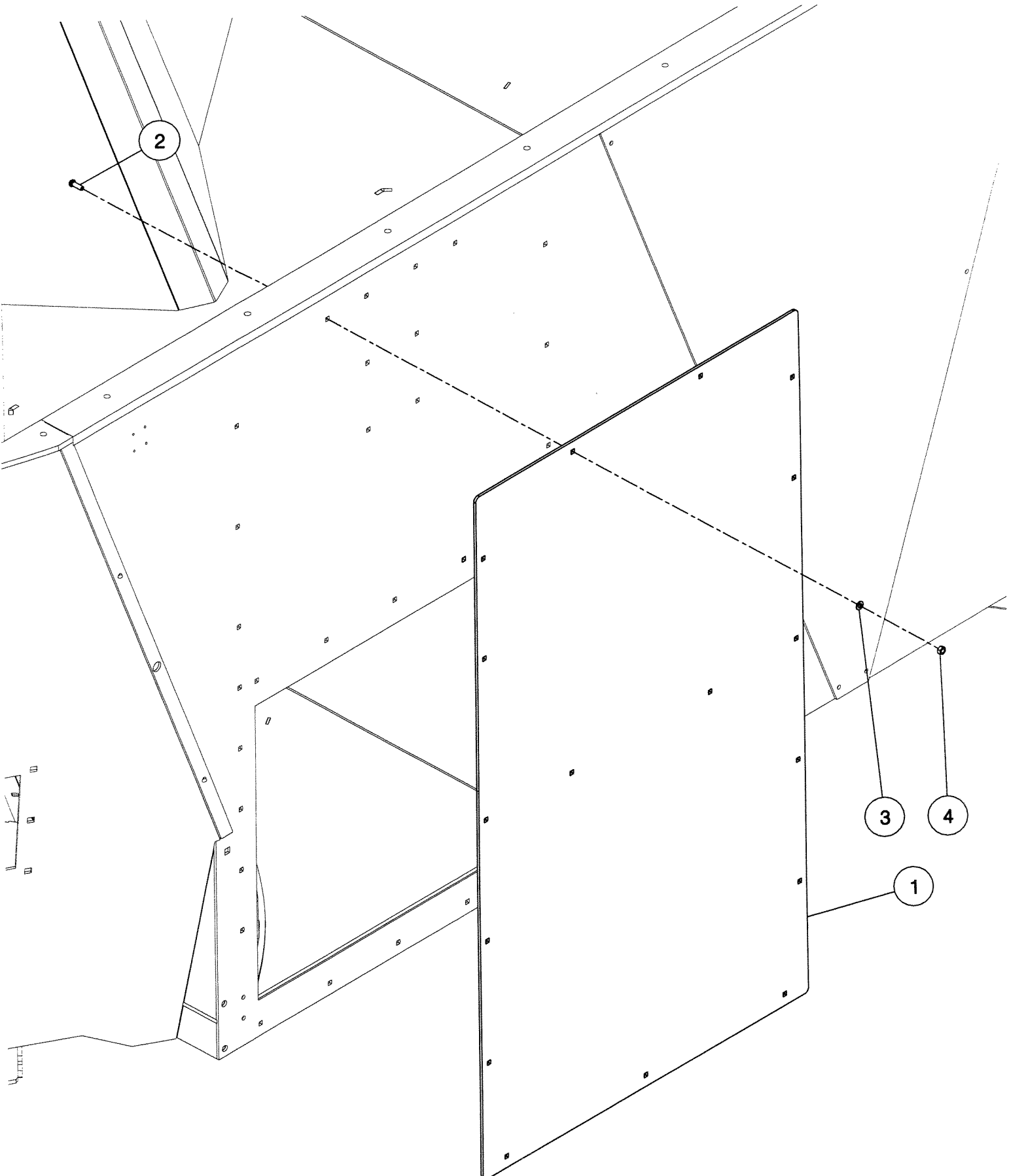


KIT - 03300



Shelbourne Reynolds Engineering Limited

KIT-03320		ASSY DESCRIPTION: TWIN AUGER SIDE DOOR BLANKING PLATE KIT					
ASSY NUMBER:	KIT-03320	ASSY DESCRIPTION:	TWIN AUGER SIDE DOOR BLANKING PLATE KIT				
ITEM	PART NO	DESCRIPTION	QTY	ITEM	PART NO	DESCRIPTION	QTY
1	613032 01	DOOR BLANK PLATE	1				
2	BLTF08173	COACHBOLT	17				
3	WSH-0012	WASHER	17				
4	NUT-0263	NYLOC NUT	17				

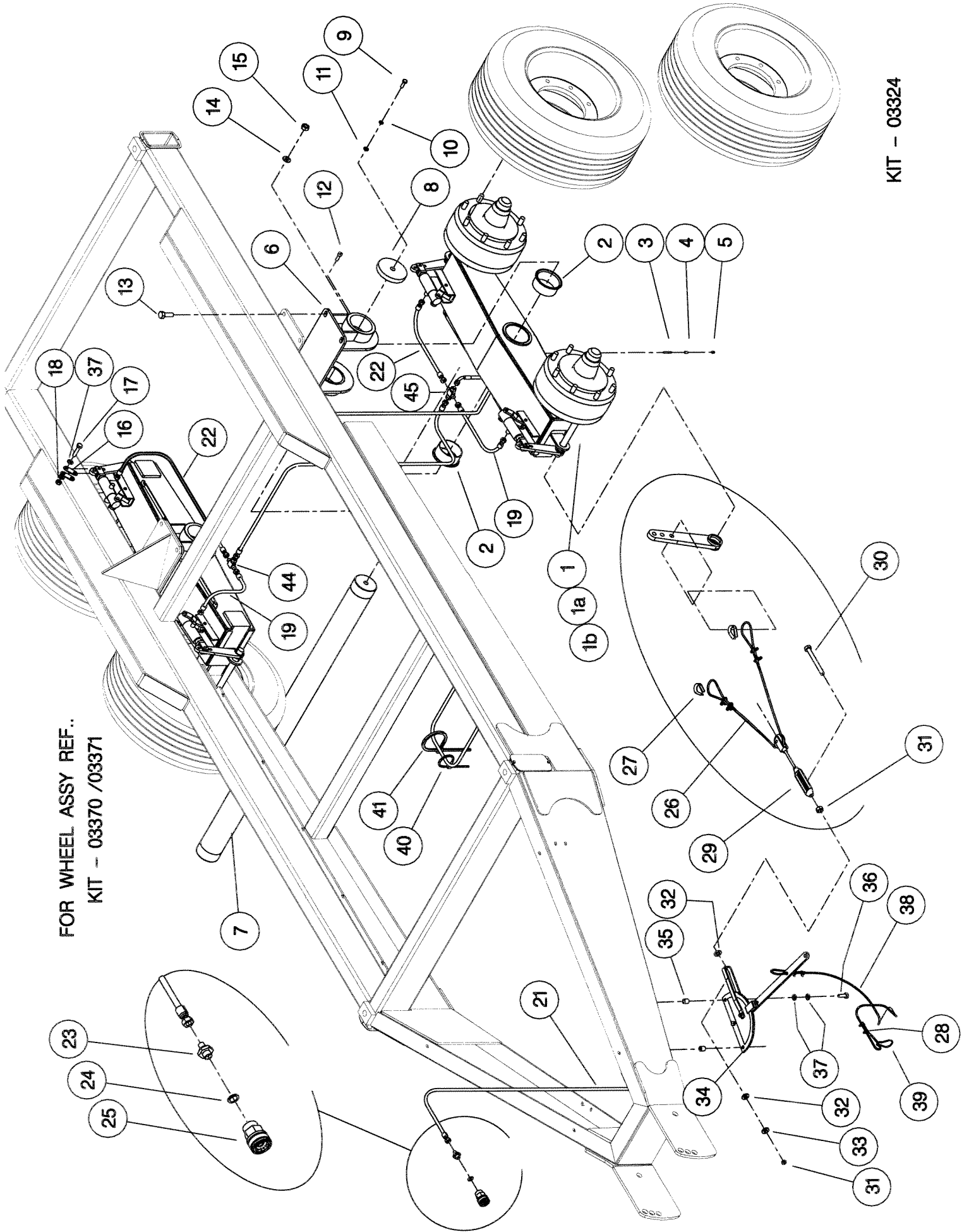


KIT-03320

Shelbourne Reynolds Engineering Limited

KIT-03324		ASSY DESCRIPTION: 14m ³ BRAKED TANDEM AXLE SUB ASSY					
ASSY NUMBER:	PART NO	DESCRIPTION	QTY	ITEM	PART NO	DESCRIPTION	QTY
1	612781 01	BOGEY WELD ASSY	2	34	590222 01	HANDBRAKE LEVER ASSY	1
1a	NUTF20186	WHEEL NUT	32	35	610923 01	SPACER	2
1b	AXL-15005	WASHER	32	36	HSS-0260	SETSCREW	2
2	BSHN10065	BUSH	4	37	WSH-0018	PLAIN WASHER	20
3	193077 02	GREASING PIPE	2	38	WRP-00040	CABLE	4.0m
4	193078 01	GREASE TUBE ADAPTOR	2	39	WRP-03000	SNAP HOOK	1
5	NIP-00600	GREASE NIPPLE	2	40	TIE-0004	TIE WRAP	6
6	612777 01	BOGEY SWIVEL ASSY	2	41	TIE-0012	TIE WRAP	4
7	612782 01	BOGEY SHAFT	1				
8	612784 01	END DISC	2				
9	HSS-0355	SETSCREW	2	44	HMT-0010	TEE FITTING	1
10	WSH-0075	SPRING WASHER	2	45	FITA11103	4 WAY TEE FITTING	1
11	WSH-0030	PLAIN WASHER	2				
12	SCW-4600	GRUBSCREW	4				
13	HSS-0317	SETSCREW	8				
14	WSH-0025	PLAIN WASHER	8				
15	NUT-0271	NYLOC NUT	8				
16	590153 01	BRAKE RAM PLATE	8				
17	HSS-0265	SETSCREW	8				
18	NUT-0269	NYLOC NUT	8				
19	HHAC03405	HOSE ASSY	2				
20	HHAC06005	HOSE ASSY	1				
21	HHBC80005	HOSE ASSY	1				
22	HHBC07505	HOSE ASSY	2				
23	HMA-0055	HYD ADAPT	1				
24	WSH-1015	DOWTY WASHER	1				
25	HQR-10007	QUICK RELEASE COUPLING	1				
26	WRP-00040	CABLE	7.0m				
27	WRP-01040	THIMBLE	2				
28	WRP-02040	CABLE CLAMP	8				
29	ADL-00120	ADJUSTER ASSEMBLY	1				
30	HSS-0155	SETSCREW	1				
31	NUT-0164	PLAIN NUT	2				
32	WSH-0012	PLAIN WASHER	2				
33	WSH-0058	SPRING WASHER	1				

FOR WHEEL ASSY REF..
KIT - 03370 /03371



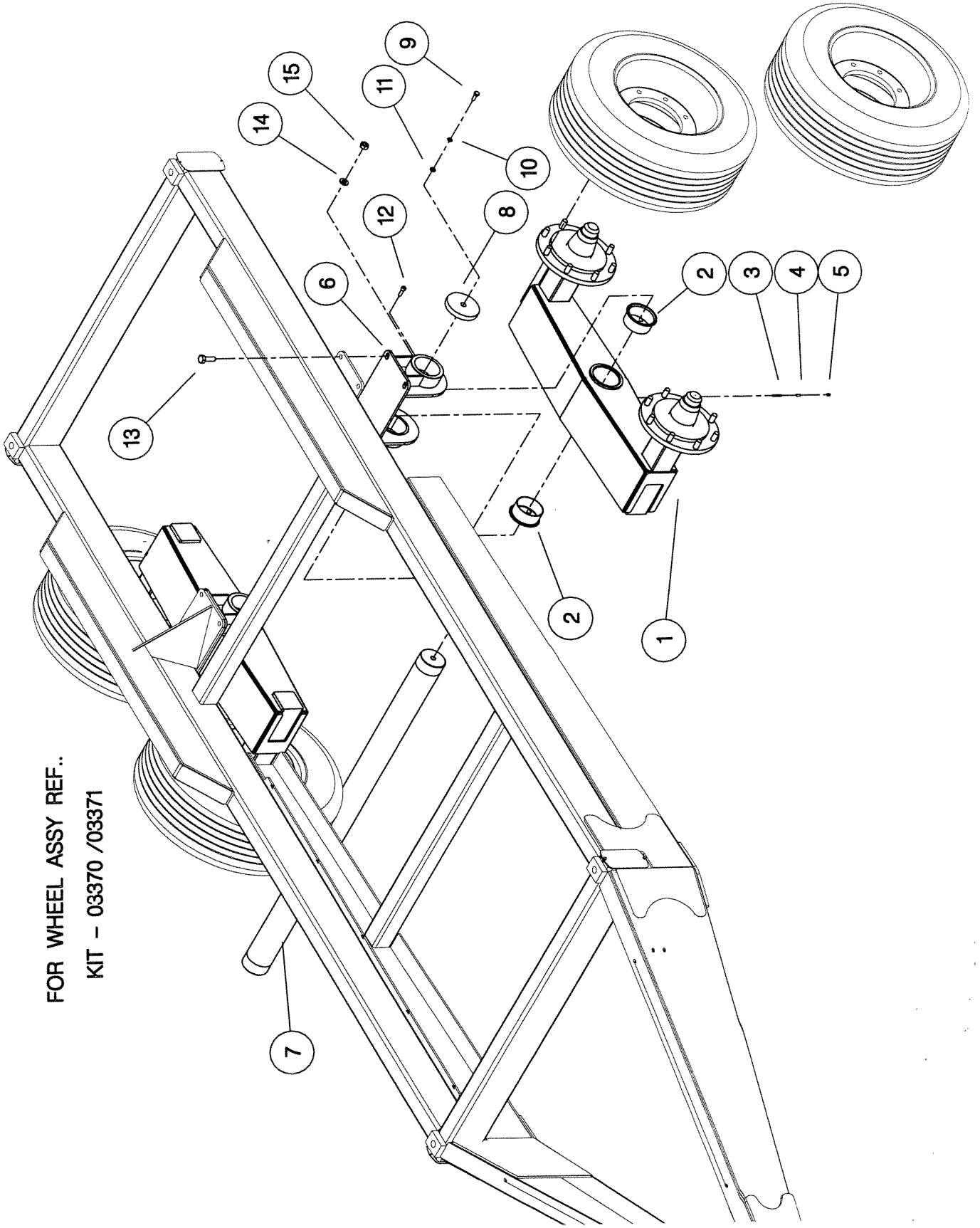
KIT - 03324

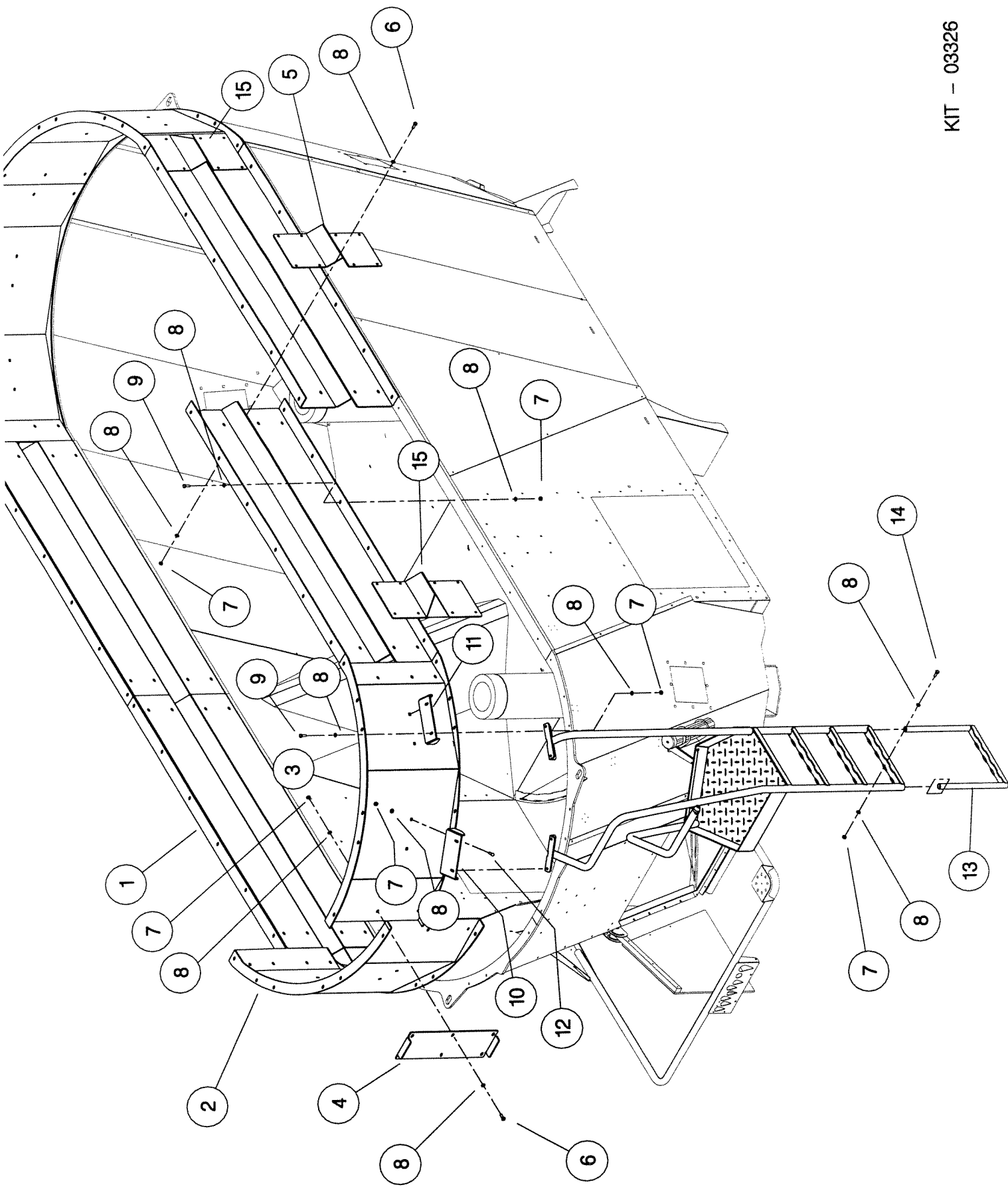
Shelbourne Reynolds Engineering Limited

KIT-03325		ASSY DESCRIPTION: 14m ³ UNBRAKED TANDEM AXLE SUB ASSY					
ASSY NUMBER:	KIT-03325	DESCRIPTION	QTY	ITEM	PART NO	DESCRIPTION	QTY
1	613046 01	BOGEY WELD ASSY	2				
2	BSHN10065	BUSH	4				
3	193077 02	GREASING PIPE	2				
4	193078 01	GREASE TUBE ADAPTOR	2				
5	NIP-00600	GREASE NIPPLE	2				
6	612777 01	BOGEY SWIVEL ASSY	2				
7	612782 01	BOGEY SHAFT	1				
8	612784 01	END DISC	2				
9	HSS-0355	SETSCREW	2				
10	WSH-0075	SPRING WASHER	2				
11	WSH-0030	PLAIN WASHER	2				
12	SCW-4600	GRUBSCREW	4				
13	HSS-0317	SETSCREW	8				
14	WSH-0025	PLAIN WASHER	8				
15	NUT-0271	NYLOC NUT	8				

FOR WHEEL ASSY REF..

KIT - 03370 /03371

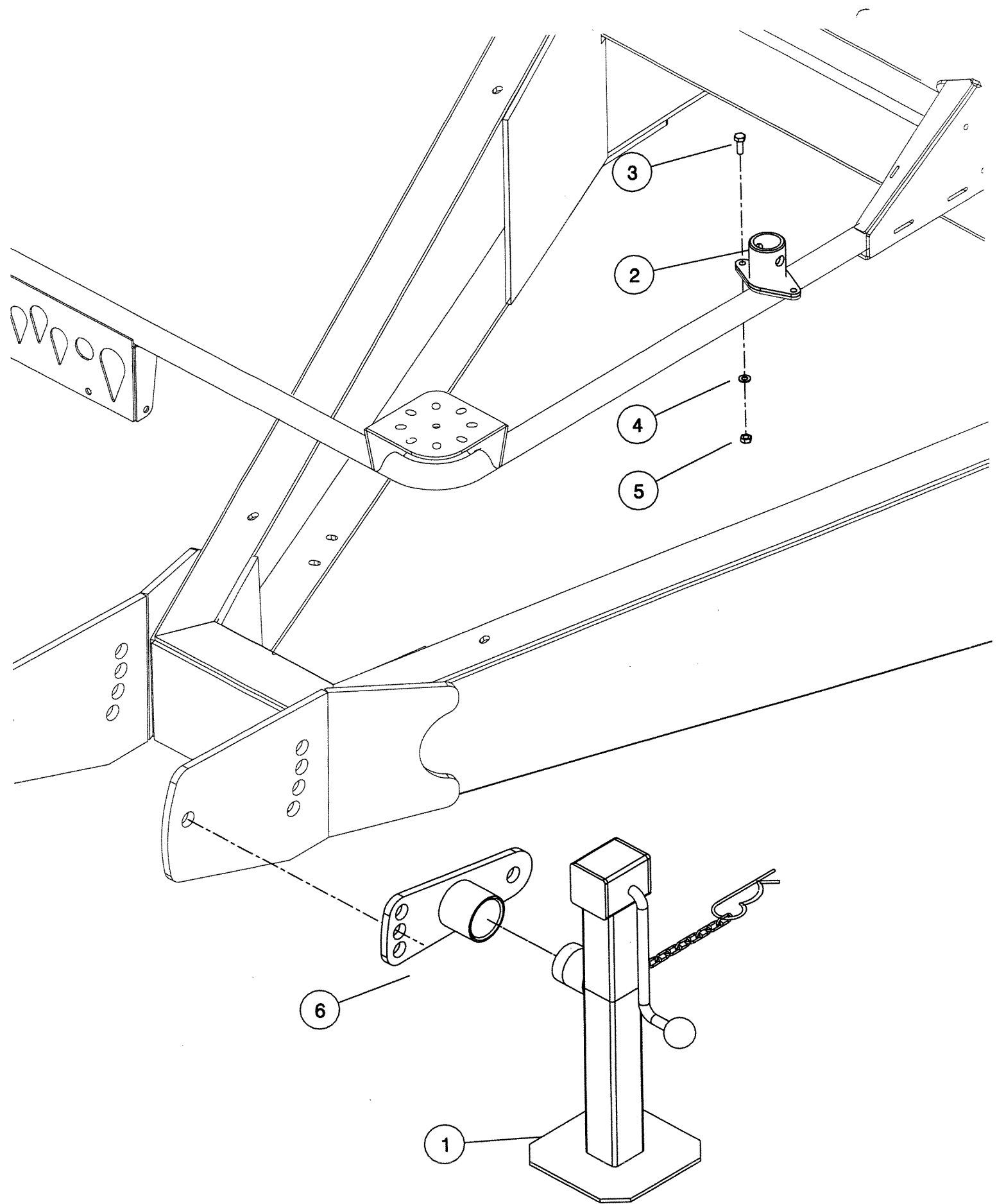




KIT - 03326

Shelbourne Reynolds Engineering Limited

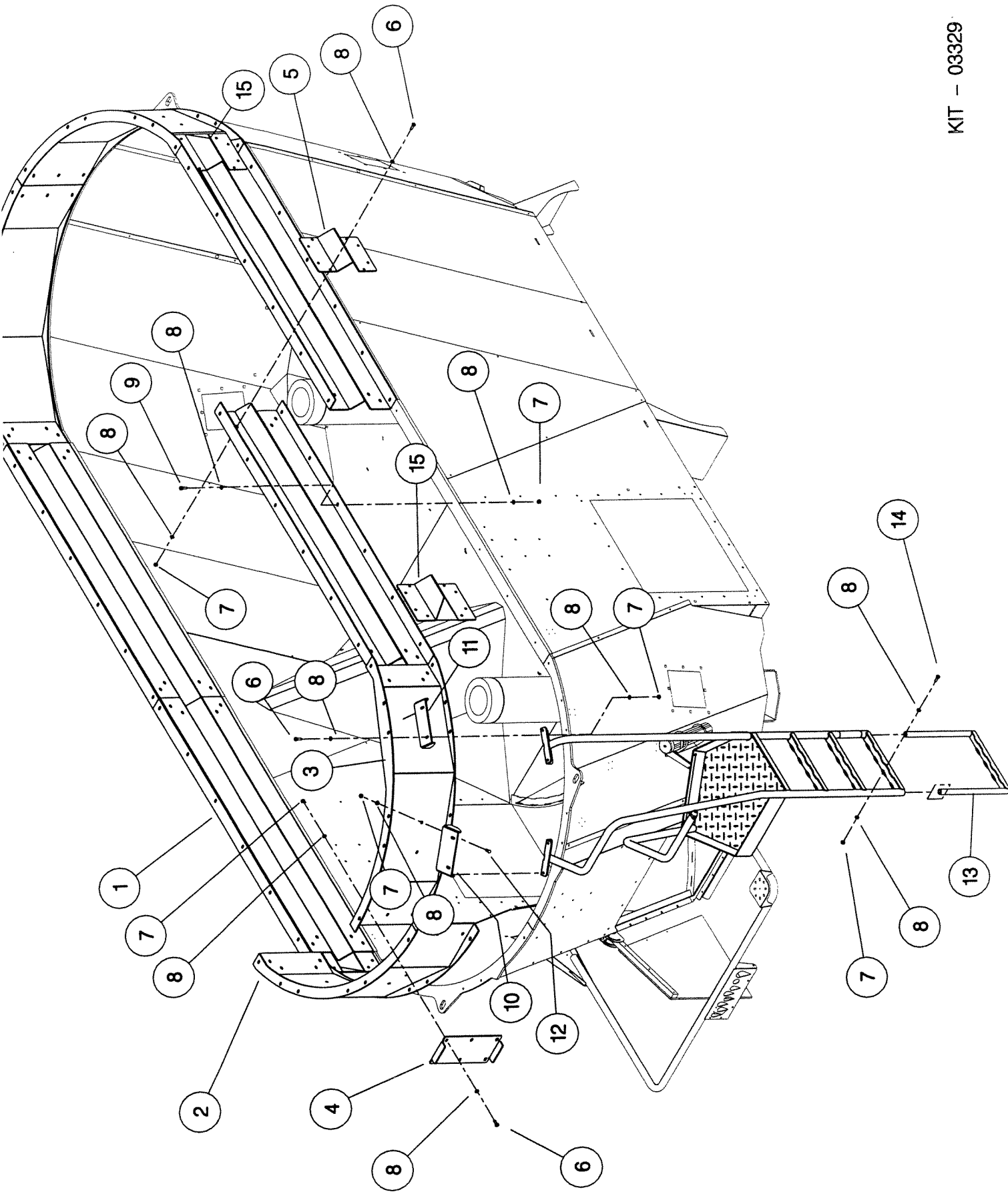
KIT-03328		SUB ASSY DESCRIPTION: PARK.JACK KIT (TWIN TUB)					
ASSY NUMBER:							
ITEM	PART NO	DESCRIPTION	QTY	ITEM	PART NO	DESCRIPTION	QTY
1	JAC-00020	PARKING JACK	1				
2	610568 01	JACK STOW BRACKET	1				
3	HSS-0145	SET SCREW	2				
4	WSH-0012	PLAIN WASHER	2				
5	NUT-0263	NYLOC NUT	2				
6	612859 01	PARKING JACK FIXING	1				



KIT - 03328

Shelbourne Reynolds Engineering Limited

KIT-03329		SUB ASSY DESCRIPTION: 14 m ³ -18 m ³ (400mm) EXTENSION KIT					
ASSY NUMBER:							
ITEM	PART NO	DESCRIPTION	QTY	ITEM	PART NO	DESCRIPTION	QTY
1	613070 01	SIDE EXTENTION	4				
2	613071 01	CURVED EXTENTION	3				
3	613072 01	CURVED EXTENTION	1				
4	613023 01	CLAMP PLATE	2				
5	613074 01	CLAMP PLATE	2				
6	HSS-0198	SETSCREW	48				
7	NUT-0265	NUT	106				
8	WSH-0015	WASHER	212				
9	HSS-0210	SETSCREW	48				
10	612483 01	PLATFORM BRACKET	1				
11	612484 01	PLATFORM BRACKET	1				
12	BLT-3750	COACHBOLT	6				
13	611554 01	LADDER EXTENSION	1				
14	BLTA10350	BOLT	4				
15	613076 01	CLAMP PLATE	4				



KIT - 03329

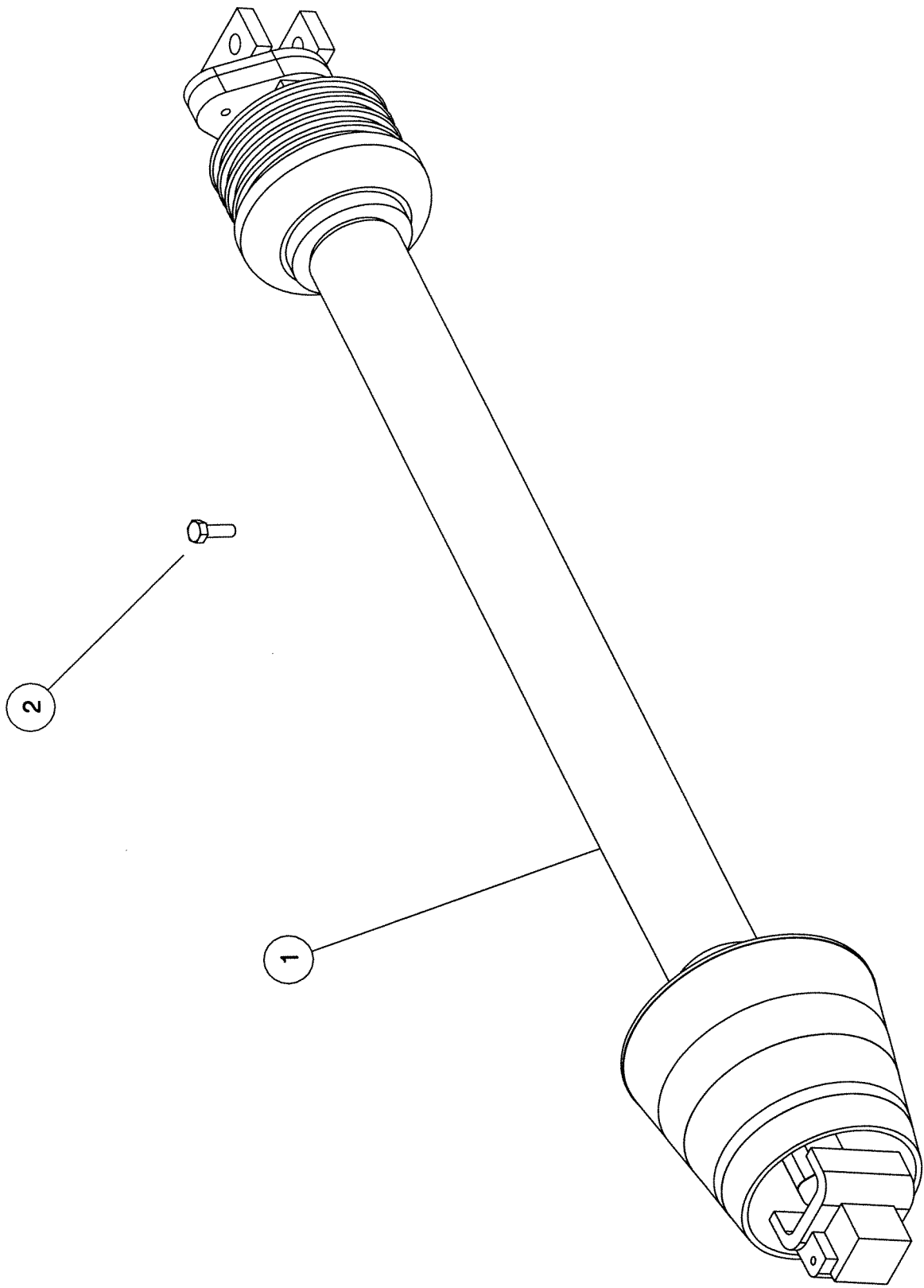
Shelbourne Reynolds Engineering Limited

KIT-03330		ASSY DESCRIPTION: PTO SHAFT KIT (UK & EUROPE TWIN AUGER)					
ASSY NUMBER:							
ITEM	PART NO	DESCRIPTION	QTY	ITEM	PART NO	DESCRIPTION	QTY
1	PTO-19002	PTO SHAFT (WWE 2480 SD25 1BGA/2AG 1210cc 35.10.10, & 57.238.18)	1				
2	PTO-00145	SHEARBOLT CLUTCH M10 ON 56mm RAD (57.170.18)					

Shelbourne Reynolds Engineering Limited

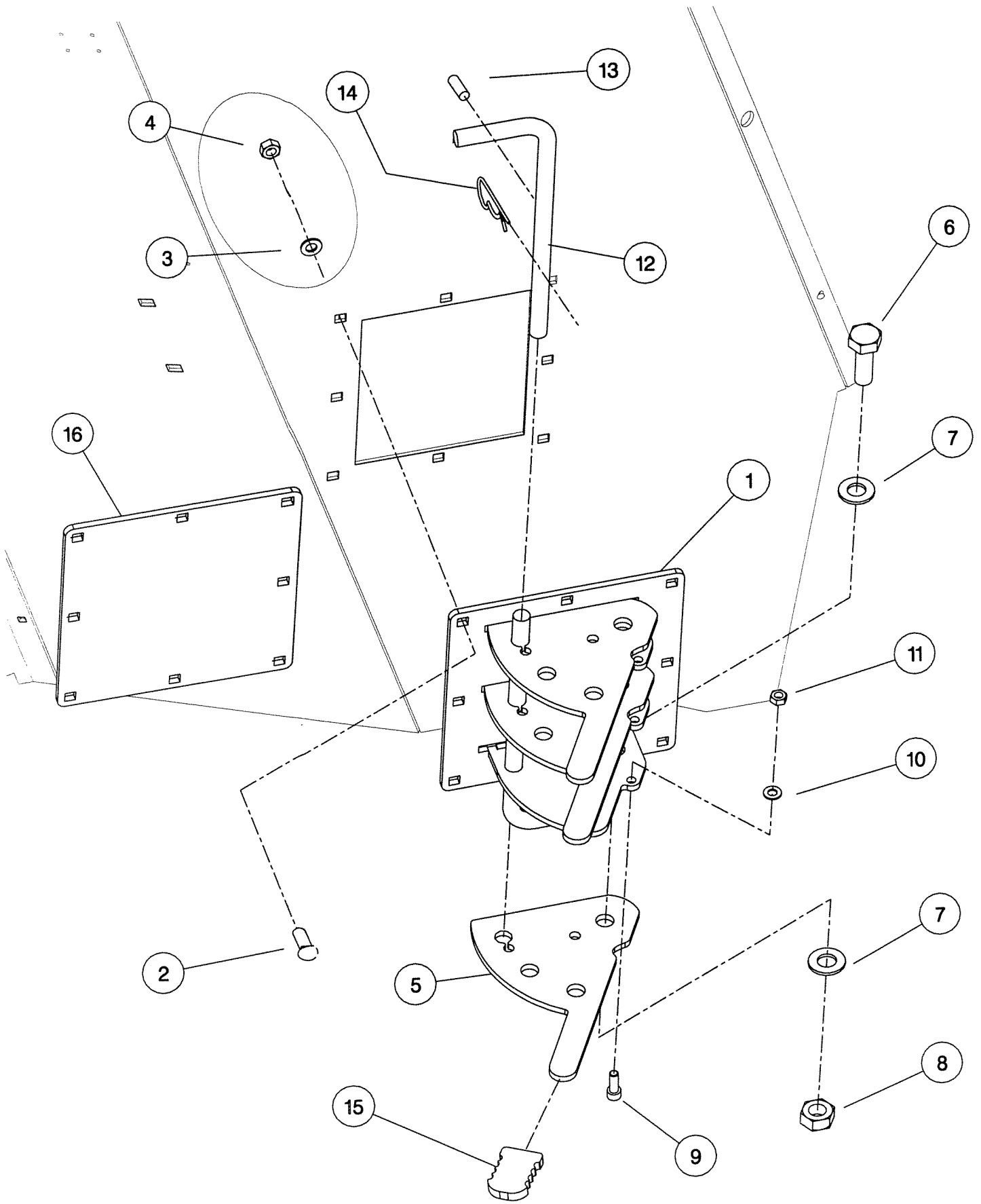
ASSY NUMBER: KIT-03331 ASSY DESCRIPTION: PTO SHAFT KIT (USA/CANADIAN TWIN AUGER))

ITEM	PART NO	DESCRIPTION	QTY	ITEM	PART NO	DESCRIPTION	QTY
1	PTO-19003	PTO SHAFT (WWE 2480 SD25 1BGA/2AG 1410cc 35.10.10, & 57.238.18)	1				
2	PTO-00145	SHEARBOLT CLUTCH M10 ON 56mm RAD (57.170.18)					



KIT - 03330

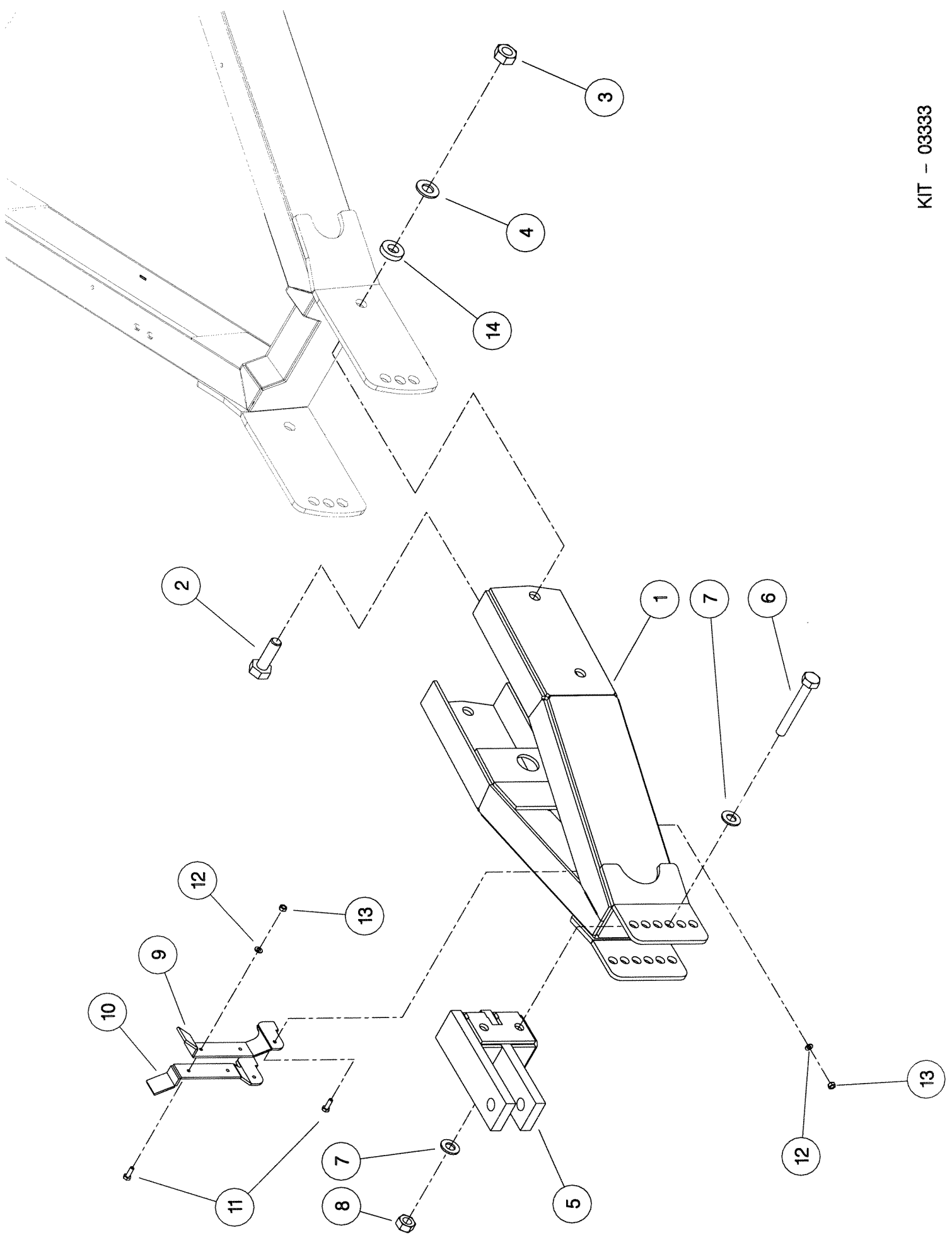
KIT - 03331



KIT - 03332

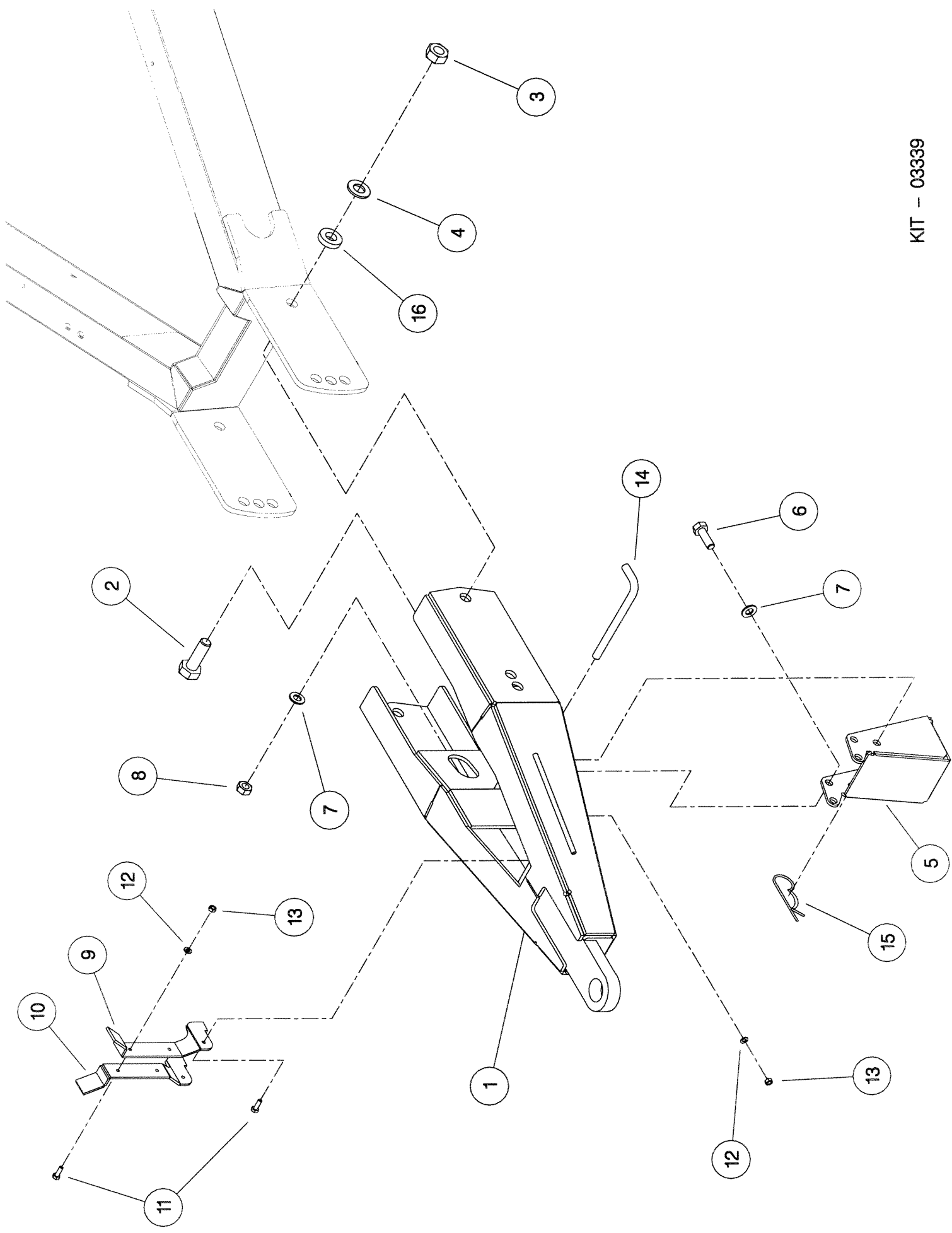
Shelbourne Reynolds Engineering Limited

ASSY NUMBER: KIT-03333		SUB ASSY DESCRIPTION: USA DRAWBAR					
ITEM	PART NO	DESCRIPTION	QTY	ITEM	PART NO	DESCRIPTION	QTY
1	613136 01	DRAWBAR W/ASSY	1				
2	BLTA24530	BOLT	4				
3	NUT-0275	NYLOC NUT	4				
4	WSH-0036	WASHER	8				
5	613135 01	USA TOW EYE W/A	1				
6	BLT-2375	BOLT	2				
7	WSH-0030	WASHER	4				
8	NTA02200	NYLOC NUT	2				
9	590594 01	LH PTO REST	1				
10	590594 02	RH PTO REST	1				
11	HSS-0086	SET SCREW	4				
12	WSH-0009	WASHER	4				
13	NUT-0260	NYLOC NUT	4				
14	190119 94	WASHER	4				



Shelbourne Reynolds Engineering Limited

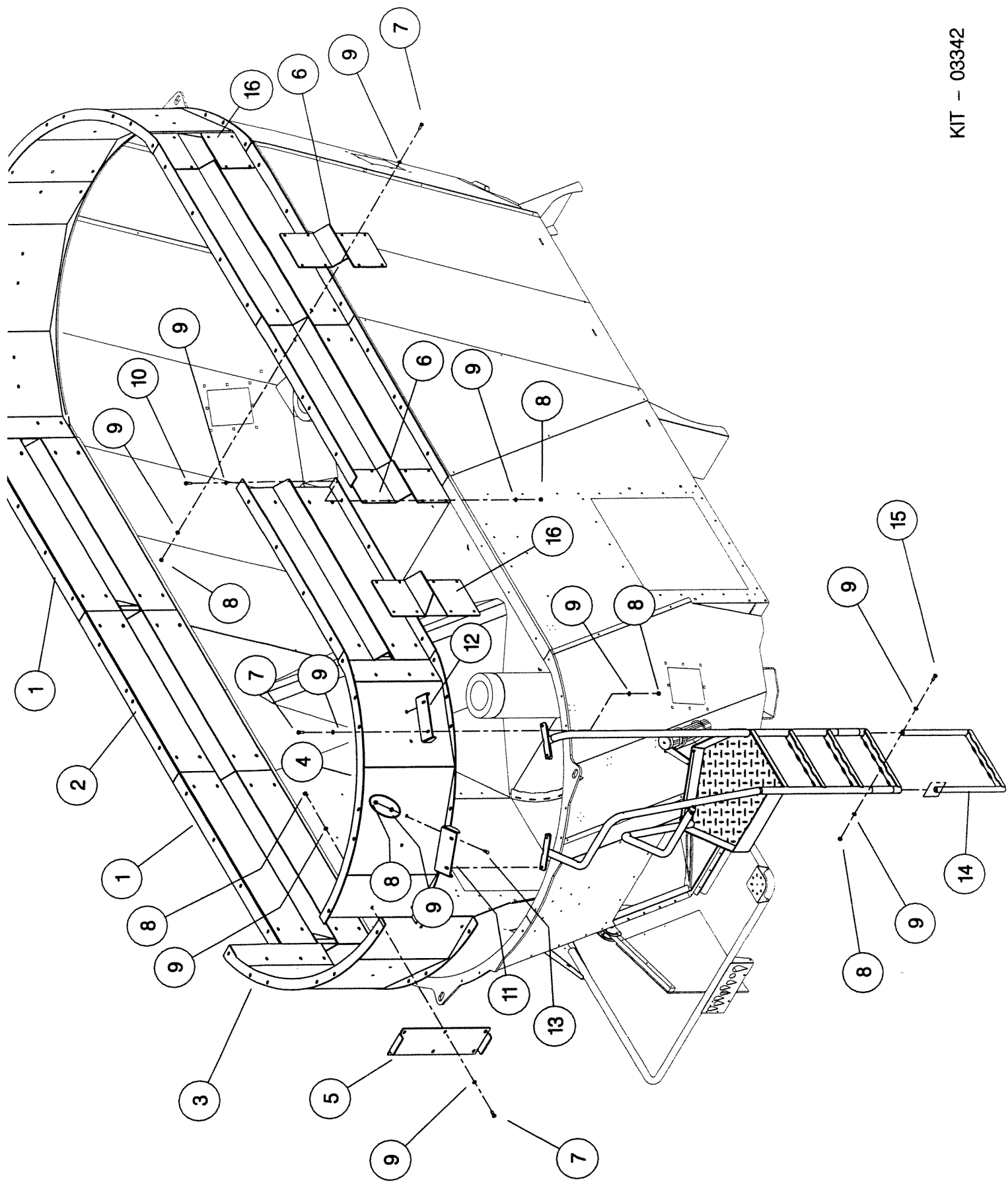
KIT-03339		SUB ASSY DESCRIPTION:UK DRAWBAR (TWIN AUGER) 101173&ONWARDS					
ASSY NUMBER:	KIT-03339	SUB ASSY DESCRIPTION:UK DRAWBAR (TWIN AUGER) 101173&ONWARDS					
ITEM	PART NO	DESCRIPTION	QTY	ITEM	PART NO	DESCRIPTION	QTY
1	613128 01	DRAWBAR W/ASSY	1				
2	BLTA24530	BOLT	4				
3	NUT-0275	NYLOC NUT	4				
4	WSH-0036	WASHER	8				
5	611524 01	FOOT W/ASSY	1				
6	HSS-0315	SET SCREW	2				
7	WSH-0024	WASHER	4				
8	NUT-0271	NYLOC NUT	2				
9	590594 01	LH PTO REST	1				
10	590594 02	RH PTO REST	1				
11	HSS-0086	SET SCREW	4				
12	WSH-0009	WASHER	4				
13	NUT-0260	NYLOC NUT	4				
14	611745 01	HANDLE	1				
15	RCL-0013	R CLIP	1				
16	190119 94	WASHER	4				



KIT - 03339

Shelbourne Reynolds Engineering Limited

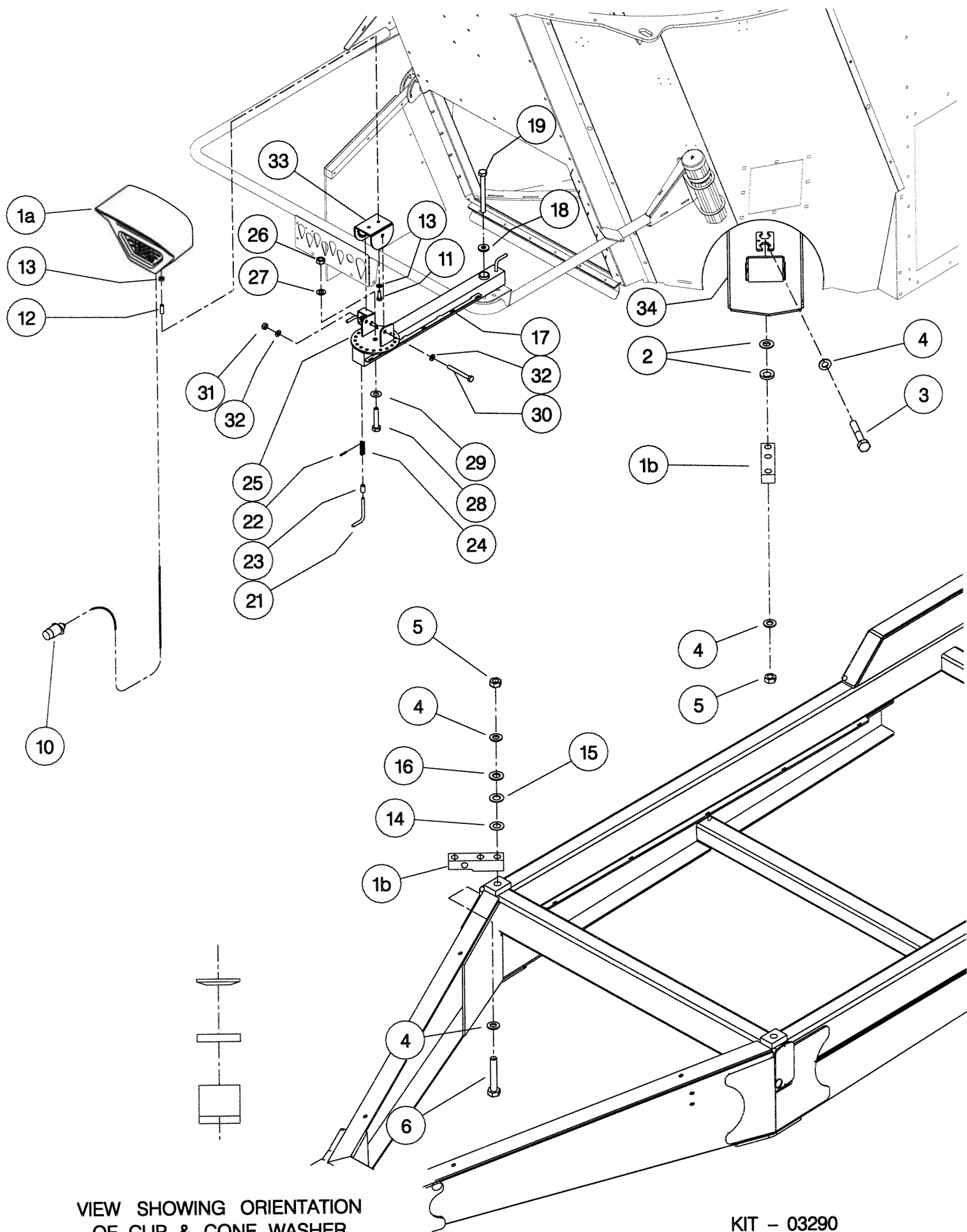
KIT-03342		SUB ASSY DESCRIPTION: 14 m ³ -20 m ³ (600mm) EXTENSION (SERIAL No 105173 & ON)	
ASSY NUMBER:			
ITEM	PART NO	DESCRIPTION	QTY
1	613146 01	SIDE EXTENTION	4
2	613147 01	SIDE EXTENSION	2
3	613081 01	CURVED EXTENTION	3
4	613079 01	CURVED EXTENTION	1
5	612395 01	CLAMP PLATE	2
6	613059 01	CLAMP PLATE	4
7	HSS-0198	SETSCREW	64
8	NUT-0265	NUT	122
9	WSH-0015	WASHER	244
10	HSS-0210	SETSCREW	48
11	612483 01	PLATFORM BRACKET	1
12	612484 01	PLATFORM BRACKET	1
13	BLT-3750	COACHBOLT	6
14	611554 01	LADDER EXTENSION	1
15	BLTA10350	BOLT	4
16	613063 01	CLAMP PLATE	4



KIT - 03342

Shelbourne Reynolds Engineering Limited

ASSY NUMBER: KIT-03349		SUB ASSY DESCRIPTION: LOADCELL KIT LCD TYPE (TWIN AUGER)					
ITEM	PART NO	DESCRIPTION	QTY	ITEM	PART NO	DESCRIPTION	QTY
1	LCL-00030	WEIGHING SYSTEM	1				
1a	LCL-00029	LOADCELL COMPUTER HEAD	1				
1b	LCL-00023	LOADCELL BEAM	4				
2	WSHA45245	CUP & CONE WASHER	4				
3	BLTA24590	BOLT	8				
4	WSH-0036	WSHER	20				
5	NUT-0275	NUT	12				
6	BLTA24650	BOLT	4				
7							
8							
9							
10	PLG-0005	7 PIN PLUG	1				
11	HSS-0191	BOLT	1				
12	PIN-41011	ROLL PIN	1				
13	WSH-0061	WASHER	1				
14	612971 03	LOADCELL SPACER	4				
15	612971 02	LOADCELL SPACER	4				
16	612971 01	LOADCELL SPACER	4				
17	613104 01	CONTROL BOX SUPP ARM	1				
18	190119 99	WASHER	1				
19	BLTA16810	BOLT	1				
20							
21	613105 01	SPRUNG HANDLE	3				
22	PIN-1620	PIN	3				
23	613112 01	STOP TUBE	3				
24	SPGC22015	SPRING	3				
25	613109 01	HEAD PIVOT MOUNT	1				
26	NUT-0271	NUT (M16 NYLOC)	2				
27	WSH-0024	WASHER	1				
28	BLT-2320	BOLT	1				
29	121132 03	SPACER	1				
30	BLTA12590	BOLT	1				
31	NUT-0269	NUT	1				
32	WSH-0018	WASHER	1				
33	613114 01	HEAD PIVOT PLATE	2				
34	613259 01	LOADCELL FIXING PLATE	1				
			4				



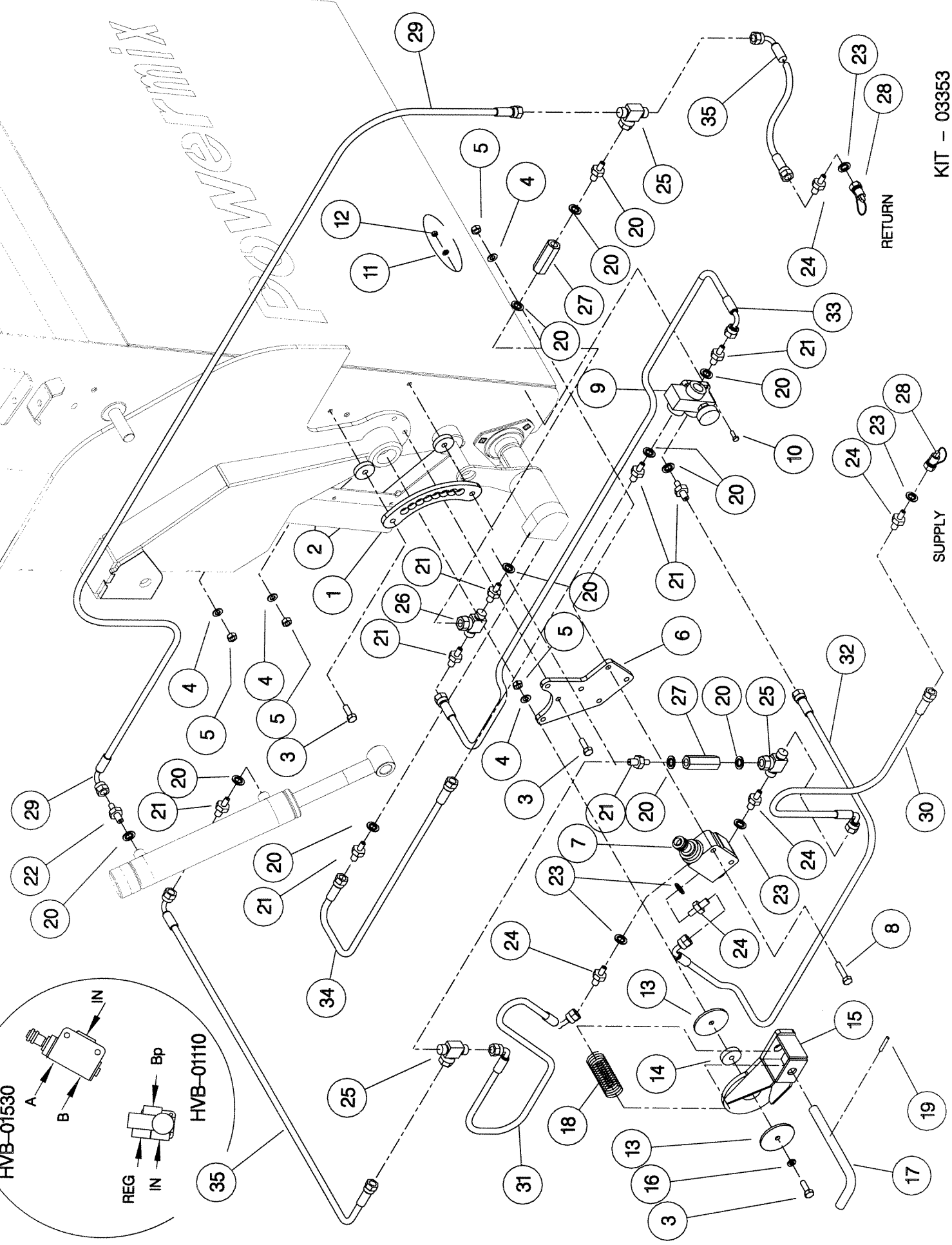
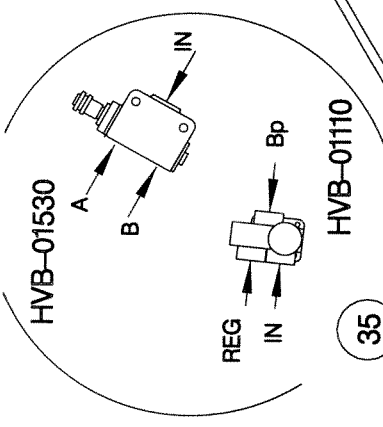
VIEW SHOWING ORIENTATION
OF CUP & CONE WASHER

KIT - 03290
KIT - 03349

Shelbourne Reynolds Engineering Limited

KIT-03353		SUB ASSY DESCRIPTION:1m CONVEYOR HYD KIT (DIVERTER VALVE)					
ASSY NUMBER:	PART NO	DESCRIPTION	QTY	ITEM	PART NO	DESCRIPTION	QTY
1	613165 01	ADJUSTMENT PLATE	1				
2	190548 09	WASHER	2				
3	HSS-0150	SETSCREW	6				
4	WSH-0012	WASHER	7				
5	NUT-0263	NUT	7				
6	613164 01	FLOW DIVIDER MTG PLATE	1				
7	HVB-01530	DIVERTER VALVE	1				
8	BLTA08440	BOLT	2				
9	HVB-01110	VARIABLE FLOW DIVIDER	1				
10	HSS-0065	SETSCREW	2				
11	WSH-0006	WASHER	2				
12	NUT-0258	NUT	2				
13	190548 10	WASHER	2				
14	613166 01	ADJUSTER ARM SPACER	1				
15	613169 01	ADJUSTER ARM W/A	1				
16	WSH-0058	WASHER	1				
17	613170 01	SPRUNG HANDLE	1				
18	SPGC22015	SPRING	1				
19	PIN-1620	PIN	1				
20	WSH-1010	DOWTY WASHER	9				
21	HMA-0057	HYD ADAPT	6				
22	HAPAA0505	RESTRICTOR	1				
23	WSH-1015	DOWTY WASHER	7				
24	HMA-0065	HYD ADAPT	7				
25	FITA10140	HYD TEE FITTING	3				
26	FITA10410	HYD TEE FITTING	1				
27	HVB-20580	NON RETURN VLAVE	2				
28	COU-0162	QUICK RELEASE COUPLING	2				
29	HHBE07005	HYD HOSE ASSY(3/8".TOP RAM)	1				
30	HHBE05505	HYD HOSE ASSY(3/8" IN(ITEM 7)	1				
31	HHEE07005	HYD HOSE ASSY(3/8".PORT A)	1				
32	HHBE09005	HYD HOSE ASSY(3/8" PORT B)	1				
33	HHBE10005	HYD HOSE ASSY(3/8" PORT BP)	1				
34	HHAE10005	HYD HOSE ASSY(3/8".PORT REG)	1				
35	HHBE85005	HYD HOSE ASSY(3/8"FEED/RET)	2				

Powermix



KIT - 03353

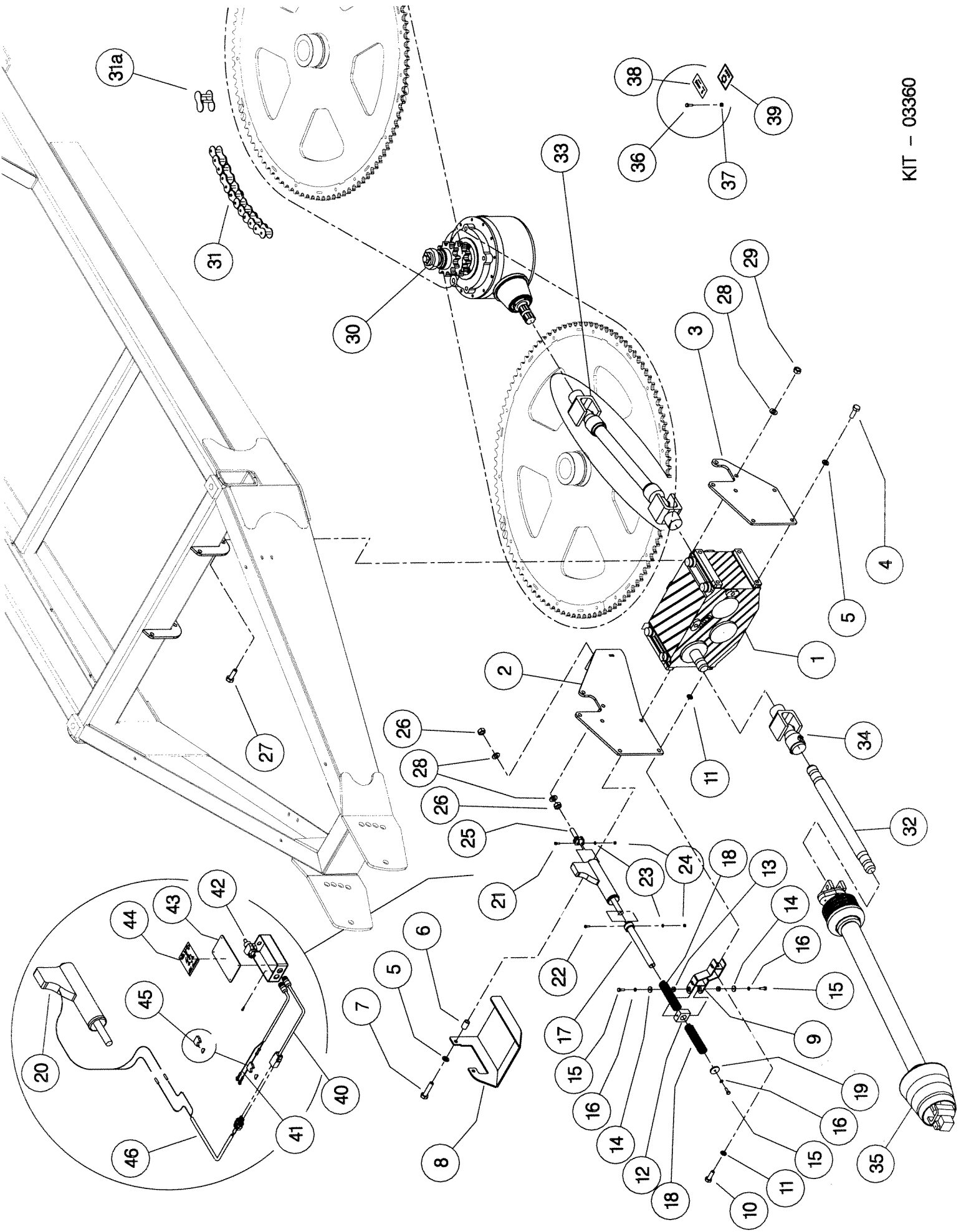
SUPPLY

RETURN

Shelbourne Reynolds Engineering Limited

KIT-03360		ASSY DESCRIPTION: 2 SPEED GEARBOX DRIVE KIT(1000 RPM)	
ASSY NUMBER:			
ITEM	PART NO	DESCRIPTION	QTY
1	GEA-0164	2-SPEED GEARBOX (1:1 & 1:1.8 REDUCTION)	1
2	613189 01	RH GEARBOX MTG PLATE W/A	1
3	613180 01	LH GEARBOX MTG PLATE	1
4	HSS-0316	SETSCREW	6
5	WSH-0070	WASHER	8
6	613191 01	SPACER TUBE	2
7	BLTA16504	BOLT	2
8	613190 01	GEARBOX LEVER DEFLECTOR	1
9	613188 01	ACTUATOR LEVER W/A	1
10	HSSA14200	SETSCREW	1
11	WSHA15141	WASHER	1
12	613217 01	ACTUATOR SHAFT BLOCK	2
13	190548 13	WASHER	2
14	190548 12	WASHER	2
15	HSS-0140	SETSCREW	3
16	WSH-0058	WASHER	3
17	613216 01	ACTUATOR SHAFT	1
18	SPGC53300	COMPRESSION SPRING	2
19	190548 11	WASHER	1
20	MOTE11007	LINEAR ACTUATOR	1
21	HSS-0100	SETSCREW	1
22	BLTA06350	BOLT	1
23	WSH-0009	WASHER	2
24	NUT-0260	NUT	2
25	613218 01	ADJUSTER BOLT	1
26	NUT-0180	NUT	2
27	HSS-0318	SETSCREW	6
28	WSH-0025	WASHER	8
29	NUT-0271	NUT	6
30	GEA-0159	BEVAL GEARBOX	1
31	CHN-03883	CHAIN	2
31a	CHN-03800	JOINING LINK	2
32	613192 01	DRIVE SHAFT	1
33	PTO-17025	PTO SHAFT ASSY	1
34	PTO-20005	PTO COUPLING	1

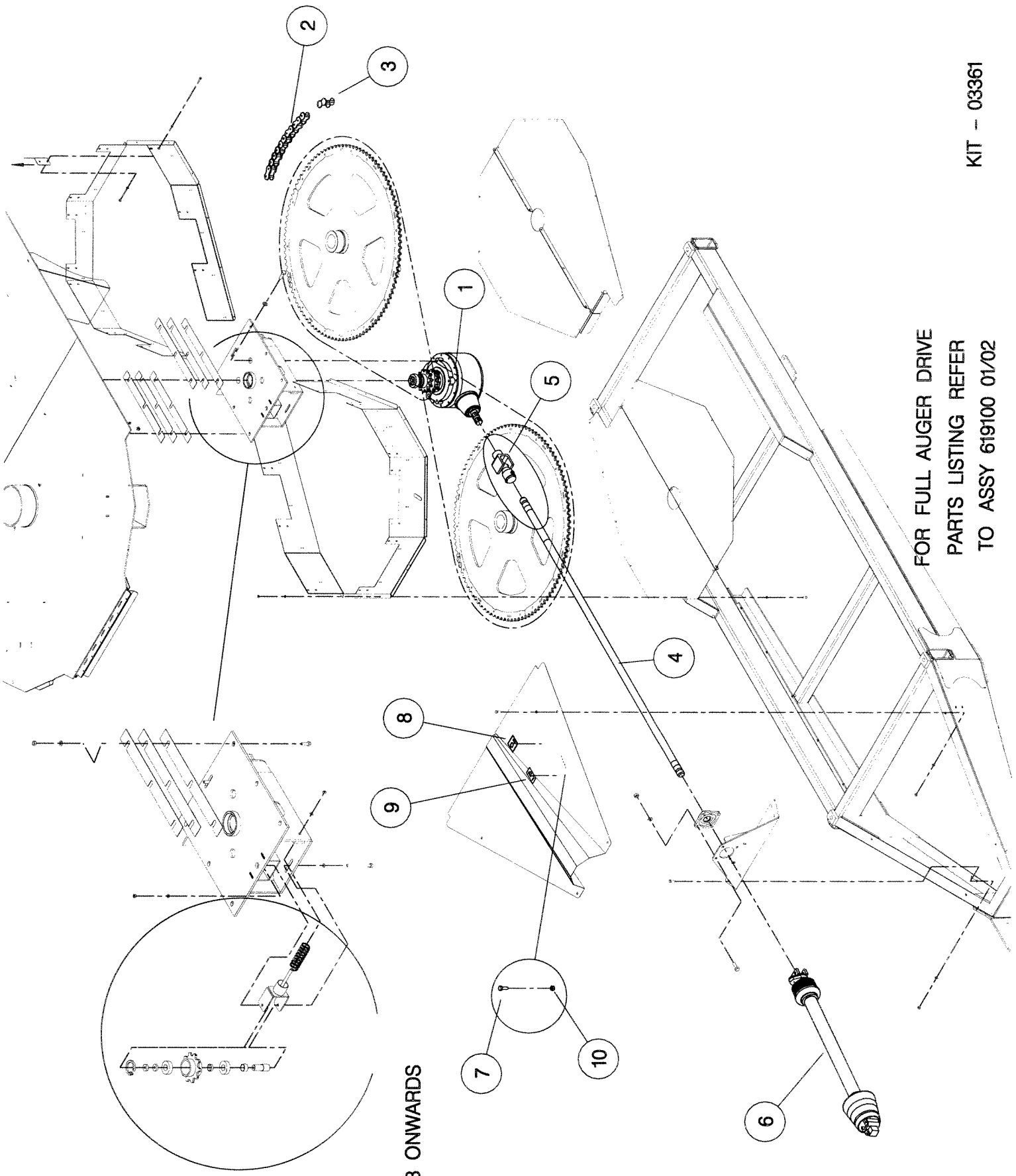
DESCRIPTION	PART NO	ITEM	QTY
PTO SHAFT ASSY	PTO-17026	35	1
SHEARBOLT	BLTA08352	36	5
NUT	NUT-0263	37	5
SHEARBOLT EMBLEM	613214 01	38	1
EMBLEM (MAX PTO SPEED)	590475 02	39	1
SUPPLY LOOM	613193 01	40	1
POWER FEED LOOM	613193 02	41	1
SWITCH	SWT-00020	42	1
CONTROL BOX	195150 01	43	1
EMBLEM	613194 01	44	1
FUSE(5 AMP)	FUS-00211	45	1
LOOM & PLUG ASSY	613195 01	46	1



KIT - 03360

Shelbourne Reynolds Engineering Limited

KIT-03361		ASSY DESCRIPTION: SINGLE SPEED DRIVE KIT(540 RPM INPUT)					
ASSY NUMBER:	KIT-03361	ASSY DESCRIPTION: SINGLE SPEED DRIVE KIT(540 RPM INPUT)					
ITEM	PART NO	DESCRIPTION	QTY	ITEM	PART NO	DESCRIPTION	QTY
1	GEA-0159	BEVAL GEARBOX	1				
2	CHN-03883	CHAIN	2				
3	CHN-03800	JOINING LINK	2				
4	612884 01	DRIVE SHAFT	1				
5	PTO-20004	PTO COUPLING	1				
6	PTO-17024	PTO SHAFT ASSY	1				
7	BLTA10384	SHEARBOLTS					
8	590475 01	EMBLEM (MAX PTO SPEED)	1				
9	613205 01	SHEARBOLT EMBLEM	1				
10	NUT-0265	NUT(M10 NYLOC)	5				



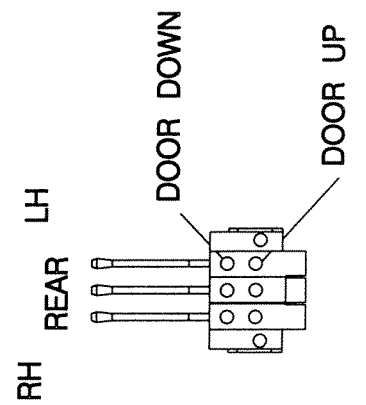
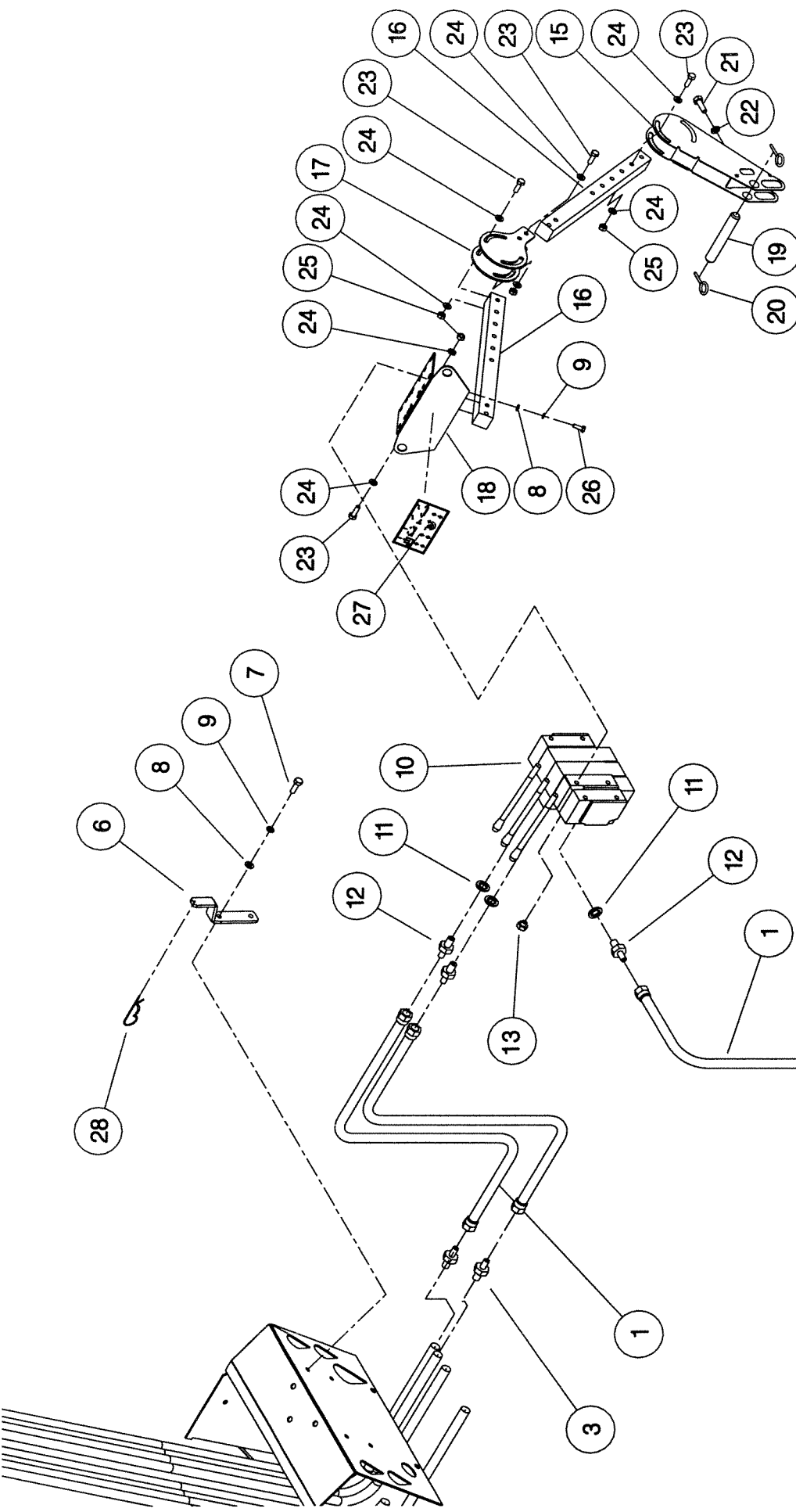
Mc 10713 ONWARDS

FOR FULL AUGER DRIVE
PARTS LISTING REFER
TO ASSY 619100 01/02

KIT - 03361

Shelbourne Reynolds Engineering Limited

KIT-03362		SUB ASSY DESCRIPTION: 3 STATION MANUAL SPOOL VALVE KIT					
ASSY NUMBER:	KIT-03362	SUB ASSY DESCRIPTION: 3 STATION MANUAL SPOOL VALVE KIT					
ITEM	PART NO	DESCRIPTION	QTY	ITEM	PART NO	DESCRIPTION	QTY
1	HHAC23005	HOSE ASSY	6				
2	HMA-0052	HYD ADAPT	4				
3	WSH-1015	DOWTY WASHER	2				
4	COU-0162	QUICK RELEASE COUPLING	2				
5	611676 01	PARKING LUG	1				
6	HSS-0145	SET SCREW	2				
7	WSH-0012	PLAIN WASHER	12				
8	WSH-0058	SPRING WASHER	8				
9	HVB-09040	VALVE BLOCK	1				
10	WSH-1010	DOWTY WASHER	6				
11	FIT-0025	HYD ADAPT	6				
12	FIT-0251	BLANKING PLUG	2				
13	HMA-0055	FITTING	2				
14	611675 01	SUPPORT ARM	1				
15	611677 01	ADJUSTER ARM	2				
16	612504 01	VALVE ADJUSTER PLATE	2				
17	611670 01	VALVE MOUNTING BRACKET	1				
18	611680 01	PIN	1				
19	PIN-01950	LYNCH PIN	2				
20	HSS-0250	SET SCREW	1				
21	NUT-0170	PLAIN NUT	1				
22	BLTA1044G	BOLT	8				
23	WSH-0015	PLAIN WASHER	16				
24	NUT-0265	NUT	8				
25	HSS-0135	SET SCREW	4				
26	612236 01	EMBLEM	1				
27	RCL-0015	R CLIP	1				



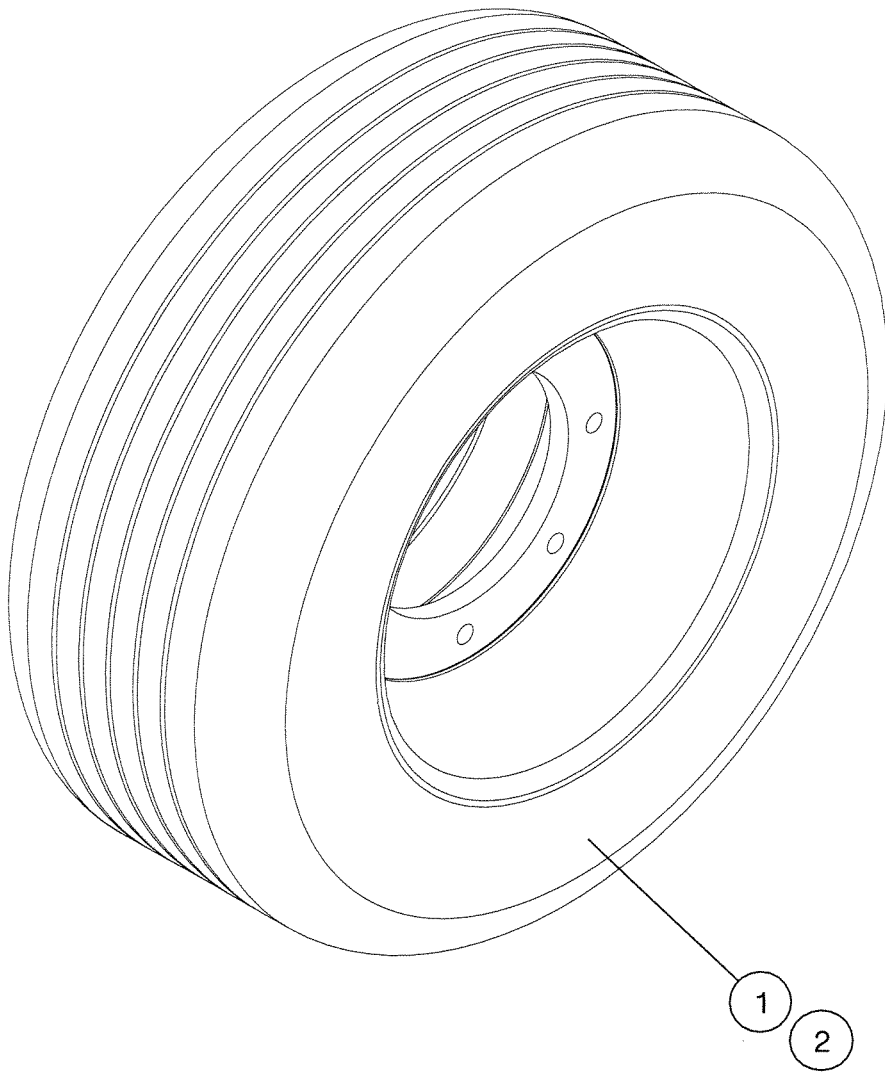
KIT-03362

Shelbourne Reynolds Engineering Limited

KIT-03370		SUB ASSY DESCRIPTION: WHEEL & TYRE KIT (SMOOTH)					
ASSY NUMBER:	PART NO	DESCRIPTION	QTY	ITEM	PART NO	DESCRIPTION	QTY
1	WHL-01441	WHEEL & TYRE ASSY	4				

Shelbourne Reynolds Engineering Limited

KIT-03371		SUB ASSY DESCRIPTION: WHEEL & TYRE KIT (CLEATED)					
ASSY NUMBER:	KIT-03371	SUB ASSY DESCRIPTION: WHEEL & TYRE KIT (CLEATED)					
ITEM	PART NO	DESCRIPTION	QTY	ITEM	PART NO	DESCRIPTION	QTY
1	WHL-01442	WHEEL & TYRE ASSY LH	2				
2	WHL-01443	WHEEL & TYRE ASSY RH	2				

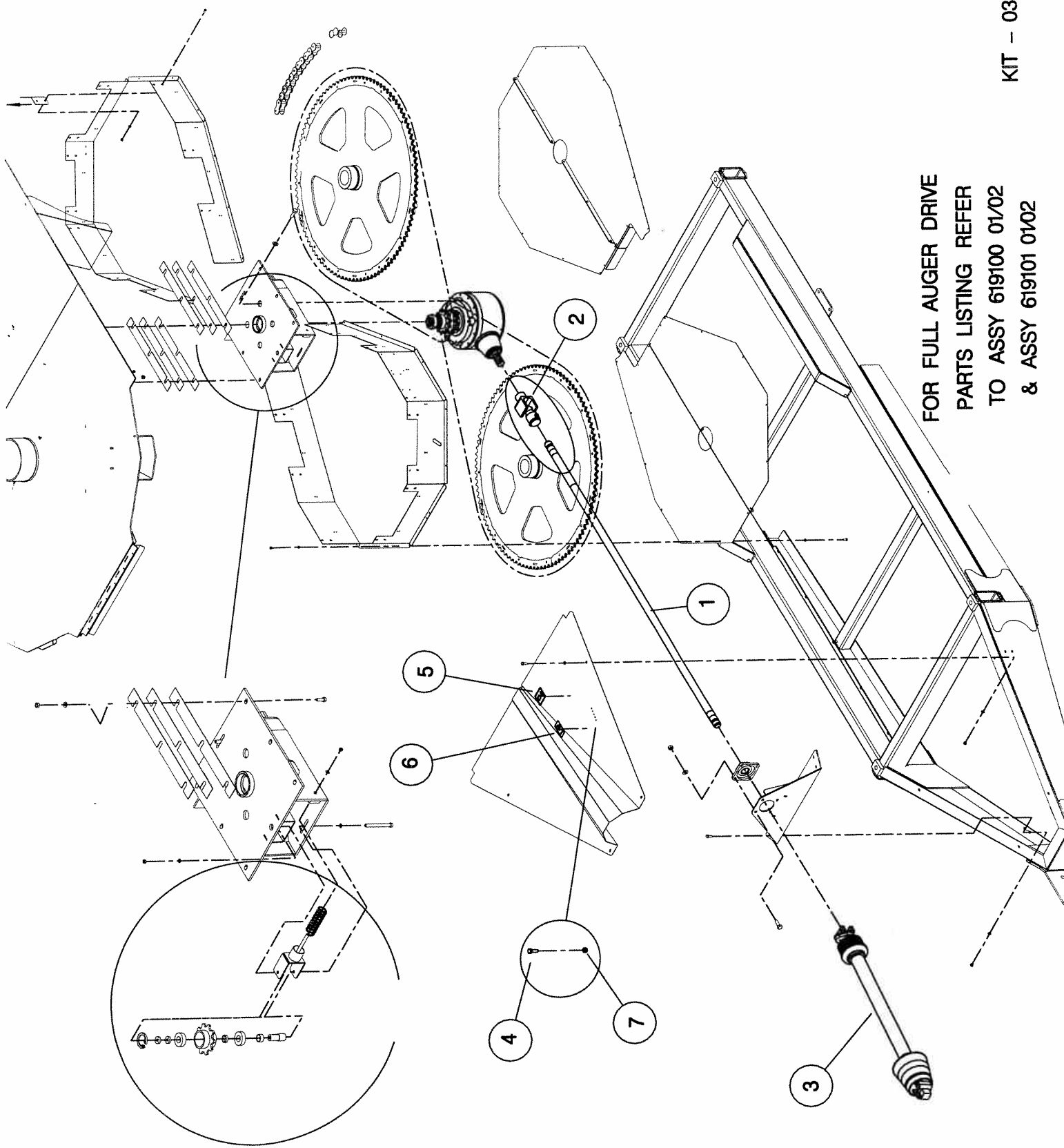


KIT - 03370

KIT - 03371

Shelbourne Reynolds Engineering Limited

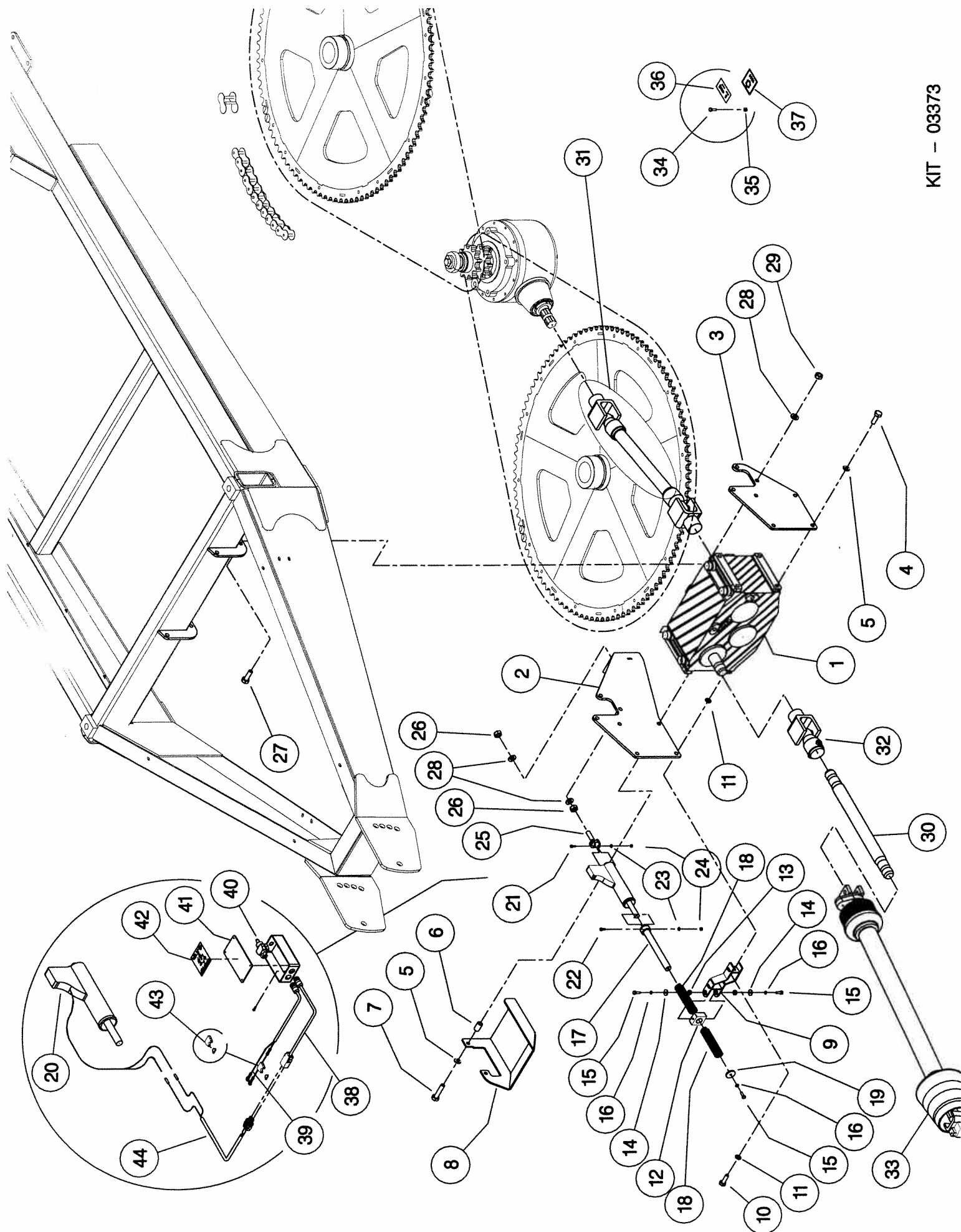
KIT-03372		ASSY DESCRIPTION: SINGLE SPEED DRIVE KIT(540 RPM INPUT)					
ASSY NUMBER:	KIT-03372	ASSY DESCRIPTION: SINGLE SPEED DRIVE KIT(540 RPM INPUT)					
ITEM	PART NO	DESCRIPTION	QTY	ITEM	PART NO	DESCRIPTION	QTY
1	612884 01	DRIVE SHAFT	1				
2	PTO-20004	PTO COUPLING	1				
3	PTO-17024	PTO SHAFT ASSY	1				
4	BLTA10380	SHEARBOLTS					
5	590475 01	EMBLEM (MAX PTO SPEED)	1				
6	195391 01	SHEARBOLT EMBLEM	1				
7	NUT-0265	NUT (M10 NYLOC)	5				

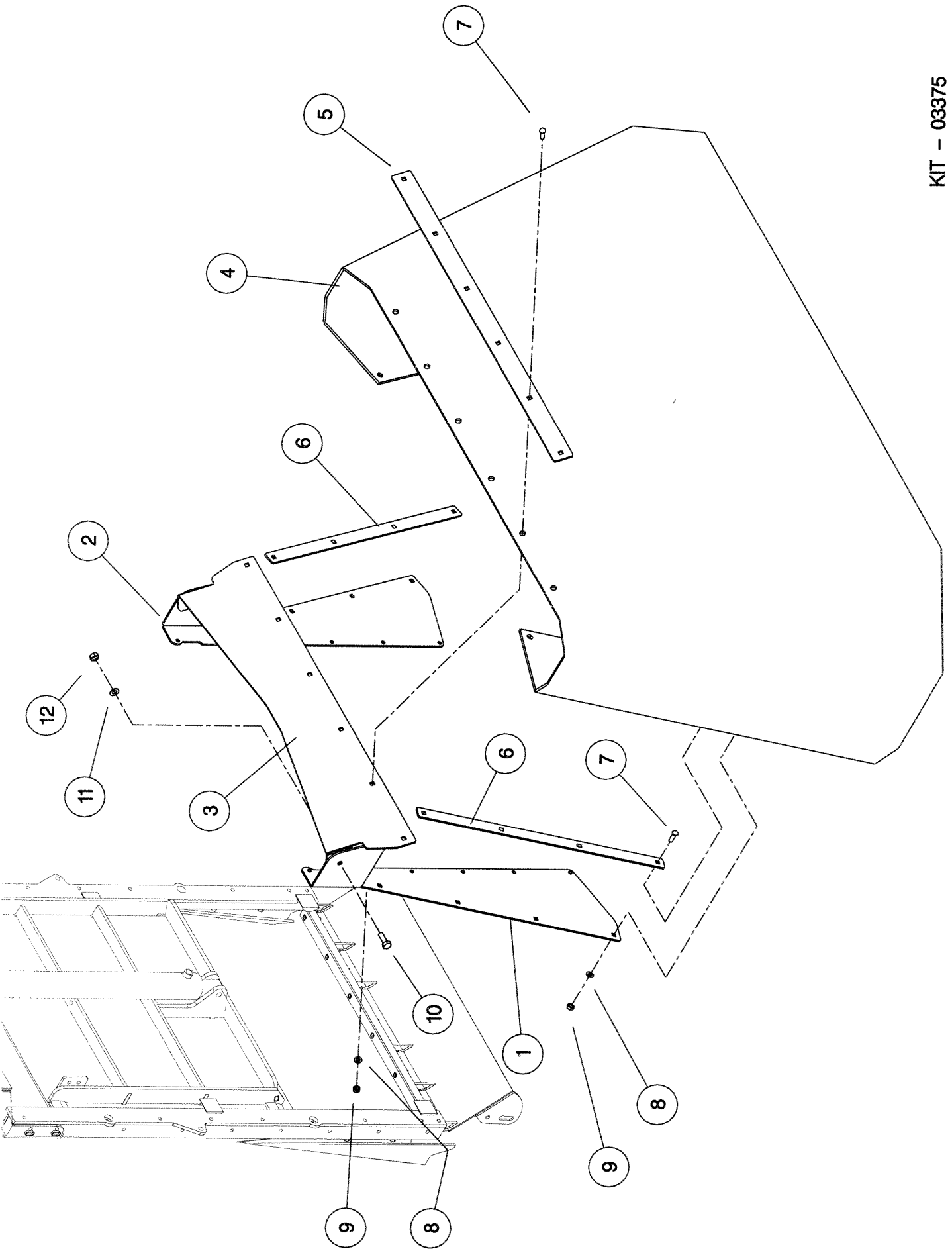


FOR FULL AUGER DRIVE
 PARTS LISTING REFER
 TO ASSY 619100 01/02
 & ASSY 619101 01/02

Shelbourne Reynolds Engineering Limited

KIT-03373		ASSY DESCRIPTION: 2 SPEED GEARBOX DRIVE KIT (1000 RPM)					
ASSY NUMBER:							
ITEM	PART NO	DESCRIPTION	QTY	ITEM	PART NO	DESCRIPTION	QTY
1	GEA-0164	2-SPEED GEARBOX (1:1 & 1:1.8 REDUCTION)	1	36	192839	SHEARBOLT EMBLEM	1
2	613189 01	RH GEARBOX MTG PLATE W/A	1	37	590475	EMBLEM (MAX PTO SPEED)	1
3	613180 01	LH GEARBOX MTG PLATE	1	38	613193	SUPPLY LOOM	1
4	HSS-0316	SETSCREW	1	39	613193	POWER FEED LOOM	1
5	WSH-0070	WASHER	6	40	SWT-00020	SWITCH	1
6	613191 01	SPACER TUBE	8	41	195150	CONTROL BOX	1
7	BLTA16504	BOLT	2	42	613194	EMBLEM	1
8	613190 01	GEARBOX LEVER DEFLECTOR	2	43	FUS-00211	FUSE (5 AMP)	1
9	613188 01	ACTUATOR LEVER W/A	1	44	613195	LOOM & PLUG ASSY	1
10	HSSA14200	SETSCREW	1				
11	WSHA15141	WASHER	2				
12	613217 01	ACTUATOR SHAFT BLOCK	1				
13	190548 13	WASHER	2				
14	190548 12	WASHER	2				
15	HSS-0140	SETSCREW	3				
16	WSH-0058	WASHER	3				
17	613216 01	ACTUATOR SHAFT	1				
18	SPGC53300	COMPRESSION SPRING	2				
19	190548 11	WASHER	1				
20	MOTE11007	LINEAR ACTUATOR	1				
21	HSS-0100	SETSCREW	1				
22	BLTA06350	BOLT	1				
23	WSH-0009	WASHER	2				
24	NUT-0260	NUT	2				
25	613218 01	ADJUSTER BOLT	1				
26	NUT-0180	NUT	2				
27	HSS-0318	SETSCREW	6				
28	WSH-0025	WASHER	8				
29	NUT-0271	NUT	6				
30	613192 01	DRIVE SHAFT	1				
31	PTO-17025	PTO SHAFT ASSY	1				
32	PTO-20005	PTO COUPLING	1				
33	PTO-19012	PTO SHAFT ASSY	1				
34	BLTA08350	SHEARBOLT	5				
35	NUT-0263	NUT	5				





KIT - 03375
KIT - 03376