

# Shelbourne

REYNOLDS

MAN-06100

1800-3200  
PARTS MANUAL



Shelbourne Reynolds Engineering Ltd  
Stanton  
Bury St Edmunds  
Suffolk  
IP31 2AR  
England

Telephone: 01359 250415  
Fax: 01359 250464

Stores Direct : 01359 251231  
Stores Direct: 01359 252031

Issue 13

07/12/2023

[www.shelbourne.com](http://www.shelbourne.com)



 YouTube

POWERSPREAD PRO

## **ORDERING SPARE PARTS**

### **IMPORTANT**

Your Powerspread is made up of a Machine assembly number (common parts), specific sub assemblies and also customer optional build kits. The machine, sub assemblies and optional kit numbers are listed in the front pages of your Operators manual, part no. MAN-06210.

If you do not have these numbers please contact Shelbourne Reynolds Parts Department direct on (telephone) 01359 251231.

To ensure that you order the correct part from your SRE dealer please use the following procedure.

### **ALWAYS QUOTE THE MACHINE AND SERIAL NUMBERS WHEN ORDERING.**

Refer to the Parts Manuals front page/s, listing the machine assemblies. Select the correct machine assembly number which is printed in the top left corner of the page (starting with 6099\_\_ 01), This machine number can also be taken off the Powerspread identification plate located on the front of the main chassis beam.

On this page you will find the parts listing for the common parts for every configuration of that machine assembly number. You will find the corresponding drawing by either looking at the facing page or progressing through the manual to the next drawing. The drawings indicate the components by item numbers, which you will find, are repeated in the left-hand side of your parts listing, and therefore referring to the correct part.

Note all parts will not be found listed below the machine number. Other parts will be from specific sub assemblies and optional kits. These sub assemblies and kits will be found in numerical order further through the manual.

Sub assemblies start with 6090\_\_ 01 and kits start with KIT- \_\_\_\_\_.



# List Of Kit Numbers

609905 01	Powerspread Pro 2400-3200	1
609905 02	Powerspread Pro 1800	3
609905 03	Powerspread Pro 2400-3200 Slurry Master	5
609049 01	Auger And Auger Fixing Kit	7
609049 02	Auger And Auger Fixing Kit	9
609050 01	Impeller Sub Assembly	11
609051 01	Drives Sub Assembly	14
609051 02	Drives Sub Assembly	18
609052 01	Door Hydraulics Sub Assembly	21
609053 01	Guards Sub Assembly	23
609054 01	Tub And Door Sub Assembly	25
609054 02	Tub And Door Sub Assembly	27
609066 01	Guards Sub Assembly	29
609068 01	Auger Fixing Sub Assembly	31
609068 02	Auger Fixing Sub Assembly	33
609069 01	Tub And Door Sub Assembly	35
609069 02	Tub And Door Sub Assembly	37
609070 01	Impeller Sub Assembly	39
609071 01	Door Hydraulics Sub Assembly	41
609072 01	Tub And Door Sub Assembly (2400-3200)	43
KIT-03249	UK Parts Kit	45
KIT-03643	Wheel And Tyre Kit	47
KIT-03692	PTO Shaft Kit	49
KIT-03692A	PTO Shaft Kit	51
KIT-03742	UK Heavy Drawbar Kit	53
KIT-03744	Anti Bridge Kit	55
KIT-03745	Straw Plate Kit	57
KIT-03746	Axle With Hydraulic Brakes	59
KIT-03747	Lighting Kit	61
KIT-03747A	Lighting Kit	63
KIT-03748	Anti-Bridge Automatic Hydraulics Kit	65
KIT-03748A	Anti-Bridge Automatic Hydraulics Kit	67
KIT-03749	Powerspread Transfers Kit(2400-3200)	69
KIT-03749A	Transfers Kit (1800-2300)	71
KIT-03755	3200 Extension Top Kit	73
KIT-03758	Anti-Bridge Manual Hydraulic Kit	75
KIT-03758A	Anti-Bridge Manual Hydraulic Kit	77
KIT-03762	Rear Anti Bridge Kit	79
KIT-03762A	1800g Rear Anti-Bridge Kit	81
KIT-03763	Hydraulic Axle Kit	83
KIT-03764	UK Drawbar Kit	85



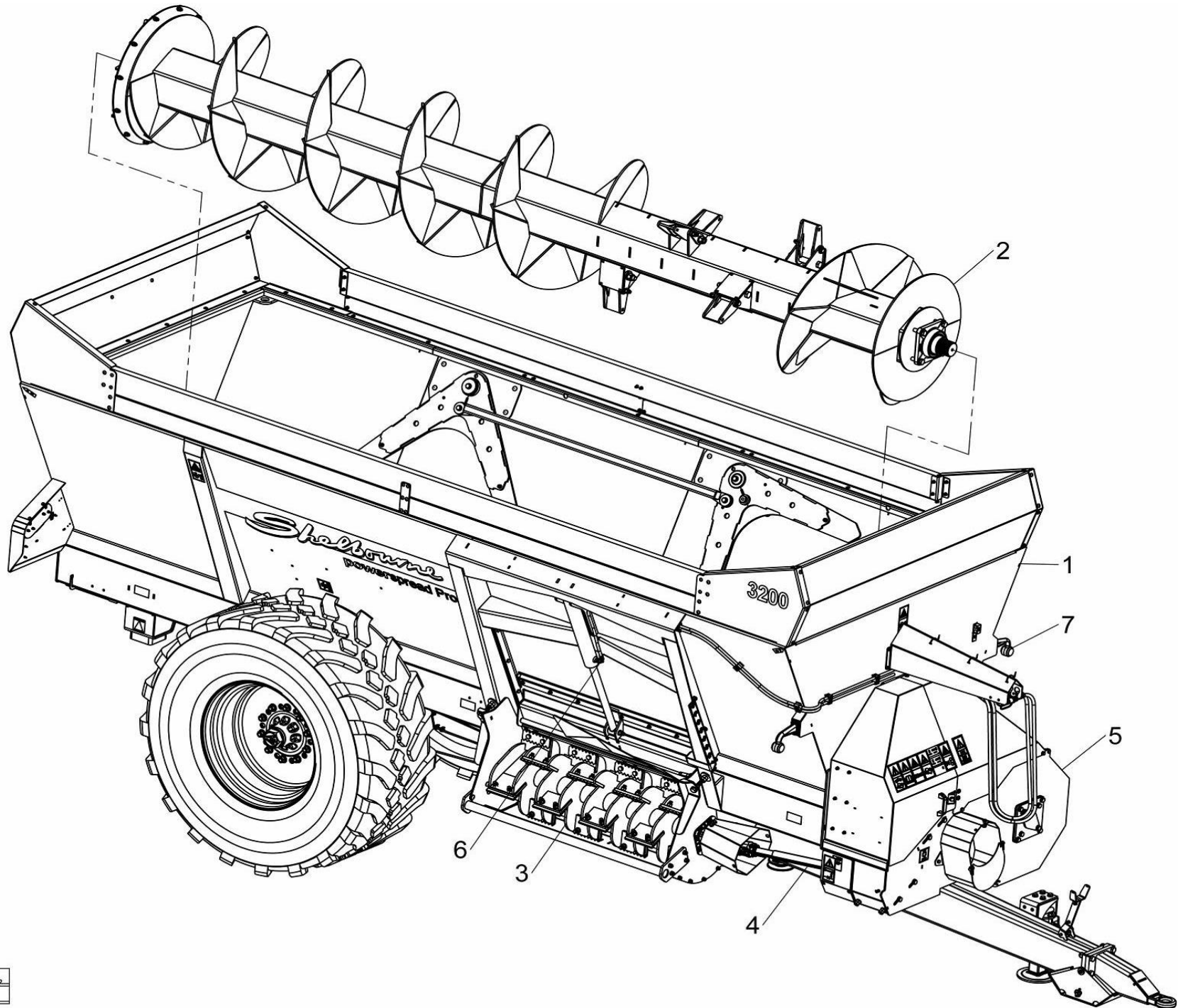
KIT-03770	Blanking Plate Kit	87
KIT-03771	Blanking Plate Kit	89
KIT-03771A	Blanking Plate Kit	91
KIT-03773	Wheel And Tyre Kit	93
KIT-03773A	Wheel And Tyre Kit	95
KIT-03781	2300 Extension Top Kit	97
KIT-03784	1800 And 2400 Slurry Canopy Kit	99
KIT-03799	Wide Angle PTO Shaft Kit	101
KIT-03799A	Wide Angle PTO Shaft Kit	103
KIT-03799B	Wide Angle PTO Shaft Kit (Walterscheid)	105
KIT-03806	Single Hydraulic Axle Kit	107
KIT-03807	Tandem Hydraulic Axle Kit	109
KIT-03807A	Tandem Axle Kit	111
KIT-03808	Hydraulic Axle Kit	113
KIT-03810	Tandem Wheel And Tyre Kit	115
KIT-03812	Wheel And Tyre Kit	117
KIT-03823	Anti Bridge Kit	119
KIT-03823A	Anti Bridge Kit	121
KIT-03824	Auto Hydraulics Kit	123
KIT-03825	Manual Hydraulics Kit	125
KIT-03835	Extension Top Kit	127
KIT-03836	Extension Top Kit	129
KIT-03850	Jack Kit	131
KIT-03855	Extension Top Kit	133
KIT-03856	Extension Top Kit	135
KIT-03874	Rear Drawbar Kit	137
KIT-03875	Rear Drawbar Kit	139
KIT-03883	Tandem Wheel And Tyre Kit	141
KIT-03891	2300 Extension Top Kit	143
KIT-03892	Wheel And Tyre Kit	145
KIT-03893	Lighting Kit	147
KIT-03893A	Lighting Kit	149
KIT-03909	Air Brake Conversion Kit	151
KIT-03911	3200 Extension Side Kit	153
KIT-03913	Tandem Hydraulic/Air Axle Kit	156
KIT-03914	Tandem Wheel Kit	159
KIT-03915	Wheel And Tyre Kit	161
KIT-03920	Wheel And Tyre Kit	163
KIT-03939	Large Dual Impellar Kit	165
KIT-03944	Brake Connection Kit (SWB)	167
KIT-03944A	Brake connection Kit (LWB)	169
KIT-03963	2000 Gallon Extension Side Kit	171
KIT-59000	Wheel And Tyre Kit	173

KIT-59005	Mud Guard Kit	175
KIT-59008	Large Dual Impellar Kit	177
KIT-59009	Rear Drawbar Kit (LWB, 45mm Pin)	179
KIT-59010	PTO Guard Kit	181
KIT-59013	Lift Off Jack Kit	183
KIT-59015	Slurry Master Door Kit	185
KIT-59019	Tandem Hyd / Air Axle Kit (2400-3200)	188
KIT-59026	Tandem Wheel Mud Guard Kit With Loadcell	191



**Shelbourne Reynolds Engineering Limited**

ASSY NUMBER : 609905 01				ASSY DESCRIPTION: 2400-3200 GALLON POWERSPREAD			
ITEM	PART NUMBER	DESCRIPPTION	QTY	ITEM	PART NUMBER	DESCRIPTION	QTY
1	609069 02	TUB & DOOR SUB ASSY PSP24160532 & ON	1				
OR	609054 01	TUB & DOOR SUB ASSY UP TO & INC PSP24160522	1				
2	609068 01	AUGER FIXING SUB ASSY PSP24130330 & ON	1				
OR	609049 01	AUGER FIXING SUB ASSY UP TO & INC PSP24120239	1				
3	609070 01	IMPELLER SUB ASSY PSP24160532 & ON	1				
OR	609050 01	IMPELLER SUB ASSY UP TO & INC PSP24160522	1				
4	609051 01	DRIVES SUB ASSY	1				
5	609066 01	GUARDS SUB ASSY PSP24130330 & ON	1				
OR	609053 01	GUARDS SUB ASSY UP TO & INC PSP24120239	1				
6	609071 01	DOOR HYDRAULICS SUB ASSY PSP24160532 & ON	1				
OR	609052 01	DOOR HYDRAULICS SUB ASSY UP TO & INC PSP24160522	1				
7	KIT-03893A	LIGHTING KIT PSP24160532 & ON	1				
OR	KIT-03747	LIGHTING KIT UP TO & INC PSP24160522	1				



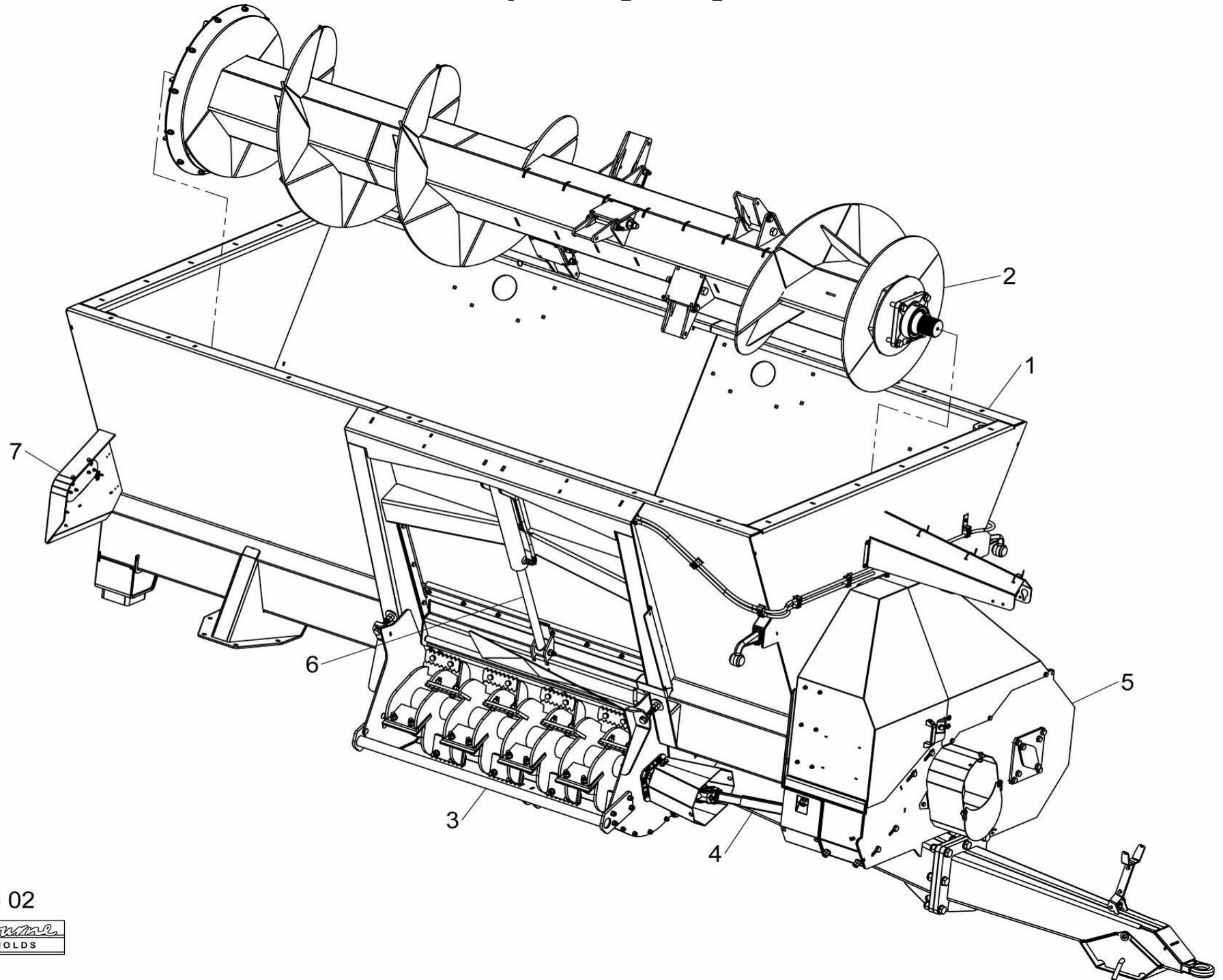
609905 01  
609905 02





**Shelbourne Reynolds Engineering Limited**

ASSY NUMBER: 609905 02				ASSY DESCRIPTION: POWERSPREAD PRO 1800 TOP LEVEL			
ITEM	PART NO	DESCRIPTION	QTY	ITEM	PART NO	DESCRIPTION	QTY
1	609069 01	TUB & DOOR SUB ASSY PSP18160523 & ON	1				
OR	609054 02	TUB & DOOR SUB ASSY UP TO & INC PSP18150516	1				
2	609068 02	AUGER & AUGER FIXING KIT SER No PSP18140345 & ON	1				
OR	609049 02	AUGER & AUGER FIXING KIT UP TO & INC PSP18130311	1				
3	609070 01	IMPELLER SUB ASSY PSP18160523 & ON	1				
OR	609050 01	IMPELLER SUB ASSY UP TO & INC PSP18150516	1				
4	609051 02	DRIVES SUB ASSY	1				
5	609066 01	GUARDS SUB ASSY PSP18120258 & ON	1				
OR	609053 01	GUARDS SUB ASSY UP TO & IN PSP24120248	1				
6	609071 01	DOOR HYDRAULICS SUB ASSY PSP18160523 & ON	1				
OR	609052 01	DOOR HYDRAULICS SUB ASSY UP TO & INC PSP18150516	1				
7	KIT-03747a	LIGHTING KIT UP TO & INC PSP18150516	1				
OR	KIT-03893	LIGHTING KIT PSP18160523 & ON	1				

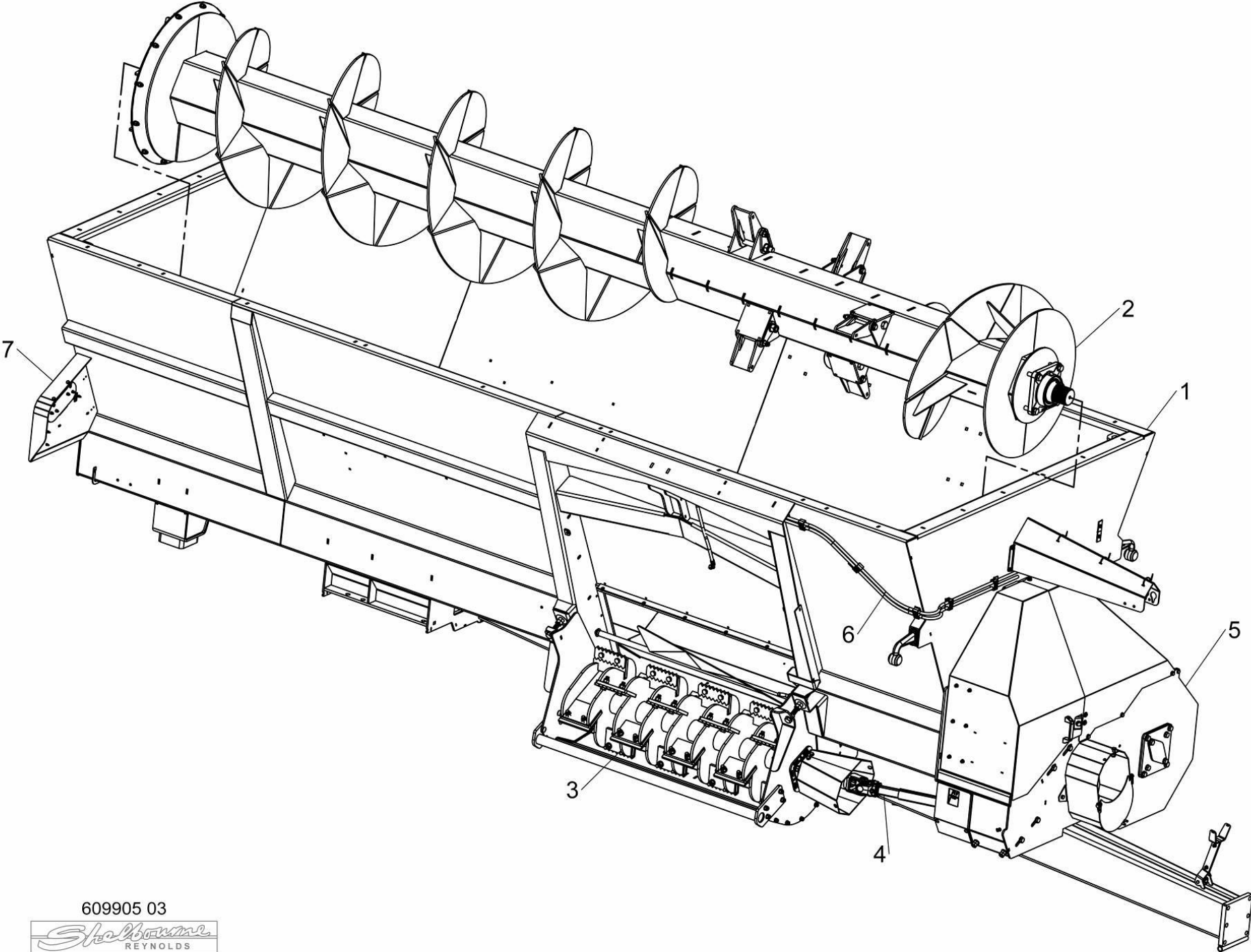


609905 02



**Shelbourne Reynolds Engineering Limited**

ASSY NUMBER: 609905 03				ASSY DESCRIPTION: 2400-3200 GALLON POWERSPREAD SLURRY MASTER			
ITEM	PART NO	DESCRIPTION	QTY	ITEM	PART NO	DESCRIPTION	QTY
1	609072 01	TUB SUB ASSY	1				
2	609068 01	AUGER FIXING SUB ASSY	1				
3	609070 01	IMPELLER SUB ASSY	1				
4	609051 01	DRIVES SUB ASSY	1				
5	609066 01	GUARDS SUB ASSY	1				
6	609071 01	DOOR HYDRAULICS SUB ASSY	1				
7	KIT-03893A	LIGHTING KIT	1				



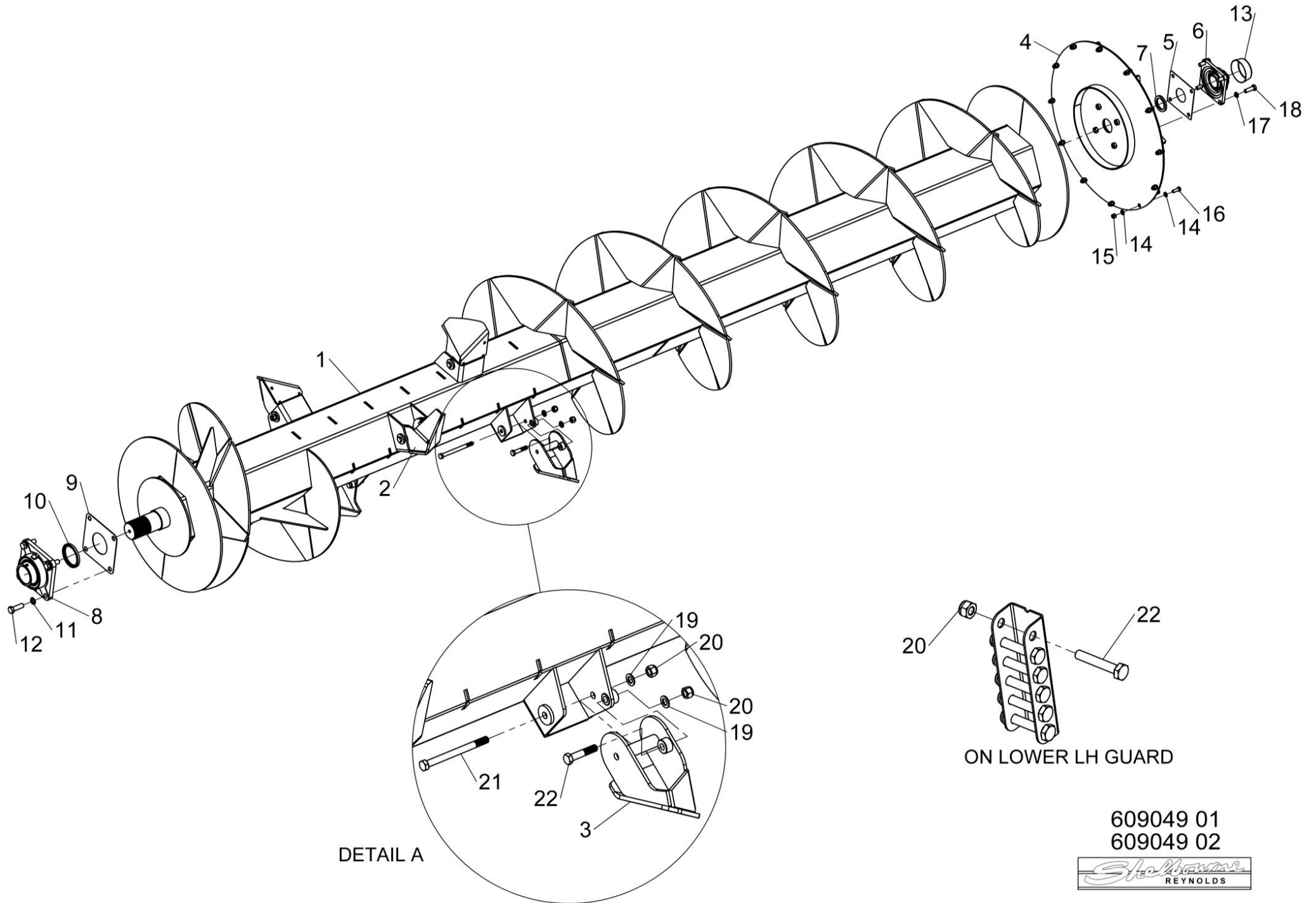
609905 03



**Shelbourne Reynolds Engineering Limited**

ASSY NUMBER: 609049 01				ASSY DESCRIPTION: AUGER & AUGER FIXING KIT			
ITEM	PART NO	DESCRIPTION	QTY	ITEM	PART NO	DESCRIPTION	QTY
1	591209 01	2400 GALLON AUGER W/ASSY	1				
2	591224 01	LH DISCHARGE PADDLE W/ASSY	3				
3	591224 02	RH DISCHARGE PADDLE W/ASSY	3				
4	591233 01	AUGER MOUNTING PLATE W/ASSY	1				
5	590615 01	SPACING DISC	1				
6	BRG-26040	SUPPORT	1				
7	SEAF06000	SHAFT SEAL	1				
8	BRG-29040	BEARING	1				
9	591702 01	BEARING SPACER	1				
10	SEAB10000	RADIAL SHAFT SEAL	1				
11	WSH-0075	SPRING WASHER	4				
12	HSSA20410	HEX HEAD SET SCREW	4				
13	BRG-96000	SELF LUBE PROTECTOR CAP	1				
14	WSH-0018	PLAIN WASHER	24				
15	NUT-0269	NUT	12				
16	HSS-0241	BOLT	12				
17	WSH-0070	SPRING WASHER	4				
18	HSS-0318	SETSCREW	4				
19	WSH-0024	PLAIN WASHER	12				
20	NUT-0271	NYLOC NUT	18				
21	SCCA16832	SOC HEAD SCREW	6				
22	SCCA16533	SOC HEAD SCREW	12				



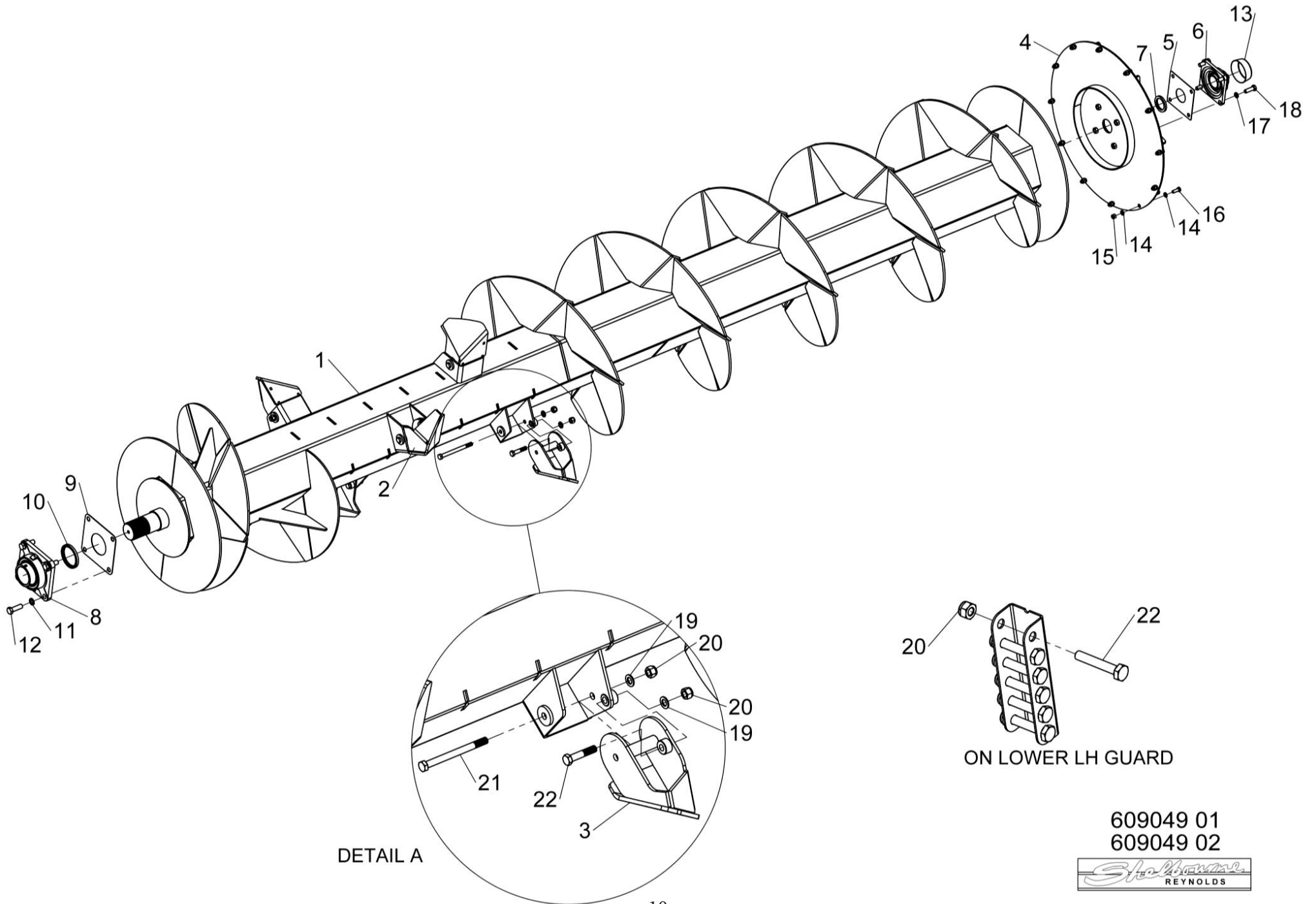


609049 01  
609049 02



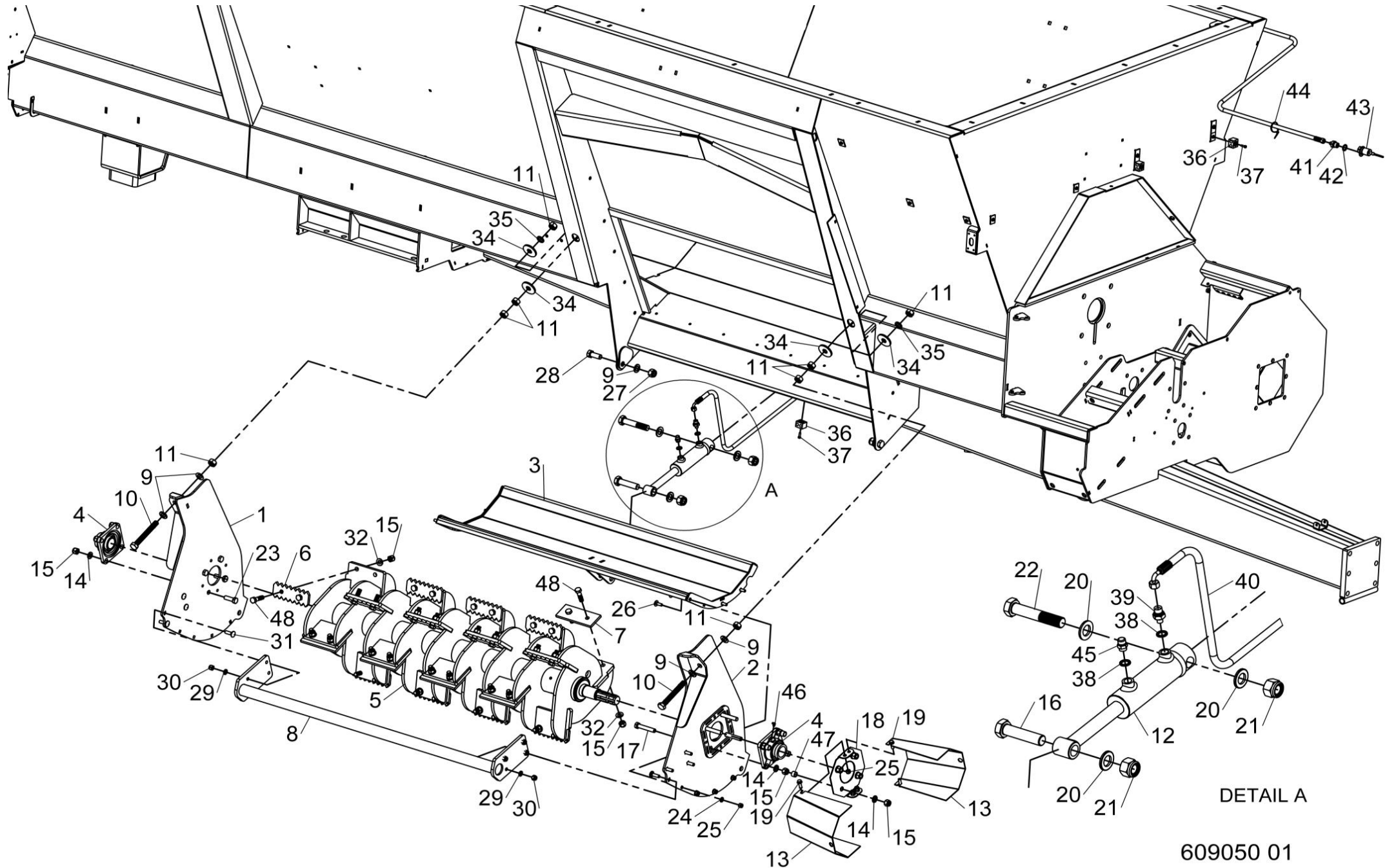
**Shelbourne Reynolds Engineering Limited**

ASSY NUMBER: 609049 02				ASSY DESCRIPTION: AUGER & AUGER FIXING KIT			
ITEM	PART NO	DESCRIPTION	QTY	ITEM	PART NO	DESCRIPTION	QTY
1	591516 01	1800 GALLON AUGER W/A	1				
2	591224 01	LH DISCHARGE PADDLE W/ASSY	3				
3	591224 02	RH DISCHARGE PADDLE W/ASSY	3				
4	591233 01	AUGER MOUNTING PLATE W/ASSY	1				
5	590615 01	SPACING DISC	1				
6	BRG-26040	SUPPORT	1				
7	SEAF06000	SHAFT SEAL	1				
8	BRG-29040	BEARING	1				
9	591702 01	BEARING SPACER	1				
10	SEAB10000	RADIAL SHAFT SEAL	1				
11	WSH-0075	SPRING WASHER	4				
12	HSSA20410	HEX HEAD SET SCREW	4				
13	BRG-96000	SELF LUBE PROTECTOR CAP	1				
14	WSH-0018	PLAIN WASHER	24				
15	NUT-0269	NUT	12				
16	HSS-0241	BOLT	12				
17	WSH-0070	SPRING WASHER	4				
18	HSS-0318	SETSCREW	4				
19	WSH-0024	PLAIN WASHER	12				
20	NUT-0271	NYLOC NUT	18				
21	SCCA16832	SOC HD SCREW	6				
22	SCCA16533	SOC HD SCREW	12				



**Shelbourne Reynolds Engineering Limited**

ASSY NUMBER: 609050 01				ASSY DESCRIPTION: IMPELLER SUB ASSY			
ITEM	PART NO	DESCRIPTION	QTY	ITEM	PART NO	DESCRIPTION	QTY
1	591457 01	LH IMPELLER SIDE PLATE W/ASSY	1	41	HMA-0055	ADAPTOR MALE/MALE	1
2	591457 02	RH IMPELLER SIDE PLATE W/ASSY	1	42	WSH-1015	DOWTY WASHER 1/2"	1
3	591167 01	DRIP TRAY W/ASSY	1	43	COU-0162	QUICK RELEASE COUPLING	1
4	BRG-25040	BEARING	2	44	TIE-0004	TIE WRAPS (MED)	8
5	591953 01	IMPELLER W/A	1	45	FIT-0218	G/B BREATHER	1
6	591366 01	SERRATED IMPELLER BLADE	16	46	NIP-0050	1/4" BSF 45 NIPPLE	1
7	591367 01	PLAIN IMPELLER BLADE	8	47	591393 01	SPACER	4
8	591456 01	GUARD RAIL W/ASSY	1	48	BLT-2312	BOLT	48
9	WSH-0030	WASHER	6				
10	HSSA20740	SETSCREW	2				
11	NUT-0185	NUT	8				
12	RAM-0015	HYDRAULIC RAM	1				
13	591454 01	PTO GUARD	2				
14	WSH-0024	WASHER	12				
15	NUT-0271	NYLOC NUT	60				
16	BLTA24560	HEX HEAD BOLT	1				
17	HSS-0330	SETSCREW	4				
18	591452 01	GUARD FIXING PLATE /WASSY	1				
19	HSSG10204	SETSCREW	4				
20	WSH-0036	WASHER	3				
21	NUT-0275	NYLOC NUT	2				
22	BLTA24650	HEX HEAD BOLT	1				
23	HSS-0318	SET SCREW	4				
24	WSH-0015	WASHER	8				
25	NUT-0265	NYLOC NUT	12				
26	BLT-3750	COACH BOLT	8				
27	NUTA02200	NYLOC NUT	2				
28	HSS-0355	SETSCREW	2				
29	WSH-0018	WASHER	8				
30	NUT-0269	NUT	8				
31	BLT-3800	COACH BOLT	8				
32	WSHA30161	LOCKWASHER	48				
33							
34	190548 83	WASHER	4				
35	WSH-0075	WASHER	2				
36	HCPD01200	HYD.PIPE CLAMP	7				
37	SCW-0083	CAP HEAD SCREW	7				
38	WSH-1010	DOWTY WASHER 3/8"	2				
39	FIT-0025	1/4"BSP X 3/8"BSP	1				
40	HHBC82505	HYD HOSE ASSEMBLY	1				



DETAIL A

609050 01







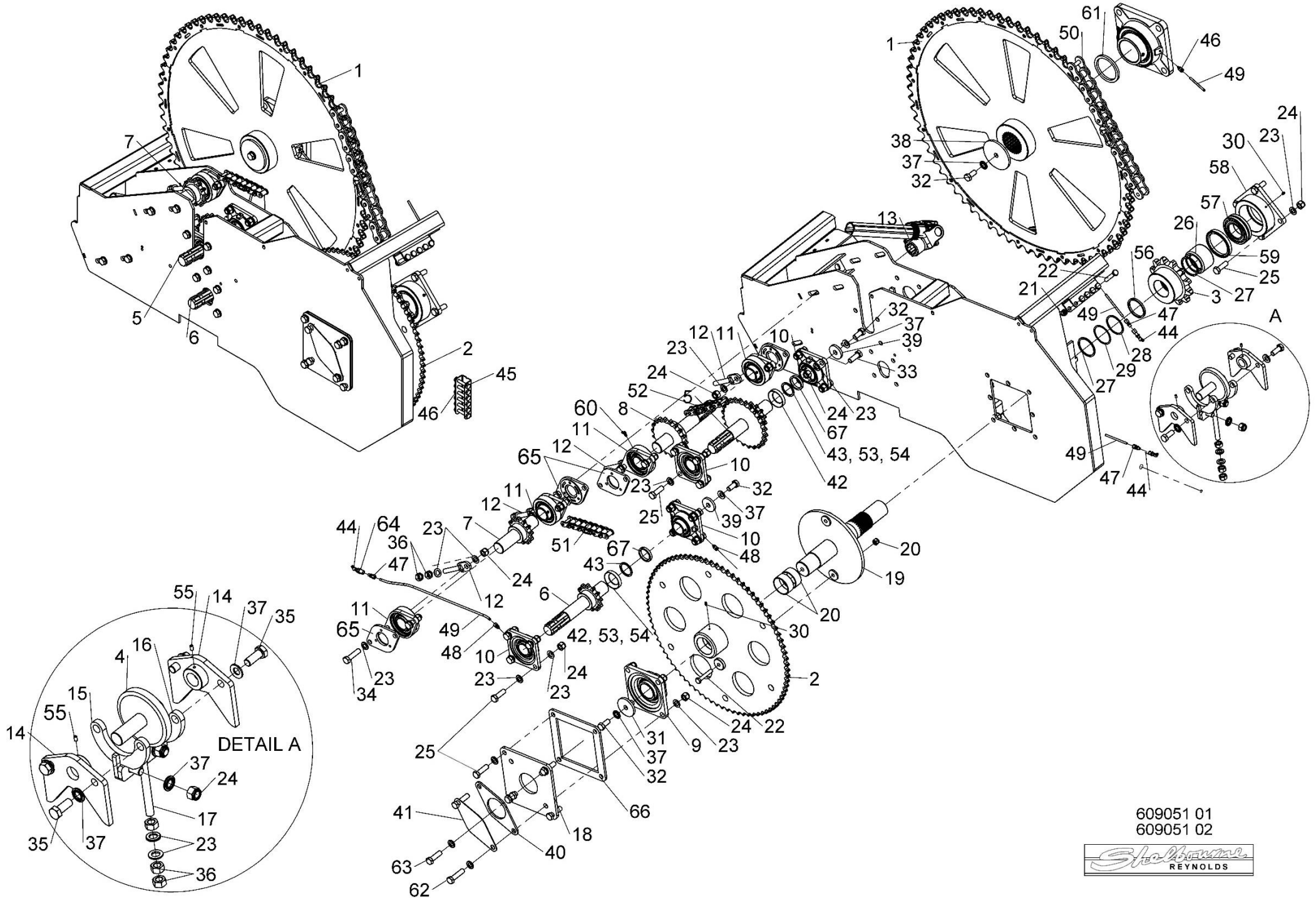
**Shelbourne Reynolds Engineering Limited**

ASSY NUMBER: 609051 01				ASSY DESCRIPTION: DRIVES SUB ASSY (2400-3200)			
ITEM	PART NO	DESCRIPTION	QTY	ITEM	PART NO	DESCRIPTION	QTY
1	591238 01	73T SPROCKET W/ASSY	1	31	190548 87	WASHER	1
2	591248 01	83T 1" PITCH SHEARBOLT SPROCKE	1	32	HSS-0315	SET SCREW	4
3	591246 01	12T x 1 3/4" SPROCKET	1	33	HSS-0317	SET SCREW	8
4	591264 01	TENSIONER W/ASSY	1	34	HSS-0320	HEX HEAD SETSCREW	4
5	591254 01	INPUT SHAFT W/ASSY	1	35	HSS-0316	SETSCREW	4
6	591253 01	REVERSER SHAFT W/ASSY	1	36	NUT-0180	NUT	11
7	591191 01	TENSIONER SHAFT W/ASSY	1	37	WSHA30161	LOCK WASHER	10
8	591259 01	IMPELLER SHAFT W/ASSY	1	38	590491 01	PIVOT BAR DISC	1
9	BRG-26040	SUPPORT	1	39	190548 90	WASHER	2
10	BRG-24541	SUPPORT	4	40	591368 01	SPACER PLATE	1
11	BRG-24542	SUPPORT	4	41	591370 01	COVER PLATE	1
12	592033 01	STUD ADJUSTER W/ASSY	4	42	591371 01	SPACER	2
		SER NO PSP24160??? & ON		43	190548 89	WASHER	2
	591265 01	STUD ADJUSTER W/ASSY	4	44	LUB-00036	BULKHEAD ADAPTOR	3
		UP TO & INC PSP24150498		45	BLTA10380	SHEARBOLT	7
13	PTO-29019W	IMPELLER PTO SHAFT (WALT)	1			SER No PSP--120258 & ON)	
OR	PTO-29019WE	IMPELLER PTO SHAFT (WEAS)	1	OR	BLTA10384	SHEARBOLT	7
		PSP24150458-PSP24190746		46	NUT-0265	NYLOC NUT	7
OR	PTO-29019	IMPELLAR PTO SHAFT (COMER)	1	47	LUB-00045	1/8"BSP STRAIGHT ADAPTOR	3
		PSP24130330 TO PSP24140433		48	LUB-00046	1/4"UNF STRAIGHT ADAPTOR	3
OR	PTO-29016	IMPELLAR PTO SHAFT	1	49	LUB-00044	6mm POLYAMIDE TUBE	2.2
		UPTO & INC SER No PSP24120239		50	CHN-04486	CHAIN 1 3/4" PITCH ANSI SINGLE	1
14	590905 01	DUMMY BEARING W/A	2			SER No PSP...0225 & ON	
15	591275 01	LH BEARING MTG PLT W/ASSY	1	OR	CHN-04485	CHAIN (1 3/4" 84LINKS)	1
16	591275 02	RH BEARING MTG PLT W/ASSY	1			UPTO & INC SER No PSP...0215	
17	591273 01	ADJUSTER W/ASSY	1	51	CHN-02590	CHAIN 1" PITCH SINGLE STRAND	1
18	591332 01	BEARING MOUNTING PLATE	1	52	CHN-02595	CHAIN 1" PITCH SINGLE STRAND	1
19	591243 01	SHEARBOLT HUB DRIVE SHAFT W/A	1	53	190548 88	WASHER	2
20	591476 01	GLACIER BUSH (MODIFIED)	2	54	190548 92	WASHER	2
21	NUT-0269	NUT	6	55	SCW-4530	GRUBSCREW	2
22	BLTA12440	HEX.HEAD BOLT	6	56	198800 01	WASHER	1
23	WSH-0024	WASHER	66	57	BRG-16085	SPHERICAL ROLLER BEARING	1
24	NUT-0271	NYLOC NUT	38	58	591590 01	BEARING HOUSING W/A	1
25	HSS-0318	SET SCREW	12	59	SEAB09020	SHAFT SEAL	1
26	591591 01	SPACER TUBE	1	60	NIP-0050	1/4" BSF 45 NIPPLE	1
27	190548 86	WASHER	2	61	198800 28	WASHER	1
28	190548 85	WASHER	1	62	HSS-0322	HEX HEAD SETSCREW	6
29	190548 84	WASHER	1	63	HSS-0319	SET SCREW	10
30	NIP-00600	GREASE NIPPLE	2	64	190119 52	WASHER	1

**Shelbourne Reynolds Engineering Limited**

ASSY NUMBER: 609051 01				ASSY DESCRIPTION: DRIVES SUB ASSY (24 00-3200)			
ITEM	PART NO	DESCRIPTION	QTY	ITEM	PART NO	DESCRIPTION	QTY
65	592036 01	BEARING SUPPORT PLATE W/A (SER NO PSP24160??? & ON)	4				
66	592189 01	BEARING MTG PLATE	1				
67	198800 57	WASHER	2				

Shelbourne Reynolds Engineering Limited



609051 01  
609051 02







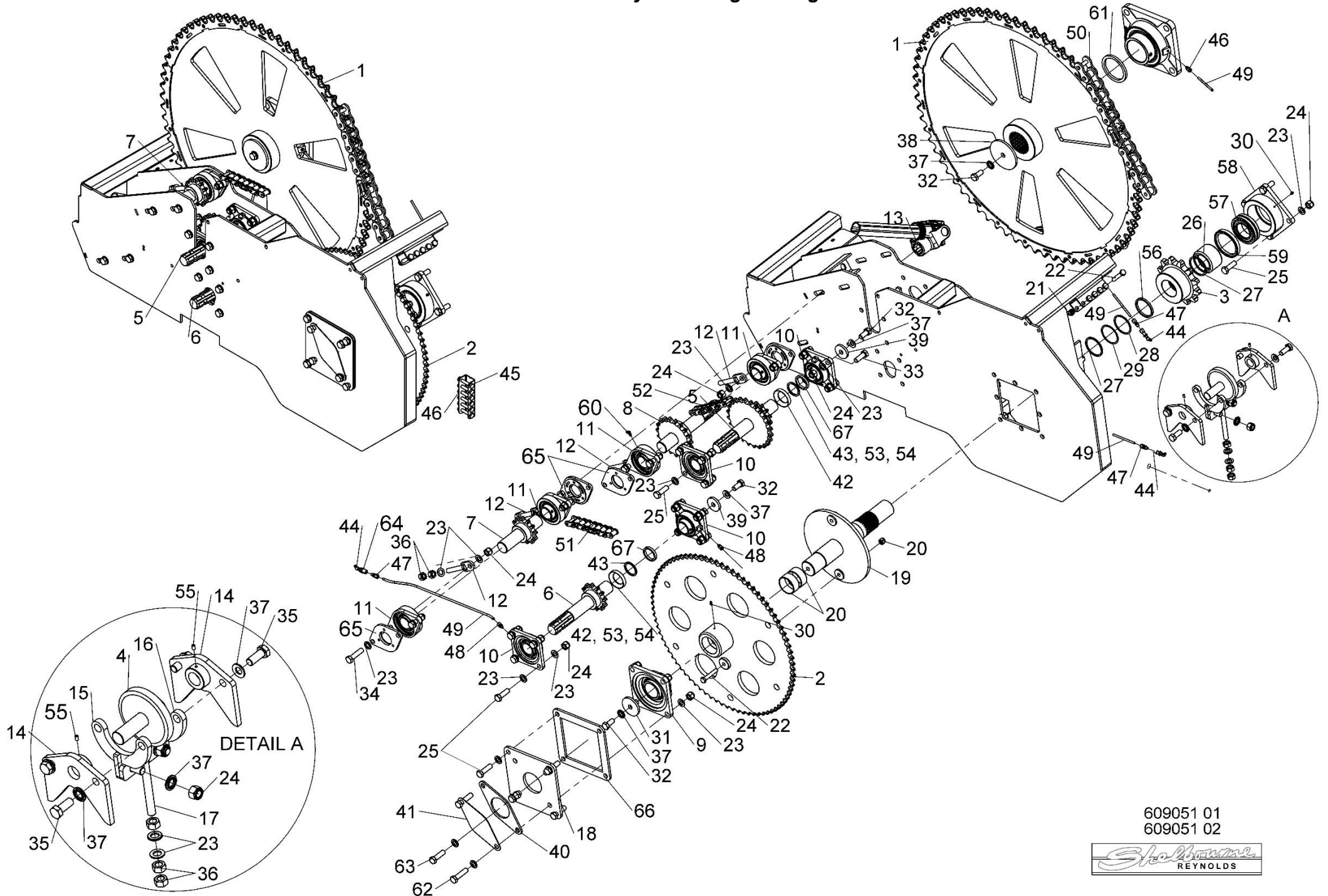
### Shelbourne Reynolds Engineering Limited

ASSY NUMBER: 609051 02				ASSY DESCRIPTION: DRIVES SUB ASSY (1800-2300)			
ITEM	PART NO	DESCRIPTION	QTY	ITEM	PART NO	DESCRIPTION	QTY
1	591238 01	73T SPROCKET W/ASSY	1	30	NIP-00600	GREASE NIPPLE	2
2	591248 01	83T 1" PITCH SHEARBOLT SPROCKE	1	31	190548 87	WASHER	1
3	591246 01	12T x 1 3/4" SPROCKET	1	32	HSS-0315	SET SCREW	4
4	591264 01	TENSIONER W/ASSY	1	33	HSS-0317	SET SCREW	8
5	591254 01	INPUT SHAFT W/ASSY	1	34	HSS-0320	HEX HEAD SETSCREW	4
6	591253 01	REVERSER SHAFT W/ASSY	1	35	HSS-0316	SETSCREW	4
7	591191 01	TENSIONER SHAFT W/ASSY	1	36	NUT-0180	NUT	11
8	591259 01	IMPELLER SHAFT W/ASSY	1	37	WSHA30161	LOCK WASHER	10
9	BRG-26040	SUPPORT	1	38	590491 01	PIVOT BAR DISC	1
10	BRG-24541	SUPPORT	4	39	190548 90	WASHER	2
11	BRG-24542	SUPPORT	4	40	591368 01	SPACER PLATE	1
12	592033 01	STUD ADJUSTER W/ASSY	4	41	591370 01	COVER PLATE	1
		SER NO PSP24160??? & ON		42	591371 01	SPACER	2
OR	591265 01	STUD ADJUSTER W/ASSY	4	43	190548 89	WASHER	2
		UP TO & INC PSP24150498		44	LUB-00036	BULKHEAD ADAPTOR	3
13	PTO-29020W	IMPELLER PTO SHAFT (WALT)	1	45	BLTA10380	SHEARBOLT	7
		PSP18190784 & ON				SER No PSP--120258 & ON)	
OR	PTO-29020WE	IMPELLER PTO SHAFT (WEAS)	1	OR	BLTA10384	SHEARBOLT	7
		PSP18140420 - PSP18190777				UPTO & INC SER No PSP--120239	
OR	PTO-29020	IMPELLAR PTO SHAFT (COMER)	1	46	NUT-0265	NYLOC NUT	7
		PSP18120358 TO PSP18140401		47	LUB-00045	1/8"BSP STRAIGHT ADAPTOR	3
OR	PTO-29018	IMPELLAR PTO SHAFT	1	48	LUB-00046	1/4"UNF STRAIGHT ADAPTOR	3
		UPTO & INC SER No PSP18120248		49	LUB-00044	6mm POLYAMIDE TUBE	2.2
14	590905 01	DUMMY BEARING W/A	2	50	CHN-04486	CHAIN 1 3/4" PITCH ANSI SINGLE	1
15	591275 01	LH BEARING MTG PLT W/ASSY	1			SER No PSP...0225 & ON	
16	591275 02	RH BEARING MTG PLT W/ASSY	1	OR	CHN-04485	CHAIN (1 3/4" 84LINKS)	1
17	591273 01	ADJUSTER W/ASSY	1			UPTO & INC SER No PSP...0215	
18	591332 01	BEARING MOUNTING PLATE	1	51	CHN-02590	CHAIN 1" PITCH SINGLE STRAND	1
19	591243 01	SHEARBOLT HUB DRIVE SHAFT W/A	1	52	CHN-02595	CHAIN 1" PITCH SINGLE STRAND	1
20	591476 01	GLACIER BUSH (MODIFIED)	2	53	190548 88	WASHER	2
21	NUT-0269	NUT	6	54	190548 92	WASHER	2
22	BLTA12440	HEX.HEAD BOLT	6	55	SCW-4530	GRUBSCREW	2
23	WSH-0024	WASHER	66	56	198800 01	WASHER	1
24	NUT-0271	NYLOC NUT	38	57	BRG-16085	SPHERICAL ROLLER BEARING	1
25	HSS-0318	SET SCREW	12	58	591590 01	BEARING HOUSING W/A	1
26	591591 01	SPACER TUBE	1	59	SEAB09020	SHAFT SEAL	1
27	190548 86	WASHER	2	60	NIP-0050	1/4" BSF 45 NIPPLE	1
28	190548 85	WASHER	1	61	198800 28	WASHER	1
29	190548 84	WASHER	1	62	HSS-0322	HEX HEAD SETSCREW	6
				63	HSS-0319	SET SCREW	10

**Shelbourne Reynolds Engineering Limited**

ASSY NUMBER: 609051 02				ASSY DESCRIPTION: DRIVES SUB ASSY (1800-2300)			
ITEM	PART NO	DESCRIPTION	QTY	ITEM	PART NO	DESCRIPTION	QTY
64	190119 52	WASHER	1				
65	592036 01	BEARING SUPPORT PLATE W/A (SER NO PSP24160??? & ON)	4				
66	592189 01	BEARING MTG PLATE	1				
67	198800 57	WASHER	2				

Shelbourne Reynolds Engineering Limited

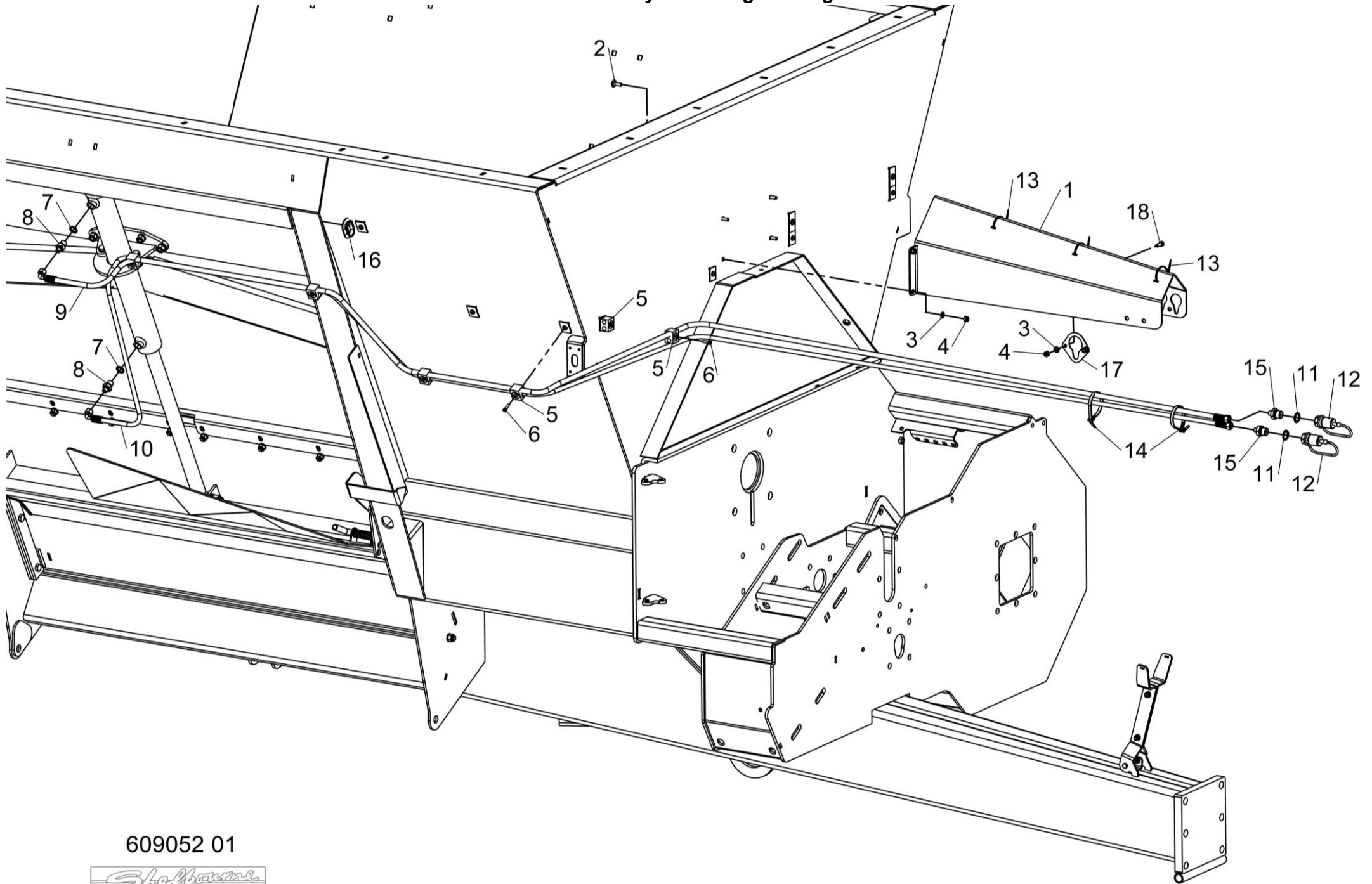


609051 01  
609051 02



**Shelbourne Reynolds Engineering Limited**

ASSY NUMBER: 609052 01				ASSY DESCRIPTION: DOOR HYDRAULICS SUB ASSY			
ITEM	PART NO	DESCRIPTION	QTY	ITEM	PART NO	DESCRIPTION	QTY
1	591455 01	HOSE PARKING STATION	1				
2	BLTF08173	COACH BOLT	4				
3	WSH-0012	WASHER	6				
4	NUT-0263	NYLOC NUT	6				
5	HCPD01200	HYD.PIPE CLAMP	6				
6	SCW-0083	CAP HEAD SCREW	6				
7	WSH-1010	DOWTY WASHER	2				
8	FIT-0025	M/M ADAPTOR	2				
9	HHBC60005	HYDRAULIC HOSE ASSY	1				
10	HHBC65005	HYD HOSE ASSY	1				
11	WSH-1015	DOWTY WASHER	2				
12	COU-0162	QUICK RELEASE COUPLING	2				
13	TIE-0004	TIE WRAPS (MED)	8				
14	TIE-0012	TIE WRAPS (EX.LARGE)	4				
15	HMA-0055	M/M ADAPTOR	2				
16	EDS-11400	PVC EDGING STRIP	0.25				
17	591891 01	HOSE STORAGE PLATE	1				
18	HSS-0140	SETSCREW	2				



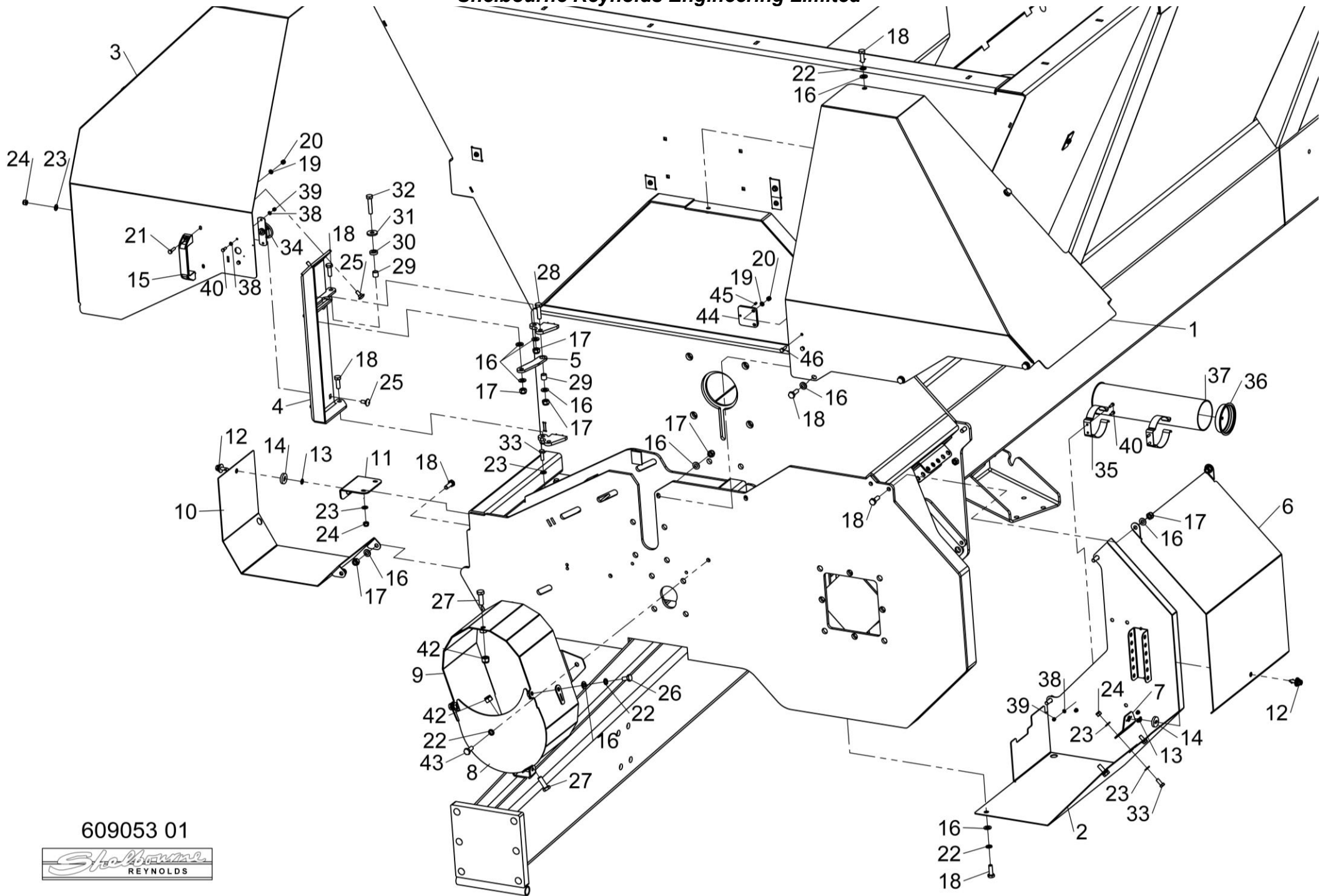
609052 01



### Shelbourne Reynolds Engineering Limited

ASSY NUMBER: 609053 01				ASSY DESCRIPTION: GUARDS SUB ASSY			
ITEM	PART NO	DESCRIPTION	QTY	ITEM	PART NO	DESCRIPTION	QTY
1	591277 01	LH TOP GUARD	1	42	NUT-0269	NUT	2
2	591447 01	LOWER LH GUARD W/A	1	43	HSS-0191	SET SCREW	2
3	591699 01	RH TOP GUARD W/ASSY	1	44	591796 01	LATCH PLATE	1
4	591442 01	HINGE BRKT W/A	1	45	PIN-40505	ROLL PIN	1
5	591286 01	STAY LINK PLATE	1	46	HSS-0086	SET SCREW	2
6	591444 01	LH GUARD	1				
7	591446 01	LOCKING BRKT W/A	1				
8	591449 01	LID W/A	1				
9	591295 01	FRONT DRIVE GUARD	1				
10	591299 01	IMPRLLER PTO GUARD	1				
11	591303 01	FASTNER PLATE W/A	1				
12	LTC-0010	HEX, HEAD RELEASE, STEEL	2				
13	LTC-0012	RETAINING WASHER	2				
14	590776 01	FASTENER SPACER	2				
15	HND-0000	BLACK PLASTIC HANDLE	1				
16	WSH-0015	PLAIN WASHER	22				
17	NUT-0265	NYLOC NUT	10				
18	HSS-0194	BOLT	16				
19	WSH-0009	PLAIN WASHER FORM A	4				
20	NUT-0260	NYLOC NUT	4				
21	HSS-0088	SET SCREW	2				
22	WSH-0061	SPRING WASHER	12				
23	WSH-0012	PLAIN WASHER FORM A	16				
24	NUT-0263	NYLOC NUT	12				
25	BLT-4710	COACH BOLT	8				
26	HSS-0188	SET SCREW	2				
27	HSS-0241	BOLT	2				
28	HSS-0202	SET SCREW	1				
29	590768 04	HINGE PIVOT TUBE	2				
30	190119 79	WASHER(11*22*6)	1				
31	190119 75	WASHER 30x11x4	1				
32	HSS-0210	SET SCREW	1				
33	HSS-0145	BOLT	4				
34	LTC-00045	COMPRESSION LATCH	1				
35	21725019	SPRING CLIP	2				
36	21709163	PLASTIC END CAP	2				
37	39800004	MANUAL HOLDER TUBE	1				
38	WSH-0006	PLAIN WSH FORM A	8				
39	NUT-0258	NYLOC NUT	6				
40	HSS-0058	M5 X 16 SET SCREW	6				



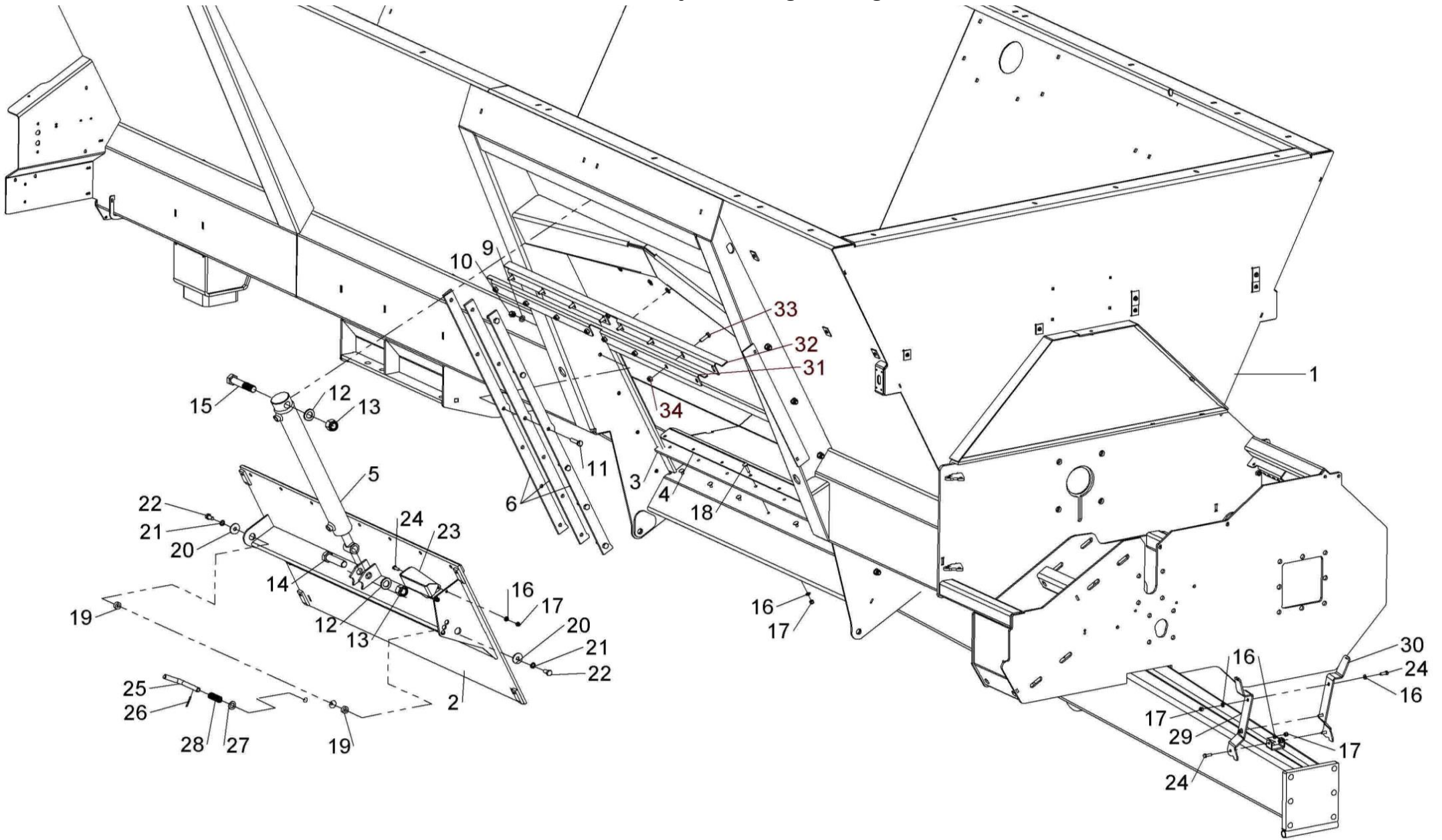


609053 01



**Shelbourne Reynolds Engineering Limited**

ASSY NUMBER: 609054 01				ASSY DESCRIPTION: TUB & DOOR SUB ASSY			
ITEM	PART NO	DESCRIPTION	QTY	ITEM	PART NO	DESCRIPTION	QTY
1	591403 01	2400 GALLON TUB W/ASSY	1				
2	591177 01	DOOR W/ASSY	1				
3	591180 01	BOTTOM DOOR SEAL	1				
4	591181 01	BOTTOM SEAL CLAMP PLATE	1				
5	RAM-0014	HYDRAULIC RAM	1				
6	591197 01	DOOR KEEP PLATE	6				
7	591199 01	DEFLECTOR PLATE W/ASSY	1				
9	WSH-0018	WASHER	19				
10	NUT-0269	NYLOC NUT	11				
11	HSS-0260	SET SCREW	12				
12	WSH-0036	WASHER	2				
13	NUT-0275	NYLOC NUT	2				
14	BLTA24560	HEX HEAD BOLT	1				
15	BLTA24650	HEX HEAD BOLT	1				
16	WSH-0012	WASHER	16				
17	NUT-0263	NYLOC NUT	14				
18	BLT-2730	COACH BOLT	8				
19	190548 81	WASHER	2				
20	190548 44	WASHER (PLATED)	2				
21	WSH-0065	WASHER	2				
22	HSS-0235	SET SCREW	2				
23	591375 01	HEIGHT INDICATOR POINTER	1				
24	HSS-0145	BOLT	6				
25	591402 01	LOCKING HANDLE	1				
26	PIN-1775	ROLL PIN	1				
27	WSH-0024	WASHER	1				
28	SPGC32021	COMPRESSION SPRING	1				
29	591378 01	PTO STAND LH	1				
30	591378 02	PTO STAND RH	1				
31	591979 01	CLAMP STRIP	1				
32	591767 01	RUBBER SEAL STRIP	1				
33	HSS-0198	BOLT	8				
34	NUT-0265	NUT	8				



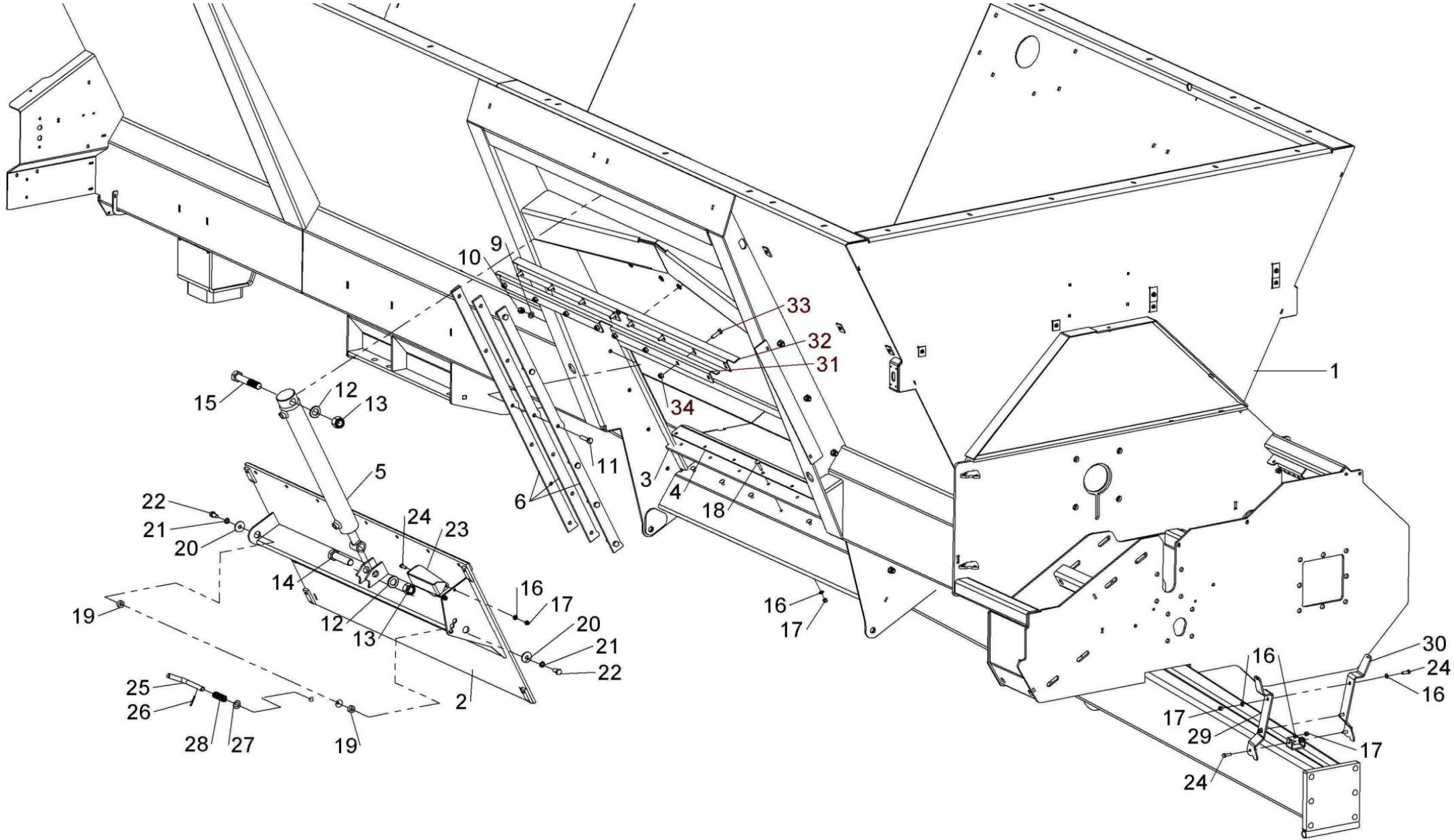
609054 01  
609054 02



**Shelbourne Reynolds Engineering Limited**

ASSY NUMBER: 609054 02				ASSY DESCRIPTION: TUB & DOOR SUB ASSY			
ITEM	PART NO	DESCRIPTION	QTY	ITEM	PART NO	DESCRIPTION	QTY
1	591508 01	1800 GALLON TUB W/ASSY	1				
2	591177 01	DOOR W/ASSY	1				
3	591180 01	BOTTOM DOOR SEAL	1				
4	591181 01	BOTTOM SEAL CLAMP PLATE	1				
5	RAM-0014	HYDRAULIC RAM	1				
6	591197 01	DOOR KEEP PLATE	6				
7	591199 01	DEFLECTOR PLATE W/ASSY	1				
8							
9	WSH-0018	PLAIN WASHER	11				
10	NUT-0269	NYLOC NUT	11				
11	HSS-0260	SET SCREW	12				
12	WSH-0036	PLAIN WASHER FORM A	2				
13	NUT-0275	NYLOC NUT	2				
14	BLTA24560	HEX HEAD BOLT	1				
15	BLTA24650	HEX HEAD BOLT	1				
16	WSH-0012	PLAIN WASHER	10				
17	NUT-0263	NYLOC NUT	10				
18	BLT-2730	COACHBOLT	8				
19	190548 81	WASHER	2				
20	190548 44	WASHER (PLATED)	2				
21	WSH-0065	SPRING WASHER	2				
22	HSS-0235	SET SCREW	2				
23	591375 01	HEIGHT INDICATOR POINTER	1				
24	HSS-0145	BOLT	1				
25	591402 01	LOCKING HANDLE	2				
26	PIN-1775	ROLL PIN	1				
27	WSH-0024	PLAIN WASHER FORM A	1				
28	SPGC32021	COMPRESSION SPRING	1				
29							
30							
31	591979 01	CLAMP STRIP	1				
32	591767 01	RUBBER SEAL STRIP	1				
33	HSS-0198	BOLT	8				
34	NUT-0265	NUT	8				





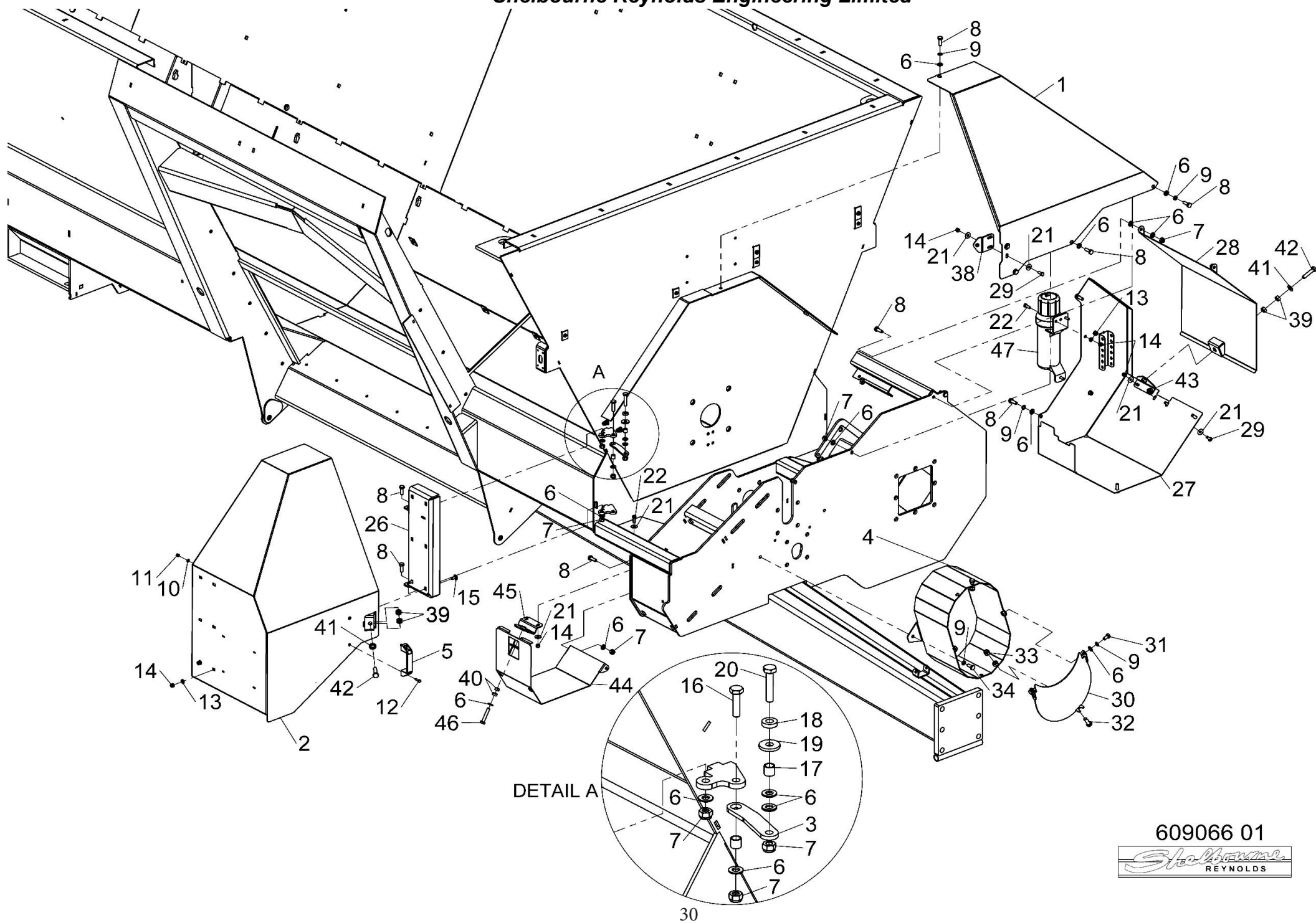
609054 01  
609054 02



**Shelbourne Reynolds Engineering Limited**

ASSY NUMBER: 609066 01				ASSY DESCRIPTION: GUARDS SUB ASSY			
ITEM	PART NO	DESCRIPTION	QTY	ITEM	PART NO	DESCRIPTION	QTY
1	591865 01	LH TOP GUARD	1	35			
2	592410 01	RH TOP GUARD W/A	1	36			
		PSP..221050 & ON		37			
OR	591854 01	RH TOP GUARD W/A	1	38	591858 01	LOCKING PLATE W/A	1
		UP TO & INC PSP..221049		39	NUT-0170	NUT	4
3	591286 01	STAY LINK PLATE	1	40	NUT-0167	NUT	2
4	591295 01	FRONT DRIVE GUARD	1	41	WSHA30121	CONTACT WASHER	2
5	HND-0000	BLACK PLASTIC HANDLE	1	42	HSS-0265	SET SCREW	2
6	WSH-0015	WASHER	25	43	591866 01	FIXING BRKT W/A	1
7	NUT-0265	NYLOC NUT	10	44	591868 01	IMPELLER PTO GUARD W/A	1
8	HSS-0194	BOLT	16	45	591870 01	FIXING BRKT W/A	1
9	WSH-0061	WASHER	12	46	HSSA10380	SET SCREW	1
10	WSH-0009	WASHER	2	47	PCN-00100	MANUAL CANNISTER	1
11	NUT-0260	NYLOC NUT	2				
12	HSS-0086	SET SCREW	2				
13	WSH-0012	WASHER	9				
14	NUT-0263	NYLOC NUT	15				
15	BLT-4710	COACH BOLT	6				
16	HSS-0202	SET SCREW	1				
17	590768 04	HINGE PIVOT TUBE	2				
18	190119 79	WASHER	1				
19	190119 75	WASHER	1				
20	HSS-0210	SET SCREW	1				
21	WSH-1038	WASHER	12				
22	HSS-0145	BOLT	5				
23	PCN-00100	MANUAL CANNISTER	1				
24							
25							
26	592412 01	HINGE BRKT W/A	1				
		PSP..221050 & ON					
OR	591442 01	HINGE BRKT W/A	1				
		UP TO & INC PSP..221049					
27	591447 01	LOWER LH GUARD W/A	1				
28	591863 01	SIDE GUARD W/A	1				
29	HSS-0140	BOLT	4				
30	591449 01	LID W/A	1				
31	HSS-0188	SET SCREW	2				
32	HSS-0241	BOLT	2				
33	NUT-0269	NUT	2				
34	HSS-0191	SET SCREW	2				





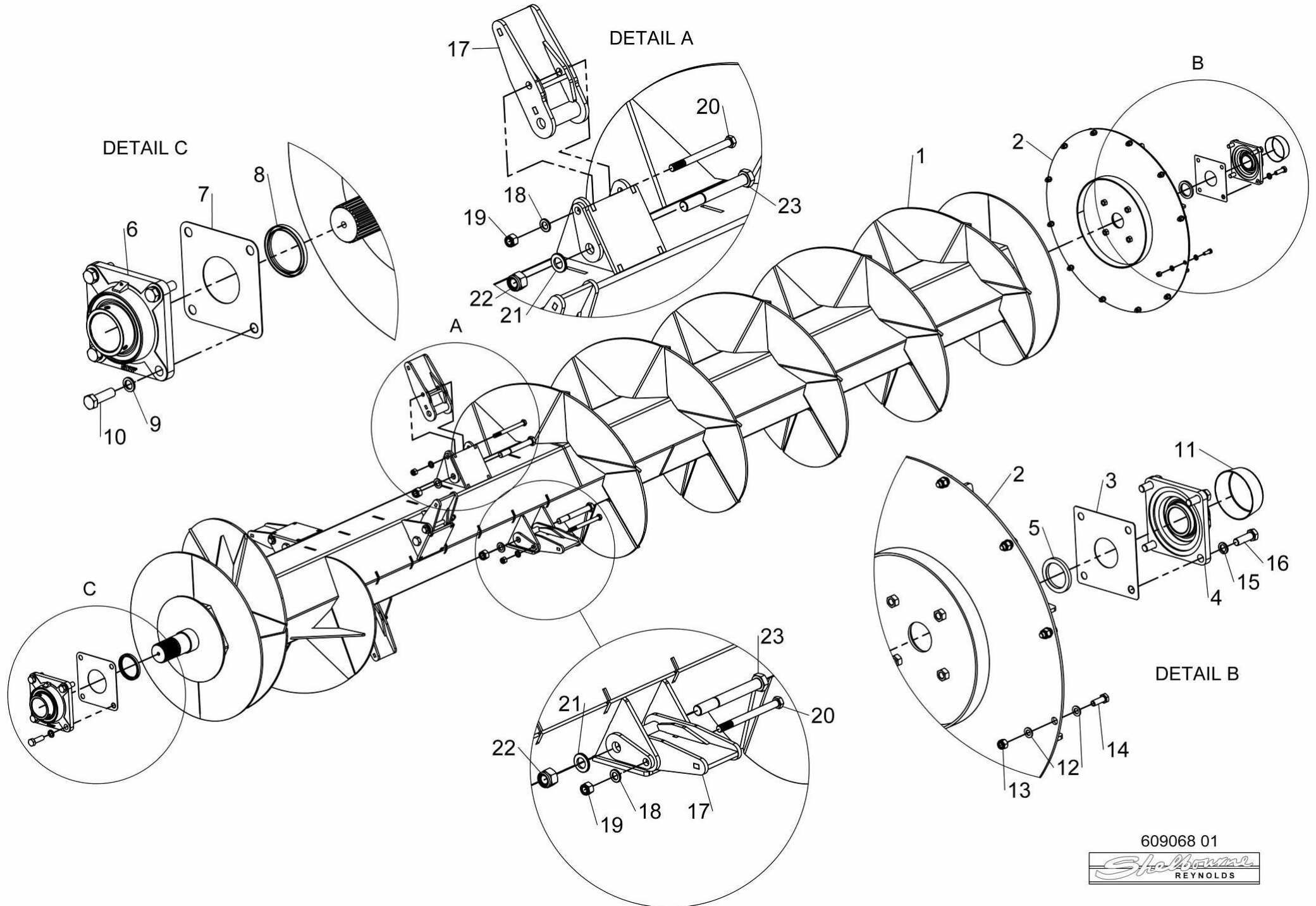
609066 01



**Shelbourne Reynolds Engineering Limited**

ASSY NUMBER: 609068 01				ASSY DESCRIPTION: AUGER FIXING SUB ASSY (PSP24130330 & ON)			
ITEM	PART NO	DESCRIPTION	QTY	ITEM	PART NO	DESCRIPTION	QTY
1	591914 01	2400 GALLON AUGER W/ASSY	1				
2	591233 01	AUGER MOUNTING PLATE W/ASSY	1				
3	590615 01	SPACING DISC	1				
4	BRG-26040	SUPPORT	1				
5	SEAF06000	SHAFT SEAL	1				
6	BRG-29040	BEARING	1				
7	591702 01	BEARING SPACER	1				
8	SEAB10000	RADIAL SHAFT SEAL	1				
9	WSH-0075	SPRING WASHER	4				
10	HSSA20410	SETSCREW	4				
11	BRG-96000	SELF LUBE PROTECTOR CAP	1				
12	WSH-0018	WASHER	24				
13	NUT-0269	NUT	12				
14	HSS-0241	BOLT	12				
15	WSH-0070	WASHER	4				
16	HSS-0318	SETSCREW	4				
17	591915 01	AUGER PADDLE W/A	6				
18	WSH-0024	WASHER	12				
19	NUT-0271	NYLOC NUT	12				
20	BLTA16804	BOLT	12				
21	WSH-0036	WASHER	6				
22	NUT-0275	NUT	6				
23	BLTA24830	BOLT	6				

Shelbourne Reynolds Engineering Limited

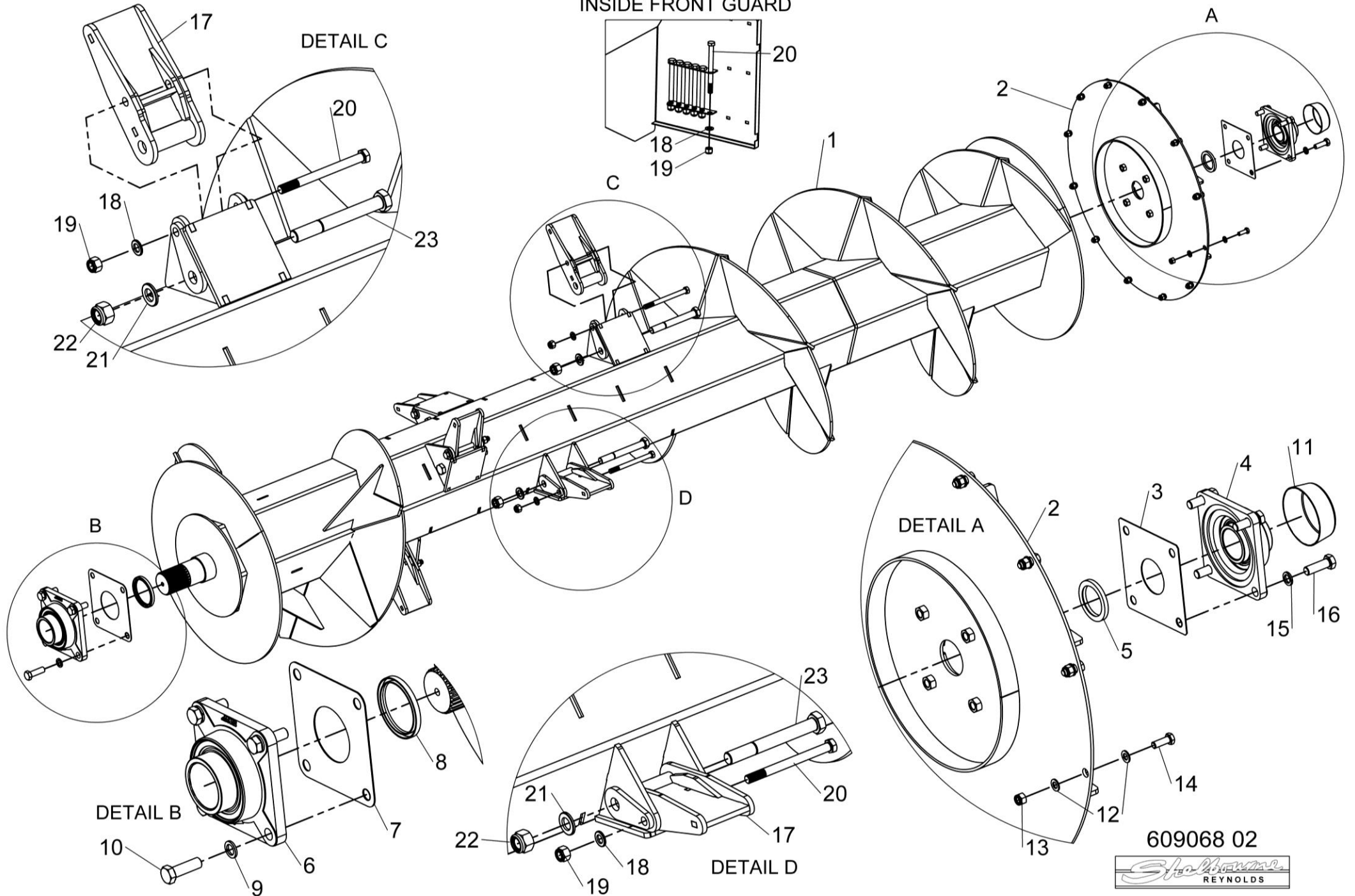


**Shelbourne Reynolds Engineering Limited**

ASSY NUMBER: 609068 02				ASSY DESCRIPTION: AUGER FIXING SUB ASSY (PSP18140360 & ON)			
ITEM	PART NO	DESCRIPTION	QTY	ITEM	PART NO	DESCRIPTION	QTY
1	591929 01	1800 GALLON AUGER W/ASSY	1				
2	591233 01	AUGER MOUNTING PLATE W/ASSY	1				
3	590615 01	SPACING DISC	1				
4	BRG-26040	SUPPORT	1				
5	SEAF06000	SHAFT SEAL	1				
6	BRG-29040	BEARING	1				
7	591702 01	BEARING SPACER	1				
8	SEAB10000	RADIAL SHAFT SEAL	1				
9	WSH-0075	WASHER	4				
10	HSSA20410	SETSCREW	4				
11	BRG-96000	SELF LUBE PROTECTOR CAP	1				
12	WSH-0018	WASHER	24				
13	NUT-0269	NUT	12				
14	HSS-0241	BOLT	12				
15	WSH-0070	WASHER	4				
16	HSS-0318	SETSCREW	4				
17	591915 01	AUGER PADDLE W/A	6				
18	WSH-0024	WASHER	12				
19	NUT-0271	NUT	12				
20	BLTA16804	BOLT	12				
21	WSH-0036	WASHER	6				
22	NUT-0275	NUT	6				
23	BLTA24830	BOLT	6				



INSIDE FRONT GUARD



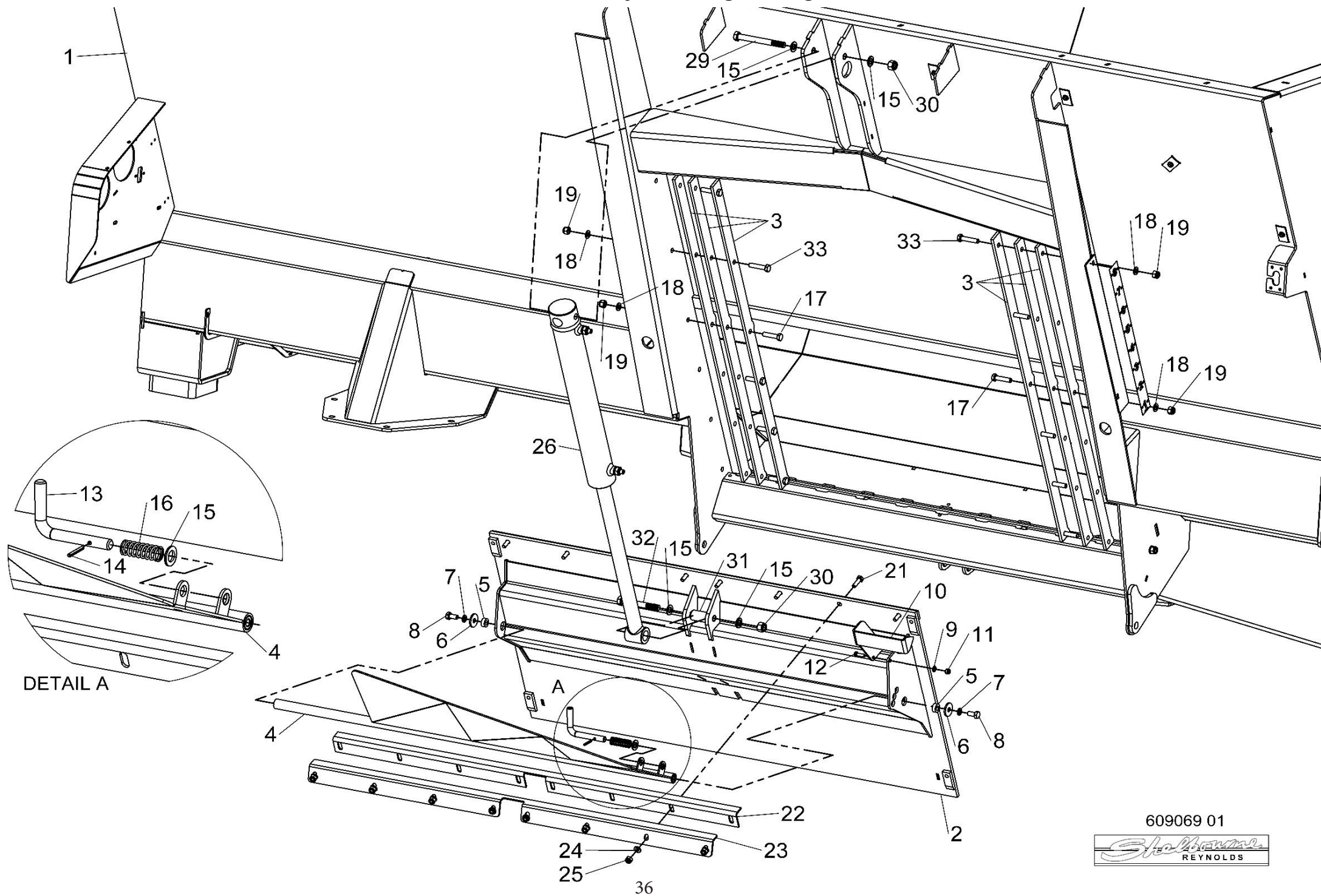
609068 02



**Shelbourne Reynolds Engineering Limited**

ASSY NUMBER: 609069 01				ASSY DESCRIPTION: TUB AND DOOR SUB ASSY			
ITEM	PART NO	DESCRIPTION	QTY	ITEM	PART NO	DESCRIPTION	QTY
1	592043 01	1800 GALLON TUB W/A	1				
2	592058 01	DOOR W/ASSY	1				
3	592073 01	DOOR KEEP PLATE	6				
4	591199 01	DEFLECTOR PLATE W/ASSY	1				
5	190548 81	WASHER	2				
6	190548 44	WASHER	2				
7	WSH-0065	WASHER	2				
8	HSS-0235	SETSCREW	2				
9	WSH-0012	WASHER	2				
10	591375 01	HEIGHT INDICATOR POINTER	1				
11	NUT-0263	NUT	1				
12	HSS-0145	SETSCREW	1				
13	591402 01	LOCKING HANDLE	1				
14	PIN-1775	ROLL PIN	1				
15	WSH-0024	WASHER	5				
16	SPGC32021	COMPRESSION SPRING	1				
17	HSS-0260	SETSCREW	8				
18	WSH-0018	WASHER	10				
19	NUT-0269	NUT	10				
20							
21	HSS-0198	SETSCREW	8				
22	591767 01	RUBBER SEAL STRIP	1				
23	591979 01	CLAMP STRIP	1				
24	WSH-0015	WASHER	8				
25	NUT-0265	NUT	8				
26	592104 01	DOOR CYLINDER	1				
27							
28							
29	BLTA16710	BOLT	1				
30	NUT-0271	NUT	2				
31	592098 01	SPACER TUBE	1				
32	BLT-2330	BOLT	1				
33	HSS-0265	SETSCREW	4				

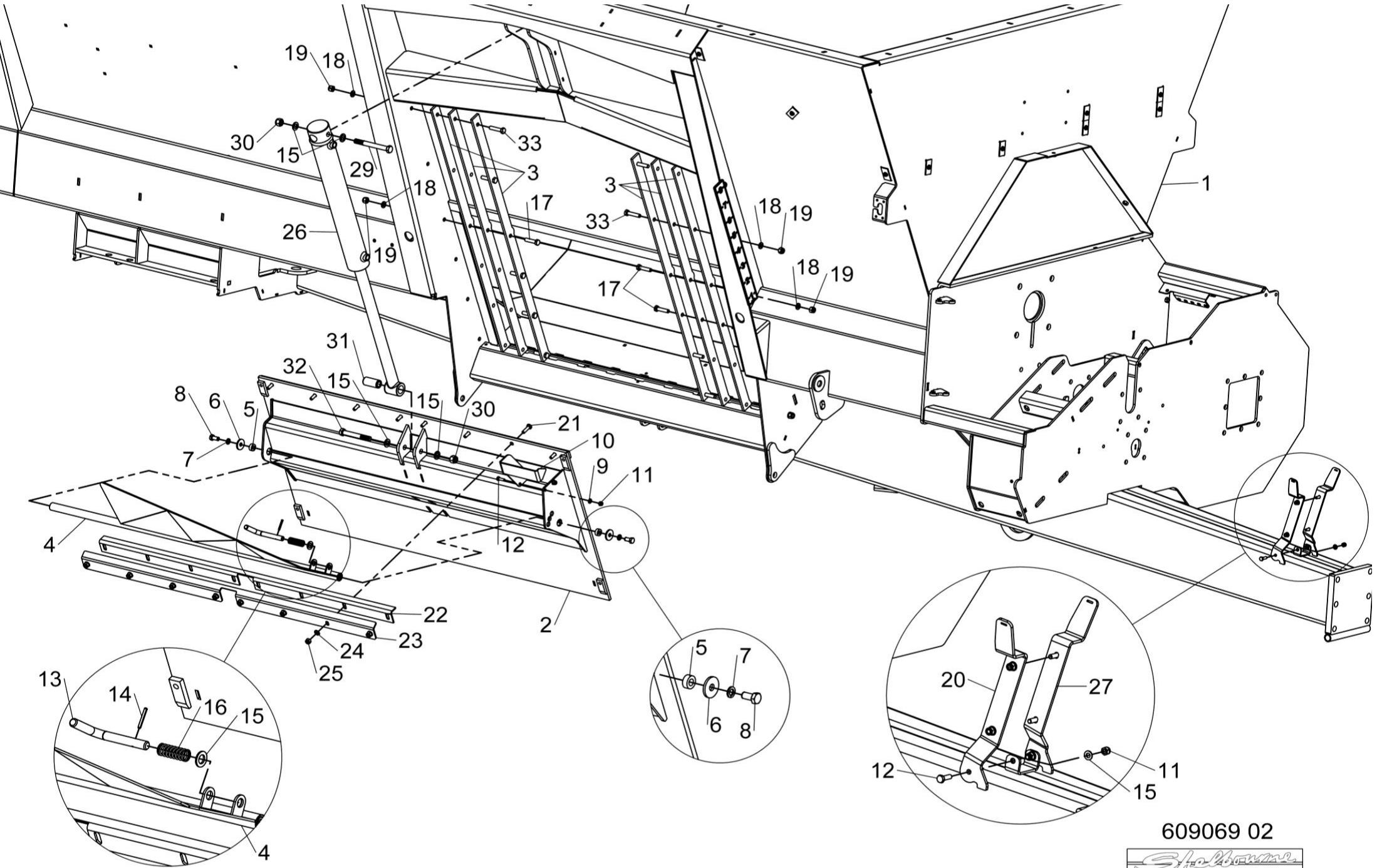




609069 01

**Shelbourne Reynolds Engineering Limited**

ASSY NUMBER: 609069 02				ASSY DESCRIPTION: TUB AND DOOR SUB ASSY (2400-3200)			
ITEM	PART NO	DESCRIPTION	QTY	ITEM	PART NO	DESCRIPTION	QTY
1	592146 01	2400 GALLON TUB W/A	1				
2	592058 01	DOOR W/ASSY	1				
3	592073 01	DOOR KEEP PLATE	6				
4	591199 01	DEFLECTOR PLATE W/ASSY	1				
5	190548 81	WASHER	2				
6	190548 44	WASHER	2				
7	WSH-0065	WASHER	2				
8	HSS-0235	SETSCREW	2				
9	WSH-0012	WASHER	8				
10	591375 01	HEIGHT INDICATOR POINTER	1				
11	NUT-0263	NUT	5				
12	HSS-0145	SETSCREW	5				
13	591402 01	LOCKING HANDLE	1				
14	PIN-1775	ROLL PIN	1				
15	WSH-0024	WASHER	5				
16	SPGC32021	COMPRESSION SPRING	1				
17	HSS-0260	SETSCREW	8				
18	WSH-0018	WASHER	10				
19	NUT-0269	NUT	10				
20	591378 01	PTO STAND LH	1				
21	HSS-0198	SETSCREW	8				
22	591767 01	RUBBER SEAL STRIP	1				
23	591979 01	CLAMP STRIP	1				
24	WSH-0015	WASHER	8				
25	NUT-0265	NUT	8				
26	592104 01	DOOR CYLINDER	1				
27	591378 02	PTO STAND RH	1				
28							
29	BLTA16710	BOLT	1				
30	NUT-0271	NUT	2				
31	592098 01	SPACER TUBE	1				
32	BLT-2330	BOLT	1				
33	HSS-0265	SETSCREW	4				



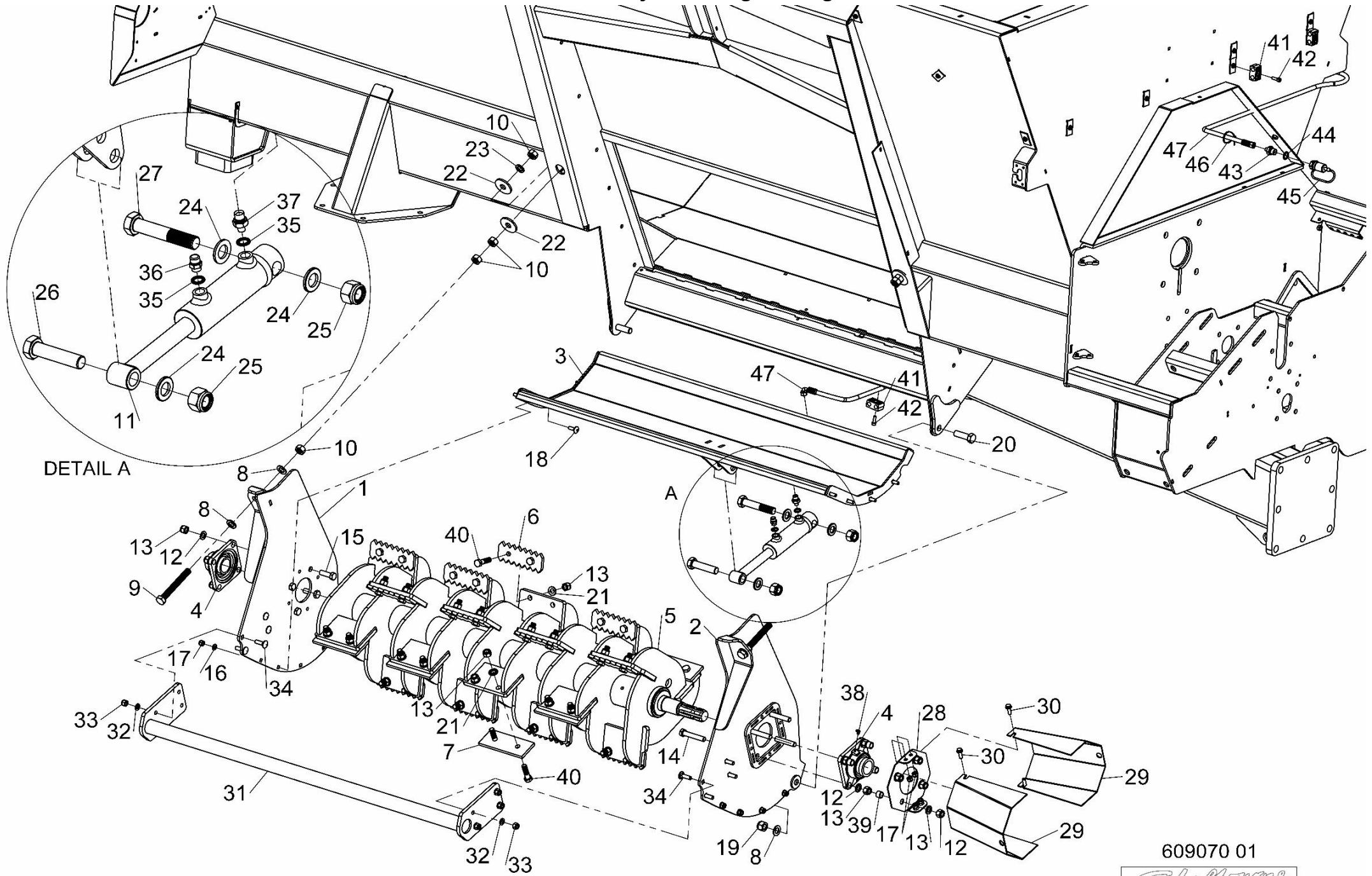
609069 02



**Shelbourne Reynolds Engineering Limited**

ASSY NUMBER: 609070 01				ASSY DESCRIPTION: IMPELLER SUB ASSY			
ITEM	PART NO	DESCRIPTION	QTY	ITEM	PART NO	DESCRIPTION	QTY
1	592095 01	LH IMPELLER SIDE PLATE W/A	1	41	HCPD01400	HYDRAULIC PIPE CLAMP	9
2	592095 02	RH IMPELLER SIDE PLATE W/A	1	42	SCW-0133	CP HD SCREW	9
3	591167 01	DRIP TRAY W/A	1	43	HMA-0055	M/M ADAPTOR	1
4	BRG-25040	4 BOLT FLANGE BEARING	2	44	WSH-1015	DOWTY WASHER	1
5	591953 01	IMPELLER W/A	1	45	COU-0162	QUICK RELEASE COUPLING	1
6	591366 01	SERRATED IMPELLER BLADE	16	46	TIE-0004	TIE WRAP	10
7	591367 01	PLAIN IMPELLER BLADE	8	47	HHBC82605	HYD HOSE ASSY	1
8	WSH-0030	WASHER	6				
9	HSSA20830	SETSCREW	2				
10	NUT-0185	NUT	8				
11	RAM-0015	HYDRAULIC RAM	1				
12	WSH-0024	WASHER	12				
13	NUT-0271	NUT	60				
14	HSS-0330	SETSCREW )	4				
15	HSS-0318	SETSCREW	4				
16	WSH-0015	WASHER	8				
17	NUT-0265	NUT	12				
18	BLT-3750	COACHBOLT	8				
19	NUTA02200	NUT	2				
20	HSSA20410	SETSCREW	2				
21	WSHA30161	LOCKWASHER	48				
22	190548 83	WASHER	4				
23	WSH-0075	WASHER	2				
24	WSH-0036	WASHER	3				
25	NUT-0275	NUT	2				
26	BLTA24560	BOLT	1				
27	BLTA24650	BOLT	1				
28	591452 01	GUARD FIXING PLATE W/A	1				
29	591454 01	PTO GUARD	2				
30	HSSG10204	TENSILOCK BOLT	4				
31	591456 01	GUARD RAIL W/A	1				
32	WSH-0018	WASHER	8				
33	NUT-0269	NUT	8				
34	BLT-3800	COACH BOLT	8				
35	WSH-1010	DOWTY WASHER	2				
36	FIT-0218	BREATHER	1				
37	FIT-0025	M/M ADAPTER	1				
38	NIP-0050	GREASE NIPPLE	1				
39	591393 01	PIVOT TUBE	4				
40	BLT-2312	BOLT	48				





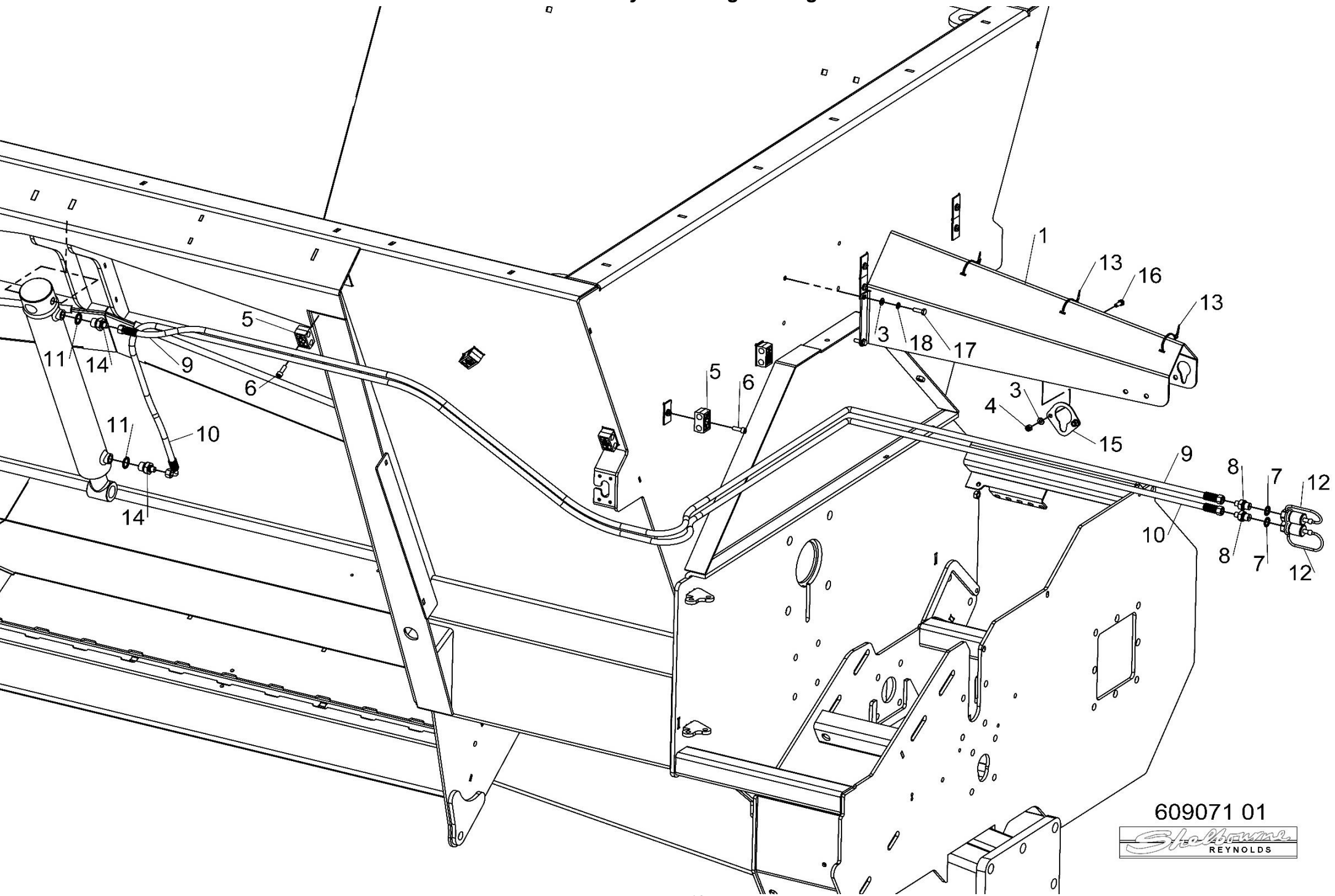
609070 01



**Shelbourne Reynolds Engineering Limited**

ASSY NUMBER: 609071 01				ASSY DESCRIPTION: DOOR HYDRAULICS SUB ASSY			
ITEM	PART NO	DESCRIPTION	QTY	ITEM	PART NO	DESCRIPTION	QTY
1	591455 01	HOSE PARKING STATION	1				
2							
3	WSH-0012	WASHER	6				
4	NUT-0263	NYLOC NUT	2				
5	HCPD01400	HYD.PIPE CLAMP	6				
6	SCW-0133	CAP HEAD SCREW	6				
7	WSH-1010	DOWTY WASHER	2				
8	FIT-0025	M/M ADAPTOR	2				
9	HHBC60105	HYDRAULIC HOSE ASSY	1				
10	HHBC65105	HYD HOSE ASSY	1				
11	WSH-1015	DOWTY WASHER	2				
12	COU-0162	QUICK RELEASE COUPLING	2				
13	TIE-0004	TIE WRAPS	12				
14	HMA-0055	M/M ADAPTOR	2				
15	591891 01	HOSE STORAGE PLATE	1				
16	HSS-0140	SETSCREW	2				
17	HSS-0145	SETSCREW	4				
18	WSH-0058	WASHER	4				



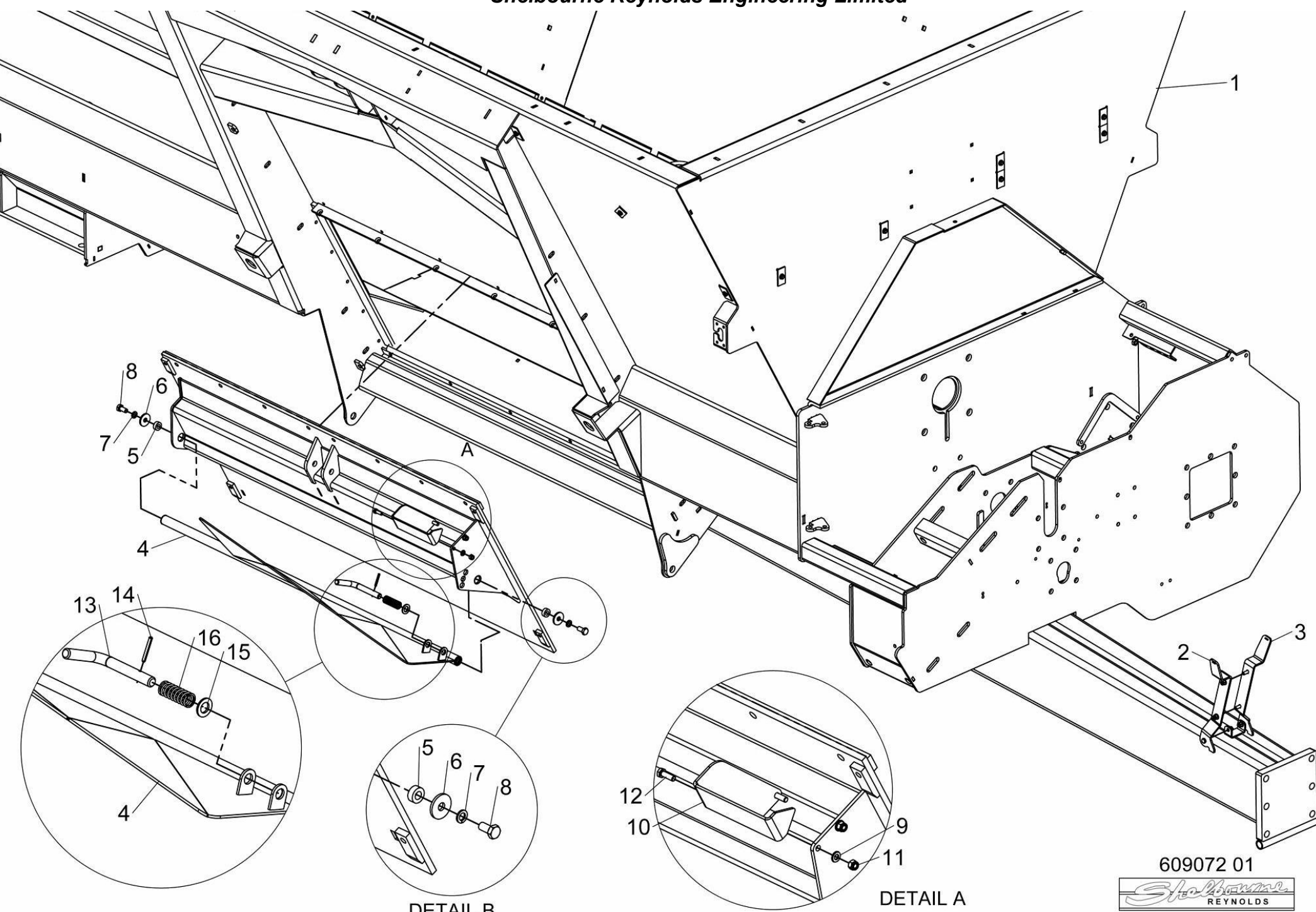


609071 01



**Shelbourne Reynolds Engineering Limited**

ASSY NUMBER: 609072 01				ASSY DESCRIPTION: TUB AND DOOR SUB ASSY (2400-3200)			
ITEM	PART NO	DESCRIPTION	QTY	ITEM	PART NO	DESCRIPTION	QTY
1	592279 01	2400 SLURRY MASTER TUB W/A	1				
2	591378 01	PTO STAND LH	1				
3	591378 02	PTO STAND RH	1				
4	591199 01	DEFLECTOR PLATE W/ASSY	1				
5	190548 81	WASHER	2				
6	190548 44	WASHER	2				
7	WSH-0065	WASHER	2				
8	HSS-0235	SETSCREW	2				
9	WSH-0012	WASHER	8				
10	591375 01	HEIGHT INDICATOR POINTER	1				
11	NUT-0263	NUT	6				
12	HSS-0145	SETSCREW	6				
13	591402 01	LOCKING HANDLE	1				
14	PIN-1775	ROLL PIN	1				
15	WSH-0024	WASHER	6				
16	SPGC32021	COMPRESSION SPRING	1				



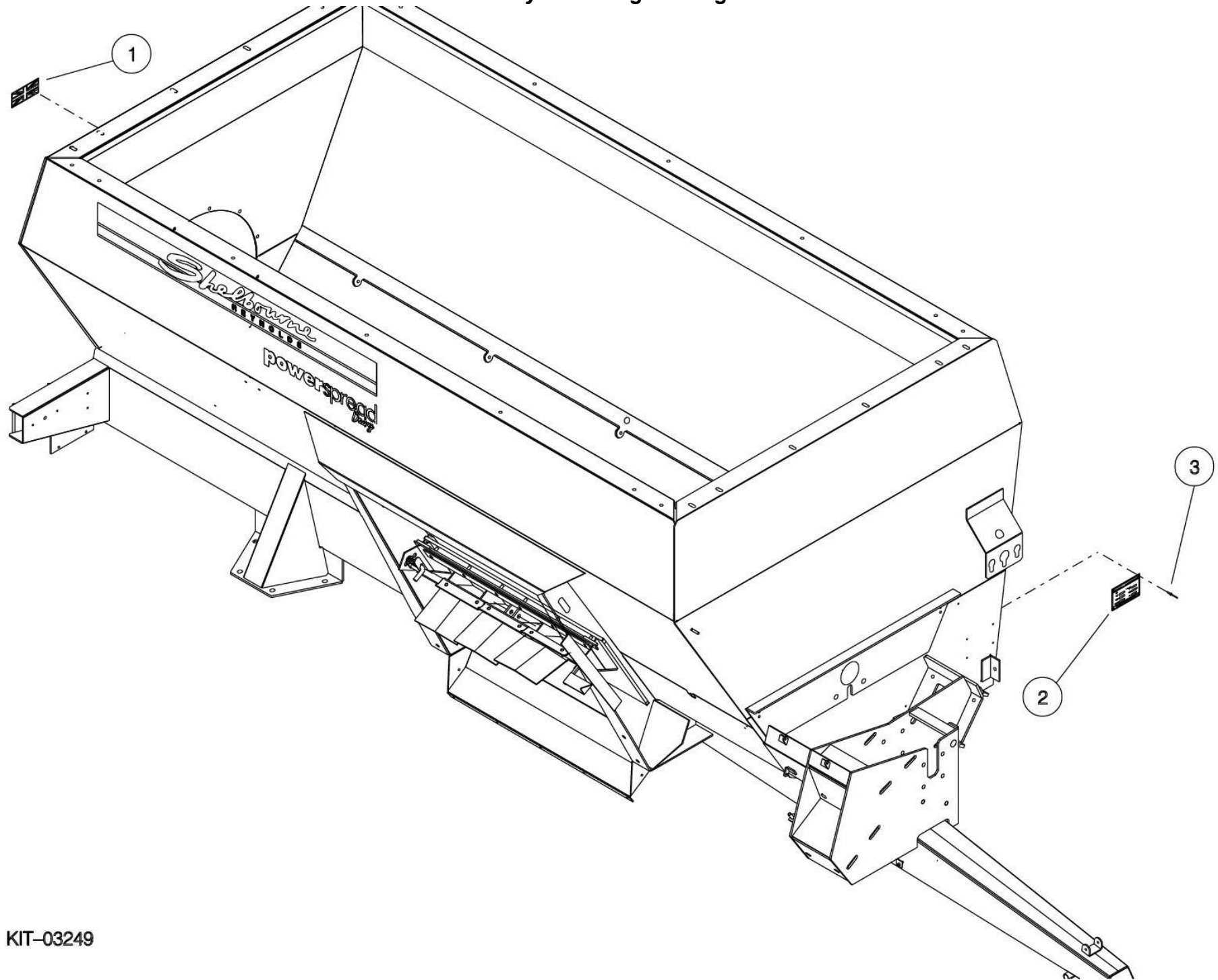
609072 01



**Shelbourne Reynolds Engineering Limited**

ASSY NUMBER: KIT-03249				ASSY DESCRIPTION: UK PARTS KIT			
ITEM	PART NO	DESCRIPTION	QTY	ITEM	PART NO	DESCRIPTION	QTY
1	610563 01	UNION JACK TRANSFER	1				
2	590145 01	UK IDENTIFICATION PLATE	1				
3	POP-0006	POP RIVET	4				



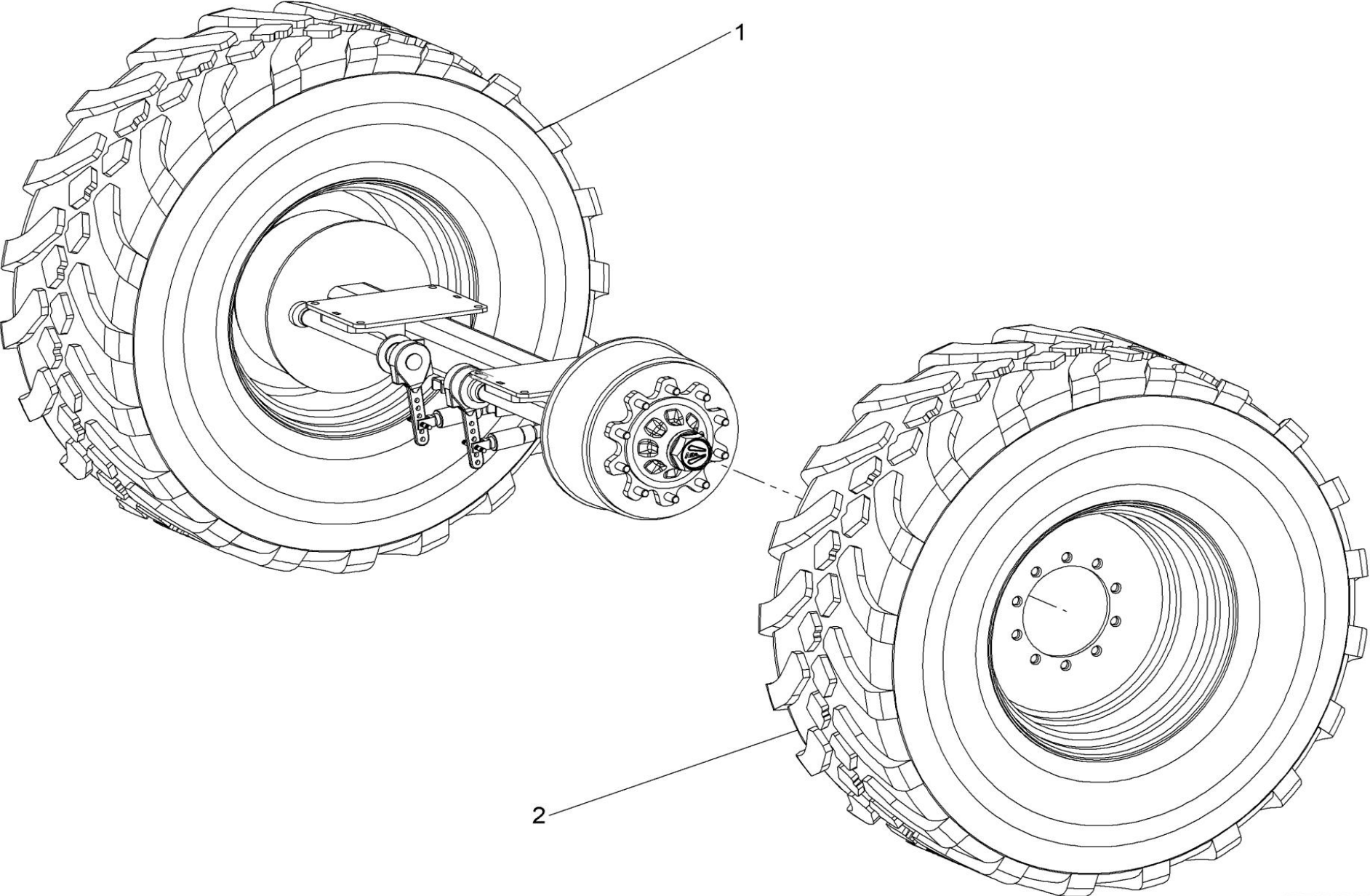


KIT-03249

**Shelbourne Reynolds Engineering Limited**

ASSY NUMBER: KIT-03643				ASSY DESCRIPTION: WHEEL & TYRE KIT			
ITEM	PART NO	DESCRIPTION	QTY	ITEM	PART NO	DESCRIPTION	QTY
1	WHL-03006	RH WHEEL & TYRE ASSY	1				
2	WHL-03007	LH WHEEL & TYRE ASSY	1				



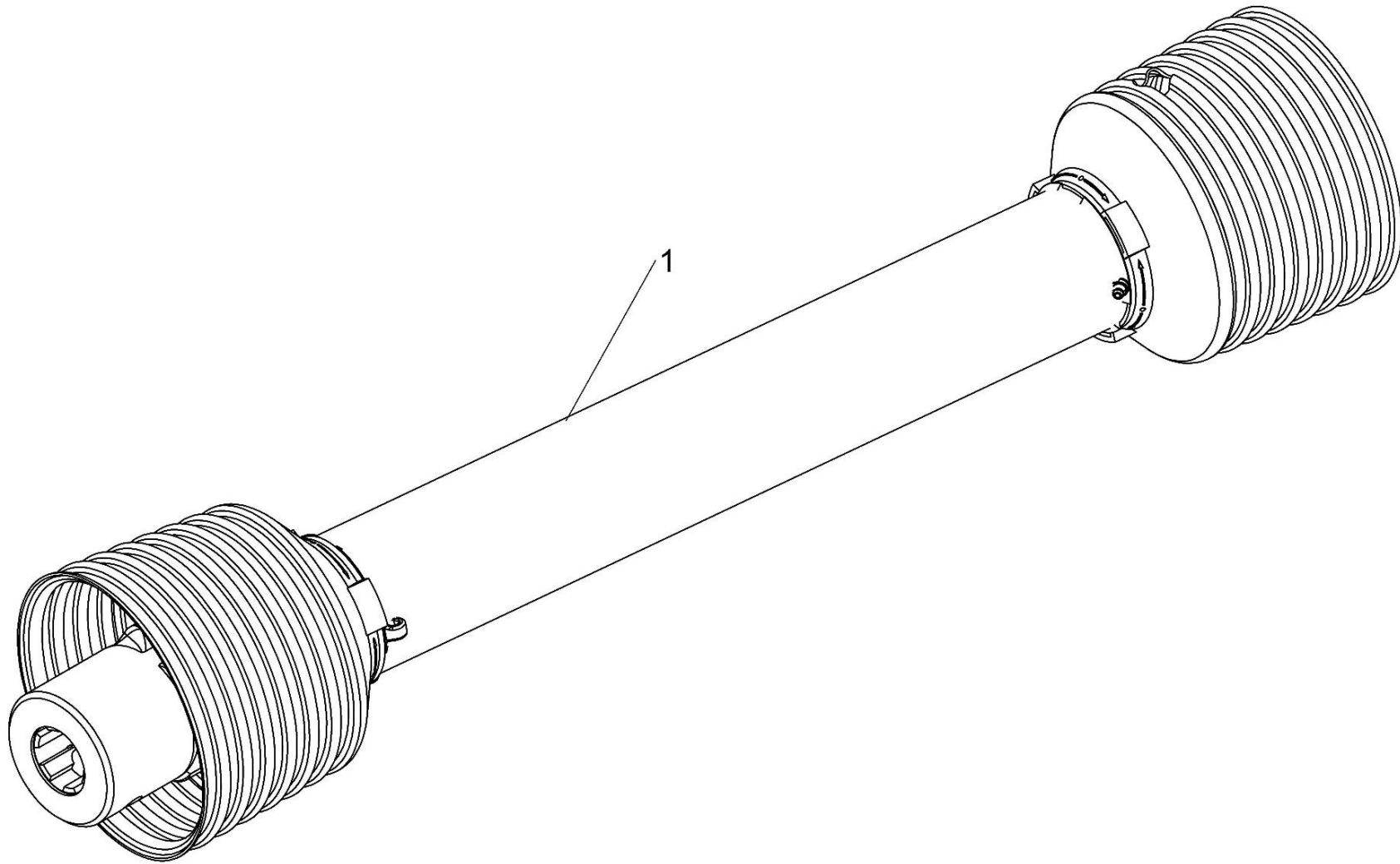


KIT-03643



**Shelbourne Reynolds Engineering Limited**

ASSY NUMBER: KIT-03692				ASSY DESCRIPTION: PTO SHAFT KIT (NON WIDE ANGLE-EXP TWIN)			
ITEM	PART NO	DESCRIPTION	QTY	ITEM	PART NO	DESCRIPTION	QTY
1	PTO-29014	PTO SHAFT ASSY	1				

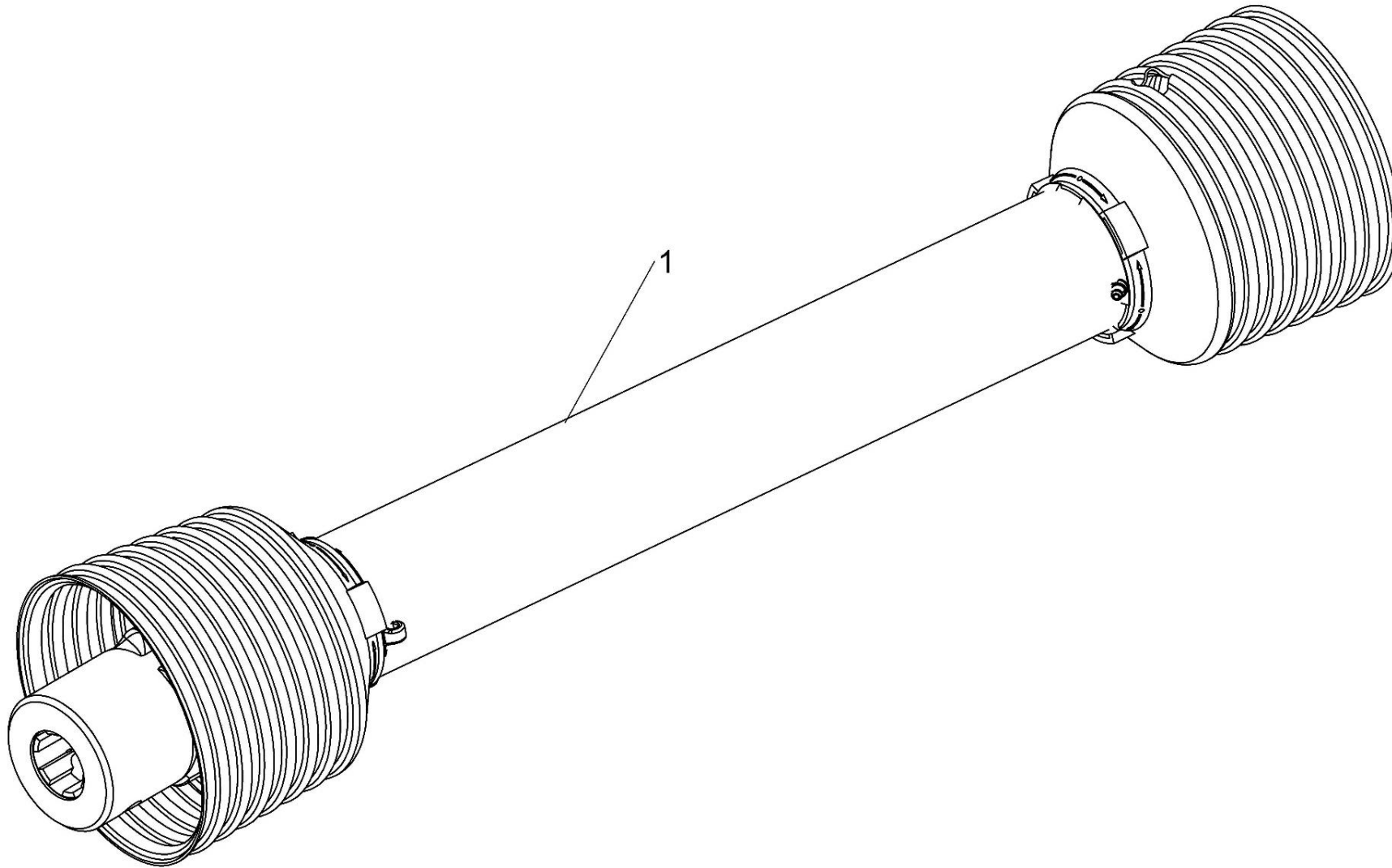


KIT-03692 & KIT-3692A



**Shelbourne Reynolds Engineering Limited**

ASSY NUMBER: KIT-03692A				ASSY DESCRIPTION: PTO SHAFT KIT(WIDE ANGLE-EXP TWIN)			
ITEM	PART NO	DESCRIPTION	QTY	ITEM	PART NO	DESCRIPTION	QTY
1	PTO-29017	PTO SHAFT ASSY	1				



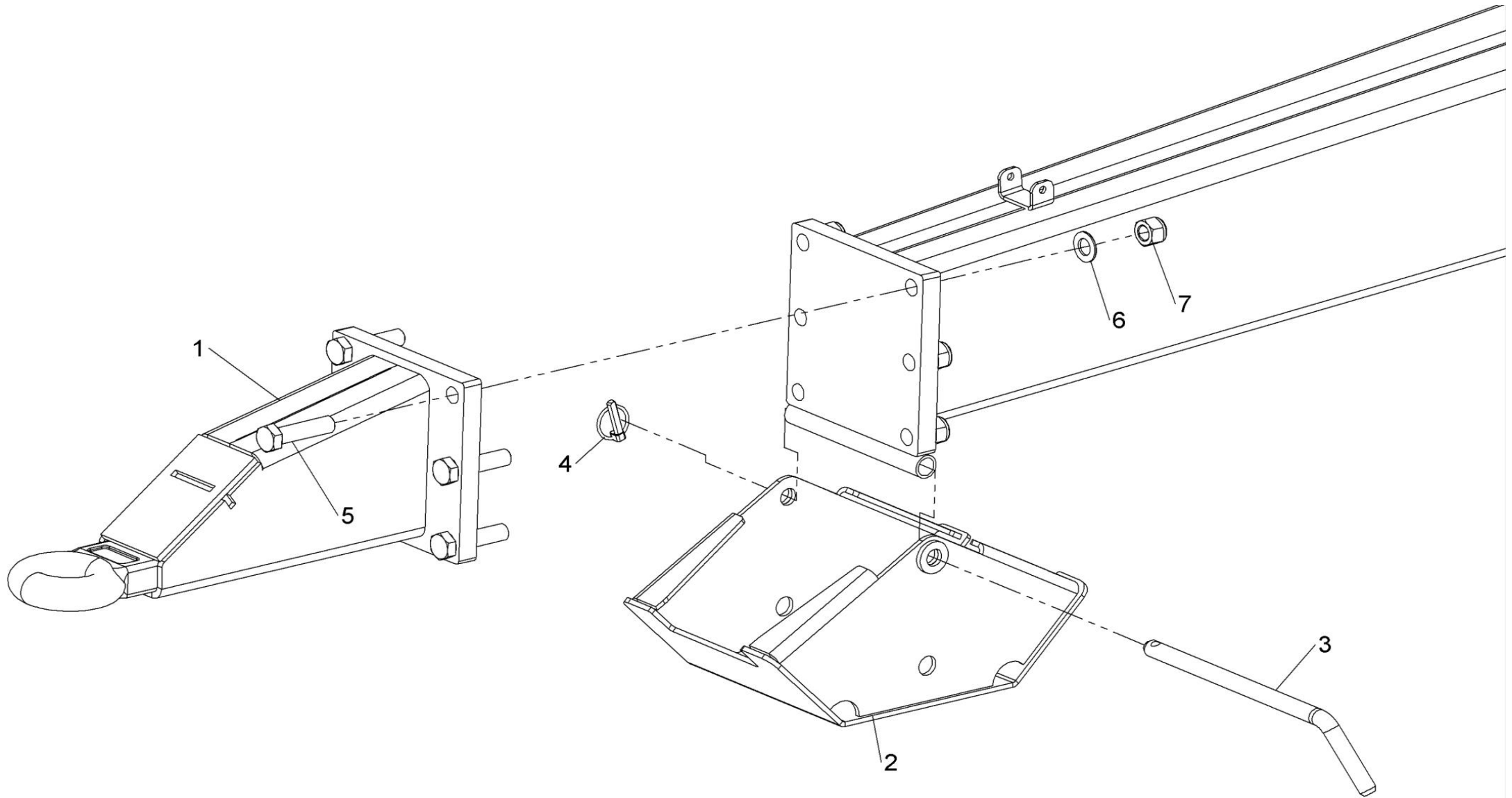
KIT-03692 & KIT-3692A





**Shelbourne Reynolds Engineering Limited**

ASSY NUMBER: KIT-03742				ASSY DESCRIPTION: UK HEAVY DUTY DRAWBAR KIT			
ITEM	PART NO	DESCRIPTION	QTY	ITEM	PART NO	DESCRIPTION	QTY
1	591356 01	HEAVY DUTY UK TOW EYE W./ASSY	1				
2	591358 01	FOOT W/ASSY	1				
3	591212 01	LOCKING PIN	1				
4	PIN-01950	LYNCH PIN	1				
5	BLTA20500	HEX HEAD BOLT	6				
6	WSH-0030	WASHER	6				
7	NUTA02200	NYLOC NUT	6				



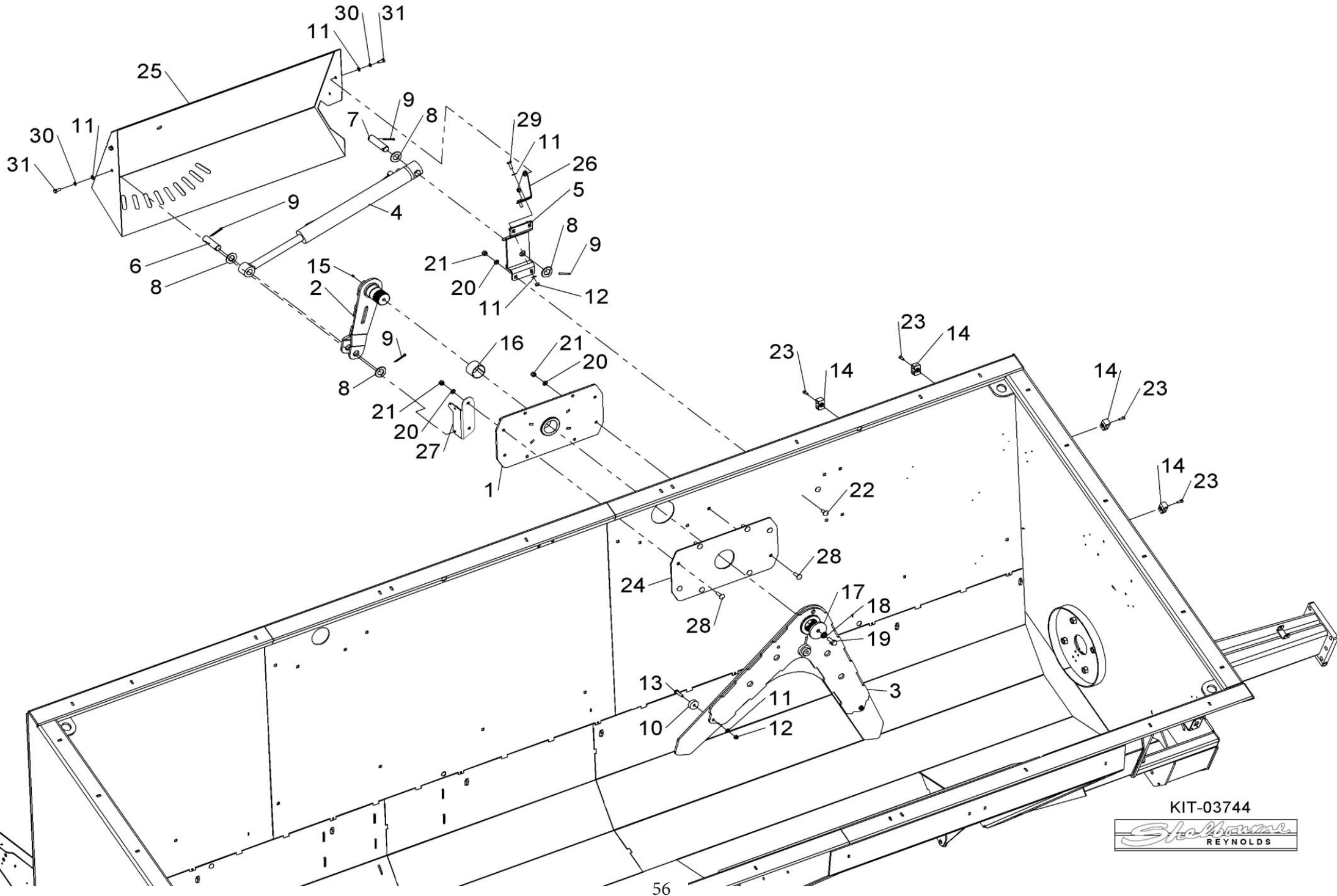
KIT-03742



**Shelbourne Reynolds Engineering Limited**

ASSY NUMBER: KIT-03744				ASSY DESCRIPTION: ANTI BRIDGE KIT			
ITEM	PART NO	DESCRIPTION	QTY	ITEM	PART NO	DESCRIPTION	QTY
1	591337 01	HUB MTG PLATE W/ASSY	1				
2	591339 01	PIVOT SHAFT W/ASSY	1				
3	591341 01	BRIDGE ARM W/ASSY	1				
4	801236 01	CYLINDER, HEAD ANGLING	1				
5	591350 01	RAM MOUNTING BRACKET W/ASSY	1				
6	591055 02	PIN	1				
7	591055 01	PIN	1				
8	WSH-1545	PLAIN WASHER FORM A	4				
9	PIN-20629	SPLIT PIN	4				
10	591353 01	NYLON BUFFER	2				
11	WSH-0015	PLAIN WASHER	12				
12	NUT-0265	NYLOC NUT	4				
13	BLTA10290	HEX.HEAD BOLT	2				
14	HCPD01600	HYDRAULIC PIPE CLAMP	4				
15	NIP-00600	GREASE NIPPLE	1				
16	BSHA06565	BUSH	1				
17	190548 72	WASHER	1				
18	WSHA30161	WASHER	1				
19	HSS-0315	SETSCREW	1				
20	WSH-0018	PLAIN WASHER	12				
21	NUT-0269	NUT	12				
22	BLT-3790	COACH BOLT	4				
23	SCW-0133	CAP HEAD SCREW	4				
24	591462 01	LAMINATE PLATE	1				
25	591463 01	GUARD	1				
26	591466 01	REAR GUARD BRKT W/A	1				
27	591468 01	FRONT GUARD BRKT W/A	1				
28	BLT-3800	COACH BOLT	8				
29	HSS-0194	BOLT	2				
30	WSH-0061	SPRING WASHER	4				
31	HSS-0191	SET SCREW	4				
32	EDS-11400	EDGING STRIP	0.25m				

Shelbourne Reynolds Engineering Limited



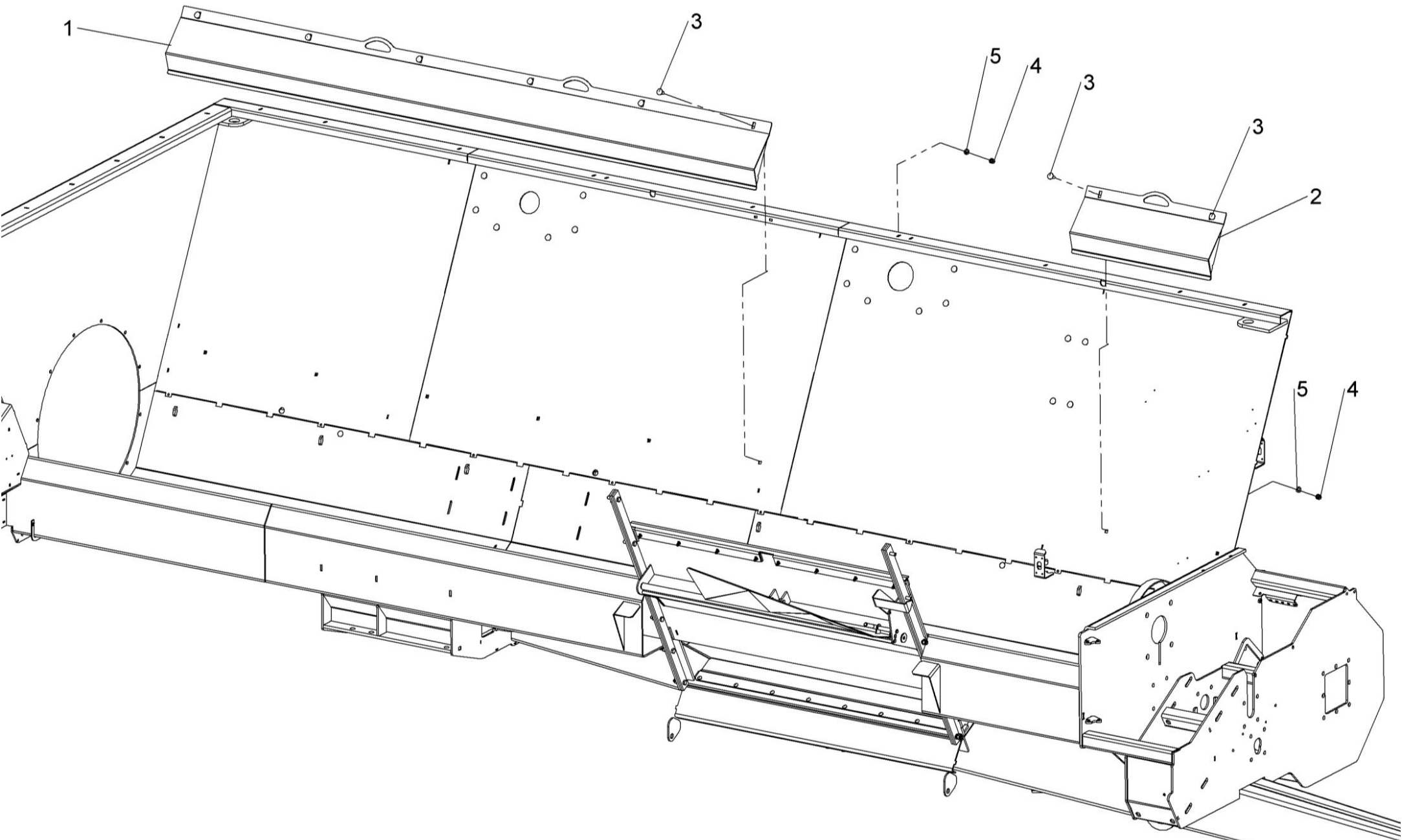
KIT-03744

*Shelbourne*  
REYNOLDS

**Shelbourne Reynolds Engineering Limited**

ASSY NUMBER: KIT-03745				ASSY DESCRIPTION: STRAW PLATE KIT			
ITEM	PART NO	DESCRIPTION	QTY	ITEM	PART NO	DESCRIPTION	QTY
1	591343 01	LONG STRAW PLATE W/ASSY	1				
2	591347 01	SHORT STRAW PLATE W/ASSY	1				
3	BLT-3790	COACH BOLT	8				
4	NUT-0269	NUT	8				
5	WSH-0018	WASHER	8				



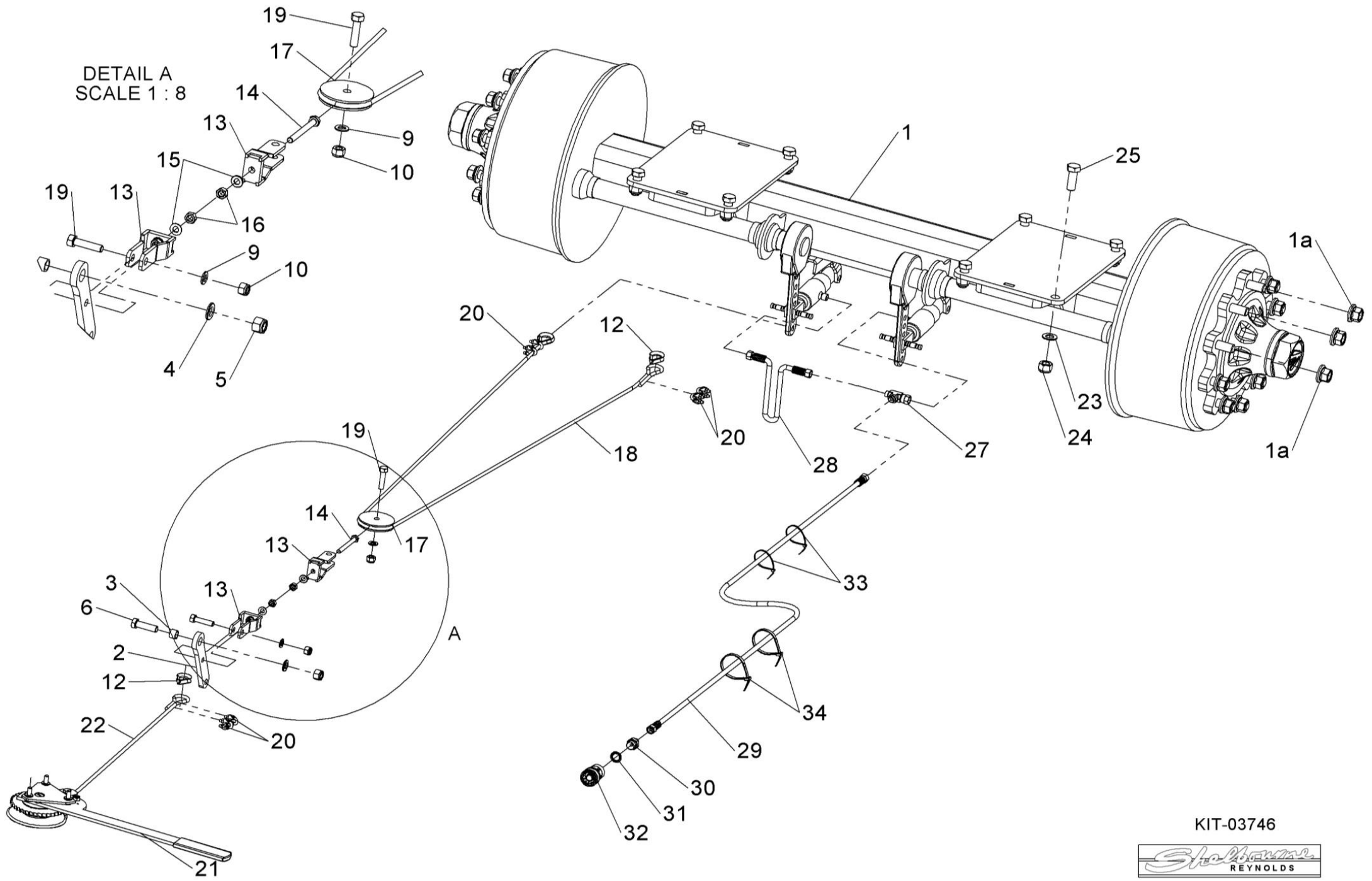


KIT-03745



**Shelbourne Reynolds Engineering Limited**

ASSY NUMBER: KIT-03746				ASSY DESCRIPTION: AXLE WITH HYD BRAKES (3000 GAL			
ITEM	PART NO	DESCRIPTION	QTY	ITEM	PART NO	DESCRIPTION	QTY
1	591387 01	HYDRAULIC AXLE	1				
2	591392 01	HANDBRAKE LEVER	1				
3	591393 01	PIVOT TUBE	1				
4	WSH-0024	PLAIN WASHER FORM A	1				
5	NUT-0271	NYLOC NUT	1				
6	HSS-0319	SET SCREW	1				
9	WSH-0018	PLAIN WASHER	2				
10	NUT-0269	NUT	2				
11	HSS-0275	SET SCREW	2				
12	WRP-01050	WIRE ROPE THIMBLE	3				
13	591397 01	BRAKE CLEVIS W/A	2				
14	HSSA10500	SET SCREW	1				
15	WSH-0015	PLAIN WASHER	3				
16	NUT-0167	PLAIN NUT PLATED	3				
17	591399 01	CABLE PULLEY	1				
18	591400 04	HANDBRAKE CABLE	1				
19	HSS-0260	SETSCREW	2				
20	WRP-02080	WIRE CABLE CLAMP	6				
21	LVR-00020	HANDBRAKE ASSY	1				
22	591400 02	HANDBRAKE CABLE	1				
23	WSH-0030	PLAIN WASHER	8				
24	NUTA02200	NYLOC NUT	8				
25	BLT-2365	BOLT	8				
27	FITA10410	HYDRAULIC TEE FITTING	1				
28	HHAC01305	HYDRAULIC HOSE ASSY	1				
29	HHAC99505	HYDRAULIC HOSE ASSY	1				
30	HMA-0065	ADAPTOR MALE/MALE	1				
31	WSH-1015	DOWTY WASHER 1/2"	1				
32	HQR-10007	HYD.QUICK RELEASE COUP.	1				
33	TIE-0004	TIE WRAPS (MED)	14				
34	TIE-0012	TIE WRAP (EX.LARGE)	4				

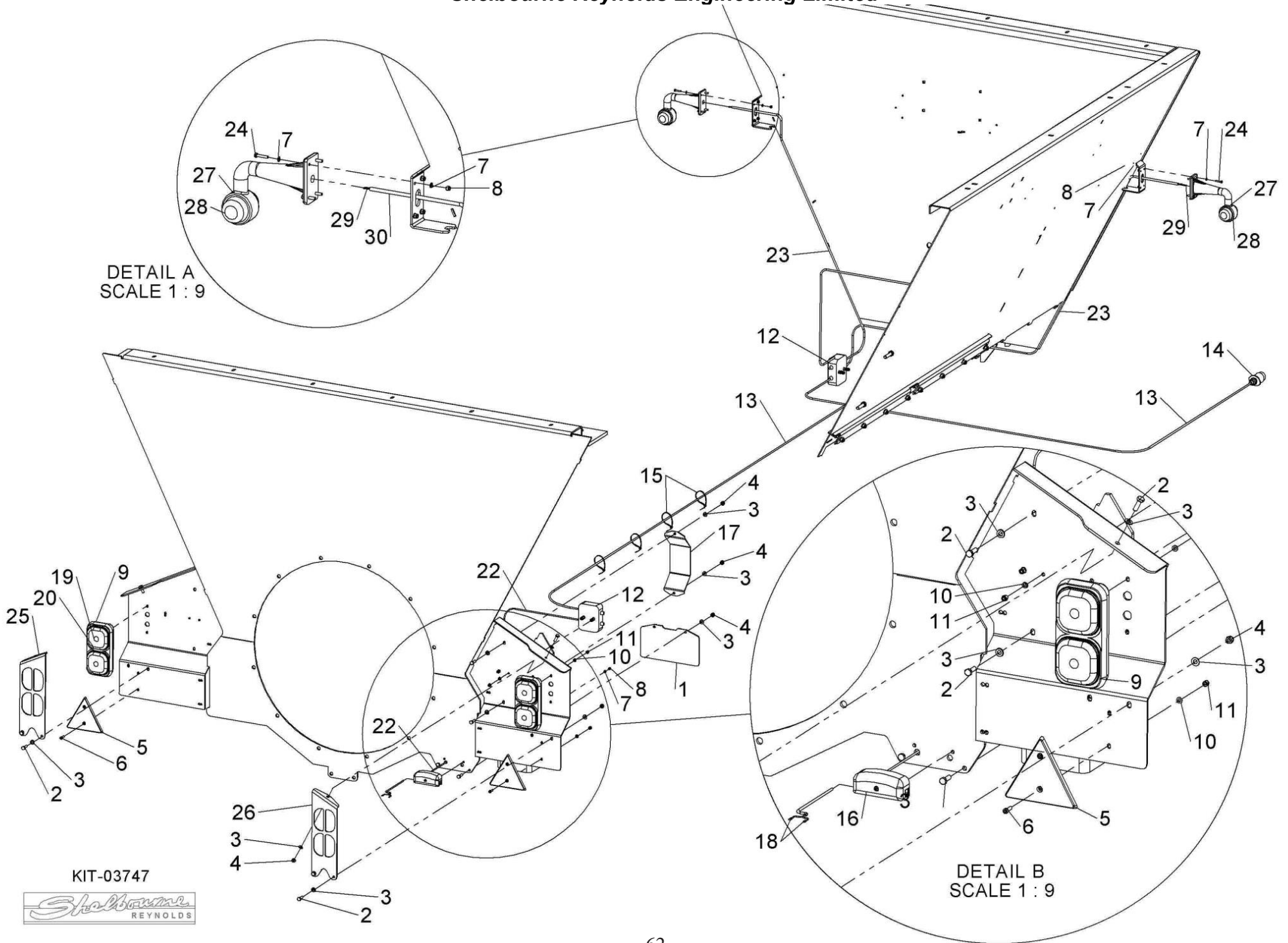


KIT-03746



### Shelbourne Reynolds Engineering Limited

ASSY NUMBER: KIT-03747				ASSY DESCRIPTION: LIGHTING KIT			
ITEM	PART NO	DESCRIPTION	QTY	ITEM	PART NO	DESCRIPTION	QTY
1	591564 01	NUMBER PLATE BRACKET SER No PSP...0115 & ON	1	29	ETM-00630	FEMALE BULLET TERMINAL	4
OR	591405 01	NUMBER PLATE BRACKET UP TO SER No PSP...0114	1	30	SLV-00060	SLEEVE	0.6m
2	HSS-0140	SETSCREW	2				
3	WSH-0012	WASHER	16				
4	NUT-0263	NYLOC NUT	10				
5	REF-0035	TRIANGULAR REFLECTOR	2				
6	SCW-0083	CAP HEAD SCREW	4				
7	WSH-0006	WASHER	18				
8	NUT-0258	NYLOC NUT	12				
9	LMP-10404	REAR COMBINATION LAMP	2				
10	WSH-0009	WASHER	12				
11	NUT-0260	NYLOC NUT	10				
12	JNC-00000	JUNCTION BOX	2				
13	CBL-03530	7 CORE CABLE	15				
14	PLG-0005	7 PIN PLUG	1				
15	TIE-0004	TIE WRAPS	50				
16	LMP-0009	NUMBER PLATE LIGHT	1				
17	591563 01	JUNCTION BOX GUARD SER No PSP...0114	1				
OR	591473 01	COVER PLATE UP TO & INC PSP...0114	1				
18	ETM-00560	MALE BULLET TERMINAL	2				
19	ETM-00150	6mm FEMALE SPADE CONNECTOR	1				
20	ETM-01255	3mm FEMALE SPADE CONNECTOR	3				
21							
22	CBL-03010	2 CORE CABLE	0.5				
23	CBL-03210	4 CORE CABLE	7				
24	HSS-0070	SETSCREW	8				
25	591578 01	LIGHT GUARD LH SER No PSP...0139 & ON	1				
OR	591507 01	LIGHT GUARD LH UP TO & INC SER No PSP...0138	1				
26	591578 02	LIGHT GUARD RH SER No PSP...0139 & ON	1				
OR	591507 02	LIGHT GUARD RH UP TO & INC SER No PSP...0138	1				
27	LMP-10503	MARKER LAMP	2				
28	BLB-0080	BULB	2				



DETAIL A  
SCALE 1 : 9

DETAIL B  
SCALE 1 : 9

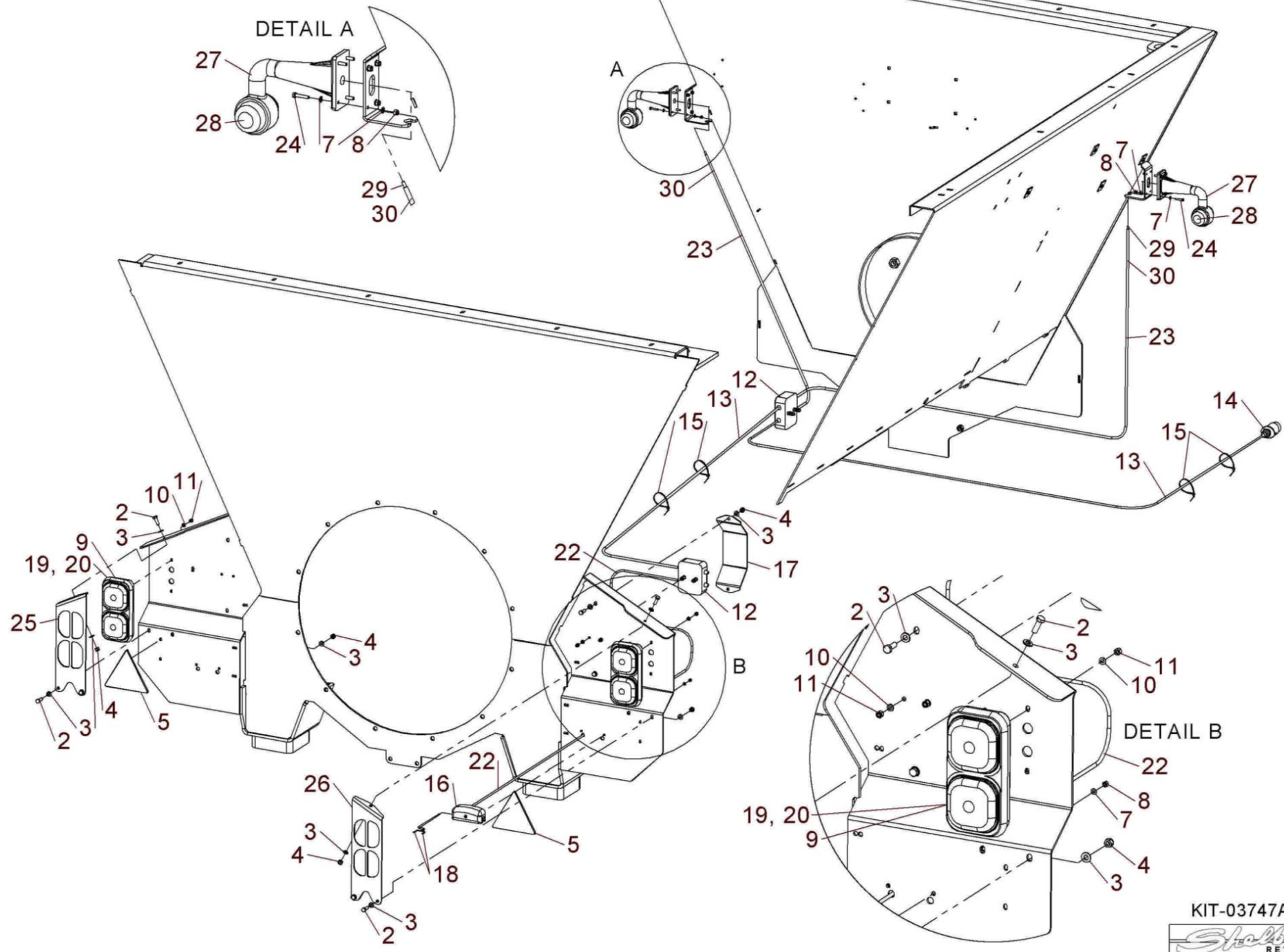
KIT-03747





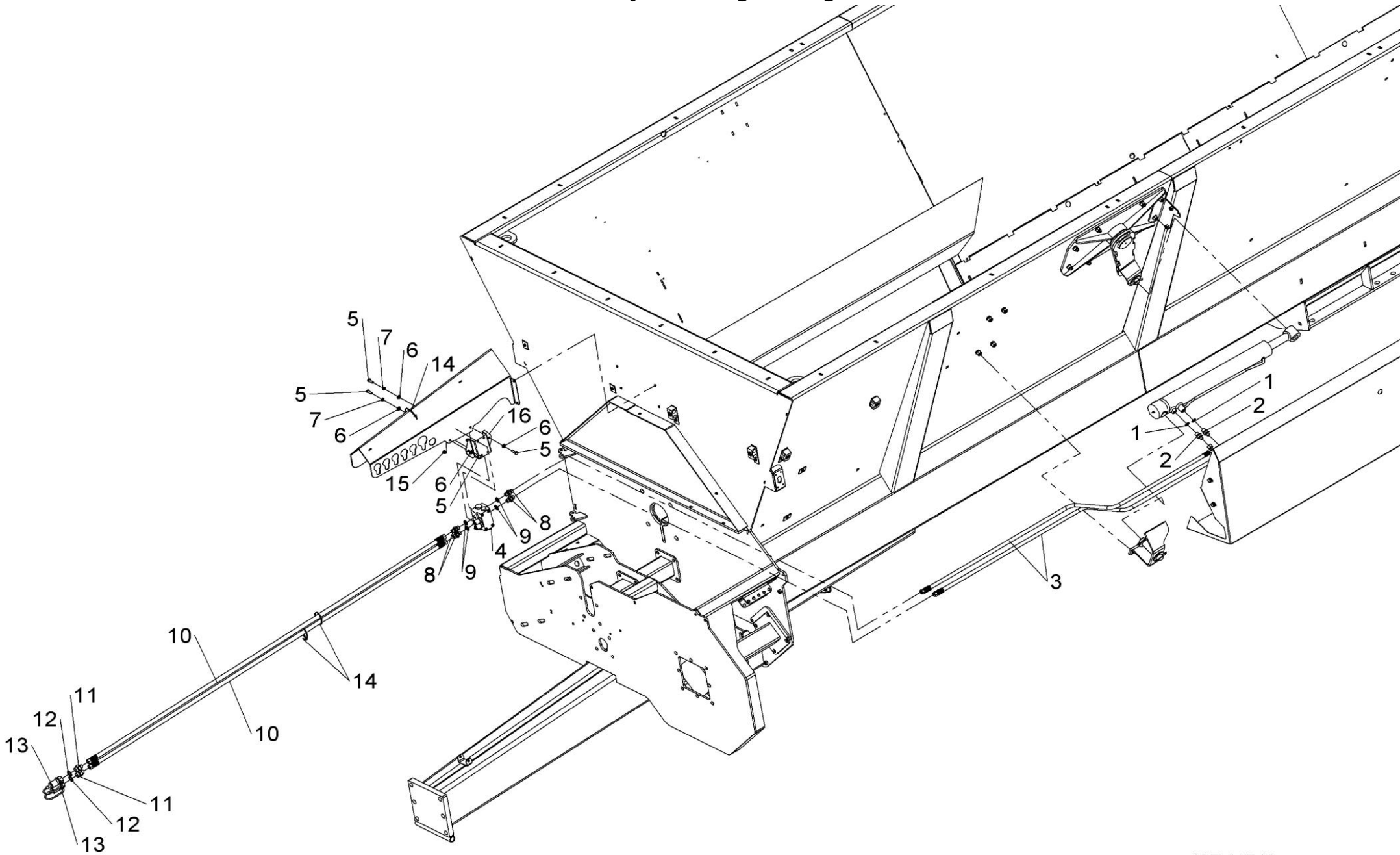
**Shelbourne Reynolds Engineering Limited**

ASSY NUMBER: KIT-03747a				ASSY DESCRIPTION: LIGHTING KIT			
ITEM	PART NO	DESCRIPTION	QTY	ITEM	PART NO	DESCRIPTION	QTY
1							
2	HSS-0145	SETSCREW	16				
3	WSH-0012	WASHER	16				
4	NUT-0263	NUT	8				
5	REF-0035	TRIANGULAR REFLECTOR	2				
6			4				
7	WSH-0006	WASHER	18				
8	NUT-0258	NUT	12				
9	LMP-10404	REAR COMBINATION LAMP	2				
10	WSH-0009	WASHER	12				
11	NUT-0260	NUT	10				
12	JNC-00000	ELECTRIC JUNCTION BOX	2				
13	CBL-03530	7 CORE ELECTRICAL CABLE	13.5				
14	PLG-0005	7 PIN PLUG	1				
15	TIE-0004	TIE WRAPS (MED)	50				
16	LMP-0009	No PLATE LIGHT	1				
17	591563 01	JUNCTION BOX GUARD	1				
18	ETM-00560	ELEC BULLET TERMINAL	2				
19	ETM-00150	ELEC SPADE CNCTR FEM	3				
20	ETM-01255	3mm ELEC FEMALE SPADE	3				
21							
22	CBL-03010	2 CORE ELECTRICAL CABLE	0.5				
23	CBL-03210	4 CORE ELECTRICAL CABLE	7				
24	HSS-0070	SETSCREW	8				
25	591578 01	LIGHT GUARD LH	1				
26	591578 02	LIGHT GUARD RH	1				
27	LMP-10503	END OUTLINE MARKER LAMP	2				
28	BLB-0080	BULB 12v	2				
29	ETM-00630	ELECTRIC BUTT TERM	4				
30	SLV-00060	ELECTRIC HEAT SHRINK SLEEVING	0.6				



**Shelbourne Reynolds Engineering Limited**

ASSY NUMBER: KIT-03748				ASSY DESCRIPTION: ANTI-BRIDGE AUTO HYDRAULICS KI			
ITEM	PART NO	DESCRIPTION	QTY	ITEM	PART NO	DESCRIPTION	QTY
1	WSH-1005	DOWTY WASHER 1/4"	2				
2	FIT-0025	1/4"BSP X 3/8"BSP	2				
3	HHCE22005	HYDRAULIC HOSE ASSY (3/8")	2				
4	HVB-25500	RECIPROCATING VALVE	1				
5	HSS-0145	BOLT	4				
6	WSH-0012	PLAIN WASHER FORM A	4				
7	WSH-0058	SPRING WASHER	2				
8	HMA-0057	ADAPTOR MALE/MALE	4				
9	WSH-1010	DOWTY WASHER 3/8"	4				
10	HHAE30005	HYDRAULIC HOSE ASSY (3/8")	2				
11	HMA-0065	ADAPTOR MALE/MALE	2				
12	WSH-1015	DOWTY WASHER 1/2"	2				
13	COU-0162	QUICK RELEASE COUPLING	2				
14	TIE-0004	TIE WRAPS (MED)	8				
15	NUT-0263	NYLOC NUT	2				
16	591701 01	VALVE BRKT	1				



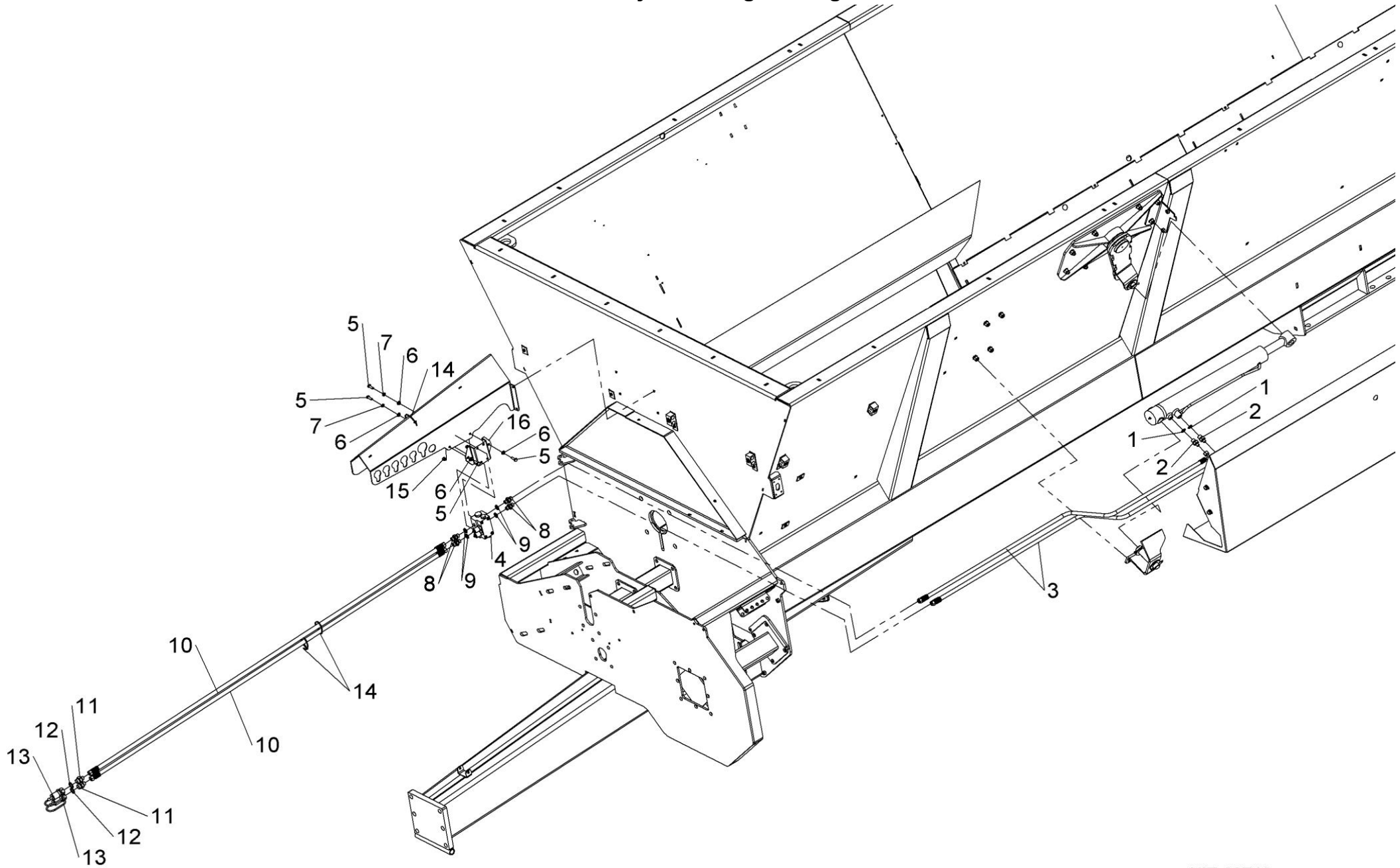
KIT-03748  
KIT-03748a



**Shelbourne Reynolds Engineering Limited**

ASSY NUMBER: KIT-03748a				ASSY DESCRIPTION: ANT-BRIDGE AUTO HYD KIT			
ITEM	PART NO	DESCRIPTION	QTY	ITEM	PART NO	DESCRIPTION	QTY
1	WSH-1005	DOWTY WASHER 1/4"	2				
2	FIT-0025	1/4"BSP X 3/8"BSP	2				
3	HHCE16705	HYDRAULIC HOSE ASSY (3/8")	2				
4	HVB-25500	RECIPROCATING VALVE	1				
5	HSS-0145	BOLT	4				
6	WSH-0012	PLAIN WASHER FORM A	4				
7	WSH-0058	SPRING WASHER	2				
8	HMA-0057	ADAPTOR MALE/MALE	4				
9	WSH-1010	DOWTY WASHER 3/8"	4				
10	HHAE30005	HYDRAULIC HOSE ASSY (3/8")	2				
11	HMA-0065	ADAPTOR MALE/MALE	2				
12	WSH-1015	DOWTY WASHER 1/2"	2				
13	COU-0162	QUICK RELEASE COUPLING	2				
14	TIE-0004	TIE WRAPS (MED)	8				
15	NUT-0263	NYLOC NUT	2				
16	591701 01	VALVE BRKT	1				



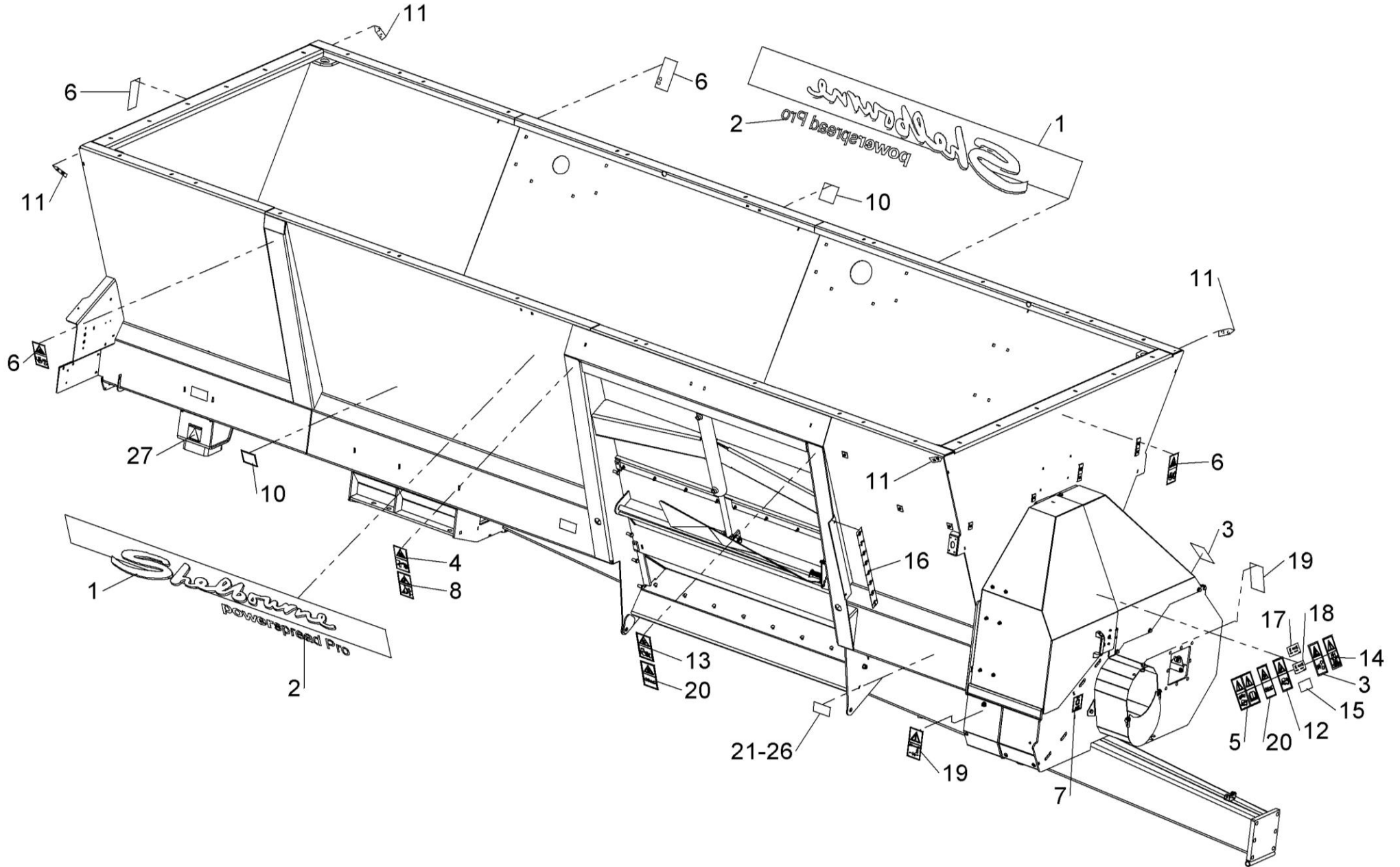


KIT-03748  
KIT-03748a



**Shelbourne Reynolds Engineering Limited**

ASSY NUMBER: KIT-03749				ASSY DESCRIPTION: POWERSPREAD TRANSFERS KIT (2400-3200)			
ITEM	PART NO	DESCRIPTION	QTY	ITEM	PART NO	DESCRIPTION	QTY
1	591582 01	SHELBOURNE TRANSFER	2				
2	591586 01	POWERSPREAD PRO TARNFER	2				
3	193392 01	STOP ENG TRANSFER	2				
4	590477 01	FLYING OBJECTS TRANSFER	1				
5	TNF-0011	TRANSFER BLOCK	1				
6	590479 01	DONT ENTER TUB.TRANSFER	4				
7	590475 01	MAX PTO SPEED TRANSFER	1				
8	590476 01	NO STEP TRANSFER	1				
9							
10	590788 01	WHEEL NUTS TRANSFER	2				
11	190702 04	SLING POINT TRANSFER	4				
12	800221 01	HIGH PRESSURE FLUID TRANSFER	1				
13	260060 01	TRANSFER-STAY CLEAR	1				
14	614959 01	MAX. HYD. PRESSURE TRANSFER	1				
15	195391 01	SHEARBOLT TRANSFER IMPELLAR PSP18120258 & ON	1				
OR	613205 01	SHEARBOLT TRANSFER IMPELLAR UPTO & INC PSP24120248	1				
16	591376 01	HEIGHT INDICATOR EMBLEM	1				
17	591593 01	SHEARBOLT TRANSFER AUGER	1				
18	591928 01	SHEARBOLT EMBLEM PADDLE PSP24130330 & ON	1				
OR	591627 01	SHEARBOLT EMBLEM PADDLE UP TO & INCLUDING PSP24120239	1				
19	193391 01	PTO GUARD TRANSFER	2				
20	800215 01	CRUSHING HAZARD TRANSFER	2				
21	TPE-00250	REFLECTIVE TAPE - YELLOW	0.1m				
22	TPE-00250	REFLECTIVE TAPE - YELLOW	0.1m				
23	TPE-00250	REFLECTIVE TAPE - YELLOW	0.1m				
24	TPE-00250	REFLECTIVE TAPE - YELLOW	0.1m				
25	TPE-00250	REFLECTIVE TAPE - YELLOW	0.1m				
26	TPE-00250	REFLECTIVE TAPE - YELLOW	0.1m				
27	591927 01	JACKING POINT SIGN	2				

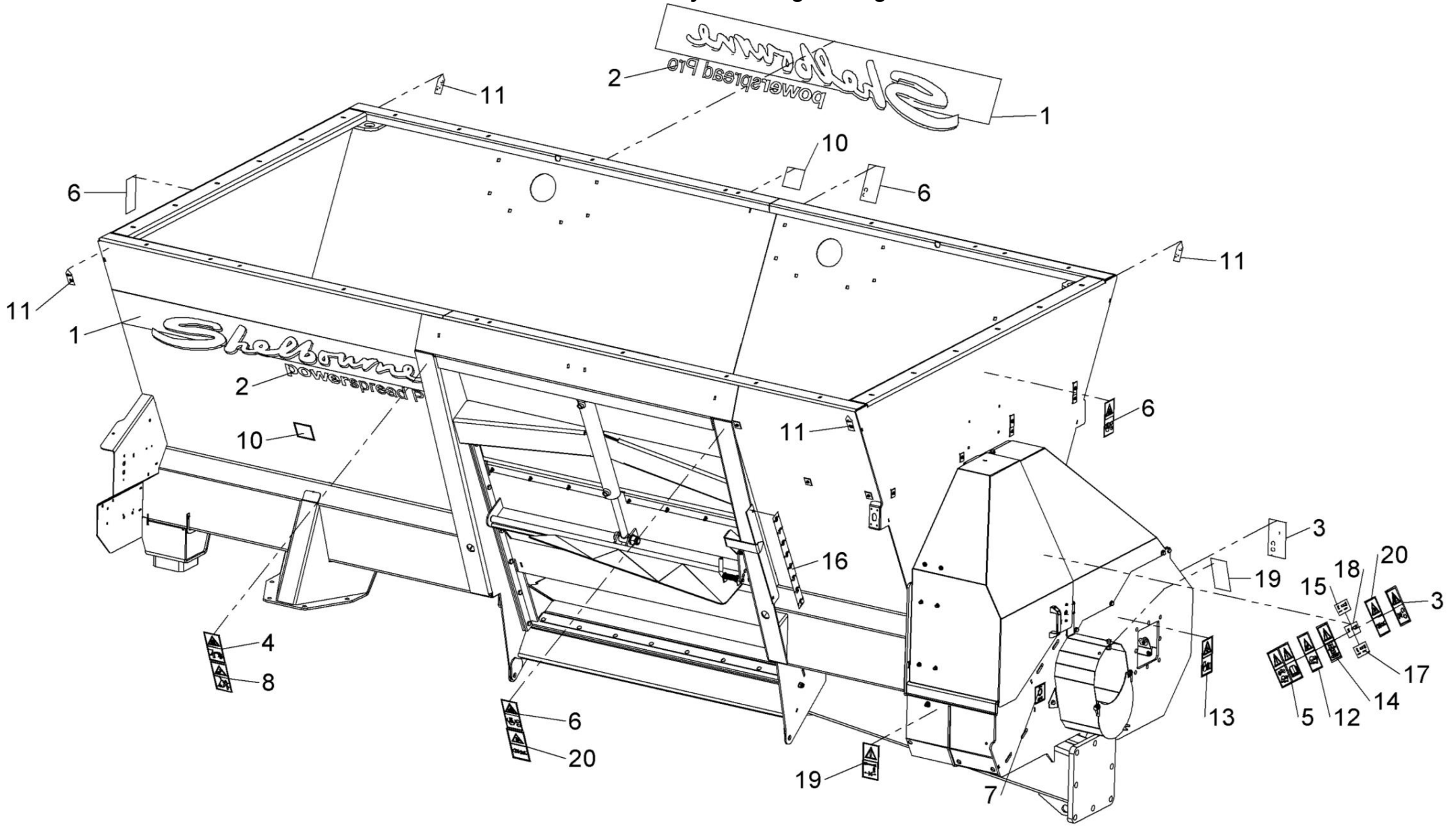


KIT-03749



**Shelbourne Reynolds Engineering Limited**

ASSY NUMBER: KIT-03749A				ASSY DESCRIPTION: POWERSPREAD TRANSFERS KIT (1800-2300)			
ITEM	PART NO	DESCRIPTION	QTY	ITEM	PART NO	DESCRIPTION	QTY
1	591582 01	SHELBOURNE TRANSFER	2				
2	591586 01	POWERSPREAD PRO TARNSEFER	2				
3	193392 01	STOP ENG TRANSFER	2				
4	590477 01	FLYING OBJECTS TRANSFER	1				
5	TNF-0011	TRANSFER BLOCK	1				
6	590479 01	DONT ENTER TUB.TRANSFER	4				
7	590475 01	MAX PTO SPEED TRANSFER	1				
8	590476 01	NO STEP TRANSFER	1				
9							
10	590788 01	WHEEL NUTS TRANSFER	2				
11	190702 04	SLING POINT TRANSFER	4				
12	800221 01	HIGH PRESSURE FLUID TRANSFER	1				
13	260060 01	TRANSFER-STAY CLEAR	1				
14	614959 01	MAX. HYD. PRESSURE TRANSFER	1				
15	195391 01	SHEARBOLT TRANSFER IMPELLAR	1				
16	591376 01	HEIGHT INDICATOR EMBLEM	1				
17	591593 01	SHEARBOLT TRANSFER AUGER	1				
18	591928 01	SHEARBOLT EMBLEM PADDLE	1				
19	193391 01	PTO GUARD TRANSFER	2				
20	800215 01	CRUSHING HAZARD TRANSFER	2				
21	591927 01	JACKING POINT SIGN	2				



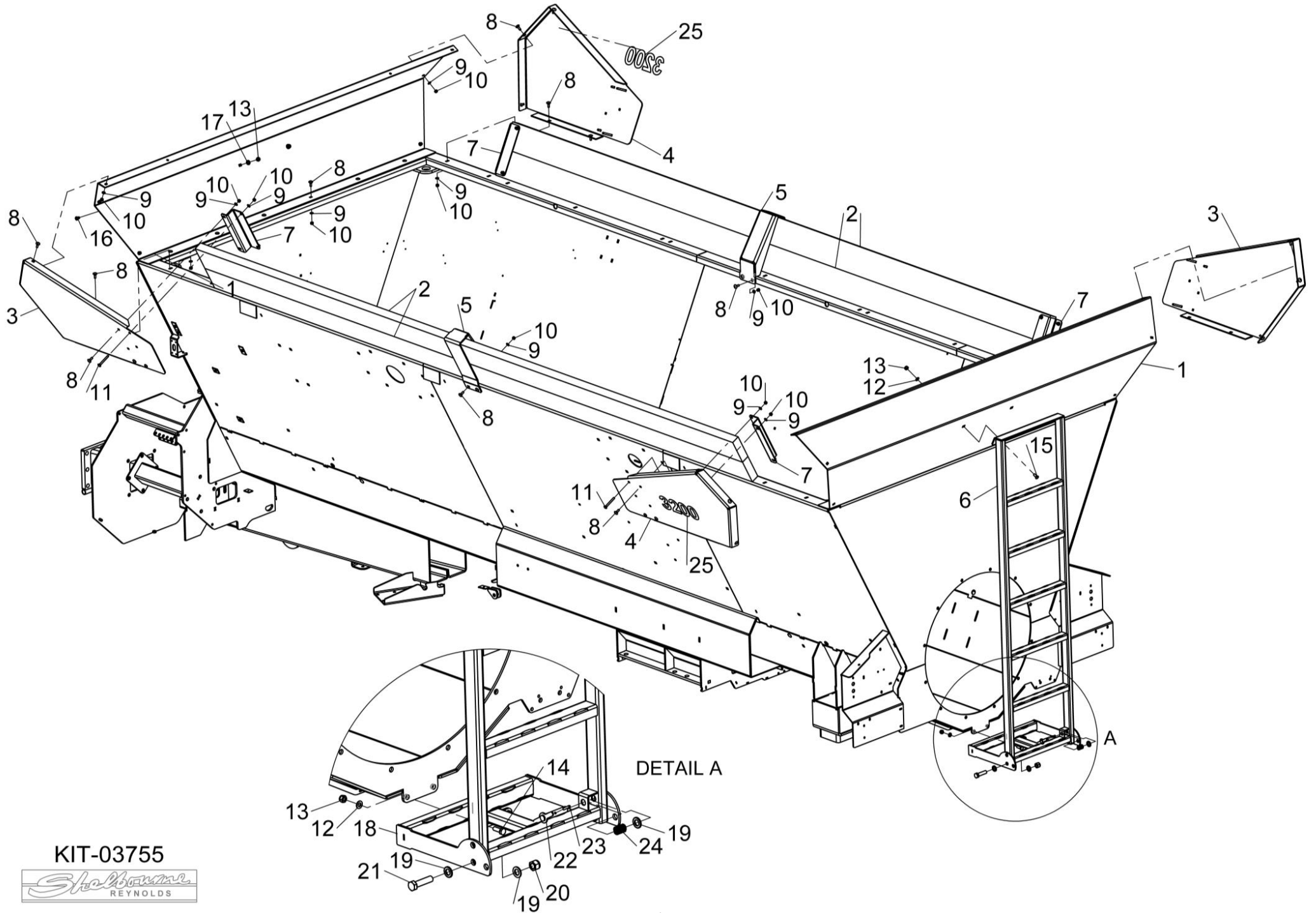
KIT-03749a





**Shelbourne Reynolds Engineering Limited**

ASSY NUMBER: KIT-03755				ASSY DESCRIPTION: 3200 EXTENSION TOP KIT			
ITEM	PART NO	DESCRIPTION	QTY	ITEM	PART NO	DESCRIPTION	QTY
1	591483 01	SLURRY PLATE	2				
2	591485 01	TREATED SOFTWOOD (GREEN)	4				
3	591482 01	LH END PANEL	2				
4	591482 02	RH END PANEL	2				
5	591480 01	MID BRACE W/ASSY	2				
6	591305 01	LADDER W/A	1				
7	591481 01	KEEP PLATE	4				
8	BLTF08173	COACH BOLT	48				
9	WSH-0012	WASHER	58				
10	NUT-0263	NUT	56				
11	BLTF08470	COACHBOLT	8				
12	WSH-0015	WASHER	4				
13	NUT-0265	NUT	6				
14	HSS-0194	BOLT	2				
15	BLT-3745	COACHBOLT	2				
16	BLT-3740	COACH BOLT	2				
17	WSH-0018	WASHER	2				
18	591496 01	LADDER EXT W/A	1				
19	WSH-0024	WASHER	5				
20	NUT-0271	NUT	2				
21	HSS-0322	HEX HEAD SETSCREW	2				
22	591495 01	LOCKING PIN W/A	1				
23	PIN-1620	ROLL PIN	1				
24	SPGC22015	COMPRESSION SPRING	1				
25	591581 01	3200 TRANSFER	2				

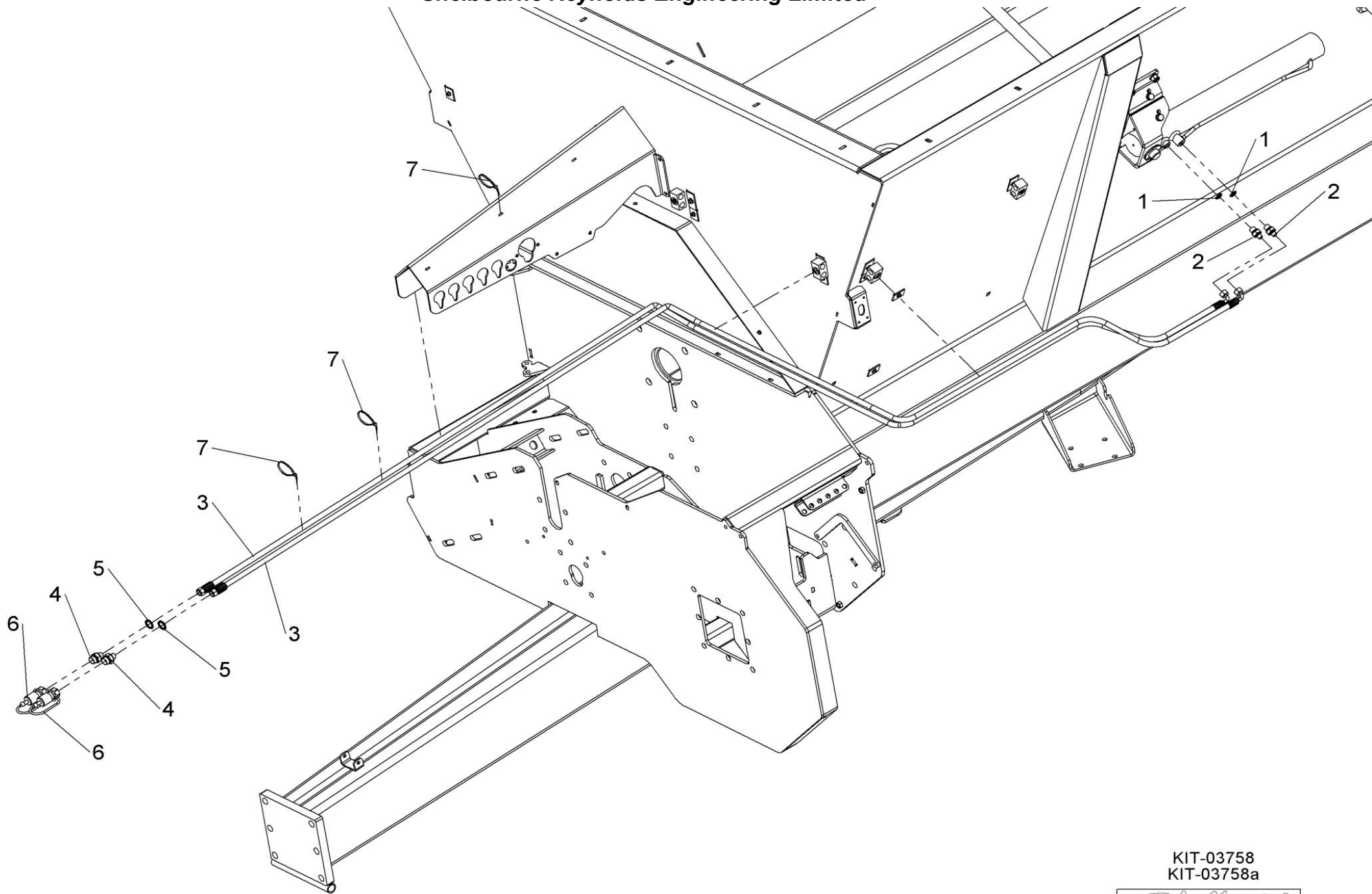


KIT-03755



**Shelbourne Reynolds Engineering Limited**

ASSY NUMBER: KIT-03758				ASSY DESCRIPTION: ANTI BRIDGE MAN HYD KIT			
ITEM	PART NO	DESCRIPTION	QTY	ITEM	PART NO	DESCRIPTION	QTY
1	WSH-1005	DOWTY WASHER	2				
2	FIT-0025	ADAPTOR	2				
3	HHCE52005	HYDRAULIC HOSE	2				
4	HMA-0065	ADAPTOR	2				
5	WSH-1015	DOWTY WASHER	2				
6	COU-0162	QUICK RELEASE COUPLING	2				
7	TIE-0004	TIE WRAPS (MED)	8				



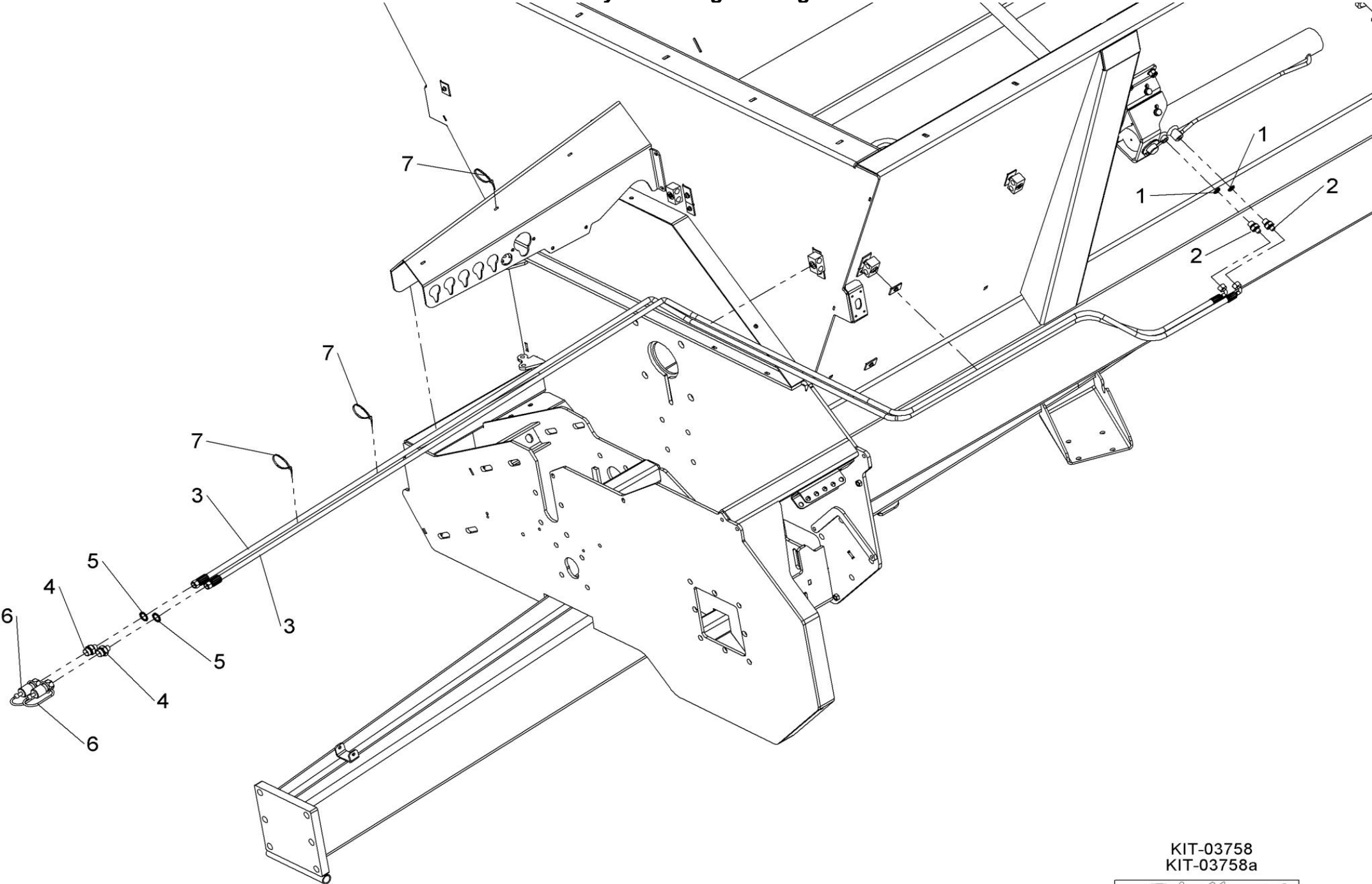
KIT-03758  
KIT-03758a



**Shelbourne Reynolds Engineering Limited**

ASSY NUMBER: KIT-03758a				ASSY DESCRIPTION: ANT-BRIDGE MAN HYD KIT			
ITEM	PART NO	DESCRIPTION	QTY	ITEM	PART NO	DESCRIPTION	QTY
1	WSH-1005	DOWTY WASHER	2				
2	FIT-0025	ADAPTOR	2				
3	HHCE48005	HYD HOSE ASSY	2				
4	HMA-0065	ADAPTOR	2				
5	WSH-1015	DOWTY WASHER	2				
6	COU-0162	QUICK RELEASE COUPLING	2				
7	TIE-0004	TIE WRAPS (MED)	8				



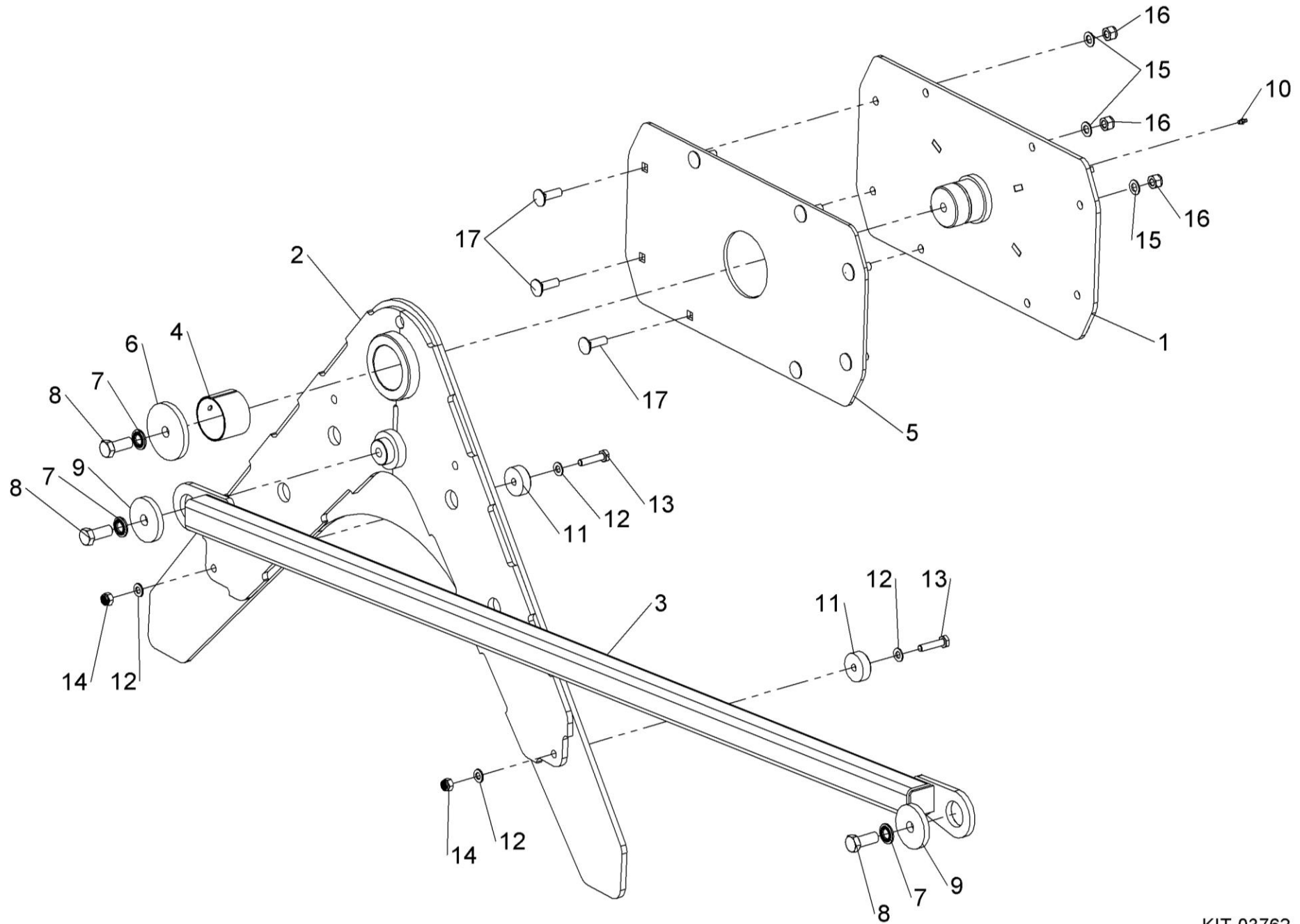


KIT-03758  
KIT-03758a



**Shelbourne Reynolds Engineering Limited**

ASSY NUMBER: KIT-03762				ASSY DESCRIPTION: REAR ANTI BRIDGE KIT			
ITEM	PART NO	DESCRIPTION	QTY	ITEM	PART NO	DESCRIPTION	QTY
1	591530 01	MOUNTING BRACKET W/ASSY	1				
2	591527 01	BRIDGE ARM W/ASSY	1				
3	591533 01	CONNECTING BAR W/ASSY	1				
4	BSHA06565	BUSH	1				
5	591462 01	LAMINATE PLATE	1				
6	190548 72	WASHER	1				
7	WSHA30161	WASHER	3				
8	HSS-0316	SETSCREW	3				
9	198800 02	WASHER	2				
9	NIP-00600	GREASE NIPPLE	1				
11	591353 01	NYLON BUFFER	2				
12	WSH-0015	PLAIN WASHER	4				
13	BLTA10290	HEX.HEAD BOLT	2				
14	NUT-0265	NYLOC NUT	2				
15	WSH-0018	PLAIN WASHER	8				
16	NUT-0269	NUT	8				
17	BLT-3800	COACH BOLT	8				

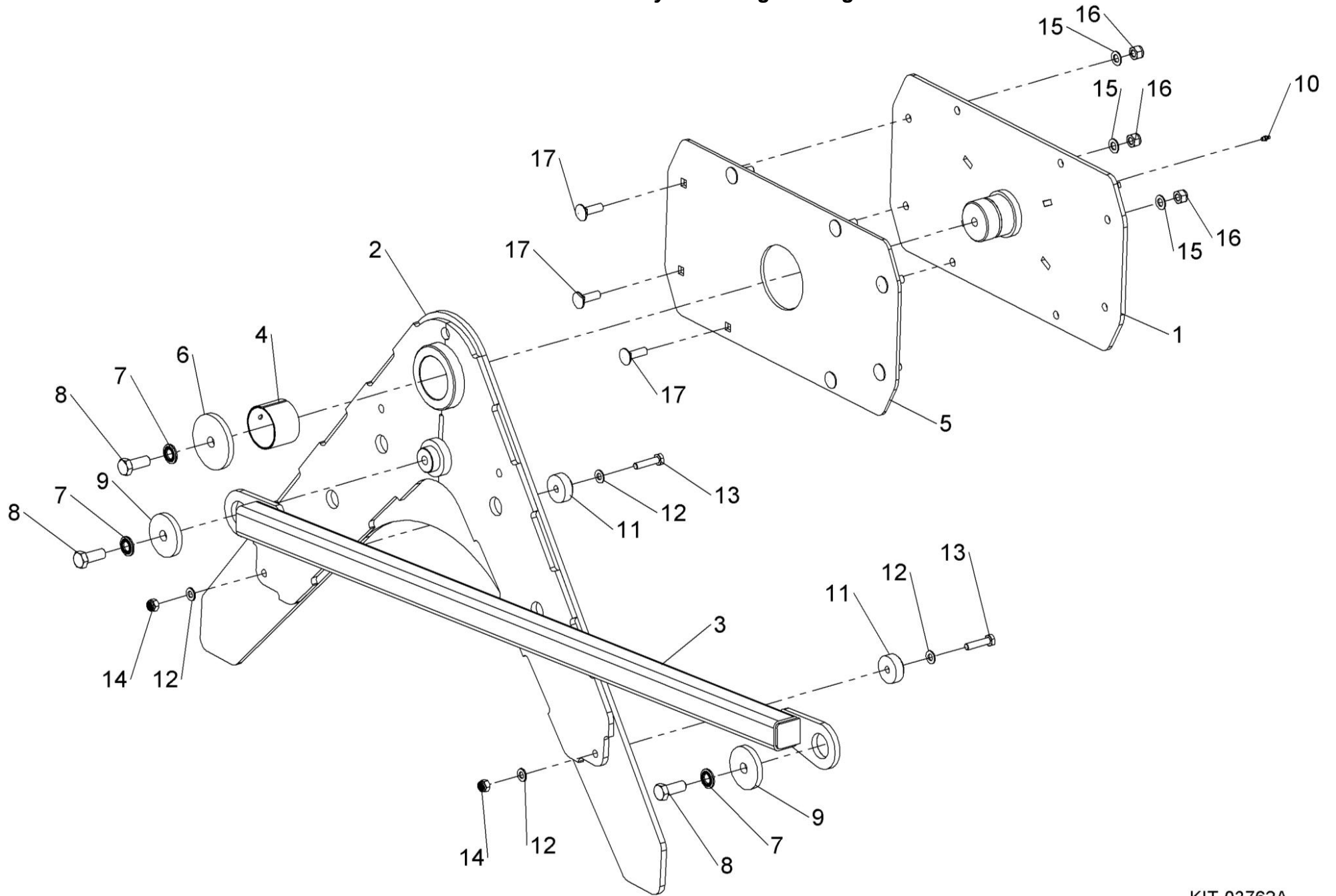


KIT-03762



**Shelbourne Reynolds Engineering Limited**

ASSY NUMBER: KIT-03762A				ASSY DESCRIPTION: 1800G REAR ANTI-BRIDGING KIT			
ITEM	PART NO	DESCRIPTION	QTY	ITEM	PART NO	DESCRIPTION	QTY
1	591530 01	MOUNTING BRACKET W/ASSY	1				
2	591527 01	BRIDGE ARM W/ASSY	1				
3	591876 01	CONNECTING BAR W/ASSY	1				
4	BSHA06565	BUSH	1				
5	591462 01	LAMINATE PLATE	1				
6	190548 72	WASHER	1				
7	WSHA30161	WASHER	3				
8	HSS-0316	SETSCREW	3				
9	198800 02	WASHER	2				
10	NIP-00600	GREASE NIPPLE	1				
11	591353 01	NYLON BUFFER	2				
12	WSH-0015	PLAIN WASHER	4				
13	BLTA10290	HEX.HEAD BOLT	2				
14	NUT-0265	NYLOC NUT	2				
15	WSH-0018	PLAIN WASHER	8				
16	NUT-0269	NUT	8				
17	BLT-3800	COACH BOLT	8				



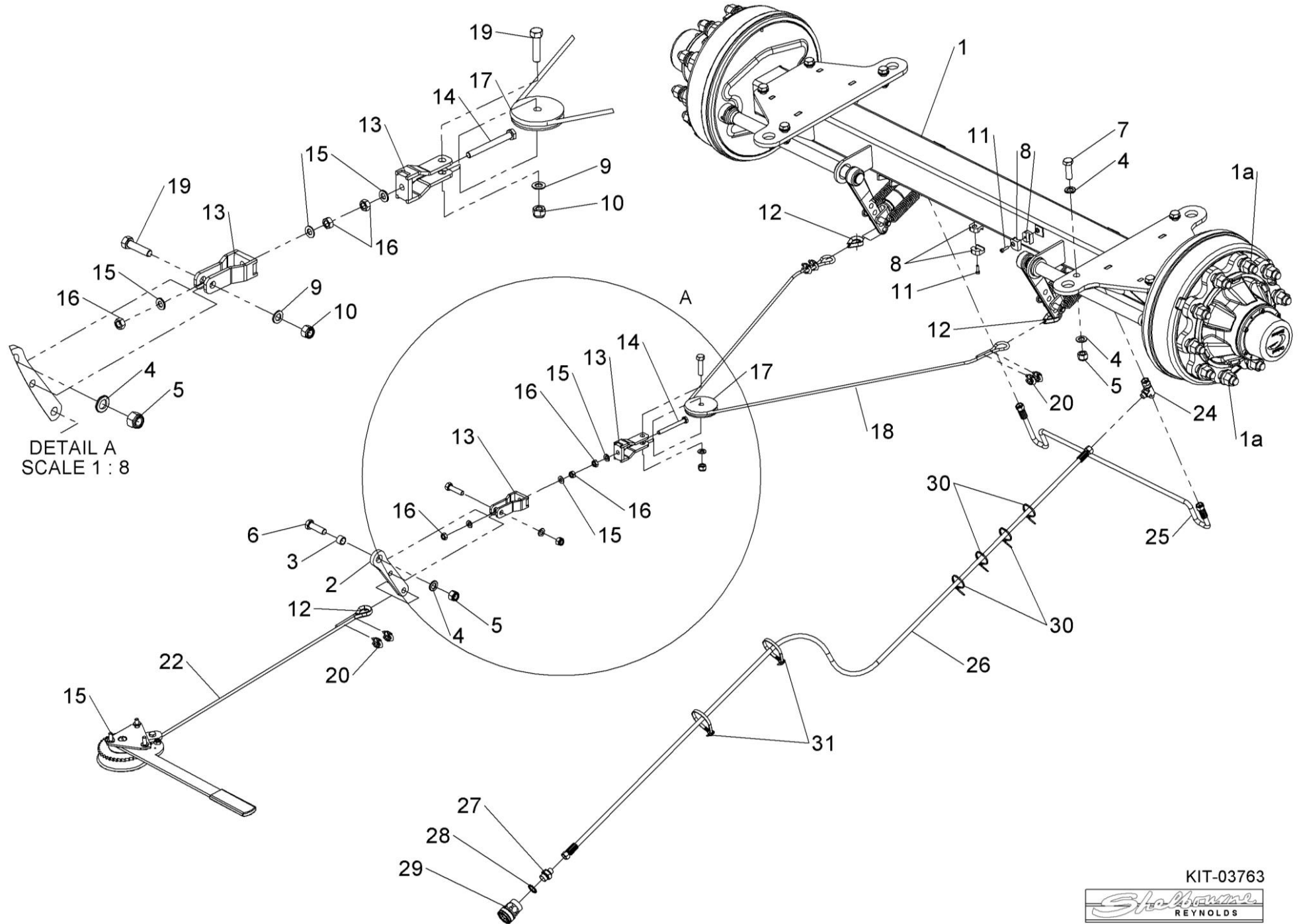
KIT-03762A





**Shelbourne Reynolds Engineering Limited**

ASSY NUMBER: KIT-03763				ASSY DESCRIPTION: HYD AXLE KIT (UP TO & INC PSP18130293)			
ITEM	PART NO	DESCRIPTION	QTY	ITEM	PART NO	DESCRIPTION	QTY
1	591537 01	HYDRAULIC AXLE W/A	1				
1A	AXL-12521	WHEEL NUT DOMED	20				
2	591392 01	HANDBRAKE LEVER	1				
3	591393 01	PIVOT TUBE	1				
4	WSH-0024	PLAIN WASHER	17				
5	NUT-0271	NYLOC NUT	9				
6	HSS-0319	SET SCREW	1				
7	HSS-0318	SET SCREW	8				
8	HCPA01200	HYDRAULIC PIPE CLAMP	2				
9	WSH-0018	PLAIN WASHER	2				
10	NUT-0269	NUT	2				
11	SCW-0083	CAP HEAD SCREW	2				
12	WRP-01050	WIRE ROPE THIMBLE	3				
13	591397 01	BRAKE CLEVIS W/A	2				
14	HSSA10500	SET SCREW	1				
15	WSH-0015	PLAIN WASHER	3				
16	NUT-0167	PLAIN NUT PLATED	3				
17	591399 01	CABLE PULLEY	1				
18	591400 03	HANDBRAKE CABLE	1				
19	HSS-0260	SETSCREW	2				
20	WRP-02080	WIRE CABLE CLAMP	6				
21	LVR-00020	HANDBRAKE ASSY	1				
22	591400 02	HANDBRAKE CABLE	1				
24	FITA10410	HYDRAULIC TEE FITTING	1				
25	HHAC06505	HYDARULIC HOSE ASSY	1				
26	HHAC95505	HYDRAULIC HOSE ASSY	1				
27	HMA-0065	ADAPTOR MALE/MALE	1				
28	WSH-1015	DOWTY WASHER	1				
29	HQR-10007	HYD.QUICK RELEASE COUP.	1				
30	TIE-0004	TIE WRAPS	14				
31	TIE-0012	TIE WRAPS	4				



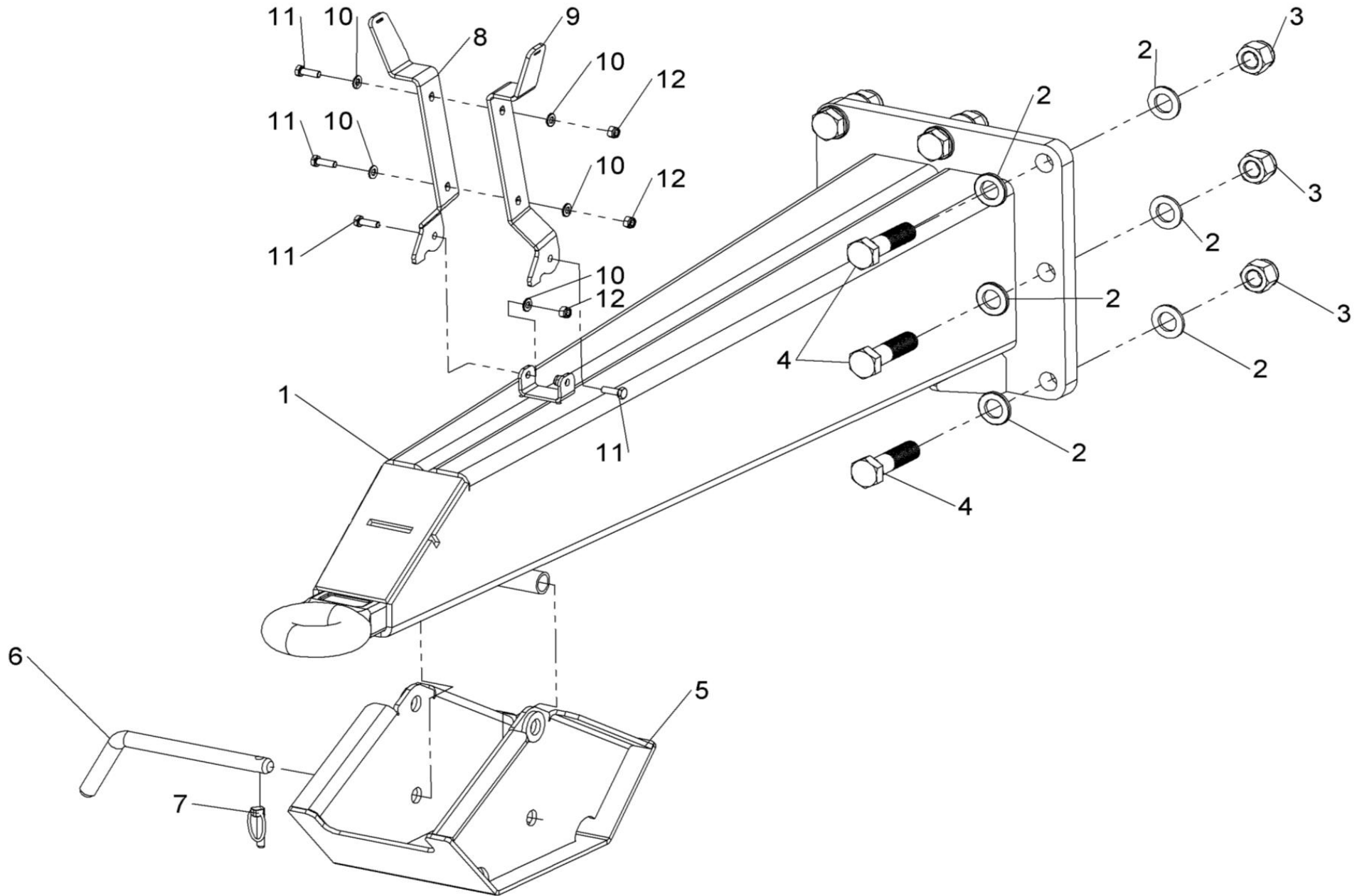
DETAIL A  
SCALE 1 : 8

KIT-03763



**Shelbourne Reynolds Engineering Limited**

ASSY NUMBER: KIT-03764				ASSY DESCRIPTION: UK DRAWBAR KIT			
ITEM	PART NO	DESCRIPTION	QTY	ITEM	PART NO	DESCRIPTION	QTY
1	591561 01	UK DRAWBAR W/A	1				
2	WSH-0036	WASHER	16				
3	NUT-0275	NUT	8				
4	BLTA24530	HEX HEAD BOLT	8				
5	591683 01	FOOT W/A	1				
6	591567 01	LOCKING PIN	1				
7	PIN-01950	LYNCH PIN	1				
8	591378 01	PTO STAND LH	1				
9	591378 02	PTO STAND RH	1				
10	WSH-0012	WASHER	6				
11	HSS-0145	BOLT	4				
12	NUT-0263	NUT	4				



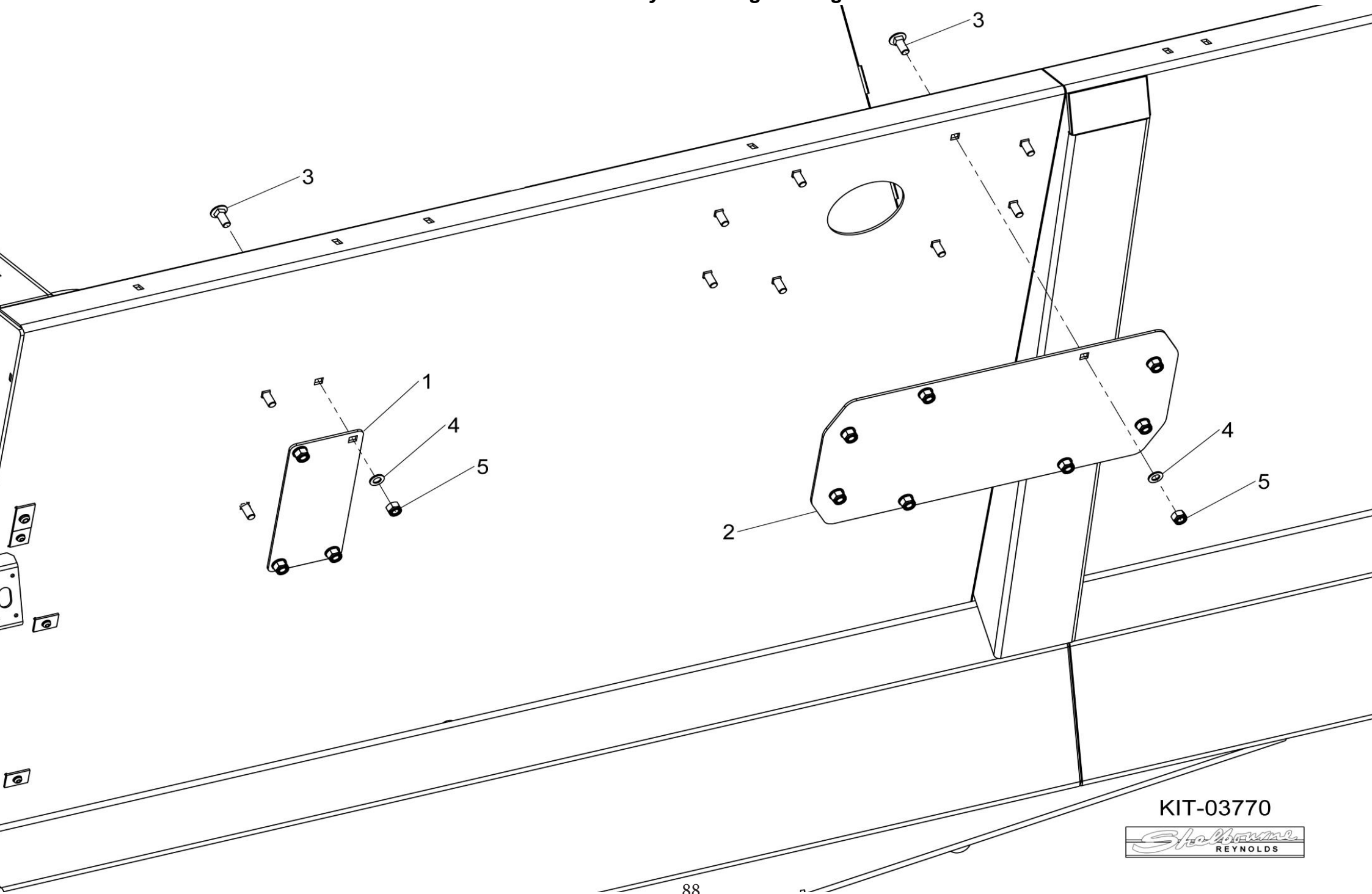
KIT-03764



**Shelbourne Reynolds Engineering Limited**

ASSY NUMBER: KIT-03770				ASSY DESCRIPTION: BLANKING PLATE KIT			
ITEM	PART NO	DESCRIPTION	QTY	ITEM	PART NO	DESCRIPTION	QTY
1	591469 01	SMALL BLANK PLATE	1				
2	591467 01	LARGE COVER PLATE	1				
3	BLT-3790	COACH BOLT	12				
4	WSH-0018	WASHER	12				
5	NUT-0269	NUT	12				



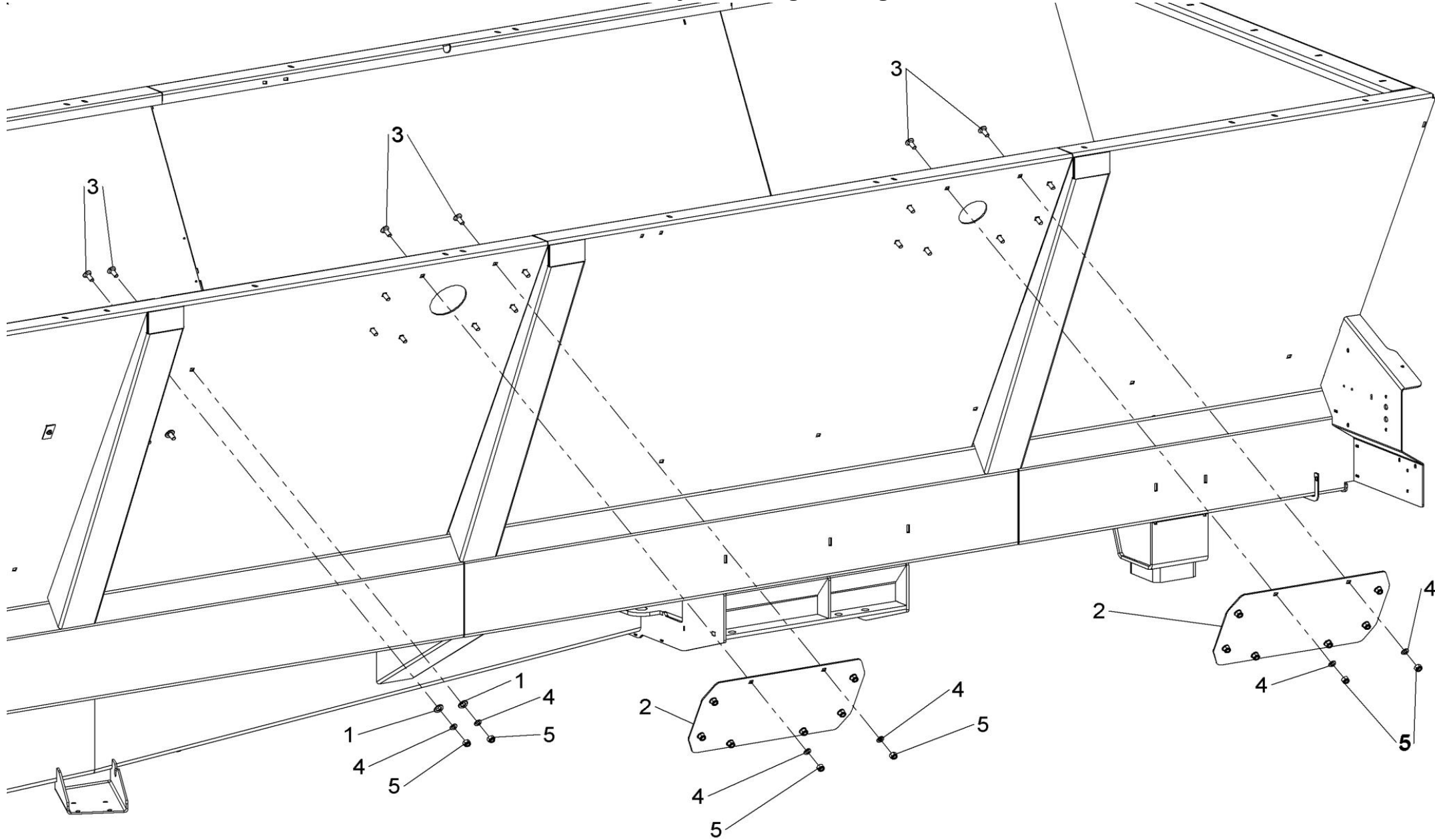


KIT-03770



**Shelbourne Reynolds Engineering Limited**

ASSY NUMBER: KIT-03771				ASSY DESCRIPTION: BLANKING PLATE KIT			
ITEM	PART NO	DESCRIPTION	QTY	ITEM	PART NO	DESCRIPTION	QTY
1	WSH-0024	WASHER	4				
2	591467 01	LARGE COVER PLATE	2				
3	BLT-3790	COACH BOLT	20				
4	WSH-0018	WASHER	20				
5	NUT-0269	NUT	20				

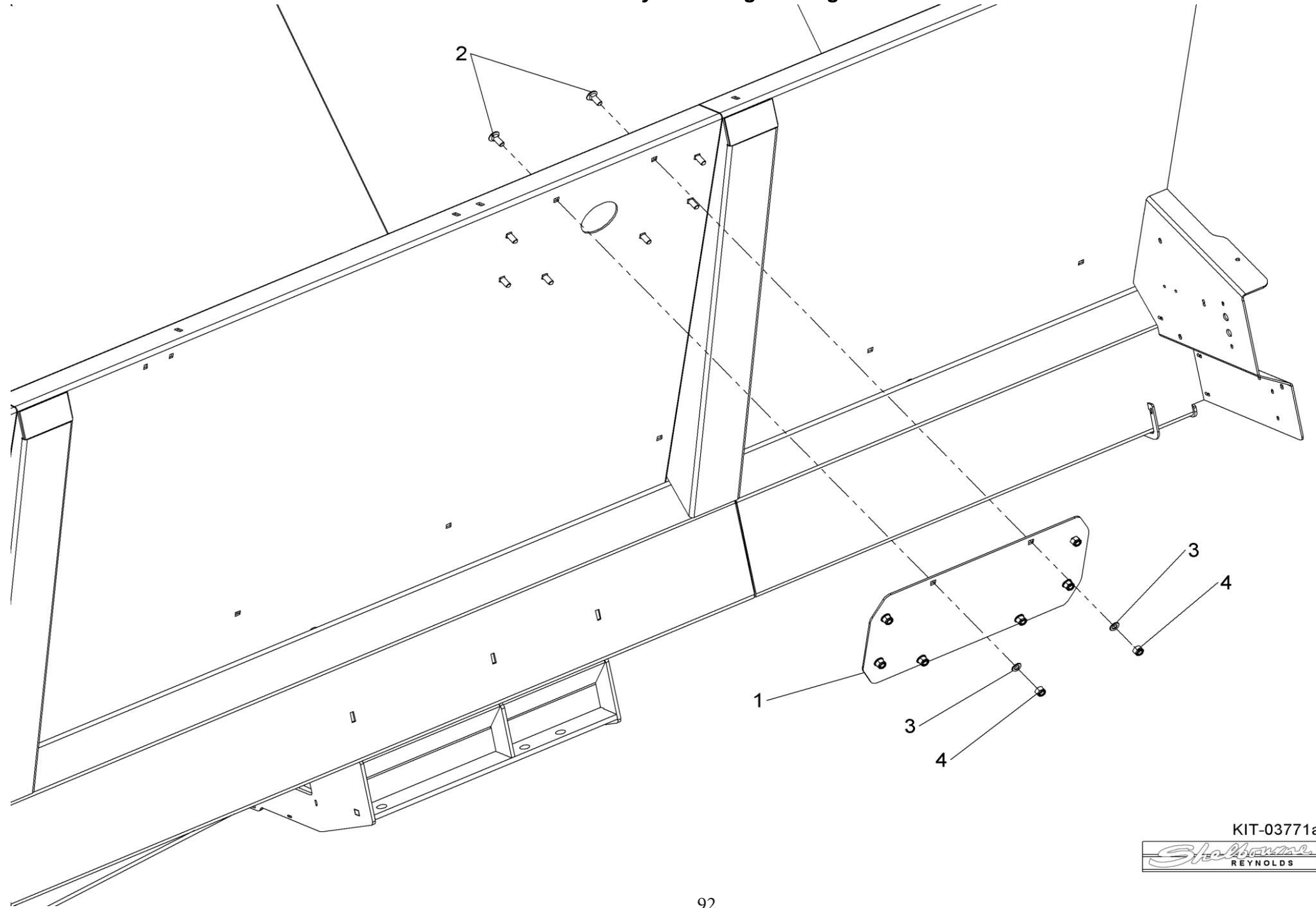


KIT-03771



**Shelbourne Reynolds Engineering Limited**

ASSY NUMBER: KIT-03771a				ASSY DESCRIPTION: BLANKING PLATE KIT			
ITEM	PART NO	DESCRIPTION	QTY	ITEM	PART NO	DESCRIPTION	QTY
1	591467 01	LARGE COVER PLATE	1				
2	BLT-3790	COACH BOLT	8				
3	WSH-0018	WASHER	8				
4	NUT-0269	NUT	8				



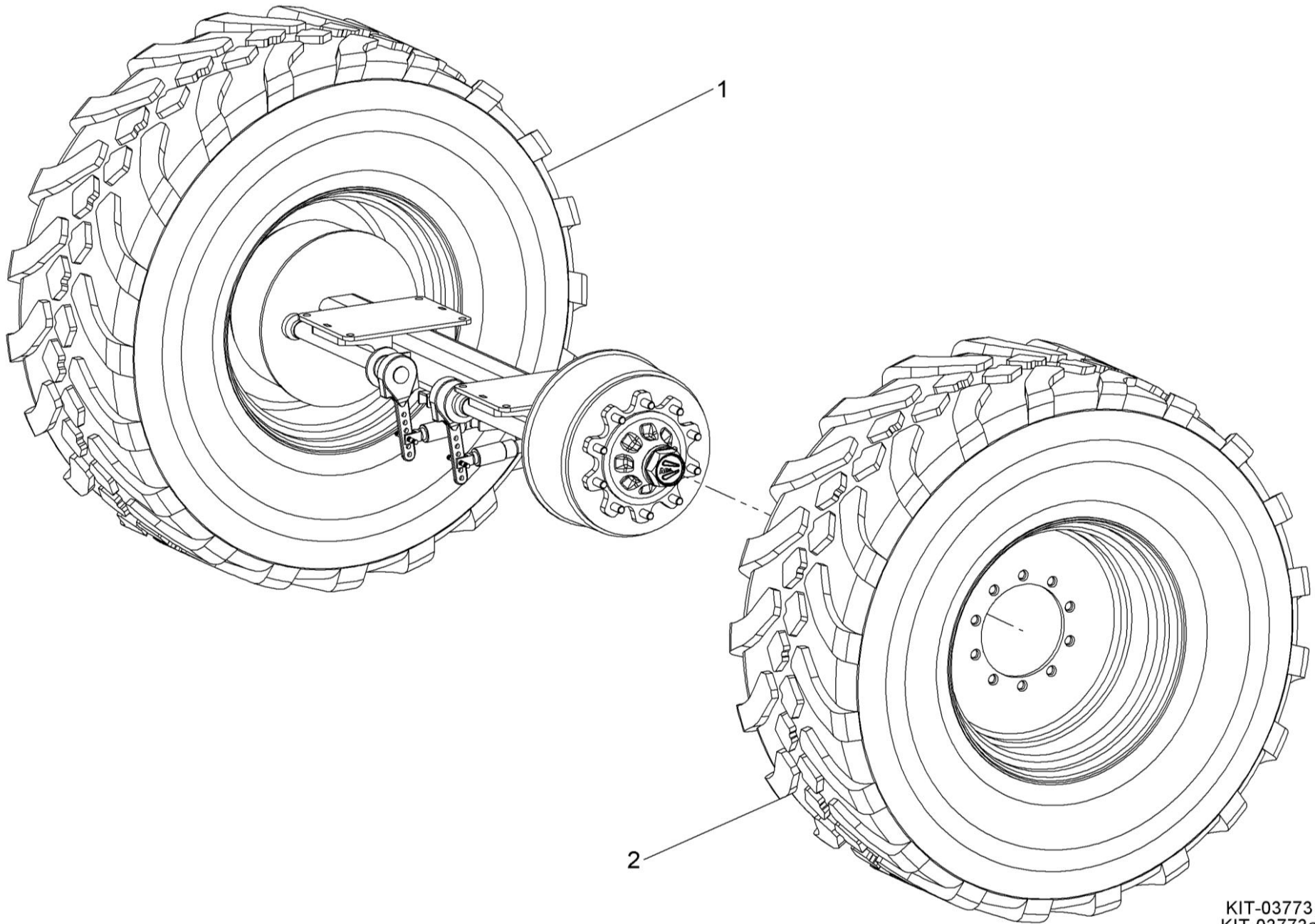
KIT-03771a



**Shelbourne Reynolds Engineering Limited**

ASSY NUMBER: KIT-03773				ASSY DESCRIPTION: WHEEL & TYRE KIT			
ITEM	PART NO	DESCRIPTION	QTY	ITEM	PART NO	DESCRIPTION	QTY
1	WHL-02620	LH WHEEL & TYRE ASSY	1				
2	WHL-02621	RH WHEEL & TYRE ASSY	1				



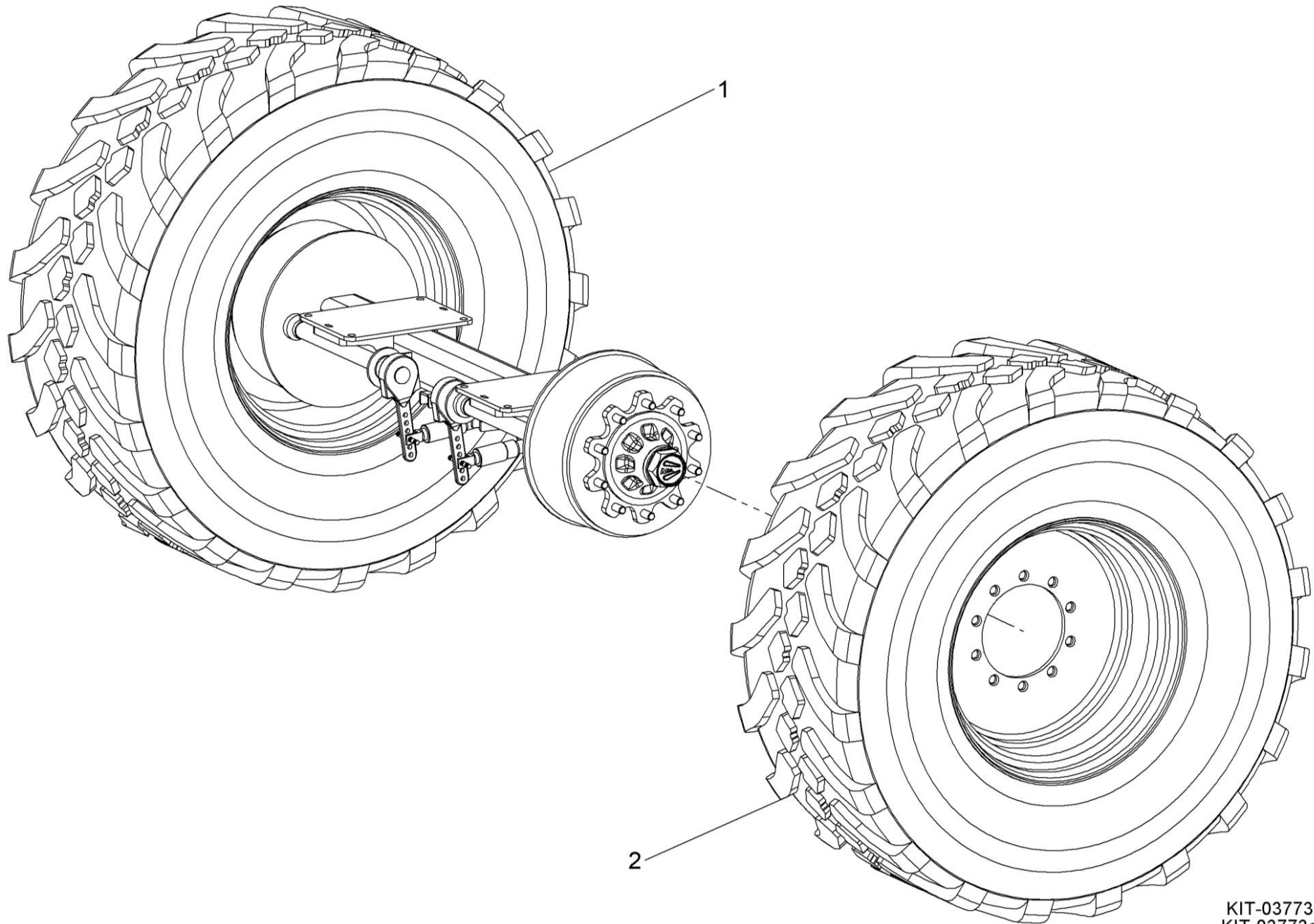


KIT-03773  
KIT-03773a



**Shelbourne Reynolds Engineering Limited**

ASSY NUMBER: KIT-03773a				ASSY DESCRIPTION: WHEEL & TYRE KIT			
ITEM	PART NO	DESCRIPTION	QTY	ITEM	PART NO	DESCRIPTION	QTY
1	WHL-02625	LH WHEEL & TYRE ASSY	1				
2	WHL-02624	RH WHEEL & TYRE ASSY	1				



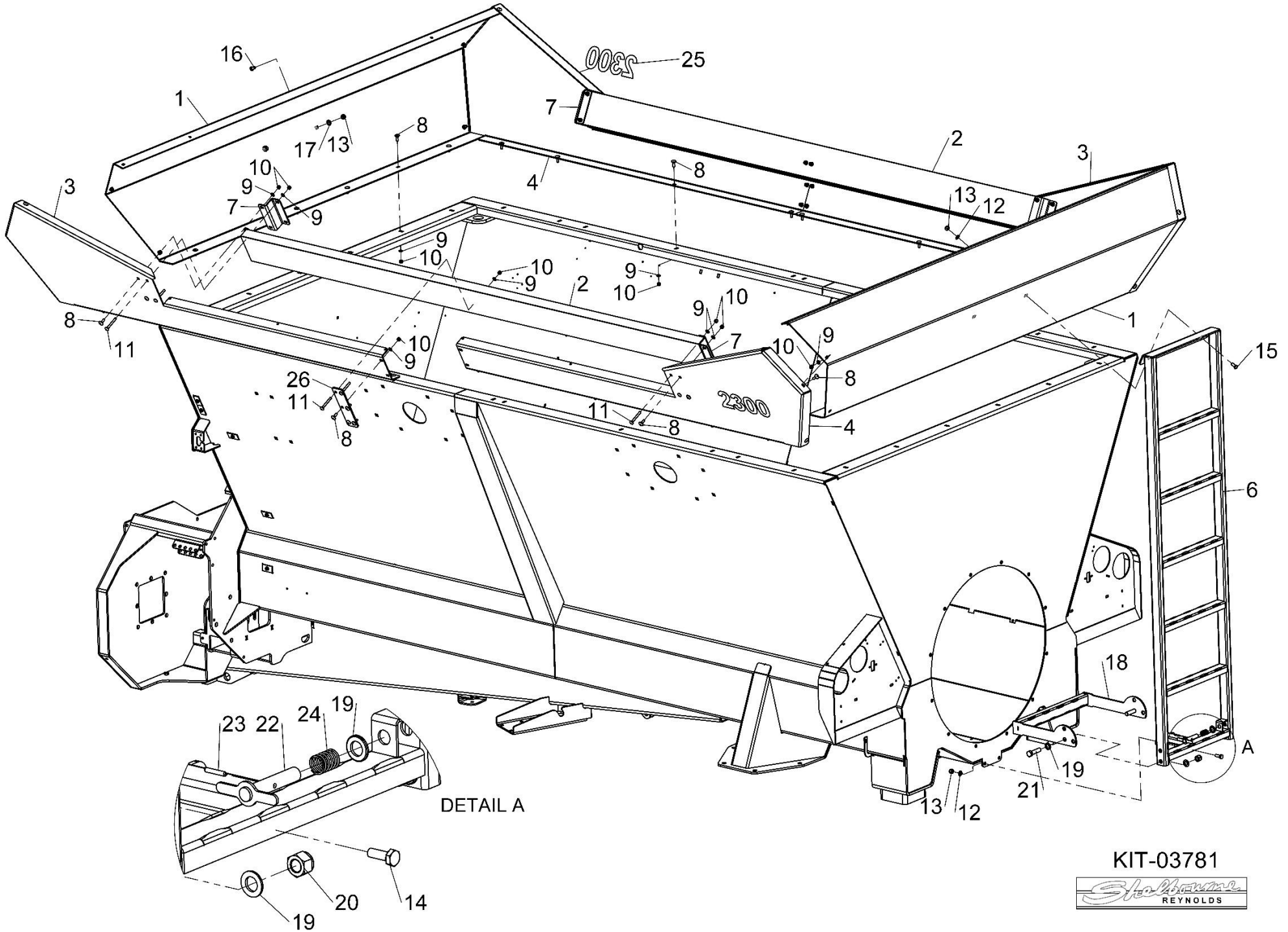
KIT-03773  
KIT-03773a



**Shelbourne Reynolds Engineering Limited**

ASSY NUMBER: KIT-03781				ASSY DESCRIPTION: 2300 EXTENSION TOP KIT			
ITEM	PART NO	DESCRIPTION	QTY	ITEM	PART NO	DESCRIPTION	QTY
1	591483 01	SLURRY PLATE	2				
2	591485 02	WOODEN CANOPY	2				
3	591618 01	END PANEL LH	2				
4	591618 02	END PANEL RH	2				
6	591305 01	LADDER W/A	1				
7	591619 01	CLAMP PLATE	4				
8	BLTF08173	COACH BOLT	56				
9	WSH-0012	WASHER	68				
10	NUT-0263	NUT	68				
11	BLTF08443	COACHBOLT	12				
12	WSH-0015	WASHER	4				
13	NUT-0265	NUT	6				
14	HSS-0194	BOLT	2				
15	BLT-3745	COACHBOLT	2				
16	BLT-3740	COACH BOLT	2				
17	WSH-0018	WASHER	2				
18	591496 01	LADDER EXT W/A	1				
19	WSH-0024	WASHER	5				
20	NUT-0271	NUT	2				
21	HSS-0322	SETSCREW	2				
22	591495 01	LOCKING PIN W/A	1				
23	PIN-1620	ROLL PIN	1				
24	SPGC22015	COMPRESSION SPRING	1				
25	591583 01	2300 TRANSFER	2				
26	591620 01	CLAMP PLATE	2				





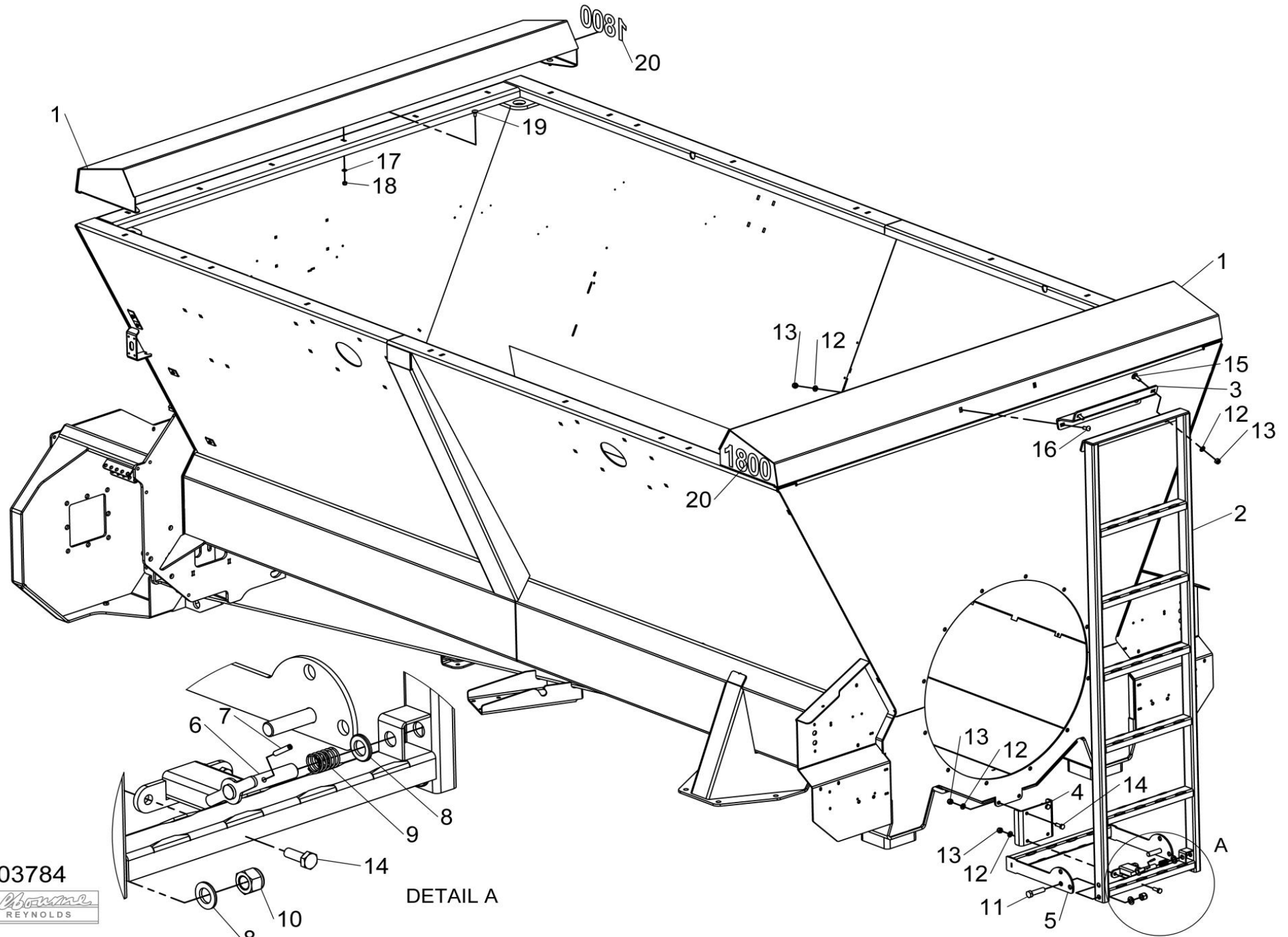
KIT-03781



**Shelbourne Reynolds Engineering Limited**

ASSY NUMBER: KIT-03784				ASSY DESCRIPTION: 1800 & 2400 SLURRY CANOPY KIT			
ITEM	PART NO	DESCRIPTION	QTY	ITEM	PART NO	DESCRIPTION	QTY
1	591760 01	SLURRY CANOPY W/A	2				
2	591305 01	LADDER W/A	1				
3	591762 01	UPPER FIXING BRKT	1				
4	591763 01	LOWER FIXING BRKT	1				
5	591496 01	LADDER EXT W/A	1				
6	591495 01	LOCKING PIN W/A	1				
7	PIN-1620	ROLL PIN	1				
8	WSH-0024	PLAIN WASHER FORM A	5				
9	SPGC22015	COMPRESSION SPRING	1				
10	NUT-0271	NYLOC NUT	2				
11	HSS-0322	HEX HEAD SETSCREW	2				
12	WSH-0015	PLAIN WASHER	10				
13	NUT-0265	NYLOC NUT	10				
14	HSS-0194	BOLT	4				
15	BLT-3750	BOLT	2				
16	BLT-3745	COACHBOLT	4				
17	WSH-0012	PLAIN WASHER FORM A	16				
18	NUT-0263	NYLOC NUT	16				
19	BLT-4710	COACH BOLT	16				
20	591757 01	1800 TRANSFER	2				





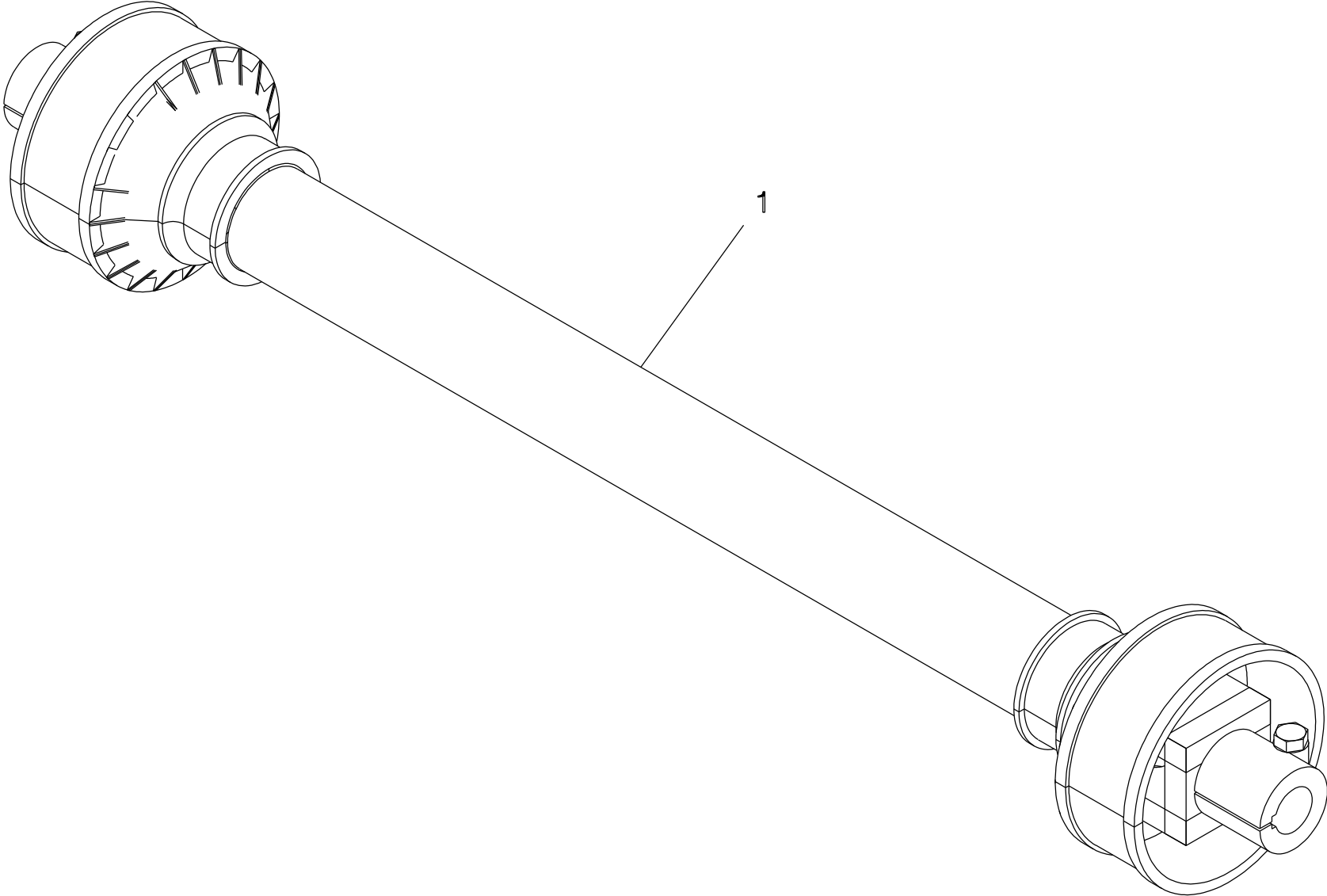
KIT-03784



DETAIL A

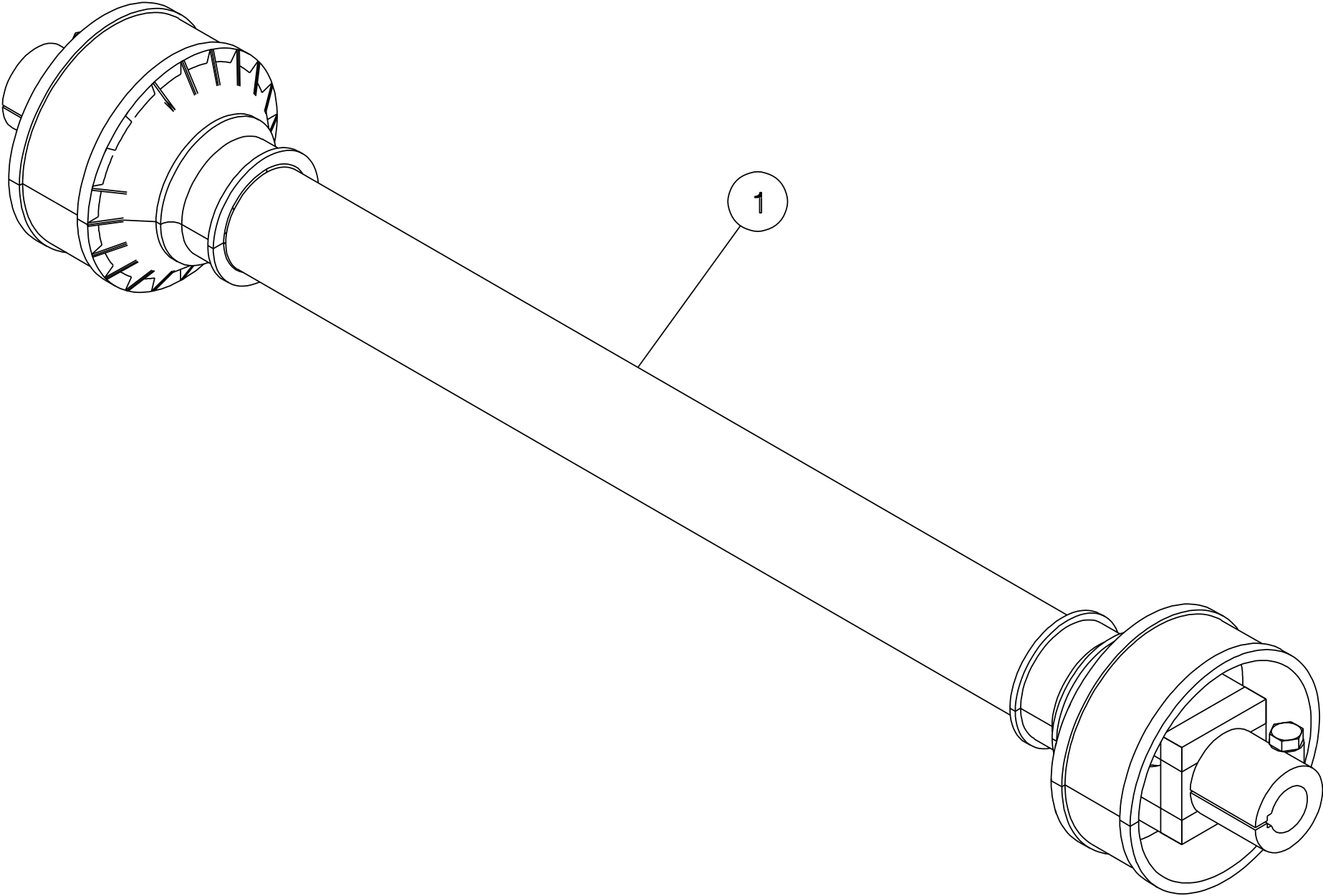
**Shelbourne Reynolds Engineering Limited**

ASSY NUMBER: KIT-03799				ASSY DESCRIPTION: WIDE ANGLE PTO SHAFT KIT			
ITEM	PART NO	DESCRIPTION	QTY	ITEM	PART NO	DESCRIPTION	QTY
1	PTO-29021	PTO SHAFT ASSY	1				



**Shelbourne Reynolds Engineering Limited**

ASSY NUMBER: KIT-03799a				ASSY DESCRIPTION: WIDE-ANGLE PTO SHAFT KIT			
ITEM	PART NO	DESCRIPTION	QTY	ITEM	PART NO	DESCRIPTION	QTY
1	PTO-29021WE	PTO SHAFT ASSY	1				

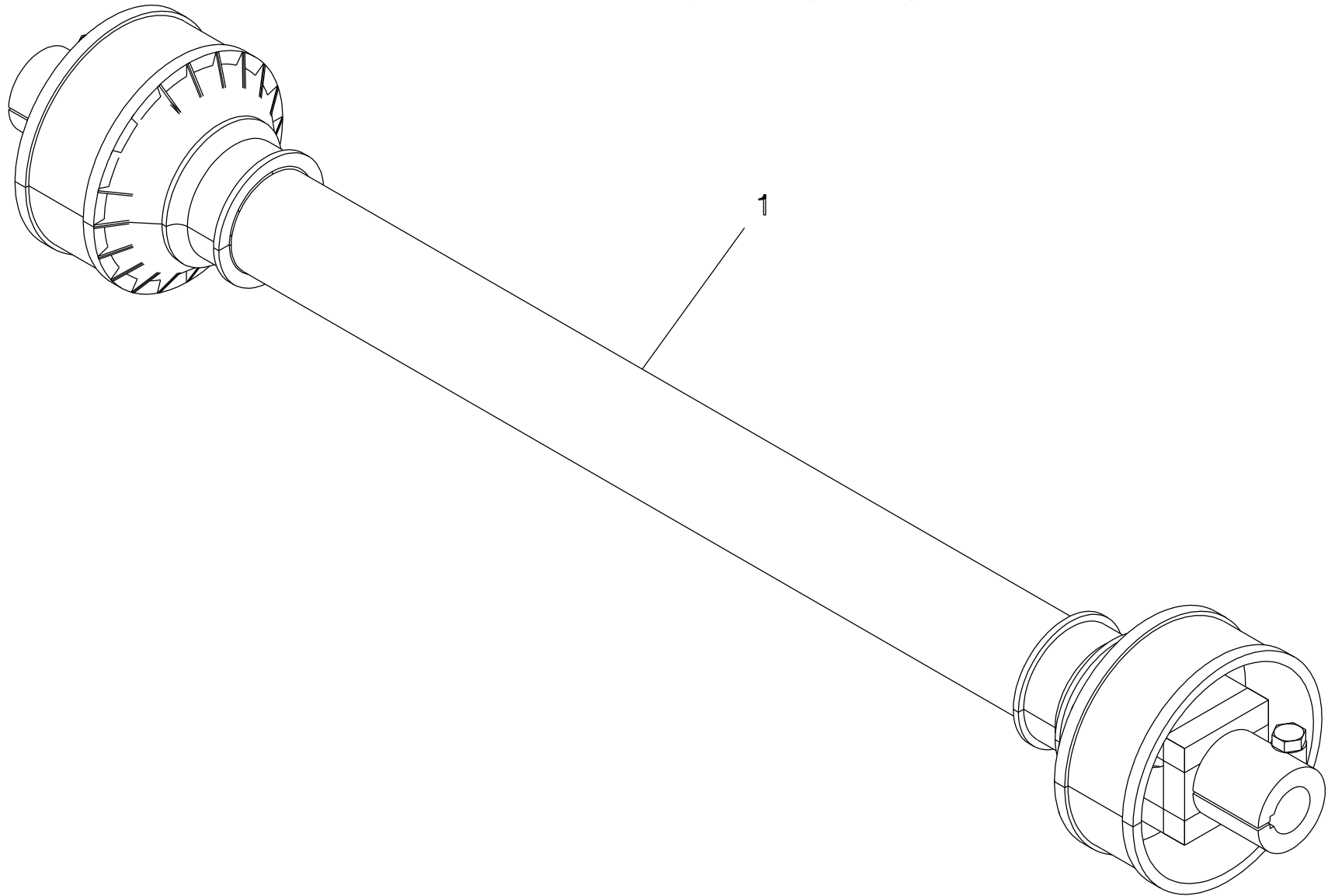


KIT-03799

**Shelbourne Reynolds Engineering Limited**

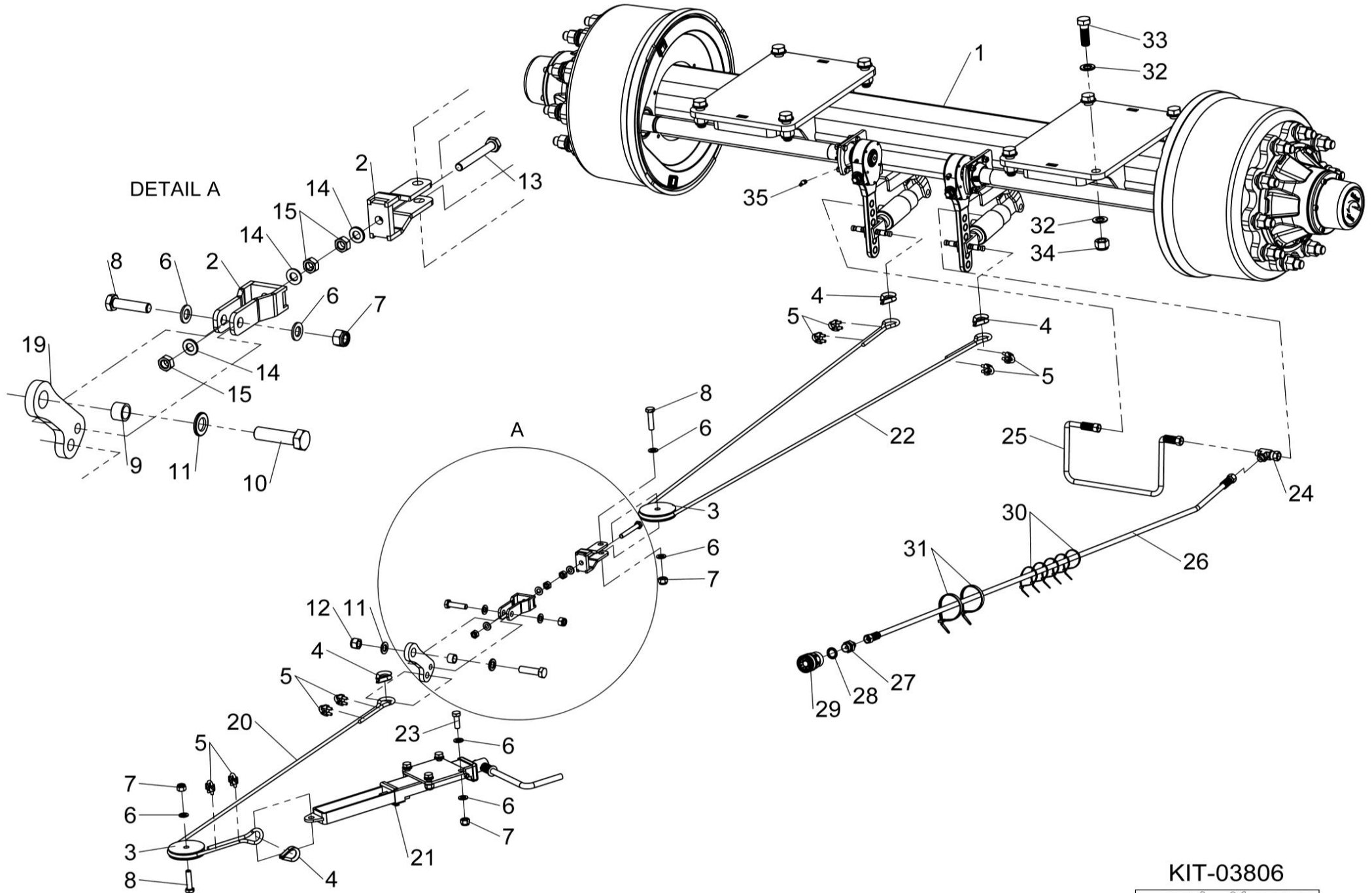
ASSY NUMBER: KIT-03799B				ASSY DESCRIPTION: WIDE-ANGLE PTO SHAFT KIT (WALT)			
ITEM	PART NO	DESCRIPTION	QTY	ITEM	PART NO	DESCRIPTION	QTY
1	PTO-29021W	PTO SHAFT ASSY	1				





**Shelbourne Reynolds Engineering Limited**

ASSY NUMBER: KIT-03806				ASSY DESCRIPTION: SINGLE HYDRAULIC AXLE KIT (2400-3200)			
ITEM	PART NO	DESCRIPTION	QTY	ITEM	PART NO	DESCRIPTION	QTY
1	591963 01	HYDRAULIC AXLE W/A	1				
OR	591387 01	PSP24140429 & ON HYDRAULIC AXLE W/A	1				
1a	AXL-12521	UP TO & INC PSP24140392 WHEEL NUT	1				
2	591397 01	BRAKE CLEVIS W/A	2				
3	591399 01	CABLE PULLEY	2				
4	WRP-01050	WIRE ROPE THIMBLE	4				
5	WRP-02080	WIRE CABLE CLAMP	8				
6	WSH-0018	WASHER	11				
7	NUT-0269	NUT	7				
8	HSS-0260	SETSCREW	3				
9	591393 01	PIVOT TUBE	1				
10	HSS-0320	SETSCREW	1				
11	WSH-0024	WASHER	2				
12	NUT-0271	NUT	1				
13	HSSA10500	SETSCREW	1				
14	WSH-0015	WASHER	3				
15	NUT-0167	NUT	3				
16							
17							
18							
19	591879 01	LINK LEVER	1				
20	591400 05	HANDBRAKE CABLE	1				
21	591880 01	HANDBRAKE W/A	1				
22	591400 04	HANDBRAKE CABLE	1				
23	HSS-0241	SETSCREW	4				
24	FITA10410	HYDRAULIC TEE FITTING	1				
25	HHEC02705	HYDRAULIC HOSE ASSY	1				
26	HHAC95505	HYDRAULIC HOSE ASSY	1				
27	HMA-0065	ADAPTOR MALE/MALE	1				
28	WSH-1015	DOWTY WASHER	1				
29	HQR-10007	HYD.QUICK RELEASE COUP.	1				
30	TIE-0004	TIE WRAPS	14				
31	TIE-0012	TIE WRAPS	4				
32	WSH-0030	WASHER	16				
33	BLT-2366	BOLT )	8				
34	NUTA02200	NUT	8				
35	NIP-00810	GREASE NIPPLE	2				

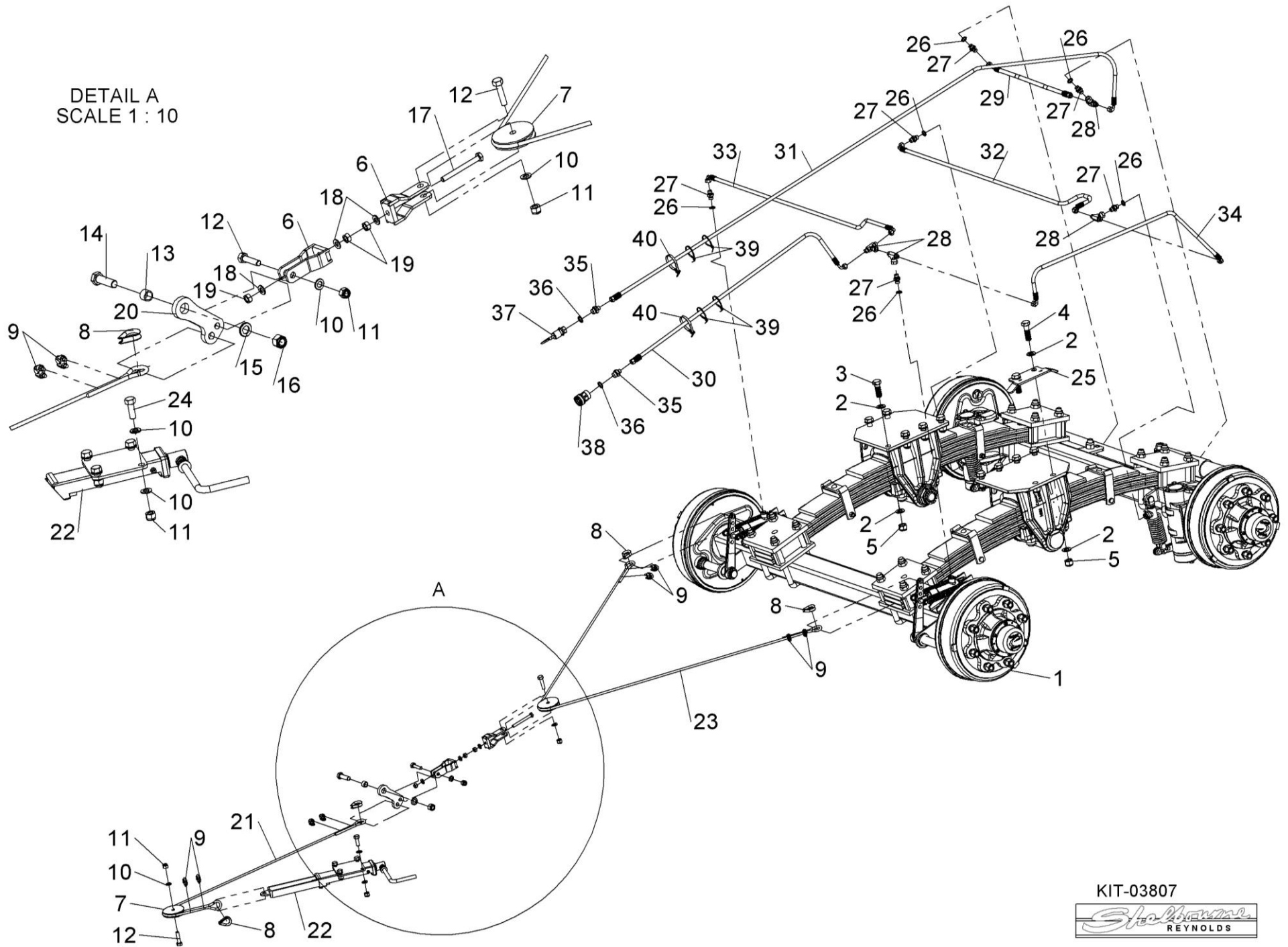


KIT-03806



**Shelbourne Reynolds Engineering Limited**

ASSY NUMBER: KIT-03807				ASSY DESCRIPTION: TANDEM HYDRAULIC AXLE KIT (2400-3200)			
ITEM	PART NO	DESCRIPTION	QTY	ITEM	PART NO	DESCRIPTION	QTY
1	AXL-00225	TANDEM STEERING AXLE ASSY					
2	WSH-0030	WASHER	24				
3	BLT-2366	BOLT	8				
4	BLT-2367	BOLT	4				
5	NUTA02200	NUT	12				
6	591397 01	BRAKE CLEVIS W/A	2				
7	591399 01	CABLE PULLEY	2				
8	WRP-01050	WIRE ROPE THIMBLE	4				
9	WRP-02080	WIRE CABLE CLAMP	8				
10	WSH-0018	WASHER	11				
11	NUT-0269	NUT	7				
12	HSS-0260	SETSCREW	3				
13	591393 01	PIVOT TUBE	1				
14	HSS-0319	SETSCREW	1				
15	WSH-0024	WASHER	1				
16	NUT-0271	NUT	1				
17	HSSA10500	SETSCREW	1				
18	WSH-0015	WASHER	3				
19	NUT-0167	NUT	3				
20	591879 01	LINK LEVER	1				
21	591400 05	HANDBRAKE CABLE	1				
22	591880 01	HANDBRAKE W/A	1				
23	591400 01	HANDBRAKE CABLE	1				
24	HSS-0241	SETSCREW	4				
25	591889 01	HOSE FIXING PLATE	1				
26	WSH-1010	DOWTY WASHER	6				
27	HMA-0057	HYD ADAPTOR	6				
28	FITA10410	HYDRAULIC TEE FITTING	4				
29	HHBE04705	HYD HOSE ASSY REVERSE PISTON)	1				
30	591890 01	HYD HOSE ASSY (BRAKE/TRA 11.5m)	1				
31	591890 02	HYD HOSE ASSY (REV/TRA 13m)	1				
32	HHEE16005	HYD HOSE ASSY (REAR RAMS 1.6m)	1				
33	HHEE13005	HYD HOSE ASSY (FRT RAMS 1.3m)	1				
34	HHEE11005	HYD HOSE ASSY (FRT/REAR 1.1m)	1				
35	HMA-0065	HYD ADAPTOR	2				
36	WSH-1015	DOWTY WASHER	2				
37	COU-0162	QUICK RELEASE COUPLING	1				
38	HQR-10007	QUICK RELEASE COUPLNG	1				
39	TIE-0004	TIE WRAPS	16				
40	TIE-0012	TIE WRAPS	4				



KIT-03807

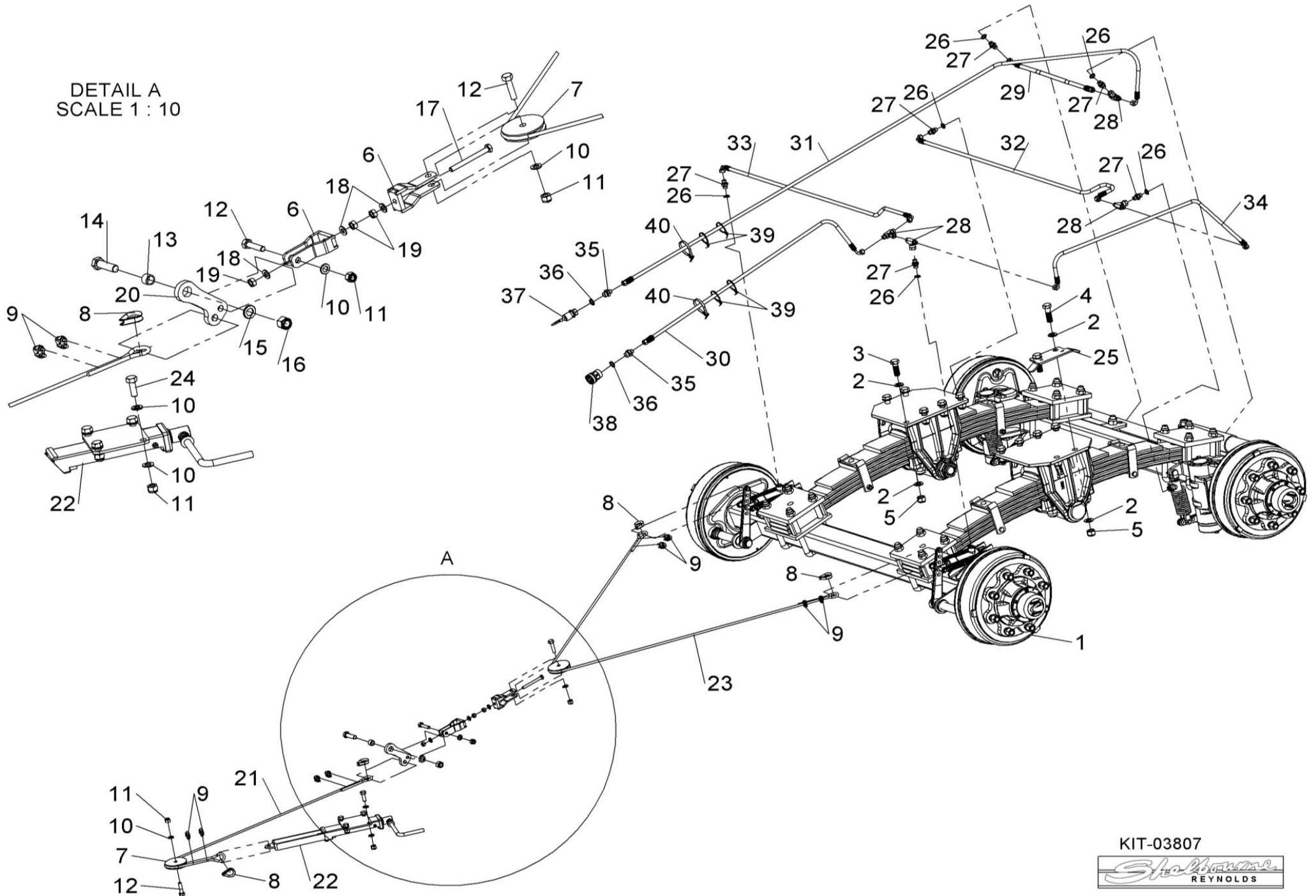


**Shelbourne Reynolds Engineering Limited**

ASSY NUMBER: KIT-03807A				ASSY DESCRIPTION: TANDEM HYDRAULIC AXLE KIT (2400-3200)			
ITEM	PART NO	DESCRIPTION	QTY	ITEM	PART NO	DESCRIPTION	QTY
1	AXL-00240	TANDEM STEERING AXLE (1480mm)	1				
2	WSH-0030	WASHER	24				
3	BLT-2366	BOLT	10				
4	BLT-2367	BOLT	2				
5	NUTA02200	NUT	12				
6	591397 01	BRAKE CLEVIS W/A	2				
7	591399 01	CABLE PULLEY	2				
8	WRP-01050	WIRE ROPE THIMBLE	4				
9	WRP-02080	WIRE CABLE CLAMP	8				
10	WSH-0018	WASHER	11				
11	NUT-0269	NUT	7				
12	HSS-0260	SETSCREW	3				
13	591393 01	PIVOT TUBE	1				
14	HSS-0319	SETSCREW	1				
15	WSH-0024	WASHER	1				
16	NUT-0271	NUT	1				
17	HSSA10500	SETSCREW	1				
18	WSH-0015	WASHER	3				
19	NUT-0167	NUT	3				
20	591879 01	LINK LEVER	1				
21	591400 05	HANDBRAKE CABLE	1				
22	591880 01	HANDBRAKE W/A	1				
23	591400 01	HANDBRAKE CABLE	1				
24	HSS-0241	SETSCREW	4				
25	591889 01	HOSE FIXING PLATE	1				
26	WSH-1010	DOWTY WASHER	6				
27	HMA-0057	HYD ADAPTOR	6				
28	FITA10410	HYDRAULIC TEE FITTING	4				
29	HHBE04705	HYD HOSE ASSY REVERSE PISTON)	1				
30	HHBE92005	HYD HOSE ASSY (BRAKE/TRA 9.2m)	1				
31	591890 02	HYD HOSE ASSY (REV/TRA 10.9m)	1				
32	HHEE17005	HYD HOSE ASSY (REAR RAMS 1.7m)	1				
33	HHEE15005	HYD HOSE ASSY (FRT RAMS 1.5m)	1				
34	HHEE14005	HYD HOSE ASSY (FRT/REAR 1.4m)	1				
35	HMA-0065	HYD ADAPTOR	2				
36	WSH-1015	DOWTY WASHER	2				
37	COU-0162	QUICK RELEASE COUPLING	1				
38	HQR-10007	QUICK RELEASE COUPLNG	1				
39	TIE-0004	TIE WRAPS	16				
40	TIE-0012	TIE WRAPS	4				



DETAIL A  
SCALE 1 : 10



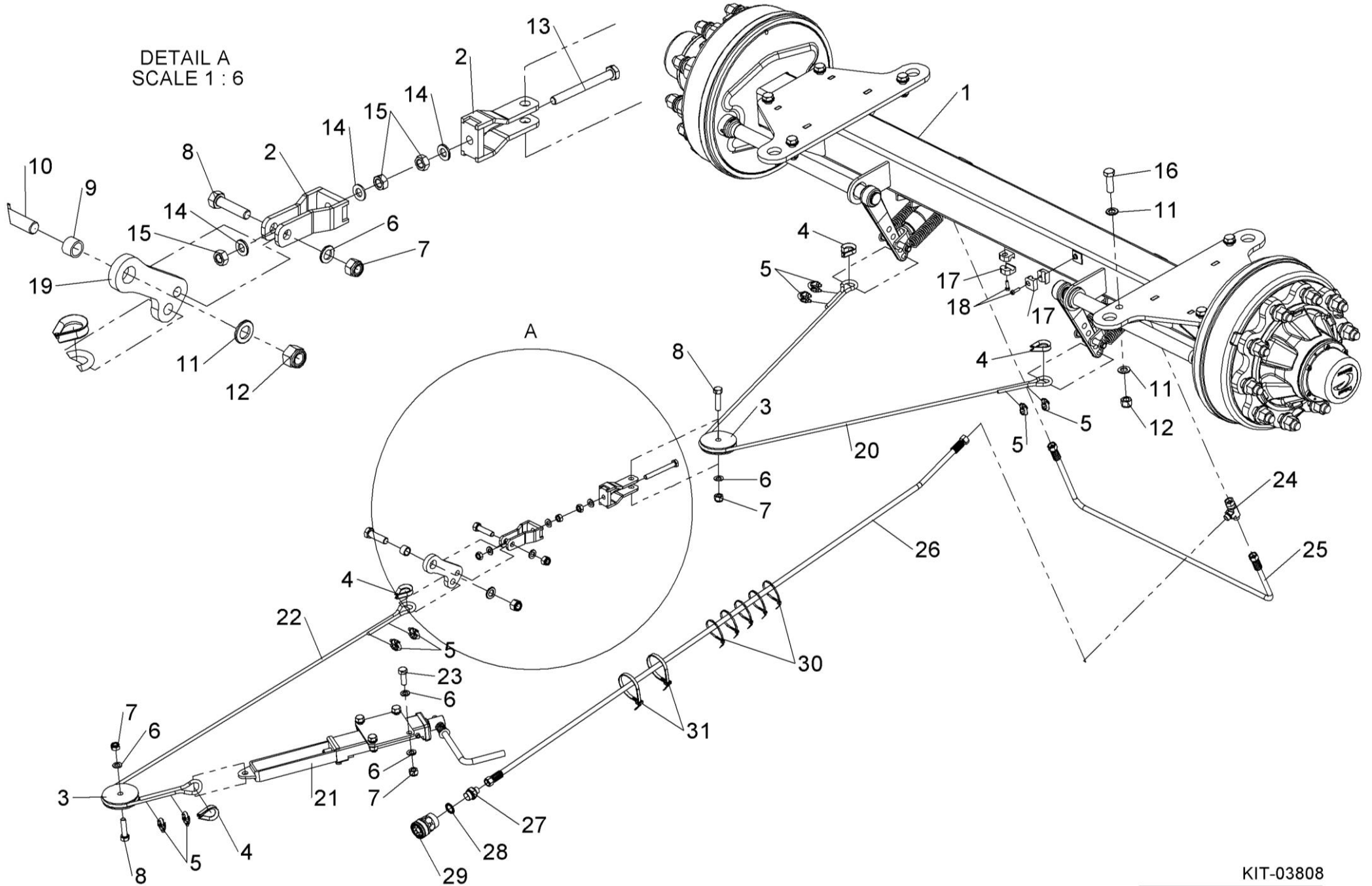
KIT-03807



**Shelbourne Reynolds Engineering Limited**

ASSY NUMBER: KIT-03808				ASSY DESCRIPTION: HYDRAULIC AXLE KIT(PSP18130303 & ON)			
ITEM	PART NO	DESCRIPTION	QTY	ITEM	PART NO	DESCRIPTION	QTY
1	592164 01	HYDRAULIC AXLE W/A (130mm)	1				
1a	AXL-12521	WHEEL NUT (SER No PSP18160562 & ON)	1				
OR	591537 01	HYDRAULIC AXLE W/A (110mm)	1				
1a	AXL-12521	WHEEL NUT (UP TO & INC PSP18160538)	1				
2	591397 01	BRAKE CLEVIS W/A	2				
3	591399 01	CABLE PULLEY	2				
4	WRP-01050	WIRE ROPE THIMBLE	4				
5	WRP-02080	WIRE CABLE CLAMP	8				
6	WSH-0018	WASHER	11				
7	NUT-0269	NUT	7				
8	HSS-0260	SETSCREW	3				
9	591393 01	PIVOT TUBE	1				
10	HSS-0319	SETSCREW	1				
11	WSH-0024	WASHER	17				
12	NUT-0271	NUT	9				
13	HSSA10500	SETSCREW	1				
14	WSH-0015	WASHER	3				
15	NUT-0167	NUT	3				
16	HSS-0318	SETSCREW	8				
17	HCPD01400	HYD PIPE CLAMP	2				
18	SCW-0136	CP HD SCREW	2				
19	591879 01	LINK LEVER	1				
20	591400 05	HANDBRAKE CABLE	1				
21	591880 01	HANDBRAKE W/A	1				
22	591400 02	HANDBRAKE CABLE	1				
23	HSS-0241	SETSCREW	4				
24	FITA10410	HYDRAULIC TEE FITTING	1				
25	HHAC07005	HYDARULIC HOSE ASSY	1				
26	HHAC95505	HYDRAULIC HOSE ASSY	1				
27	HMA-0065	ADAPTOR MALE/MALE	1				
28	WSH-1015	DOWTY WASHER	1				
29	HQR-10007	HYD.QUICK RELEASE COUP.	1				
30	TIE-0004	TIE WRAPS	14				
31	TIE-0012	TIE WRAPS	4				

Shelbourne Reynolds Engineering Limited

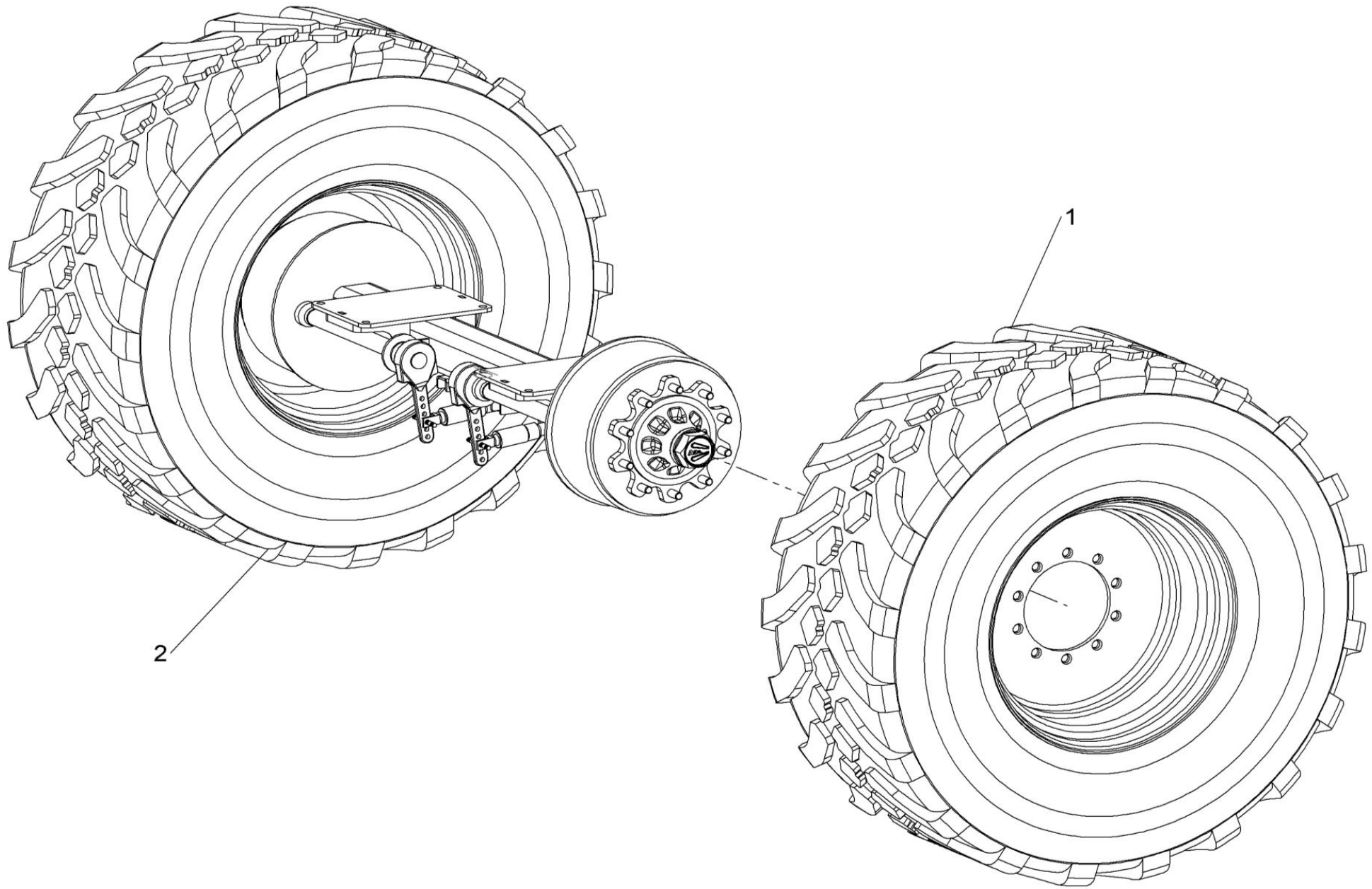


KIT-03808



**Shelbourne Reynolds Engineering Limited**

ASSY NUMBER: KIT-03810				ASSY DESCRIPTION: TANDEM WHEEL & TYRE KIT (2400-3200)			
ITEM	PART NO	DESCRIPTION	QTY	ITEM	PART NO	DESCRIPTION	QTY
1	WHL-02203	LH WHEEL & TYRE ASSY (500/60-22.5)	2				
2	WHL-02204	RH WHEEL & TYRE ASSY (500/60-22.5)	2				



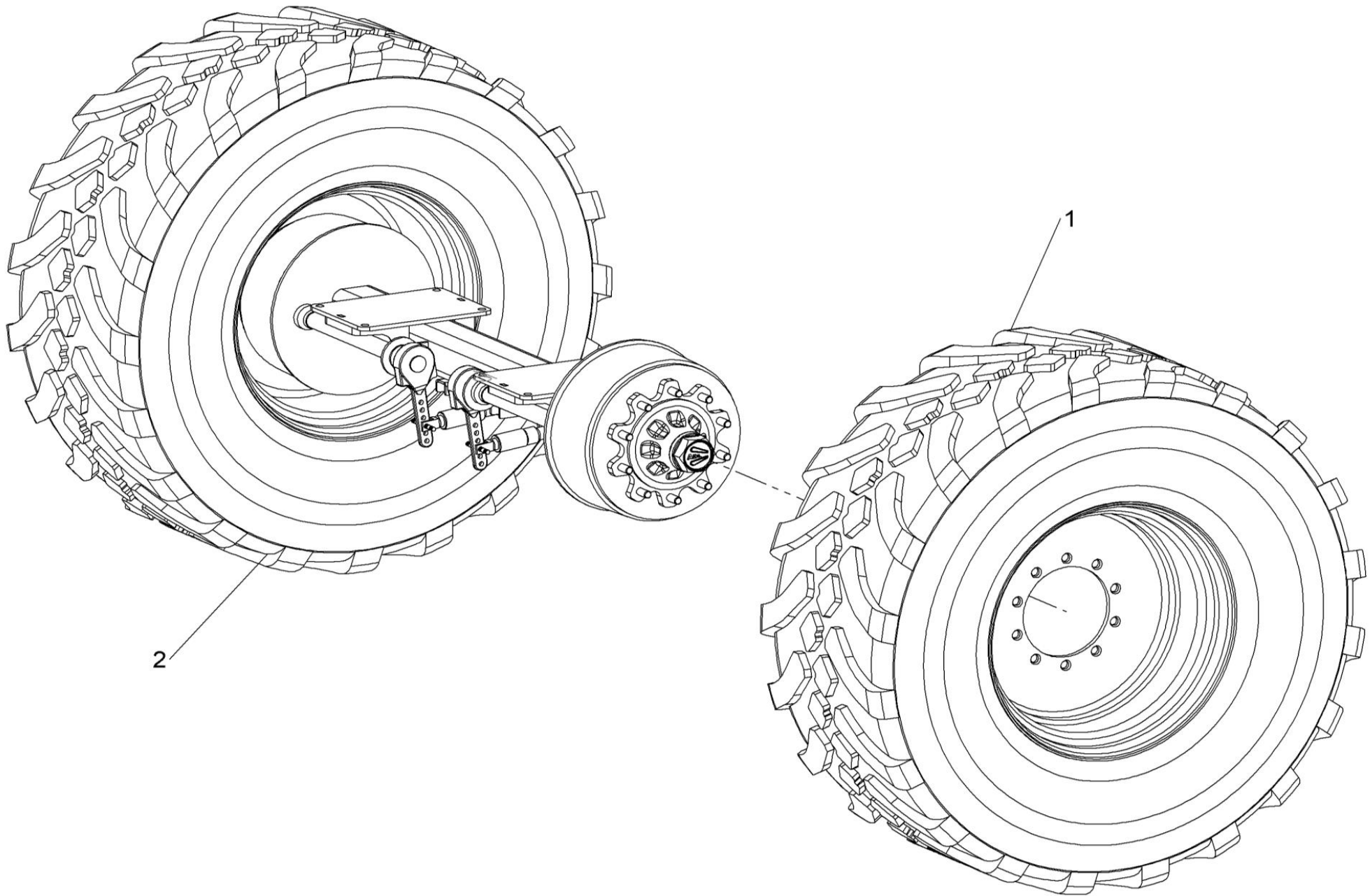
KIT-03810



**Shelbourne Reynolds Engineering Limited**

ASSY NUMBER: KIT-03812				ASSY DESCRIPTION: WHEEL & TYRE KIT (21.3-24 10 ST 50mm OFF)			
ITEM	PART NO	DESCRIPTION	QTY	ITEM	PART NO	DESCRIPTION	QTY
1	WHL-02410	LH WHEEL & TYRE ASSY (23.1-24)	1				
2	WHL-02411	RH WHEEL & TYRE ASSY (23.1-24)	1				



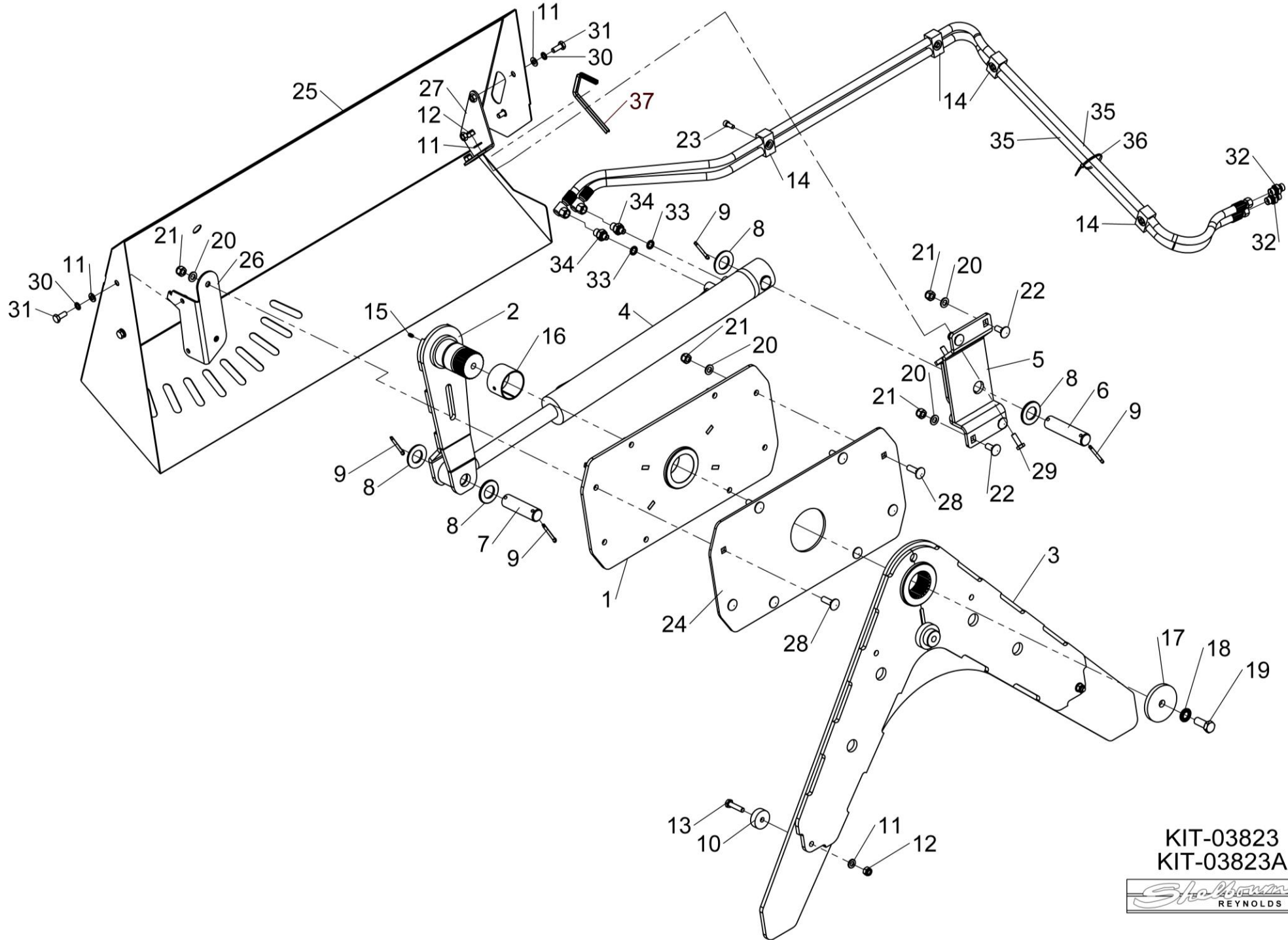


KIT-03812



**Shelbourne Reynolds Engineering Limited**

ASSY NUMBER: KIT-03823				ASSY DESCRIPTION: ANTI BRIDGE KIT (2400-3200)			
ITEM	PART NO	DESCRIPTION	QTY	ITEM	PART NO	DESCRIPTION	QTY
1	591337 01	HUB MTG PLATE W/ASSY	1				
2	591339 01	PIVOT SHAFT W/ASSY	1				
3	591341 01	BRIDGE ARM W/ASSY	1				
4	801236 01	CYLINDER, HEAD ANGLING	1				
5	591350 01	RAM MOUNTING BRACKET W/ASSY	1				
6	591055 02	PIN	1				
7	591055 01	PIN	1				
8	WSH-1545	WASHER	4				
9	PIN-20629	SPLIT PIN	4				
10	591353 01	NYLON BUFFER	2				
11	WSH-0015	WASHER	8				
12	NUT-0265	NYLOC NUT	4				
13	BLTA10290	HEX.HEAD BOLT	2				
14	HCPD01800	HYDRAULIC PIPE CLAMP	4				
15	NIP-00600	GREASE NIPPLE	1				
16	BSHA06565	BUSH	1				
17	190548 72	WASHER	1				
18	WSHA30161	LOCK WASHER	1				
19	HSS-0315	SETSCREW	1				
20	WSH-0018	WASHER	12				
21	NUT-0269	NUT	12				
22	BLT-3790	COACH BOLT	4				
23	SCW-0133	CAP HEAD SCREW	4				
24	591462 01	LAMINATE PLATE	1				
25	591463 01	GUARD	1				
26	591466 01	REAR GUARD BRKT W/A	1				
27	591468 01	FRONT GUARD BRKT W/A	1				
28	BLT-3800	COACH BOLT	8				
29	HSS-0194	BOLT	2				
30	WSH-0061	WASHER	4				
31	HSS-0191	SET SCREW	4				
32	HMA-0057	M/M ADAPTOR	2				
33	WSH-1005	DOWTY WASHER	2				
34	FIT-0025	M/M ADAPTOR	2				
35	HHCE22005	HYD HOSE ASSY	2				
36	TIE-0004	TIE WRAP	3				
37	EDS-11400	EDGING STRIP	0.25m				

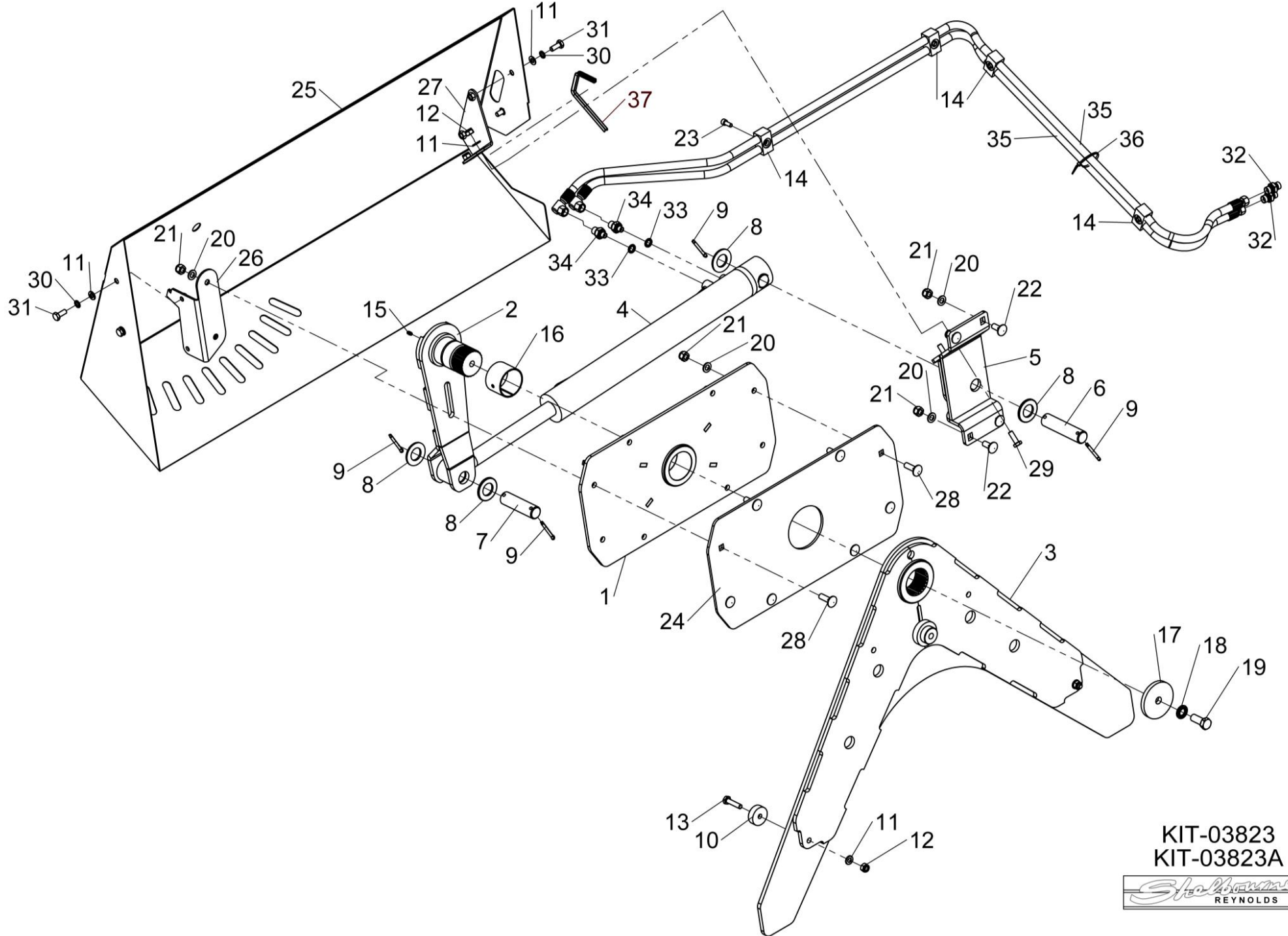


KIT-03823  
KIT-03823A



**Shelbourne Reynolds Engineering Limited**

ASSY NUMBER: KIT-03823a				ASSY DESCRIPTION: ANTI BRIDGE KIT (1800-2300)			
ITEM	PART NO	DESCRIPTION	QTY	ITEM	PART NO	DESCRIPTION	QTY
1	591337 01	HUB MTG PLATE W/ASSY	1				
2	591339 01	PIVOT SHAFT W/ASSY	1				
3	591341 01	BRIDGE ARM W/ASSY	1				
4	801236 01	CYLINDER, HEAD ANGLING	1				
5	591350 01	RAM MOUNTING BRACKET W/ASSY	1				
6	591055 02	PIN	1				
7	591055 01	PIN	1				
8	WSH-1545	WASHER	4				
9	PIN-20629	SPLIT PIN	4				
10	591353 01	NYLON BUFFER	2				
11	WSH-0015	WASHER	8				
12	NUT-0265	NYLOC NUT	4				
13	BLTA10290	HEX HEAD BOLT	2				
14	HCPD01800	HYDRAULIC PIPE CLAMP	4				
15	NIP-00600	GREASE NIPPLE	1				
16	BSHA06565	BUSH	1				
17	190548 72	WASHER	1				
18	WSHA30161	LOCK WASHER	1				
19	HSS-0315	SETSCREW	1				
20	WSH-0018	WASHER	12				
21	NUT-0269	NUT	12				
22	BLT-3790	COACH BOLT	4				
23	SCW-0133	CAP HEAD SCREW	4				
24	591462 01	LAMINATE PLATE	1				
25	591463 01	GUARD	1				
26	591466 01	REAR GUARD BRKT W/A	1				
27	591468 01	FRONT GUARD BRKT W/A	1				
28	BLT-3800	COACH BOLT	8				
29	HSS-0194	BOLT	2				
30	WSH-0061	WASHER	4				
31	HSS-0191	SET SCREW	4				
32	HMA-0057	M/M ADAPTOR	2				
33	WSH-1005	DOWTY WAHER	2				
34	FIT-0025	M/M ADAPTOR	2				
35	HHCE16705	HYD HOSE ASSY	2				
36	TIE-0004	TIE WRAP	3				
37	EDS-11400	EDGING STRIP	0.25m				



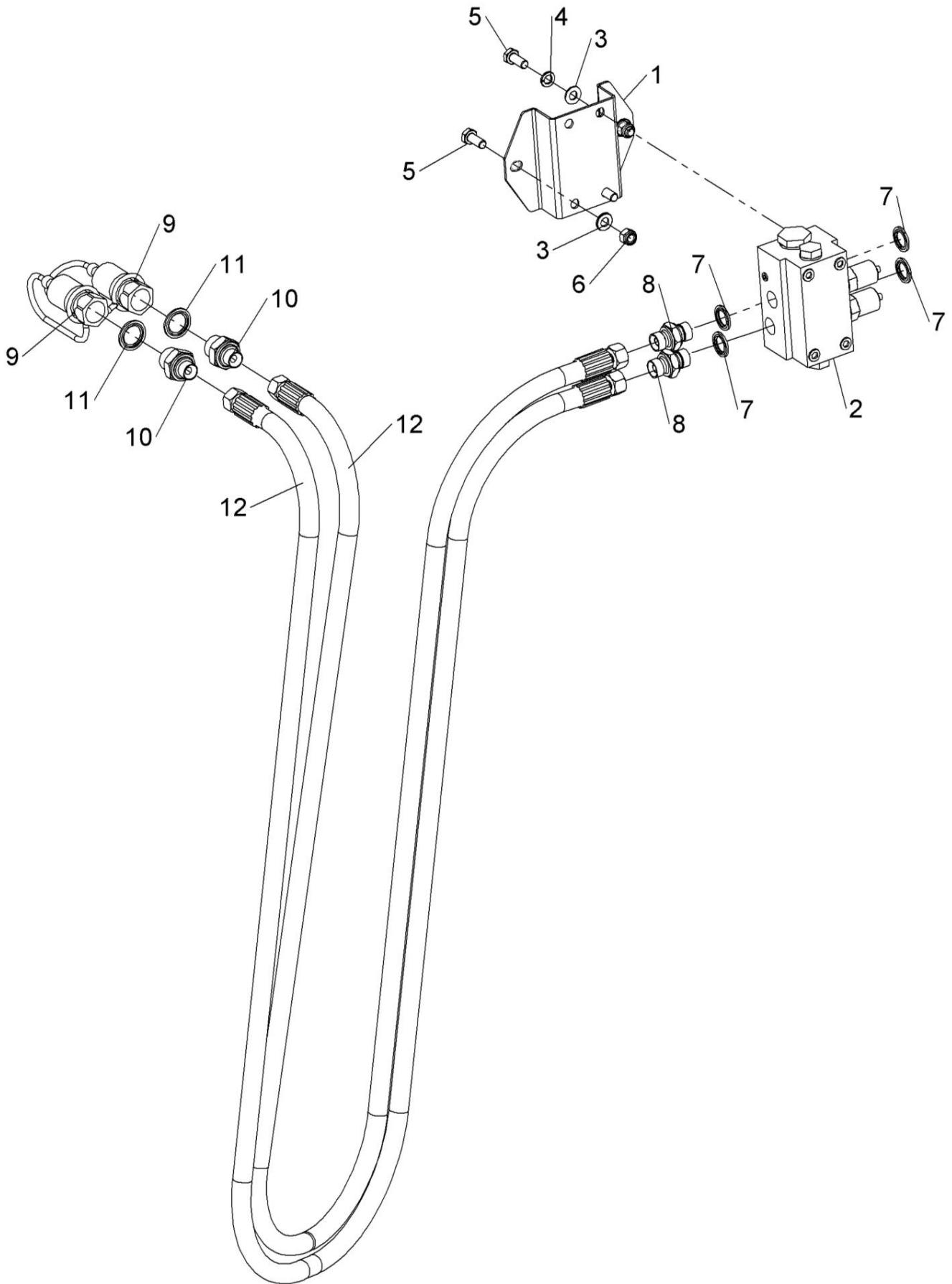
KIT-03823  
KIT-03823A



**Shelbourne Reynolds Engineering Limited**

ASSY NUMBER: KIT-03824				ASSY DESCRIPTION: AUTO HYDRAULICS KIT (ANTI-BRIDGE)			
ITEM	PART NO	DESCRIPTION	QTY	ITEM	PART NO	DESCRIPTION	QTY
1	591701 01	VALVE BRKT	1				
2	HVB-25500	RECIPROCATING VALVE	1				
3	WSH-0012	WASHER	4				
4	WSH-0058	WASHER	2				
5	HSS-0140	SETSCREW	4				
6	NUT-0263	NUT	2				
7	WSH-1010	DOWTY WASHER	4				
8	HMA-0057	M/M ADAPTOR	2				
9	COU-0162	QUICK RELEASE COUPLING	2				
10	HMA-0065	M/M ADAPTOR	2				
11	WSH-1015	DOWTY WASHER	2				
12	HHAE30005	HYD HOSE ASSY	2				



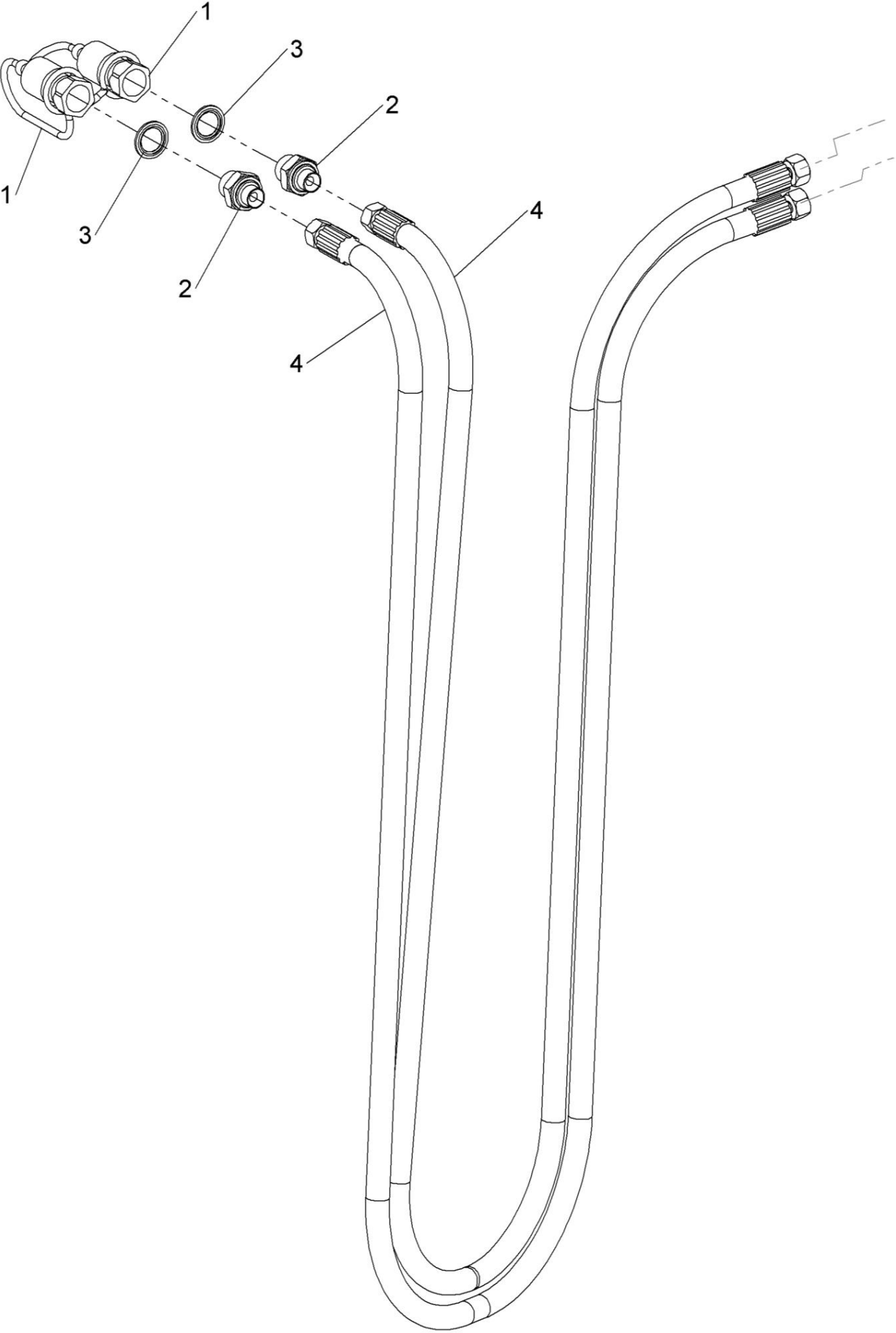


KIT-03824



**Shelbourne Reynolds Engineering Limited**

ASSY NUMBER: KIT-03825				ASSY DESCRIPTION: MANUAL HYDRAULICS KIT (FOR ANTI-BRIDGE)			
ITEM	PART NO	DESCRIPTION	QTY	ITEM	PART NO	DESCRIPTION	QTY
1	COU-0162	QUICK RELEASE COUPLING	2				
2	HMA-0065	M/M ADAPTOR	2				
3	WSH-1015	DOWTY WASHER	2				
4	HHAE30005	HYD HOSE ASSY	2				

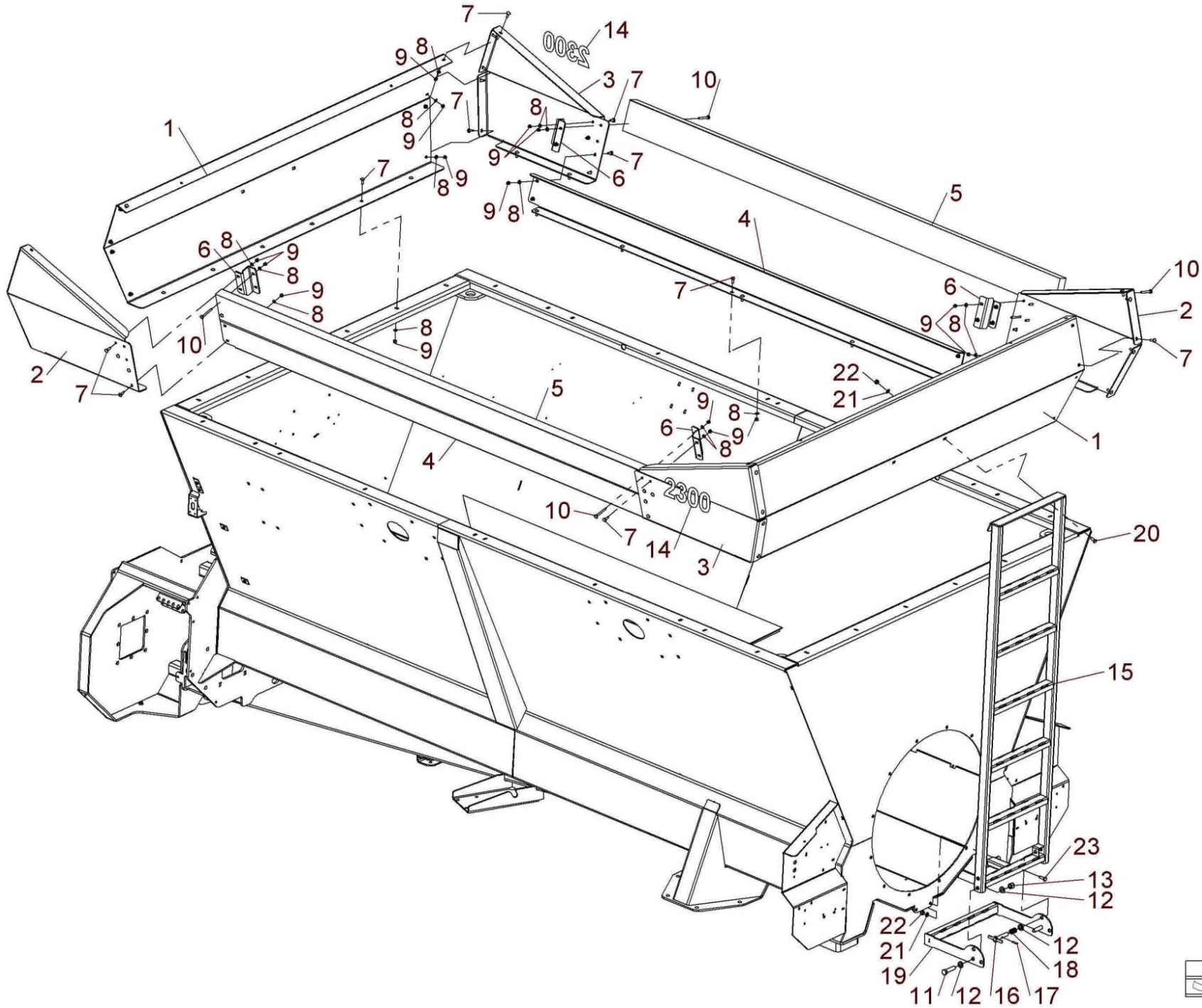


KIT-03825



**Shelbourne Reynolds Engineering Limited**

ASSY NUMBER: KIT-03835				ASSY DESCRIPTION: EXTENSION TOP KIT			
ITEM	PART NO	DESCRIPTION	QTY	ITEM	PART NO	DESCRIPTION	QTY
1	591954 01	FRONT/REAR EXTENSION	2				
2	591956 01	SIDE EXTENSION	2				
3	591956 02	SIDE EXTENSION	2				
4	591955 01	SIDE EXTENSION	2				
5	591485 02	WOODEN CANOPY	2				
6	591958 01	CLAMP PLATE	4				
7	BLTF08173	BOLT	68				
8	WSH-0012	WASHER	76				
9	NUT-0263	NUT	76				
10	BLTF08443	BOLT	8				
11	HSS-0322	SETSCREW	2				
12	WSH-0024	WASHER	5				
13	NUT-0271	NUT	2				
14	591583 01	TRANSFER 2300	2				
15	591959 01	LADDER W/A	1				
16	591495 01	LOCKING PIN W/A	1				
17	PIN-1620	ROLL PIN	1				
18	SPGC22015	COMPRESSION SPRING	1				
19	591496 01	LADDER EXTENSION W/A	1				
20	BLT-3745	BOLT	2				
21	WSH-0015	WASHER	4				
22	NUT-0265	NUT	4				
23	HSS-0194	BOLT	2				



KIT-03835

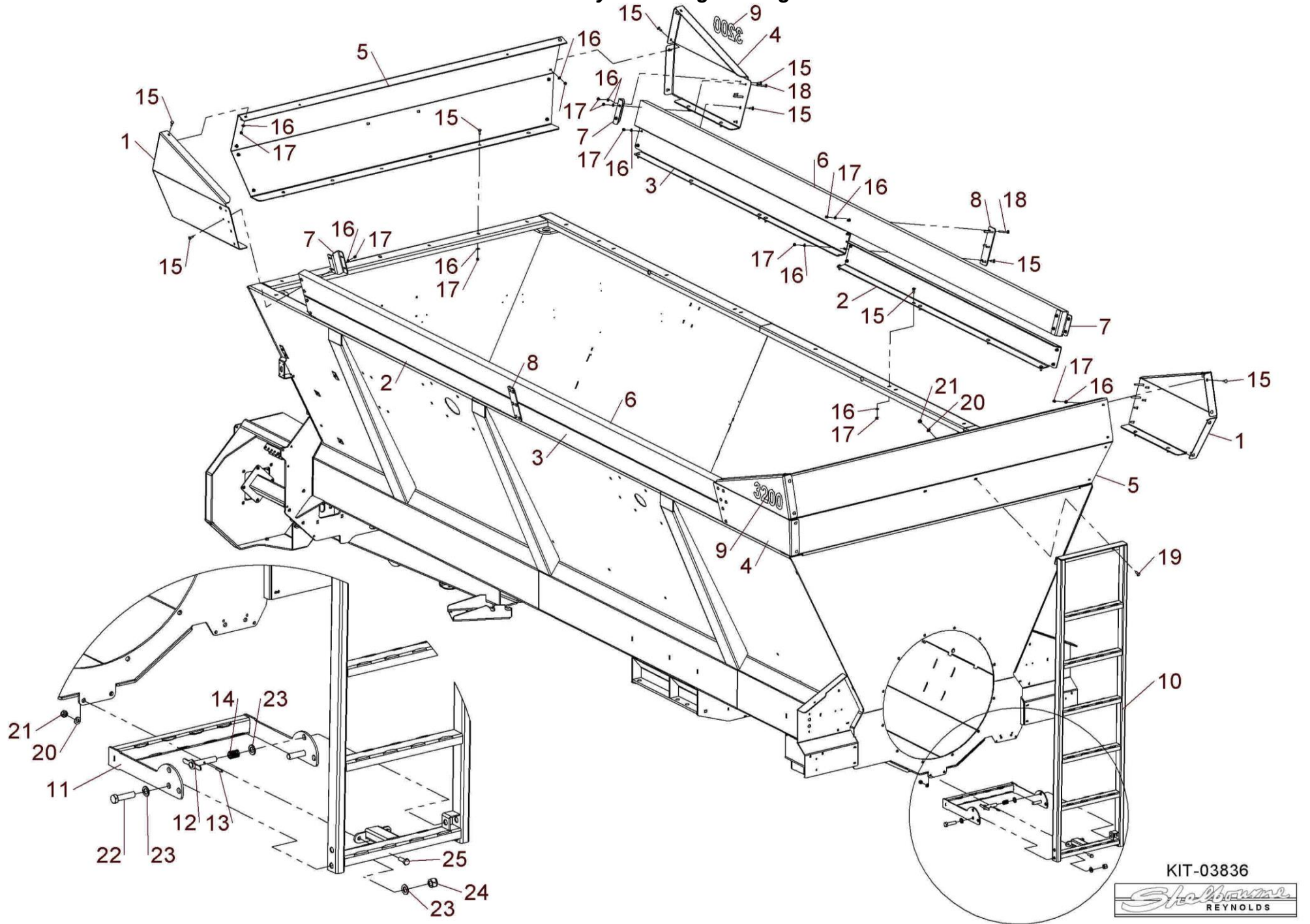


**Shelbourne Reynolds Engineering Limited**

ASSY NUMBER: KIT-03836				ASSY DESCRIPTION: EXTENSION TOP KIT (LONG WHEEL BASE)			
ITEM	PART NO	DESCRIPTION	QTY	ITEM	PART NO	DESCRIPTION	QTY
1	591956 01	SIDE EXTENSION	2				
2	591962 01	SIDE PLATE	2				
3	591962 02	SIDE PLATE	2				
4	591956 02	SIDE EXTENSION	2				
5	591954 01	FRONT/REAR EXTENSION	2				
6	591485 01	WOODEN CANOPY	2				
7	591958 01	CLAMP PLATE	4				
8	591620 01	CLAMP PLATE	2				
9	591581 01	TRANSFER 3200	2				
10	591959 01	LADDER W/A	1				
11	591496 01	LADDER EXTENSION W/A	1				
12	591495 01	LOCKING PIN W/A	1				
13	PIN-1620	ROLL PIN	1				
14	SPGC22015	COMPRESSION SPRING	1				
15	BLTF08173	BOLT	82				
16	WSH-0012	WASHER	94				
17	NUT-0263	NUT	94				
18	BLTF08443	BOLT	12				
19	BLT-3745	BOLT	2				
20	WSH-0015	WASHER	4				
21	NUT-0265	NUT	4				
22	HSS-0322	SETSCREW	2				
23	WSH-0024	WASHER	5				
24	NUT-0271	NUT	2				
25	HSS-0194	BOLT	2				

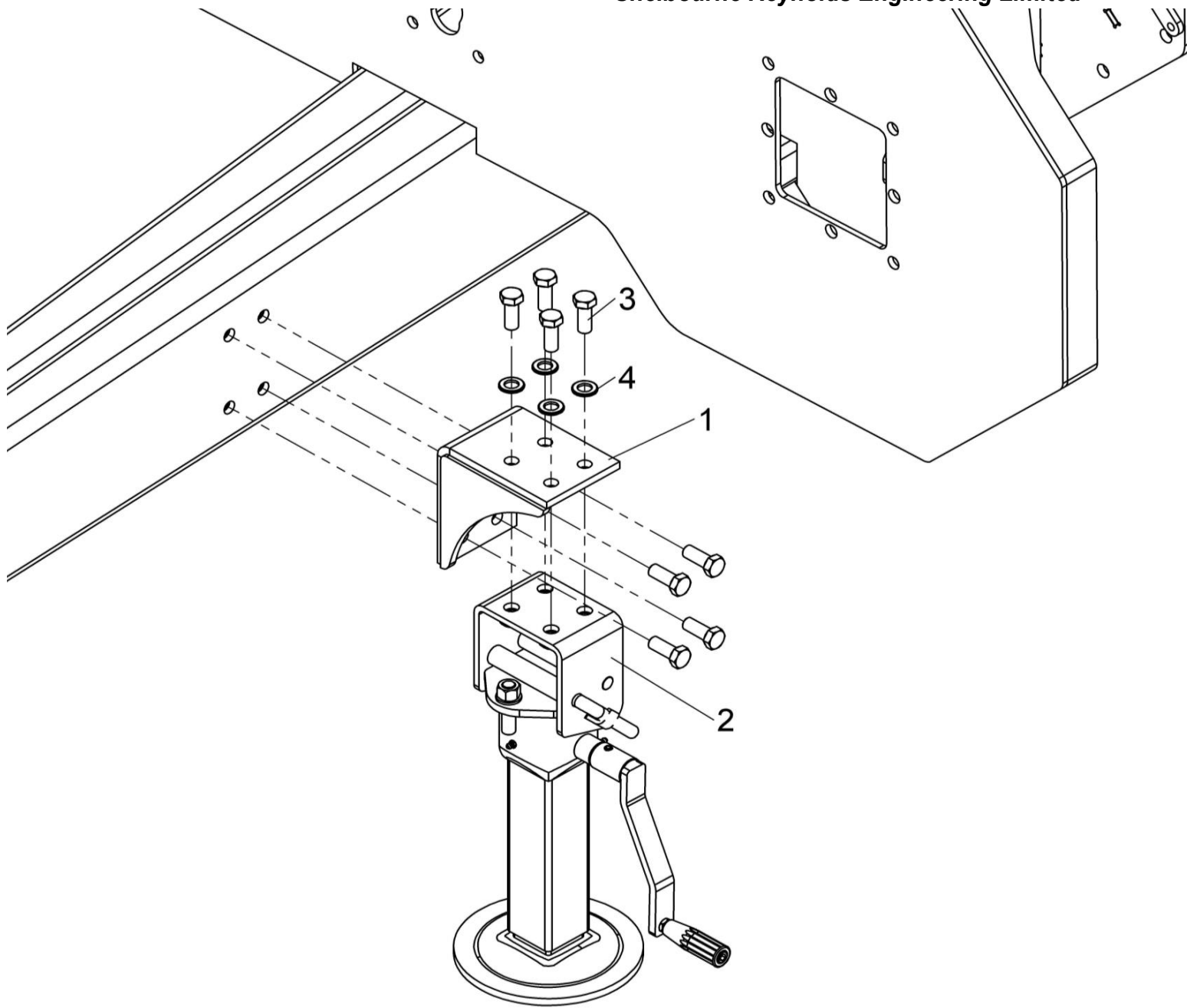


Shelbourne Reynolds Engineering Limited



**Shelbourne Reynolds Engineering Limited**

ASSY NUMBER: KIT-03850				ASSY DESCRIPTION: JACK KIT			
ITEM	PART NO	DESCRIPTION	QTY	ITEM	PART NO	DESCRIPTION	QTY
1	591980 01	JACK MOUNTING BRACKET	1				
2	591999 01	SPREADER JACK W/A	1				
3	HSS-0316	SETSCREW	4				
4	WSH-0024	WASHER	4				

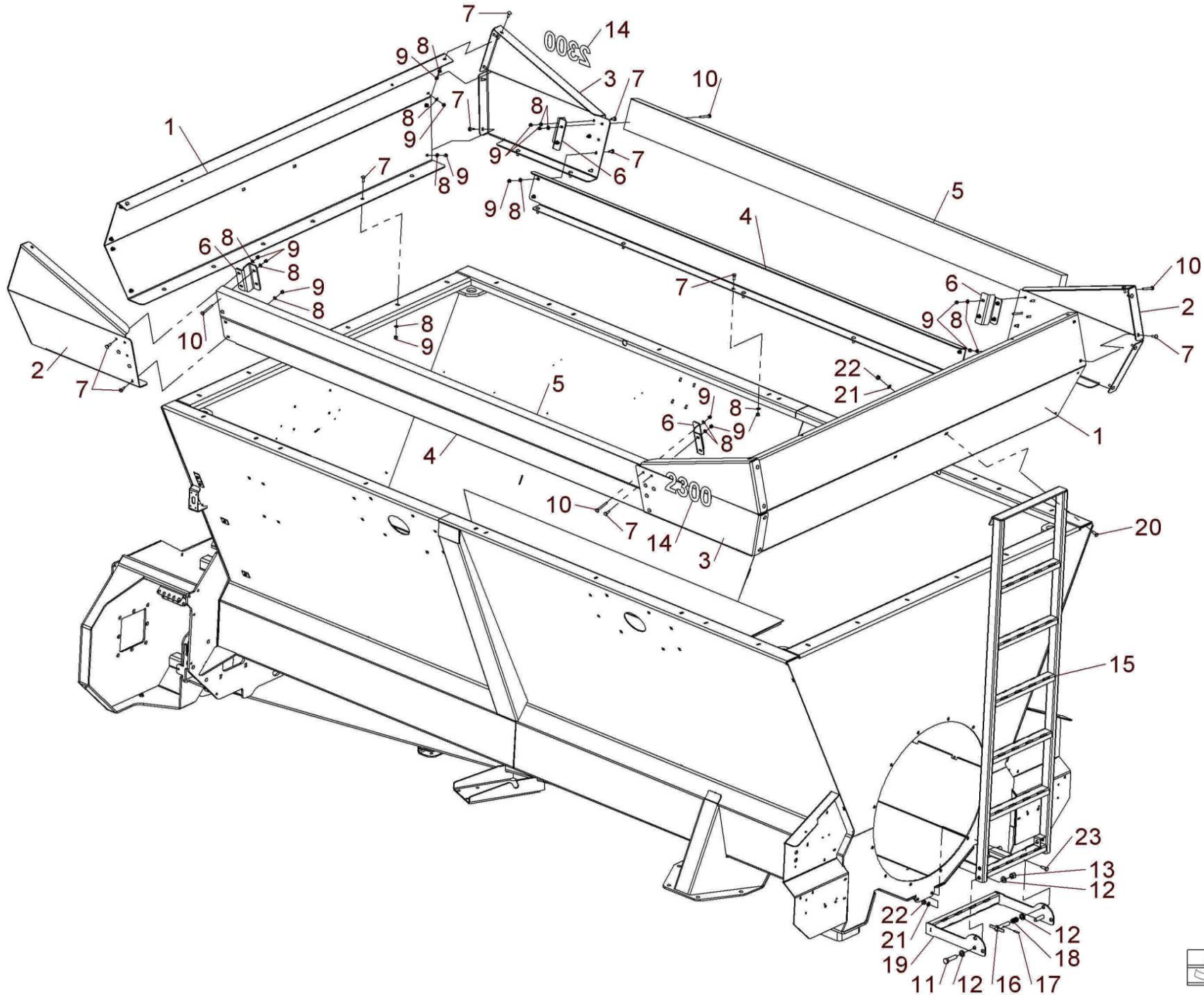


KIT-03850



**Shelbourne Reynolds Engineering Limited**

ASSY NUMBER: KIT-03855				ASSY DESCRIPTION: EXTENSION TOP KIT (SHORT WHEEL BASE)			
ITEM	PART NO	DESCRIPTION	QTY	ITEM	PART NO	DESCRIPTION	QTY
1	592011 01	FRONT/REAR EXTENSION	2				
2	592010 01	SIDE EXTENSION	2				
3	592010 02	SIDE EXTENSION	2				
4	591955 01	SIDE EXTENSION	2				
5	591485 02	WOODEN CANOPY	2				
6	591958 01	CLAMP PLATE	4				
7	BLTF08173	BOLT	68				
8	WSH-0012	WASHER	76				
9	NUT-0263	NUT	76				
10	BLTF08443	BOLT	8				
11	HSS-0322	SETSCREW	2				
12	WSH-0024	WASHER	5				
13	NUT-0271	NUT	2				
14	591583 01	TRANSFER 2300	2				
15	591959 01	LADDER W/A	1				
16	591495 01	LOCKING PIN W/A	1				
17	PIN-1620	ROLL PIN	1				
18	SPGC22015	COMPRESSION SPRING	1				
19	591496 01	LADDER EXTENSION W/A	1				
20	BLT-3745	BOLT	2				
21	WSH-0015	WASHER	4				
22	NUT-0265	NUT	4				
23	HSS-0194	BOLT	2				



KIT-03835

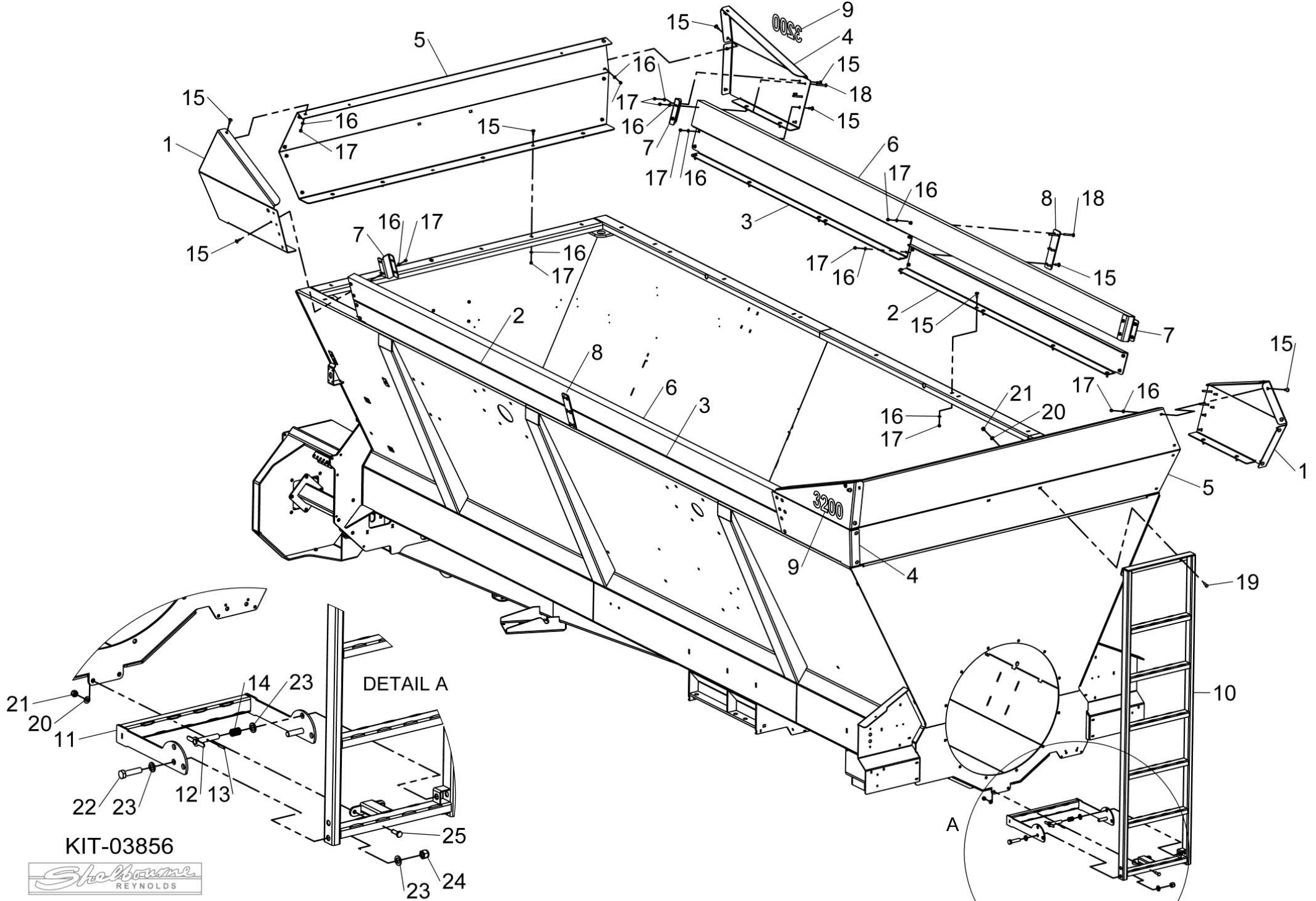


**Shelbourne Reynolds Engineering Limited**

ASSY NUMBER: KIT-03856				ASSY DESCRIPTION: EXTENSION TOP KIT (LONG WHEEL BASE)			
ITEM	PART NO	DESCRIPTION	QTY	ITEM	PART NO	DESCRIPTION	QTY
1	592010 01	SIDE EXTENSION	2				
2	591962 01	SIDE PLATE	2				
3	591962 02	SIDE PLATE	2				
4	592010 02	SIDE EXTENSION	2				
5	592011 01	FRONT/REAR EXTENSION	2				
6	591485 01	WOODEN CANOPY	2				
7	591958 01	CLAMP PLATE	4				
8	591620 01	CLAMP PLATE	2				
9	591581 01	TRANSFER 3200	2				
10	591959 01	LADDER W/A	1				
11	591496 01	LADDER EXTENSION W/A	1				
12	591495 01	LOCKING PIN W/A	1				
13	PIN-1620	ROLL PIN	1				
14	SPGC22015	COMPRESSION SPRING	1				
15	BLTF08173	BOLT	82				
16	WSH-0012	WASHER	94				
17	NUT-0263	NUT	94				
18	BLTF08443	BOLT	12				
19	BLT-3745	BOLT	2				
20	WSH-0015	WASHER	4				
21	NUT-0265	NUT	4				
22	HSS-0322	SETSCREW	2				
23	WSH-0024	WASHER	5				
24	NUT-0271	NUT	2				
25	HSS-0194	BOLT	2				



**Shelbourne Reynolds Engineering Limited**

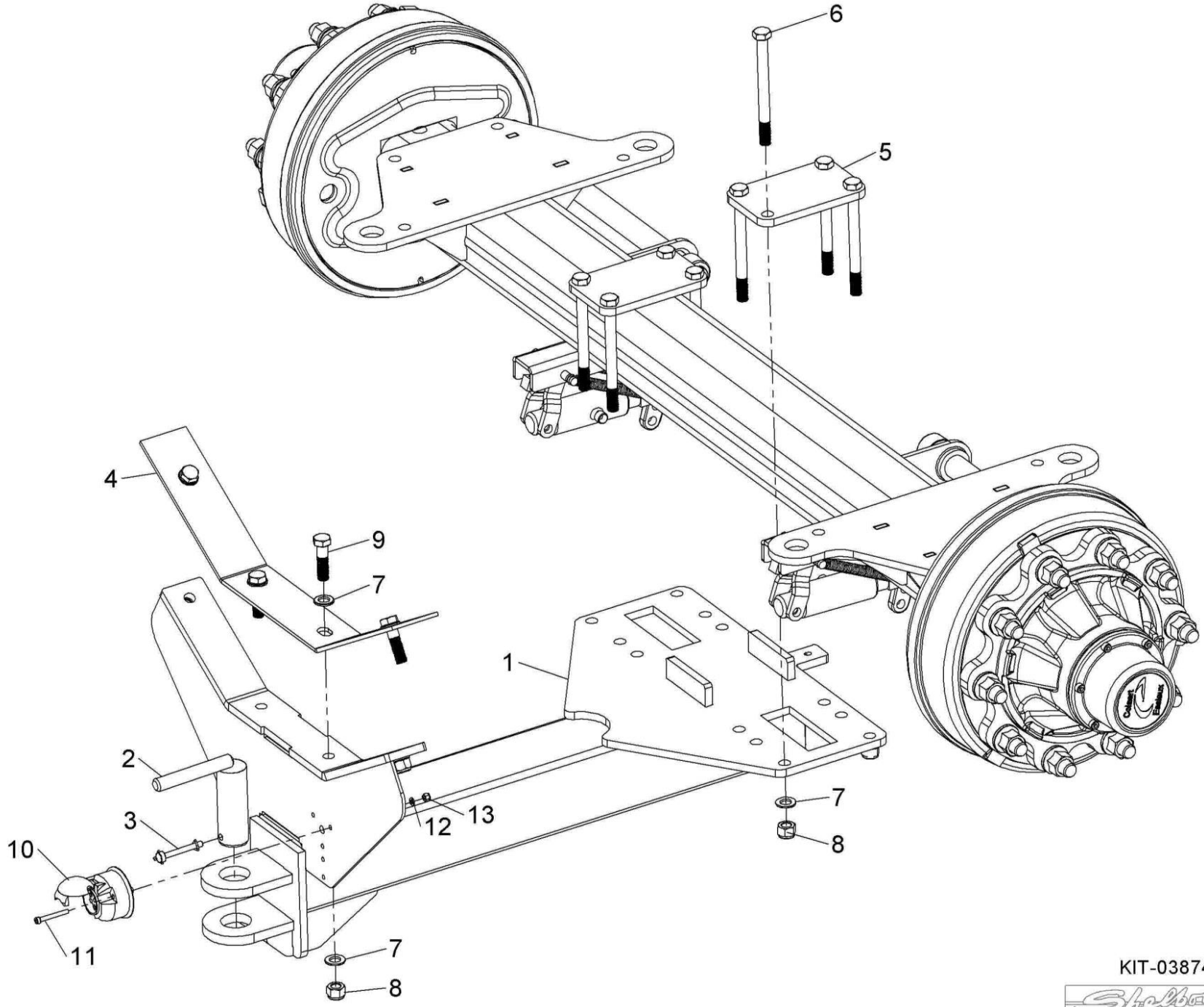


**KIT-03856**



**Shelbourne Reynolds Engineering Limited**

ASSY NUMBER: KIT-03874				ASSY DESCRIPTION: POWERSPREAD PRO REAR DRAWBAR KIT (SWB) 45mm PIN			
ITEM	PART NO	DESCRIPTION	QTY	ITEM	PART NO	DESCRIPTION	QTY
1	592013 01	DRAWBAR W/A	1				
2	592016 01	DRAWBAR PIN W/A	1				
3	PIN-1720	SPRING PIN 'D' CLIP	1				
4	591814 01	INSIDE TUB FIXING	1				
5	592214 01	AXLE CLAMP PLATE	2				
6	BLTA16770	BOLT	8				
7	WSH-0024	WASHER	16				
8	NUT-0271	NYLOC NUT	12				
9	BLT-2312	BOLT	4				
10	SOC-0140	7 PIN SOCKET AAB 104	1				
11	SCW-0098	CAP HEAD SCREW	3				
12	WSH-0009	PLAIN WASHER	3				
13	NUT-0260	NYLOC	3				

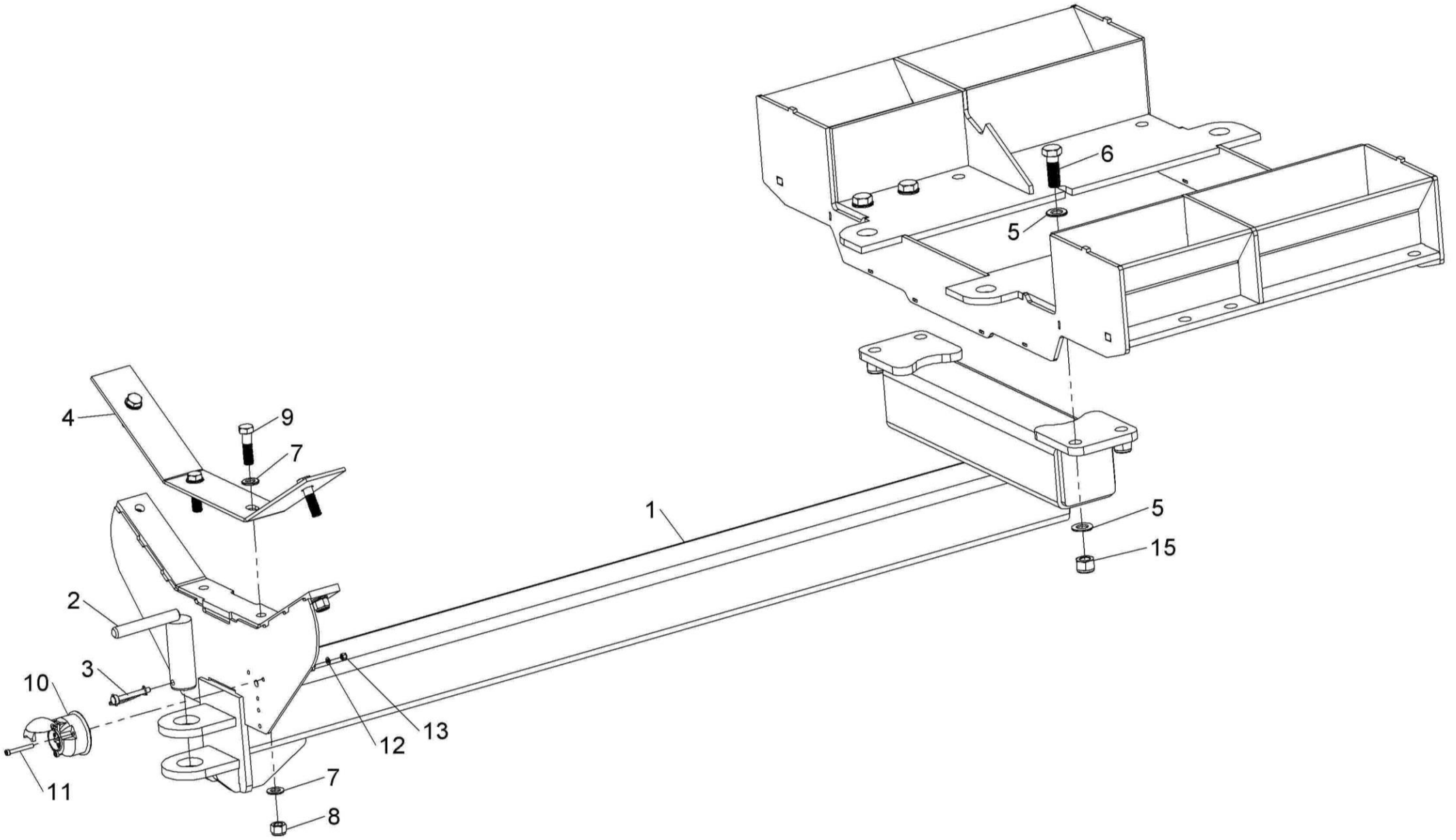


KIT-03874



**Shelbourne Reynolds Engineering Limited**

ASSY NUMBER: KIT-03875				ASSY DESCRIPTION: POWERSPREAD PRO REAR DRAWBAR KIT (LWB) 45mm PIN			
ITEM	PART NO	DESCRIPTION	QTY	ITEM	PART NO	DESCRIPTION	QTY
1	592018 01	DRAWBAR W/A	1				
2	592016 01	DRAWBAR PIN W/A	1				
3	PIN-1720	SPRING PIN 'D' CLIP	1				
4	591814 01	INSIDE TUB FIXING	1				
5	WSH-0030	WASHER	8				
6	BLT-2366	BOLT	4				
7	WSH-0024	WASHER	8				
8	NUT-0271	NYLOC NUT	4				
9	BLT-2312	BOLT	4				
10	SOC-0140	7 PIN SOCKET AAB 104	1				
11	SCW-0098	CAP HEAD SCREW	3				
12	WSH-0009	PLAIN WASHER	3				
13	NUT-0260	NYLOC	3				
14							
15	NUTA02200	NYLOC NUT	4				



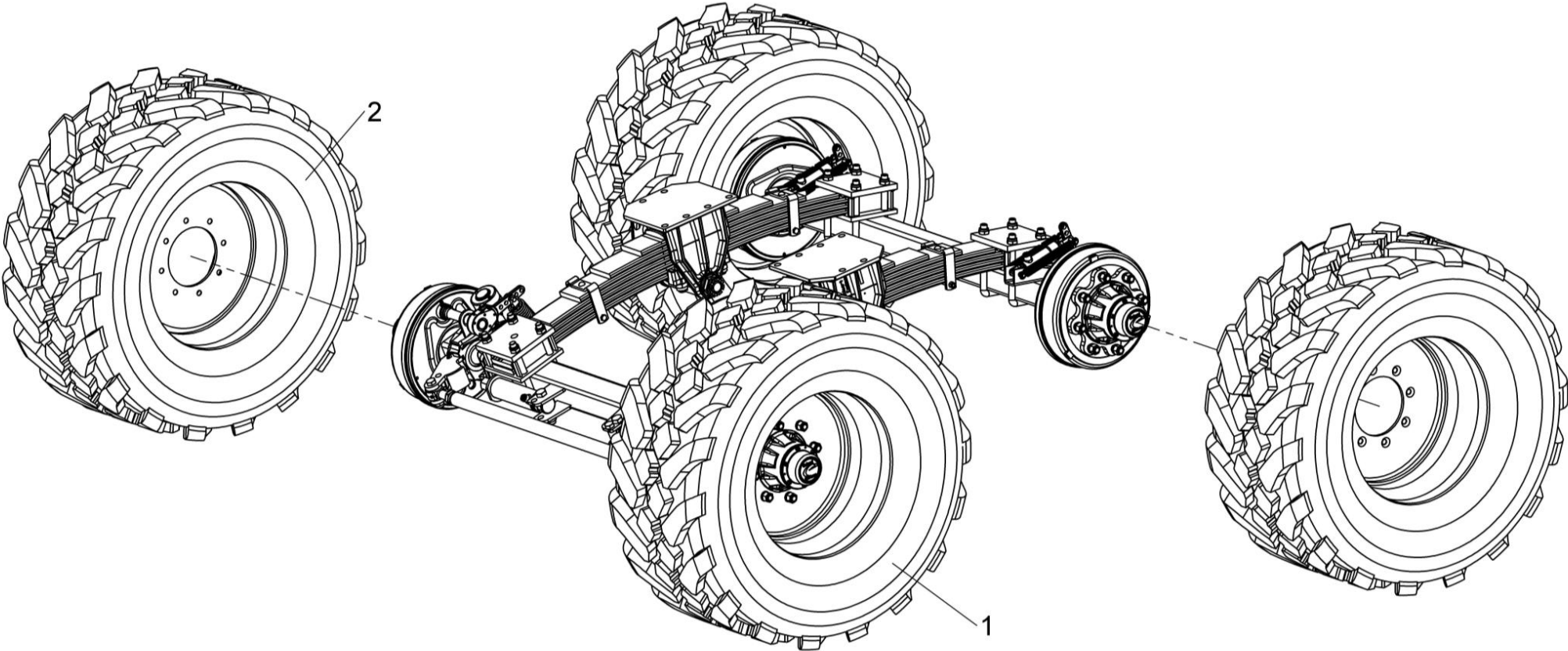
KIT-03875



**Shelbourne Reynolds Engineering Limited**

ASSY NUMBER: KIT-03883				ASSY DESCRIPTION: TANDEM WHEEL & TYRE KIT (2400-3200)			
ITEM	PART NO	DESCRIPTION	QTY	ITEM	PART NO	DESCRIPTION	QTY
1	WHL-02225	LH WHEEL & TYRE ASSY (560/60-22.5 ALLIANCE 885)	2				
2	WHL-02226	RH WHEEL & TYRE ASSY (560/60-22.5 ALLIANCE 885)	2				



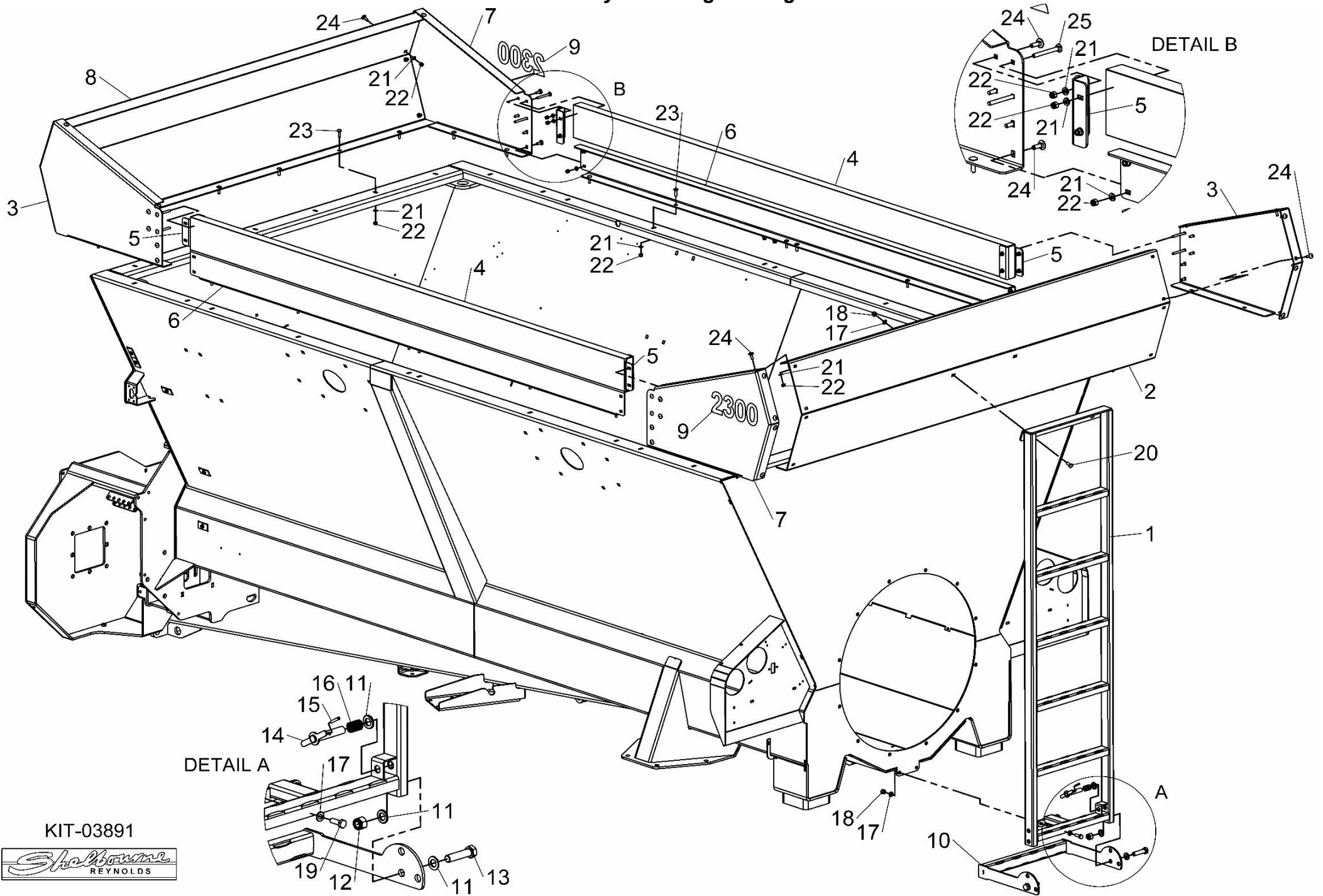


KIT-03883



**Shelbourne Reynolds Engineering Limited**

ASSY NUMBER: KIT-03891				ASSY DESCRIPTION: 2300 EXTENSION TOP KIT			
ITEM	PART NO	DESCRIPTION	QTY	ITEM	PART NO	DESCRIPTION	QTY
1	591959 01	LADDER W/A	1				
2	592100 01	END EXTENSION PLATE	1				
3	592101 01	END PLATE	2				
4	591485 02	WOODEN CANOPY	2				
5	591958 01	CLAMP PLATE	4				
6	592102 01	SIDE EXTENSION PLATE	2				
7	592101 02	END PLATE	2				
8	592103 01	FRONT EXTENSION PLATE	1				
9	591583 01	2300 TRANSFER	2				
10	591496 01	LADDER EXTENSION W/A	1				
11	WSH-0024	WASHER	5				
12	NUT-0271	NUT	2				
13	HSS-0322	SETSCREW	2				
14	591495 01	LOCKING PIN W/A	1				
15	PIN-1620	ROLL PIN	1				
16	SPGC22015	COMPRESSION SPRING	1				
17	WSH-0015	WASHER	7				
18	NUT-0265	NUT	5				
19	HSS-0194	SETSCREW	2				
20	BLT-3745	COACHBOLT	2				
21	WSH-0012	WASHER	78				
22	NUT-0263	NUT	78				
23	BLT-2700	COACH BOLT	34				
24	BLTF08173	COACH BOLT	36				
25	BLTF08470	COACH BOLT	8				



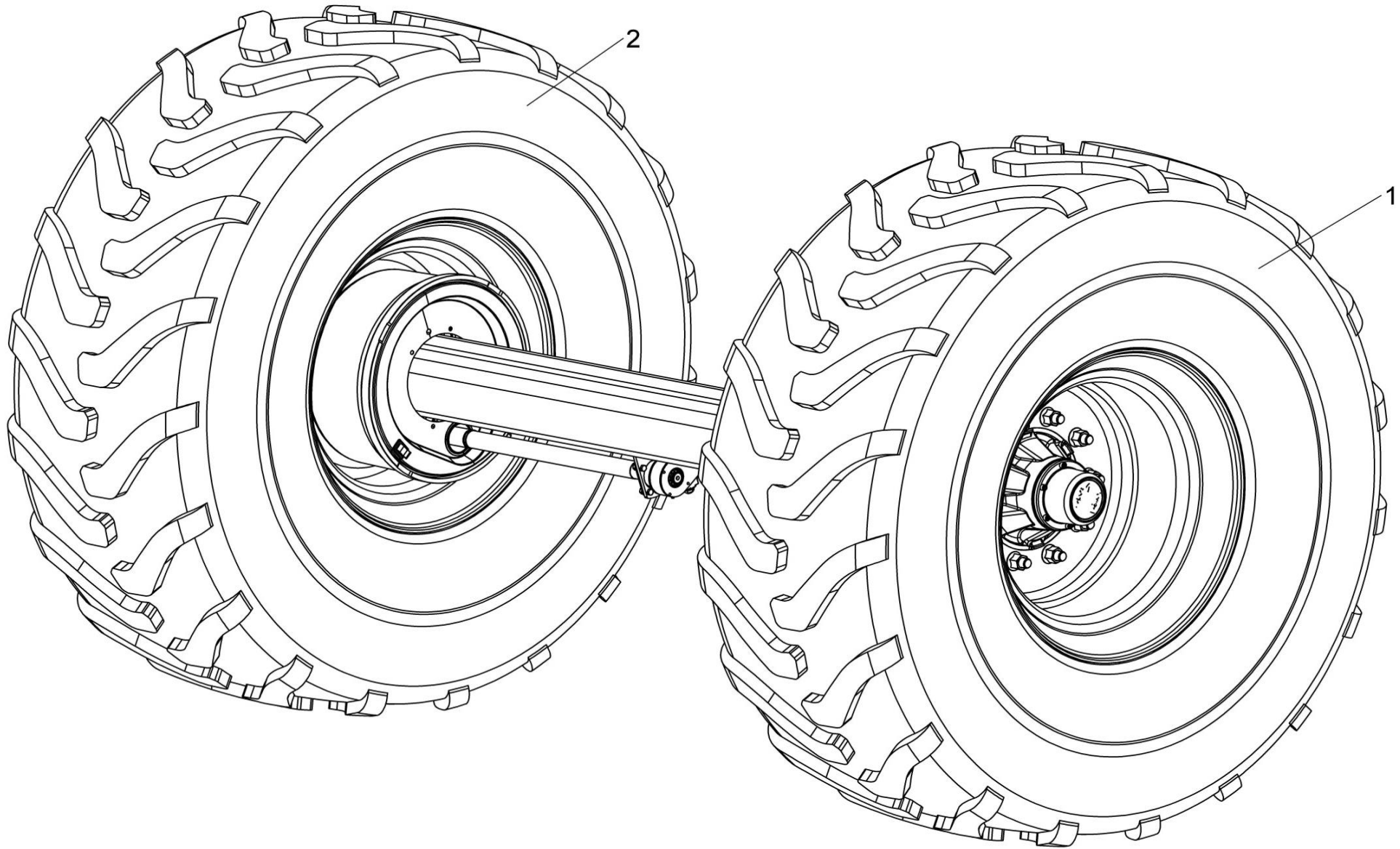
KIT-03891



**Shelbourne Reynolds Engineering Limited**

ASSY NUMBER: KIT-03892				ASSY DESCRIPTION: WHEEL & TYRE KIT (1800-2300 PRO)			
ITEM	PART NO	DESCRIPTION	QTY	ITEM	PART NO	DESCRIPTION	QTY
1	WHL-02636	LH WHEEL & TYRE ASSY 620/75R26 ALLIANCE-50mmOFFSET	1				
2	WHL-02637	RH WHEEL & TYRE ASSY 620/75R26 ALLIANCE-50mmOFFSET	1				





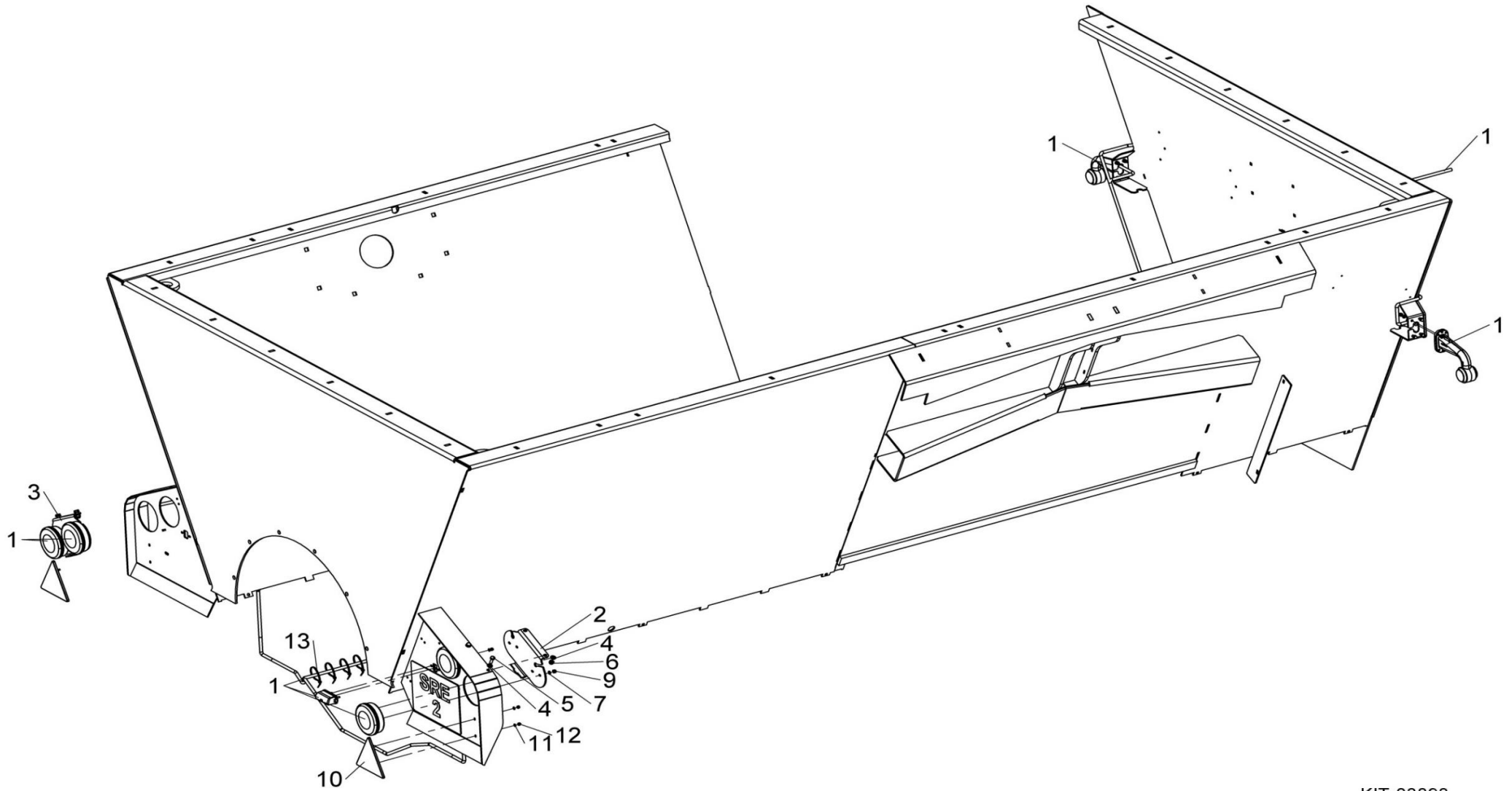
KIT-03892



**Shelbourne Reynolds Engineering Limited**

ASSY NUMBER: KIT-03893				ASSY DESCRIPTION: LIGHTING KIT (1800-2300 PRO)			
ITEM	PART NO	DESCRIPTION	QTY	ITEM	PART NO	DESCRIPTION	QTY
1	592113 01	LIGHTING LOOM	1				
2	592053 01	LIGHT BRKT LH	1				
3	592053 02	LIGHT BRKT RH	1				
4	WSH-0012	WASHER	16				
5	HSS-0145	SETSCREW	4				
6	NUT-0263	NUT	2				
7	WSH-0009	WASHER	16				
8	HSS-0092	SETSCREW	8				
9	NUT-0260	NUT	16				
10	REF-0035	TRIANGULAR REFLECTOR	2				
11	WSH-0006	WASHER	6				
12	NUT-0258	NUT	6				
13	TIE-0004	TIE WRAP (MED)	50				



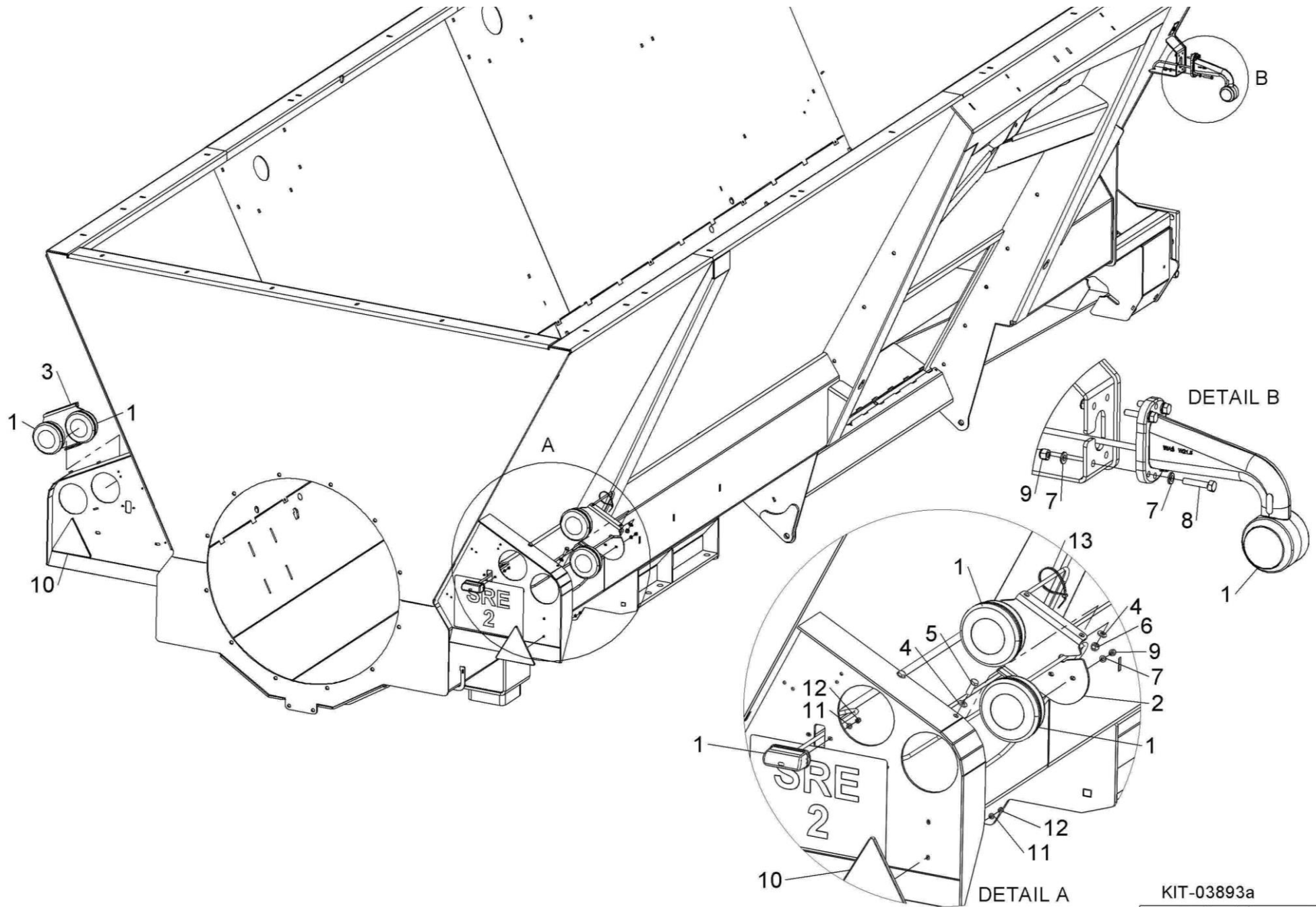


KIT-03893



**Shelbourne Reynolds Engineering Limited**

ASSY NUMBER: KIT-03893A				ASSY DESCRIPTION: LIGHTING KIT (2400-3200 PRO)			
ITEM	PART NO	DESCRIPTION	QTY	ITEM	PART NO	DESCRIPTION	QTY
1	592163 01	LIGHTING LOOM	1				
2	592053 01	LIGHT BRKT LH	1				
3	592053 02	LIGHT BRKT RH	1				
4	WSH-0012	WASHER	16				
5	HSS-0145	SETSCREW	4				
6	NUT-0263	NUT	2				
7	WSH-0009	WASHER	16				
8	HSS-0092	SETSCREW	8				
9	NUT-0260	NUT	16				
10	REF-0035	TRIANGULAR REFLECTOR	2				
11	WSH-0006	WASHER	6				
12	NUT-0258	NUT	6				
13	TIE-0004	TIE WRAP (MED)	55				



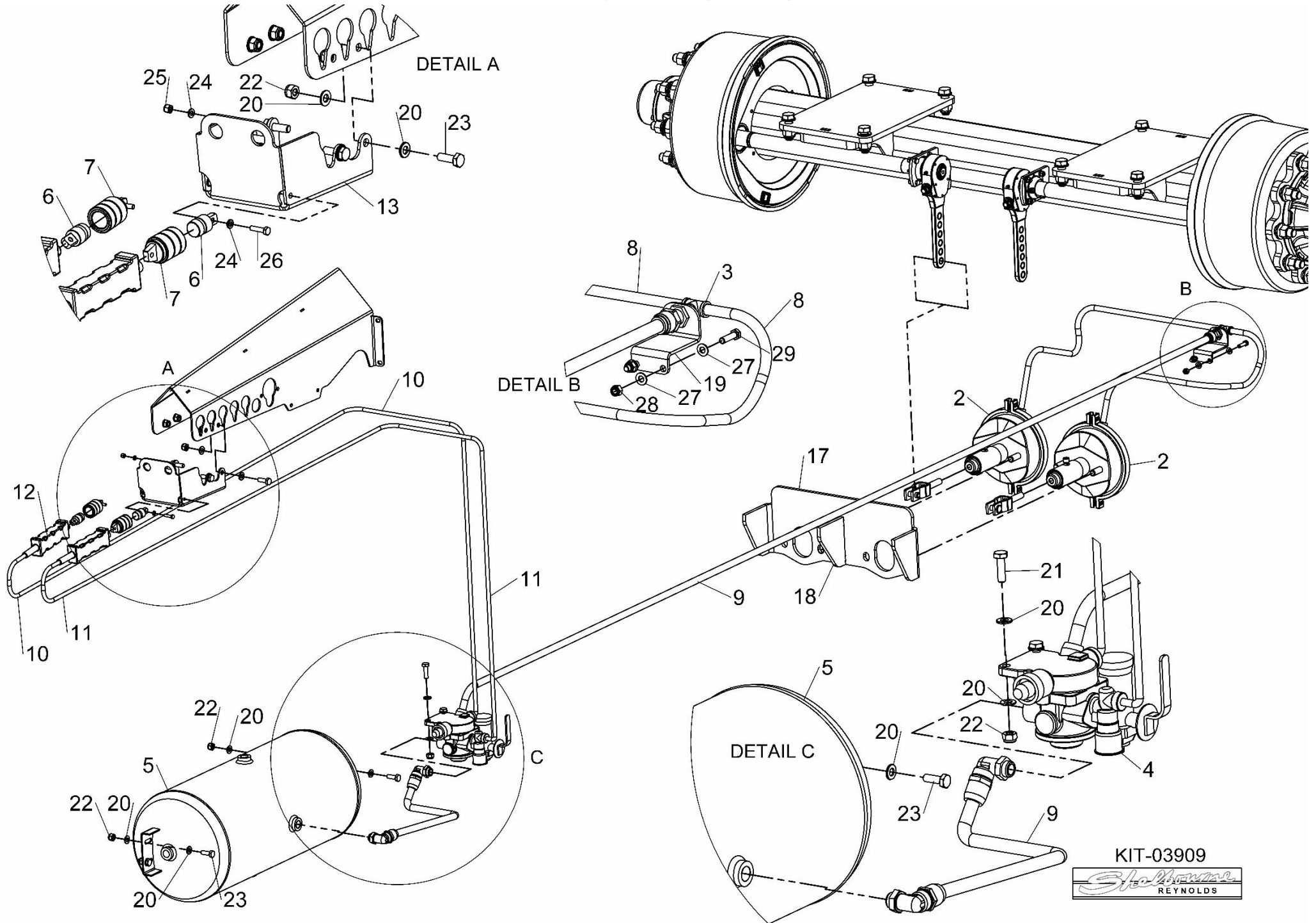
KIT-03893a



**Shelbourne Reynolds Engineering Limited**

ASSY NUMBER: KIT-03909				ASSY DESCRIPTION: AIR BRAKE CONVERSION KIT (SINGLE AXLE)			
ITEM	PART NO	DESCRIPTION	QTY	ITEM	PART NO	DESCRIPTION	QTY
1	BRA-07125	AIR BRAKE KIT	1				
2	BRA-07125a	T30-35 AIR/HYD ACTUATOR	2				
3	BRA-07125b	BULKHEAD T-FITTING	1				
4	BRA-07125c	MANUAL LOAD SENSING VALVE	1				
5	BRA-07125n	50L AIR TANK	1				
6	BRA-07125f	COUPLING STORAGE FITTING	1				
7	BRA-07125g	COUPLING STORAGE FITTING	1				
8	BRA-07125i	850mm LG RUBBER HOSE	2				
9	BRA-07125j	18mm BLACK NYLON TUBE	?m				
10	BRA-07125k	10mm YELLOW NYLON TUBE	?m				
11	BRA-07125l	10mm RED NYLON TUBE	?m				
12	BRA-07125m	COMMERCIAL SUSIE SET	1				
13	592139 01	AIR BRAKE PARKING STATION	1				
14							
15							
16							
17	592144 01	ACTUATOR MTG BRKT	1				
18	592143 01	GUSSET	1				
19	592145 01	BULKHEAD MTG BRKT	1				
20	WSH-0015	WASHER	20				
21	HSS-0198	SETSCREW	2				
22	NUT-0265	NUT	10				
23	HSS-0194	SETSCREW	8				
24	WSH-0009	WASHER	4				
25	NUT-0260	NUT	2				
26	HSS-0088	SETSCREW	2				
27	WSH-0012	WASHER	4				
28	NUT-0263	NUT	2				
29	HSS-0150	SETSCREW	2				

Shelbourne Reynolds Engineering Limited



KIT-03909

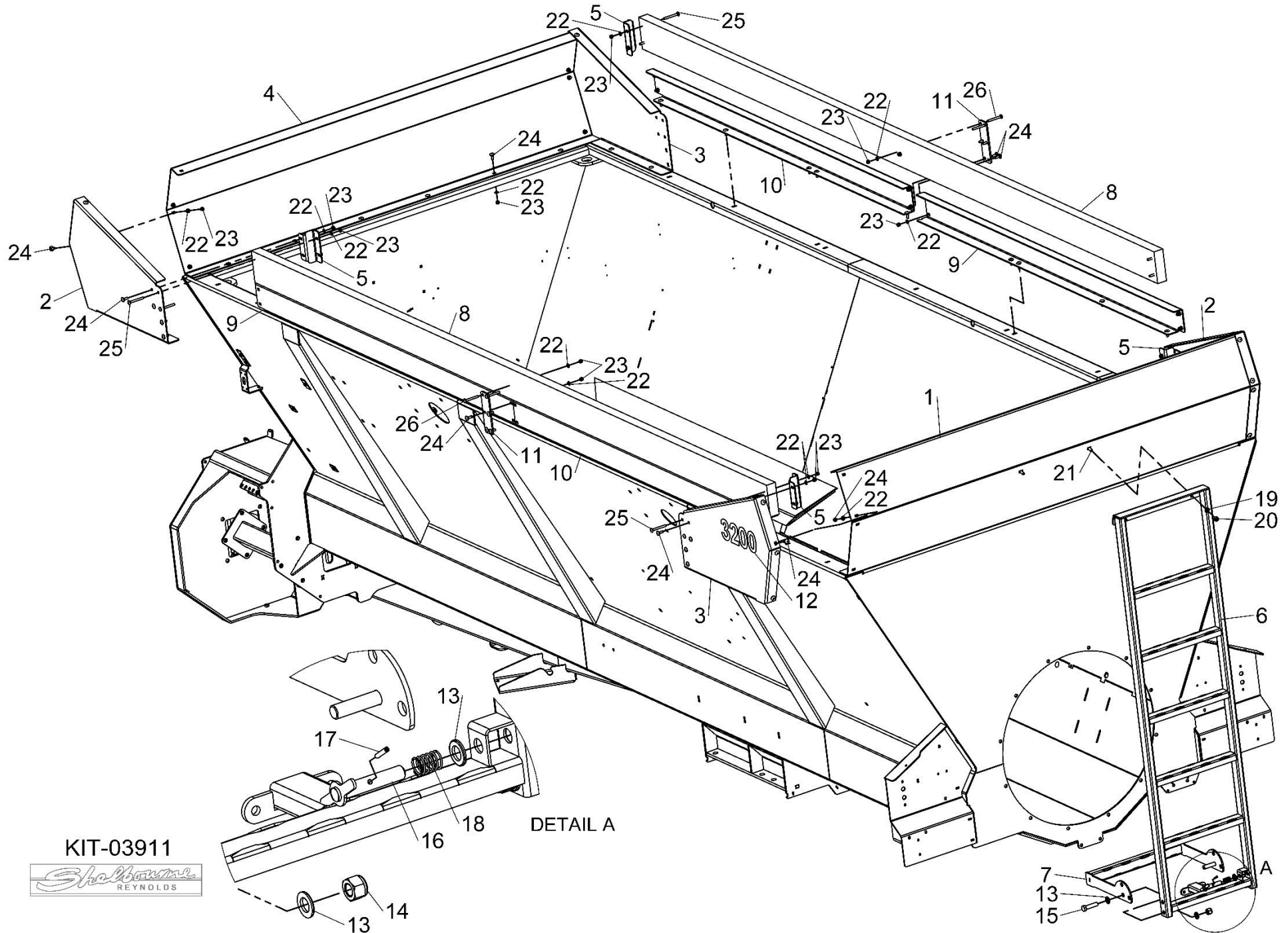


**Shelbourne Reynolds Engineering Limited**

ASSY NUMBER: KIT-03911				ASSY DESCRIPTION: 3200 EXTENSION SIDE KIT (2016)			
ITEM	PART NO	DESCRIPTION	QTY	ITEM	PART NO	DESCRIPTION	QTY
1	592100 01	END EXTENSION PLATE	1				
2	592101 01	END PLATE LH	2				
3	592101 02	END PLATE RH	2				
4	592103 01	FRONT EXTENSION PLATE	1				
5	591958 01	CLAMP PLATE	4				
6	591959 01	LADDER W/A	1				
7	591496 01	LADDER EXTENSION W/A	1				
8	591485 01	WOODEN CANOPY	2				
9	592161 01	SIDE EXTENSION PLATE LH	2				
10	592161 02	SIDE EXTENSION PLATE RH	2				
11	592162 01	CLAMP PLATE	2				
12	591581 01	3200 TRANSFER	2				
13	WSH-0024	WASHER	5				
14	NUT-0271	NUT	2				
15	HSS-0322	SETSCREW	2				
16	591495 01	LOCKING PIN W/A	1				
17	PIN-1620	ROLL PIN	1				
18	SPGC22015	COMPRESSION SPRING	1				
19	WSH-0015	WASHER	2				
20	NUT-0265	NUT	2				
21	BLT-3745	COACHBOLT	2				
22	WSH-0012	WASHER	94				
23	NUT-0263	NUT	94				
24	BLTF08173	COACHBOLT	82				
25	BLTF08470	COACHBOLT	8				
26	BLTF08443	COACHBOLT	4				



Shelbourne Reynolds Engineering Limited

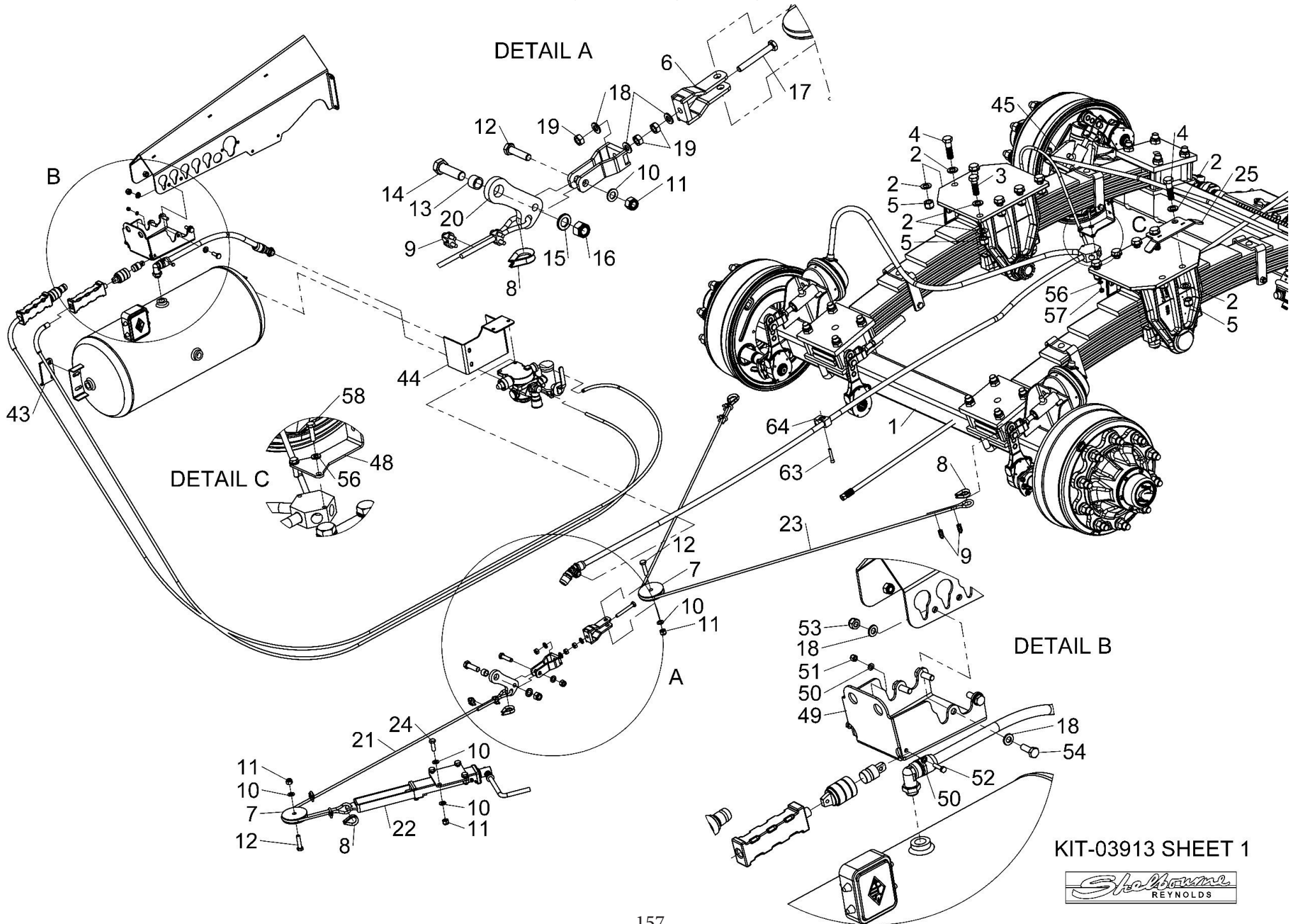


KIT-03911  
*Shelbourne*  
REYNOLDS

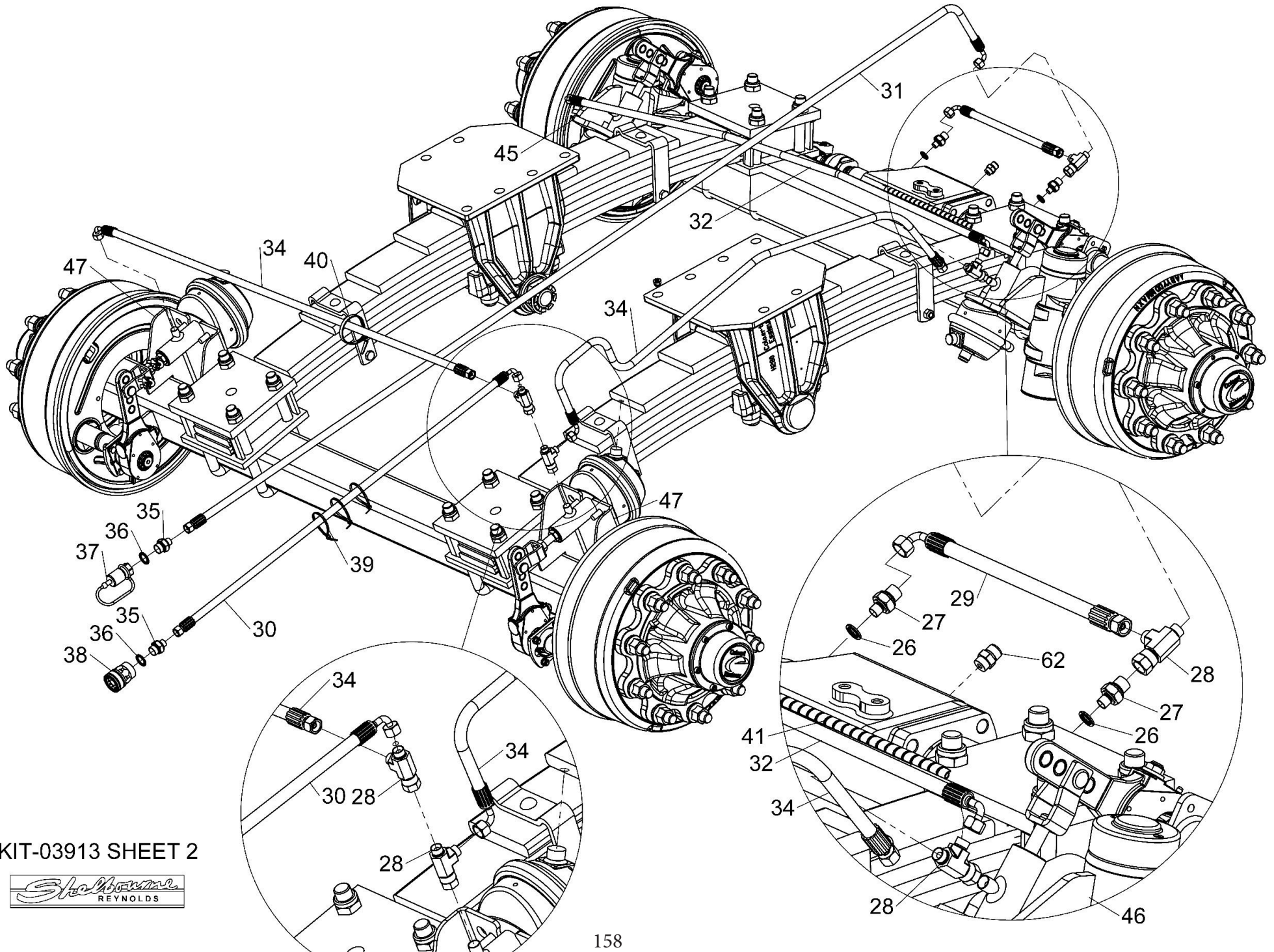


**Shelbourne Reynolds Engineering Limited**

ASSY NUMBER: KIT-03913				ASSY DESCRIPTION: TANDEM HYD / AIR AXLE KIT (2400-3200)			
ITEM	PART NO	DESCRIPTION	QTY	ITEM	PART NO	DESCRIPTION	QTY
1	AXL-00245	TANDEM STEERING AXLE (1480mm)	1	41	SLV-00300	SPIRAL TUBING	2m
2	WSH-0030	WASHER	24	42	BRA-07130	AIR/HYD BRAKE KIT	1
3	BLT-2366	BOLT	10	43			
4	BLT-2367	BOLT	2	44			
5	NUTA02200	NUT	12	45	592178 01	LH AIR CHAMBER MTG BRKT W/A	1
6	591397 01	BRAKE CLEVIS W/A	2	46	592178 02	RH AIR CHAMBER MTG BRKT W/A	1
7	591399 01	CABLE PULLEY	2	47	592181 01	FRONT AIR CHAMBER MTG BRKT	2
8	WRP-01050	WIRE ROPE THIMBLE	4	48	592407 01	MANIFOLD MTG BRKT	1
9	WRP-02080	WIRE CABLE CLAMP	8			PSP24221026 AND ON	
10	WSH-0018	WASHER	11	OR	592182 01	MANIFOLD MTG BRKT	1
11	NUT-0269	NUT	7			UPTO PSP24220989	
12	HSS-0260	SETSCREW	3	49	592139 01	AIR BRAKE PARKING STATION	1
13	591393 01	PIVOT TUBE	1	50	WSH-0009	WASHER	4
14	HSS-0319	SETSCREW	1	51	NUT-0260	NUT	2
15	WSH-0024	WASHER	1	52	HSS-0088	SETSCREW	2
16	NUT-0271	NUT	1	53	NUT-0265	NUT	10
17	HSSA10500	SETSCREW	1	54	HSS-0194	SETSCREW	8
18	WSH-0015	WASHER	23	55	HSS-0198	SETSCREW	2
19	NUT-0167	NUT	3	56	WSH-0012	WASHER	4
20	591879 01	LINK LEVER	1	57	NUT-0263	NUT	2
21	591400 05	HANDBRAKE CABLE	1	58	HSS-0150	SETSCREW	2
22	591880 01	HANDBRAKE W/A	1	59			
23	591400 01	HANDBRAKE CABLE	1	60			
24	HSS-0241	SETSCREW	4	61			
25	591889 01	HOSE FIXING PLATE	1	62	FIT-0218	BREATHER	1
26	WSH-1005	DOWTY WASHER	2	63	SCCA08293	CAP HD SCREW (M8x45)	7
27	FIT-0025	M/M ADAPTOR	2	64	HCPD01600	HYD PIPE CLAMP	7
28	FITA10410	HYDRAULIC TEE FITTING	4				
29	HHBE04705	HYD HOSE ASSY REVERSE PISTON)	1				
30	HHBE92005	HYD HOSE ASSY (BRAKE/TRA 9.2m)	1				
31	591890 02	HYD HOSE ASSY (REV/TRA 10.9m)	1				
32	HHEE17005	HYD HOSE ASSY (REAR RAMS 1.7m)	1				
33							
34	HHBE15005	HYD HOSE ASSY (FRT/REAR 1.5m)	2				
35	HMA-0065	HYD ADAPTOR	2				
36	WSH-1015	DOWTY WASHER	2				
37	COU-0162	QUICK RELEASE COUPLING	1				
38	HQR-10007	QUICK RELEASE COUPLING	1				
39	TIE-0004	TIE WRAPS	30				
40	TIE-0012	TIE WRAPS	4				







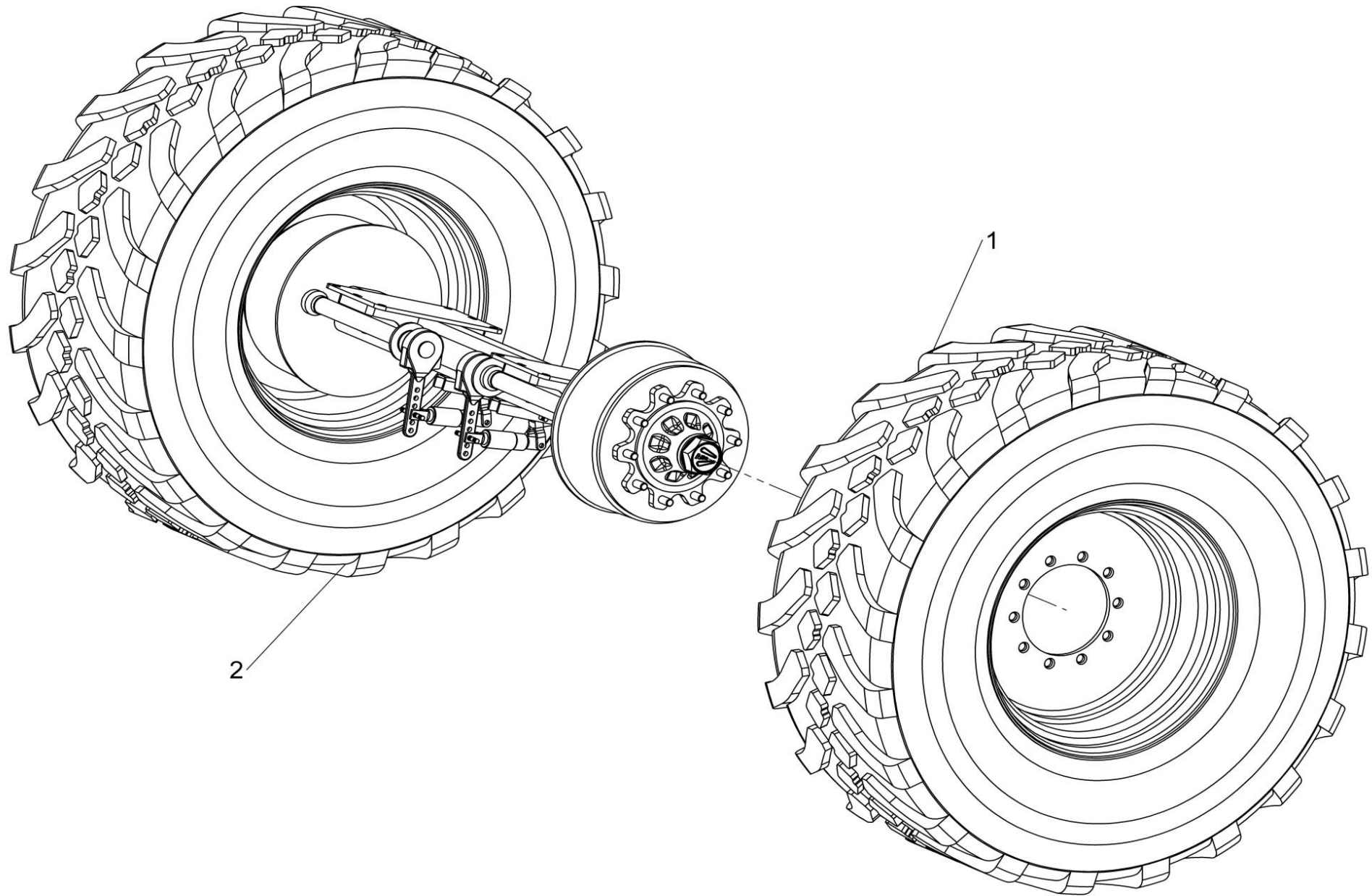
KIT-03913 SHEET 2



**Shelbourne Reynolds Engineering Limited**

ASSY NUMBER: KIT-03914				ASSY DESCRIPTION: TANDEM WHEEL KIT (560/60R22.5 10 STUD)			
ITEM	PART NO	DESCRIPTION	QTY	ITEM	PART NO	DESCRIPTION	QTY
1	WHL-02228	LH WHEEL & TYRE ASSY	2				
2	WHL-02229	RH WHEEL & TYRE ASSY	2				



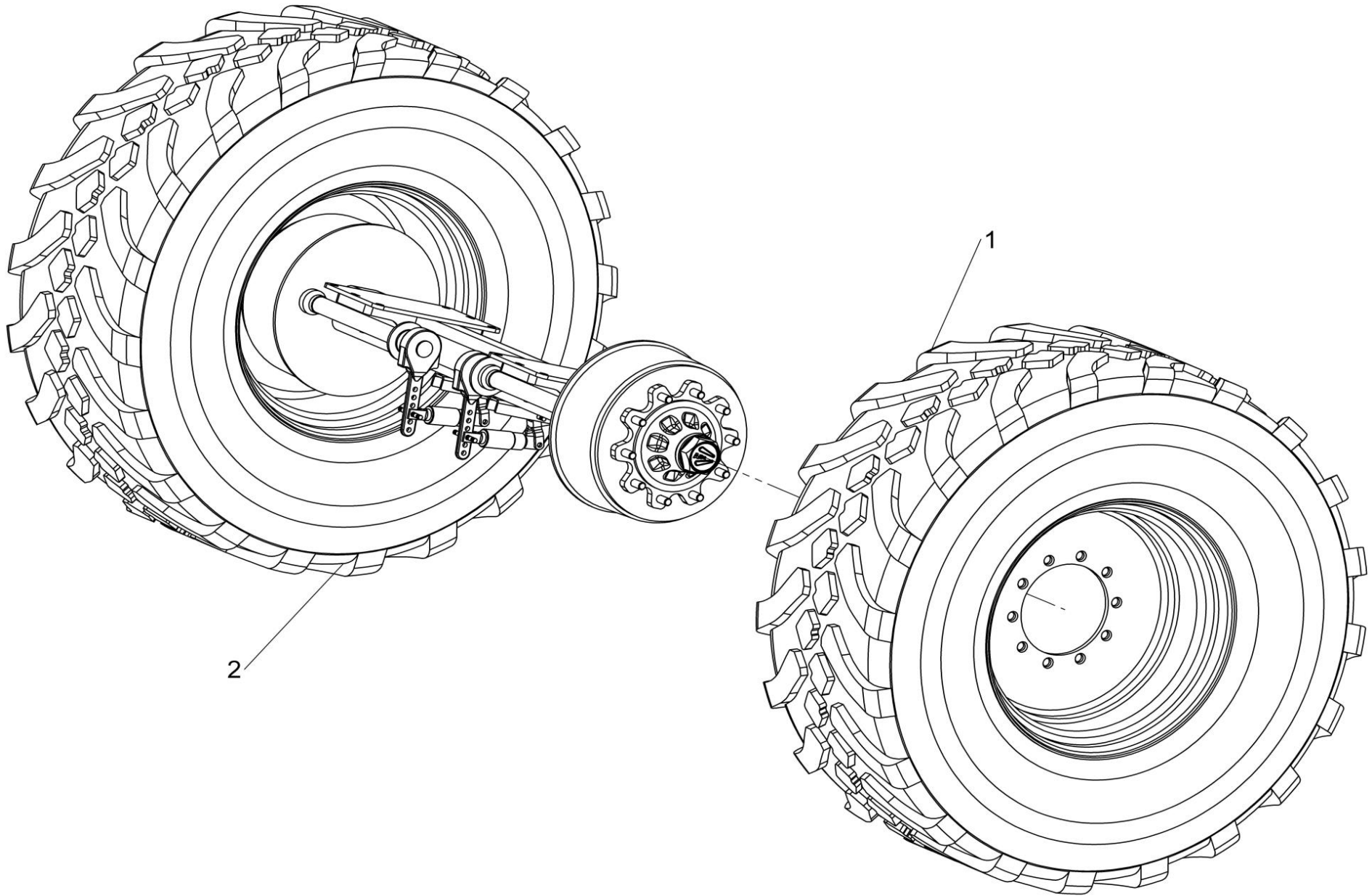


KIT-03914



**Shelbourne Reynolds Engineering Limited**

ASSY NUMBER: KIT-03915				ASSY DESCRIPTION: WHEEL & TYRE KIT (650/65R30.5 ALLIANCE)			
ITEM	PART NO	DESCRIPTION	QTY	ITEM	PART NO	DESCRIPTION	QTY
1	WHL-03010	RH WHEEL & TYRE (650/65R30.5)	2				



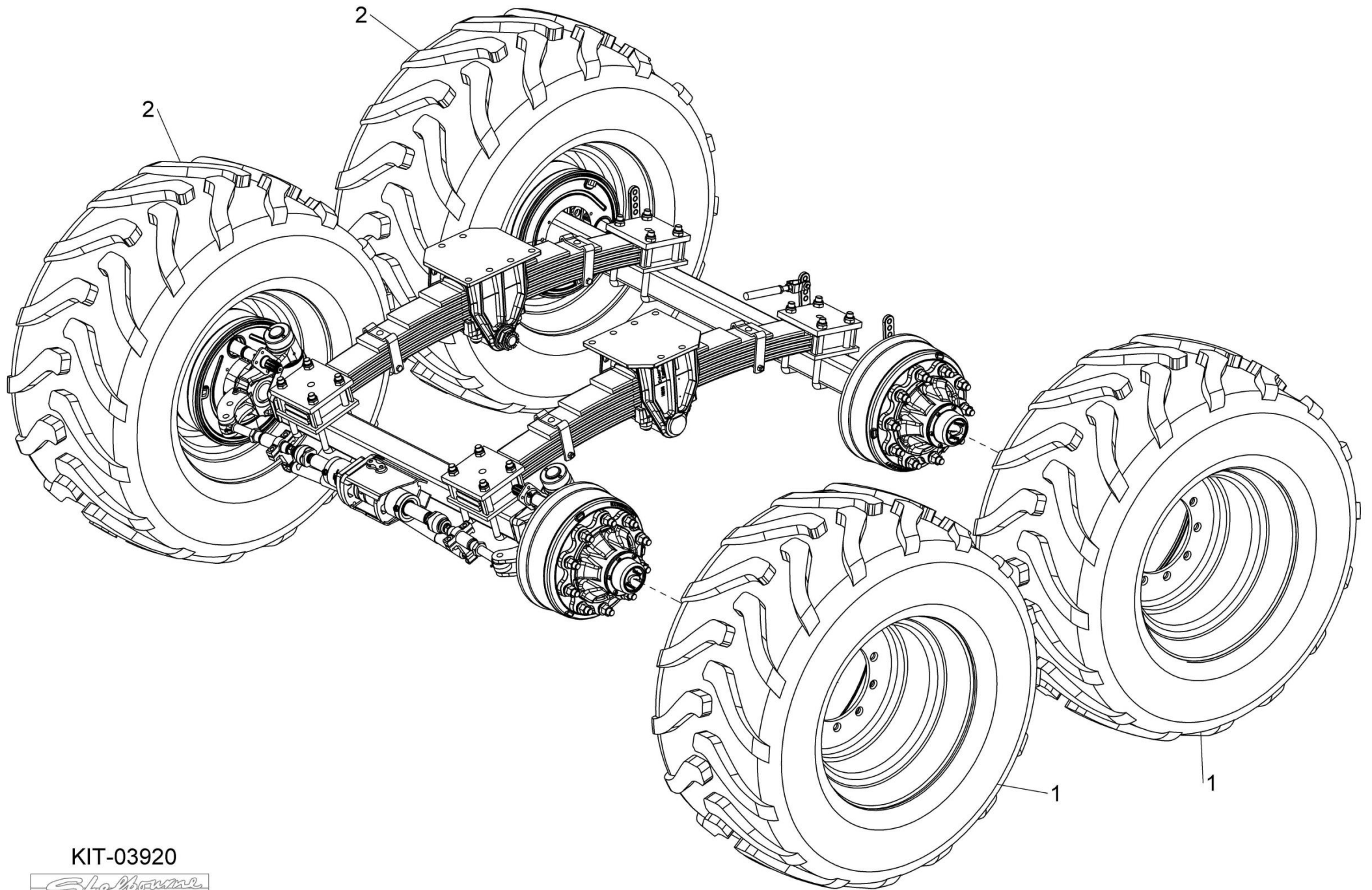
KIT-03915



**Shelbourne Reynolds Engineering Limited**

ASSY NUMBER: KIT-03920				ASSY DESCRIPTION: WHEEL & TYRE KIT (660/55R26.5ALLIANCE)			
ITEM	PART NO	DESCRIPTION	QTY	ITEM	PART NO	DESCRIPTION	QTY
1	WHL-02638	RH WHEEL & TYRE (660/55R26.5)	2				
2	WHL-02639	LH WHEEL & TYRE (660/55R26.5)	2				





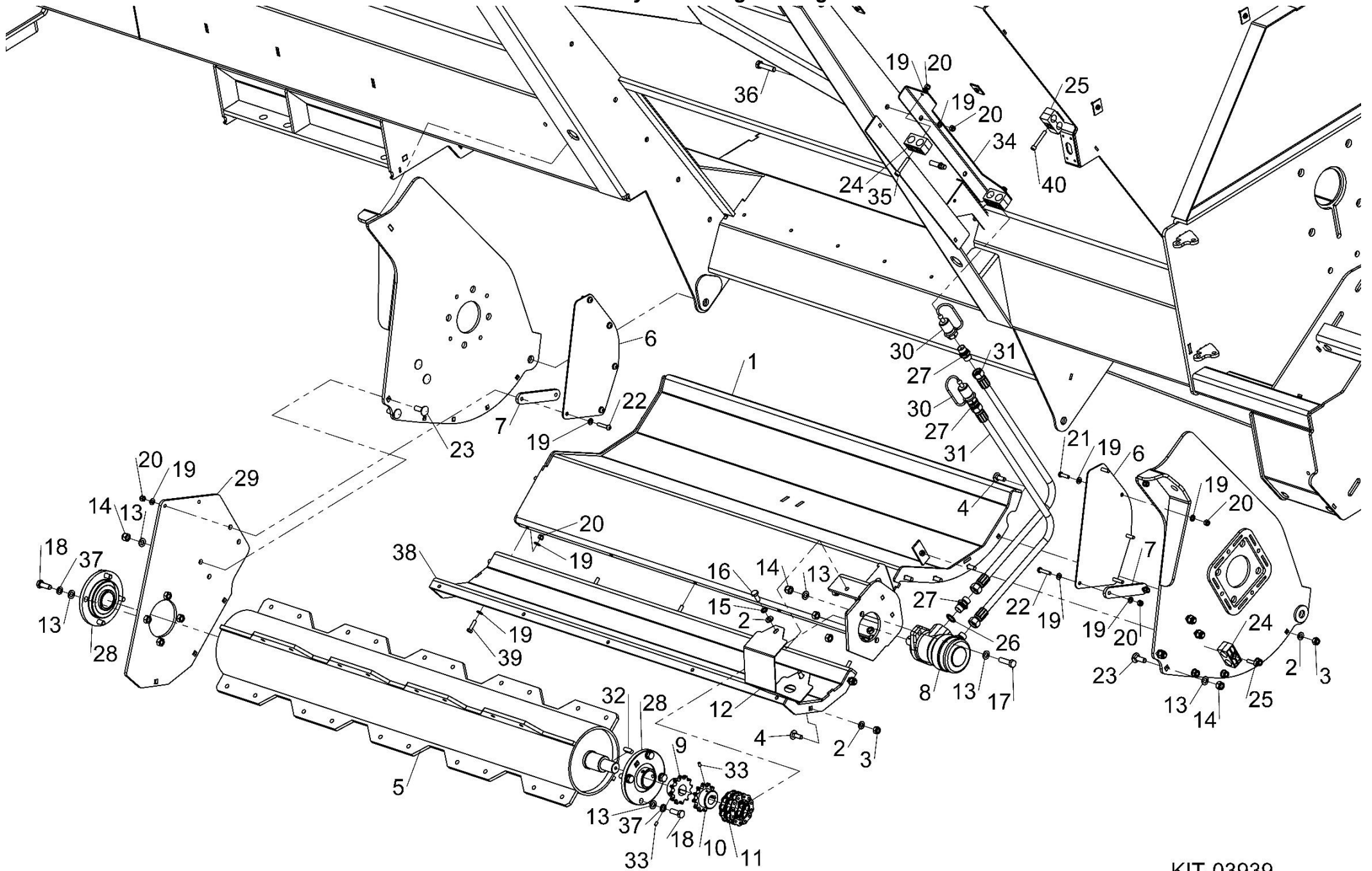
KIT-03920



**Shelbourne Reynolds Engineering Limited**

ASSY NUMBER: KIT-03939				ASSY DESCRIPTION: LARGE DUAL IMPELLER KIT			
ITEM	PART NO	DESCRIPTION	QTY	ITEM	PART NO	DESCRIPTION	QTY
1	592193 01	DRIP TRAY W/A	1				
2	WSH-0015	WASHER	15				
3	NUT-0265	NUT	13				
4	BLT-3750	COACHBOLT	13				
5	592200 01	FRONT IMPELLER W/A	1				
6	592129 01	SIDE PLATE	2				
7	592128 01	SPACER PLATE	2				
8	MOTH16001	HYDRAULIC MOTOR	1				
9	592123 02	DRIVE COUPLING	1				
10	592123 01	DRIVE COUPLING	1				
11	CHN-01998	DUPLEX CHAIN	1				
12	592206 01	COUPLING GUARD	1				
13	WSH-0018	WASHER	20				
14	NUT-0269	NUT	10				
15	WSH-0061	WASHER	2				
16	HSS-0191	SETSCREW	2				
17	BLTA12290	BOLT	2				
18	HSS-0241	BOLT	8				
19	WSH-0012	WASHER	32				
20	NUT-0263	NUT	17				
21	SCBA08202	BUTT SOC HD SCREW	6				
22	SCBA08260	BUTT SOC HD SCREW	4				
23	BLTF12233	COACHBOLT	8				
24	HCPD02200	HYDRAULIC PIPE CLAMP	7				
25	SCW-0139	CP HD SCREW	1				
26	WSH-1015	DOWTY WASHER	4				
27	HMA-0067	M/M ADAPTOR	4				
28	BRG-24505	BEARING (INA RMEY 35)	2				
29	592204 01	SIDE PLATE W/A	1				
30	COU-0162	QUICK RELEASE COUPLING	2				
31	HHAF75005	HYD HOSE ASSY	2				
32	K1008035	KEY	1				
33	SCW-4530	GRUB SCREW	4				
34	592138 01	HOSE FIXING PLATE	1				
35	SCW-0145	CAP HD SCREW	2				
36	HSS-0265	SETSCREW	2				
37	WSH-0065	WASHER	8				
38	592218 01	DRIP TRAY EXTENSION	1				
39	HSS-0150	BOLT	5				
40	SCCA08351	CP HD SCREW	4				



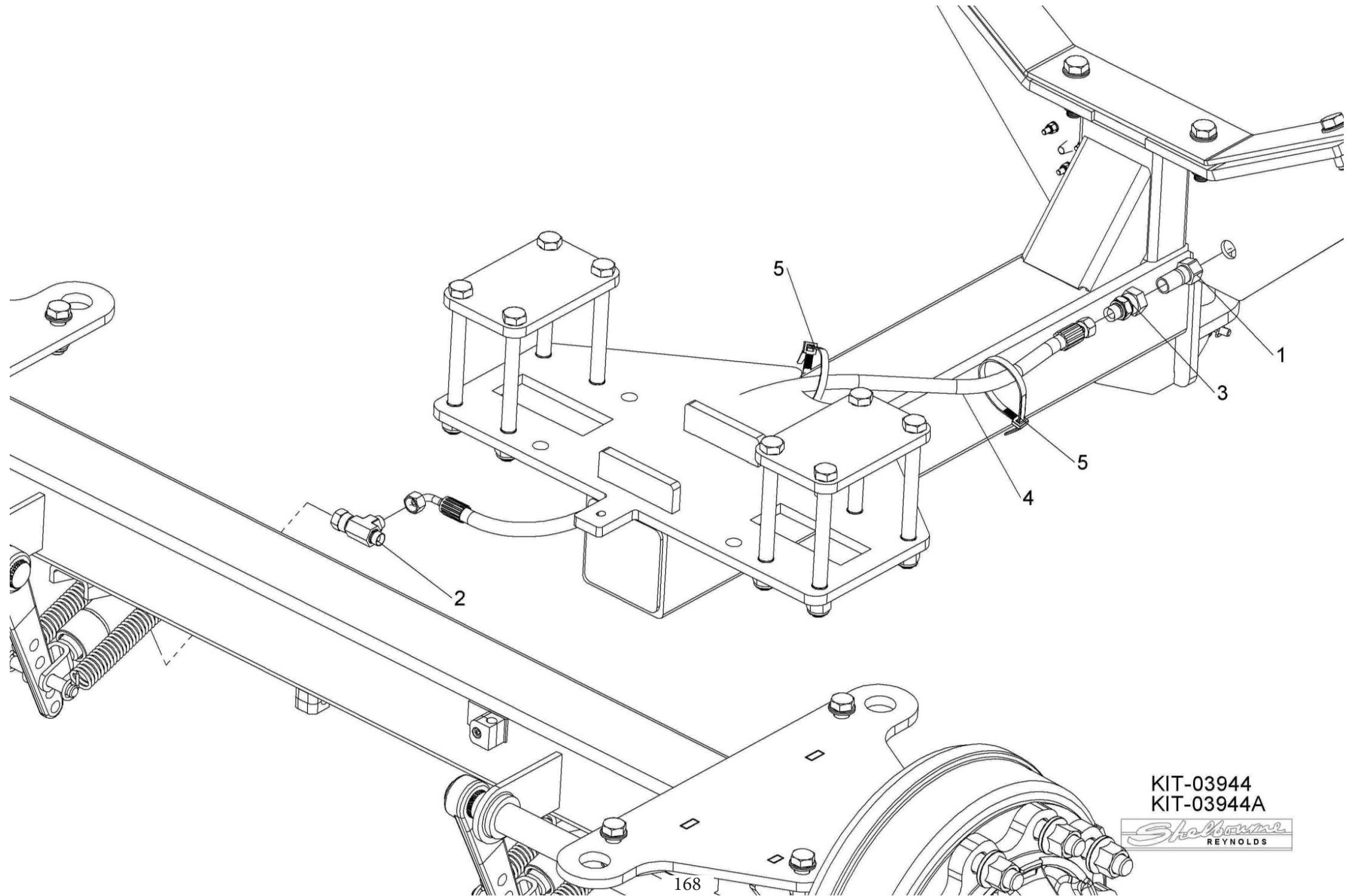


KIT-03939



**Shelbourne Reynolds Engineering Limited**

ASSY NUMBER: KIT-03944				ASSY DESCRIPTION: BRAKE CONNECTION KIT (REAR DRAWBAR SWB)			
ITEM	PART NO	DESCRIPTION	QTY	ITEM	PART NO	DESCRIPTION	QTY
1	HQR-10008	TRAILER BRAKE COUPLING MALE	1				
2	FITA10410	TEE FITTING (3/8"MMF)	1				
3	FIT-0240	HYD FITTING (3/8"M/1/2"FM)	1				
4	HHBE09005	HYD HOSE ASSY (3/8")	1				
5	TIE-0012	TIE WRAP (EXTRA LARGE)	2				



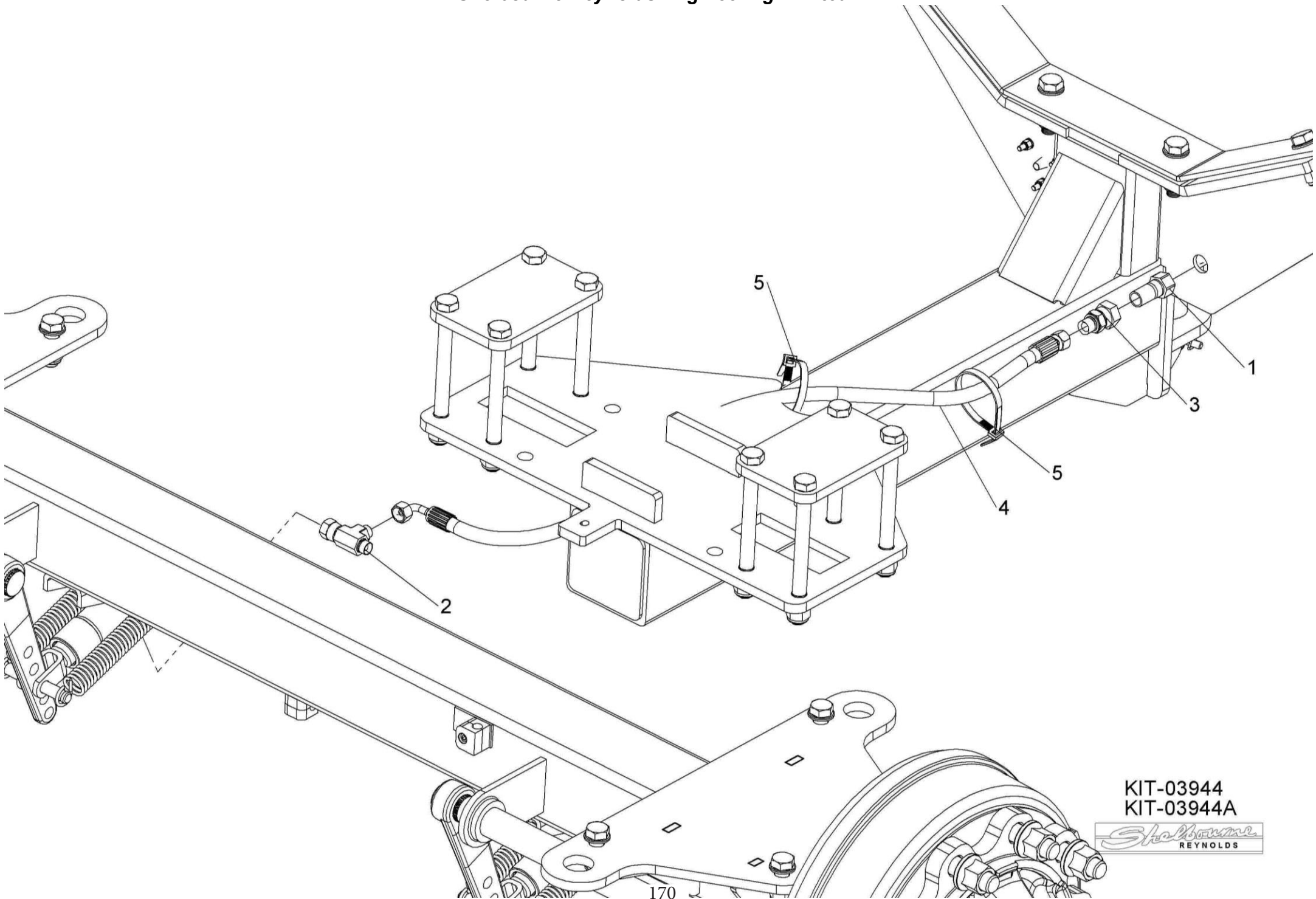
KIT-03944  
KIT-03944A



**Shelbourne Reynolds Engineering Limited**

ASSY NUMBER: KIT-03944A				ASSY DESCRIPTION: BRAKE CONNECTION KIT (REAR DRAWBAR LWB)			
ITEM	PART NO	DESCRIPTION	QTY	ITEM	PART NO	DESCRIPTION	QTY
1	HQR-10008	TRAILER BRAKE COUPLING MALE	1				
2	FITA10410	TEE FITTING (3/8"MMF)	1				
3	FIT-0240	HYD FITTING (3/8"M/1/2"FM)	1				
4	HHAE19005	HYD HOSE ASSY (3/8")	1				
5	TIE-0012	TIE WRAP (EXTRA LARGE)	4				





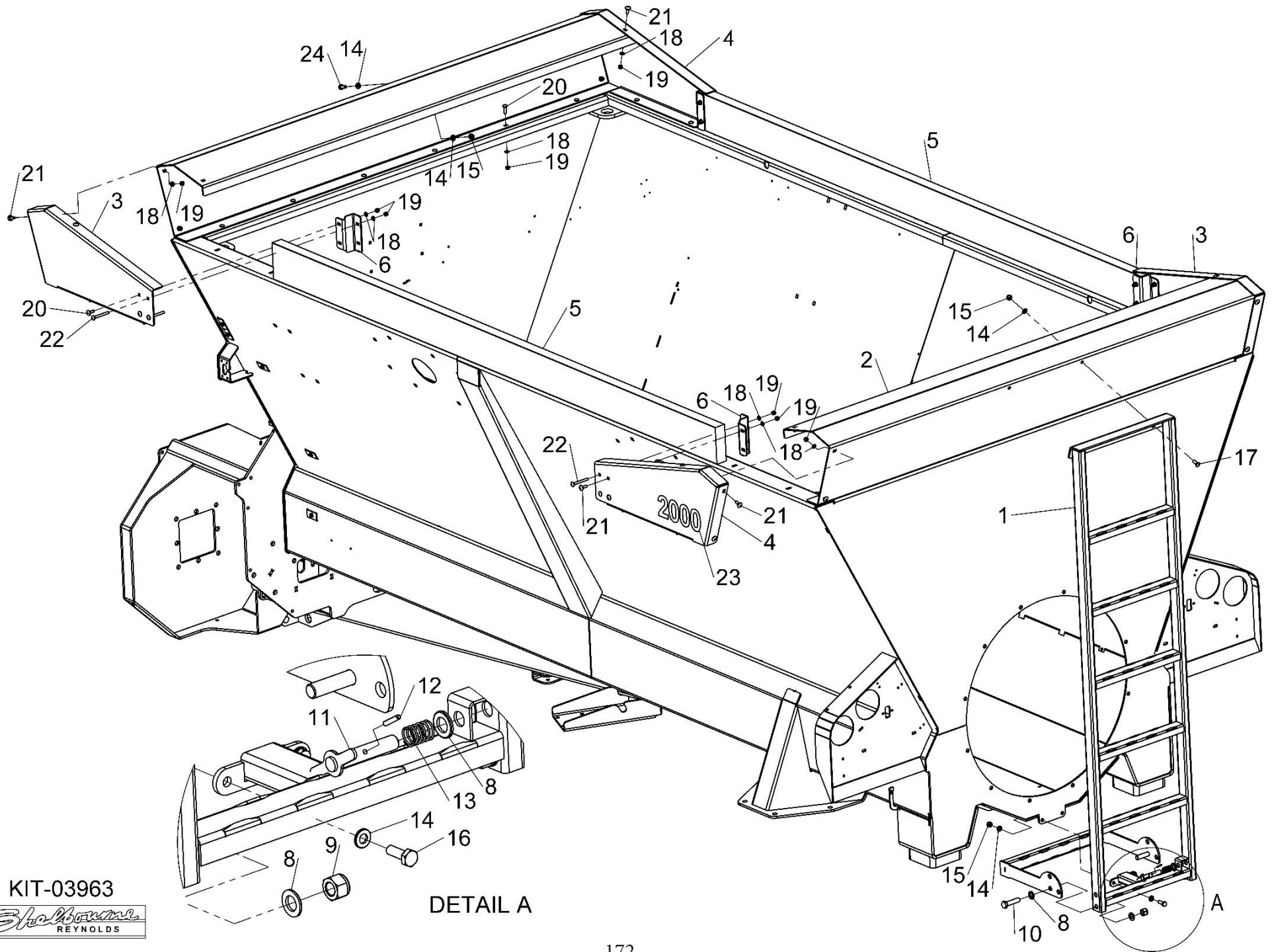
KIT-03944  
KIT-03944A



**Shelbourne Reynolds Engineering Limited**

ASSY NUMBER: KIT-03963				ASSY DESCRIPTION: 2000 GALLON EXTENSION SIDE KIT (PRO)			
ITEM	PART NO	DESCRIPTION	QTY	ITEM	PART NO	DESCRIPTION	QTY
1	591959 01	LADDER W/A	1				
1	592227 01	END EXTENSION PLATE	2				
3	592226 01	END PLATE LH	2				
4	592226 02	END PLATE RH	2				
5	591485 02	WOODEN CANOPY	2				
6	591958 01	CLAMP PLATE	4				
7	591496 01	LADDER EXTENSION W/A	1				
8	WSH-0024	WASHER	5				
9	NUT-0271	NUT	2				
10	HSS-0322	SETSCREW	2				
11	591495 01	LOCKING PIN W/A	1				
12	PIN-1620	ROLL PIN	1				
13	SPGC22015	COMPRESSION SPRING	1				
14	WSH-0015	WASHER	10				
15	NUT-0265	NUT	6				
16	HSS-0194	SETSCREW	2				
17	BLT-3745	COACHBOLT	2				
18	WSH-0012	WASHER	53				
19	NUT-0263	NUT	53				
20	BLT-2700	COACHBOLT	22				
21	BLTF08173	COACHBOLT	23				
22	BLTF08470	COACHBOLT	8				
23	591758 01	2000 TRANSFER	2				
24	HSS-0191	SETSCREW	2				





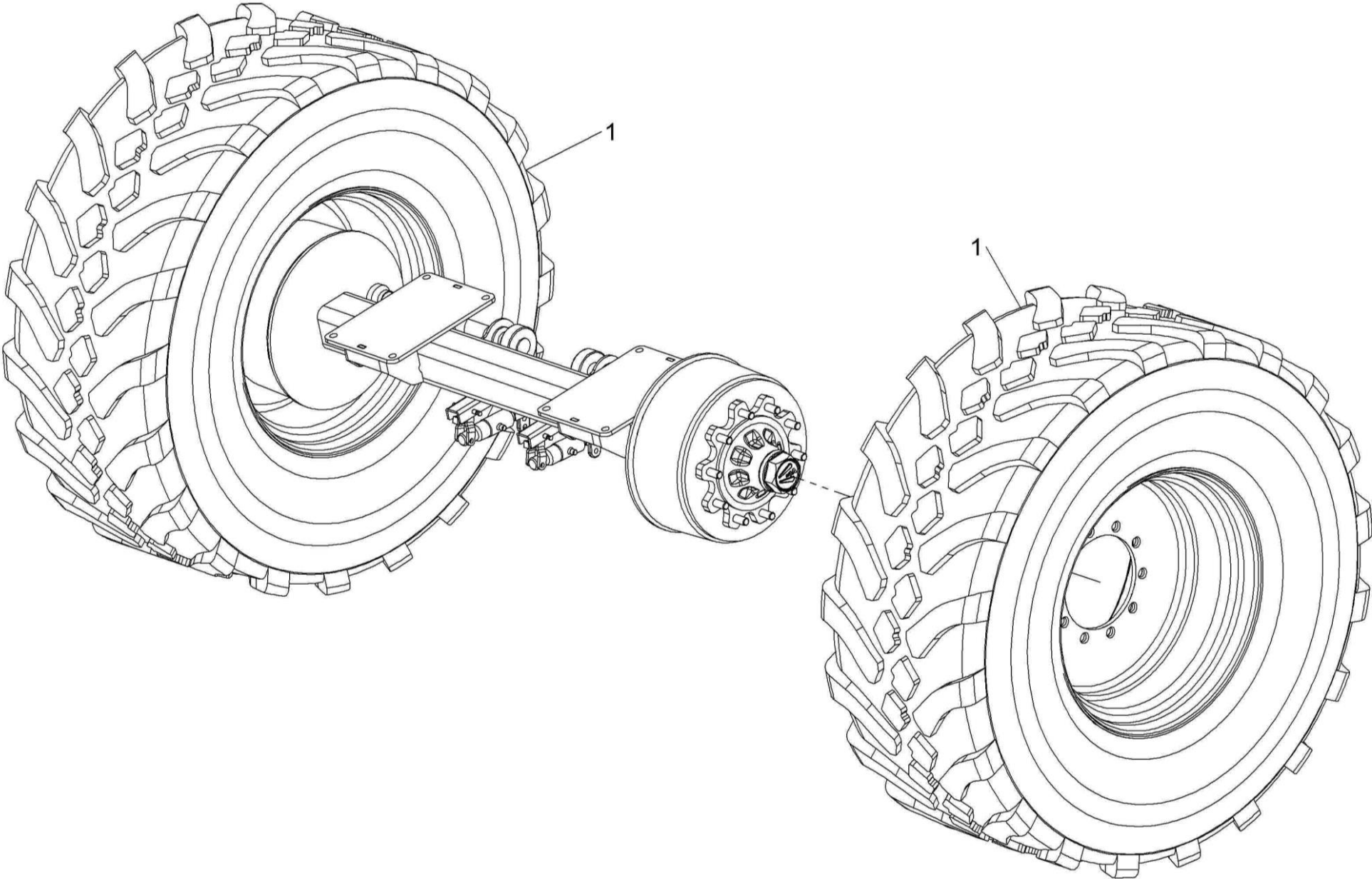
KIT-03963



DETAIL A

**Shelbourne Reynolds Engineering Limited**

ASSY NUMBER: KIT-59000				ASSY DESCRIPTION: WHEEL & TYRE KIT (650/65-R30.5 BKT)			
ITEM	PART NO	DESCRIPTION	QTY	ITEM	PART NO	DESCRIPTION	QTY
1	WHL-03015	WHEEL & TYRE ASSY (650 BKT)	2				



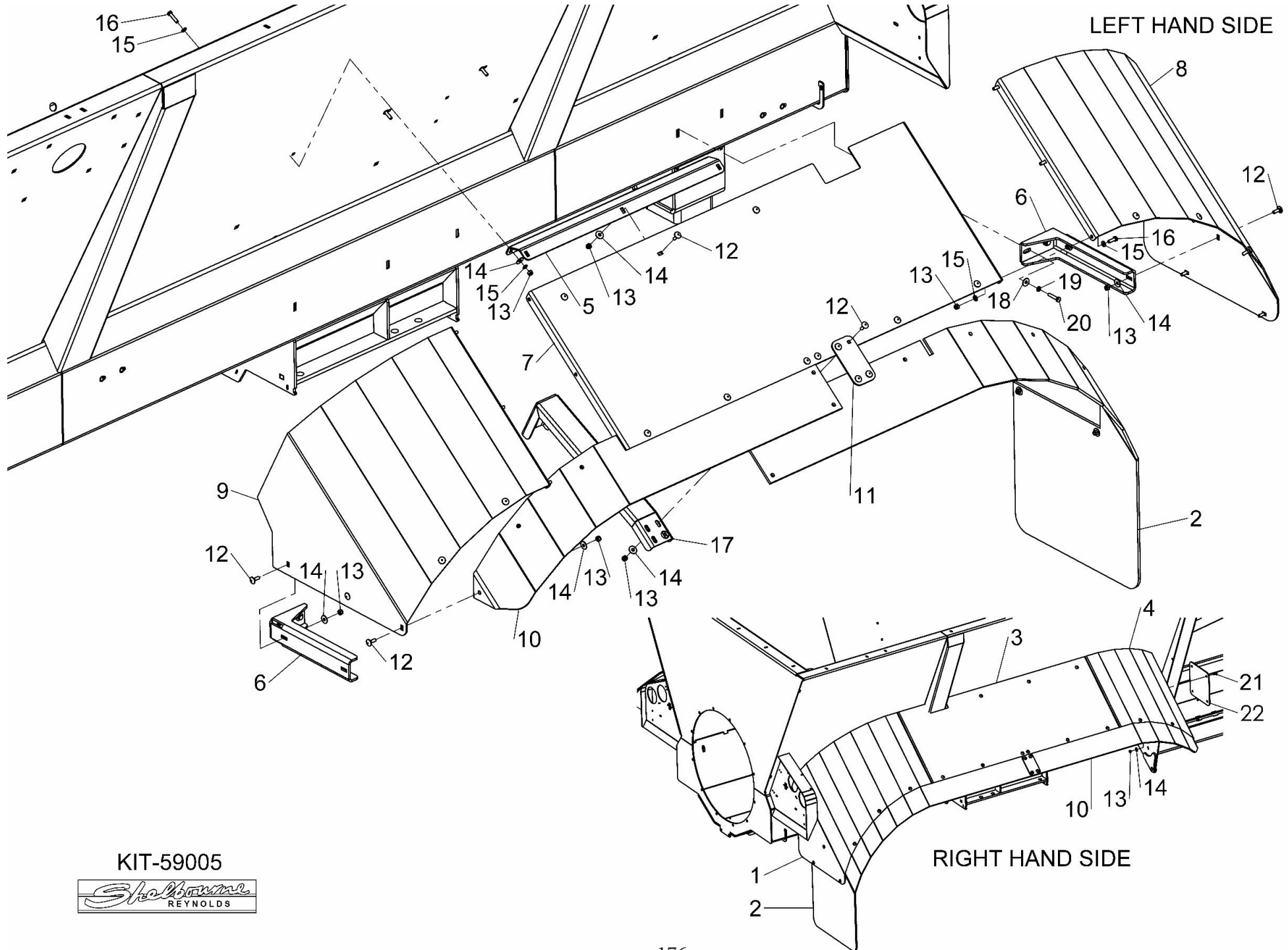
KIT-59000



**Shelbourne Reynolds Engineering Limited**

ASSY NUMBER: KIT-59005				ASSY DESCRIPTION: MUD GUARD KIT			
ITEM	PART NO	DESCRIPTION	QTY	ITEM	PART NO	DESCRIPTION	QTY
1	592232 01	REAR PANEL	1				
2	592235 01	REAR RUBBER	2				
3	592234 01	CENTRAL PANEL	1				
4	592233 01	FRONT PANEL	1				
5	592236 01	RETAINING BRACKET	2				
6	592237 01	RETAINING ARM	4				
7	592234 02	CENTRAL PANEL	1				
8	592232 02	REAR PANEL	1				
9	592354 01	FRONT PANEL	1				
10	592238 01	FRONT RUBBER	2				
11	592239 01	RUBBER RETAINING PLATE	2				
12	BLTF08173	COACH BOLT	60				
13	NUT-0263	NYLOC NUT	76				
14	WSH-1038	PENNY WASHER	64				
15	WSH-0012	PLAIN WASHER	24				
16	HSS-0145	HEX HD BOLT	12				
17	592240 01	SUPPORT PLATE	2				
18	WSH-0015	PLAIN WASHER	8				
19	WSH-0061	SPRING WASHER	8				
20	HSS-0194	SETSCREW	8				
21	BLT-4710	COACH BOLT M8x20	4				
22	592357 01	MUDGUARD COVERPLATE	1				





KIT-59005

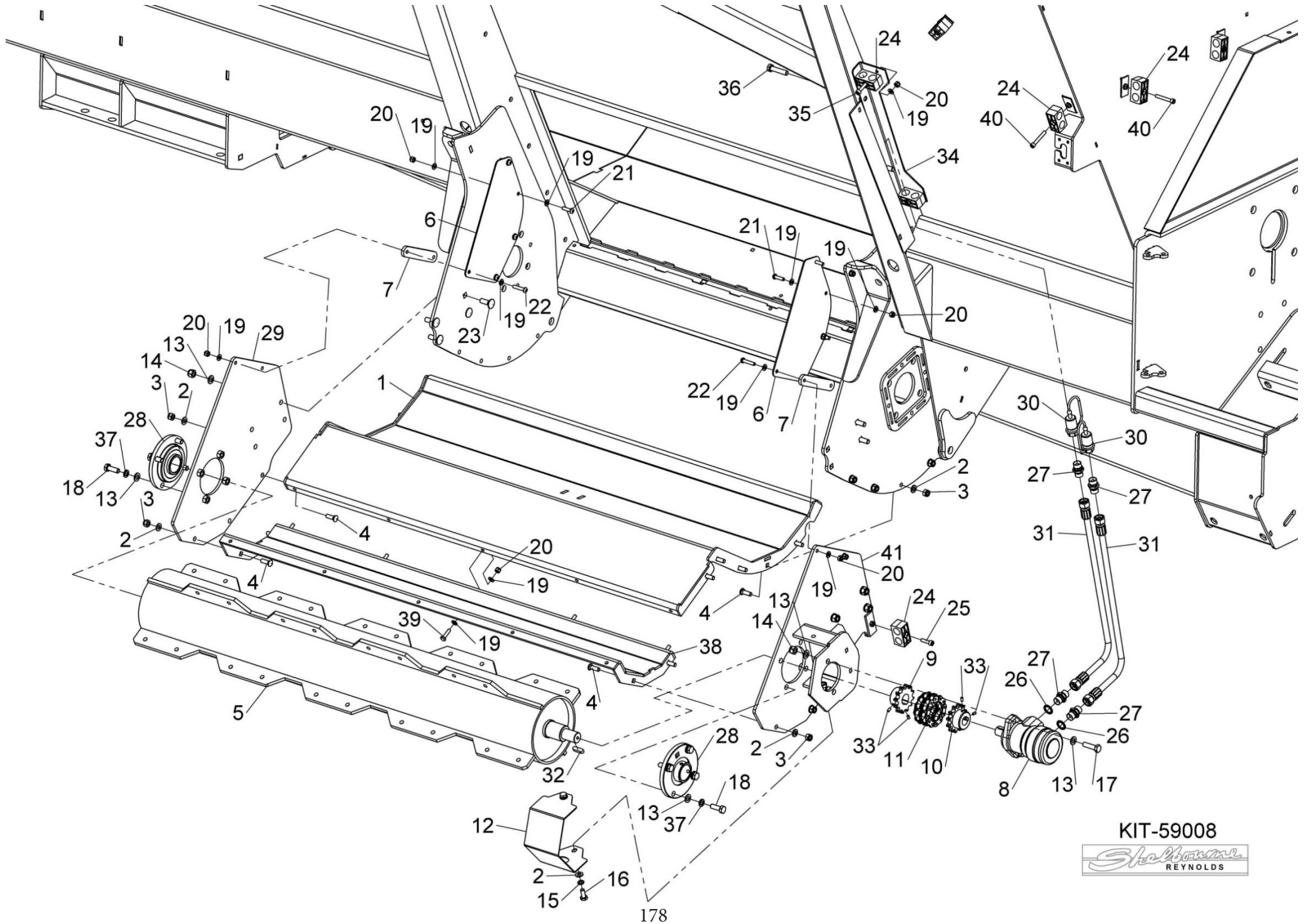


### Shelbourne Reynolds Engineering Limited

ASSY NUMBER: KIT-59008				ASSY DESCRIPTION: LARGE DUAL IMPELLER KIT			
ITEM	PART NO	DESCRIPTION	QTY	ITEM	PART NO	DESCRIPTION	QTY
1	592241 01	DRIP TRAY W/A	1	41	592243 01	SIDE PLATE W/A	1
2	WSH-0015	WASHER	16				
3	NUT-0265	NUT	14				
4	BLT-3750	COACHBOLT	14				
5	592200 01	FRONT IMPELLER W/A	1				
6	592129 01	SIDE PLATE	2				
7	592128 01	SPACER PLATE	2				
8	MOTH16001	HYDRAULIC MOTOR	1				
9	592123 02	DRIVE COUPLING	1				
10	592123 01	DRIVE COUPLING	1				
11	CHN-01998	DUPLEX CHAIN	1				
12	592206 01	COUPLING GUARD	1				
13	WSH-0018	WASHER	20				
14	NUT-0269	NUT	10				
15	WSH-0061	WASHER	2				
16	HSS-0191	SETSCREW	2				
17	BLTA12290	BOLT	2				
18	HSS-0241	BOLT	8				
19	WSH-0012	WASHER	32				
20	NUT-0263	NUT	17				
21	SCBA08202	BUTT SOC HD SCREW	6				
22	SCBA08260	BUTT SOC HD SCREW	4				
23	BLTF12233	COACHBOLT	8				
24	HCPD02200	HYDRAULIC PIPE CLAMP	7				
25	SCW-0139	CP HD SCREW	1				
26	WSH-1015	DOWTY WASHER	4				
27	HMA-0067	M/M ADAPTOR	4				
28	BRG-24505	BEARING (INA RMEY 35)	2				
29	592204 01	SIDE PLATE W/A	1				
30	COU-0162	QUICK RELEASE COUPLING	2				
31	HHAF75005	HYD HOSE ASSY	2				
32	K1008035	KEY	1				
33	SCW-4530	GRUB SCREW	4				
34	592138 01	HOSE FIXING PLATE	1				
35	SCW-0145	CAP HD SCREW	2				
36	HSS-0265	SETSCREW	2				
37	WSH-0065	WASHER	8				
38	592218 01	DRIP TRAY EXTENSION	1				
39	HSS-0150	BOLT	5				
40	SCCA08351	CP HD SCREW	4				



Shelbourne Reynolds Engineering Limited

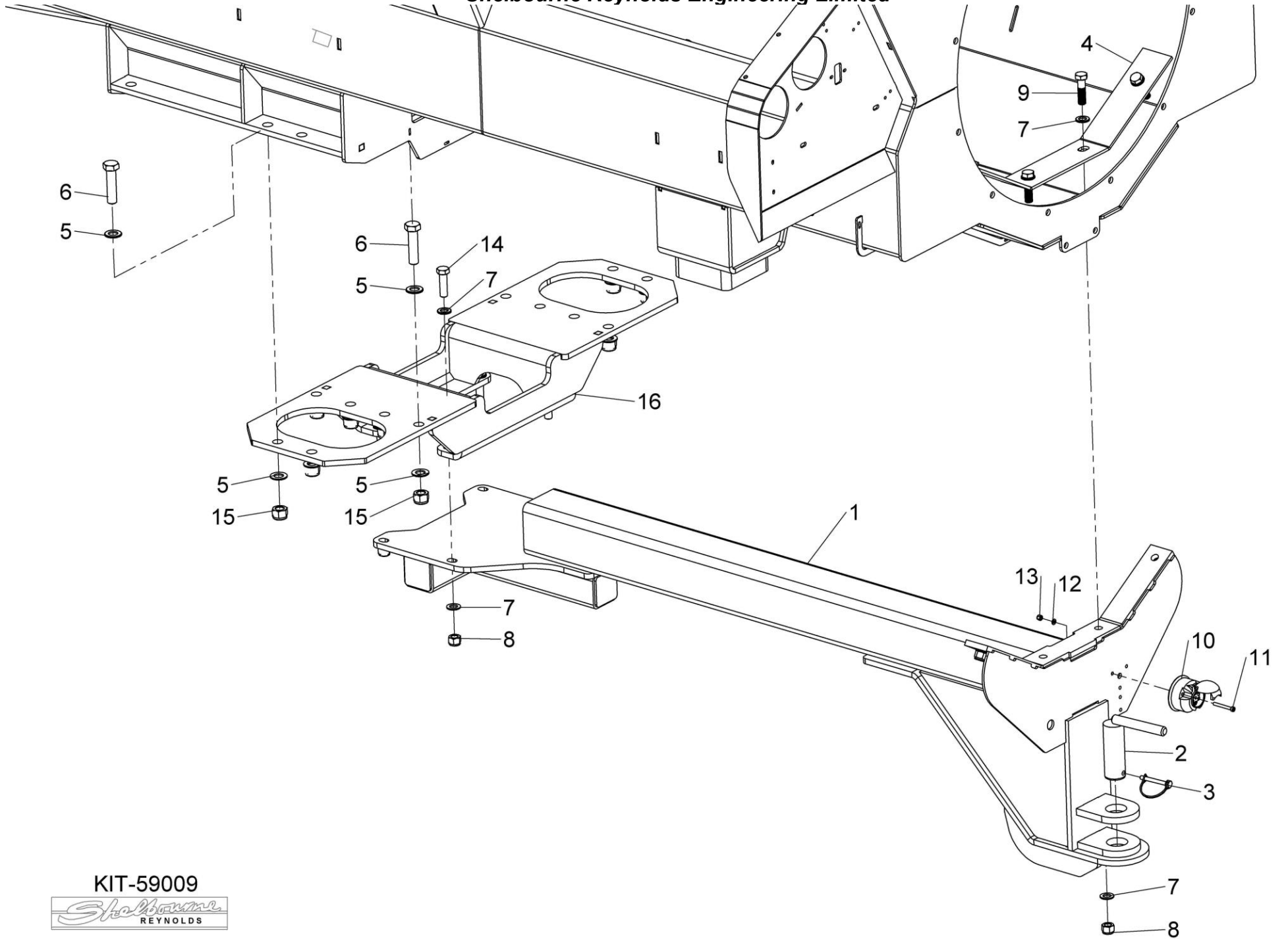


KIT-59008



**Shelbourne Reynolds Engineering Limited**

ASSY NUMBER: KIT-59009				ASSY DESCRIPTION: POWERSPREAD PRO REAR DRAWBAR KIT (LWB TANDEM) 45mm PIN			
ITEM	PART NO	DESCRIPTION	QTY	ITEM	PART NO	DESCRIPTION	QTY
1	592245 01	REAR DRAWBAR W/A	1				
2	592016 01	DRAWBAR PIN W/A	1				
3	PIN-1720	SPRING PIN 'D' CLIP	1				
4	591814 01	INSIDE TUB FIXING	1				
5	WSH-0030	WASHER	24				
6	BLTA20500	BOLT	12				
7	WSH-0024	WASHER	16				
8	NUT-0271	NYLOC NUT	8				
9	BLT-2312	BOLT	4				
10	SOC-0140	7 PIN SOCKET AAB 104	1				
11	SCW-0098	CAP HEAD SCREW	3				
12	WSH-0009	PLAIN WASHER	3				
13	NUT-0260	NYLOC	3				
14	HSS-0319	SETSCREW	4				
15	NUTA02200	NYLOC NUT	12				
16	592250 01	REAR DRAWBAR MTG W/A	1				
17	HHDE05105	HYD HOSE ASSY	1				
18	HHBE08505	HYD HOSE ASSY	2				
19	FITA10140	TEE FITTING	1				
20	HMA-0057	M/M ADAPTOR	1				

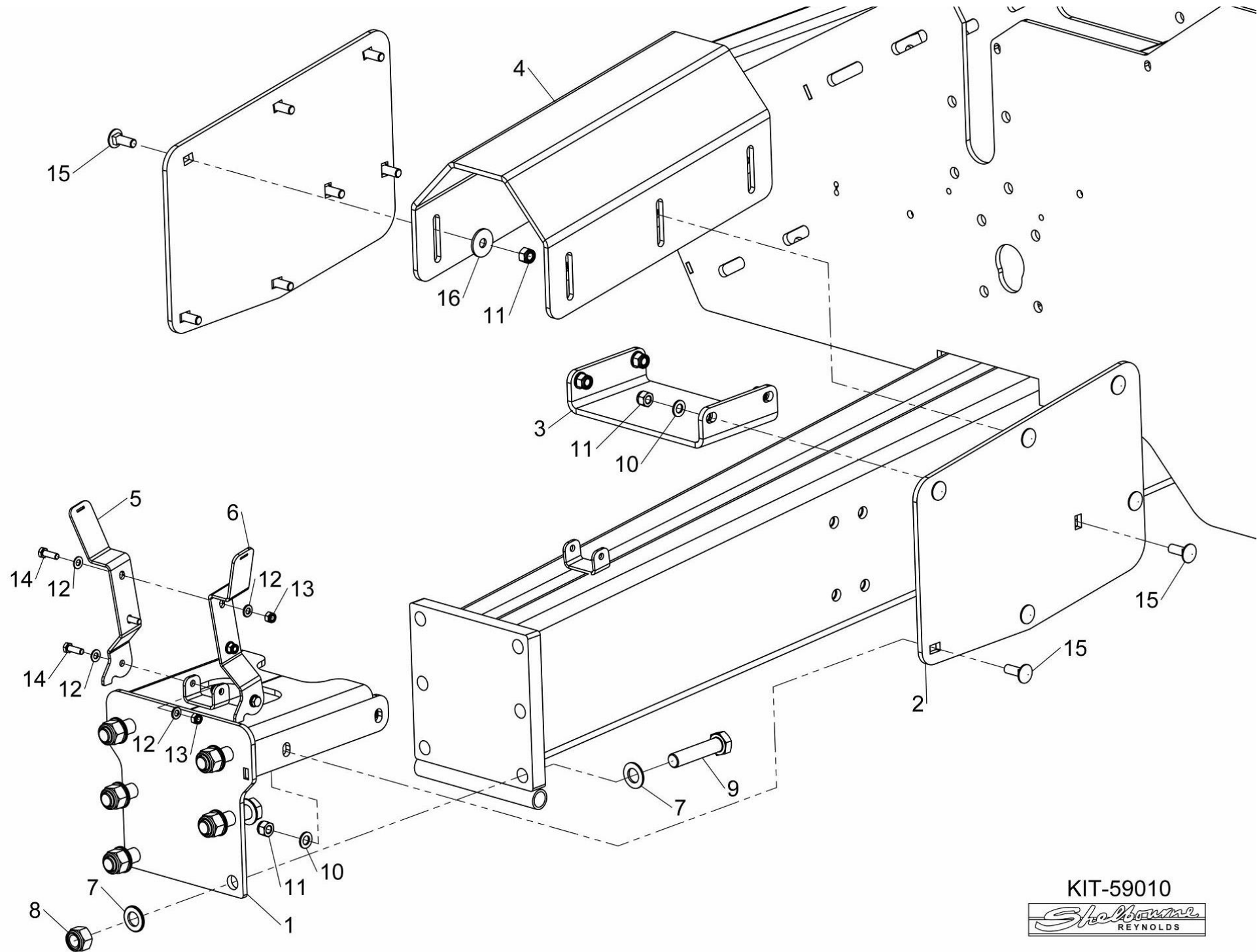


KIT-59009



**Shelbourne Reynolds Engineering Limited**

ASSY NUMBER: KIT-59010				ASSY DESCRIPTION: POWERSPREAD PRO PTO GUARD KIT			
ITEM	PART NO	DESCRIPTION	QTY	ITEM	PART NO	DESCRIPTION	QTY
1	592261 01	FIXING BRACKET W/A	1				
2	592347 01	PTO GUARD SIDE PLATE	2				
3	592267 01	SPACER BRACKET	1				
4	592348 01	PTO GUARD PLATE	1				
5	592265 01	RH PTO STAND	1				
6	592265 02	LH PTO STAND	1				
7	WSH-0030	PLAIN WASHER	12				
8	NUTA02200	NYLOC NUT	6				
9	BLT-2370	HEX HD BOLT	6				
10	WSH-0018	PLAIN WASHER	8				
11	NUT-0269	NYLOC NUT	14				
12	WSH-0012	PLAIN WASHER	8				
13	NUT-0263	NYLOC NUT	4				
14	HSS-0145	HEX HD BOLT	4				
15	BLTF12233	COACH BOLT	14				
16	190119 26	WASHER	6				



KIT-59010

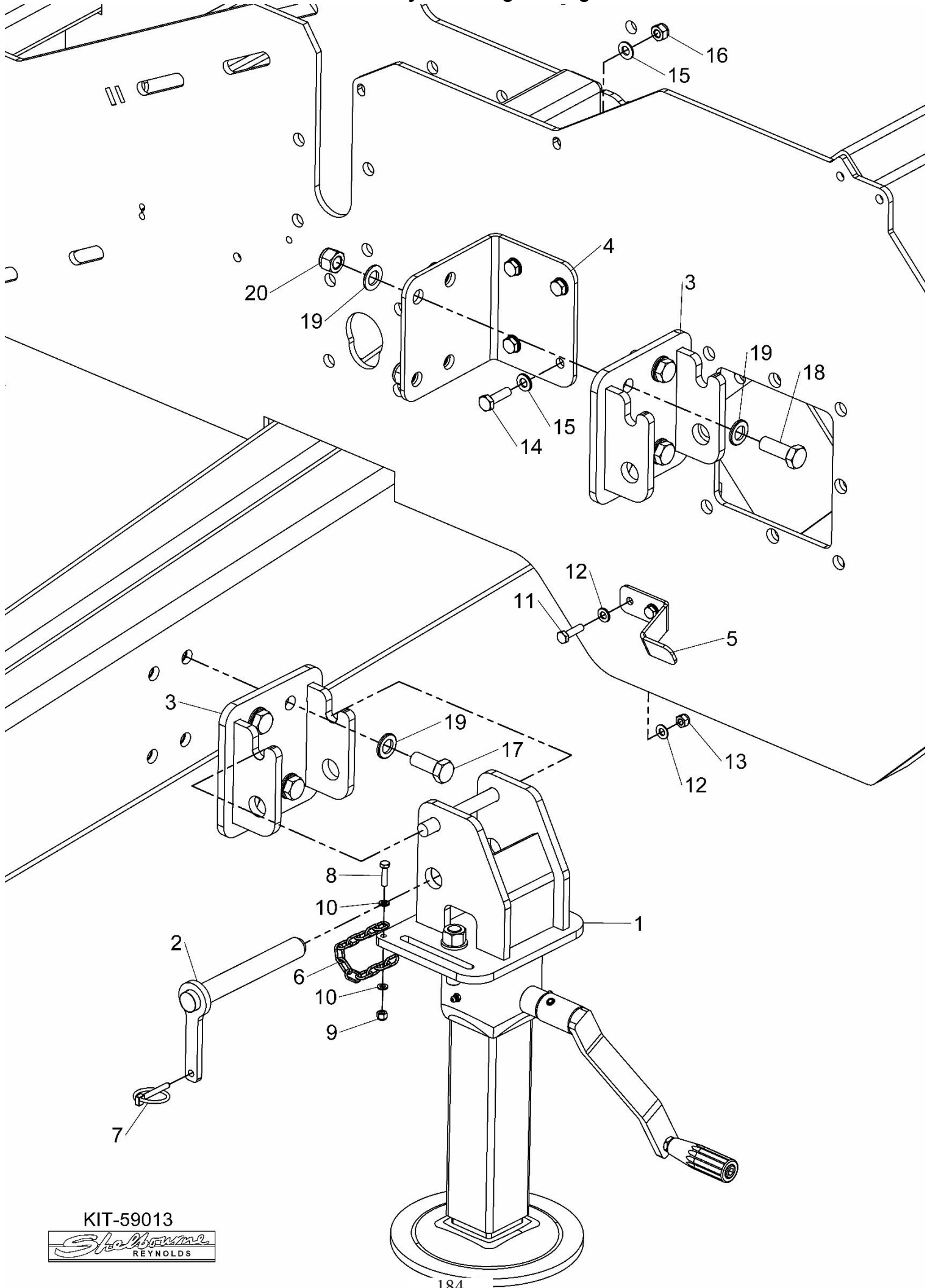




**Shelbourne Reynolds Engineering Limited**

ASSY NUMBER: KIT-59013				ASSY DESCRIPTION: LIFT OFF JACK KIT			
ITEM	PART NO	DESCRIPTION	QTY	ITEM	PART NO	DESCRIPTION	QTY
1	592335 01	JACK ASSEMBLY	1				
2	592341 01	JACK PIN WA	1				
3	592336 01	JACK MOUNT WA	2				
4	592339 01	JACK STOWAGE BRACKET	1				
5	592340 01	JACK HANDLE RETAINER BRACKET	1				
6	CHN-0145	CHAIN	0.2				
7	PIN-01601	LYNCH PIN	1				
8	HSS-0088	HEX HD BOLT	1				
9	NUT-0260	NYLOC NUT	1				
10	WSH-0009	PLAIN WASHER	2				
11	HSS-0150	HEX HD BOLT	2				
12	WSH-0012	PLAIN WASHER FORM	4				
13	NUT-0263	NYLOC NUT	2				
14	HSS-0198	HEX HD SETSCREW	4				
15	WSH-0015	PLAIN WASHER	8				
16	NUT-0265	NYLOC NUT	4				
17	HSS-0316	HEX HD SETSCREW	4				
18	HSS-0317	HEX HD SETSCREW	4				
19	WSH-0024	PLAIN WASHER	12				
20	NUT-0271	NYLOC NUT	4				



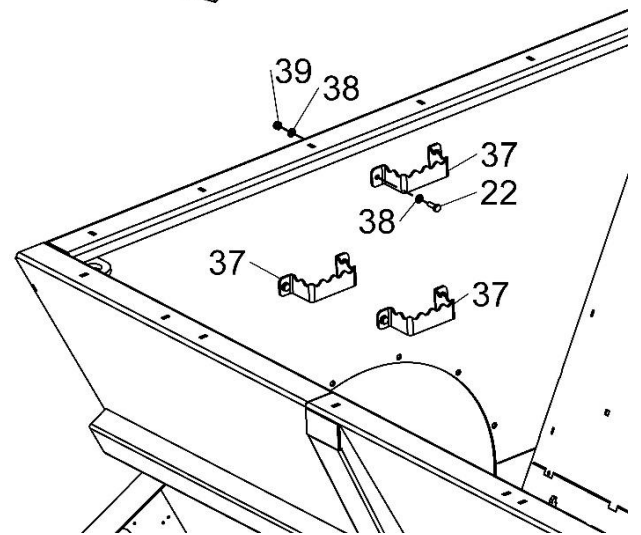
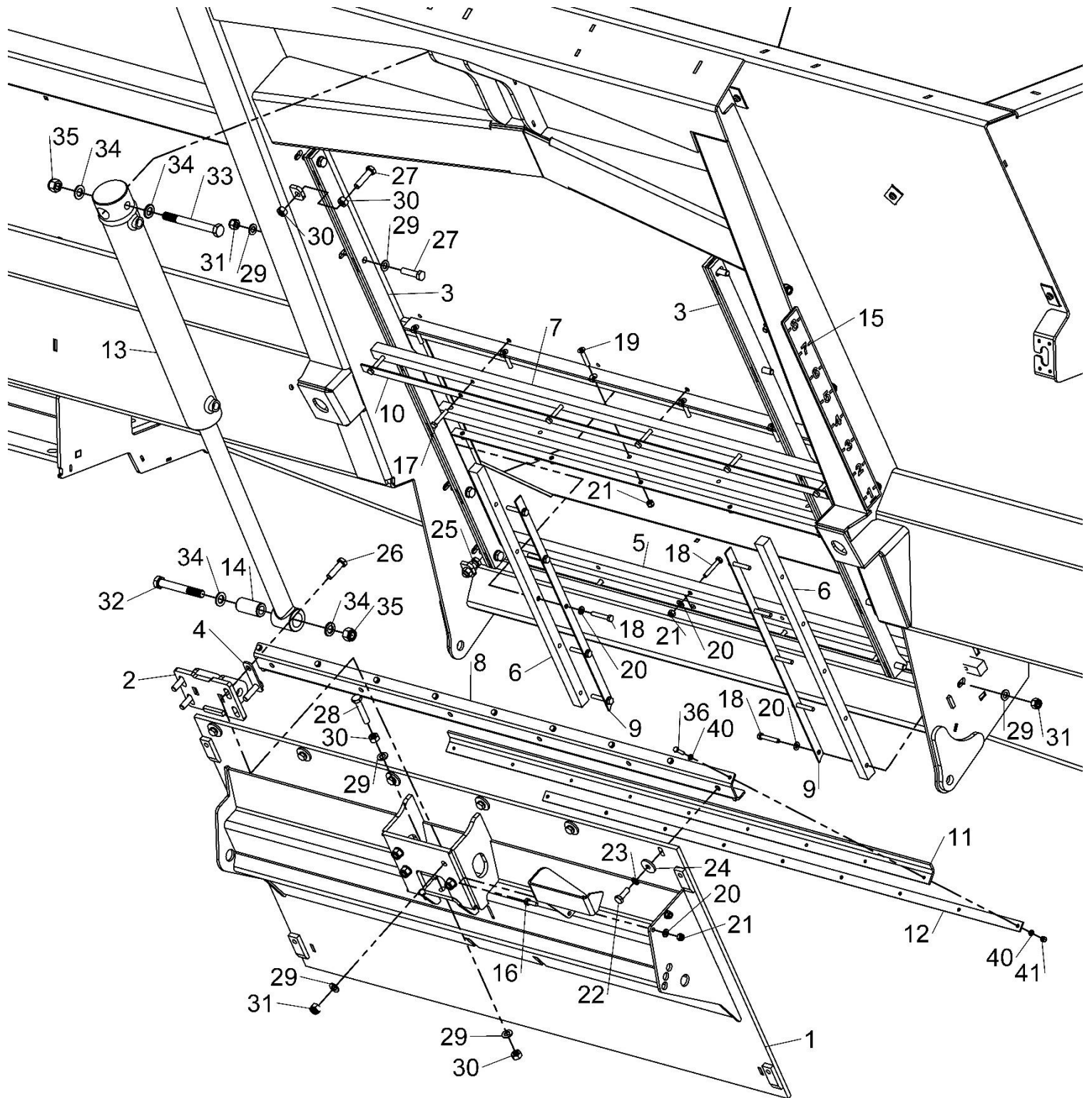


KIT-59013



**Shelbourne Reynolds Engineering Limited**

ASSY NUMBER: KIT-59015				ASSY DESCRIPTION: SLURRY MASTER DOOR KIT			
ITEM	PART NO	DESCRIPTION	QTY	ITEM	PART NO	DESCRIPTION	QTY
1	592313 01	DOOR W/ASSY	1	41	NUT-0260	NYLOCK NUT	
2	592317 01	RAM ADJUSTMENT BRKT WA	1				
3	592312 01	DOOR KEEP PLATE W/A	2				
4	592344 01	SPREADER PLATE	2				
5	592327 01	BOTTOM SEAL	1				
6	592326 01	SIDE SEAL	2				
7	592325 01	TOP SEAL	2				
8	592321 01	TOP SEAL ANGLE WA	1				
9	592324 01	SIDE SEAL CLAMP PLATE	2				
10	592323 01	TOP SEAL CLAMP PLATE	2				
11	592345 01	TOP RUBBER SEAL	1				
12	592346 01	TOP RUBBER SEAL CLAMP PLATE	1				
13	592104 01	DOOR CYLINDER	1				
14	592098 01	SPACER TUBE	1				
15	591376 01	HEIGHT INDICATOR EMBLEM	1				
16	HSS-0145	HEX HD BOLT	2				
17	HSS-0155	HEX HD BOLT	6				
18	HSS-0157	HEX HD BOLT	16				
19	SCEA08293	SOCKET HD SCREW	6				
20	WSH-0012	PLAIN WASHER	22				
21	NUT-0263	NYLOC NUT	18				
22	HSS-0194	HEX HD BOLT	12				
23	WSH-0061	SPRING WASHER	6				
24	190119 09	WASHER	6				
25	HSS-0250	HEX HD SETSCREW	2				
26	BLTA12290	HEX HD BOLT	4				
27	HSS-0260	HEX HD SETSCREW	12				
28	HSS-0275	HEX HD SETSCREW	1				
29	WSH-0018	PLAIN WASHER	26				
30	NUT-0170	PLAIN NUT	10				
31	NUT-0269	NYLOC NUT	14				
32	BLT-2330	HED HEAD BOLT	1				
33	BLTA16710	HEX HD BOLT	1				
34	WSH-0024	PLAIN	4				
35	NUT-0271	NYLOC NUT	2				
36	HSS-0088	HEX HD SET SCREW	9				
37	592349 01	INTERNAL SINGLE STEP	3				
38	WSH-0015	WASHER	12				
39	NUT-0265	NYLOC NUT	6				
40	WSH-0009	WASHER	18				



KIT-59015

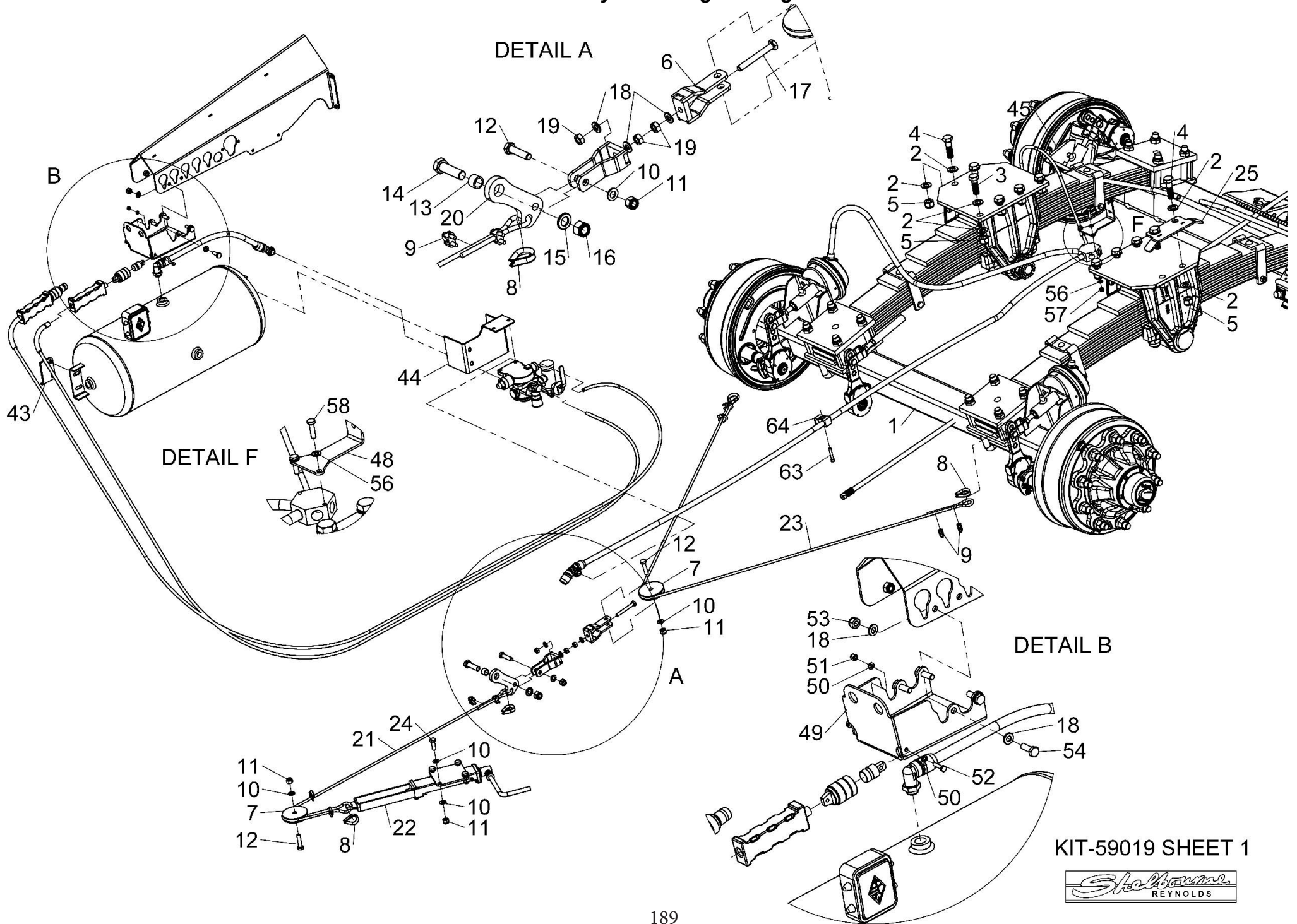




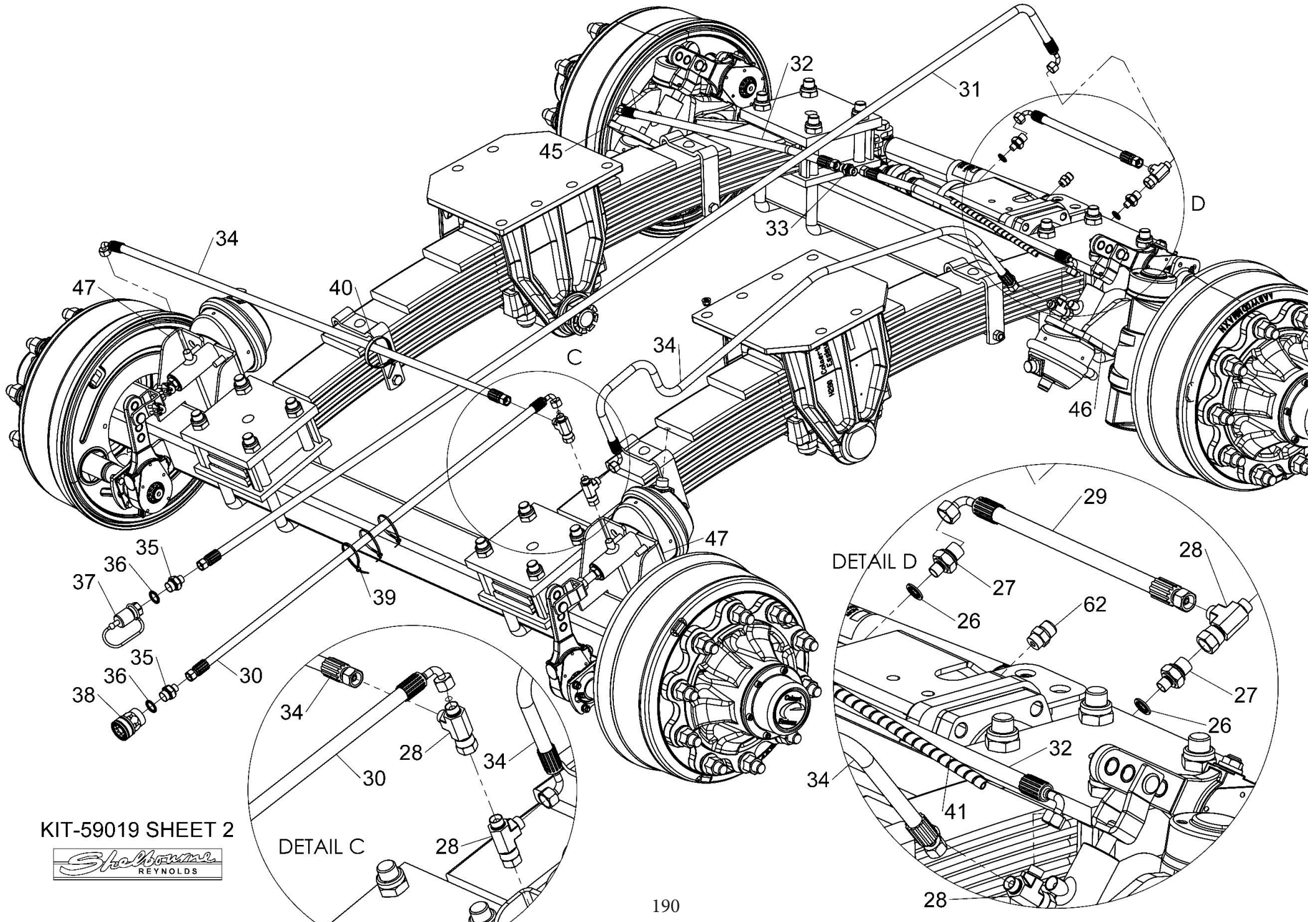
**Shelbourne Reynolds Engineering Limited**

ASSY NUMBER: KIT-59019				ASSY DESCRIPTION: TANDEM HYD / AIR AXLE KIT (2400-3200)			
ITEM	PART NO	DESCRIPTION	QTY	ITEM	PART NO	DESCRIPTION	QTY
1	AXL-00325	TANDEM STEERING AXLE (1480mm)	1	41	SLV-00300	SPIRAL TUBING	2m
2	WSH-0030	WASHER	24	42	BRA-07130	AIR/HYD BRAKE KIT	1
3	BLT-2366	BOLT	10	43			
4	BLT-2367	BOLT	2	44			
5	NUTA02200	NUT	12	45	592178 01	LH AIR CHAMBER MTG BRKT W/A	1
6	591397 01	BRAKE CLEVIS W/A	2	46	592178 02	RH AIR CHAMBER MTG BRKT W/A	1
7	591399 01	CABLE PULLEY	2	47	592181 01	FRONT AIR CHAMBER MTG BRKT	2
8	WRP-01050	WIRE ROPE THIMBLE	4	48	592407 01	MANIFOLD MTG BRKT	1
9	WRP-02080	WIRE CABLE CLAMP	8			PSP24221026 AND ON	
10	WSH-0018	WASHER	11	OR	592182 01	MANIFOLD MTG BRKT	1
11	NUT-0269	NUT	7			UPTO PSP24220989	
12	HSS-0260	SETSCREW	3	49	592139 01	AIR BRAKE PARKING STATION	1
13	591393 01	PIVOT TUBE	1	50	WSH-0009	WASHER	4
14	HSS-0319	SETSCREW	1	51	NUT-0260	NUT	2
15	WSH-0024	WASHER	1	52	HSS-0088	SETSCREW	2
16	NUT-0271	NUT	1	53	NUT-0265	NUT	10
17	HSSA10500	SETSCREW	1	54	HSS-0194	SETSCREW	8
18	WSH-0015	WASHER	23	55	HSS-0198	SETSCREW	2
19	NUT-0167	NUT	3	56	WSH-0012	WASHER	4
20	591879 01	LINK LEVER	1	57	NUT-0263	NUT	2
21	591400 05	HANDBRAKE CABLE	1	58	HSS-0150	SETSCREW	2
22	591880 01	HANDBRAKE W/A	1	59			
23	591400 01	HANDBRAKE CABLE	1	60			
24	HSS-0241	SETSCREW	4	61			
25	591889 01	HOSE FIXING PLATE	1	62	FIT-0218	BREATHER	1
26	WSH-1005	DOWTY WASHER (1/4")	2	63	SCCA08293	CAP HD SCREW (M8x45)	7
27	FIT-0025	M/M ADAPTOR (1/4"x3/8")	2	64	HCPD01600	HYD PIPE CLAMP	7
28	FITA10410	HYDRAULIC TEE FITTING	3				
29	HHBE04705	HYD HOSE ASSY REVERSE PISTON)	1				
30	HHBE92005	HYD HOSE ASSY (BRAKE/TRA 9.2m)	1				
31	591890 02	HYD HOSE ASSY (REV/TRA 10.9m)	1				
32	HHBE09005	HYD HOSE ASSY (REAR RAMS 0.9m)	2				
33	HMA-0057	M/M ADAPTOR (3/8")	1				
34	HHBE15005	HYD HOSE ASSY (FRT/REAR 1.5m)	2				
35	HMA-0065	HYD ADAPTOR	2				
36	WSH-1015	DOWTY WASHER	2				
37	COU-0162	QUICK RELEASE COUPLING	1				
38	HQR-10007	QUICK RELEASE COUPLING	1				
39	TIE-0004	TIE WRAPS	30				
40	TIE-0012	TIE WRAPS	4				







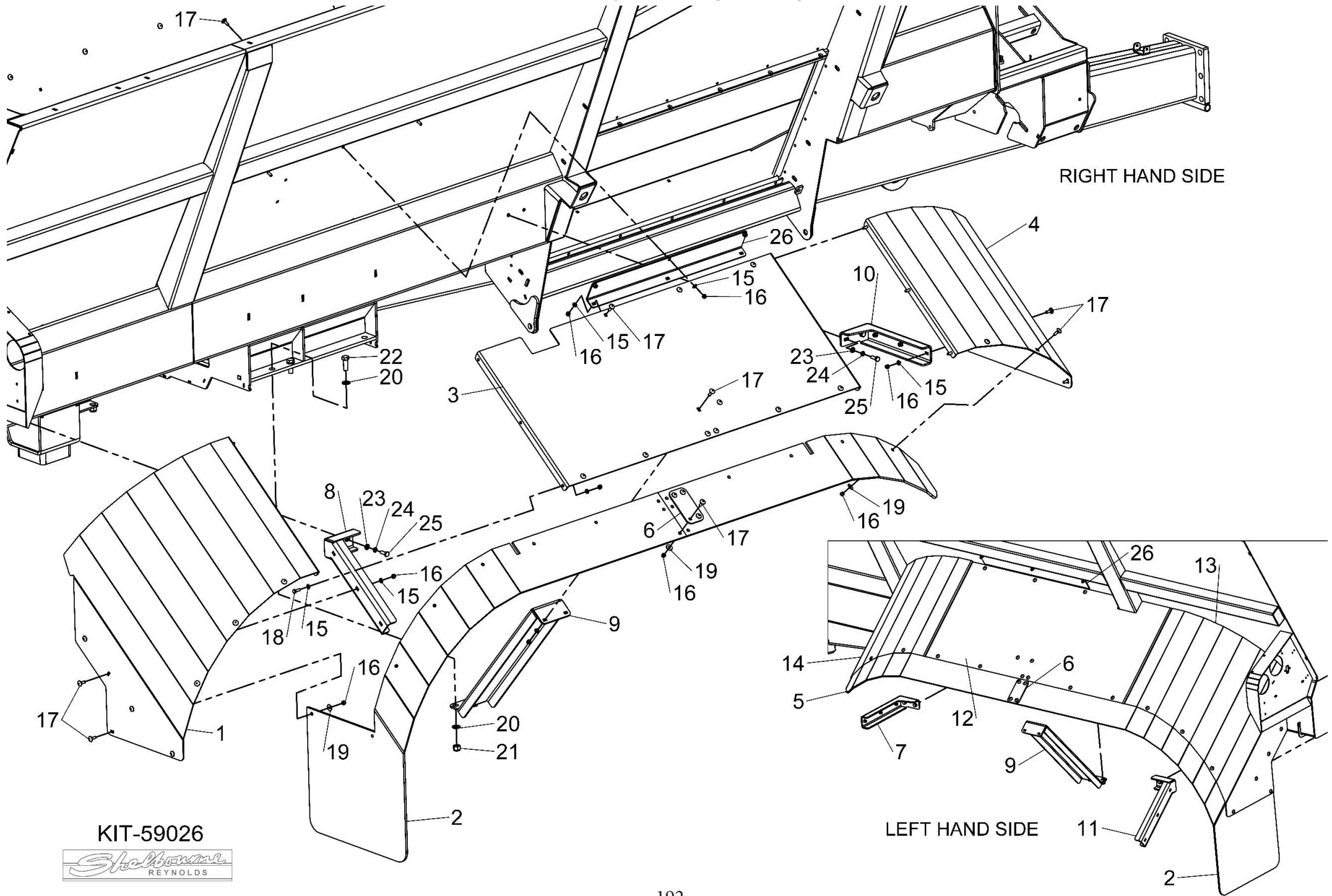


KIT-59019 SHEET 2



**Shelbourne Reynolds Engineering Limited**

ASSY NUMBER: KIT-59026				ASSY DESCRIPTION: TANDEM WHEEL MUD GUARD KIT WITH LOADCELL			
ITEM	PART NUMBER	DESCRIPPTION	QTY	ITEM	PART NUMBER	DESCRIPTION	QTY
1	592532 01	REAR PANEL	1				
2	592235 01	REAR RUBBER	2				
3	592531 01	CENTRAL PANEL	1				
4	592533 01	FRONT PANEL	1				
5	592238 01	FRONTAL RUBBER	2				
6	592239 01	RUBBER RETAINING PLATE	2				
7	592534 01	RETAINING ARM	1				
8	592537 01	REAR SUPPORT ARM	1				
9	592538 01	SUPPORT PLT	2				
10	592534 02	RETAINING ARM	1				
11	592537 02	REAR SUPPORT ARM	1				
12	592531 02	CENTRAL PANEL	1				
13	592532 02	REAR PANEL	1				
14	592533 02	FRONT PANEL	1				
15	WSH-0012	PLAIN WASHER	52				
16	NUT-0263	NYLOCK NUT	76				
17	BLTF08173	COACH BOLT	64				
18	HSS-0145	HEX HD BOLT	12				
19	WSH-1038	PENNY WASHER	36				
20	WSH-0024	PLAIN WASHER	8				
21	NUT-0271	NYLOCK NUT	4				
22	HSS-0317	HEX HD SET SCREW	4				
23	WSH-0015	PLAIN WASHER	8				
24	WSH-0061	SPRING WASHER	8				
25	HSS-0194	HEX HD BOLT	8				
26	592539 01	MUD GUARD FIXING PLT	2				



KIT-59026

