

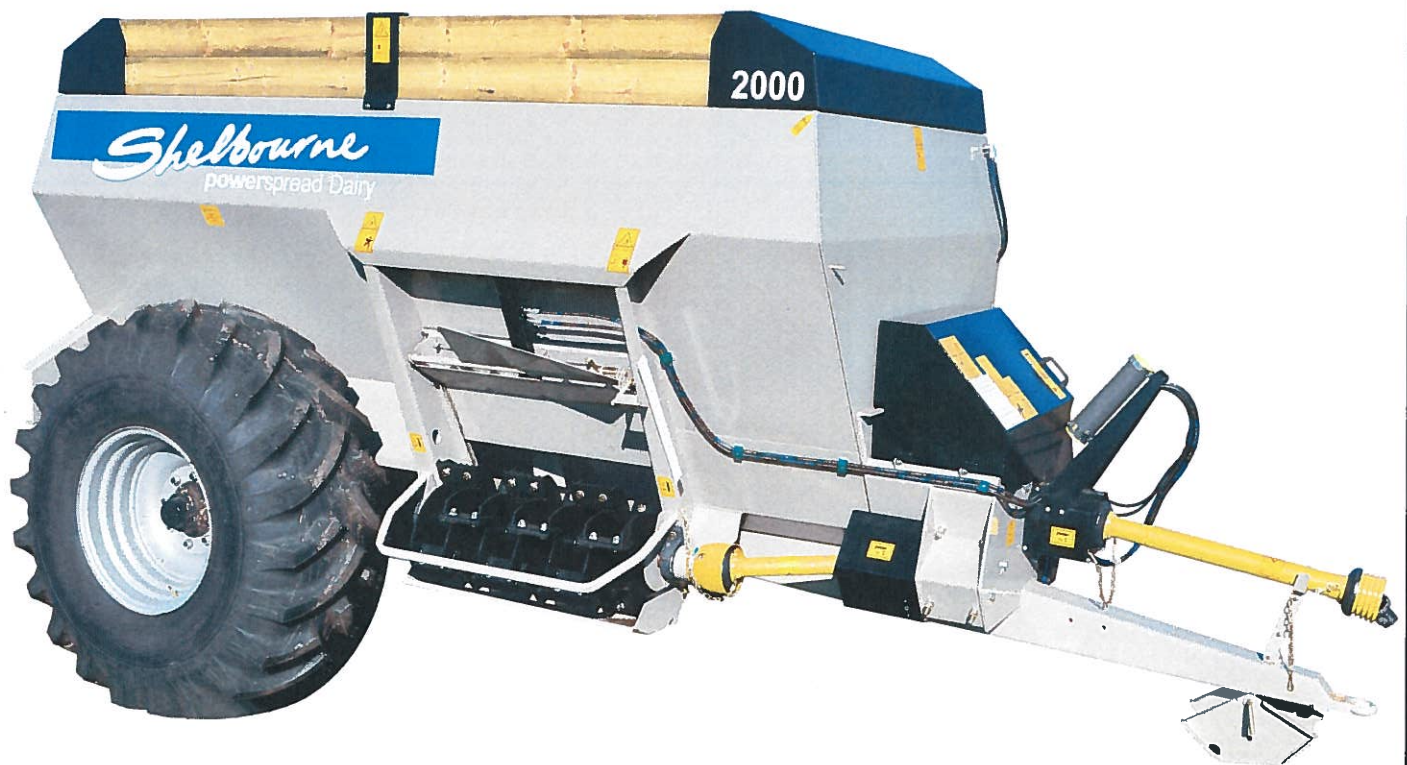
MAN-06215

# Shelbourne

REYNOLDS

# Powerspread Dairy

OPERATORS AND PARTS MANUAL



Shelbourne Reynolds Engineering Ltd  
Stanton  
Bury St Edmunds  
Suffolk IP31 2AR  
England

Telephone: (01359) 250415  
Fax: (01359) 250464

(Stores direct (01359) 251231)  
(Stores direct (01359) 252031)

ISSUE 3 02.06.2014

visit our website [www.shelbourne.com](http://www.shelbourne.com)



## Dealer Pre-delivery / Installation check and warranty registration – Powerspread

PLEASE INITIAL APPROPRIATE COLUMN FOR EACH ITEM UNDERTAKEN

**Machines assembly**

	Checks OK	Adjusted
Check in general that nuts & bolts are tight.		
Check paintwork & finish.		

**Drive line**

Check chains are tensioned correctly.		
Check the PTO shaft length is compatible with the tractor.		
Rotate the auger & check there are no unusual scratching or knocking sounds.		

**Lubrication**

Ensure the chain-oiler system (Contractor only) is working correctly, & the chains are pre-greased.		
Lubricate all grease points.		

**Adjustments**

Rotate the impeller, check it rotates freely, and is clear of the door and drip tray. Adjust impeller blades (Dairy) or impeller adjuster studs (Contractor) as required.		
---	--	--

**Hydraulics**

Check hydraulic system for leaks.		
Check operation of all hydraulic services.		
Ensure the hoses are not taugt when connected to the tractor.		

**Wheel & tyres**

Check tyre pressures.		
Check wheel nuts for correct torque setting.		

**Braking system**

Check brake ram operation & adjustment.		
Check operation of handbrake.		
Check braking system for oil leaks.		

**Safety**

Ensure that all safety guards & decals are fitted.		
--	--	--

**Manual**

Ensure that an operator's manual is supplied with the machine.		
--	--	--

**Customer Instruction**

Explain the correct setting & operation of the machine to the customer.		
Ensure the machine is correctly attached to the customer's tractor.		
Ensure the maintenance schedule is explained to the customer.		
Ensure the lubrication & grease points are indicated to the customer.		
Ensure all safety precautions & warning decals are explained to the customer.		
Ensure the warranty policy is explained to the customer.		
Ensure that the operators manual is handed to the customer.		

For specific details please refer to the operators manual.



### Dealer's pre-delivery/installation check IMPORTANT

All items listed on the left must be checked, and adjusted if necessary. The person conducting the inspection should initial each item in the space provided, indicating whether or not adjustments were required. In event of additional work being needed, details should be given in the additional work / discrepancy box, located at the bottom of this sheet, or on a separate sheet if required.  
When the inspection is complete, THIS FORM MUST COPIED & RETURNED TO:- Shelbourne Reynolds Engineering within 21 days of the sale, otherwise the invoice date to the dealer will be

Dealer Name: \_\_\_\_\_

Address: \_\_\_\_\_

Post / Zip code: \_\_\_\_\_

Dealer Salesman Name: \_\_\_\_\_

Customer Name: \_\_\_\_\_

Address: \_\_\_\_\_

Post / Zip code: \_\_\_\_\_

Tel No, Home / Office: \_\_\_\_\_ Mobile: \_\_\_\_\_

SERIAL NUMBER: \_\_\_\_\_ MACHINE NUMBER: \_\_\_\_\_

MODEL: \_\_\_\_\_

Dealer signature: \_\_\_\_\_

Print Name: \_\_\_\_\_ Date: \_\_\_\_\_

Customer's Signature: \_\_\_\_\_

Print Name: \_\_\_\_\_ Date: \_\_\_\_\_

The purchasers signature certifies that the machine was delivered in a satisfactory condition and that adequate instruction was received as to its correct operation, safety requirements and maintenance as stated in the operators manual

Additional work / discrepancies:

This page must be faxed or e-mailed to Shelbourne Reynolds Engineering Ltd.  
Fax No: - +44 (0)1359 250464. E-mail: - warranty@shelbourne.com



## EC Declaration of conformity for machinery

(Machinery Directive 2006/42/EC, Annex II., sub. A)

Manufacturer : Shelbourne Reynolds Engineering Ltd.

Address : Shepherds Grove Industrial estate,  
Stanton,  
Bury St Edmunds,  
Suffolk.  
England.  
IP31 2AR

Name and address of the person (*established in the European Community/EEA*)  
authorised to compile the technical file (*to the authorities on request*):

Name : Mr. Neil Smith

Address : As stated above.

Herewith we declare that :

Make :

**Powerspread Dairy**

Model :

Serial No.:

- is in conformity with the relevant provisions of the Machinery Directive  
(2006/42/EC)

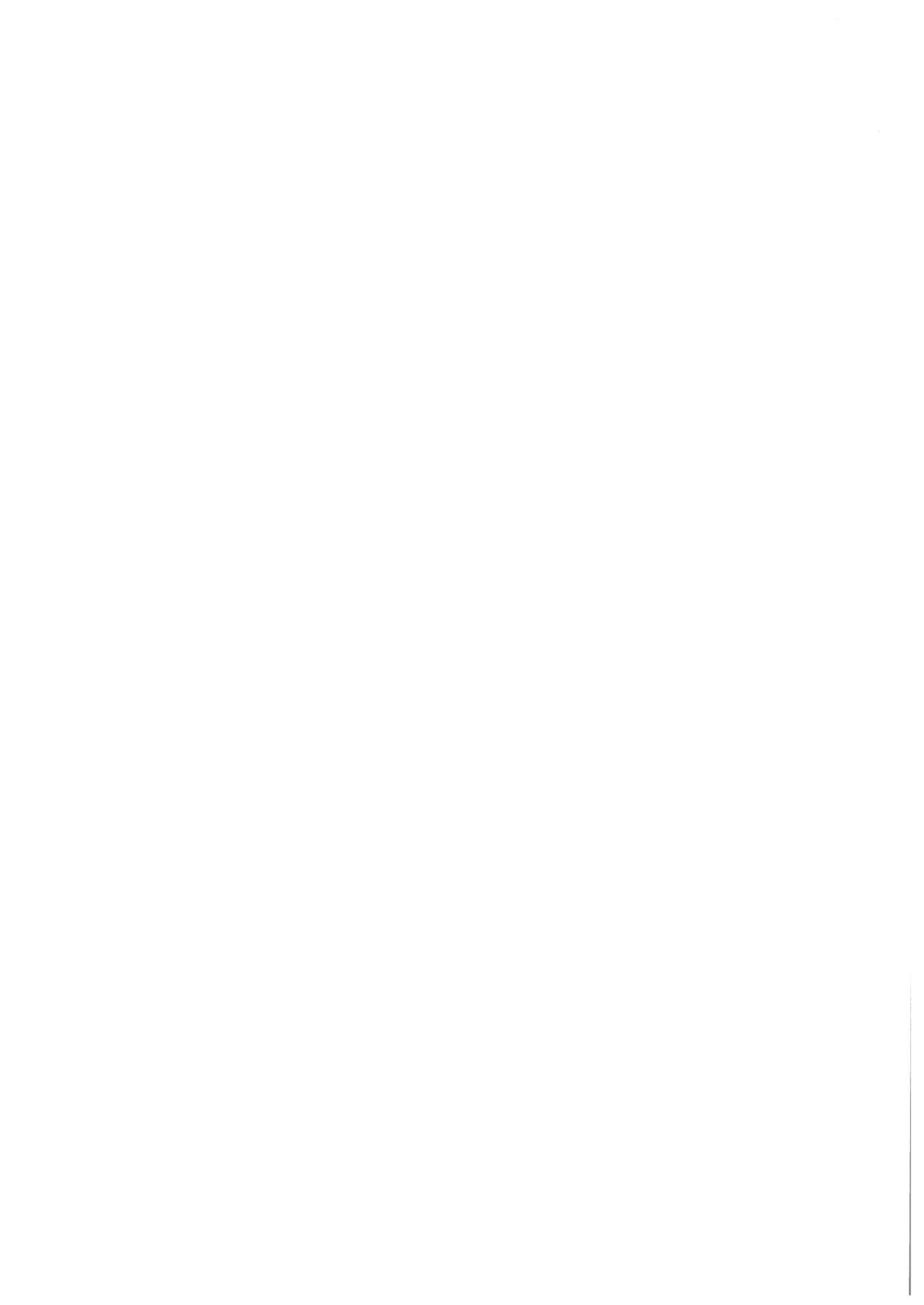


Neil Smith  
Director

Place :

**Stanton, England.**

Date :



# OPERATORS/PARTS MANUAL

## CONTENTS

<b>Section 1</b>	<b>INTRODUCTION</b>
1.1	Foreword
1.2	Improvements and changes
1.3	Service Parts
1.4	Machine Identification
1.5	Standard warranty policy
<b>Section 2</b>	<b>SAFETY PROCEDURES</b>
2.1	Accident prevention
2.2	Before starting the machine
2.3	The machine in the field
2.4	Leaving the machine
2.5	Servicing the Powerspread
2.6	Spreader attachment and transportation
<b>Section 3</b>	<b>SPECIFICATION AND DESCRIPTION</b>
<b>Section 4</b>	<b>TRANSPORTATION AND SPREADER ATTACHMENT</b>
4.1	Attaching spreader to tractor
4.2	Connection of hydraulic hoses for discharge door ram
4.3	Connection of hydraulic hose for brake ram
4.4	Braking system and handbrake
<b>Section 5</b>	<b>FIELD OPERATION AND SPREADING</b>
5.1	General spreading information
5.2	Loading the Powerspread
5.3	Discharge rate
5.4	Foreign objects
5.5	Door opening
5.6	Semi solid materials/Lagoon scrapings
5.7	Solid materials
5.8	Shear bolt protection
5.9	Spread pattern
<b>Section 6</b>	<b>ADJUSTMENTS AND MAINTENANCE</b>
6.1	Setting impeller blades
6.2	Drive chain tensioning
6.3	Shear bolts
6.4	Washing down the Powerspread
6.5	Tyre pressures
6.6	Hardware and fixings
<b>Section 7</b>	<b>LUBRICATION</b>
<b>Section 8</b>	<b>PARTS LISTING</b>





## SECTION 1:

## INTRODUCTION

### 1.1 FOREWORD

This manual will assist the operator to set, operate and service the Shelbourne Reynolds Powerspread Dairy to give safe, efficient and optimum spreading throughputs. It should be read carefully before putting the machine to work. Later sections illustrate and list all relevant spare parts.

The Powerspread Dairy manure spreader has a capacity dependent on material of 7250 litres/1600 gallons.

The machine has been designed to spread all types of material from thin slurry, to the heaviest farmyard manure.

As with all machinery, routine maintenance is a necessary condition for long life and it will repay the operator to read this manual and to follow the operating and maintenance instructions carefully.



### 1.2 IMPROVEMENTS AND CHANGES

Shelbourne Reynolds Engineering are continually improving their products to meet the farmers needs and therefore reserve the right to make improvements and changes when practical to do so, without incurring any obligation to make changes and additions to equipment which has been sold previously.


### 1.3 SERVICE PARTS

Use guaranteed and genuine Shelbourne Reynolds Engineering service parts on Shelbourne Reynolds machinery to ensure maximum life and best performance. These are available through your Shelbourne Reynolds Engineering dealer.

When ordering service parts always quote the model, serial number and machine number.

### 1.4 MACHINE IDENTIFICATION

The serial and machine numbers of the Powerspread Dairy spreaders are printed on a plate located on the left hand side of the main drawbar beam.

<i>Shelbourne</i> REYNOLDS			
MACHINE No.	<input type="text"/>	SERIAL No.	<input type="text"/>
MAX GROSS WEIGHT	<input type="text" value="Kg"/>	UNLADEN WEIGHT	<input type="text" value="Kg"/>
DRAWBAR MAX LOAD	<input type="text" value="Kg"/>	YEAR	<input type="text"/>
	SHELBOURNE REYNOLDS ENGINEERING LTD STANTON, SUFFOLK, IP31 2AR, ENGLAND		

## 1.5 STANDARD WARRANTY POLICY

### NEW MACHINE WARRANTY

All new machines supplied by **Shelbourne Reynolds Engineering Ltd. (“Shelbourne”)**, are warranted to the original purchaser, under normal use and service, to be free from defects in material and workmanship for a period of 12 months from the date of delivery to the original purchaser. This limited warranty gives you specific legal rights and is in addition to any statutory rights to which you may be entitled. Your statutory rights are not affected by this warranty.

**To qualify for the full benefit of this warranty, the dealer must ensure that the warranty registration details have been returned to Shelbourne within 30 days from the date of delivery. Using the machine implies the knowledge and acceptance of these instructions and the limitations contained here in this Manual. Shelbourne reserves the right to suspend the operation of these warranty conditions unless and until the purchaser has paid in full for the goods or parts in question.**

### LIMITATIONS AND EXCLUSIONS

Shelbourne and the authorised Shelbourne dealer shall not be liable to the original purchaser under any circumstance for injuries, death, property damage or damages of any kind whatsoever directly, consequential or contingent to any person or property. Furthermore, the warranty shall not extend or apply to temporary repairs or in respect of loss or any expense incurred for labour, additional or substitute machinery, rental or for any other reason or purpose.

**Shelbourne will not be liable under this warranty for any repairs carried out without its prior consent to the work being done. Any fault should be reported to an authorised Shelbourne dealer as soon as discovered. Continued use of the machine could cause further failures for which Shelbourne cannot be held liable and may also have safety implications.**

Authorisation must be given by Shelbourne Service personnel – no other employee, dealer or other person is authorised to give warranties on behalf of Shelbourne.

Subject to the conditions and exclusions noted in this limited warranty, Shelbourne shall repair or replace free of charge any warranted parts which in our opinion show evidence of such defect provided that any such parts are returned within 30 days by the authorised Shelbourne dealer from whom the purchase was made.

Any parts on which warranty is allowed becomes the property of and must be returned to Shelbourne if Shelbourne so requests. All claims must be submitted to Shelbourne by an authorised Shelbourne dealer within 15 days of the date of the repair on a Shelbourne Warranty Claim Form. The submission of a claim is not a guarantee of payment. Any decision reached by Shelbourne is final.

This limited warranty by Shelbourne does not cover:-

- 1) Damage or depreciation caused by normal wear and tear. Any parts which have been subjected to alteration, modification or fitment of non-genuine Shelbourne parts, wilful or accidental damage, damage caused by foreign objects (e.g. stones, metals and any materials other than those suitable for the machines intended use).
- 2) Damage or depreciation caused by neglect or failure to carry out proper maintenance as recommended in the Shelbourne Operators Manual.
- 3) Damage or depreciation caused by abnormal or in-proper use in accordance with Shelbourne recommendations and/or as per the Operating Instructions.

- 4) Items not covered also include chains, bearings or any other items which are considered to be a normal wearing or consumable item.
- 5) Items not manufactured by Shelbourne such as trade accessories e.g. tyres, belts, hydraulic motors, hydraulic valves, PTO shafts etc. are warranted by their respective manufacturer. The original purchaser shall only be entitled to the benefit of any such warranty given by them.
- 6) Environmental Damage.

## **TRANSFER OF WARRANTY**

Shelbourne may at its sole discretion allow this warranty to be transferred to a subsequent owner of the machinery for the balance of the warranty period, subject to all of the warranty conditions being met and only with Shelbourne giving prior written consent.

## **WARRANTY ON PARTS**

Shelbourne warrants that any part or components supplied by Shelbourne in accordance with this limited warranty are free from defects in material or workmanship from the date of sale to the original purchaser for 6 months. Shelbourne will at its option, either repair or replace the defective part free of charge. Original Purchaser shall be responsible for labour and all freight charges to and from the place where the warranty work is performed.

**Shelbourne Reynolds Engineering Ltd. cannot be held responsible for any failures or safety implications arising from the use of non-genuine parts. Use of non-genuine parts may seriously affect the machine's performance and safety.**

## SECTION 2:

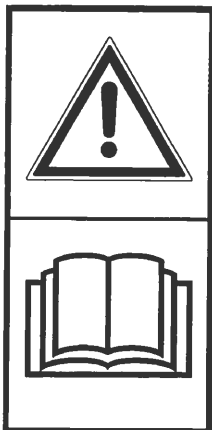
## SAFETY PROCEDURES

### 2.1 ACCIDENT PREVENTION

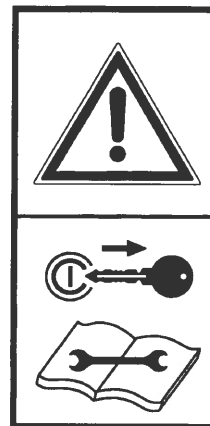
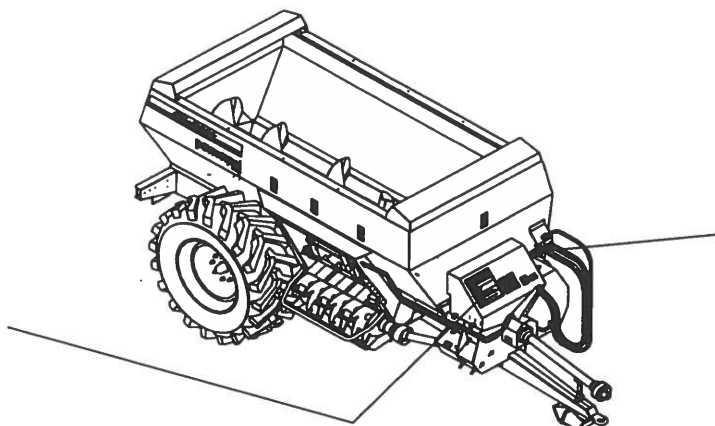
The following safety instructions are applicable for all chapters of this manual.

#### DANGER SYMBOLS

On the machine - the following symbols appear on the machine and are for your safety and the safety of other people. Ensure that you identify each symbol and understand it's warning



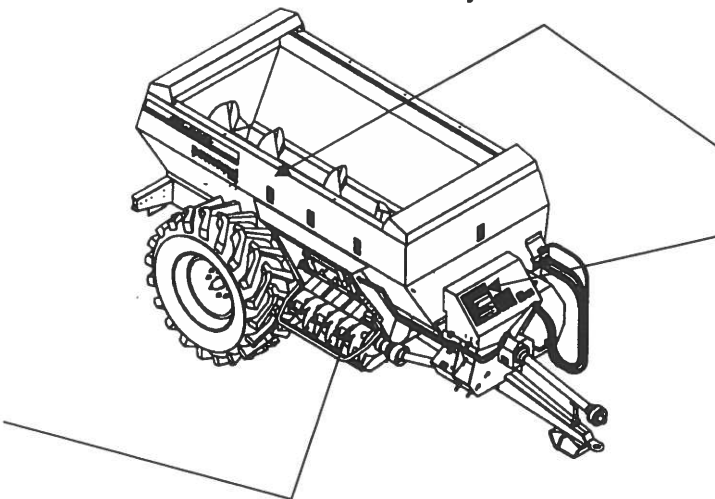
Carefully read the operating manual before handling the machine.



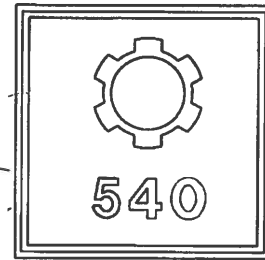
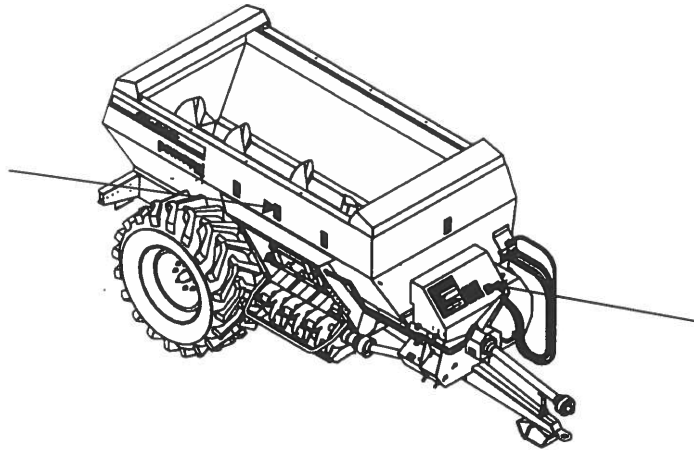
Stop the engine and remove the key from the tractor before carrying-out any work on the machine.



Ensure that there are no persons in the vicinity of the machine when the tractor engine is running. injury may result from contact with rotating parts and flying objects.



Beware of rotating auger. Do not reach standing Or lean into tub. Do not attempt to clear a blockage when the tractor engine is Serious running. Serious injury may result from rotating parts



Do not use safety rail on the impeller as a step. Serious injury may result from slipping or falling into the impeller.

The rotational speed of the PTO drive shaft must not be greater Than 540 revolutions per minute.

## PRECAUTIONS

Accident programmes can only prevent accidents with the co-operation of the persons responsible for the operation of the equipment.

For the safety of others, operate equipment with care and do not take unnecessary risks which could cause an accident.

The tractor manufacturers operator manual safety precautions should be adhered to along with the following additional safety precautions listed when using a **Shelbourne Reynolds Powerspread**.

## CAUTION



In addition to the following list, this symbol will appear throughout this manual whenever your safety, the safety of others or the machinery, is involved.

Please read all safety instructions contained in this operating manual with the utmost care and also observe all warning signs attached to the Powerspread. These warning signs must be kept in a legible condition and must be replaced if missing or damaged. This is especially the case when whole sections are replaced when making repairs. Warning signs are available from your dealer or importer.

Follow these instructions to prevent accidents. These instructions must also be made available to all other users. You are advised to refrain from any working methods, which may be hazardous.

## **PROPER USE**

**Shelbourne Reynolds Powerspreads** are based on state-of-the-art technology and are manufactured in accordance with recognised safety requirements. Nevertheless the use of the Powerspread does not preclude the risk of injury to the user or third parties and/or the risk of damage to the Powerspread itself or to other materials or items of equipment.

Always make sure that the Powerspread is in a technically perfect condition and that it is used properly and for its intended purpose and entirely in accordance with the instructions given in this manual. Any malfunctions or defects which, might affect the safe operation or the Powerspread must be immediately eliminated.

The Powerspread must be used, maintained and repaired only by persons who are familiar with its working and have been made fully conversant with the risks involved.

OEM replacement parts and accessories from Shelbourne Reynolds have been specially designed for use with the Shelbourne Reynolds Powerspread. Any replacement parts and accessories not supplied by Shelbourne Reynolds have not been tested and approved by us. The installation and/or the use of non-Shelbourne Reynolds products may under certain circumstances have a negative influence on the given design features of your Powerspread and may therefore adversely affect its safe and reliable operation and your safety. Shelbourne Reynolds cannot therefore be held liable for damage or injury caused by the use of non-OEM replacement parts or accessories.

The Shelbourne Reynolds Powerspread is intended for use on typical farms and to be employed in spreading many types of manure from thin slurry to heavy farmyard manure. Any uses other than those for which the Powerspread is intended, such as transportation, will automatically exempt Shelbourne Reynolds or the supplier from its/his liability in respect of ensuing damage. Such cases of improper use will therefore be entirely at the user's own risk.

All relevant accident prevention regulations, as well as other generally acknowledged health and safety regulations and road traffic regulations must be strictly observed.

Improper use also comprises failure to observe the instructions given in this operating manual and the manufacturer's maintenance and servicing requirements.

## **OPERATIONAL SAFETY**

The Powerspread must not be put into operation until the user has been given proper initial instructions either by the dealer or by one of Shelbourne Reynolds' representatives or employees.

The Powerspread may be used only if all safety devices, e.g. detachable guards, are fitted and in proper working order.

Nuts and bolts should be checked at regular intervals and tightened if necessary.

Tyre pressures must also be checked regularly.

In the event of a malfunction, immediately cease operation and secure the Powerspread in its stationary position. Malfunctions must be eliminated immediately.

## **No liability for consequential damage**

Even though your Shelbourne Reynolds Powerspread has been manufactured with the utmost care and you are using it properly, fluctuations and interruptions in feed rate may still occur.

It is the duty of the operator/user to ensure that foreign objects, e.g. stones, metal objects etc. are not allowed to enter the machine and are not allowed to be discharged by the impeller. The Powerspread impeller propels the muck at high speed to obtain its spread pattern. Failure to observe this may result in damage to the Powerspread and/or injury to the operator/user and/or damage to property.

Any claims for damages not directly incurred by the Powerspread cannot be accepted. By the same token, Shelbourne Reynolds cannot be held liable for any consequential damage resulting from incorrect use of the Powerspread.

## **ROAD SAFETY**

UK road traffic regulations must be observed when towing the Powerspread on roads, paths and other public places. (Relevant areas are stated overleaf).

The Powerspread must be in a road-worthy condition.

Observe the maximum permissible width for road transport and fit all necessary rear lights, warning signs and guards. Disconnect the electrical supply when fitting.

Disconnect all hydraulic connections and the PTO driveshaft from the Powerspread so that it cannot be inadvertently operated.

Ensure that all braking systems and lighting systems are in full working order and that they can be fully and correctly operated by the vehicle towing the Powerspread.

Observe the maximum permissible axle loads, the load bearing capacity of the tyres and the maximum total weights in order to ensure adequate steering and braking. The behaviour of the tractor is also influenced by attached implements. Take the width and the towing hitch weight into consideration, especially on sharp bends.

No person may be allowed to ride on the Powerspread.



## **ACCIDENT PREVENTION**

Careful heed must be paid not only to the safety instructions contained in this operating manual but also to the accident prevention regulations governing the operation of agricultural machinery.

### **When coupling the Powerspread to the tractor**

The work of coupling and uncoupling the Powerspread involves a high risk of injury. The following instructions must therefore be carefully observed:

- Secure the Powerspread in such a way that it is on level ground and cannot roll forwards or backwards.
- Slowly reverse the tractor towards the Powerspread - always ensure that there are no other persons in the vicinity of the Powerspread or the tractor.
- Connect the Powerspread to the tractor hitch using only the method recommended in the tractor's operators manual.

### **When using the PTO shaft**

Use only the universal joint shaft, which is supplied with the Powerspread and is intended for use with the Powerspread. Ensure that it is fitted with the prescribed protective equipment (protective tube and funnel-shaped PTO shaft guard must be fitted). Make sure that the tractor engine and the PTO shaft are switched off before proceeding to fit the universal joint shaft.

Make sure that the tubes overlap by the prescribed distance in both straight-ahead and in turning positions and are secured in such a way that they cannot rotate with the shaft.

Be absolutely sure that there is nobody standing in dangerous proximity to the Powerspread when you switch on the PTO shaft.

The PTO shaft speed of the tractor must correspond with the maximum permissible rotational speed of the Powerspread. The angle of attachment will depend on the type of PTO shaft and on the type of tractor hitch. Always switch off the PTO shaft if the angle of divergence is excessive or whenever the PTO shaft is not required.

### **When using the hydraulic system**

Do not connect the hydraulic hoses to the tractor's hydraulic system until you have made sure that the system is at zero pressure on both the tractor and the equipment

The hydraulic system generates extremely high pressures. All piping, hoses and connections must therefore be checked regularly for leakage and visible external damage. Use proper and thorough means of searching for leakage and repair all damage immediately. Spurting hydraulic oil can cause injuries and fires. Call a doctor immediately in the event of injury.

In order to exclude the possibility of incorrect connection, all mating plugs and sockets belonging to the hydraulic connections between the tractor and the Powerspread should be marked with matching colours.

## **2.2 BEFORE STARTING THE MACHINE**

1. Read the manuals thoroughly.
2. Check that all guards are properly secured.
3. Ensure that no person is working on or inside the machine.
4. Check that all observers are clear of the machine.

## **2.3 THE MACHINE IN THE FIELD**

5. Do not permit anyone to ride on the Powerspread or climb on the machine when the spreader is in operation.
6. Always stop the engine and apply the handbrake on the tractor before removing or opening any guards or clearing a blockage in the spreader.
7. NEVER allow anyone to walk alongside the right hand side of the machine whilst operating as injury from flying objects may occur.
8. Be aware that small stones and other similar hard objects can be thrown further than manure. Care should be taken when working near highways, public footpaths, buildings, etc...
9. Always replace all guards after making any adjustments or lubricating the machine. Replace or repair any damaged or missing guards immediately.
10. Do not work around the machine in loose clothing that might get caught in moving parts.
11. Keep hands away from moving parts.
12. Keep children away from and off the machine at all times.

## **2.4 LEAVING THE MACHINE**

13. Park the machine on reasonably level ground.
14. Apply the tractor's parking brake.
15. Stop the tractor's engine before leaving the cab.
16. When unhooking the spreader apply the machine's parking brake before moving the tractor away.
17. Position the PTO shaft on the stand provided and locate the hydraulic hoses in the hose parking station on the front of the machine.

## **2.5 SERVICING THE POWERSPREAD**

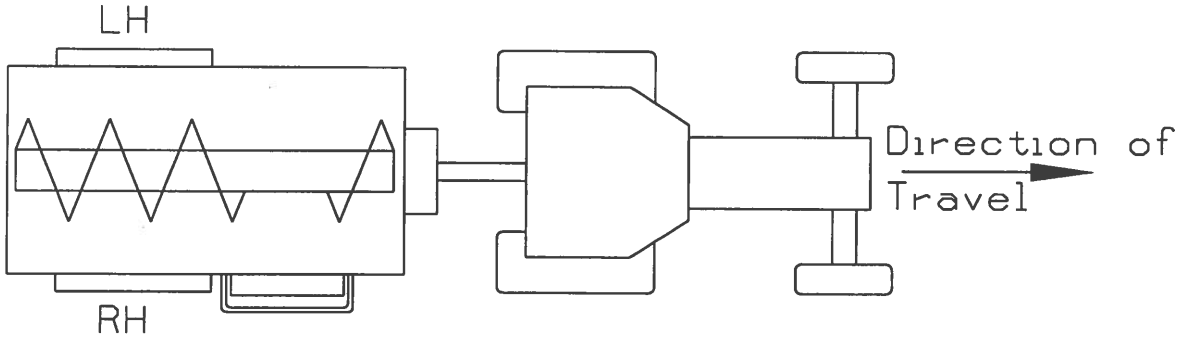
17. Stop tractor engine and apply handbrake before performing any adjustments or lubrication and before opening or removing any guard.
18. Always re-install all safety guards on completion of servicing.

## **2.6 SPREADER ATTACHMENT AND TRANSPORTATION**

19. Follow the procedure described further through this manual for spreader attachment and detachment.
20. Follow the section on loading the Powerspread and ENSURE THAT THE MACHINE IS NOT OVERLOADED. The specification plate on the left hand side of the machine will state the safe maximum working weights and loads.
21. When towing the loaded Shelbourne Reynolds Powerspread on the highway, ensure that material cannot over-flow or spill out of the hopper.
22. When towing the machine, ensure that the P.T.O. shaft and hydraulic hoses are attached correctly, and do not interfere with the ground or foul any moving parts

**SECTION 3: SPECIFICATION AND DESCRIPTION**

RIGHT AND LEFT HAND OF THE MACHINE AS TERMED IN THE MANUAL IS AS VIEWED WHEN IN THE DRIVERS SEAT.



**THE SHELBOURNE REYNOLDS POWERSPREAD Dairy**

**FEATURES**

Patented centre discharge auger causes minimum movement of manure.

Contra feeding auger provides Boiling action.

Six paddles every revolution of auger.

Vertical centre lift door. door setting utilising the total impeller

Overshot impeller. to 18 metres.

Slurry deflectors.

Shear bolts fitted.

Varying pitch auger flights. to be spread.

**BENEFITS**

High rates of discharge.

Material well broken in hopper

Provides an even feed to the impeller.

Allows an even discharge of manure at any width.

Provides a fine even spread at widths of up to 18 metres.

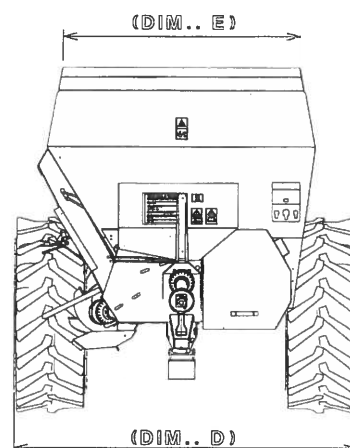
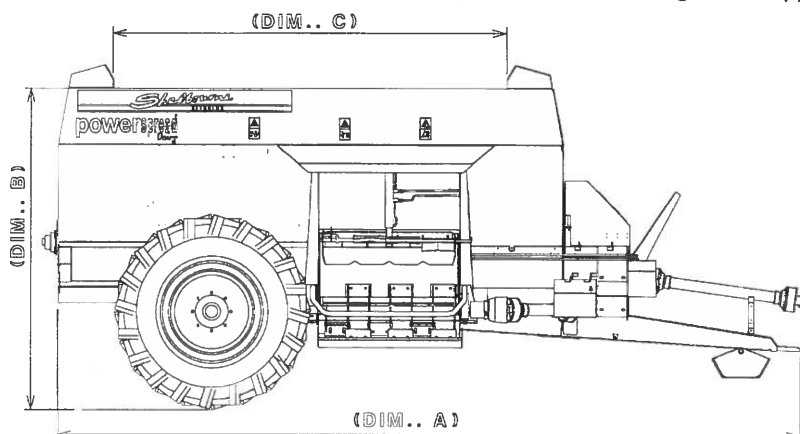
Gives an even slurry spread pattern.

For maximum protection of the drives.

Enables a wide range of manure and slurry to be spread.

## TECHNICAL SPECIFICATION

Sizes and weights are as follows: (all dimensions & weights are approximate)



Dairy	1400	1600	1800	2000
Capacity Gallons	6350 litres / 1400 gallons 1700 gallons	7250 litres / 1600 gallons 1900 gallons	8000 litres / 1800 gallons 2100 gallons	9000 litres / 2000 gallons 2400 gallons
Volume	6.35 m <sup>3</sup> (244 ft <sup>3</sup> )	7.25 m <sup>3</sup> (256 ft <sup>3</sup> )	8.00 m <sup>3</sup> (283 ft <sup>3</sup> )	9.00 m <sup>3</sup> (318 ft <sup>3</sup> )
Length (A)	5410mm (213")	5410mm (213")	5410mm (213")	5410mm (213")
Width (D)	2540mm (100")	2540mm (100")	2540mm (100")	2540mm (100")
Loading height (B)	2025mm (80")	2293mm (90")	22445mm (96")	2597mm (102")
Opening length (C)	2835mm (112")	2900mm (114")	2690mm (106")	2690mm (106")
Opening width (E)	1550mm (61")	1550mm (61")	1550mm (61")	1550mm (61")
Tyre size	21.3-R24	21.3-R24	21.3-R24	21.3-R24
PTO speed	540rpm	540rpm	540rpm	540rpm
Recommended size of tractor	60-80 hp	70-90 hp	70-90 hp	90- hp Upwards
Unladen weight	2841kg (6264 lbs)	2900kg (6395 lbs)	2945kg (6494 lbs)	3000kg (6615 lbs)
Gross weight	<b>9541kg (21038 lbs)</b> *As Above	<b>9600kg (21168 lbs)</b> *9900kg (21830 lbs)	<b>9645kg (21267 lbs)</b> *10595kg (23362 lbs)	<b>9700kg(21389 lbs)</b> *11500kg(25358lbs)
Unladen drawbar Weight	672kg (1482 lbs)	684kg (1508 lbs)	693kg (1528 lbs)	703kg (1550 lbs)
Max axle weight	<b>7589kg (16734 lbs)</b> *As Above	<b>7636kg (16837 lbs)</b> *7879kg (17373 lbs)	<b>7672kg (16917 lbs)</b> *8441kg (18612 lbs)	<b>7717kg(17016 lbs)</b> *9173kg(20226lbs)
Max drawbar weight	<b>1952kg (4304 lbs)</b> *As Above	<b>1964kgs (4331 lbs)</b> *2021kg (4456 lbs)	<b>1973kg (4350 lbs)</b> *2154kg (4750 lbs)	<b>1983kg (4373 lbs)</b> *2327kg (5131 lbs)
Spread width	up to 18m	up to 18m	up to 18m	up to 18m
Door size	955mm	955mm	955mm	955mm
Door operation	Double acting hydraulic ram	Double acting hydraulic ram	Double acting hydraulic ram	Double acting hydraulic ram
Max road speed	20mph (32km/h)	20mph (32km/h)	20mph (32km/h)	20mph (32km/h)

Note: All weights & other data are approximate.

- **Weights in bold text and a 20mph (32km/h) speed limit must not be exceeded if the machines are to be taken on public roads. These weights are derived due to the maximum carrying capacity of the tyres at 20mph (32km/h).**
- Increased weights are for field use only (max speed 10km/h). They are derived from the maximum weights you can physically put into the machine, (figures based on manure being no heavier than 850kg/m<sup>3</sup>).

### **Optional Extras on Powerspread Dairy;**

-Brake relief kit (for use when brakes are not connected direct to tractor brake line i.e. when brakes are connected into tractor spool valves) See section 4.4

## **SECTION 4: TRANSPORT AND ATTACHMENT**

### **4.1 ATTACHING SPREADER TO TRACTOR**

The Powerspread can be supplied with a US, flat continental or UK drawbar hitch. It is recommended though, due to the high drawbar loading, that the machine should only be used on the automatic pick up hitch of the tractor.

An option of a parking jack or a detachable shoe, fitted to the underside of the drawbar is supplied with the machine. This enables the automatic pick up hitch hook to easily move under the drawbar lug when attaching the spreader.

The PTO is equipped with a standard 1 3/8" six spline suitable for all 540rpm tractor PTO shafts. The length of shaft may have to be adjusted to cater for your particular tractor/Powerspread combination.

With the Powerspread attached to the tractor and parked in the straight-ahead position, slide the PTO shaft apart and connect the respective ends to the tractor / Powerspread.

Lay the shafts side by side and make sure they have at least 150mm of distance between the end of the shaft and the adjacent joint.

Shaft lengths can be adjusted by sawing off equally a proportion of tube from the inner and outer PTO tube together with a corresponding amount off the plastic protection tubes. The tubes should always have at least 300mm overlap whilst operating.

If necessary check the length of the shafts by steering the tractor into a full lock in one direction and seeing that the shafts do not "bottom."

Make sure the correct tractor P.T.O. speed is selected at all times.  
Ensure that the tractor link arms do not foul the P.T.O.

### **4.2 CONNECTING THE DOOR RAM HYDRAULIC HOSES**

The hydraulic hoses are fitted with 1/2" quick release coupling ends as standard, and the Powerspread requires a double acting supply to raise and lower the discharge door.

If couplings are not compatible, change to suitable connections for the required application. If the tractor is fitted with a flow control valve, adjust to minimum flow rate.

Having pushed the hose ends into the tractor spool valves, ensure that the hoses do not hang down and obstruct the tractor lift arms or any moving parts.

### **4.3 CONNECTING THE BRAKE HYDRAULIC HOSE**

The Powerspread flexible hydraulic brake pipe is fitted with a quick release female coupling to suit the ISO standard tractor brake system.

Having pushed the hose end into the tractor spool valve, ensure that the hose does not hang down and obstruct the tractor lift arms or any moving parts.

#### **4.4 THE POWERSPREAD BRAKING SYSTEM AND HANDBRAKE**

In order to comply with the Health & Safety Executive code of practice on trailer braking together with the Construction and Use Regulations, the Powerspread is fitted with brakes, which must be coupled to the tractor when travelling.

Ideally the spreader should be connected directly to the tractor braking system, as will be the case on all modern tractors. However, earlier tractors without this facility can be fitted with a trailer braking kit, which enables this direct connection to be made. This ensures that when the tractor brakes are applied, the brakes on the Powerspread are also brought into operation, usually slightly in advance of the tractor brakes.

#### **IMPORTANT NOTE**

A Shelbourne Reynolds brake relief kit must be used if the brakes are to be operated through the spool valves at the rear of the tractor due to the excessive pressures released by the valves.

(The part number of this kit is KIT-02602)

**AT ALL TIMES WHEN THE MACHINE IS IN MOTION, EITHER TRAVELLING OR WORKING, THE HYDRAULIC BRAKE LINE MUST BE CONNECTED.**

The parking brake is applied by pulling the lever towards the tractor. **WHEN THE MACHINE IS TO BE DISCONNECTED FROM THE TRACTOR THE PARKING BRAKE MUST BE APPLIED BEFORE DISCONNECTION, EVEN ON LEVEL GROUND.** The parking brake must be released prior to towing the machine, after re-connection to the tractor.

When the machine is attached to the tractor the cable must be connected between the tractor and the parking brake lever such that, should the machine become inadvertently detached from the tractor, the spreader brakes would be automatically applied.

Similarly, when detaching from the tractor, ensure that the brake hose and other hydraulic hoses are pushed into the hose parking station. Also, make sure the PTO is supported on the stand provided on the drawbar.

## **SECTION 5:**

## **FIELD OPERATION AND SPREADING**

### **OPERATING THE SHELBOURNE REYNOLDS POWERSPREAD.**

Read this manual carefully before operating the spreader in the field.

To get optimum performance from your Shelbourne Reynolds Powerspread the operator should keep to the following procedures of operation.

#### **5.1 GENERAL**

The machine is designed to run at 540 rpm PTO speed. Spreading should be done in straight-line bouts, avoiding spreading while turning corners, as this will cause vibration in the PTO drive.

#### **5.2 LOADING THE POWERSPREAD**

Always close the door before loading the Powerspread.

All free flowing muck/slurry must not be overfilled or the material will be discharged over the side during transport.

If thin slurries are to be spread, then the correct setting of the discharge deflectors above the door is required.(See settings for deflector paddles - Section 5.11)

When travelling on the highway the Powerspread should not be overloaded and when carrying thin slurries allow sufficient room at the front of the spreader to prevent "forward surge" and consequent over-spill if emergency braking should be required.

While loading dry straw or clamp manure precautions should be taken if large slabs or lumps, particularly from the front of feeding troughs, are encountered. Always endeavour to slide these down the side into the hopper and do not position them directly onto the top of the auger as this may cause bridging and will prevent an even spread pattern.

When clearing stockyards the areas around the feed troughs will be compacted and so breaking up the manure with the loader forks will speed up the discharge rates.

In order to achieve higher discharge rates when spreading unrotted, compressed material, the material should be broken up when loading into the machine. The use of grab-buckets should be avoided; always use manure forks.

#### **5.3 DISCHARGE RATE**

The machine is designed with a single speed auger so that with the door wide open a reasonably fast discharge rate can be obtained. This is particularly useful when large loads are being spread and therefore the quicker the unloading time the better.

For a finely shredded spread with a low discharge rate the door opening will be small. The auger still transports the manure to the discharge position at the same speed though, and the resultant "bottle-neck" of material causes a "boiling up" effect. This helps break down the manure further before it is finally ejected onto the impeller blades and discharged.



## **IMPORTANT NOTE**

Some manure types are not suited to this method, especially if they are already tightly packed or layered before loading. In these cases the door should be opened wide to allow fast ejection and the forward speed of the tractor increased to achieve a suitable spread rate on the field.

The discharge or spread rate of the Powerspread depends very much on the type of material being spread. For a given material it will be found that there is an ideal door position for maximum throw of the material and maximum shredding of the manure. It is recommended that the standard PTO speed of 540 rpm is used at all times and the discharge rate varied according to the door opening and the forward speed of the tractor. A further variant is the amount of overlap between each run which, in most cases, will average 6m (20ft).

### **5.4 FOREIGN OBJECTS**

If during the spreading, a knocking sound is heard or sparks are seen coming from the impeller, then there will be a foreign object such as a stone in the machine. Open the discharge door wide to allow the object to be thrown out. If the object is not cleared immediately then stop the machine, stop the tractor and investigate.

### **5.5 DOOR OPENING**

As a general rule it is better in heavy straw manure to open the door wide when starting the machine running, and then closing the door to give the desired spread rate and shredding capabilities.

The opposite applies with thin slurry, as a very small door opening will be required (possibly as low as 25mm / 1").

When spreading slurry the machine should be running at the correct 540 rpm PTO speed before the door is opened. The door should be opened slowly, watching the door indicator and the spread width to gauge a satisfactory spread rate.

The door opening will depend completely on the type and consistency of the material being spread and the spread rate desired by the operator.

## **5.6 SPREADING SEMI-SOLID MATERIALS / LAGOON SCRAPINGS**

Start with discharge door closed, engage PTO gently at low engine rpm and gradually and positively bring up to 540 rpm. At the same time move forward at the required speed and then immediately open the hydraulic door to the required position on the indicator. This position will depend on the type of consistency of the material being spread, and the operator's judgement of spread rate and pattern.

It may be that this type of material will cause partial blockage of the discharge door, (also when the auger flights are not fully covered the discharge rate will reduce), therefore it may be necessary to increase the door opening for the last part of the load.

See notes in section 5.10 on spread pattern for adjustment of deflector paddles.

## **5.7 SPREADING SOLID MATERIALS**

When spreading solid material open the hydraulic door to the required position on the indicator. This position will depend completely on the type and consistency of the material being spread, and the operator's judgement of spread rate and pattern.

Then engage the PTO gently at lower engine rpm, gradually and positively bring up to 540 rpm and at the same time move forward at the required speed.

In order to achieve higher discharge rates when spreading unrotted, compressed material, the material should be broken up when loading into the machine. The use of 4 in 1 buckets should be avoided; always use manure forks.

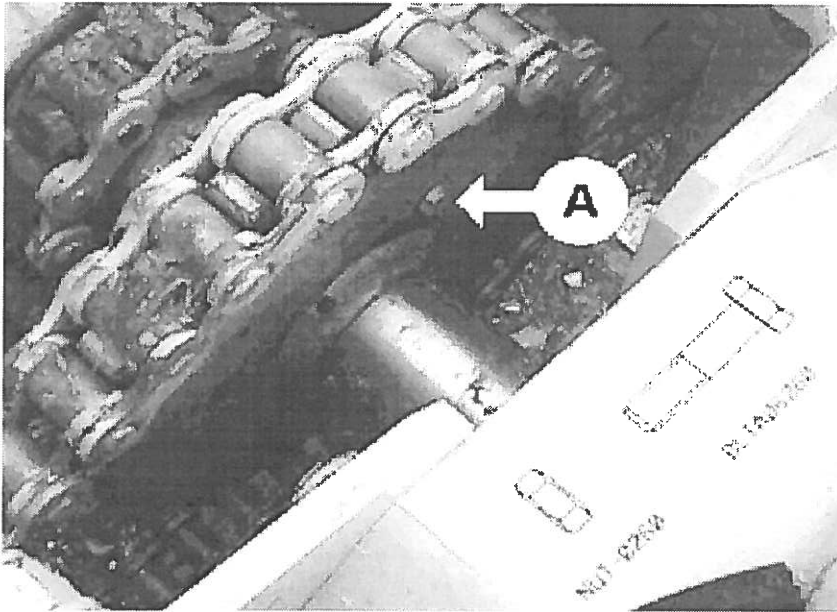
When clearing stockyards the areas around the feed troughs will be compacted and so breaking up the manure with the loader forks will speed up the spreader discharge rates.

## 5.8 SHEAR BOLT PROTECTION

To prevent damage to the Powerspread by foreign objects, a shear bolt protection is provided on both the impeller and auger drives. If the machine encounters an obstruction and shears a bolt, stop the tractor and the machine immediately.

Attempt to remove the object by (a) opening the door fully and trying to locate the foreign object or (b) by looking in from the top of the hopper and locating the object in the auger.

Fig.1



To change the auger drive shear bolt, (item A as shown in Fig.1), stop the engine on the tractor, manually reverse the drive by turning the impeller round in a reverse direction until the shear bolt holes are aligned, then insert a new shear bolt. Continue reversing to dislodge the foreign object caught up in the Powerspread auger.

The shear bolts on the Powerspread are made from special material. Normal commercially available bolts are not strong enough.

The shear bolts must be genuine Shelbourne Reynolds service parts. If not, the company will not consider any claim made under the warranty and no liability shall be attached to the company.

Powerspread auger shear bolt  
Powerspread impeller shear bolt

BLTA06264  
605123 01

Occasionally check the machine for build up of foreign materials such as plastic baling twine wrapped around the auger core. Normally this causes no problems but should not be allowed to build up too much as it will impair the performance of the auger. From time to time cut the twine and remove it.

Always keep the side of the hopper clean, never allow a build up of material or this will obstruct the feed of material to the auger.

The Powerspread impeller is equipped with replaceable wear plates. Being double serrated edged, when one edge is worn the blades can be reversed.

## 5.9 SPREAD PATTERN

The patented adjustable impeller flights or deflectors, have been designed to give you the optimum spread pattern to suit your conditions when spreading slurry.

Each flight can be adjusted separately along the pivoting bar by loosening the coach bolts and rotating the flight on the bar. The flights are then adjustable together by operating the spring lever into any one of three positions; the lower two positions are for spreading slurry and the top position for spreading manures.

### **IMPORTANT NOTE**

After adjusting the flights to a suitable place, care should be taken so when the spring lever is in its top position, the deflector flights do not obstruct the door ram when the door is raised and lowered.

See Fig.3 and Fig.4 which show the Powerspread discharge door with flights in the top position and flights in the middle position.

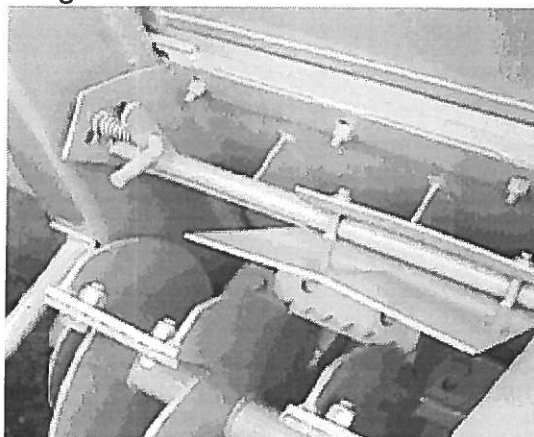
Fig.5 shows a suitable spread pattern for spreading slurry which is obtained by adjusting the deflector flights as described.

Fig.3



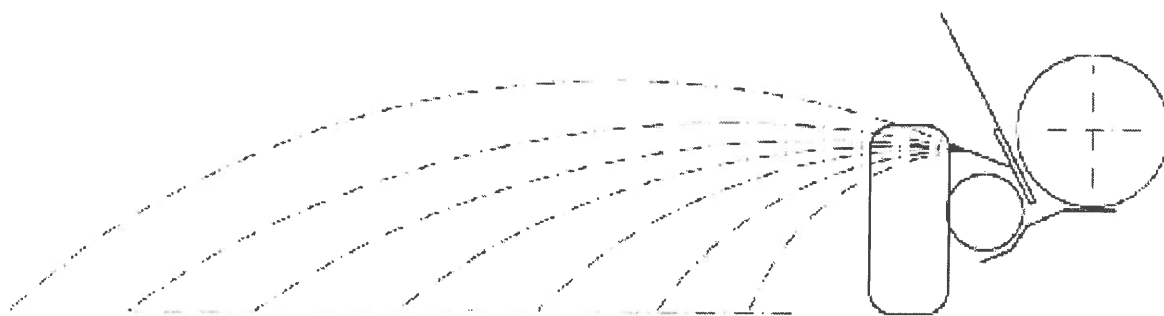
Flights in the top position

Fig.4



Flights in the centre position

Fig.5



Flights set to give a good band of spread when using slurry

## SECTION 6:

## ADJUSTMENTS AND MAINTENANCE

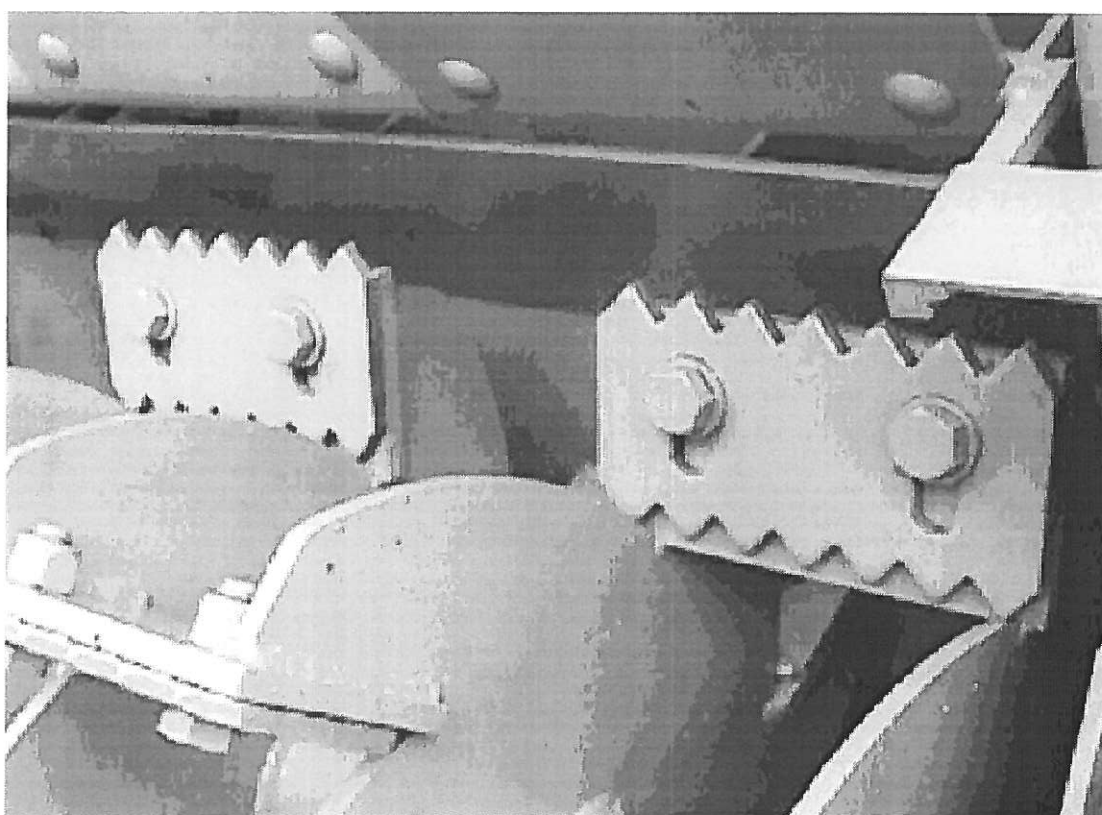


**NEVER CARRY OUT ANY ADJUSTMENTS OR MAINTENANCE WHEN THE TRACTOR ENGINE IS RUNNING AND NEVER USE THE SPREADER UNLESS ALL GUARDS ARE SECURELY FITTED.**

### 6.1 IMPELLER BLADE ADJUSTMENT

Impeller blades are attached to the impeller through an adjustable slot and the blades should be adjusted to give approximately 5mm (3/16") clearance between the tip of the blades and the outside face of the discharge door when closed. Fig.6 shows the impeller blades bolted to the discharge rotor section.

Fig.6



The smooth blades should protrude approximately 2mm (5/64") further than the teeth on the serrated blades.

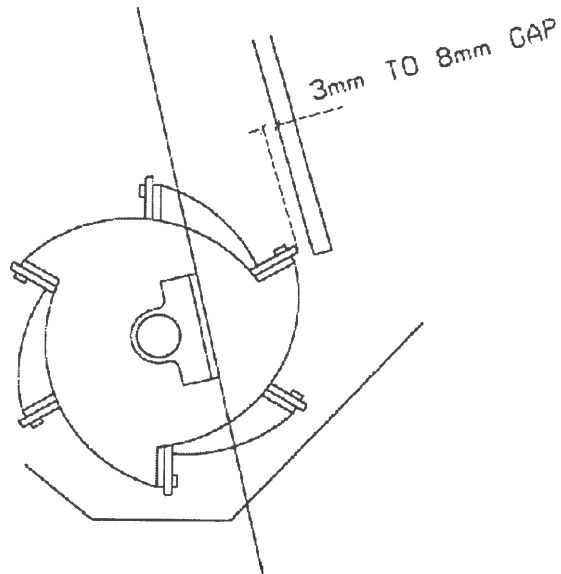
As the impeller blades wear they can be adjusted outwards so as to maintain spreading capability.

When correctly adjusted there should be a 3mm to 8mm gap between the top of the blades and the door (at their closest point). This can best be checked with the door partially open (see Fig.7).

When blades are fully worn on one edge they can be turned over and the second edge can be used.

Failure to adjust the impeller blades on a regular basis will impair the performance of the Powerspread.

Fig.7



## 6.2 DRIVE CHAIN TENSIONING

All three chains in the drive system are equipped with tension adjusting facilities. Adjust the chains periodically so as to receive good performance and life from the Powerspread chain drive system.

Fig.8

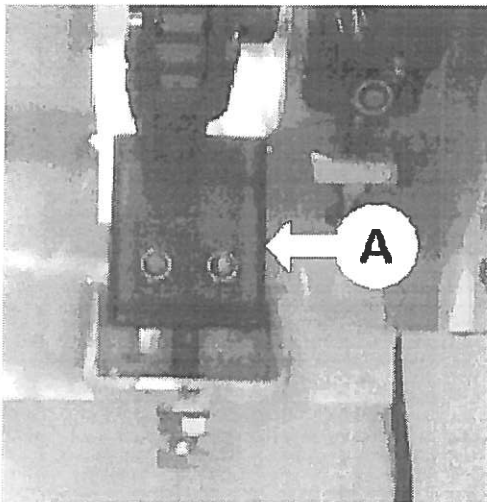
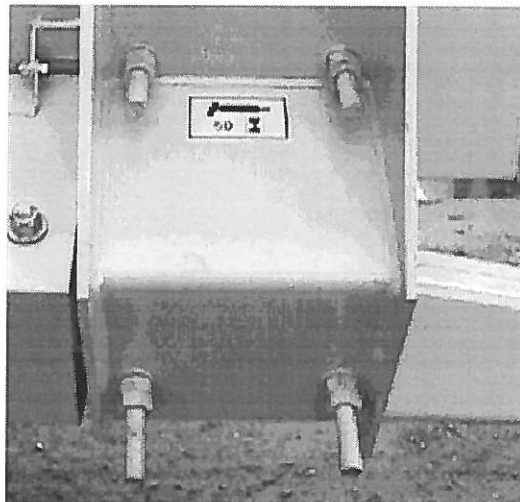


Fig.9



Tensioning of the other 2 chains is done using the adjustment screws on the right hand side of the machine, (see Fig. 9).

Ensure after adjustment that sprockets are in line and parallel to each other; this can be checked using a straight edge across one sprocket onto the next.

### 6.3 SHEAR BOLTS

Shear bolts are provided on the impeller and auger drive; always ensure that these bolts are kept tight.  
Make sure the shear bolt bushes are in good condition and free from wear, as this can affect the safety of the Powerspread.

### 6.4 WASHING INSTRUCTIONS

Wash down the Powerspread frequently. Protect the body by touching up damaged paintwork immediately.  
If storing the Powerspread for a length of time ensure all drive chains and wearing parts are well lubricated.

### 6.5 TYRE PRESSURES

Check tyre pressures occasionally :

<u>Tyre make</u>	<u>Tyre size</u>	<u>Pressure</u>
Kama	21.3 / R24 10 pr	37 psi (2.5 bar)
Dneproshina	21.3 / R24 12 pr	46 psi (3.2 bar)
Dneproshina	540 / 70 R24 12 pr	46 psi (3.2 bar)
Dneproshina	23.1 / R26 12 pr	32 psi (2.2 bar)
Starmaxx	23.1 / R26 12 pr	30 psi (2.1 bar)
Starmaxx	23.1 / R26 14 pr	35 psi (2.4 bar)

### 6.6 HARDWARE AND FIXINGS

Check all hardware and fixings after the first 10 hours of work, then after every 50 hours work. Pay particular attention to wheel nuts and bolts securing bearings.

**SECTION 7:****LUBRICATION**

- a) Lubricate sliding tubes of P.T.O. shaft every 25 hours with good quality moly-disulphide grease.
- b) Grease nipples on P.T.O. shaft every 10 hours.
- c) Grease every 50 hours or once a working week.
  - 1. rotor rear bearing.
  - 2. Rotor front bearing.
  - 3. Impeller rear bearing.
  - 4. Impeller front bearing.
  - 5. P.T.O. drive shaft bearing front.
  - 6. P.T.O. drive shaft bearing rear.
- d) Lubricate all chains with thick grease or chain lubricant (Rocol chain and drive spray) as and when necessary.
- e) Oil ram pivot pins.  
Oil guard latches and hinges
- f) Pack wheel hubs with grease once a year.



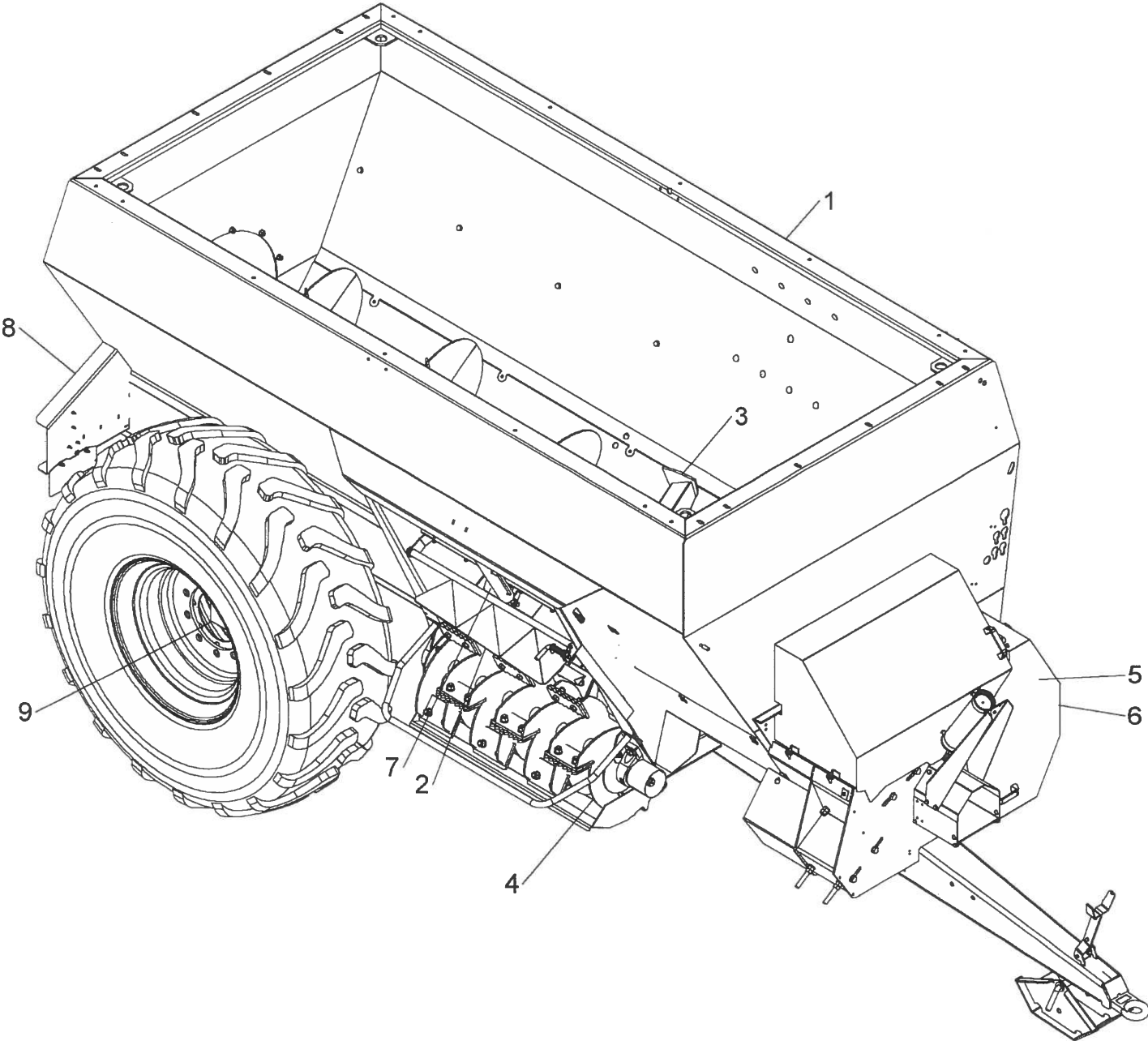
**LIST OF KIT NUMBERS**  
**FOR POWERSPREAD DAIRY**

- |     |           |   |
|-----|-----------|---|
| 1.  | 609906 01 | POWERSPREAD DAIRY 1600 ASSEMBLY                   |
| 2.  | 609055 01 | MAIN BODY SUB ASSEMBLY                            |
| 3.  | 609056 01 | DISCHARGE DOOR SUB ASSEMBLY                       |
| 4.  | 609057 01 | GUARDS SUB ASSEMBLY<br>(UPTO & INC PSD16120224)   |
| 5.  | 609058 01 | DRIVES SUB ASSEMBLY                               |
| 6.  | 609059 01 | AUGER FIXING SUB ASSEMBLY                         |
| 7.  | 609060 01 | LIGHTING SUB ASSEMBLY<br>(UPTO & INC PSD16120224) |
| 8.  | 609061 01 | IMPELLER SUB ASSEMBLY                             |
| 9.  | 609062 01 | DOOR HYDRAULICS SUB ASSEMBLY                      |
| 10. | 609063 01 | AXLE SUB ASSEMBLY                                 |
| 11. | 609064 01 | LIGHTING SUB ASSEMBLY                             |
| 12. | 609065 01 | GUARDS SUB ASSEMBLY                               |
| 13. | KIT-03230 | SLURRY CANOPY KIT                                 |
| 14. | KIT-03248 | GERMAN PARTS KIT                                  |
| 15. | KIT-03249 | UK PARTS KIT                                      |
| 16. | KIT-03250 | EUROPEAN PARTS KIT                                |
| 17. | KIT-03251 | USA PARTS KIT                                     |
| 18. | KIT-03264 | 6" WOODEN EXTENSION TOP (1600-1800 GALLON)        |
| 19. | KIT-03275 | WIDE ANGLE PTO SHAFT                              |
| 20. | KIT-03276 | STANDARD PTO SHAFT                                |
| 21. | KIT-03309 | 12" WOODEN EXTENSION TOP (1600-2000 GALLON)       |
| 22. | KIT-03551 | ANTI-BRIDGING KIT 1600 DAIRY/CONTRACTOR           |
| 23. | KIT-03553 | ANTI-BRIDGING MANUAL HYDRAULICS KIT               |
| 24. | KIT-03554 | ANTI-BRIDGING AUTO HYDRAULICS KIT                 |
| 25. | KIT-03625 | ANTI-BRIDGING KIT DOUBLE ARM 1600                 |
| 26. | KIT-03738 | ANTI-BRIDGING KIT DOUBLE ARM 1600                 |
| 27. | KIT-03772 | WHEEL AND TYRE KIT (23.1-26 ALLIANCE)             |

## Shelbourne Reynolds Engineering Limited

ASSY NUMBER: 609906 01				ASSY DESCRIPTION: PSPREAD DAIRY 1600 ASSY			
ITEM	PART NO	DESCRIPTION	QTY	ITEM	PART NO	DESCRIPTION	QTY
1	609055 01	MAIN BODY SUB ASSY (DAIRY)	1				
2	609056 01	DISCHARGE DOOR W/ASSY	1				
3	609059 01	AUGER FIXING SUB ASSY (DAIRY)	1				
4	609061 01	DISCHARGE ROTOR SUB ASSY	1				
5	609058 01	DRIVES SUB ASSY	1				
6	609065 01	GUARDS SUB ASSY	1				
OR	609057 01	GUARDS SUB ASSY (PSD16120224)					
7	609062 01	DOOR HYDRAULICS SUB ASSY	1				
8	609064 01	LIGHTING SUB ASSY	1				
OR	609060 01	LIGHTING SUB ASSY (PSD16120224)					
9	609063 01	AXLE SUB ASSY	1				

Shelbourne Reynolds Engineering Limited



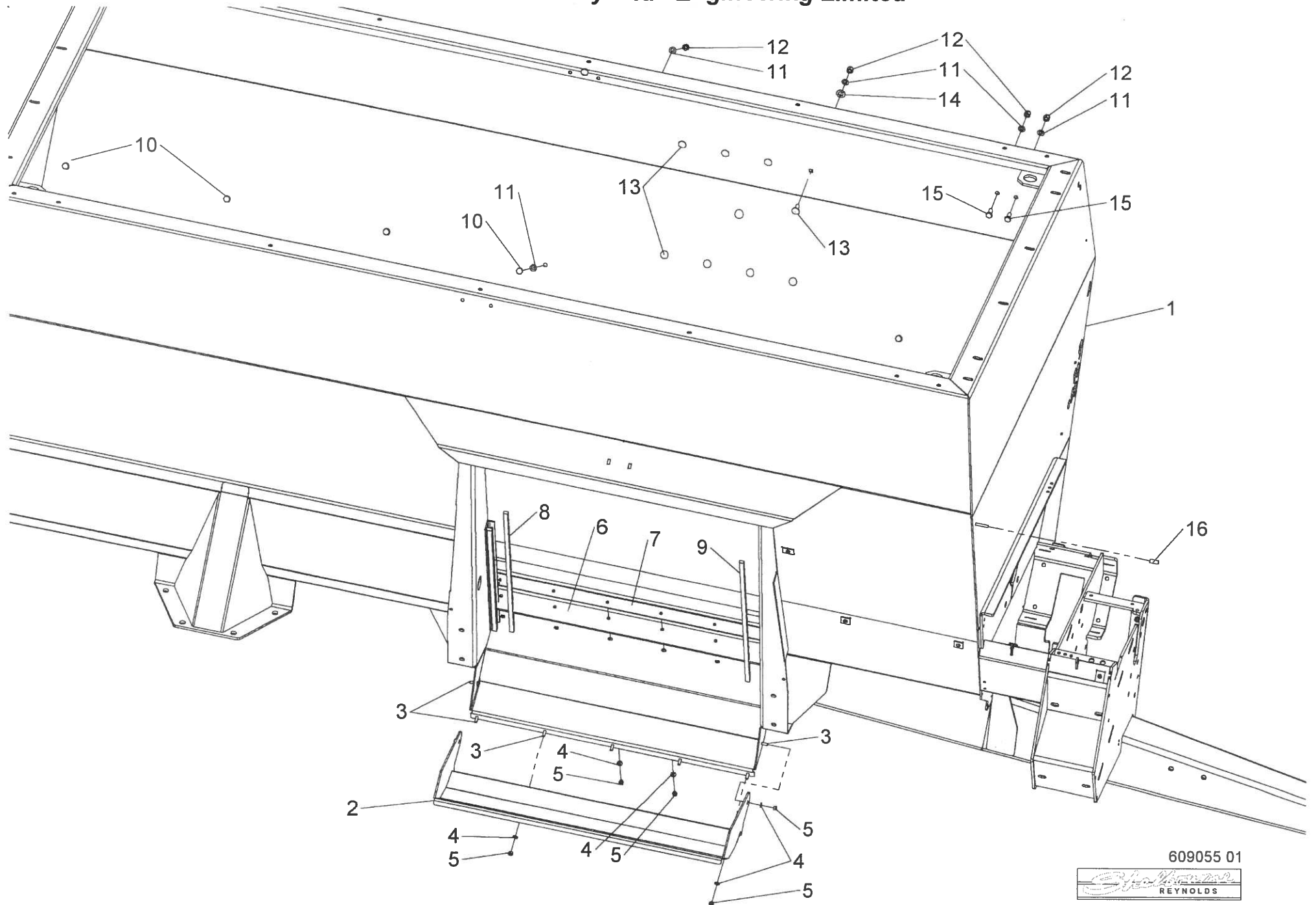
609906 01



## Shelbourne Reynolds Engineering Limited

ASSY NUMBER: 609055 01				ASSY DESCRIPTION: MAIN BODY SUB ASSY (DAIRY)			
ITEM	PART NO	DESCRIPTION	QTY	ITEM	PART NO	DESCRIPTION	QTY
1	591681 01	P/SPREAD DAIRY W/ASSY	1				
2	591747 01	DRIP TRAY W/ASSY	1				
3	HSS-0145	SETSCREW	7				
4	WSH-0012	PLAIN WASHER	13				
5	NUT-0263	NYLOC NUT	13				
6	605328 01	BOTTOM DOOR SEAL DT	1				
7	605336 01	SEAL COVER PLATE	1				
8	ER50-132	MOULDED SPONGE RUBBER	0.8				
9	ER50-132	MOULDED SPONGE RUBBER	0.8				
10	HSS-0238	SETSCREW	6				
11	WSH-0018	PLAIN WASHER	24				
12	NUT-0269	NUT	18				
13	BLT-3790	COACH BOLT	8				
14	WSH-0024	PLAIN WASHER	8				
15	HSS-0235	SETSCREW	4				
16	HOS-1000	PLASTIC SLEEVE	0.03				

**Shelbourne Reynolds Engineering Limited**



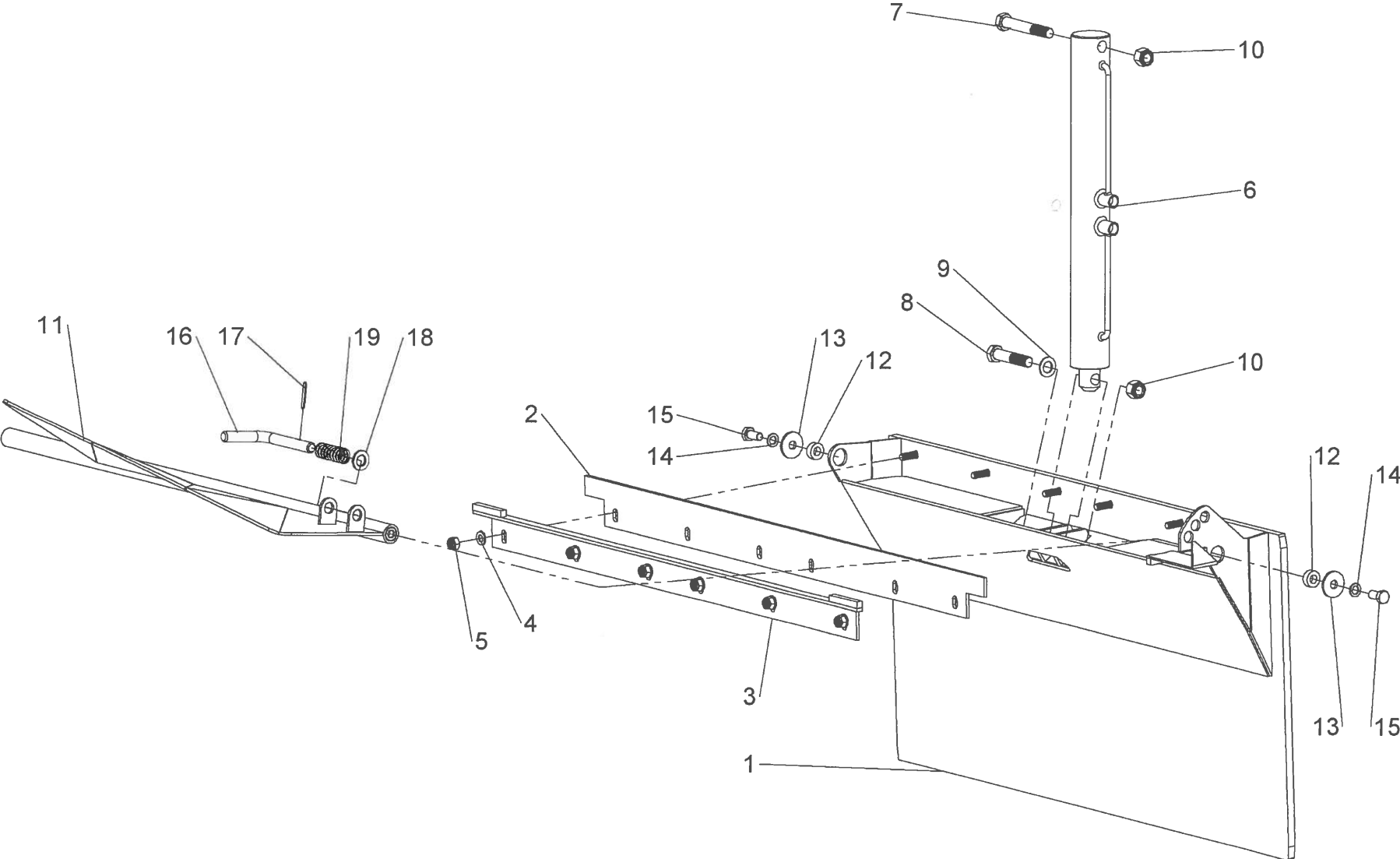
609055 01



## Shelbourne Reynolds Engineering Limited

ASSY NUMBER: 609056 01				ASSY DESCRIPTION: DISCHARGE DOOR W/ASSY			
ITEM	PART NO	DESCRIPTION	QTY	ITEM	PART NO	DESCRIPTION	QTY
1	591725 01	DOOR W/ASSY	1				
2	606545 01	TOP RUBBER DOOR SEAL	1				
3	601829 01	TOP SEAL CLAMP DTL	1				
4	WSH-0015	PLAIN WASHER	6				
5	NUT-0265	NYLOC NUT	6				
6	590114 01	*DOOR RAM	1				
7	BLT-2325	BOLT	1				
8	BLT-2316	BOLT	1				
9	WSH-0024	PLAIN WASHER	1				
10	NUT-0271	NYLOC NUT	2				
11	591629 01	SLURRY DEFLECTOR W/ASSY	1				
12	190548 91	WASHER	2				
13	190548 44	WASHER (PLATED)	2				
14	WSH-0065	SPRING WASHER	2				
15	HSS-0235	SETSCREW	2				
16	591402 01	LOCKING HANDLE	1				
17	PIN-1775	ROLL PIN	1				
18	WSH-0024	PLAIN WASHER	1				
19	SPGC32021	COMPRESSION SPRING	1				

Shelbourne Reynolds Engineering Limited



609056 01

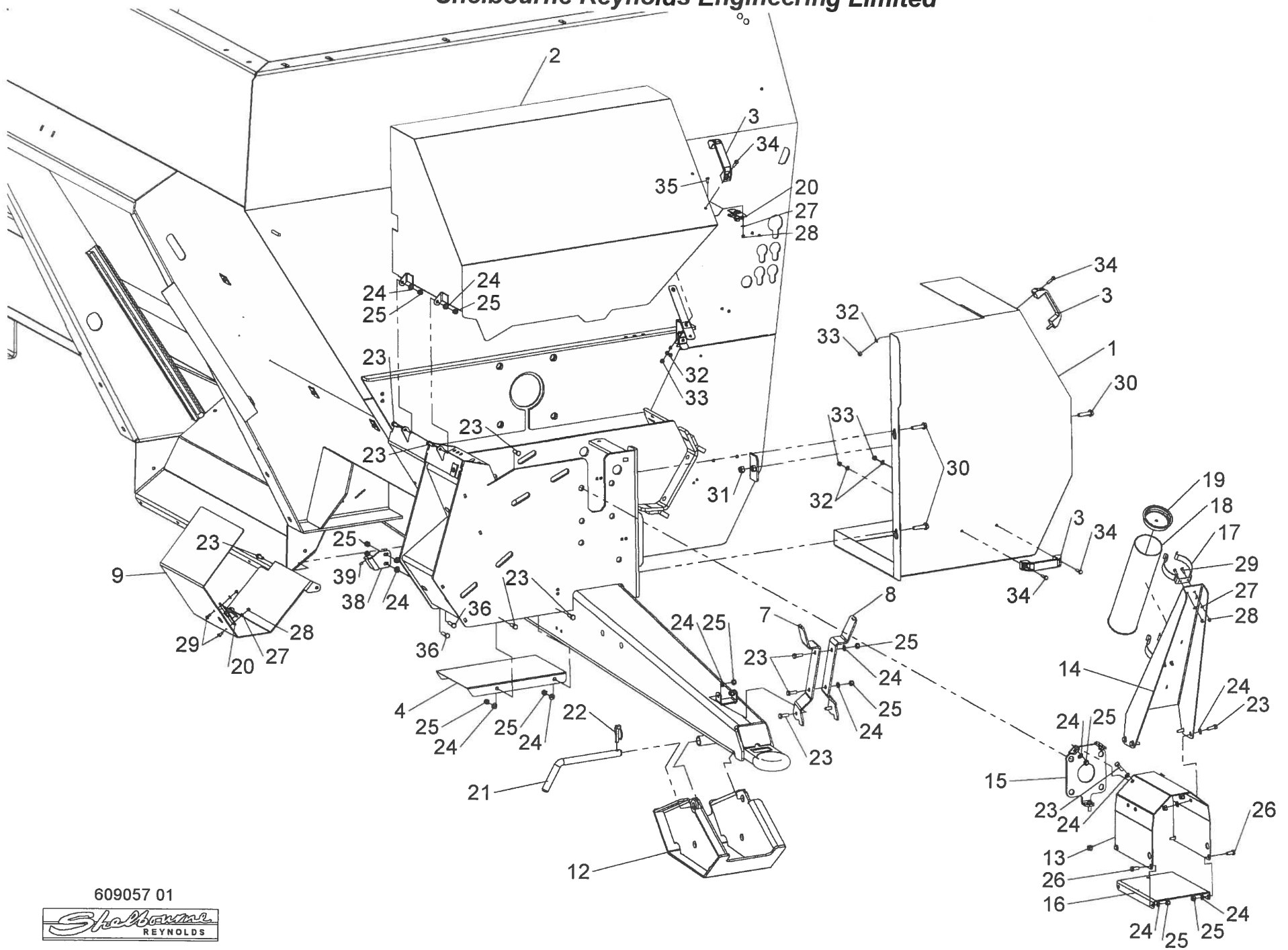


## Shelbourne Reynolds Engineering Limited

ASSY NUMBER: 609057 01				ASSY DESCRIPTION: GUARDS ASSY			
ITEM	PART NO	DESCRIPTION	QTY	ITEM	PART NO	DESCRIPTION	QTY
1	591668 01	SIDE GUARD W/ASSY	1				
2	591666 01	TOP GUARD W/ASSY	1				
3	HND-0000	BLACK PLASTIC HANDLE	3				
4	591657 01	FILL IN PLATE	1				
7	591378 01	PTO STAND LH	1				
8	591378 02	PTO STAND RH	1				
9	591719 01	IMPELLER PTO GUARD	1				
11	590776 02	FASTENER SPACER	1				
12	591683 01	FOOT W/A	1				
13	591693 01	FRONT PTO GUARD	1				
14	591695 01	HOSE SUPPORT	1				
15	591694 01	GUARD MOUNTING PLATE	1				
16	591696 01	LOWER PTO GUARD	1				
17	21725019	SPRING CLIP	2				
18	39800004	MANUAL HOLDER TUBE	1				
19	21709163	PLASTIC END CAP	2				
20	LTC-00045	COMPRESSION LATCH	2				
21	591567 01	LOCKING PIN	1				
22	PIN-01950	LYNCH PIN	1				
23	HSS-0145	BOLT	19				
24	WSH-0012	PLAIN WASHER	35				
25	NUT-0263	NYLOC NUT	25				
26	HSS-0140	BOLT	5				
27	WSH-0006	PLAIN WASHER	8				
28	NUT-0258	NYLOC NUT	8				
29	HSS-0058	SETSCREW	4				
30	HSSG10260	HEX HD TENSILOCK BOLT	3				
31	NUT-0265	NYLOC NUT	3				
32	WSH-0009	PLAIN WASHER	6				
33	NUT-0260	NYLOC NUT	6				
34	HSS-0088	SET SCREW	6				
35	HSS-0056	SET SCREW	4				
36	HSS-0150	BOLT	2				
37	NUT-0164	PLAIN NUT PLATED	1				
38	591800 01	LATCH FIXING PLATE	1				
39	PIN-40505	ROLL PIN	1				



Shelbourne Reynolds Engineering Limited



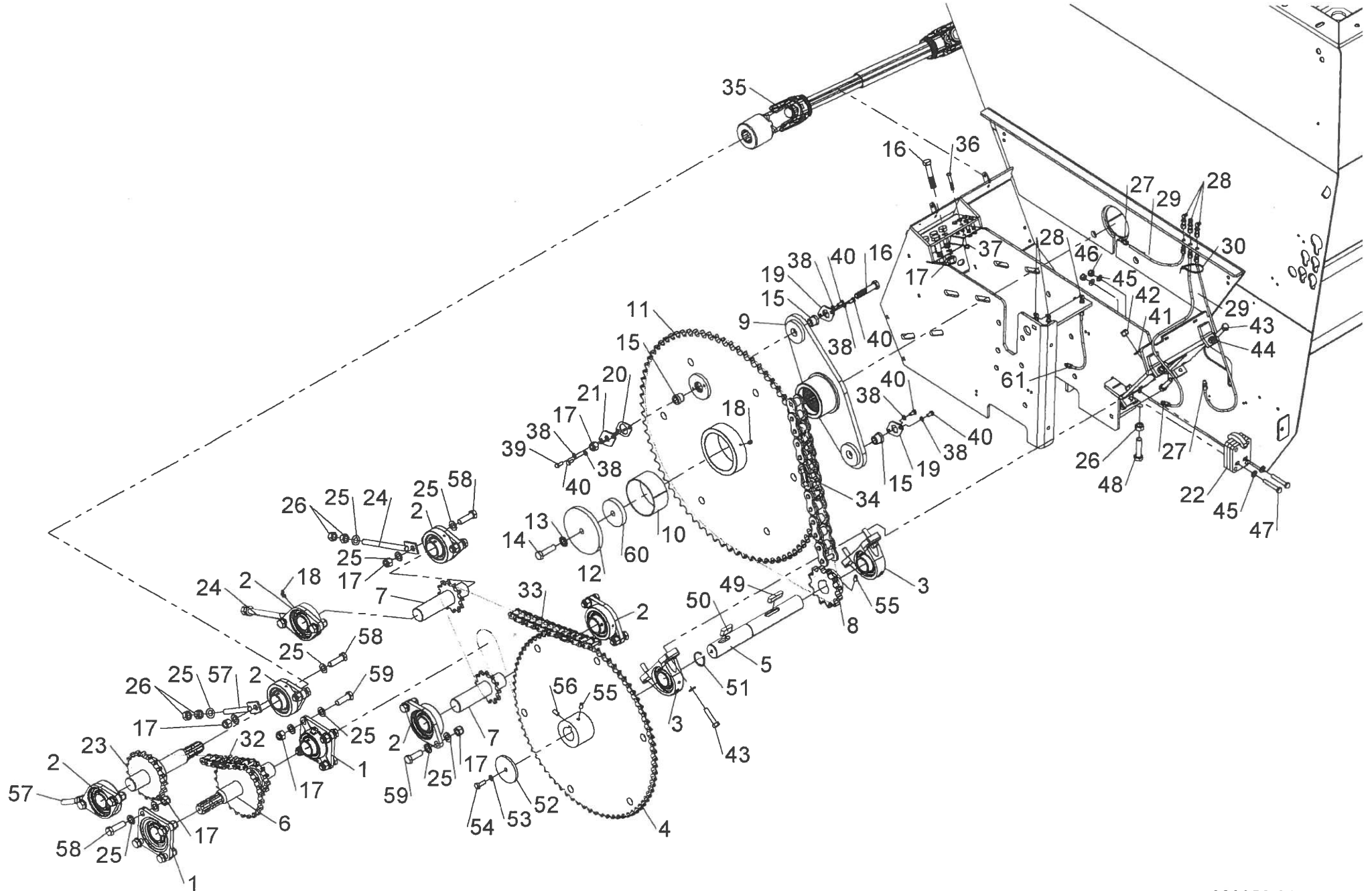
609057 01



## Shelbourne Reynolds Engineering Limited

ASSY NUMBER: 609058 01				ASSY DESCRIPTION: DRIVES SUB ASSY			
ITEM	PART NO	DESCRIPTION	QTY	ITEM	PART NO	DESCRIPTION	QTY
1	BRG-24541	SUPPORT	2	41	WSH-0018	PLAIN WASHER	8
2	BRG-24542	SUPPORT	6	42	NUT-0269	NUT	4
3	BRG-24543	SUPPORT	2	43	HSS-0265	SET SCREW	8
4	591632 01	76T 1" P SPROCKET W/ASSY	1	44	NUT-0170	PLAIN NUT PLATED	4
5	591798 01	LAY SHAFT	1	45	WSH-0015	PLAIN WASHER	4
6	591634 01	INPUT DRIVE SHAFT W/ASSY	1	46	NUT-0265	NYLOC NUT	2
7	590572 01	LAY SHAFT WELD ASSY	2	47	BLTA10410	HEX.HEAD BOLT	2
8	604895 01	KEYWAYED SPROCKET DTL	1	48	HSS-0322	HEX HEAD SETSCREW	1
9	591637 01	SHEARBOLT HUB W/ASSY	1	49	KEYA21260	KEY	1
10	BSHA12060	BUSH	1	50	K1220045	KEY	1
11	591642 01	76T SPROCKET W/ASSY	1	51	CIR-0450	EXTERNAL CIRCLIP 45mm	1
12	591643 01	FIXING WASHER	1	52	604917 01	RETAINING WASHER DTL	1
13	WSHA30161	WASHER	1	53	WSH-0061	SPRING WASHER	1
14	HSS-0320	HEX HEAD SETSCREW	1	54	HSS-0194	BOLT	1
15	591778 01	SHEARBOLT BUSH	3	55	SCW-4600	SOCKET GRUBSCREW	3
16	BLTA16504	BOLT	6	56	SCGA10140	GRUB SCREW	1
17	NUT-0271	NYLOC NUT	27	57	604771 01	SHORT ADJUSTER ASSY	2
18	NIP-00610	GREASE NIPPLE	2	58	HSS-0319	SET SCREW	8
19	591644 01	SHEARBOLT FIXING PLATE	2	59	HSS-0318	SET SCREW	12
20	591646 01	SPACER PLATE	1	60	198800 24	WASHER (17 ID x 89 OD x 15)	1
21	591645 01	CAPPING PLATE	1	61	LUB-00046	1/4"UNF STRAIGHT ADAPTOR	3
22	591649 01	CHAIN TENSIONER W/ASSY	1				
23	604712 01	IMPELLER LAY SHAFT	1				
24	604771 02	LONG ADJUSTER ASSY	2				
25	WSH-0024	PLAIN WASHER	44				
26	NUT-0180	PLAIN NUT PLATED	9				
27	LUB-00045	1/8"BSP STRAIGHT ADAPTOR	9				
28	LUB-00036	BULKHEAD ADAPTOR	6				
29	LUB-00044	6mm POLYAMIDE TUBE	3.5				
30	TIE-0004	TIE WRAPS (MED)	6				
31							
32	CHN-02580	1"PITCH SINGLE BS CHAIN	1				
33	CHN-02581	1"PITCH SINGLE BS CHAIN	1				
34	CHN-03280	CHAIN 1 1/4"PITCH SINGLE	1				
35	PTO-14001W	PTO SHAFT ASSY	1				
36	605123 01	IMPELLER SHEAR BOLT	6				
37	NUT-0263	NYLOC NUT	6				
38	WSH-0058	SPRING WASHER	6				
39	HSS-0140	BOLT	2				
40	HSS-0135	SETSCREW	4				

Shelbourne Reynolds Engineering Limited



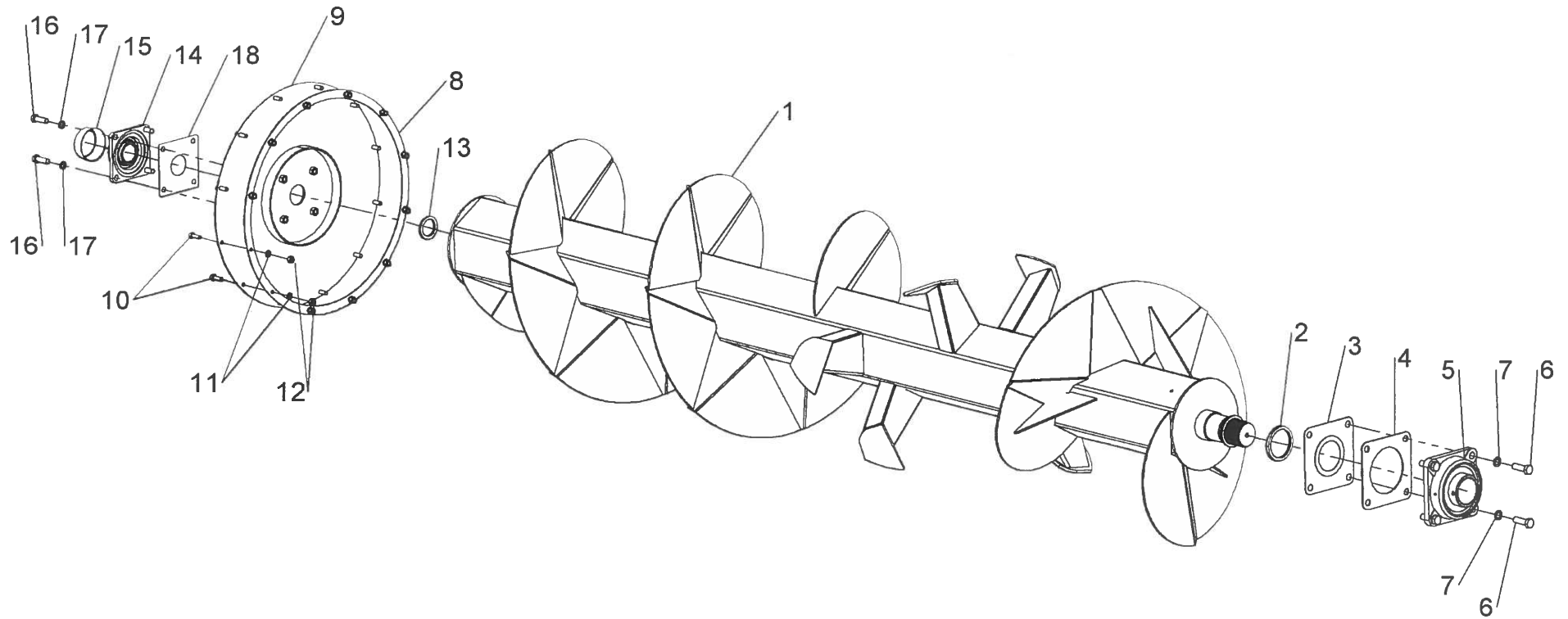
609058 01



## Shelbourne Reynolds Engineering Limited

ASSY NUMBER: 609059 01				ASSY DESCRIPTION: AUGER FIXING SUB ASSY (DAIRY)			
ITEM	PART NO	DESCRIPTION	QTY	ITEM	PART NO	DESCRIPTION	QTY
1	591750 01	AUGER W/ASSY	1				
2	SEAB10000	RADIAL SHAFT SEAL	1				
3	591652 01	BEARING SHIM W/ASSY	1				
4	591654 01	BEARING SPACER	1				
5	BRG-29040A	4-BOLT FLANGE BEARING	1				
6	BLTA20410	HEX HEAD BOLT	4				
7	WSH-0075	SPRING WASHER	4				
8	604852 01	AUGER PLATE GASKET	1				
9	590575 01	AUGER REAR PLATE	1				
10	HSS-0241	BOLT	12				
11	WSH-0018	PLAIN WASHER	12				
12	NUT-0269	NUT	12				
13	SEAF06000	SHAFT SEAL	1				
14	BRG-26040	SUPPORT	1				
15	BRG-96000	SELF LUBE PROTECTOR CAP	1				
16	HSS-0318	SET SCREW	4				
17	WSH-0070	SPRING WASHER	4				
18	590615 01	SPACING DISC	1				

# Shelbourne Reynolds Engineering Limited



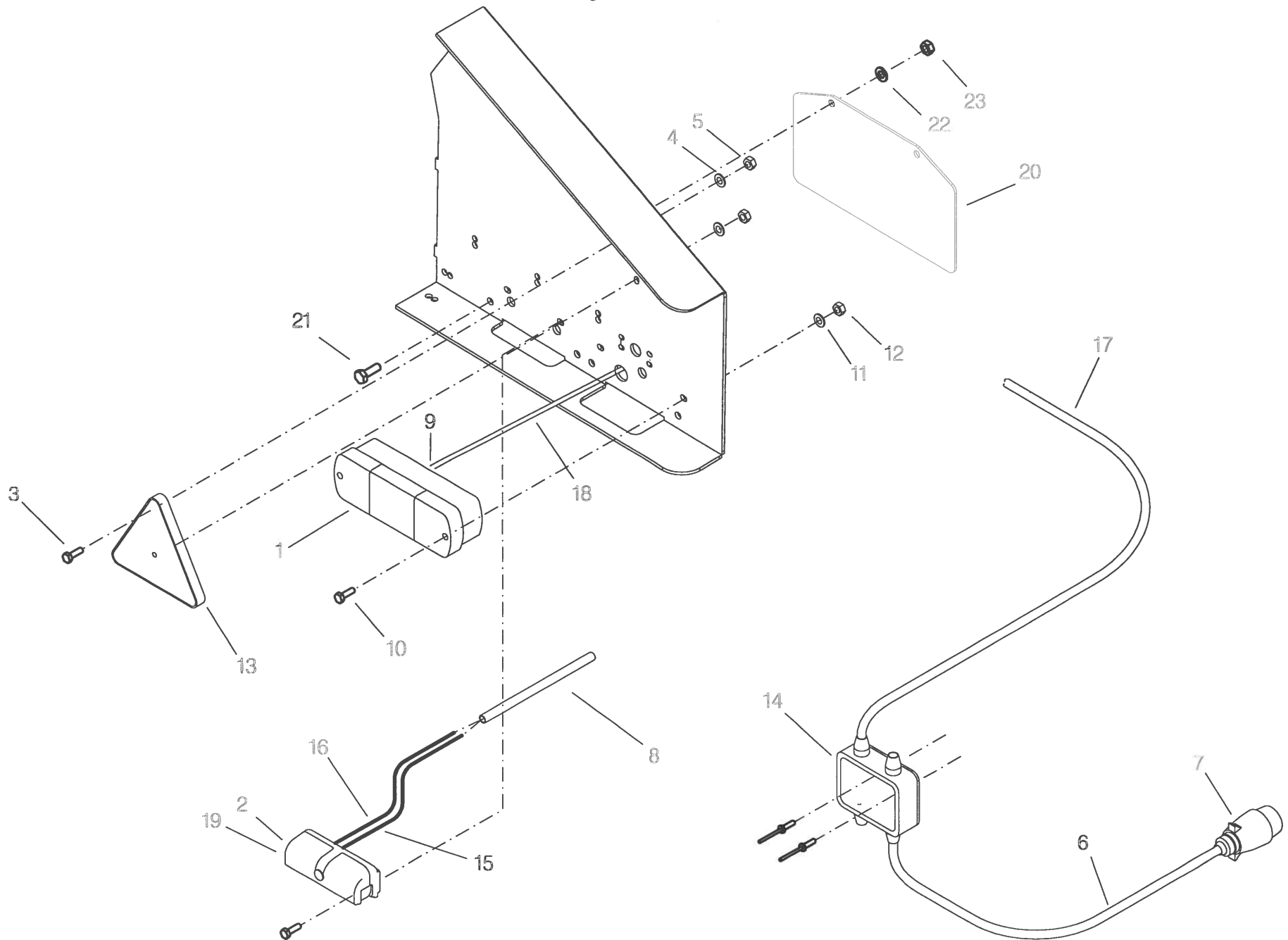
609059 01



## Shelbourne Reynolds Engineering Limited

ASSY NUMBER: 609060 01				ASSY DESCRIPTION: LIGHTS SUB ASSY			
ITEM	PART NO	DESCRIPTION	QTY	ITEM	PART NO	DESCRIPTION	QTY
1	LMP-0007	REAR COMBINATION LAMP	2				
2	LMP-0009	No PLATE LIGHT	1				
3	HSS-0065	SET SCREW	6				
4	WSH-0006	PLAIN WSH FORM A	6				
5	NUT-0258	NYLOC NUT	6				
6	CBL-03530	7 CORE ELECTRICAL CABLE	8				
7	PLG-0005	7 PIN PLUG	1				
8	SLV-00010	ELECTRIC PLASTIC SLEEVE	0.7				
9	ETM-00130	FEMALE SPADE TERM	10				
10	HSS-0086	SET SCREW	4				
11	WSH-0009	PLAIN WASHER FORM A	6				
12	NUT-0260	NYLOC NUT	6				
13	REF-0030	TRIANGULAR REFLECTOR	2				
14	JNC-00000	ELECTRIC JUNCTION BOX	1				
15	CBL-00325	ELECTRIC CABLE	0.7				
16	CBL-00125	ELECTRIC CABLE	0.7				
17	CBL-03210	4 CORE ELECTRICAL CABLE	0.8				
18	CBL-03210	4 CORE ELECTRICAL CABLE	2				
19	ETM-00560	ELEC BULLET TERMINAL	2				
20	591564 01	NUMBER PLATE MTG BRKT	1				
21	HSS-0145	BOLT	2				
22	WSH-0012	PLAIN WASHER FORM A	2				
23	NUT-0263	NYLOC NUT	2				

**Shelbourne Reynolds Engineering Limited**

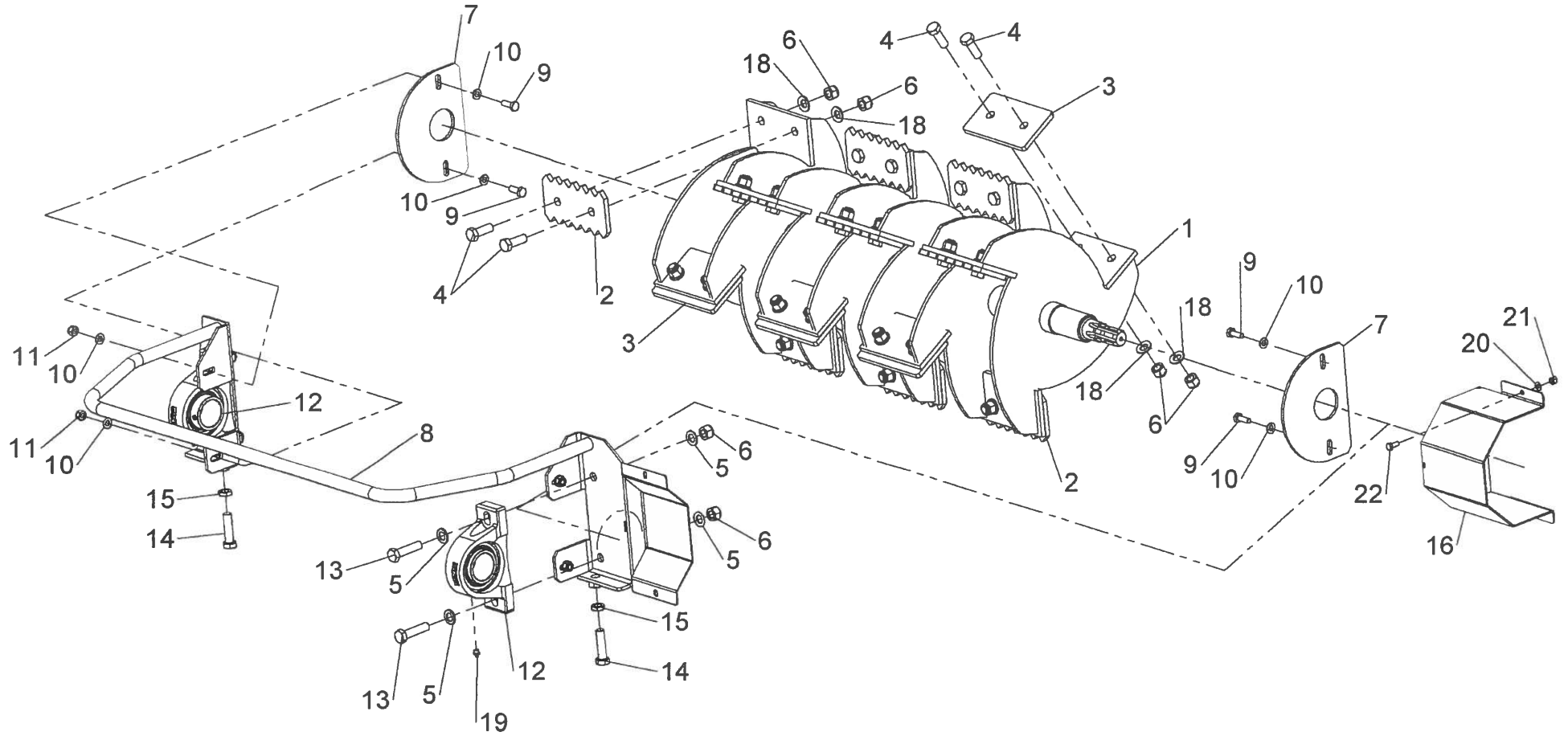


## Shelbourne Reynolds Engineering Limited

ASSY NUMBER: 609061 01				ASSY DESCRIPTION: DISCHARGE ROTOR SUB ASSY			
ITEM	PART NO	DESCRIPTION	QTY	ITEM	PART NO	DESCRIPTION	QTY
1	591729 01	IMPELLER W/ASSY	1				
2	590215 01	IMPELLER BLADE	12				
3	590216 01	IMPELLER BLADE	6				
4	HSS-0317	SETSCREW	36				
5	WSH-0024	PLAIN WASHER	8				
6	NUT-0271	NYLOC NUT	40				
7	590165 01	BRG FLANGE PLATE DTL	2				
8	591936 01	IMPELLER GUARD ASSY	1				
		SERIAL No PSD16130336 & ON					
OR	601861 01	IMPELLER GUARD ASSY	1				
		UP TO & INC PSD16130329					
9	HSS-0194	SETSCREW	4				
10	WSH-0015	PLAIN WASHER	8				
11	NUT-0265	NYLOC NUT	4				
12	BRG-25540	PLUMMER BLOCK SUPPORT	2				
13	HSS-0322	SETSCREW	4				
14	HSS-0320	SETSCREW	2				
15	NUT-0380	HALF NUT	2				
16	591939 01	PTO GUARD W/A	1				
		SERIAL No PSD16130336 & ON					
OR	PTO-00901	PLASTIC CONE SHROUD	1				
		UP TO & INC PSD16130329					
17	CLP-00585	JUBILEE CLIP	1				
		UP TO & INC PSD16130329 ONLY					
18	WSHA30161	WASHER	36				
19	NIP-0001	GREASE NIPPLE	2				
20	WSH-0012	WASHER	2				
21	NUT-0263	NUT	2				
22	HSS-0140	SETSCREW (M8x20)	2				



# Shelbourne Reynolds Engineering Limited



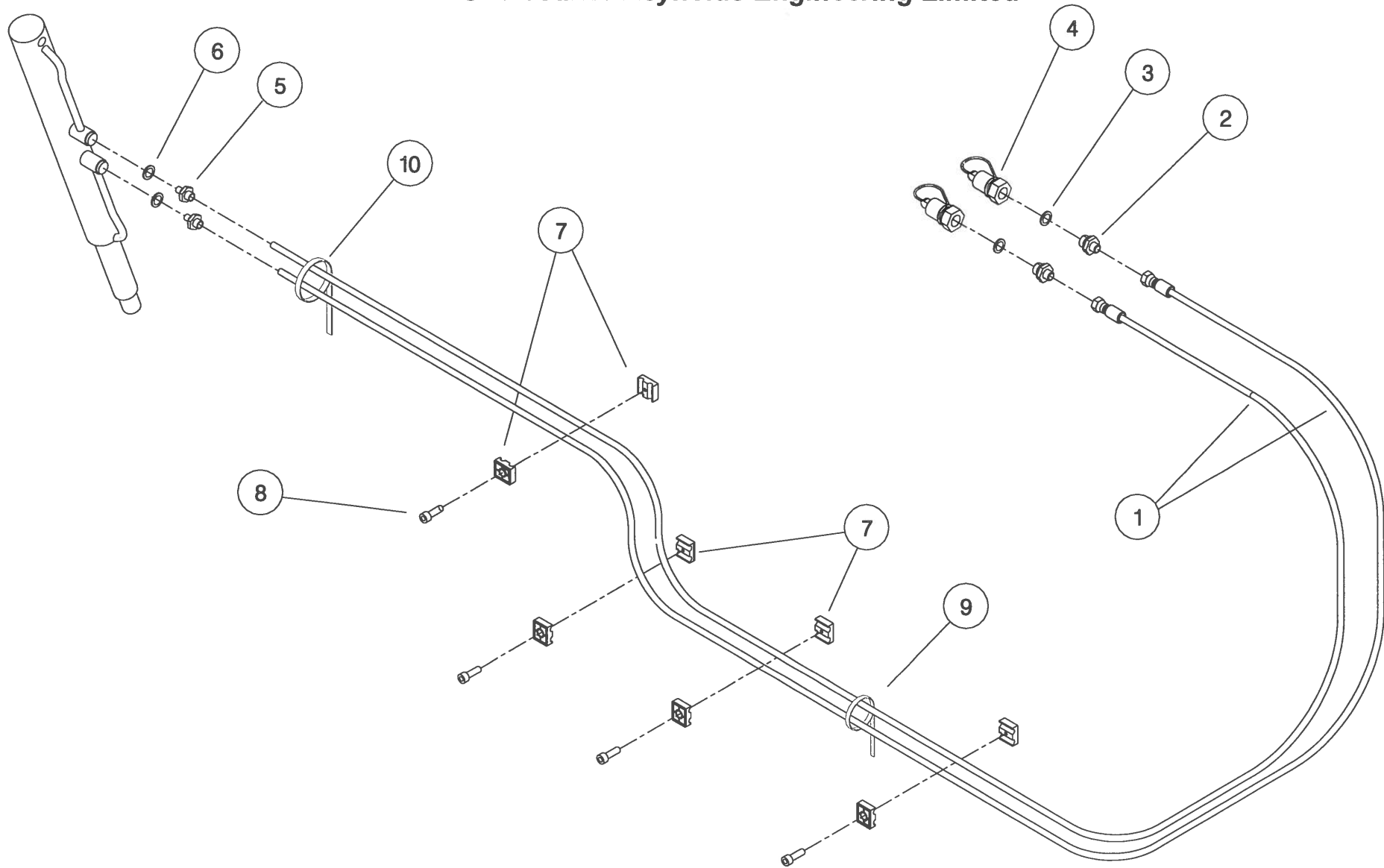
609061 01



## Shelbourne Reynolds Engineering Limited

ASSY NUMBER: 609062 01				ASSY DESCRIPTION: DOOR HYDRAULICS SUB ASSY			
ITEM	PART NO	DESCRIPTION	QTY	ITEM	PART NO	DESCRIPTION	QTY
1	HHAC51005	HOSE ASSY (SEE DRG)	2				
2	HMA-0055	ADAPTOR MALE/MALE	2				
3	WSH-1015	DOWTY WASHER 1/2"	2				
4	COU-0162	QUICK RELEASE COUPLING	2				
5	FIT-0025	1/4"BSP X 3/8"BSP	2				
6	WSH-1010	DOWTY WASHER 3/8"	2				
7	HCPD01200	HYD.PIPE CLAMP	4				
8	SCW-0083	CAP HEAD SCREW	4				
9	TIE-0004	TIE WRAPS (MED)	4				
10	TIE-0012	TIE WRAP (EX.LARGE)	3				

**Shelbourne Reynolds Engineering Limited**

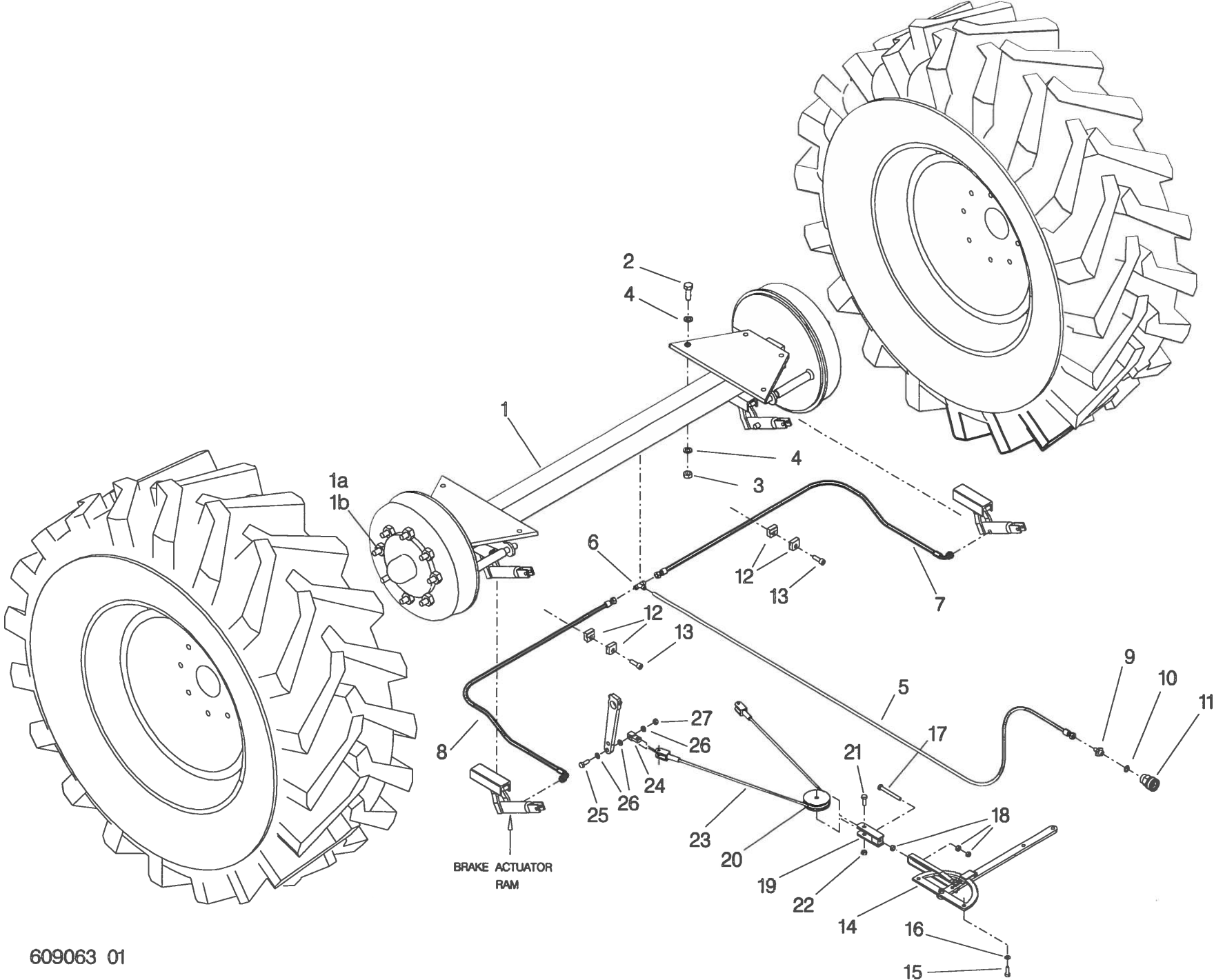


609062 01

## Shelbourne Reynolds Engineering Limited

ASSY NUMBER: 609063 01				ASSY DESCRIPTION: AXLE SUB ASSY			
ITEM	PART NO	DESCRIPTION	QTY	ITEM	PART NO	DESCRIPTION	QTY
1	591893 01	PSPREAD DAIRY AXLE WA (PSD16140??? & ON - M18)	1				
2	HSS-0318	SETSCREW	8				
3	NUT-0271	NYLOC NUT	8				
4	WSH-0024	PLAIN WASHER	16				
5	HHAC61005	HOSE ASSY	1				
6	HMT-0010	1/4"BSP EQUAL TEE MALE	1				
7	HHBC06305	HOSE ASSY	1				
8	HHBC09105	HOSE ASSY	1				
9	HMA-0055	ADAPTOR MALE/MALE	1				
10	WSH-1015	DOWTY WASHER 1/2"	1				
11	HQR-10007	HYD.QUICK RELEASE COUP.	1				
12	HCPD01200	HYD.PIPE CLAMP	5				
13	SCW-0083	CAP HEAD SCREW	5				
14	590222 01	HANDBRAKE LEVER ASSY	1				
15	HSS-0238	BOLT	2				
16	WSH-0065	SPRING WASHER	2				
17	HSSA10740	HEXAGON HD SETSCREW	1				
18	NUT-0167	PLAIN NUT PLATED	3				
19	590060 01	PULLEY FORK W/ASSY	1				
20	590101 01	CABLE PULLEY DTL	1				
21	BLTA12350	HEX.HEAD BOLT	1				
22	NUT-0269	NUT	1				
23	590072 01	REAR CABLE	1				
24	590062 01	PIVOT BLOCK DTL	2				
25	BLTA10350	HEX.HEAD BOLT	2				
26	WSH-0015	PLAIN WASHER	9				
27	NUT-0265	NYLOC NUT	2				

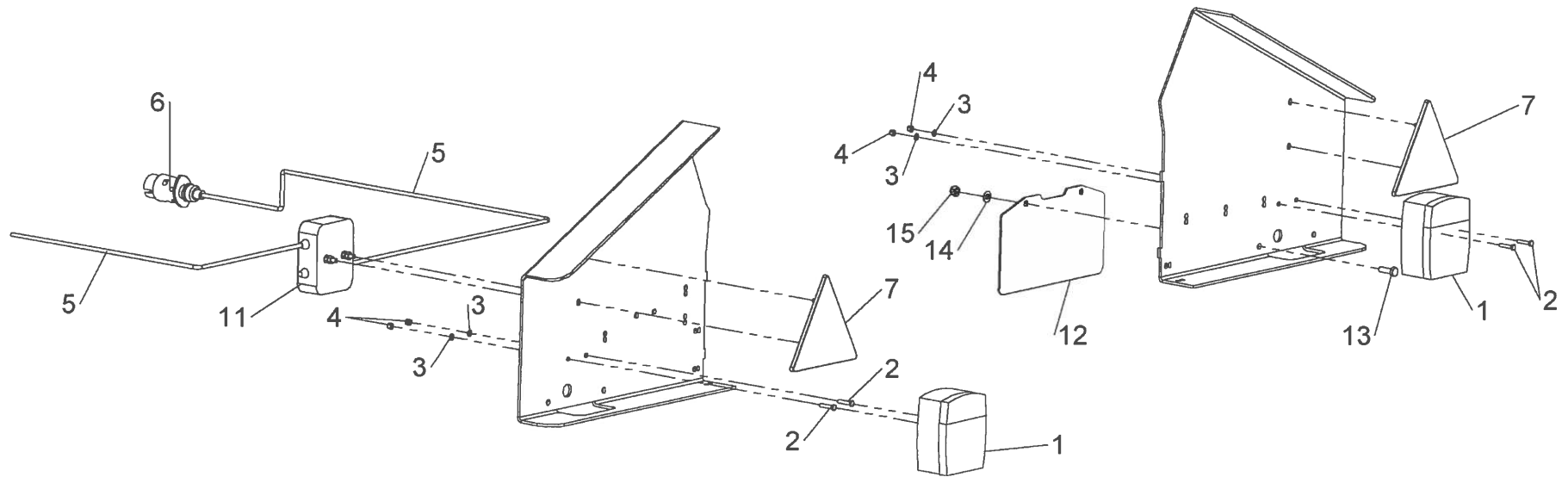
Shelbourne Reynolds Engineering Limited



## Shelbourne Reynolds Engineering Limited

ASSY NUMBER: 609064 01				ASSY DESCRIPTION: LIGHTING SUB ASSY			
ITEM	PART NO	DESCRIPTION	QTY	ITEM	PART NO	DESCRIPTION	QTY
1	LMP-10408	REAR LIGHT CLUSTER	2				
2	HSS-0070	SETSCREW	4				
3	WSH-0006	PLAIN WASHER	4				
4	NUT-0258	NYLOC NUT	4				
5	CBL-03530	7 CORE ELECTRICAL CABLE	8				
6	PLG-0005	7 PIN PLUG	1				
7	REF-0035	TRIANGULAR REFLECTOR	2				
8							
9							
10							
11	JNC-00000	ELECTRIC JUNCTION BOX	1				
12	591564 01	NUMBER PLATE MTG BRKT	1				
13	HSS-0145	BOLT	2				
14	WSH-0012	PLAIN WASHER	2				
15	NUT-0263	NYLOC NUT	2				

# Shelbourne Reynolds Engineering Limited



609064 01

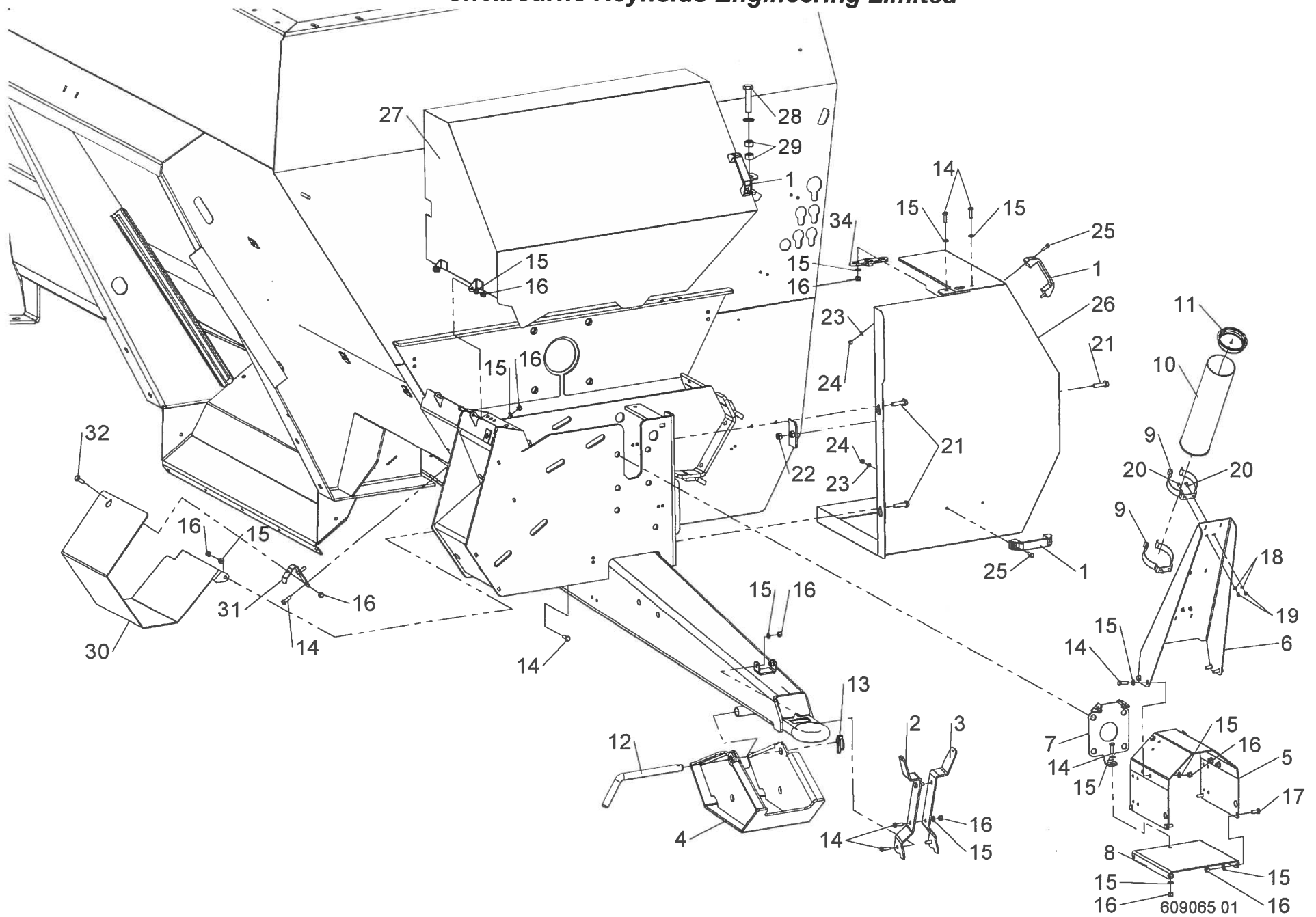


## Shelbourne Reynolds Engineering Limited

ASSY NUMBER: 609065 01				ASSY DESCRIPTION: GUARDS SUB ASSY			
ITEM	PART NO	DESCRIPTION	QTY	ITEM	PART NO	DESCRIPTION	QTY
1	HND-0000	BLACK PLASTIC HANDLE	3				
2	591378 01	PTO STAND LH	1				
3	591378 02	PTO STAND RH	1				
4	591683 01	FOOT W/A	1				
5	591843 01	FRONT PTO GUARD	1				
6	591842 01	HOSE SUPPORT	1				
7	591694 01	GUARD MOUNTING PLATE	1				
8	591844 01	LOWER PTO GUARD	1				
9	21725019	SPRING CLIP	2				
10	39800004	MANUAL HOLDER TUBE	1				
11	21709163	PLASTIC END CAP	2				
12	591567 01	LOCKING PIN	1				
13	PIN-01950	LYNCH PIN	1				
14	HSS-0145	BOLT	19				
15	WSH-0012	PLAIN WASHER FORM A	30				
16	NUT-0263	NYLOC NUT	24				
17	HSS-0140	BOLT	4				
18	WSH-0006	PLAIN WSH FORM A	4				
19	NUT-0258	NYLOC NUT	4				
20	HSS-0056	SET SCREW	4				
21	HSSG10260	HEX HD TENSILOCK BOLT	3				
22	NUT-0265	NYLOC NUT	3				
23	WSH-0009	PLAIN WASHER FORM A	6				
24	NUT-0260	NYLOC NUT	6				
25	HSS-0086	SET SCREW	6				
26	591832 01	SIDE GUARD W/A	1				
27	591835 01	TOP GUARD W/A	1				
28	HSSA16500	HEX. HEAD SETSCREW	1				
29	NUT-0180	PLAIN NUT PLATED	2				
30	591839 01	IMPELLER PTO GUARD	1				
31	591841 01	GUARD BRKT W/A	1				
32	HSSF08174	HEX HD SETSCREW	1				
33	WSHA30161	WASHER	1				
34	591864 01	GUARD FIXING BRKT W/A	1				

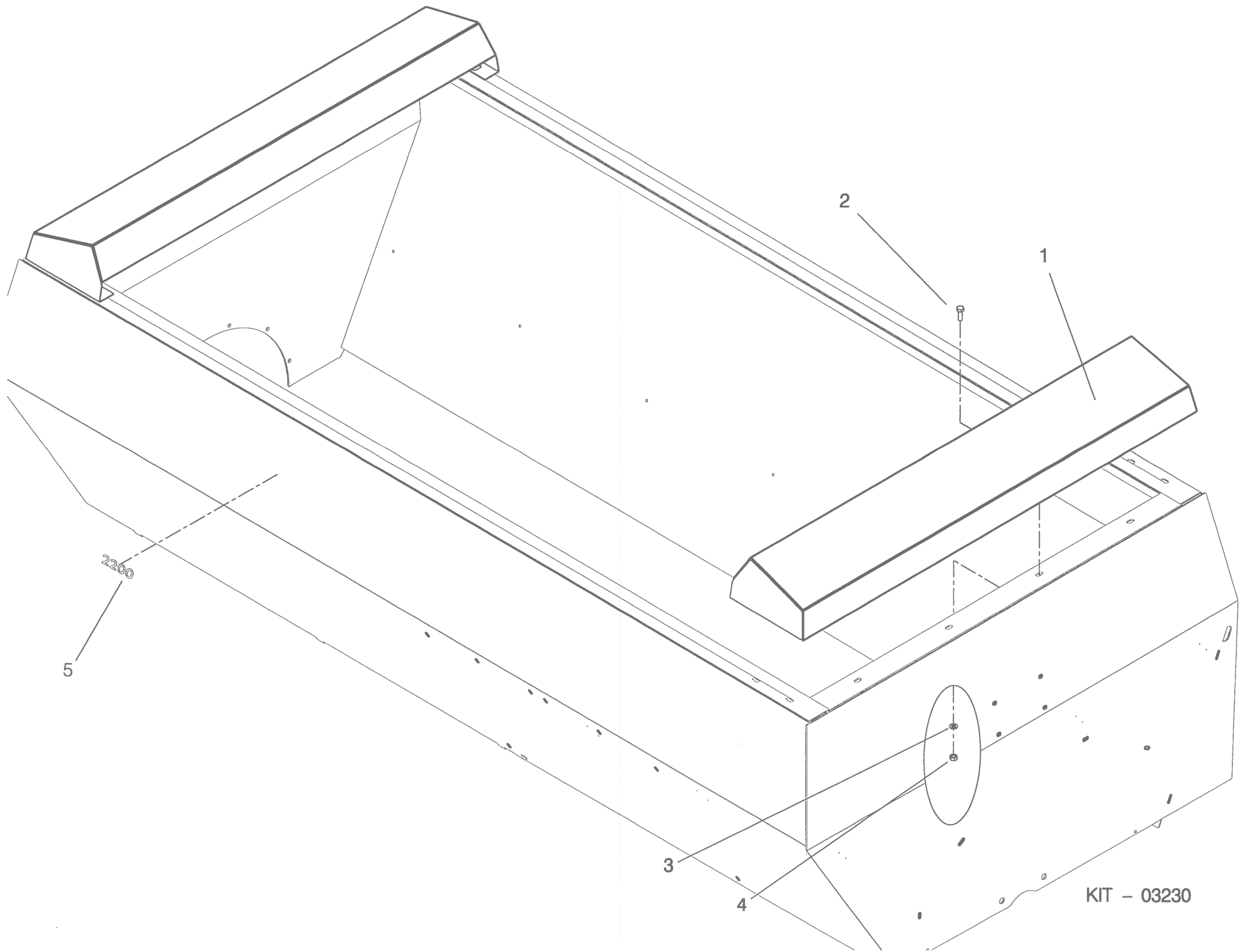


# Shelbourne Reynolds Engineering Limited



**Shelbourne Reynolds Engineering Limited**

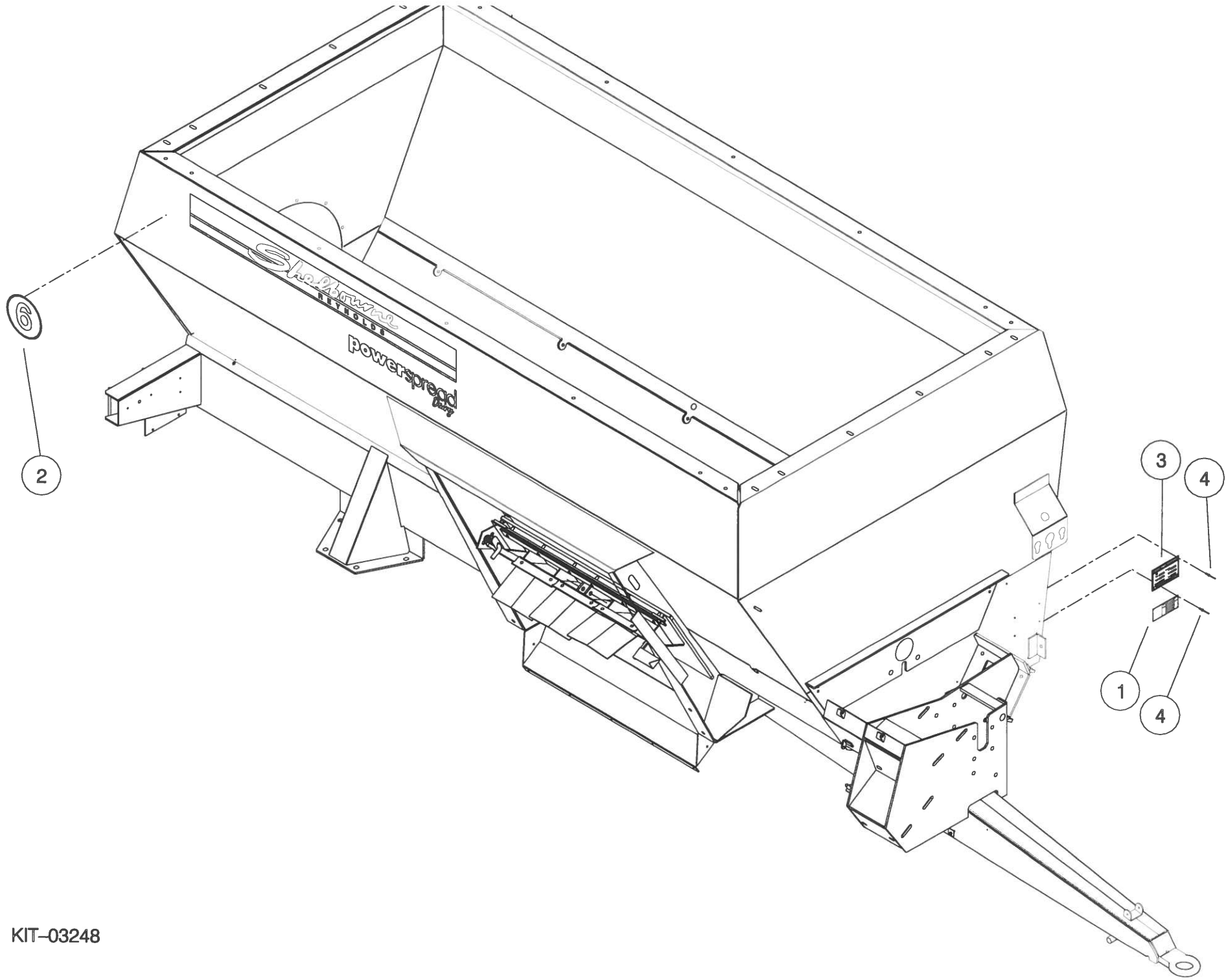
ASSY NUMBER:		KIT-03230		ASSY DESCRIPTION: SLURRY CANOPY KIT			
ITEM	PART NO	DESCRIPTION	QTY	ITEM	PART NO	DESCRIPTION	QTY
1	590619 01	SLURRY CANOPY W/A	2				
2	HSS-0238	SET SCREW	16				
3	WSH-0018	WASHER	16				
4	NUT-0269	NUT	16				
5A	591007 01	TRANSFER (1400)	2				
OR		1400 MODEL ONLY					
5B	591007 02	TRANSFER (1600)	2				
OR		1600 MODEL ONLY					
5C	591007 05	TRANSFER (2200)	2				
		2200 MODEL ONLY					



KIT - 03230

**Shelbourne Reynolds Engineering Limited**

ASSY NUMBER:		KIT-03248		ASSY DESCRIPTION:GERMAN PARTS KIT			
ITEM	PART NO	DESCRIPTION	QTY	ITEM	PART NO	DESCRIPTION	QTY
1	TNF-0201	GERMAN IDENTIFICATION PLATE	1				
2	612610 01	6Km/h TRANSFER	3				
3	590145 01	UK IDENTIFICATION PLATE	1				
4	POP-0006	POP RIVET	8				



KIT-03248

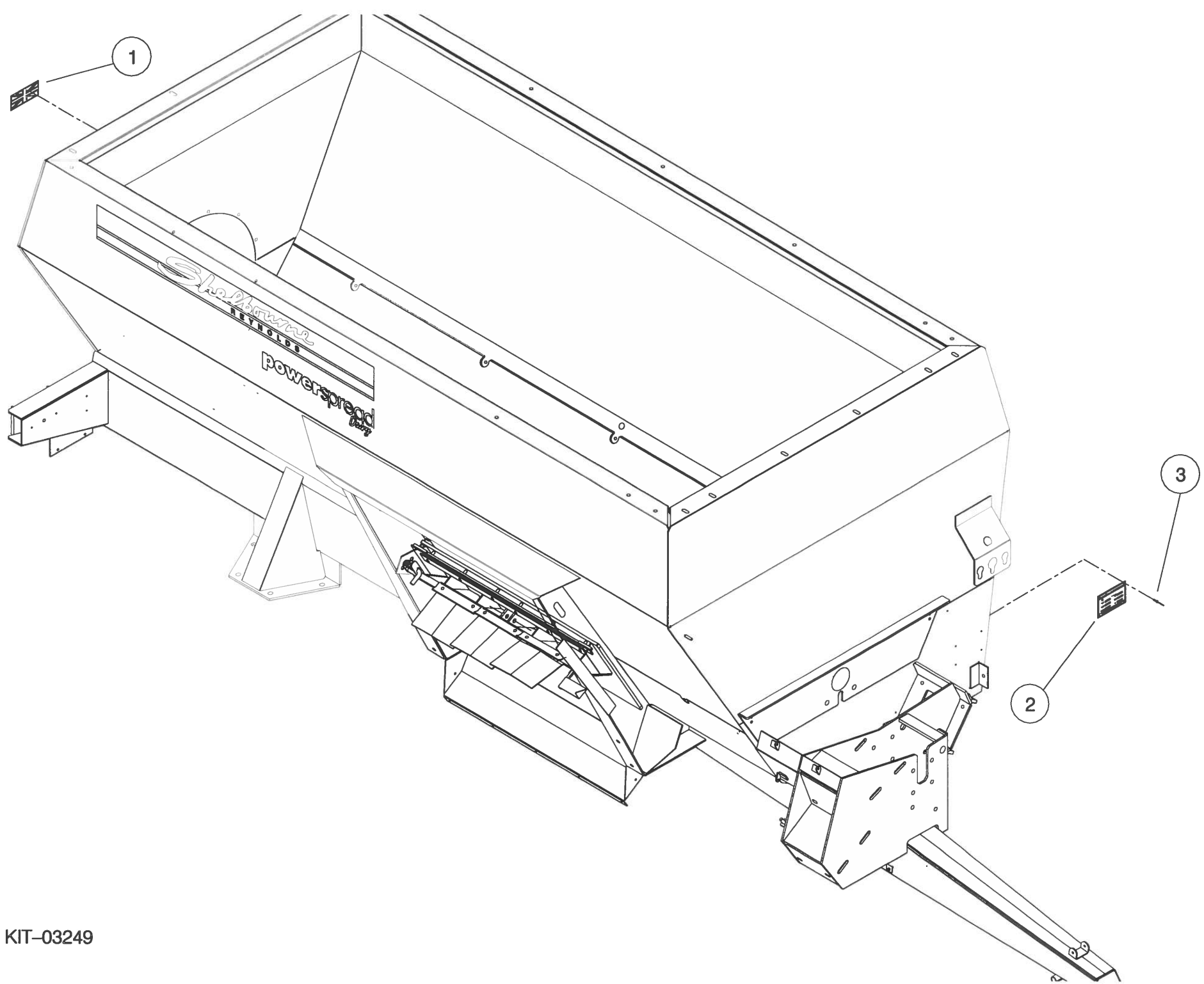
**Shelbourne Reynolds Engineering Limited**

ASSY NUMBER:

KIT-03249

ASSY DESCRIPTION:UK PARTS KIT

ITEM	PART NO	DESCRIPTION	QTY	ITEM	PART NO	DESCRIPTION	QTY
1	610563 01	UNION JACK TRANSFER	1				
2	590145 01	UK IDENTIFICATION PLATE	1				
3	POP-0006	POP RIVET	4				

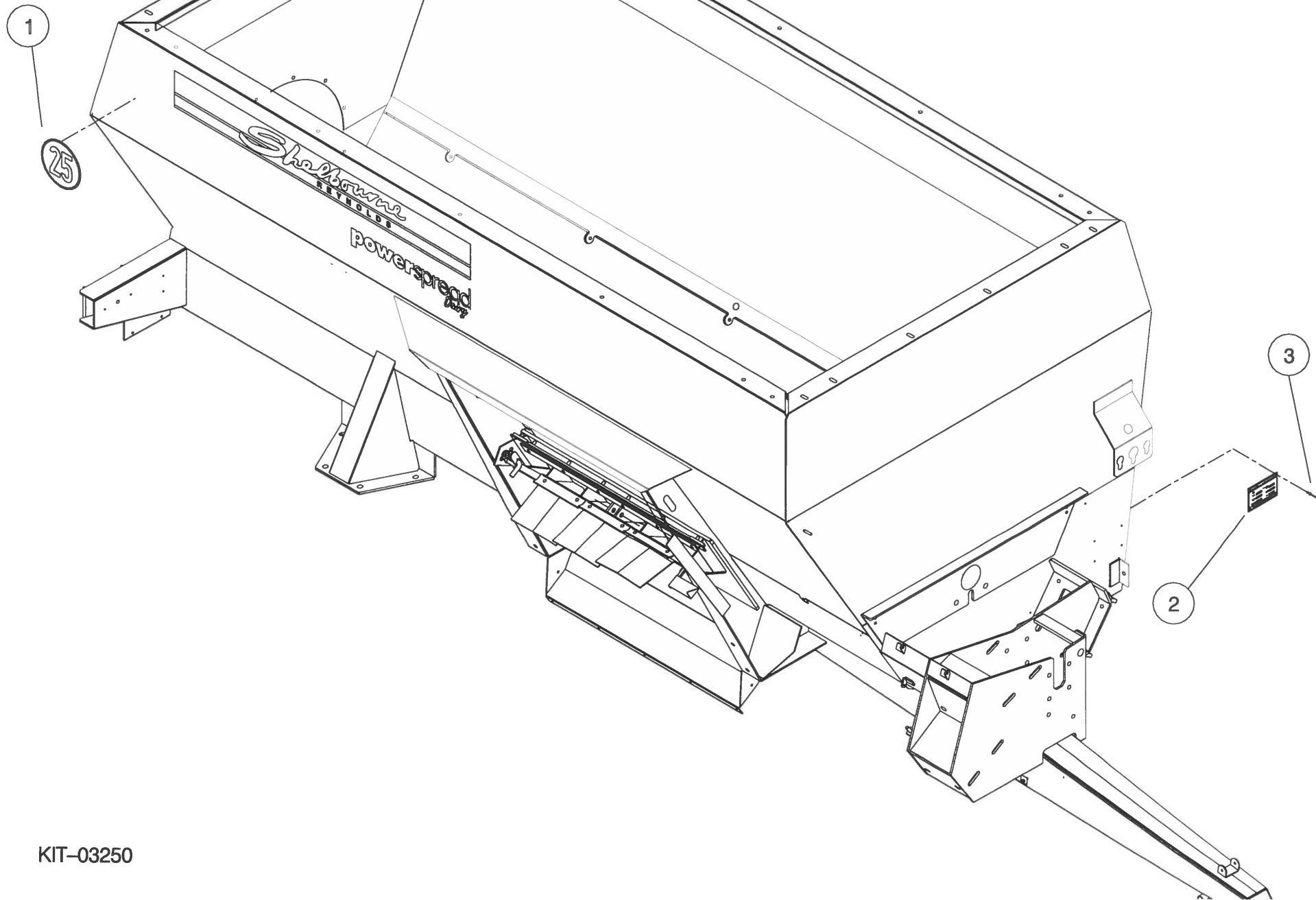


KIT-03249

**Shelbourne Reynolds Engineering Limited**

ASSY NUMBER:		KIT-03250		ASSY DESCRIPTION:EUROPEAN PARTS KIT			
ITEM	PART NO	DESCRIPTION	QTY	ITEM	PART NO	DESCRIPTION	QTY
1	611033 01	25Km/h TRANSFER	3				
2	590145 01	UK IDENTIFICATION PLATE	1				
3	POP-0006	POP RIVET	4				

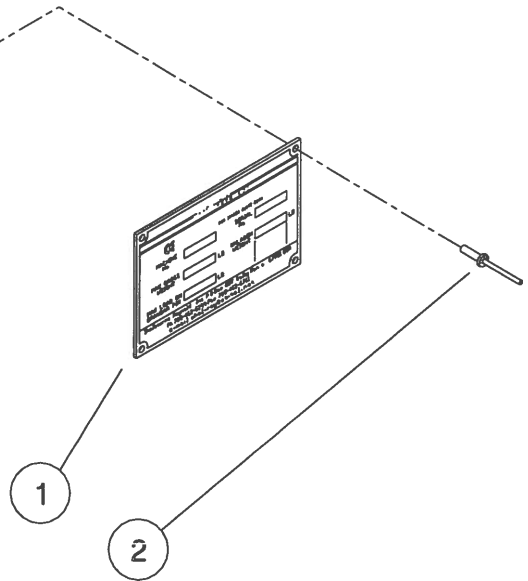
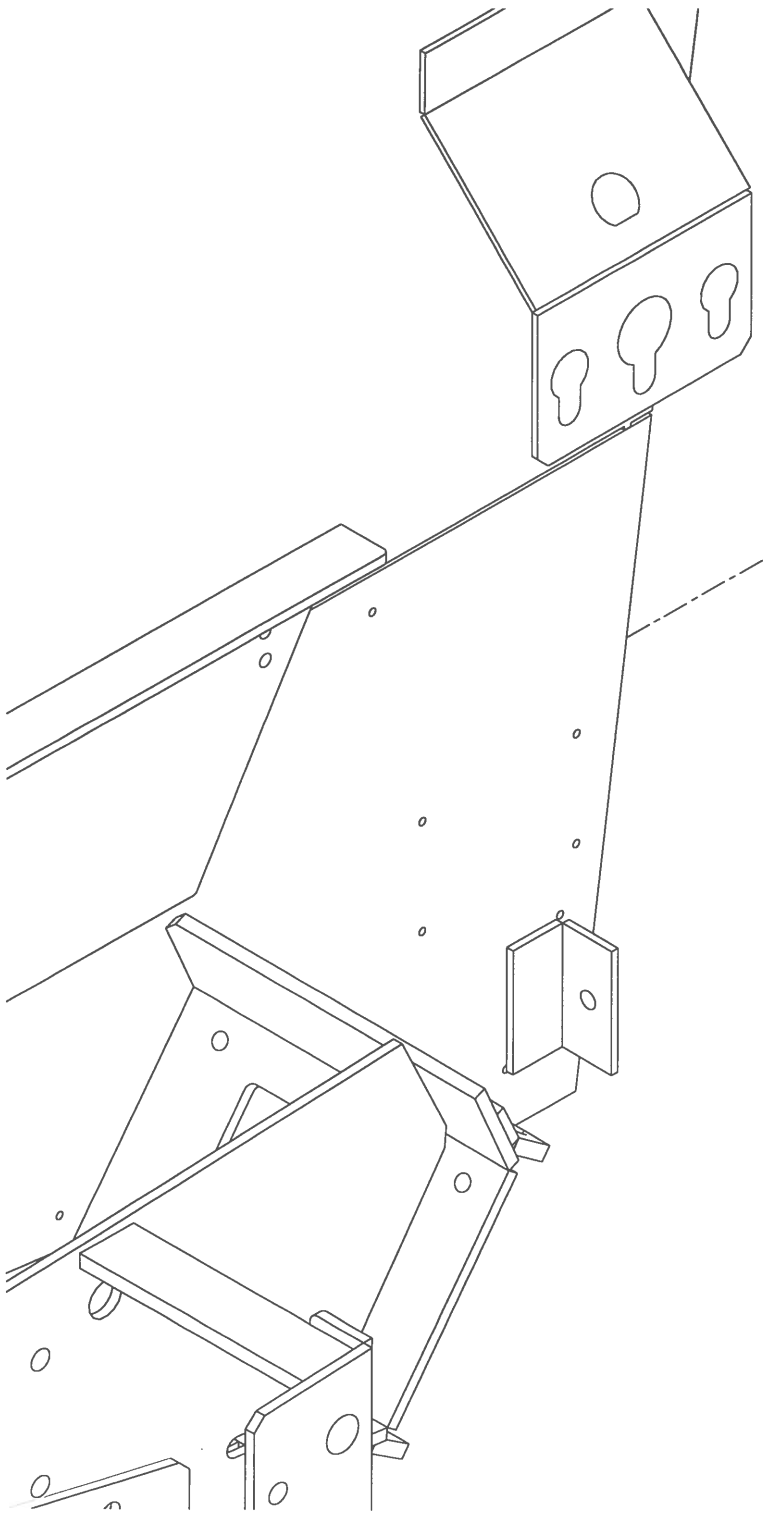




KIT-03250

**Shelbourne Reynolds Engineering Limited**

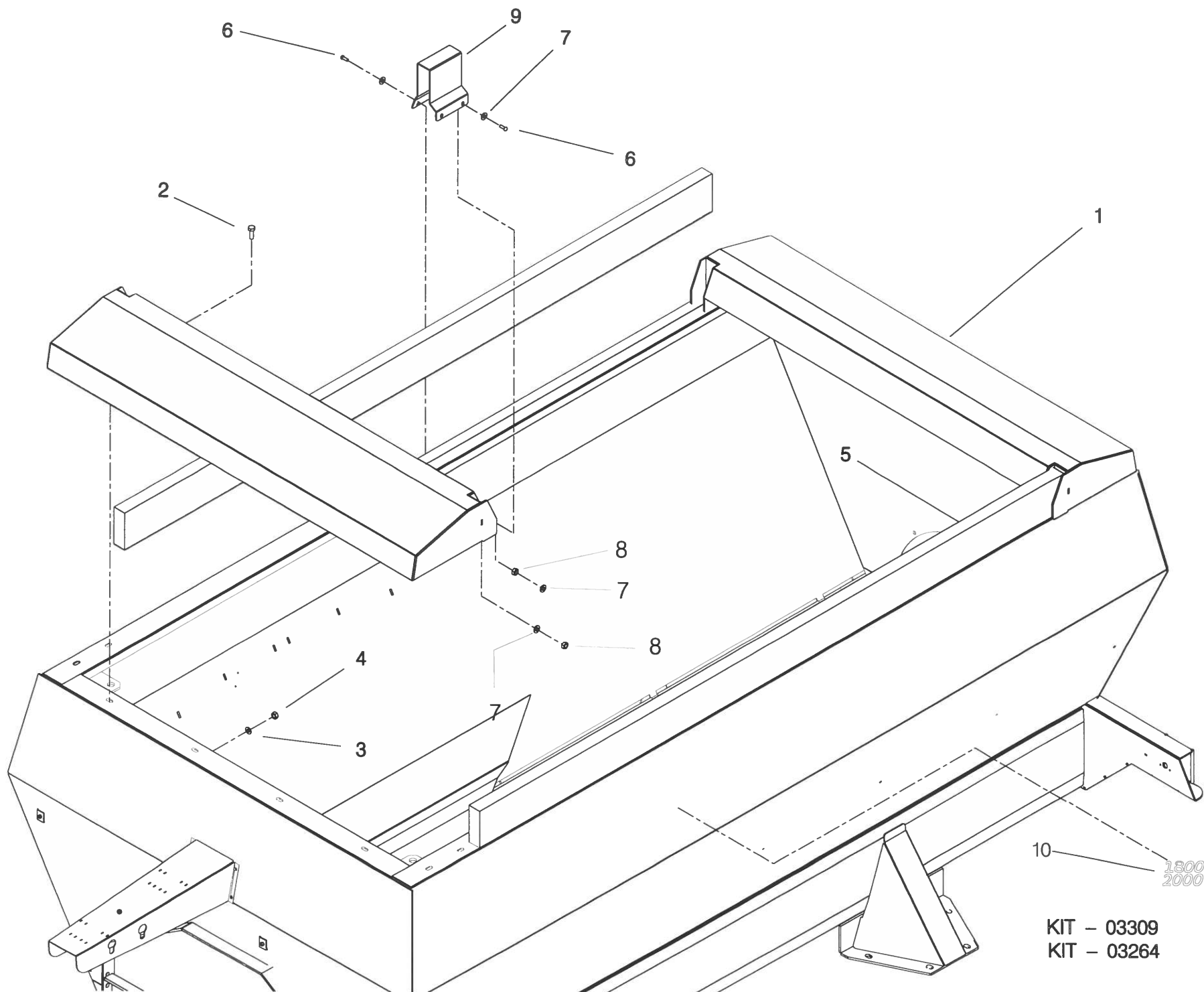
ASSY NUMBER:		KIT-03251		ASSY DESCRIPTION:USA PARTS KIT			
ITEM	PART NO	DESCRIPTION	QTY	ITEM	PART NO	DESCRIPTION	QTY
1	612269 01	USA IDENTIFICATION PLATE	1				
2	POP-0006	POP RIVET	4				



KIT-03251

**Shelbourne Reynolds Engineering Limited**

ASSY NUMBER:		KIT-03264		ASSY DESCRIPTION: 6" WOODEN EXT TOP (1600-1800 GALLON)			
ITEM	PART NO	DESCRIPTION	QTY	ITEM	PART NO	DESCRIPTION	QTY
1	590943 01	SLURRY CANOPY W/A	2				
2	HSS-0238	SET SCREW	20				
3	WSH-0018	WASHER	36				
4	NUT-0269	NUT	28				
5	WOO-0016	WOODEN PLANK	2				
6	HSS-0238	SETSCREW	8				
7	590953 01	SMALL EXTN SIDE BRKT W/A	2				
8	591757 01	1800 EMBLEM	2				



1800  
2000

KIT - 03309  
KIT - 03264



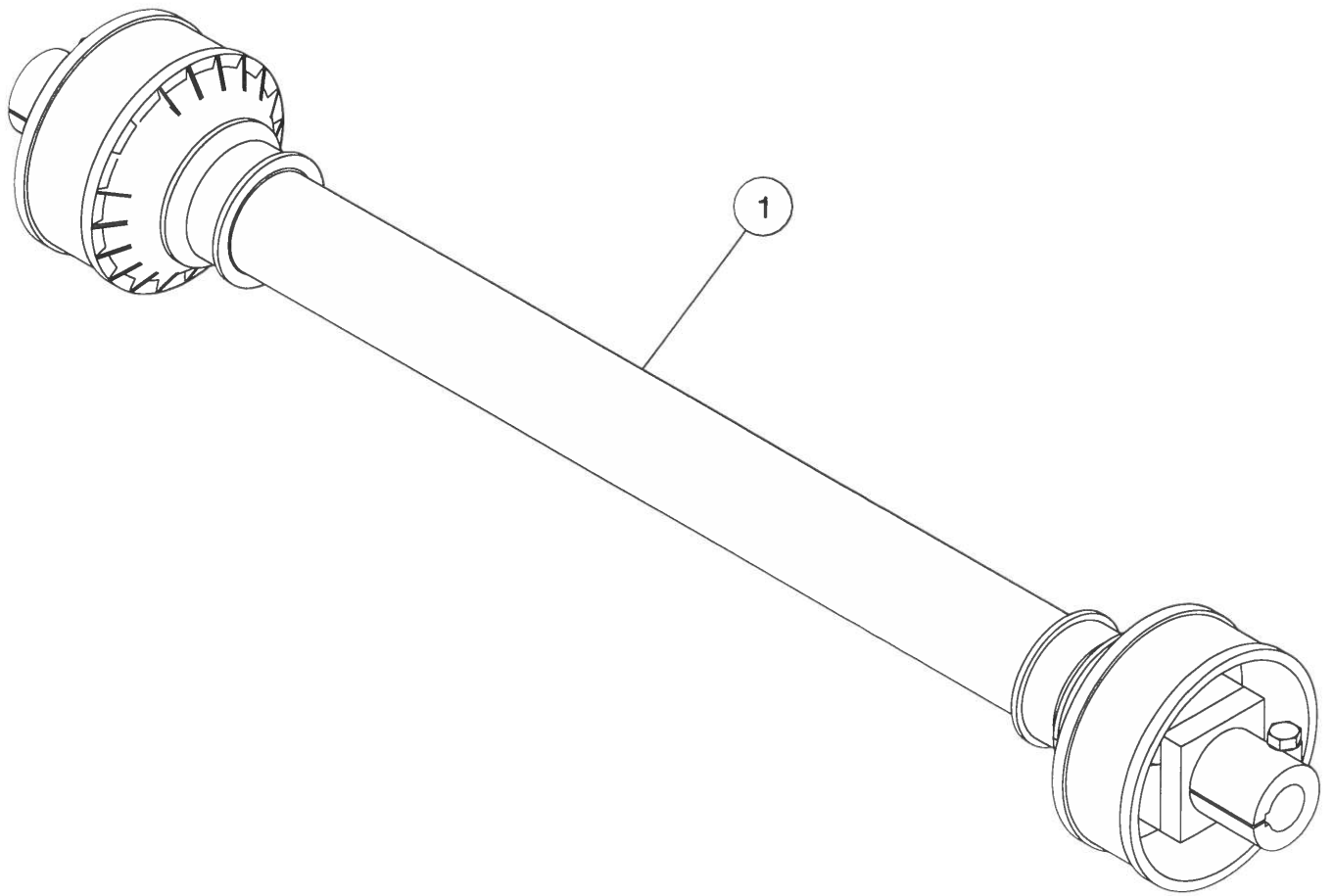
**Shelbourne Reynolds Engineering Limited**

ASSY NUMBER:		KIT-03275		ASSY DESCRIPTION: WIDE ANGLE PTO SHAFT (DAIRY)			
ITEM	PART NO	DESCRIPTION	QTY	ITEM	PART NO	DESCRIPTION	
1	PTO-25100W	PTO SHAFT	1				
OR		(s/n ????? AND ON)					
1a	PTO-25100	PTO SHAFT	1				
		(UP TO s/n ?????)					

**Shelbourne Reynolds Engineering Limited**

ASSY NUMBER:		KIT-03276		ASSY DESCRIPTION: STANDARD PTO SHAFT (DAIRY)			
ITEM	PART NO	DESCRIPTION	QTY	ITEM	PART NO	DESCRIPTION	
1	PTO-13001W	PTO SHAFT	1				
OR		(s/n ????? AND ON)					
1a	PTO-13001	PTO SHAFT	1				
		(UP TO s/n ?????)					





KIT-03275  
KIT-03276

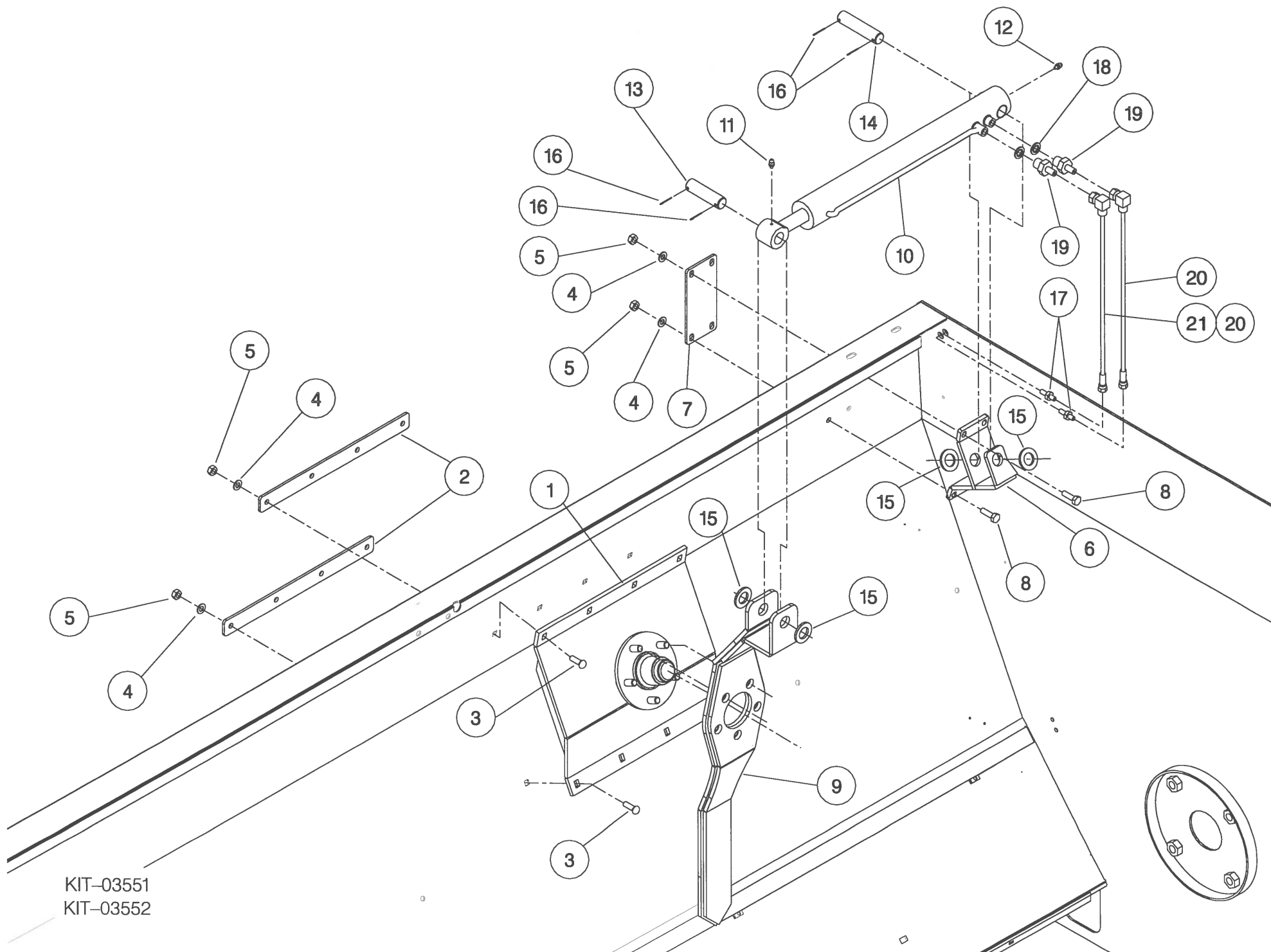
**Shelbourne Reynolds Engineering Limited**

ASSY NUMBER:		KIT-03309		ASSY DESCRIPTION:12"WOODEN EXT TOP KIT(1600-2000 GALLON)			
ITEM	PART NO	DESCRIPTION	QTY	ITEM	PART NO	DESCRIPTION	QTY
1	590944 01	SLURRY CANOPY W/A	2				
2	HSS-0238	SET SCREW	20				
3	WSH-0018	WASHER	20				
4	NUT-0269	NUT	20				
5	WOO-0016	WOODEN PLANK	4				
6	HSS-0191	SETSCREW	8				
7	WSH-0015	WASHER	16				
8	NUT-0265	NUT	8				
9	590949 01	LARGE EXTN SIDE BRKT W/A	2				
10	591758 01	2000 EMBLEM	2				



**Shelbourne Reynolds Engineering Limited**

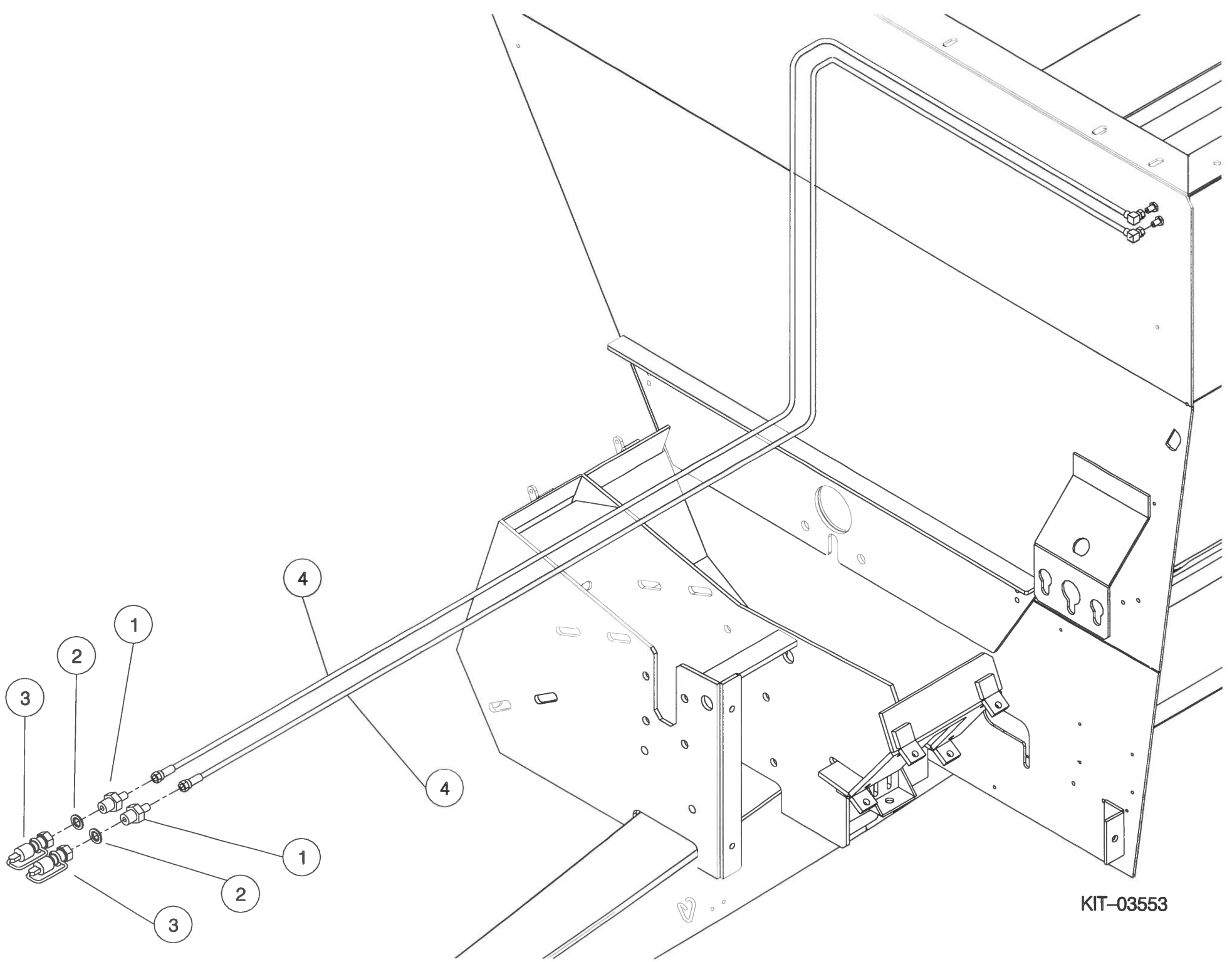
ASSY NUMBER:		KIT-03551		ASSY DESCRIPTION: ANTI-BRIDGING KIT 1600DAIRY/CONTRACTOR			
ITEM	PART NO	DESCRIPTION	QTY	ITEM	PART NO		QTY
1	591049 01	ARM MOUNTING HUB	1				
2	591030 01	STRENGTHENER BAR	2				
3	BLT-3800	COACHBOLT	8				
4	WSH-0018	WASHER	12				
5	NUT-0269	NUT	12				
6	591042 01	RAM BRACKET	1				
7	591031 01	STRENGTHENER PLATE	1				
8	HSS-0250	BOLT	4				
9	591045 01	PENDULUM ARM	1				
10	800083 01	HYDRAULIC RAM	1				
10a	RMSK04032	RAM SEAL KIT	1				
11	NIP-00600	GREASE NIPPLE	1				
12	NIP-00605	GREASE NIPPLE	1				
13	591055 01	PIVOT PIN	1				
14	591055 02	PIVOT PIN	1				
15	WSH-1545	WASHER	4				
16	PIN-20629	SPLIT PIN	4				
17	HBK-0012	BULKHEAD FITTING	2				
18	WSH-1005	DOWTY WASHER	2				
19	FIT-0025	HYD ADAPT	2				
20	HHCE03005	HYD HOSE ASSY	1				
21	HHCE03405	HYD HOSE ASSY	1				



KIT-03551  
 KIT-03552

**Shelbourne Reynolds Engineering Limited**

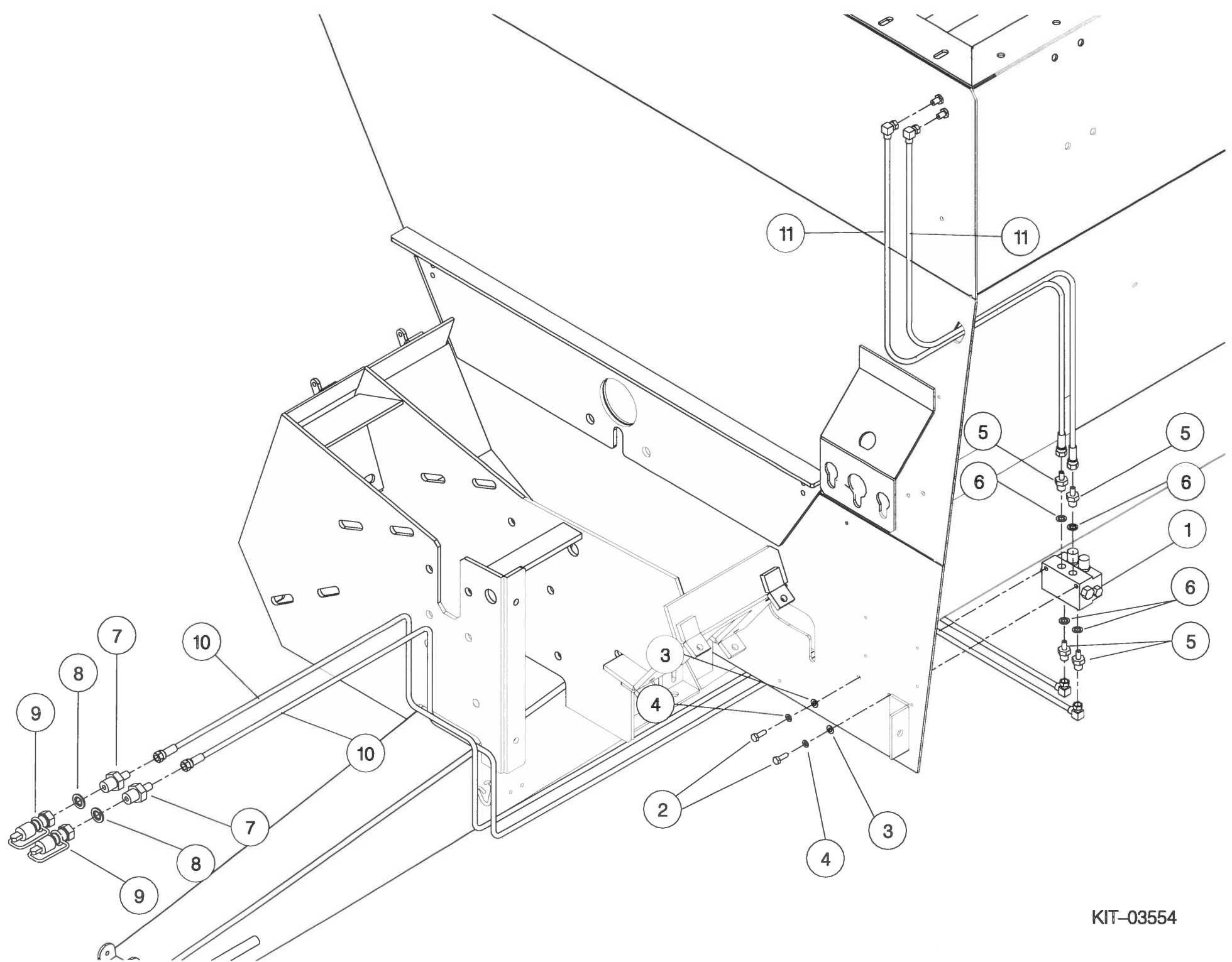
ASSY NUMBER:		KIT-03553		ASSY DESCRIPTION: ANTI-BRIDGING MANUAL HYDRAULICS KI			
ITEM	PART NO	DESCRIPTION	QTY	ITEM	PART NO		QTY
1	HMA-0065	ADAPTOR	2				
2	WSH-1015	DOWTY WASHER	2				
3	COU-0162	QR COUPLING	2				
4	HHCE60005	HYD HOSE ASSY (HFAI72005 x1) (HFAF72005 x1) (HOS104050 x 6m)	2				



KIT-03553



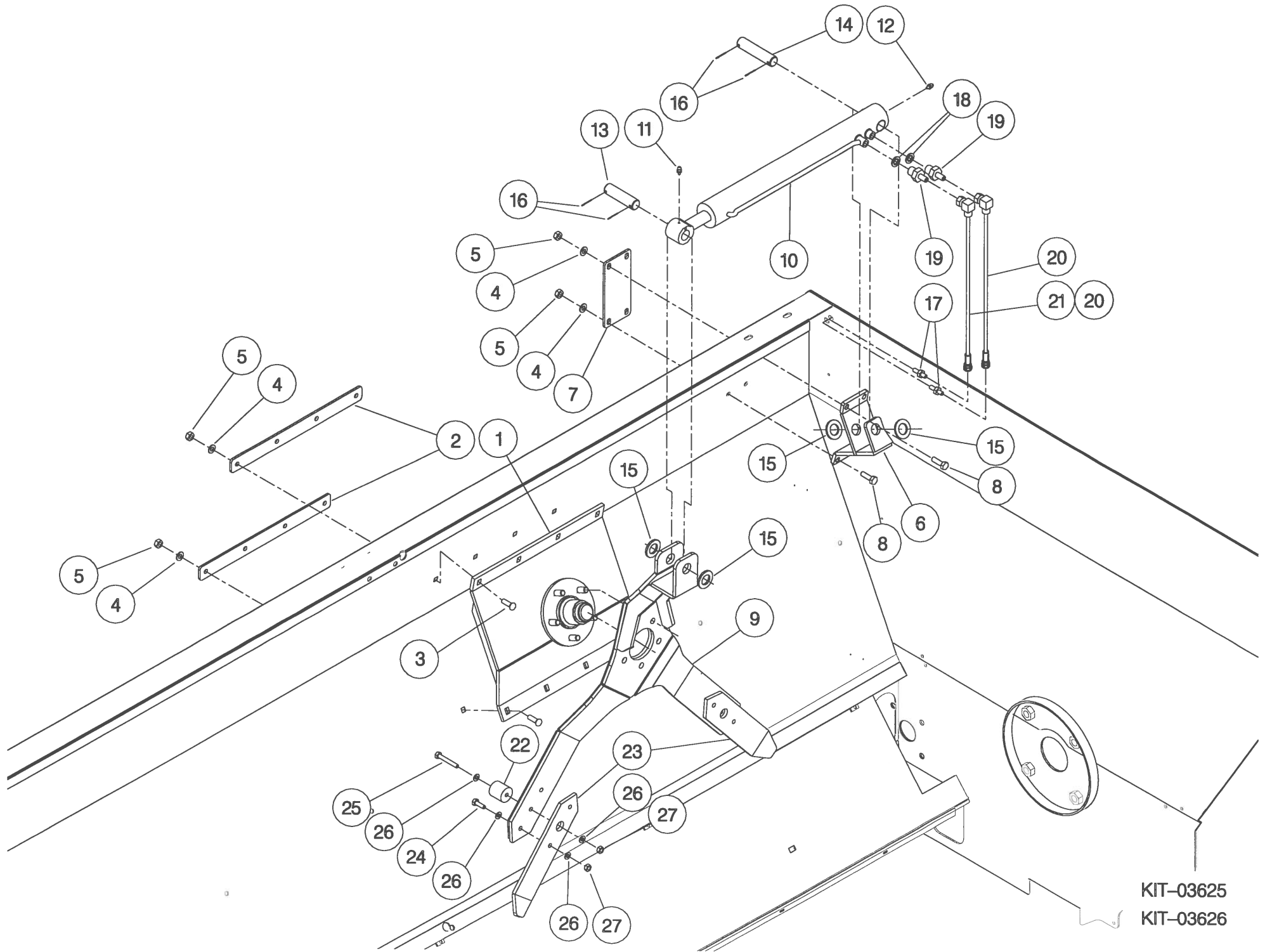




KIT-03554

**Shelbourne Reynolds Engineering Limited**

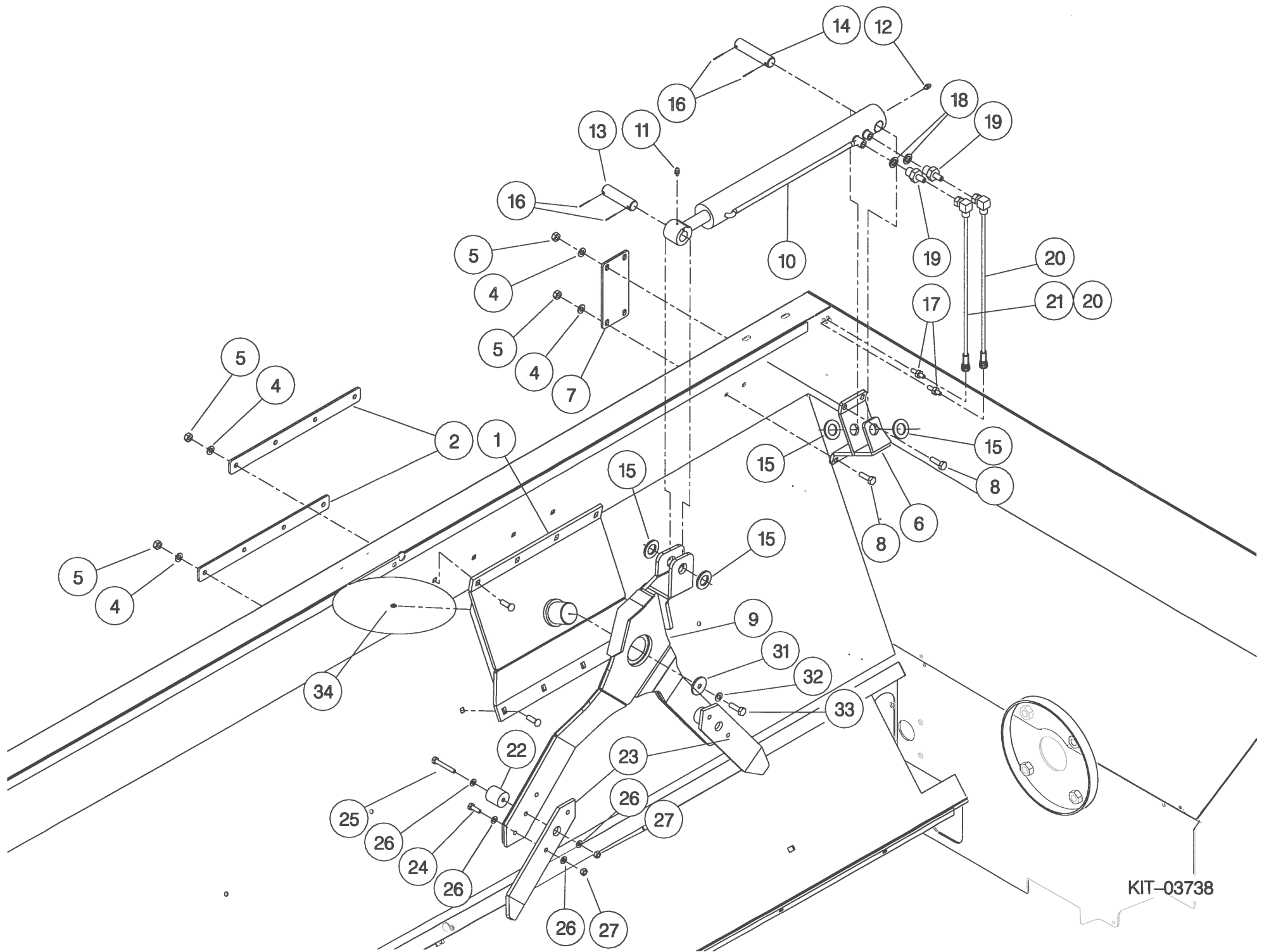
ASSY NUMBER:		KIT-03625		ASSY DESCRIPTION: ANTI-BRIDGING KIT DOUBLE ARM 1600 DAIRY/CONTRACTOR			
ITEM	PART NO	DESCRIPTION	QTY	ITEM	PART NO	QTY	
1	591049 01	ARM MOUNTING HUB	1				
2	591030 01	STRENGTHENER BAR	2				
3	BLT-3800	COACHBOLT	8				
4	WSH-0018	WASHER	12				
5	NUT-0269	NUT	12				
6	591042 01	RAM BRACKET	1				
7	591031 01	STRENGTHENER PLATE	1				
8	HSS-0250	BOLT	4				
9	591073 01	PENDULUM DOUBLE ARM	1				
10	801236 01	HYDRAULIC RAM, 35mm ROD	1				
OR	800083 01	HYDRAULIC RAM, 32mm ROD	1				
10a	RMSK00320	RAM SEAL KIT, 35mm ROD					
OR	RMSK00290	RAM SEAL KIT, 32mm ROD					
OR	RMSK04032	RAM SEAL KIT, 32mm ROD					
11	NIP-00600	GREASE NIPPLE	1				
12	NIP-00605	GREASE NIPPLE	1				
13	591055 01	PIVOT PIN	1				
14	591055 02	PIVOT PIN	1				
15	WSH-1545	WASHER	4				
16	PIN-20629	SPLIT PIN	4				
17	HBK-0012	BULKHEAD FITTING	2				
18	WSH-1005	DOWTY WASHER	2				
19	FIT-0025	HYD ADAPT	2				
20	HHCE03005	HYD HOSE ASSY	1				
21	HHCE03405	HYD HOSE ASSY	1				
22	591072 01	NYLON SUPPORT	2				
23	591071 01	ARM EXTENTION	2				
24	HSS-0202	SETSCREW	4				
25	HSSA10440	SETSCREW	2				
26	WSH-0015	PLAIN WASHER	12				
27	NUT-0265	NUT NYLOCK	6				



KIT-03625  
KIT-03626

**Shelbourne Reynolds Engineering Limited**

ASSY NUMBER:		KIT-03738		ASSY DESCRIPTION: ANTI-BRIDGING KIT DOUBLE ARM 1600 DAIRY/CONTRACTOR			
ITEM	PART NO	DESCRIPTION	QTY	ITEM	PART NO		QTY
1	591121 01	BRIDGE ARM MTG PLATE W/A	1				
2	591030 01	STRENGTHENER BAR	2				
3	BLT-3800	COACHBOLT	8				
4	WSH-0018	WASHER	12				
5	NUT-0269	NUT	12				
6	591042 01	RAM BRACKET	1				
7	591031 01	STRENGTHENER PLATE	1				
8	HSS-0250	BOLT	4				
9	591134 01	PENDULUM DOUBLE ARM	1				
10	801236 01	HYDRAULIC RAM, 35mm ROD	1				
10a	RMSK00320	RAM SEAL KIT, 35mm ROD					
11	NIP-00600	GREASE NIPPLE	1				
12	NIP-00605	GREASE NIPPLE	1				
13	591055 01	PIVOT PIN	1				
14	591055 02	PIVOT PIN	1				
15	WSH-1545	WASHER	4				
16	PIN-20629	SPLIT PIN	4				
17	HBK-0012	BULKHEAD FITTING	2				
18	WSH-1005	DOWTY WASHER	2				
19	FIT-0025	HYD ADAPT	2				
20	HHCE03005	HYD HOSE ASSY	1				
21	HHCE03405	HYD HOSE ASSY	1				
22	591072 01	NYLON SUPPORT	2				
23	591071 01	ARM EXTENTION	2				
24	HSS-0202	SETSCREW	4				
25	HSSA10440	SETSCREW	2				
26	WSH-0015	PLAIN WASHER	12				
27	NUT-0265	NUT NYLOCK	6				
28	BSHA06565	BUSH	1				
29							
30	NUT-0271	NUT(M16 NYLOC)	1				
31	190548 72	WASHER(17 I/Dx90 O/Dx10 THK)	1				
32	WSHA30161	LOCKWASHER(M16)	1				
33	HSSA16200	SETSCREW(M16x30)	1				
34	NIP-00600	GREASE NIPPLE(M6)	1				

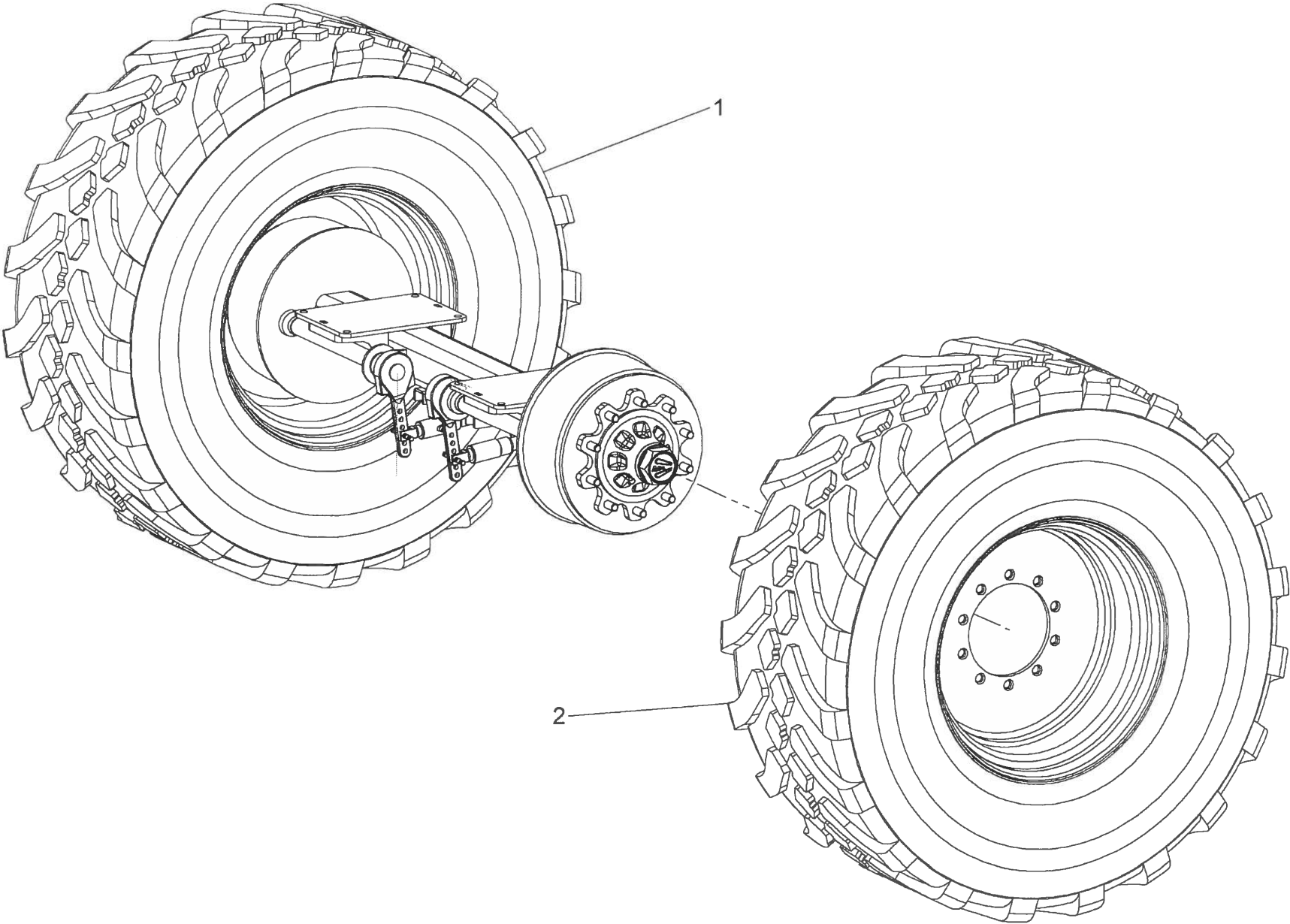


KIT-03738

# Shelbourne Reynolds Engineering Limited

ASSY NUMBER: KIT-03772				ASSY DESCRIPTION: WHEEL & TYRE KIT			
ITEM	PART NO	DESCRIPTION	QTY	ITEM	PART NO	DESCRIPTION	QTY
1	WHL-02618	LH WHEEL & TYRE ASSY	1				
2	WHL-02619	RH WHEEL & TYRE ASSY	1				

**Shelbourne Reynolds Engineering Limited**



KIT-03772

