

Shelbourne

REYNOLDS

100, 150 & 300 MODELS

OPERATORS AND PARTS MANUAL



CUBICLE BEDDER

Shelbourne Reynolds Engineering Ltd
Stanton
Bury St Edmunds
Suffolk
IP31 2AR
England

Telephone: 01359 250415
Fax: 01359 250464

Stores Direct : 01359 251231
Stores Direct: 01359 252031

Issue 13 30/03/2017

www.shelbourne.com



Dealer Pre-delivery / Installation check and warranty registration – Cubicle Bedder

PLEASE TICK APPROPRIATE COLUMN FOR EACH ITEM UNDERTAKEN

Dealer pre customer delivery / installation / commissioning	Checks OK	Adjusted
Ensure the Cubicle bedder is correctly mounted to the tractor or handler.(see section 2.4)		
Check hydraulic flow on the tractor or handler to ensure the optimum size conveyor motor is fitted.		
Ensure the hoses are not taught when the Cubicle bedder is connected to the prime mover vehicle.		
Check the agitator tine configuration suits the recommended setting for the material being spread.(see section 5.14)		
Check the internal metering plates are set at the recommended distance for the material being spread.(see section 5.13)		
Lubricate all grease points.(see section 7.1)		
Check hydraulic system for leaks.		
Check operation of hydraulic services.		
Ensure that all safety guards & decals are fitted.		
Check paintwork & finish.		
Check in general that nuts & bolts are tight.		
Ensure that an Operator's manual is supplied with the machine.		
Additional Comments:		
Dealer Representative's Name:		Date:

Customer Instruction	Actioned
Explain the correct setting & operation of the machine to the customer.	
Ensure the maintenance schedule is explained to the customer.	
Ensure all spare agitator tines are handed to the customer for storage.	
Ensure the lubrication & grease points are indicated to the customer.	
Ensure all safety precautions & safety signs are explained to the customer.	
Ensure the warranty policy is explained to the customer.	
Ensure that the operator's manual is handed to the customer.	
Additional Comments:	
Dealer Representative's Name:	
Date:	

For specific details please refer to the operator's manual



Issue 1 21/03/2016

Dealer's pre-delivery/installation check

IMPORTANT

All items listed on the left must be checked, and adjusted if necessary. The person conducting the inspection should tick each item in the space provided, indicating whether or not adjustments were required. In the event of additional work being needed, details should be given in the additional work / discrepancy box, located at the bottom of this sheet, or on a separate sheet if required. When the inspection is complete, THIS FORM MUST BE COPIED & RETURNED TO:- Shelbourne Reynolds within 30 days of delivery to customer, otherwise the invoice date to the dealer will be deemed to be the start date for the warranty period.

Dealer Name: _____

Address: _____

_____ Post / Zip code: _____

Dealer Salesman Name: _____

Customer Name: _____

Business Name (if different from above): _____

Address: _____

_____ Post / Zip code: _____

Email Address: _____

Tel No. Home / Office: _____ Cell / Mobile: _____

SERIAL NUMBER: _____ MACHINE NUMBER: _____

MODEL: _____

Dealer signature: _____

Print Name: _____ Date: _____

Customer's Signature: _____

Print Name: _____ Date: _____

The customer's signature certifies that the machine was delivered in a satisfactory condition and that adequate instruction was received as to its correct operation, safety requirements, and maintenance as stated in the operator's manual, and that the customer has read, understood, and agrees to the Terms and Conditions of Sale and Warranty (including the disclaimers and limitations) contained in Section 1.5 of the operator's manual.

Additional work / discrepancies:

**This page must be faxed or e-mailed to Shelbourne Reynolds Engineering Ltd.
Fax No: - +44 (0)1359 250464. E-mail: - warranty@shelbourne.com**

EC Declaration of conformity for machinery

(Machinery Directive 2006/42/EC, Annex II., sub. A)

Manufacturer : Shelbourne Reynolds Engineering Ltd.

Address : Shepherds Grove Industrial estate,
Stanton,
Bury St Edmunds,
Suffolk.
England.
IP31 2AR

Name and address of the person (*established in the European Community/EEA*)
authorised to compile the technical file (*to the authorities on request*):

Name : Mr. Neil Smith

Address : As stated above.

Herewith we declare that :

DESIGNATION:

CUBICLE BEDDER

MODEL:

TYPE:

MACHINE No.:

SERIAL No.:

- is in conformity with the relevant provisions of the Machinery Directive (2006/42/EC)



Neil Smith
Director

Place : **Stanton, England.**

Date :

PARTS AND OPERATORS MANUAL

CONTENTS

Section 1	INTRODUCTION
1.1	Foreword
1.2	Improvements and changes
1.3	Service Parts
1.4	Machine Identification
1.5	Standard warranty policy
Section 2	SAFETY PROCEDURES
2.1	Accident prevention
2.2	Safety signs
2.3	Accident prevention before starting the machine
2.4	Accident prevention when attaching and detaching to the tractor, handler or loader
2.5	Accident prevention when using the hydraulic system
2.6	Accident prevention when operating
2.7	Accident prevention when leaving the machine
2.8	Accident prevention when servicing / adjusting the machine
2.9	Accident prevention when taking on public roads
2.10	Accident prevention when cleaning and storing machine
2.11	Noise emissions
2.12	Proper use
2.13	No liability for consequential damage
Section 3	SPECIFICATION AND DESCRIPTION
3.1	Description
3.2	Intended use
3.3	Technical Specification
Section 4	TRANSPORTATION
Section 5	PREPARATION FOR USE
5.1	Fitment of 3 point hydraulic tipping 'A' frame kit
5.2	Fitment of fixed 3 point linkage kit
5.3	Conversion of agitator chain drive from direct drive
5.4	Conveyor motor options
5.5	Handler or loader bracket fitment
5.6	Attachment to a tractor using fixed 3 point linkage
5.7	Attachment to a tractor using 3 point tipping 'A' frame
5.8	Attachment to a handler or loader
5.9	Removal from a tractor using fixed 3 point linkage
5.10	Removal from a tractor using 3 point tipping 'A' frame
5.11	Removal from a handler or loader
5.12	Initial machine run up

- 5.13 Metering plates
- 5.14 Agitator tines

Section 6 OPERATION

- 6.1 Loading the machine
- 6.2 Discharging the bedding material
- 6.3 Fine tuning of discharging the bedding material
- 6.4 Clearing a blockage

Section 7 MAINTENANCE

- 7.1 Lubrication
- 7.2 Agitator chain drive tension
- 7.3 Belt tensioning and tracking
- 7.4 Storage

Section 8 PARTS LISTINGS

SECTION 1

INTRODUCTION

1.1 FOREWORD

This manual will assist the operator to set, operate and service the Shelbourne Reynolds Cubicle Bedder to produce safe and efficient operation. It should be read carefully before putting the machine to work. Later sections illustrate and list all relevant spare parts. This manual should be used in conjunction with the tractor, handler or loader manufacturers manual.



1.2 IMPROVEMENTS AND CHANGES

Shelbourne Reynolds Engineering are continually improving their products to meet the farmers needs and therefore reserve the right to make improvements and changes when practical to do so, without incurring any obligation to make changes and additions to equipment which has been sold previously.



1.3 SERVICE PARTS

Use guaranteed and genuine Shelbourne Reynolds engineering service parts on Shelbourne Reynolds machinery to ensure maximum life and best performance. These are available through your Shelbourne Reynolds Engineering dealer.

When ordering service parts always quote the model, serial number and machine number.

1.4 MACHINE IDENTIFICATION

The serial and machine numbers of the Cubicle Bedder are printed on a plate located on the rear panel of the tub.

	
YEAR <input type="text"/>	WEIGHT TOTAL <input type="text"/>
FOR SPARES QUOTE BOTH	
TYPE MACHINE No. <input type="text"/>	SERIAL No. <input type="text"/>
DESIGNATION <input type="text"/>	
	SHELBOURNE REYNOLDS ENGINEERING LTD STANTON, SUFFOLK, IP31 2AR. ENGLAND

1.5 STANDARD WARRANTY POLICY

NEW MACHINE WARRANTY

All new machines supplied by **Shelbourne Reynolds Engineering Ltd. (“Shelbourne”)**, are warranted to the original purchaser (who is not the Shelbourne dealer), under normal use and service, to be free from defects in material and workmanship for a period of 12 months from the date of delivery to the original purchaser (“**Warranty Period**”). This limited warranty gives you specific legal rights and is in addition to any statutory rights to which you may be entitled. Your statutory rights are not affected by this warranty.

To qualify for the full benefit of this warranty, the dealer must ensure that the warranty registration details have been returned to Shelbourne within 30 days from the date of delivery. Using the machine implies the knowledge and acceptance of these instructions and the limitations contained here in this Manual. Shelbourne reserves the right to suspend the operation of these warranty conditions unless and until the purchaser has paid in full for the goods or parts in question.

WARRANTY CLAIMS

If the original purchaser:

- 1) gives notice in writing to Shelbourne during the Warranty Period, and within a reasonable time of discovery, that the machine supplied does not comply with the warranty given above;
- 2) gives Shelbourne a reasonable opportunity of examining the machine or the damaged or defective parts; and
- 3) if requested by Shelbourne, returns damaged or defective parts (via the original authorised Shelbourne dealer) within 30 days of notification of a defect,

then Shelbourne shall, at its option, repair or replace the defective machine or parts, or refund the price of the defective machine in full.

If Shelbourne authorises the original purchaser to arrange a repair of the machine, all claims for repair costs must be submitted to Shelbourne by an authorised Shelbourne dealer within 15 days of the date of the repair on a Shelbourne Warranty Claim Form. The submission of a claim is not a guarantee of payment. Any decision reached by Shelbourne is final.

This Warranty Policy does not give the original purchaser any additional rights other than those specified above. In particular, Shelbourne shall not be liable for any loss of profit, loss of or damage to goodwill, loss of contract business or business opportunity, or indirect or consequential loss, arising from any failure by a machine to comply with the terms of this warranty.

LIMITATIONS AND EXCLUSIONS

Shelbourne will not be liable for the machine's failure to comply with this warranty in any of the following circumstances:

- 1) any repairs or modifications are carried out without Shelbourne's prior consent to the work being done;
- 2) where damage or depreciation caused by normal wear and tear;
- 3) where any non-genuine Shelbourne parts have been fitted or used within the machine,
- 4) wilful or accidental damage, damage caused by foreign objects (e.g. stones, metals and any materials other than those suitable for the machines intended use).
- 5) where damage or depreciation is caused by neglect or failure to carry out proper maintenance as recommended in the Shelbourne Operators Manual.
- 6) where damage or depreciation caused by abnormal or in-proper use in accordance with Shelbourne recommendations and/or as per the Operating Instructions.
- 7) where the original purchaser or any third party continues to use the machine after notifying a defect to Shelbourne, or after becoming aware of such a defect.

This warranty shall not apply in respect of:

- 1) chains, bearings or any other items which are considered to be a normal wearing or consumable item; and
- 2) items not manufactured by Shelbourne such as trade accessories e.g. tyres, belts, hydraulic motors, hydraulic valves, PTO shafts etc. are warranted by their respective manufacturer.

TRANSFER OF WARRANTY

Shelbourne may at its sole discretion allow this warranty to be transferred to a subsequent owner of the machinery for the balance of the warranty period, subject to all of the warranty conditions being met and only with Shelbourne giving prior written consent.

WARRANTY ON PARTS

Shelbourne warrants that any part or components supplied by Shelbourne in accordance with this limited warranty are free from defects in material or workmanship from the date of sale to the original purchaser for 6 months. Shelbourne will at its option, either repair or replace the defective part free of charge. Original Purchaser shall be responsible for labour and all freight charges to and from the place where the warranty work is performed.

Shelbourne Reynolds Engineering Ltd. cannot be held responsible for any failures or safety implications arising from the use of non-genuine parts. Use of non-genuine parts may seriously affect the machine's performance and safety.

SECTION 2

SAFETY PROCEDURES

2.1 ACCIDENT PREVENTION

The following safety instructions are applicable for all chapters of this manual.

Accident programmes can only prevent accidents with the co-operation of the persons responsible for the operation of the equipment.

For safety of yourself and others, operate equipment with care and do not take unnecessary risks, which could cause an accident.

Please read all safety instructions contained in this operating manual with the utmost care and also observe all safety signs attached to the Cubicle Bedder. Follow these instructions to prevent accidents. These instructions must also be made available to all other users. You are advised to refrain from any working methods, which may be hazardous.

All relevant accident prevention regulations governing the operation of agricultural machinery, as well as other generally acknowledged health and safety regulations and road traffic regulations must be strictly observed.

The tractor, handler or loader manufacturer's operator's manual, safety precautions should also be adhered to when using the Cubicle Bedder.

CAUTION



This symbol will appear throughout this manual whenever your safety, the safety of others or the machinery, is involved.

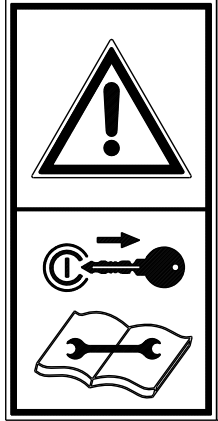
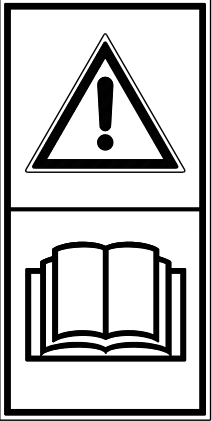

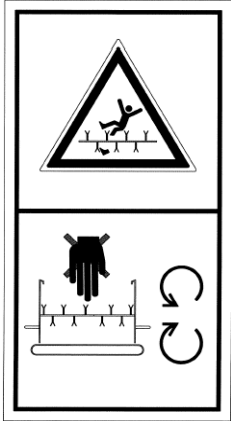

2.2 SAFETY SIGNS

The following safety signs appear on the machine and are for your safety and the safety of other people. Ensure that you identify each symbol and understand it's warning.



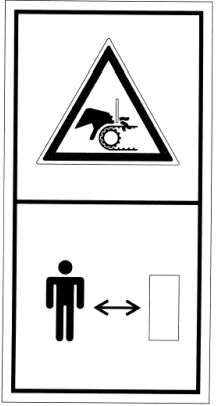
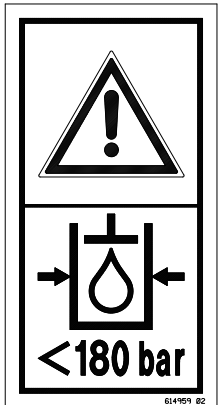
These safety signs must be kept in a legible condition and must be replaced if missing or damaged. This is especially the case when whole sections are replaced when making repairs. Replacement safety signs are available as spare parts through your dealer or importer.

Standard safety signs on all models.

<p>Stop the engine and remove the key from the tractor / handler's ignition before carrying out any work on the machine.</p>	<p>Carefully read the operating manual before handling the machine</p>	<p>Risk of crushing of torso. Do not stand between Cubicle bedder and tractor / handler when attaching.</p>	<p>Risk of entanglement in agitator. Do not reach into Cubicle bedder tub whilst engine is running on tractor / handler.</p>	<p>Risk of thrown or flying objects. Keep a safe distance from the Cubicle bedder when machine is working.</p>
				



It is dangerous to touch the conveyor belt when it is in operation. There is a risk of hand entanglement.

614959 02

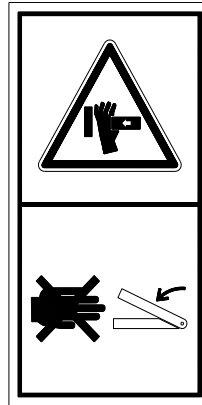
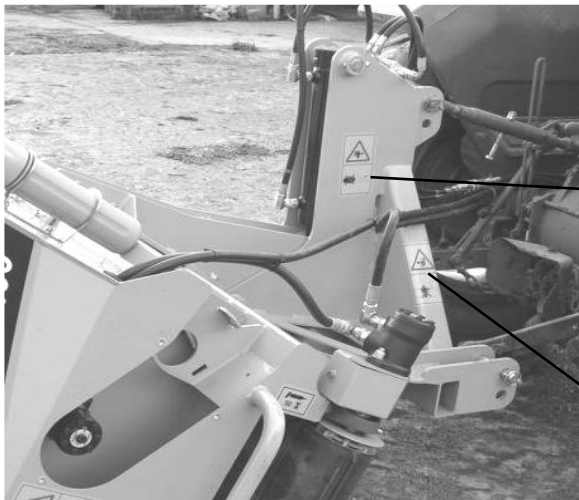
Ensure that the hydraulics are not exposed to more than 180 bar of pressure. There is a risk of damage to hydraulic components.



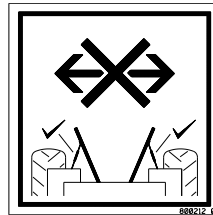
614962 01

Hydraulic oil is dangerous when under pressure and can be injected into the body. Always ensure the hoses are in good order before operating.

Additional safety signs on tipping 'A' frame models only

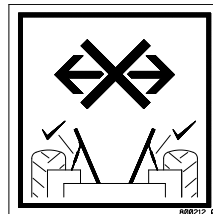


There is a crushing hazard between the two mating parts of the Tipping 'A' frame.



Tighten check chains to stop lateral movement when machine is mounted to a standard 3-point link.

Additional safety sign on fixed 3 point mounting models only



Tighten check chains to stop lateral movement when machine is mounted to a standard 3-point link.

Additional safety sign on chain drive models only



Do not open or remove safety guard while engine is running. There is a risk of hand entanglement.

2.3 ACCIDENT PREVENTION BEFORE STARTING THE MACHINE

Read the manual thoroughly.

If moving the Cubicle Bedder by overhead lifting use the designated lifting points, see section 4. Ensure that the slings / chains are rated accordingly, and that the angle of the slings / chains are set in accordance to lifting regulations.

If moving the Cubicle Bedder by forklift use the designated forklift shoes, see section 4. Ensure the forklift has enough capacity to lift the machine.

Ensure bystanders are at a safe distance when moving the Cubicle Bedder by overhead slinging or on a forklift.

If assembling tipping frame onto Cubicle Bedder, using lifting equipment, be careful not to trap fingers, due to confined space.

The Cubicle Bedder may be used only if all safety devices, e.g. detachable guards, are fitted securely and in proper working order.

Nuts and bolts should be initially checked in general and at regular intervals and tightened if necessary.

Check there are no foreign objects interfering with the Cubicle Bedder and tractor, handler or loader.

Ensure that no person is working on or inside the machine or tractor, handler or loader at any time during all stages of use. Always perform an inspection inside, around and under before starting.

2.4 ACCIDENT PREVENTION WHEN ATTACHING AND DETACHING TO THE TRACTOR, HANDLER OR LOADER.

The work of coupling and uncoupling of the Cubicle Bedder involves a high risk of injury. Follow the procedure described further through this manual for Cubicle Bedder attachment and detachment. See Sections 5.6 to 5.11.

Check that the combined weight of the Cubicle Bedder and the heaviest load of bedding material do not exceed the manufacturers recommended safe loading of axle, wheels and tyres. Smaller tractor might also require additional front weights to ensure positive steering.

Connect the Cubicle Bedder to the handler or loader using a manufacturer-approved bracket in the manner recommended in the handler or loader operator's manual. If brackets are to be welded to the Cubicle Bedder it is absolutely vital that a Professional Welder carries out the welding work.

Ensure that the machine is parked on even level ground for attaching and detaching.

Check that all observers are clear of the Cubicle Bedder and tractor, handler or loader. Warn bystanders by sounding the horn of the tractor, handler or loader several times.

Slowly drive the tractor, handler or loader towards the Cubicle Bedder – always ensure that there are no other persons in the vicinity or between the machine and tractor, handler or loader.

Connect the Cubicle Bedder to the tractor linkage using only the method recommended in the tractor's operator manual.
Ensure handler or loaders locking pins / device or tractors linkage arm pin retainers are secured once connected

Do not detach the Cubicle Bedder loaded, as stability will be reduced, always empty it first.

2.5 ACCIDENT PREVENTION WHEN USING THE HYDRAULIC SYSTEM

Due to the possibility of oil contamination on your hands it is recommended to use PPE (Personnel Protective Equipment), wear gloves, when handling hydraulic hose connectors.

Do not connect the hydraulic hoses to the tractor, handler or loader hydraulic system until you have made sure that the system is at zero pressure on both the tractor, handler or loader and the Cubicle Bedder.

Hydraulic systems can generate extremely high pressures. All piping, hoses and connections must therefore be checked regularly for leakage and visible external damage.

Do not connect to tractor, handler or loaders hydraulic system if it can deliver more than 180 bar of pressure or more than the maximum flow rate allowed, see section 5.4

Use proper and thorough means of searching for leakage and repair all damage immediately.

Spurting hydraulic oil can cause injuries and fires. Seek medical advice immediately in the event of injury.

Hydraulic systems can generate heat within its components, be aware if touching / servicing components directly after use.

2.6 ACCIDENT PREVENTION WHEN OPERATING.

The Cubicle Bedder must not be put into operation until the user has been given proper initial instructions either by the dealer or by one of Shelbourne Reynolds' representatives or employees.

One person should use the Cubicle Bedder only. When the operator identifies someone approaching or is too close for their safety, the operator shall stop operating until the person is clear again.

Bystanders need to keep a safe distance from the Cubicle Bedder and tractor, handler or loader while it is being operated. Warn bystanders by sounding the horn of the tractor, handler or loader several times and give them time to move away before starting.

Do not permit anyone other than the operator to ride on the tractor, handler or loader or allow anyone to ride on the Cubicle Bedder.

Keep children away from the Cubicle Bedder and tractor, handler or loader at all times.

In the event of a malfunction, immediately cease operation and secure the Cubicle Bedder in its stationary position. Malfunctions must be eliminated immediately.

Ensure the tractor, handler or loaders engine is turned off and key removed from ignition and handbrake applied.

Do not work around the Cubicle Bedder and tractor, handler or loader in loose clothing that might get caught up or in moving parts.

Do not go under the Cubicle Bedder unless it is securely blocked.

Always stop the engine, remove the key and apply handbrake before removing or opening any guards or clearing a blockage.

NEVER approach the machine whilst the conveyor is running.

Always replace all guards after making any adjustments or lubricating the machine. Replace or repair any damaged or missing guards immediately.

Keep hands away from moving parts i.e. conveyor belt / rollers and do not reach into hopper due to entanglement of agitator.

Inspect bedding material before loading to ensure it does not contain any foreign objects.

If manually loading the tub with material (bagged material), follow Manual handling recommendations.

Certain types of bedding material could demand the wearing of PPE (Personnel Protective Equipment) due to its fine particles or the material is a skin irritant. In this case wear face / dust mask, goggles, gloves and overalls. Keeping tractor, handler or loader windows and doors closed whilst discharging will also help.

Ensure that bystanders are not standing in the driving line of the tractor, handler or loader when loading, transporting and discharging.

When using tipping frame and loading heavy bedding material, i.e. sand, do not overload tub making tractor unstable, i.e. wheelie. Certain combinations of Cubicle Bedder model and tractor size might mean it cannot be completely filled.

When transporting a loaded Cubicle Bedder on a handler or loader carry Cubicle Bedder at a low height to ground to increase handler or loaders stability.

In the event of suddenly reversing the hydraulics (conveyor and agitator drive) to clear a blockage in the tub, ensure any bystanders are clear of opposite end first.

If prolonged use of machine in buildings, or if tractor, handler or loaders doors or windows are left open during use, then the operator or any bystanders are recommended to use PPE, ear defenders.

2.7 ACCIDENT PREVENTION WHEN LEAVING THE MACHINE

Park the Cubicle Bedder and tractor, handler or loader on level ground.

Apply the tractor, handler or loaders parking brake.

Lower the Cubicle Bedder to the ground.

Stop the tractor, handler or loaders engine and remove the ignition key. If being left unattended lock tractor, handler or loaders cab.

2.8 ACCIDENT PREVENTION WHEN SERVICING / ADJUSTING THE MACHINE

The Cubicle Bedder must be maintained and repaired only by persons who are familiar with it's working and have been made fully conversant with any risks involved.

Ensure that the Cubicle Bedder is on the ground or if in the raised position, that it is securely

blocked.

Stop the engine, remove the key and apply handbrake before performing any adjustments or lubrication and before opening or removing any guard.

Any malfunctions or defects, which might affect the safe operation of the Cubicle Bedder, must be immediately eliminated.

OEM replacement parts and accessories from Shelbourne Reynolds have been specially designed for use with the Shelbourne Reynolds Cubicle Bedder. Any replacement parts and accessories not supplied by Shelbourne Reynolds have not been tested and approved by us. The installation and / or the use of non-Shelbourne Reynolds products may under certain circumstances have a negative influence on the given design features of your machine and may therefore adversely affect its safe and reliable operation and your safety. Shelbourne Reynolds cannot therefore be held liable for damage or injury caused by the use of non-OEM replacement parts or accessories.

Take care not to fall into the tub on to the agitator if getting inside to adjust metering plates on 3 point fixed machines. Always tip Cubicle Bedder forward on handler or loader or tipping frame mounted machines.

When adjusting metering plates take care not to pinch fingers between plates.

If running the machine to view conveyor belt movement during belt tracking adjustment, keep at a safe distance and keep hands away from moving parts. Always stop the machine before making any further adjustments.

Always re-install all safety guards on completion of servicing.

2.9 ACCIDENT PREVENTION WHEN TAKING ON PUBLIC ROADS

Road traffic regulations must be observed when taking the Cubicle Bedder on roads, paths and other public places.

The Cubicle Bedder must be in a road-worthy condition.

Observe the maximum permissible width for road transport and fit all necessary warning signs and guards.

Fully secure guards and covers so that they cannot cause injury or damage to other users of the public place.

2.10 ACCIDENT PREVENTION WHEN CLEANING AND STORING MACHINE

Do not run the machine while cleaning.

If cleaning machine using a steam cleaner or pressure washer, follow recommended precautions given by the washing equipment manufacturer.

If getting or working inside a wet machine beware that surfaces will be slippery.

Do not climb on or over parked / stored machine, due to a risk of falling in or off.

2.11 NOISE EMISSIONS

Sound pressure level measured at operator's seat in tractor cab.	Just tractor running. (full operating speed)	Tractor window closed.	68 dB(A)
		Tractor window open.	72 dB(A)
	Tractor and Cubicle Bedder running. (full operating speed)	Tractor window closed.	70 dB(A)
		Tractor window open.	92 dB(A)

Sound pressure levels measured all around the tractor and Cubicle Bedder at a distance away of 1 metre and a height of 1.6 metres, ranged from 94 - 96 dB (A).

(The above test results were obtained using a randomly selected / modern tractor)

2.12 PROPER USE

Always make sure that the Cubicle Bedder is in a technically perfect condition and that it is used properly and for its intended purpose and entirely in accordance with the instructions given in this manual. Any malfunctions or defects, which might affect the safe operation or the Cubicle Bedder, must be immediately eliminated.

The Cubicle Bedder is intended for use on typical farms and to be employed in distributing bedding material. Any uses other than those for which the Cubicle Bedder is intended, such as transportation, will automatically exempt Shelbourne Reynolds or the supplier from it's / his liability in respect of ensuing damage. Such cases of improper use will therefore be entirely at the user's own risk.

Shelbourne Reynolds Cubicle Bedders are based on state-of-the-art technology and are manufactured in accordance with recognised safety requirements. Nevertheless the use of the Cubicle Bedder does not preclude the risk of injury to the user or third parties and / or the risk of damage to the Cubicle Bedder itself or to other materials or items of equipment.

Improper use also comprises failure to observe the instructions given in this operating manual and the manufacturer's maintenance and servicing requirements.

2.13 NO LIABILITY FOR CONSEQUENTIAL DAMAGE

Even though your Shelbourne Reynolds Cubicle Bedder has been manufactured with the utmost care and you are using it properly, fluctuations and interruptions in performance may still occur.

It is the duty of the operator / user to ensure that foreign objects, e.g. stones, metal objects etc. are not allowed to enter the Cubicle Bedder. Failure to observe this may result in damage to the machine and / or injury to the operator / user or others

Any claims for damages not directly incurred by the Cubicle Bedder cannot be accepted. By the same token, Shelbourne Reynolds cannot be held liable for any consequential damage resulting from incorrect use of the Cubicle Bedder.

SECTION 3

SPECIFICATION & DESCRIPTION

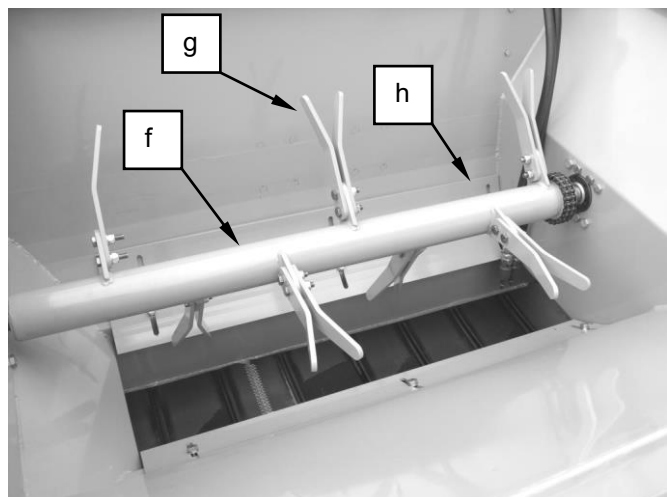
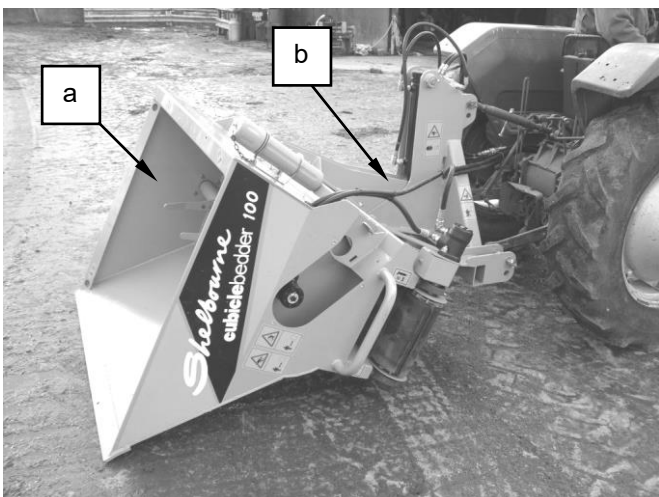
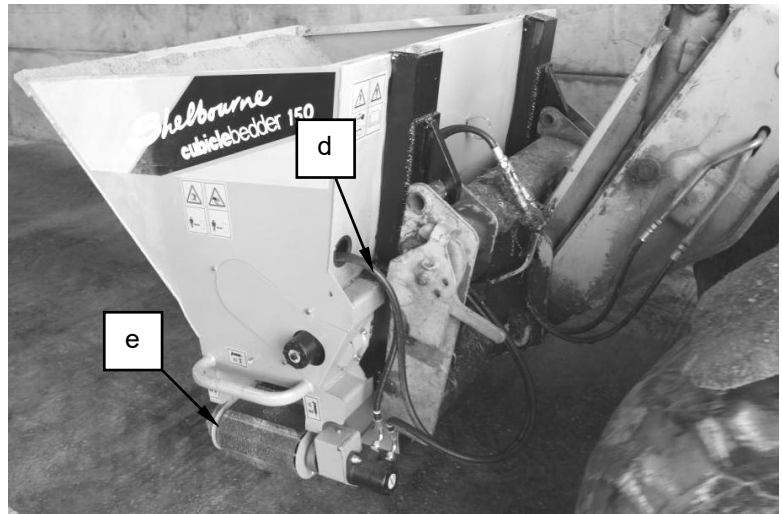
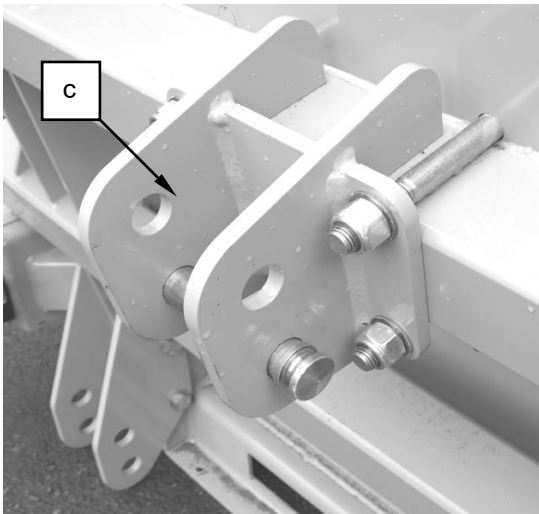
3.1 DESCRIPTION

The machine consists of a tub (a), which holds the bedding material. The machine can be optionally mounted to a tractor via a tipping 'A' frame (b), this allows the machine to self load and scoop up bulk material. It is also possible to mount the Cubicle Bedder to the tractors 3 point linkage via a fixed 3 point mounting kit (c), however this would not allow self-loading. Another option is to mount the machine to a telescopic handler or front end loader, via approved handler or loader brackets, these can be welded or bolted to the rear box sections of the machine (d).

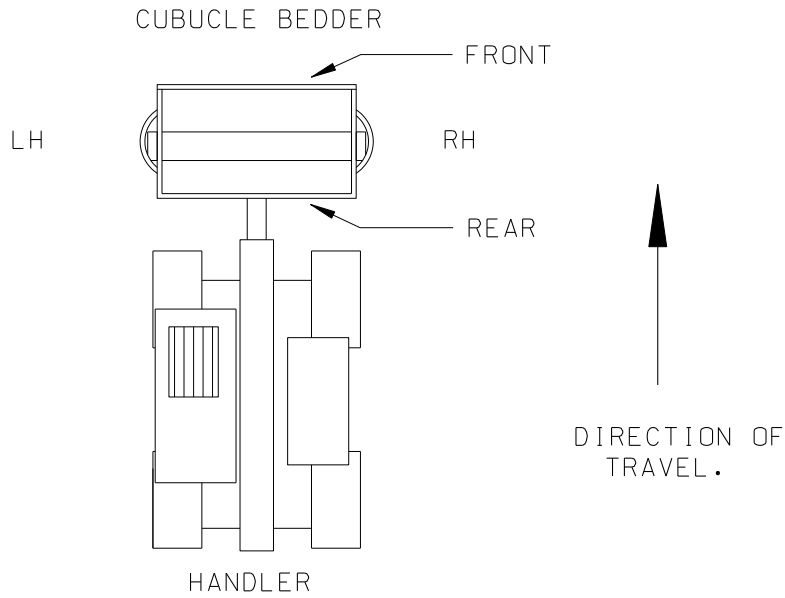
Positioned underneath the tub is a conveyor (e), this is driven by a hydraulic motor which is used to discharge the bedding material to either the left or right hand side of the machine. A hydraulically driven horizontal rotating agitator (f) is used to loosen the bedding material in the tub ensuring that the material flows through the metering plates and onto the conveyor. The agitator is direct coupled as standard but can be optionally fitted with a reduction chain drive to give more torque capacity. The conveyor and agitator are both driven by the tractor, telescopic loader or front end loaders hydraulics. Bolt on tines (g) are fitted to the agitator which can be set in different configurations for various bedding materials.

The metering plate's (h) consist of two adjustable slides, which fit inside the tub and regulate the amount of material flowing to the conveyor belt, by adjusting the gap between them.

The machine is available in 3 sizes, named 100, 150 and 300 model in order of smallest to largest.



Right, left, front and rear of the machine are termed in the manual as viewed from the drivers seat with the Cubicle Bedder fitted to the front of a handler or loader.

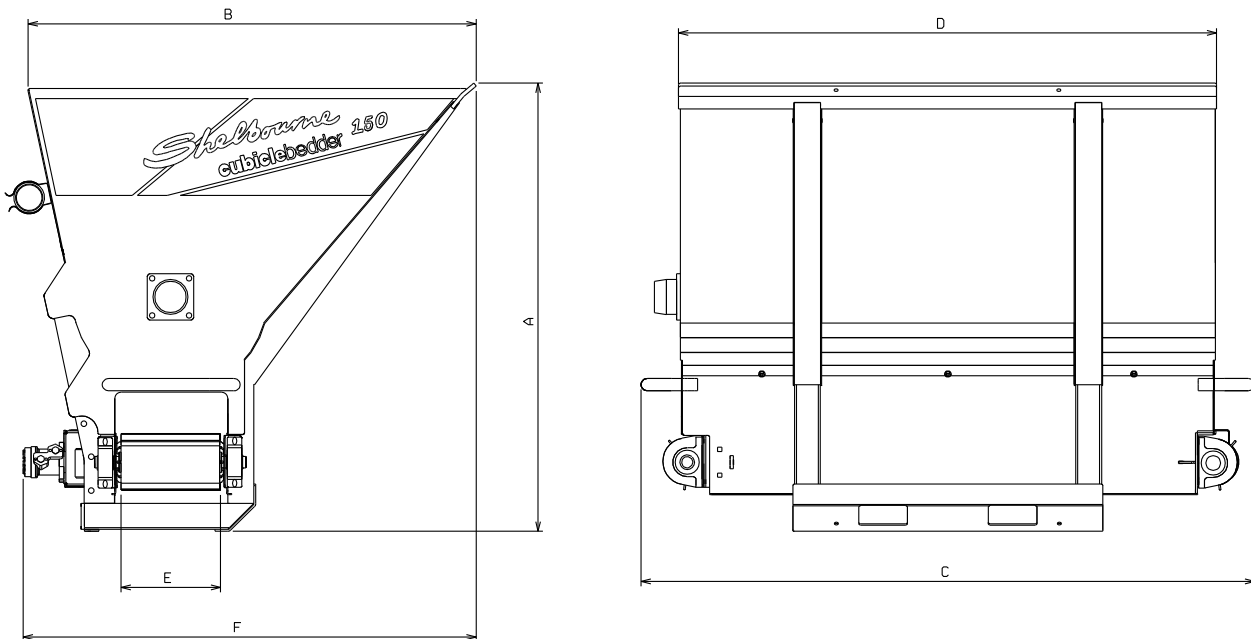


3.2 INTENDED USE

The Cubicle Bedder is intended to be used on typical farms for transporting and then discharging suitable animal bedding materials into the animal bedding area, usually cubicle beds. It should not be used as a general usage bucket for moving or transporting other materials.

3.3 TECHNICAL SPECIFICATION

Sizes and weights of basic machine are as follows: (all dimensions and weights are approximate)



	100	150	300
Machine capacity (LEVEL)	0.6m ³	1.2m ³	1.45m ³
Overall height (A)	1170mm	1390mm	1390mm
Overall depth (F)	1235mm	1420mm	1420mm
Overall width (C)	1600mm	1900mm	2200mm
Tub width (D)	1370mm	1670mm	1970mm
Tub depth (B)	1150mm	1390mm	1390mm
Width of discharge belt (E)	0.3m	0.3m	0.3m
Min recommended tractor size	50hp	50hp	50hp
Optimum hydraulic oil flow*	30-35 litres/min	30-35 litres/min	30-35 litres/min
Max. hydraulic oil flow	60 litres/min	60 litres/min	60 litres/min
Min hydraulic oil pressure	125 bar	125 bar	125 bar
Max. hydraulic oil pressure	180 bar	180 bar	180 bar
Weight	440 kg	530 kg	580 kg

* Lower flow rates can be used with changes to the machine, please consult Shelbourne Reynolds

OPTIONS.

3 point hydraulic tipping 'A' frame kit.

Fixed 3 point linkage kit.

Agitator chain drive kit.

Conveyor drive motor variations for lower flow rates.

SECTION 4

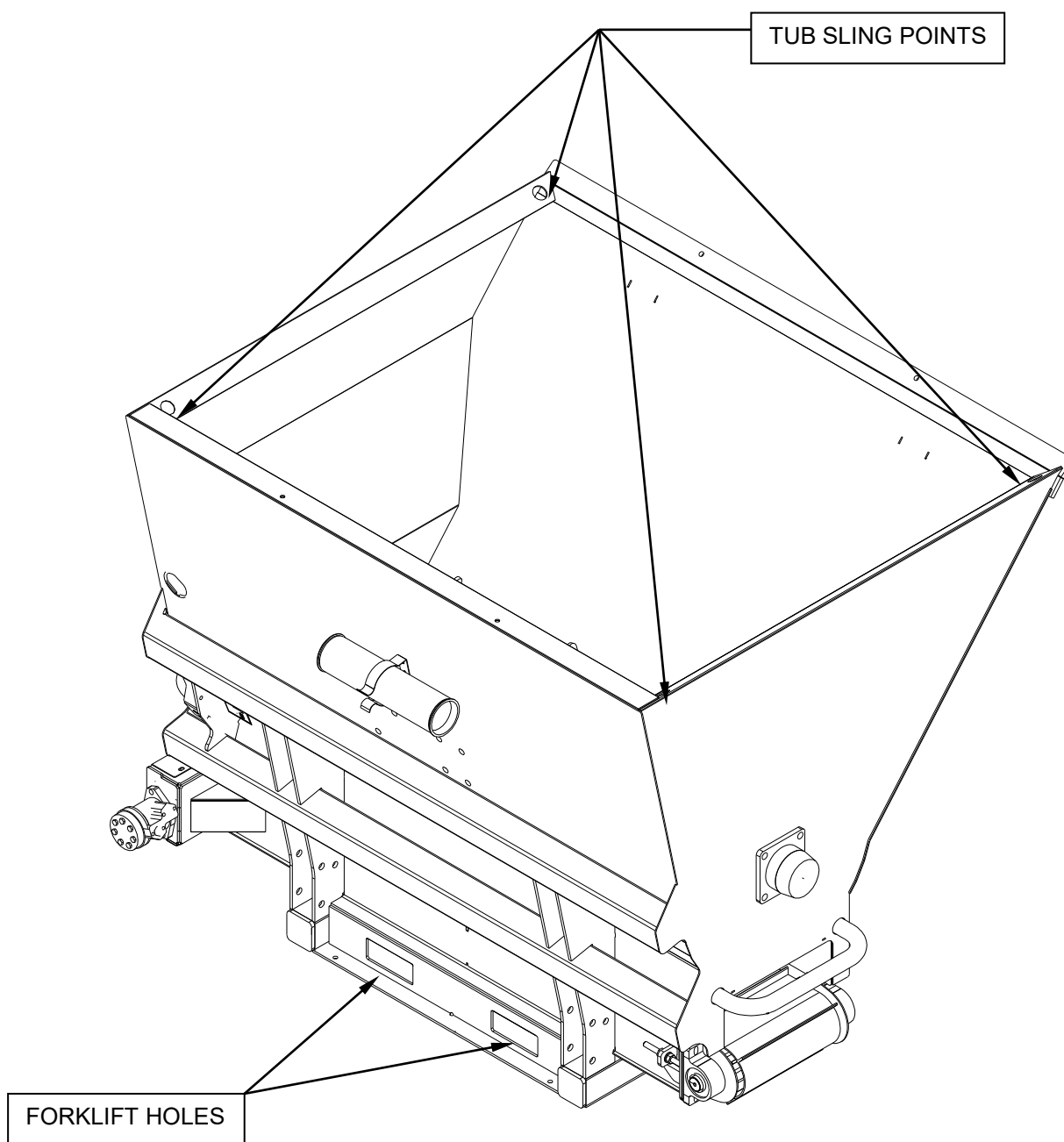
TRANSPORTATION



Refer to Section 2 for accident prevention.

To prevent damage to the Cubicle Bedder the machine should only be moved by one of the following methods:

- (1) Using a forklift either through the forklift tine holes in the base of the machine or if laying on a suitable support pallet.
- (2) Using overhead lifting by slinging the tub with the four designated sling points.
- (3) Attaching to a tractor. (see section 5.1, 5.2, 5.6, 5.7, 5.9 & 5.10)
- (4) Attaching to a handler or loader. (see section 5.5, 5.8 & 5.11)



SECTION 5

PREPARATION FOR USE



Refer to section 2 for accident prevention.

The Cubicle Bedder will be delivered to the dealer fully assembled, except for specific handler or loader mounting brackets and final hydraulic connections.

However in the case of a dealer stock machine being sold then some additional assembly work might need be required e.g.

- fitment of 3 point hydraulic tipping 'A' frame kit, SRE part. no. KIT-26007
- fitment of fixed 3 point linkage kit, SRE part. no. KIT-26008
- conversion to agitator chain drive from direct drive, SRE part. no. KIT-26009
- changing conveyor drive motor to suit flow.

5.1 FITMENT OF 3 POINT HYDRAULIC TIPPING 'A' FRAME KIT

(See parts pages KIT-26007 for more details)

The tipping frame will be delivered already sub assembled with the cylinder extended i.e. set for the Cubicle Bedder in the raised position. The cylinder is PO checked so should not move unless powered hydraulically. Initial fitment of the tipping frame to the Cubicle Bedder should be done set like this.

This tipping frame assembly simply bolts on to the 2 box sections welded on the rear of the tub. It is secured using 8 bolts going through 4 clamp plates that are positioned inside the tub. The positioning of the 4 bolts around the top box section are pre determined by "knockout holes" in the rear sheet of the tub (Note use the 4 outer "knockouts" set at 288mm centres)

Using suitable lifting equipment to lift the tipping frame, sling to keep the mounting face at a similar angle to the rear faces of the 2 box sections on the tub. Carefully position the tipping frame to align knockout holes and secure with fasteners and clamp plates.

The hydraulic hose end couplings are ½" male quick release couplings suitable for a tractors double acting spool.

5.2 FITMENT OF FIXED 3 POINT LINKAGE KIT

(See parts pages KIT-26008 for more details)

This kit simply bolts on to the rear of the tub. The top link bracket fits onto the top box section using 4 bolts going through 2 clamp plates that are positioned inside the tub. The position of these are pre-determined by "knockout holes" in the rear sheet of the tub (Note use the 4 inner "knockouts" set at 144mm centres)

The 2 lower link connections are constructed by bolting on 4 lower mounting plates to the outside of the lower rear tub structure.

5.3 CONVERSION OF AGITATOR CHAIN DRIVE FROM DIRECT DRIVE

(See parts pages KIT-26009 for more details)

When bedding with chopped straw or sand, it is recommended to fit the agitator chain drive option.

This will increase the power of the agitator, which will prevent the agitator from stalling in heavy or coarse products.

It also enables a full set of standard tines to be fitted, which will reduce the chance of the bedding product from bridging in the hopper.

The kit moves the direct drive motor from directly supporting the agitator shaft to then introduce a short drive shaft, bearing and chain reduction drive to the re located motor.

5.4 CONVEYOR MOTOR OPTIONS

The optimum conveyor speed to give an ideal throwing distance is between 750-875 rpm. Depending on the hydraulic flow rate of the tractor, handler or loader there are 3 motor options available. Option 1 is fitted as standard and achieves the optimum speed with a flow rate of between 30-35 l/min. This motor is also capable of running with a maximum flow rate of 60 l/min.

Options 2 and 3 are for lower flow rates. Important - both these options have lower maximum flow rates of 50 and 40 l/min respectively.



Ensure the tractor, handler or loaders hydraulic systems maximum flow rate does not exceed the motor capabilities stated. If unsure get tractor, handler or loaders flow rate measured, don't forget to measure at high engine revs as well as idle. Note some spools have regulators to be able to control the flow rate.



Ensure the tractor, handler or loaders hydraulic systems maximum pressure cannot exceed 180bar, if unsure get checked / tested.
Not ensuring the above could lead to component damage.

If a lower flow rate option is required or if the flow rate is higher than 60 l/min please contact Shelbourne Reynolds Engineering.

- | | |
|----------|--|
| Option 1 | SRE Pt No MOTH04001 – Optimum flow rate of 30-35 l/min |
| Option 2 | SRE Pt No MOTH03200 – Optimum flow rate of 24-28 l/min |
| Option 3 | SRE Pt No MOTH02500 – Optimum flow rate of 19-22 l/min |

5.5 HANDLER OR LOADER BRACKET FITMENT

Before using the Cubicle Bedder on a handler or loader, manufacturer approved brackets will need correctly fitting to the two rear box sections of the Cubicle Bedders tub. Depending on the handler or loader in question the brackets may be bolted or welded around the rear box sections.



It is absolutely vital that a professional welder carries out the welding work.

The positioning of these brackets will vary between handler or loader manufacturer and even models. If position is not known then it is suggested to carefully situate the Cubicle Bedder centrally and in close proximity to the headstock / mounting face of the handler or loader.

Do not position the brackets too low as downwards clearance will be needed to allow the headstock / mounting face to lower and disengage out of the brackets when the Cubicle Bedder is sitting vertically on ground.

5.6 ATTACHMENT TO A TRACTOR USING FIXED 3 POINT LINKAGE

The Cubicle Bedder must be initially fitted with KIT-26008 / fixed 3 point linkage kit.

Ensure the tractor is at least the minimum recommended size and has 1 double acting spool valve.

Refer to the tractor manufacturers operators manual for more details on attachment and removal of equipment.

Follow the below procedure -

- (1) Ensure the Cubicle Bedder is sitting on firm / level ground. It might have to be on suitable blocks or pallets depending if the tractors lift linkage cannot go low enough.
- (2) Ensure there are no bystanders between tractor and Cubicle Bedder.
- (3) Reverse the tractor centrally and slowly to the machine ensuring the lift arms are aligned between the plates. Lower the arms and continue reversing until the balls in the arms align with holes in the plates.
- (4) Apply the tractors parking brake and stop its engine.
- (5) Connect the lift arms using the 2 pins and retaining lynch pins. Alternatively the tractor might be fitted with quick release lift arms allowing the balls to be initially fitted to the Cubicle Bedder and then simply hook in and activate the locking mechanism on the arms.
- (6) Adjust the tractors top link length to enable it to be attached to the machine. Secure with the top link pin and retaining lynch pin.
- (7) Start the tractor and raise the machine to the desired working height, stop the tractor.
- (8) Adjust the top link length if necessary to set the conveyor parallel with the ground.
- (9) Adjust the check chains so that there is no sideways sway and the machine sits central to the tractor.
- (10) Connect the 2 hoses for the conveyor and agitator drive to the tractors double acting spool.



5.7 ATTACHMENT TO A TRACTOR USING 3-POINT TIPPING 'A' FRAME

The Cubicle Bedder must be initially fitted with KIT-26007 / 3 point tipping 'A' frame kit.

Ensure the tractor is at least the minimum recommended size and has 2 double acting spool valves. If only 1 spool is available then only 1 service at one time can be used and the operator will have to swap in and out couplings to the spool. Refer to the tractor manufacturers operators manual for more details on attachment and removal of equipment.

Due to the Cubicle Bedder and the tipping frame initially being either delivered or later dealer fitted in the fully raised position it can give initial connection problems. This is due to the tractors lift arms not going low enough to connect to the tipping frame. If this happens then the Cubicle Bedder and tipping frame will need lifting off the ground and sitting on blocks or pallets.

Once done follow the below procedure -

- (1) Ensure the Cubicle Bedder is laying on firm / level ground in its lowest tipped position
Note – for the initial attachment only the Cubicle Bedder will be already fully raised and standing on blocks or pallets.
- (2) Ensure there are no bystanders between tractor and Cubicle Bedder.
- (3) Reverse the tractor centrally and slowly to the machine ensuring the lift arms go between the clevis on the tipping frame. Lower the arms and continue reversing until the balls in the arms align with holes in the clevis.
- (4) Apply the tractors parking brake and stop its engine.
- (5) Connect the lift arms using the 2 pins and retaining lynch pins. Alternatively the tractor might be fitted with quick release lift arms allowing the balls to be initially fitted to the Cubicle Bedder and then simply hook in and activate the locking mechanism on the arms.
- (6) Adjust the tractors top link length to enable it to be attached to the tipping frame. Secure with the top link pin and retaining lynch pin.
- (7) Connect the 2 hoses for the tipping frame cylinder control to one spool and the 2 hoses for the conveyor and agitator drive to another spool.
- (8) Start the tractor and raise the machine to the desired working height using the tractors lift arms.
- (9) Operate the tractor spool to hydraulically raise the Cubicle Bedder to the fully vertical position in relation to the tipping frame, stop the tractor.
Note – for the initial attachment only the Cubicle Bedder will be already fully raised in relation to the tipping frame. Still operate this spool for at least 10 seconds, even if little to no movement is seen, as this ensures that one side of the cylinder is full of oil.
- (10) Adjust the top link length if necessary to set the conveyor parallel with the ground.
- (11) Adjust the check chains so that there is no sideways sway and the machine sits central to the tractor.
- (12) On initial attachment only, hydraulically tip the Cubicle Bedder to its fully lowest position to fill up the second side of the cylinder.



Be aware that tipping movements could be less controlled at this stage. Following that, raise the Cubicle Bedder back to the vertical position, now knowing the cylinder is primed with oil on both sides.



Ensure that the hydraulic hoses are not taught in the fully lowered position as well as they are not getting caught or trapped in the fully raised.

Alternatively the tipping frame can be used in conjunction with a standard quick hitch 'A' frame already attached to the 3-point linkage of the tractor.

Follow the below procedure –

- (1) Ensure the Cubicle Bedder is lying on firm / level ground in its lowest tipped position.
Note – for the initial attachment only the Cubicle Bedder will be already fully raised and standing on blocks or pallets.
- (2) Ensure there are no bystanders between tractor and Cubicle Bedder.
- (3) Reverse the tractor centrally and slowly to the machine ensuring the 'A' frame alignment to the tipping frame. Lower the lift arms / 'A' frame" and continue reversing until it is positioned to be able to be raised and connected into the female receptacle on the tipping frame. Raise arms ensuring full engagement and make sure 'A' frame locking mechanism activates to secure. (Note the tipping frame mechanism has an adjustable hitch cam plate. This can be set in 2 different hole positions as well as fine adjustment can be achieved by turning off centre cams on the fixing bolts.
- (4) Apply the tractors parking brake and stop its engine.
- (5) Connect the 2 hoses for the tipping frame cylinder control to one spool and the 2 hoses for the conveyor and agitator drive to another spool.
- (6) Start the tractor and raise the machine to the desired working height using the tractors lift arms.
- (7) Operate the tractor spool to hydraulically raise the Cubicle Bedder to the fully vertical position in relation to the tipping frame, stop the tractor.
Note – for the initial attachment only the Cubicle Bedder will be already fully raised in relation to the tipping frame. Still operate this spool for at least 10 seconds, even if little to no movement is seen, as this ensures that one side of the cylinder is full of oil.
- (10) If necessary adjust the top link length between tractor and 'A' frame to set the conveyor parallel with the ground.
- (11) Ensure the already fitted check chains allows no sideways sway and the machine sits central to the tractor.
- (12) On initial attachment only, hydraulically tip the Cubicle Bedder to its fully lowest position to fill up the second side of the cylinder. Be aware that tipping movements could be less controlled at this stage. Following that, raise the Cubicle Bedder back to the vertical position, now knowing the hydraulic cylinder is primed with oil on both sides.

5.8 ATTACHMENT TO A HANDLER OR LOADER

The Cubicle Bedder must be initially fitted with the correct handler or loader brackets. Ensure the handler or loader is at least the minimum recommended size and has 1 double acting spool valve.

Refer to the handler or loader manufacturers operators manual for more details on attachment and removal of equipment.

Follow the procedure on the next page –

- (1) Ensure the Cubicle Bedder is standing vertically on firm / level ground.
- (2) Ensure there are no bystanders between the handler or loader and Cubicle Bedder.
- (3) Slowly drive the handler or loader towards the Cubicle Bedder lowering the headstock until positioned below the mounting brackets. Lift the headstock ensuring it fully engages into the mounting brackets and continue until it just lifts the Cubicle Bedder off the ground.
- (4) Engage locking mechanism to secure Cubicle Bedder to handler or loader.
- (5) Apply the handler or loaders parking brake and stop its engine.
- (6) Finally connect the conveyor and agitator hydraulic drive hoses to the handler or loader auxiliary hydraulic outlet. These might need changing to a specific type depending on make of handler or loader.

5.9 REMOVAL FROM A TRACTOR USING FIXED 3 POINT LINKAGE

Follow the below procedure –

- (1) Ensure there are no bystanders around tractor and Cubicle Bedder.
- (2) Select a firm level site to park the machine.
- (3) Using the lift arms lower the machine to the ground. It might have to be lowered onto suitable blocks or pallets depending if the tractors lift linkage cannot go low enough.
- (4) Apply the tractors parking brake and stop its engine.
- (5) Adjust the top link so that the machine is flat on the ground and there is no pressure on the top link.
- (6) Disconnect the conveyor and agitator hoses from the tractor, replacing the dust caps.
- (7) Disconnect the top link from the Cubicle Bedder and then remove the lower lift arm pins.
- (8) Start the tractor and slowly drive away from the Cubicle Bedder and replace the pins correctly.
Alternatively the tractor might be fitted with quick release lift arms. If so simply release the ball retaining mechanism and lower the lift arms to clear the balls before driving away.

5.10 REMOVAL FROM A TRACTOR USING 3-POINT TIPPING 'A' FRAME

When attached via a standard top link :

Follow the below procedure –

- (1) Ensure there are no bystanders around tractor and Cubicle Bedder.
- (2) Select a firm level site to park the machine.
- (3) Tip the Cubicle Bedder lower using the lower / lift ram of the tipping frame.
- (4) Using the lift arms lower the machine to the ground and tip if necessary so that the Cubicle Bedder sits on its tub blade and the under tub structure.
- (5) Apply the tractors parking brake and stop its engine.
- (6) Adjust the top link so that the machine is flat on the ground and there is no pressure on the top link.
- (7) Disconnect the conveyor / agitator and the lower / lift ram hoses from the tractor, replacing the dust caps.
- (8) Disconnect the top link from the Cubicle Bedder and then remove the lower lift arm pins.
- (9) Start the tractor and slowly drive away the Cubicle Bedder and replace the pins correctly.
Alternatively the tractor might be fitted with quick release lift arms. If so simply release the ball retaining mechanism and lower the lift arms to clear the balls before driving away.

When using a standard quick hitch 'A' frame :

Follow the below procedure –

- (1) Ensure there are no bystanders around tractor and Cubicle Bedder.
- (2) Select a firm level site to park the machine.
- (3) Tip the Cubicle Bedder lower using the lower / lift ram of the tipping frame.
- (4) Using the lift arms lower the machine to the ground and tip if necessary so that the Cubicle Bedder sits on its tub blade and the under tub structure.
- (5) Apply the tractors parking brake and stop its engine.
- (6) Disconnect the conveyor / agitator and the lower / lift ram hoses from the tractor, replacing the dust caps.
- (7) Release the 'A' frame locking mechanism.
- (8) Start the tractor, lower the lift arms so the released 'A' frame clears the tipping frame receptacle and slowly drive away from the Cubicle Bedder.

5.11 REMOVAL FROM A HANDLER OR LOADER.

Follow the below procedure –

- (1) Ensure there are no bystanders around handler or loader and Cubicle Bedder.
- (2) Select a firm level site to park the machine. It is recommended that the Cubicle Bedder is parked in the upright position, sitting on the under tub box section structure.
- (3) With the Cubicle Bedder just above the ground apply the handler or loaders parking brake and stop its engine.
- (4) Remove the conveyor and agitator hose from the handler or loader and replace dust caps.
- (5) Release the locking mechanism that secures the Cubicle Bedder to the handler or loaders headstock.
- (6) Start the loader or handler and lower the Cubicle Bedder to the ground, ensuring the base sits flat, continue lowering until the machine is disconnected from the handler or loader. Carefully reverse away from the Cubicle Bedder.

5.12 INITIAL MACHINE RUN UP

Once the Cubicle Bedder is correctly attached to the tractor, handler or loader it can then be run up.

Firstly check –

- (1) There are no foreign objects in the tub or on the conveyor belt. Note spare agitator tines could be tie wrapped on to the agitator shaft, if so remove.
- (2) Ensure the conveyor belt is tensioned correctly and not sagging and contacting the under the tub structure, see section 7.3
- (3) Ensure the chain drive is tensioned correctly (see section 7.2) and the guard is fitted. (optional drive)

Follow the below procedure –

- (1) Ensure there are no bystanders around tractor, handler or loader and Cubicle Bedder.
- (2) Warn bystanders by sounding the horn several times. allowing time for them to move away.
- (3) Start tractor, handler or loaders engine.
- (4) If the Cubicle Bedder is sitting on the ground raise up approx. 500mm above ground. If using the tipping frame or on handler or loader raise tub to fully vertical position.

- (5) With the engine revs at idle, slowly engage the spool driving the conveyor and agitator. Note the direction of rotation of the conveyor. Increase the engine rev's bearing in mind the maximum flow rates allowed, see section 5.4. Run for approx. 30 seconds.
- (6) Disengage spool and idle back engine rev's, let the machine stop.
- (7) Engage the spool this time in the opposite direction, increase the engine rev's and again run for 30 seconds.
- (8) Disengage spool, idle back the engine and then stop.
- (9) Inspect to see if conveyor belt is tracked to the centre of the rollers. If not then adjust tracking (see section 7.3)
- (10) Check for any hydraulic oil leaks.

5.13 METERING PLATES

Before filling / using the machine with bedding material the metering plates must be adjusted to provide a suitable gap in order to obtain the desired discharge rate. The two plates fit inside the tub and can be moved by slackening three bolts on each using a 17mm spanner. The size of the gap will determine the rate at which the material flows to the belt and will vary for different forms of material. The ideal gap will be established through fine-tuning however the table below acts as a starting guide.



Ensure the Cubicle Bedder is parked on an even surface, with the engine stopped and ignition key removed whilst working in the tub. Having the machine tipped forward will also make it easier than if in the vertical position.

Adjust both panels evenly to achieve the gap.

BEDDING MATERIAL	GAP BETWEEN METERING PLATES
FINE SAWDUST	20-40mm
COARSE SAWDUST	30-60mm
WOOD SHAVINGS	50-150mm
LONG MATERIAL/CHOPPED STRAW	150-300mm
SAND	50-75mm

5.14 AGITATOR TINES

Before use the agitator tine configuration might need changing depending on the material to be bedded. The standard factory set up for the agitator tines are shown on the diagram on the next page.

Extra standard tines are supplied loose, along with a set of shorter tines. These may have to be fitted / swapped over depending on the product being bedded.

It is again a case of fine tuning the agitator tine set-up to achieve the best results.

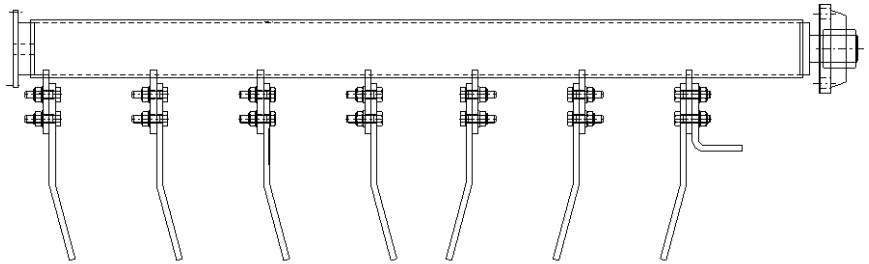
See table on following page to act as guide for different materials.



Ensure the Cubicle Bedder is parked on an even surface, with the engine stopped and ignition key removed whilst working in the tub. Having the machine tipped forward will also make it easier than if in the vertical position.

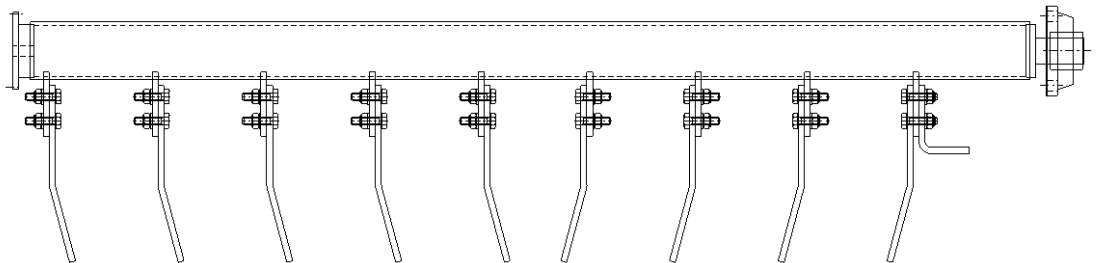
CB100 standard agitator tine set up

7 x standard tines (260178 01) and 1 x RH end tine (260203 01) fitted.
 6 x standard tines (260178 01) and 7 x short tines (260205 01) send loose.

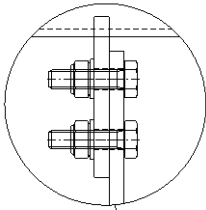


CB150 standard agitator tine set up

9 x standard tines (260178 01) and 1 x RH end tine (260203 01) fitted.
 8 x standard tines (260178 01) and 9 x short tines (260205 01) send loose.

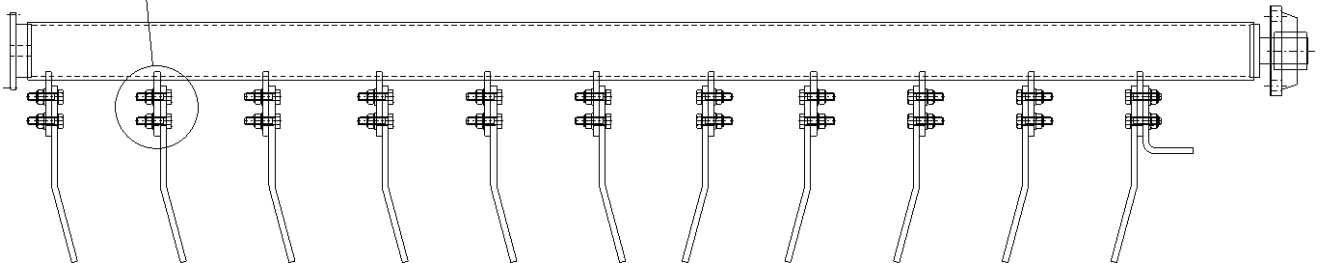


M10 x 40mm
 setscrews,
 orientation
 as shown.



CB300 standard agitator tine set up

11 x standard tines (260178 01) and 1 x RH end tine (260203 01) fitted.
 10 x standard tines (260178 01) and 11 x short tines (260205 01) send loose.



BEDDING MATERIAL	TINE CONFIGURATION
FINE SAWDUST	FULL SET OF PAIRED STANDARD TINES
COARSE SAWDUST	FULL SET OF PAIRED STANDARD TINES
WOOD SHAVINGS	FULL SET OF PAIRED STANDARD TINES
LONG MATERIAL CHOPPED STRAW	REPLACE PAIRED STANDARD TINES WITH SHORT SINGLE TINES (Pt No. 260205 01). REDUCE TINE NUMBERS IF DRIVE THEN STALLS
SAND	STANDARD FACTORY SET-UP AS SHOWN ABOVE

SECTION 6

OPERATION



Refer to section 2 for accident prevention.

6.1 LOADING THE MACHINE

Before loading the machine activate the auxiliary hydraulic supply, which controls the conveyor and agitator to ensure that all components are turning correctly and freely. Activating the auxiliary control in the other direction will change the direction of travel of both the conveyor and agitator. Familiarise yourself with these controls.

Machines that are fitted with a standard top link can only be filled manually or by an over head hopper, in either case fill the machine with bedding material until the tub is full.



Note (150 & 300 Models Only)

When filling with sand, only half fill the tub unless the machine is fitted with the Agitator chain drive option.



Check that the combined weight of the Cubicle Bedder and the load of bedding material does not exceed the tractor / handlers recommended safe loading of axle, wheels & tyres.

Machines fitted with a 3-point tipping frame or fitted to a handler or loader can be filled from a bulk pile of bedding material on the ground

Use the below procedure :

- (1) Check there are no foreign objects in the tub or on the conveyor belt.
- (2) Ensure there are no bystanders too close around tractor, handler or loader and Cubicle Bedder.
- (3) Warn any bystanders by sounding the horn several times, allowing time for them to move away.
- (4) Start tractor, handler or loaders engine.
- (5) If the Cubicle Bedder is sitting on the ground raise up above the ground. If using the tipping frame or on handler or loader raise tub to fully vertical position.
- (6) Drive to and stop just in front of heaped material. It is important that heaped material should be kept free of foreign objects.
- (7) Lower the machine to the ground and operate the lift / lower ram of the tipping frame or crowd the handler or loader forwards until the tub blade is touching the ground. The machine may need to be lifted during this process to allow it to pivot and so the under tub structure is just clear of the ground.
- (8) Reverse / drive the tractor, handler or loader with Cubicle Bedder into the pile until the tub is full.
- (9) Operate the lift / lower ram or crowd the handler or loader back until the conveyor is parallel with the ground, the machine may need to be lowered during this process to allow it to pivot.
- (10) Raise the machine to a suitable height for transport. Keeping the machine as low to the ground as practically possible will improve the stability during transport.
- (11) Drive / reverse the tractor, handler or loader and Cubicle Bedder away from the heap.

6.2 DISCHARGING THE BEDDING MATERIAL

- (1) When the tractor, handler or loader and Cubicle Bedder are positioned ready to start bedding, beside the first cubicle bed, adjust the machine height to get the desired discharge distance and ensure the conveyor is parallel to the ground.



Check there is nobody close or in the driving line of the machine before starting to discharge the bedding material.

- (2) With the engine rev's at idle activate the tractor, handler or loaders auxiliary hydraulic spool to commence the discharge to the side needed. Both the conveyor and agitator will start rotating together.
- (3) As soon as started increase the engine rev's and drive forwards allowing bedding material to be discharged.
- (4) Continue driving and discharging until either the tub becomes empty or the need to stop, i.e. at the end of the row of beds or there is an obstacle in the way. At this stage simply disengage the tractor, handler or loaders hydraulic spool and reduce the engine revs.

If the discharge rate or spread pattern is not what is required then fine tuning will be needed.

6.3 FINE TUNING OF DISCHARGING THE BEDDING MATERIAL

DISCHARGE RATE

The discharge rate is governed by a number of factors ;

- (1) The setting of the metering plates gap, as mention in section 5.13.
- (2) The forward speed of the tractor, handler or loader.
- (3) The speed of the conveyor, which is controlled by the oil flow rate to the conveyor. This can be changed by varying engine revs or maybe varying a flow controller setting on the hydraulic spool if tractor, handler or loader has one fitted.
A different size motor could also have been fitted, see section or fitting a different size hydraulic motor, see section.5.4

These three factors might need to be adjusted to obtain the desired discharge rate for different bedding material being used.

SPREAD DISTANCE

The distance which bedding material can be thrown is dependent on ;

- (1) The speed at which the conveyor runs (see point 3 above).
- (2) The height at which the machine is off the ground.

Adjust these factors until the desired spread distance is achieved.

The type of bedding material being used i.e. lighter, finer materials like sawdust, will not be able to be thrown as far as heavier, denser materials like sand.

6.4 CLEARING A BLOCKAGE

If during discharging the bedding material the agitator stalls for some reason, follow the below procedure ;

- (1) Bring the tractor, handler or loaders forward movement to a stop, idle back the engine revs.
- (2) Stop the hydraulic spool driving the agitator and conveyor.
- (3) Check if OK to run the conveyor in the opposite direction i.e.. no bystanders close.....
- (4) For a few seconds only, operate the hydraulic spool in the opposite direction, checking to see the agitator is turning.
- (5) If it turns OK then next try running the conveyor back to the original direction. If it runs then re commence bedding.
- (6) If it does not then repeat steps (2) - (5) again.
- (7) If the blockage is still not cleared then, put hydraulic spool in neutral, lower the Cubicle Bedder onto the ground, apply the parking brake, stop the engine and remove the ignition key.
- (8) Look in the tub and investigate if there is a foreign object that can be easily seen and removed. If the tub has too much bedding material covering the agitator then this might need tipping out, back onto the heap, or manually unloading if 3 point fixed mounted.
- (9) Now the tub is empty remove the foreign object, reload and commence discharging.

SECTION 7

MAINTENANCE AND STORAGE



Refer to sections 2 for accident prevention.

The Cubicle Bedder is designed to be a low maintenance machine. The only required maintenance is regular lubrication, belt and chain tensioning (if chain drive option is fitted).

7.1 LUBRICATION

Each machine has five greaseable bearings. Lubricate all five bearings before using the machine for the first time and every 50 hours or 2 weeks thereafter.

If the machine is fitted with an agitator chain drive option, there is an extra remote grease nipple to grease the bearing, which is mounted behind the drive sprocket.

If the machine is equipped with a hydraulic tipping frame, a further 2 grease points are fitted.




Conveyor bearings
both sides – grease
every 50 hours

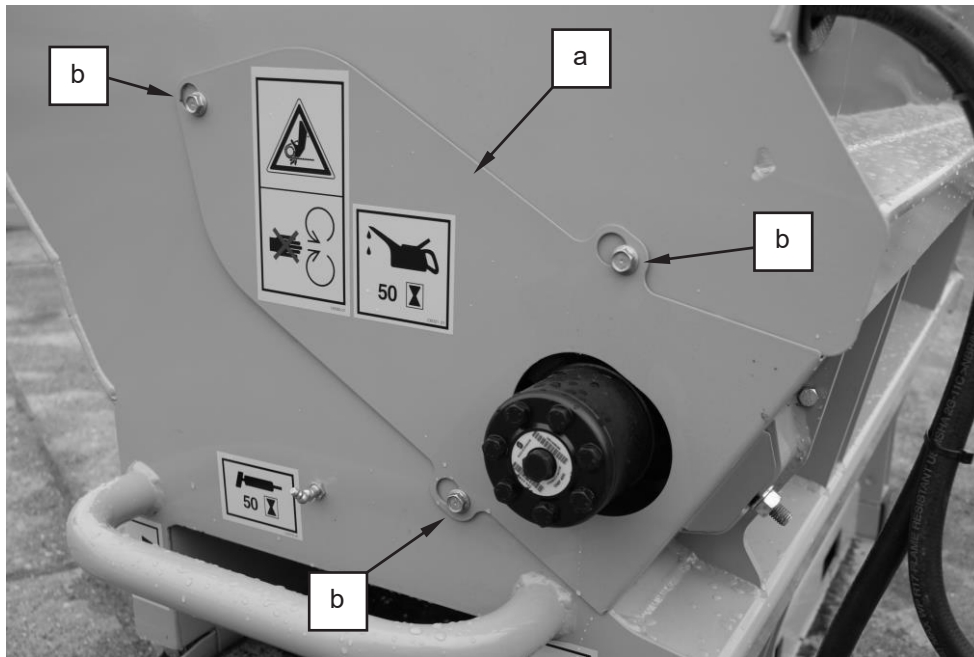
Lubricate chain
every 50 hours

50-hour grease points



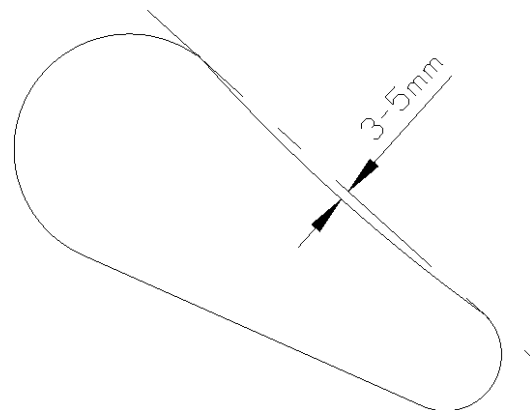
Note - To lubricate the chain only the one guard (a) needs removing to gain access. The 3 fasteners (b) that retain this simply need loosening by 1 – 2 turns to then allow the guard to slide so as the keyhole aligns with the set screws flanged head to release it. These fasteners cannot be fully removed as they are retained to the machine.

 Do not run the machine with the guard removed, only lubricate the chain while it is static.
Replace the guard and tighten fasteners after lubricating.




7.2 AGITATOR CHAIN DRIVE TENSION

To obtain the full life of the chain drive, regular chain tension adjustment should be carried out. The total slack in the chain can be determined by counter rotating the sprockets so one strand is taut, and then measuring the total sag between the chain and a straight edge midway between the sprockets. In this case the sag should be between 3 & 5mm.



To access chain to adjust only the one guard (a) needs removing, see above note, chain lubrication.

 Do not run the machine with the guard removed.
Replace the guard and tighten fasteners after adjusting tension.

7.3 BELT TENSIONING AND TRACKING

If the belt becomes slack or is rubbing against one side of the tub, using a 19mm spanner follow the steps below:

- (1) With the belt stationary tighten the belt by moving the adjusters an equal amount out from the machine
- (2) Start the tractor, loader or handler and run the belt with no load to its full speed
- (3) If the belt begins to track to one side of the roller, stop the conveyor and switch of the tractor, handler or loader. Tension the bearing that the belt is tracking towards to move the belt towards the opposite bearing
- (4) Start the tractor, handler or loader and run the conveyor.
- (5) Repeat steps 3 and 4 until the belt is riding true to the pulley.
- (6) Once the belt is centred reverse the direction of travel of the conveyor. If the belt again runs off centre split the difference of run out between the two directions of travel.

7.4 STORAGE

- (1) Clean the machine thoroughly
- (2) Apply a rust inhibitor or oil to shiny tub surfaces, shafts, chains, sprockets, bearings and motors
- (3) Grease all bearings
- (4) Run machine to circulate grease and remove any water
- (5) Slacken off belt & chain tensioners
- (6) Store under cover

SECTION 8:

PARTS LISTING

CUBICLE BEDDER PARTS MANUAL

Machine Identification

The Cubicle Bedder machine and serial identification numbers are printed on a plate located on the rear of the tub.

A record of the serial number along with the machine number and any kit options required to build the machine are listed below.

CUBICLE BEDDER SERIAL NUMBER

CUB

Cubicle Bedder Model

Tick	Machine No.	Description
	269902 01	Cubicle Bedder 100
	269902 02	Cubicle Bedder 150
	269902 03	Cubicle Bedder 300
	269903 02	Cubicle Bedder 150 (Straw Rotor Type)

Optional kits

Tick	KIT No.	Description
	KIT-26005	Agitator direct drive kit
	KIT-26006	Agitator chain drive kit
	KIT-26007	3 point tipping 'A' frame kit
	KIT-26008	3 point fixed mounting kit
	KIT-26009	Agitator chain drive conversion from direct drive
	KIT-26012	Agitator chain drive conversion from direct drive
	KIT-26021	Straw Rotor Kit
	KIT-26022	Agitator Kit
Conveyor drive hydraulic motor options, when not standard MOTH04001		
	MOTH03200	Hydraulic motor, to suit 24-28 lpm
	MOTH02500	Hydraulic motor, to suit 19-22 lpm
Bracket kits		
	KIT-25050	JCB Q Fit Bracket Kit (HD Brackets)
	KIT-25051	Manitou Bracket Kit
	KIT-25052	Merlo Bracket Kit (60 Degree Angle)
	KIT-25053	Matbro Bracket Kit
	KIT-25054	Claas (Scorpion) Bracket Kit
	KIT-25055	Euro Loader Bracket kit
	KIT-25056	Bracket Plate Kit (For Welding Own Brackets To)
	KIT-25057	CNH Bracket Kit

ORDERING SPARE PARTS

IMPORTANT

Your Cubicle bedder is made up of a Machine assembly number (common parts), specific sub assemblies and also customer optional build kits. The machine, sub assemblies and optional kit numbers are listed in the front pages of your Operators manual, part no. MAN-13205.

If you do not have these numbers please contact Shelbourne Reynolds Parts Department direct on (telephone) 01359 251231.

To ensure that you order the correct part from your SRE dealer please use the following procedure.

ALWAYS QUOTE THE MACHINE AND SERIAL NUMBERS WHEN ORDERING.

Refer to the Parts Manuals front page/s, listing the machine assemblies. Select the correct machine assembly number which is printed in the top left corner of the page (starting with 2690_ _ 01), This machine number can also be taken off the Cubicle Bedder identification plate located on the front of the main chassis beam.

On this page you will find the parts listing for the common parts for every configuration of that machine assembly number. You will find the corresponding drawing by either looking at the facing page or progressing through the manual to the next drawing. The drawings indicate the components by item numbers, which you will find, are repeated in the left-hand side of your parts listing, and therefore referring to the correct part.

Note all parts will not be found listed below the machine number. Other parts will be from specific sub assemblies and optional kits. These sub assemblies and kits will be found in numerical order further through the manual.

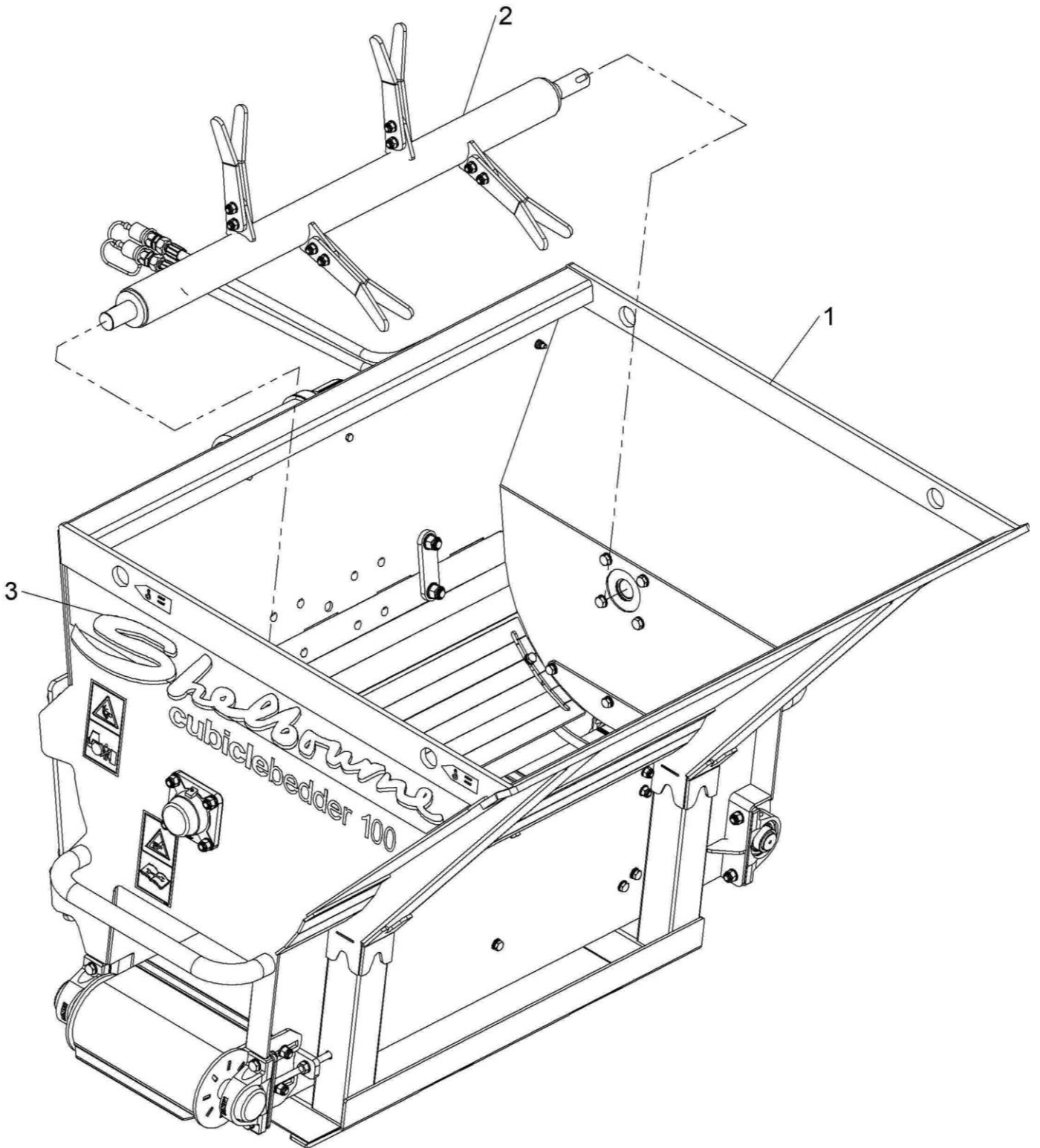
Sub assemblies start with 2690_ _ 01 and kits start with KIT- 260 _ _.

List Of Kit Numbers

269902 01	Cubicle Bedder 100	50
269902 02	Cubicle Bedder 150	52
269902 03	Cubicle Bedder 300	54
269903 02	Cubicle Bedder 150 (Straw Rotor)	56
269004 01	Emblems (100 Model)	58
269004 02	Emblems (150 Model)	60
269004 03	Emblems (300 Model)	62
269005 01	Tub Sub Assembly (100 Model)	64
269005 02	Tub Sub Assembly (150 Model)	66
269005 03	Tub Sub Assembly (300 Model)	68
269006 01	Agitator Assembly (100 Model)	70
269006 02	Agitator Assembly (150 Model)	72
269006 03	Agitator Assembly (300 Model)	74
269007 01	Cubicle Bedder (100 Model)	76
269007 02	Cubicle Bedder (150 Model)	78
269007 03	Cubicle Bedder (300 Model)	80
269008 01	Tub Sub Assembly (100 Model)	82
269008 02	Tub Sub Assembly (150 Model)	84
269008 03	Tub Sub Assembly (300 Model)	86
269009 02	Tub Sub Assembly 150 (Straw Rotor Type)	88
KIT-26005	Agitator Direct Drive Kit	90
KIT-26006	Agitator Chain Drive Kit	92
KIT-26007	3 Point Tipping Frame Kit	94
KIT-26008	3 Point Fixed Mounting Kit	96
KIT-26009	Chain Drive Conversion Kit	98
KIT-26011	Chain Drive Upgrade Kit	100
KIT-26012	Agitator Chain Drive Conversion Kit	102
KIT-26014	Pressure/Flow Controlled Valve Kit	104
KIT-26016	Loader Bracket Clamp Plate Kit (100 Model)	106
KIT-26018	Agitator Chain Drive Kit	108
KIT-26021	Straw Rotor Kit	110
KIT-26022	Cubicle Bedder 150 Agitator Kit	112
	Bracket kits	115
KIT-25050	JCB Q Fit Bracket Kit	116
KIT-25051	Manitou Bracket Kit	118
KIT-25052	Merlo Bracket Kit	120
KIT-25053	Matbro Bracket Kit	122
KIT-25054	Claas Bracket Kit	124
KIT-25055	Euro Bracket Kit	126
KIT-25056	Loader Bracket Plate Kit - Weld Own Bracket	128
KIT-25057	CNH Bracket Kit	130
KIT-25058	Schaeffer Bracket Kit	132

Shelbourne Reynolds Engineering Limited

ASSY NUMBER: 269902 01				ASSY DESCRIPTION: CUBICLE BEDDER 100			
ITEM	PART NO	DESCRIPTION	QTY	ITEM	PART NO	DESCRIPTION	QTY
1	269008 01	CUBICLE BEDDER 100 SER No CUB10170486 & ON	1				
OR	269007 01	CUBICLE BEDDER 100 SER No CUB10140291-CUB1015044	1				
OR	269005 01	TUB SUB ASSY (100) UP TO & INC CUB10130235	1				
2	269006 01	AGITATOR ASSY (100 MODEL)	1				
3	269004 01	EMBLEMS (100 MODEL)	1				



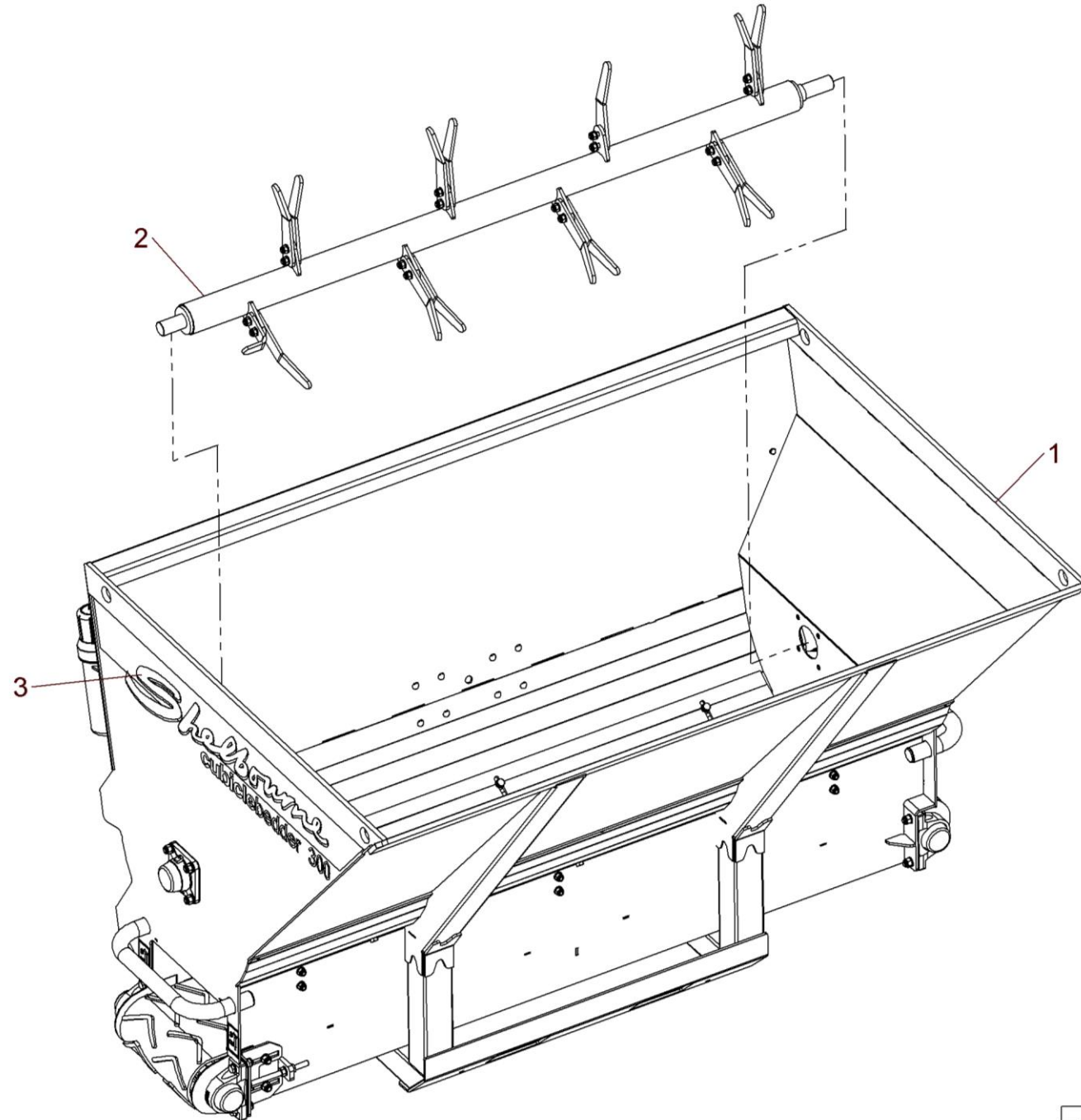
269902 01



Shelbourne Reynolds Engineering Limited

ASSY NUMBER: 269902 02				ASSY DESCRIPTION: CUBICLE BEDDER 150			
ITEM	PART NO	DESCRIPTION	QTY	ITEM	PART NO	DESCRIPTION	QTY
1	269008 02	TUB SUB ASSY 150 SER No CUB15160456 & ON	1				
OR	269007 02	TUB SUB ASSY 150 SER No CUB15140266-CUB15160455	1				
OR	269005 02	TUB SUB ASSY (150) UP TO & INC CUB15130265	1				
2	269006 02	AGITATOR ASSY (150 MODEL)	1				
3	269004 02	EMBLEMS (150 MODEL)	1				

Shelbourne Reynolds Engineering Limited

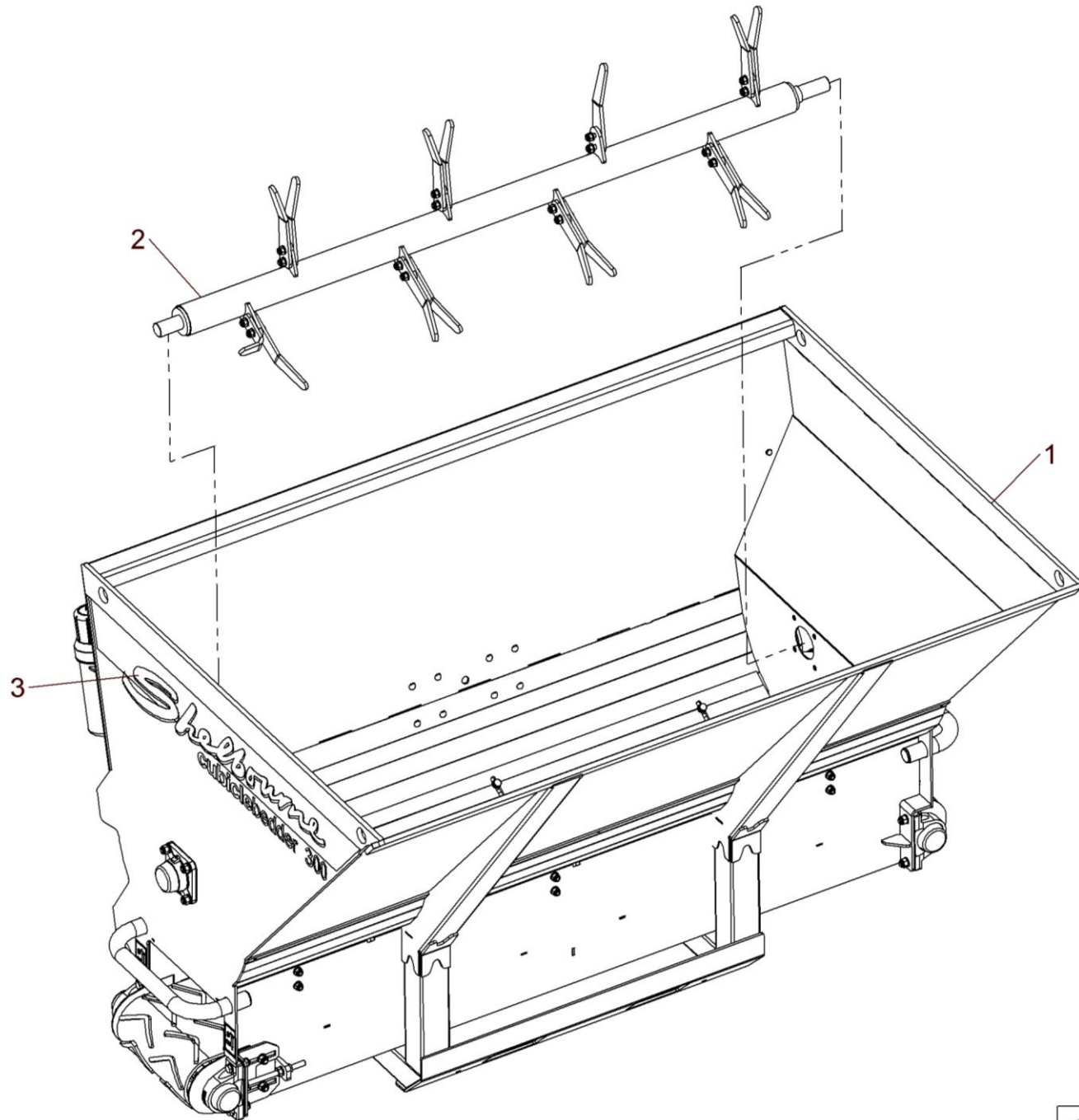


269902 01 - 03



Shelbourne Reynolds Engineering Limited

ASSY NUMBER: 269902 03				ASSY DESCRIPTION: CUBICLE BEDDER 300			
ITEM	PART NO	DESCRIPTION	QTY	ITEM	PART NO	DESCRIPTION	QTY
1	269008 03	CUBICLE BEDDER 300 SER No CUB30170504 & ON)	1				
OR	269007 03	CUBICLE BEDDER 300 SER No CUB30140286-CUB30150437	1				
OR	269005 03	TUB SUB ASSY (300) UP TO & INC CUB30130245	1				
2	269006 03	AGITATOR ASSY (300 MODEL)	1				
3	269004 03	EMBLEMS (300 MODEL)	1				

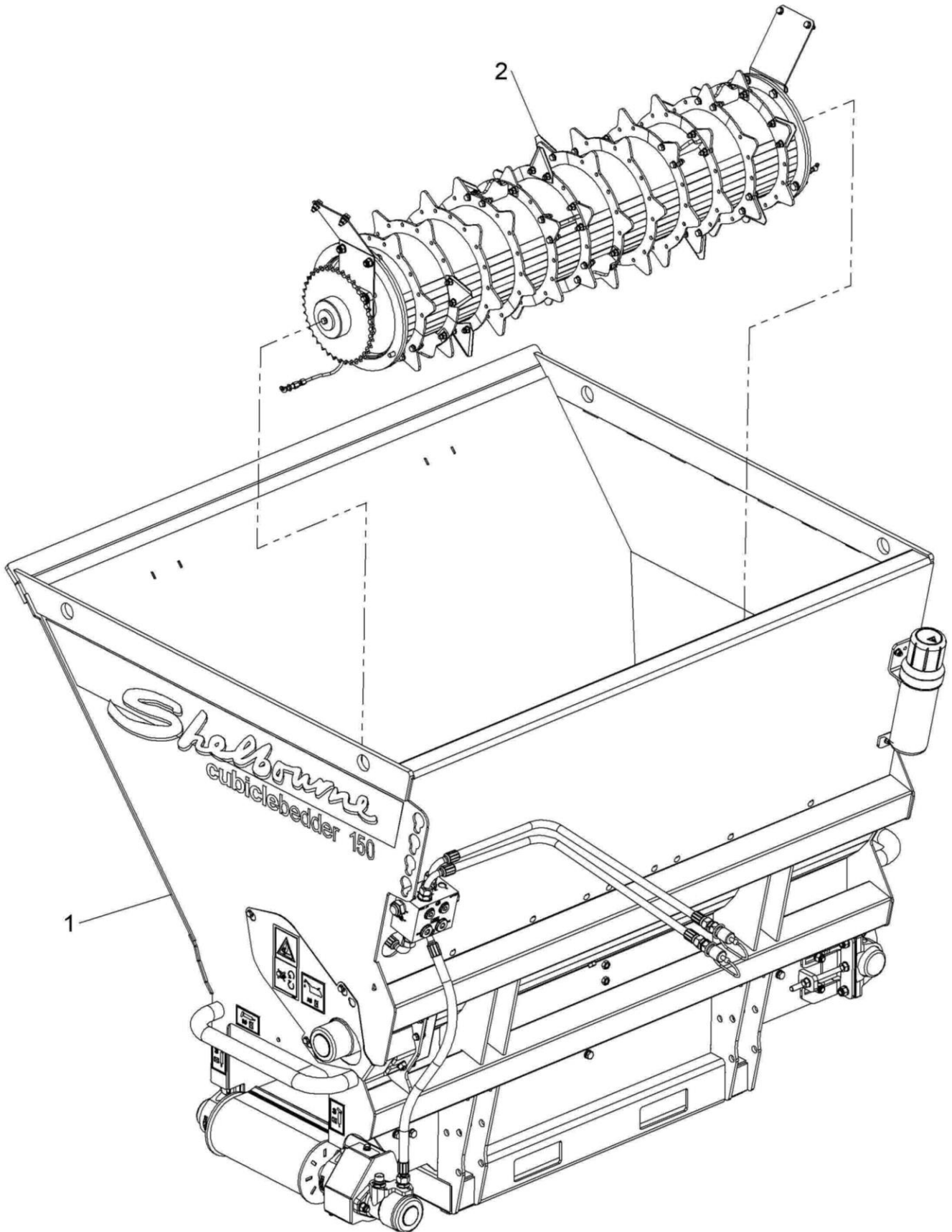


269902 01 - 03



Shelbourne Reynolds Engineering Limited

ASSY NUMBER: 269903 02				ASSY DESCRIPTION: CUBICLE BEDDER 150 (STRAW ROTOR)			
ITEM	PART NO	DESCRIPTION	QTY	ITEM	PART NO	DESCRIPTION	QTY
1	269009 02	TUB SUB ASSY 150	1				
2	269004 02	EMBLEMS (150 MODEL)	1				



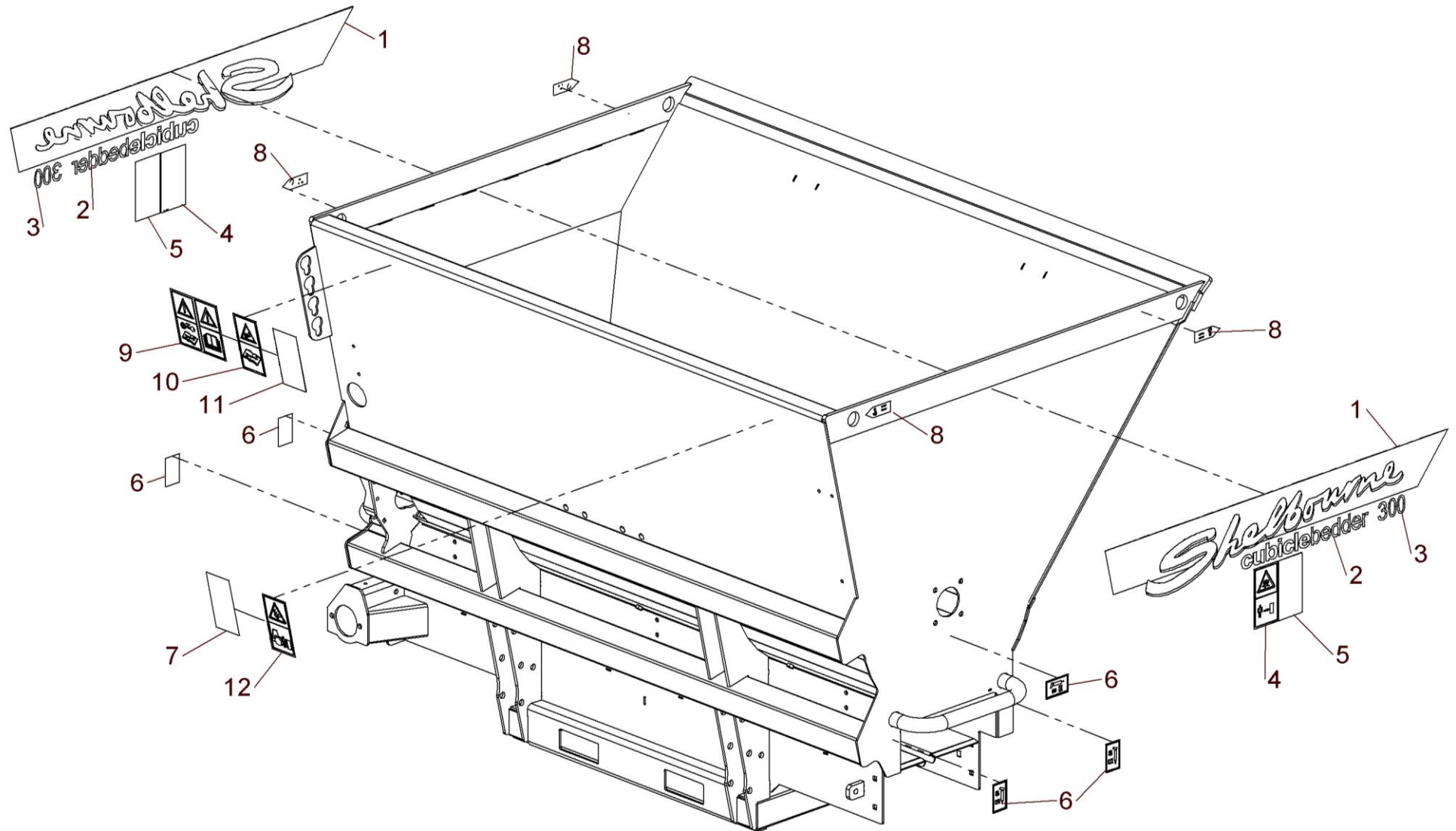
269903 02



Shelbourne Reynolds Engineering Limited

ASSY NUMBER: 269004 01				ASSY DESCRIPTION: EMBLEMS (100 MODEL)			
ITEM	PART NO	DESCRIPTION	QTY	ITEM	PART NO	DESCRIPTION	QTY
1	260228 01	SHELBOURNE TRANSFER	2				
2	260227 01	CUBICLE BEDDER TRANSFER	2				
3	260229 02	100 SIZE TRANSFER	2				
4	260061 01	TRANSFER-SAFE DISTANC	2				
5	260062 01	TRANSFER-HAND ENTANGL	2				
6	127075 16	50 HRS GREASE TRANSFER	5				
7	260063 01	TRANSFER-DO NOT ENTER	1				
8	190702 04	SLING POINT TRANSFER	4				
9	TNF-0011	TRANSFER BLOCK	1				
10	800221 01	TRANSFER-MANUAL,OIL	1				
11	614959 02	MAX. HYD. PRESSURE TRANSFER	1				
12	260060 01	TRANSFER-STAY CLEAR	1				

Shelbourne Reynolds Engineering Limited



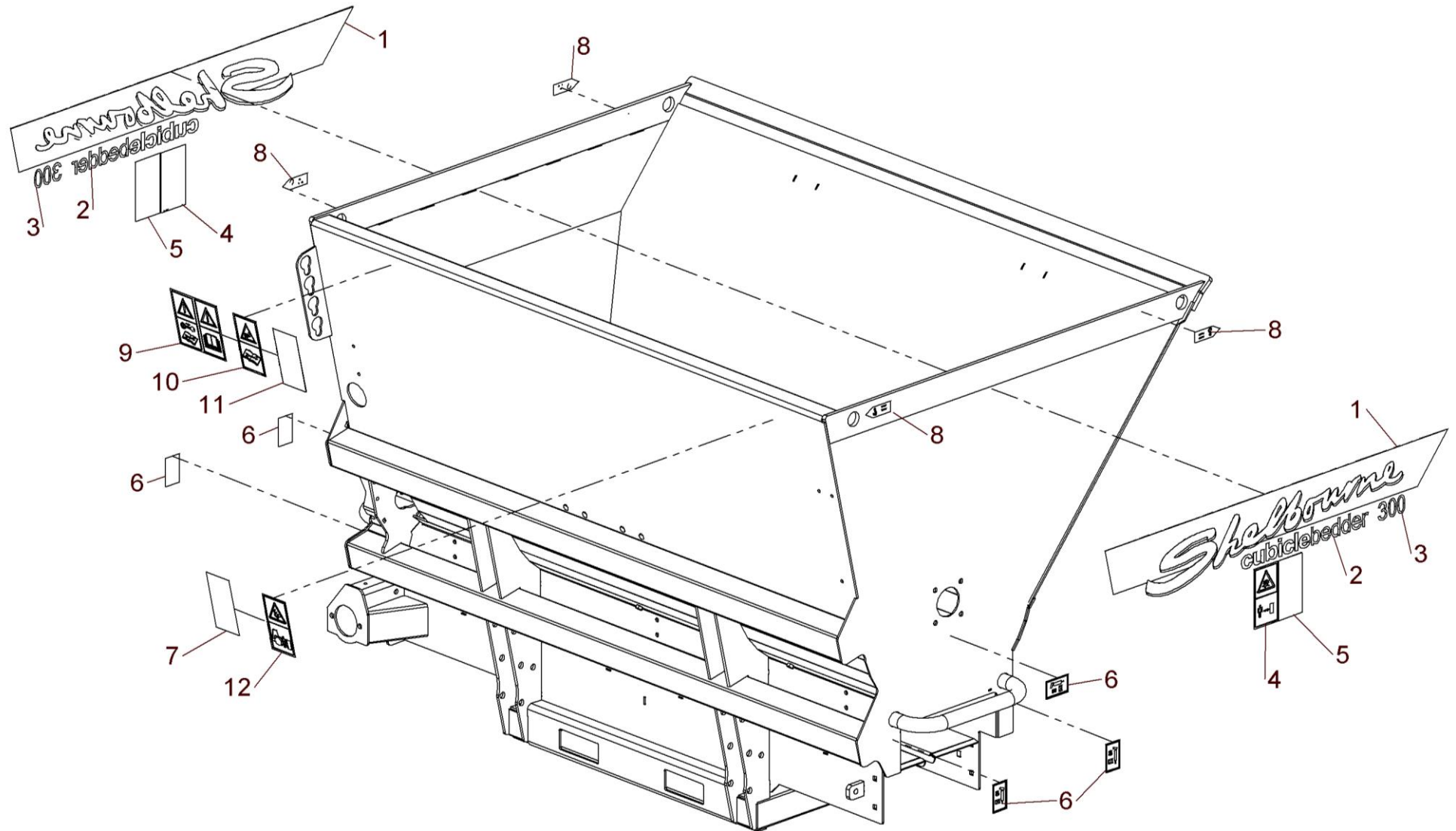
269004 01 - 03



Shelbourne Reynolds Engineering Limited

ASSY NUMBER: 269004 02				ASSY DESCRIPTION: EMBLEMS (150 MODEL)			
ITEM	PART NO	DESCRIPTION	QTY	ITEM	PART NO	DESCRIPTION	QTY
1	260228 01	SHELBOURNE TRANSFER	2				
2	260227 01	CUBICLE BEDDER TRANSFER	2				
3	260229 02	150 SIZE TRANSFER	2				
4	260061 01	TRANSFER-SAFE DISTANC	2				
5	260062 01	TRANSFER-HAND ENTANGL	2				
6	127075 16	50 HRS GREASE TRANSFER	5				
7	260063 01	TRANSFER-DO NOT ENTER	1				
8	190702 04	SLING POINT TRANSFER	4				
9	TNF-0011	TRANSFER BLOCK	1				
10	800221 01	TRANSFER-MANUAL,OIL	1				
11	614959 02	MAX. HYD. PRESSURE TRANSFER	1				
12	260060 01	TRANSFER-STAY CLEAR	1				

Shelbourne Reynolds Engineering Limited



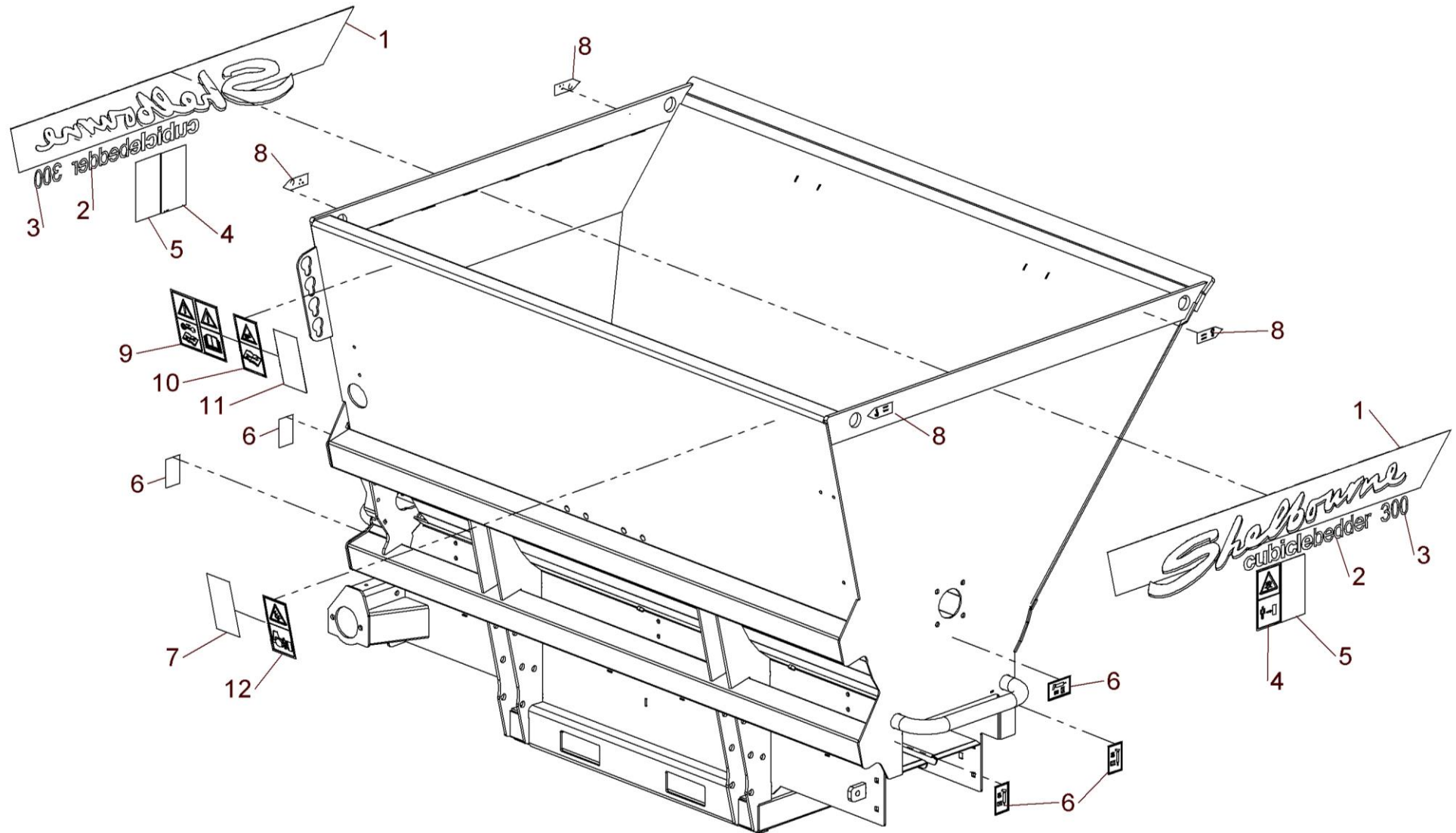
269004 01 - 03



Shelbourne Reynolds Engineering Limited

ASSY NUMBER: 269004 03				ASSY DESCRIPTION: EMBLEMS (300 MODEL)			
ITEM	PART NO	DESCRIPTION	QTY	ITEM	PART NO	DESCRIPTION	QTY
1	260228 01	SHELBOURNE TRANSFER	2				
2	260227 01	CUBICLE BEDDER TRANSFER	2				
3	260229 02	300 SIZE TRANSFER	2				
4	260061 01	TRANSFER-SAFE DISTANC	2				
5	260062 01	TRANSFER-HAND ENTANGL	2				
6	127075 16	50 HRS GREASE TRANSFER	5				
7	260063 01	TRANSFER-DO NOT ENTER	1				
8	190702 04	SLING POINT TRANSFER	4				
9	TNF-0011	TRANSFER BLOCK	1				
10	800221 01	TRANSFER-MANUAL,OIL	1				
11	614959 02	MAX. HYD. PRESSURE TRANSFER	1				
12	260060 01	TRANSFER-STAY CLEAR	1				

Shelbourne Reynolds Engineering Limited



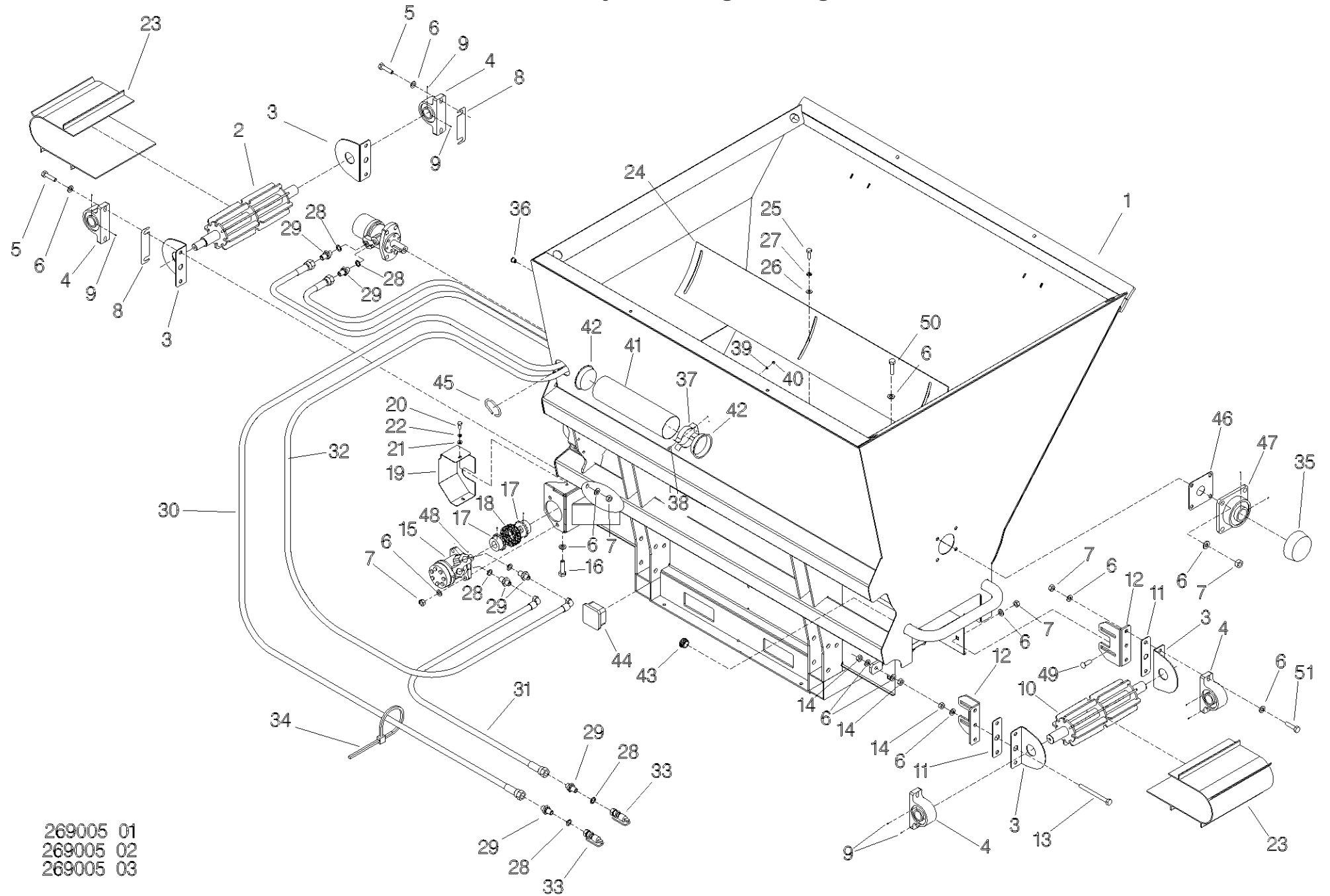
269004 01 - 03



Shelbourne Reynolds Engineering Limited

ASSY NUMBER: 269005 01				ASSY DESCRIPTION: TUB SUB ASSY (CUBICLE BEDDER 1			
ITEM	PART NO	DESCRIPTION	QTY	ITEM	PART NO	DESCRIPTION	QTY
1	260190 01	CUBICLE BEDDER 100 TUB W/ASSY	1	35	BRG-93600	SELF LUBE PROTECTOR CAP	4
2	260025 01	CONVEYOR DRIVE ROLLER	1	36	NUTA13080	NUTSERT	3
3	260150 01	ROLLER BEARING MOUNT	4	37	21725019	SPRING CLIP	1
4	BRG-23555	BEARING	4	38	HSS-0055	SET SCREW	2
5	HSS-0260	SET SCREW	12	39	WSH-0006	PLAIN WASHER	2
6	WSH-0018	PLAIN WASHER	34	40	NUT-0258	NYLOC NUT	2
7	NUT-0269	NYLOC NUT	16	41	39800004	MANUAL HOLDER TUBE	1
8	260067 01	BEARING SHIM	A/R	42	21709163	PLASTIC END CAP	2
9	SCW-4530	GRUBSCREW	6	43	PTF-00134	PLASTIC CAP INSERT	3
10	260025 02	CONVEYOR IDLER ROLLER	1	44	21709004	CAP, BLACK PLASTIC 80x80	2
11	260151 01	PACKER PLATE	2	45	EDS-11400	PVC EDGING STRIP	0.22
12	260152 01	ROLLER ADJUSTER PLATE	2	46	260149 02	PACKER PLATE	1
13	HSSA12770	SETSCREW	2	47	BRG-23545	SUPPORT	1
14	NUT-0170	PLAIN NUT	6	48	K0807032	KEY PARALLEL	1
15	MOTH04001	HYDRAULIC MOTOR	1	49	BLT-3790	COACH BOLT	4
OR	MOTH03200	HYDRAULIC MOTOR		51	BLTA12260	HEX HEAD BOLT	4
OR	MOTH02500	HYDRAULIC MOTOR		51	BLTA12350	HEX.HEAD BOLT	4
15A	HMS-08001	SEAL KIT (SPARES)		52	260067 01	BEARING SHIM	2
15B	K0807032	KEY (SPARES)					
16	BLTA12290	HEX.HEAD BOLT	2				
17	260030 03	SPROCKET 25 ID KEYWAY	2				
18	CHN-01380	CHAIN 1/2"PITCH DUPLEX	1				
18A	CHN-01300	JOINER (SPARES)					
19	260148 01	DRIVE COVER	1				
20	HSS-0140	SETSCREW	2				
21	WSH-0012	PLAIN WASHER	6				
22	WSH-0058	SPRING WASHER	2				
23	260048 04	CONV BELT - 100	1				
23A	260048 03	JOINING PIN (SPARES)					
24	260187 01	ADJUSTER PLATE	2				
25	HSS-0191	SETSCREW	6				
26	WSH-0015	PLAIN WASHER	6				
27	WSH-0061	SPRING WASHER	6				
28	WSH-1015	DOWTY WASHER 1/2"	6				
29	HMA-0067	ADAPTOR MALE/MALE	6				
30	HHAF24005	HYDRAULIC HOSE ASSY	1				
31	HHBF18005	HYDRAULIC HOSE ASSY	1				
32	HHBF08905	HYDRAULIC HOSE ASSY	1				
33	COU-0162	QUICK RELEASE COUPLING	2				
34	TIE-0004	TIE WRAPS (MED)	8				

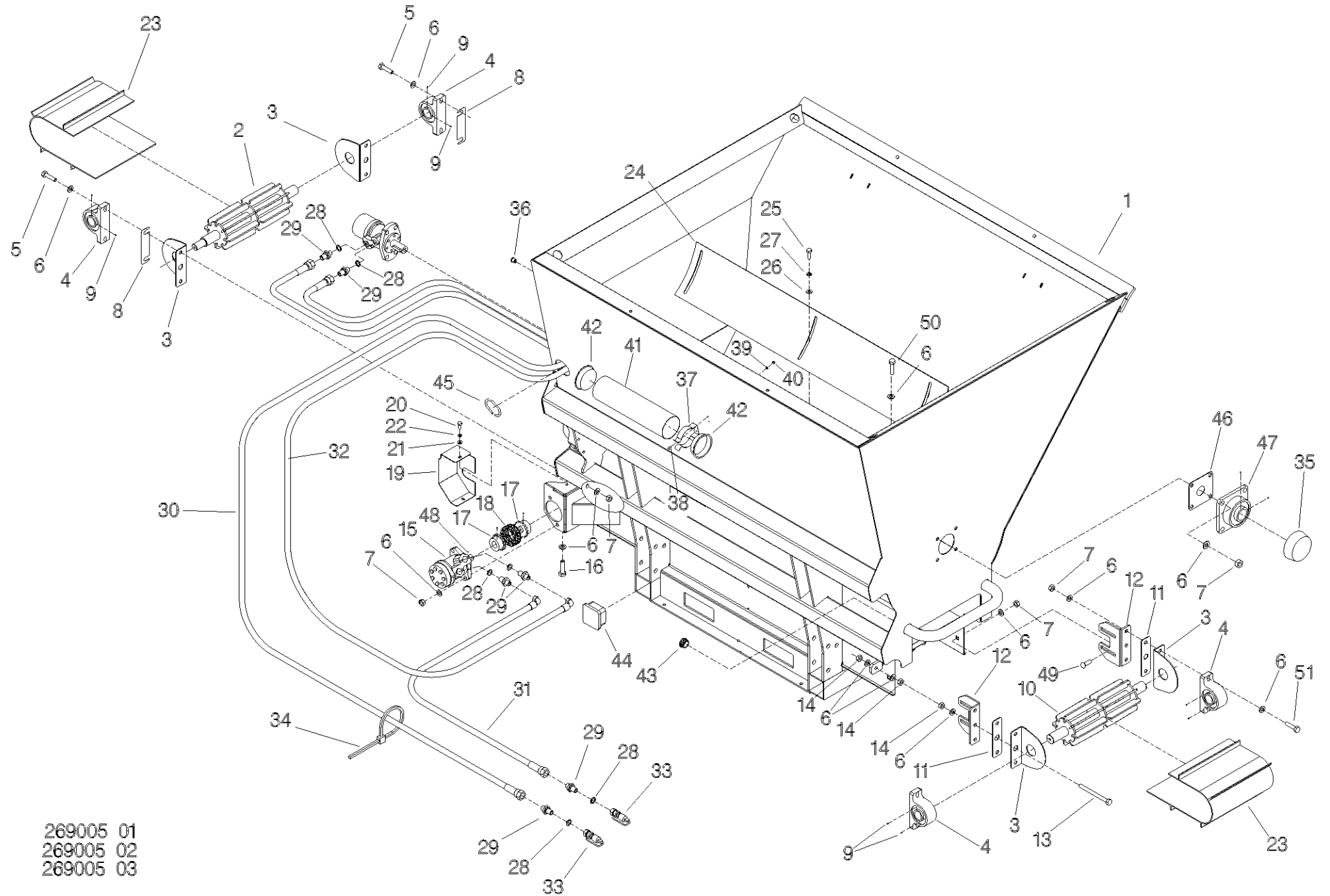
Shelbourne Reynolds Engineering Limited



Shelbourne Reynolds Engineering Limited

ASSY NUMBER: 269005 02				ASSY DESCRIPTION: TUB SUB ASSY (CUBICLE BEDDER 1			
ITEM	PART NO	DESCRIPTION	QTY	ITEM	PART NO	DESCRIPTION	QTY
1	260130 01	CUBICLE BEDDER 150 TUB W/ASSY	1	35	BRG-93600	SELF LUBE PROTECTOR CAP	4
2	260025 01	CONVEYOR DRIVE ROLLER	1	36	NUTA13080	NUTSERT	3
3	260150 01	ROLLER BEARING MOUNT	4	37	21725019	SPRING CLIP	1
4	BRG-23555	BEARING	4	38	HSS-0055	SET SCREW	2
5	HSS-0260	SET SCREW	12	39	WSH-0006	PLAIN WASHER	2
6	WSH-0018	PLAIN WASHER	34	40	NUT-0258	NYLOC NUT	2
7	NUT-0269	NYLOC NUT	16	41	39800004	MANUAL HOLDER TUBE	1
8	260067 01	BEARING SHIM	A/R	42	21709163	PLASTIC END CAP	2
9	SCW-4530	GRUBSCREW	6	43	PTF-00134	PLASTIC CAP INSERT	3
10	260025 02	CONVEYOR IDLER ROLLER	1	44	21709004	CAP, BLACK PLASTIC 80x80	2
11	260151 01	PACKER PLATE	2	45	EDS-11400	PVC EDGING STRIP	0.22
12	260152 01	ROLLER ADJUSTER PLATE	2	46	260149 02	PACKER PLATE	1
13	HSSA12770	HEX HD SETSCREW	2	47	BRG-23545	SUPPORT	1
14	NUT-0170	PLAIN NUT	6	48	K0807032	KEY PARALLEL	1
15	MOTH04001	HYDRAULIC MOTOR	1	49	BLT-3790	COACH BOLT	4
OR	MOTH03200	HYDRAULIC MOTOR		50	BLTA12260	HEX HEAD BOLT	4
OR	MOTH02500	HYDRAULIC MOTOR		51	BLTA12350	HEX.HEAD BOLT	4
15A	HMS-08001	SEAL KIT (SPARES)		52	260067 01	BEARING SHIM	2
15B	K0807032	KEY (SPARES)					
16	BLTA12290	HEX.HEAD BOLT	2				
17	260030 03	SPROCKET 25 ID KEYWAY	2				
18	CHN-01380	CHAIN 1/2"PITCH DUPLEX	1				
18A	CHN-01300	JOINER (SPARES)					
19	260148 01	DRIVE COVER	1				
20	HSS-0140	SETSCREW	2				
21	WSH-0012	PLAIN WASHER	6				
22	WSH-0058	SPRING WASHER	2				
23	260048 01	CONV.BELT-120/150	1				
23A	260048 03	JOINING PIN (SPARES)					
24	260145 01	ADJUSTER PLATE	2				
25	HSS-0191	SETSCREW	6				
26	WSH-0015	PLAIN WASHER	6				
27	WSH-0061	SPRING WASHER	6				
28	WSH-1015	DOWTY WASHER 1/2"	6				
29	HMA-0067	ADAPTOR MALE/MALE	6				
30	HHAF24005	HYDRAULIC HOSE ASSY	1				
31	HHBF18005	HYDRAULIC HOSE ASSY	1				
32	HHBF08905	HYDRAULIC HOSE ASSY	1				
33	COU-0162	QUICK RELEASE COUPLING	2				
34	TIE-0004	TIE WRAPS (MED)	8				

Shelbourne Reynolds Engineering Limited

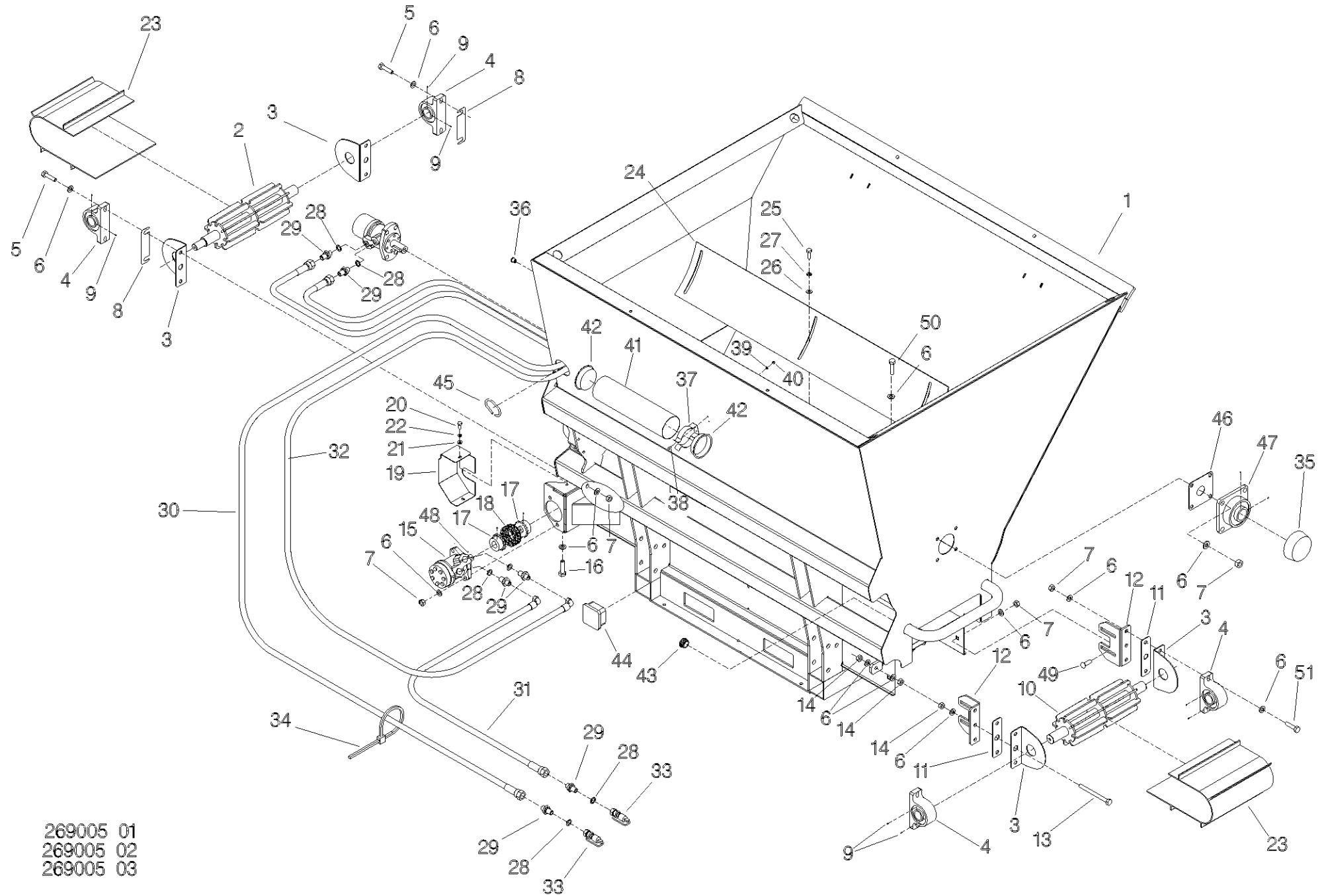


269005 01
269005 02
269005 03

Shelbourne Reynolds Engineering Limited

ASSY NUMBER: 269005 03				ASSY DESCRIPTION: CUBICLE BEDDER 300			
ITEM	PART NO	DESCRIPTION	QTY	ITEM	PART NO	DESCRIPTION	QTY
1	260206 01	CUBICLE BEDDER 300 TUB W/ASSY	1	35	BRG-93600	SELF LUBE PROTECTOR CAP	4
2	260025 01	CONVEYOR DRIVE ROLLER	1	36	NUTA13080	NUTSERT	3
3	260150 01	ROLLER BEARING MOUNT	4	37	21725019	SPRING CLIP	1
4	BRG-23555	BEARING	4	38	HSS-0055	SET SCREW	2
5	HSS-0260	SET SCREW	8	39	WSH-0006	PLAIN WSH FORM A	2
6	WSH-0018	PLAIN WASHER	32	40	NUT-0258	NYLOC NUT	2
7	NUT-0269	NYLOC NUT	16	41	39800004	MANUAL HOLDER TUBE	1
8	260067 01	BEARING SHIM	A/R	42	21709163	PLASTIC END CAP	2
9	SCW-4530	GRUBSCREW	6	43	PTF-00134	PLASTIC CAP INSERT	3
10	260025 02	CONVEYOR IDLER ROLLER	1	44	21709004	CAP, BLACK PLASTIC 80x80	2
11	260151 01	PACKER PLATE	2	45	EDS-11400	PVC EDGING STRIP	0.22
12	260152 01	ROLLER ADJUSTER PLATE	2	46	260149 02	PACKER PLATE	1
13	HSSA12770	HEX HD SETSCREW	2	47	BRG-23545	SUPPORT	1
14	NUT-0170	PLAIN NUT	6	48	K0807032	KEY PARALLEL	1
15	MOTH04001	HYDRAULIC MOTOR	1	49	BLT-3790	COACH BOLT	4
OR	MOTH03200	HYDRAULIC MOTOR		50	BLTA12260	HEX HEAD BOLT	4
OR	MOTH02500	HYDRAULIC MOTOR		51	BLTA12350	HEX.HEAD BOLT	4
15A	HMS-08001	SEAL KIT (SPARES)		52	260067 01	BEARING SHIM	2
15B	K0807032	KEY (SPARES)					
16	BLTA12290	HEX.HEAD BOLT	2				
17	260030 03	SPROCKET 25 ID KEYWAY	2				
18	CHN-01380	CHAIN 1/2"PITCH DUPLEX	1				
18A	CHN-01300	JOINER (SPARES)					
19	260148 01	DRIVE COVER	1				
20	HSS-0140	SETSCREW	2				
21	WSH-0012	PLAIN WASHER	6				
22	WSH-0058	SPRING WASHER	2				
23	260048 02	CONV.BELT-200 & 320	1				
23A	260048 03	JOINING PIN (SPARES)					
24	260212 01	ADJUSTER PLATE	2				
25	HSS-0191	SETSCREW	6				
26	WSH-0015	PLAIN WASHER	6				
27	WSH-0061	SPRING WASHER	6				
28	WSH-1015	DOWTY WASHER 1/2"	6				
29	HMA-0067	ADAPTOR MALE/MALE	6				
30	HHAF24005	HYDRAULIC HOSE ASSY	1				
31	HHBF18005	HYDRAULIC HOSE ASSY	1				
32	HHBF08905	HYDRAULIC HOSE ASSY	1				
33	COU-0162	QUICK RELEASE COUPLING	2				
34	TIE-0004	TIE WRAPS (MED)	8				

Shelbourne Reynolds Engineering Limited



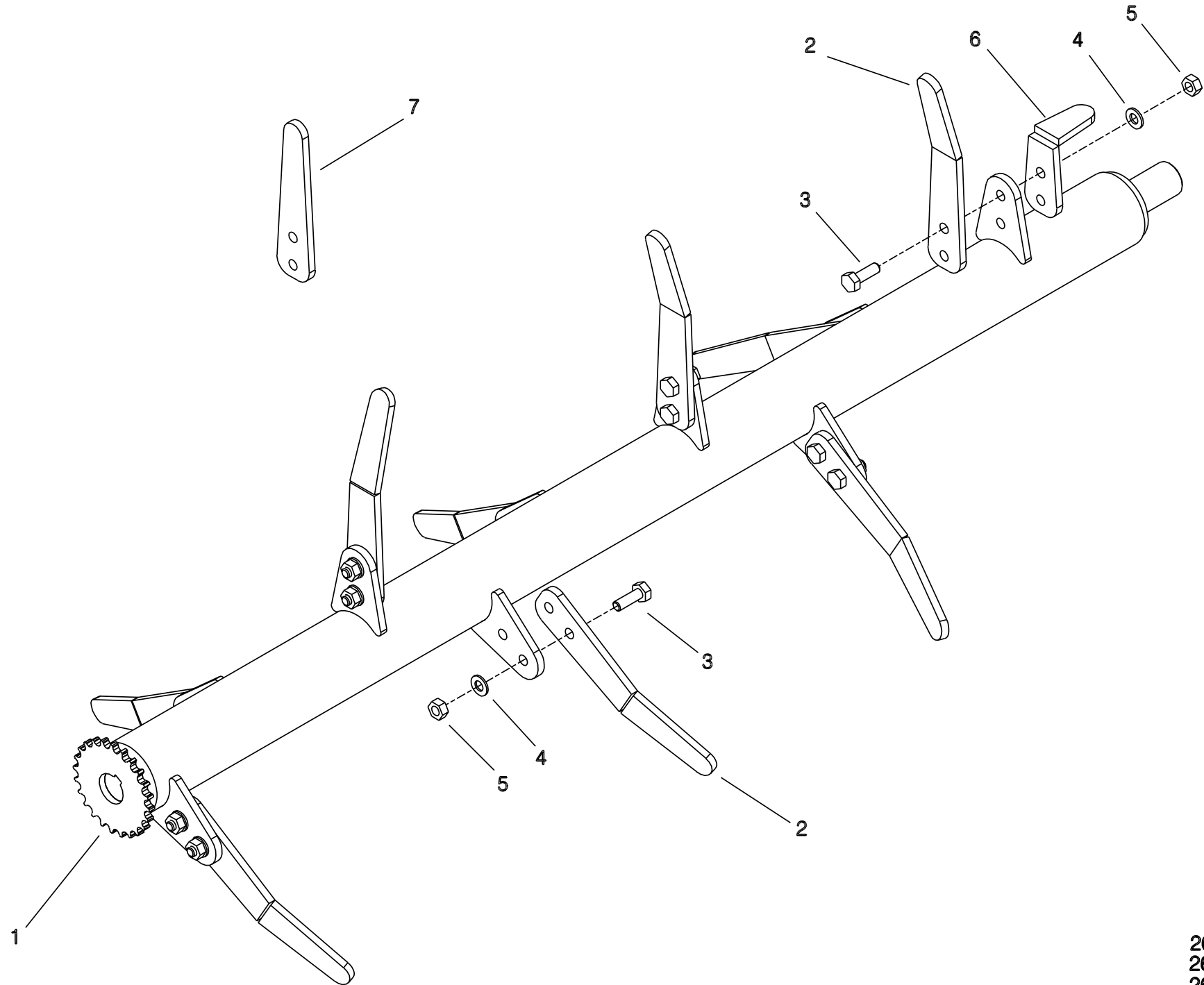
269005 01
269005 02
269005 03

Shelbourne Reynolds Engineering Limited

ASSY NUMBER:		269006 01		ASSY DESCRIPTION: AGITATOR ASSY 100			
ITEM	PART NO	DESCRIPTION	QTY	ITEM	PART NO	DESCRIPTION	QTY
1	260224 01	AGITATOR SHAFT ASSY					
		SERIAL No CUB10110111 & ON	1				
OR	260189 01	AGITATOR SHAFT ASSY					
		PRE SERIAL No CUB10110111	1				
2	260178 01	TINE - STD	13				
3	HSS-0202	SET SCREW	14				
4	WSH-0015	PLAIN WASHER	14				
5	NUT-0265	NYLOC NUT	14				
6	260203 01	RH END TINE	1				
7	260205 01	SHORT TINE	7				
						FIT 7 SEND 6 LOOSE	
						SEND LOOSE	

Shelbourne Reynolds Engineering Limited

ASSY NUMBER:		269006 02		ASSY DESCRIPTION:		AGITATOR ASSY 150	
ITEM	PART NO	DESCRIPTION	QTY	ITEM	PART NO	DESCRIPTION	QTY
1	260225 01	AGITATOR SHAFT ASSY					
		SERIAL No CUB15110111 & ON	1				
OR	260177 01	AGITATOR SHAFT ASSY					
		PRE SERIAL No CUB15110111	1				
2	260178 01	TINE - STD	17				
3	HSS-0202	SET SCREW	18				
4	WSH-0015	PLAIN WASHER	18				
5	NUT-0265	NYLOC NUT	18				
6	260203 01	RH END TINE	1				
7	260205 01	SHORT TINE	9				
						FIT 9 SEND 8 LOOSE	
						SEND LOOSE	

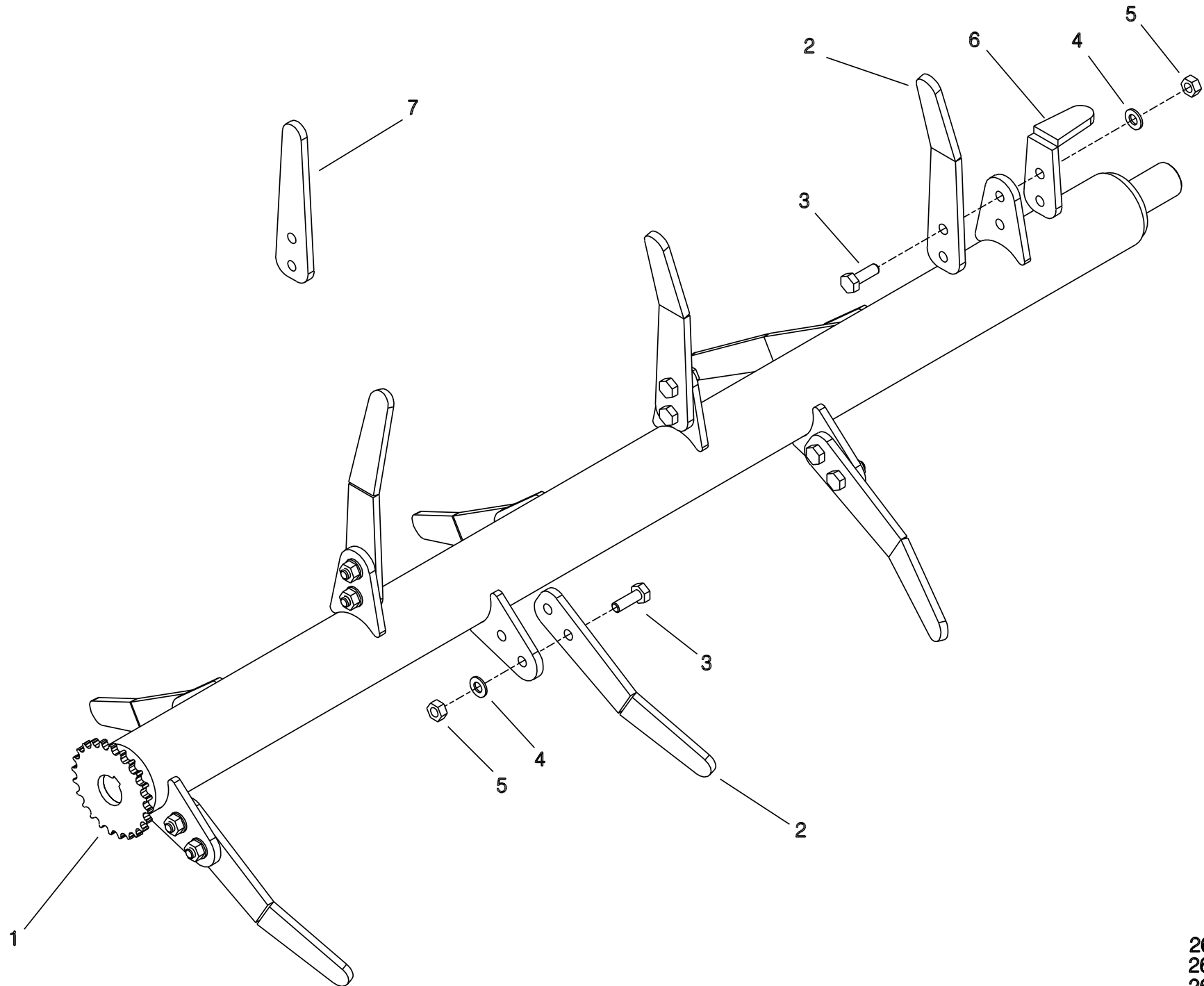


269006 01
269006 02
269006 03

Shelbourne Reynolds Engineering Limited

ASSY NUMBER: 269006 03		ASSY DESCRIPTION: AGITATOR ASSY 300					
ITEM	PART NO	DESCRIPTION	QTY	ITEM	PART NO	DESCRIPTION	QTY
1	260226 01	AGITATOR SHAFT ASSY SERIAL No CUB30110111 & ON	1				
OR	260213 01	AGITATOR SHAFT ASSY PRE SERIAL No CUB30110111	1				
2	260178 01	TINE - STD	21			FIT 11 SEND 10 LOOSE	
3	HSS-0202	SET SCREW	22				
4	WSH-0015	PLAIN WASHER	22				
5	NUT-0265	NYLOC NUT	22				
6	260203 01	RH END TINE	1				
7	260205 01	SHORT TINE	11			SEND LOOSE	

Shelbourne Reynolds Engineering Limited

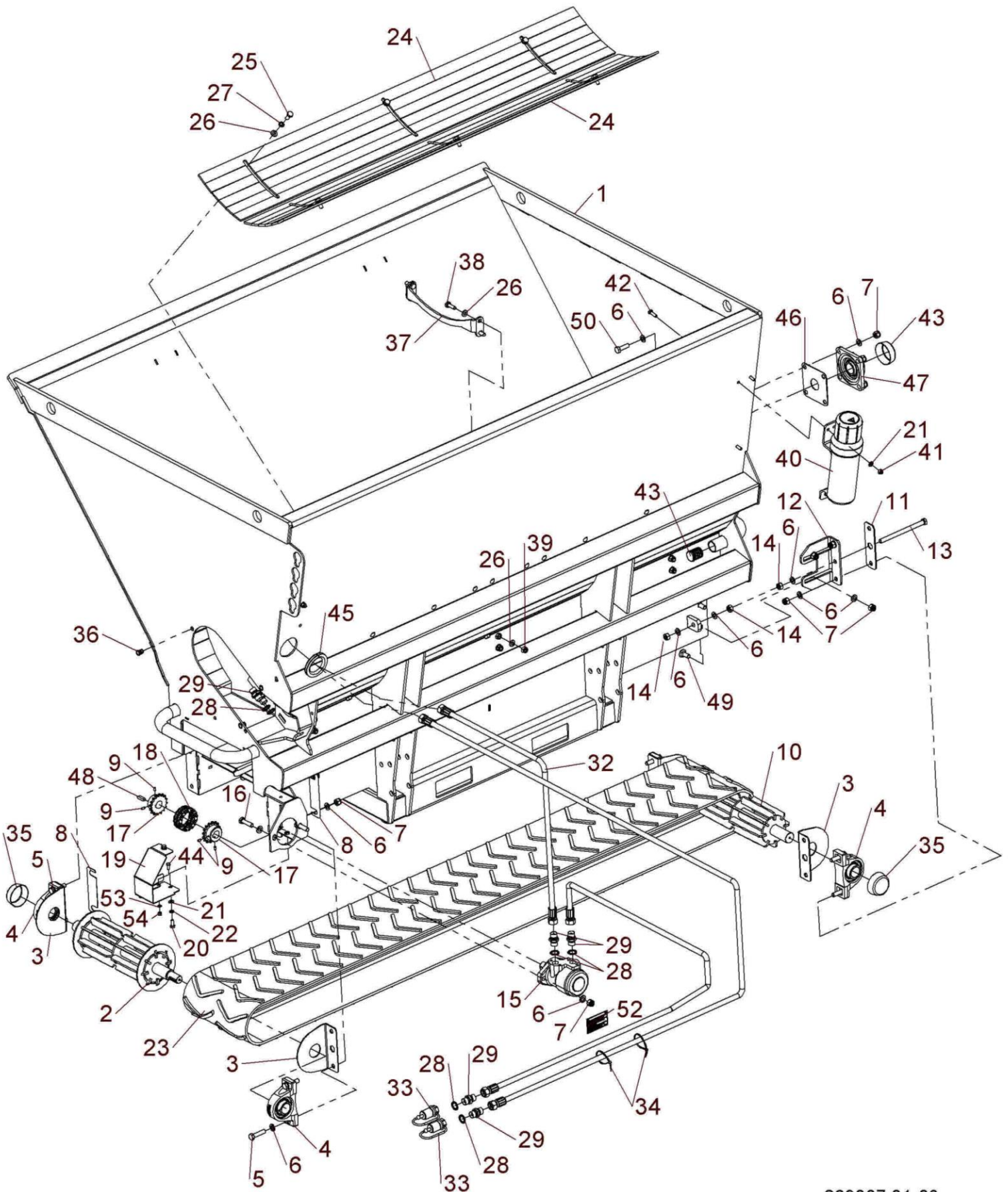


269006 01
269006 02
269006 03

Shelbourne Reynolds Engineering Limited

ASSY NUMBER: 269007 01				ASSY DESCRIPTION: CUBICLE BEDDER 100			
ITEM	PART NO	DESCRIPTION	QTY	ITEM	PART NO	DESCRIPTION	QTY
1	260275 01	100 CUBICLE BEDDER TUB W/A	1	36	NUTA13080	NUTSERT	3
2	260025 01	CONVEYOR DRIVE ROLLER	1	37	260237 01	SUPPORT PLATE	3
3	260150 01	GUARD PLATE	4	38	HSS-0194	SET SCREW	8
4	BRG-23555	BEARING	4	39	NUT-0265	NUT	8
5	HSS-0260	SET SCREW	4	40	PCN-00100	PLASTIC CANNISTER (MANUAL)	1
6	WSH-0018	WASHER	34	41	NUT-0263	NUT	4
7	NUT-0269	NUT	16	42	HSS-0145	SETSCREW	3
8	260067 01	BEARING SHIM	2	43	PTF-00134	PLASTIC CAP INSERT	3
9	SCW-4530	GRUBSCREW	6	44	HSS-0084	SETSCREW	2
10	260025 02	CONVEYOR IDLER ROLLER	1	45	EDS-11400	PVC EDGING STRIP	0.22
11	260151 01	PACKER PLATE	2	46	260149 02	PACKER PLATE	1
12	260152 01	ROLLER ADJUSTER PLATE	2	47	BRG-23545	SUPPORT	1
13	HSSA12770	SETSCREW	2	48	K0807032	KEY PARALLEL	1
14	NUT-0170	NUT	6	49	BLT-3790	COACH BOLT	4
15	MOTH04001	HYDRAULIC MOTOR	1	50	BLTA12260	HEX HEAD BOLT	4
OR	MOTH03200	MOTOR, CONVEYOR		51	BLTA12350	HEX.HEAD BOLT	4
OR	MOTH02500	MOTOR CONVEYOR		52	260289 01	HYD LABEL	1
15A	HMS-08001	SEAL KIT (SPARES)		53	WSH-0009	WASHER	2
15B	K0807032	KEY (SPARES)		54	NUT-0260	NUT	2
16	BLTA12290	BOLT	2				
17	260030 03	SPROCKET	2				
18	CHN-01380	CHAIN AND JOINER	1				
19	260258 01	COUPLING GUARD	1				
20	HSS-0140	SETSCREW	3				
21	WSH-0012	WASHER	10				
22	WSH-0058	WASHER	2				
23	260048 04	CONV.BELT-100	1				
23A	260048 03	JOINING PIN (SPARES)					
24	260187 01	ADJUSTER PLATE	2				
25	HSS-0191	SETSCREW	6				
26	WSH-0015	WASHER	22				
27	WSH-0061	WASHER	6				
28	WSH-1015	DOWTY WASHER	6				
29	HMA-0067	ADAPTOR MALE/MALE	6				
30							
31							
32	HHAF08805	HYDRAULIC HOSE ASSY	1				
33	COU-0162	QUICK RELEASE COUPLING	2				
34	TIE-0004	TIE WRAPS (MED)	10				
35	BRG-93600	BEARING END CAP	4				

Shelbourne Reynolds Engineering Limited

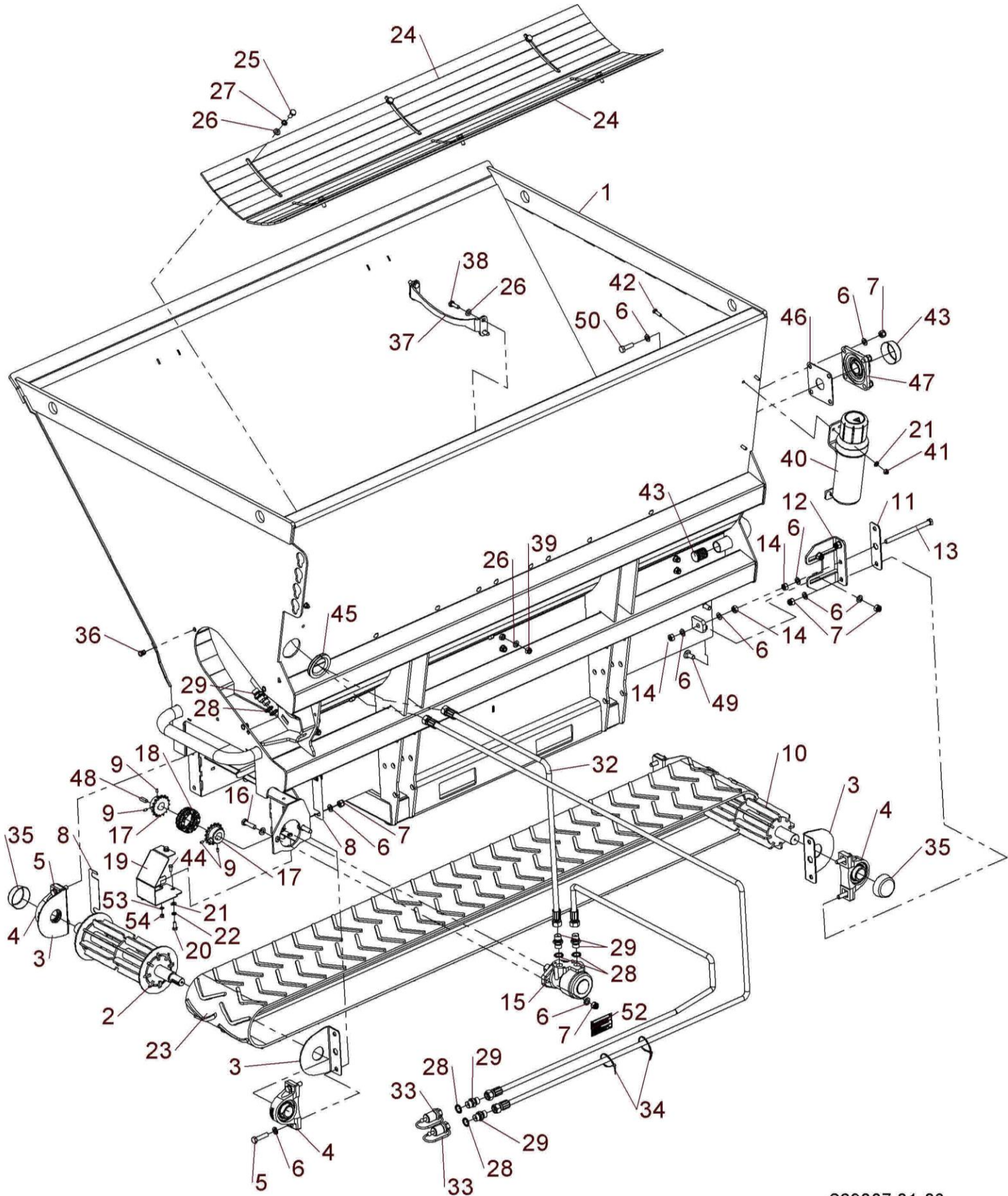


269007 01-03



Shelbourne Reynolds Engineering Limited

ASSY NUMBER: 269007 02				ASSY DESCRIPTION: CUBICLE BEDDER 150			
ITEM	PART NO	DESCRIPTION	QTY	ITEM	PART NO	DESCRIPTION	QTY
1	260256 01	150 CUBICLE BEDDER TUB W/A	1	36	NUTA13080	NUTSERT	3
2	260025 01	CONVEYOR DRIVE ROLLER	1	37	260237 01	SUPPORT PLATE	3
3	260150 01	GUARD PLATE	4	38	HSS-0194	SET SCREW	12
4	BRG-23555	BEARING	4	39	NUT-0265	NUT	12
5	HSS-0260	SET SCREW	4	40	PCN-00100	PLASTIC CANNISTER (MANUAL)	1
6	WSH-0018	WASHER	34	41	NUT-0263	NUT	4
7	NUT-0269	NUT	16	42	HSS-0145	SETSCREW	3
8	260067 01	BEARING SHIM	2	43	PTF-00134	PLASTIC CAP INSERT	3
9	SCW-4530	GRUBSCREW	6	44	HSS-0084	SETSCREW	2
10	260025 02	CONVEYOR IDLER ROLLER	1	45	EDS-11400	PVC EDGING STRIP	0.22
11	260151 01	PACKER PLATE	6	46	260149 02	PACKER PLATE	1
12	260152 01	ROLLER ADJUSTER PLATE	2	47	BRG-23545	SUPPORT	1
13	HSSA12770	SETSCREW	2	48	K0807032	KEY PARALLEL	1
14	NUT-0170	NUT	6	49	BLT-3790	COACH BOLT	4
15	MOTH04001	HYDRAULIC MOTOR	1	50	BLTA12260	HEX HEAD BOLT	4
OR	MOTH03200	MOTOR, CONVEYOR		51	BLTA12350	HEX.HEAD BOLT	4
OR	MOTH02500	MOTOR CONVEYOR		52	260289 01	HYD LABEL	1
15A	HMS-08001	SEAL KIT (SPARES)		53	WSH-0009	WASHER	2
15B	K0807032	KEY (SPARES)		54	NUT-0260	NUT	2
16	BLTA12290	BOLT	2				
17	260030 03	SPROCKET	2				
18	CHN-01380	CHAIN AND JOINER	1				
19	260258 01	COUPLING GUARD	1				
20	HSS-0140	SETSCREW	3				
21	WSH-0012	WASHER	10				
22	WSH-0058	WASHER	2				
23	260048 01	CONV.BELT-120 & 150	1				
23A	260048 03	JOINING PIN (SPARES)					
24	260145 01	ADJUSTER PLATE	2				
25	HSS-0191	SETSCREW	6				
26	WSH-0015	WASHER	30				
27	WSH-0061	WASHER	6				
28	WSH-1015	DOWTY WASHER	6				
29	HMA-0067	ADAPTOR MALE/MALE	6				
30							
31							
32	HHAF08805	HYDRAULIC HOSE ASSY	1				
33	COU-0162	QUICK RELEASE COUPLING	2				
34	TIE-0004	TIE WRAPS (MED)	10				
35	BRG-93600	BEARING END CAP	4				



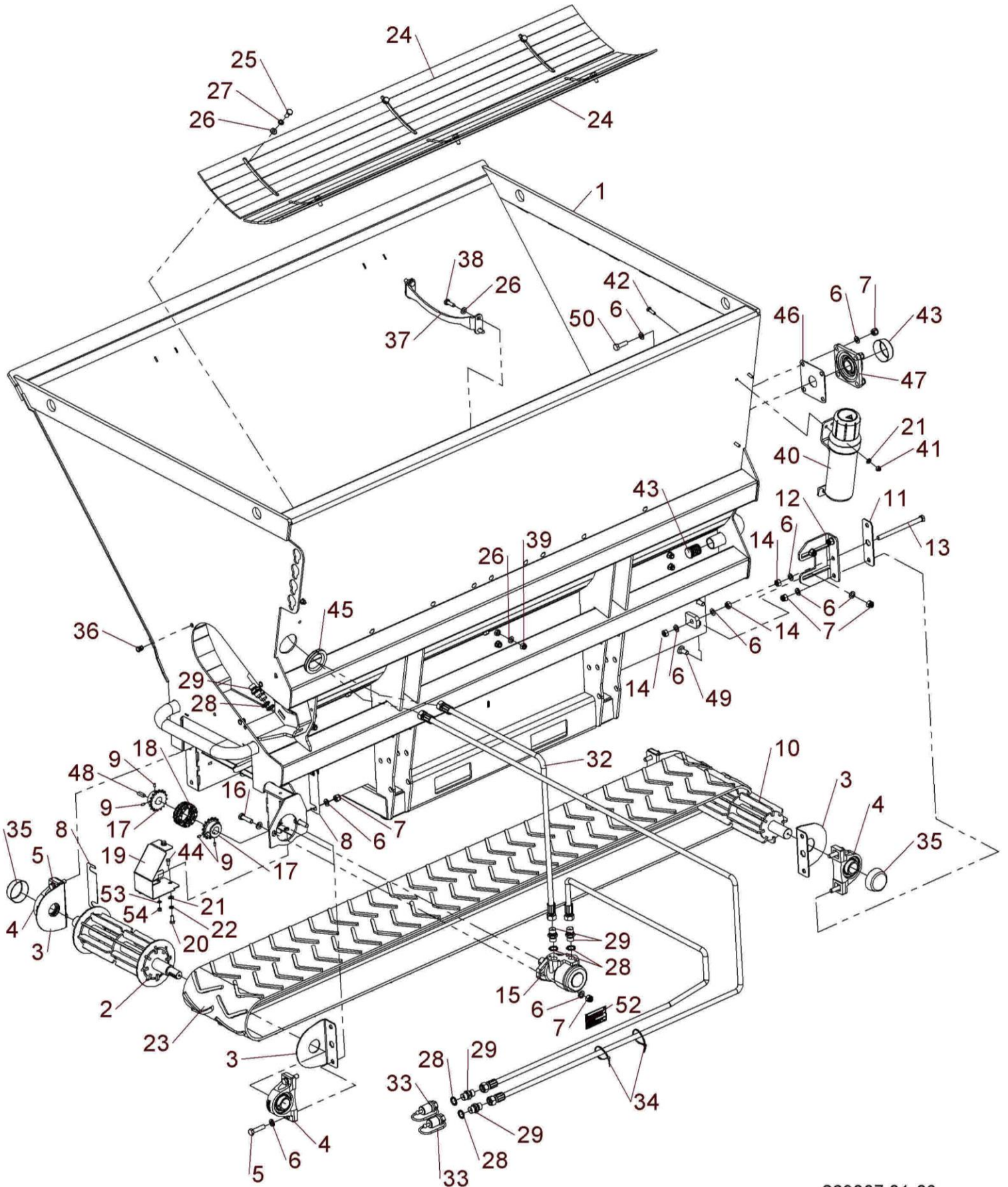
269007 01-03



Shelbourne Reynolds Engineering Limited

ASSY NUMBER: 269007 03				ASSY DESCRIPTION: CUBICLE BEDDER 300			
ITEM	PART NO	DESCRIPTION	QTY	ITEM	PART NO	DESCRIPTION	QTY
1	260268 01	300 CUBICLE BEDDER TUB W/A	1	36	NUTA13080	NUTSERT	3
2	260025 01	CONVEYOR DRIVE ROLLER	1	37	260237 01	SUPPORT PLATE	3
3	260150 01	GUARD PLATE	4	38	HSS-0194	SET SCREW	12
4	BRG-23555	BEARING	4	39	NUT-0265	NUT	12
5	HSS-0260	SET SCREW	4	40	PCN-00100	PLASTIC CANNISTER (MANUAL)	1
6	WSH-0018	WASHER	34	41	NUT-0263	NUT	4
7	NUT-0269	NUT	16	42	HSS-0145	SETSCREW	3
8	260067 01	BEARING SHIM	2	43	PTF-00134	PLASTIC CAP INSERT	3
9	SCW-4530	GRUBSCREW	6	44	HSS-0084	SETSCREW	2
10	260025 02	CONVEYOR IDLER ROLLER	1	45	EDS-11400	PVC EDGING STRIP	0.22
11	260151 01	PACKER PLATE	2	46	260149 02	PACKER PLATE	1
12	260152 01	ROLLER ADJUSTER PLATE	2	47	BRG-23545	SUPPORT	1
13	HSSA12770	SETSCREW	2	48	K0807032	KEY PARALLEL	1
14	NUT-0170	NUT	6	49	BLT-3790	COACH BOLT	4
15	MOTH04001	HYDRAULIC MOTOR	1	50	BLTA12260	HEX HEAD BOLT	4
OR	MOTH03200	MOTOR, CONVEYOR		51	BLTA12350	HEX.HEAD BOLT	4
OR	MOTH02500	MOTOR CONVEYOR		52	260289 01	HYD LABEL	1
15A	HMS-08001	SEAL KIT (SPARES)		53	WSH-0009	WASHER	2
15B	K0807032	KEY (SPARES)		54	NUT-0260	NUT	2
16	BLTA12290	BOLT	2				
17	260030 03	SPROCKET	2				
18	CHN-01380	CHAIN AND JOINER	1				
19	260258 01	COUPLING GUARD	1				
20	HSS-0140	SETSCREW	3				
21	WSH-0012	WASHER	10				
22	WSH-0058	WASHER	2				
23	260048 02	CONV.BELT-200,300 & 320	1				
23A	260048 03	JOINING PIN (SPARES)					
24	260212 01	ADJUSTER PLATE	2				
25	HSS-0191	SETSCREW	6				
26	WSH-0015	WASHER	30				
27	WSH-0061	WASHER	6				
28	WSH-1015	DOWTY WASHER	6				
29	HMA-0067	ADAPTOR MALE/MALE	6				
30							
31							
32	HHAF08805	HYDRAULIC HOSE ASSY	1				
33	COU-0162	QUICK RELEASE COUPLING	2				
34	TIE-0004	TIE WRAPS (MED)	10				
35	BRG-93600	BEARING END CAP	4				

Shelbourne Reynolds Engineering Limited



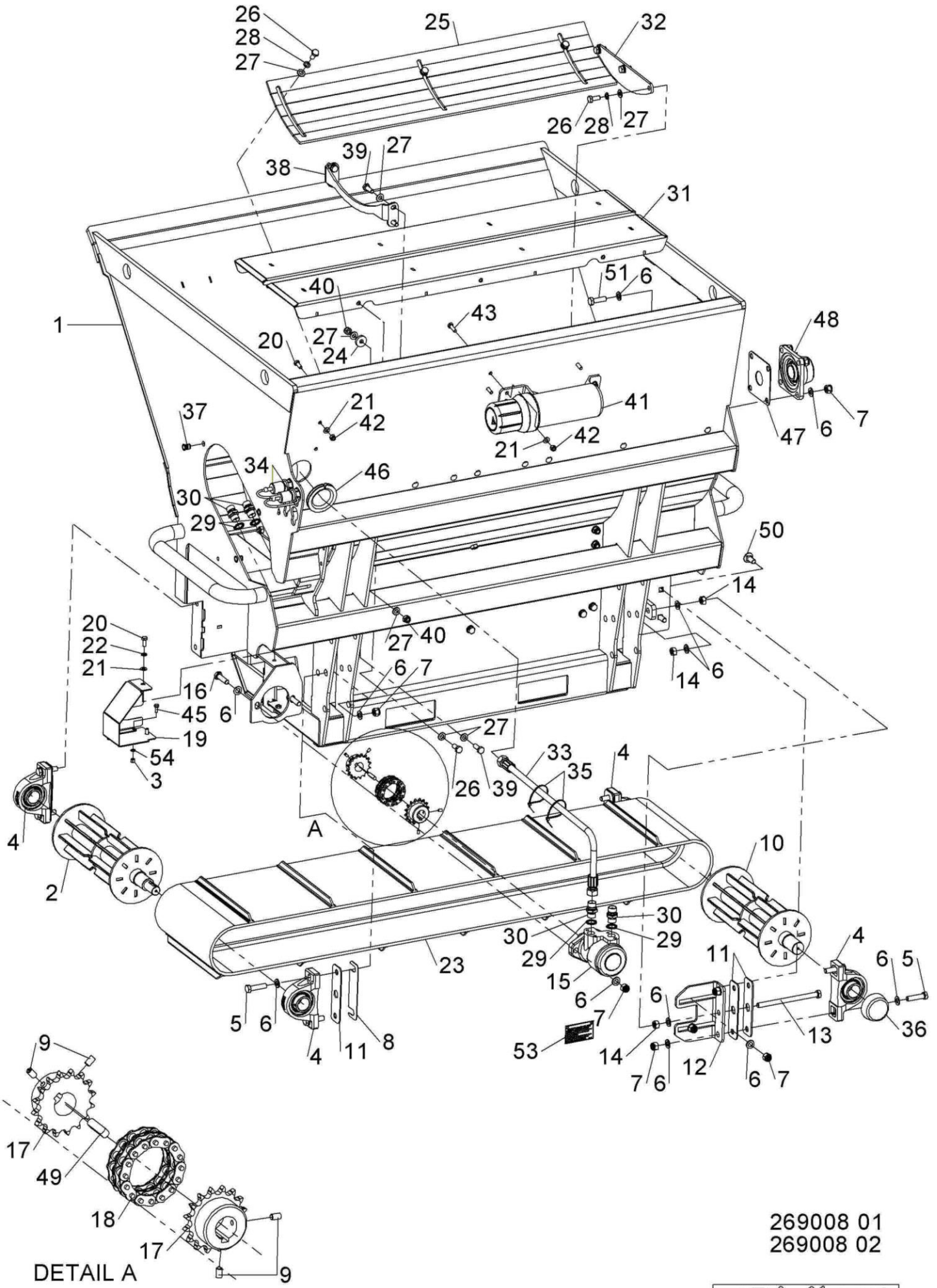
269007 01-03



Shelbourne Reynolds Engineering Limited

ASSY NUMBER: 269008 01				ASSY DESCRIPTION: TUB SUB ASSY 100 (CUB10170486 & ON)			
ITEM	PART NO	DESCRIPTION	QTY	ITEM	PART NO	DESCRIPTION	QTY
1	260361 01	100 CUBICLE BEDDER TUB W/A	1	37	NUTA13080	NUTSERT	3
2	260324 01	CONVEYOR DRIVE ROLLER	1	38	260237 01	SUPPORT PLATE	2
3	NUT-0260	NUT	2	39	HSS-0194	SET SCREW	12
4	BRG-23555	BEARING	4	40	NUT-0265	NUT	12
5	HSS-0260	SET SCREW	4	41	PCN-00100	PLASTIC CANNISTER (MANUAL)	1
6	WSH-0018	WASHER	34	42	NUT-0263	NUT	4
7	NUT-0269	NUT	16	43	HSS-0145	SETSCREW	3
8	260067 01	BEARING SHIM	2	44			
9	SCW-4530	GRUBSCREW	6	45	HSS-0084	SETSCREW	2
10	260329 01	CONVEYOR IDLER ROLLER	1	46	EDS-11400	PVC EDGING STRIP	0.22
11	260151 01	PACKER PLATE	6	47	260149 02	PACKER PLATE	1
12	260152 01	ROLLER ADJUSTER PLATE	2	48	BRG-23545	SUPPORT	1
13	HSSA12770	SETSCREW	2	49	K0807032	KEY PARALLEL	1
14	NUT-0170	NUT	6	50	BLT-3790	COACH BOLT	4
15	MOTH04001	HYDRAULIC MOTOR	1	51	BLTA12260	HEX HEAD BOLT	4
OR	MOTH03200	MOTOR, CONVEYOR		52	BLTA12350	HEX.HEAD BOLT	4
OR	MOTH02500	MOTOR CONVEYOR		53	260289 01	HYD LABEL	1
15A	HMS-08001	SEAL KIT (SPARES)		54	WSH-0009	WASHER	2
15B	K0807032	KEY (SPARES)					
16	BLTA12290	BOLT	2				
17	260030 03	SPROCKET	2				
18	CHN-01380	CHAIN AND JOINER	1				
19	260258 01	COUPLING GUARD	1				
20	HSS-0140	SETSCREW	3				
21	WSH-0012	WASHER	10				
22	WSH-0058	WASHER	2				
23	260331 02	CONV.BELT 100	1				
24	190548 34	WASHER	4				
25	260187 01	ADJUSTER PLATE	2				
26	HSS-0191	SETSCREW	18				
27	WSH-0015	WASHER	42				
28	WSH-0061	WASHER	18				
29	WSH-1015	DOWTY WASHER	6				
30	HMA-0067	ADAPTOR MALE/MALE	6				
31	260368 01	CONVEYOR PAN W/A	1				
32	260323 01	FILL IN PLATE	2				
33	HHAF08805	HYDRAULIC HOSE ASSY	1				
34	COU-0162	QUICK RELEASE COUPLING	2				
35	TIE-0004	TIE WRAPS (MED)	10				
36	BRG-93600	BEARING END CAP	4				

Shelbourne Reynolds Engineering Limited



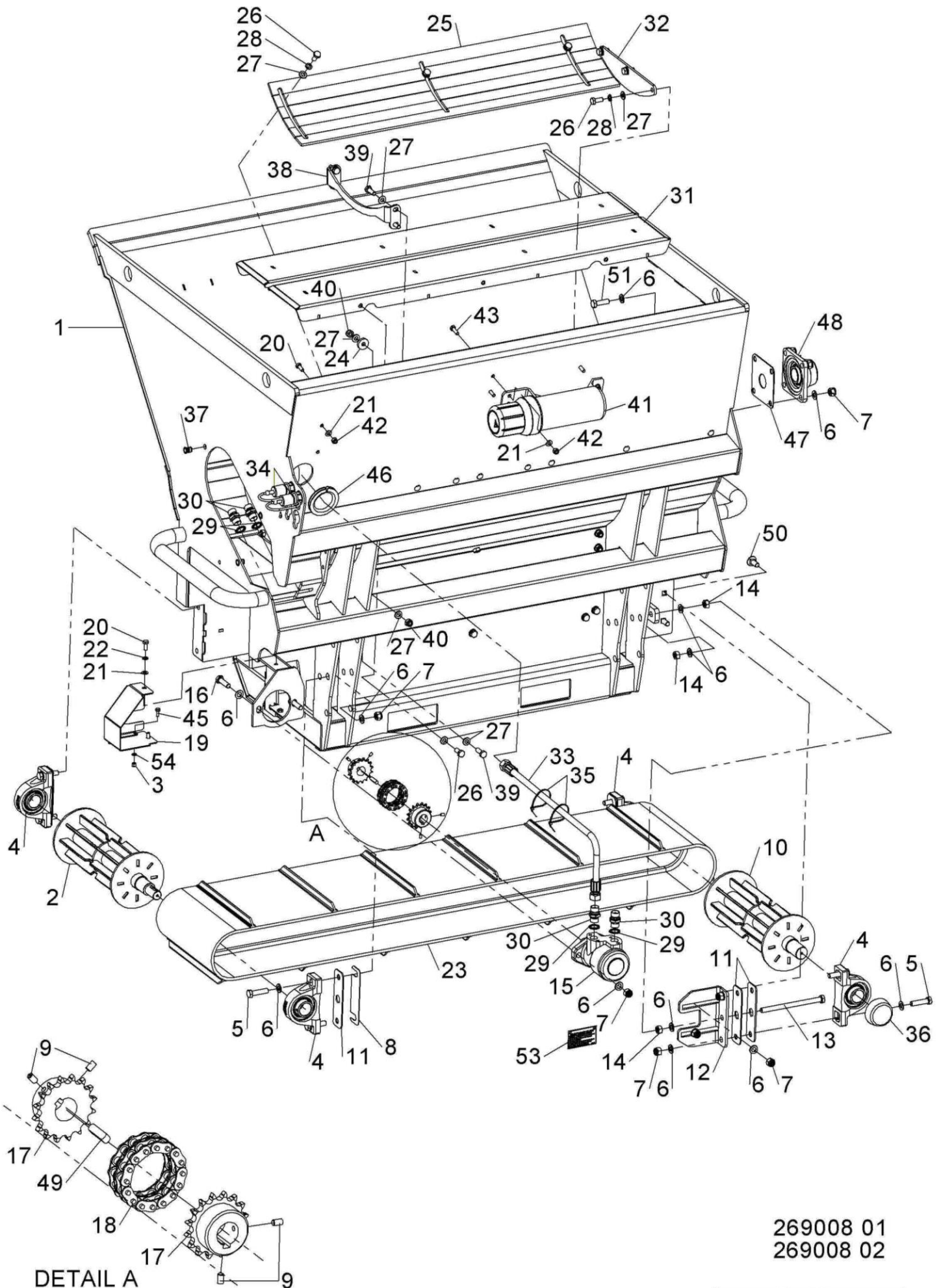
269008 01
269008 02



Shelbourne Reynolds Engineering Limited

ASSY NUMBER: 269008 02				ASSY DESCRIPTION: TUB SUB ASSY 150 (CUB15160456 & ON)			
ITEM	PART NO	DESCRIPTION	QTY	ITEM	PART NO	DESCRIPTION	QTY
1	260299 01	150 CUBICLE BEDDER TUB W/A	1	37	NUTA13080	NUTSERT	3
2	260324 01	CONVEYOR DRIVE ROLLER	1	38	260237 01	SUPPORT PLATE	3
3	NUT-0260	NUT	2	39	HSS-0194	SET SCREW	16
4	BRG-23555	BEARING	4	40	NUT-0265	NUT	16
5	HSS-0260	SET SCREW	4	41	PCN-00100	PLASTIC CANNISTER (MANUAL)	1
6	WSH-0018	WASHER	34	42	NUT-0263	NUT	4
7	NUT-0269	NUT	16	43	HSS-0145	SETSCREW	3
8	260067 01	BEARING SHIM	2	44	HSS-0191	SETSCREW	12
9	SCW-4530	GRUBSCREW	6	45	HSS-0084	SETSCREW	2
10	260329 01	CONVEYOR IDLER ROLLER	1	46	EDS-11400	PVC EDGING STRIP	0.22
11	260151 01	PACKER PLATE	6	47	260149 02	PACKER PLATE	1
12	260152 01	ROLLER ADJUSTER PLATE	2	48	BRG-23545	SUPPORT	1
13	HSSA12770	SETSCREW	2	49	K0807032	KEY PARALLEL	1
14	NUT-0170	NUT	6	50	BLT-3790	COACH BOLT	4
15	MOTH04001	HYDRAULIC MOTOR	1	51	BLTA12260	HEX HEAD BOLT	4
OR	MOTH03200	MOTOR, CONVEYOR		52	BLTA12350	HEX.HEAD BOLT	4
OR	MOTH02500	MOTOR CONVEYOR		53	260289 01	HYD LABEL	1
15A	HMS-08001	SEAL KIT (SPARES)		54	WSH-0009	WASHER	2
15B	K0807032	KEY (SPARES)					
16	BLTA12290	BOLT	2				
17	260030 03	SPROCKET	2				
18	CHN-01380	CHAIN AND JOINER	1				
19	260258 01	COUPLING GUARD	1				
20	HSS-0140	SETSCREW	3				
21	WSH-0012	WASHER	10				
22	WSH-0058	WASHER	2				
23	260331 01	CONV.BELT 150	1				
24	190548 34	WASHER	4				
25	260145 01	ADJUSTER PLATE	2				
26	HSS-0191	SETSCREW	6				
27	WSH-0015	WASHER	50				
28	WSH-0061	WASHER	18				
29	WSH-1015	DOWTY WASHER	6				
30	HMA-0067	ADAPTOR MALE/MALE	6				
31	260303 01	CONVEYOR PAN W/A	1				
32	260323 01	FILL IN PLATE	2				
33	HHAF08805	HYDRAULIC HOSE ASSY	1				
34	COU-0162	QUICK RELEASE COUPLING	2				
35	TIE-0004	TIE WRAPS (MED)	10				
36	BRG-93600	BEARING END CAP	4				

Shelbourne Reynolds Engineering Limited



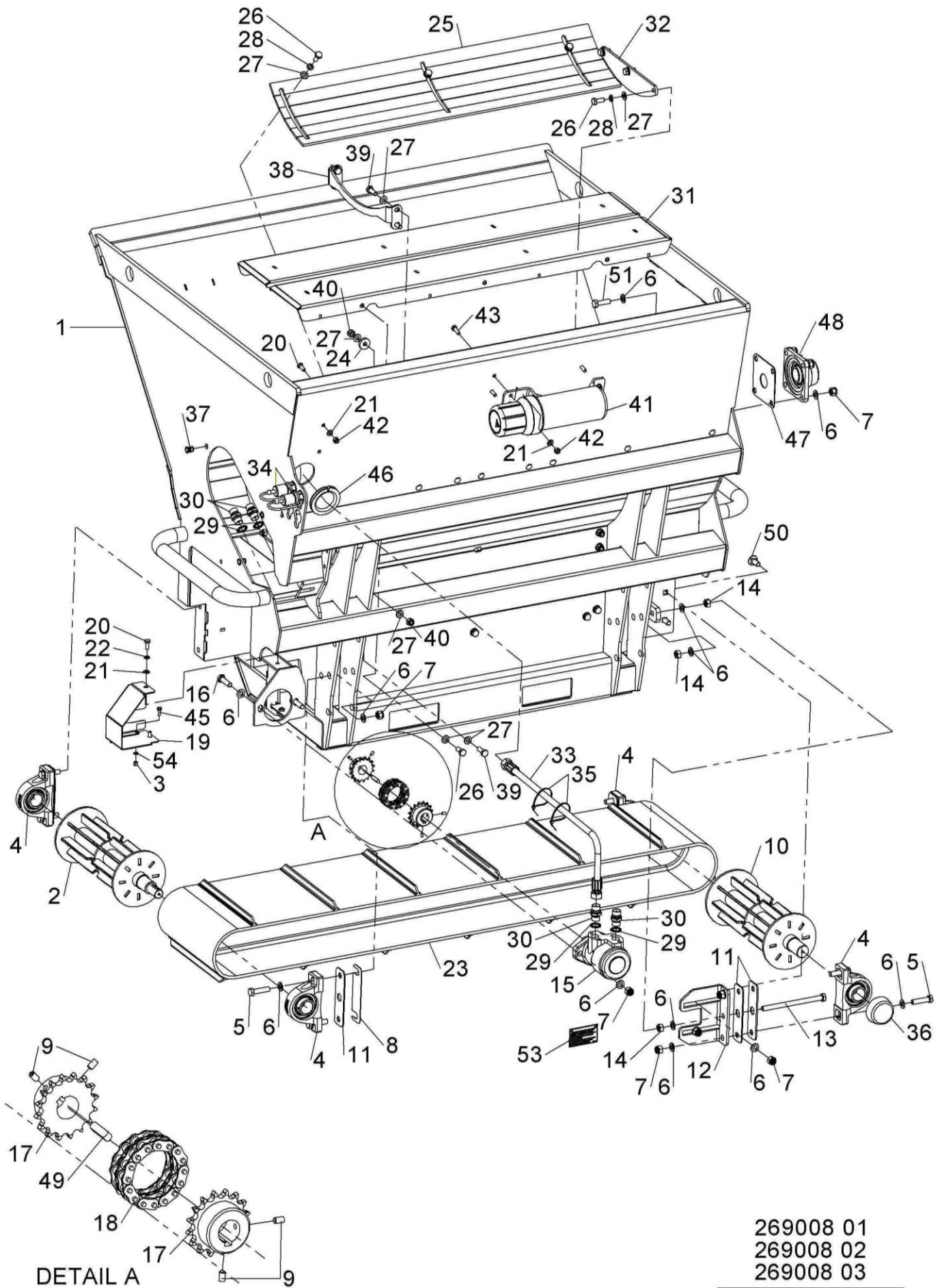
269008 01
269008 02



Shelbourne Reynolds Engineering Limited

ASSY NUMBER: 269008 03				ASSY DESCRIPTION: TUB SUB ASSY 300 (CUB30170504 & ON)			
ITEM	PART NO	DESCRIPTION	QTY	ITEM	PART NO	DESCRIPTION	QTY
1	260371 01	300 CUBICLE BEDDER TUB W/A	1	37	NUTA13080	NUTSERT	3
2	260324 01	CONVEYOR DRIVE ROLLER	1	38	260237 01	SUPPORT PLATE	3
3	NUT-0260	NUT	2	39	HSS-0194	SET SCREW	16
4	BRG-23555	BEARING	4	40	NUT-0265	NUT	16
5	HSS-0260	SET SCREW	4	41	PCN-00100	PLASTIC CANNISTER (MANUAL)	1
6	WSH-0018	WASHER	34	42	NUT-0263	NUT	4
7	NUT-0269	NUT	16	43	HSS-0145	SETSCREW	3
8	260067 01	BEARING SHIM	2	44	HSS-0191	SETSCREW	12
9	SCW-4530	GRUBSCREW	6	45	HSS-0084	SETSCREW	2
10	260329 01	CONVEYOR IDLER ROLLER	1	46	EDS-11400	PVC EDGING STRIP	0.22
11	260151 01	PACKER PLATE	6	47	260149 02	PACKER PLATE	1
12	260152 01	ROLLER ADJUSTER PLATE	2	48	BRG-23545	SUPPORT	1
13	HSSA12770	SETSCREW	2	49	K0807032	KEY PARALLEL	1
14	NUT-0170	NUT	6	50	BLT-3790	COACH BOLT	4
15	MOTH04001	HYDRAULIC MOTOR	1	51	BLTA12260	HEX HEAD BOLT	4
OR	MOTH03200	MOTOR, CONVEYOR		52	BLTA12350	HEX.HEAD BOLT	4
OR	MOTH02500	MOTOR CONVEYOR		53	260289 01	HYD LABEL	1
15A	HMS-08001	SEAL KIT (SPARES)		54	WSH-0009	WASHER	2
15B	K0807032	KEY (SPARES)					
16	BLTA12290	BOLT	2				
17	260030 03	SPROCKET	2				
18	CHN-01380	CHAIN AND JOINER	1				
19	260258 01	COUPLING GUARD	1				
20	HSS-0140	SETSCREW	3				
21	WSH-0012	WASHER	10				
22	WSH-0058	WASHER	2				
23	260331 03	CONV.BELT 300	1				
24	190548 34	WASHER	4				
25	260212 01	ADJUSTER PLATE	2				
26	HSS-0191	SETSCREW	6				
27	WSH-0015	WASHER	50				
28	WSH-0061	WASHER	18				
29	WSH-1015	DOWTY WASHER	6				
30	HMA-0067	ADAPTOR MALE/MALE	6				
31	260374 01	CONVEYOR PAN W/A	1				
32	260323 01	FILL IN PLATE	2				
33	HHAF08805	HYDRAULIC HOSE ASSY	1				
34	COU-0162	QUICK RELEASE COUPLING	2				
35	TIE-0004	TIE WRAPS (MED)	10				
36	BRG-93600	BEARING END CAP	4				

Shelbourne Reynolds Engineering Limited



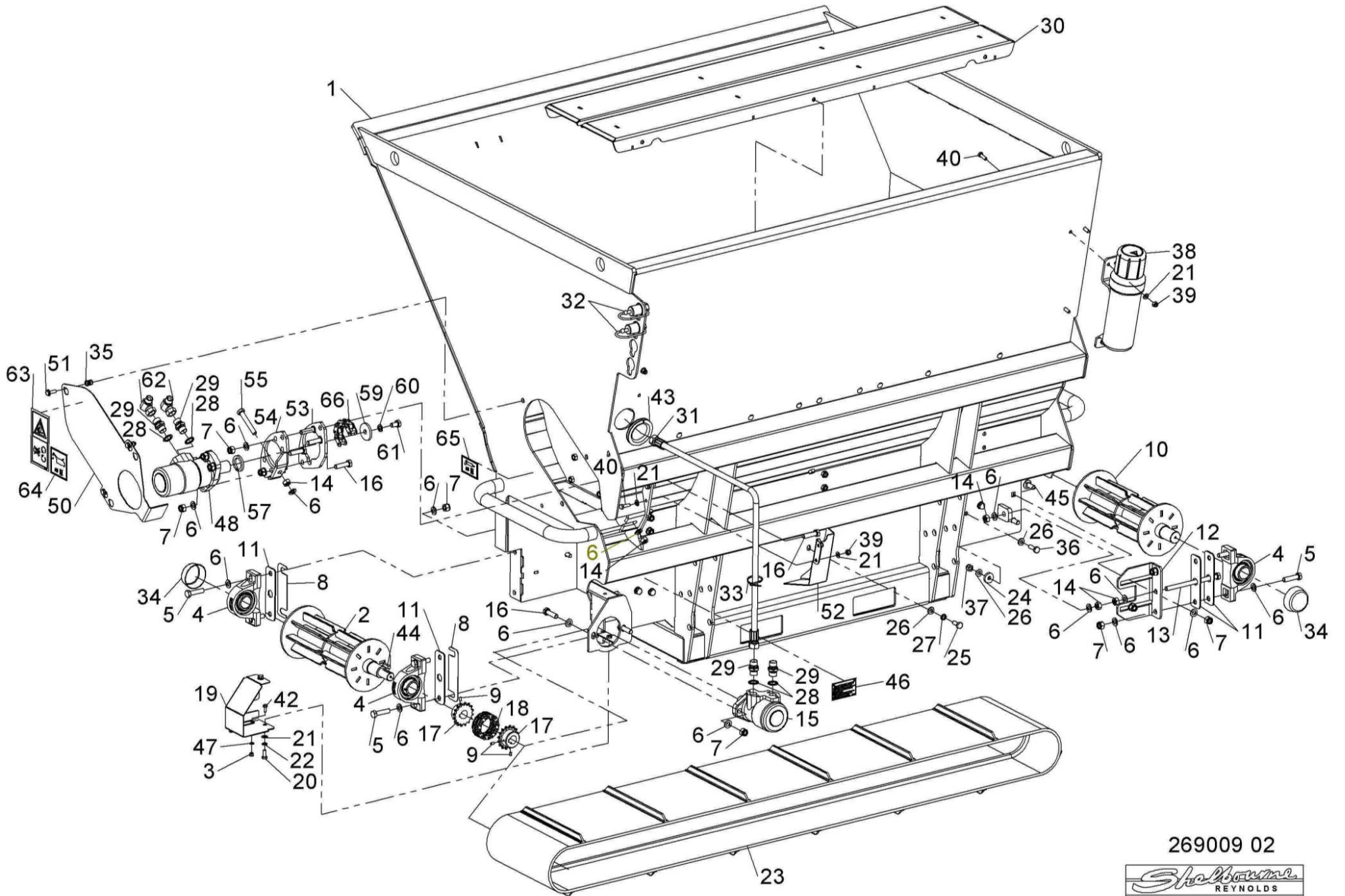
269008 01
 269008 02
 269008 03



Shelbourne Reynolds Engineering Limited

ASSY NUMBER: 269009 02				ASSY DESCRIPTION: TUB SUB ASSY 150 (STRAW ROTOR TYPE)			
ITEM	PART NO	DESCRIPTION	QTY	ITEM	PART NO	DESCRIPTION	QTY
1	260336 01	150 CUBICLE BEDDER TUB W/A	1	37	NUT-0265	NUT	10
2	260324 01	CONVEYOR DRIVE ROLLER	1	38	PCN-00100	PLASTIC CANNISTER (MANUAL)	1
3	NUT-0260	NUT	2	39	NUT-0263	NUT	6
4	BRG-23555	BEARING	4	40	HSS-0145	SETSCREW	5
5	HSS-0260	SET SCREW	8	41			
6	WSH-0018	WASHER	38	42	HSS-0084	SETSCREW	2
7	NUT-0269	NUT	19	43	EDS-11400	PVC EDGING STRIP	0.22
8	260067 01	BEARING SHIM	2	44	K0807032	KEY PARALLEL	1
9	SCW-4530	GRUBSCREW	6	45	BLT-3790	COACH BOLT	4
10	260329 01	CONVEYOR IDLER ROLLER	1	46	260289 01	HYD LABEL	1
11	260151 01	PACKER PLATE	6	47	WSH-0009	WASHER	2
12	260152 01	ROLLER ADJUSTER PLATE	2	48	MOTH38941	MOTOR, AGITATOR	1
13	HSSA12770	SETSCREW	2	48a	HMS-38900	SEAL KIT (SPARES)	
14	NUT-0170	NUT	11	48b	K1008045	KEY (SPARES)	
15	MOTH04001	HYDRAULIC MOTOR	1	49			
OR	MOTH03200	MOTOR, CONVEYOR		50	260311 01	COVER PLATE	1
OR	MOTH02500	MOTOR CONVEYOR		51	HSSF08204	SET SCREW	3
15A	HMS-08001	SEAL KIT (SPARES)		52	260322 01	DRIVE COVER	1
15B	K0807032	KEY (SPARES)		53	260319 01	PACKER PLATE	1
16	BLTA12290	BOLT	8	54	260320 01	MOTOR MOUNT PLATE	1
17	260030 03	SPROCKET	2	55	HSSA12500	SET SCREW	1
18	CHN-01380	CHAIN AND JOINER	1	56			
19	260258 01	COUPLING GUARD	1	57	260202 03	SPACER	4
20	HSS-0140	SETSCREW	3	58			
21	WSH-0012	WASHER	10	59	190548 77	WASHER	1
22	WSH-0058	WASHER	2	60	WSH-0065	WASHER	1
23	260331 01	CONV.BELT 150	1	61	HSS-0232	SETSCREW	1
24	190548 34	WASHER	4	62	HALAA0707	M/F 90 DEG ADAPTOR	2
25	HSS-0191	SETSCREW	12	63	193392 01	TRANSFER (STOP ENG. BEFORE)	1
26	WSH-0015	WASHER	22	64	127075 16	TRANSFER (GREASE EMBLEM)	2
27	WSH-0061	WASHER	6	65	230321 01	TRANSFER (50 HR OIL CHAIN)	1
28	WSH-1015	DOWTY WASHER	6	66	CHN-01995	CHAIN	1
29	HMA-0067	ADAPTOR MALE/MALE	6				
30	260303 01	CONVEYOR PAN W/A	1				
31	HHAF08805	HYDRAULIC HOSE ASSY	1				
32	COU-0162	QUICK RELEASE COUPLING	2				
33	TIE-0004	TIE WRAPS (MED)	10				
34	BRG-93600	BEARING END CAP	3				
35	NUTA13080	NUTSERT	3				
36	HSS-0194	SET SCREW	4				

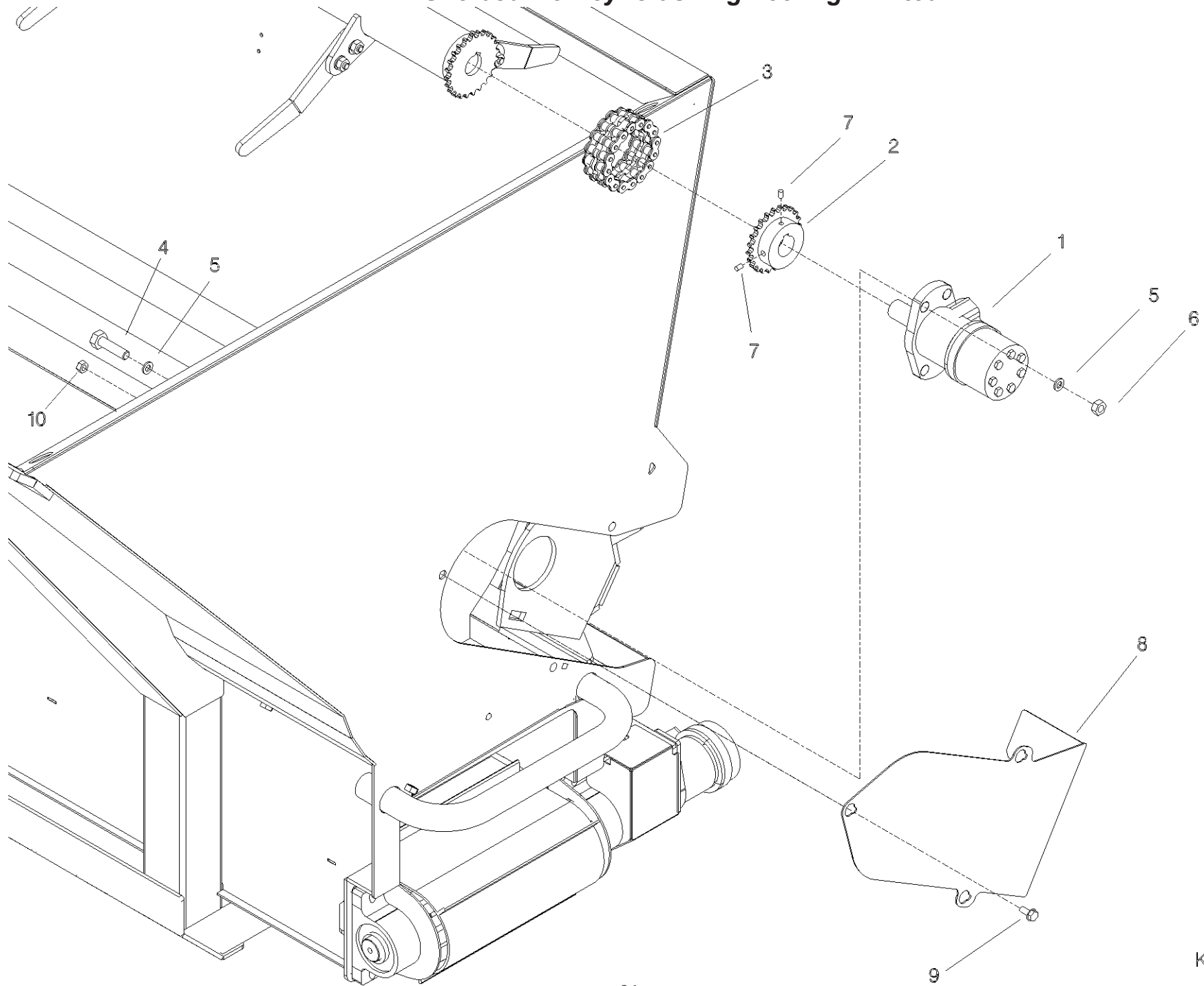
Shelbourne Reynolds Engineering Limited



269009 02

Shelbourne Reynolds Engineering Limited

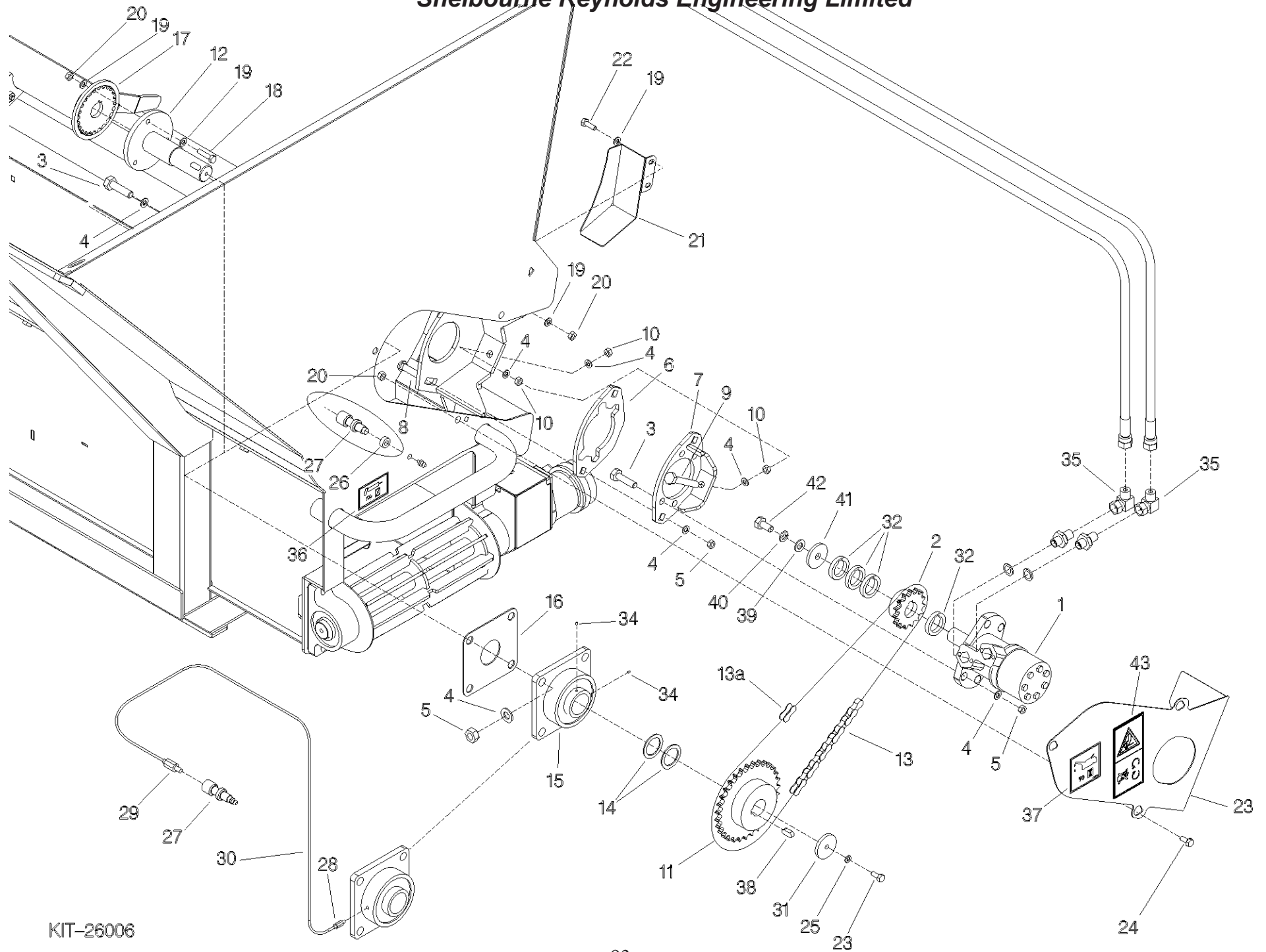
ASSY NUMBER: KIT-26005				ASSY DESCRIPTION: AGITATOR DIRECT DRIVE KIT			
ITEM	PART NO	DESCRIPTION	QTY	ITEM	PART NO	DESCRIPTION	QTY
1	MOTH38941	HYDRAULIC MOTOR	1				
1A	HMS-38900	SEAL KIT (SPARES)					
1B	K1008045	KEY (SPARES)					
2	260173 01	SPROCKET	1				
3	CHN-01390	CHAIN AND JOINER	1				
3A	CHN-01300	JOINER (SPARES)					
4	BLTA12260	HEX HEAD BOLT	4				
5	WSH-0018	PLAIN WASHER	8				
6	NUT-0269	NYLOC NUT	4				
7	SCW-4543	SOCKET GRUBSCREW	2				
8	260139 02	COVER PLATE	1				
9	HSSF08204	SETSCREW	3				
10	NUT-0263	NYLOC NUT	3				



Shelbourne Reynolds Engineering Limited

ASSY NUMBER: KIT-26006				ASSY DESCRIPTION: AGITATOR CHAIN DRIVE KIT			
ITEM	PART NO	DESCRIPTION	QTY	ITEM	PART NO	DESCRIPTION	QTY
1	MOTH38941	HYDRAULIC MOTOR	1	30	LUB-00044	6mm POLYAMIDE TUBE	0.4
1A	HMS-38900	SEAL KIT (SPARES)		31	190548 70	WASHER	1
1B	K1008045	KEY (SPARES)		32	260202 03	SPACER	4
2	260216 01	SPROCKET	1	33			
OR	260172 01	SPROCKET		34			
3	BLTA12290	HEX.HEAD BOLT	8	35	HALAA0707	ELBOW 90 DEG.MALE/FEMALE	2
4	WSH-0018	PLAIN WASHER	18	36	127075 16	50 HRS GREASE TRANF	1
5	NUT-0269	NYLOC NUT	10	37	230321 01	EMBLEM-50HR OIL	1
6	260147 01	PACKER PLATE	1	38	K1008030	KEY	1
7	260146 01	MOTOR MOUNT PLATE	1	39	HSS-0232	SETSCREW	1
8	BLT-3807	COACH BOLT	2	40	190548 77	WASHER	1
9	HSSA12500	SETSCREW	1	41	WSH-0065	SPRING WASHER	1
10	NUT-0170	PLAIN NUT	3	42	HSS-0241	SETSCREW	1
11	260217 01	SPROCKET	1	43	193392 01	STOP ENG BEFORE TRANSFER	1
OR	260168 01	SPROCKET		44	260230 01	SPACER	1
11A	K1008025	KEY (SPARES)					
12	260171 01	DRIVE SHAFT WELD ASSY, ONLY FOR SERIAL NUMBER CUB..110111	1				
13	CHN-01995	CHAIN	1				
OR	CHN-01684	CHAIN					
13A	CHN-01910	HALF LINK					
OR	CHN-01600	JOINING LINK					
14	190548 65	WASHER	2				
15	BRG-23545	BEARING	1				
16	260149 01	PACKER PLATE	1				
17	260170 01	DRIVE JOINING PLATE, ONLY FOR PRE SERIAL NO CUB..110111	1				
18	HSS-0152	SETSCREW	3				
	ONLY FOR	PRE SERIAL NO CUB..110111					
19	WSH-0012	PLAIN WASHER	7				
20	NUT-0263	NYLOC NUT	5				
21	260144 01	DRIVE COVER	1				
22	HSS-0145	SETSCREW	3				
23	260139 01	COVER PLATE	1				
24	HSSF08204	SETSCREW	3				
25	WSH-0058	SPRING WASHER	1				
26	190548 71	WASHER	1				
27	LUB-00036	BULKHEAD ADAPTOR	1				
28	LUB-00045	1/8"BSP STRAIGHT ADAPTOR	1				
29	LUB-00046	1/4"UNF STRAIGHT ADAPTOR	1				

Shelbourne Reynolds Engineering Limited

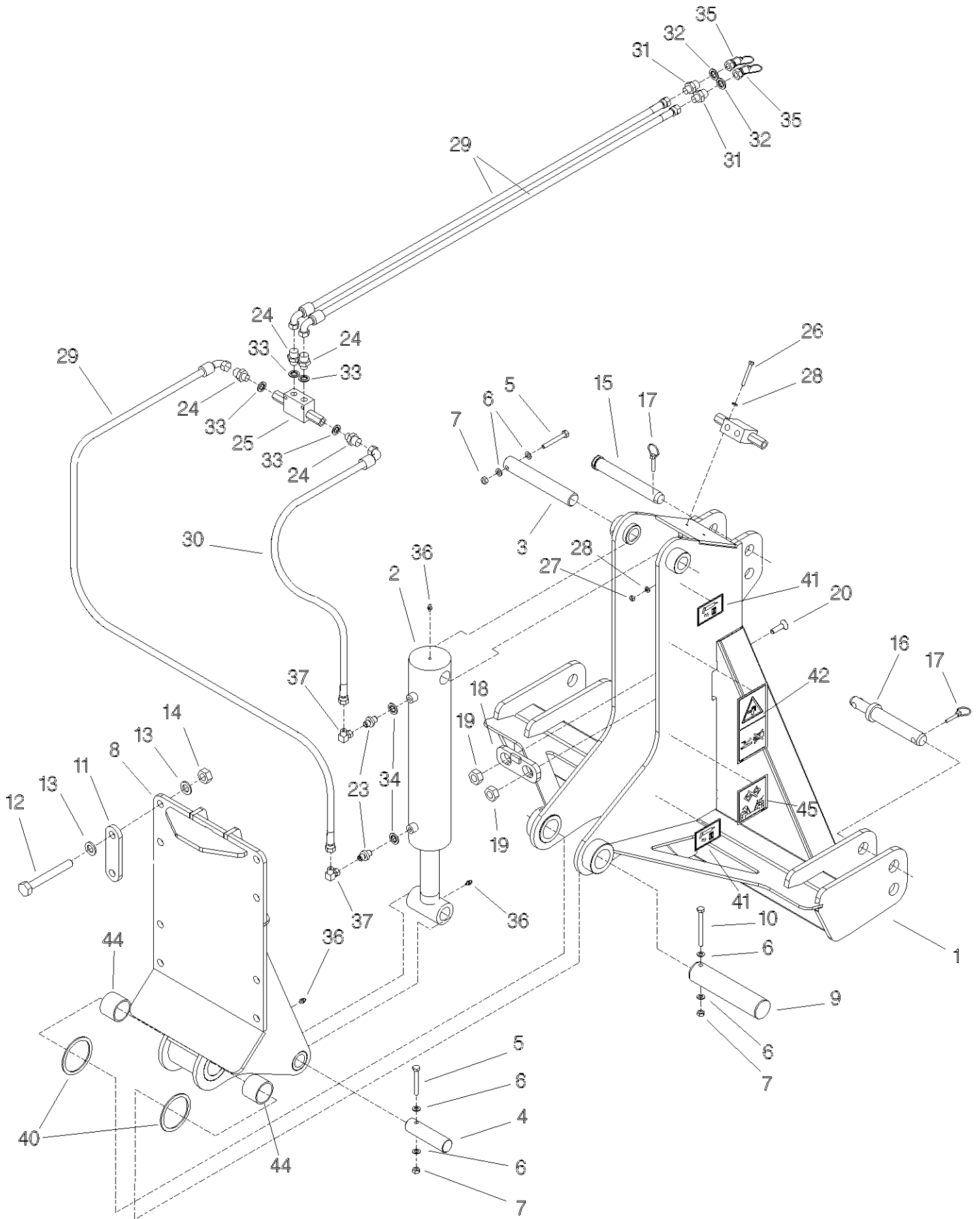


KIT-26006

Shelbourne Reynolds Engineering Limited

ASSY NUMBER:		KIT-26007		ASSY DESCRIPTION:		3 POINT TIPPING FRAME KIT	
ITEM	PART NO	DESCRIPTION	QTY	ITEM	PART NO	DESCRIPTION	QTY
1	260166 01	A FRAME MOUNTING	1	37	HALAA0505	ELBOWMALE/FEMALE	2
2	RAM-0013	RAM	1	38			
2A		SEAL KIT		39			
3	260159 01	RAM PIVOT PIN (TOP)	1	40	590652 01	SHIMS	2
4	260191 01	RAM PIVOT PIN (BOTTOM)	1	41	127075 16	TRANSFER	2
5	BLTA08410	BOLT	2	42	800215 01	TRANSFER	1
6	WSH-0012	PLAIN WASHER	6	43			
7	NUT-0263	NYLOC NUT	3	44	BSHA04562	GLACIER BUSH	2
8	260138 01	TILTING FRAME	1	45	800212 01	TRANSFER	1
9	260179 01	MOUNTING PIN	1				
10	BLTA08530	BOLT	1				
11	260143 01	CLAMP PLATE	4				
12	BLT-2334	BOLT	8				
13	WSH-0024	PLAIN WASHER	16				
14	NUT-0180	NYLOC NUT	8				
15	800198 02	TOP LINK PIN	1				
16	31107799	LOWER LINK PIN	2				
17	PIN-4510	LYNCH PIN	3				
18	260098 01	HITCH CAM PLATE	1				
19	20901019	HITCH CAM	2				
20	SCW-1965	SCREW	2				
21							
22							
23	HMA-0057	ADAPTER	2				
24	FIT-0025	ADAPTER	4				
25	HVB-27000	PILOT CHECK VALVE	1				
26	BLTA06320	BOLT	2				
27	NUT-0260	NUT	2				
28	WSH-0009	WASHER	4				
29	HHBE10005	HOSE	3				
30	HHBE05505	HOSE	1				
31	HMA-0065	ADAPTER	2				
32	WSH-1015	BONDED SEAL	2				
33	WSH-1005	BONDED SEAL	4				
34	WSH-1010	BONDED SEAL	2				
35	COU-0162	QRC C/W COVER	2				
36	NIP-00600	GREASE NIPPLE	3				

Shelbourne Reynolds Engineering Limited

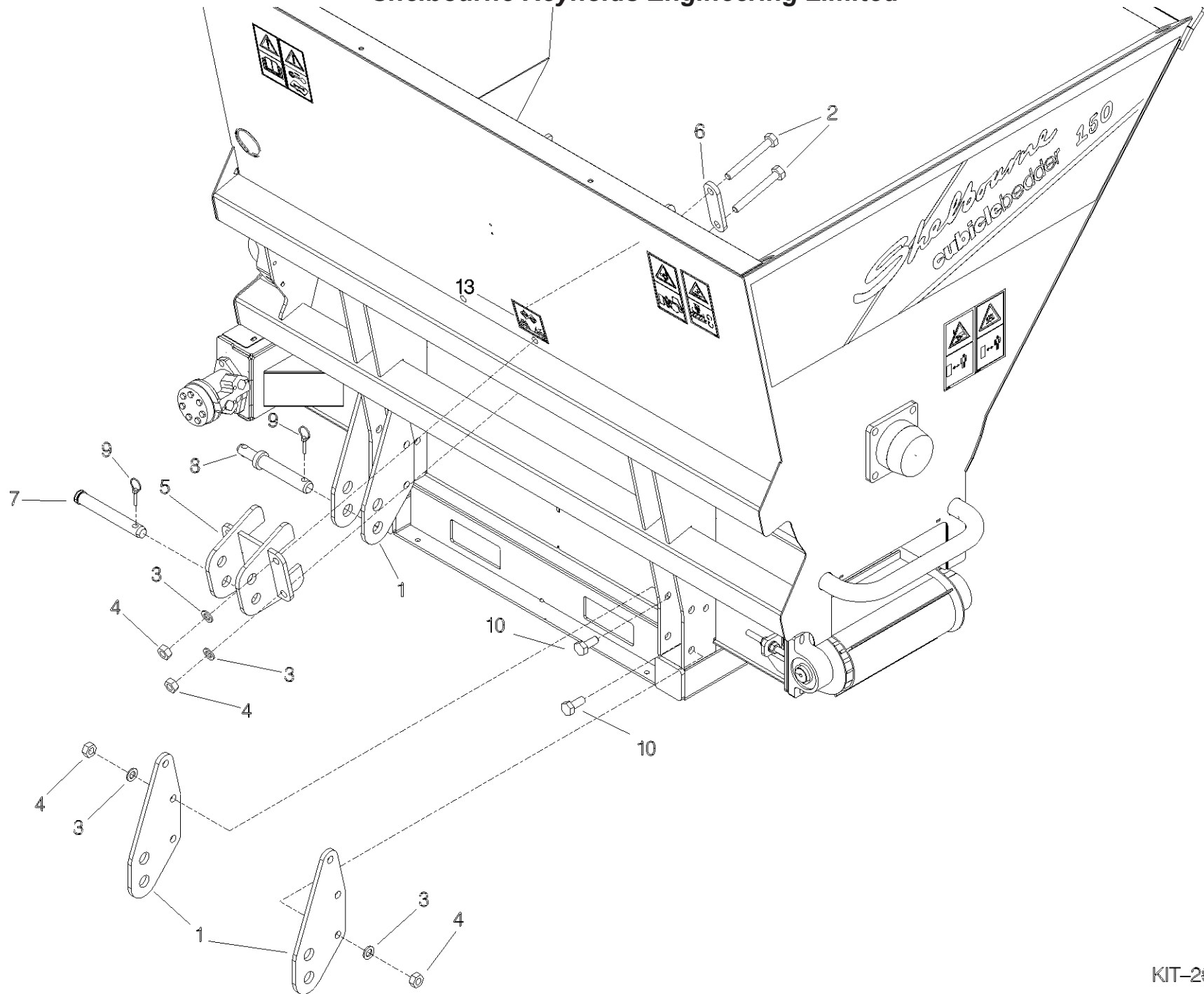


KIT-26007

Shelbourne Reynolds Engineering Limited

ASSY NUMBER:		KIT-26008		ASSY DESCRIPTION:		3 POINT FIXED MOUNTING KIT	
ITEM	PART NO	DESCRIPTION	QTY	ITEM	PART NO	DESCRIPTION	QTY
1	260153 01	LOWER MOUNTING PLATE	4				
2	BLT-2334	BOLT	4				
3	WSH-0024	PLAIN WASHER	16				
4	NUT-0271	NYLOC NUT	16				
5	260142 01	CLAMP ASSY	1				
6	260143 01	CLAMP PLATE	2				
7	21708006	TOP LINK PIN	1				
8	31107799	LOWER LINK PIN	2				
9	PIN-4510	LYNCH PIN	3				
10	HSS-0316	SETSCREW	12				
11							
12							
13	800212 01	TRANSFER (CHECK CHAINS)	1				

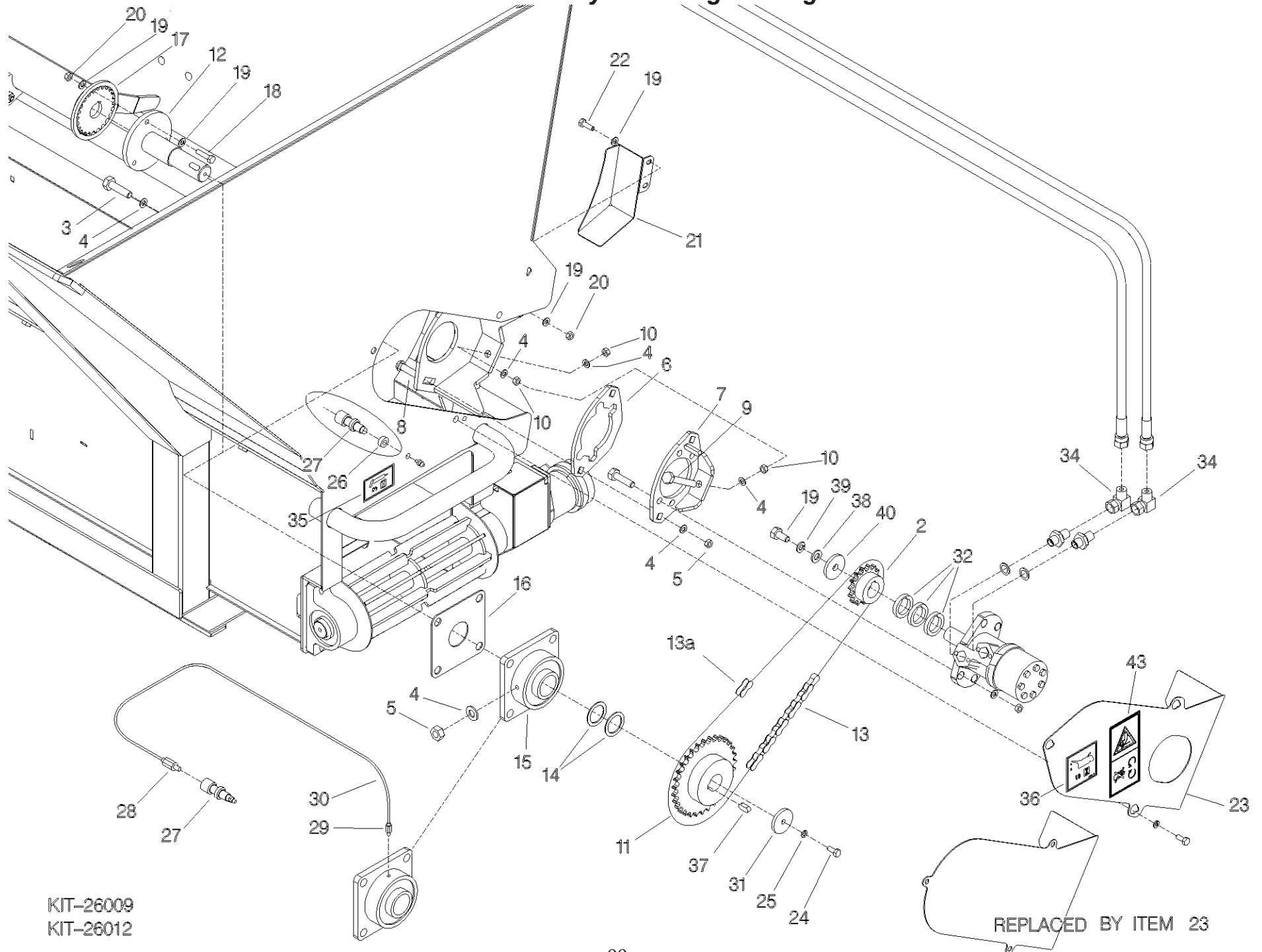
Shelbourne Reynolds Engineering Limited



Shelbourne Reynolds Engineering Limited

ASSY NUMBER: KIT-26009				ASSY DESCRIPTION: CHAIN DRIVE CONVERSION KIT			
ITEM	PART NO	DESCRIPTION	QTY	ITEM	PART NO	DESCRIPTION	QTY
1				35	127075 16	50 HRS GREASE TRANSFER	1
2	260216 01	SPROCKET	1	36	230321 01	EMBLEM-50HR OIL	1
OR	260172 01	SPROCKET		37	K1008025	KEY	1
3	BLTA12290	HEX.HEAD BOLT	4	38	HSS-0238	SET SCREW	1
4	WSH-0018	PLAIN WASHER	10	40	190548 77	WASHER	1
5	NUT-0269	NYLOC NUT	6	41	HSS-0241	SET SCREW	1
6	260147 01	PACKER PLATE	1	41	WSH-0065	SPRING WASHER	1
7	260146 01	MOTOR MOUNT PLATE	1				
8	BLT-3807	COACH BOLT	2	43	193392 01	STOP ENG BEFORE TRANSFER	1
9	HSSA12500	SETSCREW	1				
10	NUT-0170	PLAIN NUT	3				
11	260217 01	SPROCKET	1				
	260168 01	SPROCKET					
11A	K1008025	KEY (SPARES)					
12	260171 01	DRIVE SHAFT WELD ASSY	1				
13	CHN-01995	CHAIN + JOINER	1				
OR	CHN-01684	CHAIN + JOINER					
13A	CHN-01910	HALF LINK					
OR	CHN-01600	JOINING LINK					
14	190548 65	WASHER	2				
15	BRG-23545	BEARING	1				
16	260149 01	PACKER PLATE	1				
17	260170 01	DRIVE JOINING PLATE	1				
18	HSS-0152	SETSCREW	3				
19	WSH-0012	PLAIN WASHER	13				
20	NUT-0263	NYLOC NUT	5				
21	260144 01	DRIVE COVER	1				
22	HSS-0145	SETSCREW	2				
23	260139 01	COVER PLATE	1				
24	HSS-0140	SETSCREW	1				
25	WSH-0058	SPRING WASHER	1				
26	190548 71	WASHER	1				
27	LUB-00036	BULKHEAD ADAPTOR	1				
28	LUB-00045	1/8"BSP STRAIGHT ADAPTOR	1				
29	LUB-00046	1/4"UNF STRAIGHT ADAPTOR	1				
30	LUB-00044	6mm POLYAMIDE TUBE	0.4				
31	190548 70	WASHER	1				
32	260202 03	SPACER	4				
33							
34	HALAA0707	ELBOW 90 DEG.MALE/FEMALE	2				

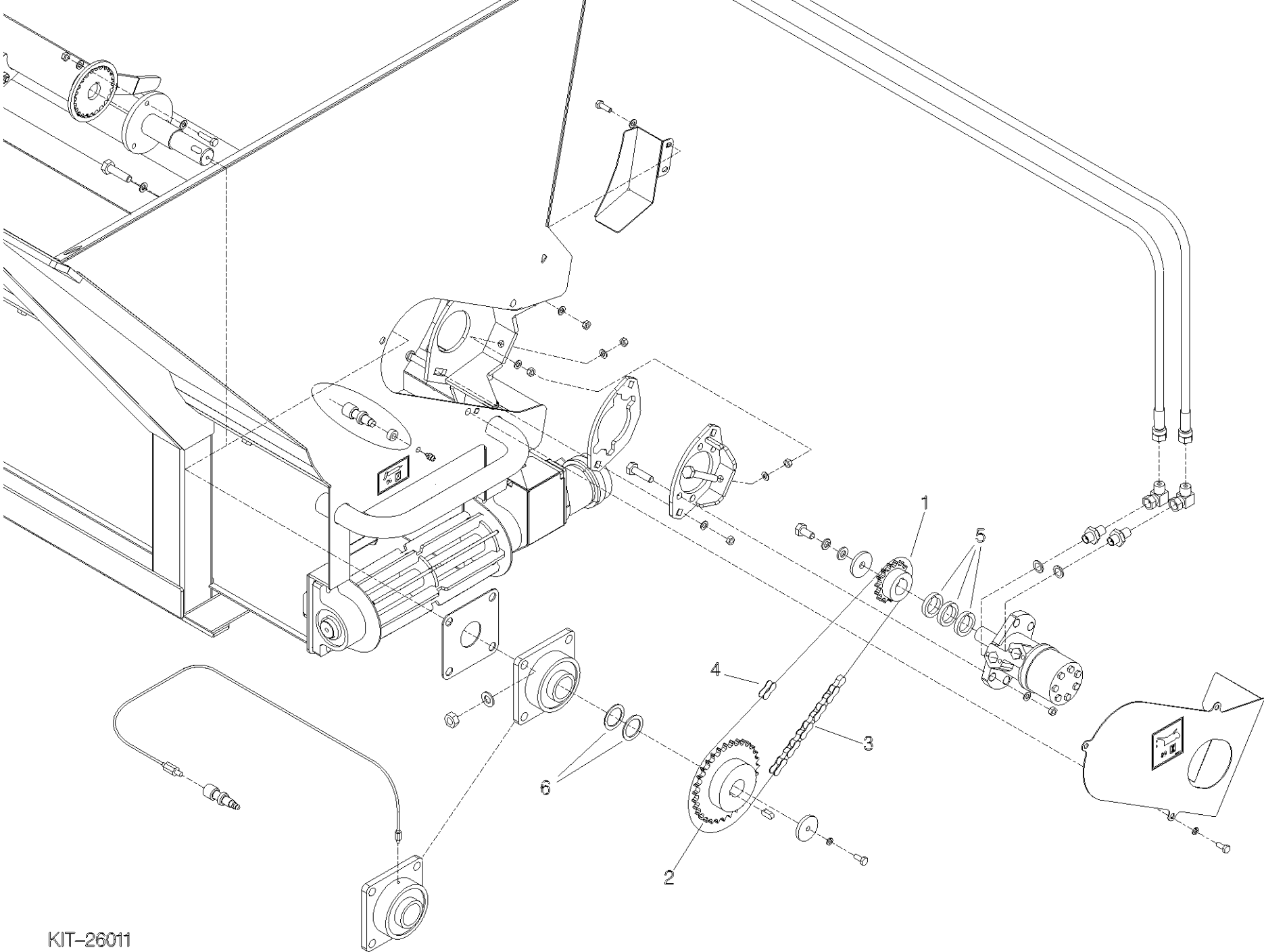
Shelbourne Reynolds Engineering Limited



KIT-26009
KIT-26012

Shelbourne Reynolds Engineering Limited

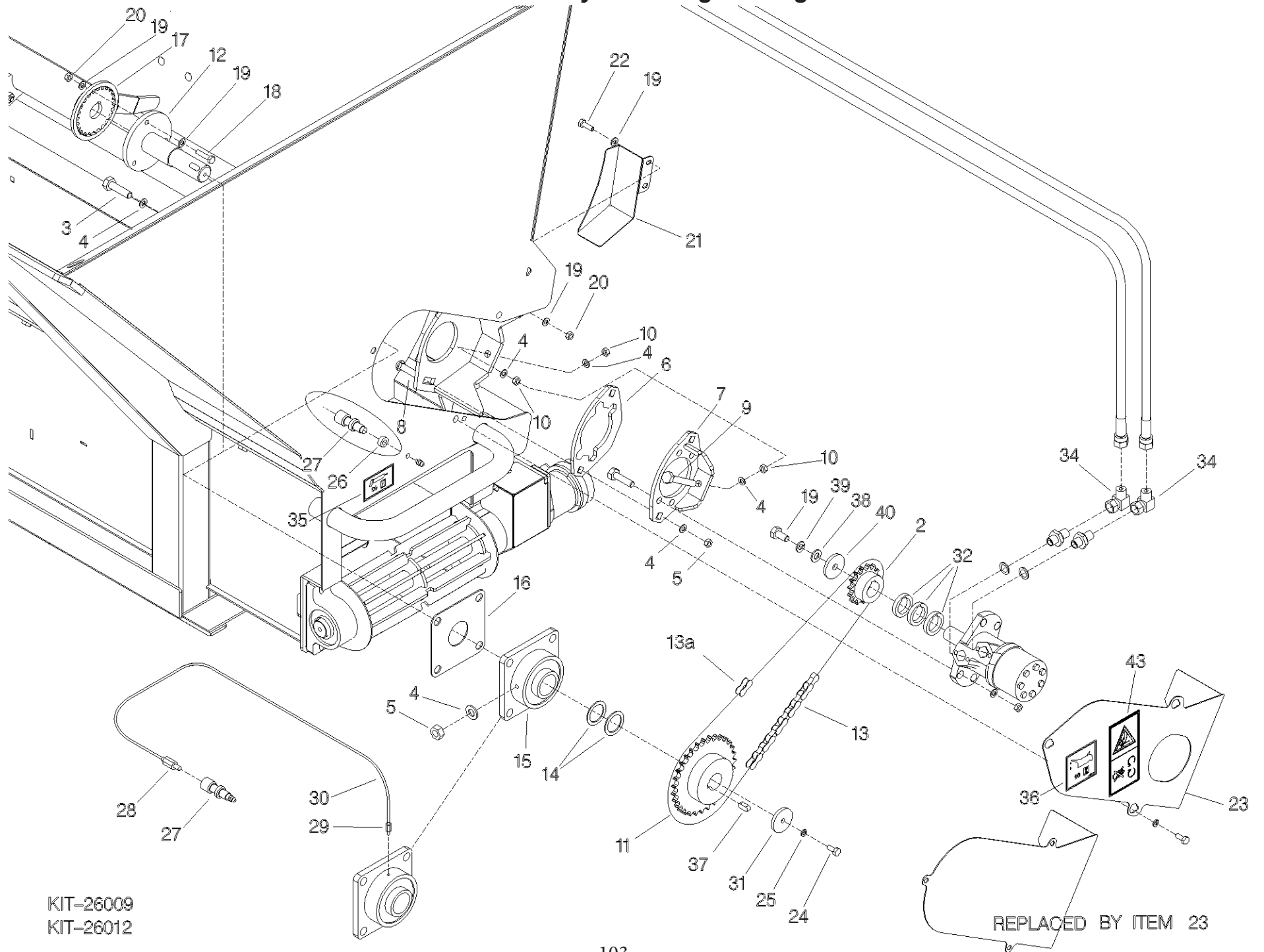
ASSY NUMBER: KIT-26011				ASSY DESCRIPTION: CHAIN DRIVE UPGRADE KIT			
ITEM	PART NO	DESCRIPTION	QTY	ITEM	PART NO	DESCRIPTION	QTY
1	260216 01	15T, 3/4"P SPROCKET	1				
2	260217 01	29T, 3/4"P SPROCKET	1				
3	CHN-01995	CHAIN 49 LINKS + JOINER	1				
4	CHN-01910	CHAIN HALF LINK	1				
5	260202 03	SPACER	4				
6	190548 65	WASHER	2				



Shelbourne Reynolds Engineering Limited

ASSY NUMBER: KIT-26012				ASSY DESCRIPTION: AGITATOR CHAIN DRIVE CONVERSI			
ITEM	PART NO	DESCRIPTION	QTY	ITEM	PART NO	DESCRIPTION	QTY
1				39	HSS-0238	SETSCREW	1
2	260172 01	SPROCKET	1	40	190548 77	WASHER	1
3	BLTA12290	HEX.HEAD BOLT	4	41	WSH-0065	SPRING WASHER	1
4	WSH-0018	PLAIN WASHER	10	42	HSS-0241	SETSCREW	1
5	NUT-0269	NYLOC NUT	6	43	193392 01	STOP ENG BEFORE TRANSFER	1
6	260147 01	PACKER PLATE	1				
7	260146 01	MOTOR MOUNT PLATE	1				
8	BLT-3807	COACH BOLT	2				
9	HSSA12500	SETSCREW	1				
10	NUT-0170	PLAIN NUT	3				
11	260168 01	SPROCKET	1				
11A	K1008025	KEY (SPARES)					
12	260171 01	DRIVE SHAFT WELD ASSY	1				
13	CHN-01620	CHAIN	55L				
13A	CHN-01600	CHAIN JOINER LINK	1				
14	190548 65	WASHER	2				
15	BRG-23545	BEARING	1				
16	260149 01	PACKER PLATE	1				
17	260170 01	DRIVE JOINING PLATE	1				
18	HSS-0152	SETSCREW	3				
19	WSH-0012	PLAIN WASHER	13				
20	NUT-0263	NYLOC NUT	5				
21	260144 01	DRIVE COVER	1				
22	HSS-0145	SETSCREW	2				
23	260139 01	COVER PLATE	1				
24	HSS-0140	SETSCREW	1				
25	WSH-0058	SPRING WASHER	1				
26	190548 71	WASHER	1				
27	LUB-00036	BULKHEAD ADAPTOR	1				
28	LUB-00045	1/8"BSP STRAIGHT ADAPTOR	1				
29	LUB-00046	1/4"UNF STRAIGHT ADAPTOR	1				
30	LUB-00044	6mm POLYAMIDE TUBE	0.4				
31	190548 70	WASHER	1				
32	260202 01	SPACER (8mm THK)	3				
33	260202 02	SPACER (3mm THK)	1				
34							
35	HALAA0707	ELBOW 90 DEG.MALE/FEMALE	2				
36	127075 16	50 HRS GREASE TRANF	1				
37	230321 01	EMBLEM-50HR OIL	1				
38	K1008025	KEY	1				

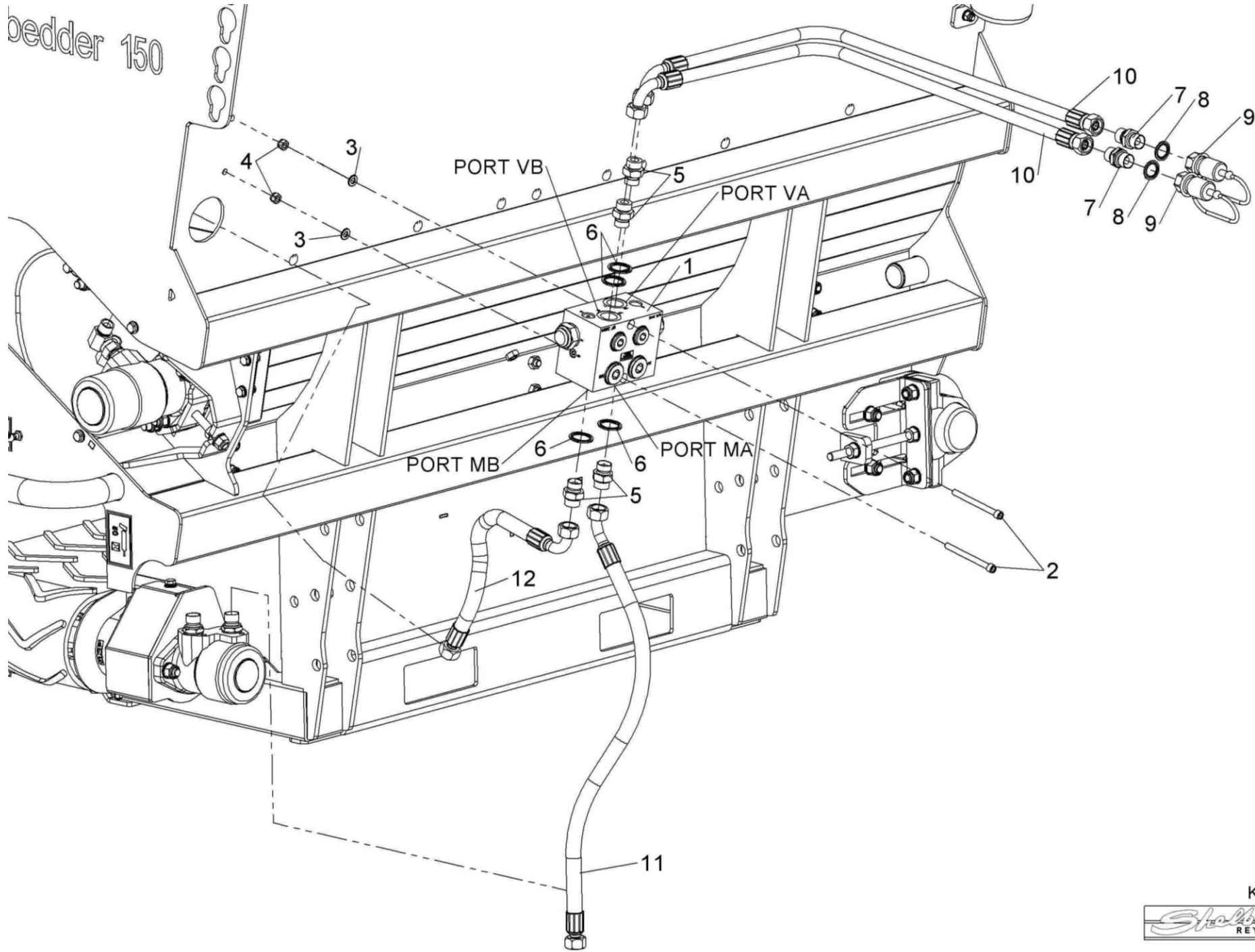
Shelbourne Reynolds Engineering Limited



KIT-26009
KIT-26012

Shelbourne Reynolds Engineering Limited

ASSY NUMBER: KIT-26014				ASSY DESCRIPTION: PRESSURE/FLOW CONTROLLED VALVE KIT			
ITEM	PART NO	DESCRIPTION	QTY	ITEM	PART NO	DESCRIPTION	QTY
1	HVB-32200	DUAL PCFC VALVE	1				
2	SCCA08533	CP HD SCREW	2				
3	WSH-0012	WASHER	2				
4	NUT-0263	NUT	2				
5	HMA-0060	ADAPTOR	4				
6	WSH-1020	DOWTY WASHER	4				
7	HMA-0067	ADAPTOR	2				
8	WSH-1015	DOWTY WASHER	2				
9	COU-0162	QUICK RELEASE COUPLING	2				
10	HHBF22005	HYD HOSE ASSY	2				
11	HHDF06005	HYD HOSE	1				
12	HHBF03705	HYD HOSE	1				

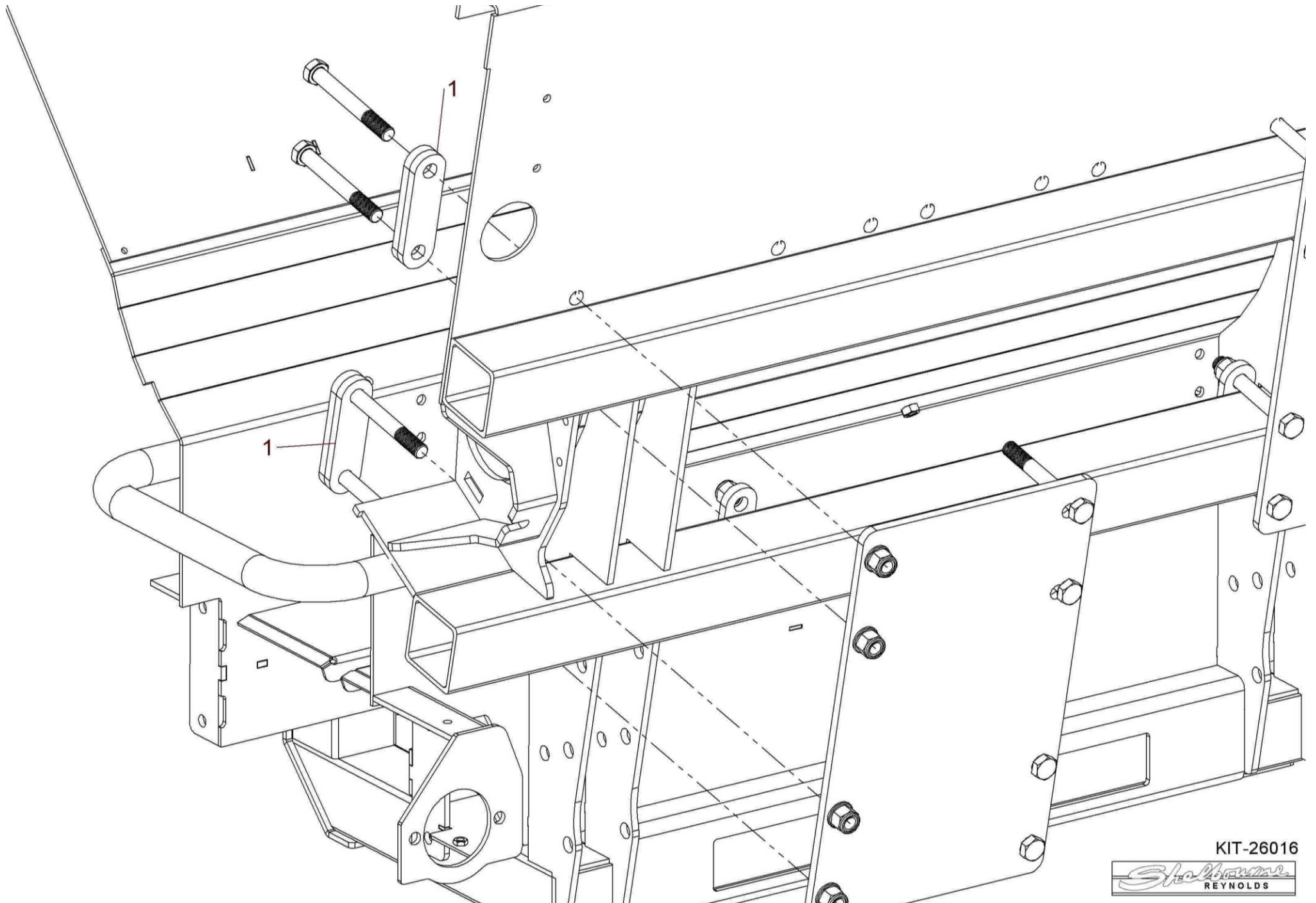


KIT-26014



Shelbourne Reynolds Engineering Limited

ASSY NUMBER: KIT-26016				ASSY DESCRIPTION: LOADER BRACKET CLAMP PLT KIT (CB100)			
ITEM	PART NO	DESCRIPTION	QTY	ITEM	PART NO	DESCRIPTION	QTY
1	260288 01	CLAMP PLATE WA USE IN PLACE OF STANDARD CLAMP PLATE (260143 01) ON LH END (NEAR CHAIN DRIVE)	2				



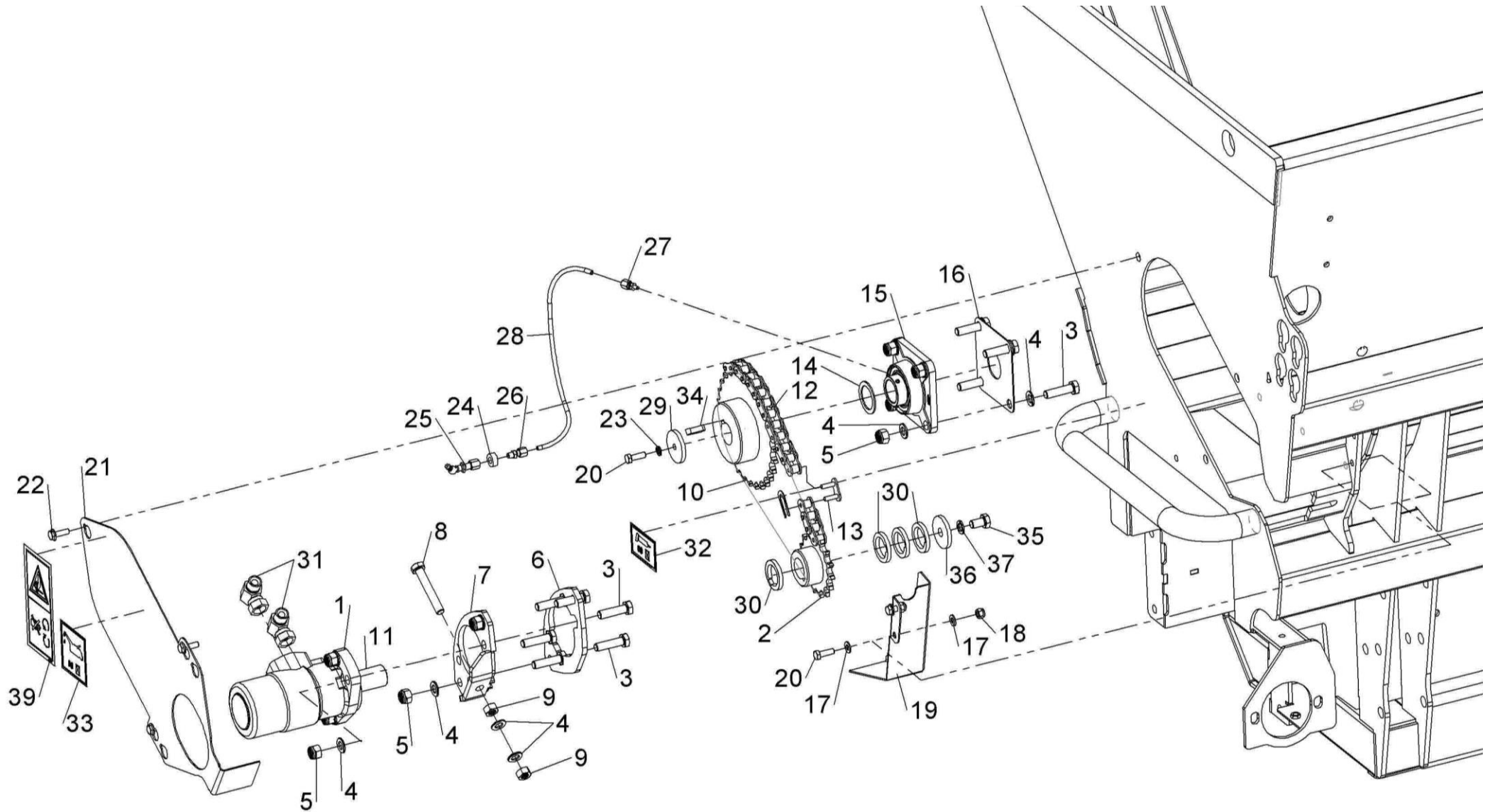
KIT-26016



Shelbourne Reynolds Engineering Limited

ASSY NUMBER: KIT-26018				ASSY DESCRIPTION: AGITATOR CHAIN DRIVE KIT			
ITEM	PART NO	DESCRIPTION	QTY	ITEM	PART NO	DESCRIPTION	QTY
1	MOTH38941	MOTOR, AGITATOR	1	39	193392 01	TRANSFER (STOP ENG. BEFORE)	1
1a	HMS-38900	SEAL KIT (SPARES)		40	260230 01	SPACER	1
1b	K1008045	KEY (SPARES)					
2	260216 01	SPROCKET	1				
3	BLTA12290	BOLT	10				
4	WSH-0018	PLAIN WASHER	16				
5	NUT-0269	NYLOC NUT	10				
6	260319 01	PACKER PLATE	1				
7	260320 01	MOTOR MOUNT PLATE	1				
8	HSSA12500	SET SCREW	1				
9	NUT-0170	PLAIN NUT	3				
10	260217 01	SPROCKET	1				
11	K1008025	KEY	1				
12	CHN-01995	CHAIN	1				
13	CHN-01910	HALF LINK	1				
14	190548 65	WASHER	2				
15	BRG-23545	BEARING	1				
16	260149 01	BEARING PACKER PLATE	1				
17	WSH-0012	PLAIN WASHER	4				
18	NUT-0263	NYLOC NUT	2				
19	260322 01	DRIVE COVER	1				
20	HSS-0145	SET SCREW	3				
21	260311 01	COVER PLATE	1				
22	HSSF08204	SET SCREW	3				
23	WSH-0058	SPRING WASHER	1				
24	190548 71	WASHER	1				
25	LUB-00036	BULKHEAD ADAPTOR	1				
26	LUB-00045	STRAIGHT ADAPTOR	1				
27	LUB-00046	STRAIGHT ADAPTOR	1				
28	LUB-00044	6mm POLYAMIDE TUBE	0.4m				
29	190548 70	WASHER	1				
30	260202 03	SPACER	4				
31	HALAA0707	M/F 90 DEG ADAPTOR (1/2")	2				
32	127075 16	TRANSFER (GREASE EMBLEM)	1				
33	230321 01	TRANSFER (50 HR OIL CHAIN)	1				
34	K1008030	KEY (10x8x30)	1				
35	HSS-0232	SETSCREW	1				
36	190548 77	WASHER	1				
37	WSH-0065	WASHER	1				
38	HSS-0241	SETSCREW	1				

Shelbourne Reynolds Engineering Limited



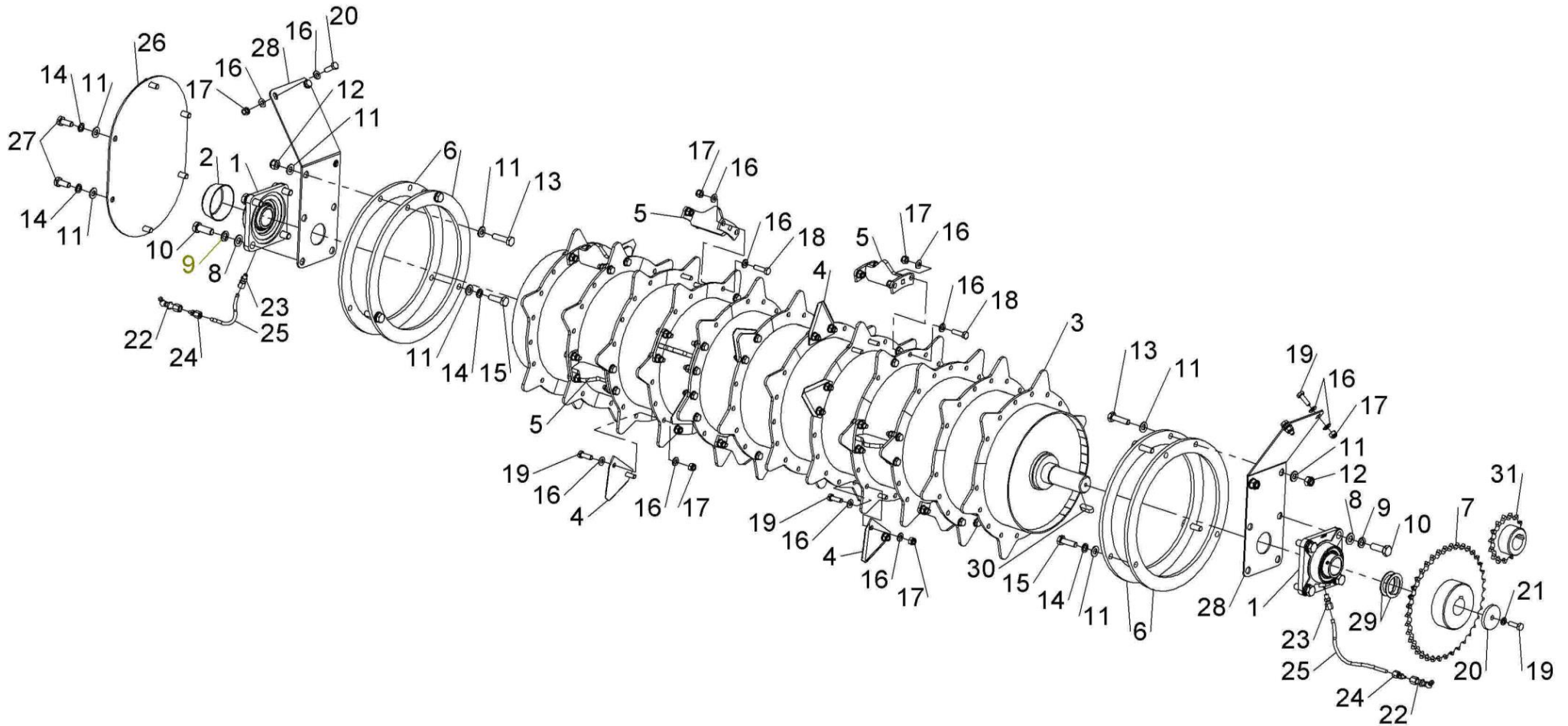
KIT-26018



Shelbourne Reynolds Engineering Limited

ASSY NUMBER: KIT-26021				ASSY DESCRIPTION: STRAW ROTOR KIT			
ITEM	PART NO	DESCRIPTION	QTY	ITEM	PART NO	DESCRIPTION	QTY
1	BRG-23545	4 BOLT CAST BEARING	2				1
2	BRG-93600	BEARING PROTECTION CAP	1				1
3	260335 01	STRAW ROTOR W/A	1				
4	260355 01	BLADE	11				
5	260344 01	PADDLE W/A	11				
6	260346 01	SEAL RING	4				
7	260354 01	38T SPROCKET	1				
8	WSH-0018	WASHER	8				
9	WSH-0065	WASHER	8				
10	HSS-0241	SETSCREW	8				
11	WSH-0015	WASHER	18				
12	NUT-0265	NUT	4				
13	HSS-0202	SETSCREW	4				
14	WSH-0061	WASHER	10				
15	HSS-0198	SETSCREW	4				
16	WSH-0012	WASHER	141				
17	NUT-0263	NUT	70				
18	HSS-0150	SETSCREW	44				
19	HSS-0145	SETSCREW	27				
20	190548 70	SPACER (9mm I/Dx50mm O/D x 6mm)	1				
21	WSH-0058	WASHER	1				
22	LUB-00036	BULKHEAD ADAPTOR	2				
23	LUB-00045	STRAIGHT ADAPTOR (1/8")	2				
24	LUB-00046	STRAIGHT ADAPTOR (1/4")	2				
25	LUB-00044	6mm PIPE	1m				
26	260352 01	COVER PLATE	1				
27	HSS-0191	SETSCREW	6				
28	260338 01	BEARING SHIM	2				
29	260370 01	SPACER	2				
30	K1008030	KEY	1				
31	260356 01	SPROCKET 12T	1				

Shelbourne Reynolds Engineering Limited



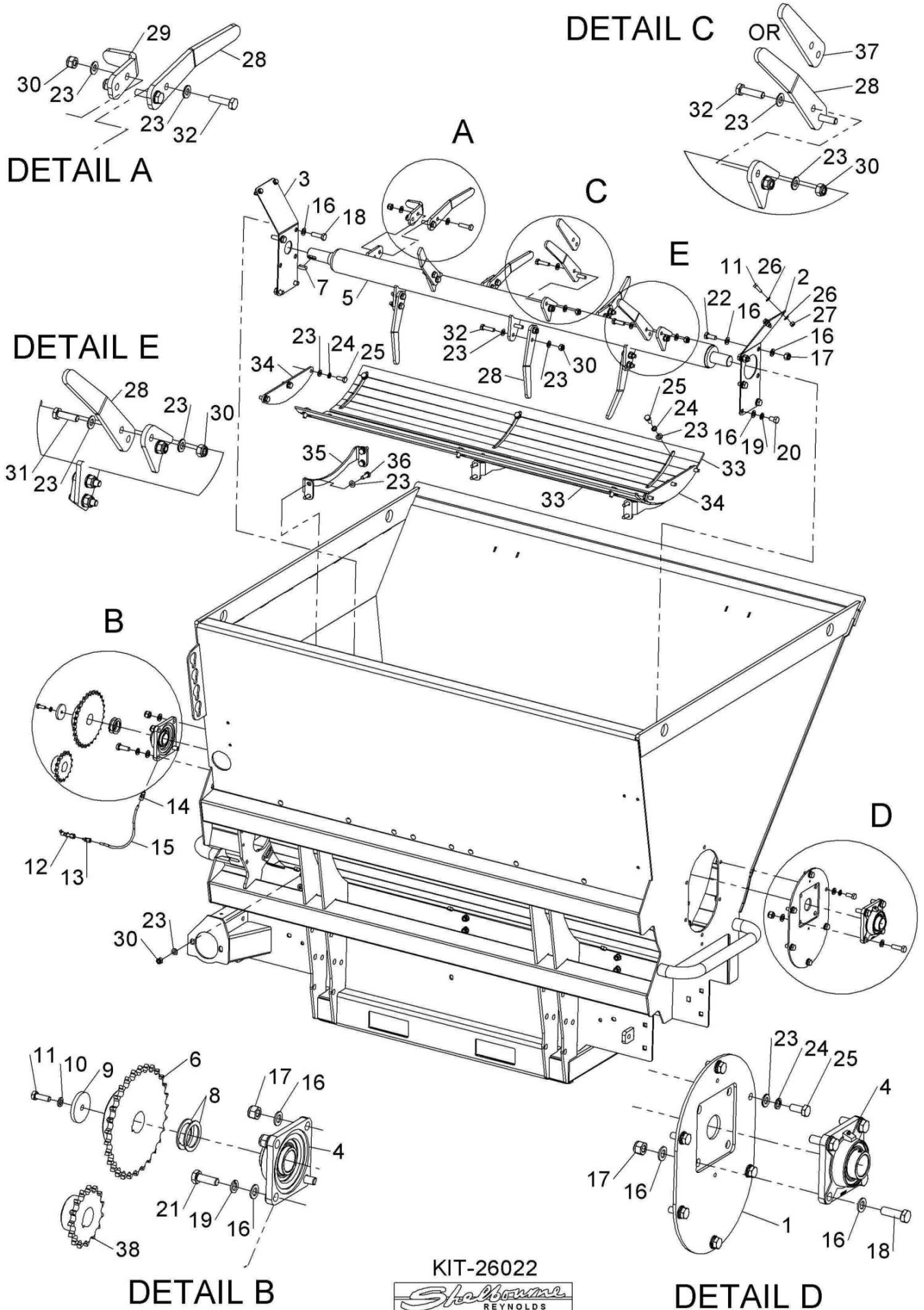
KIT-26021



Shelbourne Reynolds Engineering Limited

ASSY NUMBER: KIT-26022				ASSY DESCRIPTION: CB150 AGITATOR KIT			
ITEM	PART NO	DESCRIPTION	QTY	ITEM	PART NO	DESCRIPTION	QTY
1	260347 01	BEARING MTG PLATE W/A	1				1
2	260349 01	BEARING SHIM	1				1
3	260348 01	BEARING SHIM	1				
4	BRG-23545	4 BOLT CAST BEARING	2				
5	260225 01	AGITATOR W/A	1				
6	260217 01	29T SPOCKET	1				
7	K1008030	KEY	1				
8	260370 01	SPACER	2				
9	190548 70	WASHER (9mmI /Dx50mmO /Dx6mm)	1				
10	WSH-0058	WASHER	1				
11	HSS-0145	SETSCREW	5				
12	LUB-00036	BULKHEAD ADAPTOR	1				
13	LUB-00046	STRAIGHT ADAPTOR (1/4")	1				
14	LUB-00045	STRAIGHT ADAPTOR (1/8")	1				
15	LUB-00044	6mm PIPE	0.4m				
16	WSH-0018	WASHER	24				
17	NUT-0269	NUT	8				
18	HSS-0250	SETSCREW	6				
19	WSH-0065	WASHER	8				
20	HSS-0232	SETSCREW	6				
21	HSS-0241	SETSCREW	2				
22	HSS-0238	SETSCREW	2				
23	WSH-0015	WASHER	79				
24	WSH-0061	WASHER	18				
25	HSS-0191	SETSCREW	18				
26	WSH-0012	WASHER	8				
27	NUT-0263	NUT	4				
28	260178 01	STD TINE	9				
29	260203 01	RH END TINE	1				
30	NUT-0265	NUT	30				
31	HSS-0198	SETSCREW	2				
32	HSS-0202	SETSCREW	16				
33	260357 01	ADJUSTER PLATE	2				
34	260323 01	FILL IN PLATE	2				
35	260237 01	SUPPORT PLATE	3				
36	HSS-0194	SETSCREW	12				
37	260205 01	SHORT TINE	9				
38	260216 01	SPROCKET 15T	1				

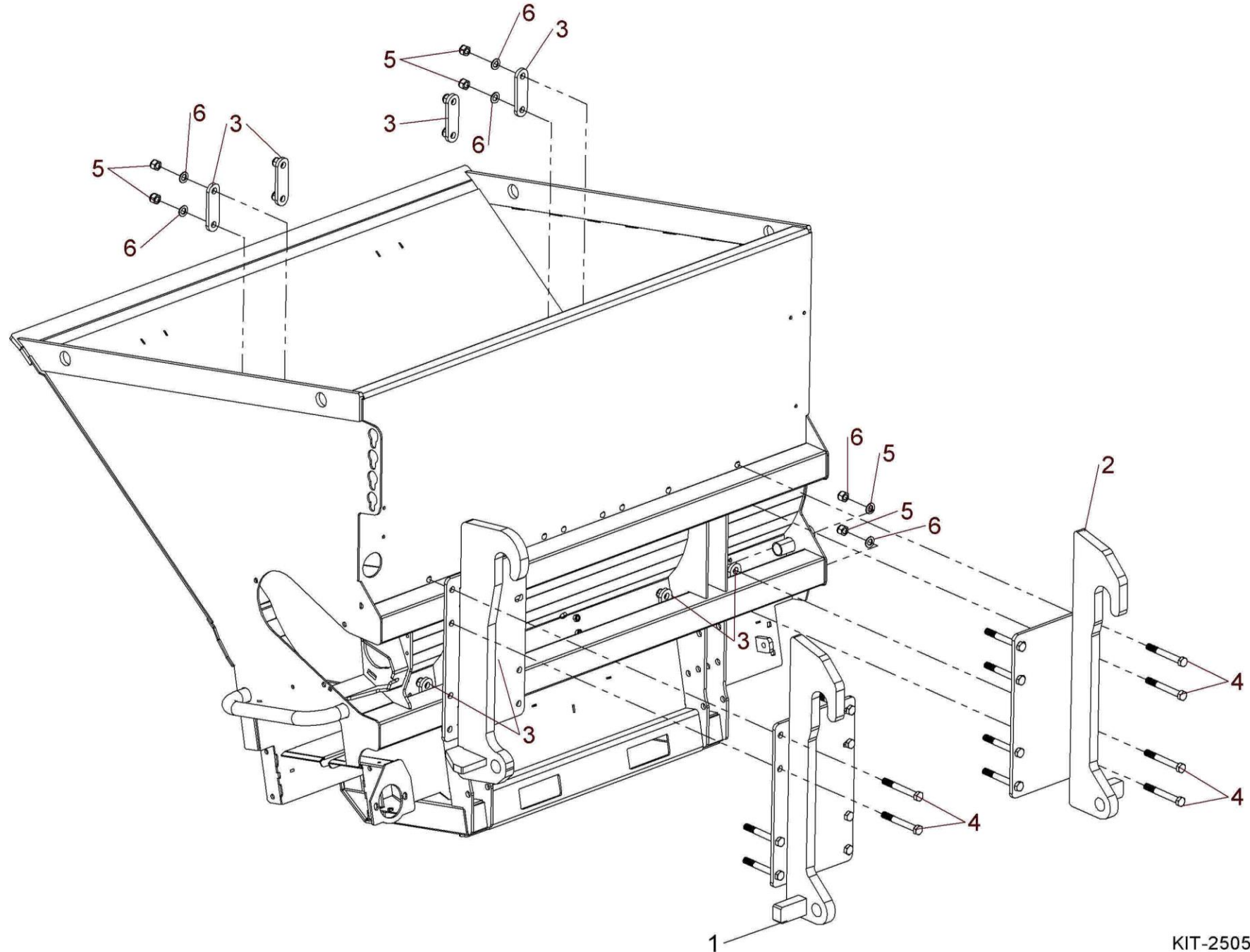
Shelbourne Reynolds Engineering Limited



Bracket Kits

Shelbourne Reynolds Engineering Limited

ASSY NUMBER: KIT-25050				ASSY DESCRIPTION: JCB Q FIT BRACKET KIT			
ITEM	PART NO	DESCRIPTION	QTY	ITEM	PART NO	DESCRIPTION	QTY
1	250508 01	JCB Q FIT BRACKET LH W/A	1				
2	250508 02	JCB Q FIT BRACKET RH W/A	1				
3	260143 01	CLAMP PLATE	8				
4	BLT-2334	HEX.HEAD BOLT	16				
5	NUT-0271	NYLOC NUT	16				
6	WSH-0024	PLAIN WASHER	16				

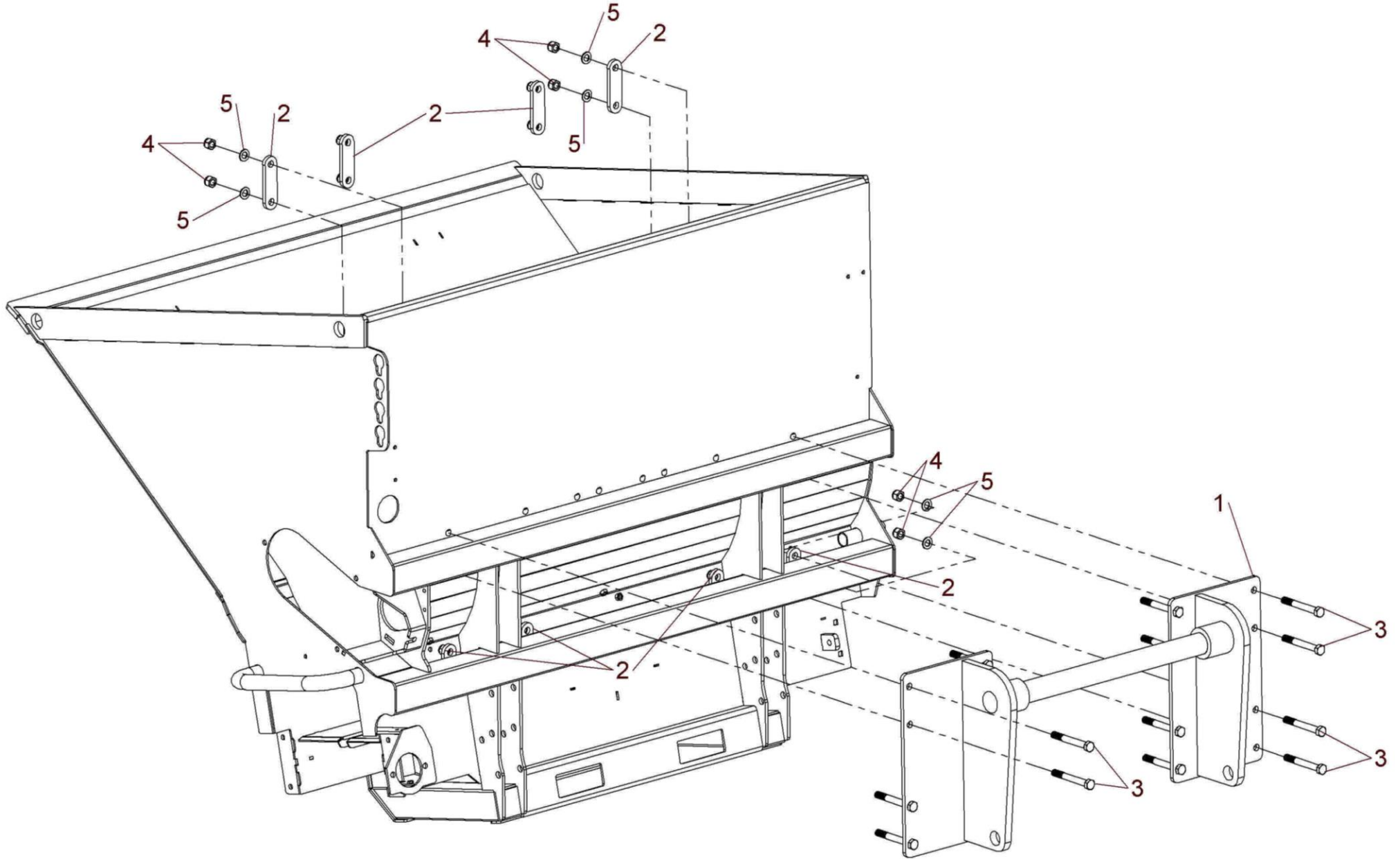


KIT-25050CB



Shelbourne Reynolds Engineering Limited

ASSY NUMBER: KIT-25051				ASSY DESCRIPTION: MANITOU BRACKET KIT			
ITEM	PART NO	DESCRIPTION	QTY	ITEM	PART NO	DESCRIPTION	QTY
1	250501 01	MANITOU BRACKET W/A	1				
2	260143 01	CLAMP PLATE	8				
3	BLT-2334	HEX.HEAD BOLT	16				
4	NUT-0271	NYLOC NUT	16				
5	WSH-0024	PLAIN WASHER	16				



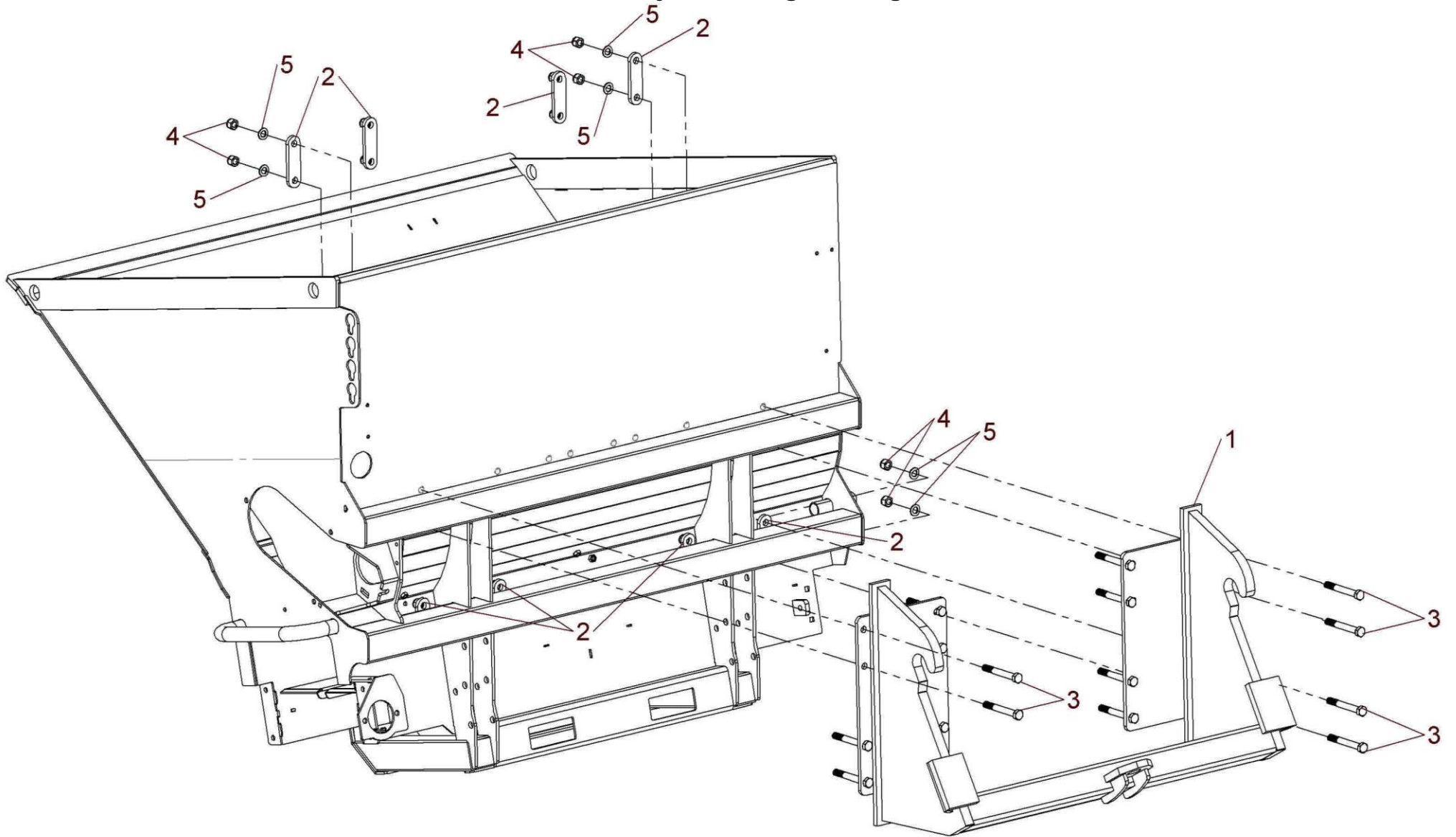
KIT-25051CB



Shelbourne Reynolds Engineering Limited

ASSY NUMBER: KIT-25052				ASSY DESCRIPTION: MERLO BRACKET KIT			
ITEM	PART NO	DESCRIPTION	QTY	ITEM	PART NO	DESCRIPTION	QTY
1	250502 01	MERLO BRACKET W/A	1				
2	260143 01	CLAMP PLATE	8				
3	BLT-2334	HEX.HEAD BOLT	16				
4	NUT-0271	NYLOC NUT	16				
5	WSH-0024	PLAIN WASHER	16				

Shelbourne Reynolds Engineering Limited



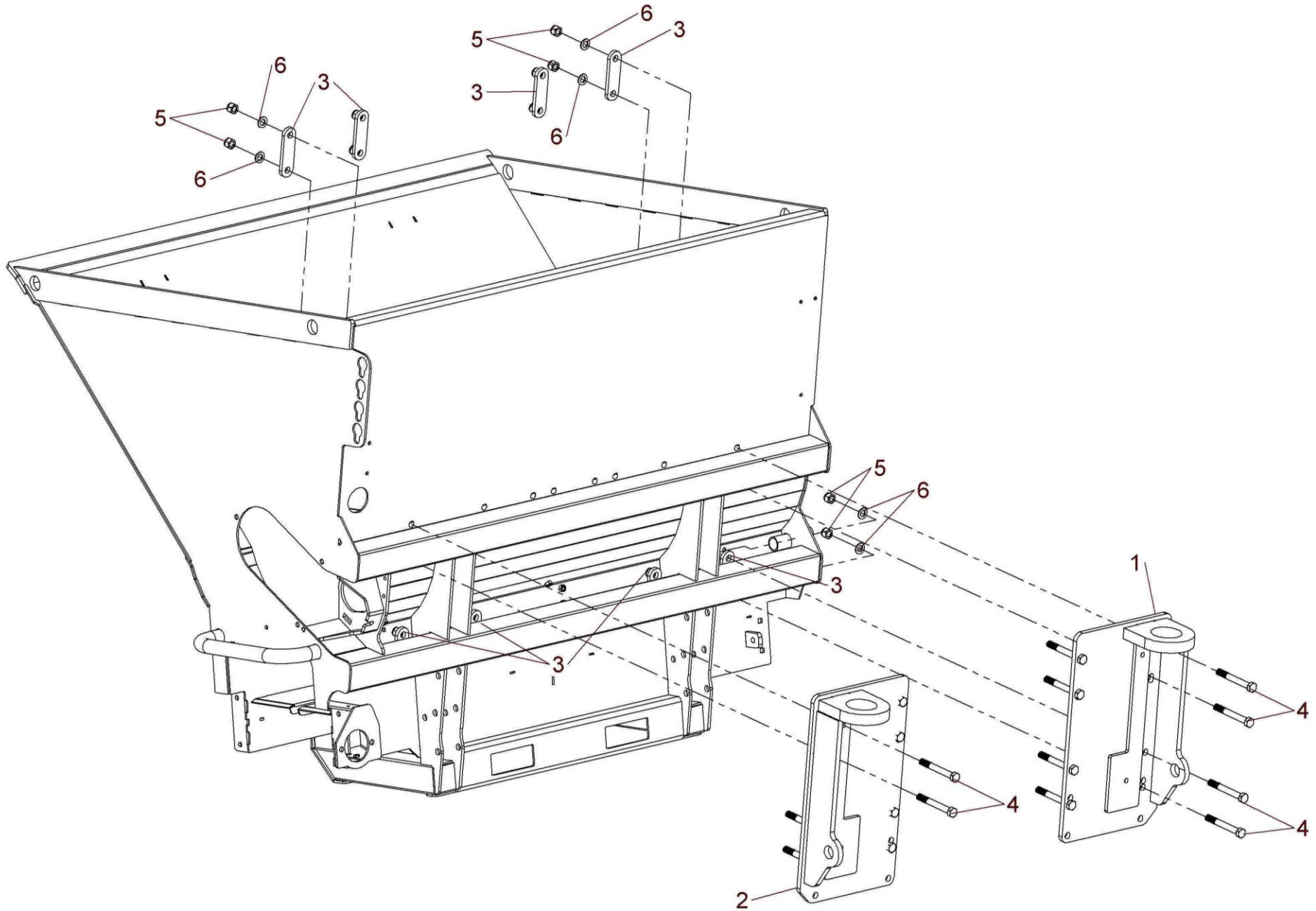
KIT-25052CB



Shelbourne Reynolds Engineering Limited

ASSY NUMBER: KIT-25053				ASSY DESCRIPTION: MATBRO BRACKET KIT			
ITEM	PART NO	DESCRIPTION	QTY	ITEM	PART NO	DESCRIPTION	QTY
1	250506 01	LH MATBRO BRKT W/A	1				
2	250506 02	RH MATBRO BRKT W/A	1				
3	260143 01	CLAMP PLATE	8				
4	BLT-2334	HEX.HEAD BOLT	16				
5	NUT-0271	NYLOC NUT	16				
6	WSH-0024	PLAIN WASHER	16				

Shelbourne Reynolds Engineering Limited



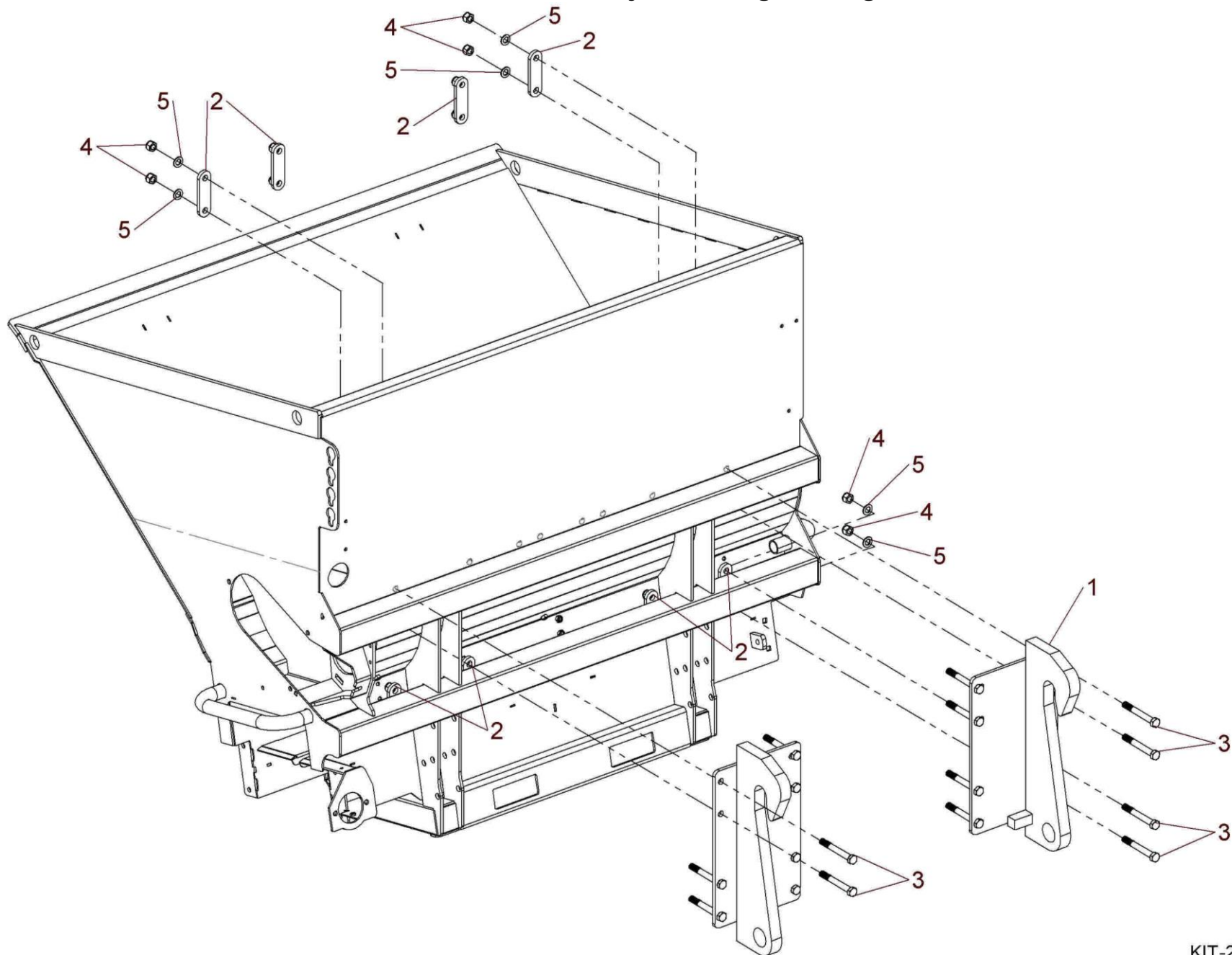
KIT-25053CB



Shelbourne Reynolds Engineering Limited

ASSY NUMBER: KIT-25054				ASSY DESCRIPTION: CLAAS BRACKET KIT			
ITEM	PART NO	DESCRIPTION	QTY	ITEM	PART NO	DESCRIPTION	QTY
1	250504 01	CLAAS BRACKET W/A	1				
2	260143 01	CLAMP PLATE	8				
3	BLT-2334	HEX.HEAD BOLT	16				
4	NUT-0271	NYLOC NUT	16				
5	WSH-0024	PLAIN WASHER	16				

Shelbourne Reynolds Engineering Limited



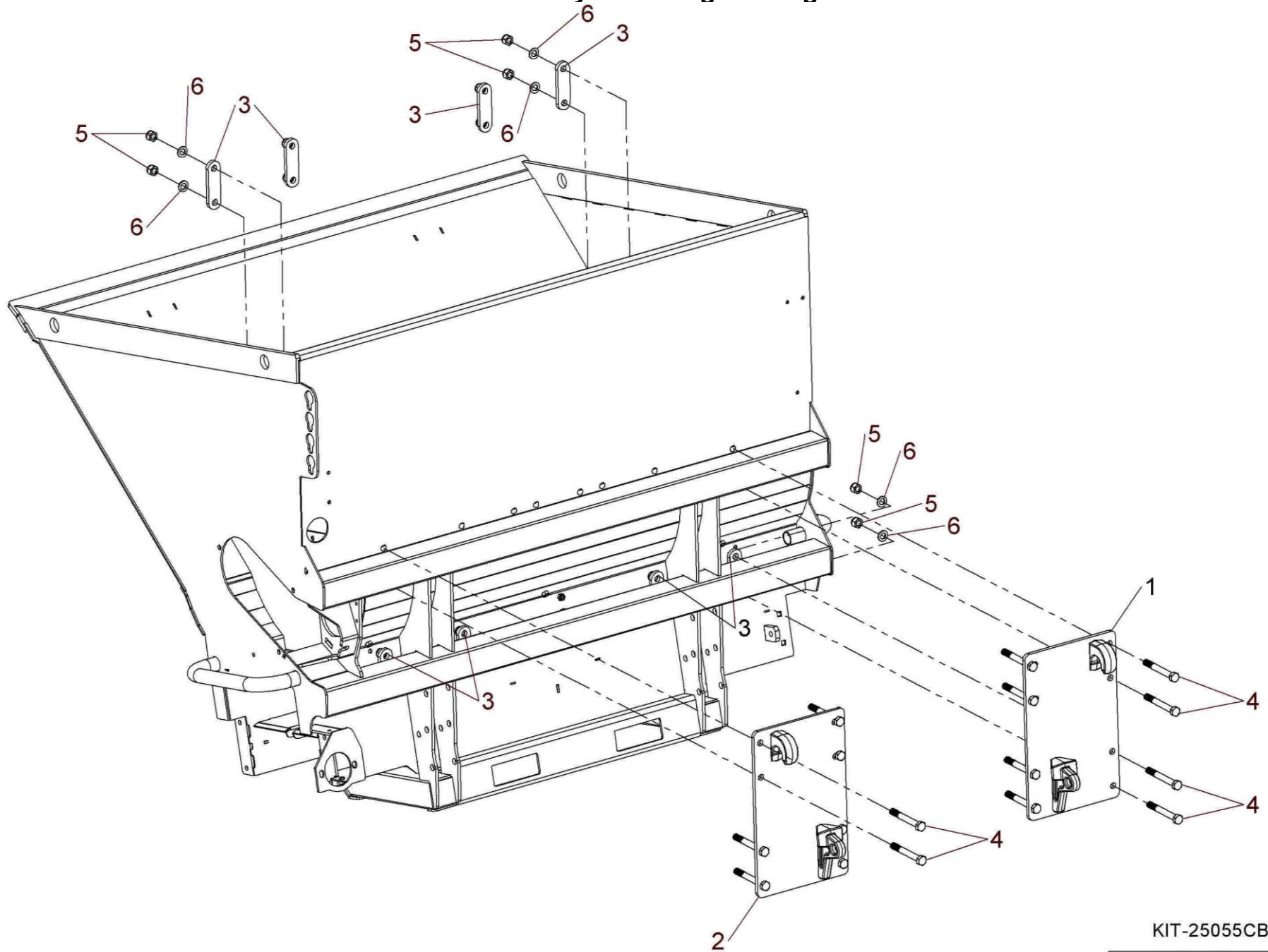
KIT-25054CB



Shelbourne Reynolds Engineering Limited

ASSY NUMBER: KIT-25055				ASSY DESCRIPTION: EURO BRACKET KIT			
ITEM	PART NO	DESCRIPTION	QTY	ITEM	PART NO	DESCRIPTION	QTY
1	250510 01	LH EURO BRACKET W/A	1				
2	250510 01	RH EURO BRACKET W/A	1				
3	260143 01	CLAMP PLATE	8				
4	BLT-2334	HEX.HEAD BOLT	16				
5	NUT-0271	NYLOC NUT	16				
6	WSH-0024	PLAIN WASHER	16				

Shelbourne Reynolds Engineering Limited



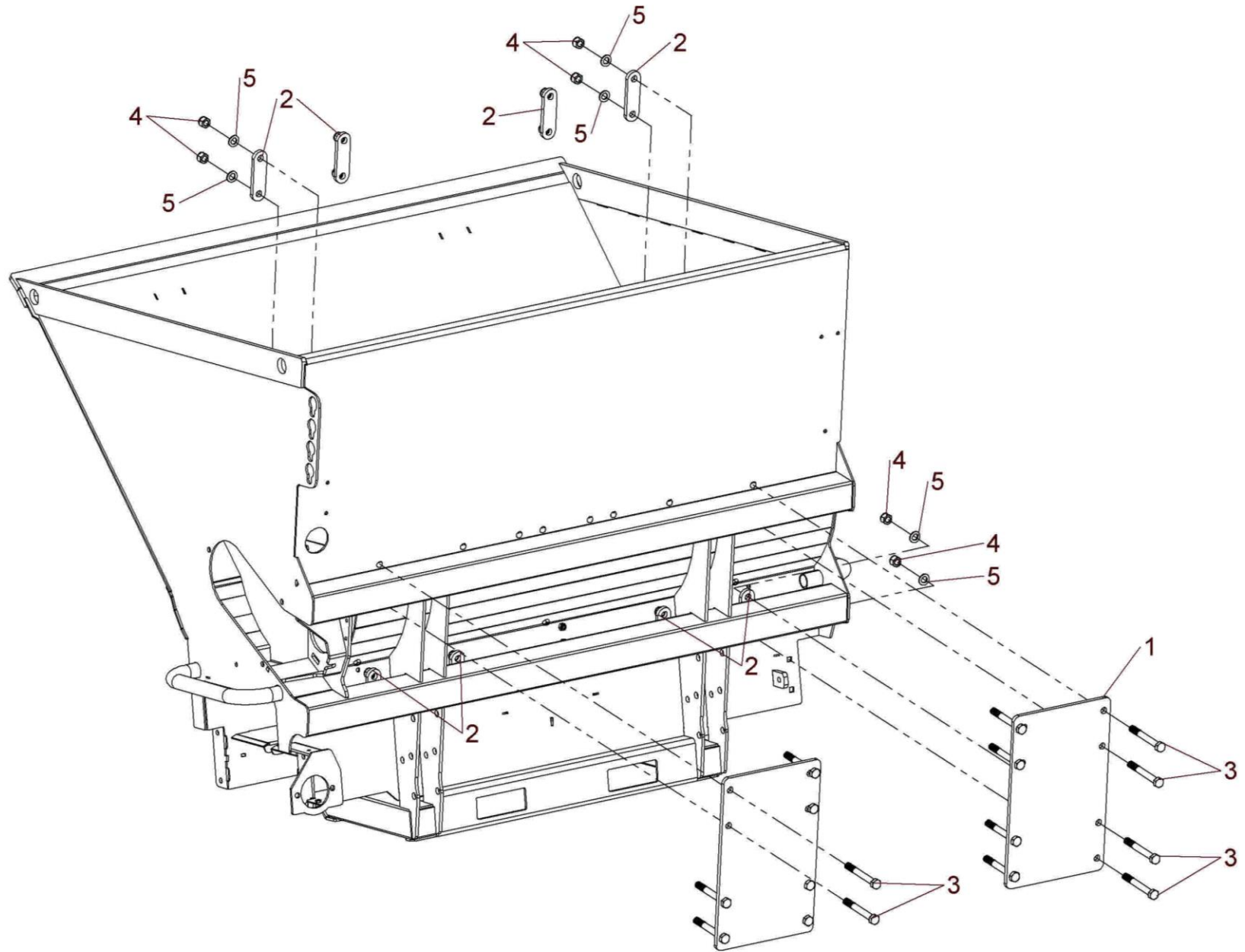
KIT-25055CB



Shelbourne Reynolds Engineering Limited

ASSY NUMBER: KIT-25056				ASSY DESCRIPTION: LOADER BRACKET PLATE KIT - WELD OWN BRKT			
ITEM	PART NO	DESCRIPTION	QTY	ITEM	PART NO	DESCRIPTION	QTY
1	250303 01	BRACKET PLATE (UNPAINTED)	2				
2	260143 01	CLAMP PLATE	8				
3	BLT-2334	HEX.HEAD BOLT	16				
4	NUT-0271	NYLOC NUT	16				
5	WSH-0024	PLAIN WASHER	16				

Shelbourne Reynolds Engineering Limited



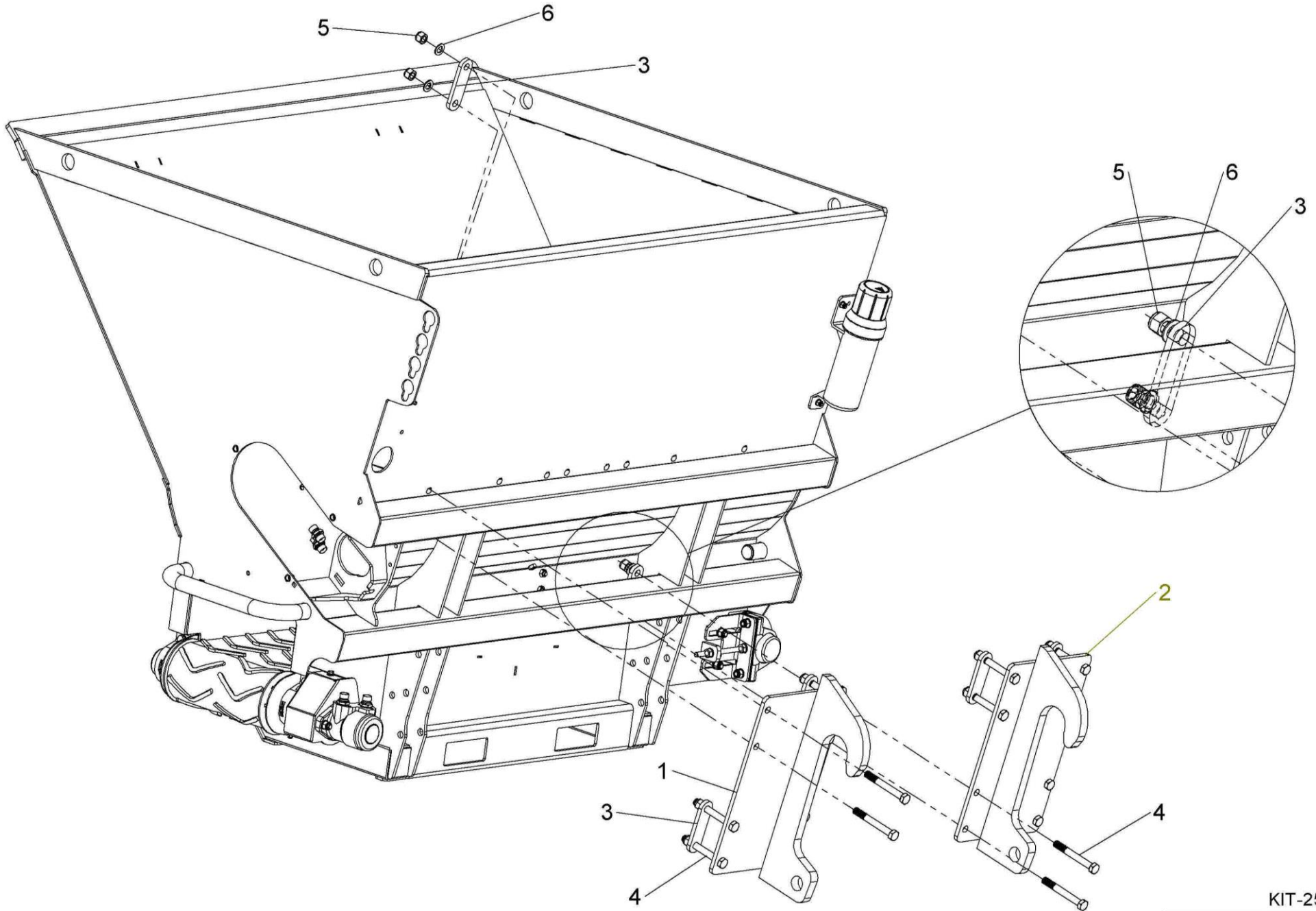
KIT-25056CB



Shelbourne Reynolds Engineering Limited

ASSY NUMBER: KIT-25057				ASSY DESCRIPTION: CNH BRACKET KIT			
ITEM	PART NO	DESCRIPTION	QTY	ITEM	PART NO	DESCRIPTION	QTY
1	250507 01	LH CNH BRKT W/A	1				
2	250507 02	RH CNH BRKT W/A	1				
3	260143 01	CLAMP PLATE	8				
4	BLT-2334	HEX.HEAD BOLT	16				
5	NUT-0271	NYLOC NUT	16				
6	WSH-0024	PLAIN WASHER	16				

Shelbourne Reynolds Engineering Limited



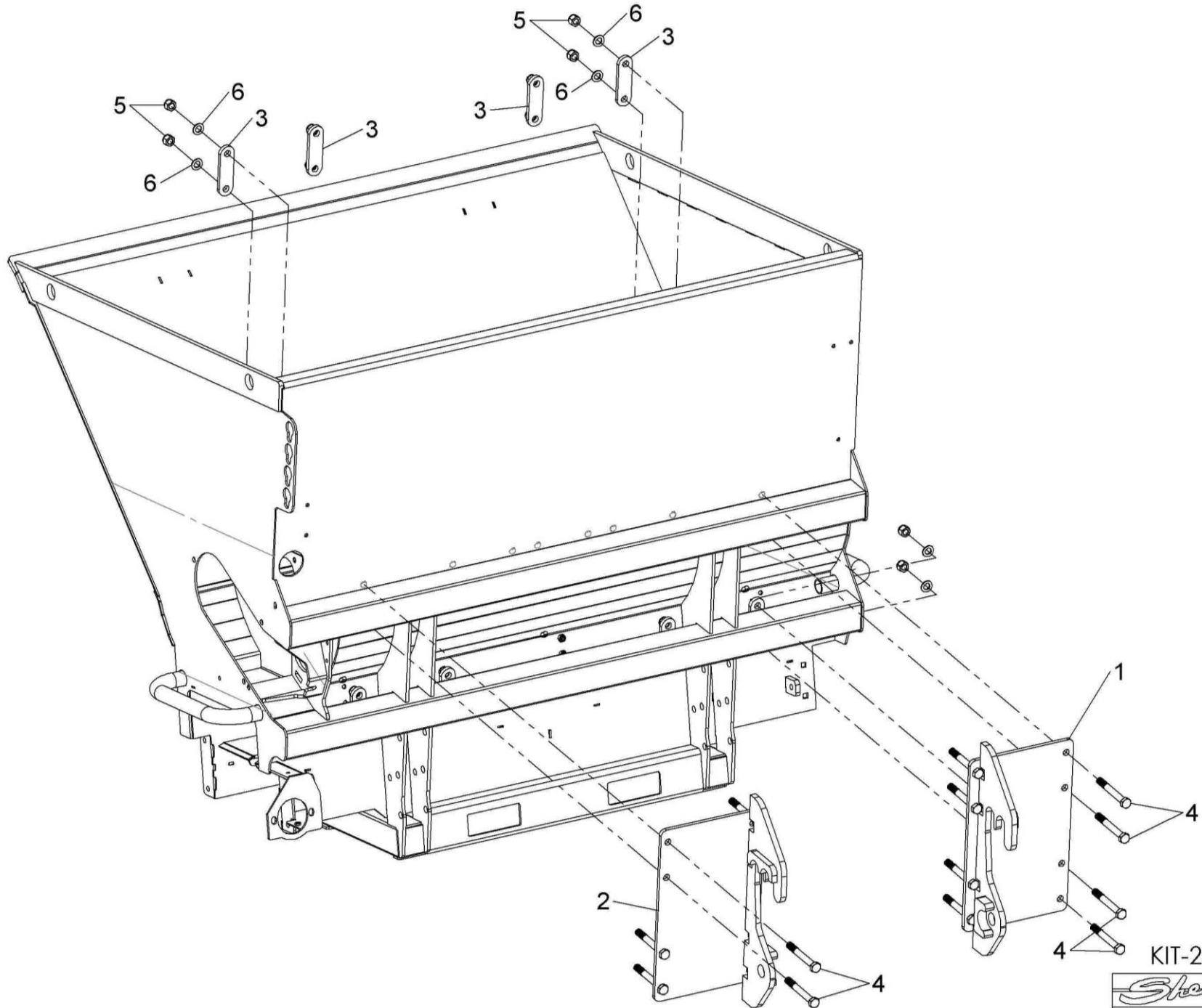
KIT-25057



Shelbourne Reynolds Engineering Limited

ASSY NUMBER: KIT-25058				ASSY DESCRIPTION: SCHAEFFER BRACKET KIT			
ITEM	PART NO	DESCRIPTION	QTY	ITEM	PART NO	DESCRIPTION	QTY
1	250511 01	LH SCHAEFFER BRKT W/A	1				
2	250511 02	RH SCHAEFFER BRKT W/A	1				
3	260143 01	CLAMP PLATE	8				
4	BLT-2334	HEX.HEAD BOLT	16				
5	NUT-0271	NYLOC NUT	16				
6	WSH-0024	PLAIN WASHER	16				

Shelbourne Reynolds Engineering Limited



KIT-25058CB

