

# *RX & CX Shelbourne Header*

**ADAPTOR PLATE & COMBINE FITTINGS**

**PARTS MANUAL**

**CLAAS**



**Shelbourne Reynolds Engineering Ltd**

**Stanton**

**Bury St Edmunds**

**Suffolk IP31 2AR**

**England**

**Telephone: 01359 250415**

**(Stores direct 01359 251231)**

**Fax. No: 01359 250464**

**(Stores direct 01359 252031)**



# CLAAS PARTS MANUAL

## ADAPTOR PLATE

- |    |            |  |
|----|------------|--|
| 1. | 196517 04k | ADAPTOR PLATE ASSY-STD                 |
| 2. | 196517 17k | ADAPTOR PLATE ASSY-AUTO CONTOUR        |
| 3. | 196517 19k | ADAPTOR PLATE ASSY-LEXION (ALL MODELS) |

## DRIVE OPTION

- |    |            |  |
|----|------------|--|
| 1. | 196534 012 | DRIVE KIT-CLAAS RX 3.6 MT                    |
| 2. | 196534 013 | DRIVE KIT-CLAAS RX 4.2 MT                    |
| 3. | 196534 014 | DRIVE KIT-CLAAS RX 4.8 MT                    |
| 4. | 196534 015 | DRIVE KIT-CLAAS 5.4 MT                       |
| 5. | 196534 016 | DRIVE KIT-CLAAS 6.0 MT                       |
| 6. | 196534 018 | DRIVE KIT-CLAAS 6.6,7.27.8 & 8.4 MT          |
| 7. | 196534 185 | DRIVE KIT-CLAAS/ LEXION 5.4 MT               |
| 8. | 196534 186 | DRIVE KIT-CLAAS/ LEXION 6.0 MT               |
| 9. | 196534 188 | DRIVE KIT-CLASS/ LEXION 6.6,7.2,7.8 & 8.4 MT |

## HYDRAULIC KIT

- |    |           |                                   |
|----|-----------|-----------------------------------|
| 1. | KIT-01702 | HYDRAULIC CONNECTOR CLAAS (SCREW) |
| 2. | KIT-01704 | HYDRAULIC CONNECTOR CLAAS (3/8")  |
| 3. | KIT-01705 | HYDRAULIC CONNECTOR CLAAS (1/2")  |
| 4. | KIT-01717 | HYDRAULIC CONNECTOR CLAAS LEXION  |

## KIT OPTION

- |    |           |                                 |
|----|-----------|---------------------------------|
| 1. | KIT-00932 | THROTTLE VALVE KIT              |
| 2. | KIT-00965 | AUGER FLIGHT EXTENSIONS KIT     |
| 3. | KIT-00970 | RX PROTECTION PANS 9ALL WIDTHS) |



*RX & CX Shelbourne Header*

**ADAPTOR PLATES**



**Shelbourne Reynolds Engineering Limited**

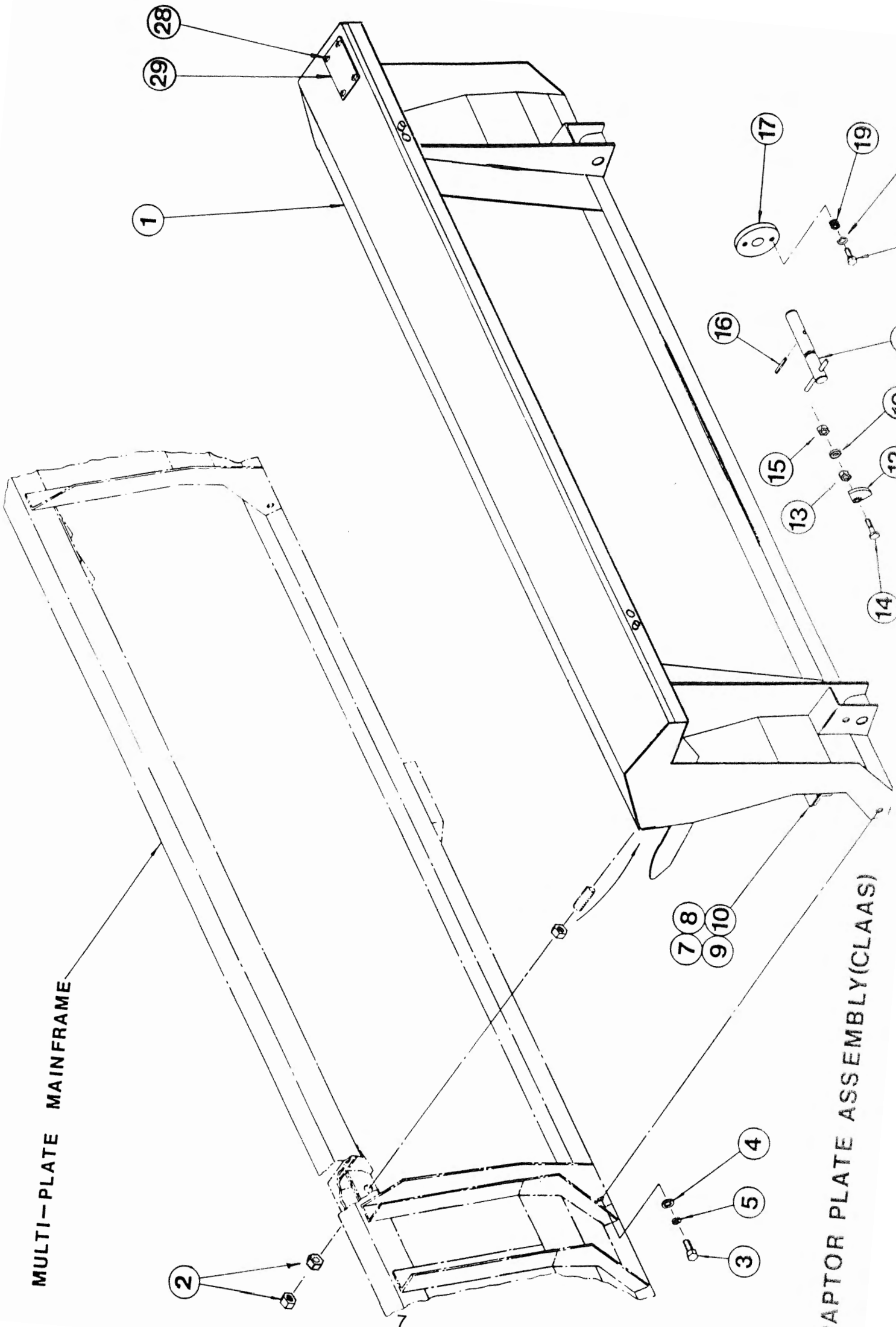
ASSY NUMBER:           KIT-00604                           SUB ASSY DESCRIPTION: ADAPTOR PLATE CLAAS (FROM 196517 04)

ITEM	PART NO	DESCRIPTION	QTY	ITEM	PART NO	DESCRIPTION	QTY
1	191123 01	FRAME WELDED ASSY	1				
2	NUT-0190	NUT	6				
3	HSS-0315	SCREW	2				
4	WSH-0024	WASHER	2				
5	WSH-0070	SPRING WASHER	2				
6							
7	191134 02	SCRAPER	2				
8	BLT-4710	COACH BOLT	6				
9	NUT-0263	NYLOC NUT	6				
10	WSH-0012	FLAT WASHER	6				
11							
12							
13							
14							
15							
16							
17							
18							
19							
28	POP-0006	POP RIVET	4				
29	134024 05	IDENTIFICATION PLATE	1				

**Shelbourne Reynolds Engineering Limited**

ASSY NUMBER: KIT-00807		SUB ASSY DESCRIPTION: FIXING KIT (CLAAS STD. ELEV. )					
ITEM	PART NO	DESCRIPTION	QTY	ITEM	PART NO	DESCRIPTION	QTY
11	130088 01	LOCKING HANDLE	2				
12	210125 01	LOCKING CAM	2				
13	NUT-0170	PLAIN NUT	2				
14	HSS-0250	SET SCREW	2				
15	NUT-0269	NYLOC NUT	2				
16	PIN-1935	ROLL PIN	2				
17	130112 01	GUIDE DISC	2				
18	SCW-0243	CAP HEAD SCREW	4				
19	WSH-0018	PLAIN WASHER	22				
20	WSH-0065	SPRING WASHER	4				





MULTI-PLATE MAINFRAME

ADAPTOR PLATE ASSEMBLY (CLAAS)

1

28

29

2

7 8

9 10

3

4

5

16

13

15

17

19

19

11

19

12

14

19

19

19

19

19

19

19

19

19

19

19

19

Shelbourne Reynolds Engineering Limited

ASSY NUMBER: 196517 17K ASSY DESCRIPTION: ADAPTOR PLATE ASSY - CLAAS(AUTO-CONT.)

ITEM	PART NO	DESCRIPTION	QTY	ITEM	PART NO	DESCRIPTION	QTY
	KIT-00604	ADAPTOR PLATE SUB	1				
	KIT-00808	FIXING KIT	1				

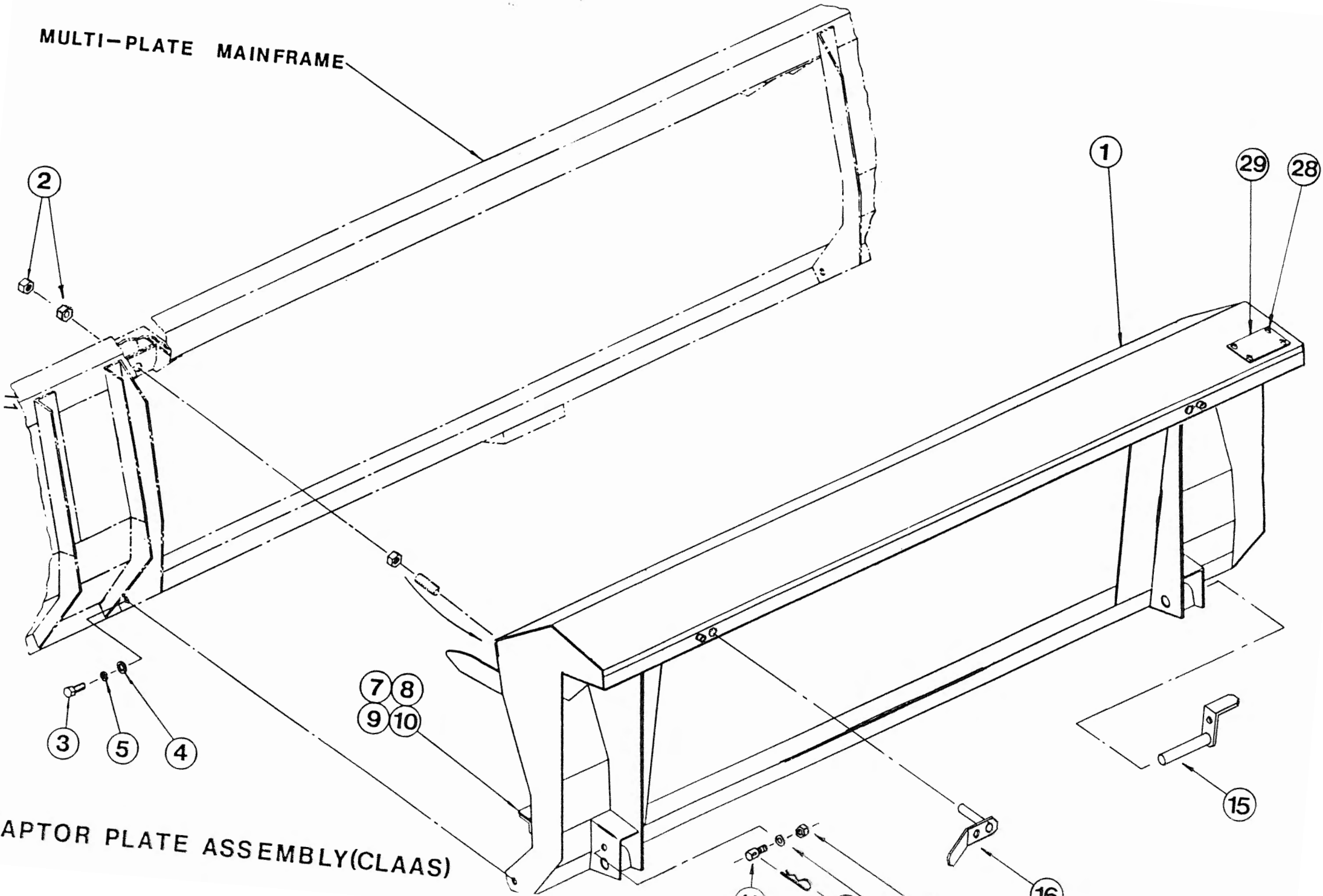
**Shelbourne Reynolds Engineering Limited**

ASSY NUMBER:		KIT-00604		SUB ASSY DESCRIPTION: ADAPTOR PLATE CLAAS (FROM 196517 04)			
ITEM	PART NO	DESCRIPTION	QTY	ITEM	PART NO	DESCRIPTION	QTY
1	191123 01	FRAME WELDED ASSY	1				
2	NUT-0190	NUT	6				
3	HSS-0315	SCREW	2				
4	WSH-0024	WASHER	2				
5	WSH-0070	SPRING WASHER	2				
6							
7	191134 02	SCRAPER	2				
8	BLT-4710	COACH BOLT	6				
9	NUT-0263	NYLOC NUT	6				
10	WSH-0012	FLAT WASHER	6				
11							
12							
13							
14							
15							
16							
17							
18							
19							
28	POP-0006	POP RIVET	4				
29	134024 05	IDENTIFICATION PLATE	1				

**Shelbourne Reynolds Engineering Limited**

ASSY NUMBER:		KIT-00808		SUB ASSY DESCRIPTION: FIXING KIT (CLAAS AUTO-CONT. )			
ITEM	PART NO	DESCRIPTION	QTY	ITEM	PART NO	DESCRIPTION	QTY
11	192204 01	PIN	2				
12	WSH-0018	PLAIN WASHER	2				
13	NUT-0269	NYLOC NUT	2				
14	RCL-0015	R CLIP	4				
15	192198 01	LOWER LOCKING PIN	2				
16	192201 01	TOP LOCKING PIN	2				

MULTI-PLATE MAINFRAME



ADAPTOR PLATE ASSEMBLY(CLAAS)



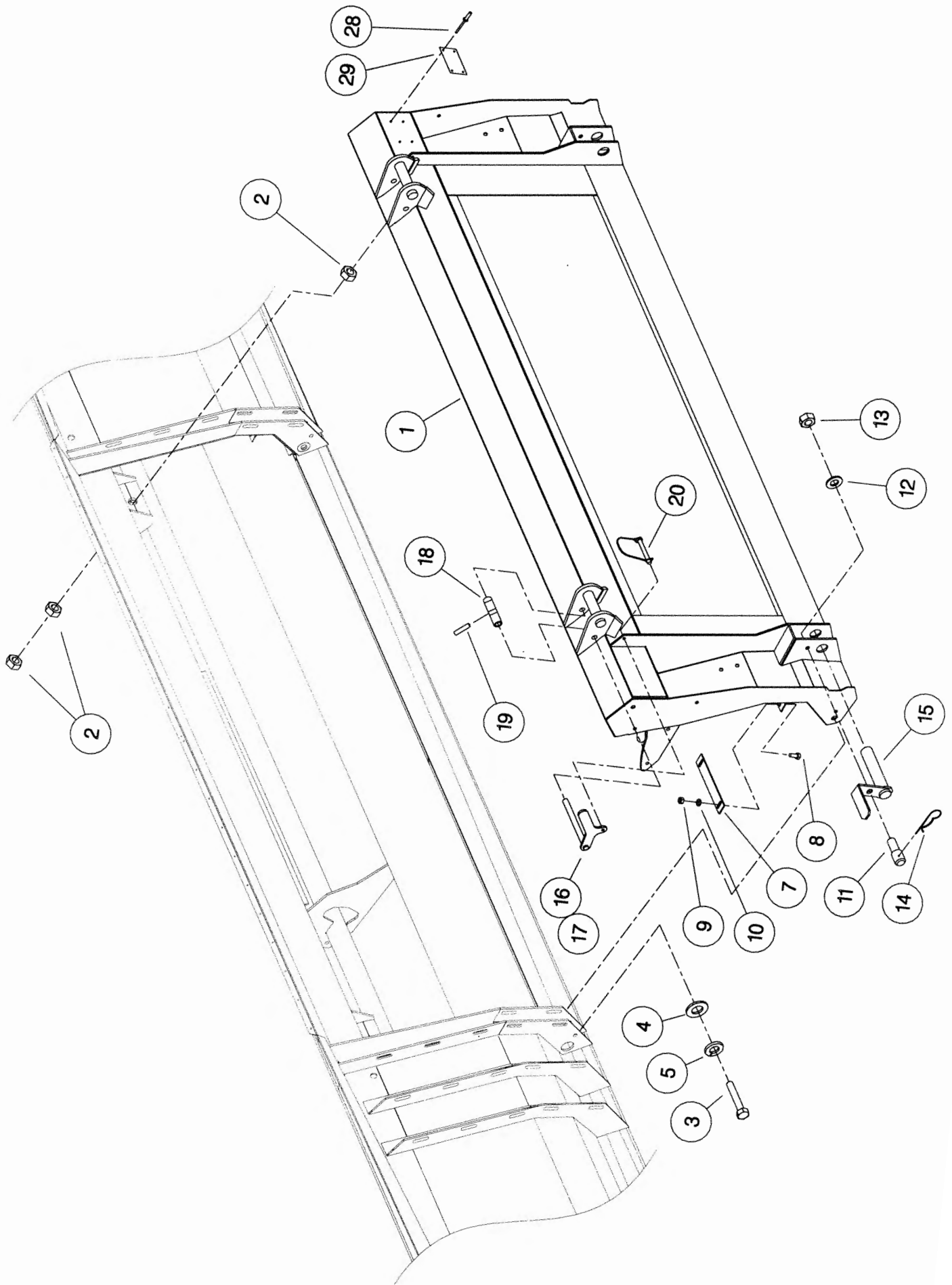
**Shelbourne Reynolds Engineering Limited**

ASSY NUMBER: 196517 19K		ASSY DESCRIPTION: ADAPTOR PLATE ASSY - CLAAS (LEXION)					
ITEM	PART NO	DESCRIPTION	QTY	ITEM	PART NO	DESCRIPTION	QTY
	KIT-00613	ADAPTOR PLATE SUB	1				

**Shelbourne Reynolds Engineering Limited**

ASSY NUMBER:		KIT-00613		SUB ASSY DESCRIPTION: ADAPTOR PLATE CLAAS (LEXION)			
ITEM	PART NO	DESCRIPTION	QTY	ITEM	PART NO	DESCRIPTION	QTY
1	193151 01	FRAME WELD ASSY	1				
2	NUT-0190	PLAIN NUT (M24)	6				
3	HSS-0315	SET SCREW (M16x35)	2				
4	WSH-0024	PLAIN WASHER (M16)	2				
5	WSH-0070	SPRING WASHER (M16)	2				
6							
7	193152 02	SCRAPER	2				
8	BLT-4710	COACH BOLT (M8x20)	4				
9	NUT-0263	NYLOC NUT (M8)	4				
10	WSH-0012	PLAIN WASHER (8mm)	4				
11	192204 01	PIN	2				
12	WSH-0018	PLAIN WASHER (12mm)	2				
13	NUT-0269	NYLOC NUT (M12)	2				
14	RCL-0015	R CLIP (1/8" DIA.WIRE)	2				
15	192198 04	LOWER LOCKING PIN	2				
16	193153 01	TOP LOCKING LEVER LH	1				
17	193153 02	TOP LOCKING LEVER RH	1				
18	193154 01	TOP LOCK	2				
19	PIN-1921	ROLL PIN (DIA.6mm x25mm)	2				
20	PIN-1720	SPRING "D" PIN	2				
21							
22							
23							
24							
25							
26							
27							
28	POP-0006	POP RIVET (3/16"x1/2") (UPTO 2009)	4				
29	134024 05	IDENTIFICATION PLATE (UPTO 2009)	1				







*RX & CX Shelbourne Header*

**DRIVE KITS**

**Shelbourne Reynolds Engineering Limited**

ASSY NUMBER:		196534 012		ASSY DESCRIPTION: DRIVE KIT RX36 CLAAS (ALL)			
ITEM	PART NO	DESCRIPTION	QTY	ITEM	PART NO	DESCRIPTION	QTY
1	191804 24	SELECT GEAR 24T B	1				
2	191804 32	SELECT GEAR 32T T	1				
3	PTO-18003	FLEX POWER SHAFT	1				
4	191929 01	AUGER SPROCKET	1				
5	CHN-01620	CHAIN	119				
6	CHN-01600	JOINING LINK	1				
7	KIT-00931	PTO SUPPORT KIT	1				

**Shelbourne Reynolds Engineering Limited**

ASSY NUMBER:		196534 013		ASSY DESCRIPTION: DRIVE KIT RX42 CLAAS (ALL)			
ITEM	PART NO	DESCRIPTION	QTY	ITEM	PART NO	DESCRIPTION	QTY
1	191804 24	SELECT GEAR 24T B	1				
2	191804 32	SELECT GEAR 32T T	1				
3	PTO-18000	FLEX POWER SHAFT	1				
4	191929 01	AUGER SPROCKET	1				
5	CHN-01620	CHAIN	105				
6	CHN-01600	JOINING LINK	1				
7	KIT-00931	PTO SUPPORT KIT	1				

**Shelbourne Reynolds Engineering Limited**

ASSY NUMBER:		196534 014	ASSY DESCRIPTION: DRIVE KIT RX48 CLAAS (ALL)				
ITEM	PART NO	DESCRIPTION	QTY	ITEM	PART NO	DESCRIPTION	QTY
1	191804 24	SELECT GEAR 24T B	1				
2	191804 32	SELECT GEAR 32T T	1				
3	PTO-17015	FLEX POWER SHAFT	1				
4	192768 08	AUGER SPROCKET	1				
5	CHN-01920	CHAIN	91				
6	CHN-01901	JOINING LINK	1				
7	KIT-00931	PTO SUPPORT KIT	1				

**Shelbourne Reynolds Engineering Limited**

ASSY NUMBER:		196534 015		ASSY DESCRIPTION: DRIVE KIT RX54 CLAAS (ALL)			
ITEM	PART NO	DESCRIPTION	QTY	ITEM	PART NO	DESCRIPTION	QTY
1	191804 24	SELECT GEAR 24T (28t inv)	1				
2	191804 32	SELECT GEAR 32T (28t inv)	1				
3	PTO-17011	FLEX POWER SHAFT	1				
4	192768 08	AUGER SPROCKET	1				
5	CHN-01920	CHAIN	91				
6	CHN-01901	JOINING LINK	1				
7	KIT-00931	PTO SUPPORT KIT	1				

**Shelbourne Reynolds Engineering Limited**

ASSY NUMBER:		196534 016		ASSY DESCRIPTION: DRIVE KIT RX60 CLAAS (ALL)			
ITEM	PART NO	DESCRIPTION	QTY	ITEM	PART NO	DESCRIPTION	QTY
1	191804 24	SELECT GEAR 24T (28t inv)	1				
2	191804 32	SELECT GEAR 32T (28t inv)	1				
3	PTO-17007	FLEX POWER SHAFT	1				
4	192768 08	AUGER SPROCKET	1				
5	CHN-01920	CHAIN	91				
6	CHN-01901	JOINING LINK	1				
7	KIT-00931	PTO SUPPORT KIT	1				



**Shelbourne Reynolds Engineering Limited**

ASSY NUMBER:		196534 018		ASSY DESCRIPTION: DRIVE KIT RX66-CX84 CLAAS (ALL)			
ITEM	PART NO	DESCRIPTION	QTY	ITEM	PART NO	DESCRIPTION	QTY
1	191804 24	SELECT GEAR 24T (28t inv)	1				
2	191804 32	SELECT GEAR 32T (28t inv)	1				
3	PTO-17003	FLEX POWER SHAFT	1				
4	192768 08	AUGER SPROCKET	1				
5	CHN-01920	CHAIN	91				
6	CHN-01901	JOINING LINK	1				
7	KIT-00931	PTO SUPPORT KIT	1				

**Shelbourne Reynolds Engineering Limited**

ASSY NUMBER:		196534 185		ASSY DESCRIPTION: DRIVE KIT RX54 CLAAS (LEXION)			
ITEM	PART NO	DESCRIPTION	QTY	ITEM	PART NO	DESCRIPTION	QTY
1	191804 24	SELECT GEAR 24T (28t inv)	1				
2	191804 32	SELECT GEAR 32T (28t inv)	1				
3	PTO-17012	FLEX POWER SHAFT	1				
4	192768 08	AUGER SPROCKET	1				
5	CHN-01920	CHAIN	91				
6	CHN-01901	JOINING LINK	1				
7	KIT-00931	PTO SUPPORT KIT	1				

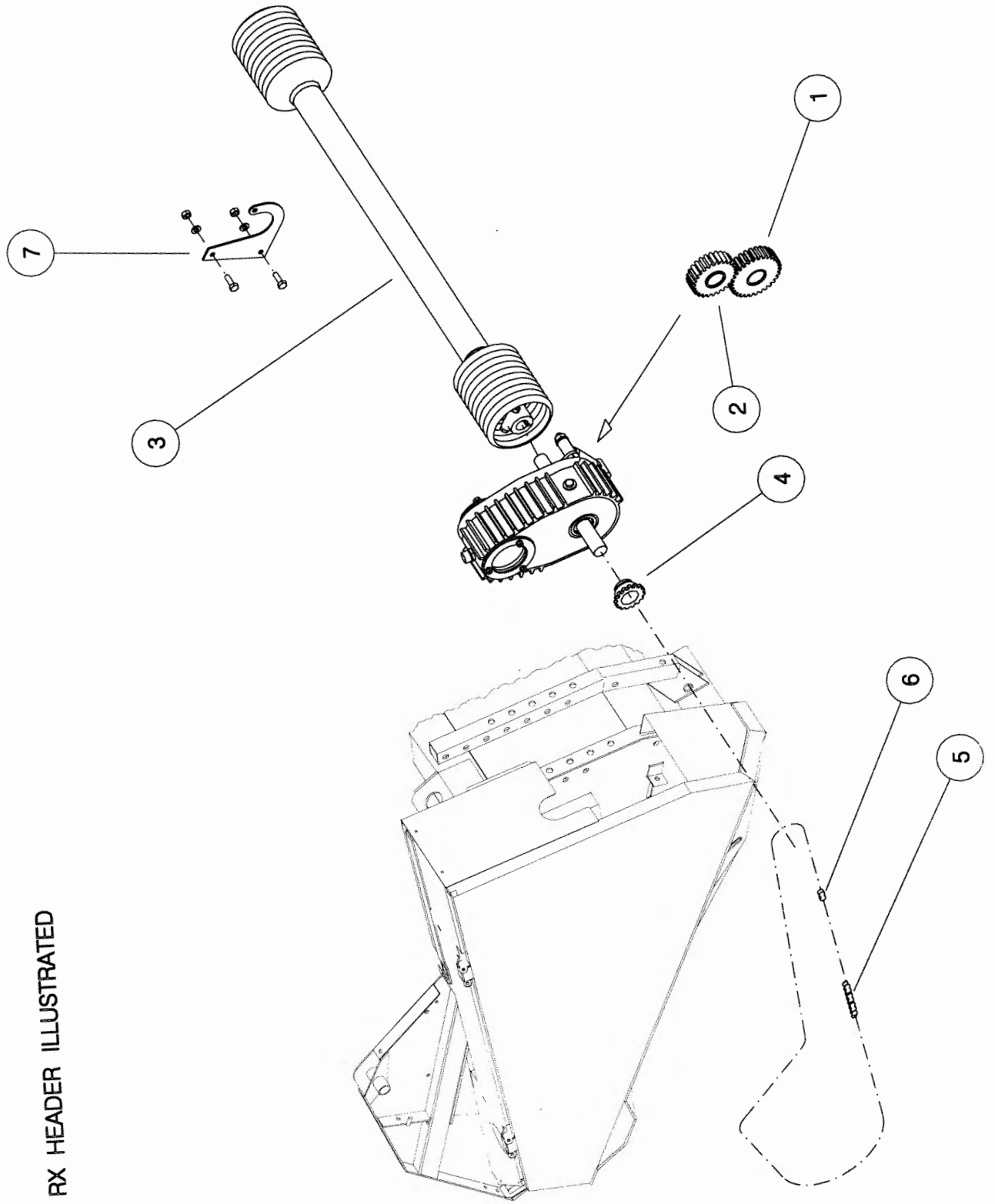
**Shelbourne Reynolds Engineering Limited**

ASSY NUMBER:		196534 186		ASSY DESCRIPTION: DRIVE KIT RX60 CLAAS (LEXION)			
ITEM	PART NO	DESCRIPTION	QTY	ITEM	PART NO	DESCRIPTION	QTY
1	191804 24	SELECT GEAR 24T (28t inv)	1				
2	191804 32	SELECT GEAR 32T (28t inv)	1				
3	PTO-17008	FLEX POWER SHAFT	1				
4	192768 08	AUGER SPROCKET	1				
5	CHN-01920	CHAIN	91				
6	CHN-01901	JOINING LINK	1				
7	KIT-00931	PTO SUPPORT KIT	1				

**Shelbourne Reynolds Engineering Limited**

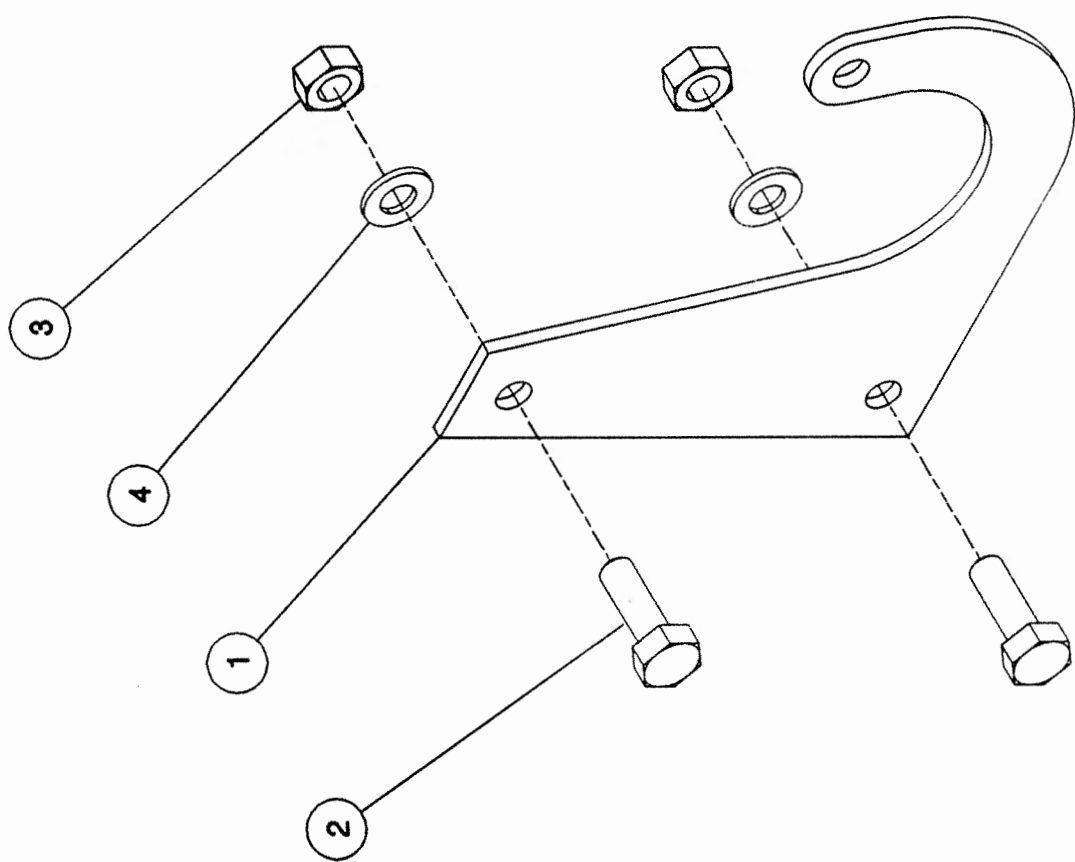
ASSY NUMBER:		196534 188	ASSY DESCRIPTION: DRIVE KIT RX66-CX84 CLAAS (LEXION)				
ITEM	PART NO	DESCRIPTION	QTY	ITEM	PART NO	DESCRIPTION	QTY
1	191804 24	SELECT GEAR 24T (28t inv)	1				
2	191804 32	SELECT GEAR 32T (28t inv)	1				
3	PTO-17004	FLEX POWER SHAFT	1				
4	192768 08	AUGER SPROCKET	1				
5	CHN-01920	CHAIN	91				
6	CHN-01901	JOINING LINK	1				
7	KIT-00931	PTO SUPPORT KIT	1				

RX HEADER ILLUSTRATED



**Shelbourne Reynolds Engineering Limited**

ASSY NUMBER:		KIT-00931		ASY DESCRIPTION: PTO SUPPORT KIT			
ITEM	PART NO	DESCRIPTION	QTY	ITEM	PART NO	DESCRIPTION	QTY
1	191945 01	PTO SUPPORT	1				
2	HSS-0238	SET SCREW	2				
3	NUT-0269	NYLOC NUT	2				
4	WSH-0018	PLAIN WASHER	2				





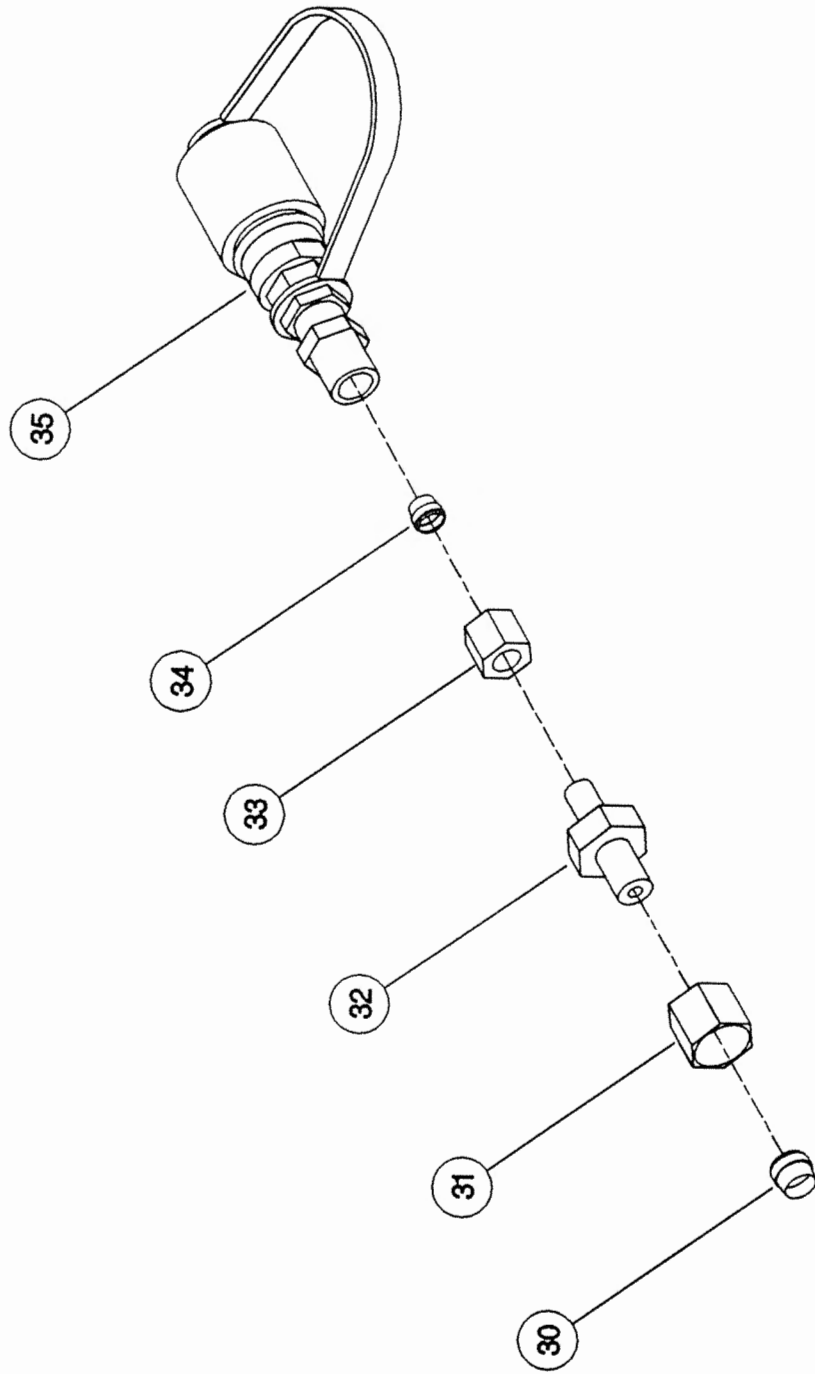


*RX & CX Shelbourne Header*

**HYDRAULIC  
FITTINGS**

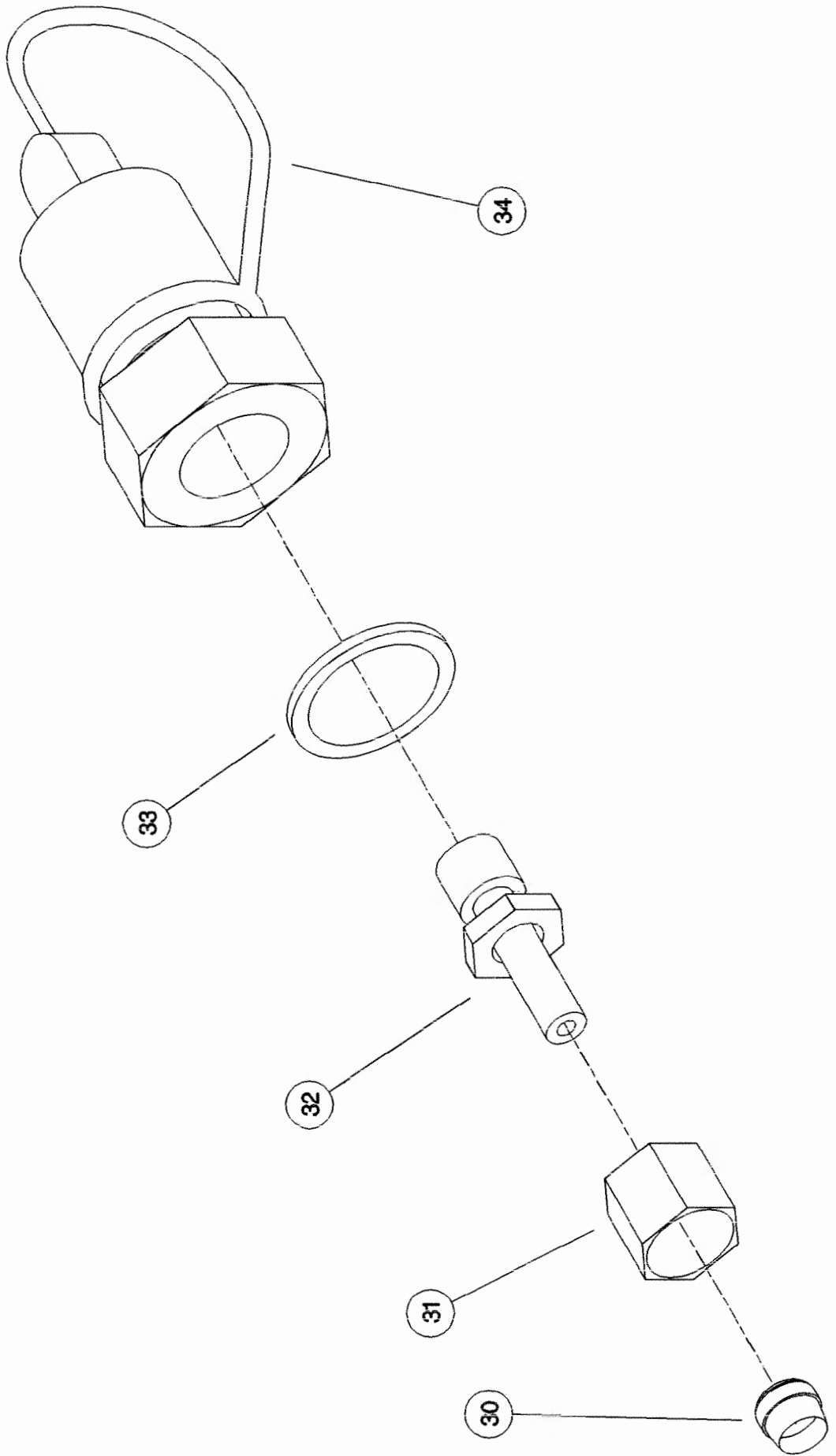
**Shelbourne Reynolds Engineering Limited**

ASSY NUMBER:		KIT-01702		SUB ASSY DESCRIPTION: HYDRAULIC PROBE ADAPTOR			
ITEM	PART NO	DESCRIPTION	QTY	ITEM	PART NO	DESCRIPTION	QTY
30	FIT-0056	OLIVE	1				
31	FIT-0051	NUT	1				
32	190860 01	HYDRAULIC FITTING	1				
33	FIT-0050	NUT	1				
34	FIT-0055	OLIVE	1				
35	COU-0123	COUPLING	1				



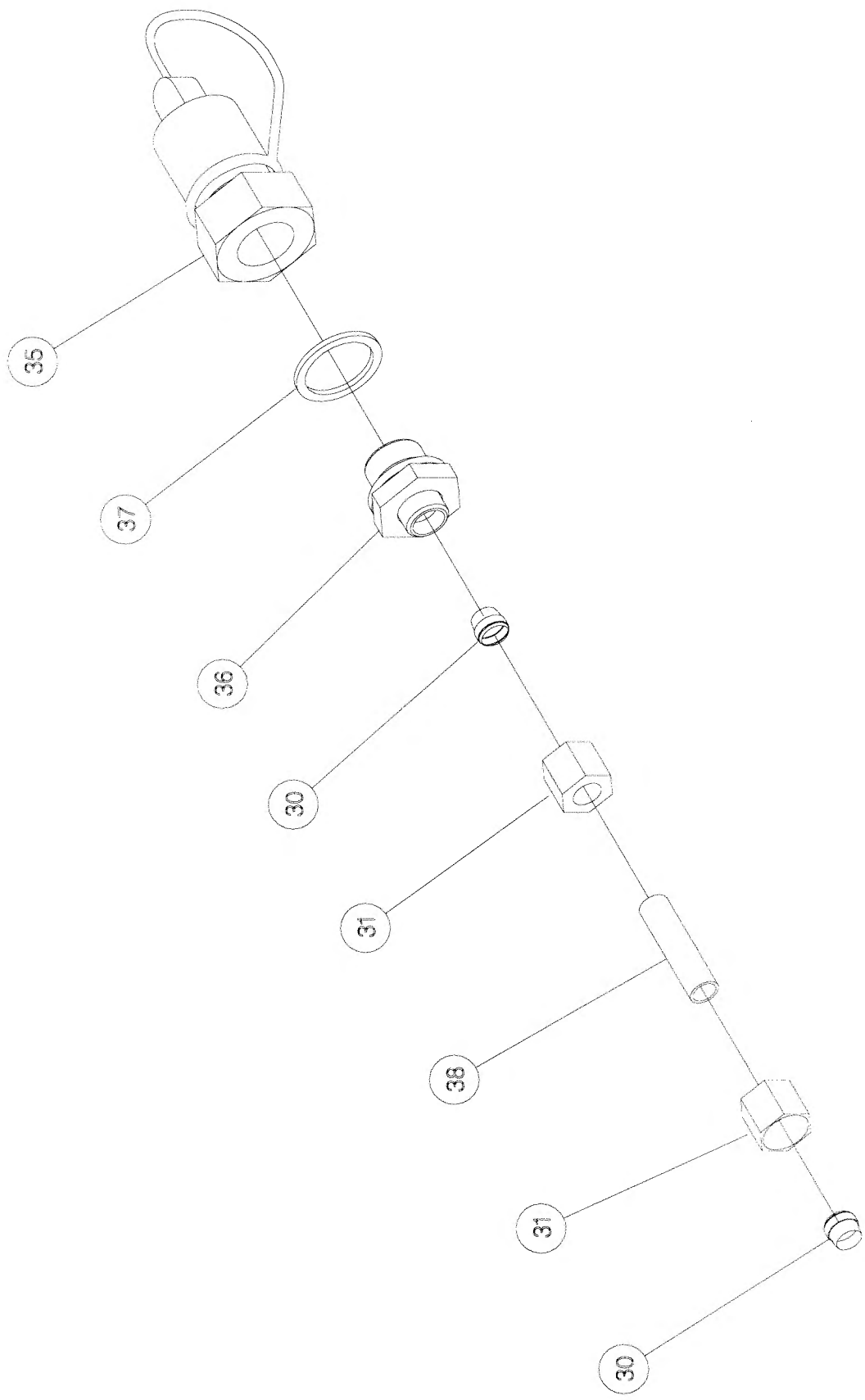
**Shelbourne Reynolds Engineering Limited**

ASSY NUMBER:		KIT-01704		SUB ASSY DESCRIPTION: HYDRAULIC PROBE ADAPTOR			
ITEM	PART NO	DESCRIPTION	QTY	ITEM	PART NO	DESCRIPTION	QTY
30	FIT-0056	OLIVE (FROM 196517 04/07)	1				
31	FIT-0051	NUT (FROM 196517 04/07)	1				
32	FIT-0219	ADAPTOR (FROM 196517 04/07)	1				
33	WSH-1010	SEAL (FROM 196517 04/07)	1				
34	COU-0161	PROBE COUPLING (FROM 196517 04/07)	1				



**Shelbourne Reynolds Engineering Limited**

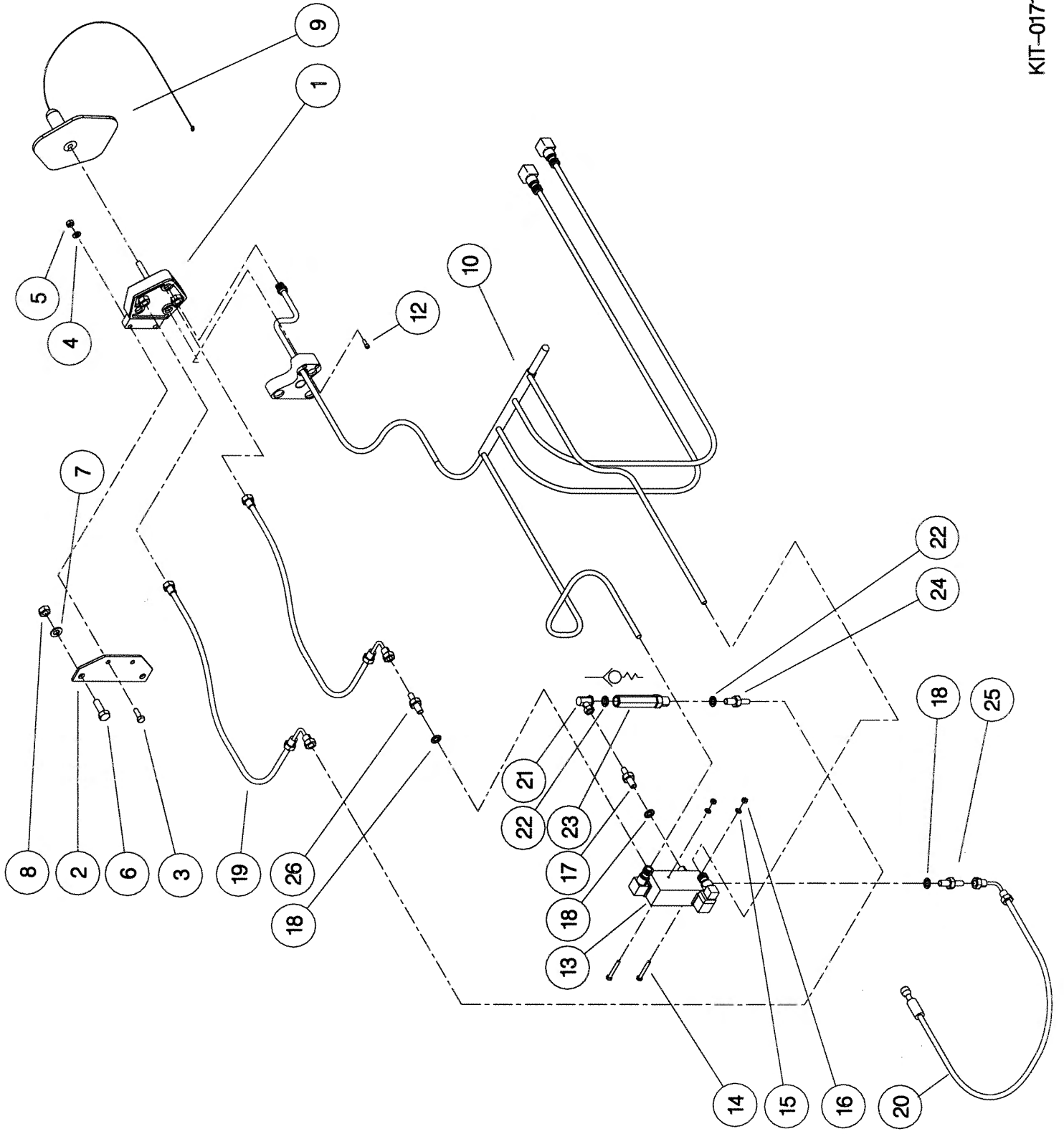
ASSY NUMBER:		KIT-01705		SUB ASSY DESCRIPTION: HYDRAULIC PROBE ADAPTOR			
ITEM	PART NO	DESCRIPTION	QTY	ITEM	PART NO	DESCRIPTION	QTY
30	FIT-0056	OLIVE	2				
31	FIT-0051	NUT	2				
35	COU-0162	PROBE COUPLING	1				
36	HST-0021	ADAPTOR	1				
37	WSH-1015	SEAL	1				
38	RP-100040	PIPE	1				



**Shelbourne Reynolds Engineering Limited**

ASSY NUMBER:		KIT-01717		SUB ASSY DESCRIPTION: HYDRAULIC FITTING KIT (CLAAS LEXION)			
ITEM	PART NO	DESCRIPTION	QTY	ITEM	PART NO	DESCRIPTION	QTY
1	CHP-05000	COUPLING	1				
2	193601 01	FIXING PLATE	1				
3	HSS-0150	SET SCREW	2				
4	WSH-0012	PLAIN WASHER	2				
5	NUT-0263	NYLOC NUT	2				
6	HSS-0238	SET SCREW	2				
7	WSH-0018	PLAIN WASHER	2				
8	NUT-0269	NYLOC NUT	2				
9	CHP-05005	GUARD CAP	1				
10	195076 01	WIRE LOOM (2001 & ON)	1				
OR	CHP-05010	WIRE LOOM (UP TO 2001)	1				
11							
12	SCCA05323	CAP HEAD SCREW (2001 & ON)	5				
OR	SCW-0064	CAP HEAD SCREW (UP TO 2001)	5				
13	HVB-12504	VALVE BLOCK (2002 & ON)	1				
OR	HVB-12501	VALVE BLOCK (UP TO 2002)	1				
14	BLTA06350	BOLT	2				
15	WSH-0009	PLAIN WASHER	2				
16	NUT-0260	NYLOC NUT	2				
17	FIT-0025	FITTING					
		(2002 & ON, REF.ITEM 13)	2				
		(UP TO 2002, REF.ITEM 13)	1				
18	WSH-1010	DOWTY WASHER	3				
19	HHBC05010	HYDRAULIC HOSE ASSY	2				
20	HHBC08510	HYDRAULIC HOSE ASSY	1				
21	HALAA0303	FITTING	1				
		(UP TO 2002, REF.ITEM 13)					
22	WSH-1005	DOWTY WASHER	2				
		(UP TO 2002, REF.ITEM 13)					
23	HVB-20560	CHECK VALVE	1				
		(UP TO 2002, REF.ITEM 13)					
24	HMA-0052	FITTING	1				
		(UP TO 2002, REF.ITEM 13)					
25	HAQAA0305	STRAINER FITTING	1				
		(UP TO 2002, REF.ITEM 13)					
26	HAPAA0305	RESTRICTOR	1				





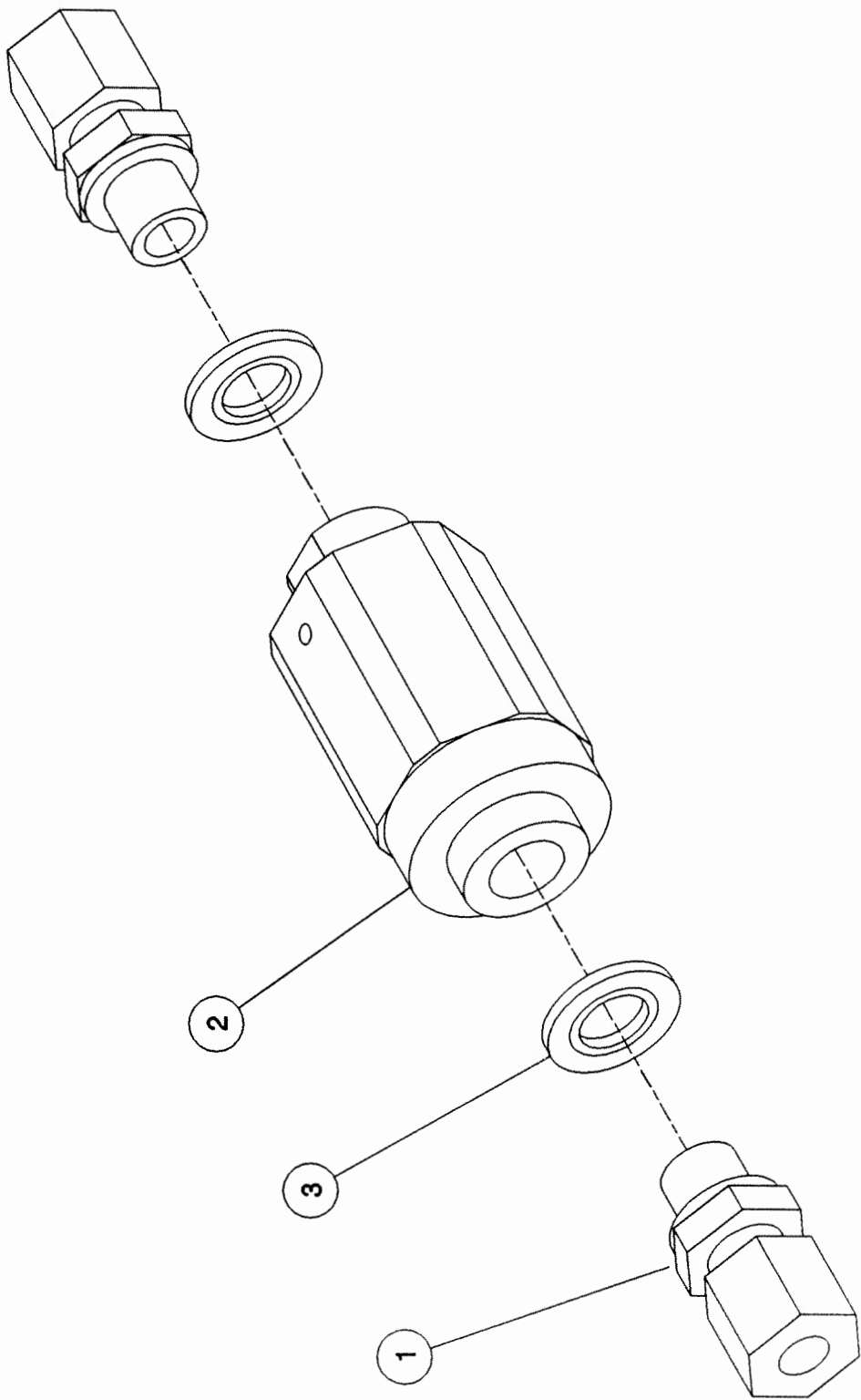


## *RX & CX Shelbourne Header*

**KIT OPTIONS**

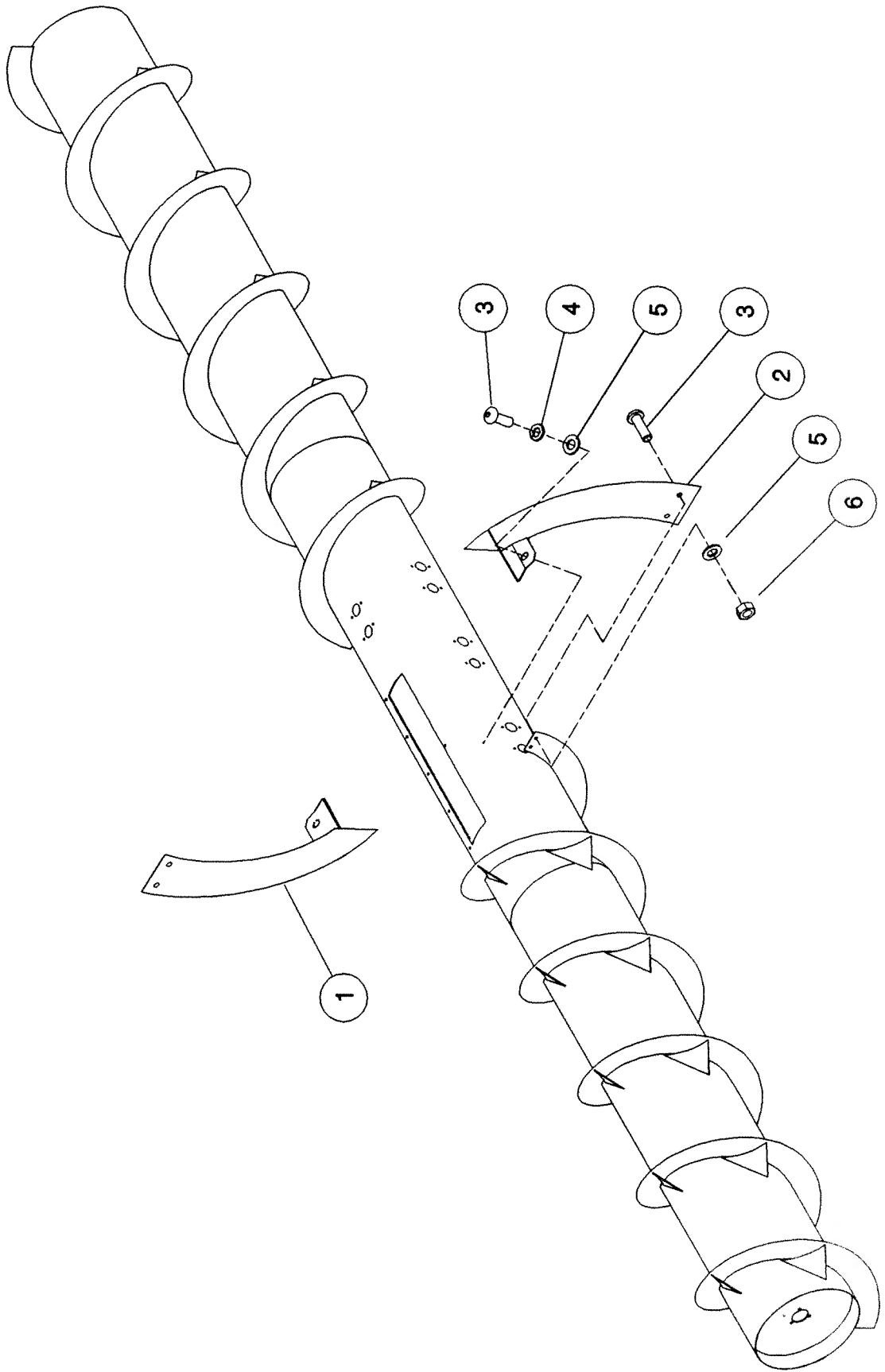
*Shelbourne Reynolds Engineering Limited*

ASSY NUMBER:		KIT-00932		ASSY DESCRIPTION: THROTTLE VALVE KIT			
ITEM	PART NO	DESCRIPTION	QTY	ITEM	PART NO	DESCRIPTION	QTY
1	FIT-0552	MALE STUD COUPLING	2				
2	VAL-0120	FINE CONTROL THROTTLE VALVE	1				
3	WSH-1005	DOWTY WASHER	2				



**Shelbourne Reynolds Engineering Limited**

ASSY NUMBER:		KIT-00965		SUB ASSY DESCRIPTION: AUGER FLIGHT EXTENSIONS (RX/CX)			
ITEM	PART NO	DESCRIPTION	QTY	ITEM	PART NO	DESCRIPTION	QTY
1	192227 01	AUGER FLIGHT EXT. L.H	1				
2	192227 02	AUGER FLIGHT EXT. R.H	1				
3	SCBA08172	BUT. SKT. HD SCREW	6				
4	WSH-0058	SPRING WASHER	2				
5	WSH-0012	PLAIN WASHER	6				
6	NUT-0263	NYLOC NUT	4				



**Shelbourne Reynolds Engineering Limited**

ASSY NUMBER:		KIT-00970		SUB ASSY DESCRIPTION: PROTECTION PANS KIT			
ITEM	PART NO	DESCRIPTION	QTY	ITEM	PART NO	DESCRIPTION	QTY
1	192712 01	PROTECTION PAN (1 HOLE)	2				
2	HSS-0191	SET SCREW	6				
3	WSH-0015	WASHER	8				
4	NUT-0265	NUT	6				



