

# *RX &CX Shelbourne header*

**ADAPTOR PLATE & COMBINE FITTINGS**

**PARTS MANUAL**

**JOHN DEERE**



**Shelbourne Reynolds Engineering Ltd**

**Stanton**

**Bury St Edmunds**

**Suffolk IP31 2AR**

**England**

**Telephone: 01359 250415**

**(Stores direct 01359 251231)**

**Fax. No: 01359 250464**

**(Stores direct 01359 252031)**



# JOHN DEERE

## Parts Manual

### Adaptor Plate

196517 05K	ADAPTOR PLATE ASSY - J.D (ERPN)
196517 14K	ADAPTOR PLATE ASSY - J.D (USA)
196517 18K	ADAPTOR PLATE ASSY - J.D (Z SERIES)

### Drive Kits

	BELOW KITS FOR JD 9500,7720 & CTS
196534 003	DRIVE KIT - Rx42
196534 004	DRIVE KIT - Rx48
196534 005	DRIVE KIT - Rx54
196534 006	DRIVE KIT - Rx60
196534 008	DRIVE KIT - Rx66,Cx72,Cx78 & Cx84

	BELOW KITS FOR JD ERPN
196534 035	DRIVE KIT - 5.4m
196534 038	DRIVE KIT - 6.0 - 8.4m

	BELOW KIT FOR JD 9600 & 8820
196534 155	DRIVE KIT - Rx54
196534 156	DRIVE KIT - Rx60
196534 158	DRIVE KIT - Rx66,Cx72,Cx78 & Cx84

	BELOW KITS FOR JD CONTOUR MASTER & Z SERIES
196534 175	DRIVE KIT - Rx54
196534 176	DRIVE KIT - Rx60
196534 178	DRIVE KIT - Rx66,Cx72,Cx78 & Cx84



## Hydraulic Fittings

KIT-01702	HYDRAULIC CONNECTOR - (JD ERPN)
KIT-01707	HYDRAULIC CONNECTOR - (USA)
KIT-01714	HYDRAULIC CONNECTOR - (Z SERIES)

## Kit Options

KIT-00965	AUGER FLIGHT EXTENSIONS KIT
KIT-00970	RX PROTECTION PANS (ALL WIDTHS)



*RX & CX Shelbourne Header*

**ADAPTOR PLATES**





Shelbourne Reynolds Engineering Limited

ASSY NUMBER: 196517 05K				ASSY DESCRIPTION: ADAPTOR PLATE ASSY - JOHN DEERE (ERP)			
ITEM	PART NO	DESCRIPTION	QTY	ITEM	PART NO	DESCRIPTION	QTY
	KIT-00605	ADAPTOR PLATE SUB	1				
	KIT-00805	FIXING KIT	1				

**Shelbourne Reynolds Engineering Limited**

ASSY NUMBER:		196517 14K		ASSY DESCRIPTION: ADAPTOR PLATE ASSY - JD (AMERICAN)			
ITEM	PART NO	DESCRIPTION	QTY	ITEM	PART NO	DESCRIPTION	QTY
	KIT-00605	ADAPTOR PLATE SUB	1				
	KIT-00804	LEVELLING KIT	1				

**Shelbourne Reynolds Engineering Limited**

ASSY NUMBER: 196517 18K

ASSY DESCRIPTION: ADAPTOR PLATE ASSY - JD (Z SERIES)

ITEM	PART NO	DESCRIPTION	QTY	ITEM	PART NO	DESCRIPTION	QTY
	KIT-00612	ADAPTOR PLATE SUB	1				

**Shelbourne Reynolds Engineering Limited**

ASSY NUMBER:		KIT-00605		SUB ASSY DESCRIPTION: ADAPTOR PLATE JOHN DEERE (FROM 196517 05)			
ITEM	PART NO	DESCRIPTION	QTY	ITEM	PART NO	DESCRIPTION	QTY
1	191216 01	FRAME WELD ASSY	1				
2	NUT-0190	PLAIN NUT (M24)	6				
3	HSS-0315	SET SCREW (M16x35)	2				
4	WSH-0024	PLAIN WASHER (16mm)	2				
5	WSH-0070	SPRING WASHER (16mm)	2				
6							
7	191223 02	SCRAPER	2				
8	BLT-4710	COACH BOLT (M8x20mm)	6				
9	NUT-0263	NYLOC NUT (M8)	6				
10	WSH-0012	PLAIN WASHER (8mm)	6				
11							
12							
13							
14							
15							
28	POP-0006	POP RIVET (3/16"DIAx1/2") (UPTO 2009)	4				
29	134024 05	IDENTIFICATION PLATE (UPTO 2009)	1				
30	197208 01	PACKER PLATE	2				
31	SCW-1580	SCREW (M6x20)	6				
32	WSH-0009	PLAIN WASHER (M6)	6				
33	NUT-0260	NYLOC NUT (M6)	6				

**Shelbourne Reynolds Engineering Limited**

ASSY NUMBER: KIT-00612 SUB ASSY DESCRIPTION: ADAPTOR PLATE JD-Z SERIES (FROM 196517 18K)

ITEM	PART NO	DESCRIPTION	QTY	ITEM	PART NO	DESCRIPTION	QTY
1	191216 01	FRAME WELD ASSY	1				
2	NUT-0190	PLAIN NUT (M24)	6				
3	HSS-0315	SET SCREW (M16x35)	2				
4	WSH-0024	PLAIN WASHER (M16)	2				
5	WSH-0070	SPRING WASHER (M16)	2				
6							
7	191223 02	SCRAPER	2				
8	BLT-4710	COACH BOLT (M8x20)	6				
9	NUT-0263	NYLOC NUT (M8)	6				
10	WSH-0012	PLAIN WASHER (8mm)	6				
11							
12							
13							
14							
15	192925 01	EXTENSION BOLT WELD ASSY	2				
28	POP-0006	POP RIVET (3/16"x1/2") (UPTO 2009)	4				
29	134024 05	IDENTIFICATION PLATE (UPTO 2009)	1				
30	197208 01	PACKER PLATE	6				
31	SCW-1580	SCREW (M6x20)	6				
32	WSH-0009	PLAIN WASHER (M6)	6				
33	NUT-0260	NYLOC NUT (M6)	6				

*Shelbourne Reynolds Engineering Limited*

ASSY NUMBER:		KIT-00804		SUB ASSY DESCRIPTION: LEVELLING SPACERS (JD)			
ITEM	PART NO	DESCRIPTION	QTY	ITEM	PART NO	DESCRIPTION	QTY
30	191595 01	SPACER	3				



**Shelbourne Reynolds Engineering Limited**

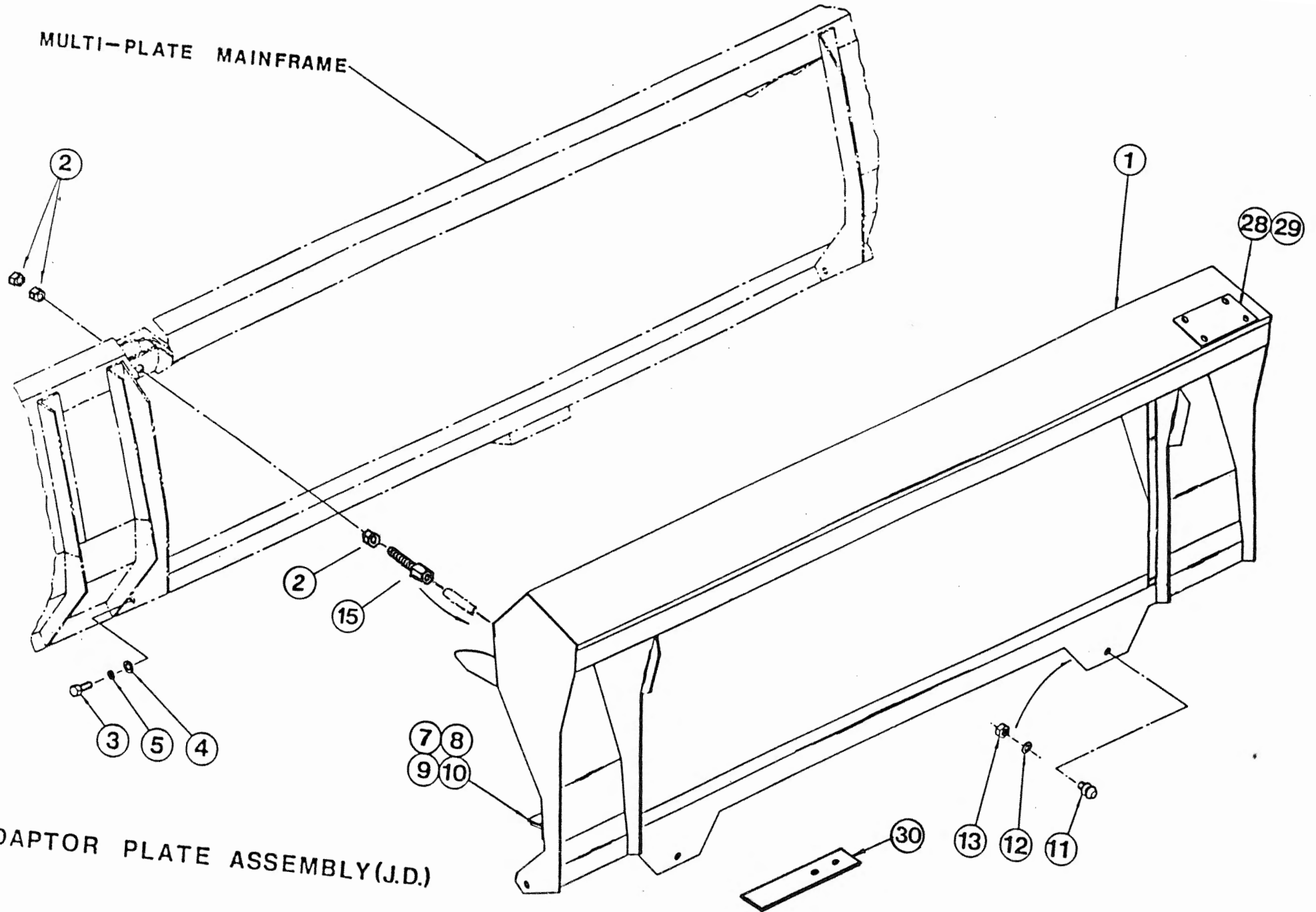
ASSY NUMBER:		KIT-00805		SUB ASSY DESCRIPTION: BOTTOM PICK UP FIXING KIT JD (ERP)			
ITEM	PART NO	DESCRIPTION	QTY	ITEM	PART NO	DESCRIPTION	QTY
11	130130	PICK UP PIN	2				
12	WSH-0075	SPRING WASHER	2				
13	NUT-0385	HALF NUT	2				



MULTI-PLATE MAINFRAME

15

ADAPTOR PLATE ASSEMBLY (J.D.)





*RX & CX Shelbourne Header*

**DRIVE KITS**

**Shelbourne Reynolds Engineering Limited**

ASSY NUMBER:		196534 003		ASSY DESCRIPTION: DRIVE KIT 4.2M CASEIH(ALL)/JD9500,7720			
ITEM	PART NO	DESCRIPTION	QTY	ITEM	PART NO	DESCRIPTION	QTY
1	191804 29	SELECT GEAR 29T	1				
2	191804 27	SELECT GEAR 27T	1				
3	PTO-05001	FLEX POWER SHAFT	1				
4	191116 04	AUGER SPROCKET 18T	1				
5	CHN-01620	CHAIN	109				
6	CHN-01600	JOINING LINK	1				
7	KIT-00931	PTO SUPPORT KIT	1				

**Shelbourne Reynolds Engineering Limited**

ASSY NUMBER:		196534 004		ASSY DESCRIPTION: DRIVE KIT 4.8M CASEIH(ALL)/JD9500,7720			
ITEM	PART NO	DESCRIPTION	QTY	ITEM	PART NO	DESCRIPTION	QTY
1	191804 29	SELECT GEAR 29T	1				
2	191804 27	SELECT GEAR 27T	1				
3	PTO-17014	FLEX POWER SHAFT	1				
4	191116 04	AUGER SPROCKET 18T	1				
5	CHN-01620	CHAIN	109				
6	CHN-01600	JOINING LINK	1				
7	KIT-00931	PTO SUPPORT KIT	1				

**Shelbourne Reynolds Engineering Limited**

ASSY NUMBER:		196534 005		ASSY DESCRIPTION: DRIVE KIT 5.4M CASEIH(ALL)/JD9500,7720			
ITEM	PART NO	DESCRIPTION	QTY	ITEM	PART NO	DESCRIPTION	QTY
1	191804 29	SELECT GEAR 29T	1				
OR	191804 30	SELECT GEAR 30T	1				
2	191804 27	SELECT GEAR 27T	1				
OR	191804 26	SELECT GEAR 26T	1				
3	PTO-17010	FLEX POWER SHAFT	1				
4	192768 18	AUGER SPROCKET 18T	1				
OR	192768 06	AUGER SPROCKET 19T	1				
5	CHN-01920	CHAIN	95				
6	CHN-01901	JOINING LINK	1				
7	KIT-00931	PTO SUPPORT KIT	1				

**Shelbourne Reynolds Engineering Limited**

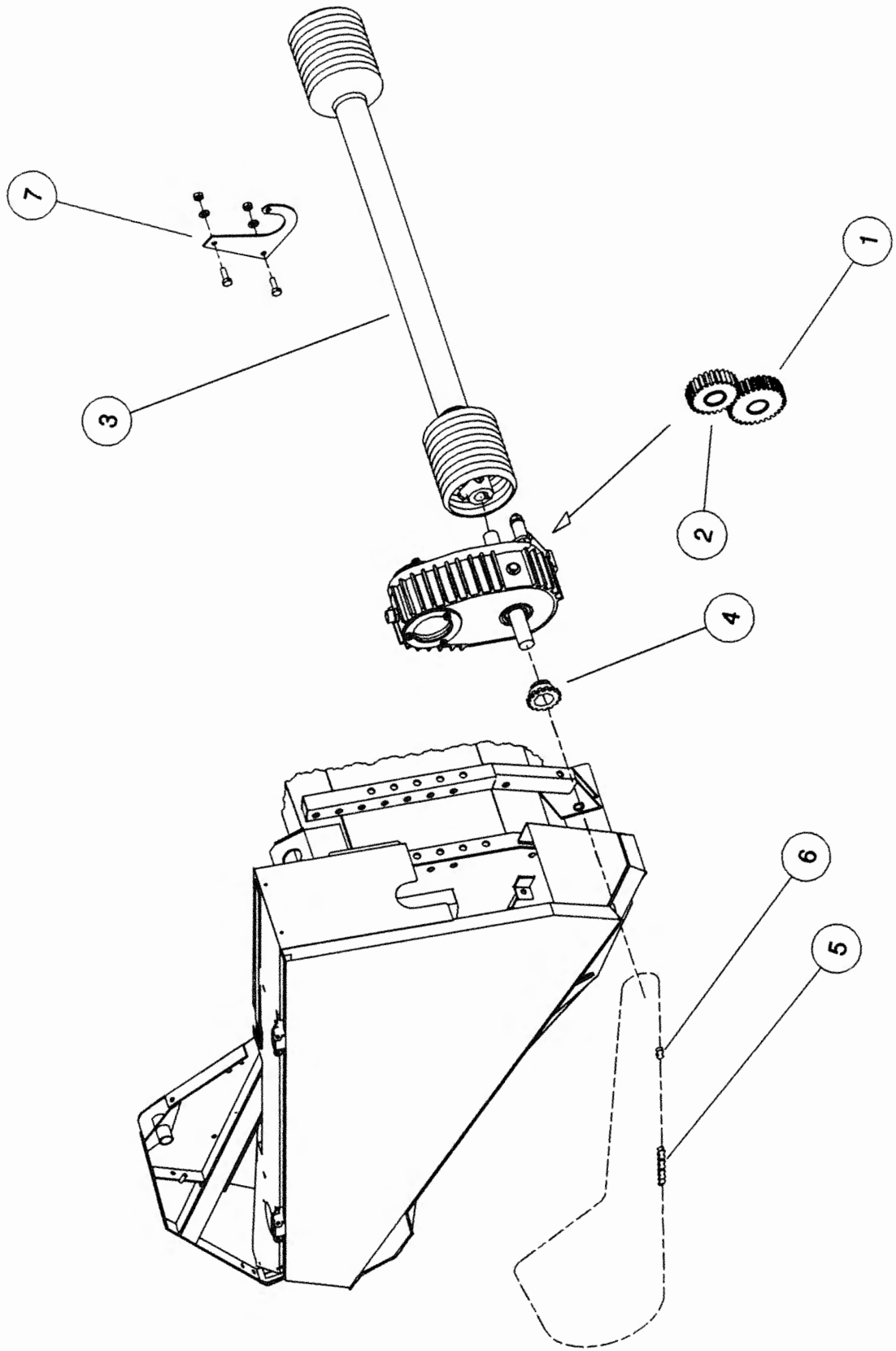
ASSY NUMBER:		196534 006		ASSY DESCRIPTION: DRIVE KIT 6.0M CASEIH(ALL)/JD9500,7720			
ITEM	PART NO	DESCRIPTION	QTY	ITEM	PART NO	DESCRIPTION	QTY
1	191804 29	SELECT GEAR 29T	1				
OR	191804 30	SELECT GEAR 30T	1				
2	191804 27	SELECT GEAR 27T	1				
OR	191804 26	SELECT GEAR 26T	1				
3	PTO-17006	FLEX POWER SHAFT	1				
4	192768 18	AUGER SPROCKET 18T	1				
OR	192768 06	AUGER SPROCKET 19T	1				
5	CHN-01920	CHAIN	95				
6	CHN-01901	JOINING LINK	1				
7	KIT-00931	PTO SUPPORT KIT	1				

**Shelbourne Reynolds Engineering Limited**

ASSY NUMBER:		196534 008		ASSY DESCRIPTION: DRIVE KIT 6. 6-8. 4M CASEIH/JD9500, 7720			
ITEM	PART NO	DESCRIPTION	QTY	ITEM	PART NO	DESCRIPTION	QTY
1	191804 29	SELECT GEAR 29T	1				
OR	191804 30	SELECT GEAR 30T	1				
2	191804 27	SELECT GEAR 27T	1				
OR	191804 26	SELECT GEAR 26T	1				
3	PTO-17002	FLEX POWER SHAFT	1				
4	192768 18	AUGER SPROCKET 18T	1				
OR	192768 06	AUGER SPROCKET 19T	1				
5	CHN-01920	CHAIN	95				
6	CHN-01901	JOINING LINK	1				
7	KIT-00931	PTO SUPPORT KIT	1				



RX HEADER ILLUSTRATED



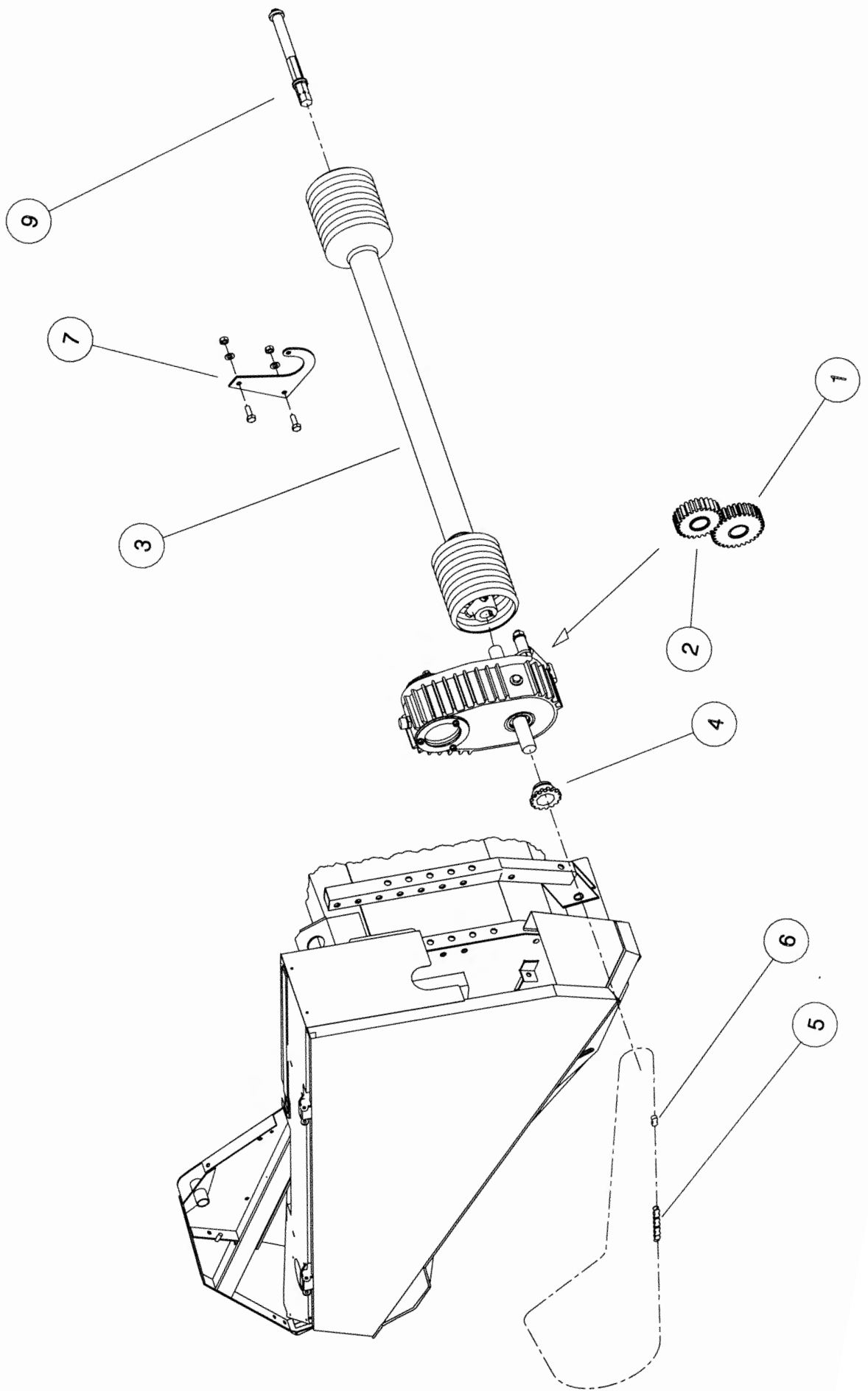


**Shelbourne Reynolds Engineering Limited**

ASSY NUMBER:		196534 035		ASSY DESCRIPTION: DRIVE KIT 5.4M JD (ERP)			
ITEM	PART NO	DESCRIPTION	QTY	ITEM	PART NO	DESCRIPTION	QTY
1	191804 30	SELECT GEAR 30T	1				
2	191804 26	SELECT GEAR 26T	1				
3	PTO-17006	FLEX POWER SHAFT	1				
4	192768 06	AUGER SPROCKET 19T	1				
5	CHN-01920	CHAIN	95				
6	CHN-01901	JOINING LINK	1				
7	KIT-00931	PTO SUPPORT KIT	1				
8							
9	KIT-01209	JD DRIVE SHAFT KIT	1				

**Shelbourne Reynolds Engineering Limited**

ASSY NUMBER:		196534 038		ASSY DESCRIPTION:DRIVE KIT 6.0-8.4M JD (ERP)			
ITEM	PART NO	DESCRIPTION	QTY	ITEM	PART NO	DESCRIPTION	QTY.
1	191804 30	SELECT GEAR 30T	1				
2	191804 26	SELECT GEAR 26T	1				
3	PTO-17002	FLEX POWER SHAFT	1				
4	192768 06	AUGER SPROCKET 19T	1				
5	CHN-01920	CHAIN	95				
6	CHN-01901	JOINING LINK	1				
7	KIT-00931	PTO SUPPORT KIT	1				
8							
9	KIT-01209	JD DRIVE ADAPTOR KIT	1				



**Shelbourne Reynolds Engineering Limited**

ASSY NUMBER:		196534 155		ASSY DESCRIPTION: DRIVE KIT 5.4M JD USA (9600/8820 ONLY)			
ITEM	PART NO	DESCRIPTION	QTY	ITEM	PART NO	DESCRIPTION	QTY
1	191804 29	SELECT GEAR 29T	1				
OR	191804 30	SELECT GEAR 30T	1				
2	191804 27	SELECT GEAR 27T	1				
OR	191804 26	SELECT GEAR 26T	1				
3	PTO-17010	FLEX POWER SHAFT	1				
4	192768 18	AUGER SPROCKET 18T	1				
OR	192768 06	AUGER SPROCKET 19T	1				
5	CHN-01920	CHAIN	95				
6	CHN-01901	JOINING LINK	1				
7	KIT-00931	PTO SUPPORT KIT	1				
8							
9	KIT-00975	JD DRIVE ADAPTOR KIT	1				

**Shelbourne Reynolds Engineering Limited**

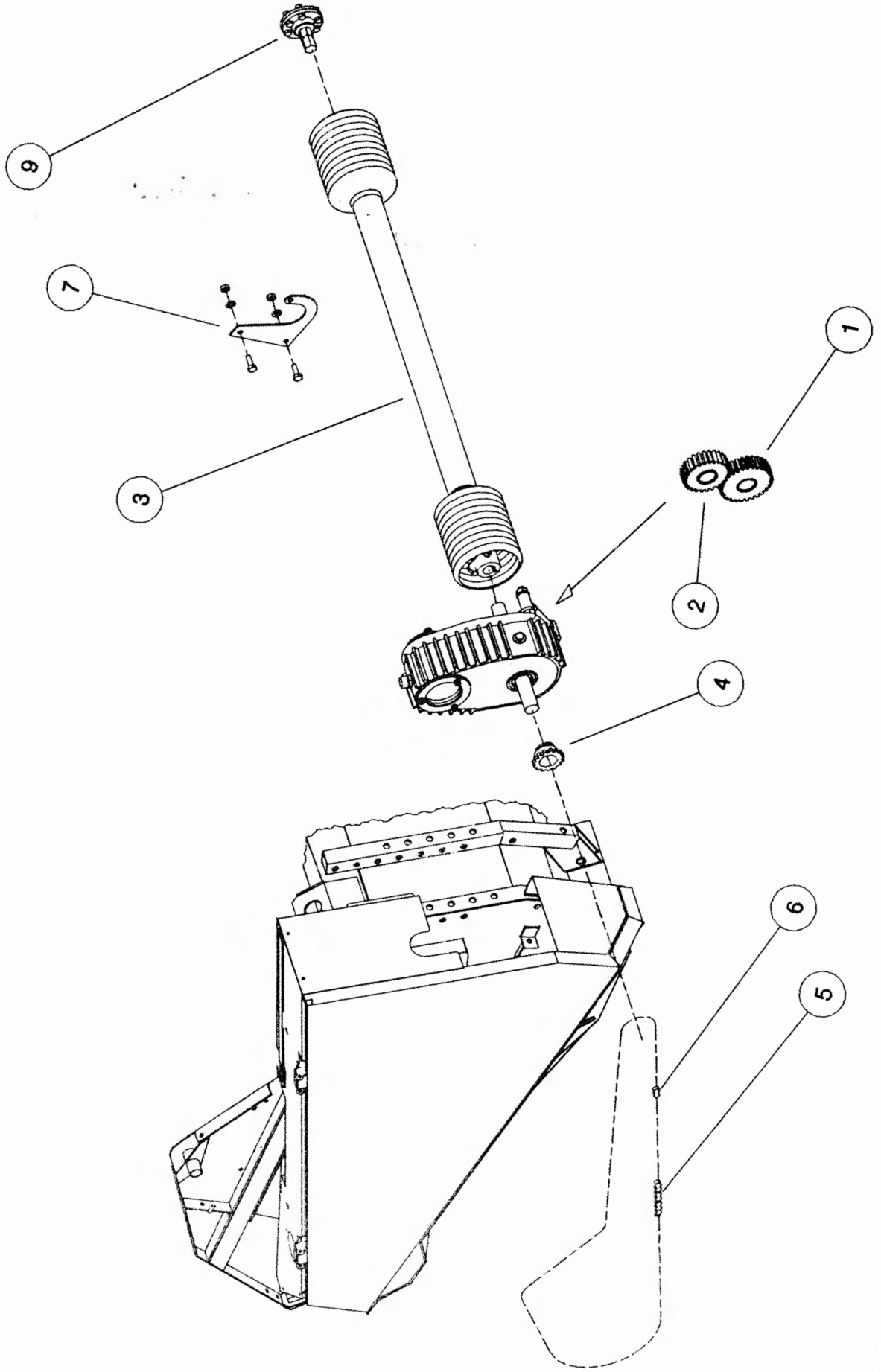
ASSY NUMBER:		196534 156		ASSY DESCRIPTION: DRIVE KIT 6.0M JD USA (9600/8820 ONLY)			
ITEM	PART NO	DESCRIPTION	QTY	ITEM	PART NO	DESCRIPTION	QTY
1	191804 29	SELECT GEAR 29T	1				
OR	191804 30	SELECT GEAR 30T	1				
2	191804 27	SELECT GEAR 27T	1				
OR	191804 26	SELECT GEAR 26T	1				
3	PTO-17006	FLEX POWER SHAFT	1				
4	192768 18	AUGER SPROCKET 18T	1				
OR	192768 06	AUGER SPROCKET 19T	1				
5	CHN-01920	CHAIN	95				
6	CHN-01901	JOINING LINK	1				
7	KIT-00931	PTO SUPPORT KIT	1				
8							
9	KIT-00975	JD DRIVE ADAPTOR KIT	1				

**Shelbourne Reynolds Engineering Limited**

ASSY NUMBER:		196534 158		ASSY DESCRIPTION: DRIVE KIT 6. 6-8. 4M JD USA9600/8820 ONLY			
ITEM	PART NO	DESCRIPTION	QTY	ITEM	PART NO	DESCRIPTION	QTY
1	191804 29	SELECT GEAR 29T	1				
OR	191804 30	SELECT GEAR 30T	1				
2	191804 27	SELECT GEAR 27T	1				
OR	191804 26	SELECT GEAR 26T	1				
3	PTO-17002	FLEX POWER SHAFT	1				
4	192768 18	AUGER SPROCKET 18T	1				
OR	192768 06	AUGER SPROCKET 19T	1				
5	CHN-01920	CHAIN	95				
6	CHN-01901	JOINING LINK	1				
7	KIT-00931	PTO SUPPORT KIT	1				
8							
9	KIT-00975	JD DRIVE ADAPTOR KIT	1				



RX HEADER ILLUSTRATED



**Shelbourne Reynolds Engineering Limited**

ASSY NUMBER:		196534 175		ASSY DESCRIPTION: DRIVE KIT 5.4M JD Z SERIES/USA TILT			
ITEM	PART NO	DESCRIPTION	QTY	ITEM	PART NO	DESCRIPTION	QTY
1	191804 29	SELECT GEAR 29T	1				
OR	191804 30	SELECT GEAR 30T	1				
2	191804 27	SELECT GEAR 27T	1				
OR	191804 26	SELECT GEAR 26T	1				
3	PTO-17012	FLEX POWER SHAFT	1				
4	192768 18	AUGER SPROCKET 18T	1				
OR	192768 06	AUGER SPROCKET 19T	1				
5	CHN-01920	CHAIN	95				
6	CHN-01901	JOINING LINK	1				
7	KIT-00931	PTO SUPPORT KIT	1				

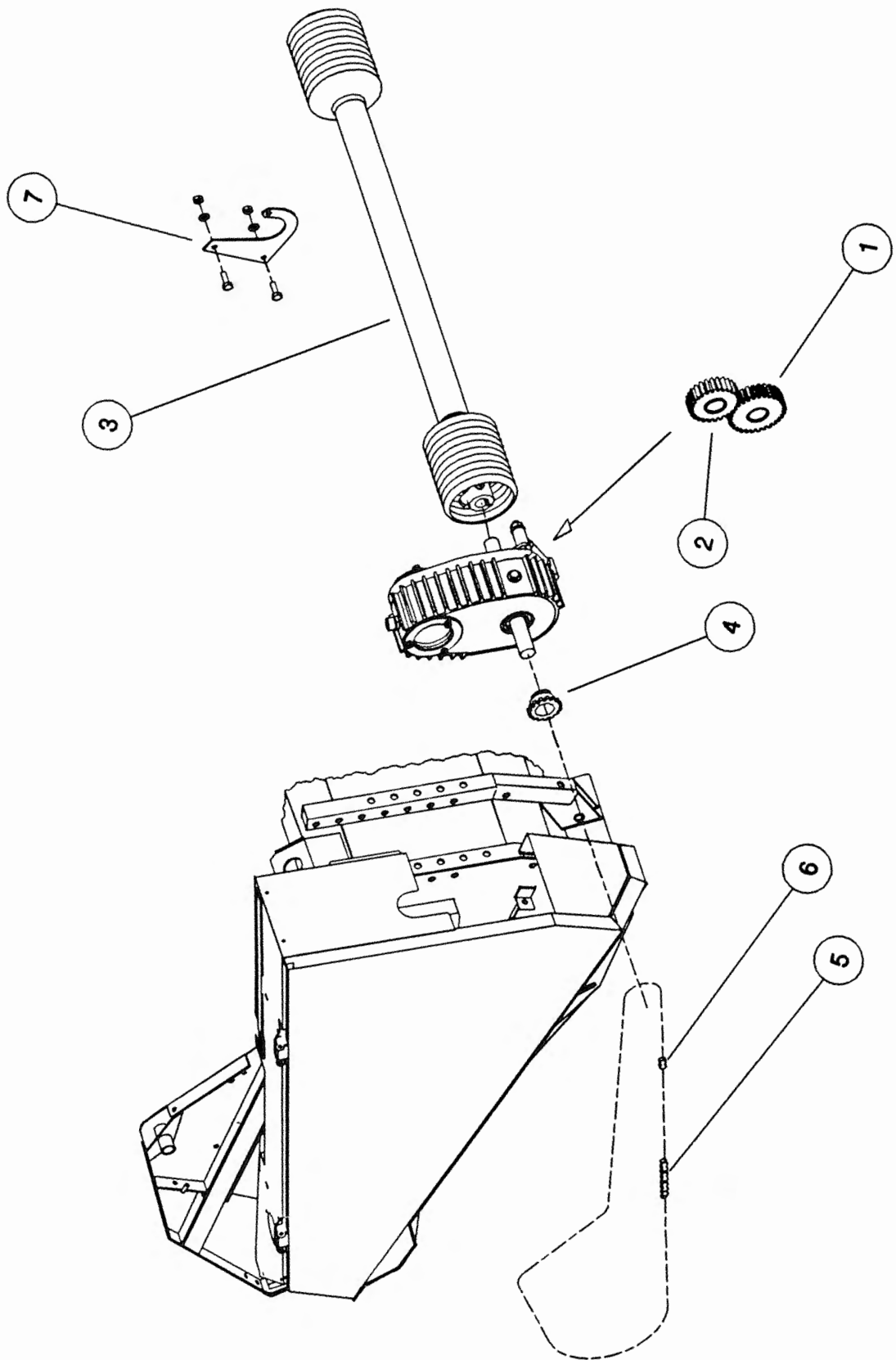
**Shelbourne Reynolds Engineering Limited**

ASSY NUMBER:		196534 176		ASSY DESCRIPTION: DRIVE KIT 6.0M JD Z SERIES/USA TILT			
ITEM	PART NO	DESCRIPTION	QTY	ITEM	PART NO	DESCRIPTION	QTY
1	191804 29	SELECT GEAR 29T	1				
OR	191804 30	SELECT GEAR 30T	1				
2	191804 27	SELECT GEAR 27T	1				
OR	191804 26	SELECT GEAR 26T	1				
3	PTO-17008	FLEX POWER SHAFT	1				
4	192768 18	AUGER SPROCKET 18T	1				
OR	192768 06	AUGER SPROCKET 19T	1				
5	CHN-01920	CHAIN	95				
6	CHN-01901	JOINING LINK	1				
7	KIT-00931	PTO SUPPORT KIT	1				

**Shelbourne Reynolds Engineering Limited**

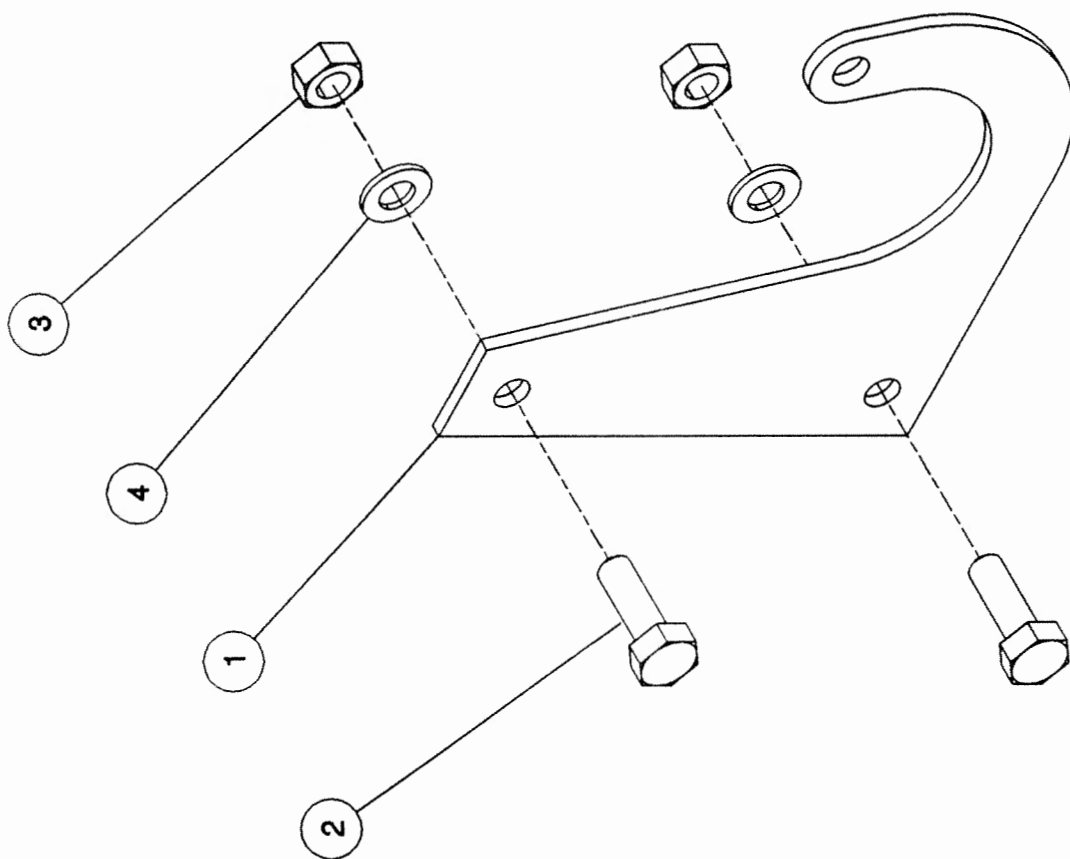
ASSY NUMBER:		196534 178		ASSY DESCRIPTION: DRIVE KIT 6.6-8.4M JD Z SERIES/USA TILT			
ITEM	PART NO	DESCRIPTION	QTY	ITEM	PART NO	DESCRIPTION	QTY
1	191804 29	SELECT GEAR 29T	1				
OR	191804 30	SELECT GEAR 30T	1				
2	191804 27	SELECT GEAR 27T	1				
OR	191804 26	SELECT GEAR 26T	1				
3	PTO-17004	FLEX POWER SHAFT	1				
4	192768 18	AUGER SPROCKET 18T	1				
OR	192768 06	AUGER SPROCKET 19T	1				
5	CHN-01920	CHAIN	95				
6	CHN-01901	JOINING LINK	1				
7	KIT-00931	PTO SUPPORT KIT	1				

RX HEADER ILLUSTRATED



**Shelbourne Reynolds Engineering Limited**

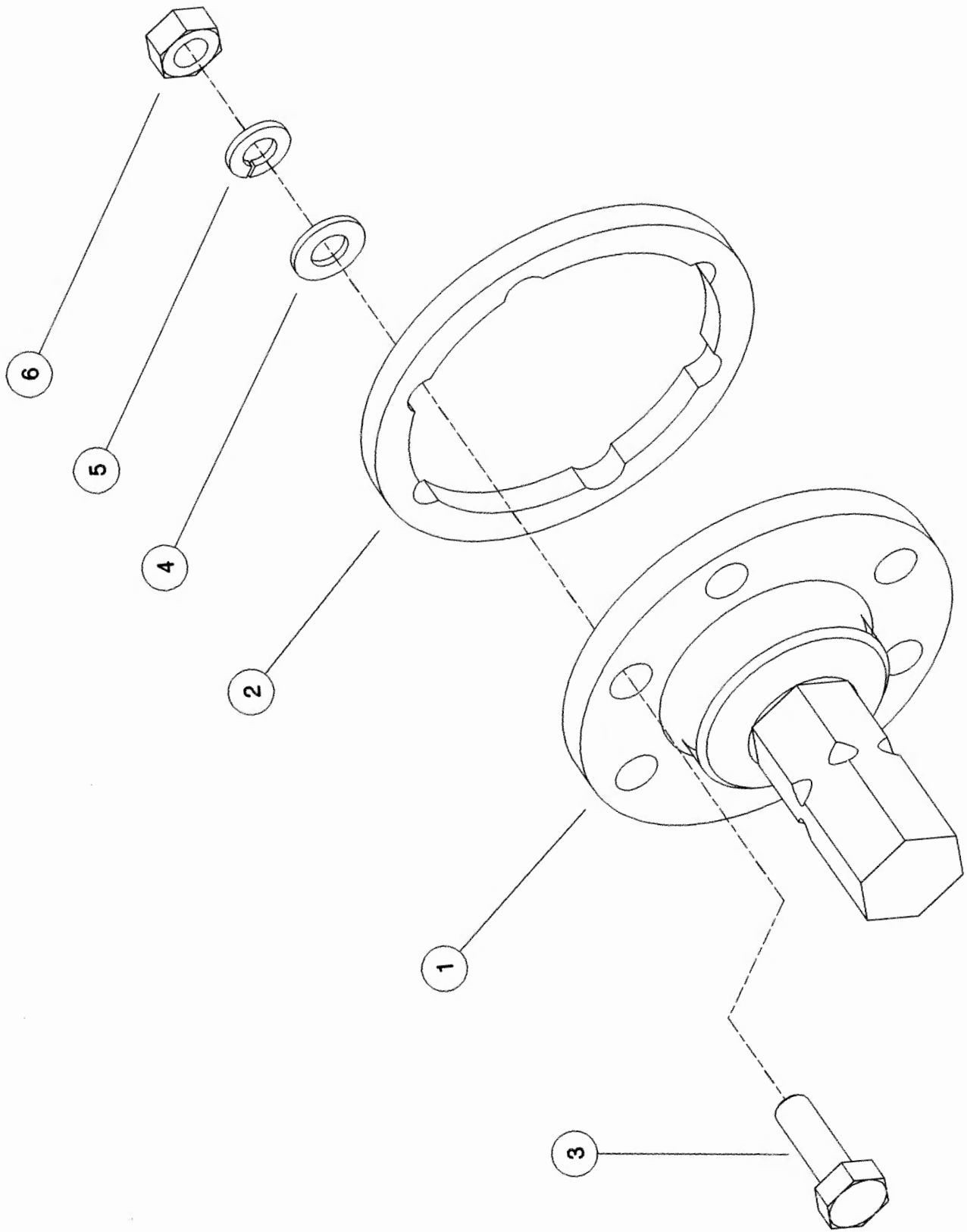
ASSY NUMBER:		KIT-00931		ASY DESCRIPTION: PTO SUPPORT KIT			
ITEM	PART NO	DESCRIPTION	QTY	ITEM	PART NO	DESCRIPTION	QTY
1	191945 01	PTO SUPPORT	1				
2	HSS-0238	SET SCREW	2				
3	NUT-0269	NYLOC NUT	2				
4	WSH-0018	PLAIN WASHER	2				



**Shelbourne Reynolds Engineering Limited**

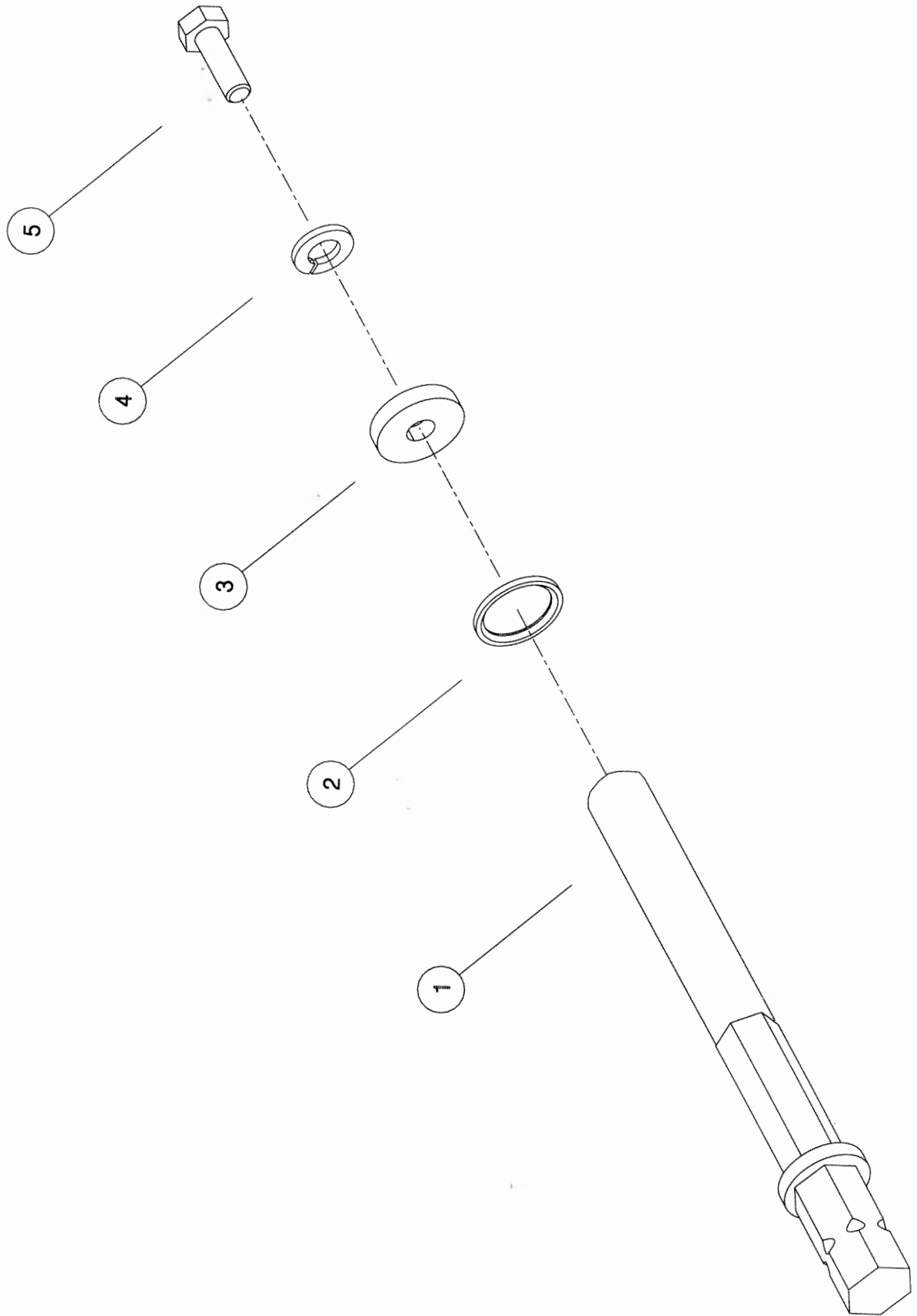
ASSY NUMBER:		KIT-00975		SUB ASSY DESCRIPTION: JD DRIVE COUPLING ADAPTOR KIT			
ITEM	PART NO	DESCRIPTION	QTY	ITEM	PART NO	DESCRIPTION	QTY
1	193092 01	JD DRIVE ADAPTOR	1				
2	193094 01	SPACER RING	1				
3	HSS-0241	SET SCREW	6				
4	WSH-0018	PLAIN WASHER	6				
5	WSH-0065	SPRING WASHER	6				
6	NUT-0170	PLAIN NUT	6				





**Shelbourne Reynolds Engineering Limited**

ASSY NUMBER:		KIT-01209		SUB ASSY DESCRIPTION: JD DRIVE SHAFT KIT			
ITEM	PART NO	DESCRIPTION	QTY	ITEM	PART NO	DESCRIPTION	QTY
1	193417 01	DRIVE SHAFT	1				
2	193337 01	SPACER RING	1				
3	190119 13	WASHER	1				
4	HSSA12234	SETSCREW	1				
5	WSH-0065	SPRING WASHER	1				



KIT-01209

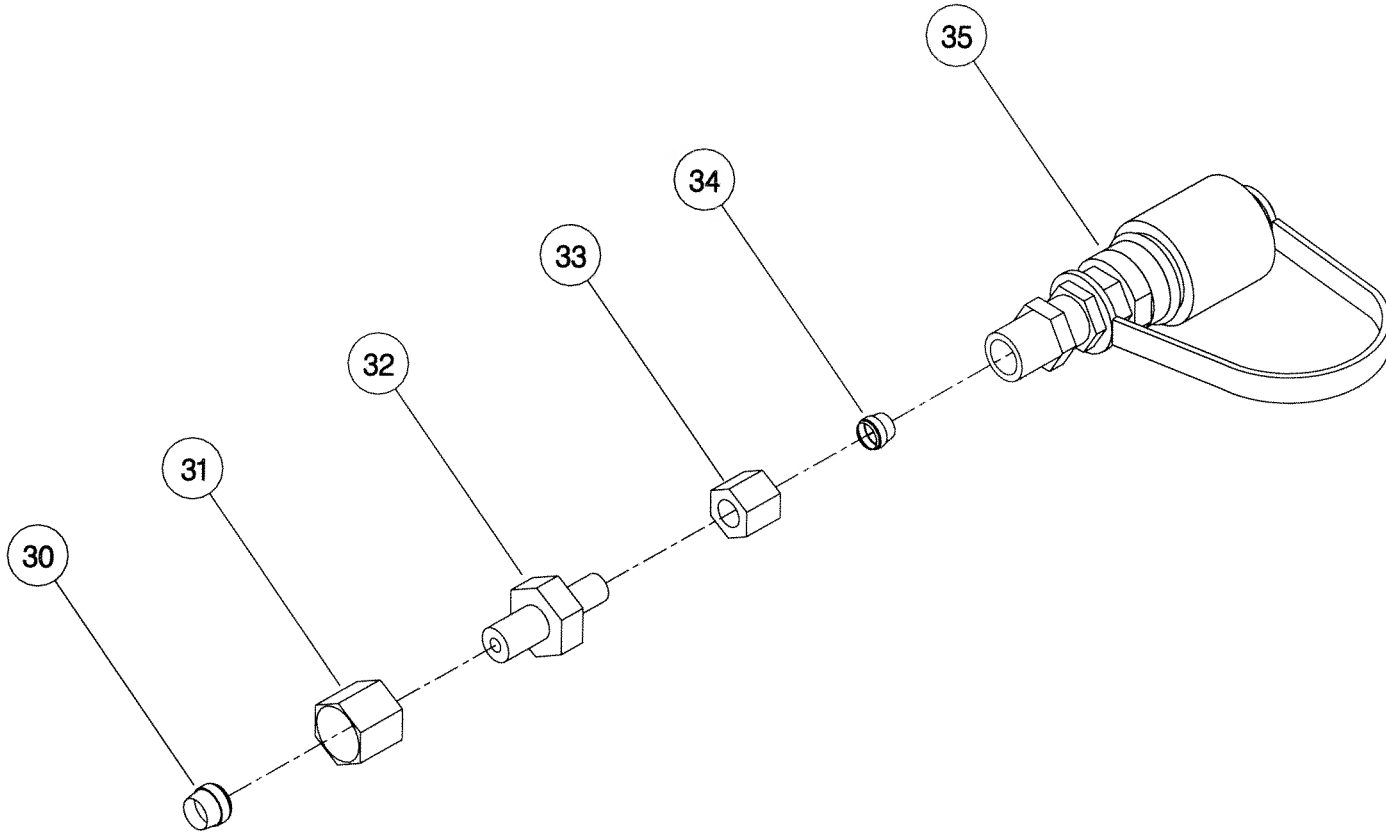


*RX & CX Shelbourne Header*

**HYDRAULIC  
FITTINGS**

**Shelbourne Reynolds Engineering Limited**

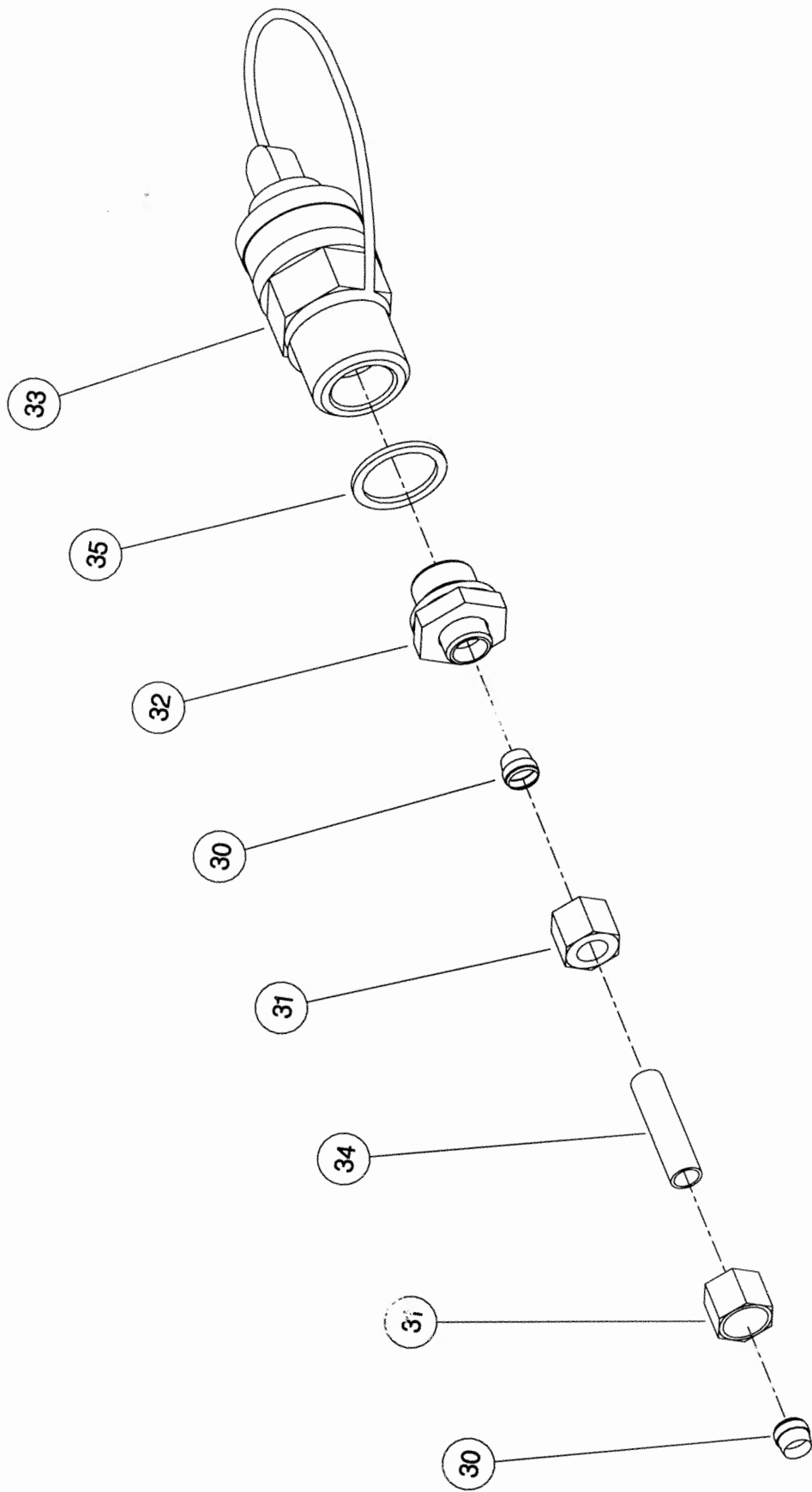
ASSY NUMBER:		KIT-01702		SUB ASSY DESCRIPTION: HYDRAULIC PROBE ADAPTOR			
ITEM	PART NO	DESCRIPTION	QTY	ITEM	PART NO	DESCRIPTION	QTY
30	FIT-0056	OLIVE	1				
31	FIT-0051	NUT	1				
32	190860 01	HYDRAULIC FITTING	1				
33	FIT-0050	NUT	1				
34	FIT-0055	OLIVE	1				
35	COU-0123	COUPLING	1				



**Shelbourne Reynolds Engineering Limited**

ASSY NUMBER:		KIT-01707		SUB ASSY DESCRIPTION: HYDRAULIC PROBE ADAPTOR			
ITEM	PART NO	DESCRIPTION	QTY	ITEM	PART NO	DESCRIPTION	QTY
30	FIT-0056	OLIVE	2				
31	FIT-0051	NUT	2				
32	FIT-0046	COUPLING	1				
33	COU-0128	PULL BRAKE COUPLING	1				
34	RP-100040	PIPE	1				
35	WSH-1015	DOWTY WASHER	1				



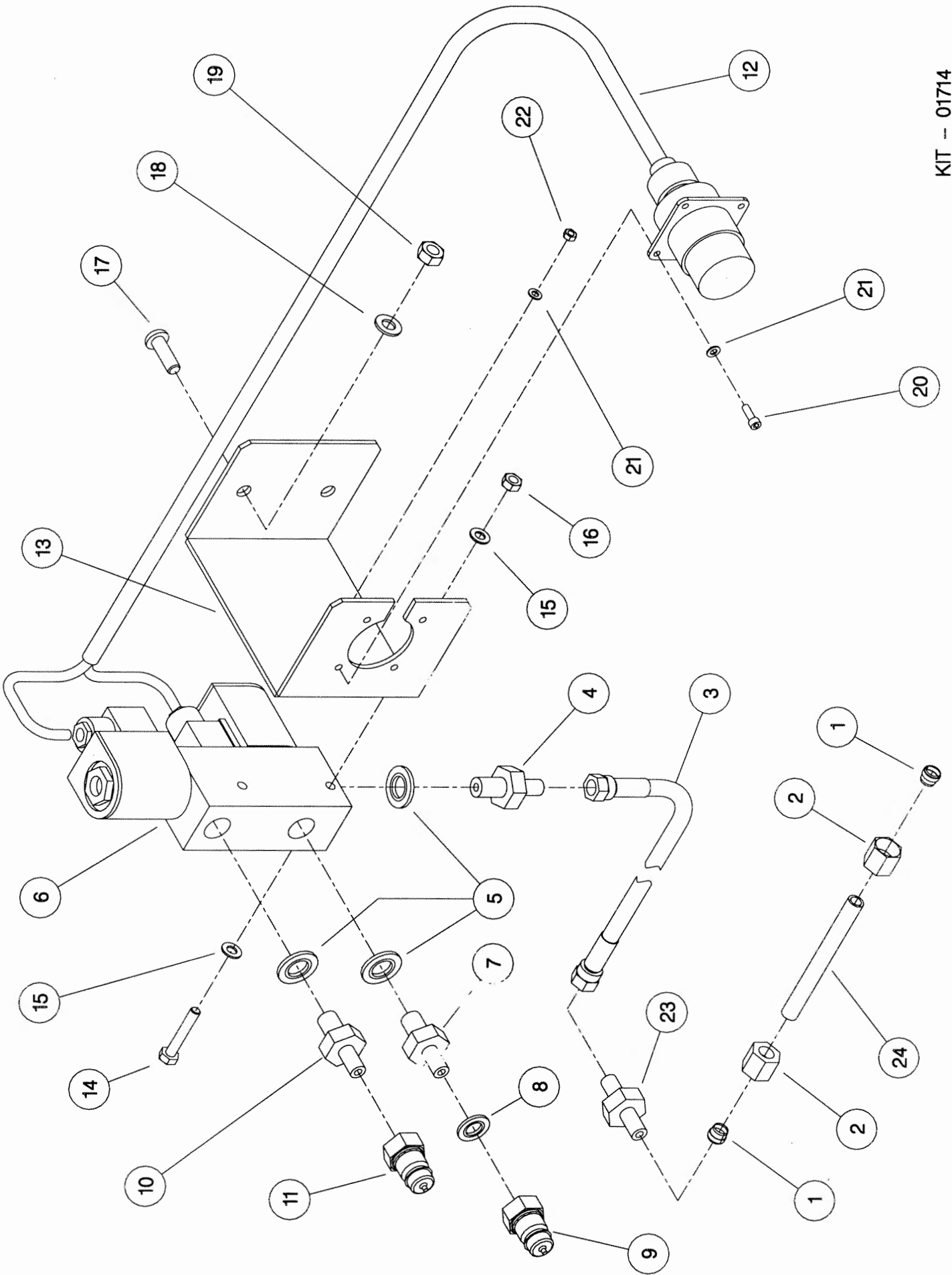


**Shelbourne Reynolds Engineering Limited**

ASSY NUMBER: KIT-01714 SUB ASSY DESCRIPTION: HYDRAULIC FITTING KIT (Z SERIES JD)

ITEM	PART NO	DESCRIPTION	QTY	ITEM	PART NO	DESCRIPTION	QTY
1	FIT-0056	OLIVE	2				
2	FIT-0051	NUT	2				
3	HHAC07505	HOSE	1				
4	FIT-0025	FITTING	1				
		(2002 & ON, REF. ITEM 6)					
OR	HAQAA0305	STRAINER FITTING	1				
		(UP TO 2001, REF. ITEM 6)					
5	WSH-1010	DOWTY WASHER	3				
6	HVB-12504	VALVE BLOCK(2002 & ON)	1				
OR	HVB-12501	VALVE BLOCK(UP TO 2002)	1				
7	HMA-0065	FITTING	1				
8	WSH-1015	DOWTY WASHER	1				
9	COU-0162	PULLBRAKE COUPLING	1				
10	HAAAD0545	FITTING	1				
11	COU-0550	PULLBRAKE COUPLING	1				
12	192148 01	WIRING LOOM & PLUG ASSY.	1				
13	192149 01	MOUNTING BRACKET	1				
14	BLT-2095	BOLT	2				
15	WSH-0009	PLAIN WASHER	4				
16	NUT-0260	NYLOC NUT	2				
17	SCW-0525	SOC.HD.BUTTON SCREW	2				
18	WSH-0012	PLAIN WASHER	2				
19	NUT-0263	NYLOC NUT	2				
20	SCW-0035	CAP HD.SCREW	4				
21	WSH-0003	PLAIN WASHER	8				
22	NUT-0255	NYLOC NUT	4				
23	FIT-0047	FITTING	1				
24	RP100040	PIPE	1				

45



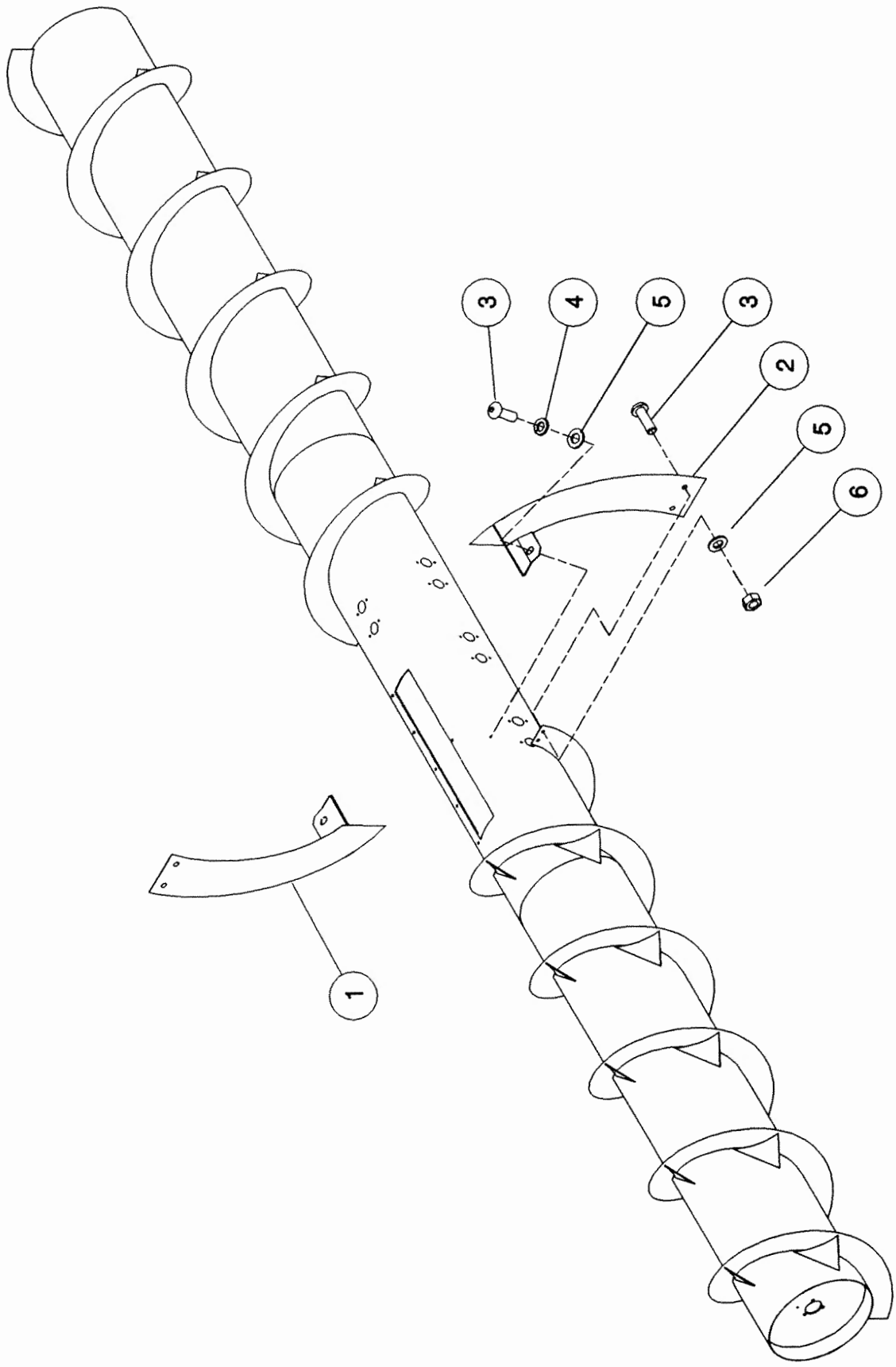


## *RX & CX Shelbourne Header*

# KIT OPTIONS

**Shelbourne Reynolds Engineering Limited**

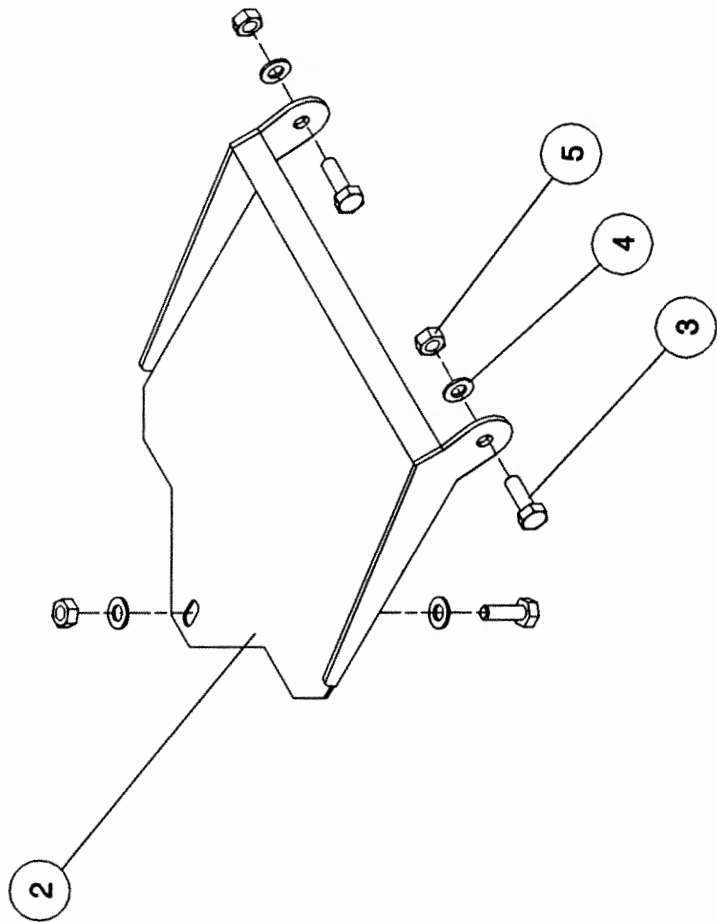
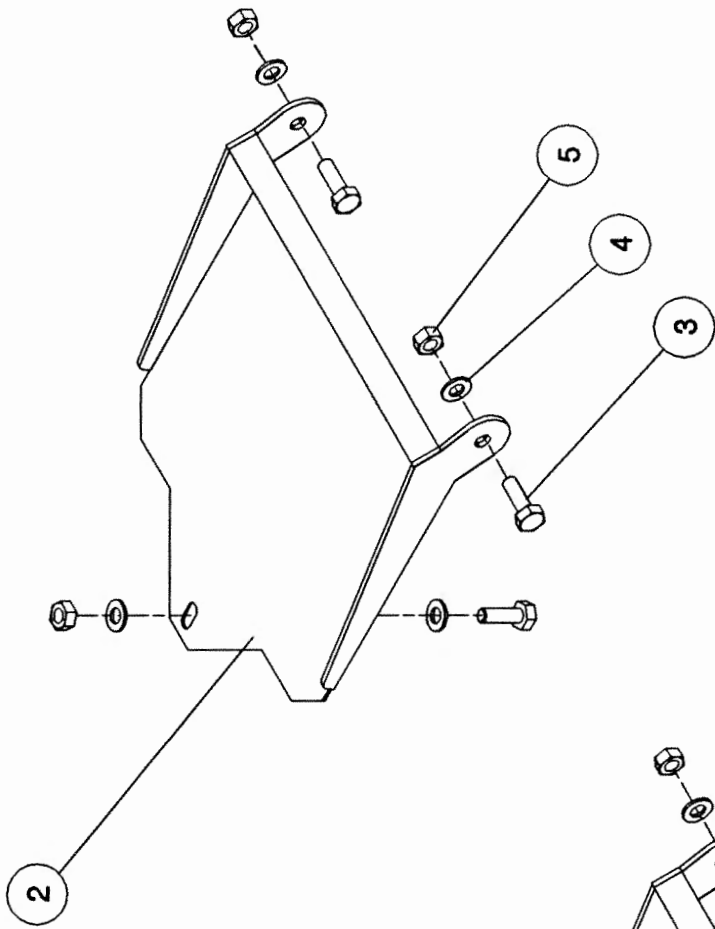
ASSY NUMBER:		KIT-00965		SUB ASSY DESCRIPTION: AUGER FLIGHT EXTENSIONS (RX/CX)			
ITEM	PART NO	DESCRIPTION	QTY	ITEM	PART NO	DESCRIPTION	QTY
1	192227 01	AUGER FLIGHT EXT. L. H	1				
2	192227 02	AUGER FLIGHT EXT. R. H	1				
3	SCBA08172	BUT. SKT. HD SCREW	6				
4	WSH-0058	SPRING WASHER	2				
5	WSH-0012	PLAIN WASHER	6				
6	NUT-0263	NYLOC NUT	4				



**Shelbourne Reynolds Engineering Limited**

ASSY NUMBER:		KIT-00970		SUB ASSY DESCRIPTION: PROTECTION PANS KIT			
ITEM	PART NO	DESCRIPTION	QTY	ITEM	PART NO	DESCRIPTION	QTY
1	192712 01	PROTECTION PAN (1 HOLE)	2				
2	HSS-0191	SET SCREW	6				
3	WSH-0015	WASHER	8				
4	NUT-0265	NUT	6				







## NUMERIC PARTS LIST

PART No.	PAGE	PART No.	PAGE	PART No.	PAGE
130130 01	14	192768 18	29	HVB-12501	48
134024 05	10		30	KIT-00605	7
	11		32		8
190119 13	40		33	KIT-00612	9
190860 01	44		34	KIT-00804	8
191116 04	18	192925 01	11	KIT-00805	7
	19	193092 01	38	KIT-00931	18
191216 01	10	193094 01	38		19
	11	193337 01	40		20
191223 02	10	193417 01	40		21
	11	BLT-4710	10		22
191595 01	12		11		25
191804 26	25	BLTA06350	48		26
	26	CHN-01600	18		28
191804 27	18		19		29
	19	CHN-01620	18		30
	20		19		32
	21	CHN-01990	20		33
	22		21		34
	28		22	KIT-00975	28
	29		25		29
	30		26		30
	32		28	KIT-01209	25
	33		29		26
	34		30	NUT-0170	38
191804 29	18		32	NUT-0190	10
	19		33		11
	20		34	NUT-0255	48
	21	COU-0123	44	NUT-0260	48
	22	COU-0128	46	NUT-0263	10
	28	COU-0162	48		11
	29	COU-0550	48		52
	30	FIT-0025	48		48
	32	FIT-0046	46	NUT-0265	54
	33	FIT-0047	48	NUT-0269	36
	34	FIT-0050	44	NUT-0385	14
191804 30	25	FIT-0051	44	POP-0006	10
	26		46		11
191945 01	36	FIT-0055	44	PTO-17002	22
192148 01	48	FIT-0056	44		26
192149 01	48		46		30
192227 01	52	HAAAD0545	48	PTO-17004	34
192227 02	52	HHAC07505	48	PTO-17006	21
192712 01	54	HMA-0065	48		25
192768 06	25	HSS-0191	54		29
	26	HSS-0238	36	PTO-17008	33
192768 18	20	HSS-0241	38	PTO-17010	20
	21	HSS-0315	10		28
	22		11	PTO-17012	32
	28	HSSA12234	40	PTO-17014	19



# NUMERIC PARTS LIST

<b>PART No.</b>	<b>PAGE</b>	<b>PART No.</b>	<b>PAGE</b>	<b>PART No.</b>	<b>PAGE</b>
PTO-18002 .....	18				
RP-100040 .....	46				
.....	48				
SCBA08172 .....	52				
SCW-0035 .....	48				
SCW-0525 .....	48				
WSH-0003 .....	48				
WSH-0009 .....	48				
WSH-0012 .....	10				
.....	11				
.....	52				
.....	48				
WSH-0015 .....	54				
WSH-0018 .....	36				
.....	38				
WSH-0024 .....	10				
.....	11				
WSH-0058 .....	52				
WSH-0065 .....	38				
.....	40				
WSH-0070 .....	10				
.....	11				
WSH-0075 .....	14				
WSH-1010 .....	48				
WSH-1015 .....	46				
.....	48				

