

RX & CX Shelbourne Header (1996)

ADAPTOR PLATE & COMBINE FITTINGS

PARTS MANUAL

NEW HOLLAND

Shelbourne
REYNOLDS

Shelbourne Reynolds Engineering Ltd

Stanton

Bury St Edmunds

Suffolk IP31 2AR

England

Telephone: 01359 250415

Fax. No: 01359 250464

(Stores direct 01359 251231)

(Stores direct 01359 252031)



1992
THE QUEEN'S AWARD FOR
TECHNOLOGICAL ACHIEVEMENT



1993
THE QUEEN'S AWARD FOR
EXPORT ACHIEVEMENT

NEW HOLLAND

Parts Manual

Adaptor Plate

196517 06K	ADAPTOR PLATE ASSY - NH (ERP)
196517 15K	ADAPTOR PLATE ASSY - NH TR (USA)

Drive Kits

	BELOW KITS FOR NH PTO (ERP)
196534 024	DRIVE KIT - Rx48
196534 025	DRIVE KIT - Rx54
196534 026	DRIVE KIT - Rx60
196534 028	DRIVE KIT - Rx66,Cx72,Cx78 & Cx84
	BELOW KITS FOR NH SQ.DRIVE (ERP)
196534 074	DRIVE KIT - Rx48
196534 075	DRIVE KIT - Rx54
196534 076	DRIVE KIT - Rx60
196534 078	DRIVE KIT - Rx66,Cx72,Cx78 & Cx84
	BELOW KITS FOR NH TR (USA)
196534 125	DRIVE KIT - Rx54
196534 126	DRIVE KIT - Rx60
196534 128	DRIVE KIT - Rx66,Cx72,Cx78 & Cx84

Hydraulic Fittings

KIT-01702	HYDRAULIC CONNECTOR NH (ERP)
KIT-01710	HYDRAULIC CONNECTOR NH TR (USA)

Kit Options

KIT-00965	AUGER FLIGHT EXTENSIONS KIT
KIT-00970	RX PROTECTION PANS (ALL WIDTHS)

RX & CX Shelbourne Header

ADAPTOR PLATES

Shelbourne Reynolds Engineering Limited

ASSY NUMBER: 196517 06K				ASSY DESCRIPTION: ADAPTOR PLATE ASSY - NEW HOLLAND			
ITEM	PART NO	DESCRIPTION	QTY	ITEM	PART NO	DESCRIPTION	QTY
	KIT-00606	ADAPTOR PLATE SUB	1				

Shelbourne Reynolds Engineering Limited

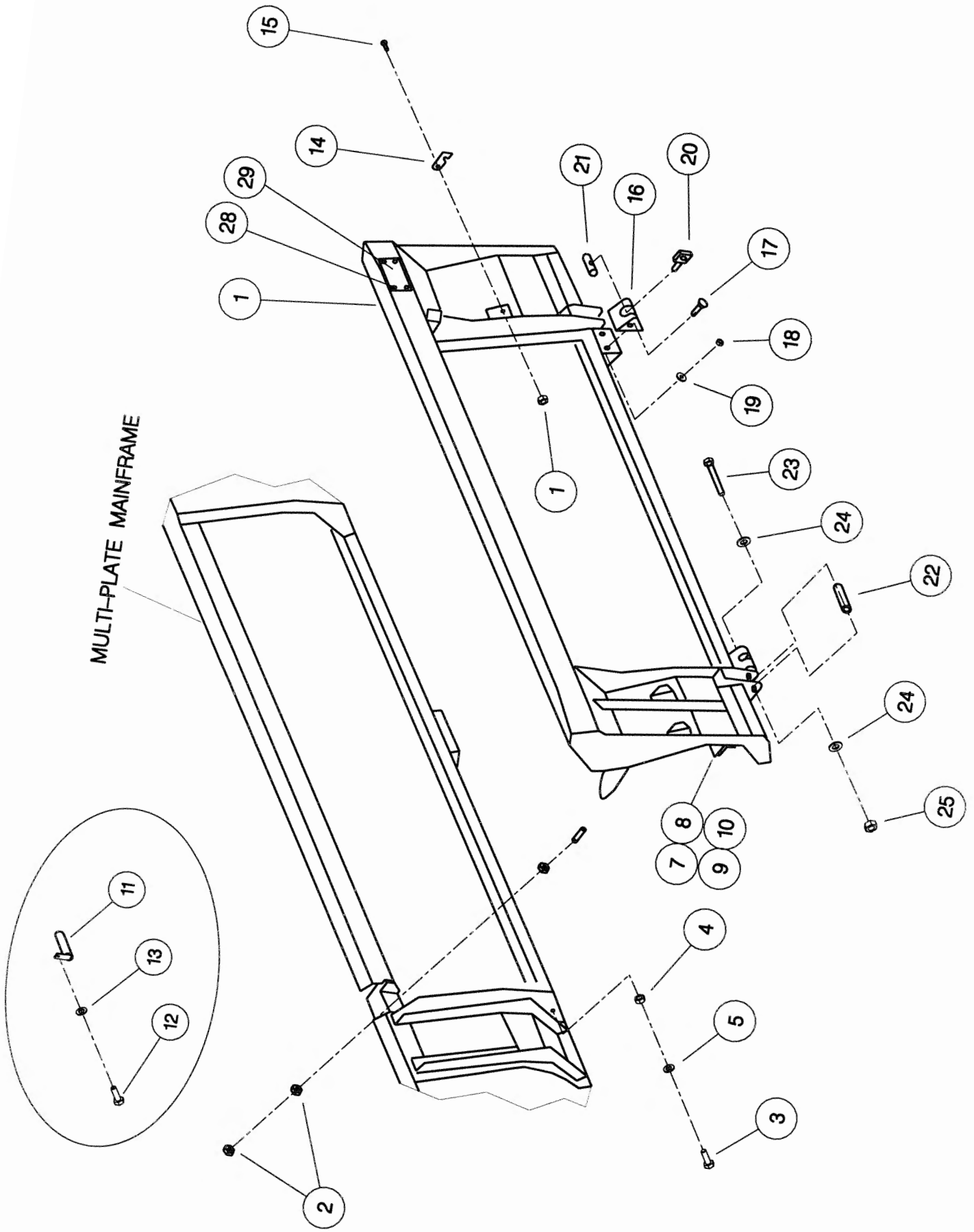
ASSY NUMBER:		196517 15K		ASSY DESCRIPTION: ADAPTOR PLATE ASSY NH TR			
ITEM	PART NO	DESCRIPTION	QTY	ITEM	PART NO	DESCRIPTION	QTY
	KIT-00606	ADAPTOR PLATE SUB	1				
	KIT-00803	FIXING KIT	1				

Shelbourne Reynolds Engineering Limited

ASSY NUMBER:		KIT-00606		SUB ASSY DESCRIPTION: ADAPTOR PLATE NH (FROM 196517 06)			
ITEM	PART NO	DESCRIPTION	QTY	ITEM	PART NO	DESCRIPTION	QTY
1	191153 01	FRAME WELD ASSY	1				
2	NUT-0190	NUT (M24)	6				
3	HSS-0315	SCREW (M16X35)	2				
4	WSH-0024	WASHER (M16)	2				
5	WSH-0070	SPRING WASHER (M16)	2				
6							
7	191160 02	SCRAPER	2				
8	BLT-4710	COACH BOLT (M6X20)	6				
9	NUT-0263	NYLOC NUT (M8)	8				
10	WSH-0012	WASHER (M8)	10				
11	191172 01	PIN ASSY (PRE 2000)	2				
12	HSS-0082	SCREW (PRE 2000) (M6X12)	2				
13	WSH-0056	SPRING WASHER (PRE 2000) (M6)	2				
14	130111 01	RETAINING LUG	2				
15	HSS-0150	SCREW (M8X30)	2				
16							
17							
18							
19							
22	194312 01	TUBE (POST 2000)	2				
23	BLTA10620	BOLT (POST 2000) (M10X120)	2				
24	WSH-0015	WASHER (POST 2000) (M10)	4				
25	NUT-0265	NYLOC NUT (POST 2000) (M10)	2				
28	POP-0006	POP RIVET (UPTO 2009)	4				
29	134024 05	IDENTIFICATION PLATE (UPTO 2009)	1				

Shelbourne Reynolds Engineering Limited

ASSY NUMBER:		KIT-00803		SUB ASSY DESCRIPTION: NH.TR. BOTTOM PICK UP FIXING KIT			
ITEM	PART NO	DESCRIPTION	QTY	ITEM	PART NO	DESCRIPTION	QTY
16	191319 01	CRADLE ASSY	2				
17	SCW-1885	SCREW	4				
18	NUT-0265	NUT	4				
19	WSH-0015	WASHER	4				
20	191615 01	SECURING BLOCK	2				
21	191614 01	SECURING BAR	2				



ADAPTOR PLATE ASSY (NEW HOLLAND)

RX & CX Shelbourne Header

DRIVE KITS

Shelbourne Reynolds Engineering Limited

ASSY NUMBER: 196534 024

ASSY DESCRIPTION: DRIVE KIT RX48 NH (ERP) PTO

ITEM	PART NO	DESCRIPTION	QTY	ITEM	PART NO	DESCRIPTION	QTY
1	191804 31	SELECT GEAR 31T B	1				
2	191804 25	SELECT GEAR 25T T	1				
3	PTO-17011	FLEX POWER SHAFT	1				
4	191116 14	AUGER SPROCKET	1				
5	CHN-01620	CHAIN	109				
6	CHN-01600	JOINING LINK	1				
7	KIT-00931	PTO SUPPORT KIT	1				

Shelbourne Reynolds Engineering Limited

ASSY NUMBER:		196534 025		ASSY DESCRIPTION: DRIVE KIT RX54 NH (ERP) PTO			
ITEM	PART NO	DESCRIPTION	QTY	ITEM	PART NO	DESCRIPTION	QTY
1	191804 31	SELECT GEAR 31T B	1				
2	191804 25	SELECT GEAR 25T T	1				
3	PTO-17011	FLEX POWER SHAFT	1				
4	192768 10	AUGER SPROCKET	1				
5	CHN-01920	CHAIN	97				
6	CHN-01901	JOINING LINK	1				
7	KIT-00931	PTO SUPPORT KIT	1				

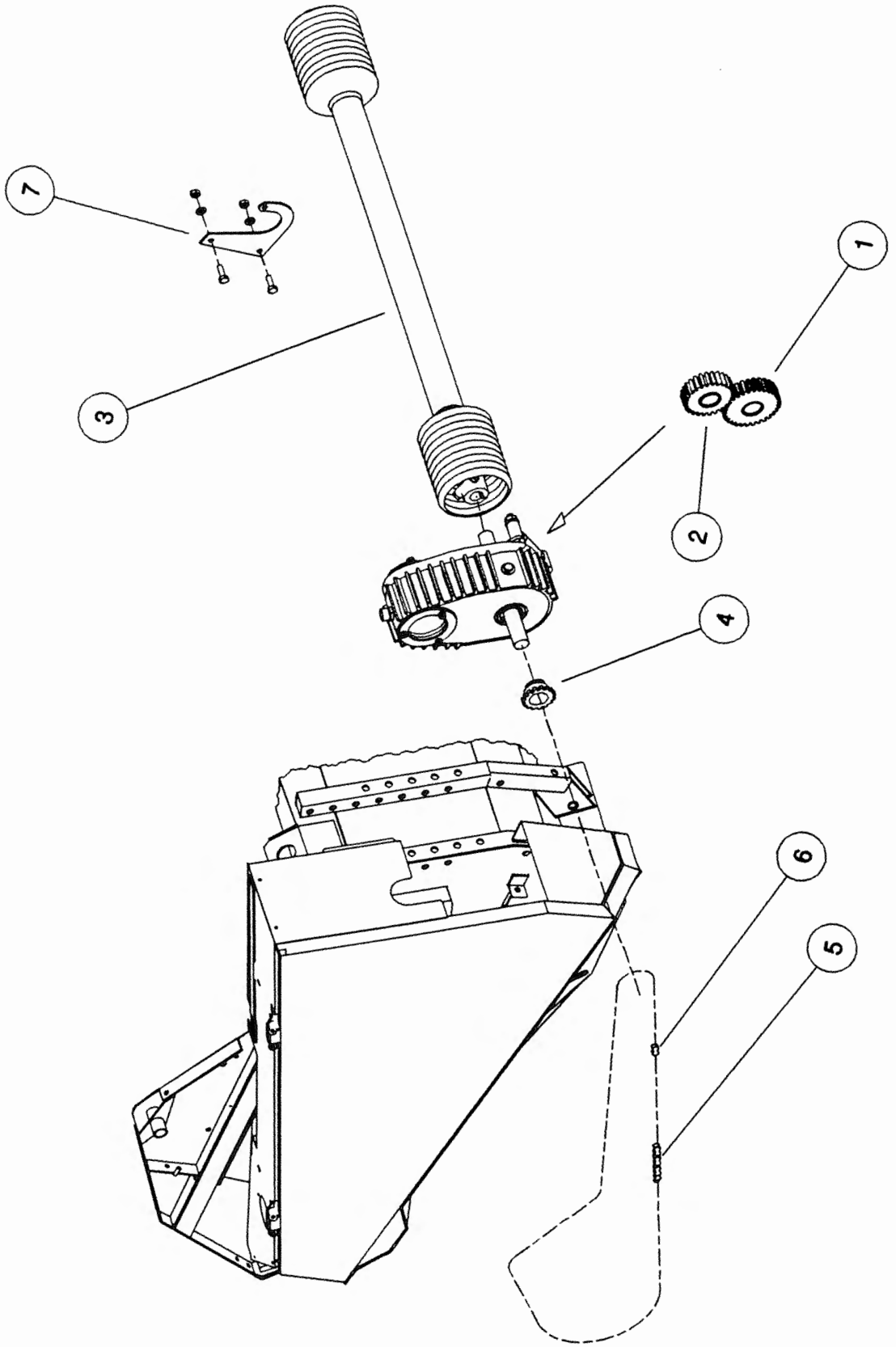
Shelbourne Reynolds Engineering Limited

ASSY NUMBER:		196534 026		ASSY DESCRIPTION: DRIVE KIT RX60 NH (ERPN) PTO			
ITEM	PART NO	DESCRIPTION	QTY	ITEM	PART NO	DESCRIPTION	QTY
1	191804 31	SELECT GEAR 31T (28t inv)	1				
2	191804 25	SELECT GEAR 25T (28t inv)	1				
3	PTO-17007	FLEX POWER SHAFT	1				
4	192768 10	AUGER SPROCKET	1				
5	CHN-01920	CHAIN	97				
6	CHN-01901	JOINING LINK	1				
7	KIT-00931	PTO SUPPORT KIT	1				

Shelbourne Reynolds Engineering Limited

ASSY NUMBER: 196534 028		ASSY DESCRIPTION: DRIVE KIT RX66-CX84 NH (ERP) PTO					
ITEM	PART NO	DESCRIPTION	QTY	ITEM	PART NO	DESCRIPTION	QTY
1	191804 31	SELECT GEAR 31T (28t inv)	1				
2	191804 25	SELECT GEAR 25T (28t inv)	1				
3	PTO-17003	FLEX POWER SHAFT	1				
4	192768 10	AUGER SPROCKET	1				
5	CHN-01920	CHAIN	97				
6	CHN-01901	JOINING LINK	1				
7	KIT-00931	PTO SUPPORT KIT	1				

RX HEADER ILLUSTRATED



Shelbourne Reynolds Engineering Limited

ASSY NUMBER:		196534 074		ASSY DESCRIPTION: DRIVE KIT 4.8M NH (ERP) SQDR			
ITEM	PART NO	DESCRIPTION	QTY	ITEM	PART NO	DESCRIPTION	QTY
1	191804 31	SELECT GEAR 31T B	1				
2	191804 25	SELECT GEAR 25T T	1				
3	PTO-17017	FLEX POWER SHAFT	1				
4	191116 14	AUGER SPROCKET	1				
5	CHN-01620	CHAIN	109				
6	CHN-01600	JOINING LINK	1				
7							
8	KIT-00302	BEARING BOX SUB	1				

Shelbourne Reynolds Engineering Limited

ASSY NUMBER:		196534 075		ASSY DESCRIPTION: DRIVE KIT RX54 NH (ERPN) SQDR			
ITEM	PART NO	DESCRIPTION	QTY	ITEM	PART NO	DESCRIPTION	QTY
1	191804 31	SELECT GEAR 31T B	1				
2	191804 25	SELECT GEAR 25T T	1				
3	PTO-17013	FLEX POWER SHAFT	1				
4	192768 10	AUGER SPROCKET	1				
5	CHN-01920	CHAIN	97				
6	CHN-01901	JOINING LINK	1				
7							
8	KIT-00302	BEARING BOX SUB	1				

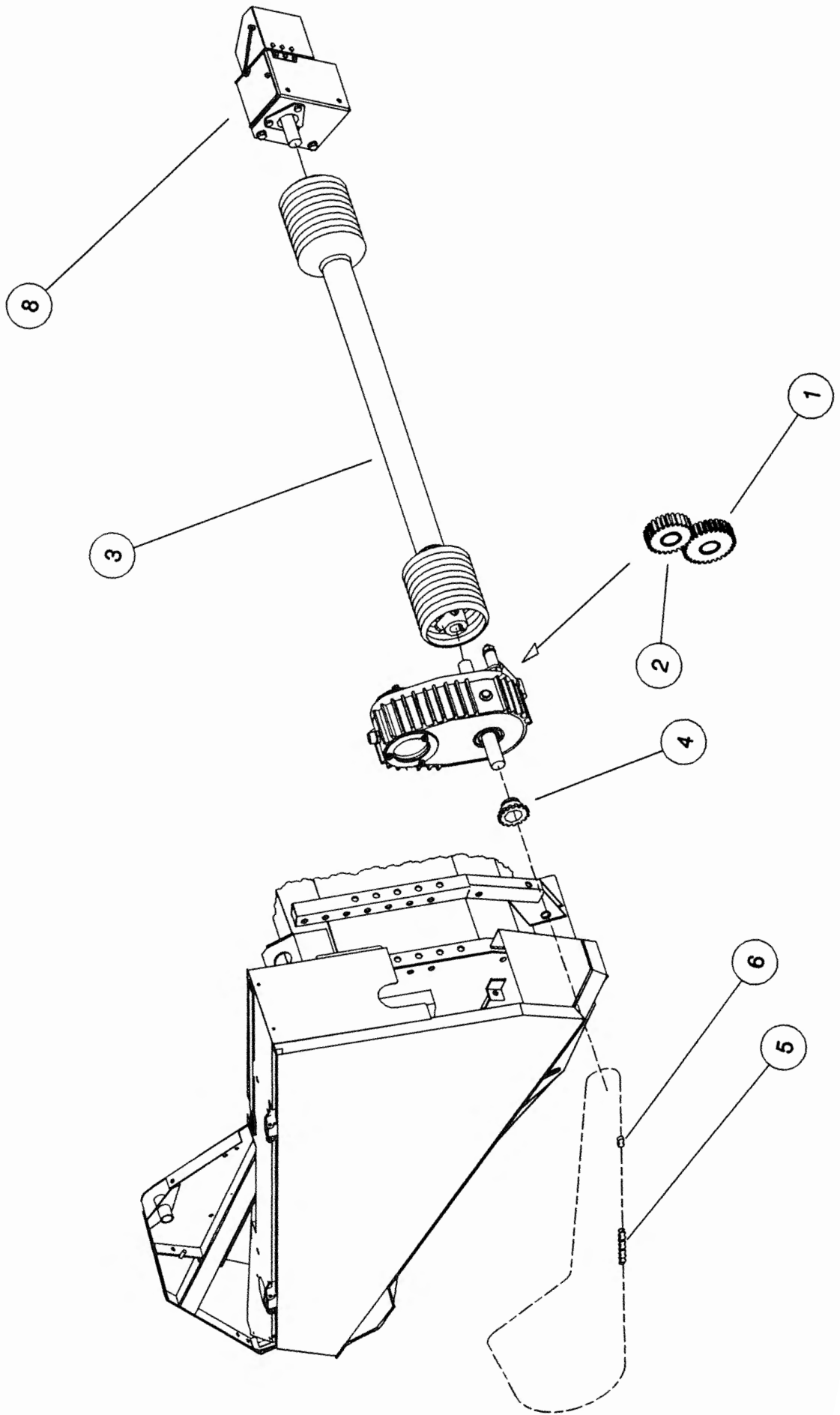
Shelbourne Reynolds Engineering Limited

ASSY NUMBER:		196534 076		ASSY DESCRIPTION: DRIVE KIT RX60 NH (ERPN) SQDR			
ITEM	PART NO	DESCRIPTION	QTY	ITEM	PART NO	DESCRIPTION	QTY
1	191804 31	SELECT GEAR 31T (28t inv)	1				
2	191804 25	SELECT GEAR 25T (28t inv)	1				
3	PTO-17009	FLEX POWER SHAFT	1				
4	192768 10	AUGER SPROCKET	1				
5	CHN-01920	CHAIN	97				
6	CHN-01901	JOINING LINK	1				
7							
8	KIT-00302	BEARING BOX SUB	1				

Shelbourne Reynolds Engineering Limited

ASSY NUMBER:		196534 078		ASSY DESCRIPTION: DRIVE KIT RX66-CX84 NH (ERPN) SQDR			
ITEM	PART NO	DESCRIPTION	QTY	ITEM	PART NO	DESCRIPTION	QTY
1	191804 31	SELECT GEAR 31T (28t inv)	1				
2	191804 25	SELECT GEAR 25T (28t inv)	1				
3	PTO-17005	FLEX POWER SHAFT	1				
4	192768 10	AUGER SPROCKET	1				
5	CHN-01920	CHAIN	97				
6	CHN-01901	JOINING LINK	1				
7							
8	KIT-00302	BEARING BOX SUB	1				

RX HEADER ILLUSTRATED



Shelbourne Reynolds Engineering Limited

ASSY NUMBER:		196534 125		ASSY DESCRIPTION: DRIVE KIT RX54 NH TR			
ITEM	PART NO	DESCRIPTION	QTY	ITEM	PART NO	DESCRIPTION	QTY
1	191804 27	SELECT GEAR 27T (28t inv)	1				
2	191804 29	SELECT GEAR 29T (28t inv)	1				
3	PTO-17011	FLEX POWER SHAFT	1				
4	192768 04	AUGER SPROCKET	1				
5	CHN-01920	CHAIN	93				
6	CHN-01901	JOINING LINK	1				
7	KIT-00931	PTO SUPPORT KIT	1				

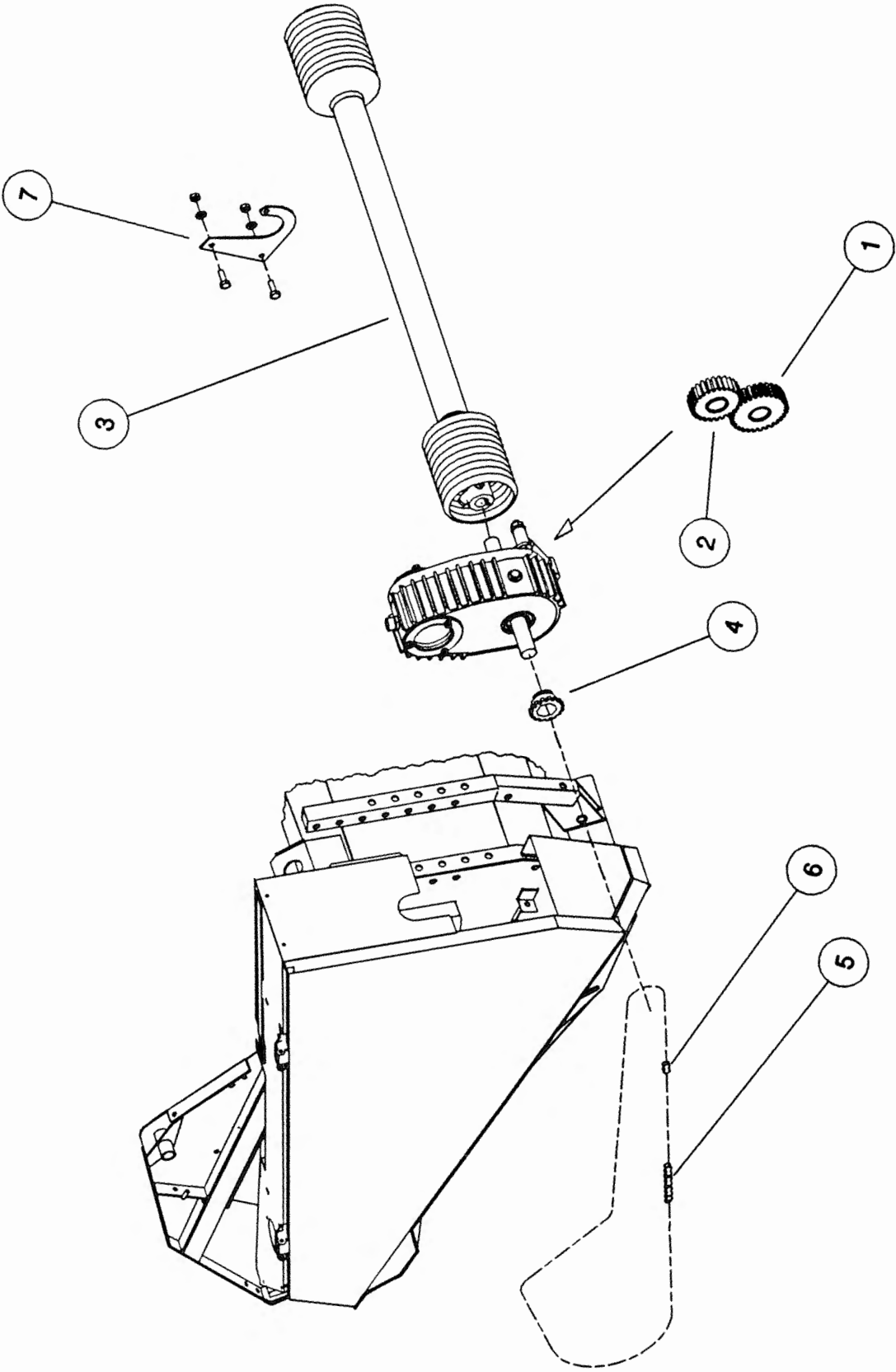
Shelbourne Reynolds Engineering Limited

ASSY NUMBER:		196534 126		ASSY DESCRIPTION: DRIVE KIT RX60 NH TR			
ITEM	PART NO	DESCRIPTION	QTY	ITEM	PART NO	DESCRIPTION	QTY
1	191804 27	SELECT GEAR 27T (28t inv)	1				
2	191804 29	SELECT GEAR 29T (28t inv)	1				
3	PTO-17007	FLEX POWER SHAFT	1				
4	192768 04	AUGER SPROCKET	1				
5	CHN-01920	CHAIN	93				
6	CHN-01901	JOINING LINK	1				
7	KIT-00931	PTO SUPPORT KIT	1				

Shelbourne Reynolds Engineering Limited

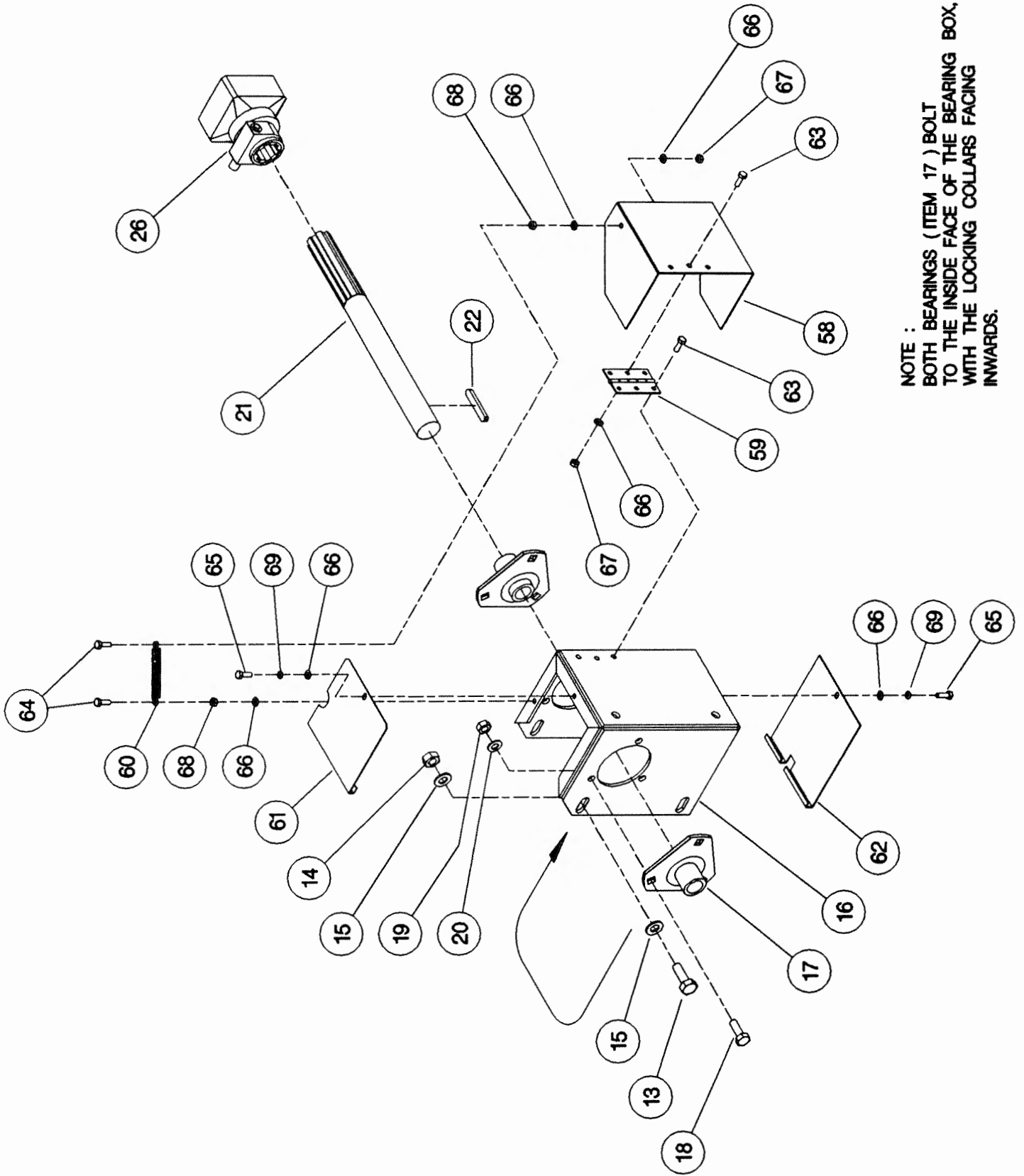
ASSY NUMBER:		196534 128		ASSY DESCRIPTION: DRIVE KIT RX66-CX84 NH TR			
ITEM	PART NO	DESCRIPTION	QTY	ITEM	PART NO	DESCRIPTION	QTY
1	191804 27	SELECT GEAR 27T (28t inv)	1				
2	191804 29	SELECT GEAR 29T (28t inv)	1				
3	PTO-17003	FLEX POWER SHAFT	1				
4	192768 04	AUGER SPROCKET	1				
5	CHN-01920	CHAIN	93				
6	CHN-01901	JOINING LINK	1				
7	KIT-00931	PTO SUPPORT KIT	1				

RX HEADER ILLUSTRATED



Shelbourne Reynolds Engineering Limited

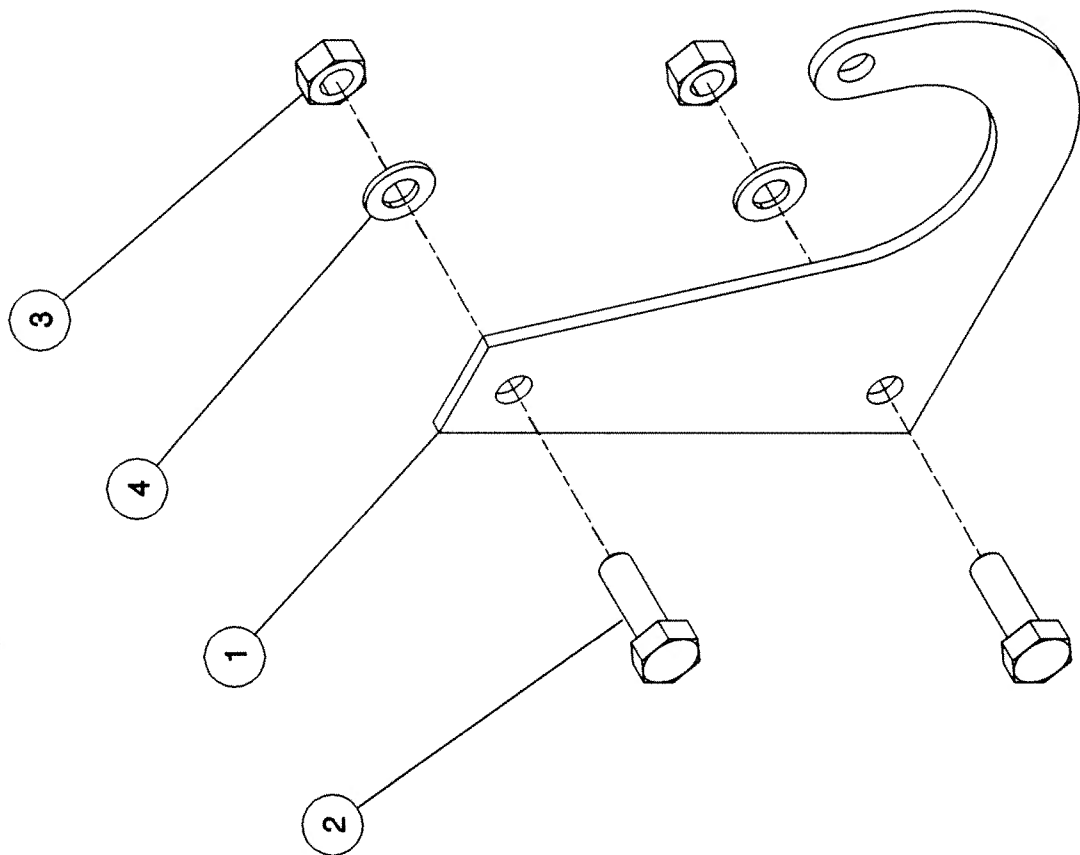
ASSY NUMBER:		KIT-00302		SUB ASSY DESCRIPTION: BEARING BOX ASSY (NH SQDRV) (072/076)			
ITEM	PART NO	DESCRIPTION	QTY	ITEM	PART NO	DESCRIPTION	QTY
13	HSS-0238	SET SCREW	4				
14	NUT-0269	NYLOC NUT	4				
15	WSH-0015	PLAIN WASHER	4				
16	191148 04	BEARING BOX	1				
17	BRG-3220	BEARING	2				
18	HSS-0191	SET SCREW	6				
19	NUT-0265	NYLOC NUT	6				
20	WSH-0015	PLAIN WASHER	6				
21	190598 01	INPUT SHAFT	1				
22	K1008050	KEY	1				
26	190597 01	DRIVE COUPLING	1				
58	190938 01	COUPLING COVER	1				
59	HIN-0100	HINGE	1				
60	SPG-0005	SPRING	1				
61	191378 01	COVER PLATE	1				
62	191379 01	COVER PLATE	1				
63	HSS-0082	SET SCREW	6				
64	HSS-0086	SET SCREW	2				
65	HSS-0084	SET SCREW	2				
66	WSH-0009	PLAIN WASHER	12				
67	NUT-0260	NYLOC NUT	8				
68	NUT-0160	PLAIN NUT	2				
69	WSH-0056	SPRING WASHER	2				



NOTE :
 BOTH BEARINGS (ITEM 17) BOLT
 TO THE INSIDE FACE OF THE BEARING BOX,
 WITH THE LOCKING COLLARS FACING
 INWARDS.

Shelbourne Reynolds Engineering Limited

ASSY NUMBER:		KIT-00931		ASY DESCRIPTION: PTO SUPPORT KIT			
ITEM	PART NO	DESCRIPTION	QTY	ITEM	PART NO	DESCRIPTION	QTY
1	191945 01	PTO SUPPORT	1				
2	HSS-0238	SET SCREW	2				
3	NUT-0269	NYLOC NUT	2				
4	WSH-0018	PLAIN WASHER	2				

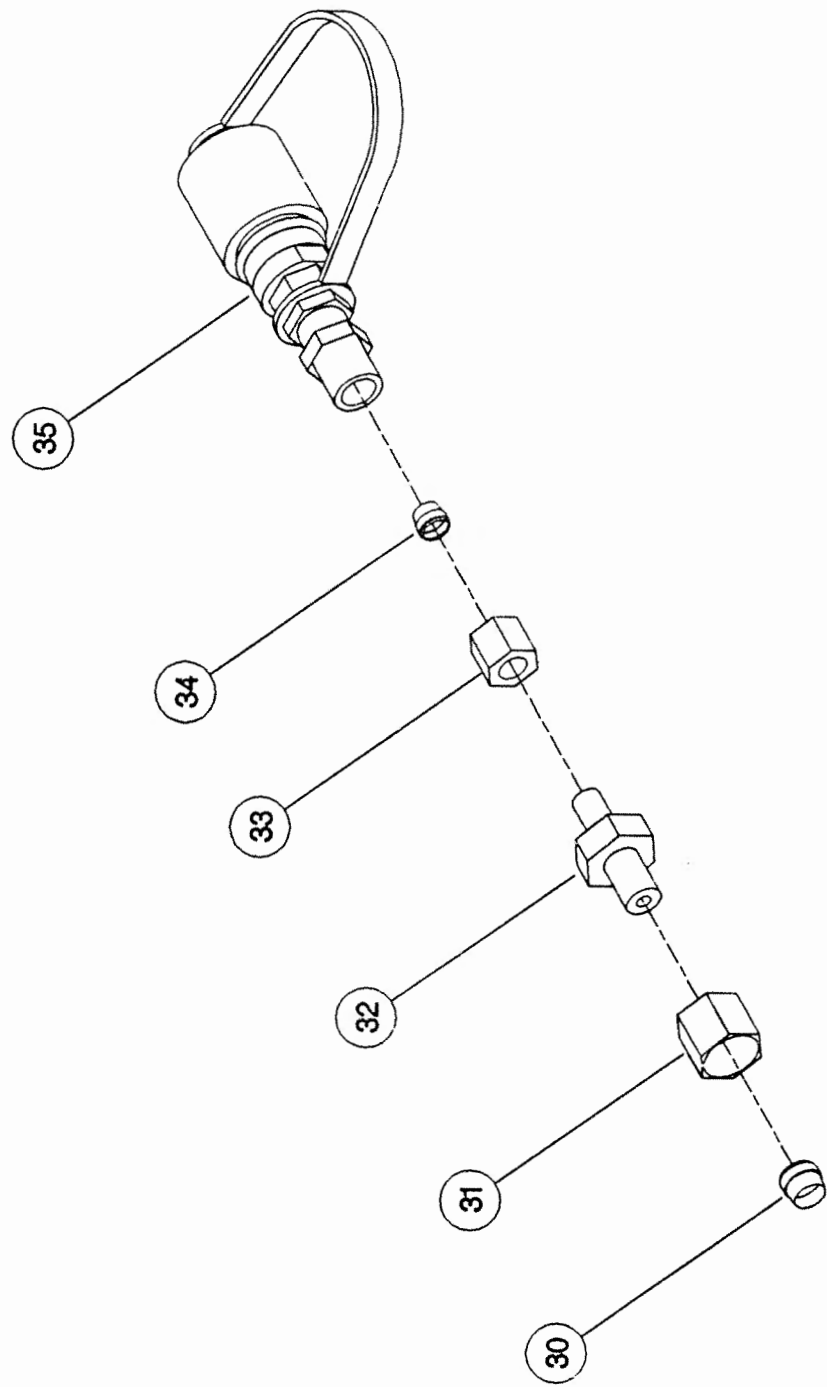


RX & CX Shelbourne Header

**HYDRAULIC
FITTINGS**

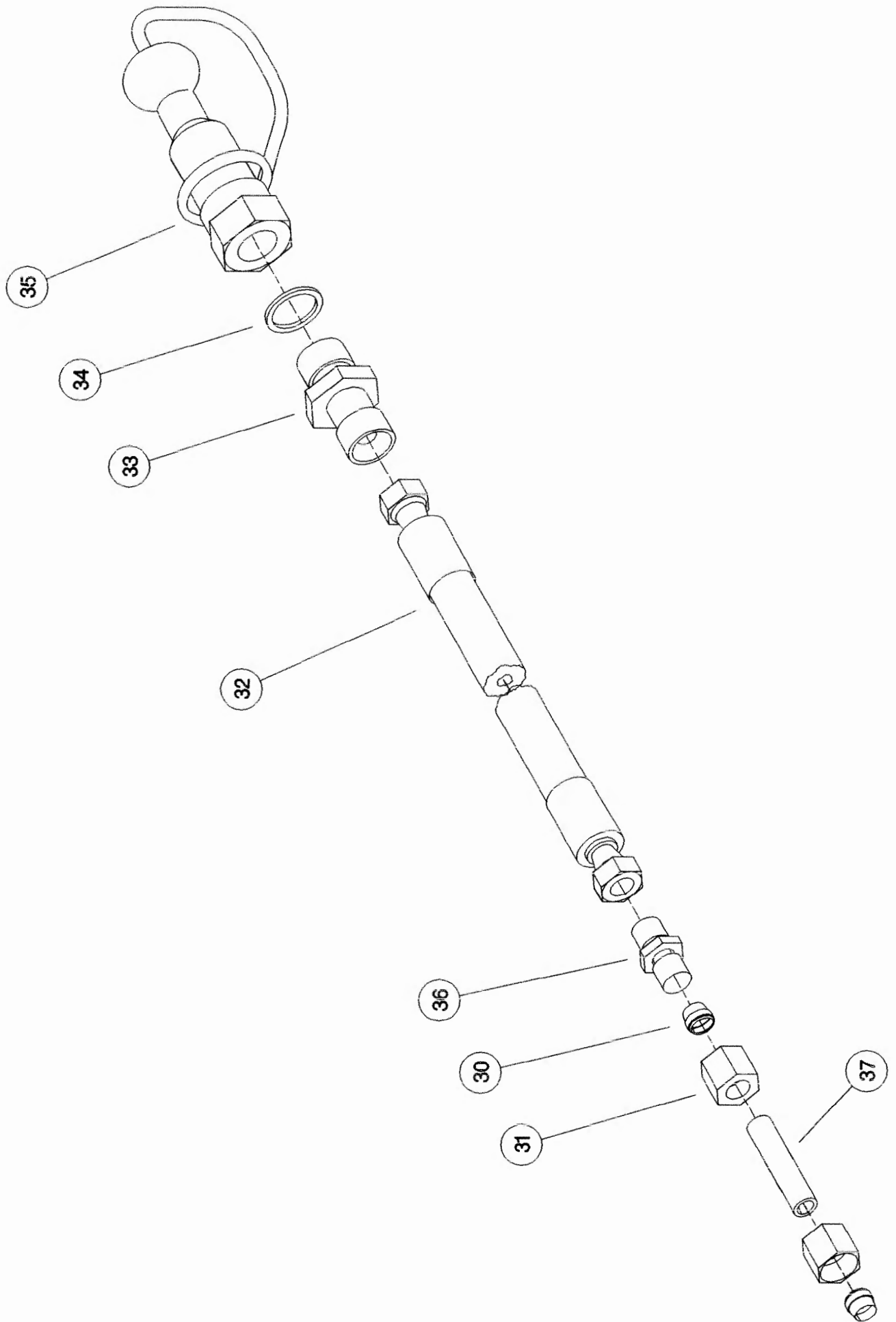
Shelbourne Reynolds Engineering Limited

ASSY NUMBER:		KIT-01702		SUB ASSY DESCRIPTION: HYDRAULIC PROBE ADAPTOR			
ITEM	PART NO	DESCRIPTION	QTY	ITEM	PART NO	DESCRIPTION	QTY
30	FIT-0056	OLIVE	1				
31	FIT-0051	NUT	1				
32	190860 01	HYDRAULIC FITTING	1				
33	FIT-0050	NUT	1				
34	FIT-0055	OLIVE	1				
35	COU-0123	COUPLING	1				



Shelbourne Reynolds Engineering Limited

ASSY NUMBER:		KIT-01710		SUB ASSY DESCRIPTION: HYDRAULIC FITTING KIT			
ITEM	PART NO	DESCRIPTION	QTY	ITEM	PART NO	DESCRIPTION	QTY
30	FIT-0056	OLIVE	2				
31	FIT-0051	NUT	2				
32	HHAC18505	HOSE	1				
33	HMA-0052	ADAPTOR	1				
34	WSH-1005	WASHER	1				
35	COU-0125	PULL BRAKE COUPLING	1				
36	FIT-0047	FITTING	1				
37	RP100040	PIPE	1				

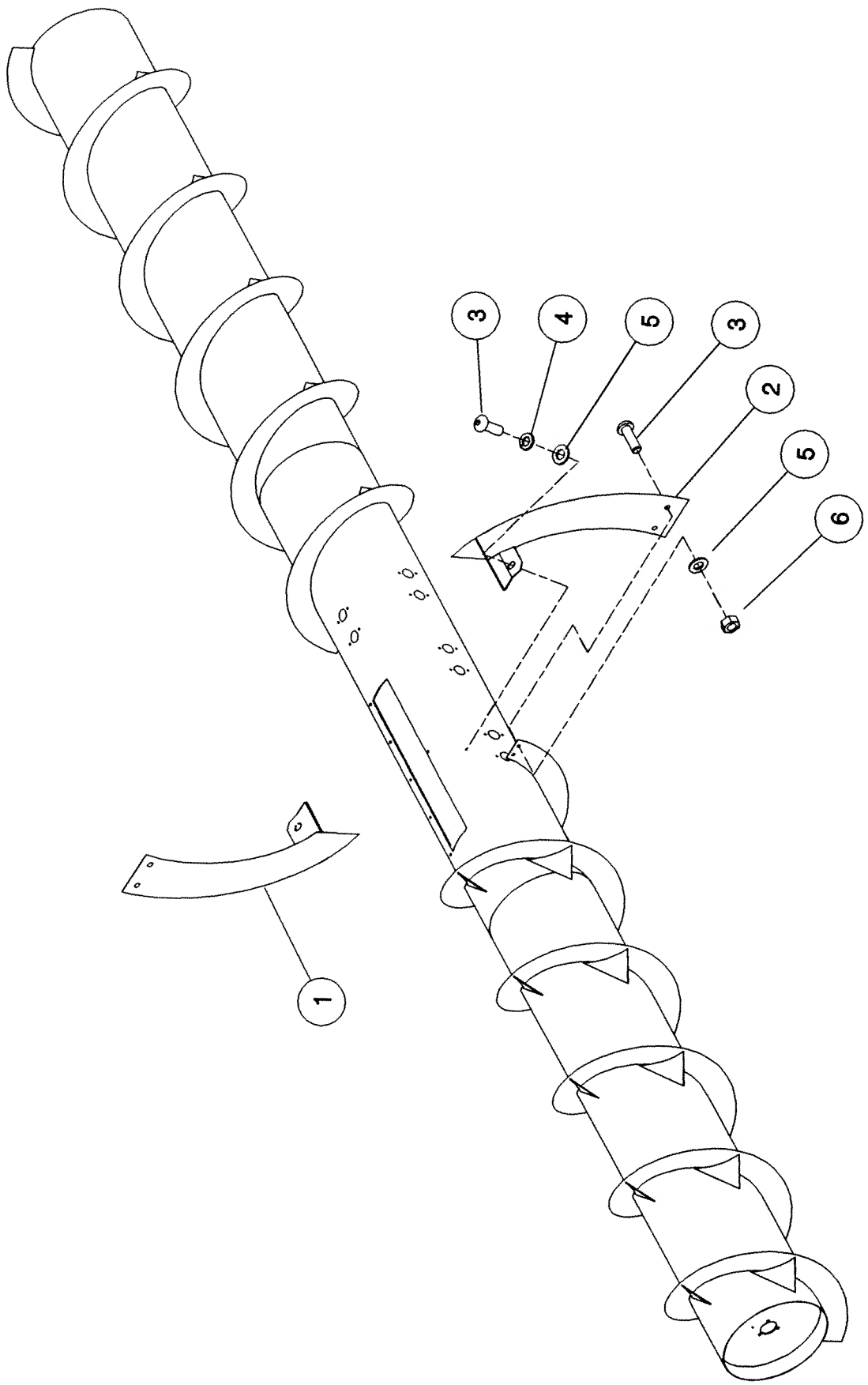


RX & CX Shelbourne Header

KIT OPTIONS

Shelbourne Reynolds Engineering Limited

ASSY NUMBER:		KIT-00965		SUB ASSY DESCRIPTION: AUGER FLIGHT EXTENSIONS (RX/CX)			
ITEM	PART NO	DESCRIPTION	QTY	ITEM	PART NO	DESCRIPTION	QTY
1	192227 01	AUGER FLIGHT EXT. L. H	1				
2	192227 02	AUGER FLIGHT EXT. R. H	1				
3	SCBA08172	BUT. SKT. HD SCREW	6				
4	WSH-0058	SPRING WASHER	2				
5	WSH-0012	PLAIN WASHER	6				
6	NUT-0263	NYLOC NUT	4				



Shelbourne Reynolds Engineering Limited

ASSY NUMBER:		KIT-00970		SUB ASSY DESCRIPTION: PROTECTION PANS KIT			
ITEM	PART NO	DESCRIPTION	QTY	ITEM	PART NO	DESCRIPTION	QTY
1	192712 01	PROTECTION PAN (1 HOLE)	2				
2	HSS-0191	SET SCREW	6				
3	WSH-0015	WASHER	8				
4	NUT-0265	NUT	6				

