

RX & CX Shelbourne Header

ADAPTOR PLATE & COMBINE FITTINGS

PARTS MANUAL

CASE IH



Shelbourne Reynolds Engineering Ltd

Stanton

Bury St Edmunds

Suffolk IP31 2AR

England

Telephone: 01359 250415

(Stores direct 01359 251231)

Fax. No: 01359 250464

(Stores direct 01359 252031)

CASE IH (Axial Flow) Parts Manual

Adaptor Plate

196517 01K	ADAPTOR PLATE ASSY - CASE IH
196517 23K	ADAPTOR PLATE ASSY - CASE IH(1998)

Drive Kits

196534 005	DRIVE KIT - CASE IH Rx54
196534 006	DRIVE KIT - CASE IH Rx60
196534 008	DRIVE KIT - CASE IH Rx66,Cx72,Cx78 & Cx84

Hydraulic Fittings

KIT-01701	BELOW KIT FOR CASE IH 1440,1460,1640, 1660 HYDRAULIC CONNECTOR
KIT-01709	BELOW KIT FOR CASE IH 1480,1680, 1688, 2166, 2188 HYDRAULIC CONNECTOR

Kit Options

KIT-00903	ROTOR GRATE KIT CASE IH 1480, 1680, 1688, 2188
KIT-00932	THROTTLE VALVE KIT
KIT-00965	AUGER FLIGHT EXTENSIONS KIT
KIT-00970	RX PROTECTION PANS (ALL WIDTHS)
KIT-01216	ROTOR GRATE KIT CASE IH 1640,1660, 2166

.

.

.

.

.

.

.

.

RX & CX Shelbourne Header

ADAPTOR PLATES

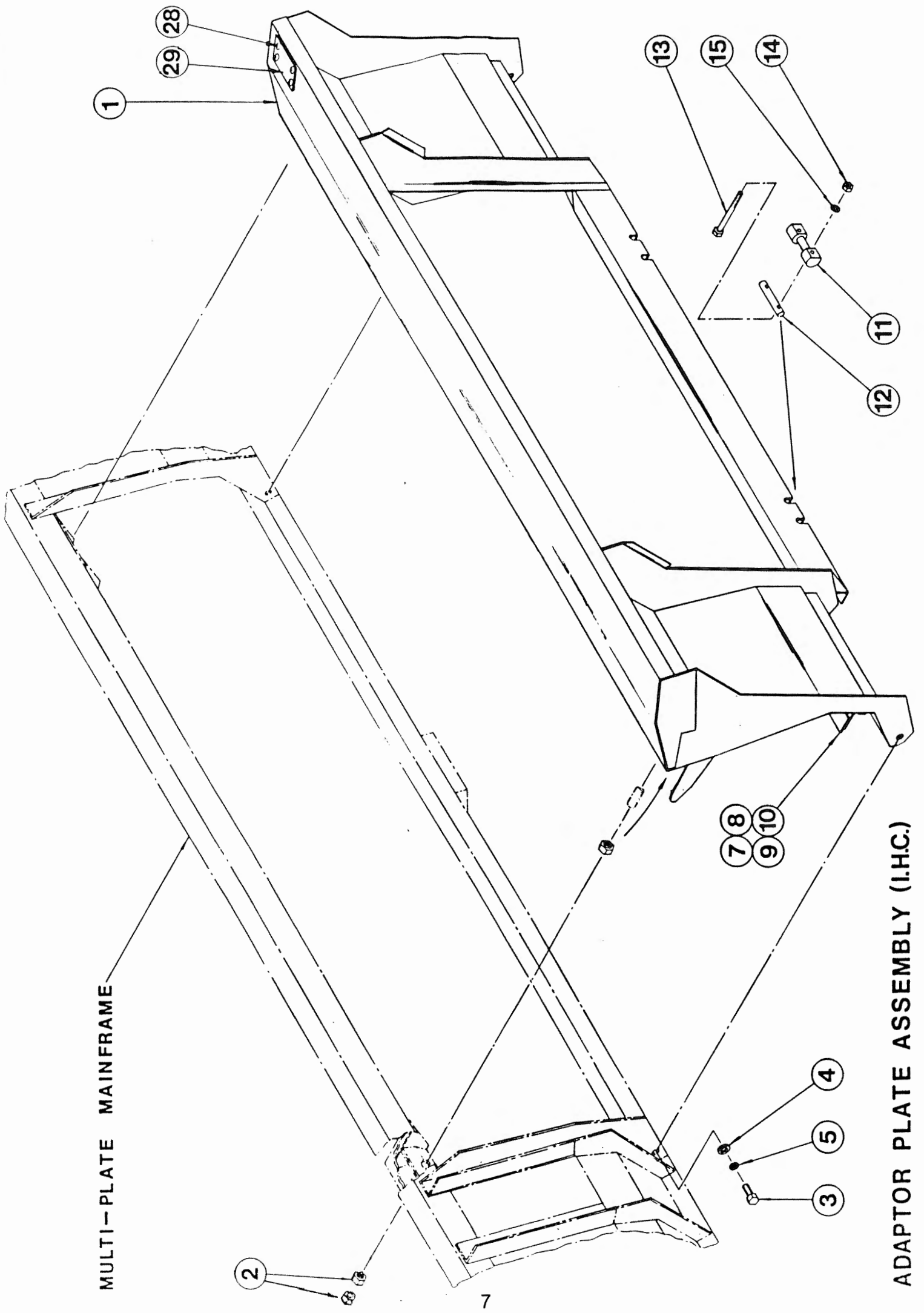
Shelbourne Reynolds Engineering Limited

ASSY NUMBER: 196517 01K		ASSY DESCRIPTION: ADAPTOR PLATE ASSY IHC					
ITEM	PART NO	DESCRIPTION	QTY	ITEM	PART NO	DESCRIPTION	QTY
	KIT-00601	ADAPTOR PLATE SUB	1				

Shelbourne Reynolds Engineering Limited

ASSY NUMBER:		KIT-00601		SUB ASSY DESCRIPTION: ADAPTOR PLATE IHC (FROM ASSY 196517 01)			
ITEM	PART NO	DESCRIPTION	QTY	ITEM	PART NO	DESCRIPTION	QTY
1	191051 01	FRAME WELD ASSY	1				
2	NUT-0190	PLAIN NUT	6				
3	HSS-0315	SET SCREW	2				
4	WSH-0024	PLAIN WASHER	2				
5	WSH-0070	SPRING WASHER	2				
6							
7	191063 02	SCRAPER	2				
8	BLT-4710	COACH BOLT	6				
9	NUT-0263	NYLOC NUT	6				
10	WSH-0012	PLAIN WASHER	6				
11	130236 01	PICK UP BAR	2				
12	130237 01	FIXING BAR	2				
13	BLT-2273	BOLT	4				
14	NUT-0269	NYLOC NUT	4				
15	WSH-0018	PLAIN WASHER	8				
28	POP-0006	POP RIVET	4				
29	134024 05	IDENTIFICATION PLATE	1				

MULTI-PLATE MAINFRAME



ADAPTOR PLATE ASSEMBLY (I.H.C.)

Shelbourne Reynolds Engineering Limited

ASSY NUMBER: 196517 23K

ASSY DESCRIPTION: ADAPTOR PLATE ASSY CASE IH (1998)

ITEM	PART NO	DESCRIPTION	QTY	ITEM	PART NO	DESCRIPTION	QTY
	KIT-00617	ADAPTOR PLATE SUB	1				

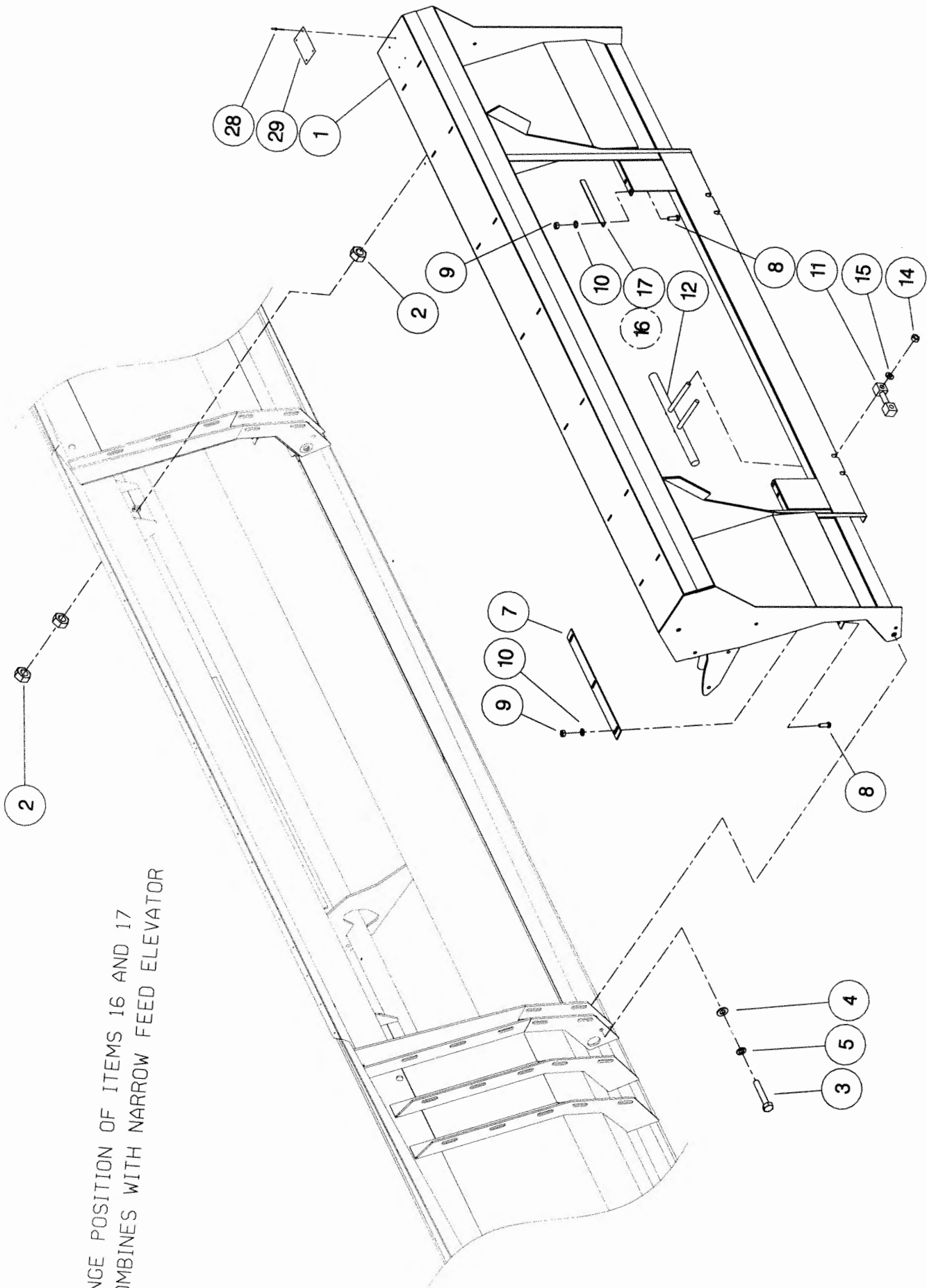
Shelbourne Reynolds Engineering Limited

ASSY NUMBER:

KIT-00617

SUB ASSY DESCRIPTION: ADAPTOR PLATE CASE IH (1998)

ITEM	PART NO	DESCRIPTION	QTY	ITEM	PART NO	DESCRIPTION	QTY
1	193475 01	FRAME WELD ASSY	1				
2	NUT-0190	PLAIN NUT (M24)	6				
3	HSS-0315	SET SCREW (M16x35mm)	2				
4	WSH-0024	PLAIN WASHER (16mm)	2				
5	WSH-0070	SPRING WASHER (16mm)	2				
6							
7	191063 02	SCRAPER	2				
8	BLT-4710	COACH BOLT (M8x20mm)	10				
9	NUT-0263	NYLOC NUT (M8)	10				
10	WSH-0012	PLAIN WASHER (8mm)	10				
11	130236 01	PICK UP BAR	2				
12	193473 01	FIXING BAR	2				
13							
14	NUT-0269	NYLOC NUT (M12)	4				
15	WSH-0018	PLAIN WASHER (12mm)	4				
16	193595 01	SCRAPER EXTENSION LH	1				
17	193595 02	SCRAPER EXTENSION RH	1				
28	POP-0006	POP RIVET (3/16"DIAx1/2") (UPTO 2009)	4				
29	134024 05	IDENTIFICATION PLATE (UPTO 2009)	1				



CHANGE POSITION OF ITEMS 16 AND 17
FOR COMBINES WITH NARROW FEED ELEVATOR

RX & CX Shelbourne Header

DRIVE KITS

Shelbourne Reynolds Engineering Limited

ASSY NUMBER:

196534 005

ASSY DESCRIPTION:

DRIVE KIT 5.4M CASEIH(ALL)/JD9500,7720

ITEM	PART NO	DESCRIPTION	QTY	ITEM	PART NO	DESCRIPTION	QTY
1	191804 29	SELECT GEAR 29T	1				
OR	191804 30	SELECT GEAR 30T	1				
2	191804 27	SELECT GEAR 27T	1				
OR	191804 26	SELECT GEAR 26T	1				
3	PTO-17010	FLEX POWER SHAFT	1				
4	192768 18	AUGER SPROCKET 18T	1				
OR	192768 06	AUGER SPROCKET 19T	1				
5	CHN-01920	CHAIN	95				
6	CHN-01901	JOINING LINK	1				
7	KIT-00931	PTO SUPPORT KIT	1				

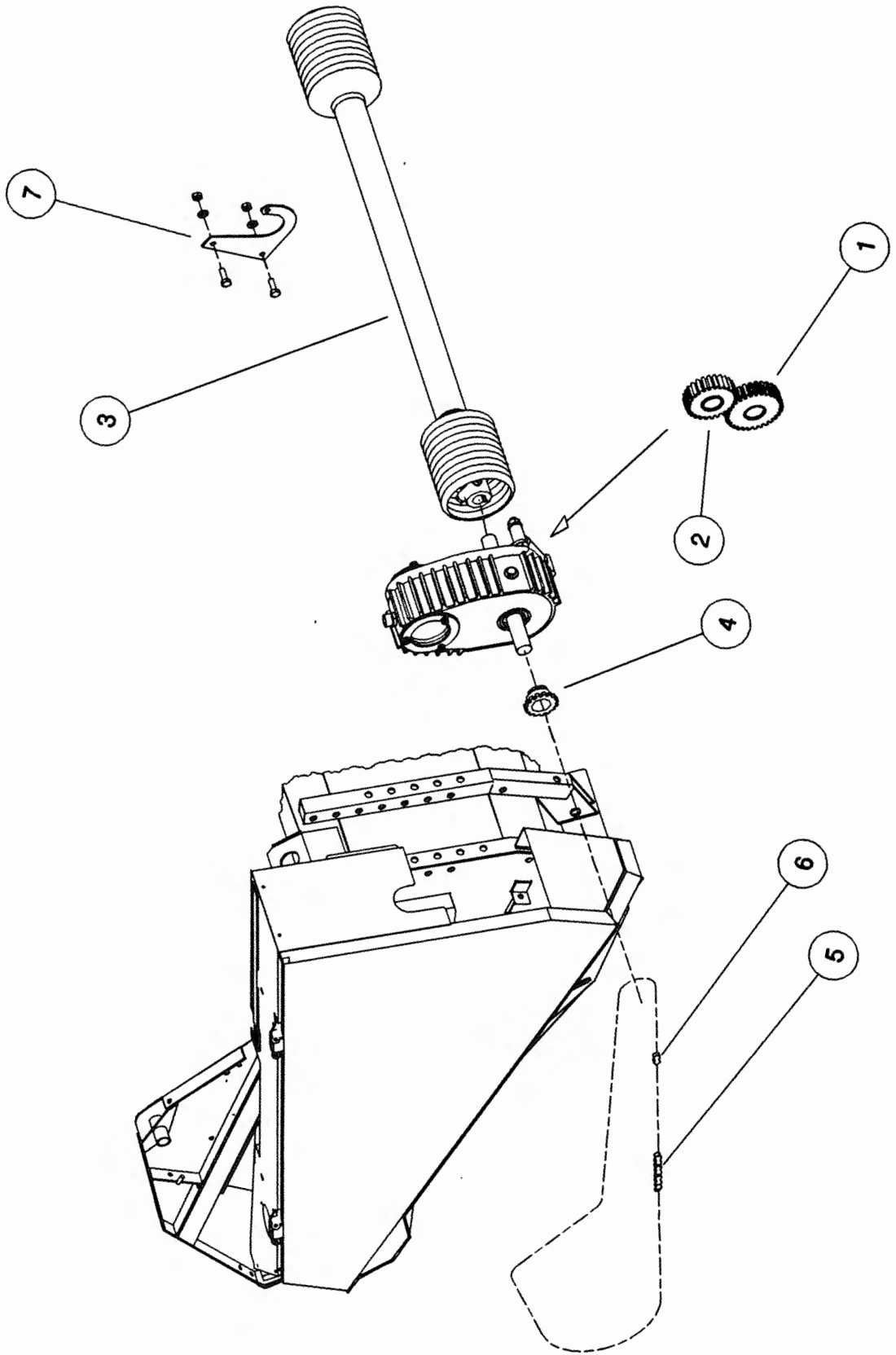
Shelbourne Reynolds Engineering Limited

ASSY NUMBER:		196534 006		ASSY DESCRIPTION: DRIVE KIT 6.0M CASEIH(ALL)/JD9500, 7720			
ITEM	PART NO	DESCRIPTION	QTY	ITEM	PART NO	DESCRIPTION	QTY
1	191804 29	SELECT GEAR 29T	1				
OR	191804 30	SELECT GEAR 30T	1				
2	191804 27	SELECT GEAR 27T	1				
OR	191804 26	SELECT GEAR 26T	1				
3	PTO-17006	FLEX POWER SHAFT	1				
4	192768 18	AUGER SPROCKET 18T	1				
OR	192768 06	AUGER SPROCKET 19T	1				
5	CHN-01920	CHAIN	95				
6	CHN-01901	JOINING LINK	1				
7	KIT-00931	PTO SUPPORT KIT	1				

Shelbourne Reynolds Engineering Limited

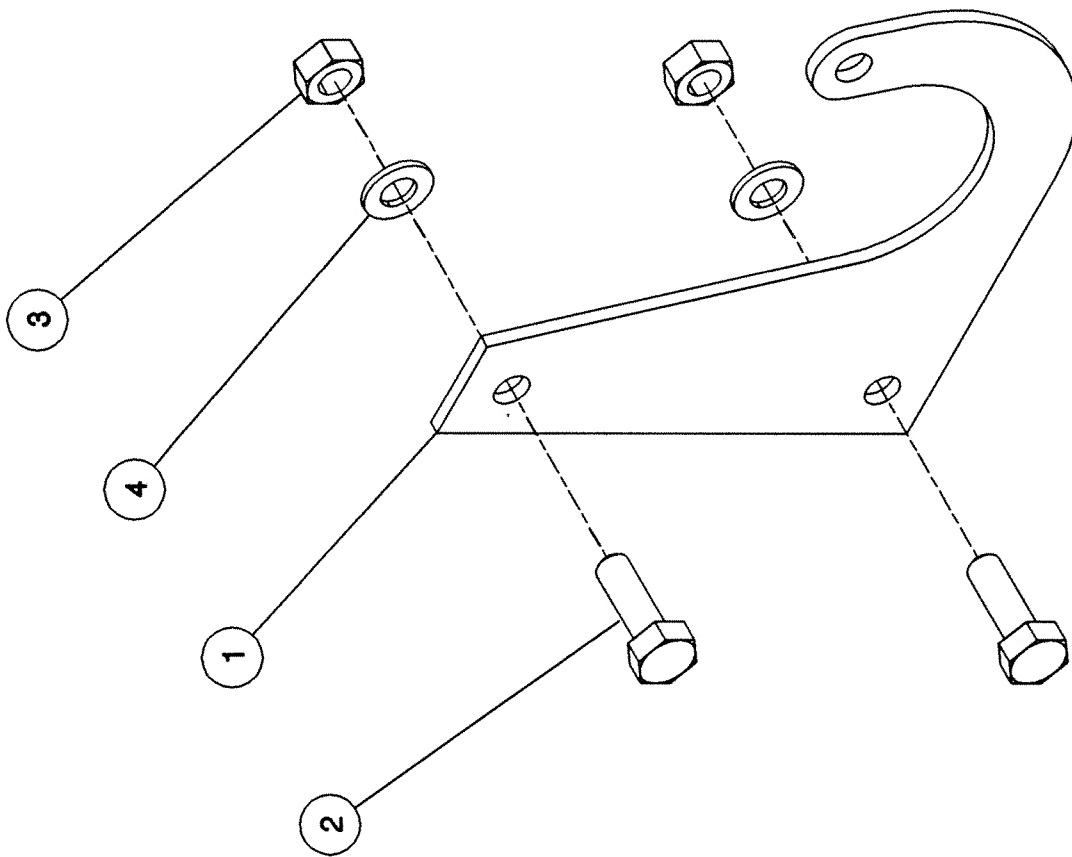
ASSY NUMBER: 196534 008		ASSY DESCRIPTION: DRIVE KIT 6. 6-8. 4M CASEIH/JD9500, 7720					
ITEM	PART NO	DESCRIPTION	QTY	ITEM	PART NO	DESCRIPTION	QTY
1	191804 29	SELECT GEAR 29T	1				
OR	191804 30	SELECT GEAR 30T	1				
2	191804 27	SELECT GEAR 27T	1				
OR	191804 26	SELECT GEAR 26T	1				
3	PTO-17002	FLEX POWER SHAFT	1				
4	192768 18	AUGER SPROCKET 18T	1				
OR	192768 06	AUGER SPROCKET 19T	1				
5	CHN-01920	CHAIN	95				
6	CHN-01901	JOINING LINK	1				
7	KIT-00931	PTO SUPPORT KIT	1				

RX HEADER ILLUSTRATED



Shelbourne Reynolds Engineering Limited

ASSY NUMBER:		KIT-00931		ASY DESCRIPTION: PTO SUPPORT KIT			
ITEM	PART NO	DESCRIPTION	QTY	ITEM	PART NO	DESCRIPTION	QTY
1	191945 01	PTO SUPPORT	1				
2	HSS-0238	SET SCREW	2				
3	NUT-0269	NYLOC NUT	2				
4	WSH-0018	PLAIN WASHER	2				



RX & CX Shelbourne Header

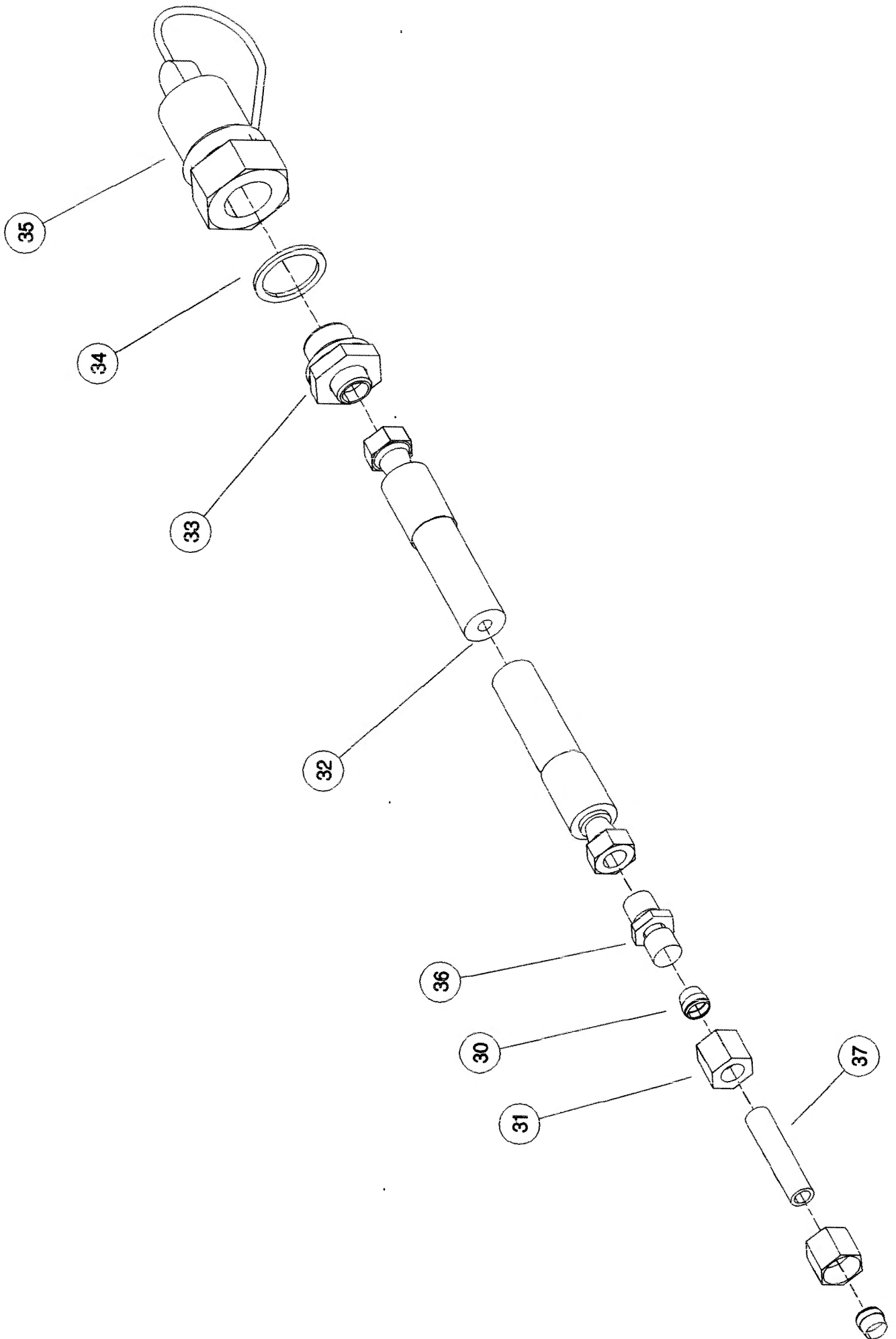
**HYDRAULIC
FITTINGS**

Shelbourne Reynolds Engineering Limited

ASSY NUMBER:		KIT-01701		SUB ASSY DESCRIPTION: HYDRAULIC PROBE CONNECTOR (FROM 196517 01)			
ITEM	PART NO	DESCRIPTION	QTY	ITEM	PART NO	DESCRIPTION	QTY
30	FIT-0056	OLIVE	2				
31	FIT-0051	NUT	2				
32	HHAC12005	HOSE	1				
33	FIT-0025	ADAPTOR	1				
34	WSH-1010	DOWTY WASHER	1				
35	COU-0161	PULL BRAKE COUPLING	1				
36	FIT-0047	FITTING	1				
37	RP100040	PIPE	1				

Shelbourne Reynolds Engineering Limited

ASSY NUMBER: KIT-01709		SUB ASSY DESCRIPTION: HYDRAULIC PROBE ADAPTOR					
ITEM	PART NO	DESCRIPTION	QTY	ITEM	PART NO	DESCRIPTION	QTY
30	FIT-0056	OLIVE	2				
31	FIT-0051	NUT	2				
32	HHAC12005	HOSE	1				
33	HMA-0055	ADAPTOR	1				
34	WSH-1015	DOWTY WASHER	1				
35	COU-0162	PULL BRAKE COUPLING	1				
36	FIT-0047	FITTING	1				
37	RP100040	PIPE	1				

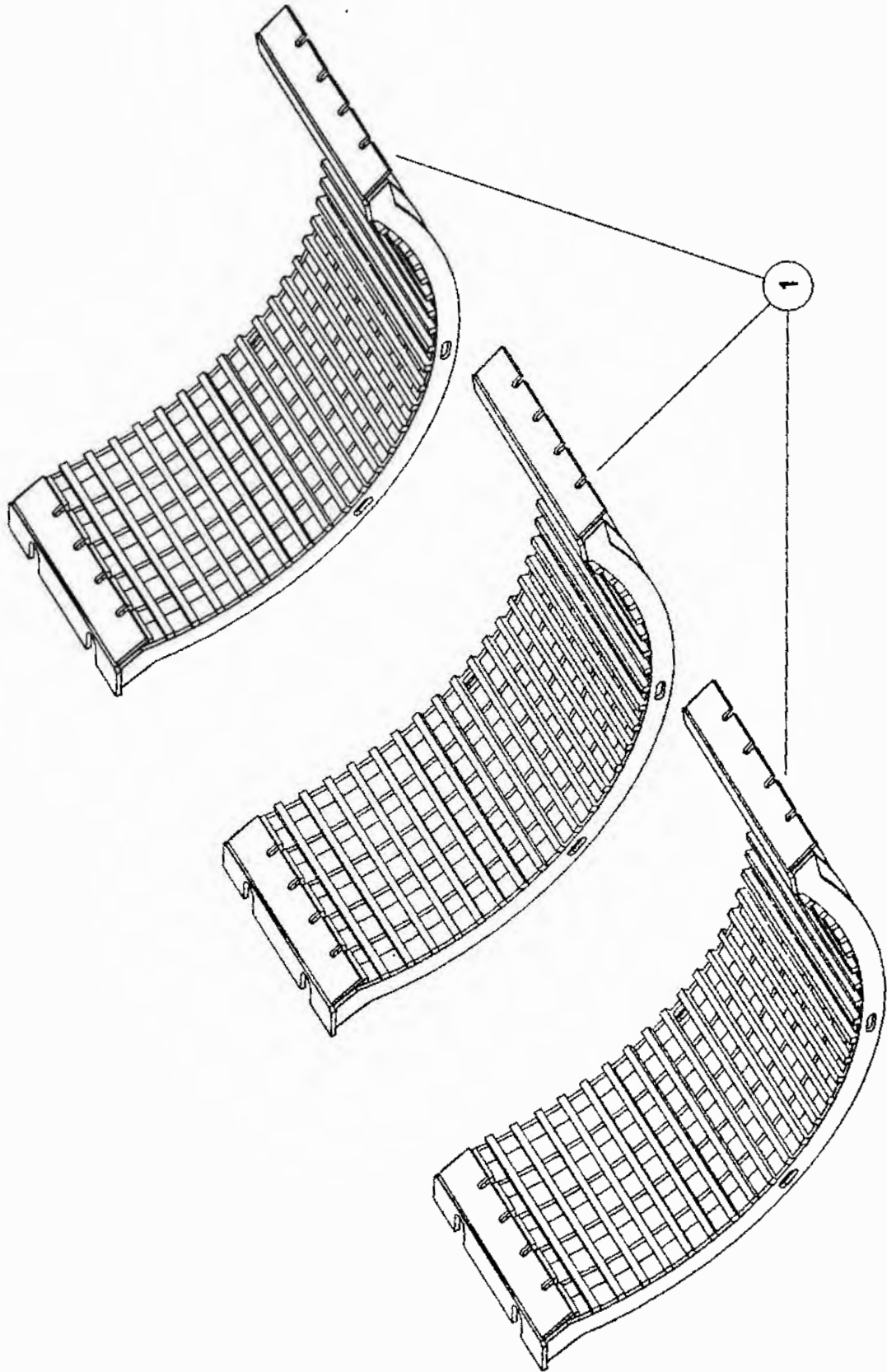


RX & CX Shelbourne Header

KIT OPTIONS

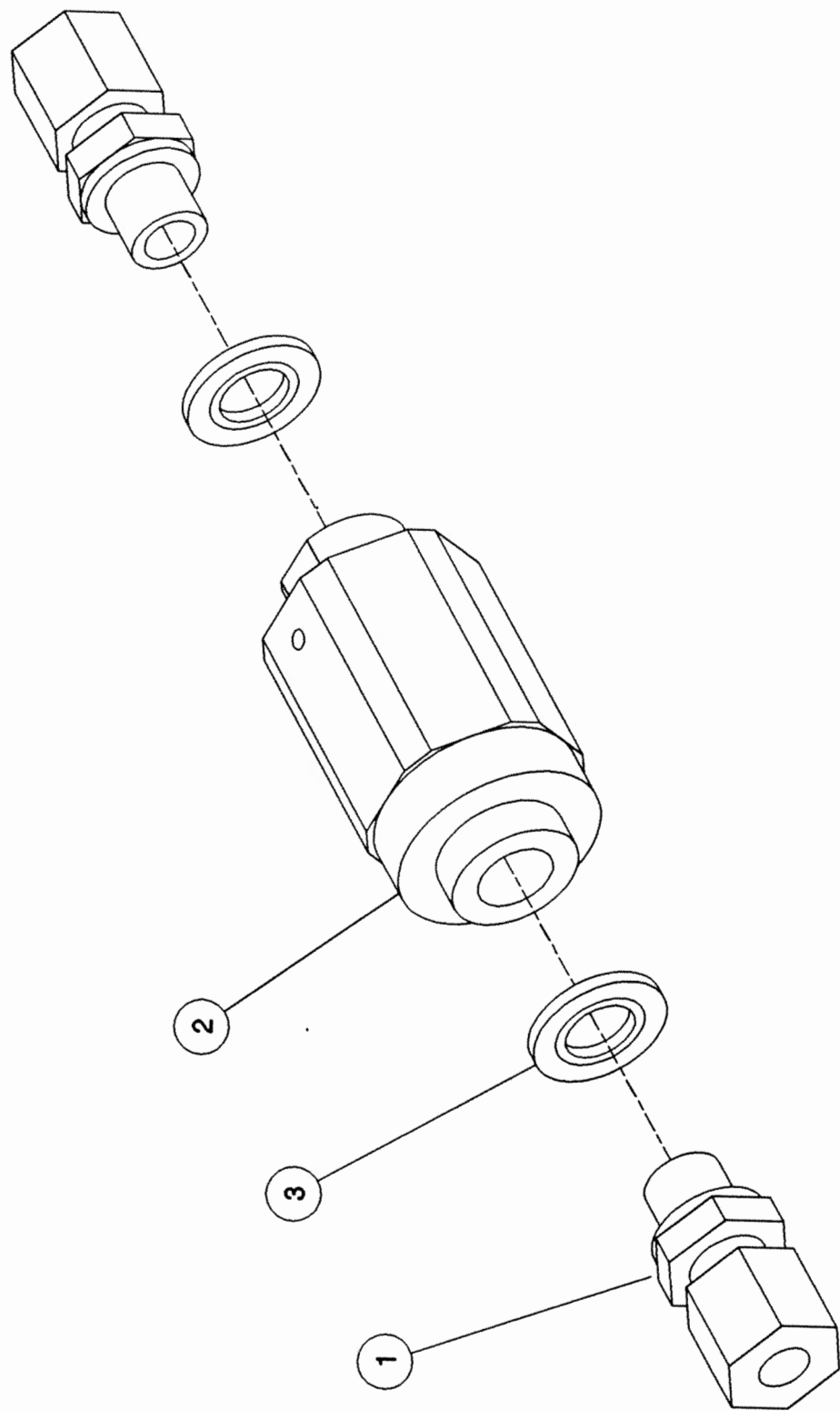
Shelbourne Reynolds Engineering Limited

ASSY NUMBER:		KIT-00903		SUB ASSY DESCRIPTION:		IHC 1680/1480 SPLTY RTR GRATE KIT	
ITEM	PART NO	DESCRIPTION	QTY	ITEM	PART NO	DESCRIPTION	QTY
1	191660 01	GRATE ASSY	3				



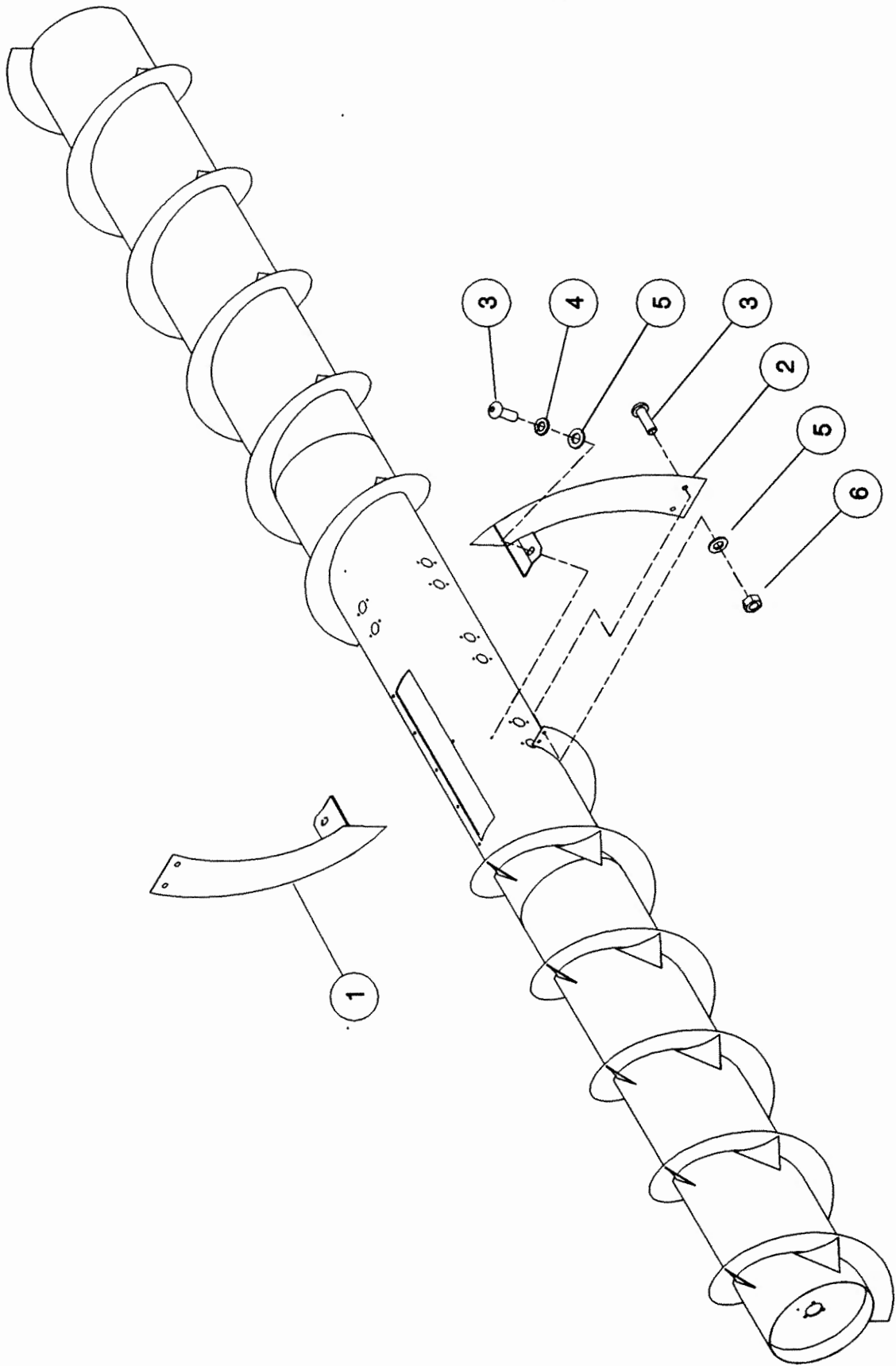
Shelbourne Reynolds Engineering Limited

ASSY NUMBER:		KIT-00932		ASSY DESCRIPTION: THROTTLE VALVE KIT			
ITEM	PART NO	DESCRIPTION	QTY	ITEM	PART NO	DESCRIPTION	QTY
1	FIT-0552	MALE STUD COUPLING	2				
2	VAL-0120	FINE CONTROL THROTTLE VALVE	1				
3	WSH-1005	DOWTY WASHER	2				



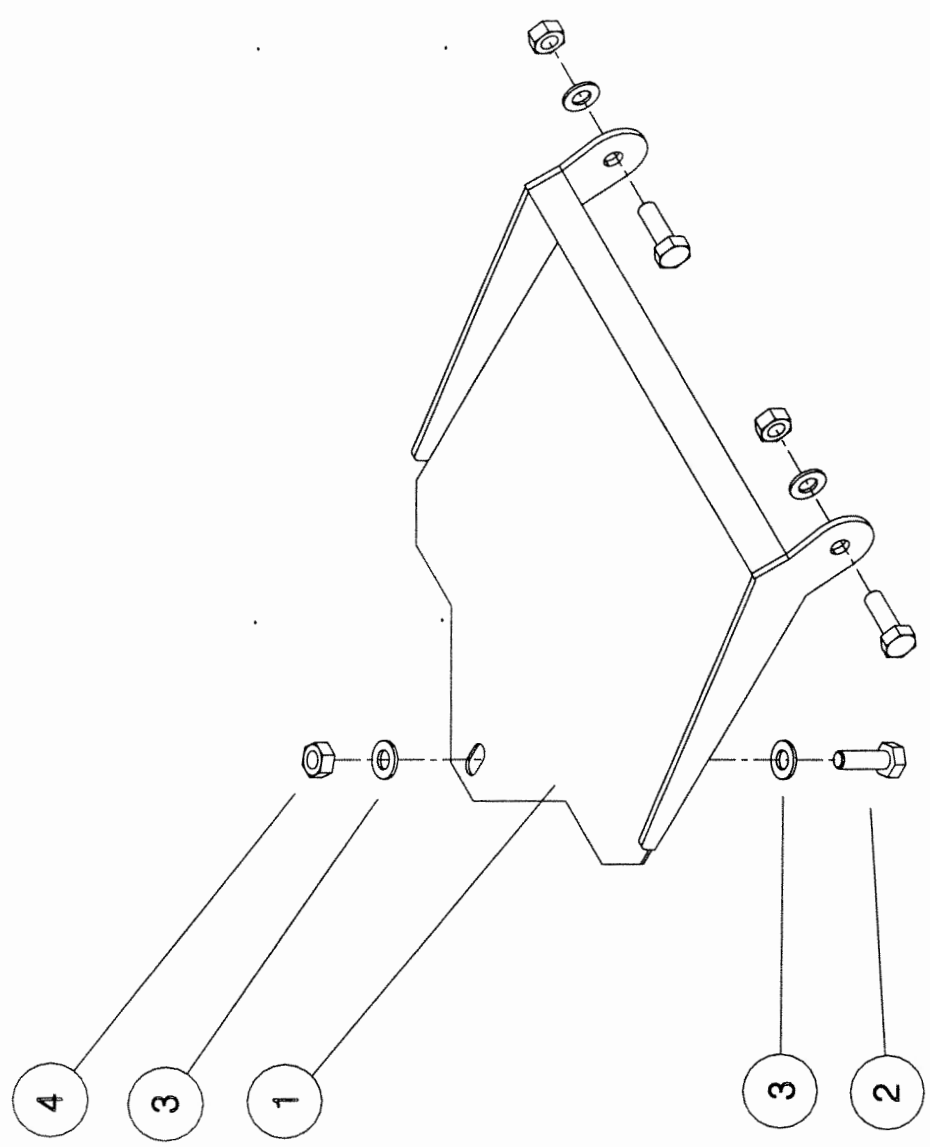
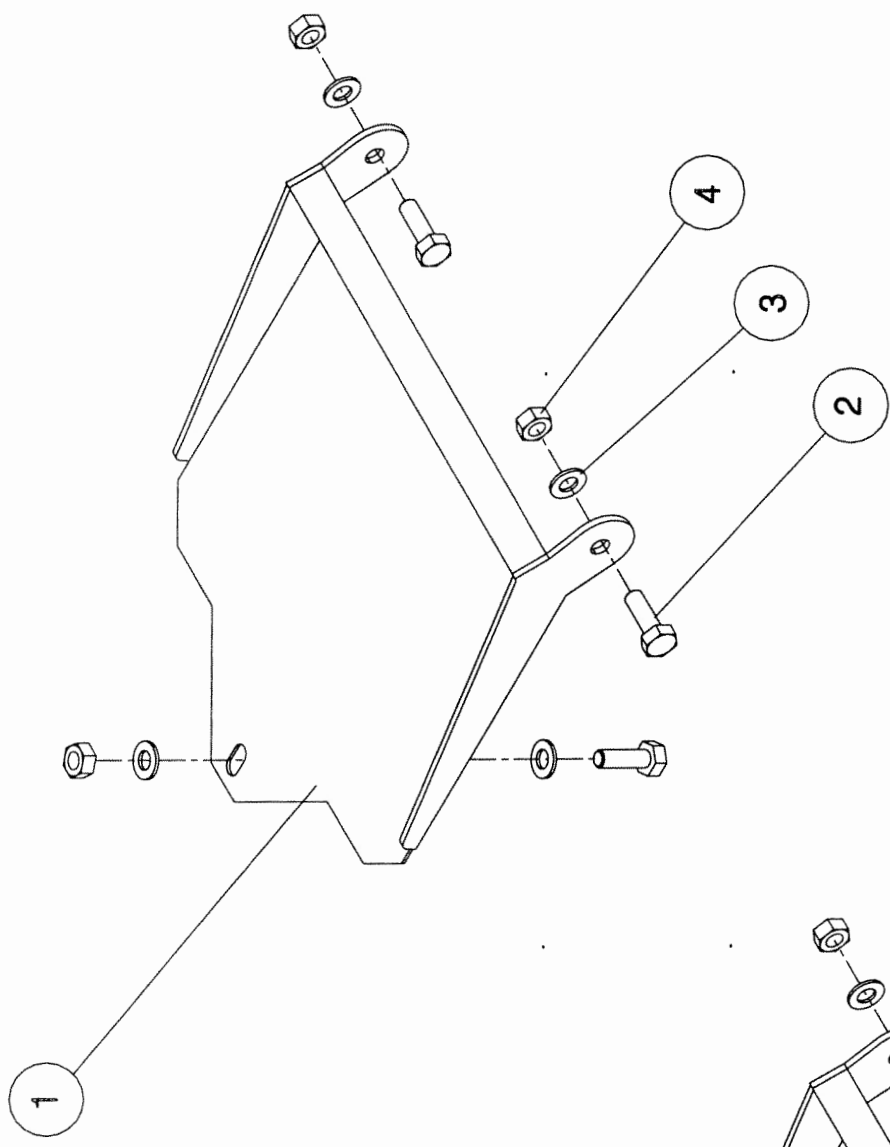
Shelbourne Reynolds Engineering Limited

ASSY NUMBER:		KIT-00965		SUB ASSY DESCRIPTION: AUGER FLIGHT EXTENSIONS (RX/CX)			
ITEM	PART NO	DESCRIPTION	QTY	ITEM	PART NO	DESCRIPTION	QTY
1	192227 01	AUGER FLIGHT EXT. L. H	1				
2	192227 02	AUGER FLIGHT EXT. R. H	1				
3	SCBA08172	BUT. SKT. HD SCREW	6				
4	WSH-0058	SPRING WASHER	2				
5	WSH-0012	PLAIN WASHER	6				
6	NUT-0263	NYLOC NUT	4				



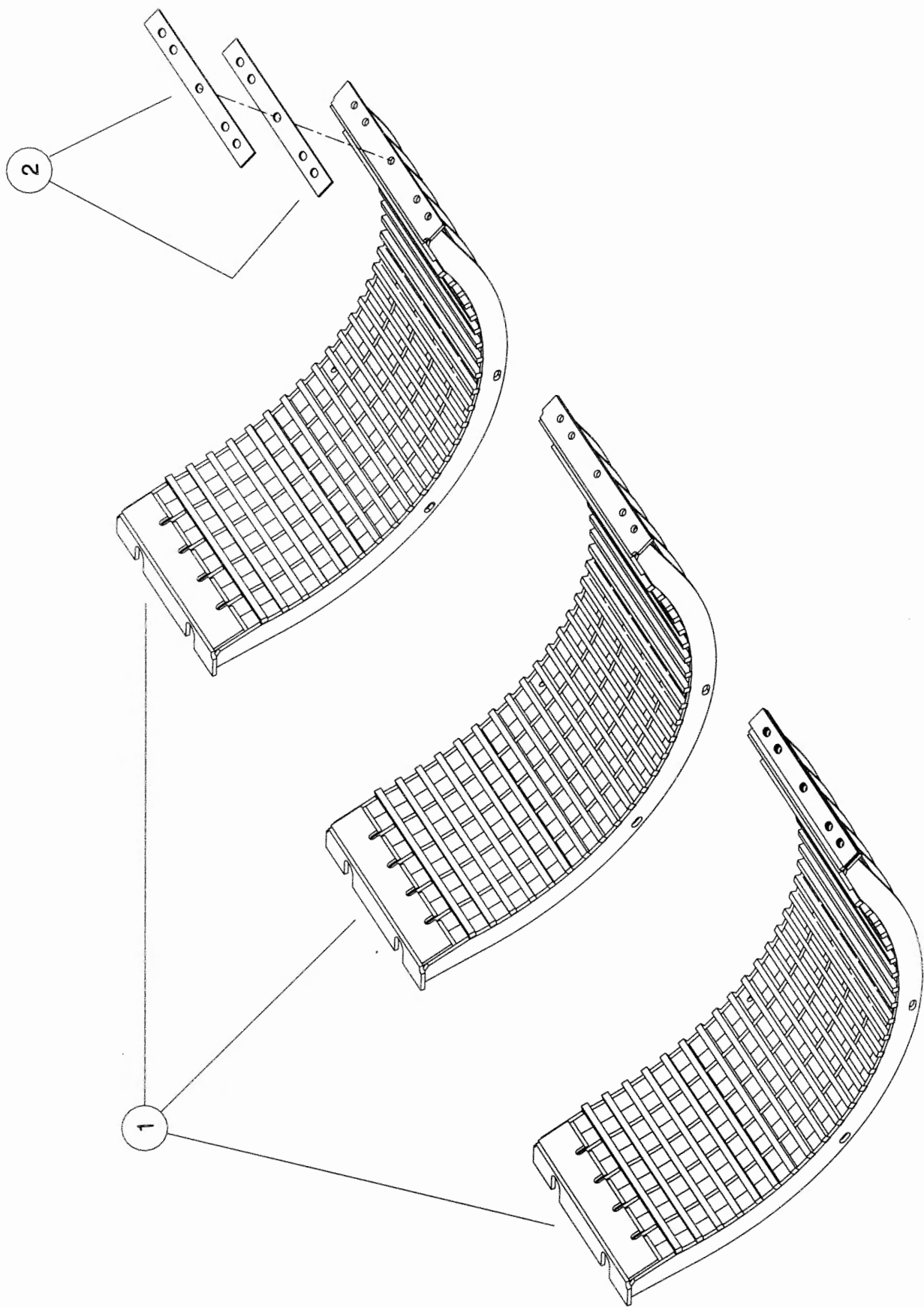
Shelbourne Reynolds Engineering Limited

ASSY NUMBER:		KIT-00970		SUB ASSY DESCRIPTION: PROTECTION PANS KIT			
ITEM	PART NO	DESCRIPTION	QTY	ITEM	PART NO	DESCRIPTION	QTY
1	192712 01	PROTECTION PAN (1 HOLE)	2				
2	HSS-0191	SET SCREW	6				
3	WSH-0015	WASHER	8				
4	NUT-0265	NUT	6				



Shelbourne Reynolds Engineering Limited

ASSY NUMBER:		KIT-00903		SUB ASSY DESCRIPTION: IHC 1680/1480 SPLTY RTR CONCAVE KIT			
ITEM	PART NO	DESCRIPTION	QTY	ITEM	PART NO	DESCRIPTION	QTY
1	191660 01	CONCAVE ASSY (UP TO SERIAL No 3126610)	3				
OR	194563 01	CONCAVE ASSY (FROM 2000/01)	3				
2	194368 01	SPACER PLATE	6				



KIT - 00903

NUMERIC PARTS LIST

PART No.	PAGE	PART No.	PAGE
130236 01	6	KIT-00931	16
	10	NUT-0190	6
130237 01	6		10
134024 05	6	NUT-0263	6
	10		10
191051 01	6		32
191063 02	6	NUT-0265	34
	10	NUT-0269	6
191660 01	28		10
191804 27	14		18
	15	POP-0006	6
	16		10
191804 29	14	PTO-17002	16
	15	PTO-17006	15
	16	PTO-17010	14
191945 01	18	RP-100040	23
192227 01	32		24
192227 02	32	SCBA08172	32
192712 01	34	VAL-0120	30
192768 18	14	WSH-0012	6
	15		10
	16		32
193473 01	10	WSH-0015	34
193475 01	10	WSH-0018	6
193564 01	36		10
193595 01	10		18
193595 02	10	WSH-0024	6
BLT-2273	6		10
BLT-4710	6	WSH-0058	32
	10	WSH-0070	6
CHN-01990	14		10
	15	WSH-1005	30
	16	WSH-1010	23
COU-0161	23	WSH-1015	24
COU-0162	24		
FIT-0025	23		
FIT-0047	23		
	24		
FIT-0552	30		
HHAC12005	23		
	24		
HMA-0055	24		
HSS-0191	34		
HSS-0238	18		
HSS-0315	6		
	10		
KIT-00601	5		
KIT-00617	9		
KIT-00931	14		
	15		

