

MASSEY FERGUSON/FENDT DRIVE AND ADAPTOR PLATE PARTS MANUAL



STRIPPER HEADER

Shelbourne Reynolds Engineering Ltd
Stanton
Bury St Edmunds
Suffolk
IP31 2AR
England

Telephone: 01359 250415
Fax: 01359 250464

Stores Direct : 01359 251231
Stores Direct: 01359 252031

Shelbourne Reynolds Inc.
Colby PO box 607
1250 S Country Club Drive
Colby , Kansas 67701
U.S.A.

Telephone: (785) 462 6299
Fax: (785) 462 6761

Issue 9

06/06/2021



ORDERING SPARE PARTS

IMPORTANT

Your Stripper Header is made up of a Machine assembly number (common parts), specific sub assemblies and also customer optional build kits. The machine, sub assemblies and optional kit numbers are listed in the front pages of your Operators manual. If you do not have these numbers please contact Shelbourne Reynolds Parts Department direct on (telephone) Stanton - (01359) 251231 or Colby - (785) 462 6299.

To ensure that you order the correct part from your SRE dealer please use the following procedure.

ALWAYS QUOTE THE MACHINE AND SERIAL NUMBERS WHEN ORDERING.

The year and/or serial number of the machine may determine the correct sub assembly.

Refer to the Parts Manuals front page/s, listing the machine assemblies. Select the correct machine assembly number which is printed in the top left corner of the page (starting with 1965_ _ 01), This machine number can also be taken from the Stripper Header identification plate located on the rear left hand corner of the machine.

On this page you will find the parts listing for the common parts for every configuration of that machine assembly number. You will find the corresponding drawing by either looking at the facing page or progressing through the manual to the next drawing. The drawings indicate the components by item numbers, which you will find, are repeated in the left-hand side of your parts listing, and therefore referring to the correct part.

Note all parts will not be found listed below the machine number. Other parts will be from specific sub assemblies and optional kits. These sub assemblies and kits will be found in numerical order further through the manual. Sub assemblies start with 1960_ _ 01 and kits start with KIT- 19 _ _ _.

The parts listing for adaptor plates, drive kits and hydraulic couplings can be found in the following manuals;

Drive & Adaptor Plate Manuals

Massey Ferguson	MAN-03172
Claas/Cat	MAN-03173
John Deere	MAN-03174
New Holland	MAN-03175
Laverda	MAN-03176
Gleaner/Challenger	MAN-03177
Case IH	MAN-03178

List Of Kit Numbers

Adaptor Plate 5

196555 02	Adaptor Plate Assembly Massey Ferguson (Auto Level)	6
196555 17	Adaptor Plate Assembly AGCO (Non Lateral Tilt)	7
196555 18	Adaptor Plate Assembly Massey Ferguson Worldwide Pickup ERPN	8
196555 24	Adaptor Plate Assembly AGCO	9
KIT-00631	Adaptor Plate Massey Ferguson 30-40 (Auto 1996)	10
KIT-00640	Adaptor Plate Sub Assembly AGCO CVS/RVS/RSD	12
KIT-00812	Fill In Plate Massey Ferguson Worldwide Pickup	14
KIT-19049	AGCo Ideal Mounting Kit	16

Drive Options 19

196549 115B	Drive Kit Massey Ferguson CVS/RSD (16ft And 18ft)	20
196549 165	Drive Kit AGCO CVS/RVS/RSD (18ft)	22
196549 166	Drive Kit AGCO CVS/RVS/RSD (20ft)	24
196549 168	Drive Kit AGCO CVS/RVS/RSD/XCV (22-42ft)	26
KIT-00931	PTO Support Kit	28

Hydraulic Kits 31

KIT-01707	Hydraulic Probe Adaptor	32
KIT-01720	Hydraulic Kit	34
KIT-01731	AGCO Hydraulic Multicoupler Kit	36
KIT-01735	AGCO Hydraulic Multicoupler Kit	38

Adaptor Plates

Shelbourne Reynolds Engineering Limited

ASSY NUMBER: 196555 02				ASSY DESCRIPTION: ADAPTOR PLATE ASSY MF DRON(AUTO LEVEL)			
ITEM	PART NO	DESCRIPTION	QTY	ITEM	PART NO	DESCRIPTION	QTY
1	KIT-00631	ADAPTOR PLATE SUB	1				

Shelbourne Reynolds Engineering Limited

ASSY NUMBER: 196555 17				ASSY DESCRIPTION: ADAPT.PLT.ASSY AGCO (NON LATERAL TILT MODELS MUST HAVE LARGE HORNS)			
ITEM	PART NO	DESCRIPTION	QTY	ITEM	PART NO	DESCRIPTION	QTY
1	KIT-00643	ADAPTOR PLATE SUB	1				

Shelbourne Reynolds Engineering Limited

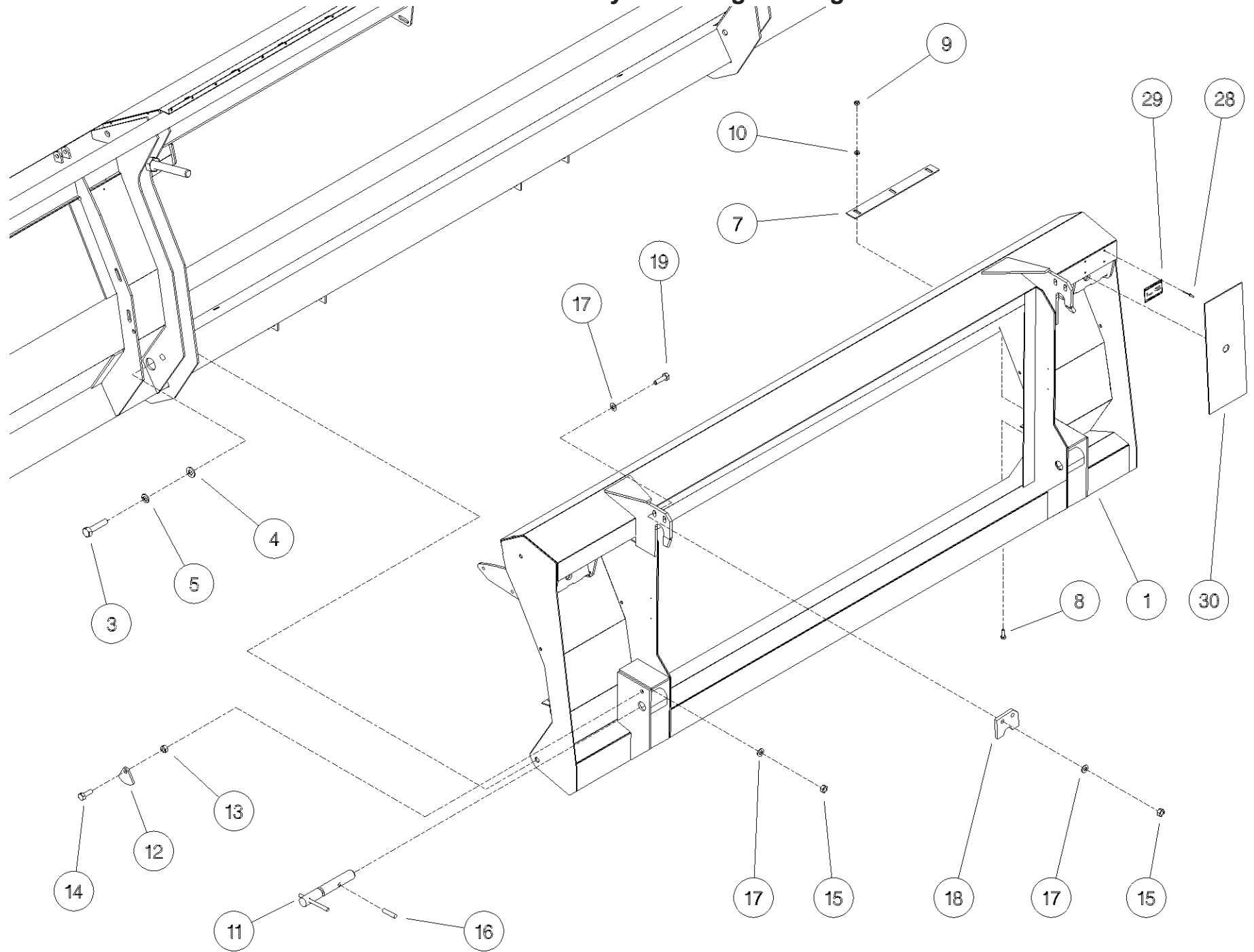
ASSY NUMBER: 196555 18				ASSY DESCRIPTION: ADAPT.PLT.ASSY MF WORLDWIDE PICKUP ERPN			
ITEM	PART NO	DESCRIPTION	QTY	ITEM	PART NO	DESCRIPTION	QTY
1	KIT-00643	ADAPTOR PLATE SUB	1				
2	KIT-00812	FILL IN KIT	1				

Shelbourne Reynolds Engineering Limited

ASSY NUMBER: 196555 24				ASSY DESCRIPTION: ADAPT.PLT.ASSY			
ITEM	PART NO	DESCRIPTION	QTY	ITEM	PART NO	DESCRIPTION	QTY
1	KIT-00643	ADAPTOR PLATE SUB	1				
2	KIT-19049	AGCO IDEAL MOUNTING KIT	1				

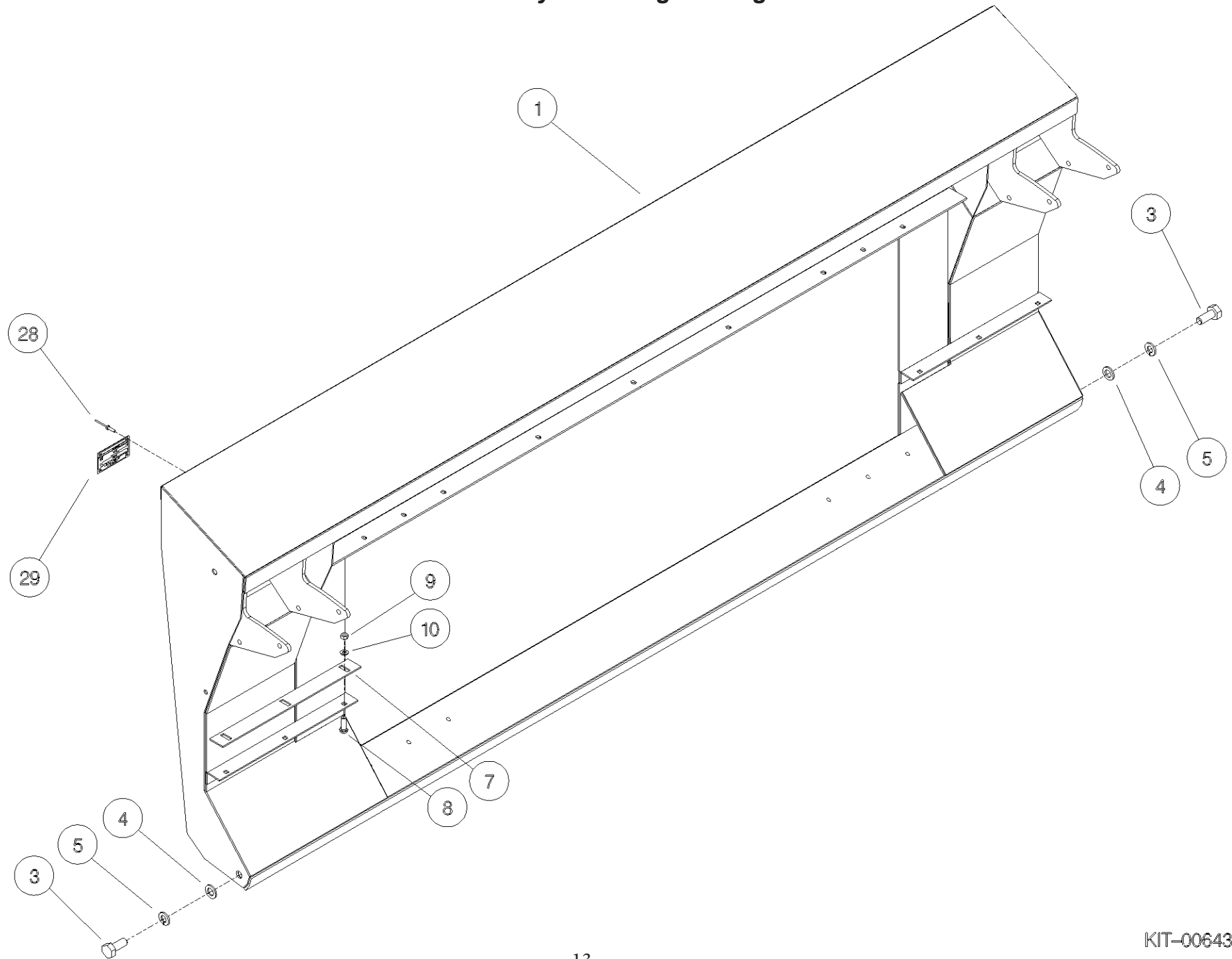
Shelbourne Reynolds Engineering Limited

ASSY NUMBER: KIT-00631				ASSY DESCRIPTION: ADAPTOR PLATE MF-30-40 (AUTO,1996)			
ITEM	PART NO	DESCRIPTION	QTY	ITEM	PART NO	DESCRIPTION	QTY
1	194262 01	FRAME WELD ASSY	1				
2							
3	HSS-0315	SET SCREW	2				
4	WSH-0024	PLAIN WASHER	2				
5	WSH-0070	SPRING WASHER	2				
6							
7	194261 02	SCRAPER (UPTO 2009)	2				
8	BLT-4710	COACH BOLT (UPTO 2009)	6				
9	NUT-0263	NYLOC NUT (UP TO 2099)	6				
10	WSH-0012	PLAIN WASHER (UP TO 2009)	6				
11	130088 01	LOCKING HANDLE	2				
12	210125 01	LOCKING CAM	2				
13	NUT-0270	PLAIN NUT	2				
14	HSS-0250	SET SCREW	2				
15	NUT-0269	NYLOC NUT	4				
16	PIN-1935	ROLL PIN	2				
17	WSH-0018	PLAIN WASHER	6				
18	191459 01	ADJUSTER PLATE	1				
19	BLTA12290	BOLT	2				
20							
21							
21							
21							
21							
22							
23							
24							
25							
26							
27							
28	POP-0006	POP RIVET	4				
29	134024 05	IDENTIFICATION PLATE	1				
30	195093 01	DUST COVER	2				



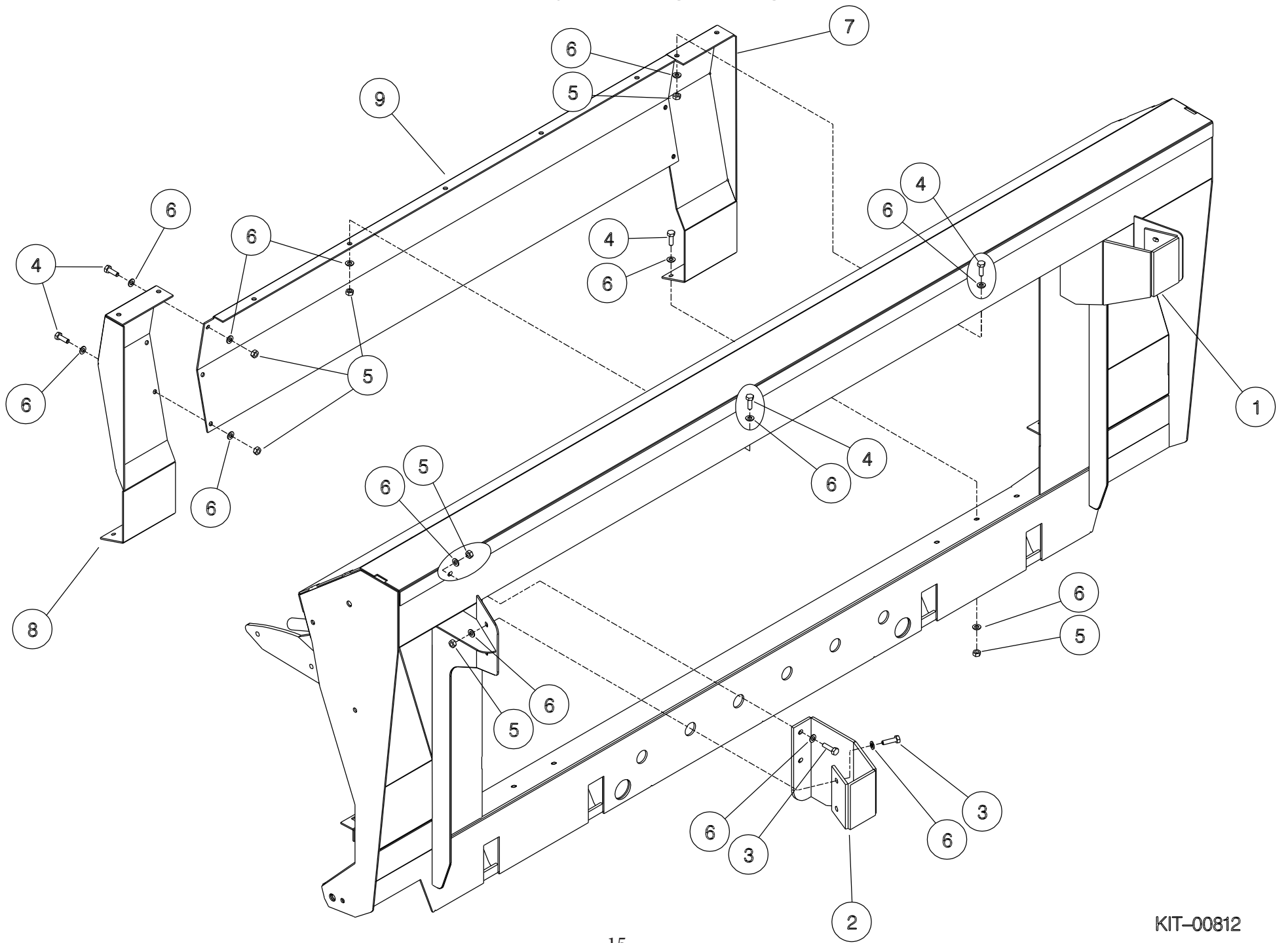
Shelbourne Reynolds Engineering Limited

ASSY NUMBER: KIT-00643				ASSY DESCRIPTION: ADAPTOR PLATE AGCO (R/CVS RSD)			
ITEM	PART NO	DESCRIPTION	QTY	ITEM	PART NO	DESCRIPTION	QTY
1	197657 01	FRAME WELD ASSY	1				
2							
3	HSS-0315	SET SCREW	2				
4	WSH-0024	PLAIN WASHER	2				
5	WSH-0070	SPRING WASHER	2				
6							
7	197658 01	SCRAPER (UPTO 2009)	2				
8	BLT-4710	COACH BOLT (UPTO 2009)	6				
9	NUT-0269	NYLOC NUT (UPTO 2009)	6				
10	WSH-0012	PLAIN WASHER (UPTO 2009)	6				
11							
12							
13							
14							
15							
16							
17							
18							
19							
20							
21							
22							
23							
24							
25							
26							
27							
28	POP-0006	POP RIVET (UPTO 2009)	4				
29	134024 05	IDENTIFICATION PLT (UPTO 2009)	1				
30	195093 01	DUST COVER	2				



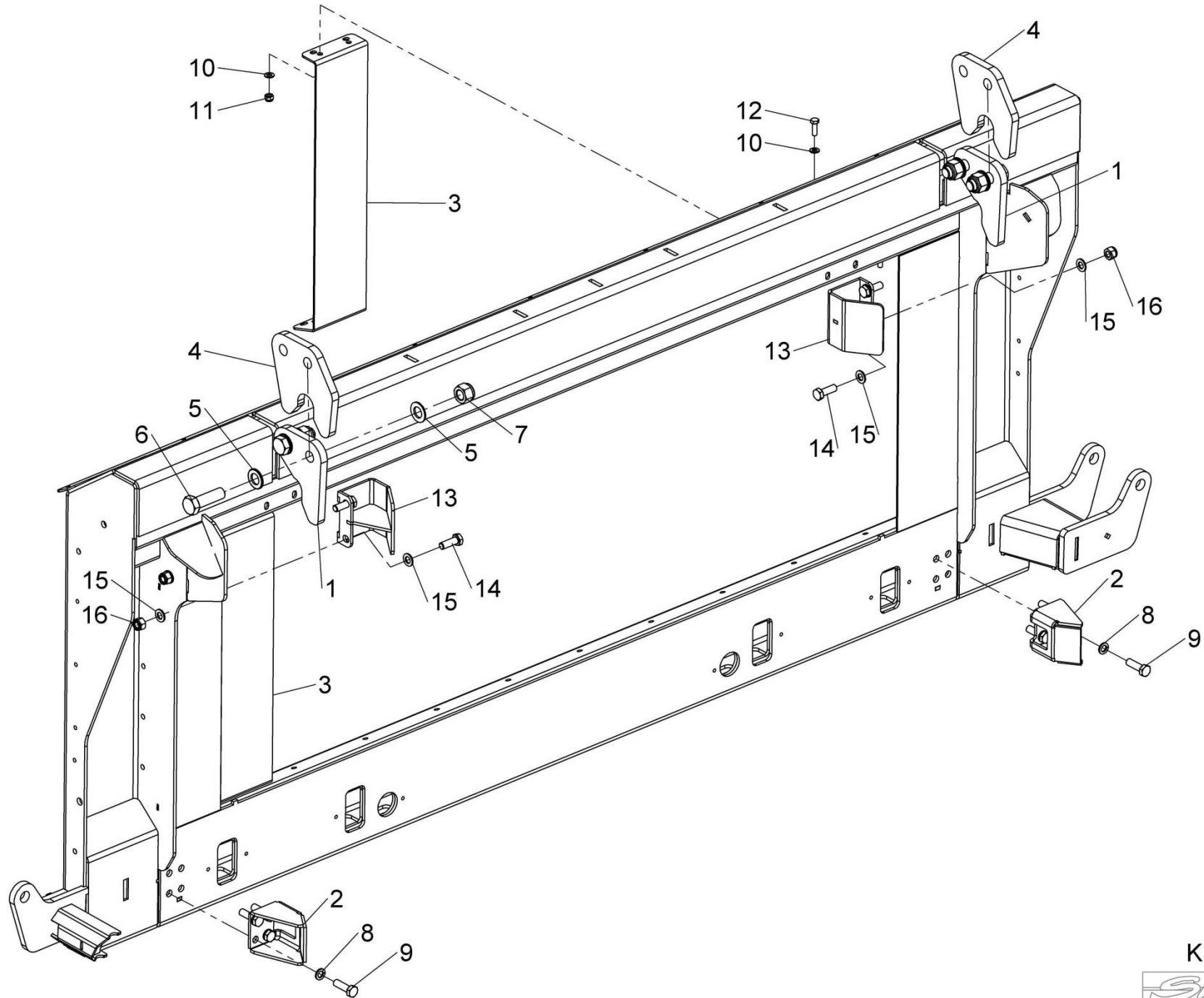
Shelbourne Reynolds Engineering Limited

ASSY NUMBER: KIT-00812				ASSY DESCRIPTION: FILL IN KIT MF WORLD WIDE PICK UP			
ITEM	PART NO	DESCRIPTION	QTY	ITEM	PART NO	DESCRIPTION	QTY
1	291086 01	LH GUIDE PLATE	1				
2	291086 02	RH GUIDE PLATE	1				
3	HSS-0150	BOLT	4				
4	HSS-0145	BOLT	23				
5	NUT-0263	NYLOC NUT	27				
6	WSH-0012	PLAIN WASHER	54				
7	197665 01	LH FILL IN PLATE	1				
8	197665 02	RH FILL IN PLATE	1				
9	197666 01	UPPER FILL IN PLATE	1				



Shelbourne Reynolds Engineering Limited

ASSY NUMBER: KIT-19049				ASSY DESCRIPTION: AGCO IDEAL MOUNTING KIT			
ITEM	PART NO	DESCRIPTION	QTY	ITEM	PART NO	DESCRIPTION	QTY
1	291063 01	CLOSE LUG	2				
2	291062 01	LOCKING BRACKET	2				
3	291065 01	FILL PLATE	2				
4	291064 01	LIFTING LUG	2				
5	WSH-0030	WASHER	8				
6	HSSA20410	SETSCREW	4				
7	NUTA02200	NYLOC NUT	4				
8	WSH-0065	SPRING WASHER	8				
9	HSS-0250	SETSCREW	8				
10	WSH-0012	WASHER	16				
11	NUT-0263	NYLOC NUT	8				
12	HSS-0145	BOLT	8				
13	291113 01	GUIDE W/A	2				
14	HSS-0241	SETSCREW	4				
15	WSH-0018	WASHER	12				
16	NUT-0269	NYLOC NUT	8				



KIT-19049

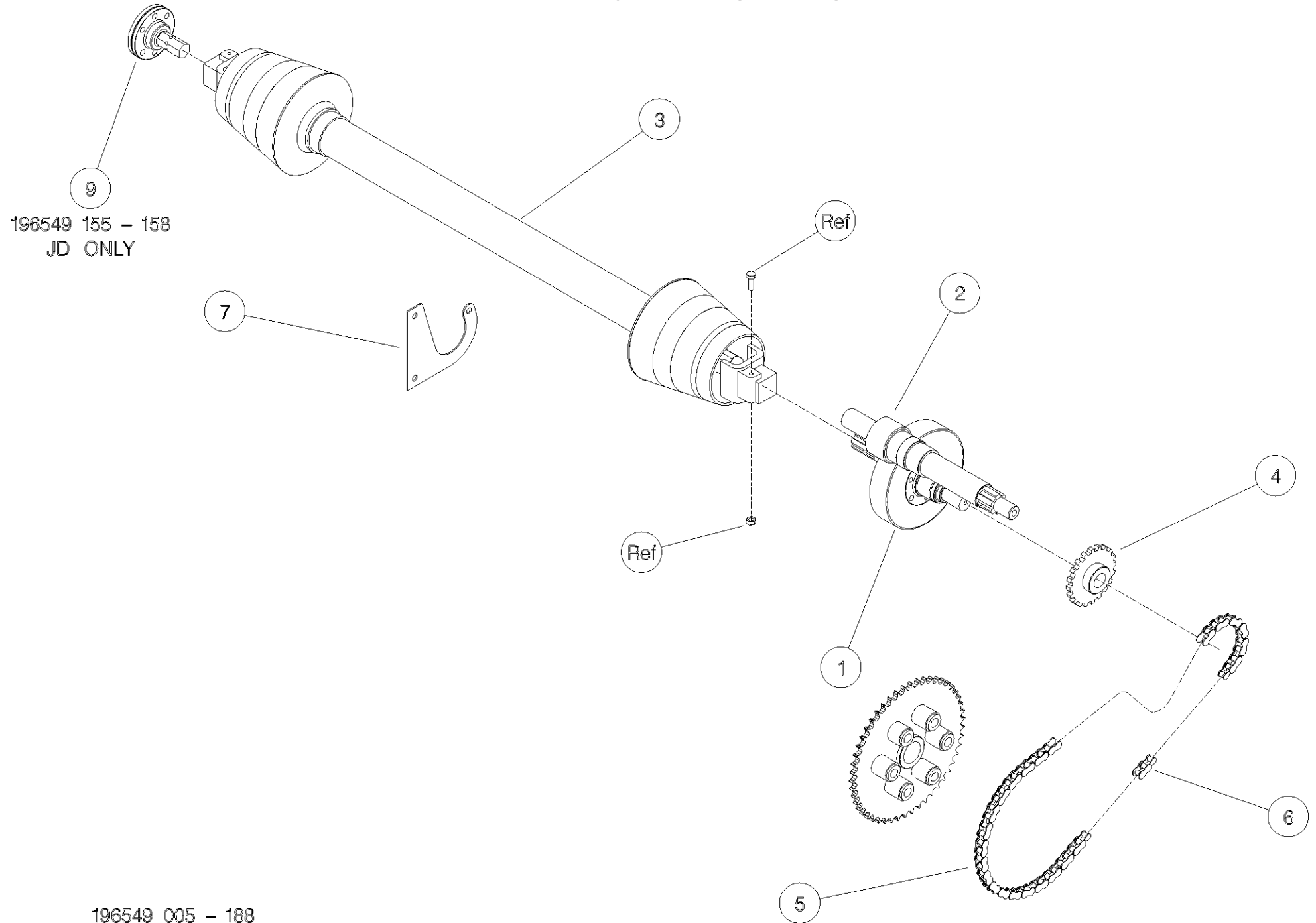


Drive Options

Shelbourne Reynolds Engineering Limited

ASSY NUMBER: 196549 115				ASSY DESCRIPTION: DRIVE KIT MF DRON/JD(BR)Cvs/Rsd 16/18'			
ITEM	PART NO	DESCRIPTION	QTY	ITEM	PART NO	DESCRIPTION	QTY
1A							
1B/E	192592 01	INPUT GEAR (42t) WITHOUT ROTOR GEARBOX	1				
2A							
2B	193599 01	PINION (27t) WITHOUT ROTOR GEARBOX	1				
2E							
3	PTO-26013	PTO(W2500 SERIES	1				
3A	PTO-00080	PTO YOKE-COMBINE (SPARES)	1				
3B	PTO-00083	PTO CROSS BEARING (SPARES)	A/R				
3C	PTO-00119	PTO CLUTCH-HEADER (SPARES)	1				
3D	PTO-00093	PTO GUARD ASSY (SPARES)	1				
3E	BLTA10380	SHEARBOLT	A/R				
3F	NUT-0265	NYLOC NUT	A/R				
4	192768 10	SPROCKET	1				
5	CHN-01920	CHAIN (FIXED GEARBOX MACHINES)	105				
OR	CHN-01920	CHAIN (PIVOTING GEARBOX MACHINES)	111				
6	CHN-01901	JOINING LINK	1				
7	KIT-00931	PTO SUPPORT KIT	1				

Shelbourne Reynolds Engineering Limited

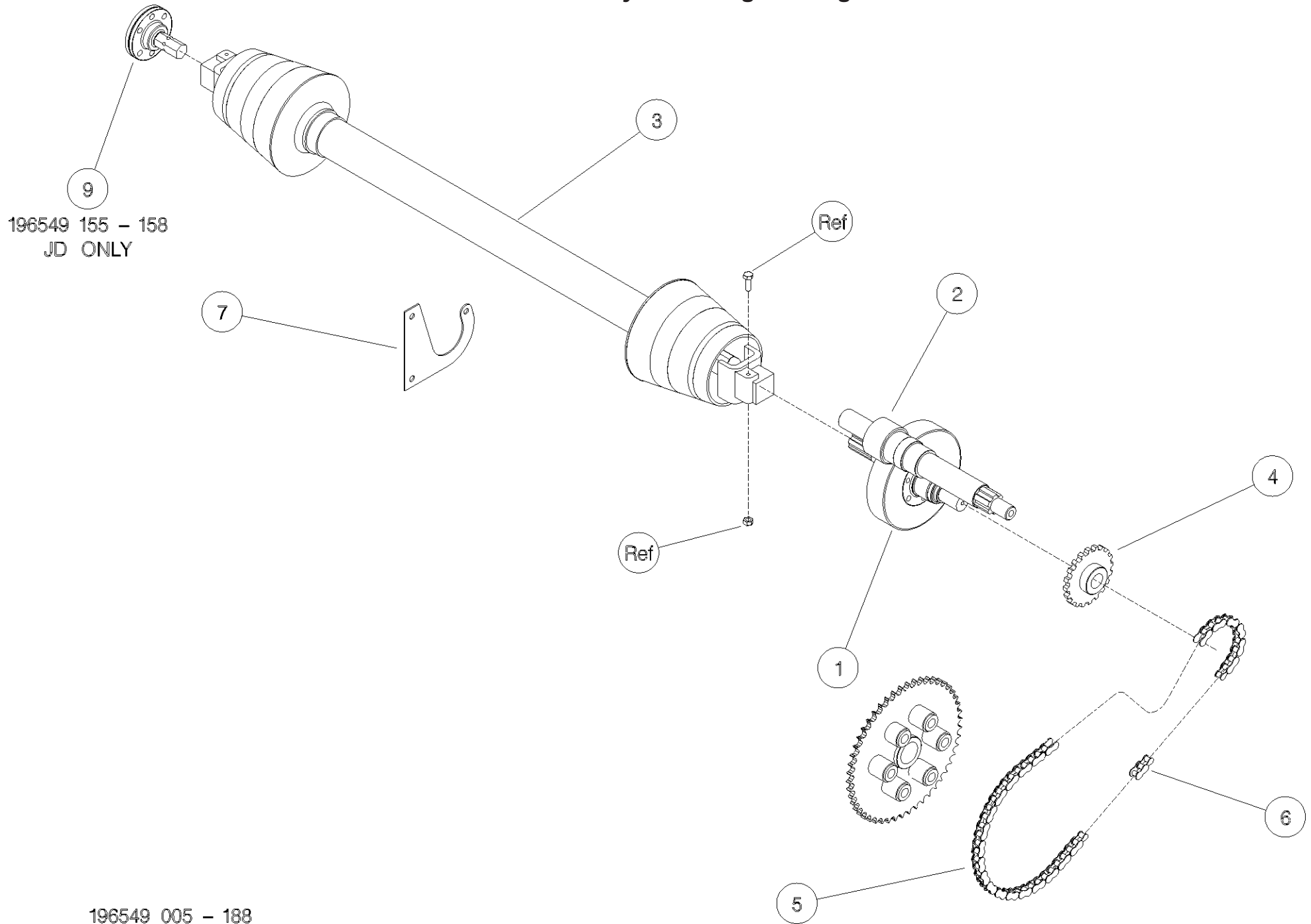


196549 005 - 188

Shelbourne Reynolds Engineering Limited

ASSY NUMBER: 196549 165				ASSY DESCRIPTION: DRIVE KIT AGCO CVS/RVS/RSD (18' 5.4m)			
ITEM	PART NO	DESCRIPTION	QTY	ITEM	PART NO	DESCRIPTION	QTY
1A	192592 07	INPUT GEAR (45t) WITH ROTOR GEARBOX	1				
1B/E	192592 13	INPUT GEAR (33t) (2015 & ON) WITHOUT ROTOR GEARBOX	1				
OR	192592 11	INPUT GEAR (35t) (UP TO 2015) WITHOUT ROTOR GEARBOX	1				
2A	193599 07	PINION (24t) WITH ROTOR GEARBOX	1				
2B	193599 11	PINION (34t) WITHOUT ROTOR GEARBOX	1				
2E	198999 13	PINION (36t) (2015 & ON) GEARBOX WITH 65mm SHAFT	1				
OR	198999 11	PINION (34t) (UP TO 2015) GEARBOX WITH 65mm SHAFT	1				
3	PTO-26009WE	PTO	1				
3a	PTO-00082WE	PTO YOKE-COMBINE (COLLAR)					
OR	PTO-00082	PTO YOKE-COMBINE (PUSH PIN)					
3b	PTO-00083	PTO CROSS BEARING					
3c	PTO-00119	PTO SHEAR BOLT CLUTCH-HEADER					
3d	PTO-00093WE	PTO GUARD ASSY (BLACK)					
OR	PTO-00093	PTO GUARD ASSY (YELLOW)					
3e	PTO-00968	EASY LOCK GUARD CLIPS (RED)					
3g	BLTA10384	SHEARBOLT					
3h	NUT-0265	NYLOC NUT					
4	192768 16	SPROCKET	1				
5	CHN-01991	CHAIN (99 LINKS PLUS JOINER)	1				
5a	CHN-01901	JOINING LINK					
6	CHN-01910	HALF LINK	A/R				
7	KIT-00931	PTO SUPPORT KIT	1				

Shelbourne Reynolds Engineering Limited

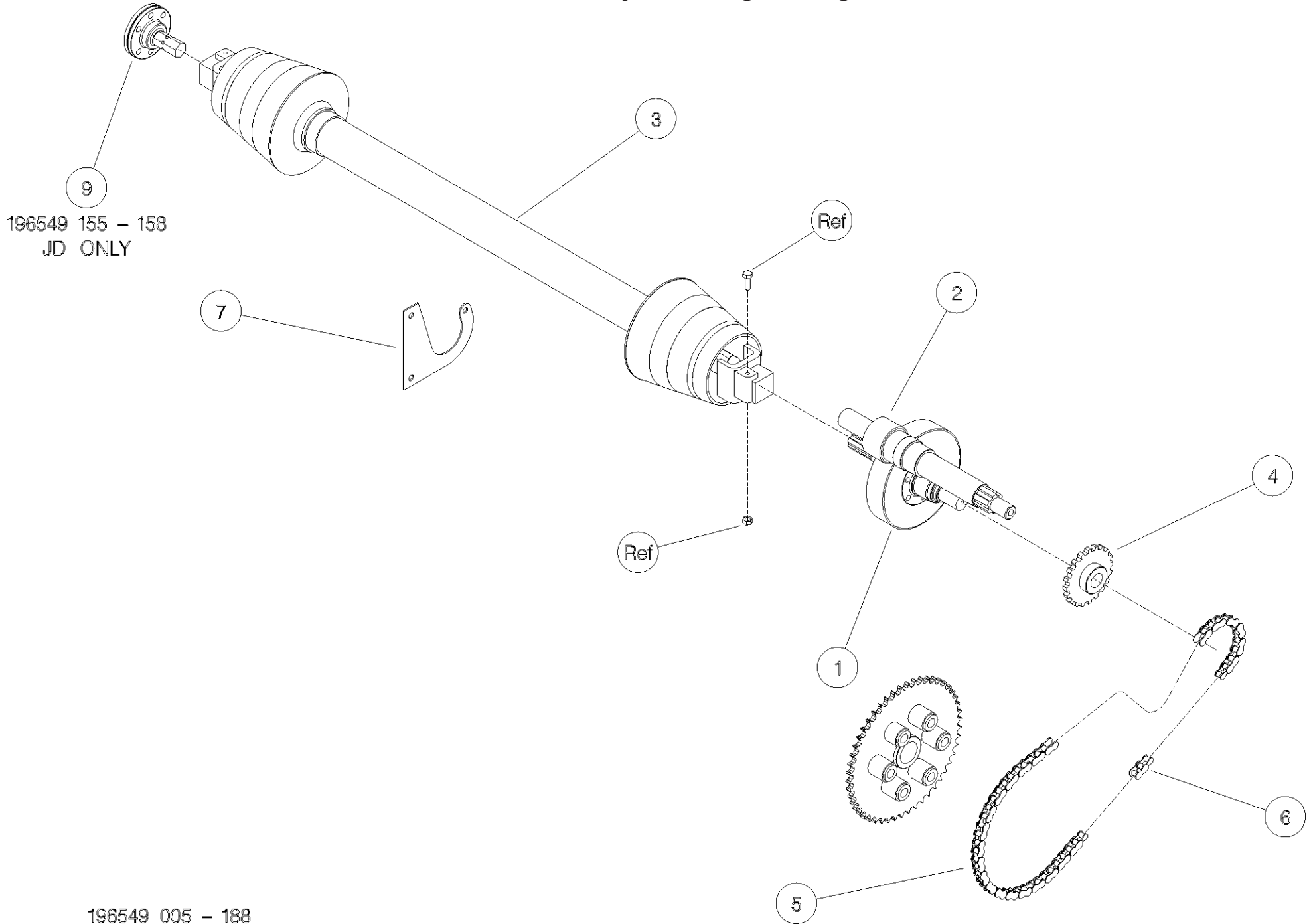


196549 005 - 188

Shelbourne Reynolds Engineering Limited

ASSY NUMBER: 196549 166				ASSY DESCRIPTION: DRIVE KIT AGCO CVS/RVS/RSD (20' 6.0m)			
ITEM	PART NO	DESCRIPTION	QTY	ITEM	PART NO	DESCRIPTION	QTY
1A	192592 07	INPUT GEAR (45t) WITH ROTOR GEARBOX	1				
1B/E	192592 13	INPUT GEAR (33t) (2015 & ON) WITHOUT ROTOR GEARBOX	1				
OR	192592 11	INPUT GEAR (35t) (UP TO 2015) WITHOUT ROTOR GEARBOX	1				
2A	193599 07	PINION (24t) WITH ROTOR GEARBOX	1				
2B	193599 11	PINION (34t) WITHOUT ROTOR GEARBOX	1				
2E	198999 13	PINION (36t) (2015 & ON) GEARBOX WITH 65mm SHAFT	1				
OR	198999 11	PINION (34t) (UP TO 2015) GEARBOX WITH 65mm SHAFT	1				
3	PTO-26010WE	PTO	1				
3a	PTO-00082WE	PTO YOKE-COMBINE (COLLAR)					
OR	PTO-00082	PTO YOKE-COMBINE (PUSH PIN)					
3b	PTO-00083	PTO CROSS BEARING					
3c	PTO-00119	PTO SHEAR BOLT CLUTCH-HEADER					
3d	PTO-00093WE	PTO GUARD ASSY (BLACK)					
OR	PTO-00093	PTO GUARD ASSY (YELLOW)					
3e	PTO-00968	EASY LOCK GUARD CLIPS (RED)					
3g	BLTA10384	SHEARBOLT					
3h	NUT-0265	NYLOC NUT					
4	192768 16	SPROCKET	1				
5	CHN-01991	CHAIN (99 LINKS PLUS JOINER)	1				
5a	CHN-01901	JOINING LINK					
6	CHN-01910	HALF LINK	A/R				
7	KIT-00931	PTO SUPPORT KIT	1				

Shelbourne Reynolds Engineering Limited



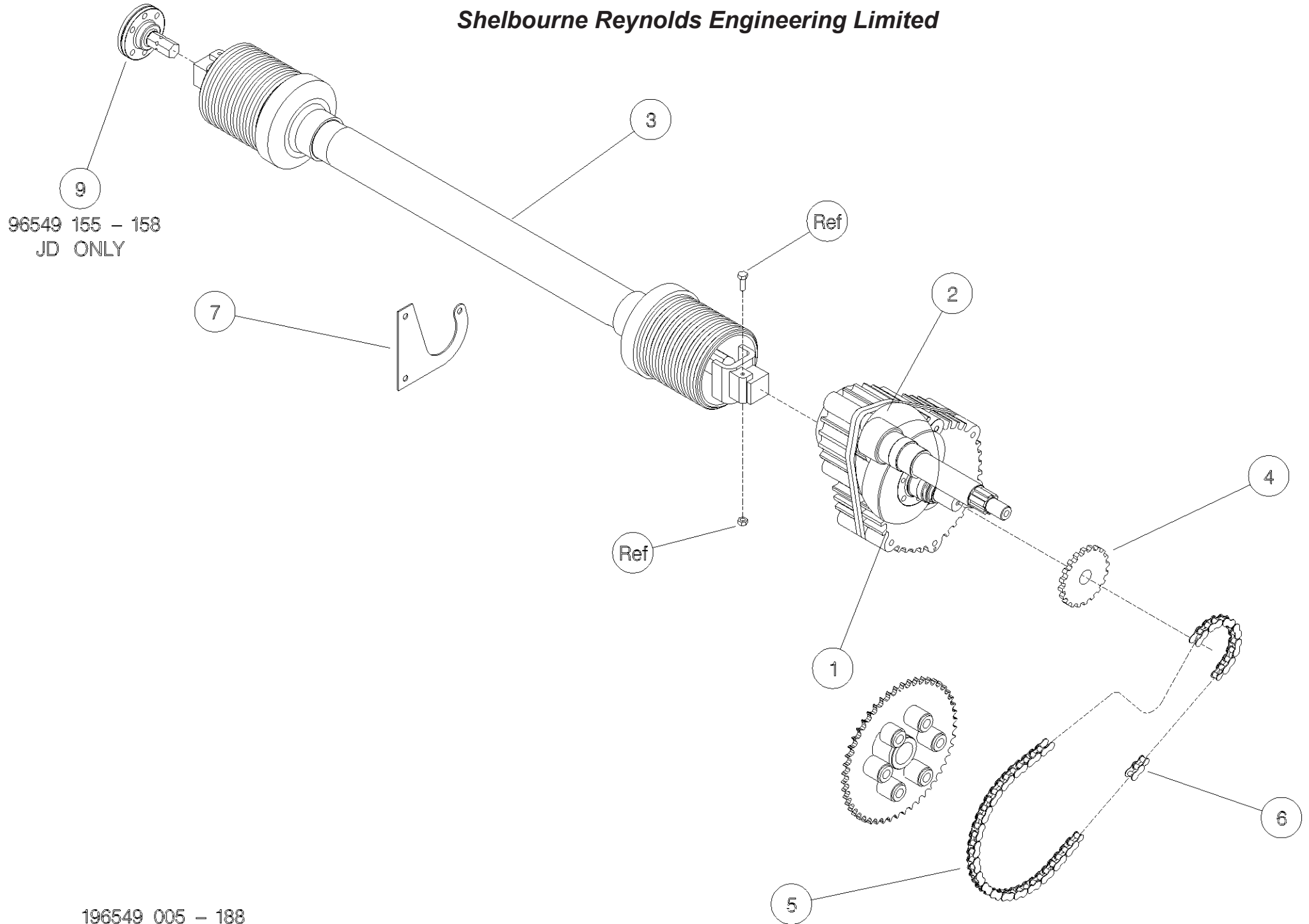
196549 155 - 158
JD ONLY

196549 005 - 188

Shelbourne Reynolds Engineering Limited

ASSY NUMBER: 196549 168				ASSY DESCRIPTION: DRIVE KIT AGCO CVS/RVS/RSD/Excel (22-42')			
ITEM	PART NO	DESCRIPTION	QTY	ITEM	PART NO	DESCRIPTION	QTY
1A	192592 07	INPUT GEAR (45t) WITH ROTOR GEARBOX	1				
1B/E	192592 13	INPUT GEAR (33t) (2015 & ON) WITHOUT ROTOR GEARBOX	1				
OR	192592 11	INPUT GEAR (35t) (UP TO 2015) WITHOUT ROTOR GEARBOX	1				
2A	193599 07	PINION (24t) WITH ROTOR GEARBOX	1				
2B	193599 11	PINION (34t) WITHOUT ROTOR GEARBOX	1				
2E	198999 13	PINION (36t) (2015 & ON) GEARBOX WITH 65mm SHAFT	1				
OR	198999 11	PINION (34t) (UP TO 2015) GEARBOX WITH 65mm SHAFT	1				
3	PTO-26001WE	PTO SHAFT	1				
3a	PTO-00082WE	PTO YOKE-COMBINE (COLLAR)					
OR	PTO-00082	PTO YOKE-COMBINE (PUSH PIN)					
3b	PTO-00083	PTO CROSS BEARING					
3c	PTO-00119	PTO SHEAR BOLT CLUTCH-HEADER					
3d	PTO-00093WE	PTO GUARD ASSY (BLACK)					
OR	PTO-00093	PTO GUARD ASSY (YELLOW)					
3e	PTO-00968	EASY LOCK GUARD CLIPS (RED)					
3g	BLTA10384	SHEARBOLT					
3h	NUT-0265	NYLOC NUT					
4	192768 16	SPROCKET	1				
5	CHN-01991	CHAIN (99 LINKS PLUS JOINER)	1				
5a	CHN-01901	JOINING LINK					
6	CHN-01910	HALF LINK	A/R				
7	KIT-00931	PTO SUPPORT KIT	1				

Shelbourne Reynolds Engineering Limited

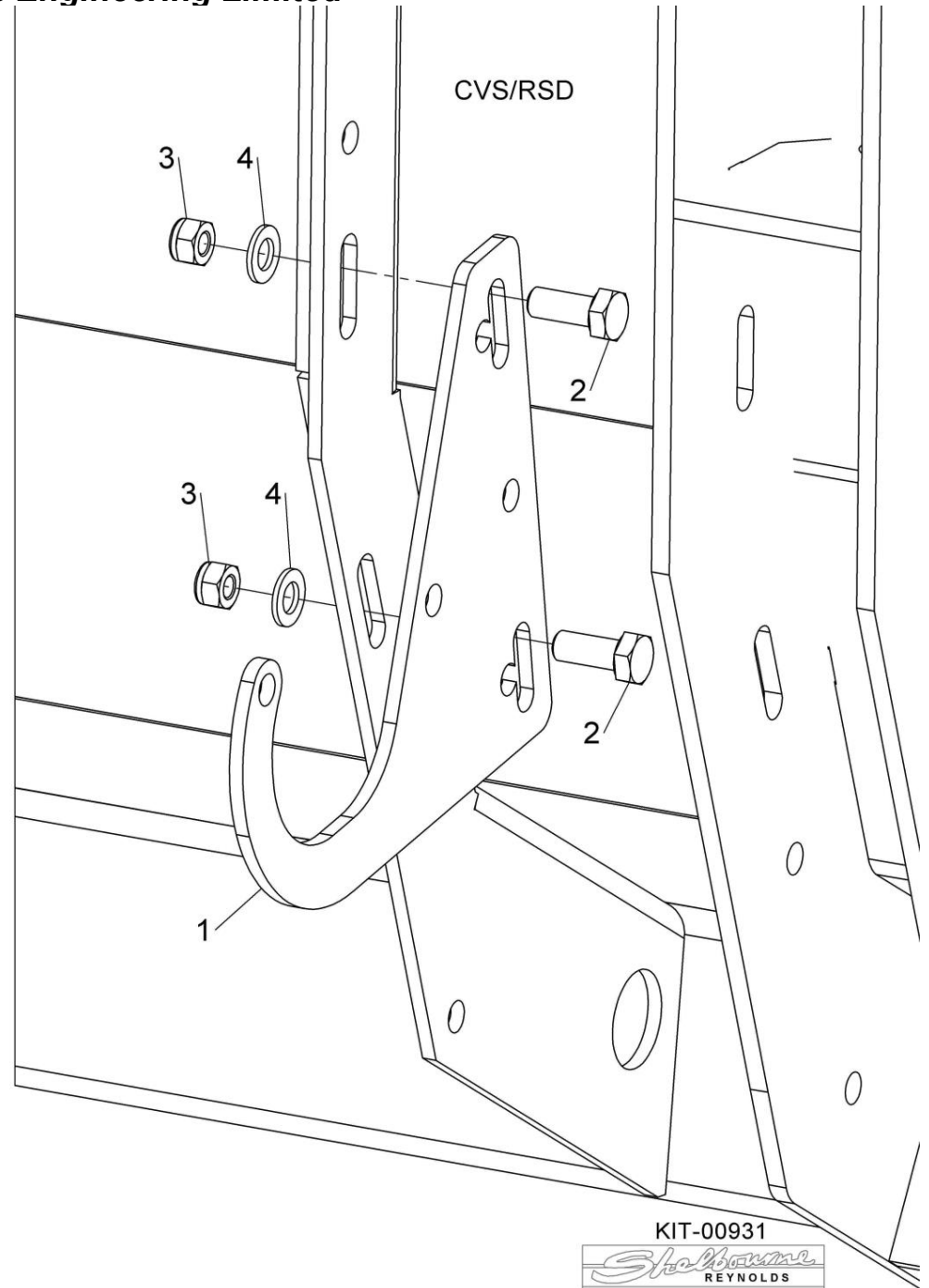
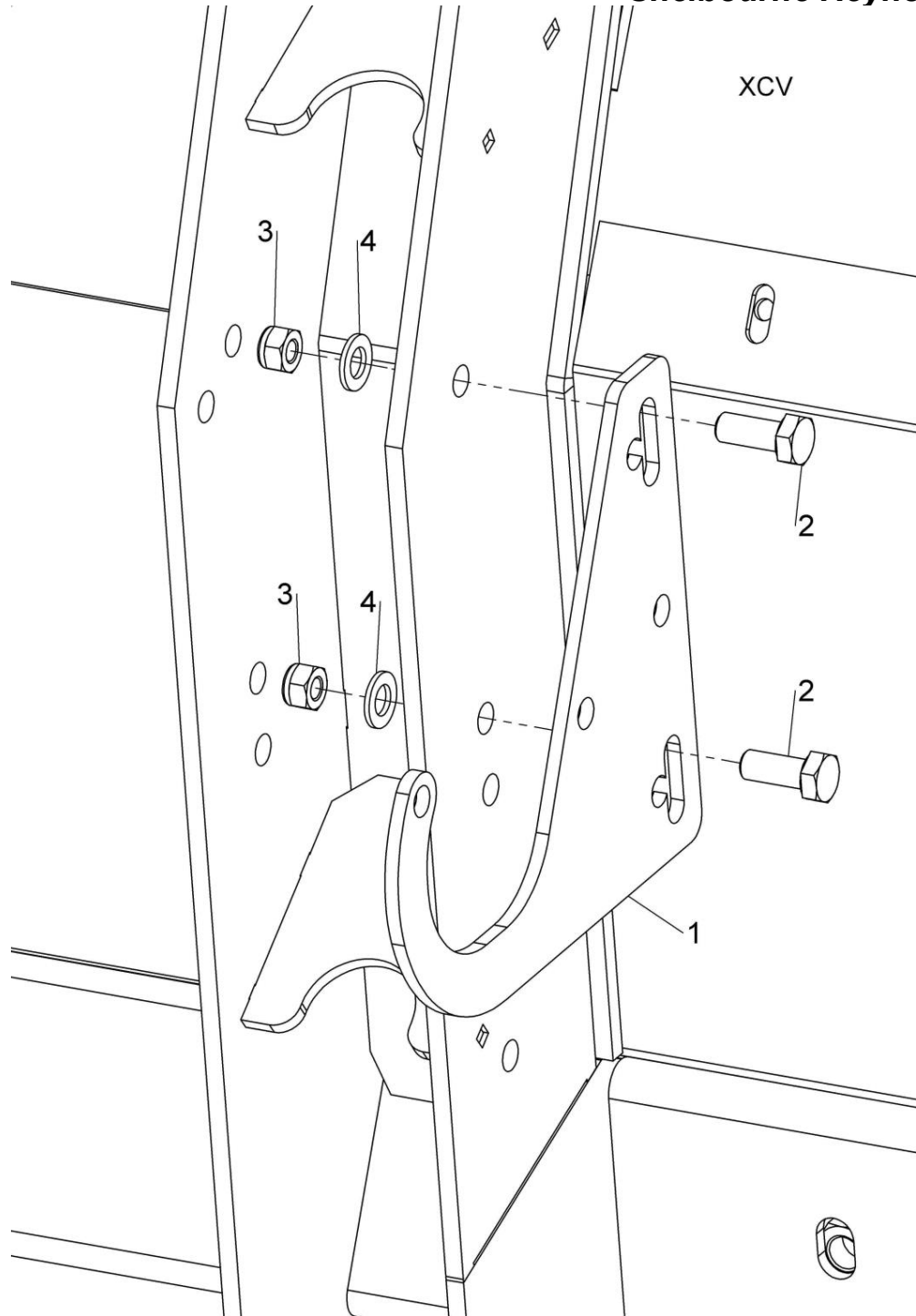


96549 155 - 158
JD ONLY

196549 005 - 188

Shelbourne Reynolds Engineering Limited

ASSY NUMBER: KIT-00931				ASSY DESCRIPTION: PTO SUPPORT KIT			
ITEM	PART NO	DESCRIPTION	QTY	ITEM	PART NO	DESCRIPTION	QTY
1	191945 01	PTO SUPPORT	1				
2	HSS-0238	SETSCREW	2				
3	NUT-0269	NYLOC NUT	2				
4	WSH-0018	PLAIN WASHER	2				



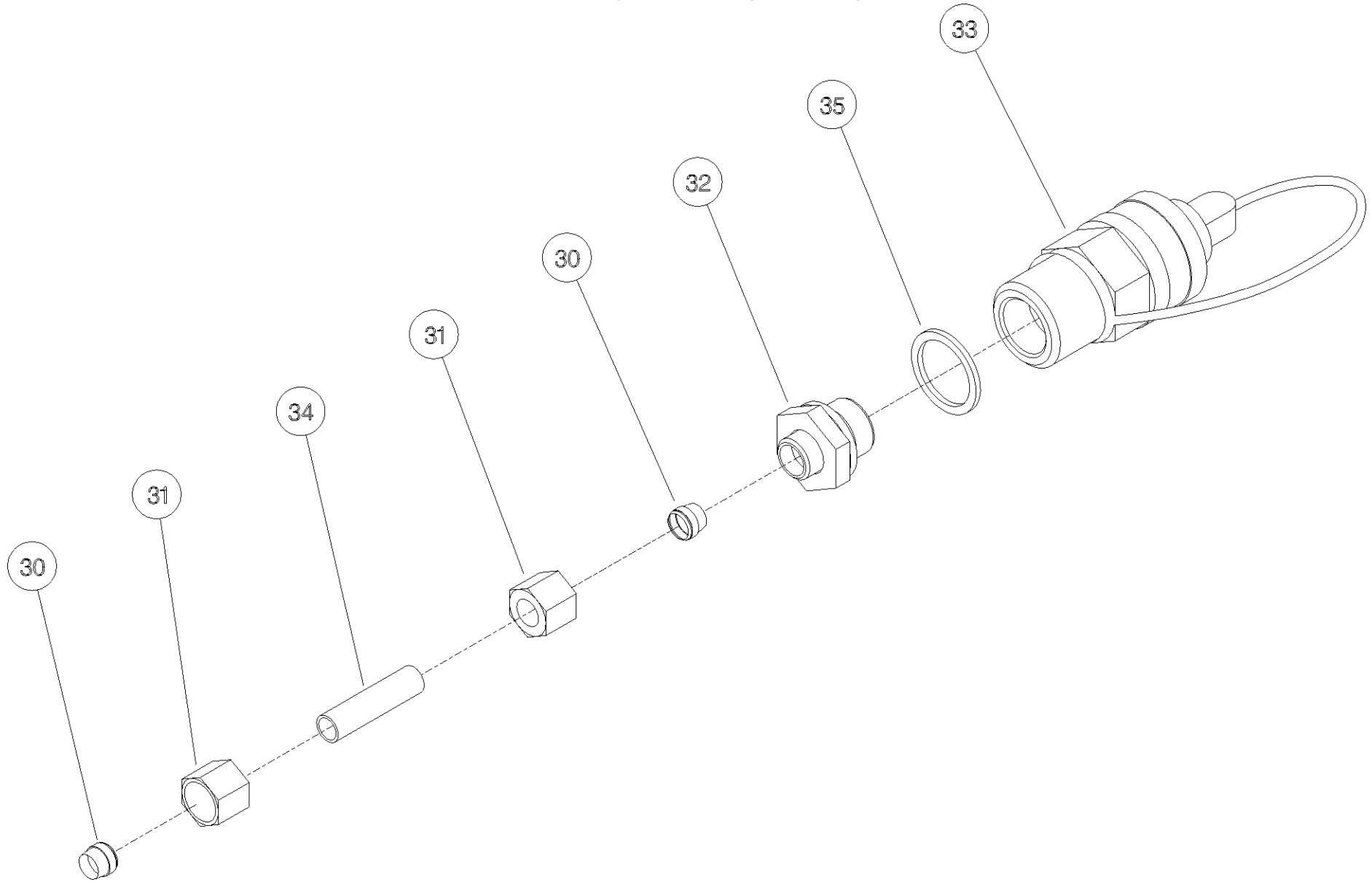
KIT-00931



Hydraulic Kits

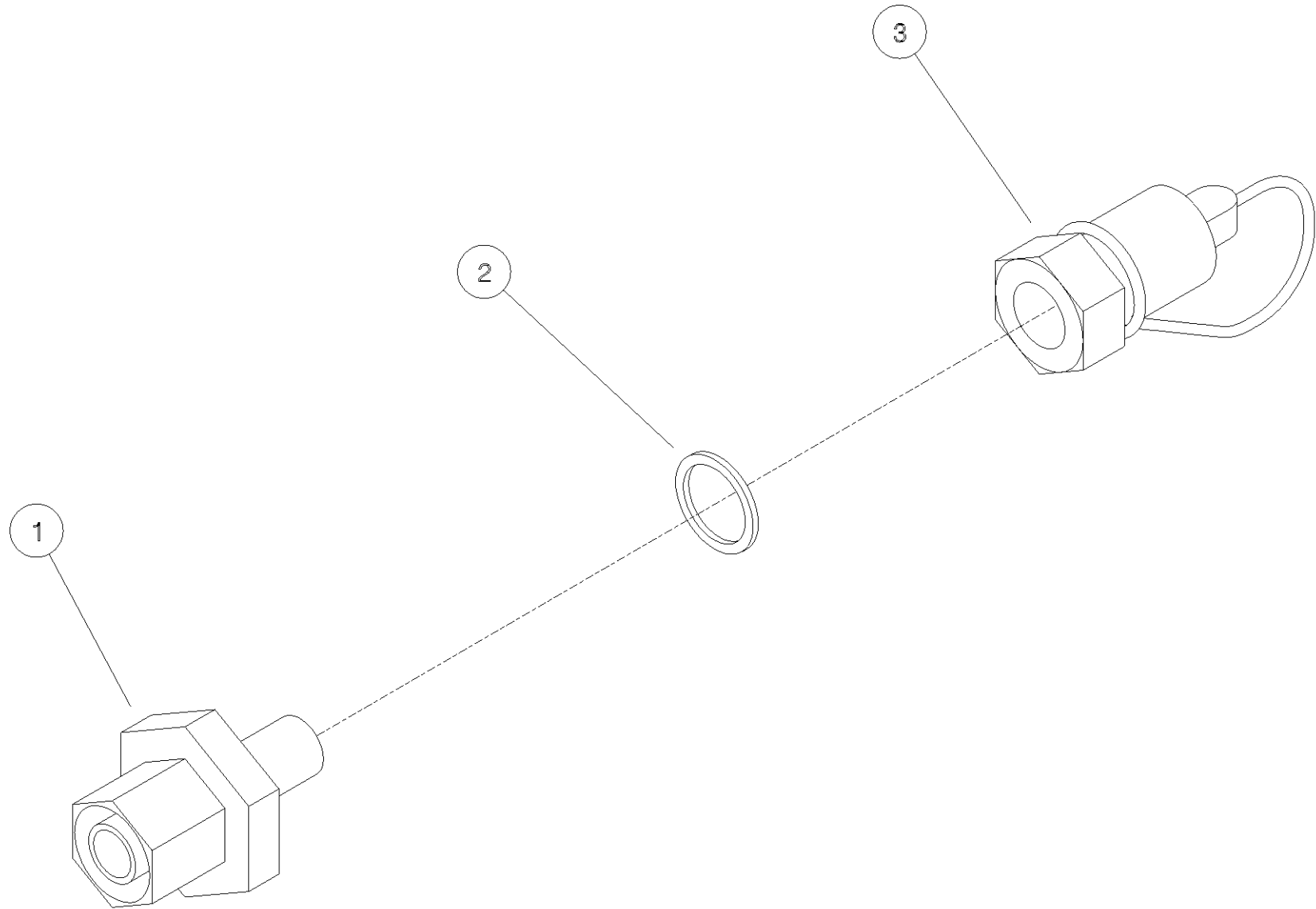
Shelbourne Reynolds Engineering Limited

ASSY NUMBER: KIT-01707				ASSY DESCRIPTION: HYDRAULIC PROBE ADAPTOR			
ITEM	PART NO	DESCRIPTION	QTY	ITEM	PART NO	DESCRIPTION	QTY
1							
2							
3							
4							
5							
6							
7							
8							
9							
10							
11							
12							
13							
14							
15							
16							
17							
18							
19							
20							
21							
22							
23							
24							
25							
26							
27							
29							
30	FIT-0056	OLIVE	2				
31	FIT-0051	NUT	2				
32	FIT-0046	COUPLING	1				
33	COU-0128	PULL BRAKE COUPLING (1/2" BSP)	1				
34	RP-100040	PIPE					
35	WSH-1015	DOWTY WASHER (NOT REQUIRED IF ADAPTOR HAS SEAL FITTED)	A/R				



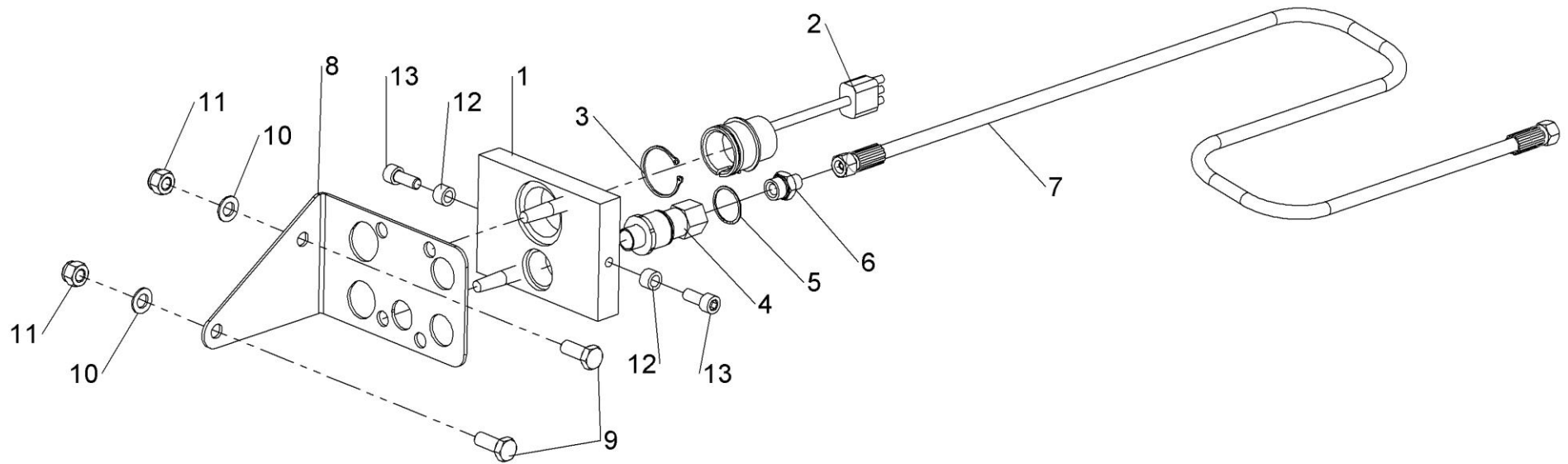
Shelbourne Reynolds Engineering Limited

ASSY NUMBER: KIT-01720				ASSY DESCRIPTION: HYDRAULIC KIT (DEUTZ-ALLIS, GLEANER)			
ITEM	PART NO	DESCRIPTION	QTY	ITEM	PART NO	DESCRIPTION	QTY
1	FIT-0518	ADAPTOR	1				
2	WSH-1005	DOWTY WASHER	1				
3	HQR-00503	PROBE COUPLING	1				



Shelbourne Reynolds Engineering Limited

ASSY NUMBER: KIT-01731				ASSY DESCRIPTION: AGCO HYDRAULIC MULTICOUPLER KIT			
ITEM	PART NO	DESCRIPTION	QTY	ITEM	PART NO	DESCRIPTION	QTY
1	197812 01	ELEC/HYD ADAPTOR	1				
2	198278 01	LOOM & PLUG ASSY AGCO	1				
3	CIR-0450	EXTERNAL CIRCLIP 45mm	1				
4	HQR-13026	COUPLING (JD 60 SERIES)	1				
5	CLP-00230	SNAP RING	1				
6	HAAAK0327	HYDRAULIC FITTING	1				
7	HHAC12010	HYDRAULIC HOSE ASSY	1				
8	197766 01	PARKING BRACKET	1				
9	HSS-0238	BOLT	2				
10	WSH-0018	PLAIN WASHER	2				
11	NUT-0269	NYLOC NUT	2				
12	197248 01	LOCATING BOSS	2				
13	SCW-0190	SOCKET CAP HEAD SCREW	2				

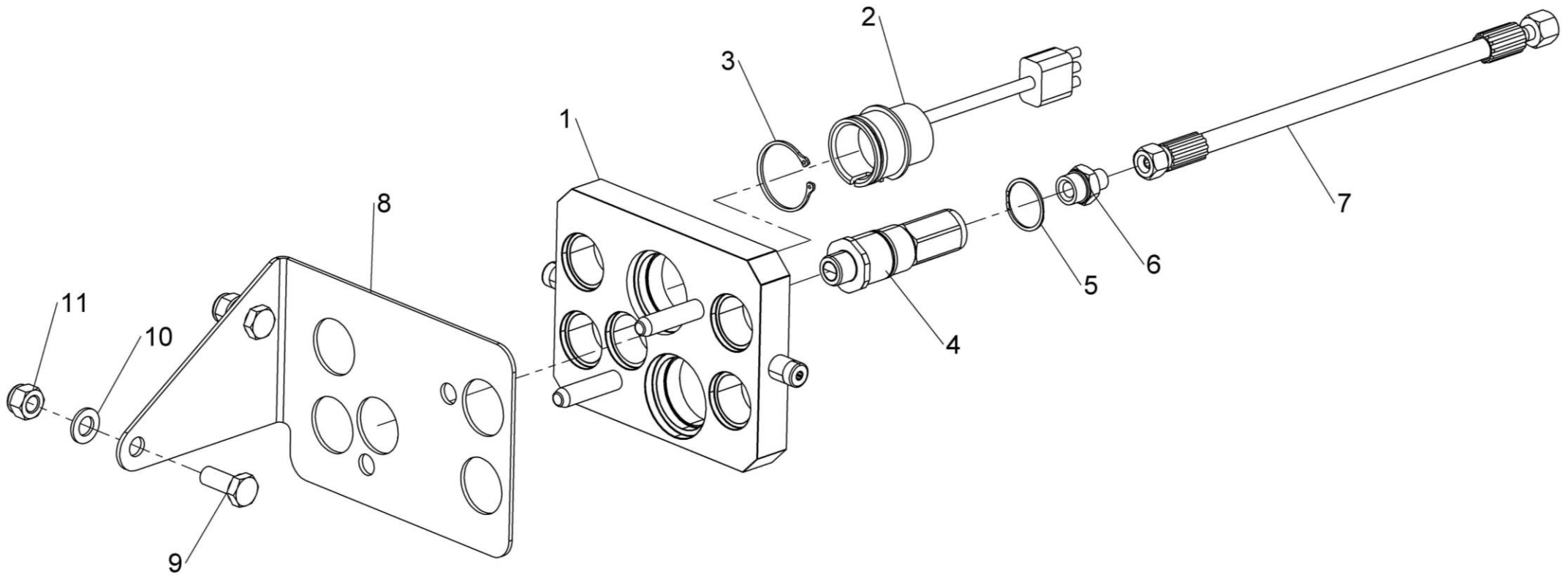


KIT-01731



Shelbourne Reynolds Engineering Limited

ASSY NUMBER: KIT-01735				ASSY DESCRIPTION: AGCO HYDRAULIC MULTICOUPLER KIT			
ITEM	PART NO	DESCRIPTION	QTY	ITEM	PART NO	DESCRIPTION	QTY
1	HQR-93100	IDEAL MULTICOUPLER HOUSING	1				
2	198278 01	LOOM & PLUG ASSY AGCO	1				
3	CIR-0450	EXTERNAL CIRCLIP	1				
4	HQR-13026A	COUPLING	1				
5	CLP-00230	SNAP RING	1				
6	HAAAK0327	HYDRAULIC FITTING	1				
7	HHAC12010	HYDRAULIC HOSE ASSY	1				
8	292127 01	PARKING BRACKET	1				
9	HSS-0238	BOLT	2				
10	WSH-0018	PLAIN WASHER	2				
11	NUT-0269	NYLOC NUT	2				



KIT-01735

