

Shelbourne

REYNOLDS

100, 150 & 300 MODELS

PARTS MANUAL 2019 ONWARDS



CUBICLE BEDDER

Shelbourne Reynolds Engineering Ltd
 Stanton
 Bury St Edmunds
 Suffolk
 IP31 2AR
 England

Telephone: 01359 250415
 Fax: 01359 250464

Stores Direct : 01359 251231
 Stores Direct: 01359 252031

Issue 2 25/07/2023

www.shelbourne.com



ORDERING SPARE PARTS

IMPORTANT

Your Cubicle bedder is made up of a Machine assembly number (common parts), specific sub assemblies and also customer optional build kits. The machine, sub assemblies and optional kit numbers are listed in the front pages of your Operators manual, part no. MAN-13000.

If you do not have these numbers please contact Shelbourne Reynolds Parts Department direct on (telephone) 01359 251231.

To ensure that you order the correct part from your SRE dealer please use the following procedure.

ALWAYS QUOTE THE MACHINE AND SERIAL NUMBERS WHEN ORDERING.

Refer to the Parts Manuals front page/s, listing the machine assemblies. Select the correct machine assembly number which is printed in the top left corner of the page (starting with 2699_ _ 01), This machine number can also be taken off the Cubicle Bedder identification plate located on the rear of the tub.

On this page you will find the parts listing for the common parts for every configuration of that machine assembly number. You will find the corresponding drawing by either looking at the facing page or progressing through the manual to the next drawing. The drawings indicate the components by item numbers, which you will find, are repeated in the left-hand side of your parts listing, and therefore referring to the correct part.

Note all parts will not be found listed below the machine number. Other parts will be from specific sub assemblies and optional kits. These sub assemblies and kits will be found in numerical order further through the manual.

Sub assemblies start with 2690_ _ 01 and kits start with KIT- 260 _ _.

List Of Kit Numbers

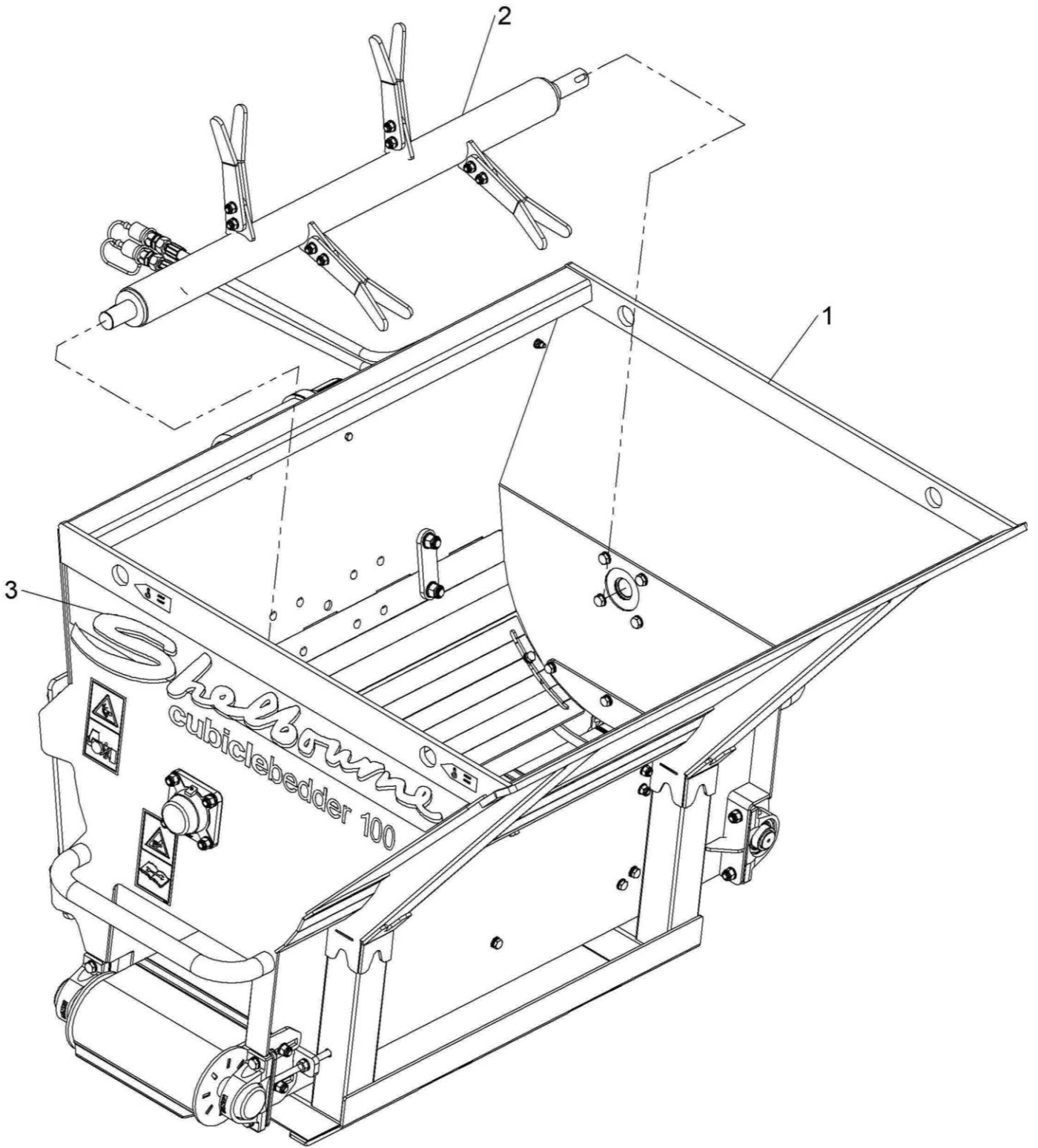
269902 01	Cubicle Bedder 100	5
269902 02	Cubicle Bedder 150	7
269902 03	Cubicle Bedder 300	9
269903 02	Cubicle Bedder 150 (Straw Rotor)	11
269004 01	Emblems (100 Model)	13
269004 02	Emblems (150 Model)	15
269004 03	Emblems (300 Model)	17
269005 01	Tub Sub Assembly (100 Model)	19
269005 02	Tub Sub Assembly (150 Model)	21
269005 03	Tub Sub Assembly (300 Model)	23
269006 01	Agitator Assembly (100 Model)	25
269006 02	Agitator Assembly (150 Model)	27
269006 03	Agitator Assembly (300 Model)	29
269007 01	Cubicle Bedder (100 Model)	31
269007 02	Cubicle Bedder (150 Model)	33
269007 03	Cubicle Bedder (300 Model)	35
269008 01	Tub Sub Assembly (100 Model)	37
269008 02	Tub Sub Assembly (150 Model)	39
269008 03	Tub Sub Assembly (300 Model)	41
269009 02	Tub Sub Assembly 150 (Straw Rotor Type)	43
KIT-26005	Agitator Direct Drive Kit	45
KIT-26006	Agitator Chain Drive Kit	47
KIT-26007	3 Point Tipping Frame Kit	49
KIT-26008	3 Point Fixed Mounting Kit	51
KIT-26009	Chain Drive Conversion Kit	53
KIT-26011	Chain Drive Upgrade Kit	55
KIT-26012	Agitator Chain Drive Conversion Kit	57
KIT-26014	Pressure/Flow Controlled Valve Kit	59
KIT-26016	Loader Bracket Clamp Plate Kit (100 Model)	61
KIT-26018	Agitator Chain Drive Kit	63
KIT-26018A	Agitator Chain Drive Kit CB100	65
KIT-26021	Straw Rotor Kit	67
KIT-26022	Cubicle Bedder 150 Agitator Kit	69

Bracket kits 72

KIT-25050	JCB Q Fit Bracket Kit	73
KIT-25051	Manitou Bracket Kit	75
KIT-25052	Merlo Bracket Kit	77
KIT-25053	Matbro Bracket Kit	79
KIT-25054	Claas Bracket Kit	81
KIT-25055	Euro Bracket Kit	83
KIT-25057	CNH Bracket Kit	87
KIT-25058	Schaeffer Bracket Kit	89
KIT-2559	Skid Steer Bracket Kit	91
KIT-25060	Chilton/MX Bracket Kit	93

Shelbourne Reynolds Engineering Limited

ASSY NUMBER: 269902 01				ASSY DESCRIPTION: CUBICLE BEDDER 100			
ITEM	PART NO	DESCRIPTION	QTY	ITEM	PART NO	DESCRIPTION	QTY
1	269008 01	CUBICLE BEDDER 100 SER No CUB10170486 & ON	1				
OR	269007 01	CUBICLE BEDDER 100 SER No CUB10140291-CUB1015044	1				
OR	269005 01	TUB SUB ASSY (100) UP TO & INC CUB10130235	1				
2	269006 01	AGITATOR ASSY (100 MODEL)	1				
3	269004 01	EMBLEMS (100 MODEL)	1				



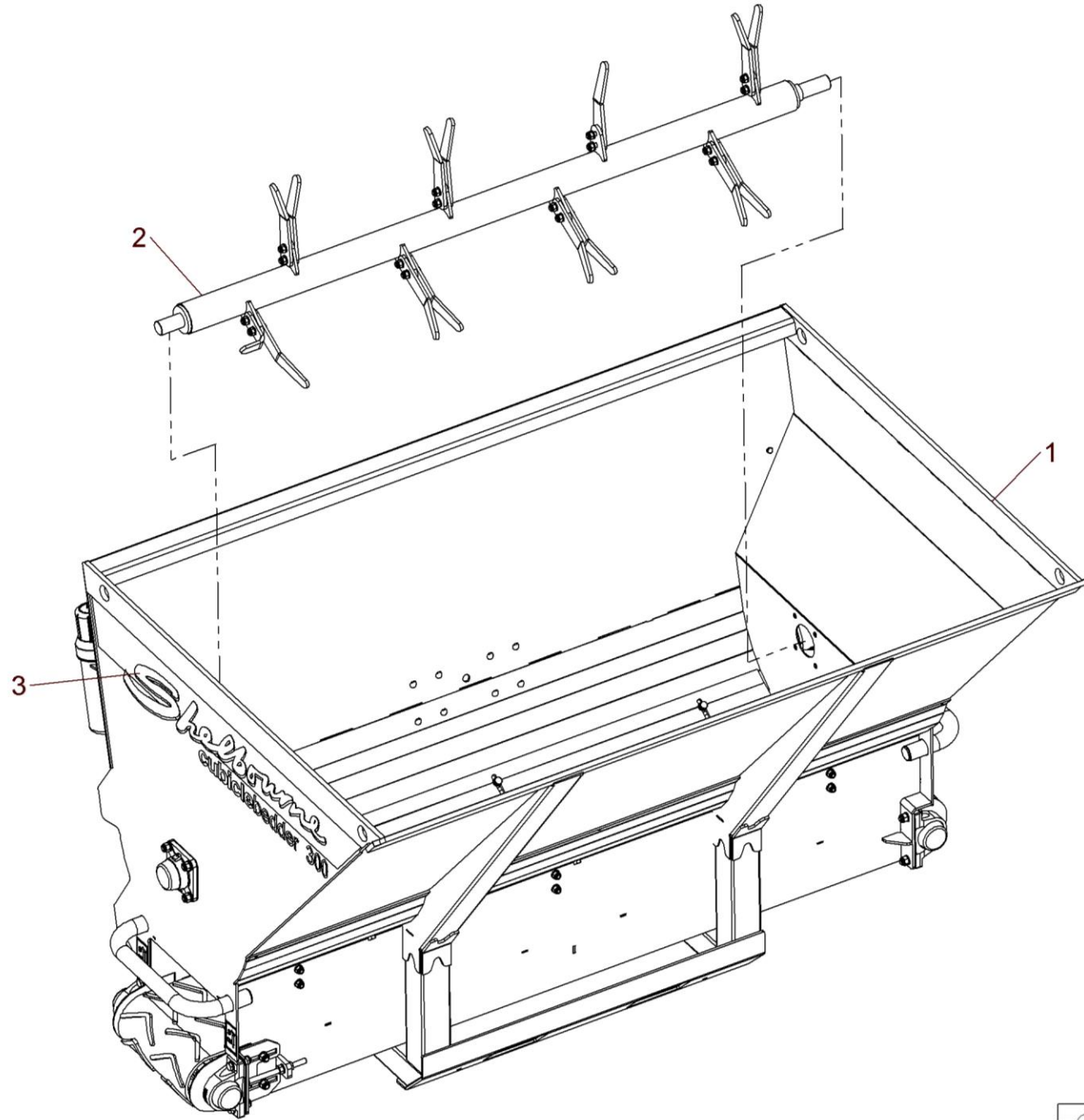
269902 01



Shelbourne Reynolds Engineering Limited

ASSY NUMBER: 269902 02				ASSY DESCRIPTION: CUBICLE BEDDER 150			
ITEM	PART NO	DESCRIPTION	QTY	ITEM	PART NO	DESCRIPTION	QTY
1	269008 02	TUB SUB ASSY 150 SER No CUB15160456 & ON	1				
OR	269007 02	TUB SUB ASSY 150 SER No CUB15140266-CUB15160455	1				
OR	269005 02	TUB SUB ASSY (150) UP TO & INC CUB15130265	1				
2	269006 02	AGITATOR ASSY (150 MODEL)	1				
3	269004 02	EMBLEMS (150 MODEL)	1				

Shelbourne Reynolds Engineering Limited



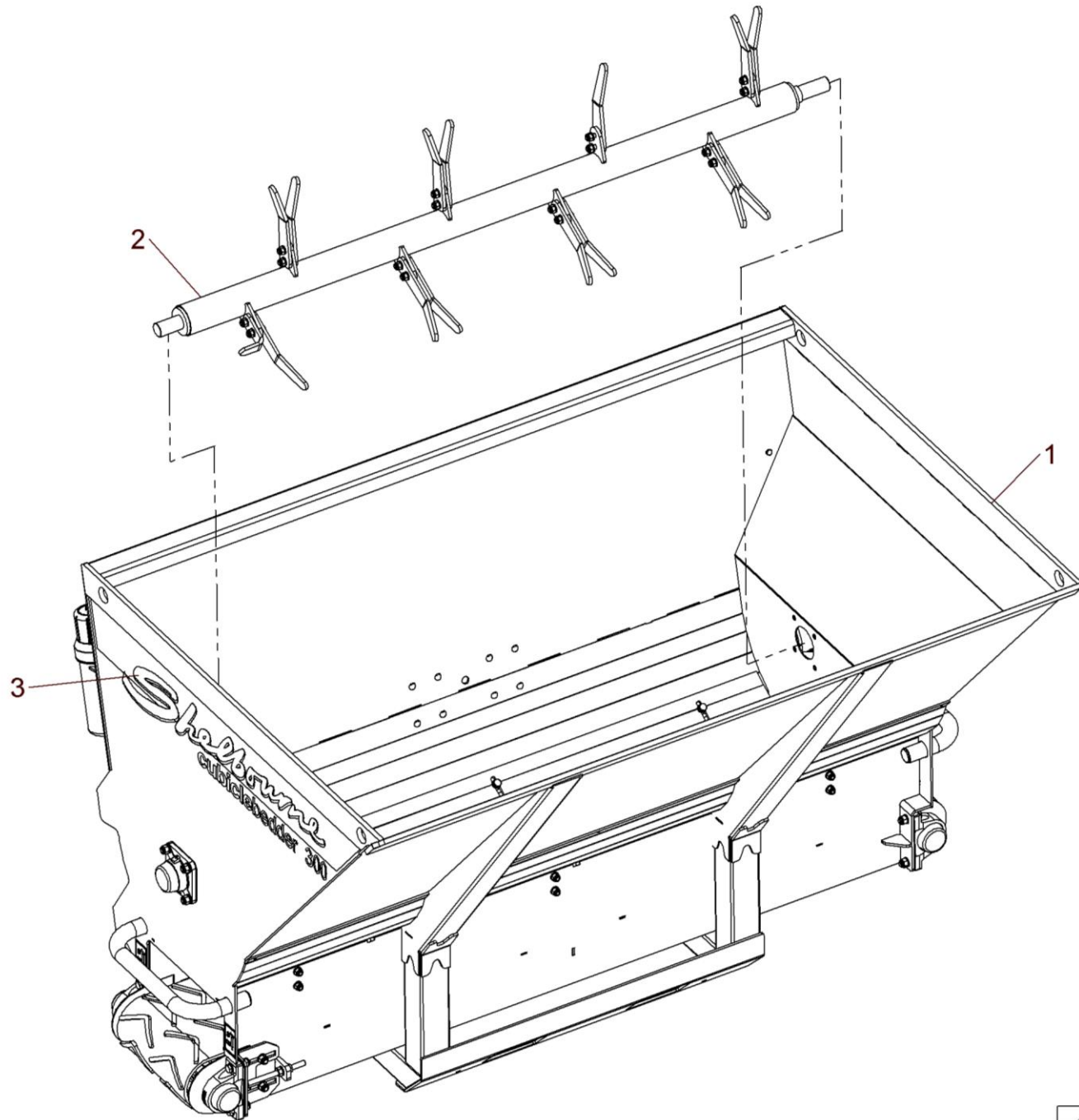
269902 01 - 03



Shelbourne Reynolds Engineering Limited

ASSY NUMBER: 269902 03				ASSY DESCRIPTION: CUBICLE BEDDER 300			
ITEM	PART NO	DESCRIPTION	QTY	ITEM	PART NO	DESCRIPTION	QTY
1	269008 03	CUBICLE BEDDER 300 SER No CUB30170504 & ON)	1				
OR	269007 03	CUBICLE BEDDER 300 SER No CUB30140286-CUB30150437	1				
OR	269005 03	TUB SUB ASSY (300) UP TO & INC CUB30130245	1				
2	269006 03	AGITATOR ASSY (300 MODEL)	1				
3	269004 03	EMBLEMS (300 MODEL)	1				

Shelbourne Reynolds Engineering Limited

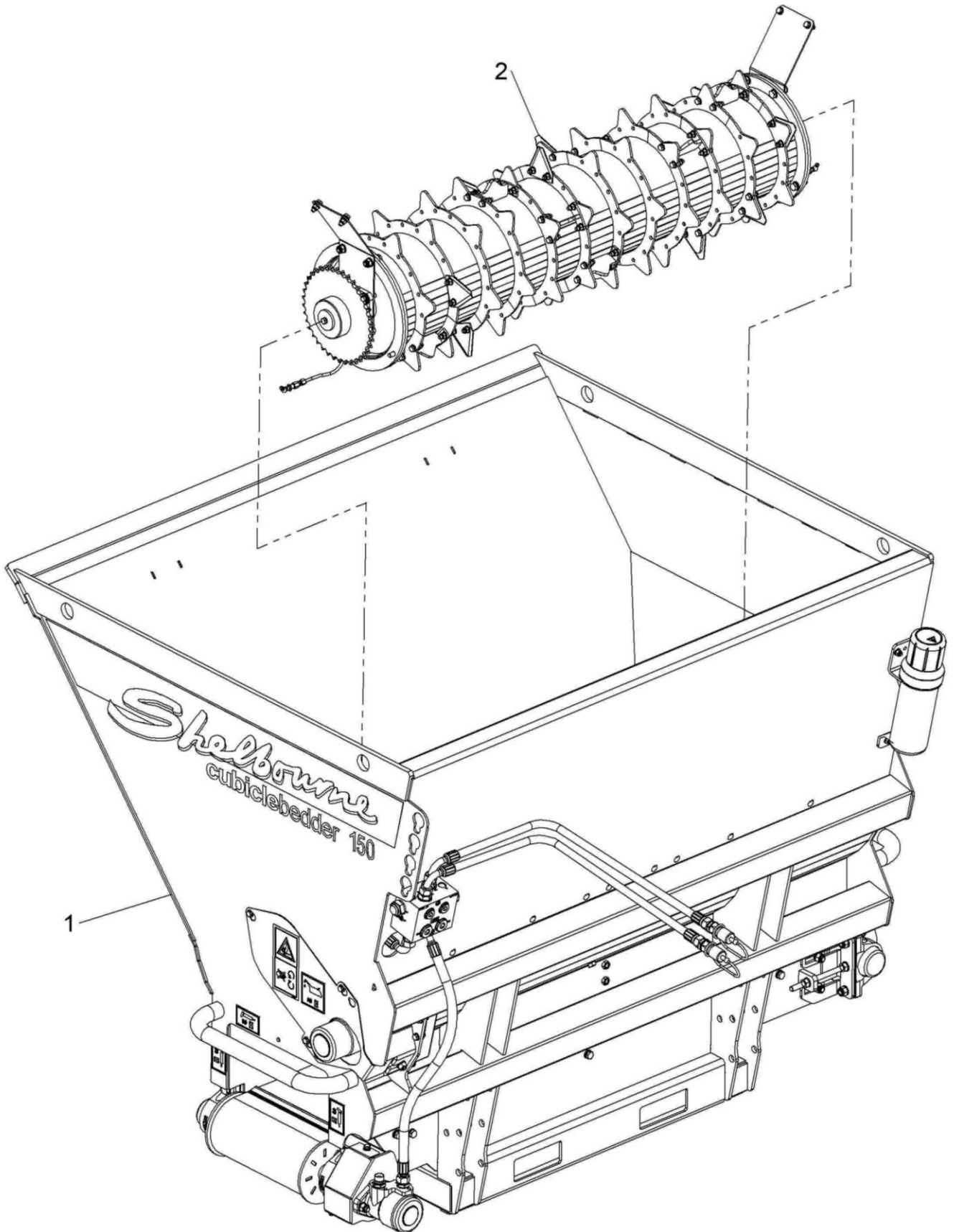


269902 01 - 03



Shelbourne Reynolds Engineering Limited

ASSY NUMBER: 269903 02				ASSY DESCRIPTION: CUBICLE BEDDER 150 (STRAW ROTOR)			
ITEM	PART NO	DESCRIPTION	QTY	ITEM	PART NO	DESCRIPTION	QTY
1	269009 02	TUB SUB ASSY 150	1				
2	269004 02	EMBLEMS (150 MODEL)	1				



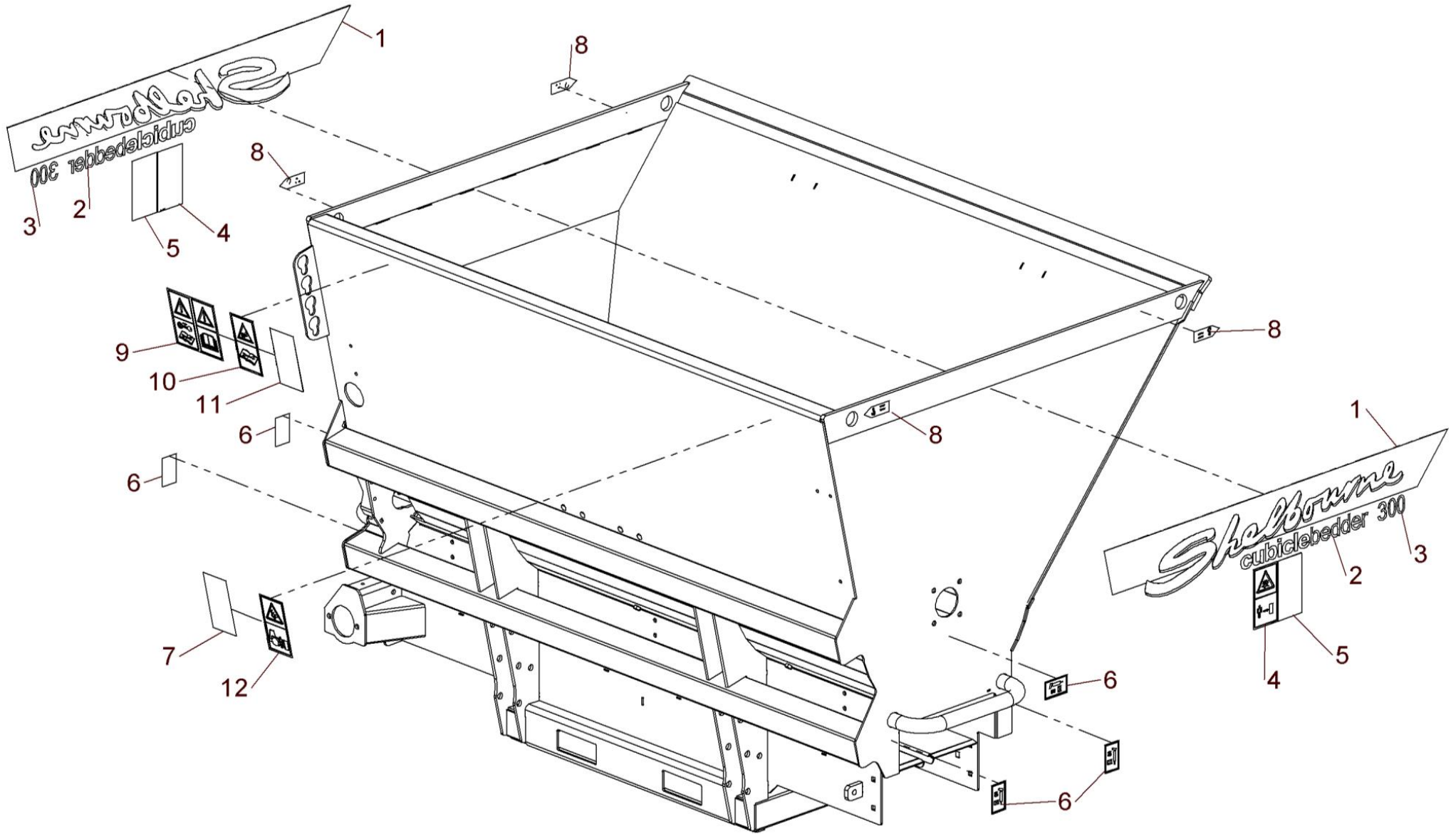
269903 02



Shelbourne Reynolds Engineering Limited

ASSY NUMBER: 269004 01				ASSY DESCRIPTION: EMBLEMS (100 MODEL)			
ITEM	PART NO	DESCRIPTION	QTY	ITEM	PART NO	DESCRIPTION	QTY
1	260228 01	SHELBOURNE TRANSFER	2				
2	260227 01	CUBICLE BEDDER TRANSFER	2				
3	260229 02	100 SIZE TRANSFER	2				
4	260061 01	TRANSFER-SAFE DISTANC	2				
5	260062 01	TRANSFER-HAND ENTANGL	2				
6	127075 16	50 HRS GREASE TRANSFER	5				
7	260063 01	TRANSFER-DO NOT ENTER	1				
8	190702 04	SLING POINT TRANSFER	4				
9	TNF-0011	TRANSFER BLOCK	1				
10	800221 01	TRANSFER-MANUAL,OIL	1				
11	614959 02	MAX. HYD. PRESSURE TRANSFER	1				
12	260060 01	TRANSFER-STAY CLEAR	1				

Shelbourne Reynolds Engineering Limited



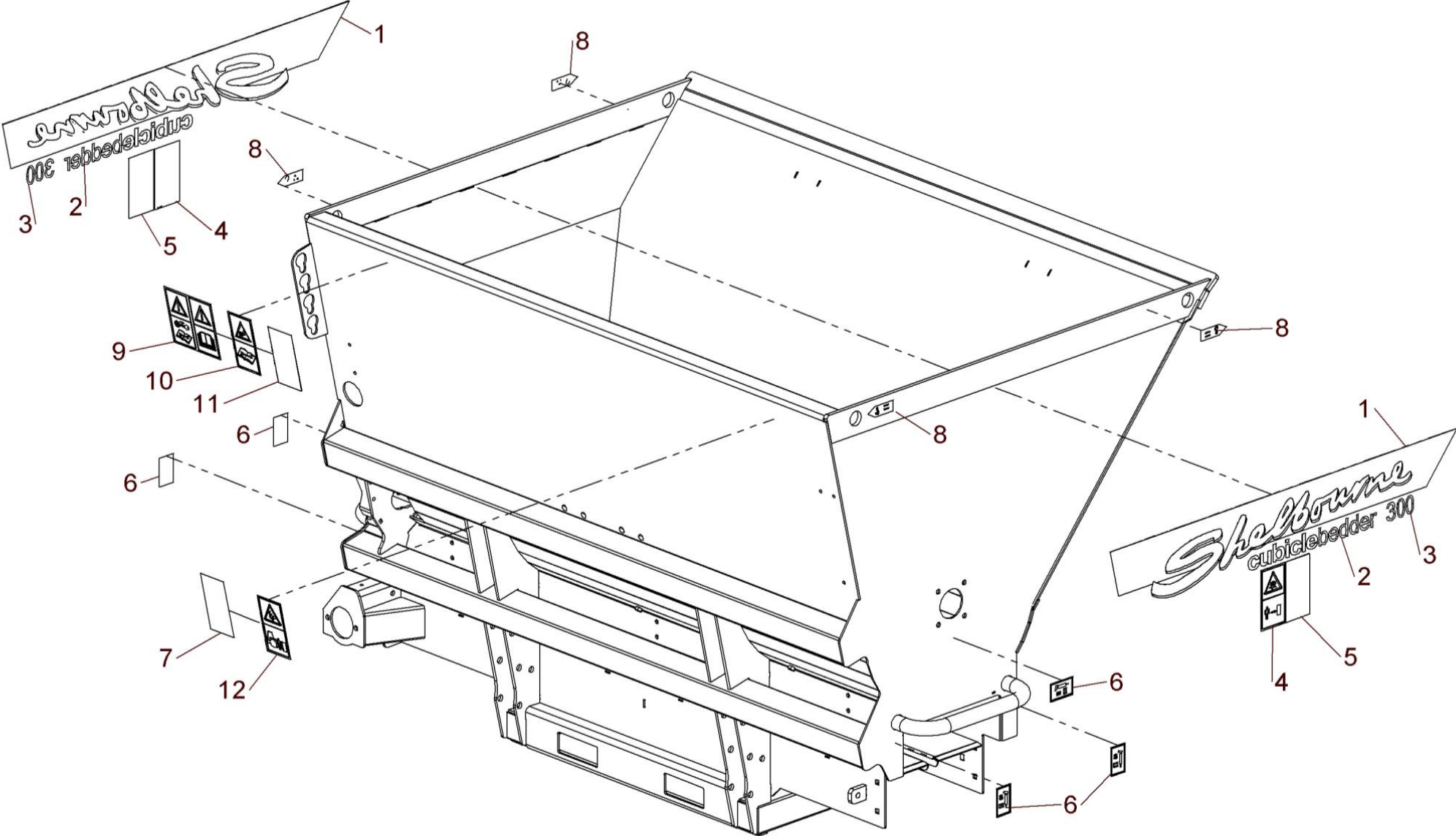
269004 01 - 03



Shelbourne Reynolds Engineering Limited

ASSY NUMBER: 269004 02				ASSY DESCRIPTION: EMBLEMS (150 MODEL)			
ITEM	PART NO	DESCRIPTION	QTY	ITEM	PART NO	DESCRIPTION	QTY
1	260228 01	SHELBOURNE TRANSFER	2				
2	260227 01	CUBICLE BEDDER TRANSFER	2				
3	260229 02	150 SIZE TRANSFER	2				
4	260061 01	TRANSFER-SAFE DISTANC	2				
5	260062 01	TRANSFER-HAND ENTANGL	2				
6	127075 16	50 HRS GREASE TRANSFER	5				
7	260063 01	TRANSFER-DO NOT ENTER	1				
8	190702 04	SLING POINT TRANSFER	4				
9	TNF-0011	TRANSFER BLOCK	1				
10	800221 01	TRANSFER-MANUAL,OIL	1				
11	614959 02	MAX. HYD. PRESSURE TRANSFER	1				
12	260060 01	TRANSFER-STAY CLEAR	1				

Shelbourne Reynolds Engineering Limited

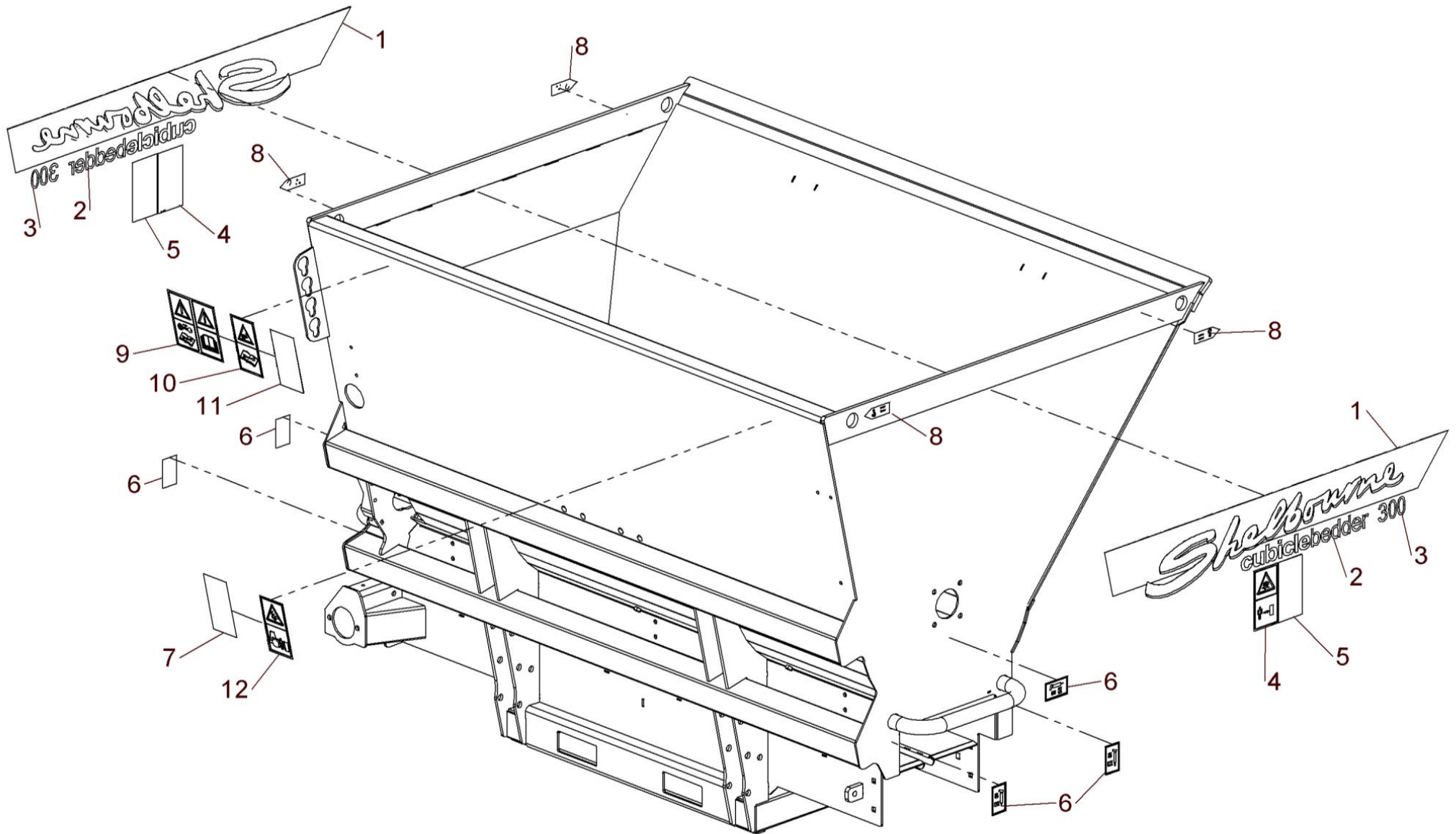


269004 01 - 03



Shelbourne Reynolds Engineering Limited

ASSY NUMBER: 269004 03				ASSY DESCRIPTION: EMBLEMS (300 MODEL)			
ITEM	PART NO	DESCRIPTION	QTY	ITEM	PART NO	DESCRIPTION	QTY
1	260228 01	SHELBOURNE TRANSFER	2				
2	260227 01	CUBICLE BEDDER TRANSFER	2				
3	260229 02	300 SIZE TRANSFER	2				
4	260061 01	TRANSFER-SAFE DISTANC	2				
5	260062 01	TRANSFER-HAND ENTANGL	2				
6	127075 16	50 HRS GREASE TRANSFER	5				
7	260063 01	TRANSFER-DO NOT ENTER	1				
8	190702 04	SLING POINT TRANSFER	4				
9	TNF-0011	TRANSFER BLOCK	1				
10	800221 01	TRANSFER-MANUAL,OIL	1				
11	614959 02	MAX. HYD. PRESSURE TRANSFER	1				
12	260060 01	TRANSFER-STAY CLEAR	1				



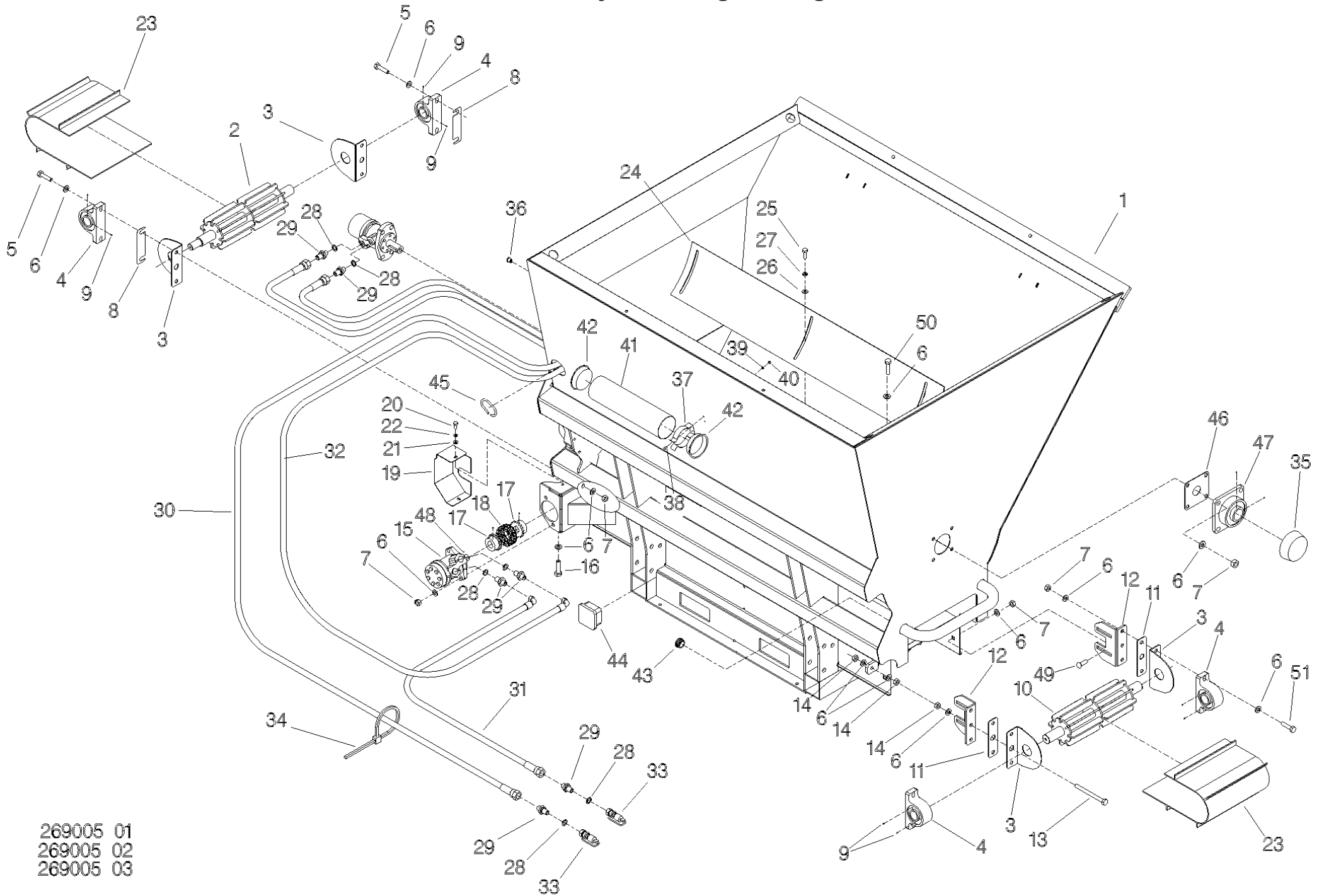
269004 01 - 03



Shelbourne Reynolds Engineering Limited

ASSY NUMBER: 269005 01				ASSY DESCRIPTION: TUB SUB ASSY (CUBICLE BEDDER 1			
ITEM	PART NO	DESCRIPTION	QTY	ITEM	PART NO	DESCRIPTION	QTY
1	260190 01	CUBICLE BEDDER 100 TUB W/ASSY	1	35	BRG-93600	SELF LUBE PROTECTOR CAP	4
2	260025 01	CONVEYOR DRIVE ROLLER	1	36	NUTA13080	NUTSERT	3
3	260150 01	ROLLER BEARING MOUNT	4	37	21725019	SPRING CLIP	1
4	BRG-23555	BEARING	4	38	HSS-0055	SET SCREW	2
5	HSS-0260	SET SCREW	12	39	WSH-0006	PLAIN WASHER	2
6	WSH-0018	PLAIN WASHER	34	40	NUT-0258	NYLOC NUT	2
7	NUT-0269	NYLOC NUT	16	41	39800004	MANUAL HOLDER TUBE	1
8	260067 01	BEARING SHIM	A/R	42	21709163	PLASTIC END CAP	2
9	SCW-4530	GRUBSCREW	6	43	PTF-00134	PLASTIC CAP INSERT	3
10	260025 02	CONVEYOR IDLER ROLLER	1	44	21709004	CAP, BLACK PLASTIC 80x80	2
11	260151 01	PACKER PLATE	2	45	EDS-11400	PVC EDGING STRIP	0.22
12	260152 01	ROLLER ADJUSTER PLATE	2	46	260149 02	PACKER PLATE	1
13	HSSA12770	SETSCREW	2	47	BRG-23545	SUPPORT	1
14	NUT-0170	PLAIN NUT	6	48	K0807032	KEY PARALLEL	1
15	MOTH04001	HYDRAULIC MOTOR	1	49	BLT-3790	COACH BOLT	4
OR	MOTH03200	HYDRAULIC MOTOR		51	BLTA12260	HEX HEAD BOLT	4
OR	MOTH02500	HYDRAULIC MOTOR		51	BLTA12350	HEX.HEAD BOLT	4
15A	HMS-08001	SEAL KIT (SPARES)		52	260067 01	BEARING SHIM	2
15B	K0807032	KEY (SPARES)					
16	BLTA12290	HEX.HEAD BOLT	2				
17	260030 03	SPROCKET 25 ID KEYWAY	2				
18	CHN-01380	CHAIN 1/2"PITCH DUPLEX	1				
18A	CHN-01300	JOINER (SPARES)					
19	260148 01	DRIVE COVER	1				
20	HSS-0140	SETSCREW	2				
21	WSH-0012	PLAIN WASHER	6				
22	WSH-0058	SPRING WASHER	2				
23	260048 04	CONV BELT - 100	1				
23A	260048 03	JOINING PIN (SPARES)					
24	260187 01	ADJUSTER PLATE	2				
25	HSS-0191	SETSCREW	6				
26	WSH-0015	PLAIN WASHER	6				
27	WSH-0061	SPRING WASHER	6				
28	WSH-1015	DOWTY WASHER 1/2"	6				
29	HMA-0067	ADAPTOR MALE/MALE	6				
30	HHAF24005	HYDRAULIC HOSE ASSY	1				
31	HHBF18005	HYDRAULIC HOSE ASSY	1				
32	HHBF08905	HYDRAULIC HOSE ASSY	1				
33	COU-0162	QUICK RELEASE COUPLING	2				
34	TIE-0004	TIE WRAPS (MED)	8				

Shelbourne Reynolds Engineering Limited

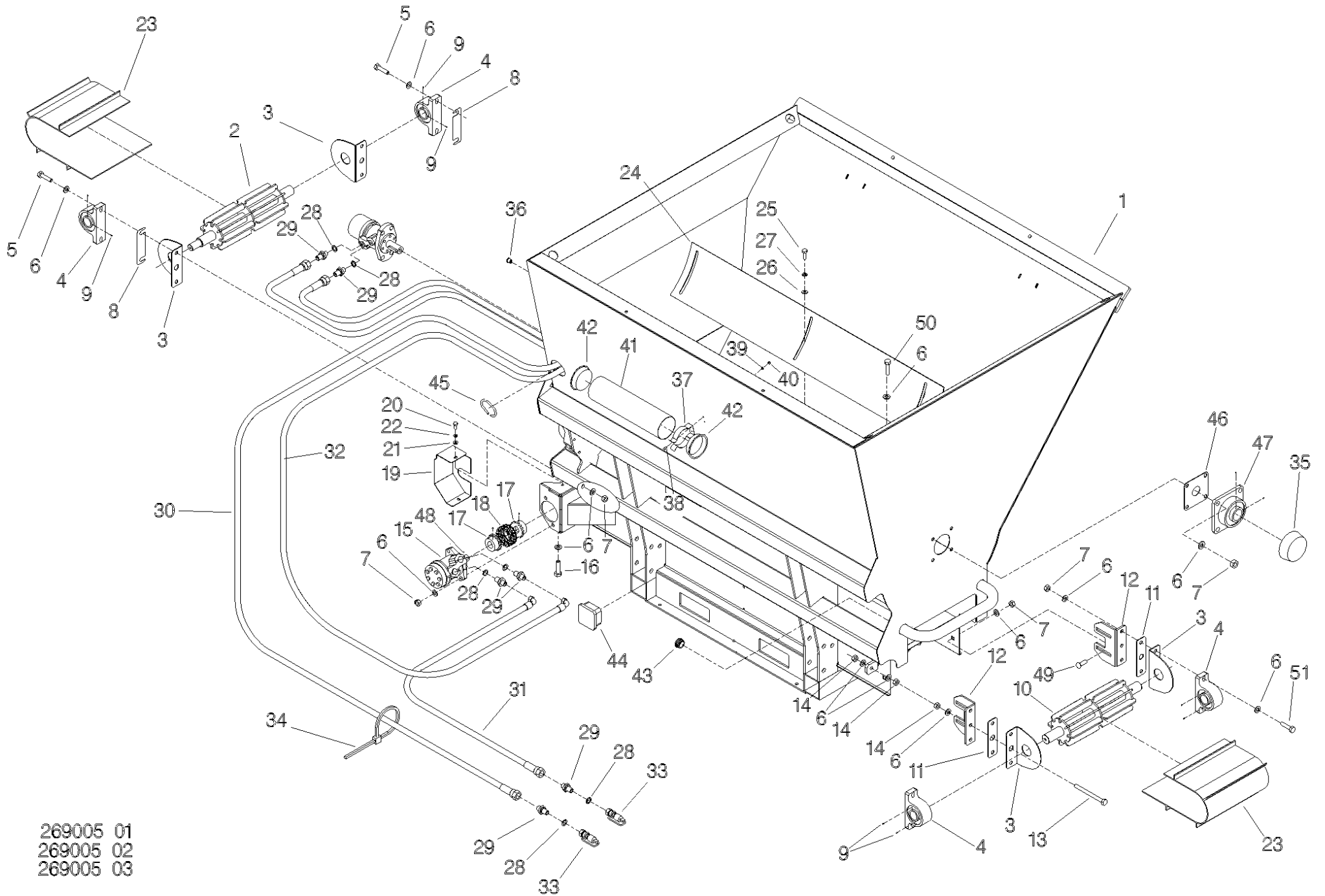


269005 01
269005 02
269005 03

Shelbourne Reynolds Engineering Limited

ASSY NUMBER: 269005 02				ASSY DESCRIPTION: TUB SUB ASSY (CUBICLE BEDDER 1			
ITEM	PART NO	DESCRIPTION	QTY	ITEM	PART NO	DESCRIPTION	QTY
1	260130 01	CUBICLE BEDDER 150 TUB W/ASSY	1	35	BRG-93600	SELF LUBE PROTECTOR CAP	4
2	260025 01	CONVEYOR DRIVE ROLLER	1	36	NUTA13080	NUTSERT	3
3	260150 01	ROLLER BEARING MOUNT	4	37	21725019	SPRING CLIP	1
4	BRG-23555	BEARING	4	38	HSS-0055	SET SCREW	2
5	HSS-0260	SET SCREW	12	39	WSH-0006	PLAIN WASHER	2
6	WSH-0018	PLAIN WASHER	34	40	NUT-0258	NYLOC NUT	2
7	NUT-0269	NYLOC NUT	16	41	39800004	MANUAL HOLDER TUBE	1
8	260067 01	BEARING SHIM	A/R	42	21709163	PLASTIC END CAP	2
9	SCW-4530	GRUBSCREW	6	43	PTF-00134	PLASTIC CAP INSERT	3
10	260025 02	CONVEYOR IDLER ROLLER	1	44	21709004	CAP, BLACK PLASTIC 80x80	2
11	260151 01	PACKER PLATE	2	45	EDS-11400	PVC EDGING STRIP	0.22
12	260152 01	ROLLER ADJUSTER PLATE	2	46	260149 02	PACKER PLATE	1
13	HSSA12770	HEX HD SETSCREW	2	47	BRG-23545	SUPPORT	1
14	NUT-0170	PLAIN NUT	6	48	K0807032	KEY PARALLEL	1
15	MOTH04001	HYDRAULIC MOTOR	1	49	BLT-3790	COACH BOLT	4
OR	MOTH03200	HYDRAULIC MOTOR		50	BLTA12260	HEX HEAD BOLT	4
OR	MOTH02500	HYDRAULIC MOTOR		51	BLTA12350	HEX.HEAD BOLT	4
15A	HMS-08001	SEAL KIT (SPARES)		52	260067 01	BEARING SHIM	2
15B	K0807032	KEY (SPARES)					
16	BLTA12290	HEX.HEAD BOLT	2				
17	260030 03	SPROCKET 25 ID KEYWAY	2				
18	CHN-01380	CHAIN 1/2"PITCH DUPLEX	1				
18A	CHN-01300	JOINER (SPARES)					
19	260148 01	DRIVE COVER	1				
20	HSS-0140	SETSCREW	2				
21	WSH-0012	PLAIN WASHER	6				
22	WSH-0058	SPRING WASHER	2				
23	260048 01	CONV.BELT-120/150	1				
23A	260048 03	JOINING PIN (SPARES)					
24	260145 01	ADJUSTER PLATE	2				
25	HSS-0191	SETSCREW	6				
26	WSH-0015	PLAIN WASHER	6				
27	WSH-0061	SPRING WASHER	6				
28	WSH-1015	DOWTY WASHER 1/2"	6				
29	HMA-0067	ADAPTOR MALE/MALE	6				
30	HHAF24005	HYDRAULIC HOSE ASSY	1				
31	HHBF18005	HYDRAULIC HOSE ASSY	1				
32	HHBF08905	HYDRAULIC HOSE ASSY	1				
33	COU-0162	QUICK RELEASE COUPLING	2				
34	TIE-0004	TIE WRAPS (MED)	8				

Shelbourne Reynolds Engineering Limited

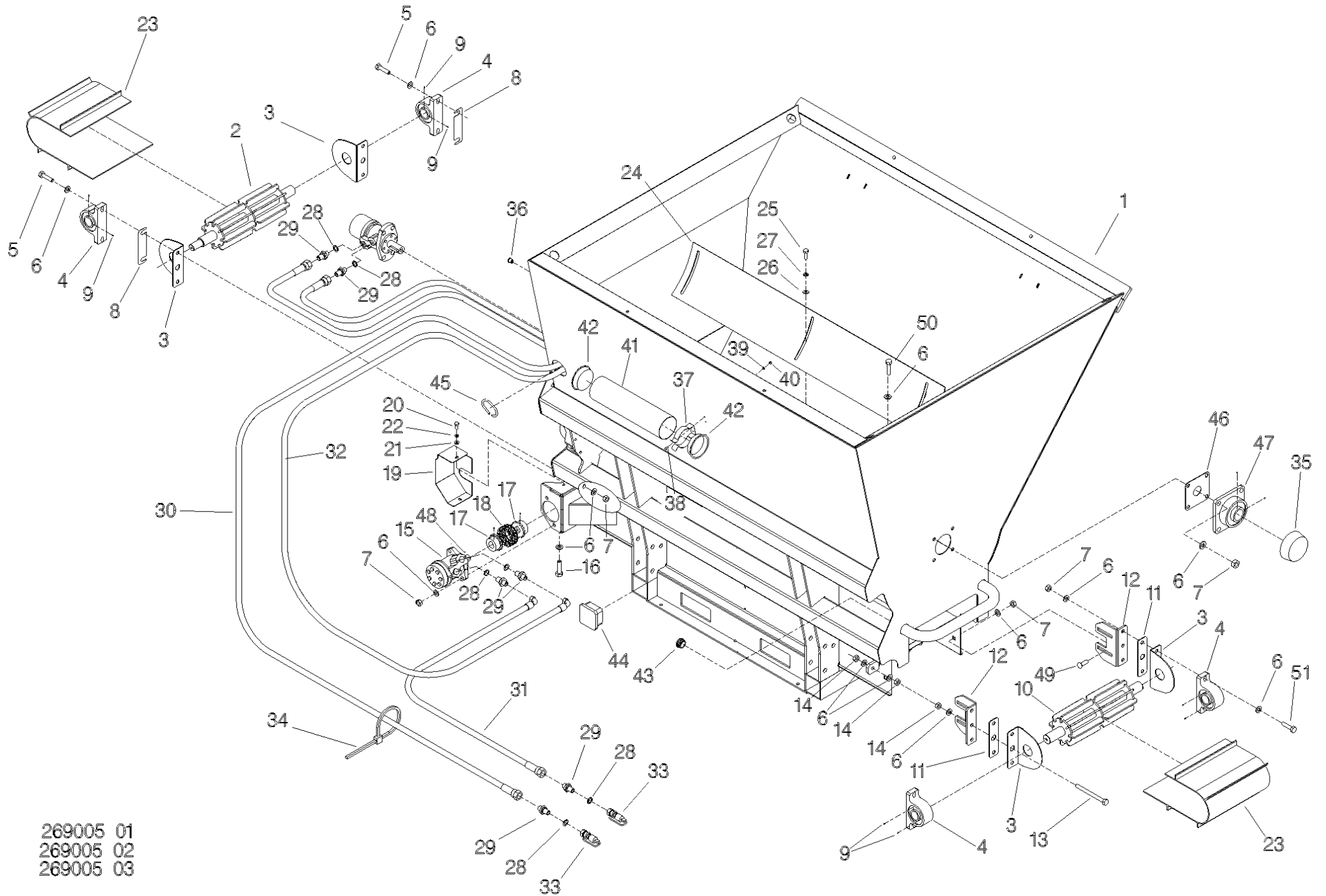


269005 01
269005 02
269005 03

Shelbourne Reynolds Engineering Limited

ASSY NUMBER: 269005 03				ASSY DESCRIPTION: CUBICLE BEDDER 300			
ITEM	PART NO	DESCRIPTION	QTY	ITEM	PART NO	DESCRIPTION	QTY
1	260206 01	CUBICLE BEDDER 300 TUB W/ASSY	1	35	BRG-93600	SELF LUBE PROTECTOR CAP	4
2	260025 01	CONVEYOR DRIVE ROLLER	1	36	NUTA13080	NUTSERT	3
3	260150 01	ROLLER BEARING MOUNT	4	37	21725019	SPRING CLIP	1
4	BRG-23555	BEARING	4	38	HSS-0055	SET SCREW	2
5	HSS-0260	SET SCREW	8	39	WSH-0006	PLAIN WSH FORM A	2
6	WSH-0018	PLAIN WASHER	32	40	NUT-0258	NYLOC NUT	2
7	NUT-0269	NYLOC NUT	16	41	39800004	MANUAL HOLDER TUBE	1
8	260067 01	BEARING SHIM	A/R	42	21709163	PLASTIC END CAP	2
9	SCW-4530	GRUBSCREW	6	43	PTF-00134	PLASTIC CAP INSERT	3
10	260025 02	CONVEYOR IDLER ROLLER	1	44	21709004	CAP, BLACK PLASTIC 80x80	2
11	260151 01	PACKER PLATE	2	45	EDS-11400	PVC EDGING STRIP	0.22
12	260152 01	ROLLER ADJUSTER PLATE	2	46	260149 02	PACKER PLATE	1
13	HSSA12770	HEX HD SETSCREW	2	47	BRG-23545	SUPPORT	1
14	NUT-0170	PLAIN NUT	6	48	K0807032	KEY PARALLEL	1
15	MOTH04001	HYDRAULIC MOTOR	1	49	BLT-3790	COACH BOLT	4
OR	MOTH03200	HYDRAULIC MOTOR		50	BLTA12260	HEX HEAD BOLT	4
OR	MOTH02500	HYDRAULIC MOTOR		51	BLTA12350	HEX.HEAD BOLT	4
15A	HMS-08001	SEAL KIT (SPARES)		52	260067 01	BEARING SHIM	2
15B	K0807032	KEY (SPARES)					
16	BLTA12290	HEX.HEAD BOLT	2				
17	260030 03	SPROCKET 25 ID KEYWAY	2				
18	CHN-01380	CHAIN 1/2"PITCH DUPLEX	1				
18A	CHN-01300	JOINER (SPARES)					
19	260148 01	DRIVE COVER	1				
20	HSS-0140	SETSCREW	2				
21	WSH-0012	PLAIN WASHER	6				
22	WSH-0058	SPRING WASHER	2				
23	260048 02	CONV.BELT-200 & 320	1				
23A	260048 03	JOINING PIN (SPARES)					
24	260212 01	ADJUSTER PLATE	2				
25	HSS-0191	SETSCREW	6				
26	WSH-0015	PLAIN WASHER	6				
27	WSH-0061	SPRING WASHER	6				
28	WSH-1015	DOWTY WASHER 1/2"	6				
29	HMA-0067	ADAPTOR MALE/MALE	6				
30	HHAF24005	HYDRAULIC HOSE ASSY	1				
31	HHBF18005	HYDRAULIC HOSE ASSY	1				
32	HHBF08905	HYDRAULIC HOSE ASSY	1				
33	COU-0162	QUICK RELEASE COUPLING	2				
34	TIE-0004	TIE WRAPS (MED)	8				

Shelbourne Reynolds Engineering Limited

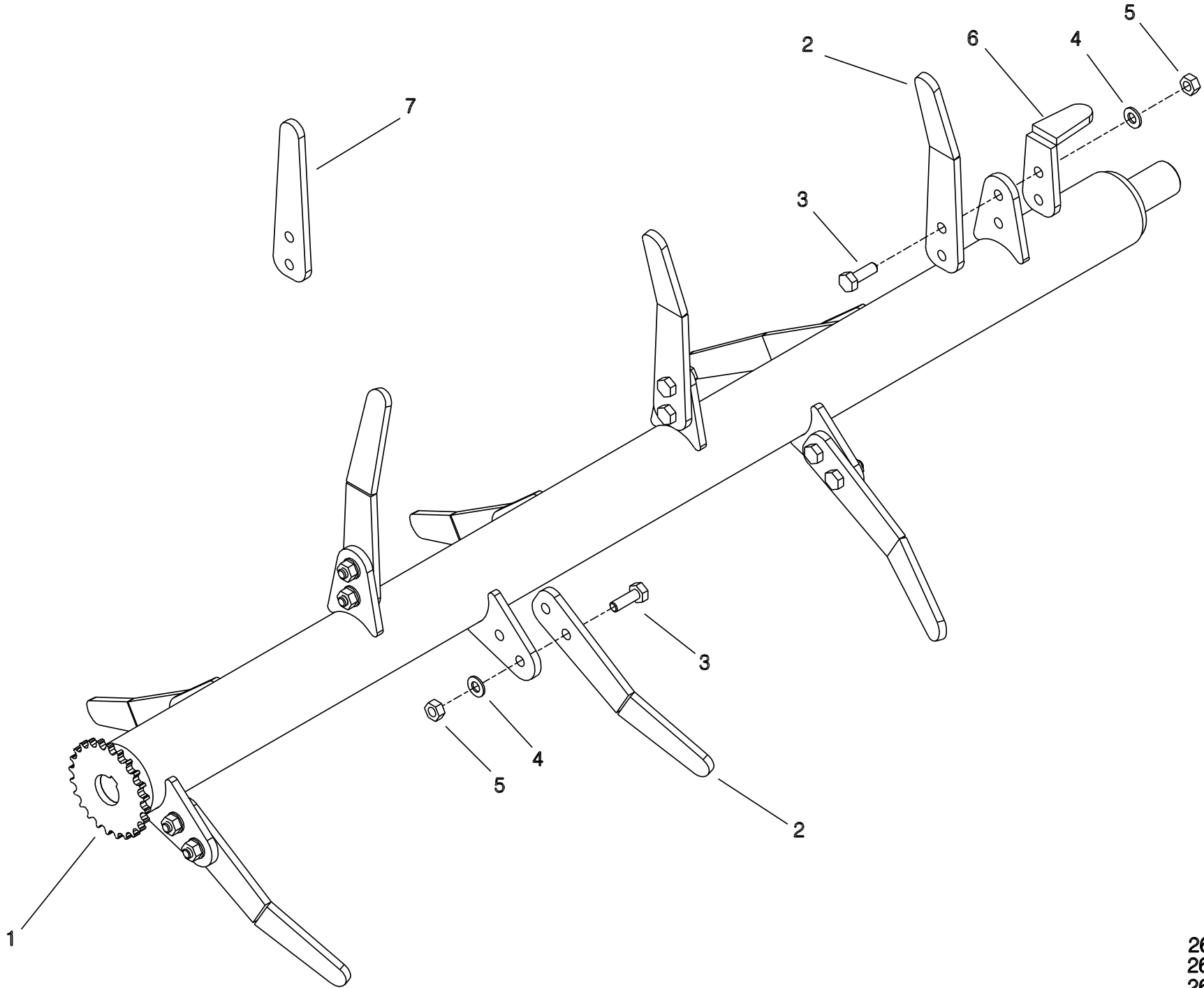


269005 01
269005 02
269005 03

Shelbourne Reynolds Engineering Limited

ASSY NUMBER:		269006 01		ASSY DESCRIPTION:		AGITATOR ASSY 100	
ITEM	PART NO	DESCRIPTION	QTY	ITEM	PART NO	DESCRIPTION	QTY
1	260224 01	AGITATOR SHAFT ASSY					
		SERIAL No CUB10110111 & ON	1				
OR	260189 01	AGITATOR SHAFT ASSY					
		PRE SERIAL No CUB10110111	1				
2	260178 01	TINE - STD	13				
3	HSS-0202	SET SCREW	14				
4	WSH-0015	PLAIN WASHER	14				
5	NUT-0265	NYLOC NUT	14				
6	260203 01	RH END TINE	1				
7	260205 01	SHORT TINE	7				
						FIT 7 SEND 6 LOOSE	
						SEND LOOSE	

Shelbourne Reynolds Engineering Limited

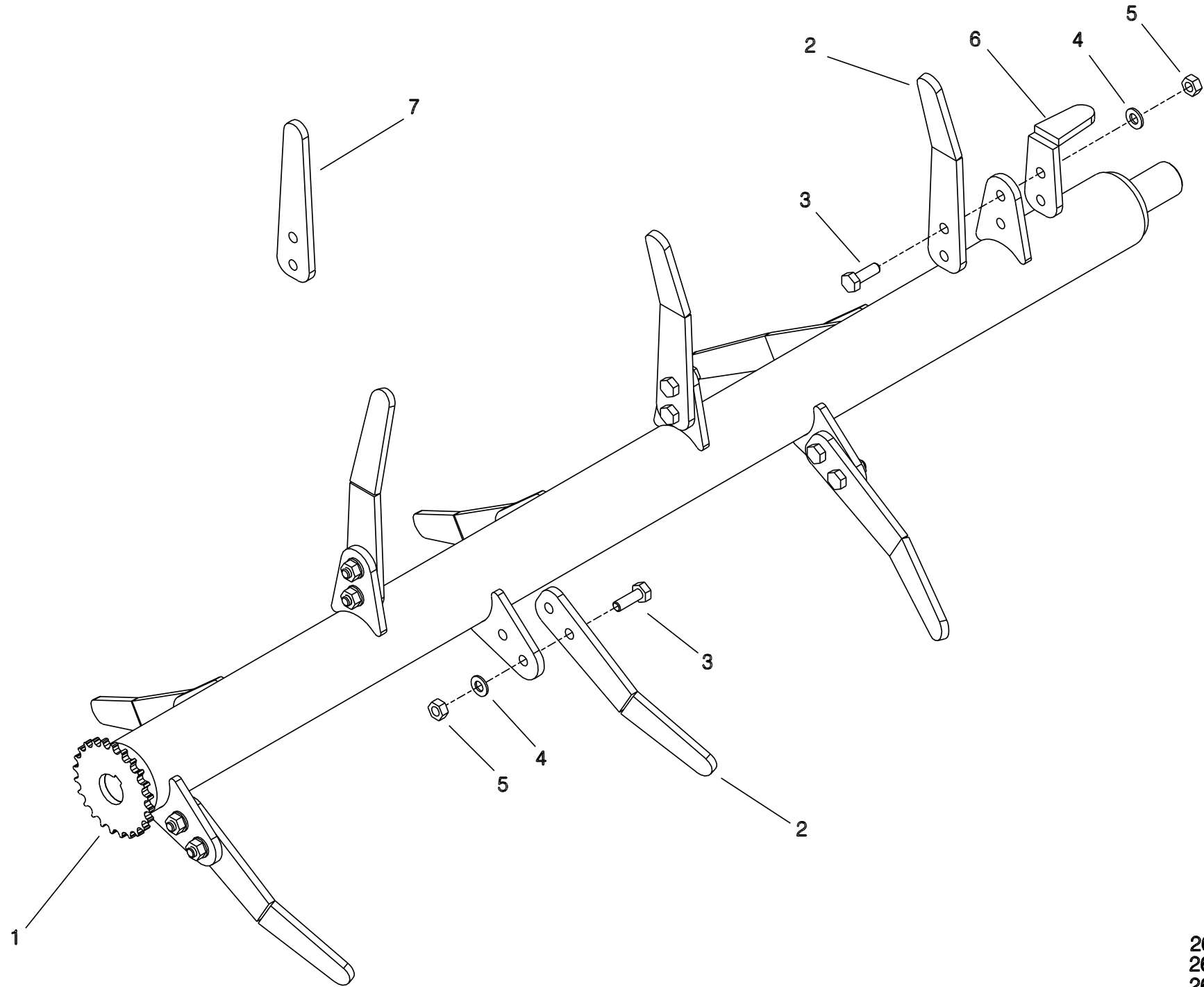


269006 01
269006 02
269006 03

Shelbourne Reynolds Engineering Limited

ASSY NUMBER:		269006 02		ASSY DESCRIPTION:		AGITATOR ASSY 150	
ITEM	PART NO	DESCRIPTION	QTY	ITEM	PART NO	DESCRIPTION	QTY
1	260225 01	AGITATOR SHAFT ASSY					
		SERIAL No CUB15110111 & ON	1				
OR	260177 01	AGITATOR SHAFT ASSY					
		PRE SERIAL No CUB15110111	1				
2	260178 01	TINE - STD	17				
3	HSS-0202	SET SCREW	18				
4	WSH-0015	PLAIN WASHER	18				
5	NUT-0265	NYLOC NUT	18				
6	260203 01	RH END TINE	1				
7	260205 01	SHORT TINE	9				
						FIT 9 SEND 8 LOOSE	
						SEND LOOSE	

Shelbourne Reynolds Engineering Limited

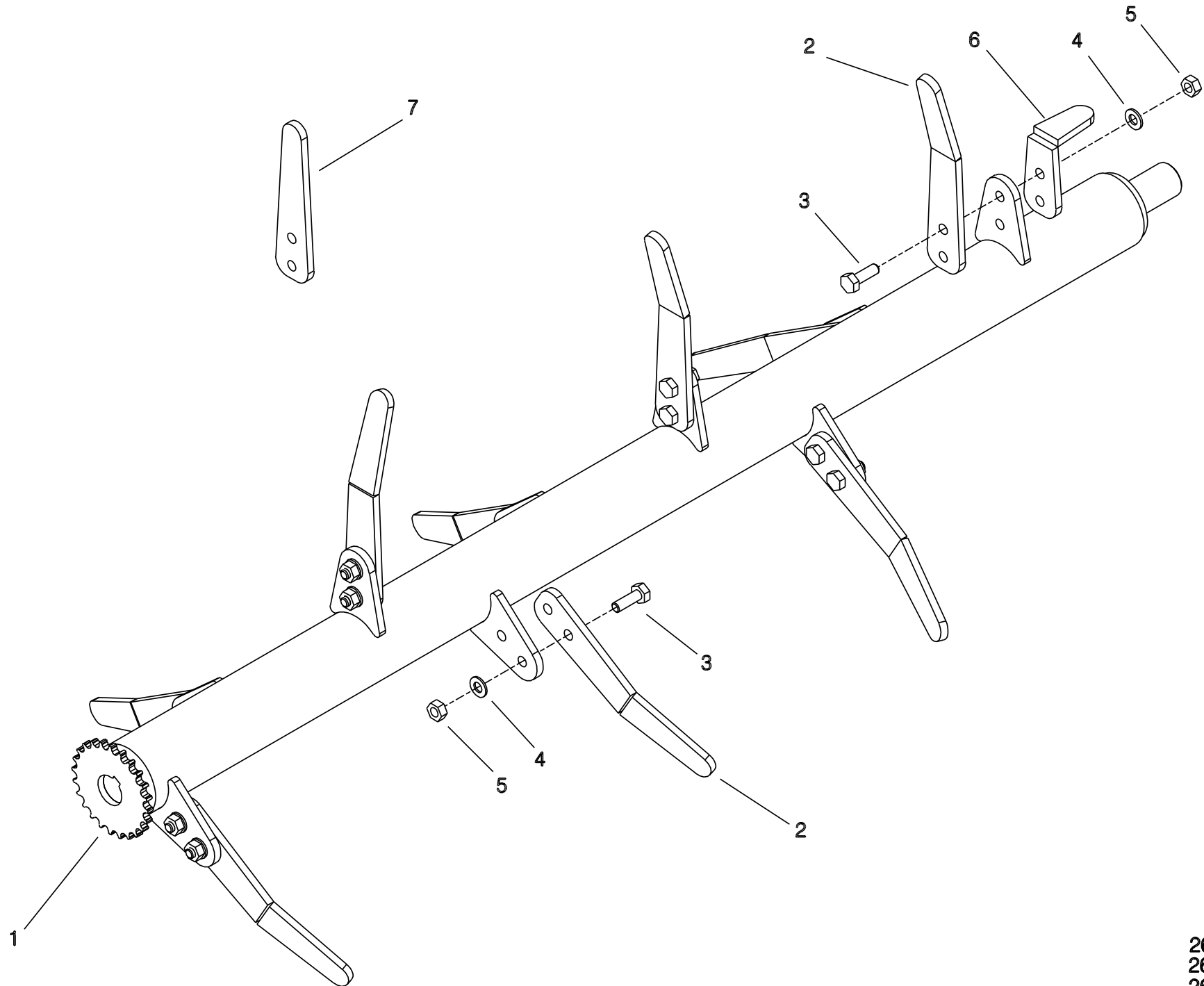


269006 01
269006 02
269006 03

Shelbourne Reynolds Engineering Limited

ASSY NUMBER: 269006 03		ASSY DESCRIPTION: AGITATOR ASSY 300					
ITEM	PART NO	DESCRIPTION	QTY	ITEM	PART NO	DESCRIPTION	QTY
1	260226 01	AGITATOR SHAFT ASSY SERIAL No CUB30110111 & ON	1				
OR	260213 01	AGITATOR SHAFT ASSY PRE SERIAL No CUB30110111	1				
2	260178 01	TINE - STD	21			FIT 11 SEND 10 LOOSE	
3	HSS-0202	SET SCREW	22				
4	WSH-0015	PLAIN WASHER	22				
5	NUT-0265	NYLOC NUT	22				
6	260203 01	RH END TINE	1				
7	260205 01	SHORT TINE	11			SEND LOOSE	

Shelbourne Reynolds Engineering Limited

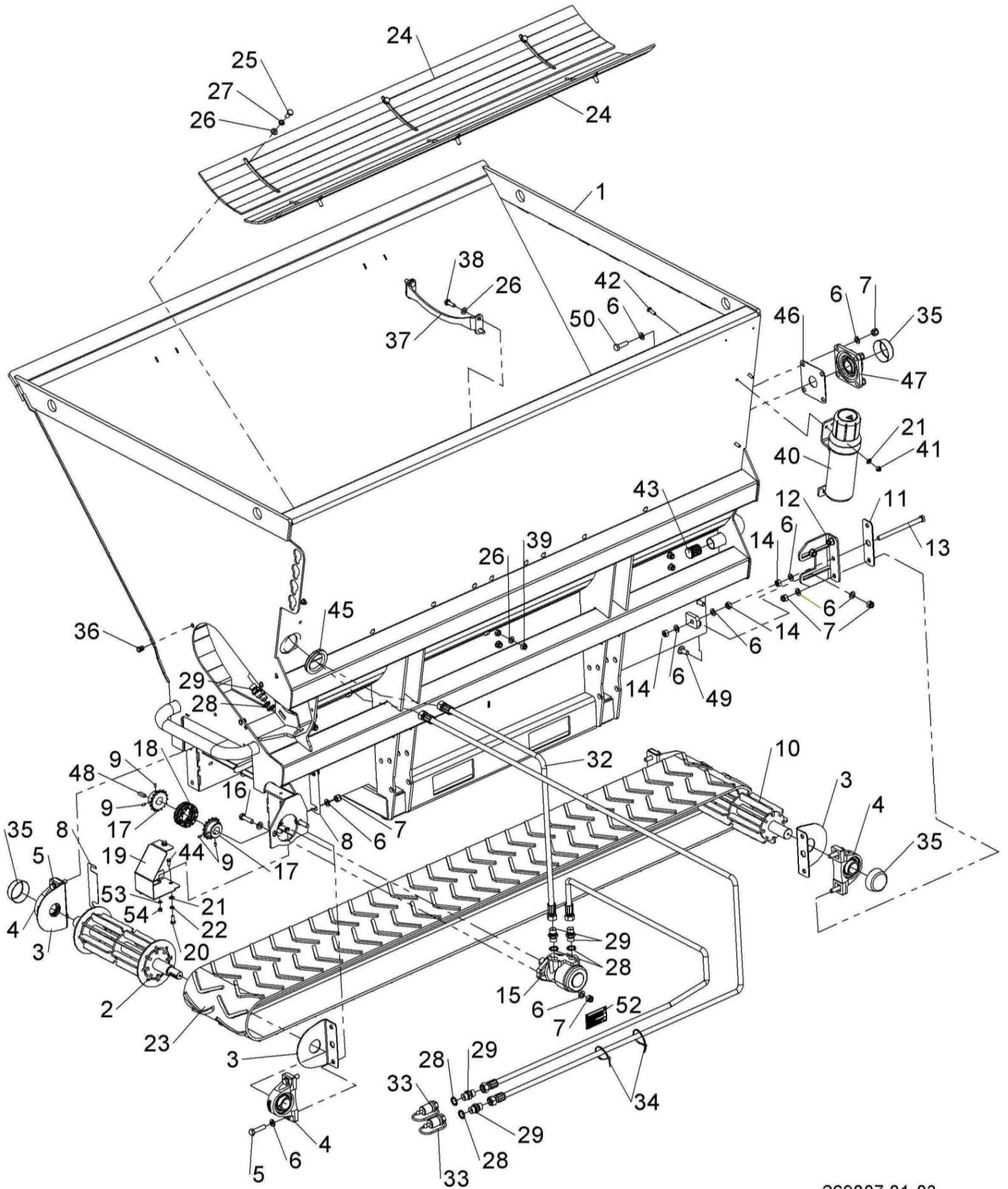


269006 01
269006 02
269006 03

Shelbourne Reynolds Engineering Limited

ASSY NUMBER: 269007 01				ASSY DESCRIPTION: CUBICLE BEDDER 100			
ITEM	PART NO	DESCRIPTION	QTY	ITEM	PART NO	DESCRIPTION	QTY
1	260275 01	100 CUBICLE BEDDER TUB W/A	1	36	NUTA13080	NUTSERT	3
2	260025 01	CONVEYOR DRIVE ROLLER	1	37	260237 01	SUPPORT PLATE	3
3	260150 01	GUARD PLATE	4	38	HSS-0194	SET SCREW	8
4	BRG-23555	BEARING	4	39	NUT-0265	NUT	8
5	HSS-0260	SET SCREW	4	40	PCN-00100	PLASTIC CANNISTER (MANUAL)	1
6	WSH-0018	WASHER	34	41	NUT-0263	NUT	4
7	NUT-0269	NUT	16	42	HSS-0145	SETSCREW	3
8	260067 01	BEARING SHIM	2	43	PTF-00134	PLASTIC CAP INSERT	3
9	SCW-4530	GRUBSCREW	6	44	HSS-0084	SETSCREW	2
10	260025 02	CONVEYOR IDLER ROLLER	1	45	EDS-11400	PVC EDGING STRIP	0.22
11	260151 01	PACKER PLATE	2	46	260149 02	PACKER PLATE	1
12	260152 01	ROLLER ADJUSTER PLATE	2	47	BRG-23545	SUPPORT	1
13	HSSA12770	SETSCREW	2	48	K0807032	KEY PARALLEL	1
14	NUT-0170	NUT	6	49	BLT-3790	COACH BOLT	4
15	MOTH04001	HYDRAULIC MOTOR	1	50	BLTA12260	HEX HEAD BOLT	4
OR	MOTH03200	MOTOR, CONVEYOR		51	BLTA12350	HEX.HEAD BOLT	4
OR	MOTH02500	MOTOR CONVEYOR		52	260289 01	HYD LABEL	1
15A	HMS-08001	SEAL KIT (SPARES)		53	WSH-0009	WASHER	2
15B	K0807032	KEY (SPARES)		54	NUT-0260	NUT	2
16	BLTA12290	BOLT	2				
17	260030 03	SPROCKET	2				
18	CHN-01380	CHAIN AND JOINER	1				
19	260258 01	COUPLING GUARD	1				
20	HSS-0140	SETSCREW	3				
21	WSH-0012	WASHER	10				
22	WSH-0058	WASHER	2				
23	260048 04	CONV.BELT-100	1				
23A	260048 03	JOINING PIN (SPARES)					
24	260187 01	ADJUSTER PLATE	2				
25	HSS-0191	SETSCREW	6				
26	WSH-0015	WASHER	22				
27	WSH-0061	WASHER	6				
28	WSH-1015	DOWTY WASHER	6				
29	HMA-0067	ADAPTOR MALE/MALE	6				
30							
31							
32	HHAF08805	HYDRAULIC HOSE ASSY	1				
33	COU-0162	QUICK RELEASE COUPLING	2				
34	TIE-0004	TIE WRAPS (MED)	10				
35	BRG-93600	BEARING END CAP	4				

Shelbourne Reynolds Engineering Limited



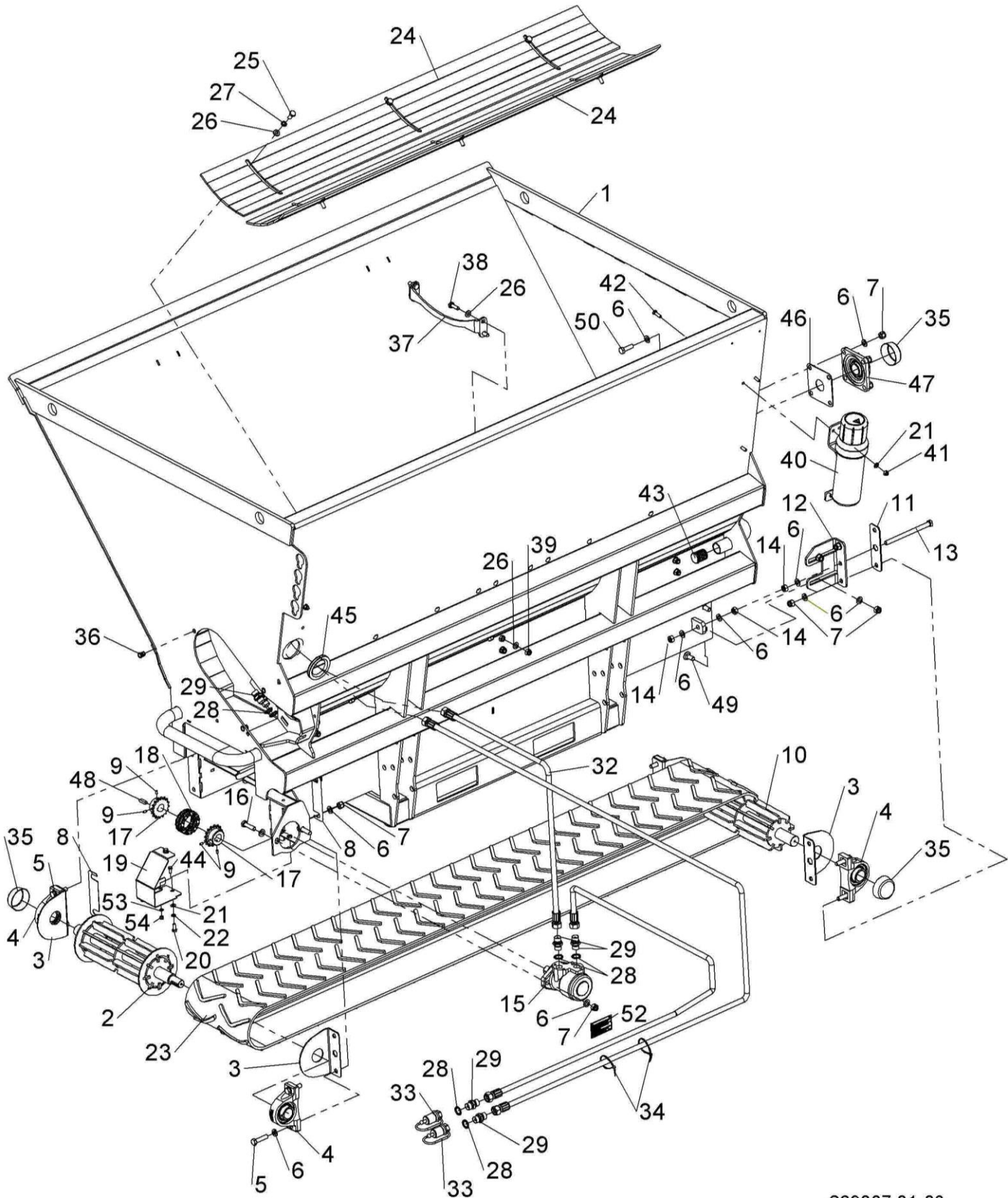
269007 01-03



Shelbourne Reynolds Engineering Limited

ASSY NUMBER: 269007 02				ASSY DESCRIPTION: CUBICLE BEDDER 150			
ITEM	PART NO	DESCRIPTION	QTY	ITEM	PART NO	DESCRIPTION	QTY
1	260256 01	150 CUBICLE BEDDER TUB W/A	1	36	NUTA13080	NUTSERT	3
2	260025 01	CONVEYOR DRIVE ROLLER	1	37	260237 01	SUPPORT PLATE	3
3	260150 01	GUARD PLATE	4	38	HSS-0194	SET SCREW	12
4	BRG-23555	BEARING	4	39	NUT-0265	NUT	12
5	HSS-0260	SET SCREW	4	40	PCN-00100	PLASTIC CANNISTER (MANUAL)	1
6	WSH-0018	WASHER	34	41	NUT-0263	NUT	4
7	NUT-0269	NUT	16	42	HSS-0145	SETSCREW	3
8	260067 01	BEARING SHIM	2	43	PTF-00134	PLASTIC CAP INSERT	3
9	SCW-4530	GRUBSCREW	6	44	HSS-0084	SETSCREW	2
10	260025 02	CONVEYOR IDLER ROLLER	1	45	EDS-11400	PVC EDGING STRIP	0.22
11	260151 01	PACKER PLATE	6	46	260149 02	PACKER PLATE	1
12	260152 01	ROLLER ADJUSTER PLATE	2	47	BRG-23545	SUPPORT	1
13	HSSA12770	SETSCREW	2	48	K0807032	KEY PARALLEL	1
14	NUT-0170	NUT	6	49	BLT-3790	COACH BOLT	4
15	MOTH04001	HYDRAULIC MOTOR	1	50	BLTA12260	HEX HEAD BOLT	4
OR	MOTH03200	MOTOR, CONVEYOR		51	BLTA12350	HEX.HEAD BOLT	4
OR	MOTH02500	MOTOR CONVEYOR		52	260289 01	HYD LABEL	1
15A	HMS-08001	SEAL KIT (SPARES)		53	WSH-0009	WASHER	2
15B	K0807032	KEY (SPARES)		54	NUT-0260	NUT	2
16	BLTA12290	BOLT	2				
17	260030 03	SPROCKET	2				
18	CHN-01380	CHAIN AND JOINER	1				
19	260258 01	COUPLING GUARD	1				
20	HSS-0140	SETSCREW	3				
21	WSH-0012	WASHER	10				
22	WSH-0058	WASHER	2				
23	260048 01	CONV.BELT-120 & 150	1				
23A	260048 03	JOINING PIN (SPARES)					
24	260145 01	ADJUSTER PLATE	2				
25	HSS-0191	SETSCREW	6				
26	WSH-0015	WASHER	30				
27	WSH-0061	WASHER	6				
28	WSH-1015	DOWTY WASHER	6				
29	HMA-0067	ADAPTOR MALE/MALE	6				
30							
31							
32	HHAF08805	HYDRAULIC HOSE ASSY	1				
33	COU-0162	QUICK RELEASE COUPLING	2				
34	TIE-0004	TIE WRAPS (MED)	10				
35	BRG-93600	BEARING END CAP	4				

Shelbourne Reynolds Engineering Limited



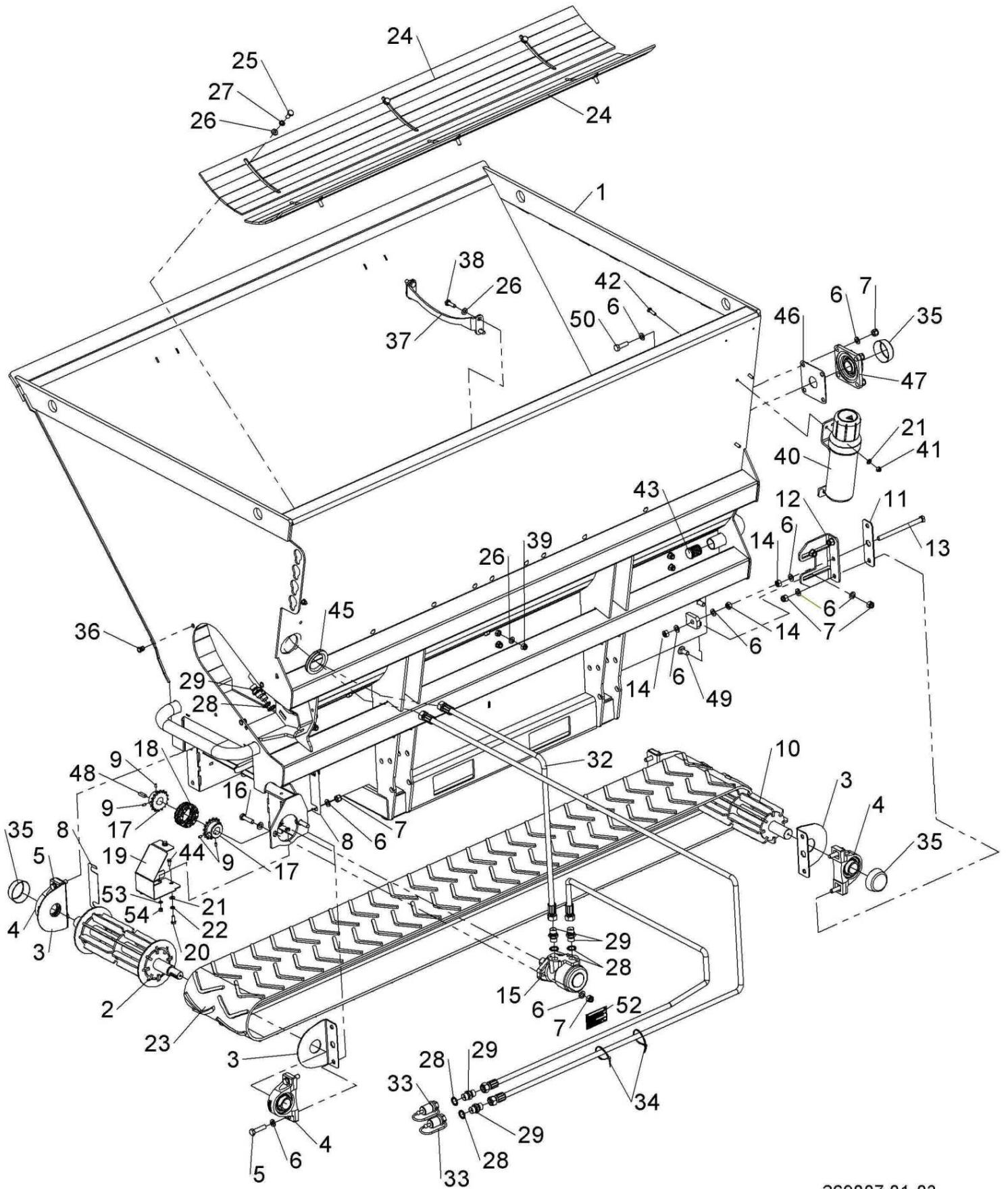
269007 01-03



Shelbourne Reynolds Engineering Limited

ASSY NUMBER: 269007 03				ASSY DESCRIPTION: CUBICLE BEDDER 300			
ITEM	PART NO	DESCRIPTION	QTY	ITEM	PART NO	DESCRIPTION	QTY
1	260268 01	300 CUBICLE BEDDER TUB W/A	1	36	NUTA13080	NUTSERT	3
2	260025 01	CONVEYOR DRIVE ROLLER	1	37	260237 01	SUPPORT PLATE	3
3	260150 01	GUARD PLATE	4	38	HSS-0194	SET SCREW	12
4	BRG-23555	BEARING	4	39	NUT-0265	NUT	12
5	HSS-0260	SET SCREW	4	40	PCN-00100	PLASTIC CANNISTER (MANUAL)	1
6	WSH-0018	WASHER	34	41	NUT-0263	NUT	4
7	NUT-0269	NUT	16	42	HSS-0145	SETSCREW	3
8	260067 01	BEARING SHIM	2	43	PTF-00134	PLASTIC CAP INSERT	3
9	SCW-4530	GRUBSCREW	6	44	HSS-0084	SETSCREW	2
10	260025 02	CONVEYOR IDLER ROLLER	1	45	EDS-11400	PVC EDGING STRIP	0.22
11	260151 01	PACKER PLATE	2	46	260149 02	PACKER PLATE	1
12	260152 01	ROLLER ADJUSTER PLATE	2	47	BRG-23545	SUPPORT	1
13	HSSA12770	SETSCREW	2	48	K0807032	KEY PARALLEL	1
14	NUT-0170	NUT	6	49	BLT-3790	COACH BOLT	4
15	MOTH04001	HYDRAULIC MOTOR	1	50	BLTA12260	HEX HEAD BOLT	4
OR	MOTH03200	MOTOR, CONVEYOR		51	BLTA12350	HEX.HEAD BOLT	4
OR	MOTH02500	MOTOR CONVEYOR		52	260289 01	HYD LABEL	1
15A	HMS-08001	SEAL KIT (SPARES)		53	WSH-0009	WASHER	2
15B	K0807032	KEY (SPARES)		54	NUT-0260	NUT	2
16	BLTA12290	BOLT	2				
17	260030 03	SPROCKET	2				
18	CHN-01380	CHAIN AND JOINER	1				
19	260258 01	COUPLING GUARD	1				
20	HSS-0140	SETSCREW	3				
21	WSH-0012	WASHER	10				
22	WSH-0058	WASHER	2				
23	260048 02	CONV.BELT-200,300 & 320	1				
23A	260048 03	JOINING PIN (SPARES)					
24	260212 01	ADJUSTER PLATE	2				
25	HSS-0191	SETSCREW	6				
26	WSH-0015	WASHER	30				
27	WSH-0061	WASHER	6				
28	WSH-1015	DOWTY WASHER	6				
29	HMA-0067	ADAPTOR MALE/MALE	6				
30							
31							
32	HHAF08805	HYDRAULIC HOSE ASSY	1				
33	COU-0162	QUICK RELEASE COUPLING	2				
34	TIE-0004	TIE WRAPS (MED)	10				
35	BRG-93600	BEARING END CAP	4				

Shelbourne Reynolds Engineering Limited



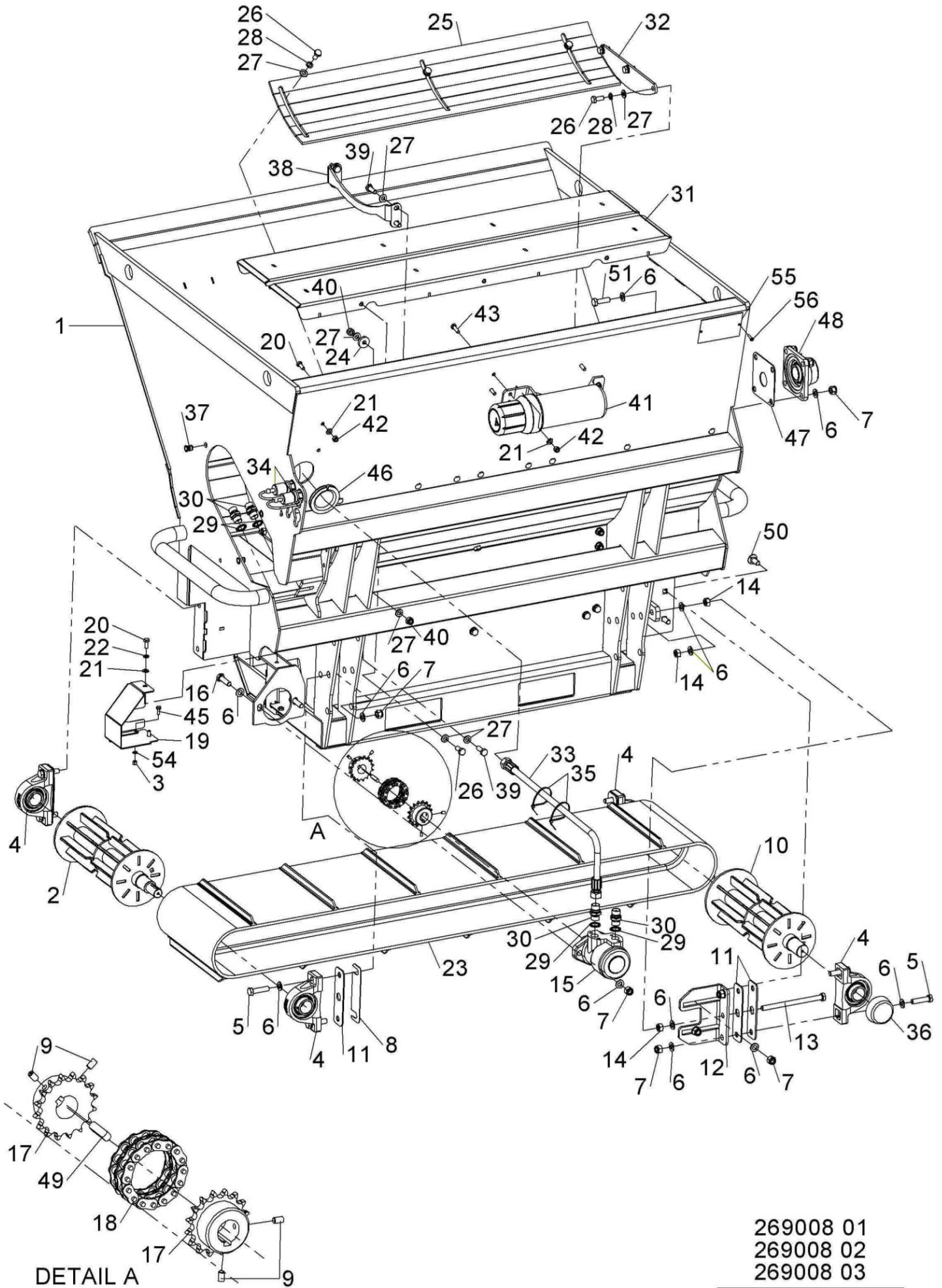
269007 01-03



Shelbourne Reynolds Engineering Limited

ASSY NUMBER: 269008 01				ASSY DESCRIPTION: TUB SUB ASSY 100 (CUB10170486 & ON)			
ITEM	PART NO	DESCRIPTION	QTY	ITEM	PART NO	DESCRIPTION	QTY
1	260400 01	100 CUBICLE BEDDER TUB W/A FROM CUB10230975 AND ON	1	31	260368 01	CONVEYOR PAN W/A	1
OR	260361 01	100 CUBICLE BEDDER TUB W/A UP TO CUB10230975	1	32	260323 01	FILL IN PLATE	2
2	260324 01	CONVEYOR DRIVE ROLLER	1	33	HHAF08805	HYDRAULIC HOSE ASSY	1
3	NUT-0260	NUT	2	34	COU-0162	QUICK RELEASE COUPLING	2
4	BRG-23555	BEARING	4	35	TIE-0004	TIE WRAPS (MED)	10
5	HSS-0260	SET SCREW	4	36	BRG-93600	BEARING END CAP	4
6	WSH-0018	WASHER	34	37	NUTA13080	NUTSERT	3
7	NUT-0269	NUT	16	38	260237 01	SUPPORT PLATE	2
8	260067 01	BEARING SHIM	2	39	HSS-0194	SET SCREW	12
9	SCW-4530	GRUBSCREW	6	40	NUT-0265	NUT	12
10	260329 01	CONVEYOR IDLER ROLLER	1	41	PCN-00100	PLASTIC CANNISTER (MANUAL)	1
11	260151 01	PACKER PLATE	6	42	NUT-0263	NUT	4
12	260152 01	ROLLER ADJUSTER PLATE	2	43	HSS-0145	SETSCREW	3
13	HSSA12770	SETSCREW	2	44			
14	NUT-0170	NUT	6	45	HSS-0084	SETSCREW	2
15	MOTH04001	HYDRAULIC MOTOR	1	46	EDS-11400	PVC EDGING STRIP	0.22
OR	MOTH03200	MOTOR, CONVEYOR		47	260149 02	PACKER PLATE	1
OR	MOTH02500	MOTOR CONVEYOR		48	BRG-23545	SUPPORT	1
15A	HMS-08001	SEAL KIT (SPARES)		49	K0807032	KEY PARALLEL	1
15B	K0807032	KEY (SPARES)		50	BLT-3790	COACH BOLT	4
16	BLTA12290	BOLT	2	51	BLTA12260	HEX HEAD BOLT	4
17	260030 03	SPROCKET	2	52	BLTA12350	HEX.HEAD BOLT	4
18	CHN-01380	CHAIN + JOINER	1	53			
19	260258 01	COUPLING GUARD	1	54	WSH-0009	WASHER	2
20	HSS-0140	SETSCREW	3	55	290526 01	SERIAL NUMBER PLATE	1
21	WSH-0012	WASHER	10	56	POP-0006	POP RIVET	2
22	WSH-0058	WASHER	2				
23	260331 02a	CONV.BELT 100 SER No CUB10180615 & ON	1				
OR	260331 02	CONV.BELT 100 UP TO & IN CUB10180596					
24	190548 34	WASHER	4				
25	260187 01	ADJUSTER PLATE	2				
26	HSS-0191	SETSCREW	19				
27	WSH-0015	WASHER	42				
28	WSH-0061	WASHER	18				
29	WSH-1015	DOWTY WASHER	4				
30	HMA-0067	ADAPTOR M/M	4				

Shelbourne Reynolds Engineering Limited



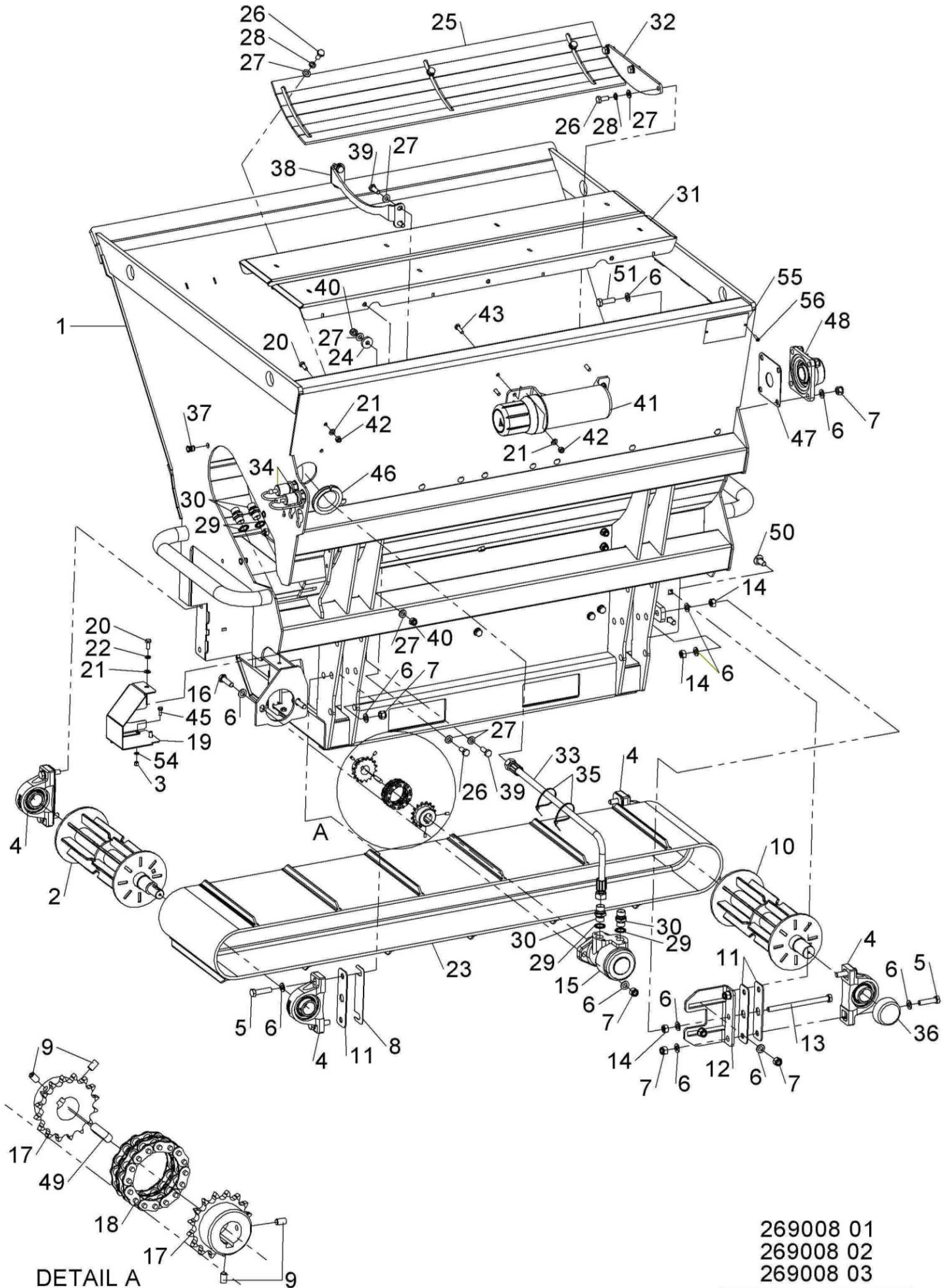
269008 01
 269008 02
 269008 03



Shelbourne Reynolds Engineering Limited

ASSY NUMBER: 269008 02				ASSY DESCRIPTION: TUB SUB ASSY 150 (CUB15160456 & ON)			
ITEM	PART NO	DESCRIPTION	QTY	ITEM	PART NO	DESCRIPTION	QTY
1	260405 01	150 CUBICLE BEDDER TUB W/A	1	31	260303 01	CONVEYOR PAN W/A	1
		FROM CUB15231011 & ON		32	260323 01	FILL IN PLATE	2
OR	260299 01	150 CUBICLE BEDDER TUB W/A	1	33	HHAF08805	HYDRAULIC HOSE ASSY	1
		UP TO CUB15231011		34	COU-0162	QUICK RELEASE COUPLING	2
2	260324 01	CONVEYOR DRIVE ROLLER	1	35	TIE-0004	TIE WRAPS (MED)	10
3	NUT-0260	NUT	2	36	BRG-93600	BEARING END CAP	4
4	BRG-23555	BEARING	4	37	NUTA13080	NUTSERT	3
5	HSS-0260	SET SCREW	4	38	260237 01	SUPPORT PLATE	3
6	WSH-0018	WASHER	34	39	HSS-0194	SET SCREW	16
7	NUT-0269	NUT	16	40	NUT-0265	NUT	16
8	260067 01	BEARING SHIM	2	41	PCN-00100	PLASTIC CANNISTER (MANUAL)	1
9	SCW-4530	GRUBSCREW	6	42	NUT-0263	NUT	4
10	260329 01	CONVEYOR IDLER ROLLER	1	43	HSS-0145	SETSCREW	3
11	260151 01	PACKER PLATE	6	44	HSS-0191	SETSCREW	12
12	260152 01	ROLLER ADJUSTER PLATE	2	45	HSS-0084	SETSCREW	2
13	HSSA12770	SETSCREW	2	46	EDS-11400	PVC EDGING STRIP	0.22
14	NUT-0170	NUT	6	47	260149 02	PACKER PLATE	1
15	MOTH04001	HYDRAULIC MOTOR	1	48	BRG-23545	SUPPORT	1
OR	MOTH03200	MOTOR, CONVEYOR		49	K0807032	KEY PARALLEL	1
OR	MOTH02500	MOTOR CONVEYOR		50	BLT-3790	COACH BOLT	4
15A	HMS-08001	SEAL KIT (SPARES)		51	BLTA12260	HEX HEAD BOLT	4
15B	K0807032	KEY (SPARES)		52	BLTA12350	HEX.HEAD BOLT	4
16	BLTA12290	BOLT	2	53			
17	260030 03	SPROCKET	2	54	WSH-0009	WASHER	2
18	CHN-01380	CHAIN AND JOINER	1	55	290526 01	SERIAL NUMBER PLATE	1
19	260258 01	COUPLING GUARD	1	56	POP-0006	POP RIVET	2
20	HSS-0140	SETSCREW	3				
21	WSH-0012	WASHER	10				
22	WSH-0058	WASHER	2				
23	260331 01a	CONV.BELT 150	1				
		SER No CUB15180597 & ON					
OR	260331 01	CONV.BELT 150	1				
		UP TO & IN CUB15180590					
24	190548 34	WASHER	4				
25	260145 01	ADJUSTER PLATE	2				
26	HSS-0191	SETSCREW	18				
27	WSH-0015	WASHER	48				
28	WSH-0061	WASHER	22				
29	WSH-1015	DOWTY WASHER	4				
30	HMA-0067	ADAPTOR MALE/MALE	4				

Shelbourne Reynolds Engineering Limited



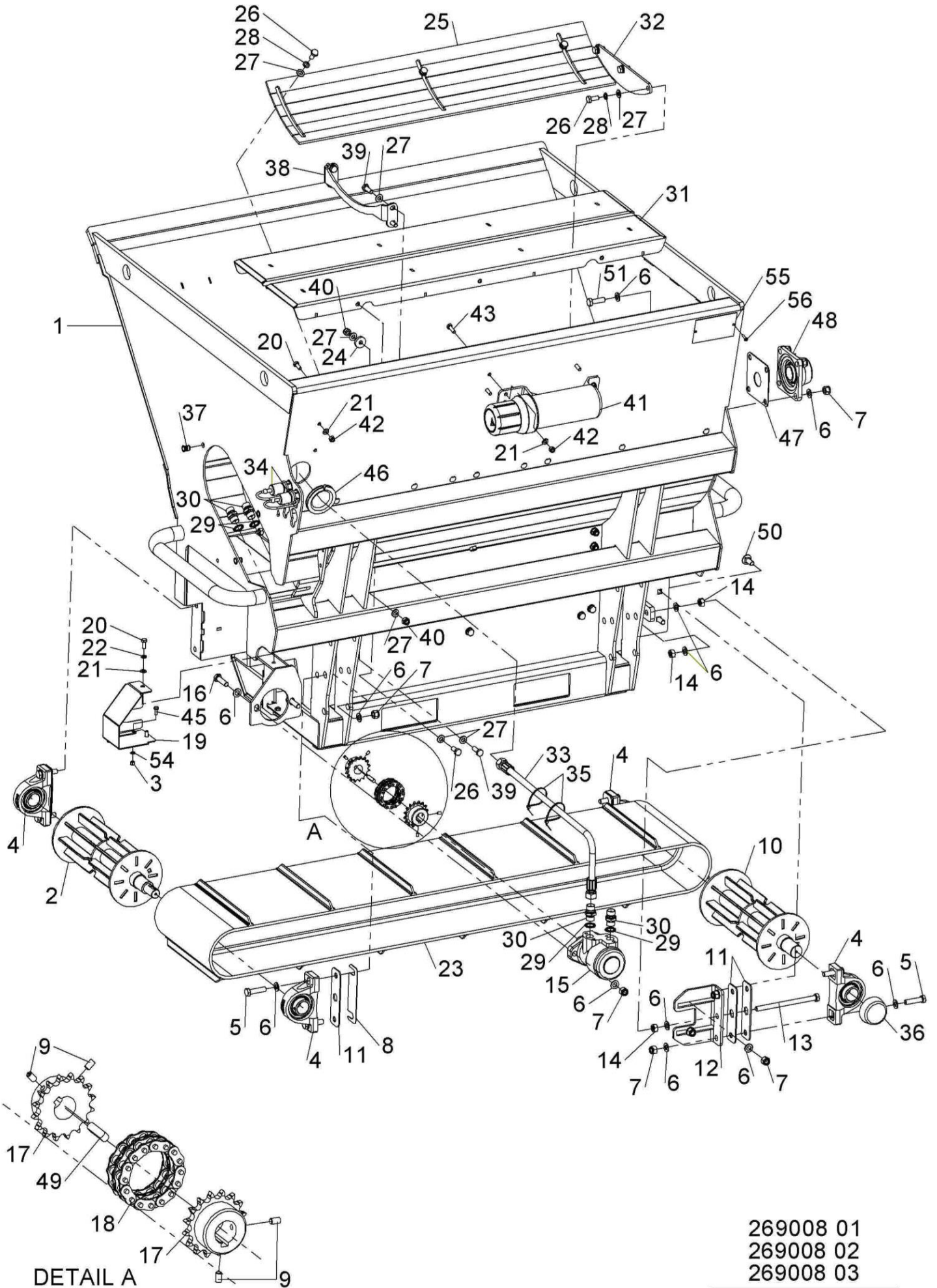
269008 01
 269008 02
 269008 03



Shelbourne Reynolds Engineering Limited

ASSY NUMBER: 269008 03				ASSY DESCRIPTION: TUB SUB ASSY 300 (CUB30170504 & ON)			
ITEM	PART NO	DESCRIPTION	QTY	ITEM	PART NO	DESCRIPTION	QTY
1	260410 01	300 CUBICLE BEDDER TUB W/A FROM CUB30230969 AND ON	1	31	260374 01	CONVEYOR PAN W/A	1
OR	260371 01	300 CUBICLE BEDDER TUB W/A UP TO CUB30230969	1	32	260323 01	FILL IN PLATE	2
2	260324 01	CONVEYOR DRIVE ROLLER	1	33	HHAF08805	HYDRAULIC HOSE ASSY	1
3	NUT-0260	NUT	2	34	COU-0162	QUICK RELEASE COUPLING	2
4	BRG-23555	BEARING	4	35	TIE-0004	TIE WRAPS (MED)	10
5	HSS-0260	SET SCREW	4	36	BRG-93600	BEARING END CAP	4
6	WSH-0018	WASHER	34	37	NUTA13080	NUTSERT	3
7	NUT-0269	NUT	16	38	260237 01	SUPPORT PLATE	3
8	260067 01	BEARING SHIM	2	39	HSS-0194	SET SCREW	16
9	SCW-4530	GRUBSCREW	6	40	NUT-0265	NUT	16
10	260329 01	CONVEYOR IDLER ROLLER	1	41	PCN-00100	PLASTIC CANNISTER (MANUAL)	1
11	260151 01	PACKER PLATE	6	42	NUT-0263	NUT	4
12	260152 01	ROLLER ADJUSTER PLATE	2	43	HSS-0145	SETSCREW	3
13	HSSA12770	SETSCREW	2	44	HSS-0191	SETSCREW	12
14	NUT-0170	NUT	6	45	HSS-0084	SETSCREW	2
15	MOTH04001	HYDRAULIC MOTOR	1	46	EDS-11400	PVC EDGING STRIP	0.22
OR	MOTH03200	MOTOR, CONVEYOR		47	260149 02	PACKER PLATE	1
OR	MOTH02500	MOTOR CONVEYOR		48	BRG-23545	SUPPORT	1
15A	HMS-08001	SEAL KIT (SPARES)		49	K0807032	KEY PARALLEL	1
15B	K0807032	KEY (SPARES)		50	BLT-3790	COACH BOLT	4
16	BLTA12290	BOLT	2	51	BLTA12260	HEX HEAD BOLT	4
17	260030 03	SPROCKET	2	52	BLTA12350	HEX.HEAD BOLT	4
18	CHN-01380	CHAIN AND JOINER	1	53			
19	260258 01	COUPLING GUARD	1	54	WSH-0009	WASHER	2
20	HSS-0140	SETSCREW	3	55	290526 01	SERIAL NUMBER PLATE	1
21	WSH-0012	WASHER	10	56	POP-0006	POP RIVET	2
22	WSH-0058	WASHER	2				
23	260331 03A	CONV.BELT 300 SER No CUB30190675 & ON	1				
OR	260331 03	CONV.BELT 300 UP TO & INC SER No CUB30190674					
24	190548 34	WASHER	4				
25	260212 01	ADJUSTER PLATE	2				
26	HSS-0191	SETSCREW	6				
27	WSH-0015	WASHER	50				
28	WSH-0061	WASHER	18				
29	WSH-1015	DOWTY WASHER	6				
30	HMA-0067	ADAPTOR MALE/MALE	6				

Shelbourne Reynolds Engineering Limited



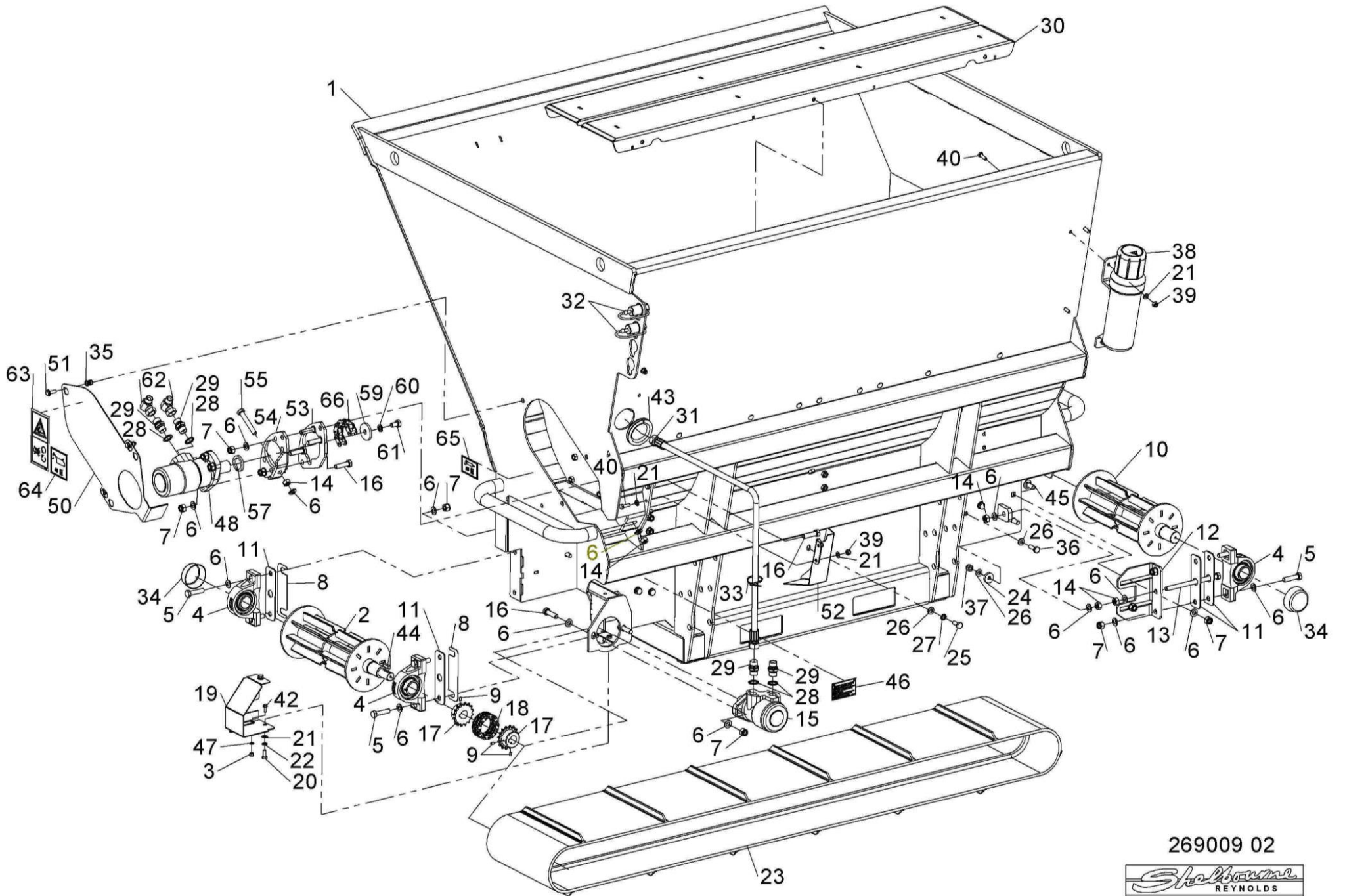
269008 01
 269008 02
 269008 03



Shelbourne Reynolds Engineering Limited

ASSY NUMBER: 269009 02				ASSY DESCRIPTION: TUB SUB ASSY 150 (STRAW ROTOR TYPE)			
ITEM	PART NO	DESCRIPTION	QTY	ITEM	PART NO	DESCRIPTION	QTY
1	260336 01	150 CUBICLE BEDDER TUB W/A	1	37	NUT-0265	NUT	10
2	260324 01	CONVEYOR DRIVE ROLLER	1	38	PCN-00100	PLASTIC CANNISTER (MANUAL)	1
3	NUT-0260	NUT	2	39	NUT-0263	NUT	6
4	BRG-23555	BEARING	4	40	HSS-0145	SETSCREW	5
5	HSS-0260	SET SCREW	8	41			
6	WSH-0018	WASHER	38	42	HSS-0084	SETSCREW	2
7	NUT-0269	NUT	19	43	EDS-11400	PVC EDGING STRIP	0.22
8	260067 01	BEARING SHIM	2	44	K0807032	KEY PARALLEL	1
9	SCW-4530	GRUBSCREW	6	45	BLT-3790	COACH BOLT	4
10	260329 01	CONVEYOR IDLER ROLLER	1	46	260289 01	HYD LABEL	1
11	260151 01	PACKER PLATE	6	47	WSH-0009	WASHER	2
12	260152 01	ROLLER ADJUSTER PLATE	2	48	MOTH38941	MOTOR, AGITATOR	1
13	HSSA12770	SETSCREW	2	48a	HMS-38900	SEAL KIT (SPARES)	
14	NUT-0170	NUT	11	48b	K1008045	KEY (SPARES)	
15	MOTH04001	HYDRAULIC MOTOR	1	49			
OR	MOTH03200	MOTOR, CONVEYOR		50	260311 01	COVER PLATE	1
OR	MOTH02500	MOTOR CONVEYOR		51	HSSF08204	SET SCREW	3
15A	HMS-08001	SEAL KIT (SPARES)		52	260322 01	DRIVE COVER	1
15B	K0807032	KEY (SPARES)		53	260319 01	PACKER PLATE	1
16	BLTA12290	BOLT	8	54	260320 01	MOTOR MOUNT PLATE	1
17	260030 03	SPROCKET	2	55	HSSA12500	SET SCREW	1
18	CHN-01380	CHAIN AND JOINER	1	56			
19	260258 01	COUPLING GUARD	1	57	260202 03	SPACER	4
20	HSS-0140	SETSCREW	3	58			
21	WSH-0012	WASHER	10	59	190548 77	WASHER	1
22	WSH-0058	WASHER	2	60	WSH-0065	WASHER	1
23	260331 01	CONV.BELT 150	1	61	HSS-0232	SETSCREW	1
24	190548 34	WASHER	4	62	HALAA0707	M/F 90 DEG ADAPTOR	2
25	HSS-0191	SETSCREW	12	63	193392 01	TRANSFER (STOP ENG. BEFORE)	1
26	WSH-0015	WASHER	22	64	127075 16	TRANSFER (GREASE EMBLEM)	2
27	WSH-0061	WASHER	6	65	230321 01	TRANSFER (50 HR OIL CHAIN)	1
28	WSH-1015	DOWTY WASHER	6	66	CHN-01995	CHAIN	1
29	HMA-0067	ADAPTOR MALE/MALE	6				
30	260303 01	CONVEYOR PAN W/A	1				
31	HHAF08805	HYDRAULIC HOSE ASSY	1				
32	COU-0162	QUICK RELEASE COUPLING	2				
33	TIE-0004	TIE WRAPS (MED)	10				
34	BRG-93600	BEARING END CAP	3				
35	NUTA13080	NUTSERT	3				
36	HSS-0194	SET SCREW	4				

Shelbourne Reynolds Engineering Limited

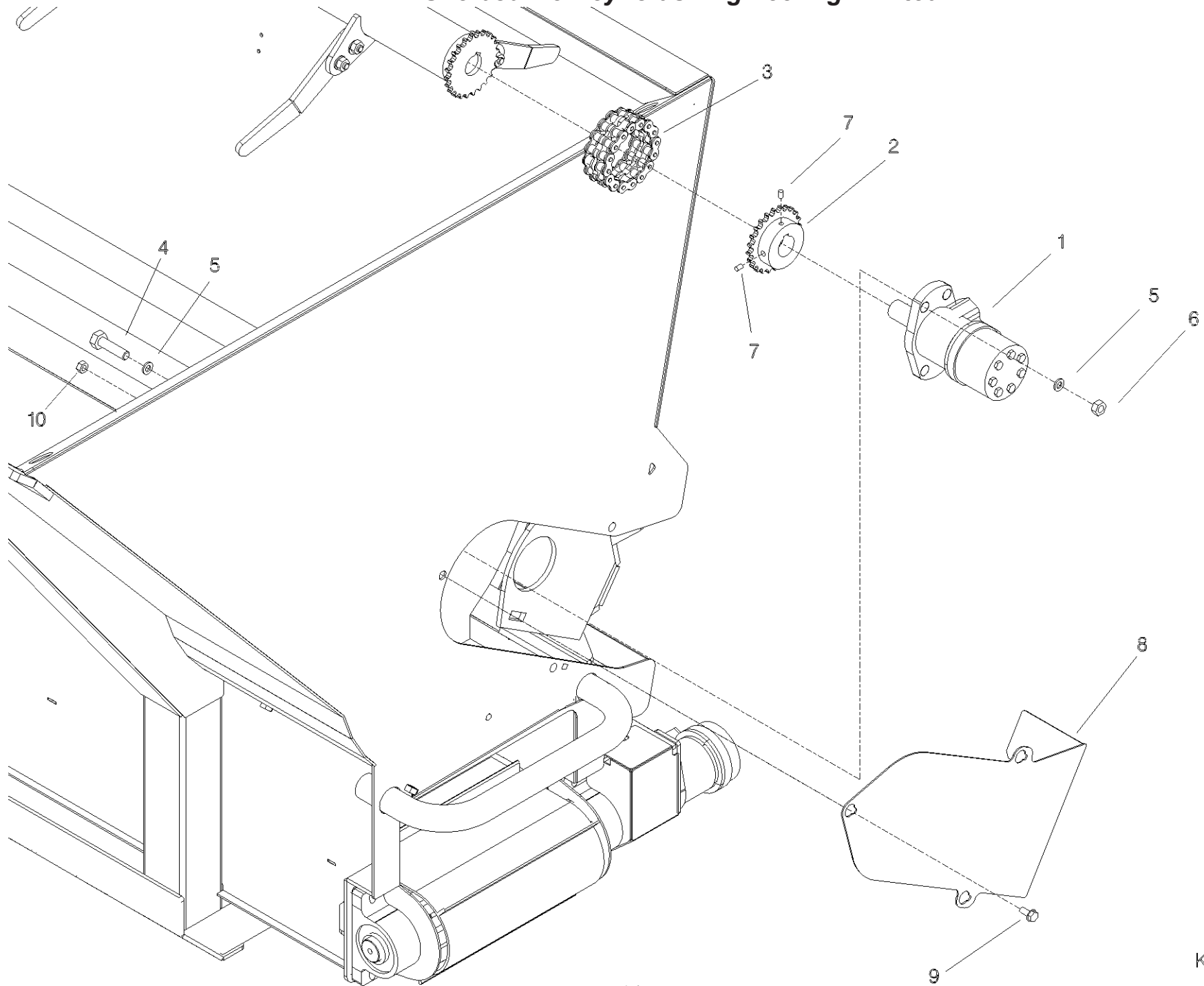


269009 02



Shelbourne Reynolds Engineering Limited

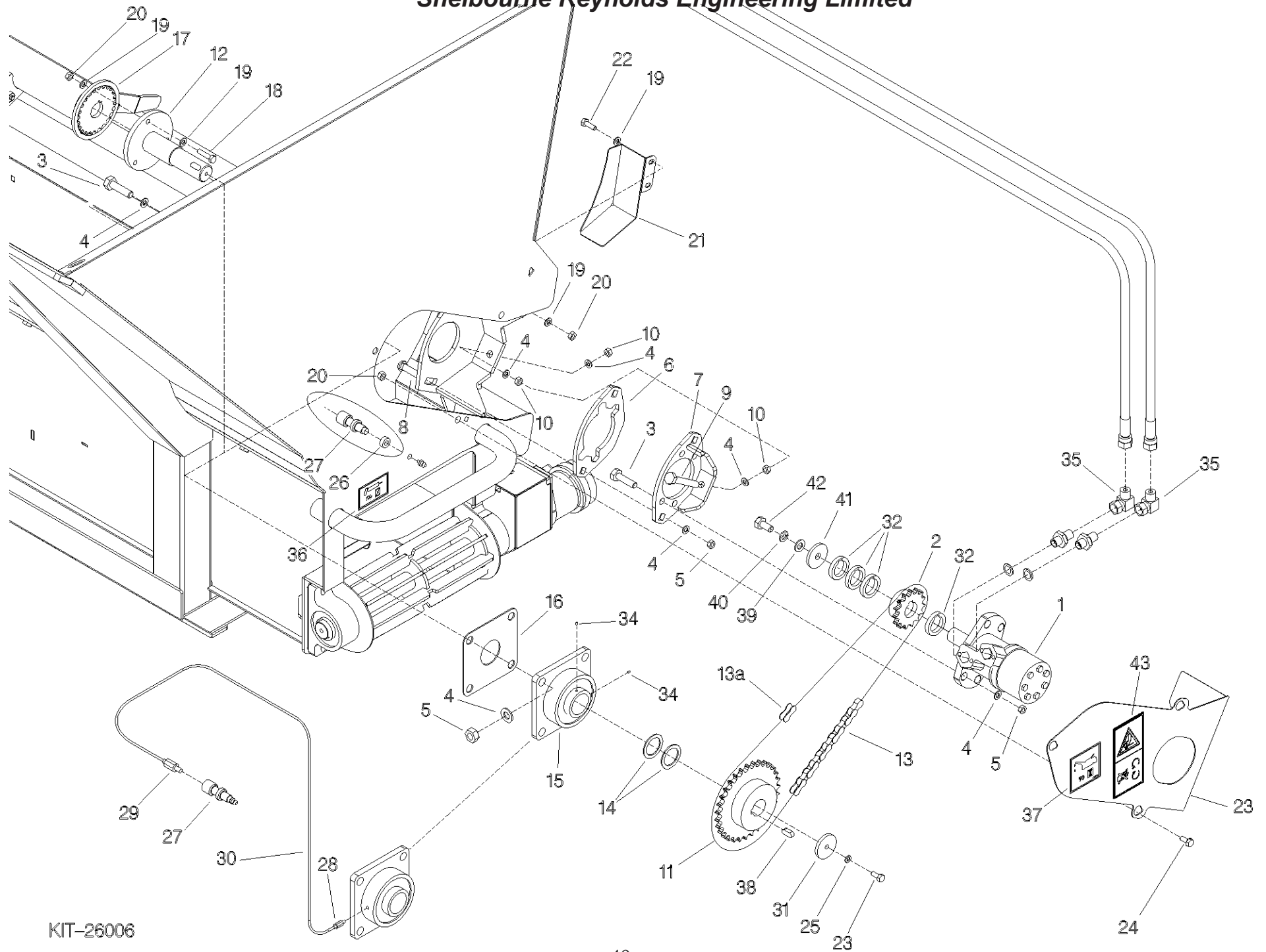
ASSY NUMBER: KIT-26005				ASSY DESCRIPTION: AGITATOR DIRECT DRIVE KIT			
ITEM	PART NO	DESCRIPTION	QTY	ITEM	PART NO	DESCRIPTION	QTY
1	MOTH38941	HYDRAULIC MOTOR	1				
1A	HMS-38900	SEAL KIT (SPARES)					
1B	K1008045	KEY (SPARES)					
2	260173 01	SPROCKET	1				
3	CHN-01390	CHAIN AND JOINER	1				
3A	CHN-01300	JOINER (SPARES)					
4	BLTA12260	HEX HEAD BOLT	4				
5	WSH-0018	PLAIN WASHER	8				
6	NUT-0269	NYLOC NUT	4				
7	SCW-4543	SOCKET GRUBSCREW	2				
8	260139 02	COVER PLATE	1				
9	HSSF08204	SETSCREW	3				
10	NUT-0263	NYLOC NUT	3				



Shelbourne Reynolds Engineering Limited

ASSY NUMBER: KIT-26006				ASSY DESCRIPTION: AGITATOR CHAIN DRIVE KIT			
ITEM	PART NO	DESCRIPTION	QTY	ITEM	PART NO	DESCRIPTION	QTY
1	MOTH38941	HYDRAULIC MOTOR	1	30	LUB-00044	6mm POLYAMIDE TUBE	0.4
1A	HMS-38900	SEAL KIT (SPARES)		31	190548 70	WASHER	1
1B	K1008045	KEY (SPARES)		32	260202 03	SPACER	4
2	260216 01	SPROCKET	1	33			
OR	260172 01	SPROCKET		34			
3	BLTA12290	HEX.HEAD BOLT	8	35	HALAA0707	ELBOW 90 DEG.MALE/FEMALE	2
4	WSH-0018	PLAIN WASHER	18	36	127075 16	50 HRS GREASE TRANF	1
5	NUT-0269	NYLOC NUT	10	37	230321 01	EMBLEM-50HR OIL	1
6	260147 01	PACKER PLATE	1	38	K1008030	KEY	1
7	260146 01	MOTOR MOUNT PLATE	1	39	HSS-0232	SETSCREW	1
8	BLT-3807	COACH BOLT	2	40	190548 77	WASHER	1
9	HSSA12500	SETSCREW	1	41	WSH-0065	SPRING WASHER	1
10	NUT-0170	PLAIN NUT	3	42	HSS-0241	SETSCREW	1
11	260217 01	SPROCKET	1	43	193392 01	STOP ENG BEFORE TRANSFER	1
OR	260168 01	SPROCKET		44	260230 01	SPACER	1
11A	K1008025	KEY (SPARES)					
12	260171 01	DRIVE SHAFT WELD ASSY, ONLY FOR SERIAL NUMBER CUB..110111	1				
13	CHN-01995	CHAIN	1				
OR	CHN-01684	CHAIN					
13A	CHN-01910	HALF LINK					
OR	CHN-01600	JOINING LINK					
14	190548 65	WASHER	2				
15	BRG-23545	BEARING	1				
16	260149 01	PACKER PLATE	1				
17	260170 01	DRIVE JOINING PLATE, ONLY FOR PRE SERIAL NO CUB..110111	1				
18	HSS-0152	SETSCREW	3				
	ONLY FOR	PRE SERIAL NO CUB..110111					
19	WSH-0012	PLAIN WASHER	7				
20	NUT-0263	NYLOC NUT	5				
21	260144 01	DRIVE COVER	1				
22	HSS-0145	SETSCREW	3				
23	260139 01	COVER PLATE	1				
24	HSSF08204	SETSCREW	3				
25	WSH-0058	SPRING WASHER	1				
26	190548 71	WASHER	1				
27	LUB-00036	BULKHEAD ADAPTOR	1				
28	LUB-00045	1/8"BSP STRAIGHT ADAPTOR	1				
29	LUB-00046	1/4"UNF STRAIGHT ADAPTOR	1				

Shelbourne Reynolds Engineering Limited

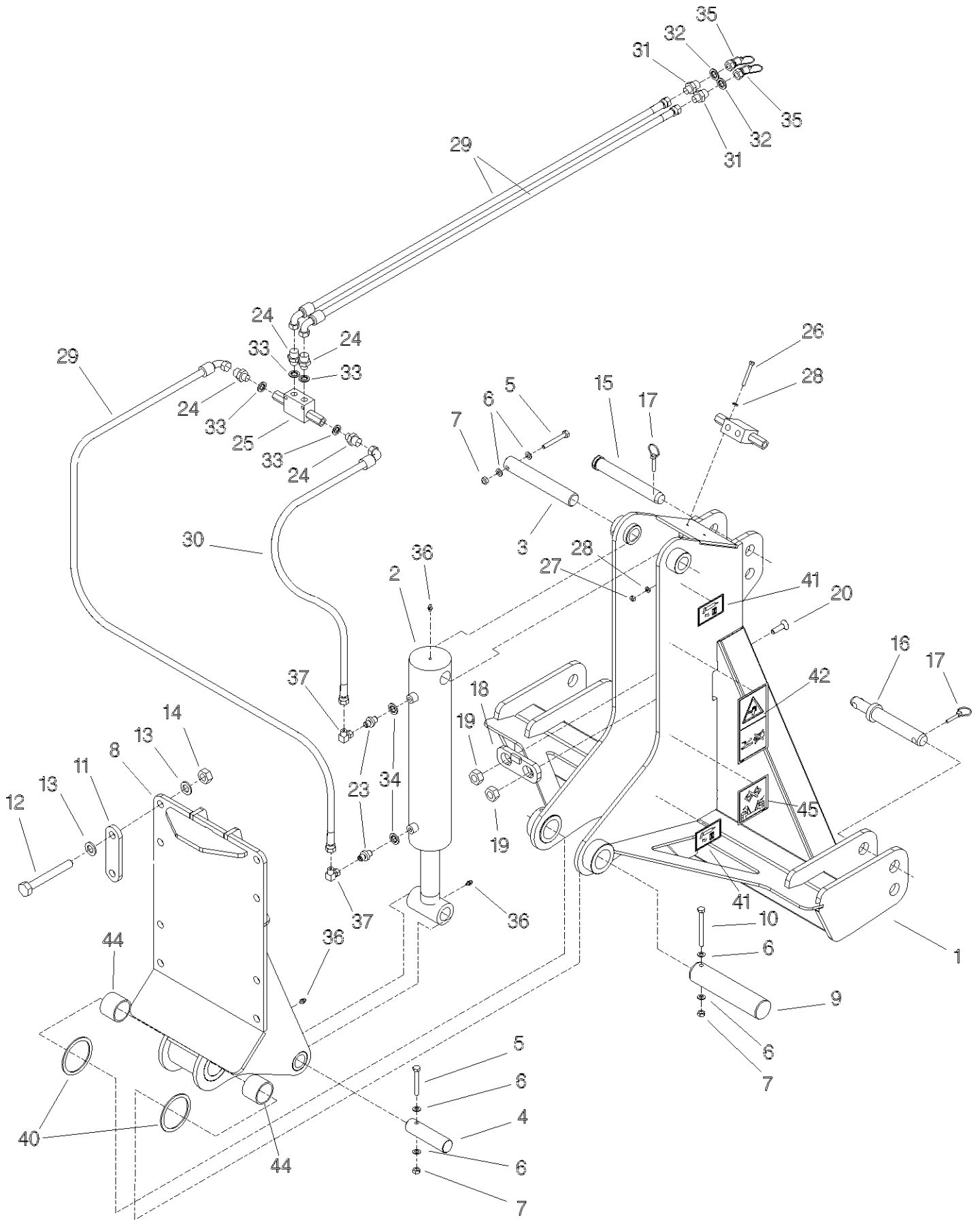


KIT-26006

Shelbourne Reynolds Engineering Limited

ASSY NUMBER:		KIT-26007		ASSY DESCRIPTION:		3 POINT TIPPING FRAME KIT	
ITEM	PART NO	DESCRIPTION	QTY	ITEM	PART NO	DESCRIPTION	QTY
1	260166 01	A FRAME MOUNTING	1	37	HALAA0505	ELBOWMALE/FEMALE	2
2	RAM-0013	RAM	1	38			
2A		SEAL KIT		39			
3	260159 01	RAM PIVOT PIN (TOP)	1	40	590652 01	SHIMS	2
4	260191 01	RAM PIVOT PIN (BOTTOM)	1	41	127075 16	TRANSFER	2
5	BLTA08410	BOLT	2	42	800215 01	TRANSFER	1
6	WSH-0012	PLAIN WASHER	6	43			
7	NUT-0263	NYLOC NUT	3	44	BSHA04562	GLACIER BUSH	2
8	260138 01	TILTING FRAME	1	45	800212 01	TRANSFER	1
9	260179 01	MOUNTING PIN	1				
10	BLTA08530	BOLT	1				
11	260143 01	CLAMP PLATE	4				
12	BLT-2334	BOLT	8				
13	WSH-0024	PLAIN WASHER	16				
14	NUT-0180	NYLOC NUT	8				
15	800198 02	TOP LINK PIN	1				
16	31107799	LOWER LINK PIN	2				
17	PIN-4510	LYNCH PIN	3				
18	260098 01	HITCH CAM PLATE	1				
19	20901019	HITCH CAM	2				
20	SCW-1965	SCREW	2				
21							
22							
23	HMA-0057	ADAPTER	2				
24	FIT-0025	ADAPTER	4				
25	HVB-27000	PILOT CHECK VALVE	1				
26	BLTA06320	BOLT	2				
27	NUT-0260	NUT	2				
28	WSH-0009	WASHER	4				
29	HHBE10005	HOSE	3				
30	HHBE05505	HOSE	1				
31	HMA-0065	ADAPTER	2				
32	WSH-1015	BONDED SEAL	2				
33	WSH-1005	BONDED SEAL	4				
34	WSH-1010	BONDED SEAL	2				
35	COU-0162	QRC C/W COVER	2				
36	NIP-00600	GREASE NIPPLE	3				

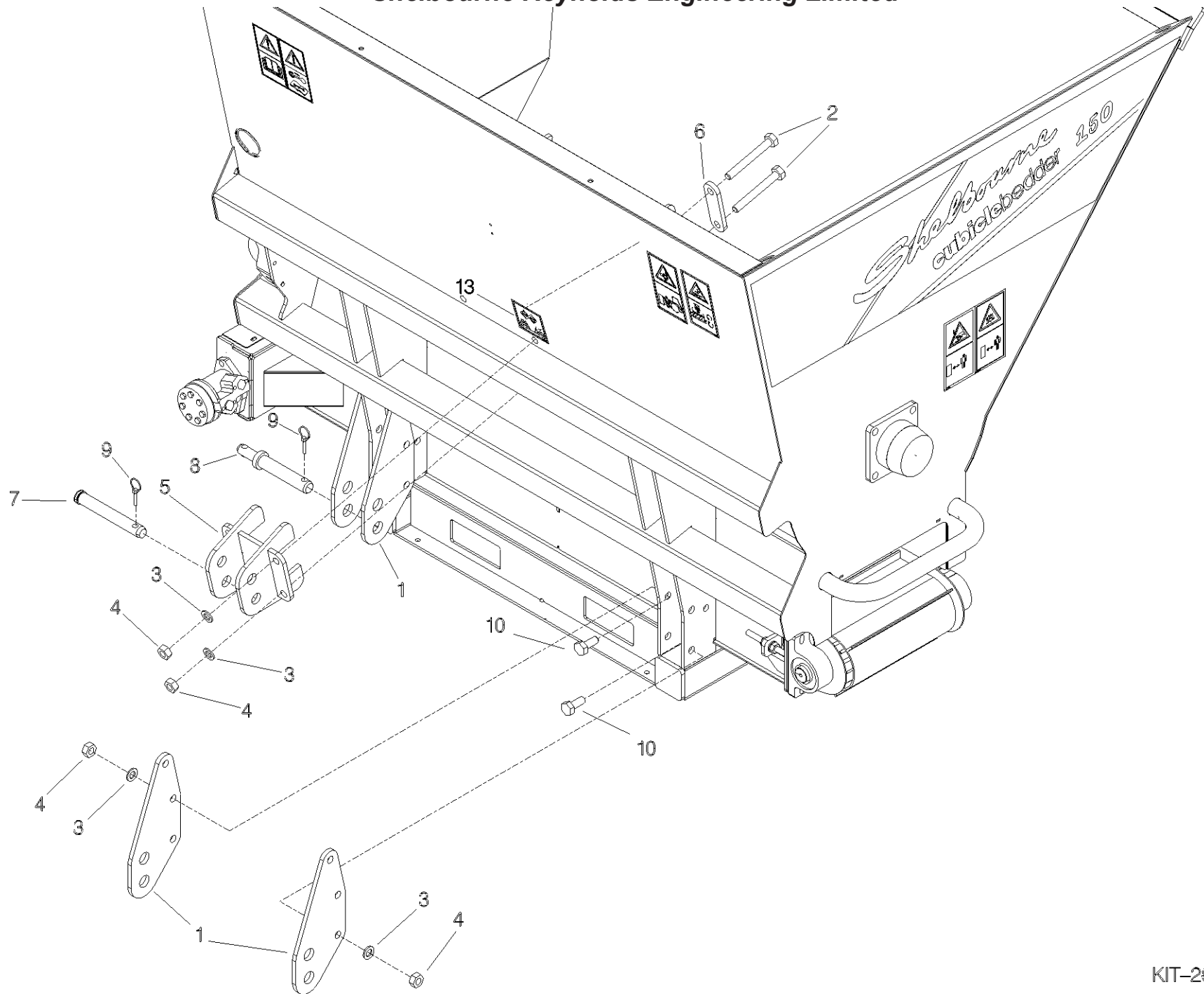
Shelbourne Reynolds Engineering Limited



KIT-26007

Shelbourne Reynolds Engineering Limited

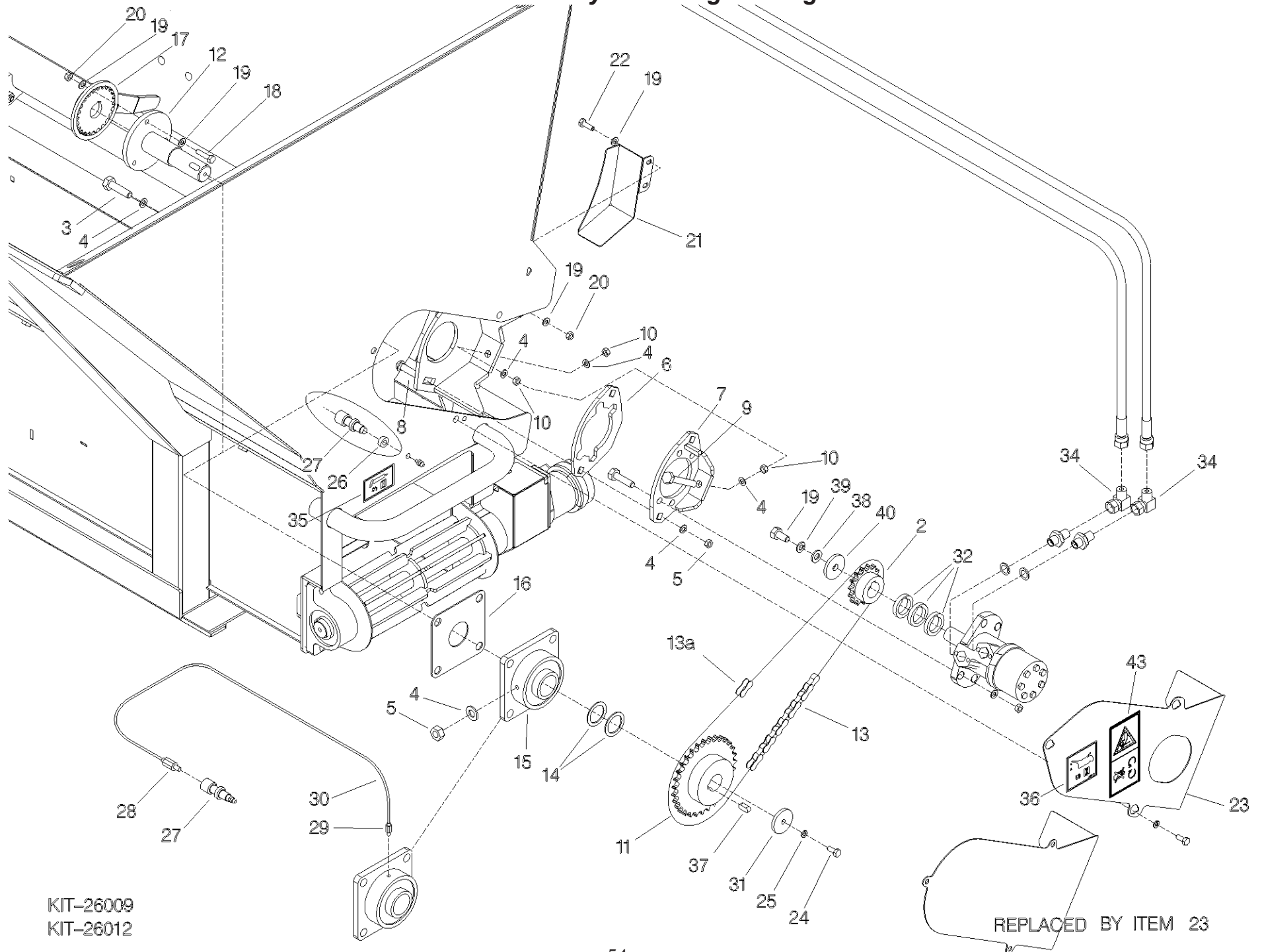
ASSY NUMBER:		KIT-26008		ASSY DESCRIPTION:		3 POINT FIXED MOUNTING KIT	
ITEM	PART NO	DESCRIPTION	QTY	ITEM	PART NO	DESCRIPTION	QTY
1	260153 01	LOWER MOUNTING PLATE	4				
2	BLT-2334	BOLT	4				
3	WSH-0024	PLAIN WASHER	16				
4	NUT-0271	NYLOC NUT	16				
5	260142 01	CLAMP ASSY	1				
6	260143 01	CLAMP PLATE	2				
7	21708006	TOP LINK PIN	1				
8	31107799	LOWER LINK PIN	2				
9	PIN-4510	LYNCH PIN	3				
10	HSS-0316	SETSCREW	12				
11							
12							
13	800212 01	TRANSFER (CHECK CHAINS)	1				



Shelbourne Reynolds Engineering Limited

ASSY NUMBER: KIT-26009				ASSY DESCRIPTION: CHAIN DRIVE CONVERSION KIT			
ITEM	PART NO	DESCRIPTION	QTY	ITEM	PART NO	DESCRIPTION	QTY
1				35	127075 16	50 HRS GREASE TRANSFER	1
2	260216 01	SPROCKET	1	36	230321 01	EMBLEM-50HR OIL	1
OR	260172 01	SPROCKET		37	K1008025	KEY	1
3	BLTA12290	HEX.HEAD BOLT	4	38	HSS-0238	SET SCREW	1
4	WSH-0018	PLAIN WASHER	10	40	190548 77	WASHER	1
5	NUT-0269	NYLOC NUT	6	41	HSS-0241	SET SCREW	1
6	260147 01	PACKER PLATE	1	41	WSH-0065	SPRING WASHER	1
7	260146 01	MOTOR MOUNT PLATE	1				
8	BLT-3807	COACH BOLT	2	43	193392 01	STOP ENG BEFORE TRANSFER	1
9	HSSA12500	SETSCREW	1				
10	NUT-0170	PLAIN NUT	3				
11	260217 01	SPROCKET	1				
	260168 01	SPROCKET					
11A	K1008025	KEY (SPARES)					
12	260171 01	DRIVE SHAFT WELD ASSY	1				
13	CHN-01995	CHAIN + JOINER	1				
OR	CHN-01684	CHAIN + JOINER					
13A	CHN-01910	HALF LINK					
OR	CHN-01600	JOINING LINK					
14	190548 65	WASHER	2				
15	BRG-23545	BEARING	1				
16	260149 01	PACKER PLATE	1				
17	260170 01	DRIVE JOINING PLATE	1				
18	HSS-0152	SETSCREW	3				
19	WSH-0012	PLAIN WASHER	13				
20	NUT-0263	NYLOC NUT	5				
21	260144 01	DRIVE COVER	1				
22	HSS-0145	SETSCREW	2				
23	260139 01	COVER PLATE	1				
24	HSS-0140	SETSCREW	1				
25	WSH-0058	SPRING WASHER	1				
26	190548 71	WASHER	1				
27	LUB-00036	BULKHEAD ADAPTOR	1				
28	LUB-00045	1/8"BSP STRAIGHT ADAPTOR	1				
29	LUB-00046	1/4"UNF STRAIGHT ADAPTOR	1				
30	LUB-00044	6mm POLYAMIDE TUBE	0.4				
31	190548 70	WASHER	1				
32	260202 03	SPACER	4				
33							
34	HALAA0707	ELBOW 90 DEG.MALE/FEMALE	2				

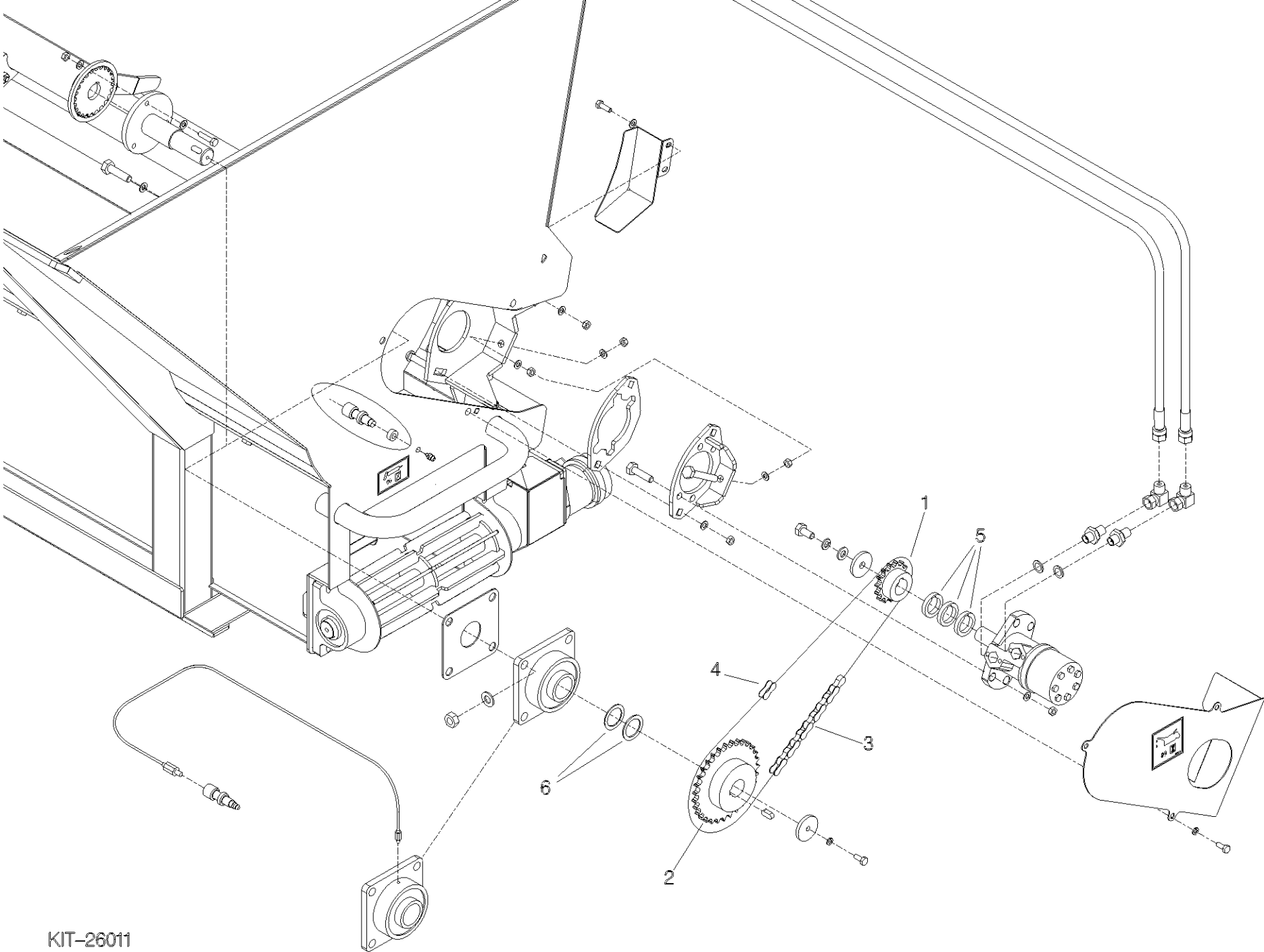
Shelbourne Reynolds Engineering Limited



KIT-26009
KIT-26012

Shelbourne Reynolds Engineering Limited

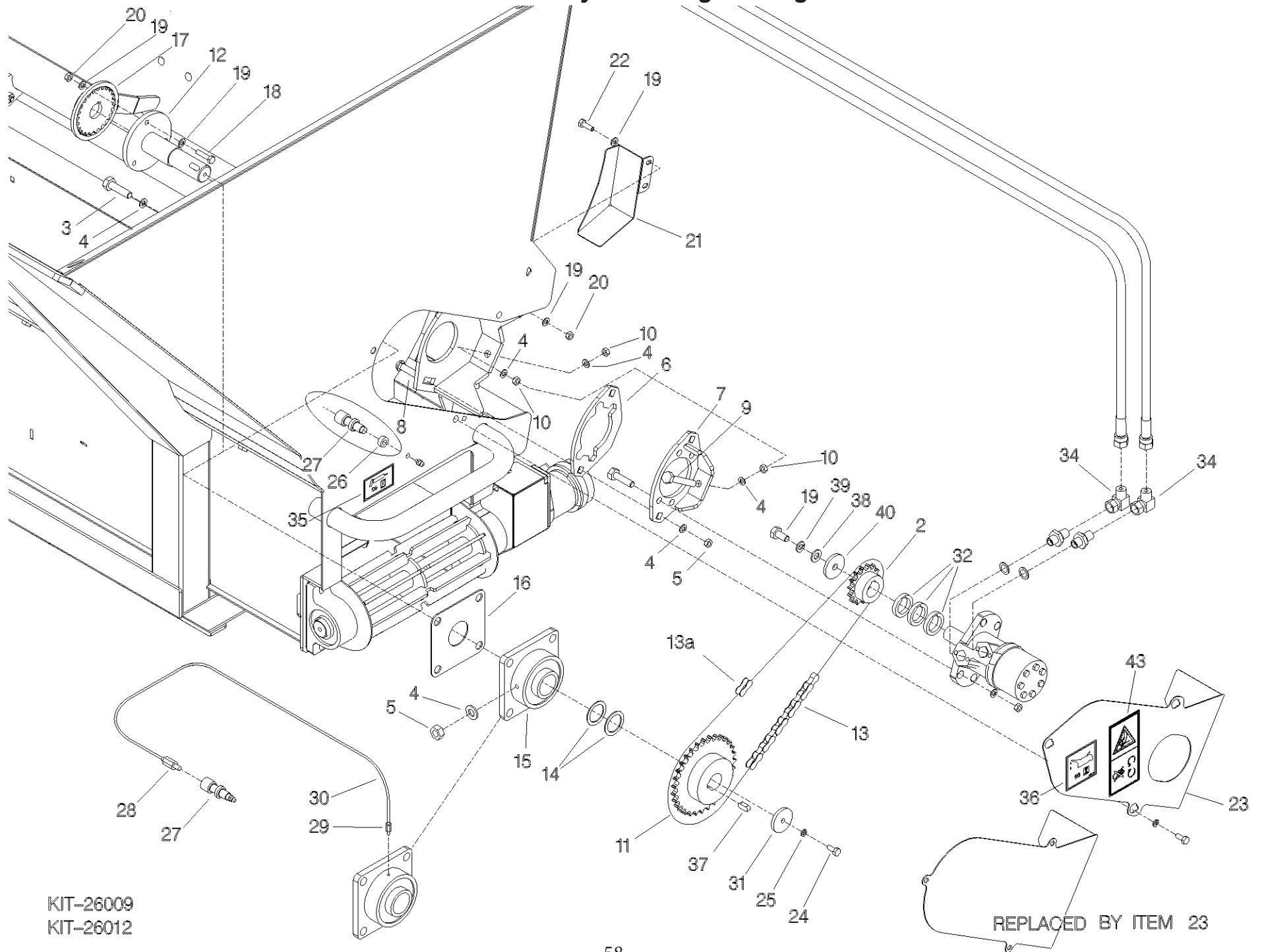
ASSY NUMBER: KIT-26011				ASSY DESCRIPTION: CHAIN DRIVE UPGRADE KIT			
ITEM	PART NO	DESCRIPTION	QTY	ITEM	PART NO	DESCRIPTION	QTY
1	260216 01	15T, 3/4"P SPROCKET	1				
2	260217 01	29T, 3/4"P SPROCKET	1				
3	CHN-01995	CHAIN 49 LINKS + JOINER	1				
4	CHN-01910	CHAIN HALF LINK	1				
5	260202 03	SPACER	4				
6	190548 65	WASHER	2				



Shelbourne Reynolds Engineering Limited

ASSY NUMBER: KIT-26012				ASSY DESCRIPTION: AGITATOR CHAIN DRIVE CONVERSI			
ITEM	PART NO	DESCRIPTION	QTY	ITEM	PART NO	DESCRIPTION	QTY
1				39	HSS-0238	SETSCREW	1
2	260172 01	SPROCKET	1	40	190548 77	WASHER	1
3	BLTA12290	HEX.HEAD BOLT	4	41	WSH-0065	SPRING WASHER	1
4	WSH-0018	PLAIN WASHER	10	42	HSS-0241	SETSCREW	1
5	NUT-0269	NYLOC NUT	6	43	193392 01	STOP ENG BEFORE TRANSFER	1
6	260147 01	PACKER PLATE	1				
7	260146 01	MOTOR MOUNT PLATE	1				
8	BLT-3807	COACH BOLT	2				
9	HSSA12500	SETSCREW	1				
10	NUT-0170	PLAIN NUT	3				
11	260168 01	SPROCKET	1				
11A	K1008025	KEY (SPARES)					
12	260171 01	DRIVE SHAFT WELD ASSY	1				
13	CHN-01620	CHAIN	55L				
13A	CHN-01600	CHAIN JOINER LINK	1				
14	190548 65	WASHER	2				
15	BRG-23545	BEARING	1				
16	260149 01	PACKER PLATE	1				
17	260170 01	DRIVE JOINING PLATE	1				
18	HSS-0152	SETSCREW	3				
19	WSH-0012	PLAIN WASHER	13				
20	NUT-0263	NYLOC NUT	5				
21	260144 01	DRIVE COVER	1				
22	HSS-0145	SETSCREW	2				
23	260139 01	COVER PLATE	1				
24	HSS-0140	SETSCREW	1				
25	WSH-0058	SPRING WASHER	1				
26	190548 71	WASHER	1				
27	LUB-00036	BULKHEAD ADAPTOR	1				
28	LUB-00045	1/8"BSP STRAIGHT ADAPTOR	1				
29	LUB-00046	1/4"UNF STRAIGHT ADAPTOR	1				
30	LUB-00044	6mm POLYAMIDE TUBE	0.4				
31	190548 70	WASHER	1				
32	260202 01	SPACER (8mm THK)	3				
33	260202 02	SPACER (3mm THK)	1				
34							
35	HALAA0707	ELBOW 90 DEG.MALE/FEMALE	2				
36	127075 16	50 HRS GREASE TRANF	1				
37	230321 01	EMBLEM-50HR OIL	1				
38	K1008025	KEY	1				

Shelbourne Reynolds Engineering Limited

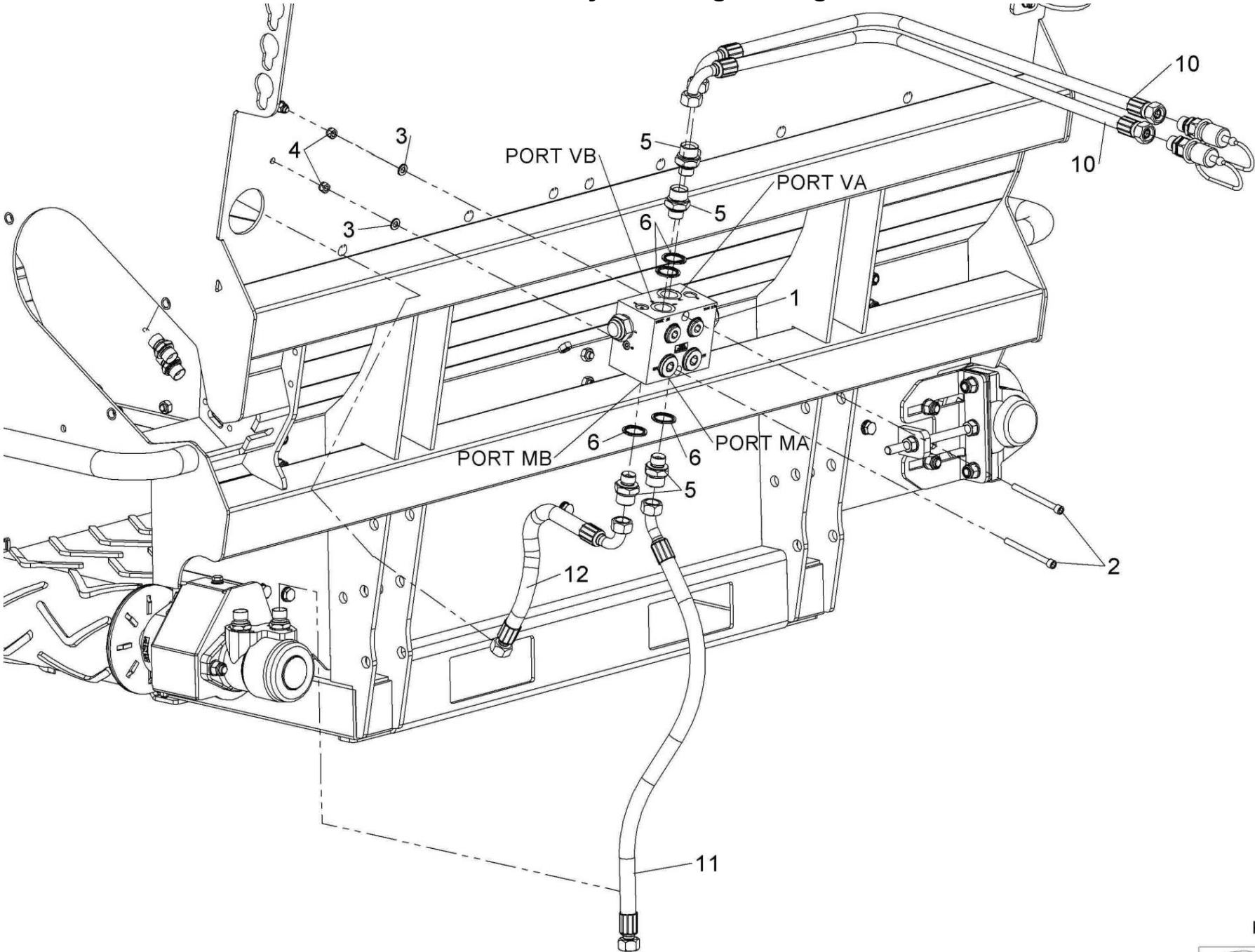


KIT-26009
KIT-26012

Shelbourne Reynolds Engineering Limited

ASSY NUMBER: KIT-26014				ASSY DESCRIPTION: PRESSURE/FLOW CONTROLLED VALVE KIT			
ITEM	PART NO	DESCRIPTION	QTY	ITEM	PART NO	DESCRIPTION	QTY
1	HVB-32200	DUAL PCFC VALVE	1				
2	SCCA08533	CP HD SCREW	2				
3	WSH-0012	WASHER	2				
4	NUT-0263	NUT	2				
5	HMA-0060	ADAPTOR	4				
6	WSH-1020	DOWTY WASHER	4				
7							
8							
9							
10	HBBF22005	HYD HOSE ASSY	2				
11	HHDF06005	HYD HOSE	1				
12	HBBF03705	HYD HOSE	1				

Shelbourne Reynolds Engineering Limited

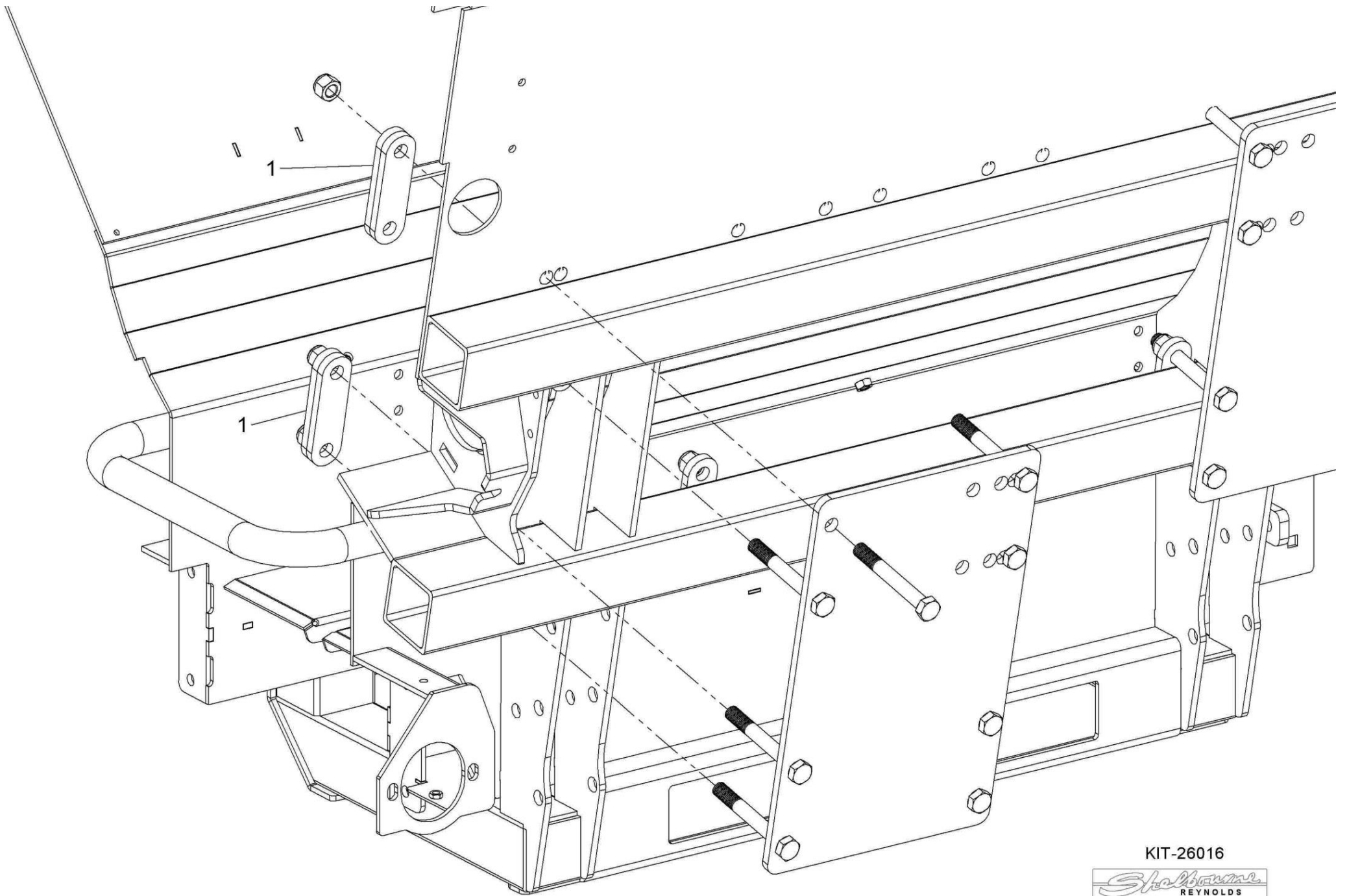


KIT-26014



Shelbourne Reynolds Engineering Limited

ASSY NUMBER: KIT-26016				ASSY DESCRIPTION: LOADER BRACKET CLAMP PLT KIT (CB100)			
ITEM	PART NO	DESCRIPTION	QTY	ITEM	PART NO	DESCRIPTION	QTY
1	260288 01	CLAMP PLATE WA USE IN PLACE OF STANDARD CLAMP PLATE (260143 01) ON LH END (NEAR CHAIN DRIVE)	2				

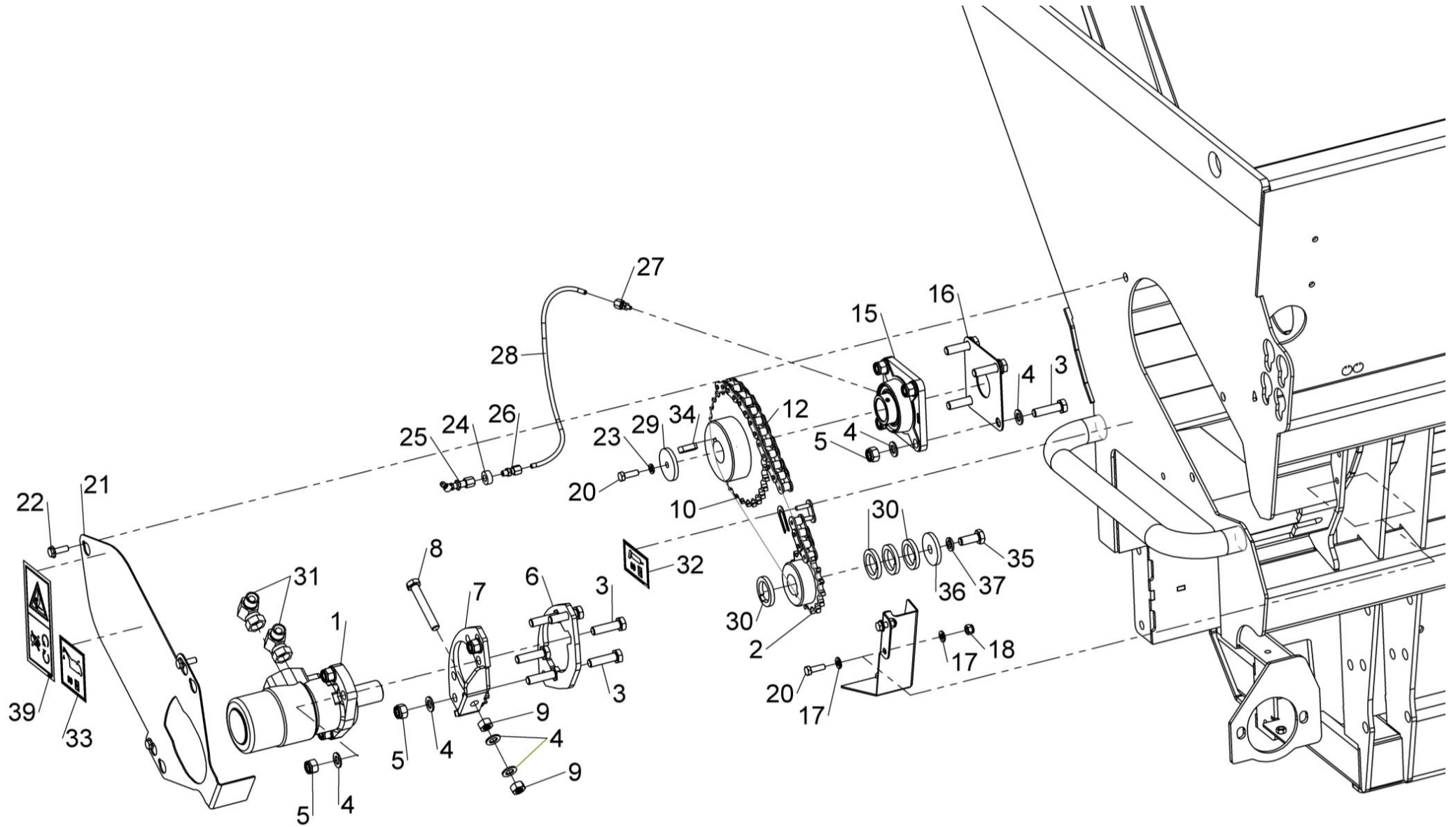


KIT-26016



Shelbourne Reynolds Engineering Limited

ASSY NUMBER: KIT-26018				ASSY DESCRIPTION: AGITATOR CHAIN DRIVE KIT			
ITEM	PART NO	DESCRIPTION	QTY	ITEM	PART NO	DESCRIPTION	QTY
1	MOTH38941	MOTOR, AGITATOR	1	36	190548 77	WASHER	1
1a	HMS-38900	SEAL KIT (SPARES)		37	WSH-0065	WASHER	1
1b	K1008045	KEY (SPARES)		38	HSS-0241	SETSCREW	1
2	260216 01	SPROCKET	1				
3	BLTA12290	BOLT	10				
4	WSH-0018	PLAIN WASHER	16	39	193392 01	TRANSFER (STOP ENG. BEFORE)	1
5	NUT-0269	NYLOC NUT	10	40	260202 02	SPACER	1
6	260319 01	PACKER PLATE	1				
7	260320 01	MOTOR MOUNT PLATE	1				
8	HSSA12500	SET SCREW	1				
9	NUT-0170	PLAIN NUT	3				
10	260217 01	SPROCKET	1				
11							
12	CHN-01995	CHAIN	1				
13							
14							
15	BRG-23545	BEARING	1				
16	260149 01	BEARING PACKER PLATE	1				
17	WSH-0012	PLAIN WASHER	6				
18	NUT-0263	NYLOC NUT	3				
19	260322 01	DRIVE COVER					
		UP TO SERIAL No. CUB**230969	1				
OR	260425 01	CHAIN GUARD					
		SERIAL No. CUB**230969 AND ON	1				
20	HSS-0145	SET SCREW	4				
21	260311 01	COVER PLATE	1				
22	HSSF08204	SET SCREW	3				
23	WSH-0058	SPRING WASHER	1				
24	190548 71	WASHER	1				
25	LUB-00036	BULKHEAD ADAPTOR	1				
26	LUB-00045	STRAIGHT ADAPTOR	1				
27	LUB-00046	STRAIGHT ADAPTOR	1				
28	LUB-00044	6mm POLYAMIDE TUBE	0.4m				
29	190548 70	WASHER	1				
30	260202 03	SPACER	4				
31	HALAA0707	M/F 90 DEG ADAPTOR (1/2")	2				
32	127075 16	TRANSFER (GREASE EMBLEM)	1				
33	230321 01	TRANSFER (50 HR OIL CHAIN)	1				
34	K1008030	KEY (10x8x30)	1				
35	HSS-0238	SETSCREW	1				

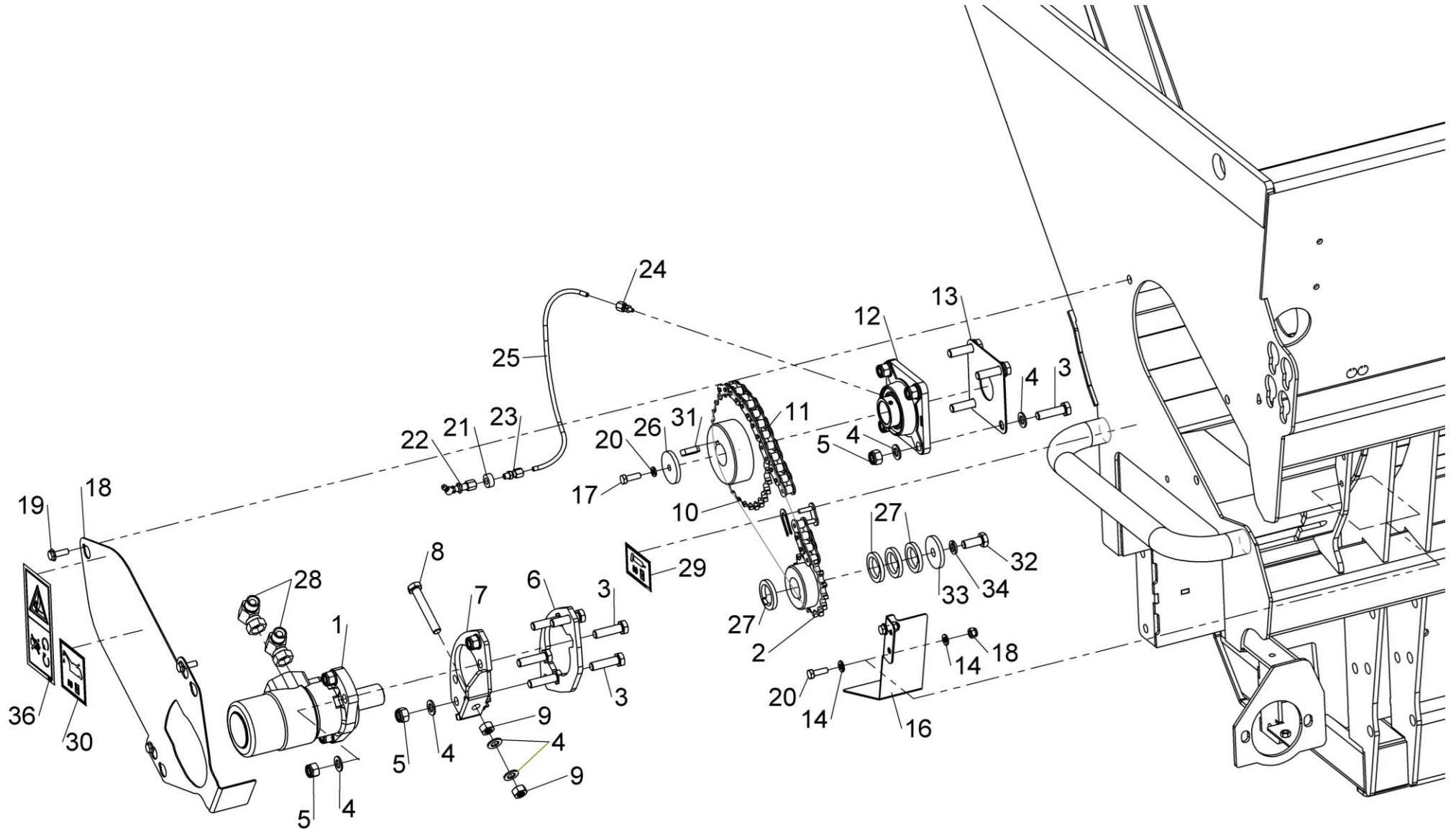


KIT-26018

Shelbourne Reynolds Engineering Limited

ASSY NUMBER: KIT-26018A				ASSY DESCRIPTION: AGITATOR CHAIN DRIVE KIT CB100			
ITEM	PART NO	DESCRIPTION	QTY	ITEM	PART NO	DESCRIPTION	QTY
1	MOTH38941	MOTOR, AGITATOR	1				
1a	HMS-38900	SEAL KIT (SPARES)					
1b	K1008045	KEY (SPARES)					
2	260216 01	SPROCKET	1				
3	BLTA12290	BOLT	10				
4	WSH-0018	PLAIN WASHER	16				
5	NUT-0269	NYLOC NUT	10				
6	260319 01	PACKER PLATE	1				
7	260320 01	MOTOR MOUNT PLATE	1				
8	HSSA12500	SET SCREW	1				
9	NUT-0170	PLAIN NUT	3				
10	260217 01	SPROCKET	1				
11	CHN-01995	CHAIN	1				
12	BRG-23545	BEARING	1				
13	260149 01	BEARING PACKER PLATE	1				
14	WSH-0012	PLAIN WASHER	4				
15	NUT-0263	NYLOC NUT	2				
16	260430 01	DRIVE COVER	1				
17	HSS-0145	SET SCREW	3				
18	260311 01	COVER PLATE	1				
19	HSSF08204	SET SCREW	3				
20	WSH-0058	SPRING WASHER	1				
21	190548 71	WASHER	1				
22	LUB-00036	BULKHEAD ADAPTOR	1				
23	LUB-00045	STRAIGHT ADAPTOR	1				
24	LUB-00046	STRAIGHT ADAPTOR	1				
25	LUB-00044	6mm POLYAMIDE TUBE	0.4m				
26	190548 70	WASHER	1				
27	260202 03	SPACER	4				
28	HALAA0707	M/F 90 DEG ADAPTOR (1/2")	2				
29	127075 16	TRANSFER (GREASE EMBLEM)	1				
30	230321 01	TRANSFER (50 HR OIL CHAIN)	1				
31	K1008030	KEY (10x8x30)	1				
32	HSS-0238	SETSCREW	1				
33	190548 77	WASHER	1				
34	WSH-0065	WASHER	1				
35	HSS-0241	SETSCREW	1				
36	193392 01	TRANSFER (STOP ENG. BEFORE)	1				
37	260202 02	SPACER	1				

FOR 100 CUBICLE BEDDER SPARES
PRE CUB10231010, SEE KIT-26018



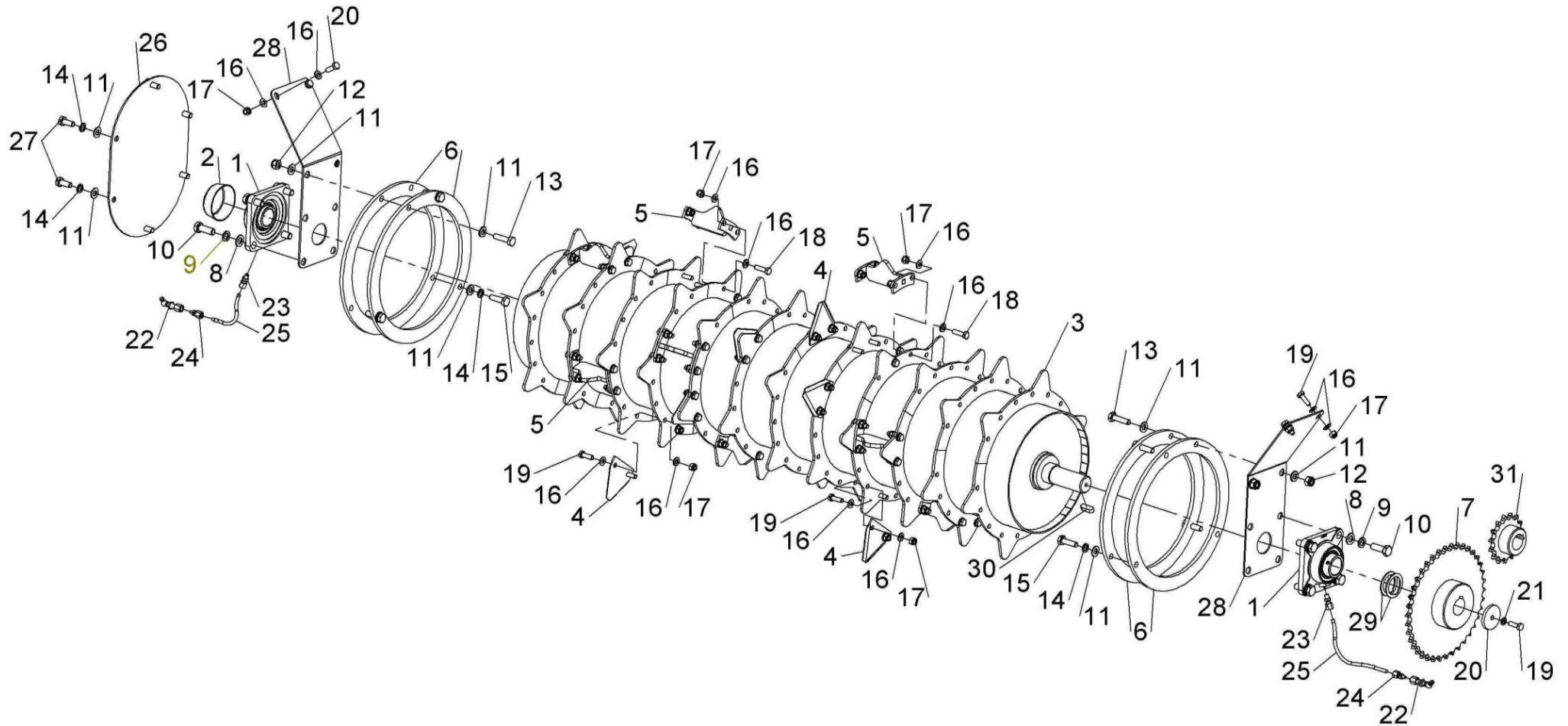
KIT-26018



Shelbourne Reynolds Engineering Limited

ASSY NUMBER: KIT-26021				ASSY DESCRIPTION: STRAW ROTOR KIT			
ITEM	PART NO	DESCRIPTION	QTY	ITEM	PART NO	DESCRIPTION	QTY
1	BRG-23545	4 BOLT CAST BEARING	2				1
2	BRG-93600	BEARING PROTECTION CAP	1				1
3	260335 01	STRAW ROTOR W/A	1				
4	260355 01	BLADE	11				
5	260344 01	PADDLE W/A	11				
6	260346 01	SEAL RING	4				
7	260354 01	38T SPROCKET	1				
8	WSH-0018	WASHER	8				
9	WSH-0065	WASHER	8				
10	HSS-0241	SETSCREW	8				
11	WSH-0015	WASHER	18				
12	NUT-0265	NUT	4				
13	HSS-0202	SETSCREW	4				
14	WSH-0061	WASHER	10				
15	HSS-0198	SETSCREW	4				
16	WSH-0012	WASHER	141				
17	NUT-0263	NUT	70				
18	HSS-0150	SETSCREW	44				
19	HSS-0145	SETSCREW	27				
20	190548 70	SPACER (9mm I/Dx50mm O/D x 6mm)	1				
21	WSH-0058	WASHER	1				
22	LUB-00036	BULKHEAD ADAPTOR	2				
23	LUB-00045	STRAIGHT ADAPTOR (1/8")	2				
24	LUB-00046	STRAIGHT ADAPTOR (1/4")	2				
25	LUB-00044	6mm PIPE	1m				
26	260352 01	COVER PLATE	1				
27	HSS-0191	SETSCREW	6				
28	260338 01	BEARING SHIM	2				
29	260370 01	SPACER	2				
30	K1008030	KEY	1				
31	260356 01	SPROCKET 12T	1				

Shelbourne Reynolds Engineering Limited



KIT-26021

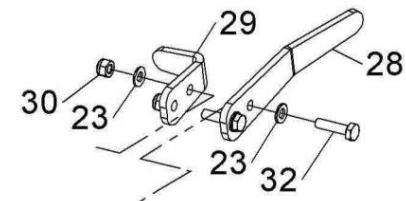


Shelbourne Reynolds Engineering Limited

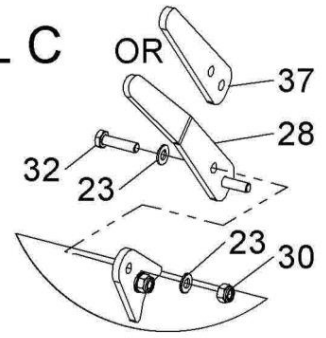
ASSY NUMBER: KIT-26022				ASSY DESCRIPTION: CB150 AGITATOR KIT			
ITEM	PART NO	DESCRIPTION	QTY	ITEM	PART NO	DESCRIPTION	QTY
1	260347 01	BEARING MTG PLATE W/A	1				1
2	260349 01	BEARING SHIM	1				1
3	260348 01	BEARING SHIM	1				
4	BRG-23545	4 BOLT CAST BEARING	2				
5	260225 01	AGITATOR W/A	1				
6	260217 01	29T SPOCKET	1				
7	K1008030	KEY	1				
8	260370 01	SPACER	2				
9	190548 70	WASHER (9mmI / Dx50mmO / Dx6mm)	1				
10	WSH-0058	WASHER	1				
11	HSS-0145	SETSCREW	5				
12	LUB-00036	BULKHEAD ADAPTOR	1				
13	LUB-00046	STRAIGHT ADAPTOR (1/4")	1				
14	LUB-00045	STRAIGHT ADAPTOR (1/8")	1				
15	LUB-00044	6mm PIPE	0.4m				
16	WSH-0018	WASHER	24				
17	NUT-0269	NUT	8				
18	HSS-0250	SETSCREW	6				
19	WSH-0065	WASHER	8				
20	HSS-0232	SETSCREW	6				
21	HSS-0241	SETSCREW	2				
22	HSS-0238	SETSCREW	2				
23	WSH-0015	WASHER	79				
24	WSH-0061	WASHER	18				
25	HSS-0191	SETSCREW	18				
26	WSH-0012	WASHER	8				
27	NUT-0263	NUT	4				
28	260178 01	STD TINE	9				
29	260203 01	RH END TINE	1				
30	NUT-0265	NUT	30				
31	HSS-0198	SETSCREW	2				
32	HSS-0202	SETSCREW	16				
33	260357 01	ADJUSTER PLATE	2				
34	260323 01	FILL IN PLATE	2				
35	260237 01	SUPPORT PLATE	3				
36	HSS-0194	SETSCREW	12				
37	260205 01	SHORT TINE	9				
38	260216 01	SPROCKET 15T	1				

DETAIL C

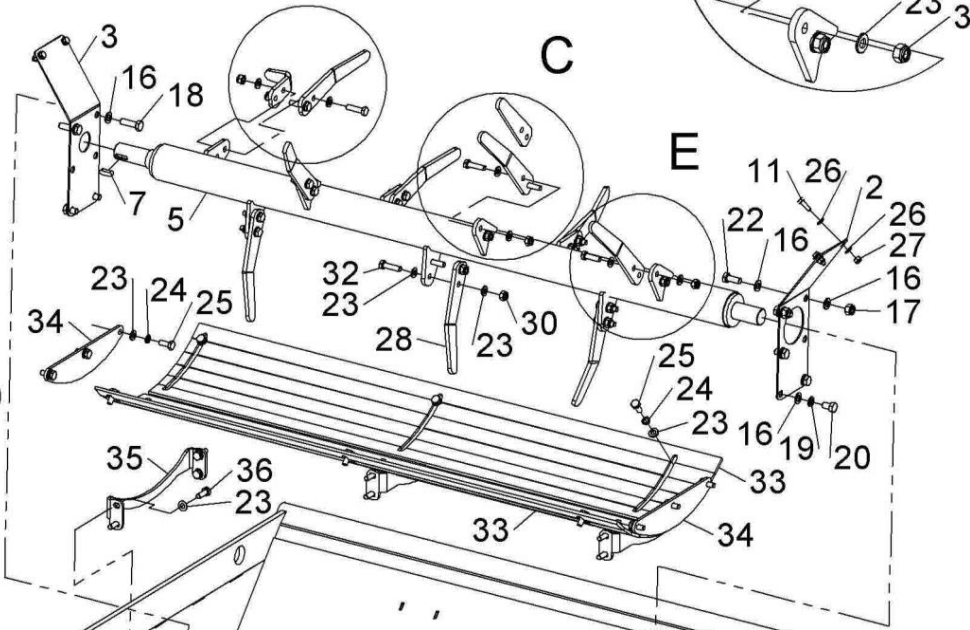
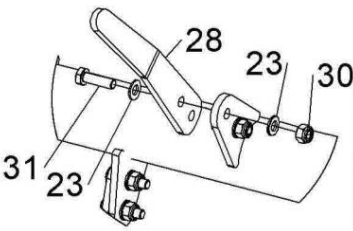
OR



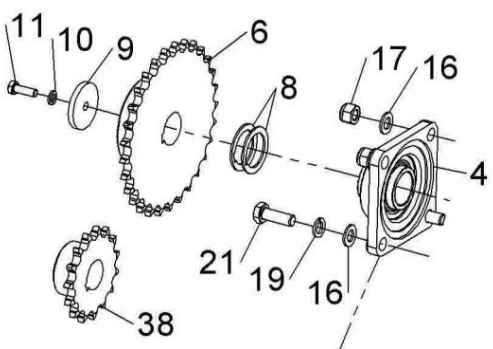
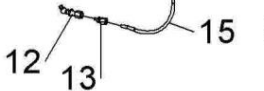
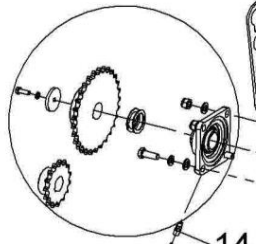
DETAIL A



DETAIL E

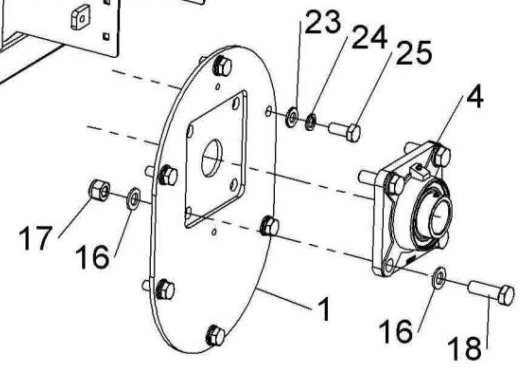
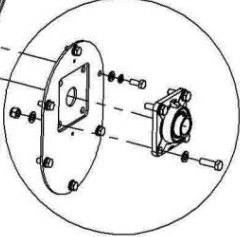


B



DETAIL B

D



DETAIL D

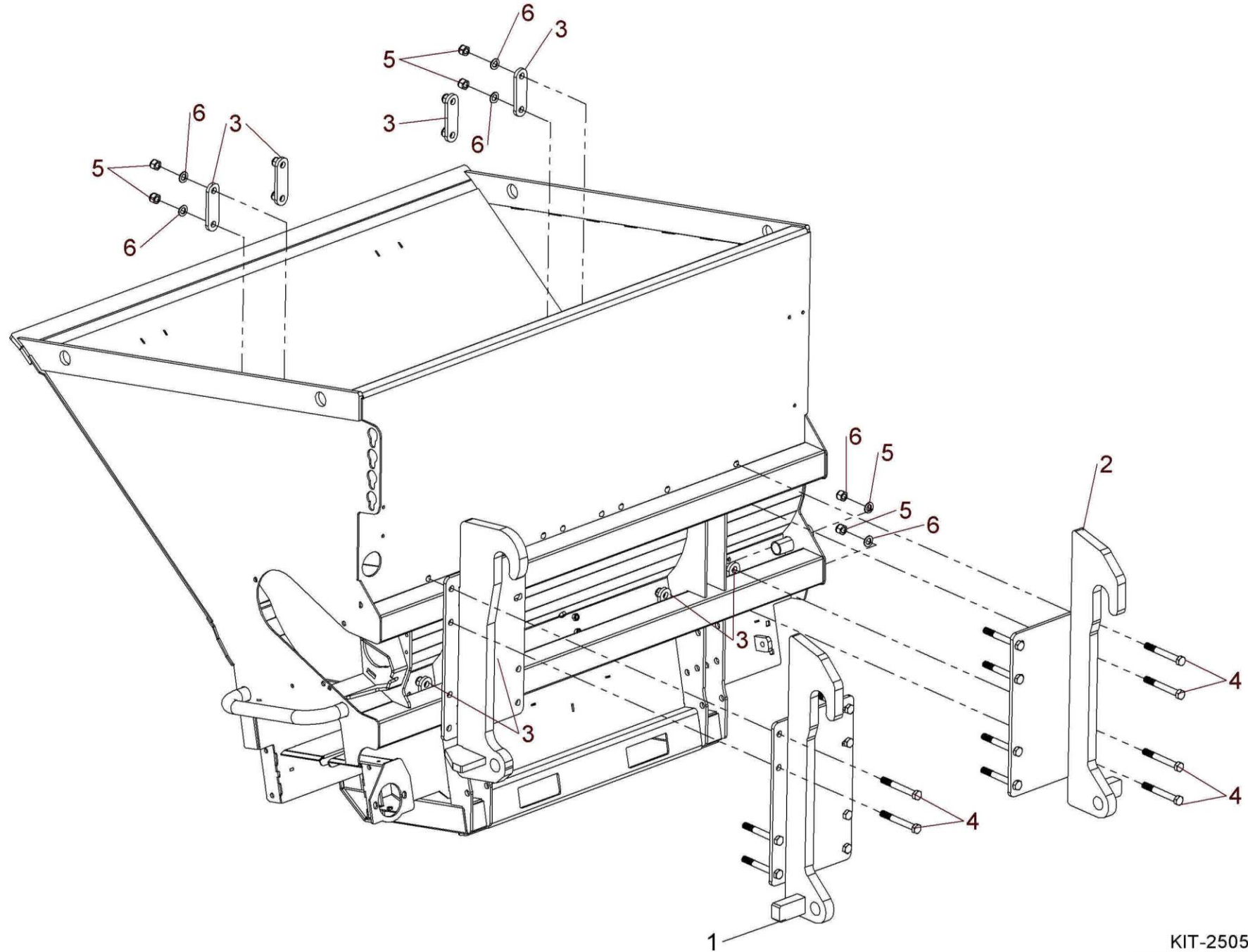
KIT-26022



Bracket Kits

Shelbourne Reynolds Engineering Limited

ASSY NUMBER: KIT-25050				ASSY DESCRIPTION: JCB Q FIT BRACKET KIT			
ITEM	PART NO	DESCRIPTION	QTY	ITEM	PART NO	DESCRIPTION	QTY
1	250508 01	JCB Q FIT BRACKET LH W/A	1				
2	250508 02	JCB Q FIT BRACKET RH W/A	1				
3	260143 01	CLAMP PLATE	8				
4	BLT-2334	HEX.HEAD BOLT	16				
5	NUT-0271	NYLOC NUT	16				
6	WSH-0024	PLAIN WASHER	16				

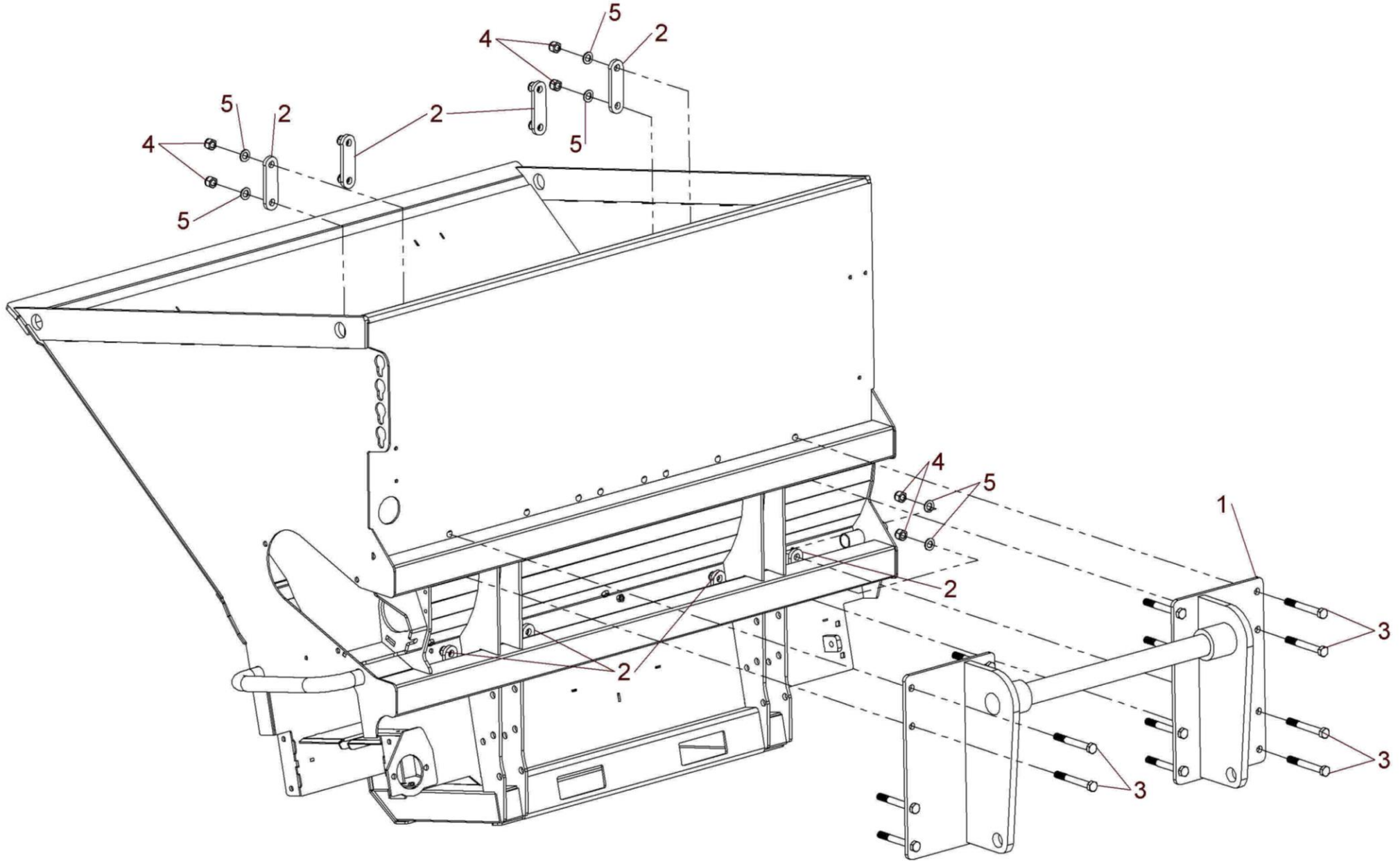


KIT-25050CB



Shelbourne Reynolds Engineering Limited

ASSY NUMBER: KIT-25051				ASSY DESCRIPTION: MANITOU BRACKET KIT			
ITEM	PART NO	DESCRIPTION	QTY	ITEM	PART NO	DESCRIPTION	QTY
1	250501 01	MANITOU BRACKET W/A	1				
2	260143 01	CLAMP PLATE	8				
3	BLT-2334	HEX.HEAD BOLT	16				
4	NUT-0271	NYLOC NUT	16				
5	WSH-0024	PLAIN WASHER	16				



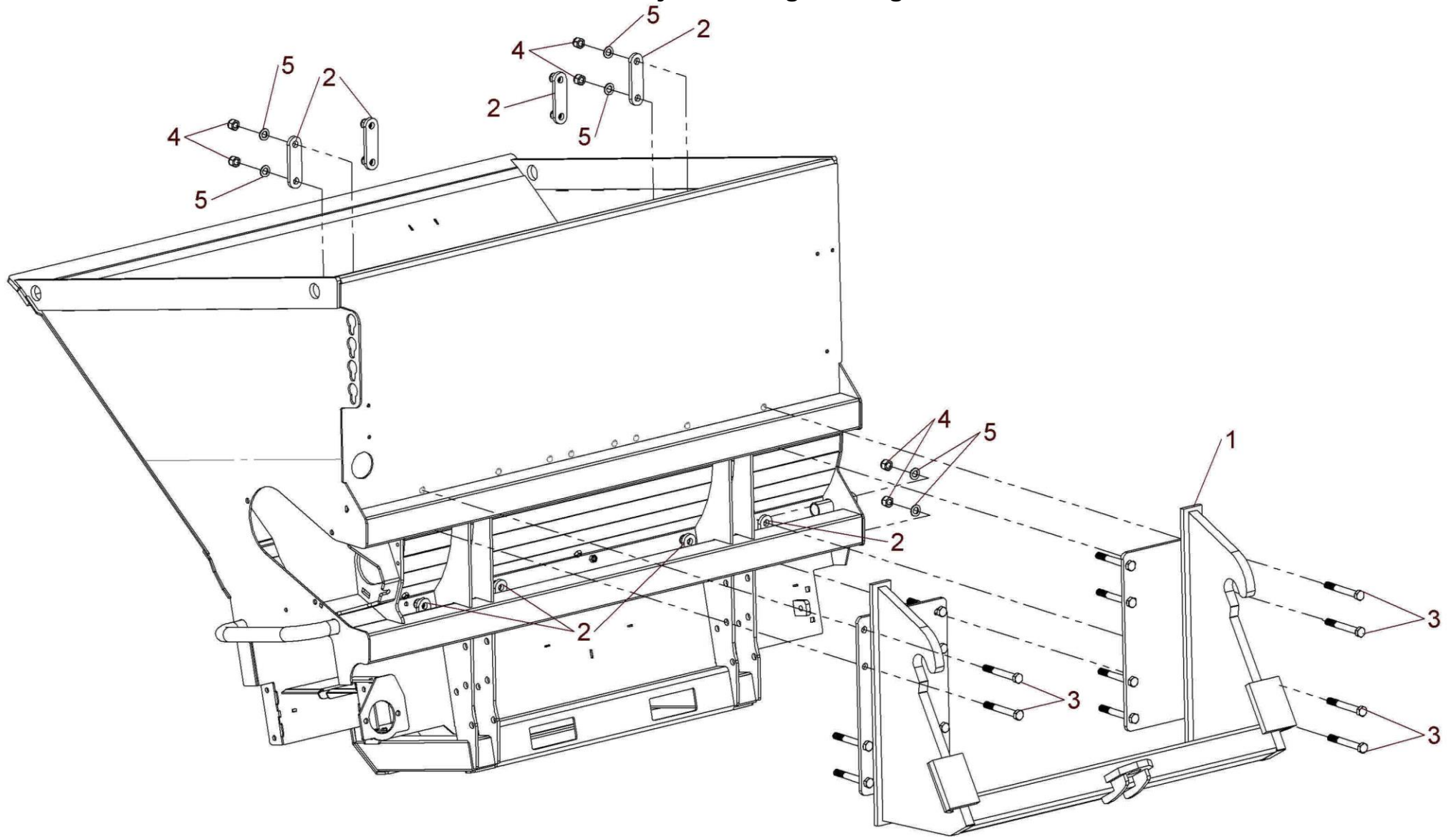
KIT-25051CB



Shelbourne Reynolds Engineering Limited

ASSY NUMBER: KIT-25052				ASSY DESCRIPTION: MERLO BRACKET KIT			
ITEM	PART NO	DESCRIPTION	QTY	ITEM	PART NO	DESCRIPTION	QTY
1	250502 01	MERLO BRACKET W/A	1				
2	260143 01	CLAMP PLATE	8				
3	BLT-2334	HEX.HEAD BOLT	16				
4	NUT-0271	NYLOC NUT	16				
5	WSH-0024	PLAIN WASHER	16				

Shelbourne Reynolds Engineering Limited



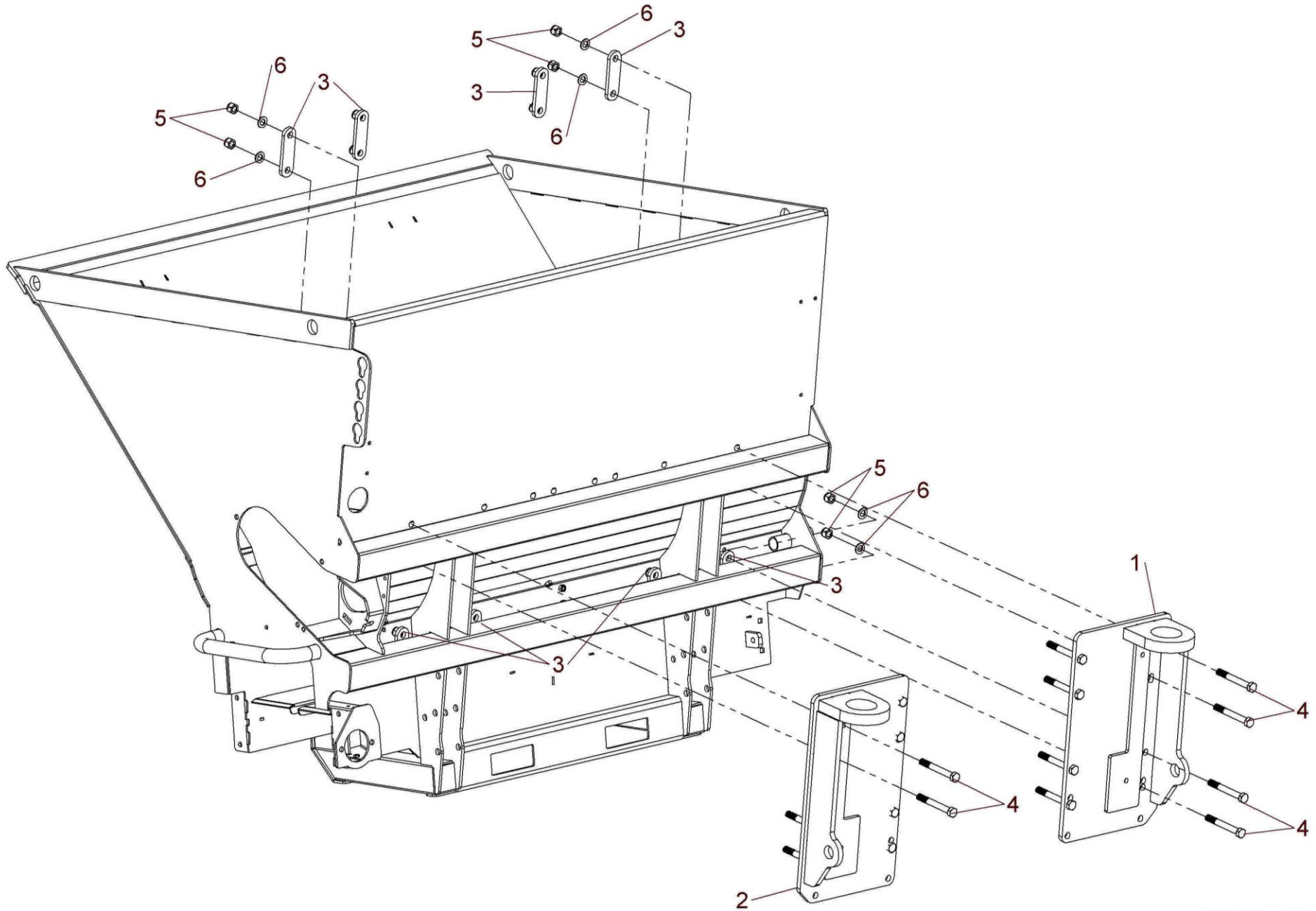
KIT-25052CB



Shelbourne Reynolds Engineering Limited

ASSY NUMBER: KIT-25053				ASSY DESCRIPTION: MATBRO BRACKET KIT			
ITEM	PART NO	DESCRIPTION	QTY	ITEM	PART NO	DESCRIPTION	QTY
1	250506 01	LH MATBRO BRKT W/A	1				
2	250506 02	RH MATBRO BRKT W/A	1				
3	260143 01	CLAMP PLATE	8				
4	BLT-2334	HEX.HEAD BOLT	16				
5	NUT-0271	NYLOC NUT	16				
6	WSH-0024	PLAIN WASHER	16				

Shelbourne Reynolds Engineering Limited



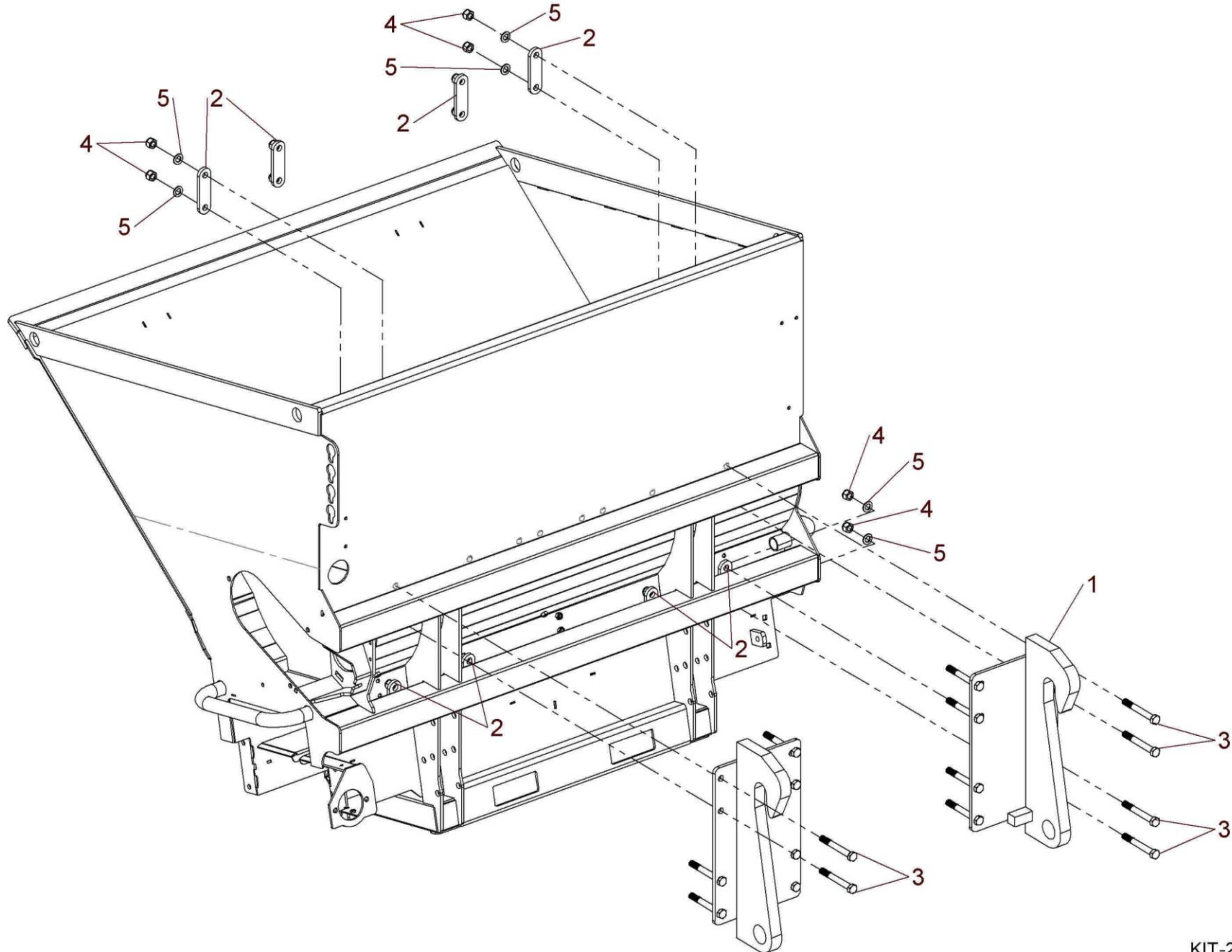
KIT-25053CB



Shelbourne Reynolds Engineering Limited

ASSY NUMBER: KIT-25054				ASSY DESCRIPTION: CLAAS BRACKET KIT			
ITEM	PART NO	DESCRIPTION	QTY	ITEM	PART NO	DESCRIPTION	QTY
1	250504 01	CLAAS BRACKET W/A	1				
2	260143 01	CLAMP PLATE	8				
3	BLT-2334	HEX.HEAD BOLT	16				
4	NUT-0271	NYLOC NUT	16				
5	WSH-0024	PLAIN WASHER	16				

Shelbourne Reynolds Engineering Limited



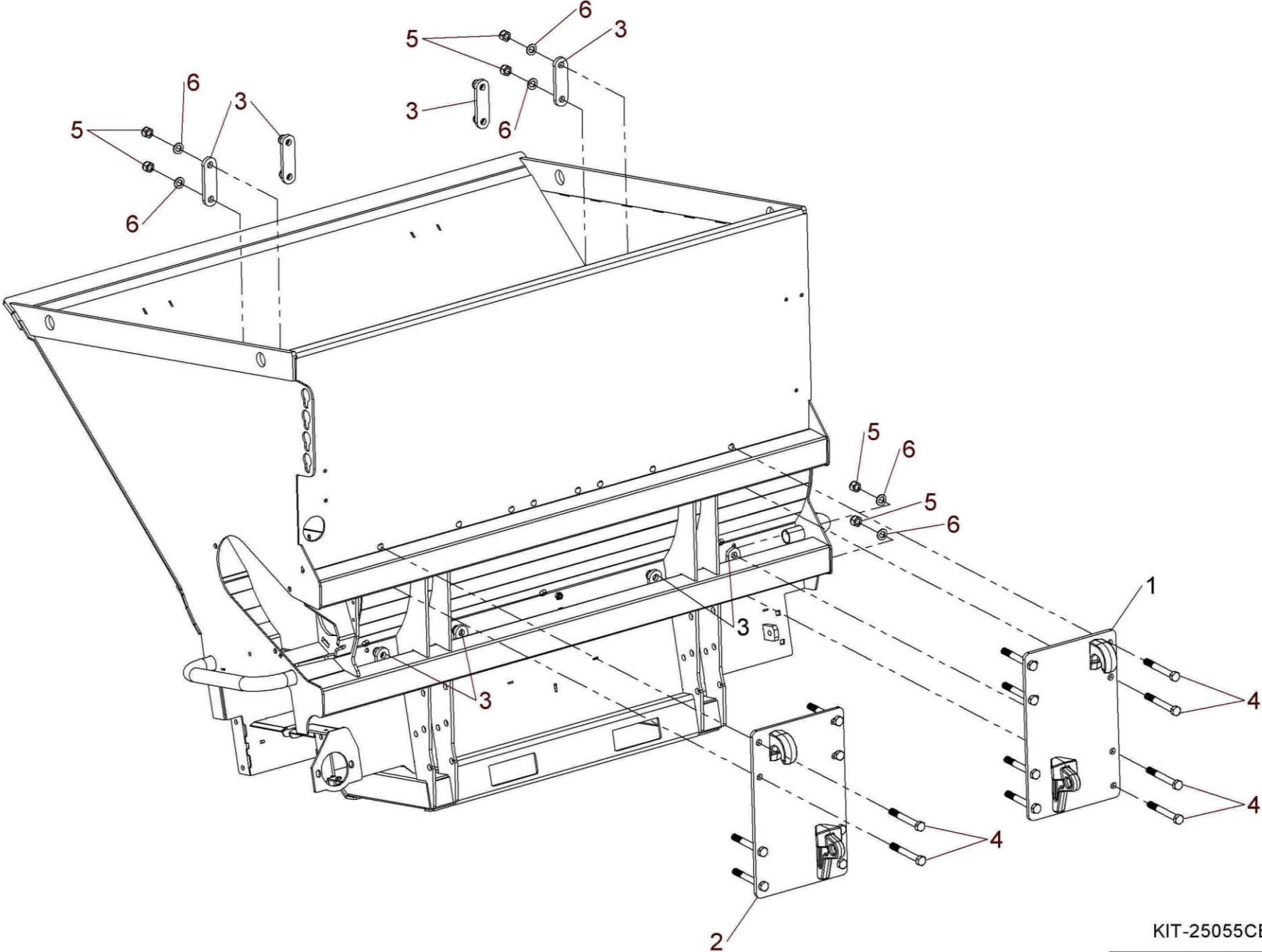
KIT-25054CB



Shelbourne Reynolds Engineering Limited

ASSY NUMBER: KIT-25055				ASSY DESCRIPTION: EURO BRACKET KIT			
ITEM	PART NO	DESCRIPTION	QTY	ITEM	PART NO	DESCRIPTION	QTY
1	250510 01	LH EURO BRACKET W/A	1				
2	250510 01	RH EURO BRACKET W/A	1				
3	260143 01	CLAMP PLATE	8				
4	BLT-2334	HEX.HEAD BOLT	16				
5	NUT-0271	NYLOC NUT	16				
6	WSH-0024	PLAIN WASHER	16				

Shelbourne Reynolds Engineering Limited



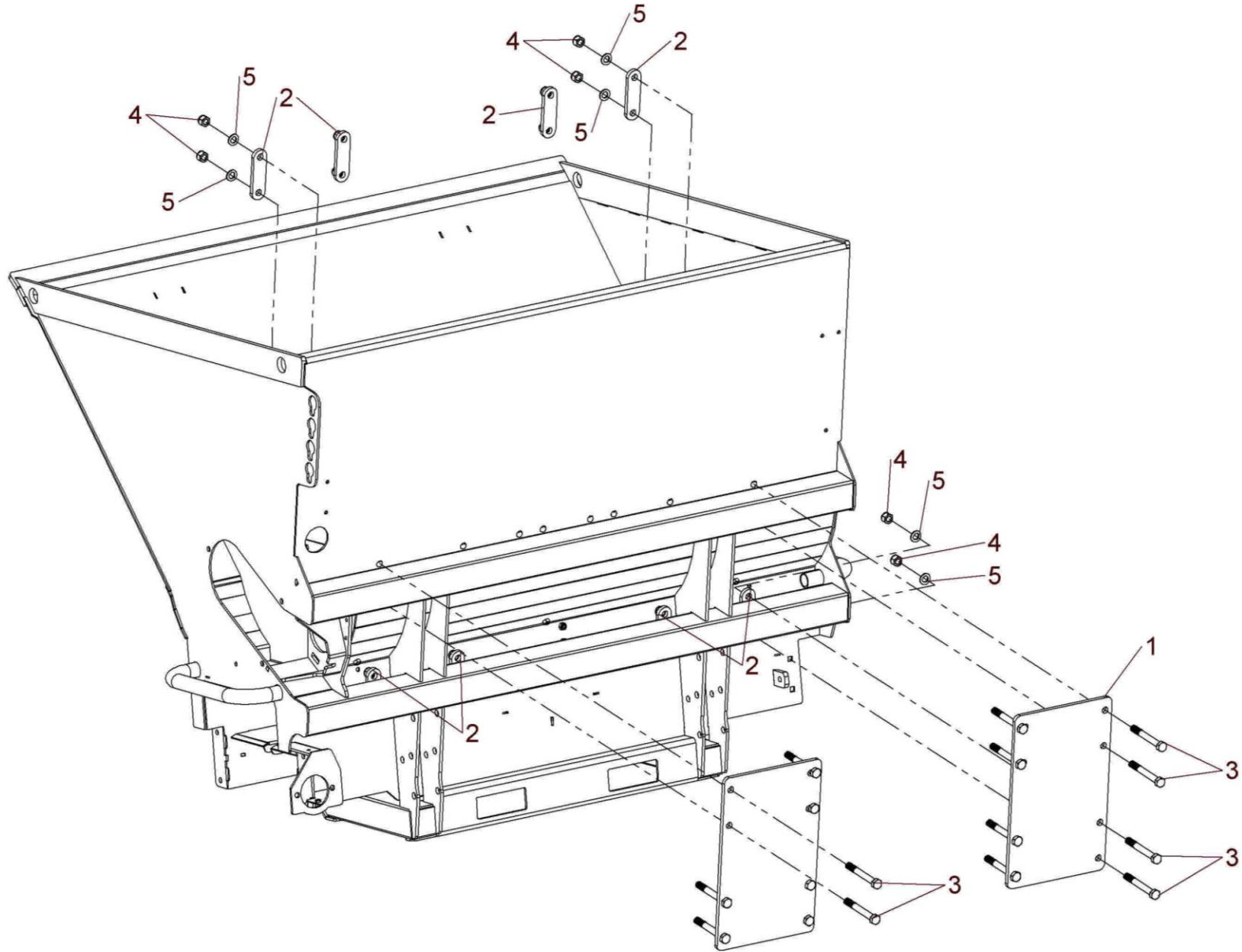
KIT-25055CB



Shelbourne Reynolds Engineering Limited

ASSY NUMBER: KIT-25056				ASSY DESCRIPTION: LOADER BRACKET PLATE KIT - WELD OWN BRKT			
ITEM	PART NO	DESCRIPTION	QTY	ITEM	PART NO	DESCRIPTION	QTY
1	250303 01	BRACKET PLATE (UNPAINTED)	2				
2	260143 01	CLAMP PLATE	8				
3	BLT-2334	HEX.HEAD BOLT	16				
4	NUT-0271	NYLOC NUT	16				
5	WSH-0024	PLAIN WASHER	16				

Shelbourne Reynolds Engineering Limited

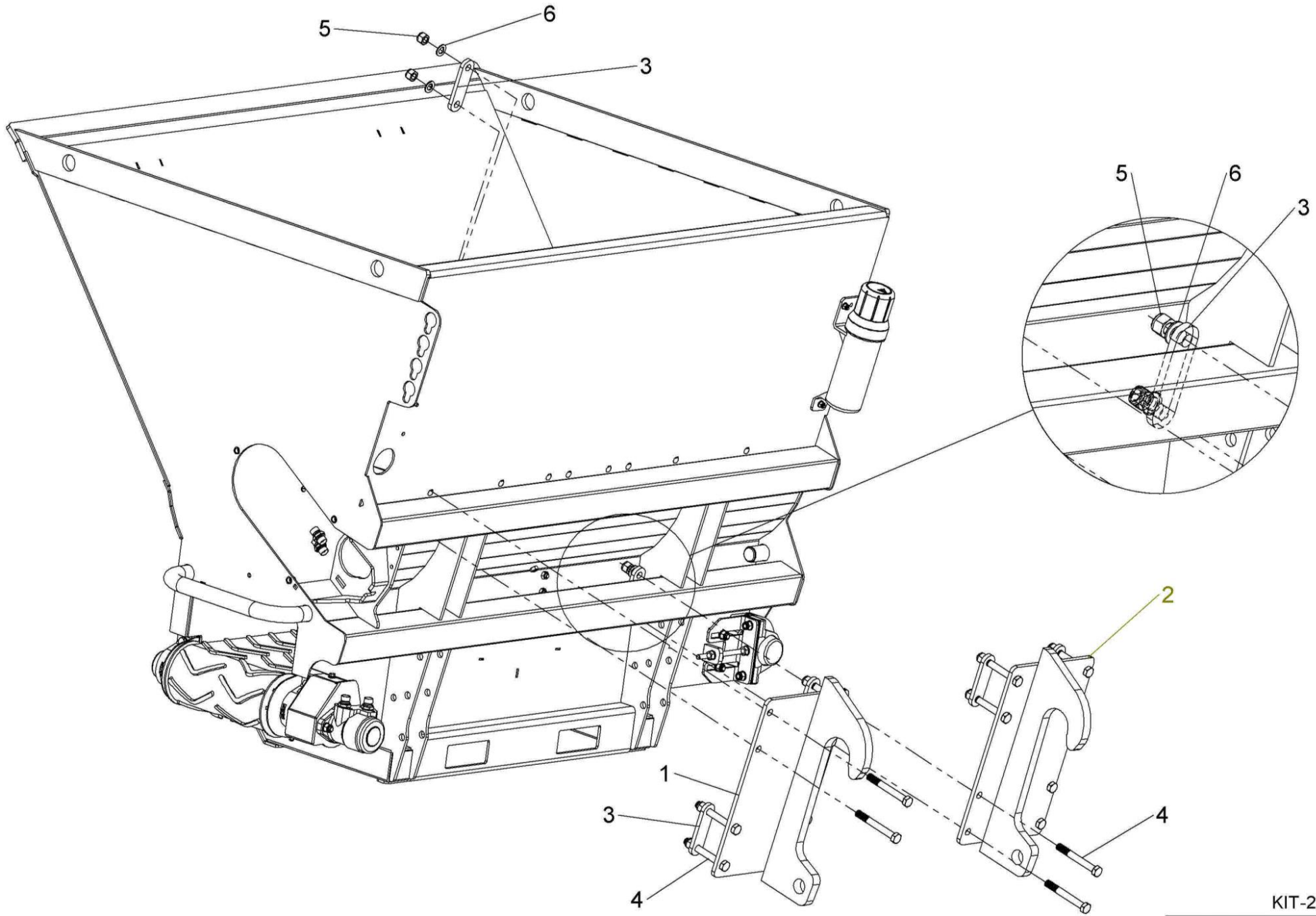


KIT-25056CB



Shelbourne Reynolds Engineering Limited

ASSY NUMBER: KIT-25057				ASSY DESCRIPTION: CNH BRACKET KIT			
ITEM	PART NO	DESCRIPTION	QTY	ITEM	PART NO	DESCRIPTION	QTY
1	250507 01	LH CNH BRKT W/A	1				
2	250507 02	RH CNH BRKT W/A	1				
3	260143 01	CLAMP PLATE	8				
4	BLT-2334	HEX.HEAD BOLT	16				
5	NUT-0271	NYLOC NUT	16				
6	WSH-0024	PLAIN WASHER	16				

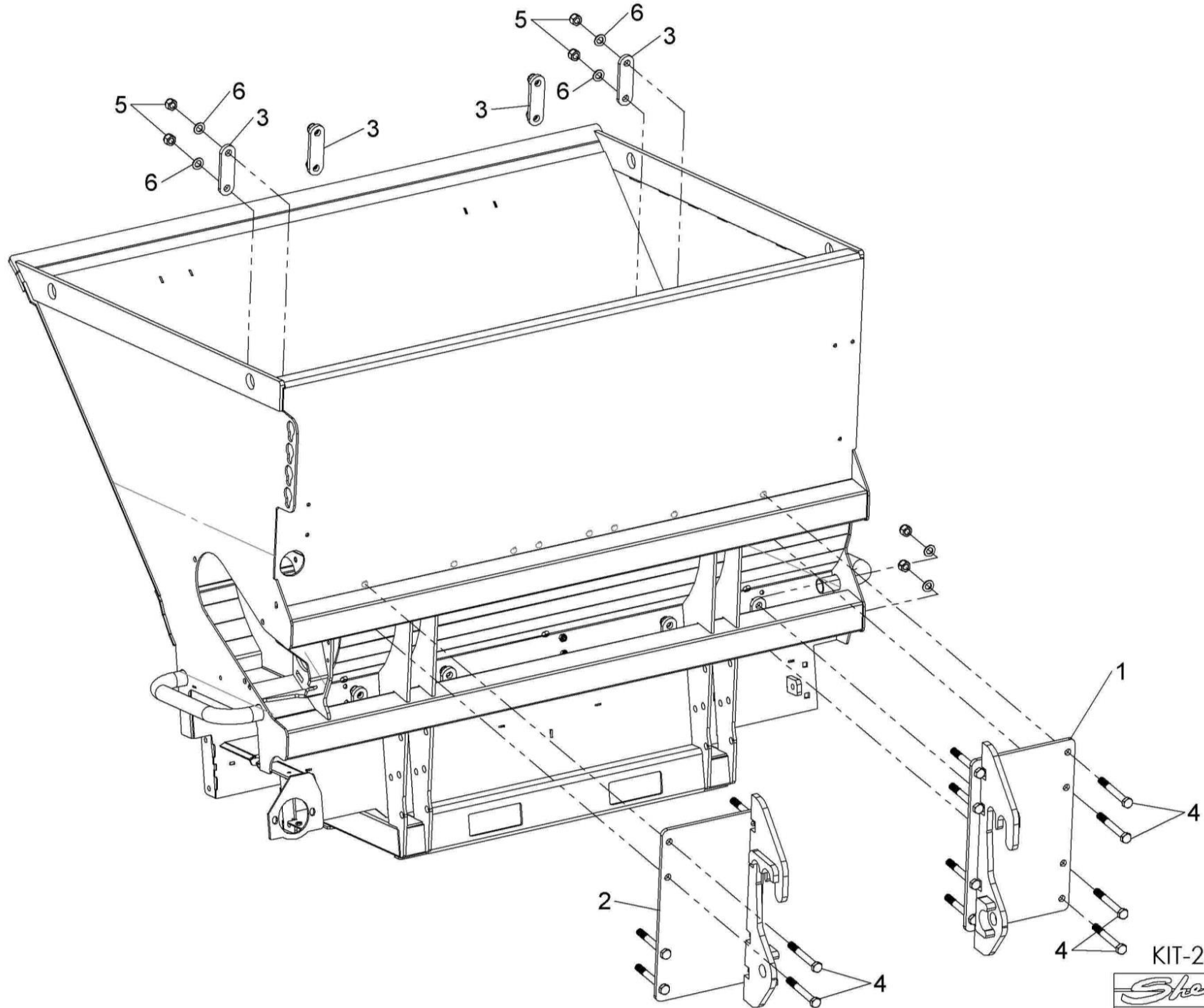


KIT-25057



Shelbourne Reynolds Engineering Limited

ASSY NUMBER: KIT-25058				ASSY DESCRIPTION: SCHAEFFER BRACKET KIT			
ITEM	PART NO	DESCRIPTION	QTY	ITEM	PART NO	DESCRIPTION	QTY
1	250511 01	LH SCHAEFFER BRKT W/A	1				
2	250511 02	RH SCHAEFFER BRKT W/A	1				
3	260143 01	CLAMP PLATE	8				
4	BLT-2334	HEX.HEAD BOLT	16				
5	NUT-0271	NYLOC NUT	16				
6	WSH-0024	PLAIN WASHER	16				

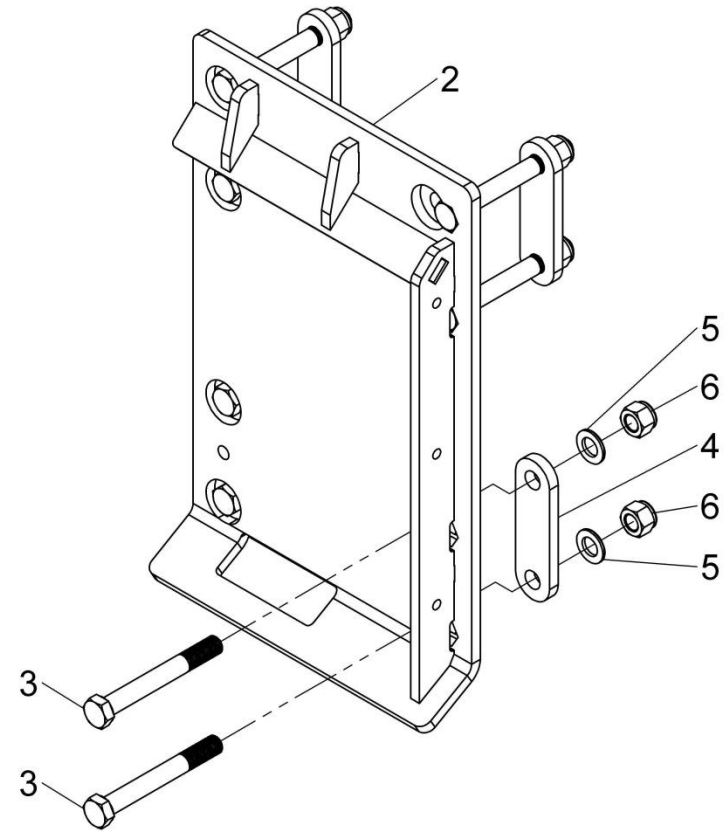
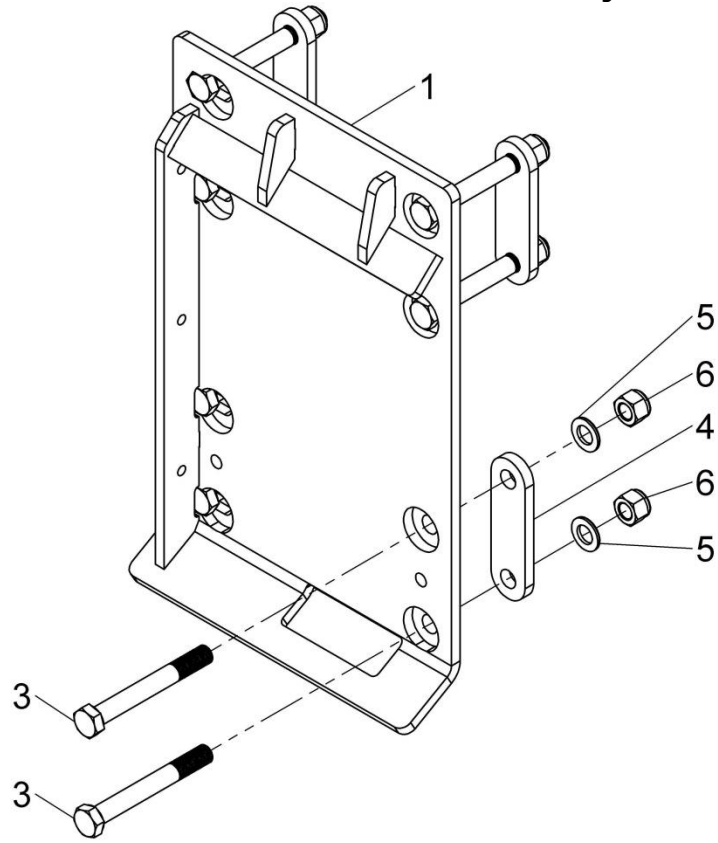


KIT-25058CB



Shelbourne Reynolds Engineering Limited

ASSY NUMBER: KIT-25059				ASSY DESCRIPTION: SKID STEER BRACKET KIT			
ITEM	PART NO	DESCRIPTION	QTY	ITEM	PART NO	DESCRIPTION	QTY
1	250512 01	SKID STEER BRACKET	1				
2	250512 02	SKID STEER BRACKET	1				
3	BLT-2334	BOLT	16				
4	260143 01	CLAMP PLATE	8				
5	WSH-0024	WASHER	16				
6	NUT-0271	NYLOC NUT	16				



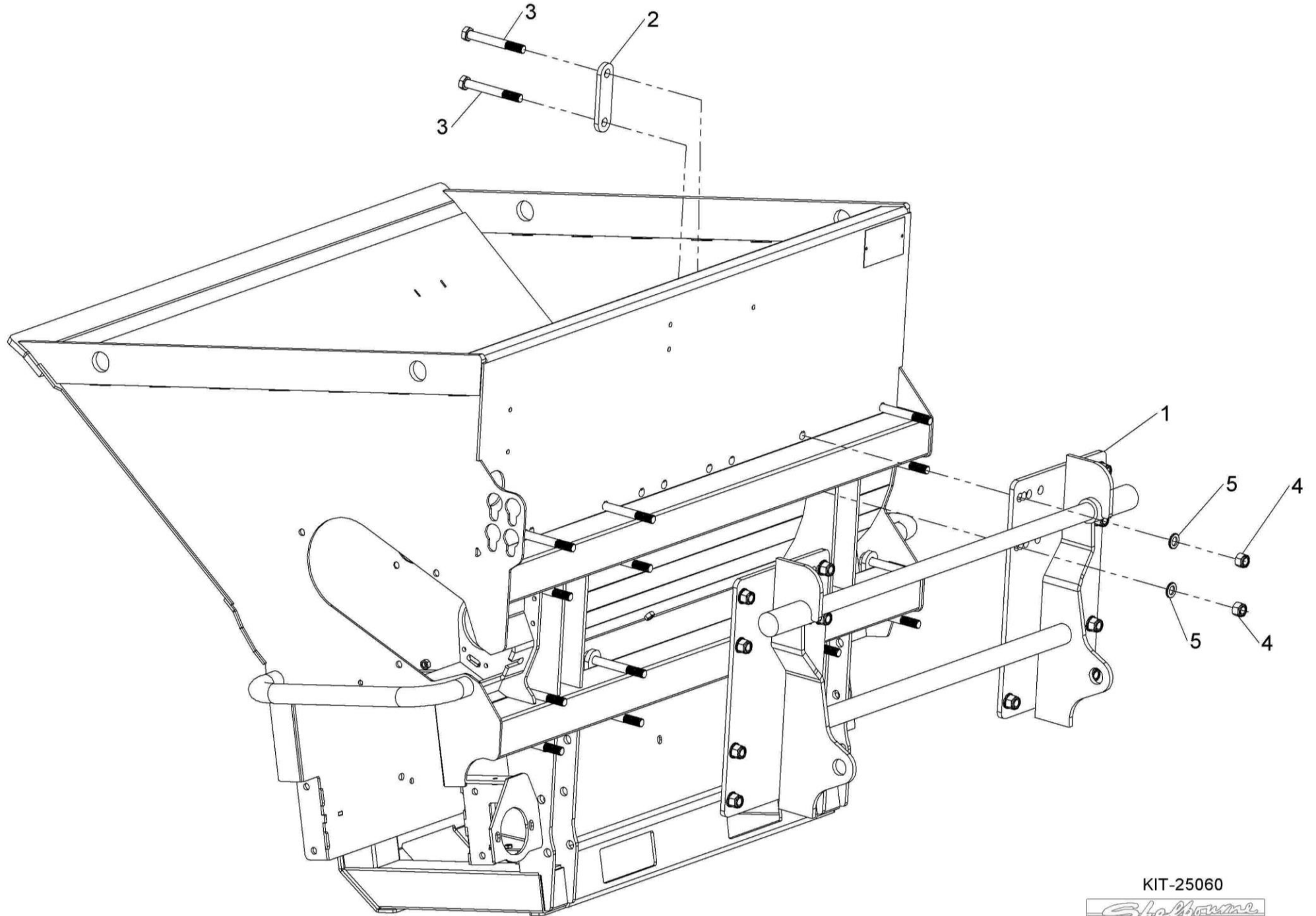
KIT-25059



Shelbourne Reynolds Engineering Limited

ASSY NUMBER: KIT-25060				ASSY DESCRIPTION: CHILTON/ MX BRACKET KIT			
ITEM	PART NO	DESCRIPTION	QTY	ITEM	PART NO	DESCRIPTION	QTY
1	250513 01	CHILTON/ MX BRACKET W/A	1				
2	260143 01	CLAMP PLATE	8				
3	BLT-2334	HEX.HEAD BOLT	16				
4	NUT-0271	NYLOC NUT	16				
5	WSH-0024	PLAIN WASHER	16				

Shelbourne Reynolds Engineering Limited



KIT-25060

