

RX & CX Shelbourne Header

ADAPTOR PLATE & COMBINE FITTINGS

PARTS MANUAL

I.H.C (AXIAL FLOW)

Shelbourne
REYNOLDS

Shelbourne Reynolds Engineering Ltd
Stanton
Bury St Edmunds
Suffolk IP31 2AR
England
Telephone: 01359 250415
Fax. No 01359 250464



THE QUEEN'S AWARD FOR
TECHNICAL ACHIEVEMENT



THE QUEEN'S AWARD FOR
EXPORT ACHIEVEMENT

I.H.C (Axial Flow) Parts Manual

Adaptor Plate

196517 01K ADAPTOR PLATE ASSY I.H.C

Drive Kits

196526 005 DRIVE KIT (RX) I.H.C 5.4m
196526 006 DRIVE KIT (RX) I.H.C 6.0 / 6.6m
196526 007 DRIVE KIT (CX) I.H.C 7.2m
196526 008 DRIVE KIT (CX) I.H.C 7.8 / 8.4m

Hydraulic Fittings

KIT-01701 HYDRAULIC PROBE CONNECTOR
KIT-01709 HYDRAULIC PROBE ADAPTOR

Kit Options

KIT-00903 ROTOR GRATE KIT I.H.C 1680 / 1480
KIT-00905 SKID EXTENSION KIT (4 SKIDS ONLY)
KIT-00932 THROTTLE VALVE KIT
KIT-00945 RX PROTECTION PANS 5.4 / 6.6m
KIT-00946 RX PROTECTION PANS 6.0m
KIT-00947 SKID EXTENSION KIT (6 SKIDS ONLY)
KIT-00965 AUGER FLIGHT EXTENSIONS KIT

RX & CX Shelbourne Header

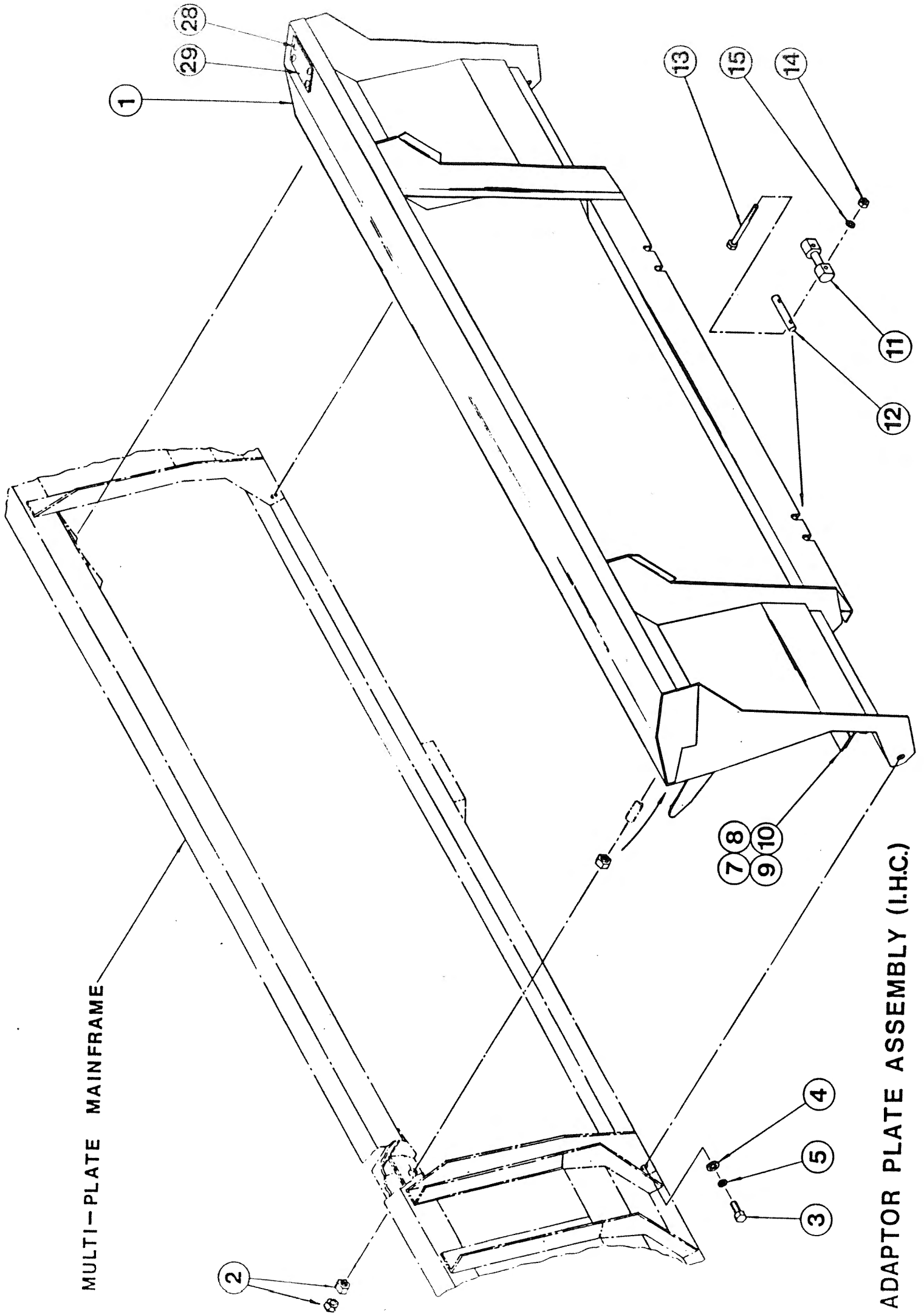
ADAPTOR PLATE

Shelbourne Reynolds Engineering Limited

ASSY NUMBER:		196517 01K		ASSY DESCRIPTION: ADAPTOR PLATE ASSY IHC			
ITEM	PART NO	DESCRIPTION	QTY	ITEM	PART NO	DESCRIPTION	QTY
	KIT-00601	ADAPTOR PLATE SUB	1				

Shelbourne Reynolds Engineering Limited

ASSY NUMBER:		KIT-00601		SUB ASSY DESCRIPTION: ADAPTOR PLATE IHC (FROM ASSY 196517 01)			
ITEM	PART NO	DESCRIPTION	QTY	ITEM	PART NO	DESCRIPTION	QTY
1	191051 01	FRAME WELD ASSY	1				
2	NUT-0190	PLAIN NUT	6				
3	HSS-0315	SET SCREW	2				
4	WSH-0024	PLAIN WASHER	2				
5	WSH-0070	SPRING WASHER	2				
6							
7	191063 02	SCRAPER	2				
8	BLT-4710	COACH BOLT	6				
9	NUT-0263	NYLOC NUT	6				
10	WSH-0012	PLAIN WASHER	6				
11	130236 01	PICK UP BAR	2				
12	130237 01	FIXING BAR	2				
13	BLT-2273	BOLT	4				
14	NUT-0269	NYLOC NUT	4				
15	WSH-0018	PLAIN WASHER	8				
28	POP-0006	POP RIVET	4				
29	134024 05	IDENTIFICATION PLATE	1				



MULTI-PLATE MAINFRAME

ADAPTOR PLATE ASSEMBLY (I.H.C.)

RX & CX Shelbourne Header

DRIVE KITS

Shelbourne Reynolds Engineering Limited

ASSY NUMBER:		196526 005		ASSY DESCRIPTION: DRIVE KIT (RX) IHC 5.4m			
ITEM	PART NO	DESCRIPTION	QTY	ITEM	PART NO	DESCRIPTION	QTY
1	KIT-01007	SHORT DROP BOX SUB	1				
2	PTO-07001	POWER SHAFT	1				
3							
4	KIT-00103	IDLER	1				
5	CHN-0020	CHAIN	105				
6	CHN-0111	JOINING LINK	1				
7	KIT-00521	DRIVE GUARD KIT (5TH HOLE)	1				
8	KIT-00931	PTO SUPPORT KIT	1				

Shelbourne Reynolds Engineering Limited

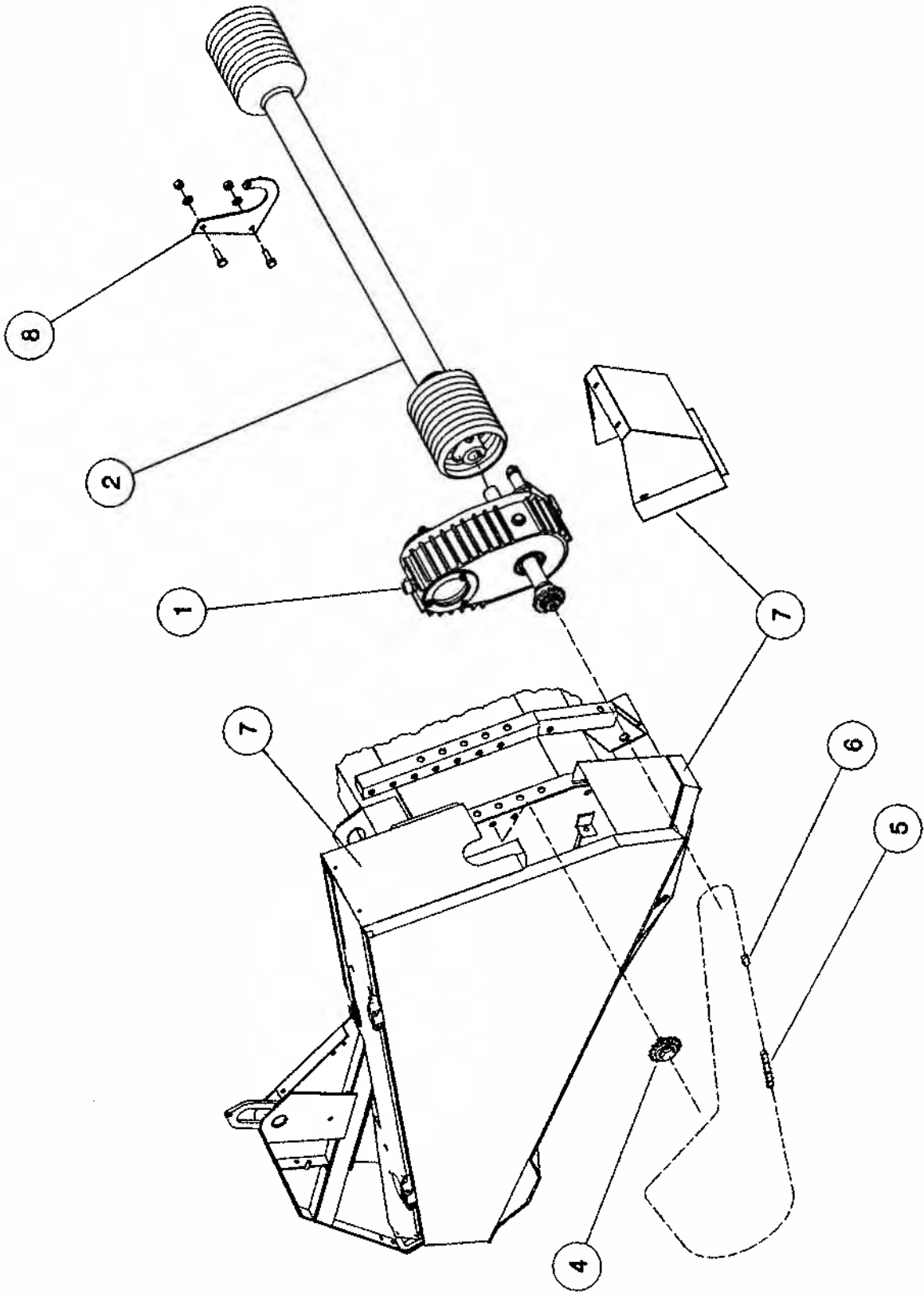
ASSY NUMBER:		196526 006		ASSY DESCRIPTION: DRIVE KIT (RX) IHC 6.0/6.6m			
ITEM	PART NO	DESCRIPTION	QTY	ITEM	PART NO	DESCRIPTION	QTY
1	KIT-01007	SHORT DROP BOX SUB	1				
2	PTO-07007	POWER SHAFT	1				
3							
4	KIT-00103	IDLER	1				
5	CHN-0020	CHAIN	105				
6	CHN-0111	JOINING LINK	1				
7	KIT-00521	DRIVE GUARD KIT (5TH HOLE)	1				
8	KIT-00931	PTO SUPPORT KIT	1				

Shelbourne Reynolds Engineering Limited

ASSY NUMBER: 196526 007		ASSY DESCRIPTION: DRIVE KIT (CX) IHC 7.2m					
ITEM	PART NO	DESCRIPTION	QTY	ITEM	PART NO	DESCRIPTION	QTY
1	KIT-01014	SHORT DROP BOX SUB	1				
2	PTO-07008	POWER SHAFT	1				
3							
4	KIT-00112	IDLER	1				
5	CHN-0023	CHAIN	95				
6	CHN-0113	JOINING LINK	1				
7	KIT-00521	DRIVE GUARD KIT (5TH HOLE)	1				
8	KIT-00931	PTO SUPPORT KIT	1				

Shelbourne Reynolds Engineering Limited

ASSY NUMBER: 196526 008		ASSY DESCRIPTION: DRIVE KIT (CX) IHC 7.8/8.4m					
ITEM	PART NO	DESCRIPTION	QTY	ITEM	PART NO	DESCRIPTION	QTY
1	KIT-01014	SHORT DROP BOX SUB	1				
2	PTO-07009	POWER SHAFT	1				
3							
4	KIT-00112	IDLER	1				
5	CHN-0023	CHAIN	95				
6	CHN-0113	JOINING LINK	1				
7	KIT-00521	DRIVE GUARD KIT (5TH HOLE)	1				
8	KIT-00931	PTO SUPPORT KIT	1				



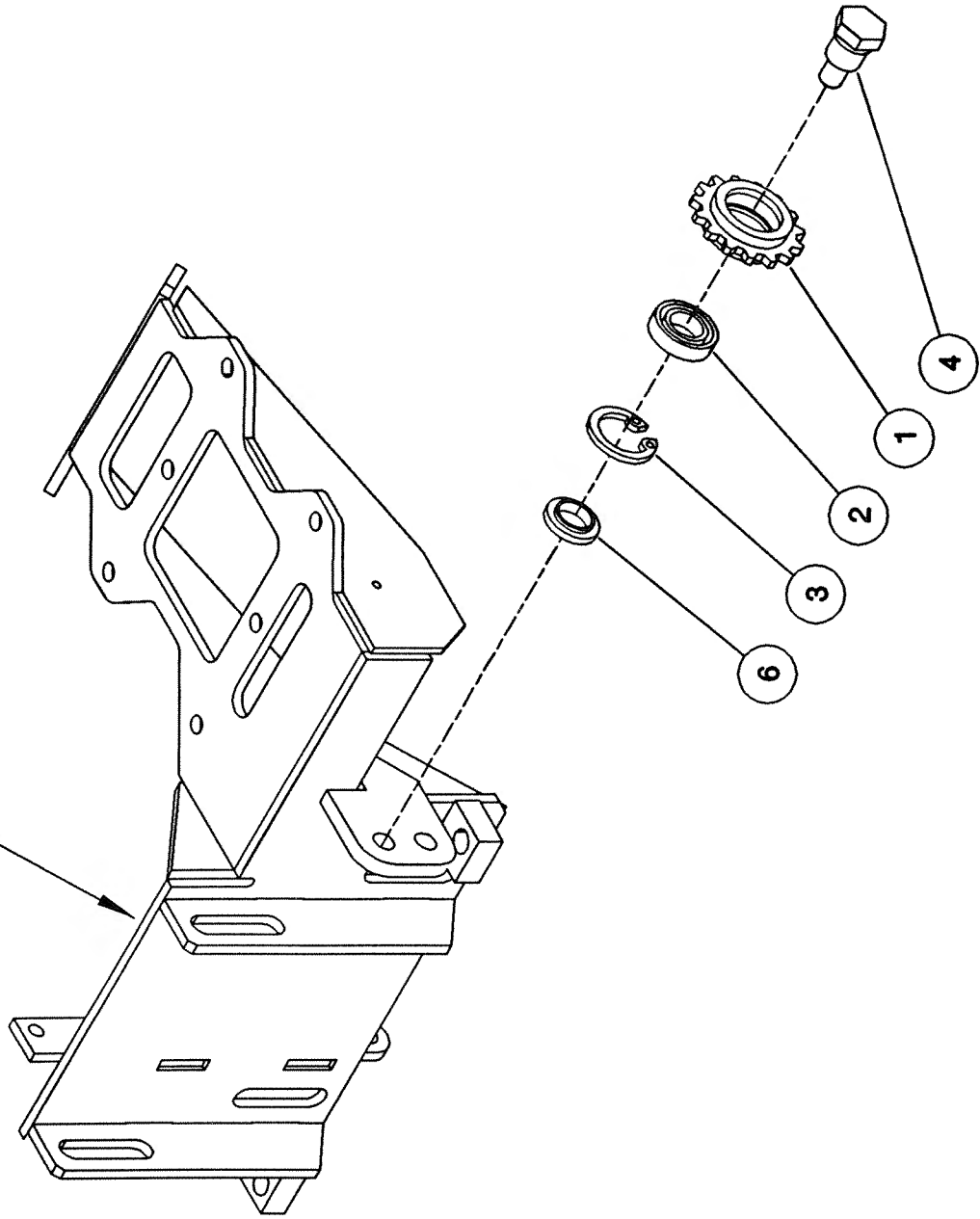
Shelbourne Reynolds Engineering Limited

ASSY NUMBER:		KIT-00103		SUB ASSY DESCRIPTION: IDLER ASSY			
ITEM	PART NO	DESCRIPTION	QTY	ITEM	PART NO	DESCRIPTION	QTY
1	131014 01	SPROCKET IDLER	1				
2	BRG-1995	BEARING	1				
3	CIR-0470	CIRCLIP	1				
4	190060 06	CONVEYOR IDLER SPINDLE	1				
6	191040 01	CONVEYOR IDLER SPACER	1				

Shelbourne Reynolds Engineering Limited

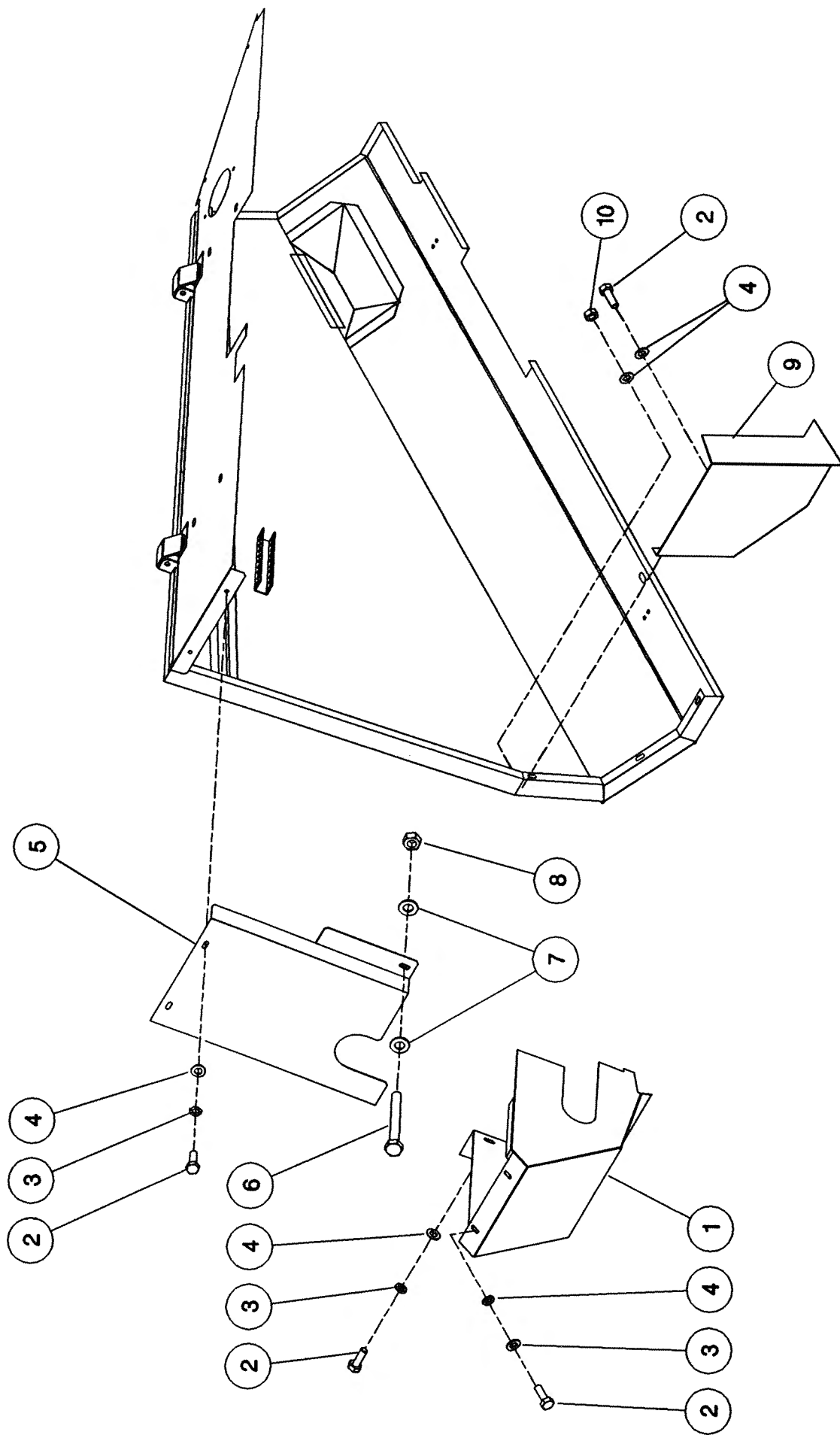
ASSY NUMBER:		KIT-00112		SUB ASSY DESCRIPTION: CX IDLER ASSY			
ITEM	PART NO	DESCRIPTION	QTY	ITEM	PART NO	DESCRIPTION	QTY
1	131041 01	SPROCKET IDLER	1				
2	BRG-1995	BEARING	1				
3	CIR-0470	CIRCLIP	1				
4	190060 06	CONVEYOR IDLER SPINDLE	1				
6	191040 01	CONVEYOR IDLER SPACER	1				

GEARBOX MOUNTING BRACKET



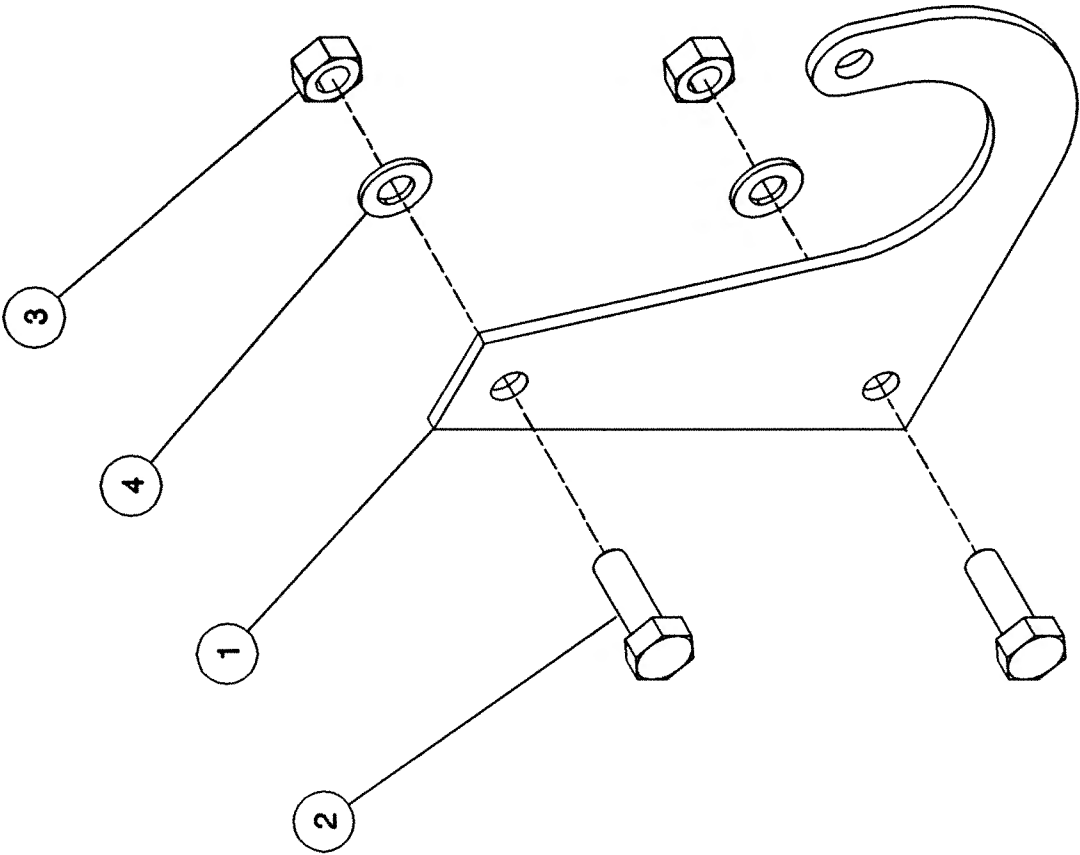
Shelbourne Reynolds Engineering Limited

ASSY NUMBER:		KIT-00521		ASSY DESCRIPTION: REAR GUARD KIT (RX SERIES-5TH HOLE)			
ITEM	PART NO	DESCRIPTION	QTY	ITEM	PART NO	DESCRIPTION	QTY
1	192555 01	REAR DRIVE GUARD	1				
2	HSS-0084	SET SCREW	8				
3	WSH-0056	SPRING WASHER	5				
4	WSH-0009	PLAIN WASHER	11				
5	192560 01	REAR UPPER GUARD	1				
6	BLT-2163	BOLT	1				
7	WSH-1038	PENNY WASHER	2				
8	NUT-0263	NYLOC NUT	1				
9	192559 01	REAR LOWER GUARD	1				
10	NUT-0260	NYLOC NUT	3				



Shelbourne Reynolds Engineering Limited

ASSY NUMBER:		KIT-00931		ASY DESCRIPTION: PTO SUPPORT KIT			
ITEM	PART NO	DESCRIPTION	QTY	ITEM	PART NO	DESCRIPTION	QTY
1	191945 01	PTO SUPPORT	1				
2	HSS-0238	SET SCREW	2				
3	NUT-0269	NYLOC NUT	2				
4	WSH-0018	PLAIN WASHER	2				

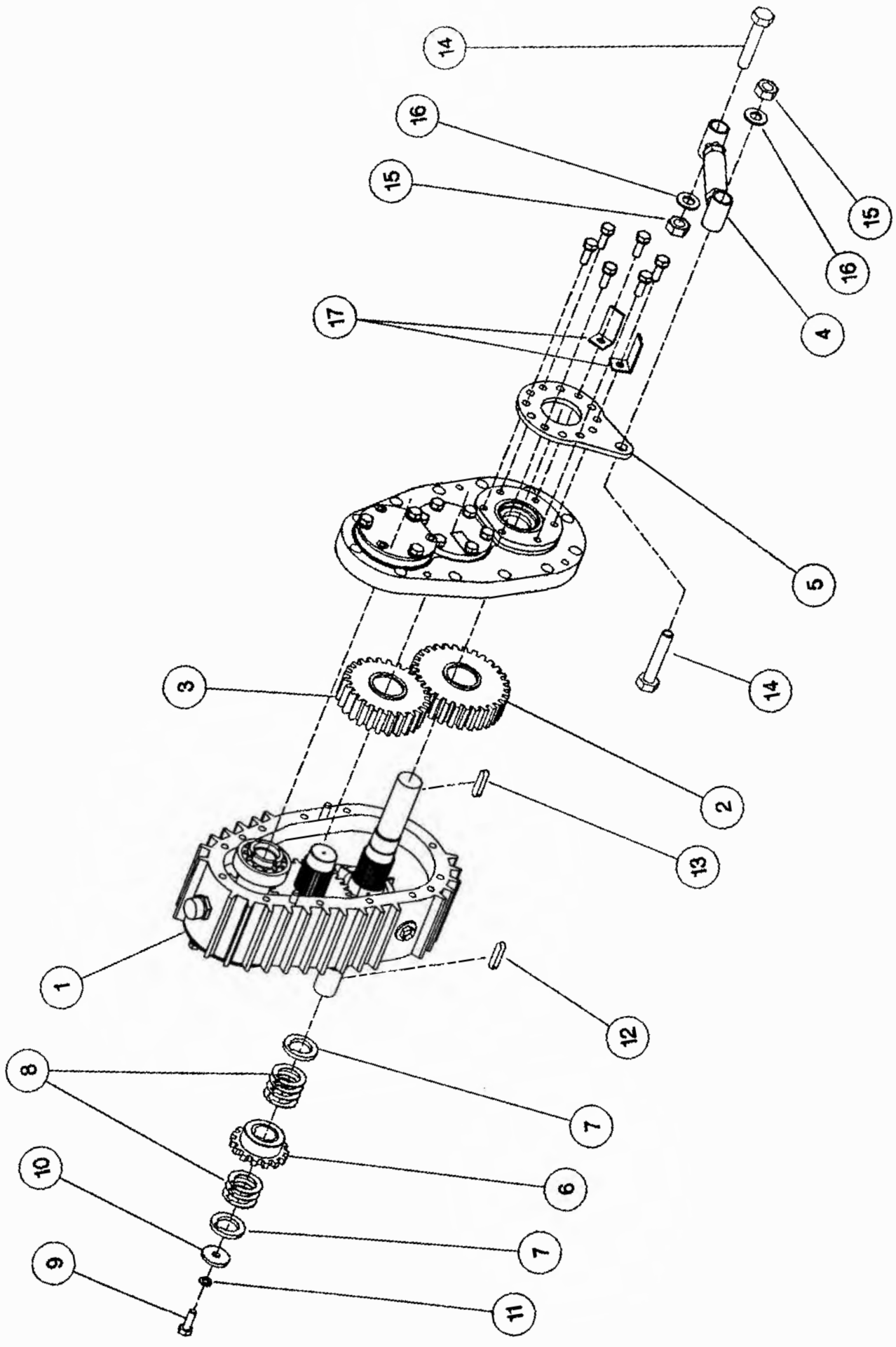


Shelbourne Reynolds Engineering Limited

ASSY NUMBER:		KIT-01007		SUB ASSY DESCRIPTION: DROP-BOX KIT			
ITEM	PART NO	DESCRIPTION	QTY	ITEM	PART NO	DESCRIPTION	QTY
1	GEA-0100	SHORT DROP-BOX	1				
2	191804 30	SELECT GEAR 30T (28T INV)	1				
3	191804 26	SELECT GEAR 26T (28T INV)	1				
4	191685 01	ADJUSTABLE TIE ROD	1				
5	191687 01	TIE ROD BRKT	1				
6	191116 06	AUGER SPROCKET	1				
7	191692 01	SPACER	2				
8	191692 02	SHIM	7				
9	HSS-0191	SET SCREW	1				
10	190548 01	PLAIN WASHER	1				
11	WSH-0061	SPRING WASHER	1				
12	K1008045	KEY	1				
13	K1008050	KEY	1				
14	BLT-2316	BOLT	2				
15	NUT-0271	NYLOC NUT	2				
16	WSH-0024	PLAIN WASHER	2				
17	191763 01	PTO BRACKET	2				

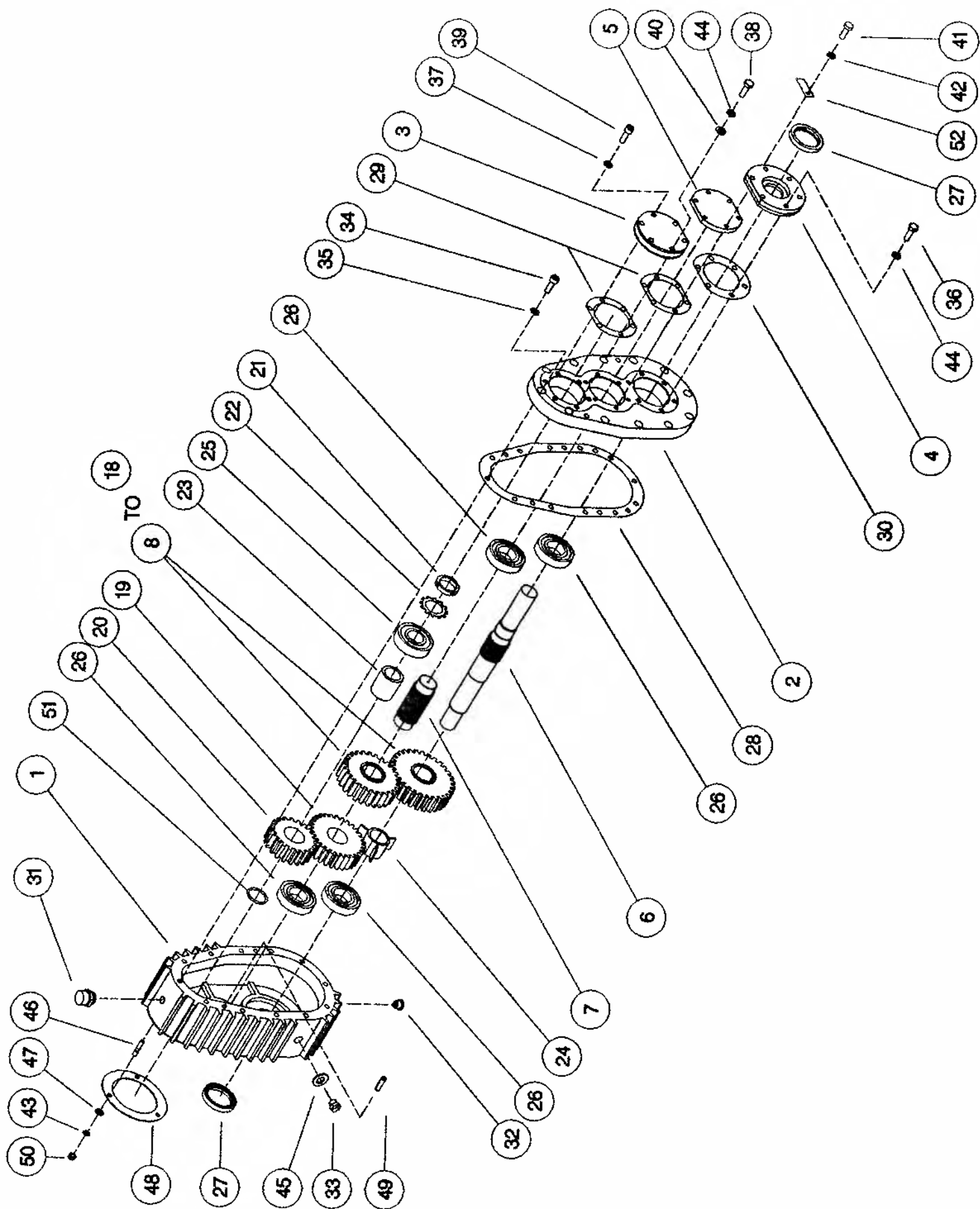
Shelbourne Reynolds Engineering Limited

ASSY NUMBER:		KIT-01014		SUB ASSY DESCRIPTION: DROP-BOX KIT (CX)			
ITEM	PART NO	DESCRIPTION	QTY	ITEM	PART NO	DESCRIPTION	QTY
1	GEA-0100	SHORT DROP-BOX	1				
2	191804 30	SELECT GEAR 30T (28T INV)	1				
3	191804 26	SELECT GEAR 26T (28T INV)	1				
4	191685 01	ADJUSTABLE TIE ROD	1				
5	191687 01	TIE ROD BRKT	1				
6	192768 01	AUGER SPROCKET	1				
7	191692 01	SPACER	2				
8	191692 02	SHIM	7				
9	HSS-0191	SET SCREW	1				
10	190548 01	PLAIN WASHER	1				
11	WSH-0061	SPRING WASHER	1				
12	K1008045	KEY	1				
13	K1008050	KEY	1				
14	BLT-2316	BOLT	2				
15	NUT-0271	NYLOC NUT	2				
16	WSH-0024	PLAIN WASHER	2				
17	191763 01	PTO BRACKET	2				



Shelbourne Reynolds Engineering Limited

ASSY NUMBER:		ASSY DESCRIPTION: SHORT DROP BOX					
ITEM	PART NO	DESCRIPTION	QTY	ITEM	PART NO	DESCRIPTION	QTY
1	191723 01	GEARCASE	1	42	WSH-1300	SHAKEPROOF WASHER	6
2	191723 02	LID	1	43	WSH-0058	SPRING WASHER	3
3	191696 01	OUTPUT END CAP	1	44	WSH-1145	SPRING WASHER	9
4	191694 01	INPUT FLANGE	1	45	WSH-1010	DOWTY WASHER	1
5	191693 01	END CAP	1	46	191737 01	STUD	3
6	191724 01	INPUT/AUGER OUTPUT SHAFT (17T INVOLUTE)	1	47	WSH-0012	PLAIN WASHER	3
or	191807 01	INPUT/AUGER OUTPUT SHAFT (28T INVOLUTE)	1	48	191759 01	SEAL	1
7	191729 01	INTERMED. SHAFT (17T INV)	1	49	191765 01	DOWL	2
or	191801 01	INTERMED. SHAFT (28T INV)	1	50	NUT-0164	PLAIN NUT	3
8		CHANGE GEAR (SEE DRIVE SUB)		51	CIR-4000	SNAP RING CIRCLIP	1
19	191731 01	SPUR GEAR 30T (17T INV)	1	52	191928 01	IDENTIFICATION TAG	1
or	191803 01	SPUR GEAR 30T (28T INV)	1				
20	191732 01	SPUR GEAR 20T (15T INV)	1				
or	191884 01	SPUR GEAR 20T (28T INV)	1				
21	NUT-3000	LOCK RING	1				
22	WSH-6000	LOCK WASHER	1				
23	191725 01	SPACER	1				
24	191894 01	SPACER	1				
25	BRG-6600	BEARING	1				
26	BRG-5800	BEARING	4				
27	SEA-0610	ROTARY SHAFT SEAL	2				
28	191756 01	GASKET	1				
29	191757	SEAL PACK	2				
30	191758	SEAL PACK	1				
31	FIT-0255	BREATHER	1				
32	FIT-0253	MAGNETIC DRAIN PLUG	1				
33	FIT-0251	LEVEL PLUG	1				
34	SCW-0196	CAP HEAD SCREW	12				
35	WSH-1301	SHAKEPROOF WASHER	12				
36	BLT-0145	BOLT	6				
37	WSH-1096	SHAKEPROOF WASHER	3				
38	BLT-0147	BOLT	3				
39	SCW-0421	CAP HEAD SCREW	3				
40	WSH-0130	PLAIN WASHER	3				
41	HSS-0145	SET SCREW	6				



RX & CX Shelbourne Header

**HYDRAULIC
FITTINGS**

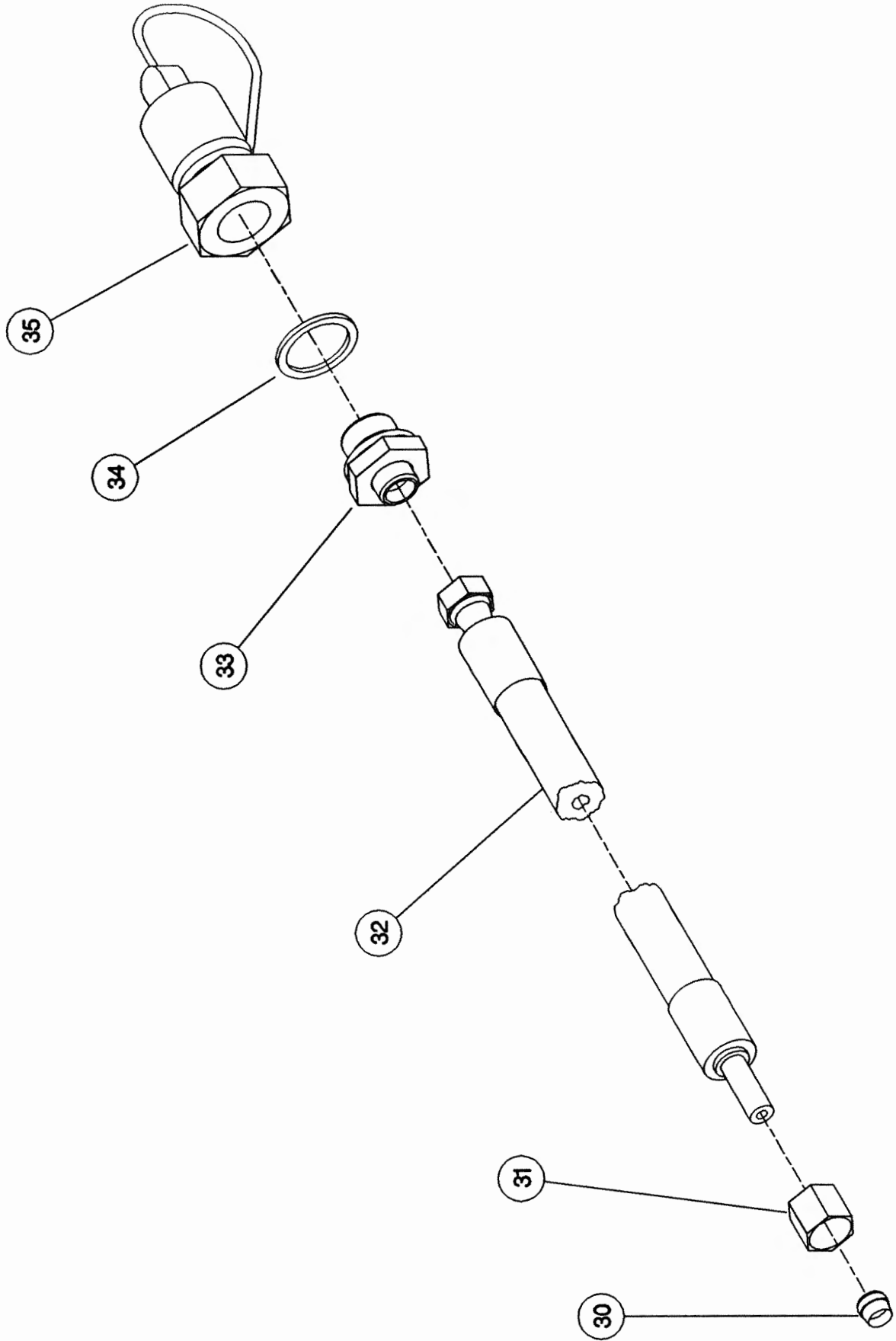
Shelbourne Reynolds Engineering Limited

ASSY NUMBER: KIT-01701 SUB ASSY DESCRIPTION: HYDRAULIC PROBE CONNECTOR (FROM 196517 01)

ITEM	PART NO	DESCRIPTION	QTY	ITEM	PART NO	DESCRIPTION	QTY
30	FIT-0056	OLIVE	1				
31	FIT-0051	NUT	1				
32	2528 190	PIPE	1				
33	FIT-0025	ADAPTOR	1				
34	WSH-1010	DOWTY WASHER	1				
35	COU-0161	PULL BRAKE COUPLING	1				

Shelbourne Reynolds Engineering Limited

ASSY NUMBER:		KIT-01709		SUB ASSY DESCRIPTION: HYDRAULIC PROBE ADAPTOR			
ITEM	PART NO	DESCRIPTION	QTY	ITEM	PART NO	DESCRIPTION	QTY
30	FIT-0056	OLIVE	1				
31	FIT-0051	NUT	1				
32	2528 190	PIPE	1				
33	HMA-0055	ADAPTOR	1				
34	WSH-1015	DOWTY WASHER	1				
35	COU-0162	PULL BRAKE COUPLING	1				

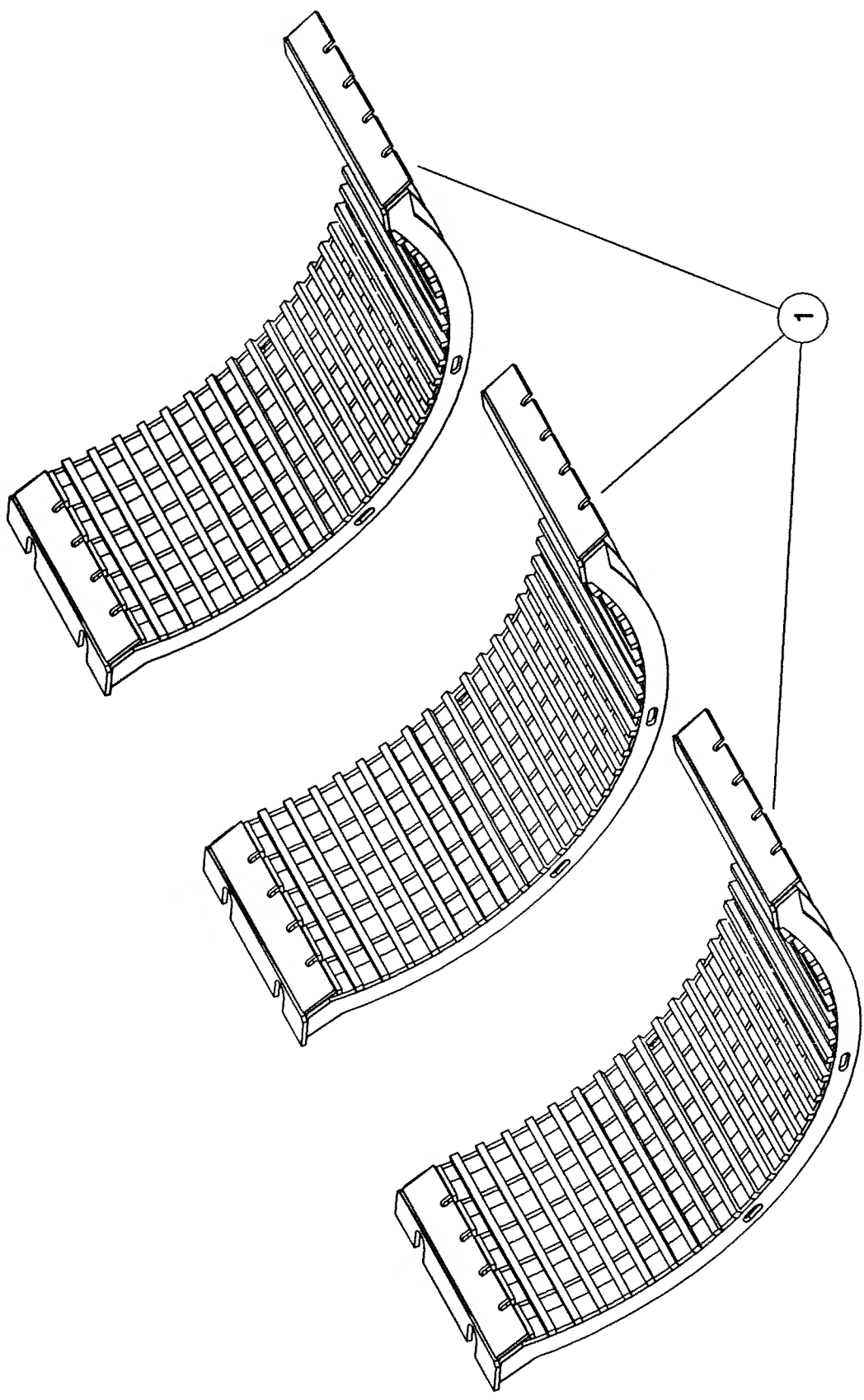


RX & CX Shelbourne Header

KIT OPTIONS

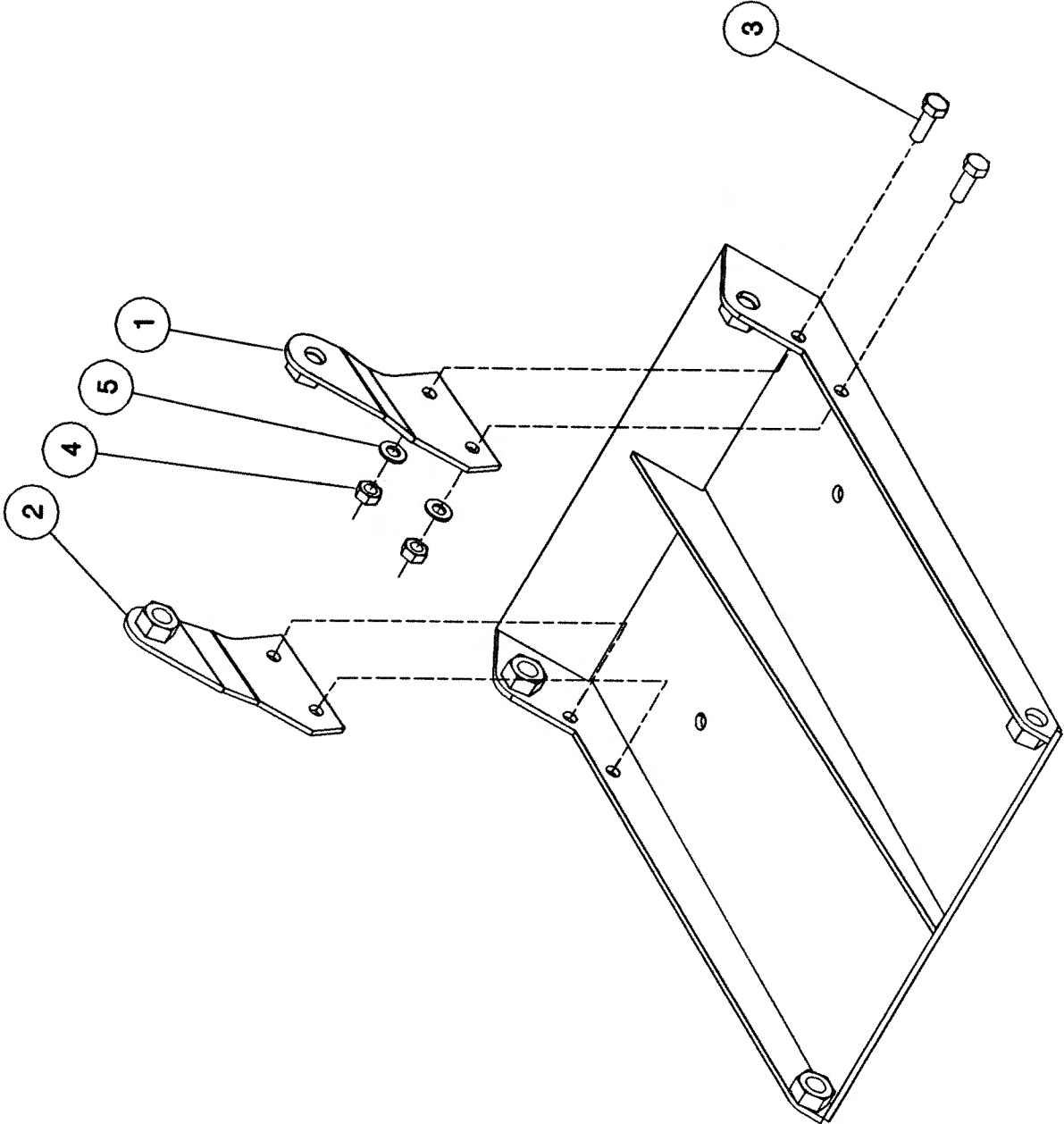
Shelbourne Reynolds Engineering Limited

ASSY NUMBER:		KIT-00903		SUB ASSY DESCRIPTION:		IHC 1680/1480 SPLTY RTR GRATE KIT	
ITEM	PART NO	DESCRIPTION	QTY	ITEM	PART NO	DESCRIPTION	QTY
1	191660 01	GRATE ASSY	3				



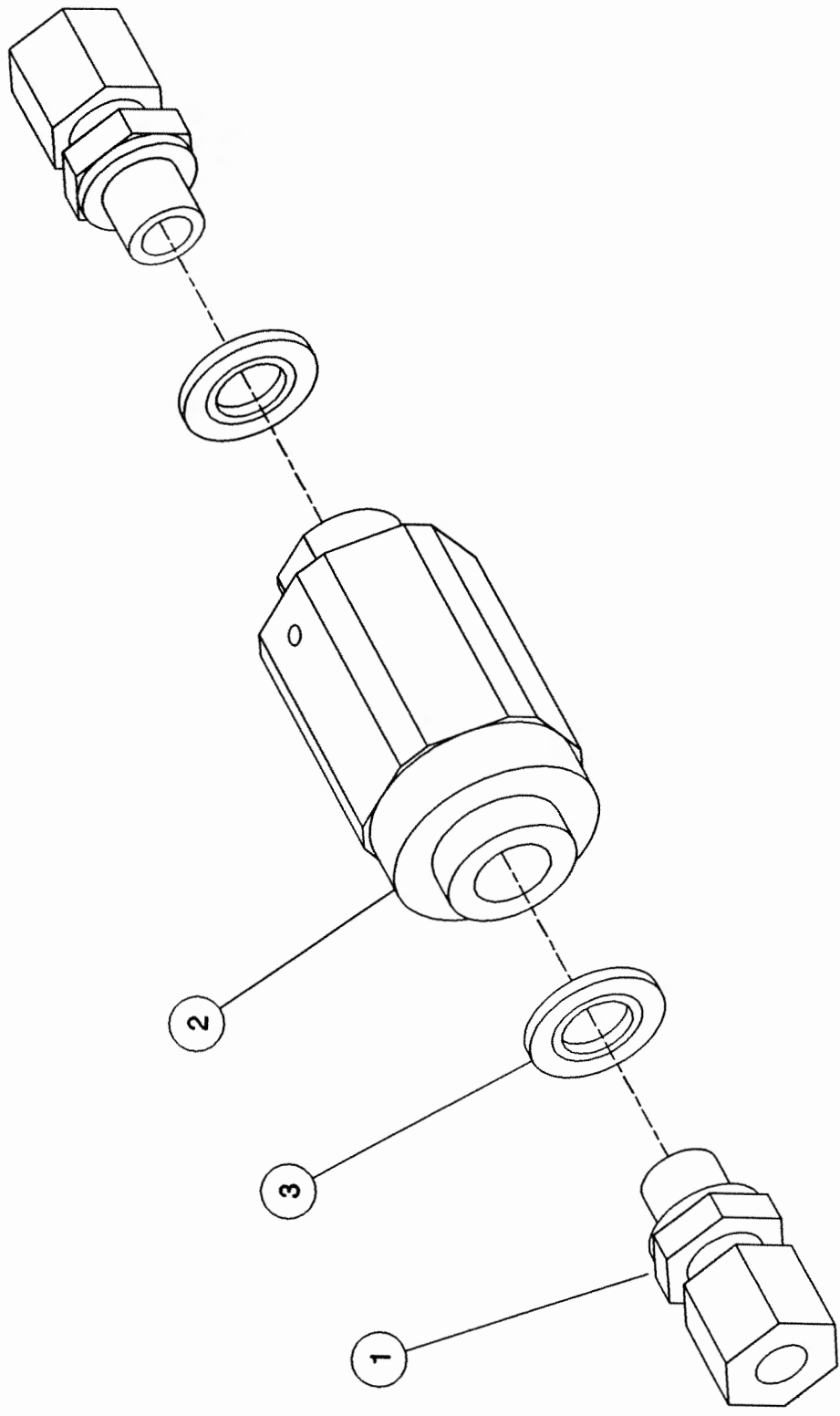
Shelbourne Reynolds Engineering Limited

ASSY NUMBER:		KIT-00905		SUB ASSY DESCRIPTION: SKID EXTENSION KIT (4 SKIDS ONLY)			
ITEM	PART NO	DESCRIPTION	QTY	ITEM	PART NO	DESCRIPTION	QTY
1	191593 01	SKID EXTENSION LH	4				
2	191593 02	SKID EXTENSION RH	4				
3	HSS-0194	SET SCREW	16				
4	NUT-0265	NYLOC NUT	16				
5	WSH-0015	PLAIN WASHER	16				



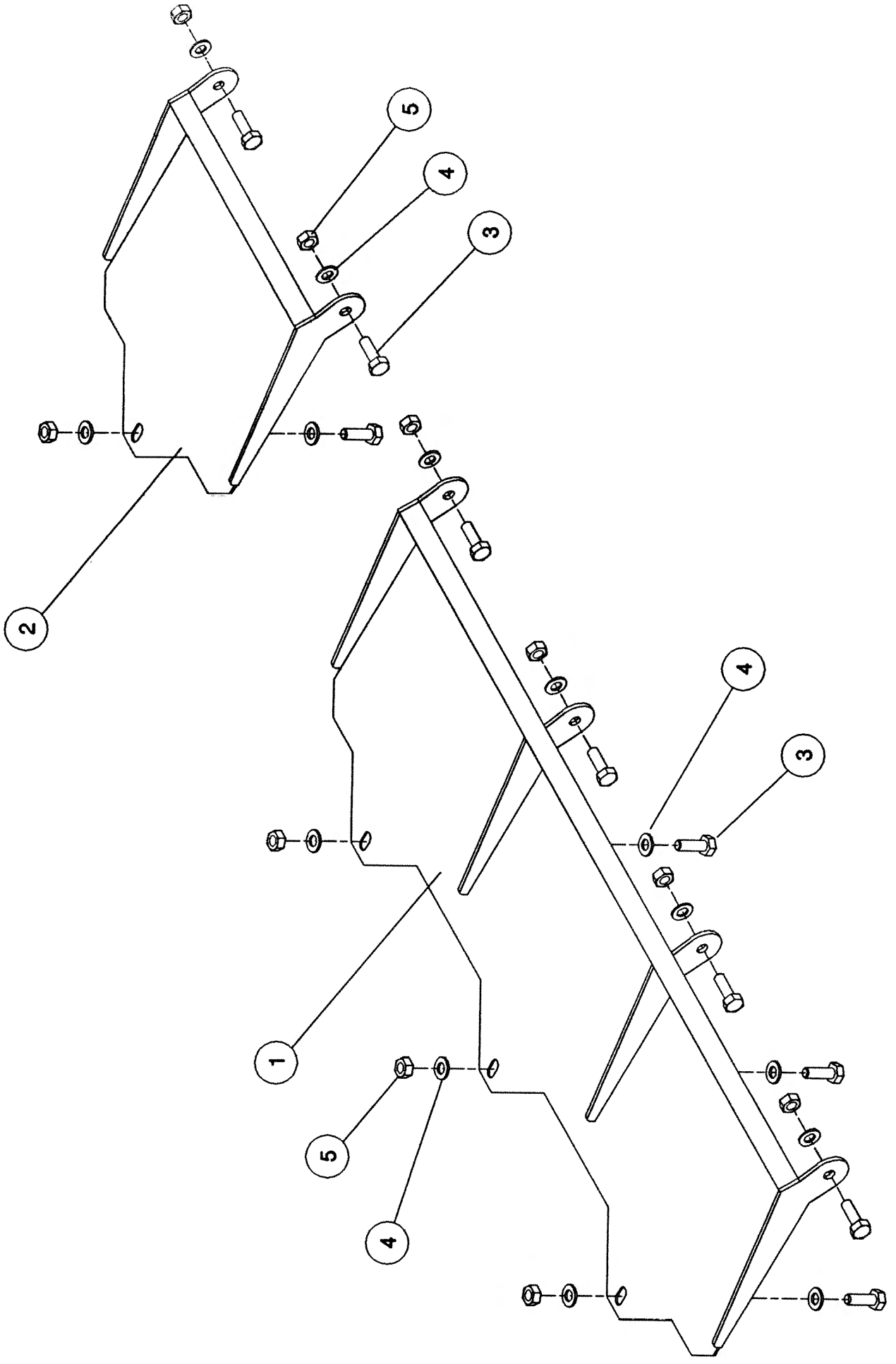
Shelbourne Reynolds Engineering Limited

ASSY NUMBER:		KIT-00932		ASSY DESCRIPTION: THROTTLE VALVE KIT			
ITEM	PART NO	DESCRIPTION	QTY	ITEM	PART NO	DESCRIPTION	QTY
1	FIT-0552	MALE STUD COUPLING	2				
2	VAL-0120	FINE CONTROL THROTTLE VALVE	1				
3	WSH-1005	DOWTY WASHER	2				



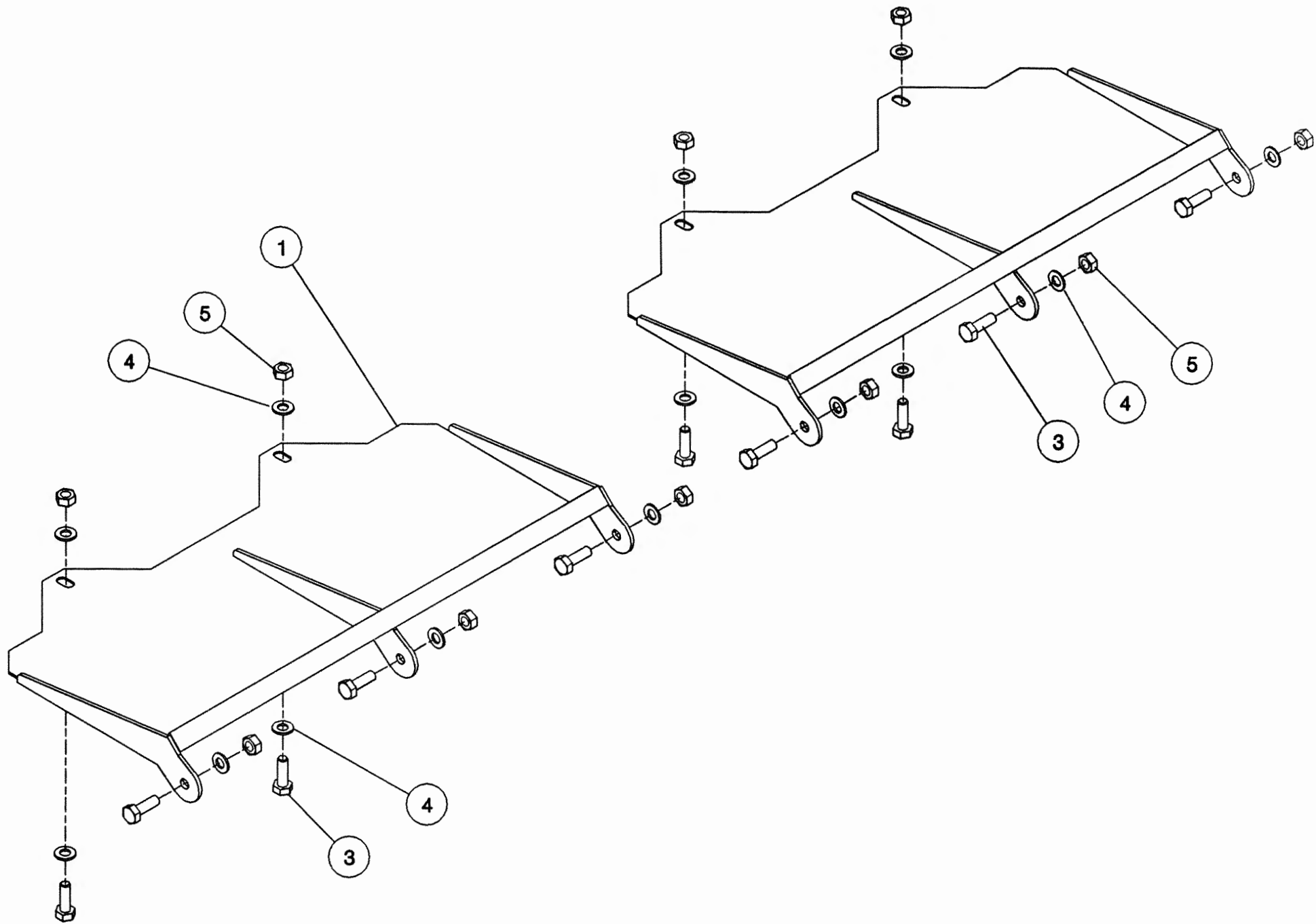
Shelbourne Reynolds Engineering Limited

ASSY NUMBER:		KIT-00945		SUB ASSY DESCRIPTION: RX PROTECTION PANS KIT (54 & 66)			
ITEM	PART NO	DESCRIPTION	QTY	ITEM	PART NO	DESCRIPTION	QTY
1	192714 01	PROTECTION PAN (3 HOLES)	1				
2	192712 01	PROTECTION PAN (1 HOLE)	1				
3	HSS-0191	SET SCREW	10				
4	WSH-0015	WASHER	14				
5	NUT-0265	NUT	10				



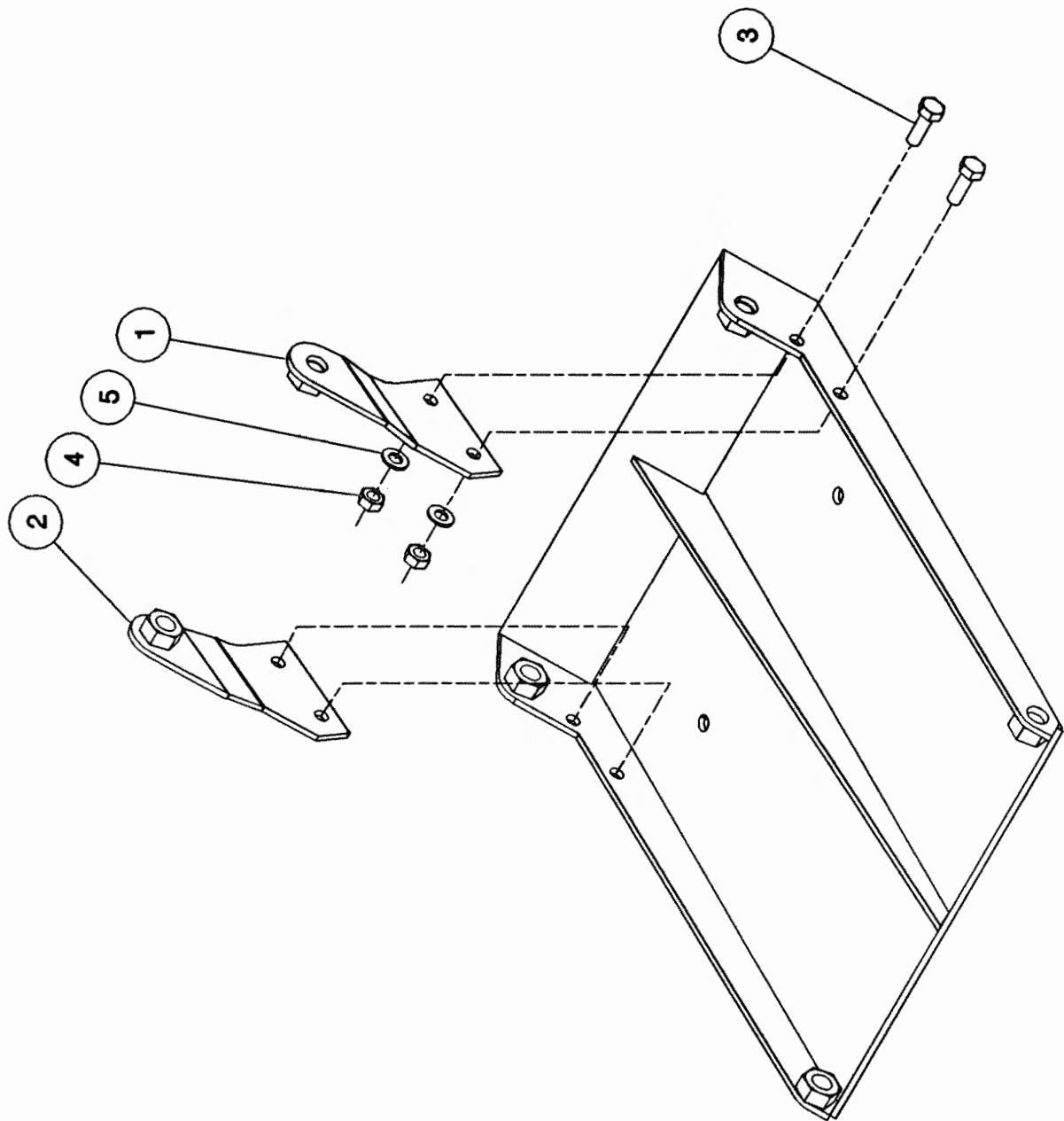
Shelbourne Reynolds Engineering Limited

ASSY NUMBER:		KIT-00946		SUB ASSY DESCRIPTION: RX PROTECTION PANS KIT (60)			
ITEM	PART NO	DESCRIPTION	QTY	ITEM	PART NO	DESCRIPTION	QTY
1	192713 01	PROTECTION PAN (2 HOLES)	2				
2							
3	HSS-0191	SET SCREW	10				
4	WSH-0015	WASHER	14				
5	NUT-0265	NUT	10				



Shelbourne Reynolds Engineering Limited

ASSY NUMBER:		KIT-00947		SUB ASSY DESCRIPTION: SKID EXTENSION KIT (6 SKIDS ONLY)			
ITEM	PART NO	DESCRIPTION	QTY	ITEM	PART NO	DESCRIPTION	QTY
1	191593 01	SKID EXTENSION LH	6				
2	191593 02	SKID EXTENSION RH	6				
3	HSS-0194	SET SCREW	24				
4	NUT-0265	NYLOC NUT	24				
5	WSH-0015	PLAIN WASHER	24				



Shelbourne Reynolds Engineering Limited

ASSY NUMBER:		KIT-00965		SUB ASSY DESCRIPTION: AUGER FLIGHT EXTENSIONS (RX/CX)			
ITEM	PART NO	DESCRIPTION	QTY	ITEM	PART NO	DESCRIPTION	QTY
1	192227 01	AUGER FLIGHT EXT. L. H	1				
2	192227 02	AUGER FLIGHT EXT. R. H	1				
3	SCBA08172	BUT. SKT. HD SCREW	6				
4	WSH-0058	SPRING WASHER	2				
5	WSH-0012	PLAIN WASHER	6				
6	NUT-0263	NYLOC NUT	4				

