



RX & CX Shelbourne Header (1996)

ADAPTOR PLATE & COMBINE FITTINGS

PARTS MANUAL

ALL SOLID SHAFT DRIVE ARRANGEMENTS

Shelbourne
REYNOLDS

Shelbourne Reynolds Engineering Ltd

Stanton

Bury St Edmunds

Suffolk IP31 2AR

England

Telephone: 01359 250415

Fax. No: 01359 250464

(Stores direct 01359 251231)

(Stores direct 01359 252031)



THE QUEEN'S AWARD FOR
TECHNOLOGICAL ACHIEVEMENT



THE QUEEN'S AWARD FOR
EXPORT ACHIEVEMENT

ALL SOLID SHAFT DRIVE ARRANGEMENTS

Parts Manual

Adaptor Plate

196517 01K	ADAPTOR PLATE ASSY - CASE IH
196517 04K	ADAPTOR PLATE ASSY - CLAAS (STD)
196517 06K	ADAPTOR PLATE ASSY - NH (ERPN)
196517 14K	ADAPTOR PLATE ASSY - J.D (USA)

Drive Kits

196532 004	DRIVE KIT - CASE IH Rx60
196532 005	DRIVE KIT - CASE IH Rx66
196532 008	DRIVE KIT - CASE IH Cx84
196532 014	DRIVE KIT - CLAAS Rx60
196532 025	DRIVE KIT - NH (ERPN) PTO Rx66
196532 154	DRIVE KIT - JD USA Rx60
196532 155	DRIVE KIT - JD USA Rx66
196532 158	DRIVE KIT - JD USA Cx84

Hydraulic Fittings

KIT-01702	HYDRAULIC CONNECTOR NH (ERPN)
KIT-01705	HYDRAULIC CONNECTOR CLAAS
KIT-01707	HYDRAULIC CONNECTOR - JD (USA)
KIT-01709	HYDRAULIC CONNECTOR - IH1680,1688,2188

Kit Options

KIT-00903	ROTOR GRATE KIT IH 1480,1680,1688,2188
KIT-00932	THROTTLE VALVE KIT
KIT-00965	AUGER FLIGHT EXTENSIONS KIT
KIT-00970	RX PROTECTION PANS (ALL WIDTHS)

RX & CX Shelbourne Header

ADAPTOR PLATES

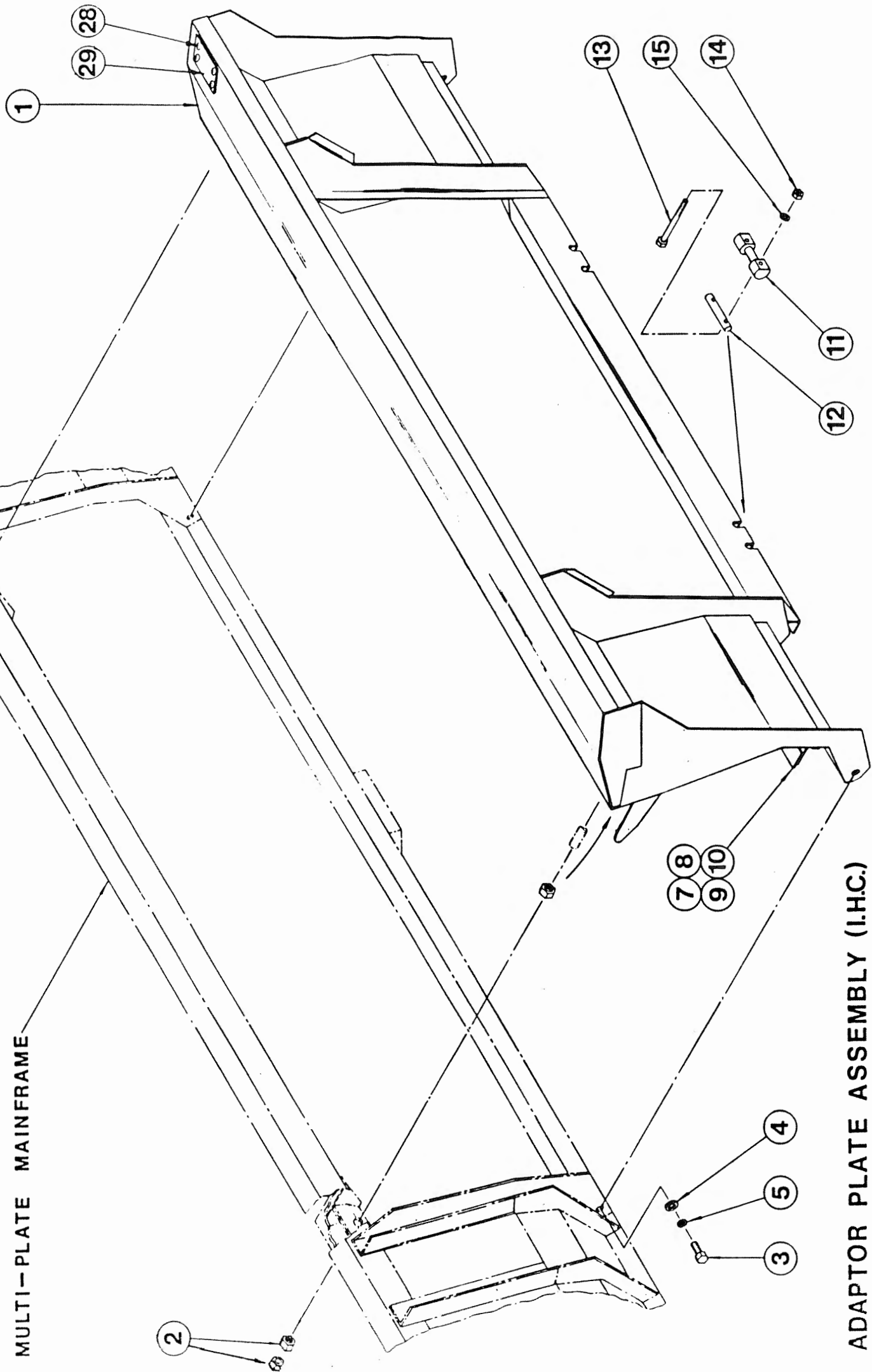
Shelbourne Reynolds Engineering Limited

ASSY NUMBER: 196517 01K		ASSY DESCRIPTION: ADAPTOR PLATE ASSY IHC					
ITEM	PART NO	DESCRIPTION	QTY	ITEM	PART NO	DESCRIPTION	QTY
	KIT-00601	ADAPTOR PLATE SUB	1				

Shelbourne Reynolds Engineering Limited

ASSY NUMBER:		KIT-00601		SUB ASSY DESCRIPTION: ADAPTOR PLATE IHC (FROM ASSY 196517 01)			
ITEM	PART NO	DESCRIPTION	QTY	ITEM	PART NO	DESCRIPTION	QTY
1	191051 01	FRAME WELD ASSY	1				
2	NUT-0190	PLAIN NUT	6				
3	HSS-0315	SET SCREW	2				
4	WSH-0024	PLAIN WASHER	2				
5	WSH-0070	SPRING WASHER	2				
6							
7	191063 02	SCRAPER	2				
8	BLT-4710	COACH BOLT	6				
9	NUT-0263	NYLOC NUT	6				
10	WSH-0012	PLAIN WASHER	6				
11	130236 01	PICK UP BAR	2				
12	130237 01	FIXING BAR	2				
13	BLT-2273	BOLT	4				
14	NUT-0269	NYLOC NUT	4				
15	WSH-0018	PLAIN WASHER	8				
28	POP-0006	POP RIVET	4				
29	134024 05	IDENTIFICATION PLATE	1				

MULTI-PLATE MAINFRAME



ADAPTOR PLATE ASSEMBLY (I.H.C.)

Shelbourne Reynolds Engineering Limited

ASSY NUMBER:		196517 04K	ASSY DESCRIPTION: ADAPTOR PLATE ASSY - CLAAS (STD. ELEV.)				
ITEM	PART NO	DESCRIPTION	QTY	ITEM	PART NO	DESCRIPTION	QTY
	KIT-00604	ADAPTOR PLATE SUB	1				
	KIT-00807	FIXING KIT	1				

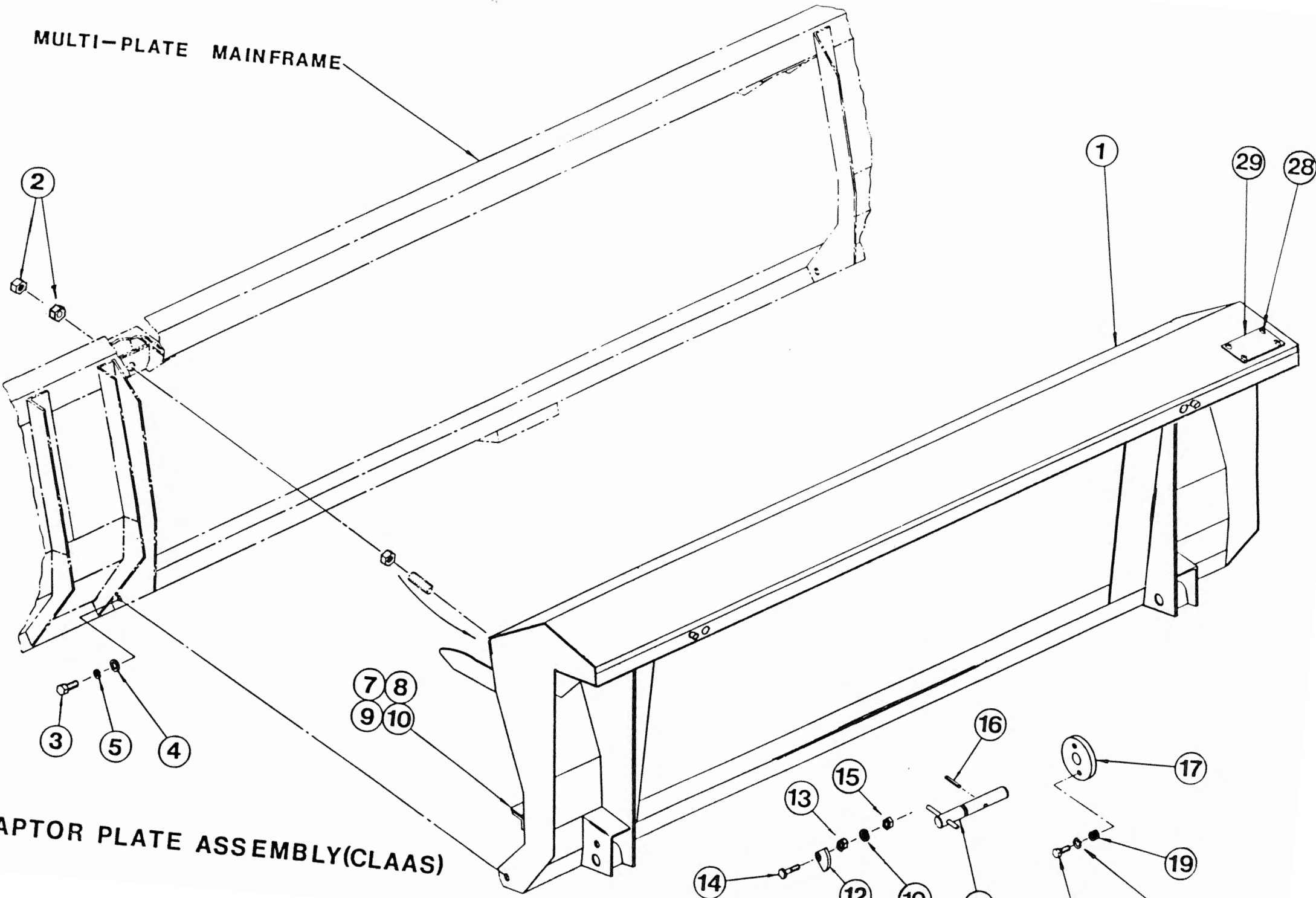
Shelbourne Reynolds Engineering Limited

ASSY NUMBER:		KIT-00604		SUB ASSY DESCRIPTION: ADAPTOR PLATE CLAAS (FROM 196517 04)			
ITEM	PART NO	DESCRIPTION	QTY	ITEM	PART NO	DESCRIPTION	QTY
1	191123 01	FRAME WELDED ASSY	1				
2	NUT-0190	NUT	6				
3	HSS-0315	SCREW	2				
4	WSH-0024	WASHER	2				
5	WSH-0070	SPRING WASHER	2				
6							
7	191134 02	SCRAPER	2				
8	BLT-4710	COACH BOLT	6				
9	NUT-0263	NYLOC NUT	6				
10	WSH-0012	FLAT WASHER	6				
11							
12							
13							
14							
15							
16							
17							
18							
19							
28	POP-0006	POP RIVET	4				
29	134024 05	IDENTIFICATION PLATE	1				

Shelbourne Reynolds Engineering Limited

ASSY NUMBER:		KIT-00807		SUB ASSY DESCRIPTION: FIXING KIT (CLAAS STD. ELEV.)			
ITEM	PART NO	DESCRIPTION	QTY	ITEM	PART NO	DESCRIPTION	QTY
11	130088 01	LOCKING HANDLE	2				
12	210125 01	LOCKING CAM	2				
13	NUT-0170	PLAIN NUT	2				
14	HSS-0250	SET SCREW	2				
15	NUT-0269	NYLOC NUT	2				
16	PIN-1935	ROLL PIN	2				
17	130112 01	GUIDE DISC	2				
18	SCW-0243	CAP HEAD SCREW	4				
19	WSH-0018	PLAIN WASHER	22				
20	WSH-0065	SPRING WASHER	4				

MULTI-PLATE MAINFRAME



ADAPTOR PLATE ASSEMBLY(CLAAS)



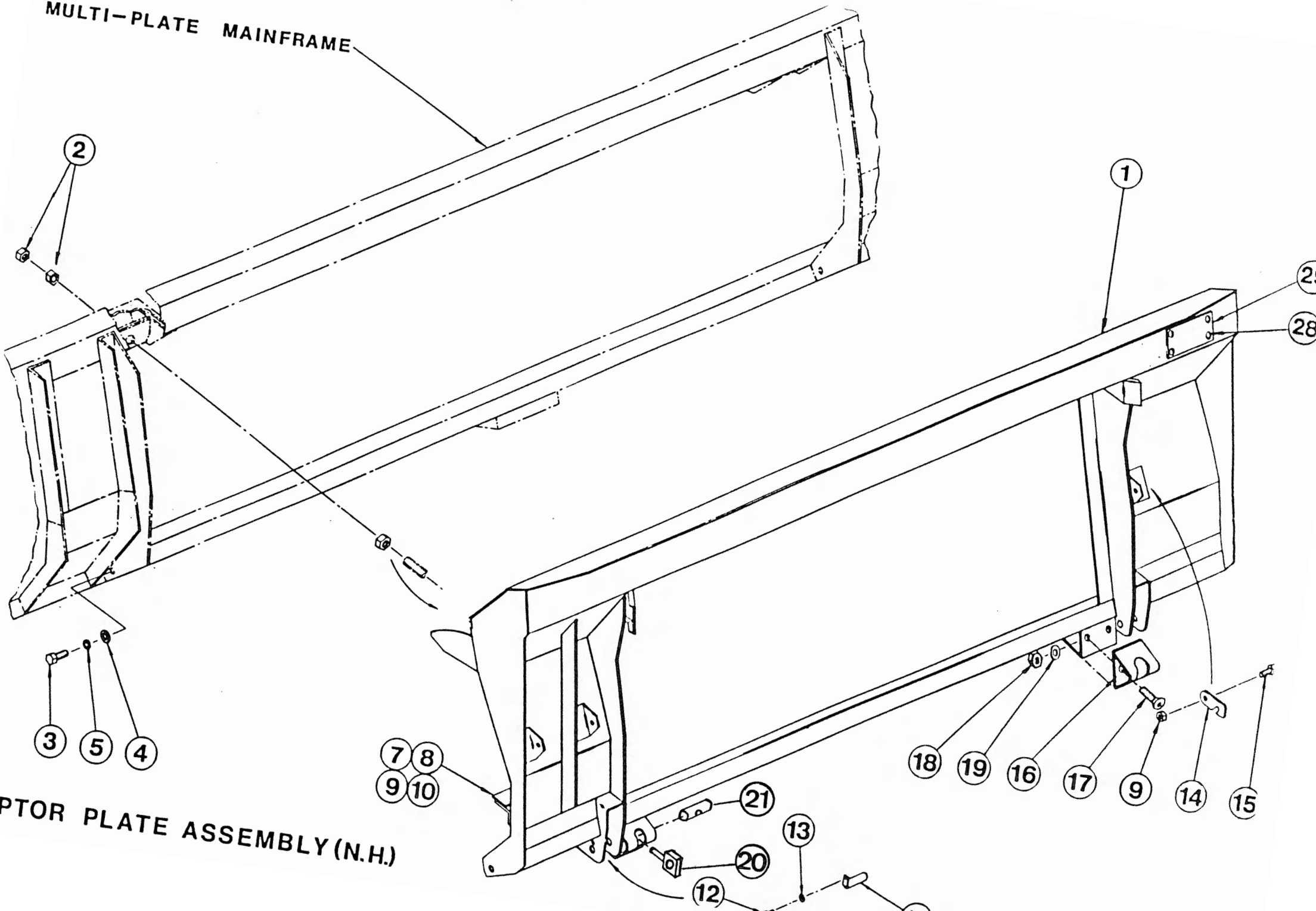
Shelbourne Reynolds Engineering Limited

ASSY NUMBER: 196517 06K				ASSY DESCRIPTION: ADAPTOR PLATE ASSY - NEW HOLLAND			
ITEM	PART NO	DESCRIPTION	QTY	ITEM	PART NO	DESCRIPTION	QTY
	KIT-00606	ADAPTOR PLATE SUB	1				

Shelbourne Reynolds Engineering Limited

ASSY NUMBER:		KIT-00606		SUB ASSY DESCRIPTION: ADAPTOR PLATE NH (FROM 196517 06)			
ITEM	PART NO	DESCRIPTION	QTY	ITEM	PART NO	DESCRIPTION	QTY
1	191153 01	FRAME WELD ASSY	1				
2	NUT-0190	NUT	6				
3	HSS-0315	SCREW	2				
4	WSH-0024	WASHER	2				
5	WSH-0070	SPRING WASHER	2				
6							
7	191160 02	SCRAPER	2				
8	BLT-4710	COACH BOLT	6				
9	NUT-0263	NYLOC NUT	8				
10	WSH-0012	WASHER	10				
11	191172 01	PIN ASSY	2				
12	HSS-0082	SCREW	2				
13	WSH-0056	SPRING WASHER	2				
14	130111 01	RETAINING LUG	2				
15	HSS-0150	SCREW	2				
16							
17							
18							
19							
28	POP-0006	POP RIVET	4				
29	134024 05	IDENTIFICATION PLATE	1				

MULTI-PLATE MAINFRAME



ADAPTOR PLATE ASSEMBLY (N.H.)

Shelbourne Reynolds Engineering Limited

ASSY NUMBER:		196517 14K		ASSY DESCRIPTION: ADAPTOR PLATE ASSY - JD (AMERICAN)			
ITEM	PART NO	DESCRIPTION	QTY	ITEM	PART NO	DESCRIPTION	QTY
	KIT-00605	ADAPTOR PLATE SUB	1				
	KIT-00804	LEVELLING KIT	1				

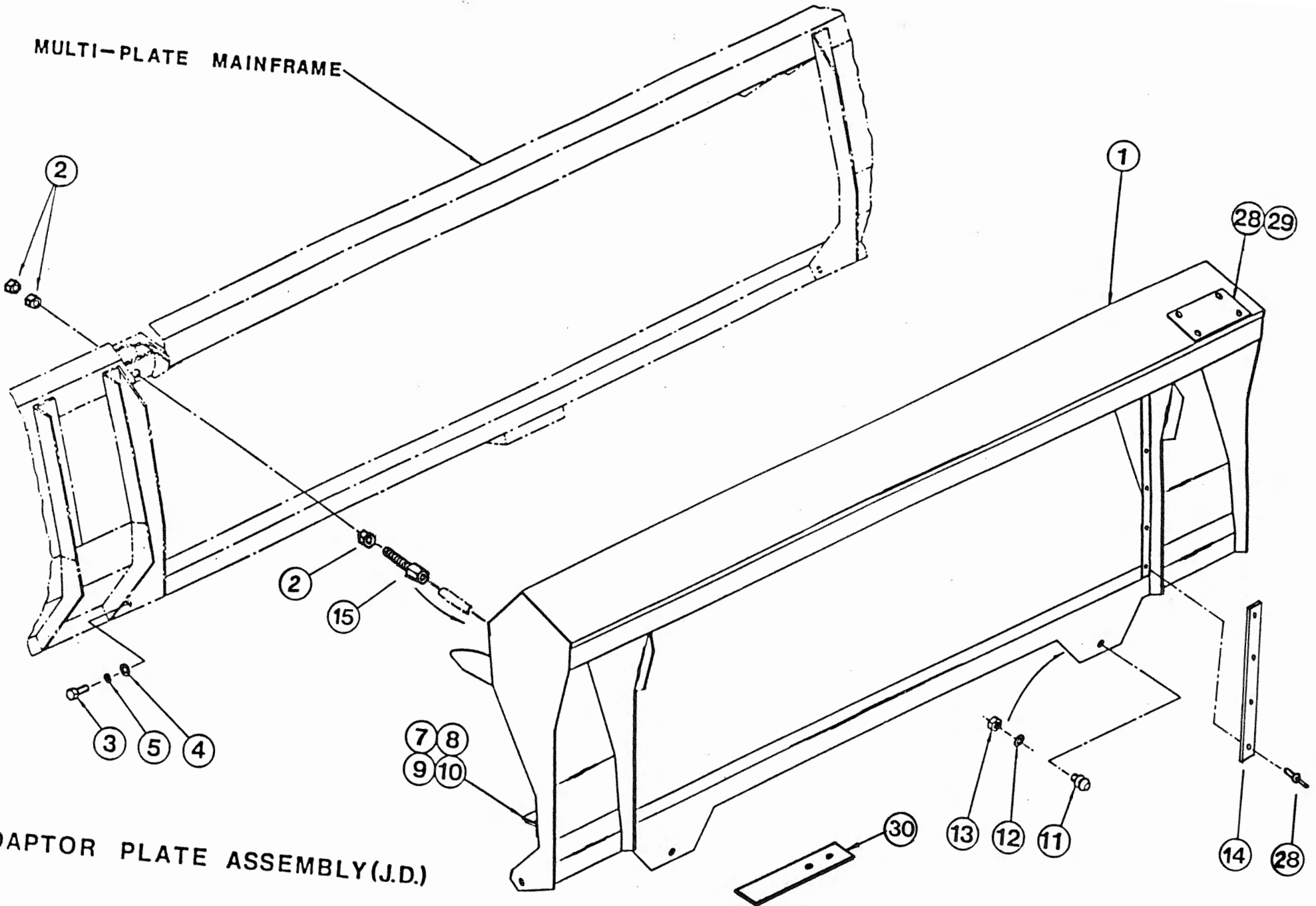
Shelbourne Reynolds Engineering Limited

ASSY NUMBER:		KIT-00605		SUB ASSY DESCRIPTION: ADAPTOR PLATE JOHN DEERE (FROM 196517 05)			
ITEM	PART NO	DESCRIPTION	QTY	ITEM	PART NO	DESCRIPTION	QTY
1	191216 01	FRAME WELD ASSY	1				
2	NUT-0190	PLAIN NUT	6				
3	HSS-0315	SET SCREW	2				
4	WSH-0024	PLAIN WASHER	2				
5	WSH-0070	SPRING WASHER	2				
6							
7	191223 02	SCRAPER	2				
8	BLT-4710	COACH BOLT	6				
9	NUT-0263	NYLOC NUT	6				
10	WSH-0012	PLAIN WASHER	6				
11							
12							
13							
14	191778 01	FILL IN STRIP	2				
15							
28	POP-0006	POP RIVET	8				
29	134024 05	IDENTIFICATION PLATE	1				

Shelbourne Reynolds Engineering Limited

ASSY NUMBER:		KIT-00804		SUB ASSY DESCRIPTION: LEVELLING SPACERS (JD)			
ITEM	PART NO	DESCRIPTION	QTY	ITEM	PART NO	DESCRIPTION	QTY
30	191595 01	SPACER	3				

MULTI-PLATE MAINFRAME



ADAPTOR PLATE ASSEMBLY (J.D.)

RX & CX Shelbourne Header

DRIVE KITS

Shelbourne Reynolds Engineering Limited

ASSY NUMBER:		196532 004		ASSY DESCRIPTION: DRIVE KIT RX60 CASEIH (not tilt)			
ITEM	PART NO	DESCRIPTION	QTY	ITEM	PART NO	DESCRIPTION	QTY
1	KIT-01007	SHORT DROP BOX SUB	1				
2	KIT-00522	DRIVE GUARD KIT (7TH HOLE)	1				
3	KIT-00103	IDLER	1				
4	KIT-00410	GEARBOX INPUT SHAFT SUB	1				
5	KIT-00418	COMBINE/HEADER SHAFT KIT	1				
6	KIT-03010	EXTRA COMBINE ADAPTOR KIT	1				
7	CHN-01620	CHAIN					
8	CHN-01600	JOINING LINK	1				
9	KIT-00931	PTO SUPPORT KIT	1				

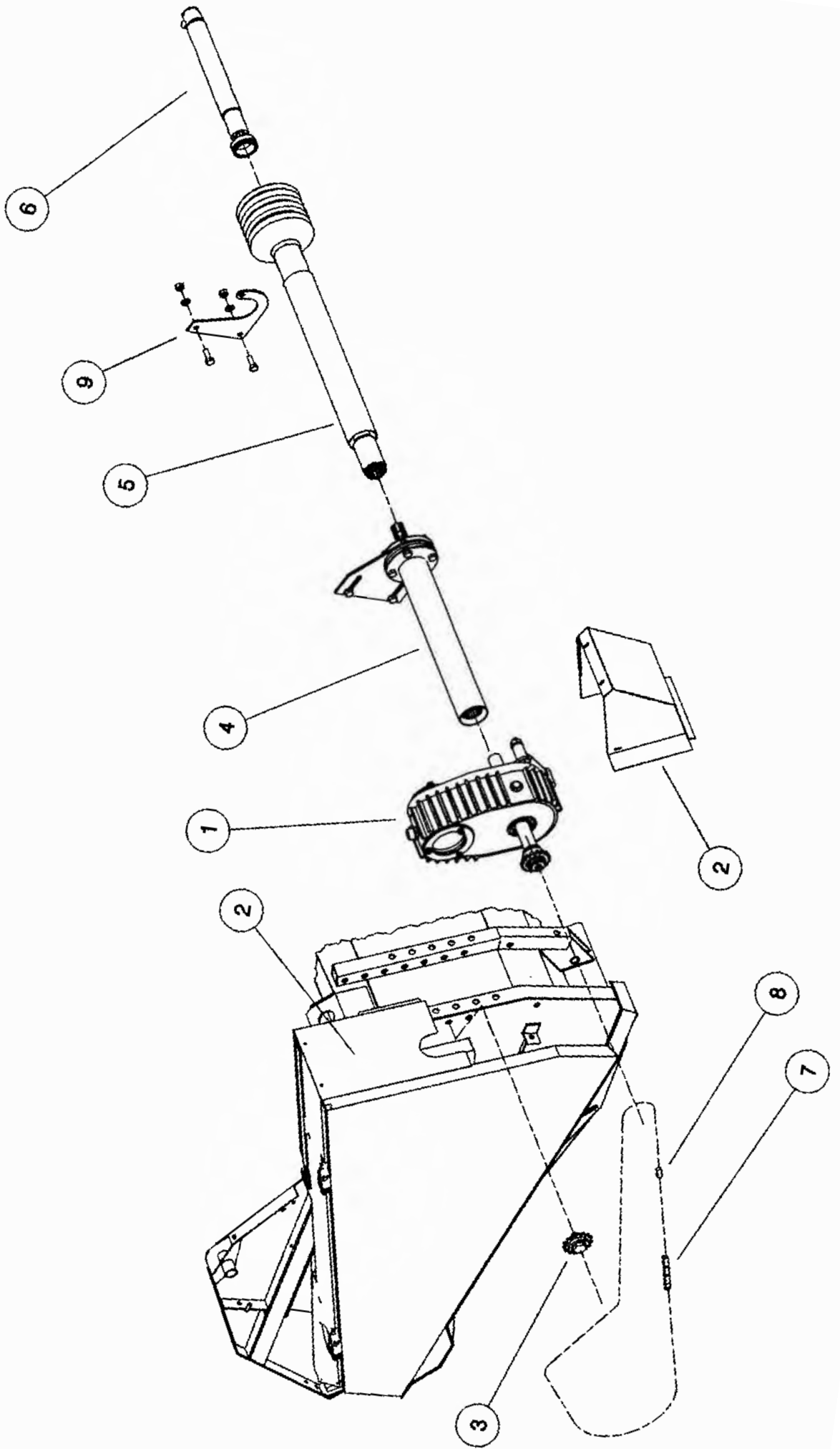
Shelbourne Reynolds Engineering Limited

ASSY NUMBER:		196532 005		ASSY DESCRIPTION: DRIVE KIT RX66 CASEIH (not tilt)			
ITEM	PART NO	DESCRIPTION	QTY	ITEM	PART NO	DESCRIPTION	QTY
1	KIT-01007	SHORT DROP BOX SUB	1				
2	KIT-00522	DRIVE GUARD KIT (7TH HOLE)	1				
3	KIT-00103	IDLER	1				
4	KIT-00411	GEARBOX INPUT SHAFT SUB	1				
5	KIT-00418	COMBINE/HEADER SHAFT KIT	1				
6	KIT-03010	EXTRA COMBINE ADAPTOR KIT	1				
7	CHN-01620	CHAIN					
8	CHN-01600	JOINING LINK	1				
9	KIT-00931	PTO SUPPORT KIT	1				

Shelbourne Reynolds Engineering Limited

ASSY NUMBER:		196532 008		ASSY DESCRIPTION: DRIVE KIT CX84 CASEIH (not tilt)			
ITEM	PART NO	DESCRIPTION	QTY	ITEM	PART NO	DESCRIPTION	QTY
1	KIT-01014	SHORT DROP BOX SUB	1				
2	KIT-00524	DRIVE GUARD KIT (7TH HOLE)	1				
3	KIT-00112	IDLER	1				
4	KIT-00414	GEARBOX INPUT SHAFT SUB	1				
5	KIT-00418	COMBINE/HEADER SHAFT KIT	1				
6	KIT-03010	EXTRA COMBINE ADAPTOR KIT	1				
7	CHN-01920	CHAIN					
8	CHN-01901	JOINING LINK	1				
9	KIT-00931	PTO SUPPORT KIT	1				

RX HEADER ILLUSTRATED



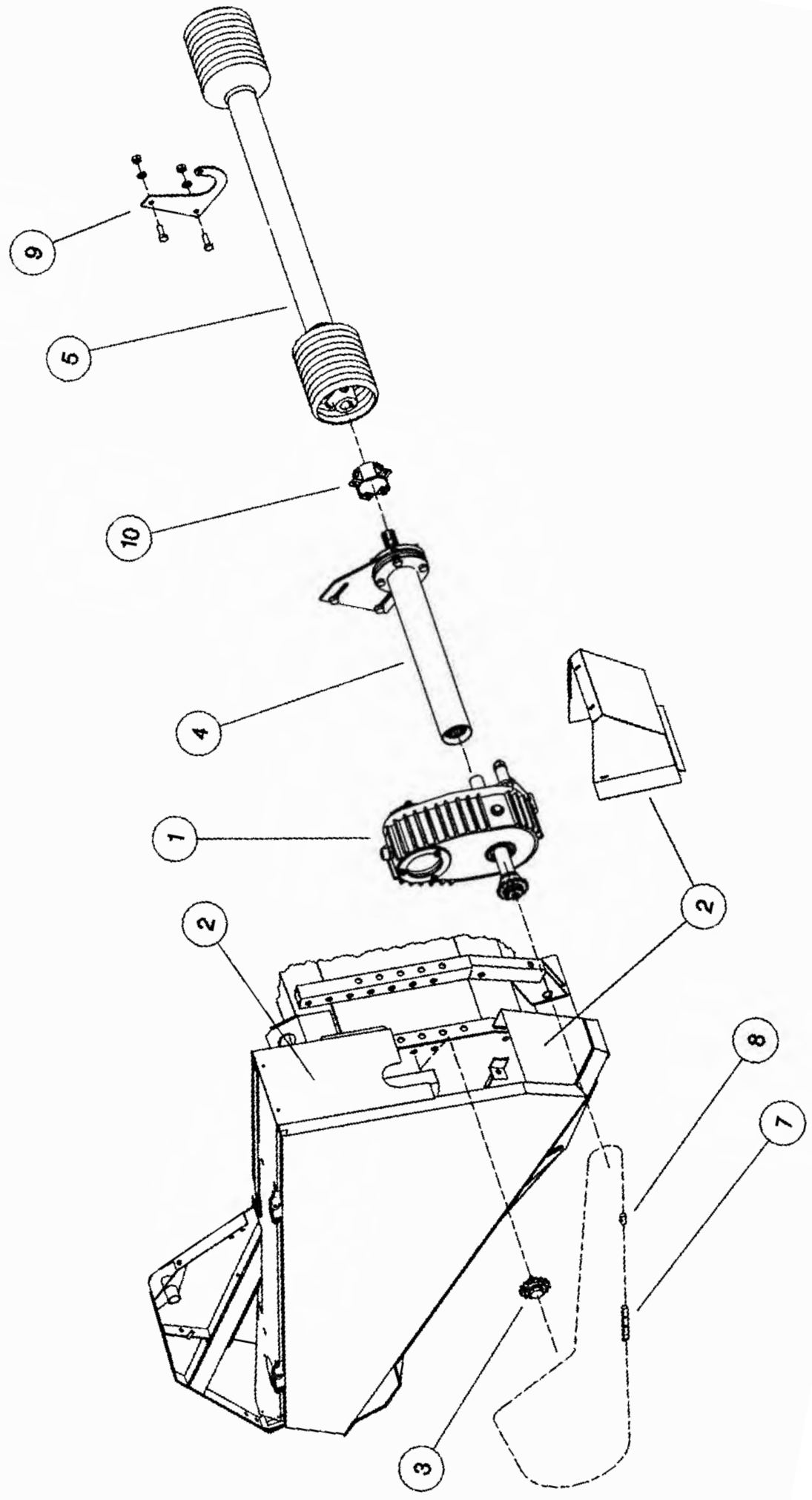
Shelbourne Reynolds Engineering Limited

ASSY NUMBER:		196532 014		ASSY DESCRIPTION: DRIVE KIT RX60 CLAAS (and tilt)			
ITEM	PART NO	DESCRIPTION	QTY	ITEM	PART NO	DESCRIPTION	QTY
1	KIT-01004	SHORT DROP BOX SUB	1				
2	KIT-00521	DRIVE GUARD KIT (5TH HOLE)	1				
3	KIT-00103	IDLER	1				
4	KIT-00410	GEARBOX INPUT SHAFT SUB	1				
5	PTO-17000	COMBINE/HEADER SHAFT	1				
6							
7	CHN-01620	CHAIN					
8	CHN-01600	JOINING LINK	1				
9	KIT-00931	PTO SUPPORT KIT	1				
10	KIT-00525	PTO END GUARD	1				

Shelbourne Reynolds Engineering Limited

ASSY NUMBER: 196532 025		ASSY DESCRIPTION: DRIVE KIT RX66 NH (ERPN)PTO					
ITEM	PART NO	DESCRIPTION	QTY	ITEM	PART NO	DESCRIPTION	QTY
1	KIT-01009	SHORT DROP BOX SUB	1				
2	KIT-00521	DRIVE GUARD KIT (5TH HOLE)	1				
3	KIT-00103	IDLER	1				
4	KIT-00411	GEARBOX INPUT SHAFT SUB	1				
5	PTO-17000	COMBINE/HEADER SHAFT	1				
6							
7	CHN-01620	CHAIN					
8	CHN-01600	JOINING LINK	1				
9	KIT-00931	PTO SUPPORT KIT	1				
10	KIT-00525	PTO END GUARD	1				

RX HEADER ILLUSTRATED



Shelbourne Reynolds Engineering Limited

ASSY NUMBER:		196532 154		ASSY DESCRIPTION: DRIVE KIT RX60 JD USA			
ITEM	PART NO	DESCRIPTION	QTY	ITEM	PART NO	DESCRIPTION	QTY
1	KIT-01007	SHORT DROP BOX SUB	1				
2	KIT-00522	DRIVE GUARD KIT (7TH HOLE)	1				
3	KIT-00103	IDLER	1				
4	KIT-00410	GEARBOX INPUT SHAFT SUB	1				
5	KIT-00418	COMBINE/HEADER SHAFT KIT	1				
6	KIT-03011	EXTRA COMBINE ADAPTOR KIT	1				
7	CHN-01620	CHAIN					
8	CHN-01600	JOINING LINK	1				
9	KIT-00931	PTO SUPPORT KIT	1				

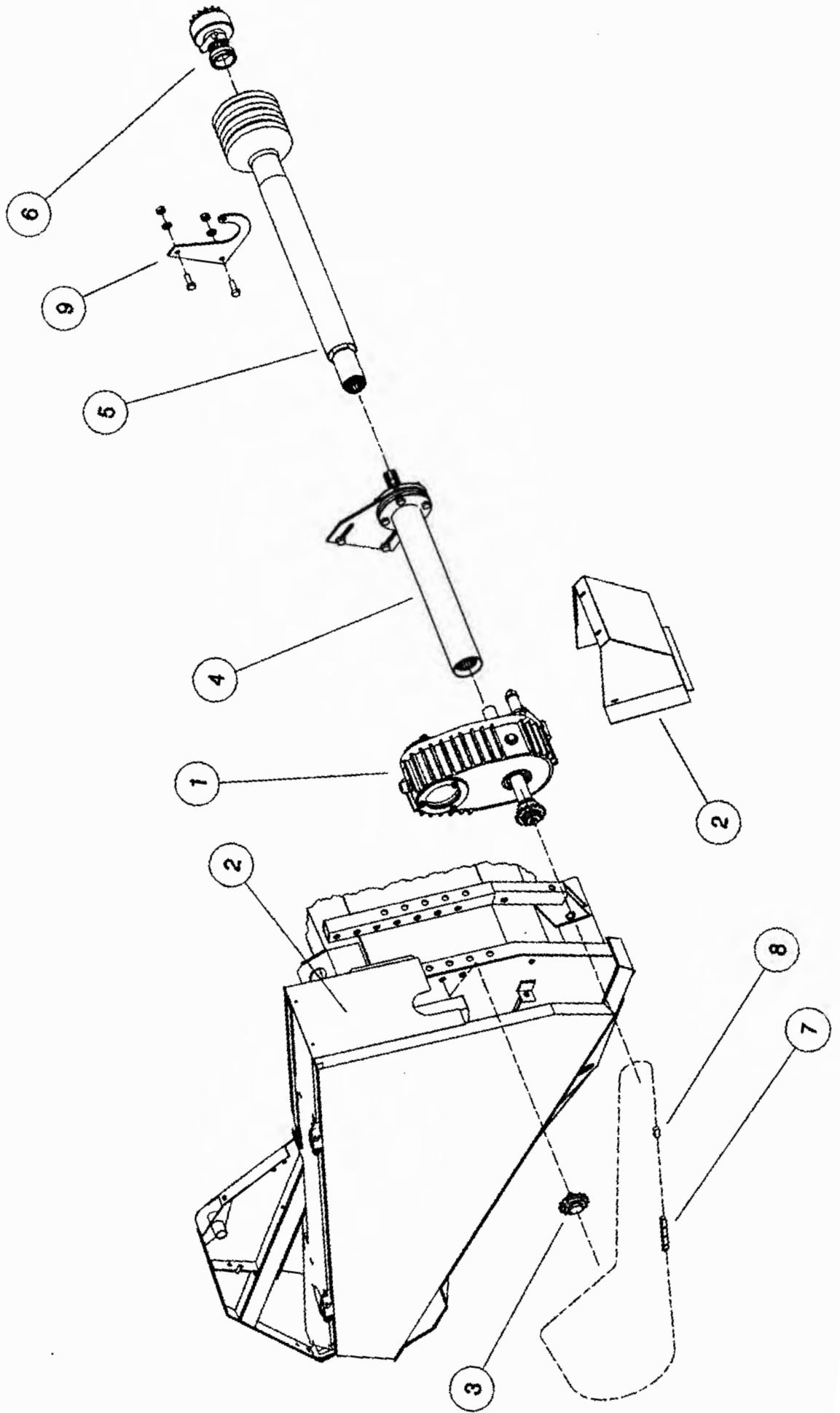
Shelbourne Reynolds Engineering Limited

ASSY NUMBER:		196532 155		ASSY DESCRIPTION: DRIVE KIT RX66 JD USA			
ITEM	PART NO	DESCRIPTION	QTY	ITEM	PART NO	DESCRIPTION	QTY
1	KIT-01007	SHORT DROP BOX SUB	1				
2	KIT-00522	DRIVE GUARD KIT (7TH HOLE)	1				
3	KIT-00103	IDLER	1				
4	KIT-00411	GEARBOX INPUT SHAFT SUB	1				
5	KIT-00418	COMBINE/HEADER SHAFT KIT	1				
6	KIT-03011	EXTRA COMBINE ADAPTOR KIT	1				
7	CHN-01620	CHAIN					
8	CHN-01600	JOINING LINK	1				
9	KIT-00931	PTO SUPPORT KIT	1				

Shelbourne Reynolds Engineering Limited

ASSY NUMBER:		196532 158		ASSY DESCRIPTION: DRIVE KIT CX84 JD USA			
ITEM	PART NO	DESCRIPTION	QTY	ITEM	PART NO	DESCRIPTION	QTY
1	KIT-01014	SHORT DROP BOX SUB	1				
2	KIT-00524	DRIVE GUARD KIT (7TH HOLE)	1				
3	KIT-00112	IDLER	1				
4	KIT-00414	GEARBOX INPUT SHAFT SUB	1				
5	KIT-00418	COMBINE/HEADER SHAFT KIT	1				
6	KIT-03011	EXTRA COMBINE ADAPTOR KIT	1				
7	CHN-01920	CHAIN					
8	CHN-01901	JOINING LINK	1				
9	KIT-00931	PTO SUPPORT KIT	1				

RX HEADER ILLUSTRATED



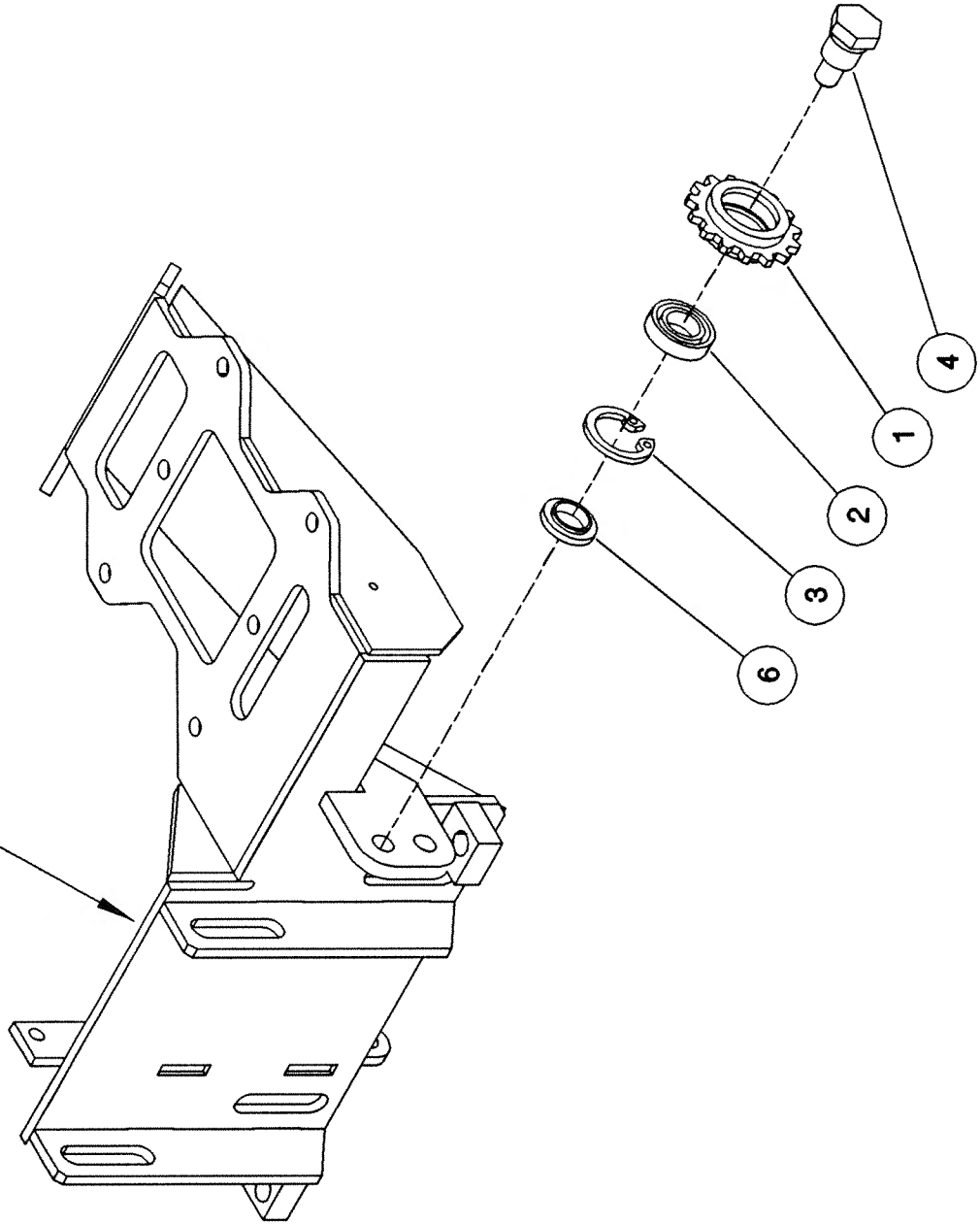
Shelbourne Reynolds Engineering Limited

ASSY NUMBER:		KIT-00103		SUB ASSY DESCRIPTION: IDLER ASSY			
ITEM	PART NO	DESCRIPTION	QTY	ITEM	PART NO	DESCRIPTION	QTY
1	131014 01	SPROCKET IDLER	1				
2	BRG-1995	BEARING	1				
3	CIR-0470	CIRCLIP	1				
4	190060 06	CONVEYOR IDLER SPINDLE	1				
6	191040 01	CONVEYOR IDLER SPACER	1				

Shelbourne Reynolds Engineering Limited

ASSY NUMBER:		KIT-00112		SUB ASSY DESCRIPTION: CX IDLER ASSY			
ITEM	PART NO	DESCRIPTION	QTY	ITEM	PART NO	DESCRIPTION	QTY
1	131041 01	SPROCKET IDLER	1				
2	BRG-1995	BEARING	1				
3	CIR-0470	CIRCLIP	1				
4	190060 06	CONVEYOR IDLER SPINDLE	1				
6	191040 01	CONVEYOR IDLER SPACER	1				

GEARBOX MOUNTING BRACKET



Shelbourne Reynolds Engineering Limited

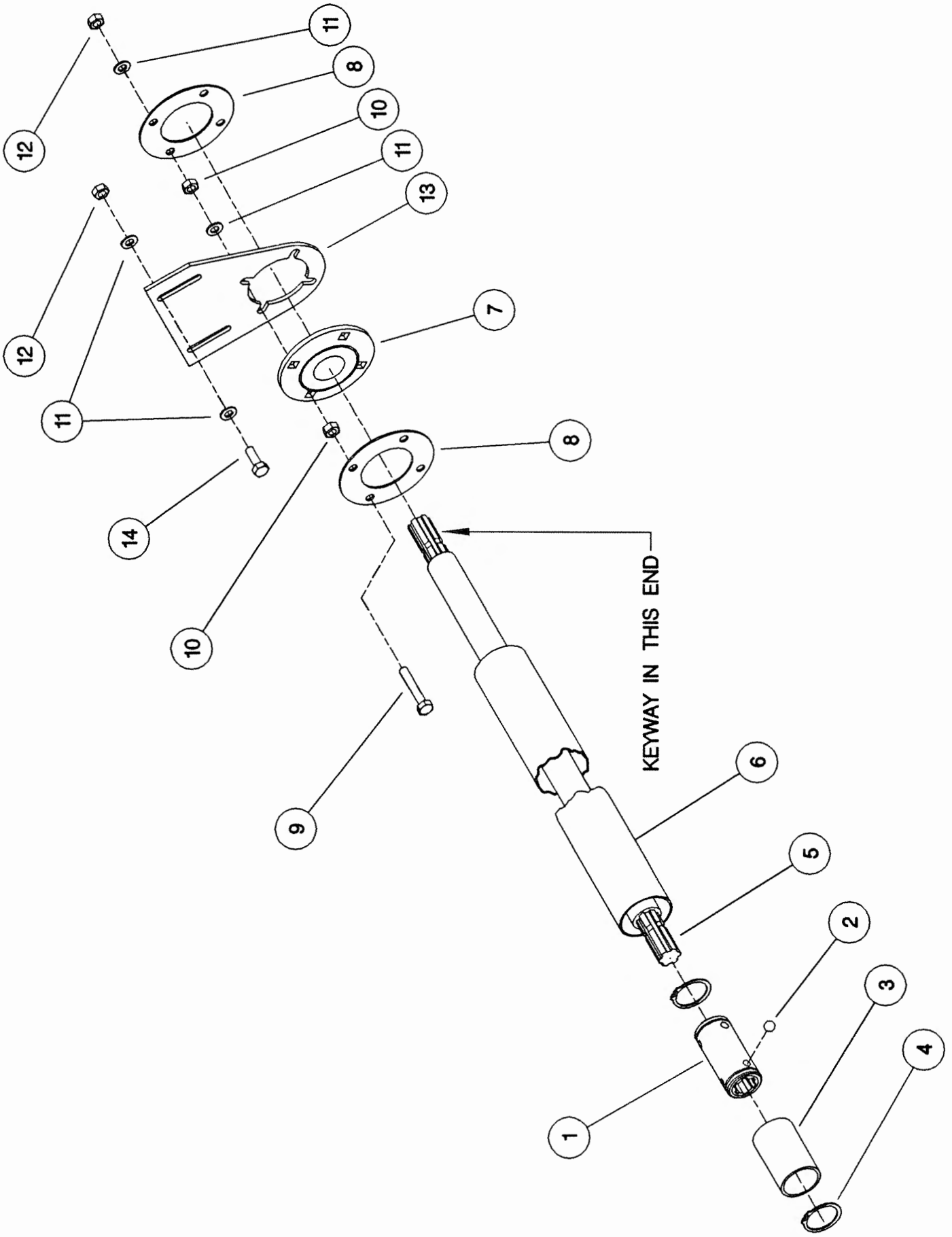
ASSY NUMBER:		KIT-00410		ASSY DESCRIPTION: GEARBOX INPUT SHAFT SUB			
ITEM	PART NO	DESCRIPTION	QTY	ITEM	PART NO	DESCRIPTION	QTY
1	192979 01	COUPLING	1				
2	BRG-80120	RETAINING BALLS	6				
3	192980 01	RETAINING SLEEVE	1				
4	CIR-0055	CIRCLIP	2				
5	192982 01	INPUT SHAFT	1				
6	192985 01	INPUT SHAFT GUARD	1				
7	BRG-24500	BEARING	1				
8	192991 01	GUARD SUPPORT PLATE	2				
9	HSS-0275	SET SCREW	4				
10	NUT-0170	NUT	8				
11	WSH-0018	WASHER	12				
12	NUT-0269	NUT	6				
13	192993 01	SUPPORT PLATE	1				
14	HSS-0238	SETSCREW	2				

Shelbourne Reynolds Engineering Limited

ASSY NUMBER:		KIT-00411		ASSY DESCRIPTION: GEARBOX INPUT SHAFT SUB			
ITEM	PART NO	DESCRIPTION	QTY	ITEM	PART NO	DESCRIPTION	QTY
1	192979 01	COUPLING	1				
2	BRG-80120	RETAINING BALLS	6				
3	192980 01	RETAINING SLEEVE	1				
4	CIR-0055	CIRCLIP	2				
5	192982 02	INPUT SHAFT	1				
6	192985 02	INPUT SHAFT GUARD	1				
7	BRG-24500	BEARING	1				
8	192991 01	GUARD SUPPORT PLATE	2				
9	HSS-0275	SET SCREW	4				
10	NUT-0170	NUT	8				
11	WSH-0018	WASHER	12				
12	NUT-0269	NUT	6				
13	192993 01	SUPPORT PLATE	1				
14	HSS-0238	SETSCREW	2				

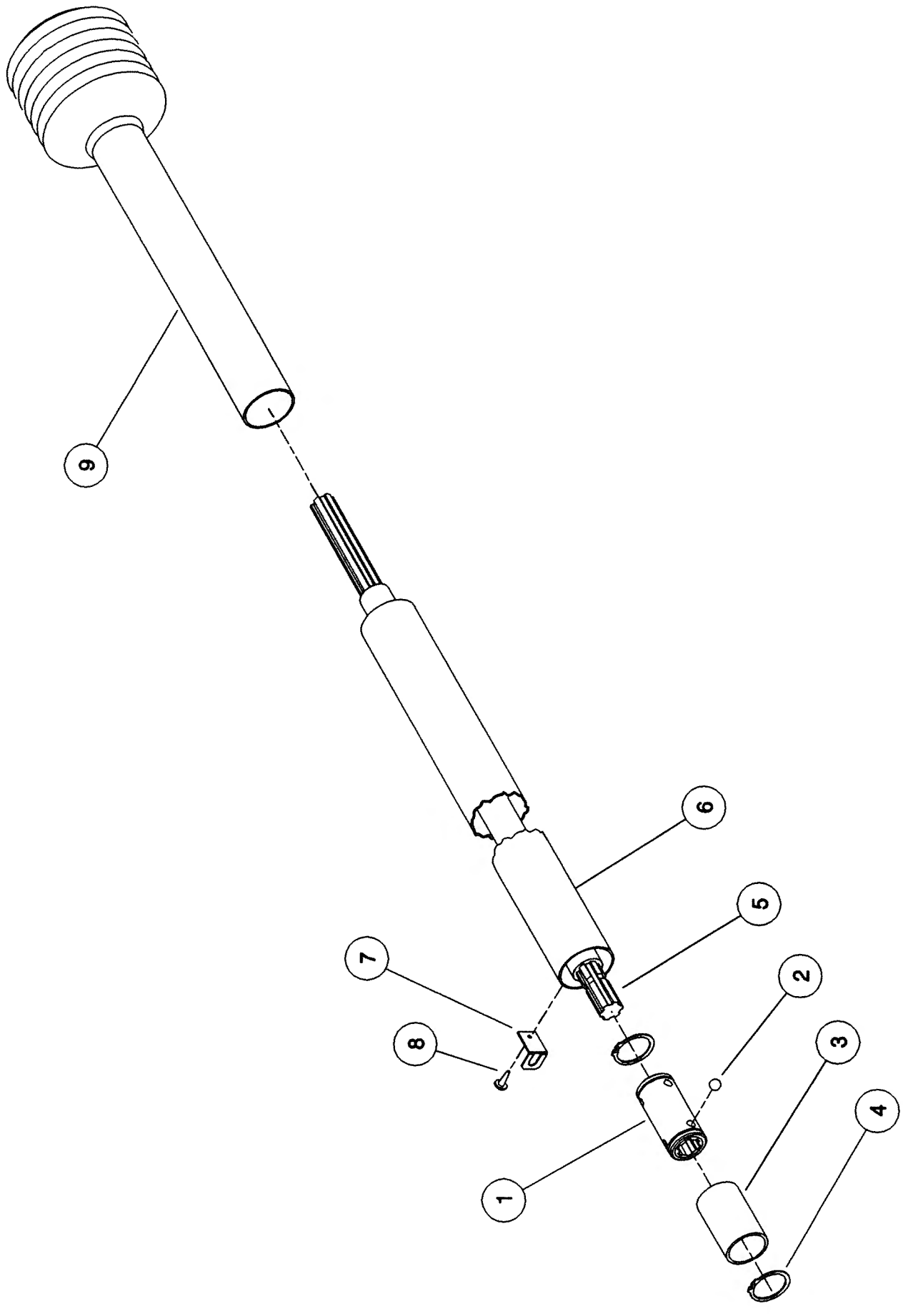
Shelbourne Reynolds Engineering Limited

ASSY NUMBER:		KIT-00414		ASSY DESCRIPTION: GEARBOX INPUT SHAFT SUB			
ITEM	PART NO	DESCRIPTION	QTY	ITEM	PART NO	DESCRIPTION	QTY
1	192979 01	COUPLING	1				
2	BRG-80120	RETAINING BALLS	6				
3	192980 01	RETAINING SLEEVE	1				
4	CIR-0055	CIRCLIP	2				
5	192982 05	INPUT SHAFT	1				
6	192985 05	INPUT SHAFT GUARD	1				
7	BRG-24500	BEARING	1				
8	192991 01	GUARD SUPPORT PLATE	2				
9	HSS-0275	SET SCREW	4				
10	NUT-0170	NUT	8				
11	WSH-0018	WASHER	12				
12	NUT-0269	NUT	6				
13	192993 01	SUPPORT PLATE	1				
14	HSS-0238	SETSCREW	2				



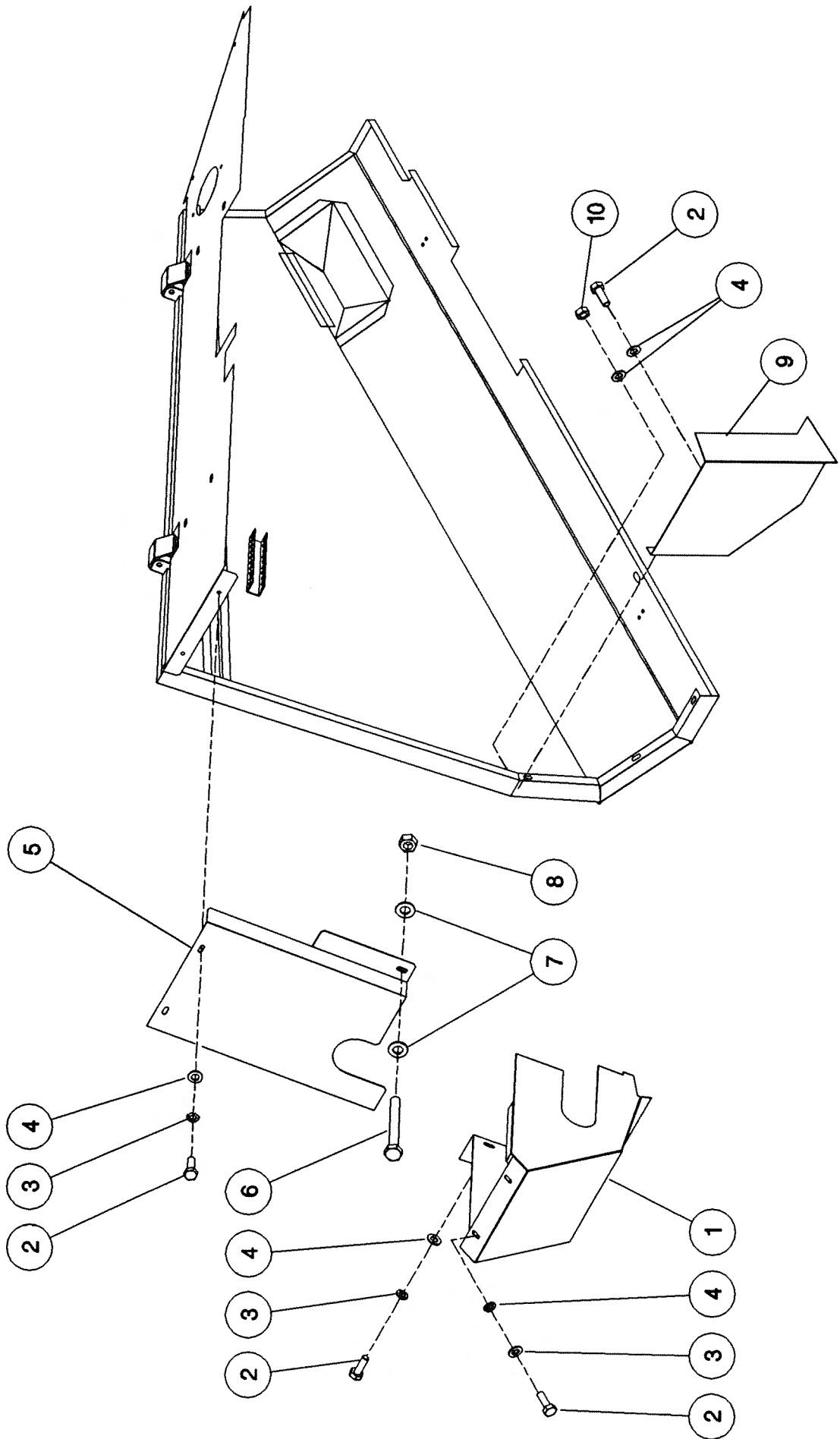
Shelbourne Reynolds Engineering Limited

ASSY NUMBER:		KIT-00418		ASSY DESCRIPTION: SOLID COMBINE/HEADER DRIVE SHAFT KIT			
ITEM	PART NO	DESCRIPTION	QTY	ITEM	PART NO	DESCRIPTION	QTY
1	192979 01	COUPLING	1				
2	BRG-80120	RETAINING BALLS	6				
3	192980 01	RETAINING SLEEVE	1				
4	CIR-0055	CIRCLIP	2				
5	192983 01	REAR DRIVE SHAFT	1				
6	192984 01	SHAFT GUARD	1				
7	192992 01	GUARD SECURING BRACKET	1				
8	SCW-5104	SCREW	1				
9	PTO-00100	SHAFT/COUPLING GUARD	1				



Shelbourne Reynolds Engineering Limited

ASSY NUMBER:		KIT-00521		ASSY DESCRIPTION: REAR GUARD KIT (RX SERIES-5TH HOLE)			
ITEM	PART NO	DESCRIPTION	QTY	ITEM	PART NO	DESCRIPTION	QTY
1	192555 01	REAR DRIVE GUARD	1				
2	HSS-0084	SET SCREW	8				
3	WSH-0056	SPRING WASHER	5				
4	WSH-0009	PLAIN WASHER	11				
5	192560 01	REAR UPPER GUARD	1				
6	BLT-2163	BOLT	1				
7	WSH-1038	PENNY WASHER	2				
8	NUT-0263	NYLOC NUT	1				
9	192559 01	REAR LOWER GUARD	1				
10	NUT-0260	NYLOC NUT	3				

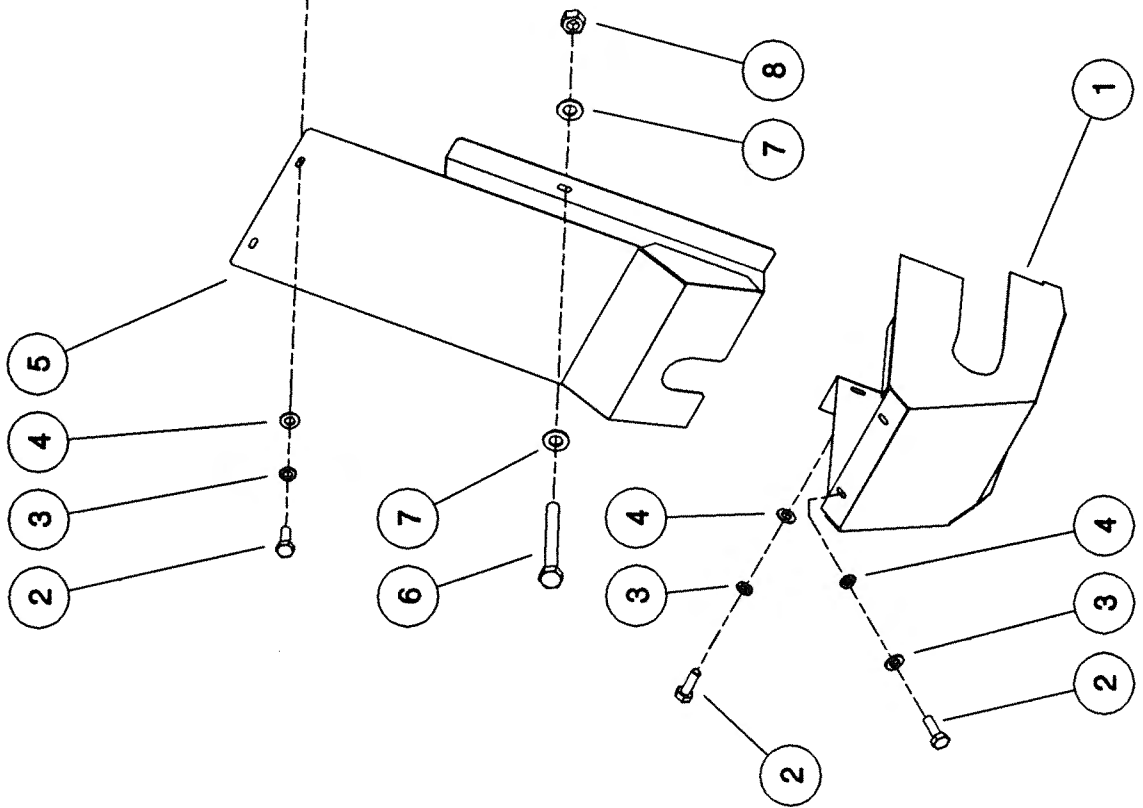
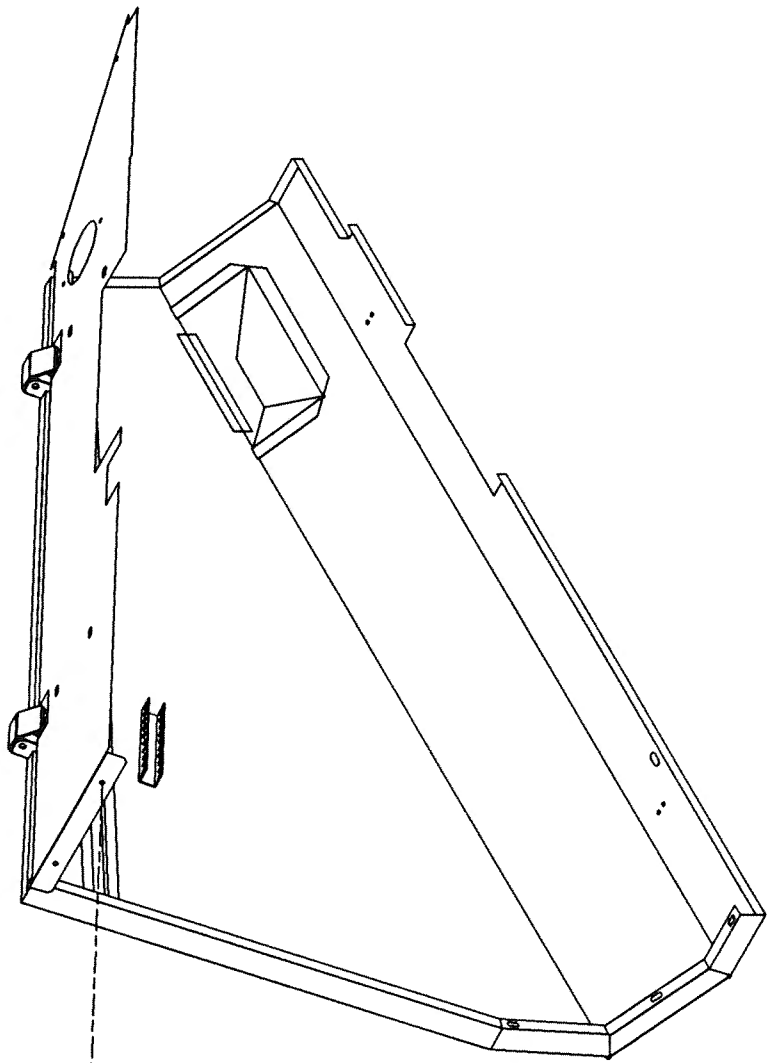


Shelbourne Reynolds Engineering Limited

ASSY NUMBER:		KIT-00522		ASSY DESCRIPTION: REAR GUARD KIT (RX SERIES-7th HOLE)			
ITEM	PART NO	DESCRIPTION	QTY	ITEM	PART NO	DESCRIPTION	QTY
1	193006 01	REAR DRIVE GUARD	1				
2	HSS-0084	SET SCREW	5				
3	WSH-0056	SPRING WASHER	5				
4	WSH-0009	PLAIN WASHER	5				
5	192998 01	REAR UPPER GUARD	1				
6	BLTA08440	BOLT	1				
7	WSH-1038	PENNY WASHER	2				
8	NUT-0263	NYLOC NUT	1				

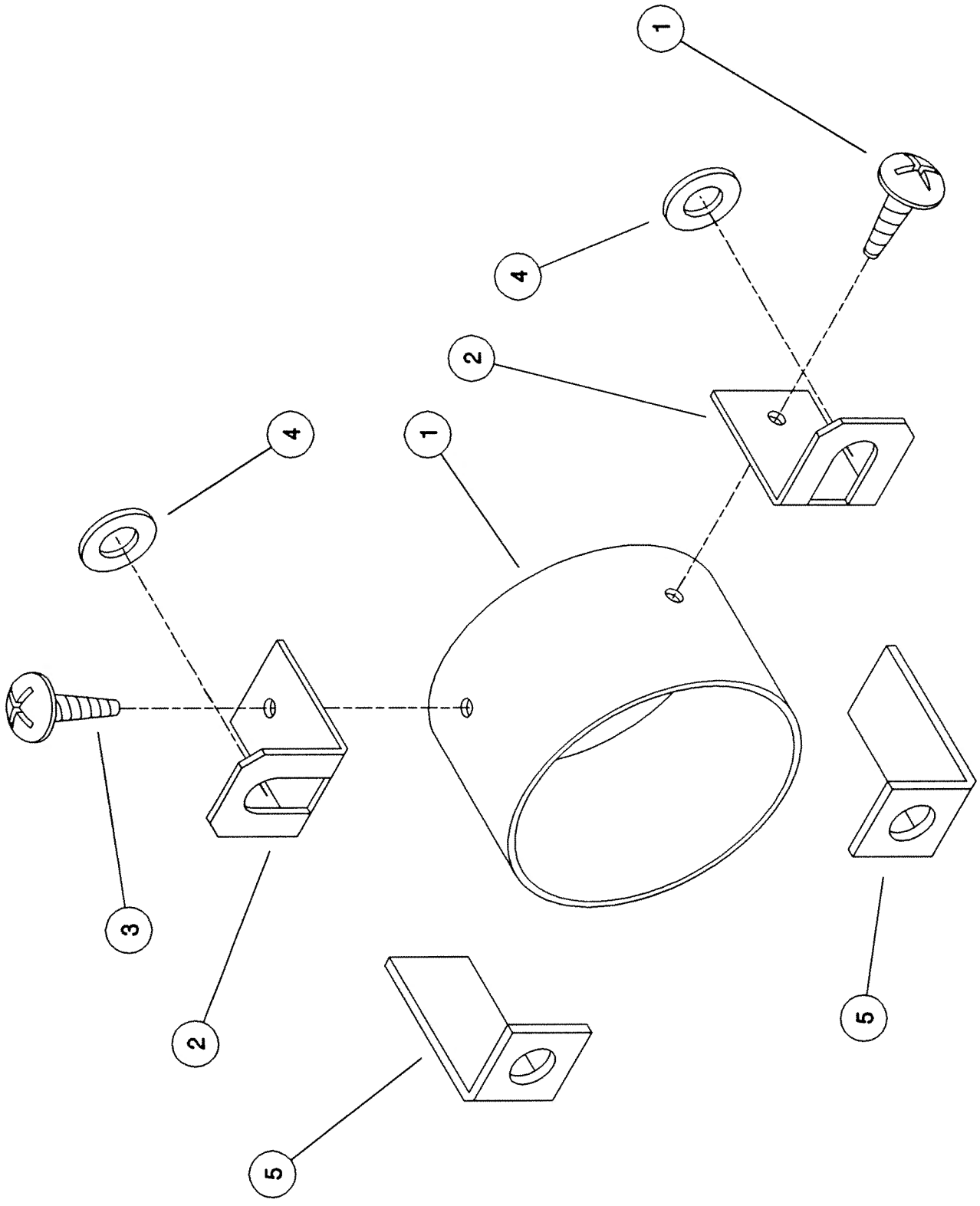
Shelbourne Reynolds Engineering Limited

ASSY NUMBER:		KIT-00524		ASSY DESCRIPTION: REAR GUARD KIT (CX SERIES-7th HOLE)			
ITEM	PART NO	DESCRIPTION	QTY	ITEM	PART NO	DESCRIPTION	QTY
1	193006 01	REAR DRIVE GUARD	1				
2	HSS-0084	SET SCREW	5				
3	WSH-0056	SPRING WASHER	5				
4	WSH-0009	PLAIN WASHER	5				
5	193011 01	REAR UPPER GUARD	1				
6	BLTA08440	BOLT	1				
7	WSH-1038	PENNY WASHER	2				
8	NUT-0263	NYLOC NUT	1				



Shelbourne Reynolds Engineering Limited

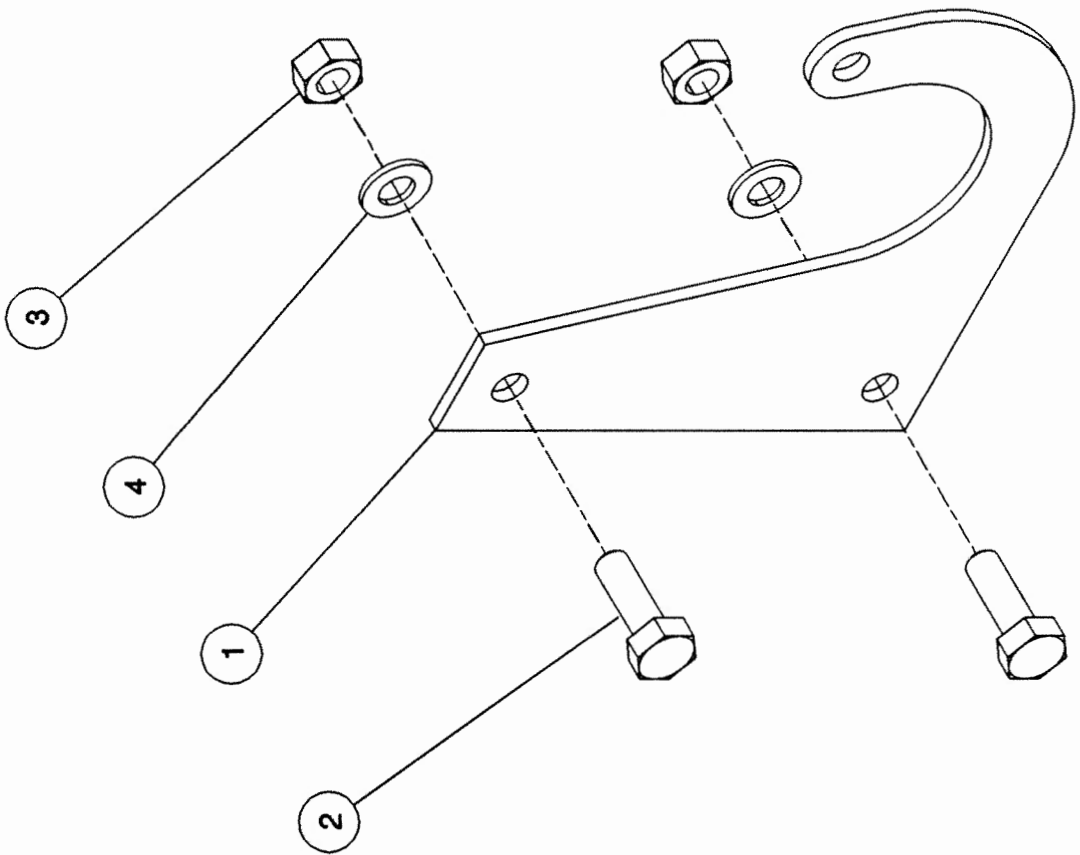
ASSY NUMBER:		KIT-00525		ASSY DESCRIPTION: PTO END GUARD			
ITEM	PART NO	DESCRIPTION	QTY	ITEM	PART NO	DESCRIPTION	QTY
1	192985 06	GUARD TUBE	1				
2	192992 01	GUARD SECURING BRACKET	2				
3	SCW-5104	SCREW	2				
4	WSH-0015	WASHER	2				
5	191763 01	PTO BRACKET	2				



THIS KIT FIXES TO :
 R.X HEADERS - DIRECTLY ON TO DROP BOX ASSY.
 C.X HEADERS - ON TO REAR SHAFT SUPPORT BEARING PLATE.

Shelbourne Reynolds Engineering Limited

ASSY NUMBER:		KIT-00931		ASY DESCRIPTION: PTO SUPPORT KIT			
ITEM	PART NO	DESCRIPTION	QTY	ITEM	PART NO	DESCRIPTION	QTY
1	191945 01	PTO SUPPORT	1				
2	HSS-0238	SET SCREW	2				
3	NUT-0269	NYLOC NUT	2				
4	WSH-0018	PLAIN WASHER	2				



Shelbourne Reynolds Engineering Limited

ASSY NUMBER:		KIT-01004		SUB ASSY DESCRIPTION: DROP-BOX KIT			
ITEM	PART NO	DESCRIPTION	QTY	ITEM	PART NO	DESCRIPTION	QTY
1	GEA-0100	SHORT DROP-BOX	1				
2	191804 24	SELECT GEAR 24T (28T INV)	1				
3	191804 32	SELECT GEAR 32T (28T INV)	1				
4	191685 01	ADJUSTABLE TIE ROD	1				
5	191687 01	TIE ROD BRKT	1				
6	191929 01	AUGER SPROCKET	1				
7	191692 01	SPACER	2				
8	191692 02	SHIM	7				
9	HSSF10174	SET SCREW	1				
10	190548 01	PLAIN WASHER	1				
11							
12	K1008045	KEY	1				
13	K1008050	KEY	1				
14	BLT-2316	BOLT	2				
15	NUT-0271	NYLOC NUT	2				
16	WSH-0024	PLAIN WASHER	2				
17	191763 01	PTO BRACKET	2				

Shelbourne Reynolds Engineering Limited

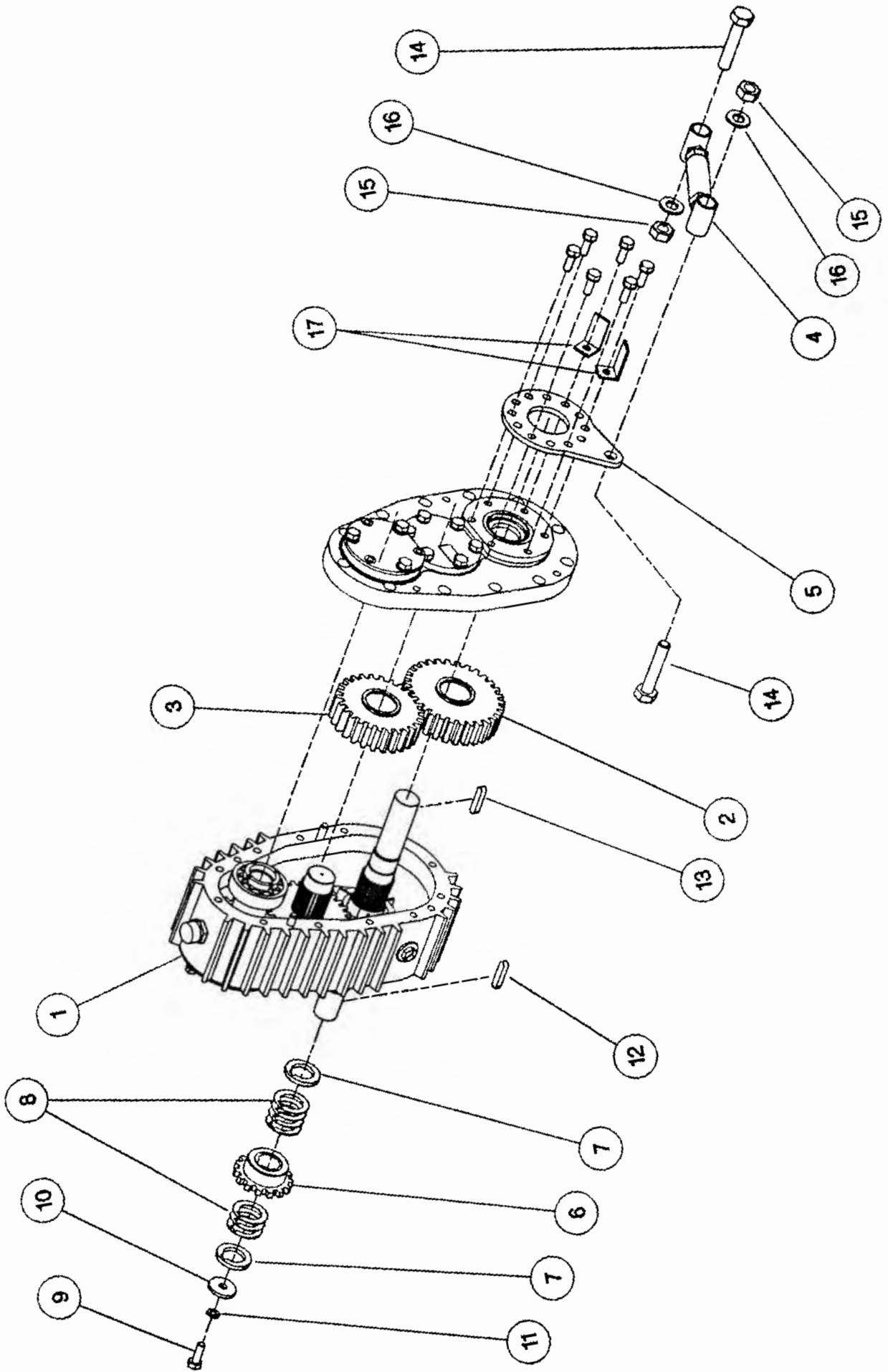
ASSY NUMBER:		KIT-01007		SUB ASSY DESCRIPTION: DROP-BOX KIT			
ITEM	PART NO	DESCRIPTION	QTY	ITEM	PART NO	DESCRIPTION	QTY
1	GEA-0100	SHORT DROP-BOX	1				
2	191804 30	SELECT GEAR 30T (28T INV)	1				
3	191804 26	SELECT GEAR 26T (28T INV)	1				
4	191685 01	ADJUSTABLE TIE ROD	1				
5	191687 01	TIE ROD BRKT	1				
6	191116 01	AUGER SPROCKET	1				
7	191692 01	SPACER	2				
8	191692 02	SHIM	7				
9	HSSF10174	SET SCREW	1				
10	190548 01	PLAIN WASHER	1				
11							
12	K1008045	KEY	1				
13	K1008050	KEY	1				
14	BLT-2316	BOLT	2				
15	NUT-0271	NYLOC NUT	2				
16	WSH-0024	PLAIN WASHER	2				
17	191763 01	PTO BRACKET	2				

Shelbourne Reynolds Engineering Limited

ASSY NUMBER:		KIT-01009		SUB ASSY DESCRIPTION: DROP-BOX KIT			
ITEM	PART NO	DESCRIPTION	QTY	ITEM	PART NO	DESCRIPTION	QTY
1	GEA-0100	SHORT DROP-BOX	1				
2	191804 31	SELECT GEAR 31T (28T INV)	1				
3	191804 25	SELECT GEAR 25T (28T INV)	1				
4	191685 01	ADJUSTABLE TIE ROD	1				
5	191687 01	TIE ROD BRKT	1				
6	191116 10	AUGER SPROCKET	1				
7	191692 01	SPACER	2				
8	191692 02	SHIM	7				
9	HSSF10174	SET SCREW	1				
10	190548 01	PLAIN WASHER	1				
11							
12	K1008045	KEY	1				
13	K1008050	KEY	1				
14	BLT-2316	BOLT	2				
15	NUT-0271	NYLOC NUT	2				
16	WSH-0024	PLAIN WASHER	2				
17	191763 01	PTO BRACKET	2				

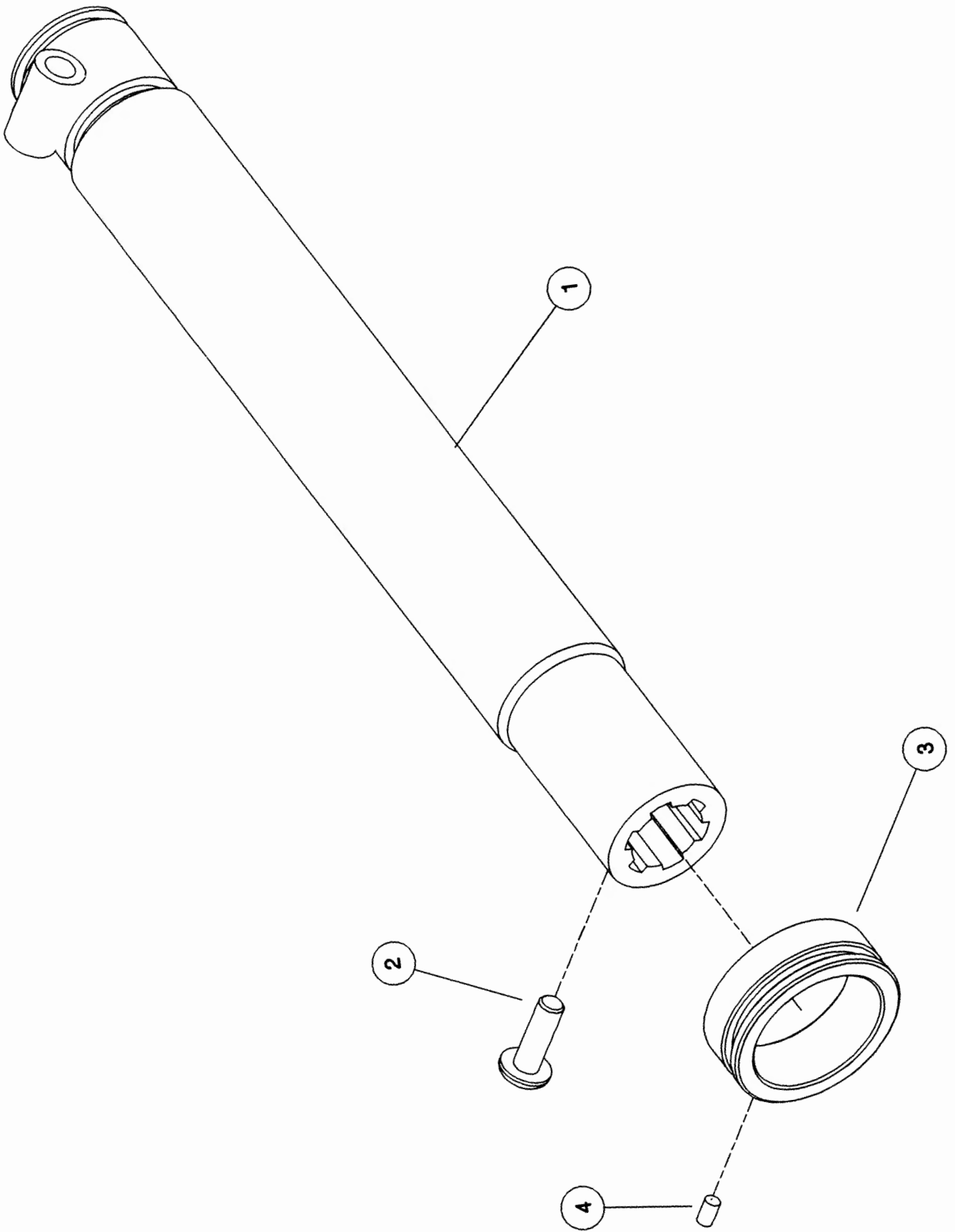
Shelbourne Reynolds Engineering Limited

ASSY NUMBER:		KIT-01014		SUB ASSY DESCRIPTION: DROP-BOX KIT (CX & RX)			
ITEM	PART NO	DESCRIPTION	QTY	ITEM	PART NO	DESCRIPTION	QTY
1	GEA-0100	SHORT DROP-BOX	1				
2	191804 30	SELECT GEAR 30T (28T INV)	1				
3	191804 26	SELECT GEAR 26T (28T INV)	1				
4	191685 01	ADJUSTABLE TIE ROD	1				
5	191687 01	TIE ROD BRKT	1				
6	192768 06	AUGER SPROCKET	1				
7	191692 01	SPACER	2				
8	191692 02	SHIM	7				
9	HSSF10174	SET SCREW	1				
10	190548 01	PLAIN WASHER	1				
11							
12	K1008045	KEY	1				
13	K1008050	KEY	1				
14	BLT-2316	BOLT	2				
15	NUT-0271	NYLOC NUT	2				
16	WSH-0024	PLAIN WASHER	2				
17	191763 01	PTO BRACKET	2				



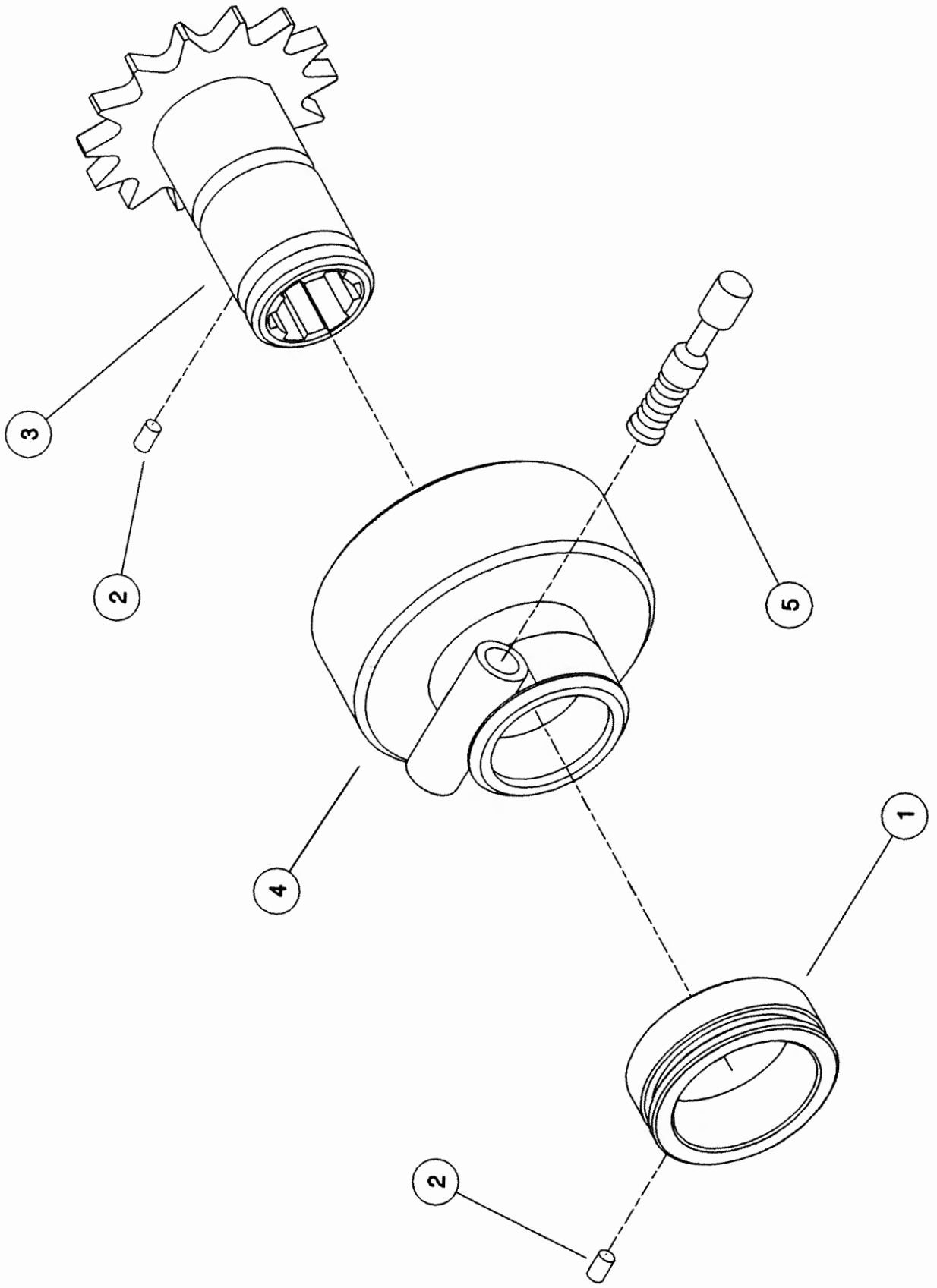
Shelbourne Reynolds Engineering Limited

ASSEMBLY NO:		KIT-03010		ASSEMBLY DESCRIPTION:		EXTRA ADAPTOR KIT (CASEIH)	
ITEM	PART NO	DESCRIPTION	QTY	ITEM	PART NO	DESCRIPTION	QTY
1	192988 01	ADAPTOR SHAFT ASSY	1				
2	SCBA06082	SCREW	1				
3	192987 01	GUARD SECURING RING	1				
4	SCW-4528	SCREW	1				



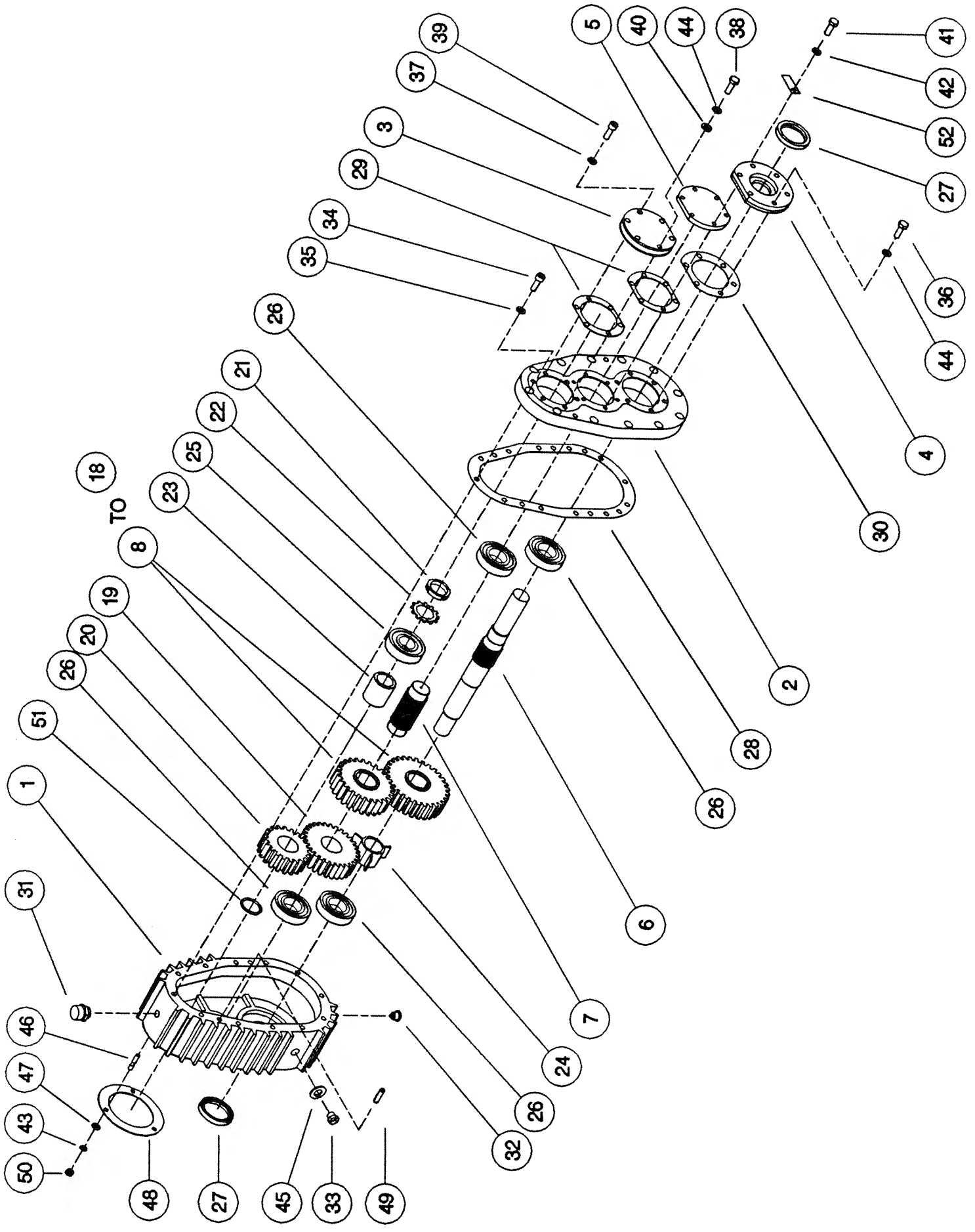
Shelbourne Reynolds Engineering Limited

ASSEMBLY NO:		KIT-03011		ASSEMBLY DESCRIPTION:		EXTRA ADAPTOR KIT (JD SPRKT)	
ITEM	PART NO	DESCRIPTION	QTY	ITEM	PART NO	DESCRIPTION	QTY
1	192986 01	GUARD SECURING RING	1				
2	SCW-4530	SCREW	2				
3	191602 01	HUB & SPROCKET	1				
4	191599 01	DRIVE CHAIN RETAINER	1				
5	PIN-4600	SELF LOC. PIN ASSY	1				



Shelbourne Reynolds Engineering Limited

ASSY NUMBER:		ASSY DESCRIPTION: SHORT DROP BOX					
ITEM	PART NO	DESCRIPTION	QTY	ITEM	PART NO	DESCRIPTION	QTY
1	191723 01	GEARCASE	1	42	WSH-1300	SHAKEPROOF WASHER	6
2	191723 02	LID	1	43	WSH-0058	SPRING WASHER	3
3	191696 01	OUTPUT END CAP	1	44	WSH-1145	SPRING WASHER	9
4	191694 01	INPUT FLANGE	1	45	WSH-1010	DOWTY WASHER	1
5	191693 01	END CAP	1	46	191737 01	STUD	3
6	191724 01	INPUT/AUGER OUTPUT SHAFT (17T INVOLUTE)	1	47	WSH-0012	PLAIN WASHER	3
or	191807 01	INPUT/AUGER OUTPUT SHAFT (28T INVOLUTE)	1	48	191759 01	SEAL	1
7	191729 01	INTERMED. SHAFT (17T INV)	1	49	191765 01	DOWL	2
or	191801 01	INTERMED. SHAFT (28T INV)	1	50	NUT-0164	PLAIN NUT	3
8		CHANGE GEAR (SEE DRIVE SUB)		51	CIR-4000	SNAP RING CIRCLIP	1
19	191731 01	SPUR GEAR 30T (17T INV)	1	52	191928 01	IDENTIFICATION TAG	1
or	191803 01	SPUR GEAR 30T (28T INV)	1				
20	191732 01	SPUR GEAR 20T (15T INV)	1				
or	191884 01	SPUR GEAR 20T (28T INV)	1				
21	NUT-3000	LOCK RING	1				
22	WSH-6000	LOCK WASHER	1				
23	191725 01	SPACER	1				
24	191894 01	SPACER	1				
25	BRG-6600	BEARING	1				
26	BRG-5800	BEARING	4				
27	SEA-0610	ROTARY SHAFT SEAL	2				
28	191756 01	GASKET	1				
29	191757	SEAL PACK	2				
30	191758	SEAL PACK	1				
31	FIT-0255	BREATHER	1				
32	FIT-0253	MAGNETIC DRAIN PLUG	1				
33	FIT-0251	LEVEL PLUG	1				
34	SCW-0196	CAP HEAD SCREW	12				
35	WSH-1301	SHAKEPROOF WASHER	12				
36	BLT-0145	BOLT	6				
37	WSH-1096	SHAKEPROOF WASHER	3				
38	BLT-0147	BOLT	3				
39	SCW-0421	CAP HEAD SCREW	3				
40	WSH-0130	PLAIN WASHER	3				
41	HSS-0145	SET SCREW	6				

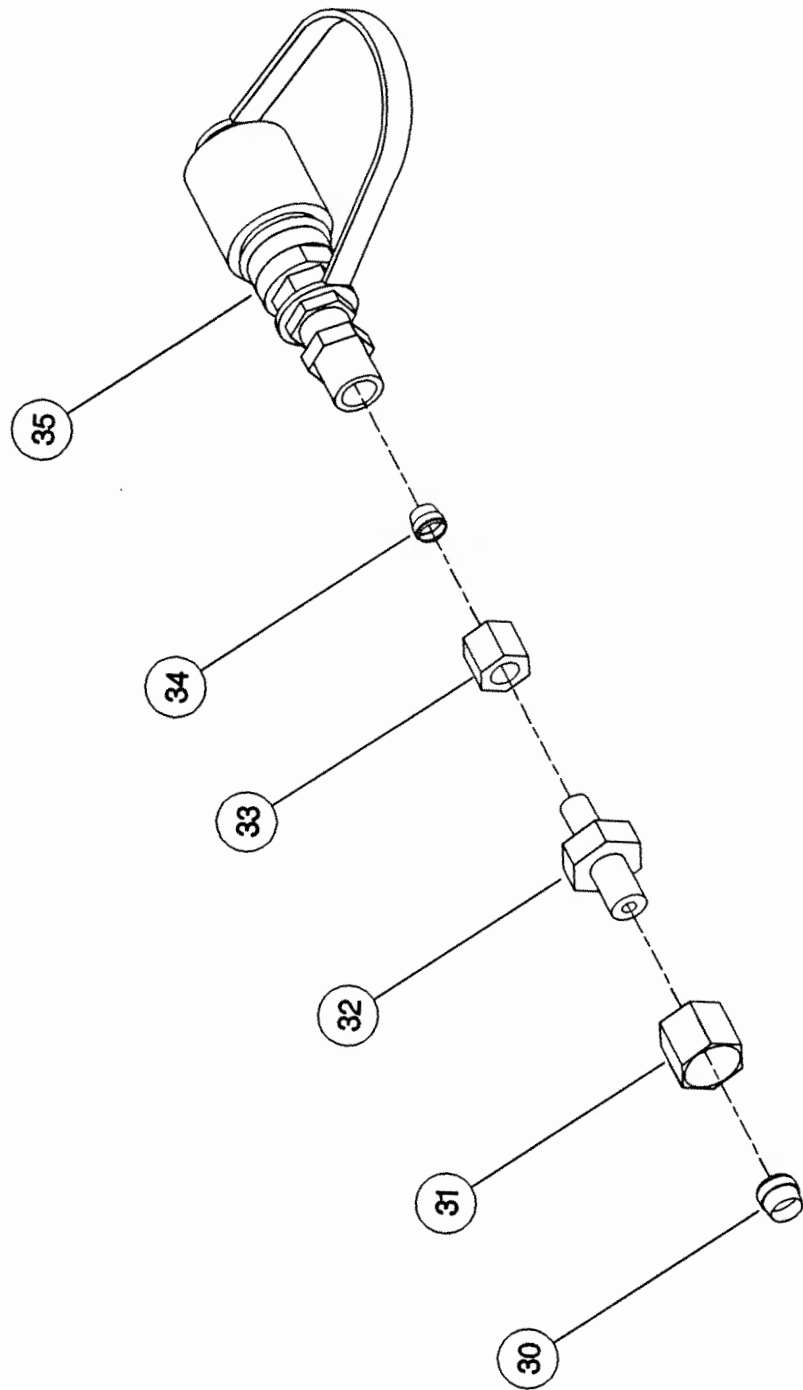


RX & CX Shelbourne Header

**HYDRAULIC
FITTINGS**

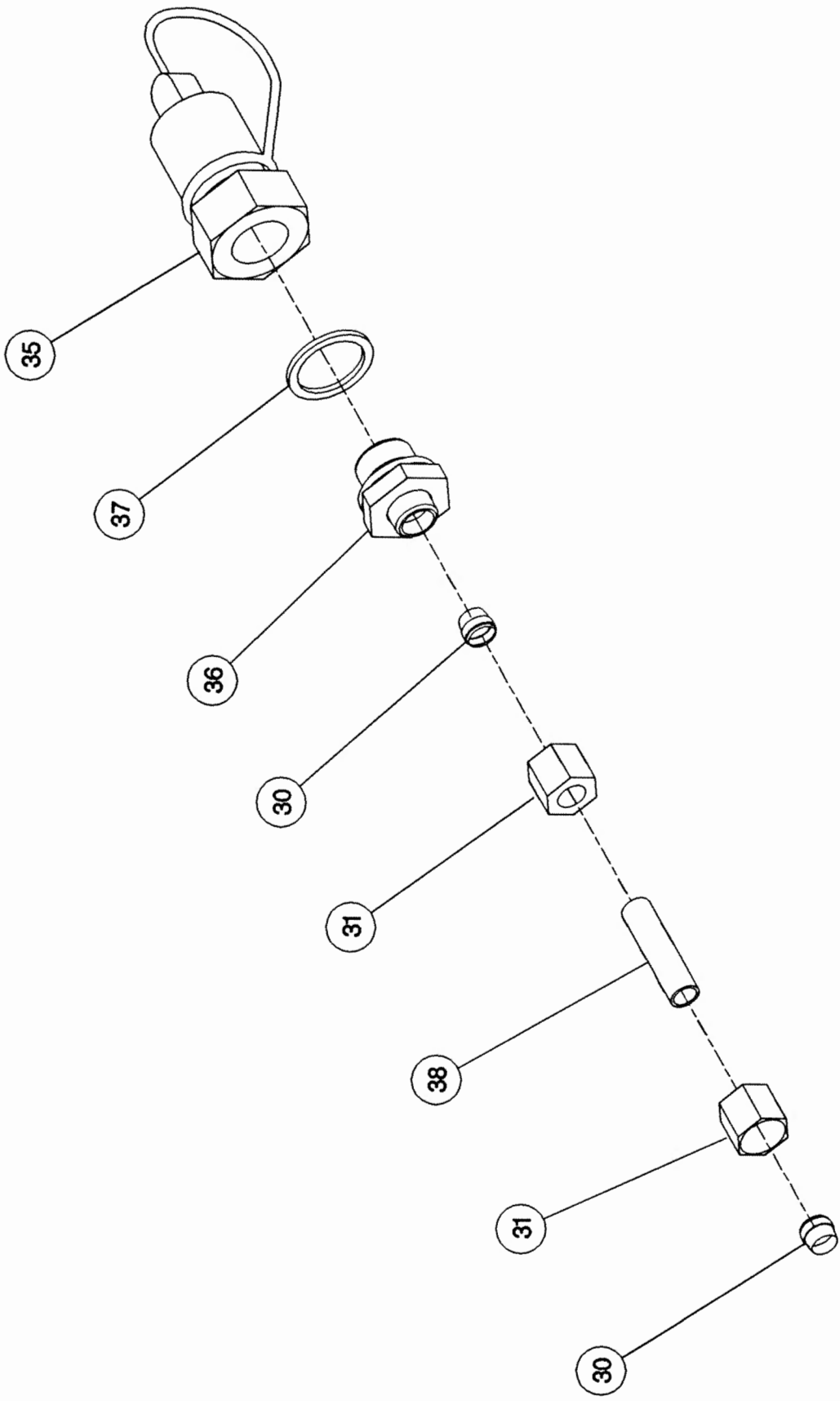
Shelbourne Reynolds Engineering Limited

ASSY NUMBER:		KIT-01702		SUB ASSY DESCRIPTION: HYDRAULIC PROBE ADAPTOR			
ITEM	PART NO	DESCRIPTION	QTY	ITEM	PART NO	DESCRIPTION	QTY
30	FIT-0056	OLIVE	1				
31	FIT-0051	NUT	1				
32	190860 01	HYDRAULIC FITTING	1				
33	FIT-0050	NUT	1				
34	FIT-0055	OLIVE	1				
35	COU-0123	COUPLING	1				



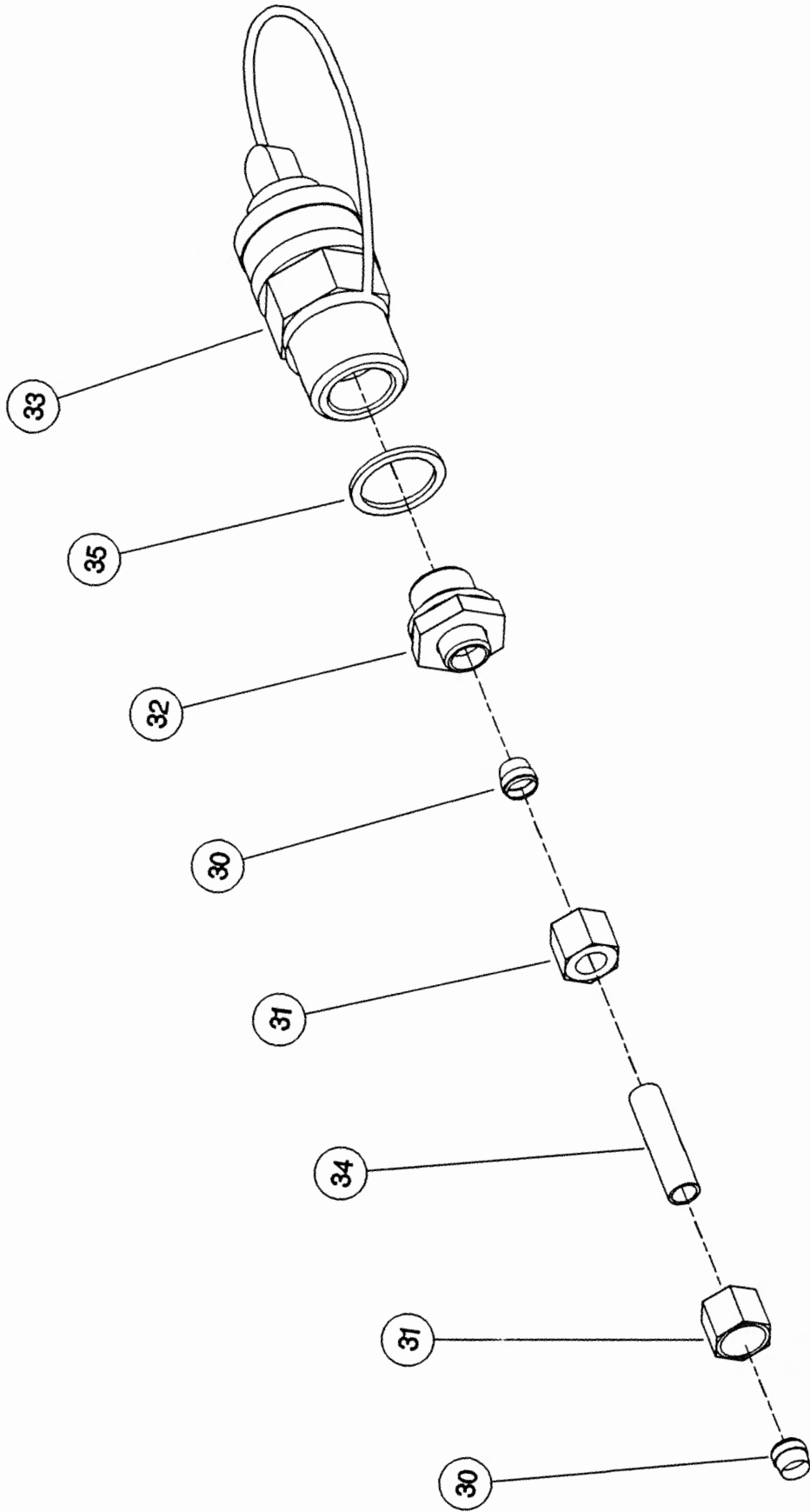
Shelbourne Reynolds Engineering Limited

ASSY NUMBER:		KIT-01705		SUB ASSY DESCRIPTION: HYDRAULIC PROBE ADAPTOR			
ITEM	PART NO	DESCRIPTION	QTY	ITEM	PART NO	DESCRIPTION	QTY
30	FIT-0056	OLIVE	2				
31	FIT-0051	NUT	2				
35	COU-0162	PROBE COUPLING	1				
36	HST-0021	ADAPTOR	1				
37	WSH-1015	SEAL	1				
38	RP-100040	PIPE	1				



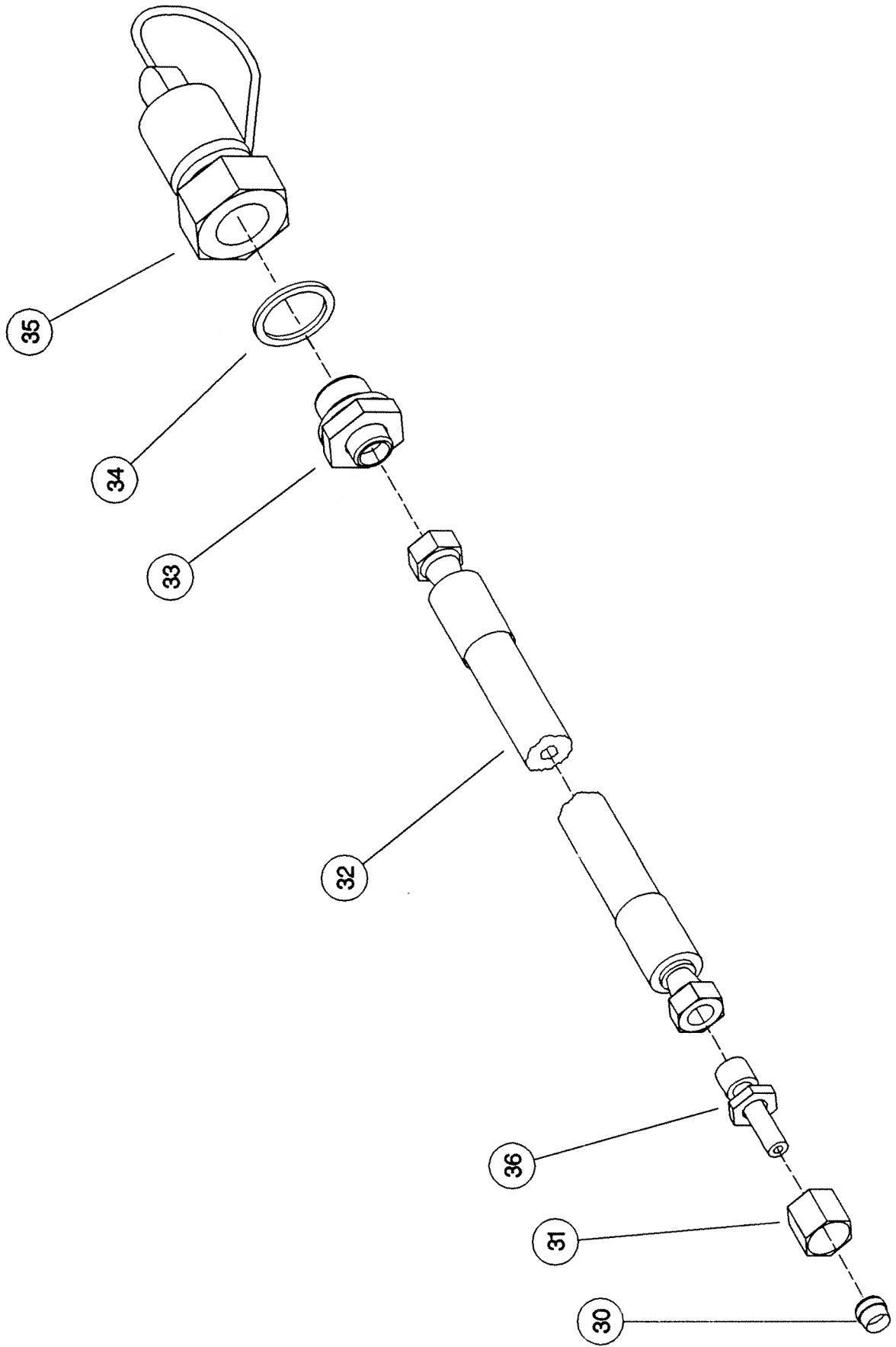
Shelbourne Reynolds Engineering Limited

ASSY NUMBER:		KIT-01707		SUB ASSY DESCRIPTION: HYDRAULIC PROBE ADAPTOR			
ITEM	PART NO	DESCRIPTION	QTY	ITEM	PART NO	DESCRIPTION	QTY
30	FIT-0056	OLIVE	2				
31	FIT-0051	NUT	2				
32	FIT-0046	COUPLING	1				
33	COU-0128	PULL BRAKE COUPLING	1				
34	RP-100040	PIPE	1				
35	WSH-1015	DOWTY WASHER	1				



Shelbourne Reynolds Engineering Limited

ASSY NUMBER:		KIT-01709		SUB ASSY DESCRIPTION: HYDRAULIC PROBE ADAPTOR			
ITEM	PART NO	DESCRIPTION	QTY	ITEM	PART NO	DESCRIPTION	QTY
30	FIT-0056	OLIVE	1				
31	FIT-0051	NUT	1				
32	HHAC12005	HOSE	1				
33	HMA-0055	ADAPTOR	1				
34	WSH-1015	DOWTY WASHER	1				
35	COU-0162	PULL BRAKE COUPLING	1				
36	FIT-0518	FITTING	1				

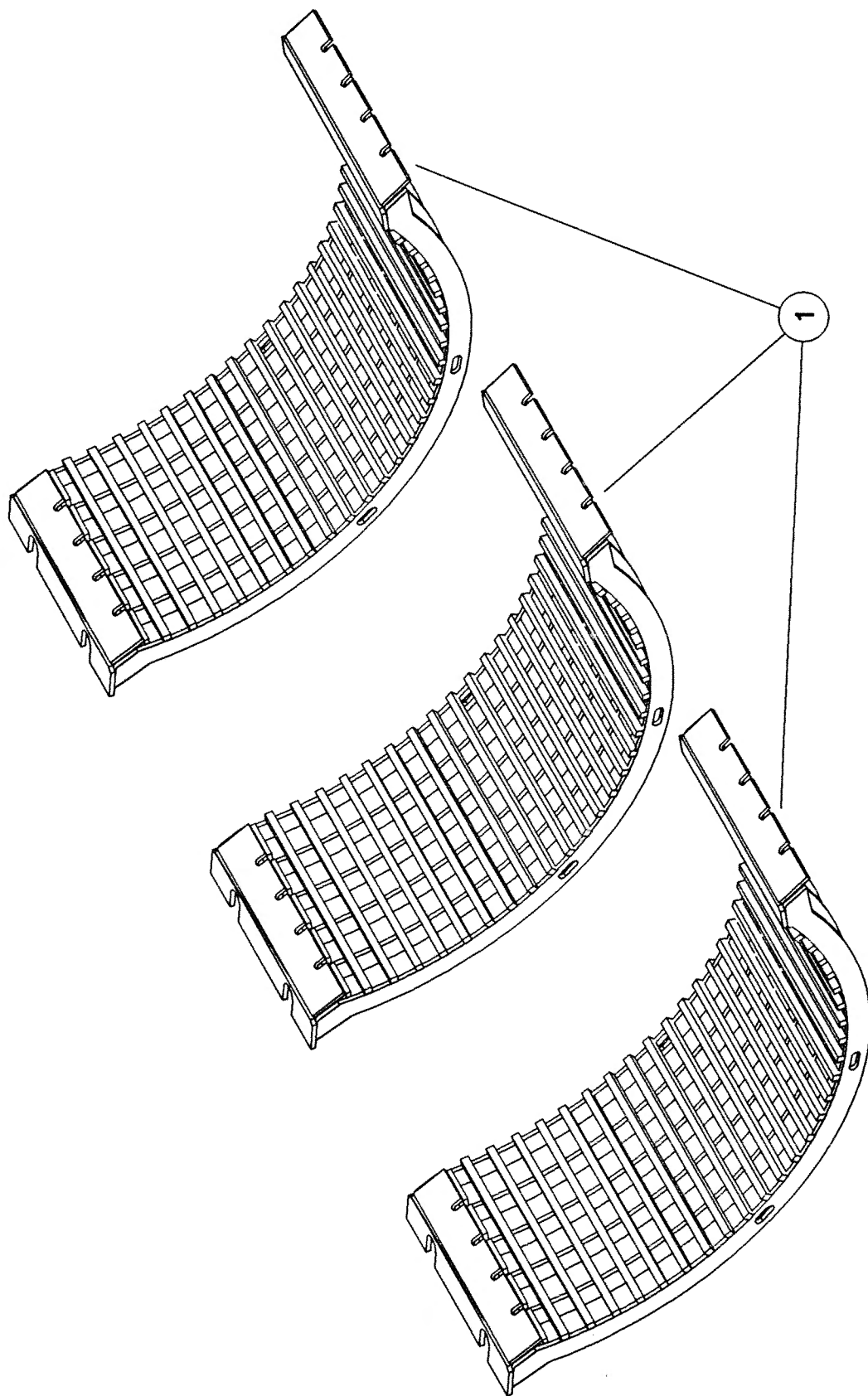


RX & CX Shelbourne Header

KIT OPTIONS

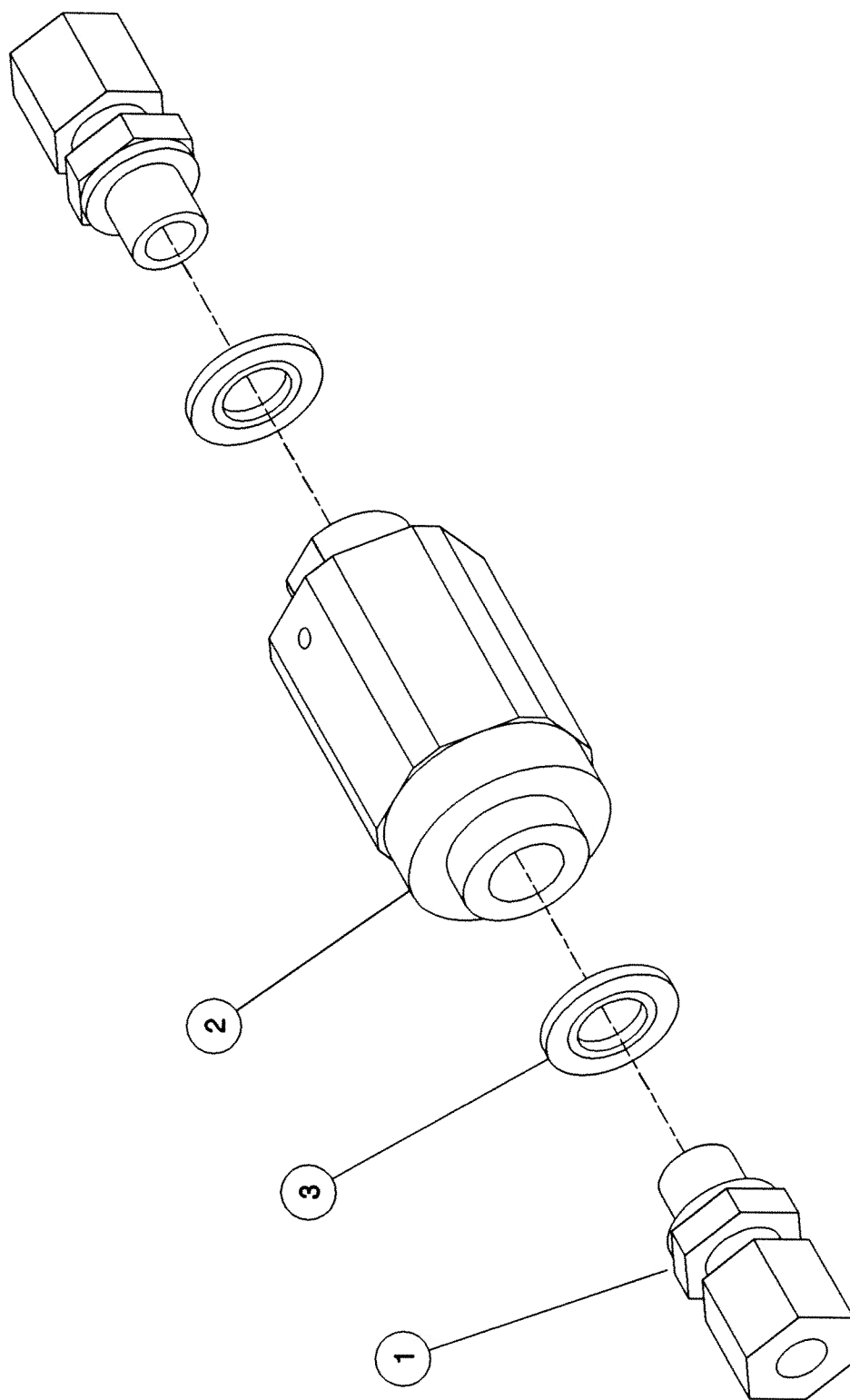
Shelbourne Reynolds Engineering Limited

ASSY NUMBER:		KIT-00903		SUB ASSY DESCRIPTION:		IHC 1680/1480 SPLTY RTR GRATE KIT	
ITEM	PART NO	DESCRIPTION	QTY	ITEM	PART NO	DESCRIPTION	QTY
1	191660 01	GRATE ASSY	3				



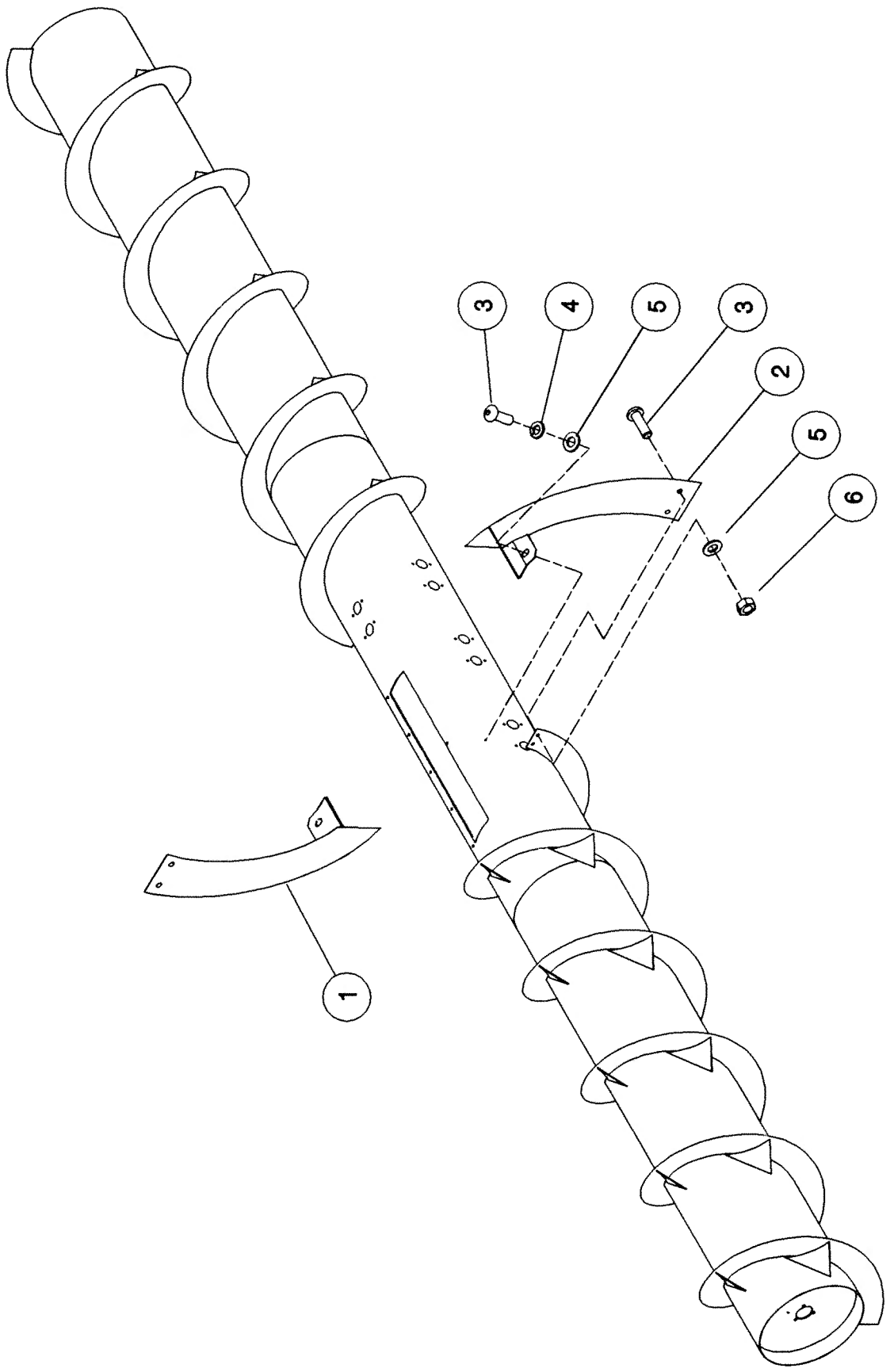
Shelbourne Reynolds Engineering Limited

ASSY NUMBER:		KIT-00932		ASSY DESCRIPTION: THROTTLE VALVE KIT			
ITEM	PART NO	DESCRIPTION	QTY	ITEM	PART NO	DESCRIPTION	QTY
1	FIT-0552	MALE STUD COUPLING	2				
2	VAL-0120	FINE CONTROL THROTTLE VALVE	1				
3	WSH-1005	DOWTY WASHER	2				



Shelbourne Reynolds Engineering Limited

ASSY NUMBER:		KIT-00965		SUB ASSY DESCRIPTION: AUGER FLIGHT EXTENSIONS (RX/CX)			
ITEM	PART NO	DESCRIPTION	QTY	ITEM	PART NO	DESCRIPTION	QTY
1	192227 01	AUGER FLIGHT EXT. L. H	1				
2	192227 02	AUGER FLIGHT EXT. R. H	1				
3	SCBA08172	BUT. SKT. HD SCREW	6				
4	WSH-0058	SPRING WASHER	2				
5	WSH-0012	PLAIN WASHER	6				
6	NUT-0263	NYLOC NUT	4				



Shelbourne Reynolds Engineering Limited

ASSY NUMBER:		KIT-00970		SUB ASSY DESCRIPTION: PROTECTION PANS KIT			
ITEM	PART NO	DESCRIPTION	QTY	ITEM	PART NO	DESCRIPTION	QTY
1	192712 01	PROTECTION PAN (1 HOLE)	2				
2	HSS-0191	SET SCREW	6				
3	WSH-0015	WASHER	8				
4	NUT-0265	NUT	6				

