

# *RX Shelbourne Header* (1997)

**ADAPTOR PLATE & COMBINE FITTINGS**

**PARTS MANUAL**

**FORTSCHRITT E514**

*Shelbourne*  
R E Y N O L D S

**Shelbourne Reynolds Engineering Ltd**

**Stanton**

**Bury St Edmunds**

**Suffolk IP31 2AR**

**England**

**Telephone: 01359 250415**

**Fax. No: 01359 250464**

**(Stores direct 01359 251231)**

**(Stores direct 01359 252031)**



**THE QUEEN'S AWARD FOR  
EXPORT ACHIEVEMENT**



# FORTSCHRITT E514

## Parts Manual

### Adaptor Plate

196517 22K      ADAPTOR PLATE ASSY  
-FORTSCHRITT E514 (CHINA)

### Drive Kits

196541 193      DRIVE KIT - Rx42 FORTSCHRITT E514

### Hydraulic Fittings

KIT-01715      HYDRAULIC CONNECTOR  
-FORTSCHRITT E514 (CHINA)



*RX Shelbourne Header*

**ADAPTOR PLATES**



**Shelbourne Reynolds Engineering Limited**

ASSY NUMBER: 196517 22K

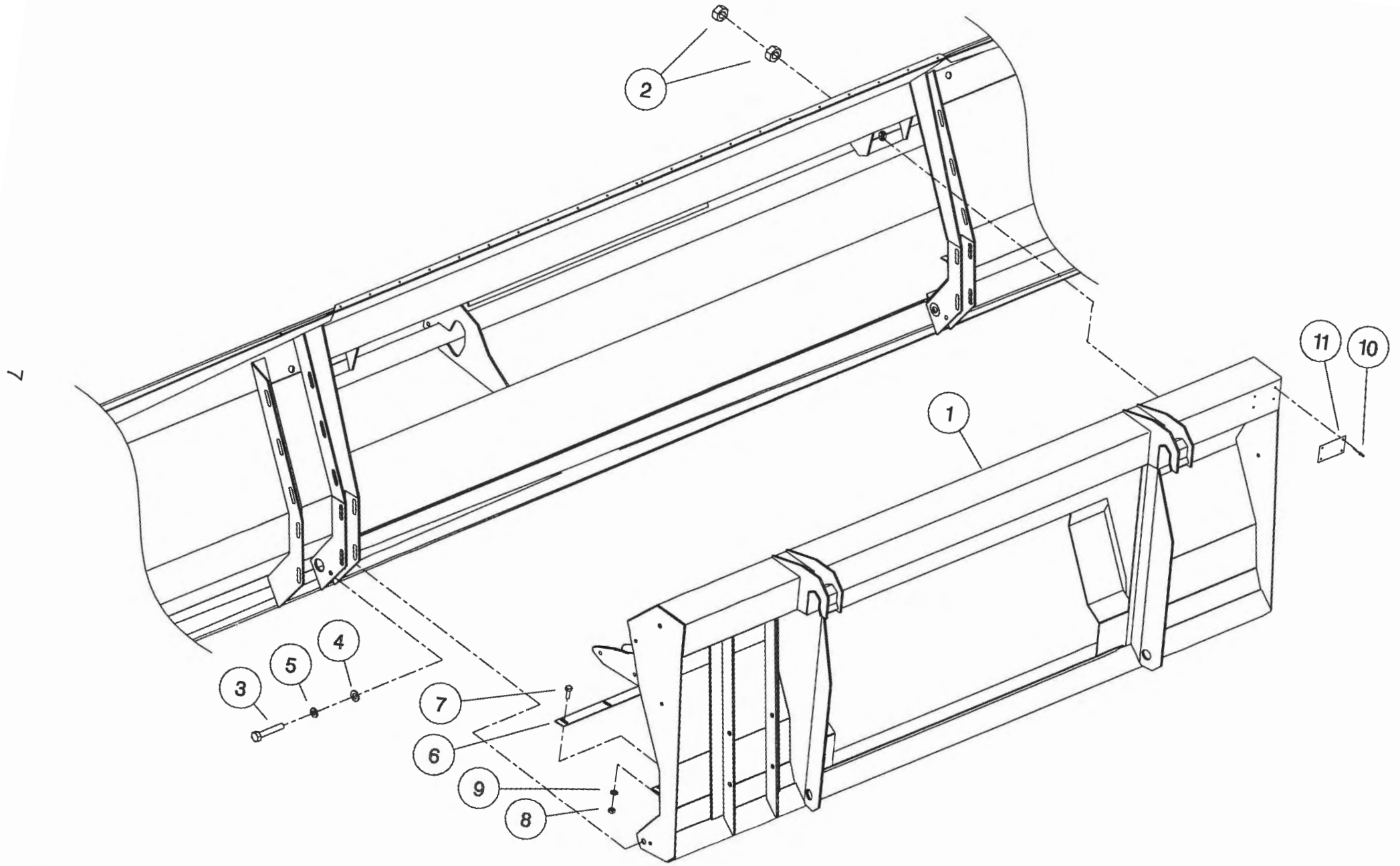
ASSY DESCRIPTION: ADAPTOR PLATE ASSY-FORTSCHRITT E514

ITEM	PART NO	DESCRIPTION	QTY	ITEM	PART NO	DESCRIPTION	QTY
	KIT-00616	ADAPTOR PLATE SUB	1				

**Shelbourne Reynolds Engineering Limited**

ASSY NUMBER:		KIT-00616		SUB ASSY DESCRIPTION:ADAPTOR PLATE SUB FORTSCHRITT E514			
ITEM	PART NO	DESCRIPTION	QTY	ITEM	PART NO	DESCRIPTION	QTY
1	193402 01	FRAME WELD ASSY	1				
2	NUT-0190	PLAIN NUT	6				
3	HSS-0315	SET SCREW	2				
4	WSH-0024	PLAIN WASHER	2				
5	WSH-0070	SPRING WASHER	2				
6	191560 02	SCRAPER	2				
7	BLT-4710	COACH BOLT	6				
8	NUT-0263	NYLOC NUT	6				
9	WSH-0012	PLAIN WASHER	6				
10	POP-0006	POP RIVET	4				
11	134024 05	IDENTIFICATION PLATE	1				





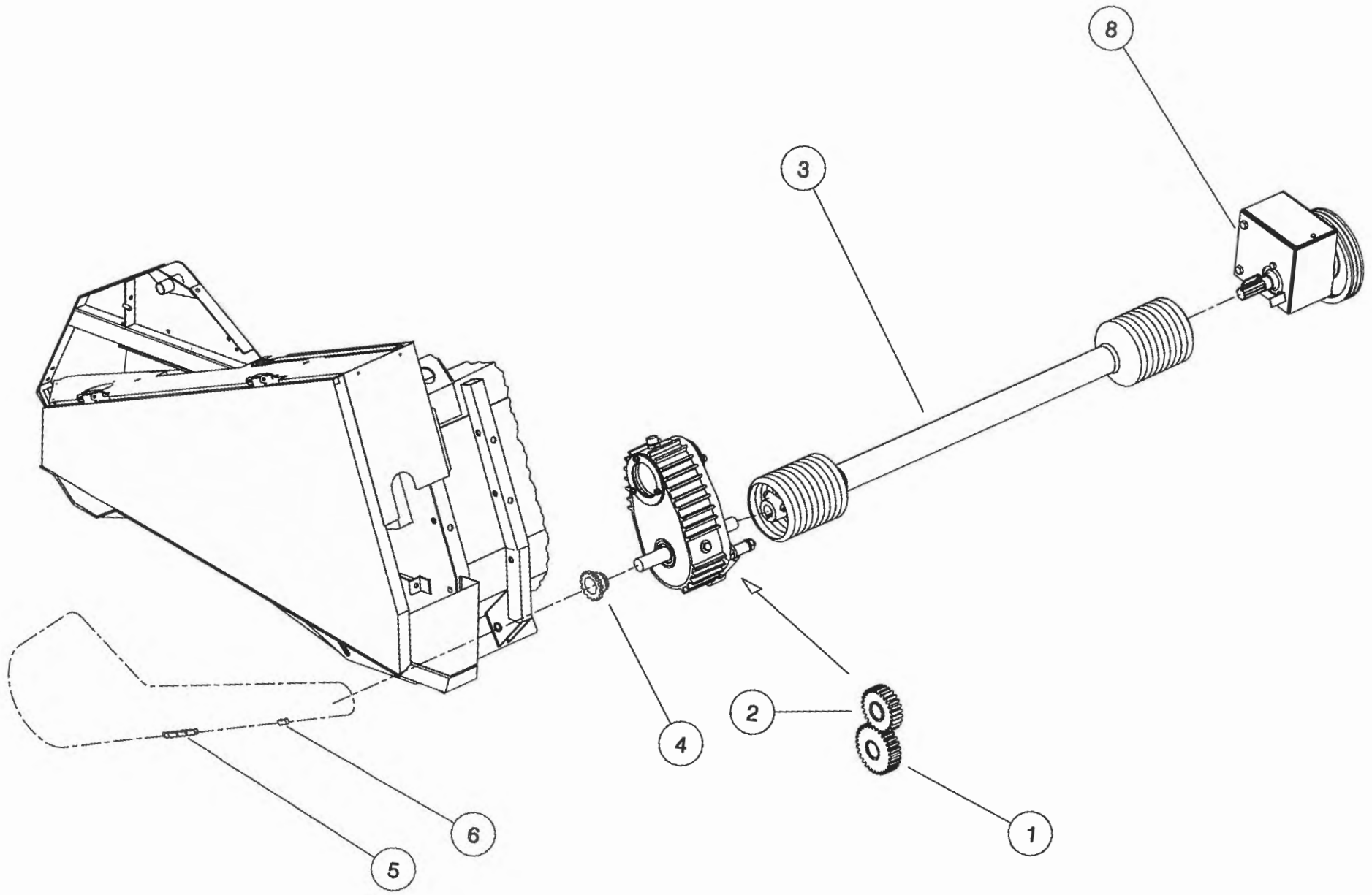


# *RX Shelbourne Header*

**DRIVE KITS**

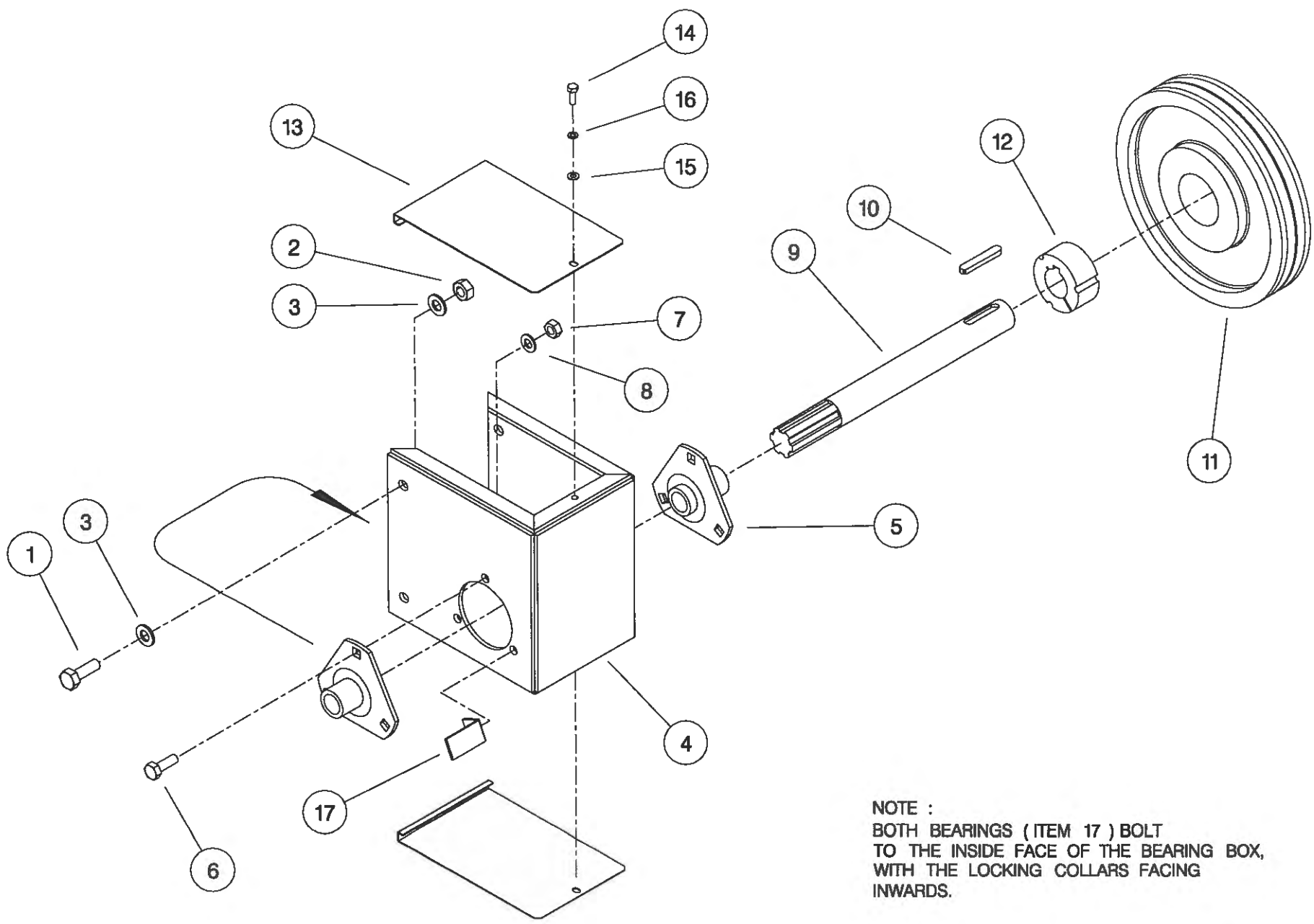
**Shelbourne Reynolds Engineering Limited**

ASSY NUMBER:		196541 193		ASSY DESCRIPTION: DRIVE KIT 4.2M FORTSCHRITT E514 (CHINA)			
ITEM	PART NO	DESCRIPTION	QTY	ITEM	PART NO	DESCRIPTION	QTY
1	191804 30	SELECT GEAR 30T	1				
2	191804 26	SELECT GEAR 26T	1				
3	PTO-18001	FLEX POWER SHAFT	1				
4	191116 01	AUGER SPROCKET 19T	1				
5	CHN-01620	CHAIN	109				
6	CHN-01600	JOINING LINK	1				
7							
8	KIT-00309	BEARING BOX KIT	1				
9							



**Shelbourne Reynolds Engineering Limited**

ASSY NUMBER:		KIT-00309		SUB ASSY DESCRIPTION: BEARING BOX ASSY (FORTSCHRITT E514)			
ITEM	PART NO	DESCRIPTION	QTY	ITEM	PART NO	DESCRIPTION	QTY
1	HSS-0238	SET SCREW	4				
2	NUT-0269	NYLOC NUT	4				
3	WSH-0018	PLAIN WASHER	4				
4	191148 01	BEARING BOX ASSY	1				
5	BRG-3220	BEARING	2				
6	HSS-0191	SET SCREW	6				
7	NUT-0265	NYLOC NUT	6				
8	WSH-0015	PLAIN WASHER	6				
9	193401 01	DRIVE SHAFT	1				
10	K1008050	KEY	1				
11	PUL-0070	PULLEY	1				
12	BSHZ03563	TAPERLOCK BUSH	1				
13	191380 01	COVER PLATE	2				
14	HSS-0084	SET SCREW	2				
15	WSH-0009	PLAIN WASHER	2				
16	WSH-0056	SPRING WASHER	2				
17	191763 01	PTO BRACKET	2				



NOTE :  
BOTH BEARINGS ( ITEM 17 ) BOLT  
TO THE INSIDE FACE OF THE BEARING BOX,  
WITH THE LOCKING COLLARS FACING  
INWARDS.



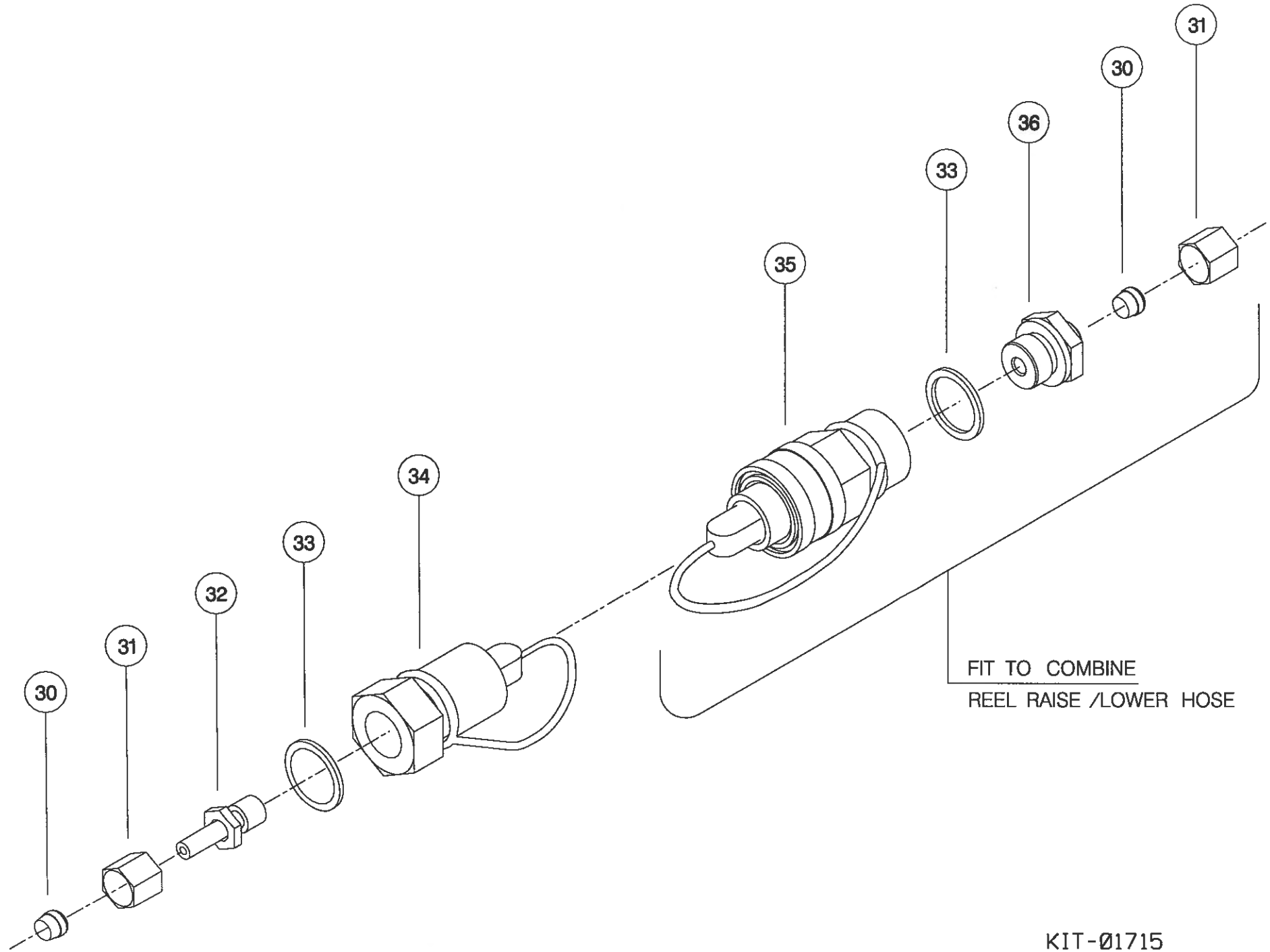


## *RX Shelbourne Header*

**HYDRAULIC  
FITTINGS**

**Shelbourne Reynolds Engineering Limited**

ASSY NUMBER:		KIT-01715		SUB ASSY DESCRIPTION: HYDRAULIC PROBE ADAPTOR			
ITEM	PART NO	DESCRIPTION	QTY	ITEM	PART NO	DESCRIPTION	QTY
30	FIT-0056	OLIVE	2				
31	FIT-0051	NUT	2				
32	FIT-0219	FITTING	1				
33	WSH-1010	DOWTY WASHER	2				
34	COU-0161	MALE COUPLING	1				
35	COU-0127	FEMALE COUPLING	1				
36	HPTD01005	FITTING	1				





## NUMERIC PARTS LIST

<u>PART No.</u>	<u>PAGE</u>
134024 05 .....	6
191116 01 .....	10
191148 01 .....	12
191380 01 .....	12
191560 02 .....	6
191763 01 .....	12
191804 26 .....	10
191804 30 .....	10
193401 01 .....	12
193402 01 .....	6
BLT-4710 .....	6
BRG-3220 .....	12
BSHZ03563 .....	12
CHN-01600 .....	10
CHN-01620 .....	10
COU-0127 .....	16
COU-0161 .....	16
FIT-0051 .....	16
FIT-0056 .....	16
FIT-0219 .....	16
HPTD01005 .....	16
HSS-0084 .....	12
HSS-0191 .....	12
HSS-0238 .....	12
HSS-0315 .....	6
K1008050 .....	12
KIT-00309 .....	10
KIT-00616 .....	5
NUT-0190 .....	6
NUT-0263 .....	6
NUT-0265 .....	12
NUT-0269 .....	12
POP-0006 .....	6
PTO-18001 .....	10
PUL-0070 .....	12
WSH-0009 .....	12
WSH-0012 .....	6
WSH-0015 .....	12
WSH-0018 .....	12
WSH-0024 .....	6
WSH-0056 .....	12
WSH-0070 .....	6
WSH-1010 .....	16

