

CX Shelbourne Header

PULSE SPECIAL

**LATERAL FLOAT ADAPTOR PLATE
& COMBINE FITTINGS**

PARTS MANUAL (1998 – ON)

CASE IH

Shelbourne
REYNOLDS

**Shelbourne Reynolds Engineering Ltd
Stanton
Bury St Edmunds
Suffolk IP31 2AR
England**

**Telephone: 01359 250415
Fax. No: 01359 250464**

**(Stores direct 01359 251231)
(Stores direct 01359 252031)**



INVESTOR IN PEOPLE

CASE IH (Axial Flow) Parts Manual

Adaptor Plate

196548 01 LATERAL FLOAT ADAPTOR PLATE - CASE IH

Drive Kits

196534 008 DRIVE KIT - CASE IH Cx72,Cx78 & Cx84

Hydraulic Fittings

KIT-01701 BELOW KIT FOR CASE IH 1440,1460,1640,
1660 HYDRAULIC CONNECTOR

KIT-01709 BELOW KIT FOR CASE IH 1480,1680,1688,
2166, 2188 HYDRAULIC CONNECTOR

Kit Options

KIT-01215 AUGER FLIGHT EXTENSIONS KIT (180 DEG)

CX Shelbourne Header

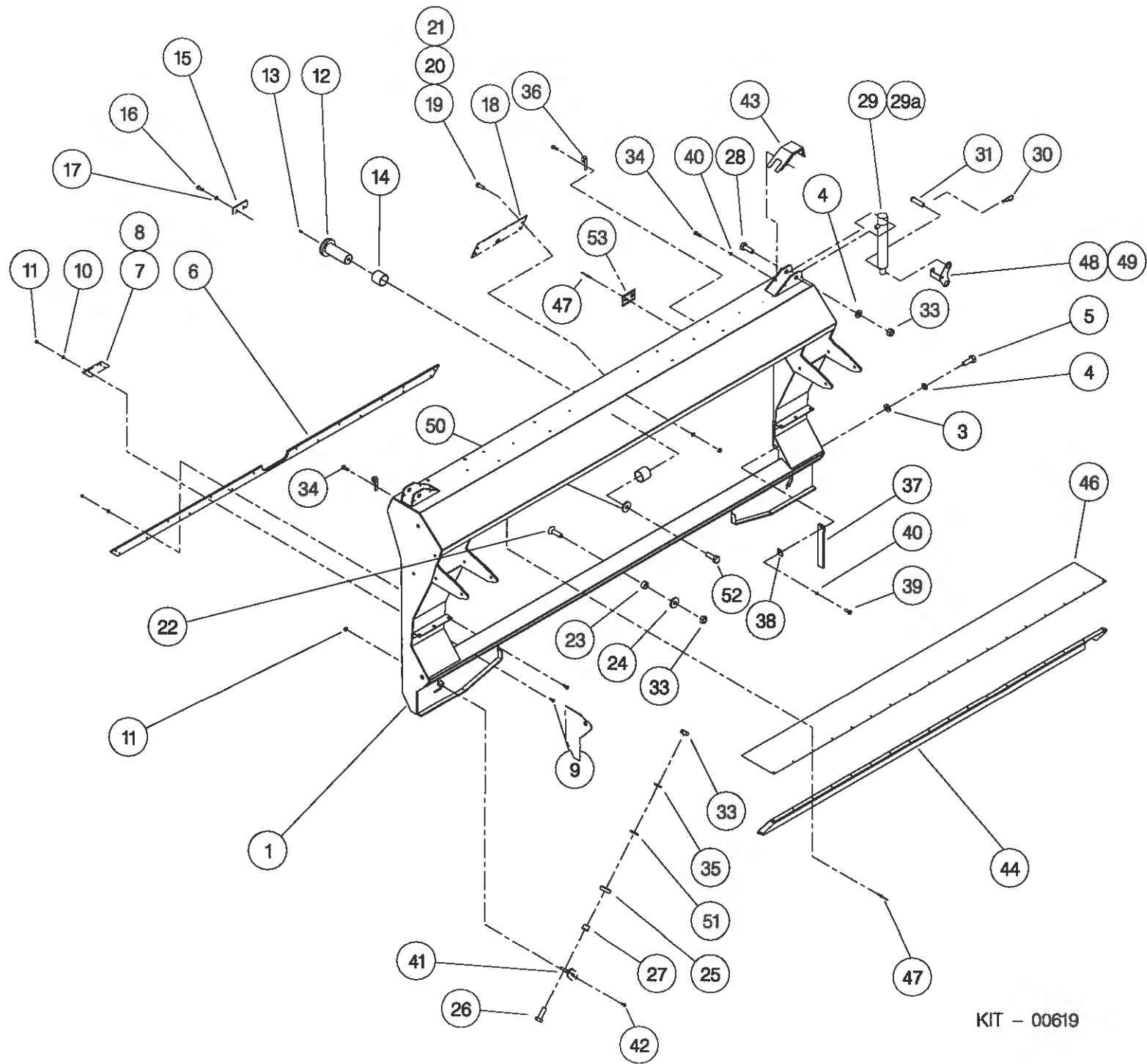
ADAPTOR PLATE

Shelbourne Reynolds Engineering Limited

ASSY NUMBER: 196548 01		ASSY DESCRIPTION: LATERAL FLOAT ADAPT.PLATE - CASE IH					
ITEM	PART NO	DESCRIPTION	QTY	ITEM	PART NO	DESCRIPTION	QTY
1	KIT-00619	HEADER PLATE SUB ASSY	1				
2	KIT-00620	COMBINE ADAP.PLATE SUB ASSY	1				
3	KIT-01751	HYDRAULIC KIT	1				
4	KIT-01752	MANUAL OPERATION (CIH)	1				

Shelbourne Reynolds Engineering Limited

ASSY NUMBER:		KIT-00619		SUB ASSY DESCRIPTION: HEADER PLATE SUB ASSY			
ITEM	PART NO	DESCRIPTION	QTY	ITEM	PART NO	DESCRIPTION	QTY
1	193914 01	HEADER PLATE W ASSY	1	38	193851 01	FIXING PLATE	2
2				39	HSS-0088	SETSCREW	4
3	HSS-0315	SET SCREW	2	40	WSH-0056	SPRING WASHER	12
4	WSH-0024	PLAIN WASHER	4	41	193846 01	BEARING PLATE ASSY	2
5	WSH-0070	SPRING WASHER	4	42	SCW-4959	BUTTON SCK HD SCREW	4
6	193916 01	SEAL STRIP	1	43	193867 01	RAM BRACKET GUARD	2
7	193917 01	SEAL STRIP L.H.	1				
8	193917 02	SEAL STRIP R.H.	2	44	194171 01	COVER PLATE	1
9	SCW-1580	CSK.SOC.HEAD SCREW	26	45	194172 01	CLAMP STRIP	1
10	WSH-0009	PLAIN WASHER	34	46	194173 01	RUBBER FLAP	1
11	NUT-0260	NYLOC NUT	34	47	POP-0006	POP RIVET	22
12	193816 01	PIVOT PIN	1	48	193868 01	LOCKING PLATE LH	1
13	NIP-00600	GREASE NIPPLE	1	49	193868 02	LOCKING PLATE RH	1
14	BSHD04563	BUSH	2	50	190119 15	WASHR	1
15	193870 01	LOCKING TAB	1	51	190119 20	WASHER	1
16	HSS-0135	SETSCREW	2	52	HSS-0235	SETSCREW	1
17	WSH-0058	SPRING WASHER	2	53	134024 05	IDENTIFICATION PLATE	1
18	193863 01	BACK PLATE	1				
19	HSS-0191	SETSCREW	4				
20	WSH-0015	PLAIN WASHER	4				
21	NUT-0265	NYLOC NUT	4				
22	SCEA16320	CSK.SOC.HEAD SCREW	1				
23	193872 01	SPACER	1				
24	190119 07	WASHER	1				
25	BRG-1995	BEARING	2				
26	HSS-0319	SETSCREW	2				
27	193871 02	SPACER	2				
28	BLT-23200	BOLT	2				
29	194572 01	HYDRAULIC RAM	2				
29a	RMSK00050	HYD.RAM SEAL KIT					
30	RCL-0013	R CLIP	2				
31	193864 01	LOWER RAM PIN	2				
32							
33	NUT-0271	NYLOC NUT	5				
34	HSS-0086	SET SCREW	16				
35	WSH-0025	PLAIN WASHER	2				
36	CLP-01013	P CLIP	8				
37	193953 01	SIDE SEAL	2				

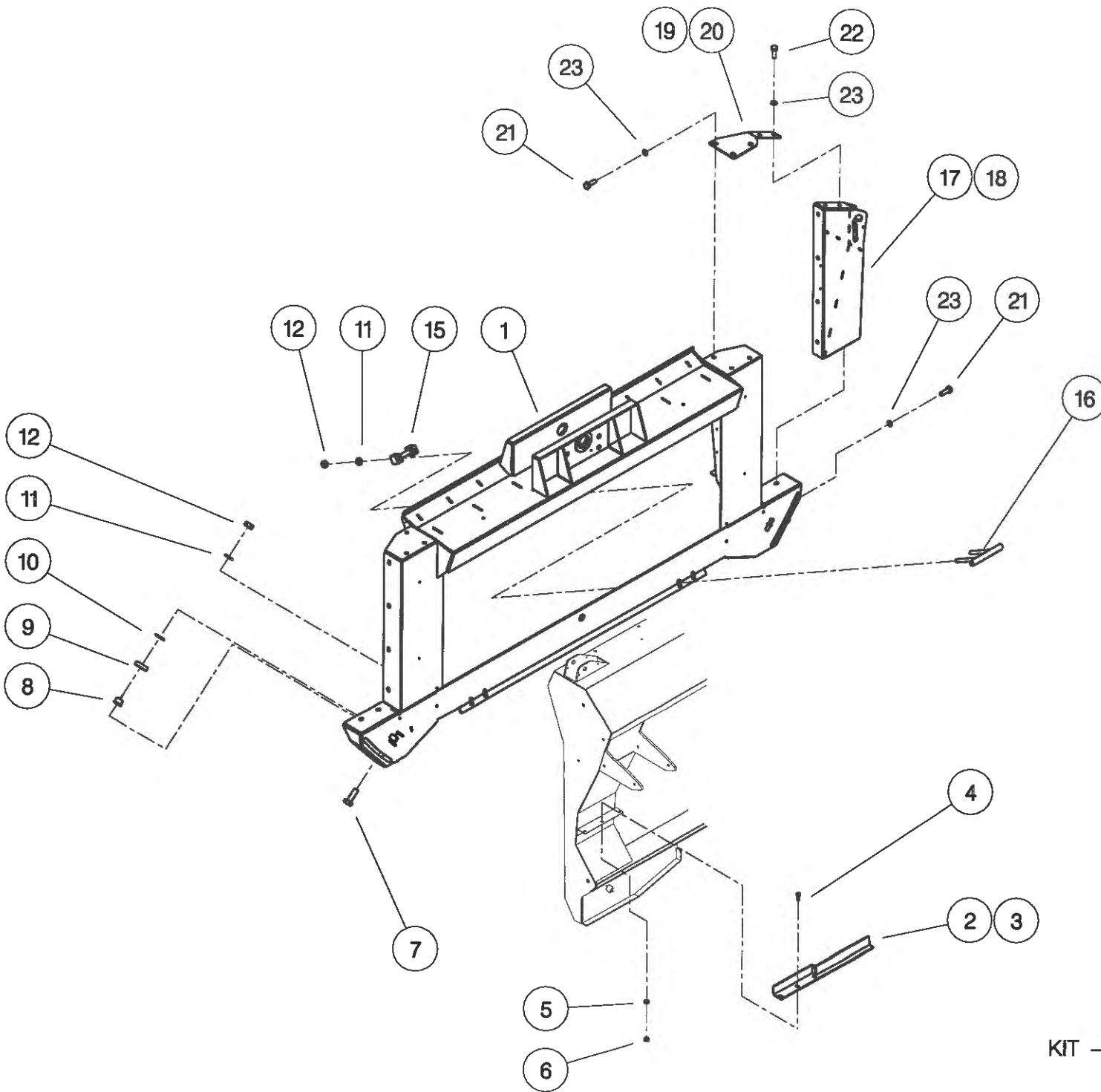


KIT - 00619

Shelbourne Reynolds Engineering Limited

ASSY NUMBER: KIT-00620		SUB ASSY DESCRIPTION: COMBINE ADAP.PLATE SUB ASSY-CIH					
ITEM	PART NO	DESCRIPTION	QTY	ITEM	PART NO	DESCRIPTION	QTY
1	193957 01	COMBINE ADAPT.PLATE W ASSY	1				
2	193877 01	SCRAPER ANGLE LH	1				
3	193877 02	SCRAPER ANGLE RH	1				
4	BLT-4710	COACH BOLT	6				
5	WSH-0012	PLAIN WASHER	6				
6	NUT-0263	NYLOC NUT	6				
7	HSS-0260	SET SCREW	2				
8	193871 01	SPACER	2				
9	BRG-1995	BEARING	4				
10	190119 20	WASHER	2				
11	WSH-0018	PLAIN WASHER	6				
12	NUT-0269	NYLOC NUT	6				
13							
14							
15	130236 01	PICK UP BAR	2				
16	193959 01	FIXING BAR	2				
17	193920 01	RAM BRACKET LH	1				
18	193920 02	RAM BRACKET RH	1				
19	193926 01	UPPER FOLDED PLATE LH	1				
20	193926 02	UPPER FOLDED PLATE RH	1				
21	HSS-0235	SET SCREW	18				
22	HSS-0238	SET SCREW	4				
23	WSH-0065	SPRING WASHER	22				

8

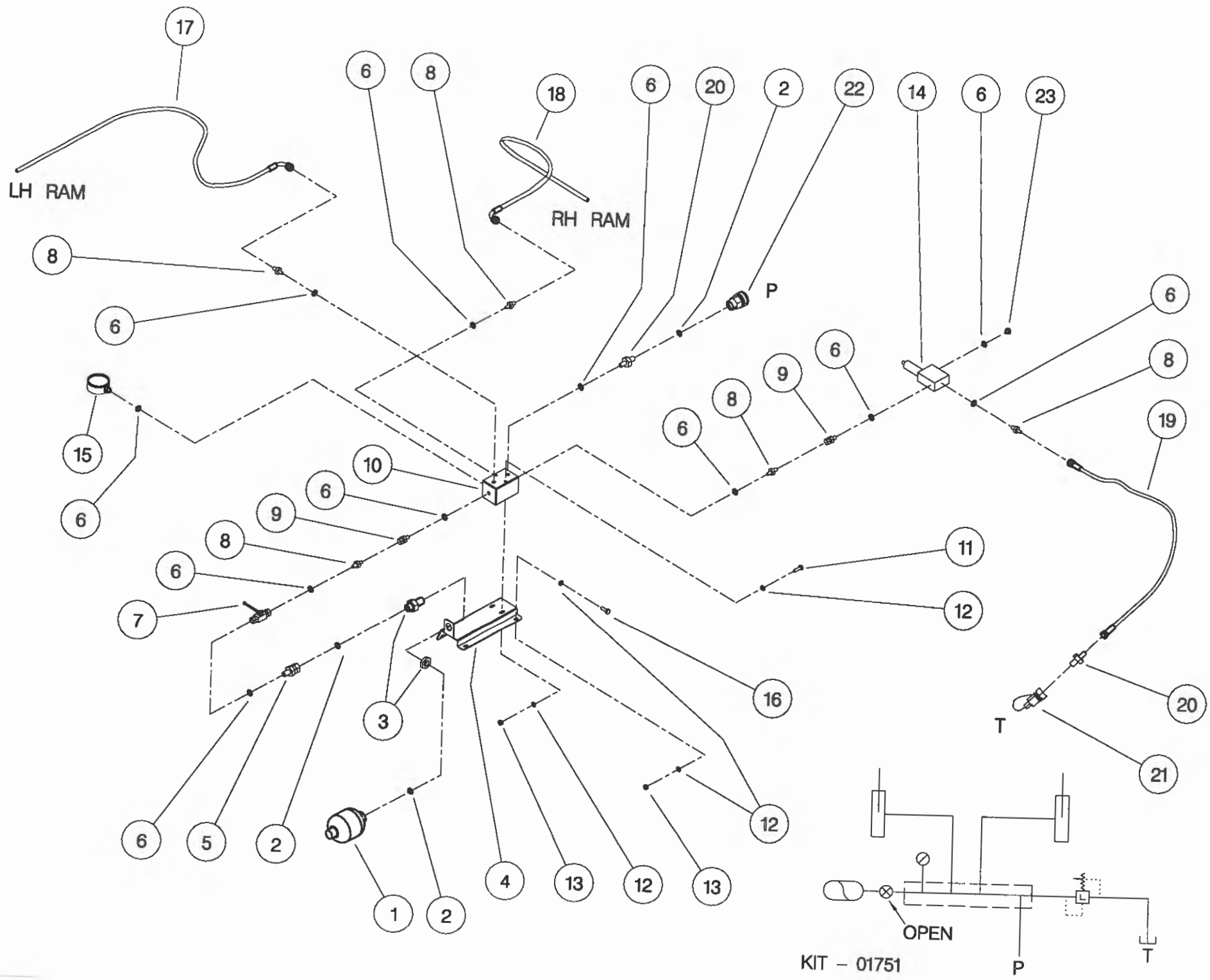


6

KIT - 00620

Shelbourne Reynolds Engineering Limited

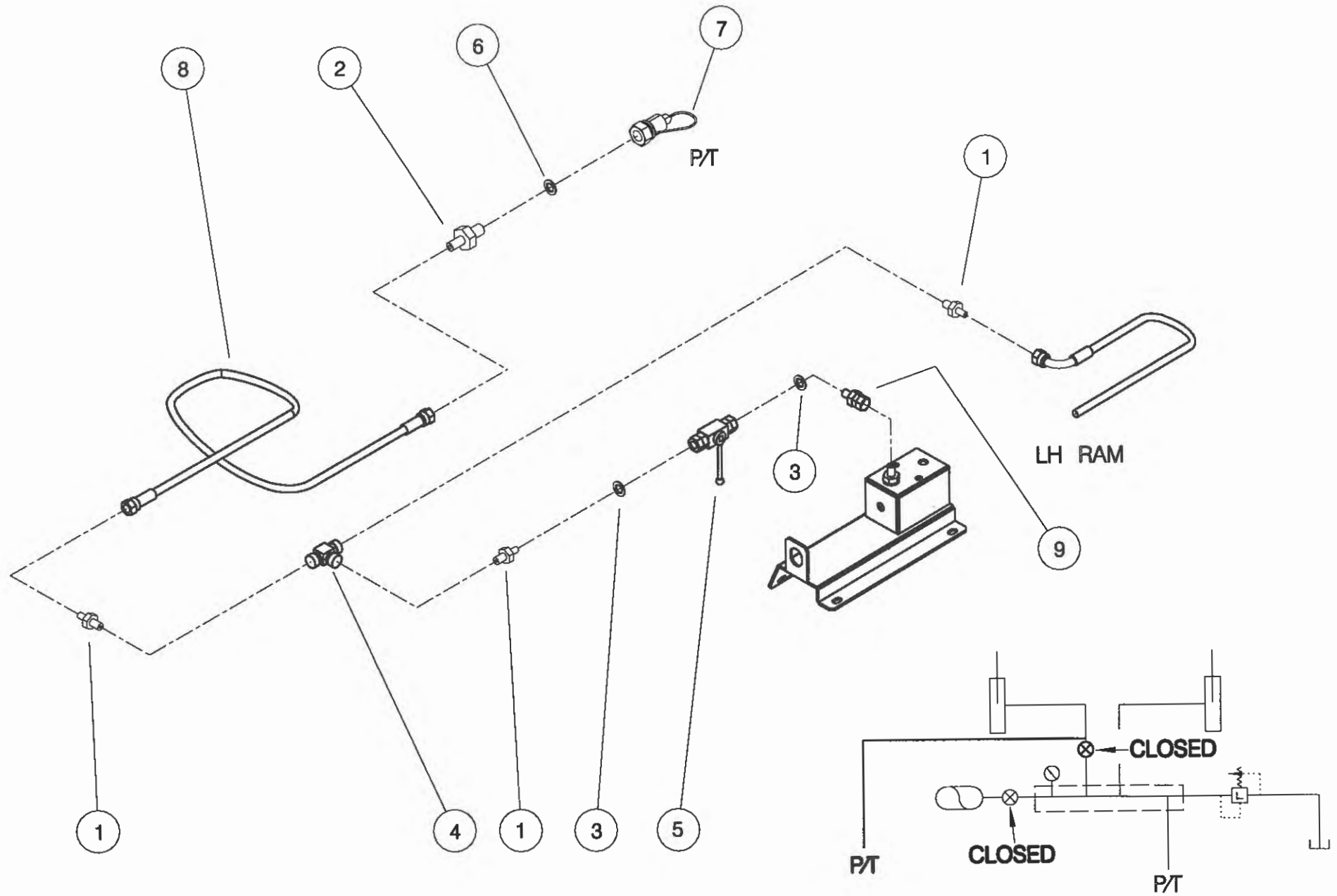
ASSY NUMBER:		KIT-01751		SUB ASSY DESCRIPTION: HYDRAULICS PULSE SPECIAL - CASE IH			
ITEM	PART NO	DESCRIPTION	QTY	ITEM	PART NO	DESCRIPTION	QTY
1	HYA-00335	HYD.ACCUMULATOR	1				
2	WSH-1015	DOWTY WASHER	3				
3	HAGAA0707	BULKHEAD FITTING	1				
4	194022 01	MOUNTING PLATE	1				
5	HACAA0307	FITTING	1				
6	WSH-1005	DOWTY WASHER	11				
7	HVB-02600	BALL VALVE	1				
8	HMA-0052	FITTING	5				
9	FIT-0520	FITTING	2				
10	194023 01	MANIFOLD	1				
11	BLTA08500	BOLT	2				
12	WSH-0012	PLAIN WASHER	12				
13	NUT-0263	NYLOC NUT	6				
14	HVB-22025	RELIEF VALVE	1				
15	GAU-0020	PRESSURE GAUGE	1				
16	HSS-0145	SET SCREW	4				
17	HHBC03315	HOSE	1				
18	HHBC20015	HOSE	1				
19	HHAC15015	HOSE	1				
20	HMA-0055	FITTING	2				
21	COU-0162	MALE Q.R.COUPLING	1				
22	COU-0128	FEMALE Q.R.COUPLING	1				
23	FITC00303	BLANKING PLUG	1				



KIT - 01751

Shelbourne Reynolds Engineering Limited

ASSEMBLY NO:		KIT-01752		ASSEMBLY DESCRIPTION:		HYD KIT (MAN OP LAT FLT CIH)	
ITEM	PART NO	DESCRIPTION	QTY	ITEM	PART NO	DESCRIPTION	QTY
1	HMA-0052	FITTING	3				
2	HMA-0055	FITTING	1				
3	WSH-1005	DOWTY WASHER	2				
4	FITA10230	T FITTING	1				
5	HVB-02600	BALL VALVE	1				
6	WSH-1015	DOWTY WASHER	1				
7	COU-0162	Q.R.MALE COUPLING	1				
8	HHAC15015	HYD HOSE	1				



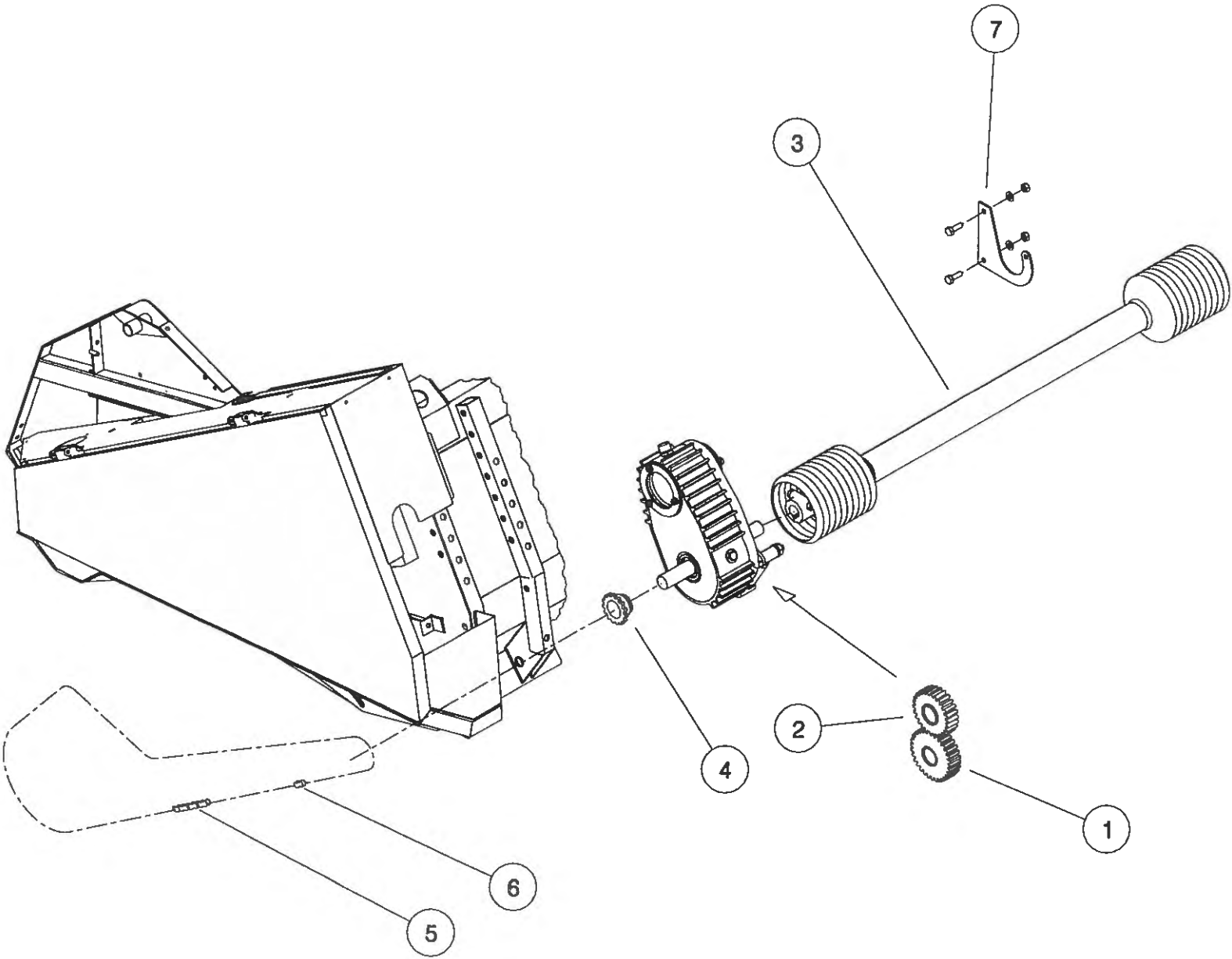
KIT - 01752

CX Shelbourne Header

DRIVE KIT

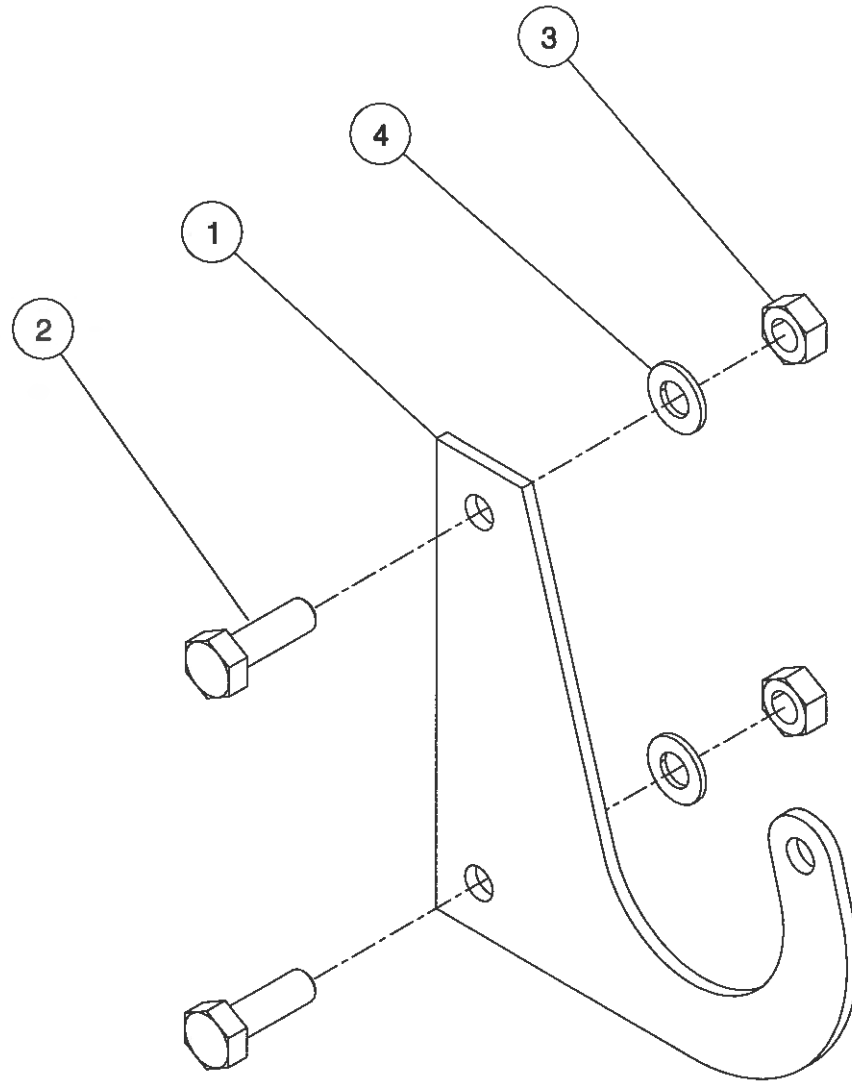
Shelbourne Reynolds Engineering Limited

ASSY NUMBER: 196534 008		ASSY DESCRIPTION: DRIVE KIT 6.6-8.4M CASEIH/JD9500					
ITEM	PART NO	DESCRIPTION	QTY	ITEM	PART NO	DESCRIPTION	QTY
1	191804 29	SELECT GEAR 29T	1				
OR	191804 30	SELECT GEAR 30T	1				
2	191804 27	SELECT GEAR 27T	1				
OR	191804 26	SELECT GEAR 26T	1				
3	PTO-17002	FLEX POWER SHAFT	1				
4	192768 18	AUGER SPROCKET 18T	1				
OR	192768 06	AUGER SPROCKET 19T	1				
5	CHN-01920	CHAIN	95				
6	CHN-01901	JOINING LINK	1				
7	KIT-00931	PTO SUPPORT KIT	1				



Shelbourne Reynolds Engineering Limited

ASSY NUMBER:		KIT-00931		ASY DESCRIPTION: PTO SUPPORT KIT			
ITEM	PART NO	DESCRIPTION	QTY	ITEM	PART NO	DESCRIPTION	QTY
1	191945 01	PTO SUPPORT	1				
2	HSS-0238	SET SCREW	2				
3	NUT-0269	NYLOC NUT	2				
4	WSH-0018	PLAIN WASHER	2				



CX Shelbourne Header

**HYDRAULIC
FITTINGS**

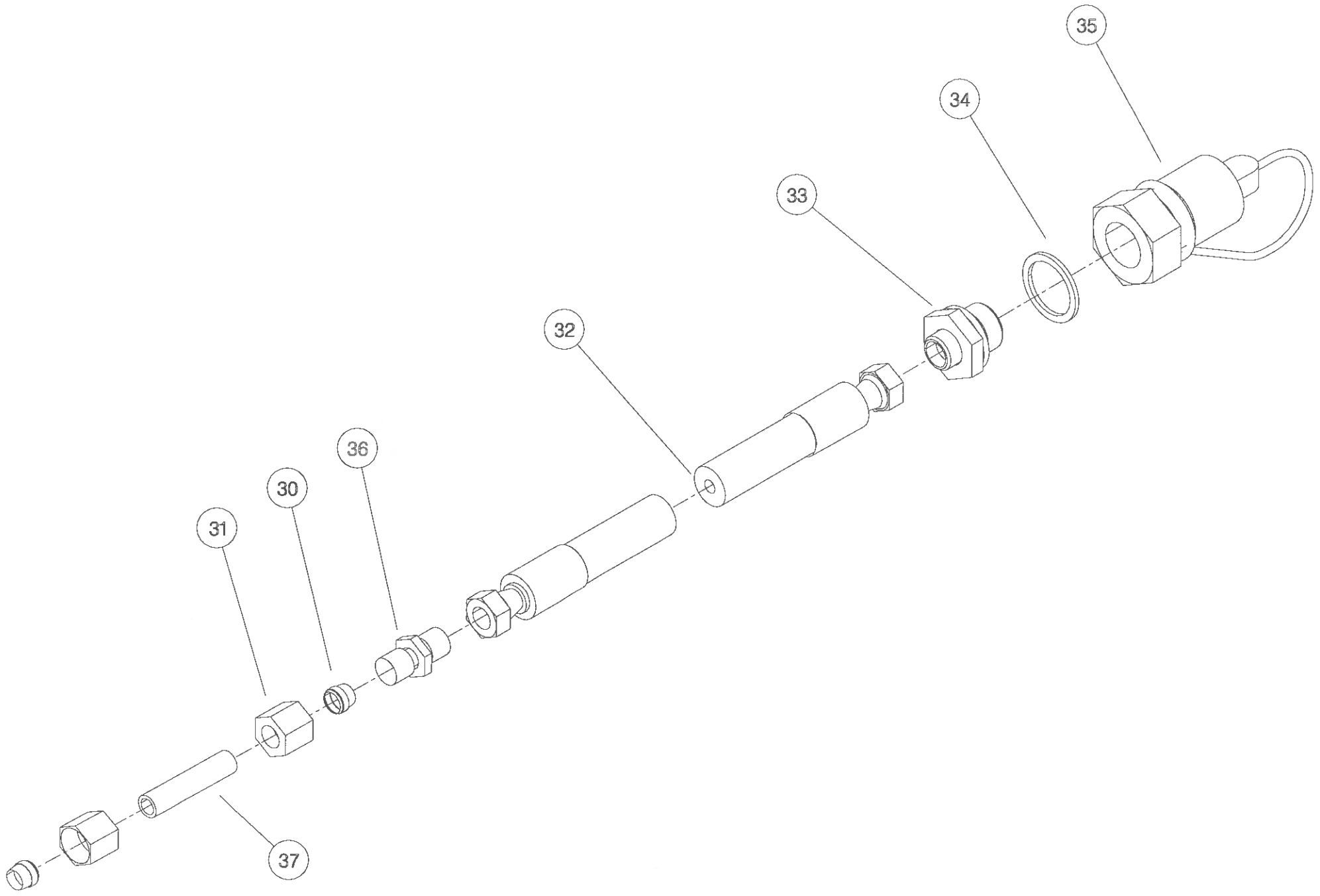
Shelbourne Reynolds Engineering Limited

ASSY NUMBER: KIT-01701 SUB ASSY DESCRIPTION: HYDRAULIC PROBE CONNECTOR (FROM 196517 01)

ITEM	PART NO	DESCRIPTION	QTY	ITEM	PART NO	DESCRIPTION	QTY
30	FIT-0056	OLIVE	2				
31	FIT-0051	NUT	2				
32	HHAC12005	HOSE	1				
33	FIT-0025	ADAPTOR	1				
34	WSH-1010	DOWTY WASHER	1				
35	COU-0161	PULL BRAKE COUPLING	1				
36	FIT-0047	FITTING	1				
37	RP100040	PIPE	1				

Shelbourne Reynolds Engineering Limited

ASSY NUMBER:		KIT-01709		SUB ASSY DESCRIPTION: HYDRAULIC PROBE ADAPTOR			
ITEM	PART NO	DESCRIPTION	QTY	ITEM	PART NO	DESCRIPTION	QTY
30	FIT-0056	OLIVE	2				
31	FIT-0051	NUT	2				
32	HHAC12005	HOSE	1				
33	HMA-0055	ADAPTOR	1				
34	WSH-1015	DOWTY WASHER	1				
35	COU-0162	PULL BRAKE COUPLING	1				
36	FIT-0047	FITTING	1				
37	RP100040	PIPE	1				



CX Shelbourne Header

KIT OPTIONS

Shelbourne Reynolds Engineering Limited

ASSY NUMBER:		KIT-01215		SUB ASSY DESCRIPTION: AUGER FLIGHT EXTENS. (RX/CX 1998)			
ITEM	PART NO	DESCRIPTION	QTY	ITEM	PART NO	DESCRIPTION	QTY
1	193446 01	AUGER FLIGHT EXT. L.H	1				
2	193446 02	AUGER FLIGHT EXT. R.H	1				

