

Shelbourne

REYNOLDS

MAN-10108

7000 SERIES

PARTS MANUAL



HEDGE / VERGGE TRIMMER

Shelbourne Reynolds Engineering Ltd
Stanton
Bury St Edmunds
Suffolk
IP31 2AR
England

Telephone: 01359 250415
Fax: 01359 250464

Stores Direct : 01359 251231
Stores Direct: 01359 252031

Issue 18 31/01/2024

www.shelbourne.com



 YouTube

ORDERING SPARE PARTS

IMPORTANT

Your Powerblade is made up of a Machine assembly number (common parts), specific sub assemblies and also customer optional build kits. The machine, sub assemblies and optional kit numbers are listed in the front pages of your Operators manual, part no. MAN-10003 or MAN-10200. If you do not have these numbers please contact Shelbourne Reynolds Parts Department direct on (telephone) 01359 251231.

To ensure that you order the correct part from your SRE dealer please use the following procedure.

ALWAYS QUOTE THE MACHINE AND SERIAL NUMBERS WHEN ORDERING.

Refer to the Parts Manuals front page/s, listing the machine assemblies. Select the correct machine assembly number which is printed in the top left corner of the page (starting with 8099_ _ 01), This machine number can also be taken off the Powerblade identification plate located on the front of the main chassis beam.

On this page you will find the parts listing for the common parts for every configuration of that machine assembly number.

You will find the corresponding drawing by either looking at the facing page or progressing through the manual to the next drawing.

The drawings indicate the components by item numbers, which you will find, are repeated in the left-hand side of your parts listing, and therefore referring to the correct part.

Note all parts will not be found listed below the machine number. Other parts will be from specific sub assemblies and optional kits. These sub assemblies and kits will be found in numerical order further through the manual. Sub assemblies start with 809_ _ 01 and kits start with
KIT- 08 _ _ _.

List Of Kit Numbers

809917 01	Trimmer Assembly	1
809029 01	Mainframe Sub Assembly	3
809030 01	Tank And Guards Sub Assembly	5
809030 01 HYD	Tank Hydraulics	7
809030 01A	Tank Sub Assembly	9
809039 01	Tank And Guards Sub Assembly	11
809039 01A	Tank Sub Assembly	13

KIT-08371	Lighting Kit	15
KIT-08512	Lighting Kit	17

Kit Options 20

KIT-08237B	3 Point Linkage Stabiliser Kit	21
KIT-08239	Axle Mounted Stabilisers	23
KIT-08239A	Axle Mounted Stabilisers	25
KIT-08272	Twin Accumulator Kit	27
KIT-08284	Drawbar Kit	29
KIT-08339	Axle Frame Mounting Kit	31
KIT-08342	3 Point Mounting Kit	33
KIT-08348	6056, 7056/62 VFR Inner Boom Kit	35
KIT-08348B HYD	Inner Boom Hydraulics Kit 7062 VFR	37
KIT-08352	Blower Sub Assembly Kit	39
KIT-08353	6 / 7060T Inner Boom Kit	41
KIT-08353A HYD	6 / 7060T Inner Boom Hydraulics Kit	43
KIT-08354	6 / 7060T Telescopic Boom Kit	45
KIT-08354 HYD	6 / 7060T Outer Boom Hydraulic Kit	47
KIT-08382	3PS Electric Rotor Valves And Controls Kit	49
KIT-08382A	3PS Electric Rotor Valves And Mounting Plate Kit	51
KIT-08382A HYD	3PS Electric Rotor Hydraulic Kit	53
KIT-08382B HYD	3PS Electric Rotor Valves Hydraulic Kit	55
KIT-08387	Hydraulics For Head Options Kit 6 / 7060T	57
KIT-08387A HYD	Hydraulics For Head Options Kit 6 / 7060T	59
KIT-08397	7062 VFR Outer Boom	61
KIT-08397 HYD	7062VFR Outer Boom Hydraulic Kit	63
KIT-08401	Blower Kit	65
KIT-08403	Highways Kit	67
KIT-08403A	Highways Kit With Debris Blower	67
KIT-08407A HYD	HC1200 Head Motor Hydraulic Kit (Narrow Lane Bracket For 7060T And 7056)	69
KIT-08407B HYD	HC1600 Head Motor Hydraulic Kit (Narrow Lane Bracket For 7060T And 7056)	71

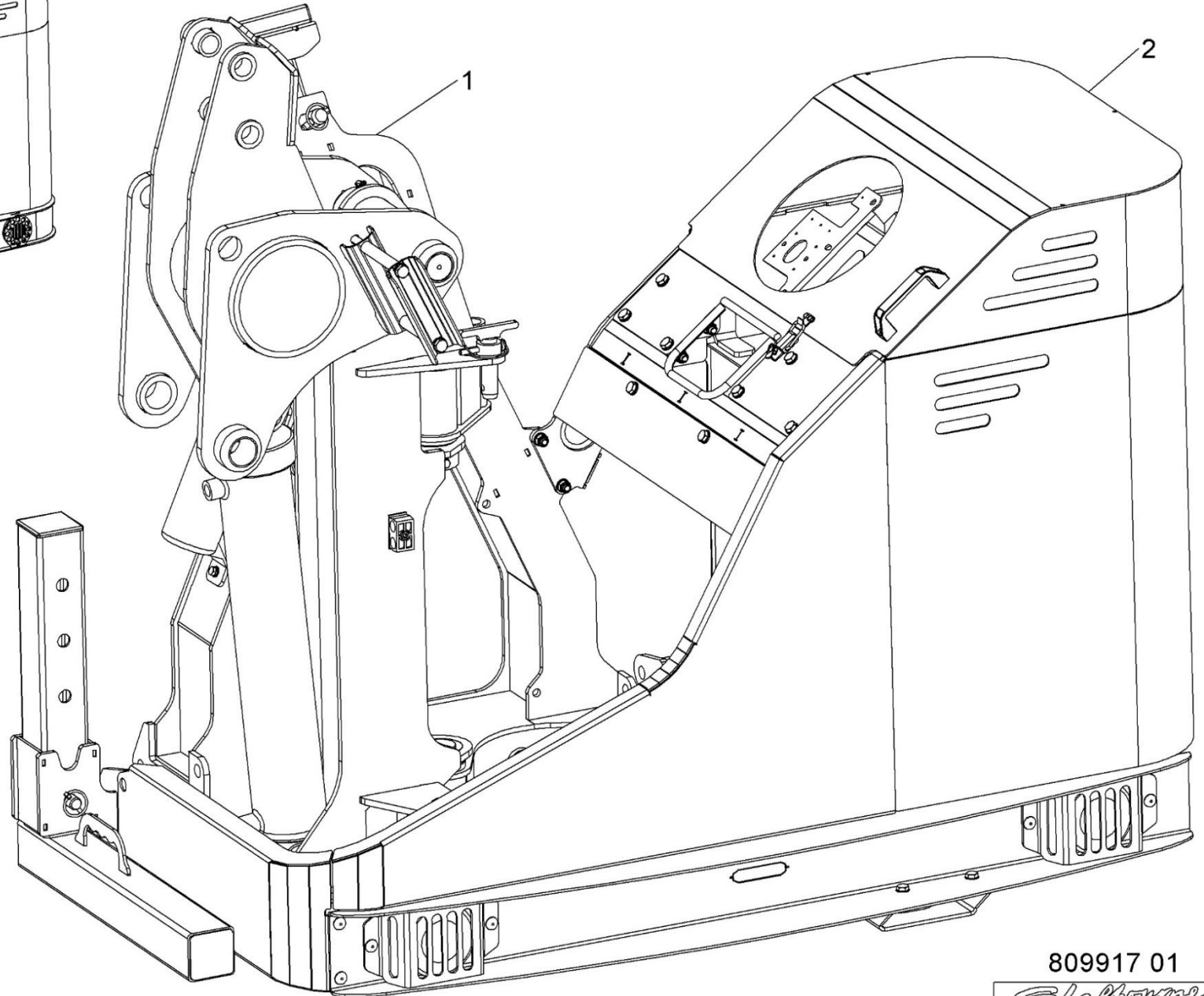
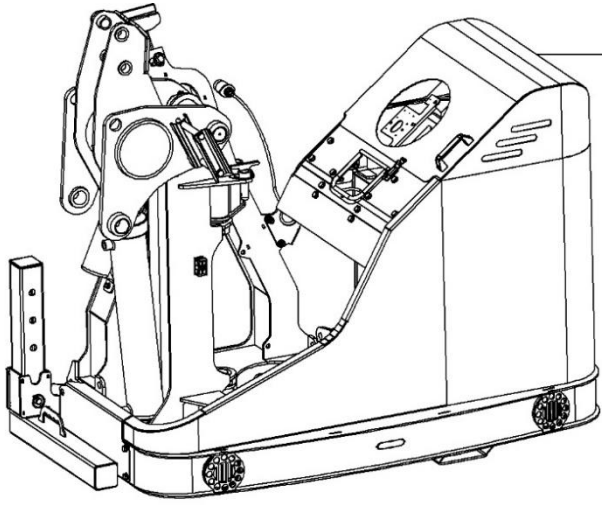
KIT-08407E HYD	HC1200 Head Motor Hydraulic Kit (Narrow Lane Bracket For 7062VFR)	73
KIT-08407F HYD	HC1600 Head Motor Hydraulic Kit (Narrow Lane Bracket For 7062VFR)	75
KIT-08408	HC Head Mount Kit	77
KIT-08408A	GP Head Mount Kit	79
KIT-08410	Standard Drive Kit	81
KIT-08412	HC Head Narrow lane Bracket	83
KIT-08425	GP Head Narrow Lane Bracket	85
KIT-08430A HYD	GP1200 HD Motor Hydraulic Kit (Standard Mount For 7062VFR)	87
KIT-08430B HYD	GP1200 HD Motor Hydraulic Kit (Standard Head Mount For 7060T And 7056)	89
KIT-08430C HYD	GP1500 HD Motor Hydraulic Kit (Standard Head Mount For 7062VFR)	91
KIT-08430D HYD	GP1500 HD Motor Hydraulic Kit (Standar Mount Head For 7060T And 7056)	93
KIT-08431C HYD	GP1500 HD Motor Hydraulic Kit (Narrow Lane Bracket For 7062VFR)	95
KIT-08431D HYD	GP1500 HD Motor Hydraulic Kit (Narrow Lane Bracket For 7060T And 7056)	97
KIT-08433	540RPM High Power Drive Kit	99
KIT-08439	7060T Transfers Kit	101
KIT-08440	7062VFR Transfers Kit	103
KIT-08445	Hydraulics For Head Options Kit 7062 VFR	105
KIT-08445A HYD	Hydraulics For Head Options Kit 7062 VFR	107
KIT-08447A HYD	HC1200 Left Hand Motor Hydraulic Kit (Standard Head Mount For 7062 VFR)	109
KIT-08447B HYD	HC1200 Left Hand Motor Hydraulic Kit (Standard Head Mount For 7060T & 7056)	111
KIT-08447C HYD	HC1600 Left Hand Head Motor Hydraulic Kit (Standard Head Mount For 7062VFR)	113
KIT-08447D HYD	HC1600 Left Hand Head Motor Hydraulic Kit (Standard Head Mount For 7060T And 7056)	115
KIT-08447E HYD	HC1200 Right Hand Motor Hydraulic Kit (Standard Head Mount For 7062VFR)	117
KIT-08447F HYD	HC1200 Right Hand Head Motor Hydraulic Kit (Standard Head Mount For 7060T And 7056)	119
KIT-08447G HYD	HC1600 Right Hand Head Motor Hydraulic Kit (Standard Head Mount For 7062VFR)	121
KIT-08447H HYD	HC1600 Right Hand Head Motor Hydraulic Kit (Standard Head Mount For 7060T And 7056)	123
KIT-08448B HYD	Head Link Hose Kit (Standard Head Mount For 7060T And 7056)	125

KIT-08448C HYD	Head Link Hose Kit (Narrow Lane Bracket For 7060T And 7056)	127
KIT-08448D HYD	Head Link Hose Kit (Narrow Lane Bracket For 7062VFR)	129
KIT-08448E HYD	Head Link Hose Kit (HC & GP Head for 6/7/8000 Tele)	131
KIT-08448H HYD	Head Link Hose Kit (7062 VFR & Right Hand HC Head For 8000 TELE)	133
KIT-08472	Safety Decal Only Transfer Kit	135
KIT-08473	800RPM High Power Drive Kit	137
KIT-08522	Transfer Kit (7060T)	139
KIT-08523	Transfer Kit (7062VFR)	141
KIT-08530	6000 & 7000 Trimmer Highays Kit (No Debris Blower)	143
KIT-08530a	6000 & 7000 Trimmer Highays transfer Kit (With Debris Blower)	145
KIT-08533	Valve Block Fixing Kit	147
	Breakdown Pages	150
GEA-0183	Gearbox	151
HVB-19120	Rotor Control valve	153
HVB-19145	Valve Block Cylinders	155
HVB-19180	Valve Block Cylinders (T7062231739 TO T7062241856)	157
HVB-19210	Valve Block Cylinders (T706241856 & ON)	159

Shelbourne Reynolds Engineering Limited

ASSY NUMBER: 809917 01				ASSY DESCRIPTION: 6000 & 7000 TRIMMER TOP LEVEL			
ITEM	PART NO	DESCRIPTION	QTY	ITEM	PART NO	DESCRIPTION	QTY
1	809029 01	6000 & 7000 MAINFRAME SUB ASSY	1				
2	809039 01	6000 & 7000 TANK & GUARDS SUB SER No T7060221675 & ON	1				
OR	809030 01	7000 TANK & GUARDS SUB ASSY UPTO & INC SER No: T7060221673	1				

(OR) 809030 01



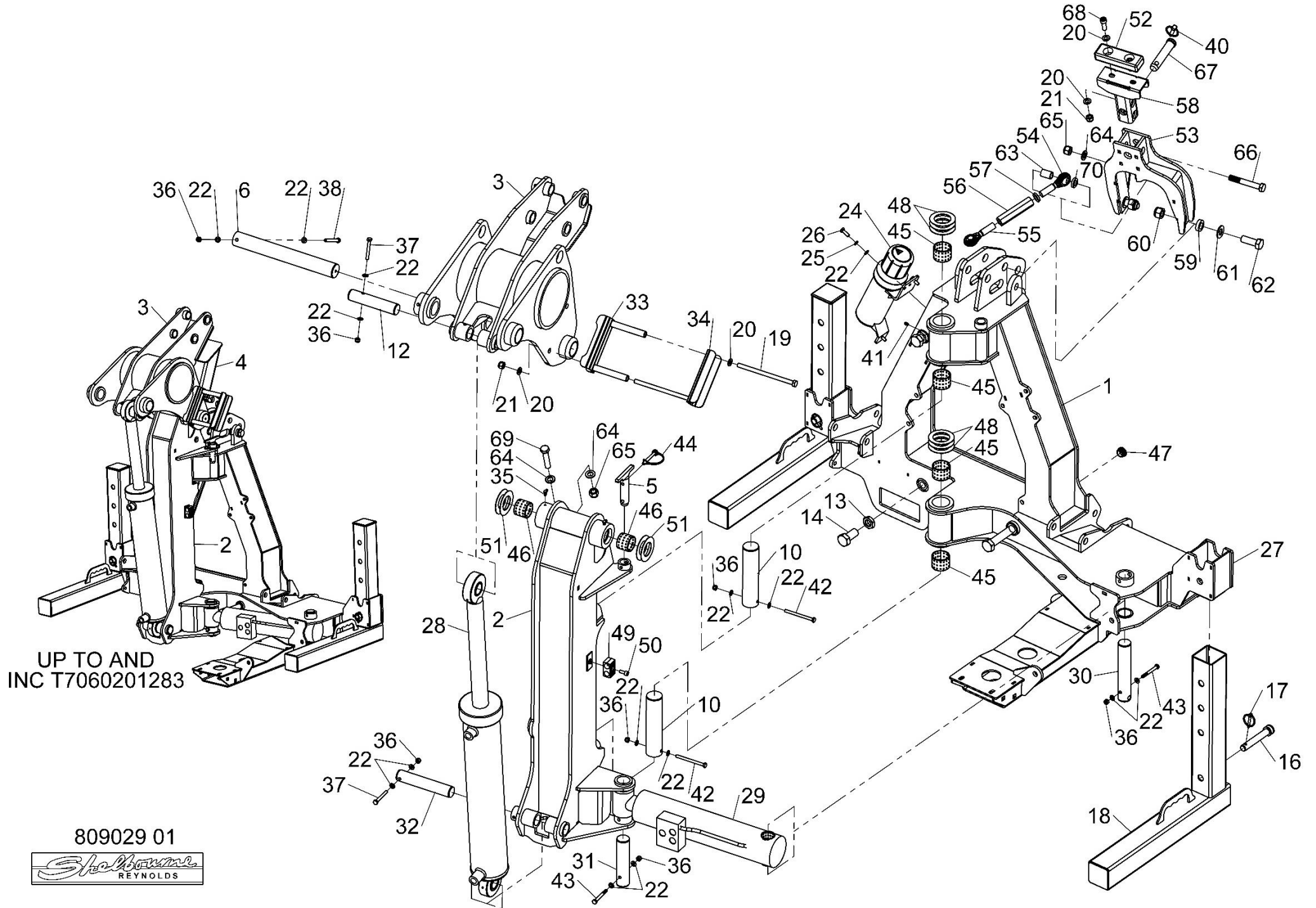
809917 01



Shelbourne Reynolds Engineering Limited

ASSY NUMBER: 809029 01				ASSY DESCRIPTION: 6000 & 7000 MAINFRAME SUB ASSEMBLY			
ITEM	PART NO	DESCRIPTION	QTY	ITEM	PART NO	DESCRIPTION	QTY
1	805400 01	MAIN FRAME W/A	1	35	NIP-00605	GREASE NIPPLE	2
2	806666 01	PILLAR W/A (T****211345 & ON)	1	36	NUT-0263	NYLOC NUT	7
OR	805467 01	PILLAR W/A	1	37	BLTA08410	BOLT	2
3	806679 01	ROCKER W/A (T****211345 & ON)	1	38	BLTA08530	BOLT	1
OR	805481 01	ROCKER W/A (UP TO & INC T7060201283)	1	39	800198 05	TOP LINK (UP TO & INC T7060201283)	1
4	805487 01	BUMP STOP W/A (UP TO & INC T7060201283)	1	40	PIN-01950	LYNCH PIN	1
5	805388 01	LOCKING PIN W/A	1	41	NIP-00600	GREASE NIPPLE	2
6	800102 12	PIN	1	42	BLTA08560	BOLT	2
7	WSH-0036	WASHER	2	43	BLTA08440	BOLT	2
8	NUT-0275	NYLOC NUT	1	44	PIN-1720	SPRING PIN 'D' CLIP	1
9	HSS-0435	BOLT (UP TO & INC T7060201283)	1	45	BSHO05062	WRAPPED BUSH (50 ID x 40LG)	4
10	800141 03	PIN PILLAR PIVOT	2	46	BSHO04562	WRAPPED BUSH (45 ID x 40LG)	2
11				47	PTF-00130	ROUND INSERT (30mm)	3
12	805979 01	PIN	1	48	800781 01	SHIM	6
13	NUT-0390	HALF NUT	3	49	HCPD01800	HYD PIPE CLAMP	1
14	HSS-0400	BOLT	2	50	SCW-0133	CP HD SCREW	1
15	HSSA24770	BOLT	1	51	801502 01	SHIM	4
16	39010206	PIN	2			<u>52-69 FOR T****21345 & ON ONLY</u>	
17	PIN-01601	LYNCH PIN	2	52	801367 01	BUFFER	1
18	805510 01	STAND W/A	2	53	804140 01	BUMP STOP W/A	1
19	BLTA12830	BOLT	2	54	804095 01	RH LINK BALL END	1
20	WSH-0018	WASHER	8	55	804096 01	LH LINK BALL END	1
21	NUT-0269	NYLOC NUT	4	56	804236 01	BUMP STOP ADJUSTER	1
22	WSH-0012	WASHER	18	57	NUTB03450	HALF NUT	1
23	PTF-00121	ROUND INSERT	1	58	804031 01	BUMP STOP W/A	1
24	PCN-00100	PLASTIC CANISTER	1	59	198800 53	WASHER	2
25	WSH-0058	SPRING WASHER	3	60	NUTA02200	NUT	2
26	HSS-0145	BOLT	3	61	198800 36	WASHER	2
27	21709004	PLASTIC CAP	2	62	BLT-2365	BOLT	2
28	805978 01	LIFT CYL	1	63	804141 01	SHORT SPACER	1
29	807534 01	BREAKBACK CYL T70XX231716 & ON	1	64	WSH-0024	WASHER	4
OR	803744 01	BREAKBACK CYL UPTO T70XX231716	1	65	NUT-0271	NUT	2
30	804227 01	PIN	1	66	BLT-2325	BOLT	1
31	802839 12	PIN	1	67	800198 01	PIN	1
32	805979 02	PIN	1	68	SCW-0245	CP HD SCREW	2
33	805913 01	HOSE GUIDE W/A	1	69	HSSA16470	SETSCREW	1
34	905915 01	HOSE GUIDE PLATE	1	70	190119 85	190119 85	1
				71			
				72			

Shelbourne Reynolds Engineering Limited



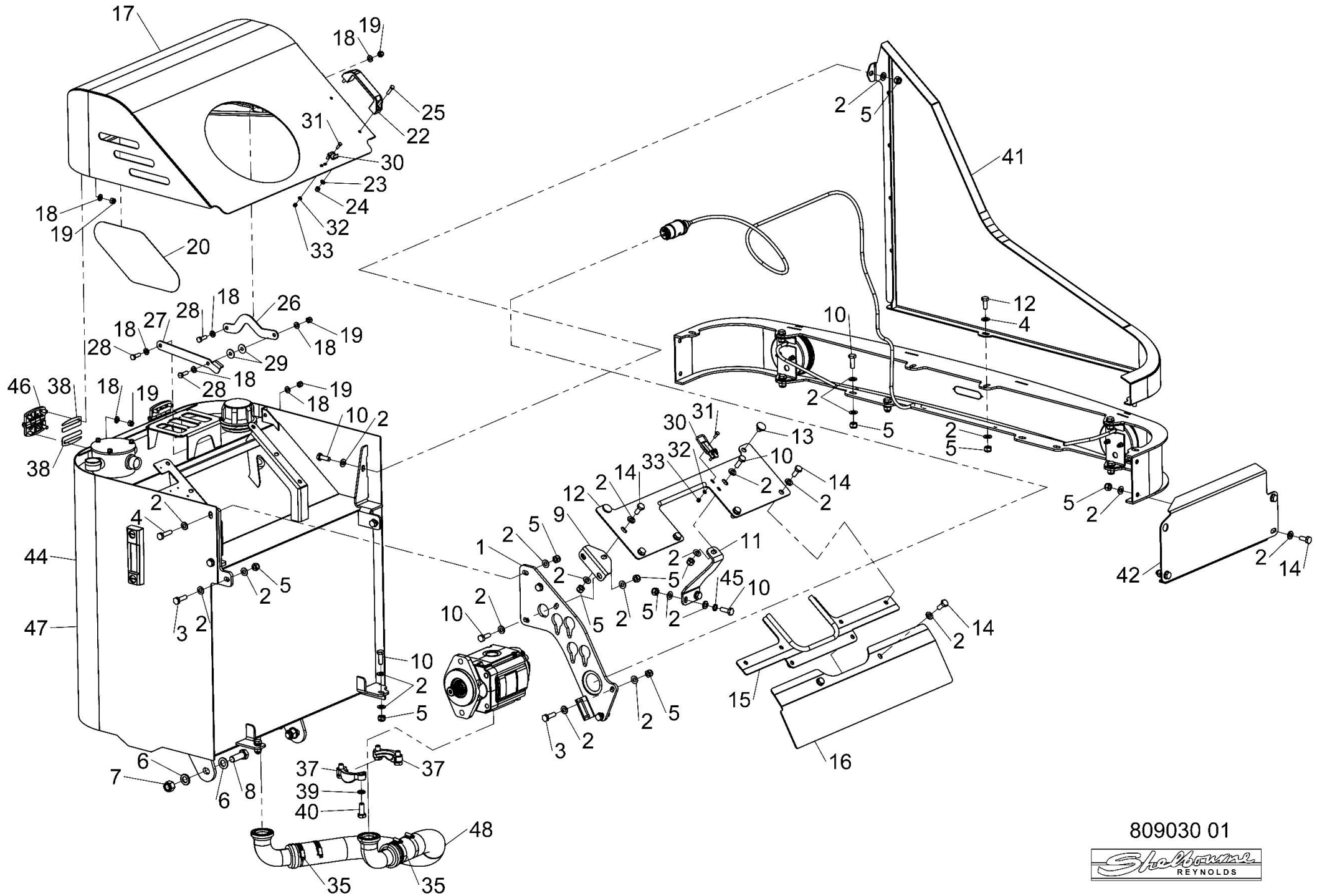
UP TO AND
INC T7060201283

809029 01



Shelbourne Reynolds Engineering Limited

ASSY NUMBER: 809030 01				ASSY DESCRIPTION: 7000 TANK & GUARDS SUB ASSEMBLY			
ITEM	PART NO	DESCRIPTION	QTY	ITEM	PART NO	DESCRIPTION	QTY
1	805542 01	HOSE MOUNT W/A	1	41	805514 01	GUARD W/A	1
2	WSH-0015	WASHER	40	42	805515 01	BUMPER SIDE	1
3	HSS-0198	BOLT	3	43	KIT-08371	LIGHTING KIT	1
4	HSS-0202	BOLT	2	44	809030 01A	7000 TANK SUB ASSY	1
5	NUT-0265	NYLOC NUT	17	45	WSH-0061	WASHER	2
6	WSH-0024	WASHER	4	46	HIN-10110	HINGE	2
7	NUT-0271	NYLOC NUT	2	47	OIL-0027	HYDRAULIC OIL	208L
8	HSS-0317	BOLT	2	48	809030 01 HYD	TANK HYDRAULICS KIT	1
9	805385 01	GUARD BRKT	1				
10	HSS-0194	BOLT	8				
11	805985 01	MOUNTNIG PLATE	1				
12	805519 01	HOSE GUIDE W/A	1				
13	RUB-0330	RUBBER GROMMET	2				
14	HSS-0191	BOLT	11				
15	805521 01	LOWER HOSE GUIDE W/A	1				
16	805989 01	COVER PLATE	1				
17	805499 01	TANK LID	1				
18	WSH-0012	WASHER	14				
19	NUT-0263	NYLOC NUT	11				
20	805614 01	MESH	2				
21							
22	HND-0000	BLACK PLASTIC HANDLE	1				
23	WSH-0009	WASHER	2				
24	NUT-0260	NYLOC NUT	2				
25	HSS-0088	BOLT	2				
26	805574 01	HINGE PLATE	1				
27	805576 01	FOLDED HINGE PLATE	1				
28	HSS-0145	BOLT	3				
29	WSH-1038	PENNY WASHER	2				
30	LTH-01020	TOGGLE LATCH	1				
31	HSS-0058	BOLT	4				
32	WSH-0006	WASHER	4				
33	NUT-0258	NYLOC NUT	4				
34							
35	CLP-0120	JUBILEE CLIP	4				
36							
37	HFKY60080	FLANGE HALVES	1				
38	806802 01	HINGE SHIM	4				
39	WSH-0065	SPRING WASHER	4				
40	HSS-0238	BOLT	4				

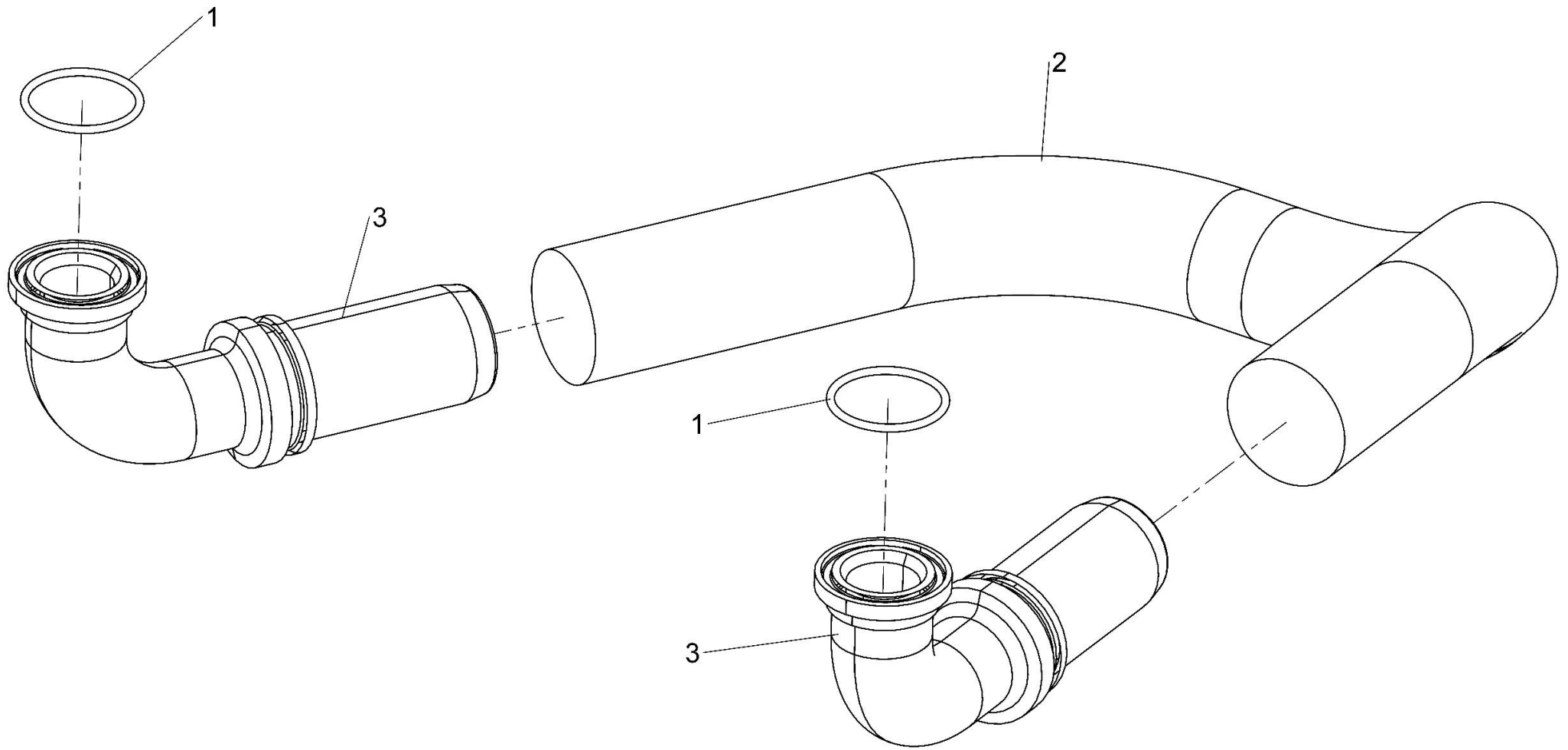


809030 01



Shelbourne Reynolds Engineering Limited

ASSY NUMBER: 809030 01 HYD				ASSY DESCRIPTION: 7000 TANK HYDRAULICS KIT			
ITEM	PART NO	DESCRIPTION	QTY	ITEM	PART NO	DESCRIPTION	QTY
1	ORA260450	O RING	2				
2	HOS-1050	SUCTION HOSE	0.7m				
3	HFKR05083	SUCTION ELBOW	2				

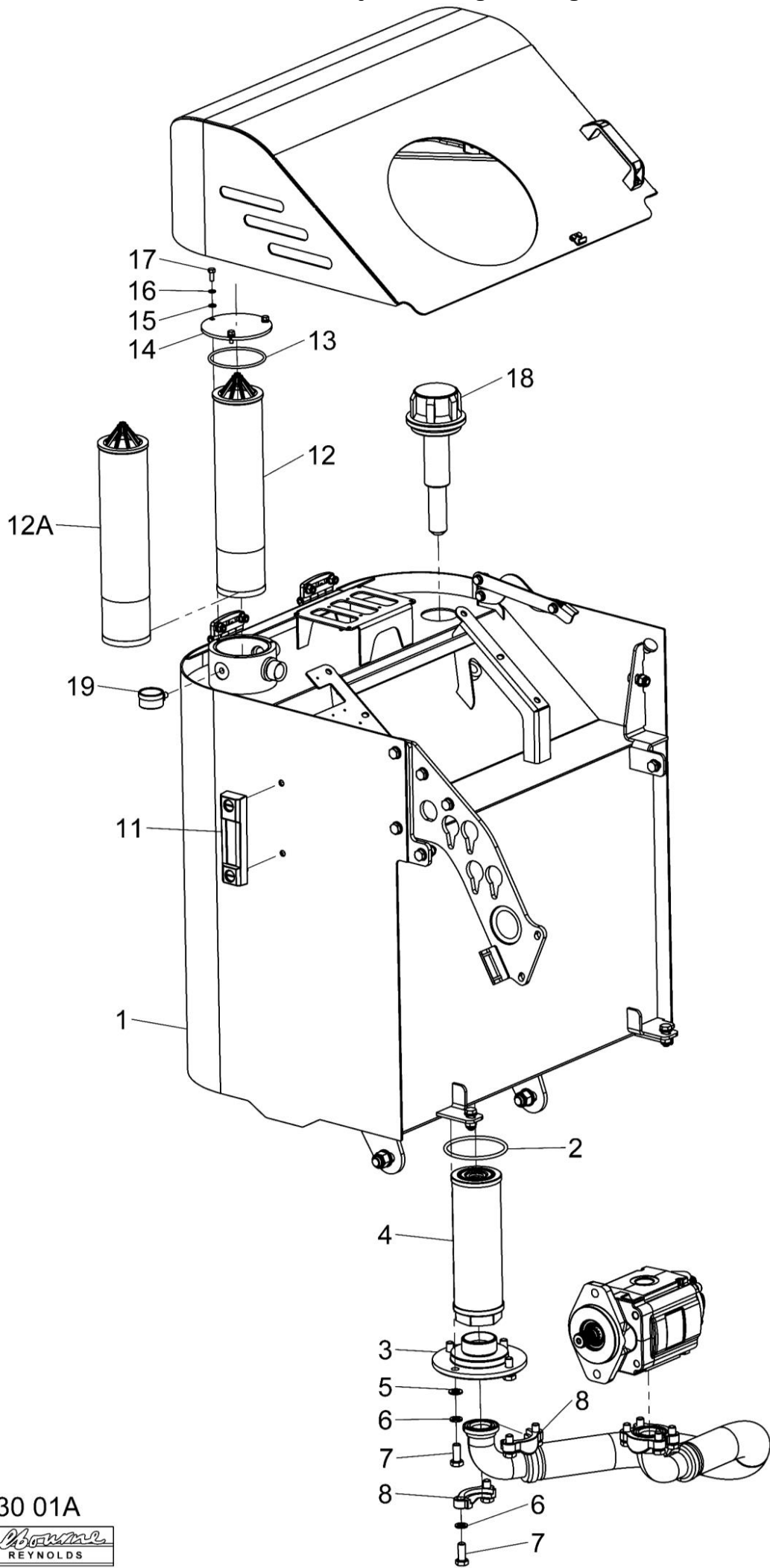


809030 01 HYD



Shelbourne Reynolds Engineering Limited

ASSY NUMBER: 809030 01A				ASSY DESCRIPTION: 7000 TANK SUB ASSEMBLY			
ITEM	PART NO	DESCRIPTION	QTY	ITEM	PART NO	DESCRIPTION	QTY
1	805492 01	TANK W/A	1				
2	ORA320978	O-RING	1				
3	806064 01	SUCTION FLANGE	1				
4	SUC-0120	SUCTION ELEMENT	1				
5	WSH-0018	WASHER	4				
6	WSH-0065	SPRING WASHER	8				
7	HSS-0238	BOLT	8				
8	HFKY60080	FLANGE HALVES	1				
9							
10							
11	GAU-0010	OIL GAUGE	1				
12	FIL-0190A	FILTER & HOLDER	1				
12A	FIL-0200A	FILTER ELEMENT	1				
13	ORA260900	O RING	1				
14	804327 01	RETURN FILTER LID	1				
15	WSH-0009	WASHER	3				
16	WSH-0056	SPRING WASHER	3				
17	HSS-0084	SETSCREW	3				
18	FIL-0180	FILTER BREATHER	1				
19	FIL-0210	FILTER INDICATOR	1				

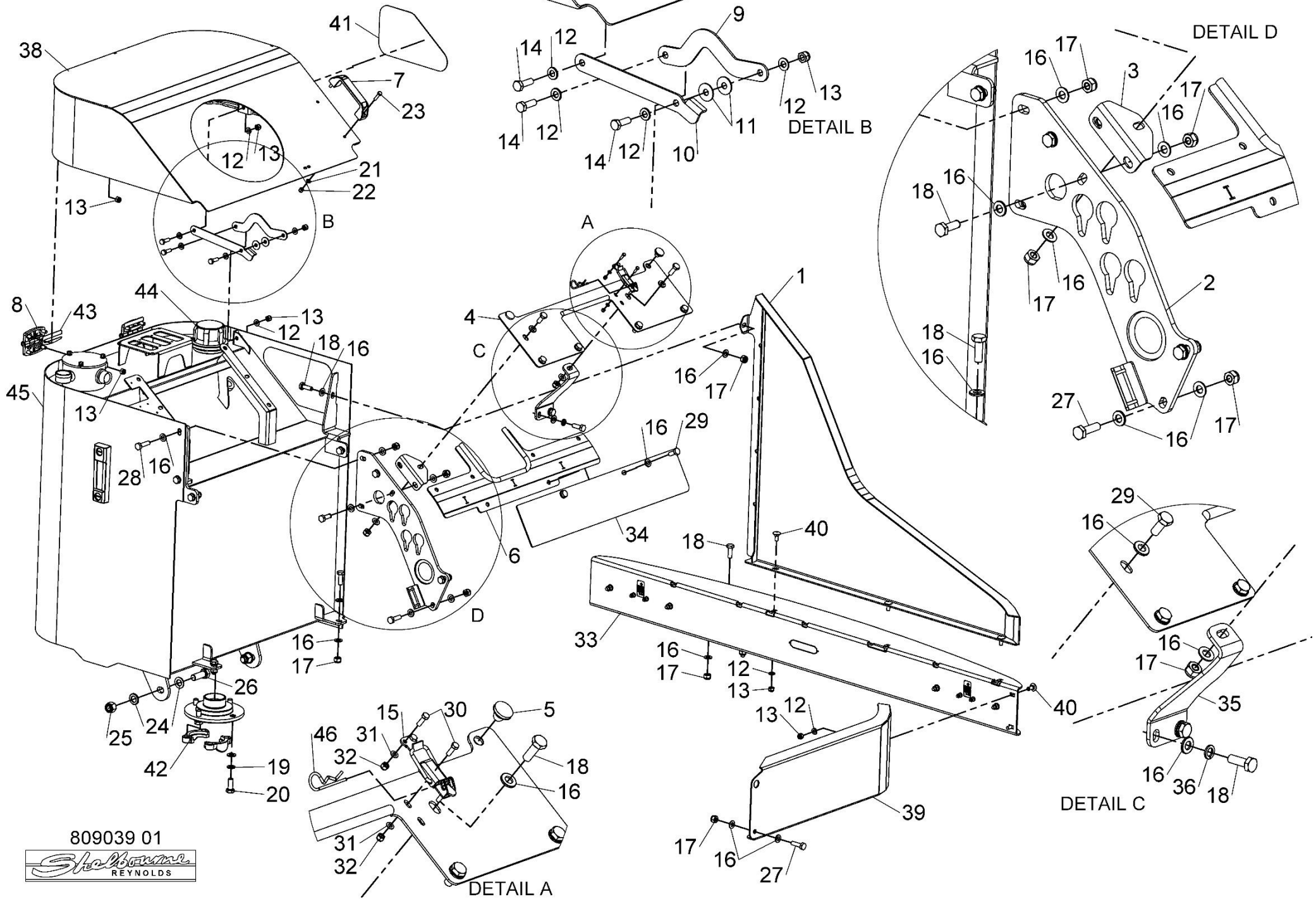


809030 01A



Shelbourne Reynolds Engineering Limited

ASSY NUMBER: 809039 01				ASSY DESCRIPTION: 6000 & 7000 TANK & GUARDS SUB ASSEMBLY			
ITEM	PART NO	DESCRIPTION	QTY	ITEM	PART NO	DESCRIPTION	QTY
1	807284 01	GUARD W/A	1	41	805614 01	MESH	1
2	805542 01	HOSE MOUNT W/A	1	42	HFKY60080	FLANGE HALVES	1
3	805385 01	GUARD BRKT	1	43	806802 01	HINGE SHIM	4
4	805519 01	HOSE GUIDE W/A	1	44	809039 01A	7000 TANK SUB ASSY	1
5	RUB-0330	RUBBER GROMMET	2	45	OIL-0027	HYDRAULIC OIL	208L
6	807375 01	LOWER HOSE GUIDE W/A	1	46	CLP-00103	R CLIP	1
7	HND-0000	BLACK PLASTIC HANDLE	1				
8	HIN-10110	HINGE	2				
9	805574 01	HINGE PLATE	1				
10	805576 01	FOLDED HINGE PLATE	1				
11	WSH-1038	PENNY WASHER	2				
12	WSH-0012	WASHER	11				
13	NUT-0263	NYLOC NUT	16				
14	HSS-0145	BOLT	3				
15	LTH-01020	TOGGLE LATCH	1				
16	WSH-0015	WASHER	39				
17	NUT-0265	NYLOC NUT	16				
18	HSS-0194	BOLT	10				
19	WSH-0065	SPRING WASHER	4				
20	HSS-0238	BOLT	4				
21	WSH-0009	WASHER	2				
22	NUT-0260	NYLOC NUT	2				
23	HSS-0088	BOLT	2				
24	WSH-0024	WASHER	4				
25	NUT-0271	NYLOC NUT	2				
26	HSS-0317	BOLT	2				
27	HSS-0198	BOLT	4				
28	HSS-0202	BOLT	2				
29	HSS-0191	BOLT	7				
30	HSS-0058	BOLT	4				
31	WSH-0006	WASHER	4				
32	NUT-0258	NYLOC NUT	4				
33	KIT-08512	LIGHTING KIT	1				
34	807373 01	COVER PLATE	1				
35	805985 01	MOUNTING PLATE	1				
36	WSH-0061	WASHER	2				
37							
38	807278 01	TANK LID	1				
39	807283 01	SIDE GUARD	1				
40	BLT-4710	COACH BOLT	5				



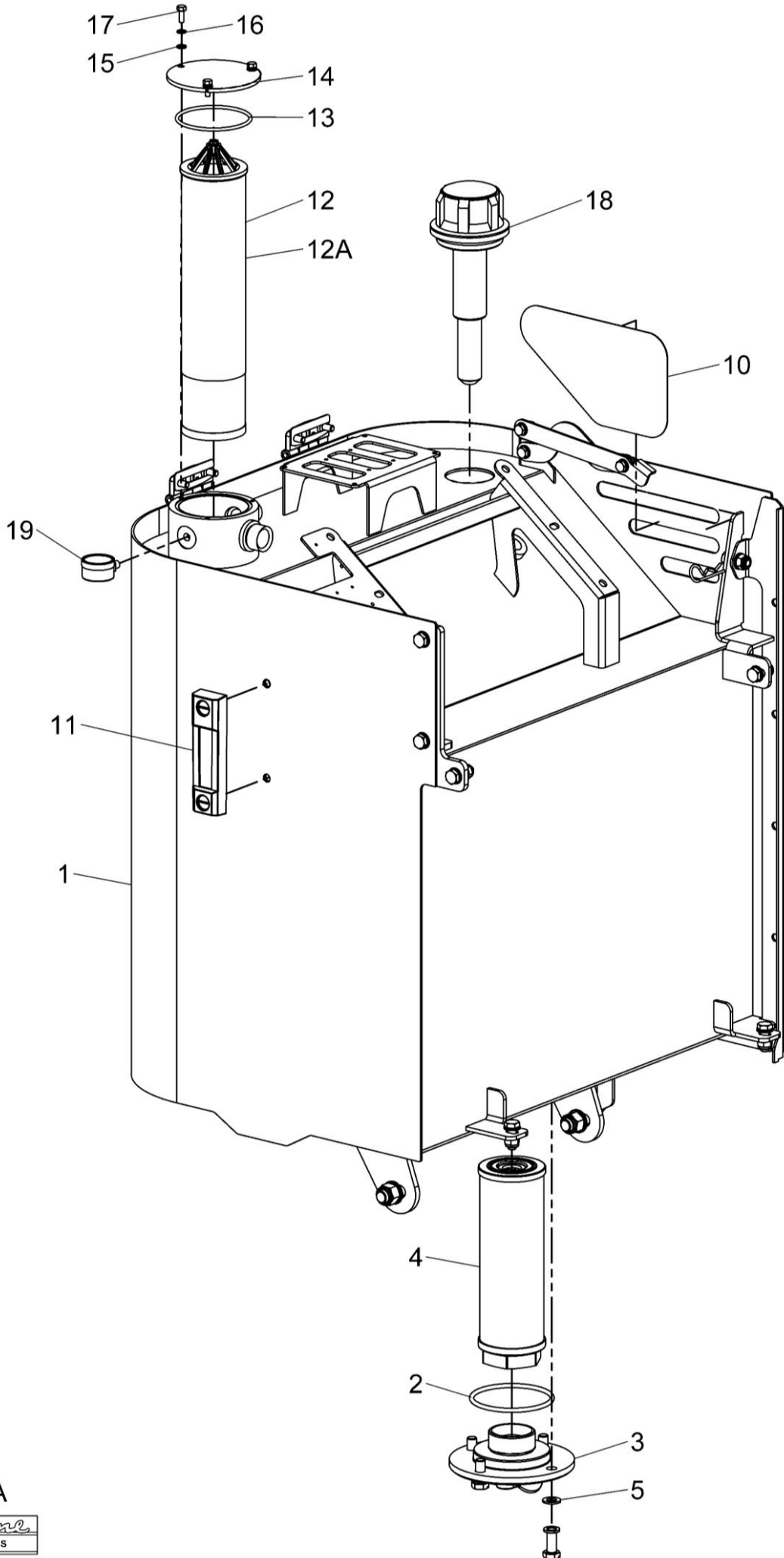
809039 01



Shelbourne Reynolds Engineering Limited

ASSY NUMBER: 809039 01A				ASSY DESCRIPTION: 6000 & 7000 TANK SUB ASSEMBLY			
ITEM	PART NO	DESCRIPTION	QTY	ITEM	PART NO	DESCRIPTION	QTY
1	807415 01	TANK W/A	1				
2	ORA320978	O-RING	1				
3	806064 01	SUCTION FLANGE	1				
4	SUC-0120	SUCTION ELEMENT	1				
5	WSH-0018	WASHER	4				
6							
7							
8							
9							
10	807414 01	MESH	1				
11	GAU-0010	OIL GAUGE	1				
12	FIL-0190A	FILTER & HOLDER	1				
12A	FIL-0200A	FILTER ELEMENT	1				
13	ORA260900	O RING	1				
14	804327 01	RETURN FILTER LID	1				
15	WSH-0009	WASHER	3				
16	WSH-0056	SPRING WASHER	3				
17	HSS-0084	SETSCREW	3				
18	FIL-0180	FILTER BREATHER	1				
19	FIL-0210	FILTER INDICATOR	1				

Shelbourne Reynolds Engineering Limited

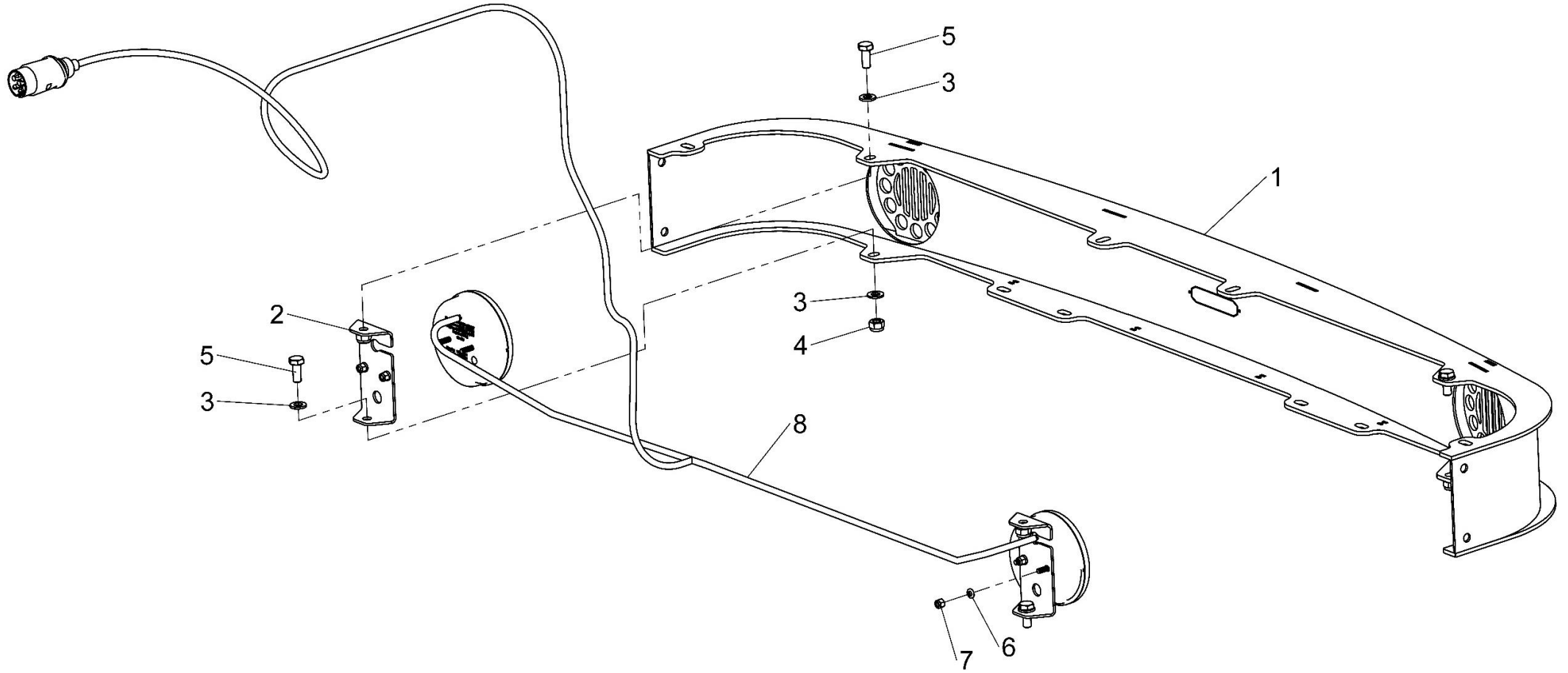


809039 01A



Shelbourne Reynolds Engineering Limited

ASSY NUMBER: KIT-08371				ASSY DESCRIPTION: 6000 & 7000 LIGHTING KIT			
ITEM	PART NO	DESCRIPTION	QTY	ITEM	PART NO	DESCRIPTION	QTY
1	805506 01	LIGHT BOARD W/A	1				
2	805540 01	LIGHT BRACKET	2				
3	WSH-0015	WASHER	8				
4	NUT-0265	NYLOC NUT	4				
5	HSS-0191	BOLT	4				
6	WSH-0009	WASHER	4				
7	NUT-0260	NYLOC NUT	4				
8	804683 01	MAIN LIGHTING KIT	1				

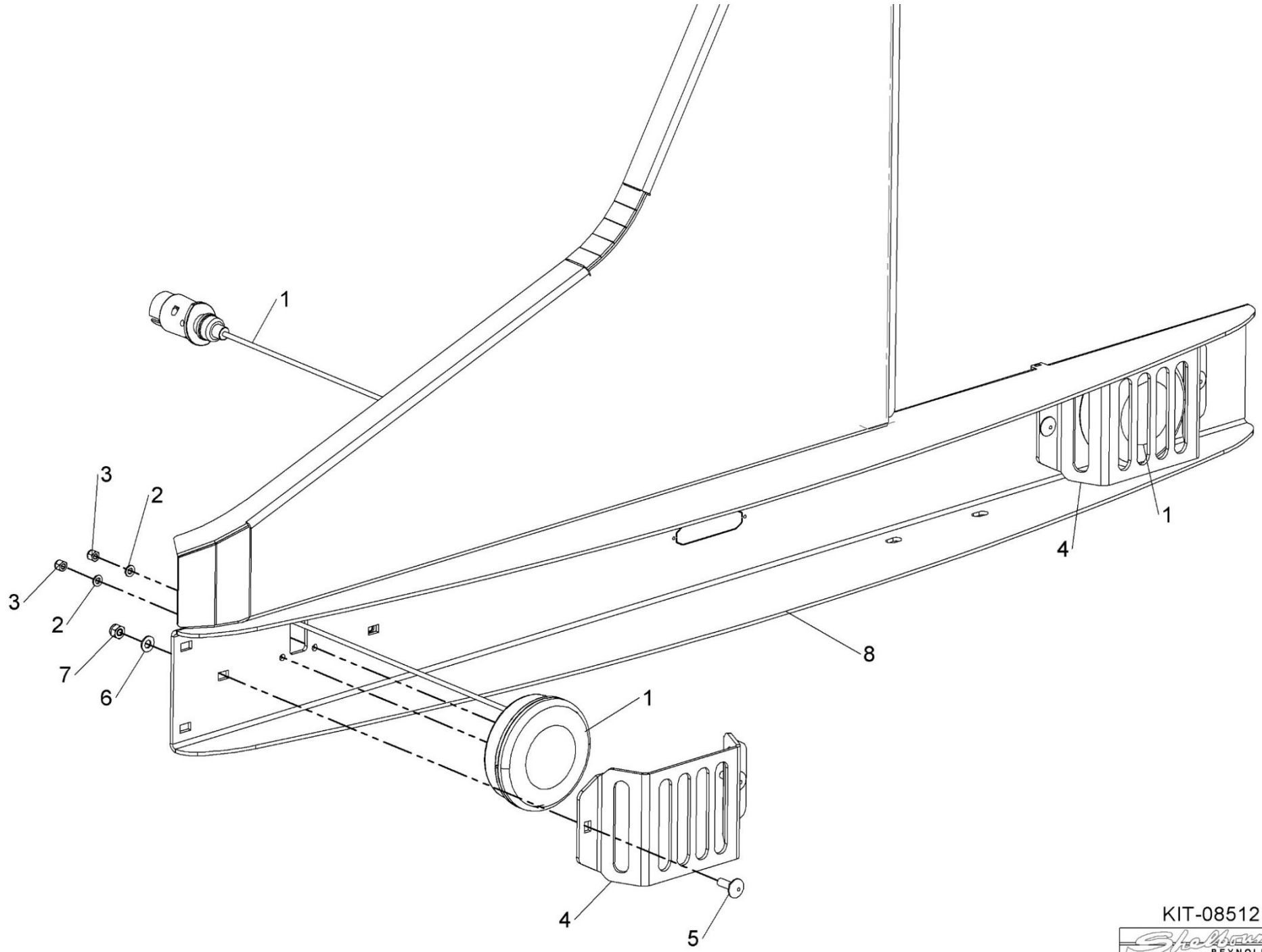


KIT-08371



Shelbourne Reynolds Engineering Limited

ASSY NUMBER: KIT-08512				ASSY DESCRIPTION: 6000 & 7000 LIGHTING KIT			
ITEM	PART NO	DESCRIPTION	QTY	ITEM	PART NO	DESCRIPTION	QTY
1	804683 01	MAIN LIGHTING KIT	1				
2	WSH-0009	WASHER	4				
3	NUT-0260	NYLOC NUT	4				
4	807285 01	LIGHT GUARD	2				
5	BLTF08173	COACHBOLT	4				
6	WSH-0012	WASHER	4				
7	NUT-0263	NUT	4				
8	807237 01	LIGHT BOARD	1				



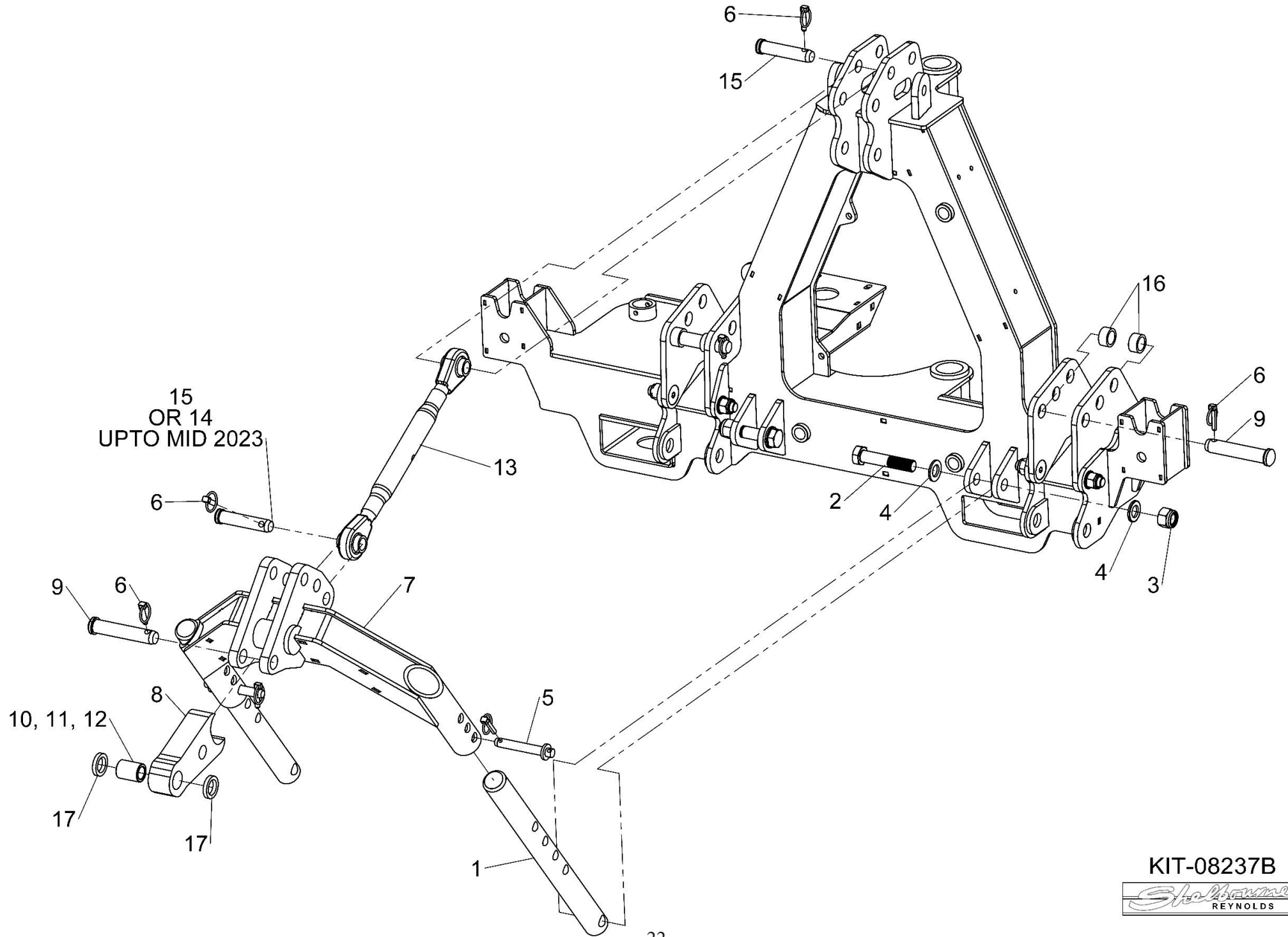
KIT-08512



Kit Options

Shelbourne Reynolds Engineering Limited

ASSY NUMBER:		KIT-08237B		ASSY DESCRIPTION:		STABILISER KIT-3 POINT LINKAGE	
ITEM	PART NO	DESCRIPTION	QTY	ITEM	PART NO	DESCRIPTION	QTY
1	800929 01	3-POINT SHAFT	2				
2	BLTA24624	BOLT	2				
OR	BLTA24620	BOLT	2				
3	NUT-0275	NYLOC NUT	2				
4	WSH-0036	PLAIN WASHER	4				
5	21728202	PIN	2				
6	PIN-01950	LYNCH PIN	5				
7	803942 01	3-POINT YOKE	1				
8	806069 01	NOSE PLATE 38mm	1				
OR	806071 01	LONGER NOSE PLATE 38mm	-				
		AVAILABLE FOR FENDT 5/700 & MF					
OR	807425 01	LONGER NOSE PLATE 40mm	-				
		AVAILABLE FOR FENDT 800/900					
9	800199 01	PIN	3				
10	803949 01	SPACER 38OD 32ID	1				
11	803949 02	SPACER 38OD 28ID	1				
12	803949 03	SPACER 38OD 26ID	1				
13	ADL-11540	TOP LINK	1				
14	-	- MID2023 & ON	-				
OR	800198 02	PIN UPTO MID 2023	1				
15	800198 01	PIN	2				
16	800934 06	SPACER	4				
17	802609 01	SPACER	2				

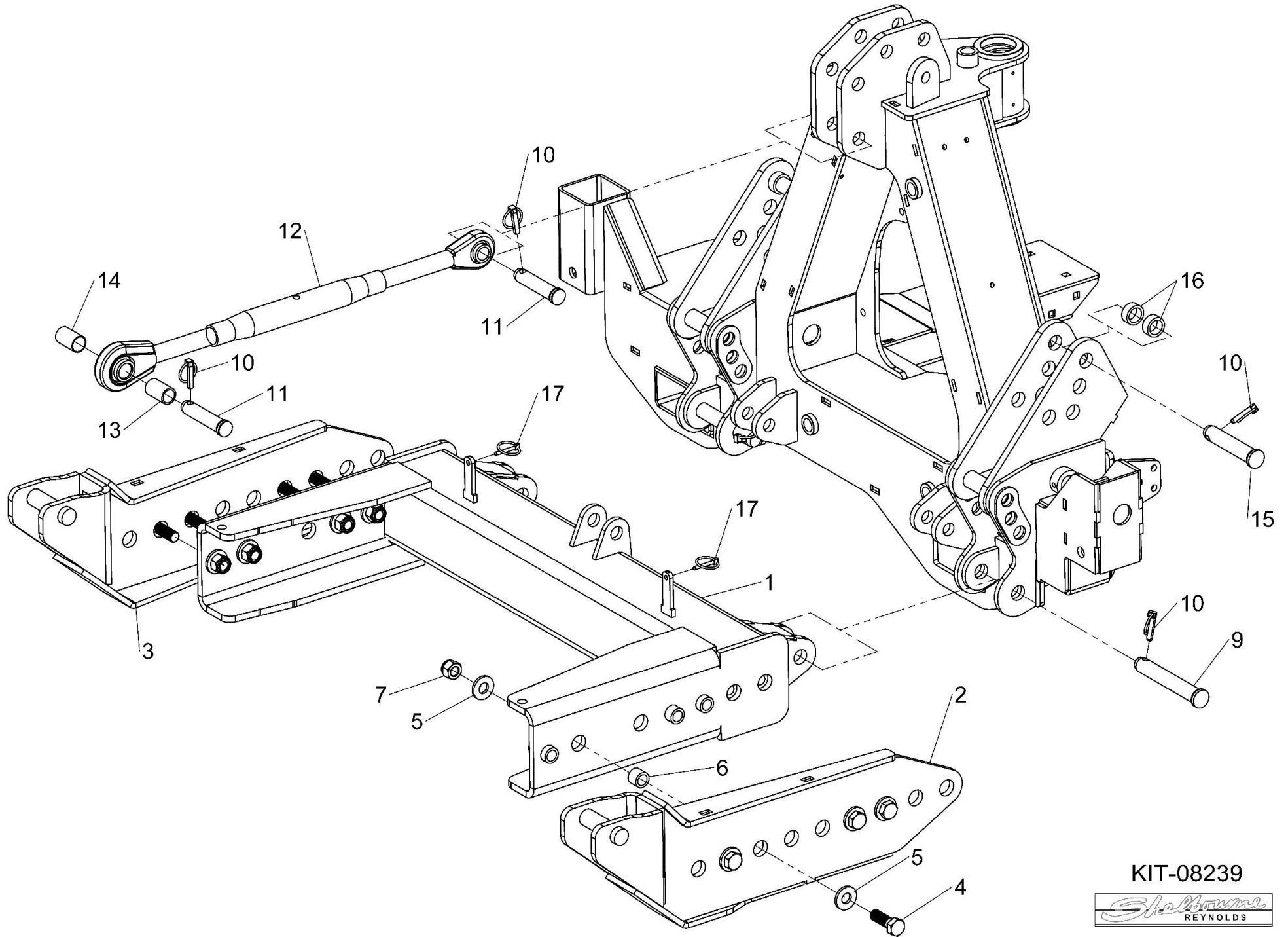


KIT-08237B



Shelbourne Reynolds Engineering Limited

ASSY NUMBER:		KIT-08239		ASSY DESCRIPTION: STABILISERS - AXLE MOUNTING			
ITEM	PART NO	DESCRIPTION	QTY	ITEM	PART NO	DESCRIPTION	QTY
1	803962 01	HITCH SUBFRAME	1				
2	804286 01	LH LIFT ARM	1				
3	804286 02	RH LIFT ARM	1				
4	BLT-2366	BOLT	8				
5	190119 47	WASHER	16				
6	800233 01	SPACER	8				
7	NUTA02200	NYLOC NUT	8				
8							
9	800199 06	PIN	2				
10	PIN-01950	LYNCH PIN	6				
11	800198 01	PIN	2				
12	ADL-13570	TOP LINK ASSY	1				
13	800197 01	SPACER	1				
14	800197 02	SPACER	1				
15	800199 01	LOWER PIN	2				
16	800934 01	SPACER	4				
17	PIN-01601	LYNCH PIN	2				

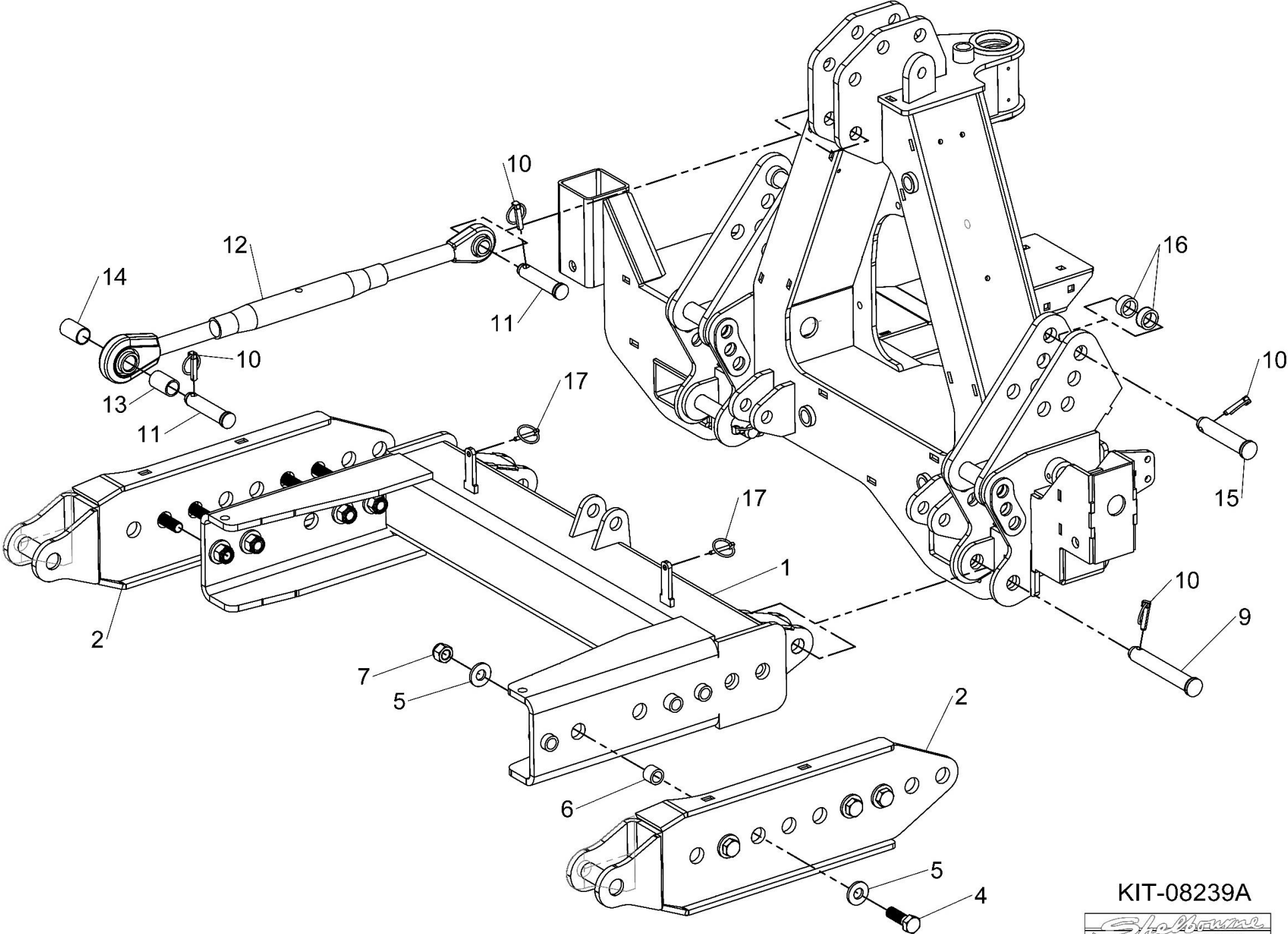


KIT-08239



Shelbourne Reynolds Engineering Limited

ASSY NUMBER:		KIT-08239A		ASSY DESCRIPTION:		STABILISERS - AXLE MOUNTING	
ITEM	PART NO	DESCRIPTION	QTY	ITEM	PART NO	DESCRIPTION	QTY
1	803962 01	HITCH SUBFRAME	1				
2	807447 01	STRAIGHT LIFT ARM	2				
3							
4	BLT-2366	BOLT	8				
5	190119 47	WASHER	16				
6	800233 01	SPACER	8				
7	NUTA02200	NYLOC NUT	8				
8							
9	800199 06	PIN	2				
10	PIN-01950	LYNCH PIN	6				
11	800198 01	PIN	2				
12	ADL-13570	TOP LINK ASSY	1				
13	800197 01	SPACER	1				
14	800197 02	SPACER	1				
15	800199 01	LOWER PIN	2				
16	800934 01	SPACER	4				
17	PIN-01601	LYNCH PIN	2				

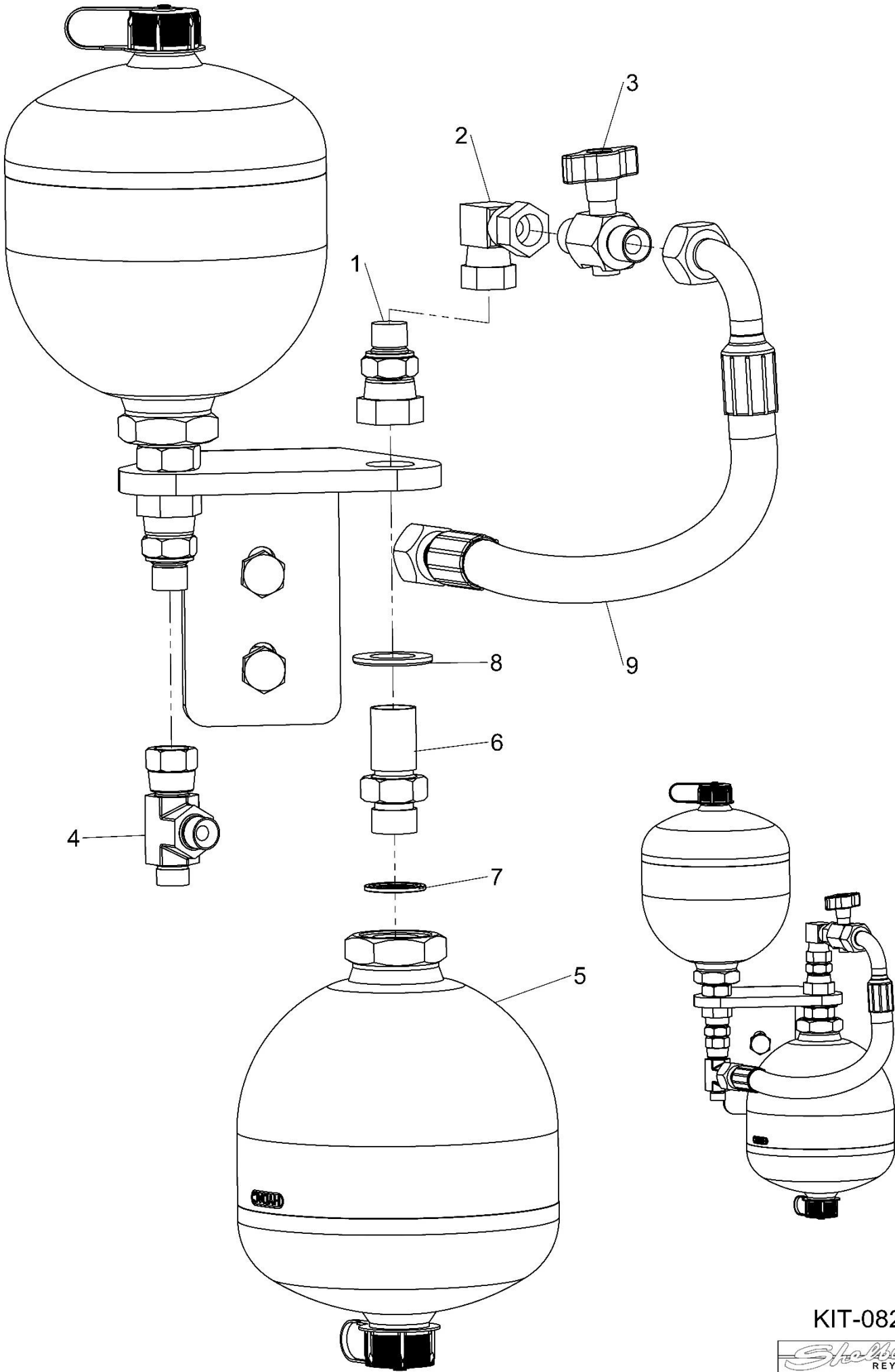


KIT-08239A



Shelbourne Reynolds Engineering Limited

ASSY NUMBER: KIT-08272				ASSY DESCRIPTION: TWIN ACCUMULATOR KIT (800,6000,7000 & 8000)			
ITEM	PART NO	DESCRIPTION	QTY	ITEM	PART NO	DESCRIPTION	QTY
1	FIT-0240	ADAPTER	1				
2	HAKAA0505	ADAPTER	1				
3	HVB-02620	SHUT OFF VALVE	1				
4	FITA10410	TEE FITTING	1				
5	HYA-01430	ACCUMULATOR	1				
6	HAGAA0707	BULKHEAD FITTING	1				
7	WSH-1015	DOWTY WASHER	1				
8	WSH-0030	PLAIN WASHER	1				
9	HHBE02405	HYD HOSE	1				

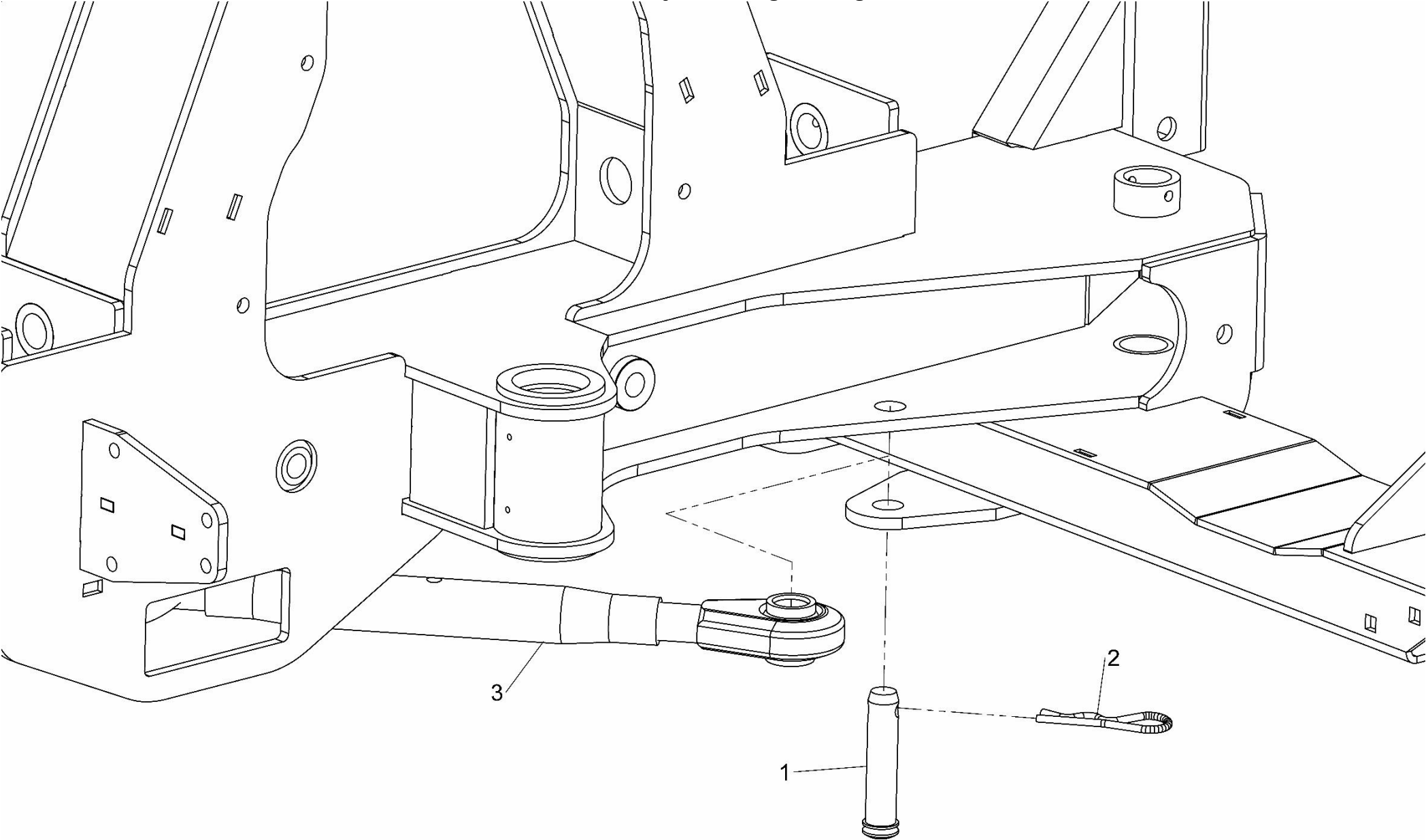


KIT-08272



Shelbourne Reynolds Engineering Limited

ASSY NUMBER: KIT-08284				ASSY DESCRIPTION: DRAWBAR KIT (400,600,6000, 7000,HD800 & 8000)			
ITEM	PART NO	DESCRIPTION	QTY	ITEM	PART NO	DESCRIPTION	QTY
1	800198 01	TOP LINK PIN CAT II	1				
2	CLP-00106	R CLIP	1				
3	ADL-13500	ADJUSTABLE TOP LINK	1				
OR	ADL-13570	ADJUSTABLE TOP LINK (LONGER)	AR				
						FOR 400 PB45X201298 & ON FOR 600 MID 2019 & ON	

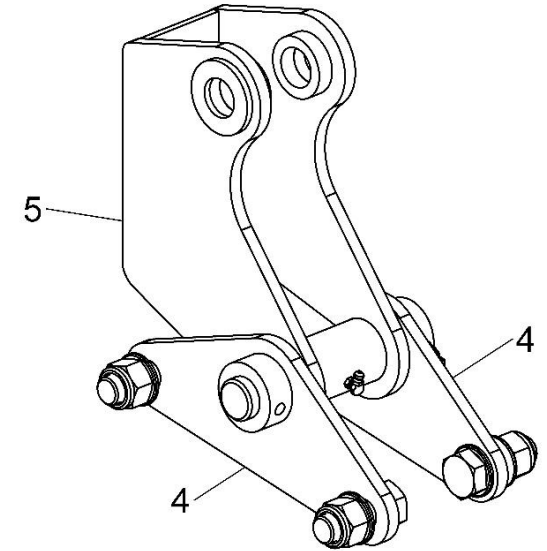
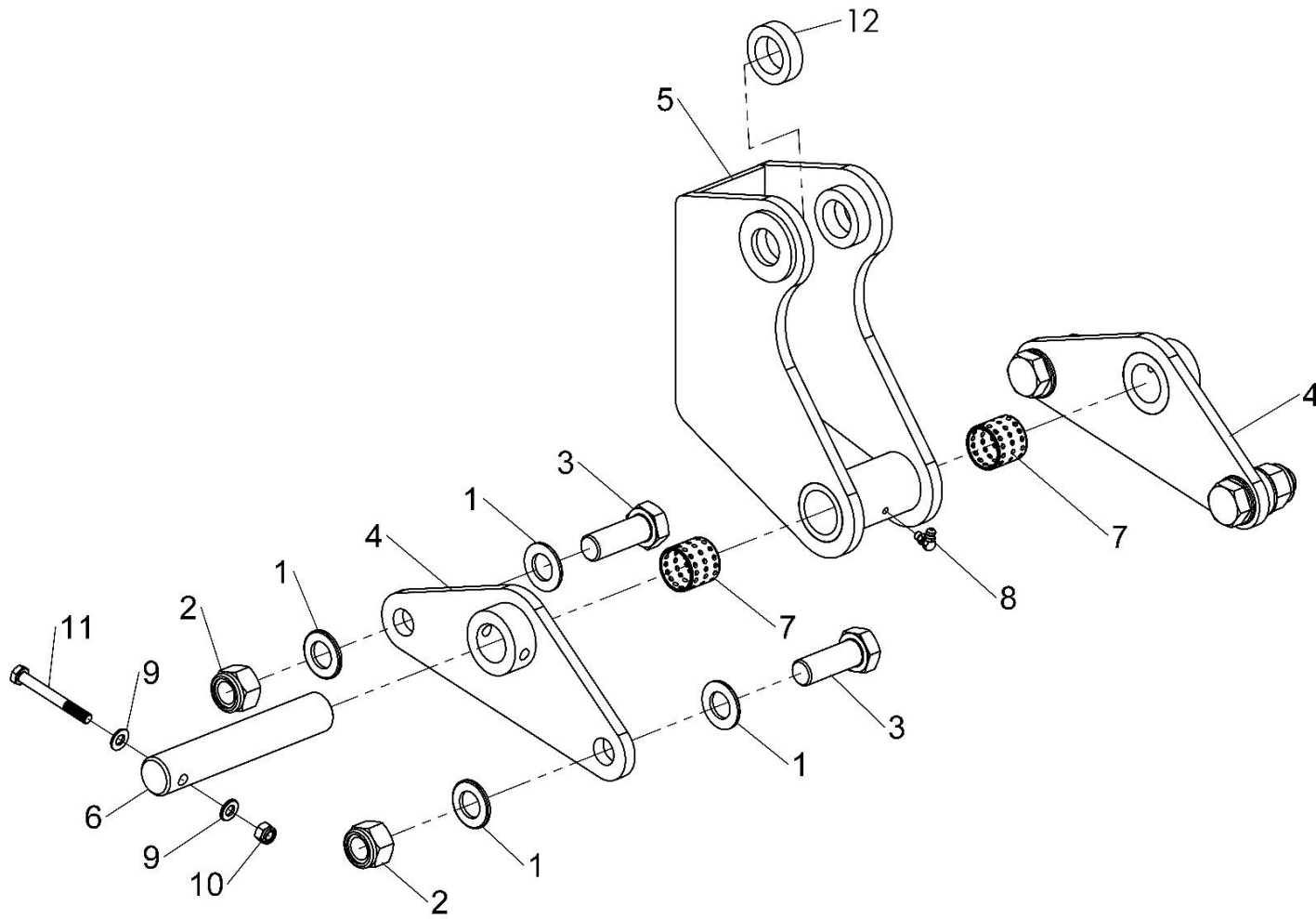


KIT-08284



Shelbourne Reynolds Engineering Limited

ASSY NUMBER: KIT-08339				ASSY DESCRIPTION: AXLE FRAME MOUNTING KIT			
ITEM	PART NO	DESCRIPTION	QTY	ITEM	PART NO	DESCRIPTION	QTY
1	WSH-0030	WASHER	16				
2	NUTA02200	NYLOC NUT	8				
3	BLT-2365	BOLT	8				
4	805448 01	PIVOT W/A	4				
5	805450 01	LIFT PIVOT W/A	2				
6	800101 06	PIN MAIN FRAME	2				
7	BSH003056	WRAPPED BUSH	4				
8	NIP-00605	GREASE NIPPLE	2				
9	WSH-0012	WASHER	4				
10	NUT-0263	NYLOC NUT	2				
11	BLTA08440	BOLT	2				
12	807571 01	WASHER 450D	4				

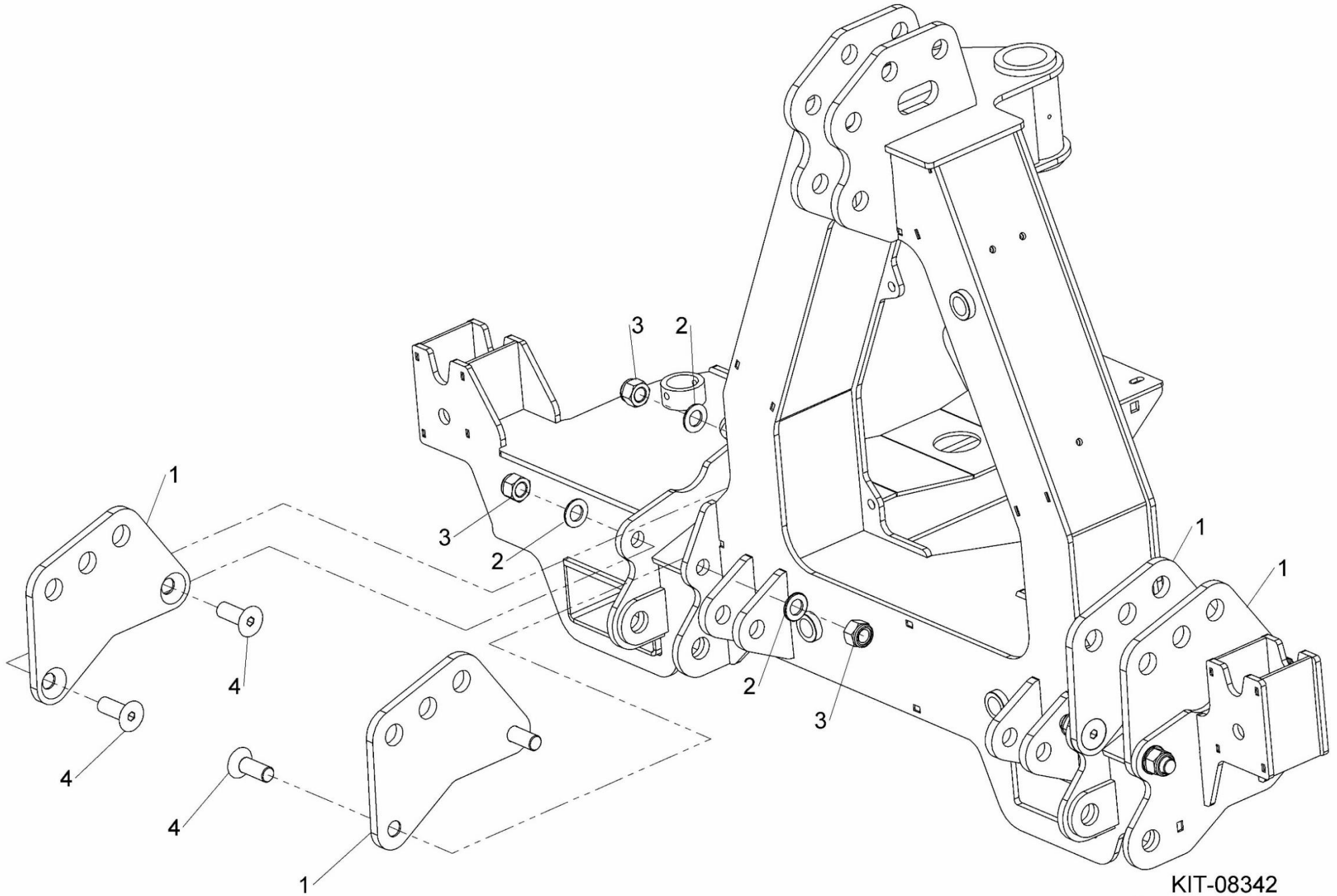


KIT-08339



Shelbourne Reynolds Engineering Limited

ASSY NUMBER: KIT-08342				ASSY DESCRIPTION: 3-POINT MOUNTING KIT			
ITEM	PART NO	DESCRIPTION	QTY	ITEM	PART NO	DESCRIPTION	QTY
1	805489 01	LIFTING PLATE	4				
2	WSH-0030	WASHER	8				
3	NUTA02200	NYLOC NUT	8				
4	SCEA20553	COUNTERSUNK SCREW	8				

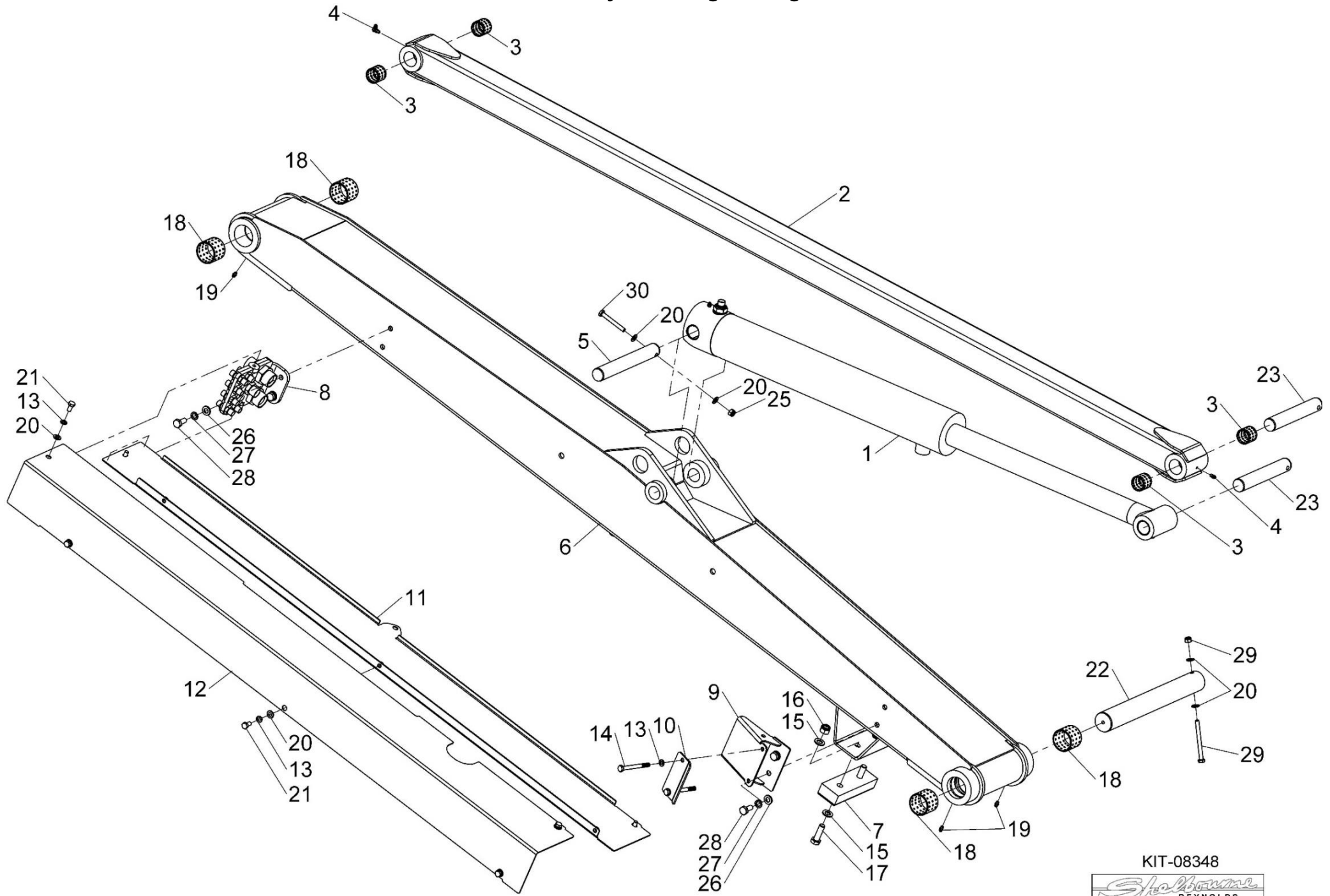


KIT-08342



Shelbourne Reynolds Engineering Limited

ASSY NUMBER: KIT-08348				ASSY DESCRIPTION: 6056 / 7062 VFR INNER BOOM KIT			
ITEM	PART NO	DESCRIPTION	QTY	ITEM	PART NO	DESCRIPTION	QTY
1	801303 01	RAM	1				
2	806093 02	TIE ARM W/A	1				
3	BSHO03056	BUSH	4				
4	NIP-00605	GREASE NIPPLE	3				
5	800987 15	PIN	1				
OR	800987 27	PIN	1				
6	805619 01	INNER BOOM W/A	1				
7	801367 01	BUFFER	1				
8	805642 01	BULKHEAD W/A	1				
9	805646 01	HOSE GUIDE W/A	1				
10	805647 01	HOSE CLAMP	1				
11	806300 01	HOSE GUARD W/A	1				
12	805650 01	GUARD	1				
13	WSH-0058	SPRING WASHER	10				
14	BLTA08500	BOLT	2				
15	WSH-0018	WASHER	4				
16	NUT-0269	NYLOC NUT	2				
17	BLTA12260	BOLT	2				
18	BSHO04562	BUSH	4				
19	NIP-00600	GREASE NIPPLE	5				
20	WSH-0012	WASHER	12				
21	HSS-0135	BOLT	8				
22	800102 12	PIN	1				
23	800987 18	PIN ROCKER	2				
24							
25	NUT-0263	NYLOC NUT	2				
26	WSH-0015	WASHER	4				
27	WSH-0061	WASHER	4				
28	HSS-0191	SETSCREW	4				
29	BLTA08410	BOLT	1				
30	BLTA08530	BOLT	1				

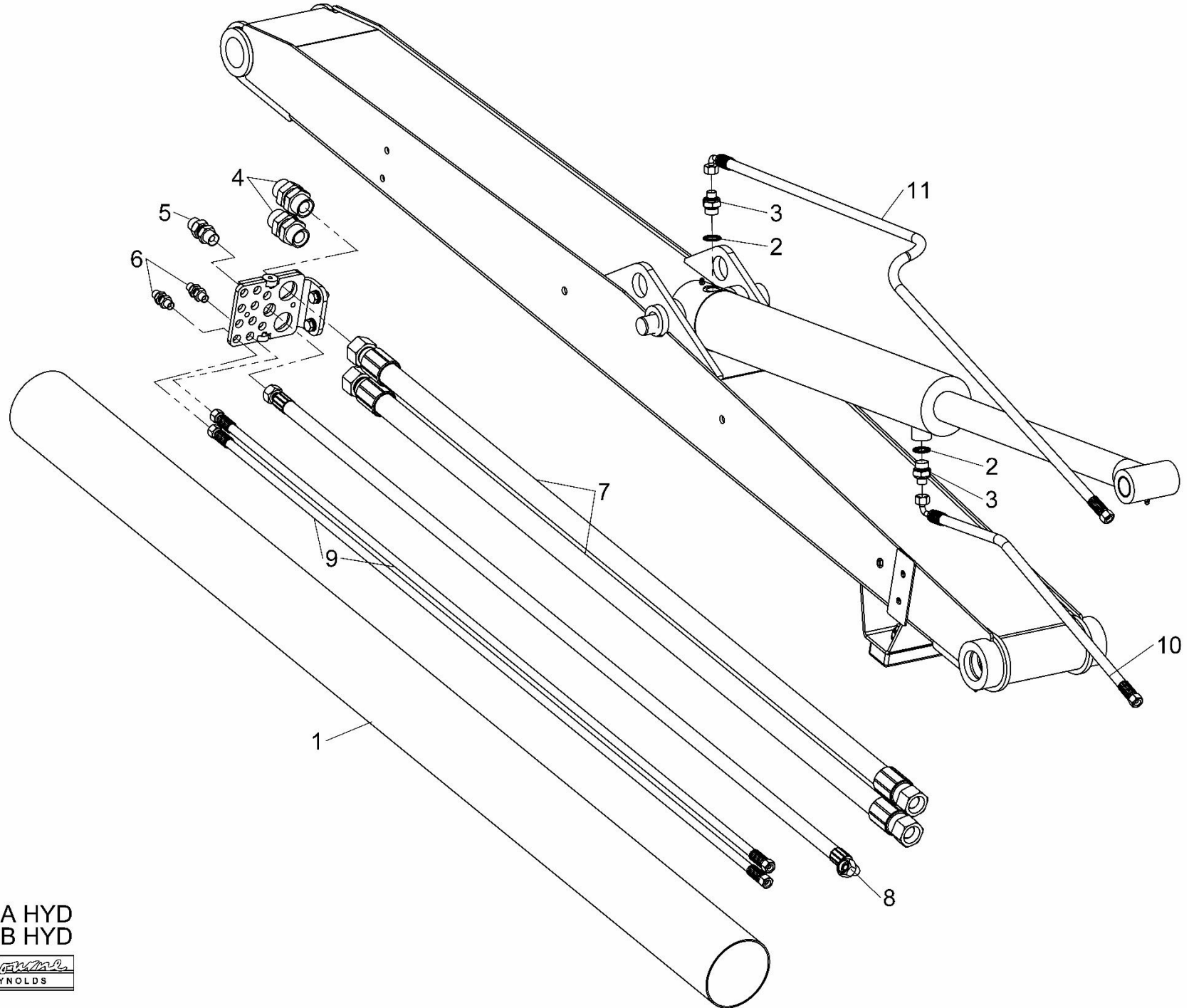


KIT-08348



Shelbourne Reynolds Engineering Limited

ASSY NUMBER: KIT-08348B HYD				ASSY DESCRIPTION: 7062 VFR INNER BOOM HYDRAULICS KIT			
ITEM	PART NO	DESCRIPTION	QTY	ITEM	PART NO	DESCRIPTION	QTY
1	HHS-05020	SLEEVE	1.8m				
2	WSH-1015	DOWTY WASHER	2				
3	HMA-0065	M/M ADAPTOR	2				
4	HAGAA1313	HYD BULKHEAD ADAPTOR	2				
5	HAGAA0707	HYD BULKHEAD ADAPTOR	1				
6	HBK-0010	HYD BULKHEAD ADAPTOR	4				
7	HHAI31005	HYD HOSE ASSY	2				
8	HHBF35005	HYD HOSE ASSY	1				
9	HHAC33005	HYD HOSE ASSY	2				
10	HHCE24505	HYD HOSE ASSY	1				
11	HHCE26005	HYD HOSE ASSY	1				
12	HHAC32005	HYD HOSE ASSY	2				

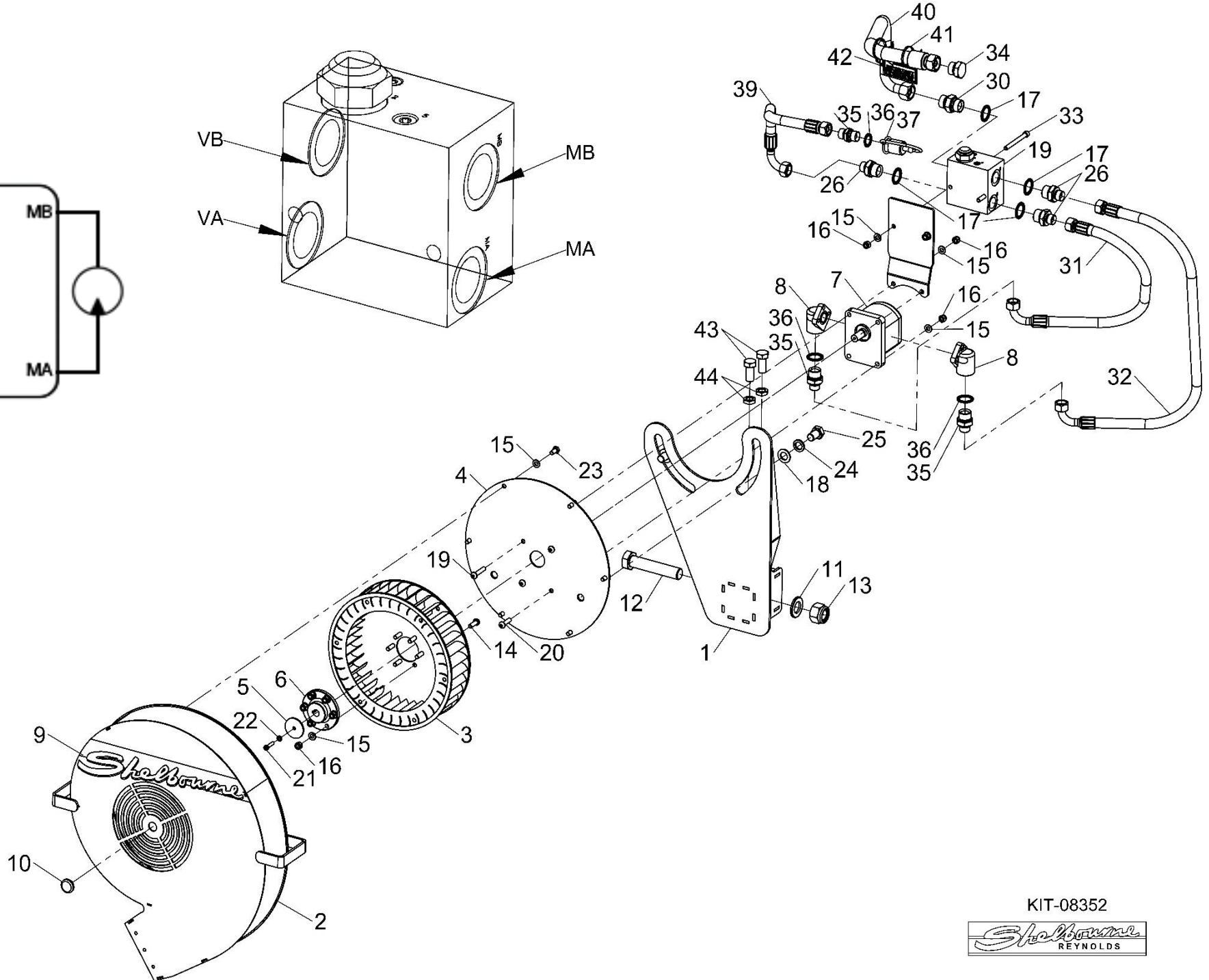
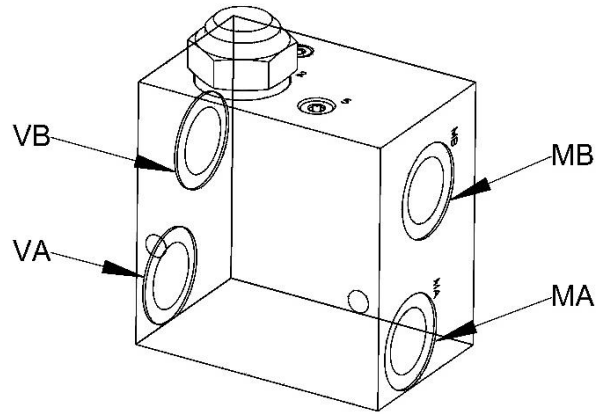
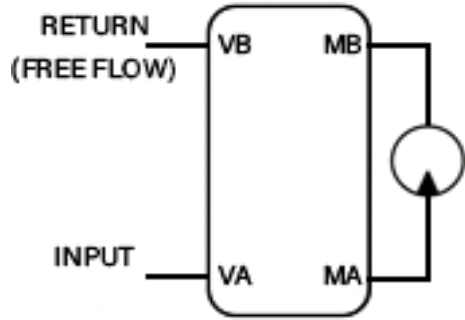


KIT-08348A HYD
KIT-08348B HYD



Shelbourne Reynolds Engineering Limited

ASSY NUMBER: KIT-08352				ASSY DESCRIPTION: SUB ASSY TRIMMER BLOWER KIT			
ITEM	PART NO	DESCRIPTION	QTY	ITEM	PART NO	DESCRIPTION	QTY
1	802758 01	DEBRIS BLOWER PIVOTING MT W/A	1	41	TIE-0004	TIE WRAPS	2
2	802607 01	FAN HOUSING W/A	1	42	612230 01	HYD RETURN LABEL	1
3	802778 01	IMPELLER W/A	1	43	HSS-0315	BOLT	2
4	803109 01	MOTOR MTG PLATE W/A	1	44	NUT-0380	HALF NUT (M16)	2
5	802779 01	TOP WASHER IMPELLER	1				
6	803107 01	CENTRE HUB	1				
7	MOTH01100	BI DIRECTIONAL HYD MOTOR	1				
8	PUM990430	FLANGE	2				
9	802699 01	SHELBOURNE TRANSFER	1				
10	BPG-00200	PLASTIC BODY PLUG	1				
11	WSH-0036	WASHER	1		KIT-08352 HYD	HYDRAULICS FOR BLOWER KIT	
12	HSSA24620	SETSCREW	1				
13	NUT-0275	NYLOC NUT	1				
14	SCBA08172	BUTT SCREW	6				
15	WSH-0012	WASHER	19				
16	NUT-0263	NYLOC NUT	13				
17	WSH-1020	DOWTY WASHER	4				
18	WSH-0024	WASHER	2				
19	SCBA08260	BUTT SCREW	2				
20	SCBA08202	BUTT SCREW	2				
21	SCW-0086	CAP HD SCREW	1				
22	WSH-0056	SPRING WASHER	1				
23	HSS-0135	BOLT	6				
24	WSH-0070	SPRING WASHER	2				
25	HSS-0312	SETSCREW	2				
26	HMA-0060	M/M ADAPTER	3				
27							
28							
29	HVB-19160	MOTOR VALVE	1				
30	HMA-0074	M/M ADAPTER	1				
31	HHBF04705	HYD HOSE	1				
32	HHBF05505	HYD HOSE	1				
33	SCCA08503	CAP SOCKET HD SCREW	2				
34	FITC00311	BLANKING PLUG	1				
35	HMA-0067	M/M ADAPTER	3				
36	WSH-1015	DOWTY WASHER	3				
37	COU-0162	QUICK RELEASE COUPLING	1				
38	805691 01	SUPPORT BRACKET	1				
39	HHBF27505	HOSE ASSY P - VA	1				
40	HHBH26805	HOSE ASSY VB-TANK	1				

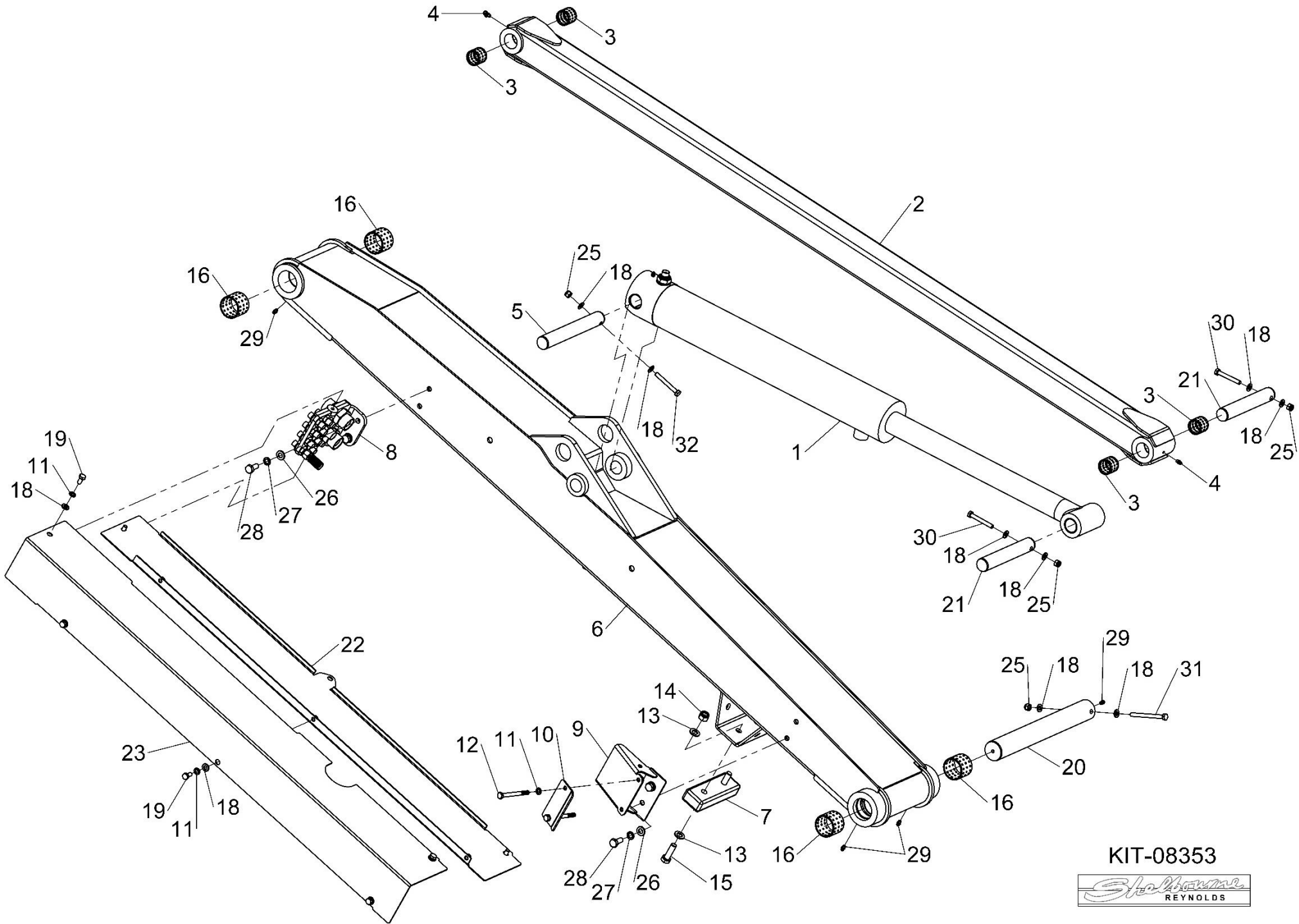


KIT-08352



Shelbourne Reynolds Engineering Limited

ASSY NUMBER: KIT-08353				ASSY DESCRIPTION: 6 / 7060T INNER BOOM KIT			
ITEM	PART NO	DESCRIPTION	QTY	ITEM	PART NO	DESCRIPTION	QTY
1	801303 01	REACH RAM	1				
2	806093 01	TIE ARM W/A	1				
3	BSHO03056	BUSH	4				
4	NIP-00605	GREASE NIPPLE	3				
5	800987 15	REACH RAM PIN	1				
OR	800987 27	REACH RAM PIN	1				
6	805675 01	INNER BOOM W/A	1				
7	801367 01	BUFFER	1				
8	805642 01	BULKHEAD W/A	1				
9	805646 01	HOSE GUIDE W/A	1				
10	805647 01	HOSE CLAMP	1				
11	WSH-0058	WASHER	12				
12	BLTA08500	BOLT	2				
13	WSH-0018	WASHER	4				
14	NUT-0269	NUT	2				
15	BLTA12260	BOLT	2				
16	BSHO04562	BUSH	4				
17							
18	WSH-0012	WASHER	18				
19	HSS-0135	SETSCREW	8				
20	800102 12	PIN	1				
21	800987 18	ROCKER PIN	2				
22	805681 01	LOWER GUARD W/A	1				
23	805682 01	OUTER GUARD	1				
24							
25	NUT-0263	NUT	4				
26	WSH-0015	WASHER	4				
27	WSH-0061	WASHER	4				
28	HSS-0191	SETSCREW	4				
29	NIP-00600	GREASE NIPPLE	5				
30	BLTA08380	BOLT	2				
31	BLTA08530	BOLT	1				
32	BLTA08410	BOLT	1				

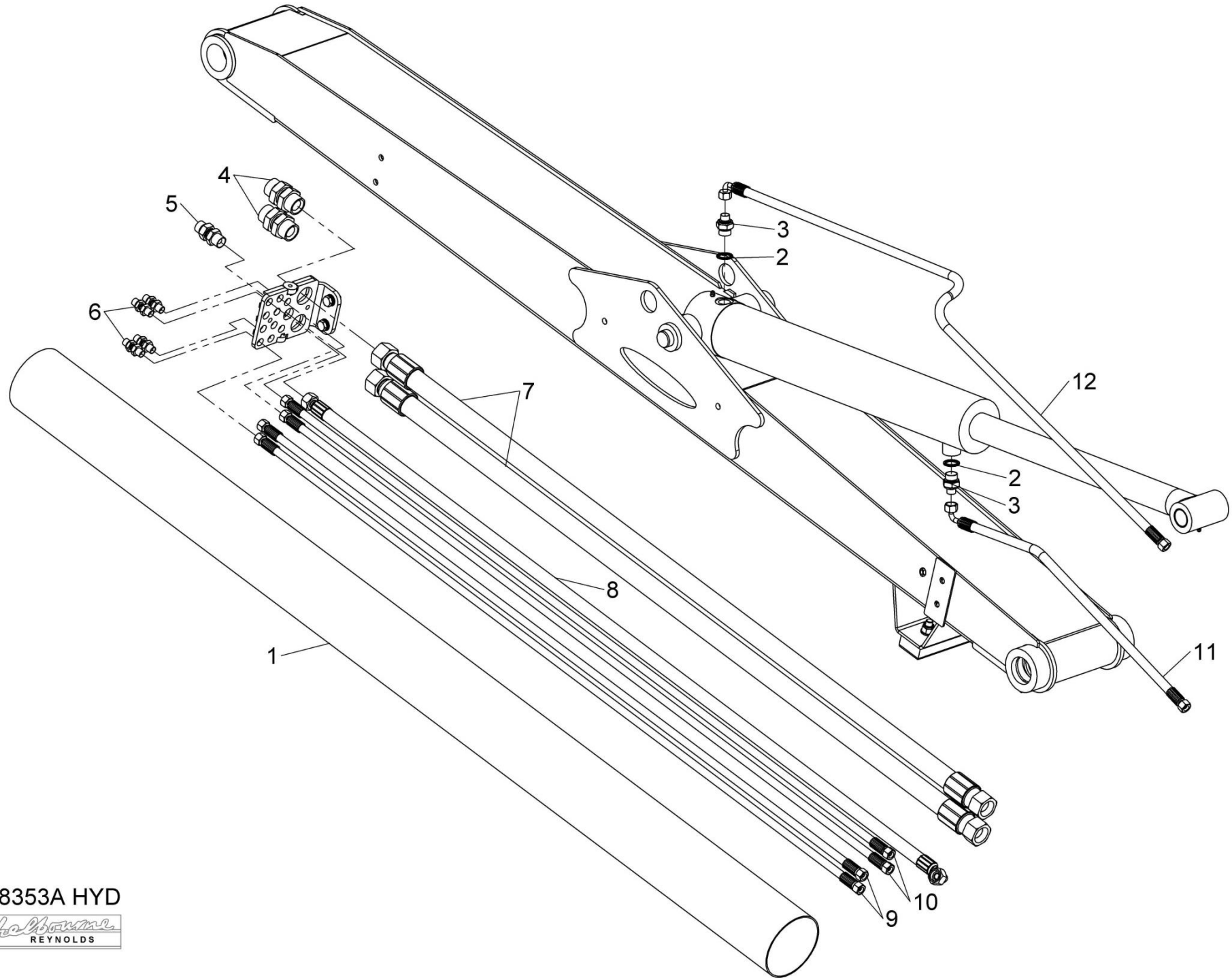


KIT-08353



Shelbourne Reynolds Engineering Limited

ASSY NUMBER: KIT-08353A HYD				ASSY DESCRIPTION: 6 / 7060T INNER BOOM HYDRAULICS KIT			
ITEM	PART NO	DESCRIPTION	QTY	ITEM	PART NO	DESCRIPTION	QTY
1	HHS-05020	SLEEVE	2m				
2	WSH-1015	DOWTY WASHER	2				
3	HMA-0065	M/M ADAPTOR	2				
4	HAGAA1313	HYD BULKHEAD ADAPTOR	2				
5	HAGAA0707	HYD BULKHEAD ADAPTOR	1				
6	HBK-0010	HYD BULKHEAD ADAPTOR	4				
7	HHAI27505	HYD HOSE ASSY	2				
8	HHBF31505	HYD HOSE ASSY	1				
9	HHAC27205	HYD HOSE ASSY	2				
10	HHAC28705	HYD HOSE ASSY	2				
11	HHCE24505	HYD HOSE ASSY	1				
12	HHCE26005	HYD HOSE ASSY	1				

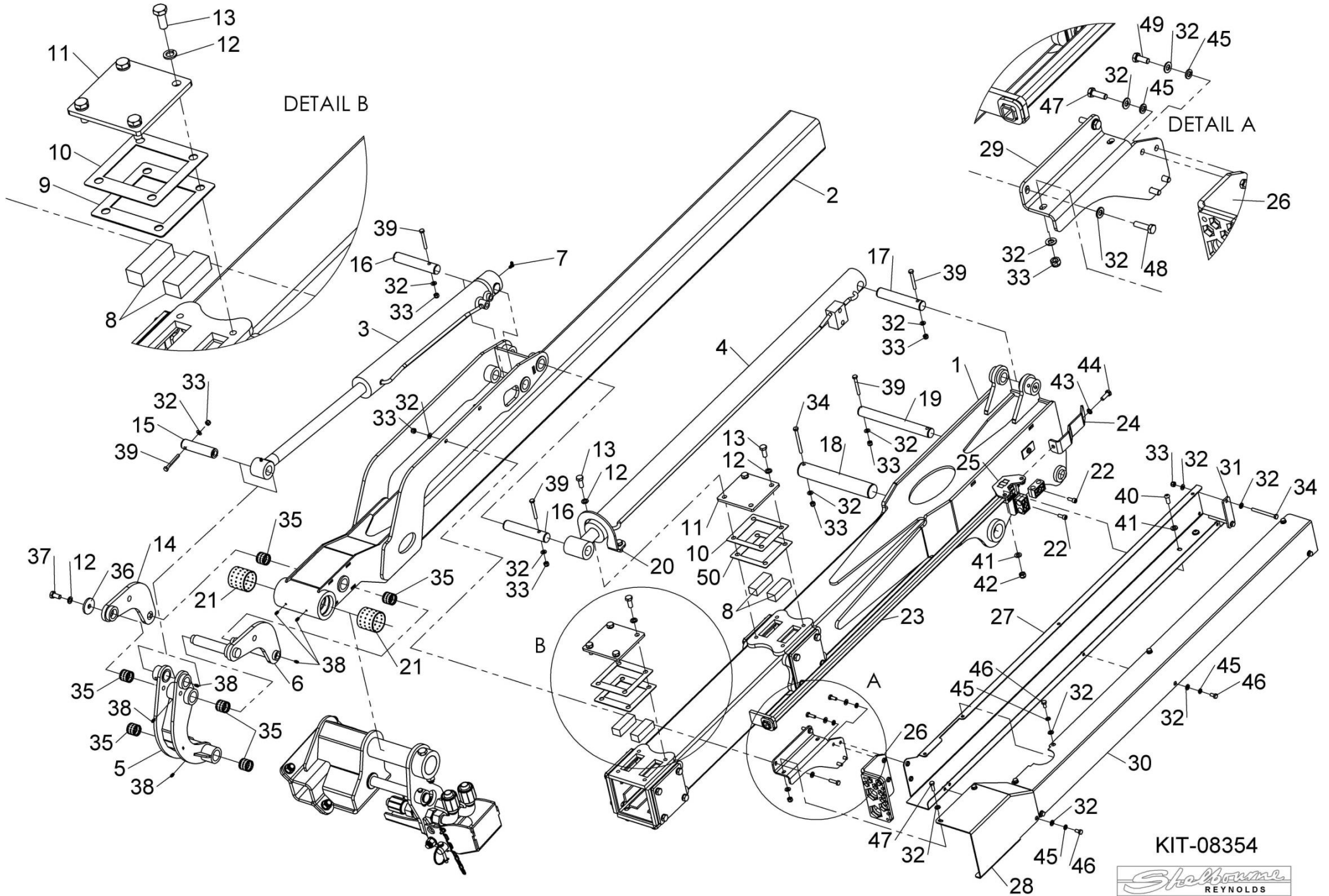


KIT-08353A HYD



Shelbourne Reynolds Engineering Limited

ASSY NUMBER: KIT-08354				ASSY DESCRIPTION: 6 / 7060T TELESCOPIC BOOM KIT			
ITEM	PART NO	DESCRIPTION	QTY	ITEM	PART NO	DESCRIPTION	QTY
1	805663 01	OUTER TELE BOOM W/A	1	38	NIP-00600	GREASE NIPPLE	6
2	805686 01	INNER TELE BOOM W/A	1	39	BLTA08410	BOLT	5
3	801236 01	RAM	1	40	SCW-0514	BUT HD SCREW	2
4	801235 01	RAM	1	41	WSH-0015	PLAIN WASHER	4
5	806029 01	2 ND CURVE LINK W/A	1	42	NUT-0265	NYLOC NUT	2
6	800097 01	1 ST CURVE LINK W/A	1	43	WSH-0061	SPRING WASHER	1
7	NIP-00605	GREASE NIPPLE	1	44	HSS-0194	BOLT	1
8	803988 01	WEAR PAD	16	45	WSH-0058	SPRING WASHER	12
9	806114 01	SHIM	6	46	HSS-0135	SETSCREW	8
10	806114 02	SHIM	6	47	HSS-0145	SETSCREW	4
11	804412 01	WEAR PLATE RETAINER	8	48	HSS-0150	SETSCREW	2
12	WSH-0065	SPRING WASHER	34	49	HSS-0140	SETSCREW	2
13	HSS-0238	SETSCREW	32	50	806114 03	SHIM	6
14	800098 01	1 ST CURVE PLATE W/A	1				
15	800101 03	PIN HEAD ANG RAM	1				
16	800101 25	PIN TELE RAM ROD	2				
		UP TO & INC T7060201268					
or	800987 18	PIN TELE RAM ROD	2				
		SER NO T7060201282 & ON					
17	800987 08	PIN TELE RAM BODY	1				
18	801406 01	PIN INNER BOOM END	1				
19	800987 31	PIN TIE ARM	1				
20	804429 01	CYLINDER SUPPORT PLATE	1				
21	BSHO06071	BUSH	2				
22	SCW-0133	CAP HEAD SCREW	2				
23	800994 01	SLIDE TUBE W/A	1				
24	805689 01	DEFLECTOR BRACKET	1				
25	806281 01	SLIDING BOSS W/A	1				
26	804422 01	BULKHEAD W/A	1				
27	805694 01	GUARD W/A	1				
28	805692 01	SMALL GUARD	1				
29	805690 01	GUARD MOUNT	1				
30	805868 01	MAIN GUARD	1				
31	804721 01	CLAMP PLATE	1				
32	WSH-0012	PLAIN WASHER	30				
33	NUT-0263	NYLOC NUT	12				
34	BLTA08530	BOLT	3				
35	BSHO03056	BUSH	6				
36	190119 15	WASHER	2				
37	HSS-0235	SETSCREW	2				

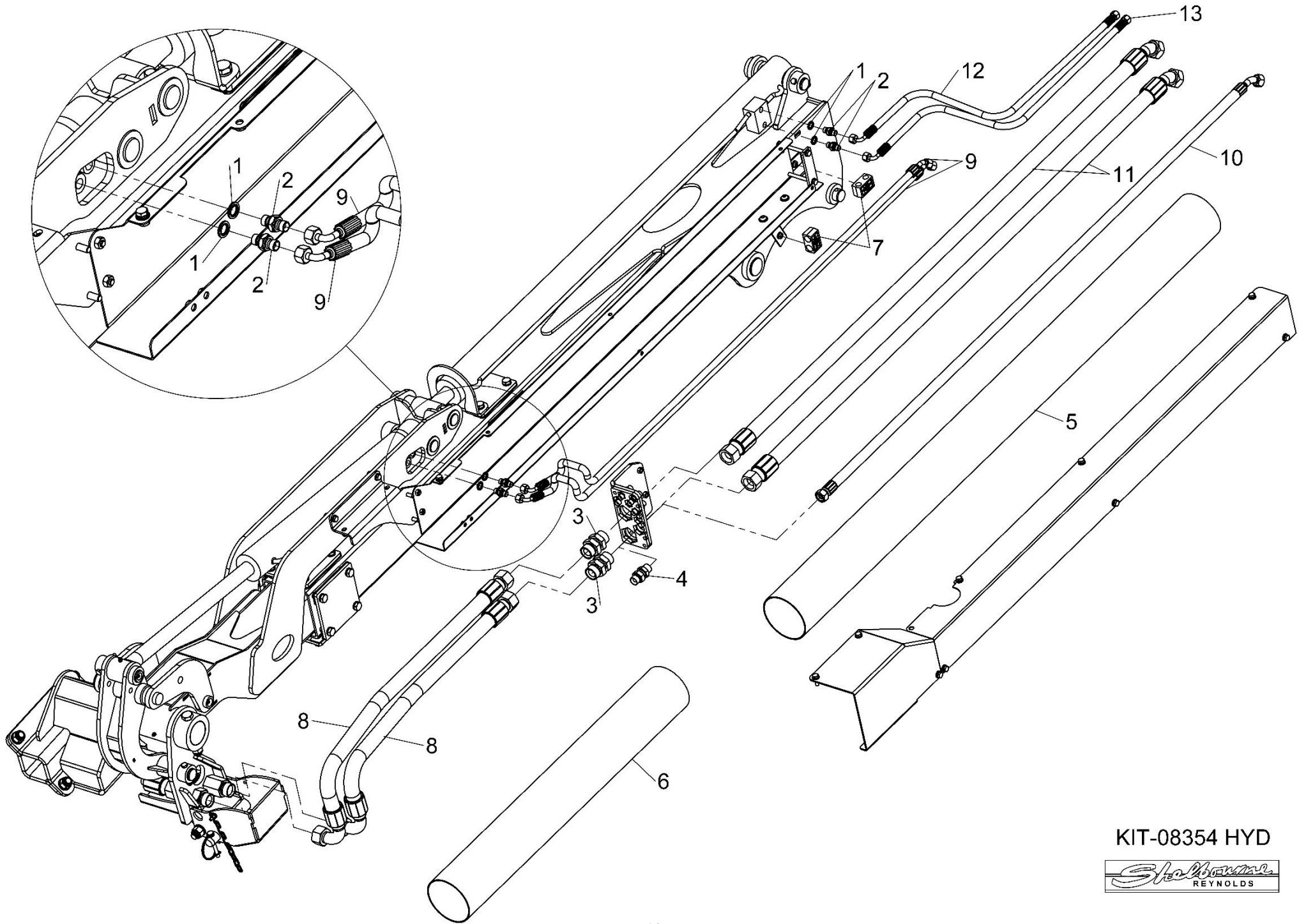


KIT-08354



Shelbourne Reynolds Engineering Limited

ASSY NUMBER: KIT-08354 HYD				ASSY DESCRIPTION: 6 / 7060T OUTER BOOM HYDRAULIC KIT			
ITEM	PART NO	DESCRIPTION	QTY	ITEM	PART NO	DESCRIPTION	QTY
1	WSH-1005	DOWTY WASHER	4				
2	HMA-0052	M/M ADAPTOR	4				
3	HAGAA1313	BULKHEAD ADAPTOR	2				
4	HAGAA0707	BULKHEAD ADAPTOR	1				
5	HHS-05020	HOSE SLEEVE	1.7m				
6	HHS-05020	HOSE SLEEVE	1.1m				
7	HCPD01400	HYD PIPE CLAMP	2				
8	HHBI09105	HYD HOSE ASSY	2				
9	HHHC32005	HYD HOSE ASSY	2				
10	HHDF31005	HYD HOSE ASSY	1				
11	HHDI29705	HYD HOSE ASSY	2				
12	HHBC08305	HOSE T7060231770 & ON	1				
OR	HHBC08005	HOSE T7060211376 TO 231770	1				
OR	HHBC10605	HOSE UPTO T7060211376	1				
13	HHBC08605	HOSE T7060231770 & ON	1				
OR	HHBC08305	HOSE T7060211376 TO 231770	1				
OR	HHBC10905	HOSE UPTO T7060211376	1				



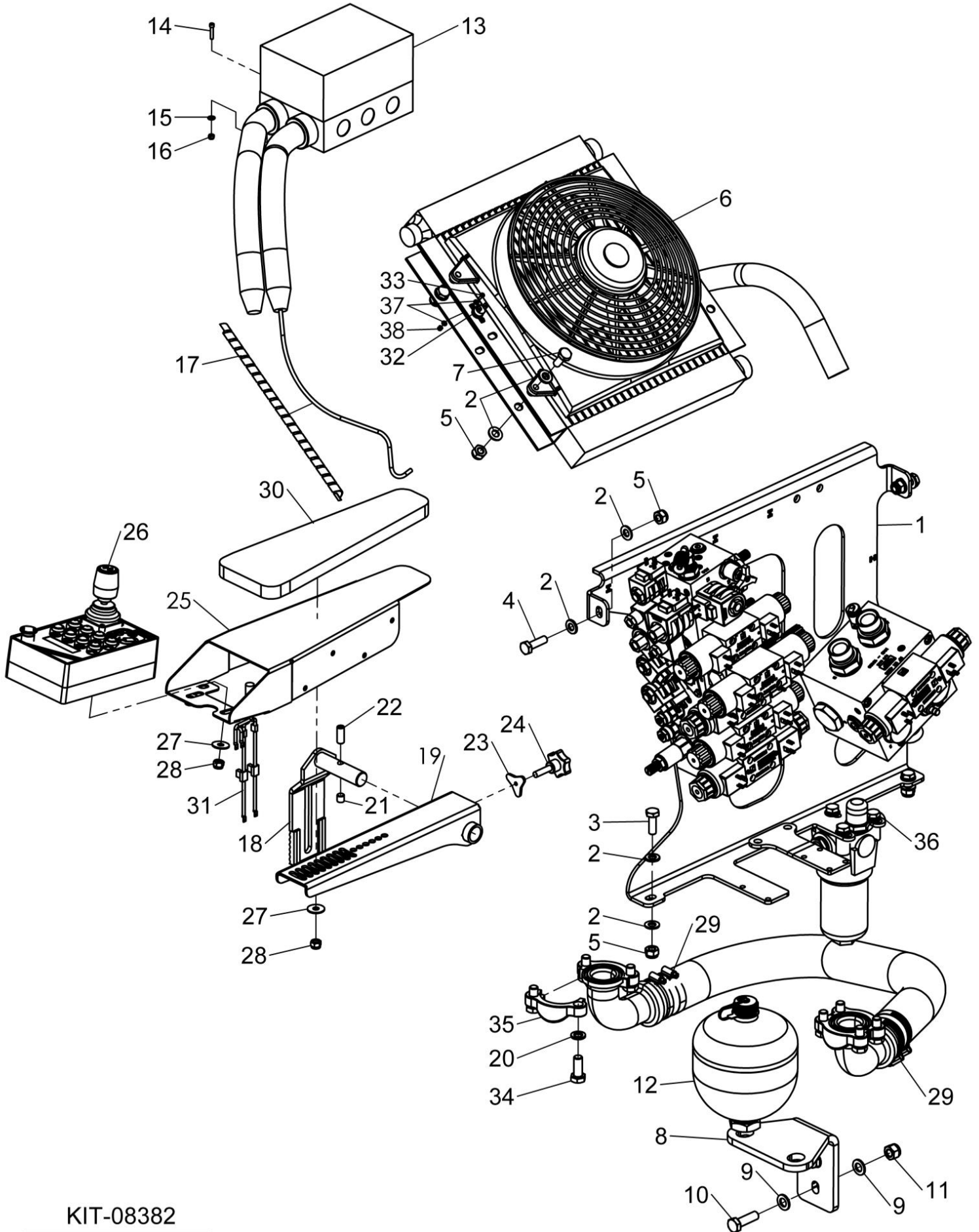
KIT-08354 HYD



Shelbourne Reynolds Engineering Limited

ASSY NUMBER: KIT-08382				ASSY DESCRIPTION: 3PS ELEC ROTOR, VALVES & CONTROLS KIT			
ITEM	PART NO	DESCRIPTION	QTY	ITEM	PART NO	DESCRIPTION	QTY
1	KIT-08382a	VALVES & MTG PLATE KIT	1				
2	WSH-0015	WASHER	16				
3	HSS-0194	SETSCREW	3				
4	HSS-0198	SETSCREW	1				
5	NUT-0265	NUT	8				
6	HOC-00010	OIL COOLER	1				
7	HSS-0191	SETSCREW	4				
8	804882 01	MOUNTING BRKT T7062231761 & ON	1				
OR	805698 01	MOUNTING BRKT UPTO T7062231761	1				
9	WSH-0018	WASHER	4				
10	HSS-0250	SETSCREW	2				
11	NUT-0269	NUT	2				
12	HYA-01440	ACCUMULATOR	1				
13	801118 01	ELECTRIC CONTROL BOX	1				
14	SCW-0035	CP HD SCREW	4				
15	WSH-0003	WASHER	4				
16	NUT-0255	NUT	4				
17	SLV-00300	SPIRAL TUBING	4m				
18	801708 01	ARMREST FIXING BRKT	1				
19	801706 01	ARMREST W/A	1				
20	WSH-0065	WASHER	8				
21	SCW-4590	GRUBSCREW	1				
22	SCGA10178	GRUBSCREW	1				
23	801100 01	LOCK	1				
24	KN0-0002	KNOB	1				
25	802239 01	JOYSTICK MTG ASSY	1				
26	801119 01	ELECTRONIC JOYSTICK UNIT	1				
27	WSH-1038	PENNY WASHER	4				
28	NUT-0263	NUT	4				
29	CLP-0120	JUBILEE CLIP	4				
30	802242 01	FOAM PADDING	1				
31	801127 01	POWER CONNECTION KIT	1				
32	SWT-32500	TEMPERATURE SWITCH	1				
33	SCBF03054	SCREW	2				
34	HSS-0238	SETSCREW	8				
35	HFKY60080	FLANGE HALVES	1				
36	KIT-08382A HYD	3PS ELEC ROTOR HYD KIT	1				
37	WSH-0001	WASHER	4				
38	NUTA02030	NYLOC NUT	2				

Shelbourne Reynolds Engineering Limited

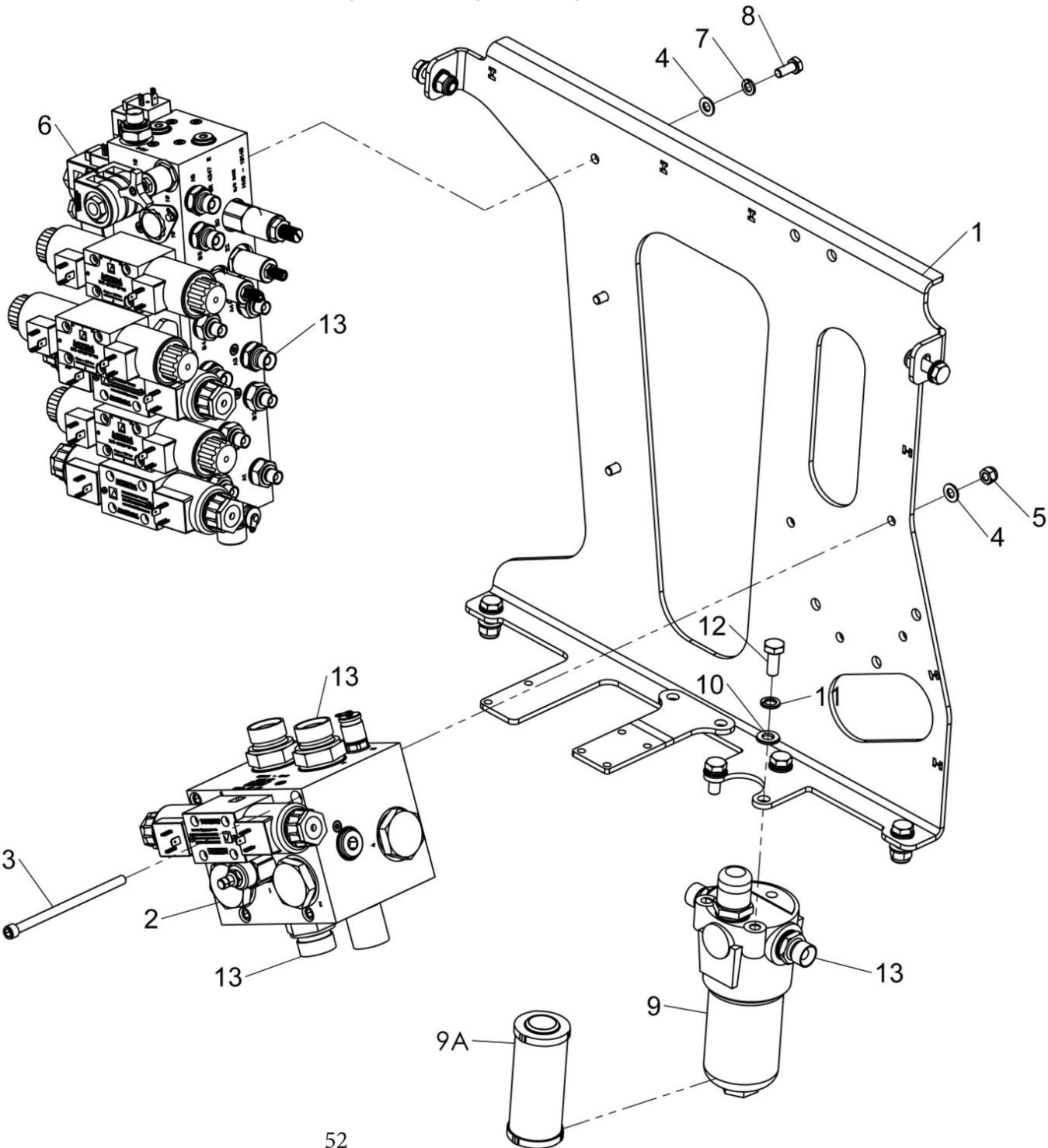


KIT-08382



Shelbourne Reynolds Engineering Limited

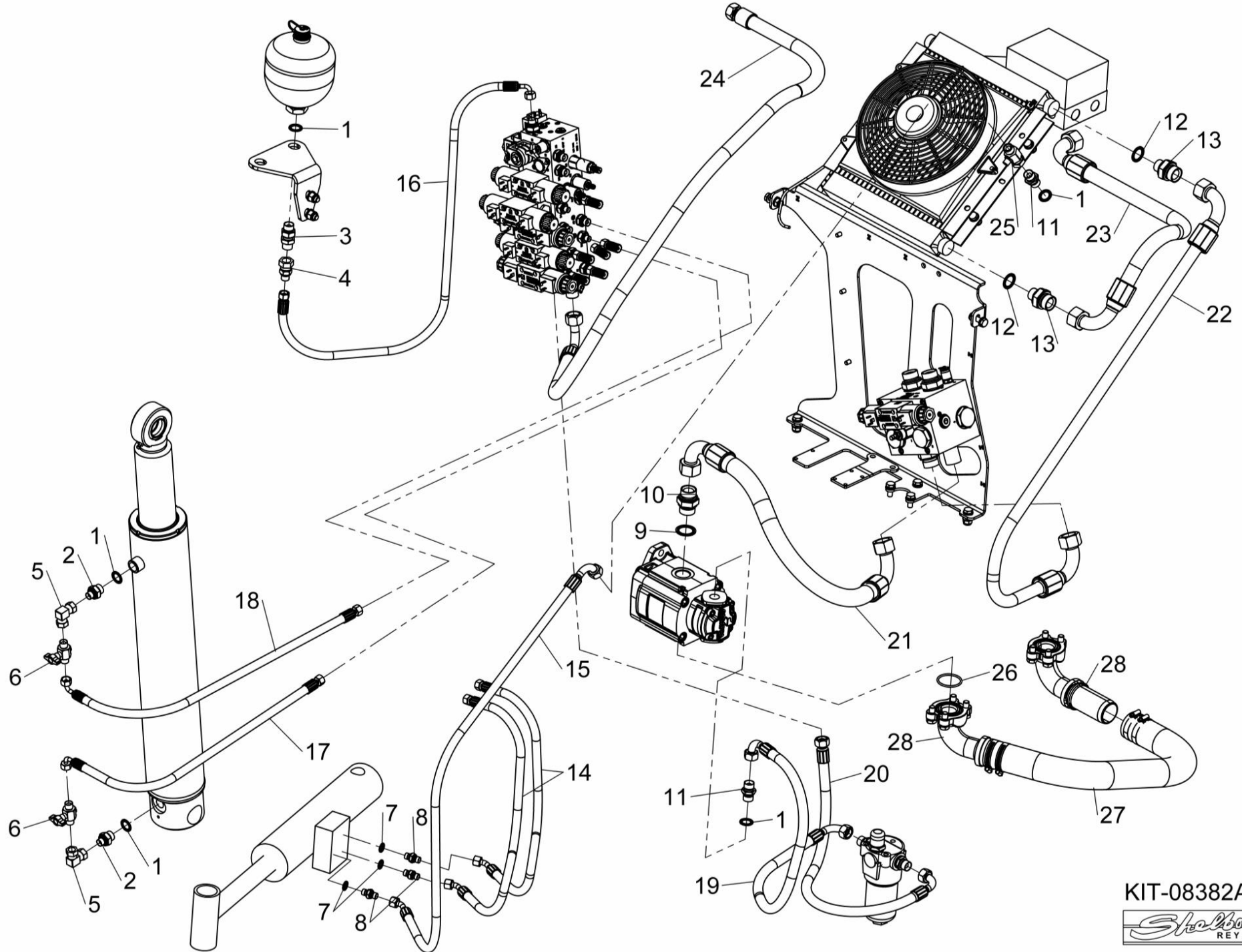
ASSY NUMBER: KIT-08382a				ASSY DESCRIPTION: 3PCS ELEC ROTOR VALVES & MTG PLATE KIT			
ITEM	PART NO	DESCRIPTION	QTY	ITEM	PART NO	DESCRIPTION	QTY
1	806284 01	VALVE MTG PLATE W/A	1				
2	HVB-19120	ROTOR CONTROL VALVE	1				
3	SCCA08683	CP HD SCREW	4				
4	WSH-0012	WASHER	7				
5	NUT-0263	NUT	4				
6	HVB-19210	MAIN VALVE BLOCK T7062241856 & ON	1				
OR	HVB-19180	MAIN VAL T7062231739 TO T7062241856	1				
OR	HVB-19145	MAIN VALVE BLOCK UPTO T7062231739	1				
7	WSH-0058	WASHER	3				
8	HSS-0140	SETSCREW	3				
9	FIL-0220A	IN-LINE PRESSURE FILTER	1				
9A	FIL-0230A	FILTER ELEMENT - REPLACEMENT	1				
10	WSH-0015	WASHER	3				
11	WSH-0061	WASHER	3				
12	HSS-0191	SETSCREW	3				
13	KIT-08382B HYD	3PCS ELEC ROTOR VALVES HYD KIT	1				



KIT-08382A
Shelbourne
REYNOLDS

Shelbourne Reynolds Engineering Limited

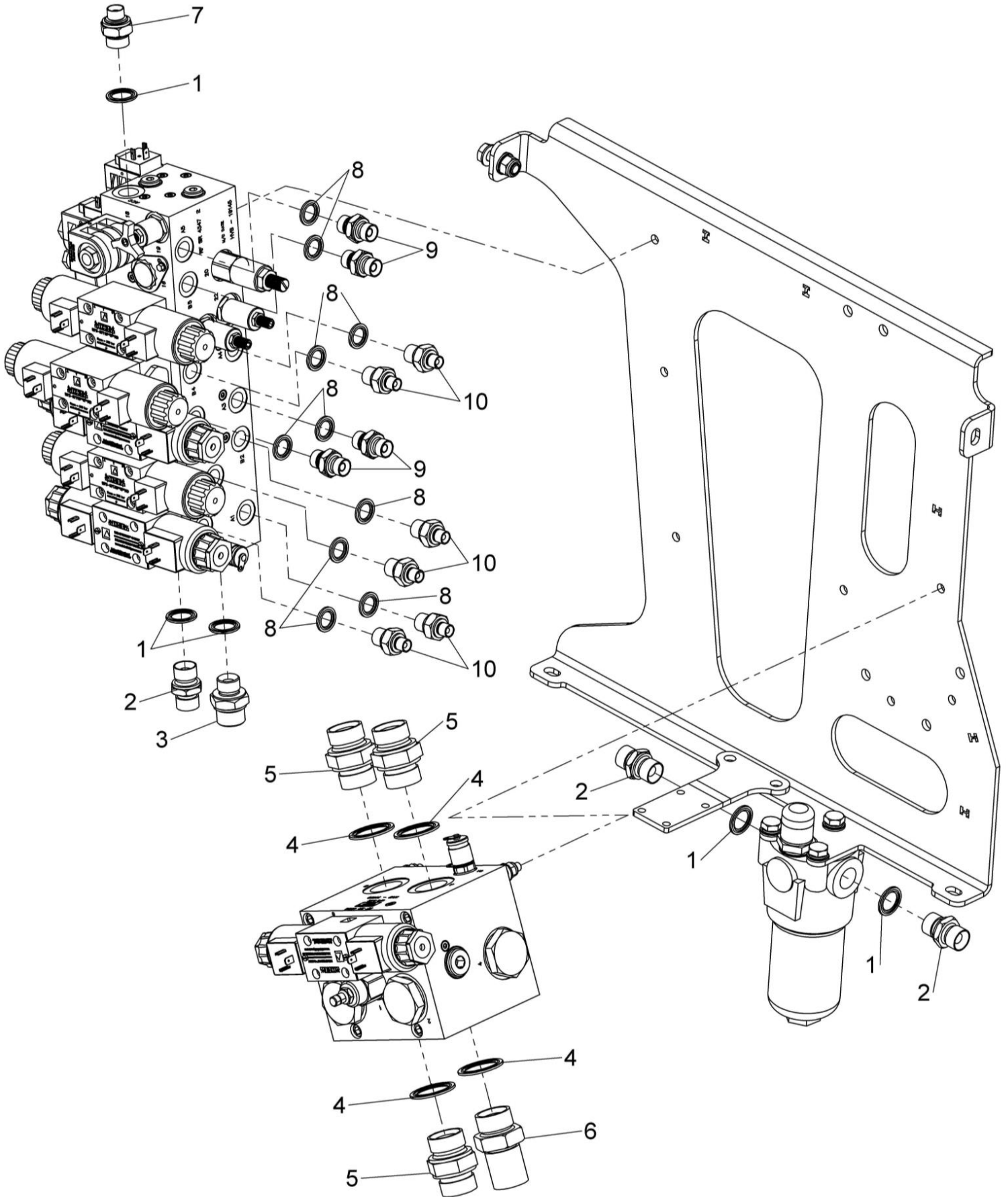
ASSY NUMBER: KIT-08382a HYD				ASSY DESCRIPTION: 3PCS ELEC ROTOR HYDRAULICS KIT			
ITEM	PART NO	DESCRIPTION	QTY	ITEM	PART NO	DESCRIPTION	QTY
1	WSH-1015	DOWTY WASHER	5				
2	HMA-0065	M/M ADAPTOR	2				
3	HAGAA0707	BULKHEAD ADAPTOR	1				
4	FIT-0240	ADAPTOR	1				
5	HAKAA0505	90 DEG ADAPTOR	2				
6	HVB-02620	TAP	2				
7	WSH-1005	DOWTY WASHER	3				
8	HMA-0052	M/M ADAPTOR	3				
9	WSH-1025	DOWTY WASHER	1				
10	FIT-0546	M/M ADAPTOR	1				
11	HMA-0067	M/M ADAPTOR	2				
12	WSH-1020	DOWTY WASHER	2				
13	HMA-0075	M/M ADAPTOR	2				
14	HHDC10105	HYD HOSE ASSY	2				
15	HHDC12005	HYD HOSE ASSY	1				
16	HHCE11005	HYD HOSE ASSY	1				
17	HHBE12005	HYD HOSE ASSY	1				
18	HHEE09005	HYD HOSE ASSY	1				
19	HHEF07605	HYD HOSE ASSY	1				
20	HHEF05705	HYD HOSE ASSY	1				
21	HHEI06505	HYD HOSE ASSY	1				
22	HHEI11105	HYD HOSE ASSY	1				
23	HHEI05205	HYD HOSE ASSY	1				
24	HHBH15505	HYD HOSE ASSY	1				
25	FITA10420	HYD T-FITTING	1				
26	ORA260450	O RING	2				
27	HOS-1050	SUCTION HOSE	0.7m				
28	HFKR05083	SUCTION ELBOW	2				



KIT-08382A HYD
Shelbourne
REYNOLDS

Shelbourne Reynolds Engineering Limited

ASSY NUMBER: KIT-08382B HYD				ASSY DESCRIPTION: 3PS ELEC ROTOR VALVES HYD KIT			
ITEM	PART NO	DESCRIPTION	QTY	ITEM	PART NO	DESCRIPTION	QTY
1	WSH-1015	DOWTY WASHER	5				
2	HMA-0067	M/M ADAPTOR	3				
3	HMA-0060	M/M ADAPTOR	1				
4	WSH-1025	DOWTY WASHER	4				
5	FIT-0546	M/M ADAPTOR	3				
6	HAGAA1313	BULKHEAD	1				
7	HMA-0065	M/M ADAPTOR	1				
8	WSH-1010	DOWTY WASHER	10				
9	HMA-0057	M/M ADPATOR	4				
10	FIT-0025	M/M ADAPTOR	6				

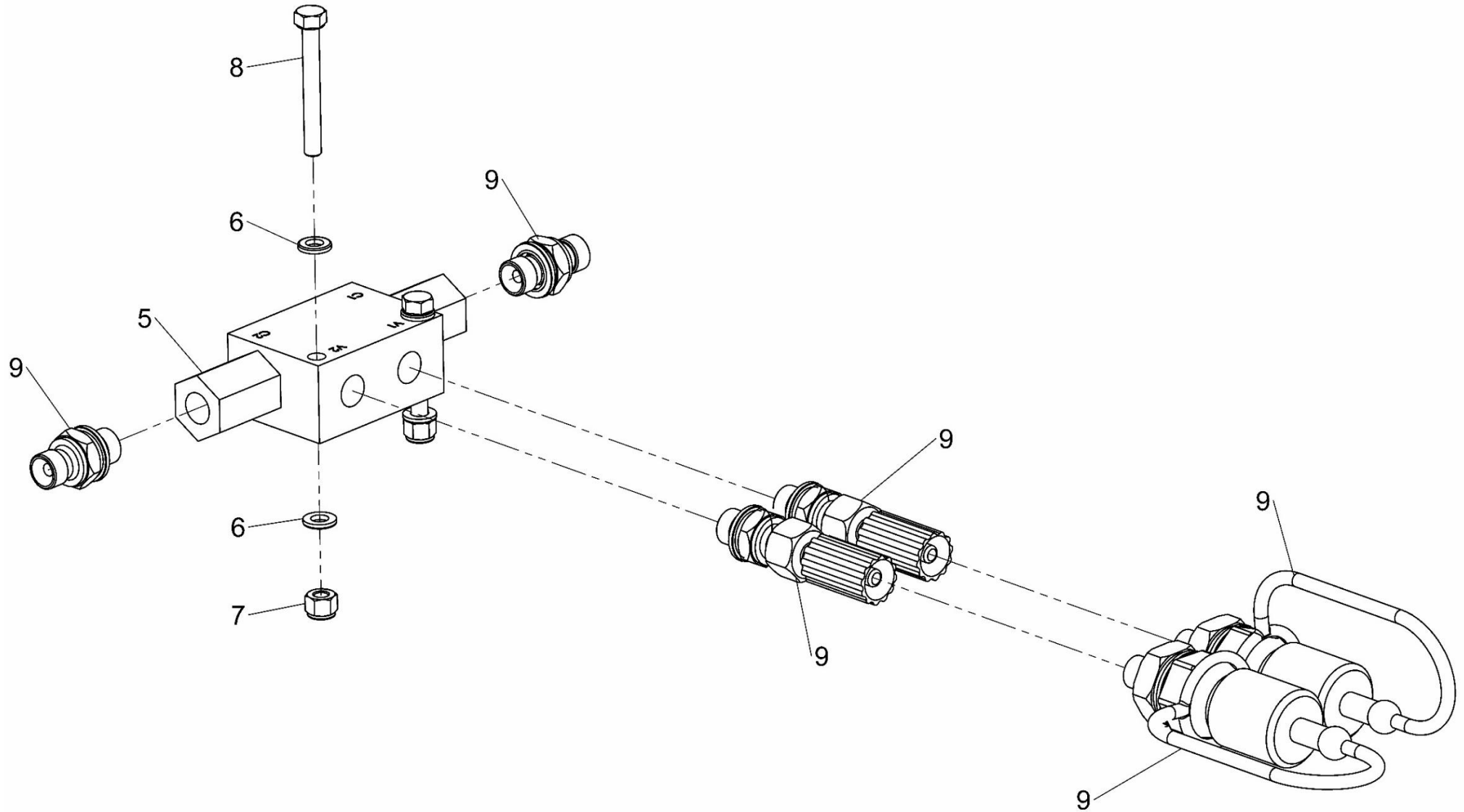


KIT-08382B HYD



Shelbourne Reynolds Engineering Limited

ASSY NUMBER: KIT-08387				ASSY DESCRIPTION: HYDRAULICS FOR HEAD OPTIONS KIT 6 / 7060T			
ITEM	PART NO	DESCRIPTION	QTY	ITEM	PART NO	DESCRIPTION	QTY
1							
2							
3							
4							
5	HVB-27000	VALVE BLOCK	1				
6	WSH-0009	WASHER	4				
7	NUT-0260	NUT	2				
8	BLTA06320	BOLT FOR 1 HD OPT	2			UPTO MID 2023	
OR	BLTA06470	BOLT FOR 2 HD OPT	2				
OR	BLTA06570	BOLT FOR 3 HD OPT	2				
9	KIT-08387A HYD	HYD FOR HEAD OPTIONS KIT	1				

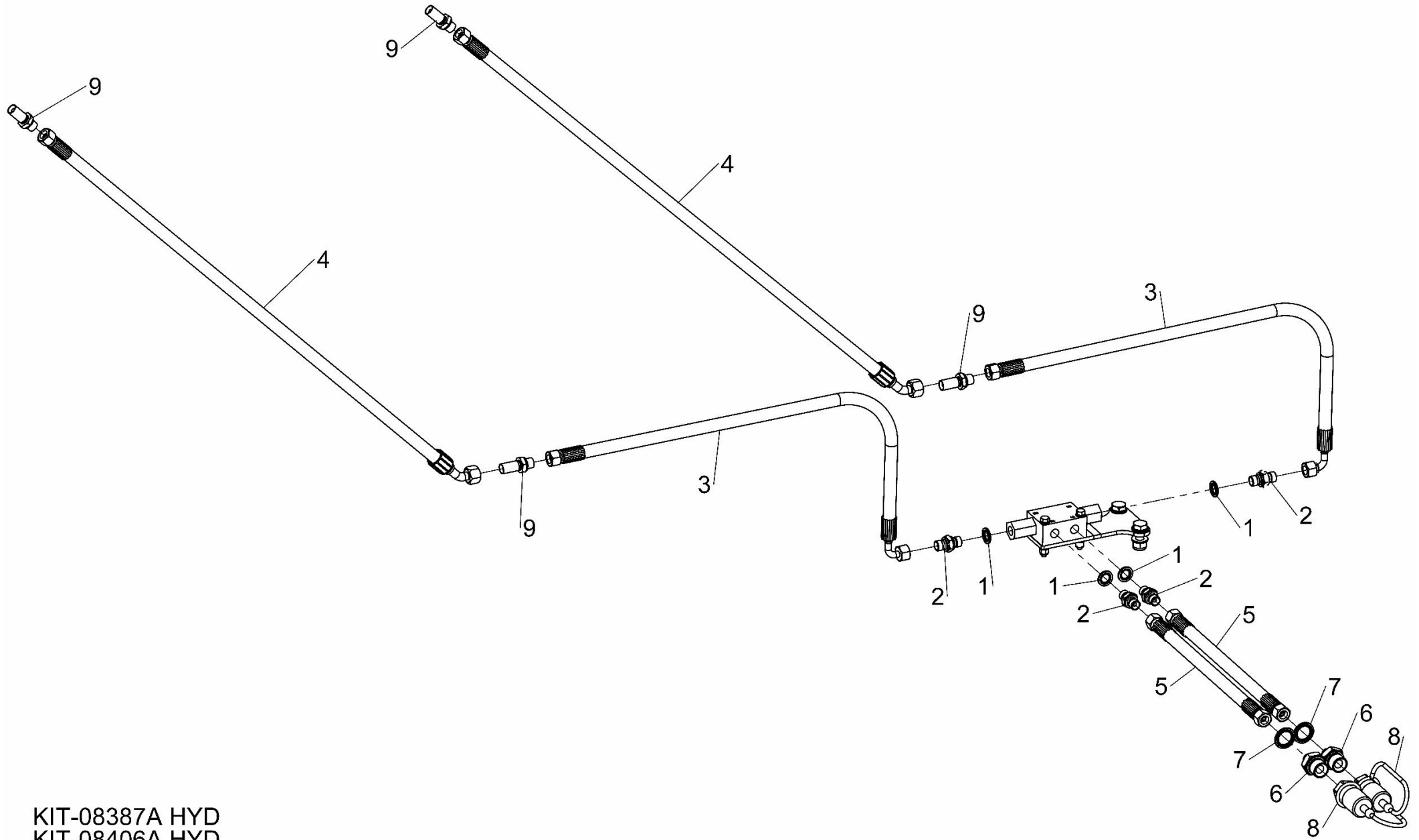


KIT-08387



Shelbourne Reynolds Engineering Limited

ASSY NUMBER: KIT-08387A HYD				ASSY DESCRIPTION: HYDRAULICS FOR HEAD OPTIONS KIT 6 / 7060T			
ITEM	PART NO	DESCRIPTION	QTY	ITEM	PART NO	DESCRIPTION	QTY
1	WSH-1005	DOWTY WASHER	4				
2	HMA-0052	M/M ADAPTOR	4				
3	HHCC31705	HYD HOSE ASSY	2				
4	HHDC31505	HYD HOSE ASSY	2				
5	HHAC16005	HYD HOSE ASSY	2				
6	HMA-0055	M/M ADAPTOR	2				
7	WSH-1015	DOWTY WASHER	2				
8	COU-0162	QUICK RELEASE COUPLING	2				
9	HBK-0010	HYD BULKHEAD ADAPTOR	4				



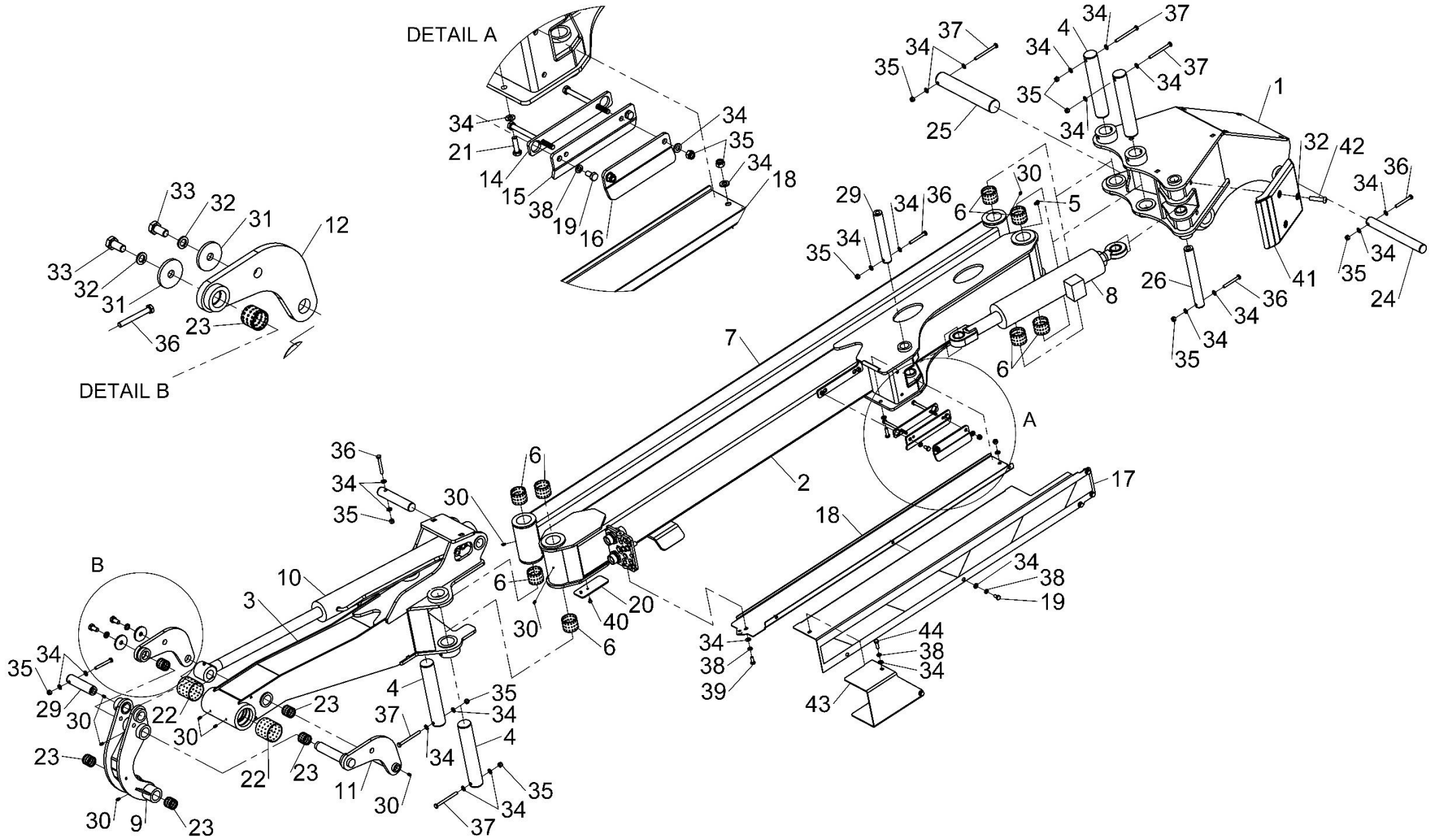
KIT-08387A HYD
KIT-08406A HYD
KIT-08445A HYD



Shelbourne Reynolds Engineering Limited

ASSY NUMBER: KIT-08397				ASSY DESCRIPTION: 7062 VFR OUTER BOOM			
ITEM	PART NO	DESCRIPTION	QTY	ITEM	PART NO	DESCRIPTION	QTY
1	806115 01	TOP VFR OUTER BOOM W/A	1	39	HSS-0140	HEX HD BOLT	4
2	806119 01	MIDDLE 'VFR' OUTER BOOM	1	40	SCW-1545	CSK SOC HD SCREW	2
3	806123 01	"VFR" OUTER BOOM W/A	1	41	806305 01	HOSE DEFLECTOR PLATE W/A	1
4	800102 14	PIN	4	42	SCBA12350	BUTT SOC HD CDREW	2
5	NIP-00605	GREASE NIPPLE	1	43	806090 01	HOSE GUARD	1
6	BSHO04562	BUSH	8	44	HSS-0145	SETSCREW	1
7	806125 01	VFR TIE ARM W/A	1				
8	806000 01	VFR HYD CYLINDER	1				
9	806029 01	2ND CURVE LINK W/ASSY-	1				
10	801236 01	HYDRAULIC RAM ASSY	1				
11	800097 01	1st CURVED LINK	1				
12	800098 01	1ST CURVED PLATE ASSY	1				
13	BLTA08590	HEX HD BOLT	2				
14	806027 01	BRACKET SPACER	1				
15	806028 01	HOSE BRACKET	1				
16	806162 01	CLAMP PLATE	1				
17	806164 01	HOSE COVER	1				
18	806167 01	BULKHEAD COVER W/A	1				
19	HSS-0135	HEX HD BOLT	5				
20	803622 01	GUIDE PLATE	1				
21	HSS-0150	HEX HD BOLT	1				
22	BSHO06071	BUSH	2				
23	BSHO03056	BUSH	6				
24	800987 17	PIN TIE ARM	1				
25	801406 01	PIN INNER/OUTER BOOM	1				
26	800987 28	PIN	1				
27	800987 29	PIN	1				
28	800987 30	PIN	1				
29	800101 03	PIN ANG RAM ROD	1				
30	NIP-00600	M6 GREASE NIPPLE STRAIGHT	9				
31	190119 15	WASHER	2				
32	WSH-0065	SPRING WASHER	4				
33	HSS-0235	HEX HD SETSCREW	2				
34	WSH-0012	PLAIN WASHER	32				
35	NUT-0263	NYLOC NUT	13				
36	BLTA08410	HEX HD BOLT	5				
37	BLTA08530	HEX HD BOLT	5				
38	WSH-0058	SPRING WASHER	10				

Shelbourne Reynolds Engineering Limited

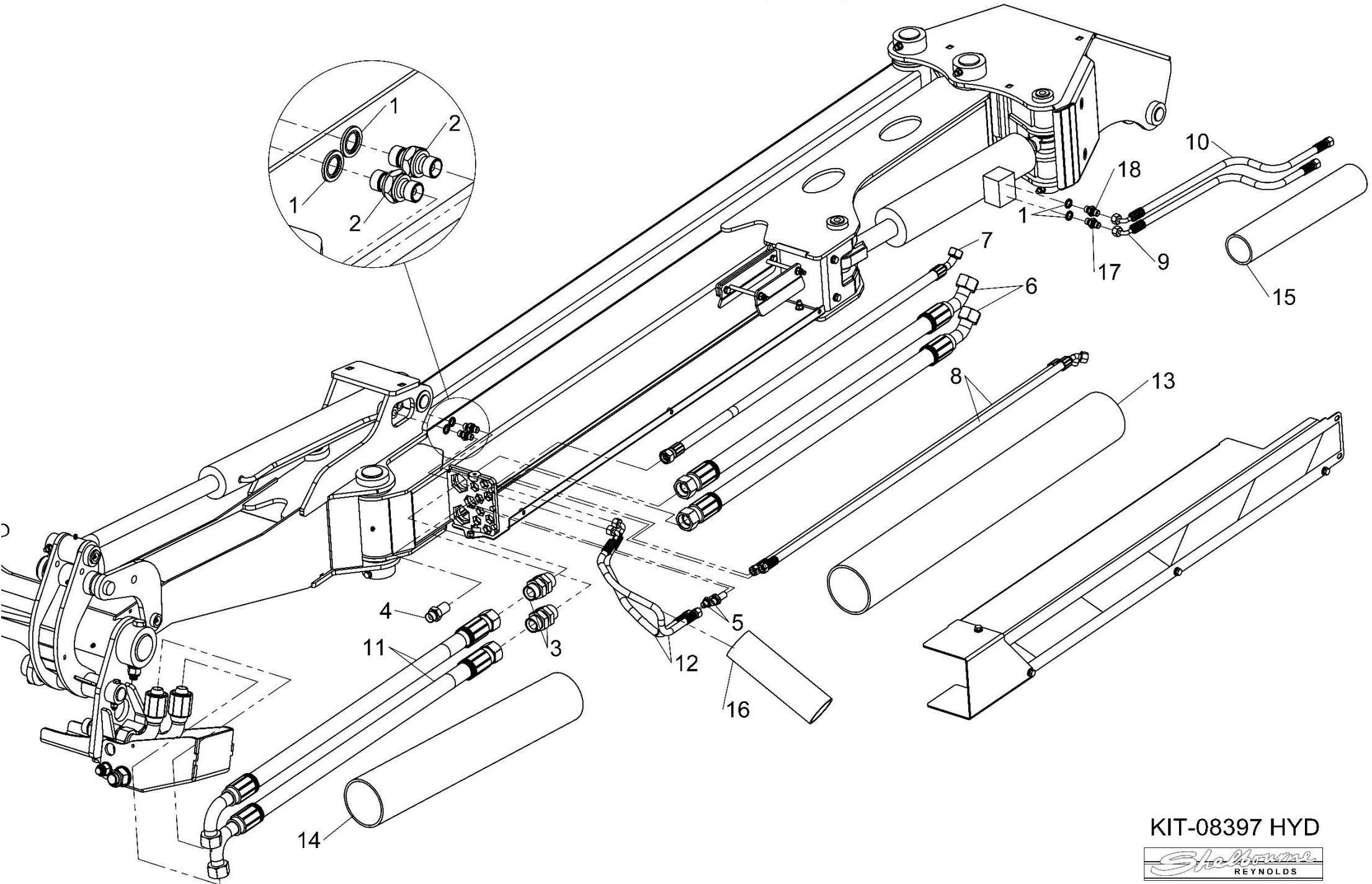


KIT-08397



Shelbourne Reynolds Engineering Limited

ASSY NUMBER: KIT-08397 HYD				ASSY DESCRIPTION: 7062VFR OUTER BOOM HYD KIT			
ITEM	PART NO	DESCRIPTION	QTY	ITEM	PART NO	DESCRIPTION	QTY
1	WSH-1005	DOWTY WASHER	4				
2	HMA-0052	M/M ADAPTOR	1				
3	HAGAA1313	BULKHEAD ADAPTOR	2				
4	HAGAA0707	BULKHEAD ADAPTOR	1				
5	HBK-0010	BULKHEAD ADAPTOR	3				
6	HHDI27505	HYD HOSE ASSY	2				
7	HHDF28705	HYD HOSE ASSY	1				
8	HHDC29005	HYD HOSE ASSY	2				
9	HHBC08905	HYD HOSE ASSY	1				
10	HHBC09305	HYD HOSE ASSY	1				
11	HHBI12105	HYD HOSE ASSY	2				
12	HHBC07405	HYD HOSE ASSY	2				
13	HHS-05010	HYD HOSE SLEEVE LARGE	2.2m				
14	HHS-05010	HYD HOSE SLEEVE LARGE	1.4m				
15	HHS-05005	HYD HOSE SLEEVE SMALL	0.95m				
16	HHS-05005	HYD HOSE SLEEVE SMALL	0.8m				
17	HAPAA0303	RESTRICTOR (ROD)	1				
18	HAPAA0304	RESTRICTOR (BDY)	1				

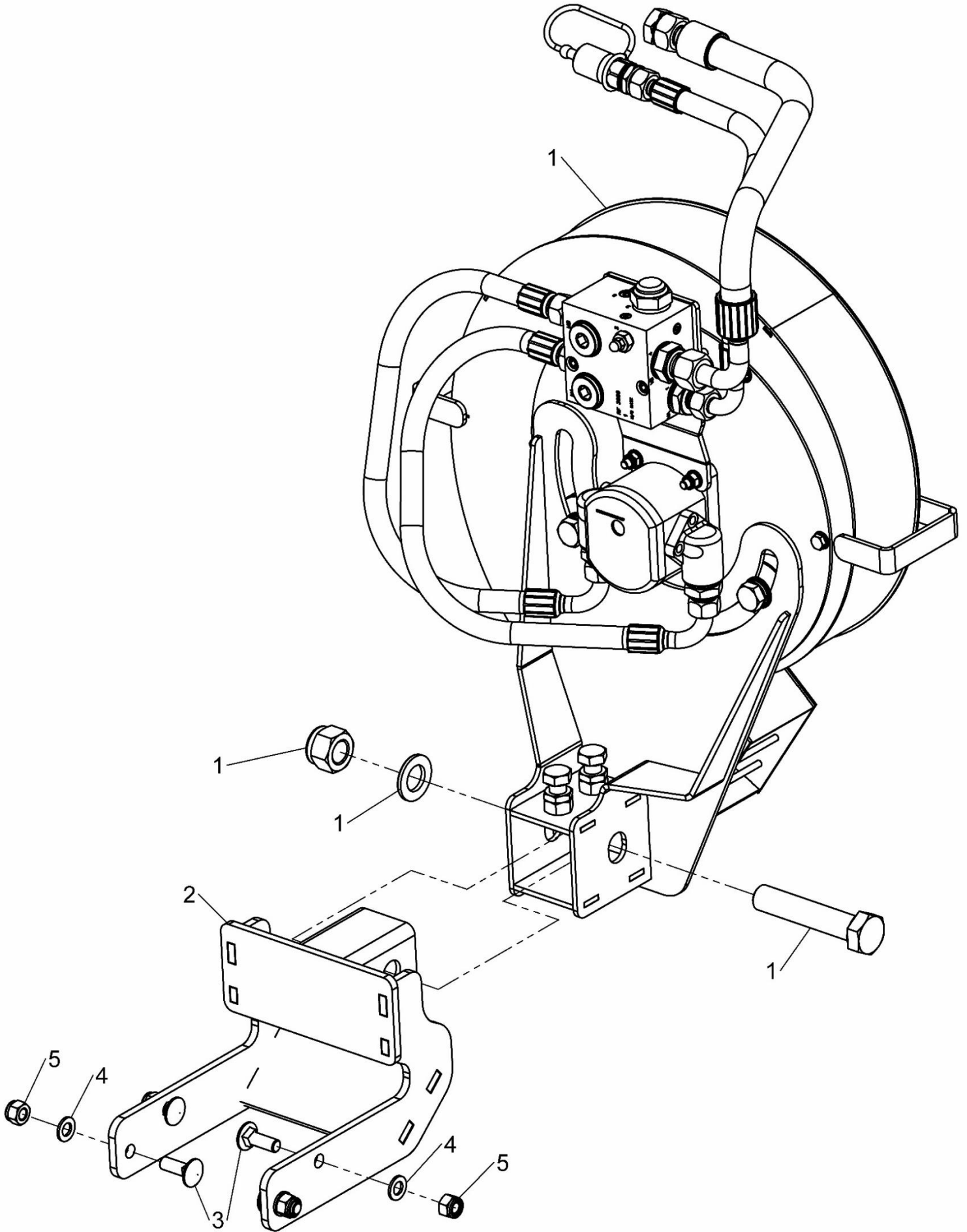


KIT-08397 HYD



Shelbourne Reynolds Engineering Limited

ASSY NUMBER: KIT-08401				ASSY DESCRIPTION: HD TRIMMER BLOWER KIT For 6000, 7000, HD800 & 8000			
ITEM	PART NO	DESCRIPTION	QTY	ITEM	PART NO	DESCRIPTION	QTY
1	KIT-08352	SUB ASSY TRIMMER BLOWER KIT	1				
2	804563 01	LIGHTING BOARD MTG W/A	1				
3	BLTF12233	COACHBOLT	4				
4	WSH-0018	WASHER	4				
5	NUT-0269	NYLOC NUT	4				

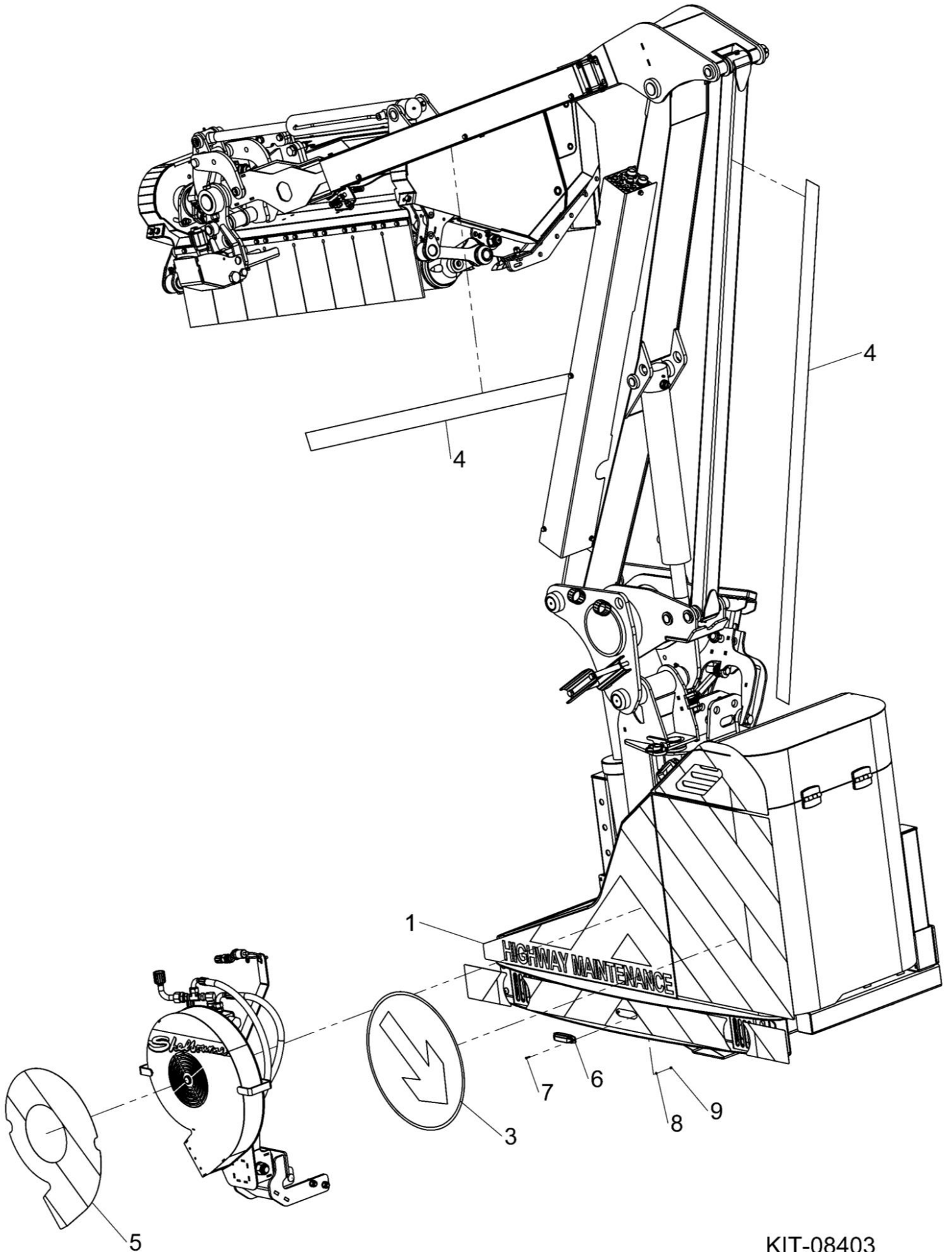


KIT-08401



Shelbourne Reynolds Engineering Limited

ASSY NUMBER: KIT-08403				ASSY DESCRIPTION: 7000 SERIES TRIMMER HIGHWAYS KIT			
ITEM	PART NO	DESCRIPTION	QTY	ITEM	PART NO	DESCRIPTION	QTY
1	806089 01	HIGHWAYS TRANSFER KIT	1				
2							
3	801977 01	MAGNETIC ARROW	1				
4	806881 01	BOOM HIGHWAYS TRANSFER	2				
5	806105 01	DEBRIS BLOWER HIGHWAYS	1				
6	804684 01	WARNING LIGHT KIT	1				
7	SCFC03110	PAN HD.SCREW	2				
8	WSH-0001	WASHER	2		KIT-08403	7000 TRIMMER HIGHWAYS KIT	
9	NUTA02030	NYLOC NUT	2		KIT-08403A	7000 TRIMMER HIGHWAYS KIT WITH DEBRIS BLOWER	

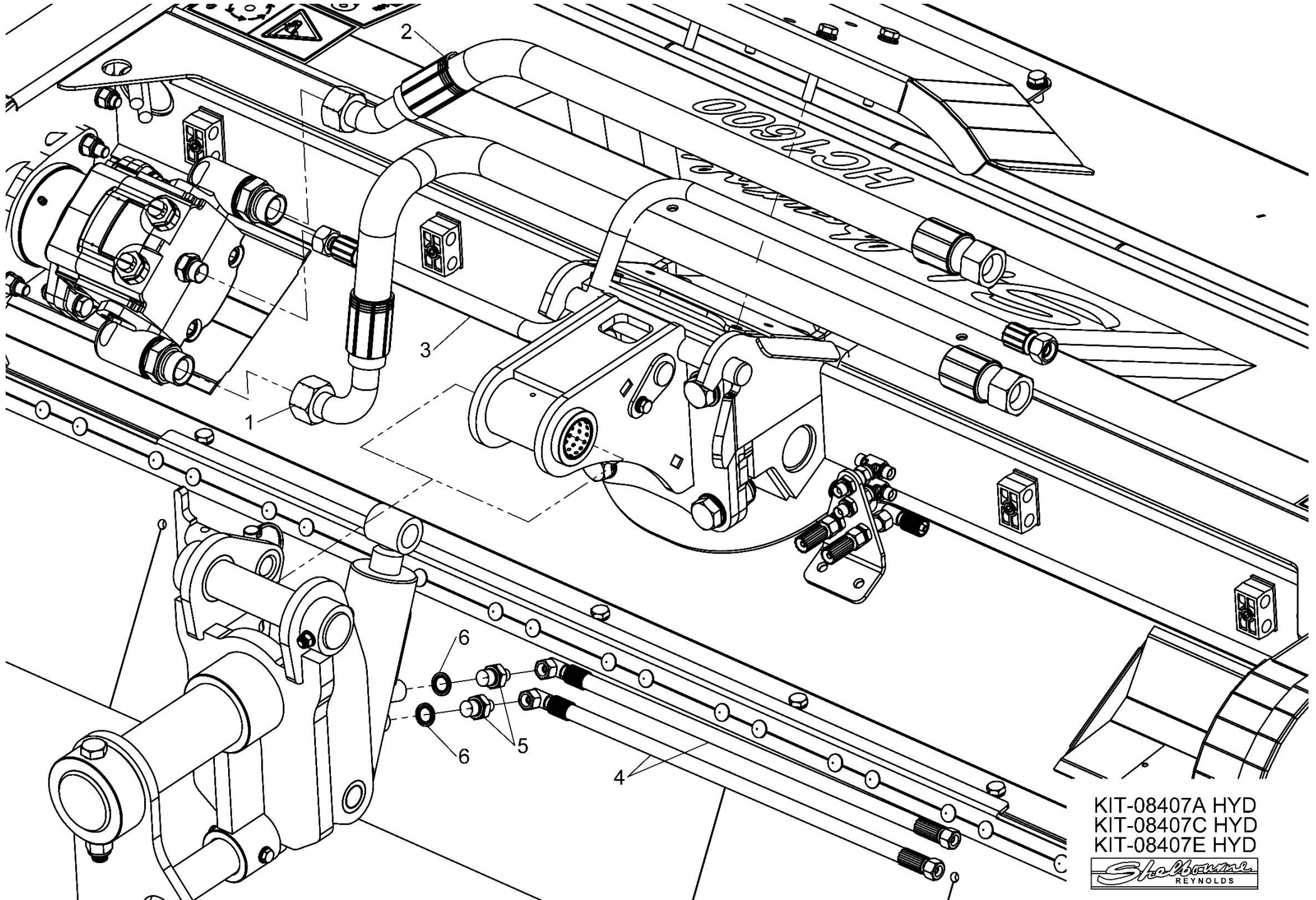


KIT-08403
KIT-08403a



Shelbourne Reynolds Engineering Limited

ASSY NUMBER: KIT-08407A HYD				ASSY DESCRIPTION: HC1200 HEAD MOTOR HYD KIT (NLB BRKT FOR 6000, 7060T, 7056, 800 & 8000 Tele)			
ITEM	PART NO	DESCRIPTION	QTY	ITEM	PART NO	DESCRIPTION	QTY
1	HHBI17905	HYD HOSE ASSY	1				
2	HHDI16705	HYD HOSE ASSY	1				
3	HHBF30005	HYD HOSE ASSY	1				
4	HHCC17505	HYD HOSE ASSY	2				
5	HAPAA0303	RESTRICTOR FITT	2				
6	WSH-1005	DOWTY WASHER	2				

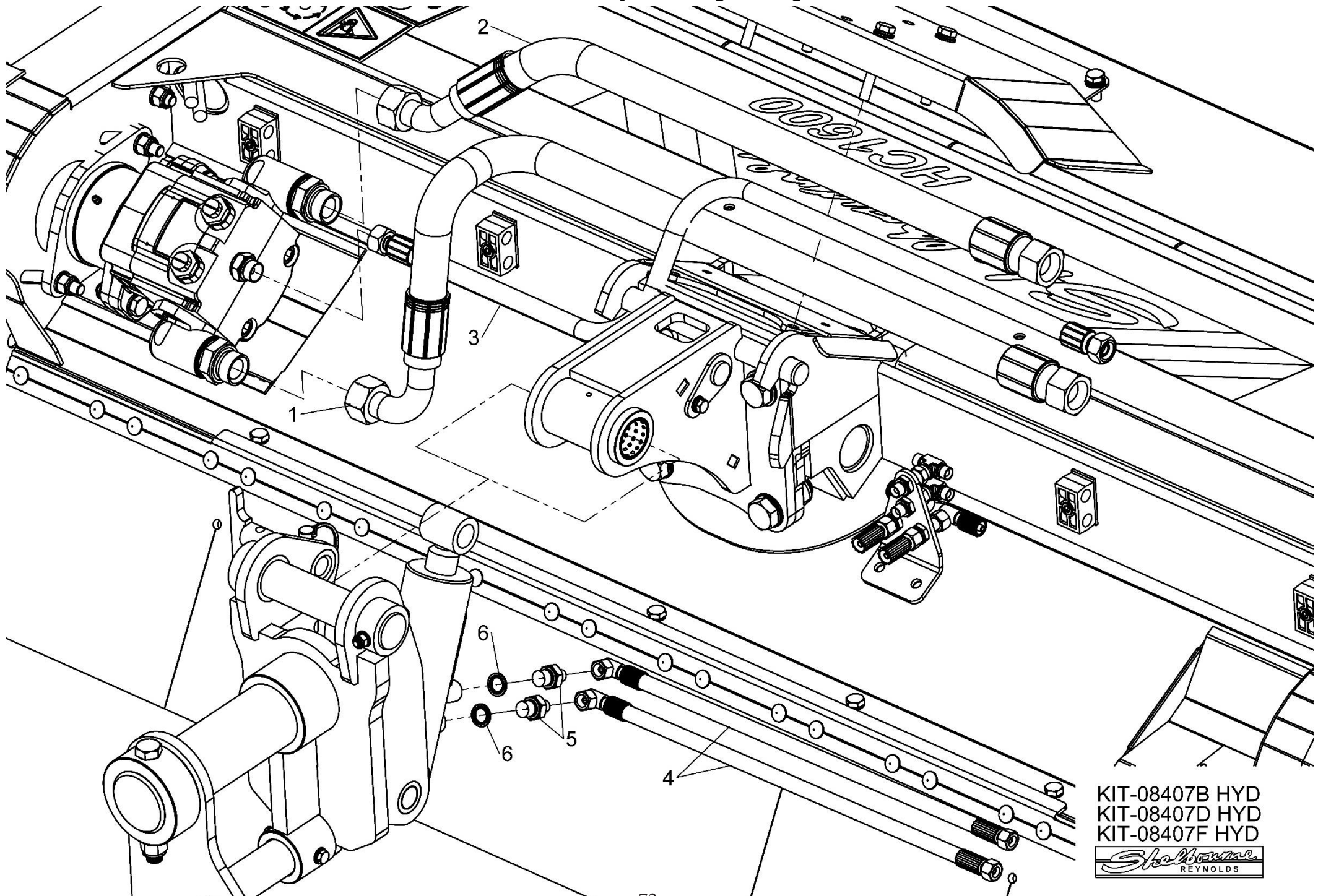


KIT-08407A HYD
KIT-08407C HYD
KIT-08407E HYD



Shelbourne Reynolds Engineering Limited

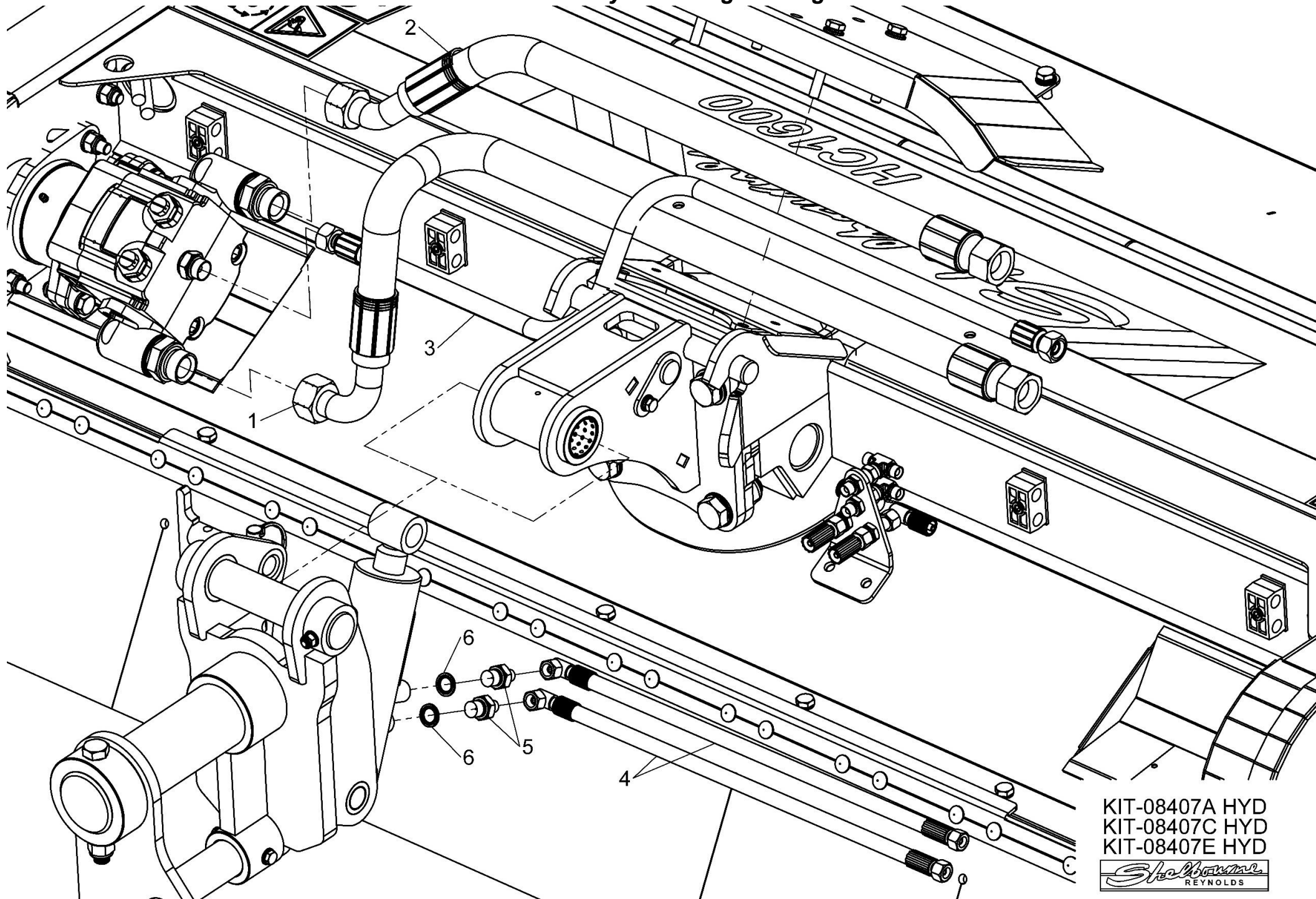
ASSY NUMBER: KIT-08407B HYD				ASSY DESCRIPTION: HC1600 HEAD MOTOR HYD KIT (NL BRKT FOR 7060T, 7056, 800 & 8000 Tele)			
ITEM	PART NO	DESCRIPTION	QTY	ITEM	PART NO	DESCRIPTION	QTY
1	HHDI21005	HYD HOSE ASSY	1				
2	HHAI21205	HYD HOSE ASSY	1				
3	HHAF35605	HYD HOSE ASSY	1				
4	HHCC20005	HYD HOSE ASSY	2				
5	HAPAA0303	RESTRICTOR FITT	2				
6	WSH-1005	DOWTY WASHER	2				



KIT-08407B HYD
KIT-08407D HYD
KIT-08407F HYD
Shelbourne
REYNOLDS

Shelbourne Reynolds Engineering Limited

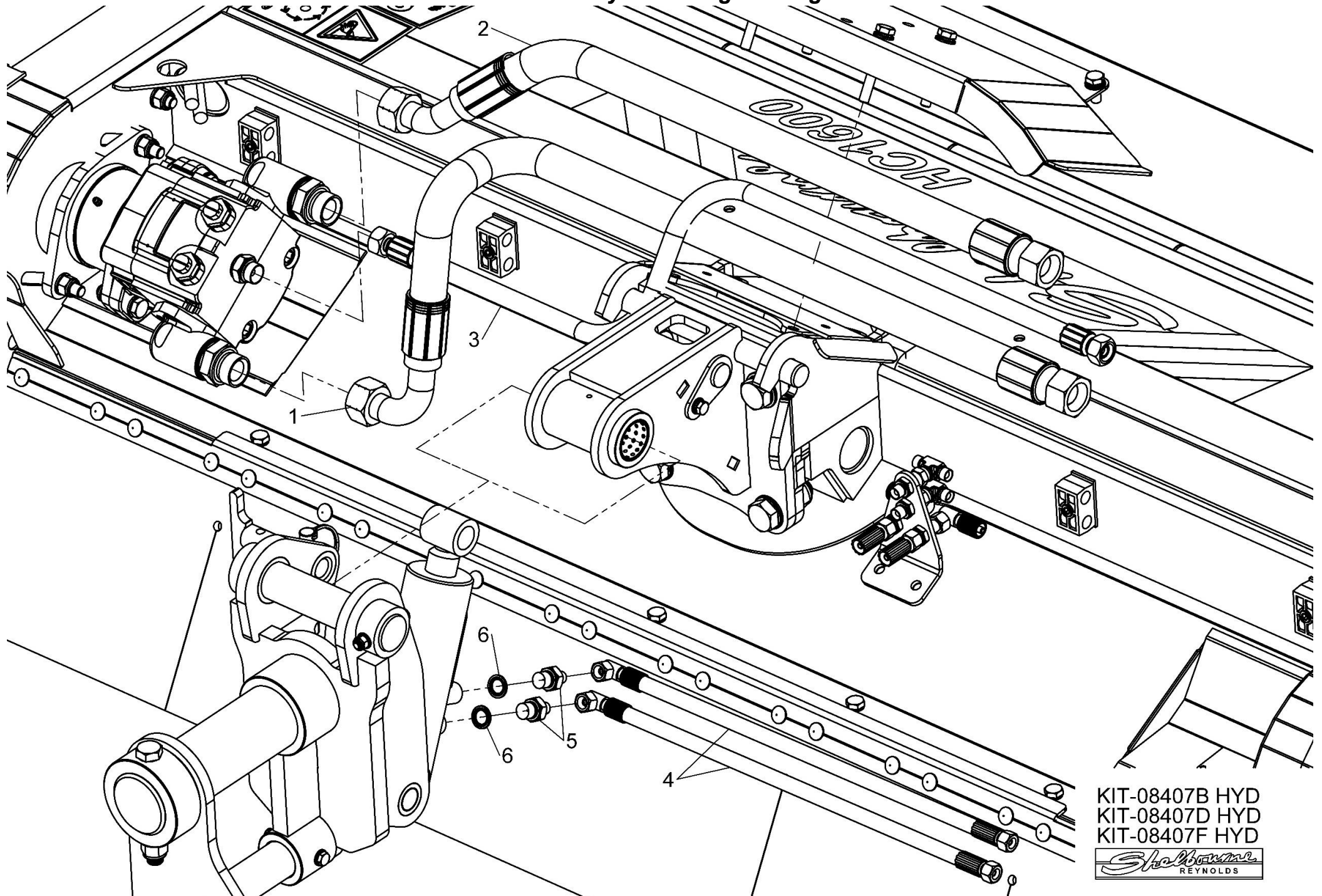
ASSY NUMBER: KIT-08407E HYD				ASSY DESCRIPTION: HC1200 HEAD MOTOR HYD KIT (NL BRKT FOR 7062VFR)			
ITEM	PART NO	DESCRIPTION	QTY	ITEM	PART NO	DESCRIPTION	QTY
1	HHBI17905	HYD HOSE ASSY	1				
2	HHDI16705	HYD HOSE ASSY	1				
3	HHBF32605	HYD HOSE ASSY	1				
4	HHCC20005	HYD HOSE ASSY	2				
5	HAPAA0303	RESTRICTOR FITT	2				
6	WSH-1005	DOWTY WASHER	2				



KIT-08407A HYD
KIT-08407C HYD
KIT-08407E HYD
Shelbourne
REYNOLDS

Shelbourne Reynolds Engineering Limited

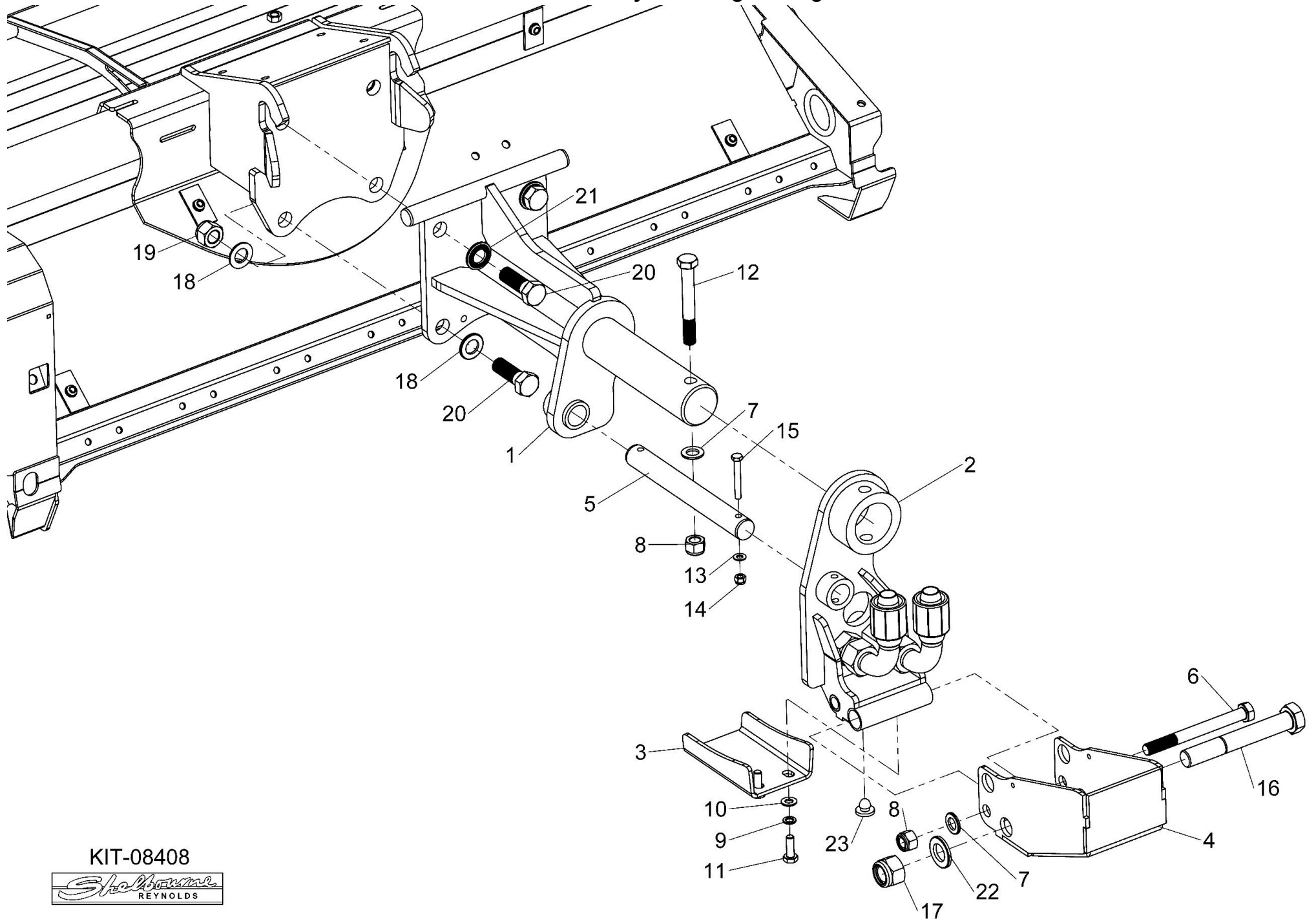
ASSY NUMBER: KIT-08407F HYD				ASSY DESCRIPTION: HC1600 HEAD MOTOR HYD KIT (NL BRKT FOR 7062VFR)			
ITEM	PART NO	DESCRIPTION	QTY	ITEM	PART NO	DESCRIPTION	QTY
1	HHDI21005	HYD HOSE ASSY	1				
2	HHAI21205	HYD HOSE ASSY	1				
3	HHAF38605	HYD HOSE ASSY	1				
4	HHCC23005	HYD HOSE ASSY	2				
5	HAPAA0303	RESTRICTOR FITT	2				
6	WSH-1005	DOWTY WASHER	2				



KIT-08407B HYD
KIT-08407D HYD
KIT-08407F HYD
Shelbourne
REYNOLDS

Shelbourne Reynolds Engineering Limited

ASSY NUMBER: KIT-08408				ASSY DESCRIPTION: HC HEAD MOUNT KIT 7000 SERIES			
ITEM	PART NO	DESCRIPTION	QTY	ITEM	PART NO	DESCRIPTION	QTY
1	806376 01	HEAD MOUNT W/AF	1				
2	805561 01	PIVOT MOUNT W/A	1				
3	803629 01	GUARD PLATE	1				
4	806109 01	PIVOT SHOE FOOT	1				
5	805566 01	PIN	1				
6	BLTA16740	BOLT	1				
7	WSH-0024	WASHER	2				
8	NUT-0271	NYLOC NUT	2				
9	WSH-0061	SPRING WASHER	2				
10	WSH-0015	WASHER	2				
11	HSS-0194	BOLT	2				
12	BLT-2330	BOLT	1				
13	WSH-0012	WASHER	2				
14	NUT-0263	NYLOC NUT	2				
15	HSSA08380	BOLT	2				
16	BLTA24760	BOLT	1				
17	NUT-0275	NYLOC NUT	1				
18	WSH-0030	WASHER	4				
19	NUTA02200	NYLOC NUT	2				
20	BLT-2366	BOLT	4				
21	WSHA30201	LOCKWASHER	2				
22	WSH-0036	WASHER	1				
23	RUB-0330	RUBBER FOOT	2				

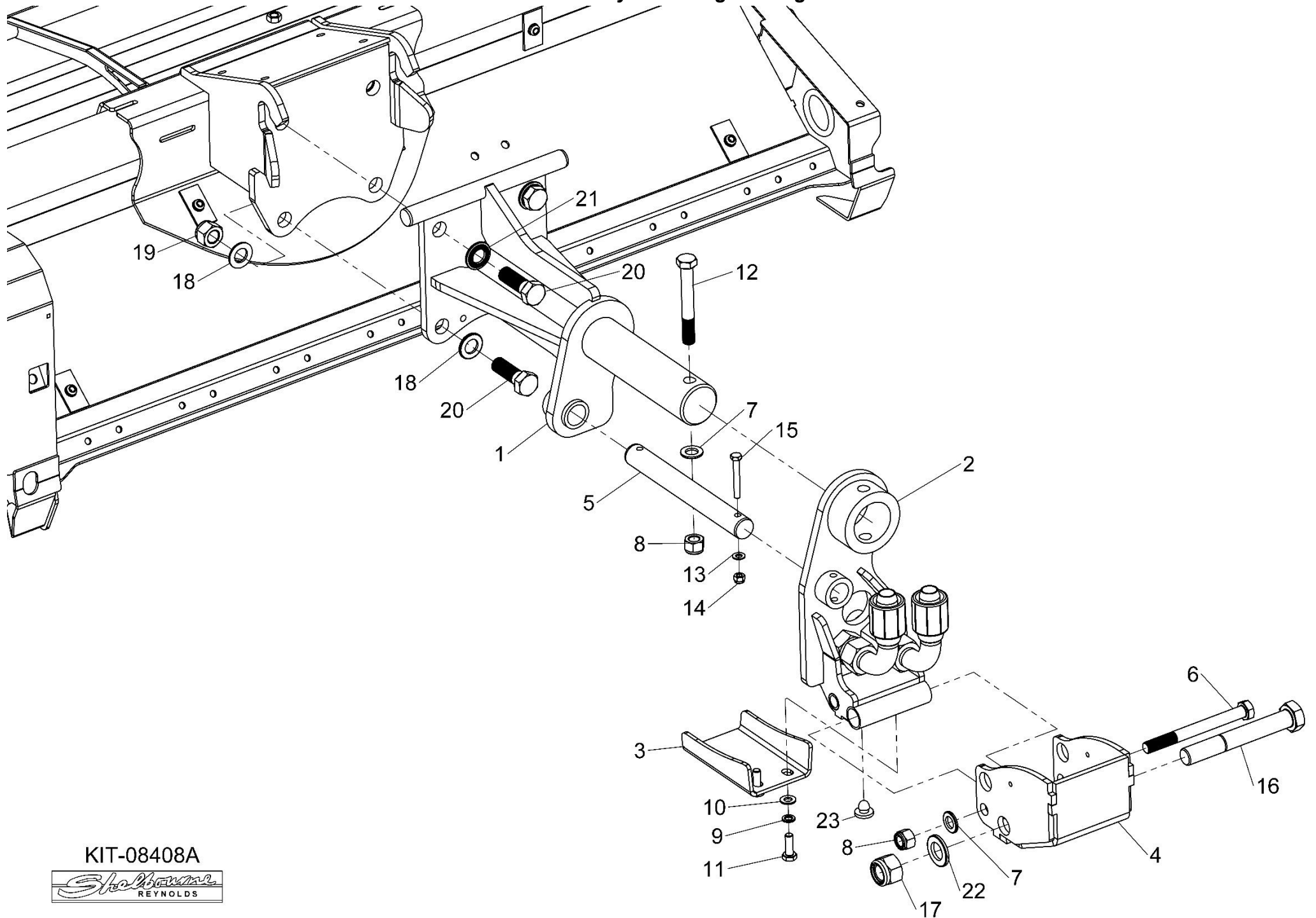


KIT-08408



Shelbourne Reynolds Engineering Limited

ASSY NUMBER: KIT-08408A				ASSY DESCRIPTION: GP HEAD MOUNT KIT 6000 & 7000 SERIES			
ITEM	PART NO	DESCRIPTION	QTY	ITEM	PART NO	DESCRIPTION	QTY
1	806376 01	HEAD MOUNT W/A	1				
2	805561 01	PIVOT MOUNT W/A	1				
3	803629 01	GUARD PLATE	1				
4	803628 01	PIVOT SHOE FOOT W/A	1				
5	805566 01	PIN	1				
6	BLTA16740	BOLT	1				
7	WSH-0024	WASHER	2				
8	NUT-0271	NYLOC NUT	2				
9	WSH-0061	SPRING WASHER	2				
10	WSH-0015	WASHER	2				
11	HSS-0194	BOLT	2				
12	BLT-2330	BOLT	1				
13	WSH-0012	WASHER	2				
14	NUT-0263	NYLOC NUT	2				
15	HSSA08380	BOLT	2				
16	BLTA24760	BOLT	1				
17	NUT-0275	NYLOC NUT	1				
18	WSH-0030	WASHER	4				
19	NUTA02200	NYLOC NUT	2				
20	BLT-2366	BOLT	4				
21	WSHA30201	LOCKWASHER	2				
22	WSH-0036	WASHER	1				
23	RUB-0330	RUBBER FOOT	2				

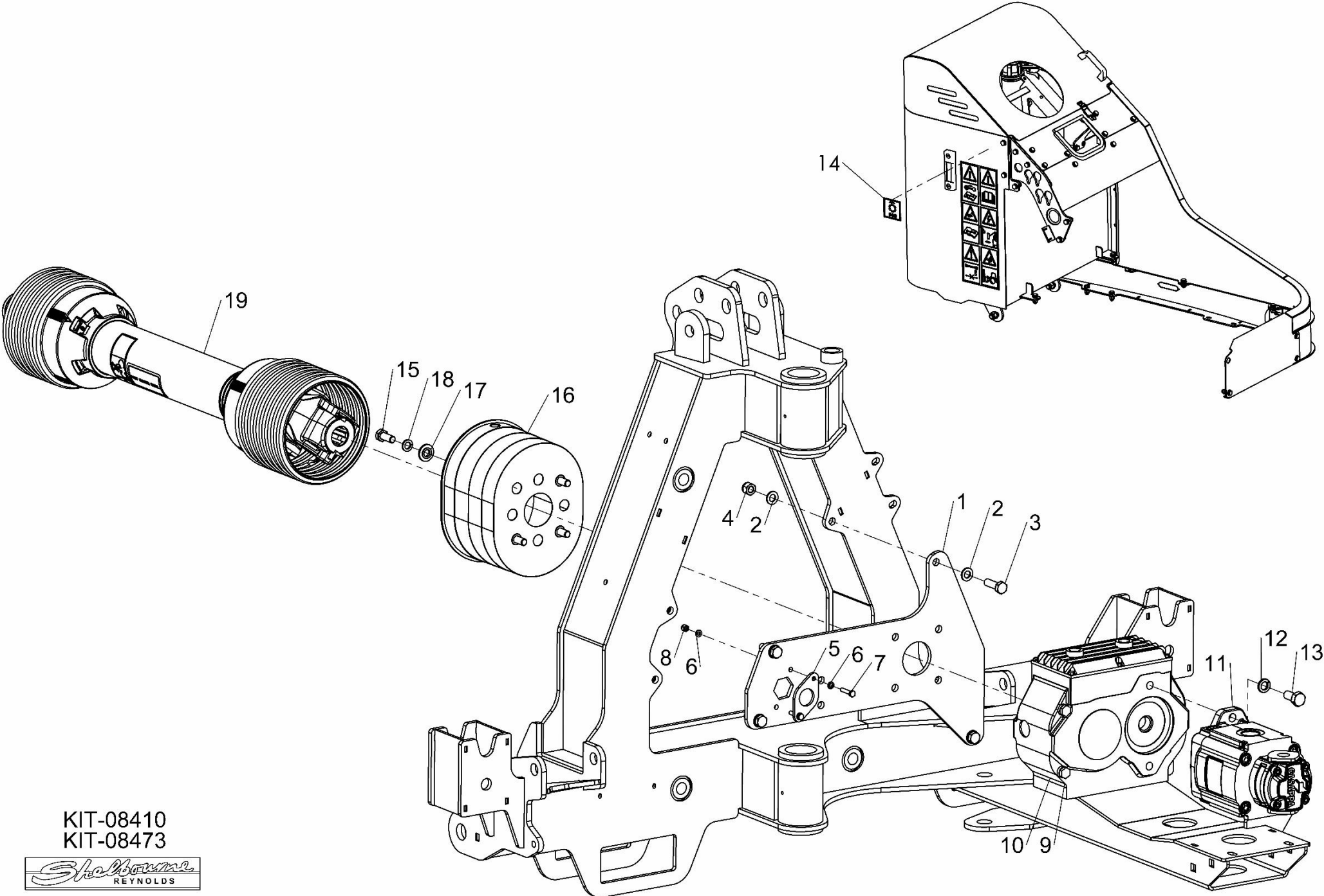


KIT-08408A



Shelbourne Reynolds Engineering Limited

ASSY NUMBER: KIT-08410				ASSY DESCRIPTION: STANDARD DRIVE KIT (7000 SERIES)			
ITEM	PART NO	DESCRIPTION	QTY	ITEM	PART NO	DESCRIPTION	QTY
1	806388 01	GEARBOX MTG PLATE	1				
2	WSH-0018	WASHER	8				
3	HSS-0250	SETSCREW	4				
4	NUT-0269	NUT	4				
5	805699 01	RETAINING RING	1				
6	WSH-0009	WASHER	4				
7	HSS-0092	SETSCREW	2				
8	NUT-0260	NUT	2				
9	GEA-0183	GEARBOX	1				
10	OIL-	GEARBOX OIL	1.75L				
11	PUM090661	TANDEM PUMP	1				
12	WSHA15141	WASHER	2				
13	HSSA14200	SETSCREW	2				
14	590475 01	TRANSFER 540RPM	1				
15	HSS-0238	SETSCREW	4				
16	PTO-00903	PTO GUARD	1				
17	800407 01	SPACER GEARBOX MOUNT	4				
18	WSH-0065	WASHER	4				
19	PTO-37000	PTO SHAFT ASSY	1				



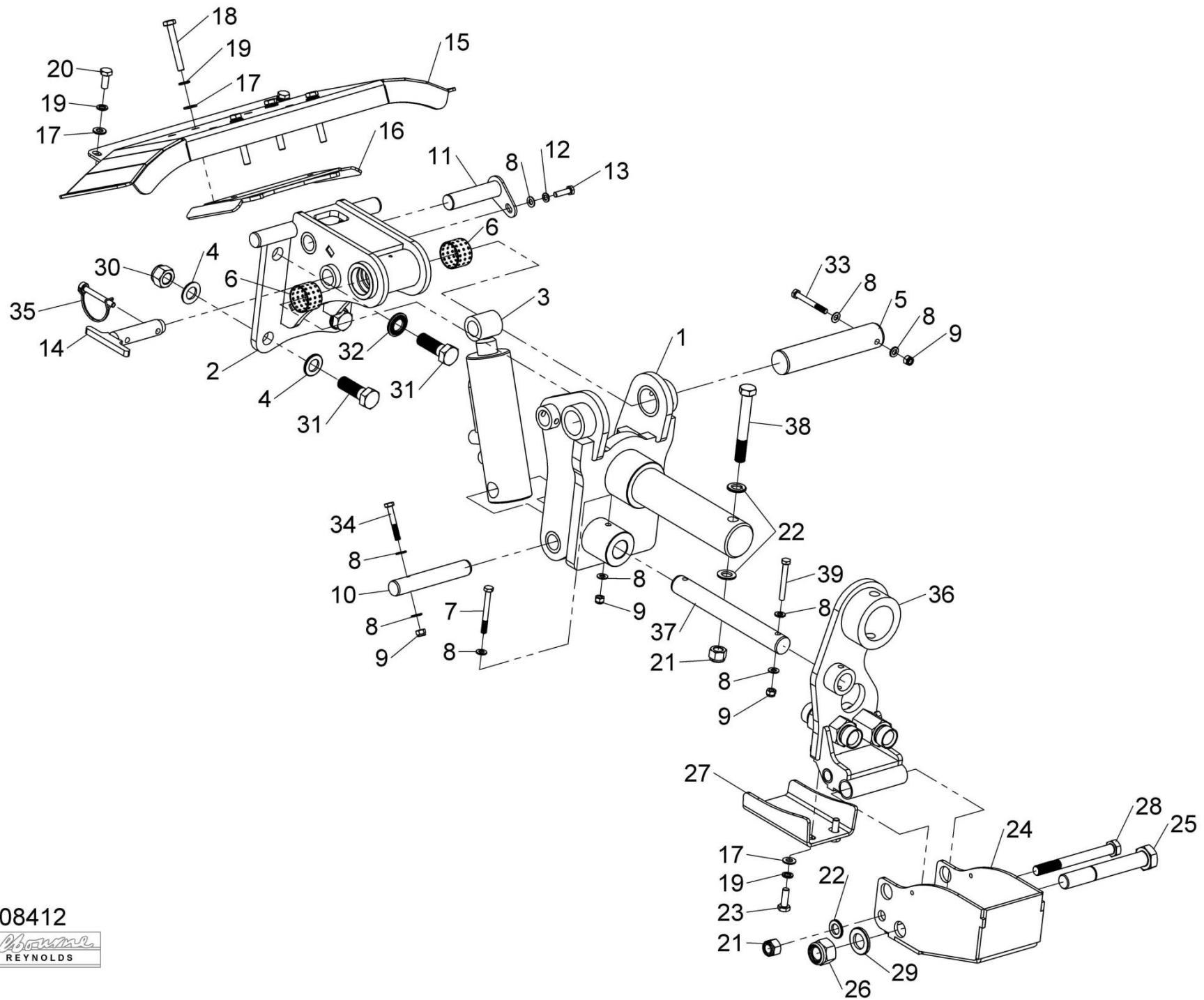
KIT-08410
KIT-08473



Shelbourne Reynolds Engineering Limited

ASSY NUMBER: KIT-08412				ASSY DESCRIPTION: HC HEAD NARROW LANE BRACKET FOR 7000			
ITEM	PART NO	DESCRIPTION	QTY	ITEM	PART NO	DESCRIPTION	QTY
1	806408 01	BOOM MTG BRACKET W/A	1	40	HFAG84013	HOSE END	1
2	806389 01	NARROW HEAD MOUNT W/A	1	41	HFAF84013	HOSE END	2
3	806326 01	RAM	1	42	HFAH84013	HOSE END	1
4	WSH-0030	WASHER	4	43	HFAI71003	HOSE END	2
5	802839 10	PIN	1	44	HFAF71003	HOSE END	2
6	BSHO04056	BUSH	2				
7	BLTA08470	BOLT	1				
8	WSH-0012	WASHER	9				
9	NUT-0263	NYLOC NUT	4				
10	800987 07	PIN	1				
11	806338 01	LOCKING PIN W/A	1				
12	WSH-0058	SPRING WASHER	1				
13	HSS-0150	BOLT	1				
14	805388 01	LOCKING PIN W/A	1				
15	806394 01	HOSE GUARD W/A	1				
16	806391 01	HOSE GUIDE W/A	1				
17	WSH-0015	WASHER	8				
18	BLTA10470	BOLT	4				
19	WSH-0061	SPRING WASHER	8				
20	HSS-0191	BOLT	2				
21	NUT-0271	NYLOC NUT	2				
22	WSH-0024	WASHER	3				
23	HSS-0194	BOLT	2				
24	806109 01	PIVOT SHOE FOOT	1				
25	BLTA24760	BOLT	1				
26	NUT-0275	NYLOC NUT	1				
27	803629 01	GUARD PLATE	1				
28	BLTA16740	BOLT	1				
29	WSH-0036	WASHER	1				
30	NUTA02200	NYLOC NUT	2				
31	BLT-2366	BOLT	4				
32	WSHA30201	LOCKWASHER	2				
33	BLTA08440	BOLT	1				
34	BLTA08350	BOLT	1				
35	PIN-1720	SNAPPER PIN	1				
36	805561 01	PIVOT MOUNT W/A	1				
37	805566 01	PIN	1				
38	BLT-2330	BOLT	1				
39	BLTA08410	BOLT	1				

Shelbourne Reynolds Engineering Limited



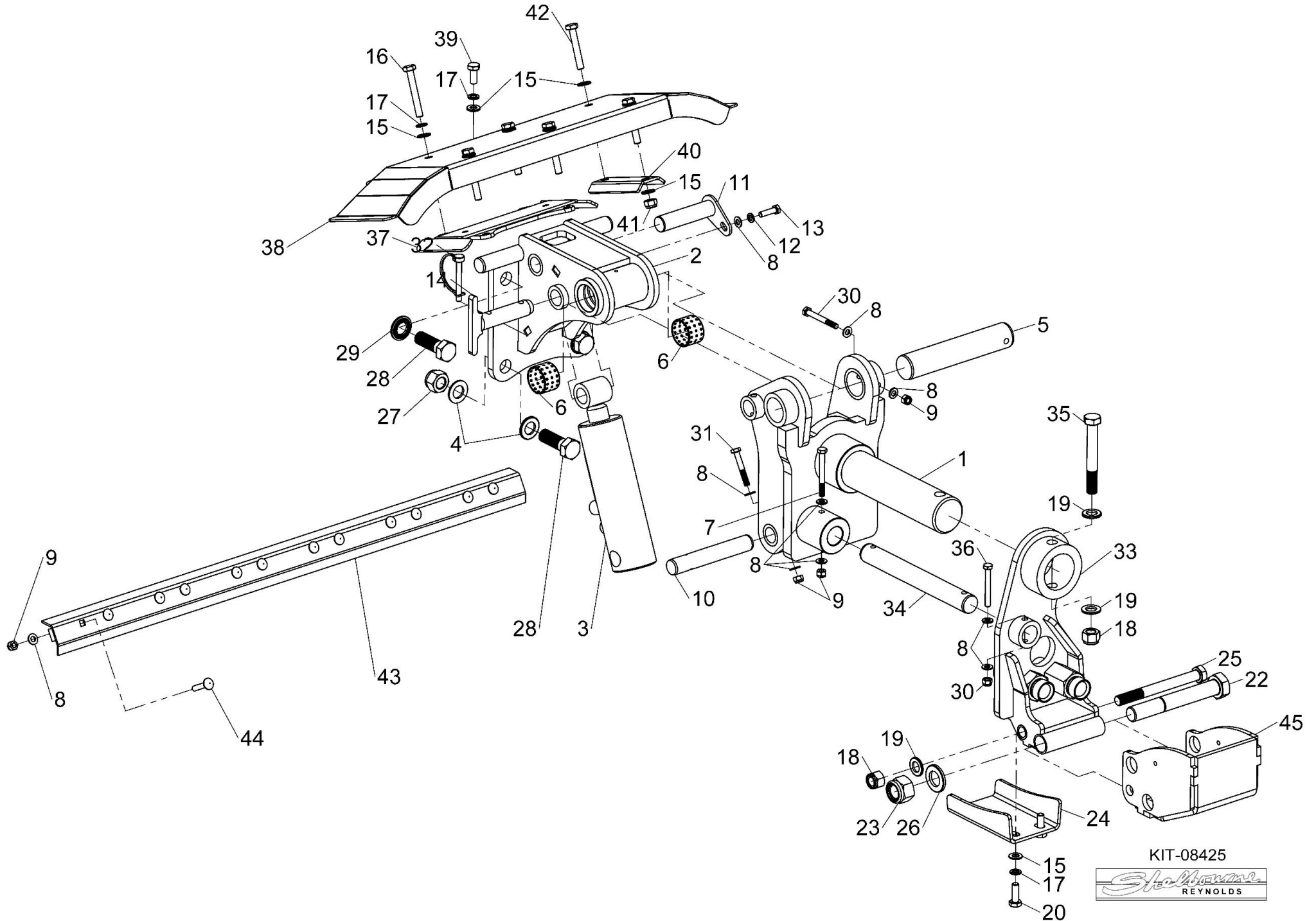
KIT-08412



Shelbourne Reynolds Engineering Limited

ASSY NUMBER: KIT-08425				ASSY DESCRIPTION: GP HEAD NARROW LANE BRAKET KIT			
ITEM	PART NUMBER	DESCRIPPTION	QTY	ITEM	PART NUMBER	DESCRIPTION	QTY
1	806408 01	BOOM MTG BRACKET W/A	1	40	806570 01	HOSE RUNNER	1
2	806389 01	NARROW HEAD MOUNT W/A	1	41	NUT-0265	NYLOC NUT	2
3	806326 01	RAM	1	42	BLTA10410	BOLT	2
4	WSH-0030	WASHER	4	43	807152 01	EDGE PROTECTOR W/A	1
5	802839 10	PIN	1	44	BLTF08293	COACH BOLT	12
6	BSHO04056	BUSH	2	45	803628 01	PIVOT SHOE FOOT	1
7	BLTA08470	BOLT	1				
8	WSH-0012	WASHER	21				
9	NUT-0263	NYLOC NUT	16				
10	800987 07	PIN	1				
11	806338 01	LOCKING PIN W/A	1				
12	WSH-0058	SPRING WASHER	1				
13	HSS-0150	BOLT	1				
14	805388 01	LOCKING PIN W/A	1				
15	WSH-0015	WASHER	11				
16	BLTA10470	BOLT	4				
17	WSH-0061	SPRING WASHER	7				
18	NUT-0271	NYLOC NUT	2				
19	WSH-0024	WASHER	3				
20	HSS-0194	BOLT	2				
21							
22	BLTA24760	BOLT	1				
23	NUT-0275	NYLOC NUT	1				
24	803629 01	GUARD PLATE	1				
25	BLTA16740	BOLT	1				
26	WSH-0036	WASHER	1				
27	NUTA02200	NYLOC NUT	2				
28	BLT-2366	BOLT	4				
29	WSHA30201	LOCKWASHER	2				
30	BLTA08440	BOLT	1				
31	BLTA08350	BOLT	1				
32	PIN-1720	SNAPPER PIN	1				
33	805561 01	PIVOT MOUNT W/A	1				
34	805566 01	PIN	1				
35	BLT-2330	BOLT	1				
36	BLTA08410	BOLT	1				
37	806391 01	HOSE GUIDE W/A	1				
38	806532 01	HOSE GUARD W/A	1				
39	HSS-0191	BOLT	1				

Shelbourne Reynolds Engineering Limited

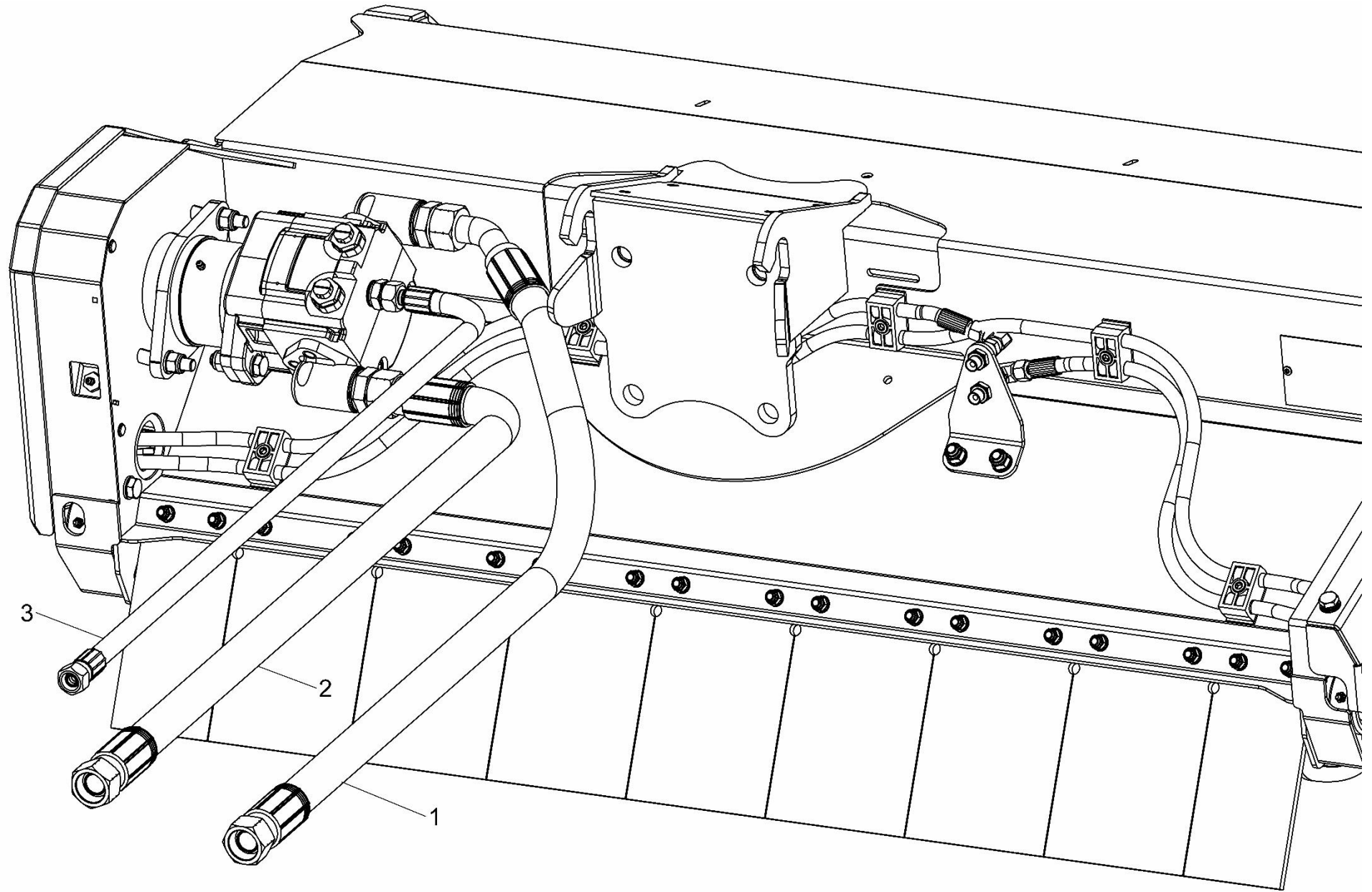


KIT-08425



Shelbourne Reynolds Engineering Limited

ASSY NUMBER: KIT-08430A HYD				ASSY DESCRIPTION: GP1200 HD MOTOR HYD (STD HEAD MOUNT FOR 7062 VFR)			
ITEM	PART NO	DESCRIPTION	QTY	ITEM	PART NO	DESCRIPTION	QTY
1	HHDI05605	HYD HOSE ASSY	1				
2	HHAI04705	HYD HOSE ASSY	1				
3	HHAF20405	HYD HOSE ASSY	1				

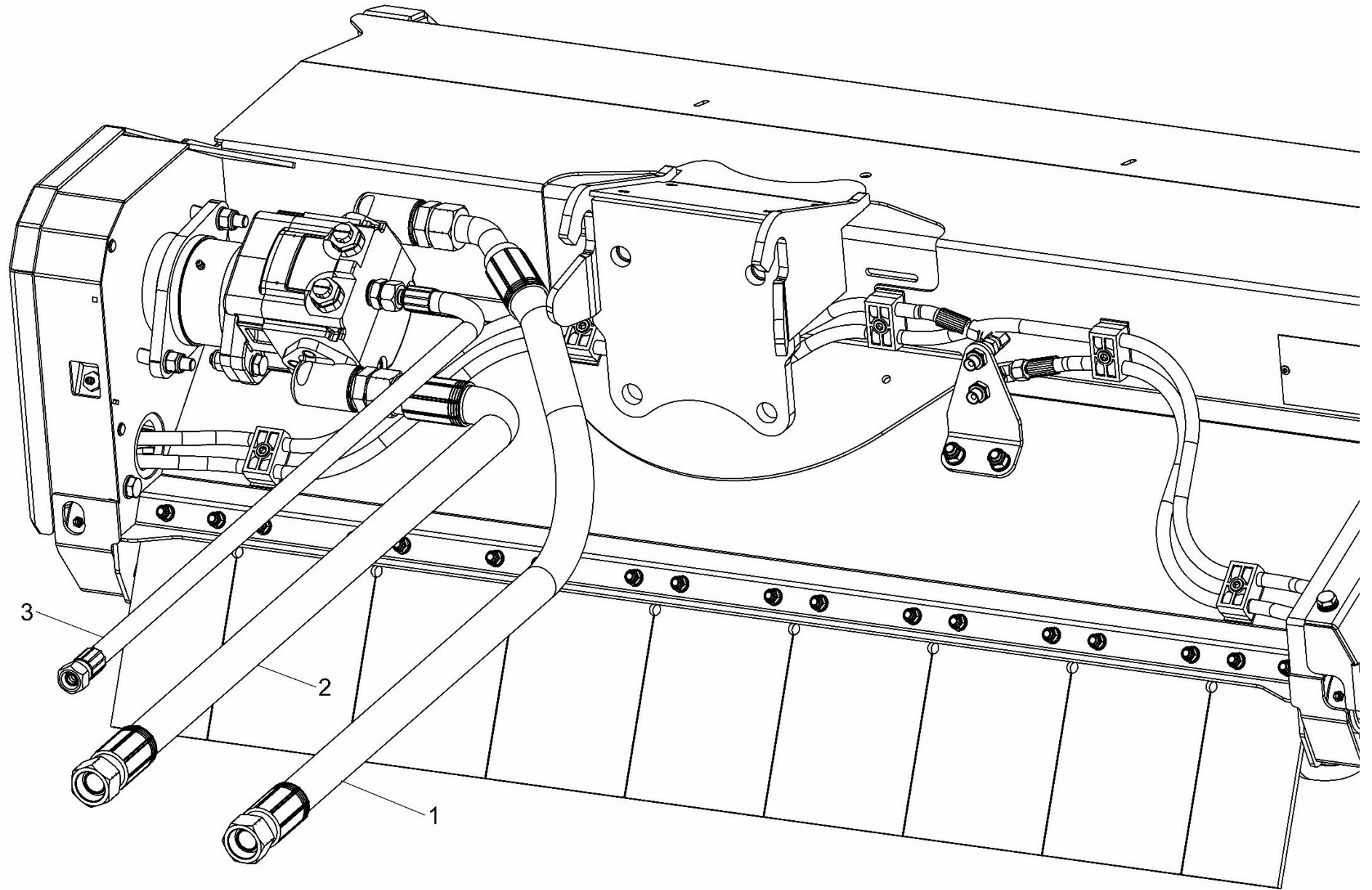


KIT-08430A HYD
KIT-08430B HYD



Shelbourne Reynolds Engineering Limited

ASSY NUMBER: KIT-08430B HYD				ASSY DESCRIPTION: GP1200 MOTOR HYD (STD HEAD MOUNT FOR 6060T, 6056, 7060T & 7056)			
ITEM	PART NO	DESCRIPTION	QTY	ITEM	PART NO	DESCRIPTION	QTY
1	HHDI05605	HYD HOSE ASSY	1				
2	HHAI04705	HYD HOSE ASSY	1				
3	HHAF17605	HYD HOSE ASSY	1				

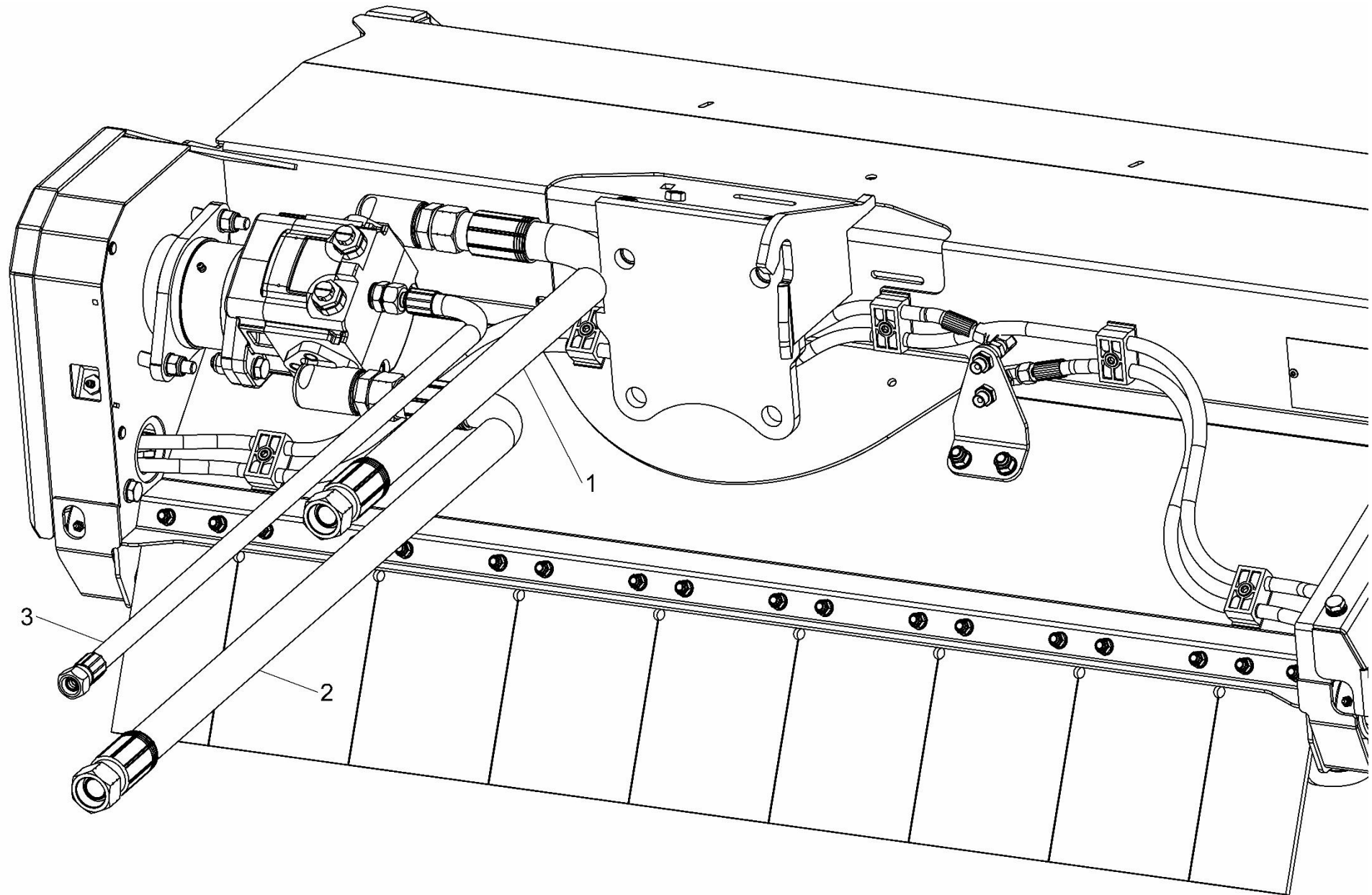


KIT-08430A HYD
KIT-08430B HYD



Shelbourne Reynolds Engineering Limited

ASSY NUMBER: KIT-08430C HYD				ASSY DESCRIPTION: GP1500 HD MOTOR HYD (STD HEAD MOUNT FOR 7062 VFR)			
ITEM	PART NO	DESCRIPTION	QTY	ITEM	PART NO	DESCRIPTION	QTY
1	HHAI07805	HYD HOSE ASSY	1				
2	HHAI06105	HYD HOSE ASSY	1				
3	HHAF22205	HYD HOSE ASSY	1				

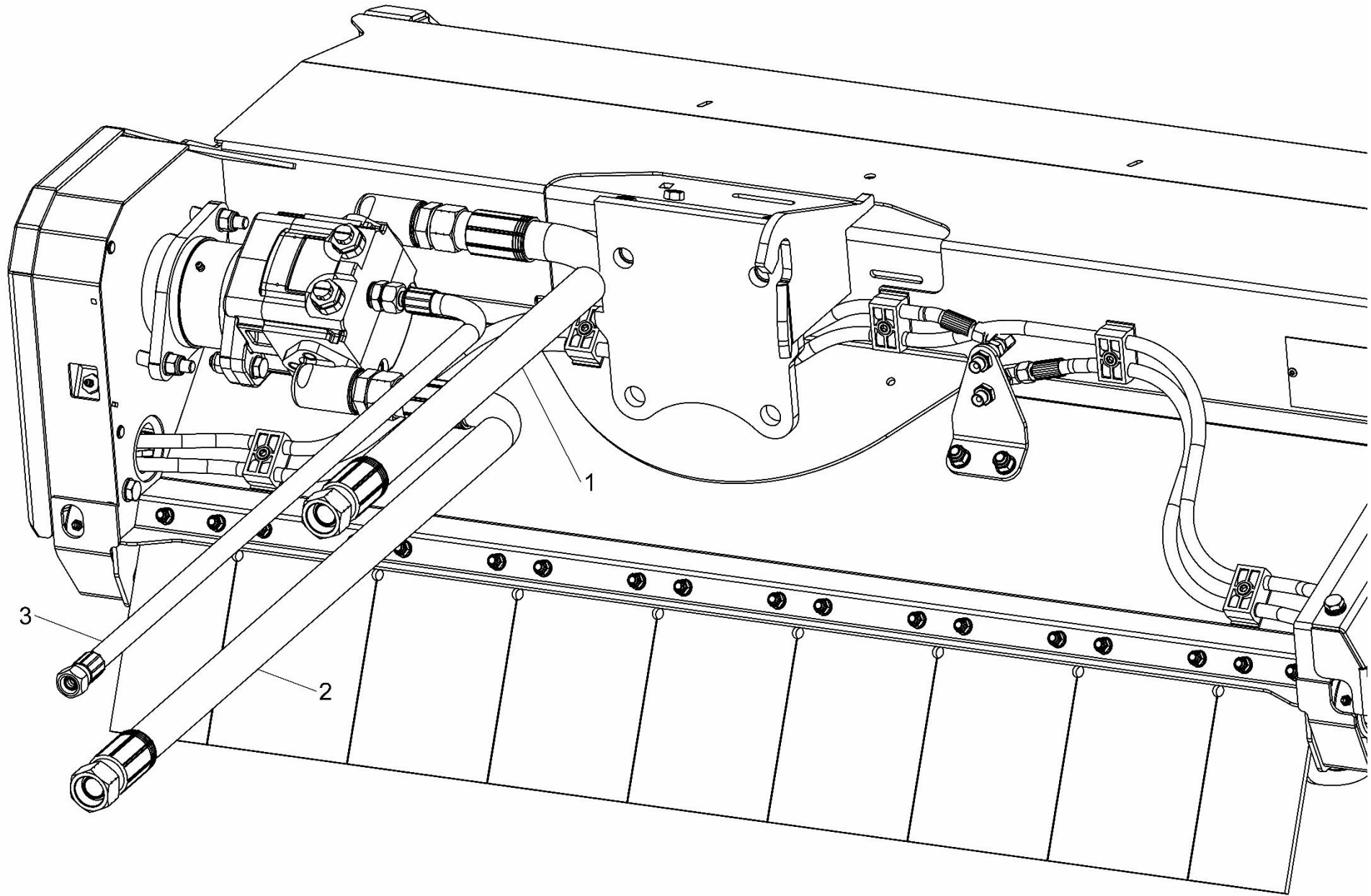


KIT-08430C HYD
KIT-08430D HYD



Shelbourne Reynolds Engineering Limited

ASSY NUMBER: KIT-08430D HYD				ASSY DESCRIPTION: GP1500 MOTOR HYD (STD HEAD MOUNT FOR 6056, 6060T, 7060T & 7056)			
ITEM	PART NO	DESCRIPTION	QTY	ITEM	PART NO	DESCRIPTION	QTY
1	HHAI07805	HYD HOSE ASSY	1				
2	HHAI06105	HYD HOSE ASSY	1				
3	HHAF19105	HYD HOSE ASSY	1				

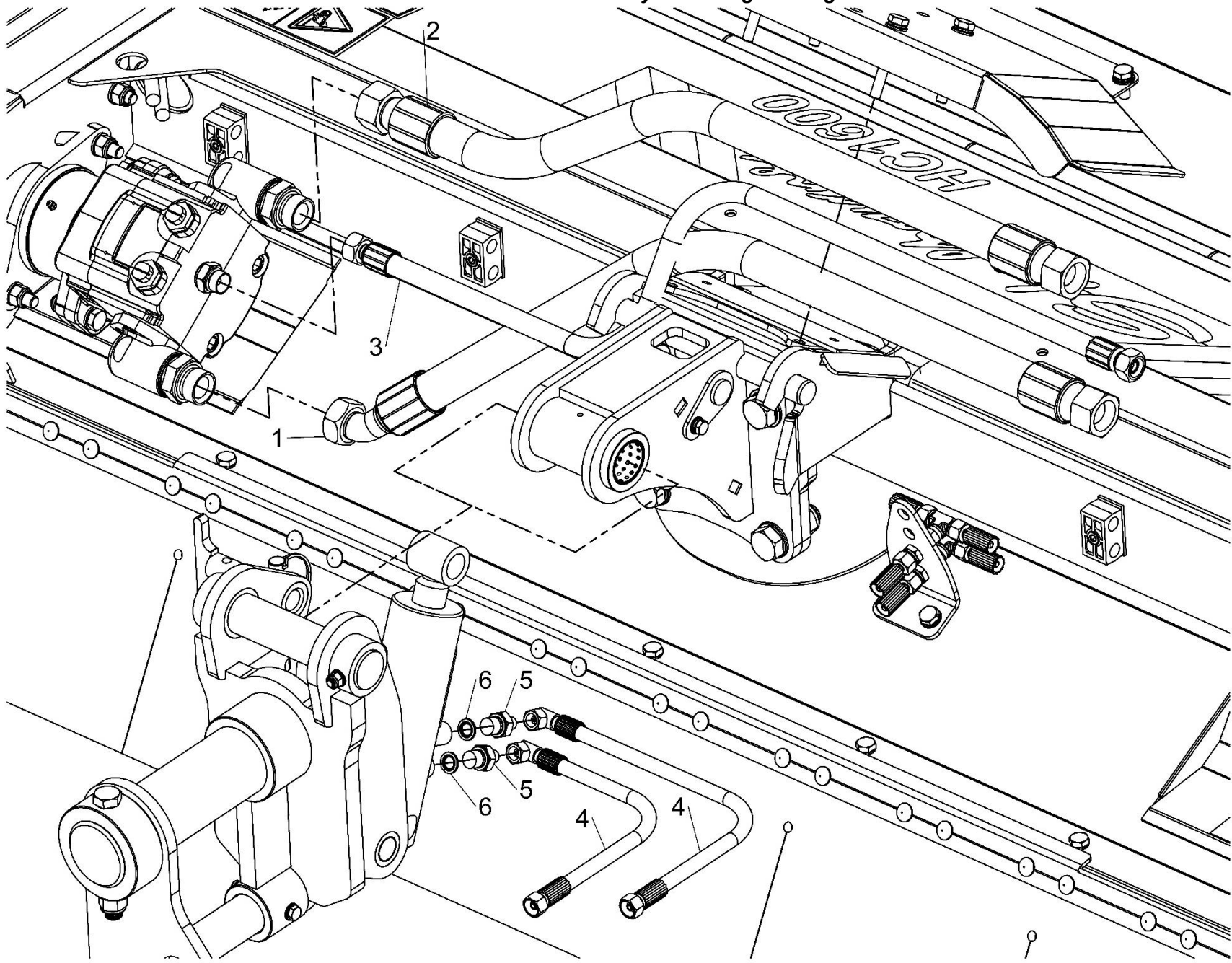


KIT-08430C HYD
KIT-08430D HYD



Shelbourne Reynolds Engineering Limited

ASSY NUMBER: KIT-08431C HYD				ASSY DESCRIPTION: GP1500 HD Motor HYD (NLB 7062 VFR)			
ITEM	PART NO	DESCRIPTION	QTY	ITEM	PART NO	DESCRIPTION	QTY
1	HHDI17505	HOSE ASSY	1				
2	HHAI18305	HOSE ASSY	1				
3	HHAF33005	HOSE ASSY	1				
4	HHCC23505	HYD HOSE ASSY	2				
5	HAPAA0303	RESTRICTOR FITT	2				
6	WSH-1005	DOWTY WASHER	2				

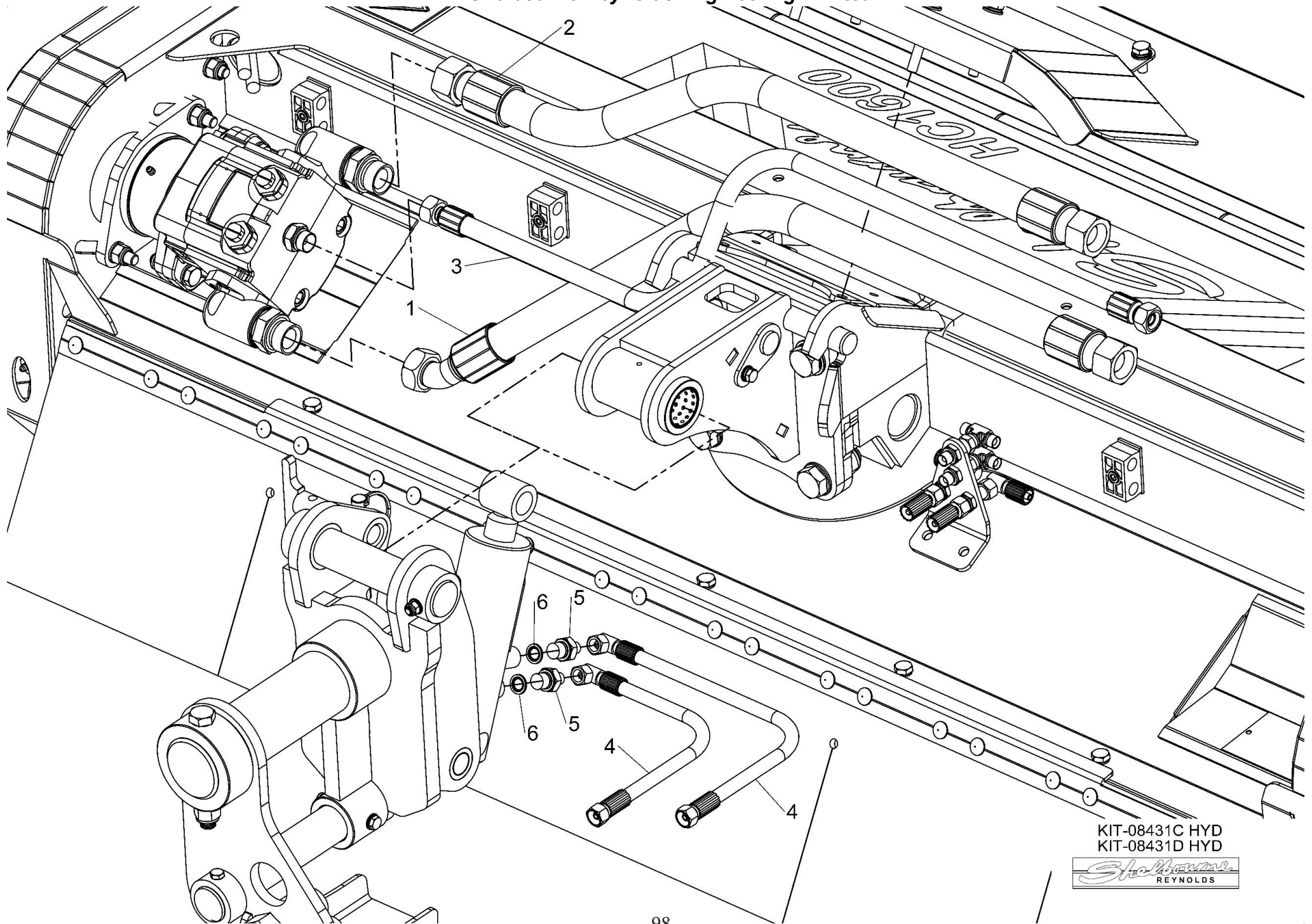


KIT-08431C HYD
KIT-08431D HYD



Shelbourne Reynolds Engineering Limited

ASSY NUMBER: KIT-08431D HYD				ASSY DESCRIPTION: GP1500 MOTOR HYD (NLB 6056, 6060T, 7060T & 7056)			
ITEM	PART NO	DESCRIPTION	QTY	ITEM	PART NO	DESCRIPTION	QTY
1	HHDI17505	HOSE ASSY	1				
2	HHAI18305	HOSE ASSY	1				
3	HHAF30505	HOSE ASSY	1				
4	HHCC17505	HYD HOSE ASSY	2				
5	HAPAA0303	RESTRICTOR FITT	2				
6	WSH-1005	DOWTY WASHER	2				

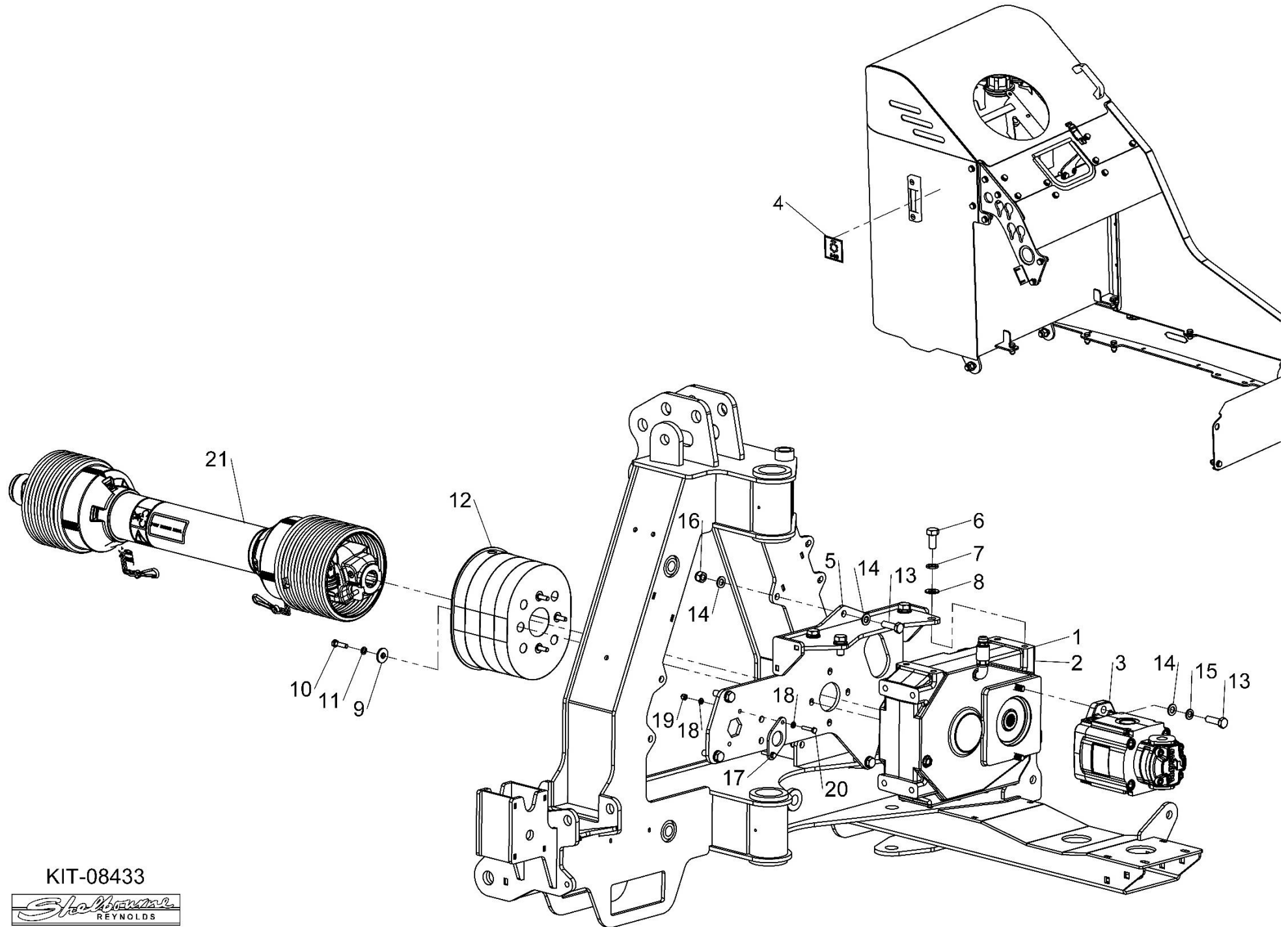


KIT-08431C HYD
KIT-08431D HYD



Shelbourne Reynolds Engineering Limited

ASSY NUMBER: KIT-08433				ASSY DESCRIPTION: 540RPM HIGH POWER DRIVE KIT (7000)			
ITEM	PART NO	DESCRIPTION	QTY	ITEM	PART NO	DESCRIPTION	QTY
1	GEA-0187	GEARBOX	1				
2	OIL-	GEARBOX OIL	2.4L«				
3	PUM090570	TANDEM PUMP	1				
4	590475 01	TRANSFER 540RPM	1				
5	806574 01	GEARBOX MTG PLATE W/A	1				
6	HSSA14200	SETSCREW	4				
7	WSHA15141	SPRING WASHER	4				
8	WSH-0021	WASHER	4				
9	805597 01	SPACER	4				
10	HSS-0150	SETSCREW	4				
11	WSH-0058	SPRING WASHER	4				
12	PTO-00903	PTO GUARD	1				
13	HSS-0250	SETSCREW	6				
14	WSH-0018	WASHER	10				
15	WSH-0065	WASHER	2				
16	NUT-0269	NUT	2				
17	805699 01	RETAINING RING	1				
18	WSH-0009	WASHER	4				
19	NUT-0260	NUT	2				
20	HSS-0092	BOLT	2				
21	PTO-37000	PTO SHAFT	1				

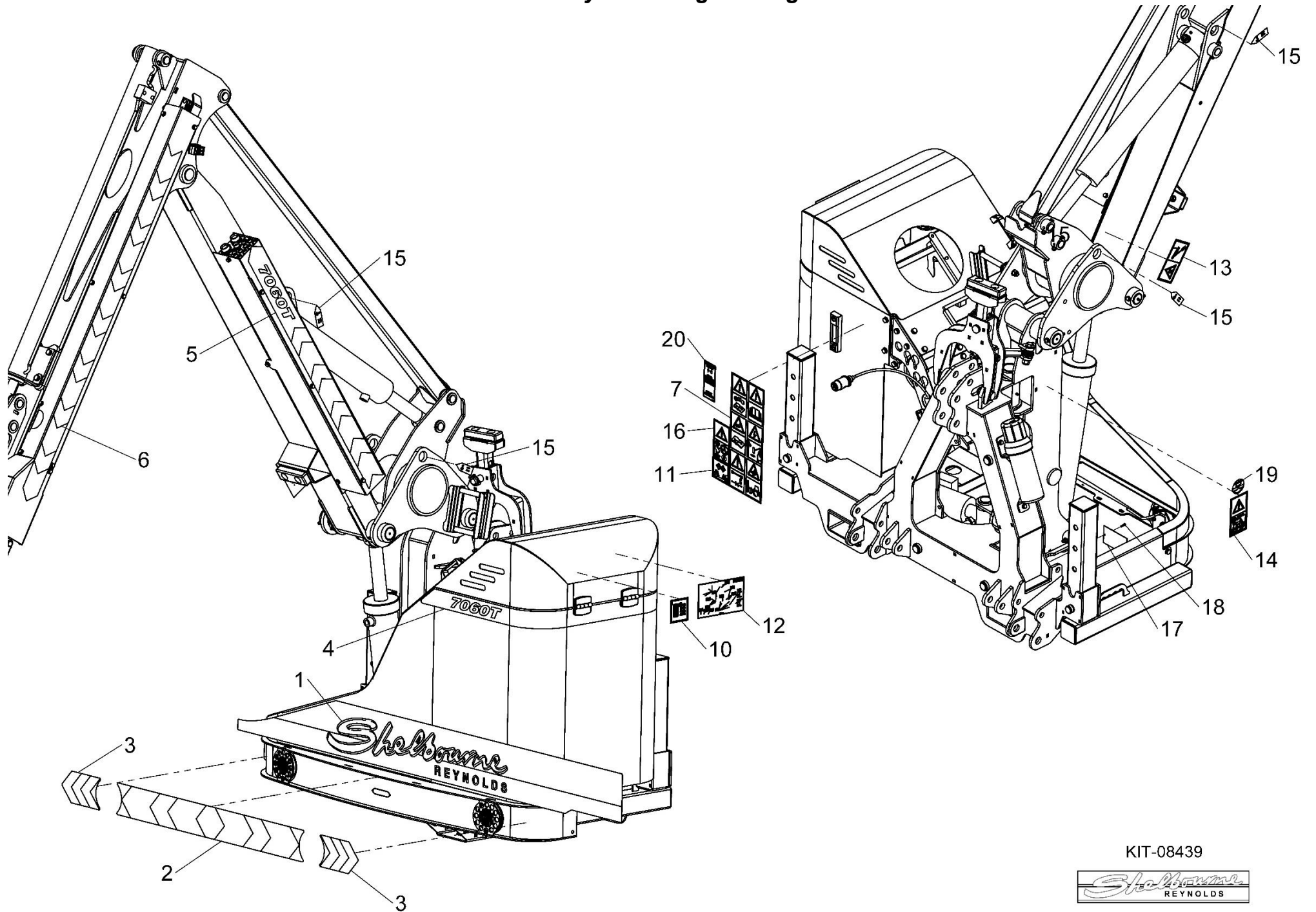


KIT-08433



Shelbourne Reynolds Engineering Limited

ASSY NUMBER: KIT-08439				ASSY DESCRIPTION: TRANSFERS KIT (7060T)			
ITEM	PART NO	DESCRIPTION	QTY	ITEM	PART NO	DESCRIPTION	QTY
1	806610 01	MAIN SHELBOURNE TRANSFER	1				
2	806609 01	INNER CHEVRON TRANSFER	1				
3	806611 01	OUTER CHEVRON TRANSFER	1				
4	806613 01	7060T TANK TRANSFER	1				
5	806612 01	7060T INNER BOOM TRANSFER	1				
6	806614 01	7060T OUTER BOOM TRANSFER	1				
7	805599 01	ADVISORY TRANSFER	1				
8							
9							
10	800211 01	TRANSFER - FILTER	1				
11	800212 01	TRANSFER - CHECK CHAIN	1				
12	804761 01	TRANSFER - LUBRICATION	1				
13	210435 01	TRANSFER - RAM STOP	1				
14	800878 01	TRANSFER - TRANSPORT	1				
15	190702 04	TRANSFER - SLING POINT	4				
16	801422 01	TRANSFER - ACCUMULATOR	1				
17	290526 01	SERIAL NO PLATE	1				
18	POP-0006	POP RIVET	2				
19	TNF-0013	INSPECTION TRANSFER	1				
20	806835 01	OIL CHECK TRANSFER	1				



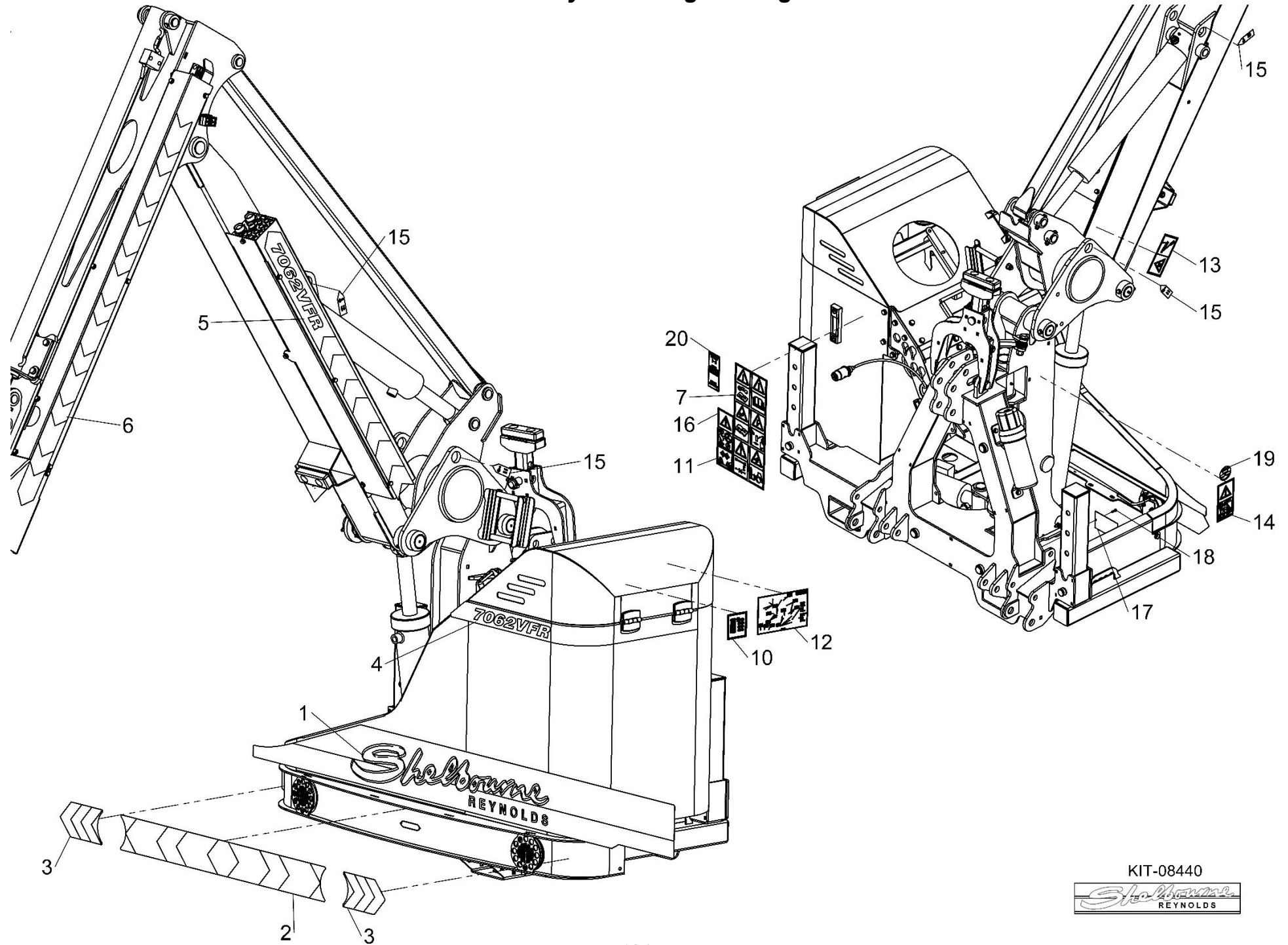
KIT-08439



Shelbourne Reynolds Engineering Limited

ASSY NUMBER: KIT-08440				ASSY DESCRIPTION: TRANSFERS KIT (7062VFR)			
ITEM	PART NO	DESCRIPTION	QTY	ITEM	PART NO	DESCRIPTION	QTY
1	806610 01	MAIN SHELBOURNE TRANSFER	1				
2	806609 01	INNER CHEVRON TRANSFER	1				
3	806611 01	OUTER CHEVRON TRANSFER	1				
4	806616 01	7062VFR TANK TRANSFER	1				
5	806615 01	7062VFR INNER BOOM TRANSFER	1				
6	806617 01	7062VFR OUTER BOOM TRANSFER	1				
7	805599 01	ADVISORY TRANSFER	1				
8							
9							
10	800211 01	TRANSFER - FILTER	1				
11	800212 01	TRANSFER - CHECK CHAIN	1				
12	804761 01	TRANSFER - LUBRICATION	1				
13	210435 01	TRANSFER - RAM STOP	1				
14	800878 01	TRANSFER - TRANSPORT	1				
15	190702 04	TRANSFER - SLING POINT	4				
16	801422 01	TRANSFER - ACCUMULATOR	1				
17	290526 01	SERIAL NO PLATE	1				
18	POP-0006	POP RIVET	2				
19	TNF-0013	INSPECTION TRANSFER	1				
20	806835 01	CHECK OIL TRANSFER	1				

Shelbourne Reynolds Engineering Limited

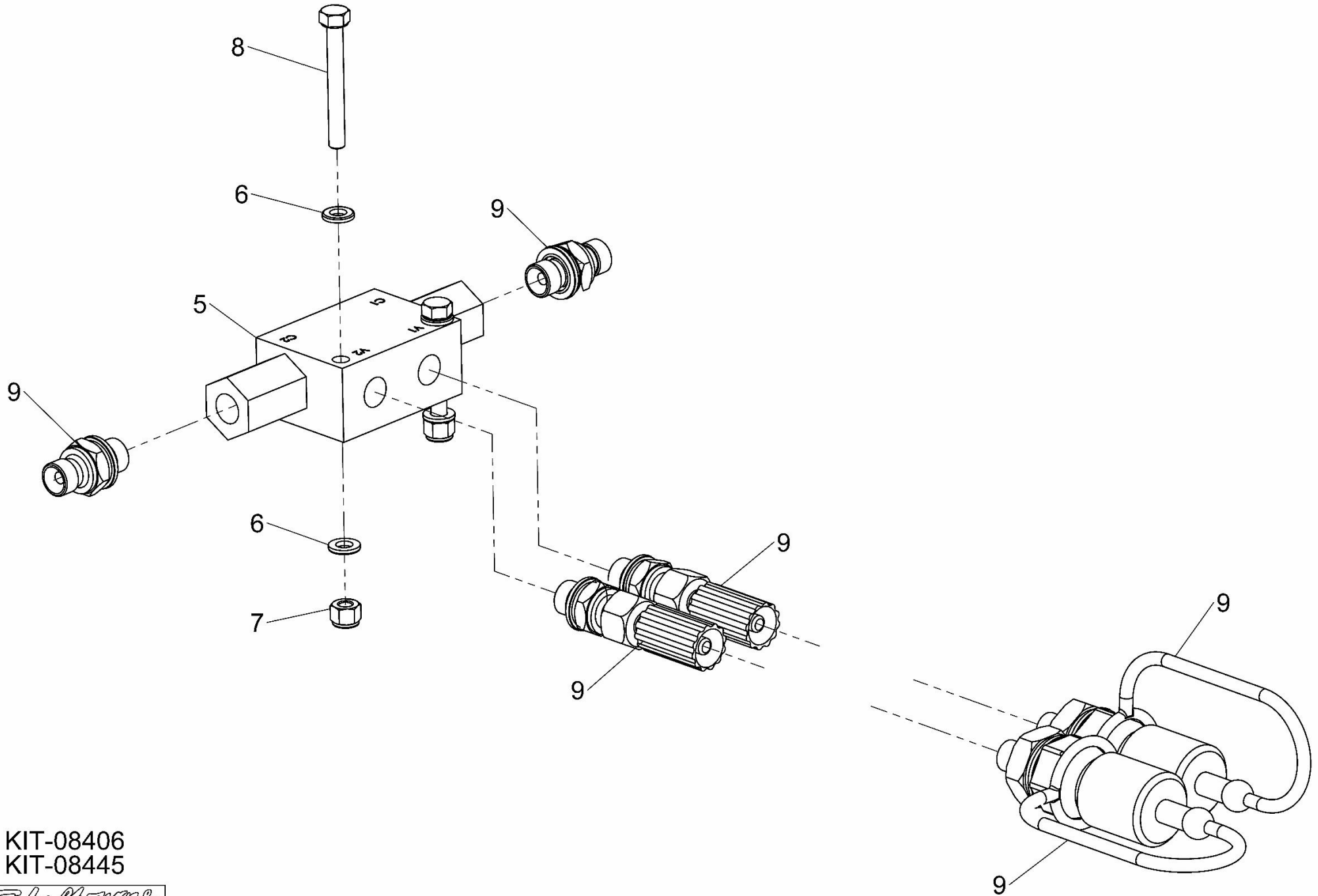


KIT-08440



Shelbourne Reynolds Engineering Limited

ASSY NUMBER: KIT-08445				ASSY DESCRIPTION: HYDRAULICS FOR HEAD OPTIONS KIT 7062 VFR			
ITEM	PART NO	DESCRIPTION	QTY	ITEM	PART NO	DESCRIPTION	QTY
1							
2							
3							
4							
5	HVB-27000	VALVE BLOCK	1			UPTO MID2023	
6	WSH-0009	WASHER	4				
7	NUT-0260	NUT	2				
8	BLTA06320	BOLT FOR 1 HD OPT	2				
OR	BLTA06470	BOLT FOR 2 HD OPT	2				
OR	BLTA06570	BOLT FOR 3 HD OPT	2				
9	KIT-08445A HYD	HYD FOR HEAD OPTIONS KIT 7062	1				

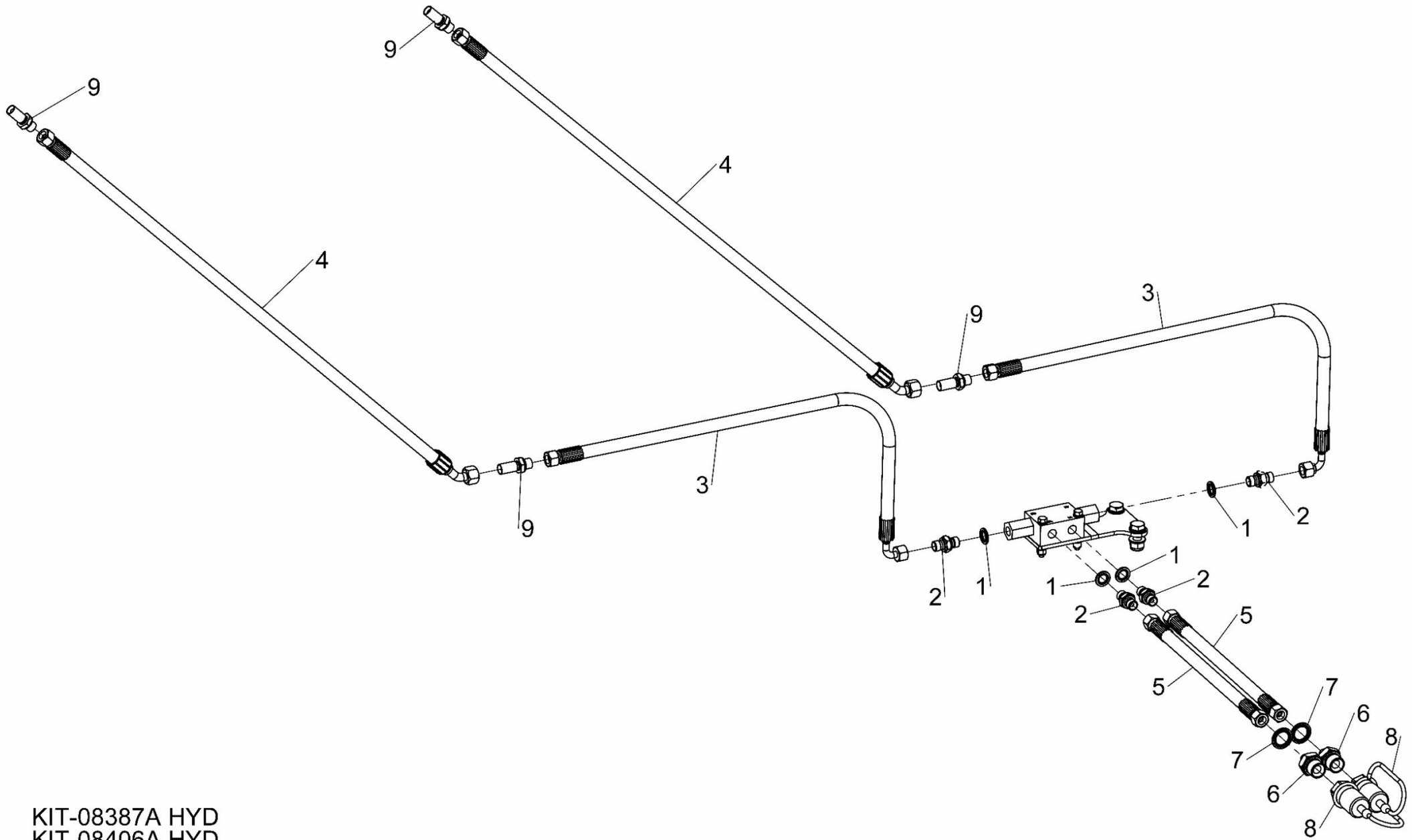


KIT-08406
KIT-08445



Shelbourne Reynolds Engineering Limited

ASSY NUMBER: KIT-08445A HYD				ASSY DESCRIPTION: HYDRAULICS FOR HEAD OPTIONS KIT 7062 VFR			
ITEM	PART NO	DESCRIPTION	QTY	ITEM	PART NO	DESCRIPTION	QTY
1	WSH-1005	DOWTY WASHER	4				
2	HMA-0052	M/M ADAPTOR	4				
3	HHCC35005	HYD HOSE ASSY	2				
4	HHDC29005	HYD HOSE ASSY	2				
5	HHAC16005	HYD HOSE ASSY	2				
6	HMA-0055	M/M ADAPTOR	2				
7	WSH-1015	DOWTY WASHER	2				
8	COU-0162	QUICK RELEASE COUPLING	2				
9	HBK-0010	HYD BULKHEAD ADAPTOR	4				

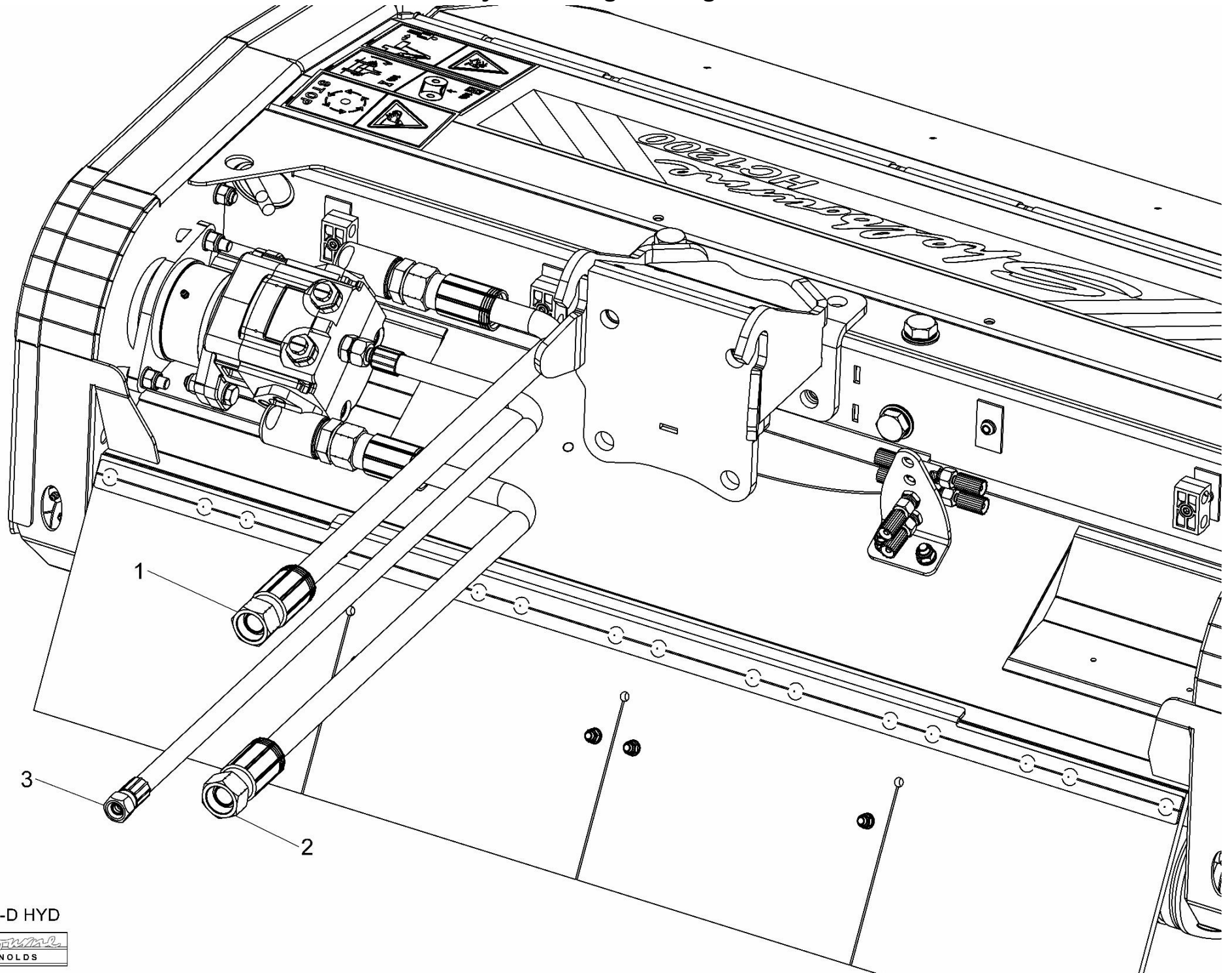


KIT-08387A HYD
KIT-08406A HYD
KIT-08445A HYD



Shelbourne Reynolds Engineering Limited

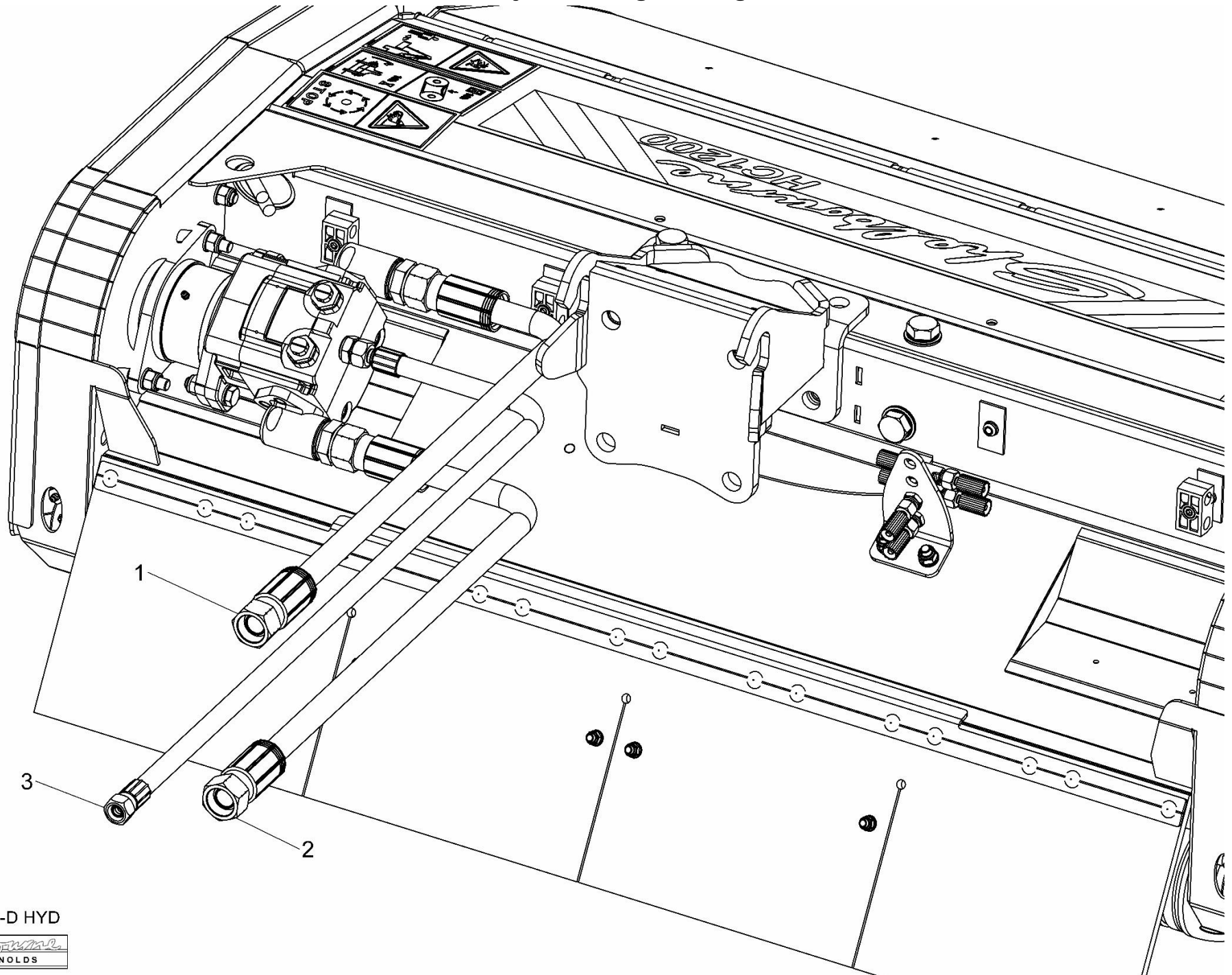
ASSY NUMBER: KIT-08447A HYD				ASSY DESCRIPTION: LH HC1200 HEAD MOTOR HYDRAULICS (STD HEAD MOUNT FOR 7062 VFR)			
ITEM	PART NO	DESCRIPTION	QTY	ITEM	PART NO	DESCRIPTION	QTY
1	HHDI05405	HYD HOSE ASSY	1				
2	HHAI04705	HYD HOSE ASSY	1				
3	HHAF21005	HYD HOSE ASSY	1				



MAN-08447A-D HYD

Shelbourne Reynolds Engineering Limited

ASSY NUMBER: KIT-08447B HYD				ASSY DESCRIPTION: LH HC1200 HEAD MOTOR HYDRAULICS (STD HEAD MOUNT FOR 7060T & 7056)			
ITEM	PART NO	DESCRIPTION	QTY	ITEM	PART NO	DESCRIPTION	QTY
1	HHDI05405	HYD HOSE ASSY	1				
2	HHAI04705	HYD HOSE ASSY	1				
3	HHAF20405	HYD HOSE ASSY	1				

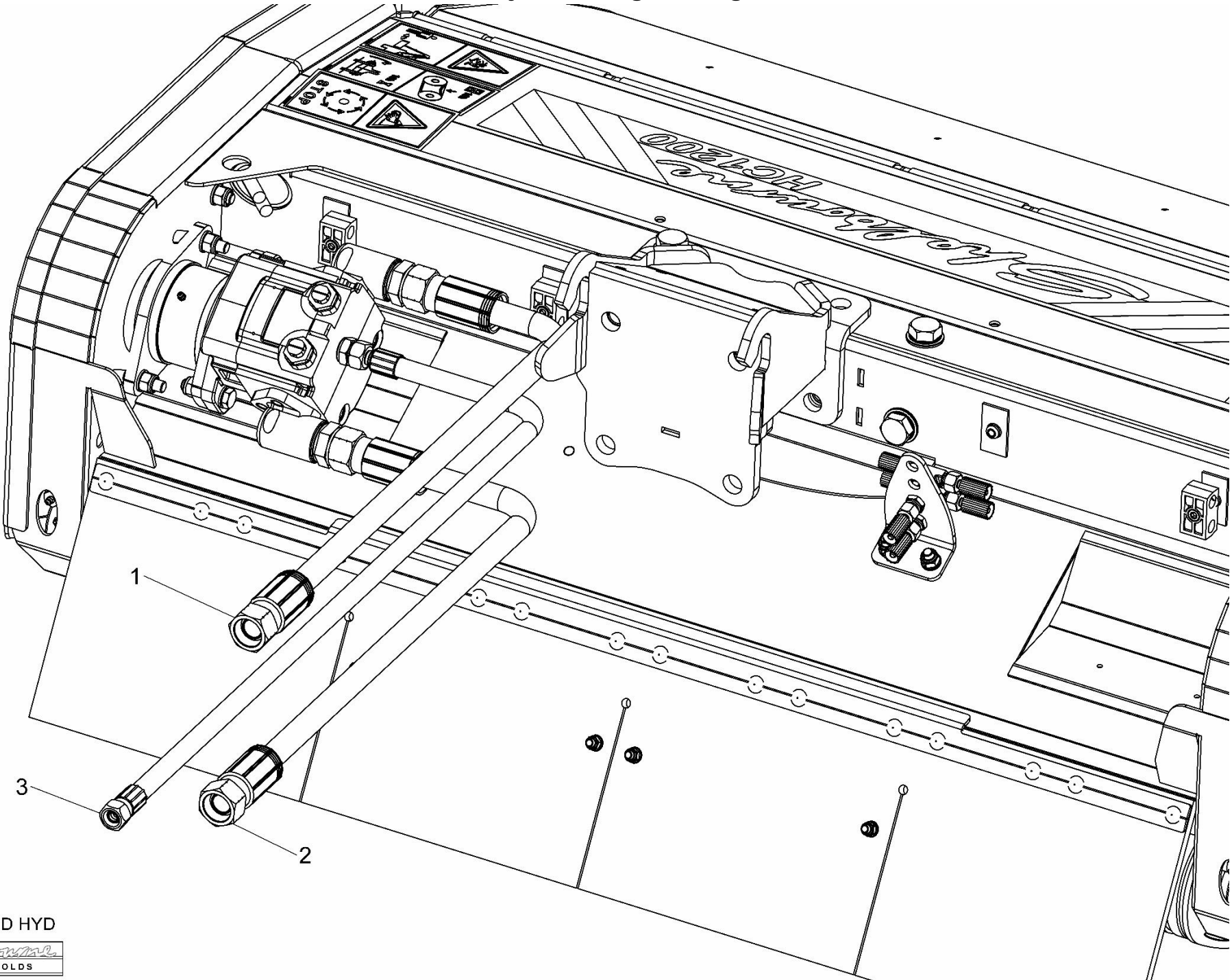


MAN-08447A-D HYD



Shelbourne Reynolds Engineering Limited

ASSY NUMBER: KIT-08447C HYD				ASSY DESCRIPTION: LH HC1600 HEAD MOTOR HYDRAULICS (STD HEAD MOUNT FOR 7062 VFR)			
ITEM	PART NO	DESCRIPTION	QTY	ITEM	PART NO	DESCRIPTION	QTY
1	HHAI08705	HYD HOSE ASSY	1				
2	HHAI06705	HYD HOSE ASSY	1				
3	HHAF23505	HYD HOSE ASSY	1				

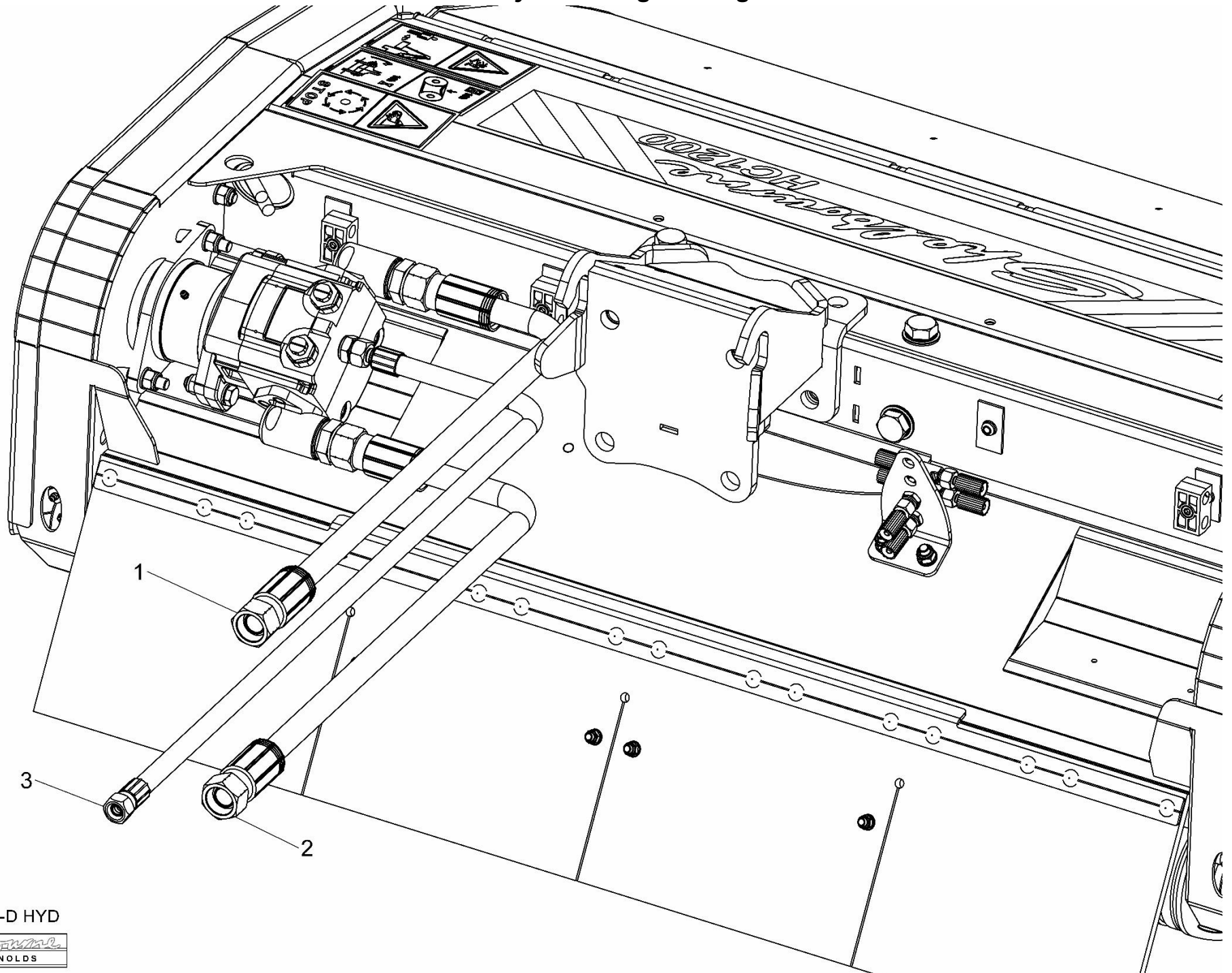


MAN-08447A-D HYD



Shelbourne Reynolds Engineering Limited

ASSY NUMBER: KIT-08447D HYD				ASSY DESCRIPTION: LH HC1600 HEAD MOTOR HYDRAULICS (STD HEAD MOUNT FOR 7060T &7056)			
ITEM	PART NO	DESCRIPTION	QTY	ITEM	PART NO	DESCRIPTION	QTY
1	HHAI08705	HYD HOSE ASSY	1				
2	HHAI06705	HYD HOSE ASSY	1				
3	HHAF20805	HYD HOSE ASSY	1				

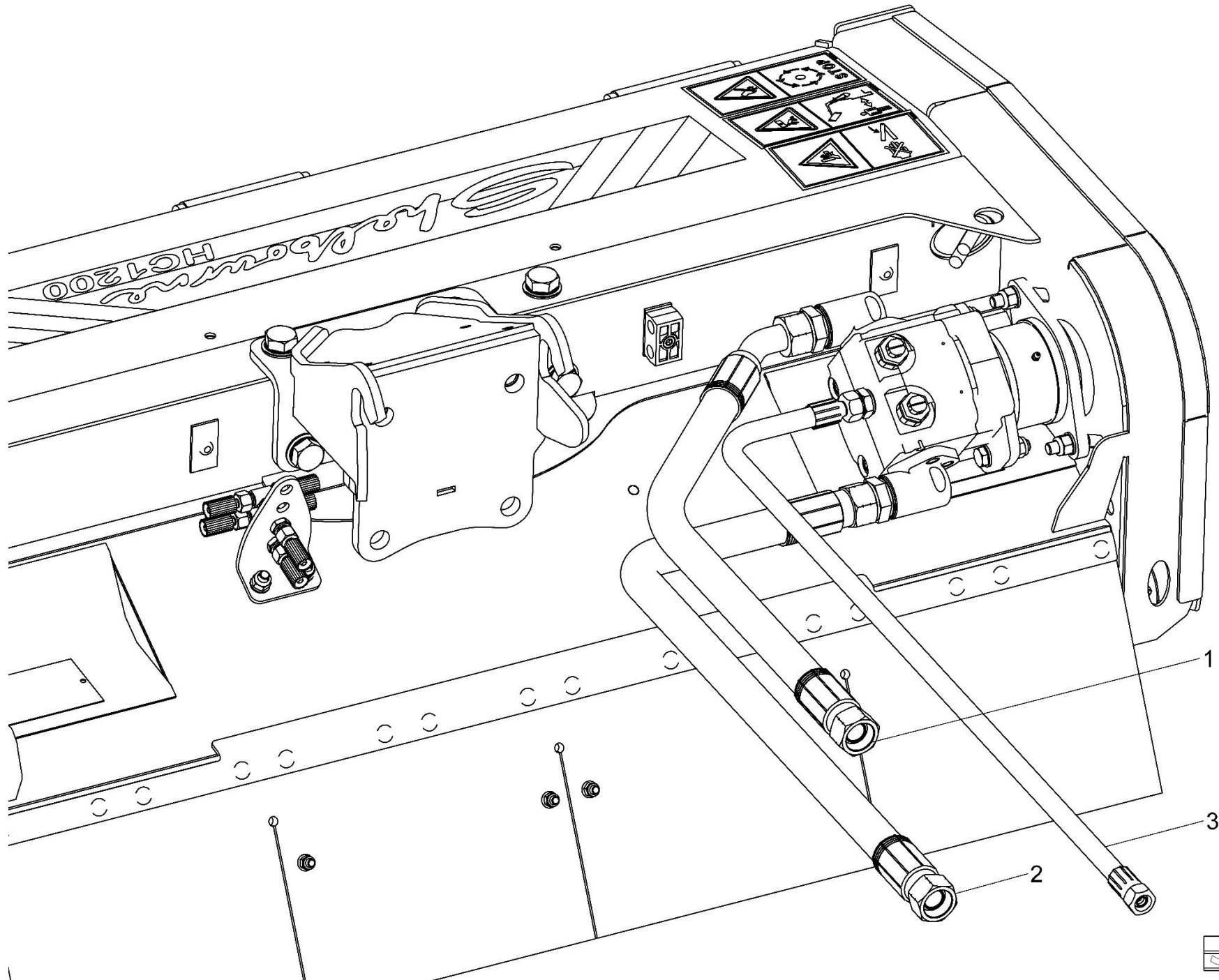


MAN-08447A-D HYD



Shelbourne Reynolds Engineering Limited

ASSY NUMBER: KIT-08447E HYD				ASSY DESCRIPTION: RH HC1200 HEAD MOTOR HYDRAULICS (STD HEAD MOUNT FOR 7062 VFR)			
ITEM	PART NO	DESCRIPTION	QTY	ITEM	PART NO	DESCRIPTION	QTY
1	HHDI05405	HYD HOSE ASSY	1				
2	HHAI04805	HYD HOSE ASSY	1				
3	HHAF20405	HYD HOSE ASSY	1				

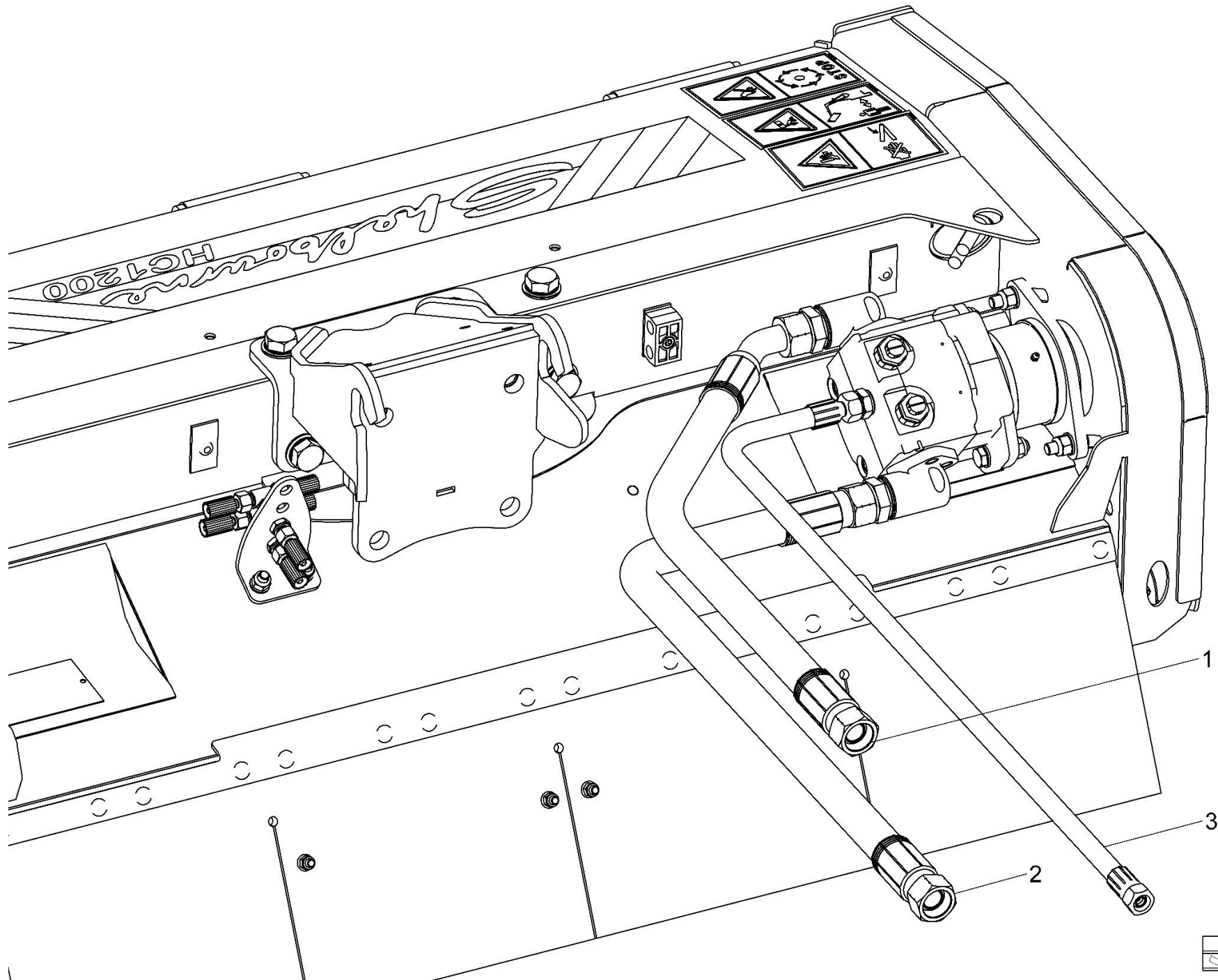


KIT-08447E HYD
KIT-08447F HYD



Shelbourne Reynolds Engineering Limited

ASSY NUMBER: KIT-08447F HYD				ASSY DESCRIPTION: RH HC1200 HEAD MOTOR HYDRAULICS (STD HEAD MOUNT FOR 7060T & 7056)			
ITEM	PART NO	DESCRIPTION	QTY	ITEM	PART NO	DESCRIPTION	QTY
1	HHDI05405	HYD HOSE ASSY	1				
2	HHAI04805	HYD HOSE ASSY	1				
3	HHAF17605	HYD HOSE ASSY	1				

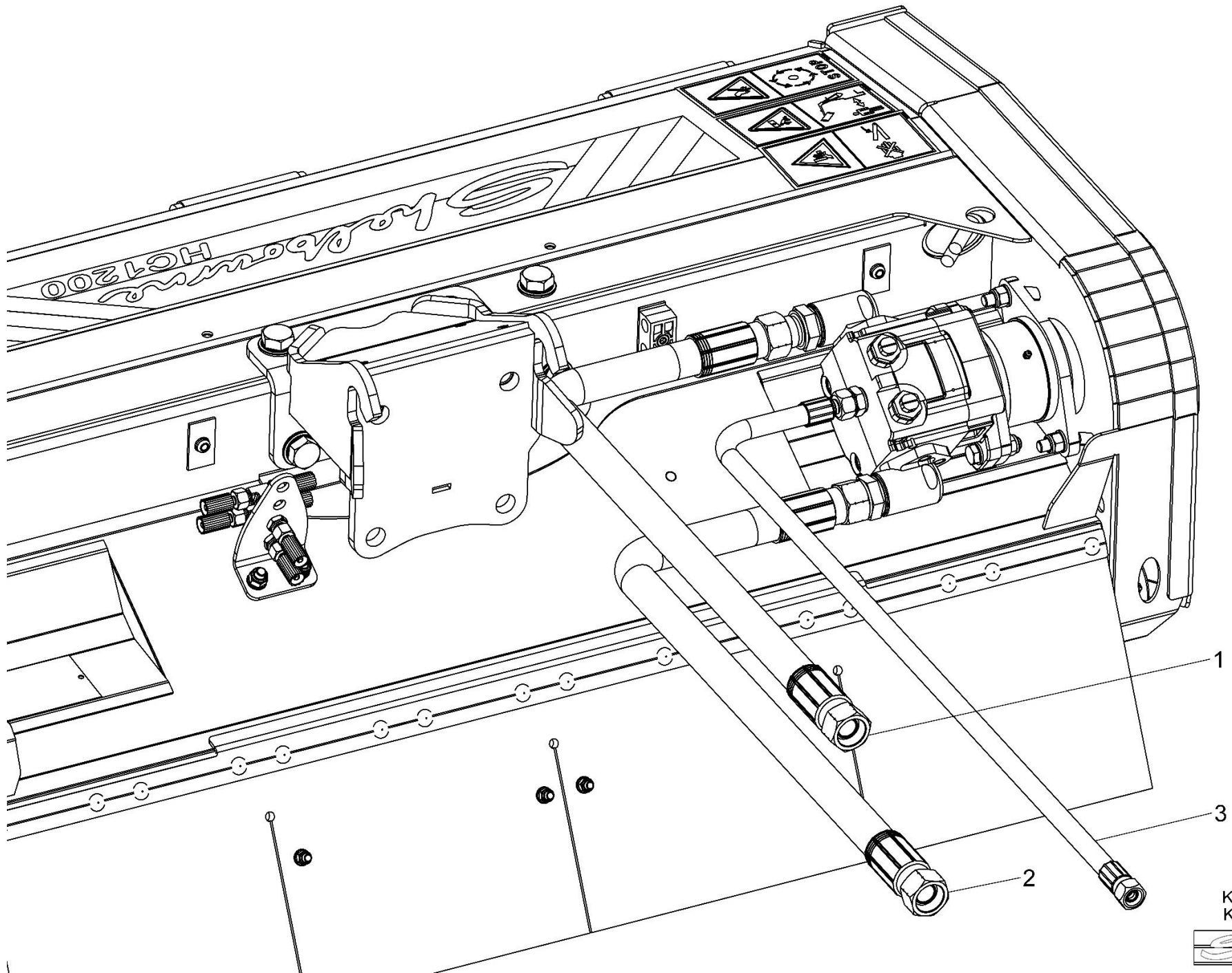


KIT-08447E HYD
KIT-08447F HYD



Shelbourne Reynolds Engineering Limited

ASSY NUMBER: KIT-08447G HYD				ASSY DESCRIPTION: RH HC1600 HEAD MOTOR HYDRAULICS (STD HEAD MOUNT FOR 7062 VFR)			
ITEM	PART NO	DESCRIPTION	QTY	ITEM	PART NO	DESCRIPTION	QTY
1	HHAI08005	HOSE ASSY	1				
2	HHAI07005	HOSE ASSY	1				
3	HHAF23505	HOSE ASSY	1				

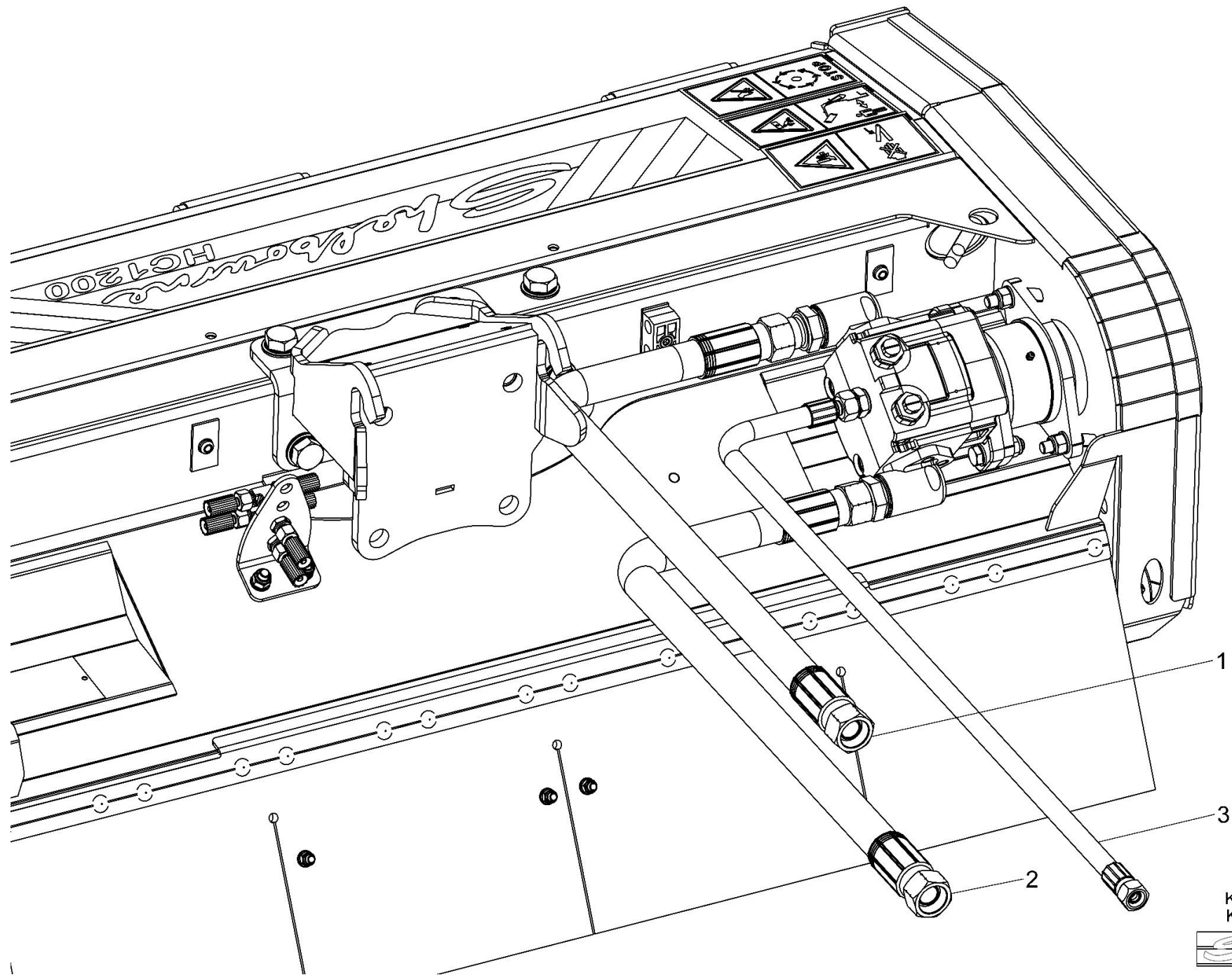


KIT-08447G HYD
KIT-08447H HYD



Shelbourne Reynolds Engineering Limited

ASSY NUMBER: KIT-08447H HYD				ASSY DESCRIPTION: RH HC1600 HEAD MOTOR HYDRAULICS (STD HEAD MOUNT FOR 7060T & 7056)			
ITEM	PART NO	DESCRIPTION	QTY	ITEM	PART NO	DESCRIPTION	QTY
1	HHAI08005	HOSE ASSY	1				
2	HHAI07005	HOSE ASSY	1				
3	HHAF20805	HOSE ASSY	1				

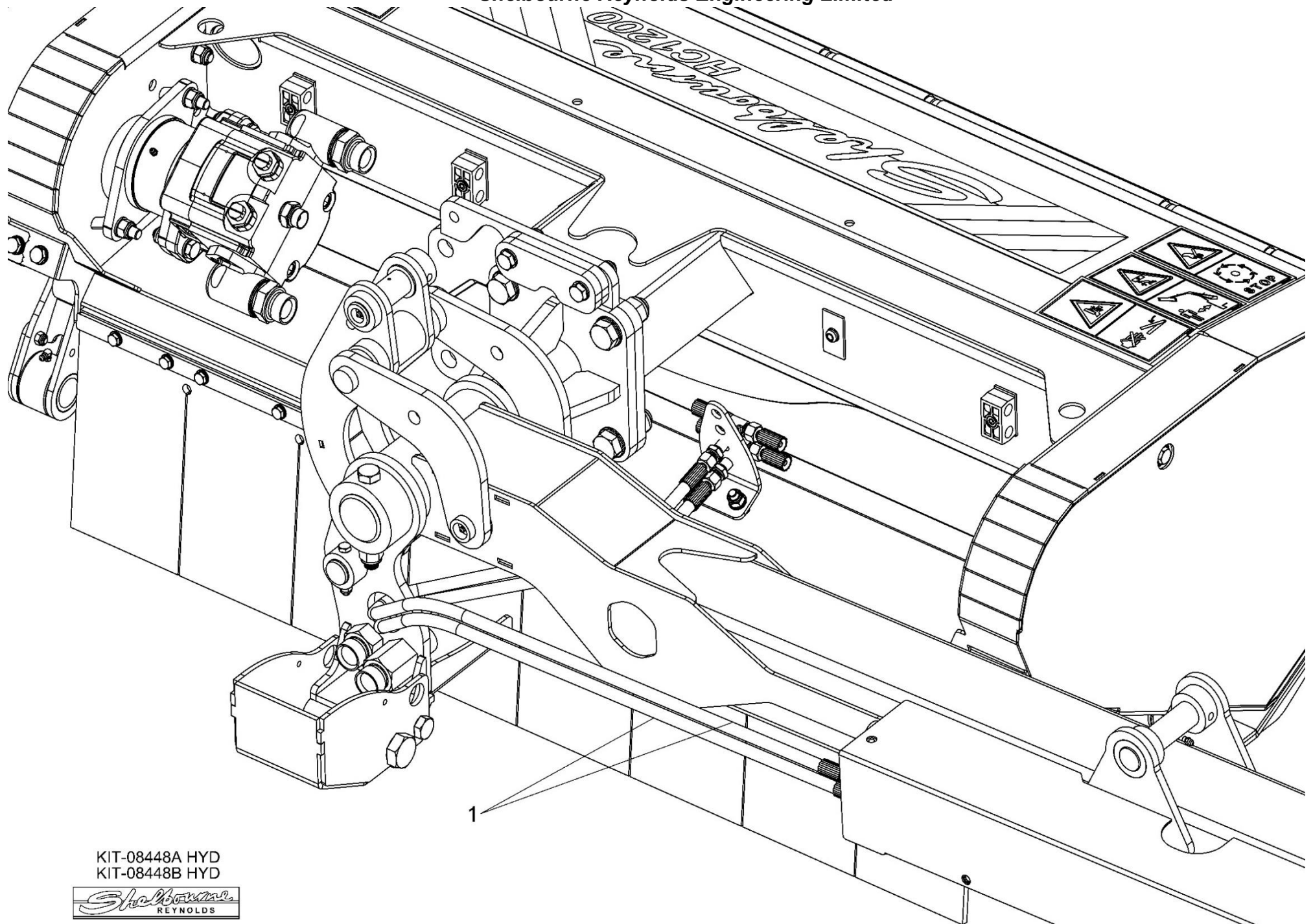


KIT-08447G HYD
KIT-08447H HYD



Shelbourne Reynolds Engineering Limited

ASSY NUMBER: KIT-08448B HYD				ASSY DESCRIPTION: HEAD LINK HOSE KIT (STD HEAD MOUNT FOR 6056, 6060T, 7060T & 7056)			
ITEM	PART NO	DESCRIPTION	QTY	ITEM	PART NO	DESCRIPTION	QTY
1	HHAC16005	HYD HOSE ASSY	2				

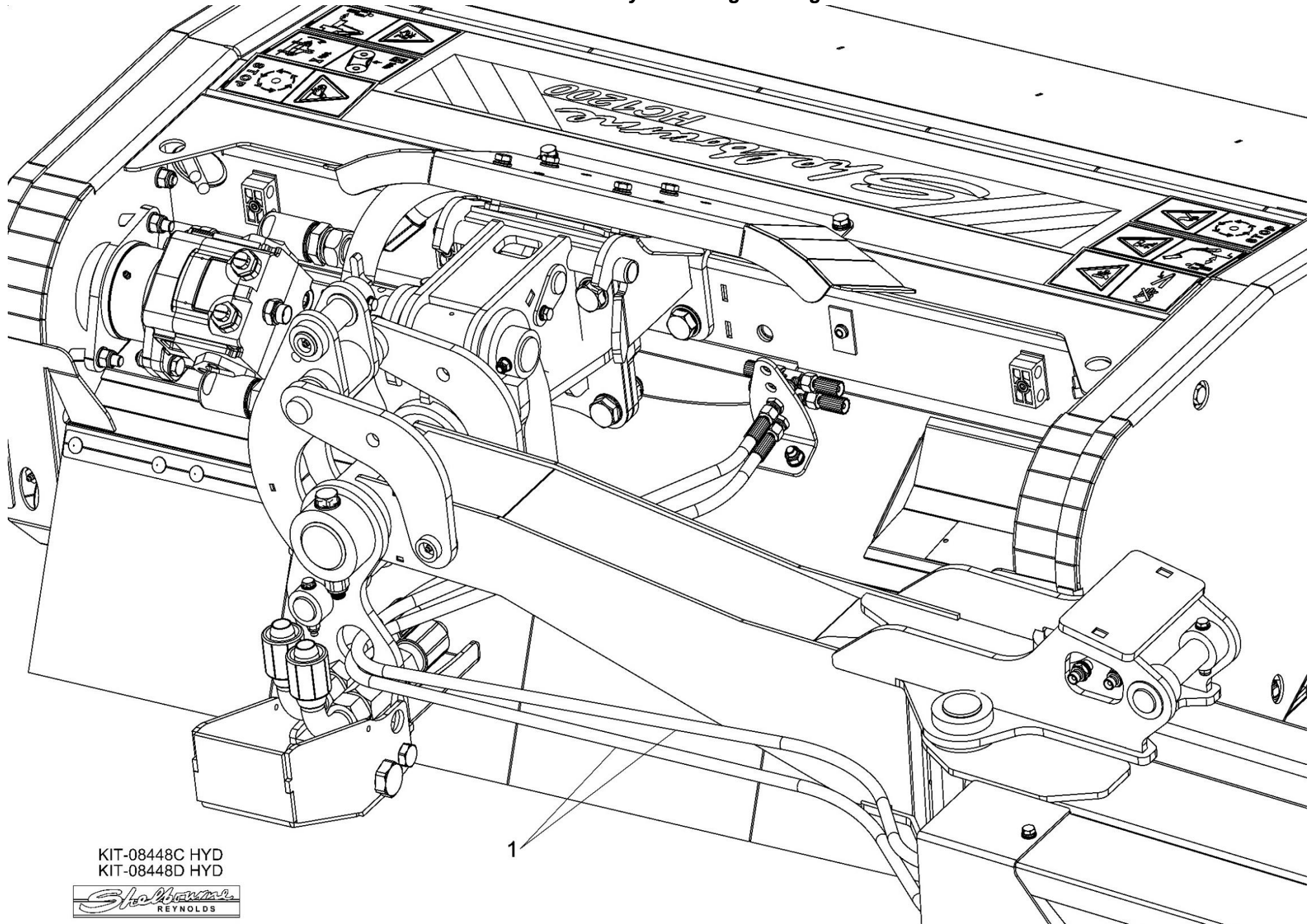


KIT-08448A HYD
KIT-08448B HYD



Shelbourne Reynolds Engineering Limited

ASSY NUMBER: KIT-08448C HYD				ASSY DESCRIPTION: HEAD LINK HOSE KIT (NARROW LANE HEAD MOUNT FOR 6056, 6060T, 7060T & 7056)			
ITEM	PART NO	DESCRIPTION	QTY	ITEM	PART NO	DESCRIPTION	QTY
1	HHCC21005	HYD HOSE ASSY	2				

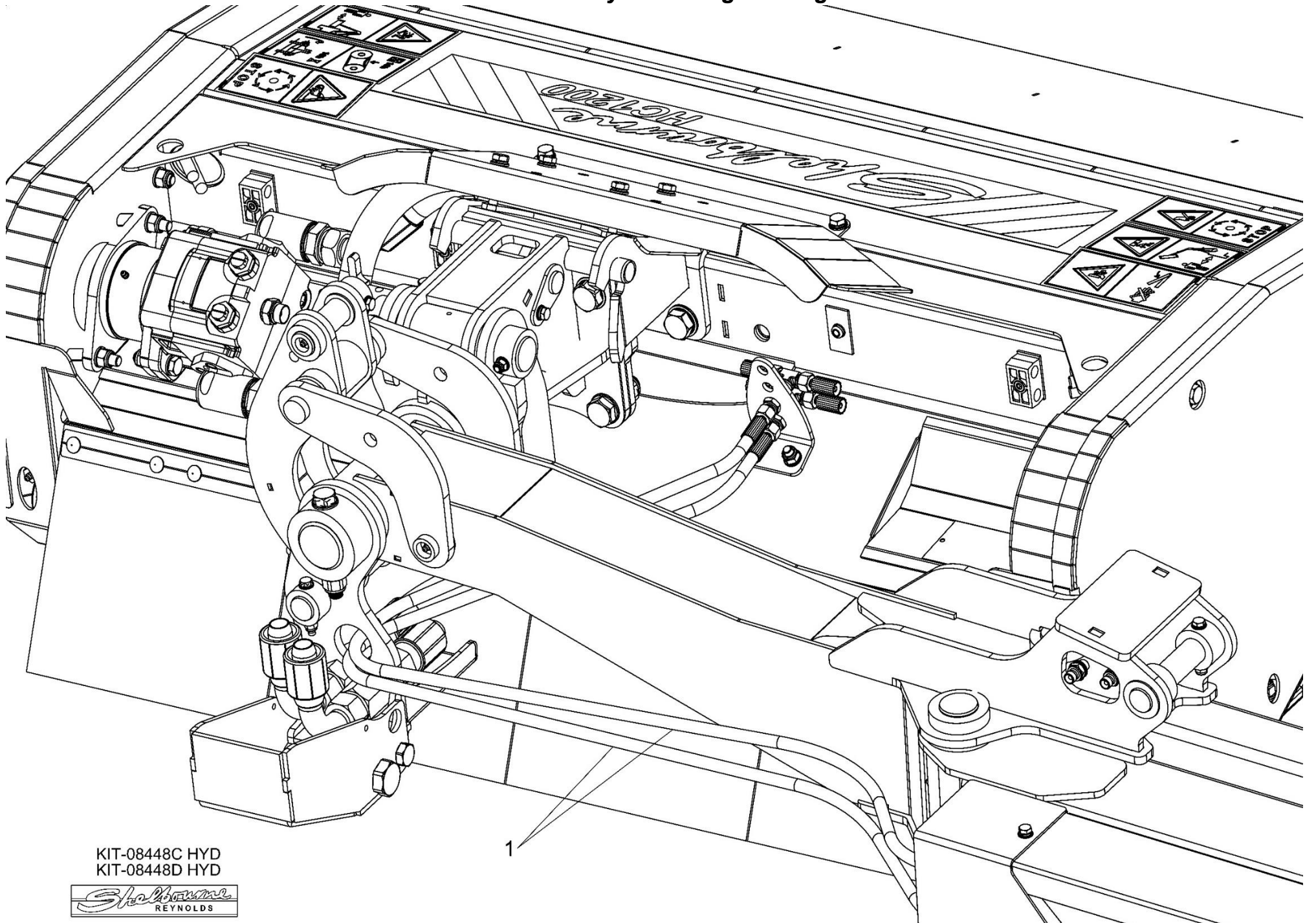


KIT-08448C HYD
KIT-08448D HYD



Shelbourne Reynolds Engineering Limited

ASSY NUMBER: KIT-08448D HYD				ASSY DESCRIPTION: HEAD LINK HOSE KIT (NARROW LANE HEAD MOUNT FOR 7062 VFR)			
ITEM	PART NO	DESCRIPTION	QTY	ITEM	PART NO	DESCRIPTION	QTY
1	HHCC23505	HYD HOSE ASSY	2				

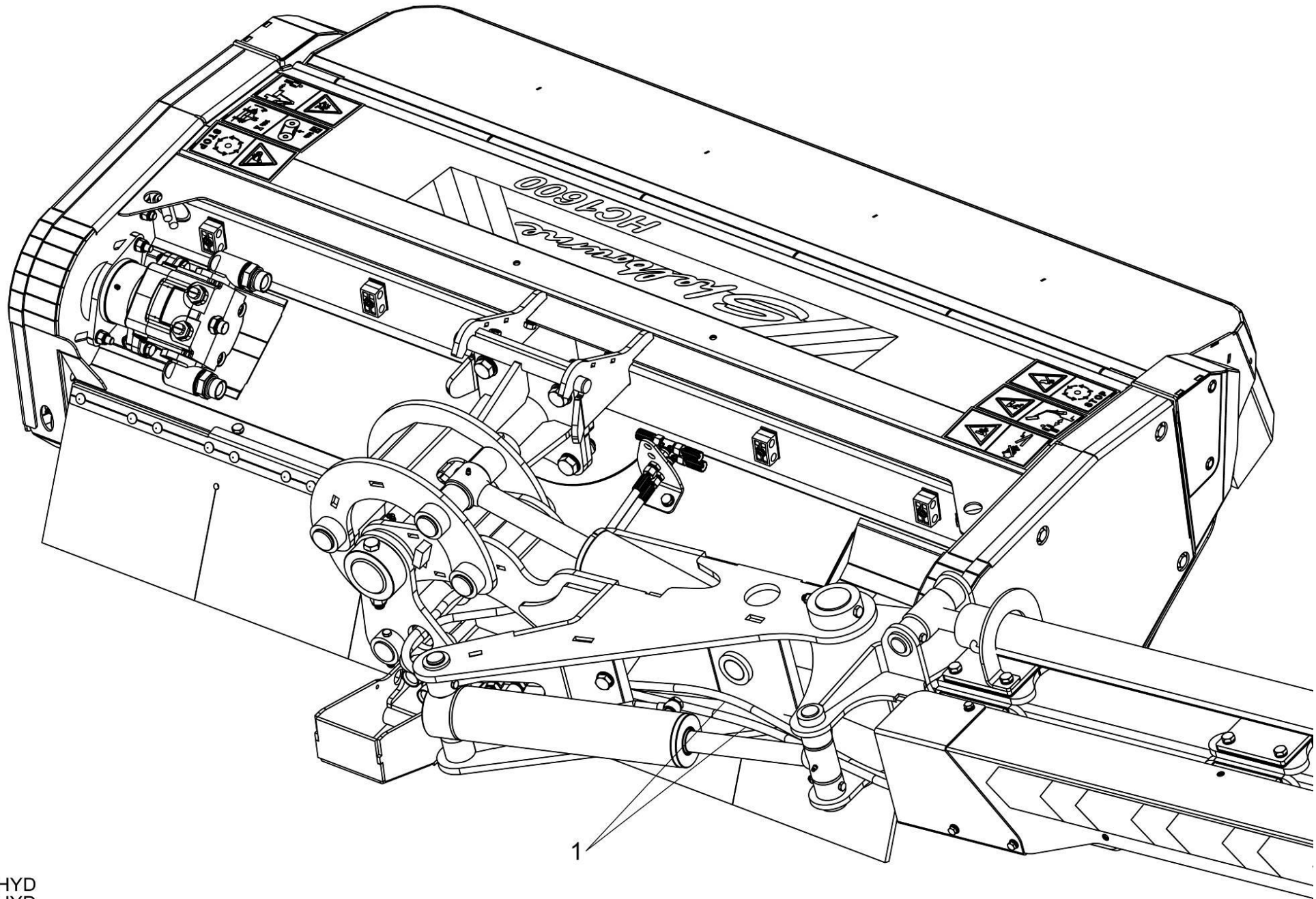


KIT-08448C HYD
KIT-08448D HYD



Shelbourne Reynolds Engineering Limited

ASSY NUMBER: KIT-08448E HYD				ASSY DESCRIPTION: HEAD LINK HOSE KIT (HC & GP HEAD FOR 6 / 7 / 8000 TELE)			
ITEM	PART NO	DESCRIPTION	QTY	ITEM	PART NO	DESCRIPTION	QTY
1	HHAC17505	HYD HOSE ASSY	2				

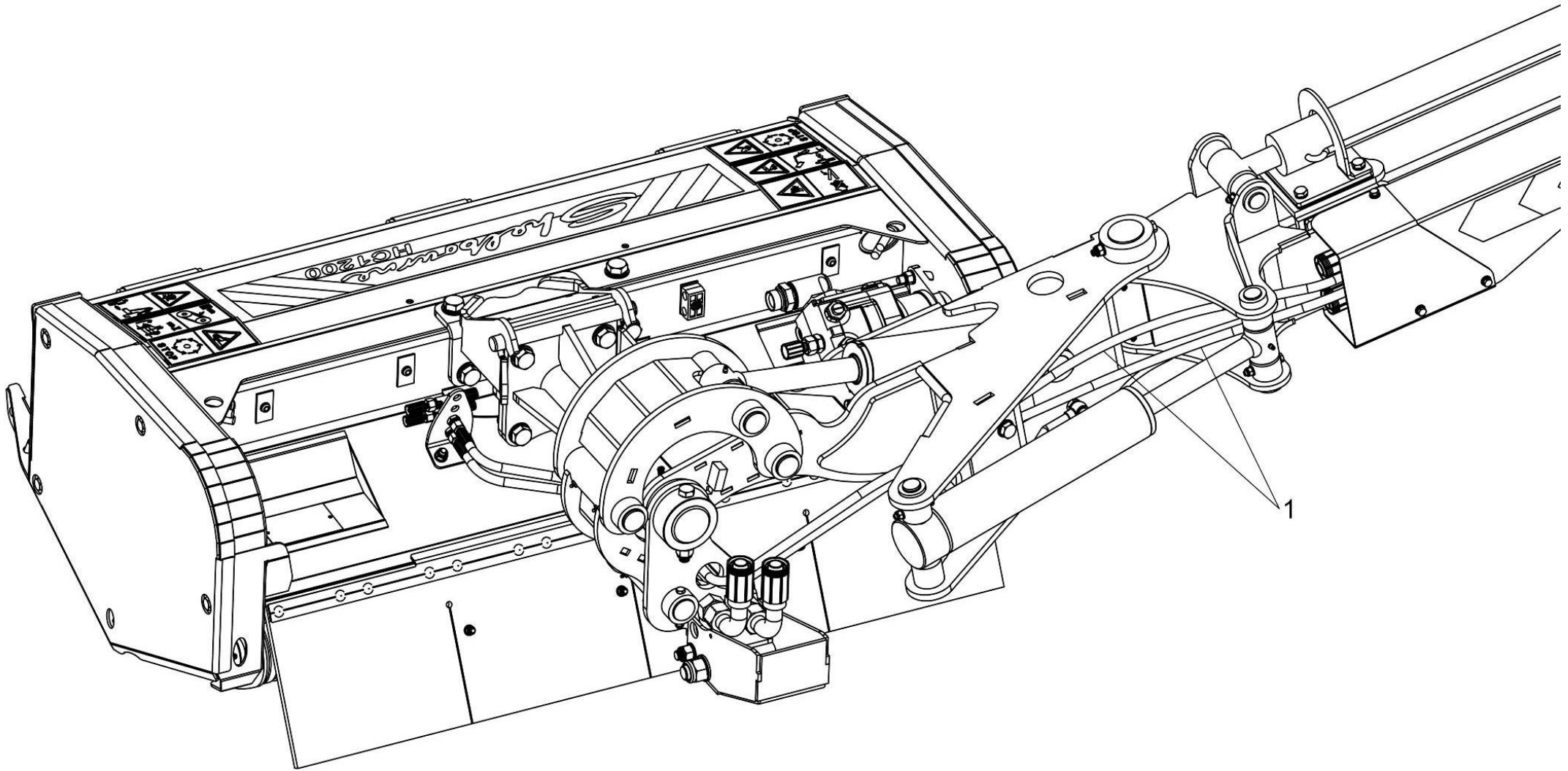


KIT-08448E HYD
KIT-08448F HYD



Shelbourne Reynolds Engineering Limited

ASSY NUMBER: KIT-08448H HYD				ASSY DESCRIPTION: HEAD LINK HOSE KIT (7062 VFR & RIGHT HAND HC HEAD FOR 8000 TELE)			
ITEM	PART NO	DESCRIPTION	QTY	ITEM	PART NO	DESCRIPTION	QTY
1	HHAC21005	HYD HOSE ASSY	2				

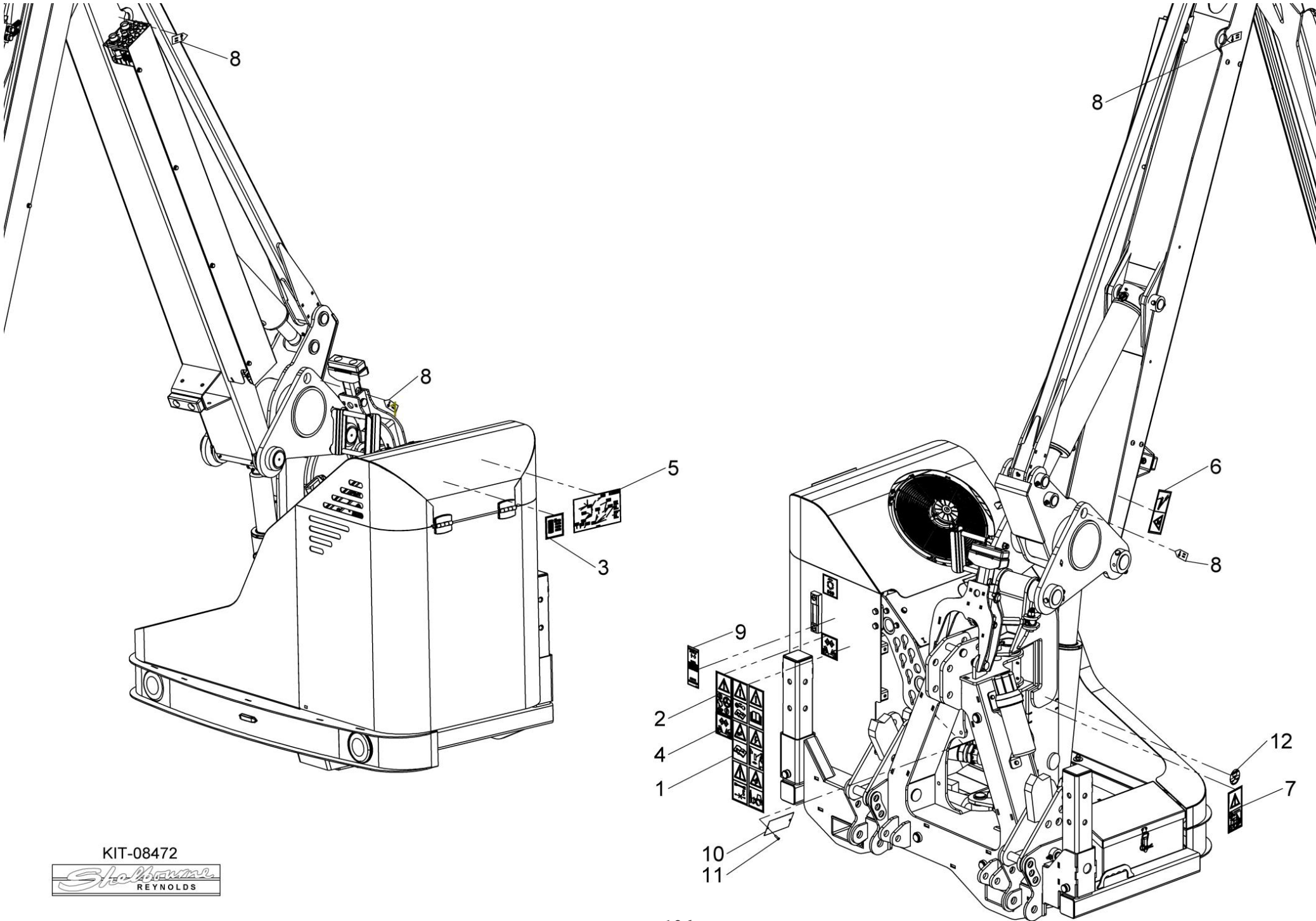


KIT-08448G HYD
KIT-08448H HYD



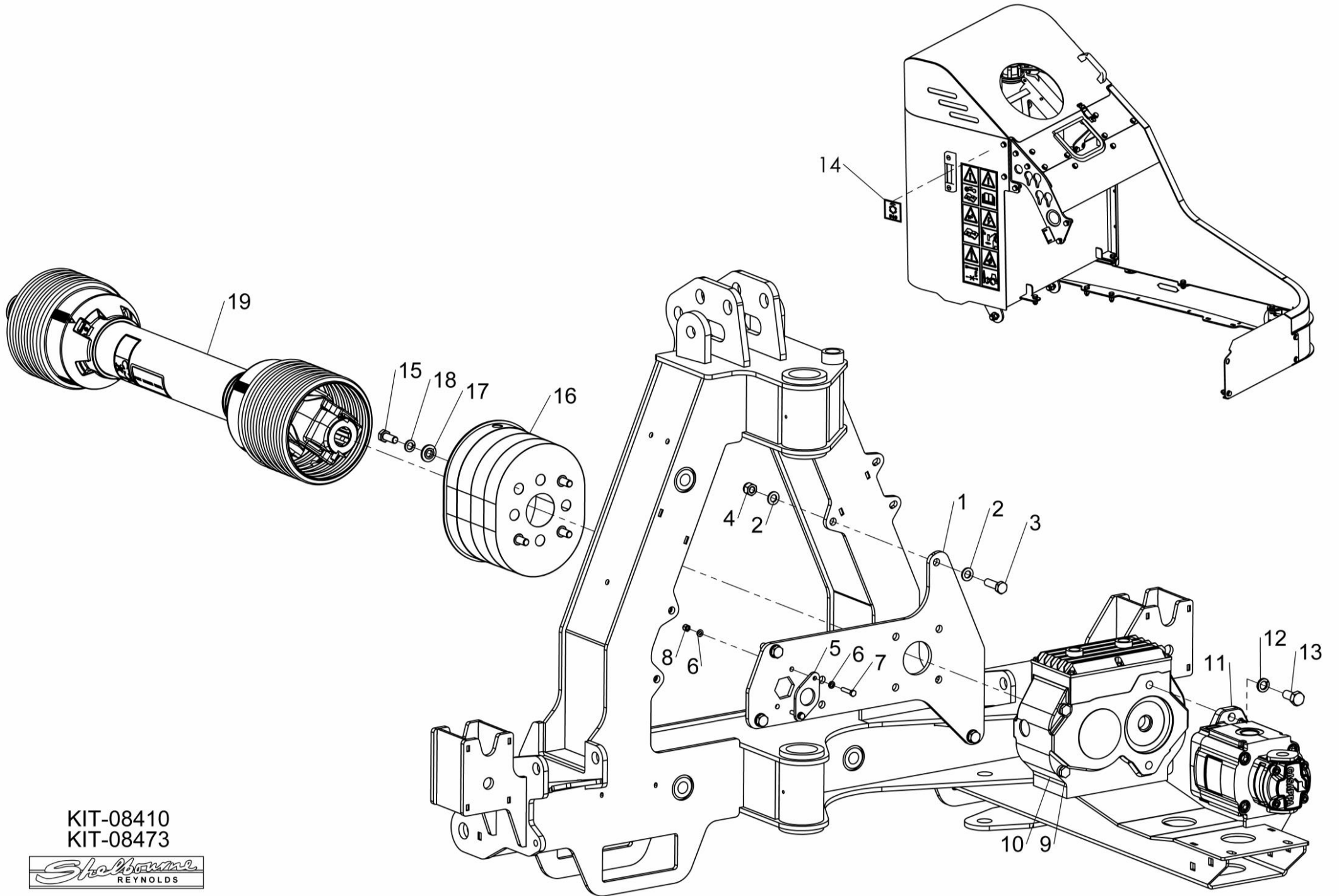
Shelbourne Reynolds Engineering Limited

ASSY NUMBER: KIT-08472				ASSY DESCRIPTION: SAFETY DECAL ONLY TRANSFER KIT			
ITEM	PART NO	DESCRIPTION	QTY	ITEM	PART NO	DESCRIPTION	QTY
1	805599 01	MULTI-TRANSFER	1				
2	801422 01	TRANSFER (ACCUMULATOR)	1				
3	800211 01	TRANSFER (CHANGE FILTER)	1				
4	800212 01	TRANSFER (CHECK CHAINS)	1				
5	804761 01	TRANSFER (LUBRICATION)	1				
6	210435 01	TRANSFER (LOCK CYLINDER)	1				
7	800878 01	TRANSFER (TRANSPORT MODE)	1				
8	190702 04	TRANSFER (SLING POINT)	4				
9	806835 01	CHECK OIL TRANSFER	1				
10	290526 01	SERIAL NO. PLATE	1				
11	POP-0006	POP RIVET (4.8x16)	2				
12	TNF-0013	INSPECTION STICKER	1				



Shelbourne Reynolds Engineering Limited

ASSY NUMBER: KIT-08473				ASSY DESCRIPTION: HIGH POWER DRIVE KIT 800RPM (7000 SERIES)			
ITEM	PART NO	DESCRIPTION	QTY	ITEM	PART NO	DESCRIPTION	QTY
1	806388 01	GEARBOX MTG PLATE	1				
2	WSH-0018	WASHER	8				
3	HSS-0250	SETSCREW	4				
4	NUT-0269	NUT	4				
5	805699 01	RETAINING RING	1				
6	WSH-0009	WASHER	4				
7	HSS-0092	SETSCREW	2				
8	NUT-0260	NUT	2				
9	GEA-0183	GEARBOX	1				
10	OIL-	GEARBOX OIL	1.75L				
11	PUM090570	TANDEM PUMP	1				
12	WSHA15141	WASHER	2				
13	HSSA14200	SETSCREW	2				
14	590475 03	TRANSFER 800RPM	1				
15	HSS-0238	SETSCREW	4				
16	PTO-00903	PTO GUARD	1				
17	800407 01	SPACER GEARBOX MOUNT	4				
18	WSH-0065	WASHER	4				
19	PTO-37000	PTO SHAFT ASSY	1				

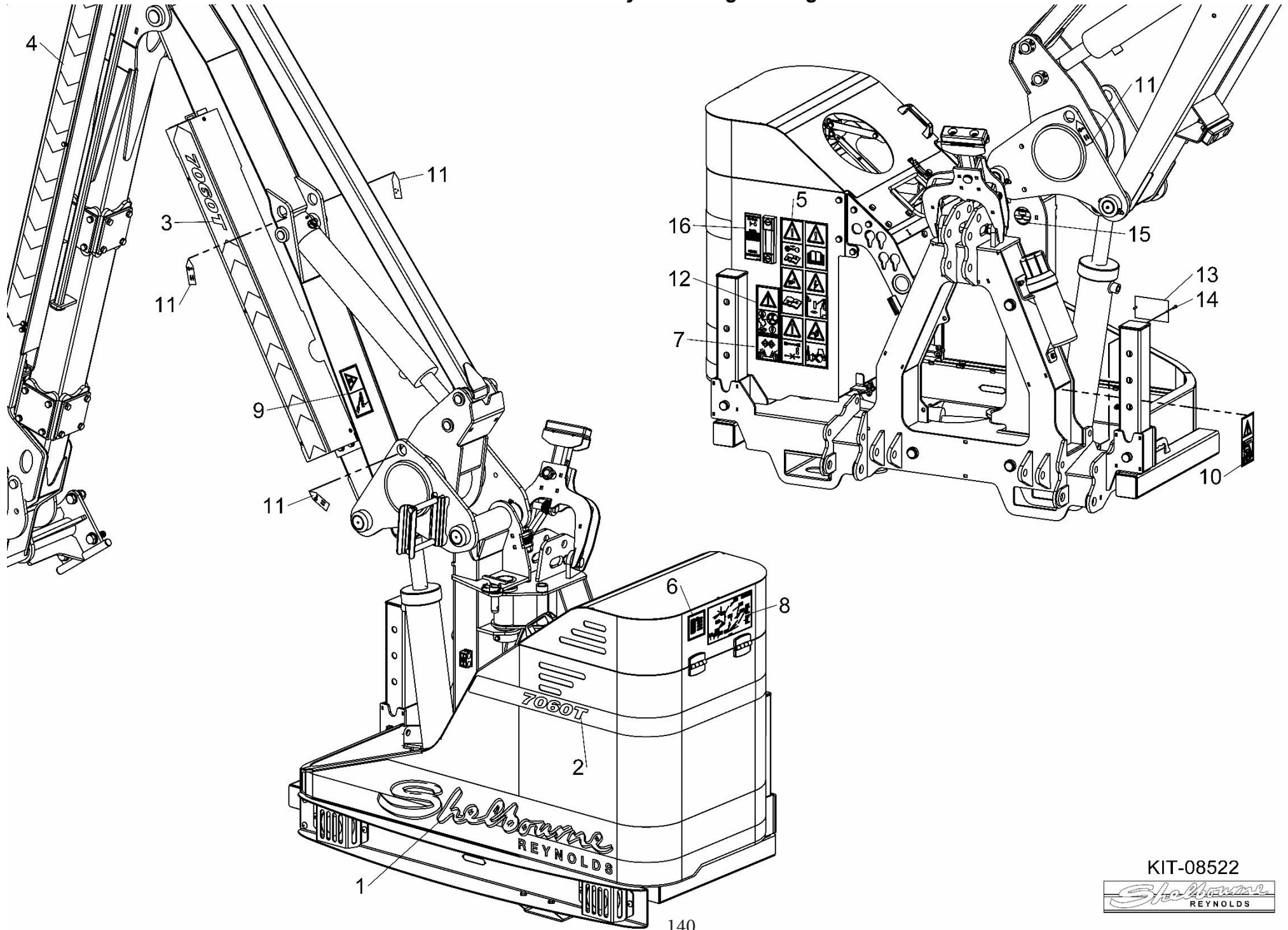


KIT-08410
KIT-08473



Shelbourne Reynolds Engineering Limited

ASSY NUMBER: KIT-08522				ASSY DESCRIPTION: TRANSFERS KIT (7060T)			
ITEM	PART NO	DESCRIPTION	QTY	ITEM	PART NO	DESCRIPTION	QTY
1	807419 01	MAIN SHELBOURNE TRANSFER	1				
2	807417 01	7060T TANK TRANSFER	1				
3	806612 01	7060T INNER BOOM TRANSFER	1				
4	806614 01	7060T OUTER BOOM TRANSFER	1				
5	805599 01	ADVISORY TRANSFER	1				
6	800211 01	TRANSFER - FILTER	1				
7	800212 01	TRANSFER - CHECK CHAIN	1				
8	804761 01	TRANSFER - LUBRICATION	1				
9	210435 01	TRANSFER - RAM STOP	1				
10	800878 01	TRANSFER - TRANSPORT	1				
11	190702 04	TRANSFER - SLING POINT	4				
12	801422 01	TRANSFER - ACCUMULATOR	1				
13	290526 01	SERIAL NO PLATE	1				
14	POP-0006	POP RIVET	2				
15	TNF-0013	INSPECTION TRANSFER	1				
16	806835 01	OIL CHECK TRANSFER	1				

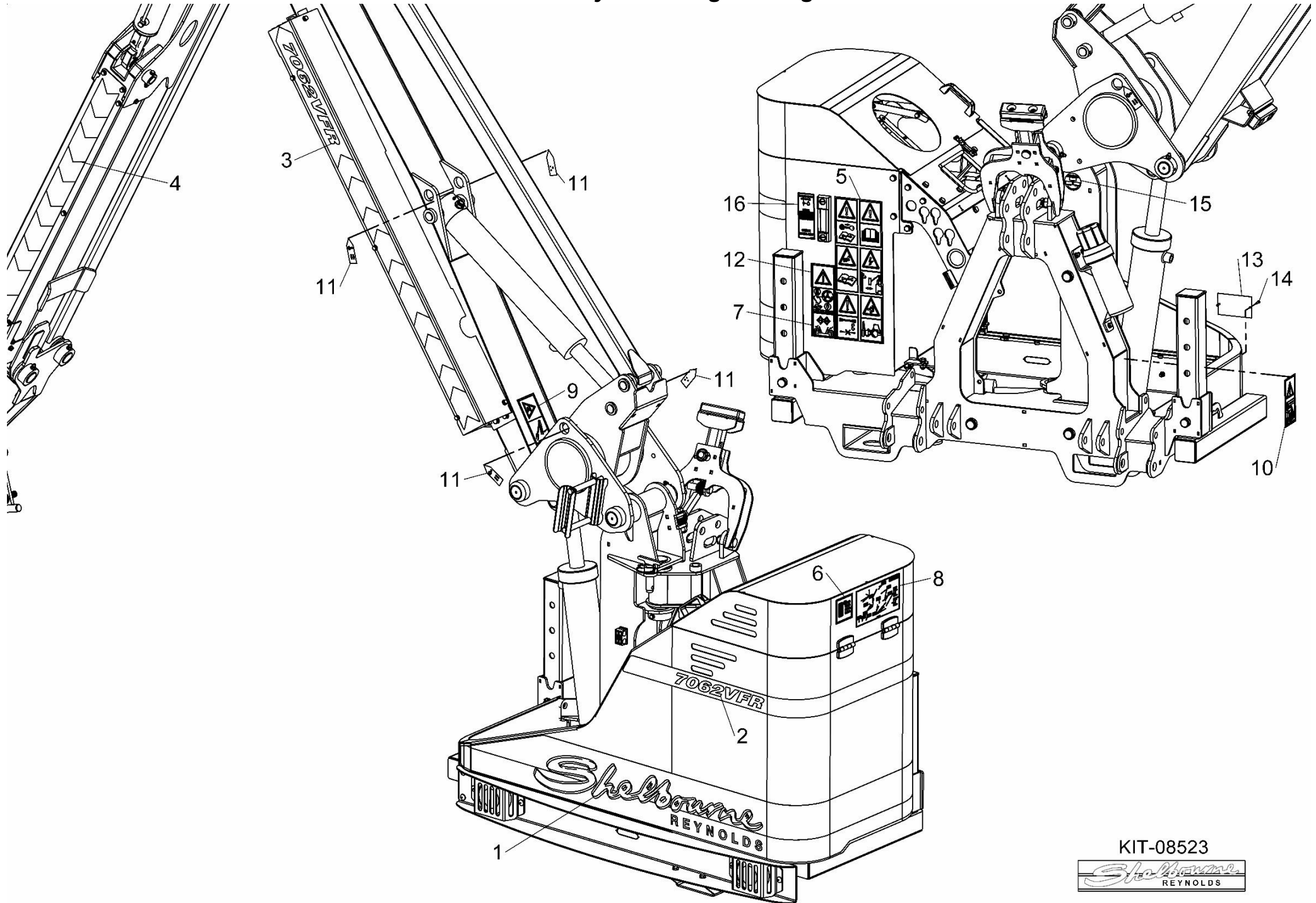


KIT-08522



Shelbourne Reynolds Engineering Limited

ASSY NUMBER: KIT-08523				ASSY DESCRIPTION: TRANSFERS KIT (7062VFR)			
ITEM	PART NO	DESCRIPTION	QTY	ITEM	PART NO	DESCRIPTION	QTY
1	807419 01	MAIN SHELBOURNE TRANSFER	1				
2	807418 01	7062VFR TANK TRANSFER	1				
3	806615 01	7062VFR INNER BOOM TRANSFER	1				
4	806617 01	7062VFR OUTER BOOM TRANSFER	1				
5	805599 01	ADVISORY TRANSFER	1				
6	800211 01	TRANSFER - FILTER	1				
7	800212 01	TRANSFER - CHECK CHAIN	1				
8	804761 01	TRANSFER - LUBRICATION	1				
9	210435 01	TRANSFER - RAM STOP	1				
10	800878 01	TRANSFER - TRANSPORT	1				
11	190702 04	TRANSFER - SLING POINT	4				
12	801422 01	TRANSFER - ACCUMULATOR	1				
13	290526 01	SERIAL NO PLATE	1				
14	POP-0006	POP RIVET	2				
15	TNF-0013	INSPECTION TRANSFER	1				
16	806835 01	OIL CHECK TRANSFER	1				

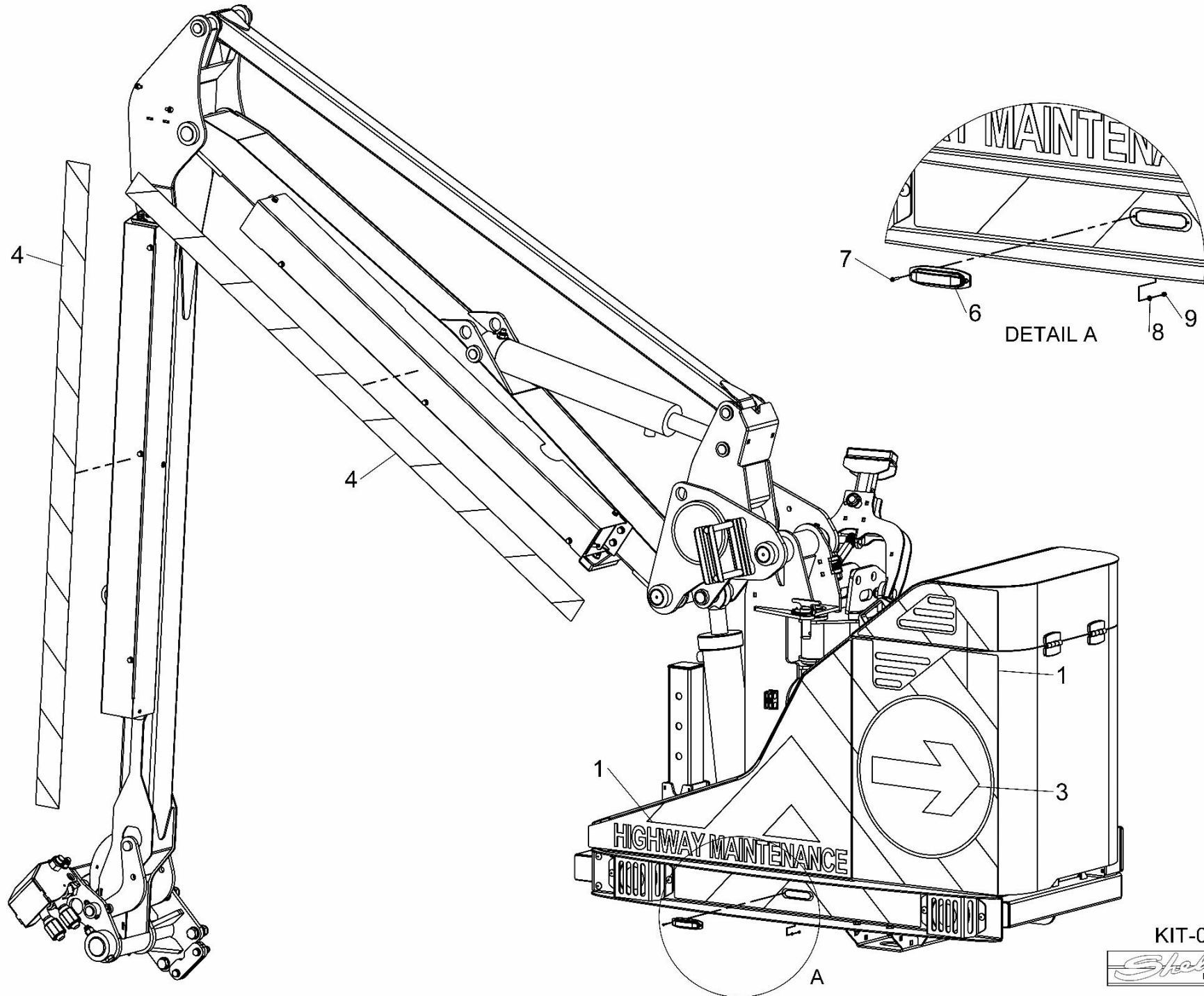


KIT-08523



Shelbourne Reynolds Engineering Limited

ASSY NUMBER: KIT-08530				ASSY DESCRIPTION: 6000 & 7000 SERIES TRIMMER HIGHWAYS KIT (NO DEBRIS BLOWER)			
ITEM	PART NO	DESCRIPTION	QTY	ITEM	PART NO	DESCRIPTION	QTY
1	807426 01	HIGHWAYS TRANSFER KIT	1				
2							
3	801977 01	MAGNETIC ARROW	1				
4	806881 01	BOOM HIGHWAYS TRANSFER	2				
5							
6	804684 01	WARNING LIGHT KIT	1				
7	SCFC03110	PAN HD.SCREW	2				
8	WSH-0001	WASHER	2				
9	NUTA02030	NYLOC NUT	2				

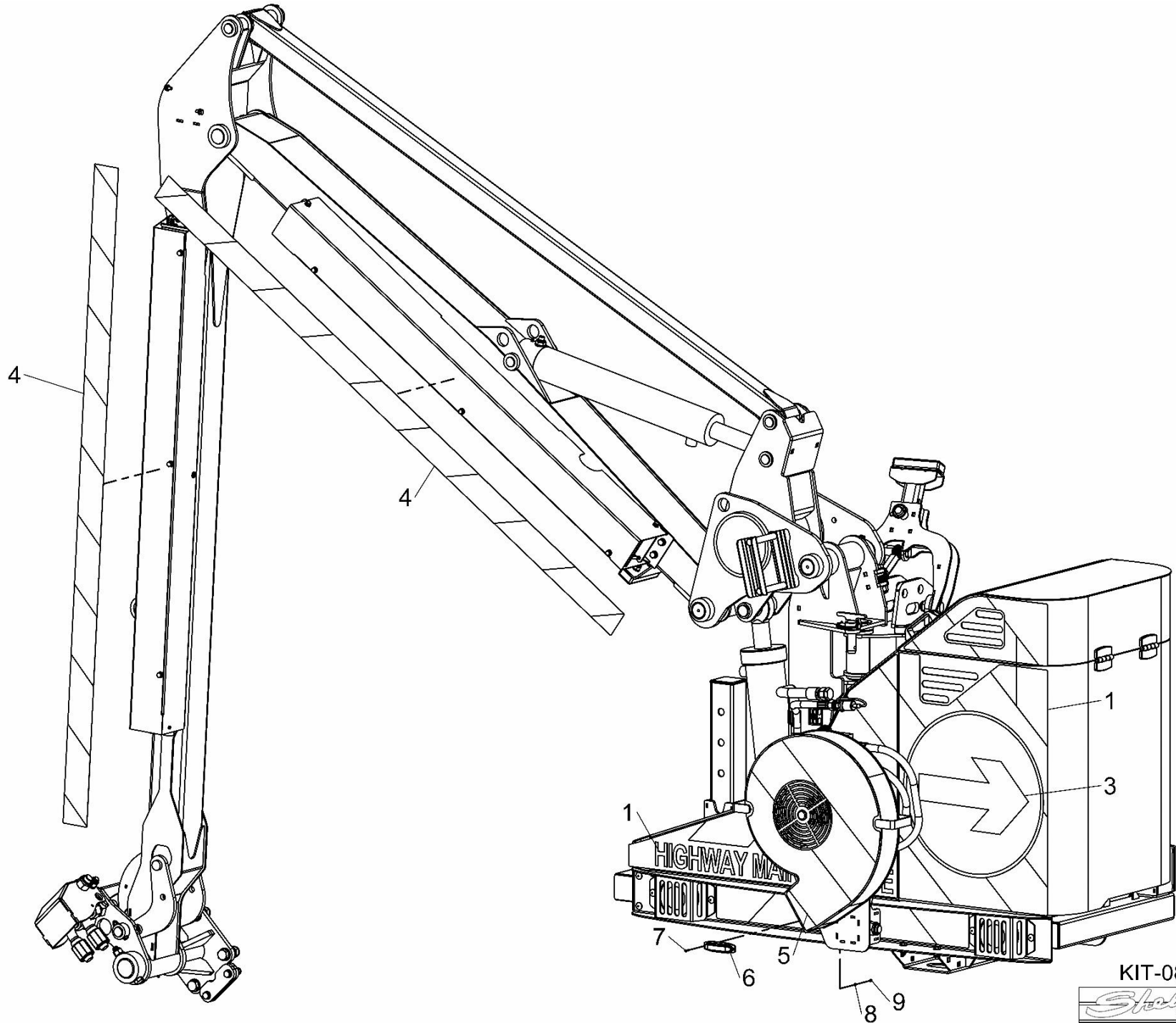


KIT-08530



Shelbourne Reynolds Engineering Limited

ASSY NUMBER: KIT-08530a				ASSY DESCRIPTION: 6000 & 7000 SERIES TRIMMER HIGHWAYS TRANSFERS KIT (WITH DEBRIS BLOWER)			
ITEM	PART NO	DESCRIPTION	QTY	ITEM	PART NO	DESCRIPTION	QTY
1	807426 01	HIGHWAYS TRANSFER KIT	1				
2							
3	801977 01	MAGNETIC ARROW	1				
4	806881 01	BOOM HIGHWAYS TRANSFER	2				
5	806105 01	DEBRIS BLOWER HIGHWAYS	1				
6	804684 01	WARNING LIGHT KIT	1				
7	SCFC03110	PAN HD.SCREW	2				
8	WSH-0001	WASHER	2				
9	NUTA02030	NYLOC NUT	2				

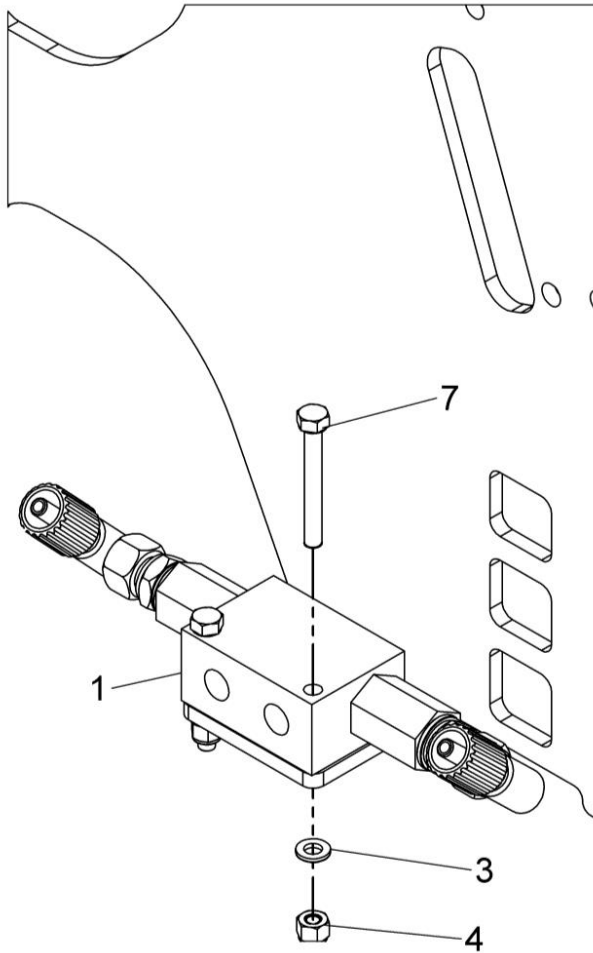


KIT-08530A



Shelbourne Reynolds Engineering Limited

ASSY NUMBER: KIT-08533				ASSY DESCRIPTION: VALVE BLOCK FIXING KIT			
ITEM	PART NO	DESCRIPTION	QTY	ITEM	PART NO	DESCRIPTION	QTY
1	HVB-27000	VALVE BLOCK 1 HD OPT	1				
OR	HVB-27000	VALVE BLOCK 2 HD OPT	2				
OR	HVB-27000	VALVE BLOCK 3 HD OPT	3				
2							
3							
4							
5							
6							
7	BLTA06320	BOLT FOR 1 HD OPT	2		KIT-08533A	FIXING KIT FOR ONE HEAD OPTION KIT	
OR	BLTA06530	BOLT FOR 2 HD OPT	2		KIT-08533B	FIXING KIT FOR TWO HEAD OPTION KITS	
OR	BLTA06620	BOLT FOR 3 HD OPT	2		KIT-08533C	FIXING KIT FOR THREE HEAD OPTION KITS	
8	WSH-0009	WASHER	2				
9	NUT-0260	NYLOC NUT	2				
10							
11							
12							
13							
14	807552 01	PO SPACER FOR 2 HD OPT ONLY	2				

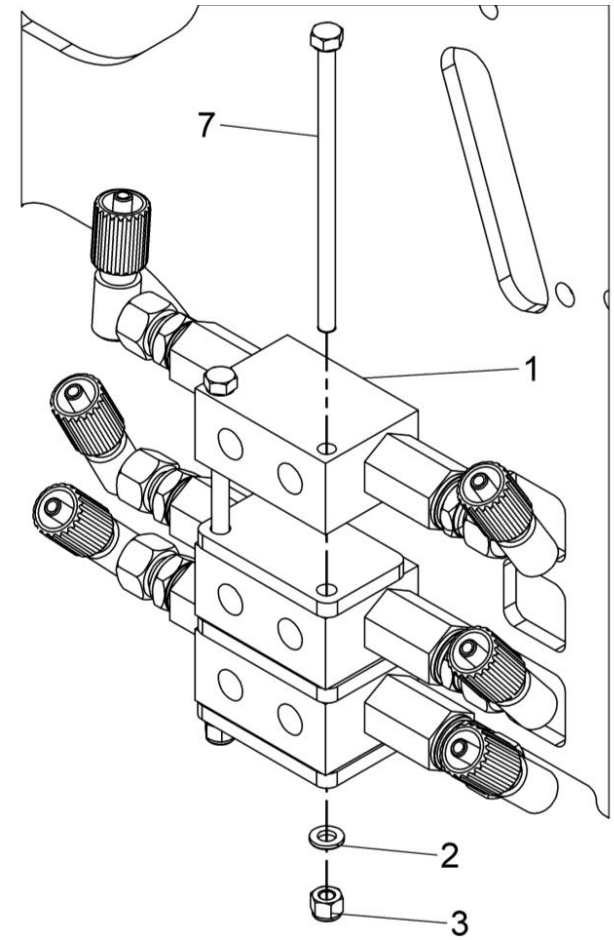
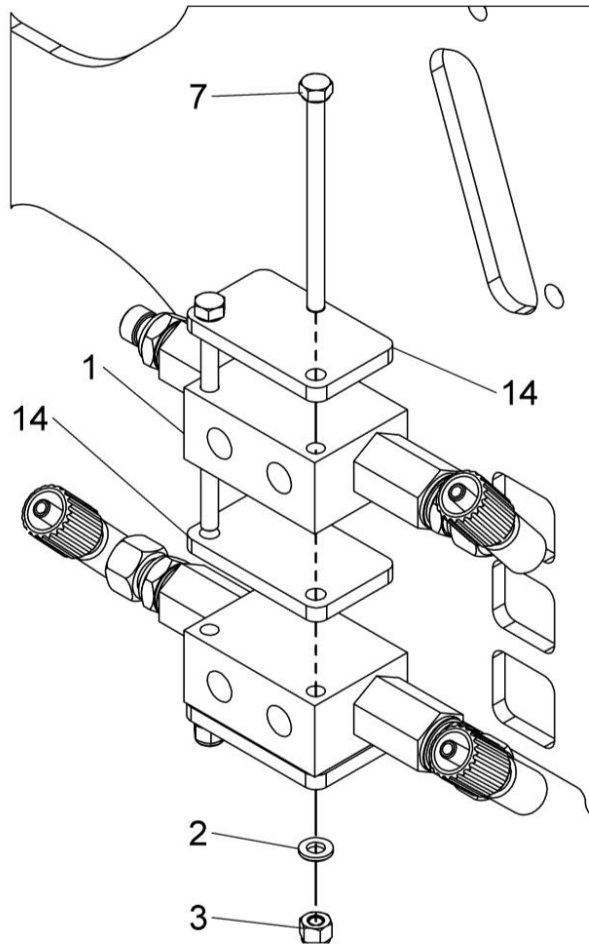


KIT-08533A

FIXING KIT FOR 1 HEAD OPTION KIT

KIT-08533B

FIXING KIT FOR 2 HEAD OPTION KITS



KIT-08533C

FIXING KIT FOR 3 HEAD OPTION KITS

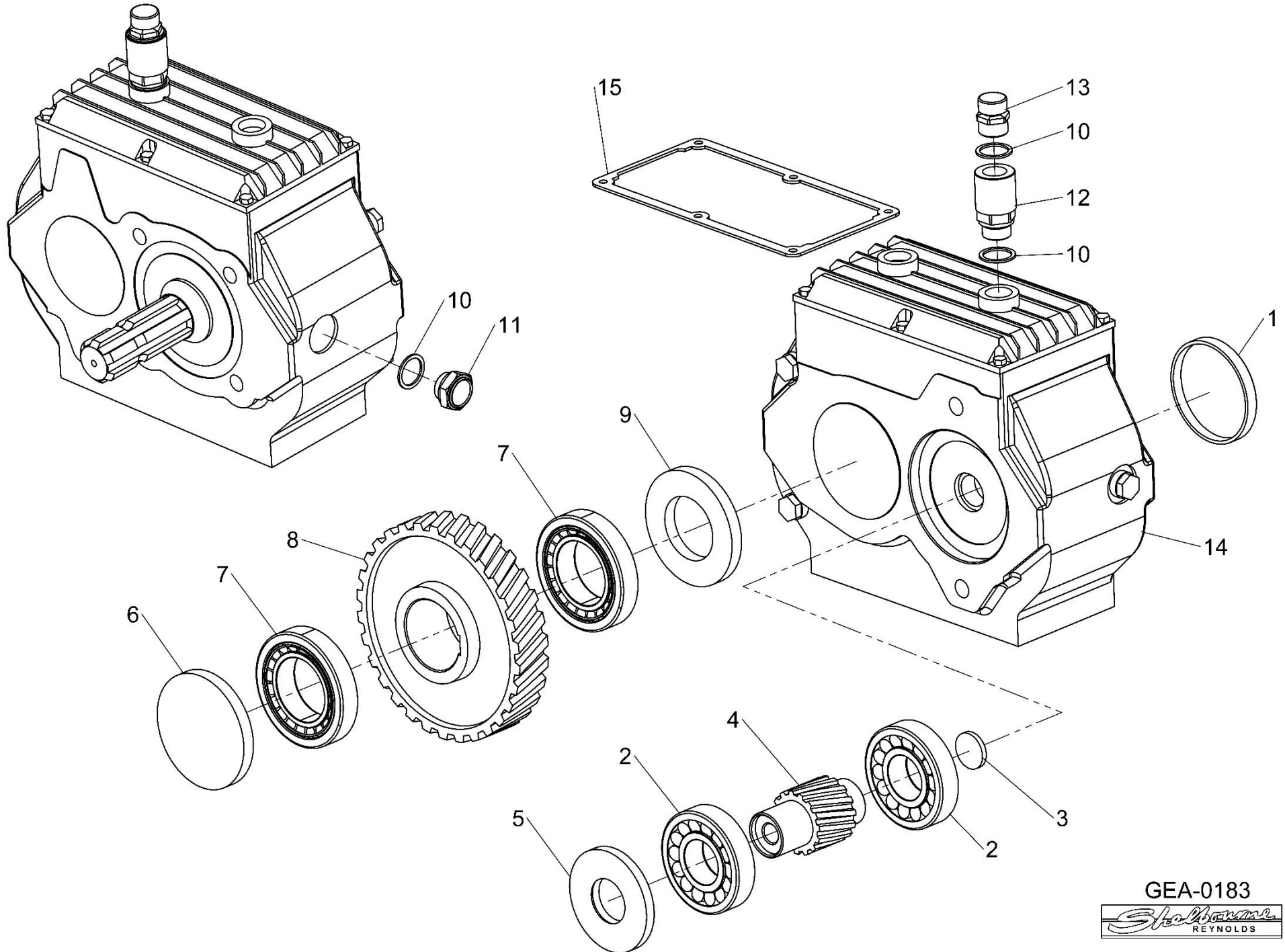
KIT-08533



Breakdown Pages

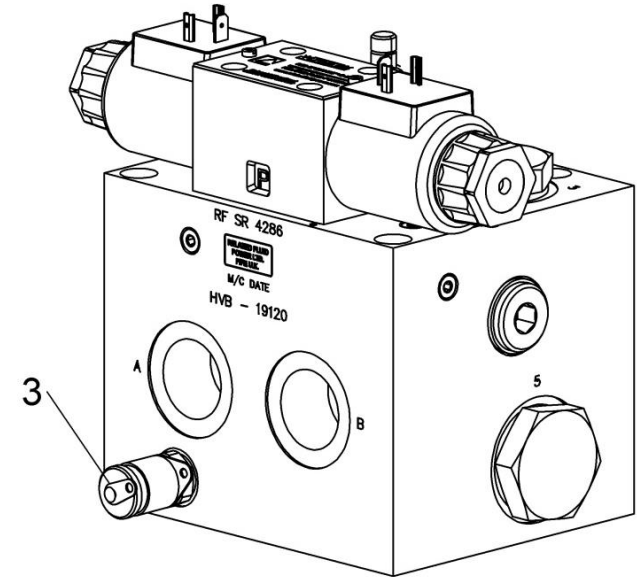
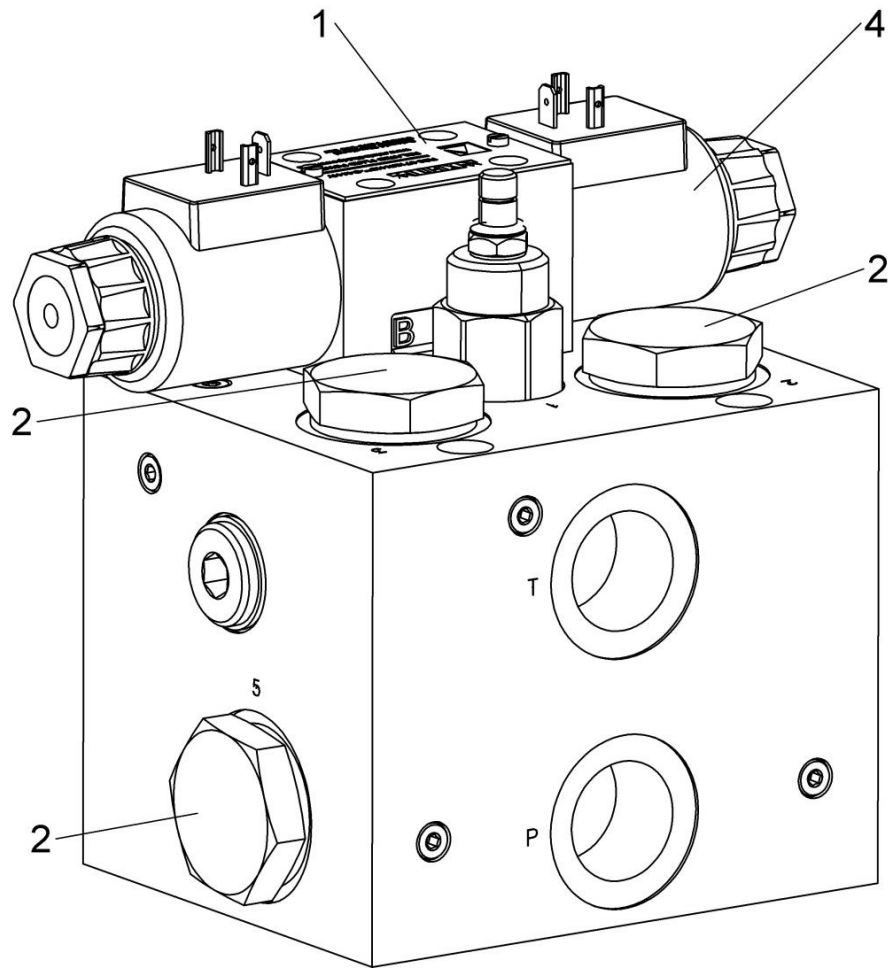
Shelbourne Reynolds Engineering Limited

ASSY NUMBER: GEA-0183				ASSY DESCRIPTION: GEARBOX			
ITEM	PART NO	DESCRIPTION	QTY	ITEM	PART NO	DESCRIPTION	QTY
1	GEA-1603	END CAP	1				
2	BRG-13582	BEARING	2				
3	SEAZ02800	OIL PLUG	1				
4	GEA-1605	SHAFT	1				
5	SEAB03520	RADIAL SHAFT SEAL	1				
6	SEAZ09000	CORE PLUG SEAL	1				
7	BRG-6000	BEARING	2				
8	GEA-1606	GEAR	1				
9	GEA-1518	OIL SEAL	1				
10	GEA-1705	DRAIN PLUG SEAL	3				
11	FITD00007	BULLS EYE LEVEL GAUGE	1				
12	GEA-1523	EXTENSION WITH BREATHER	1				
13	GEA-1521	BREATHER	1				
14	OIL-0005	OIL	1.75L				
15	GEA-1525	LID GASKET	1				



Shelbourne Reynolds Engineering Limited

ASSY NUMBER: HVB-19120				ASSY DESCRIPTION: ROTOR CONTROL VALVE			
ITEM	PART NO	DESCRIPTION	QTY	ITEM	PART NO	DESCRIPTION	QTY
1	HVB-90066	VALVE INC COIL	1				
1a	VSK-00130	SEAL KIT	1				
2	HVB-90065	VALVE	4				
2a	VSK-00170	SEAL KIT	-				
3	HVB-90100	TEST PORT	1				
4	HVB-90077	COIL	2				



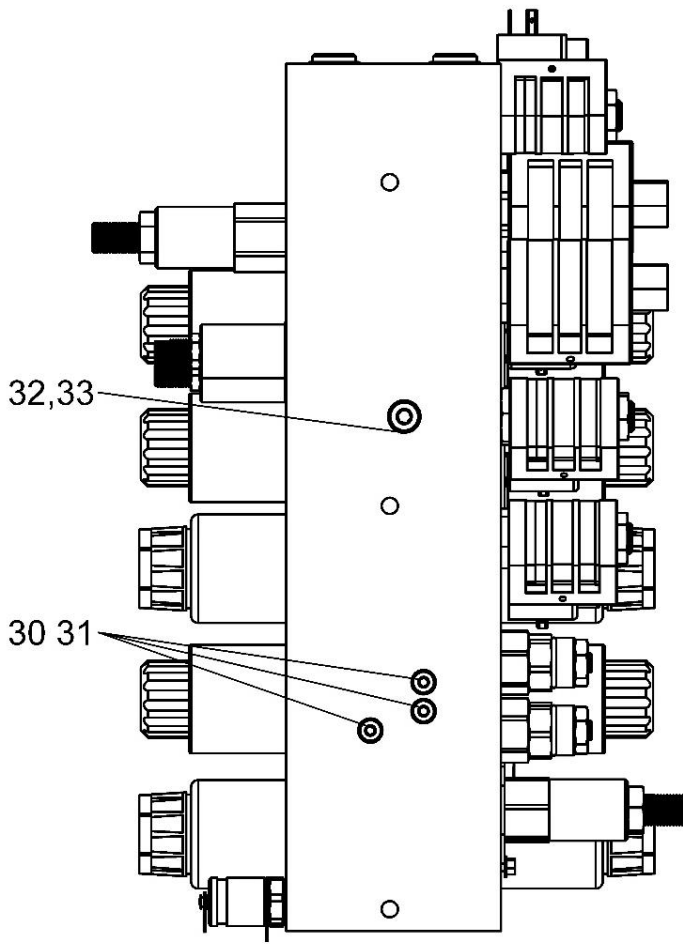
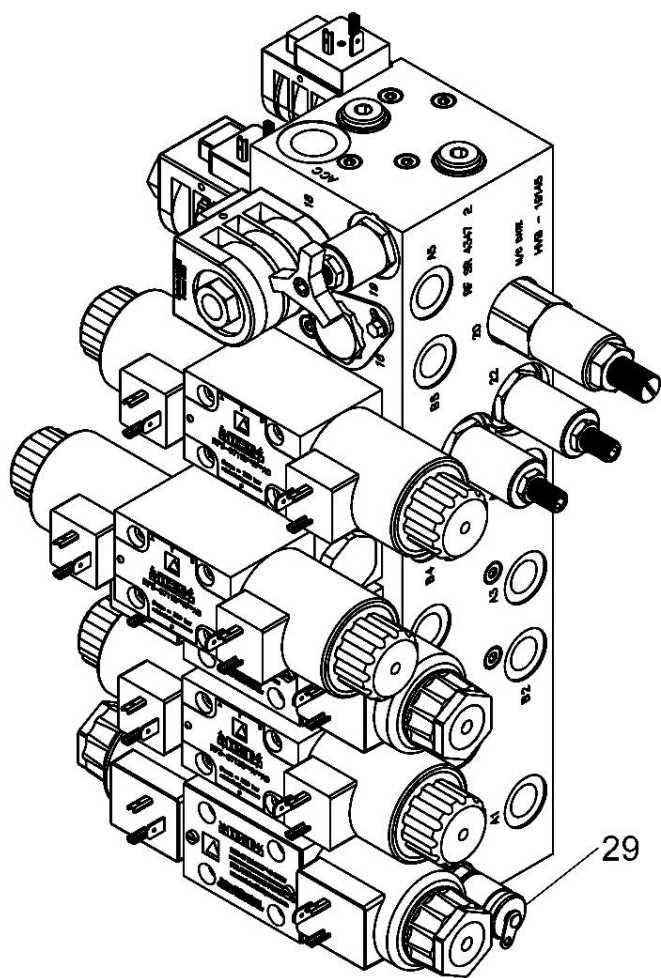
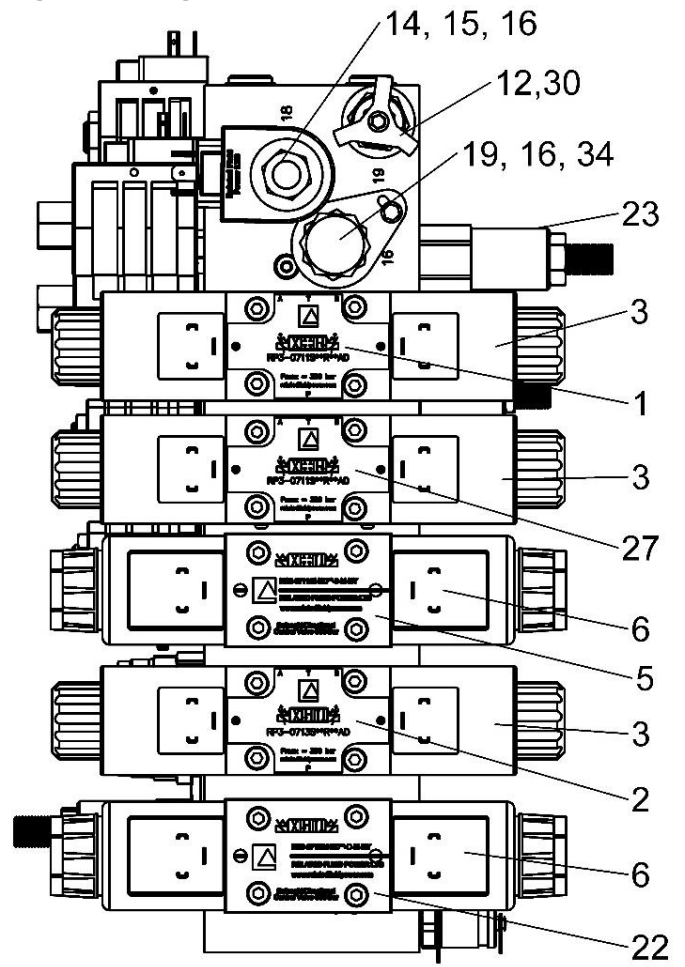
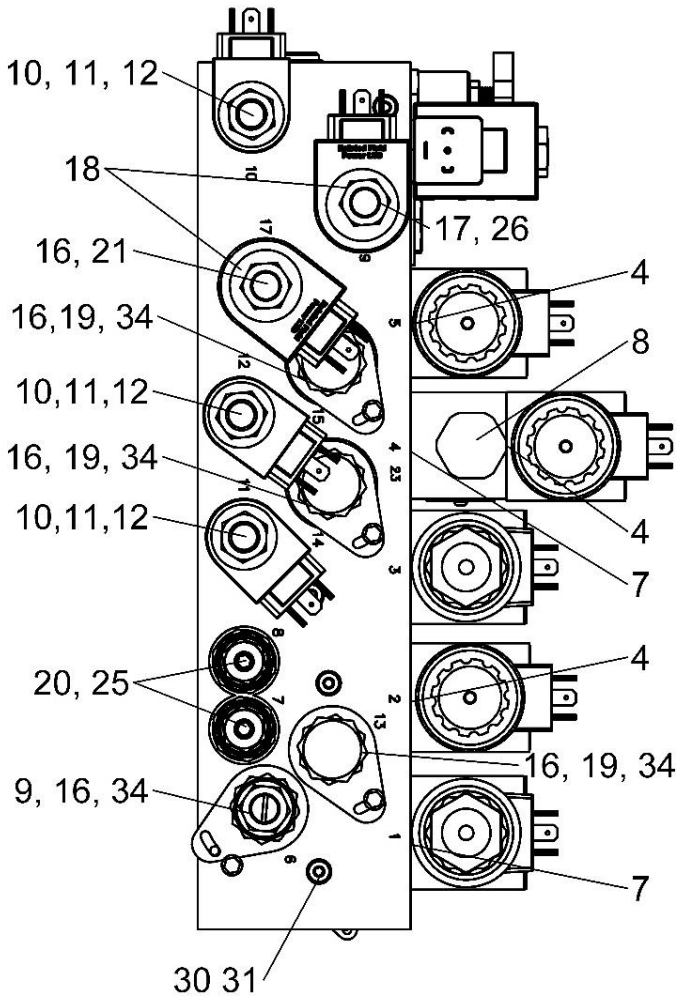
HVB-19120



Shelbourne Reynolds Engineering Limited

ASSY NUMBER: HVB-19145				ASSY DESCRIPTION: VALVE BLOCK CYLINDERS			
ITEM	PART NO	DESCRIPTION	QTY	ITEM	PART NO	DESCRIPTION	QTY
1	HVB-90051	VALVE INC COIL (LIFT)	1				
2	HVB-90062	VALVE INC COIL (REACH)	1				
3	HVB-90050	COIL	6				
4	VSK-00160	SEAL KIT (FOR ITEMS 1, 2 & 27)	3				
5	HVB-90060	VALVE (SLEW)	1				
6	HVB-90077	COIL (2012 & ON)	4				
7	VSK-00130	SEAL KIT (FOR ITEMS 5, 8 & 22)	3				
8	HVB-90064	CHECK VALVE BLOCK	1				
9	HVC-00570	RELIEF VALVE	1				
10	HVB-90052	SPOOL VALVE (NO COIL)	3				
OR	HVB-90071	SPOOL VALVE INC COIL	-				
11	HVB-90075	COIL	1				
12	HVB-90058	SEAL KIT	3				
13	HVB-90053	NUT SMALL	3				
14	HVB-90074	LOAD HOLD VALVE	1				
15	HVC-01001	COIL	1				
16	HVB-90057	SEAL KIT	1				
17	HVB-90076A	CHECK VALVE	1				
18	HVB-90054	NUT	2				
19	HVB-90063	CHECK VALVE	4				
20	HVB-90073	OVERCENTRE VALVE	2				
21	HVB-90055	DUMP VALVE	1				
22	HVB-90066	VALVE (TELE)	1				
23	HVB-90094	PRESSURE REDUCING VALVE	1				
24	HVB-90095	RELIEF VALVE	2				
25	VSK-00300	SEAL KIT	1				
26	HVB-90097	SEAL KIT	1				
27	HVB-90091	VALVE INC COIL (H/ANG)	1				
28							
29	HVB-90100	TEST PORT	1				
30	HVB-90101	ZERO LEAK PLUG (SIZE 02)	15				
31	ORA 060060	O RING	15				
32	HVB-90102	ZERO LEAK PLUG (SIZE 04)	1				
33	ORA060080	O RING	1				
34	ORA1401918	O RING	5				

Shelbourne Reynolds Engineering Limited

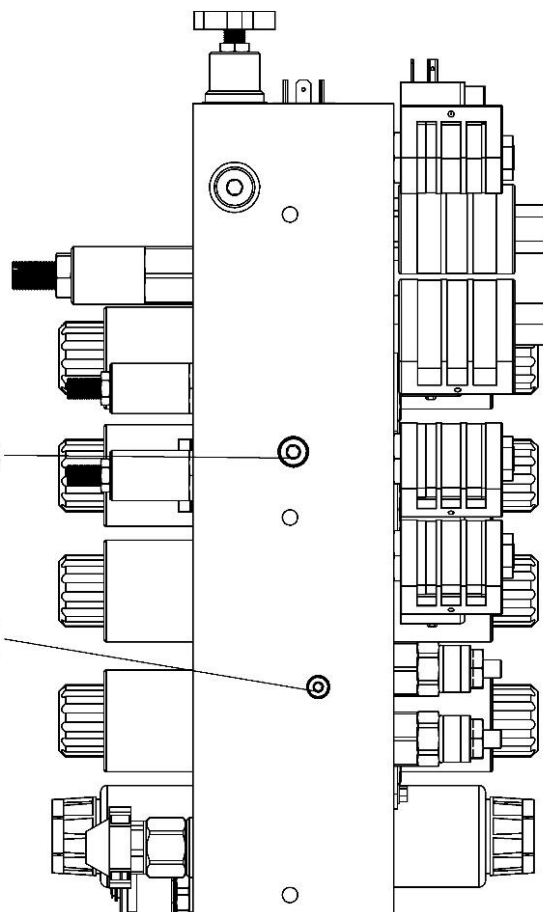
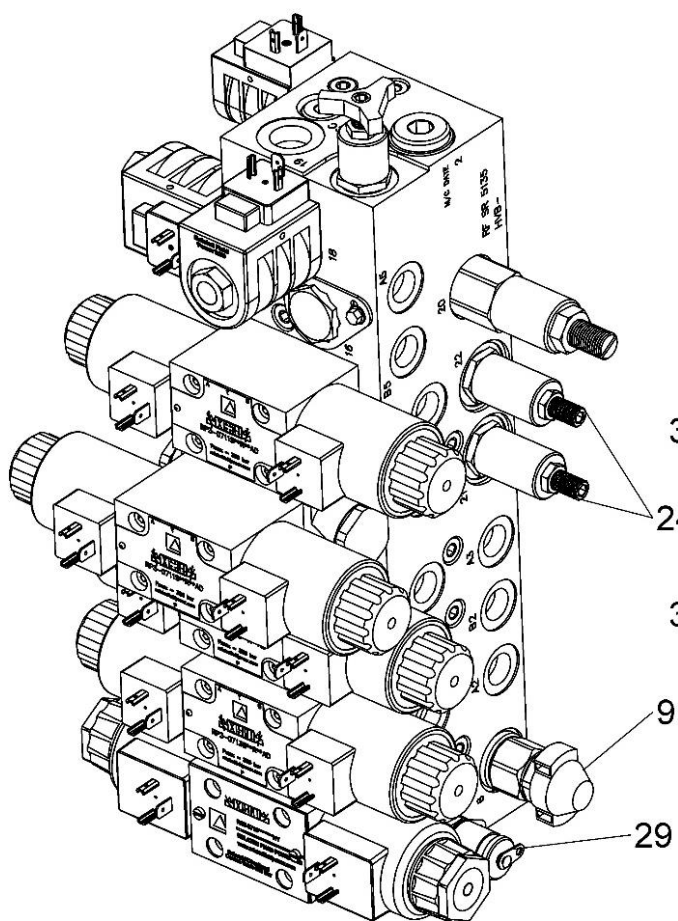
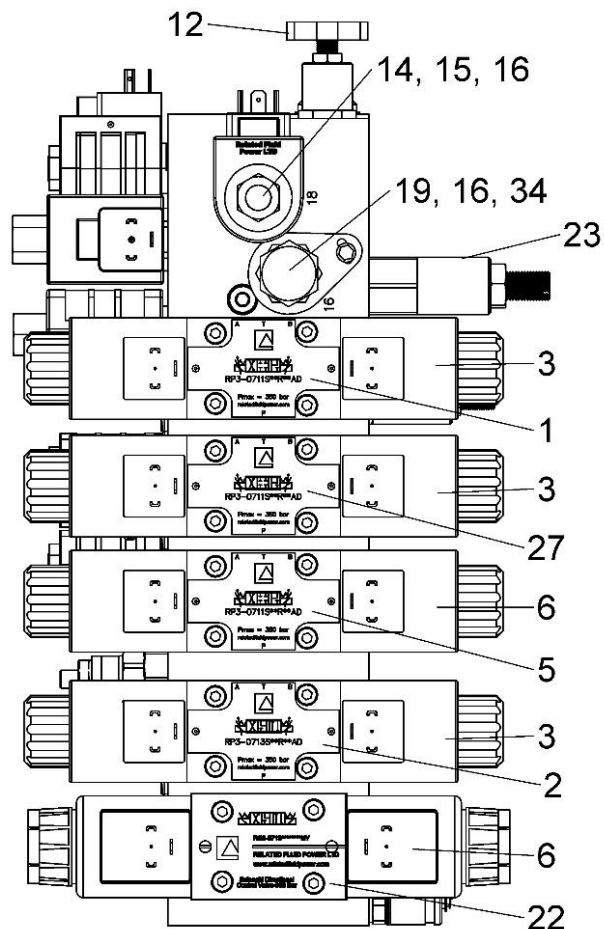
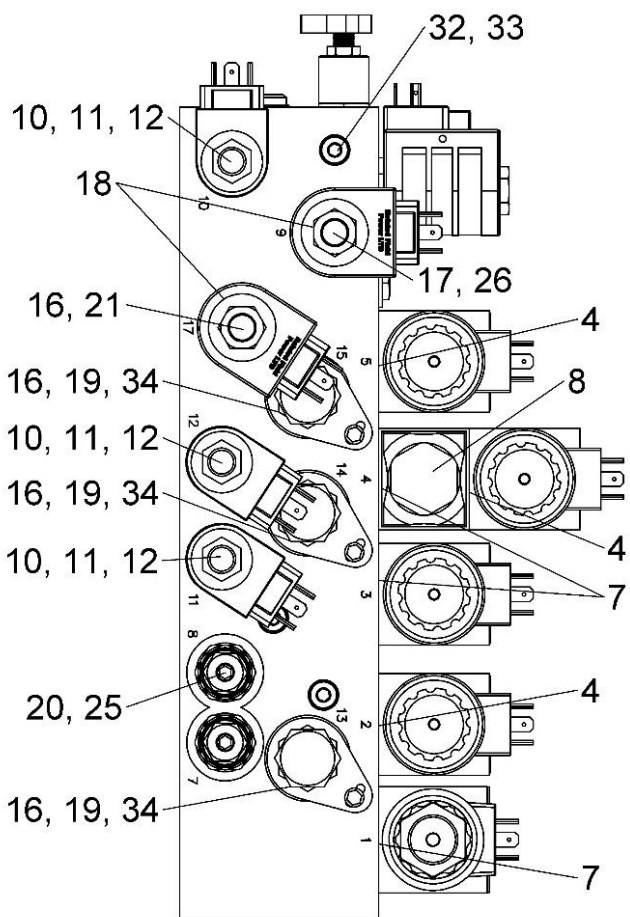


HVB-19145



Shelbourne Reynolds Engineering Limited

ASSY NUMBER: HVB-19180				ASSY DESCRIPTION: VALVE BLOCK CYLINDERS (T7062231739 TO T7062241856)			
ITEM	PART NO	DESCRIPTION	QTY	ITEM	PART NO	DESCRIPTION	QTY
1	HVB-90051	VALVE INC COIL (LIFT)	1				
2	HVB-90062	VALVE INC COIL (REACH)	1				
3	HVB-90050	COIL	6				
4	VSK-00160	SEAL KIT (FOR ITEMS 1, 2 & 27)	4				
5	HVB-90060	VALVE (SLEW)	1				
6	HVB-90077	COIL (2012 & ON)	4				
7	VSK-00130	SEAL KIT (FOR ITEMS 5, 8 & 22)	3				
8	HVB-90064	CHECK VALVE BLOCK	1				
9	HVB-02240	RELIEF VALVE	1				
10	HVB-90052	SPOOL VALVE (NO COIL)	3				
OR	HVB-90071	SPOOL VALVE INC COIL	-				
11	HVB-90075	COIL	1				
12	HVB-90058	SEAL KIT	4				
13	HVB-90053	NUT SMALL	3				
14	HVB-90074	LOAD HOLD VALVE	1				
15	HVC-01001	COIL	1				
16	HVB-90057	SEAL KIT	1				
17	HVB-90076A	CHECK VALVE	1				
18	HVB-90054	NUT	2				
19	HVB-90063	CHECK VALVE	4				
20	HVB-90073	OVERCENTRE VALVE	2				
21	HVB-90055	DUMP VALVE	1				
22	HVB-90066	VALVE (TELE)	1				
23	HVB-90094	PRESSURE REDUCING VALVE	1				
24	HVB-90095	RELIEF VALVE	2				
25	VSK-00300	SEAL KIT	1				
26	HVB-90097	SEAL KIT	1				
27	HVB-90091	VALVE INC COIL (H/ANG)	1				
28							
29	HVB-90100	TEST PORT	1				
30	HVB-90101	ZERO LEAK PLUG (SIZE 02)	1				
31	ORA060060	O RING	1				
32	HVB-90102	ZERO LEAK PLUG (SIZE 04)	13				
33	ORA060080	O RING	13				
34	ORA1401918	O RING	5				

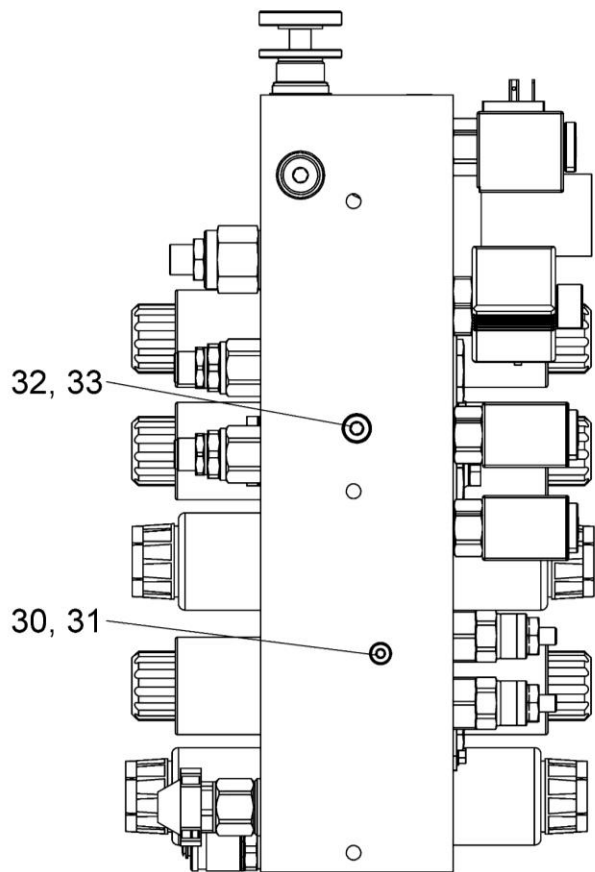
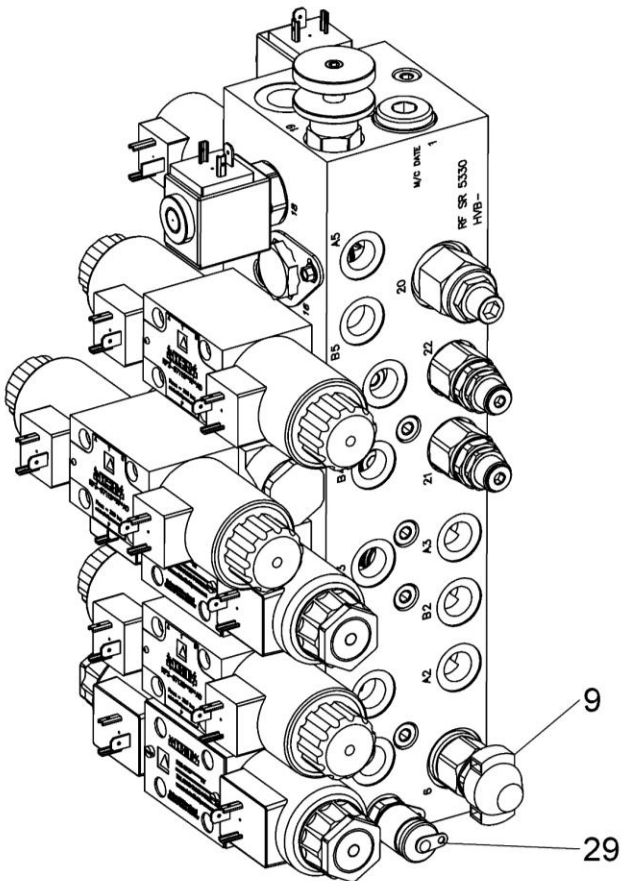
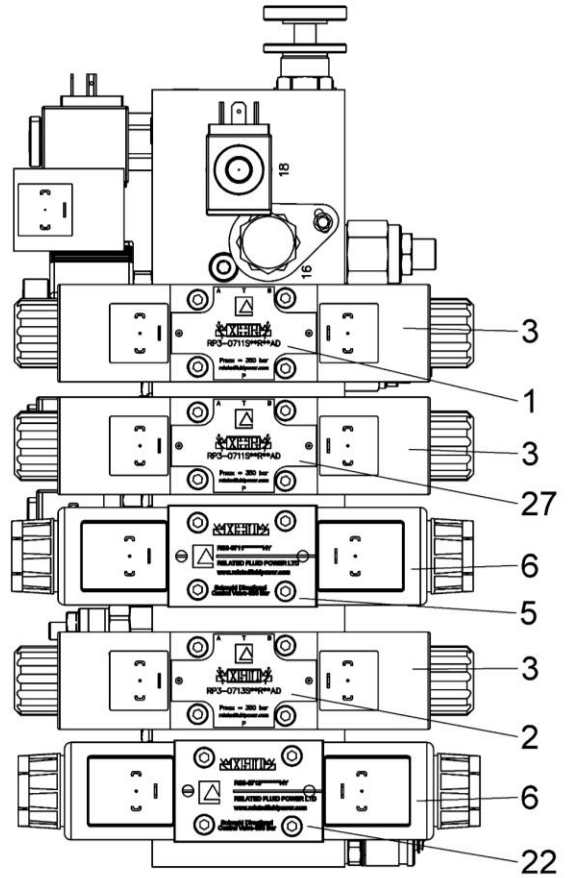
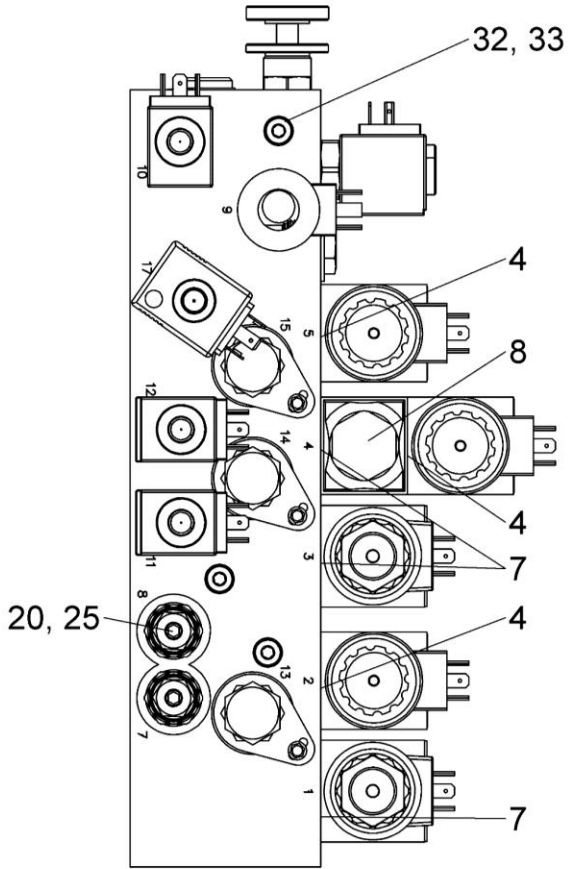


HVB-19180



Shelbourne Reynolds Engineering Limited

ASSY NUMBER: HVB-19210				ASSY DESCRIPTION: VALVE BLOCK CYLINDERS (T706241856 & ON)			
ITEM	PART NO	DESCRIPTION	QTY	ITEM	PART NO	DESCRIPTION	QTY
1	HVB-90051	VALVE INC COIL (LIFT)	1				
2	HVB-90062	VALVE INC COIL (REACH)	1				
3	HVB-90050	COIL	6				
4	VSK-00160	SEAL KIT (FOR ITEMS 1, 2 & 27)	4				
5	HVB-90060	VALVE (SLEW)	1				
6	HVB-90077	COIL (2012 & ON)	4				
7	VSK-00130	SEAL KIT (FOR ITEMS 5, 8 & 22)	3				
8	HVB-90064	CHECK VALVE BLOCK	1				
9	HVB-02240	RELIEF VALVE	1				
10							
OR							
11							
12							
13							
14							
15							
16							
17							
18							
19							
20	HVB-90073	OVERCENTRE VALVE	2				
21							
22	HVB-90066	VALVE (TELE)	1				
23							
24							
25	VSK-00300	SEAL KIT	1				
26							
27	HVB-90091	VALVE INC COIL (H/ANG)	1				
28							
29	HVB-90100	TEST PORT	1				
30	HVB-90101	ZERO LEAK PLUG (SIZE 02)	1				
31	ORA060060	O RING	1				
32	HVB-90102	ZERO LEAK PLUG (SIZE 04)	13				
33	ORA060080	O RING	13				
34							



HVB-19210

