

Shelbourne

REYNOLDS

RSD 32

PARTS MANUAL 2018 & ONWARDS



STRIPPER HEADER

Shelbourne Reynolds Engineering Ltd
Stanton
Bury St Edmunds
Suffolk
IP31 2AR
England

Telephone: 01359 250415
Fax: 01359 250464

Stores Direct : 01359 251231
Stores Direct: 01359 252031

Shelbourne Reynolds Inc.
Colby PO box 607
1250 S Country Club Drive
Colby , Kansas 67701
U.S.A.

Telephone: (785) 462 6299
Fax: (785) 462 6761

ISSUE 13

06/10/2023

ORDERING SPARE PARTS

IMPORTANT

Your Stripper Header is a made up of a Machine assembly number (common parts), specific sub assemblies and also customer optional build kits. The machine, sub assemblies and optional kit numbers are listed in the front pages of your Operators manual. If you do not have these numbers please contact Shelbourne Reynolds Parts Department direct on (telephone) Stanton - (01359) 251231 or Colby - (785) 462 6299.

To ensure that you order the correct part from your SRE dealer please use the following procedure.

ALWAYS QUOTE THE MACHINE AND SERIAL NUMBERS WHEN ORDERING.

The year and/or serial number of the machine may determine the correct sub assembly.

Refer to the Parts Manuals front page/s, listing the machine assemblies. Select the correct machine assembly number which is printed in the top left corner of the page (starting with 1965_ _ 01), This machine number can also be taken from the Stripper Header identification plate located on the rear left hand corner of the machine.

On this page you will find the parts listing for the common parts for every configuration of that machine assembly number. You will find the corresponding drawing by either looking at the facing page or progressing through the manual to the next drawing. The drawings indicate the components by item numbers, which you will find, are repeated in the left-hand side of your parts listing, and therefore referring to the correct part.

Note all parts will not be found listed below the machine number. Other parts will be from specific sub assemblies and optional kits. These sub assemblies and kits will be found in numerical order further through the manual. Sub assemblies start with 1960_ _ 01 and kits start with KIT- 19 _ _ _.

The parts listing for adaptor plates, drive kits and hydraulic couplings can be found in the following manuals;

Drive & Adaptor Plate Manuals

| | |
|--------------------|-----------|
| Massey Ferguson | MAN-03172 |
| Claas/Cat | MAN-03173 |
| John Deere | MAN-03174 |
| New Holland | MAN-03175 |
| Laverda | MAN-03176 |
| Gleaner/Challenger | MAN-03177 |
| Case IH | MAN-03178 |

List Of Kit Numbers

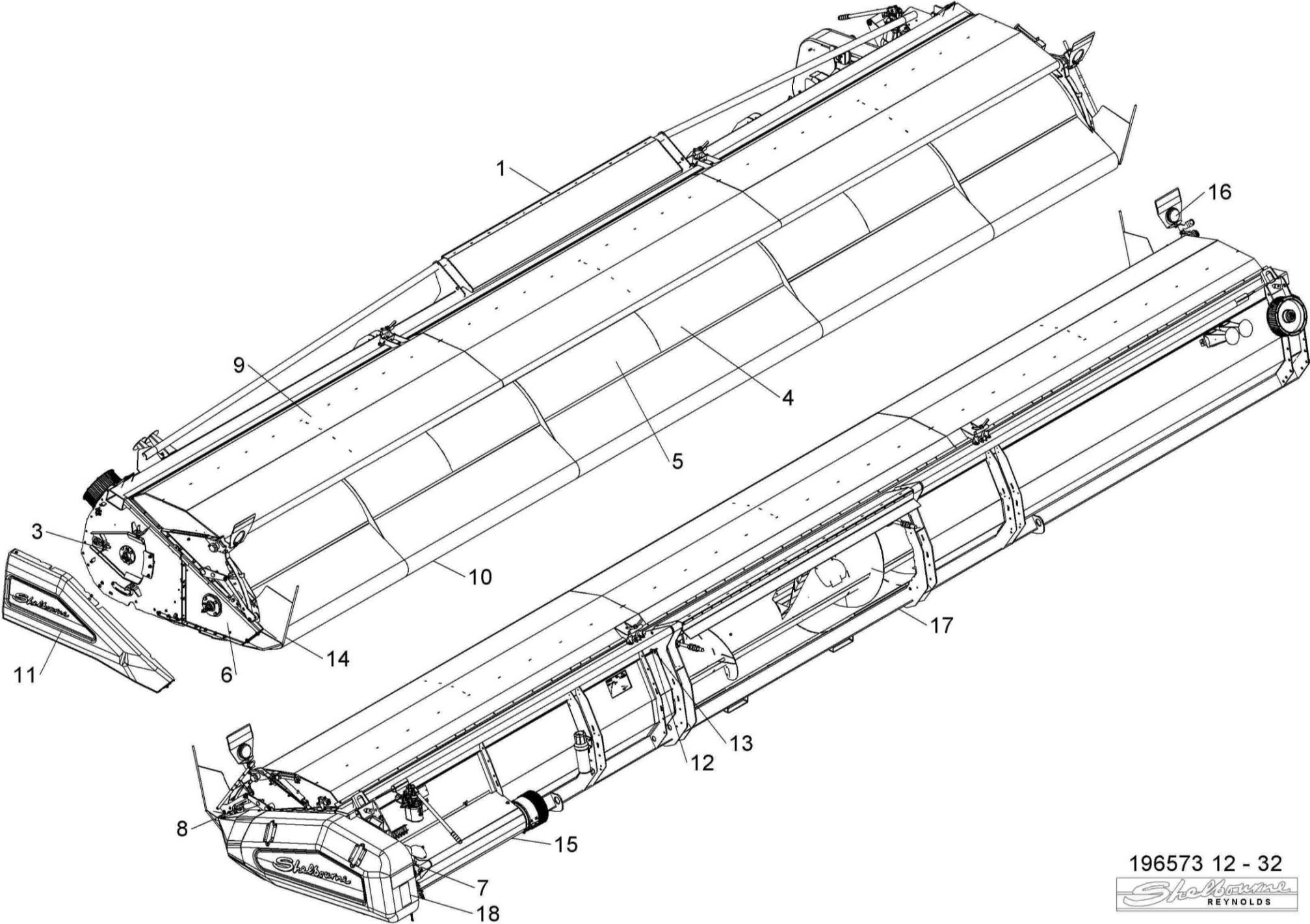
| | | |
|-----------|--|----|
| 196573 32 | Shelbourne Header | 1 |
| 196143 36 | Header Lights Sub Assembly | 3 |
| 196189 01 | Stripping Rotor Assembly RH 4.8m | 5 |
| 196193 16 | Hydraulic Circuit Sub Assembly | 7 |
| 196194 36 | Top Door Cowl Assembly | 9 |
| 196195 46 | Adjustable Crop Deflector Sub Assembly | 11 |
| 196229 01 | Stripping Rotor Assembly LH 4.8m | 13 |
| 196247 16 | Bolt On Paddle Auger Assembly | 15 |
| 196248 26 | Frame And Parts Sub Assembly | 18 |
| 196288 01 | Emblems And Guards Sub Assembly | 22 |
| 196292 01 | Auger Mounting Sub Assembly | 25 |
| 196293 01 | HTD Drive Sub Assembly | 27 |
| 196294 01 | Rotor Mounting Sub Assembly | 29 |
| 196298 01 | Divider Sub Assembly | 31 |
| 196330 01 | HTD Drive Sub Assembly | 33 |
| 196332 01 | Divider Sub Assembly With Covers | 35 |
| 196340 01 | Divider Sub Assembly With Covers | 37 |
| 196344 01 | HTD Drive Sub Assembly | 39 |
| | | |
| GEA-0059 | Input Gearbox | 41 |
| GEA-0065 | Input Gearbox (65mm Shaft) | 43 |
| GEA-0067 | Input Gearbox | 45 |
| | | |
| KIT-00123 | Auger Slip Clutch | 47 |
| KIT-00430 | Gearbox Input Shaft Sub Assembly | 49 |
| KIT-00931 | PTO Support Kit | 51 |
| KIT-00976 | Ball Joint Centre Coupling | 53 |
| KIT-01310 | Universal Belly/Wear Kit | 55 |
| KIT-01336 | Spare Pulley Mounting | 57 |
| KIT-01401 | Safety Decal Kit North America | 59 |
| KIT-01402 | Safety Decal Kit ISO | 61 |
| PTO-260** | Stripper PTO And Parts | 63 |
| RDS-0003 | RDS Equipment | 65 |
| RDS-0007 | RDS Equipment | 65 |

Kit Options 68

| | | |
|-----------|----------------------------------|----|
| KIT-01281 | Optional Roller Kit | 69 |
| KIT-01340 | Steel Skid Cover Kit | 71 |
| KIT-01378 | Poly Plate And Vee Strip Kit | 73 |
| KIT-01379 | Universal Belly Plate Kit | 75 |
| KIT-01382 | 1.2m Spill Plate Extension Kit | 77 |
| KIT-01384 | Anti-Wrap Plate Kit | 79 |
| KIT-01403 | Vee Strip Kit | 81 |
| KIT-01404 | Non Aggressive Centre Finger Kit | 83 |
| KIT-01411 | HTD 64 Tooth Pulley Kit | 85 |
| KIT-01412 | HTD 48 Tooth Pulley Kit | 87 |
| KIT-01418 | CE Area Kit | 89 |
| KIT-01440 | Hardox Skid Cover Kit | 91 |
| KIT-01441 | Idle End Lower Cover Kit | 93 |
| KIT-01446 | Ski Slope Spill Plate Kit | 95 |
| KIT-01451 | HTD 64 Tooth Pulley Kit | 97 |
| KIT-01452 | HTD 48 Tooth Pulley Kit | 99 |

Shelbourne Reynolds Engineering Limited

| ASSY NUMBER: 196573 32 | | | | ASSY DESCRIPTION: Rsd32 SHELBOURNE HEADER | | | |
|------------------------|-----------|--------------------------------|-----|---|-----------|----------------------------------|-----|
| ITEM | PART NO | DESCRIPTION | QTY | ITEM | PART NO | DESCRIPTION | QTY |
| 1 | 196248 26 | FRAME & PARTS SUB | 1 | 16 | 196143 36 | HEADER LIGHTS SUB | 1 |
| 2 | 196247 16 | PADDLE AUGER ASSY | 1 | 17 | KIT-01310 | BELLY PAN/WEAR KIT (UPTO 2021) | 1 |
| 3 | 196292 01 | AUGER MTG SUB ASSY | 1 | 18 | KIT-01401 | SAFETY DECAL KIT (N AMERICA) | 1 |
| 4 | 196229 01 | STRIPPING ROTOR ASSY 4.8 LH | 1 | OR | KIT-01402 | SAFETY DECAL KIT (REST OF WORLD) | 1 |
| 5 | 196189 01 | STRIPPING ROTOR ASSY 4.8 RH | 1 | | | | |
| 6 | 196294 01 | ROTOR MTG SUB ASSY | 1 | | | | |
| 7 | 196344 01 | HTD DRIVE SUB ASSY (2024 & ON) | | | | | |
| OR | 196330 01 | HTD DRIVE SUB ASSY (2020-2023) | 1 | | | | |
| OR | 196293 01 | HTD DRIVE SUB ASSY (UPTO 2020) | 1 | | | | |
| 8 | 196193 16 | HYDRAULICS | 1 | | | | |
| 9 | 196194 36 | TOP DOOR COWL SUB ASSY | 1 | | | | |
| 10 | 196195 46 | ADJ. CROP DEFLECTOR SUB | 1 | | | | |
| 11 | 196288 01 | EMBLEMS & GUARDS SUB | 1 | | | | |
| 12 | RDS-0007 | HEADER MONITOR LOOM KIT | 1 | | | | |
| 13 | RDS-0003 | COMBINE MONITOR KIT | 1 | | | | |
| 14 | 196340 01 | DIVIDER SUB (2024 & ON) | 1 | | | | |
| OR | 196332 01 | DIVIDER SUB (2021-2023) | 1 | | | | |
| OR | 196298 01 | DIVIDER SUB (UPTO 2021) | 1 | | | | |
| 15 | KIT-00430 | REAR DRIVE SHAFT SUB | 1 | | | | |



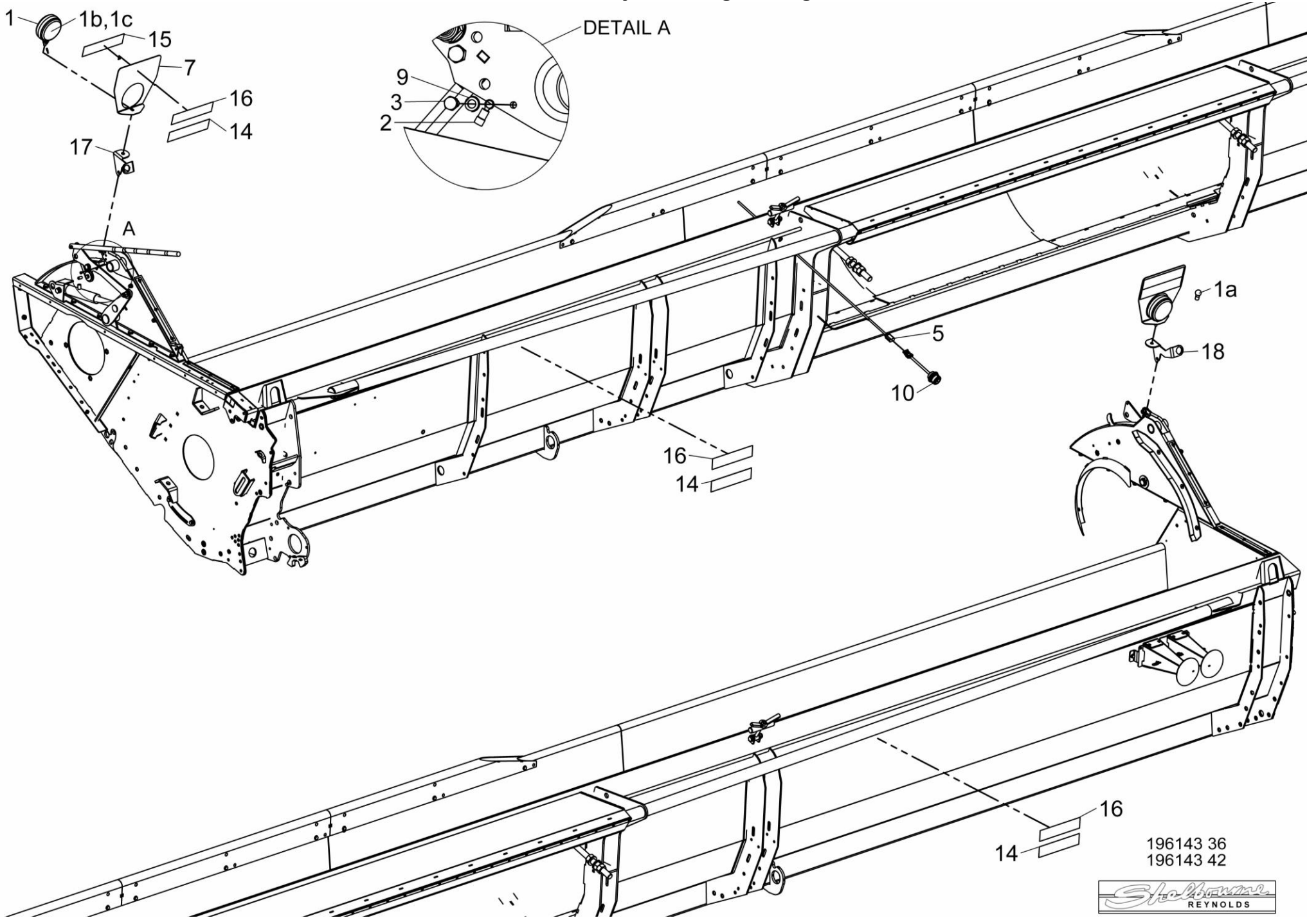
196573 12 - 32



Shelbourne Reynolds Engineering Limited

| ASSY NUMBER: 196143 36 | | | | ASSY DESCRIPTION: HEADER LIGHTS SUB Cvs/Rsd/Excel 24-32 | | | |
|------------------------|---------------|--------------------------------|-------|---|-----------|---------------------------|-------|
| ITEM | PART NO | DESCRIPTION | QTY | ITEM | PART NO | DESCRIPTION | QTY |
| 1 | LMP-10505 | INDICATOR LAMP | 2 | 15 | TPE-00250 | REFLECTIVE TAPE - YELLOW | 0.23m |
| 1a | BLB-0015 | SPARE BULB (2013 & ON) | | 15 | TPE-00250 | REFLECTIVE TAPE - YELLOW | 0.23m |
| OR | BLB-0020 | SPARE BULB (2012 - 2013) | | 16 | TPE-00251 | REFLECTIVE TAPE - RED | 0.23m |
| OR | BLB-0075 | SPARE BULB (UPTO 2012) | | 16 | TPE-00251 | REFLECTIVE TAPE - RED | 0.23m |
| 1b | LMP-10009 | SPARE LENS (3 SCREWS, 2013&ON) | | 16 | TPE-00251 | REFLECTIVE TAPE - RED | 0.23m |
| 1b | LMP-10006 | SPARE LENS (GROTE, 2012-2013) | | 16 | TPE-00251 | REFLECTIVE TAPE - RED | 0.23m |
| 1b | LMP-10000 | SPARE LENS FRONT (UPTO 2012) | | | | | |
| 1c | LMP-10001 | SPARE LENS REAR(PMG UPTO 2012) | | 17 | 198958 01 | LH LIGHT MOUNTING BRACKET | 1 |
| 2 | ETM-00440 | LOOP TERMINAL | 2 | 18 | 198958 02 | RH LIGHT MOUNTING BRACKET | 1 |
| 3 | HSS-0055 | SETSCREW | 3 | | | | |
| OR | SCW-5180 | SELF TAP SCREW | 3 | | | | |
| 4 | ETM-00560 | MALE BULLET TERMINAL | 2 | | | | |
| 5 | 198524 01 | WIRE LOOM & PLUG ASSY | 1 | | | | |
| 6 | | | | | | | |
| 7 | 290739 01 | INDICATOR GUARD (2019 & ON) | 2 | | | | |
| OR | 193567 01 | INDICATOR GUARD (UP TO 2019) | 2 | | | | |
| 8 | | | | | | | |
| 9 | WSH-0006 | PLAIN WASHER | 3 | | | | |
| 10 | 193516 01 | LIGHT PLUG (JD PRE 50 SERIES) | 1 | | | | |
| OR | 195207 01 | LIGHT PLUG (JD 50 SERIES) | 1 | | | | |
| OR | SEE KIT-01727 | LIGHT PLUG (JD 60,70 & S SER) | 1 | | | | |
| OR | 197040 01 | LIGHT PLUG (CASE IH & NH) | 1 | | | | |
| a | ECN-09060 | SPARE LOCK WASHER | | | | | |
| b | ECN-09050 | SPARE PANEL NUT | | | | | |
| OR | 198732 01 | LIGHT PLUG (NH TR) | 1 | | | | |
| OR | SEE KIT-01731 | LIGHT PLUG ASSY (AGCO MULTI) | 1 | | | | |
| OR | 291911 01 | LONG LIGHT CABLE (11m) | 1 | | | | |
| OR | 292994 01 | COMBINE LIGHT LOOM (JD X9) | 1 | | | | |
| 12 | | | | | | | |
| 13 | | | | | | | |
| 14 | TPE-00300 | FLUORESCENT TAPE -RED/ORANGE | 0.23m | | | | |
| 14 | TPE-00300 | FLUORESCENT TAPE -RED/ORANGE | 0.23m | | | | |
| 14 | TPE-00300 | FLUORESCENT TAPE -RED/ORANGE | 0.23m | | | | |
| 14 | TPE-00300 | FLUORESCENT TAPE -RED/ORANGE | 0.23m | | | | |

Shelbourne Reynolds Engineering Limited



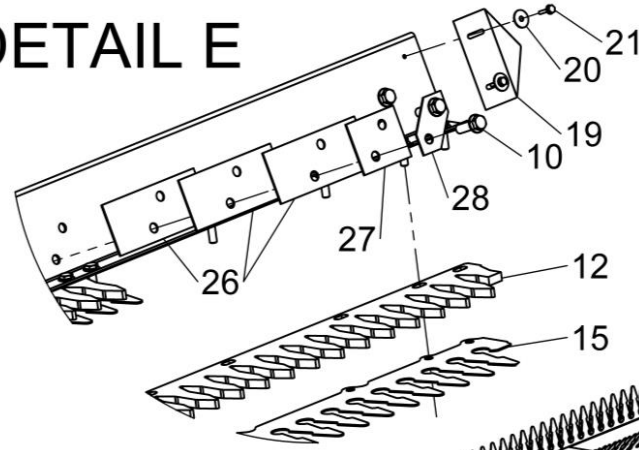
196143 36
196143 42



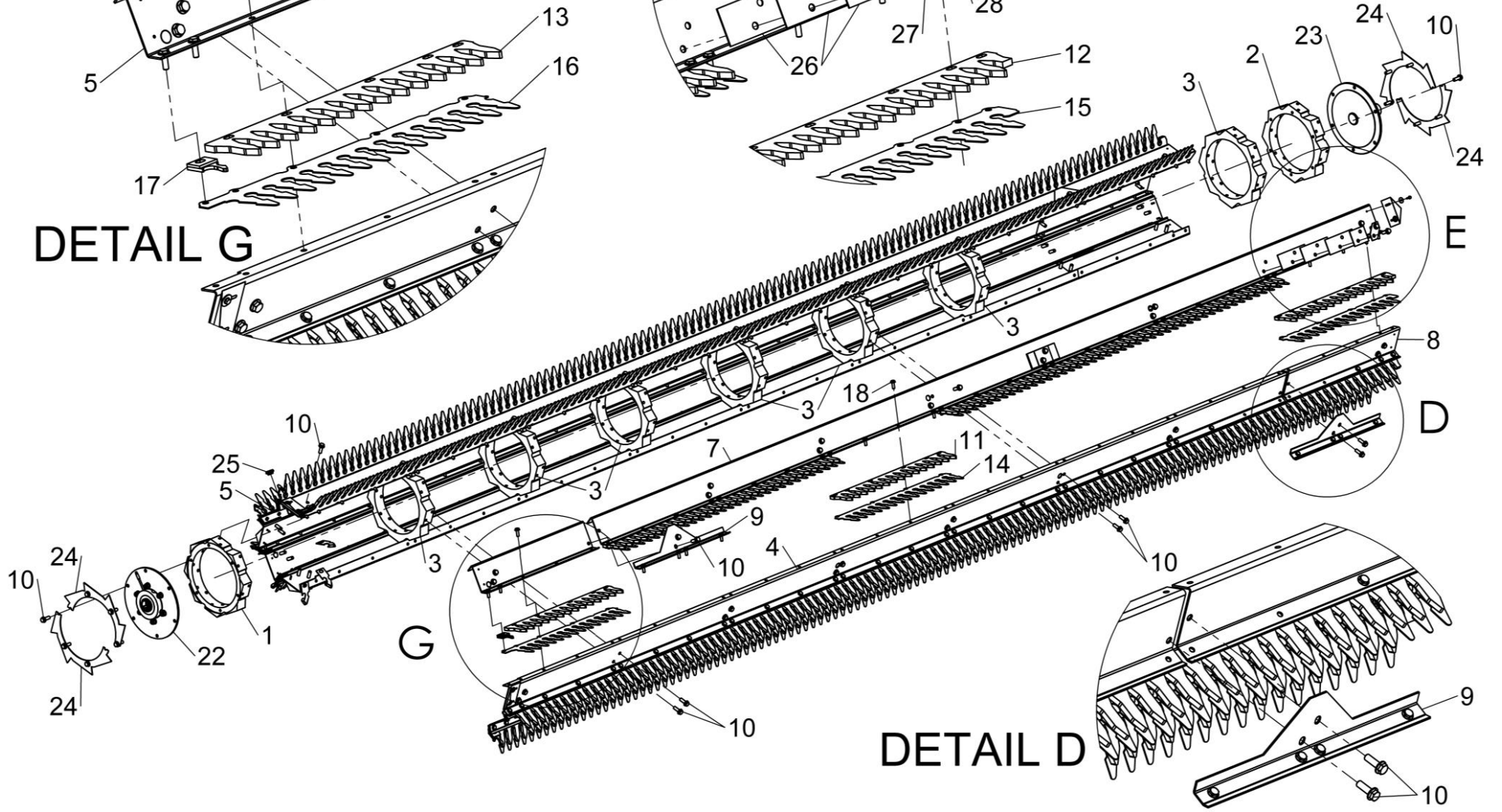
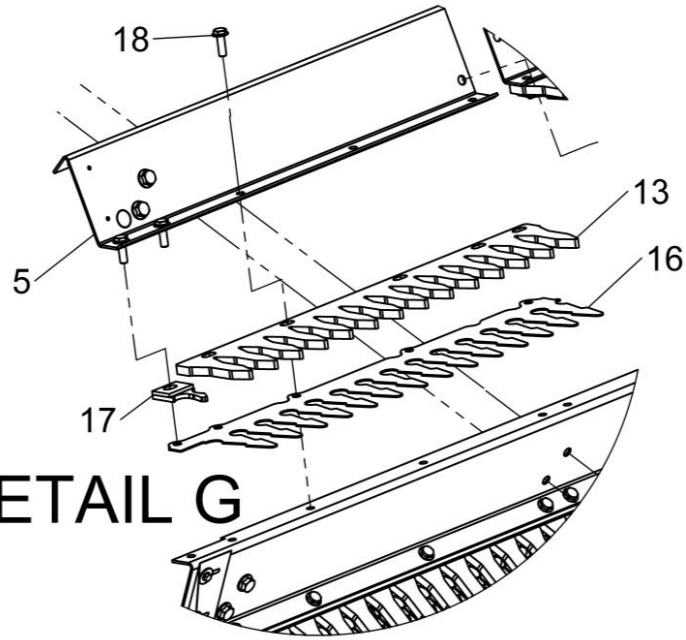
Shelbourne Reynolds Engineering Limited

| ASSY NUMBER: 196189 01 | | | | ASSY DESCRIPTION: STRIPPING ROTOR ASSY RH 4.8m | | | |
|------------------------|-----------|---|-------|--|---------|---|-----|
| ITEM | PART NO | DESCRIPTION | QTY | ITEM | PART NO | DESCRIPTION | QTY |
| 1 | 192892 01 | OUTER HUB CASTING LH | 1 | | | | |
| 2 | 192892 02 | OUTER HUB CASTING RH | 1 | | | | |
| 3 | 192892 03 | INNER HUB CASTING | 7 | | | | |
| 4 | 193526 01 | ROTOR SECTION 4.2m LH | 4 | | | | |
| 5 | 193526 07 | ROTOR SECTION 0.6m LH | 4 | | | | |
| 6 | | | | | | | |
| 7 | 193527 01 | ROTOR SECTION 4.2m RH | 4 | | | | |
| 8 | 193527 07 | ROTOR SECTION 0.6m RH | 4 | | | | |
| 9 | 193528 01 | STRENGTHENER PLATE | 8 | | | | |
| 10 | HSSG10204 | SETSCREW | 156 | | | | |
| 11 | 193558 01 | STANDARD ELEMENT CTR | 48 | | | | |
| 12 | 193558 02 | STANDARD ELEMENT END | 8 | | | | |
| OR | 193558 01 | FOR SPARES, CUT AND MODIFY STD SUPPORT FINGER | 8 | | | | |
| 13 | 193558 03 | STANDARD ELEMENT CTR END | 8 | | | | |
| OR | 193558 01 | FOR SPARES, CUT AND MODIFY STD SUPPORT FINGER | 8 | | | | |
| 14 | 197717 01 | SEED SAVER CTR | 48 | | | | |
| OR | 291009 01 | SEED SAVER CTR RICE (LONG TIP) | 48 | | | | |
| 15 | 197719 02 | SEED SAVER RH END | 8 | | | | |
| OR | 291011 01 | SEED SAVER LH END RICE (LONG TIP) | 8 | | | | |
| 16 | 197718 01 | SEED SAVER RH CTR | 8 | | | | |
| OR | 291010 02 | SEED SAVER LH CTR RICE (LONG TIP) | 8 | | | | |
| 17 | 194109 02 | CENTRE FINGER RH (AGGRESSIVE) | 8 | | | | |
| OR | 292310 02 | RICE CENTRE FINGER RH (FLAT) | 8 | | | | |
| 18 | HSSF08174 | TENSILOCK SETSCREW | 272 | | | | |
| 19 | 192679 01 | ANTI-WRAP PLATE (HALF SET) | 8 | | | | |
| OR | 192679 01 | ANTI-WRAP PLATE (FULL CTR SET) | 12 | | | | |
| OR | 192679 01 | ANTI-WRAP PLATE (FULL SET) | 16 | | | | |
| 20 | WSH-1034 | PENNY WASHER | 16-32 | | | | |
| 21 | SCW-5180 | SELF TAPPING SCREW | 16-32 | | | | |
| 22 | KIT-00976 | BALL COUPLING KIT | 1 | | | | |
| | | SEE KIT-00976 PAGE FOR PARTS BREAKDOWN | | | | | |
| 23 | 192899 01 | IDLE SHAFT W/A | 1 | | | | |
| 24 | 192959 01 | OUTER CLAMP RING | 4 | | | | |
| 25 | BPG-00200 | RUBBER PLUG | 1 | | | | |
| 26 | 193118 01 | BALANCE WEIGHT | 6 | | | | |
| 27 | 193118 02 | BALANCE WEIGHT | 2 | | | | |
| 82 | 193382 01 | BALANCE WEIGHT | 1 | | | | |
| | | | | | NOTE | 1 x ITEM 5 TO HAVE HOLE KNOCKED OUT FOR GREASER | |
| | | | | | NOTE | 197719 02 & 197718 01 ARE CORRECT PARTS WHEN FINGERS SET WITH FLANGES UP, i.e., AGGRESSIVE. | |
| | | | | | NOTE | WHEN FLANGES ARE DOWN, i.e., NON-AGGRESSIVE, USE 197719 01 & 198718 02. | |
| | | | | | NOTE | 291011 01 & 291010 02 ARE CORRECT PARTS WHEN FINGERS SET WITH FLANGES DOWN, i.e., NON-AGGRESSIVE, FOR RICE. THESE FINGERS CAN NOT BE SET AGGRESSIVELY | |

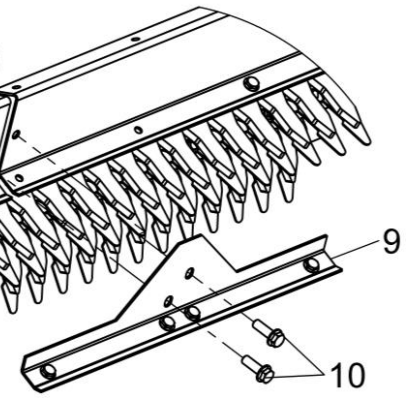
DETAIL E



DETAIL G



DETAIL D



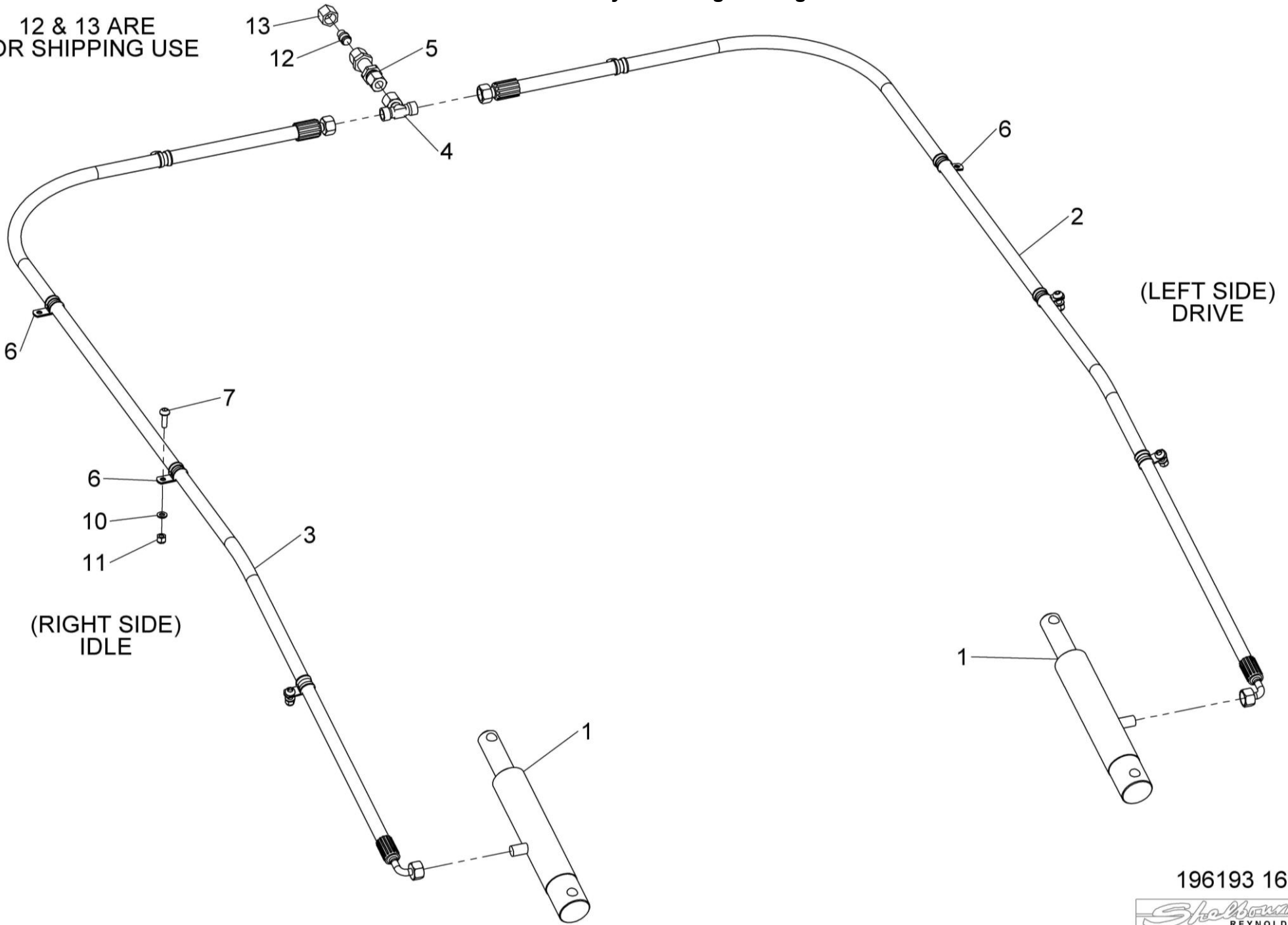
196189 01



Shelbourne Reynolds Engineering Limited

| ASSY NUMBER: 196193 16 | | | | ASSY DESCRIPTION: HYDRAULIC CIRCUIT SUB Cvs 32 | | | |
|------------------------|-----------|-------------------------------|-----|--|---------|-------------|-----|
| ITEM | PART NO | DESCRIPTION | QTY | ITEM | PART NO | DESCRIPTION | QTY |
| 1 | 195075 01 | HYDRAULIC RAM | 2 | | | | |
| 1a | RMSK00030 | SEAL KIT (SPARES) | | | | | |
| 2 | HHBC43510 | HYD HOSE ASSY LH | 1 | | | | |
| 3 | HHBC78010 | HYD HOSE ASSY RH | 1 | | | | |
| 4 | HPPD07100 | HYD TEE FITTING | 1 | | | | |
| 5 | FIT-0213 | HYD BULKHEAD FITTING | 1 | | | | |
| 6 | CLP-01012 | P CLIP | 8 | | | | |
| 7 | SCW-4960 | BUTTON SKT.HD SCREW | 4 | | | | |
| 8 | | | | | | | |
| 9 | | | | | | | |
| 10 | WSH-0009 | PLAIN WASHER | 4 | | | | |
| 11 | NUT-0260 | NYLOC NUT | 4 | | | | |
| 12 | FIT-0215 | BLANKING PLUG (FOR SHIPPING) | 1 | | | | |
| 13 | FIT-0051 | PIPE CRIMP NUT (FOR SHIPPING) | 1 | | | | |

12 & 13 ARE
FOR SHIPPING USE



(LEFT SIDE)
DRIVE

(RIGHT SIDE)
IDLE

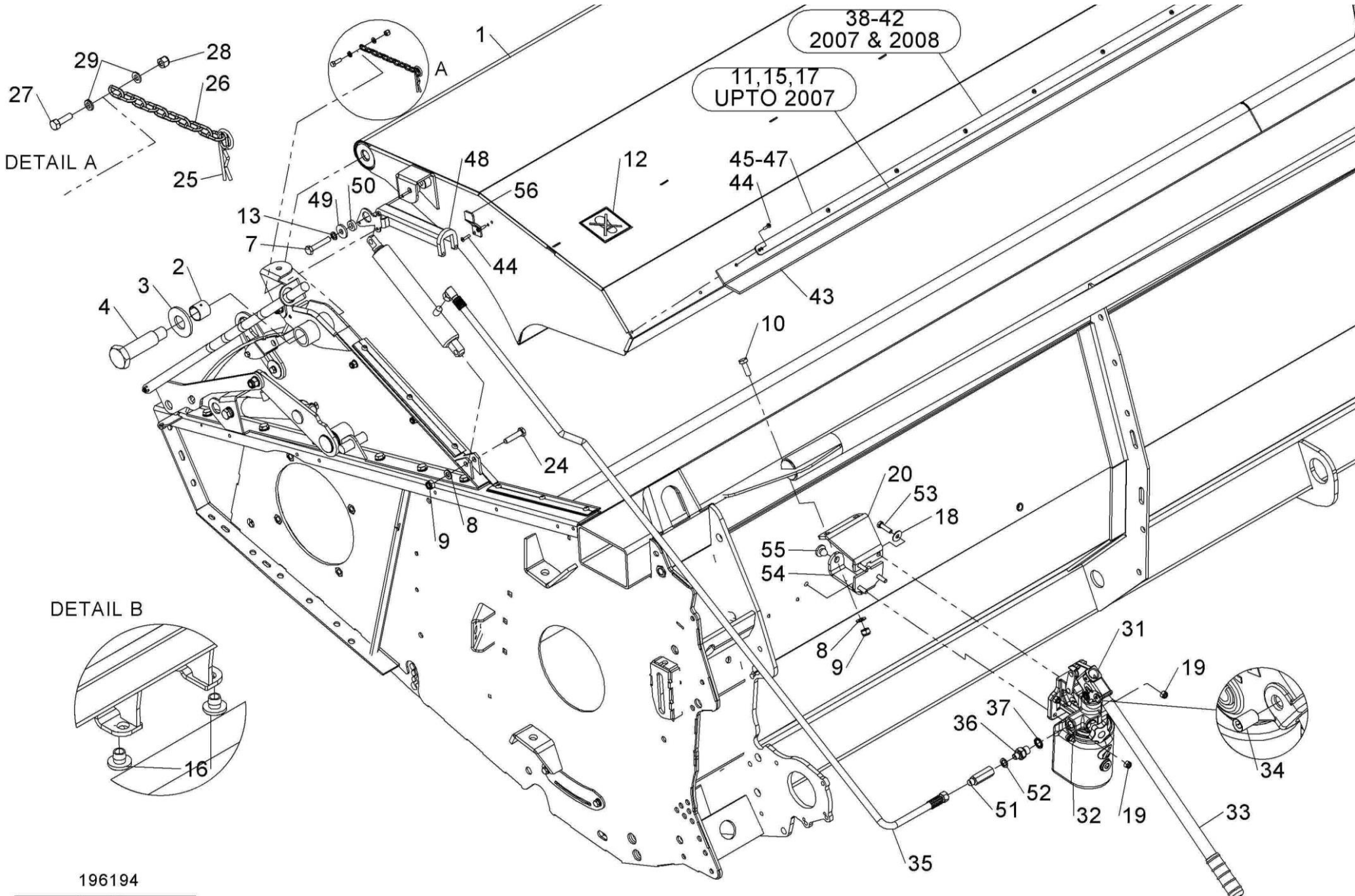
196193 16



Shelbourne Reynolds Engineering Limited

| ASSY NUMBER: 196194 36 | | | | ASSY DESCRIPTION: TOP DOOR COWL ASSY Rsd/Rvs32 (9.6) | | | |
|------------------------|------------|--|------|--|-----------|--------------------------------|-----|
| ITEM | PART NO | DESCRIPTION | QTY | ITEM | PART NO | DESCRIPTION | QTY |
| 1 | 197301 32 | HOOD W/A | 1 | 31b | HPS-01510 | SEAL KIT FOR JAC-00227 | |
| OR | 197301 27K | SPARES HOOD ASSY, INC.ITEMS 1,16,43,44,45,46,47, & 56 | | 31b | HPS-01500 | SEAL KIT FOR JAC-00226 | |
| 2 | BSHK03056 | BUSH | 2 | 32 | JAC-00222 | HYD RESEVOIR (2015 & ON) | 1 |
| 3 | 192813 01 | LARGE WASHER | 2 | OR | JAC-00221 | HYD RESEVOIR (2007 - 2014) | |
| 4 | 192812 01 | COWL PIN | 2 | 33 | JAC-00230 | JACK HANDLE (2007 & ON) | 1 |
| 5 | NIP-0001 | GREASE ZERK (UPTO 2009) | 2 | 34 | SCW-4530 | GRUBSCREW (2007 & ON) | 1 |
| 6 | GSTA14406 | GAS STRUTT(1700N) (UPTO 2007) | 2 | 35 | HHCC10505 | HYD HOSE (2015 & ON) | 1 |
| 7 | BLTA10380 | BOLT (2015 & ON) | 1 | OR | HHCC11505 | HYD HOSE (2007 - 2014) | 1 |
| OR | BLTA10290 | BOLT (UPTO 2009) | | 36 | FIT-0025 | MM ADPT (2015 & ON) | 1 |
| 8 | WSH-0015 | PLAIN WASHER | 3 | OR | HAPAA0305 | HYD REST (2007 - 2014) | |
| 9 | NUT-0265 | NYLOC NUT | 3 | 37 | WSH-1010 | DOWTY WASHER (2007 & ON) | 1 |
| 10 | HSS-0194 | BOLT | 2 | 38 | 197615 01 | CLAMP STRIP (2007 & 08) | 2 |
| 11 | EDS-11696 | SEAL STRIP (UPTO 2007) | 1 | 39 | 197615 10 | CLAMP STRIP (2007 & 08) | 2 |
| 12 | 192718 01 | TRANSFER | 2 | 40 | 197615 11 | CLAMP STRIP (2007 & 08) | 2 |
| 13 | WSH-0061 | SPRING WASHER | 1 | 41 | 197615 13 | CLAMP STRIP (2007 & 08) | 2 |
| 14 | | | | 42 | 197615 08 | CLAMP STRIP (2007 & 08) | 1 |
| 15 | 197289 02 | SEAL CLAMP PLT (UPTO 2007) | 8 | 43 | 198066 08 | SEALING STRIP (2009 & ON) | 1 |
| 16 | 197810 01 | BUMP STOP | 4 | OR | 197602 06 | SEALING STRIP (2007 & 08) | 1 |
| 17 | HSS-0140 | SETSCREW (UPTO 2007) | 24 | 44 | POP-0006 | POP RIVETS (2009 & ON) | 51 |
| 18 | WSH-1038 | WASHER | 4 | 45 | 198067 01 | CLAMP STRIP 1304mm (2009 & ON) | 1 |
| 19 | NUT-0263 | NYLOC NUT | 4 | 46 | 198067 02 | CLAMP STRIP 1194mm (2009 & ON) | 6 |
| 20 | 199831 01 | HAND PUMP BRACKET (2015 & ON) | 1 | 47 | 198067 03 | CLAMP STRIP 1104mm (2009 & ON) | 1 |
| OR | 197607 01 | HAND PUMP BRACKET (2007 2014) | | 48 | 198311 01 | RAM STOP (2010 & ON) | 1 |
| 21 | 197606 01 | STORAGE BRACKET (2007 - 2009) | 1 | 49 | 190119 75 | WASHER (2010 & ON) | 1 |
| 22 | 197605 01 | RAM STOP (2007 - 2009) | 1 | 50 | 190119 79 | WASHER (2010 & ON) | 1 |
| 23 | PIN-1720 | SPRING 'D' PIN (2007 - 2009) | 1 | 51 | HVB-93000 | FLOW RESTRICTOR | 1 |
| 24 | BLTA10290 | BOLT | 1 | 52 | WSH-1005 | DOWTY WASHER | 1 |
| 25 | CLP-00103 | R CLIP (2007-2017) | 1 | 53 | HSS-0150 | BOLT | 4 |
| 26 | CHN-0145 | CHAIN (2007-2017) | 0.17 | 54 | 199832 01 | PUMP BRACKET BOTTOM | 1 |
| 27 | HSS-0086 | SET SCREW (2007-2017) | 1 | 55 | RUB-0030 | RUBBER GROMMET | 1 |
| 28 | NUT-0260 | NYLOC NUT (2007-2017) | 1 | 56 | 290373 01 | HOOK (2017 & ON) | 1 |
| 29 | WSH-0009 | PLAIN WASHER (2007-2017) | 2 | | | | |
| 30 | 197601 01 | HYDRAULIC CYLINDER (2007 & ON) | 1 | | | | |
| 30a | RMSK00030 | RAM SEAL KIT | | | | | |
| 31 | JAC-00228 | HYD HAND PUMP (2024 & ON) | 1 | | | | |
| OR | JAC-00227 | HYD HAND PUMP (2015-2023) | | | | | |
| OR | JAC-00226 | HYD HAND PUMP (2007-2014) | | | | | |
| 31a | FITE00107 | FILLER CAP | | | | | |
| 31b | HPS-01520 | SEAL KIT FOR JAC-00228 & JAC-00227 | | | | | |

Shelbourne Reynolds Engineering Limited

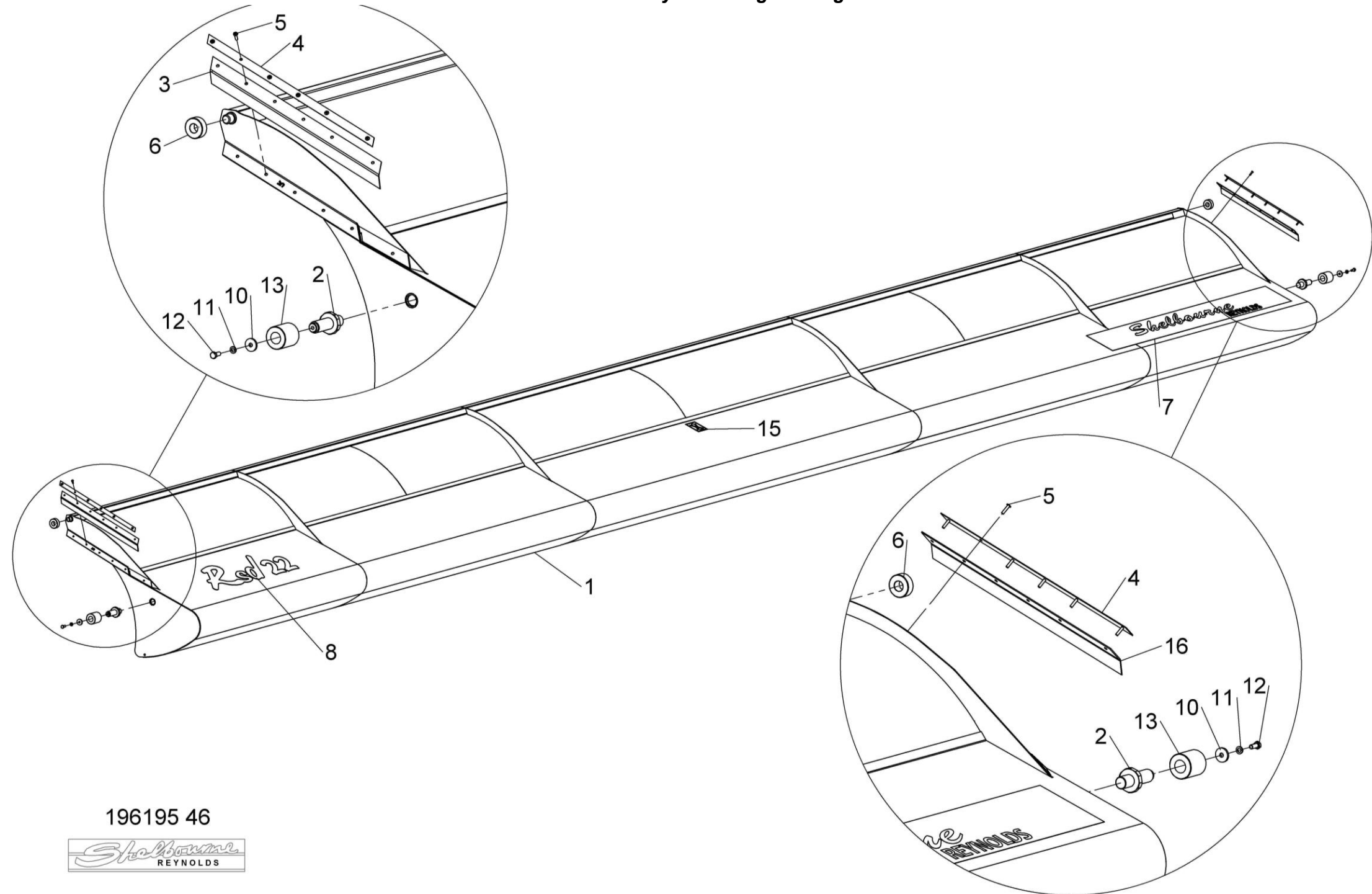


196194



Shelbourne Reynolds Engineering Limited

| ASSY NUMBER: 196195 46 | | | | ASSY DESCRIPTION: ADJ. CROP DEFLECTOR SUB ASSY RSD 32 | | | |
|------------------------|-----------|-------------------------------|-----|---|---------|-------------|-----|
| ITEM | PART NO | DESCRIPTION | QTY | ITEM | PART NO | DESCRIPTION | QTY |
| 1 | 199428 01 | ADJ CROP DEFLECTOR | 1 | | | | |
| 2 | 195379 01 | SPINDLE | 2 | | | | |
| 3 | 292110 02 | SIDE SEAL RH (SMOOTH SIDE UP) | 1 | | | | |
| 4 | 195433 01 | CLAMP STRIP | 2 | | | | |
| 5 | POP-0006 | POP RIVET | 12 | | | | |
| 6 | 191642 01 | NYLON ROLLER | 2 | | | | |
| 7 | 198763 01 | EMBLEM | 1 | | | | |
| 8 | 199016 08 | EMBLEM (RSD32) WHITE | 1 | | | | |
| OR | 197136 08 | EMBLEM (RSD32) RED | 1 | | | | |
| 10 | 190119 08 | WASHER | 2 | | | | |
| 11 | WSH-0058 | SPRING WASHER | 2 | | | | |
| 12 | HSS-0140 | BOLT | 2 | | | | |
| 13 | 192688 01 | NYLON ROLLER | 2 | | | | |
| 14 | 190119 20 | WASHER (UPTO 2012) | 4 | | | | |
| 15 | 192718 01 | TRANSFER | 1 | | | | |
| 16 | 292110 01 | SIDE SEAL LH (SMOOTH SIDE UP) | 1 | | | | |

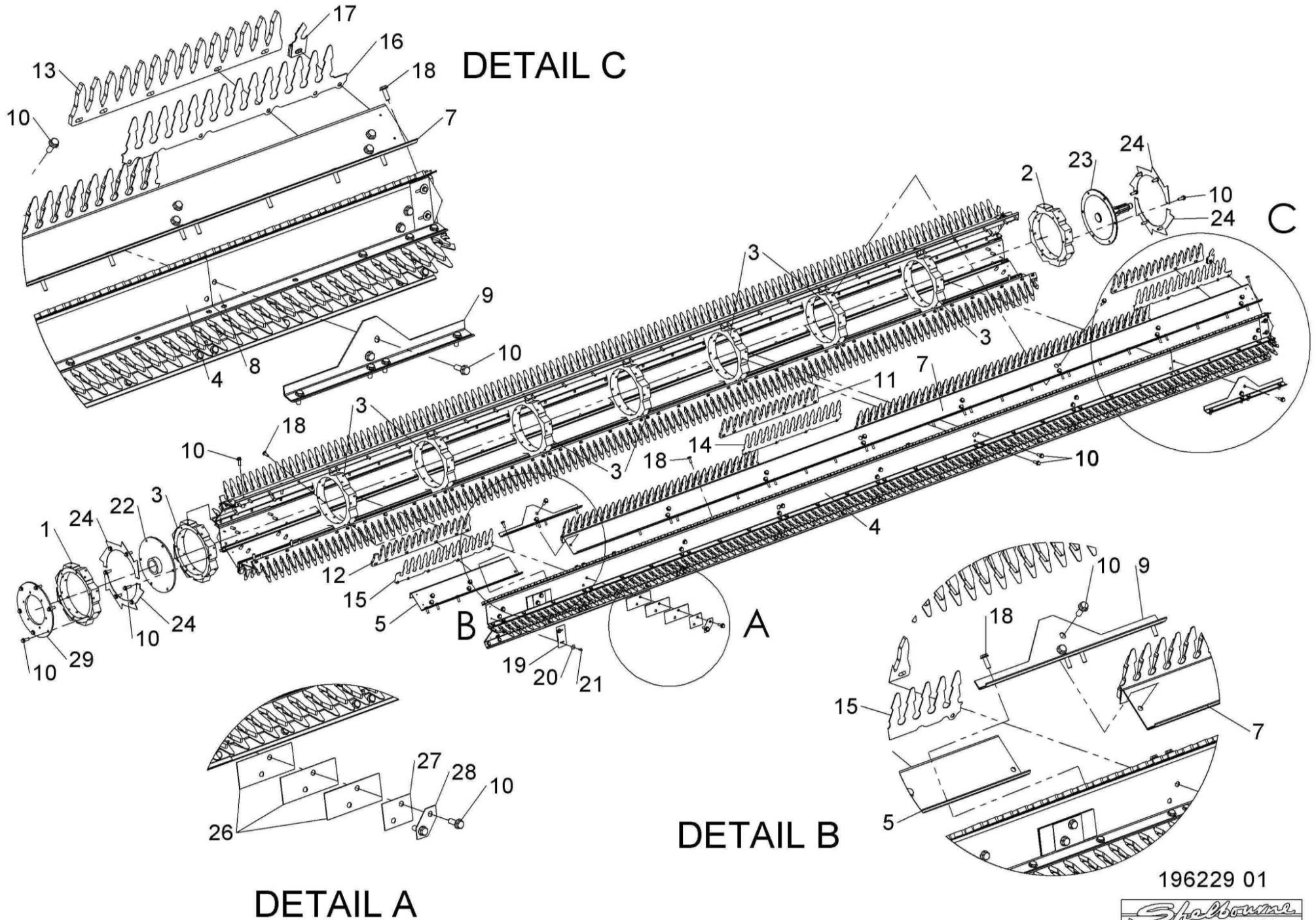


196195 46



Shelbourne Reynolds Engineering Limited

| ASSY NUMBER: 196229 01 | | | | ASSY DESCRIPTION: STRIPPING ROTOR ASSY LH 4.8m | | | |
|------------------------|-----------|---|-------|--|---------|---|-----|
| ITEM | PART NO | DESCRIPTION | QTY | ITEM | PART NO | DESCRIPTION | QTY |
| 1 | 192892 01 | OUTER HUB CASTING LH | 2 | | | | |
| 2 | 192892 02 | OUTER HUB CASTING RH | 1 | | | | |
| 3 | 192892 03 | INNER HUB CASTING | 7 | | | | |
| 4 | 194370 01 | ROTOR SECTION 4.2m LH | 4 | | | | |
| 5 | 194370 02 | ROTOR SECTION 0.6m LH | 4 | | | | |
| 6 | | | | | | | |
| 7 | 193527 01 | ROTOR SECTION 4.2m RH | 4 | | | | |
| 8 | 193527 07 | ROTOR SECTION 0.6m RH | 4 | | | | |
| 9 | 193528 01 | STRENGTHENER PLATE | 8 | | | | |
| 10 | HSSG10204 | TENSILOCK SETSCREW | 178 | | | | |
| 11 | 193558 01 | STANDARD ELEMENT CTR | 48 | | | | |
| 12 | 193558 02 | STANDARD ELEMENT END | 8 | | | | |
| OR | 193558 01 | FOR SPARES, CUT AND MODIFY STD SUPPORT FINGER | 8 | | | | |
| 13 | 193558 03 | STANDARD ELEMENT CTR END | 8 | | | | |
| OR | 193558 01 | FOR SPARES, CUT AND MODIFY STD SUPPORT FINGER | 8 | | | | |
| 14 | 197717 01 | SEED SAVER CTR | 48 | | | | |
| OR | 291009 01 | SEED SAVER CTR RICE (LONG TIP) | 48 | | | | |
| 15 | 197719 01 | SEED SAVER LH END | 8 | | NOTE | 197719 01 & 197718 02 ARE CORRECT PARTS WHEN FINGERS SET AGGRESSIVE. | |
| OR | 291011 02 | SEED SAVER RH END RICE (LONG TIP) | 8 | | | | |
| 16 | 197718 02 | SEED SAVER LH CTR | 8 | | | | |
| OR | 291010 01 | SEED SAVER RH CTR RICE (LONG TIP) | 8 | | | | |
| 17 | 194109 01 | CENTRE FINGER LH (AGGRESSIVE) | 8 | | | | |
| OR | 292310 01 | RICE CENTRE FINGER LH (FLAT) | 8 | | | WHEN FLANGES ARE DOWN, i.e., NON-AGGRESSIVE, USE 197719 02 & 198718 01. | |
| 18 | HSSF08174 | TENSILOCK SETSCREW | 272 | | | | |
| 19 | 192679 01 | ANTI-WRAP PLATE (HALF SET) | 8 | | | | |
| OR | 192679 01 | ANTI-WRAP PLATE (FULL CTR SET) | 12 | | | | |
| OR | 192679 01 | ANTI-WRAP PLATE (FULL SET) | 16 | | NOTE | 291011 02 & 291010 01 ARE CORRECT PARTS WHEN FINGERS SET WITH FLANGES DOWN, i.e., NON-AGGRESSIVE, FOR RICE. THESE FINGERS CAN NOT BE SET AGGRESSIVELY | |
| 20 | WSH-1034 | PENNY WASHER | 16-32 | | | | |
| 21 | SCW-5180 | SELF TAPPING SCREW | 16-32 | | | | |
| 22 | 197114 01 | ROTOR DRIVE DISC W/A | 1 | | | | |
| 23 | 193103 01 | CTR DRIVE SHFT W/A | 1 | | | | |
| 24 | 192959 01 | OUTER CLAMP RING | 4 | | | | |
| 25 | | | | | | | |
| 26 | 193118 01 | BALANCE WEIGHT | 6 | | | | |
| 27 | 193118 02 | BALANCE WEIGHT | 2 | | | | |
| 28 | 193382 01 | BALANCE WEIGHT | 1 | | | | |
| 29 | 197111 01 | ROTOR DRIVE DISC | 1 | | | | |



DETAIL A

DETAIL B

DETAIL C

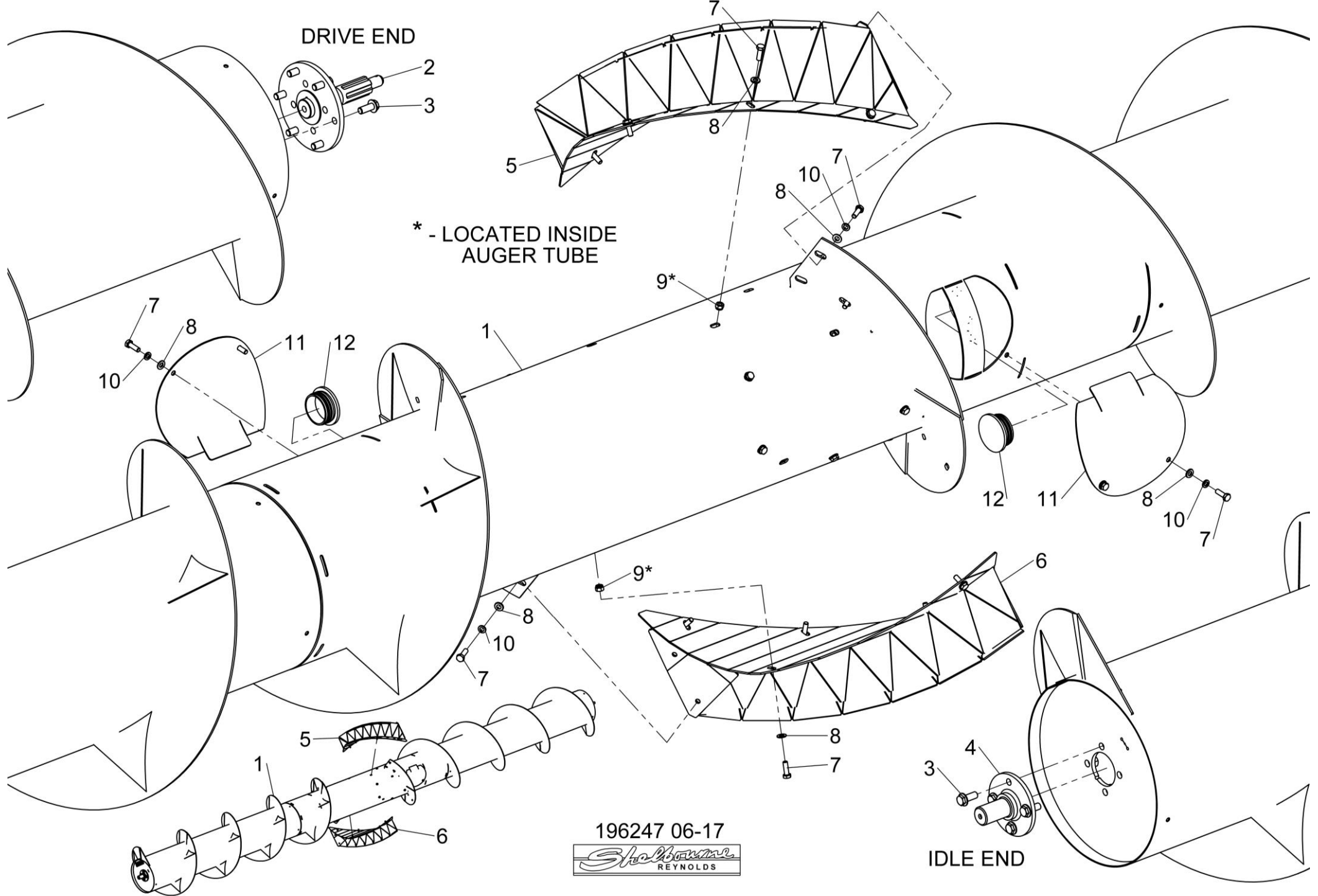
196229 01



Shelbourne Reynolds Engineering Limited

| ASSY NUMBER: 196247 16 | | | | ASSY DESCRIPTION: 9.6m (32') BOLT ON PADDLE AUGER ASSY | | | |
|------------------------|------------|--|-----|--|---------|-------------|-----|
| ITEM | PART NO | DESCRIPTION | QTY | ITEM | PART NO | DESCRIPTION | QTY |
| 1 | 292072 01 | AUGER W/A | 1 | | | | |
| 2 | 195848 01 | AUGER DRIVE SHAFT | 1 | | | | |
| 3 | HSSF12204 | SET SCREW | 10 | | | | |
| 4 | 197704 02 | IDLER SHAFT | 1 | | | | |
| 5 | 197620 01R | AUGER SPIRAL PADDLE LH | 1 | | | | |
| 6 | 197620 02R | AUGER SPIRAL PADDLE RH | 1 | | | | |
| 7 | HSS-0145 | HEX HEAD SCREW | 22 | | | | |
| 8 | WSH-0012 | PLAIN WASHER | 32 | | | | |
| 9 | NUT-0263 | NYLOC NUT | 10 | | | | |
| 10 | WSH-0058 | SPRING WASHER | 12 | | | | |
| 11 | 290590 01 | COVER (4 BOLT) (**32213720 & ON) | 2 | | | | |
| OR | 290550 01 | COVER (4 BOLT) (UPTO **32213634) | 2 | | | | |
| OR | 194472 01 | COVER (2 BOLT) (UPTO 2021) | 2 | | | | |
| 12 | 21709036 | TUBE PLUG | 2 | | | | |
| 13 | 196247 16R | COMPLETE SPARE AUGER ASSY (CONSISTS OF ITEM 1-12) | | | | | |

DRIVE END



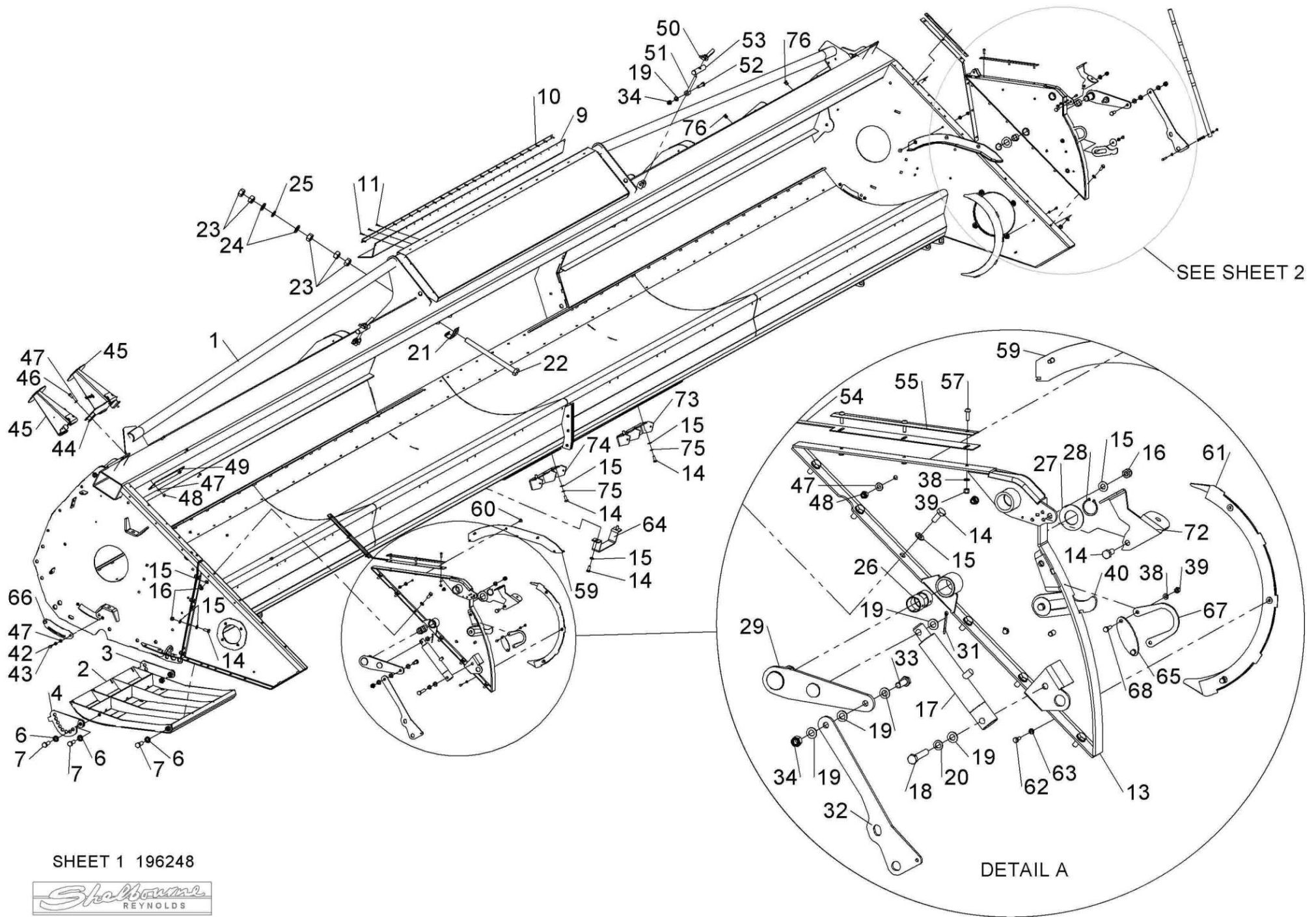
IDLE END

196247 06-17



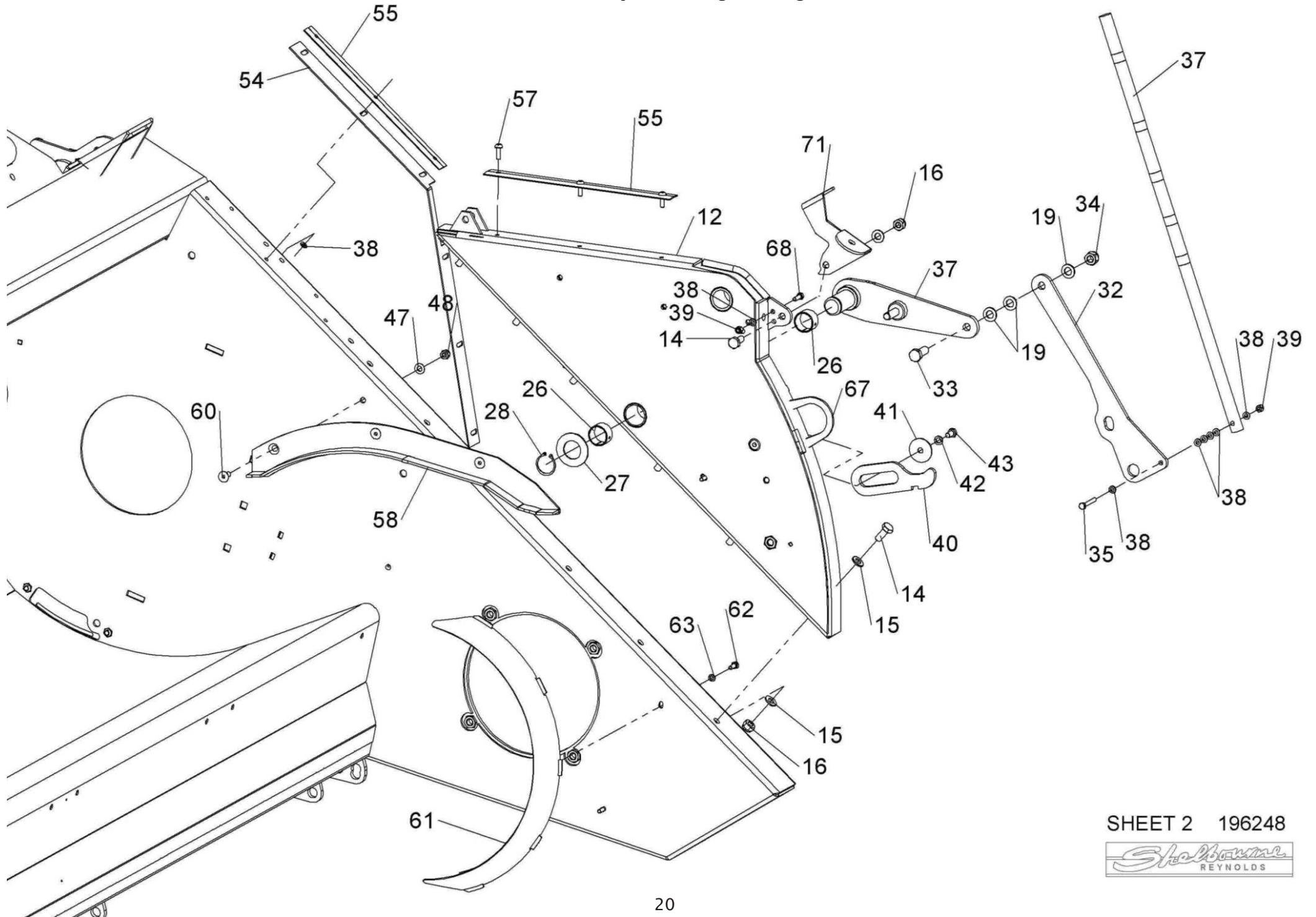
Shelbourne Reynolds Engineering Limited

| ASSY NUMBER: 196248 26 | | | | ASSY DESCRIPTION: FRAME & PARTS SUB RSD32 | | | |
|------------------------|-----------|----------------------------|-----|---|-----------|--------------------------------|-----|
| ITEM | PART NO | DESCRIPTION | QTY | ITEM | PART NO | DESCRIPTION | QTY |
| 1 | 198182 01 | Rsd32 MAINFRAME | 1 | 39 | NUT-0260 | NYLOC NUT | 15 |
| 2 | 194395 01 | SKID ASSY | 2 | 40 | 192809 01 | NOSE STOP LATCH | 2 |
| 3 | 193828 01 | SKID ADJUSTER LH | 2 | 41 | 190119 05 | WASHER | 2 |
| 4 | 193828 02 | SKID ADJUSTER RH | 2 | 42 | WSH-0058 | SPRING WASHER | 6 |
| 5 | 190119 07 | WASHER (UPTO 2015) | 8 | 43 | HSS-0135 | SETSCREW | 6 |
| 6 | WSHA30161 | LOCK WASHER (2019 & ON) | 12 | 44 | 193221 01 | HEADER STAND BRACKET | 1 |
| OR | WSH-0070 | SPRING WASHER (UP TO 2019) | 24 | 45 | 290520 01 | HEADER STAND (2018 & ON) | 2 |
| 7 | HSS-0317 | SETSCREW | 12 | OR | 193222 01 | HEADER FRONT STAND (UPTO 2018) | 2 |
| 8 | WSH-0024 | PLAIN WASHER (UP TO 2019) | 24 | 46 | HSS-0145 | SET SCREW | 2 |
| 9 | 194545 01 | RUBBER SEAL | 1 | 47 | WSH-0012 | PLAIN WASHER | 14 |
| 10 | 194493 01 | CLAMP STRIP | 1 | 48 | NUT-0263 | NYLOC NUT | 8 |
| 11 | POP-0006 | POP RIVET | 25 | 49 | 195541 01 | BACKING PLATE | 1 |
| 12 | 194913 01 | TOP SIDE PLATE LH | 1 | 50 | 193244 01 | RETAINING NUT | 2 |
| 13 | 194913 02 | TOP SIDE PLATE RH | 1 | 51 | 193248 01 | RETAINING SCREW | 2 |
| 14 | HSS-0191 | SET SCREW | 22 | 52 | BLTA12380 | BOLT | 2 |
| 15 | WSH-0015 | PLAIN WASHER | 34 | 53 | 193251 01 | RETAINING BAR | 2 |
| 16 | NUT-0265 | NYLOC NUT | 18 | 54 | 194000 01 | RUBBER SEAL | 2 |
| 17 | 195075 01 | HYDRAULIC RAM | 2 | 55 | 199567 01 | SEAL CLAMP | 4 |
| 17A | RMSK00030 | RAM SEAL KIT | | 56 | | | |
| 18 | BLTA12410 | BOLT | 2 | 57 | SCW-4960 | BUTTON SKT.HD SCREW | 12 |
| 19 | WSH-0018 | PLAIN WASHER | 32 | 58 | 194385 01 | NOSE RUNNER ASSY LH | 1 |
| 20 | WSH-0065 | SPRING WASHER | 4 | 59 | 194385 02 | NOSE RUNNER ASSY RH | 1 |
| 21 | 194987 01 | LOCKING ASSY | 2 | 60 | SCW-1735 | CSK SOCKET HD SCW | 6 |
| 22 | HSSA24994 | SET SCREW | 2 | 61 | 193363 01 | ROTOR DEFLECTOR | 2 |
| 23 | NUT-0190 | PLAIN.NUT | 10 | 62 | HSS-0084 | SET SCREW | 6 |
| 24 | WSH-0036 | PLAIN WASHER | 4 | 63 | WSH-0056 | SPRING WASHER | 6 |
| 25 | 190548 62 | WASHER | 2 | 64 | 195126 01 | FORK LIFT SHOE PLATE | 2 |
| 26 | BSHK03047 | BUSH | 4 | 65 | HSS-0260 | BOLT (SHIPPING ONLY) | 2 |
| 27 | WSH-1547 | PLAIN WASHER | 2 | OR | 197309 01 | PLATE (UPTO 2017) | 2 |
| 28 | CIR-1150 | CIRCLIP | 2 | 66 | 195844 01 | COVER PLATE | 2 |
| 29 | 194538 06 | LIFT ARM LH | 1 | 67 | 197308 01 | HORSE SHOE PLATE (UPTO 2017) | 2 |
| 30 | 194538 07 | LIFT ARM RH | 1 | 68 | HSS-0086 | SET SCREW | 2 |
| 31 | PIN-1150 | SPLIT PIN | 2 | 69 | NUTA13080 | NUTSERT | 2 |
| 32 | 194537 01 | LINK ARM | 2 | 70 | WSH-0061 | SPRING WASHER | 4 |
| 33 | HSS-0250 | SET SCREW | 2 | 71 | 198958 01 | LIGHT BRACKET LH (2012 & ON) | 1 |
| 34 | NUT-0269 | NYLOC NUT | 4 | OR | 194381 01 | LIGHT BRACKET LH (UPTO 2012) | 1 |
| 35 | HSSA06290 | SET SCREW | 1 | 72 | 198958 02 | LIGHT BRACKET RH (2012 & ON) | 1 |
| 36 | | | | OR | 194381 02 | LIGHT BRACKET RH (UPTO 2012) | 1 |
| 37 | 192494 01 | NOSE HEIGHT INDICATOR ROD | 1 | 73 | 195125 01 | FORK LIFT STOP PL LH | 1 |
| 38 | WSH-0009 | PLAIN WASHER | 21 | 74 | 195125 02 | FORK LIFT STOP PL RH | 1 |



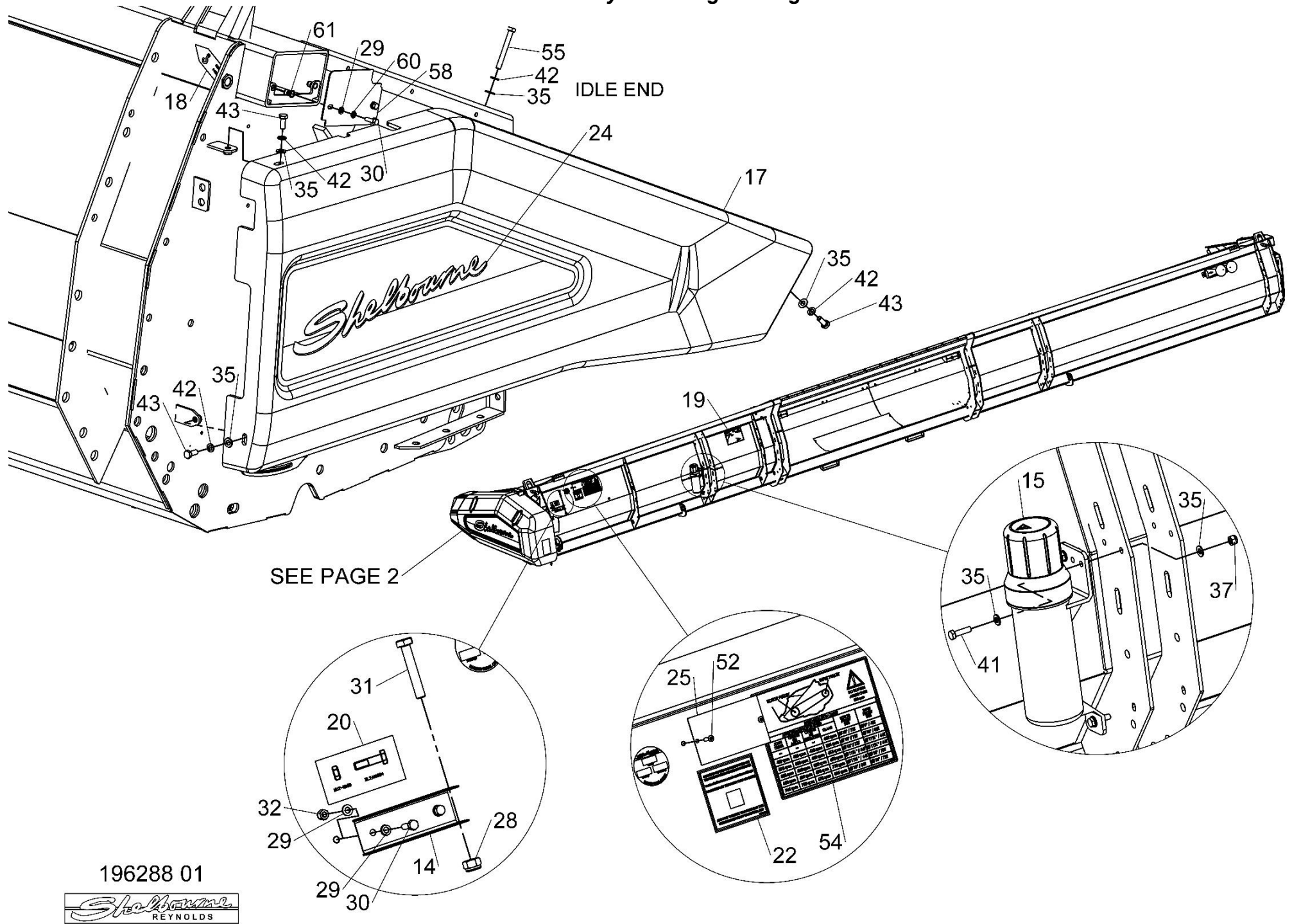
SHEET 1 196248





Shelbourne Reynolds Engineering Limited

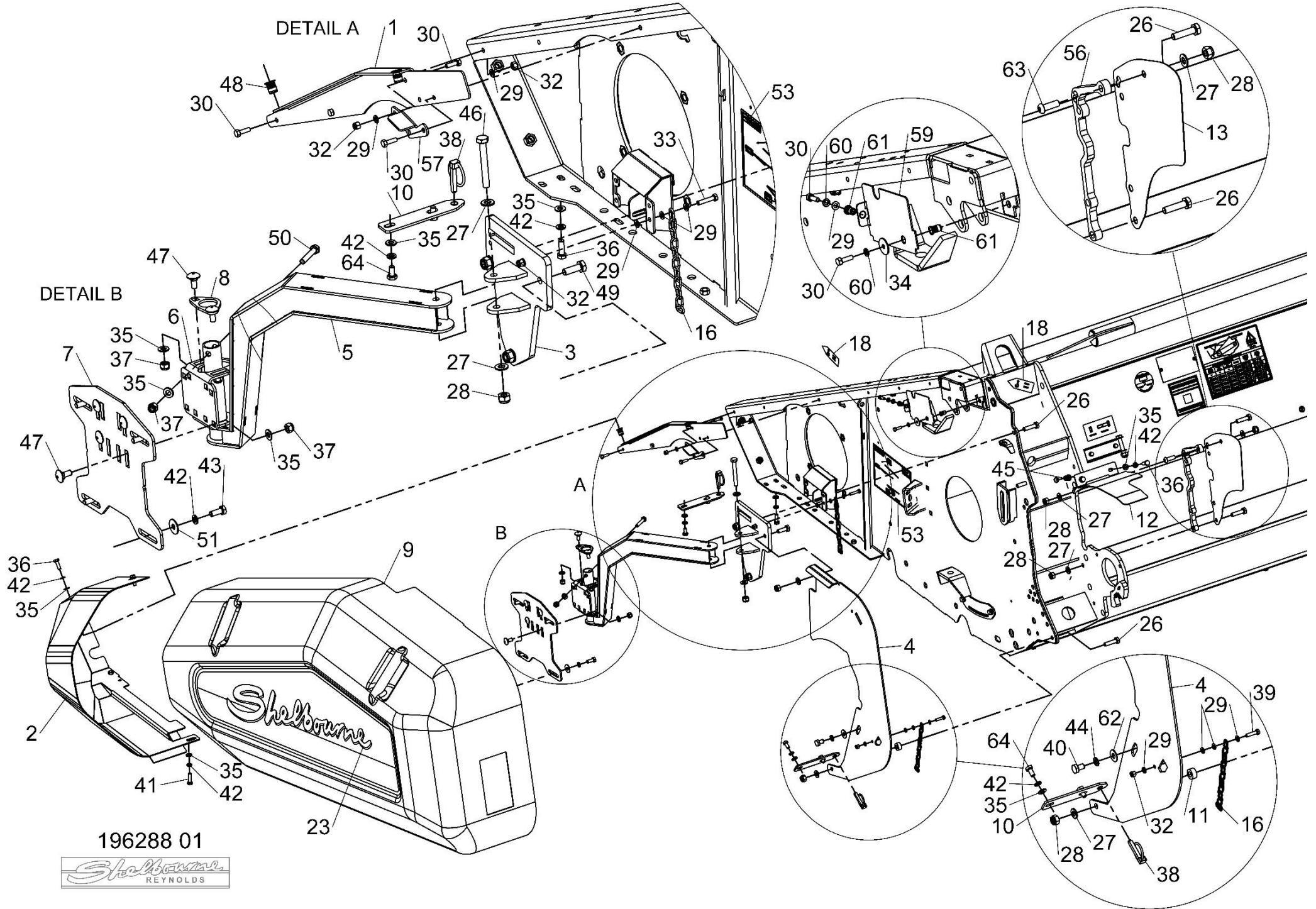
| ASSY NUMBER: 196288 01 | | | | ASSY DESCRIPTION: EMBLEMS & GUARDS SUB | | | |
|------------------------|-----------|---------------------------------|-------|--|-----------|---------------------------------|-----|
| ITEM | PART NO | DESCRIPTION | QTY | ITEM | PART NO | DESCRIPTION | QTY |
| 1 | 290620 01 | GUARD MOUNTING PLATE | 1 | 40 | HSS-0185 | SETSCREW | 1 |
| 2 | 290494 01 | CORNER GUARD W/A | 1 | 41 | HSS-0150 | SETSCREW | 4 |
| 3 | 290512 01 | PIVOT W/A | 1 | 42 | WSH-0058 | SPRING WASHER | 18 |
| 4 | 290496 01 | GUARD MOUNTING PLATE | 1 | 43 | HSS-0140 | SETSCREW | 7 |
| 5 | 199998 01 | ARM W/A | 1 | 44 | WSH-0061 | SPRING WASHER | 1 |
| 6 | 290118 01 | PIVOT BRACKET | 1 | 45 | NUTA13087 | NUTSERT | 2 |
| 7 | 290119 01 | MOUNTING PLATE | 1 | 46 | BLTA10500 | HEX HEAD BOLT | 1 |
| 8 | 290540 01 | CLAMP BRACKET | 1 | 47 | BLT-4710 | COACH BOLT | 6 |
| 9 | 290000 01 | LH DRIVE GUARD | 1 | 48 | NUTA13080 | NUTSERT | 2 |
| 10 | 290539 01 | LOCATING PLATE | 2 | 49 | HSS-0194 | SETSCREW | 1 |
| 11 | 190119 19 | WASHER | 1 | 50 | HSS-0155 | SETSCREW | 1 |
| 12 | 198288 01 | GEARBOX COVER PLT | 1 | 51 | WSH-1038 | PENNY WASHER | 4 |
| 13 | 198254 01 | INNER SHIELD PLT (RSD/CSD ONLY) | 1 | 52 | POP-0006 | POP RIVET | 2 |
| 14 | 191841 03 | SHEAR BOLT HOLDER | 1 | 53 | 290878 01 | EMBLEM (DRIVE MAINTENANCE) | 1 |
| 15 | PCN-00100 | MANUAL CANISTER | 1 | 54 | 290910 01 | EMBLEM (HTD SPEEDS, RSD ONLY) | 1 |
| 16 | CHN-0145 | CHAIN | 0.17m | OR | 292044 01 | EMBLEM (HTD SPEEDS, CSD ONLY) | 1 |
| 16 | CHN-0145 | CHAIN | 0.17m | 55 | HSSA08440 | SETSCREW (2019 & ON) | 1 |
| 17 | 290001 01 | IDLE END GUARD | 1 | 56 | 198253 01 | INNER SHIELD RIB (RSD/CSD ONLY) | 1 |
| 18 | 190702 04 | EMBLEM (SLING POINT) | 4 | 57 | 290880 01 | GUARD SUPPORT (2019 & ON) | 1 |
| 19 | 290879 01 | EMBLEM (HEADER MAINTENANCE) | 1 | 58 | 292023 01 | TOP BEAM CAP (2021 & ON) | 1 |
| 20 | 613205 01 | EMBLEM (SHEARBOLT) | 1 | 59 | 292027 01 | TOP BEAM CAP RSD (2022 & ON) | 1 |
| 21 | | | | OR | 292023 01 | TOP BEAM CAP RSD (2021 ONLY) | 1 |
| 22 | 290150 01 | EMBLEM (COMBINE SETTINGS) | 1 | OR | 292027 01 | TOP BEAM CAP CVS (2021 & ON) | 1 |
| 23 | 290640 01 | EMBLEM (SHELBOURNE) | 1 | 60 | WSH-0056 | SPRING WASHER | 4 |
| 24 | 290534 01 | EMBLEM (SHELBOURNE) | 1 | 61 | NUTA13060 | NUTSERT | 4 |
| 25 | 290526 01 | SERIAL NO. PLATE | 1 | 62 | WSHA10101 | PENNY WASHER | 1 |
| 26 | HSS-0202 | SETSCREW | 5 | 63 | SCW-0516 | BUTT HEAD SCREW | 1 |
| 27 | WSH-0015 | PLAIN WASHER | 9 | 64 | HSS-0135 | SETSCREW | 4 |
| 28 | NUT-0265 | NYLOC NUT | 13 | | | | |
| 29 | WSH-0009 | PLAIN WASHER | 20 | | | | |
| 30 | HSS-0086 | SETSCREW | 10 | | | | |
| 31 | BLTA10384 | HEX HEAD BOLT | 5 | | | | |
| 32 | NUT-0260 | NYLOC NUT | 8 | | | | |
| 33 | HSS-0092 | SETSCREW | 1 | | | | |
| 34 | WSH-1036 | PENNY WASHER | 2 | | | | |
| 35 | WSH-0012 | PLAIN WASHER | 27 | | | | |
| 36 | HSS-0145 | SETSCREW | 5 | | | | |
| 37 | NUT-0263 | NYLOC NUT | 10 | | | | |
| 38 | PIN-01950 | LYNCH PIN | 2 | | | | |
| 39 | HSS-0088 | SETSCREW | 1 | | | | |



196288 01



Shelbourne Reynolds Engineering Limited

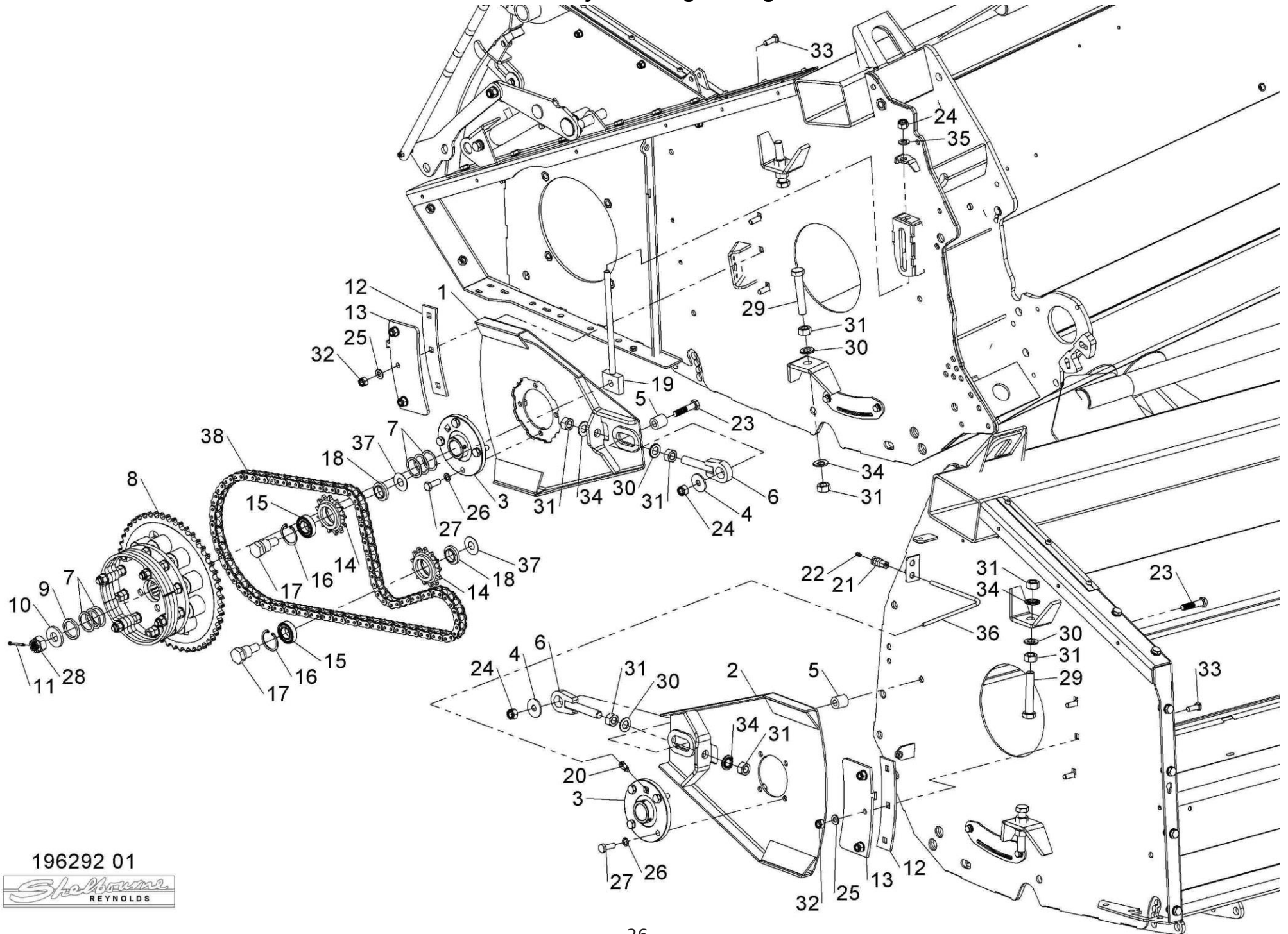


196288 01



Shelbourne Reynolds Engineering Limited

| ASSY NUMBER: 196292 01 | | | | ASSY DESCRIPTION: AUGER MTG SUB ASSY | | | |
|------------------------|-----------|---|-------|--------------------------------------|-----------|--------------------------------|-----|
| ITEM | PART NO | DESCRIPTION | QTY | ITEM | PART NO | DESCRIPTION | QTY |
| 1 | 290353 01 | AUGER ADJUSTER PLT (LH) W/A | 1 | 37 | 190548 04 | SHIM | A/R |
| 2 | 290368 01 | AUGER ADJUSTER PLT (RH) W/A | 1 | 38 | CHN-01991 | CHAIN (99 LINKS c/w JOINER) | 1 |
| 3 | BRG-23560 | BEARING | 2 | OR | CHN-01992 | CHAIN (111 LINKS)FOR 22T SPRKT | 1 |
| 4 | 190119 26 | WASHER | 2 | | | | |
| 5 | 290363 01 | SPACER | 2 | 38a | CHN-01910 | CHAIN HALF LINK | |
| 6 | 290360 01 | ADJUSTER W/A | 2 | 38b | CHN-01901 | JOINING LINK | |
| 7 | 190119 95 | WASHER | 6 | 39 | KIT-00112 | SPARES IDLER SPROCKET ASSY KIT | |
| 8 | KIT-00123 | AUGER DRIVE CLUTCH SEE KIT-00123 PAGE FOR PARTS BREAKDOWN | 1 | | | INC ITEMS 14,15,16,17,18 & 37 | |
| 9 | 190119 82 | WASHER | 1 | | | | |
| 10 | 190119 47 | WASHER | 1 | | | | |
| 11 | PIN-1150 | SPLIT PIN | 1 | | | | |
| 12 | 200407 01 | SUPPORT PLATE | 2 | | | | |
| 13 | 200408 01 | OVERLAP PLATE | 2 | | | | |
| 14 | 131041 01 | IDLER SPROCKET | 2 | | | | |
| 15 | BRG-1995 | BEARING | 2 | | | | |
| 16 | CIR-0470 | INTERNAL CIRCLIP | 2 | | | | |
| 17 | 190060 11 | IDLER SPINDLE | 2 | | | | |
| 18 | 191040 01 | SPACER | 2 | | | | |
| 19 | 290510 01 | CHAIN ADJUSTER W/A | 1 | | | | |
| 20 | LUB-00046 | STRAIGHT ADAPTOR | 1 | | | | |
| 21 | LUB-00052 | BULKHEAD STRAIGHT | 1 | | | | |
| 22 | NIP-00600 | GREASE NIPPLE | 2 | | | | |
| 23 | BLTA12380 | HEX.HEAD BOLT | 2 | | | | |
| 24 | NUT-0269 | NYLOC NUT | 3 | | | | |
| 25 | WSH-0015 | PLAIN WASHER | 6 | | | | |
| 26 | WSH-0061 | SPRING WASHER | 8 | | | | |
| 27 | HSS-0194 | SETSCREW | 8 | | | | |
| 28 | NUT-0580 | CASTLE NUT | 1 | | | | |
| 29 | HSS-0330 | SETSCREW | 4 | | | | |
| 30 | WSH-0024 | PLAIN WASHER | 6 | | | | |
| 31 | NUT-0180 | PLAIN NUT | 12 | | | | |
| 32 | NUT-0265 | NYLOC NUT | 6 | | | | |
| 33 | BLT-3750 | COACH BOLT | 6 | | | | |
| 34 | WSHA30161 | LOCKWASHER | 6 | | | | |
| 35 | WSH-0018 | PLAIN WASHER | 1 | | | | |
| 36 | LUB-00044 | GREASE TUBE | 0.35m | | | | |

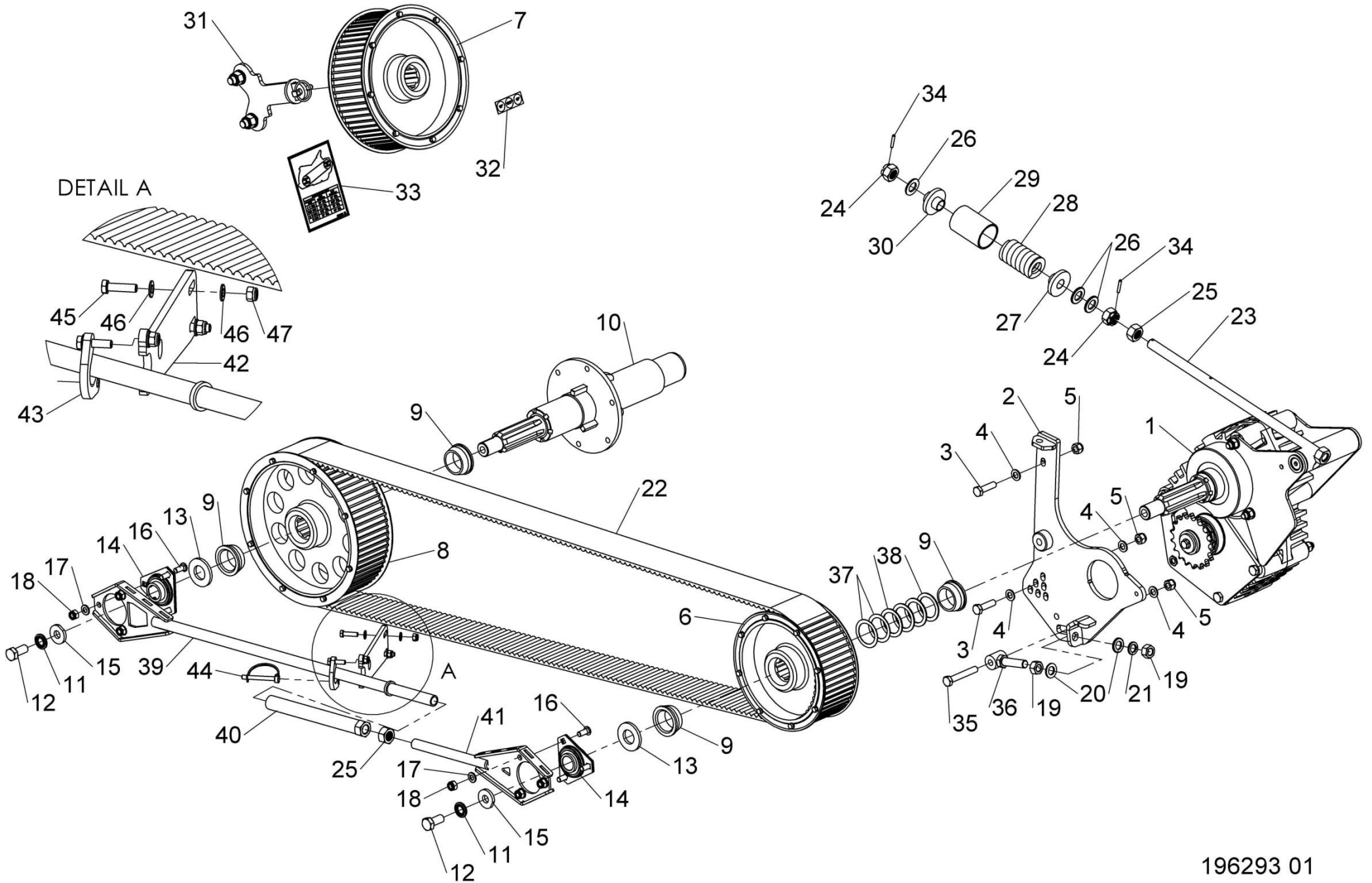


196292 01



Shelbourne Reynolds Engineering Limited

| ASSY NUMBER: 196293 01 | | | | ASSY DESCRIPTION: HTD DRIVE SUB ASSY (RSD UPTO 2020) (CSD 2020 ONLY) | | | |
|------------------------|-----------|--|-----|---|-----------|------------------|-----|
| ITEM | PART NO | DESCRIPTION | QTY | ITEM | PART NO | DESCRIPTION | QTY |
| 1 | GEA-0059 | INPUT GEARBOX ASSY SEE GEA-0059 PAGE FOR PARTS BREAKDOWN | 1 | 36 | 199412 01 | ADJUSTER W/A | 1 |
| 2 | 199260 01 | GEARBOX SUPPORT PLT W/A | 1 | 37 | 190119 70 | WASHER (1mm) | A/R |
| 3 | BLTA12290 | HEX HEAD BOLT | 2 | 38 | 190119 71 | WASHER (2mm) | A/R |
| 4 | WSH-0018 | PLAIN WASHER | 4 | 39 | 198236 01 | TIE BAR W/A | 1 |
| 5 | NUT-0269 | NYLOC NUT | 3 | 40 | 198235 01 | TIE ROD ADJUSTER | 1 |
| 6 | 199263 01 | HTD PULLEY (56T, 10") | 1 | 41 | 198232 01 | TIE ROD END W/A | 1 |
| 7 | 199264 01 | HTD PULLEY (64T, 11 ½") | 1 | 42 | 199739 01 | TIE ROD REAINER | 1 |
| 8 | 199265 01 | HTD PULLEY (72T, 13") | 1 | 43 | 199740 01 | RETAINING PLATE | 1 |
| 9 | 195935 01 | COLLAR | 4 | 44 | PIN-1720 | SPRING PIN | 1 |
| 10 | 198138 01 | ROTOR DRIVE SHAFT W/A (70mm) | 1 | 45 | HSS-0150 | SETSCREW | 3 |
| 11 | WSHA30161 | LOCK WASHER | 2 | 46 | WSH-0012 | PLAIN WASHER | 6 |
| 12 | HSS-0315 | SETSCREW | 2 | 47 | NUT-0263 | NYLOC NUT | 3 |
| 13 | 190548 36 | WASHER | 2 | | | | |
| 14 | BRG-0240 | BEARING | 2 | | | | |
| 15 | 198800 48 | WASHER | 2 | | | | |
| 16 | BLT-3745 | COACHBOLT | 6 | | | | |
| 17 | WSH-0015 | PLAIN WASHER | 6 | | | | |
| 18 | NUT-0265 | NYLOC NUT | 6 | | | | |
| 19 | NUT-0180 | PLAIN NUT | 2 | | | | |
| 20 | WSH-0024 | PLAIN WASHER | 2 | | | | |
| 21 | WSH-0070 | SPRING WASHER | 1 | | | | |
| 22 | BEL-55350 | BELT | 1 | | | | |
| 23 | 198029 01 | GEARBOX ADJUSTER ROD | 1 | | | | |
| 24 | NUT-0580 | CASTLE NUT | 2 | | | | |
| 25 | NUT-0185 | PLAIN NUT | 2 | | | | |
| 26 | WSH-0030 | PLAIN WASHER | 3 | | | | |
| 27 | 199737 01 | REAR SPRING BOSS | 1 | | | | |
| 28 | SPGE02530 | DIE SPRING | 1 | | | | |
| 29 | 199736 01 | SPRING SETTING TUBE | 1 | | | | |
| 30 | 199738 01 | FRONT SPRING BOSS | 1 | | | | |
| 31 | KIT-01336 | SPARE PULLEY MOUNTING KIT SEE KIT-01336 PAGE FOR PARTS BREAKDOWN | 1 | | | | |
| 32 | 199413 01 | PULLEY IDENTIFICATION DECAL | 1 | | | | |
| 33 | 290910 01 | SPEED SELECTION DECAL | 1 | | | | |
| 34 | PIN-1620 | ROLL PIN | 2 | | | | |
| 35 | BLTA12500 | HEX HEAD BOLT | 1 | | | | |



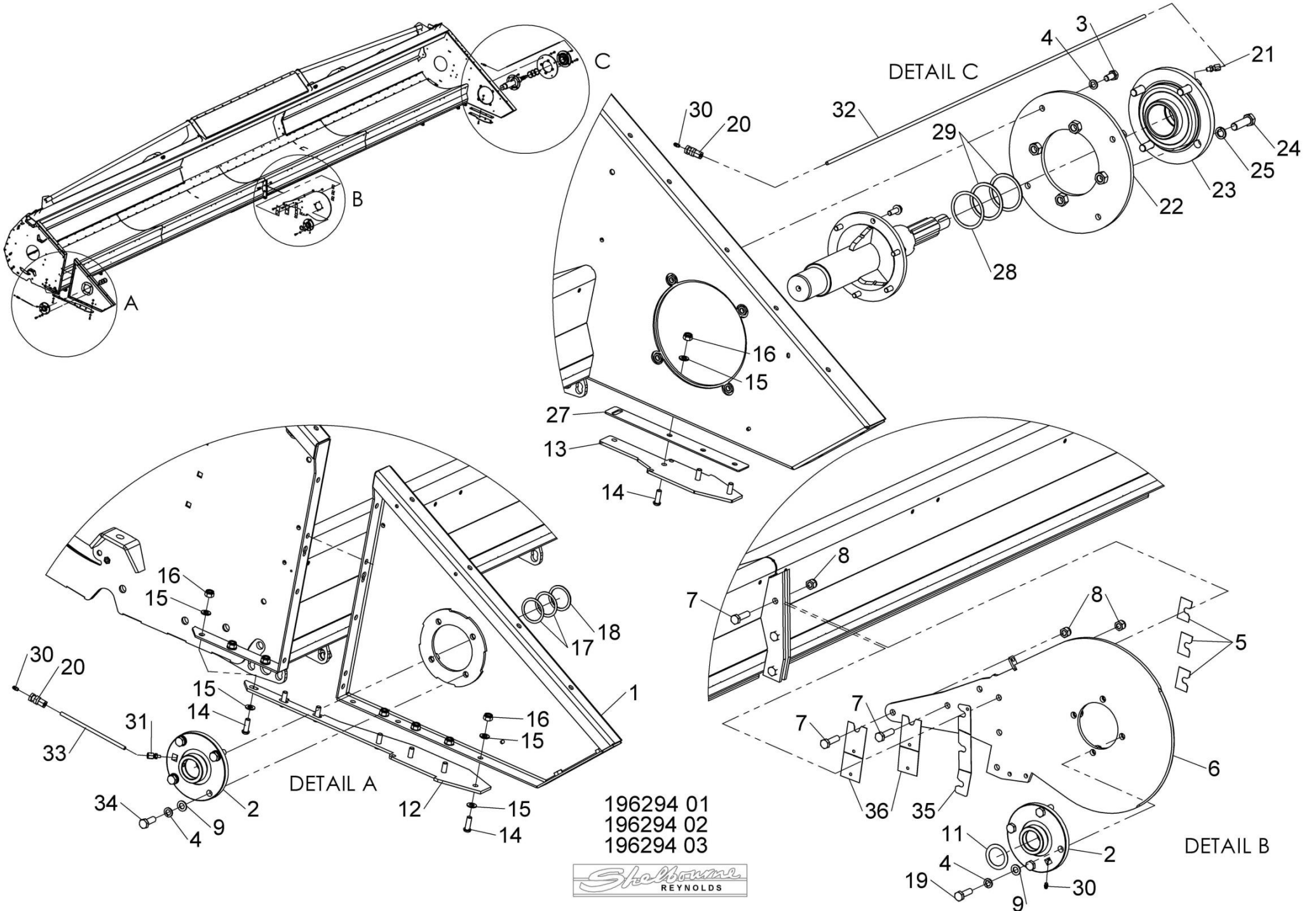
196293 01



Shelbourne Reynolds Engineering Limited

| ASSY NUMBER: 196294 01 | | | | ASSY DESCRIPTION: ROTOR MTG SUB ASSY RSD (70mm SHAFT) | | | |
|------------------------|-----------|---------------------------|-------|---|---------|-------------|-----|
| ITEM | PART NO | DESCRIPTION | QTY | ITEM | PART NO | DESCRIPTION | QTY |
| 1 | 194915 01 | RH SIDE PLATE W/A | 1 | | | | |
| 2 | BRG-3275 | BEARING | 2 | | | | |
| 3 | HSS-0235 | SETSCREW | 4 | | | | |
| 4 | WSH-0065 | SPRING WASHER | 12 | | | | |
| 5 | 194401 01 | SHIM | 3 | | | | |
| 6 | 194400 01 | DIVISION PLATE (CHAMFER) | 1 | | | | |
| 7 | BLTA12290 | BOLT | 5 | | | | |
| 8 | NUTA07120 | AERO-TIGHT NUT | 5 | | | | |
| 9 | WSH-0018 | PLAIN WASHER | 8 | | | | |
| 10 | | | | | | | |
| 11 | 194128 03 | SHIM (1mm) | A/R | | | | |
| 12 | 194404 01 | DIVIDING PLATE RH | 1 | | | | |
| 13 | 290518 01 | DIVIDING PLATE LH | 1 | | | | |
| 14 | SCW-0516 | BUTTON HD SCREW | 10 | | | | |
| 15 | WSH-0015 | PLAIN WASHER | 13 | | | | |
| 16 | NUT-0265 | NYLOC NUT | 10 | | | | |
| 17 | 192876 01 | SHIM (1mm) | A/R | | | | |
| 18 | 192876 02 | SHIM (2mm) | A/R | | | | |
| 19 | HSS-0250 | SETSCREW | 4 | | | | |
| 20 | LUB-00052 | BULKHEAD | 2 | | | | |
| 21 | LUB-00045 | STRAIGHT ADAPTOR | 1 | | | | |
| 22 | 198122 01 | BEARING SUPPORT | 1 | | | | |
| 23 | BRG-27040 | BEARING | 1 | | | | |
| 24 | HSS-0318 | SETSCREW (2021 & ON) | 4 | | | | |
| OR | HSS-0319 | SETSCREW (UPTO 2021) | 4 | | | | |
| 25 | WSH-0070 | SPRING WASHER (2021 & ON) | 4 | | | | |
| OR | WSH-0024 | PLAIN WASHER (UPTO 2021) | 4 | | | | |
| 26 | NUT-0271 | NYLOC NUT (UPTO 2021) | 4 | | | | |
| 27 | 290519 01 | FOOT PACKER PLATE | 1 | | | | |
| 28 | 190548 73 | WASHER | 2 | | | | |
| 29 | 190548 74 | WASHER | 2 | | | | |
| 30 | NIP-00600 | GREASE NIPPLE | 2 | | | | |
| 31 | LUB-00046 | STRAIGHT ADAPTOR | 1 | | | | |
| 32 | LUB-00044 | GREASE TUBE | 0.35m | | | | |
| 33 | LUB-00044 | GREASE TUBE | 1.25m | | | | |
| 34 | HSS-0241 | SETSCREW | 4 | | | | |
| 35 | 199889 01 | SHIM 1mm | A/R | | | | |
| OR | 199889 02 | SHIM 2mm | A/R | | | | |
| 36 | 199890 01 | SHIM 1mm | A/R | | | | |
| OR | 199890 02 | SHIM 2mm | A/R | | | | |

Shelbourne Reynolds Engineering Limited

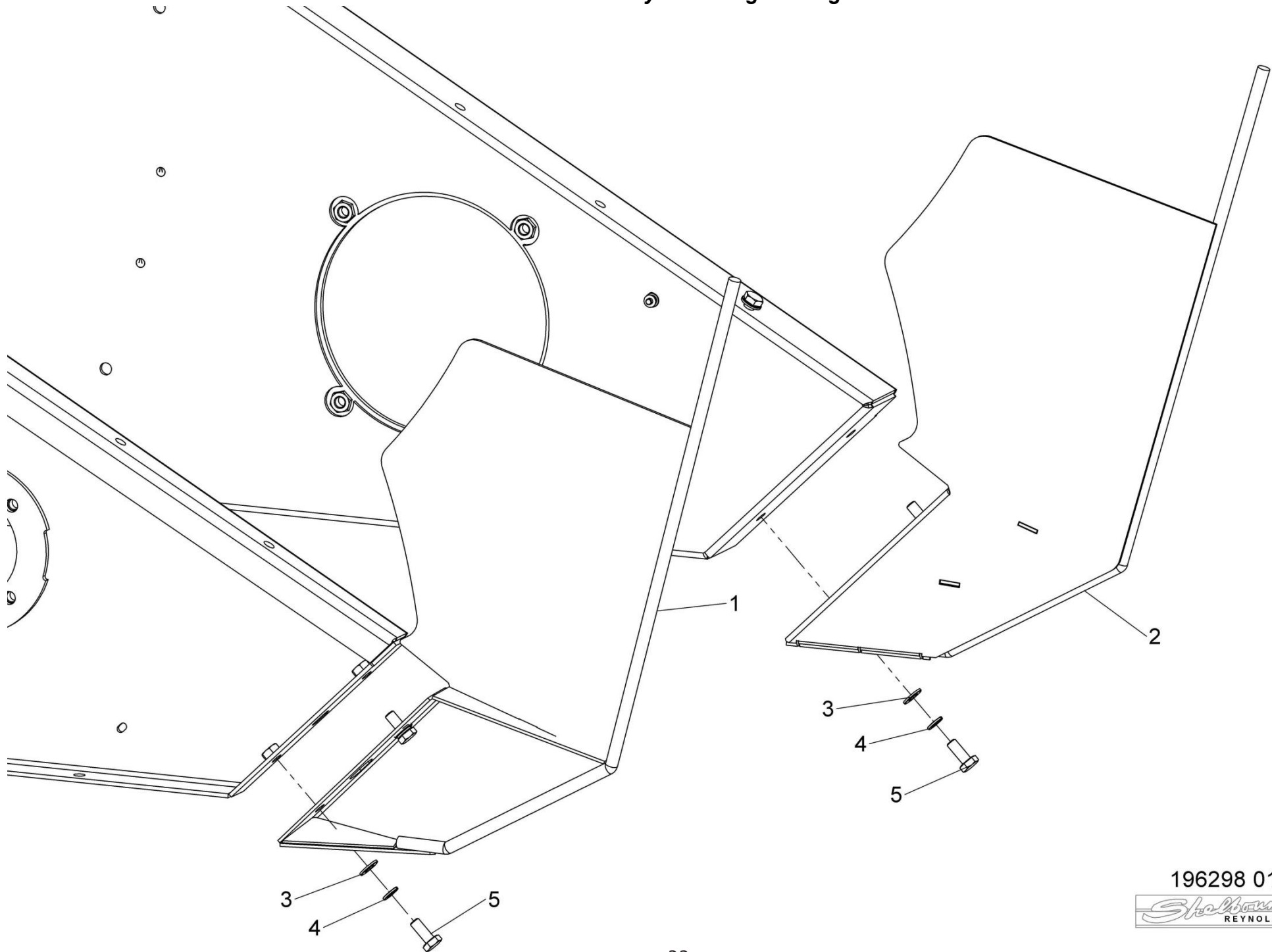


196294 01
196294 02
196294 03

Shelbourne
REYNOLDS

Shelbourne Reynolds Engineering Limited

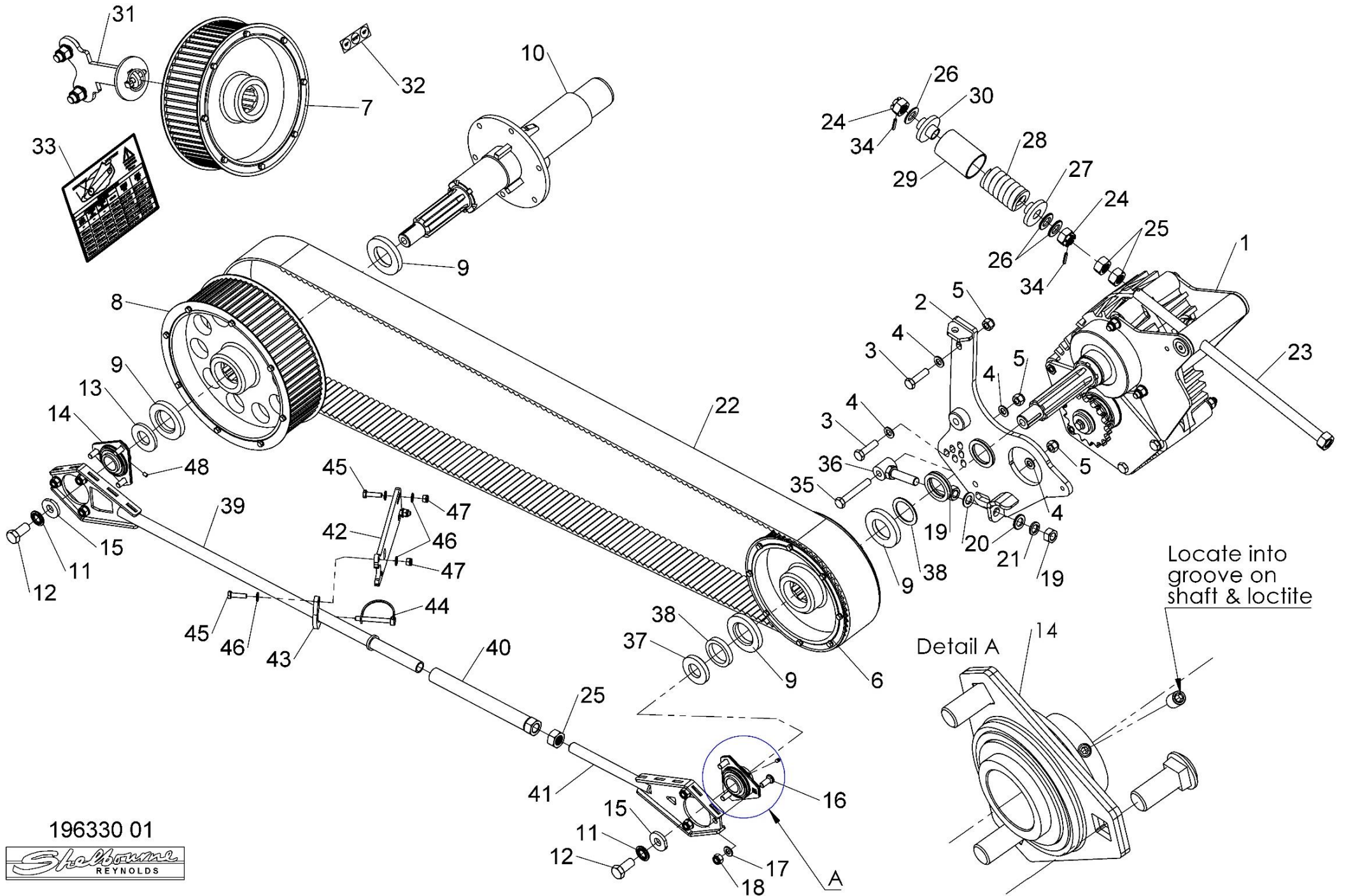
| ASSY NUMBER: 196298 01 | | | | ASSY DESCRIPTION: RSD DIVIDER SUB ASSY | | | |
|------------------------|-----------|----------------|-----|--|---------|-------------|-----|
| ITEM | PART NO | DESCRIPTION | QTY | ITEM | PART NO | DESCRIPTION | QTY |
| 1 | 290727 01 | RH DIVIDER W/A | 1 | | | | |
| 2 | 290725 01 | LH DIVIDER W/A | 1 | | | | |
| 3 | WSH-0015 | PLAIN WASHER | 4 | | | | |
| 4 | WSH-0061 | SPRING WASHER | 4 | | | | |
| 5 | HSS-0191 | SET SCREW | 4 | | | | |



Shelbourne Reynolds Engineering Limited

| ASSY NUMBER: 196330 01 | | | | ASSY DESCRIPTION: HTD DRIVE SUB ASSY (RSD 2020 & ON) (CSD 2021 & ON) | | | |
|------------------------|-----------|--|-----|---|-----------|-----------------------------|-----|
| ITEM | PART NO | DESCRIPTION | QTY | ITEM | PART NO | DESCRIPTION | QTY |
| 1 | GEA-0065 | INPUT GEARBOX ASSY SEE GEA-0065 PAGE FOR PARTS BREAKDOWN | 1 | 25 | NUT-0185 | PLAIN NUT | 3 |
| 2 | 292318 01 | GEARBOX SUPPORT PLA W/A (FOR SPARES SUPPLY 199260 01) | 1 | 26 | WSH-0030 | PLAIN WASHER | 3 |
| OR | 199260 01 | GEARBOX SUPPORT PLT W/A | 1 | 27 | 199737 01 | REAR SPRING BOSS | 1 |
| 3 | BLTA12290 | HEX HEAD BOLT | 2 | 28 | SPGE02530 | DIE SPRING | 1 |
| 4 | WSH-0018 | PLAIN WASHER | 4 | 29 | 199736 01 | SPRING SETTING TUBE | 1 |
| 5 | NUT-0269 | NYLOC NUT | 3 | 30 | 199738 01 | FRONT SPRING BOSS | 1 |
| 6 | 292538 01 | HTD PULLEY(56T,10") 2023 & ON | 1 | 31 | KIT-01336 | SPARE PULLEY MOUNTING KIT | 1 |
| OR | 199263 01 | HTD PULLEY(56T,10") UPTO 2023 FOR SPARES SUPPLY 292538 01 & 2 x 292365 01 | 1 | 32 | 199413 01 | PULLEY IDENTIFICATION DECAL | 1 |
| 7 | 292539 01 | HTD PULLEY(64T,11½") 2023 & ON | 1 | 33 | 290910 01 | SPEED SELECTION DECAL (RSD) | 1 |
| OR | 199264 01 | HTD PULLEY(64T,11½") UPTO 2023 FOR SPARES SUPPLY 292539 01 & 2 x 292365 01 | 1 | OR | 292044 01 | SPEED SELECTION DECAL (CSD) | 1 |
| 8 | 292540 01 | HTD PULLEY(72T,13") 2023 & ON | 1 | 34 | PIN-1620 | ROLL PIN | 2 |
| OR | 199265 01 | HTD PULLEY(72T,13") UPTO 2023 FOR SPARES SUPPLY 292540 01 & 2 x 292365 01 | 1 | 35 | BLTA12500 | HEX HEAD BOLT | 1 |
| 9 | 292365 01 | HTD PULLEY WASHER (2021 & ON) | 4 | 36 | 199412 01 | ADJUSTER W/A | 1 |
| OR | 195935 01 | TAPERED COLLAR (UPTO 2021) | 4 | 37 | 291843 01 | SHOULDERED WASHER | 1 |
| 10 | 198138 01 | ROTOR DRIVE SHAFT W/A (70mm) | 1 | 38 | 190119 71 | WASHER (2mm) | A/R |
| 11 | WSHA30161 | LOCK WASHER | 2 | OR | 198800 75 | WASHER (4mm) | A/R |
| 12 | HSS-0315 | SETSCREW | 2 | OR | 198800 76 | WASHER (6mm) | A/R |
| 13 | 190548 36 | WASHER | 1 | OR | 198800 78 | WASHER (8mm) | A/R |
| 14 | BRG-0240 | BEARING (ALSO SUPPLY ITEM 55) | 2 | OR | 198800 77 | WASHER (10mm) | A/R |
| 15 | 198800 48 | WASHER | 2 | OR | 190119 73 | WASHER (12mm) | A/R |
| 16 | BLT-3745 | COACHBOLT | 6 | 39 | 198236 01 | TIE BAR W/A | 1 |
| 17 | WSH-0015 | PLAIN WASHER | 6 | 40 | 198235 01 | TIE ROD ADJUSTER | 1 |
| 18 | NUT-0265 | NYLOC NUT | 6 | 41 | 198232 01 | TIE ROD END W/A | 1 |
| 19 | NUT-0180 | PLAIN NUT | 2 | 42 | 199739 01 | TIE ROD REAINER | 1 |
| 20 | WSH-0024 | PLAIN WASHER | 2 | 43 | 199740 01 | RETAINING PLATE | 1 |
| 21 | WSH-0070 | SPRING WASHER | 1 | 44 | PIN-1720 | SPRING PIN | 1 |
| 22 | BEL-55350 | BELT | 1 | 45 | HSS-0150 | SETSCREW | 3 |
| 23 | 198029 01 | GEARBOX ADJUSTER ROD | 1 | 46 | WSH-0012 | PLAIN WASHER | 6 |
| 24 | NUT-0580 | CASTLE NUT | 2 | 47 | NUT-0263 | NYLOC NUT | 3 |
| | | | | 48 | SCGF06047 | GRUB SCREW | 2 |

Shelbourne Reynolds Engineering Limited

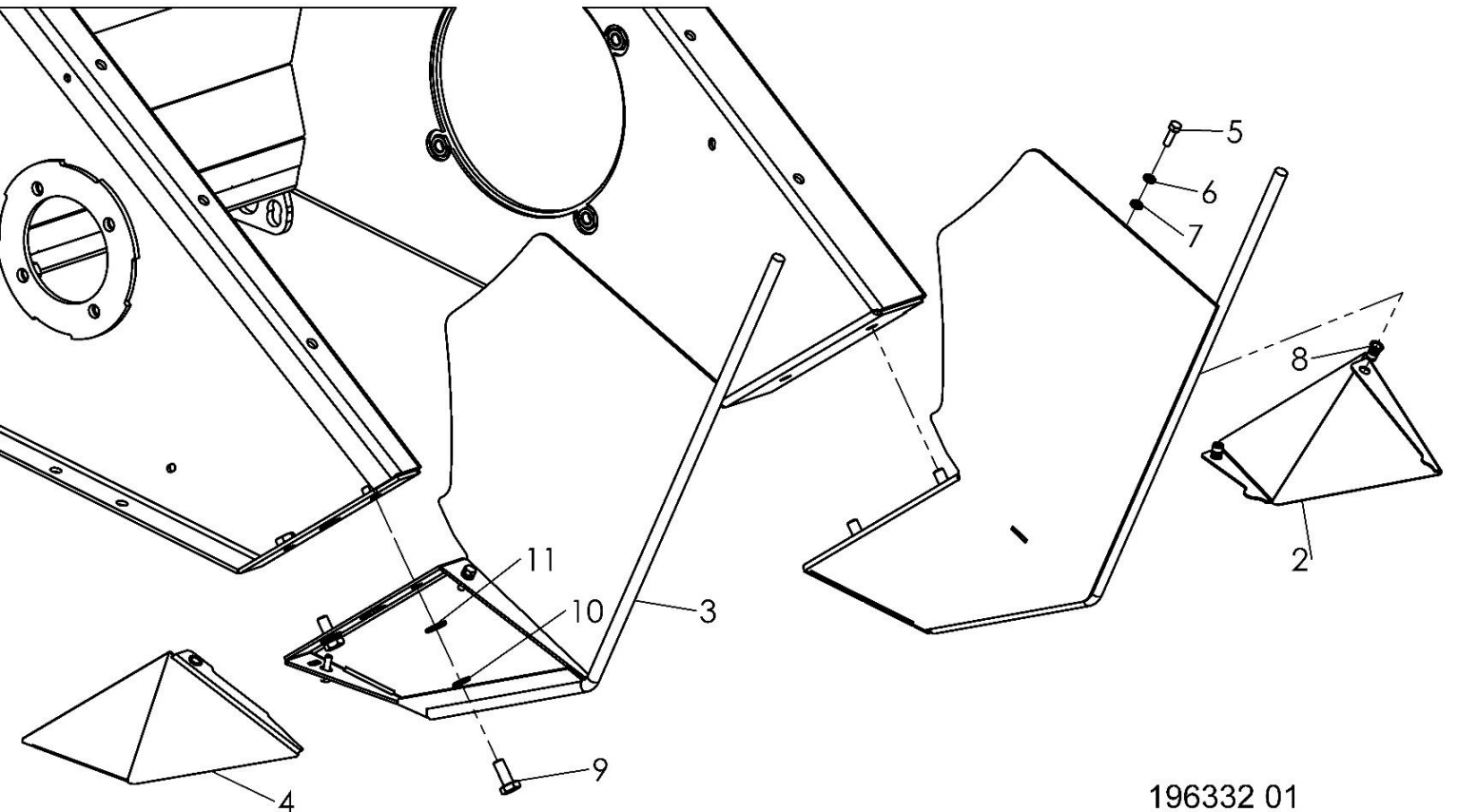
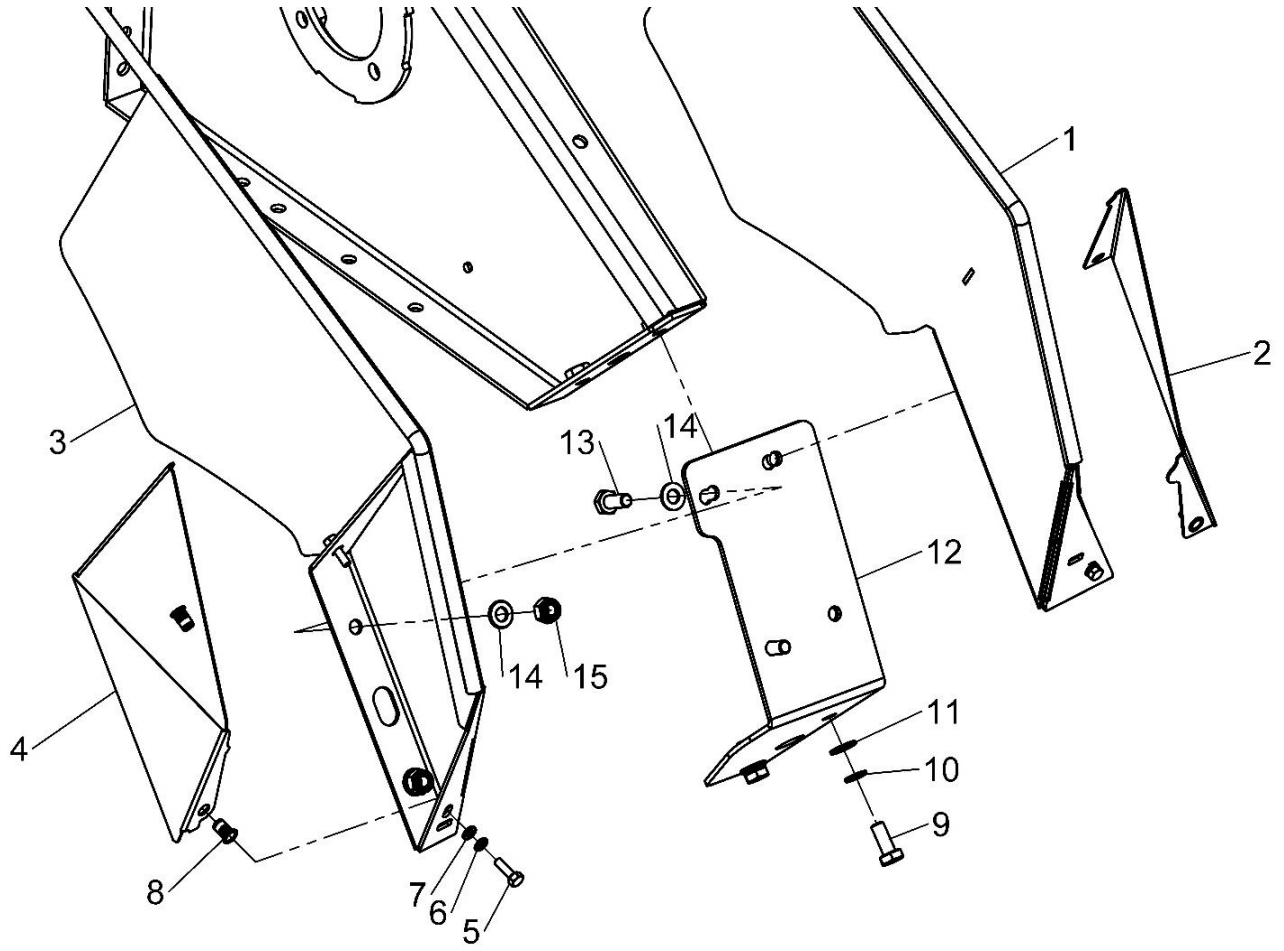


196330 01



Shelbourne Reynolds Engineering Limited

| ASSY NUMBER: 196332 01 | | | | ASSY DESCRIPTION: RSD DIVIDER SUB ASSY WITH COVERS | | | |
|------------------------|-----------|------------------------|-----|--|---------|-------------|-----|
| ITEM | PART NO | DESCRIPTION | QTY | ITEM | PART NO | DESCRIPTION | QTY |
| 1 | 292083 01 | RSD LH DIVIDER WA | 1 | | | | |
| 2 | 292086 01 | LH DIVIDER COVER PLATE | 1 | | | | |
| 3 | 292077 01 | RSD RH DIVIDER WA | 1 | | | | |
| 4 | 292082 01 | RH DIVIDER COVER PLATE | 1 | | | | |
| 5 | HSS-0086 | SET SCREW | 4 | | | | |
| 6 | WSH-0056 | SPRING WASHER | 4 | | | | |
| 7 | WSH-0009 | PLAIN WASHER | 4 | | | | |
| 8 | NUTA13060 | NUTSERT | 4 | | | | |
| 9 | HSS-0191 | SET SCREW | 4 | | | | |
| 10 | WSH-0061 | SPRING WASHER | 4 | | | | |
| 11 | WSH-0015 | PLAIN WASHER | 4 | | | | |

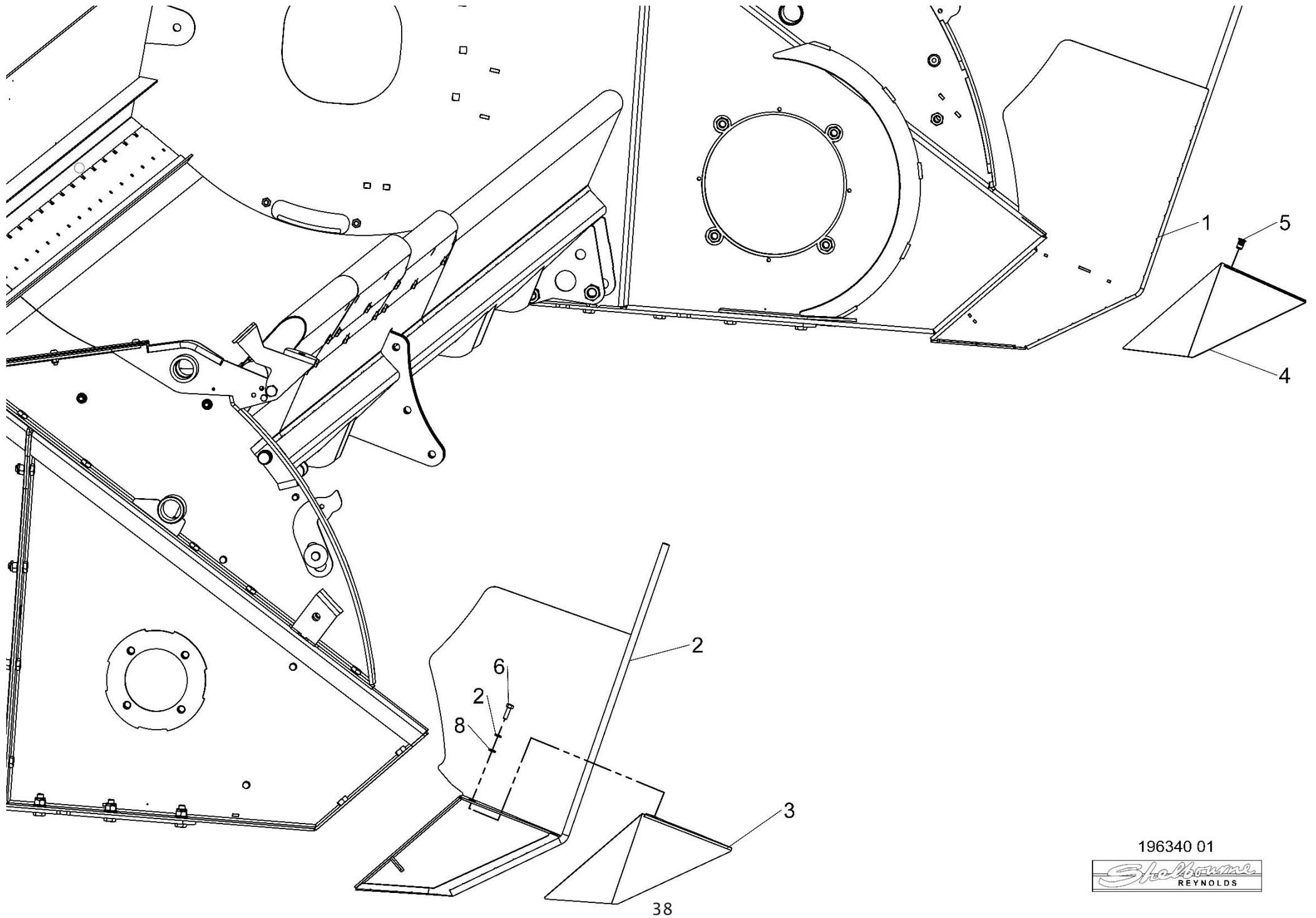


196332 01



Shelbourne Reynolds Engineering Limited

| ASSY NUMBER: 196340 01 | | | | ASSY DESCRIPTION: XRS/RSD CROP DIVIDER SUB | | | |
|------------------------|-----------|-------------------------|-----|--|---------|-------------|-----|
| ITEM | PART NO | DESCRIPTION | QTY | ITEM | PART NO | DESCRIPTION | QTY |
| 1 | 292870 01 | RSD LH CROP DIVIDER W/A | 1 | | | | |
| 2 | 292820 01 | RSD RH CROP DIVIDER W/A | 1 | | | | |
| 3 | 292817 01 | LH DIVIDER COVER PLATE | 1 | | | | |
| 4 | 292914 01 | RH DIVIDER COVER PLATE | 1 | | | | |
| 5 | NUTA13060 | NUTSERT | 2 | | | | |
| 6 | HSS-0086 | BOLT | 2 | | | | |
| 7 | WSH-0056 | SPRING WASHER | 2 | | | | |
| 8 | WSH-0009 | PLAIN WASHER | 2 | | | | |

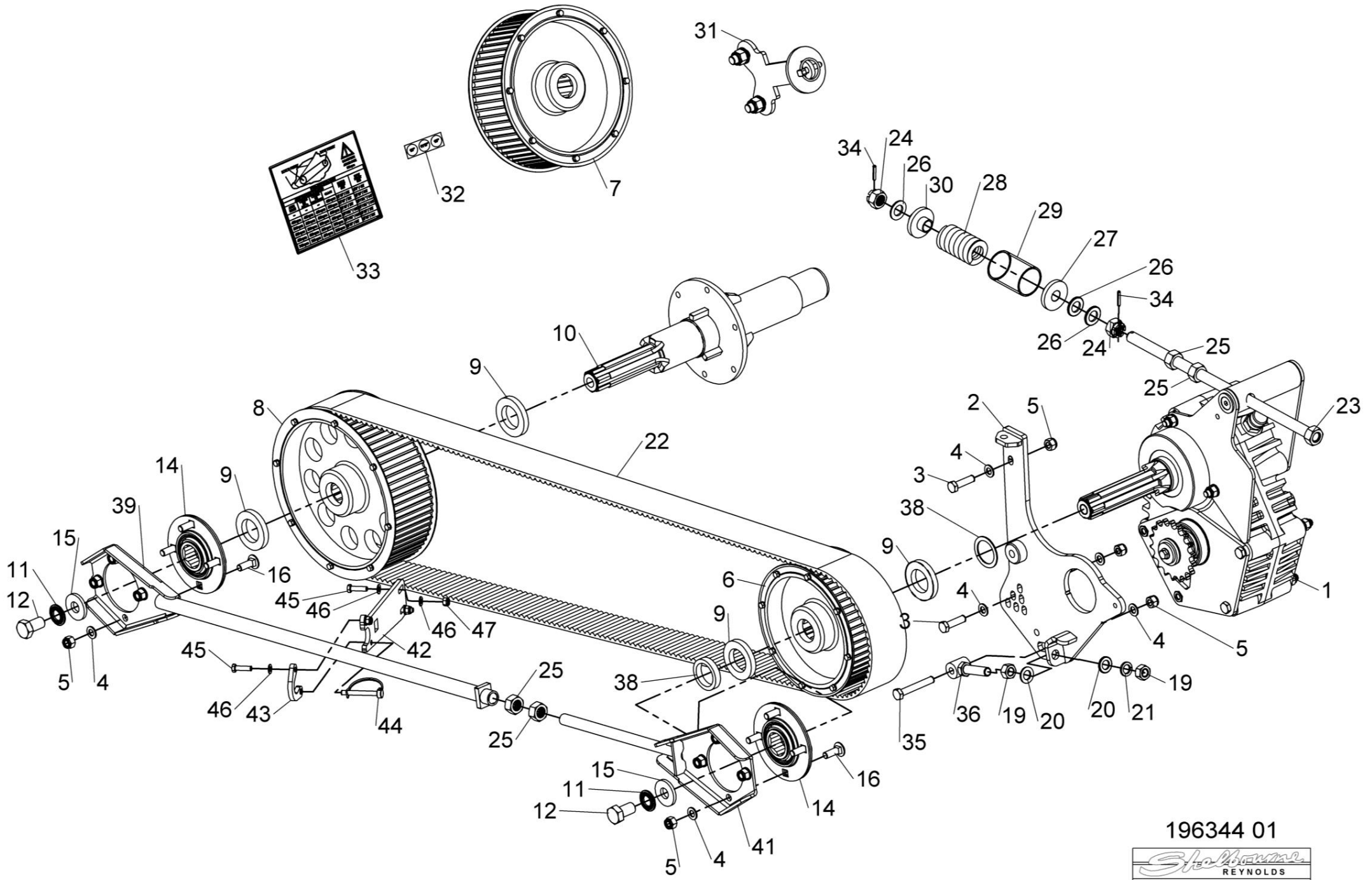


196340 01

Shelbourne Reynolds Engineering Limited

| ASSY NUMBER:196344 01 | | | | ASSY DESCRIPTION: HTD DRIVE SUB ASSY (RSD 2024 & ON) (CSD 2025 & ON) | | | |
|-----------------------|-----------|---|-----|---|-----------|----------------------|-----|
| ITEM | PART NO | DESCRIPTION | QTY | ITEM | PART NO | DESCRIPTION | QTY |
| 1 | GEA-0067 | INPUT GEARBOX (HTD) SEE GEA-0067 PAGE FOR PARTS BREAKDOWN | 1 | 35 | BLTA12500 | HEX HEAD BOLT | 1 |
| | | | | 36 | 199412 01 | ADJUSTER W/A | 1 |
| | | | | 37 | | | |
| 2 | 292318 01 | GEARBOX SUPPORT PLA W/A (FOR SPARES SUPPLY 199260 01) | 1 | 38 | 190119 71 | WASHER (2mm) | A/R |
| | | | | 38 | 190119 73 | WASHER (12mm) | A/R |
| 3 | BLTA12290 | HEX HEAD BOLT | 2 | 38 | 198800 75 | WASHER (4mm) | A/R |
| 4 | WSH-0018 | PLAIN WASHER | 12 | 38 | 198800 76 | WASHER (6mm) | A/R |
| 5 | NUT-0269 | NYLOC NUT | 11 | 38 | 198800 77 | WASHER (10mm) | A/R |
| 6 | 292538 01 | HTD PULLEY (56T, 10") | 1 | 38 | 198800 78 | WASHER (8mm) | A/R |
| 7 | 292539 01 | HTD PULLEY (64T, 11½") | 1 | 39 | 292854 01 | TIE ROD W/A | 1 |
| 8 | 292540 01 | HTD PULLEY (72T, 13") | 1 | 40 | 198235 01 | TIE ROD ADJUSTER | 1 |
| 9 | 292858 01 | HTD PULLEY WASHER | 4 | 41 | 292856 01 | THREADED TIE ROD W/A | 1 |
| 10 | 292860 01 | DRIVE SHAFT W/A | 1 | 42 | 292954 01 | TIE ROD RETAINER | 1 |
| 11 | WSHA30201 | LOCKWASHER | 2 | 43 | 199740 01 | RETAINING PLATE | 1 |
| 12 | HSSD20230 | SET SCREW | 2 | 44 | PIN-1720 | SPRING PIN | 1 |
| 13 | | | | 45 | HSS-0150 | SETSCREW | 3 |
| 14 | BRG-43000 | BEARING | 2 | 46 | WSH-0012 | PLAIN WASHER | 6 |
| 15 | 292600 01 | WASHER | 2 | 47 | NUT-0263 | NYLOC NUT | 3 |
| 16 | BLTF12233 | COACHBOLT | 8 | | | | |
| 17 | | | | | | | |
| 18 | | | | | | | |
| 19 | NUT-0180 | PLAIN NUT | 2 | | | | |
| 20 | WSH-0024 | PLAIN WASHER | 2 | | | | |
| 21 | WSH-0070 | SPRING WASHER | 1 | | | | |
| 22 | BEL-55350 | BELT | 1 | | | | |
| 23 | 198029 01 | GEARBOX ADJUSTER ROD | 1 | | | | |
| 24 | NUT-0580 | CASTLE NUT | 2 | | | | |
| 25 | NUT-0185 | HEX NUT | 4 | | | | |
| 26 | WSH-0030 | PLAIN WASHER | 3 | | | | |
| 27 | 199737 01 | SPRING BOSS | 1 | | | | |
| 28 | SPGE02530 | DIE SPRING | 1 | | | | |
| 29 | 199736 01 | SPRING SETTING TUBE | 1 | | | | |
| 30 | 199738 01 | SPRING BOSS | 1 | | | | |
| 31 | KIT-01336 | SPARE PULLEY MOUNTING KIT SEE KIT-01336 PAGE FOR PARTS BREAKDOWN | 1 | | | | |
| 32 | 199413 01 | PULLEY IDENTIFICATION DECAL | 1 | | | | |
| 33 | 290910 01 | SPEED SELECTION DECAL (RSD) | 1 | | | | |
| OR | 292044 01 | SPEED SELECTION DECAL (CSD) | 1 | | | | |
| 34 | PIN-1620 | ROLL PIN | 2 | | | | |

Shelbourne Reynolds Engineering Limited



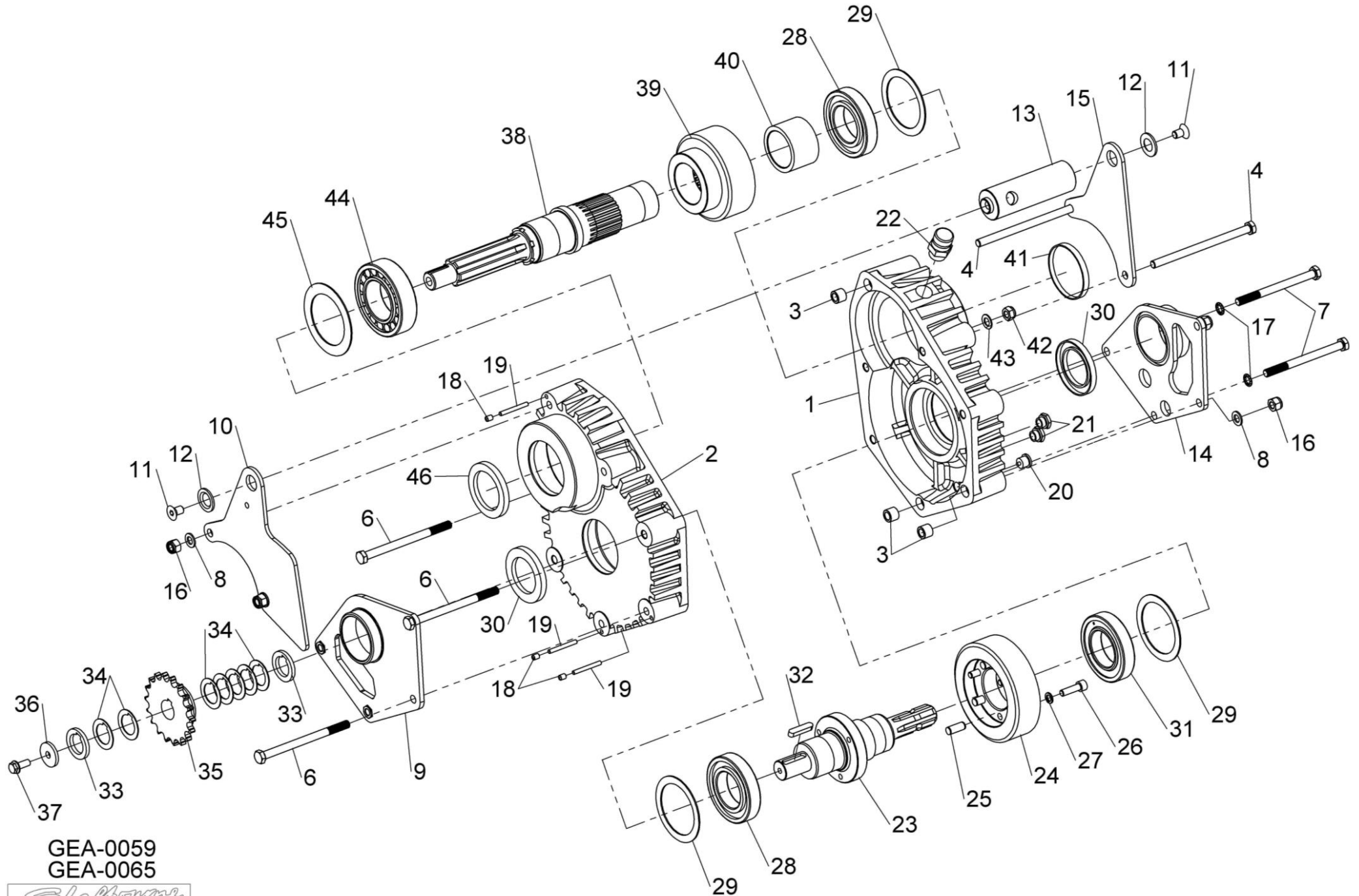
196344 01



Shelbourne Reynolds Engineering Limited

| ASSY NUMBER: GEA-0059 | | | | ASSY DESCRIPTION: INPUT GEARBOX HTD DRIVE (RSD UPTO 2020) (CSD 2020 ONLY) | | | |
|-----------------------|-----------|----------------------------|-----|--|-----------------|--|-----|
| ITEM | PART NO | DESCRIPTION | QTY | ITEM | PART NO | DESCRIPTION | QTY |
| 1 | 197619 03 | CASE HALF | 1 | OR | 192768 16 | AUGER DRIVE SPROCKET (15T) | 1 |
| 2 | 197619 04 | CASE HALF | 1 | OR | 192768 10 | AUGER DRIVE SPROCKET (22T) | 1 |
| 3 | 192598 01 | DOWEL | 3 | OR | 192768 08 | AUGER DRIVE SPROCKET (13T) | 1 |
| 4 | BLTA12810 | HEX HEAD BOLT | 2 | OR | 192768 20 | AUGER DRIVE SPROCKET (12T) | 1 |
| 5 | | | | 36 | 190548 01 | RETAINING WASHER | 1 |
| 6 | BLTA12750 | HEX HEAD BOLT | 3 | 37 | HSSF10174 | SET SCREW | 1 |
| 7 | BLT-2276 | HEX HEAD BOLT | 2 | 38 | 199062 01 | PINION SHAFT C/W STUB (2013&ON) | 1 |
| 8 | WSH-0018 | PLAIN WASHER | 4 | OR | 198926 01 | PINION SHAFT (UPTO 2013) | 1 |
| 9 | 198021 01 | G/BOX MOUNTING PLT LH | 1 | 39 | 198999 09 | PINION GEAR (32 TOOTH) | 1 |
| 10 | 198026 01 | G/BOX ADJ PLT LH | 1 | OR | 198999 11 | PINION GEAR (34 TOOTH) | 1 |
| 11 | SCW-1930 | CSK SKT HD SCREW | 2 | OR | 198999 12 | PINION GEAR (30 TOOTH) | 1 |
| 12 | 198024 01 | CSK WASHER | 2 | OR | 198999 13 | PINION GEAR (36 TOOTH) | 1 |
| 13 | 198023 01 | GEARBOX ADJUSTER | 1 | 40 | 198942 01 | SPACER | 1 |
| 14 | 198022 01 | G/BOX MOUNTING PLT RH | 1 | 41 | SEAZ09000 | PLUG SEAL | 1 |
| 15 | 198025 01 | G/BOX ADJ PLT RH | 1 | 42 | NUT-0270 | NYLOC NUT (THIN) | 1 |
| 16 | NUT-0269 | NYLOC NUT | 4 | 43 | WSH-0019 | PLAIN WASHER (FORM B) | 1 |
| 17 | WSHA20121 | SHAKEPROOF WASHER | 2 | 44 | BRG-16585 | BEARING (65mm) | 1 |
| 18 | SCW-4535 | SOCKET GRUBSCREW | 3 | 45 | 198927 01 | SPACER RING | 1 |
| 19 | 192597 01 | JACKING ROD VS | 3 | 46 | SEAB06500 | SHAFT SEAL (65mm) | 1 |
| 20 | FIT-0253 | PLUG | 1 | | | | |
| 21 | FITD00005 | SIGHT GLASS/SEAL | 2 | | | | |
| 22 | FIT-0255 | BREATHER | 1 | | GEA-0059CNH | SPARES GEARBOX ASSY C/W 35T & 34T GEARS | |
| 23 | 192591 01 | INPUT SHAFT | 1 | | GEA-0059JD/CIH | SPARES GEARBOX ASSY C/W 37T & 32T GEARS | |
| 24 | 192592 09 | INPUT GEAR (37 TOOTH) | 1 | | GEA-0059LEX/CNH | SPARES GEARBOX ASSY C/W 33T & 36T GEARS | |
| OR | 192592 11 | INPUT GEAR (35 TOOTH) | 1 | | | | |
| OR | 192592 12 | INPUT GEAR (39 TOOTH) | 1 | | | | |
| OR | 192592 13 | INPUT GEAR (33 TOOTH) | 1 | | | | |
| 25 | PIN-61217 | DOWEL PIN | 3 | | | | |
| 26 | SCW-0196 | CAP HEAD SCREW | 3 | | | ABOVE SPARE GEARBOX ASSY DO NOT INCLUDE ADJUSTER PLATES & AUGER SPROCKET, ITEMS, 10, 11, 12, 13, 15, 33, 34, 35, 36 & 37 | |
| 27 | WSH-0061 | SPRING WASHER | 3 | | | | |
| 28 | BRG-7040 | BEARING | 2 | | | | |
| 29 | 192596 01 | RING | 3 | | | | |
| 30 | SEA-0590 | SHAFT SEAL | 2 | | | | |
| 31 | BRG-16080 | BEARING | 1 | | | | |
| 32 | K1008045 | KEY | 1 | | | | |
| 33 | 191692 01 | SPACER | 2 | | | | |
| 34 | 191692 02 | SPACER | 7 | | | | |
| 35 | 192768 18 | AUGER DRIVE SPROCKET (18T) | 1 | | | | |
| OR | 192768 04 | AUGER DRIVE SPROCKET (16T) | 1 | | | | |

Shelbourne Reynolds Engineering Limited



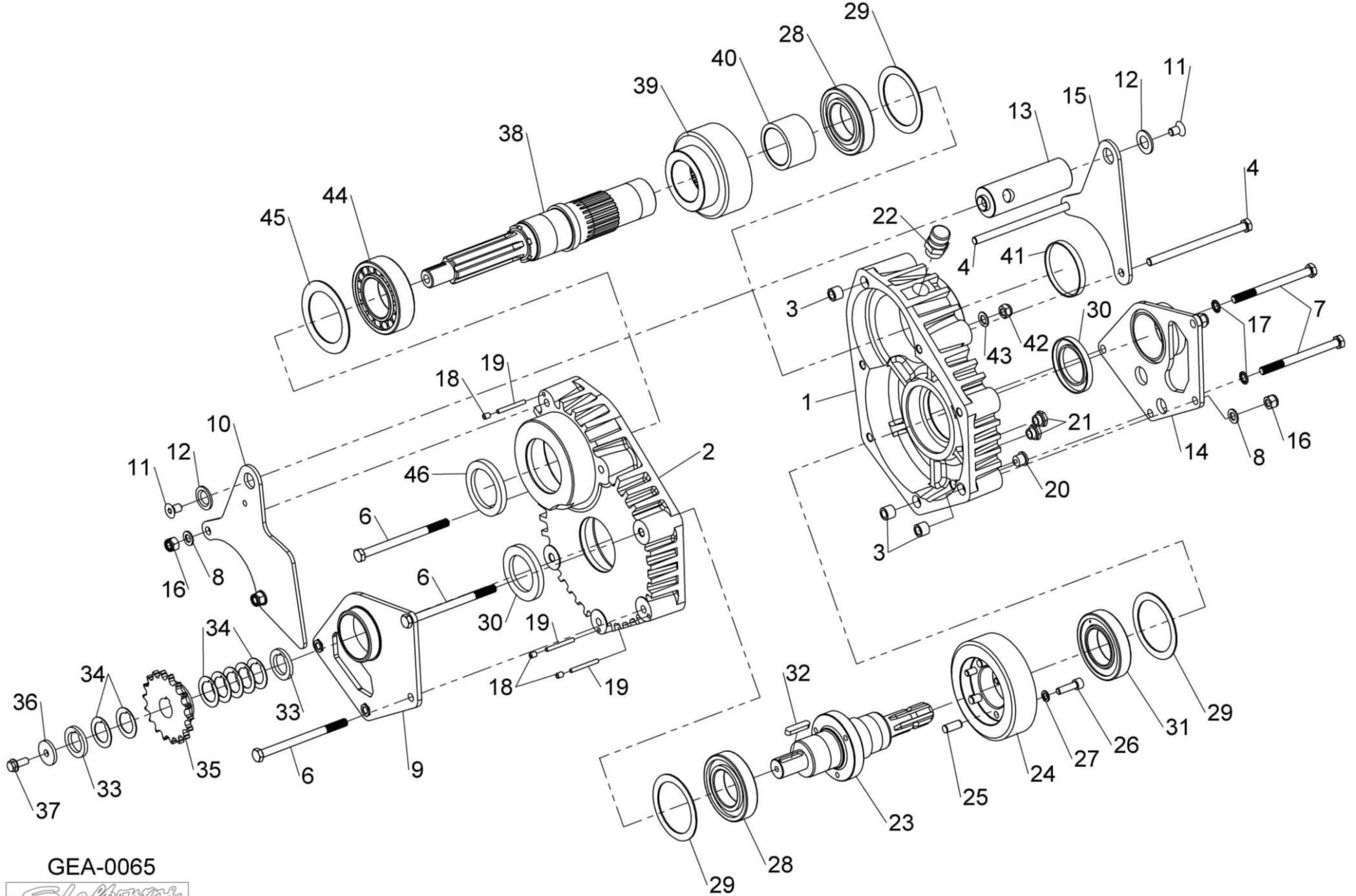
GEA-0059
GEA-0065



Shelbourne Reynolds Engineering Limited

| ASSY NUMBER: GEA-0065 | | | | ASSY DESCRIPTION: INPUT GEARBOX HTD DRIVE (RSD 2020 & ON) | | | |
|-----------------------|-----------|-----------------------|-----|---|-----------------|---|-----|
| ITEM | PART NO | DESCRIPTION | QTY | ITEM | PART NO | DESCRIPTION | QTY |
| 1 | 197619 03 | CASE HALF | 1 | 35 | 192768 18 | AUGER DRIVE SPROCKET (18T) | 1 |
| 2 | 197619 04 | CASE HALF | 1 | OR | 192768 04 | AUGER DRIVE SPROCKET (16T) | 1 |
| 3 | 192598 01 | DOWEL | 3 | OR | 192768 16 | AUGER DRIVE SPROCKET (15T) | 1 |
| 4 | BLTA12810 | HEX HEAD BOLT | 2 | OR | 192768 10 | AUGER DRIVE SPROCKET (22T) | 1 |
| 5 | | | | OR | 192768 08 | AUGER DRIVE SPROCKET (13T) | 1 |
| 6 | BLTA12750 | HEX HEAD BOLT | 3 | OR | 192768 20 | AUGER DRIVE SPROCKET (12T) | 1 |
| 7 | BLT-2276 | HEX HEAD BOLT | 2 | 36 | 190548 01 | RETAINING WASHER | 1 |
| 8 | WSH-0018 | PLAIN WASHER | 4 | 37 | HSSF10174 | SET SCREW | 1 |
| 9 | 198021 01 | G/BOX MOUNTING PLT LH | 1 | 38 | 291842 01 | PINION SHAFT | 1 |
| 10 | 198026 01 | G/BOX ADJ PLT LH | 1 | 39 | 198999 09 | PINION GEAR (32 TOOTH) | 1 |
| 11 | SCW-1930 | CSK SKT HD SCREW | 2 | OR | 198999 11 | PINION GEAR (34 TOOTH) | 1 |
| 12 | 198024 01 | CSK WASHER | 2 | OR | 198999 12 | PINION GEAR (30 TOOTH) | 1 |
| 13 | 198023 01 | GEARBOX ADJUSTER | 1 | OR | 198999 13 | PINION GEAR (36 TOOTH) | 1 |
| 14 | 198022 01 | G/BOX MOUNTING PLT RH | 1 | 40 | 198942 01 | SPACER | 1 |
| 15 | 198025 01 | G/BOX ADJ PLT RH | 1 | 41 | SEAZ09000 | PLUG SEAL | 1 |
| 16 | NUT-0269 | NYLOC NUT | 4 | 42 | NUT-0270 | NYLOC NUT (THIN) | 1 |
| 17 | WSHA20121 | SHAKEPROOF WASHER | 2 | 43 | WSH-0019 | PLAIN WASHER (FORM B) | 1 |
| 18 | SCW-4535 | SOCKET GRUBSCREW | 3 | 44 | BRG-16585 | BEARING (65mm) | 1 |
| 19 | 192597 01 | JACKING ROD VS | 3 | 45 | 198927 01 | SPACER RING (2mm) | 1 |
| 20 | FIT-0253 | PLUG | 1 | OR | 198927 02 | SPACER RING (1.6mm) | A/R |
| 21 | FITD00005 | SIGHT GLASS/SEAL | 2 | OR | | | |
| 22 | FIT-0255 | BREATHER | 1 | | | | |
| 23 | 192591 01 | INPUT SHAFT | 1 | OR | 198927 03 | SPACER RING (1.2mm) | A/R |
| 24 | 192592 09 | INPUT GEAR (37 TOOTH) | 1 | OR | 198927 04 | SPACER RING (1mm) | A/R |
| OR | 192592 11 | INPUT GEAR (35 TOOTH) | 1 | 46 | SEAB06500 | SHAFT SEAL (65mm) | 1 |
| OR | 192592 12 | INPUT GEAR (39 TOOTH) | 1 | | | | |
| OR | 192592 13 | INPUT GEAR (33 TOOTH) | 1 | | | | |
| 25 | PIN-61217 | DOWEL PIN | 3 | | GEA-0065JD/CIH | SPARES GEARBOX ASSY C/W 37T & 32T GEARS | |
| 26 | SCW-0196 | CAP HEAD SCREW | 3 | | GEA-0065LEX/CNH | SPARES GEARBOX ASSY C/W 33T & 36T GEARS | |
| 27 | WSH-0061 | SPRING WASHER | 3 | | | | |
| 28 | BRG-7040 | BEARING | 2 | | | | |
| 29 | 192596 01 | SPACER RING (2mm) | 3 | | | | |
| OR | 192596 02 | SPACER RING (1.6mm) | A/R | | | | |
| OR | 192596 03 | SPACER RING (1.2mm) | A/R | | | | |
| OR | 192596 04 | SPACER RING (1mm) | A/R | | | | |
| 30 | SEA-0590 | SHAFT SEAL | 2 | | | | |
| 31 | BRG-16080 | BEARING | 1 | | | | |
| 32 | K1008045 | KEY | 1 | | | | |
| 33 | 191692 01 | SPACER | 2 | | | | |
| 34 | 191692 02 | SPACER | 7 | | | | |

Shelbourne Reynolds Engineering Limited



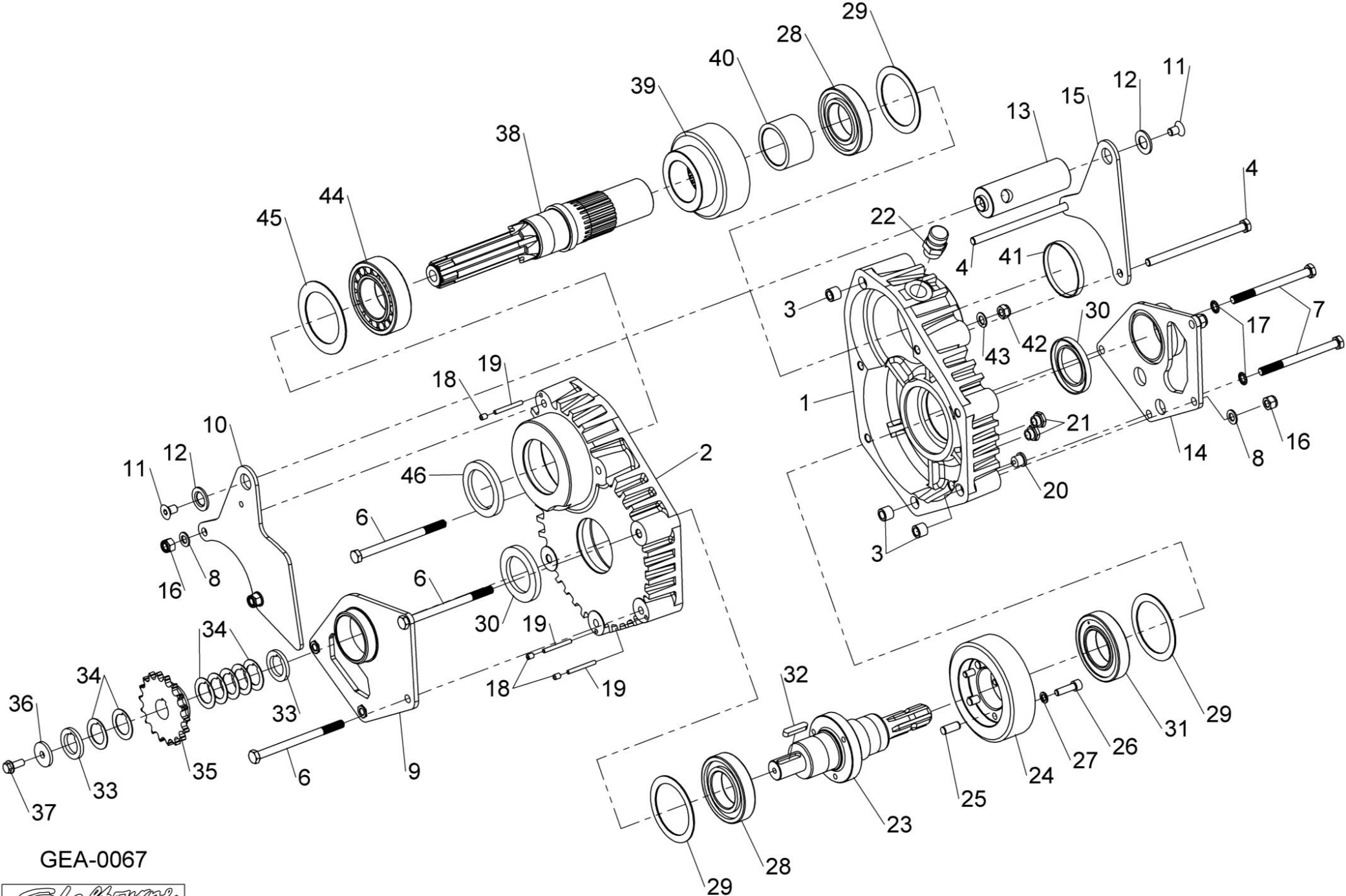
GEA-0065



Shelbourne Reynolds Engineering Limited

| ASSY NUMBER: GEA-0067 | | | | ASSY DESCRIPTION: INPUT GEARBOX HTD DRIVE | | | |
|-----------------------|-----------|-----------------------|-----|---|-----------------|--|-----|
| ITEM | PART NO | DESCRIPTION | QTY | ITEM | PART NO | DESCRIPTION | QTY |
| 1 | 197619 03 | CASE HALF | 1 | 35 | 192768 18 | AUGER DRIVE SPROCKET (18T) | 1 |
| 2 | 197619 04 | CASE HALF | 1 | OR | 192768 04 | AUGER DRIVE SPROCKET (16T) | 1 |
| 3 | 192598 01 | DOWEL | 3 | OR | 192768 16 | AUGER DRIVE SPROCKET (15T) | 1 |
| 4 | BLTA12810 | HEX HEAD BOLT | 2 | OR | 192768 10 | AUGER DRIVE SPROCKET (22T) | 1 |
| 5 | | | | OR | 192768 08 | AUGER DRIVE SPROCKET (13T) | 1 |
| 6 | BLTA12750 | HEX HEAD BOLT | 3 | OR | 192768 20 | AUGER DRIVE SPROCKET (12T) | 1 |
| 7 | BLT-2276 | HEX HEAD BOLT | 2 | 36 | 190548 01 | RETAINING WASHER | 1 |
| 8 | WSH-0018 | PLAIN WASHER | 4 | 37 | HSSF10174 | SET SCREW | 1 |
| 9 | 198021 01 | G/BOX MOUNTING PLT LH | 1 | 38 | 292530 01 | PINION SHAFT (HEX) | 1 |
| 10 | 198026 01 | G/BOX ADJ PLT LH | 1 | 39 | 198999 09 | PINION GEAR (32 TOOTH) | 1 |
| 11 | SCW-1930 | CSK SKT HD SCREW | 2 | OR | 198999 11 | PINION GEAR (34 TOOTH) | 1 |
| 12 | 198024 01 | CSK WASHER | 2 | OR | 198999 12 | PINION GEAR (30 TOOTH) | 1 |
| 13 | 198023 01 | GEARBOX ADJUSTER | 1 | OR | 198999 13 | PINION GEAR (36 TOOTH) | 1 |
| 14 | 198022 01 | G/BOX MOUNTING PLT RH | 1 | 40 | 198942 01 | SPACER | 1 |
| 15 | 198025 01 | G/BOX ADJ PLT RH | 1 | 41 | SEAZ09000 | PLUG SEAL | 1 |
| 16 | NUT-0269 | NYLOC NUT | 4 | 42 | NUT-0270 | NYLOC NUT (THIN) | 1 |
| 17 | WSHA20121 | SHAKEPROOF WASHER | 2 | 43 | WSH-0019 | PLAIN WASHER (FORM B) | 1 |
| 18 | SCW-4535 | SOCKET GRUBSCREW | 3 | 44 | BRG-16585 | BEARING (65mm) | 1 |
| 19 | 192597 01 | JACKING ROD VS | 3 | 45 | 198927 01 | SPACER RING (2mm) | 1 |
| 20 | FIT-0253 | PLUG | 1 | OR | 198927 02 | SPACER RING (1.6mm) | A/R |
| 21 | FITD00005 | SIGHT GLASS/SEAL | 2 | OR | 198927 03 | SPACER RING (1.2mm) | A/R |
| 22 | FIT-0255 | BREATHER | 1 | OR | 198927 04 | SPACER RING (1mm) | A/R |
| 23 | 192591 01 | INPUT SHAFT | 1 | 46 | SEAB06500 | SHAFT SEAL (65mm) | 1 |
| 24 | 192592 09 | INPUT GEAR (37 TOOTH) | 1 | | | | |
| OR | 192592 11 | INPUT GEAR (35 TOOTH) | 1 | | | | |
| OR | 192592 12 | INPUT GEAR (39 TOOTH) | 1 | | GEA-0067JD/CIH | SPARES GEARBOX ASSY C/W 37T & 32T GEARS | |
| OR | 192592 13 | INPUT GEAR (33 TOOTH) | 1 | | GEA-0067LEX/CNH | SPARES GEARBOX ASSY C/W 33T & 36T GEARS | |
| 25 | PIN-61217 | DOWEL PIN | 3 | | | | |
| 26 | SCW-0196 | CAP HEAD SCREW | 3 | | | | |
| 27 | WSH-0061 | SPRING WASHER | 3 | | | | |
| 28 | BRG-7040 | BEARING | 2 | | | | |
| 29 | 192596 01 | SPACER RING (2mm) | 3 | | | ABOVE SPARE GEARBOX ASSY DO NOT INCLUDE ADJUSTER PLATES & AUGER SPROCKET, ITEMS, 10, 11, 12, 13, 15, 33, 34, 35, 36 & 37 | |
| OR | 192596 02 | SPACER RING (1.6mm) | A/R | | | | |
| OR | 192596 03 | SPACER RING (1.2mm) | A/R | | | | |
| OR | 192596 04 | SPACER RING (1mm) | A/R | | | | |
| 30 | SEA-0590 | SHAFT SEAL | 2 | | | | |
| 31 | BRG-16080 | BEARING | 1 | | | | |
| 32 | K1008045 | KEY | 1 | | | | |
| 33 | 191692 01 | SPACER | 2 | | | | |
| 34 | 191692 02 | SPACER | 7 | | | | |

Shelbourne Reynolds Engineering Limited

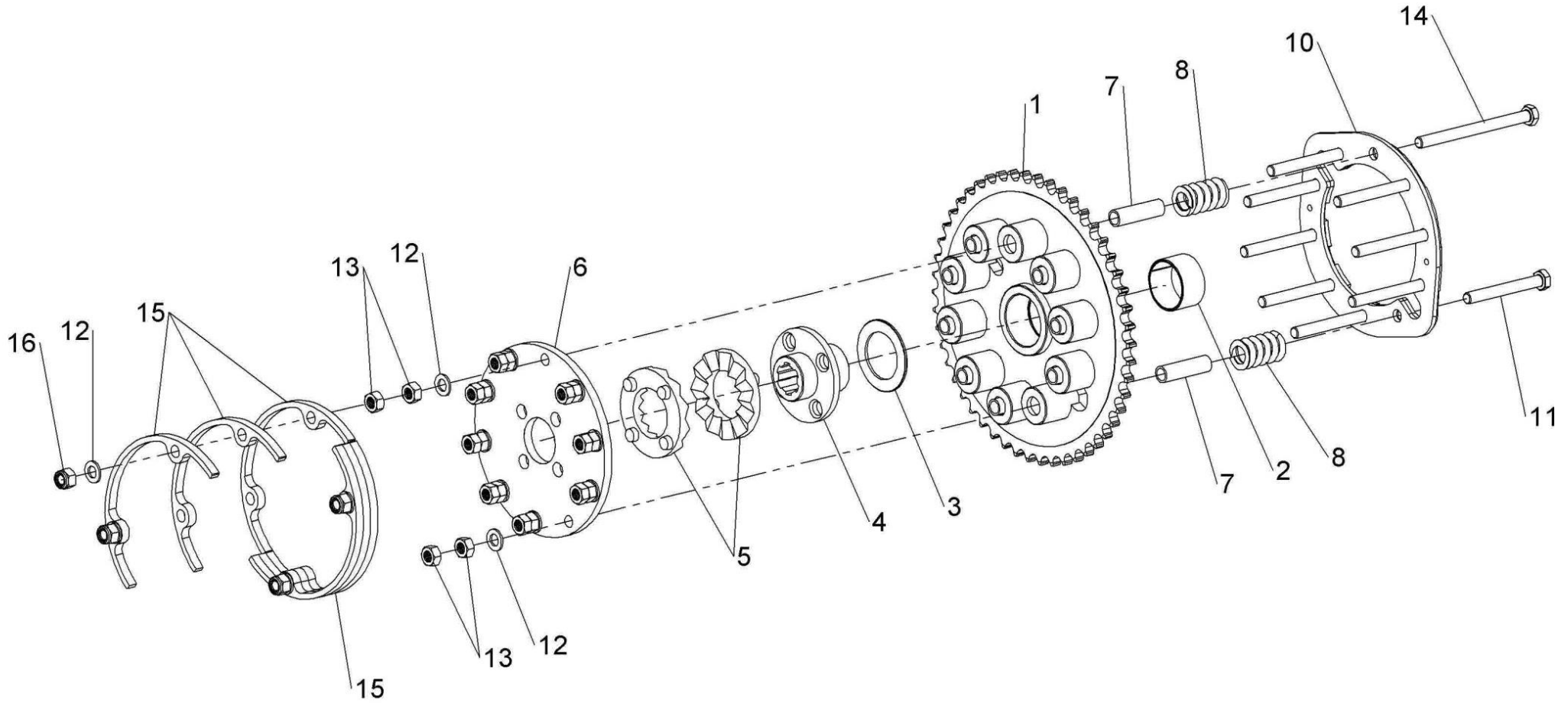


GEA-0067



Shelbourne Reynolds Engineering Limited

| ASSY NUMBER: KIT-00123 | | | | ASSY DESCRIPTION: AUGER SLIP CLUTCH (10 SPRING) | | | |
|------------------------|-----------|--------------------|-----|---|---------|-------------|-----|
| ITEM | PART NO | DESCRIPTION | QTY | ITEM | PART NO | DESCRIPTION | QTY |
| 1 | 290418 01 | 50T SPROCKET ASSY | 1 | | | | |
| 2 | BSHK05056 | BUSH | 1 | | | | |
| 3 | 192008 02 | THRUST WASHER | 1 | | | | |
| 4 | 195850 01 | SPLINED CLUTCH HUB | 1 | | | | |
| 5 | 131005 | CLUTCH PLATE | 2 | | | | |
| 6 | 290335 01 | DRIVE DISC | 1 | | | | |
| 7 | 131073 04 | SPACER | 10 | | | | |
| 8 | 131063 | SPRING | 10 | | | | |
| 9 | | | | | | | |
| 10 | 290336 01 | LOCKING RING | 1 | | | | |
| 11 | BLT-2270 | BOLT | 6 | | | | |
| 12 | WSH-0018 | PLAIN WASHER | 14 | | | | |
| 13 | NUT-0170 | PLAIN NUT | 20 | | | | |
| 14 | HSSA12710 | SETSCREW | 4 | | | | |
| 15 | 290403 01 | BELT SLIPPER | 6 | | | | |
| 16 | NUT-0269 | NYLOC NUT | 4 | | | | |

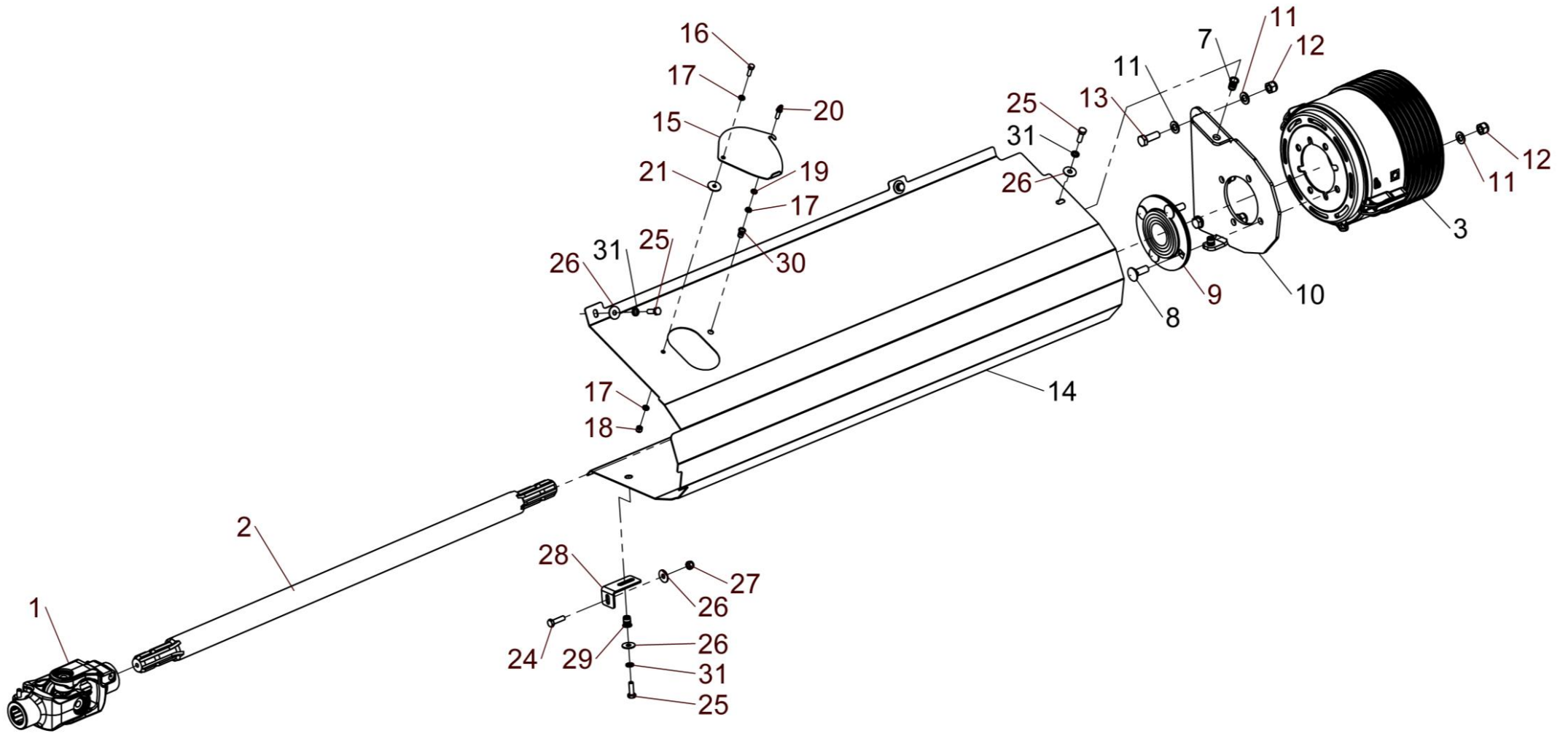


KIT-00123



Shelbourne Reynolds Engineering Limited

| ASSY NUMBER: KIT-00430 | | | | ASSY DESCRIPTION: GEARBOX INPUT SHAFT SUB RSD/CVS/CSD 32 | | | |
|------------------------|-------------|--|-----|--|----------|---------------------------|-----|
| ITEM | PART NO | DESCRIPTION | QTY | ITEM | PART NO | DESCRIPTION | QTY |
| 1 | PTO-24000WE | PTO COUPLING | 1 | 31 | WSH-0058 | SPRING WASHER (2014 & ON) | 5 |
| 1a | PTO-00083 | PTO CROSS BEARING | | | | | |
| 1b | KIT-01409 | GREASE POINT KIT | | | | | |
| 2 | 291832 02 | INPUT SHAFT (HARDENED SPLINE) (RSD32 2020 & ON) | 1 | | | | |
| OR | 192982 12 | INPUT SHAFT (CVS32 & CSD32) (RSD32 UPTO 2020) ALL SPARES CAN USE 291832 02 | 1 | | | | |
| 3 | PTO-00975 | PTO CONE (2017 & ON) | 1 | | | | |
| 4 | | | | | | | |
| 5 | | | | | | | |
| 6 | | | | | | | |
| 7 | NUTA13087 | NUTSERT | 2 | | | | |
| 8 | BLTF12233 | COACH BOLT | 4 | | | | |
| 9 | BRG-24500 | BEARING | 1 | | | | |
| 10 | 290469 01 | BEARING MTG PLT (2017 & ON) | 1 | | | | |
| OR | 199608 01 | BEARING MTG PLT (UPTO 2017) | 1 | | | | |
| OR | 197975 01 | BEARING MTG PLT (UPTO 2014) | 1 | | | | |
| 11 | WSH-0018 | PLAIN WASHER | 8 | | | | |
| 12 | NUT-0269 | NYLOC NUT | 6 | | | | |
| 13 | HSS-0241 | SET SCREW | 2 | | | | |
| 14 | 290179 01 | PTO GUARD (2017 & ON) | 1 | | | | |
| OR | 199607 01 | PTO GUARD (UPTO 2017) | 1 | | | | |
| OR | 198210 01 | PTO GUARD (UPTO 2013) | 1 | | | | |
| 15 | 197757 01 | COVER | 1 | | | | |
| 16 | HSS-0086 | SET SCREW | 1 | | | | |
| 17 | WSH-0009 | PLAIN WASHER | 3 | | | | |
| 18 | NUT-0260 | NYLOC NUT | 2 | | | | |
| 19 | WSH-0056 | SPRING WASHER | 1 | | | | |
| 20 | SCW-4701 | THUMBSCREW | 1 | | | | |
| 21 | WSH-1036 | PENNY WASHER | 1 | | | | |
| 22 | | | | | | | |
| 23 | | | | | | | |
| 24 | HSS-0150 | SET SCREW | 1 | | | | |
| 25 | HSS-0145 | SET SCREW | 5 | | | | |
| 26 | WSH-1038 | PENNY WASHER | 6 | | | | |
| 27 | NUT-0263 | NYLOC NUT | 1 | | | | |
| 28 | 199603 01 | SMALL BRACKET (2014 & ON) | 1 | | | | |
| 29 | NUTA13080 | NUTSERT (2014 & ON) | 1 | | | | |
| 30 | NUTA13060 | NUTSERT (2014 & ON) | 1 | | | | |

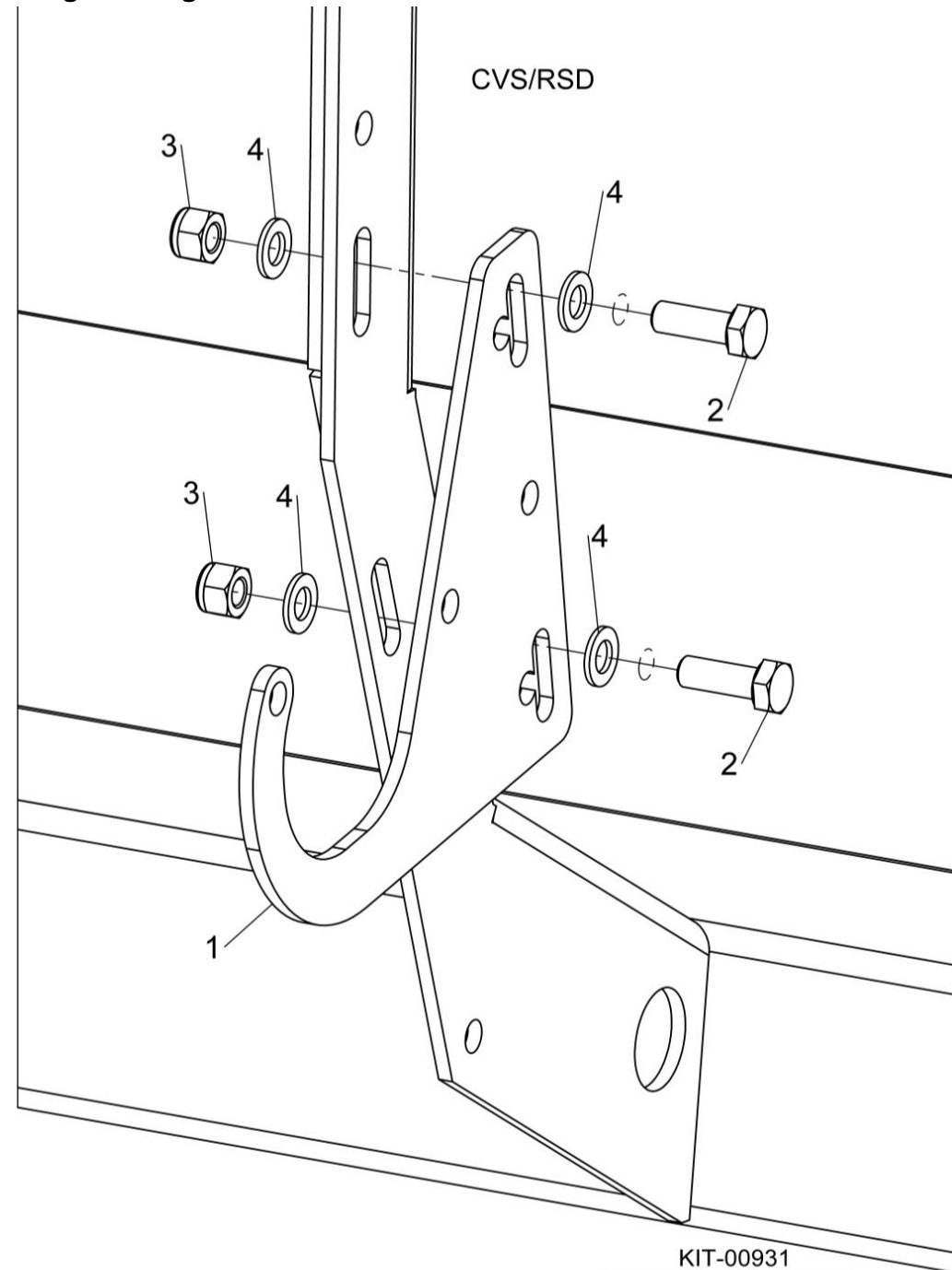
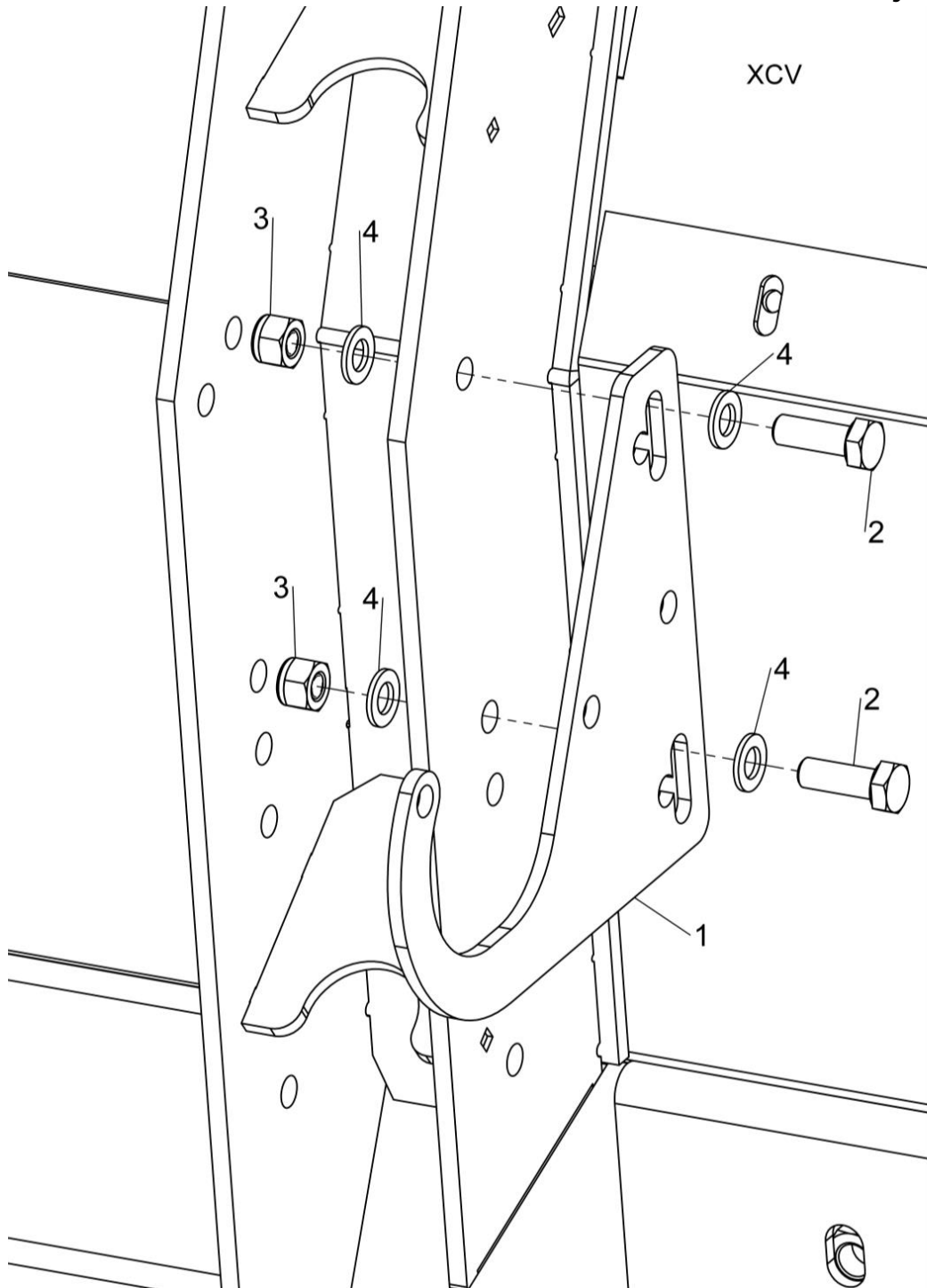


KIT-00430
KIT-00431



Shelbourne Reynolds Engineering Limited

| ASSY NUMBER: KIT-00931 | | | | ASSY DESCRIPTION: PTO SUPPORT KIT | | | |
|------------------------|-----------|--------------|-----|-----------------------------------|---------|-------------|-----|
| ITEM | PART NO | DESCRIPTION | QTY | ITEM | PART NO | DESCRIPTION | QTY |
| 1 | 191945 01 | PTO SUPPORT | 1 | | | | |
| 2 | HSS-0241 | SETSCREW | 2 | | | | |
| 3 | NUT-0269 | NYLOC NUT | 2 | | | | |
| 4 | WSH-0018 | PLAIN WASHER | 4 | | | | |

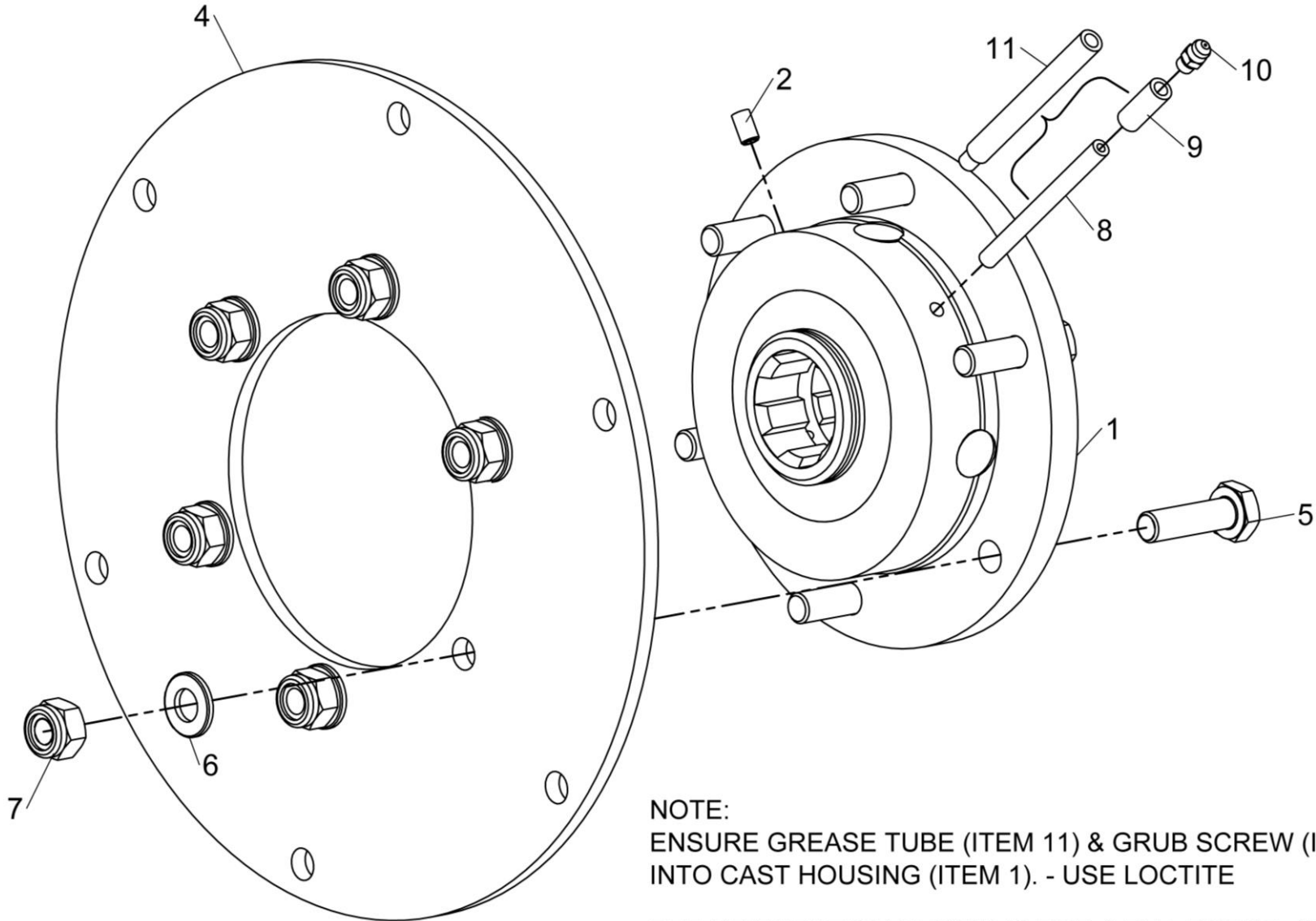


KIT-00931



Shelbourne Reynolds Engineering Limited

| ASSY NUMBER: KIT-00976 | | | | ASSY DESCRIPTION: BALL JOINT CTR COUPLING | | | |
|------------------------|-----------|---|-----|---|---------|-------------|-----|
| ITEM | PART NO | DESCRIPTION | QTY | ITEM | PART NO | DESCRIPTION | QTY |
| 1 | 193114 01 | SPLINED BALL ASSY | 1 | | | | |
| OR | 193114P | SPARE SPLINED BALL ASSY (ALTERNATIVE TO 193114 01) | | | | | |
| 2 | SCW-4530 | GRUBSCREW | 1 | | | | |
| 3 | | | | | | | |
| 4 | 193106 01 | DRIVE RING PLATE | 1 | | | | |
| 5 | HSS-0198 | SETSCREW | 6 | | | | |
| 6 | WSH-0015 | PLAIN WASHER | 6 | | | | |
| 7 | NUT-0265 | NYLOC NUT | 6 | | | | |
| 8 | 193077 01 | GREASE PIPE (UPTO 2022) | 1 | | | | |
| 9 | 193078 01 | GREASE PIPE SLEEVE (UPTO 2022) | 1 | | | | |
| 10 | NIP-00600 | GREASE NIPPLE | 1 | | | | |
| 11 | 292226 01 | GREASE PIPE (2022 & ON) SUPPLY IN PLACE OF ITEMS 8 & 9 | 1 | | | | |



NOTE:

ENSURE GREASE TUBE (ITEM 11) & GRUB SCREW (ITEM 2) ARE ASSEMBLED INTO CAST HOUSING (ITEM 1). - USE LOCTITE

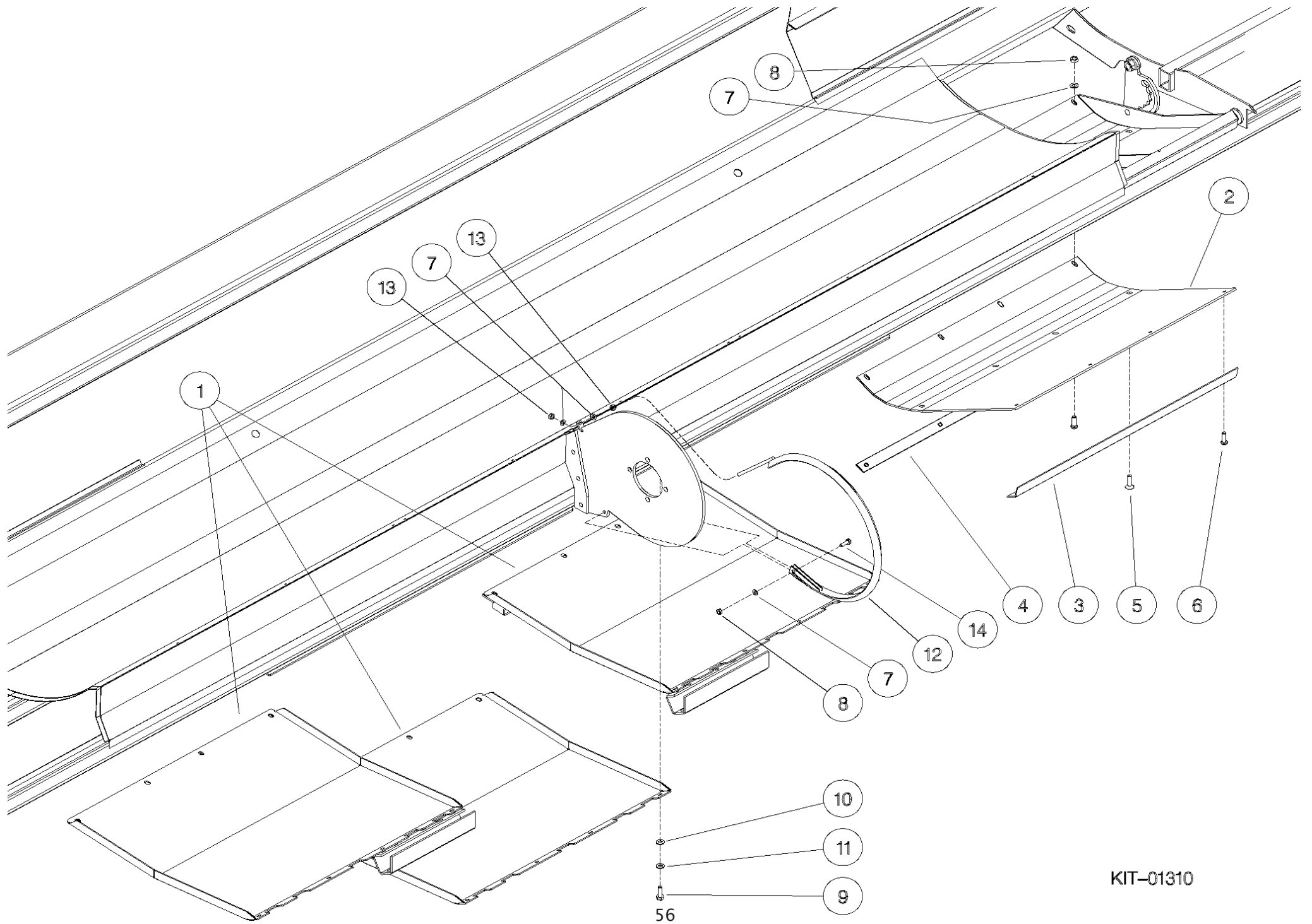
THE ORIENTATION SHOWN IS FOR A R.H. ROTOR, SWAP ITEMS 2 & 11 FOR A LH ROTOR

KIT-00976



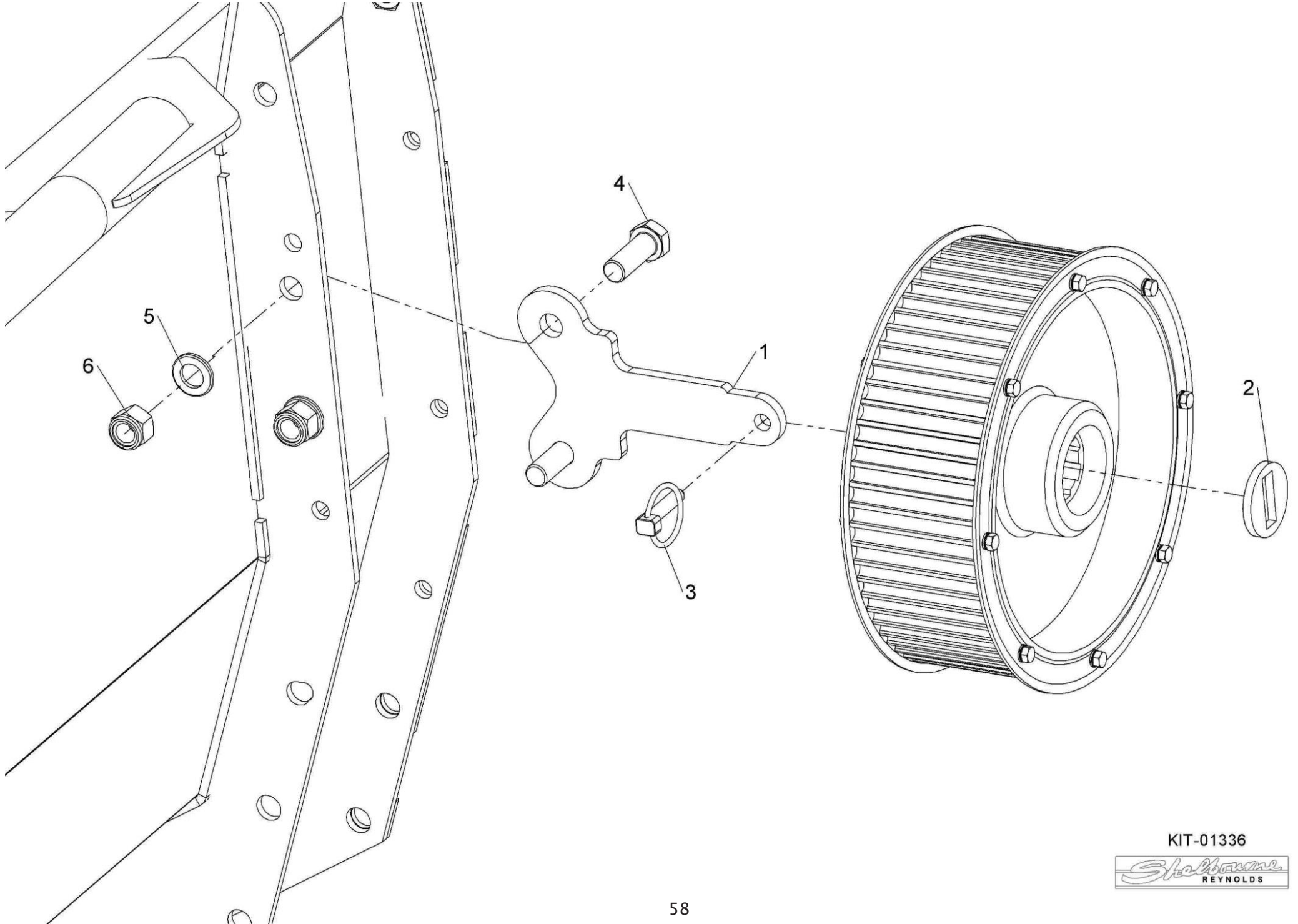
Shelbourne Reynolds Engineering Limited

| ASSY NUMBER: KIT-01310 | | | | ASSY DESCRIPTION: UNIVERSAL BELLY/WEAR KIT | | | |
|------------------------|-----------|-------------------|-----|--|---------|-------------|-----|
| ITEM | PART NO | DESCRIPTION | QTY | ITEM | PART NO | DESCRIPTION | QTY |
| 1 | 195866 01 | BELLY PAN | 3 | | | | |
| 2 | 195111 01 | SKID WEAR PLATE | 2 | | | | |
| 3 | 195142 01 | FIXING PLATE | 2 | | | | |
| 4 | 195144 01 | FIXING PLATE | 2 | | | | |
| 5 | SCW-1740 | CSK SOCKET HD SCW | 8 | | | | |
| 6 | BLT-2700 | COACHBOLT | 16 | | | | |
| 7 | WSH-0012 | PLAIN WASHER | 27 | | | | |
| 8 | NUT-0263 | NYLOC NUT | 25 | | | | |
| 9 | HSS-0191 | SET SCREW | 8 | | | | |
| 10 | WSH-0015 | PLAIN WASHER | 4 | | | | |
| 11 | WSH-0061 | SPRING WASHER | 8 | | | | |
| 12 | 192502 01 | VEE STRIP ASSY | 1 | | | | |
| 13 | NUT-0164 | PLAIN NUT | 2 | | | | |
| 14 | HSS-0145 | SET SCREW | 1 | | | | |



Shelbourne Reynolds Engineering Limited

| ASSY NUMBER: KIT-01336 | | | | ASSY DESCRIPTION: SPARE PULLEY MOUNTING | | | |
|------------------------|-----------|--------------------------------|-----|---|---------|-------------|-----|
| ITEM | PART NO | DESCRIPTION | QTY | ITEM | PART NO | DESCRIPTION | QTY |
| 1 | 290487 01 | PULLEY HOLDER (2018 & ON) | 1 | | | | |
| OR | 197210 01 | PULLEY MTG BRACKET (UPTO 2018) | 1 | | | | |
| 2 | 291035 01 | WASHER (2022 & ON) | 1 | | | | |
| OR | 197212 01 | WASHER (UPTO 2022) | 1 | | | | |
| 3 | PIN-01950 | LYNCH PIN | 1 | | | | |
| 4 | HSS-0317 | SET SCREW (2018 & ON) | 2 | | | | |
| OR | HSS-0317 | SET SCREW (UPTO 2018) | 4 | | | | |
| 5 | WSH-0024 | PLAIN WASHER (2018 & ON) | 2 | | | | |
| OR | WSH-0024 | PLAIN WASHER (UPTO 2018) | 4 | | | | |
| 6 | NUT-0271 | NYLOC NUT (2018 & ON) | 2 | | | | |
| OR | NUT-0271 | NYLOC NUT (UPTO 2018) | 4 | | | | |

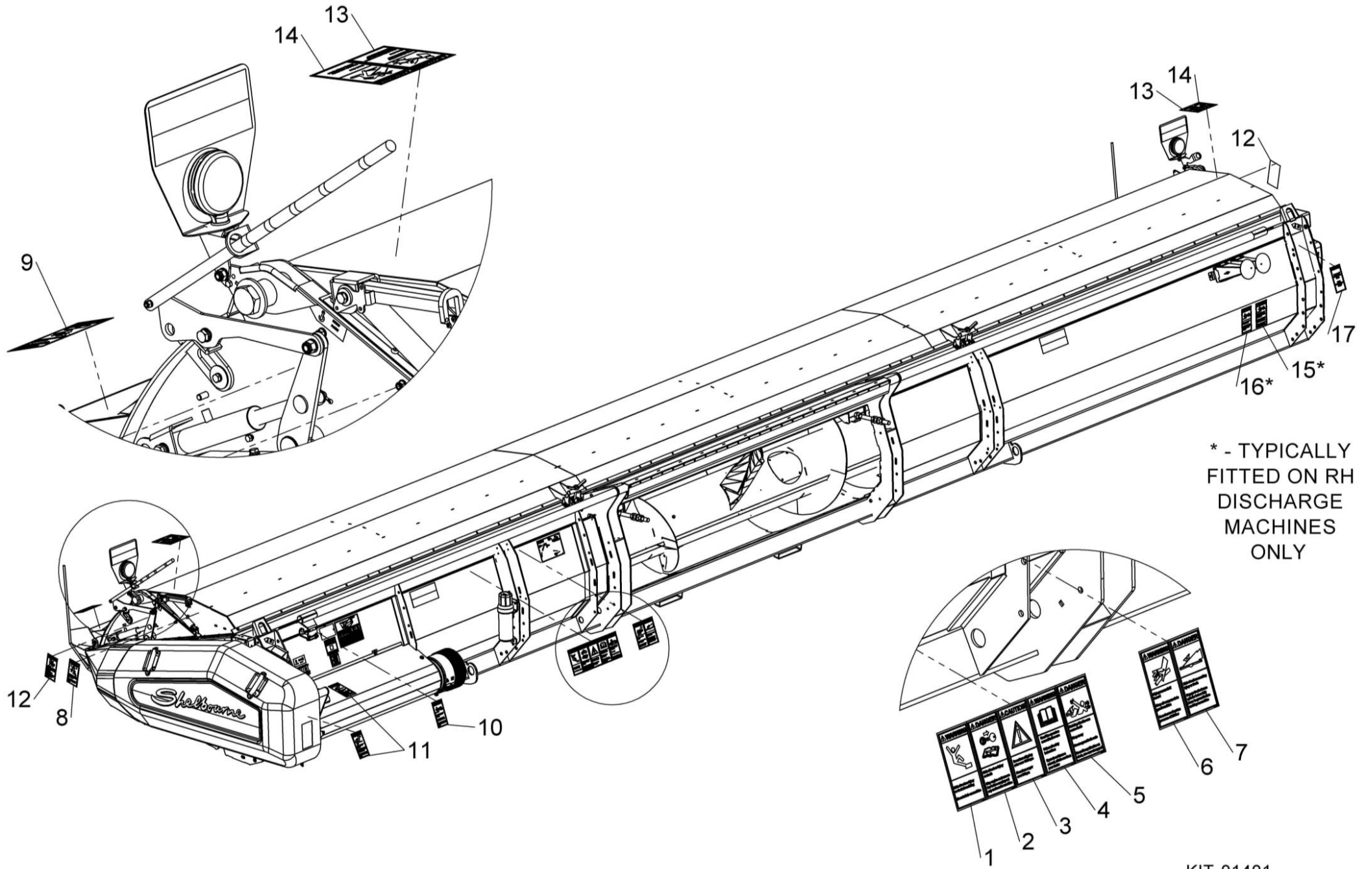


KIT-01336



Shelbourne Reynolds Engineering Limited

| ASSY NUMBER: KIT-01401 | | | | ASSY DESCRIPTION: SAFETY DECAL KIT NORTH AMERICA | | | |
|------------------------|-----------|------------------------------|-----|--|---------|-------------|-----|
| ITEM | PART NO | DESCRIPTION | QTY | ITEM | PART NO | DESCRIPTION | QTY |
| 1 | 198835 01 | EMBLEM - DO NOT CLIMB | 1 | | | | |
| 2 | 198840 01 | EMBLEM - STOP ENGINE | 1 | | | | |
| 3 | 198838 01 | EMBLEM - SPEED RESTRICTION | 1 | | | | |
| 4 | 199011 01 | EMBLEM - READ OPS MANUAL | 1 | | | | |
| 5 | 198842 01 | EMBLEM - ROTATING DRIVE LINE | 1 | | | | |
| 6 | 198832 01 | EMBLEM - HIGH PRESSUE FLUID | 1 | | | | |
| 7 | 198844 01 | EMBLEM - RISK OF CRUSHING | 1 | | | | |
| 8 | 198843 01 | EMBLEM - HOOD LOCK | 1 | | | | |
| 9 | 198836 01 | EMBLEM - CROP DEFLECTOR LOCK | 1 | | | | |
| 10 | 198839 01 | EMBLEM - AUGER | 1 | | | | |
| 11 | 198837 01 | EMBLEM - MOVING PARTS UNDER | 2 | | | | |
| 12 | 198833 01 | EMBLEM - CROP DEFLECTOR HAND | 2 | | | | |
| 13 | 198841 01 | EMBLEM - ROTOR KEEP AWAY | 2 | | | | |
| 14 | 198834 01 | EMBLEM - STAND CLEAR ROTOR | 2 | | | | |
| 15 | 291880 01 | EMBLEM - AUGER UNDER COVER | 1 | | | | |
| 16 | 291881 01 | EMBLEM - AUGER NO COVER | 1 | | | | |
| 17 | 291968 01 | EMBLEM - P65 | 1 | | | | |



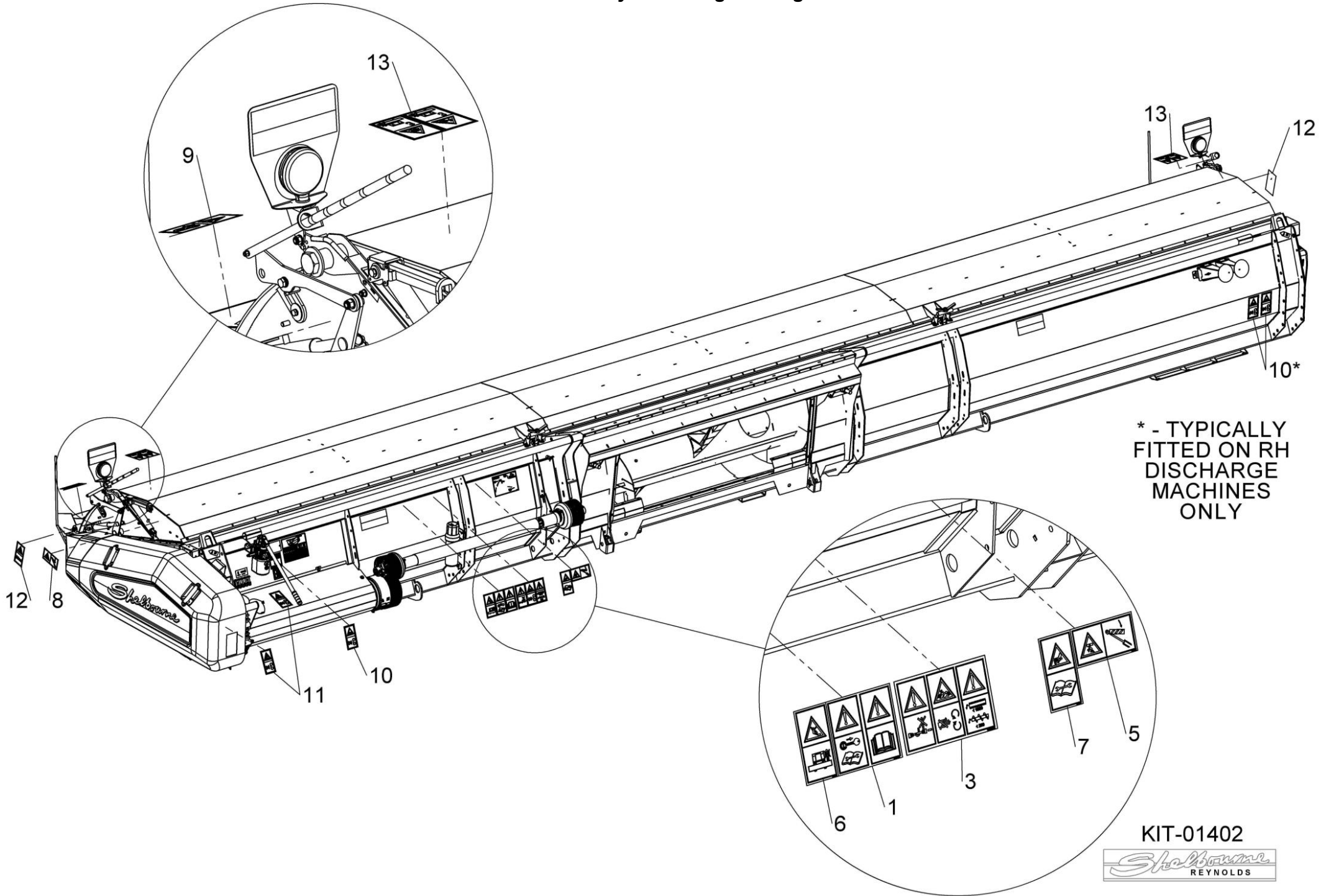
* - TYPICALLY
FITTED ON RH
DISCHARGE
MACHINES
ONLY

KIT-01401



Shelbourne Reynolds Engineering Limited

| ASSY NUMBER: KIT-01402 | | | | ASSY DESCRIPTION: SAFETY DECAL KIT ISO | | | |
|------------------------|-----------|--------------------------------|-----|--|---------|-------------|-----|
| ITEM | PART NO | DESCRIPTION | QTY | ITEM | PART NO | DESCRIPTION | QTY |
| 1 | TNF-0011 | EMBLEM - SAFETY MAINTENANCE | 1 | | | | |
| 2 | | OPERATORS MANUAL | | | | | |
| 3 | TNF-0012 | EMBLEM - PTO GUARDS | 1 | | | | |
| 4 | | ROTOR/AUGER SPEED PTO CHAIN | | | | | |
| 5 | 210435 01 | EMBLEM - FEEDER HOUSE LOCK | 1 | | | | |
| 6 | 198847 01 | EMBLEM - CLIMBING | 1 | | | | |
| 7 | 198846 01 | EMBLEM - HIGH PRESSURE OIL | 1 | | | | |
| 8 | 210435 01 | EMBLEM - HOOD LOCK | 1 | | | | |
| 9 | 198845 01 | EMBLEM - CROP DEFLECTOR LOCK | 1 | | | | |
| 10 | 193393 01 | EMBLEM - AUGER | 3 | | | | |
| 11 | 193392 01 | EMBLEM - MOVING PARTS UNDER | 2 | | | | |
| 12 | 800215 01 | EMBLEM - CROP DEFLECTOR HAND | 2 | | | | |
| 13 | TNF-0010 | EMBLEM - FLYING OBJECTS | 2 | | | | |
| 14 | | ROTOR ENTANGLEMENT | | | | | |



* - TYPICALLY
FITTED ON RH
DISCHARGE
MACHINES
ONLY

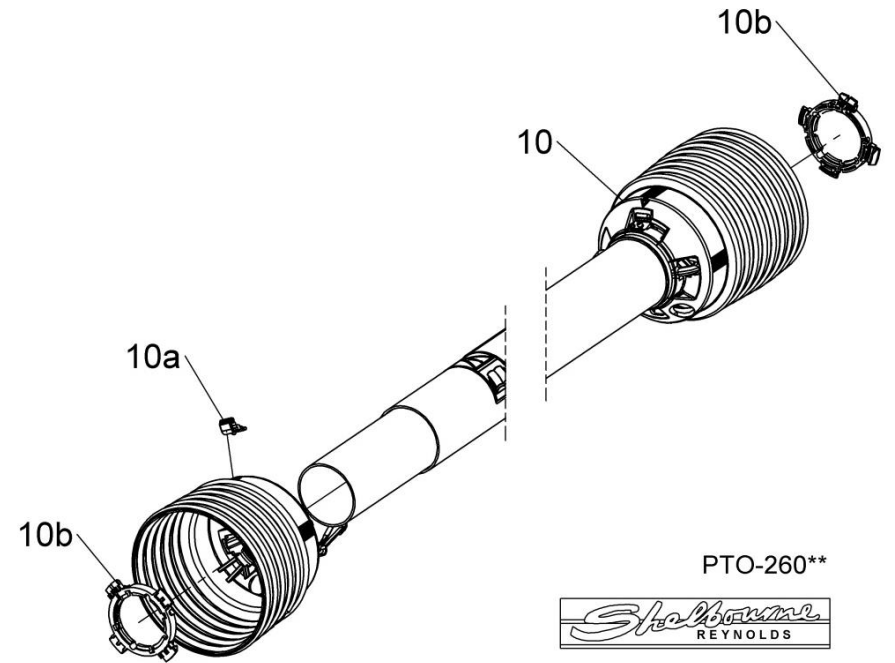
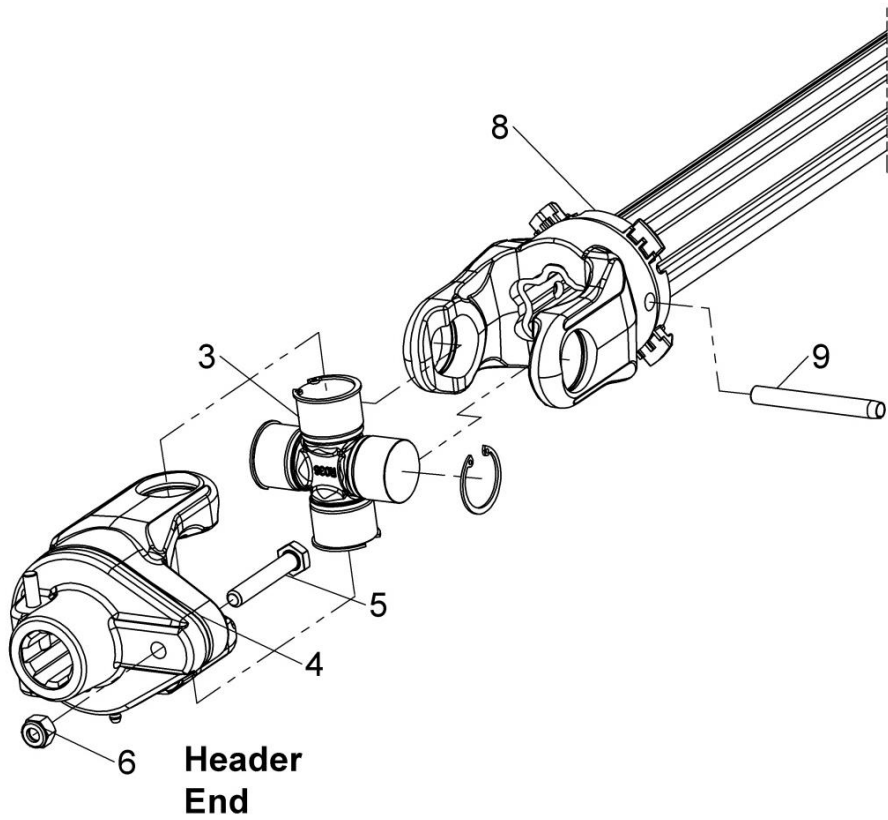
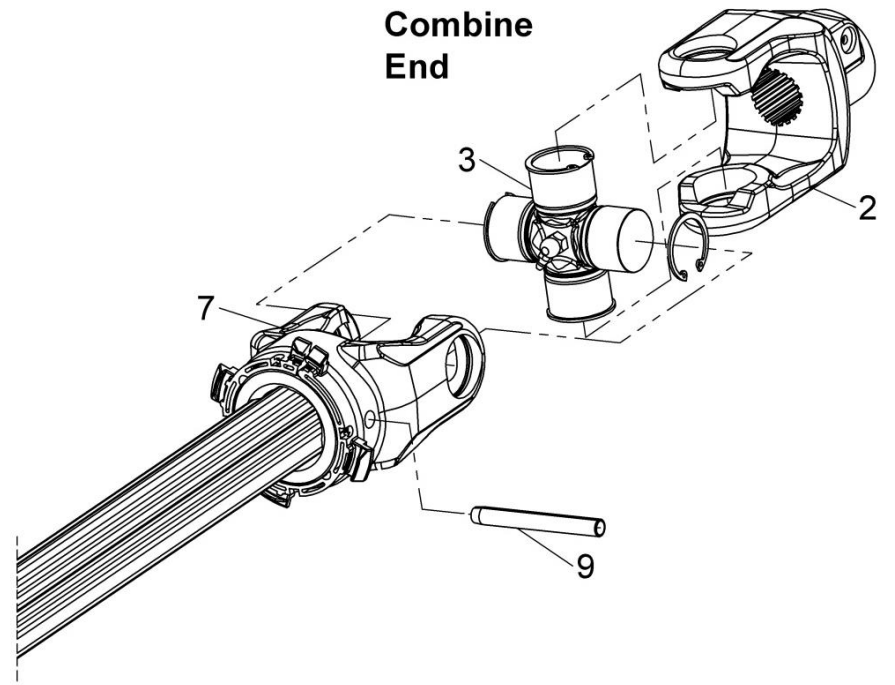
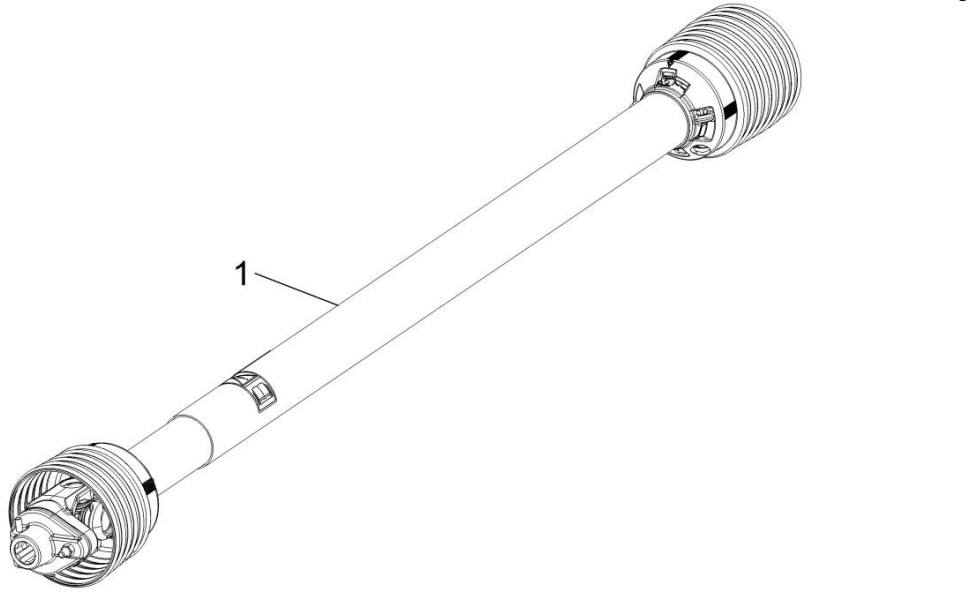
KIT-01402



Shelbourne Reynolds Engineering Limited

| ASSY NUMBER: PTO-260** | | | | ASSY DESCRIPTION: STRIPPER PTO & PARTS | | | |
|------------------------|-------------|--|-----|--|---------|-------------|-----|
| ITEM | PART NO | DESCRIPTION | QTY | ITEM | PART NO | DESCRIPTION | QTY |
| 1 | PTO-26003WE | PTO SHAFT 1 $\frac{3}{8}$ " 21 SPLINE (WEAS) | | | | | |
| OR | PTO-26003 | PTO SHAFT 1 $\frac{3}{8}$ " 21 SPLINE (WALT) | | | | | |
| OR | PTO-26004WE | PTO SHAFT 1 $\frac{3}{8}$ " 6 SPLINE (WEAS) | | | | | |
| OR | PTO-26004 | PTO SHAFT 1 $\frac{3}{8}$ " 6 SPLINE (WALT) | | | | | |
| OR | PTO-26002WE | PTO SHAFT 1 $\frac{3}{8}$ " HEX SPL (WEAS) | | | | | |
| OR | PTO-26002 | PTO SHAFT 1 $\frac{3}{8}$ " HEX SPL (WALT) | | | | | |
| 2 | PTO-00082WE | COMBINE END YOKE 1 $\frac{3}{8}$ " 21 SPLINE | | | | | |
| 2a | PTO-00605 | YOKE REPAIR KIT | | | | | |
| OR | PTO-00080WE | COMBINE END YOKE 1 $\frac{3}{8}$ " 6 SPLINE | | | | | |
| 2a | PTO-00605 | YOKE REPAIR KIT | | | | | |
| OR | PTO-00070WE | COMBINE END YOKE 1 $\frac{3}{8}$ " HEX SPL | | | | | |
| 2a | PTO-00605 | YOKE REPAIR KIT (NOT COLLAR) | | | | | |
| OR | PTO-00166 | COMBINE END YOKE 8 SPL PUSHPIN | | | | | |
| OR | PTO-00166WA | COMBINE END YOKE 8 SPL COLLAR | | | | | |
| OR | PTO-00174 | COMBINE END YOKE 1 $\frac{3}{4}$ " 20 SPLINE | | | | | |
| OR | PTO-00177 | COMBINE END YOKE 1 $\frac{3}{4}$ " 6 SPLINE | | | | | |
| OR | PTO-00180 | FORAGER END YOKE 1 $\frac{1}{2}$ " 23 SPLINE | | | | | |
| 3 | PTO-00083 | CROSS JOINT BEARING KIT | | | | | |
| 4 | PTO-00119WE | SHEAR BOLT CLUTCH | | | | | |
| OR | PTO-00119 | SHEAR BOLT CLUTCH | | | | | |
| 5 | BLTA10384 | SHEAR BOLT | | | | | |
| 6 | NUT-0265 | NYLOC NUT | | | | | |
| 7 | PTO-00089 | INBOARD YOKE (COMBINE) (WALT) | | | | | |
| 8 | PTO-00090 | INBOARD YOKE (HEADER) (WALT) | | | | | |
| 9 | PIN-1926 | ROLL PIN (M10x90) (WALT) | | | | | |
| OR | | ROLL PIN (M10x85) (WEAS) | | | | | |
| 10 | PTO-00093WE | GUARD ASSY C/W BEARINGS (WEAS) | | | | | |
| 10a | PTO-00968 | RED GUARD CLIPS (WEASLER) | | | | | |
| 10b | PTO-00178 | GUARD BRG & SCREW SET (WALT) | | | | | |
| OR | PTO-00601 | GUARD BEARING SET (WEASLER) | | | | | |
| OR | PTO-00093 | GUARD ASSY C/W BEARINGS (WALT) | | | | | |

WEAS = WEASLER
WALT = WALTERSCHEID



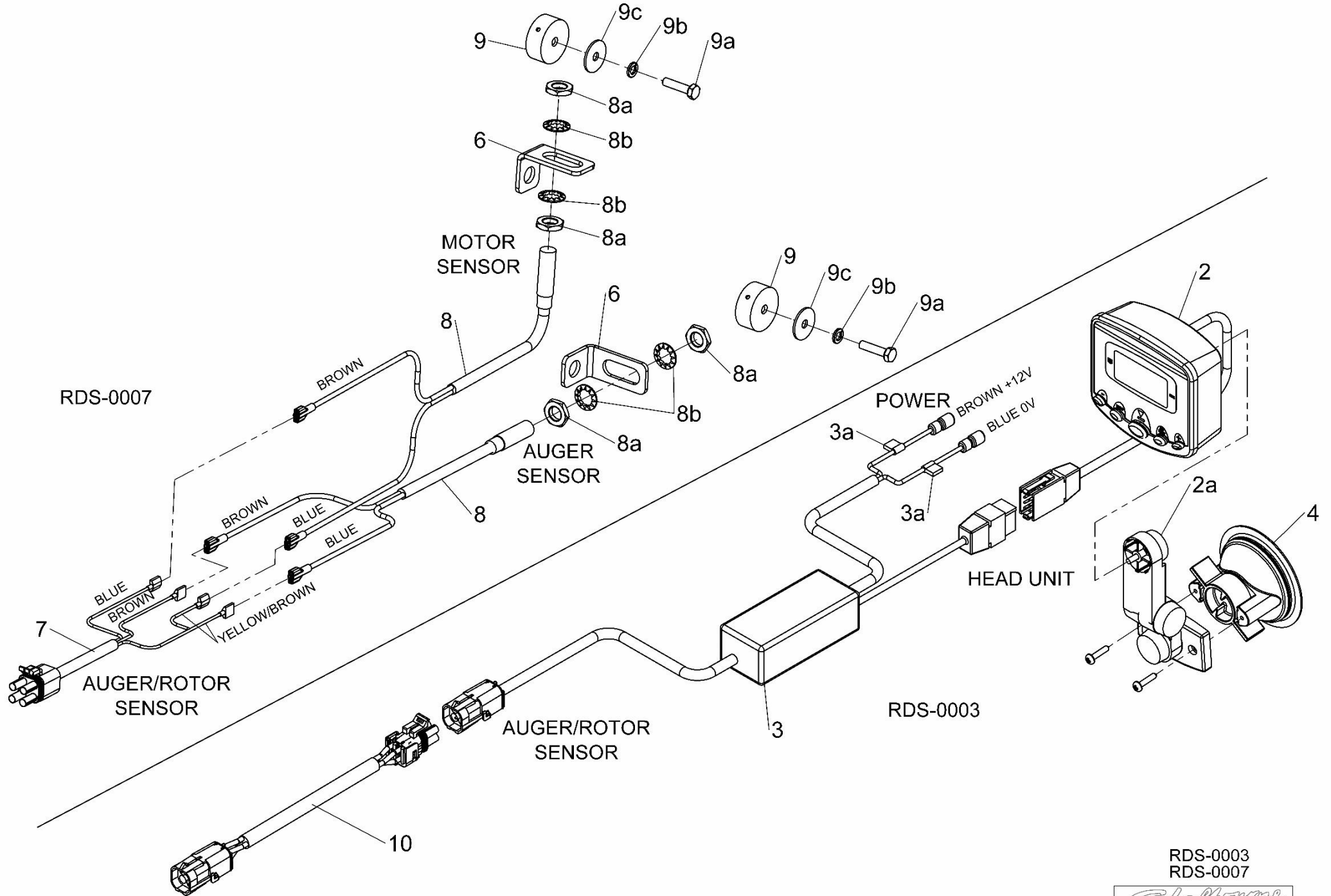
PTO-260**



Shelbourne Reynolds Engineering Limited

| ASSY NUMBER: RDS-0003 & RDS-0007 | | | | ASSY DESCRIPTION: RDS EQUIPMENT STEPPED DRIVE | | | |
|----------------------------------|-----------|--|-----|---|---------|-------------|-----|
| ITEM | PART NO | DESCRIPTION | QTY | ITEM | PART NO | DESCRIPTION | QTY |
| 1 | RDS-0003 | COMBINE TACHO HEAD KIT & LOOM STEP DRIVE, INC ITEMS 2 & 3 | 1 | | | | |
| 2 | RDS-0027 | TACHO HEAD, INC ITEM 2a | 1 | | | | |
| 2a | RDS-0029 | TACHO HEAD FIX.ARM KIT | | | | | |
| 3 | RDS-0030 | COMBINE LEAD (RSD) | 1 | | | | |
| 3a | FUS-0022 | FUSE (2 AMP BLADE) | | | | | |
| 4 | LCL-01249 | RAM MOUNT SUCTION CUP | 1 | | | | |
| 5 | RDS-0007 | HEADER LOOM & SENSOR KIT (SD) INC ITEMS 6,7,8 & 9 | 1 | | | | |
| 6 | 198323 01 | SENSOR BRACKET (SLOTTED) | 2 | | | | |
| 7 | RDS-0017 | HEADER LEAD | 1 | | | | |
| 8 | RDS-0018 | SHAFT SENSOR, INC ITEMS 8a & 8b | 2 | | | | |
| 8a | RDS-0018A | PLAIN NUT | | | | | |
| 8b | WSHA20121 | SHAKEPROOF WASHER | | | | | |
| 9 | RDS-0020 | MAGNET CARRIER | 2 | | | | |
| 9a | HSS-0088 | SET SCREW | | | | | |
| 9b | WSH-0056 | SPRING WASHER | | | | | |
| 9c | WSH-1036 | PENNY WASHER | | | | | |
| 10 | 291913 01 | AUGER/ROTOR SENSOR LOOM EXTENSION (8m) | A/R | | | | |

Shelbourne Reynolds Engineering Limited



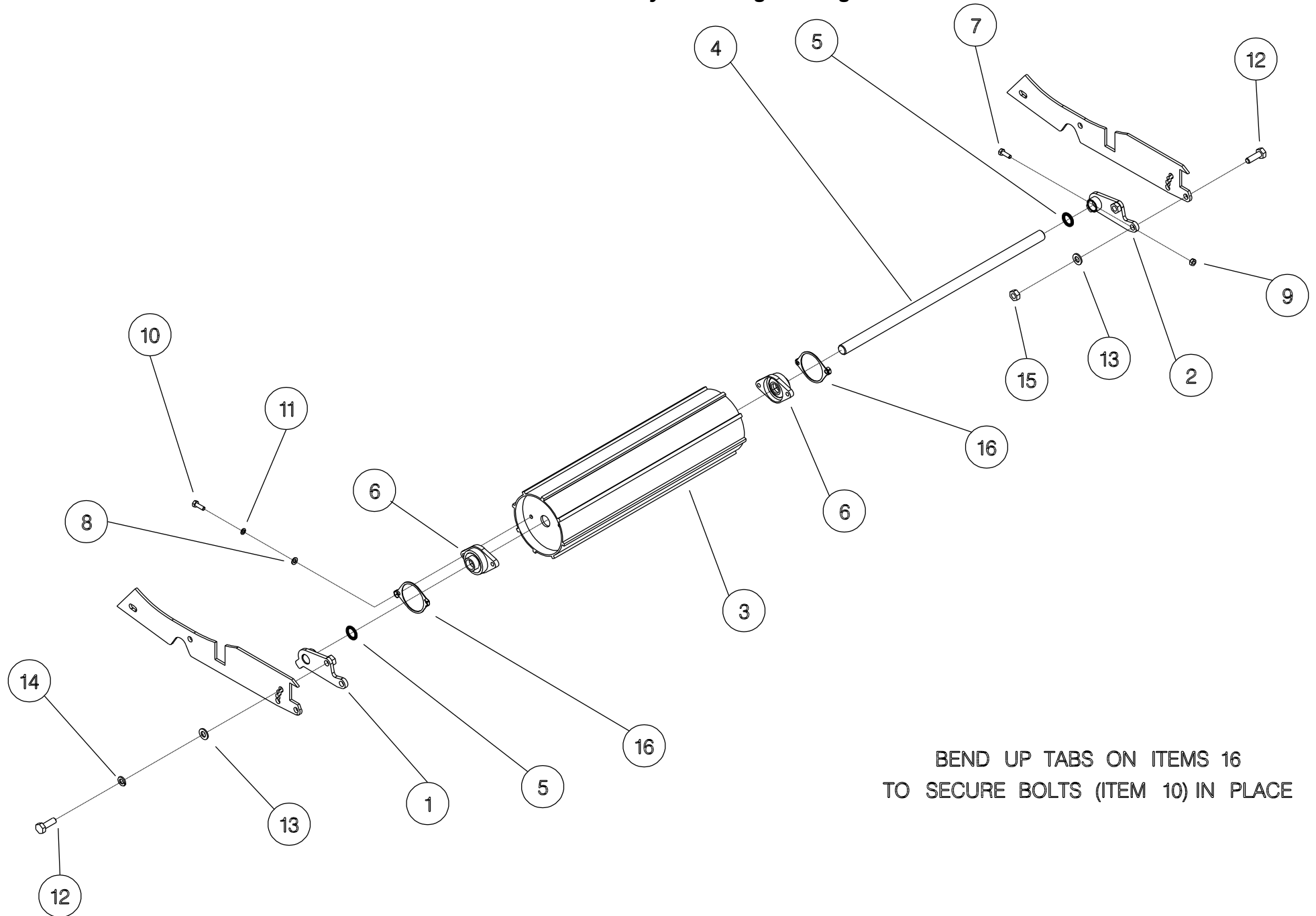
RDS-0003
RDS-0007



Kit Options

Shelbourne Reynolds Engineering Limited

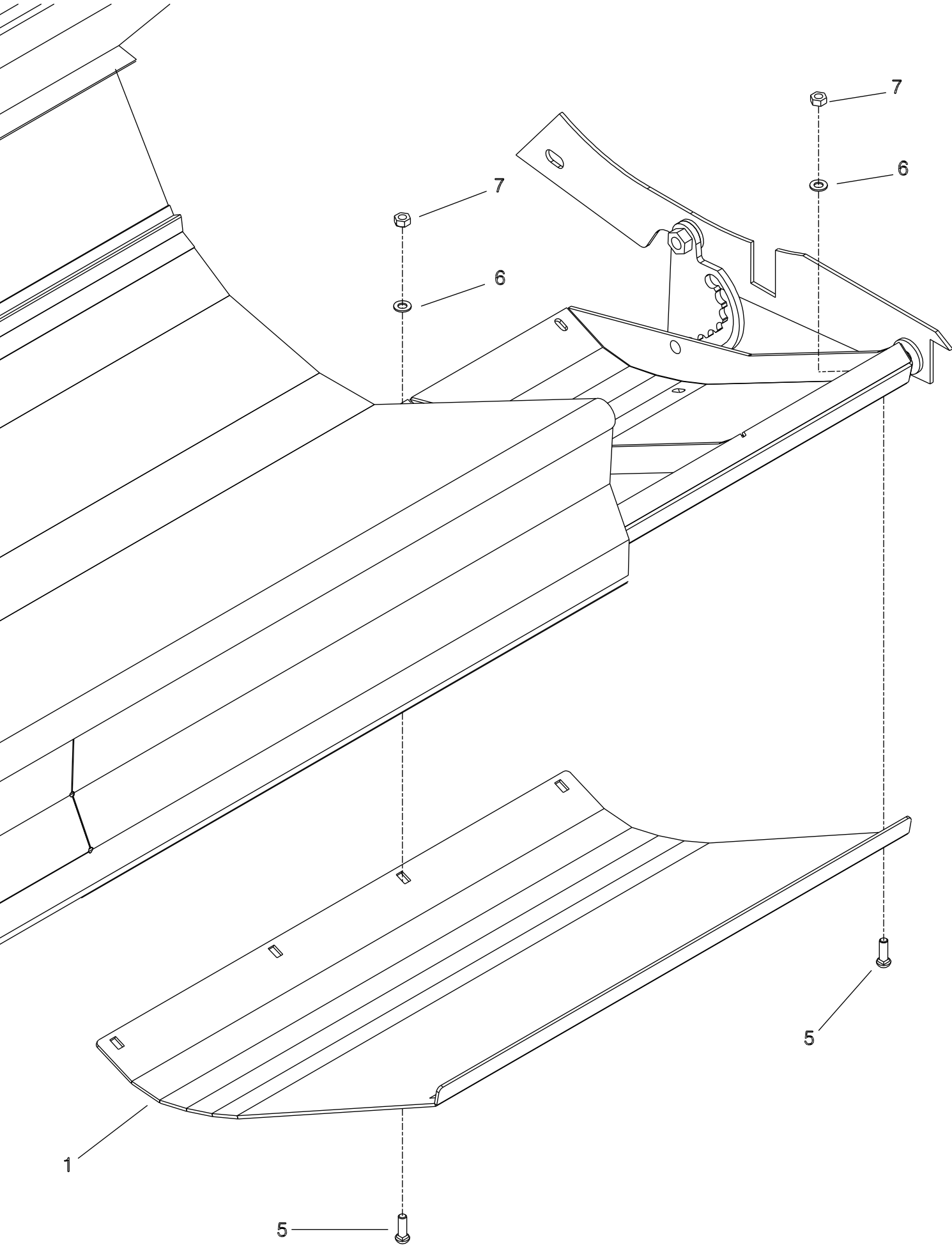
| ASSY NUMBER: KIT-01281 | | | | ASSY DESCRIPTION: R/CVS OPTIONAL ROLLER KIT | | | |
|------------------------|-----------|--------------------|-----|---|---------|-------------|-----|
| ITEM | PART NO | DESCRIPTION | QTY | ITEM | PART NO | DESCRIPTION | QTY |
| 1 | 193831 01 | ROLLER ADJUSTER RH | 2 | | | | |
| 2 | 193831 02 | ROLLER ADJUSTER LH | 2 | | | | |
| 3 | 193834 01 | ROLLER | 2 | | | | |
| 4 | 193832 01 | CENTRE SHAFT | 2 | | | | |
| 5 | 190119 03 | WASHER | 8 | | | | |
| 6 | BRG-23045 | BEARING | 4 | | | | |
| 7 | BLTA10350 | BOLT | 4 | | | | |
| 8 | WSH-0015 | PLAIN WASHER | 16 | | | | |
| 9 | NUT-0265 | NYLOC NUT | 4 | | | | |
| 10 | HSS-0198 | BOLT | 8 | | | | |
| 11 | WSH-0061 | SPRING WASHER | 8 | | | | |
| 12 | HSS-0318 | SET SCREW | 8 | | | | |
| 13 | WSH-0024 | PLAIN WASHER | 8 | | | | |
| 14 | WSH-0070 | SPRING WASHER | 4 | | | | |
| 15 | NUT-0271 | NYLOC NUT | 4 | | | | |
| 16 | 194869 01 | LOCKING PLATE | 4 | | | | |



BEND UP TABS ON ITEMS 16
TO SECURE BOLTS (ITEM 10) IN PLACE

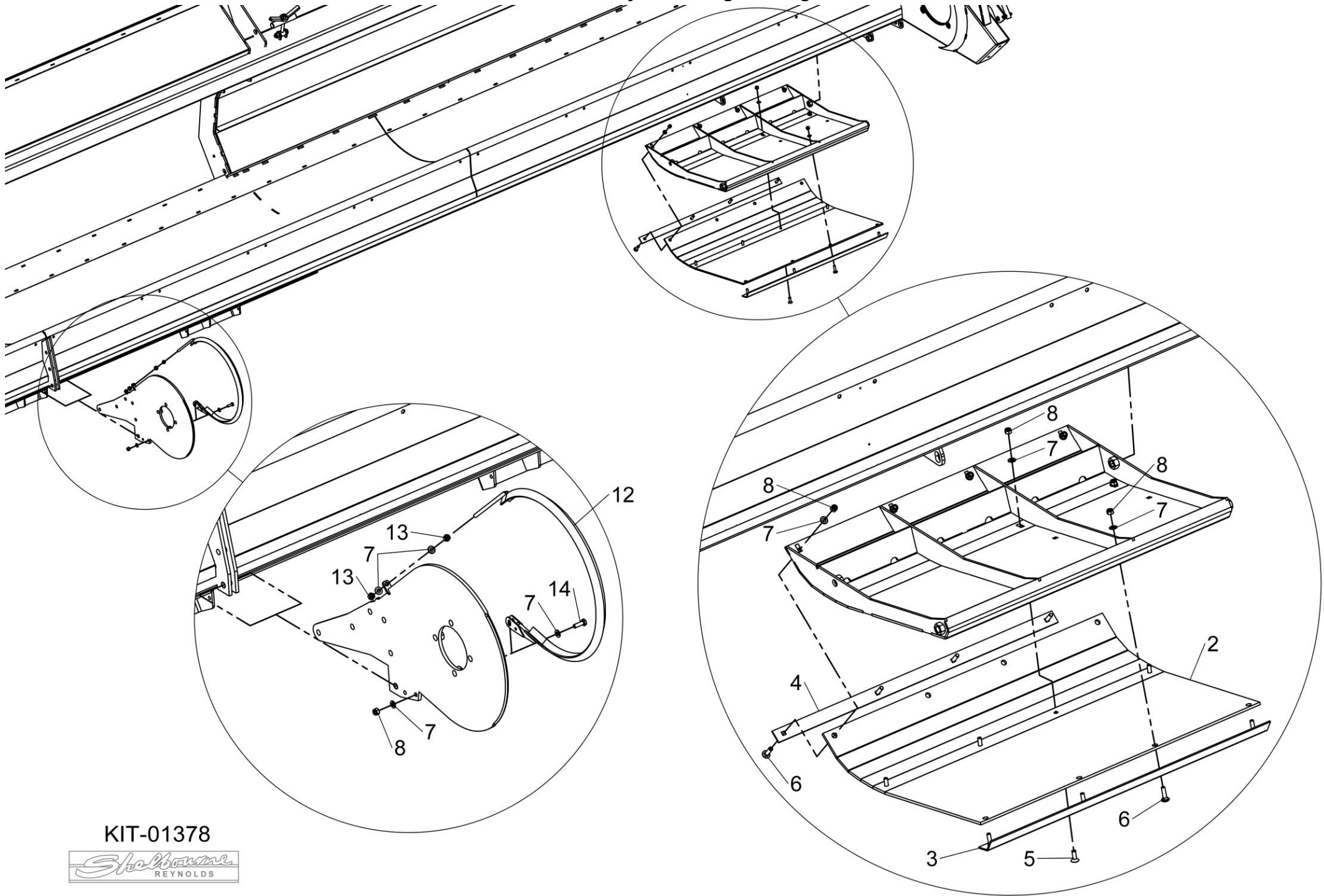
Shelbourne Reynolds Engineering Limited

| ASSY NUMBER: KIT-01340 | | | | ASSY DESCRIPTION: STEEL SKID COVER KIT | | | |
|------------------------|-----------|------------------|-----|--|---------|-------------|-----|
| ITEM | PART NO | DESCRIPTION | QTY | ITEM | PART NO | DESCRIPTION | QTY |
| 1 | 197369 01 | STEEL SKID COVER | 2 | | | | |
| 5 | BLT-2700 | COACHBOLT | 16 | | | | |
| 6 | WSH-0012 | PLAIN WASHER | 16 | | | | |
| 7 | NUT-0263 | NYLOC NUT | 16 | | | | |



Shelbourne Reynolds Engineering Limited

| ASSY NUMBER: KIT-01378 | | | | ASSY DESCRIPTION: POLY PLT & VEE STRIP KIT | | | |
|------------------------|-----------|----------------------|-----|--|---------|-------------|-----|
| ITEM | PART NO | DESCRIPTION | QTY | ITEM | PART NO | DESCRIPTION | QTY |
| 1 | | | | | | | |
| 2 | 195111 01 | SKID POLY SLIP PLATE | 2 | | | | |
| 3 | 195142 01 | POLY PLATE FIXING | 2 | | | | |
| 4 | 195144 01 | POLY PLATE FIXING | 2 | | | | |
| 5 | SCW-1740 | CSK SOCKET HD SCW | 8 | | | | |
| 6 | BLT-2700 | BOLT | 16 | | | | |
| 7 | WSH-0012 | WASHER | 27 | | | | |
| 8 | NUT-0263 | NUT | 25 | | | | |
| 9 | | | | | | | |
| 10 | | | | | | | |
| 11 | | | | | | | |
| 12 | 192502 01 | VEE STRIP ASSY | 1 | | | | |
| 13 | NUT-0164 | NUT | 2 | | | | |
| 14 | HSS-0145 | SETSCREW | 1 | | | | |

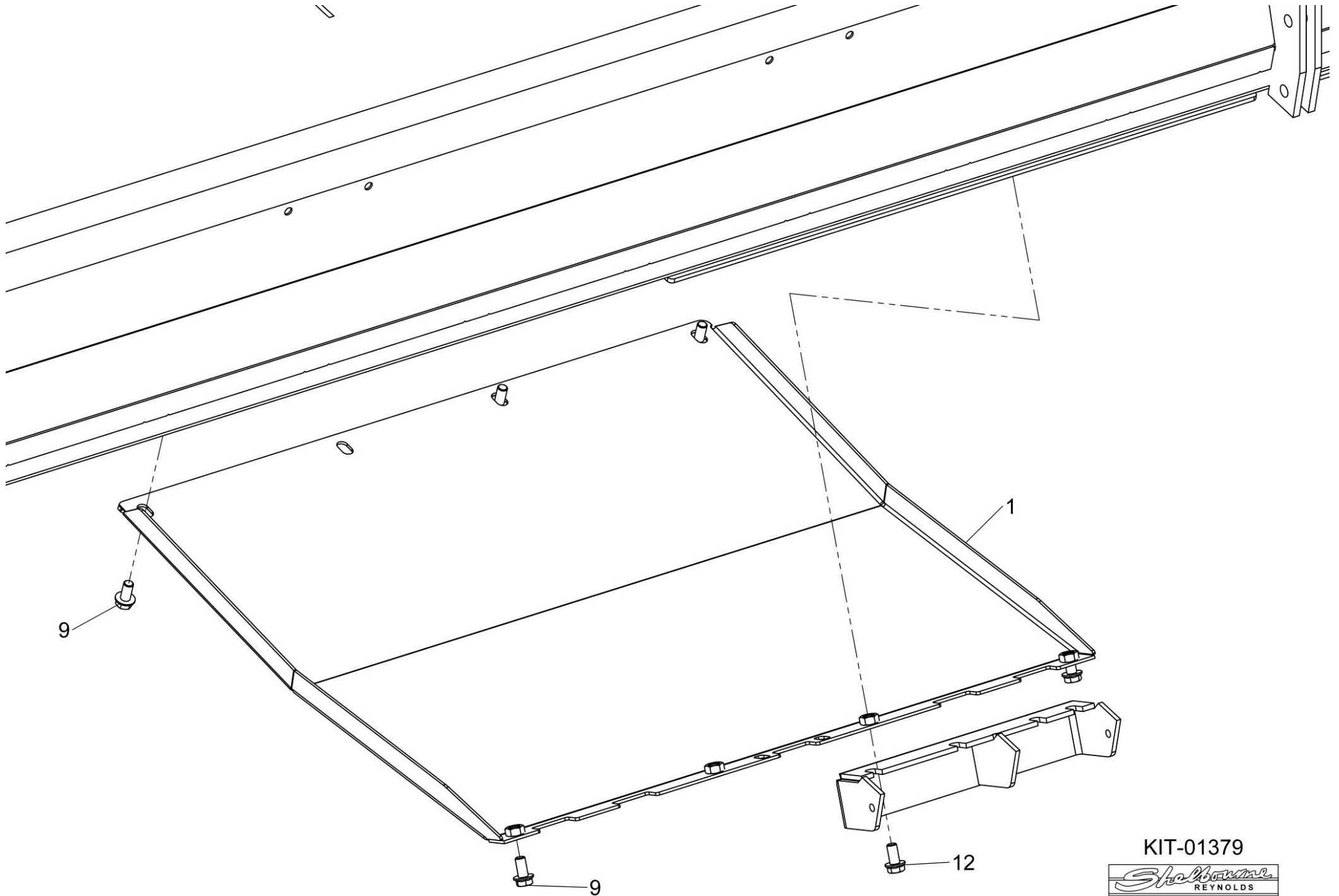


KIT-01378



Shelbourne Reynolds Engineering Limited

| ASSY NUMBER: KIT-01379 | | | | ASSY DESCRIPTION: UNIVERSAL BELLY PLATE KIT | | | |
|------------------------|-----------|---------------------------|-----|---|---------|-------------|-----|
| ITEM | PART NO | DESCRIPTION | QTY | ITEM | PART NO | DESCRIPTION | QTY |
| 1 | 195866 01 | BELLY PAN W/A | 3 | | | | |
| 2 | | | | | | | |
| 3 | | | | | | | |
| 4 | | | | | | | |
| 5 | | | | | | | |
| 6 | | | | | | | |
| 7 | | | | | | | |
| 8 | | | | | | | |
| 9 | HSSG10145 | TENSILOCK (2021 ON) | 10 | | | | |
| OR | HSS-0191 | SETSCREW (UPTO 2021) | 18 | | | | |
| 10 | WSH-0015 | PLAIN WASHER (UPTO 2021) | 18 | | | | |
| 11 | WSH-0061 | SPRING WASHER (UPTO 2021) | 18 | | | | |
| 12 | HSSF10174 | TENSILOCK (2021 ON) | 8 | | | | |

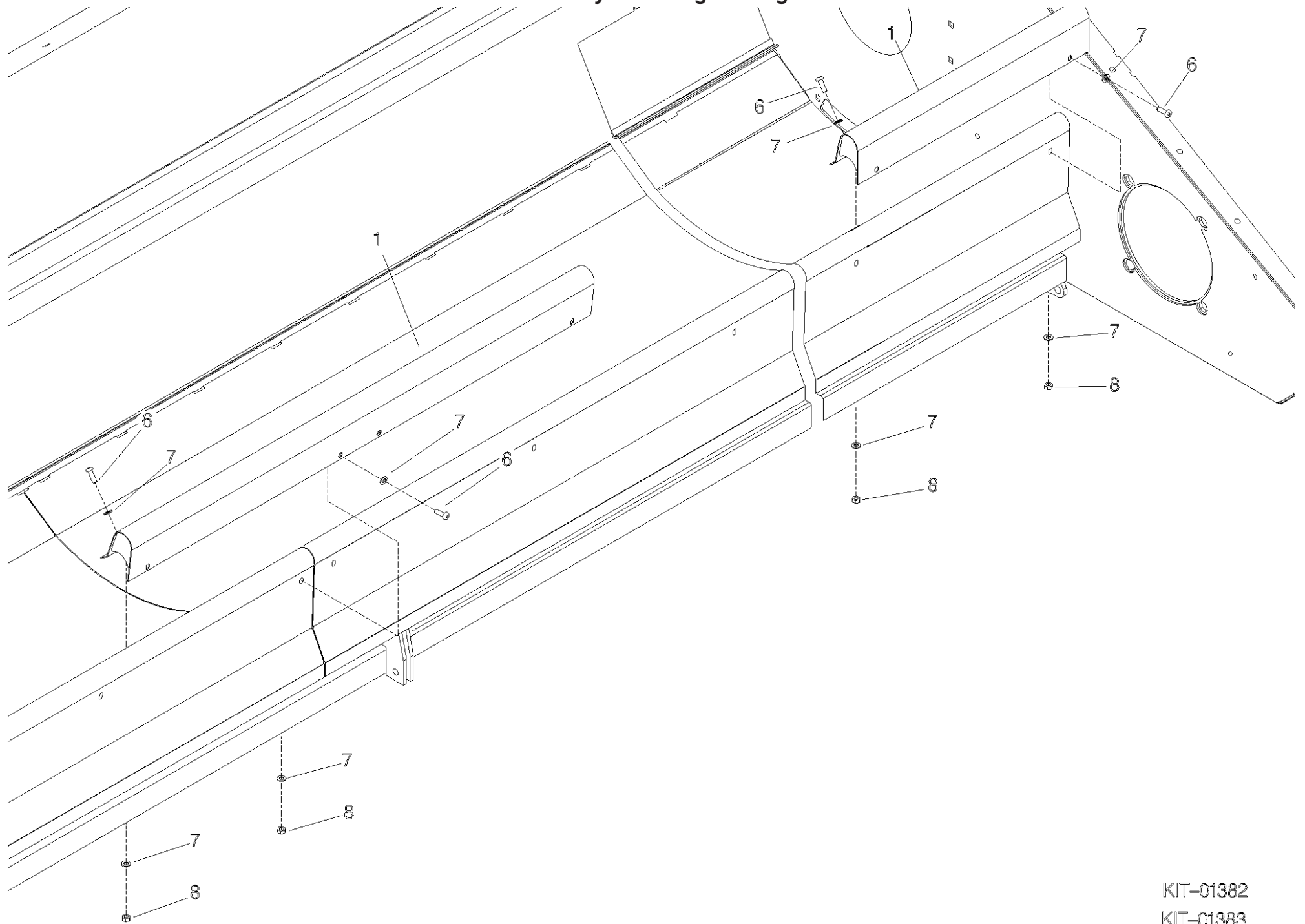


KIT-01379



Shelbourne Reynolds Engineering Limited

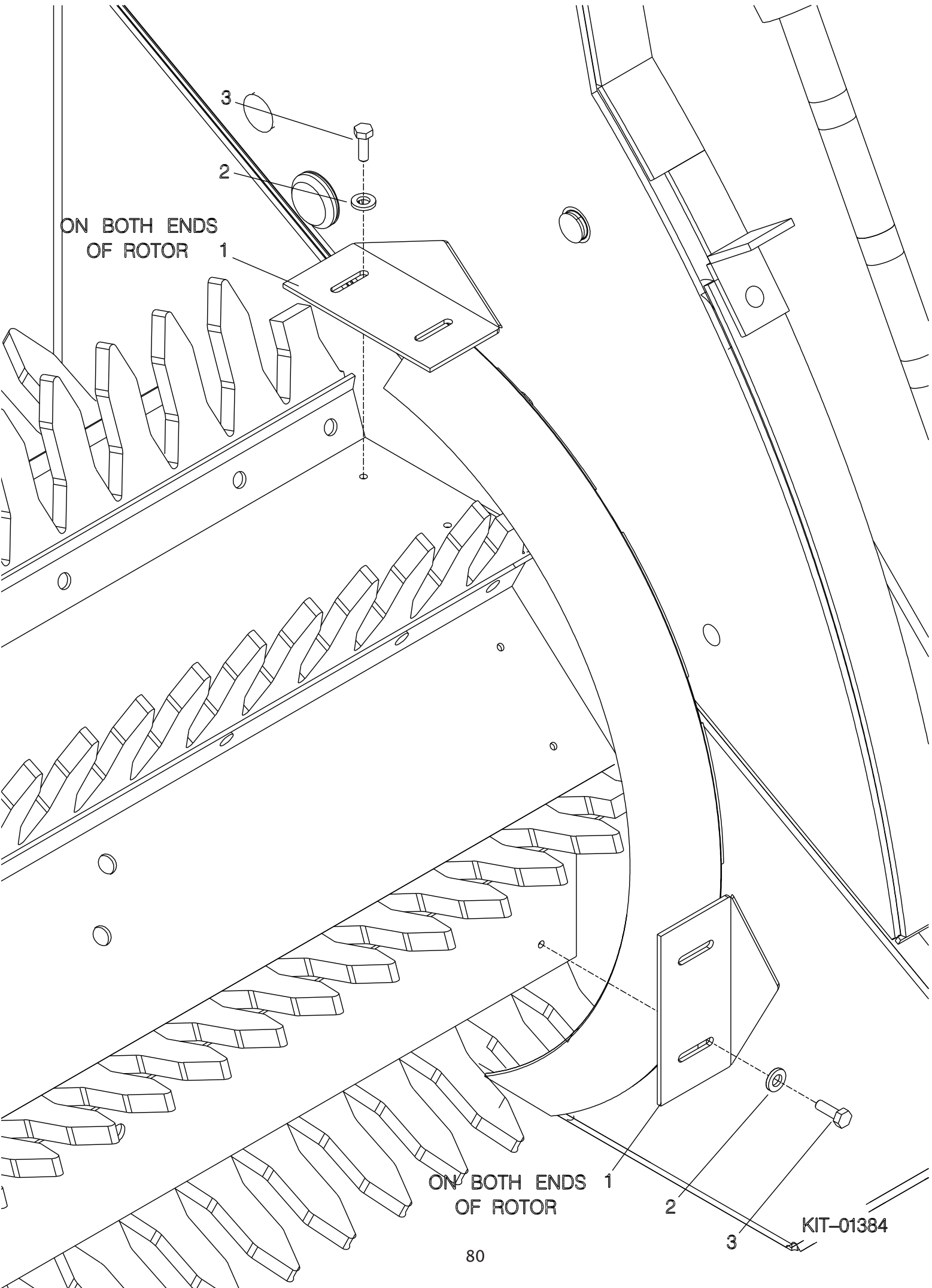
| ASSY NUMBER: KIT-01382 | | | | ASSY DESCRIPTION: 2009 RSD 1.2mt SPILL PLT EXT KIT | | | |
|------------------------|-----------|---------------------|-----|--|---------|--|-----|
| ITEM | PART NO | DESCRIPTION | QTY | ITEM | PART NO | DESCRIPTION | QTY |
| 1 | 198215 01 | 1.2mt SPILL PLT EXT | 1 | | | | |
| 6 | SCW-0525 | BUTT HD SCREW | 8 | | | | |
| 7 | WSH-0012 | PLAIN WASHER | 16 | | | | |
| 8 | NUT-0263 | NYLOC NUT | 8 | | | | |
| | | | | | | <p>FITTING INSTRUCTIONS THIS IS A TWO MAN JOB. ALWAYS WEAR THE APPROPRIATE SAFETY EQUIPMENT. PLACE THE SPILL PLATE EXTENSIONS ONTO THE FRONT OF THE GRAINSTRIPPER. THE HOLES IN THE SPILL PLATES SHOULD LINE UP WITH THOSE IN THE FRONT OF THE GRAINSTRIPPER BOLT TOGETHER LOOSELY. MARK OUT WHERE THE HOLES NEED TO BE DRILLED TO ENABLE YOU TO BOLT THE SPILL PLATES ONTO THE GRAINSTRIPPER PAN. DRILL OUT THE HOLES. BOLT TOGETHER LOOSELY. ONCE ALL THE SPILL PLATES ARE IN PLACE YOU CAN TIGHTEN ALL THE BOLTS.</p> | |



KIT-01382
KIT-01383

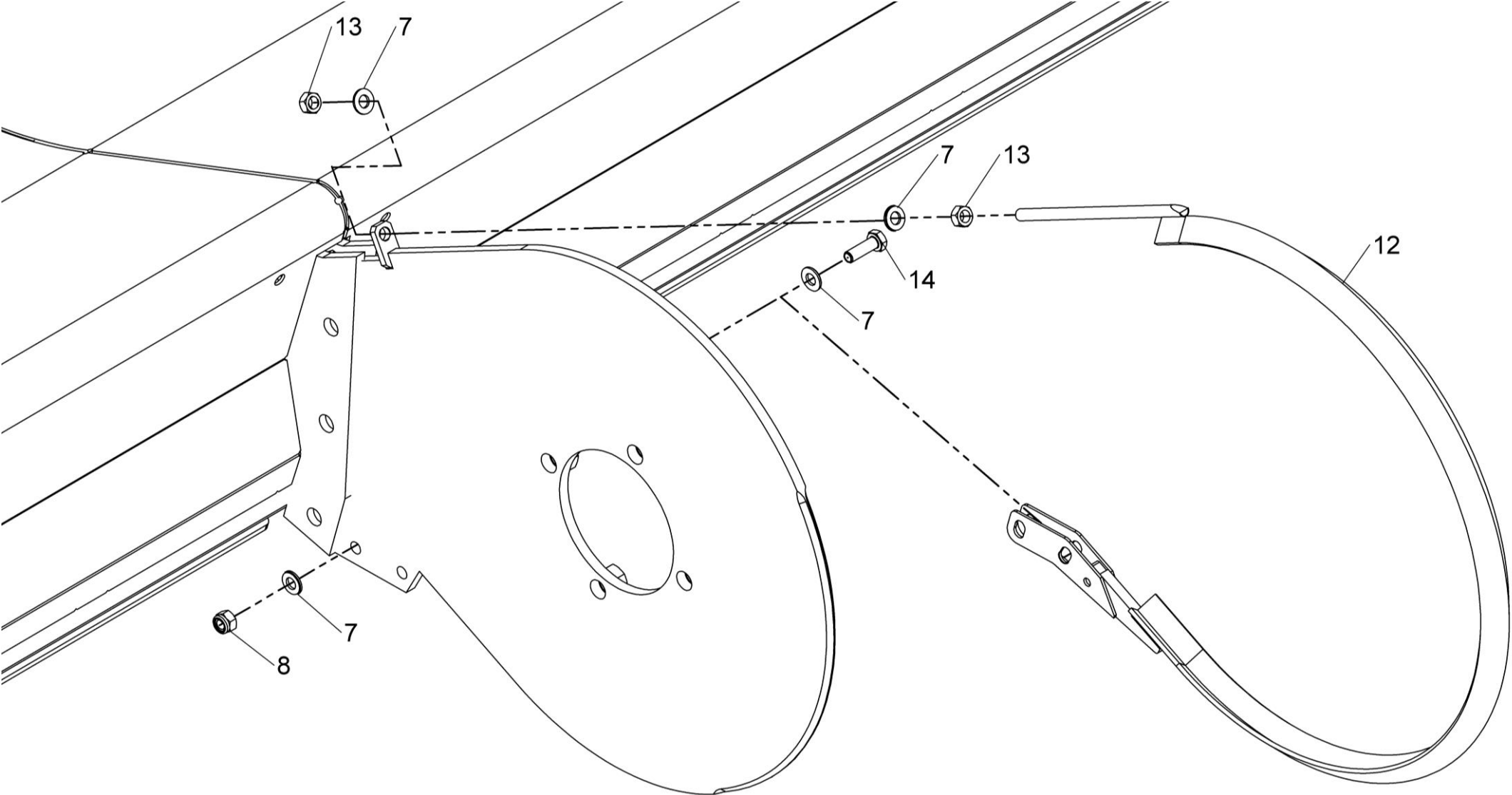
Shelbourne Reynolds Engineering Limited

| ASSY NUMBER: KIT-01384 | | | | ASSY DESCRIPTION: ANTI-WRAP PLATE KIT | | | |
|------------------------|-----------|-----------------|-----|---------------------------------------|---------|-------------|-----|
| ITEM | PART NO | DESCRIPTION | QTY | ITEM | PART NO | DESCRIPTION | QTY |
| 1 | 192679 01 | ANTI-WRAP PLATE | 8 | | | | |
| 2 | WSH-1034 | PENNY WASHER | 16 | | | | |
| 3 | SCW-5180 | SELF TAP SCREW | 16 | | | | |



Shelbourne Reynolds Engineering Limited

| ASSY NUMBER: KIT-01403 | | | | ASSY DESCRIPTION: VEE STRIP KIT | | | |
|------------------------|-----------|----------------|-----|---------------------------------|---------|-------------|-----|
| ITEM | PART NO | DESCRIPTION | QTY | ITEM | PART NO | DESCRIPTION | QTY |
| 1 | | | | | | | |
| 2 | | | | | | | |
| 3 | | | | | | | |
| 4 | | | | | | | |
| 5 | | | | | | | |
| 6 | | | | | | | |
| 7 | WSH-0012 | PLAIN WASHER | 3 | | | | |
| 8 | NUT-0263 | NYLOC NUT | 1 | | | | |
| 9 | | | | | | | |
| 10 | | | | | | | |
| 11 | | | | | | | |
| 12 | 192502 01 | VEE STRIP ASSY | 1 | | | | |
| 13 | NUT-0164 | PLAIN NUT | 2 | | | | |
| 14 | HSS-0145 | SET SCREW | 1 | | | | |

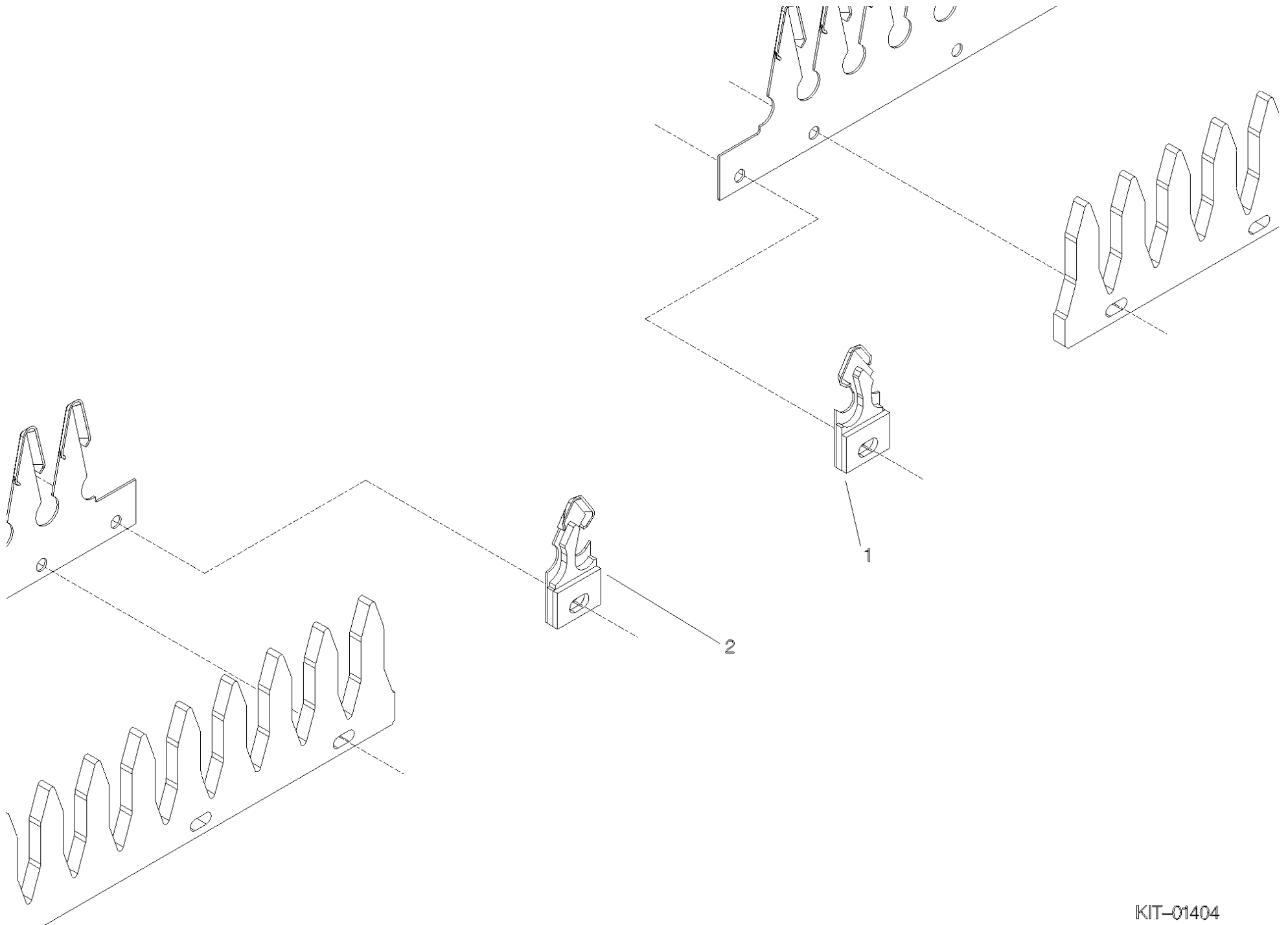


KIT-01403



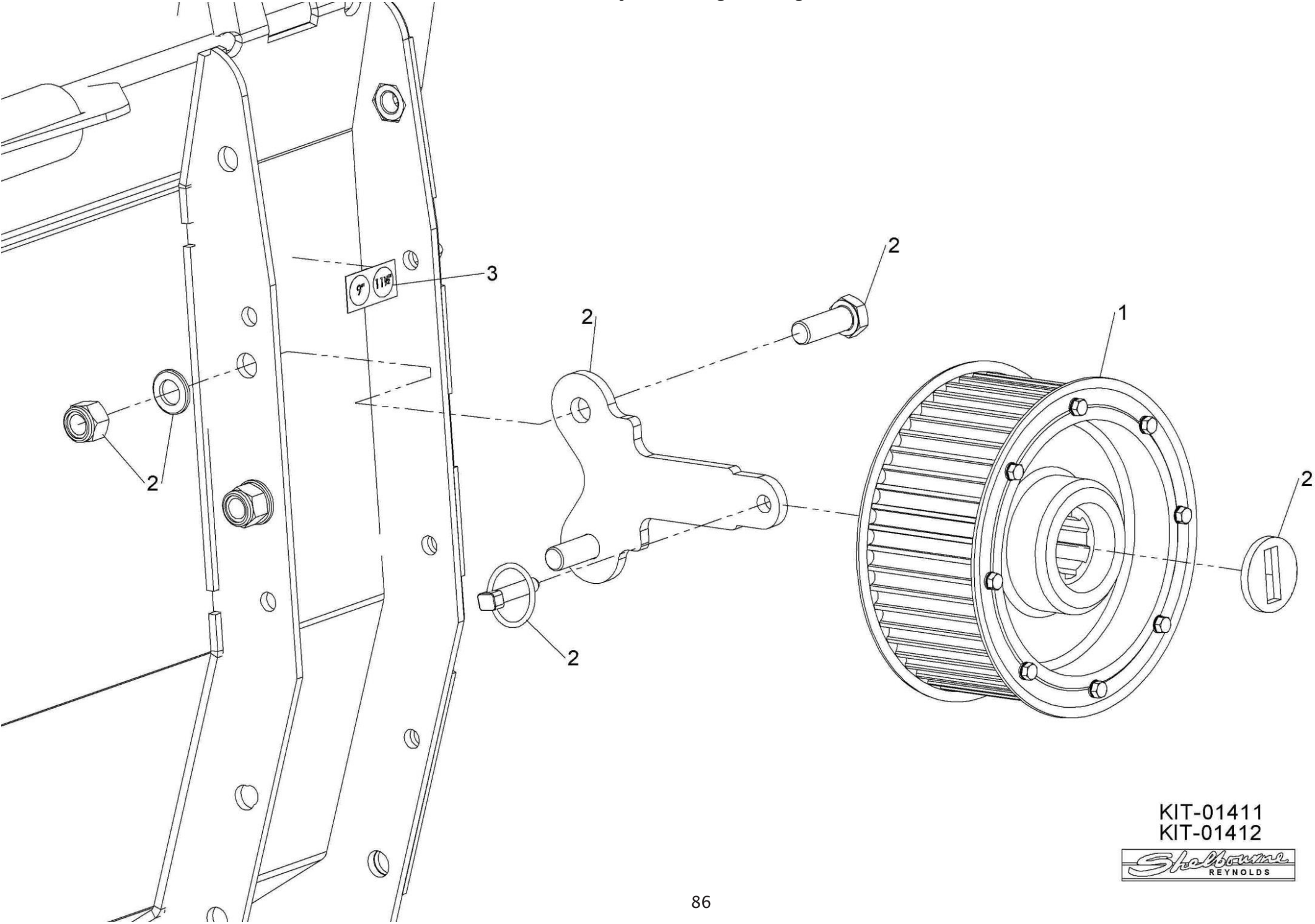
Shelbourne Reynolds Engineering Limited

| ASSY NUMBER: KIT-01404 | | | | ASSY DESCRIPTION: NON AGGRESSIVE CENTRE FINGER KIT | | | |
|------------------------|-----------|----------------------------|-----|--|---------|-------------|-----|
| ITEM | PART NO | DESCRIPTION | QTY | ITEM | PART NO | DESCRIPTION | QTY |
| 1 | 198280 01 | CENTRE FINGER LH (NON AGG) | 8 | | | | |
| 2 | 198280 02 | CENTRE FINGER RH (NON AGG) | 8 | | | | |



Shelbourne Reynolds Engineering Limited

| ASSY NUMBER: KIT-01411 | | | | ASSY DESCRIPTION: HTD 64 TOOTH PULLEY KIT | | | |
|------------------------|-----------|--|-----|---|---------|-------------|-----|
| ITEM | PART NO | DESCRIPTION | QTY | ITEM | PART NO | DESCRIPTION | QTY |
| 1 | 199264 01 | HTD PULLEY (64 TOOTH, 11 ½") FOR SPARES SUPPLY 292539 01 & 2 x 292365 01 | 1 | | | | |
| 2 | KIT-01336 | SPARE PULLEY MOUNTING KIT | 1 | | | | |
| 3 | 290180 01 | PULLEY ID DECAL (USE 11 ½") | 1 | | | | |

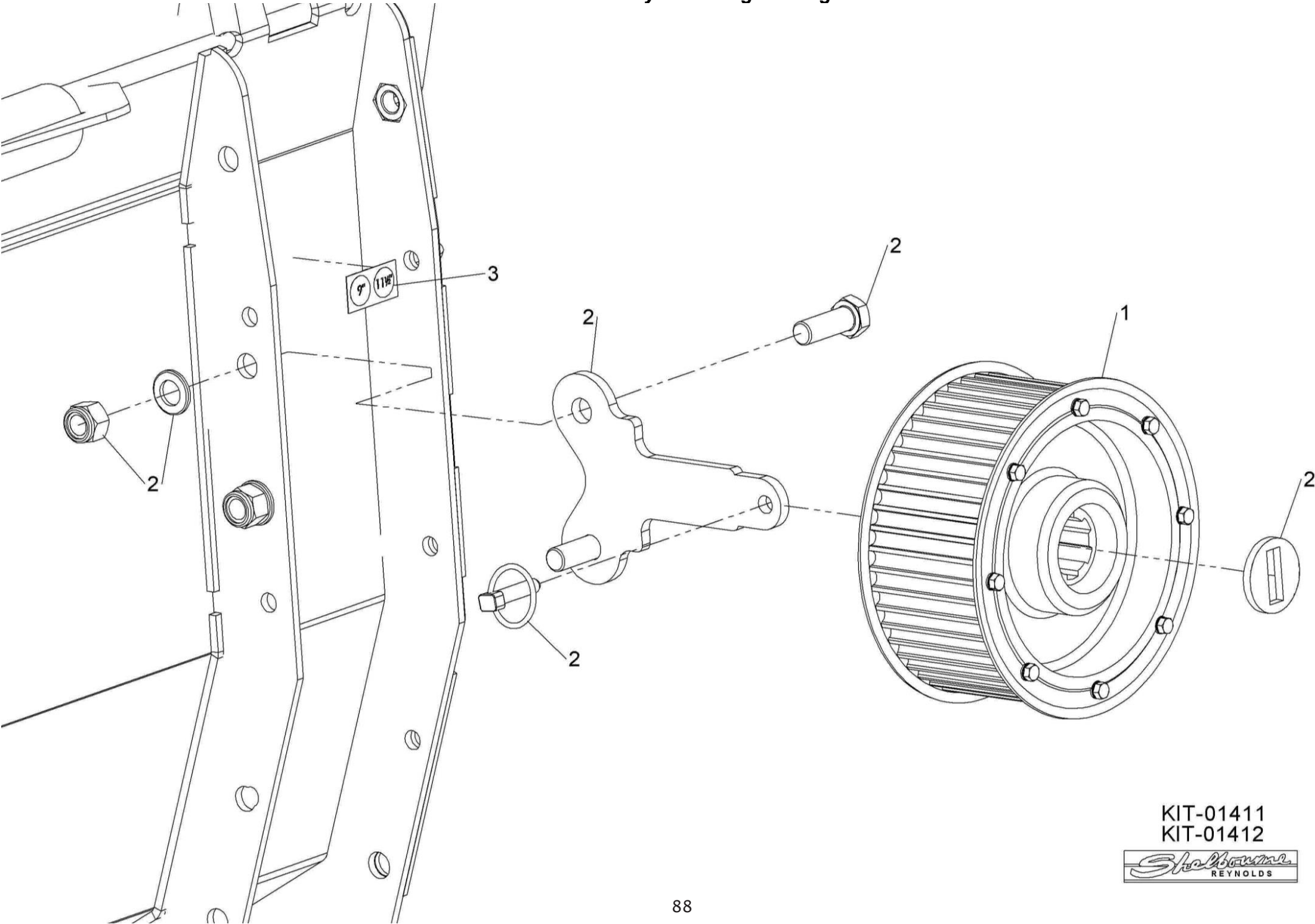


KIT-01411
KIT-01412



Shelbourne Reynolds Engineering Limited

| ASSY NUMBER: KIT-01412 | | | | ASSY DESCRIPTION: HTD 48 TOOTH PULLEY KIT | | | |
|------------------------|-----------|---|-----|---|---------|-------------|-----|
| ITEM | PART NO | DESCRIPTION | QTY | ITEM | PART NO | DESCRIPTION | QTY |
| 1 | 290080 01 | HTD PULLEY (48 TOOTH, 9") FOR SPARES SUPPLY 292537 01 & 2 x 292365 01 | 1 | | | | |
| 2 | KIT-01336 | SPARE PULLEY MOUNTING KIT | 1 | | | | |
| 3 | 290180 01 | PULLEY ID DECAL (USE 9") | 1 | | | | |

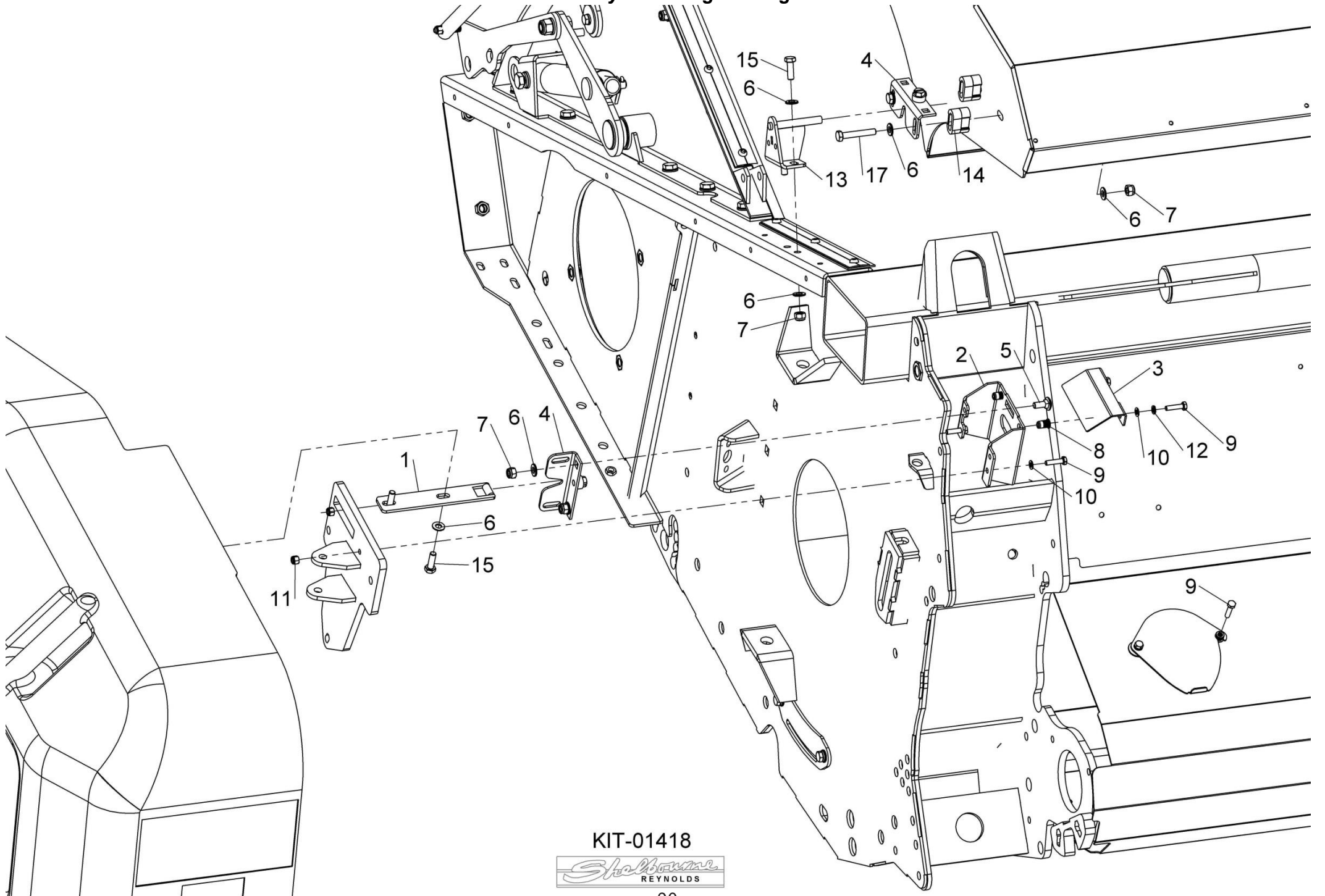


KIT-01411
KIT-01412



Shelbourne Reynolds Engineering Limited

| ASSY NUMBER: KIT-01418 | | | | ASSY DESCRIPTION: CE AREA KIT (CVS/RSD) | | | |
|------------------------|-----------|---------------------|-----|---|---------|-------------------------------|-----|
| ITEM | PART NO | DESCRIPTION | QTY | ITEM | PART NO | DESCRIPTION | QTY |
| 1 | 290647 01 | SLAM LATCH CATCH | 1 | | | | |
| 2 | 290635 01 | SLAM LATCH MOUNTING | 1 | | | | |
| 3 | 290636 01 | COVER PLATE | 1 | | | | |
| 4 | LTC-00040 | SLAM LATCH | 2 | | | REMOVE REAR GUARD THUMB SCREW | |
| 5 | BLT-4710 | COACH BOLT | 2 | | | AND REPLACE WITH ITEM 5 | |
| 6 | WSH-0012 | PLAIN WASHER | 12 | | | | |
| 7 | NUT-0263 | NYLOC NUT | 6 | | | REMOVE TOP GUARD LOCATING | |
| 8 | NUTA13060 | NUTSERT | 2 | | | PLATE AND REPLACE WITH ITEM 1 | |
| 9 | HSS-0088 | SETSCREW | 5 | | | | |
| 10 | WSH-0009 | PLAIN WASHER | 4 | | | TRIM TOP CORNER FROM GUARD | |
| 11 | NUT-0260 | NYLOC NUT | 2 | | | SLAM LATCH | |
| 12 | WSH-0056 | SPRING WASHER | 2 | | | | |
| 13 | 290736 01 | SLAM LATCH PIN | 1 | | | | |
| 14 | 290738 01 | SLAM LATCH SPACER | 2 | | | | |
| 15 | HSS-0145 | SETSCREW | 2 | | | | |
| 16 | | | | | | | |
| 17 | HSS-0157 | SETSCREW | 2 | | | | |

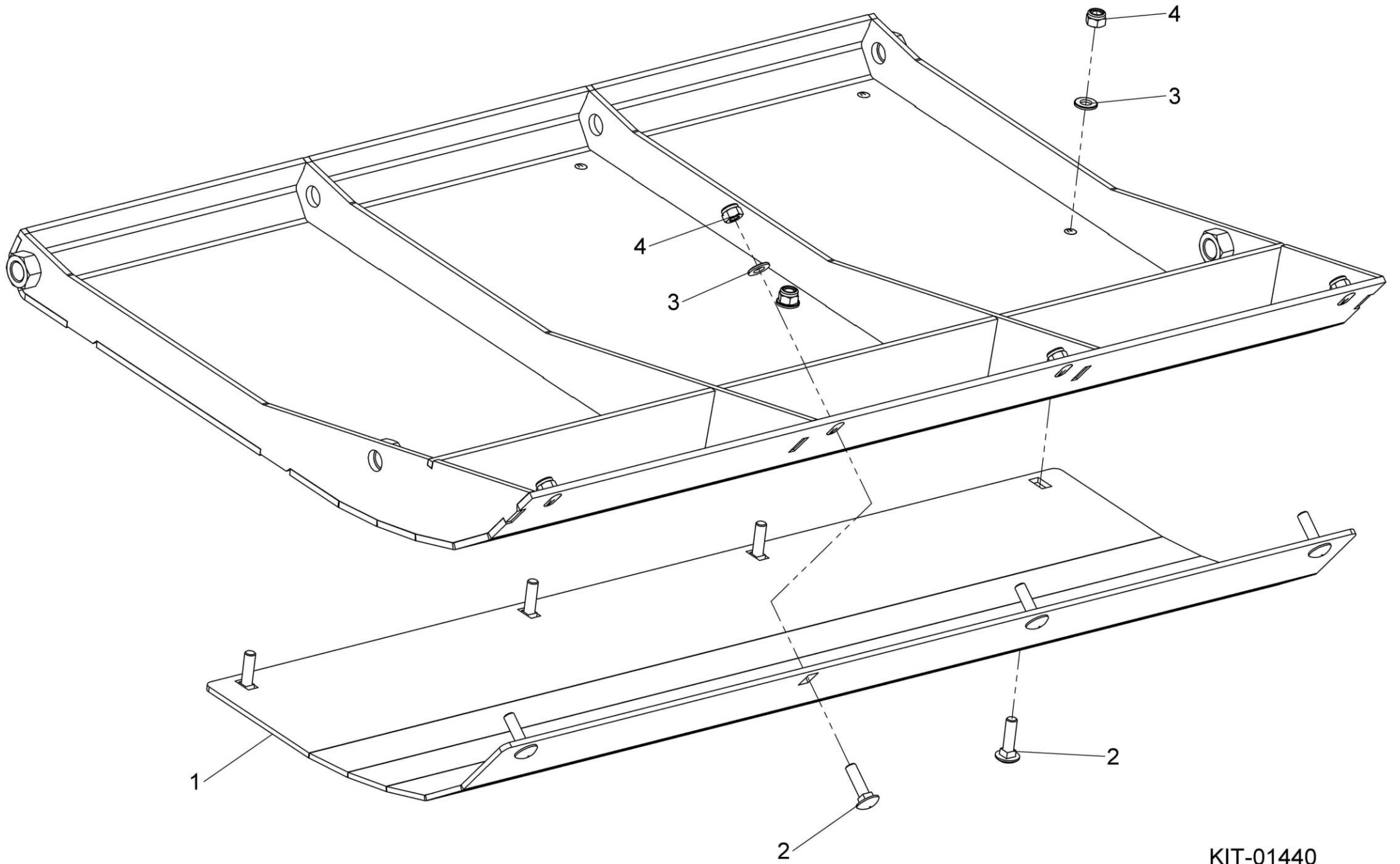


KIT-01418



Shelbourne Reynolds Engineering Limited

| ASSY NUMBER: KIT-01440 | | | | ASSY DESCRIPTION: HARDOX SKID COVER KIT (2020 & ON) | | | |
|------------------------|-----------|-------------------|-----|---|---------|-------------|-----|
| ITEM | PART NO | DESCRIPTION | QTY | ITEM | PART NO | DESCRIPTION | QTY |
| 1 | 292040 01 | HARDOX SKID COVER | 2 | | | | |
| 2 | BLTF08173 | COACH BOLT | 16 | | | | |
| 3 | WSH-0012 | PLAIN WASHER | 16 | | | | |
| 4 | NUT-0263 | NYLOC NUT | 16 | | | | |

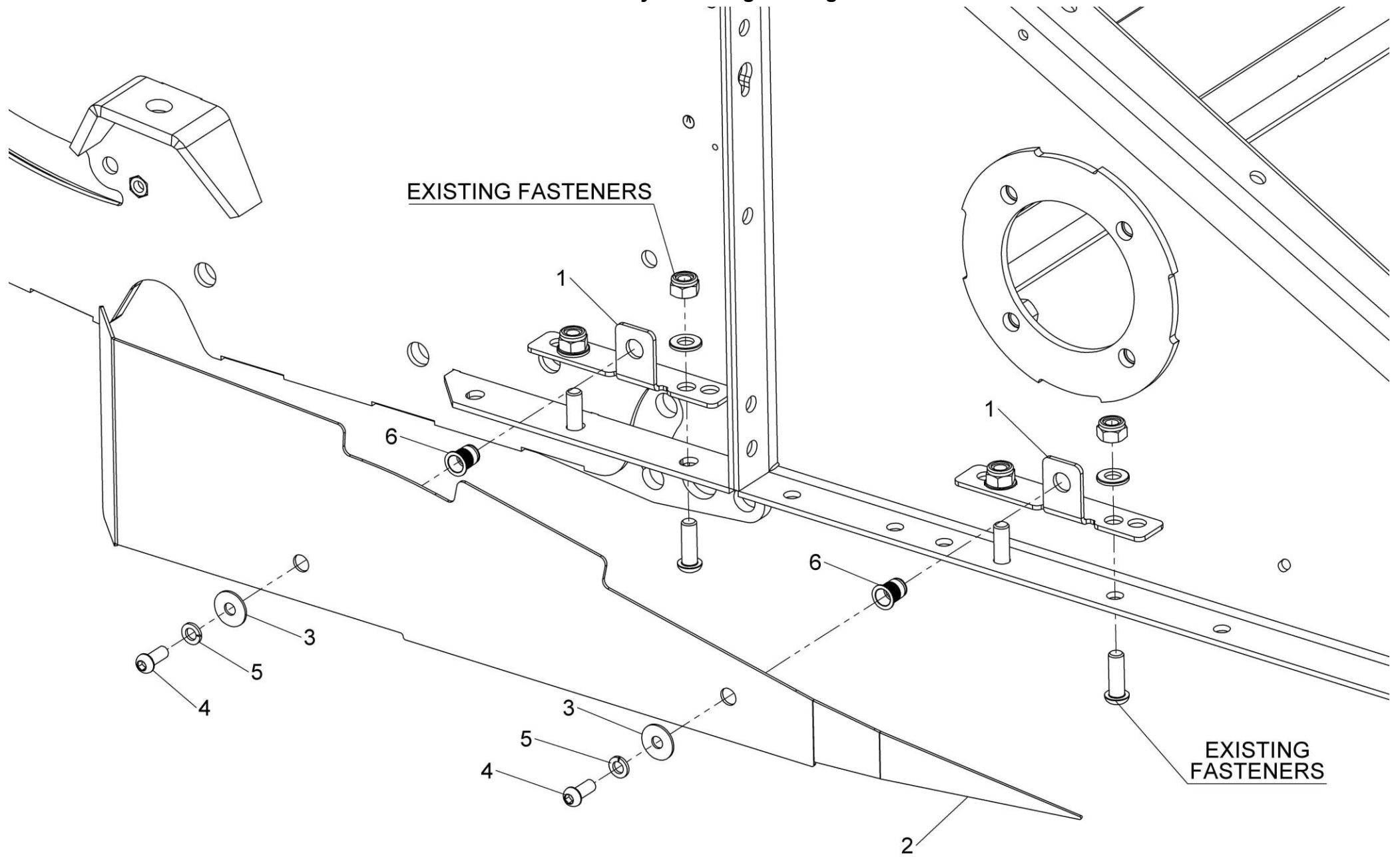


KIT-01440



Shelbourne Reynolds Engineering Limited

| ASSY NUMBER: KIT-01441 | | | | ASSY DESCRIPTION: CVS/RSD IDLE END LOWER COVER KIT | | | |
|------------------------|-----------|----------------------------|-----|--|---------|-------------|-----|
| ITEM | PART NO | DESCRIPTION | QTY | ITEM | PART NO | DESCRIPTION | QTY |
| 1 | 292065 01 | BRACKET - LOWER SIDE GUARD | 2 | | | | |
| 2 | 292064 01 | LOWER SIDE GUARD IDLE END | 1 | | | | |
| 3 | WSH-1038 | WASHER | 2 | | | | |
| 4 | SCW-0525 | SCREW | 2 | | | | |
| 5 | WSH-0058 | WASHER | 2 | | | | |
| 6 | NUTA13080 | NUTSERT | 2 | | | | |

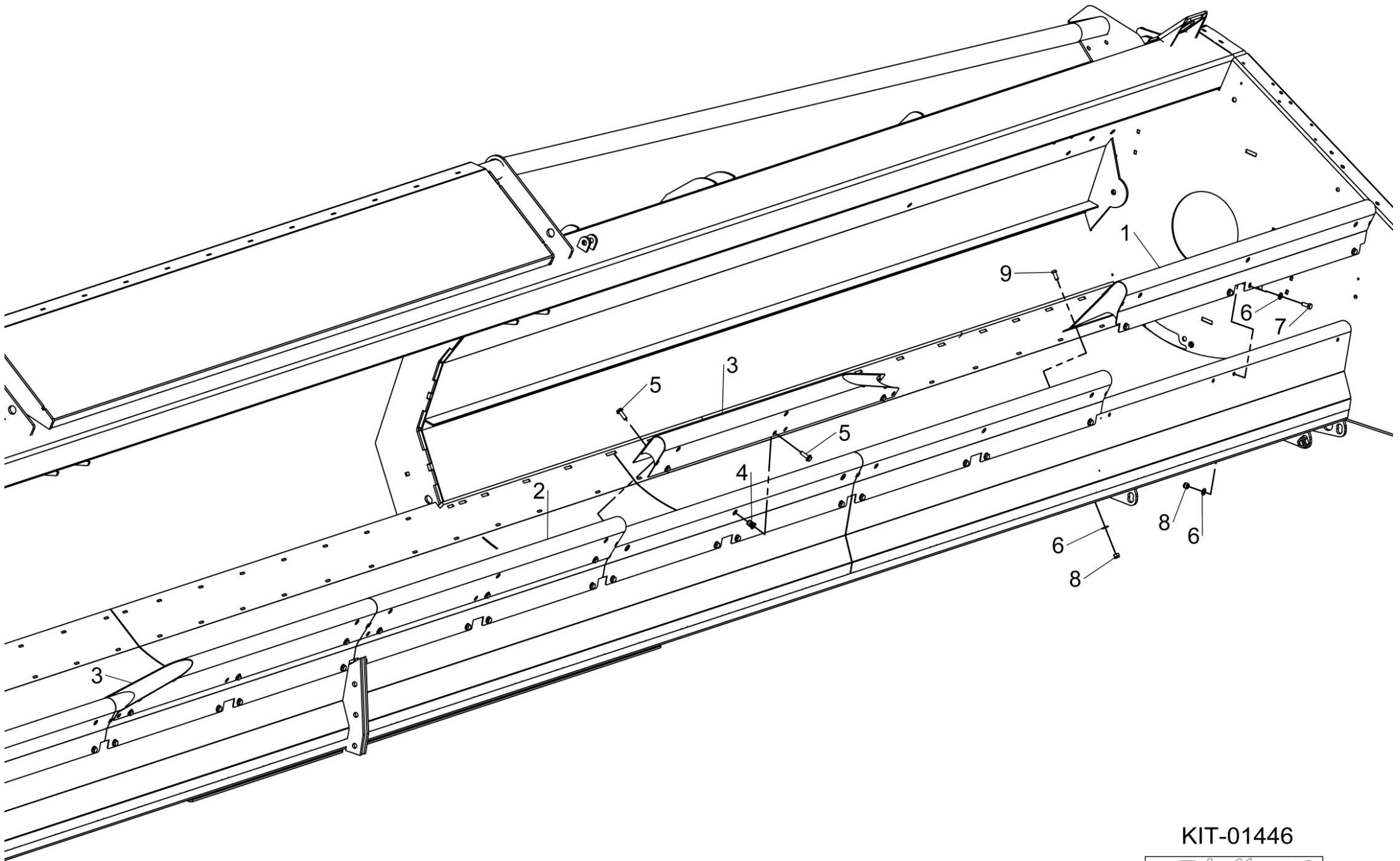


KIT-01441



Shelbourne Reynolds Engineering Limited

| ASSY NUMBER: KIT-01446 | | | | ASSY DESCRIPTION: RSD32 SKI SLOPE SPILL PLATE KIT | | | |
|------------------------|-----------|---------------------------|-----|---|-----------------|--|-----|
| ITEM | PART NO | DESCRIPTION | QTY | ITEM | PART NO | DESCRIPTION | QTY |
| 1 | 292320 01 | RSD 32/28 SPILL PLATE W/A | 8 | | | | |
| 2 | 290372 01 | SPILL PLATE W/A | 1 | | | | |
| 3 | 291700 01 | TAPERED SPILL PLATE W/A | 2 | | | | |
| 4 | NUTA13080 | NUTSERT | 18 | | | | |
| 5 | HSSF08174 | TENSILOCK SETSCREW | 18 | | | | |
| 6 | WSH-0012 | SETSCREW | 32 | | | | |
| 7 | HSS-0140 | PLAIN WASHER | 96 | | | | |
| 8 | NUT-0263 | NYLOC NUT | 64 | | | | |
| 9 | SCW-0525 | SKT BUTTON HD SCREW | 32 | | | | |
| | | | | | **NOTE** | HOLES FOR SCW-0525 NEED TO BE DRILLED IN AUGER TROUGH FLOOR | |

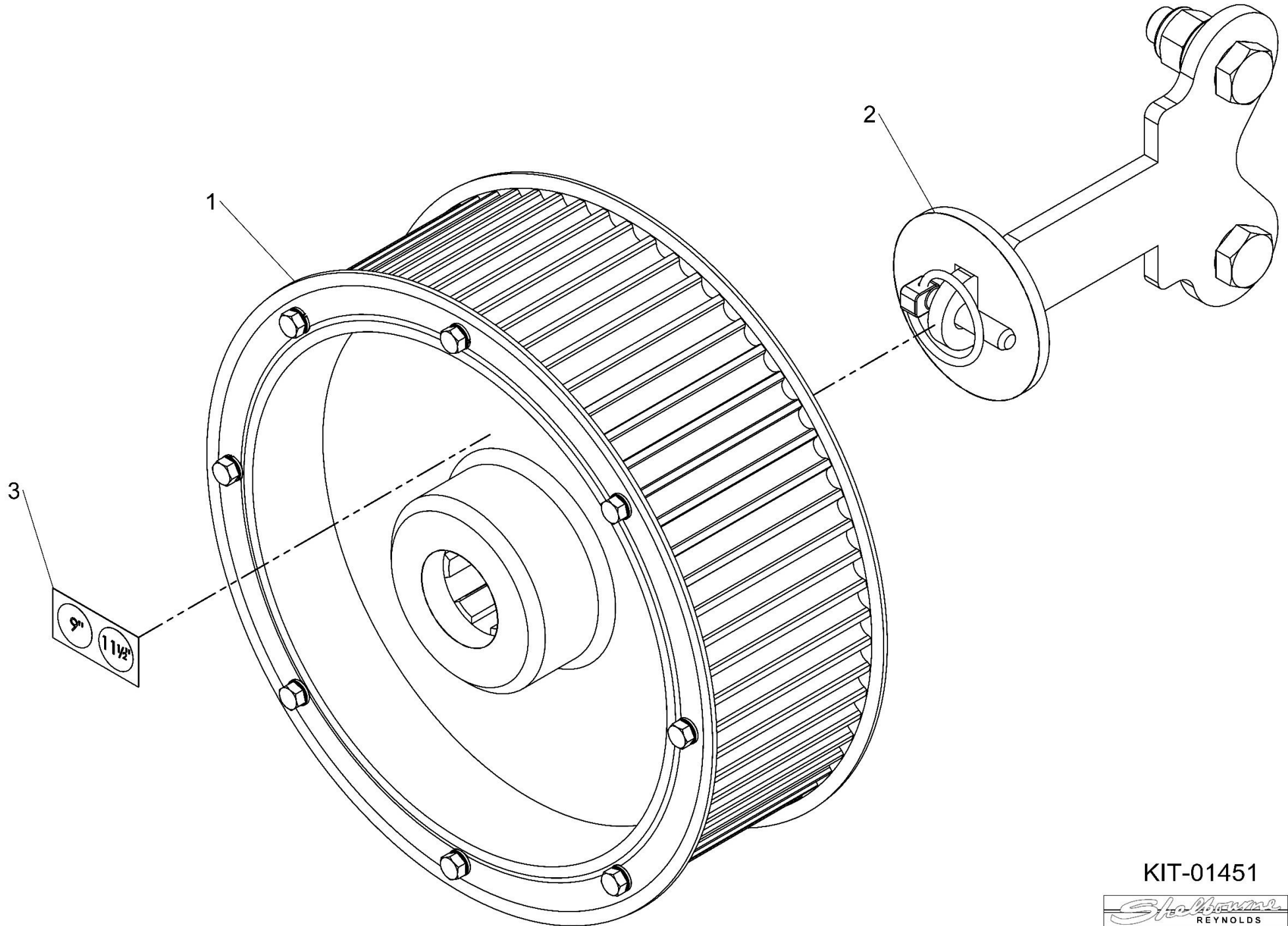


KIT-01446



Shelbourne Reynolds Engineering Limited

| ASSY NUMBER: KIT-01451 | | | | ASSY DESCRIPTION: HTD 64 TOOTH PULLEY KIT | | | |
|------------------------|-----------|-----------------------------|-----|---|---------|-------------|-----|
| ITEM | PART NO | DESCRIPTION | QTY | ITEM | PART NO | DESCRIPTION | QTY |
| 1 | 292539 01 | HTD PULLEY (64T) (11 1/2") | 1 | | | | |
| 2 | KIT-01336 | SPARE PULLEY MOUNTING KIT | 1 | | | | |
| 3 | 290180 01 | PULLEY IDENTIFICATION DECAL | 1 | | | | |

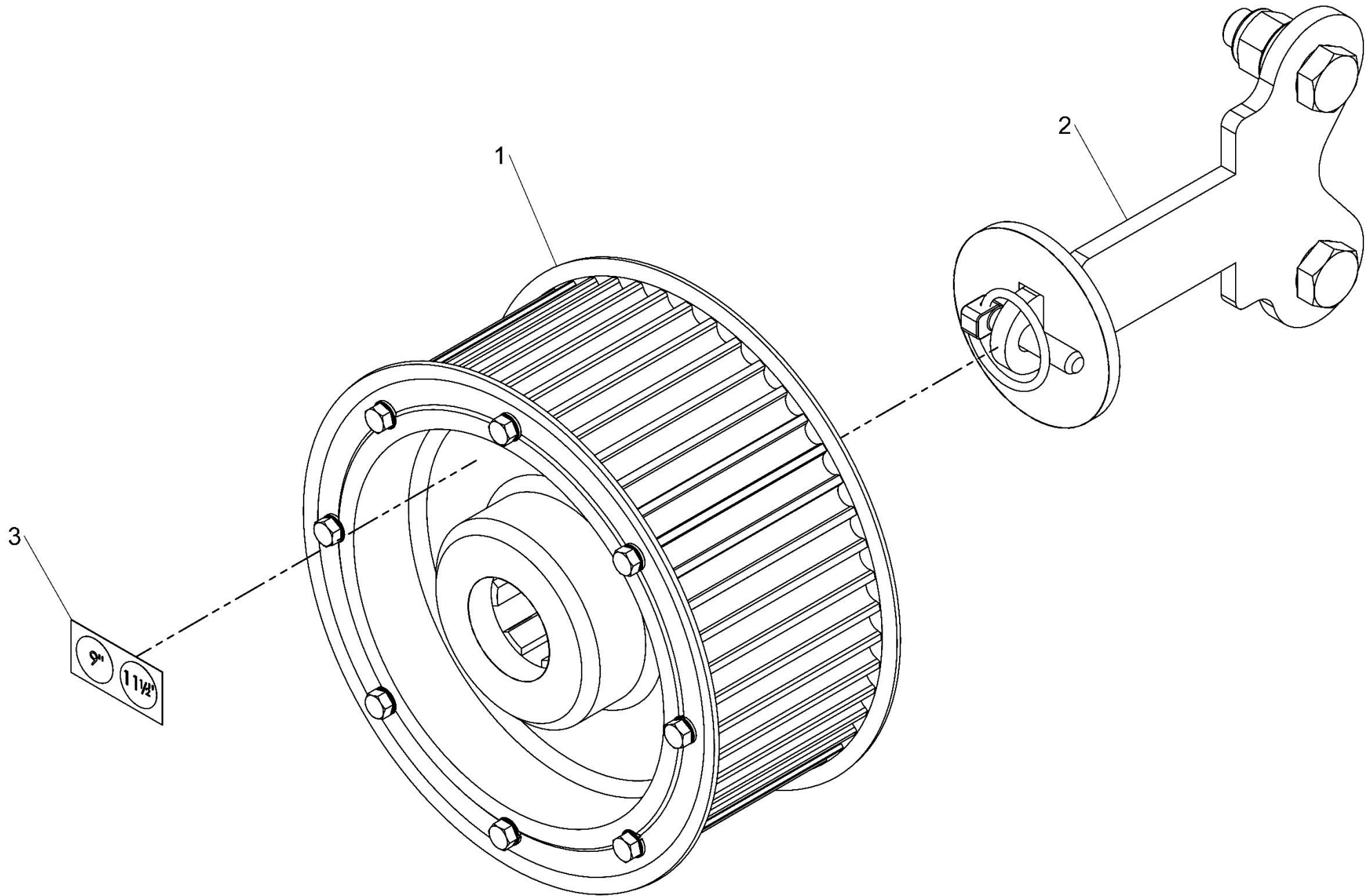


KIT-01451



Shelbourne Reynolds Engineering Limited

| ASSY NUMBER: KIT-01452 | | | | ASSY DESCRIPTION: HTD 48 TOOTH PULLEY KIT | | | |
|------------------------|-----------|-----------------------------|-----|---|---------|-------------|-----|
| ITEM | PART NO | DESCRIPTION | QTY | ITEM | PART NO | DESCRIPTION | QTY |
| 1 | 292537 01 | HTD PULLEY (48T) (9") | 1 | | | | |
| 2 | KIT-01336 | SPARE PULLEY MOUNTING KIT | 1 | | | | |
| 3 | 290180 01 | PULLEY IDENTIFICATION DECAL | 1 | | | | |



KIT-01452

