

Shelbourne

REYNOLDS

XCV 42

PARTS MANUAL - 2018 AND ON



STRIPPER HEADER

Shelbourne Reynolds Engineering Ltd

Stanton

Bury St Edmunds

Suffolk

IP31 2AR

England

Telephone: 01359 250415

Fax: 01359 250464

Stores Direct : 01359 251231

Stores Direct: 01359 252031

Shelbourne Reynolds Inc.

Colby PO box 607

1250 S Country Club Drive

Colby , Kansas 67701

U.S.A.

Telephone: (785) 462 6299

Fax: (785) 462 6761

Issue 12

09/10/2023

www.shelbourne.com



 YouTube

ORDERING SPARE PARTS

IMPORTANT

Your Stripper Header is made up of a Machine assembly number (common parts), specific sub assemblies and also customer optional build kits. The machine, sub assemblies and optional kit numbers are listed in the front pages of your Operators manual. If you do not have these numbers please contact Shelbourne Reynolds Parts Department direct on (telephone) Stanton - (01359) 251231 or Colby - (785) 462 6299.

To ensure that you order the correct part from your SRE dealer please use the following procedure.

ALWAYS QUOTE THE MACHINE AND SERIAL NUMBERS WHEN ORDERING.

The year and/or serial number of the machine may determine the correct sub assembly.

Refer to the Parts Manuals front page/s, listing the machine assemblies. Select the correct machine assembly number which is printed in the top left corner of the page (starting with 1965_ _ 01), This machine number can also be taken from the Stripper Header identification plate located on the rear left hand corner of the machine.

On this page you will find the parts listing for the common parts for every configuration of that machine assembly number. You will find the corresponding drawing by either looking at the facing page or progressing through the manual to the next drawing. The drawings indicate the components by item numbers, which you will find, are repeated in the left-hand side of your parts listing, and therefore referring to the correct part.

Note all parts will not be found listed below the machine number. Other parts will be from specific sub assemblies and optional kits. These sub assemblies and kits will be found in numerical order further through the manual. Sub assemblies start with 1960_ _ 01 and kits start with KIT- 19 _ _ _.

KEY

m = Meter,

A/R = Quantity as Required

List Of Kit Numbers

196572 42	Shelbourne Header	1
196143 42	Header Lights Sub Assembly	3
196193 42	Hydraulic Circuit Sub Assembly	5
196253 04	4.2m Drive End Rotor Assembly	7
196254 04	4.2m Idle End Rotor Assembly	9
196255 04	4.2m Centre Rotor Assembly	11
196258 01	Rotor Mounting Sub Assembly	13
196262 01	VS Drive Sub Assembly	16
196274 42	Rear Drive Shaft Sub Assembly	19
196279 42	Hood Sub Assembly	22
196284 01	Emblems And Guards Sub	26
196285 42	Offset Auger Sub Assembly	29
196289 01	Divider Sub Assembly	33
196290 42	Frame And Parts Sub	36
196296 42	Crop Deflector Sub Assembly	40
196331 42	Crop Deflector Sub Assembly (One Piece)	43
196341 01	VS Drive Sub	45
GEA-0058	Input Gearbox Assembly	47
KIT-00123	Auger Slip Clutch	49
KIT-00931	PTO Support Kit	51
KIT-00976	Ball Joint Centre Coupling	53
KIT-00976A	Ball Joint Centre Coupling	55
KIT-01386	Rear Pulley Assembly (Bolt In Hubs)	57
KIT-01399	Rotor Pulley Assembly (2017-2021)	59
KIT-01401	Safety Decal Kit North America	61
KIT-01402	Safety Decal Kit ISO	63
KIT-01417	CE Area Kit	65
KIT-01445	Rotor Pulley Assy (2022 And On)	67
KIT-01454	VS Drive Cam & Bearing Kit, All Years	69
KIT-01463	Rear Pulley Assembly & Actuator Cam Kit	71
KIT-19001	Spring Tilt Kit (2013 And On)	73
KIT-19006	Skid Kit	75
KIT-19013	Tilting Adaptor Plate Kit	77
KIT-19039	Gauge Wheel Kit	79
KIT-19040	Ball Joint Coupling	81
KIT-19081	Spring Tilt Kit (Narrow) X9	83
PTO-260XX	Stripper PTO	85
RDS-0002	Tacho Kit	87
RDS-0007	Tacho Kit	87

Drives 90

196549 128	Drive Kit CNH	91
196549 168	Drive Kit AGCO	93
196549 178	Drive Kit John Deere	95
196549 188	Drive Kit Claas Lexion	97

Hydraulics 100

KIT-01717	Claas Lexion 400 Hydraulic Kit	101
KIT-01726	CNH Hydraulic Multicoupler Kit	103
KIT-01727	John Deere Hydraulic Multicoupler Kit	105
KIT-01731	AGCO hydraulic Multicoupler Kit	107
KIT-01732	Claas Lexion Hydraulic Multicoupler Kit	109
KIT-01733	JD S Series Variable Feeder Hydraulic Kit	111
KIT-01735	AGCO Hydraulic Multicoupler Kit	113
KIT-01737	JD X9 Hydraulic Loom Kit	115

Adaptor Plates 118

KIT-19002	John Deere Adaptor Plate	119
KIT-19003	Claas Lexion Adaptor Plate Kit	121
KIT-19015	CNH Adaptor Plate	123
KIT-19016	AGCO Adaptor Plate Kit	125
KIT-19017	Gleaner Fill In Plate Kit	127
KIT-19026	CNH Adaptor Plate Hook And Bracket Assembly	129
KIT-19028	NH Bottom Beam Locking Kit	131
KIT-19046	AGCO Adaptor Plate Kit	133
KIT-19049	AGCO Ideal Mounting Kit	135
KIT-19070	JD X9 Adaptor Plate	137

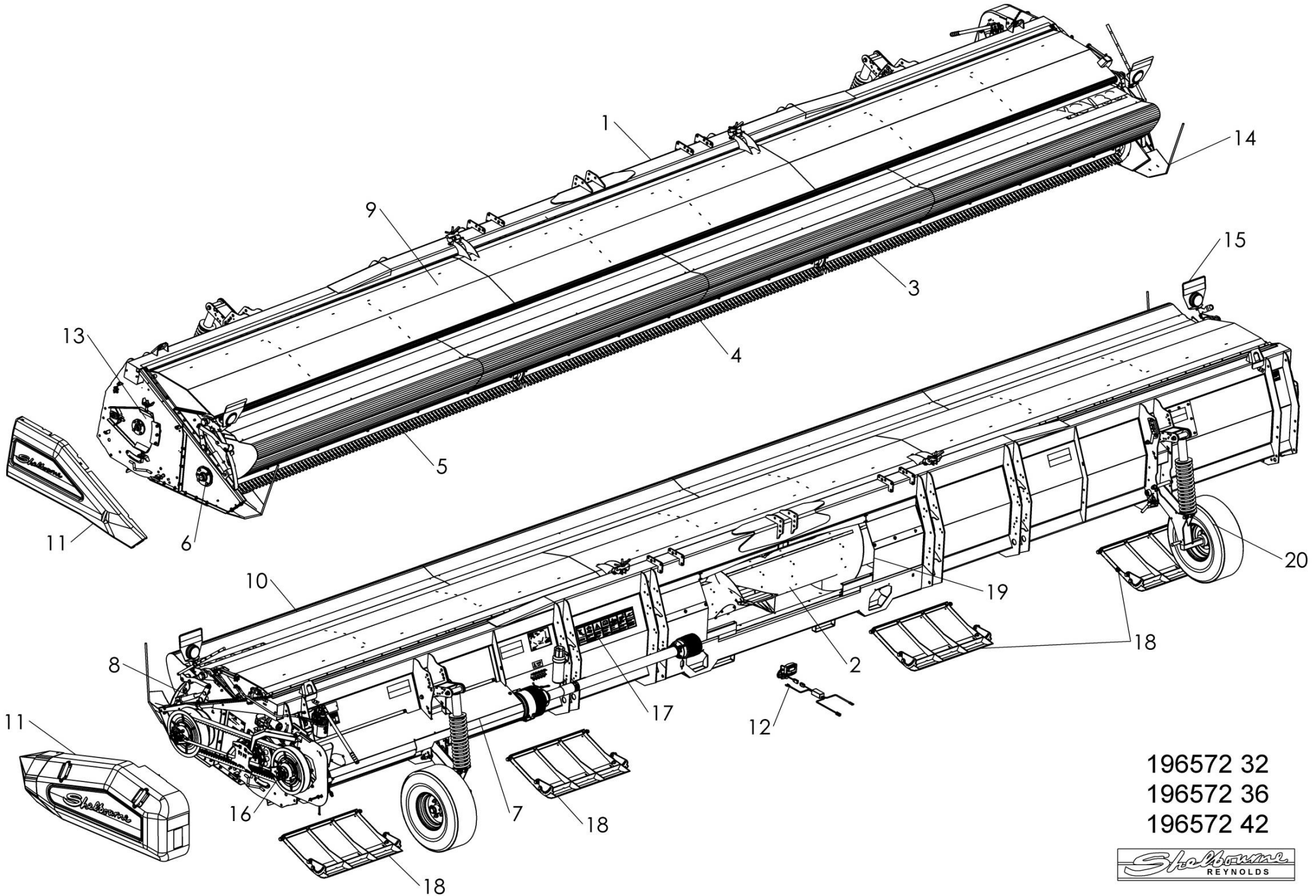
Kit Options 140

KIT-19072	NH Bottom Beam Locking Kit	141
-----------	----------------------------	-----

Shelbourne Reynolds Engineering Limited

ASSY NUMBER: 196572 42				ASSY DESCRIPTION: EXCEL 42 SHELBOURNE HEADER			
ITEM	PART NO	DESCRIPTION	QTY	ITEM	PART NO	DESCRIPTION	QTY
1	196290 42	FRAME & PARTS SUB ASSY	1	16	196341 01	VS DRIVE ASSY (XCV) XCV42224249 & ON	1
2	196285 42	AUGER ASSY (OFFSET)	1	OR	196262 01	VS DRIVE ASSY (XCV) UPTO XCV42224249	1
3	196253 04	STRIPPING ROTOR ASSY 4.2m LH	1	OR	196329 01	HTD DRIVE ASSY (XCS)	1
4	196255 04	STRIPPING ROTOR ASSY 4.2m CTR	1	17	KIT-01401	SAFETY DECAL KIT (N AMERICA)	1
5	196254 04	STRIPPING ROTOR ASSY 4.2m RH	1	OR	KIT-01402	SAFETY DECAL KIT (REST OF WORLD)	1
6	196258 01	ROTOR MOUNTING SUB	1	18	KIT-19006	SKID KIT	1
7	196274 42	REAR DRIVE SHAFT SUB	1	19	KIT-19013	TILTING ADAPTOR PLATE KIT	1
8	196193 42	HYDRAULICS SUB ASSY	1	20	KIT-19039	GAUGE WHEEL KIT	1
9	196279 42	HOOD SUB ASSY	1				
10	196331 42	CROP DEFLECTOR SUB (ONE PIECE) MID 2021 & ON	1				
OR	196296 42	CROP DEFLECTOR SUB (TWO PIECE) UPTO MID 2021	1				
11	196284 01	EMBLEM & GUARD SUB	1				
12	RDS-0007	HEADER MONITOR LOOM KIT	1				
13	RDS-0002	COMBINE MONITOR KIT (XCV)	1				
OR	RDS-0003	COMBINE MONITOR KIT (XCS)	1				
14	196289 01	DIVIDER SUB	1				
15	196143 42	HEADER LIGHTS SUB (USA ONLY)	1				

Shelbourne Reynolds Engineering Limited



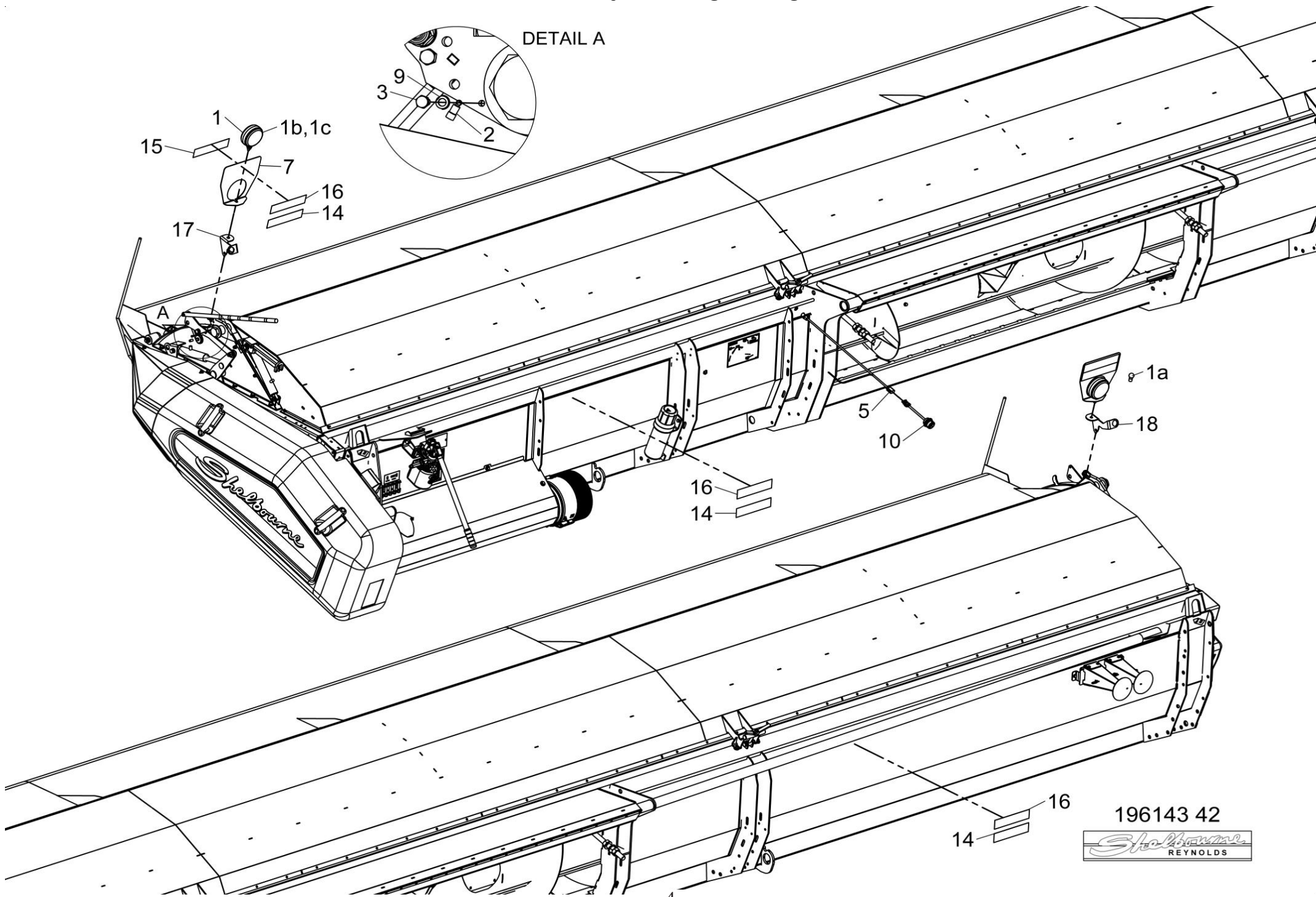
196572 32
196572 36
196572 42



Shelbourne Reynolds Engineering Limited

ASSY NUMBER: 196143 42				ASSY DESCRIPTION:		HEADER LIGHTS SUB EXCEL 36-42	
ITEM	PART NO	DESCRIPTION	QTY	ITEM	PART NO	DESCRIPTION	QTY
1	LMP-10505	INDICATOR LAMP	2	16	TPE-00251	REFLECTIVE TAPE - RED	0.23m
1a	BLB-0015	SPARE BULB (2013 & ON)		16	TPE-00251	REFLECTIVE TAPE - RED	0.23m
OR	BLB-0020	SPARE BULB (2012 - 2013)		16	TPE-00251	REFLECTIVE TAPE - RED	0.23m
OR	BLB-0075	SPARE BULB (UPTO 2012)		16	TPE-00251	REFLECTIVE TAPE - RED	0.23m
1b	LMP-10009	SPARE LENS (3 SCREWS,		17	198958 01	LH LIGHT MOUNTING BRACKET	1
1b	LMP-10006	SPARE LENS (GROTE, 2012-2013)		18	198958 02	RH LIGHT MOUNTING BRACKET	1
1b	LMP-10000	SPARE LENS FRONT (UPTO 2012)					
1c	LMP-10001	SPARE LENS REAR (PMG UPTO					
2	ETM-00440	LOOP TERMINAL	2				
3	HSS-0055	SETSCREW	3				
OR	SCW-5180	SELF TAP SCREW	3				
4	ETM-00560	MALE BULLET TERMINAL	2				
5	198524 01	WIRE LOOM & PLUG ASSY	1				
6							
7	290739 01	INDICATOR GUARD (2019 & ON)	2				
OR	193567 01	INDICATOR GUARD (UP TO 2019)	2				
8							
9	WSH-0006	PLAIN WASHER	3				
10	193516 01	LIGHT PLUG (JD PRE 50 SERIES)	1				
OR	195207 01	LIGHT PLUG (JD 50 SERIES)	1				
OR	SEE KIT-01727	LIGHT PLUG (JD 60,70 & S SER)	1				
OR	197040 01	LIGHT PLUG (CASE IH & NH)	1				
a	ECN-09060	SPARE LOCK WASHER					
b	ECN-09050	SPARE PANEL NUT					
OR	198732 01	LIGHT PLUG (NH TR)	1				
OR	SEE KIT-01731	LIGHT PLUG (AGCO MULTI)	1				
OR	291911 01	LONG LIGHT CABLE (11m)	1				
OR	292994 01	COMBINE LIGHT LOOM (JD X9)	1				
11							
12							
13							
14	TPE-00300	FLUORESCENT TAPE -RED/ORANGE	0.23m				
14	TPE-00300	FLUORESCENT TAPE -RED/ORANGE	0.23m				
14	TPE-00300	FLUORESCENT TAPE -RED/ORANGE	0.23m				
14	TPE-00300	FLUORESCENT TAPE -RED/ORANGE	0.23m				
14	TPE-00300	FLUORESCENT TAPE -RED/ORANGE	0.23m				
14	TPE-00300	FLUORESCENT TAPE -RED/ORANGE	0.23m				
14	TPE-00300	FLUORESCENT TAPE -RED/ORANGE	0.23m				
15	TPE-00250	REFLECTIVE TAPE - YELLOW	0.23m				
15	TPE-00250	REFLECTIVE TAPE - YELLOW	0.23m				

Shelbourne Reynolds Engineering Limited



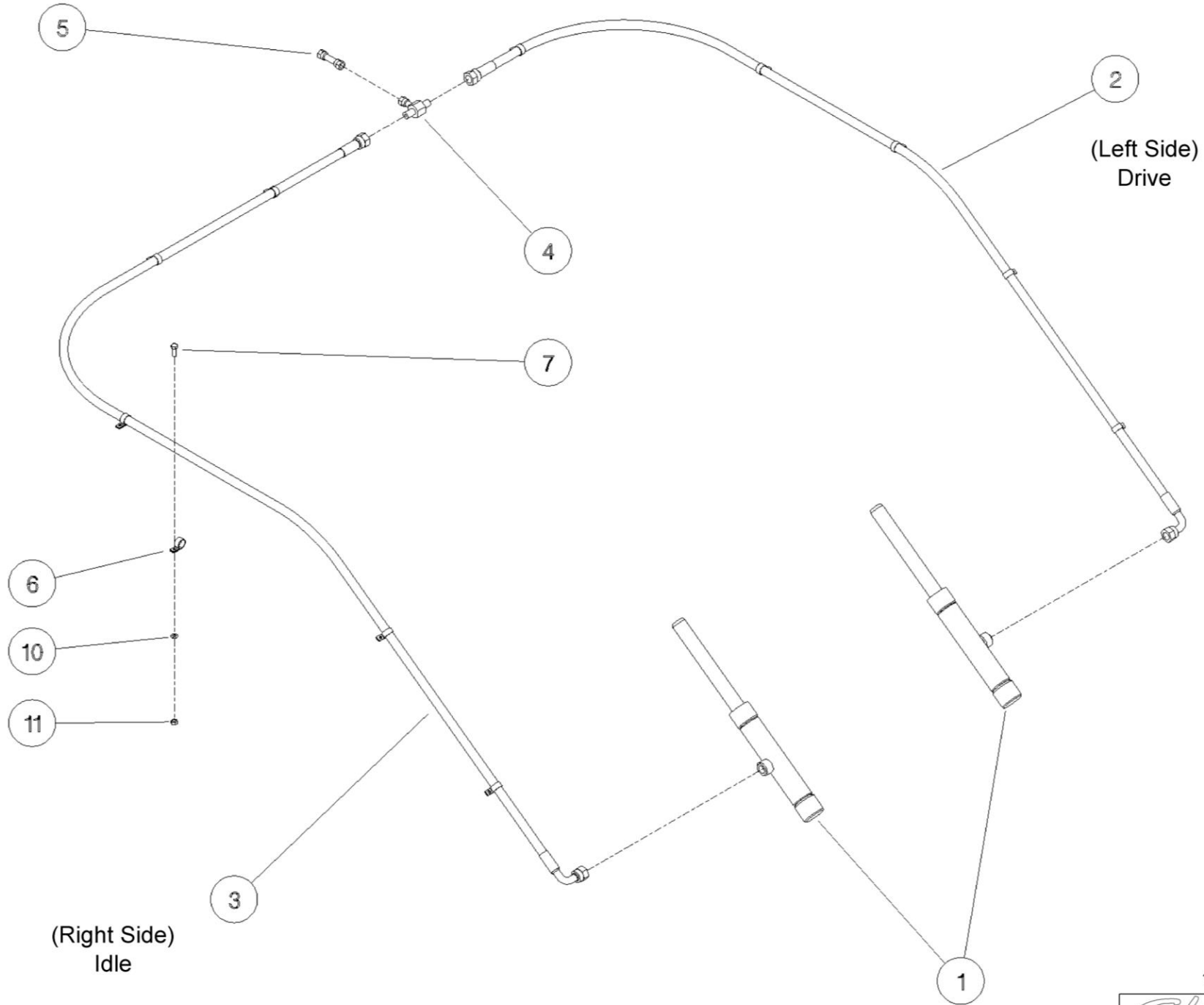
196143 42



Shelbourne Reynolds Engineering Limited

ASSY NUMBER: 196193 42				ASSY DESCRIPTION: HYDRAULIC CIRCUIT SUB EXCEL 42			
ITEM	PART NO	DESCRIPTION	QTY	ITEM	PART NO	DESCRIPTION	QTY
1	195075 01	HYDRAULIC RAM	2				
1a	RMSK00030	SEAL KIT (SPARES)					
2	HHBC61810	HYD HOSE ASSY LH	1				
3	HHBC91710	HYD HOSE ASSY RH	1				
4	HPPD07100	HYD TEE FITTING	1				
5	FIT-0213	HYD BULKHEAD FITTING	1				
6	CLP-01012	P CLIP	5				
7	SCW-4960	BUTTON SKT.HD SCREW	4				
8							
9							
10	WSH-0009	PLAIN WASHER	4				
11	NUT-0260	NYLOC NUT	4				

Shelbourne Reynolds Engineering Limited



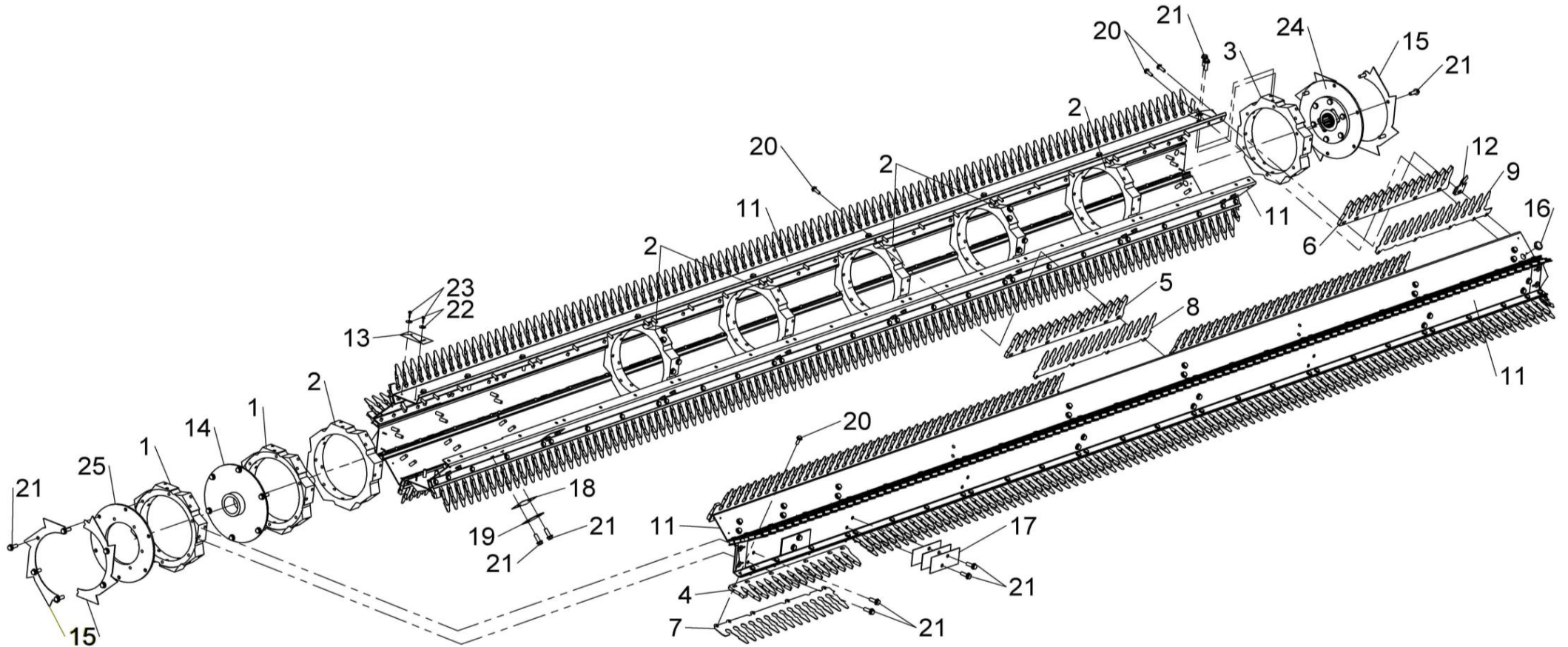
196193



Shelbourne Reynolds Engineering Limited

ASSY NUMBER: 196253 04				ASSY DESCRIPTION: 4.2m DRIVE END ROTOR ASSY			
ITEM	PART NO	DESCRIPTION	QTY	ITEM	PART NO	DESCRIPTION	QTY
1	192892 01	OUTER HUB CASTING LH	2				
2	192892 03	INNER HUB CASTING	6				
3	192892 02	OUTER HUB CASTING RH	1				
4	193558 02	END HOLE ELEMENT	8				
OR	193558 01	FOR SPARES, CUT AND MODIFY STD SUPPORT FINGER	8				
5	193558 01	STANDARD ELEMENT	40				
6	193558 03	CTR.END HOLE ELEMENT	8				
OR	193558 01	FOR SPARES, CUT AND MODIFY STD SUPPORT FINGER	8				
7	197719 01	SEED SAVER FINGER LH END	8				
8	197717 01	SEED SAVER FINGER CTR	40				
9	197718 02	SEED SAVER FINGER LH CTR	8				
10							
11	199111 01	ROTOR PANEL LH 4.2m	8				
OR	199111 04	SPARES COMMON 4.2m ROTOR PANEL			NOTE	1 x ITEM 11 TO HAVE HOLE KNOCKED OUT FOR GREASER	
12	194109 01	CENTER FINGER LH	8				
13	192679 01	ANTI-WRAP PLATE	8				
14	197114 01	ROTOR DRIVE DISC W/A	1		NOTE	ITEMS 7 AND 9 ARE CORRECT PARTS WHEN FINGERS SET WITH FLANGES UP - IE AGGRESSIVE. USE 197719 02 & 197718 01 WHEN FLANGES ARE REQUIRED DOWN -IE NON-AGGRESSIVE.	
15	192959 01	OUTER CLAMP RING	4				
16	BPG-00200	PLASTIC BODY PLUG	1				
17	193118 01	BALANCE WEIGHT (100g)	A/R				
18	193118 02	BALANCE WEIGHT (50g)	A/R				
19	193382 01	BALANCE WEIGHT (25g)	A/R				
20	HSSF08174	TENSILOCK SETSCREW	240				
21	HSSG10204	TENSILOCK SETSCREW	162				
22	WSH-1034	PENNY WASHER	16				
23	SCW-5180	SELF TAPPING SCREW	16				
24	KIT-00976	BALL JOINT CTR COUPLING ASSY	1				
		SEE KIT-00976 PAGE FOR PARTS BREAKDOWN					
25	197111 01	ROTOR DRIVE DISC (2013 & ON)	1				

Shelbourne Reynolds Engineering Limited

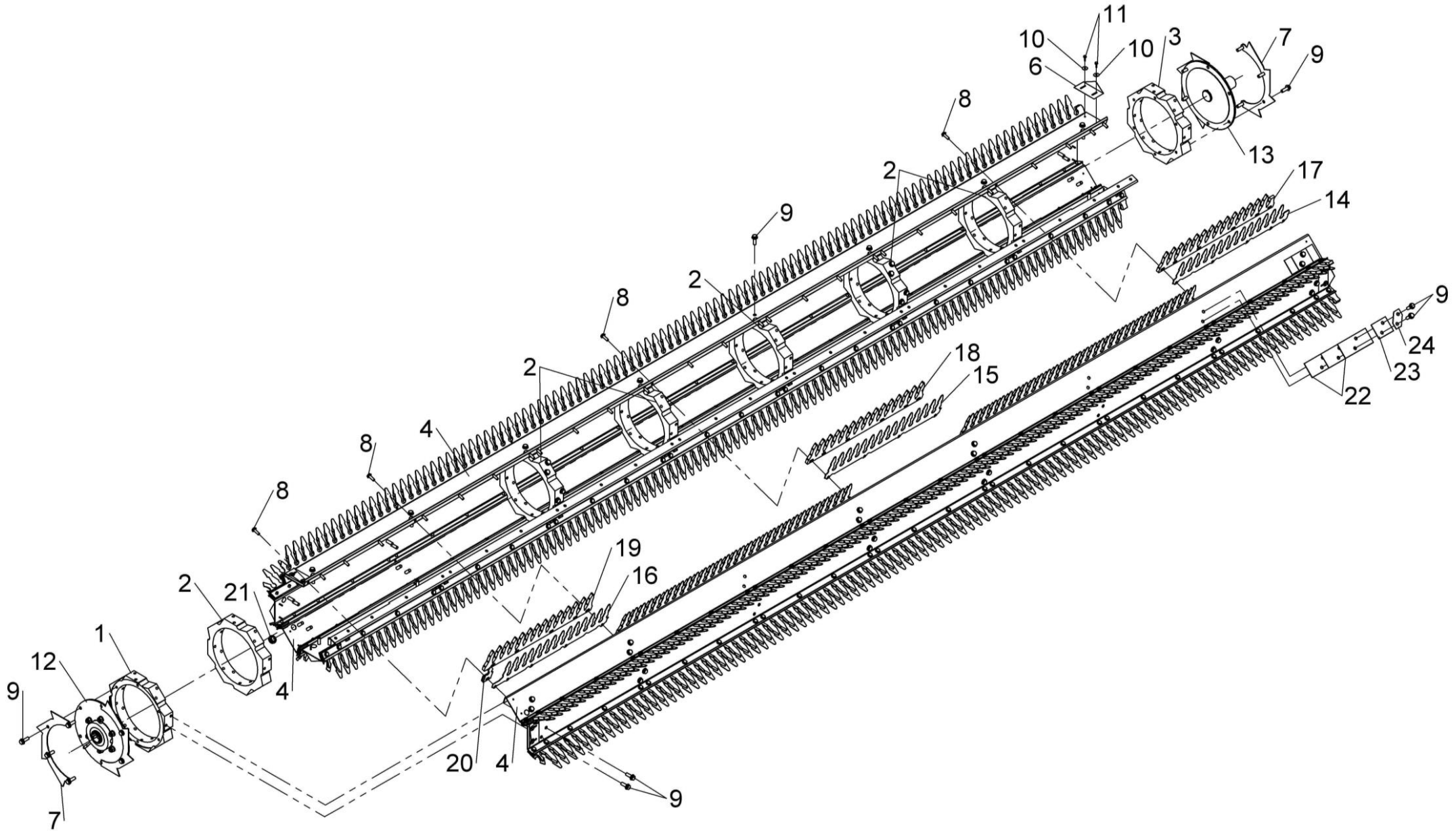


196253 04
196253 03
196253 02



Shelbourne Reynolds Engineering Limited

ASSY NUMBER: 196254 04				ASSY DESCRIPTION: 4.2m IDLE END ROTOR ASSY			
ITEM	PART NO	DESCRIPTION	QTY	ITEM	PART NO	DESCRIPTION	QTY
1	192892 01	OUTER HUB CASTING LH	1				
2	192892 03	INNER HUB CASTING	6				
3	192892 02	OUTER HUB CASTING RH	1				
4	199111 02	ROTOR PANEL RH 4.2m	8				
OR	199111 04	SPARES COMMON 4.2m ROTOR PANEL			NOTE	1 x ITEM 4 TO HAVE HOLE KNOCKED OUT FOR GREASER	
5							
6	192679 01	ANTI-WRAP PLATE	8				
7	192959 01	OUTER CLAMP RING	4				
8	HSSF08174	TENSILOCK SETSCREW	240				
9	HSSG10204	TENSILOCK SETSCREW	140				
10	WSH-1034	PENNY WASHER	16				
11	SCW-5180	HEX HD SELF TAP SCREW	16				
12	KIT-00976A	BALL JOINT CTR COUPLING ASSY FOR SPARES SUPPLY KIT-00976 SEE KIT-00976A PAGE FOR PARTS BREAKDOWN	1		NOTE	ITEMS 14 AND 16 ARE CORRECT PARTS WHEN FINGERS SET WITH FLANGES UP - IE AGGRESSIVE. USE 197719 01 & 197718 02 WHEN FLANGES ARE REQUIRED	
13	192899 01	IDLE SHAFT W/A	1				
14	197719 02	SEED SAVER FINGER RH END	8				
15	197717 01	SEED SAVER FINGER CTR	40				
16	197718 01	SEED SAVER FINGER RH CTR	8				
17	193558 02	END HOLE ELEMENT	8				
OR	193558 01	FOR SPARES, CUT AND MODIFY STD SUPPORT FINGER	8				
18	193558 01	STANDARD ELEMENT	40				
19	193558 03	CTR.END HOLE ELEMENT	8				
OR	193558 01	FOR SPARES, CUT AND MODIFY STD SUPPORT FINGER	8				
20	194109 02	CENTER FINGER RH	8				
21	BPG-00200	PLASTIC BODY PLUG	1				
22	193118 01	BALANCE WEIGHT (100g)	A/R				
23	193118 02	BALANCE WEIGHT (50g)	A/R				
24	193382 01	BALANCE WEIGHT (25g)	A/R				

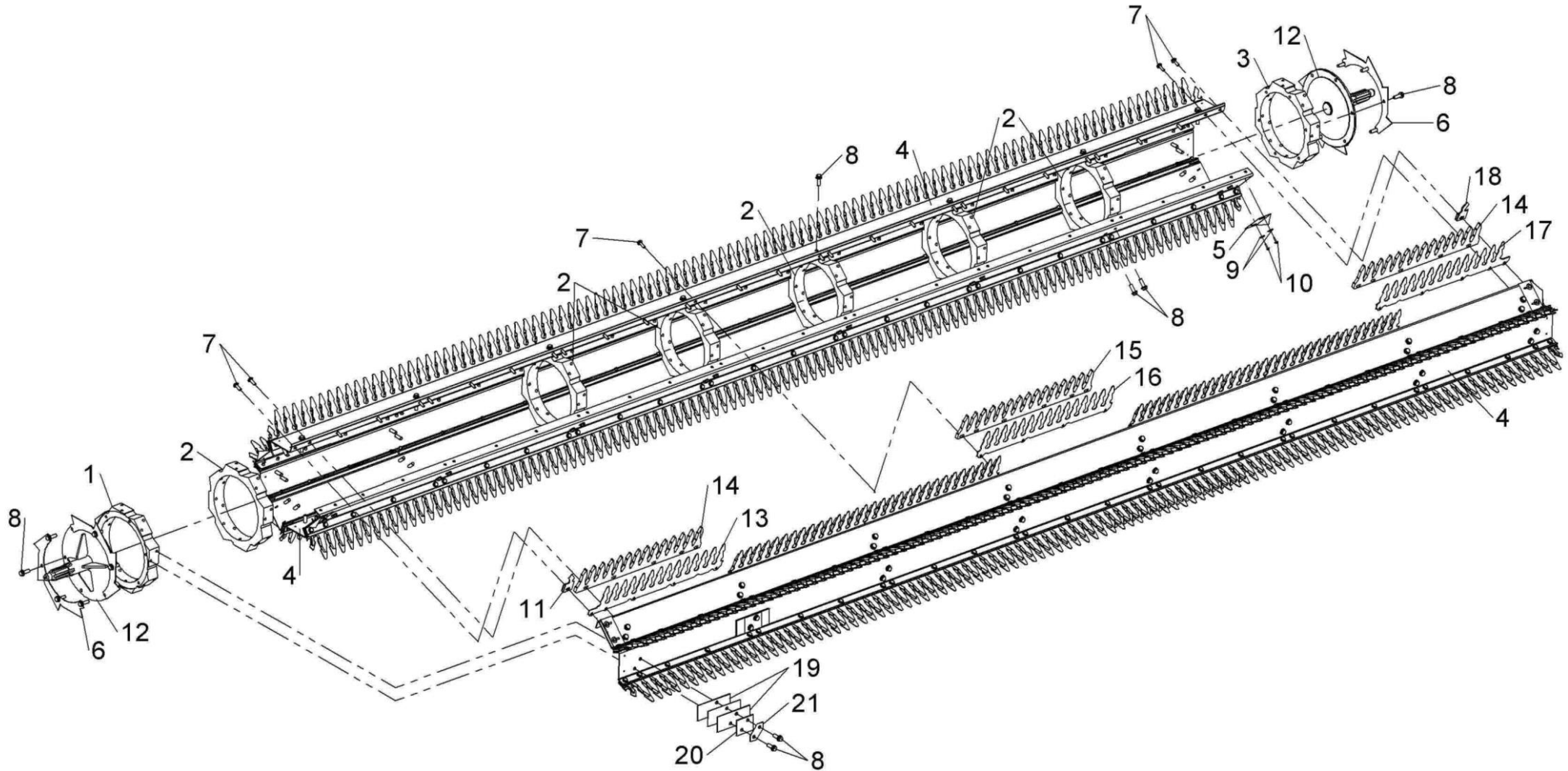


196254 04
196254 03
196254 02



Shelbourne Reynolds Engineering Limited

ASSY NUMBER: 196255 04				ASSY DESCRIPTION: 4.2m CENTRE ROTOR ASSY			
ITEM	PART NO	DESCRIPTION	QTY	ITEM	PART NO	DESCRIPTION	QTY
1	192892 01	OUTER HUB CASTING LH	1				
2	192892 03	INNER HUB CASTING	6				
3	192892 02	OUTER HUB CASTING RH	1				
4	199111 02	ROTOR PANEL RH 4.2m	8				
OR	199111 04	SPARES COMMON 4.2m ROTOR PANEL					
5	192679 01	ANTI-WRAP PLATE	8				
6	192959 01	OUTER CLAMP RING	4				
7	HSSF08174	TENSILOCK SETSCREW	240				
8	HSSG10204	TENSILOCK SETSCREW	140				
9	WSH-1034	PENNY WASHER	16				
10	SCW-5180	HEX HD SELF TAP SCREW	16				
11	194109 02	CENTER FINGER ASSY RH	8				
12	193103 01	CTR DRIVE SHFT W/A	2				
13	197718 01	SEED SAVER FINGER RH CTR	8		NOTE	ITEMS 13 AND 17 ARE CORRECT	
14	193558 03	CTR.END HOLE ELEMENT	16			PARTS WHEN FINGERS SET WITH	
OR	193558 01	FOR SPARES, CUT AND MODIFY STD	16			FLANGES UP - IE AGGRESSIVE.	
		SUPPORT FINGER				INTERCHANGE ITEMS 13 & 17	
15	193558 01	STANDARD ELEMENT	40			WHEN FLANGES ARE REQUIRED	
16	197717 01	SEED SAVER FINGER CTR	40			DOWN -IE NON-AGGRESSIVE.	
17	197718 02	SEED SAVER FINGER LH CTR	8				
18	194109 01	CENTER FINGER ASSY LH	8				
19	193118 01	BALANCE WEIGHT (100g)	A/R				
20	193118 02	BALANCE WEIGHT (50g)	A/R				
21	193382 01	BALANCE WEIGHT (25g)	A/R				



196255 04
196255 03

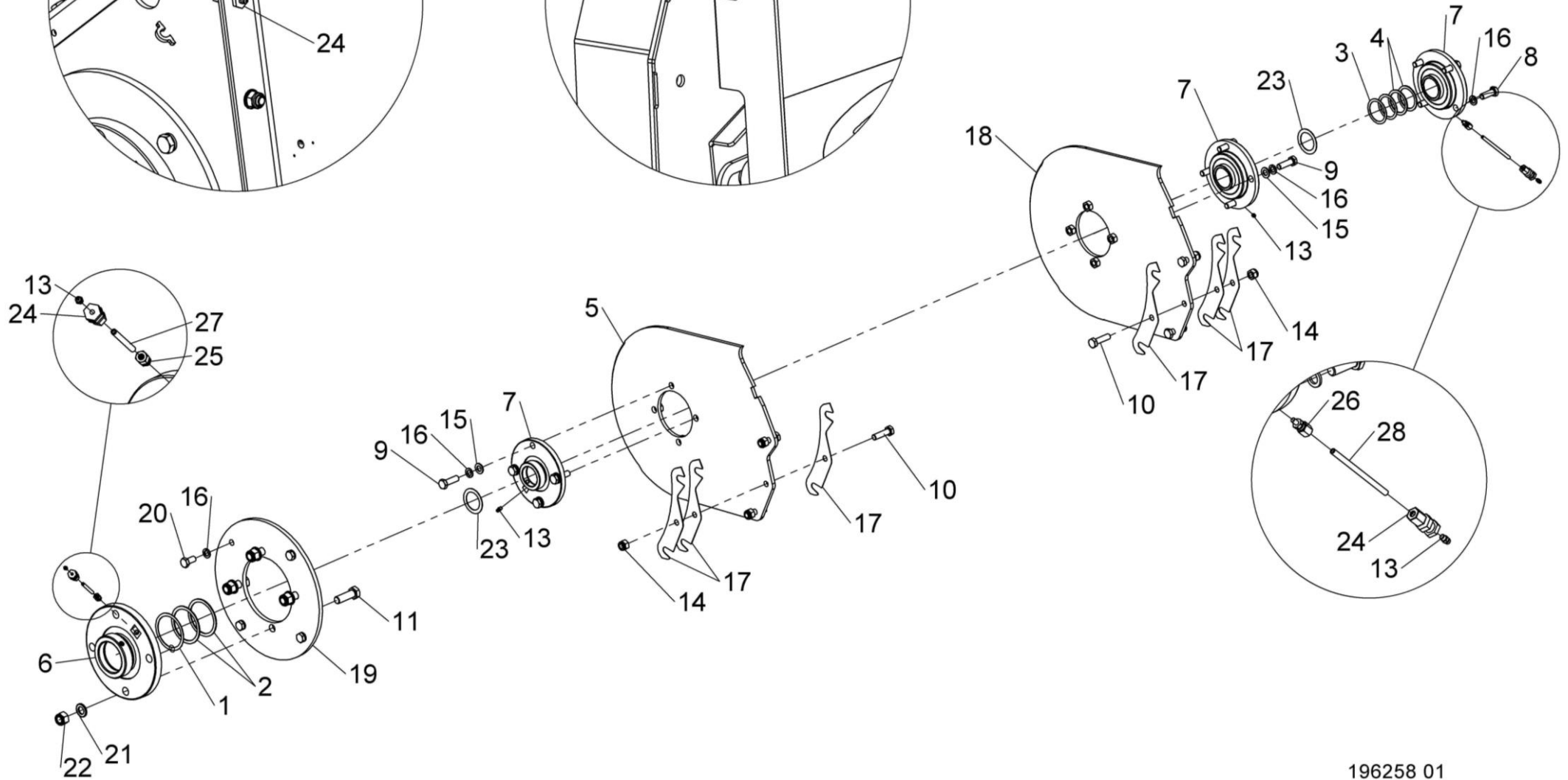
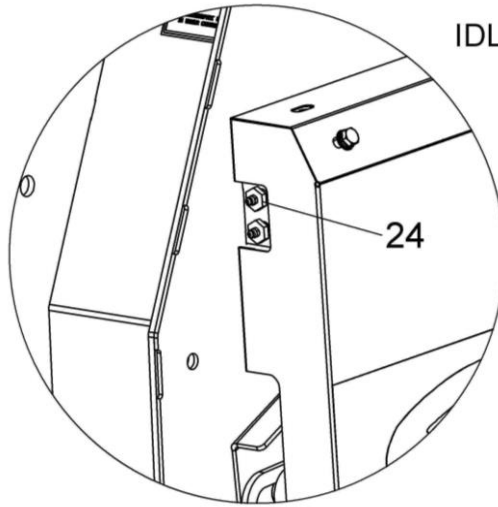
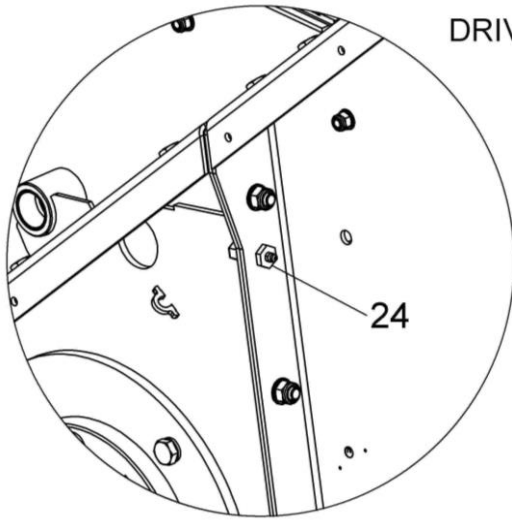


Shelbourne Reynolds Engineering Limited

ASSY NUMBER: 196258 01				ASSY DESCRIPTION: ROTOR MTG SUB			
ITEM	PART NO	DESCRIPTION	QTY	ITEM	PART NO	DESCRIPTION	QTY
1	190548 73	SHIM (1mm)	1				
2	190548 74	SHIM (2mm)	2				
3	192876 01	SHIM (1mm)	2				
4	192876 02	SHIM (2mm)	2				
5	199181 01	LH BEARING MTG PLT XCV/XCS	1				
OR	291811 01	LH BEARING MTG PLT XRS	1				
OR	291708 01	LH BEARING MTG PLT KNOCKOUT	1				
6	BRG-27040	BEARING	1				
7	BRG-3275	BEARING	3				
8	HSS-0241	SETSCREW	4				
9	HSS-0250	SETSCREW	8				
10	BLTA12290	HEX HD BOLT	6				
11	HSS-0318	SETSCREW (2013 & ON)	4				
OR	HSS-0316	SETSCREW (UPTO 2013)	4				
12							
13	NIP-00600	GREASE NIPPLE	4				
14	NUTA07120	AERO TIGHT NUT	6				
15	WSH-0018	PLAIN WASHER	8				
16	WSH-0065	SPRING WASHER	16				
17	198951 01	SHIM	6				
18	199181 02	RH BEARING MTG PLT XCV/XCS	1				
OR	291811 02	RH BEARING MTG PLT XRS	1				
OR	291708 02	RH BEARING MTG PLT KNOCKOUT	1				
19	198122 01	BEARING MTG PLATE (2013 & ON)	1				
20	HSS-0235	SETSCREW (2013 & ON)	4				
21	WSH-0070	SPRING WASHER (2021 & ON)	4				
OR	WSH-0024	WASHER (2013-2020)	4				
22	NUT-0271	NYLOC NUT (UPTO 2021)	4				
23	194128 03	SHIM (1mm)	A/R				
24	LUB-00052	BULKHEAD (2017 & ON)	2				
25	LUB-00045	STRAIGHT ADAPT (2017&ON)	1				
OR	NIP-0001	GREASE NIPPLE (UPTO2017)	1				
26	LUB-00046	STRAIGHT ADAPTOR (2017&ON)	1				
27	LUB-00044	GREASE TUBE (2017 & ON)	0.35m				
28	LUB-00044	GREASE TUBE (2017 & ON)	1.25m				

DRIVE END

IDLE END



196258 01
196258 02

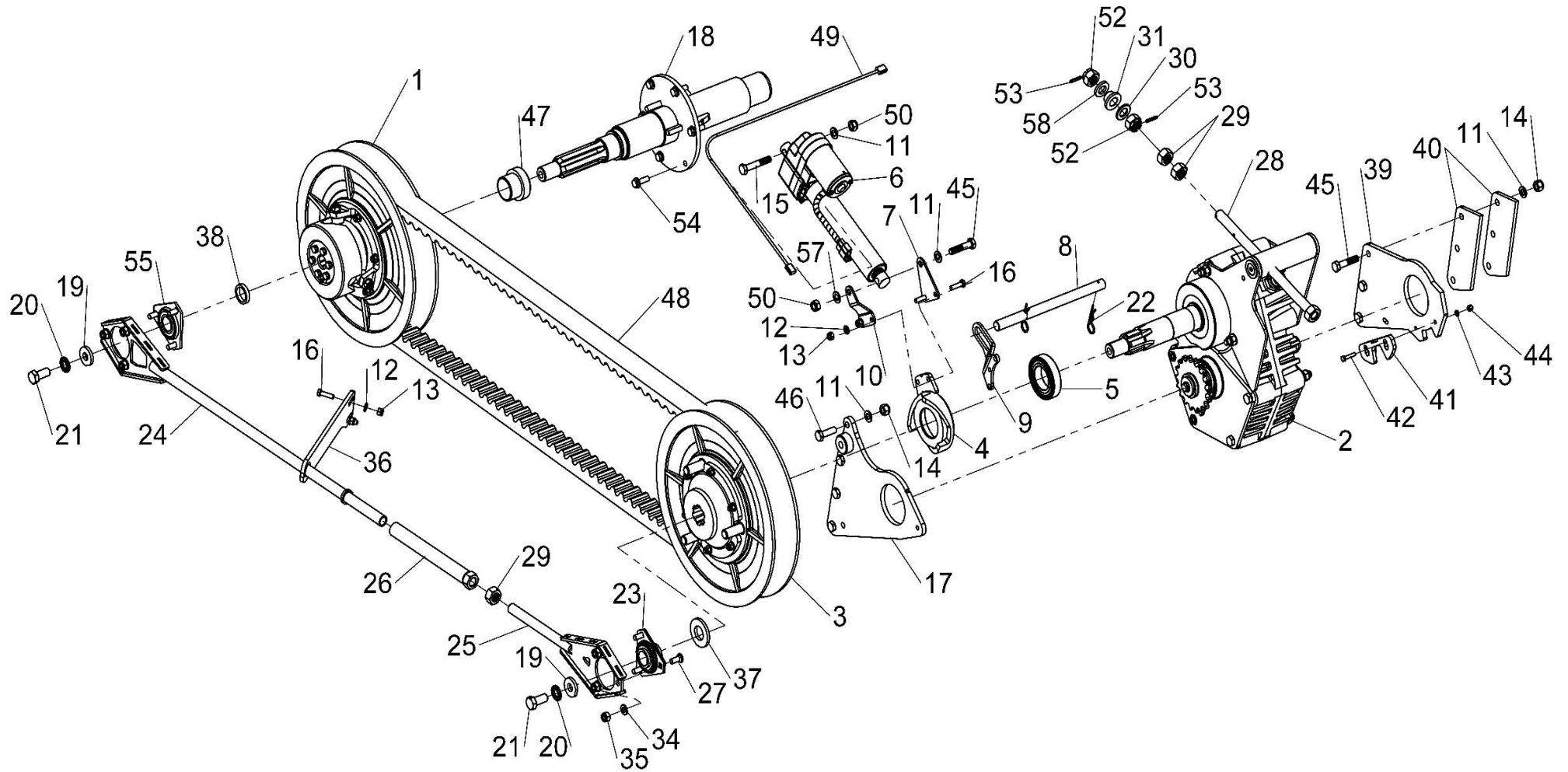


Shelbourne Reynolds Engineering Limited

ASSY NUMBER: 196262 01				ASSY DESCRIPTION: VS DRIVE SUB			
ITEM	PART NO	DESCRIPTION	QTY	ITEM	PART NO	DESCRIPTION	QTY
1	KIT-01445	ROTOR PULLEY ASSY (2022 & ON) SEE KIT-01445 PAGE FOR PARTS BREAKDOWN		18	291704 01	DRIVE SHAFT (XCV**203234 & ON)	1
OR	KIT-01399	ROTOR PULLEY ASSY (2017-2021) SEE KIT-01399 PAGE FOR PARTS BREAKDOWN		OR	198223 01	DRIVE SHAFT (2013-XCV**203234) SPARES FIT 291704 01 & 198800 03	1
OR	KIT-01385	ROTOR PULLEY ASSY (UPTO 2017) SEE KIT-01385 PAGE FOR PARTS BREAKDOWN	1	OR	198560 01	DRIVE SHAFT W/A (UPTO 2013)	1
2	GEA-0058	INPUT GEARBOX ASSY SEE GEA-0058 PAGE FOR PARTS BREAKDOWN	1	19	198800 48	WASHER	2
OR	GEA-0058CNH	SPARE GEARBOX ASSY 35/34T GEARS		20	WSHA30161	WASHER	2
OR	GEA-0058JD/CIH	SPARE GEARBOX ASSY 37/32T GEARS		21	HSS-0315	SETSCREW	2
OR	GEA-0058LEX	SPARE GEARBOX ASSY 33/36T GEARS		22	CLP-00103	R CLIP	2
3	KIT-01386	REAR PULLEY ASSY SEE KIT-01386 PAGE FOR PARTS BREAKDOWN	1	23	BRG-0240	BEARING (2013 & ON)	1
		FOR SPARES SUPPLY KIT-01463		OR	BRG-0240	BEARING (UPTO 2013)	2
4	197120 01	PULLEY ASSY & ACTUATOR CAM KIT INCLUDES KIT-01454	1	24	198236 01	TIE BAR W/A	1
5	BRG-15050NC3	ACTUATOR CAM ASSY	1	25	198232 01	TIE ROD END W/A	1
		BEARING	1	26	198235 01	TIE ROD ADJUSTER W/A	1
		FOR SPARES SUPPLY KIT-01454 SEE KIT-01454 PAGE FOR PARTS BREAKDOWN		27	BLT-3745	COACHBOLT	6
6	MOTE11008	ACTUATOR (2015 & ON)	1	28	198029 04	GEARBOX ADJUSTER ROD	1
OR	MOTE11006	ACTUATOR (UPTO 2015)	1	29	NUT-0185	PLAIN NUT	3
7	198556 01	ACTUATOR CAM PLT	1	30	WSH-0030	PLAIN WASHER	1
8	198558 01	CAM RETAINING BAR	1	31	198028 01	REAR SPRING BOSS	1
9	199477 01	CAM MTG BRKT (2013 & ON)	1	34	WSH-0015	PLAIN WASHER	6
OR	198559 01	CAM MTG BRKT (UPTO 2013)	1	35	NUT-0265	NYLOC NUT	7
10	198557 01	ACTUATOR CAM PLT	1	36	290560 01	TIE ROD RETAINER (2018 & ON)	1
11	WSH-0018	PLAIN WASHER	8	OR	198237 01	TIE ROD RETAINER (UP TO 2018)	1
12	WSH-0012	PLAIN WASHER	4	37	190548 36	WASHER	1
13	NUT-0263	NYLOC NUT	4	38	198800 03	SPACER 8mm (XCV**203234 & ON)	1
14	NUT-0269	NYLOC NUT	6	OR	190548 56	SPACER 3mm (UPTO XCV**203234)	1
15	BLTA12440	HEX.HEAD BOLT	1	39	199450 01	G BOX MTG BRKT (2013 & ON)	1
16	HSS-0150	SETSCREW	4	OR	199078 01	G BOX MTG BRKT W/A (UPTO 2013)	1
17	198555 01	GEARBOX MTG BRKT W/A	1	40	198548 01	PACKER PLATE	2
				41	198322 01	OIL LEVEL VIEWER	1
				42	HSS-0096	SETSCREW	2
				43	WSH-0009	PLAIN WASHER	2
				44	NUT-0260	NYLOC NUT	2
				45	BLTA12350	HEX.HEAD BOLT	4
				46	HSS-0250	SETSCREW	4
				47	198701 01	BOSS (UPTO 2013)	1
				48	BEL-27360C	VARI SPEED BLET (2020 & ON)	1
				OR	BEL-27357	VARI SPEED BELT (UP TO 2020 (SPARES CAN SUPPLY BEL-27360C)	1
				49	195050 07	LOOM & PLUG ASSY	1
				50	NUT-0270	NYLOC NUT	2

Shelbourne Reynolds Engineering Limited

ASSY NUMBER: 196262 01				ASSY DESCRIPTION: VS DRIVE SUB			
ITEM	PART NO	DESCRIPTION	QTY	ITEM	PART NO	DESCRIPTION	QTY
51							
52	NUT-0580	CASTLE NUT	2				
53	PIN-1620	ROLL PIN	2				
54	HSSG10204	TENSILOCK SETSCREW	6				
55	BRG-23000	BEARING (2013 & ON)	1				
56							
57	WSH-0019	PLAIN WASHER	1				
58	190119 30	WASHER	1				



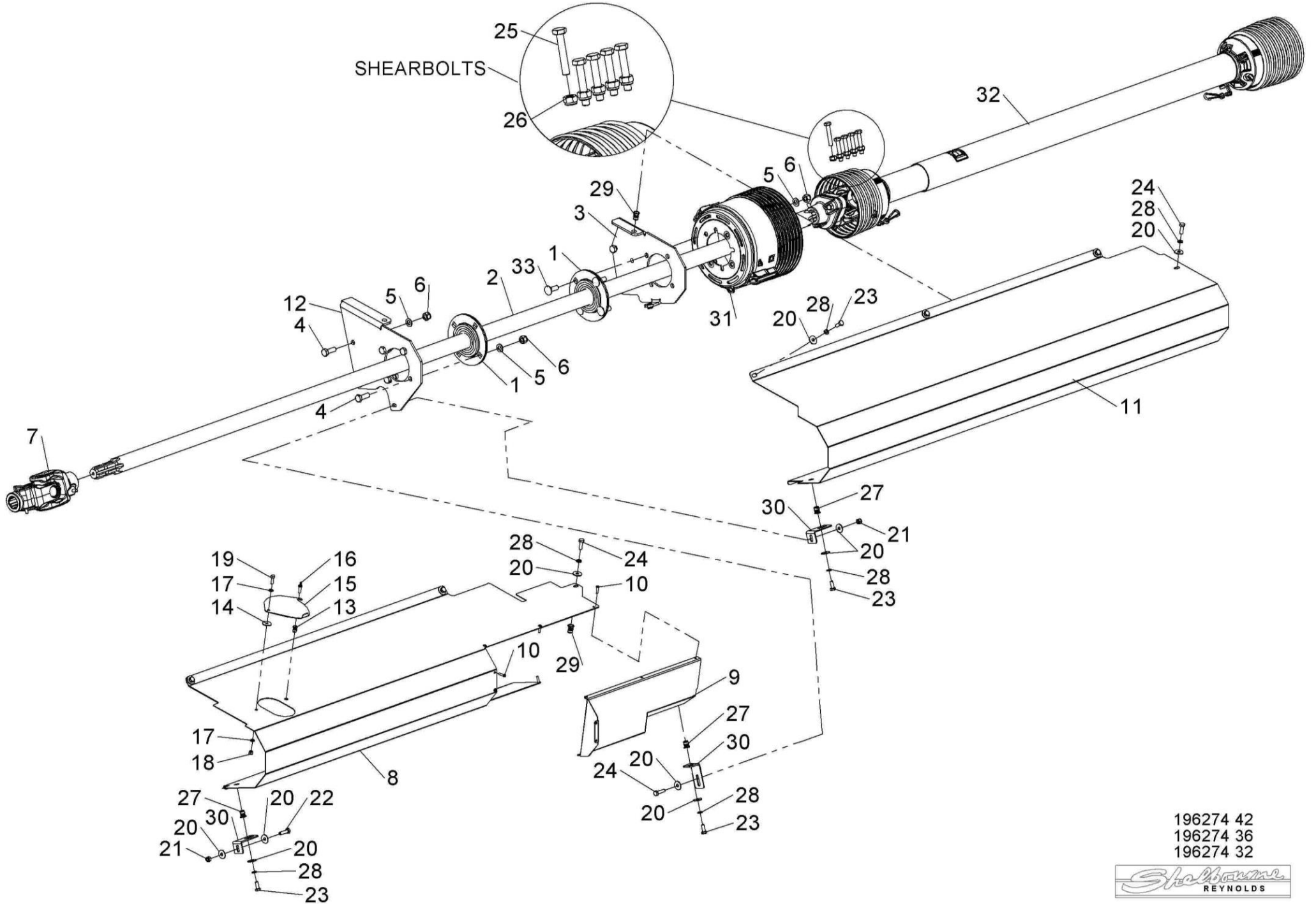
196262 01



Shelbourne Reynolds Engineering Limited

ASSY NUMBER: 196274 42				ASSY DESCRIPTION: REAR DRIVE SHAFT SUB ASSY (2013 & ON)			
ITEM	PART NO	DESCRIPTION	QTY	ITEM	PART NO	DESCRIPTION	QTY
1	BRG-24500	BEARING	2				
2	192982 16	DRIVE SHAFT	1				
3	290397 01	SHAFT SUPPORT BRKT (2017 & ON)	1				
OR	199463 01	SHAFT SUPPORT BRKT (UPTO 2017)	1				
4	HSS-0241	SETSCREW	8				
5	WSH-0018	PLAIN WASHER	12				
6	NUT-0269	NYLOC NUT	12				
7	PTO-24000WE	PTO COUPLING	1				
7a	PTO-00083	PTO CROSS BEARING					
7b	KIT-01409	GREASE POINT KIT					
8	199451 01	LH PTO GUARD	1				
9	199323 01	PTO GUARD	1				
10	POP-0006	POP RIVET	7				
11	290400 01	RH PTO GUARD (2017 & ON)	1				
OR	199462 01	RH PTO GUARD (UPTO 2017)	1				
12	199452 01	SHAFT SUPPORT BRACKET	1				
13	NUTA13060	NUTSERT	1				
14	WSH-1036	PENNY WASHER	1				
15	197757 01	COVER	1				
16	SCW-4701	THUMBSCREW	1				
17	WSH-0009	PLAIN WASHER	2				
18	NUT-0260	NYLOC NUT	1				
19	HSS-0086	SETSCREW	1				
20	WSH-1038	PENNY WASHER	15				
21	NUT-0263	NYLOC NUT	2				
22	HSS-0150	SETSCREW	2				
23	HSS-0140	SETSCREW	8				
24	HSS-0145	SETSCREW	3				
25	BLTA10384	SHEAR BOLT	5				
26	NUT-0265	NYLOC NUT	5				
27	NUTA13080	NUTSERT	3				
28	WSH-0058	SPRING WASHER	11				
29	NUTA13087	NUTSERT	3				
30	199603 01	SMALL BRACKET	3				
31	PTO-00975	PTO CONE (2017 & ON)	1				
32	PTO SHAFT	SEE DRIVE KITS - 196549 XXX OR PTO-260** PARTS PAGE					
33	BLTF12233	COACH BOLT	4				

Shelbourne Reynolds Engineering Limited



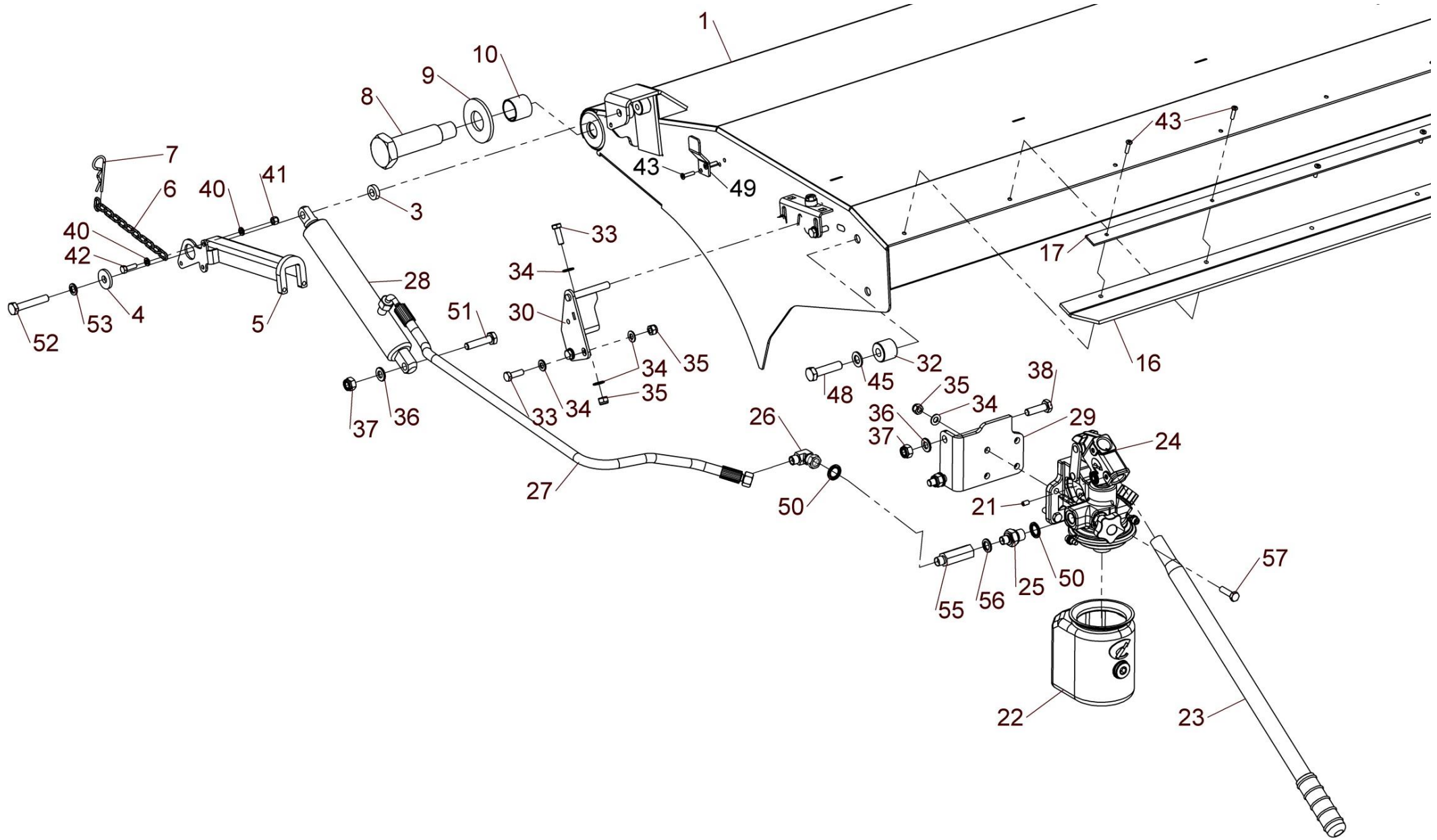
196274 42
196274 36
196274 32



Shelbourne Reynolds Engineering Limited

ASSY NUMBER: 196279 42				ASSY DESCRIPTION: HOOD SUB ASSY EXCEL 42 (2014 & ON)			
ITEM	PART NO	DESCRIPTION	QTY	ITEM	PART NO	DESCRIPTION	QTY
1	199292 01	42' LH HOOD W/A	1	OR	HHBC09605	HYDRAULIC HOSE (UP TO 2018)	
	199292 01K	SPARES LH HOOD ASSY, INC ITEMS 1,15,16,17,20,32,43,46,48 & 49		28	197601 01	HYDRAULIC CYLINDER	1
				28a	RMSK00030	RAM SEAL KIT	
2	198682 01	42' RH HOOD W/A	1	29	199829 01	HAND PUMP BRACKET (2015 & ON)	1
	198682 01K	SPARES RH HOOD ASSY, INC ITEMS 2,15,16,17,18,19,20,32,41,43,		OR	198595 01	HAND PUMP BRACKET (UP TO 2015)	1
		WASHER	1	30	198608 01	SLAM LATCH PIN BRKT W/A UPTO 2017)	1
3	190119 79	WASHER	1				
4	190119 75	WASHER	1	31	LTC-00040	SLAM LATCH (UPTO 2017)	1
5	198311 01	RAM STOP W/A	1	32	198604 01	NYLON BUSH	2
6	CHN-0145	CHAIN (UP TO 2018)	0.17m	33	HSS-0145	SET SCREW UPTO 2017)	11
7	CLP-00103	R CLIP (UP TO 2018)	1	34	WSH-0012	PLAIN WASHER	26
8	192812 01	HOOD PIVOT PIN	2	35	NUT-0263	NYLOC NUT	15
9	192813 01	LARGE WASHER	2	36	WSH-0015	PLAIN WASHER	3
10	BSHK03056	BUSH PLAIN	4	37	NUT-0265	NYLOC NUT	3
11	290424 01	FIXED CTR HOOD W/A (2017 & ON)	1	38	HSS-0198	SET SCREW	2
OR	199769 01	FIXED CTR HOOD W/A (UPTO 2017)	1	39			
12	199294 01	CTR HOOD PIVOT PIN	2	40	WSH-0009	PLAIN WASHER (UP TO 2018)	2
13	199135 01	JOINING PLATE	1	41	NUT-0260	NYLOC NUT (UP TO 2018)	1
14				42	HSS-0086	SET SCREW (UP TO 2018)	1
15	197810 01	BUMP STOP	4	43	POP-0006	POP RIVET	78
16	199109 01	REAR RUBBER SEAL	2	44	EDS-11697	SIDE BUBBLE GASKET	0.72m
17	199061 01	CLAMP STRIP (1911.5mm)	4	44	EDS-11697	SIDE BUBBLE GASKET	0.72m
18	199489 01	REAR RUBBER SEAL	2	45	WSH-0018	PLAIN WASHER	11
19	199162 01	CLAMP STRIP (2176mm)	2	46	NUT-0269	NYLOC NUT	7
20	199164 01	CTR CLAMP STRIP (214mm)	2	47	HSS-0241	SET SCREW	3
21	SCW-4530	GRUB SCREW	1	48	HSS-0260	SET SCREW	2
22	JAC-00222	HYD RESEVOIR TANK (2015 & ON)		49	290373 01	HOOK (2017 & ON)	1
OR	JAC-00221	HYD RESEVOIR (UP TO 2015)	1	50	WSH-1010	DOWTY WASHER	1
23	JAC-00230	HYD HAND PUMP HANDLE	1	51	BLTA10290	HEX.HEAD BOLT	1
24	JAC-00228	HYD HAND PUMP (x**42234775 & ON)	1	52	BLTA10350	HEX.HEAD BOLT	1
OR	JAC-00227	HYD HAND PUMP (2015-x**42234726)	1	53	WSH-0061	SPRING WASHER	1
OR	JAC-00226	HYD HAND PUMP (UP TO 2015)	1	54	190119 16	WASHER	AR
24a	FITE00107	FILLER CAP		55	HVB-93000	FLOW RESTRICTOR (2015 & ON)	1
24b	HPS-01520	SEAL KIT FOR JAC-00228 & JAC-00227		56	WSH-1005	DOWTY WASHER (2015 & ON)	1
24b	HPS-01510	SEAL KIT FOR JAC-00227		57	HSS-0150	BOLT (2015 & ON)	4
24b	HPS-01500	SEAL KIT FOR JAC-00226		58	HASAA0303	ELBOW (45°) (2018 & ON)	1
25	FIT-0025	M/M ADAPTOR(2015&ON)	1	59	290886 01	CLAMP PLATE (2019 & ON)	1
OR	HAPAA0305	REST. FITTING(UPTO 2015)	1	60	290886 02	CLAMP PLATE (2019 & ON)	1
26	HALAA0303	ELBOW M/F(UP TO 2015)	1				
27	HHBC08805	HYDRAULIC HOSE (2018 & ON)	1				

Shelbourne Reynolds Engineering Limited



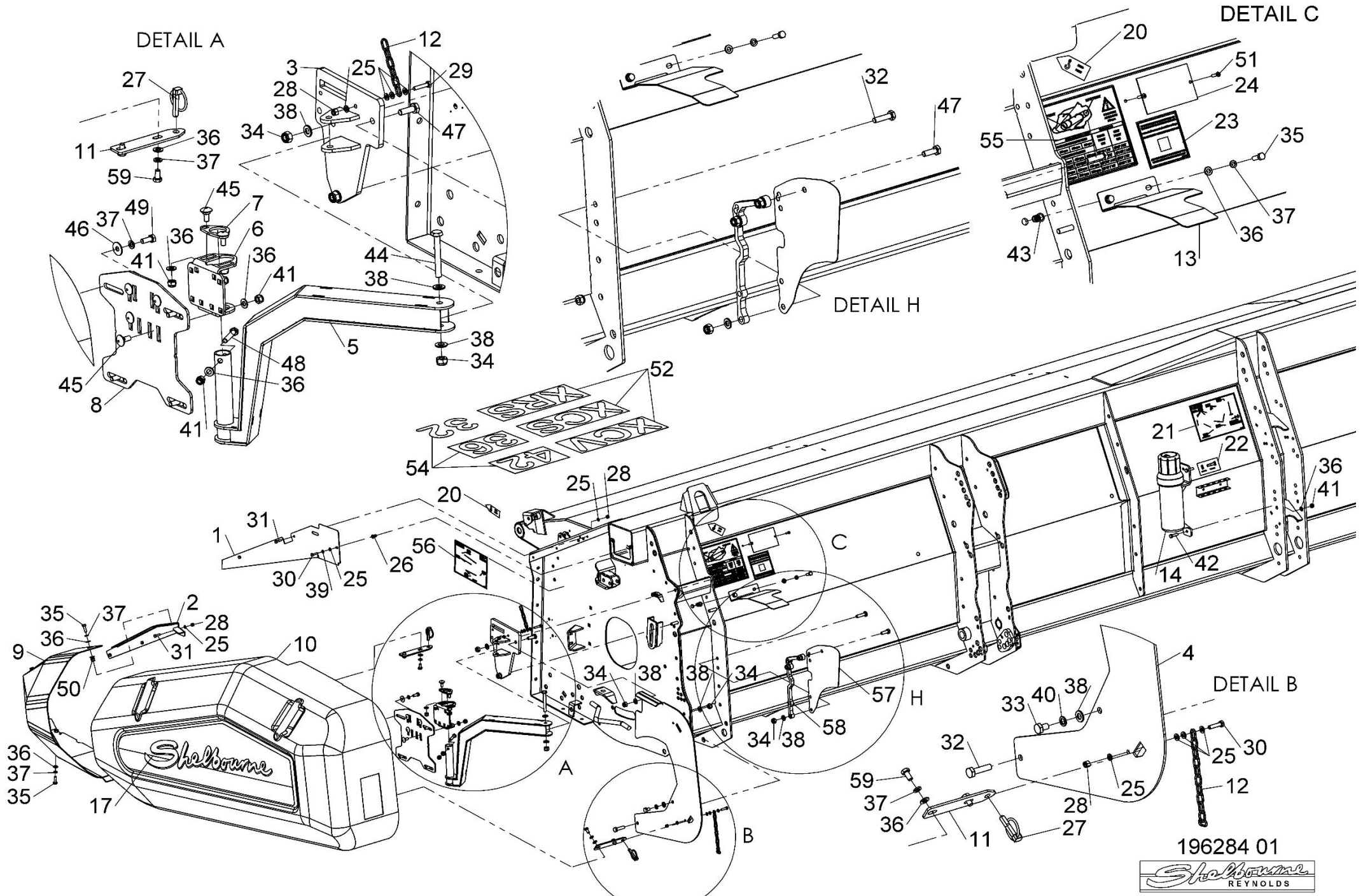
196279 42 SHEET 2



Shelbourne Reynolds Engineering Limited

ASSY NUMBER: 196284 01				ASSY DESCRIPTION: EMBLEMS & GUARDS SUB			
ITEM	PART NO	DESCRIPTION	QTY	ITEM	PART NO	DESCRIPTION	QTY
1	290126 01	GUARD MOUNTING PLATE	1	39	WSH-0056	SPRING WASHER	3
2	290085 01	GUARD MOUNTING PLATE	1	40	WSH-0061	SPRING WASHER	1
3	290512 01	PIVOT W/A	1	41	NUT-0263	NYLOC NUT	10
4	290086 01	GUARD MOUNTING PLT (XCV)	1	42	HSS-0150	BOLT	3
OR	290937 01	GUARD MOUNTING PLT (XCS & XRS)	1	43	NUTA13087	NUTSERT	2
5	199998 01	ARM W/A	1	44	BLTA10500	BOLT	1
6	290118 01	PIVOT BRACKET	1	45	BLT-4710	COACH BOLT	6
7	290540 01	CLAMP BRACKET	1	46	WSH-1038	PENNY WASHER	4
8	290119 01	MOUNTING PLATE	1	47	HSS-0194	BOLT	2
9	290120 01	CORNER GUARD W/A	1	48	HSS-0155	BOLT	1
10	290000 01	LH DRIVE GUARD	1	49	HSS-0140	BOLT	4
11	290539 01	LOCATING PLATE	2	50	NUTA13080	NUTSERT	2
12	CHN-0145	CHAIN	0.17m	51	POP-0006	POP RIVET	2
12	CHN-0145	CHAIN	0.17m	52	199221 01	EMBLEM (XCV LARGE, CROP DEF.)	1
13	198288 01	GEARBOX COVER PLT	1	OR	199222 01	EMBLEM (XCS LARGE, CROP DEF.)	1
14	PCN-00100	MANUAL CANNISTER	1	OR	291710 04	EMBLEM (XRS LARGE, CROP DEF.)	1
15	198562 01	COVER PLATE	1	53			
16	290001 01	IDLE END GUARD	1	54	199223 01	EMBLEM (42 LARGE, CROP DEF.)	1
17	290640 01	SHELBOURNE EMBLEM	1	OR	199223 02	EMBLEM (36 LARGE, CROP DEF.)	1
18	290534 01	SHELBOURNE EMBLEM	1	OR	199223 03	EMBLEM (32 LARGE, CROP DEF.)	1
19				55	290910 01	EMBLEM (HTD SPEEDS, XRS ONLY)	1
20	190702 04	EMBLEM (SLING POINT)	4	OR	292044 01	EMBLEM (HTD SPEEDS, XCS ONLY)	1
21	290877 01	EMBLEM (HEADER MAINTENANCE)	1	56	290878 01	EMBLEM (DRIVE MAINTENANCE)	1
22	613205 01	EMBLEM (SHEARBOLT)	1	57	198254 01	INNER SHIELD PLT (XCS/XRS ONLY)	1
23	290150 01	EMBLEM (QR CODE)	1	58	198253 01	INNER SHIELD RIB (XCS/XRS ONLY)	1
24	290526 01	SERIAL NO. PLATE	1	59	HSS-0135	BOLT	4
25	WSH-0009	WASHER	16				
26	NUTA13060	NUTSERT	3				
27	PIN-01950	LYNCH PIN	2				
28	NUT-0260	NYLOC NUT	7				
29	HSS-0092	BOLT	1				
30	HSS-0088	BOLT	4				
31	HSS-0086	BOLT	5				
32	HSS-0202	BOLT	5				
33	HSS-0185	BOLT	1				
34	NUT-0265	NYLOC NUT	8				
35	HSS-0145	BOLT	10				
36	WSH-0012	WASHER	29				
37	WSH-0058	SPRING WASHER	20				
38	WSH-0015	WASHER	10				

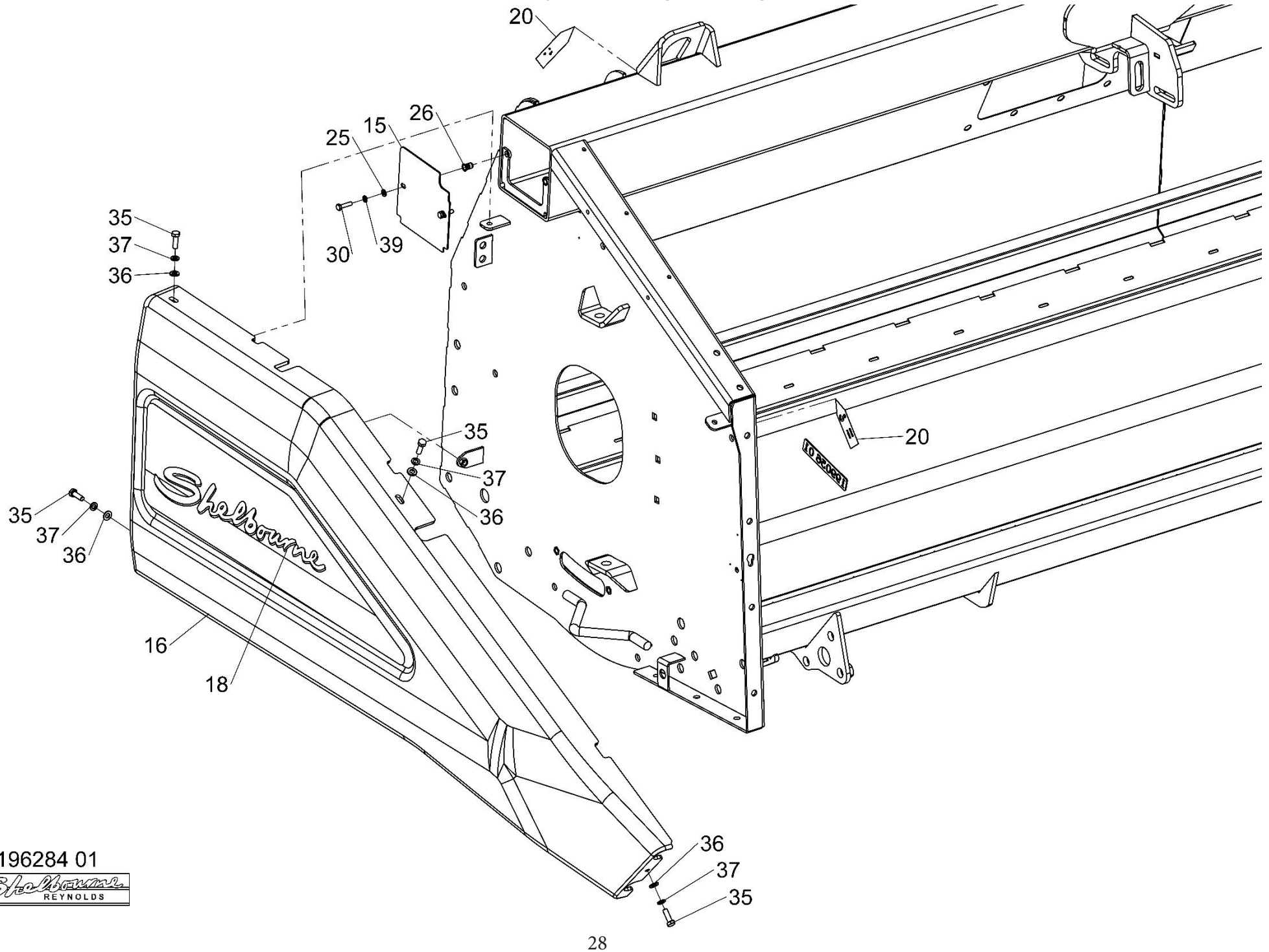
Shelbourne Reynolds Engineering Limited



196284 01



Shelbourne Reynolds Engineering Limited



196284 01



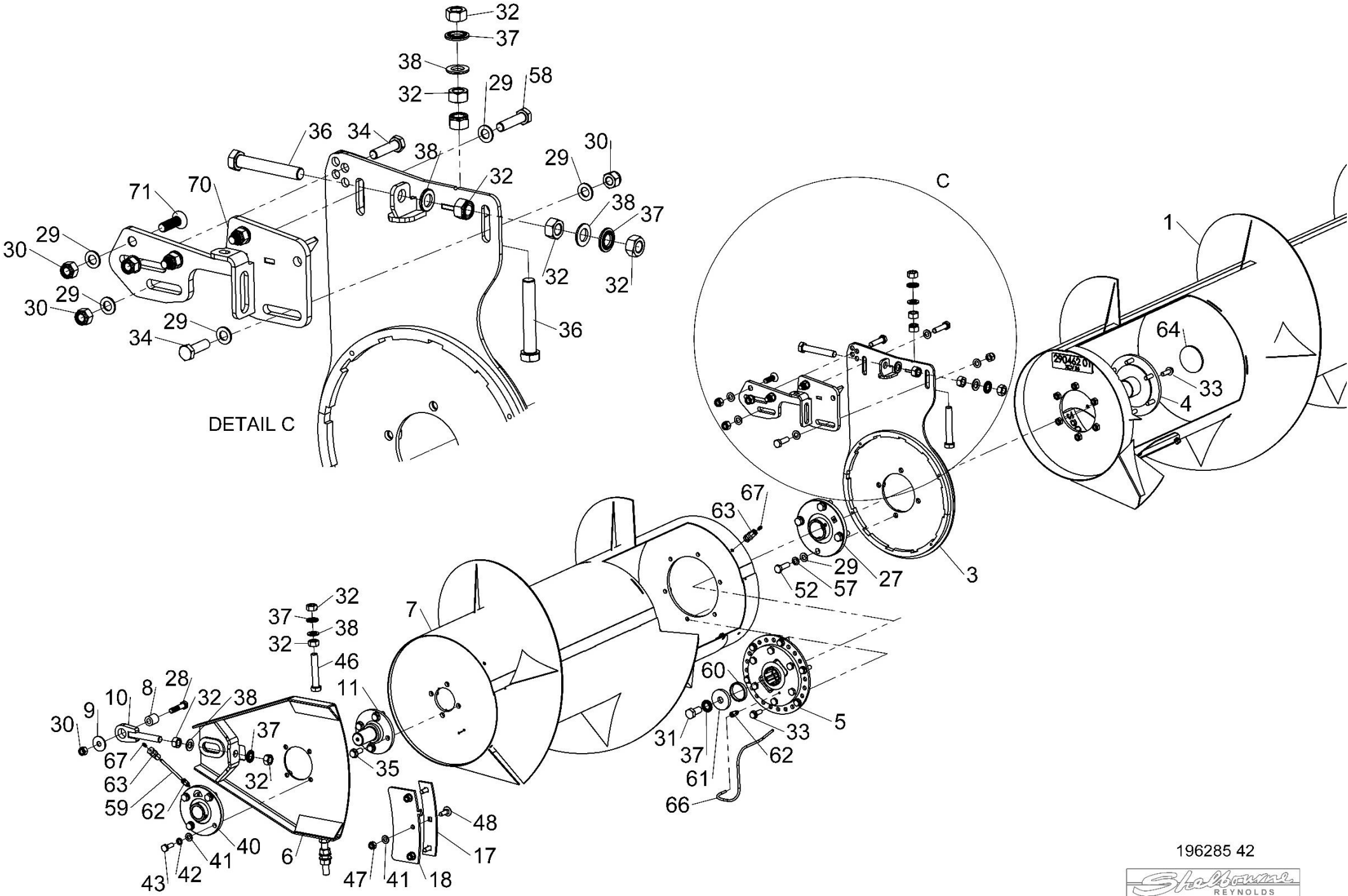
Shelbourne Reynolds Engineering Limited

ASSY NUMBER: 196285 42				ASSY DESCRIPTION: EXCEL 42 OFFSET AUGER SUB ASSY			
ITEM	PART NO	DESCRIPTION	QTY	ITEM	PART NO	DESCRIPTION	QTY
1	290430 01	DRIVE END AUGER W/A	1	34	BLTA12260	HEX HEAD BOLT	1
2	290353 01	ADJUSTER PLATE LH	1	35	HSSF12204	TENSILOCK SETSCREW	8
3	290441 01	CTR AUGER MTG PLT	1	36	HSSA16564	SETSCREW	2
4	290374 01	AUGER CTR DRV SHAFT	1	37	WSHA30161	LOCK WASHER	14
5	KIT-19040	BALL COUPLING KIT	1	38	WSH-0024	PLAIN WASHER	8
		SEE KIT-19040 PAGE		39	190119 74	WASHER	6
		FOR PARTS BREAKDOWN		40	BRG-23560	BEARING	2
6	290368 01	ADJUSTER PLATE RH	1	41	WSH-0015	PLAIN WASHER	14
7	290433 01	IDLE END AUGER W/A	1	42	WSH-0061	SPRING WASHER	8
8	290363 01	SPACER 27mm	2	43	HSS-0194	SETSCREW	8
9	190119 26	WASHER	2	44	NUT-0580	CASTLE NUT	1
10	290360 01	ADJUSTER W/A	2	45	PIN-1150	SPLIT PIN	1
11	197704 02	IDLER SHAFT	1	46	HSS-0330	SETSCREW	4
12	190119 82	WASHER	3	47	NUT-0265	NYLOC NUT	6
13	195848 01	AUGER DRIVE SHAFT	1	48	BLT-3750	COACH BOLT	6
14	190119 95	WASHER	3	49	WSH-0012	PLAIN WASHER	40
15	KIT-00123	AUGER DRIVE CLUTCH	1	50	WSH-0058	SPRING WASHER	20
		SEE KIT-00123 PAGE		51	HSS-0145	SETSCREW	16
		FOR SPARES BREAKDOWN		52	HSS-0250	SETSCREW	4
16	290655 01	SHOULDERED WASHER	1	53	NUT-0263	NYLOC NUT	10
17	200407 01	SUPPORT PLATE	2	54	BRG-1995	BEARING	2
18	200408 01	OVERLAP PLATE	2	55	CIR-0470	CIRCLIP INT	2
19	292861 01	AUGER COVER PLATE (2024 & ON)	4	56	HSS-0140	SETSCREW	20
OR	290590 01	AUGER COVER PLATE (UP TO 2024)	4	57	WSH-0065	SPRING WASHER	4
		FOR SPARES CAN SUPPLY 292861 01		58	BLTA12320	HEX HEAD BOLT	2
		PLUS 4 x WSH-1038		59	LUB-00044	GREASE PIPE	0.35m
20	290164 01	IDLER ADJ SCREW	1	60	198800 64	WASHER	1
21	131041 01	JOCKEY SPKT	2	61	190548 90	WASHER	1
22	190060 11	AUGER IDLE SPINDLE	2	62	LUB-00046	STRAIGHT ADAPTOR (2019 & ON)	2
23	191040 01	SPACER	2	OR	LUB-00046	STRAIGHT ADAPTOR (UP TO 2019)	1
24	197620 01R	AUGER PADDLE LH	1	63	LUB-00052	BULKHEAD (2019 & ON)	2
25	197620 02R	AUGER PADDLE RH	1	OR	LUB-00052	BULKHEAD (UP TO 2019)	1
26	190548 04	WASHER	A/R	64	21709036	TUBE PLUG	4
27	BRG-24505	BEARING	1	65	CHN-01991	CHIAN (99 LINKS c/w JOINER)	1
28	BLTA12380	HEX.HEAD BOLT	2	65a	CHN-01910	CHAIN HALF LINK	
29	WSH-0018	PLAIN WASHER	11	65b	CHN-01901	JOINING LINK	
30	NUT-0269	NYLOC NUT	6	66	LUB-00044	GREASE PIPE (2019 & ON)	0.2m
31	HSS-0315	SETSCREW	1	67	NIP-00600	GREASE NIPPLE	3
32	NUT-0180	PLAIN NUT	6	68	KIT-00112	SPARES IDLER SPROCKET ASSY KIT	
33	HSSG10204	TENSILOCK SETSCREW	12			INC ITEMS 21,22,23,26,54 & 55	

Shelbourne Reynolds Engineering Limited

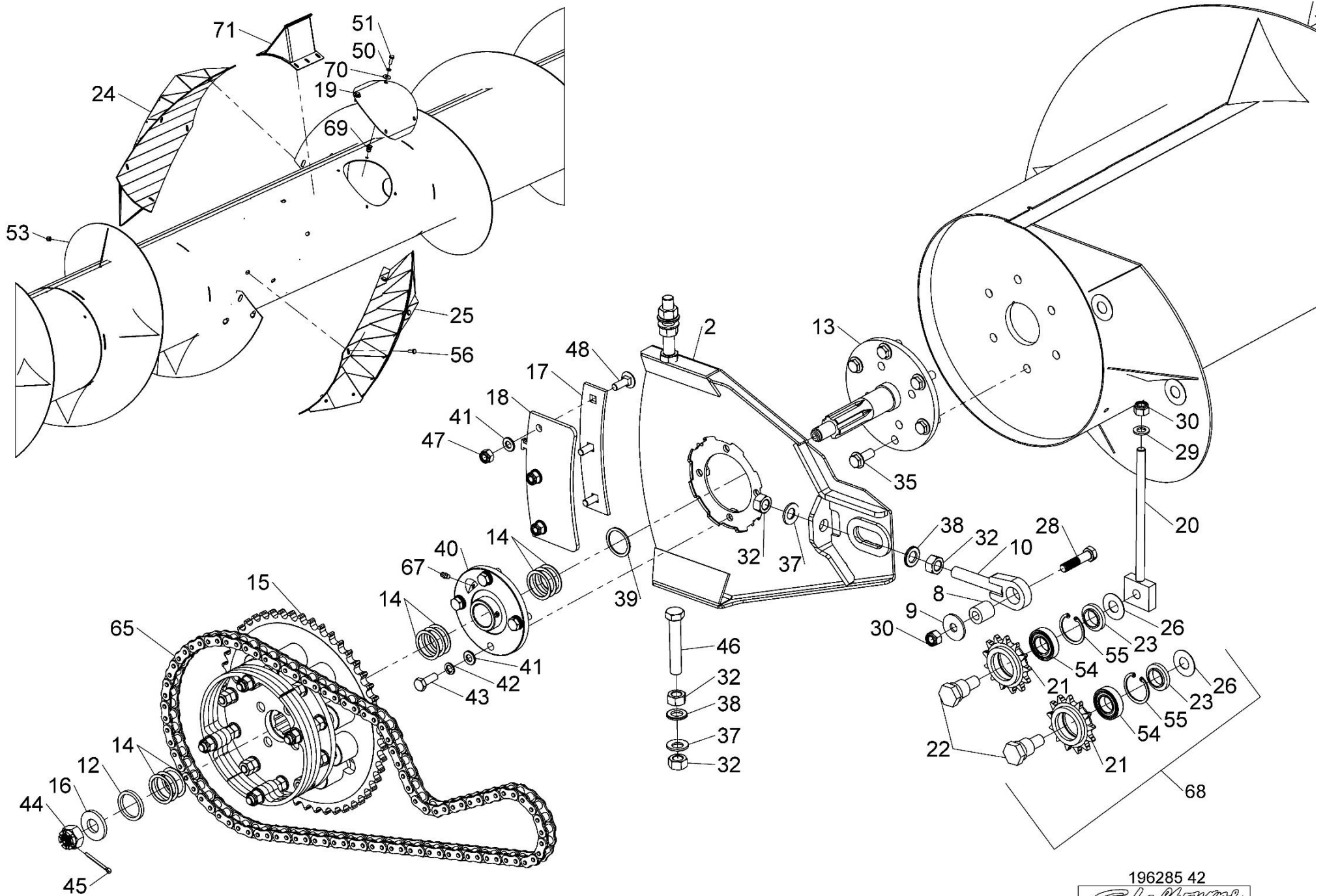
ASSY NUMBER: 196285 42				ASSY DESCRIPTION: EXCEL 42 OFFSET AUGER SUB ASSY			
ITEM	PART NO	DESCRIPTION	QTY	ITEM	PART NO	DESCRIPTION	QTY
69	NUTA13080	NUTSERT (2024 & ON)	16				
70	WSH-1038	PENNY WASHER (2024 & ON)	16				
71	292575 01	FLAT PADDLE W/A	2				
		USE WHEN AUGER PADDLES (ITEMS					
		24 & 25) ARE WIDELY SPACED					
69	NUTA13080	NUTSERT (2024 & ON)	16				

Shelbourne Reynolds Engineering Limited



196285 42



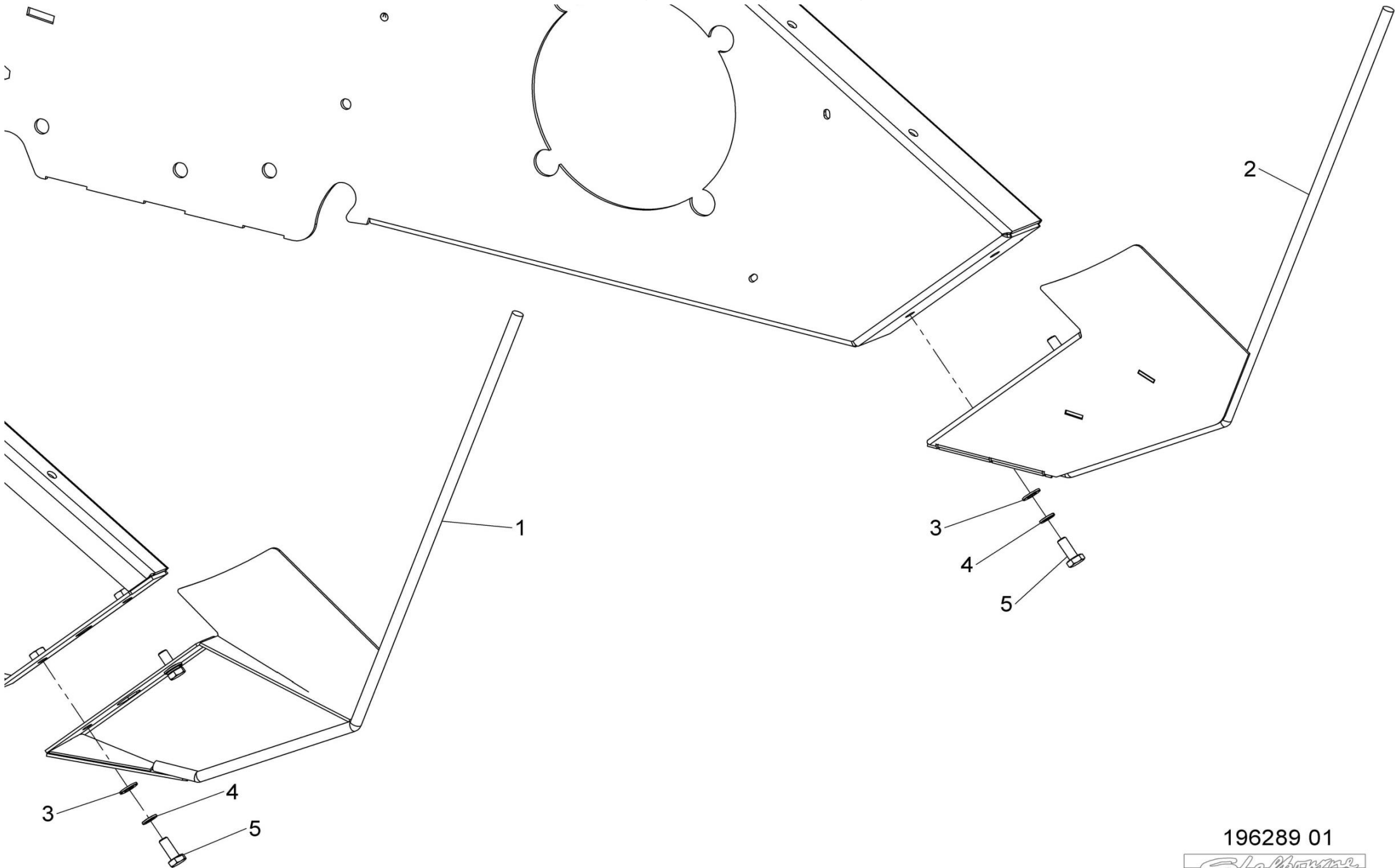


196285 42



Shelbourne Reynolds Engineering Limited

ASSY NUMBER: 196289 01				ASSY DESCRIPTION: DIVIDER SUB ASSY			
ITEM	PART NO	DESCRIPTION	QTY	ITEM	PART NO	DESCRIPTION	QTY
1	194501 02	RH DIVIDER W/A	1				
2	290480 01	LH DIVIDER W/A	1				
3	WSH-0015	PLAIN WASHER	4				
4	WSH-0061	SPRING WASHER	4				
5	HSS-0191	SET SCREW	4				



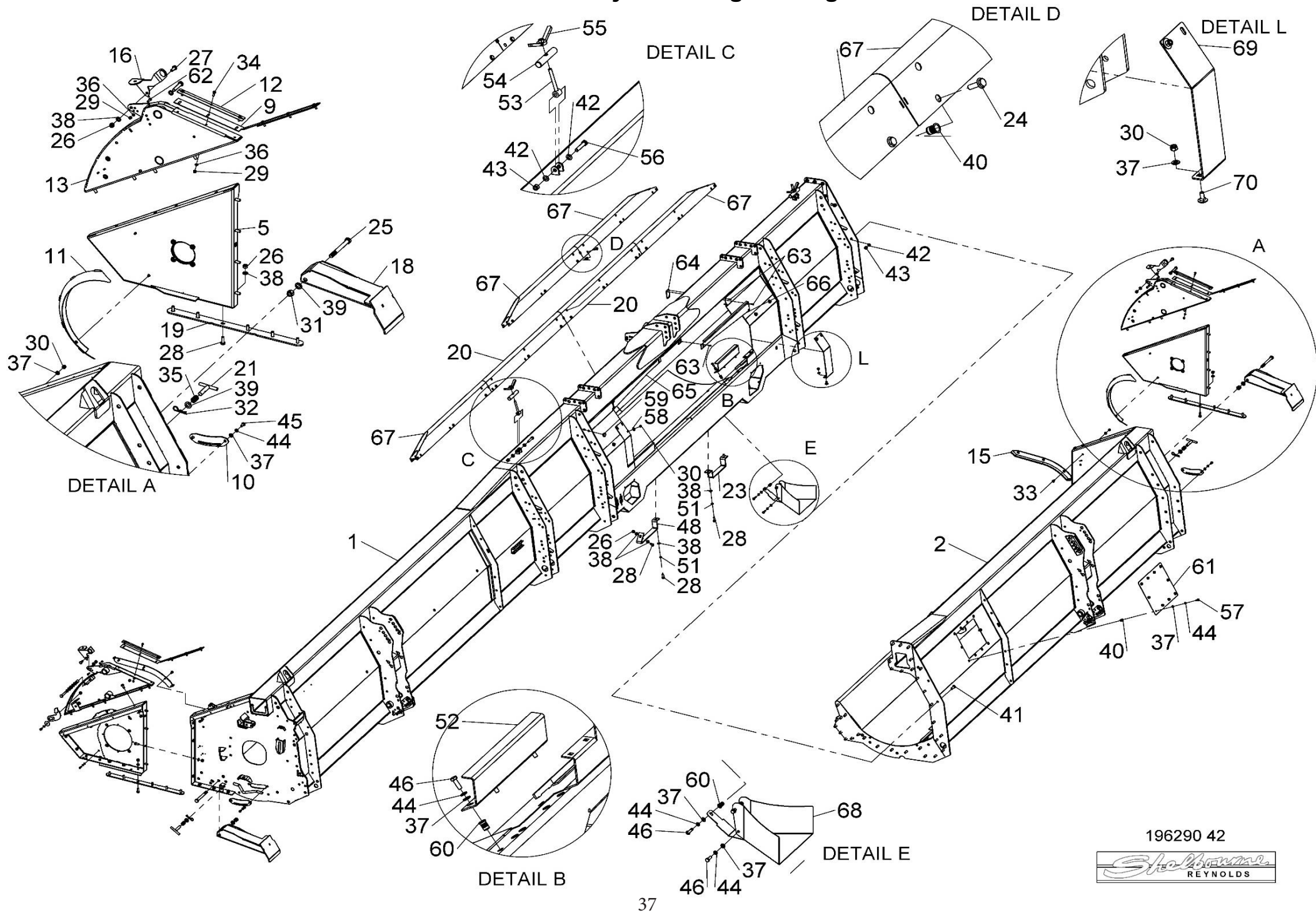
196289 01



Shelbourne Reynolds Engineering Limited

ASSY NUMBER: 196290 42				ASSY DESCRIPTION: FRAME & PARTS SUB (EXCEL 42)			
ITEM	PART NO	DESCRIPTION	QTY	ITEM	PART NO	DESCRIPTION	QTY
1	199780 01	LH MAINFRAME W/A	1	41	HSS-0241	BOLT	33
2	199792 01	RH MAINFRAME W/A	1	42	WSH-0018	PLAIN WASHER	45
3	290384 01	LH ROTOR MOUNT W/A	1	43	NUT-0269	NYLOC NUT	35
4	290125 01	TOP SIDE PLT LH	1	44	WSH-0058	SPRING WASHER	32
5	290386 01	RH ROTOR MOUNT W/A	1	45	HSS-0135	SETSCREW	6
6	198485 01	NOSE RUNNER W/A LH	1	46	HSS-0145	BOLT	16
7	198958 01	LIGHT BRACKET LH	1	47	WSH-0065	SPRING WASHER	2
8	290383 01	CROP DEF LOCK	2	48	198957 01	FORK LIFT SHOE	1
9	194000 01	RUBBER SEAL	2	49	WSH-0056	SPRING WASHER	6
10	195844 01	COVER PLATE	2	50	HSS-0084	SETSCREW	6
11	193363 01	ROTOR DEFLECTOR	2	51	WSH-0061	SPRING WASHER	3
12	199567 01	SEAL CLAMP LONG	4	52	199681 01	SCRAPER (321mm)	2
13	290125 02	TOP SIDE PLT RH	1	OR	290390 01	SCRAPER (112mm)	2
14	198811 02	SPACER	2	53	193248 01	RETAINING ROD	2
15	198485 02	NOSE RUNNER W/A RH	1	54	193251 01	RETAINING BAR	2
16	198958 02	LIGHT BRACKET RH	1	55	193244 01	HANDLE ASSY	2
17	199626 01	HEADER STAND LH	1	56	BLTA12380	BOLT	4
18	199626 02	HEADER STAND RH	1	57	HSS-0140	SETSCREW	18
19	198709 01	SIDE PLATE JOINER STRIP	2	58	WSH-1038	PENNY WASHER	8
20	290372 01	SPILL PLATE W/A	2	59	BPG-00200	BODY PLUG	1
21	198720 01	LEG LOCKING PIN	2	60	NUTA13087	NUTSERT	12
22	190119 05	WASHER	2	61	290588 01	COVER PLATE	1
23	195126 01	FORK LIFT SHOE PLATE	1	62	HSS-0086	SETSCREW	2
24	HSSF08174	TENSILOCK SETSCREW	36	63	POP-0006	POP RIVET (XCV42192961 & ON)	12
25	BLTA16710	HEX HEAD BOLT	2	64	199660 01	JOINING PLATE (XCV42192961 &ON)	2
26	NUT-0265	NYLOC NUT	35	65	199806 01	LH TOP CTR PLT(XCV42192961 &ON)	1
27	HSS-0191	SETSCREW	22	66	199806 02	RH TOP CTR PLT(XCV42192961 &ON)	1
28	HSS-0194	BOLT	16	67	291700 01	TAPERED SPILL PLATE W/A	4
29	NUT-0260	NYLOC NUT	14	68	291849 01	DEFLECTOR GUARD (2021 & ON)	2
30	NUT-0263	NYLOC NUT	18	69	291985 01	FILL IN PLATE (2023 & ON)	2
31	NUT-0271	NYLOC NUT	2	70	BLT-4710	COACH BOLT (2023 & ON)	4
32	CLP-00103	R CLIP	2	71			
33	SCW-1735	CSK SOCKET HD SCW	6	72			
34	SCW-4960	BUTT HD SCREW	12	73	290366 01	FLOOR REPAIR SHEET 3m (10')	2
35	SPGC22015	COMPRESSION SPRING	2	74	290366 02	FLOOR REPAIR SHEET 2.4m (8')	2
36	WSH-0009	PLAIN WASHER	20				
37	WSH-0012	PLAIN WASHER	40				
38	WSH-0015	PLAIN WASHER	39				
39	WSH-0024	PLAIN WASHER	4				
40	NUTA13080	NUTSERT	59				

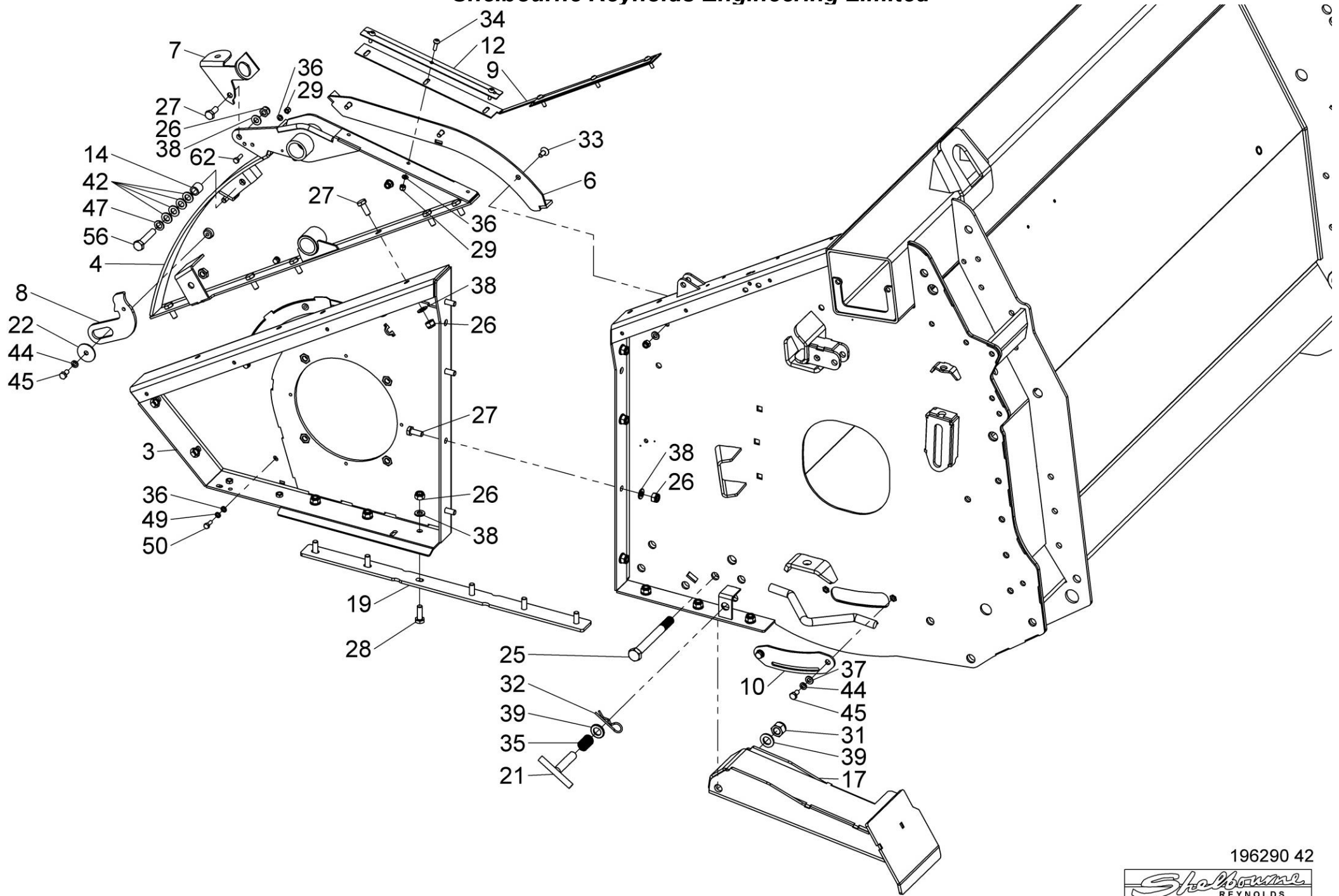
Shelbourne Reynolds Engineering Limited



196290 42



Shelbourne Reynolds Engineering Limited



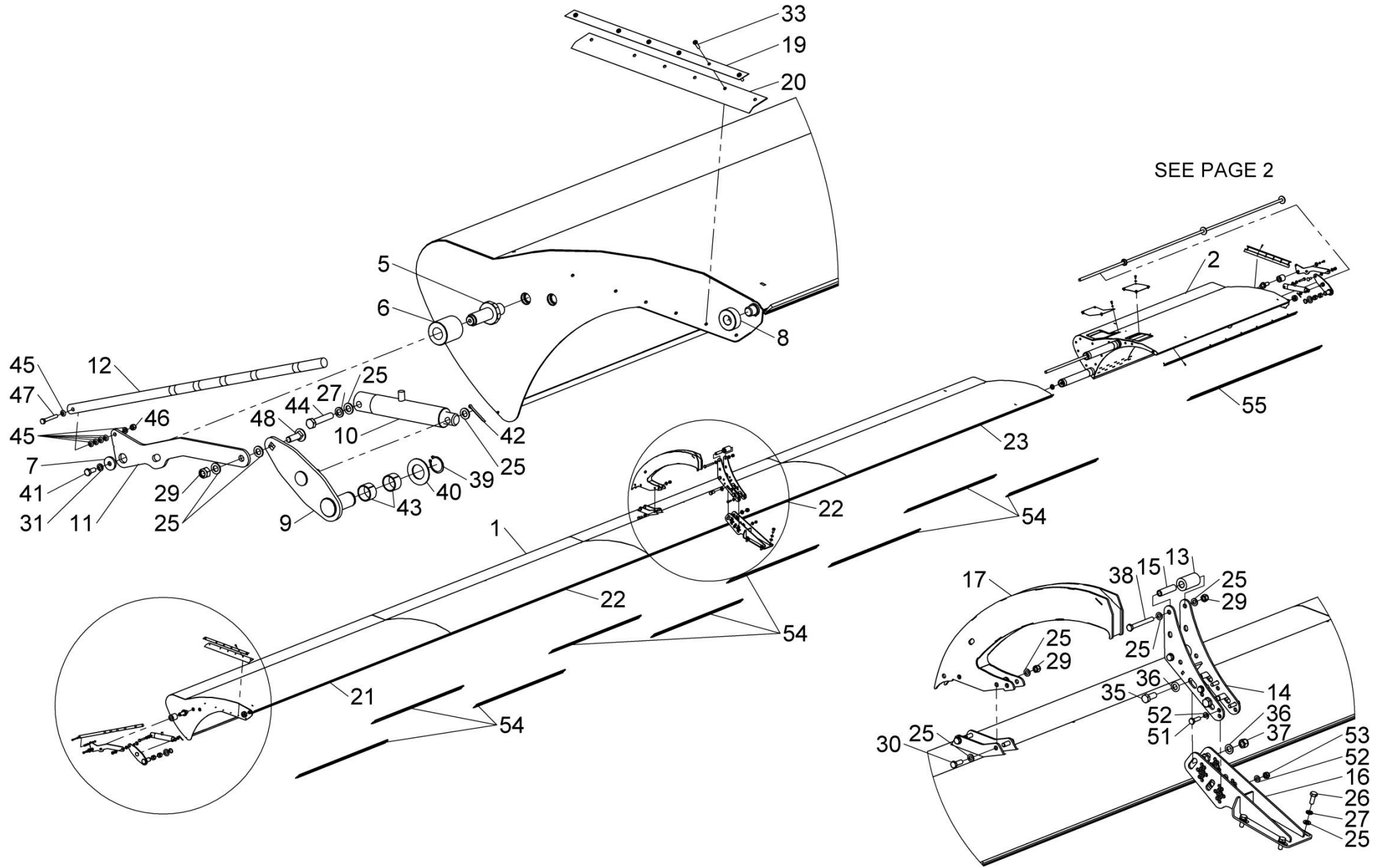
196290 42



Shelbourne Reynolds Engineering Limited

ASSY NUMBER: 196296 42				ASSY DESCRIPTION: CROP DEFLECTOR SUB ASSY (2018)			
ITEM	PART NO	DESCRIPTION	QTY	ITEM	PART NO	DESCRIPTION	QTY
1	290660 01	CROP DEFLECTOR LH WA	1	33	POP-0006	POP RIVET	78
OR	196296 42A	SPARES 42' CROP DEF. ASSY, INC ITEMS 1,2,3,4,18,19,20,27,28, 31,32,33,34,54 & 55		34	WSHA30201	WASHER	2
				35	HSS-0316	SET SCREW	4
2	290670 01	CROP DEFLECTOR RH WA	1	36	WSH-0024	PLAIN WASHER	8
3	290676 01	DRAW BOLT W/A	2	37	NUT-0271	NYLOC NUT	4
4	290712 01	INSPECTION COVER	1	38	BLTA12590	HEX.HEAD BOLT	2
5	195379 01	SPINDLE	2	39	CIR-1150	CIRCLIP EXT	2
6	192688 01	NYLON ROLLER	2	40	WSH-1547	PLAIN WASHER	2
7	190119 08	WASHER	2	41	HSS-0140	SET SCREW	2
8	191642 01	NYLON ROLLER	2	42	PIN-1150	SPLIT PIN	2
9	290717 01	LEVER ARM	2	43	BSHK03047	BUSH PLAIN	4
10	195075 01	HYDRAULIC RAM	2	44	BLTA12410	BOLT	2
10a	RMSK00030	RAM SEAL KIT		45	WSH-0009	PLAIN WASHER	6
11	290102 01	LINK ARM	2	46	NUT-0260	NYLOC NUT	1
12	192494 01	INDICATOR ROD	1	47	HSSA06290	SET SCREW	1
13	199804 01	NYLON ROLLER	2	48	BLT-3800	COACHBOLT	2
14	199965 01	ROLLER GUIDE ARM	1	49	199563 01	HOOD RESTRAINT	2
15	199188 01	SPACER	2	50	RUB-0007	RUBBER STRIP	1
16	199967 01	CROP DEF SUPPORT W/A	1	51	HSS-0198	SET SCREW	4
17	199796 01	RHINO HORN W/A	1	52	WSH-0015	PLAIN WASHER	8
18	290713 01	INSPECTION COVER	1	53	NUT-0265	NYLOC NUT	4
19	195433 01	CLAMP STRIP	2	54	290871 01	BRUSH (1193mm) (2019 & ON)	9
20	292110 01	SIDE SEAL LH (SMOOTH SIDE UP)	1	55	290872 01	BRUSH (1765mm) (2019 & ON)	1
21	199333 01	BRUSH (2660mm) (UPTO 2019)	1	56	292110 02	SIDE SEAL RH (SMOOTH SIDE UP)	1
OR	BRS-10000	BRUSH (3m) CUT & DRILL TO FIT					
22	199327 01	BRUSH (2673mm) (UPTO 2019)	2				
OR	BRS-10000	BRUSH (3m) CUT & DRILL TO FIT					
23	199330 01	BRUSH (2760mm) (UPTO 2019)	1				
OR	BRS-10000	BRUSH (3m) CUT & DRILL TO FIT					
24	199334 01	BRUSH (1765mm) (UPTO 2019)	1				
OR	BRS-10000	BRUSH (3m) CUT & DRILL TO FIT					
25	WSH-0018	PLAIN WASHER	26				
26	HSS-0238	SET SCREW	4				
27	WSH-0065	SPRING WASHER	17				
28	HSS-0235	SET SCREW	11				
29	NUT-0269	NYLOC NUT	8				
30	HSS-0241	SET SCREW	6				
31	WSH-0058	SPRING WASHER	10				
32	SCBA08112	BUTTON SKT HD SCREW	8				

Shelbourne Reynolds Engineering Limited

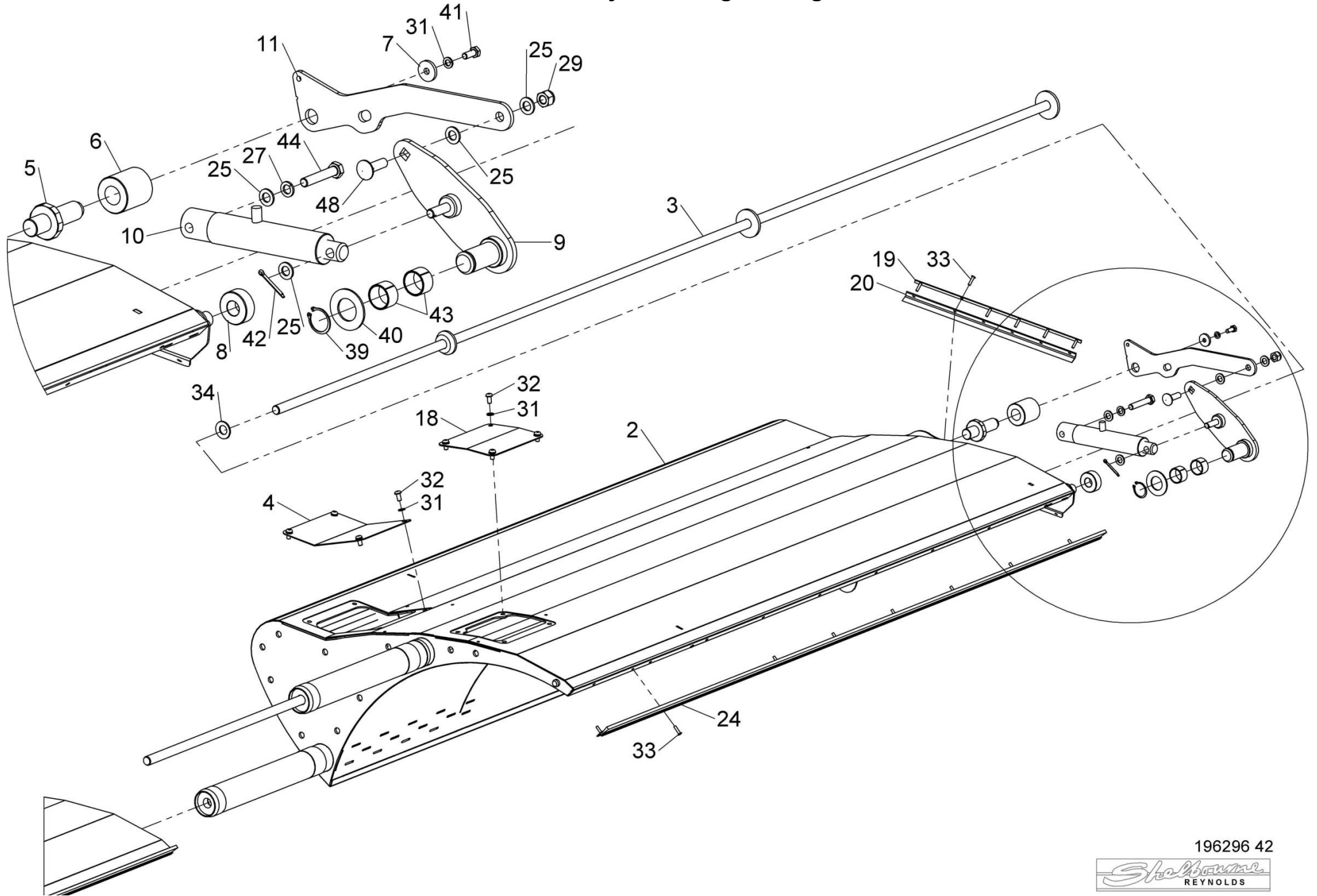


SEE PAGE 2

196296 42



Shelbourne Reynolds Engineering Limited



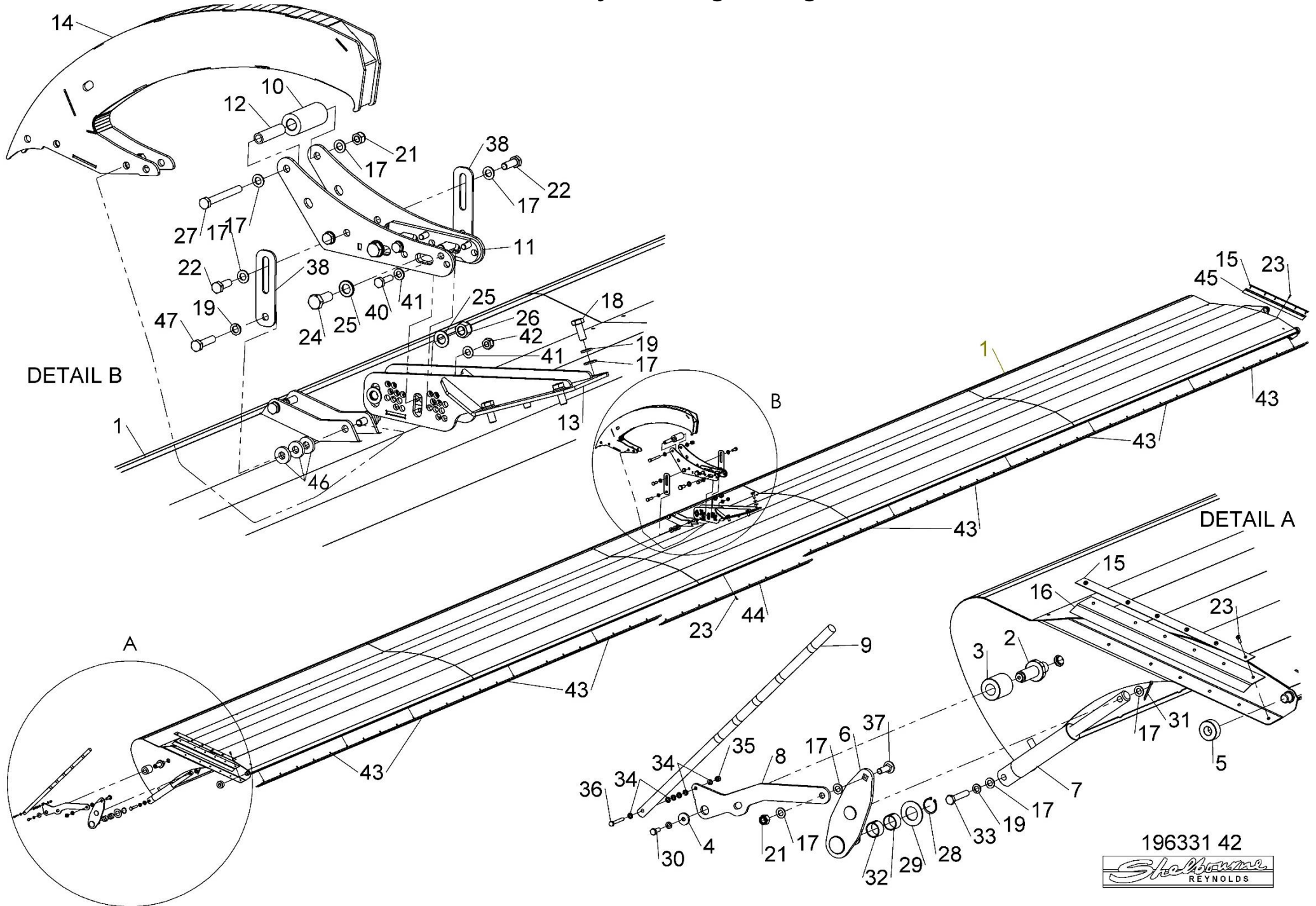
196296 42



Shelbourne Reynolds Engineering Limited

ASSY NUMBER: 196331 42				ASSY DESCRIPTION: CROP DEFLECTOR SUB ASSY (ONE PIECE 42')			
ITEM	PART NO	DESCRIPTION	QTY	ITEM	PART NO	DESCRIPTION	QTY
1	292660 01	CROP DEFLECTOR WA	1	35	NUT-0260	NYLOC NUT	1
2	195379 01	SPINDLE	2	36	HSSA06290	SET SCREW	1
3	192688 01	NYLON ROLLER	2	37	BLT-3800	COACHBOLT	2
4	190119 08	WASHER	2	38	199563 01	HOOD RESTRAINT	2
5	191642 01	NYLON ROLLER	2	39			
6	290717 01	LEVER ARM	2	40	HSS-0202	SET SCREW 2024 & ON	4
7	195075 01	HYDRAULIC RAM	2	OR	HSS-0198	SET SCREW UP TO 2024	4
7a	RMSK00030	RAM SEAL KIT		41	WSH-0015	PLAIN WASHER	8
8	290102 01	LINK ARM	2	42	NUT-0265	NYLOC NUT	4
9	192494 01	INDICATOR ROD	1	43	290871 01	BRUSH	9
10	292732 01	NYLON ROLLER (89mm) 2024 & ON	2	44	290872 01	BRUSH	1
OR	199804 01	NYLON ROLLER (69mm) UP TO 2024	2	45	292110 02	SIDE SEAL RH (SMOOTH SIDE UP)	1
11	292730 01	WIDE ROLLER GUIDE ARM 2024 &ON	1	46	292600 05	WASHER 2024 & ON	6
OR	199965 01	ROLLER GUIDE ARM UP TO 2024	1	47	HSS-0260	SET SCREW 2024 & ON	2
12	292731 01	SPACER (93.5mm) 2024 & ON	2				
OR	199188 01	SPACER (73.5mm) UP TO 2024	2				
13	199967 01	CROP DEF SUPPORT W/A	1				
14	199796 01	RHINO HORN W/A	1				
15	195433 01	CLAMP STRIP	2				
16	292110 01	SIDE SEAL LH (SMOOTH SIDE UP)	1				
17	WSH-0018	PLAIN WASHER	22				
18	HSS-0238	SET SCREW	4				
19	WSH-0065	SPRING WASHER	10				
20	WSH-0058	SPRING WASHER	2				
21	NUT-0269	NYLOC NUT	8				
22	HSS-0241	SET SCREW	4				
23	POP-0006	POP RIVET	75				
24	HSS-0318	SET SCREW 2024 & ON	4				
OR	HSS-0316	SET SCREW UP TO 2024	4				
25	WSH-0024	PLAIN WASHER	8				
26	NUT-0271	NYLOC NUT	4				
27	BLT-2273	HEX.HEAD BOLT 2024 &ON	2				
OR	BLTA12590	HEX.HEAD BOLT UPTO 2024	2				
28	CIR-1150	CIRCLIP EXT	2				
29	WSH-1547	PLAIN WASHER	2				
30	HSS-0140	SET SCREW	2				
31	PIN-1150	SPLIT PIN	2				
32	BSHK03047	BUSH PLAIN	4				
33	BLTA12410	BOLT	2				
34	WSH-0009	PLAIN WASHER	6				

Shelbourne Reynolds Engineering Limited



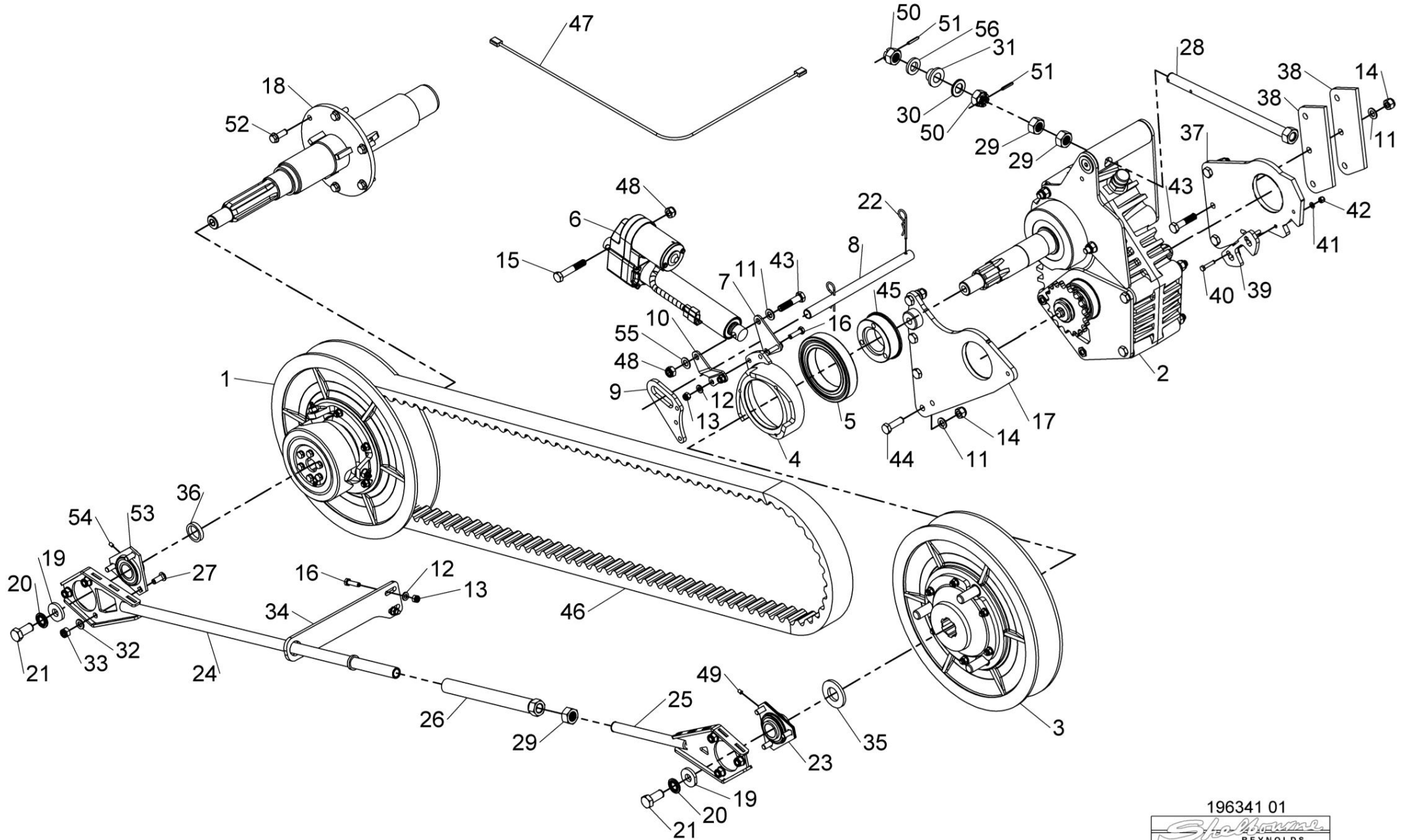
196331 42



Shelbourne Reynolds Engineering Limited

ASSY NUMBER: 196341 01				ASSY DESCRIPTION: VS DRIVE SUB (EXCEL)			
ITEM	PART NO	DESCRIPTION	QTY	ITEM	PART NO	DESCRIPTION	QTY
1	KIT-01445	ROTOR PULLEY ASSY SEE KIT-01445 PAGE FOR PARTS BREAKDOWN		31	198028 01	REAR SPRING BOSS	1
2	GEA-0058	INPUT GEARBOX ASSY SEE GEA-0058 PAGE FOR PARTS BREAKDOWN	1	32	WSH-0015	PLAIN WASHER	6
OR	GEA-0058CNH	SPARE GEARBOX ASSY 35/34T GEARS		33	NUT-0265	NYLOC NUT	7
OR	GEA-0058JD/CIH	SPARE GEARBOX ASSY 37/32T GEARS		34	290560 01	TIE ROD RETAINER	1
OR	GEA-0058LEX	SPARE GEARBOX ASSY 33/36T GEARS		35	190548 36	WASHER	1
3	KIT-01463	REAR PULLEY & ACTUATOR CAM ASSY INC ITEMS 4,5,7,8,9,16 & 47 SEE KIT-01463 PAGE FOR PARTS BREAKDOWN	1	36	198800 03	SPACER 8mm	1
4	292704 01	ACTUATOR CAM ASSY	1	37	199450 01	G BOX MTG BRKT	1
5	BRG-19500NC3	BEARING	1	38	198548 01	PACKER PLATE	2
6	MOTE11008	ACTUATOR	1	39	198322 01	OIL LEVEL VIEWER	1
7	292709 01	ACTUATOR BRACKET	1	40	HSS-0092	SETSCREW	2
8	292710 01	FOLDED ACTUATOR BRACKET	1	41	WSH-0009	PLAIN WASHER	2
9	292737 01	STATIC CAM PLATE	1	42	NUT-0260	NYLOC NUT	2
10	198558 01	CAM RETAINING BAR	1	43	BLTA12350	HEX.HEAD BOLT	4
11	WSH-0018	PLAIN WASHER	8	44	HSS-0250	SETSCREW	4
12	WSH-0012	PLAIN WASHER	4	45	292695 01	BEARING BOSS	1
13	NUT-0263	NYLOC NUT	4	46	BEL-27360C	VARI SPEED BELT	1
14	NUT-0269	NYLOC NUT	7	47	195050 07	LOOM & PLUG ASSY	1
15	BLTA12440	HEX.HEAD BOLT	1	48	NUT-0270	NYLOC NUT	2
16	HSS-0150	SETSCREW	4	49	SCGF06047	GRUB SCREW	1
17	198555 01	GEARBOX MTG BRKT W/A	1	50	NUT-0580	CASTLE NUT	2
18	291704 01	DRIVE SHAFT	1	51	PIN-1620	ROLL PIN	2
19	198800 48	WASHER	2	52	HSSG10204	TENSILOCK SETSCREW	6
20	WSHA30161	WASHER	2	53	BRG-23000	BEARING	1
21	HSS-0315	SETSCREW	2	54	SCGA06047	GRUB SCREW	1
22	CLP-00103	R CLIP	2	55	WSH-0019	PLAIN WASHER	1
23	BRG-0240	BEARING	1	56	190119 30	WASHER	1
24	198236 01	TIE BAR W/A	1				
25	198232 01	TIE ROD END W/A	1				
26	198235 01	TIE ROD ADJUSTER W/A	1				
27	BLT-3745	COACHBOLT	6				
28	198029 04	GEARBOX ADJUSTER ROD	1				
29	NUT-0185	PLAIN NUT	3				
30	WSH-0030	PLAIN WASHER	1				

Shelbourne Reynolds Engineering Limited

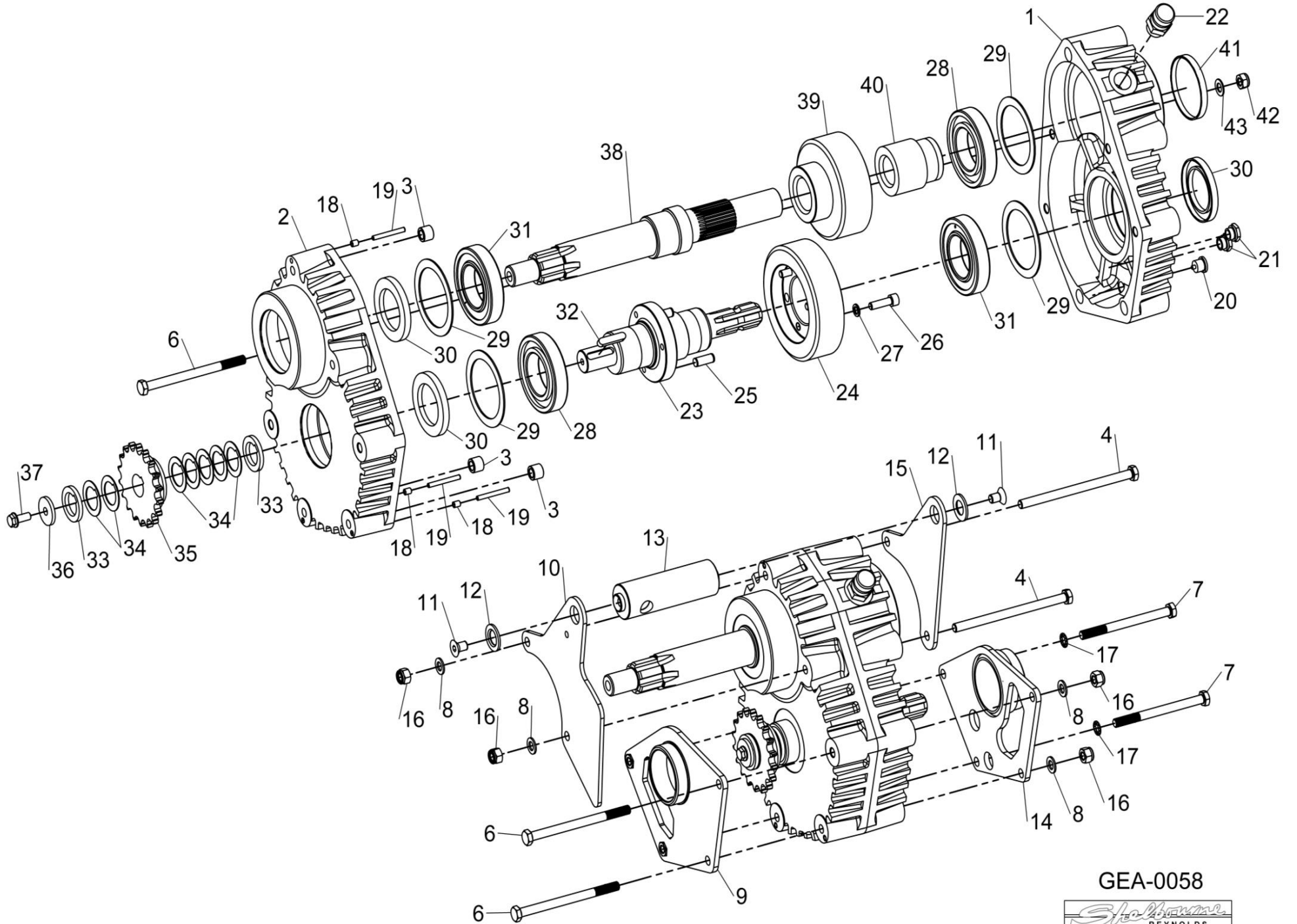


196341 01



Shelbourne Reynolds Engineering Limited

ASSY NUMBER: GEA-0058				ASSY DESCRIPTION: INPUT GEARBOX ASSY VARIABLE SPEED			
ITEM	PART NO	DESCRIPTION	QTY	ITEM	PART NO	DESCRIPTION	QTY
1	197619 03	CASE HALF (PTO SIDE)	1	OR	192768 08	AUGER DRIVE SPROCKET (13T)	1
2	197619 02	CASE HALF (PULLEY SIDE)	1	OR	192768 20	AUGER DRIVE SPROCKET (12T)	1
3	192598 01	DOWEL	3	36	190548 01	RETAINING WASHER	1
4	BLTA12810	HEX HEAD BOLT	2	37	HSSF10174	HEX HD SCREW	1
5				38	194964 01	PINION SHAFT	1
6	BLTA12750	HEX HEAD BOLT	3	39	193599 09	PINION GEAR (32 TOOTH)	1
7	BLT-2276	HEX HEAD BOLT	2	OR	193599 11	PINION GEAR (34 TOOTH)	1
8	WSH-0018	PLAIN WASHER	4	OR	193599 12	PINION GEAR (30 TOOTH)	1
9	198021 01	G/BOX MTG PLT LH	1	OR	193599 13	PINION GEAR (36 TOOTH)	1
10	198026 01	G/BOX ADJ PLT LH	1	40	195526 01	SLEEVE	1
11	SCW-1930	CSK SKT HD SCREW	2	41	SEAZ09000	CORE PLUG SEAL	1
12	198024 01	CSK WASHER	2	42	NUT-0270	NYLOC NUT (THIN)	1
13	198023 01	GEARBOX ADJUSTER	1	43	WSH-0019	PLAIN WASHER (FORM B)	1
14	198022 01	G/BOX MTG PLT RH	1				
15	198025 01	G/BOX ADJ PLT RH	1				
16	NUT-0269	NYLOC NUT	4		GEA-0058CNH	SPARES GEARBOX ASSY C/W 35T & 34T GEARS	
17	WSHA20121	SHAKEPROOF WASHER	2				
18	SCW-4535	GRUBSCREW	3		GEA-0058JD/CIH	SPARES GEARBOX ASSY C/W 37T & 32T GEARS	
19	192597 01	JACKING ROD	3				
20	FIT-0253	DRAIN PLUG	1		GEA-0058LEX	SPARES GEARBOX ASSY C/W 33T & 36T GEARS	
21	FITD00005	SIGHT GLASS/SEAL	2				
22	FIT-0255	BREATHER	1				
23	192591 01	INPUT SHAFT	1			ABOVE SPARE GEARBOX ASSY DO NOT INCLUDE MOUNTING PLATES & AUGER SPROCKET, ITEMS, 9,10,11, 12,13,14,15,33,34,35,36 & 37	
24	192592 09	INPUT GEAR (37 TOOTH)	1				
OR	192592 11	INPUT GEAR (35 TOOTH)	1				
OR	192592 12	INPUT GEAR (39 TOOTH)	1				
OR	192592 13	INPUT GEAR (33 TOOTH)	1				
25	PIN-61217	DOWEL PIN	3				
26	SCW-0196	CAP HEAD SCREW	3				
27	WSH-0061	SPRING WASHER	3				
28	BRG-7040	BEARING	2				
29	192596 01	RING	4				
30	SEA-0590	SHAFT SEAL	3				
31	BRG-16080	SUPPORT	2				
32	K1008045	KEY	1				
33	191692 01	SPACER	2				
34	191692 02	SPACER	7				
35	192768 18	AUGER DRIVE SPROCKET (18T)	1				
OR	192768 04	AUGER DRIVE SPROCKET (16T)	1				
OR	192768 16	AUGER DRIVE SPROCKET (15T)	1				
OR	192768 10	AUGER DRIVE SPROCKET (22T)	1				

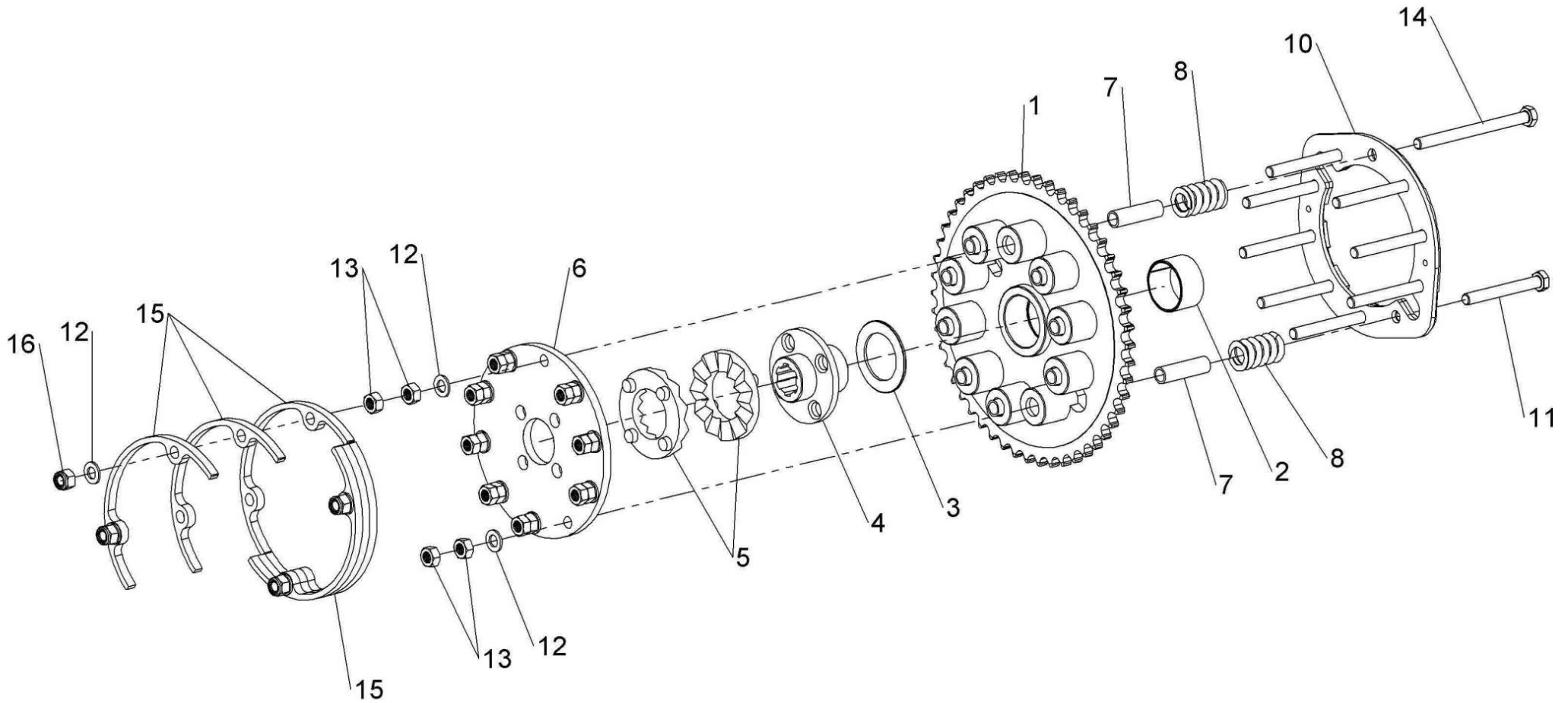


GEA-0058



Shelbourne Reynolds Engineering Limited

ASSY NUMBER: KIT-00123				ASSY DESCRIPTION: AUGER SLIP CLUTCH (10 SPRING)			
ITEM	PART NO	DESCRIPTION	QTY	ITEM	PART NO	DESCRIPTION	QTY
1	290418 01	50T SPROCKET ASSY	1				
2	BSHK05056	BUSH	1				
3	192008 02	THRUST WASHER	1				
4	195850 01	SPLINED CLUTCH HUB	1				
5	131005	CLUTCH PLATE	2				
6	290335 01	DRIVE DISC	1				
7	131073 04	SPACER	10				
8	131063	SPRING	10				
9							
10	290336 01	LOCKING RING	1				
11	BLT-2270	BOLT	6				
12	WSH-0018	PLAIN WASHER	14				
13	NUT-0170	PLAIN NUT	20				
14	HSSA12710	SETSCREW	4				
15	290403 01	BELT SLIPPER	6				
16	NUT-0269	NYLOC NUT	4				

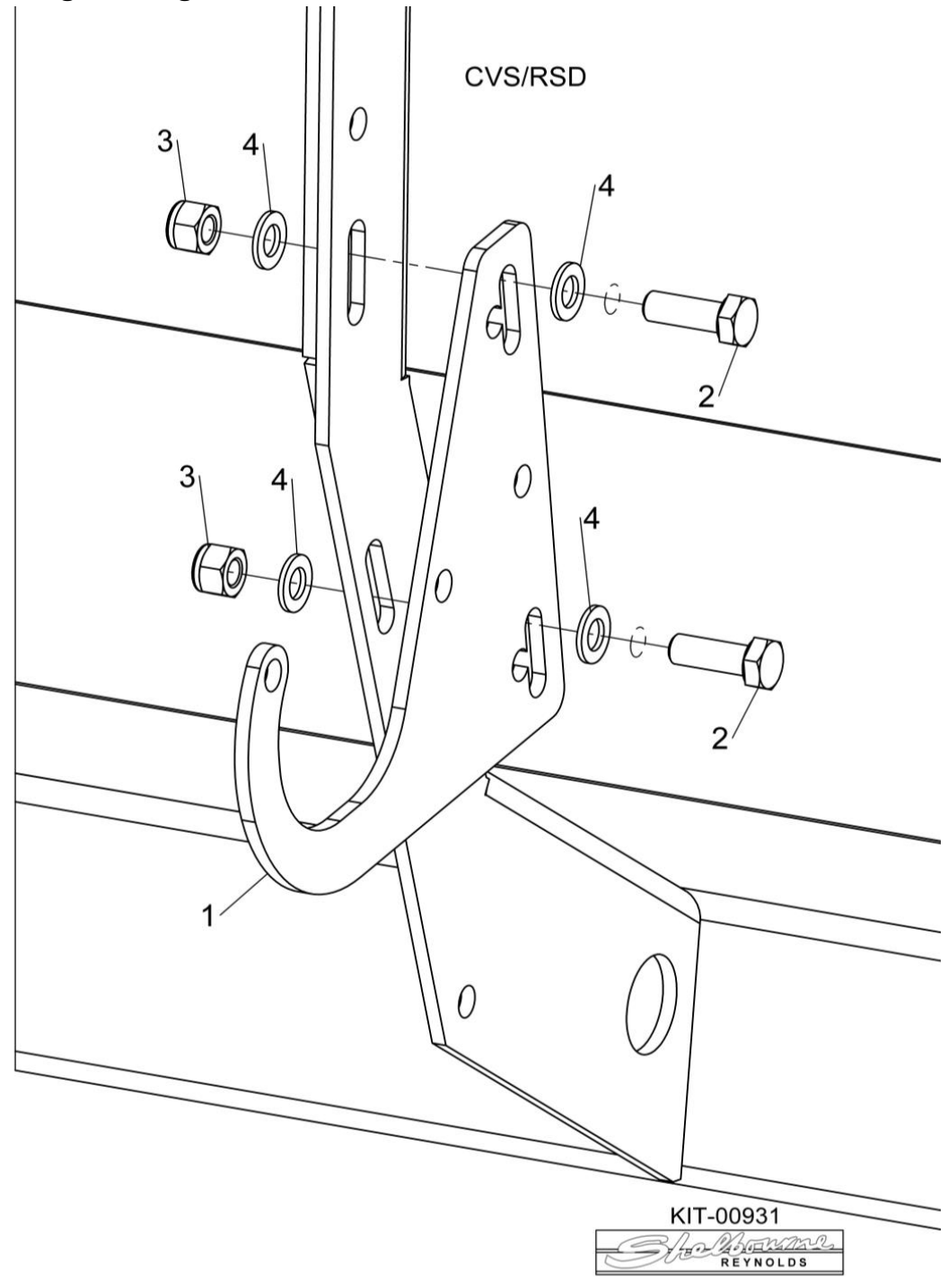
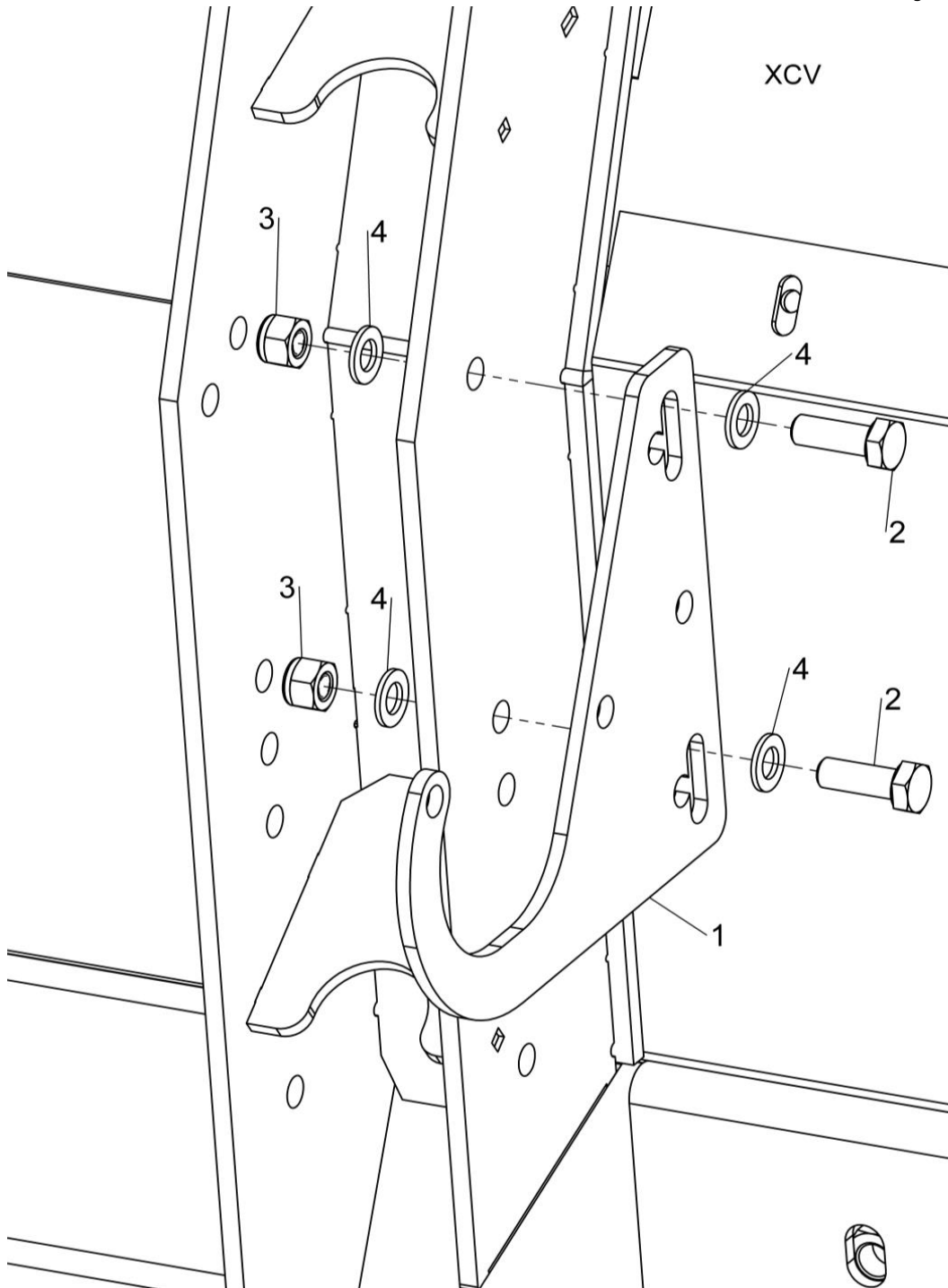


KIT-00123



Shelbourne Reynolds Engineering Limited

ASSY NUMBER: KIT-00931				ASSY DESCRIPTION: PTO SUPPORT KIT			
ITEM	PART NO	DESCRIPTION	QTY	ITEM	PART NO	DESCRIPTION	QTY
1	191945 01	PTO SUPPORT	1				
2	HSS-0241	SETSCREW	2				
3	NUT-0269	NYLOC NUT	2				
4	WSH-0018	PLAIN WASHER	4				

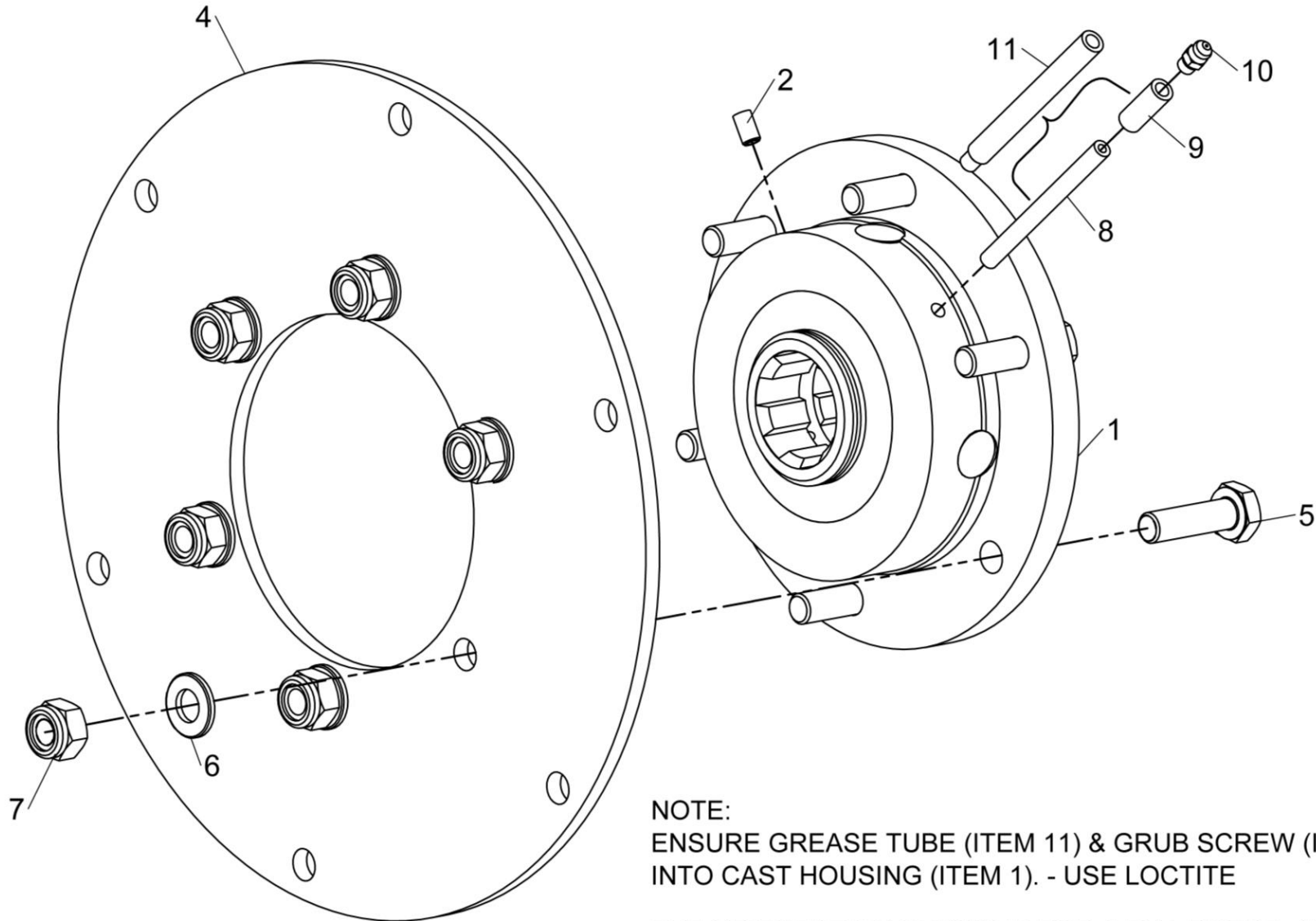


KIT-00931



Shelbourne Reynolds Engineering Limited

ASSY NUMBER: KIT-00976				ASSY DESCRIPTION: BALL JOINT CTR COUPLING			
ITEM	PART NO	DESCRIPTION	QTY	ITEM	PART NO	DESCRIPTION	QTY
1	193114 01	SPLINED BALL ASSY	1				
OR	193114P	SPARE SPLINED BALL ASSY (ALTERNATIVE TO 193114 01)					
2	SCW-4530	GRUBSCREW	1				
3							
4	193106 01	DRIVE RING PLATE	1				
5	HSS-0198	SETSCREW	6				
6	WSH-0015	PLAIN WASHER	6				
7	NUT-0265	NYLOC NUT	6				
8	193077 01	GREASE PIPE (UPTO 2022)	1				
9	193078 01	GREASE PIPE SLEEVE (UPTO 2022)	1				
10	NIP-00600	GREASE NIPPLE	1				
11	292226 01	GREASE PIPE (2022 & ON) SUPPLY IN PLACE OF ITEMS 8 & 9	1				



NOTE:

ENSURE GREASE TUBE (ITEM 11) & GRUB SCREW (ITEM 2) ARE ASSEMBLED INTO CAST HOUSING (ITEM 1). - USE LOCTITE

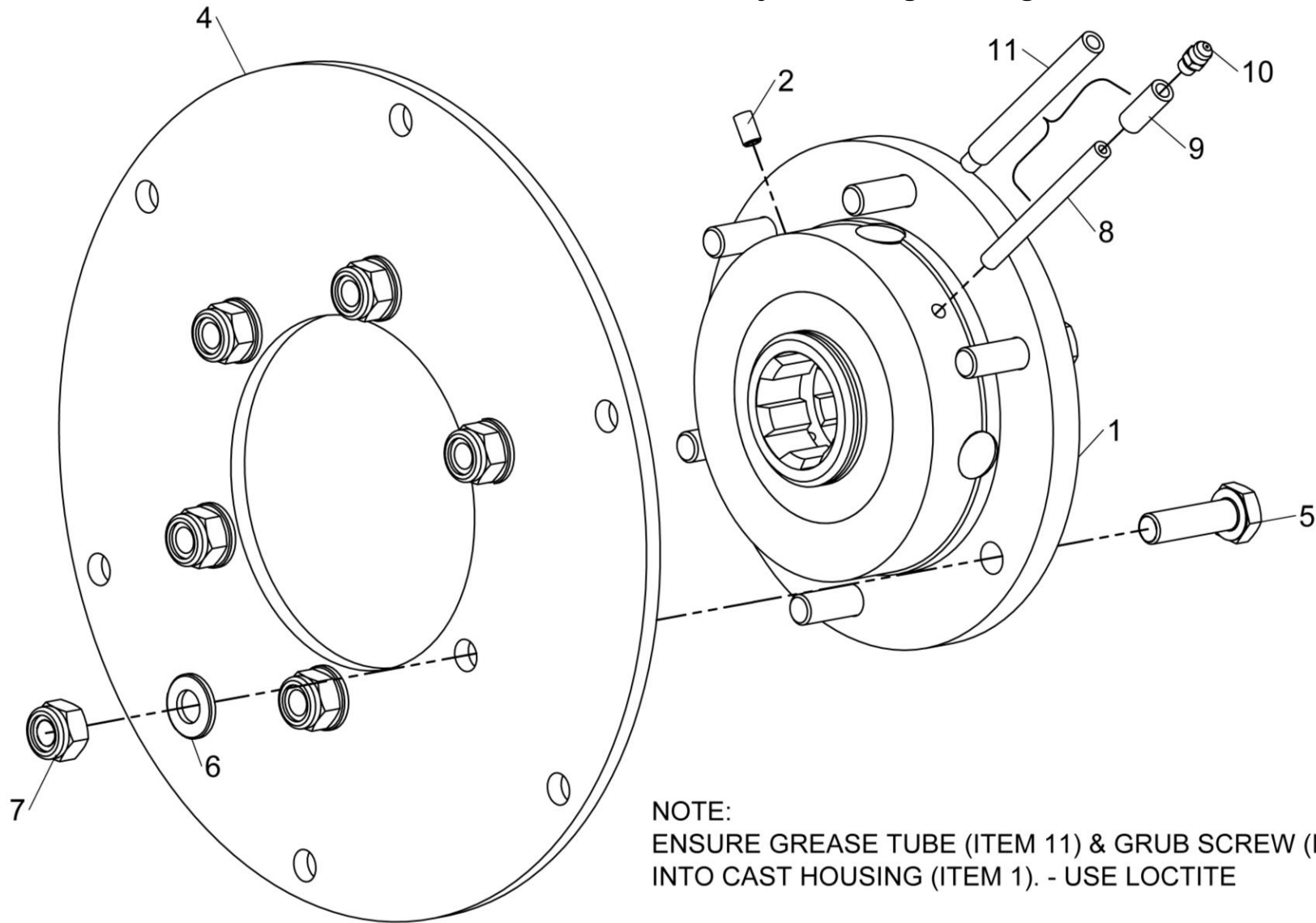
THE ORIENTATION SHOWN IS FOR A R.H. ROTOR, SWAP ITEMS 2 & 11 FOR A LH ROTOR

KIT-00976



Shelbourne Reynolds Engineering Limited

ASSY NUMBER: KIT-00976A				ASSY DESCRIPTION: BALL JOINT CTR COUPLING			
ITEM	PART NO	DESCRIPTION	QTY	ITEM	PART NO	DESCRIPTION	QTY
1	193114 05	SPLINED BALL	1				
OR	193114P	SPARE SPLINED BALL ASSY (ALTERNATIVE TO 193114 01)					
2							
3			1				
4	193106 01	DRIVE RING PLATE					
5	HSS-0198	SETSCREW	6				
6	WSH-0015	PLAIN WASHER	6				
7	NUT-0265	NYLOC NUT	6				
8	193077 01	GREASE PIPE (UPTO 2022)	1				
9	193078 01	GREASE PIPE SLEEVE (UPTO 2022)	1				
10	NIP-00600	GREASE NIPPLE	1				
11	292226 01	GREASE PIPE (2022 & ON)	1				
		SUPPLY IN PLACE OF ITEMS 8 & 9					



NOTE:

ENSURE GREASE TUBE (ITEM 11) & GRUB SCREW (ITEM 2) ARE ASSEMBLED INTO CAST HOUSING (ITEM 1). - USE LOCTITE

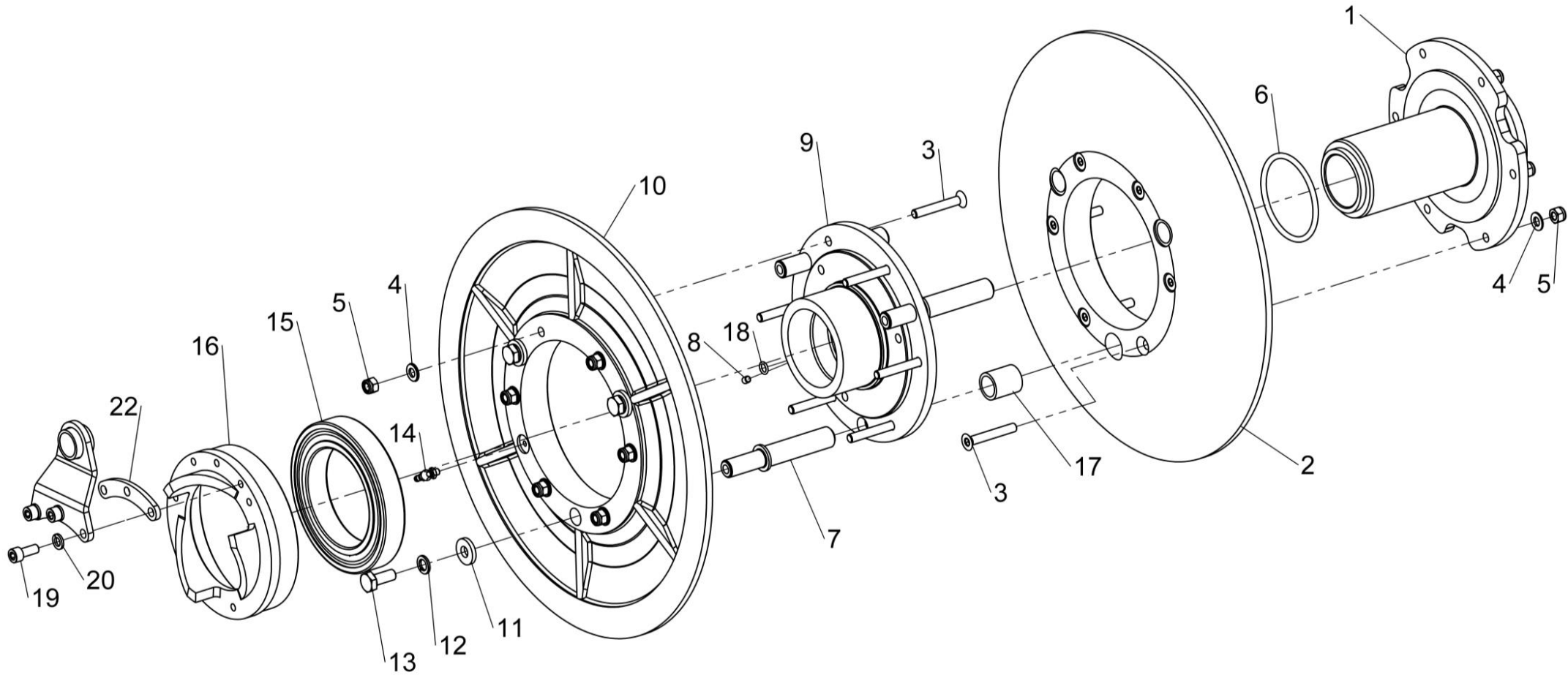
THE ORIENTATION SHOWN IS FOR A R.H. ROTOR, SWAP ITEMS 2 & 11 FOR A LH ROTOR

KIT-00976



Shelbourne Reynolds Engineering Limited

ASSY NUMBER: KIT-01386				ASSY DESCRIPTION: REAR PULLEY ASSY (BOLT IN HUBS)			
ITEM	PART NO	DESCRIPTION	QTY	ITEM	PART NO	DESCRIPTION	QTY
1	199350 01	OUTER PULLEY HUB	1				
2	198270 01	OUTER REAR PULLEY	1				
3	SCEA08353	CSK SCREW	12				
4	WSH-0012	PLAIN WASHER	12				
5	NUT-0263	NYLOC NUT	12				
6	ORA300750	O RING	1				
7	198274 02	SPIGOT	3				
8	SCW-4528	GRUB SCREW	1				
9	199410 01	INNER PULLEY HUB	1				
10	198271 01	INNER PULLEY	1				
11	190119 11	WASHER	3				
12	WSH-0061	SPRING WASHER	3				
13	HSS-0191	SETSCREW	3				
14	NIP-00620	GREASE NIPPLE	1				
15	BRG-19500N	BEARING	1				
16	194970 01	STATIC CAM	1				
17	291809 01	BUSH (2021 & ON)	3				
OR	BSHD02056	BUSH (UPTO 2021)	3				
18	ORA120080	O RING	1				
19	SCW-0133	CAP HEAD SCREW	3				
20	WSH-0058	SPRING WASHER	3				
21	SEE DRIVE SUB	STATIC CAM ARM	1				
22	197465 01	CAM ARM SPACER	1				

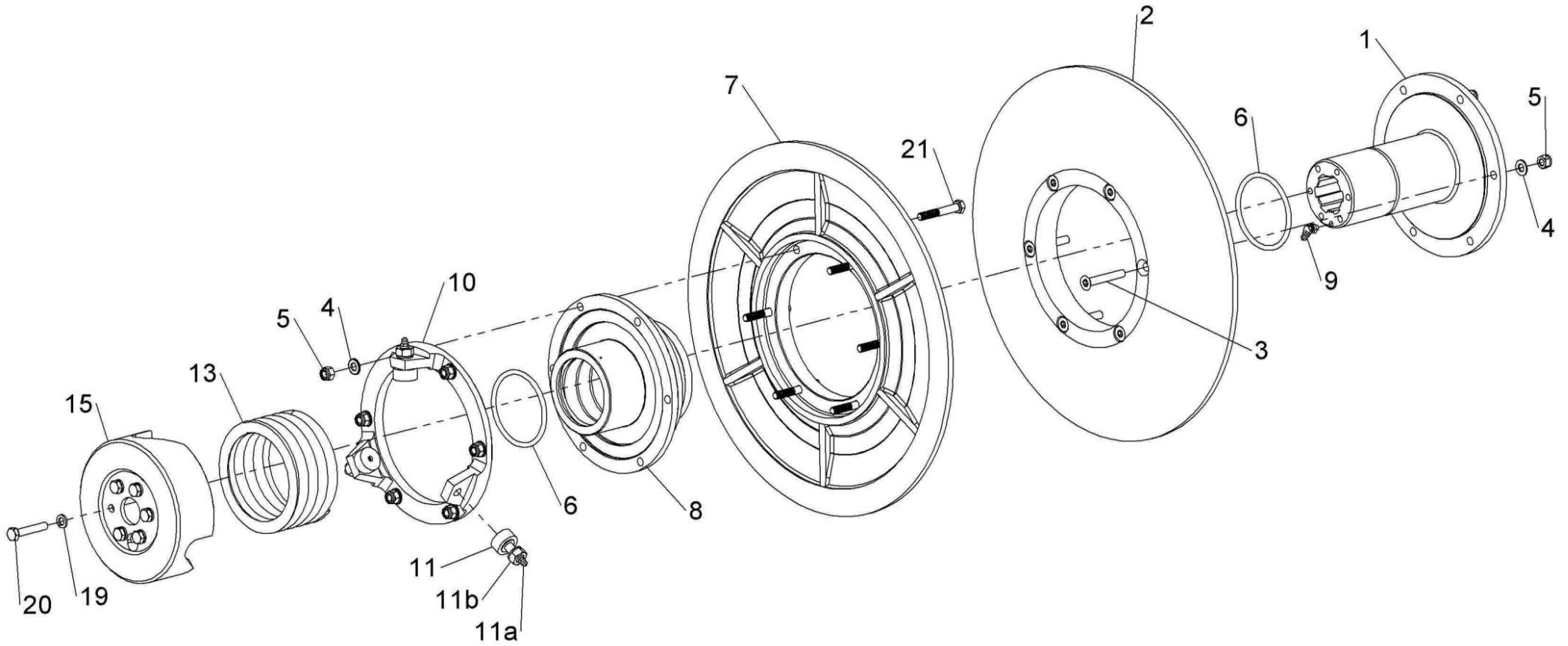


KIT-01386



Shelbourne Reynolds Engineering Limited

ASSY NUMBER: KIT-01399				ASSY DESCRIPTION: ROTOR PULLEY ASSY (2017-2021)			
ITEM	PART NO	DESCRIPTION	QTY	ITEM	PART NO	DESCRIPTION	QTY
1	199349 01	INNER PULLEY HUB	1				
2	198269 01	INNER FRONT PULLEY	1				
3	SCEA08353	CSK.SOC HD SCREW	6				
4	WSH-0012	PLAIN WASHER	12				
5	NUT-0263	NYLOC NUT	12				
6	ORA300750	O RING	2				
7	198268 01	OUTER FRONT PULLEY	1				
8	199409 01	OUTER PULLEY HUB	1				
9	NIP-00610	GREASE NIPPLE	1				
10	199407 01	CAM FOLLOWER BRACKET	1				
11	197640 01	CAM FOLLOWER BEARING ASSY	3				
11a	KIT-01428	SPARE GREASE ZERK/NIPPLE KIT					
11b	KIT-01432	SPARE NUT & WASHER KIT					
12							
13	SPGC00047	SPRING (RED)	1				
14							
15	199408 01	FIXED CAM (45°)	1				
16							
17							
18							
19	WSH-0058	SPRING WASHER	6				
20	HSSA08380	SETSCREW (2018 & ON)	6				
OR	HSS-0155	SETSCREW (UP TO 2018)	6				
21	BLTA08350	HEX HEAD BOLT	6				

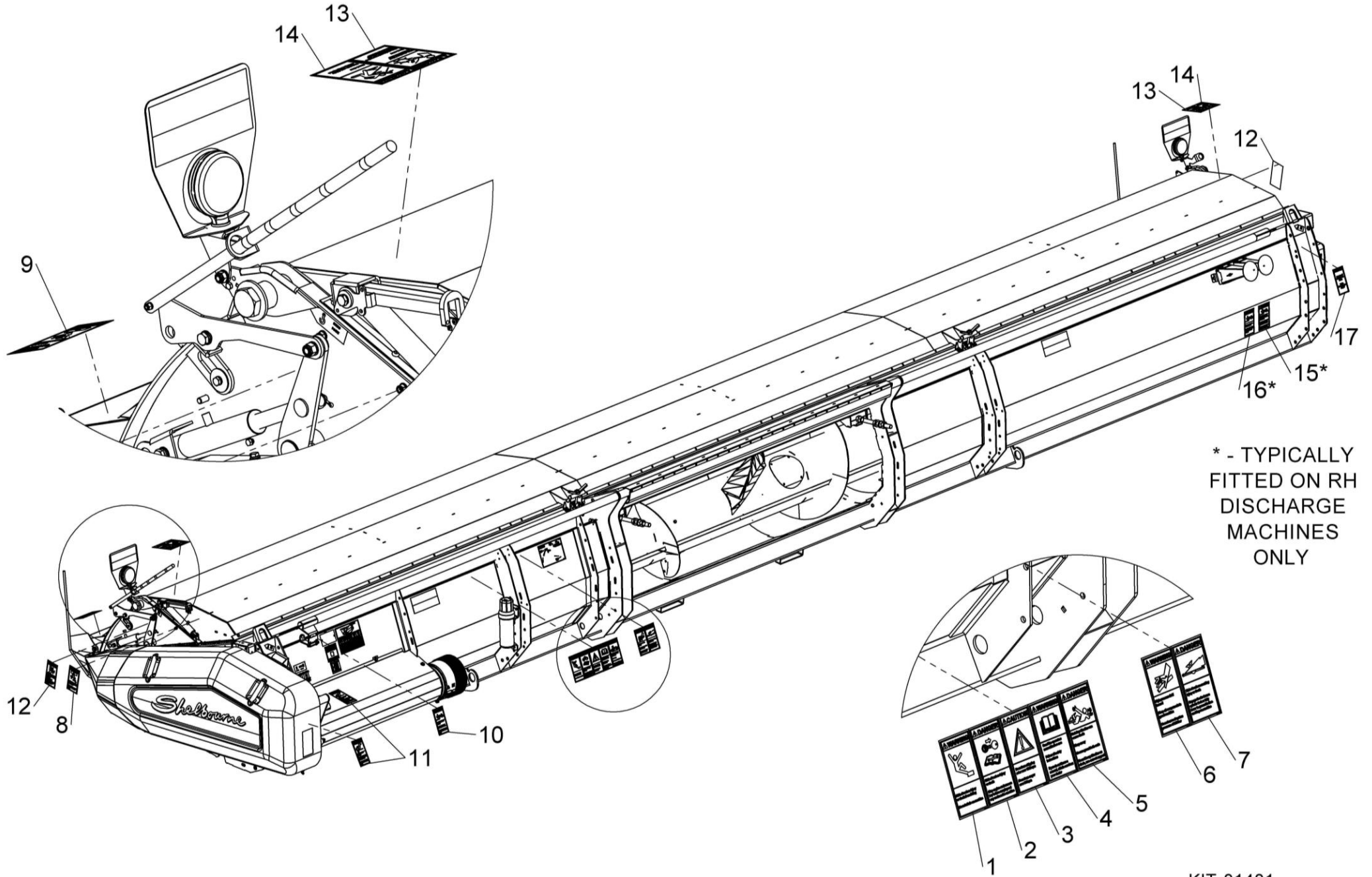


KIT-01399



Shelbourne Reynolds Engineering Limited

ASSY NUMBER: KIT-01401				ASSY DESCRIPTION: SAFETY DECAL KIT NORTH AMERICA			
ITEM	PART NO	DESCRIPTION	QTY	ITEM	PART NO	DESCRIPTION	QTY
1	198835 01	EMBLEM - DO NOT CLIMB	1				
2	198840 01	EMBLEM - STOP ENGINE	1				
3	198838 01	EMBLEM - SPEED RESTRICTION	1				
4	199011 01	EMBLEM - READ OPS MANUAL	1				
5	198842 01	EMBLEM - ROTATING DRIVE LINE	1				
6	198832 01	EMBLEM - HIGH PRESSUE FLUID	1				
7	198844 01	EMBLEM - RISK OF CRUSHING	1				
8	198843 01	EMBLEM - HOOD LOCK	1				
9	198836 01	EMBLEM - CROP DEFLECTOR LOCK	1				
10	198839 01	EMBLEM - AUGER	1				
11	198837 01	EMBLEM - MOVING PARTS UNDER	2				
12	198833 01	EMBLEM - CROP DEFLECTOR HAND	2				
13	198841 01	EMBLEM - ROTOR KEEP AWAY	2				
14	198834 01	EMBLEM - STAND CLEAR ROTOR	2				
15	291880 01	EMBLEM - AUGER UNDER COVER	1				
16	291881 01	EMBLEM - AUGER NO COVER	1				
17	291968 01	EMBLEM - P65	1				



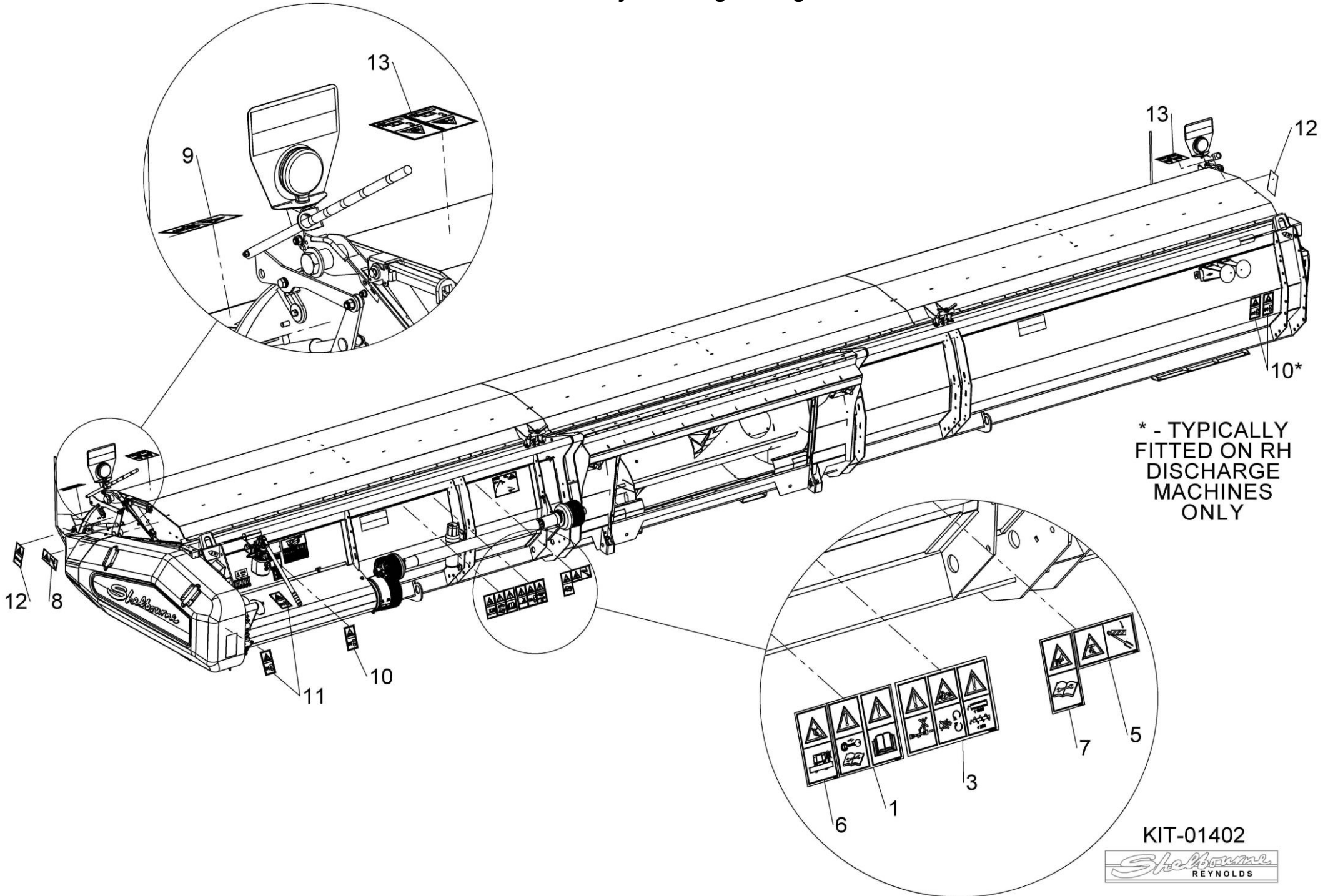
* - TYPICALLY
FITTED ON RH
DISCHARGE
MACHINES
ONLY

KIT-01401



Shelbourne Reynolds Engineering Limited

ASSY NUMBER: KIT-01402				ASSY DESCRIPTION: SAFETY DECAL KIT ISO			
ITEM	PART NO	DESCRIPTION	QTY	ITEM	PART NO	DESCRIPTION	QTY
1	TNF-0011	EMBLEM - SAFETY MAINTENANCE	1				
2		OPERATORS MANUAL					
3	TNF-0012	EMBLEM - PTO GUARDS	1				
4		ROTOR/AUGER SPEED PTO CHAIN					
5	210435 01	EMBLEM - FEEDER HOUSE LOCK	1				
6	198847 01	EMBLEM - CLIMBING	1				
7	198846 01	EMBLEM - HIGH PRESSURE OIL	1				
8	210435 01	EMBLEM - HOOD LOCK	1				
9	198845 01	EMBLEM - CROP DEFLECTOR LOCK	1				
10	193393 01	EMBLEM - AUGER	3				
11	193392 01	EMBLEM - MOVING PARTS UNDER	2				
12	800215 01	EMBLEM - CROP DEFLECTOR HAND	2				
13	TNF-0010	EMBLEM - FLYING OBJECTS	2				
14		ROTOR ENTANGLEMENT					



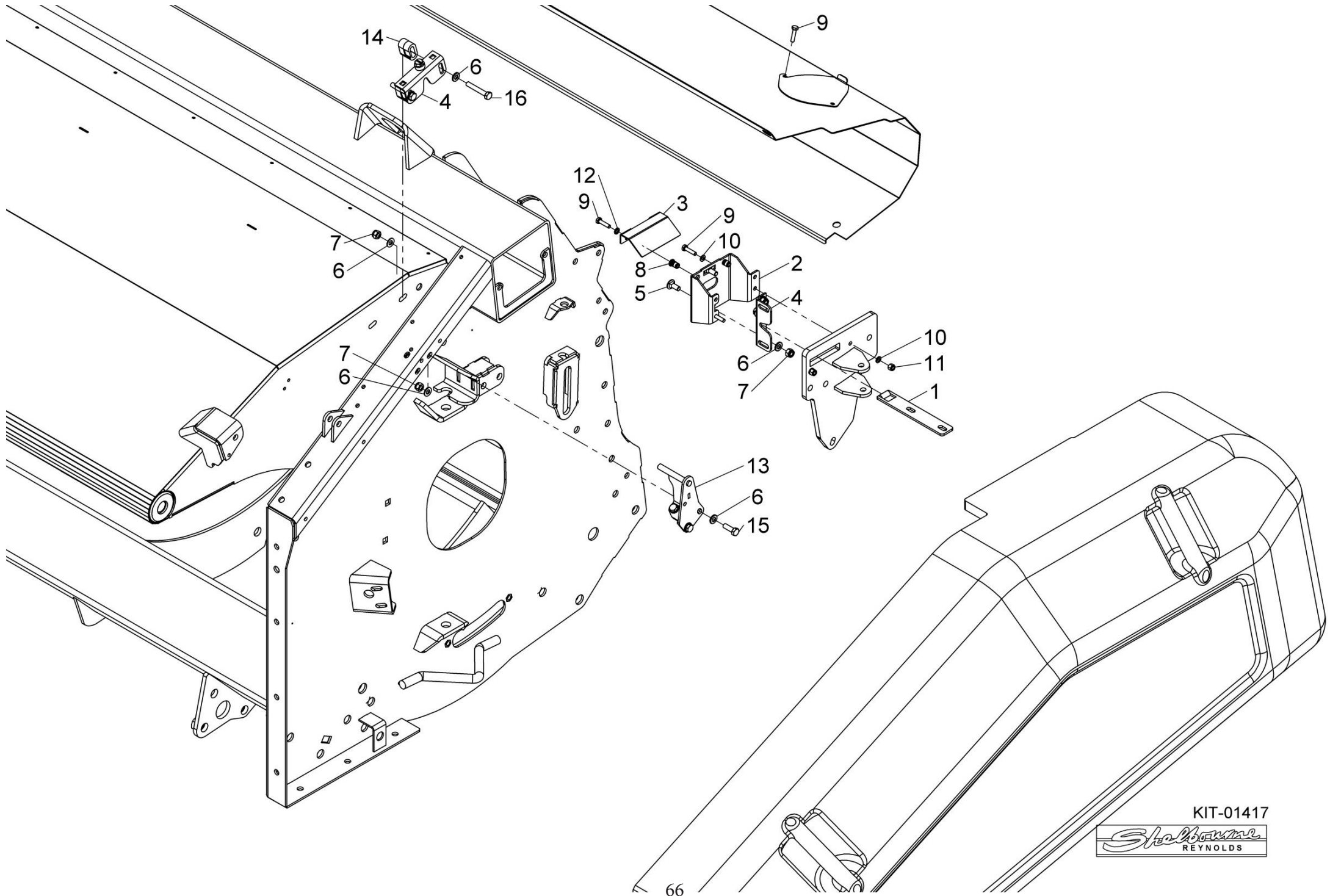
* - TYPICALLY
FITTED ON RH
DISCHARGE
MACHINES
ONLY

KIT-01402



Shelbourne Reynolds Engineering Limited

ASSY NUMBER: KIT-01417				ASSY DESCRIPTION: CE AREA KIT (XCV)			
ITEM	PART NO	DESCRIPTION	QTY	ITEM	PART NO	DESCRIPTION	QTY
1	290647 01	SLAM LATCH CATCH	1				
2	290635 01	SLAM LATCH MOUNTING	1				
3	290636 01	COVER PLATE	1			REMOVE REAR GUARD THUMB SCREW	
4	LTC-00040	SLAM LATCH	2			AND REPLACE WITH ITEM 5	
5	BLT-4710	COACH BOLT	2				
6	WSH-0012	PLAIN WASHER	12			REMOVE TOP GUARD LOCATING	
7	NUT-0263	NYLOC NUT	7			PLATE AND REPLACE WITH ITEM 1	
8	NUTA13060	NUTSERT	2				
9	HSS-0088	SETSCREW	5			TRIM TOP CORNER FROM GUARD	
10	WSH-0009	PLAIN WASHER	4			SLAM LATCH	
11	NUT-0260	NYLOC NUT	2				
12	WSH-0056	SPRING WASHER	2				
13	290570 01	SLAM LATCH PIN	1				
14	290738 01	SLAM LATCH SPACER	2				
15	HSS-0145	SETSCREW	3				
16	HSS-0157	SETSCREW	2				

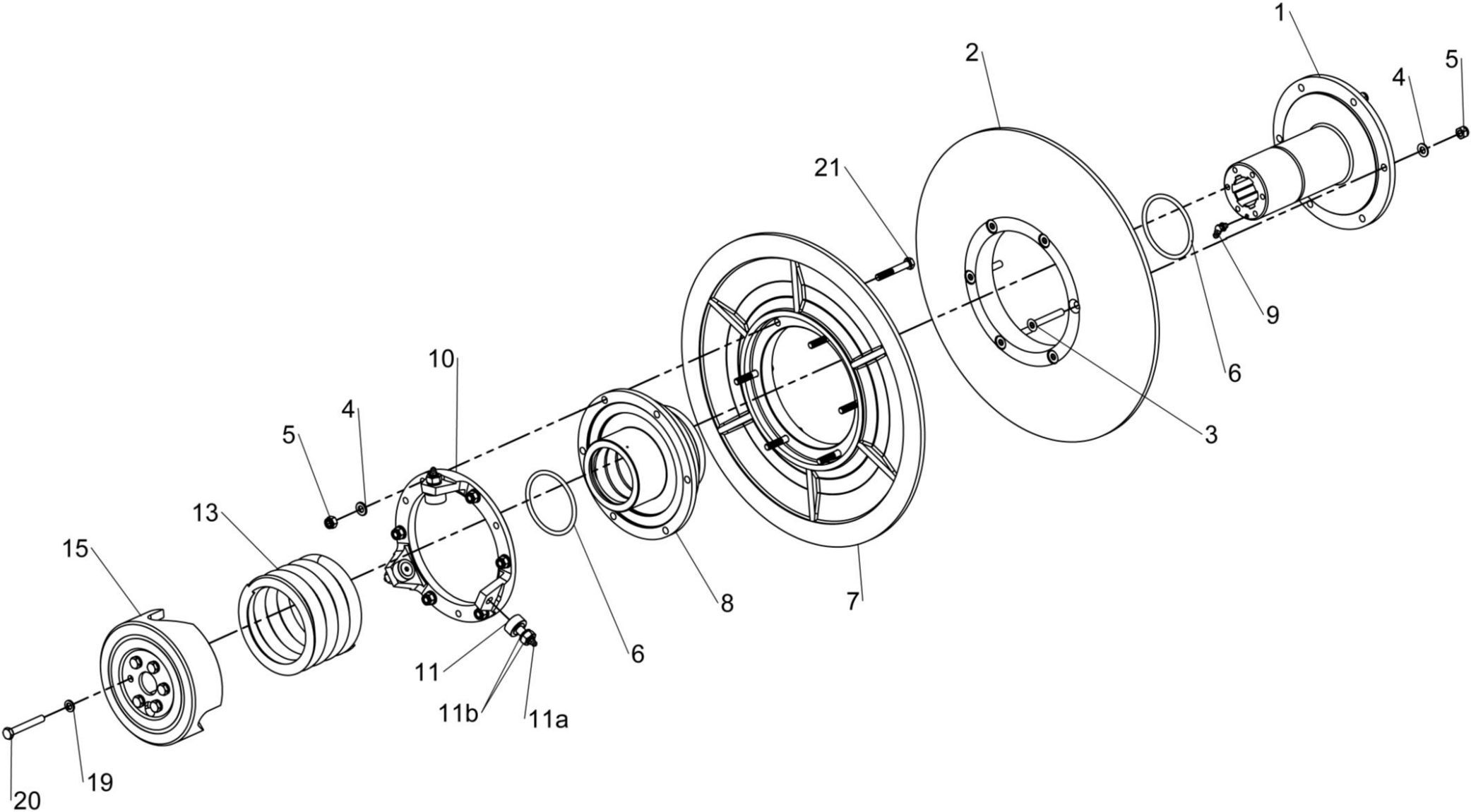


KIT-01417



Shelbourne Reynolds Engineering Limited

ASSY NUMBER: KIT-01445				ASSY DESCRIPTION: ROTOR PULLEY ASSY (2022 & ON)			
ITEM	PART NO	DESCRIPTION	QTY	ITEM	PART NO	DESCRIPTION	QTY
1	199349 01	INNER PULLEY HUB	1				
2	198269 01	INNER FRONT PULLEY	1				
3	SCEA08353	CSK.SOC HD SCREW	6				
4	WSH-0012	PLAIN WASHER	12				
5	NUT-0263	NYLOC NUT	12				
6	ORA300750	O RING	2				
7	198268 01	OUTER FRONT PULLEY	1				
8	199409 01	OUTER PULLEY HUB	1				
9	NIP-00610	GREASE NIPPLE	1				
10	292316 01	CAM FOLLOWER BRACKET	1				
11	197640 01	CAM FOLLOWER BEARING ASSY	3				
11a	KIT-01428	SPARE GREASE ZERK/NIPPLE KIT					
11b	KIT-01432	SPARE NUT & WASHER KIT					
12							
13	SPGC00047	SPRING (RED)	1				
14							
15	292315 01	FIXED CAM (45°)	1				
16							
17							
18							
19	WSH-0058	SPRING WASHER	6				
20	HSSA08380	SETSCREW (2018 & ON)	6				
21	BLTA08350	HEX HEAD BOLT	6				



KIT-01445



Shelbourne Reynolds Engineering Limited

ASSY NUMBER: KIT-01454				ASSY DESCRIPTION: VS DRIVE CAM & BEARING KIT, ALL YEARS			
ITEM	PART NO	DESCRIPTION	QTY	ITEM	PART NO	DESCRIPTION	QTY
1	BRG-19500NC3	BEARING	2	20	292804 01	PRESS RING	1
2	292733 01	STATIC CAM W/A	1				
3	HSS-0150	HEX HD SET SCREW	2				
4	HSS-0316	HEX HD SET SCREW	1				
5	NUT-0263	NYLOC NUT	5				
6	WSH-0012	PLAIN WASHER	5				
7	WSHA30161	LOCKWASHER	1				
8	292704 01	ACTUATOR CAM W/A	1				
9	292695 01	BEARING BOSS	1				
10a	292709 01	ACTUATOR BRKT	1				
		XCV 2012 AND ON (ALL YEARS) & CVS 2018 & ON (PRE-ASSEMBLED)					
OR							
10b	292740 02	RH ACTUATOR BRKT (1 NOTCH)	1				
		CVS & RVS 2001-2017					
11a	292710 01	FOLDED ACTUATOR BRKT	1				
		XCV 2012 AND ON (ALL YEARS) & CVS 2018 & ON (PRE-ASSEMBLED)					
OR							
11b	292740 01	LH ACTUATOR BRKT (1 NOTCH)	1				
		CVS & RVS 2001-2017					
12	WSH-0019	PLAIN WASHER	1				
13	WSH-0018	PLAIN WASHER	1				
14	BLTA12350	HEX HD BOLT	1				
15	NUT-0270	NYLOC NUT	1				
16a	292737 01	BOLT ON STATIC CAM PLATE					
		XCV 2012 AND ON (ALL YEARS) & CVS 2018 & ON (PRE-ASSEMBLED)					
OR							
16b	292739 01	BOLT ON STATIC CAM (1 NOTCH)	1				
		CVS & RVS 2007-2017					
		CVS & RVS 2001-2006,					
		WITHOUT ROTOR GEARBOX					
OR							
16c	292741 01	STATIC CAM PLATE (2 NOTCHES)	1				
		CVS & RVS 2001-2006,					
		WITH ROTOR GEARBOX					
17	292736 01	3 BOLT SPACER	1				
18	HSS-0153	HEX HD SET SCREW	3				
19	HSSA10500	HEX HD SET SCREW	3				

FOR ASSEMBLY INFORMATION
SEE VS DRIVE CAM & BEARING INSTRUCTIONS.
INSTRUCTIONAL VIDEO CAN BE FOUND AT
www.shelbourne.com

TIPS TO ASSIST IDENTIFYING YOUR MACHINE MODEL AND YEAR:

XCV- SPRUNG, PIVOTING ADAPTOR PLATE WITH GAUGE WHEELS AT REAR OF HEADER.
CVS & RVS - BOLTED ADAPTOR PLATE, BRACING TUBE ACROSS TOP OF MACHINE.

LOCATE SERIAL NUMBER ON THE REAR LH OR RH END OF THE MACHINE.

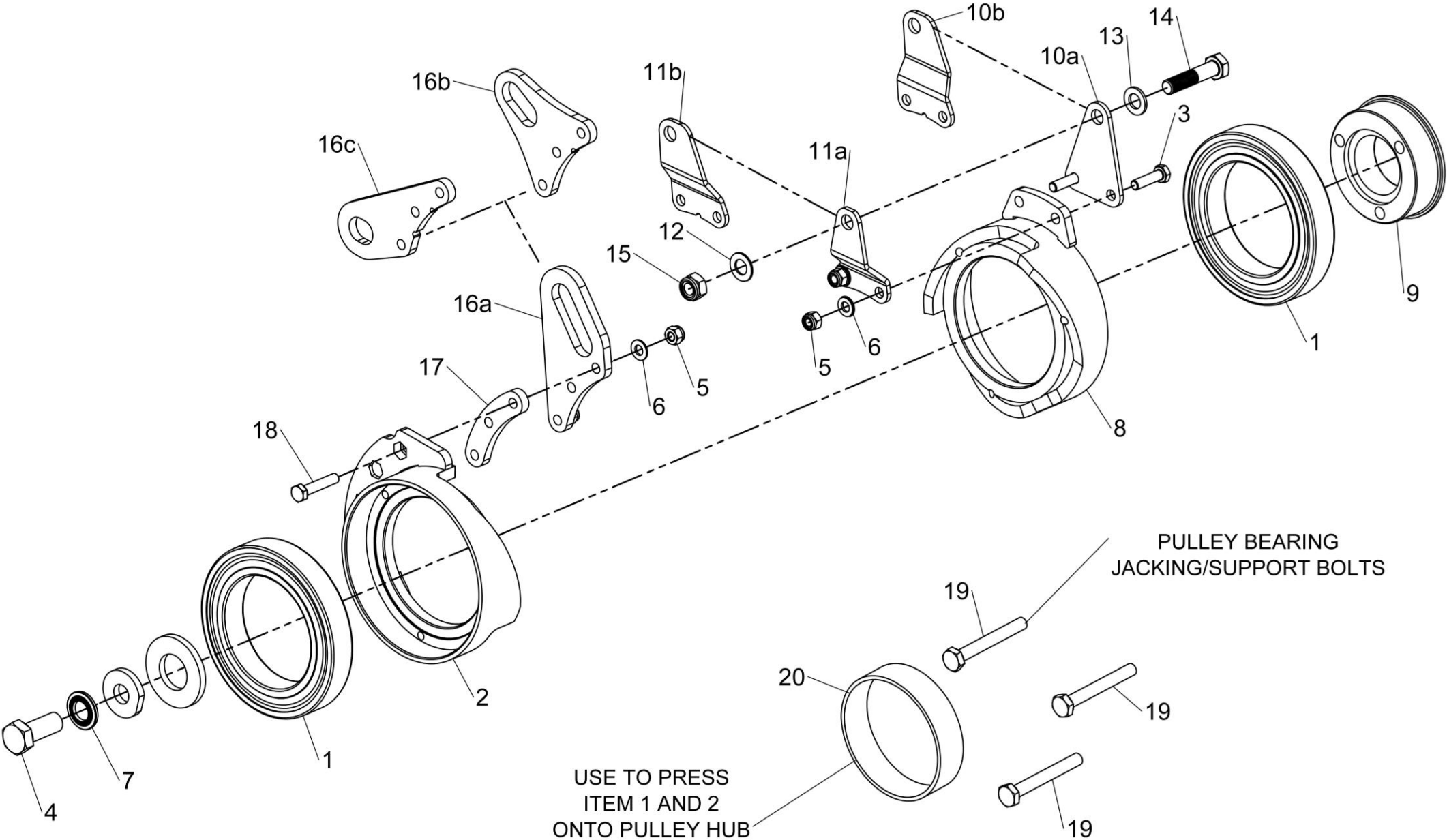
7 DIGIT SERIAL NUMBERS 2000-2009
EXAMPLE '2122843'

1ST 2ND & 3RD DIGITS ARE FACOTRY BUILD NUMBERS, 4TH & 5TH IS THE SIZE OF MACHINE IN FEET (28'), 6TH DIGIT IS A FACTORY MACHINE TYPE NUMBER & 7TH DIGIT IS YEAR OF MANUFACTURE (2003).

11 DIGIT SERIAL NUMBERS 2010 AND ON
EXAMPLE 'XCV42198964'

1ST, 2ND & 3RD LETTERS SHOW THE TYPE OF MACHINE (XCV), 4TH & 5TH DIGITS SHOW THE MACHINE SIZE (42'), 6TH & 7TH DIGIT SHOW THE MODEL YEAR (2019), REMAINING DIGITS ARE FACTORY BUILD NUMBERS.

Shelbourne Reynolds Engineering Limited



USE TO PRESS
ITEM 1 AND 2
ONTO PULLEY HUB

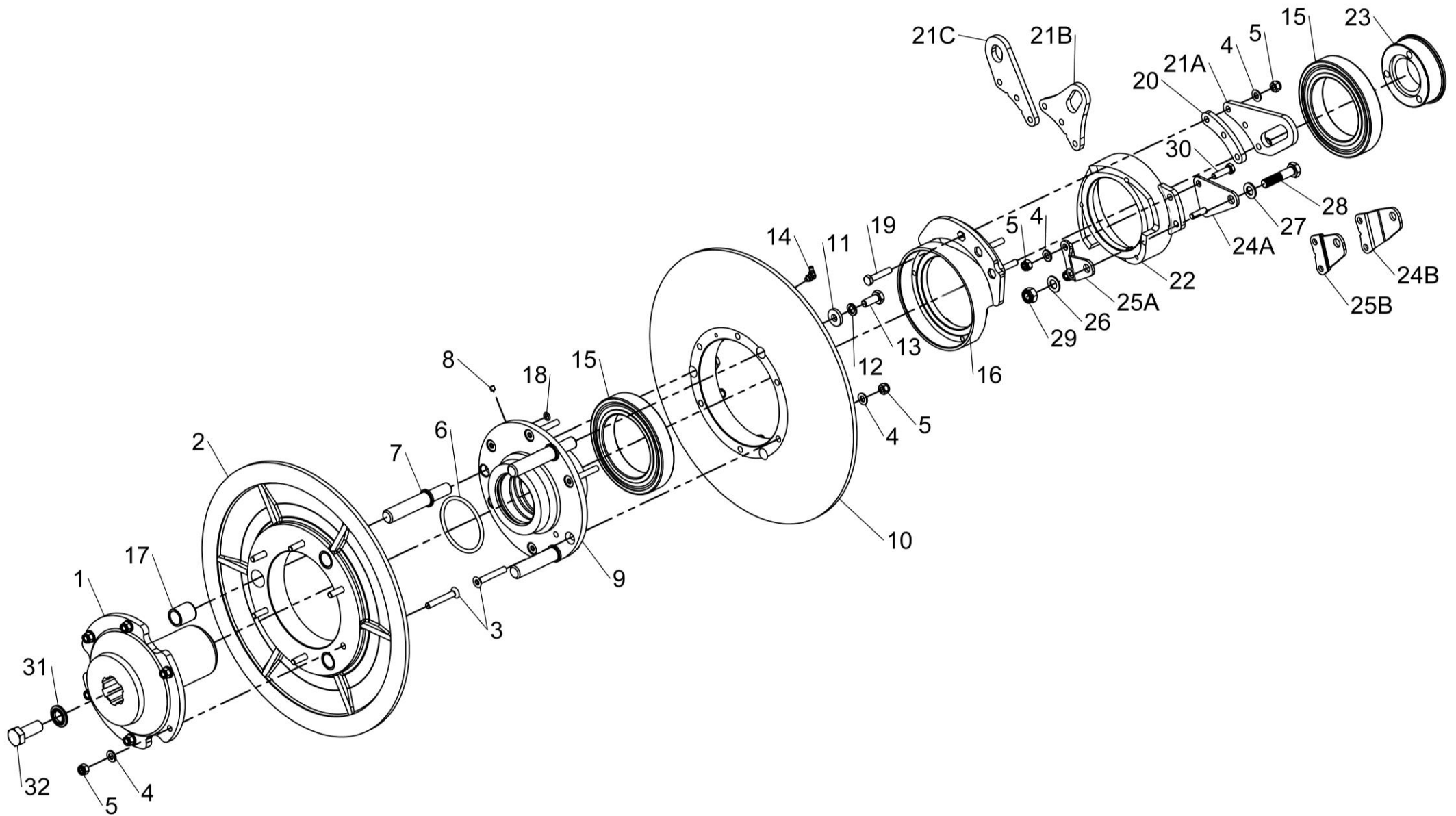
PULLEY BEARING
JACKING/SUPPORT BOLTS

KIT-01454



Shelbourne Reynolds Engineering Limited

ASSY NUMBER: KIT-01463				ASSY DESCRIPTION: REAR PULLEY ASSY & ACTUATOR CAM KIT			
ITEM	PART NO	DESCRIPTION	QTY	ITEM	PART NO	DESCRIPTION	QTY
1	199350 01	OUTER PULLEY HUB	1	25a	292710 01	FOLDED ACTUATOR BRKT	1
2	198270 01	OUTER REAR PULLEY	1	or	292740 01	RH ACTUATOR BRKT (1 NOTCH) CVS & RVS 2001-2017	1
3	SCEA08353	CSK SCREW	12				
4	WSH-0012	PLAIN WASHER	17	25b			
5	NUT-0263	NYLOC NUT	17	26	WSH-0019	PLAIN WASHER	1
6	ORA300750	O RING	1	27	WSH-0018	PLAIN WASHER	1
7	198274 01	SPIGOT	3	28	BLTA12350	HEX HD BOLT	1
8	SCW-4528	GRUB SCREW	1	29	NUT-0270	NYLOC NUT	1
9	199410 01	INNER PULLEY HUB	1	30	HSS-0150	SETSCREW	2
10	198271 01	INNER PULLEY	1	31	WSHA30161	LOCKWASHER	1
11	190119 11	WASHER	3	32	HSS-0316	SETSCREW	1
12	WSH-0061	SPRING WASHER	3	<p>TIPS TO ASSIST IDENTIFYING YOUR MACHINE MODEL AND YEAR:</p> <p>XCV- SPRUNG, PIVOTING ADAPTOR PLATE WITH GAUGE WHEELS AT REAR OF HEADER.</p> <p>CVS & RVS - BOLTED ADAPTOR PLATE, BRACING TUBE ACROSS TOP OF MACHINE.</p> <p>LOCATE SERIAL NUMBER ON THE REAR LH OR RH END OF THE MACHINE.</p> <p align="center">7 DIGIT SERIAL NUMBERS 2000-2009</p> <p align="center">EXAMPLE '2122843'</p> <p>1ST 2ND & 3RD DIGITS ARE FACOTRY BUILD NUMBERS, 4TH & 5TH IS THE SIZE OF MACHINE IN FEET (28'), 6TH DIGIT IS A FACTORY MACHINE TYPE NUMBER & 7TH DIGIT IS YEAR OF MANUFACTURE (2003).</p> <p align="center">11 DIGIT SERIAL NUMBERS 2010 AND ON</p> <p align="center">EXAMPLE 'XCV42198964'</p> <p>1ST, 2ND & 3RD LETTERS SHOW THE TYPE OF MACHINE (XCV), 4TH & 5TH DIGITS SHOW THE MACHINE SIZE (42'), 6TH & 7TH DIGIT SHOW THE MODEL YEAR (2019), REMAINING DIGITS ARE FACTORY BUILD NUMBERS.</p>			
13	HSS-0191	SETSCREW	3				
14	NIP-00620	GREASE NIPPLE	1				
15	BRG-19500NC3	BEARING	2				
16	292733 01	STATIC CAM	1				
17	291809 01	BUSH	3				
18	ORA120080	O RING	1				
19	HSS-0153	SETSCREW	3				
20	292736 01	CAM ARM SPACER	1				
21a	292737 01	BOLT ON STATIC CAM PLATE	1				
or		XCV 2012 AND ON (ALL YEARS) & CVS 2018 & ON (PRE-ASSEMBLED)					
21b	292739 01	BOLT ON STATIC CAM (1 NOTCH)	1				
or		CVS & RVS 2007-2017					
21c	292741 01	STATIC CAM PLATE (2 NOTCHES)	1				
		CVS & RVS 2001-2006, WITHOUT ROTOR GEARBOX					
22	292704 01	ACTUATOR CAM W/A	1				
23	292695 01	BEARING BOSS	1				
24a	292709 01	ACTUATOR BRKT	1				
or		XCV 2012 AND ON (ALL YEARS) & CVS 2018 & ON (PRE-ASSEMBLED)					
24b	292740 02	RH ACTUATOR BRKT (1 NOTCH)	1				
		CVS & RVS 2001-2017					



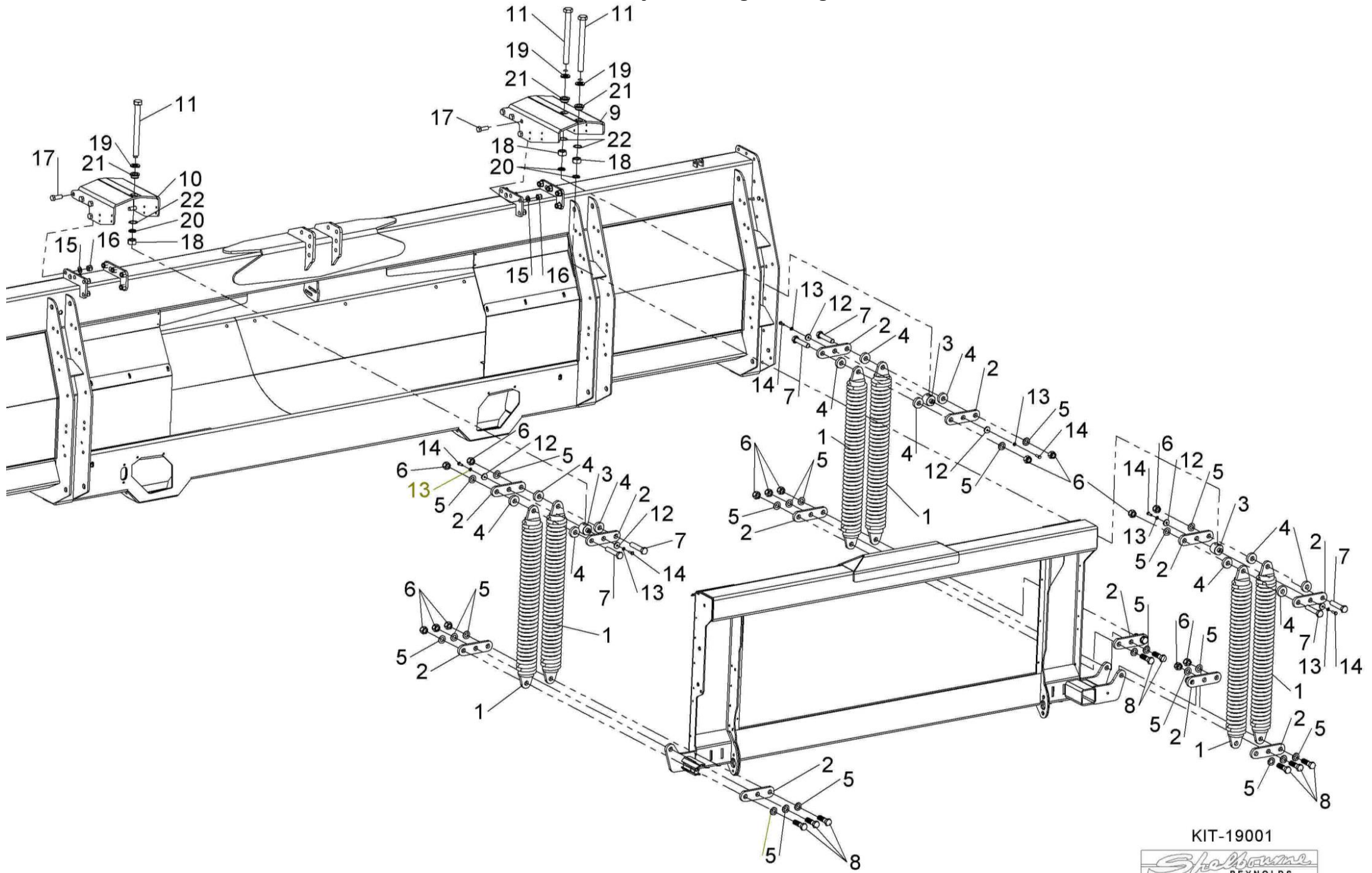
KIT-01463
KIT-01463A



Shelbourne Reynolds Engineering Limited

ASSY NUMBER: KIT-19001				ASSY DESCRIPTION: SPRING TILT KIT			
ITEM	PART NO	DESCRIPTION	QTY	ITEM	PART NO	DESCRIPTION	QTY
1	198659 01	TILT SPRING	6				
2	198645 01	SPRING MOUNTING PLATE	12				
3	199670 01	SPRING ADJ BUSH (2014 & ON)	3				
OR	198646 01	SPRING ADJ BUSH (UPTO 2014)					
4	190548 98	SPACER	12				
5	WSH-0030	PLAIN WASHER	24				
6	NUTA02200	NYLOC NUT	15				
7	BLTA20560	BOLT	6				
8	BLT-2367	BOLT	9				
9	199624 01	TOP MOUNTING RH (2014 & ON)	1				
OR	198647 01	TOP MOUNTING RH (PRE 2014)					
10	199623 01	TOP MOUNTING LH (2014 & ON)	1				
OR	198648 01	TOP MOUNTING LH (UPTO 2014)					
11	HSSA24950	SET SCREW (2014 & ON)	3				
OR	HSSA20930	SET SCREW (UPTO 2014)					
12	190548 29	WASHER	6				
13	WSH-0058	SPRING WASHER	6				
14	HSS-0135	BOLT	6				
15	WSH-0024	PLAIN WASHER FORM A	16				
16	NUT-0271	NYLOC NUT	16				
17	HSS-0317	SET SCREW	16				
18	NUT-0190	PLAIN NUT (2014 & ON)	3				
OR	NUT-0185	PLAIN NUT (PRE 2014)					
19	WSH-0036	WASHER (2014 & ON)	3				
20	190548 62	WASHER (2014 & ON)	3				
21	199621 01	TOP HAT BUSH (2014 & ON)	3				
22	CIR020034	CIRCLIP (2014 & ON)	3				
23							
24	KIT-19035	TWIN SPRING SUB ASSY (ITEMS 1-8 & 12-14)					

Shelbourne Reynolds Engineering Limited

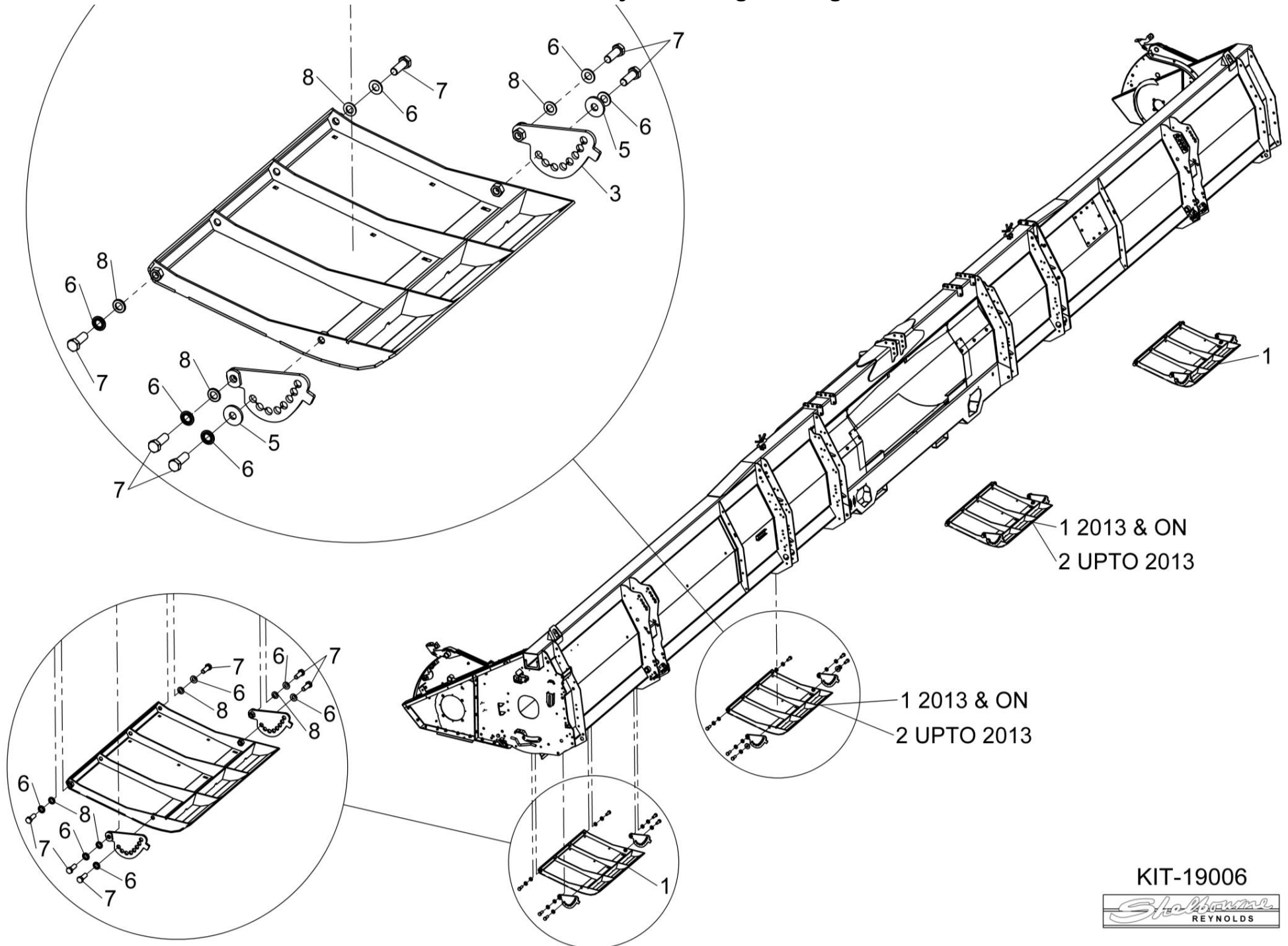


KIT-19001



Shelbourne Reynolds Engineering Limited

ASSY NUMBER: KIT-19006				ASSY DESCRIPTION: SKID KIT			
ITEM	PART NO	DESCRIPTION	QTY	ITEM	PART NO	DESCRIPTION	QTY
1	194395 01	SKID ASSY (2013 & ON)	4				
OR	194395 01	SKID ASSY (UPTO 2013)	2				
2	198703 01	SKID W/A (UPTO 2013)	2				
3	193828 01	SKID ADJUSTER LH	4				
4	193828 02	SKID ADJUSTER RH	4				
5	190119 07	WASHER (UPTO 2015)	8				
6	WSHA30161	LOCK WASHER (2019 & ON)	24				
OR	WSH-0070	SPRING WASHER (UP TO 2019)	24				
7	HSS-0317	SETSCREW	24				
8	WSH-0024	PLAIN WASHER (2015-2018)	24				
OR	WSH-0024	PLAIN WASHER (UPTO 2015)	16				

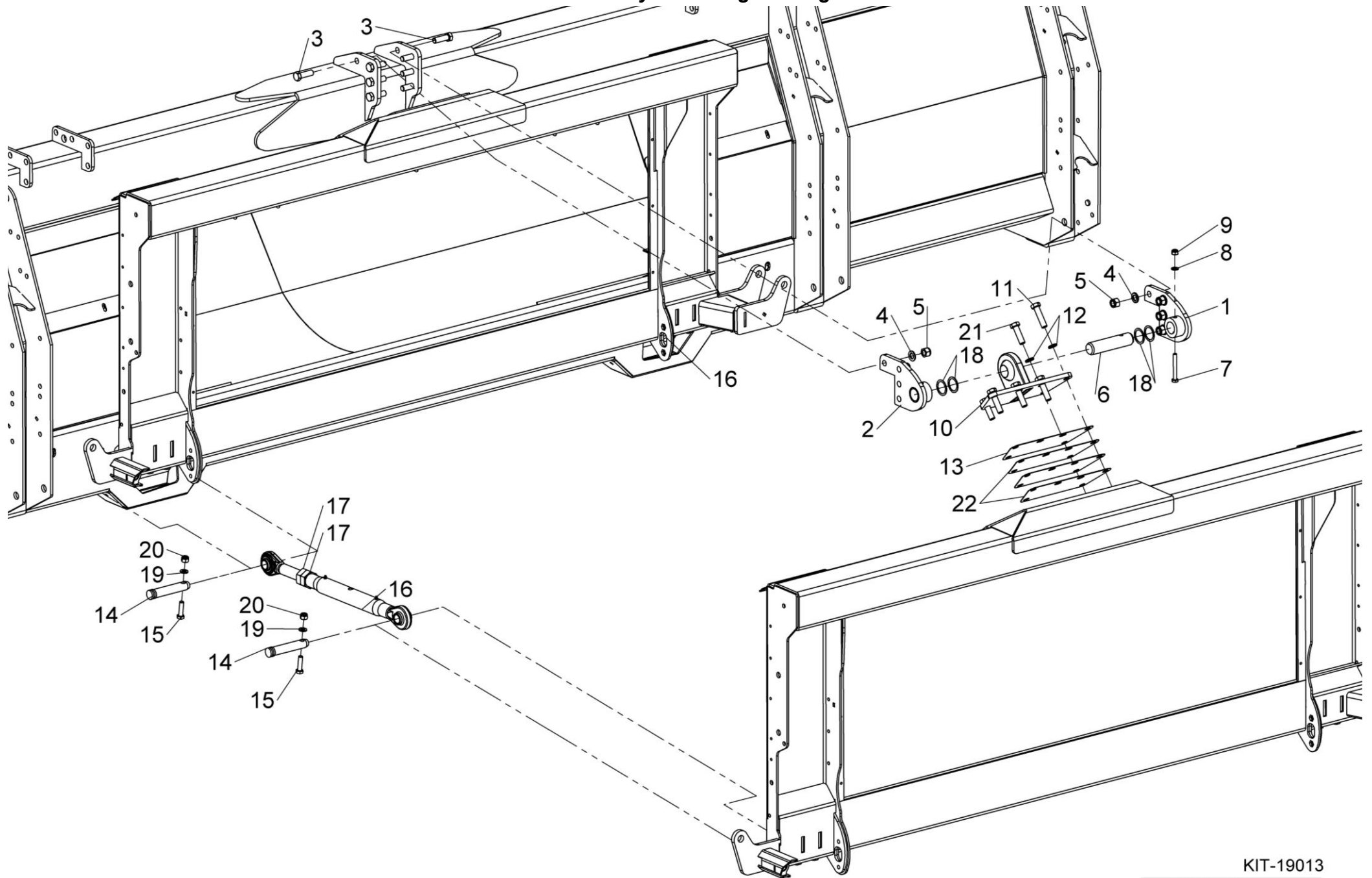


KIT-19006



Shelbourne Reynolds Engineering Limited

ASSY NUMBER: KIT-19013 & KIT-19043				ASSY DESCRIPTION: TILTING ADAPTOR PLATE KIT			
ITEM	PART NO	DESCRIPTION	QTY	ITEM	PART NO	DESCRIPTION	QTY
1	198371 01	HEADER PIVOT PLATE (KIT-19013)	1				
OR	290694 01	HEADER PIVOT PLATE (KIT-19043) (AGCO, GLEANER, MF, CHALLENGER 2018 & ON ONLY)	1				
2	198371 02	HEADER PIVOT PLATE (KIT-19013)	1				
OR	290694 02	HEADER PIVOT PLATE (KIT-19043) (AGCO, GLEANER, MF, CHALLENGER 2018 & ON ONLY)	1				
3	HSS-0318	SETSCREW	8				
4	WSH-0024	PLAIN WASHER	8				
5	NUT-0271	NYLOC NUT	8				
6	198592 01	HEADER PIVOT PIN	1				
7	BLTA10500	HEX HD BOLT	1				
8	WSH-0015	PLAIN WASHER	1				
9	NUT-0265	NYLOC NUT	1				
10	198367 01	HEADER PIVOT W/A (KIT-19013)	1				
OR	290695 01	HEADER PIVOT W/A (KIT-19043) (AGCO, GLEANER, MF, CHALLENGER 2018 & ON ONLY)	1				
11	HSS-0322	SETSCREW	4				
12	WSH-0070	SPTING WASHER	6				
13	198529 02	PACKER PLATE (5mm) (NOT AGCO)	1				
14	21708006	TOP LINK PIN (CAT II)	4				
15	BLTA12290	HEX HD BOLT	4				
16	ADL-11585	TOP LINK ASSY (2017 & ON)	2				
OR	ADL-11590	TOP LINK ASSY (2014-2016)	2				
OR	ADL-11550	TOP LINK ASSY (UPTO 2014)	2				
17	NUT-1127	NUT (2017 & ON, INC IN ITEM 16)	4				
OR	NUT-1127	NUT (2014-2016)	4				
OR	20801026	NUT (UPTO 2014)	2				
18	198800 30	WASHER	A/R				
19	WSH-0018	PLAIN WASHER	4				
20	NUT-0269	NYLOC NUT	4				
21	HSS-0319	SETSCREW	2				
22	198529 01	PACKER PLATE (1mm)	A/R				



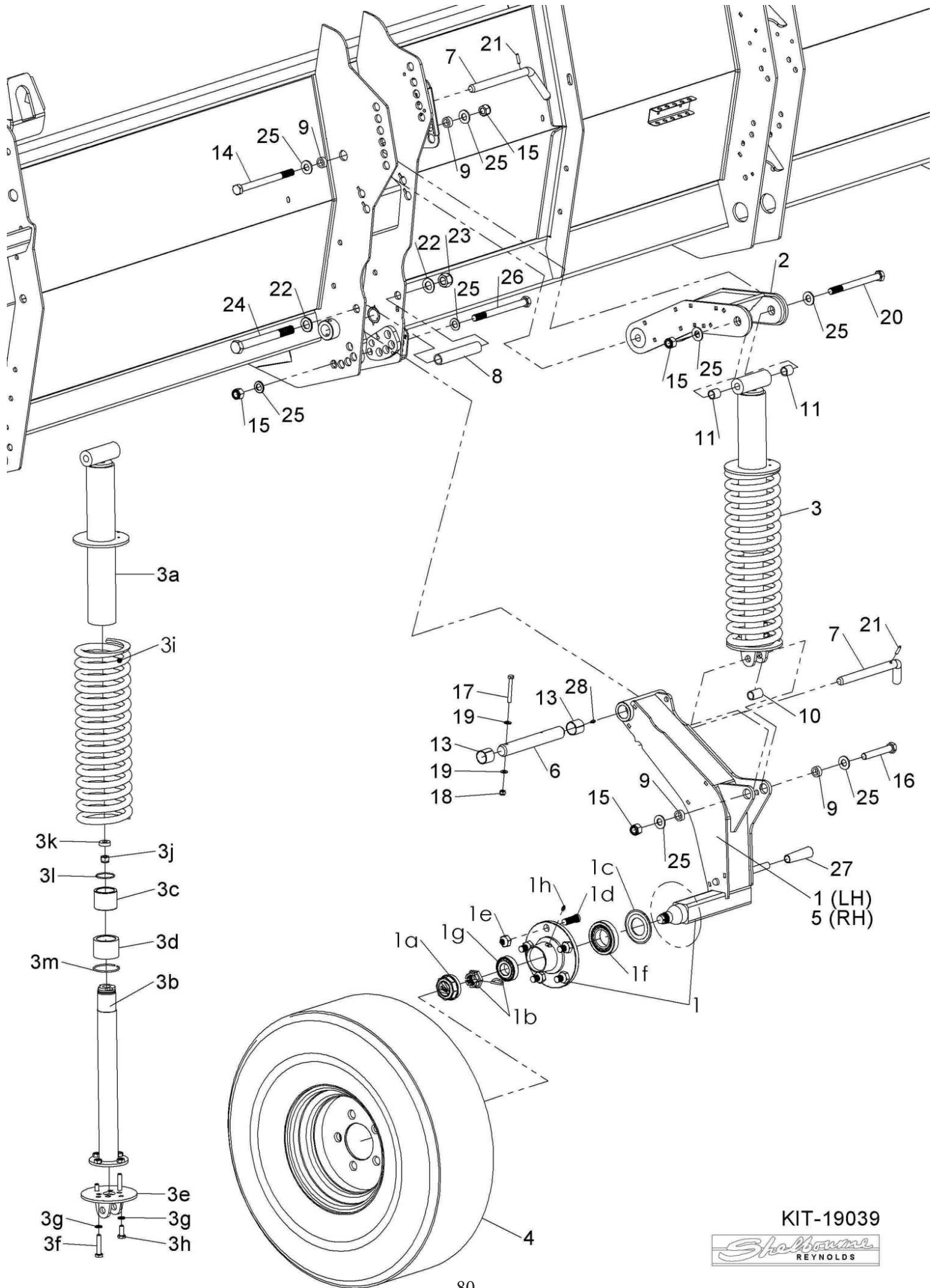
KIT-19013



Shelbourne Reynolds Engineering Limited

ASSY NUMBER: KIT-19039				ASSY DESCRIPTION: GAUGE WHEEL KIT (2018 & ON)			
ITEM	PART NO	DESCRIPTION	QTY	ITEM	PART NO	DESCRIPTION	QTY
1	290260 01	AXLE & ARM W/A	1	10	199457 01	SPACER TUBE	2
1a	AXL-10035	HUB CAP	(1)	11	193735 03	SPACER	4
1b	AXL-12591	CROWN NUT & SPRING CLIP	(1)	12			
1c	AXL-12010	OIL SEAL	(1)	13	BSH-3030	BUSH PLAIN	4
1d	AXL-15501	STUD	(5)	14	BLT-2350	BOLT	2
1e	AXL-12525	WHEEL NUT	(5)	15	NUT-0271	NYLOC NUT	8
1f	BRG-14540	INNER BEARING	(1)	16	BLT-2320	BOLT	2
1g	BRG-13040	OUTER BEARING	(1)	17	BLTA08410	BOLT	2
1h	NIP-00800	GREASE NIPPLE	(1)	18	NUT-0263	NYLOC NUT	2
2	199861 01	TOP ARM W/A	2	19	WSH-0012	PLAIN WASHER	4
3	KIT-19036	SPRING SLIDER SUB ASSY	2	20	BLTA16770	BOLT	2
OR	KIT-19036P	SLIDER SUB ASSY FOR SPARES, NOT INCLUDING ITEM 3i & 3e		21	PIN-1921	ROLL PIN	4
3a	290091 01	UPPER SPRING TUBE W/A	1	22	WSH-0030	PLAIN WASHER	4
3b	199909 01	LOWER SPRING TUBE W/A	1	23	NUTA02200	NYLOC NUT	2
3c	290093 01	EXTERNAL NYLUBE BUSH	1	24	BLTA20830	BOLT	2
3d	290094 01	INTERNAL NYLUBE BUSH	1	25	WSH-0024	PLAIN WASHER	16
3e	199930 01	SPRING MOUNTING BRACKET W/A	1	26	BLTA16810	BOLT	2
3f	HSS-0210	BOLT	2	27	HAN-2000	BLACK PLASTIC HANDLE	2
3g	WSH-0061	WASHER	4	28	NIP-00600	GREASE NIPPLE	2
3h	HSS-0191	BOLT	2				
3i	SPGC00099	COMPRESSION SPRING	1				
3j	NUT-0269	NYLOC NUT	1				
3k	198800 47	WASHER	1				
3l	CIR350045	45 DIA EXTERNAL SNAP RING	1				
3m	CIR340065	65 DIA INTERNAL SNAP RING	1				
4	WHL-01210	WHEEL & TYRE ASSY	2				
5	290260 02	AXLE & ARM W/A	1				
5a	AXL-10035	HUB CAP	(1)				
5b	AXL-12591	CROWN NUT & SPRING CLIP	(1)				
5c	AXL-12010	OIL SEAL	(5)				
5d	AXL-15501	STUD	(5)				
5e	AXL-12525	WHEEL NUT	(1)				
5f	BRG-14540	INNER BEARING	(1)				
5g	BRG-13040	OUTER BEARING	(1)				
5h	NIP-00800	GREASE NIPPLE	(1)				
6	198875 01	PIVOT PIN	2				
7	199089 01	LOCKING PIN	4				
8	199303 01	ARM HEIGHT STOP	2				
9	190548 99	WASHER	8				

Shelbourne Reynolds Engineering Limited

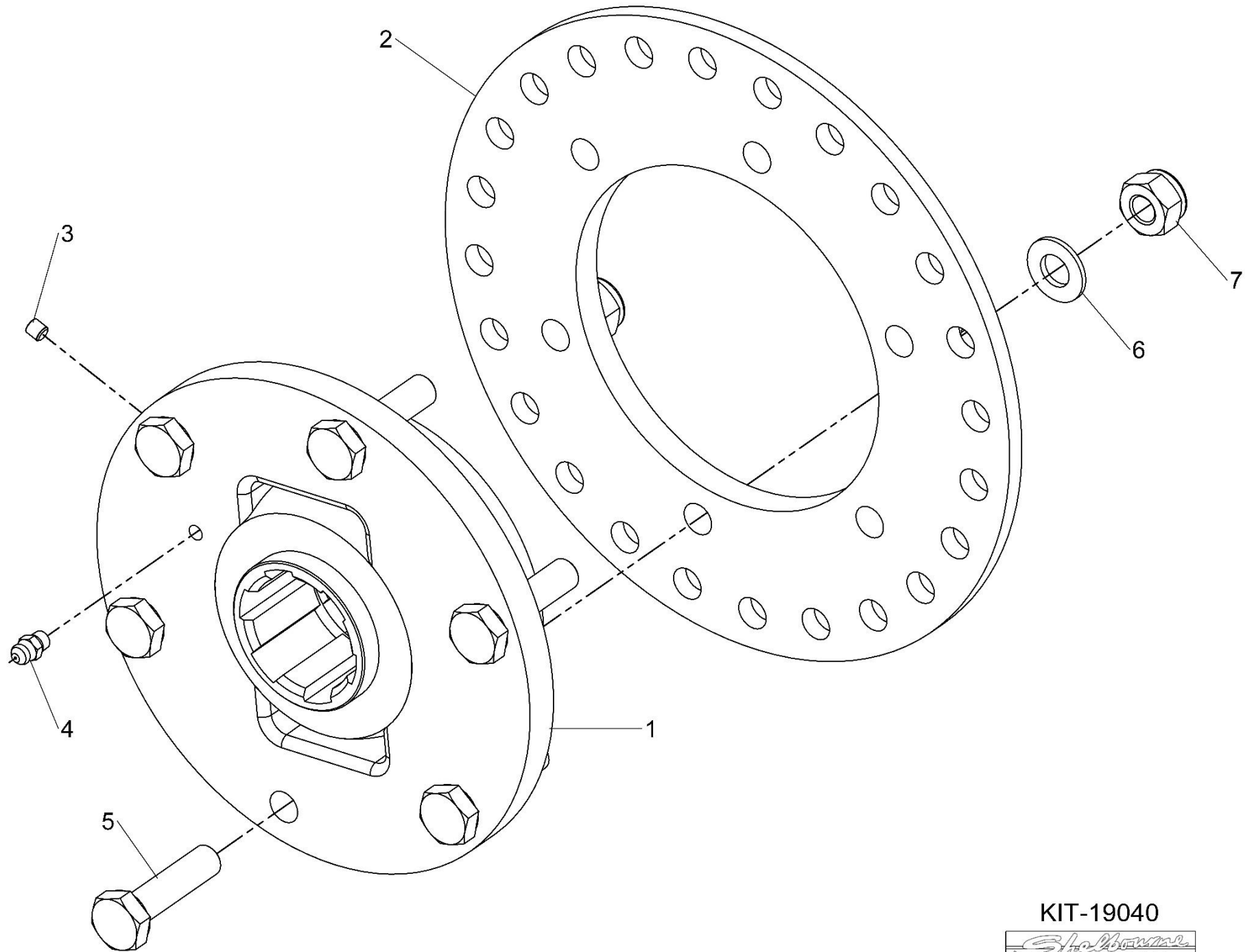


KIT-19039



Shelbourne Reynolds Engineering Limited

ASSY NUMBER: KIT-19040				ASSY DESCRIPTION: BALL JOINT COUPLING			
ITEM	PART NO	DESCRIPTION	QTY	ITEM	PART NO	DESCRIPTION	QTY
1	193115 07	BALL COUPLING ASSY	1				
2	290443 01	DRIVE RING PLATE	1				
3	SCW-4516	GRUB SCREW	1				
4	NIP-00600	GREASE NIPPLE (UPTO 2019)	1				
5	HSS-0202	BOLT	6				
6	WSH-0015	WASHER	6				
7	NUT-0265	NUT	6				



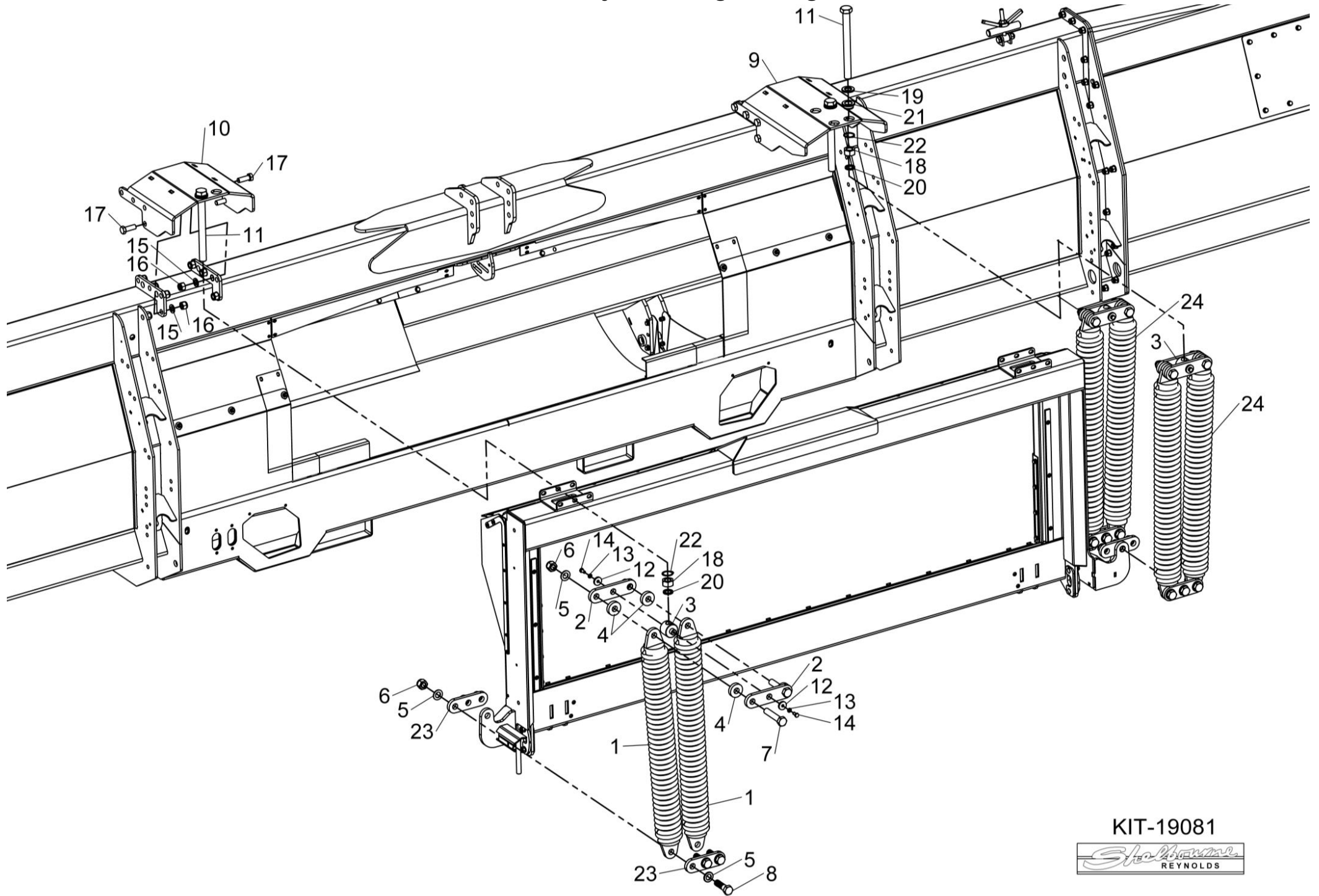
KIT-19040



Shelbourne Reynolds Engineering Limited

ASSY NUMBER: KIT-19081				ASSY DESCRIPTION: SPRING TILT KIT (NARROW) X9			
ITEM	PART NO	DESCRIPTION	QTY	ITEM	PART NO	DESCRIPTION	QTY
1	198659 01	TILT SPRING	6				
2	198645 01	SPRING MOUNTING PLATE	6				
3	199670 01	SPRING ADJ BUSH	3				
4	190548 98	SPACER	12				
5	WSH-0030	PLAIN WASHER	24				
6	NUTA02200	NYLOC NUT	15				
7	BLTA20560	BOLT	6				
8	BLT-2367	BOLT	9				
9	291982 01	TOP MOUNTING RH	1				
10	291980 01	TOP MOUNTING LH	1				
11	HSSA24950	SET SCREW	3				
12	190548 29	WASHER	6				
13	WSH-0058	SPRING WASHER	6				
14	HSS-0135	BOLT	6				
15	WSH-0024	PLAIN WASHER FORM A	18				
16	NUT-0271	NYLOC NUT	18				
17	HSS-0317	SET SCREW	18				
18	NUT-0190	PLAIN NUT	3				
19	WSH-0036	WASHER	3				
20	190548 62	WASHER	3				
21	199621 01	TOP HAT BUSH	3				
22	CIR020034	CIRCLIP	3				
23	291978 01	SPRING ASSY BOTTOM PLT	6				
24	KIT-19082	TWIN SPRING SUB ASSY (ITEMS 1-8 & 12-14 & 23)					

Shelbourne Reynolds Engineering Limited



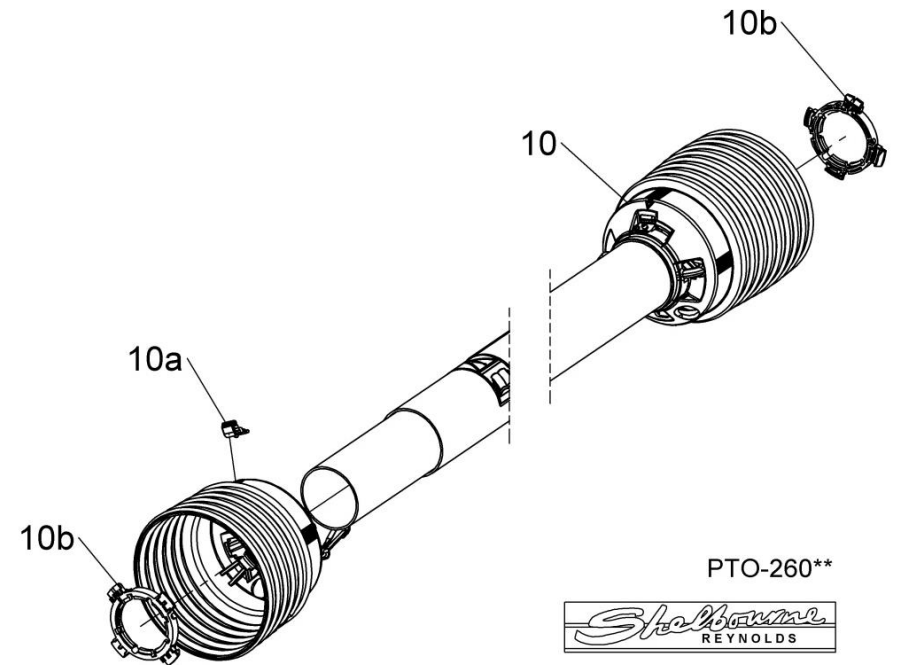
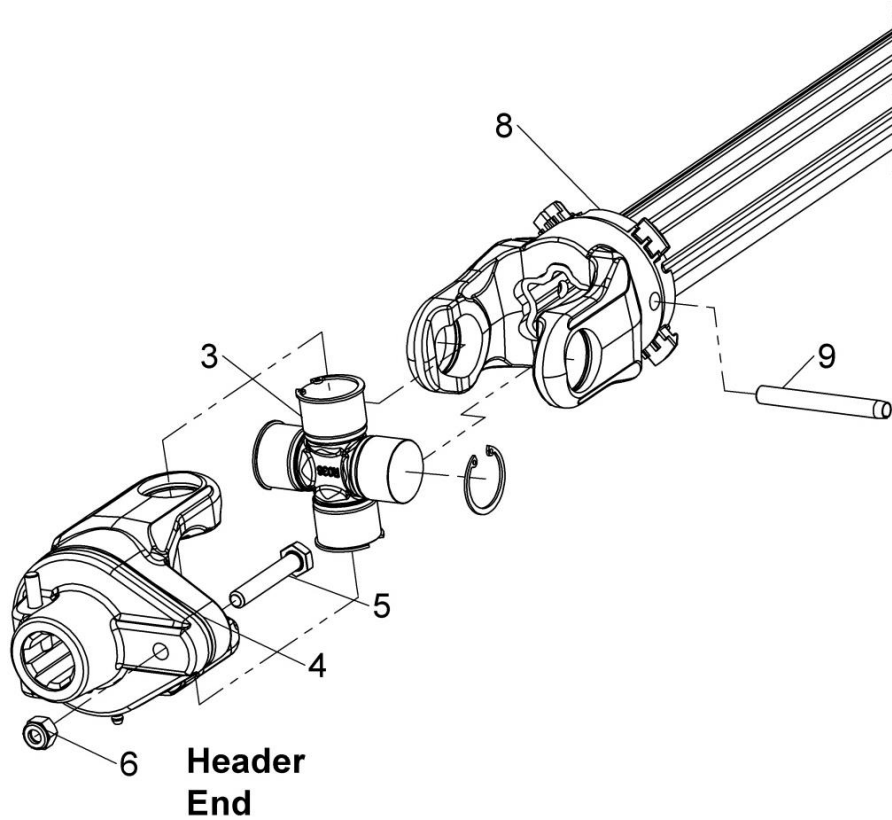
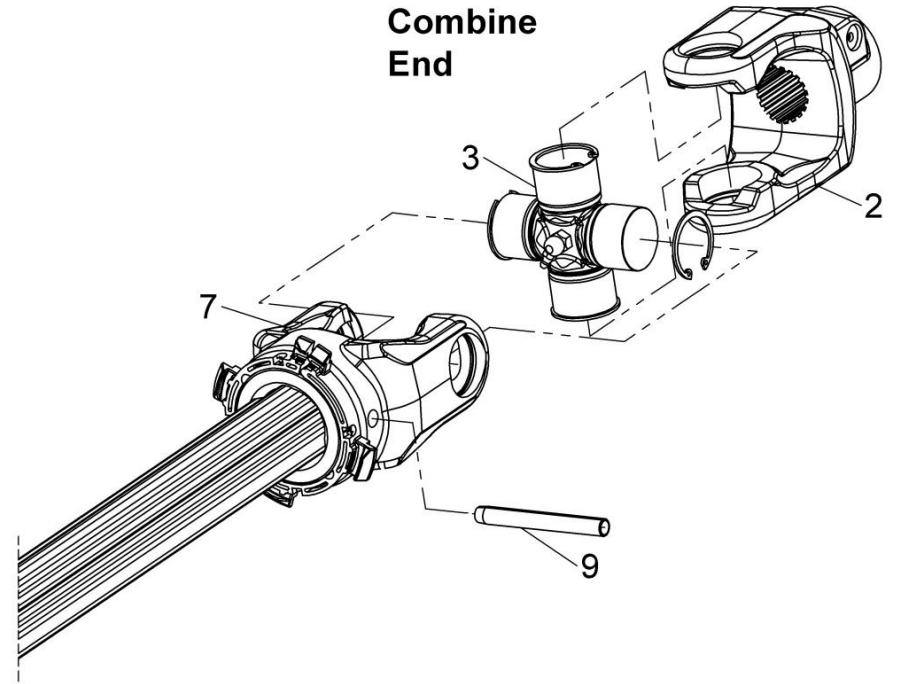
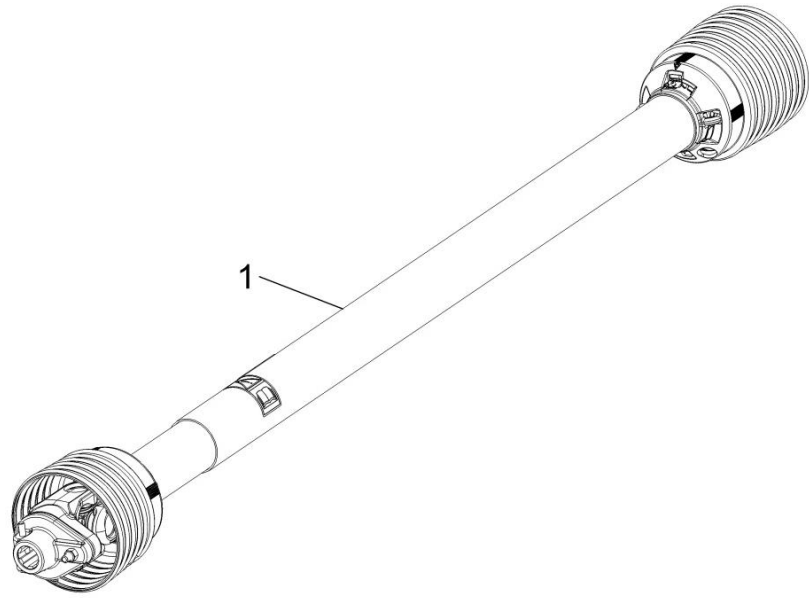
KIT-19081



Shelbourne Reynolds Engineering Limited

ASSY NUMBER: PTO-260**				ASSY DESCRIPTION: STRIPPER PTO & PARTS			
ITEM	PART NO	DESCRIPTION	QTY	ITEM	PART NO	DESCRIPTION	QTY
1	PTO-26003WE	PTO SHAFT 1 $\frac{3}{8}$ " 21 SPLINE (WEAS)					
OR	PTO-26003	PTO SHAFT 1 $\frac{3}{8}$ " 21 SPLINE (WALT)					
OR	PTO-26004WE	PTO SHAFT 1 $\frac{3}{8}$ " 6 SPLINE (WEAS)					
OR	PTO-26004	PTO SHAFT 1 $\frac{3}{8}$ " 6 SPLINE (WALT)					
OR	PTO-26002WE	PTO SHAFT 1 $\frac{1}{2}$ " HEX SPL (WEAS)					
OR	PTO-26002	PTO SHAFT 1 $\frac{1}{2}$ " HEX SPL (WALT)					
2	PTO-00082WE	COMBINE END YOKE 1 $\frac{3}{8}$ " 21 SPLINE					
2a	PTO-00605	YOKE REPAIR KIT					
OR	PTO-00080WE	COMBINE END YOKE 1 $\frac{3}{8}$ " 6 SPLINE					
2a	PTO-00605	YOKE REPAIR KIT					
OR	PTO-00070WE	COMBINE END YOKE 1 $\frac{1}{2}$ " HEX SPL					
2a	PTO-00605	YOKE REPAIR KIT (NOT COLLAR)					
OR	PTO-00166	COMBINE END YOKE 8 SPL PUSHPIN					
OR	PTO-00166WA	COMBINE END YOKE 8 SPL COLLAR					
OR	PTO-00174	COMBINE END YOKE 1 $\frac{3}{4}$ " 20 SPLINE					
OR	PTO-00177	COMBINE END YOKE 1 $\frac{3}{4}$ " 6 SPLINE					
OR	PTO-00180	FORAGER END YOKE 1 $\frac{1}{2}$ " 23 SPLINE					
3	PTO-00083	CROSS JOINT BEARING KIT					
4	PTO-00119WE	SHEAR BOLT CLUTCH					
OR	PTO-00119	SHEAR BOLT CLUTCH					
5	BLTA10384	SHEAR BOLT					
6	NUT-0265	NYLOC NUT					
7	PTO-00089	INBOARD YOKE (COMBINE) (WALT)					
8	PTO-00090	INBOARD YOKE (HEADER) (WALT)					
9	PIN-1926	ROLL PIN (M10x90) (WALT)					
OR		ROLL PIN (M10x85) (WEAS)					
10	PTO-00093WE	GUARD ASSY C/W BEARINGS (WEAS)					
10a	PTO-00968	RED GUARD CLIPS (WEASLER)					
10b	PTO-00178	GUARD BRG & SCREW SET (WALT)					
OR	PTO-00601	GUARD BEARING SET (WEASLER)					
OR	PTO-00093	GUARD ASSY C/W BEARINGS (WALT)					

WEAS = WEASLER
WALT = WALTERSCHEID



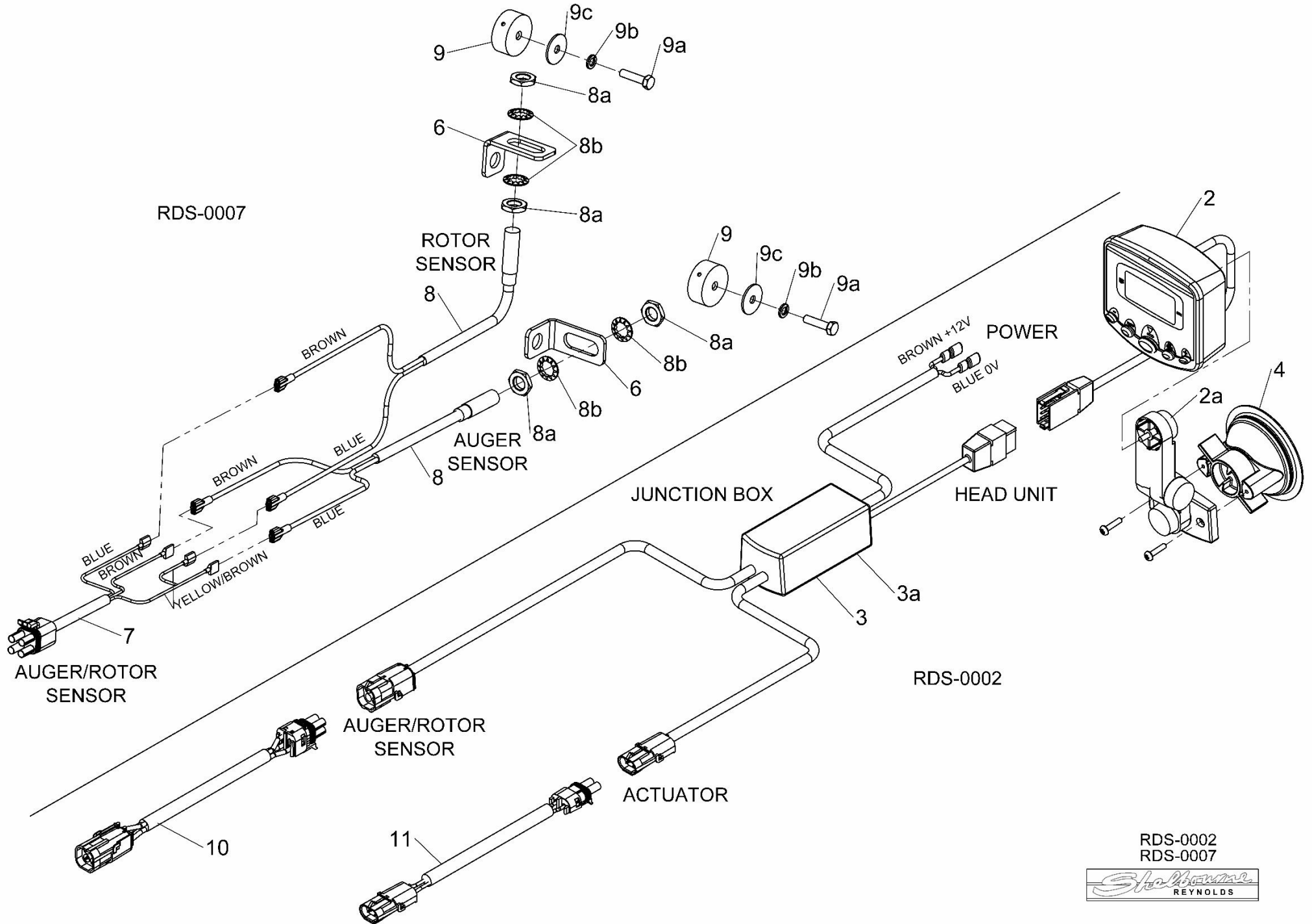
PTO-260**



Shelbourne Reynolds Engineering Limited

ASSY NUMBER: RDS-0002 & RDS-0007				ASSY DESCRIPTION: RDS EQUIPMENT VARIABLE SPEED			
ITEM	PART NO	DESCRIPTION	QTY	ITEM	PART NO	DESCRIPTION	QTY
1	RDS-0002	COMBINE TACHO HEAD KIT & LOOM V/S DRIVE, INC ITEMS 2 & 3	1				
2	RDS-0027	TACHO HEAD, INC ITEM 2a	1				
2a	RDS-0029	TACHO HEAD FIX.ARM KIT					
3	RDS-0028	JUNCTION BOX/COMBINE LEAD (VS)	1				
3a	FUS-00026	FUSE (15 AMP BLADE)					
4	LCL-01249	RAM MOUNT SUCTION CUP	1				
5	RDS-0007	HEADER LOOM & SENSOR KIT (SD) INC ITEMS 6,7,8 & 9	1				
6	198323 01	SENSOR BRACKET (SLOTTED)	2				
7	RDS-0017	HEADER LEAD	1				
8	RDS-0018	SHAFT SENSOR,INC ITEMS 8a & 8b	2				
8a	RDS-0018A	PLAIN NUT					
8b	WSHA20121	SHAKEPROOF WASHER					
9	RDS-0020	MAGNET CARRIER	2				
9a	HSS-0088	SET SCREW					
9b	WSH-0056	SPRING WASHER					
9c	WSH-1036	PENNY WASHER					
10	291913 01	AUGER/ROTOR SENSOR LOOM EXTENSION (8m)	A/R				
11	291912 01	ACTUATOR LOOM EXTENSION (8m)	A/R				

Shelbourne Reynolds Engineering Limited



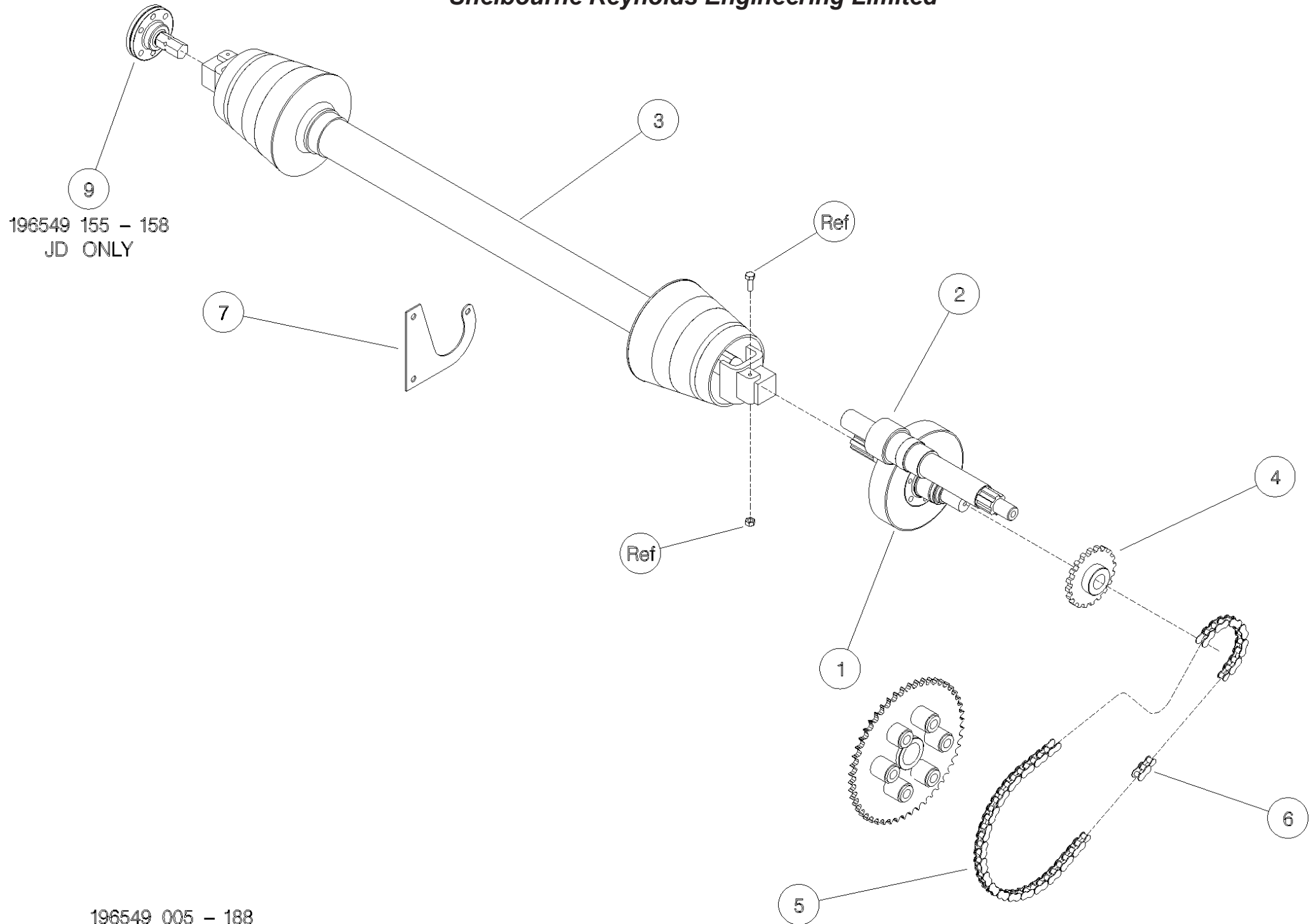
RDS-0002
RDS-0007



Drives

Shelbourne Reynolds Engineering Limited

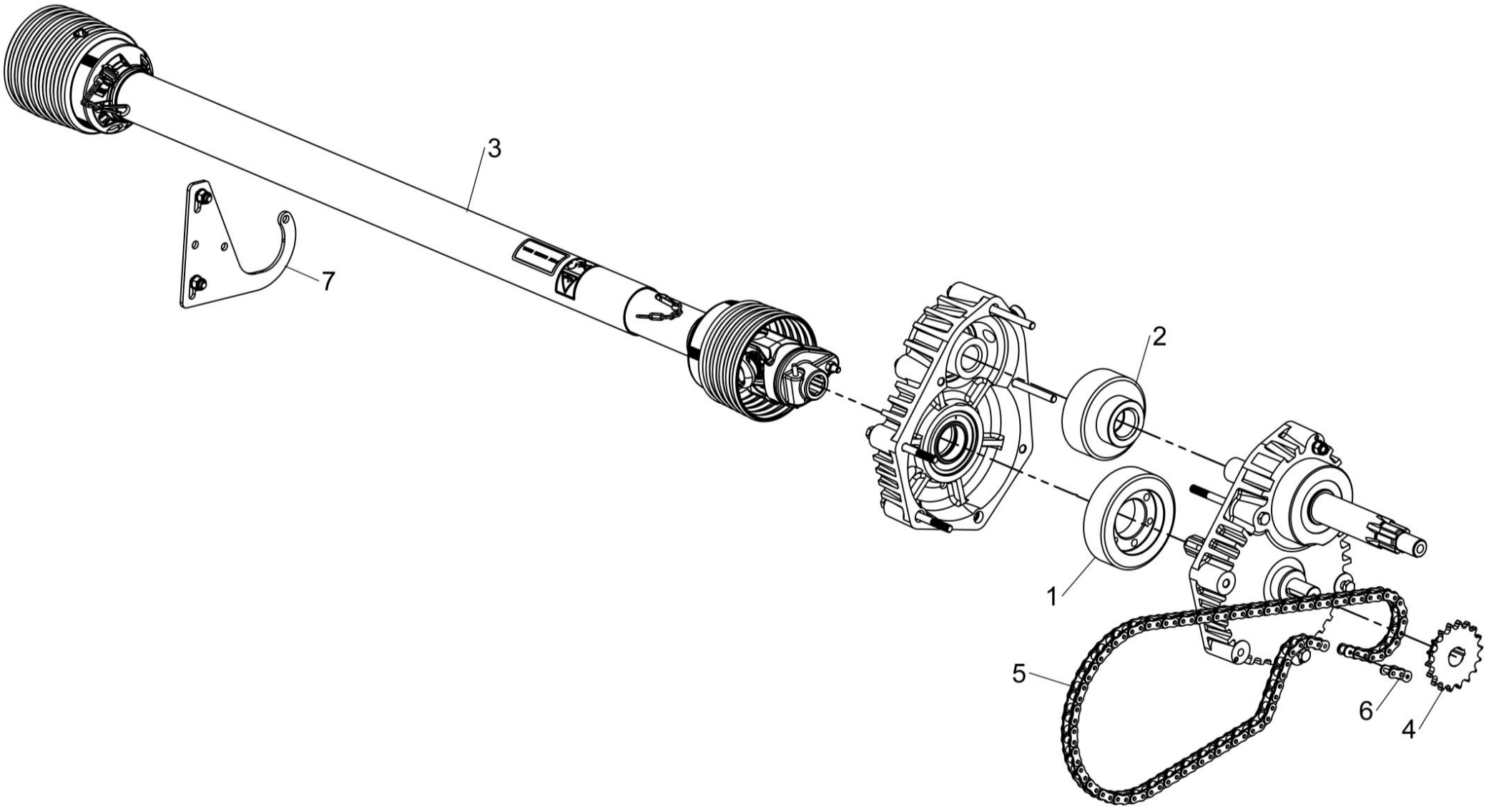
ASSY NUMBER: 196549 128				ASSY DESCRIPTION: DRIVE KIT CNH CVS/RVS/RSD/Excel (22-42')			
ITEM	PART NO	DESCRIPTION	QTY	ITEM	PART NO	DESCRIPTION	QTY
	192592 07	INPUT GEAR (45t) WITH ROTOR GEARBOX	1				
1B/E	192592 13	INPUT GEAR (33t) (2015 & ON) WITHOUT ROTOR GEARBOX	1				
OR	192592 11	INPUT GEAR (35t) (UPTO 2015) WITHOUT ROTOR GEARBOX	1				
2A	193599 07	PINION (24t) WITH ROTOR GEARBOX	1				
2B	193599 11	PINION (34t) WITHOUT ROTOR GEARBOX	1				
2E	198999 13	PINION (36t) (2015 & ON) GEARBOX WITH 65mm SHAFT	1				
OR	198999 11	PINION (34t) (UPTO 2015) GEARBOX WITH 65mm SHAFT	1				
3	PTO-26004WE	PTO	1				
3a	PTO-00080WE	PTO YOKE-COMBINE (COLLAR)					
OR	PTO-00080	PTO YOKE-COMBINE (PUSH PIN)					
3b	PTO-00083	PTO CROSS BEARING					
3c	PTO-00119	PTO SHEAR BOLT CLUTCH-HEADER					
3d	PTO-00093WE	PTO GUARD ASSY (BLACK)					
OR	PTO-00093	PTO GUARD ASSY (YELLOW)					
3e	PTO-00968	EASY LOCK GUARD CLIPS (RED)					
3g	BLTA10384	SHEARBOLT					
3h	NUT-0265	NYLOC NUT					
4	192768 16	SPROCKET (15t) (2015 & ON)	1				
OR	192768 04	SPROCKET (16t) (UPTO 2015)	1				
5	CHN-01991	CHAIN (99 LINKS PLUS JOINER)	1				
5a	CHN-01901	JOINING LINK					
6	CHN-01910	HALF LINK	A/R				
7	KIT-00931	PTO SUPPORT KIT	1				



196549 155 - 158
JD ONLY

Shelbourne Reynolds Engineering Limited

ASSY NUMBER: 196549 168				ASSY DESCRIPTION: DRIVE KIT AGCO CVS/RVS/RSD/Excel (22-42')			
ITEM	PART NO	DESCRIPTION	QTY	ITEM	PART NO	DESCRIPTION	QTY
1A	192592 07	INPUT GEAR (45t) WITH ROTOR GEARBOX	1				
1B/E	192592 13	INPUT GEAR (33t) (2015 & ON) WITHOUT ROTOR GEARBOX	1				
OR	192592 11	INPUT GEAR (35t) (UP TO 2015) WITHOUT ROTOR GEARBOX	1				
2A	193599 07	PINION (24t) WITH ROTOR GEARBOX	1				
2B	193599 11	PINION (34t) WITHOUT ROTOR GEARBOX	1				
2E	198999 13	PINION (36t) (2015 & ON) GEARBOX WITH 65mm SHAFT	1				
OR	198999 11	PINION (34t) (UP TO 2015) GEARBOX WITH 65mm SHAFT	1				
3	PTO-26001WE	PTO SHAFT	1				
3a	PTO-00082WE	PTO YOKE-COMBINE (COLLAR)					
OR	PTO-00082	PTO YOKE-COMBINE (PUSH PIN)					
3b	PTO-00083	PTO CROSS BEARING					
3c	PTO-00119	PTO SHEAR BOLT CLUTCH-HEADER					
3d	PTO-00093WE	PTO GUARD ASSY (BLACK)					
OR	PTO-00093	PTO GUARD ASSY (YELLOW)					
3e	PTO-00968	EASY LOCK GUARD CLIPS (RED)					
3g	BLTA10384	SHEARBOLT					
3h	NUT-0265	NYLOC NUT					
4	192768 16	SPROCKET	1				
5	CHN-01991	CHAIN (99 LINKS PLUS JOINER)	1				
5a	CHN-01901	JOINING LINK					
6	CHN-01910	HALF LINK	A/R				
7	KIT-00931	PTO SUPPORT KIT	1				

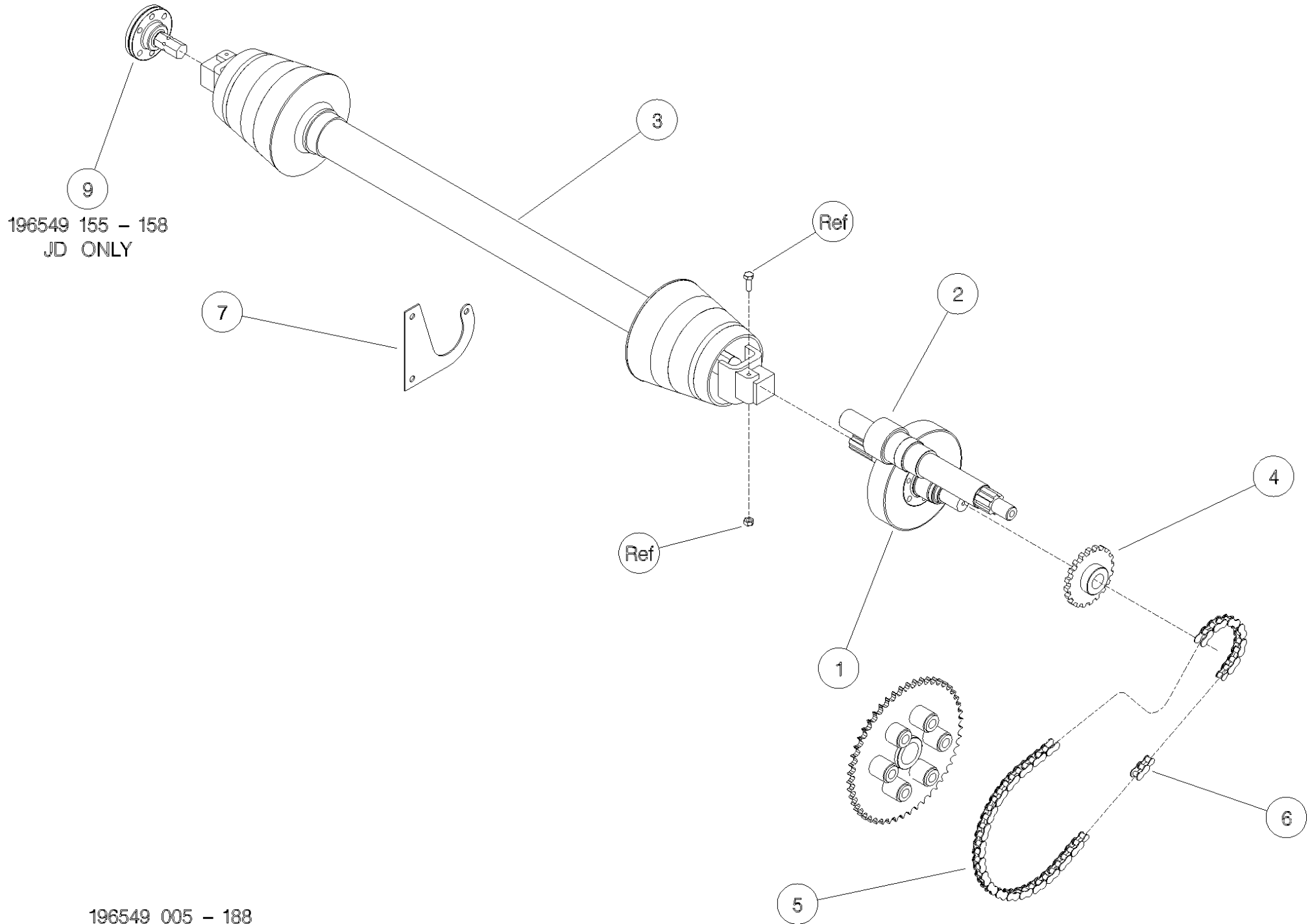


196549 168



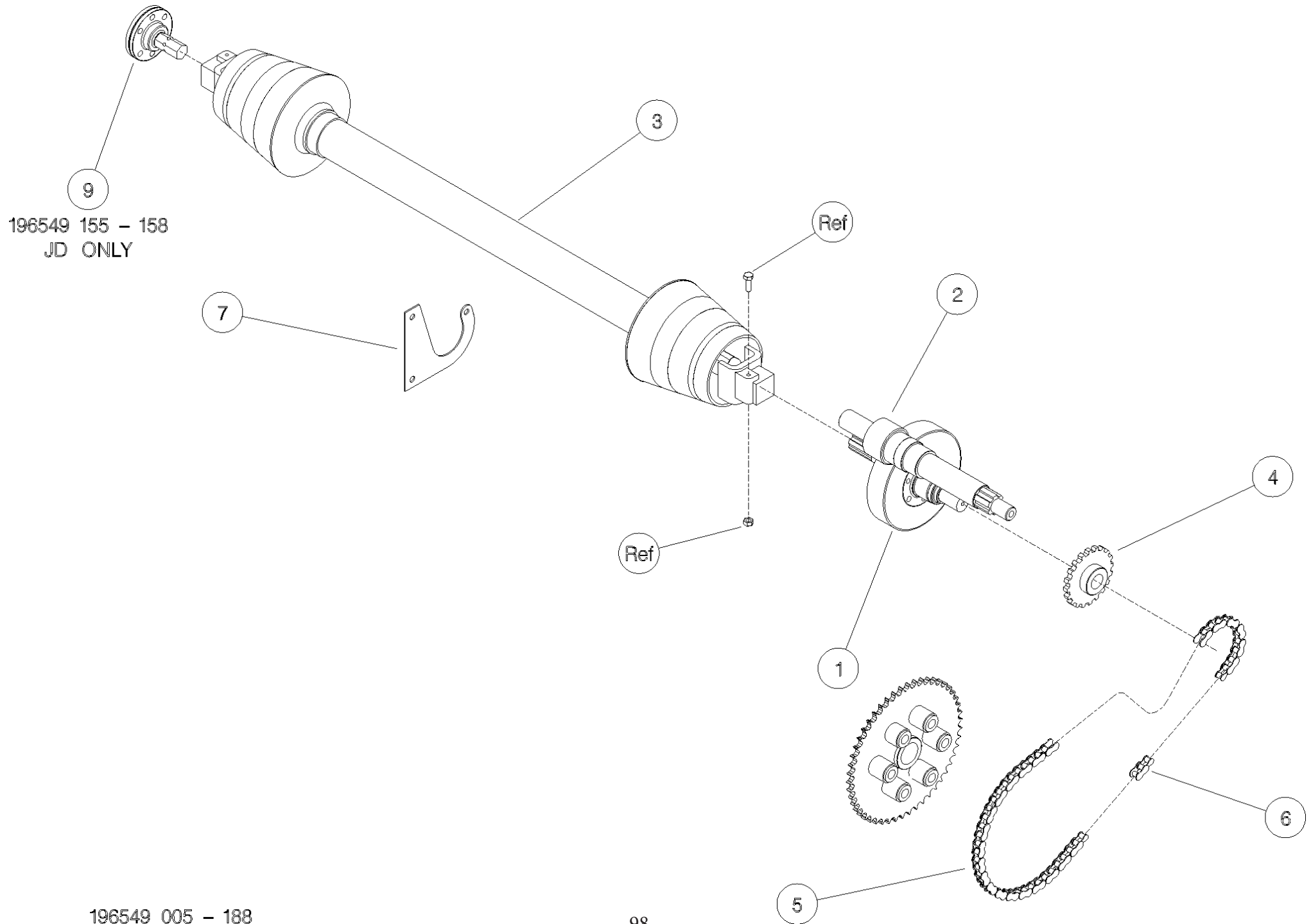
Shelbourne Reynolds Engineering Limited

ASSY NUMBER: 196549 178				ASSY DESCRIPTION: DRIVE KIT JD CVS/RVS/RSD/Excel (22'-42')			
ITEM	PART NO	DESCRIPTION	QTY	ITEM	PART NO	DESCRIPTION	QTY
1A	192592 06	INPUT GEAR (47t) WITH ROTOR GEARBOX	1				
1B/E	192592 09	INPUT GEAR (37t) WITHOUT ROTOR GEARBOX	1				
2A	193599 06	PINION (22t) WITH ROTOR GEARBOX	1				
2B	193599 09	PINION (32t) WITHOUT ROTOR GEARBOX	1				
2E	198999 09	PINION (32t) GEARBOX WITH 65mm SHAFT	1				
3	PTO-26001WE	PTO	1				
3a	PTO-00082WE	PTO YOKE-COMBINE (COLLAR)					
OR	PTO-00082	PTO YOKE-COMBINE (PUSH PIN)					
3b	PTO-00083	PTO CROSS BEARING					
3c	PTO-00119	PTO SHEAR BOLT CLUTCH-HEADER					
3d	PTO-00093WE	PTO GUARD ASSY (BLACK)					
OR	PTO-00093	PTO GUARD ASSY (YELLOW)					
3e	PTO-00968	EASY LOCK GUARD CLIPS (RED)					
3g	BLTA10384	SHEARBOLT					
3h	NUT-0265	NYLOC NUT					
4	192768 18	SPROCKET	1				
5	CHN-01991	CHAIN (99 LINKS PLUS JOINER)	1				
5a	CHN-01901	JOINING LINK					
6	CHN-01910	HALF LINK	A/R				
7	KIT-00931	PTO SUPPORT KIT	1				



Shelbourne Reynolds Engineering Limited

ASSY NUMBER: 196549 188				ASSY DESCRIPTION: DRIVE KIT CLAAS LEX C/RVS/RSD/Excel (22-42)			
ITEM	PART NO	DESCRIPTION	QTY	ITEM	PART NO	DESCRIPTION	QTY
1A	192592 01	INPUT GEAR (42t) WITH ROTOR GEARBOX	1				
1B	192592 09	INPUT GEAR (37t) WITHOUT ROTOR GEARBOX	1				
1D/E	192592 13	INPUT GEAR (33t) WITHOUT ROTOR GEARBOX	1				
2A	193599 01	PINION (27t) WITH ROTOR GEARBOX	1				
2B	193599 09	PINION (32t) WITHOUT ROTOR GEARBOX	1				
2D	193599 13	PINION (36t) WITHOUT ROTOR GEARBOX	1				
2E	198999 13	PINION (36t) GEARBOX WITH 65mm SHAFT	1				
3	PTO-26003WE	PTO (COLLAR YOKE)	1				
OR	PTO-26001WE	PTO (PUSH PIN)					
3a	PTO-00082WE	PTO YOKE-COMBINE (COLLAR)					
OR	PTO-00082	PTO YOKE-COMBINE (PUSH PIN)					
3b	PTO-00083	PTO CROSS BEARING					
3c	PTO-00119	PTO SHEAR BOLT CLUTCH-HEADER					
3d	PTO-00093WE	PTO GUARD ASSY (BLACK)					
OR	PTO-00093	PTO GUARD ASSY (YELLOW)					
3e	PTO-00968	EASY LOCK GUARD CLIPS (RED)					
3g	BLTA10384	SHEARBOLT					
3h	NUT-0265	NYLOC NUT					
4	192768 08	SPROCKET	1				
5	CHN-01991	CHAIN (99 LINKS PLUS JOINER)	1				
5a	CHN-01901	JOINING LINK					
6	CHN-01910	HALF LINK	A/R				
7	KIT-00931	PTO SUPPORT KIT	1				

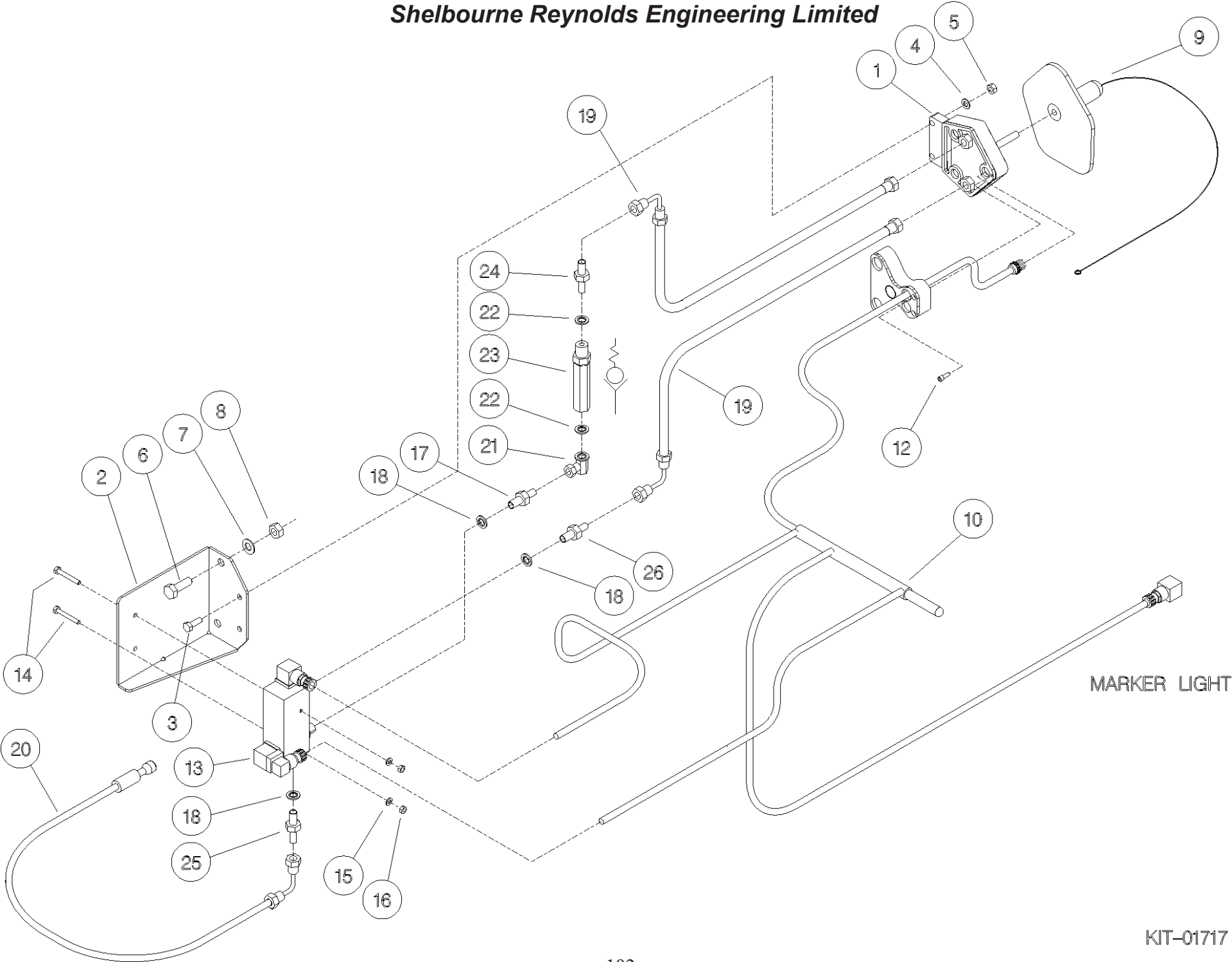


196549 155 - 158
JD ONLY

Hydraulics

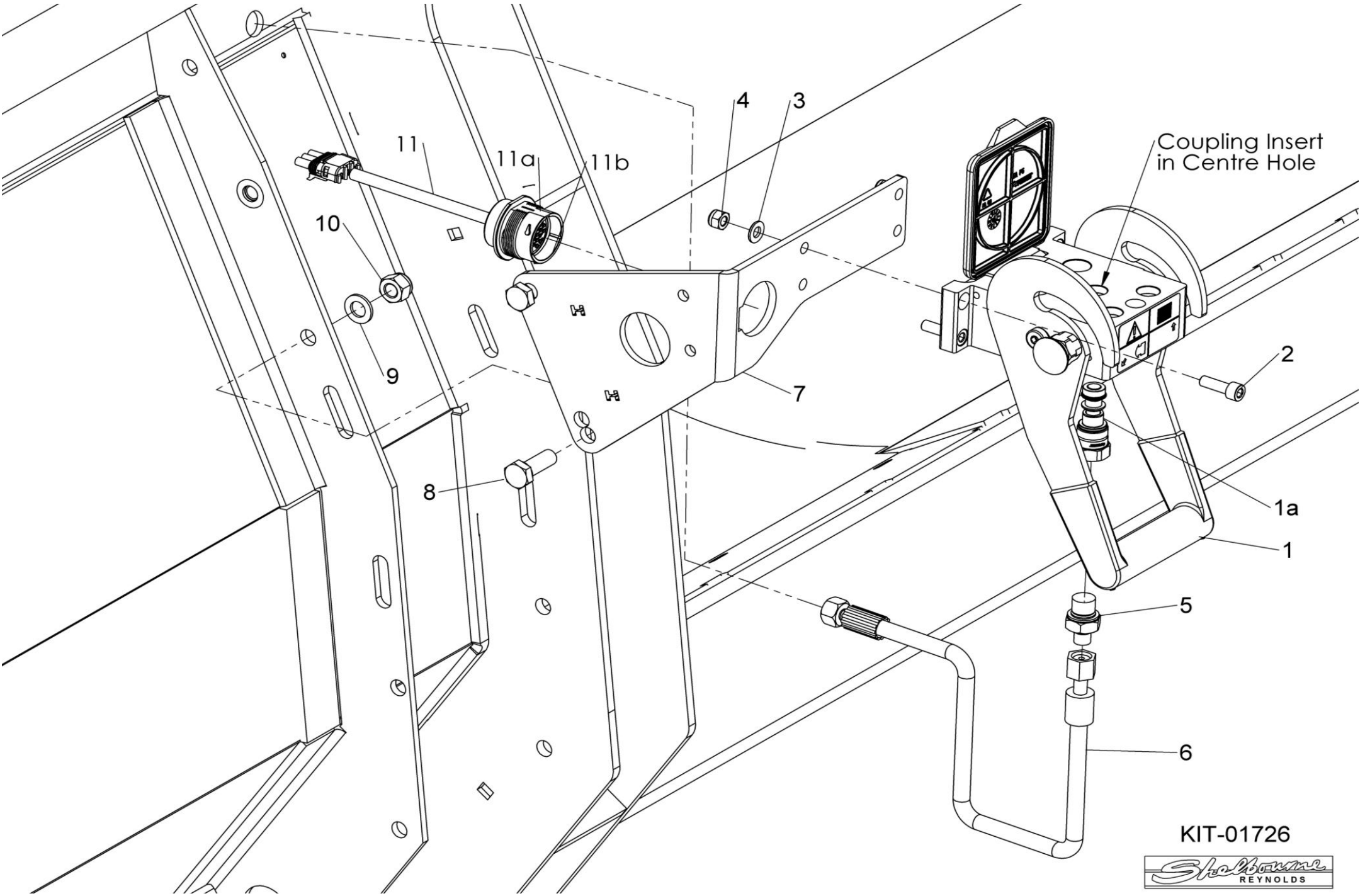
Shelbourne Reynolds Engineering Limited

ASSY NUMBER: KIT-01717				ASSY DESCRIPTION: CLAAS LEXION 400 HYD KIT			
ITEM	PART NO	DESCRIPTION	QTY	ITEM	PART NO	DESCRIPTION	QTY
1	CHP-05000	COUPLING	1	24	HMA-0052	FITTING (UP TO 2002, REF ITEM 13)	1
2	193601 01	FIXING PLATE	1	25	HAQAA0305	STRAINER FITTING (UP TO 2002, REF ITEM 13)	1
3	HSS-0150	SET SCREW	2	26	HAPAA0305	RESTRICTOR FITTING	1
4	WSH-0012	WASHER	2				
5	NUT-0263	NUT	2				
6	HSS-0238	SETSCREW	2				
7	WSH-0018	WASHER	2				
8	NUT-0269	NUT	2				
9	CHP-05005	GUARD CAP	1				
10	195076 01	WIRE LOOM ASSY(2001&ON)	1				
OR	CHP-05010	WIRE LOOM (UP TO 2001)					
11							
12	SCCA05323	CAP HEAD SCREW(2001&ON)	5				
OR	SCW-0064	CAP HEAD SCREW (UP TO 2001)					
13	HVB-12506	VALVE BLOCK (2018 & ON)					
OR	HVB-12504	VALVE BLOCK (2002-2017)	1				
OR	HVB-12501	VALVE BLOCK (UP TO 2002)					
14	BLTA06350	HEX.HEAD BOLT	2				
15	WSH-0009	WASHER	2				
16	NUT-0260	NUT	2				
17	FIT-0025	ADAPTOR (2002 & ON, REF ITEM 13) (UP TO 2002, REF ITEM 13)	2 2 1				
18	WSH-1010	DOWTY WASHER	3				
19	HHBC05010	HYDRAULIC HOSE ASSY	2				
20	HHBC08510	HYDRAULIC HOSE ASSY	1				
21	HALAA0303	FITTING (UP TO 2002, REF ITEM 13)	1				
22	WSH-1005	DOWTY WASHER (UP TO 2002, REF ITEM 13)	2				
23	HVB-20560	CHECK VALVE (UP TO 2002, REF ITEM 13)	1				



Shelbourne Reynolds Engineering Limited

ASSY NUMBER: KIT-01726				ASSY DESCRIPTION: CNH HYDRAULIC MULTICOUPLER KIT			
ITEM	PART NO	DESCRIPTION	QTY	ITEM	PART NO	DESCRIPTION	QTY
1	HQR-95010	FASTER MULTI COUPLER	1				
1a	HQR-15025	FEM COUPLING INSERT					
1b	HQR-95040	SPARE RED BUTTON KIT					
2	SCW-0136	HT CAP HEAD SCREW	4				
3	WSH-0012	PLAIN WASHER	4			COUPLING INSERT (ITEM 1a)	
4	NUT-0263	NYLOC NUT	4			FITS INTO CENTRE HOLE	
5	HAPAK0425	HYD RESTRICTOR	1				
6	HHAC07910	HYDRAULIC HOSE ASSY	1				
7	199711 01	MULTICOUPLER MTG PLT	1				
8	HSS-0241	SETSCREW	2				
9	WSH-0018	PLAIN WASHER	2				
10	NUT-0269	NYLOC NUT	2				
11	197040 01	LIGHT PLUG (IF LIGHTS FITTED)					
11a	ECN-09060	SPARE LOCK WASHER					
11b	ECN-09050	SPARE PANEL NUT					

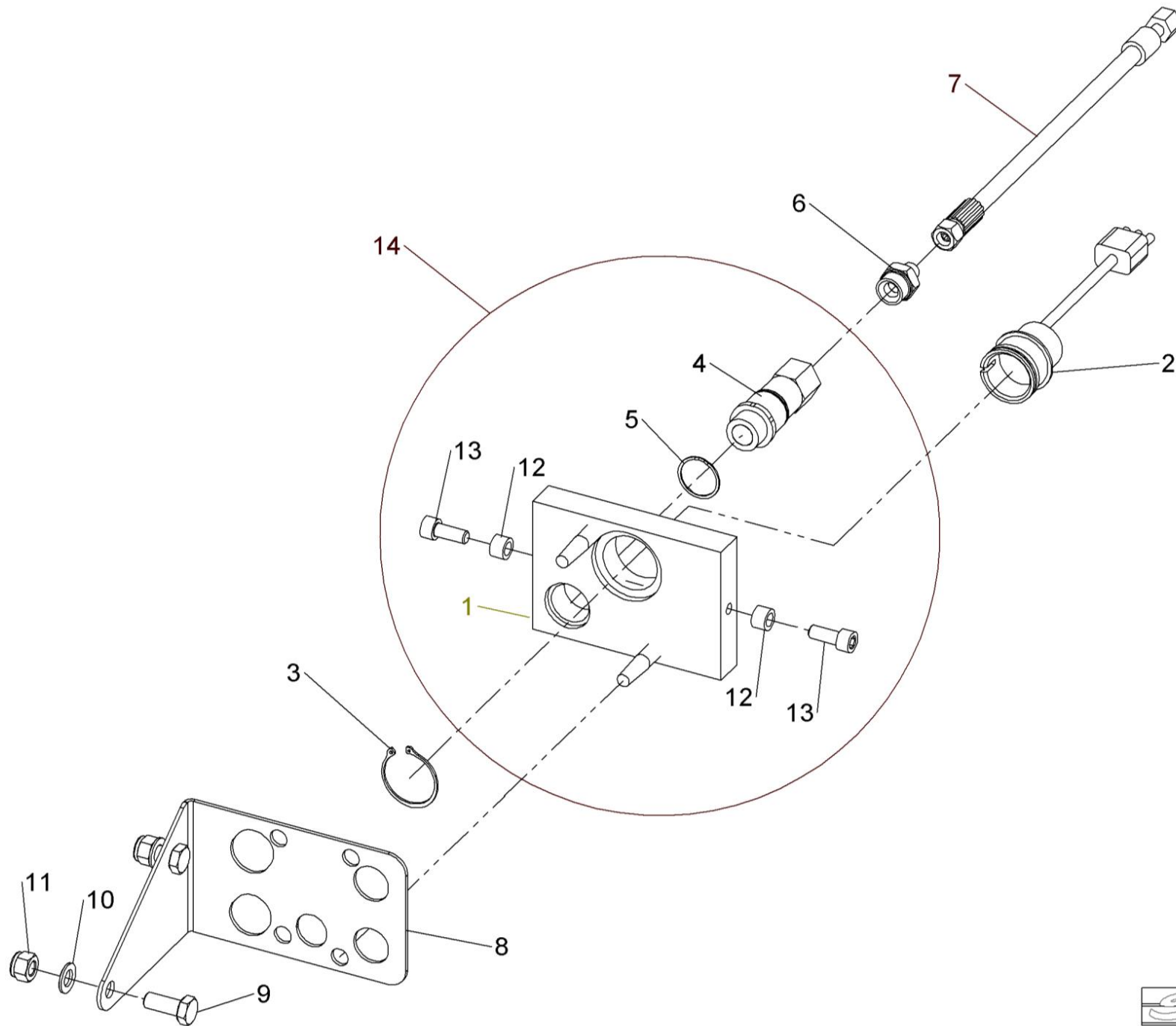


KIT-01726



Shelbourne Reynolds Engineering Limited

ASSY NUMBER: KIT-01727				ASSY DESCRIPTION: JOHN DEERE HYD MULTICOUPLER KIT			
ITEM	PART NO	DESCRIPTION	QTY	ITEM	PART NO	DESCRIPTION	QTY
1	197145 01	ELEC/HYD COUPLER PLT (1 HOLE)	1				
2	197146 01	LOOM & PLUG ASSY JD MULTI	1				
3	CIR-0450	EXTERNAL CIRCLIP	1				
4	HQR-13027	COUPLER (FLAT FACE)	1				
4a	VSK-00120	SEAL KIT FOR HQR-13027	A/R				
5	CLP-00230	SNAP RING	1				
6	HMA-0114	HYD ADAPT	1				
7	HHAC12010	HYD HOSE ASSY	1				
8	197766 01	PARKING BRACKET	1				
9	HSS-0238	BOLT	2				
10	WSH-0018	PLAIN WASHER	2				
11	NUT-0269	NYLOC NUT	2				
12	197248 01	LOCATING BOSS (UPTO MID 2014)	2				
13	SCW-0190	SOC HD SCREW (UPTO MID 2014)	2				
14	HQR-93000	JD MULTICOUPLER ASSY (ITEMS 1, 4, 5, 12&13)	1				

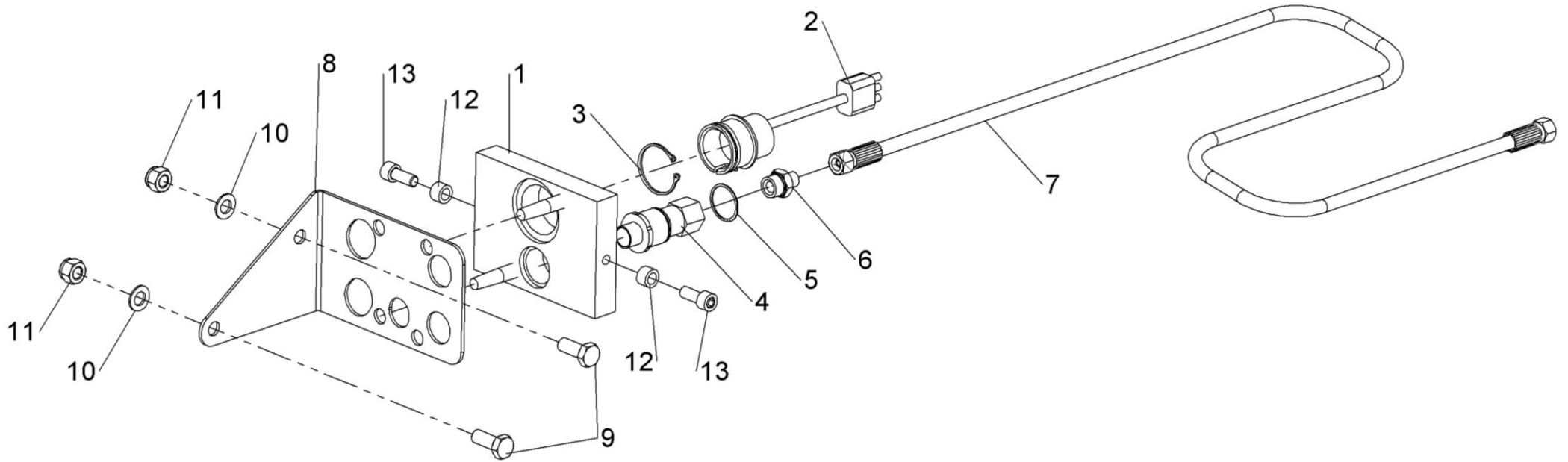


KIT-01727



Shelbourne Reynolds Engineering Limited

ASSY NUMBER: KIT-01731				ASSY DESCRIPTION: AGCO HYDRAULIC MULTICOUPLER KIT			
ITEM	PART NO	DESCRIPTION	QTY	ITEM	PART NO	DESCRIPTION	QTY
1	197812 01	HYD COUPLER PLT ASSY (1 PORT)	1				
2	198278 01	LOOM & PLUG ASSY AGCO	1				
3	CIR-0450	EXTERNAL CIRCLIP	1				
4	HQR-13026	COUPLING	1				
5	CLP-00230	SNAP RING	1				
6	HAAAK0327	HYDRAULIC FITTING	1				
7	HHAC12010	HYDRAULIC HOSE ASSY	1				
8	197766 01	PARKING BRACKET	1				
9	HSS-0238	BOLT	2				
10	WSH-0018	PLAIN WASHER	2				
11	NUT-0269	NYLOC NUT	2				
12	197248 01	LOCATING BOSS	2				
13	SCW-0190	SOCKET CAP HEAD SCREW	2				

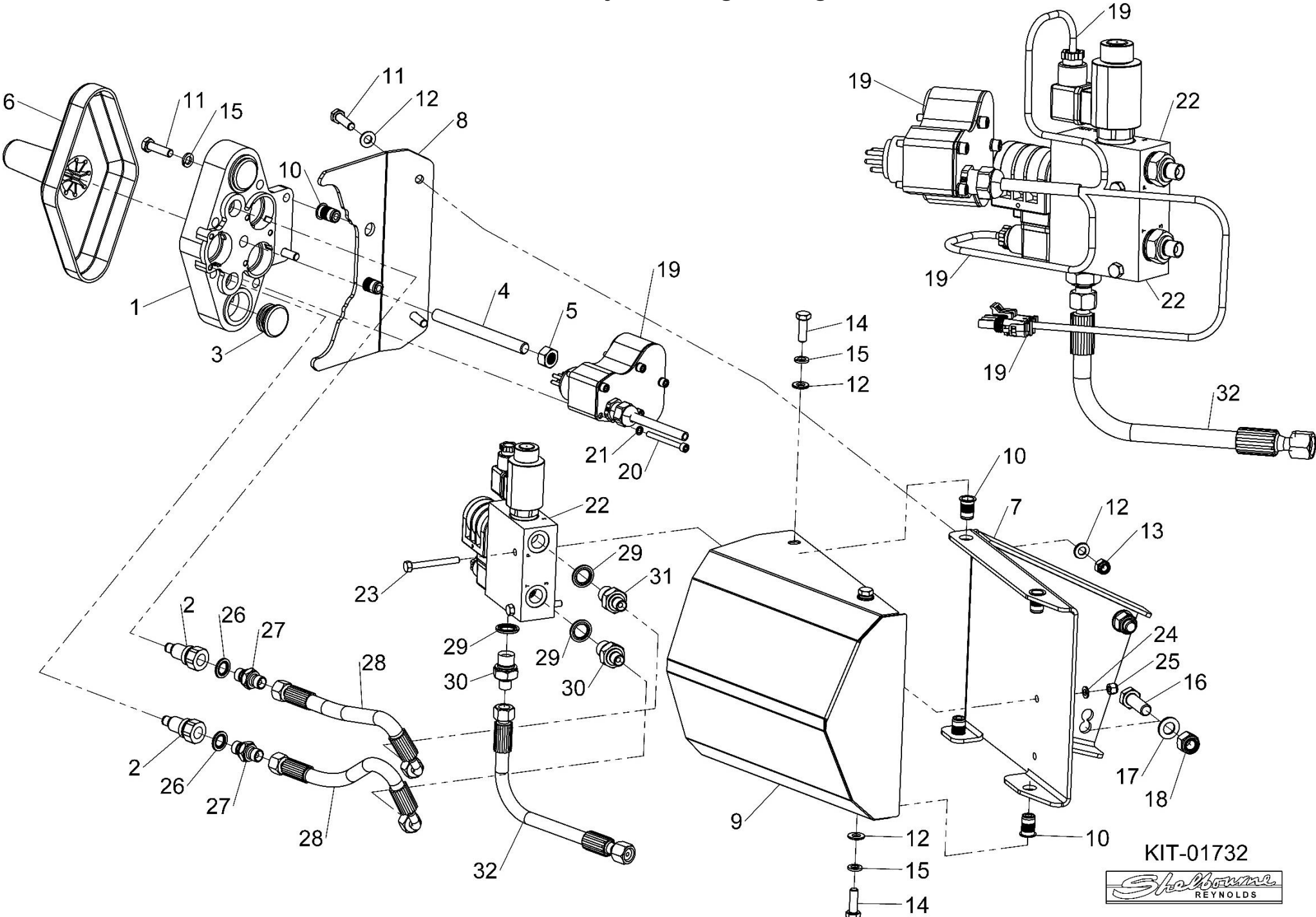


KIT-01731



Shelbourne Reynolds Engineering Limited

ASSY NUMBER: KIT-01732				ASSY DESCRIPTION: CLAAS LEXION HYD MULTICOUPLER KIT			
ITEM	PART NO	DESCRIPTION	QTY	ITEM	PART NO	DESCRIPTION	QTY
1	CHP-05041	MULTICOUPLER HOUSING	1				
2	CHP-05042	MALE HYD COUPLING	2				
3	PTF-00134	PLASTIC CAP INSERT	2				
4	290835 01	THREADED ROD	1				
5	NUT-0170	PLAIN NUT	1				
6	CHP-05045	COUPLING COVER	1				
7	290883 01	VALVE PLATE	1				
8	290884 01	COUPLER PLATE	1				
9	290885 01	COVER	1				
10	NUTA13087	NUTSERT	6				
11	HSS-0150	SET SCREW	4				
12	WSH-0012	WASHER	8				
13	NUT-0263	NYLOC NUT	2				
14	HSS-0145	SET SCREW	4				
15	WSH-0058	SPRING WASHER	6				
16	HSS-0241	SETSCREW	2				
17	WSH-0018	PLAIN WASHER	2				
18	NUT-0269	NYLOC NUT	2				
19	195076 01	WIRE LOOM ASSY	1				
20	SCCA05323	CAP SOCKET HEAD SCREW	5				
21	WSH-0054	SPRING WASHER	5				
22	HVB-12506	DUAL SOLENOID CONTROL VALVE	1				
23	BLTA06350	HEX.HEAD BOLT	2				
24	WSH-0009	PLAIN WASHER	2				
25	NUT-0260	NYLOC NUT	2				
26	WSH-1005	DOWTY WASHER	2				
27	HMA-0052	FITTING	2				
28	HHBC02505	HYDRAULIC HOSE ASSY	2				
29	WSH-1010	DOWTY WASHER	3				
30	FIT-0025	FITTING	2				
31	HAPAA0405	RESTRICTOR.	1				
32	HHAC07910	HYDRAULIC HOSE ASSY	1				

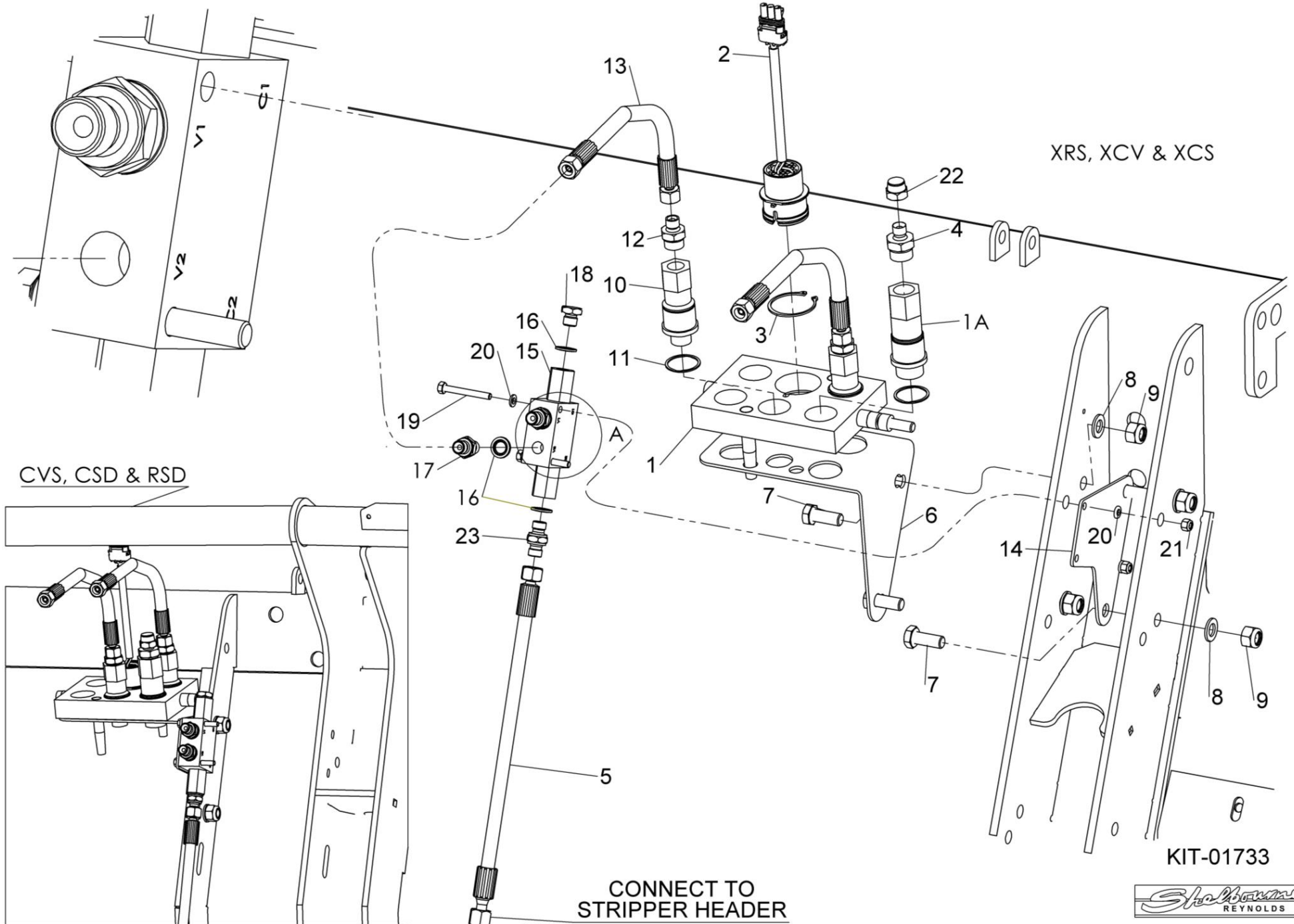


KIT-01732



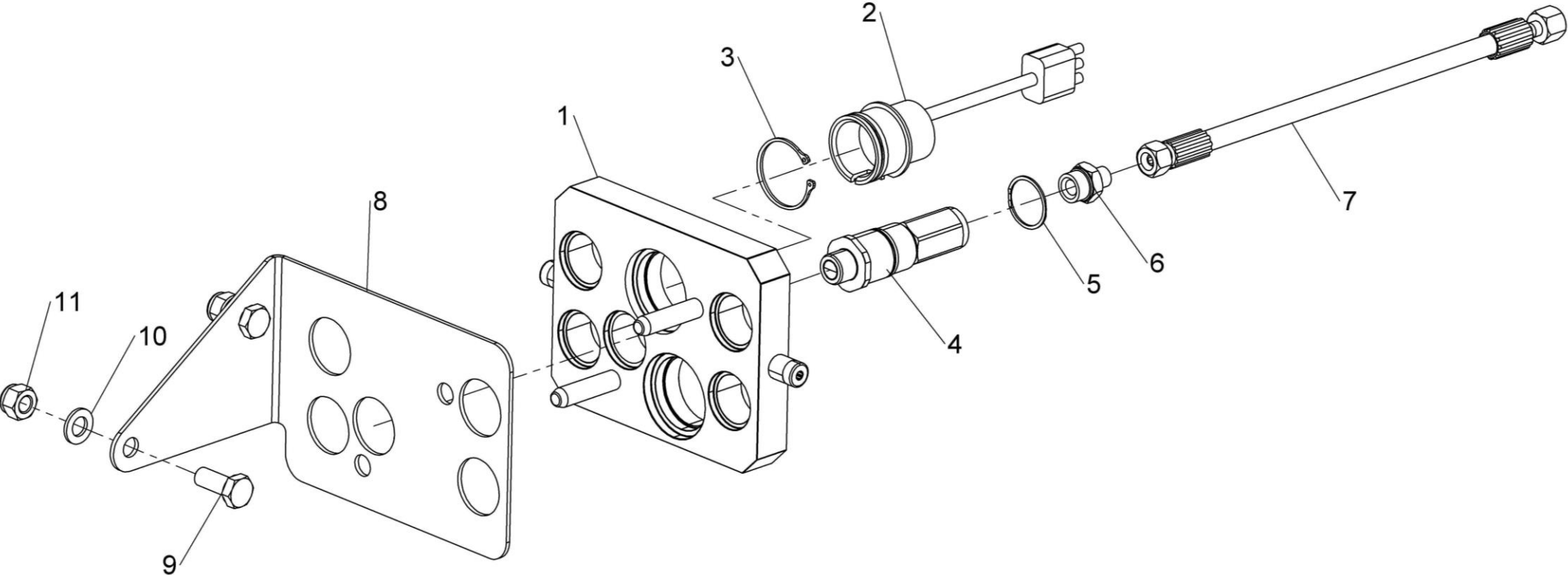
Shelbourne Reynolds Engineering Limited

ASSY NUMBER: KIT-01733				ASSY DESCRIPTION: JD S SERIES VARIABLE FEEDER HYD KIT			
ITEM	PART NO	DESCRIPTION	QTY	ITEM	PART NO	DESCRIPTION	QTY
1	HQR-93000	JD MULTICOUPLER ASSY (PARKER)	1				
1a	HQR-13027	COUPLER (UP TO 2022)				ITEM 2 ELECTRIC PLUG, CONNECT	
OR	HQR-93000X	JD MULTICOUPLER PLATE (FASTER)	1			WHITE (4) & YELLOW (28) = CORN HEAD	
2	291794 01	JD LOOM & PLUG (CORN HEAD)	1				
OR	197146 01	JD LOOM & PLUG (RIGID HEADER)	1			(REF. WHITE (4) & GREEN (16)= RIGID	
OR	-	LOOM & PLUG NOT REQUIRED ON JD X9				HEADER)	
3	CIR-0450	EXT CIRCLIP	1				
4	HMA-0114	HYD ADAPT (UPTO 2022)	1			REMOVE EXTRA COUPLER 1a (REEL	
5	HHAC07910	HYD HOSE	1			RAISE/LOWER) FROM ITEM 1	
6	197766 01	PARKING BRACKET	1				
7	HSS-0238	SET SCREW	4				
8	WSH-0018	PLAIN WASHER	8				
9	NUT-0269	NYLOC NUT	4			FOR JD X9 USE KIT-01733B, DOES NOT	
10	HQR-13026	COUPLER (PARKER)	2			INCLUDE ITEMS 2 & 3	
OR	HQR-13026A	COUPLER (FASTER) INC CIRCLIP	2				
11	CLP-00230	SNAP RING (PARKER)	2			FOR JD X9 ALSO SUPPLY KIT-01737,	
12	HAAAK0327	HYD ADAPT	2			HYDRAULIC LOOM KIT	
13	HHAC12005	HYD HOSE	1				
14	291792 01	VALVE MOUNTING PLATE	1				
15	HVB-27000	PO CHECK VALVE	4				
16	WSH-1005	DOWTY WASHER	2				
17	HMA-0052	HYD ADAPT	1				
18	FITC00303	BLANKING PLUG	2				
19	BLTA06320	BOLT	2				
20	WSH-0009	PLAIN WASHER	2				
21	NUT-0260	NYLOC NUT	1				
22	FITC00403	BLANKING CAP (UPTO 2022)	1				
23	HAPAA0302	HYD RESTRICTOR	1				



Shelbourne Reynolds Engineering Limited

ASSY NUMBER: KIT-01735				ASSY DESCRIPTION: AGCO IDEAL HYDRAULIC MULTICOUPLER KIT			
ITEM	PART NO	DESCRIPTION	QTY	ITEM	PART NO	DESCRIPTION	QTY
1	HQR-93100	IDEAL MULTICOUPLER HOUSING	1				
2	198278 01	LOOM & PLUG ASSY AGCO	1				
3	CIR-0450	EXTERNAL CIRCLIP	1				
4	HQR-13026A	COUPLING	1				
5	CLP-00230	SNAP RING	1				
6	HAAAK0327	HYDRAULIC FITTING	1				
7	HHAC12010	HYDRAULIC HOSE ASSY	1				
8	292127 01	PARKING BRACKET	1				
9	HSS-0238	BOLT	2				
10	WSH-0018	PLAIN WASHER	2				
11	NUT-0269	NYLOC NUT	2				

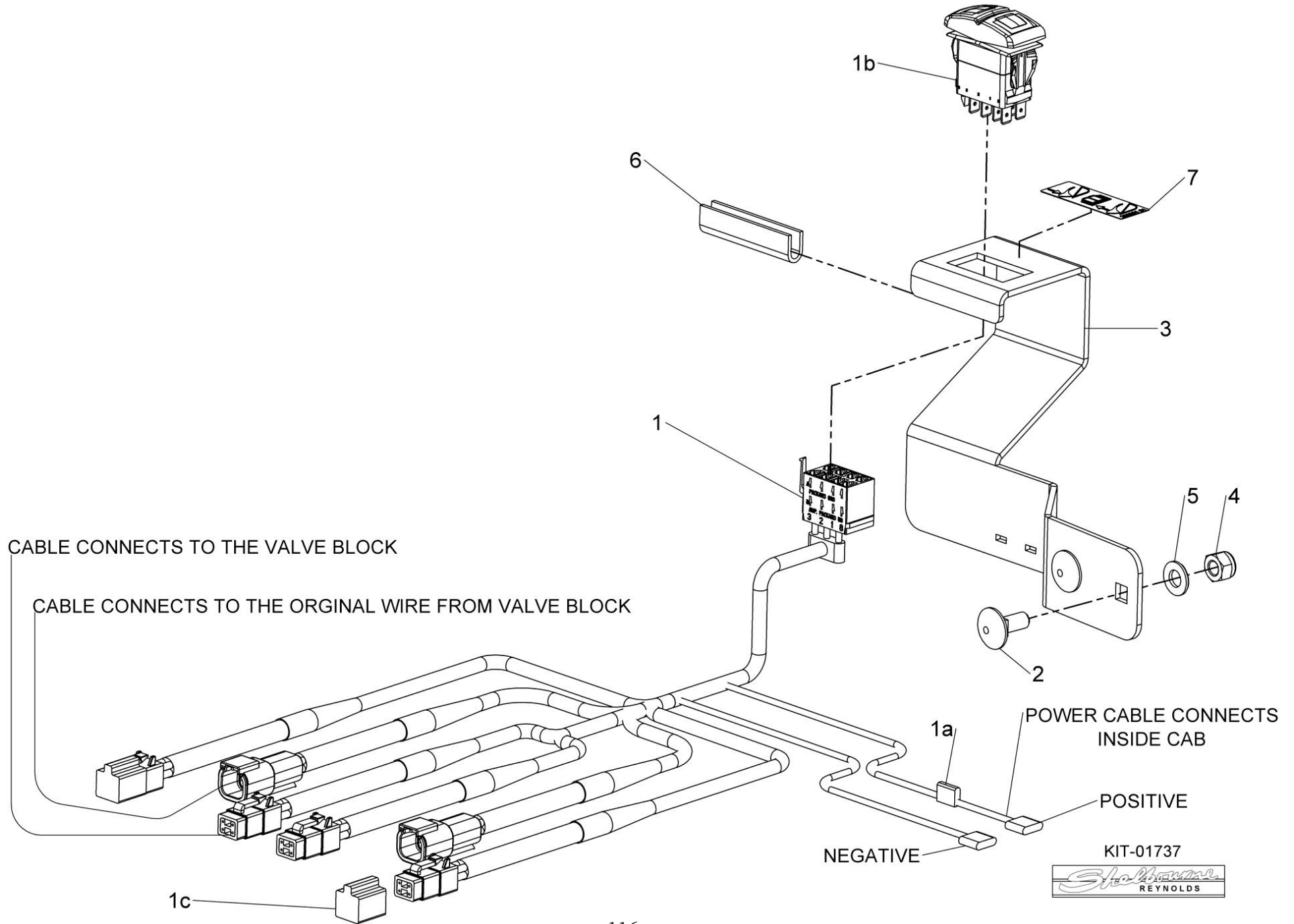


KIT-01735



Shelbourne Reynolds Engineering Limited

ASSY NUMBER: KIT-01737				ASSY DESCRIPTION: JD X9 HYD LOOM KIT			
ITEM	PART NO	DESCRIPTION	QTY	ITEM	PART NO	DESCRIPTION	QTY
1	292995 01	JD X9 HYD LOOM	1				
1a	FUS-0022	FUSE	1				
1b	SWT-00520	SWITCH	1				
1c	DIO-01005	LOOM CAP	2				
2	BLT-4710	COACH BOLT	2				
3	292986 01	SWITCH PLATE	1				
4	NUT-0263	NYLOC NUT	2				
5	WSH-0012	PLAIN WASHER	2				
6	EDS-11400	PVC EDGING STRIP	0.06m				
7	293081 01	CROP DEFLECTOR SWITCH STICKER	1				

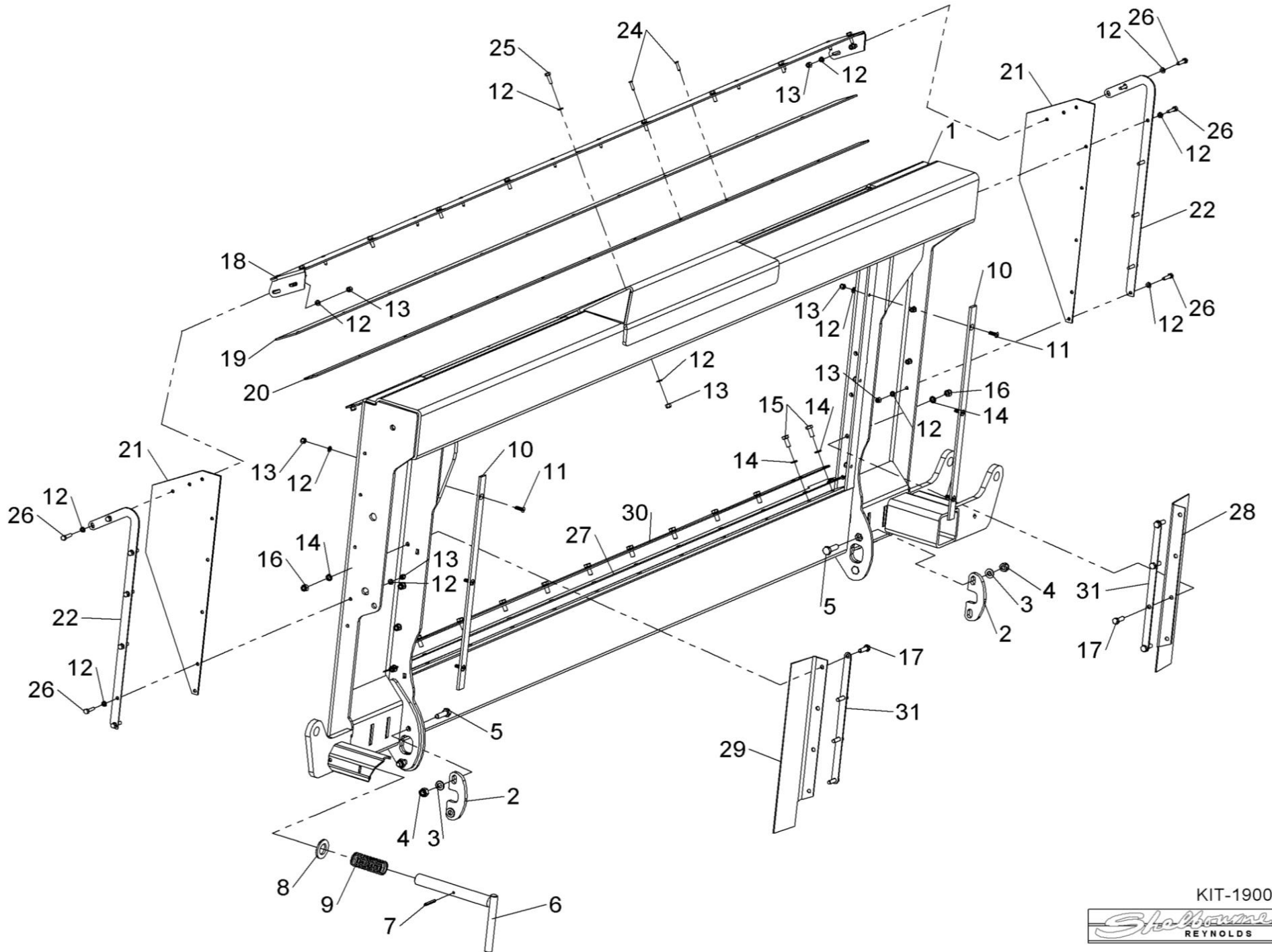


Adaptor Plates

Shelbourne Reynolds Engineering Limited

ASSY NUMBER: KIT-19002				ASSY DESCRIPTION: JD ADAPTOR PLATE			
ITEM	PART NO	DESCRIPTION	QTY	ITEM	PART NO	DESCRIPTION	QTY
1	198377 01	JD ADAPTOR W/A (2011 & ON)	1				
2	198521 01	PIN HOLE PLATE	2				
3	WSE-0015	PLAIN WASHER	4				
4	NUT-0265	NYLOC NUT	4				
5	HSS-0198	SETScrew	4				
6	199467 01	LOCKING PIN (25mm) (2013 & ON)	1				
OR	198620 01	LOCKING PIN (19mm) (UPTO 2013)	1				
7	PIN-1775	ROLL PIN	1				
8	WSE-0036	PLAIN WASHER (25mm PIN)	1				
OR	WSE-0030	PLAIN WASHER (19mm PIN)	1				
9	SPGC32925	COMPRESSION SPRING (25mm PIN)	1				
OR	SPGC32355	COMPRESSION SPRING (19mm PIN)	1				
10	197208 01	PACKER PLATE	2				
11	SCW-1580	CSK SOCKET HD SCW	6				
12	WSE-0009	PLAIN WASHER	52				
13	NUT-0260	NYLOC NUT	29				
14	WSE-0058	SPRING WASHER	14				
15	HSS-0140	SETScrew	12				
16	NUT-0263	NYLOC NUT	8				
17	HSS-0145	BOLT	8				
18	199476 01	FRONT SEAL PLATE (2013 & ON)	1				
OR	199195 01	FRONT SEAL PLATE (2012 ONLY)	1				
OR	198719 01	FRONT SEAL PLATE (UPTO 2012)	1				
19	199159 01	TOP SEAL STRIP (2012 & ON)	1				
OR	198711 01	TOP SEAL STRIP (UPTO 2012)	1				
20	198715 01	CLAMP STRIP	1				
21	198717 01	SIDE SEAL	2				
22	199479 01	SEAL CLAMP	2				
23	WSE-0012	PLAIN WASHER	6				
24	POP-0006	POP RIVET	12				
25	HSS-0086	SETScrew	9				
26	HSS-0088	SETScrew	14				
27	198921 01	BOTTOM SEAL PLT (2011 & ON)	1				
28	198922 01	LH SEAL PLT (2011 & ON)	1				
29	198922 02	RH SEAL PLT (2011 & ON)	1				
30	198988 01	BOTTOM CLAMP STRIP	1				
31	198987 01	SIDE CLAMP STRIP	2				

THIS KIT ONLY FITS HOOK STYLE FACEPLATES AND NOT OLDER CLAMP HOOK STYLE, CONTACT YOUR JD DEALER FOR UPDATE KIT



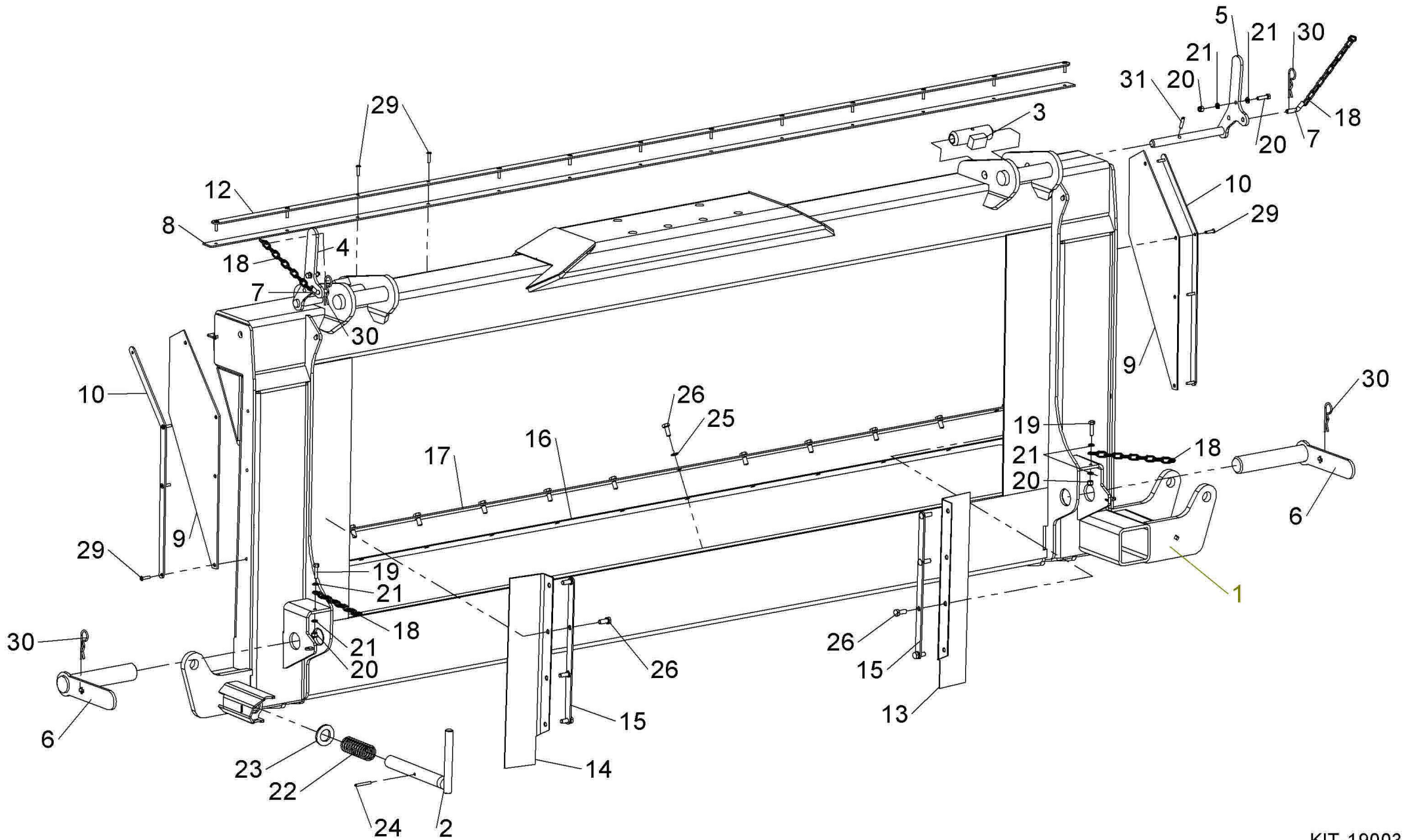
KIT-19002



Shelbourne Reynolds Engineering Limited

ASSY NUMBER: KIT-19003				ASSY DESCRIPTION: CLAAS LEXION ADAPTOR PLT KIT			
ITEM	PART NO	DESCRIPTION	QTY	ITEM	PART NO	DESCRIPTION	QTY
1	198375 01	LEXION ADAPTOR W/A (2011 & ON)	1				
2	199467 01	LOCKING PIN (2012 & ON)	1				
OR	198620 01	LOCKING PIN (UPTO 2012)	1				
3	193154 01	TOP LOCK	2				
4	193153 01	TOP LOCKING LEVER LH	1				
5	193153 02	TOP LOCKING LEVER RH	1				
6	198656 01	LOCKING PIN W/A	2				
7	195878 01	LOCKING HANDLE ASSY	2				
8	198711 01	TOP SEAL STRIP	1				
9	290148 01	SIDE SEAL (RIVET) (2016 & ON)	2				
OR	198712 01	SIDE SEAL (BOLT) (UPTO 2016)	2				
10	290149 01	CLAMP STRIP (RIVET) (2016 & ON)	2				
OR	198713 01	CLAMP STRIP (BOLT) (UPTO 2016)	2				
11	198714 01	CLAMP STRIP (UPTO 2016)	2				
12	290538 01	CLAMP STRIP (2018 & ON)	2				
OR	198715 01	CLAMP STRIP (UPTO 2018)	1				
13	198922 01	SIDE SEAL (2011 & ON)	1				
14	198922 02	SIDE SEAL (2011 & ON)	1				
15	198987 01	SIDE CLAMP STRIP (2011 & ON)	2				
16	198986 01	PVC SEAL STRIP (2011 & ON)	1				
17	198989 01	CLAMP STRIP (2011 & ON)	1				
18	CHN-0145	CHAIN	0.17m				
18	CHN-0145	CHAIN	0.17m				
18	CHN-0145	CHAIN	0.17m				
18	CHN-0145	CHAIN	0.17m				
19	HSS-0088	HEX HD BOLT	4				
20	NUT-0260	NYLOC NUT	4				
21	WSH-0009	PLAIN WASHER	8				
22	SPGC32925	COMPRESSION SPRING (2012 & ON)	1				
OR	SPGC32355	COMPRESSION SPRING (UPTO 2012)	1				
23	WSH-0036	PLAIN WASHER (2012 & ON)	1				
OR	WSH-0030	PLAIN WASHER (UPTO 2012)	1				
24	PIN-1775	ROLL PIN	1				
25	WSH-0058	SPRING WASHER (2011 & ON)	20				
26	HSS-0140	SETSCREW (2011 & ON)	20				
27	NUT-0263	NYLOC NUT (UPTO 2016)	6				
28	WSH-0012	PLAIN WASHER (UPTO 2016)	6				
29	POP-0006	POP RIVET	22				
30	CLP-00103	R CLIP	4				
31	PIN-1923	ROLL PIN	2				

Shelbourne Reynolds Engineering Limited

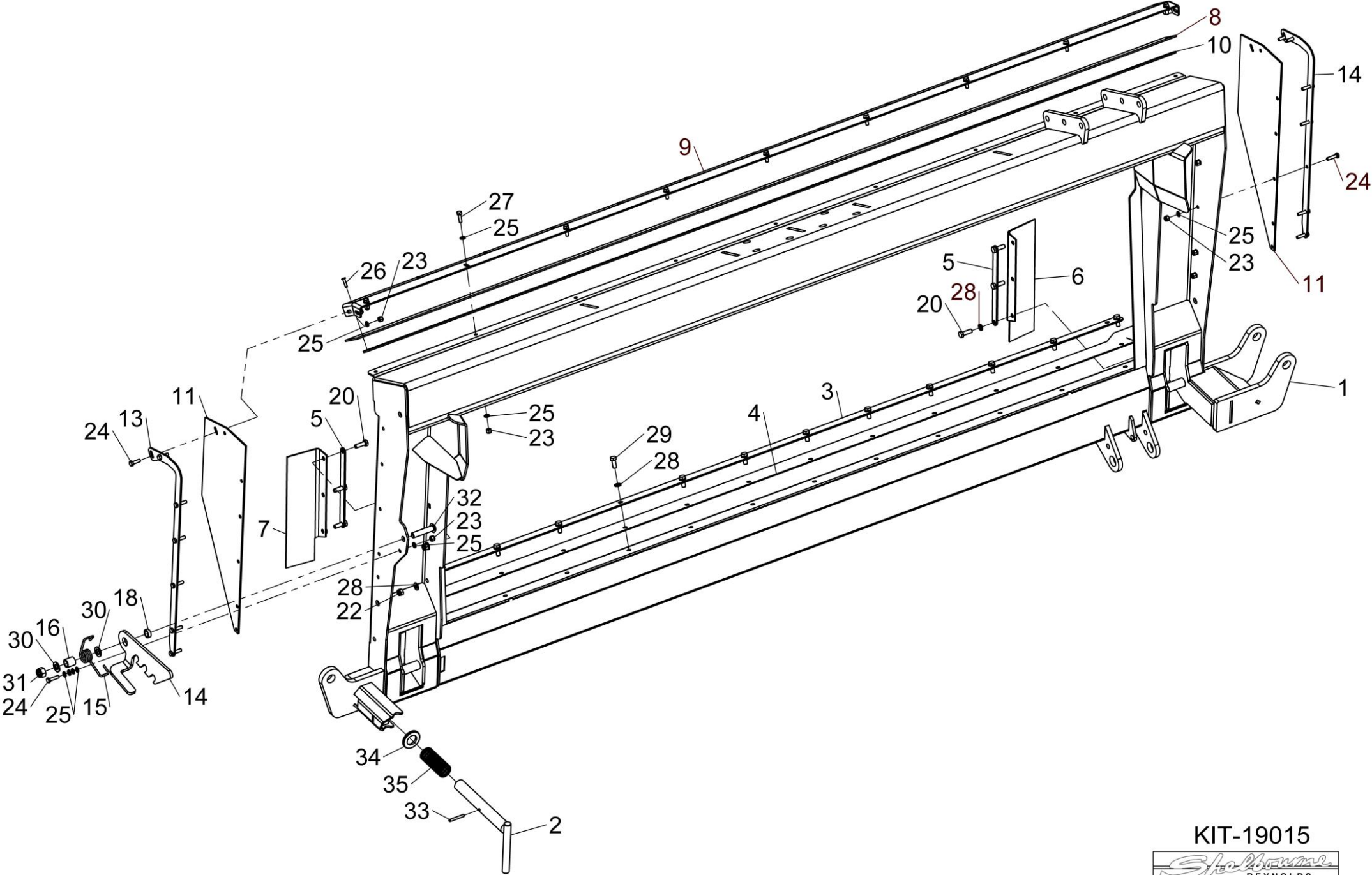


KIT-19003



Shelbourne Reynolds Engineering Limited

SSY NUMBER: KIT-19015				ASSY DESCRIPTION: CNH ADAPTOR PLATE			
ITEM	PART NO	DESCRIPTION	QTY	ITEM	PART NO	DESCRIPTION	QTY
1	199199 01	CNH ADAPTOR PLT W/A	1				
2	199467 01	LOCKING PIN (25mm)	1				
OR	198620 01	LOCKING PIN (19mm)	1				
3	198989 01	METAL STRIP	1				
4	198986 01	RUBBER STRIP	1				
5	198987 02	SIDE CLAMP STRIP	2				
6	199513 01	SIDE SEAL	1				
7	199513 02	SIDE SEAL	1				
8	199159 01	TOP SEAL STRIP	1				
9	199750 01	RUBBER FIXING PLT (2014 & ON)	1				
OR	199227 01	RUBBER FIXING PLT (UPTO 2014)					
10	198715 01	CLAMP STRIP	1				
11	199228 01	SIDE SEAL	2				
12							
13	199226 01	AROUND HD PLT	2				
14	198802 01	LOCKING PLATE	1				
15	198807 01	TORSION SPRING	1				
16	198811 01	SPACER TUBE	1				
17							
18	198789 01	SPACER TUBE	1				
19							
20	HSS-0145	SETSCREW	6				
21	WSH-0012	PLAIN WASHER	6				
22	NUT-0263	NYLOC NUT	6				
23	NUT-0260	NYLOC NUT	24				
24	HSS-0088	SETSCREW	11				
25	WSH-0009	PLAIN WASHER	37				
26	POP-0006	POP RIVET	13				
27	HSS-0086	SETSCREW	13				
28	WSH-0058	SPRING WASHER	14				
29	HSS-0140	SETSCREW	12				
30	WSH-0018	PLAIN WASHER	2				
31	NUT-0269	NYLOC NUT	1				
32	SCBA12350	BUTTON HEAD SCREW (1				
33	PIN-1775	ROLL PIN	1				
34	WSH-0036	PLAIN WASHER (25mm PIN)	1				
OR	WSH-0030	PLAIN WASHER (19mm PIN)	1				
35	SPGC32925	COMPRESSION SPRING (25mm PIN)	1				
OR	SPGC32355	COMPRESSION SPRING (19mm PIN)	1				

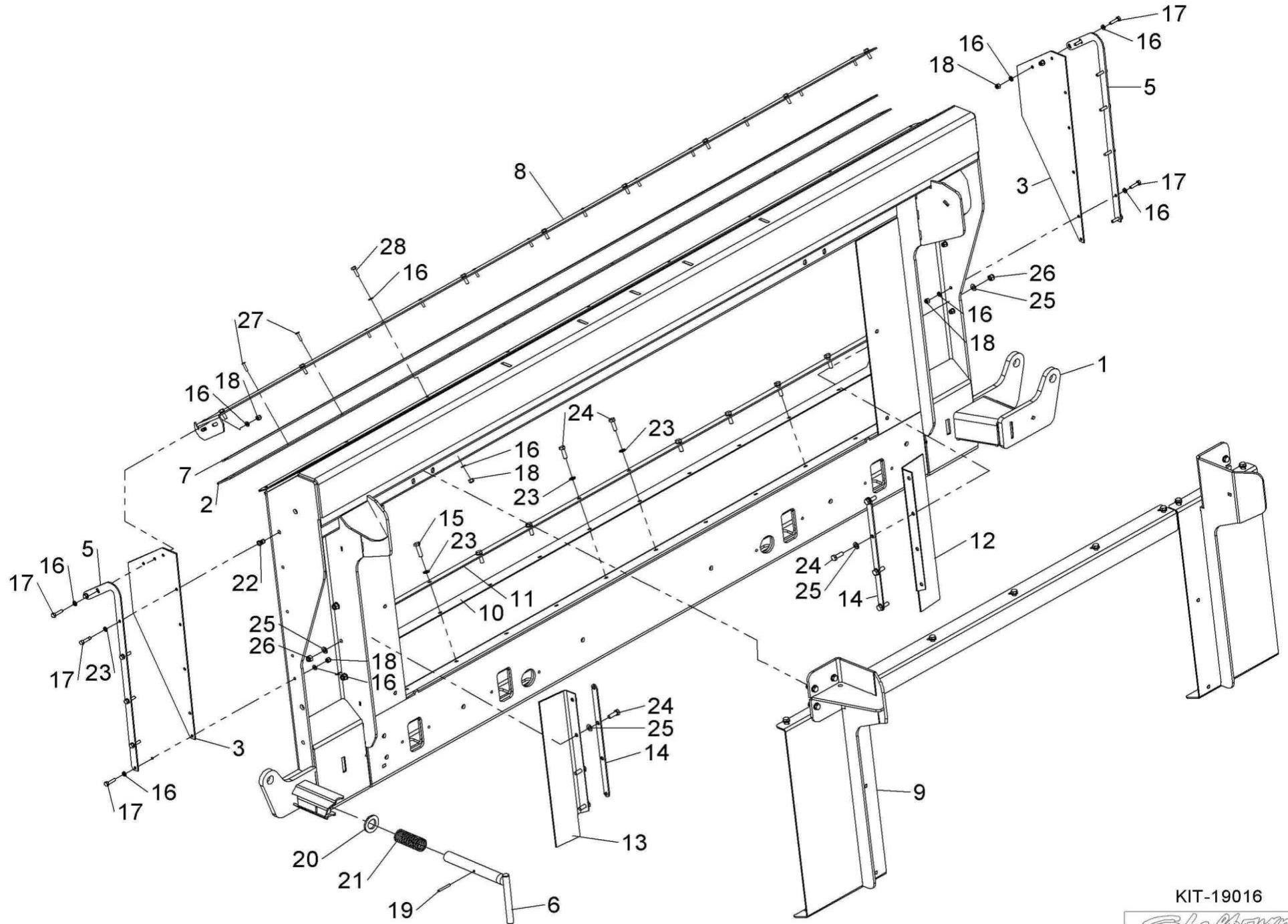


KIT-19015



Shelbourne Reynolds Engineering Limited

ASSY NUMBER: KIT-19016				ASSY DESCRIPTION: AGCO ADAPTOR PLATE KIT			
ITEM	PART NO	DESCRIPTION	QTY	ITEM	PART NO	DESCRIPTION	QTY
1	199150 01	AGCO ADAPTOR PLATE W/	1				
2	198715 01	CLAMP STRIP	1				
3	198717 01	SIDE SEAL	2				
4							
5	199479 01	SEAL CLAMP	2				
6	199467 01	LOCKING PIN (2013 & ON)	1				
OR	198620 01	LOCKING PIN (UPTO 2013)	1				
7	199159 01	TOP SEAL PLATE	1				
8	199476 01	FRONT SEAL PLATE (2013 & ON)					
OR	199195 01	FRONT SEAL PLATE (UPTO 2013)	1				
9	KIT-19017	FILL IN PLT KIT (GLENER ONLY)	A/R				
10	199207 01	LOWER SEAL	1				
11	199197 01	LOWER SEAL MOUNTING PLATE	1				
12	198922 01	SEAL	1				
13	198922 02	SEAL	1				
14	198987 01	SIDE CLAMP PLATE	2				
15	HSS-0150	BOLT	4				
16	WSH-0009	PLAIN WASHER	42				
17	HSS-0088	SET SCREW	14				
18	NUT-0260	NYLOC NUT	21				
19	PIN-1775	ROLL PIN	1				
20	WSH-0036	PLAIN WASHER (2013 & ON)	1				
OR	WSH-0030	PLAIN WASHER (UPTO 2013)	1				
21	SPGC32925	COMPRESION SPRING (2013 & ON)	1				
OR	SPGC32355	COMPRESION SPRING (UPTO 2013)	1				
22	NUTA13060	NUTSERT	2				
23	WSH-0058	SPRING WASHER	12				
24	HSS-0145	BOLT	16				
25	WSH-0012	PLAIN WASHER	14				
26	NUT-0263	NYLOC NUT	6				
27	POP-0006	POP RIVET	13				
28	HSS-0086	SET SCREW	9				

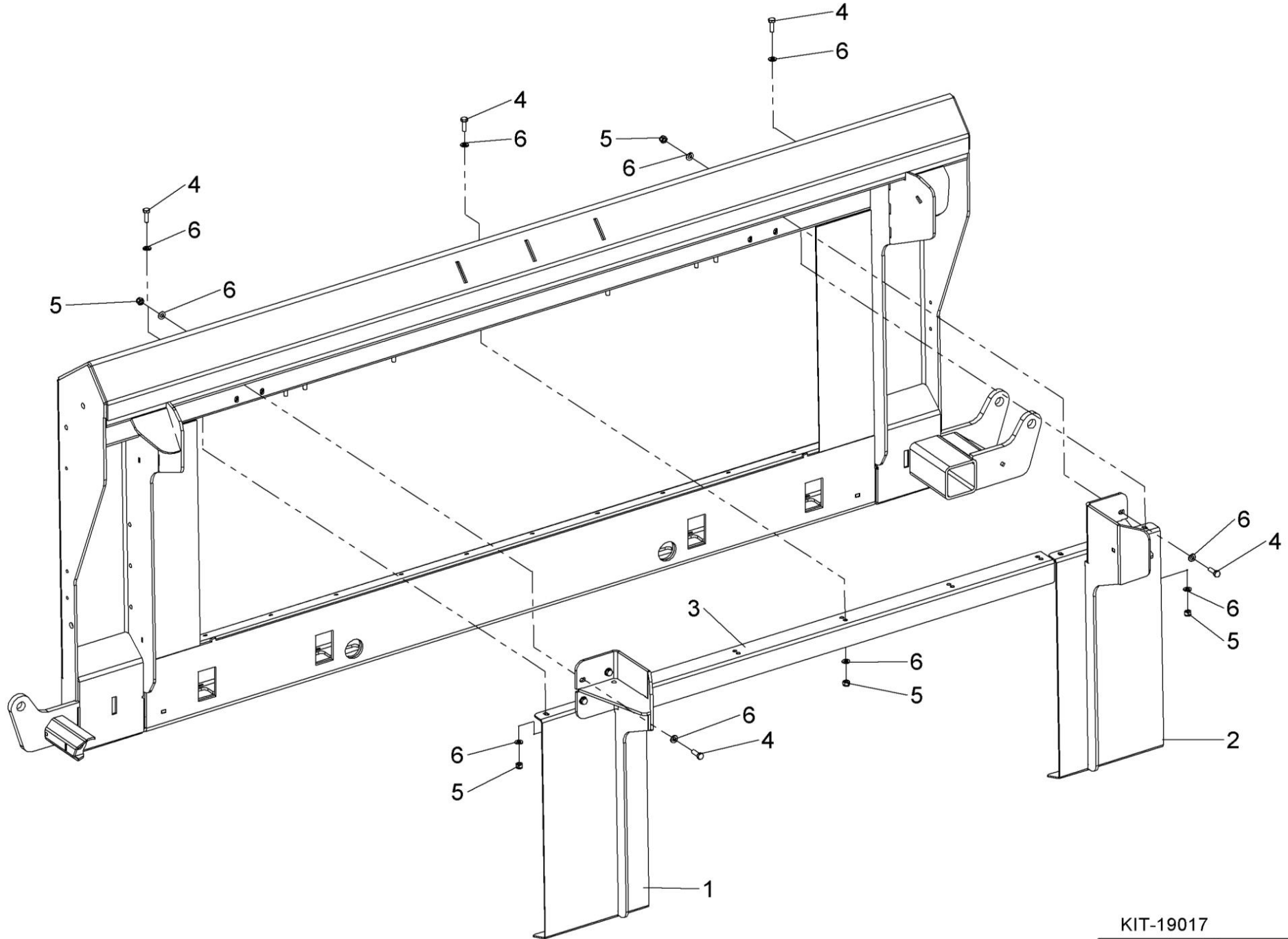


KIT-19016



Shelbourne Reynolds Engineering Limited

ASSY NUMBER: KIT-19017				ASSY DESCRIPTION: GLEANER FILL IN PLATE KIT			
ITEM	PART NO	DESCRIPTION	QTY	ITEM	PART NO	DESCRIPTION	QTY
1	199160 01	LH FILL IN PLATE	1				
2	199160 02	RH FILL IN PLATE	1				
3	197991 01	COVER PLATE	1				
4	HSS-0145	BOLT	17				
5	NUT-0263	NYLOC NUT	17				
6	WSH-0012	PLAIN WASHER	34				
THIS KIT ONLY FITS GLEANER COMBINES WITH TILTING FEEDER HOUSE OR LARGE HORNS							

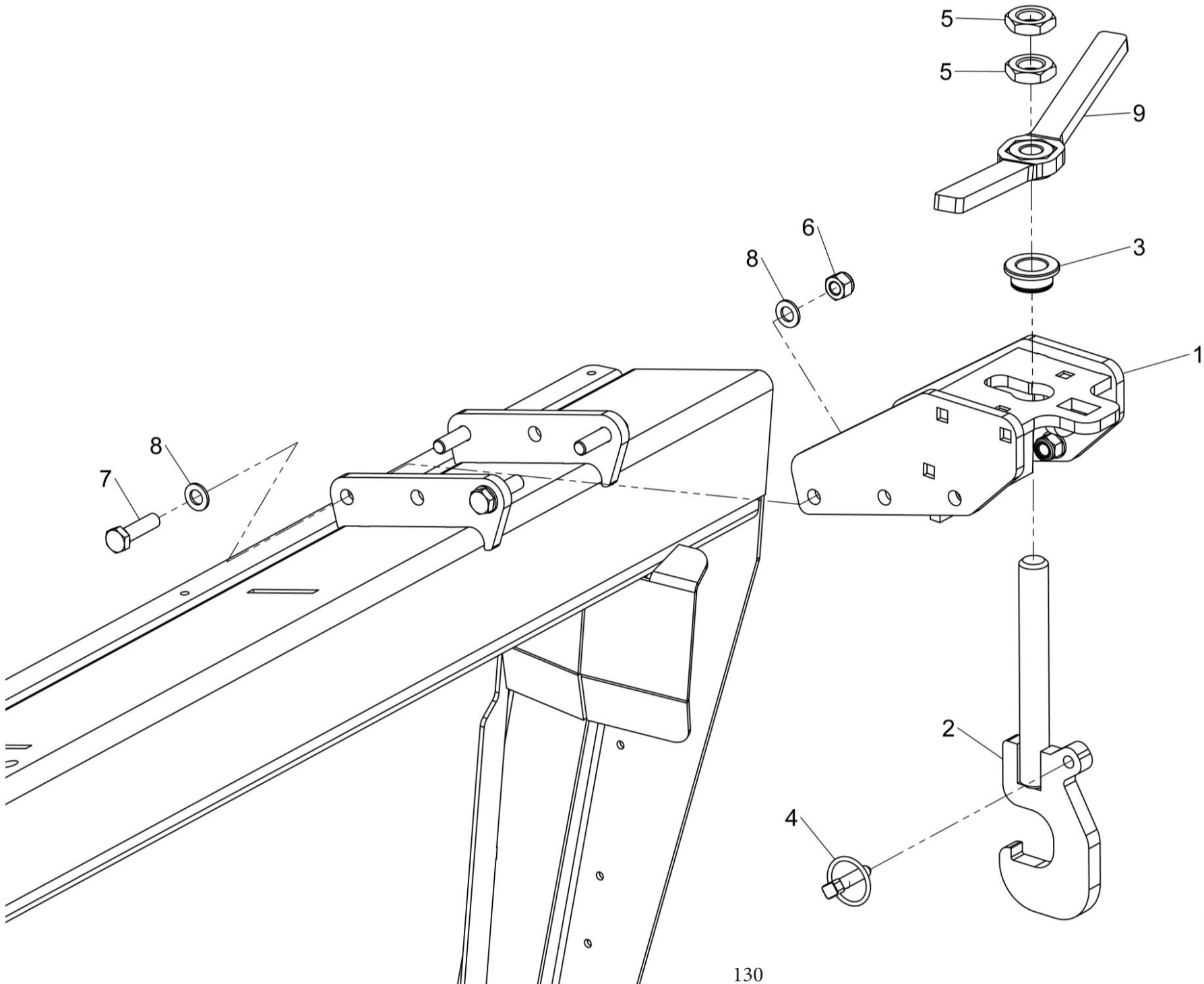


KIT-19017



Shelbourne Reynolds Engineering Limited

ASSY NUMBER: KIT-19026				ASSY DESCRIPTION: CNH ADAPTOR PLATE HOOK & BRKT ASSY			
ITEM	PART NO	DESCRIPTION	QTY	ITEM	PART NO	DESCRIPTION	QTY
1	199705 01	HOOK MOUNTING W/A (2014 & ON)	1				
2	199728 01	ADAPTOR HOOK (2014 & ON)	1				
3	199621 01	TOP HAT BUSH (2014 & ON)	1				
4	PIN-01950	LYNCH PIN (2014 & ON)	1				
5	NUT-0390	HALF NUT (2018 & ON)	2				
OR	NUT-0190	PLAIN NUT (UP TO 2018)	2				
6	NUT-0269	NYLOC NUT	4				
7	BLTA12290	HEX HD BOLT	4				
8	WSH-0018	PLAIN WASHER	8				
9	290563 01	WING NUT W/A (2018 & ON)	1				

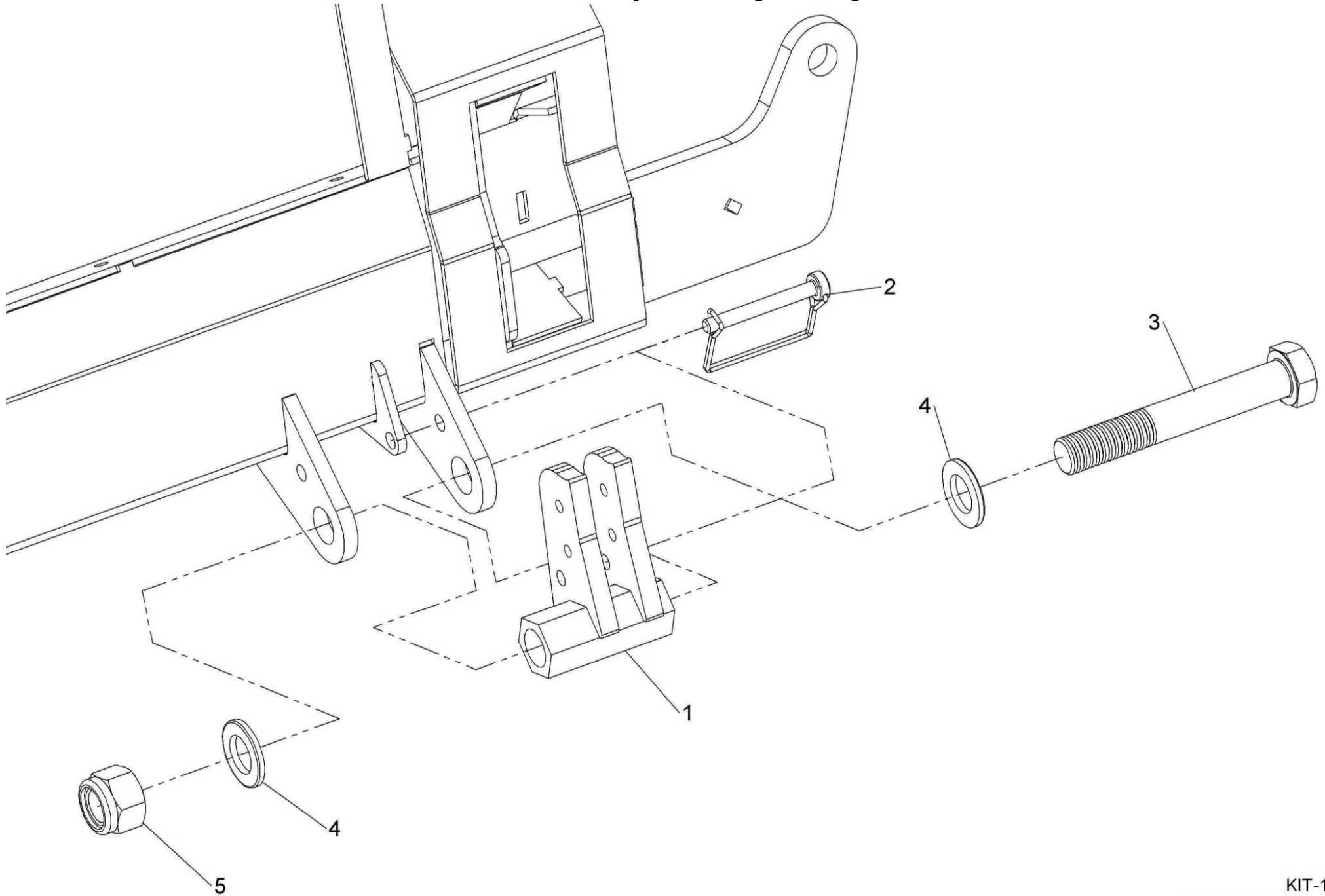


KIT-19026



Shelbourne Reynolds Engineering Limited

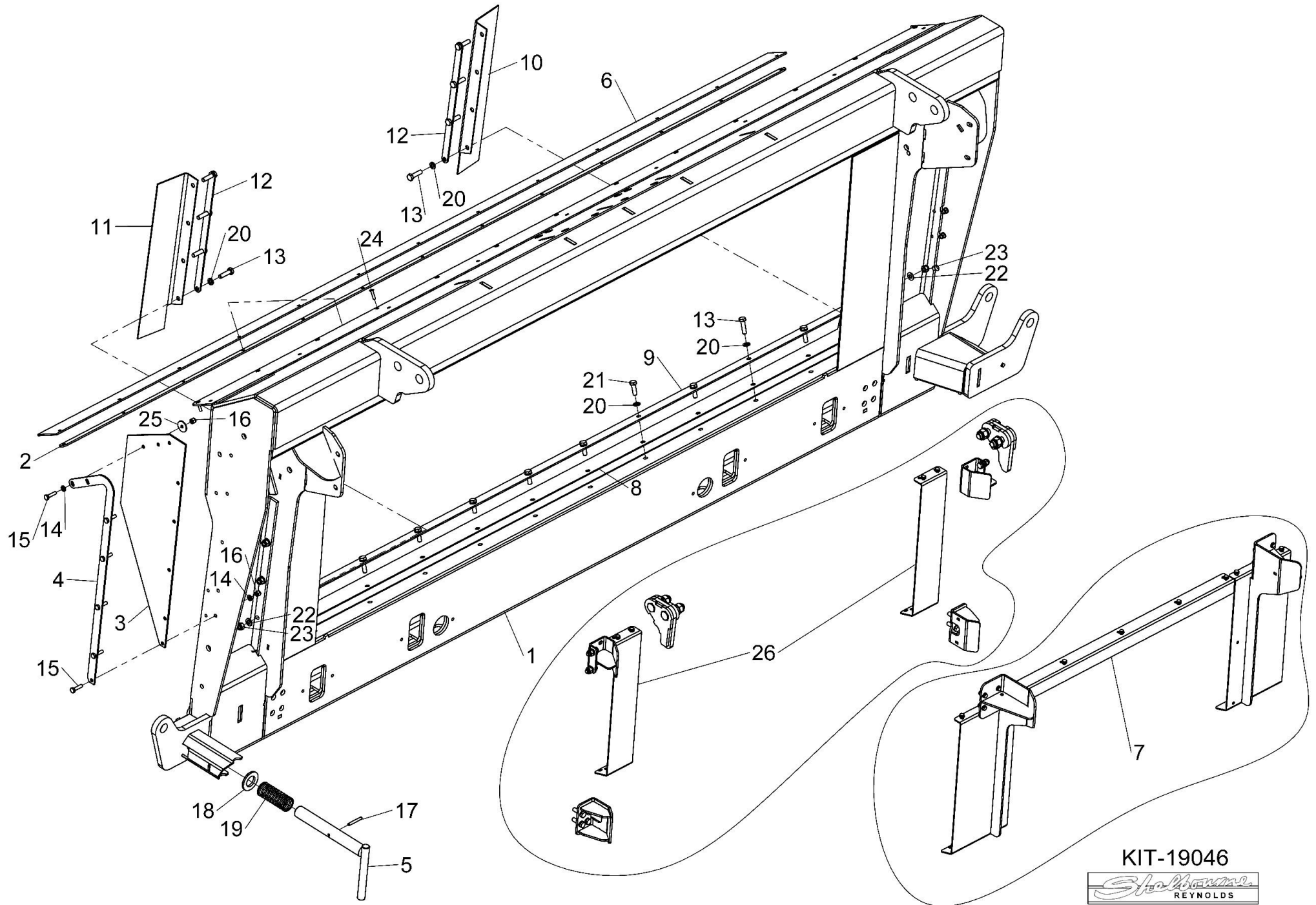
ASSY NUMBER: KIT-19028				ASSY DESCRIPTION: NH BOTTOM BEAM LOCKING KIT			
ITEM	PART NO	DESCRIPTION	QTY	ITEM	PART NO	DESCRIPTION	QTY
1	199730 01	NH BOTTOM BEAM LOCK	1				
2	PIN-03900	SQUARE SHAFT LOCKING PIN	1				
3	BLTA24740	BOLT	1				
4	WSH-0036	PLAIN WASHER	2				
5	NUT-0275	NYLOC NUT	1				



Shelbourne Reynolds Engineering Limited

ASSY NUMBER: KIT-19046				ASSY DESCRIPTION: AGCO ADAPTOR PLATE KIT			
ITEM	PART NO	DESCRIPTION	QTY	ITEM	PART NO	DESCRIPTION	QTY
1	290700 01	AGCO ADAPTOR PLATE W/A	1				
2	198715 01	CLAMP STRIP	1				
3	198717 01	SIDE SEAL	2				
4	199479 01	SEAL CLAMP	2				
5	199467 01	LOCKING PIN	1				
6	199159 01	TOP SEAL PLATE	1				
7	KIT-19017	FILL IN PLT KIT (GLENER ONLY)	A/R				
8	199207 01	LOWER SEAL	1				
9	199197 01	LOWER SEAL MOUNTING PLATE	1				
10	198922 01	SEAL	1				
11	198922 02	SEAL	1				
12	198987 01	SIDE CLAMP PLATE	2				
13	HSS-0150	BOLT	12				
14	WSH-0009	PLAIN WASHER	12				
15	HSS-0088	SET SCREW	12				
16	NUT-0260	NYLOC NUT	12				
17	PIN-1775	ROLL PIN	1				
18	WSH-0036	PLAIN WASHER	1				
19	SPGC32925	COMPRESION SPRING	1				
20	WSH-0058	SPRING WASHER	14				
21	HSS-0145	BOLT	8				
22	WSH-0012	PLAIN WASHER	6				
23	NUT-0263	NYLOC NUT	6				
24	POP-0006	POP RIVET	13				
25	WSH-1036	PLAIN WASHER	2				
26	KIT-19049	FILL IN PLT KIT (IDEAL ONLY)	A/R				

Shelbourne Reynolds Engineering Limited

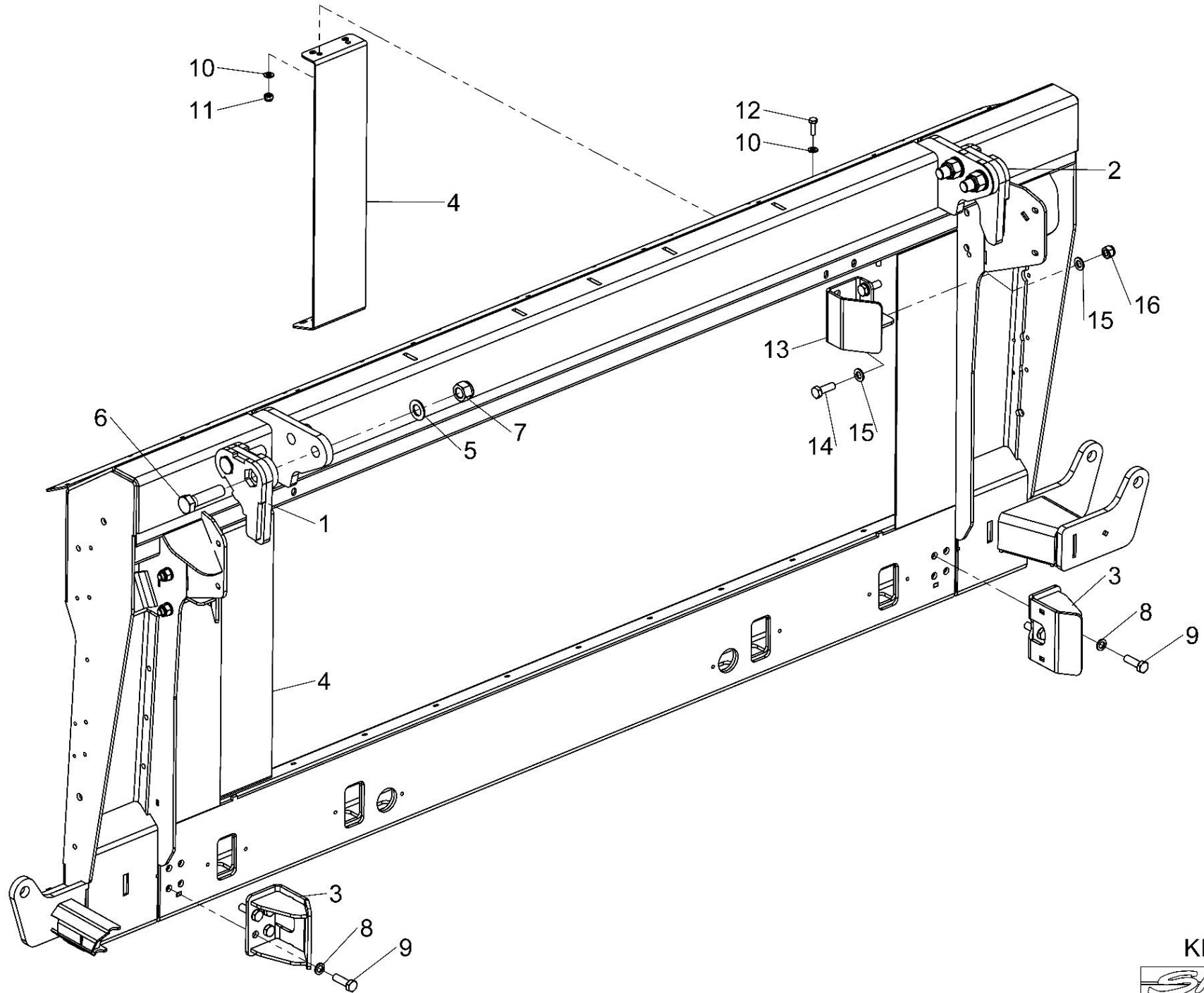


KIT-19046



Shelbourne Reynolds Engineering Limited

ASSY NUMBER: KIT-19049				ASSY DESCRIPTION: AGCO IDEAL MOUNTING KIT			
ITEM	PART NO	DESCRIPTION	QTY	ITEM	PART NO	DESCRIPTION	QTY
1	292595 01	IDEAL LUG W/A RH (2023 & ON)	1				
OR	291063 01	CLOSE LUG (UPTO 2023) FOR SPARES SUPPLY 292595 01 & 292595 02	2				
2	292595 02	IDEAL LUG W/A RH (2023 & ON)	1				
3	292790 01	LOCKING BRACKET	2				
4	291065 01	FILL PLATE	2				
5	WSH-0030	WASHER	8				
6	BLTA20470	BOLT (2023 & ON)	4				
OR	HSSA20410	SETSCREW (UPTO 2023)	4				
7	NUTA02200	NYLOC NUT	4				
8	WSH-0065	SPRING WASHER	8				
9	HSS-0250	SETSCREW	8				
10	WSH-0012	WASHER	8				
11	NUT-0263	NYLOC NUT	4				
12	HSS-0145	BOLT	4				
13	291113 01	GUIDE W/A (UPTO 2023)	2				
14	HSS-0241	SETSCREW	4				
15	WSH-0018	WASHER	8				
16	NUT-0269	NYLOC NUT	8				



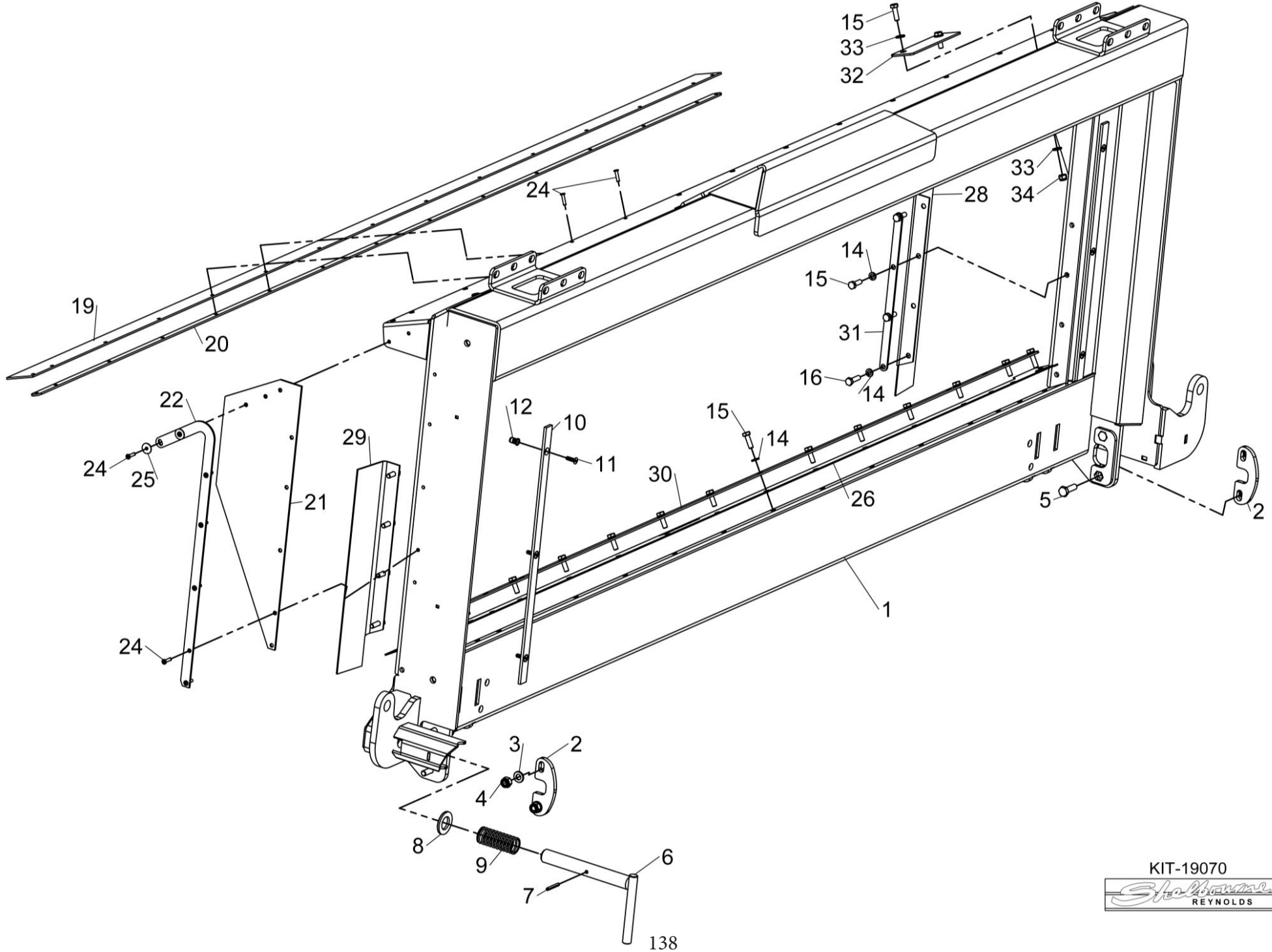
KIT-19049



Shelbourne Reynolds Engineering Limited

ASSY NUMBER: KIT-19070				ASSY DESCRIPTION: JD X9 ADAPTOR PLATE			
ITEM	PART NO	DESCRIPTION	QTY	ITEM	PART NO	DESCRIPTION	QTY
1	291901 01	JD X9 ADAPTOR W/A	1				
2	198521 01	PIN HOLE PLATE	2				
3	WSH-0015	PLAIN WASHER	4				
4	NUT-0265	NYLOC NUT	4				
5	HSS-0198	SETSCREW	4				
6	199467 01	LOCKING PIN	1				
7	PIN-1775	ROLL PIN	1				
8	WSH-0036	PLAIN WASHER	1				
9	SPGC32925	COMPRESSION SPRING	1				
10	197208 01	PACKER PLATE	A/R				
11	SCW-1580	CSK SOCKET HD SCW	A/R				
12	NUTA13060	NUTSERT	6				
13							
14	WSH-0058	SPRING WASHER	22				
15	HSS-0145	SETSCREW	22				
16	HSS-0150	SETSCREW	4				
17							
18							
19	291896 01	TOP SEAL STRIP X9	1				
20	291897 01	TOP CLAMP STRIP X9	1				
21	198717 01	SIDE SEAL	2				
22	199479 01	SEAL CLAMP	2				
23			4				
24	POP-0006	POP RIVET	29				
25	WSH-1034	PENNY WASHER	4				
26	291894 01	BOTTOM SEAL STRIP X9	1				
27							
28	198922 01	LH SEAL PLT	1				
29	198922 02	RH SEAL PLT	1				
30	291895 01	BOTTOM CLAMP STRIP X9	1				
31	198987 01	SIDE CLAMP STRIP	2				
32	290906 01	COVER PLATE	2				
33	WSH-0012	PLAIN WASHER	8				
34	NUT-0263	NYLOC NUT	4				

Shelbourne Reynolds Engineering Limited



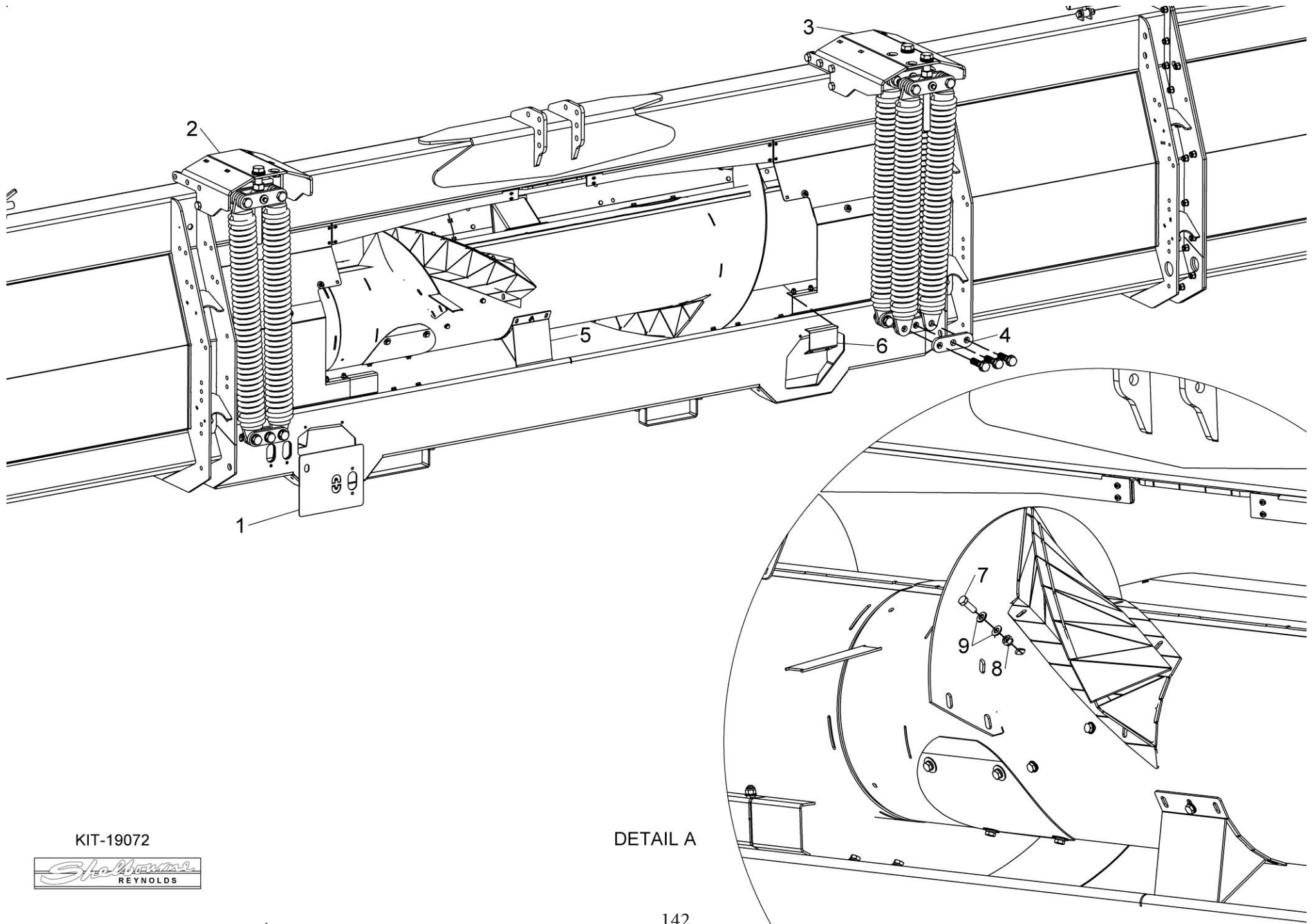
KIT-19070



Kit Options

Shelbourne Reynolds Engineering Limited

ASSY NUMBER: KIT-19072				ASSY DESCRIPTION: X9 ADAPTOR EXCEL RETROFIT PARTS			
ITEM	PART NO	DESCRIPTION	QTY	ITEM	PART NO	DESCRIPTION	QTY
1	291984 01	LOCKING HOLE TEMPLATE	1				
2	291980 01	LH SPRING MOUNT W/A	1				
3	291982 01	RH SPRING MOUNT W/A	1				
4	291978 01	SPRING ASSY BOTTOM PLATE	6				
5	292575 01	FLAT PADDLE W/A	2				
6	290390 01	SCRAPER EXTENSION	2				
7	HSS-0145	SETSCREW	10				
8	NUT-0263	NYLOC NUT	10				
9	WSH-0012	PLAIN WASHER	20				
10							
11							
12							



KIT-19072



DETAIL A