

Shelbourne

REYNOLDS

CASE IH

DRIVE AND ADAPTOR PLATE PARTS MANUAL



STRIPPER HEADER

Shelbourne Reynolds Engineering Ltd
Stanton
Bury St Edmunds
Suffolk
IP31 2AR
England

Telephone: 01359 250415
Fax: 01359 250464

Stores Direct : 01359 251231
Stores Direct: 01359 252031

Shelbourne Reynolds Inc.
Colby PO box 607
1250 S Country Club Drive
Colby , Kansas 67701
U.S.A.

Telephone: (785) 462 6299
Fax: (785) 462 6761

Issue 11

28/01/2022

www.shelbourne.com





ORDERING SPARE PARTS

IMPORTANT

Your Stripper Header is made up of a Machine assembly number (common parts), specific sub assemblies and also customer optional build kits. The machine, sub assemblies and optional kit numbers are listed in the front pages of your Operators manual. If you do not have these numbers please contact Shelbourne Reynolds Parts Department direct on (telephone) Stanton - (01359) 251231 or Colby - (785) 462 6299.

To ensure that you order the correct part from your SRE dealer please use the following procedure.

ALWAYS QUOTE THE MACHINE AND SERIAL NUMBERS WHEN ORDERING.

The year and/or serial number of the machine may determine the correct sub assembly.

Refer to the Parts Manuals front page/s, listing the machine assemblies. Select the correct machine assembly number which is printed in the top left corner of the page (starting with 1965_ _ 01), This machine number can also be taken from the Stripper Header identification plate located on the rear left hand corner of the machine.

On this page you will find the parts listing for the common parts for every configuration of that machine assembly number. You will find the corresponding drawing by either looking at the facing page or progressing through the manual to the next drawing. The drawings indicate the components by item numbers, which you will find, are repeated in the left-hand side of your parts listing, and therefore referring to the correct part.

Note all parts will not be found listed below the machine number. Other parts will be from specific sub assemblies and optional kits. These sub assemblies and kits will be found in numerical order further through the manual. Sub assemblies start with 1960_ _ 01 and kits start with KIT- 19 _ _ _.

The parts listing for adaptor plates, drive kits and hydraulic couplings can be found in the following manuals;

Drive & Adaptor Plate Manuals

Massey Ferguson	MAN-03172
Claas/Cat	MAN-03173
John Deere	MAN-03174
New Holland	MAN-03175
Laverda	MAN-03176
Gleaner/Challenger	MAN-03177
Case IH	MAN-03178

List Of Kit Numbers

	Adaptor Plate	5
196555 08	Adaptor Plate Assembly Case IH	6
196555 13	Adaptor Plate Assembly Case 8010 series	7
KIT-00634	Adaptor Plate Case IH	8
KIT-00640	Adaptor Plate Case 8010 Series	10
	Drive Options	13
196549 005	Drive Kit Case IH CVS/RVS (18ft)	14
196549 005B	Drive Kit Case IH CVS/RVS (18ft), Without Rotor Gearbox 2004 And On	14
196549 006	Drive Kit Case IH CVS/RVS (20ft)	16
196549 006B	Drive Kit Case IH CVS/RVS (20ft), Without Rotor Gearbox 2004 And On	16
196549 008	Drive Kit Case IH CVS/RVS (22-32ft)	18
196549 008B	Drive Kit Case IH CVS/RVS (22-32ft), Without Rotor Gearbox 2004 And On	18
196549 125	Drive Kit New Holland CVS/RVS/RSD (18ft)	20
196549 125B	Drive Kit New Holland CVS/RVS/RSD (18ft), Without Rotor Gearbox 2004 And On	20
196549 126	Drive Kit New Holland CVS/RVS/RSD (20ft)	22
196549 126B	Drive Kit New Holland CVS/RVS/RSD (20ft), Without Rotor Gearbox 2004 And On	22
196549 128	Drive Kit New Holland CVS/RVS/RSD/XCV (22-32ft)	24
196549 128B	Drive Kit New Holland CVS/RVS/RSD/XCV (22-32ft), Without Rotor Gearbox 2004 And On	24
KIT-00931	PTO Support Kit	26
	Hydraulic Kits	29
KIT-01701	Hydraulic Probe Connector (1440, 1460, 1640 And 1660)	30
KIT-01709	Hydraulic Probe Connector (1480, 1680, 1688, 2166, 2188, 2366, 2388)	32
KIT-01726	Hydraulic Multicoupler Kit	34

Kit Options

37

KIT-00903	Rotor Grate Kit IHC (1480, 1680, 1688, 2188)	38
KIT-01216	Rotor Grate Kit IHC (1640, 1660, 2166)	40
KIT-01328	Rotor Grate Kit Case IH 8010 Series	42
KIT-01400	Retro Fit Spring Latch Kit	44

ADAPTOR PLATES

Shelbourne Reynolds Engineering Limited

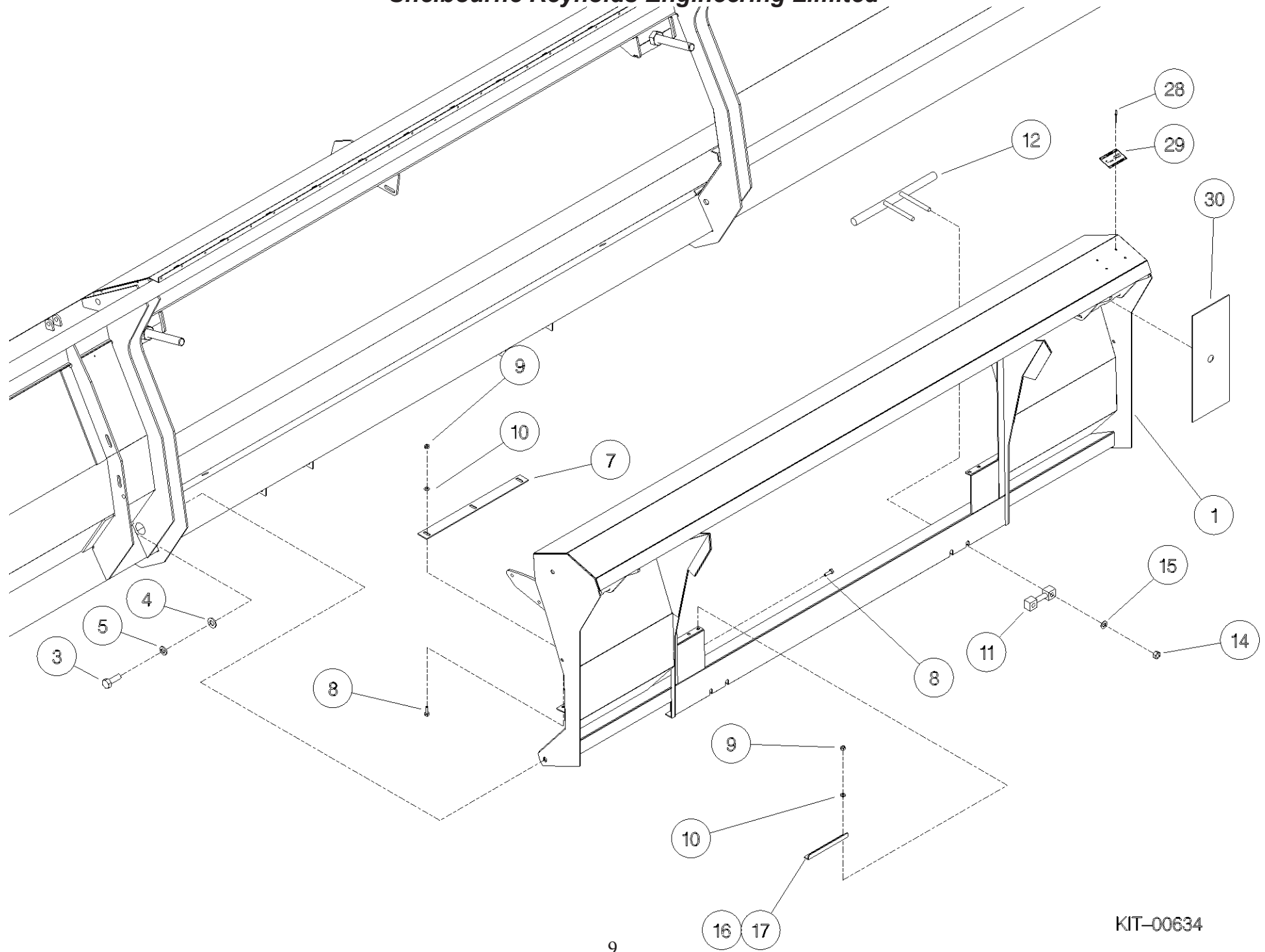
ASSY NUMBER: 196555 08				ASSY DESCRIPTION: ADAPTOR PLATE ASSY CASE IH			
ITEM	PART NO	DESCRIPTION	QTY	ITEM	PART NO	DESCRIPTION	QTY
1	KIT-00634	ADAPTOR PLATE SUB	1				

Shelbourne Reynolds Engineering Limited

ASSY NUMBER: 196555 13				ASSY DESCRIPTION: ADAPTOR PLATE ASSY CASE 8010 SERIES			
ITEM	PART NO	DESCRIPTION	QTY	ITEM	PART NO	DESCRIPTION	QTY
1	KIT-00640	ADAPTOR PLATE SUB	1				

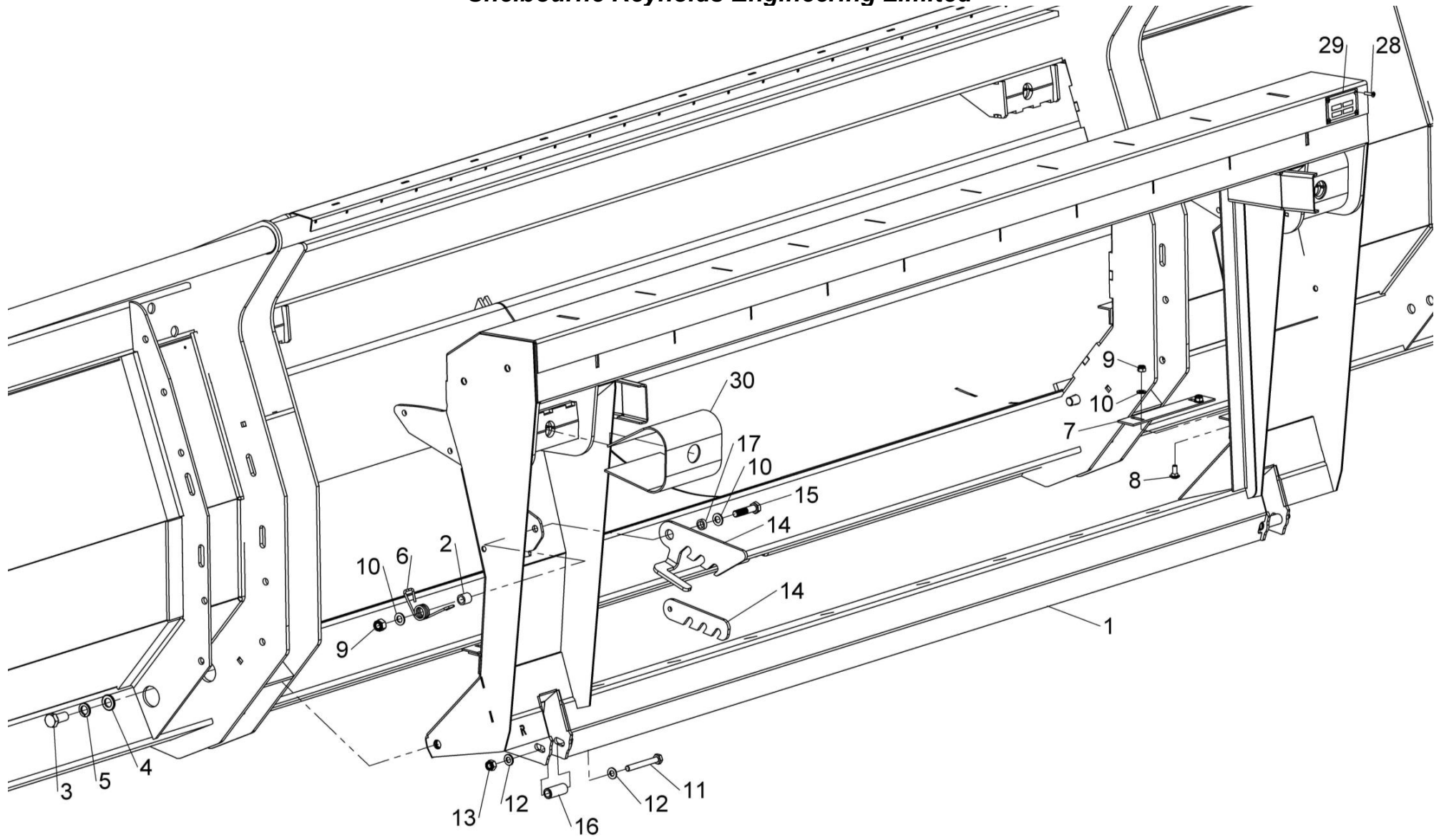
Shelbourne Reynolds Engineering Limited

ASSY NUMBER: KIT-00634				ASSY DESCRIPTION: ADAPTOR PLATE CASE IH			
ITEM	PART NO	DESCRIPTION	QTY	ITEM	PART NO	DESCRIPTION	QTY
1	194277 01	FRAME WELD ASSY	1				
2							
3	HSS-0315	SET SCREW	2				
4	WSH-0024	PLAIN WASHER	2				
5	WSH-0070	SPRING WASHER	2				
6							
7	194275 03	SCRAPER (UPTO 2009)	2				
8	BLT-4710	COACH BOLT(UPTO 2009)	10				
9	NUT-0263	NYLOC NUT (UPTO 2009)	10				
10	WSH-0012	PLAIN WASHER (UPTO 2009)	10				
11	130236 01	PICK UP BAR	2				
12	193473 01	FIXING BAR	2				
13							
14	NUT-0269	NYLOC NUT	4				
15	WSH-0018	PLAIN WASHER	4				
16	193595 01	SCRAPER EXT. LH (UPTO 2009)	1				
17	193595 02	SCRAPER EXT. RH (UPTO 2009)	1				
18							
19							
20							
21							
22							
23							
24							
25							
26							
27							
28	POP-0006	POP RIVET (UPTO 2009)	4				
29	134024 05	IDENTIFICATION PLT(UPTO 2009)	1				
30	195093 01	DUST COVER	2				



Shelbourne Reynolds Engineering Limited

ASSY NUMBER: KIT-00640				ASSY DESCRIPTION: ADAPTOR PLATE CASE 8010 Cvs/Rvs			
ITEM	PART NO	DESCRIPTION	QTY	ITEM	PART NO	DESCRIPTION	QTY
1	197148 01	FRAME WELD ASSY	1				
2	198811 02	SPACER TUBE (2011 & ON)	1				
3	HSS-0315	SET SCREW	2				
4	WSH-0024	PLAIN WASHER	2				
5	WSH-0070	SPRING WASHER	2				
6	198807 01	TORSION SPRING (2011 & ON)	1				
7	194239 02	SCRAPER (UPTO 2009)	2				
8	BLT-4710	COACH BOLT(UPTO 2009)	4				
9	NUT-0269	NYLOC NUT (UPTO 2009)	1				
OR	NUT-0263	NYLOC NUT (2009 -2010) (M8)	1				
OR	NUT-0263	NYLOC NUT (2009 -2010) (M8)	5				
10	WSH-0018	PLAIN WASHER (2011 & ON)	2				
OR	WSH-0012	PLAIN WASHER(2009-2010)	2				
OR	WSH-0012	PLAIN WASHER(UPTO 2009)	6				
11	BLTA10520	BOLT	2				
12	WSH-0015	PLAIN WASHER	4				
13	NUT-0265	NYLOC NUT	2				
14	198802 01	LOCKING PLATE (2011 & ON)	1				
OR	130111 01	RETAINING LUG (UPTO 2011)	1				
15	BLTA12350	HEX HD BOLT(2011&ON)	1				
OR	HSS-0150	SET SCREW(UPTO 2011)	1				
16	194312 02	TUBE	2				
17	198789 01	TUBE (2011 & ON)	1				
18							
19							
20							
21							
22							
23							
24							
25							
26							
27							
28	POP-0006	POP RIVET (UPTO 2009)	4				
29	134024 05	IDENTIFICATION PLT(UPTO 2009)	1				
30	195093 01	DUST COVER	2				



KIT-00640

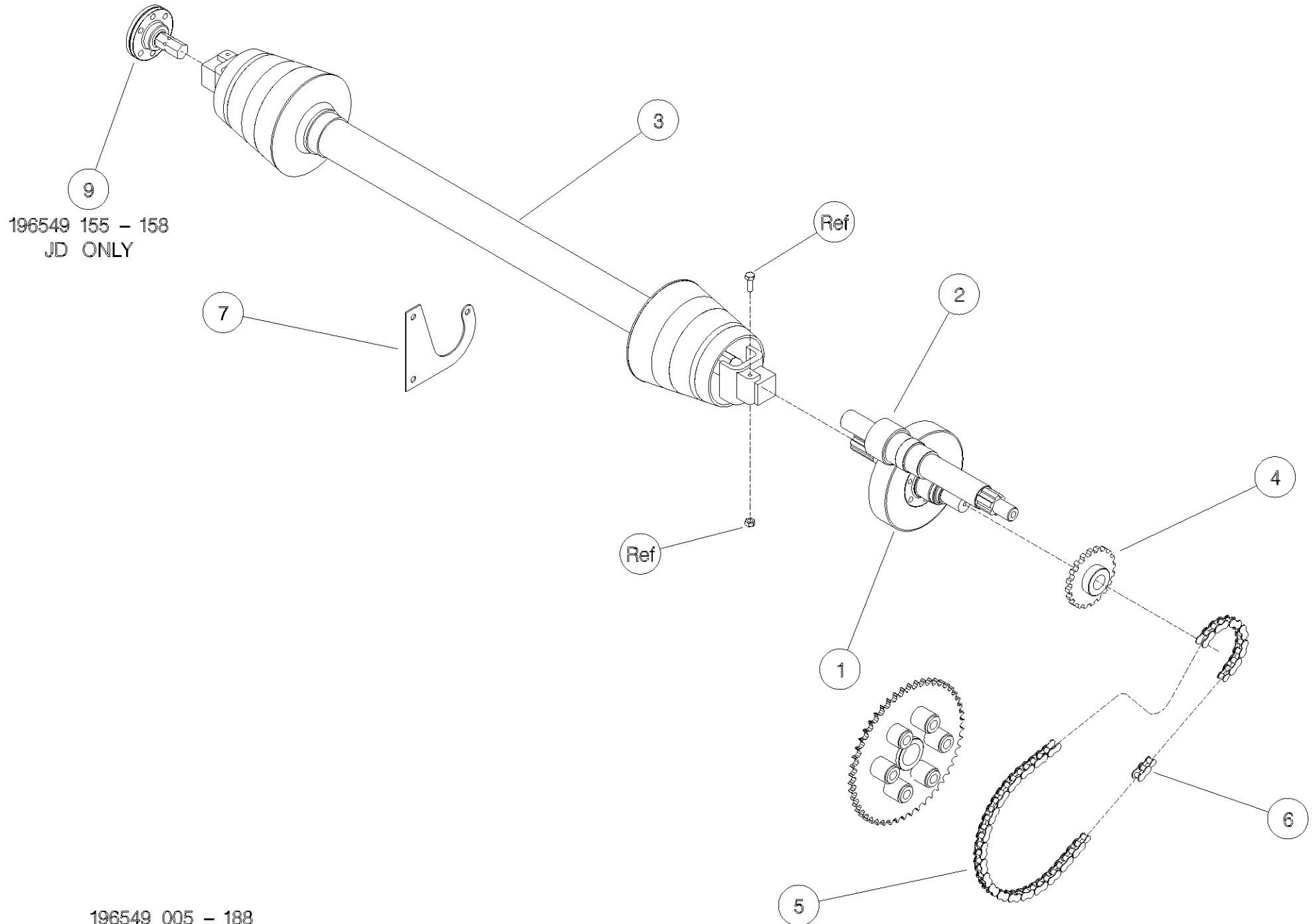


DRIVE OPTIONS

Shelbourne Reynolds Engineering Limited

ASSY NUMBER: 196549 005				ASSY DESCRIPTION: DRIVE KIT CASE IH C/RVs (18' /5.4m)			
ITEM	PART NO	DESCRIPTION	QTY	ITEM	PART NO	DESCRIPTION	QTY
1A	192592 06	INPUT GEAR (47t) WITH ROTOR GEARBOX	1				
1B	192592 09	INPUT GEAR (37t) WITHOUT ROTOR GEARBOX	1				
1D/E	192592 13	INPUT GEAR (33t) WITHOUT ROTOR GEARBOX	1				
2A	193599 06	PINION (22t) WITH ROTOR GEARBOX	1				
2B	193599 09	PINION (32t) WITHOUT ROTOR GEARBOX	1				
2D	198999 09	PINION (32t) 65MM SHAFT	1				
3	PTO-26005	PTO (W2500 SERIES)	1				
3a	PTO-00070	PTO YOKE-COMBINE (SPARES)	1				
3b	PTO-00083	PTO CROSS BEARING	A/R				
3c	PTO-00119	PTO SHEAR BOLT CLUTCH-HEADER	1				
3d	PTO-00093	PTO GUARD ASSY (SPARES)	1				
3E	BLTA10380	SHEARBOLT	A/R				
3F	NUT-0265	NYLOC NUT	A/R				
4	192768 18	SPROCKET	1				
5	CHN-01920	CHAIN (93 LINKS) (FIXED GEARBOX MACHINES)	1				
OR	CHN-01920	CHAIN (101 LINKS) (PIVOTING GEARBOX MACHINES)	1				
6	CHN-01901	JOINING LINK	1				
7	KIT-00931	PTO SUPPORT KIT	1				

Shelbourne Reynolds Engineering Limited

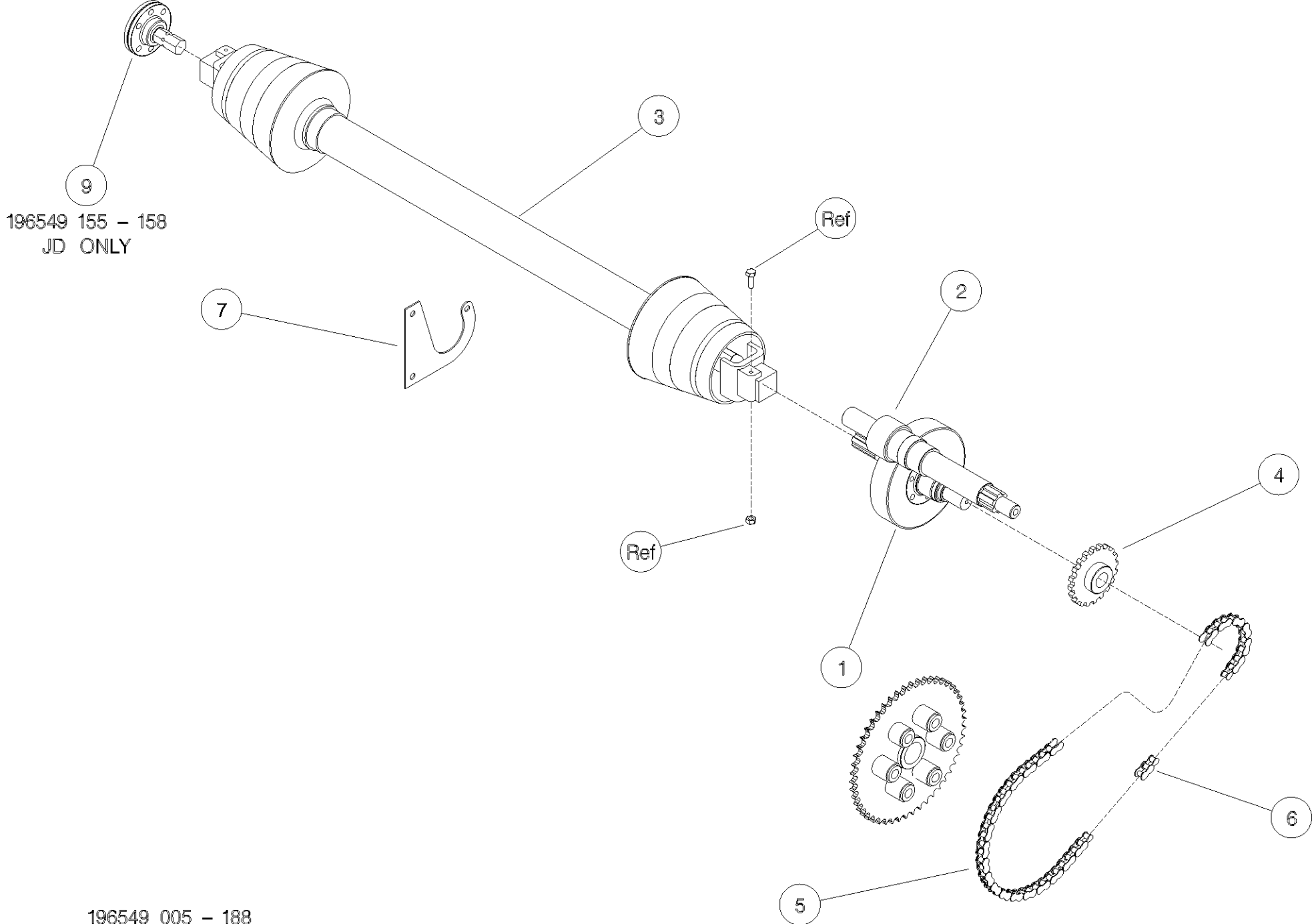


196549 005 - 188

Shelbourne Reynolds Engineering Limited

ASSY NUMBER: 196549 006				ASSY DESCRIPTION: DRIVE KIT CASE IH C/RVs (20' /6.0m)			
ITEM	PART NO	DESCRIPTION	QTY	ITEM	PART NO	DESCRIPTION	QTY
1A	192592 06	INPUT GEAR (47t)	1				
OR		WITH ROTOR GEARBOX					
1B	192592 09	INPUT GEAR (37t)	1				
		WITHOUT ROTOR GEARBOX					
2A	193599 06	PINION (22t)	1				
		WITH ROTOR GEARBOX					
2B	193599 09	PINION (32t)	1				
		WITHOUT ROTOR GEARBOX					
2D	198999 09	PINION (32t)	1				
		65MM SHAFT					
3	PTO-26006	PTO (W2500 SERIES)	1				
3a	PTO-00070	PTO YOKE-COMBINE (SPARES)	1				
3b	PTO-00083	PTO CROSS BEARING	A/R				
3c	PTO-00119	PTO SHEAR BOLT CLUTCH-HEADER	1				
3d	PTO-00093	PTO GUARD ASSY (SPARES)	1				
3E	BLTA10380	SHEARBOLT	A/R				
3F	NUT-0265	NYLOC NUT	A/R				
4	192768 18	SPROCKET	1				
5	CHN-01920	CHAIN (93 LINKS)	1				
		(FIXED GEARBOX MACHINES)					
OR	CHN-01920	CHAIN (101 LINKS)	1				
		(PIVOTING GEARBOX MACHINES)					
6	CHN-01901	JOINING LINK	1				
7	KIT-00931	PTO SUPPORT KIT	1				

Shelbourne Reynolds Engineering Limited

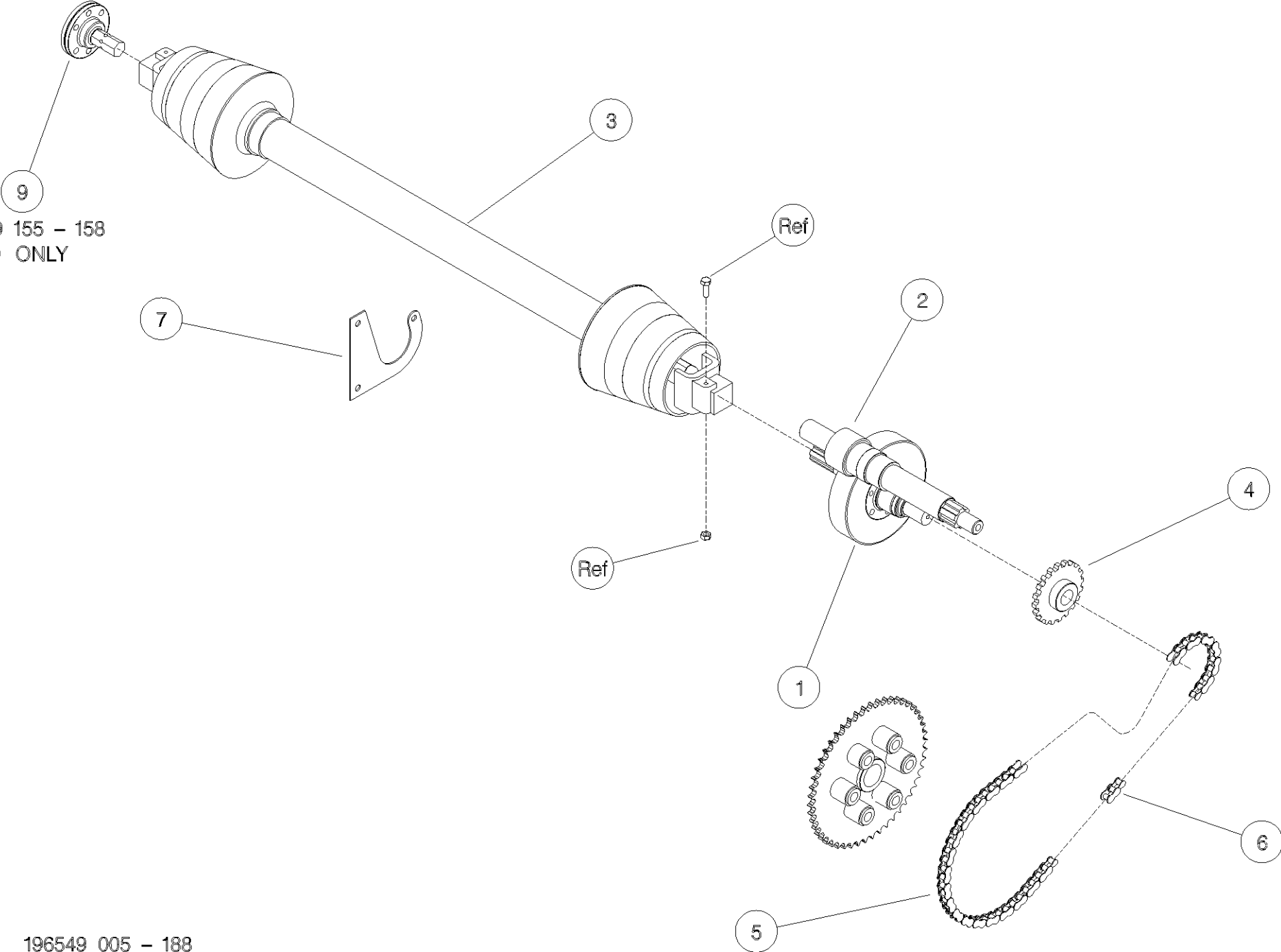


Shelbourne Reynolds Engineering Limited

ASSY NUMBER: 196549 008				ASSY DESCRIPTION: DRIVE KIT CASE IH C/RVs (22'-32')			
ITEM	PART NO	DESCRIPTION	QTY	ITEM	PART NO	DESCRIPTION	QTY
1A	192592 06	INPUT GEAR (47t)	1				
OR		WITH ROTOR GEARBOX					
1B	192592 09	INPUT GEAR (37t)	1				
		WITHOUT ROTOR GEARBOX					
2A	193599 06	PINION (22t)	1				
		WITH ROTOR GEARBOX					
2B	193599 09	PINION (32t)	1				
		WITHOUT ROTOR GEARBOX					
2D	198999 09	PINION (32t)	1				
		65MM SHAFT					
3	PTO-26002	PTO (W2500 SERIES)	1				
3a	PTO-00070	PTO YOKE-COMBINE (SPARES)	1				
3b	PTO-00083	PTO CROSS BEARING	A/R				
3c	PTO-00119	PTO SHEAR BOLT CLUTCH-HEADER	1				
3d	PTO-00093	PTO GUARD ASSY (SPARES)	1				
3E	BLTA10380	SHEARBOLT	A/R				
3F	NUT-0265	NYLOC NUT	A/R				
4	192768 18	SPROCKET	1				
5	CHN-01920	CHAIN (93 LINKS)	1				
		(FIXED GEARBOX MACHINES)					
OR	CHN-01920	CHAIN (101 LINKS)	1				
		(PIVOTING GEARBOX MACHINES)					
6	CHN-01901	JOINING LINK	1				
7	KIT-00931	PTO SUPPORT KIT	1				

Shelbourne Reynolds Engineering Limited

196549 155 - 158
JD ONLY

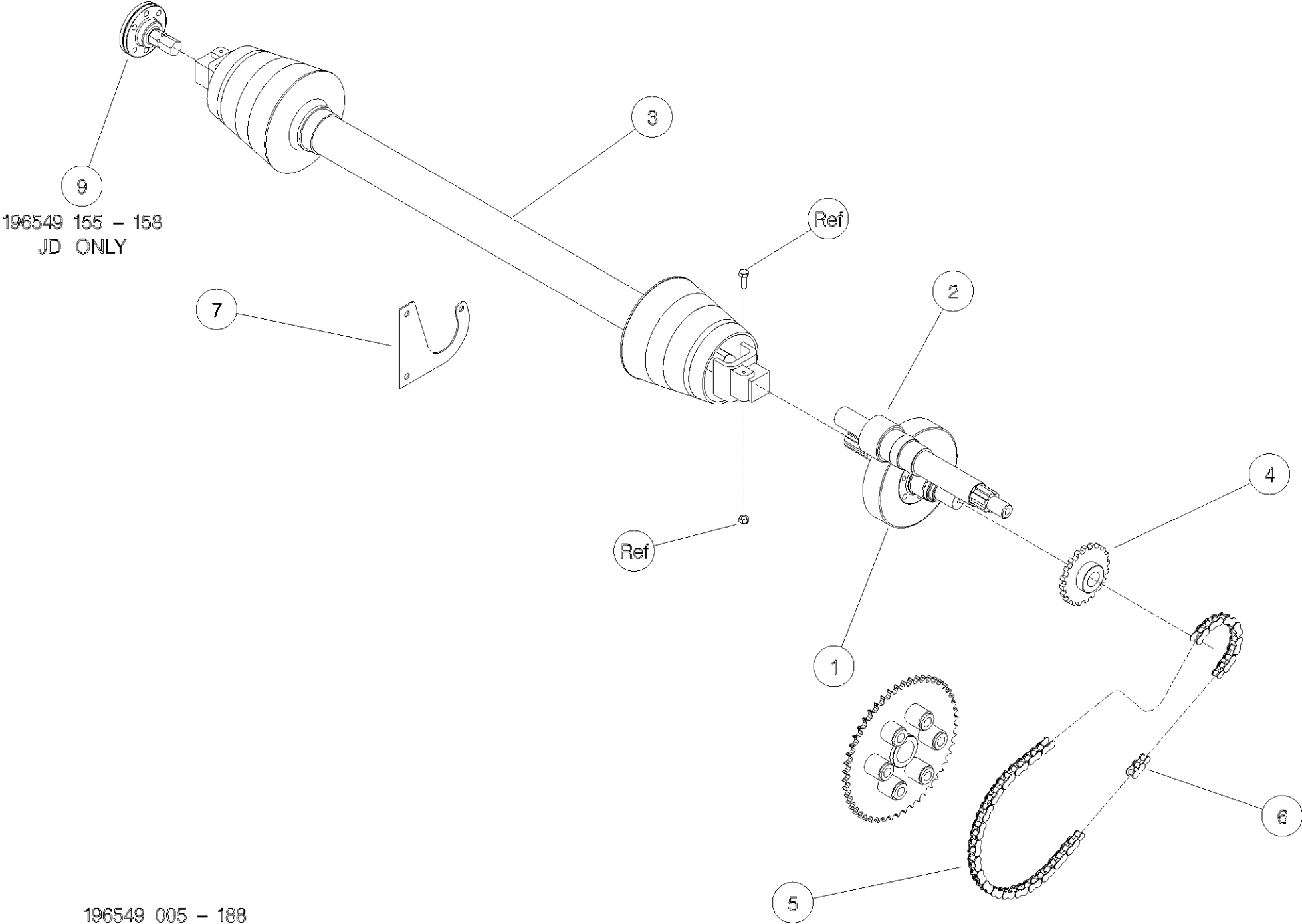


196549 005 - 188

Shelbourne Reynolds Engineering Limited

ASSY NUMBER: 196549 125				ASSY DESCRIPTION: DRIVE KIT CNH CVS/RVS/RSD (18' 5.4m)			
ITEM	PART NO	DESCRIPTION	QTY	ITEM	PART NO	DESCRIPTION	QTY
1A	192592 07	INPUT GEAR (45t) WITH ROTOR GEARBOX	1				
1B/E	192592 13	INPUT GEAR (33t) (2015 & ON) WITHOUT ROTOR GEARBOX	1				
OR	192592 11	INPUT GEAR (35t) (UP TO 2015) WITHOUT ROTOR GEARBOX	1				
2A	193599 07	PINION (24t) WITH ROTOR GEARBOX	1				
2B	193599 11	PINION (34t) WITHOUT ROTOR GEARBOX	1				
2E	198999 13	PINION (36t) (2015 & ON) GEARBOX WITH 65mm SHAFT	1				
OR	198999 11	PINION (34t) (UP TO 2015) GEARBOX WITH 65mm SHAFT	1				
3	PTO-26013WE	PTO	1				
3a	PTO-00080WE	PTO YOKE-COMBINE (COLLAR)					
OR	PTO-00080	PTO YOKE-COMBINE (PUSH PIN)					
3b	PTO-00083	PTO CROSS BEARING					
3c	PTO-00119	PTO SHEAR BOLT CLUTCH-HEADER					
3d	PTO-00093WE	PTO GUARD ASSY (BLACK)					
OR	PTO-00093	PTO GUARD ASSY (YELLOW)					
3e	PTO-00968	EASY LOCK GUARD CLIPS (RED)					
3g	BLTA10384	SHEARBOLT					
3h	NUT-0265	NYLOC NUT					
4	192768 16	SPROCKET (15t) (2015 & ON)	1				
OR	192768 04	SPROCKET (16t) (UPTO 2015)	1				
5	CHN-01991	CHAIN (99 LINKS PLUS JOINER)	1				
5a	CHN-01901	JOINING LINK					
6	CHN-01910	HALF LINK	A/R				
7	KIT-00931	PTO SUPPORT KIT	1				

Shelbourne Reynolds Engineering Limited



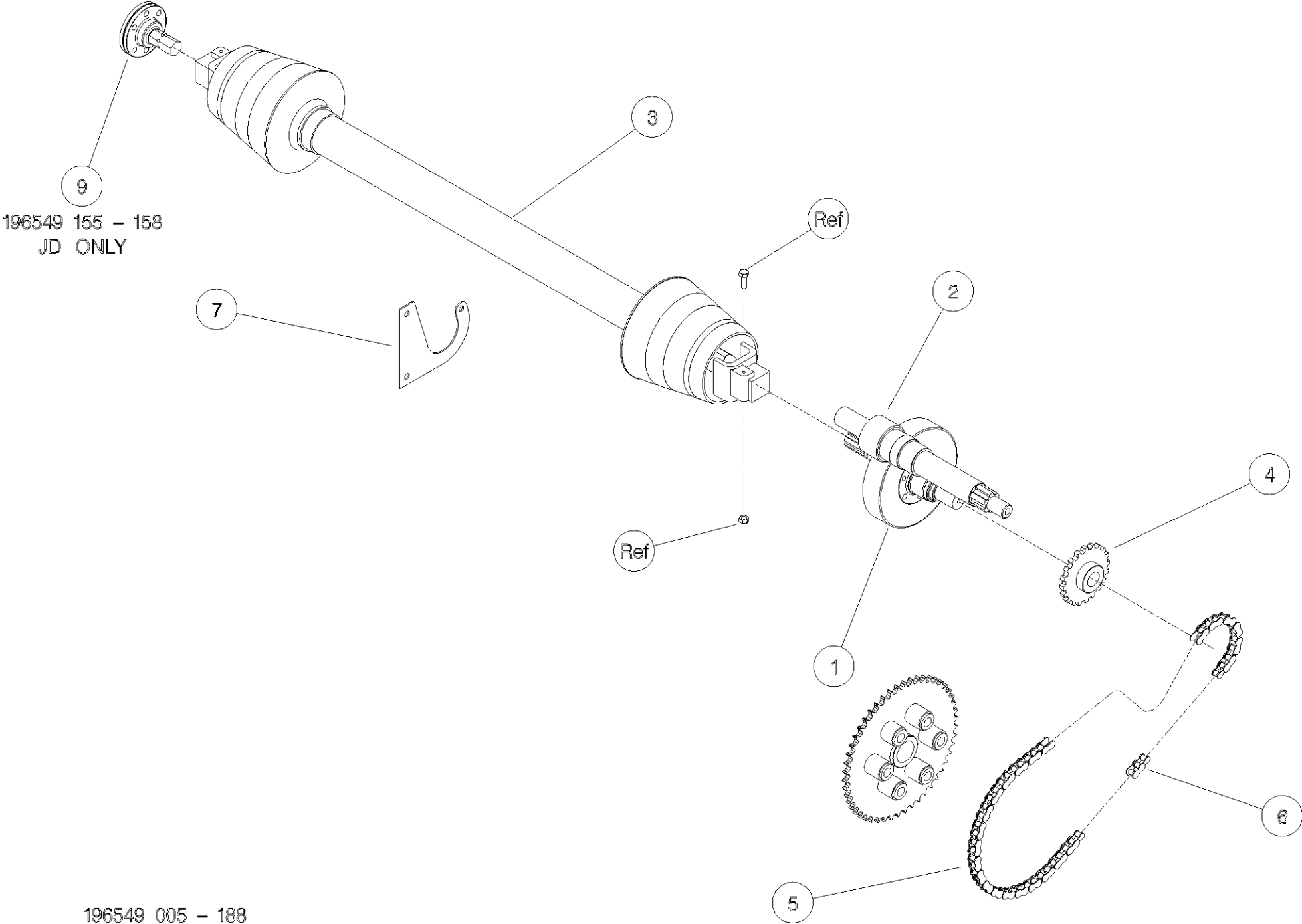
196549 155 - 158
JD ONLY

196549 005 - 188

Shelbourne Reynolds Engineering Limited

ASSY NUMBER: 196549 126				ASSY DESCRIPTION: DRIVE KIT CNH CVS/RVS/RSD (20' 6.0m)			
ITEM	PART NO	DESCRIPTION	QTY	ITEM	PART NO	DESCRIPTION	QTY
1A	192592 07	INPUT GEAR (45t) WITH ROTOR GEARBOX	1				
1B/E	192592 13	INPUT GEAR (33t) (2015 & ON) WITHOUT ROTOR GEARBOX	1				
OR	192592 11	INPUT GEAR (35t) (UP TO 2015) WITHOUT ROTOR GEARBOX	1				
2A	193599 07	PINION (24t) WITH ROTOR GEARBOX	1				
2B	193599 11	PINION (34t) WITHOUT ROTOR GEARBOX	1				
2E	198999 13	PINION (36t) (2015 & ON) GEARBOX WITH 65mm SHAFT	1				
OR	198999 11	PINION (34t) (UP TO 2015) GEARBOX WITH 65mm SHAFT	1				
3	PTO-26014WE	PTO	1				
3a	PTO-00080WE	PTO YOKE-COMBINE (COLLAR)					
OR	PTO-00080	PTO YOKE-COMBINE (PUSH PIN)					
3b	PTO-00083	PTO CROSS BEARING					
3c	PTO-00119	PTO SHEAR BOLT CLUTCH-HEADER					
3d	PTO-00093WE	PTO GUARD ASSY (BLACK)					
OR	PTO-00093	PTO GUARD ASSY (YELLOW)					
3e	PTO-00968	EASY LOCK GUARD CLIPS (RED)					
3g	BLTA10384	SHEARBOLT					
3h	NUT-0265	NYLOC NUT					
4	192768 16	SPROCKET (15t) (2015 & ON)	1				
OR	192768 04	SPROCKET (16t) (UPTO 2015)	1				
5	CHN-01991	CHAIN (99 LINKS PLUS JOINER)	1				
5a	CHN-01901	JOINING LINK					
6	CHN-01910	HALF LINK	A/R				
7	KIT-00931	PTO SUPPORT KIT	1				

Shelbourne Reynolds Engineering Limited



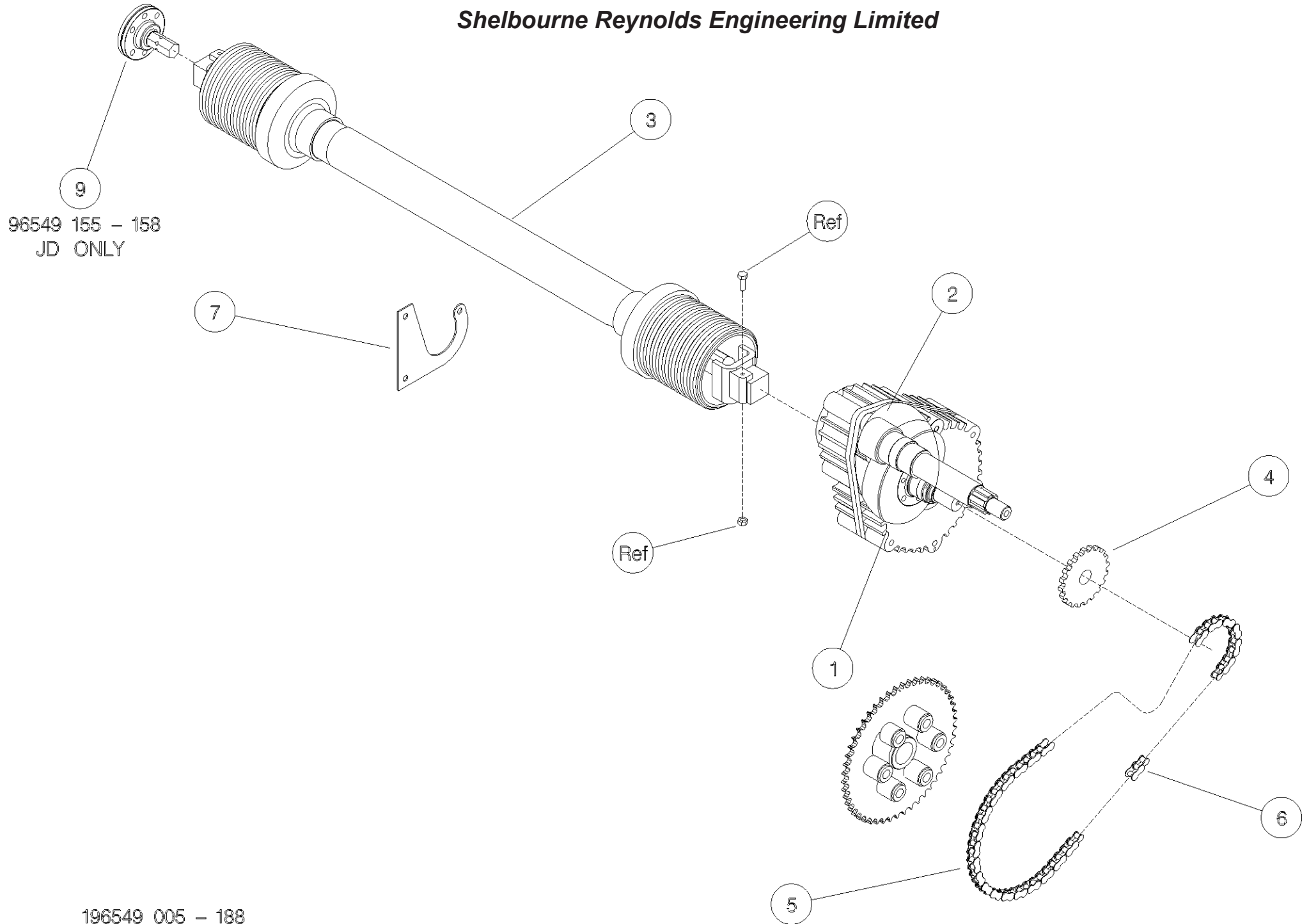
196549 155 - 158
JD ONLY

196549 005 - 188

Shelbourne Reynolds Engineering Limited

ASSY NUMBER: 196549 128				ASSY DESCRIPTION: DRIVE KIT CNH CVS/RVS/RSD/Excel (22-42')			
ITEM	PART NO	DESCRIPTION	QTY	ITEM	PART NO	DESCRIPTION	QTY
1A	192592 07	INPUT GEAR (45t) WITH ROTOR GEARBOX	1				
1B/E	192592 13	INPUT GEAR (33t) (2015 & ON) WITHOUT ROTOR GEARBOX	1				
OR	192592 11	INPUT GEAR (35t) (UPTO 2015) WITHOUT ROTOR GEARBOX	1				
2A	193599 07	PINION (24t) WITH ROTOR GEARBOX	1				
2B	193599 11	PINION (34t) WITHOUT ROTOR GEARBOX	1				
2E	198999 13	PINION (36t) (2015 & ON) GEARBOX WITH 65mm SHAFT	1				
OR	198999 11	PINION (34t) (UPTO 2015) GEARBOX WITH 65mm SHAFT	1				
3	PTO-26004WE	PTO	1				
3a	PTO-00080WE	PTO YOKE-COMBINE (COLLAR)					
OR	PTO-00080	PTO YOKE-COMBINE (PUSH PIN)					
3b	PTO-00083	PTO CROSS BEARING					
3c	PTO-00119	PTO SHEAR BOLT CLUTCH-HEADER					
3d	PTO-00093WE	PTO GUARD ASSY (BLACK)					
OR	PTO-00093	PTO GUARD ASSY (YELLOW)					
3e	PTO-00968	EASY LOCK GUARD CLIPS (RED)					
3g	BLTA10384	SHEARBOLT					
3h	NUT-0265	NYLOC NUT					
4	192768 16	SPROCKET (15t) (2015 & ON)	1				
OR	192768 04	SPROCKET (16t) (UPTO 2015)	1				
5	CHN-01991	CHAIN (99 LINKS PLUS JOINER)	1				
5a	CHN-01901	JOINING LINK					
6	CHN-01910	HALF LINK	A/R				
7	KIT-00931	PTO SUPPORT KIT	1				

Shelbourne Reynolds Engineering Limited

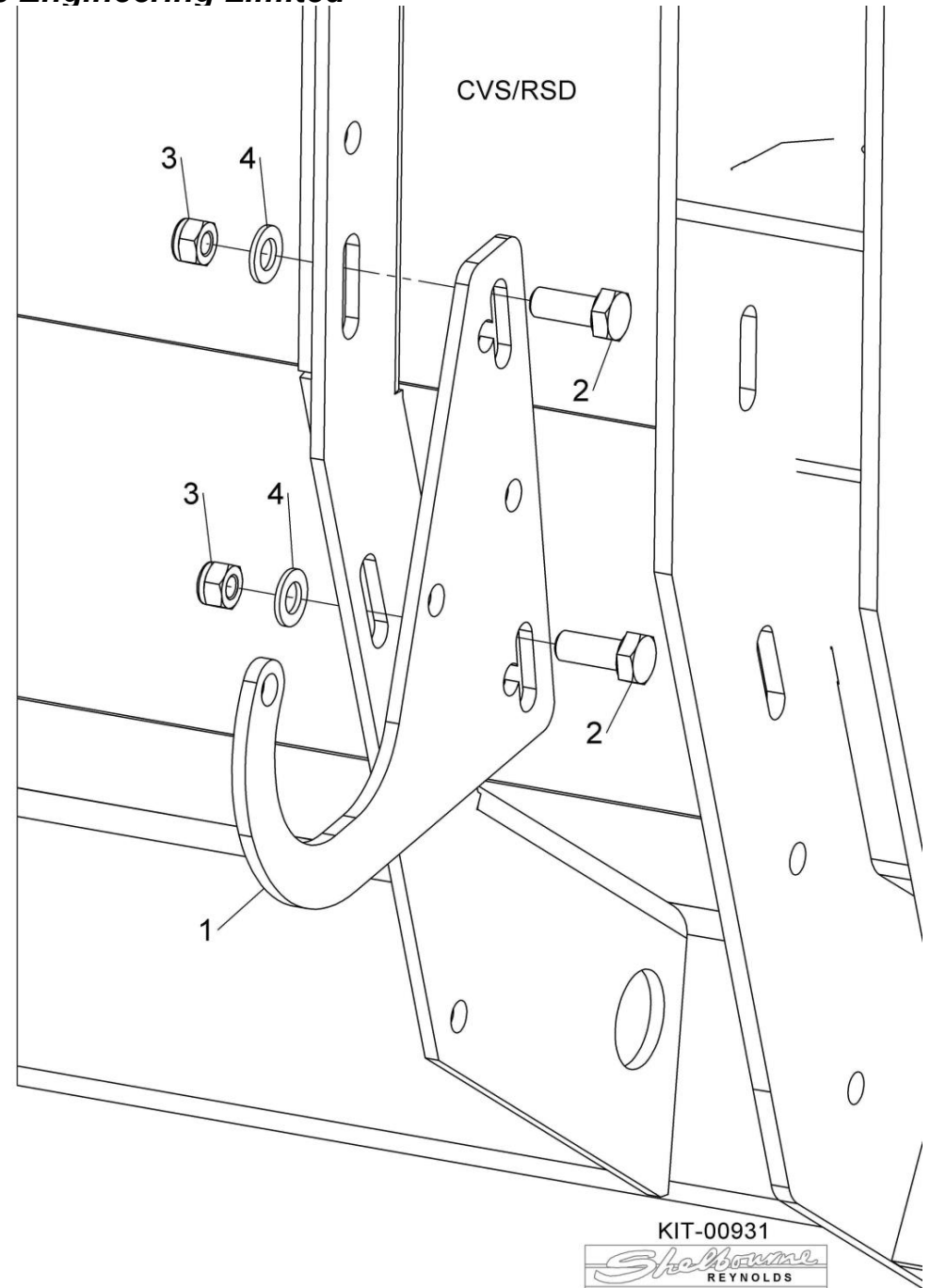
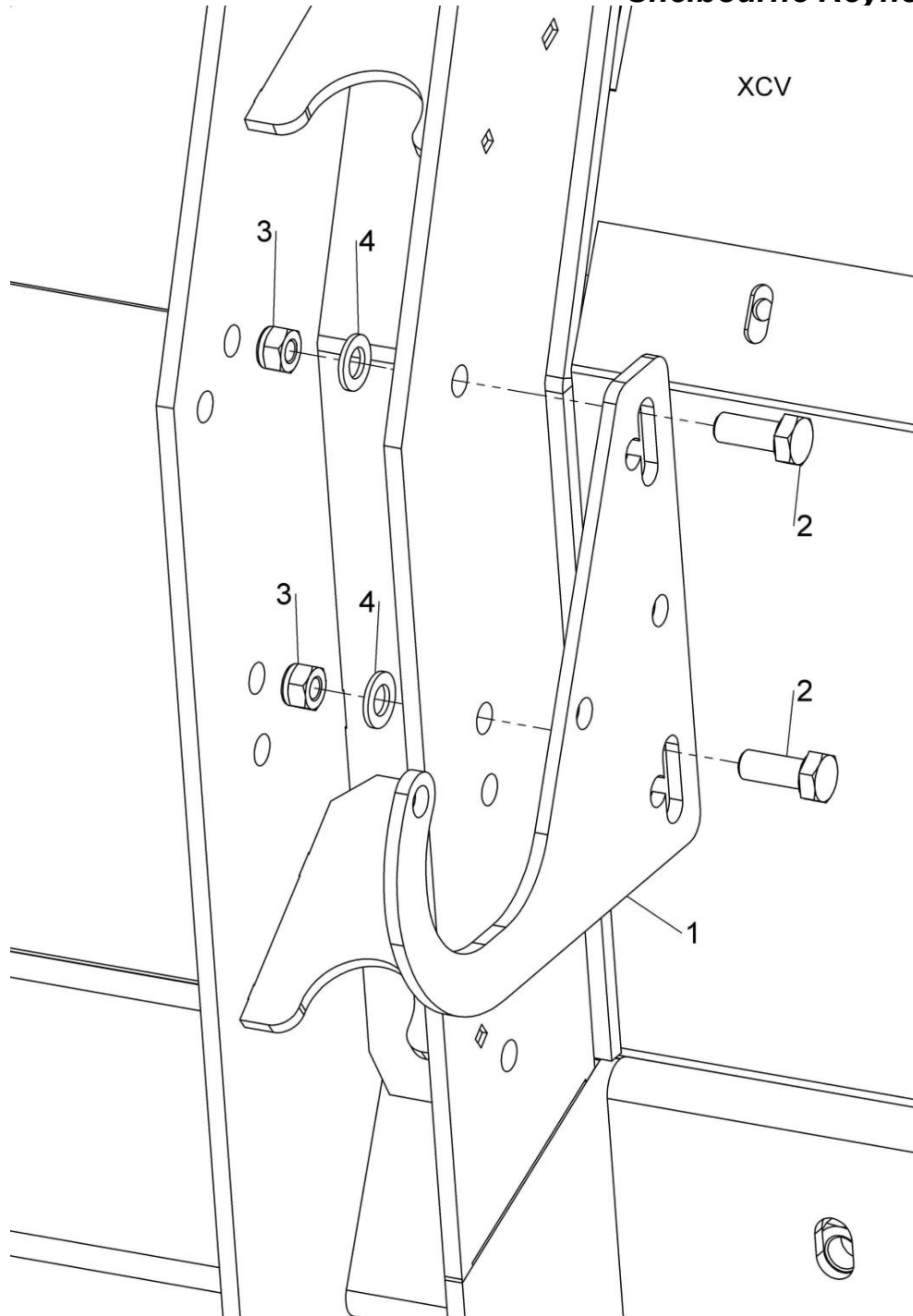


96549 155 - 158
JD ONLY

196549 005 - 188

Shelbourne Reynolds Engineering Limited

ASSY NUMBER: KIT-00931				ASSY DESCRIPTION: PTO SUPPORT KIT			
ITEM	PART NO	DESCRIPTION	QTY	ITEM	PART NO	DESCRIPTION	QTY
1	191945 01	PTO SUPPORT	1				
2	HSS-0238	SETSCREW	2				
3	NUT-0269	NYLOC NUT	2				
4	WSH-0018	PLAIN WASHER	2				



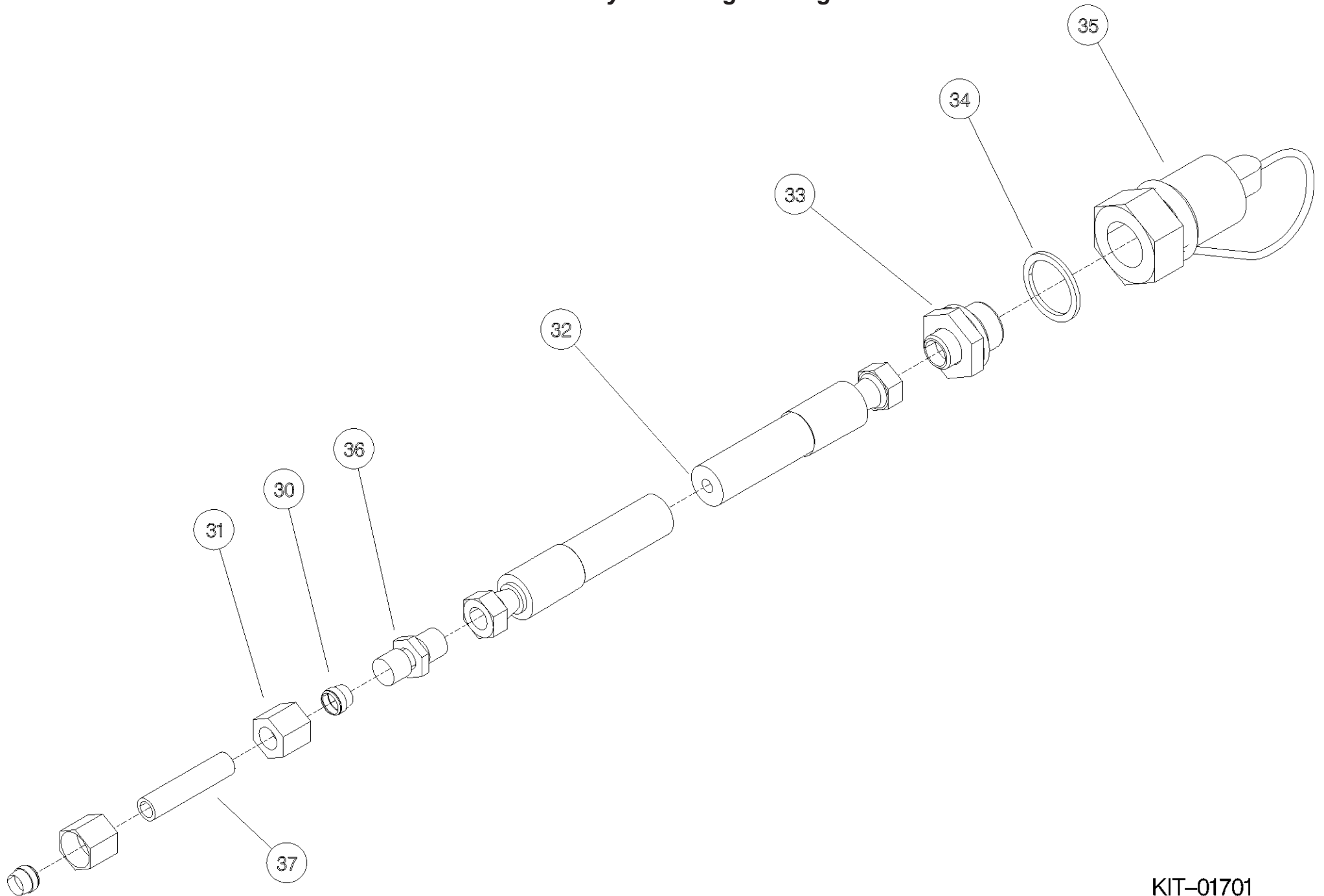
KIT-00931



HYDRAULIC KITS

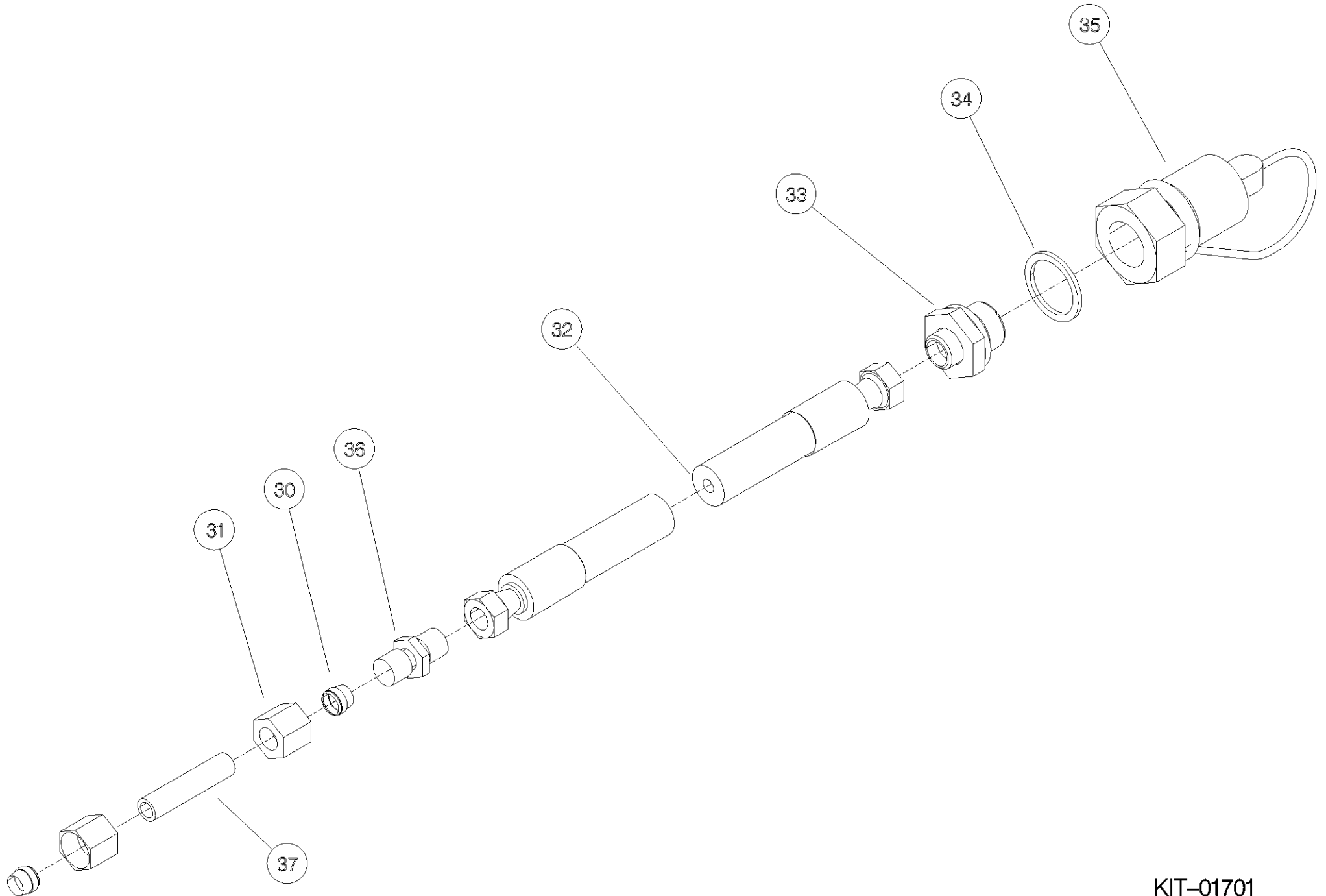
Shelbourne Reynolds Engineering Limited

ASSY NUMBER: KIT-01701				ASSY DESCRIPTION: HYDRAULIC PROBE CONNECTOR FROM 196517 01			
ITEM	PART NO	DESCRIPTION	QTY	ITEM	PART NO	DESCRIPTION	QTY
1							
2							
3							
4							
5							
6							
7							
8							
9							
10							
11							
11							
13							
14							
15							
16							
17							
18							
19							
20							
21							
22							
23							
24							
25							
26							
27							
28							
29							
30	FIT-0056	OLIVE (UP TO 2005 ONLY)	2				
31	FIT-0051	NUT (UP TO 2005 ONLY)	2				
32	HHAC12010	HOSE (2005 & ON)	1				
OR	HHAC12005	HOSE (UP TO 2005 ONLY)	1				
33	FIT-0025	ADAPTOR	1				
34	WSH-1010	DOWTY WASHER	1				
35	COU-0161	PULL BRAKE COUPLING	1				
36	FIT-0047	FITTING (UP TO 2005 ONLY)	1				
37	RP100040	PIPE (UP TO 2005 ONLY)	1				



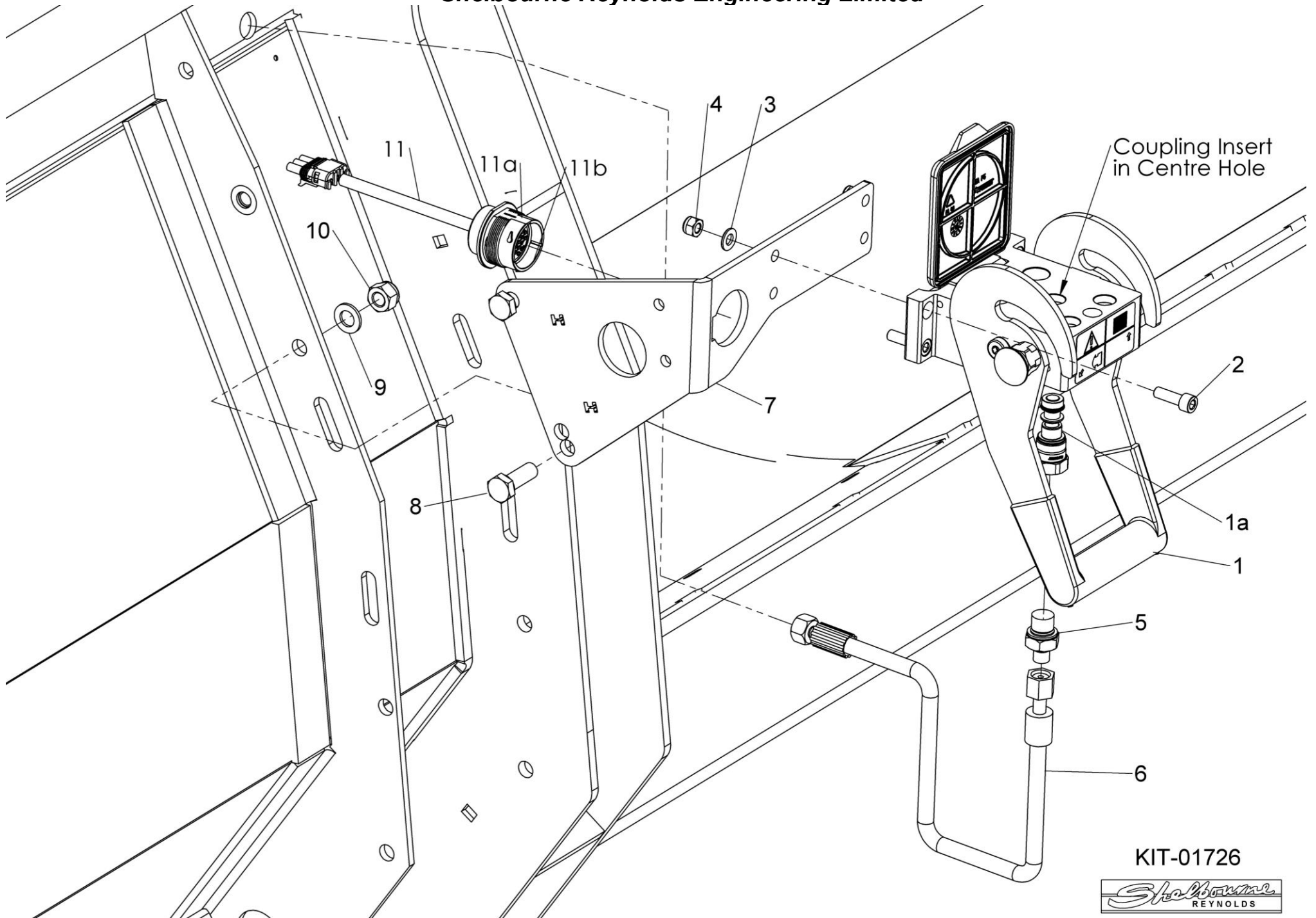
Shelbourne Reynolds Engineering Limited

ASSY NUMBER: KIT-01709				ASSY DESCRIPTION: HYDRAULIC PROBE ADAPTOR			
ITEM	PART NO	DESCRIPTION	QTY	ITEM	PART NO	DESCRIPTION	QTY
1							
2							
3							
4							
5							
6							
7							
8							
9							
10							
11							
11							
13							
14							
15							
16							
17							
18							
19							
20							
21							
22							
23							
24							
25							
26							
27							
28							
29							
30	FIT-0056	OLIVE (UP TO 2005 ONLY)	2				
31	FIT-0051	NUT (UP TO 2005 ONLY)	2				
32	HHAC12010	HOSE (2005 & ON)	1				
OR	HHAC12005	HOSE (UP TO 2005 ONLY)	1				
33	HMA-0055	ADAPTOR	1				
34	WSH-1015	DOWTY WASHER	1				
35	COU-016	PULL BRAKE COUPLING	1				
36	FIT-0047	FITTING (UP TO 2005 ONLY)	1				
37	RP100040	PIPE (UP TO 2005 ONLY)	1				



Shelbourne Reynolds Engineering Limited

ASSY NUMBER: KIT-01726				ASSY DESCRIPTION: CNH HYDRAULIC MULTICOUPLER KIT			
ITEM	PART NO	DESCRIPTION	QTY	ITEM	PART NO	DESCRIPTION	QTY
1	HQR-95010	FASTER MULTI COUPLER	1				
1a	HQR-15025	FEM COUPLING INSERT					
1b	HQR-95040	SPARE RED BUTTON KIT					
2	SCW-0136	HT CAP HEAD SCREW	4				
3	WSH-0012	PLAIN WASHER	4				
4	NUT-0263	NYLOC NUT	4				
5	HAPAK0325	HYDRAULIC ADAPTOR	1				
6	HHAC07910	HYDRAULIC HOSE ASSY	1				
7	199711 01	MULTICOUPLER MTG PLT	1				
8	HSS-0241	SETSCREW	2				
9	WSH-0018	PLAIN WASHER	2				
10	NUT-0269	NYLOC NUT	2				
11	197040 01	LIGHT PLUG (IF LIGHTS FITTED)					
11a	ECN-09060	SPARE LOCK WASHER					
11b	ECN-09050	SPARE PANEL NUT					
						COUPLING INSERT (ITEM 1a) FITS INTO CENTRE HOLE	



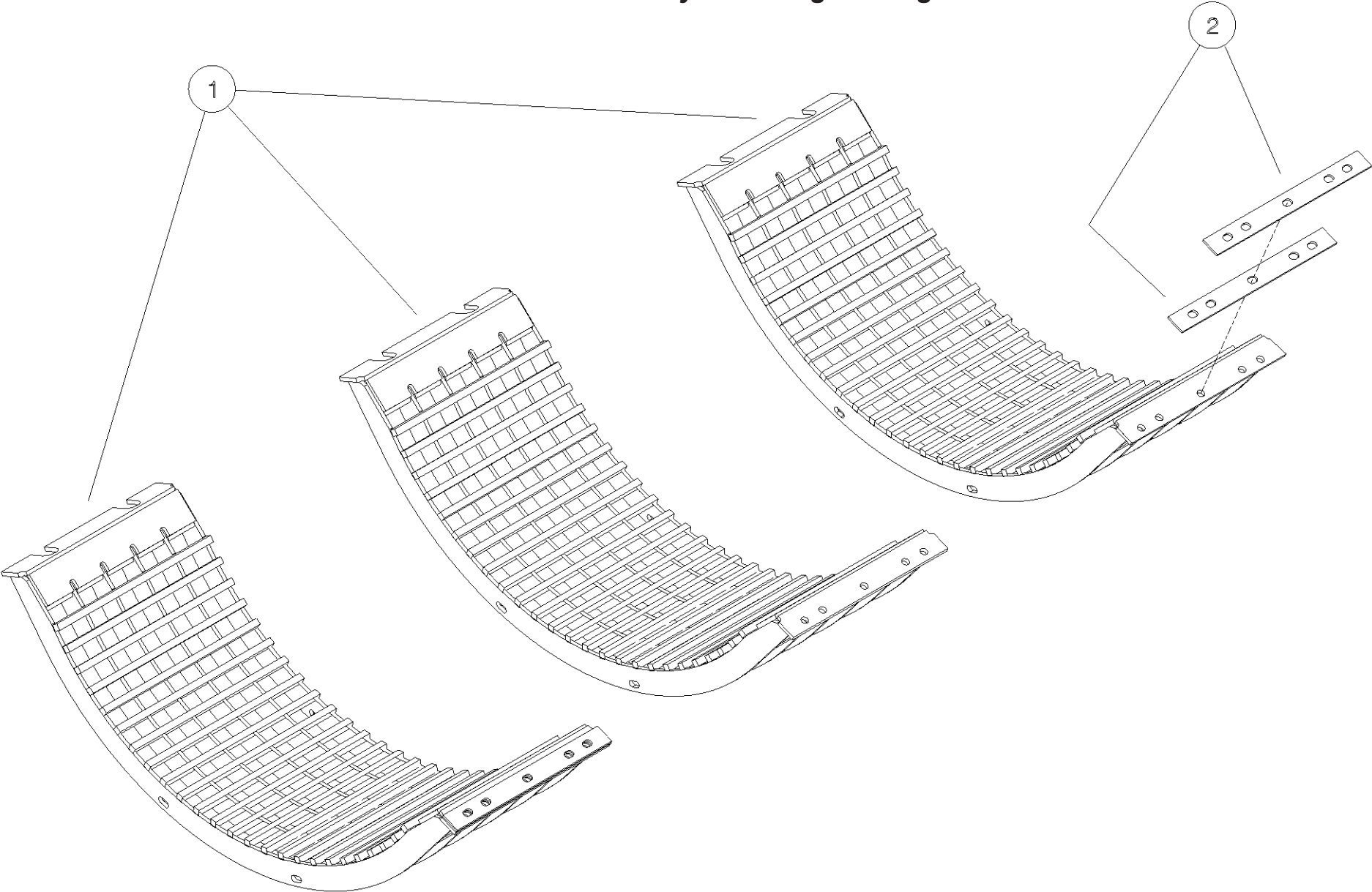
KIT-01726



KIT OPTIONS

Shelbourne Reynolds Engineering Limited

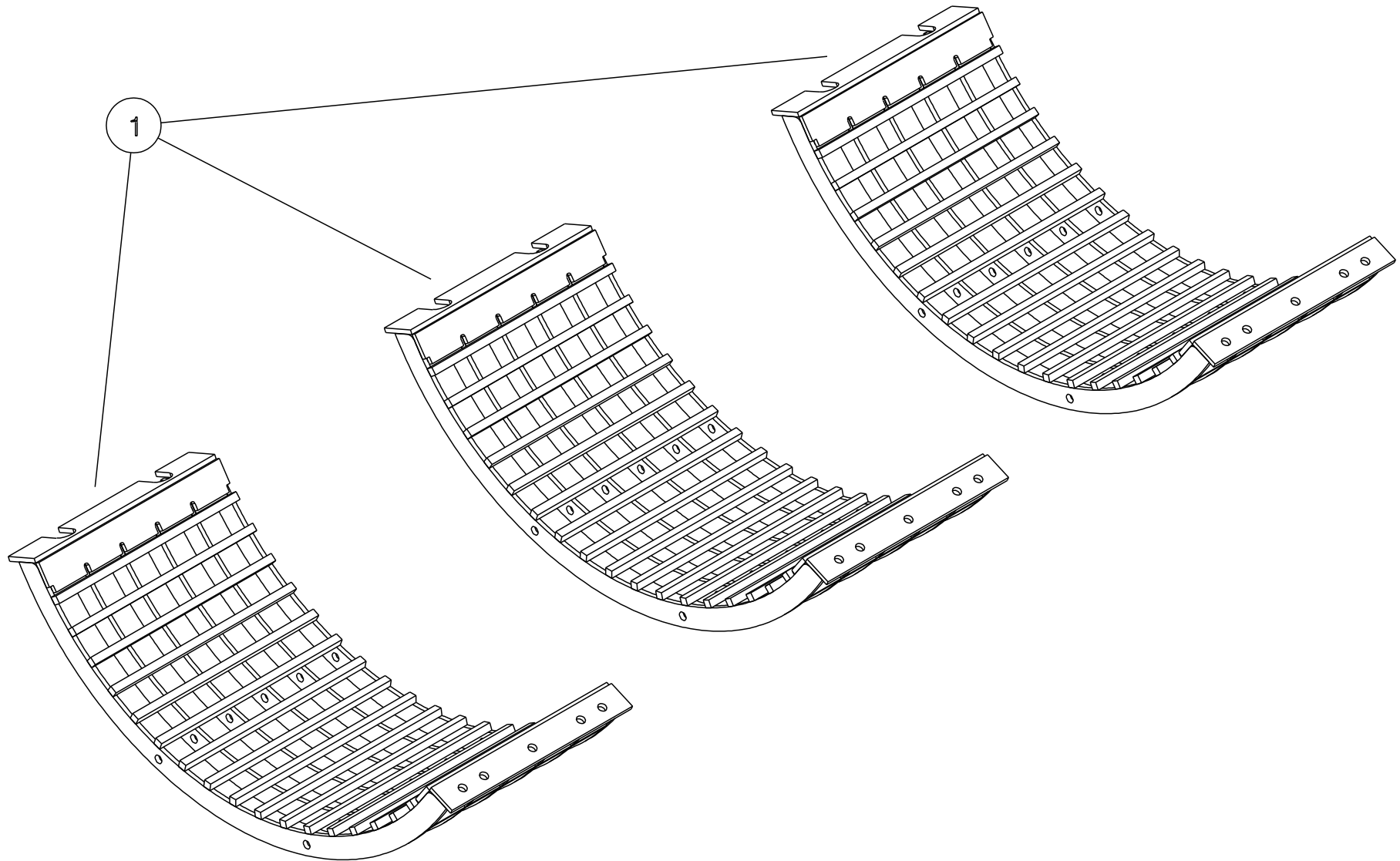
ASSY NUMBER: KIT-00903				ASSY DESCRIPTION: IHC 1680/1480 SPLTY RTR CONCAVE KIT			
ITEM	PART NO	DESCRIPTION	QTY	ITEM	PART NO	DESCRIPTION	QTY
1	191660 01	CONCAVE ASSY	3				
OR	194563 01	CONCAVE ASSY (FROM 2000/01)	3				
2	194368 01	SPACER PLATE	6				



KIT - 00903

Shelbourne Reynolds Engineering Limited

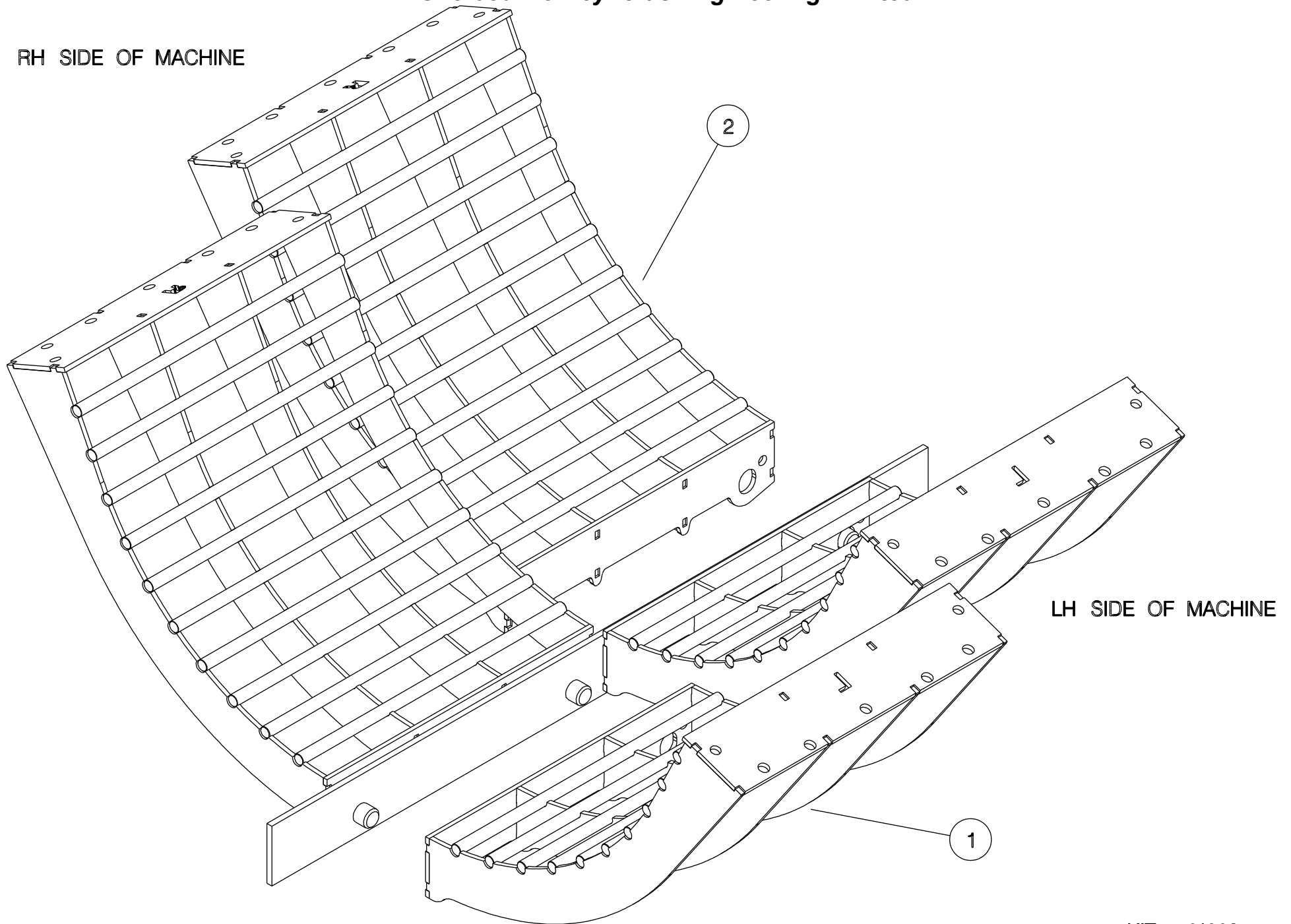
ASSY NUMBER: KIT-01216				ASSY DESCRIPTION: IHC 2166,1660,1640 SPLTY RTR GRATE KIT			
ITEM	PART NO	DESCRIPTION	QTY	ITEM	PART NO	DESCRIPTION	QTY
1	193564 01	GRATE ASSY	3				



Shelbourne Reynolds Engineering Limited

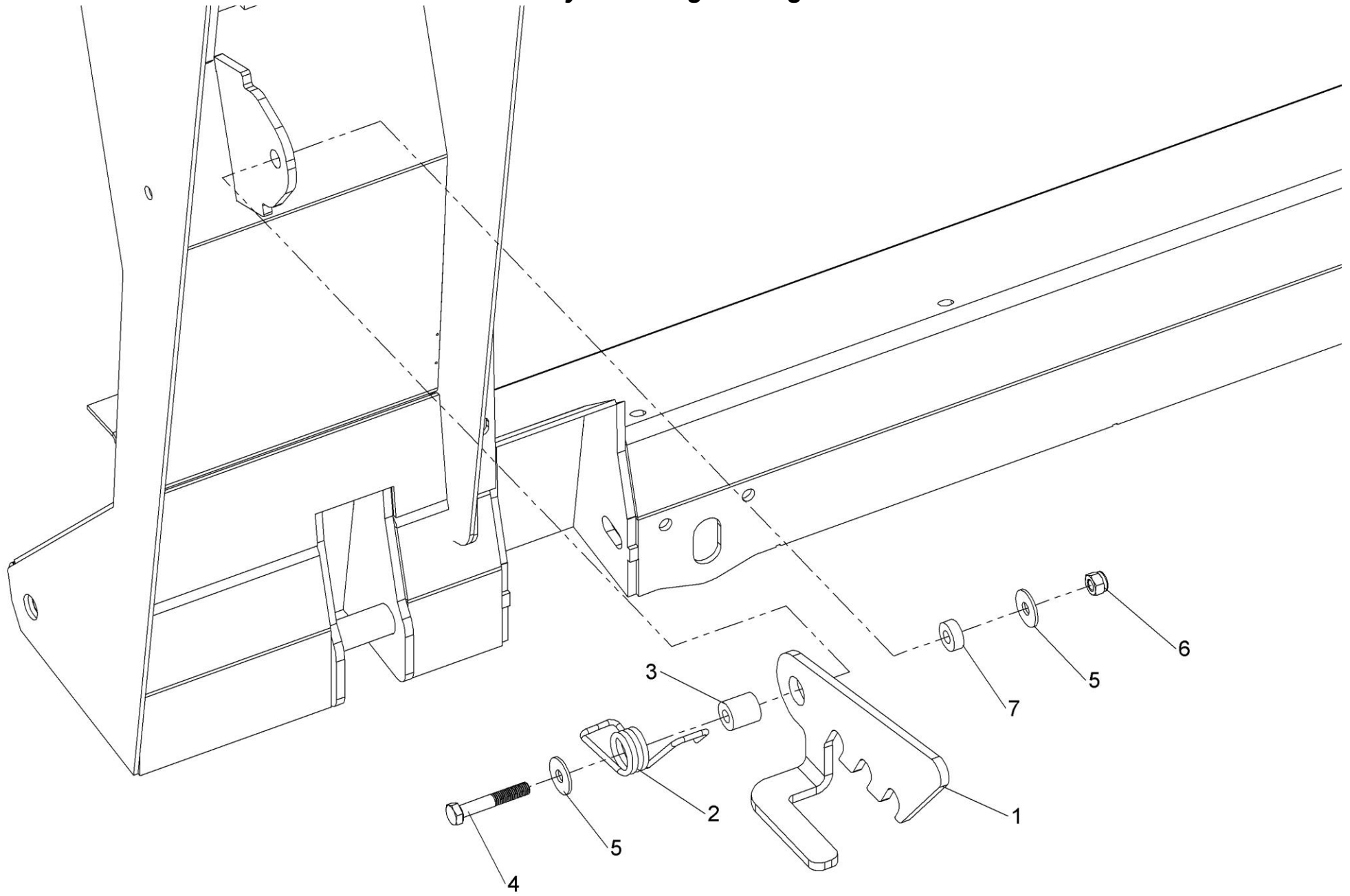
ASSY NUMBER: KIT-01328				ASSY DESCRIPTION: ROTOR GRATE KIT CASE IH 8010 SERIES			
ITEM	PART NO	DESCRIPTION	QTY	ITEM	PART NO	DESCRIPTION	QTY
1	197171 06	CONCAVE ASSY LH (19 BAR) 2005 ONWARDS	2				
OR	197171 01	CONCAVE ASSY LH (10 BAR) PRE 2005	2				
2	197172 06	CONCAVE ASSY RH (19 BAR) 2005 ONWARDS	2				
OR	197172 01	CONCAVE ASSY RH (10 BAR) PRE 2005	2				

RH SIDE OF MACHINE



Shelbourne Reynolds Engineering Limited

ASSY NUMBER: KIT-01400				ASSY DESCRIPTION: CNH RETRO FIT SPRING LATCH KIT			
ITEM	PART NO	DESCRIPTION	QTY	ITEM	PART NO	DESCRIPTION	QTY
1	198802 01	LOCKING PLATE	1				
2	198807 01	TORSION SPRING	1				
3	198924 01	SPACER TUBE LONG (M8 BOLT)	1				
OR	198811 01	SPACER TUBE LONG (M12 BOLT)	1				
4	BLTA08320	HEX.HEAD BOLT	1				
OR	BLTA12350	HEX.HEAD BOLT	1				
5	WSH-1038	PENNY WEASHER	1				
OR	WSH-0018	PLAIN WASHER	2				
6	NUT-0263	NYLOC NUT	1				
OR	NUT-0269	NYLOC NUT	1				
7	198925 01	SPACER TUBE SHORT (M8 BOLT)	1				
OR	198789 01	SPACER TUBE SHORT (M12 BOLT)	1				



KIT-01400

