

# Shelbourne

REYNOLDS

## 18m<sup>3</sup> EXPRESS PARTS MANUAL



Shelbourne Reynolds Engineering Ltd  
Stanton  
Bury St Edmunds  
Suffolk  
IP31 2AR  
England

Telephone: 01359 250415  
Fax: 01359 250464

Stores Direct : 01359 251231  
Stores Direct: 01359 252031

Issue 8

24/10/2023

[www.shelbourne.com](http://www.shelbourne.com)



 YouTube

# POWERMIX PLUS

# List Of Kit Numbers

619941 01	18m <sup>3</sup> Powermix Plus Express	4
619941 02	Rear Door 18m <sup>3</sup> Powermix Plus	6
619156 02	Auger Drives Sub Assembly	8
619160 01	Auger Sub Assembly	10
619198 01	Front Door Tub And Chassis Sub Assembly	12
619199 01	Hydraulics Mounting Sub Assembly	14
619202 01	Front/Rear Door Tub And Chassis Sub	16
KIT-03863	Anti-Rotation Blade Kit	18
KIT-03869	Manual Cannister Kit	20
KIT-03882	Lighting Kit	22
KIT-03998	Standard Blade Kit	24
KIT-60037	Straw Ring Kit	26
KIT-60039	UK Tow Eye Kit	28
KIT-60040	Weighing Kit	30
KIT-60043	Express Conveyor Kit	32
KIT-60062	Weighing Kit (DG Type)	36

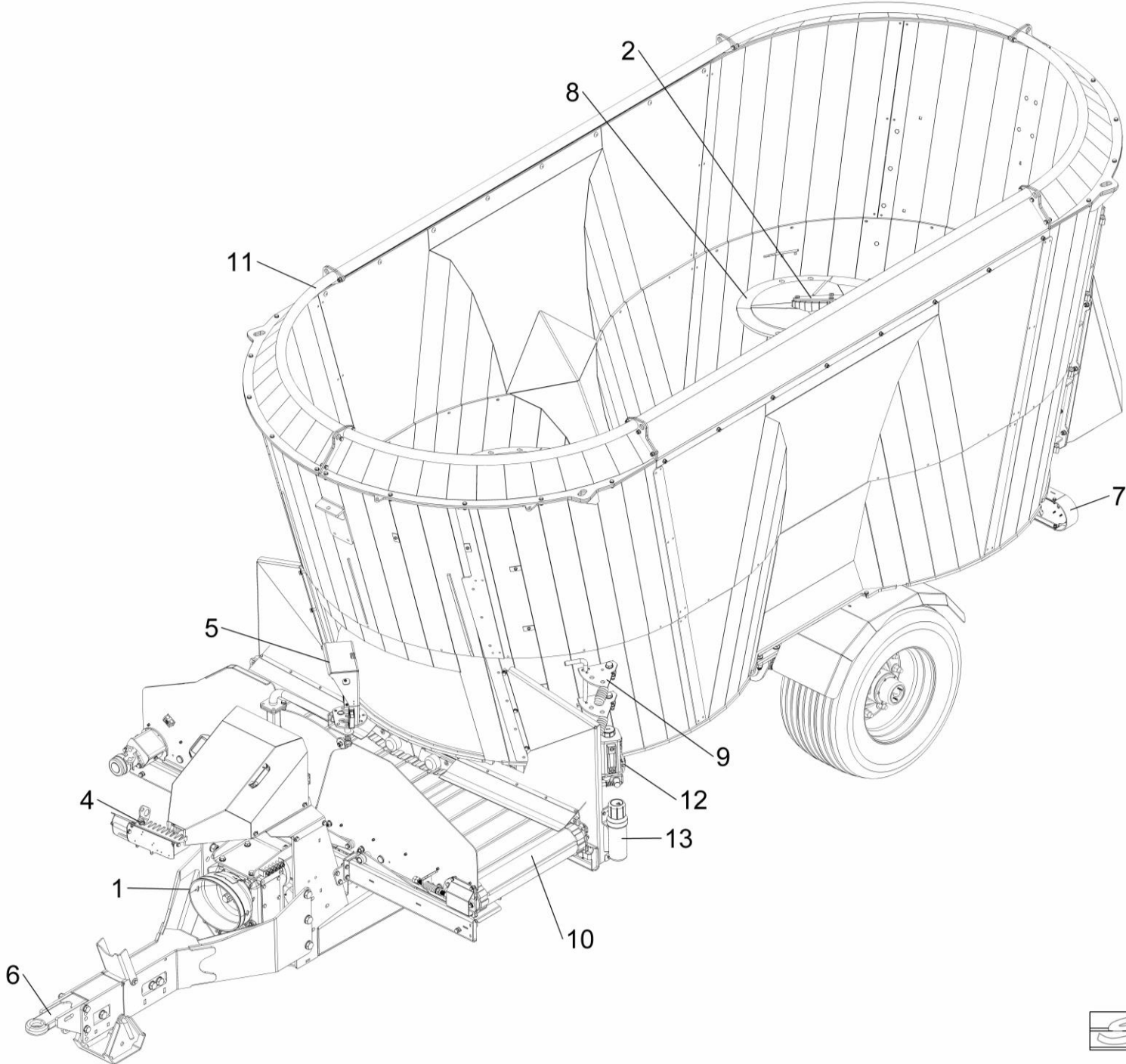
## **Kit Options** 39

KIT-03671B	Wheel And Tyre Kit (385/55R22.5 Longmarch)	40
KIT-03672A	Wheel And Tyre Kit (435/50R19.5 Doublecoin)	42
KIT-03719	Auger Magnet Kit	44
KIT-03869	Manual Cannister Kit	46
KIT-03870	Axle Spacer Kit (385/65-R22.5)	48
KIT-03876A	STD Input PTO Shaft Kit (16-22m Plus)	50
KIT-03890	Wheel And Tyre Kit (385/65-R22.5)	52
KIT-03894	Conveyor Deflector Kit	54
KIT-03895	DG400 Basic Display Kit	56
KIT-03896	DG600 Programmable Display Kit	58
KIT-03897	Transfers Kit 16m <sup>3</sup>	60
KIT-03897A	Transfers Kit 18m <sup>3</sup>	62
KIT-03897B	Transfers Kit 22m <sup>3</sup>	64
KIT-03897C	Transfers Kit 20m <sup>3</sup>	66
KIT-03899	Direct Coupled Hydraulics Kit	68
KIT-03900	3-Pin Plug Connection Kit	70
KIT-03905	Wireless Hydraulic Control Kit	72
KIT-03908A	W-A Input PTO Shaft Kit (16-22M Plus)	74
KIT-03932	Axle And Wheel Kit (235/75R17.5 Dual)	76
KIT-03956	2-Speed Gear Change Handset Kit	78
KIT-03958	Dina Tel 3 Remote Display Kit	80
KIT-03959	UK Area Kit	82

KIT-03965	Hydraulic Valve Kit (3/4" Hoses Steel V)	84
KIT-60025	Auger Extension Kit	86
KIT-60032	EZ3410 BT Display Kit	88
KIT-60038	Rear Door Kit	91
KIT-60041	Tandem Axle Kit	94
KIT-60042	Single Axle Kit	96
KIT-60050	22m <sup>3</sup> Extension Kit	98
KIT-60055	20m <sup>3</sup> Extension Kit	100
KIT-60060	Tubular Tub Rim Kit	102
KIT-60061	Rear Door Blanking Plate	104
KIT-60067	Steering Tandem Axle Kit	106
KIT-60068	Tandem Wheel Kit (385/55 R19.5)	108
KIT-60073	Wireless Hydraulic Control Kit	110
KIT-60083	Steering Tandem Axle Kit (Air/Hyd)	113
KIT-60085	Tandem Axle Kit (1800mm Track Width)	116

**Shelbourne Reynolds Engineering Limited**

ASSY NUMBER: 619941 01				ASSY DESCRIPTION: 18m CU POWERMIX PLUS EXPRESS			
ITEM	PART NO	DESCRIPTION	QTY	ITEM	PART NO	DESCRIPTION	QTY
1	619156 02	AUGER DRIVES SUB ASSY	1				
2	619198 01	TUB & CHASSIS SUB ASSY	1				
3	619160 01	AUGER SUB ASSY	1				
4	619199 01	HYDRAULIC MTG SUB ASSY	1				
5	KIT-60062	WEIGHING KIT (DINAMICA) PME18220872 & ON	1				
OR	KIT-60040	WEIGHING KIT (DIGI-STAR) PME18220857-PME18220859 PME18230937-PME18230944	1				
6	KIT-60039	UK TOW EYE KIT	1				
7	KIT-03882	LIGHTING KIT	1				
8	KIT-03998	STANDARD BLADE KIT	2				
9	KIT-03863	ANTI-ROTATION KIT	1				
10	KIT-60043	EXPRESS CONVEYOR KIT	1				
11	KIT-60037	STRAW RING KIT	1				
12	KIT-03601	CONSUMABLE KIT	1				
13	KIT-03869	MANUAL CANNISTER KIT	1				

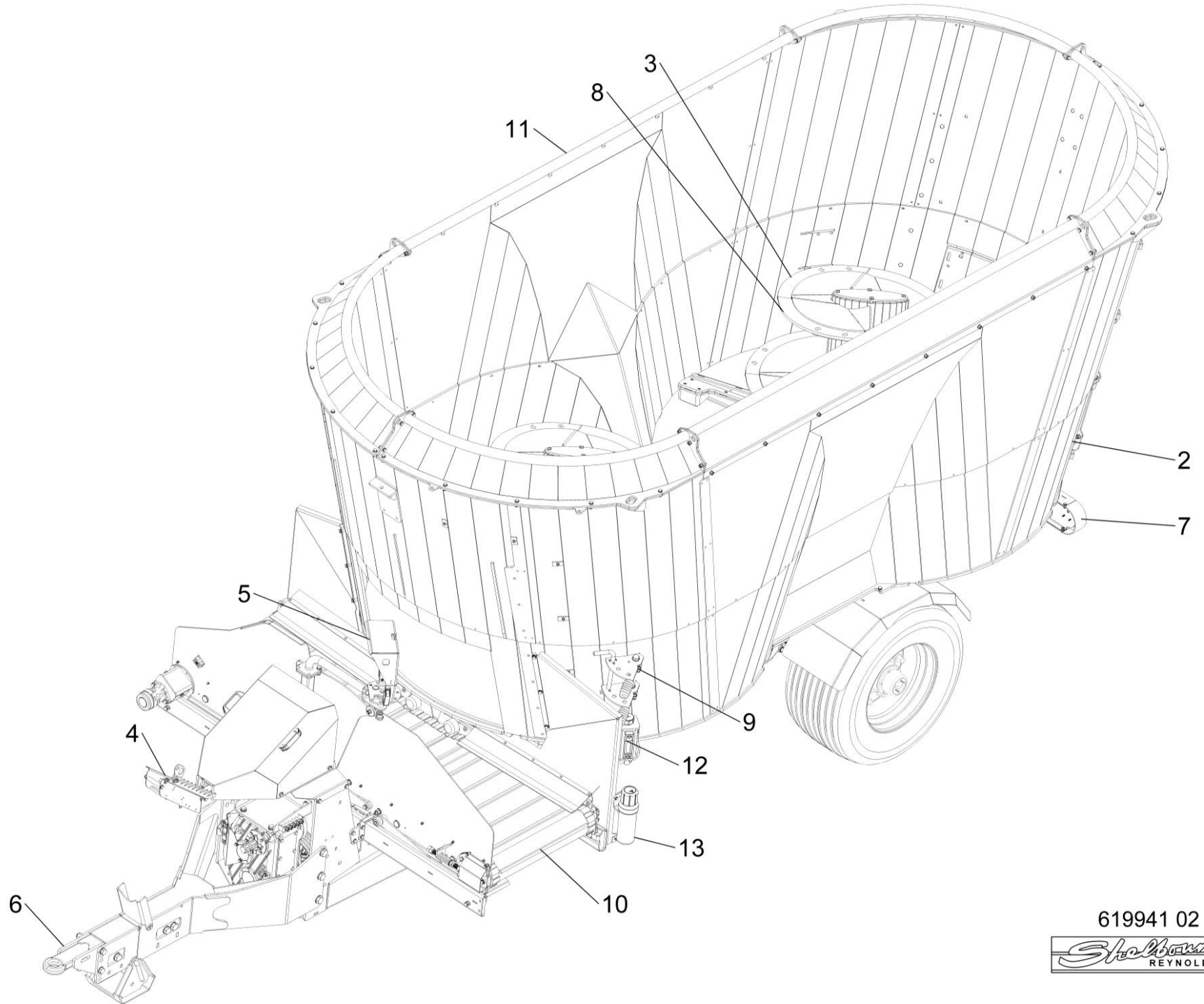


619941 01



**Shelbourne Reynolds Engineering Limited**

ASSY NUMBER: 619941 02				ASSY DESCRIPTION: 18m POWERMIX PLUS C/W REAR DOOR OPENING			
ITEM	PART NO	DESCRIPTION	QTY	ITEM	PART NO	DESCRIPTION	QTY
1	619156 02	AUGER DRIVES SUB ASSY	1				
2	619202 01	TUB & CHASSIS SUB ASSY	1				
3	619160 01	AUGER SUB ASSY	1				
4	619199 01	HYDRAULIC MTG SUB ASSY	1				
5	KIT-60062	WEIGHING KIT (DINAMICA)	1				
OR	KIT-60040	WEIGHING KIT (DIGI-STAR) PME18220857-PME18220859 PME18230937-PME18230944	1				
6	KIT-60039	UK TOW EYE KIT	1				
7	KIT-03882	LIGHTING KIT	1				
8	KIT-03998	STANDARD BLADE KIT	2				
9	KIT-03863	ANTI-ROTATION KIT	1				
10	KIT-60043	EXPRESS CONVEYOR KIT	1				
11	KIT-60037	STRAW RING KIT	1				
12	KIT-03601	CONSUMABLE KIT	1				
13	KIT-03869	MANUAL CANNISTER KIT	1				



619941 02

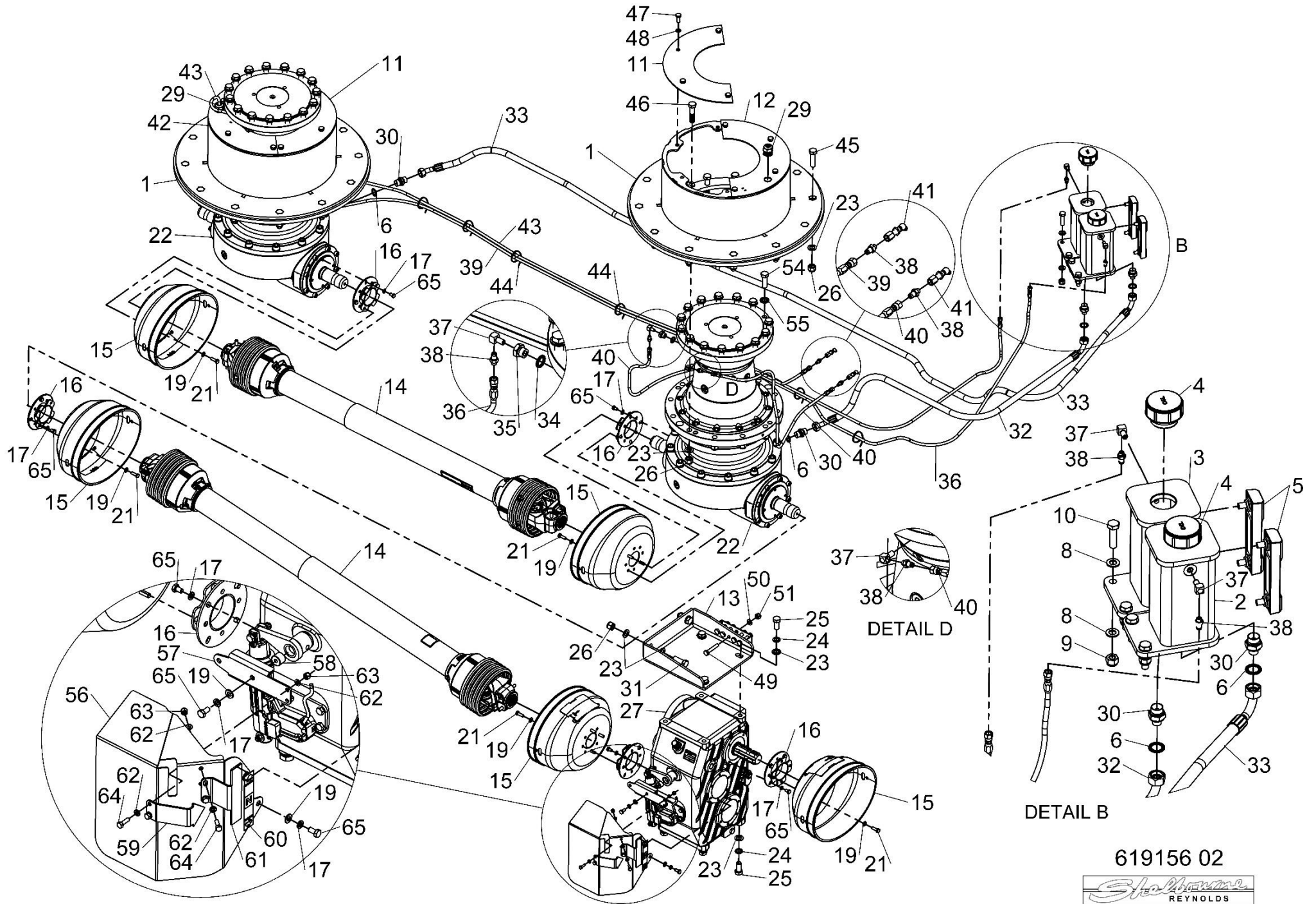


**Shelbourne Reynolds Engineering Limited**

ASSY NUMBER: 619156 02				ASSY DESCRIPTION: AUGER DRIVES SUB ASSY (19.1 : 1 RATIO)			
ITEM	PART NO	DESCRIPTION	QTY	ITEM	PART NO	DESCRIPTION	QTY
1	615810 01	GEARBOX MTG PLATE W/A	2	33	HHKF34005	HYD HOSE ASSY	1
2	615808 01	LH OIL RESERVOIR W/A	1	34	WSH-1010	WASHER	1
3	615808 02	RH OIL RESERVOIR W/A	1	35	HAEAA0107	REDUCING BUSH ADAPTER	2
4	FIL-0004	FILLER CAP	2	36	614605 12	FRONT BREATHER HOSE	1
5	GAU-0010	LEVEL GAUGE	2	37	LUB-00051	90 DEG ELBOW	6
6	WSH-1015	WASHER	4	38	LUB-00038	FRENCH PIPE CONNECTOR	8
7				39	614605 13	REAR BREATHER HOSE	1
8	WSH-0018	WASHER	8	40	614605 16	TOP BEARING FRONT HOSE	1
9	NUT-0269	NUT	4	41	LUB-00036	BULKHEAD ADAPTER	2
10	BLTA12290	BOLT	4	42	616532 01	RH REAR SEAL PLATE	1
11	616531 01	GEARBOX SEAL PLATE	2	43	614605 15	TOP BEARING REAR HOSE	1
12	616528 01	GEARBOX SEAL PLATE	1	44	TIE-0004	TIE WRAP (MEDIUM)	30
13	616533 01	TOP GEARBOX BRKT W/A	1	45	HSS-0320	SETSCREW	24
14	PTO-35015W	INTERMEDIATE PTO SHAFT PME18190708 & ON	2	46	BLT-2314	BOLT	24
OR	PTO-35015	INTERMEDIATE PTO SHAFT UP TO & INC PME18190699	2	47	HSS-0191	BOLT	16
15	PTO-00965	PTO CONE	5	48	WSH-0061	WASHER	16
16	615985 01	PTO CONE BRKT W/A	5	49	BLTA10380	SHEARBOLT	5
17	WSH-0058	WASHER	23	50	WSH-0015	WASHER	5
18				51	NUT-0265	NUT	5
19	WSH-0012	WASHER	27	52			
20				53			
21	HSS-0145	BOLT	20	54	HSS-0318	SETSCREW	30
22	GEA-0195	PLANETARY GEARBOX	2	55	WSHA30161	LOCKWASHER	30
23	WSH-0024	WASHER	60	56	620475 01	ACTUATOR GUARD	1
24	WSH-0070	WASHER	8	57	620523 01	LEVER BRKT	1
25	HSS-0315	SETSCREW	8	58	620524 01	PIVOT BOSS	1
26	NUT-0271	NUT	50	59	620525 01	POINTER	1
27	GEA-0206	2-SPEED GEARBOX PME18220884 & ON	1	60	620526 01	2-SPEED EMBLEM	1
OR	GEA-0204	2-SPEED GEARBOX PME18200788 - PME18220883	1	61	620527 01	EMBLEM BRKT	1
OR	GEA-0196	2-SPEED GEARBOX UP TO & INC PME18200785	1	62	WSH-0009	WASHER	8
28				63	NUT-0260	NUT	4
29	CBG-00252	CABLE GLAND	2	64	HSS-0086	SETSCREW	4
30	HMA-0067	M/M ADAPTER	4	65	HSS-0135	SETSCREW	27
31	HSS-0317	SETSCREW	2				
32	HHKF12505	HYD HOSE ASSY	1				



Shelbourne Reynolds Engineering Limited

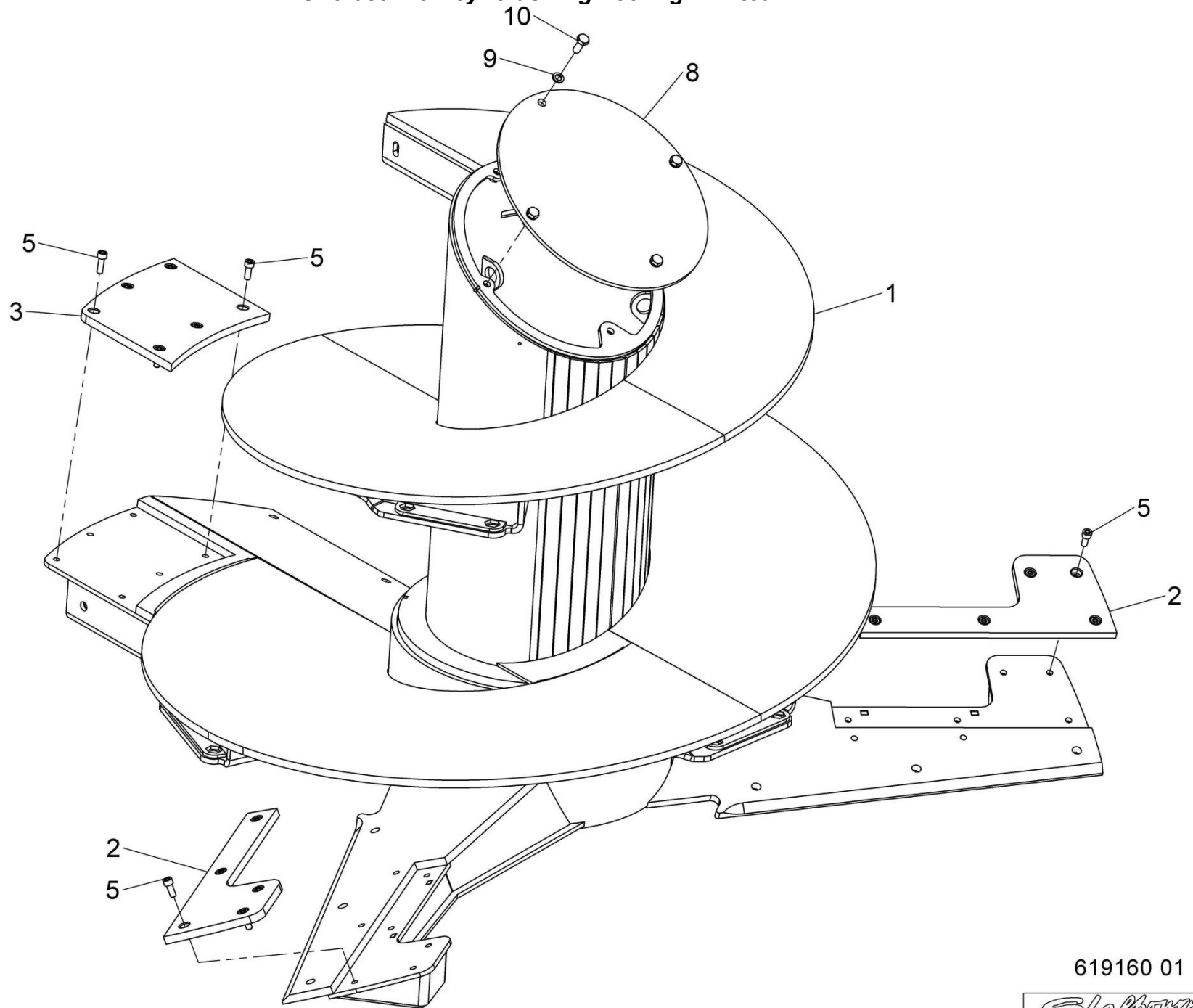


619156 02



**Shelbourne Reynolds Engineering Limited**

ASSY NUMBER: 619160 01				ASSY DESCRIPTION: AUGER SUB ASSY (TWIN AUGER)			
ITEM	PART NO	DESCRIPTION	QTY	ITEM	PART NO	DESCRIPTION	QTY
1	620040 01	AUGER W/A (PME18210820 & ON)	2				
OR	617004 01	AUGER W/A (PME18170522 TO PME18210799)	2				
OR	616171 01	AUGER W/A (UP TO & INC PME18160496)	2				
2	617486 01	WEAR PAD	4				
3	617483 01	WEAR PAD	2				
4							
5	SCW-0190	CP HD SCREW	32				
6							
7							
8	616196 01	AUGER CAP	2				
9	WSH-0065	WASHER	8				
10	HSS-0238	SETSCREW	8				

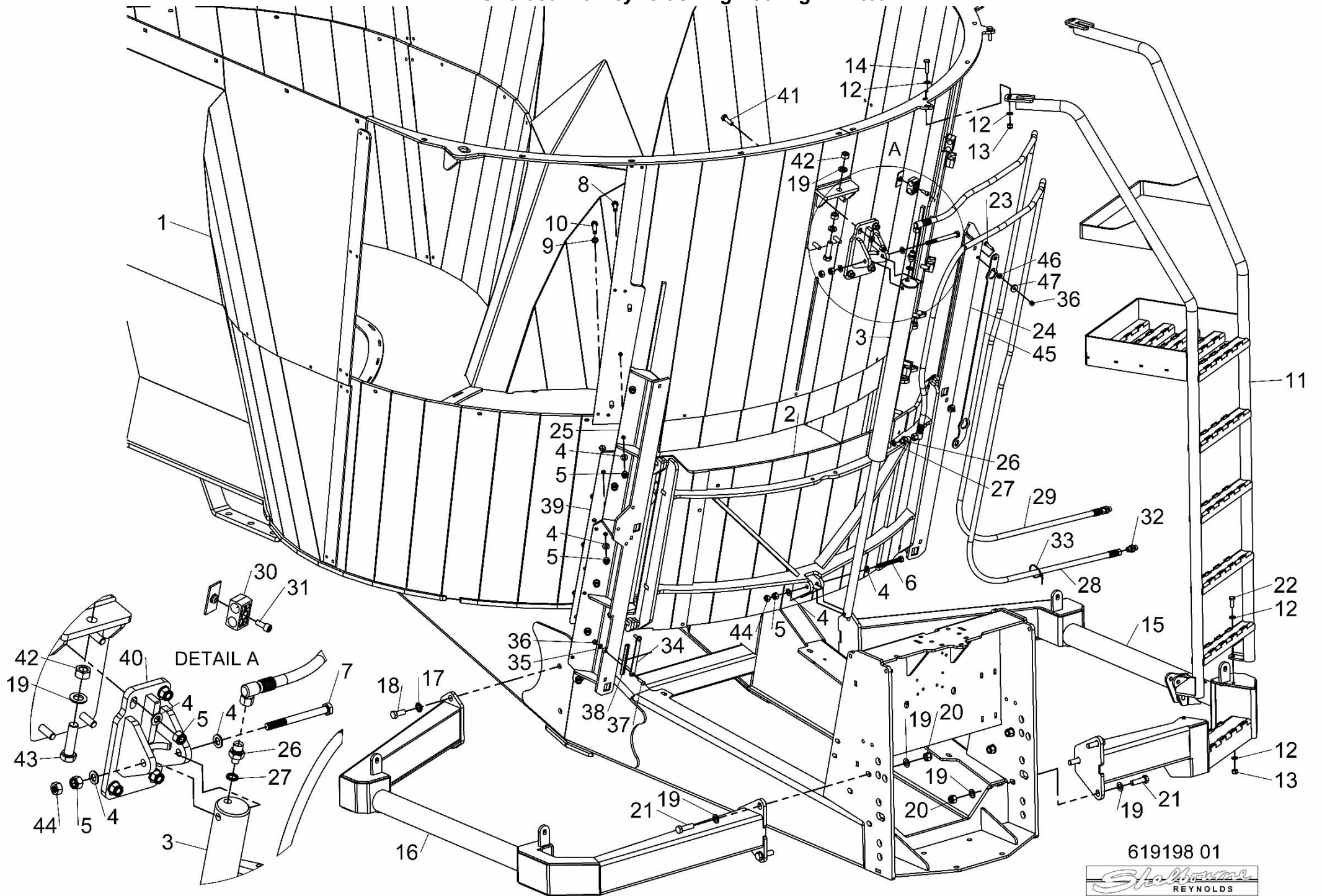


619160 01



### Shelbourne Reynolds Engineering Limited

ASSY NUMBER: 619198 01				ASSY DESCRIPTION: FRONT DOOR TUB & CHASSIS SUB			
ITEM	PART NO	DESCRIPTION	QTY	ITEM	PART NO	DESCRIPTION	QTY
1	620351 01	FRONT DOOR TUB &CHASSIS W/A	1	41	HSS-0250	SETSCREW	4
2	620310 01	DOOR W/ASSY	1	42	NUT-0180	NUT	2
3	610908 01	DOOR RAM	1	43	HSS-0320	SETSCREW	1
4	WSH-0018	PLAIN WASHER	22	44	NUT-0170	NUT	2
5	NUT-0269	NYLOC NUT	20	45	618920 01	SAFETY STRAP	1
6	HSSA12560	HEX.HEAD BOLT	1	46	198800 73	WASHER (8.5 IDx16 ODx6 THK)	2
7	BLT-2273	HEX.HEAD BOLT	1	47	198800 74	WASHER (8.5 IDx26 ODx5 THK)	2
8	HSS-0241	SET SCREW	6				
9	615879 01	BOLT SPACER	8				
10	HSS-0260	SET SCREW	8				
11	616055 01	LADDER W/ASSY	1				
12	WSH-0015	PLAIN WASHER	8				
13	NUT-0265	NYLOC NUT	4				
14	HSS-0202	SET SCREW	2				
15	616921 01	CRASH BAR W/ASSY	1				
16	616920 01	CRASH BAR W/ASSY	1				
17	WSHA30161	WASHER	4				
18	HSS-0316	SETSCREW	4				
19	WSH-0024	PLAIN WASHER	14				
20	NUT-0271	NYLOC NUT	6				
21	HSS-0319	SET SCREW	6				
22	HSS-0194	SET SCREW	2				
23	HSS-0152	SET SCREW	2				
24	615849 01	LH DOOR SLIDER W/A	1				
25	616749 01	RH DOOR SLIDER W/A	1				
26	FIT-0025	M/M ADAPTOR	2				
27	WSH-1005	WASHER	2				
28	HHCE60105	HYD HOSE	1				
29	HHCE54005	HYD HOSE	1				
30	HCPD01800	HYD PIPE CLAMP	6				
31	SCW-0133	CP HD SCREW	6				
32	HMA-0057	M/M ADAPTOR	2				
33	TIE-0004	TIE WRAP	20				
34	616863 01	MTG PLATE	1				
35	WSH-0012	WASHER	4				
36	NUT-0263	NUT	4				
37	SCBA08172	BUTT SOC HD SCREW	2				
38	EDS-11400	EDGING STRIP	0.12m				
39	617037 01	SPACER PLATE	2				
40	617538 01	RAM ADJUSTER W/A	1				

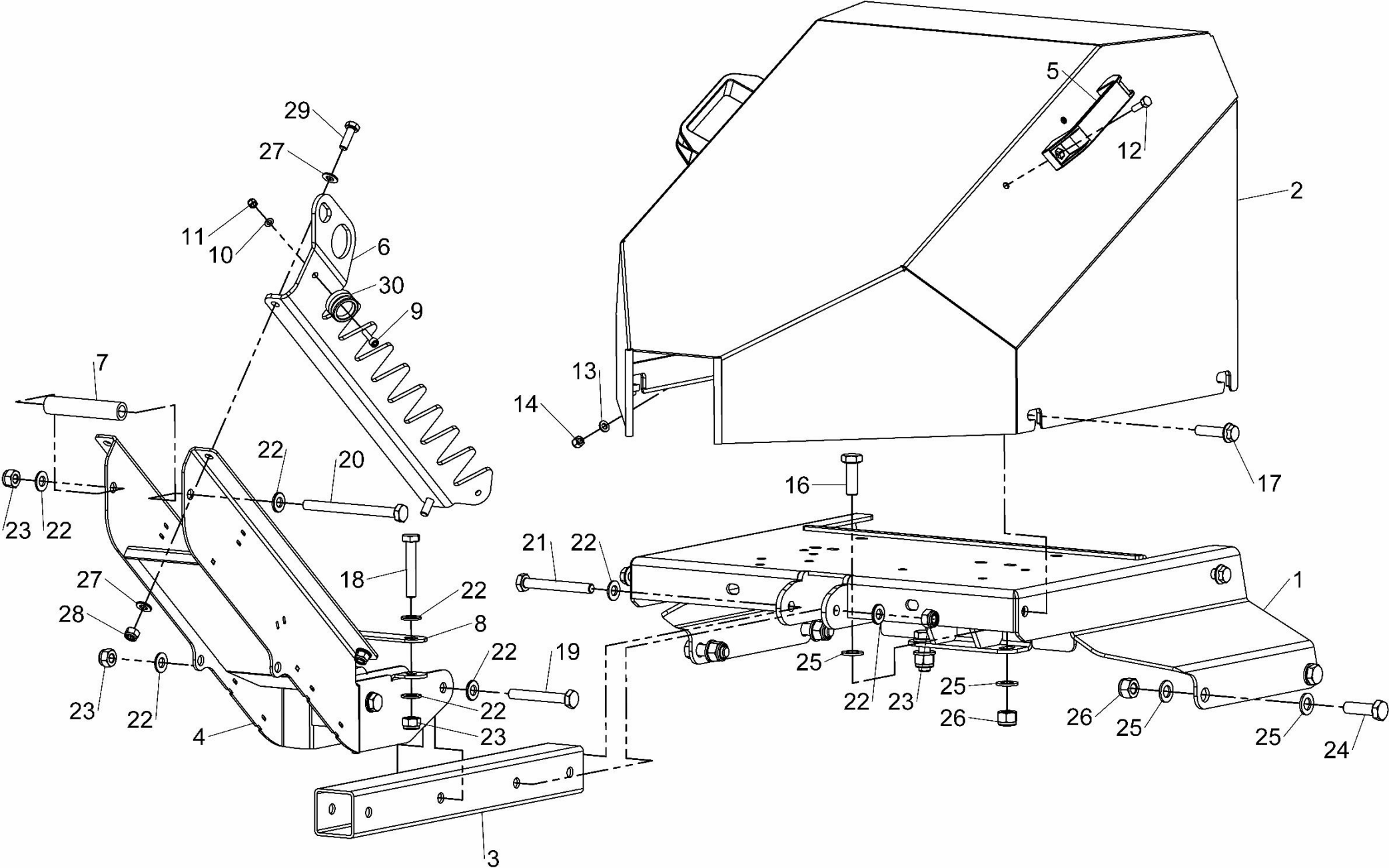


619198 01



**Shelbourne Reynolds Engineering Limited**

ASSY NUMBER: 619199 01				ASSY DESCRIPTION: HYDRAULICS MTG SUB ASSY (TWIN AUGER)			
ITEM	PART NO	DESCRIPTION	QTY	ITEM	PART NO	DESCRIPTION	QTY
1	616123 01	VALVE MTG PLATE W/A	1				
2	616134 01	GUARD W/A	1				
3	616139 01	SUPPORT ARM	1				
4	620423 01	HOSE STORAGE W/A	1				
5	HND-0000	BLACK PLASTIC HANDLE	2				
6	620422 01	HOSE HOLDER	1				
7	616322 01	TUBE GUIDE	1				
8	616293 01	HOSE CLAMP PLATE	1				
9	SCW-0056	CAP HD SCREW	1				
10	WSH-0006	WASHER	1				
11	NUT-0258	NYLOC NUT	1				
12	HSS-0086	HEX HD BOLT	4				
13	WSH-0009	WASHER FORM	4				
14	NUT-0260	NYLOC NUT	4				
15							
16	HSS-0241	HEX HD SETSCREW	2				
17	HSSG10260	HEX HD TENSILOCK BOLT 8.8	4				
18	BLTA10380	HEX HD BOLT	2				
19	BLTA10470	HEX HD BOLT	2				
20	BLTA10620	HEX HD BOLT	1				
21	BLTA10520	HEX HD BOLT	2				
22	WSH-0015	WASHER	14				
23	NUT-0265	NYLOC NUT	11				
24	HSS-0250	HEX HD SETSCREW	4				
25	WSH-0018	WASHER	12				
26	NUT-0269	NYLOC NUT	6				
27	WSH-0012	WASHER	4				
28	NUT-0263	NUT	2				
29	HSS-0145	SETSCREW	2				
30	HQR-10007A	BRAKE COUPLING PARKING STATION	1				



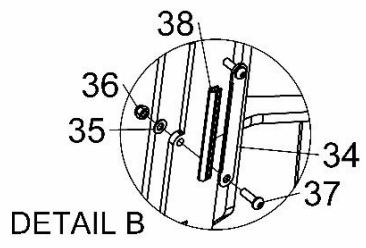
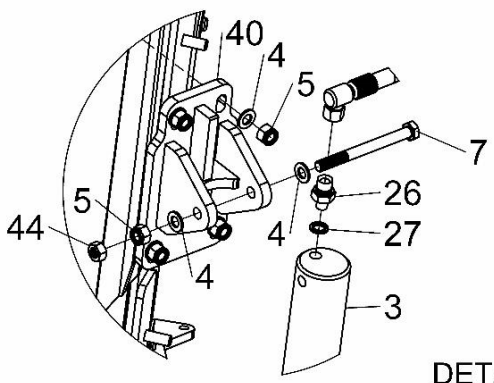
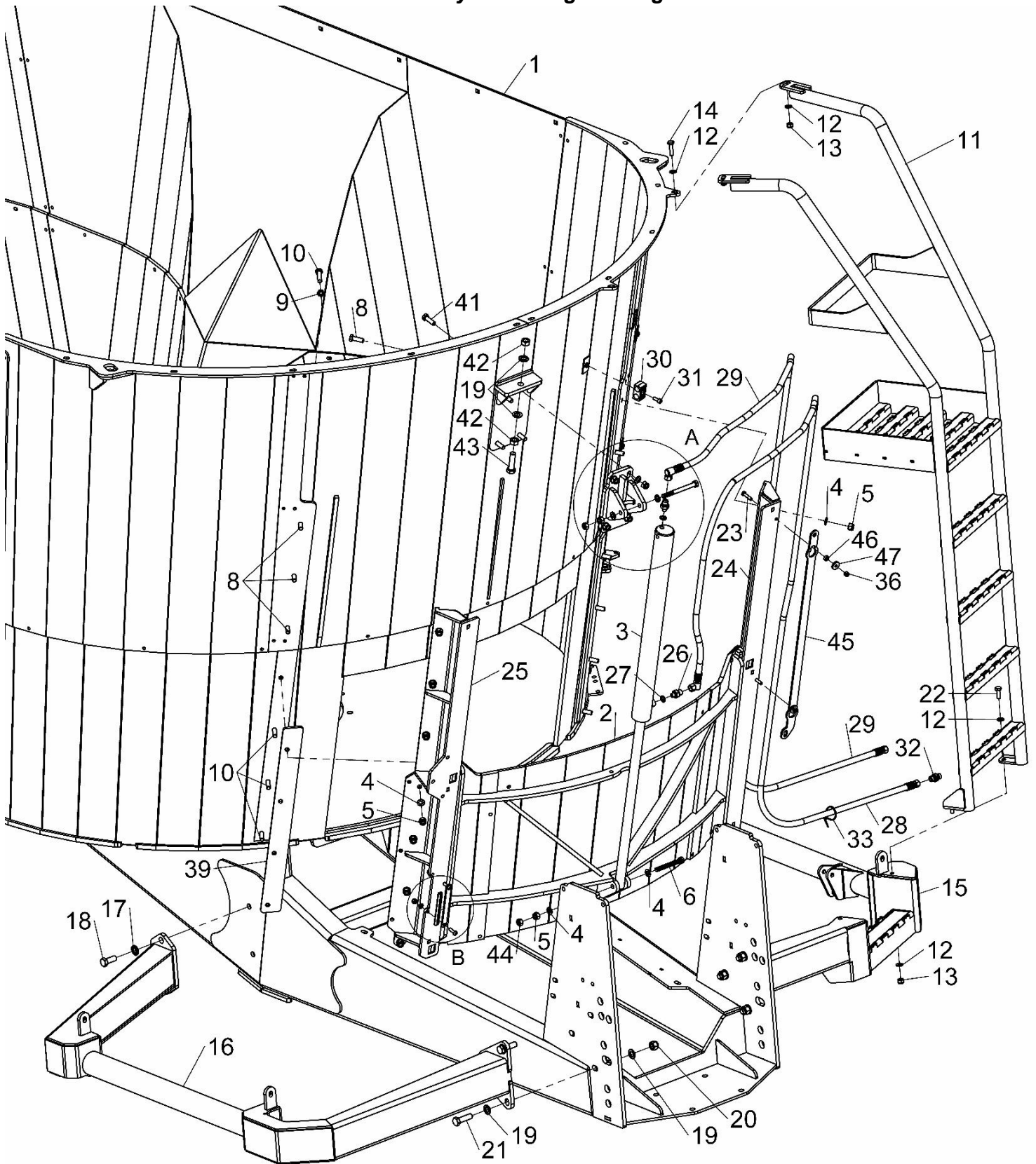
619199 01



### Shelbourne Reynolds Engineering Limited

ASSY NUMBER: 619202 01				ASSY DESCRIPTION: FRONT DOOR TUB & CHASSIS SUB C/W REAR DOOR			
ITEM	PART NO	DESCRIPTION	QTY	ITEM	PART NO	DESCRIPTION	QTY
1	620473 01	FRONT DOOR TUB &CHASSIS W/A	1	41	HSS-0250	SETSCREW	4
2	620310 01	DOOR W/ASSY	1	42	NUT-0180	NUT	2
3	610908 01	DOOR RAM	1	43	HSS-0320	SETSCREW	1
4	WSH-0018	PLAIN WASHER	22	44	NUT-0170	NUT	2
5	NUT-0269	NYLOC NUT	20	45	618920 01	SAFETY STRAP	1
6	HSSA12560	HEX.HEAD BOLT	1	46	198800 73	WASHER (8.5 IDx16 ODx6 THK)	2
7	BLT-2273	HEX.HEAD BOLT	1	47	198800 74	WASHER (8.5 IDx26 ODx5 THK)	2
8	HSS-0241	SET SCREW	6				
9	615879 01	BOLT SPACER	8				
10	HSS-0260	SET SCREW	8				
11	616055 01	LADDER W/ASSY	1				
12	WSH-0015	PLAIN WASHER	8				
13	NUT-0265	NYLOC NUT	4				
14	HSS-0202	SET SCREW	2				
15	616921 01	CRASH BAR W/ASSY	1				
16	616920 01	CRASH BAR W/ASSY	1				
17	WSHA30161	WASHER	4				
18	HSS-0316	SETSCREW	4				
19	WSH-0024	PLAIN WASHER	14				
20	NUT-0271	NYLOC NUT	6				
21	HSS-0319	SET SCREW	6				
22	HSS-0194	SET SCREW	2				
23	HSS-0152	SET SCREW	2				
24	615849 01	LH DOOR SLIDER W/A	1				
25	616749 01	RH DOOR SLIDER W/A	1				
26	FIT-0025	M/M ADAPTOR	2				
27	WSH-1005	WASHER	2				
28	HHCE60105	HYD HOSE	1				
29	HHCE54005	HYD HOSE	1				
30	HCPD01800	HYD PIPE CLAMP	6				
31	SCW-0133	CP HD SCREW	6				
32	HMA-0057	M/M ADAPTOR	2				
33	TIE-0004	TIE WRAP	20				
34	616863 01	MTG PLATE	1				
35	WSH-0012	WASHER	4				
36	NUT-0263	NUT	4				
37	SCBA08172	BUTT SOC HD SCREW	2				
38	EDS-11400	EDGING STRIP	0.12m				
39	617037 01	SPACER PLATE	2				
40	617538 01	RAM ADJUSTER W/A	1				



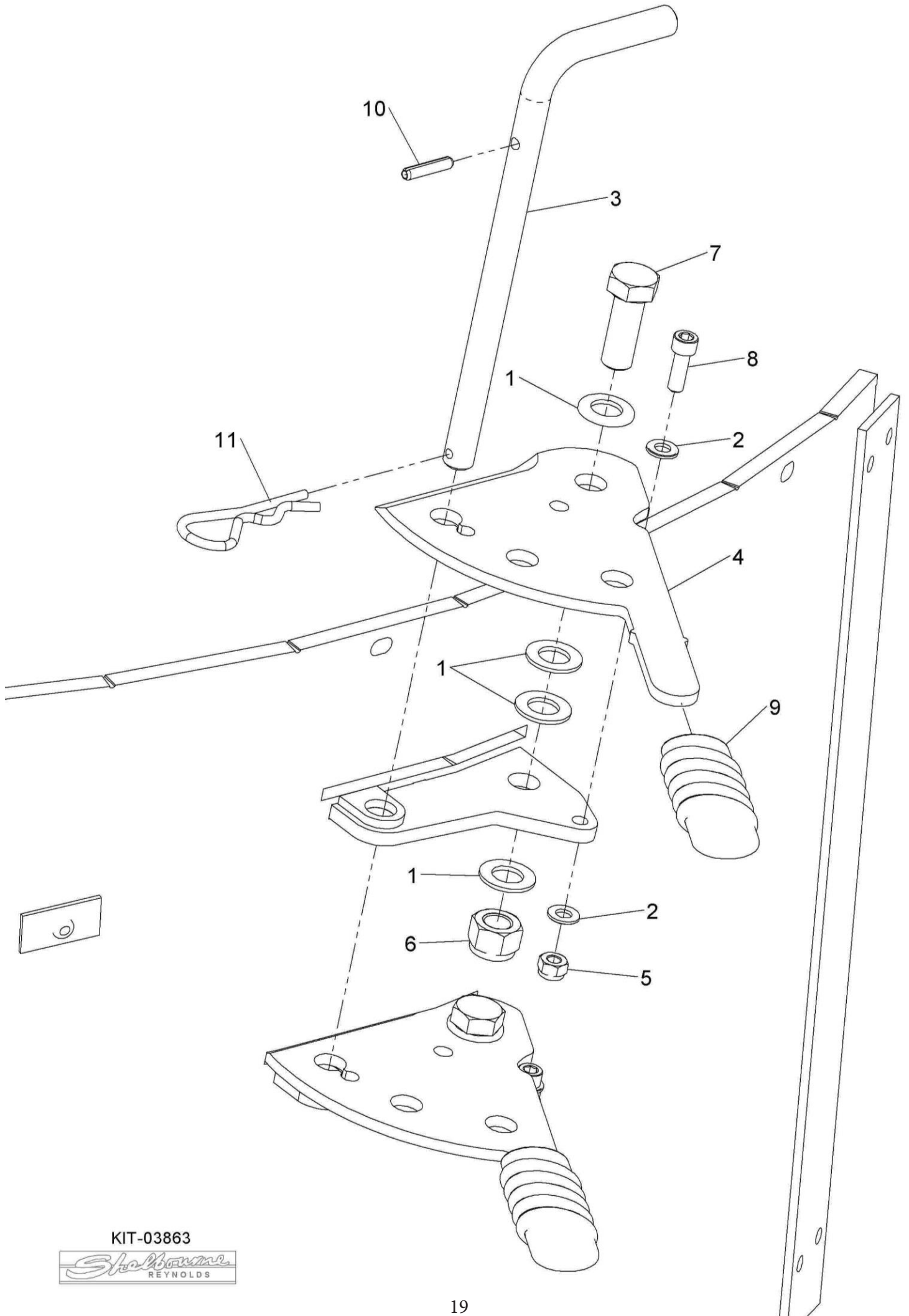


619202 01



**Shelbourne Reynolds Engineering Limited**

ASSY NUMBER: KIT-03863				ASSY DESCRIPTION: ANTI ROTATION KIT			
ITEM	PART NO	DESCRIPTION	QTY	ITEM	PART NO	DESCRIPTION	QTY
1	WSH-0030	WASHER	16				
2	WSH-0015	WASHER	8				
3	612874 01	BLADE LOCKING SHAFT	2				
4	612872 01	ANTI-ROTATION BLADE	4				
5	NUT-0265	NUT	4				
6	NUTA02200	NUT	4				
7	BLT-2365	BOLT	4				
8	SCW-0195	CP HD SCREW	4				
9	PTF-00025	HANDLE	4				
10	PIN-1783	ROLL PIN	2				
11	CLP-00106	R-CLIP	2				

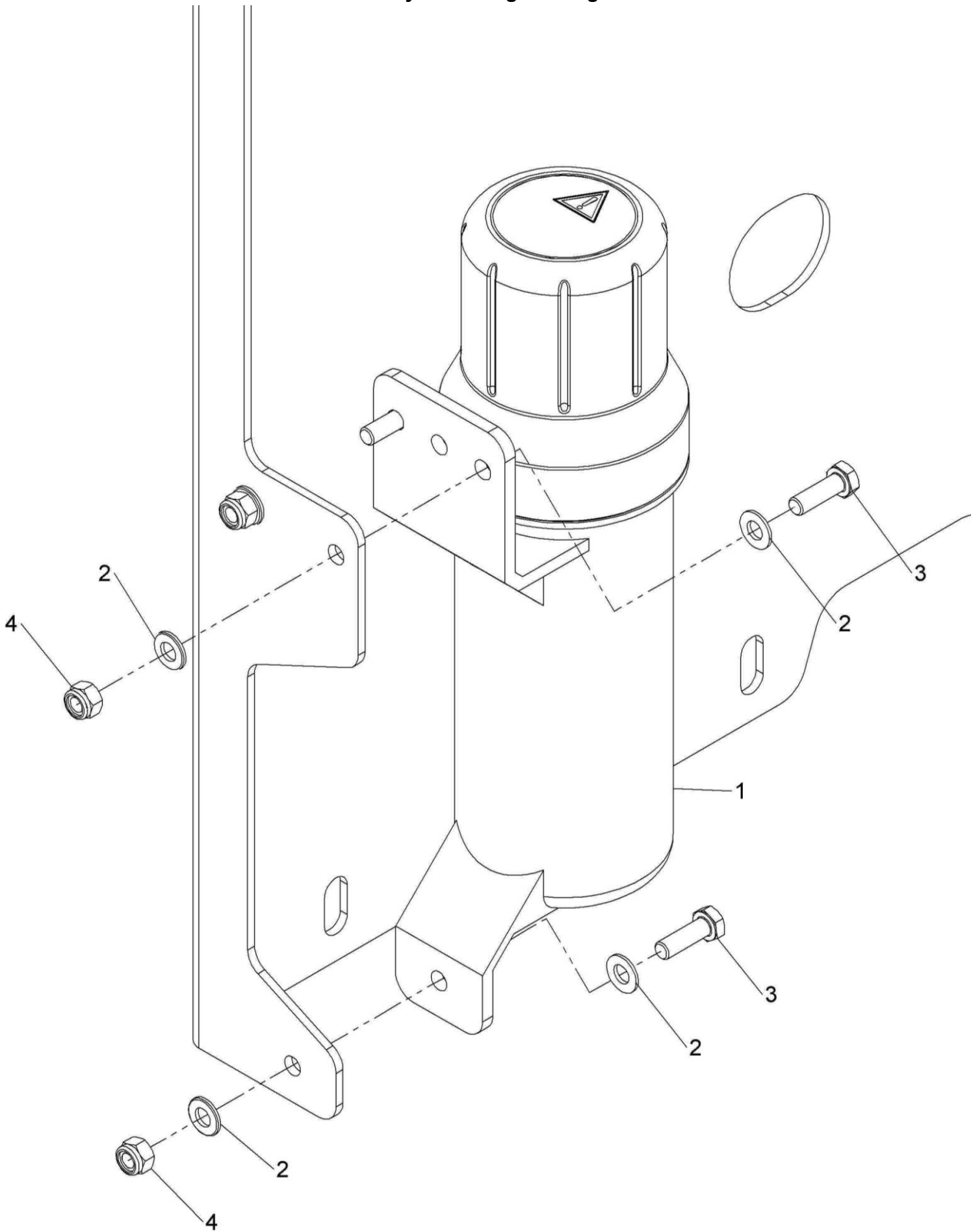


KIT-03863



**Shelbourne Reynolds Engineering Limited**

ASSY NUMBER: KIT-03869				ASSY DESCRIPTION: MANUAL CANNISTER KIT			
ITEM	PART NO	DESCRIPTION	QTY	ITEM	PART NO	DESCRIPTION	QTY
1	PCN-00100	MANUAL CANNISTER	1				
2	WSH-0012	WASHER	6				
3	HSS-0145	SETSCREW	3				
4	NUT-0263	NUT	3				

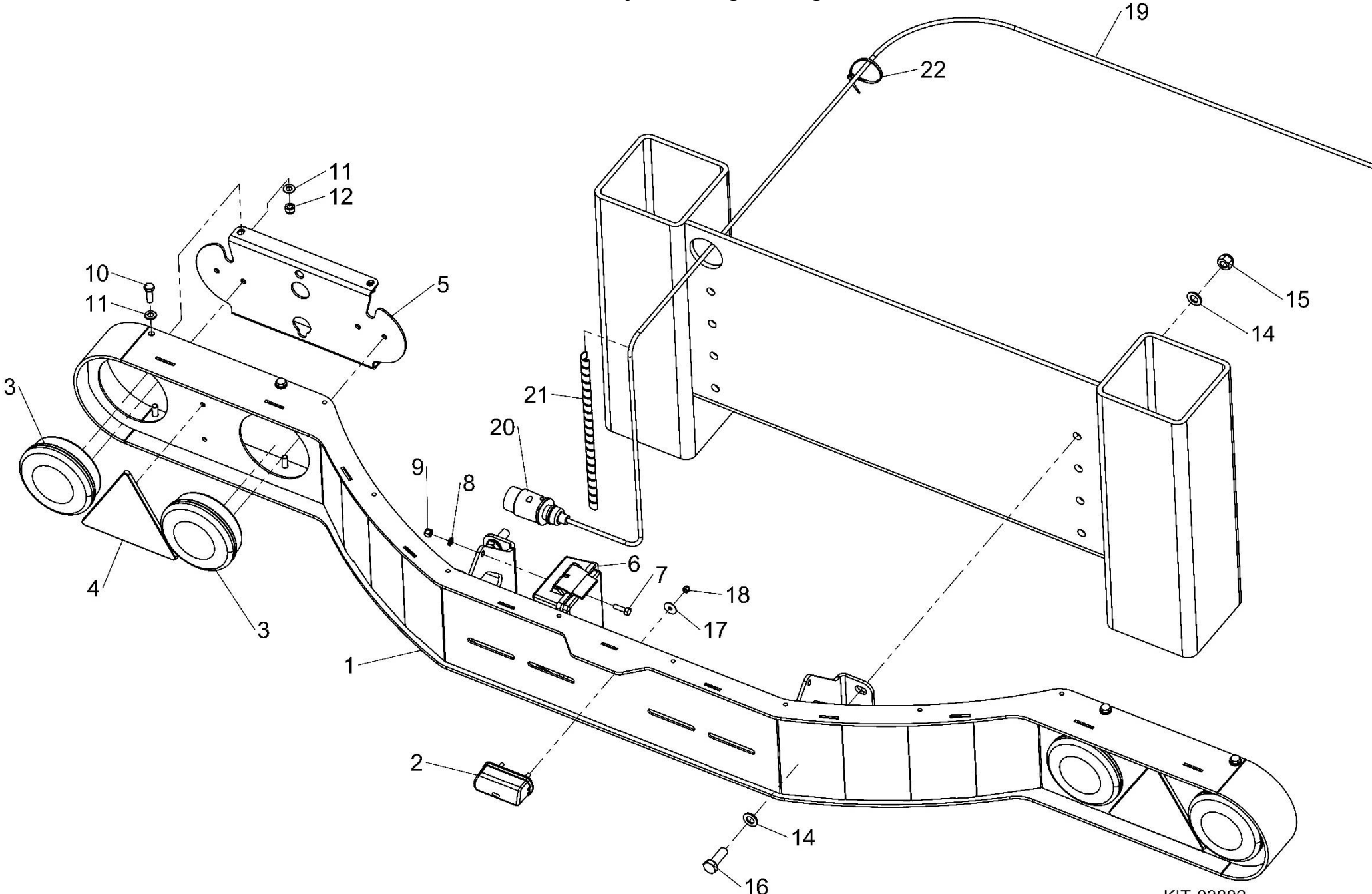


KIT-03869



**Shelbourne Reynolds Engineering Limited**

ASSY NUMBER: KIT-03882				ASSY DESCRIPTION: LIGHTING KIT			
ITEM	PART NO	DESCRIPTION	QTY	ITEM	PART NO	DESCRIPTION	QTY
1	616614 01	LIGHTBOARD W/A	1				
2	LMP-10805	LED NUMBER PLATE LIGHT	1				
3	LMP-10410	LED REAR LIGHT	4				
4	REF-0035	REFLECTOR	2				
5	616613 01	LIGHT BACKING PLATE	2				
6	JNC-00002	JUNCTION BOX	1				
7	HSS-0086	SETSCREW	2				
8	WSH-0009	WASHER	2				
9	NUT-0260	NUT	2				
10	HSS-0145	SETSCREW	8				
11	WSH-0012	WASHER	16				
12	NUT-0263	NUT	8				
13	ETM-00130	FEMALE SPADE TERMINAL	24				
14	WSH-0018	WASHER	9				
15	NUT-0269	NUT	4				
16	HSS-0241	SETSCREW	4				
17	WSH-1034	WASHER	2				
18	NUT-0258	NUT	2				
19	CBL-03530	7 CORE CABLE	10m				
20	PLG-0005	7-PIN PLUG	1				
21	SLV-00300	SPIRAL CONVOLUTE TUBING	3m				
22	TIE-0004	TIE WRAP MEDIUM	20				



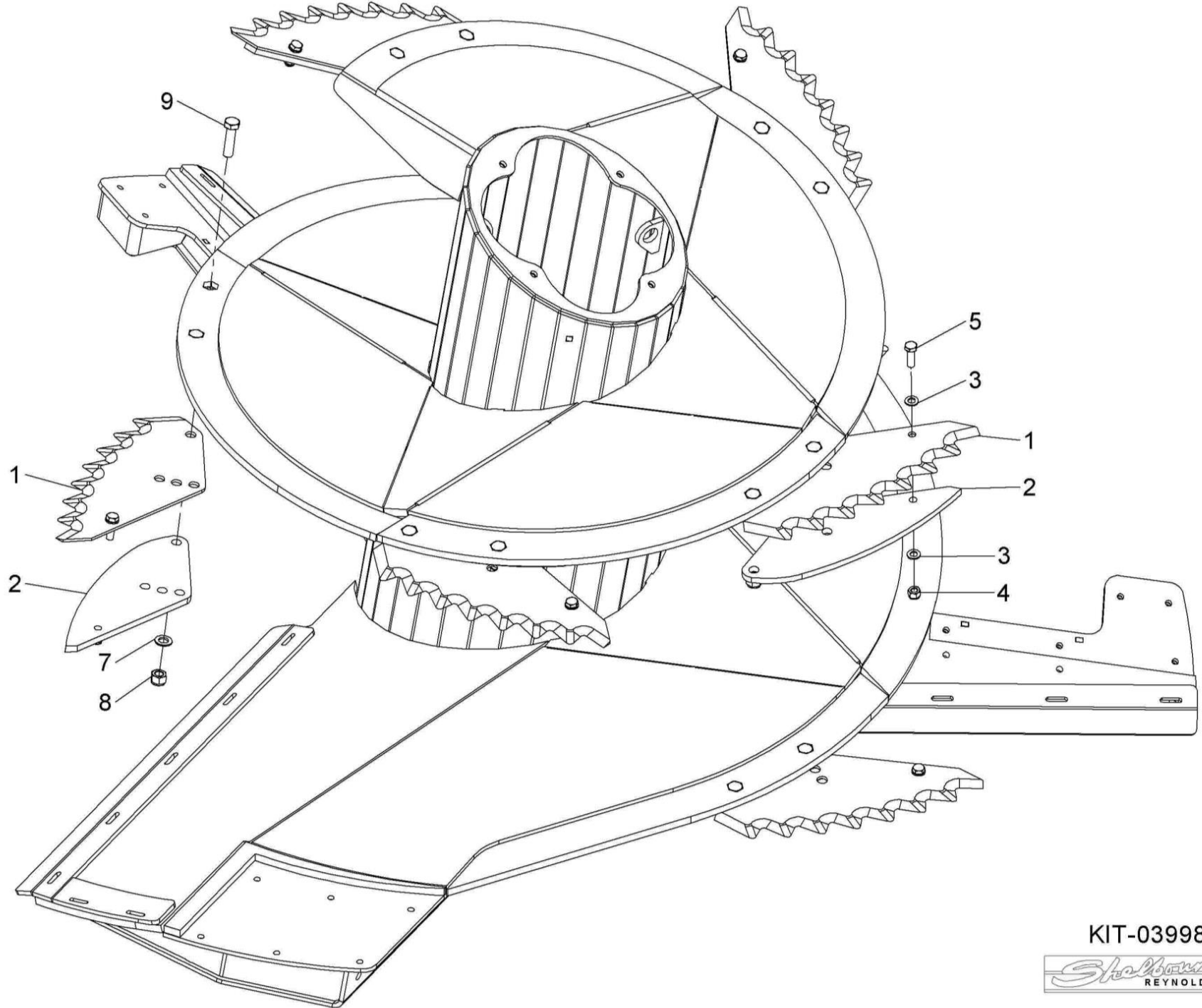
KIT-03882



**Shelbourne Reynolds Engineering Limited**

ASSY NUMBER: KIT-03998				ASSY DESCRIPTION: STANDARD BLADE KIT (24m cu)			
ITEM	PART NO	DESCRIPTION	QTY	ITEM	PART NO	DESCRIPTION	QTY
1	614812 02	STANDARD AUGER BLADE	7				
2	614807 02	BACK UP PLATE	7				
3	WSH-0018	WASHER	14				
4	NUT-0269	NUT	7				
5	HSS-0250	SETSCREW	7				
6	615685 01	HEX SPACER	14				
7	WSHA30161	LOCK WASHER	14				
8	NUT-0271	NUT	14				
9	HSS-0320	SETSCREW	14				



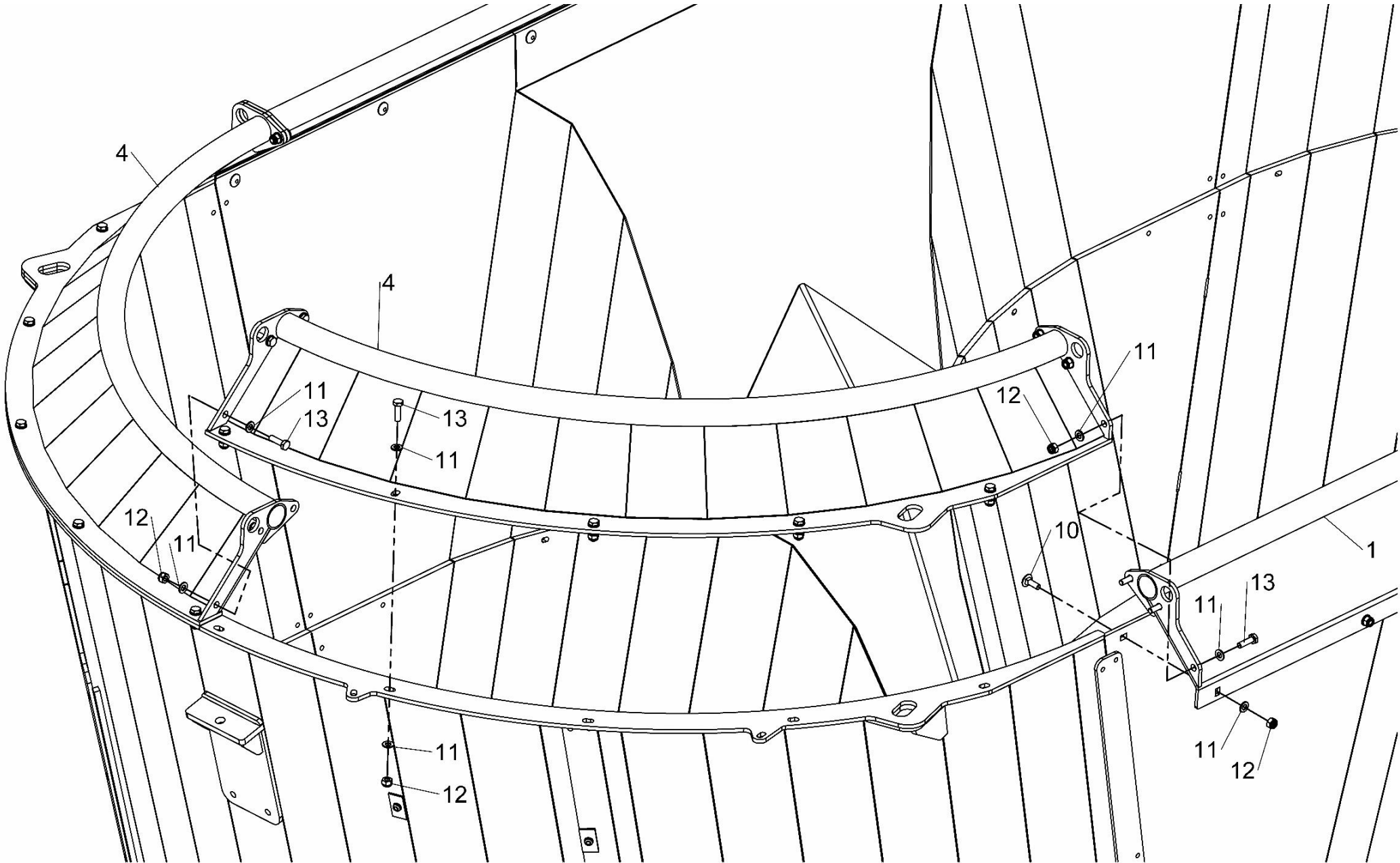


KIT-03998



## Shelbourne Reynolds Engineering Limited

ASSY NUMBER :KIT-60037				ASSY DESCRIPTION: STRAW RING KIT			
ITEM	PART NUMBER	DESCRIPPTION	QTY	ITEM	PART NUMBER	DESCRIPTION	QTY
1	620305 01	SIDE STRAW RING W/A	2				
2	620299 01	LH STRAW RING W/A	2				
3	620299 02	RH STRAW RING W/A	2				
4	BLT-3750	COACHBOLT	16				
5	WSH-0015	WASHER	92				
6	NUT-0265	NUT	54				
7	HSS-0198	SETSCREW	38				

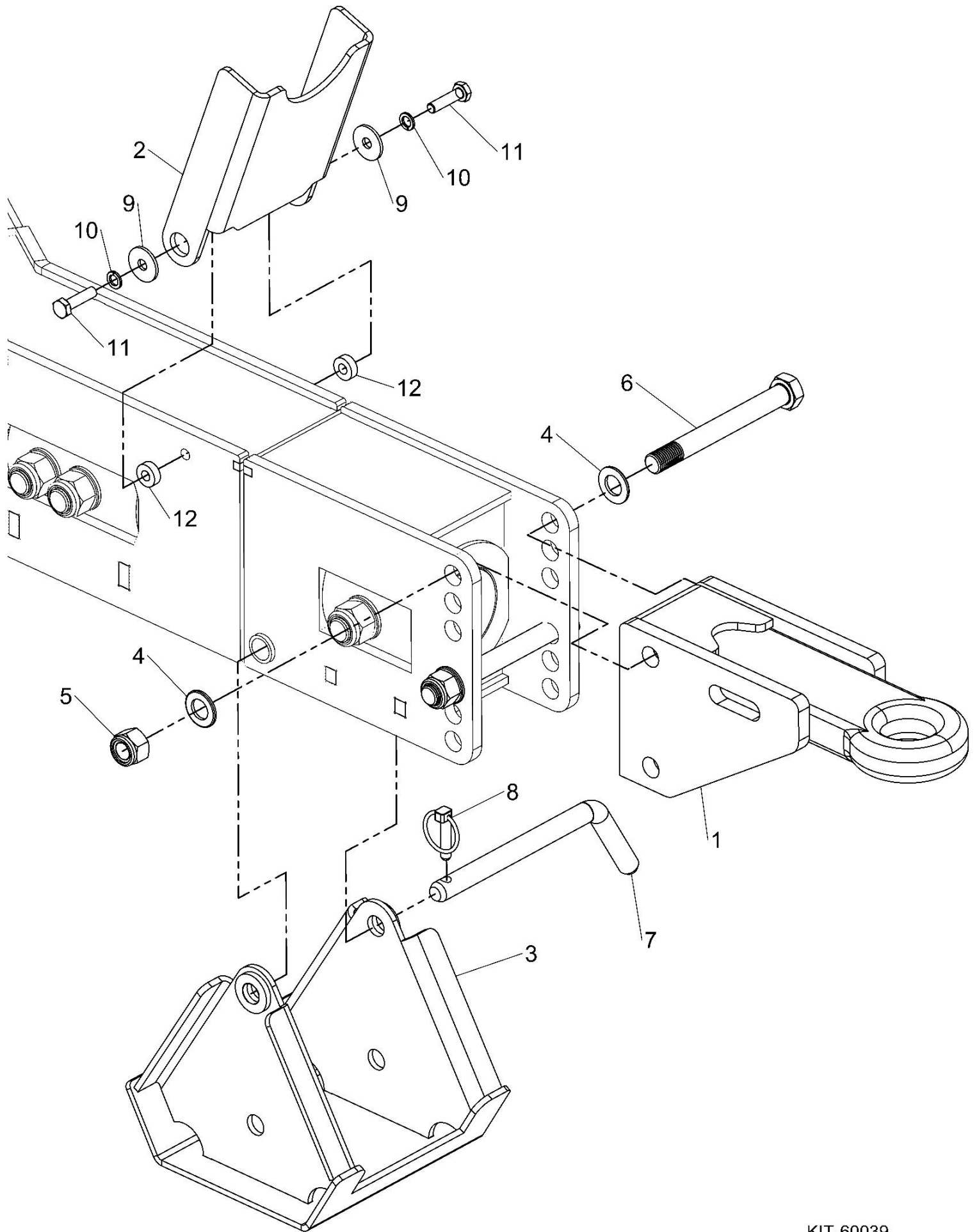


KIT-60037



**Shelbourne Reynolds Engineering Limited**

ASSY NUMBER: KIT-60039				ASSY DESCRIPTION: UK TOW EYE KIT			
ITEM	PART NO	DESCRIPTION	QTY	ITEM	PART NO	DESCRIPTION	QTY
1	617000 01	HEAVY DUTY UK TOW EYE	1				
2	617047 01	PTO STAND	1				
3	615962 01	FOOT W/A	1				
4	WSH-0030	WASHER	4				
5	NUTA02200	NUT	2				
6	BLTA20770	BOLT	2				
7	591567 01	LOCKING PIN	1				
8	PIN-01950	LYNCH PIN	1				
9	198800 51	WASHER	2				
10	WSH-0061	WASHER	2				
11	HSS-0202	SETSCREW	2				
12	198800 50	WASHER	2				

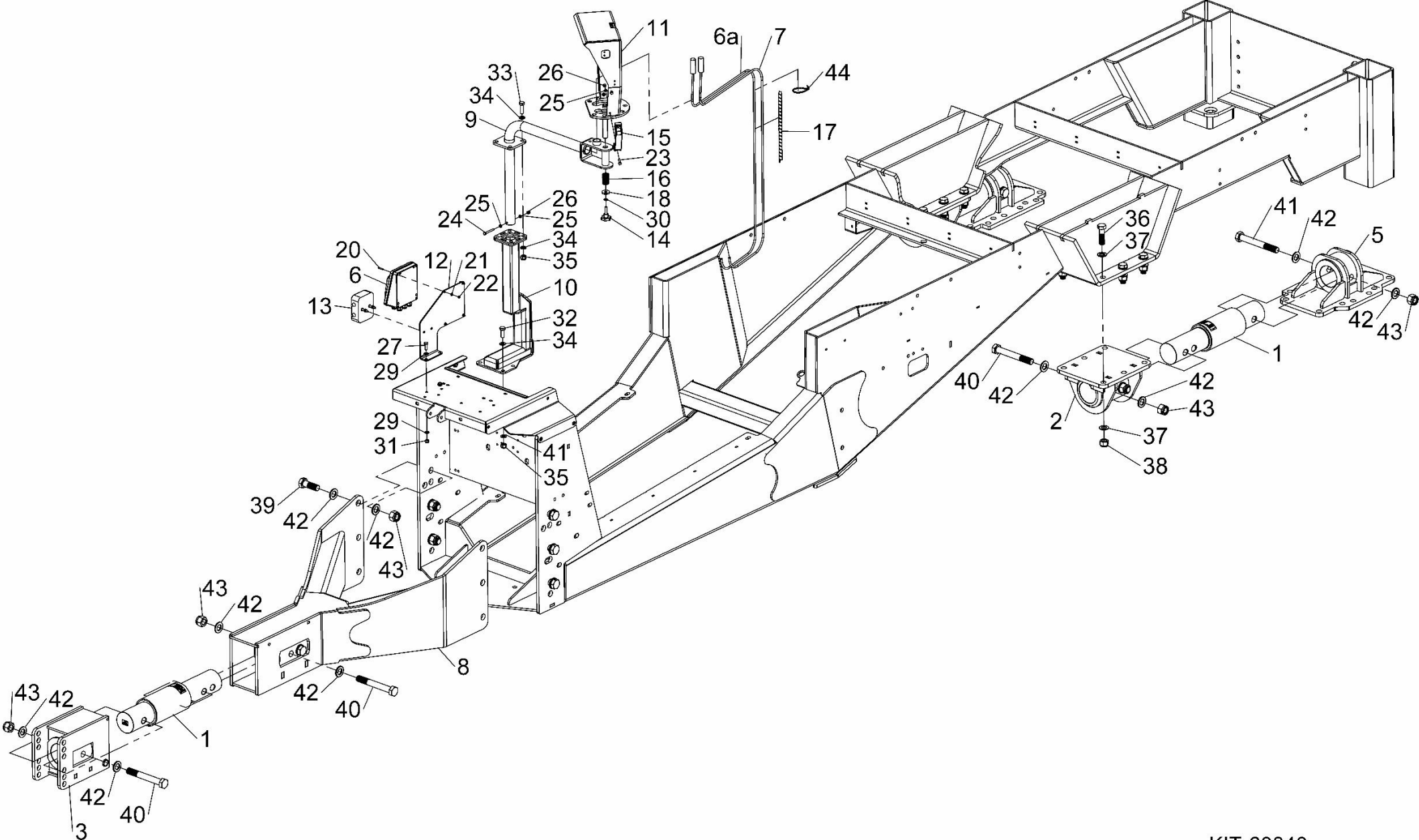


KIT-60039



**Shelbourne Reynolds Engineering Limited**

ASSY NUMBER: KIT-60040				ASSY DESCRIPTION: WEIGHING KIT (DIGI-STAR)			
ITEM	PART NO	DESCRIPTION	QTY	ITEM	PART NO	DESCRIPTION	QTY
1	LCL-01202	LOADCELL	3	40	BLTA24774	HEX HEAD BOLT	7
2	615912 01	LOADCELL MTG BOSS W/A	2	41	BLTA24804	HEX HEAD BOLT	2
3	617049 01	FRONT LOADCELL MTG W/A	1	42	WSH-0036	PLAIN WASHER	31
4	620126 02	RH LOADCELL MTG BOSS W/A	1	43	NUT-0275	NYLOC NUT	15
5	620126 01	LH LOADCELL MTG BOSS W/A	1	44	TIE-0004	TIE WRAP	40
6	LCL-01205	LOADCELL JUNCTION BOX	1				
6a	LCL-01206	SENSOR CABLE	1				
7	LCL-01210	POWER CORD					
8	620338 01	DRAWBAR W/A	1				
9	617835 01	DISPLAY PIVOT ARM W/A	1				
10	618038 01	DISPLAY SUPPORT ARM W/A	1				
11	618846 01	DISPLAY COVER W/A	1				
12	620158 01	J-BOX MTG BRKT	1				
13	JNC-00000	JUNCTION BOX	1				
14	KNO-0002	PLASTIC KNOB	1				
15	HND-0000	BLACK PLASTIC HANDLE	2				
16	SPGC32355	COMPRESSION SPRING	1				
17	SLV-00300	SPIRAL CONVOLUTE TUBE	10				
18	190548 29	WASHER	1				
19	198800 46	WASHER	1				
20	SCW-0035	CAP HEAD SCREW	4				
21	WSH-0003	PLAIN WSH	4				
22	NUT-0255	NYLOC NUT	4				
23	HSS-0086	SET SCREW	4				
24	BLTA06320	HEX.HEAD BOLT	1				
25	WSH-0009	PLAIN WASHER	6				
26	NUT-0260	NYLOC NUT	5				
27	HSS-0145	SETSCREW	2				
28	SCW-0133	CAP HEAD SCREW	1				
29	WSH-0012	PLAIN WASHER	5				
30	WSH-0058	SPRING WASHER	1				
31	NUT-0263	NYLOC NUT	3				
32	HSS-0241	SET SCREW	4				
33	HSS-0250	SET SCREW	1				
34	WSH-0018	PLAIN WASHER	10				
35	NUT-0269	NYLOC NUT	5				
36	BLT-2367	BOLT	12				
37	WSH-0030	PLAIN WASHER	24				
38	NUTA02200	NYLOC NUT	12				
39	616862 01	MODIFIED BOLT	6				



KIT-60040



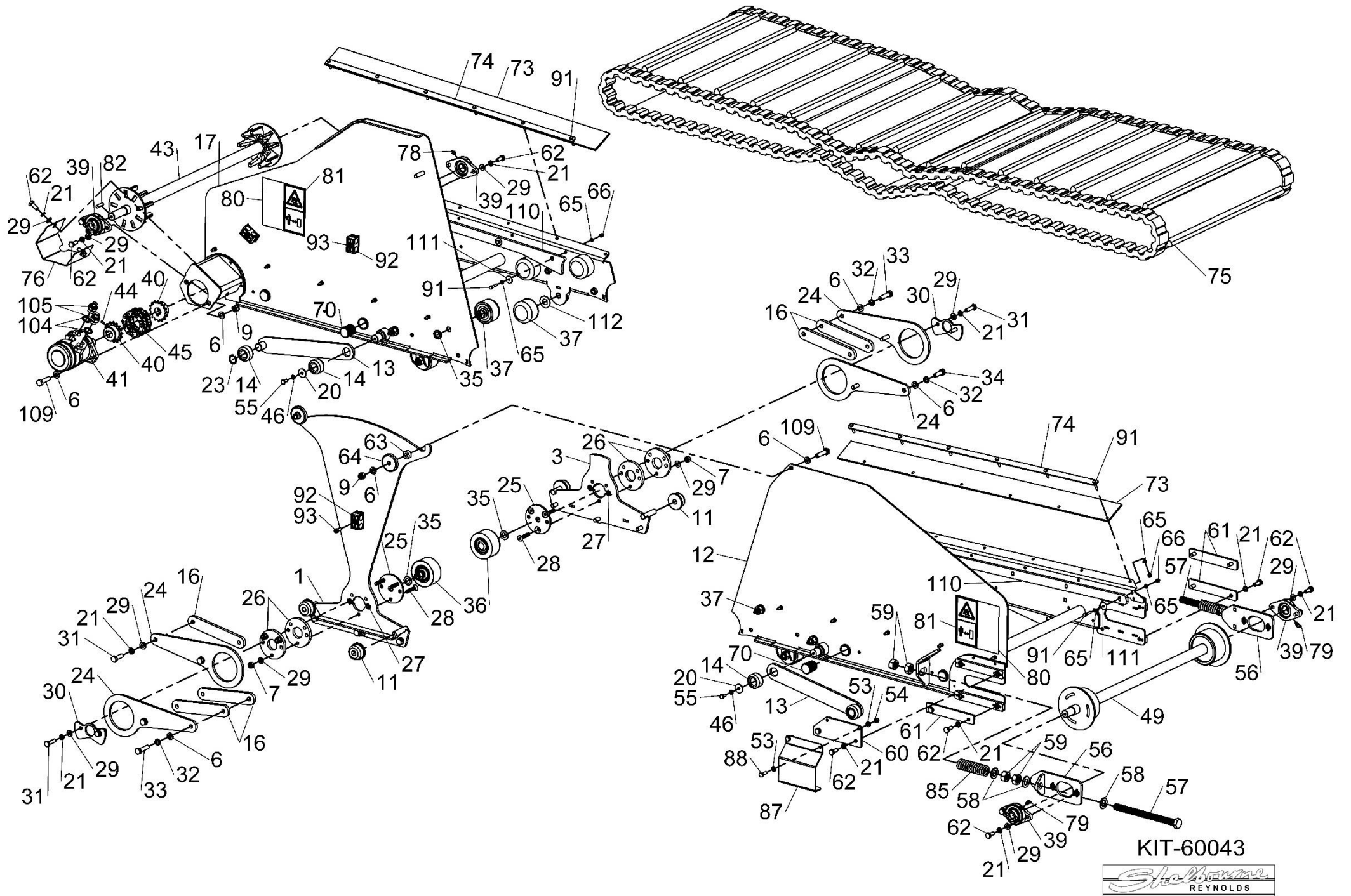
## Shelbourne Reynolds Engineering Limited

ASSY NUMBER: KIT-60043				ASSY DESCRIPTION: EXPRESS CONVEYOR KIT			
ITEM	PART NO	DESCRIPTION	QTY	ITEM	PART NO	DESCRIPTION	QTY
1	615969 01	FRONT CARRIAGE W/A	1	41	MOTH08000	HYDRAULIC MOTOR	1
2	610908 01	HYDRAULIC CYLINDER	2	41a	HMS-08001	SEAL KIT	
3	615972 01	REAR CARRIAGE W/A	1	42	HSS-0241	SETSCREW	12
4	616753 01	CONVEYOR CARRIAGE W/A	1	43	616017 01	DRIVE SHAFT W/A	1
				44	SCW-4530	GRUBSCREW	4
6	WSH-0018	WASHER	64	45	CHN-01380	CHAIN	1
7	NUT-0265	NUT	16	46	WSH-0058	WASHER	4
8	BLT-2270	BOLT	4	47	616079 01	LH STOP W/A	1
9	NUT-0269	NUT	23	48	616079 02	RH STOP W/A	1
10	BLTA12440	BOLT	2	49	616543 01	IDLE SHAFT W/A	1
11	613702 01	WHEEL	4	50	CON-00045	CONVEYOR BELT	1
12	615981 01	LH CONVEYOR PAN W/A	1	51	616775 01	BULKHEAD FIXING PLATE	1
13	615352 01	LIFT ARM W/A	4	52	HBK-0012	BULKHEAD	2
14	614278 01	WHEEL	8	53	WSH-0012	WASHER	5
15	616917 01	CONVEYOR MTG W/A	1	54	NUT-0263	NUT	3
16	614669 01	SPACER PLATE	6	55	HSS-0135	SETSCREW	4
17	615983 01	RH CONVEYOR PAN W/A	1	56	616092 01	BEARING SLIDE W/A	2
18	HALAA0303	HYD FITTING	1	57	HSSA20930	SETSCREW	2
19	616752 01	COVER PLATE	1	58	WSH-0030	WASHER	6
20	292600 08	WASHER (30 O/D x 9 I/D x 3)	4	59	NUT-0185	NUT )	8
21	WSH-0061	WASHER	34	60	616351 01	KEEP PLATE	1
22	HSS-0194	SETSCREW	10	61	616090 01	KEEP PLATE	3
23	CIR-1125	EXTERNAL CIRCLIP	4	62	HSS-0191	SETSCREW	18
24	614667 01	PIVOT PLATE	4	63	613919 04	SPACER TUBE	2
25	615997 01	COUNTERSUNK DISC	2	64	616768 01	NYLON WASHER	2
26	615998 01	PIVOT DISC	4	65	WSH-0009	WASHER	32
27	NUT-0167	NUT	4	66	NUT-0260	NUT	32
28	SCEA10324	CSK SOC HD SCREW	6	67			
29	WSH-0015	WASHER	50	68			
30	615999 01	SECURING PLATE	2	69	HSS-0088	SETSCREW	12
31	HSS-0202	SETSCREW	8	70	PTF-00134	PLASTIC CAP	8
32	WSH-0065	WASHER	12	71	620395 01	RH REAR SPILL PLATE	1
33	HSS-0260	SETSCREW	4	72	620395 02	LH REAR SPILL PLATE	1
34	HSS-0250	SETSCREW	4	73	616766 01	RUBBER SEAL STRIP	2
35	WSH-0024	WASHER	10	74	616767 01	CLAMP PLATE	2
36	CON-00026	GUIDE ROLLER	2	75			
37	CON-00025a	SUPPORT ROLLER	12	76	616558 01	COUPLING GUARD	1
38	HSS-0198	SETSCREW	10	77	BLTA12290	BOLT	12
39	BRG-22570	FLANGE BEARING	4	78	NIP-0001	GREASE NIPPLE	2
40	260030 03	12T SPROCKET	2	79	NIP-0203	GREASE NIPPLE	2



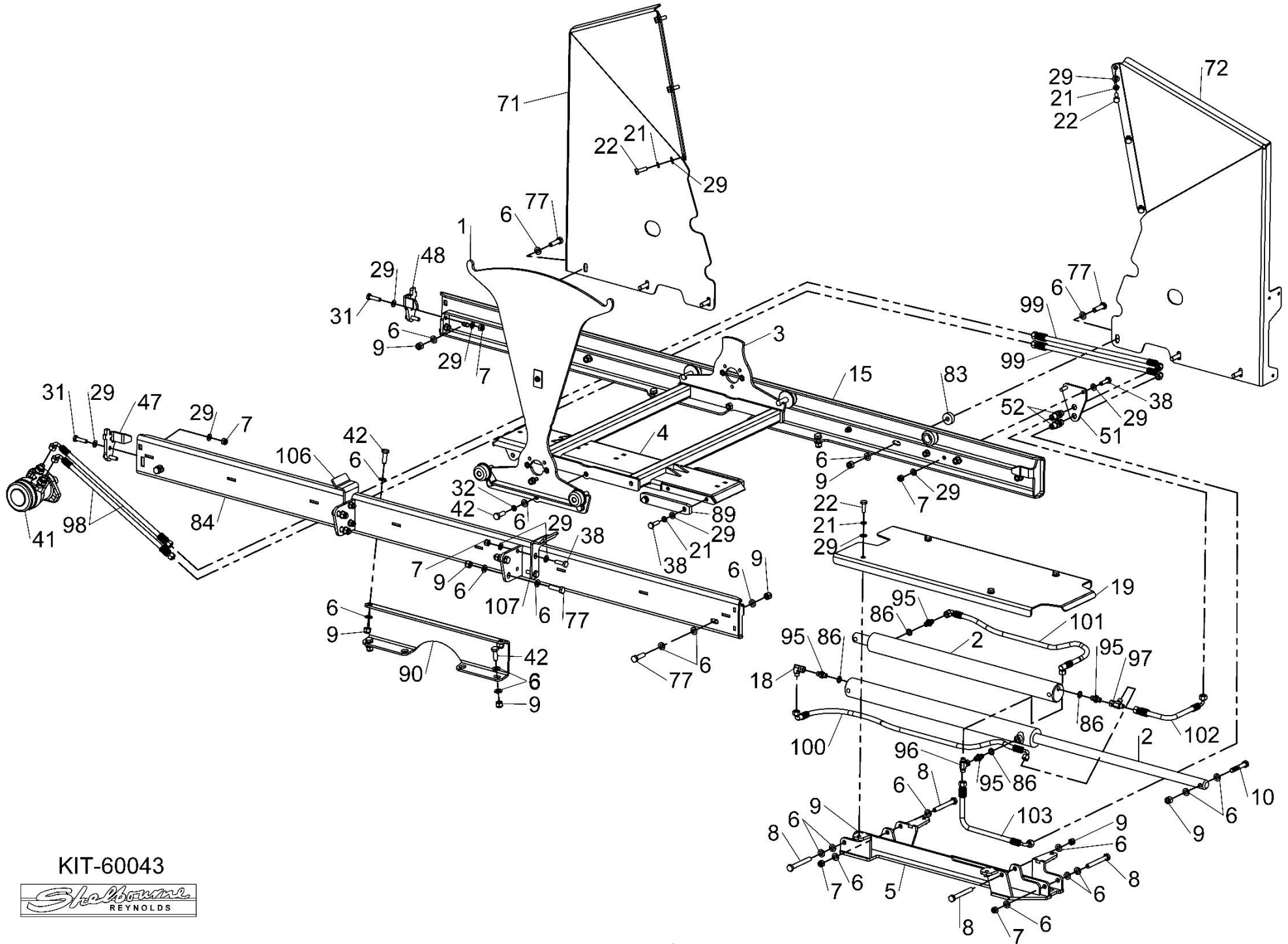
**Shelbourne Reynolds Engineering Limited**

ASSY NUMBER: KIT-60043 CONTINUED...				ASSY DESCRIPTION: EXPRESS CONVEYOR KIT			
ITEM	PART NO	DESCRIPTION	QTY	ITEM	PART NO	DESCRIPTION	QTY
80	260062 01	TRANSFER-HAND ENTANGLE	2				
81	260061 01	TRANSFER-SAFE DISTANCE	2				
82	K0807032	KEY PARALLEL	1				
83	198800 52	WASHER	4				
84	616913 01	CONVEYOR MTG W/A	1				
85	SPGC52900	COMPRESSION SPRING	2				
86	WSH-1005	DOWTY WASHER	4				
87	616352 01	BEARING COVER	1				
88	HSS-0145	SETSCREW	2				
89	616763 01	NYLON SLIPPER	2				
90	616764 01	SUPPORT PLATE	1				
91	HSS-0092	SETSCREW	20				
92	HCPD01800	HYD PIPE CLAMP	4				
93	SCW-0133	CP HD SCREW	3				
94	SCW-0142	CP HD SCREW	1				
95	HMA-0052	HYD ADAPTOR	4				
96	FITA10130	HYD TEE FITTING	1				
97	FITA10480	HYD TEE FITTING	1				
98	HHDE23205	HYD HOSE ASSY	2				
99	HHBE29005	HYD HOSE ASSY	2				
100	HHEC09505	HYD HOSE ASSY	1				
101	HHGC07505	HYD HOSE ASSY	1				
102	HHCC07505	HYD HOSE ASSY	1				
103	HHCC09605	HYD HOSE ASSY	1				
104	WSH-1015	DOWTY WASHER	2				
105	HMA-0065	M/M ADAPTOR	2				
106	617444 01	SHIPPING BRKT LH	1				
107	617444 02	SHIPPING BRKT RH	1				
108							
109	BLTA12320	BOLT	4				
110	616097 01	SEAL PLATE	4				
111	WSH-1036	PENNY WASHER	20				
112	198800 38	WASHER (40 OD x 17 ID x 3)	4				



KIT-60043



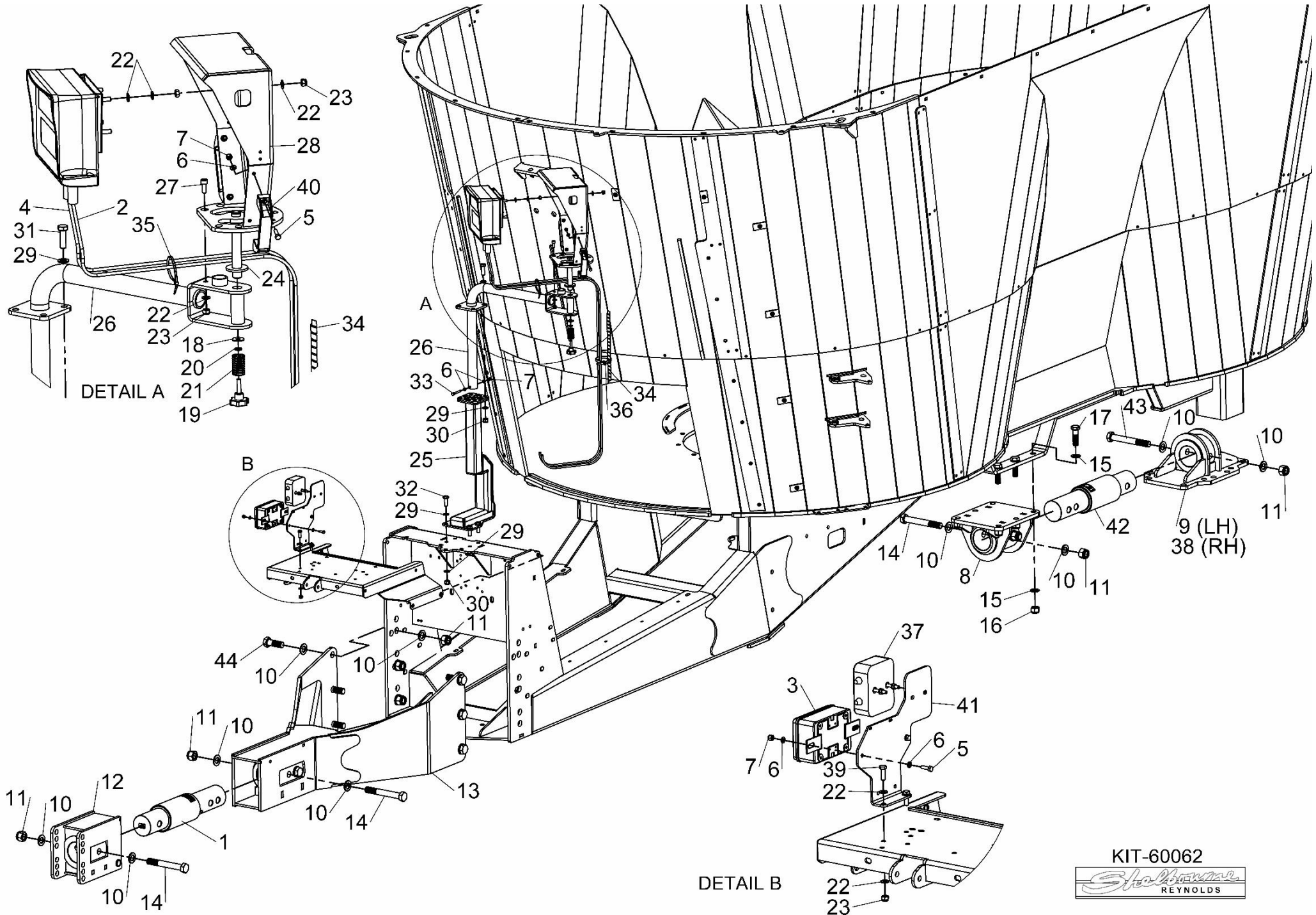


KIT-60043



**Shelbourne Reynolds Engineering Limited**

ASSY NUMBER: KIT-60062				ASSY DESCRIPTION: WEIGHING KIT (DG TYPE)			
ITEM	PART NO	DESCRIPTION	QTY	ITEM	PART NO	DESCRIPTION	QTY
1	LCL-04075	LOADCELL	1	41	617691 01	JUNCTION BOX MTG BRKT	1
2	LCL-04100	POWER CORD	1	42	LCL-04076	LOADCELL	2
3	LCL-04025	JUNCTION BOX	1	43	BLTA24804	BOLT	2
4	LCL-04030	SENSOR CABLE	1	44	616862 01	MODIFIED BOLT	6
5	HSS-0086	SETSCREW	6				
6	WSH-0009	WASHER	10				
7	NUT-0260	NUT	7				
8	615912 01	LOADCELL MTG BOSS W/A	2				
9	620126 01	LH LOADCELL MTG BOSS W/A	1				
10	WSH-0036	WASHER	30				
11	NUT-0275	NUT	15				
12	617049 01	FRONT LOADCELL MTG W/A	1				
13	620338 01	DRAWBAR W/A	1				
14	BLTA24774	BOLT	7				
15	WSH-0030	WASHER	24				
16	NUTA02200	NUT	12				
17	BLT-2367	BOLT	12				
18	WSH-1038	WASHER	1				
19	KNO-0002	PLASTIC KNOB	1				
20	WSH-0058	WASHER	1				
21	SPGC32355	COMPRESSION SPRING	1				
22	WSH-0012	WASHER	17				
23	NUT-0263	NUT	7				
24	198800 46	WASHER	1				
25	618038 01	WEIGH HEAD SUPPORT ARM W/A	1				
26	617835 01	DISPLAY PIVOT ARM W/A	1				
27	SCW-0133	CP HD SCREW	1				
28	618846 01	DISPLAY COVER W/A	1				
29	WSH-0018	WASHER	10				
30	NUT-0269	NUT	5				
31	HSS-0250	SETSCREW	1				
32	HSS-0241	SETSCREW	4				
33	BLTA06320	BOLT	1				
34	SLV-00300	SPIRAL CONVOLUTE TUBING	10M				
35	TIE-0004	TIE WRAP	40				
36	TIE-0012	TIE WRAP EXTRA LARGE	2				
37	JNC-00000	JUNCTION BOX	1				
38	620126 02	RH LOADCELL MTG BOSS W/A	1				
39	HSS-0145	SETSCREW	2				
40	HND-0000	PLASTIC HANDLE	2				



KIT-60062





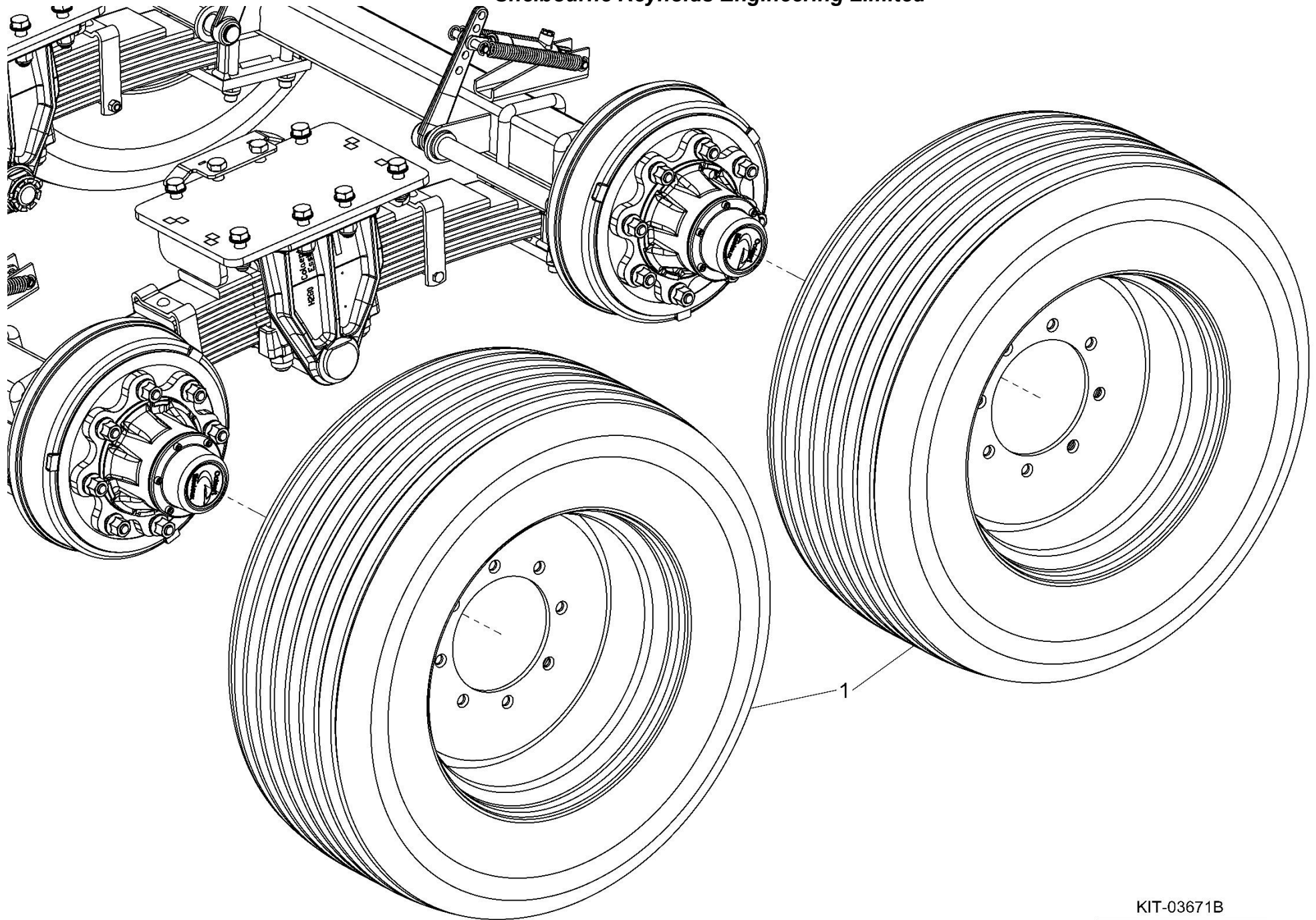
# Kit Options

Hydraulics

**Shelbourne Reynolds Engineering Limited**

ASSY NUMBER: KIT-03671B				ASSY DESCRIPTION: WHEEL & TYRE KIT (385/55R22.5 LONGMARCH)			
ITEM	PART NO	DESCRIPTION	QTY	ITEM	PART NO	DESCRIPTION	QTY
1	WHL-02223	WHEEL & TYRE ASSY	4				



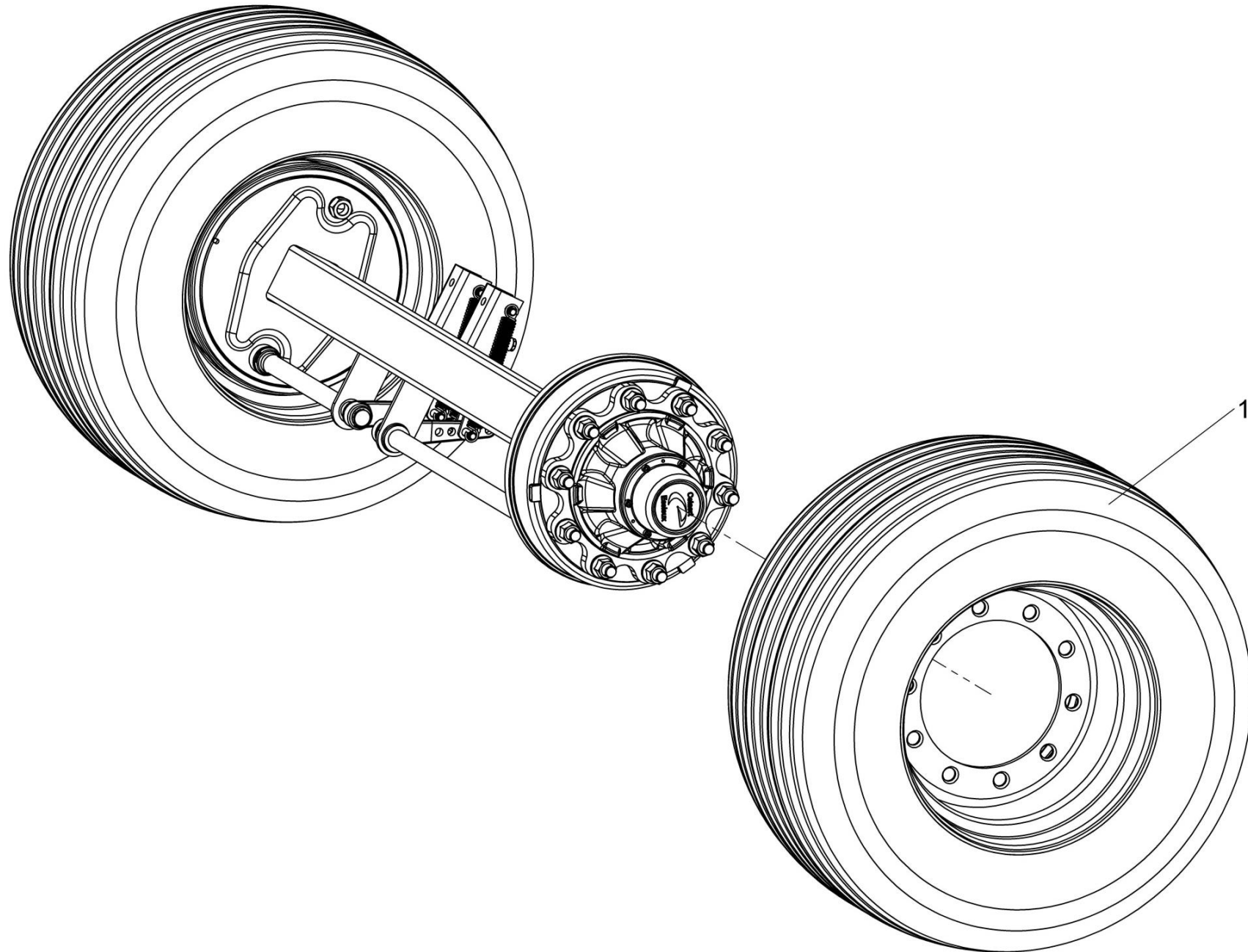


KIT-03671B



**Shelbourne Reynolds Engineering Limited**

ASSY NUMBER: KIT-03672A				ASSY DESCRIPTION: WHEEL & TYRE KIT (435/50R19.5 DOUBLECOIN)			
ITEM	PART NO	DESCRIPTION	QTY	ITEM	PART NO	DESCRIPTION	QTY
1	WHL-01920	WHEEL & TYRE ASSY	2				

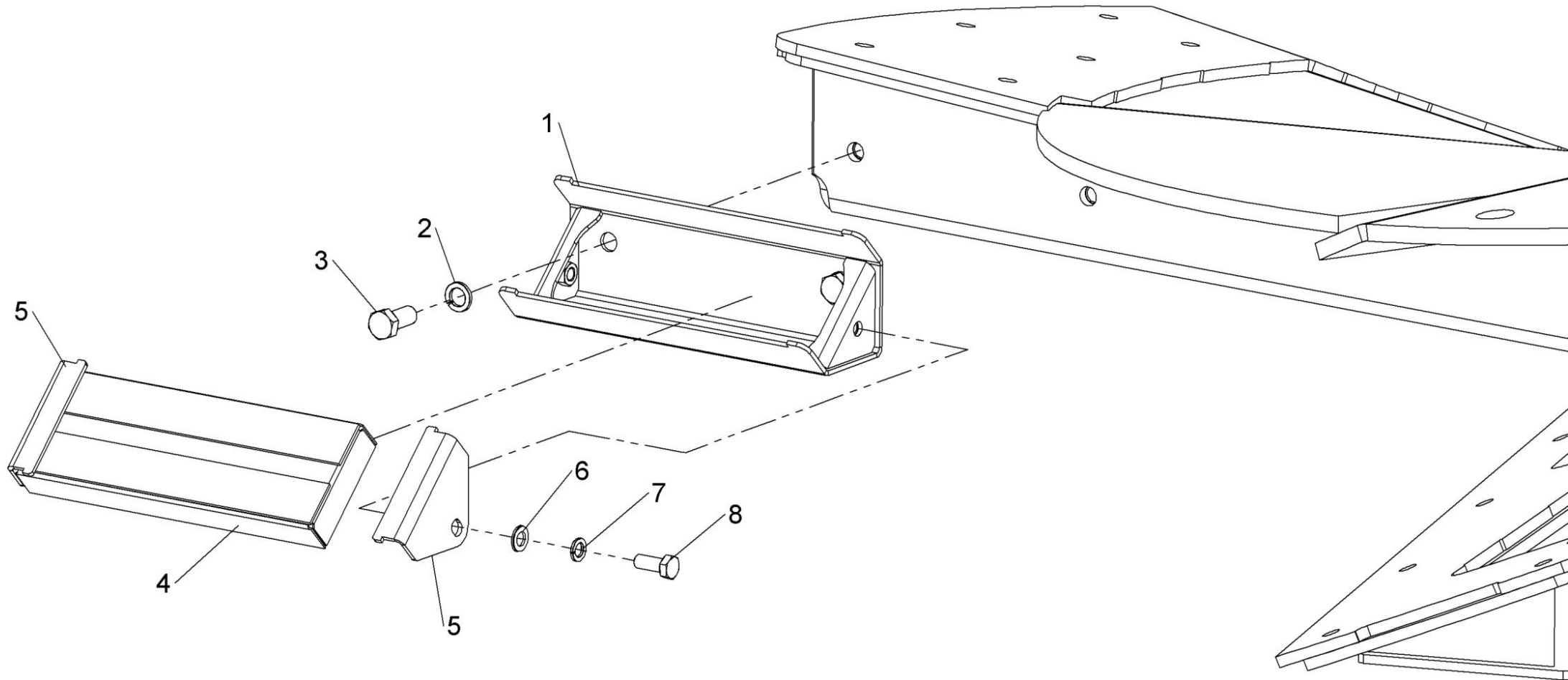


KIT-03672a



**Shelbourne Reynolds Engineering Limited**

ASSY NUMBER: KIT-03719				ASSY DESCRIPTION: AUGER MAGNET KIT			
ITEM	PART NO	DESCRIPTION	QTY	ITEM	PART NO	DESCRIPTION	QTY
1	615180 01	MAGNET MTG BRKT W/A	1				
2	WSH-0070	WASHER	2				
3	HSS-0315	SET SCREW	2				
4	MAG-0006	AUGER MAGNET	1				
5	615184 01	SIDE FIXING PLATE	2				
6	WSH-0018	WASHER	2				
7	WSH-0065	WASHER	2				
8	HSS-0238	SETSCREW	2				

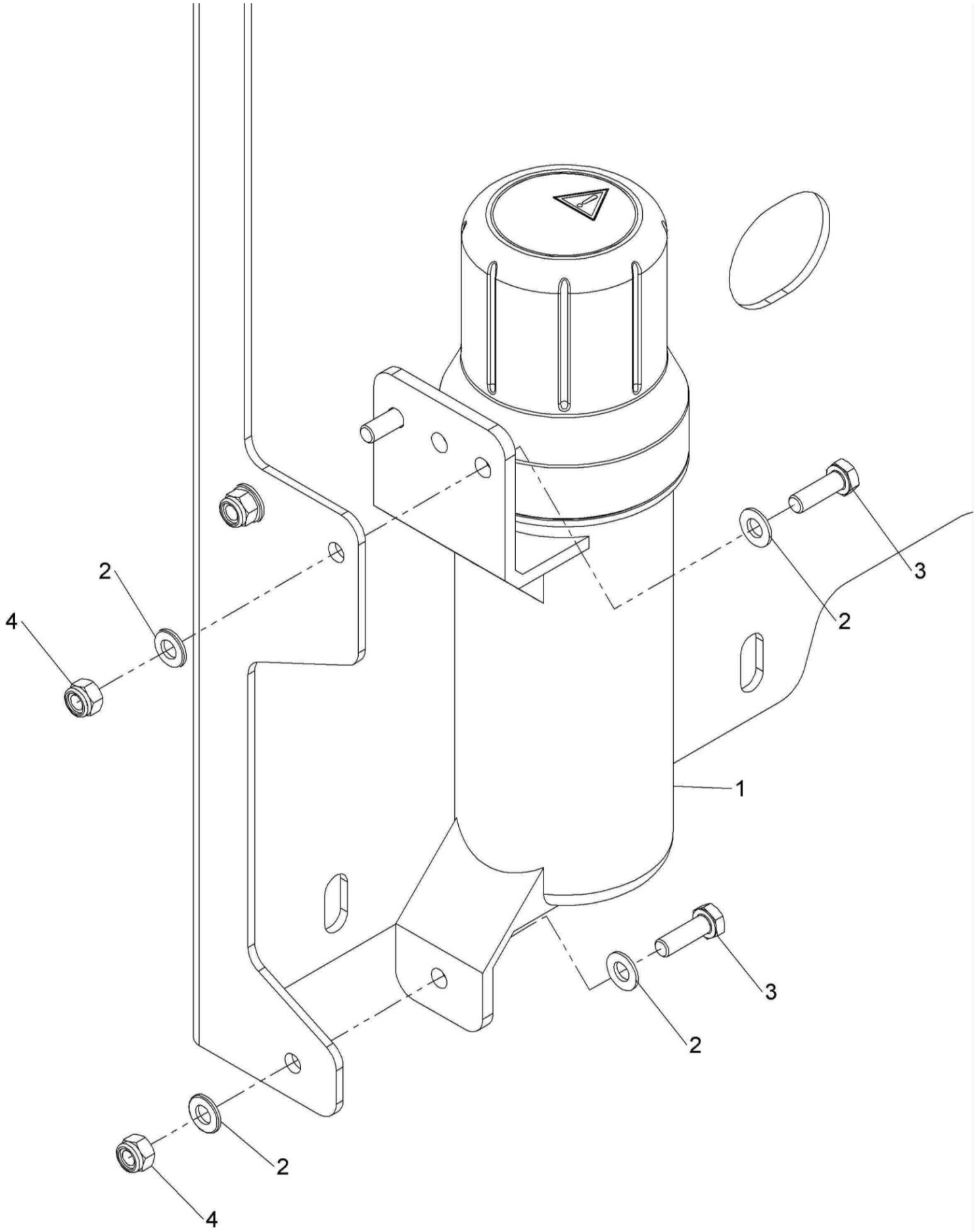


KIT-03719



**Shelbourne Reynolds Engineering Limited**

ASSY NUMBER: KIT-03869				ASSY DESCRIPTION: MANUAL CANNISTER KIT			
ITEM	PART NO	DESCRIPTION	QTY	ITEM	PART NO	DESCRIPTION	QTY
1	PCN-00100	MANUAL CANNISTER	1				
2	WSH-0012	WASHER	6				
3	HSS-0145	SETSCREW	3				
4	NUT-0263	NUT	3				



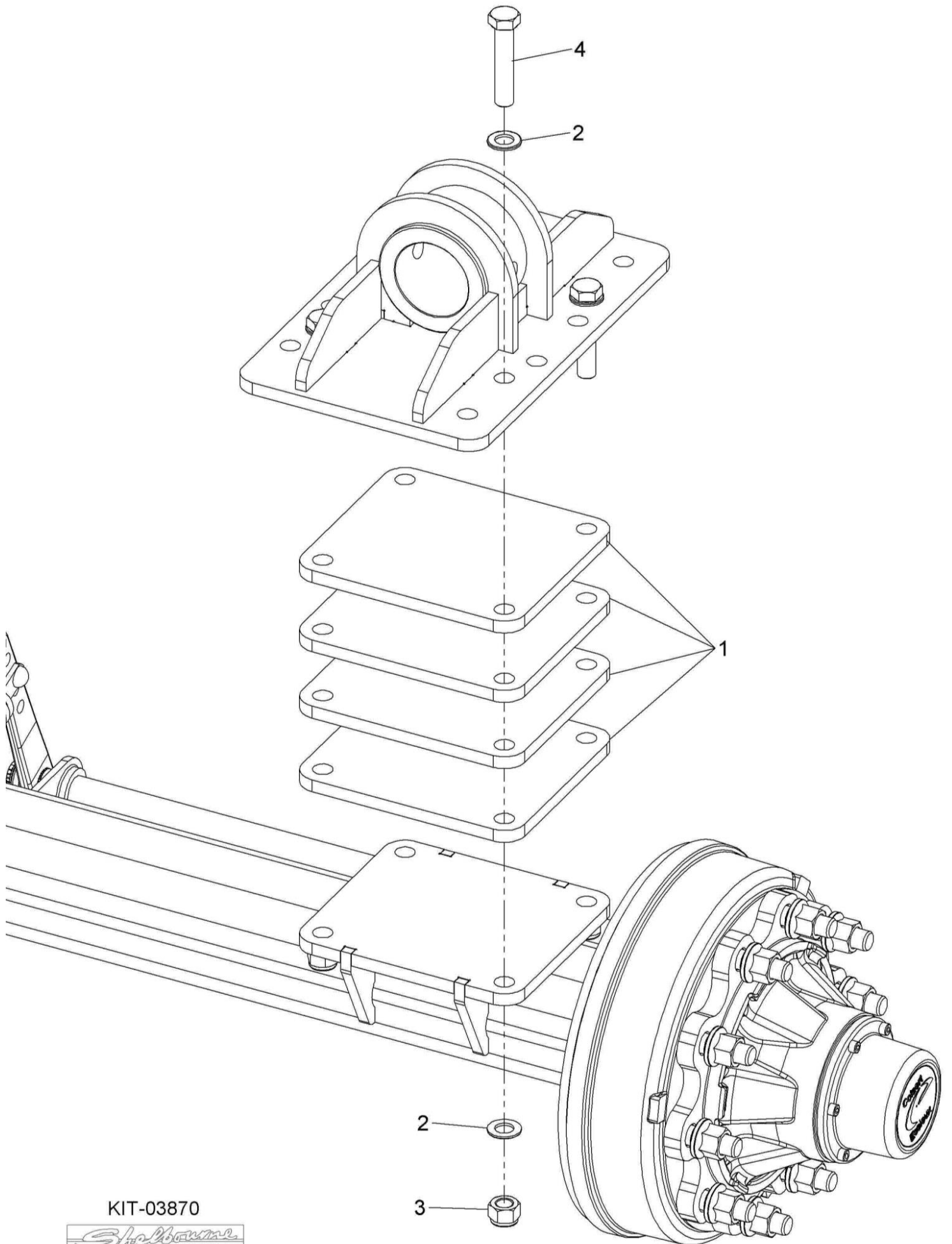
KIT-03869



**Shelbourne Reynolds Engineering Limited**

ASSY NUMBER: KIT-03870				ASSY DESCRIPTION: AXLE SPACER KIT (FOR 385/65-R22.5)			
ITEM	PART NO	DESCRIPTION	QTY	ITEM	PART NO	DESCRIPTION	QTY
1	616447 01	AXLE SPACER PLATE	8				
2	WSH-0030	WASHER	16				
3	NUTA02200	NUT	8				
4	BLTA20654	BOLT	8				



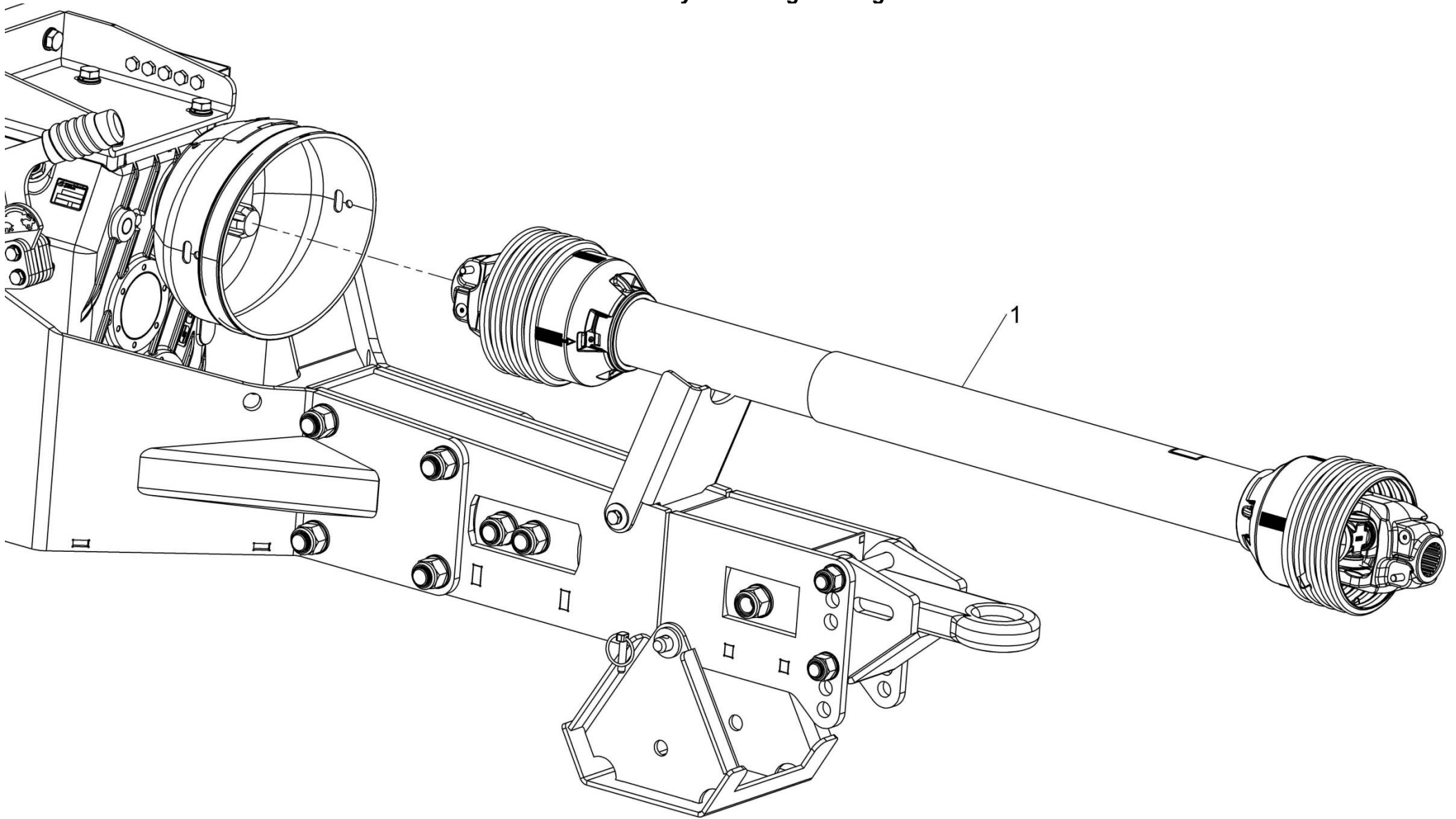


KIT-03870



**Shelbourne Reynolds Engineering Limited**

ASSY NUMBER: KIT-03876A				ASSY DESCRIPTION: STD INPUT PTO SHAFT KIT (16-22m PLUS)			
ITEM	PART NO	DESCRIPTION	QTY	ITEM	PART NO	DESCRIPTION	QTY
1	PTO-35005W	INPUT PTO SHAFT (WALTERCHIED)	1				

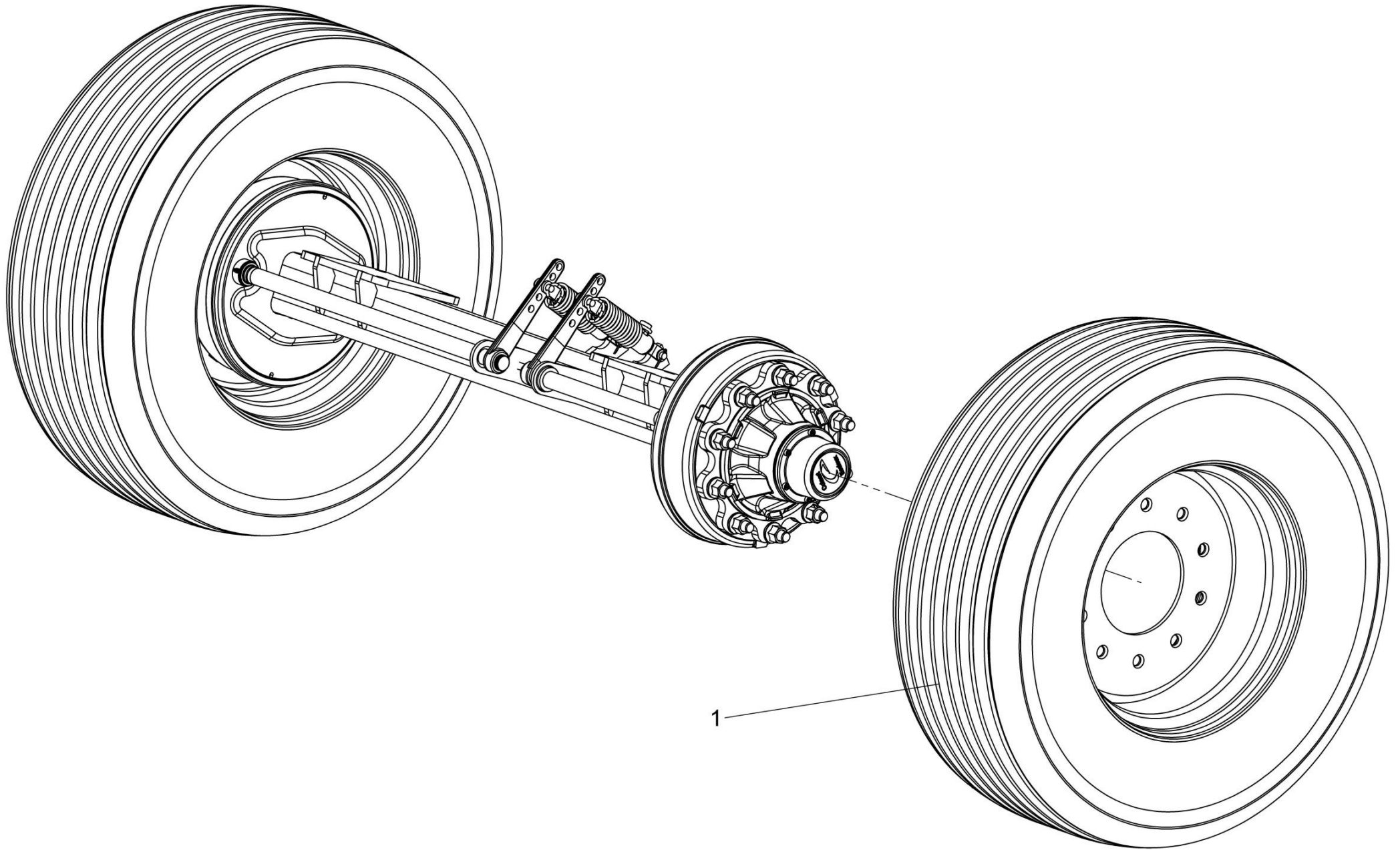


KIT-03876  
KIT-03876A



**Shelbourne Reynolds Engineering Limited**

ASSY NUMBER: KIT-03890				ASSY DESCRIPTION: WHEEL & TYRE KIT (385/65-R22.5)			
ITEM	PART NO	DESCRIPTION	QTY	ITEM	PART NO	DESCRIPTION	QTY
1	WHL-02222	WHEEL & TYRE ASSY	2				

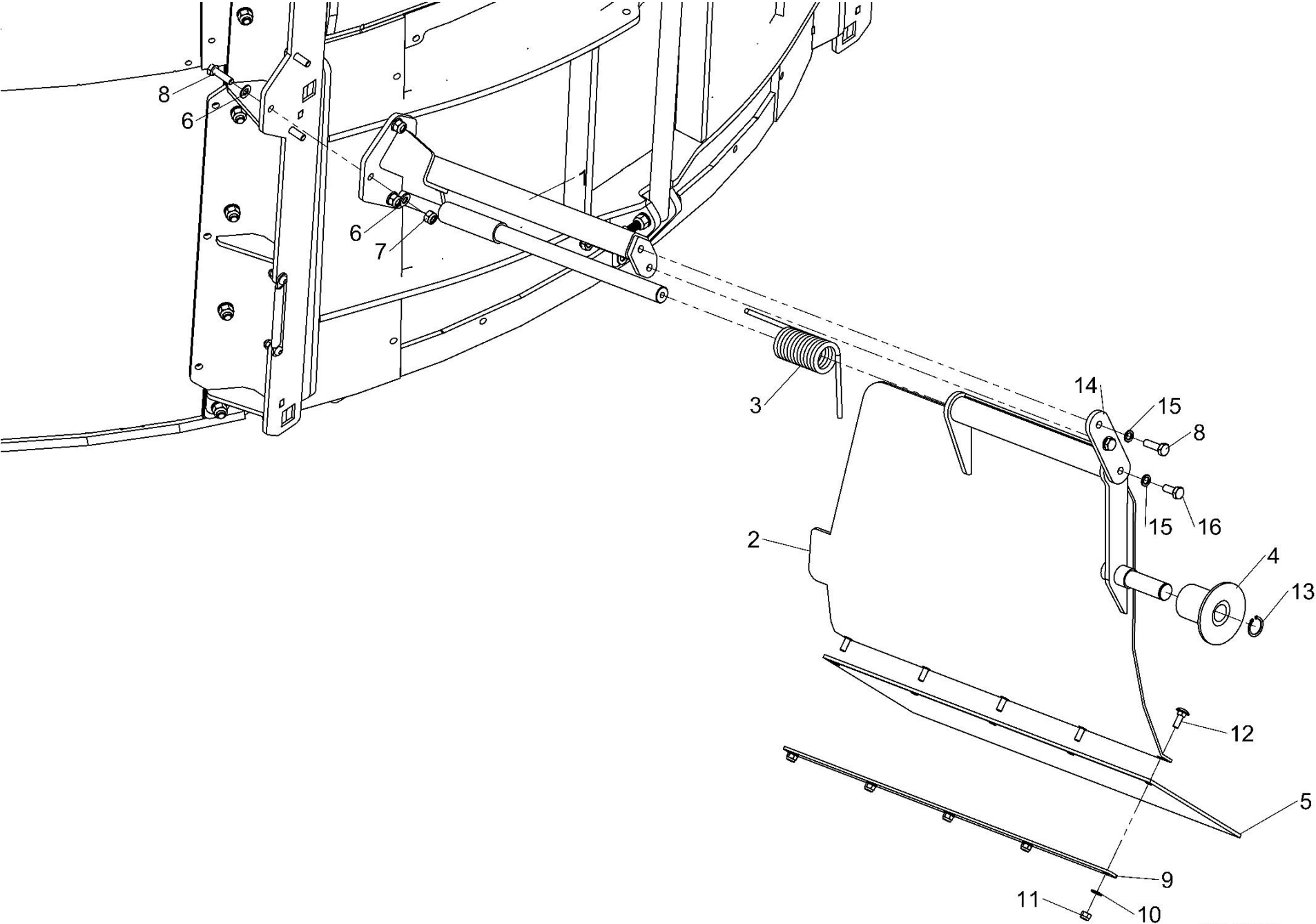


KIT-03890



**Shelbourne Reynolds Engineering Limited**

ASSY NUMBER: KIT-03894				ASSY DESCRIPTION: CONVEYOR DEFLECTOR KIT			
ITEM	PART NO	DESCRIPTION	QTY	ITEM	PART NO	DESCRIPTION	QTY
1	615991 01	DEFLECTOR PIVOT BAR W/A	1				
2	615989 01	CONVEYOR DEFLECTOR W/A	1				
3	SPGJ74300	TORSION SPRING	1				
4	616830 01	NYLON ROLLER	1				
5	616087 01	RUBBER DEFLECTOR	1				
6	WSH-0015	WASHER	8				
7	NUT-0265	NUT	4				
8	HSS-0198	SETSCREW	5				
9	616837 01	CLAMP STRIP	1				
10	WSH-0012	WASHER	5				
11	NUT-0263	NUT	5				
12	BLTF08173	COACHBOLT	5				
13	CIR-1125	EXTERNAL CIRCLIP	1				
14	616838 01	SUPPORT PLATE	1				
15	WSH-0061	WASHER	2				
16	HSS-0191	SETSCREW	1				



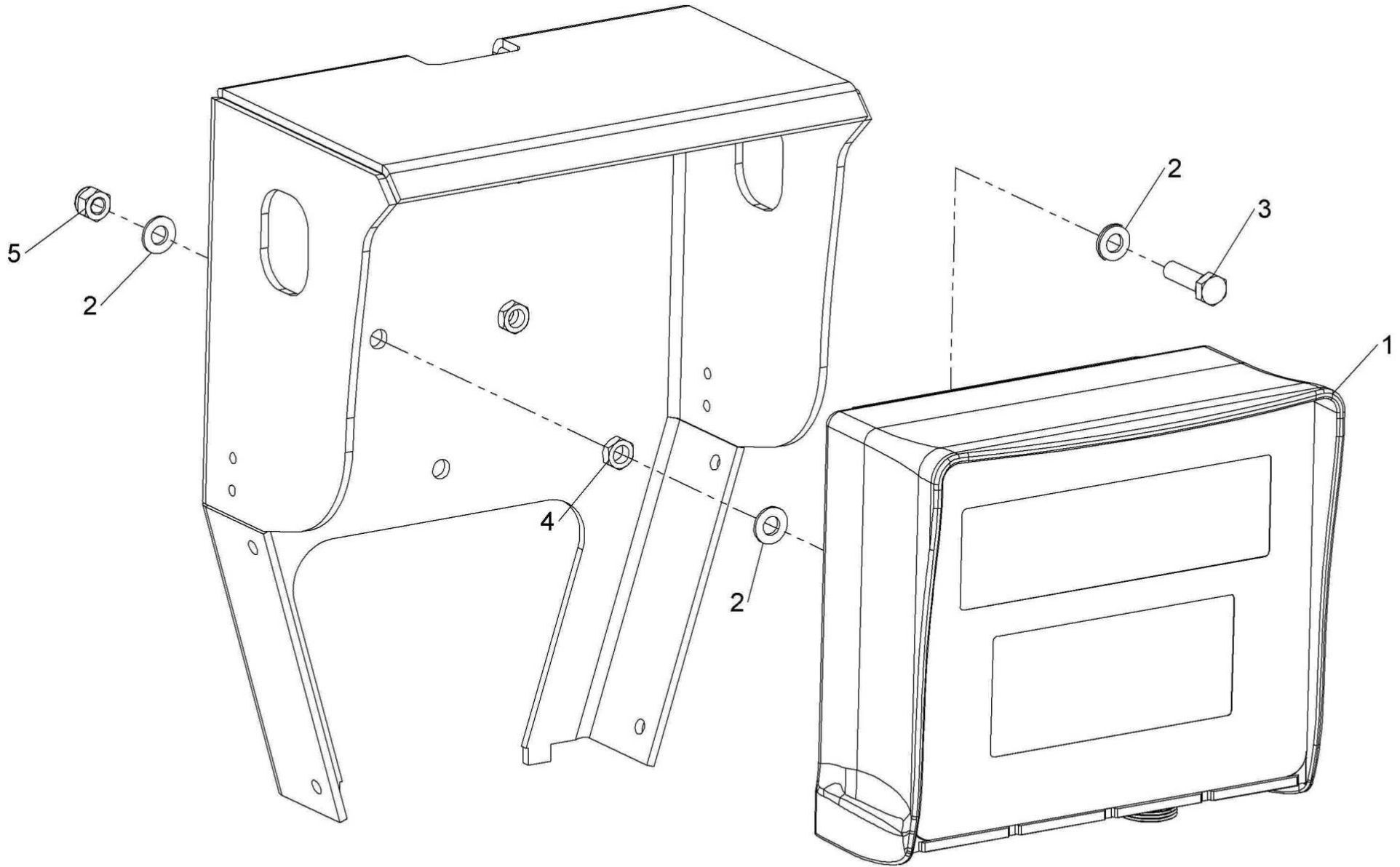
KIT-03894



**Shelbourne Reynolds Engineering Limited**

ASSY NUMBER: KIT-03895				ASSY DESCRIPTION: DG400 BASIC DISPLAY KIT			
ITEM	PART NO	DESCRIPTION	QTY	ITEM	PART NO	DESCRIPTION	QTY
1	LCL-04060	DG400 BASIC DISPLAY	1				
2	WSH-0012	WASHER	12				
3	HSS-0150	SETSCREW	4				
4	NUT-0164	NUT	4				
5	NUT-0263	NUT	4				



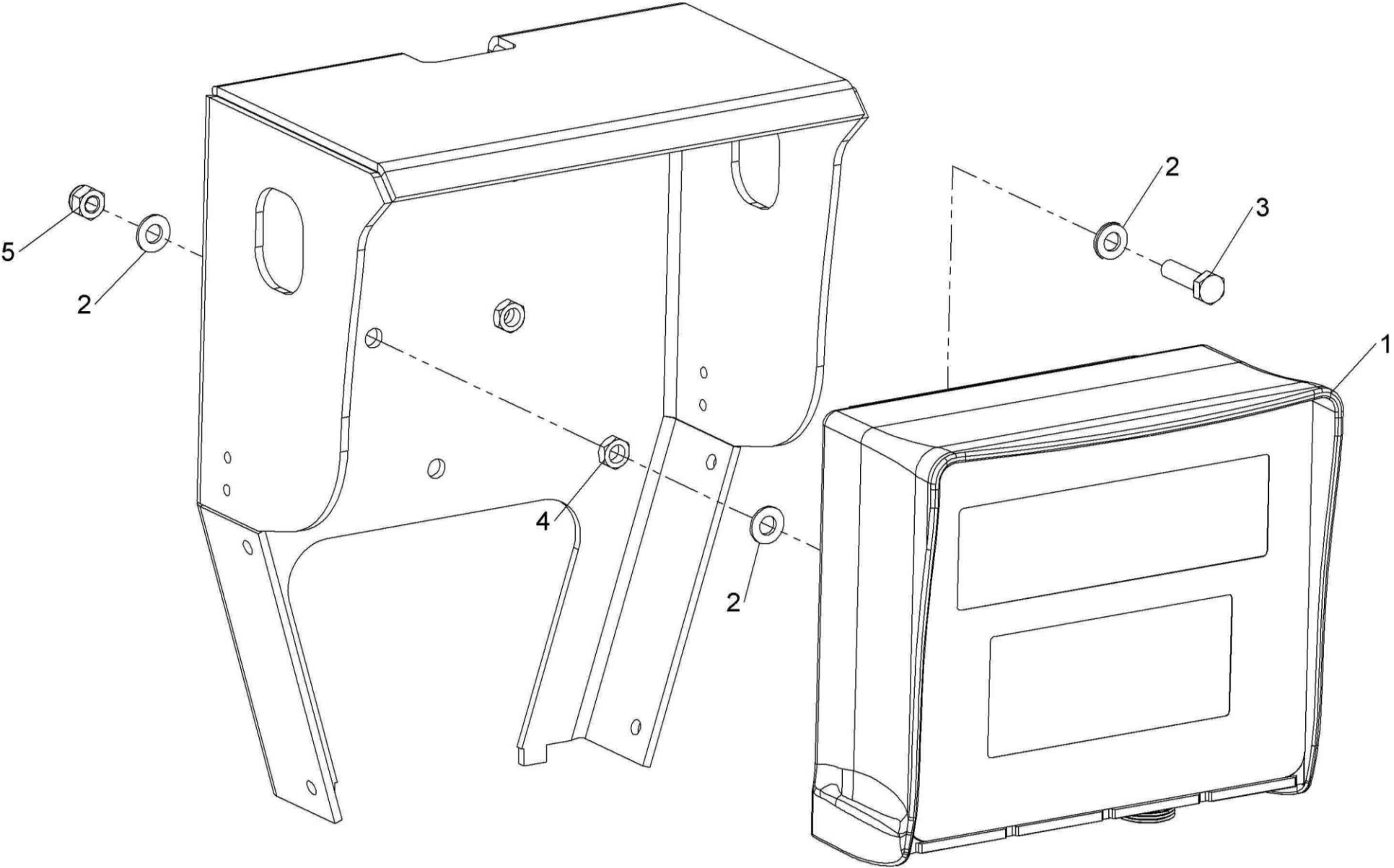


KIT-03896  
KIT-03895



**Shelbourne Reynolds Engineering Limited**

ASSY NUMBER: KIT-03896				ASSY DESCRIPTION: DG600 PROGRAMMABLE DISPLAY KIT			
ITEM	PART NO	DESCRIPTION	QTY	ITEM	PART NO	DESCRIPTION	QTY
1	LCL-04165	DG600SB PROGRAMMABLE DISPLAY	1				
2	WSH-0012	WASHER	12				
3	HSS-0150	SETSCREW	4				
4	NUT-0164	NUT	4				
5	NUT-0263	NUT	4				

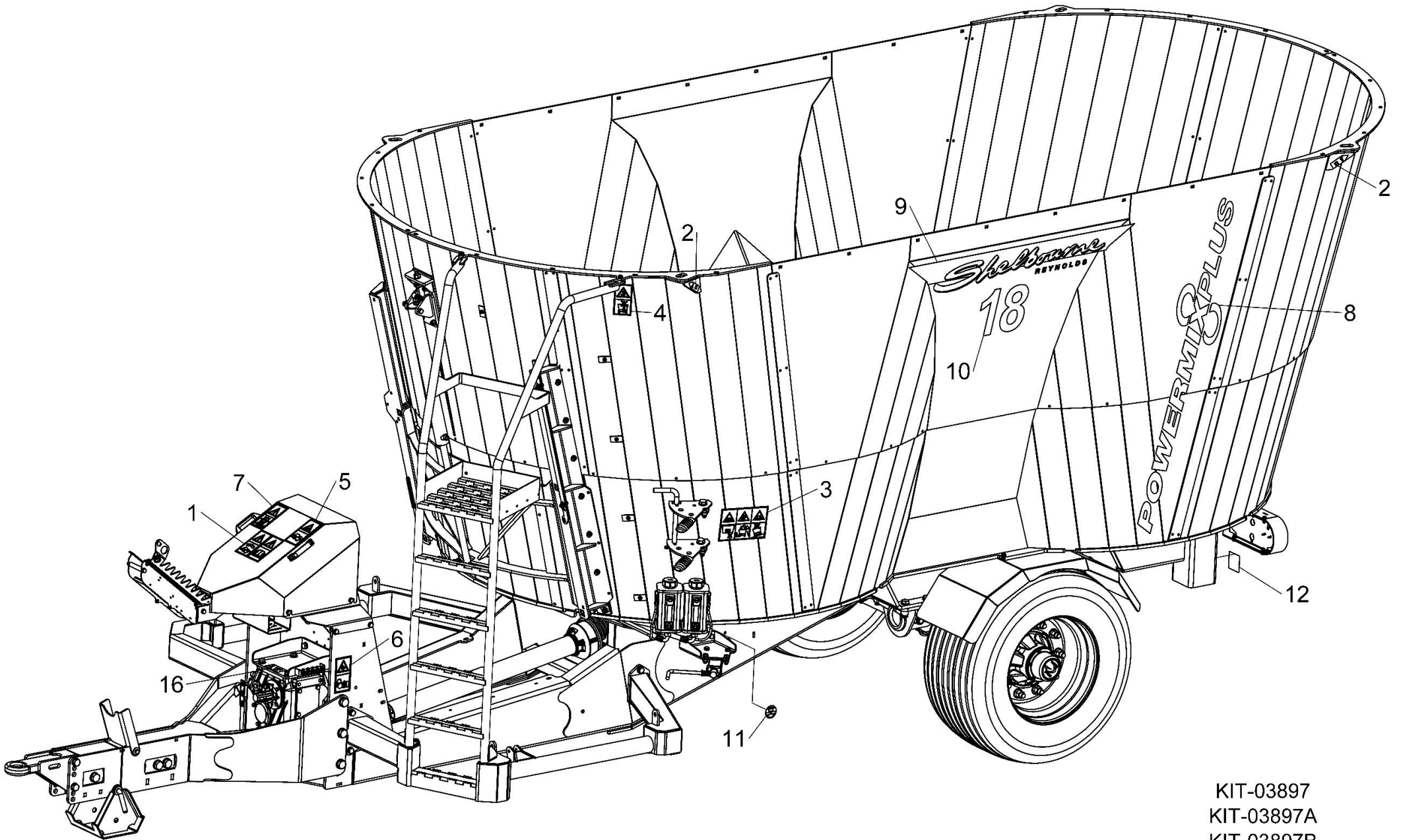


KIT-03896  
KIT-03895



**Shelbourne Reynolds Engineering Limited**

ASSY NUMBER: KIT-03897				ASSY DESCRIPTION: TRANSFERS KIT 16m			
ITEM	PART NO	DESCRIPTION	QTY	ITEM	PART NO	DESCRIPTION	QTY
1	TNF-0011	EMBLEM	1				
2	190702 04	EMBLEM	4				
3	610253 01	EMBLEM	1				
4	610259 01	EMBLEM	1				
5	800221 01	EMBLEM	1				
6	260060 01	EMBLEM	1				
7	614959 01	EMBLEM	1				
8	616839 01	EMBLEM	2				
9	616840 01	EMBLEM	2				
10	615457 01	SIZE TRANSFER - 16	2				
11	TNF-0013	INSPECTION STICKER	1				
12	591927 01	JACKING POINT TRANSFER	2				
13	617491 01	AUGER SPEED EMBELM	1				
14	620172 01	TENSION TRANSFER	1				
15	620173 01	POWERMIX PLUS GREASE TRANSFER	1				
16	195391 01	SHEARBOLT EMBLEM	1				

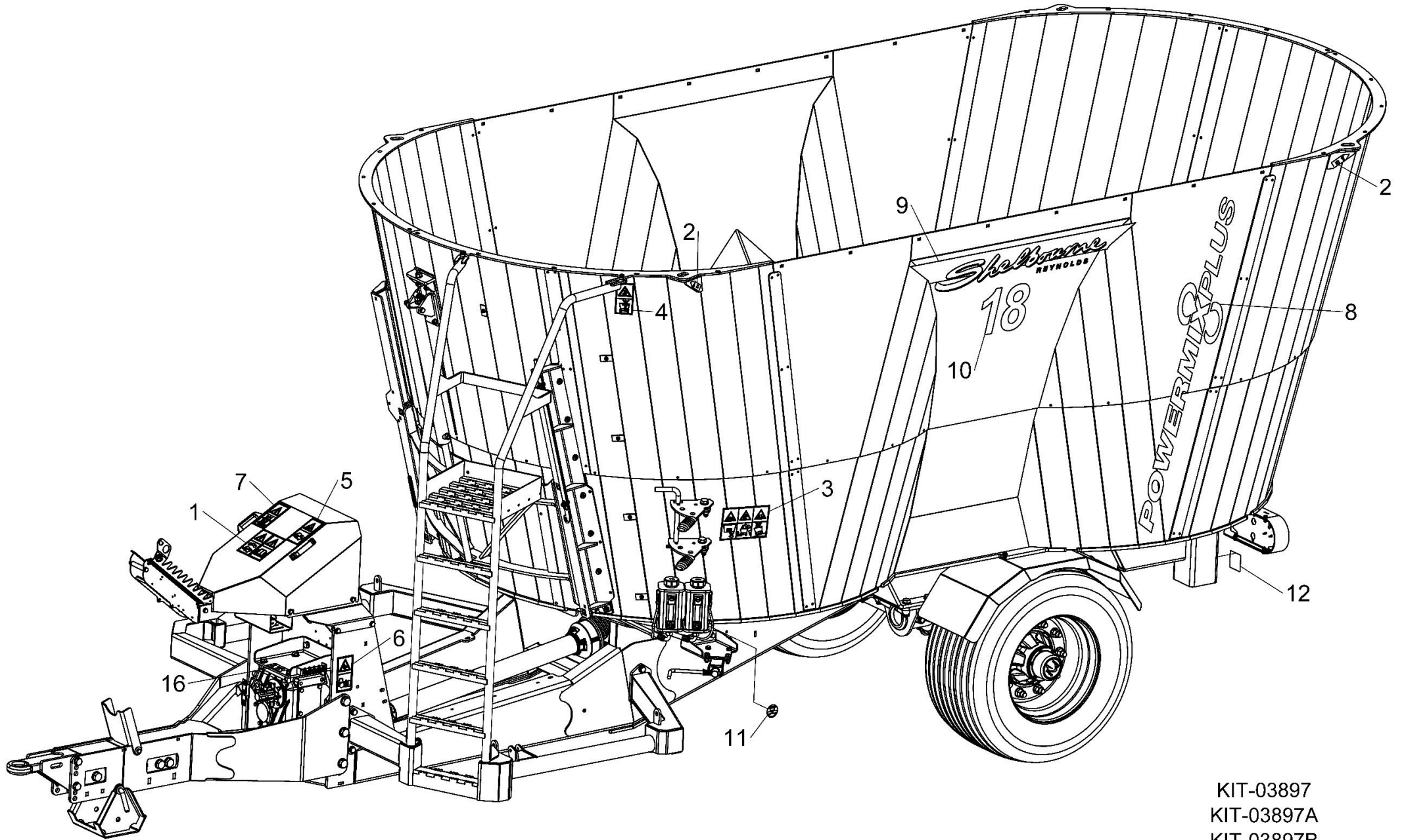


KIT-03897  
KIT-03897A  
KIT-03897B  
KIT-03897C



**Shelbourne Reynolds Engineering Limited**

ASSY NUMBER: KIT-03897A				ASSY DESCRIPTION: TRANSFERS KIT 18m			
ITEM	PART NO	DESCRIPTION	QTY	ITEM	PART NO	DESCRIPTION	QTY
1	TNF-0011	EMBLEM	1				
2	190702 04	EMBLEM	4				
3	610253 01	EMBLEM	1				
4	610259 01	EMBLEM	1				
5	800221 01	EMBLEM	1				
6	260060 01	EMBLEM	1				
7	614959 01	EMBLEM	1				
8	616839 01	EMBLEM	2				
9	616840 01	EMBLEM	2				
10	615457 05	SIZE TRANSFER - 18	2				
11	TNF-0013	INSPECTION STICKER	1				
12	591927 01	JACKING POINT TRANSFER	2				
13	617491 01	AUGER SPEED EMBELM	1				
14	620172 01	TENSION TRANSFER	1				
15	620173 01	POWERMIX PLUS GREASE TRANSFER	1				
16	195391 01	SHEARBOLT EMBLEM	1				



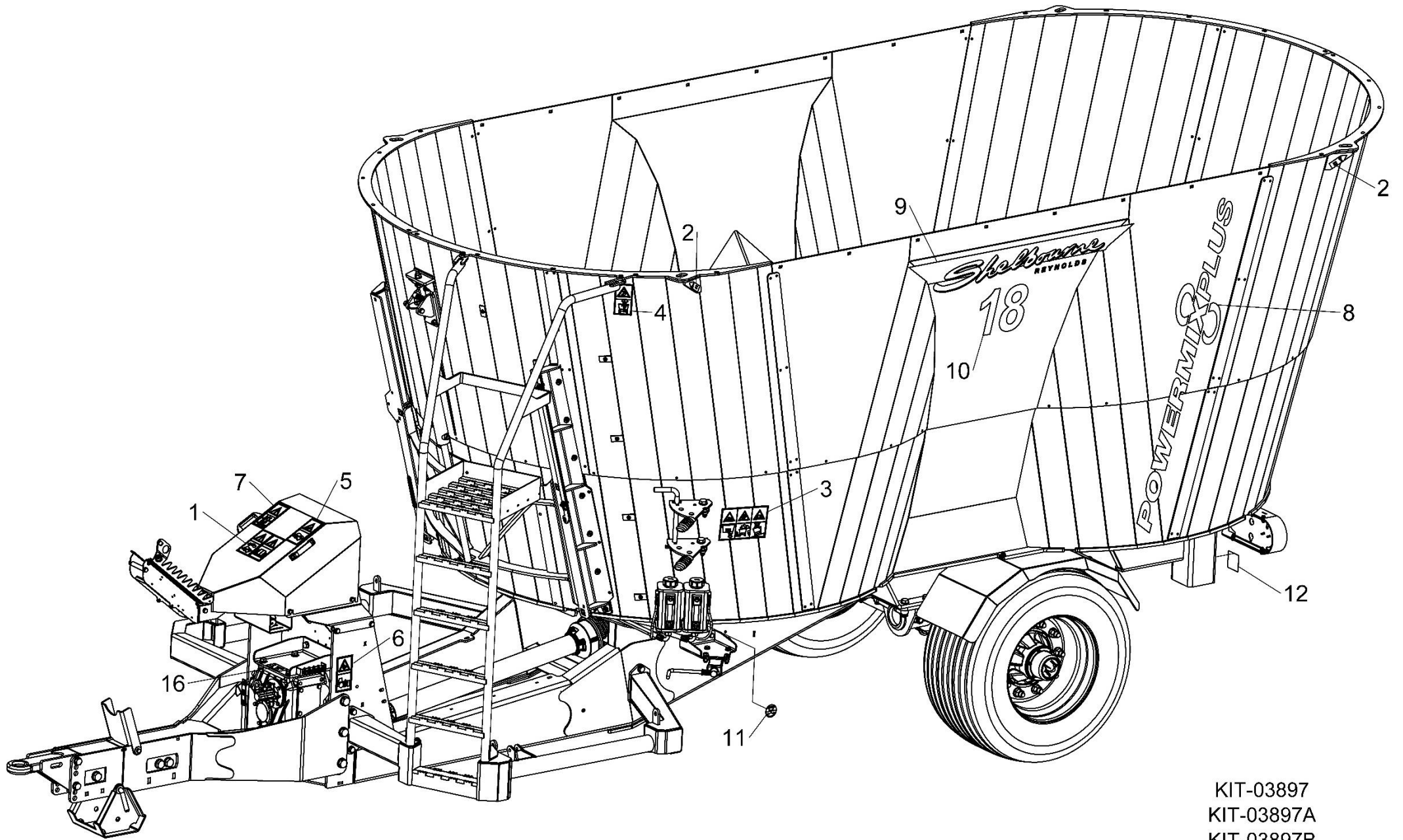
KIT-03897  
KIT-03897A  
KIT-03897B  
KIT-03897C



**Shelbourne Reynolds Engineering Limited**

ASSY NUMBER: KIT-03897B				ASSY DESCRIPTION: TRANSFERS KIT 22m			
ITEM	PART NO	DESCRIPTION	QTY	ITEM	PART NO	DESCRIPTION	QTY
1	TNF-0011	EMBLEM	1				
2	190702 04	EMBLEM	4				
3	610253 01	EMBLEM	1				
4	610259 01	EMBLEM	1				
5	800221 01	EMBLEM	1				
6	260060 01	EMBLEM	1				
7	614959 01	EMBLEM	1				
8	616839 01	EMBLEM	2				
9	616840 01	EMBLEM	2				
10	615457 03	SIZE TRANSFER - 22	2				
11	TNF-0013	INSPECTION STICKER	1				
12	591927 01	JACKING POINT TRANSFER	2				
13	617491 01	AUGER SPEED EMBELM	1				
14	620172 01	TENSION TRANSFER	1				
15	620173 01	POWERMIX PLUS GREASE TRANSFER	1				
16	195391 01	SHEARBOLT EMBLEM	1				



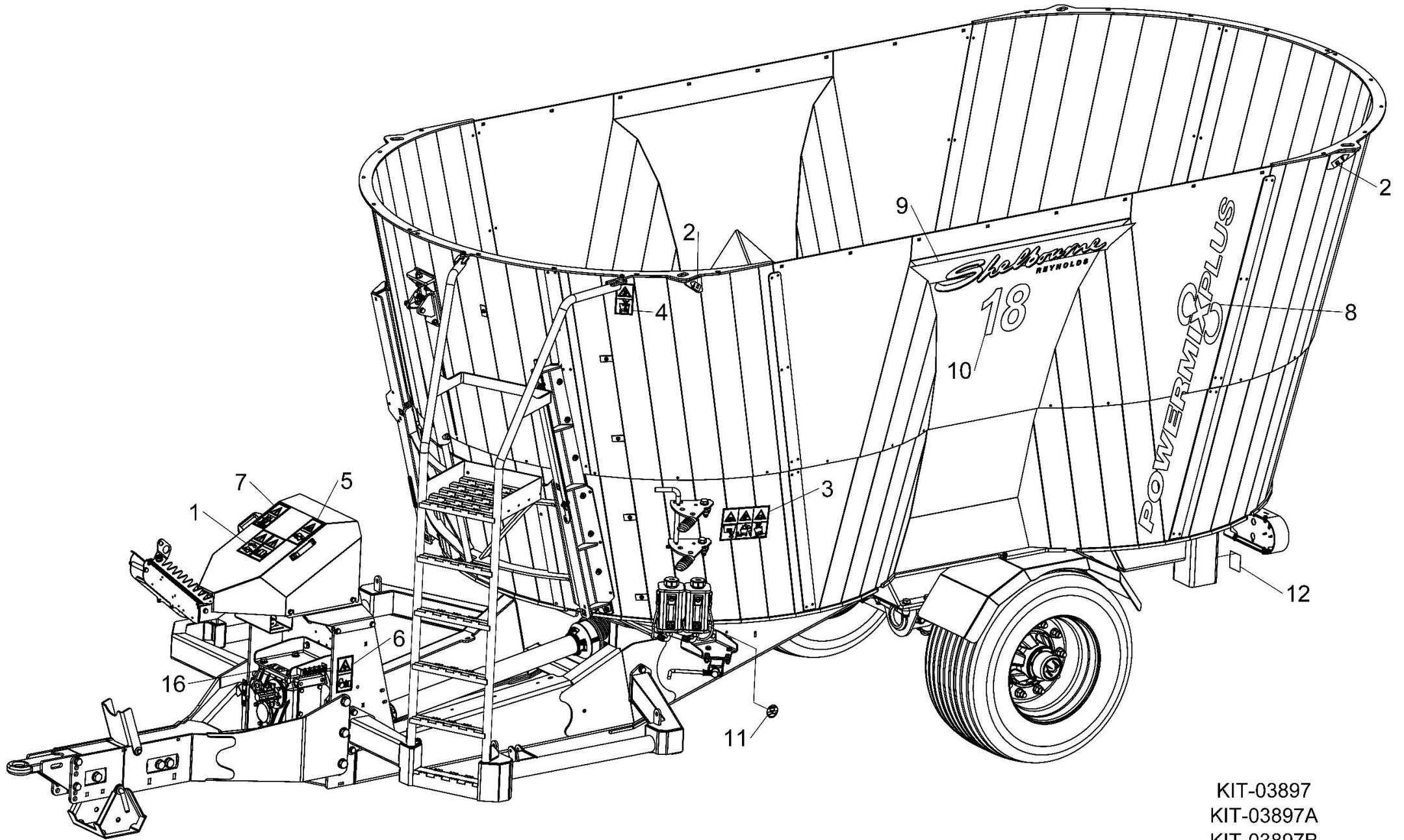


KIT-03897  
KIT-03897A  
KIT-03897B  
KIT-03897C



**Shelbourne Reynolds Engineering Limited**

ASSY NUMBER: KIT-03897C				ASSY DESCRIPTION: TRANSFERS KIT 20m			
ITEM	PART NO	DESCRIPTION	QTY	ITEM	PART NO	DESCRIPTION	QTY
1	TNF-0011	EMBLEM	1				
2	190702 04	EMBLEM	4				
3	610253 01	EMBLEM	1				
4	610259 01	EMBLEM	1				
5	800221 01	EMBLEM	1				
6	260060 01	EMBLEM	1				
7	614959 01	EMBLEM	1				
8	616839 01	EMBLEM	2				
9	616840 01	EMBLEM	2				
10	615457 07	SIZE TRANSFER - 20	2				
11	TNF-0013	INSPECTION STICKER	1				
12	591927 01	JACKING POINT TRANSFER	2				
13	617491 01	AUGER SPEED EMBELM	1				
14	620172 01	TENSION TRANSFER	1				
15	620173 01	POWERMIX PLUS GREASE TRANSFER	1				
16	195391 01	SHEARBOLT EMBLEM	1				

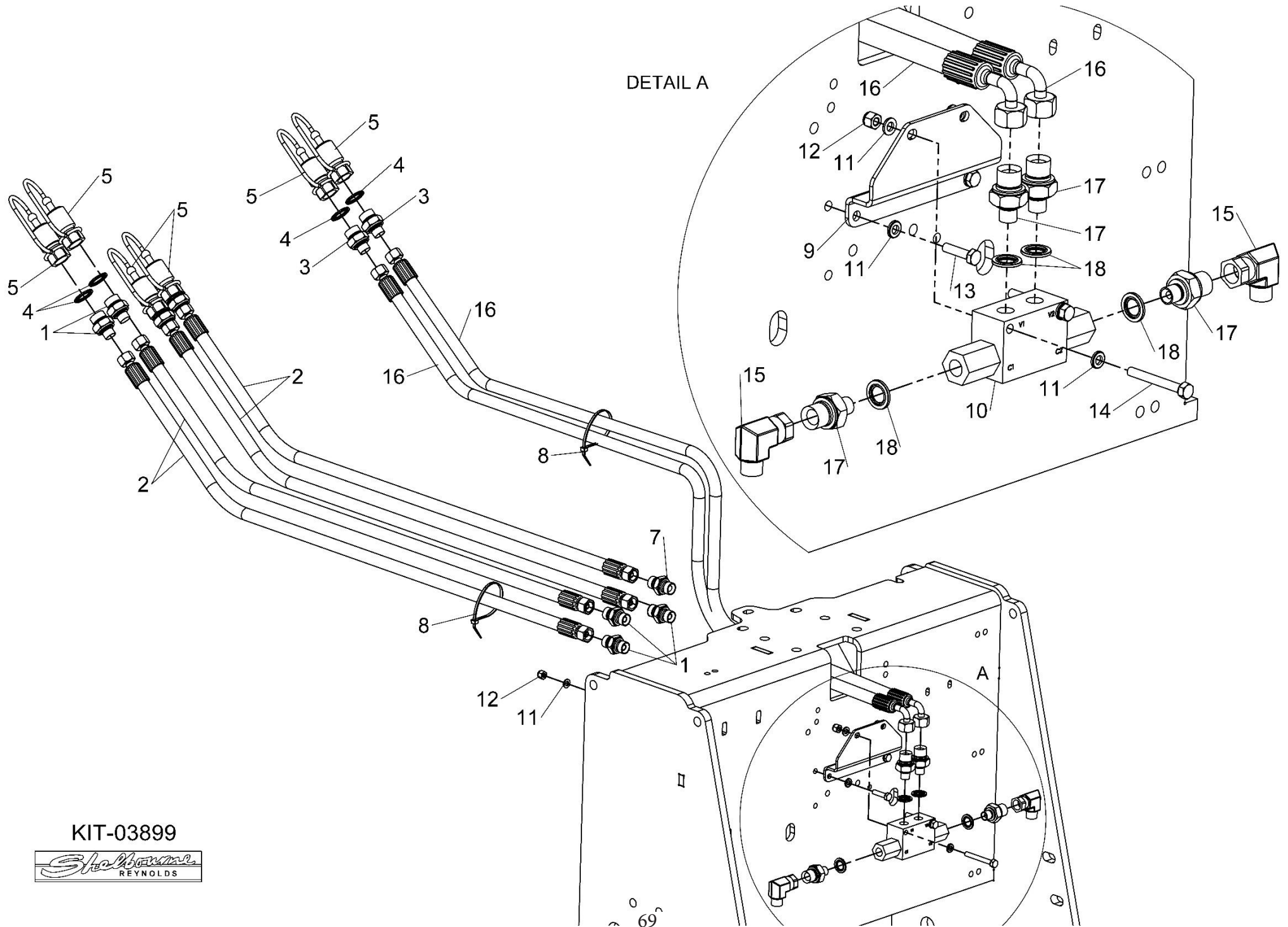


KIT-03897  
KIT-03897A  
KIT-03897B  
KIT-03897C



**Shelbourne Reynolds Engineering Limited**

ASSY NUMBER: KIT-03899				ASSY DESCRIPTION: DIRECT COUPLED HYDRAULIC KIT			
ITEM	PART NO	DESCRIPTION	QTY	ITEM	PART NO	DESCRIPTION	QTY
1	HMA-0057	M/M ADAPTOR	3				
2	HHAE19505	HYDRAULIC HOSE	4				
3	HMA-0065	M/M ADAPTOR	6				
4	WSH-1015	DOWTY WASHER	6				
5	COU-0162	QUICK RELEASE COUPLG	6				
6							
7	HAPAA0505	RESTRICTOR	1				
8	TIE-0004	TIE WRAP	12				
9	620613 01	PO CHECK MTG BRKT	1				
10	HVB-27000	PO CHECK VALVE	1				
11	WSH-0009	WASHER	8				
12	NUT-0260	NUT	4				
13	HSS-0088	SETSCREW	2				
14	BLTA06320	BOLT	2				
15	HALAA0505	90 DEG ELBLOW FITTING	2				
16	HHBE25005	HYD HOSE ASSY	2				
17	FIT-0025	M/M ADAPTOR	4				
18	WSH-1005	DOWTY WASHER	4				

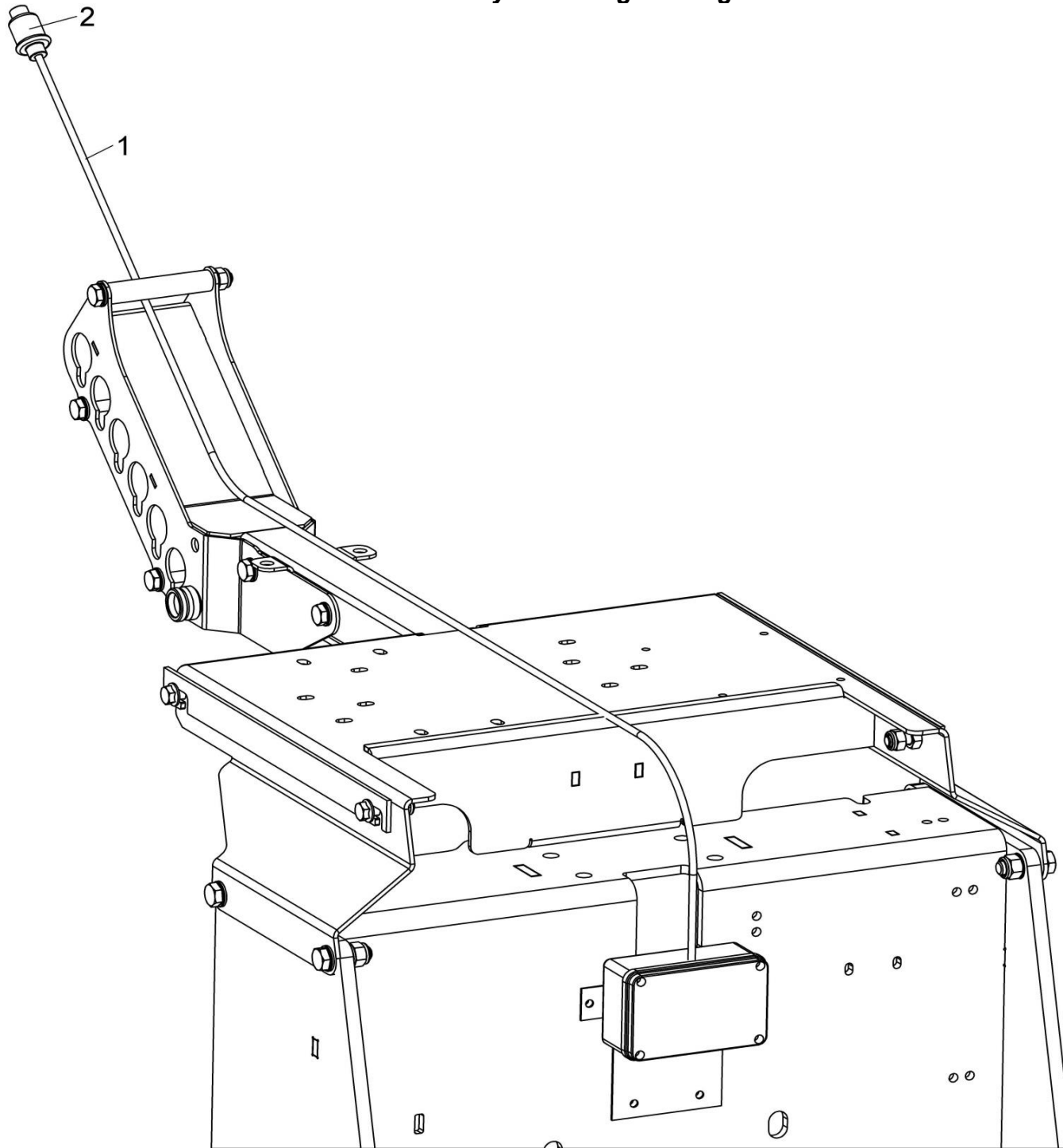


KIT-03899



**Shelbourne Reynolds Engineering Limited**

ASSY NUMBER: KIT-03900				ASSY DESCRIPTION: 3-PIN PLUG CONNECTION KIT			
ITEM	PART NO	DESCRIPTION	QTY	ITEM	PART NO	DESCRIPTION	QTY
1	CBL-03235	4 CORE CABLE	4m				
2	PLG-0060	3 PIN PLUG	1				



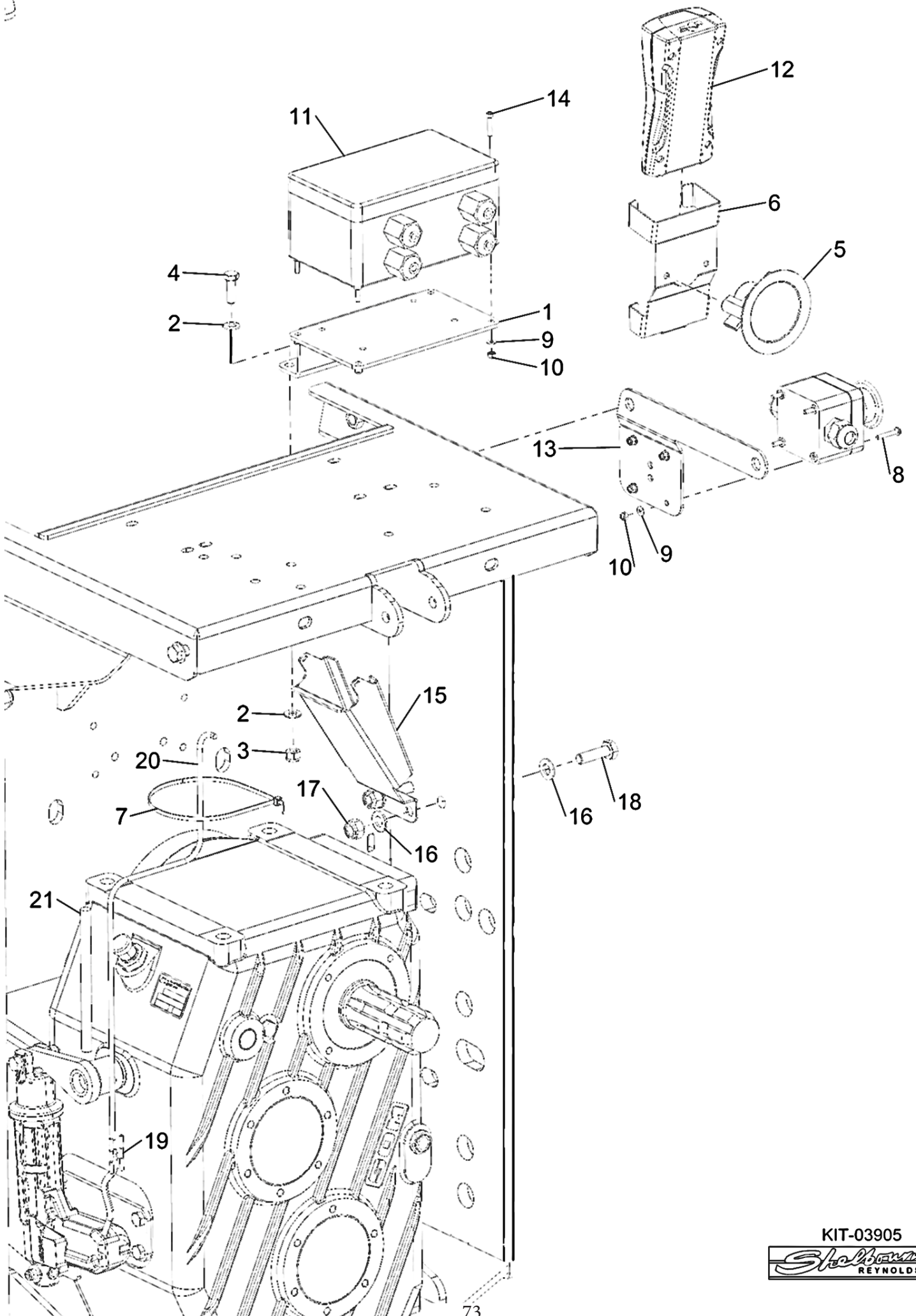
KIT-03900



**Shelbourne Reynolds Engineering Limited**

ASSY NUMBER: KIT-03905				ASSY DESCRIPTION: WIRELESS HYDRAULIC CONTROL KIT			
ITEM	PART NO	DESCRIPTION	QTY	ITEM	PART NO	DESCRIPTION	QTY
1	617693 01	CONTROL BOX MTG BRKT	1				
2	WSH-0012	WASHER (M8 PLAIN)	4				
3	NUT-0263	NUT	2				
4	HSS-0145	SETSCREW	2				
5	LCL-01249	SUCTION MOUNT ASSY	1				
6	617459 01	HANDSET CRADDLE	1				
7	TIE-0006	TIE WRAP LARGE	10				
8	SCFC04170	PAN HD SCREW	4				
9	WSH-0003	WASHER	8				
10	NUT-0255	NUT	8				
11	HVC-06000	REMOTE CONTROL BASE UNIT	1				
12	HVC-06001	REMOTE CONTROL HANDSET	1				
13	617587 01	EMERGENCY STOP MTG BRKT	1				
14	SCW-0035	SOC HD SCREW	4				
15	616450 01	STORAGE CRADDLE	1				
16	WSH-0015	WASHER	4				
17	NUT-0265	NUT	2				
18	HSS-0198	SETSCREW	2				
19	ETM-04630	HEAT SHRINK CRIMP CONNECTOR	2				
20	CBL-03010	CABLE (2-CORE)	2m				
21	PHS-00455	HEAT SHRINK TUBE (10mm)	0.1m				



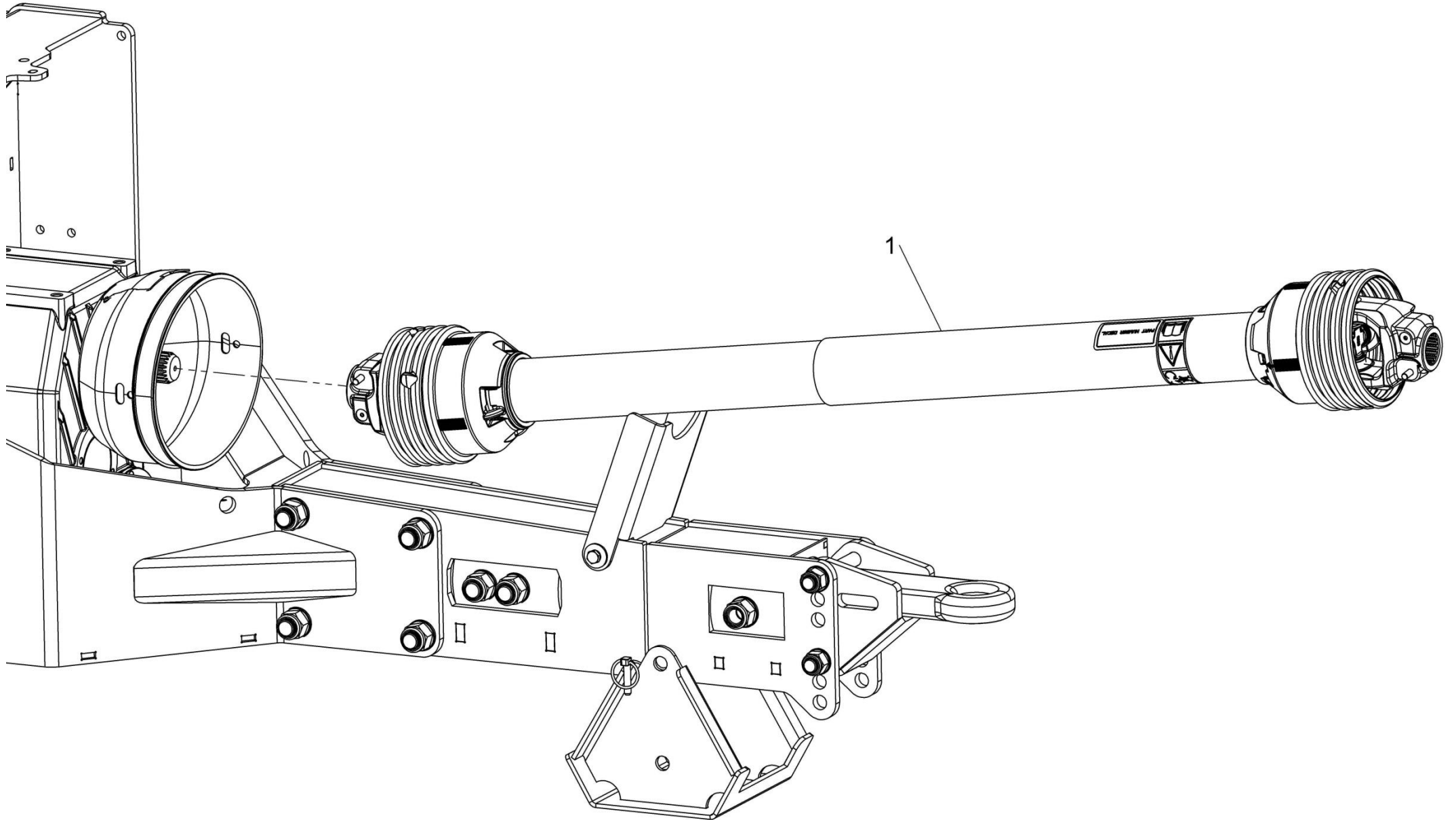


KIT-03905



**Shelbourne Reynolds Engineering Limited**

ASSY NUMBER: KIT-03908A				ASSY DESCRIPTION: W-A INPUT PTO SHAFT KIT (16-22M PLUS)			
ITEM	PART NO	DESCRIPTION	QTY	ITEM	PART NO	DESCRIPTION	QTY
1	PTO-35020W	W-A INPUT PTO SHAFT (WALT)	1				



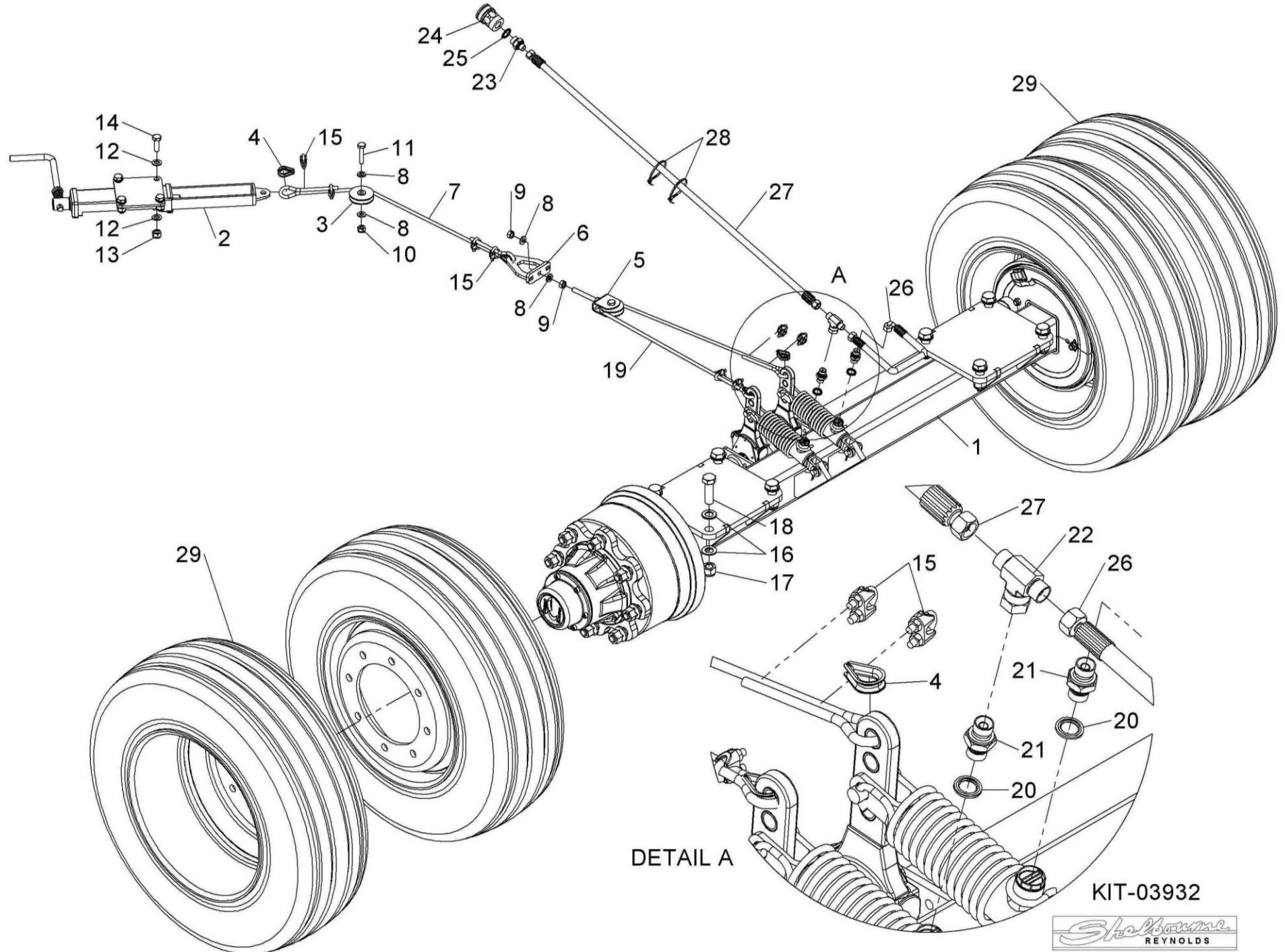
KIT-03908  
KIT-03908A



**Shelbourne Reynolds Engineering Limited**

ASSY NUMBER: KIT-03932				ASSY DESCRIPTION: AXLE & WHEEL KIT (235/75R17.5 DUAL)			
ITEM	PART NO	DESCRIPTION	QTY	ITEM	PART NO	DESCRIPTION	QTY
1	617230 01	SINGLE AXLE W/A	1				
2	616300 01	HANDBRAKE W/A	1				
3	BRA-14101	HANDBRAKE PULLEY	1				
4	WRP-01040	WIRE CABLE THIMBLE	4				
5	BRA-14002	PULLEY CARRIER ASSY	1				
6	616303 01	TENSIONER W/A	1				
7	CBL-30010	8mm CABLE	1.5m				
8	WSH-0015	WASHER	4				
9	NUT-0167	NUT	2				
10	NUT-0265	NUT	1				
11	HSS-0210	SETSCREW	1				
12	WSH-0018	WASHER	8				
13	NUT-0269	NUT	4				
14	HSS-0241	SETSCREW	4				
15	WRP-02080	WIRE CLAMP	8				
16	WSH-0030	WASHER	16				
17	NUTA02200	NUT	8				
18	HSSA20410	SETSCREW	8				
19	CBL-30010	8mm CABLE	1.1m				
20	WSH-1010	DOWTY WASHER	2				
21	HMA-0057	ADAPTOR M/M	2				
22	FITA10140	TEE FITTING	1				
23	HMA-0065	ADAPTOR M/M	1				
24	HQR-10007	QUICK RELEASE BRAKE COUPLING	1				
25	WSH-1015	DOWTY WASHER	1				
26	HHBC03205	HYD HOSE ASSY	1				
27	HHAE67005	HYD HOSE ASSY	1				
28	TIE-0004	TIE WRAPS (MED)	16				
29	WHL-01740	WHEEL & TYRE ASSY 235/75R17.5	4				
30							
31							
32							
33							
34							
35							
36							
37							
38							
39							
40							

**Shelbourne Reynolds Engineering Limited**

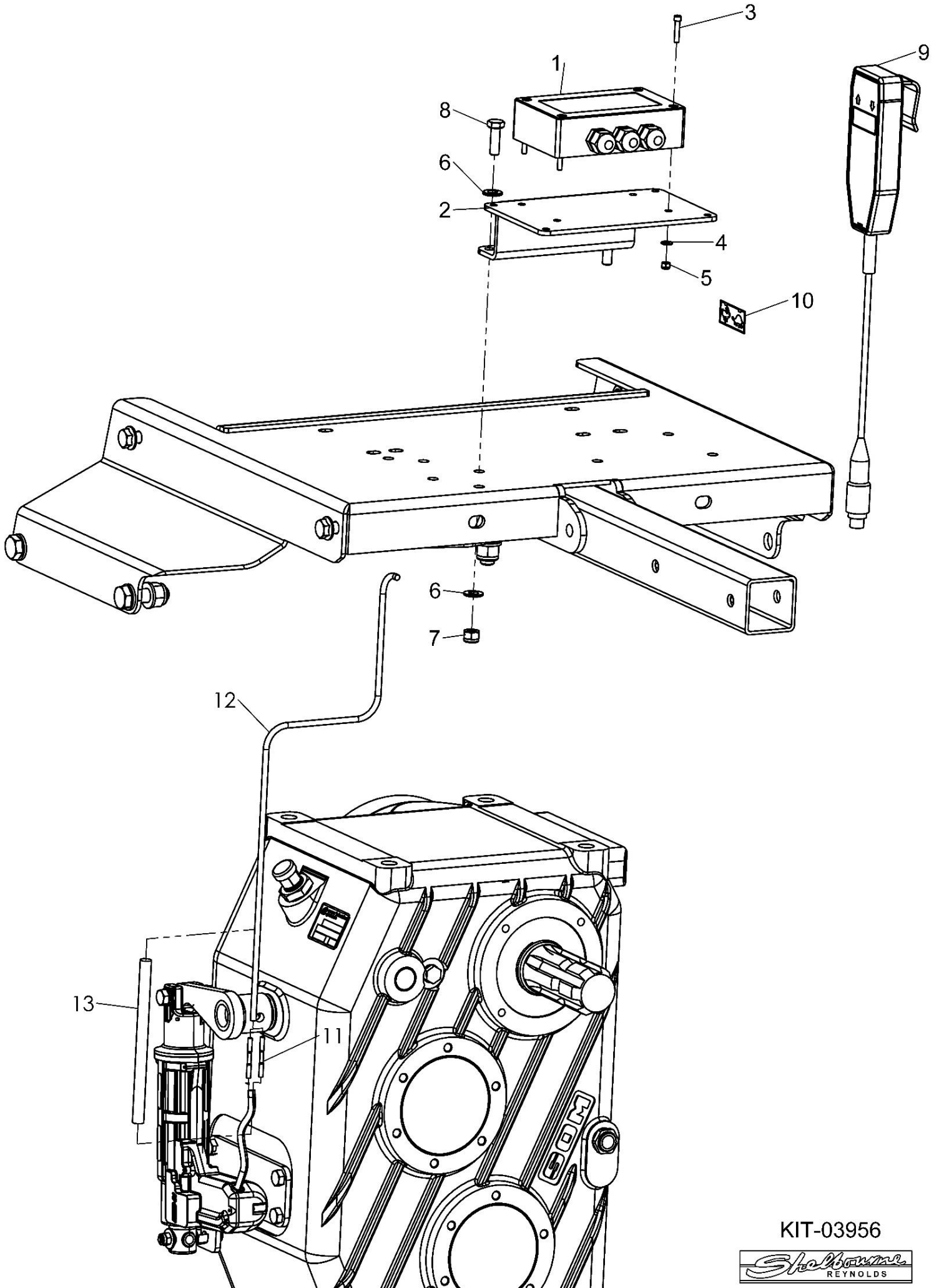


**KIT-03932**



**Shelbourne Reynolds Engineering Limited**

ASSY NUMBER: KIT-03956				ASSY DESCRIPTION: 2-SPEED GEAR CHANGE HANDSET KIT			
ITEM	PART NO	DESCRIPTION	QTY	ITEM	PART NO	DESCRIPTION	QTY
1	MOTE11020B	ACTUATOR CONTROL BOX	1				
2	617693 01	CONTROL BOX MTG BRACKET	1				
3	SCW-0035	CP HD SCREW	4				
4	WSH-0003	WASHER	4				
5	NUT-0255	NUT	4				
6	WSH-0012	WASHER	4				
7	NUT-0263	NUT	2				
8	HSS-0145	SETSCREW	2				
9	MOTE11020C	HB40 HANDSET	1				
10	617586 01	AUGER SPEED EMBLEM	1				
11	ETM-04630	HEAT SHRINK CRIMP CONNECTOR	2				
12	CBL-03010	CABLE (2-CORE)	2m				
13	PHS-00455	HEAT SHRINK TUBE (10mm)	0.1m				



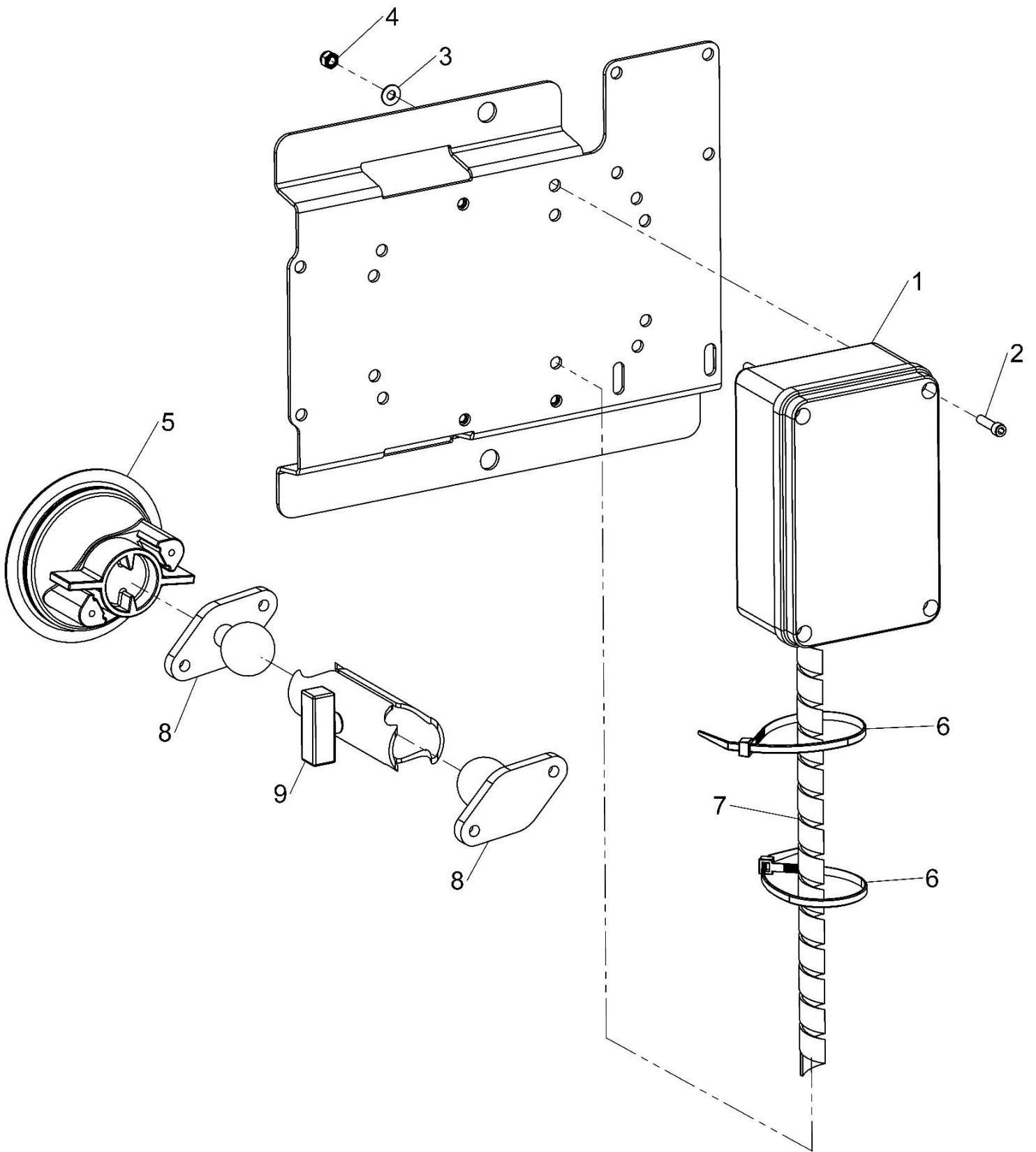
KIT-03956



**Shelbourne Reynolds Engineering Limited**

ASSY NUMBER: KIT-03958				ASSY DESCRIPTION: DINA TEL 3 REMOTE DISPLAY KIT			
ITEM	PART NO	DESCRIPTION	QTY	ITEM	PART NO	DESCRIPTION	QTY
1	LCL-04120	DINA TEL 3 REMOTE DISPLAY KIT	1				
2	SCCA04113	CP SOC HD SCREW	4				
3	WSH-0003	WASHER	4				
4	NUT-0255	NUT	4				
5	LCL-01249	RAM MOUNT SUCTION CUP	1				
6	TIE-0004	TIE WRAP MEDIUM	10				
7	SLV-00300	SPIRAL CONVOLUTE TUBING	2m				
8	LCL-01265	DIAMOND BASE WITH 1" BALL	2				
9	LCL-01268	DOUBLE SOCKET 1"	1				



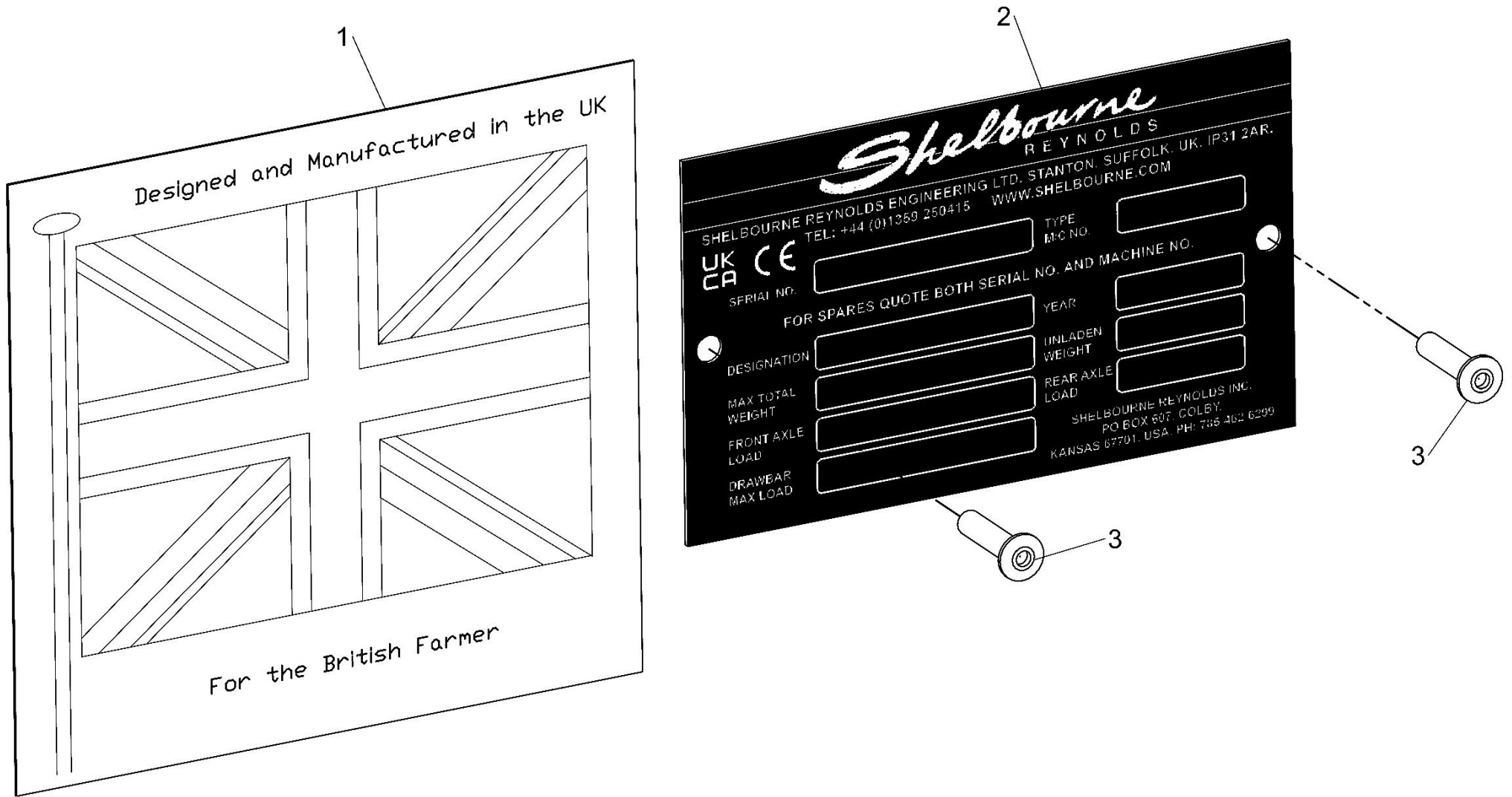


KIT-03958



**Shelbourne Reynolds Engineering Limited**

ASSY NUMBER: KIT-03959				ASSY DESCRIPTION: UK AREA KIT			
ITEM	PART NO	DESCRIPTION	QTY	ITEM	PART NO	DESCRIPTION	QTY
1	610563 01	UNION JACK EMBLEM	1				
2	290526 01	SERIAL NUMBER PLATE	1				
3	POP-0006	POP RIVET	2				

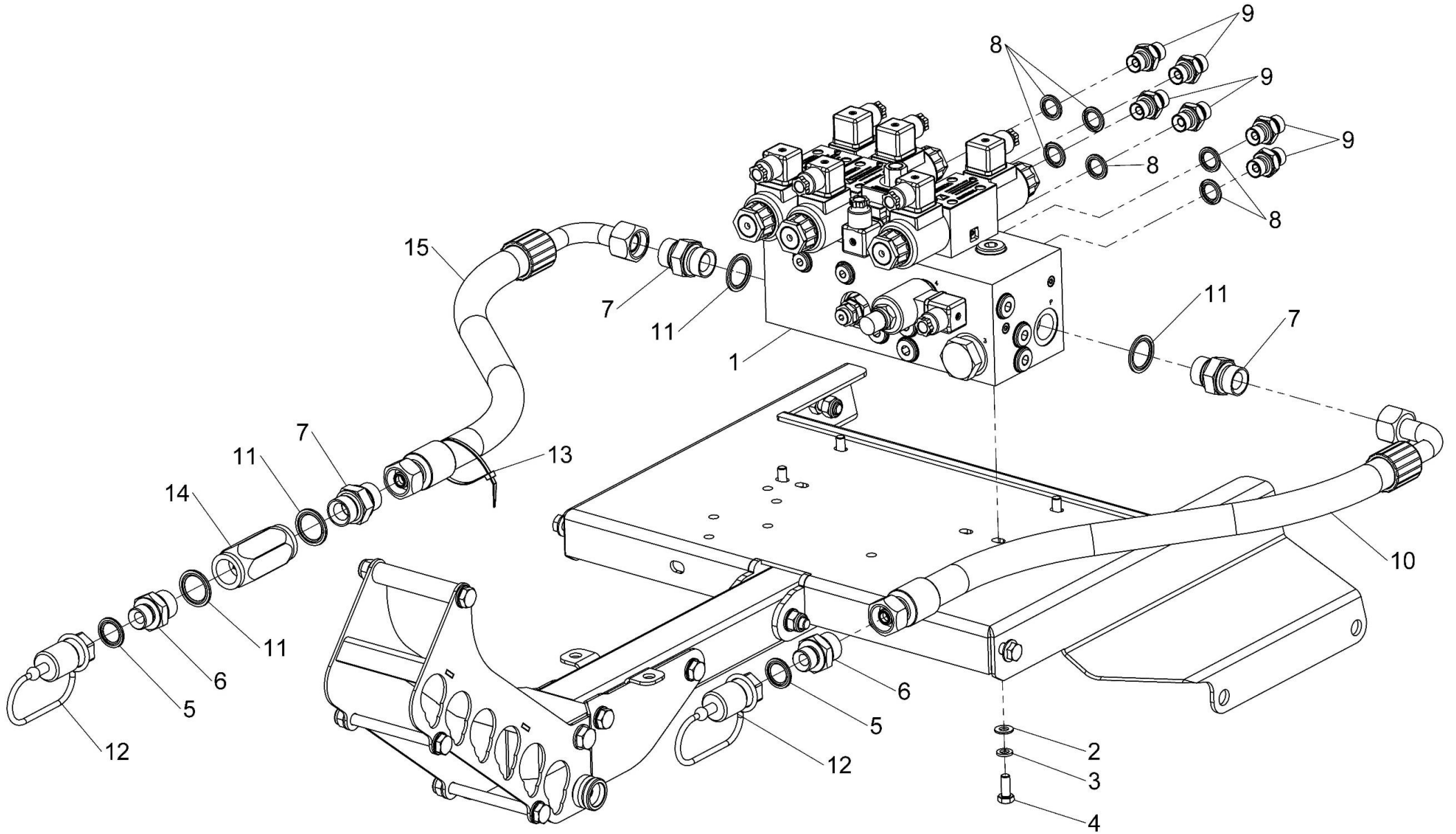


KIT-03959



**Shelbourne Reynolds Engineering Limited**

ASSY NUMBER: KIT-03965				ASSY DESCRIPTION: HYDRAULIC VALVE KIT (3/4" HOSES STEEL V)			
ITEM	PART NO	DESCRIPTION	QTY	ITEM	PART NO	DESCRIPTION	QTY
1	HVB-19140S	PROPORTIONAL CONTROL VALVE	1				
2	WSH-0012	WASHER	4				
3	WSH-0058	WASHER	4				
4	HSS-0140	SETSCREW	4				
5	WSH-1015	DOWTY WASHER	2				
6	HMA-0060	M/M ADAPTOR	2				
7	HMA-0074	M/M ADAPTOR	3				
8	WSH-1010	DOWTY WASHER	6				
9	HMA-0057	M/M ADAPTOR	6				
10	HHBH19505	HYDRAULIC HOSE	1				
11	WSH-1020	DOWTY WASHER	4				
12	COU-0162	QUICK RELEASE COUPLG	2				
13	TIE-0004	TIE WRAP	8				
14	HVB-20510	NON RETURN VALVE	1				
15	HHBH18305	HYDRAULIC HOSE	1				

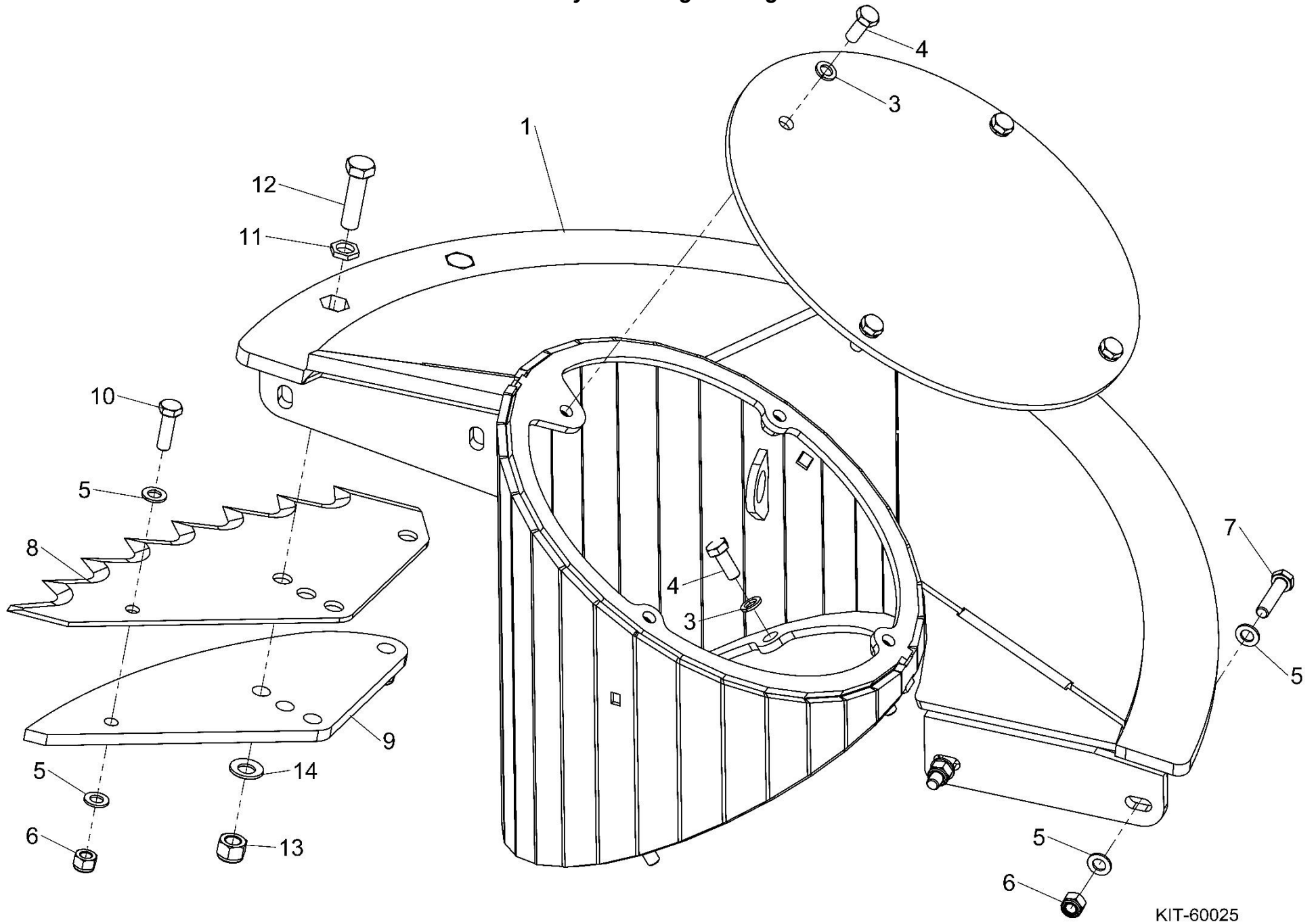


KIT-03965  
KIT-03966



**Shelbourne Reynolds Engineering Limited**

ASSY NUMBER: KIT-60025				ASSY DESCRIPTION: AUGER EXTENSION KIT			
ITEM	PART NO	DESCRIPTION	QTY	ITEM	PART NO	DESCRIPTION	QTY
1	620075 01	AUGER EXTENSION W/A	1				
2							
3	WSH-0065	SPRING WASHER	8				
4	HSS-0238	SET SCREW	8				
5	WSH-0018	PLAIN WASHER	6				
6	NUT-0269	NYLOC NUT	3				
7	HSS-0260	SET SCREW	2				
8	614812 02	AUGER BLADE	1				
9	614807 02	BLADE BACK UP PLATE	1				
10	HSS-0250	SET SCREW	1				
11	615685 01	HEX WASHER	2				
12	HSS-0320	HEX HEAD SETSCREW	2				
13	NUT-0271	NYLOC NUT	2				
14	WSHA30161	WASHER	2				



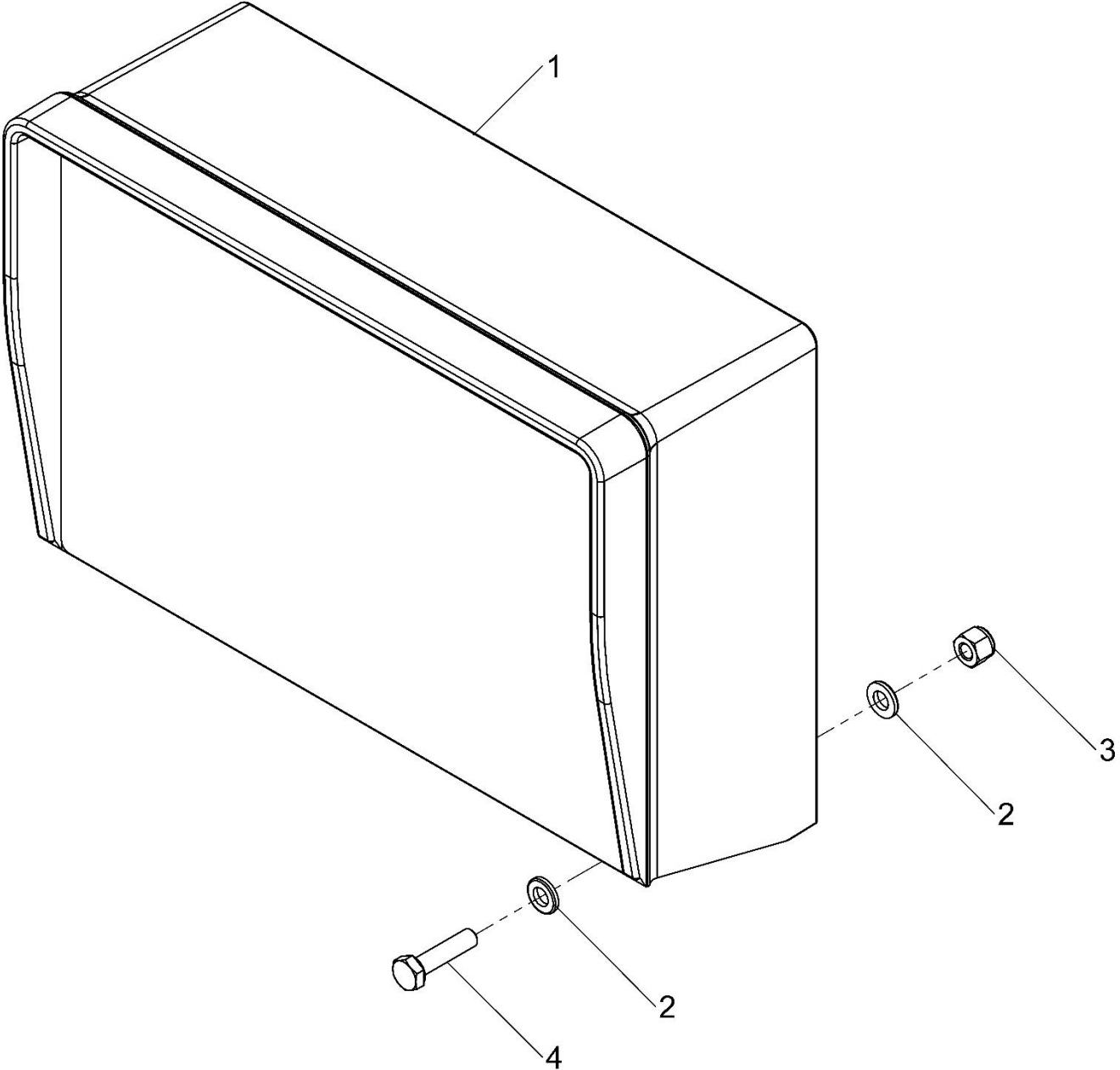
KIT-60025



**Shelbourne Reynolds Engineering Limited**

ASSY NUMBER: KIT-60032				ASSY DESCRIPTION: EZ3410 BT DISPLAY KIT			
ITEM	PART NO	DESCRIPTION	QTY	ITEM	PART NO	DESCRIPTION	QTY
1	LCL-01270	EZ3410 BT DISPLAY	1				
2	WSH-0009	PLAIN WAASHER	4				
3	NUT-0260	NYLOC NUT	2				
4	HSS-0088	SETSCREW	2				





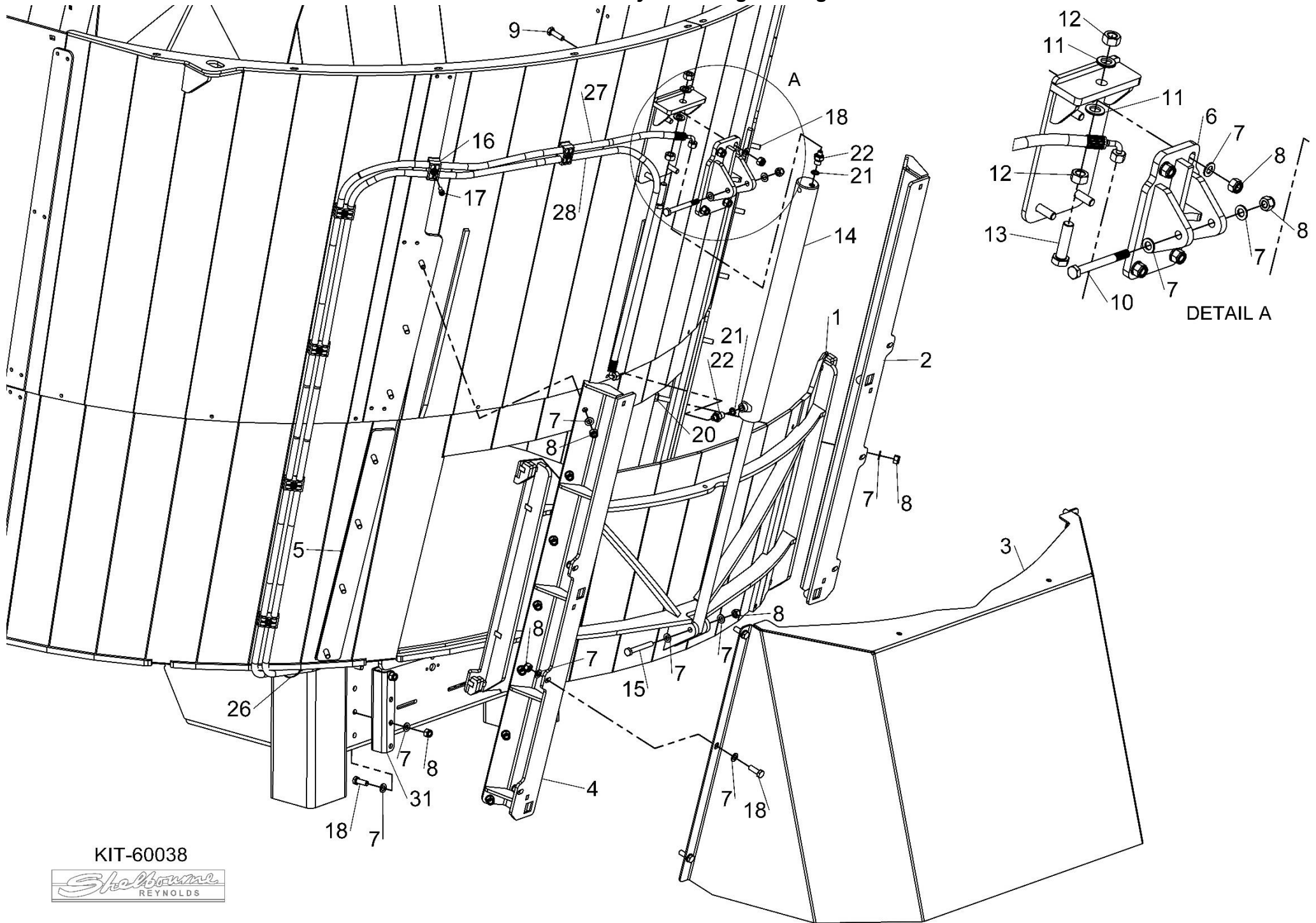
KIT-60032





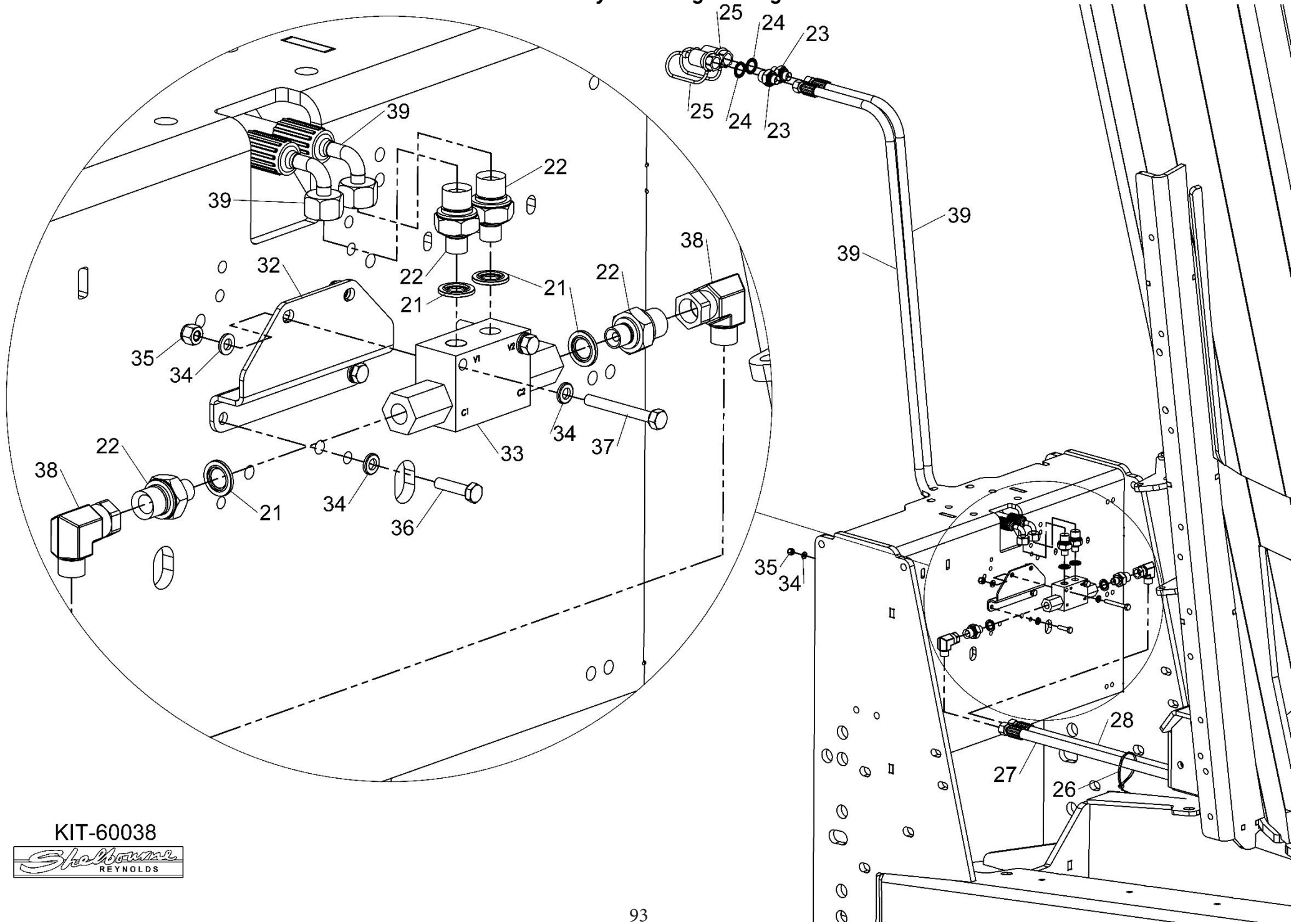
**Shelbourne Reynolds Engineering Limited**

ASSY NUMBER: KIT-60038				ASSY DESCRIPTION: REAR DOOR KIT (PLUS MODEL 2021)			
ITEM	PART NO	DESCRIPTION	QTY	ITEM	PART NO	DESCRIPTION	QTY
1	620310 01	DOOR W/A	1				
2	617591 01	LH DOOR SLIDER W/A	1				
3	617595 01	SAFETY GUARD PLATE	1				
4	617591 02	RH DOOR SLIDER W/A	1				
5	617037 01	SPACER PLATE	2				
6	617538 01	RAM ADJUSTER W/A	1				
7	WSH-0018	WASHER	45				
8	NUT-0269	NUT	30				
9	HSS-0250	SETSCREW	4				
10	BLTA12620	BOLT	1				
11	WSH-0024	WASHER	2				
12	NUT-0180	NUT	2				
13	HSS-0320	SETSCREW	1				
14	610908 01	DOOR RAM	1				
15	BLT-2267	BOLT	1				
16	HCPD01800	HYD PIPE CLAMP	6				
17	SCW-0133	CP HD SCREW	6				
18	HSS-0241	SETSCREW	16				
19	615879 01	BOLT SPACER	8				
20	HSS-0260	SETSCREW	8				
21	WSH-1005	DOWTY WASHER	6				
22	FIT-0025	M/M ADAPTOR	6				
23	HMA-0065	M/M ADAPTOR	2				
24	WSH-1015	DOWTY WASHER	2				
25	COU-0162	QUICK RELEASE COUPLG	2				
26	TIE-0004	TIE WRAP	20				
27	HHCE89005	HYD HOSE ASSY	1				
28	HHCE94005	HYD HOSE ASSY	1				
29							
30							
31	620335 01	LIGHTBOARD BRKT	2				
32	620613 01	PO CHECK MTG BRKT	1				
33	HVB-27000	PO CHECK VALVE	1				
34	WSH-0009	WASHER	8				
35	NUT-0260	NUT	4				
36	HSS-0088	SETSCREW	2				
37	BLTA06320	BOLT	2				
38	HALAA0505	90 DEG ELBLOW FITTING	2				
39	HHBE25005	HYD HOSE ASSY	2				



KIT-60038





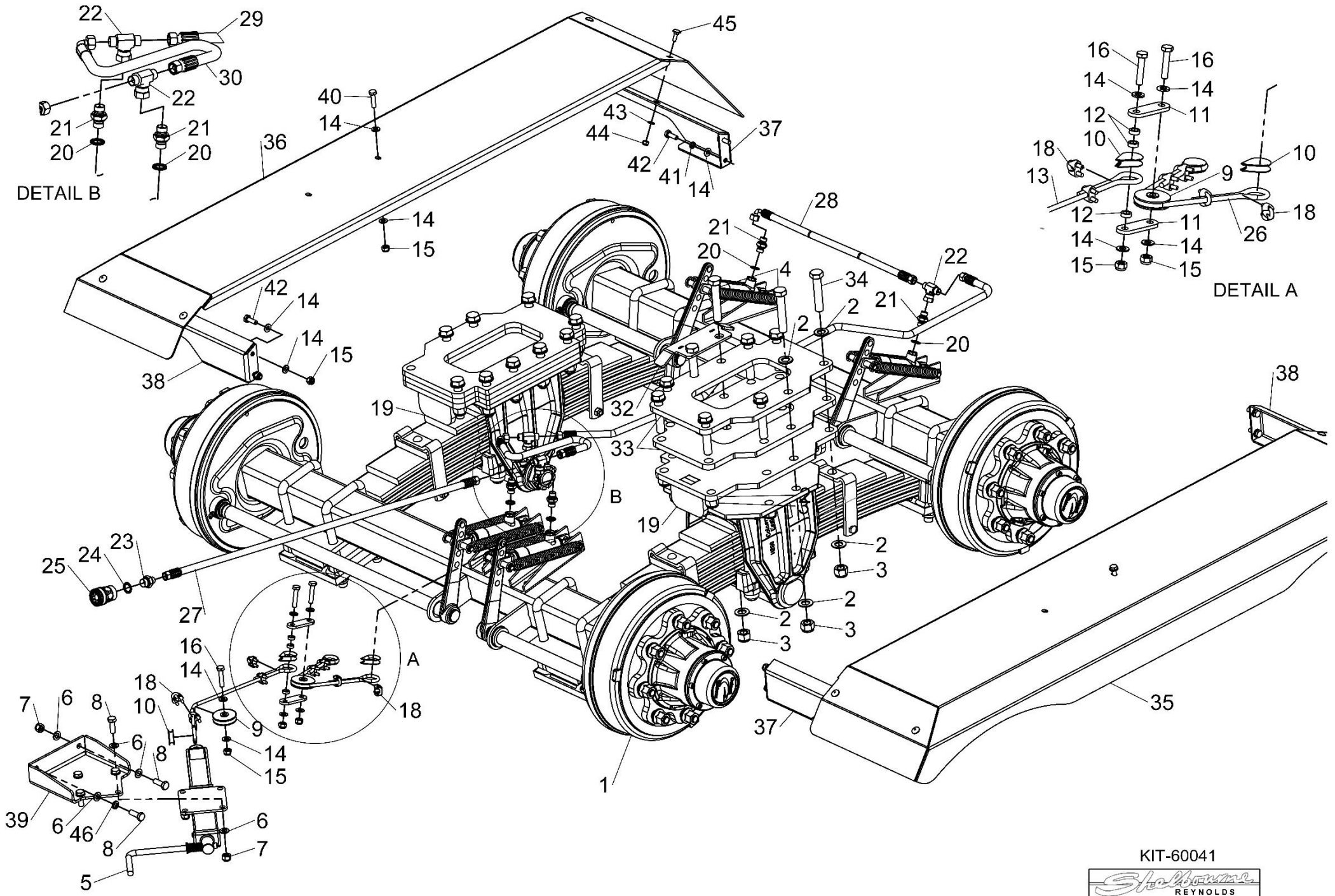
KIT-60038



**Shelbourne Reynolds Engineering Limited**

ASSY NUMBER: KIT-60041				ASSY DESCRIPTION: TANDEM AXLE KIT			
ITEM	PART NO	DESCRIPTION	QTY	ITEM	PART NO	DESCRIPTION	QTY
1	AXL-00235	TANDEM AXLE	1	41	WSH-0061	SPRING WASHER	4
2	WSH-0030	WASHER	38	42	HSS-0194	HEX HD BOLT	8
3	NUTA02200	NUT	20	43	WSH-0012	PLAIN WASHER	8
4	BLTA20590	BOLT	12	44	NUT-0263	NYLOC NUT	8
5	616300 01	HANDBRAKE W/A	1	45	BLTF08173	COACH BOLT	8
6	WSH-0018	WASHER	11	46	WSH-0065	SPRING WASHER	1
7	NUT-0269	NUT	5				
8	HSS-0241	SETSCREW	6				
9	BRA-14101	HANDBRAKE PULLEY	2				
10	WRP-01050	WIRE CABLE THIMBLE	4				
11	617590 01	LINK PLATE	2				
12	198800 68	SPACER	3				
13	CBL-30010	CABLE	1m				
14	WSH-0015	WASHER	22				
15	NUT-0265	NUT	9				
16	HSS-0210	SETSCREW	3				
17							
18	WRP-02080	WIRE CLAMP	8				
19	617054 01	AXLE STOP W/A	2				
20	WSH-1010	DOWTY WASHER	4				
21	HMA-0057	ADAPTOR M/M	4				
22	FITA10140	TEE FITTING	3				
23	HMA-0065	ADAPTOR M/M	1				
24	WSH-1015	DOWTY WASHER	1				
25	HQR-10007	QUICK RELEASE BRAKE COUPLING	1				
26	CBL-30010	CABLE	0.9m				
27	HHAE63005	HYD HOSE ASSY	1				
28	HHBE09205	HYD HOSE ASSY	1				
29	HHAE14005	HYD HOSE ASSY	1				
30	HHBE03605	HYD HOSE ASSY	1				
31							
32	591889 01	HOSE FIXING PLATE	1				
33	617058 01	SPACER PLATE	4				
34	BLTA20560	BOLT	8				
35	620257 01	TANDEM AXLE MUD GUARD LH	1				
36	620257 02	TANDEM AXLE MUD GUARD RH	1				
37	620294 01	MUD GUARD BRACKET LH	2				
38	620294 02	MUD GUARD BRACKET RH	2				
39	620291 01	HANDBRAKE MOUNTING PLATE	1				
40	HSS-0202	HEX HD BOLT	2				

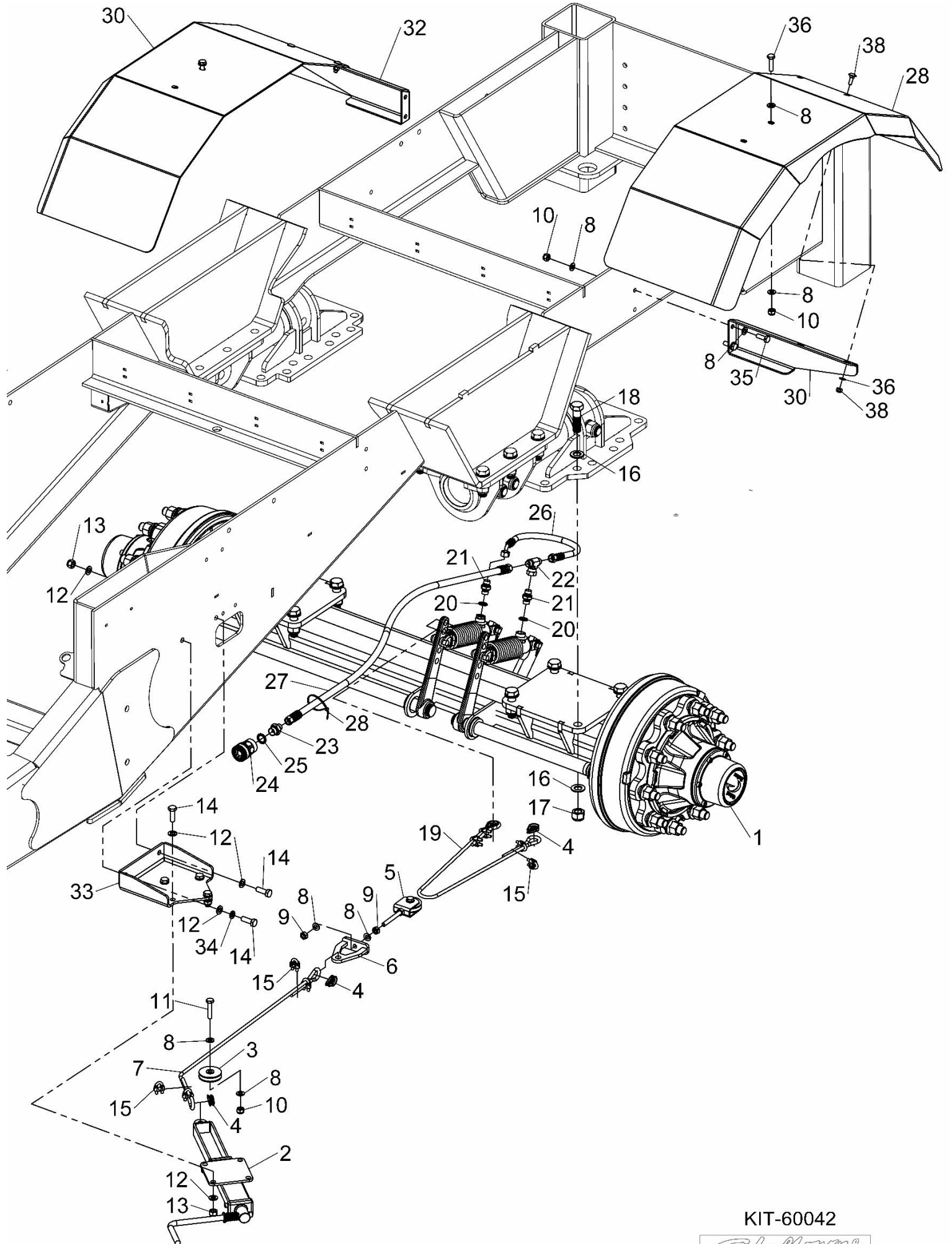
Shelbourne Reynolds Engineering Limited



**Shelbourne Reynolds Engineering Limited**

ASSY NUMBER: KIT-60042				ASSY DESCRIPTION: SINGLE AXLE KIT			
ITEM	PART NO	DESCRIPTION	QTY	ITEM	PART NO	DESCRIPTION	QTY
1	615932 01	SINGLE AXLE W/A	1				
2	616300 01	HANDBRAKE W/A	1				
3	BRA-14101	HANDBRAKE PULLEY	1				
4	WRP-01040	WIRE CABLE THIMBLE	4				
5	BRA-14002	PULLEY CARRIER	1				
6	616303 01	TENSIONER W/A	1				
7	CBL-30010	8mm CABLE	1.5m				
8	WSH-0015	WASHER	16				
9	NUT-0167	NUT	2				
10	NUT-0265	NUT	7				
11	HSS-0210	SETSCREW	1				
12	WSH-0018	WASHER	11				
13	NUT-0269	NUT	5				
14	HSS-0241	SETSCREW	6				
15	WRP-02080	WIRE CLAMP	8				
16	WSH-0030	WASHER	16				
17	NUTA02200	NUT	8				
18	BLT-2367	BOLT	8				
19	CBL-30010	8mm CABLE	1.1m				
20	WSH-1010	DOWTY WASHER	2				
21	HMA-0057	ADAPTOR M/M	2				
22	FITA10140	TEE FITTING	1				
23	HMA-0065	ADAPTOR M/M	1				
24	HQR-10007	QUICK RELEASE BRAKE COUPLING	1				
25	WSH-1015	DOWTY WASHER	1				
26	HHBC03205	HYD HOSE ASSY	1				
27	HHAE67005	HYD HOSE ASSY	1				
28	TIE-0004	TIE WRAPS (MED)	16				
29	620296 01	SINGLE AXLE MUD GUARD	1				
30	620296 02	SINGLE AXLE MUD GUARD	1				
31	620297 01	MUD GUARD BRACKET	1				
32	620297 02	MUD GUARD BRACKET	1				
33	620291 01	HANDBRAKE MOUNTING PLATE	1				
34	WSH-0065	SPRING WASHER	1				
35	HSS-0194	HEX HD BOLT	4				
36	HSS-0202	HEX HD BOLT	2				
37	WSH-0012	WASHER	4				
38	NUT-0263	NYLOC NUT	4				
39	BLTF08173	COACH BOLT	4				





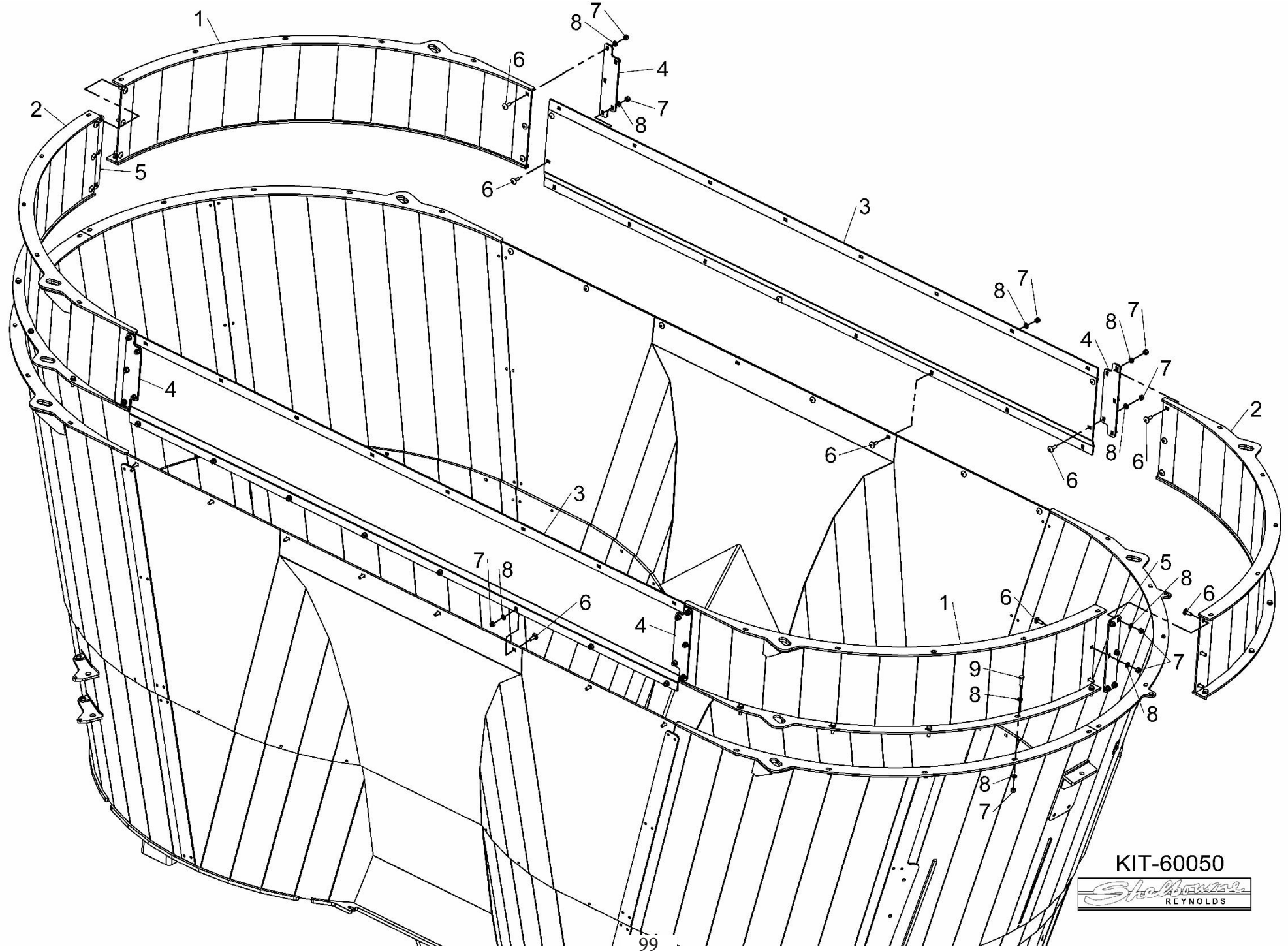
KIT-60042



**Shelbourne Reynolds Engineering Limited**

ASSY NUMBER: KIT-60050				ASSY DESCRIPTION: 22m <sup>3</sup> EXTENSION KIT			
ITEM	PART NO	DESCRIPTION	QTY	ITEM	PART NO	DESCRIPTION	QTY
1	620452 01	LH CURVED EXTENSION W/ASSY	2				
2	620452 02	RH CURVED EXTENSION W/ASSY	2				
3	620451 01	SIDE EXTENSION PLATE	2				
4	620584 01	CLAMP PLATE	4				
5	616216 01	FRONT/REAR CLAMP PLATE	2				
6	BLT-3750	COACH BOLT	44				
7	NUT-0265	NYLOC NUT	64				
8	WSH-0015	PLAIN WASHER	84				
9	HSS-0198	SET SCREW	20				

Shelbourne Reynolds Engineering Limited

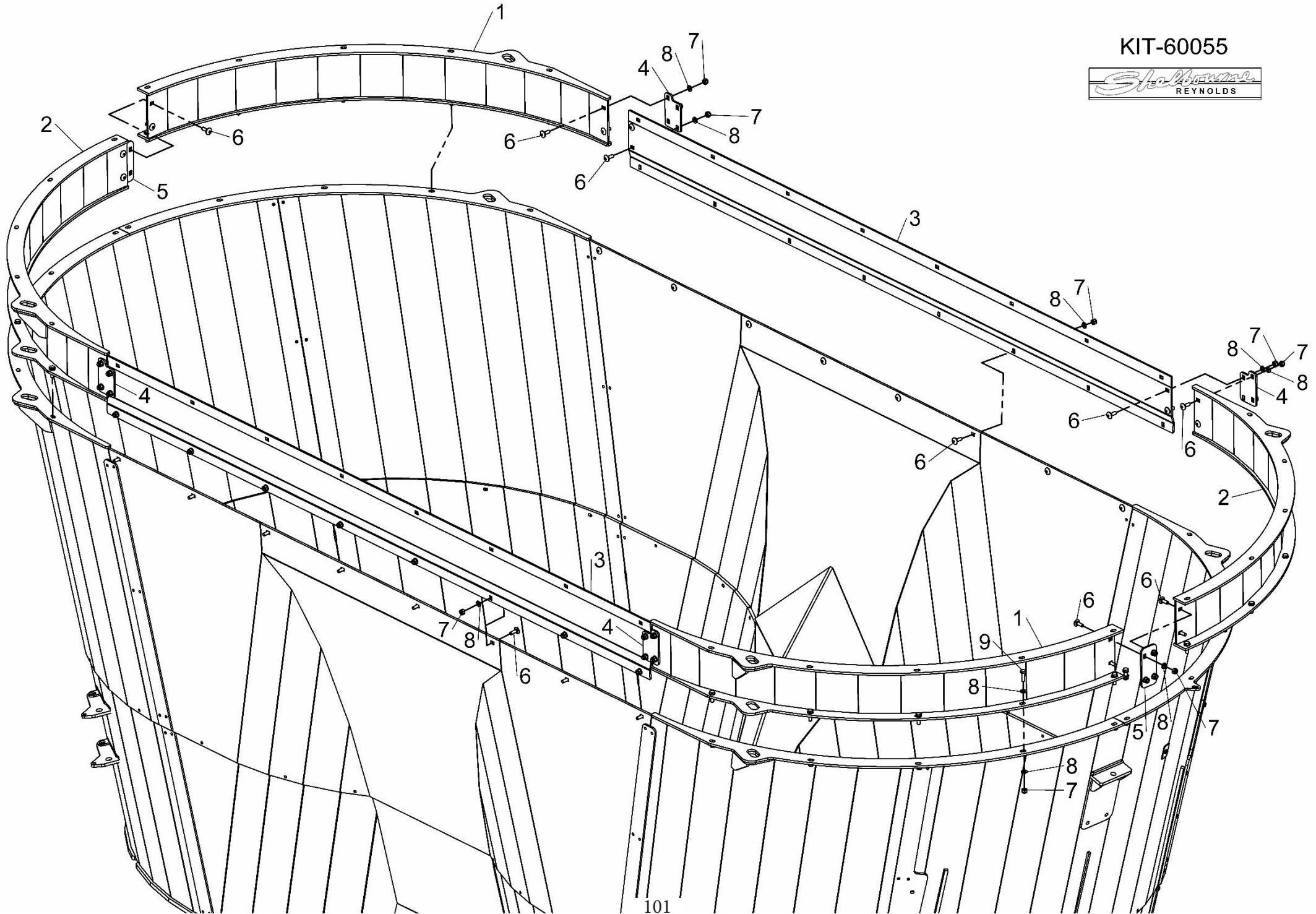


KIT-60050



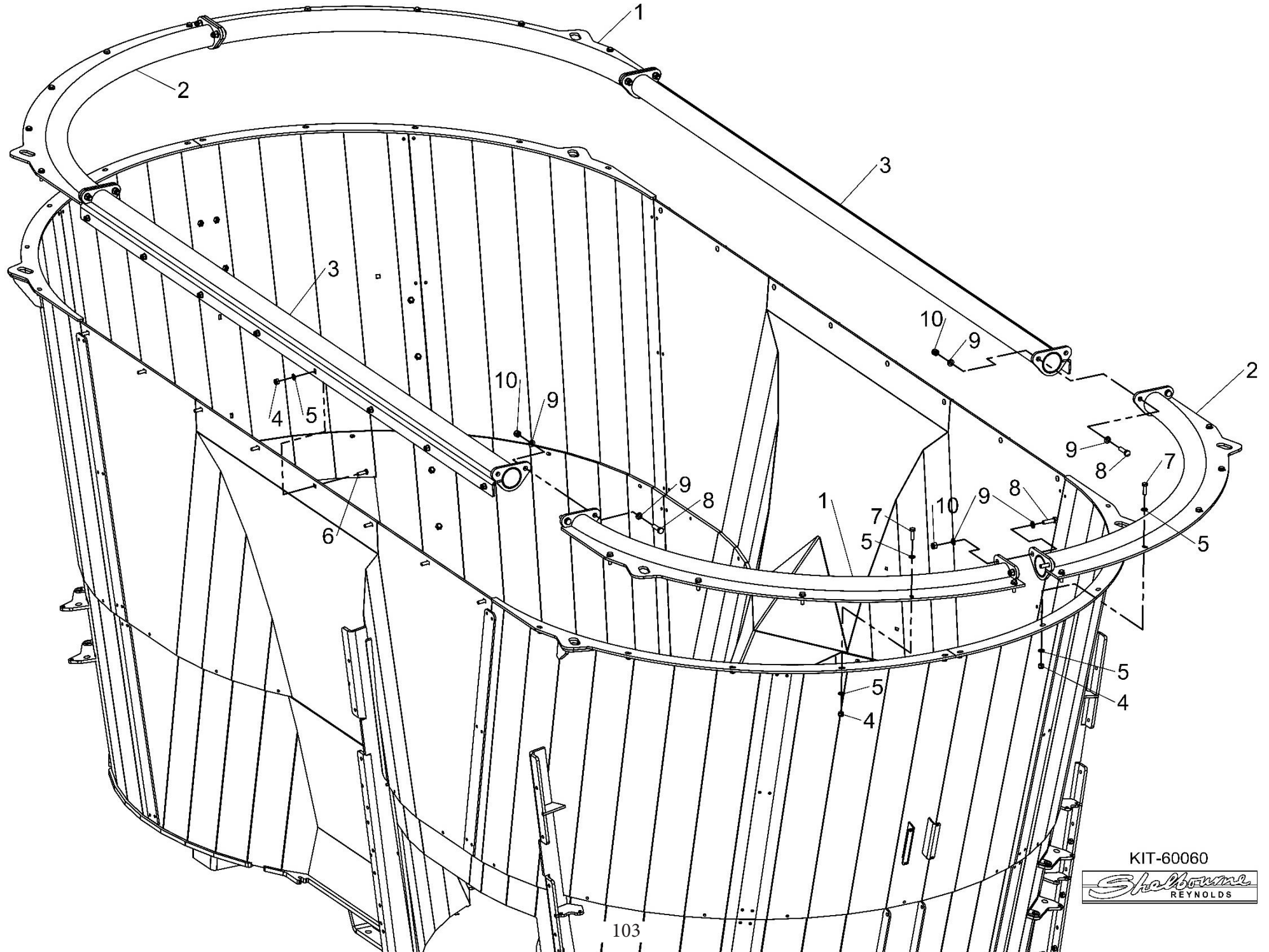
**Shelbourne Reynolds Engineering Limited**

ASSY NUMBER: KIT-60055				ASSY DESCRIPTION: 20m <sup>3</sup> EXTENSION KIT			
ITEM	PART NO	DESCRIPTION	QTY	ITEM	PART NO	DESCRIPTION	QTY
1	620455 01	LH CURVED EXTENSION W/ASSY	2				
2	620455 02	RH CURVED EXTENSION W/ASSY	2				
3	620454 01	SIDE EXTENSION PLATE	2				
4	620583 01	CLAMP PLATE	4				
5	617354 01	FRONT/REAR CLAMP PLATE	2				
6	BLT-3750	COACH BOLT	40				
7	NUT-0265	NYLOC NUT	60				
8	WSH-0015	PLAIN WASHER	80				
9	HSS-0198	SET SCREW	20				



**Shelbourne Reynolds Engineering Limited**

ASSY NUMBER: KIT-60060				ASSY DESCRIPTION: TUBULAR TUB RIM KIT			
ITEM	PART NO	DESCRIPTION	QTY	ITEM	PART NO	DESCRIPTION	QTY
1	620462 01	CORNER TUB RIM W/A	2				
2	620462 02	CORNER TUB RIM W/A	2				
3	620461 01	STRAIGHT TUB RIM W/A	2				
4	NUT-0265	NUT	36				
5	WSH-0015	WASHER	56				
6	BLTF10231	COACHBOLT	16				
7	HSS-0198	SETSCREW	20				
8	BLTA12290	BOLT	12				
9	WSH-0018	WASHER	24				
10	NUT-0269	NUT	12				



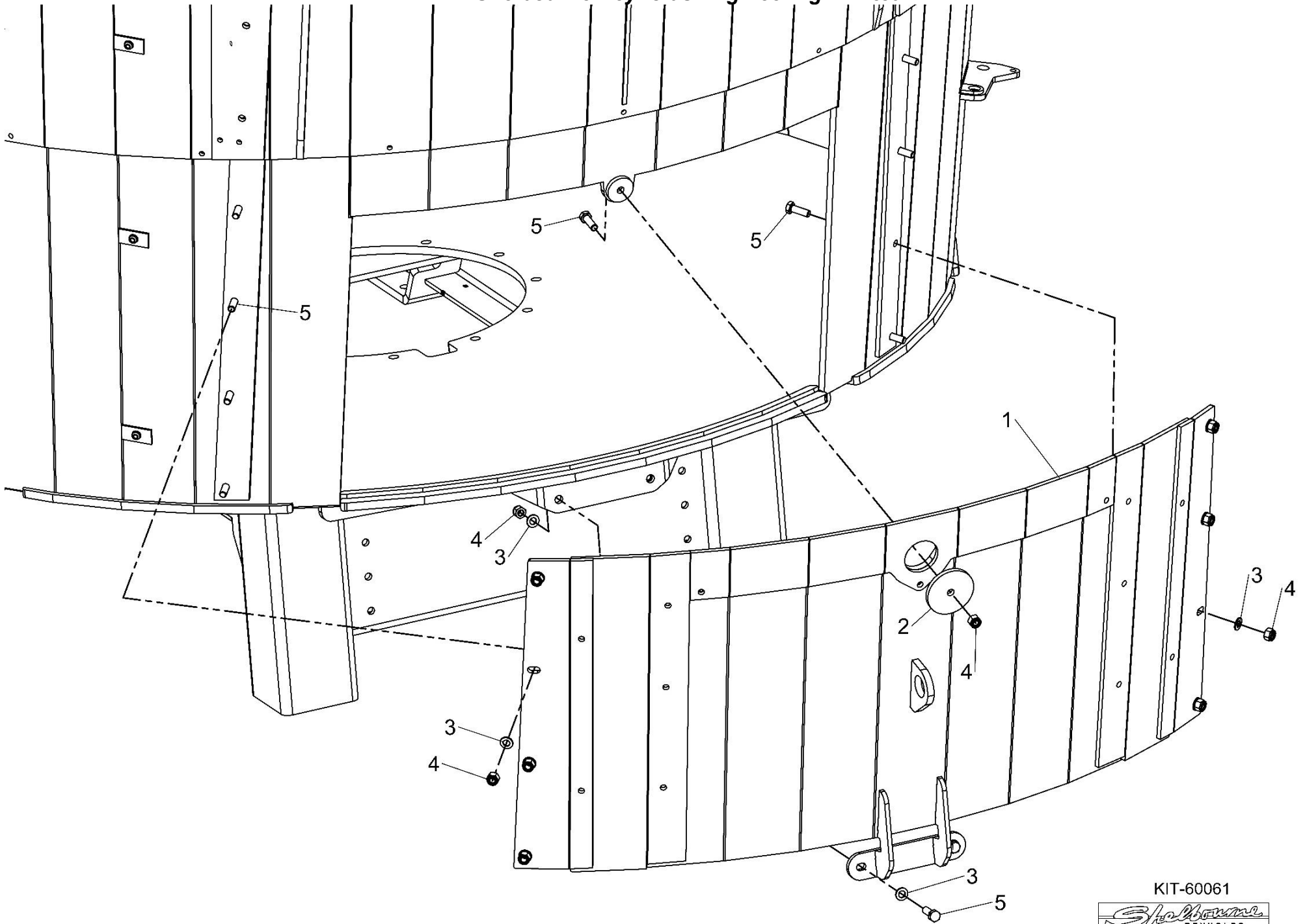
KIT-60060



**Shelbourne Reynolds Engineering Limited**

ASSY NUMBER: KIT-60061				ASSY DESCRIPTION: REAR DOOR BLANKING PLATE			
ITEM	PART NO	DESCRIPTION	QTY	ITEM	PART NO	DESCRIPTION	QTY
1	620467 01	BLANKING PLATE W/A	1				
2	617564 01	BLANKING WASHER	1				
3	WSH-0018	WASHER (M12 PLAIN)	12				
4	NUT-0269	NUT	11				
5	HSS-0241	SETSCREW	11				



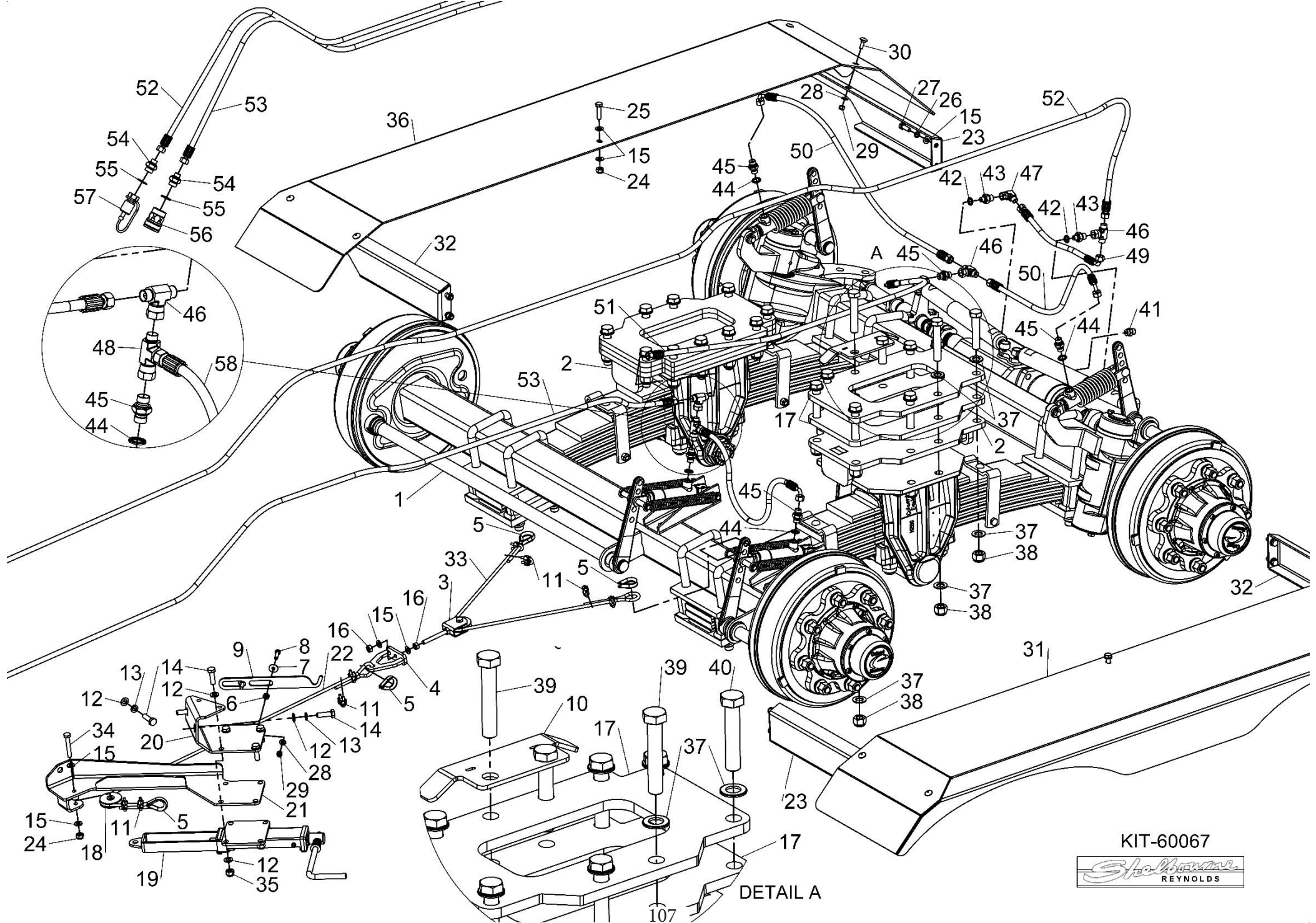


KIT-60061



**Shelbourne Reynolds Engineering Limited**

ASSY NUMBER: KIT-60067				ASSY DESCRIPTION: STEERING TANDEM AXLE KIT			
ITEM	PART NO	DESCRIPTION	QTY	ITEM	PART NO	DESCRIPTION	QTY
1	AXL-00265	STEERING TANDEM AXLE	1	41	FIT-0218	G/B BREATHER (3/8")	1
2	617054 01	AXLE STOP W/A	2	42	WSH-1005	SOWTY WASHER (1/4")	2
3	BRA-14002	PULLEY CARRIER ASSY	1	43	FIT-0025	M/M ADAPTOR (1/4"x 3/8")	2
4	616303 01	TENSIONER W/A	1	44	WSH-1010	DOWTY WASHER	4
5	WRP-01050	WIRE CABLE THIMBLE	4	45	HMA-0057	ADAPTOR M/M	5
6	198800 55	SPACER 16 O/D x 9 I/D x 5 THK	2	46	FITA10140	TEE FITTING	3
7	WSH-1038	WASHER	2	47	HALAA0505	ELBOW	1
8	HSS-0150	SETSCREW	2	48	FITA10410	TEE FITTING	1
9	616983 01	HANDLE SUPPORT PLATE	1	49	HHBE03605	HYD HOSE ASSY	1
10	591889 01	HOSE FIXING PLATE	1	50	HHBE08805	HYD HOSE ASSY	2
11	WRP-02080	WIRE CLAMP	8	51	HHKE14005	HYD HOSE ASSY	1
12	WSH-0018	WASHER	11	52	HHAE84005	HYD HOSE ASSY	1
13	WSH-0065	WASHER	3	53	HHAE63005	HYD HOSE ASSY	1
14	HSS-0250	SETSCREW	7	54	HMA-0065	ADAPTOR M/M	2
15	WSH-0015	WASHER	19	55	WSH-1015	DOWTY WASHER	2
16	NUT-0167	NUT	2	56	HQR-10007	QUICK RELEASE BRAKE COUPLING	1
17	617058 01	SPACER PLATE	4	57	COU-0162	QUICK RELEASE COUPLING	1
18	BRA-14101	HANDBRAKE PULLEY	1	58	HHBE07405	HYD HOSE ASSY	1
19	616300 01	HANDBRAKE W/A	1				
20	620528 01	HANDBRAKE BRKT	1				
21	620543 01	PULLEY BRACKET W/A	1				
22	CBL-30010	CABLE	1.6m				
23	620541 01	MUDGUARD MTG PLATE LH	2				
24	NUT-0265	NUT	7				
25	HSS-0202	SETSCREW (M10x40)	2				
26	WSH-0061	WASHER (M10 SPRING)	4				
27	HSS-0194	SETSCREW (M10x30)	8				
28	WSH-0012	WASHER	10				
29	NUT-0263	NUT	10				
30	BLTF08173	COACHBOLT (M8x25)	8				
31	620540 01	TANDEM AXLE MUDGUARD LH	1				
32	620541 02	MUDGUARD MTG PLATE RH	2				
33	CBL-30010	CABLE	1.4m				
34	BLTA10410	BOLT (M10x65)	1				
35	NUT-0269	NUT	4				
36	620540 02	TANDEM AXLE MUDGUARD RH	1				
37	WSH-0030	WASHER	38				
38	NUTA02200	NUT	20				
39	BLTA20590	BOLT	12				
40	BLTA20560	BOLT	8				



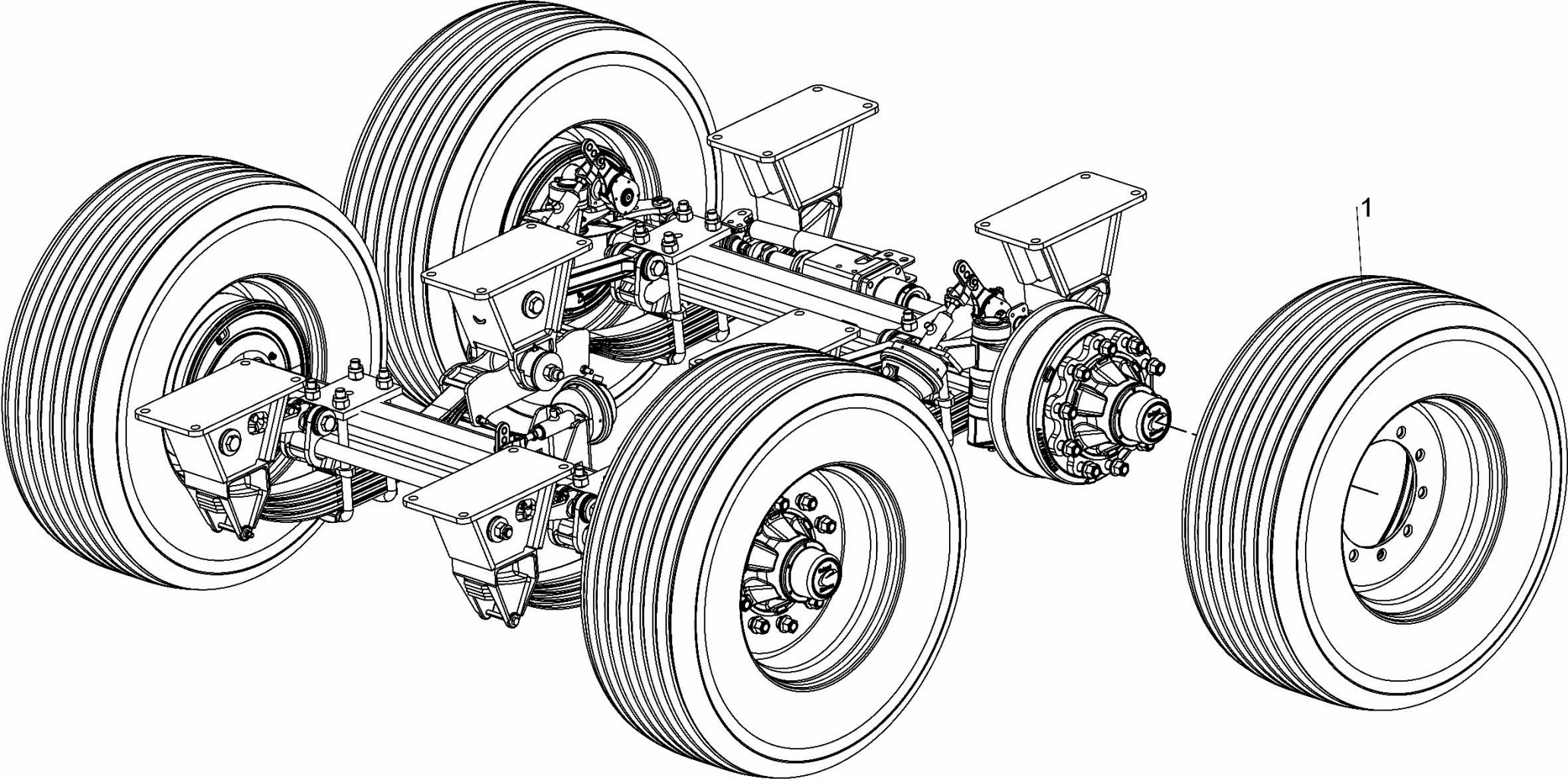
KIT-60067



DETAIL A

**Shelbourne Reynolds Engineering Limited**

ASSY NUMBER: KIT-60068				ASSY DESCRIPTION: 385/55-R19.5 TANDEM WHEEL KIT			
ITEM	PART NO	DESCRIPTION	QTY	ITEM	PART NO	DESCRIPTION	QTY
1	WHL-01924	385/55R19.5 WHEEL & TYRE	4				

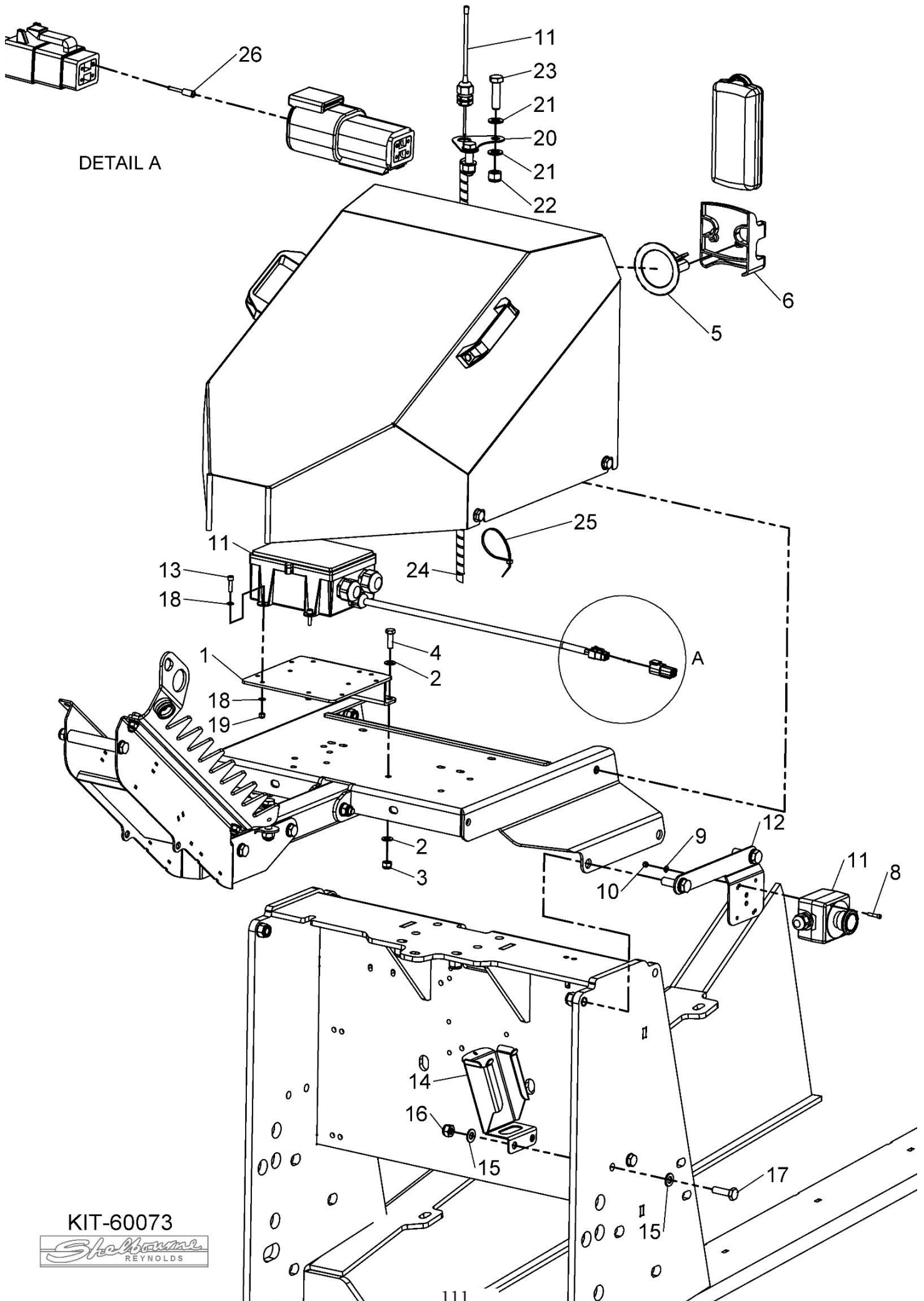


KIT-60068



**Shelbourne Reynolds Engineering Limited**

ASSY NUMBER: KIT-60073				ASSY DESCRIPTION: WIRELESS HYDRAULIC CONTROL KIT			
ITEM	PART NO	DESCRIPTION	QTY	ITEM	PART NO	DESCRIPTION	QTY
1	620580 01	RECEIVER UNIT MTG BRKT	1				
2	WSH-0012	WASHER	4				
3	NUT-0263	NUT	2				
4	HSS-0145	SETSCREW	2				
5	LCL-01249	SUCTION MOUNT ASSY	1				
6	HVC-06006	HANDSET CRADLE	1				
7	TIE-0006	TIE WRAP LARGE	10				
8	SCW-0035	CAP HD SCREW	2				
9	WSH-0003	WASHER	2				
10	NUT-0255	NUT	2				
11	HVC-06005	WIRELESS KIT	1				
12	620581 01	EMERGENCY STOP BRKT	1				
13	SCW-0056	CAP HD SCREW	4				
14	620582 01	STORAGE CRADLE	1				
15	WSH-0015	WASHER	4				
16	NUT-0265	NUT	2				
17	HSS-0198	SETSCREW	2				
18	WSH-0006	WASHER	8				
19	NUT-0258	NUT	4				
20	620776 01	AERIAL MTG PLATE	1				
21	WSH-0018	WASHER	4				
22	NUT-0269	NUT	2				
23	BLTA12290	BOLT	2				
24	SLV-00300	SPIRAL CONVOLUTE TUBING	0.6m				
25	TIE-0023	TIE WRAP (SMALL)	12				
26	ETM-01755	DEUTSCH MALE TERMINAL	2				



KIT-60073

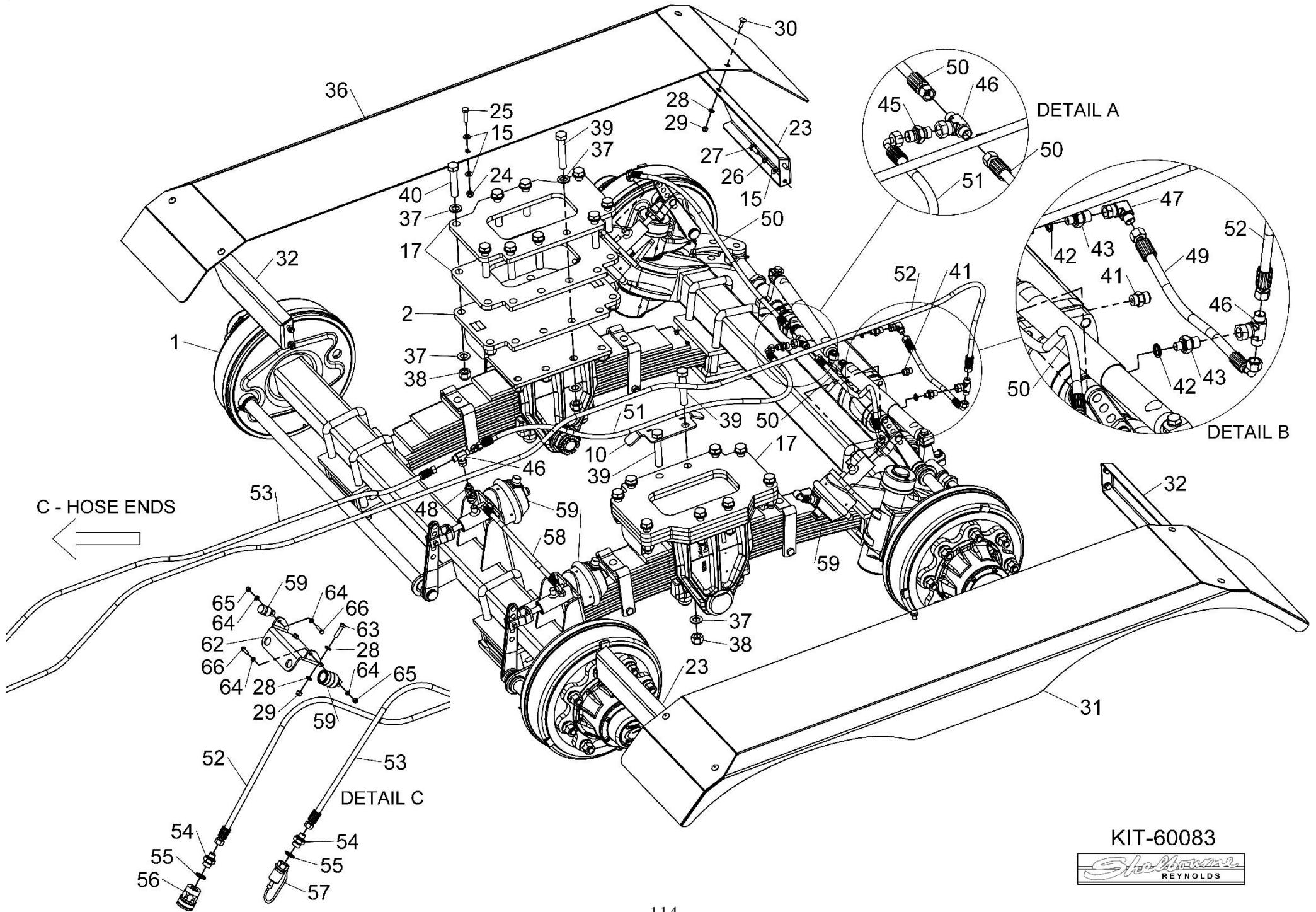






**Shelbourne Reynolds Engineering Limited**

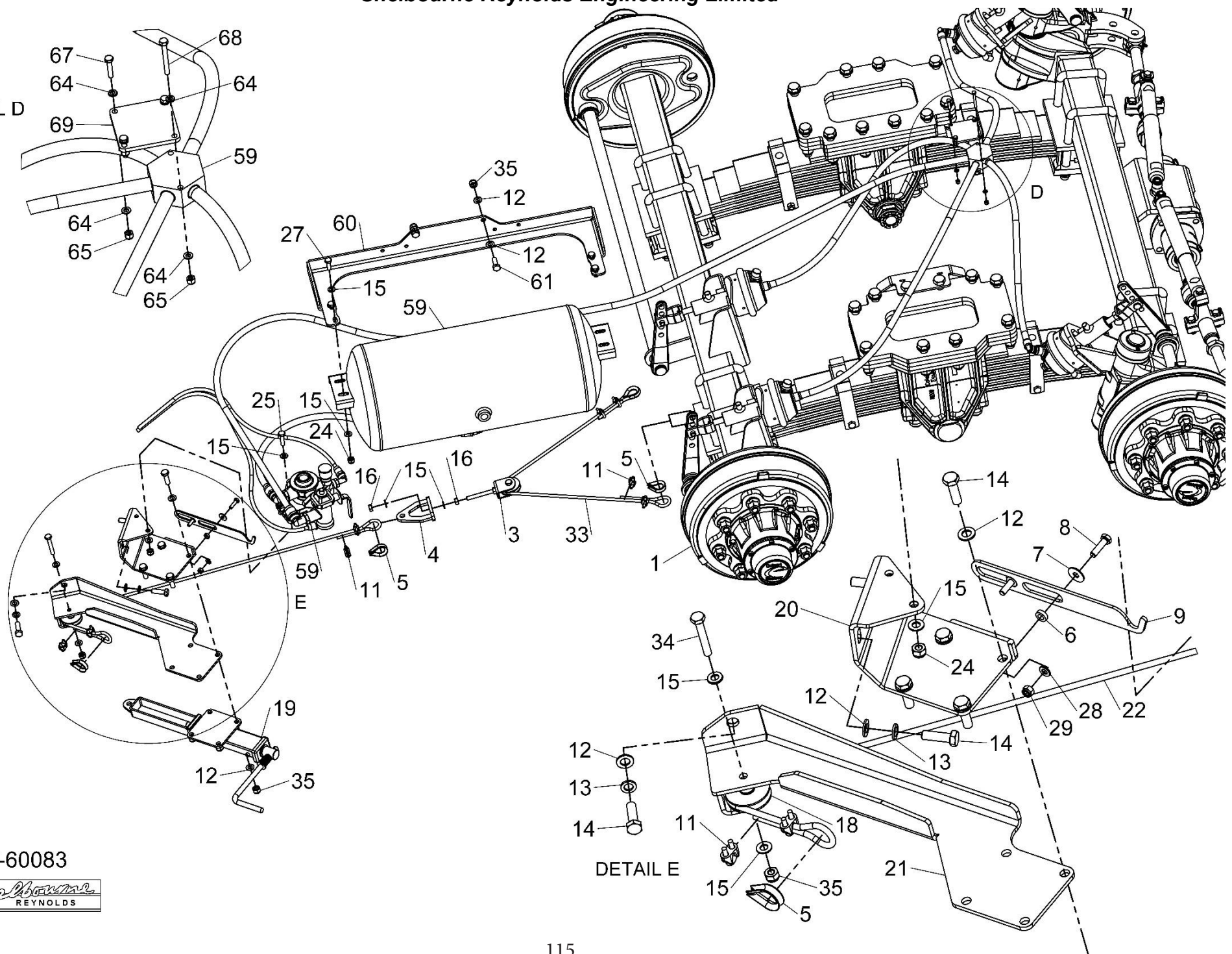
ASSY NUMBER: KIT-60083				ASSY DESCRIPTION: STEERING TANDEM AXLE KIT (AIR/HYD)			
ITEM	PART NO	DESCRIPTION	QTY	ITEM	PART NO	DESCRIPTION	QTY
1	620624 01	STEERING TANDEM AXLE	1	41	FIT-0218	G/B BREATHER	1
2	617054 01	AXLE STOP W/A	2	42	WSH-1005	SOWTY WASHER	2
3	BRA-14002	PULLEY CARRIER ASSY	1	43	FIT-0025	M/M ADAPTOR	2
4	616303 01	TENSIONER W/A	1	44			
5	WRP-01050	WIRE CABLE THIMBLE	4	45	HMA-0057	ADAPTOR M/M	1
6	198800 55	SPACER 16 O/D x 9 I/D x 5 THK	2	46	FITA10140	TEE FITTING	3
7	WSH-1038	WASHER	2	47	HALAA0505	ELBOW	1
8	HSS-0150	SETSCREW	3	48	FITA10410	TEE FITTING	1
9	616983 01	HANDLE SUPPORT PLATE	1	49	HHBE03605	HYD HOSE ASSY	1
10	591889 01	HOSE FIXING PLATE	1	50	HHBE08805	HYD HOSE ASSY	2
11	WRP-02080	WIRE CLAMP	8	51	HHKE14005	HYD HOSE ASSY	1
12	WSH-0018	WASHER	15	52	HHAE84005	HYD HOSE ASSY	1
13	WSH-0065	WASHER	3	53	HHAE63005	HYD HOSE ASSY	1
14	HSS-0250	SETSCREW	7	54	HMA-0065	ADAPTOR M/M	2
15	WSH-0015	WASHER	31	55	WSH-1015	DOWTY WASHER	2
16	NUT-0167	NUT	2	56	HQR-10007	QUICK RELEASE BRAKE COUPLING	1
17	617058 01	SPACER PLATE	4	57	COU-0162	QUICK RELEASE COUPLING	1
18	BRA-14101	HANDBRAKE PULLEY	1	58	HHBE07405	HYD HOSE ASSY	1
19	616300 01	HANDBRAKE W/A	1	59	BRA-07135	AIR/HYD BRAKE KIT	1
20	620528 01	HANDBRAKE BRKT	1	60	620542 01	AIR TANK BRKT	1
21	620543 01	PULLEY BRACKET W/A	1	61	HSS-0241	SETSCREW	2
22	CBL-30010	CABLE	1.6m	62	620418 01	AIR SUSIE DOCKING STATION BRKT	1
23	620541 01	MUDGUARD MTG PLATE LH	2	63	HSS-0152	SETSCREW	1
24	NUT-0265	NUT	13	64	WSH-0009	WASHER	12
25	HSS-0202	SETSCREW	4	65	NUT-0260	NUT	6
26	WSH-0061	WASHER	4	66	HSS-0088	SETSCREW	2
27	HSS-0194	SETSCREW	12	67	HSS-0092	SETSCREW	2
28	WSH-0012	WASHER	14	68	BLTA06350	BOLT	2
29	NUT-0263	NUT	12	69	616967 01	MANIFOLD MTG BRKT	1
30	BLTF08173	COACHBOLT	8				
31	620540 01	TANDEM AXLE MUDGUARD LH	1				
32	620541 02	MUDGUARD MTG PLATE RH	2				
33	CBL-30010	CABLE	1.4m				
34	BLTA10410	BOLT	1				
35	NUT-0269	NUT	6				
36	620540 02	TANDEM AXLE MUDGUARD RH	1				
37	WSH-0030	WASHER	38				
38	NUTA02200	NUT	20				
39	BLTA20590	BOLT	12				
40	BLTA20560	BOLT	8				



KIT-60083



DETAIL D

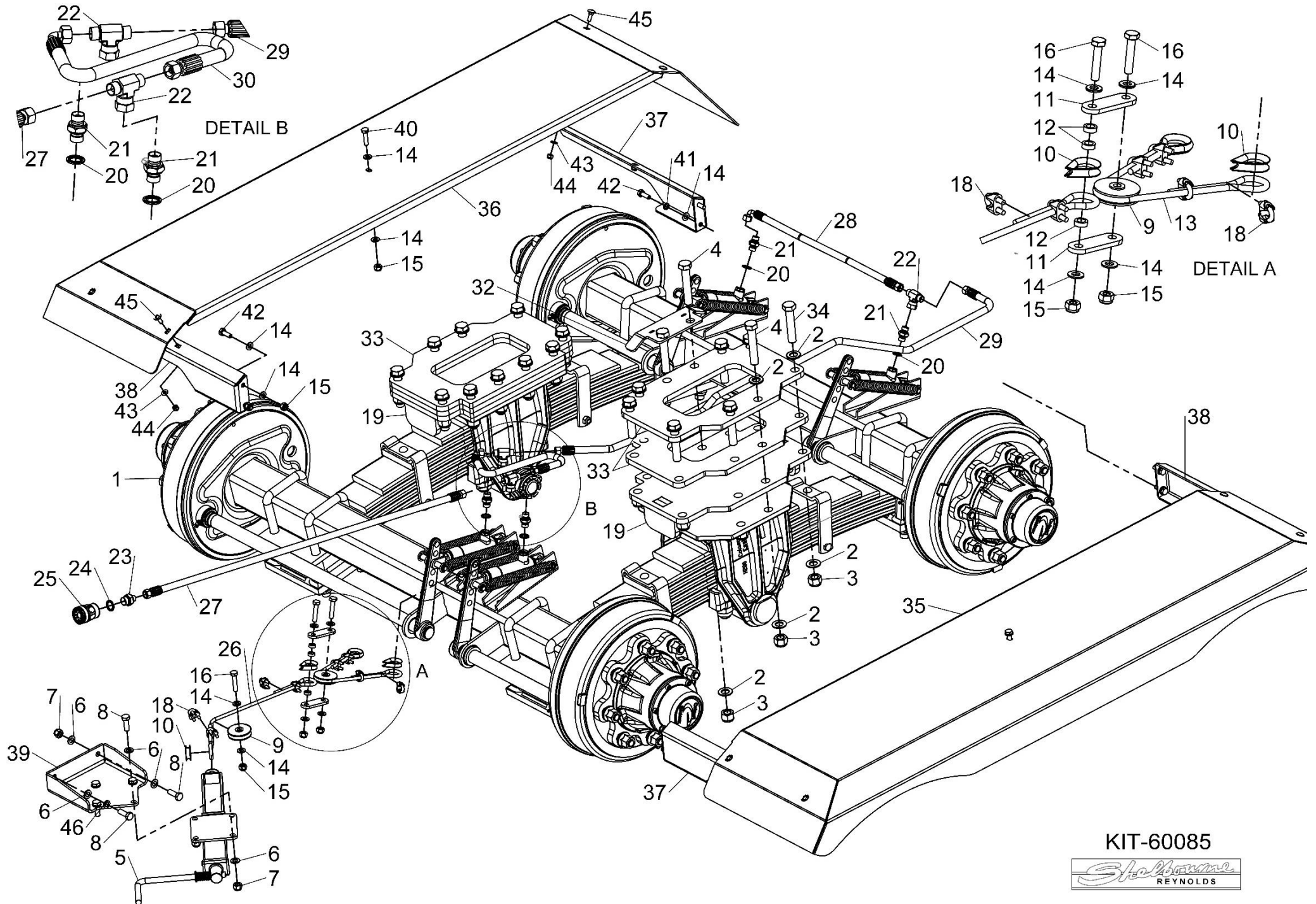


KIT-60083



**Shelbourne Reynolds Engineering Limited**

ASSY NUMBER: KIT-60085				ASSY DESCRIPTION: TANDEM AXLE KIT (1800mm TRACK WIDTH)			
ITEM	PART NO	DESCRIPTION	QTY	ITEM	PART NO	DESCRIPTION	QTY
1	AXL-00206M	TANDEM AXLE	1	41	WSH-0061	SPRING WASHER	4
2	WSH-0030	WASHER	38	42	HSS-0194	HEX HD BOLT	8
3	NUTA02200	NUT	20	43	WSH-0012	PLAIN WASHER	8
4	BLTA20590	BOLT	12	44	NUT-0263	NYLOC NUT	8
5	616300 01	HANDBRAKE W/A	1	45	BLTF08173	COACH BOLT	8
6	WSH-0018	WASHER	11	46	WSH-0065	SPRING WASHER	1
7	NUT-0269	NUT	5				
8	HSS-0241	SETSCREW	6				
9	BRA-14101	HANDBRAKE PULLEY	2				
10	WRP-01050	WIRE CABLE THIMBLE	4				
11	617590 01	LINK PLATE	2				
12	198800 68	SPACER	3				
13	CBL-30010	CABLE	1m				
14	WSH-0015	WASHER	22				
15	NUT-0265	NUT	9				
16	HSS-0210	SETSCREW	3				
17							
18	WRP-02080	WIRE CLAMP	8				
19	617054 01	AXLE STOP W/A	2				
20	WSH-1010	DOWTY WASHER	4				
21	HMA-0057	ADAPTOR M/M	4				
22	FITA10140	TEE FITTING	3				
23	HMA-0065	ADAPTOR M/M	1				
24	WSH-1015	DOWTY WASHER	1				
25	HQR-10007	QUICK RELEASE BRAKE COUPLING	1				
26	CBL-30010	CABLE	0.9m				
27	HHAE63005	HYD HOSE ASSY	1				
28	HHBE09205	HYD HOSE ASSY	1				
29	HHAE14005	HYD HOSE ASSY	1				
30	HHBE03605	HYD HOSE ASSY	1				
31							
32	591889 01	HOSE FIXING PLATE	1				
33	617058 01	SPACER PLATE	4				
34	BLTA20560	BOLT	8				
35	620639 01	TANDEM AXLE MUD GUARD LH	1				
36	620639 02	TANDEM AXLE MUD GUARD RH	1				
37	620294 01	MUD GUARD BRACKET LH	2				
38	620294 02	MUD GUARD BRACKET RH	2				
39	620291 01	HANDBRAKE MOUNTING PLATE	1				
40	HSS-0202	HEX HD BOLT	2				



KIT-60085

