

Shelbourne

REYNOLDS

18m³ SIDE DOOR PARTS MANUAL



Shelbourne Reynolds Engineering Ltd
Stanton
Bury St Edmunds
Suffolk
IP31 2AR
England

Telephone: 01359 250415
Fax: 01359 250464

Stores Direct : 01359 251231
Stores Direct: 01359 252031

Issue 2 04/04/2022

POWERMIX PLUS

www.shelbourne.com



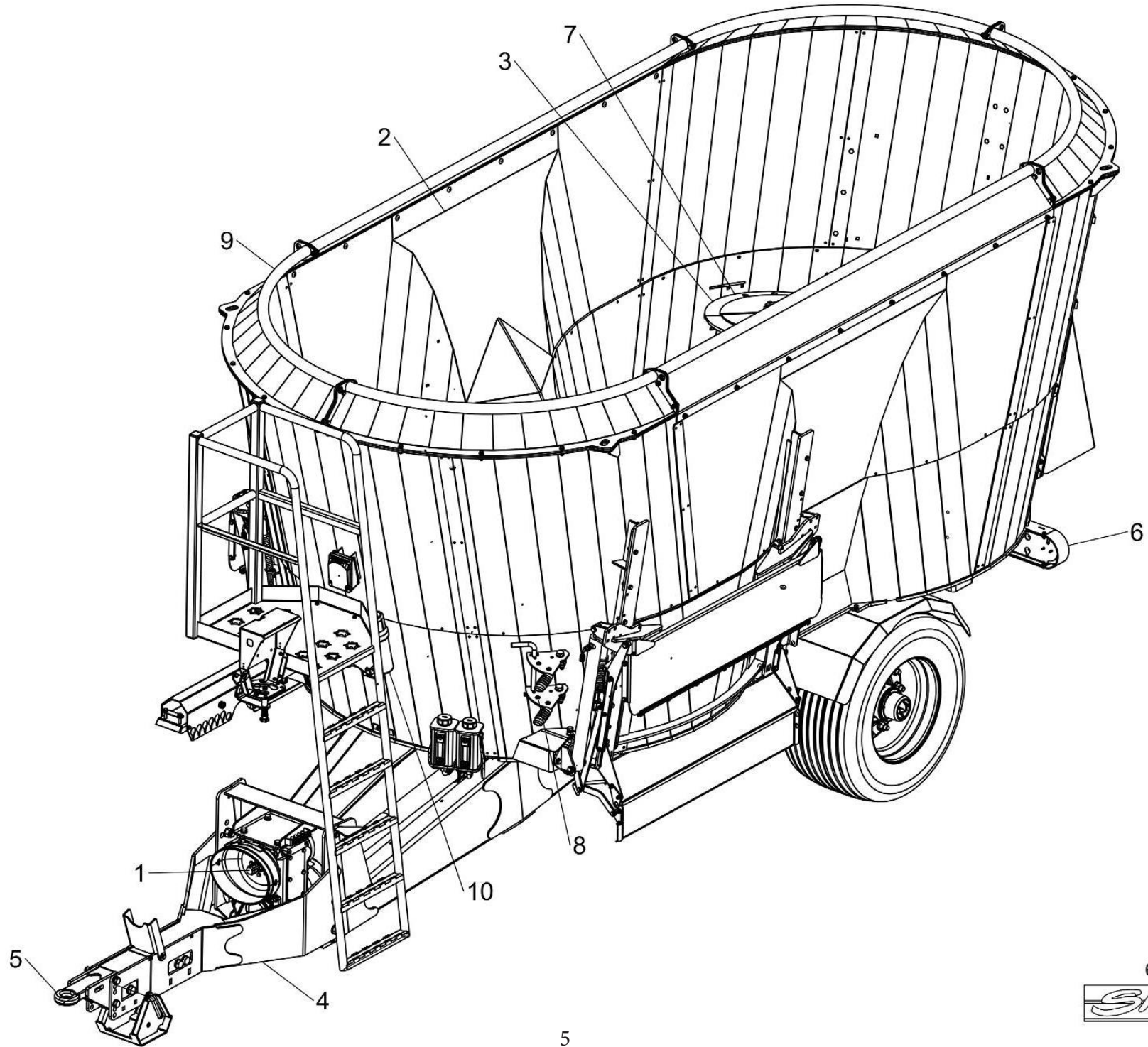
 YouTube

List Of Kit Numbers

619940 01	18m ³ Side Door Assembly	4
619160 01	Auger Sub Assy	6
619196 01	Side Door Tub Sub Assy	8
619197 01	Auger Drives Sub Assy	10
KIT-03671B	Wheel And Tyre Kit (385/55R22.5 Longmarch)	12
KIT-03672A	Wheel And Tyre Kit (435/50R19.5 Doublecoin)	14
KIT-03719	Auger Magnet Kit	16
KIT-03863	Anti-Rotation Kit	18
KIT-03869	Manual Cannister Holder	20
KIT-03870	Axle Spacer Kit (385/65R22.5)	22
KIT-03876A	Standard Input PTO Shaft Kit	24
KIT-03882	Lighting Kit	26
KIT-03890	Wheel And Tyre Kit (385/65R22.5)	28
KIT-03894	Conveyor Deflector Kit	30
KIT-03895	DG400 Basic Display Kit	32
KIT-03896	DG600 Programmable Display Kit	34
KIT-03897	Transfer Kit 16m ³	36
KIT-03897A	Transfer Kit 18m ³	38
KIT-03897B	Transfer Kit 22m ³	40
KIT-03897C	Transfers Kit 20m ³	42
KIT-03899	Direct Coupled Hydraulics Kit	44
KIT-03900	3 Pin Plug Connection Kit	46
KIT-03905	Wireless Hydraulic Control Kit	48
KIT-03908A	Wide Angle Input PTO Shaft Kit	50
KIT-03932	Axle And Wheel Kit (235/75R17.5 Dual)	52
KIT-03934A	Tandem Wheel And Tyre Kit (385/55R19.5-35m)	54
KIT-03956	2 Speed Gear Change Handset Kit	56
KIT-03959	UK Area Kit	58
KIT-03965	Hydraulic Valve Kit (3/4" Hoses Steel V)	60
KIT-03998	Standard Blade Kit	62
KIT-60025	Auger Extension Kit	64
KIT-60032	EZ3410 BT Display Kit	66
KIT-60034	Drawbar And Loadcell Kit	68
KIT-60035	Single Axle Kit	70
KIT-60036	Tandem Axle Kit	72
KIT-60037	Straw Ring Kit	74
KIT-60038	Rear Door Kit	76
KIT-60039	UK Tow Eye Kit	78
KIT-60050	22m ³ Extension Kit	80
KIT-60055	20m ³ Extension Kit	82
KIT-60060	Tubular Tub Rim Kit	84

Shelbourne Reynolds Engineering Limited

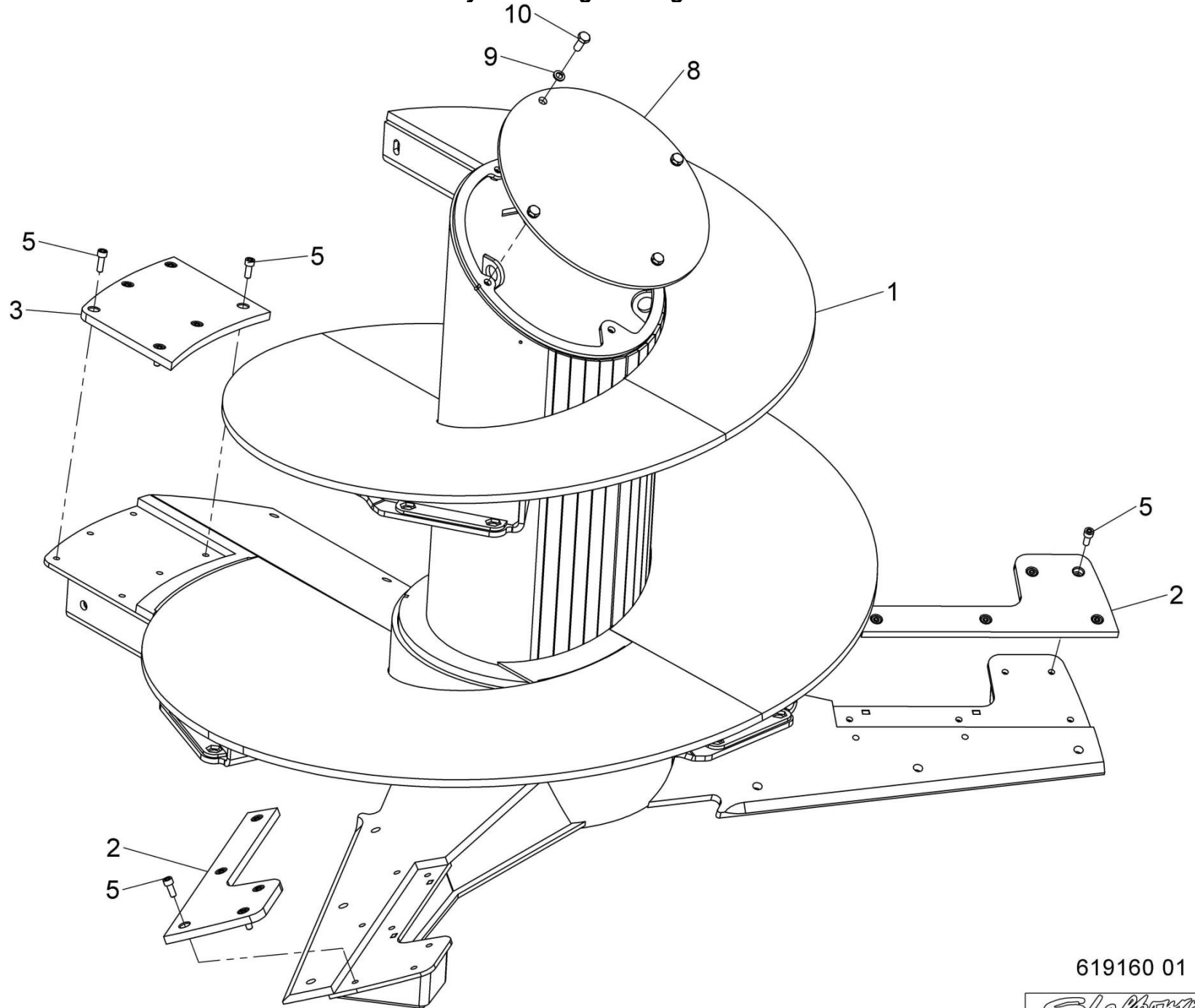
ASSY NUMBER: 619940 01				ASSY DESCRIPTION: 18m CU SIDE DOOR POWERMIX PLUS			
ITEM	PART NO	DESCRIPTION	QTY	ITEM	PART NO	DESCRIPTION	QTY
1	619197 01	AUGER DRIVES SUB ASSY	1				
2	619196 01	SIDE DOOR TUB SUB ASSY	1				
3	619160 01	AUGER SUB ASSY	1				
4	KIT-60034	DRAWBAR & LOADCELL KIT	1				
5	KIT-60039	UK TOW EYE KIT	1				
6	KIT-03882	LIGHTING KIT	1				
7	KIT-03998	STANDARD BLADE KIT	2				
8	KIT-03863	ANTI-ROTATION KIT	1				
9	KIT-60037	STRAW RING KIT	1				
10	KIT-03601	CONSUMABLE KIT	1				



619940 01

Shelbourne Reynolds Engineering Limited

ASSY NUMBER: 619160 01				ASSY DESCRIPTION: AUGER SUB ASSY (TWIN AUGER)			
ITEM	PART NO	DESCRIPTION	QTY	ITEM	PART NO	DESCRIPTION	QTY
1	620040 01	AUGER W/A (PME18210820 & ON)	2				
OR	617004 01	AUGER W/A (PME18170522 TO PME18210799)	2				
OR	616171 01	AUGER W/A (UP TO & INC PME18160496)	2				
2	617486 01	WEAR PAD	4				
3	617483 01	WEAR PAD	2				
4							
5	SCW-0190	CP HD SCREW	32				
6							
7							
8	616196 01	AUGER CAP	2				
9	WSH-0065	WASHER	8				
10	HSS-0238	SETSCREW	8				

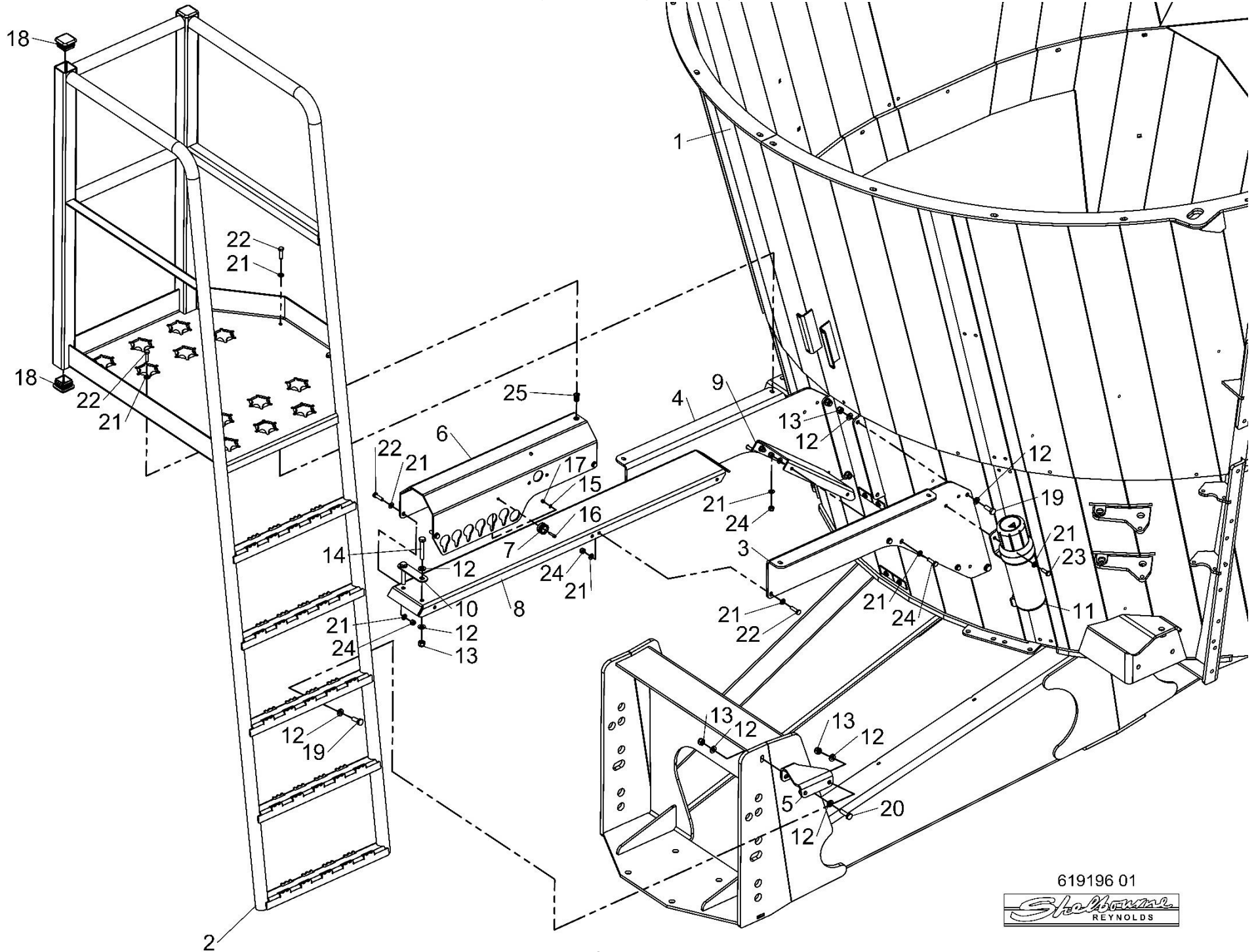


619160 01



Shelbourne Reynolds Engineering Limited

ASSY NUMBER: 619196 01				ASSY DESCRIPTION: SIDE DOOR TUB SUB ASSY			
ITEM	PART NO	DESCRIPTION	QTY	ITEM	PART NO	DESCRIPTION	QTY
1	620175 01	SIDE DOOR TUB W/A	1				
2	620261 01	LADDER & PLATROM W/A	1				
3	620276 01	PLATFORM MOUNTING PLATE LH	1				
4	620276 02	PLATFORM MOUNTING PLATE RH	1				
5	620336 01	LADDER MOUNTING BRACKET	1				
6	620277 01	HOSE STORAGE PLATE	1				
7	HQR-10007A	BRAKE COUPLING PARKING STATION	1				
8	620387 01	TUNNEL BASE	1				
9	620388 01	REAR TUNNEL FLOOR	1				
10	616293 01	HOSE CLAMP PLATE	1				
11	PCN-00100	PLASTIC CANNISTER (MANUAL)	1				
12	WSH-0015	PLAIN WASHER	18				
13	NUT-0265	NYLOC NUT	9				
14	BLTA10410	HEX HEAD BOLT	2				
15	WSH-0006	PLAIN WASHER	1				
16	SCW-0056	CAP HD SCREW	1				
17	NUT-0258	NYLOC NUT	1				
18	21709006	PLASTIC END CAP	4				
19	HSS-0194	HEX HD BOLT	6				
20	HSS-0198	HEX HD BOLT	1				
21	WSH-0012	PLAIN WASHER	40				
22	HSS-0150	HEX HEAD BOLT	17				
23	HSS-0145	HEX HEAD BOLT	3				
24	NUT-0263	NYLOC NUT	19				
25	NUTA13087	NUTSERT	1				

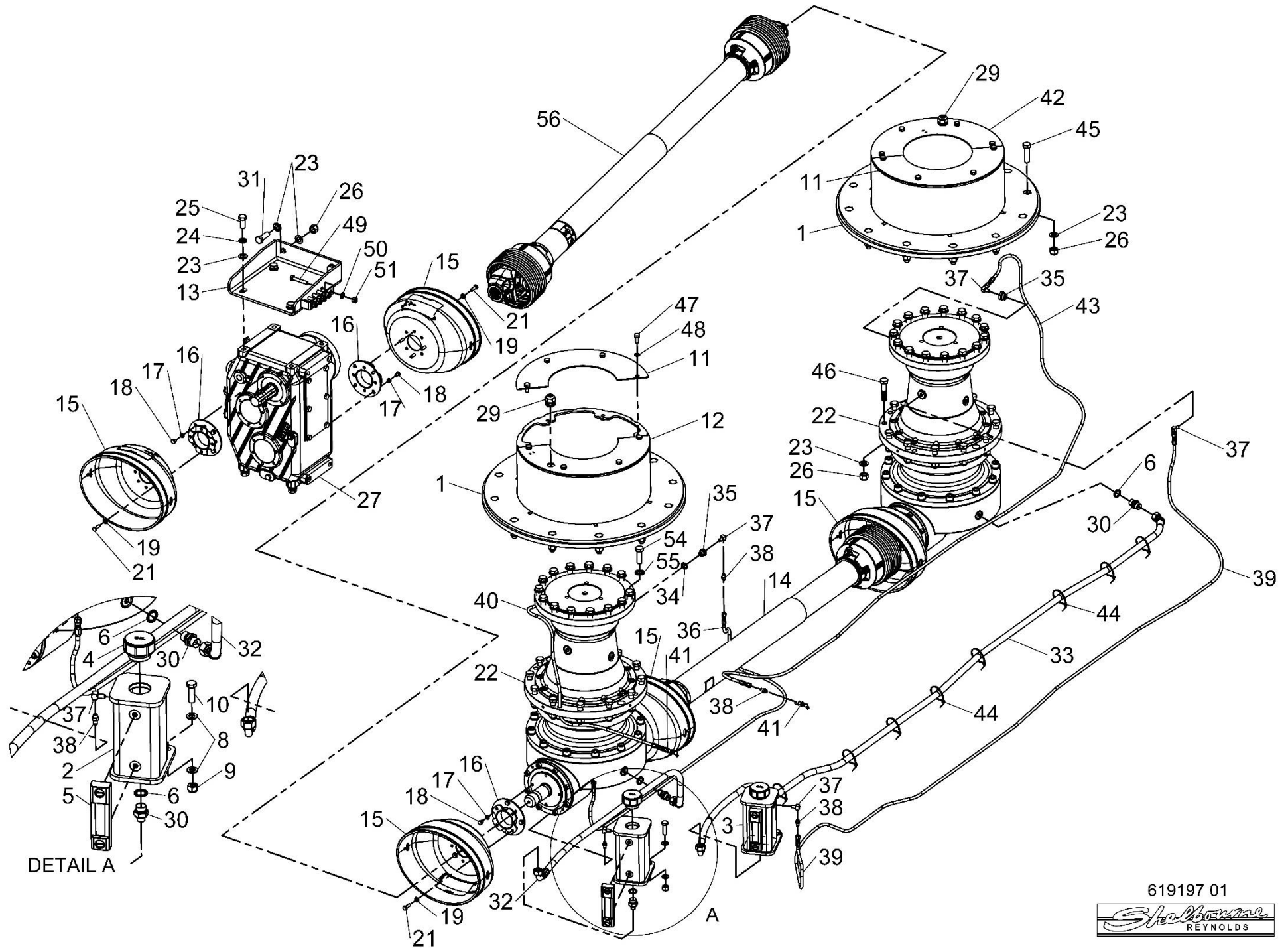


619196 01



Shelbourne Reynolds Engineering Limited

ASSY NUMBER: 619197 01				ASSY DESCRIPTION: AUGER DRIVES SUB ASSY (19.1 : 1 RATIO)			
ITEM	PART NO	DESCRIPTION	QTY	ITEM	PART NO	DESCRIPTION	QTY
1	615810 01	GEARBOX MTG PLATE W/A	2	38	LUB-00038	FRENCH PIPE CONNECTOR	8
2	615808 01	LH OIL RESERVOIR W/A	1	39	614605 13	REAR BREATHER HOSE	1
3	615808 02	RH OIL RESERVOIR W/A	1	40	614605 16	TOP BEARING FRONT HOSE	1
4	FIL-0004	FILLER CAP	2	41	LUB-00036	BULKHEAD ADAPTER	2
5	GAU-0010	LEVEL GAUGE	2	42	616532 01	RH REAR SEAL PLATE	1
6	WSH-1015	WASHER	4	43	614605 15	TOP BEARING REAR HOSE	1
7				44	TIE-0004	TIE WRAP (MEDIUM)	30
8	WSH-0018	WASHER	8	45	HSS-0320	SETSCREW	24
9	NUT-0269	NUT	4	46	BLT-2314	BOLT	24
10	BLTA12290	BOLT	4	47	HSS-0191	BOLT	16
11	616531 01	GEARBOX SEAL PLATE	2	48	WSH-0061	WASHER	16
12	616528 01	GEARBOX SEAL PLATE	1	49	BLTA10380	SHEARBOLT	5
13	616533 01	TOP GEARBOX BRKT W/A	1	50	WSH-0015	WASHER	5
14	PTO-35015W	INTERMEDIATE PTO SHAFT	1	51	NUT-0265	NUT	5
15	PTO-00965	PTO CONE	5	52			
16	615985 01	PTO CONE BRKT W/A	5	53			
17	WSH-0058	WASHER	20	54	HSS-0318	SETSCREW	30
18	HSS-0130	SETSCREW	24	55	WSHA30161	LOCKWASHER	30
19	WSH-0012	WASHER	24	56	PTO-35030	MODIFIED PTO SHAFT	1
20							
21	HSS-0145	BOLT	20				
22	GEA-0195	PLANETARY GEARBOX	2				
23	WSH-0024	WASHER	60				
24	WSH-0070	WASHER	8				
25	HSS-0315	SETSCREW	8				
26	NUT-0271	NUT	50				
27	GEA-0206	2-SPEED GEARBOX	1				
0R	GEA-0204	2-SPEED GEARBOX PMP18220856 ONLY	1				
28							
29	CBG-00252	CABLE GLAND	2				
30	HMA-0067	M/M ADAPTER	4				
31	HSS-0317	SETSCREW	2				
32	HHKF12505	HYD HOSE ASSY	1				
33	HHKF34005	HYD HOSE ASSY	1				
34	WSH-1010	WASHER	1				
35	HAEAA0107	REDUCING BUSH ADAPTER	2				
36	614605 12	FRONT BREATHER HOSE	1				
37	LUB-00051	90 DEG ELBOW	6				

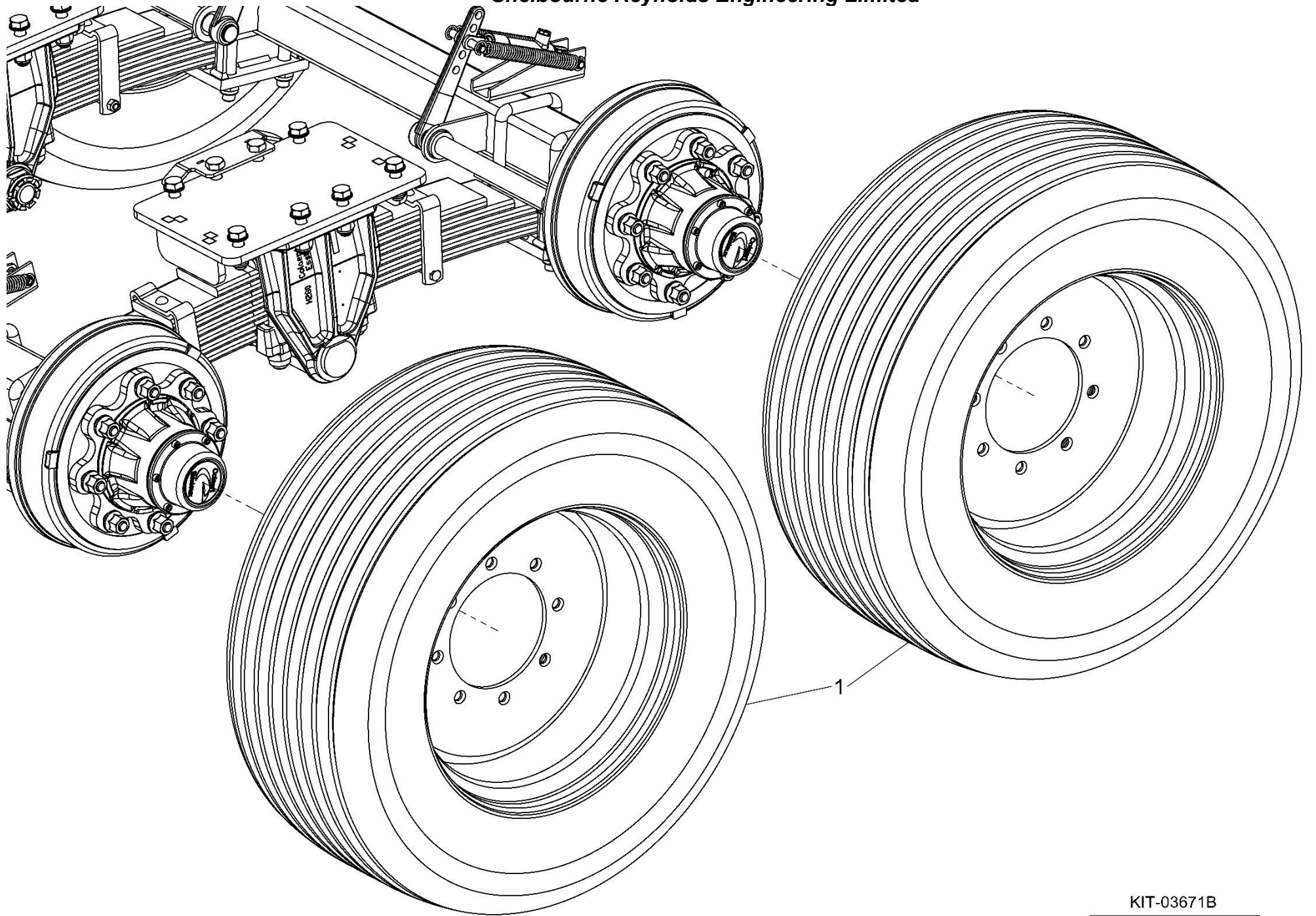


619197 01



Shelbourne Reynolds Engineering Limited

ASSY NUMBER: KIT-03671B				ASSY DESCRIPTION: WHEEL & TYRE KIT (385/55R22.5 LONGMARCH)			
ITEM	PART NO	DESCRIPTION	QTY	ITEM	PART NO	DESCRIPTION	QTY
1	WHL-02223	WHEEL & TYRE ASSY	4				

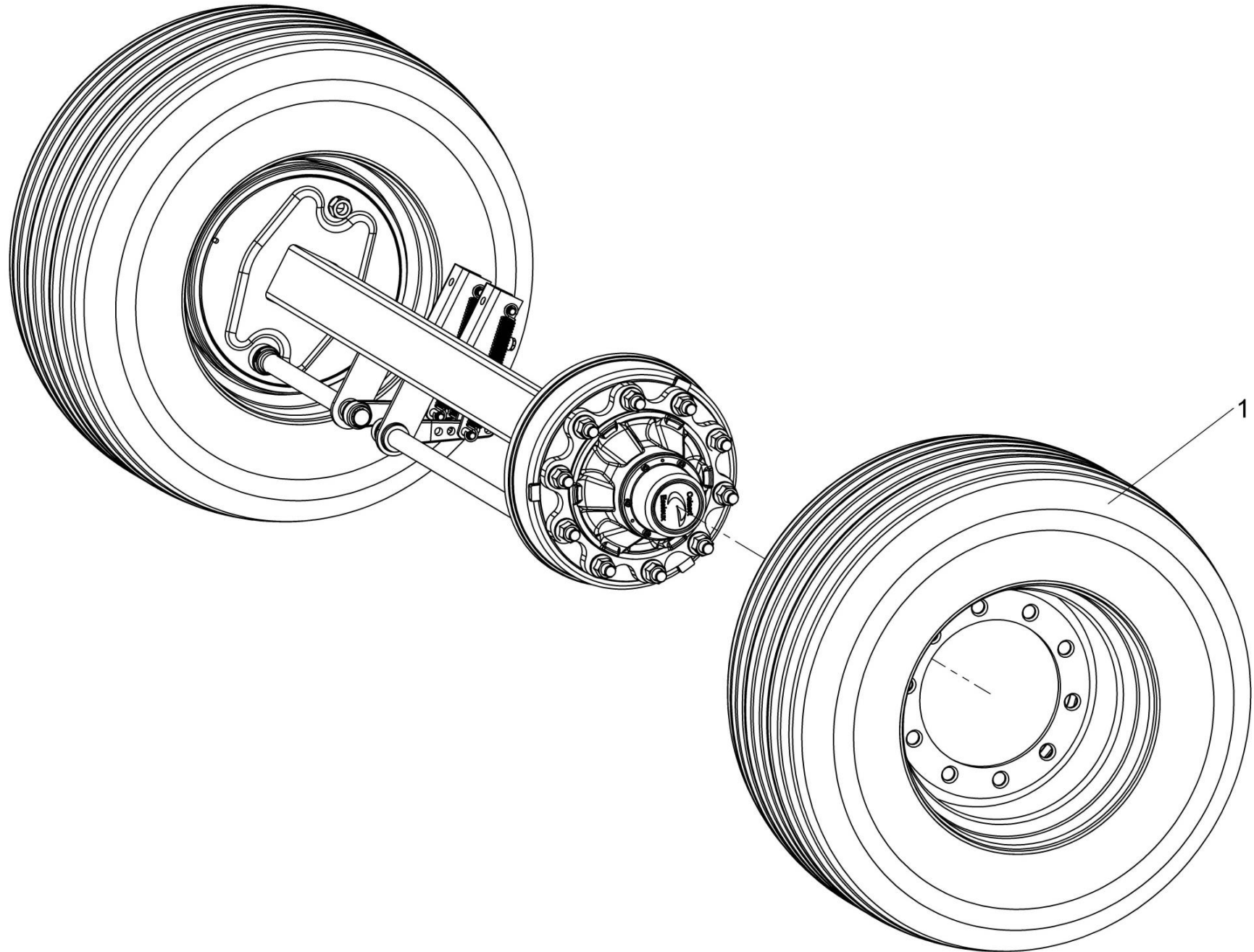


KIT-03671B



Shelbourne Reynolds Engineering Limited

ASSY NUMBER: KIT-03672A				ASSY DESCRIPTION: WHEEL & TYRE KIT (435/50R19.5 DOUBLECOIN)			
ITEM	PART NO	DESCRIPTION	QTY	ITEM	PART NO	DESCRIPTION	QTY
1	WHL-01920	WHEEL & TYRE ASSY	2				

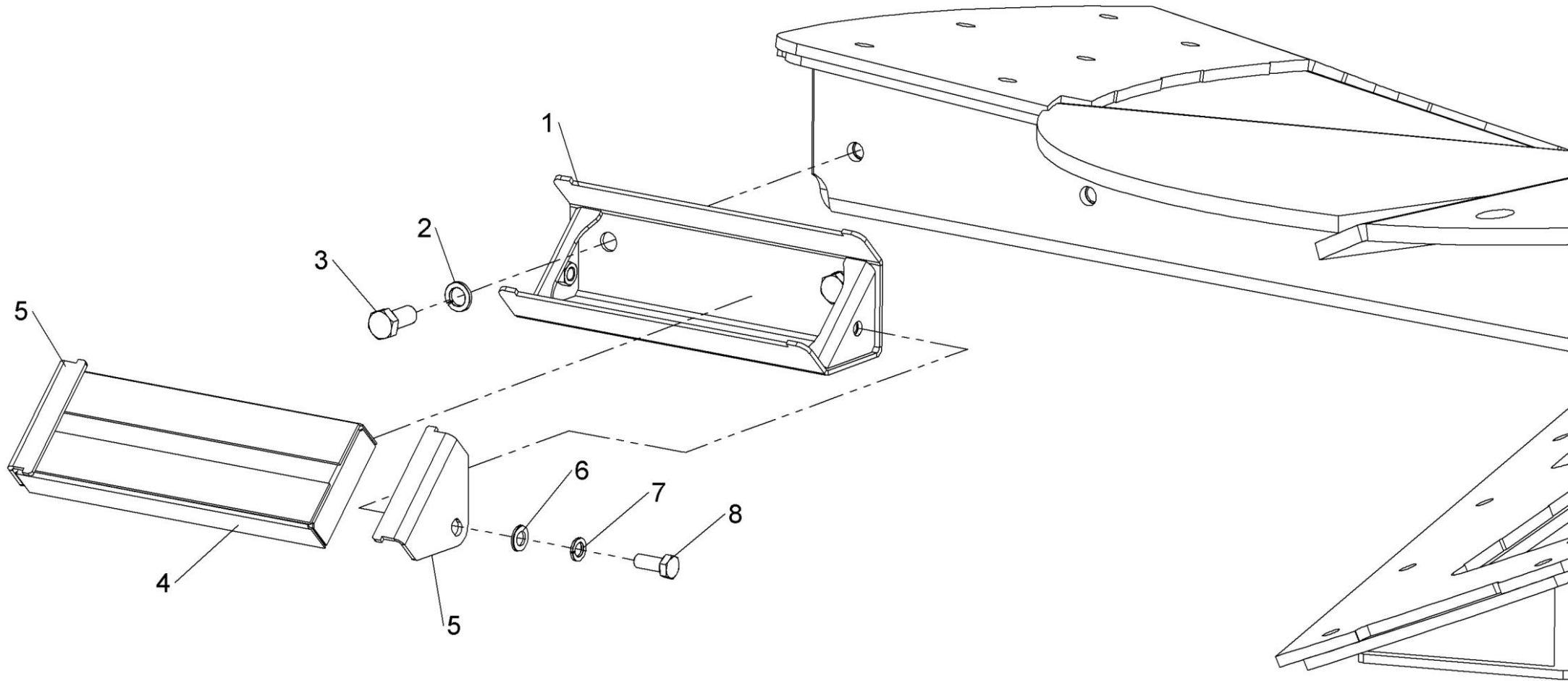


KIT-03672a



Shelbourne Reynolds Engineering Limited

ASSY NUMBER: KIT-03719				ASSY DESCRIPTION: AUGER MAGNET KIT			
ITEM	PART NO	DESCRIPTION	QTY	ITEM	PART NO	DESCRIPTION	QTY
1	615180 01	MAGNET MTG BRKT W/A	1				
2	WSH-0070	WASHER	2				
3	HSS-0315	SET SCREW	2				
4	MAG-0006	AUGER MAGNET	1				
5	615184 01	SIDE FIXING PLATE	2				
6	WSH-0018	WASHER	2				
7	WSH-0065	WASHER	2				
8	HSS-0238	SETSCREW	2				

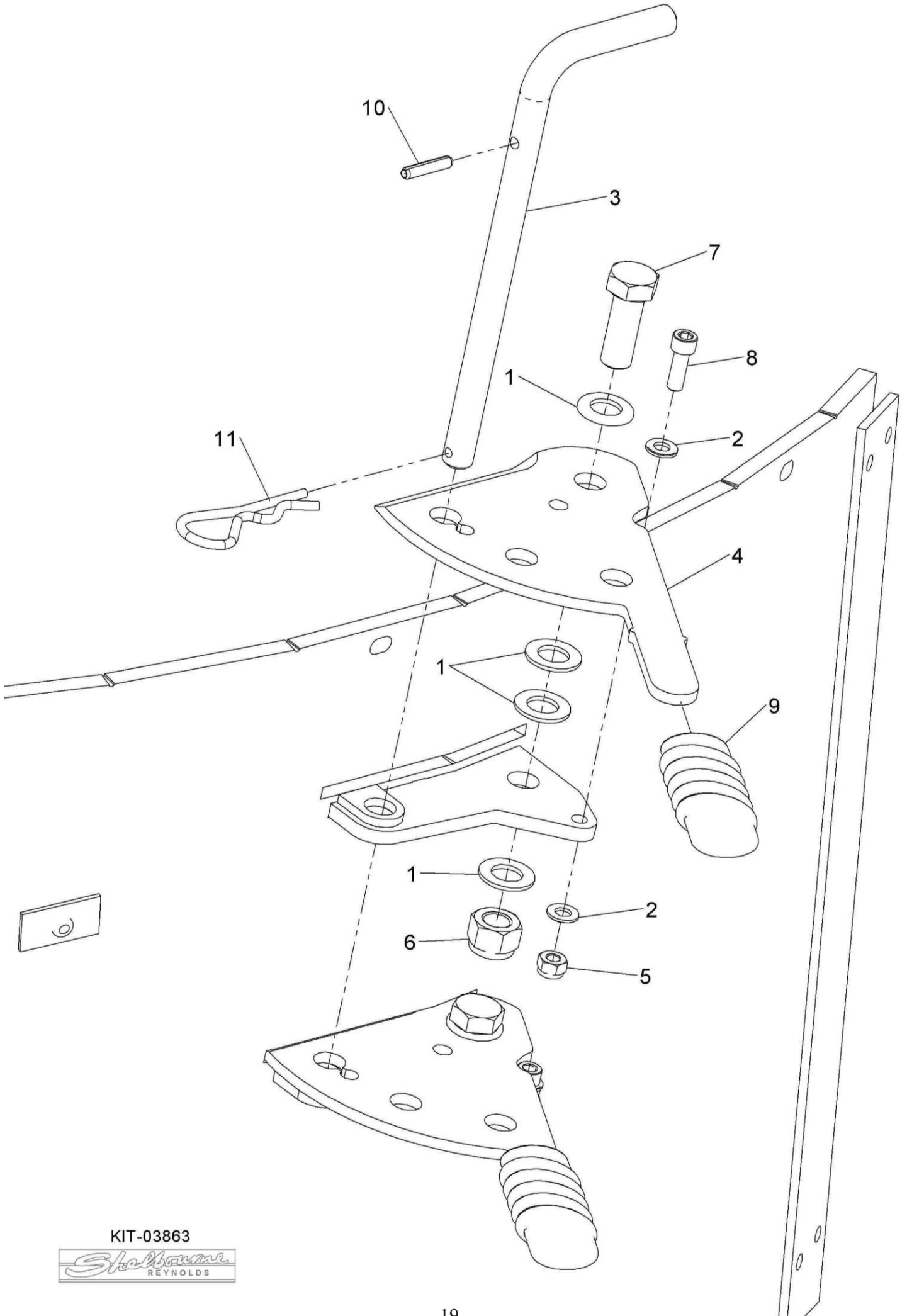


KIT-03719



Shelbourne Reynolds Engineering Limited

ASSY NUMBER: KIT-03863				ASSY DESCRIPTION: ANTI ROTATION KIT			
ITEM	PART NO	DESCRIPTION	QTY	ITEM	PART NO	DESCRIPTION	QTY
1	WSH-0030	WASHER	16				
2	WSH-0015	WASHER	8				
3	612874 01	BLADE LOCKING SHAFT	2				
4	612872 01	ANTI-ROTATION BLADE	4				
5	NUT-0265	NUT	4				
6	NUTA02200	NUT	4				
7	BLT-2365	BOLT	4				
8	SCW-0195	CP HD SCREW	4				
9	PTF-00025	HANDLE	4				
10	PIN-1783	ROLL PIN	2				
11	CLP-00106	R-CLIP	2				

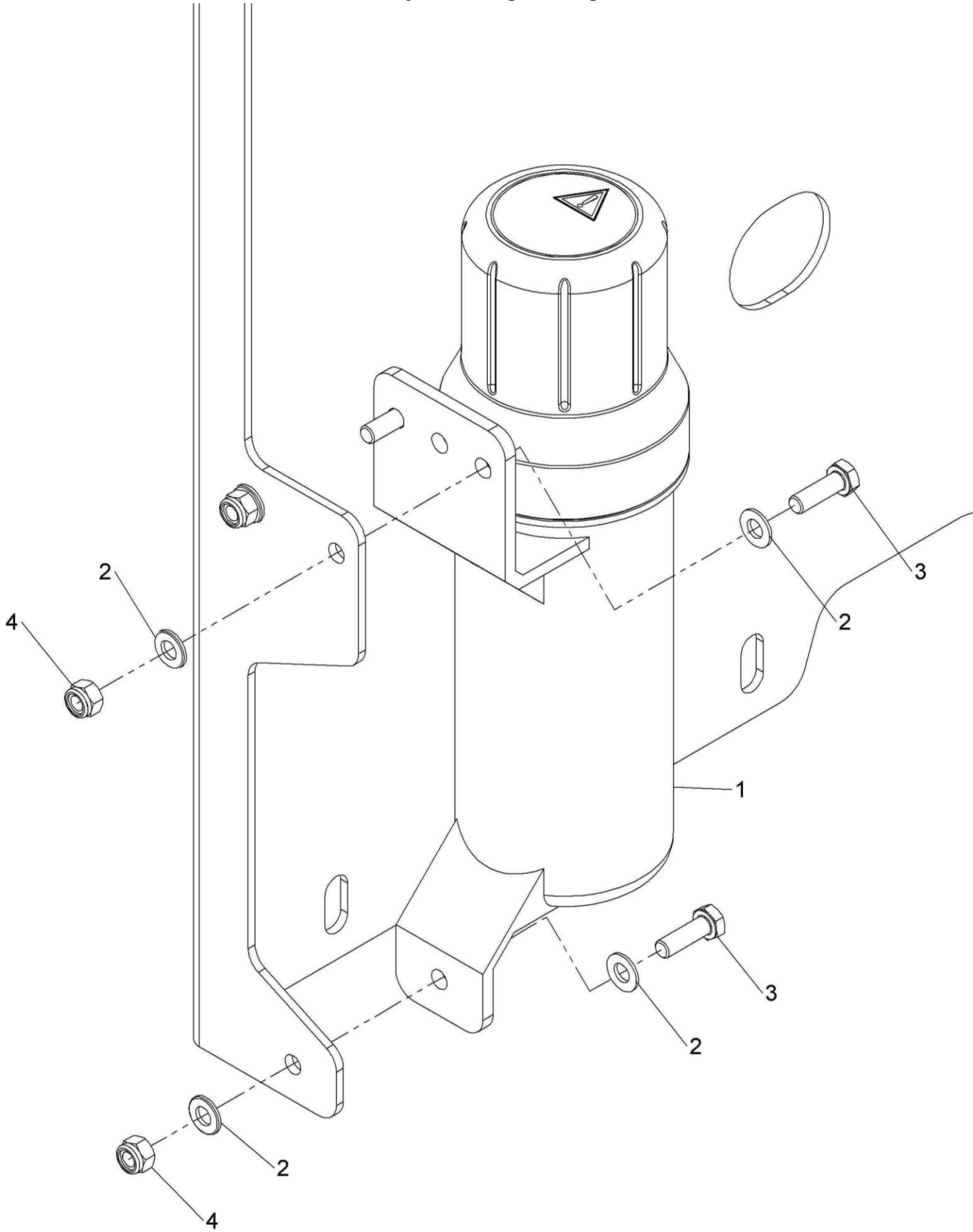


KIT-03863



Shelbourne Reynolds Engineering Limited

ASSY NUMBER: KIT-03869				ASSY DESCRIPTION: MANUAL CANNISTER KIT			
ITEM	PART NO	DESCRIPTION	QTY	ITEM	PART NO	DESCRIPTION	QTY
1	PCN-00100	MANUAL CANNISTER	1				
2	WSH-0012	WASHER	6				
3	HSS-0145	SETSCREW	3				
4	NUT-0263	NUT	3				

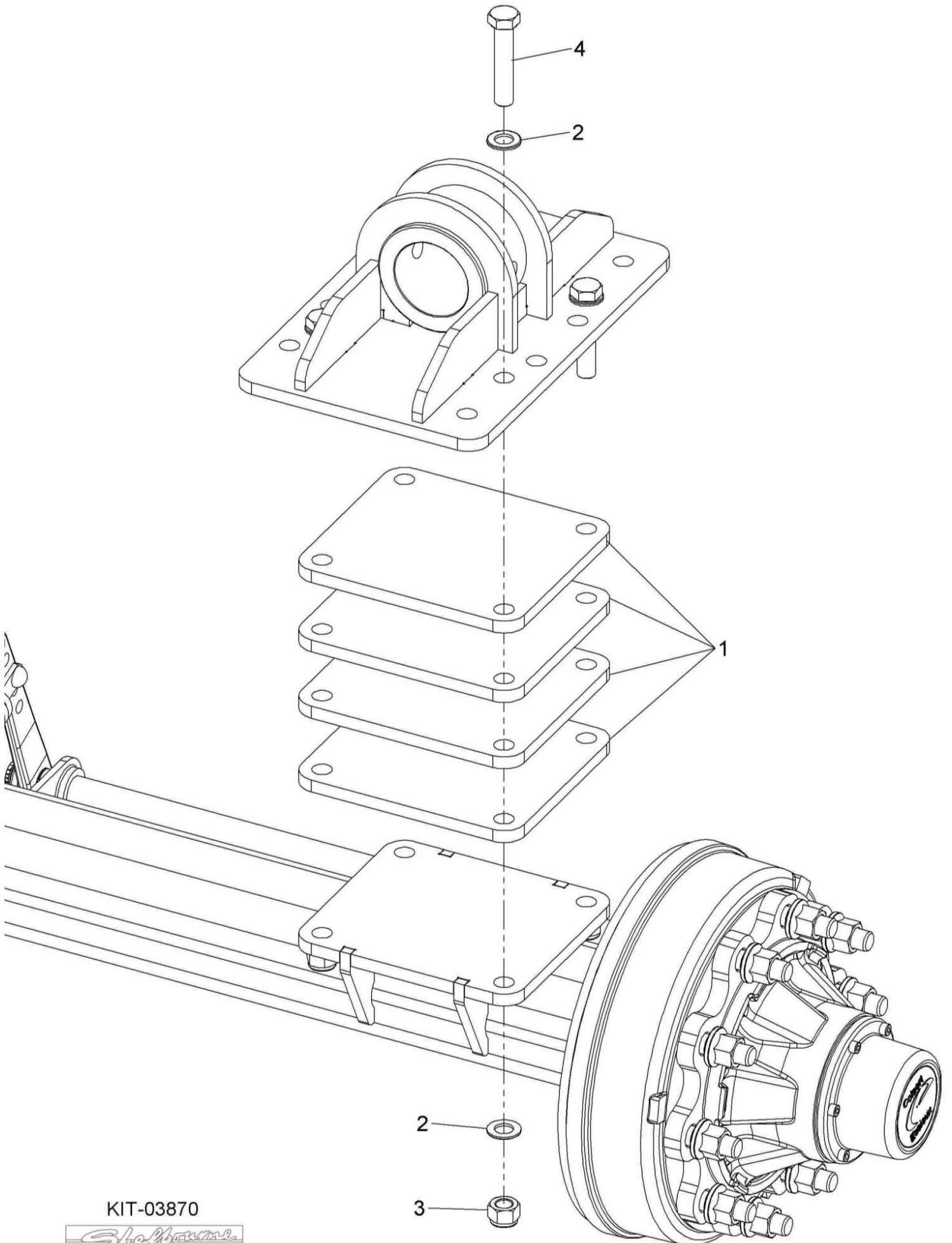


KIT-03869



Shelbourne Reynolds Engineering Limited

ASSY NUMBER: KIT-03870				ASSY DESCRIPTION: AXLE SPACER KIT (FOR 385/65-R22.5)			
ITEM	PART NO	DESCRIPTION	QTY	ITEM	PART NO	DESCRIPTION	QTY
1	616447 01	AXLE SPACER PLATE	8				
2	WSH-0030	WASHER	16				
3	NUTA02200	NUT	8				
4	BLTA20654	BOLT	8				

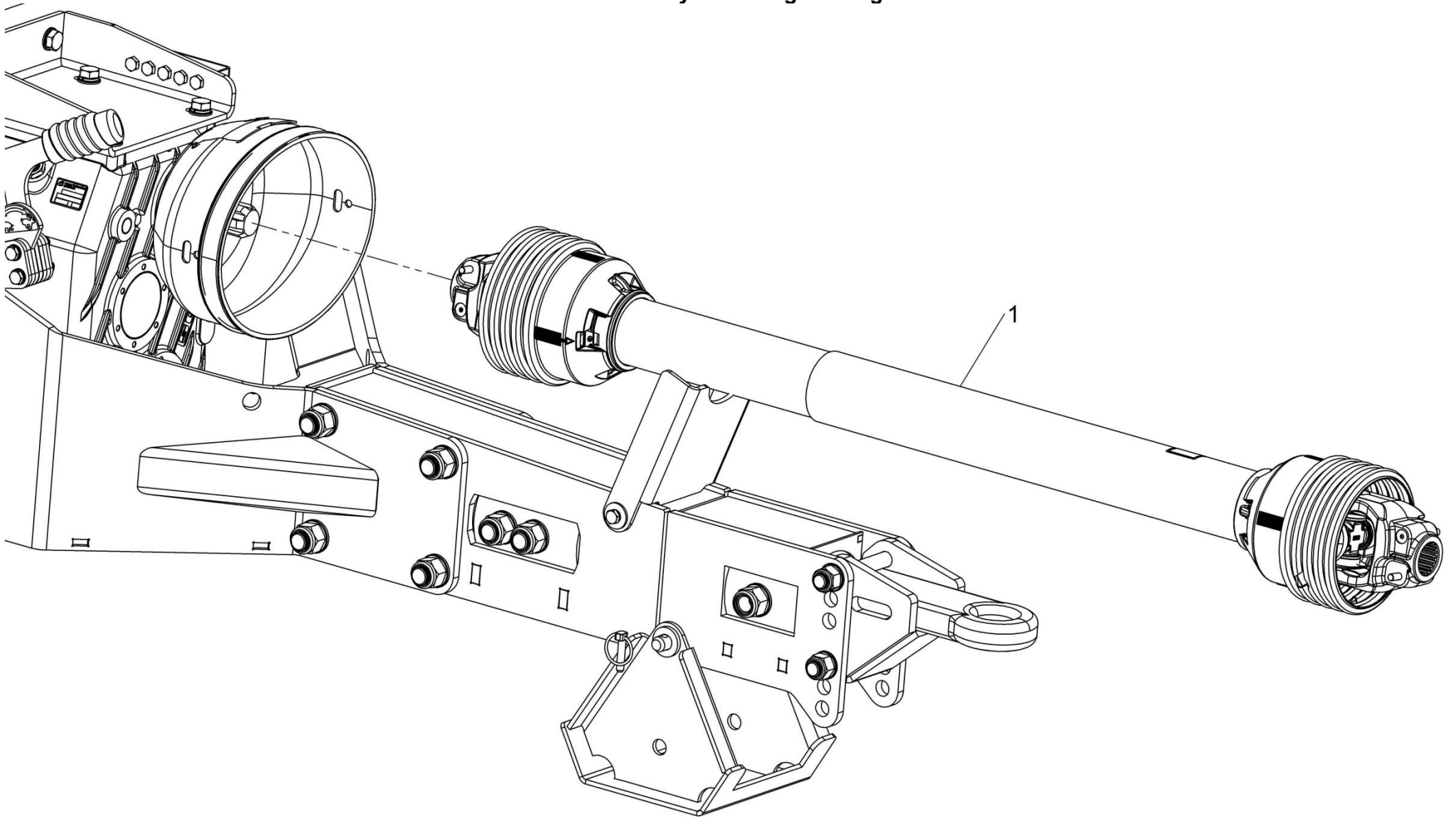


KIT-03870



Shelbourne Reynolds Engineering Limited

ASSY NUMBER: KIT-03876A				ASSY DESCRIPTION: STD INPUT PTO SHAFT KIT (16-22m PLUS)			
ITEM	PART NO	DESCRIPTION	QTY	ITEM	PART NO	DESCRIPTION	QTY
1	PTO-35005W	INPUT PTO SHAFT (WALTERCHIED)	1				

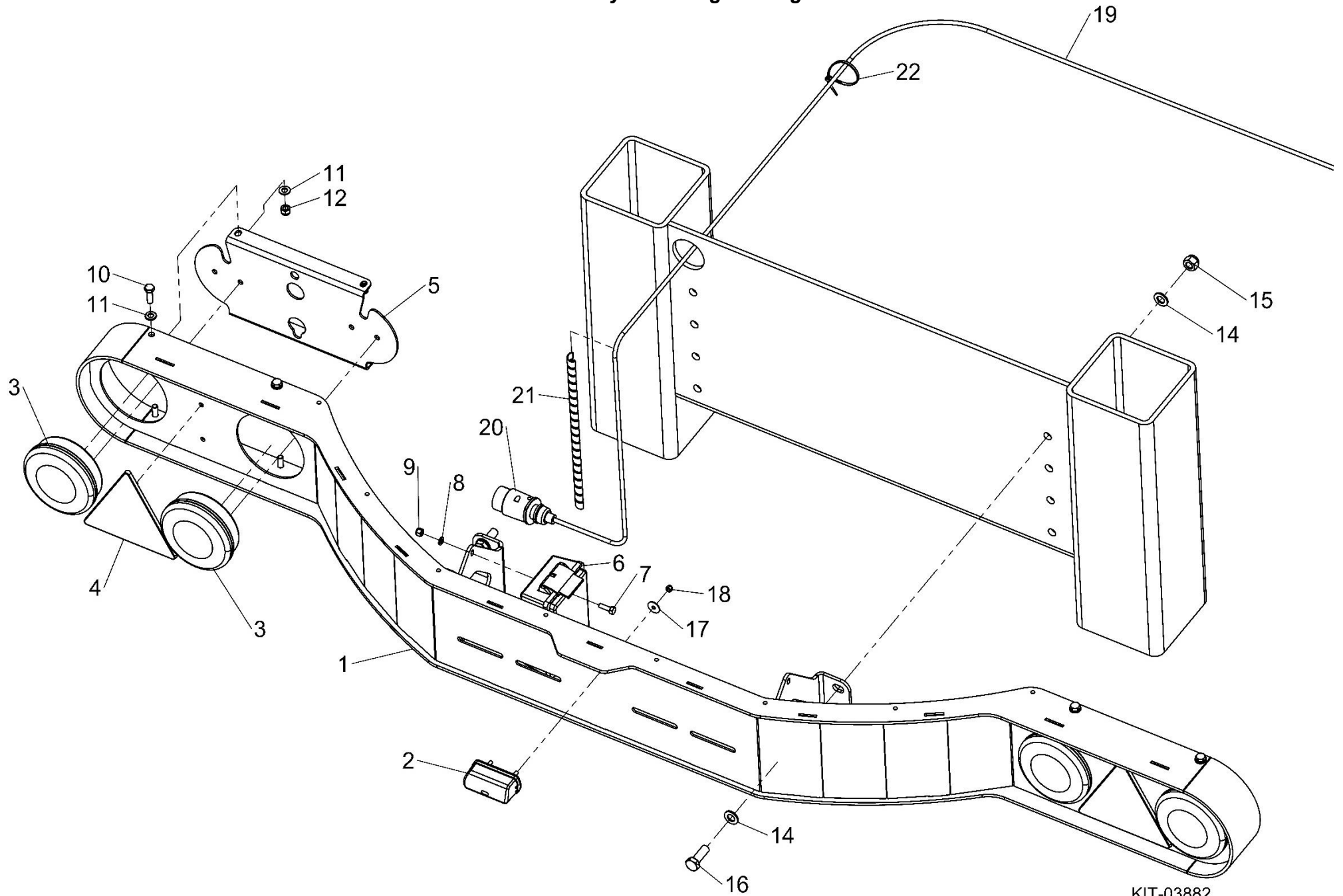


KIT-03876
KIT-03876A



Shelbourne Reynolds Engineering Limited

ASSY NUMBER: KIT-03882				ASSY DESCRIPTION: LIGHTING KIT			
ITEM	PART NO	DESCRIPTION	QTY	ITEM	PART NO	DESCRIPTION	QTY
1	616614 01	LIGHTBOARD W/A	1				
2	LMP-10805	LED NUMBER PLATE LIGHT	1				
3	LMP-10410	LED REAR LIGHT	4				
4	REF-0035	REFLECTOR	2				
5	616613 01	LIGHT BACKING PLATE	2				
6	JNC-00002	JUNCTION BOX	1				
7	HSS-0086	SETSCREW	2				
8	WSH-0009	WASHER	2				
9	NUT-0260	NUT	2				
10	HSS-0145	SETSCREW	8				
11	WSH-0012	WASHER	16				
12	NUT-0263	NUT	8				
13	ETM-00130	FEMALE SPADE TERMINAL	24				
14	WSH-0018	WASHER	9				
15	NUT-0269	NUT	4				
16	HSS-0241	SETSCREW	4				
17	WSH-1034	WASHER	2				
18	NUT-0258	NUT	2				
19	CBL-03530	7 CORE CABLE	10m				
20	PLG-0005	7-PIN PLUG	1				
21	SLV-00300	SPIRAL CONVOLUTE TUBING	3m				
22	TIE-0004	TIE WRAP MEDIUM	20				

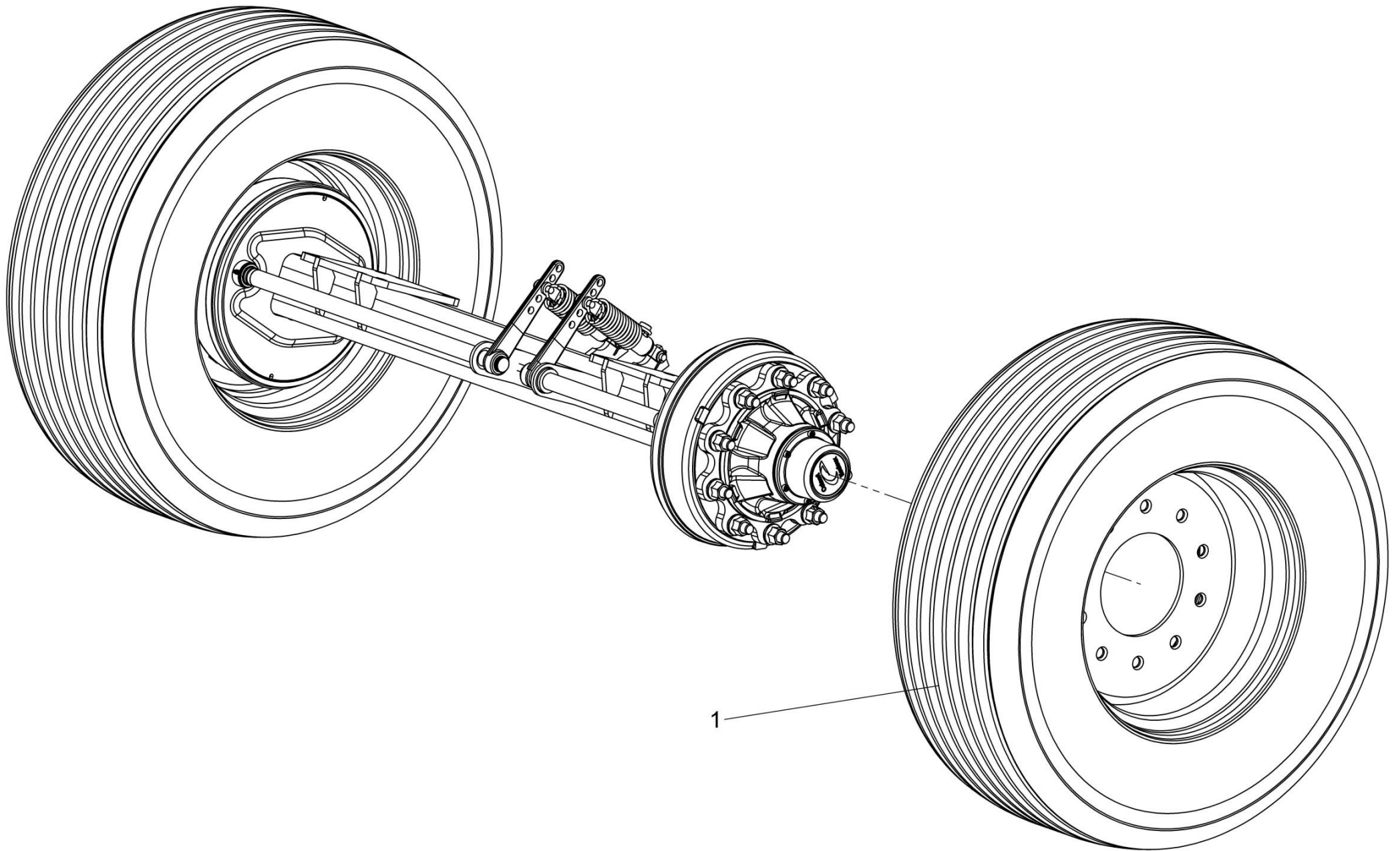


KIT-03882



Shelbourne Reynolds Engineering Limited

ASSY NUMBER: KIT-03890				ASSY DESCRIPTION: WHEEL & TYRE KIT (385/65-R22.5)			
ITEM	PART NO	DESCRIPTION	QTY	ITEM	PART NO	DESCRIPTION	QTY
1	WHL-02222	WHEEL & TYRE ASSY	2				

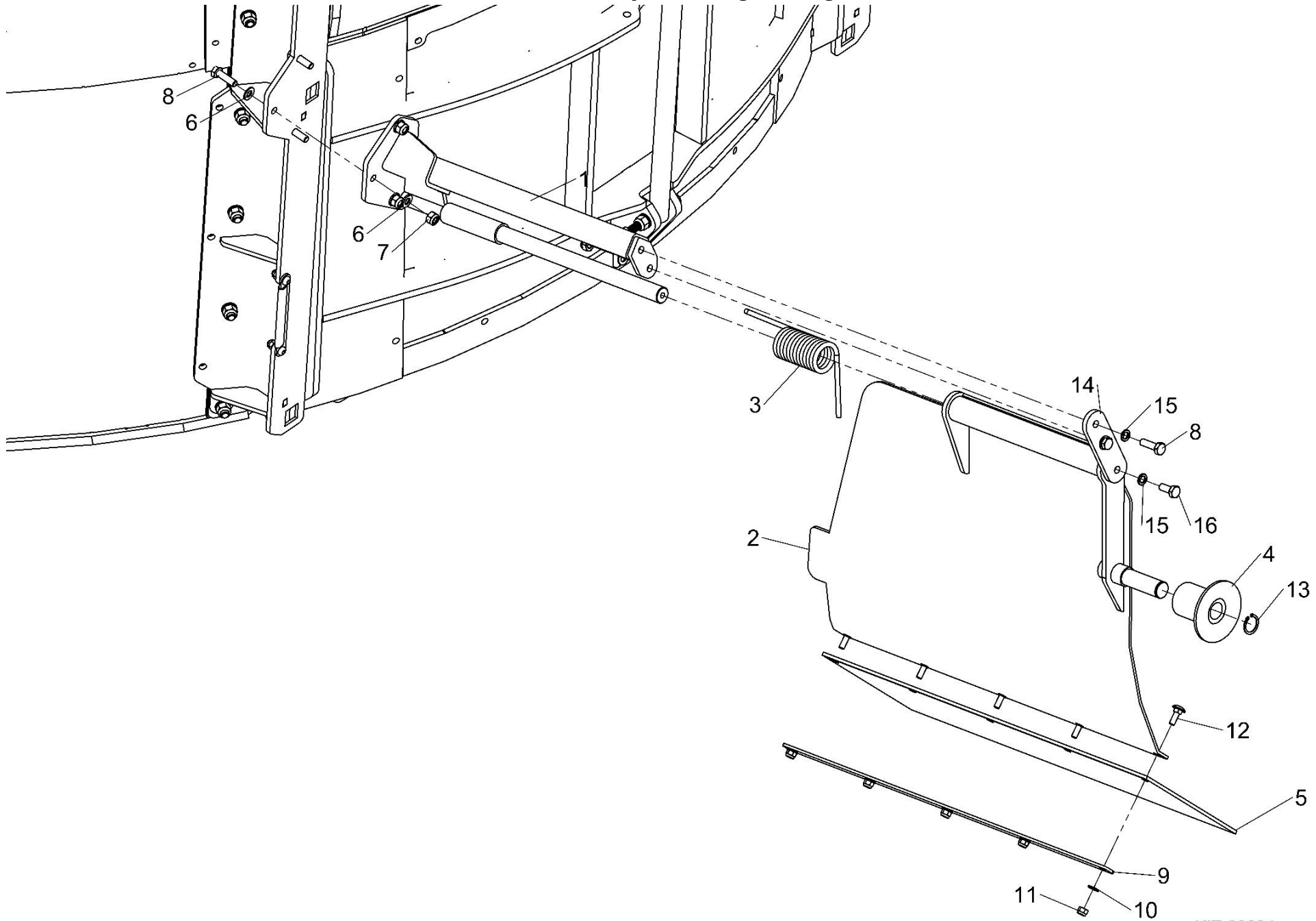


KIT-03890



Shelbourne Reynolds Engineering Limited

ASSY NUMBER: KIT-03894				ASSY DESCRIPTION: CONVEYOR DEFLECTOR KIT			
ITEM	PART NO	DESCRIPTION	QTY	ITEM	PART NO	DESCRIPTION	QTY
1	615991 01	DEFLECTOR PIVOT BAR W/A	1				
2	615989 01	CONVEYOR DEFLECTOR W/A	1				
3	SPGJ74300	TORSION SPRING	1				
4	616830 01	NYLON ROLLER	1				
5	616087 01	RUBBER DEFLECTOR	1				
6	WSH-0015	WASHER	8				
7	NUT-0265	NUT	4				
8	HSS-0198	SETSCREW	5				
9	616837 01	CLAMP STRIP	1				
10	WSH-0012	WASHER	5				
11	NUT-0263	NUT	5				
12	BLTF08173	COACHBOLT	5				
13	CIR-1125	EXTERNAL CIRCLIP	1				
14	616838 01	SUPPORT PLATE	1				
15	WSH-0061	WASHER	2				
16	HSS-0191	SETSCREW	1				

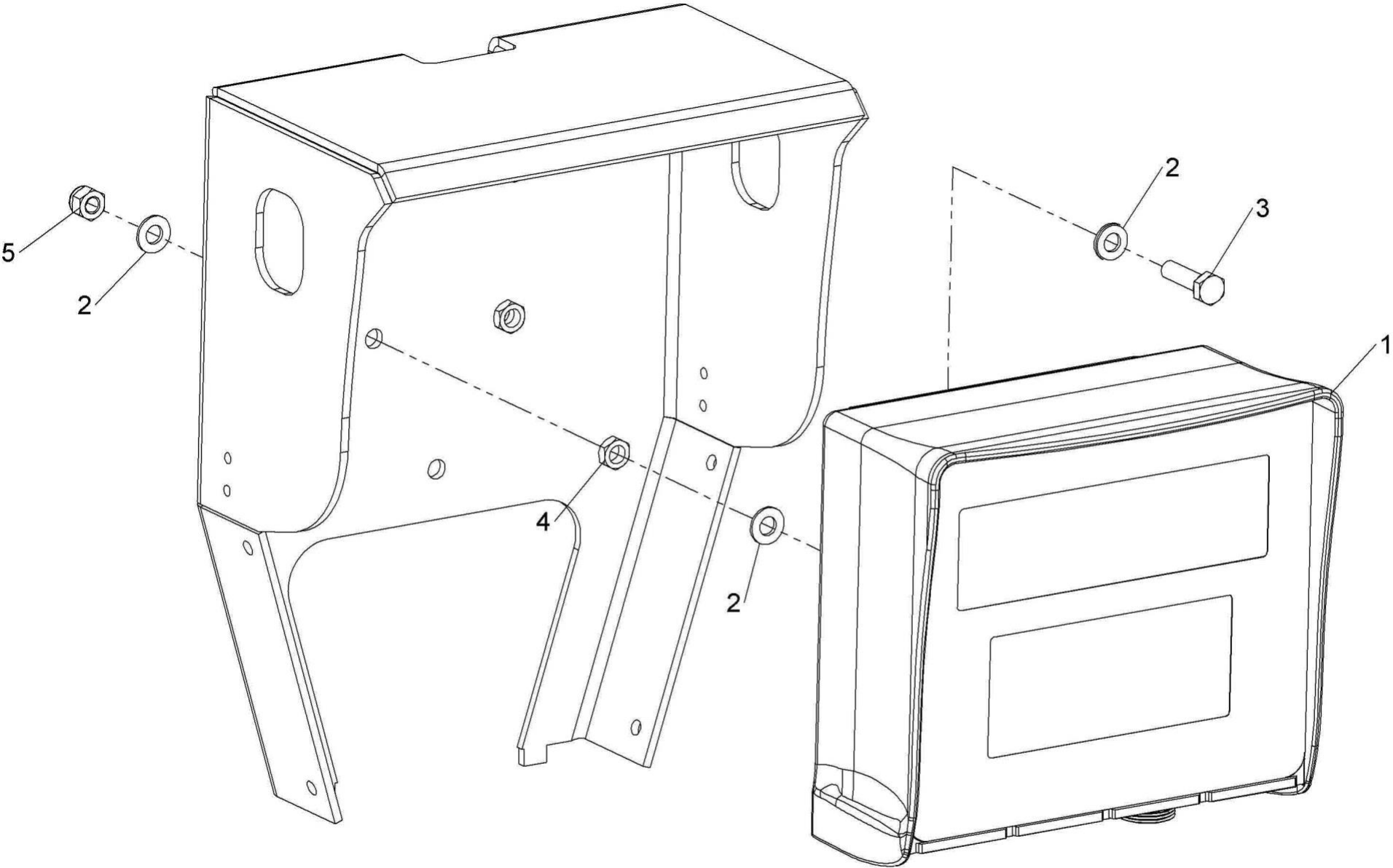


KIT-03894



Shelbourne Reynolds Engineering Limited

ASSY NUMBER: KIT-03895				ASSY DESCRIPTION: DG400 BASIC DISPLAY KIT			
ITEM	PART NO	DESCRIPTION	QTY	ITEM	PART NO	DESCRIPTION	QTY
1	LCL-04060	DG400 BASIC DISPLAY	1				
2	WSH-0012	WASHER	12				
3	HSS-0150	SETSCREW	4				
4	NUT-0164	NUT	4				
5	NUT-0263	NUT	4				

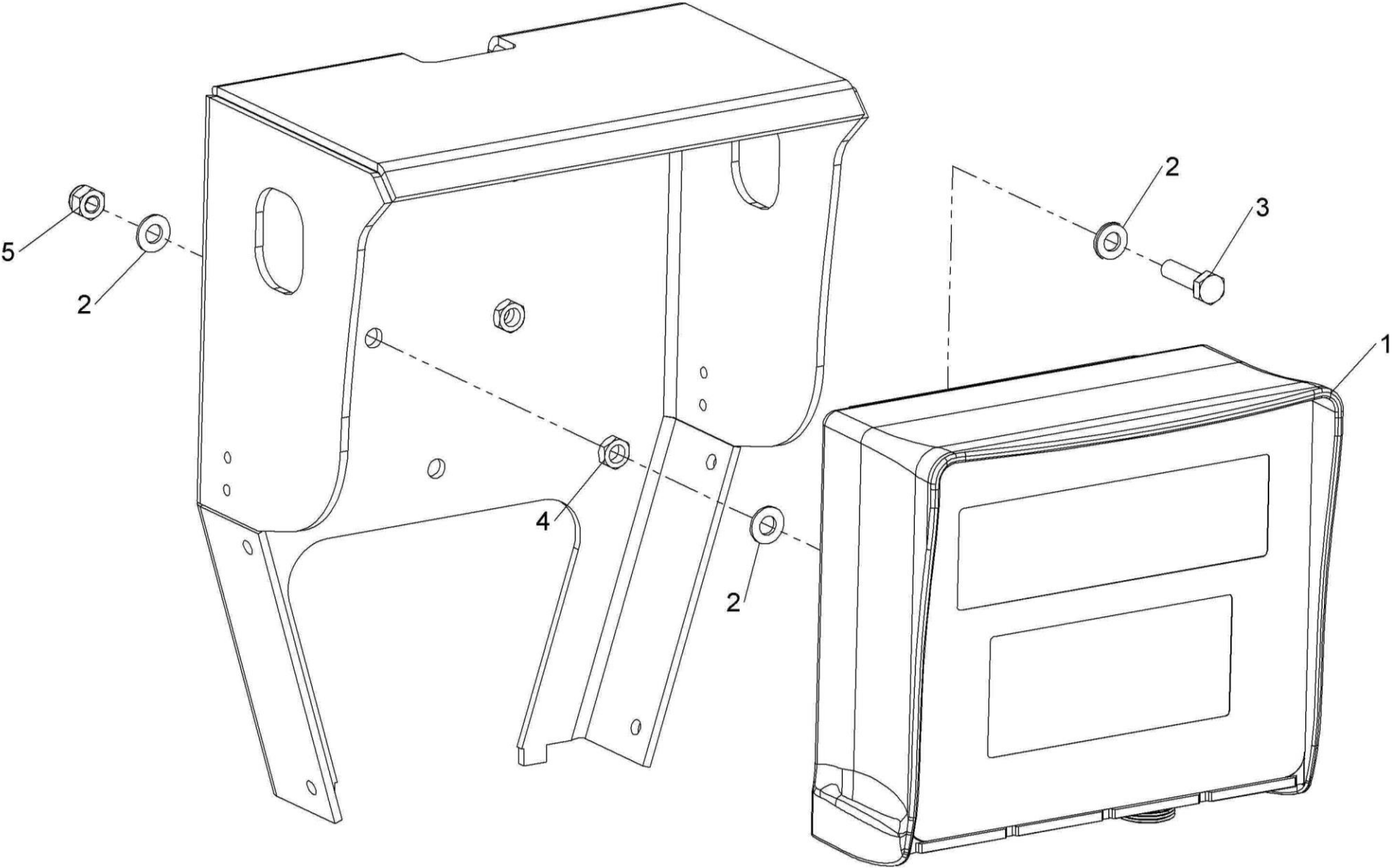


KIT-03896
KIT-03895



Shelbourne Reynolds Engineering Limited

ASSY NUMBER: KIT-03896				ASSY DESCRIPTION: DG600 PROGRAMMABLE DISPLAY KIT			
ITEM	PART NO	DESCRIPTION	QTY	ITEM	PART NO	DESCRIPTION	QTY
1	LCL-04165	DG600SB PROGRAMMABLE DISPLAY	1				
2	WSH-0012	WASHER	12				
3	HSS-0150	SETSCREW	4				
4	NUT-0164	NUT	4				
5	NUT-0263	NUT	4				

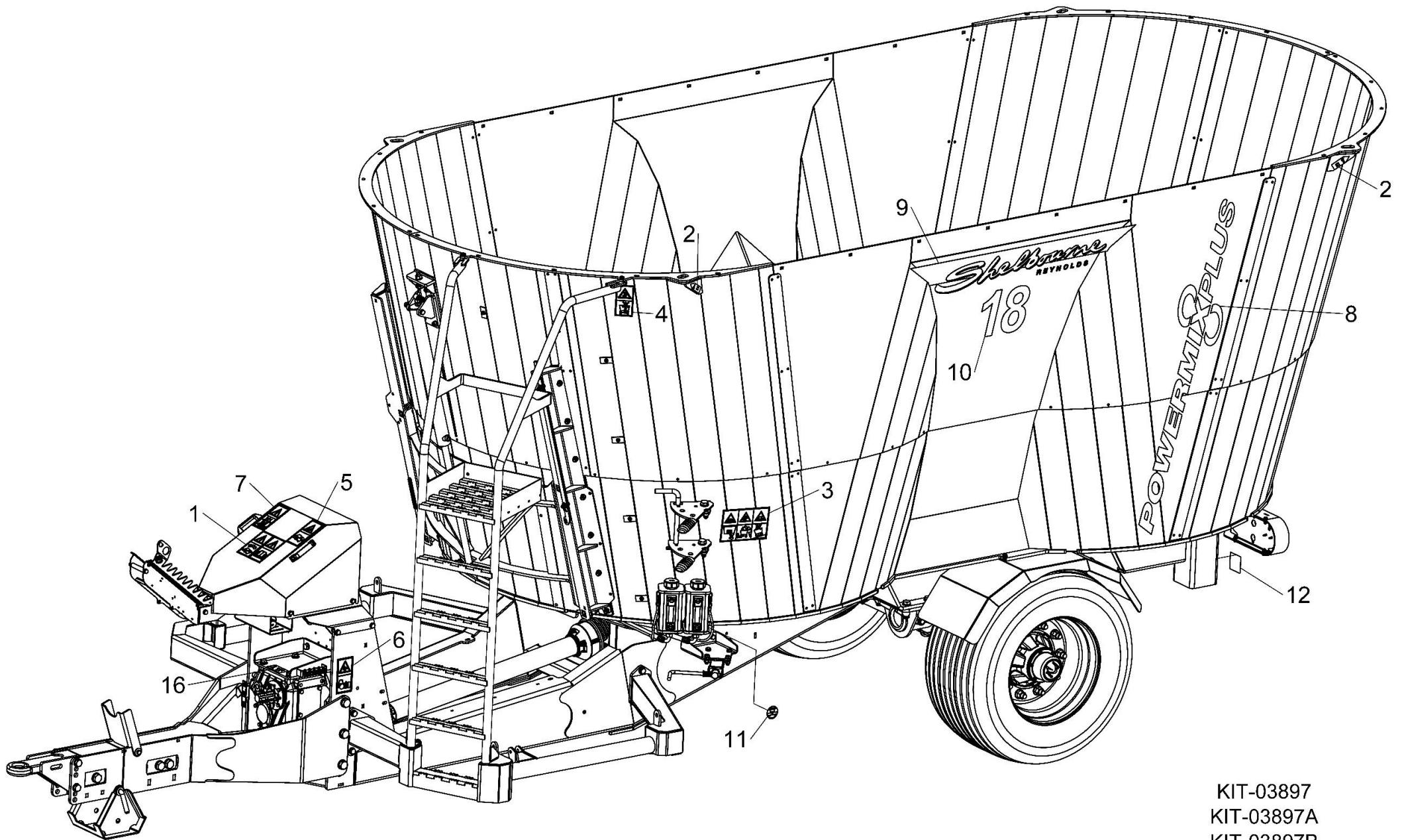


KIT-03896
KIT-03895



Shelbourne Reynolds Engineering Limited

ASSY NUMBER: KIT-03897				ASSY DESCRIPTION: TRANSFERS KIT 16m			
ITEM	PART NO	DESCRIPTION	QTY	ITEM	PART NO	DESCRIPTION	QTY
1	TNF-0011	EMBLEM	1				
2	190702 04	EMBLEM	4				
3	610253 01	EMBLEM	1				
4	610259 01	EMBLEM	1				
5	800221 01	EMBLEM	1				
6	260060 01	EMBLEM	1				
7	614959 01	EMBLEM	1				
8	616839 01	EMBLEM	2				
9	616840 01	EMBLEM	2				
10	615457 01	SIZE TRANSFER - 16	2				
11	TNF-0013	INSPECTION STICKER	1				
12	591927 01	JACKING POINT TRANSFER	2				
13	617491 01	AUGER SPEED EMBELM	1				
14	620172 01	TENSION TRANSFER	1				
15	620173 01	POWERMIX PLUS GREASE TRANSFER	1				
16	195391 01	SHEARBOLT EMBLEM	1				

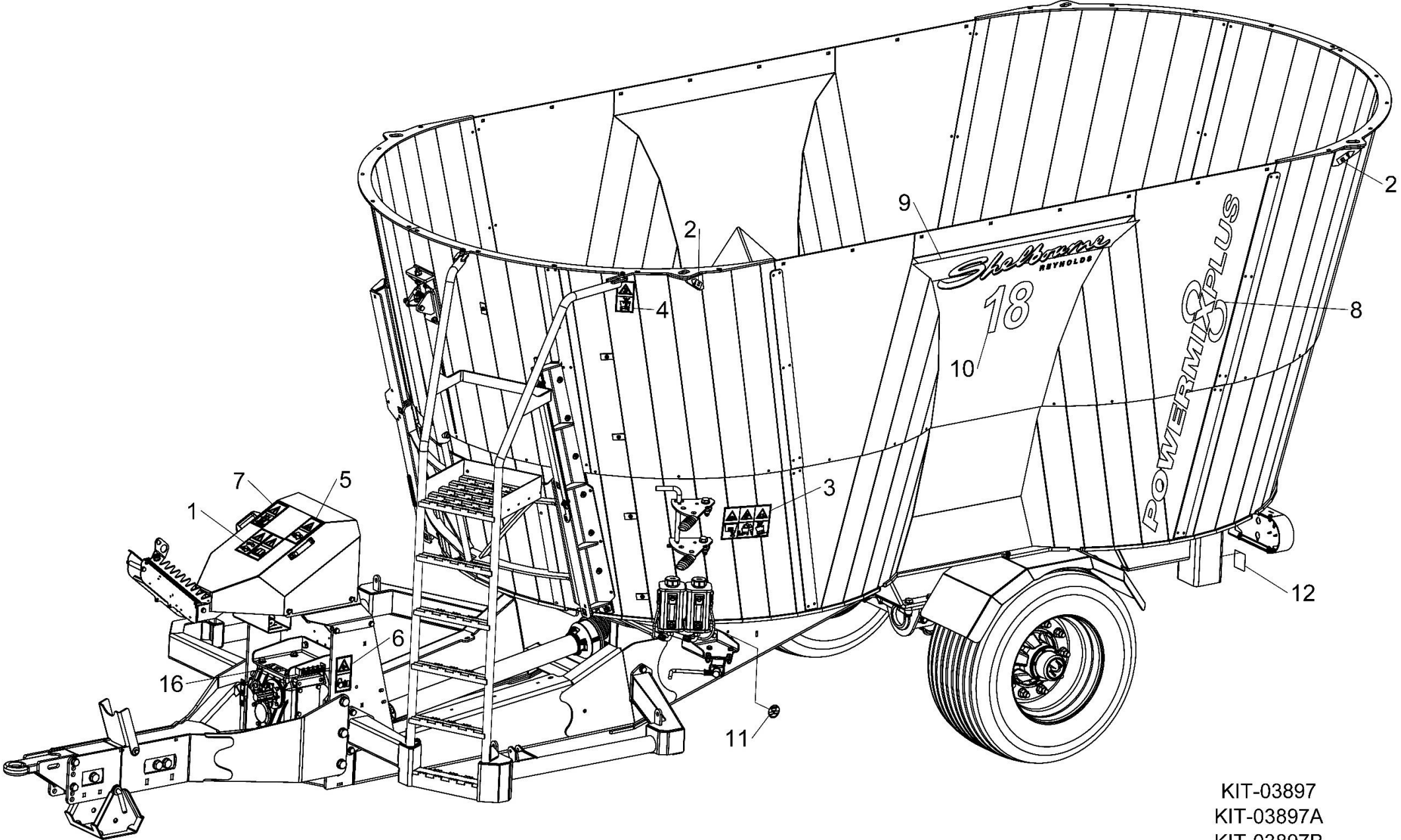


KIT-03897
KIT-03897A
KIT-03897B
KIT-03897C



Shelbourne Reynolds Engineering Limited

ASSY NUMBER: KIT-03897A				ASSY DESCRIPTION: TRANSFERS KIT 18m			
ITEM	PART NO	DESCRIPTION	QTY	ITEM	PART NO	DESCRIPTION	QTY
1	TNF-0011	EMBLEM	1				
2	190702 04	EMBLEM	4				
3	610253 01	EMBLEM	1				
4	610259 01	EMBLEM	1				
5	800221 01	EMBLEM	1				
6	260060 01	EMBLEM	1				
7	614959 01	EMBLEM	1				
8	616839 01	EMBLEM	2				
9	616840 01	EMBLEM	2				
10	615457 05	SIZE TRANSFER - 18	2				
11	TNF-0013	INSPECTION STICKER	1				
12	591927 01	JACKING POINT TRANSFER	2				
13	617491 01	AUGER SPEED EMBELM	1				
14	620172 01	TENSION TRANSFER	1				
15	620173 01	POWERMIX PLUS GREASE TRANSFER	1				
16	195391 01	SHEARBOLT EMBLEM	1				

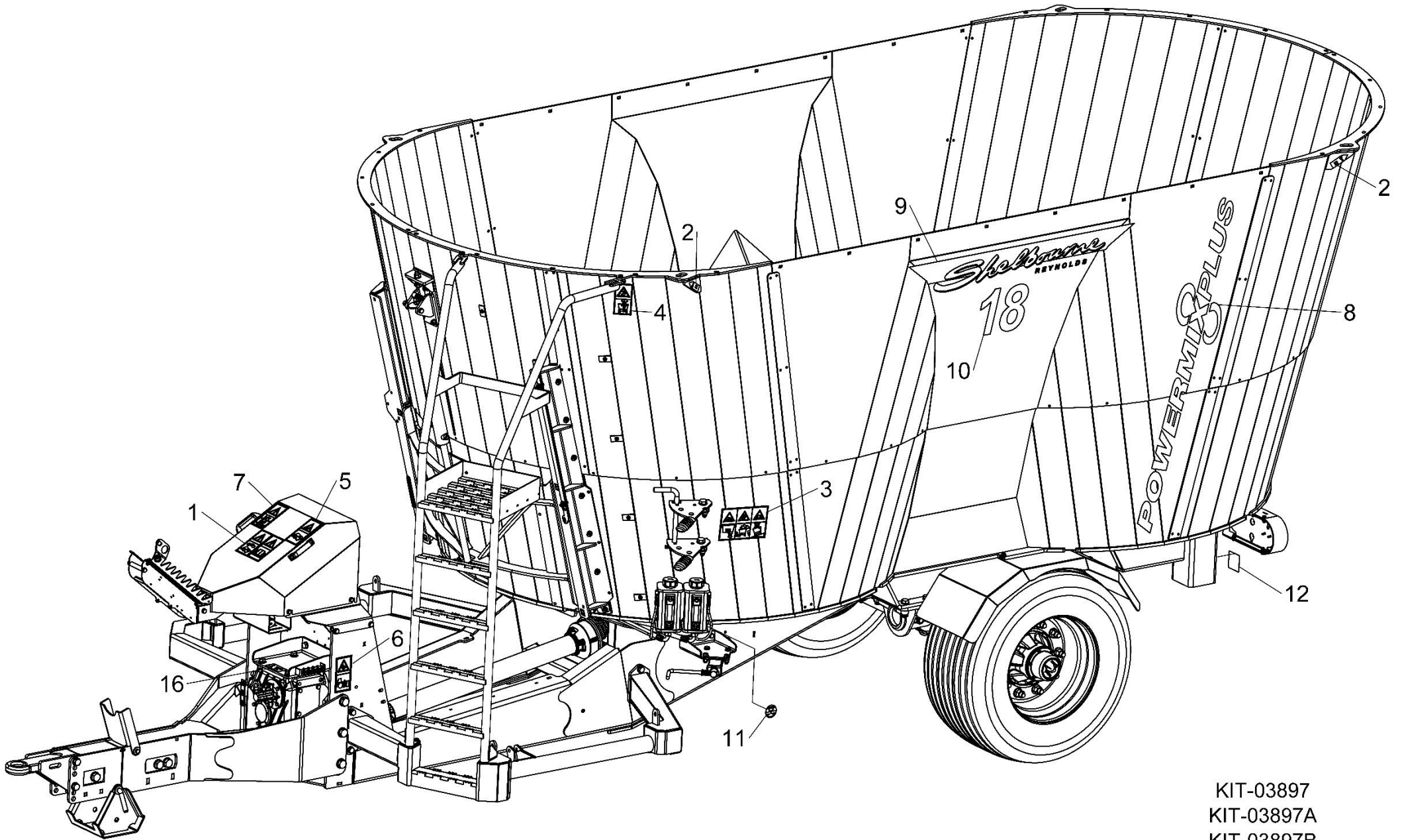


KIT-03897
KIT-03897A
KIT-03897B
KIT-03897C



Shelbourne Reynolds Engineering Limited

ASSY NUMBER: KIT-03897B				ASSY DESCRIPTION: TRANSFERS KIT 22m			
ITEM	PART NO	DESCRIPTION	QTY	ITEM	PART NO	DESCRIPTION	QTY
1	TNF-0011	EMBLEM	1				
2	190702 04	EMBLEM	4				
3	610253 01	EMBLEM	1				
4	610259 01	EMBLEM	1				
5	800221 01	EMBLEM	1				
6	260060 01	EMBLEM	1				
7	614959 01	EMBLEM	1				
8	616839 01	EMBLEM	2				
9	616840 01	EMBLEM	2				
10	615457 03	SIZE TRANSFER - 22	2				
11	TNF-0013	INSPECTION STICKER	1				
12	591927 01	JACKING POINT TRANSFER	2				
13	617491 01	AUGER SPEED EMBELM	1				
14	620172 01	TENSION TRANSFER	1				
15	620173 01	POWERMIX PLUS GREASE TRANSFER	1				
16	195391 01	SHEARBOLT EMBLEM	1				

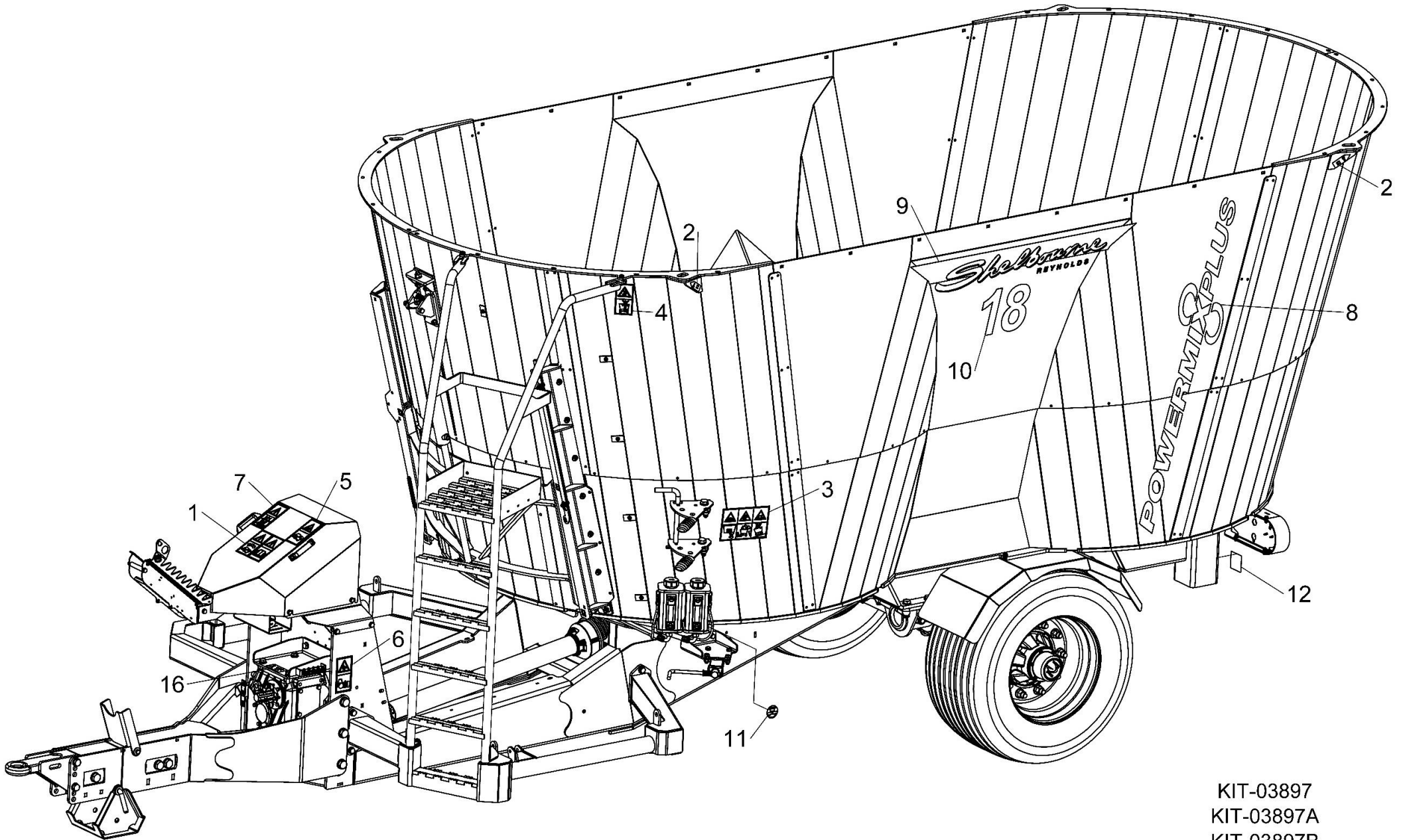


KIT-03897
KIT-03897A
KIT-03897B
KIT-03897C



Shelbourne Reynolds Engineering Limited

ASSY NUMBER: KIT-03897C				ASSY DESCRIPTION: TRANSFERS KIT 20m			
ITEM	PART NO	DESCRIPTION	QTY	ITEM	PART NO	DESCRIPTION	QTY
1	TNF-0011	EMBLEM	1				
2	190702 04	EMBLEM	4				
3	610253 01	EMBLEM	1				
4	610259 01	EMBLEM	1				
5	800221 01	EMBLEM	1				
6	260060 01	EMBLEM	1				
7	614959 01	EMBLEM	1				
8	616839 01	EMBLEM	2				
9	616840 01	EMBLEM	2				
10	615457 07	SIZE TRANSFER - 20	2				
11	TNF-0013	INSPECTION STICKER	1				
12	591927 01	JACKING POINT TRANSFER	2				
13	617491 01	AUGER SPEED EMBELM	1				
14	620172 01	TENSION TRANSFER	1				
15	620173 01	POWERMIX PLUS GREASE TRANSFER	1				
16	195391 01	SHEARBOLT EMBLEM	1				



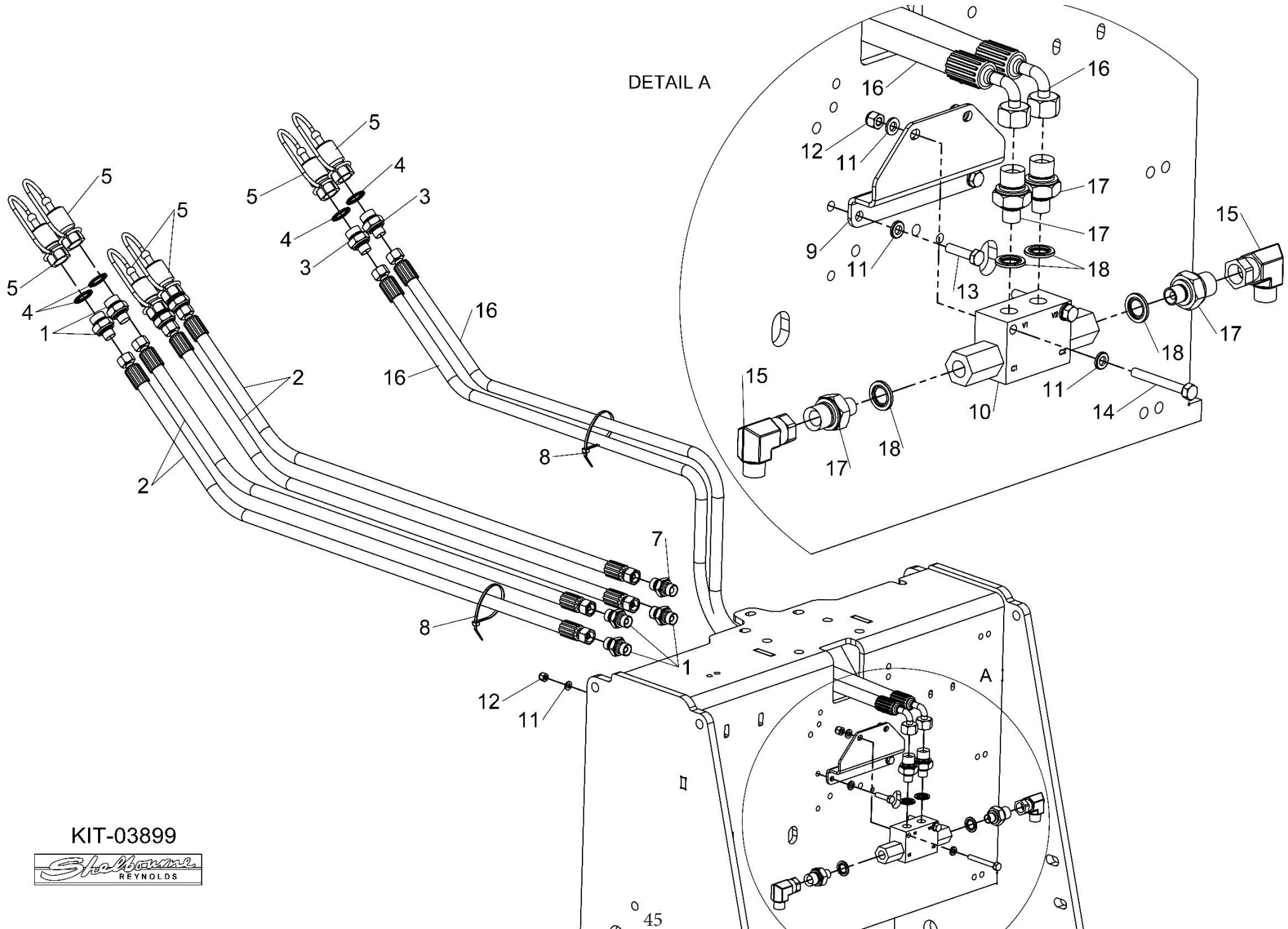
KIT-03897
KIT-03897A
KIT-03897B
KIT-03897C



Shelbourne Reynolds Engineering Limited

ASSY NUMBER: KIT-03899				ASSY DESCRIPTION: DIRECT COUPLED HYDRAULIC KIT			
ITEM	PART NO	DESCRIPTION	QTY	ITEM	PART NO	DESCRIPTION	QTY
1	HMA-0057	M/M ADAPTOR	3				
2	HHAE19505	HYDRAULIC HOSE	4				
3	HMA-0065	M/M ADAPTOR	6				
4	WSH-1015	DOWTY WASHER	6				
5	COU-0162	QUICK RELEASE COUPLG	6				
6							
7	HAPAA0505	RESTRICTOR	1				
8	TIE-0004	TIE WRAP	12				
9	620613 01	PO CHECK MTG BRKT	1				
10	HVB-27000	PO CHECK VALVE	1				
11	WSH-0009	WASHER	8				
12	NUT-0260	NUT	4				
13	HSS-0088	SETSCREW	2				
14	BLTA06320	BOLT	2				
15	HALAA0505	90 DEG ELBLOW FITTING	2				
16	HHBE25005	HYD HOSE ASSY	2				
17	FIT-0025	M/M ADAPTOR	4				
18	WSH-1005	DOWTY WASHER	4				

Shelbourne Reynolds Engineering Limited

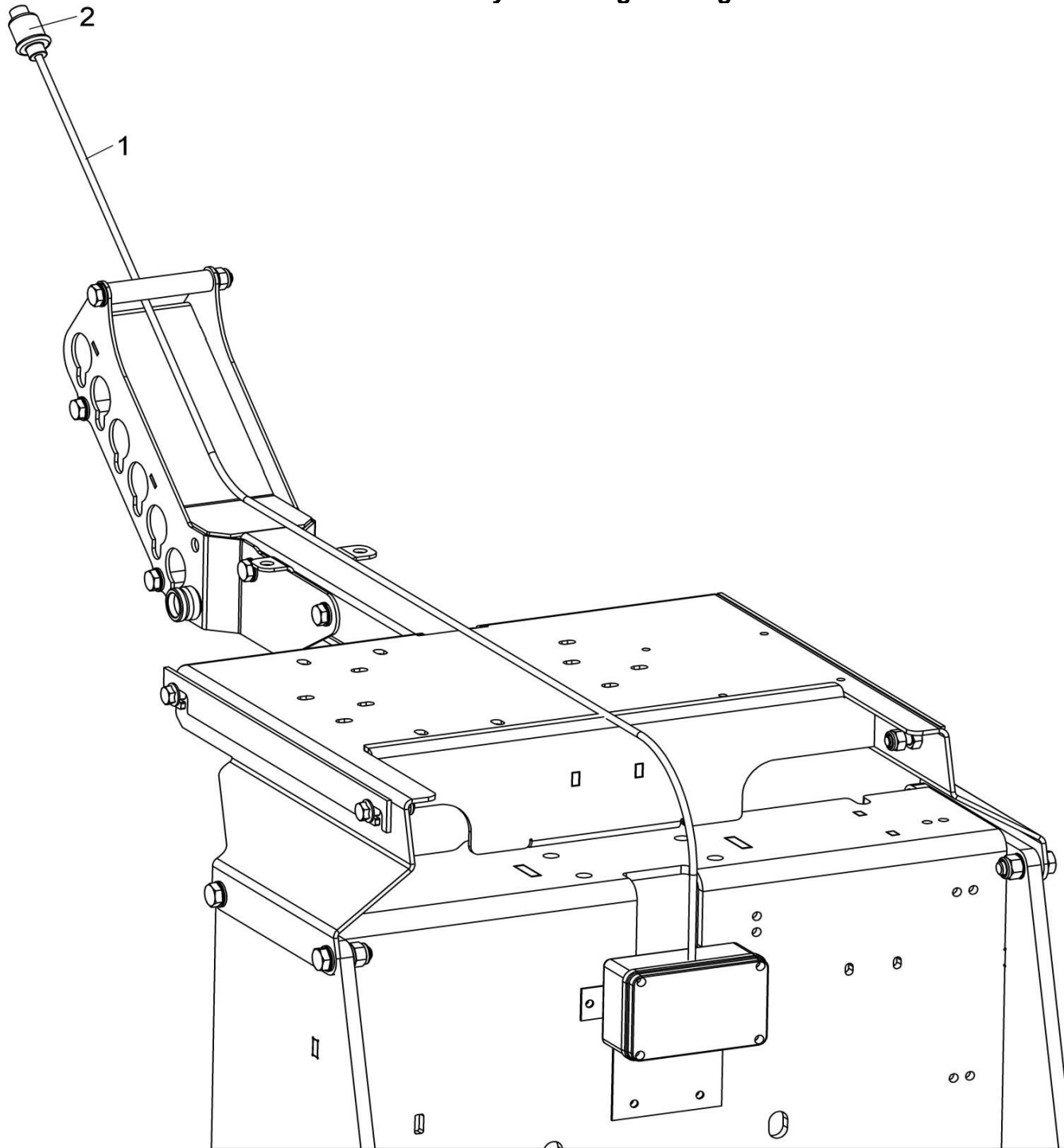


KIT-03899



Shelbourne Reynolds Engineering Limited

ASSY NUMBER: KIT-03900				ASSY DESCRIPTION: 3-PIN PLUG CONNECTION KIT			
ITEM	PART NO	DESCRIPTION	QTY	ITEM	PART NO	DESCRIPTION	QTY
1	CBL-03235	4 CORE CABLE	4m				
2	PLG-0060	3 PIN PLUG	1				

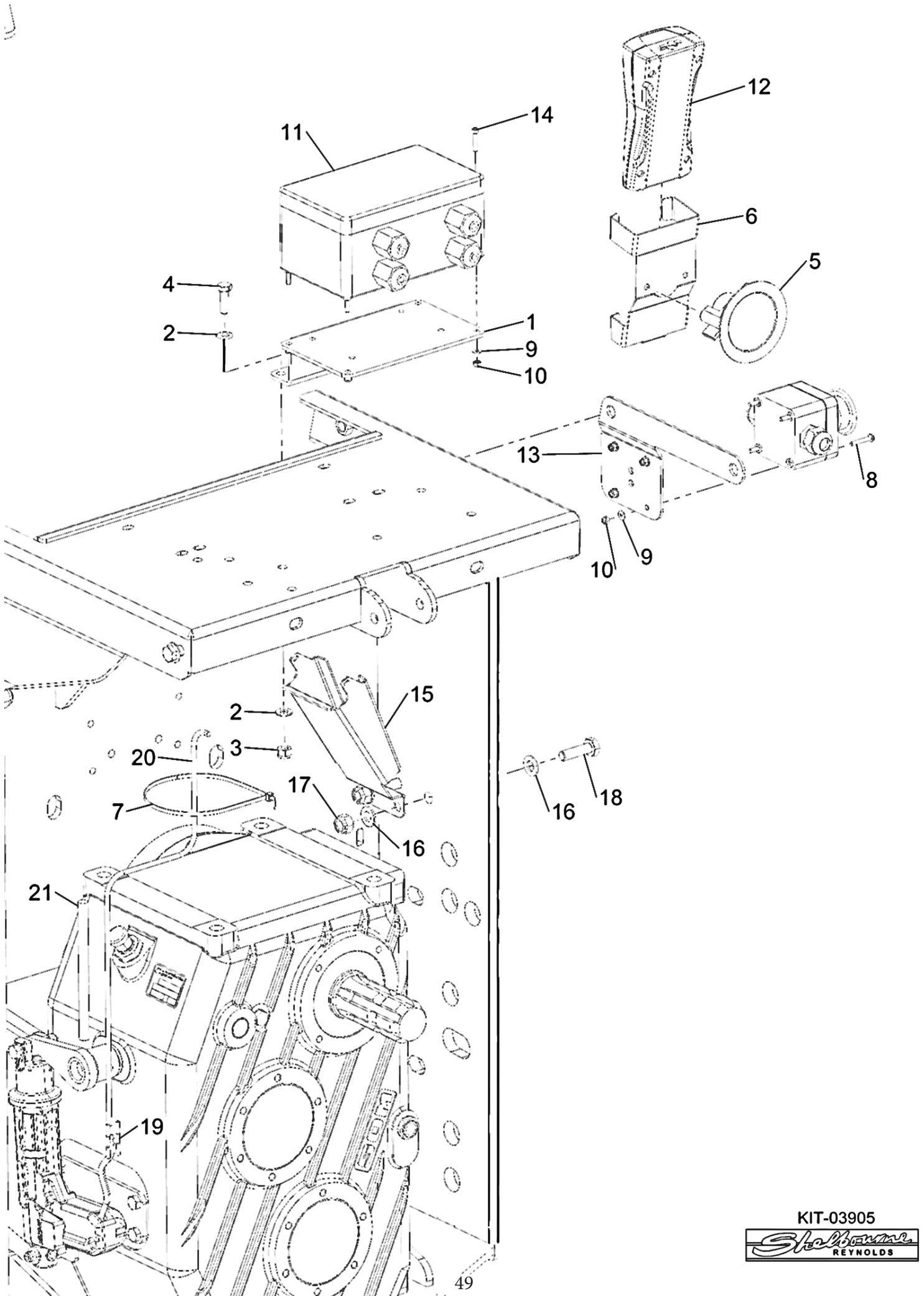


KIT-03900



Shelbourne Reynolds Engineering Limited

ASSY NUMBER: KIT-03905				ASSY DESCRIPTION: WIRELESS HYDRAULIC CONTROL KIT			
ITEM	PART NO	DESCRIPTION	QTY	ITEM	PART NO	DESCRIPTION	QTY
1	617693 01	CONTROL BOX MTG BRKT	1				
2	WSH-0012	WASHER (M8 PLAIN)	4				
3	NUT-0263	NUT	2				
4	HSS-0145	SETSCREW	2				
5	LCL-01249	SUCTION MOUNT ASSY	1				
6	617459 01	HANDSET CRADDLE	1				
7	TIE-0006	TIE WRAP LARGE	10				
8	SCFC04170	PAN HD SCREW	4				
9	WSH-0003	WASHER	8				
10	NUT-0255	NUT	8				
11	HVC-06000	REMOTE CONTROL BASE UNIT	1				
12	HVC-06001	REMOTE CONTROL HANDSET	1				
13	617587 01	EMERGENCY STOP MTG BRKT	1				
14	SCW-0035	SOC HD SCREW	4				
15	616450 01	STORAGE CRADDLE	1				
16	WSH-0015	WASHER	4				
17	NUT-0265	NUT	2				
18	HSS-0198	SETSCREW	2				
19	ETM-04630	HEAT SHRINK CRIMP CONNECTOR	2				
20	CBL-03010	CABLE (2-CORE)	2m				
21	PHS-00455	HEAT SHRINK TUBE (10mm)	0.1m				

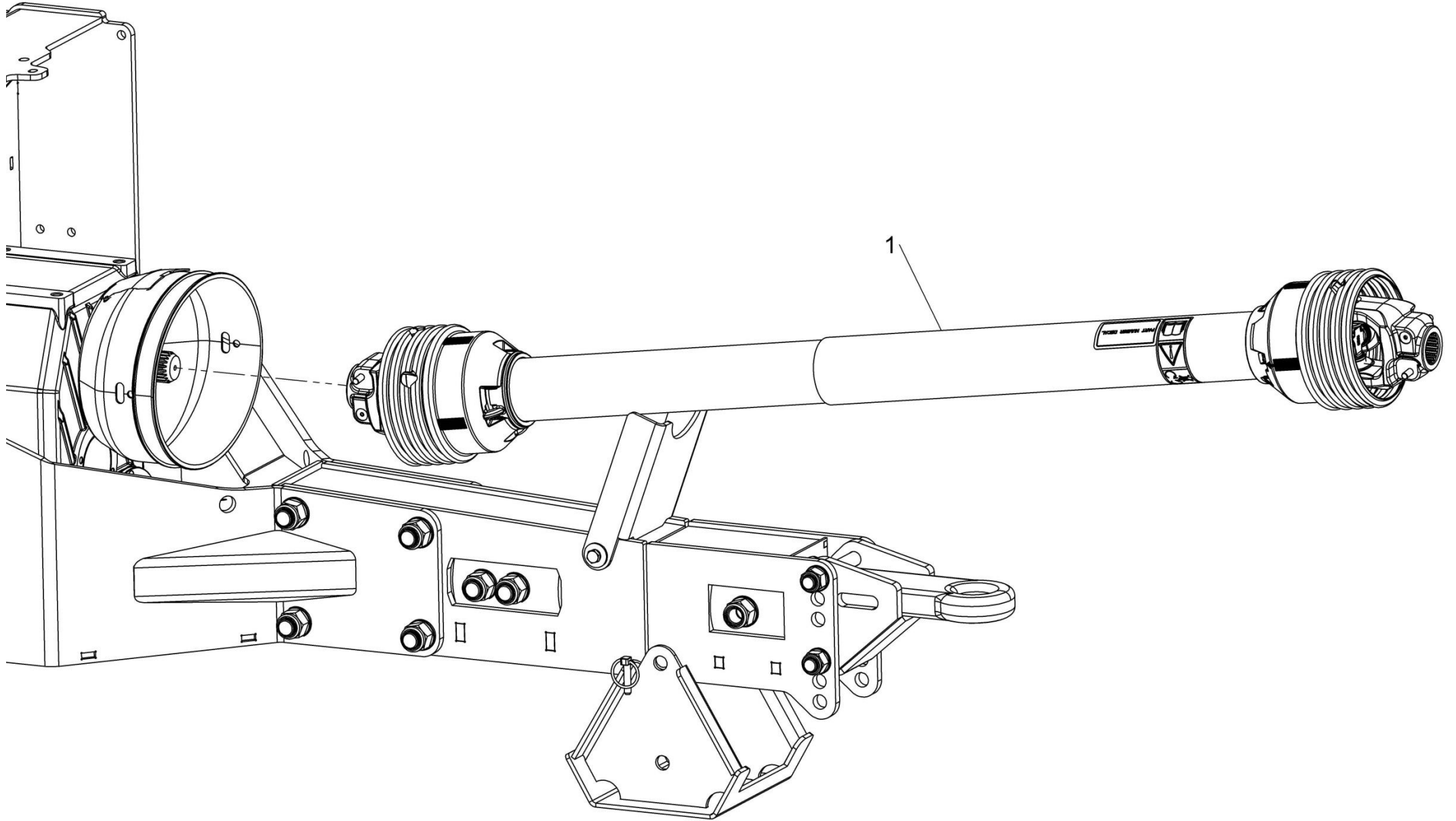


KIT-03905



Shelbourne Reynolds Engineering Limited

ASSY NUMBER: KIT-03908A				ASSY DESCRIPTION: W-A INPUT PTO SHAFT KIT (16-22M PLUS)			
ITEM	PART NO	DESCRIPTION	QTY	ITEM	PART NO	DESCRIPTION	QTY
1	PTO-35020W	W-A INPUT PTO SHAFT (WALT)	1				

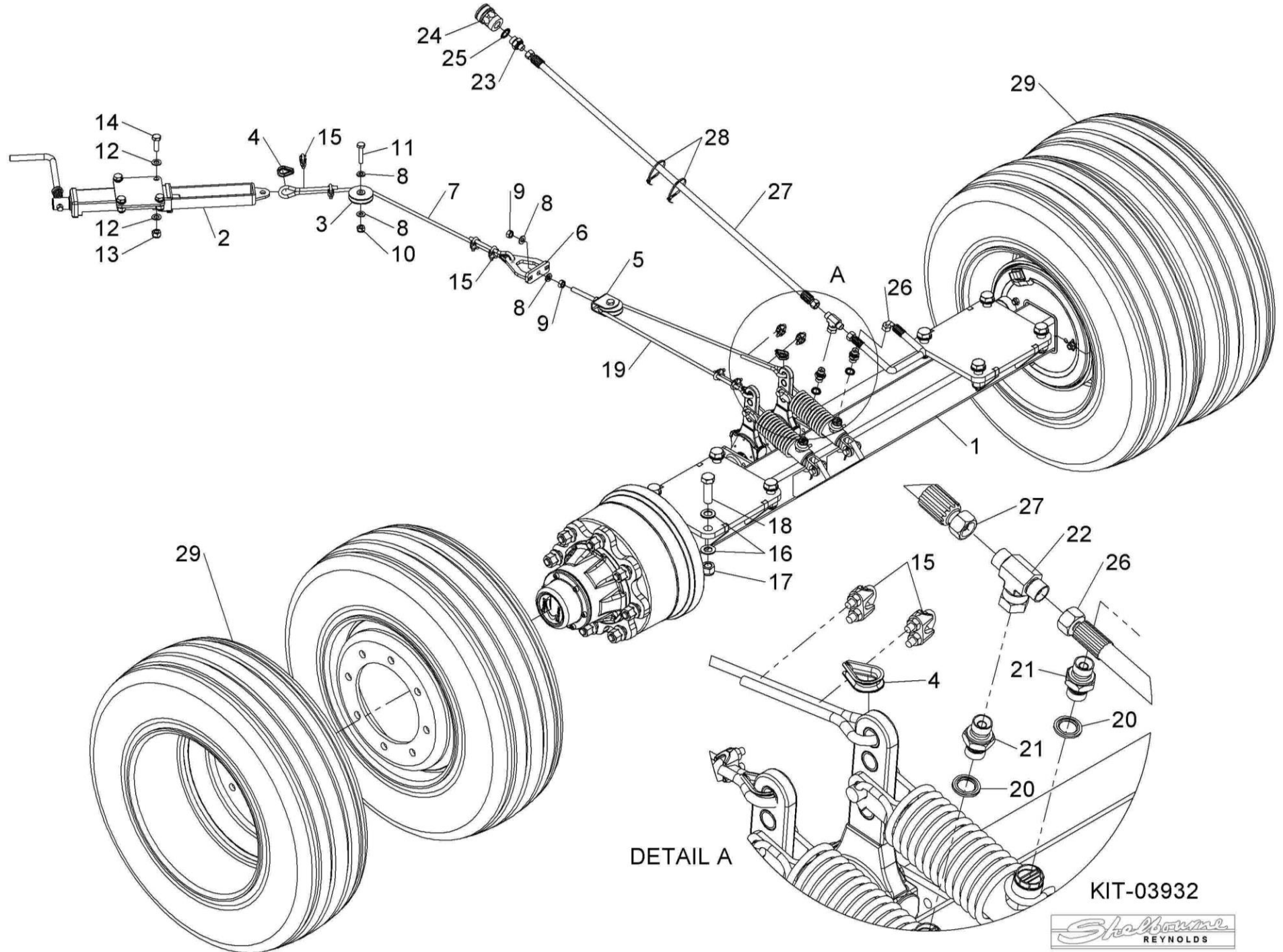


KIT-03908
KIT-03908A



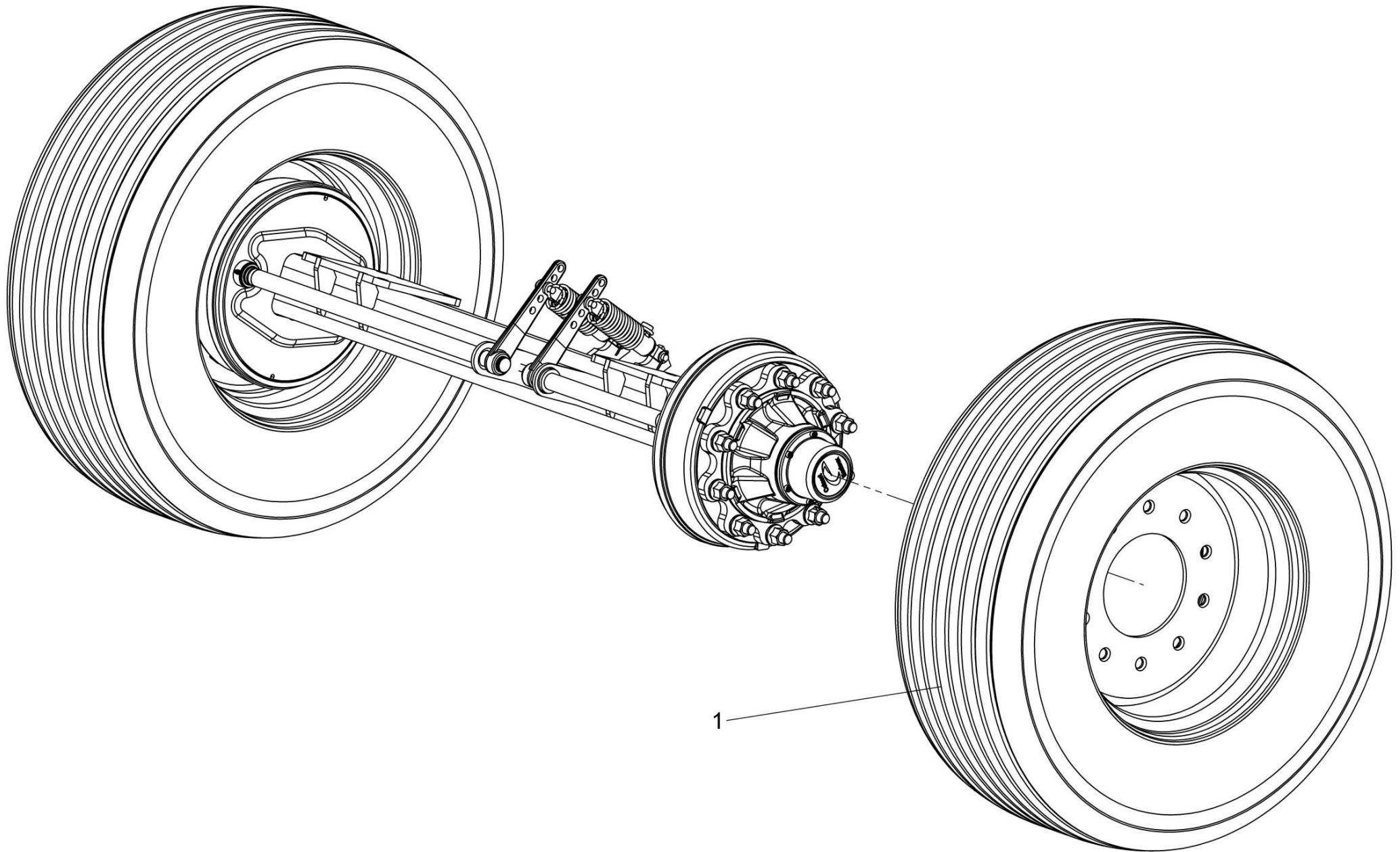
Shelbourne Reynolds Engineering Limited

ASSY NUMBER: KIT-03932				ASSY DESCRIPTION: AXLE & WHEEL KIT (235/75R17.5 DUAL)			
ITEM	PART NO	DESCRIPTION	QTY	ITEM	PART NO	DESCRIPTION	QTY
1	617230 01	SINGLE AXLE W/A	1				
2	616300 01	HANDBRAKE W/A	1				
3	BRA-14101	HANDBRAKE PULLEY	1				
4	WRP-01040	WIRE CABLE THIMBLE	4				
5	BRA-14002	PULLEY CARRIER ASSY	1				
6	616303 01	TENSIONER W/A	1				
7	CBL-30010	8mm CABLE	1.5m				
8	WSH-0015	WASHER	4				
9	NUT-0167	NUT	2				
10	NUT-0265	NUT	1				
11	HSS-0210	SETSCREW	1				
12	WSH-0018	WASHER	8				
13	NUT-0269	NUT	4				
14	HSS-0241	SETSCREW	4				
15	WRP-02080	WIRE CLAMP	8				
16	WSH-0030	WASHER	16				
17	NUTA02200	NUT	8				
18	HSSA20410	SETSCREW	8				
19	CBL-30010	8mm CABLE	1.1m				
20	WSH-1010	DOWTY WASHER	2				
21	HMA-0057	ADAPTOR M/M	2				
22	FITA10140	TEE FITTING	1				
23	HMA-0065	ADAPTOR M/M	1				
24	HQR-10007	QUICK RELEASE BRAKE COUPLING	1				
25	WSH-1015	DOWTY WASHER	1				
26	HHBC03205	HYD HOSE ASSY	1				
27	HHAE67005	HYD HOSE ASSY	1				
28	TIE-0004	TIE WRAPS (MED)	16				
29	WHL-01740	WHEEL & TYRE ASSY 235/75R17.5	4				
30							
31							
32							
33							
34							
35							
36							
37							
38							
39							
40							



Shelbourne Reynolds Engineering Limited

ASSY NUMBER: KIT-03934A				ASSY DESCRIPTION: TANDEM WHEEL & TYRE KIT (385/55-R19.5-35m)			
ITEM	PART NO	DESCRIPTION	QTY	ITEM	PART NO	DESCRIPTION	QTY
1	WHL-01921	WHEEL & TYRE ASSY	4				

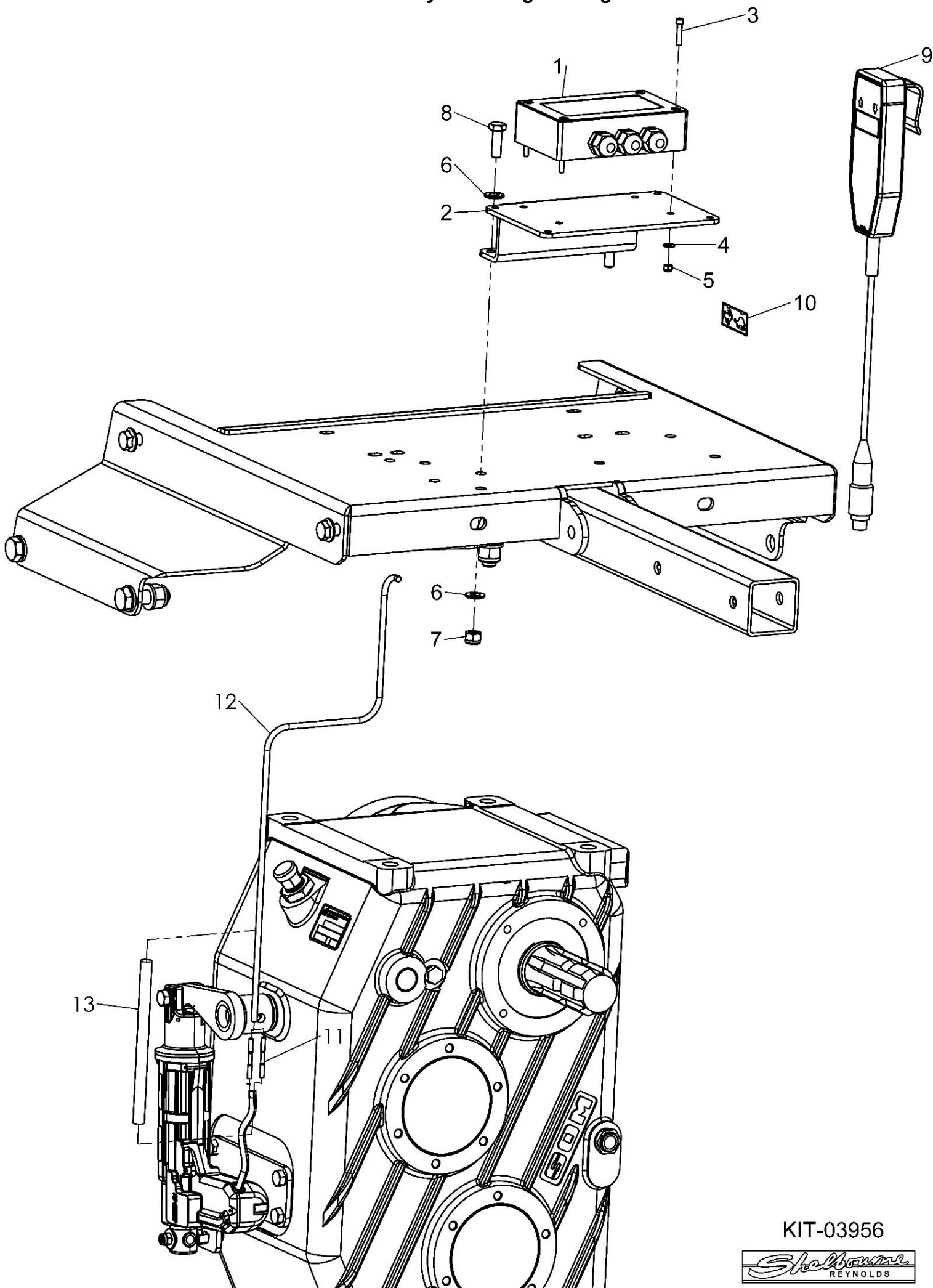


KIT-03934/A



Shelbourne Reynolds Engineering Limited

ASSY NUMBER: KIT-03956				ASSY DESCRIPTION: 2-SPEED GEAR CHANGE HANDSET KIT			
ITEM	PART NO	DESCRIPTION	QTY	ITEM	PART NO	DESCRIPTION	QTY
1	MOTE11020B	ACTUATOR CONTROL BOX	1				
2	617693 01	CONTROL BOX MTG BRACKET	1				
3	SCW-0035	CP HD SCREW	4				
4	WSH-0003	WASHER	4				
5	NUT-0255	NUT	4				
6	WSH-0012	WASHER	4				
7	NUT-0263	NUT	2				
8	HSS-0145	SETSCREW	2				
9	MOTE11020C	HB40 HANDSET	1				
10	617586 01	AUGER SPEED EMBLEM	1				
11	ETM-04630	HEAT SHRINK CRIMP CONNECTOR	2				
12	CBL-03010	CABLE (2-CORE)	2m				
13	PHS-00455	HEAT SHRINK TUBE (10mm)	0.1m				

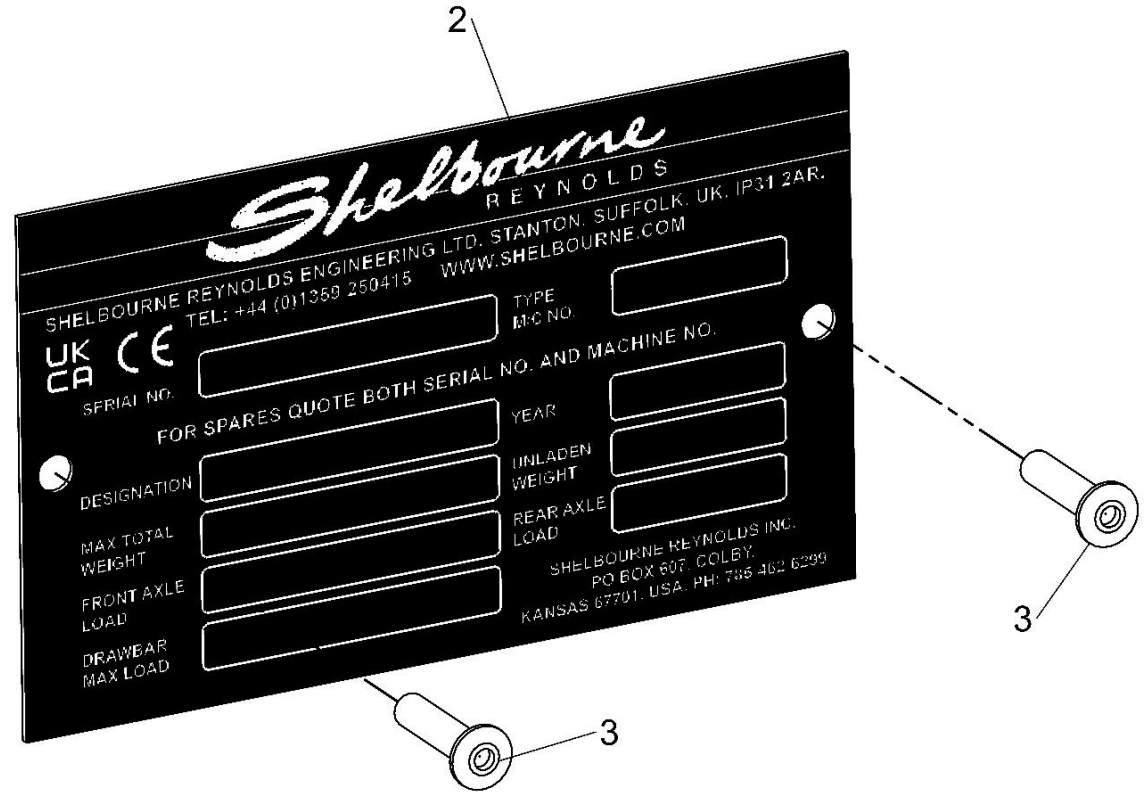
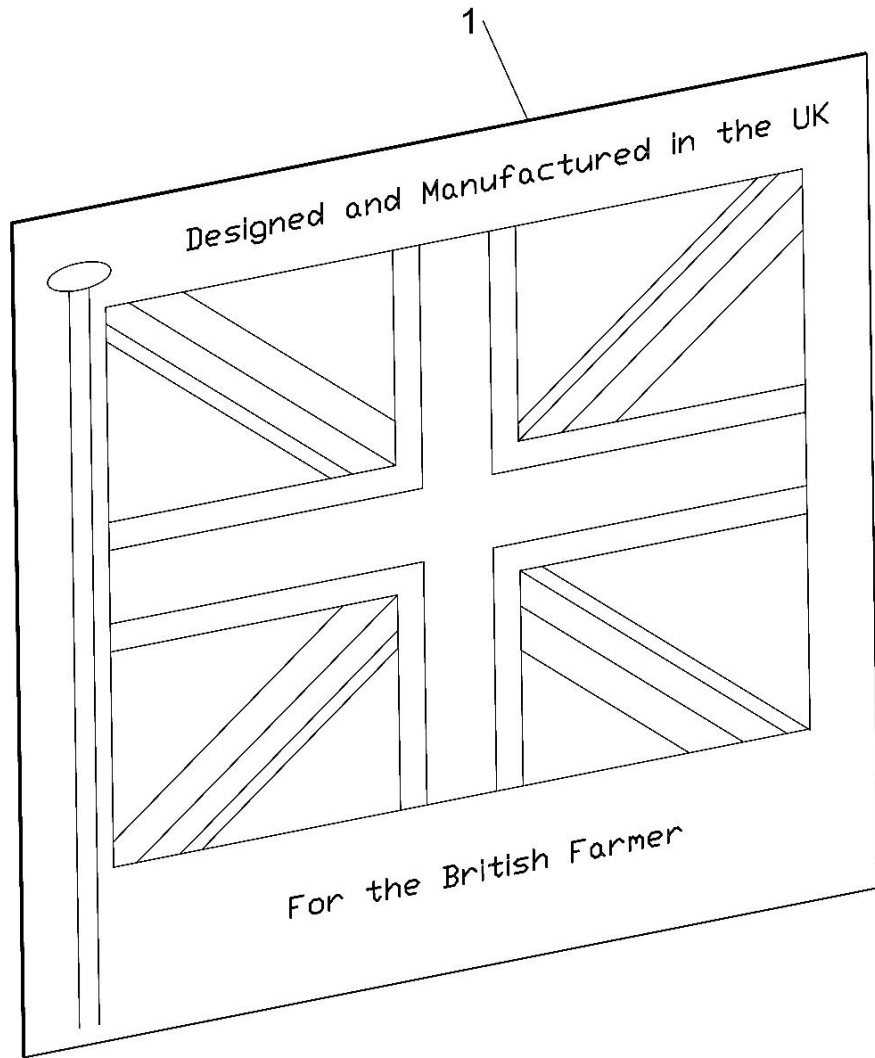


KIT-03956



Shelbourne Reynolds Engineering Limited

ASSY NUMBER: KIT-03959				ASSY DESCRIPTION: UK AREA KIT			
ITEM	PART NO	DESCRIPTION	QTY	ITEM	PART NO	DESCRIPTION	QTY
1	610563 01	UNION JACK EMBLEM	1				
2	290526 01	SERIAL NUMBER PLATE	1				
3	POP-0006	POP RIVET	2				

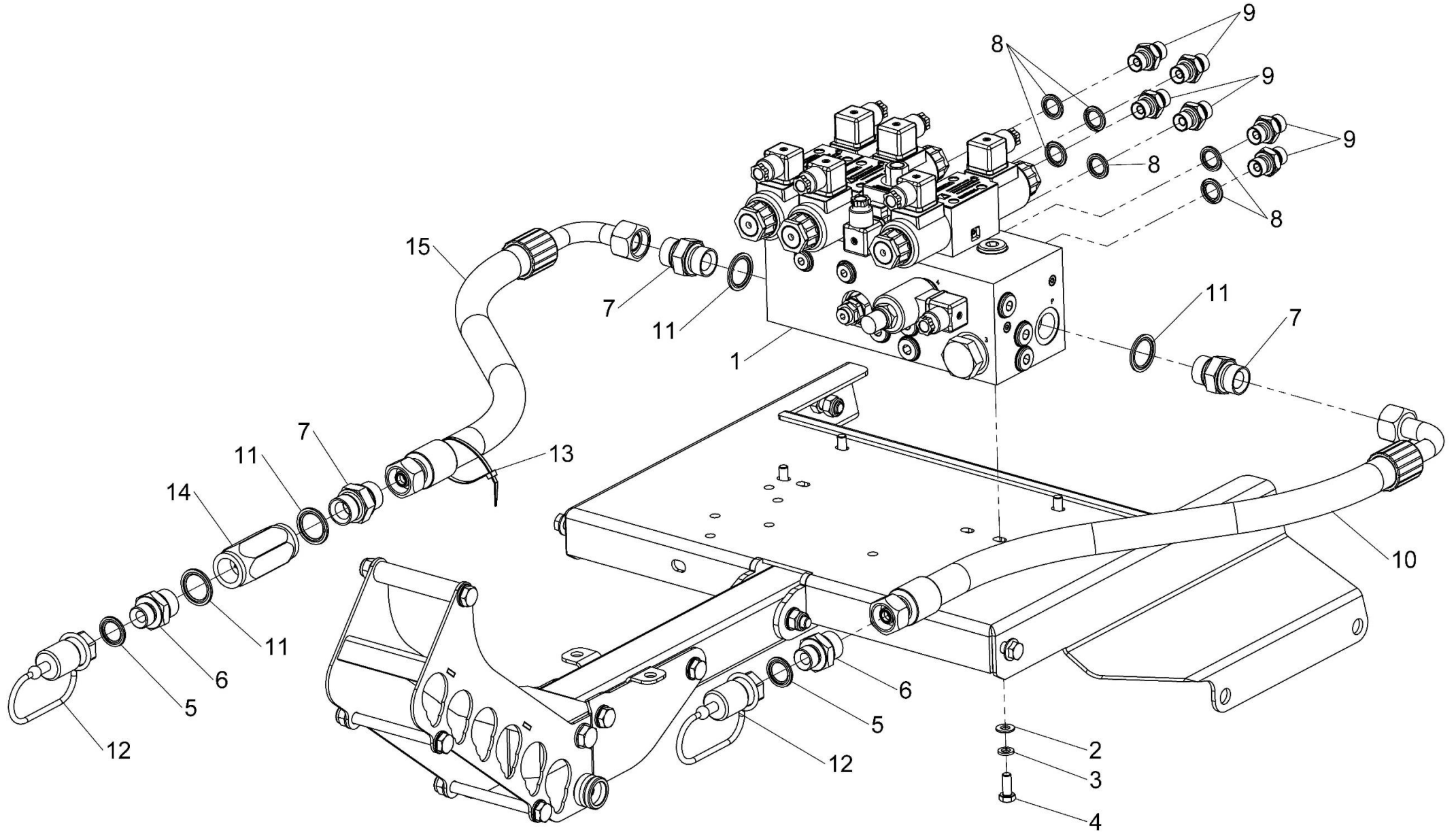


KIT-03959



Shelbourne Reynolds Engineering Limited

ASSY NUMBER: KIT-03965				ASSY DESCRIPTION: HYDRAULIC VALVE KIT (3/4" HOSES STEEL V)			
ITEM	PART NO	DESCRIPTION	QTY	ITEM	PART NO	DESCRIPTION	QTY
1	HVB-19140S	PROPORTIONAL CONTROL VALVE	1				
2	WSH-0012	WASHER	4				
3	WSH-0058	WASHER	4				
4	HSS-0140	SETSCREW	4				
5	WSH-1015	DOWTY WASHER	2				
6	HMA-0060	M/M ADAPTOR	2				
7	HMA-0074	M/M ADAPTOR	3				
8	WSH-1010	DOWTY WASHER	6				
9	HMA-0057	M/M ADAPTOR	6				
10	HHBH19505	HYDRAULIC HOSE	1				
11	WSH-1020	DOWTY WASHER	4				
12	COU-0162	QUICK RELEASE COUPLG	2				
13	TIE-0004	TIE WRAP	8				
14	HVB-20510	NON RETURN VALVE	1				
15	HHBH18305	HYDRAULIC HOSE	1				

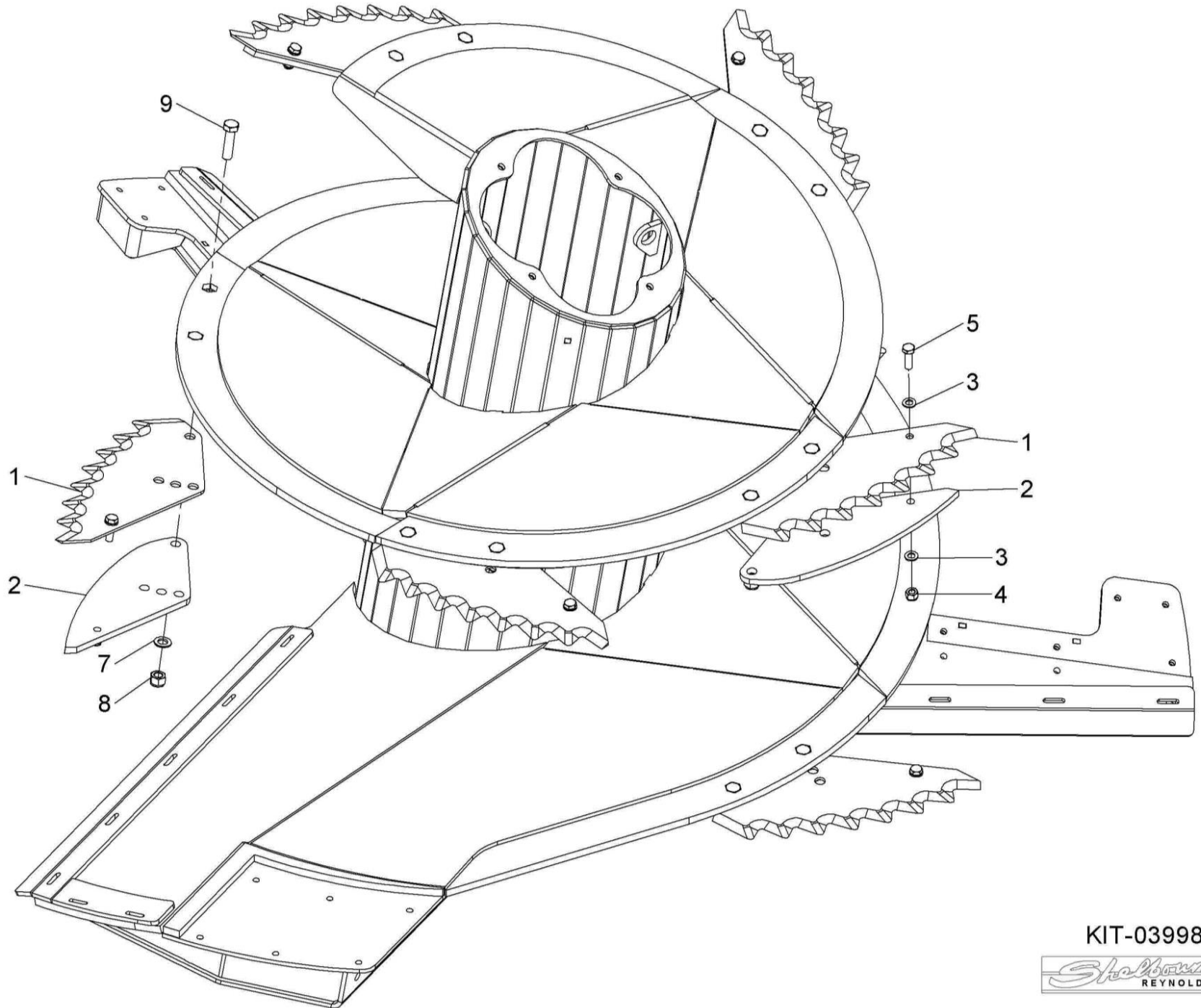


KIT-03965
KIT-03966



Shelbourne Reynolds Engineering Limited

ASSY NUMBER: KIT-03998				ASSY DESCRIPTION: STANDARD BLADE KIT (24m cu)			
ITEM	PART NO	DESCRIPTION	QTY	ITEM	PART NO	DESCRIPTION	QTY
1	614812 02	STANDARD AUGER BLADE	7				
2	614807 02	BACK UP PLATE	7				
3	WSH-0018	WASHER	14				
4	NUT-0269	NUT	7				
5	HSS-0250	SETSCREW	7				
6	615685 01	HEX SPACER	14				
7	WSHA30161	LOCK WASHER	14				
8	NUT-0271	NUT	14				
9	HSS-0320	SETSCREW	14				

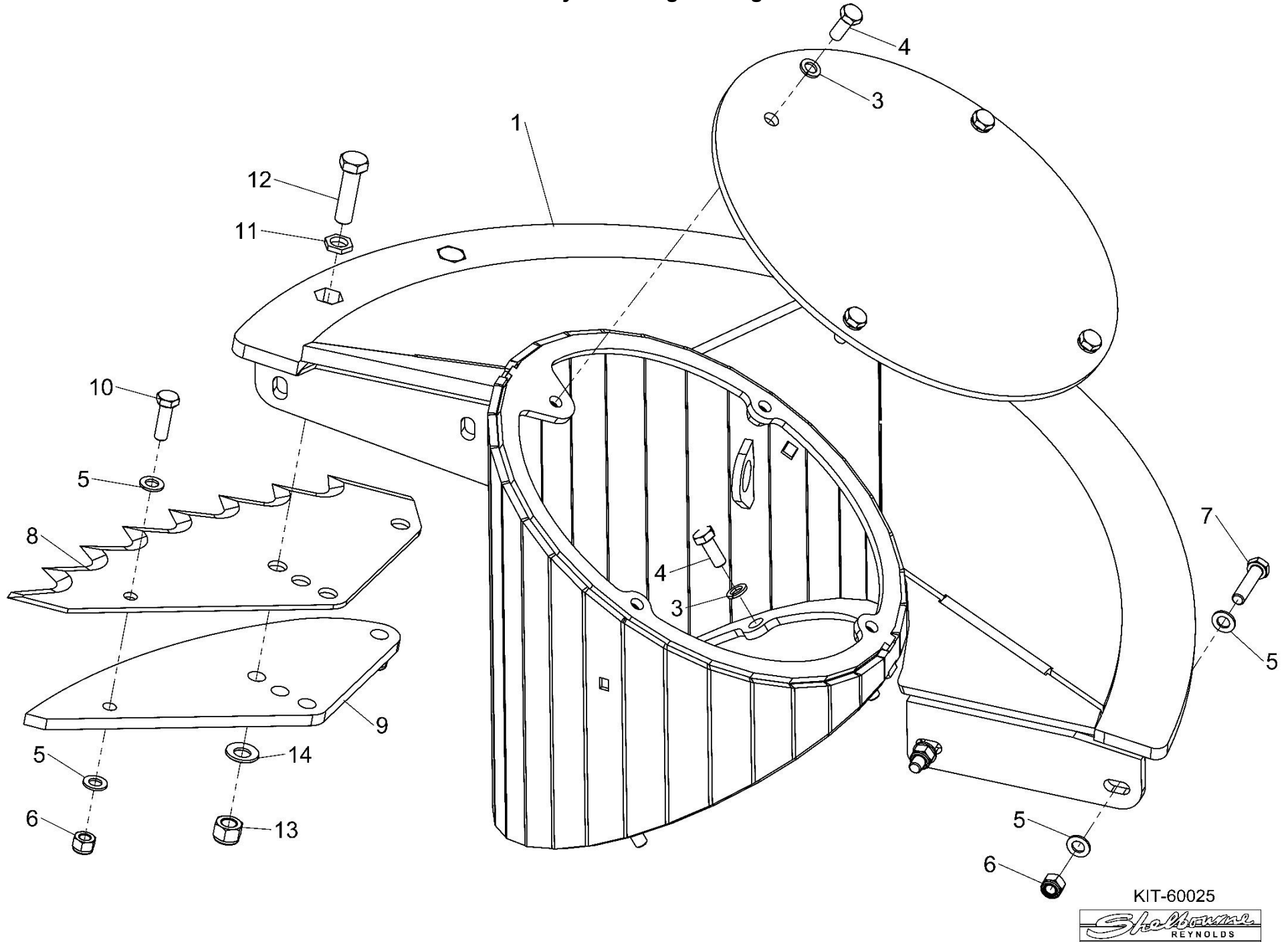


KIT-03998



Shelbourne Reynolds Engineering Limited

ASSY NUMBER: KIT-60025				ASSY DESCRIPTION: AUGER EXTENSION KIT			
ITEM	PART NO	DESCRIPTION	QTY	ITEM	PART NO	DESCRIPTION	QTY
1	620075 01	AUGER EXTENSION W/A	1				
2							
3	WSH-0065	SPRING WASHER	8				
4	HSS-0238	SET SCREW	8				
5	WSH-0018	PLAIN WASHER	6				
6	NUT-0269	NYLOC NUT	3				
7	HSS-0260	SET SCREW	2				
8	614812 02	AUGER BLADE	1				
9	614807 02	BLADE BACK UP PLATE	1				
10	HSS-0250	SET SCREW	1				
11	615685 01	HEX WASHER	2				
12	HSS-0320	HEX HEAD SETSCREW	2				
13	NUT-0271	NYLOC NUT	2				
14	WSHA30161	WASHER	2				

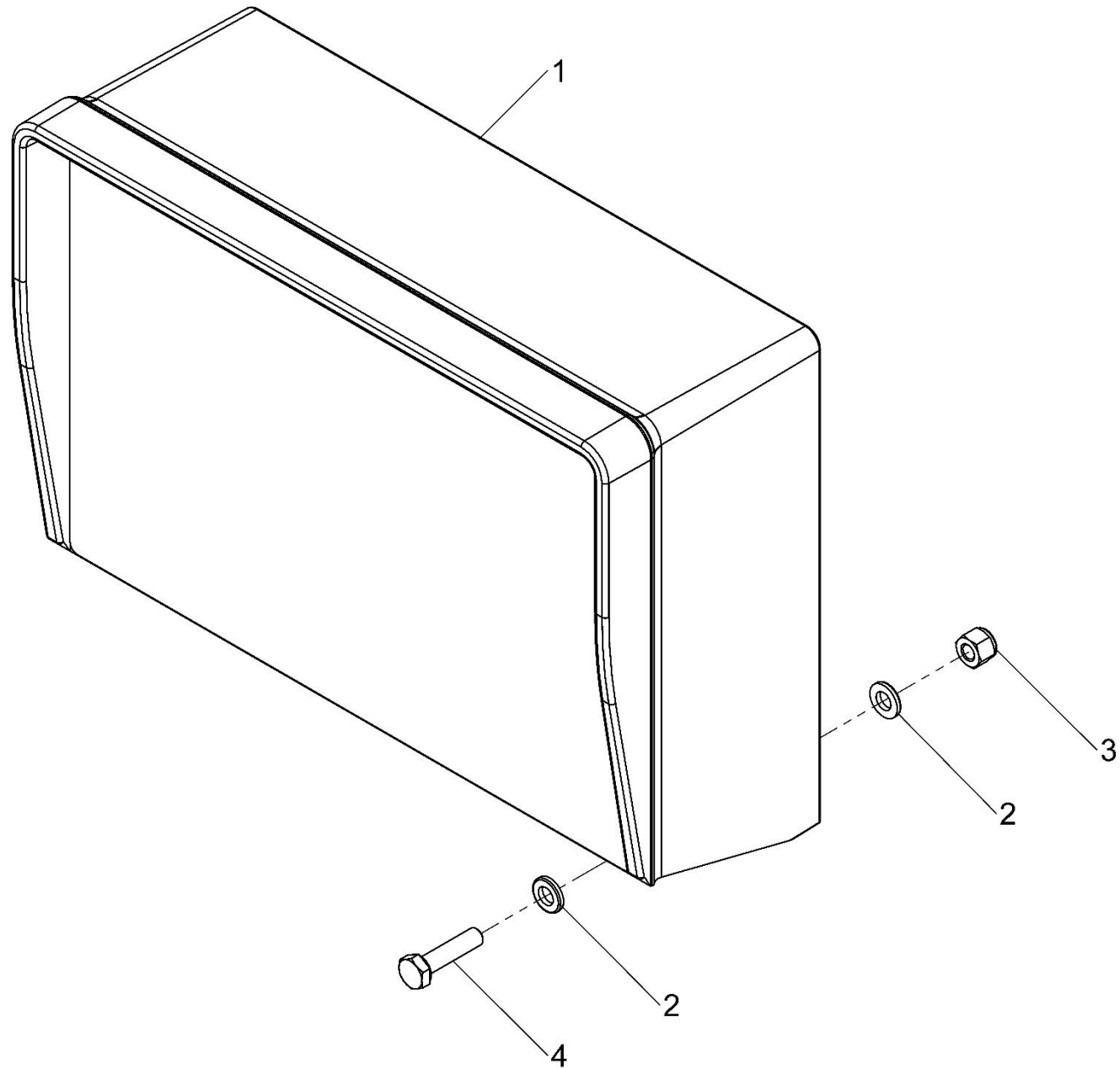


KIT-60025



Shelbourne Reynolds Engineering Limited

ASSY NUMBER: KIT-60032				ASSY DESCRIPTION: EZ3410 BT DISPLAY KIT			
ITEM	PART NO	DESCRIPTION	QTY	ITEM	PART NO	DESCRIPTION	QTY
1	LCL-01270	EZ3410 BT DISPLAY	1				
2	WSH-0009	PLAIN WAASHER	4				
3	NUT-0260	NYLOC NUT	2				
4	HSS-0088	SETSCREW	2				



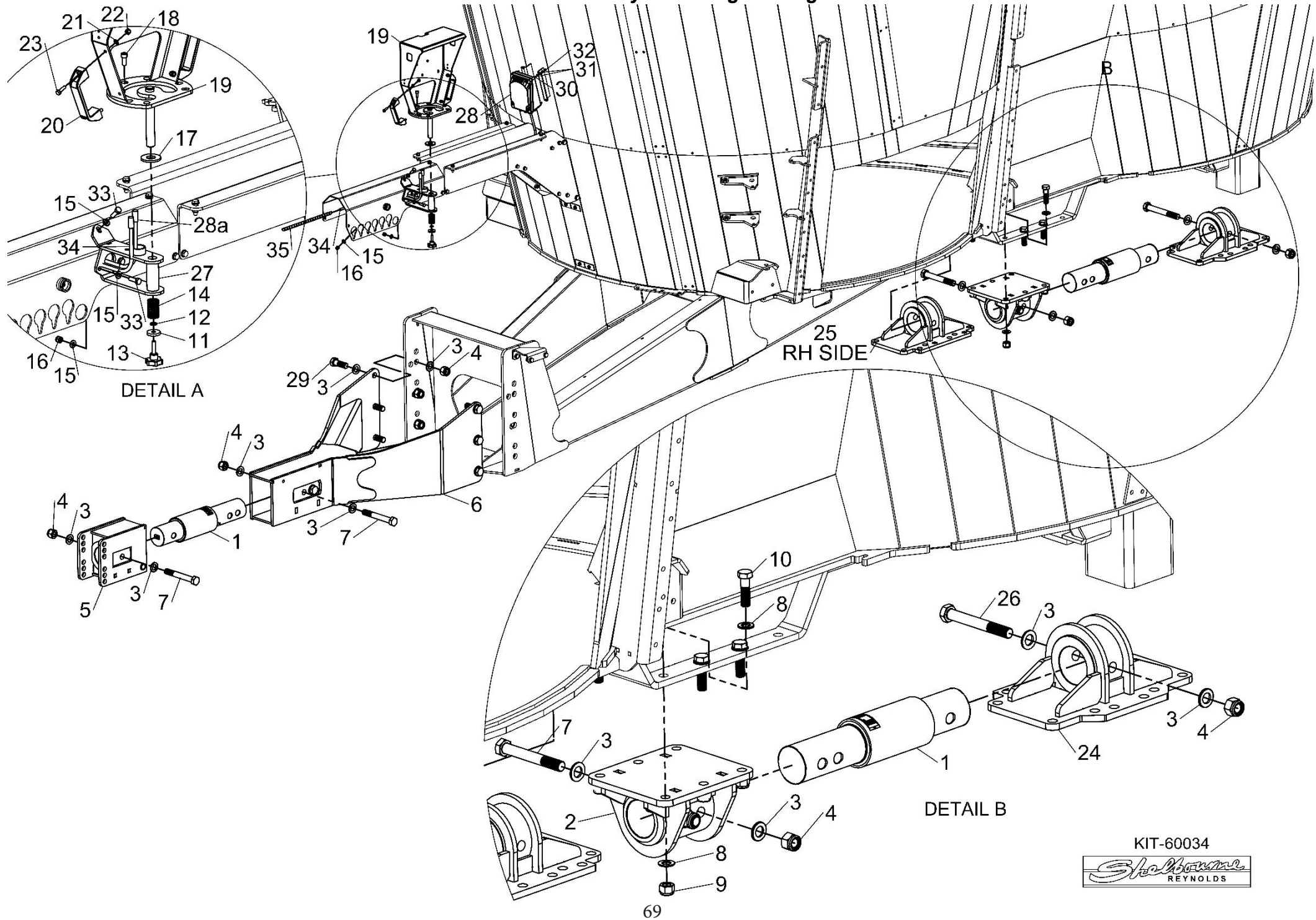
KIT-60032



Shelbourne Reynolds Engineering Limited

ASSY NUMBER: KIT-60034				ASSY DESCRIPTION: DRAWBAR & LOADCELLS KIT			
ITEM	PART NO	DESCRIPTION	QTY	ITEM	PART NO	DESCRIPTION	QTY
1	LCL-01202	LOADCELL	3				
2	615912 01	LOADCELL MTG BOSS W/A	2				
3	WSH-0036	WASHER	31				
4	NUT-0275	NUT	15				
5	617049 01	FRONT LOADCELL MTG W/A	1				
6	620338 01	DRAWBAR W/A	1				
7	BLTA24774	HEX HEAD BOLT PLATED	7				
8	WSH-0030	WASHER	24				
9	NUTA02200	NUT	12				
10	BLT-2367	BOLT	12				
11	190548 29	WASHER	1				
12	WSH-0058	WASHER	1				
13	KNO-0002	BLACK KNOB	1				
14	SPGC32355	COMPRESSION SPRING	1				
15	WSH-0012	WASHER	7				
16	NUT-0263	NUT	4				
17	198800 46	WASHER	1				
18	SCW-0133	CAP HEAD SCREW	1				
19	618846 01	DISPLAY COVER W/A	1				
20	HND-0000	BLACK PLASTIC HANDLE	2				
21	WSH-0009	WASHER	4				
22	NUT-0260	NUT	4				
23	HSS-0086	SET SCREW	4				
24	620126 01	LOADCELL MTG BOSS W/A	1				
25	620126 02	LOADCELL MTG BOSS W/A	1				
26	BLTA24804	BOLT	2				
27	620272 01	DISPLAY COVER MTG BRKT	1				
28	LCL-01205	LOADCELL JUNCTION BOX	1				
28a	LCL-01206	SENSOR CABLE					
29	616862 01	MODIFIED BOLT	6				
30	SCW-0035	CAP HEAD SCREW	4				
31	WSH-0003	WASHER (M4 PLAIN)	8				
32	NUT-0255	NUT	4				
33	HSS-0145	BOLT	3				
34	LCL-01210	POWER CORD	1				
35	SLV-00300	SPIRAL CONVOLUTE TUBING	10m				

Shelbourne Reynolds Engineering Limited



DETAIL A

RH SIDE

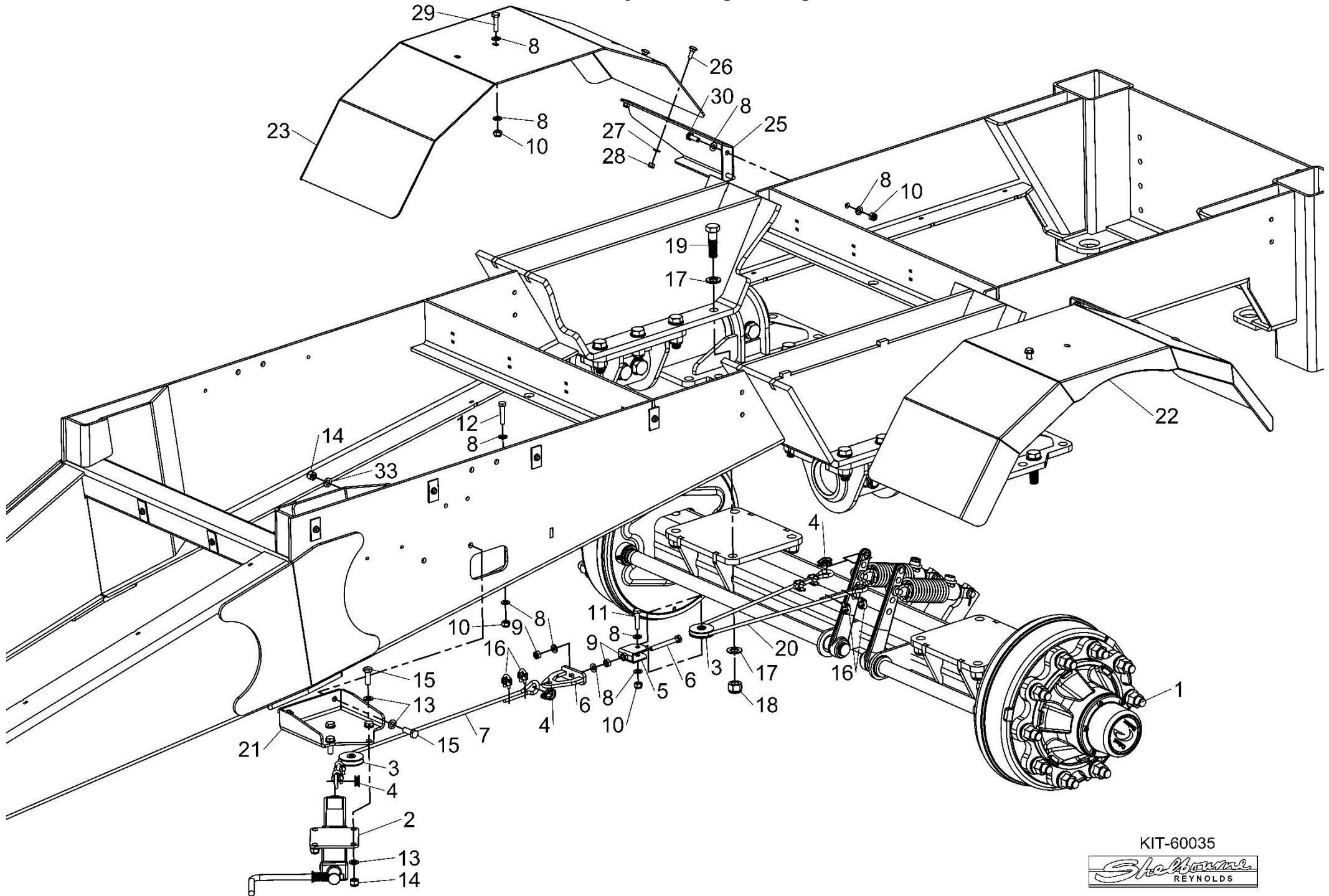
DETAIL B

KIT-60034



Shelbourne Reynolds Engineering Limited

ASSY NUMBER: KIT-60035				ASSY DESCRIPTION: SINGLE AXLE KIT			
ITEM	PART NO	DESCRIPTION	QTY	ITEM	PART NO	DESCRIPTION	QTY
1	615932 01	SINGLE AXLE W/A	1				
2	616300 01	HANDBRAKE W/A	1				
3	BRA-14101	HANDBRAKE PULLEY	2				
4	WRP-01040	WIRE CABLE THIMBLE	4				
5	BRA-14002	PULLEY CARRIER	1				
6	616303 01	TENSIONER W/A	1				
7	CBL-30010	8mm CABLE	1.5m				
8	WSH-0015	WASHER	18				
9	NUT-0167	NUT	2				
10	NUT-0265	NUT	8				
11	BLTA10290	BOLT	1				
12	HSS-0210	SETSCREW	1				
13	WSH-0018	WASHER	8				
14	NUT-0269	NUT	4				
15	HSS-0241	SETSCREW	4				
16	WRP-02080	WIRE CLAMP	8				
17	WSH-0030	WASHER	16				
18	NUTA02200	NUT	8				
19	BLT-2367	BOLT	8				
20	CBL-30010	8mm CABLE	1.3m				
21	620291 01	HANDBRAKE MOUNTING PLATE	1				
22	620296 01	SINGLE AXLE MUD GUARD LH	1				
23	620296 02	SINGLE AXLE MUD GUARD RH	1				
24	620297 01	MUD GUARD BRACKET LH	1				
25	620297 02	MUD GUARD BRACKET RH	1				
26	BLTF08173	COACH BOLT	4				
27	WSH-0012	WASHER	4				
28	NUT-0263	NUT	4				
29	HSS-0202	SETSCREW	2				
30	HSS-0194	SETSCREW	4				



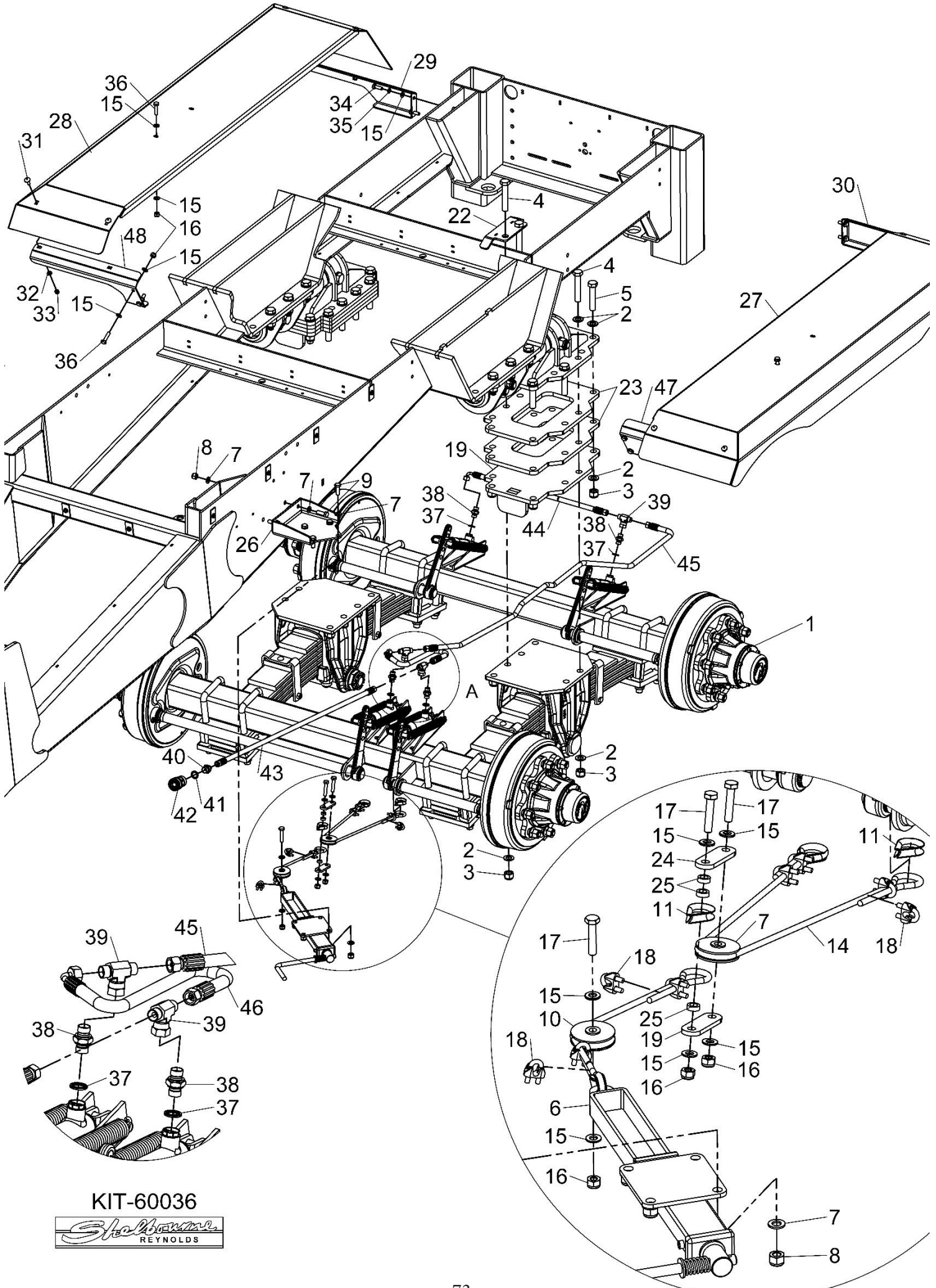
KIT-60035



Shelbourne Reynolds Engineering Limited

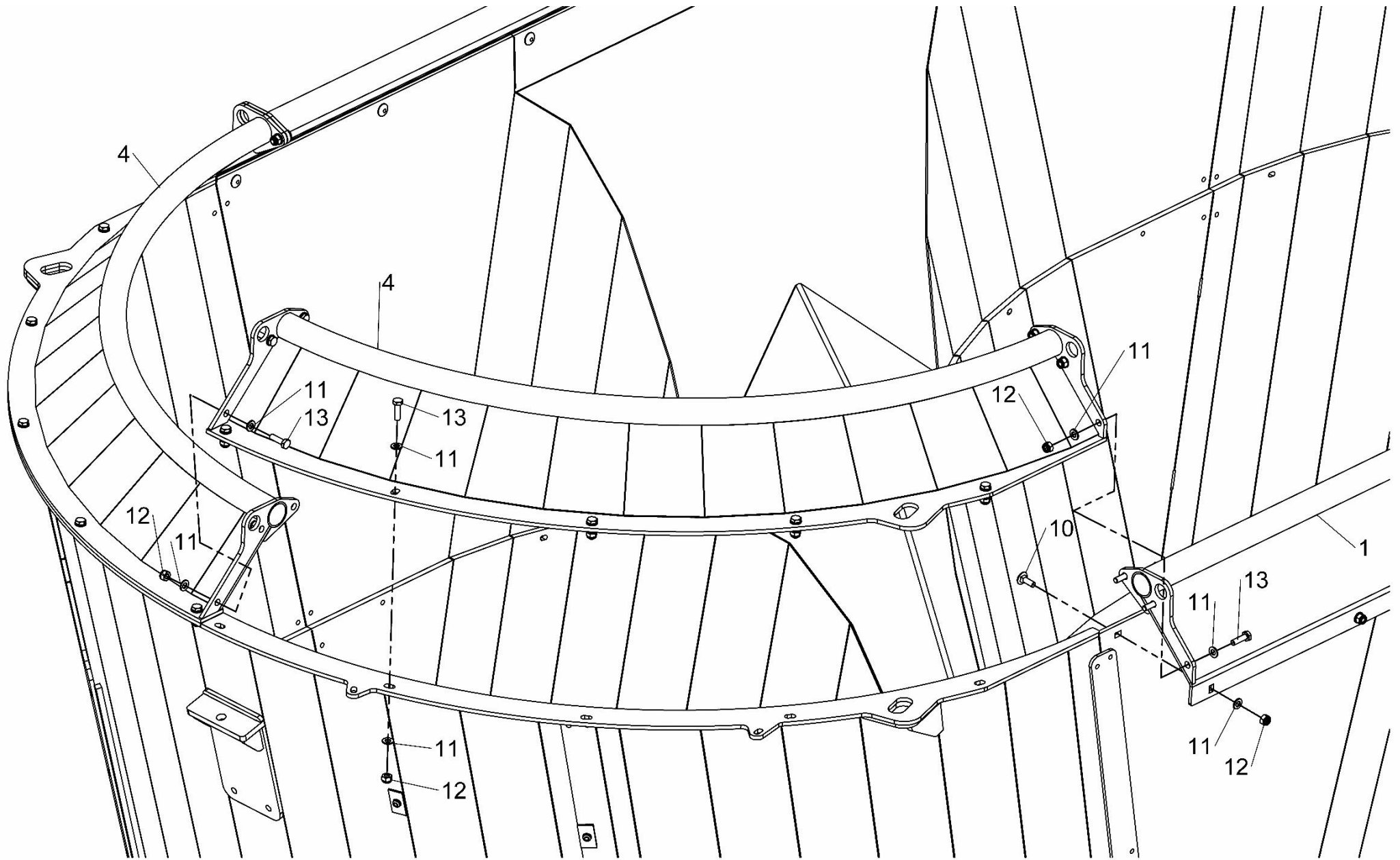
ASSY NUMBER: KIT-60036				ASSY DESCRIPTION: TANDEM AXLE KIT			
ITEM	PART NO	DESCRIPTION	QTY	ITEM	PART NO	DESCRIPTION	QTY
1	AXL-00235	TANDEM AXLE	1	41	WSH-1015	DOWTY WASHER	1
2	WSH-0030	WASHER	38	42	HQR-10007	QUICK RELEASE BRAKE COUPLING	1
3	NUTA02200	NUT	20	43	HHAE63005	HYD HOSE ASSY	1
4	BLTA20590	BOLT	12	44	HHBE09205	HYD HOSE ASSY	1
5	BLTA20560	BOLT	8	45	HHAE14005	HYD HOSE ASSY	1
6	616300 01	HANDBRAKE W/A	1	46	HHBE03605	HYD HOSE ASSY	1
7	WSH-0018	WASHER	12	47	620555 01	FRONT MUD GUARD BRACKET LH	1
8	NUT-0269	NUT	6	48	620555 02	FRONT MUD GUARD BRACKET RH	1
9	HSS-0241	SETSCREW	6				
10	BRA-14101	HANDBRAKE PULLEY	2				
11	WRP-01050	WIRE CABLE THIMBLE	4				
12							
13							
14	CBL-30010	CABLE	1.5m				
15	WSH-0015	WASHER	22				
16	NUT-0265	NUT	9				
17	HSS-0210	SETSCREW	3				
18	WRP-02080	WIRE CLAMP	8				
19	617054 01	AXLE STOP PLATE W/A	2				
20	CBL-30010	CABLE	1.0m				
21							
22	591889 01	HOSE FIXING PLATE	1				
23	617058 01	SPACER PLATE	4				
24	617590 01	LINK PLATE	2				
25	198800 68	WASHER	3				
26	620291 01	HANDBRAKE MOUNTING PLATE	1				
27	620257 01	TANDEM AXLE MUD GUARD LH	1				
28	620257 02	TANDEM AXLE MUD GUARD RH	1				
29	620294 01	MUD GUARD BRACKET LH	1				
30	620294 02	MUD GUARD BRACKET RH	1				
31	BLTF08173	COACH BOLT	8				
32	WSH-0012	WASHER	8				
33	NUT-0263	NUT	8				
34	HSS-0194	SETSCREW	4				
35	WSH-0061	SPRING WASHER	4				
36	HSS-0202	SETSCREW	6				
37	WSH-1010	DOWTY WASHER	4				
38	HMA-0057	ADAPTOR M/M	4				
39	FITA10140	TEE FITTING	3				
40	HMA-0065	ADAPTOR M/M	1				

Shelbourne Reynolds Engineering Limited



Shelbourne Reynolds Engineering Limited

ASSY NUMBER :KIT-60037				ASSY DESCRIPTION: STRAW RING KIT			
ITEM	PART NUMBER	DESCRIPTION	QTY	ITEM	PART NUMBER	DESCRIPTION	QTY
1	620305 01	SIDE STRAW RING W/A	2				
2	620299 01	LH STRAW RING W/A	2				
3	620299 02	RH STRAW RING W/A	2				
4	BLT-3750	COACHBOLT	16				
5	WSH-0015	WASHER	92				
6	NUT-0265	NUT	54				
7	HSS-0198	SETSCREW	38				

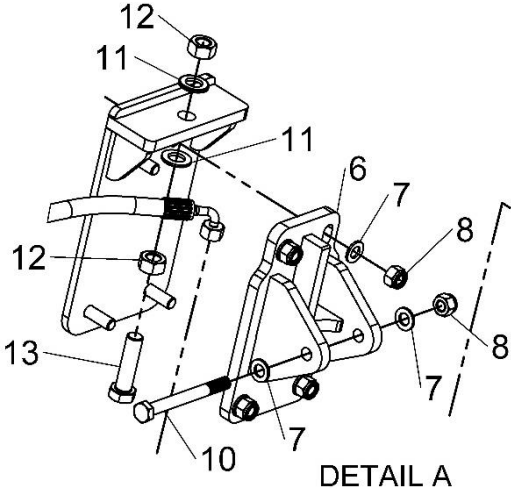
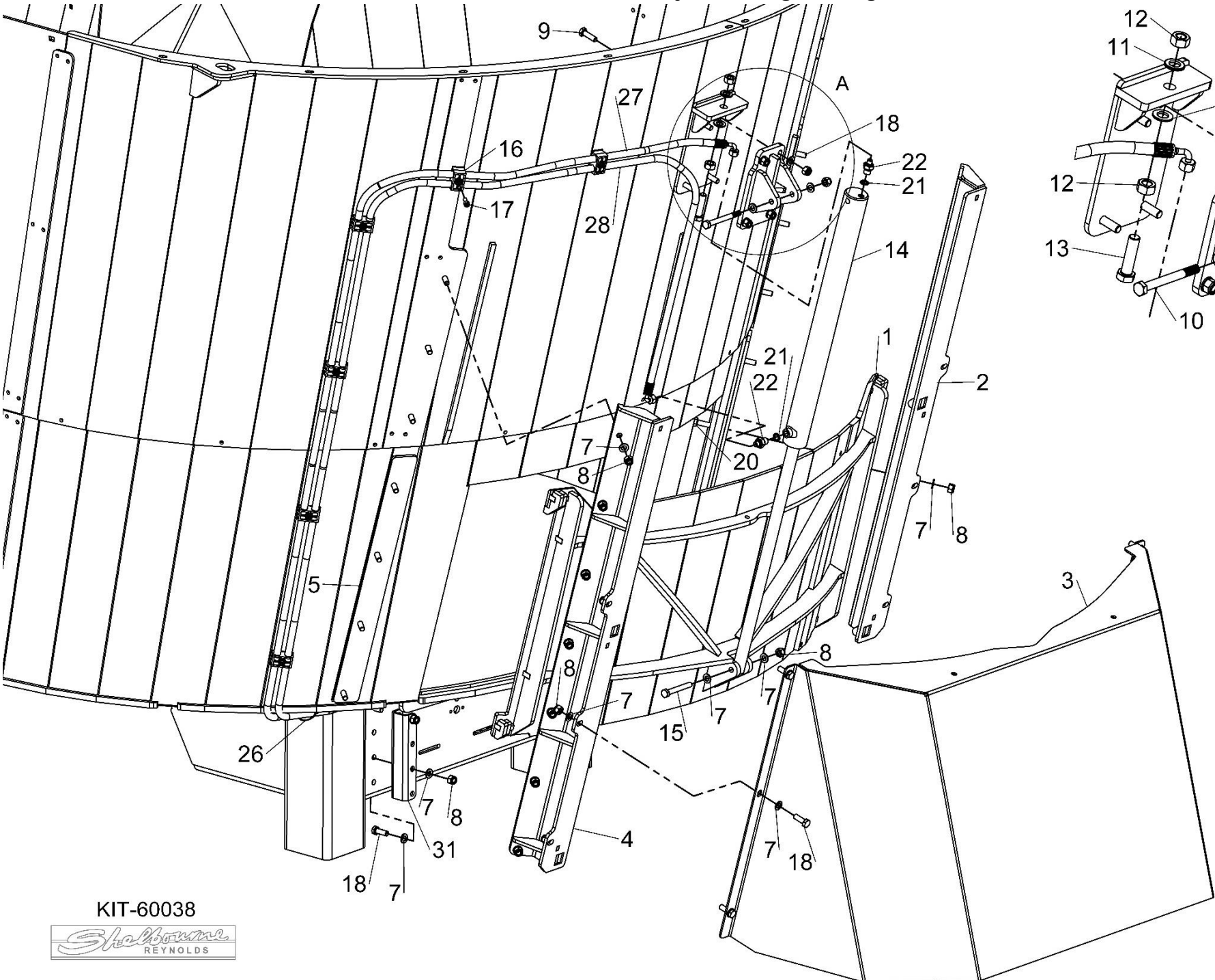


KIT-60037



Shelbourne Reynolds Engineering Limited

ASSY NUMBER: KIT-60038				ASSY DESCRIPTION: REAR DOOR KIT (PLUS MODEL 2021)			
ITEM	PART NO	DESCRIPTION	QTY	ITEM	PART NO	DESCRIPTION	QTY
1	620310 01	DOOR W/A	1				
2	617591 01	LH DOOR SLIDER W/A	1				
3	617595 01	SAFETY GUARD PLATE	1				
4	617591 02	RH DOOR SLIDER W/A	1				
5	617037 01	SPACER PLATE	2				
6	617538 01	RAM ADJUSTER W/A	1				
7	WSH-0018	WASHER	45				
8	NUT-0269	NUT	30				
9	HSS-0250	SETSCREW	4				
10	BLTA12620	BOLT	1				
11	WSH-0024	WASHER	2				
12	NUT-0180	NUT	2				
13	HSS-0320	SETSCREW	1				
14	610908 01	DOOR RAM	1				
15	BLT-2267	BOLT	1				
16	HCPD01800	HYD PIPE CLAMP	6				
17	SCW-0133	CP HD SCREW	6				
18	HSS-0241	SETSCREW	16				
19	615879 01	BOLT SPACER	8				
20	HSS-0260	SETSCREW	8				
21	WSH-1005	DOWTY WASHER	6				
22	FIT-0025	M/M ADAPTOR	6				
23	HMA-0065	M/M ADAPTOR	2				
24	WSH-1015	DOWTY WASHER	2				
25	COU-0162	QUICK RELEASE COUPLG	2				
26	TIE-0004	TIE WRAP	20				
27	HHCE89005	HYD HOSE ASSY	1				
28	HHCE94005	HYD HOSE ASSY	1				
29							
30							
31	620335 01	LIGHTBOARD BRKT	2				
32	620613 01	PO CHECK MTG BRKT	1				
33	HVB-27000	PO CHECK VALVE	1				
34	WSH-0009	WASHER	8				
35	NUT-0260	NUT	4				
36	HSS-0088	SETSCREW	2				
37	BLTA06320	BOLT	2				
38	HALAA0505	90 DEG ELBLOW FITTING	2				
39	HHBE25005	HYD HOSE ASSY	2				

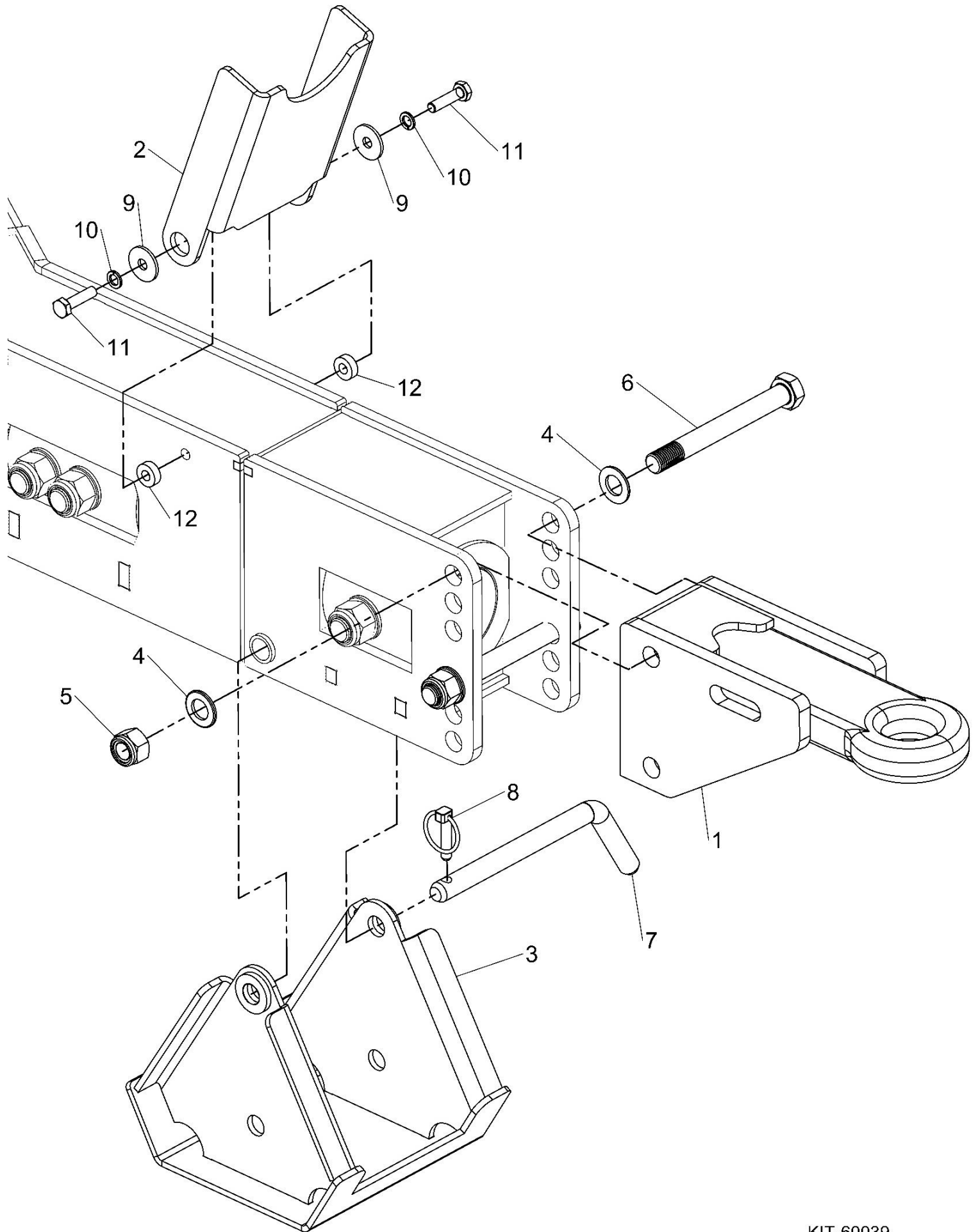


KIT-60038



Shelbourne Reynolds Engineering Limited

ASSY NUMBER: KIT-60039				ASSY DESCRIPTION: UK TOW EYE KIT			
ITEM	PART NO	DESCRIPTION	QTY	ITEM	PART NO	DESCRIPTION	QTY
1	617000 01	HEAVY DUTY UK TOW EYE	1				
2	617047 01	PTO STAND	1				
3	615962 01	FOOT W/A	1				
4	WSH-0030	WASHER	4				
5	NUTA02200	NUT	2				
6	BLTA20770	BOLT	2				
7	591567 01	LOCKING PIN	1				
8	PIN-01950	LYNCH PIN	1				
9	198800 51	WASHER	2				
10	WSH-0061	WASHER	2				
11	HSS-0202	SETSCREW	2				
12	198800 50	WASHER	2				

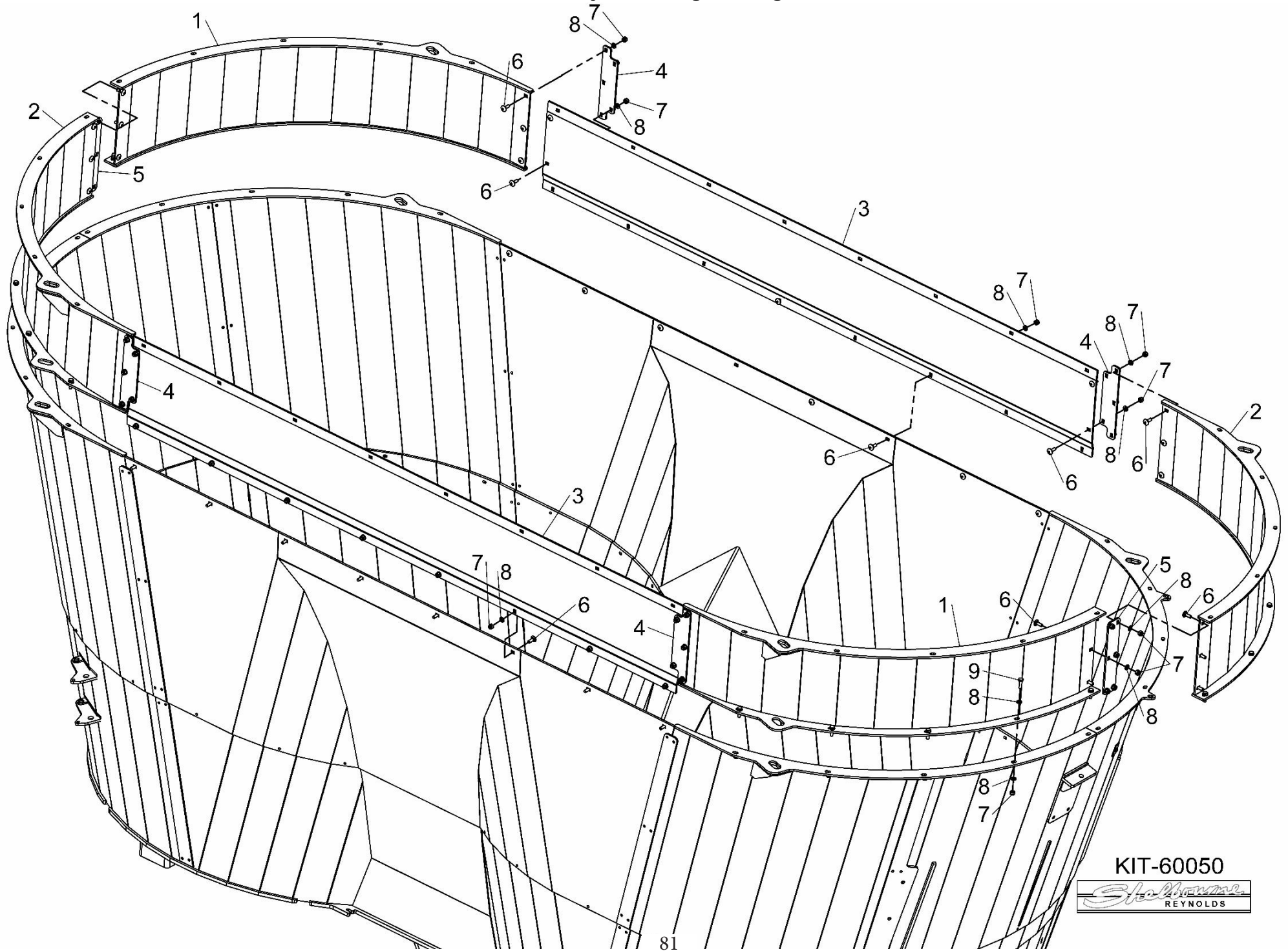


KIT-60039



Shelbourne Reynolds Engineering Limited

ASSY NUMBER: KIT-60050				ASSY DESCRIPTION: 22m ³ EXTENSION KIT			
ITEM	PART NO	DESCRIPTION	QTY	ITEM	PART NO	DESCRIPTION	QTY
1	620452 01	LH CURVED EXTENSION W/ASSY	2				
2	620452 02	RH CURVED EXTENSION W/ASSY	2				
3	620451 01	SIDE EXTENSION PLATE	2				
4	620584 01	CLAMP PLATE	4				
5	616216 01	FRONT/REAR CLAMP PLATE	2				
6	BLT-3750	COACH BOLT	44				
7	NUT-0265	NYLOC NUT	64				
8	WSH-0015	PLAIN WASHER	84				
9	HSS-0198	SET SCREW	20				

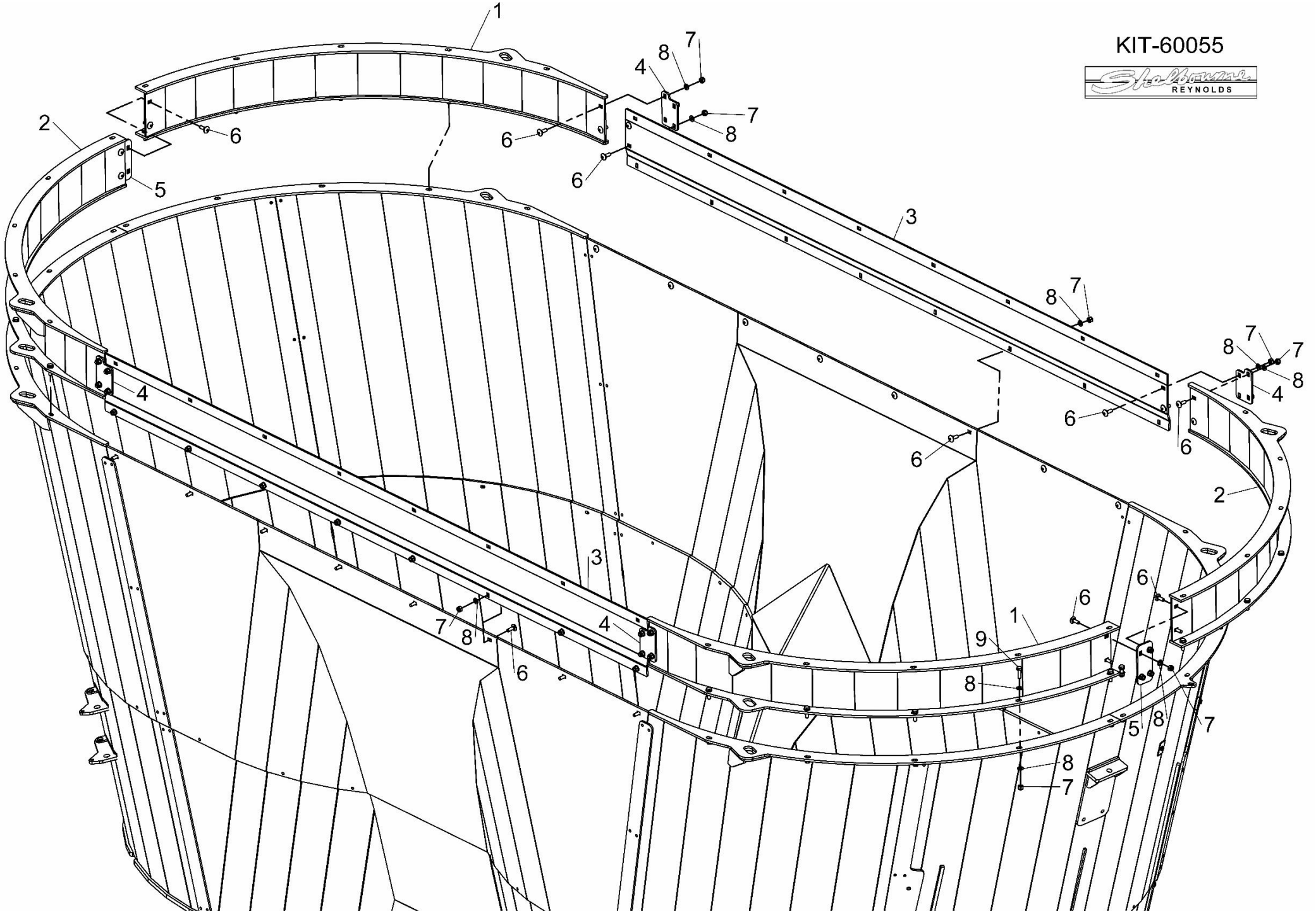


KIT-60050



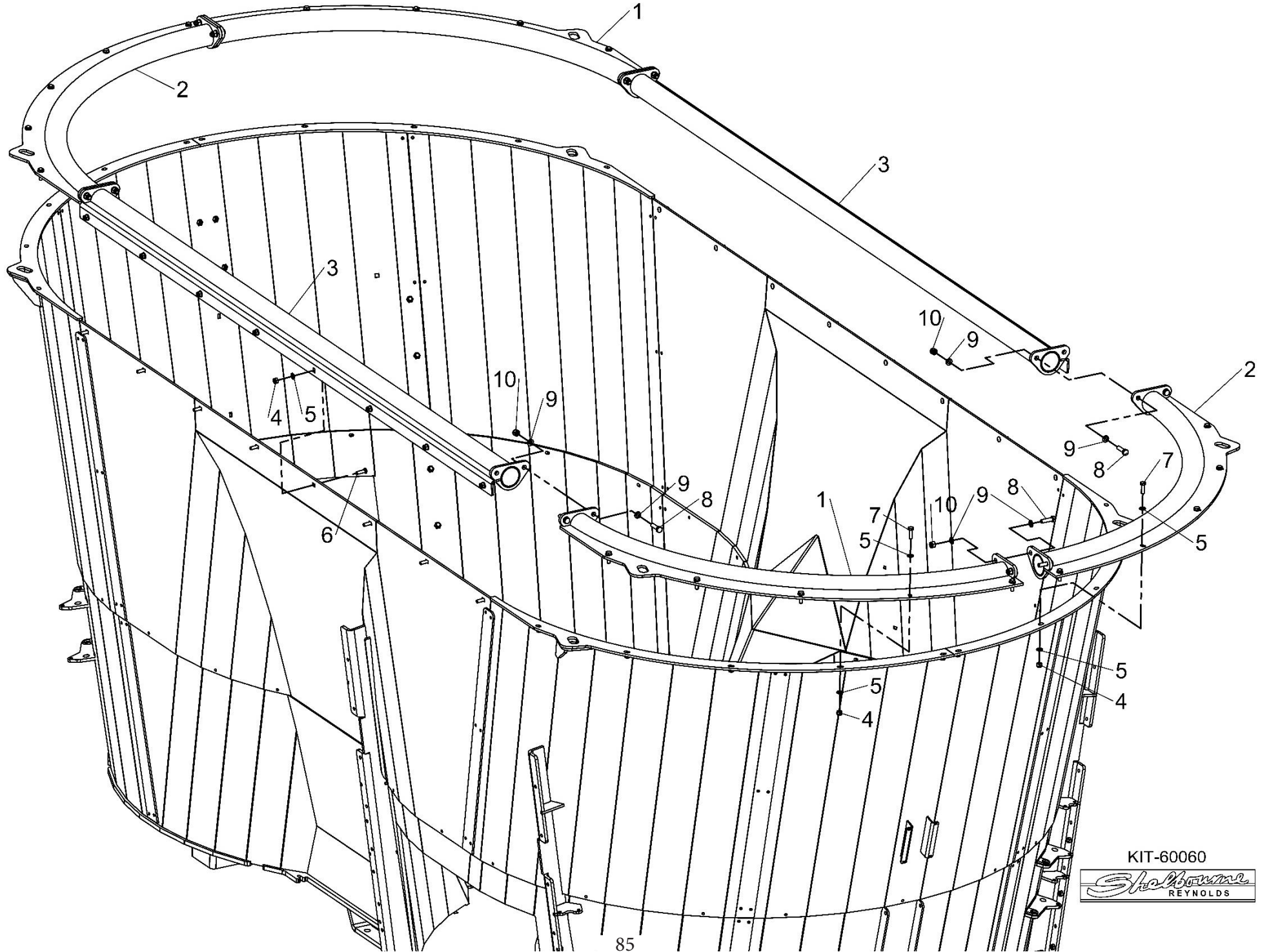
Shelbourne Reynolds Engineering Limited

ASSY NUMBER: KIT-60055				ASSY DESCRIPTION: 20m ³ EXTENSION KIT			
ITEM	PART NO	DESCRIPTION	QTY	ITEM	PART NO	DESCRIPTION	QTY
1	620455 01	LH CURVED EXTENSION W/ASSY	2				
2	620455 02	RH CURVED EXTENSION W/ASSY	2				
3	620454 01	SIDE EXTENSION PLATE	2				
4	620583 01	CLAMP PLATE	4				
5	617354 01	FRONT/REAR CLAMP PLATE	2				
6	BLT-3750	COACH BOLT	40				
7	NUT-0265	NYLOC NUT	60				
8	WSH-0015	PLAIN WASHER	80				
9	HSS-0198	SET SCREW	20				



Shelbourne Reynolds Engineering Limited

ASSY NUMBER: KIT-60060				ASSY DESCRIPTION: TUBULAR TUB RIM KIT			
ITEM	PART NO	DESCRIPTION	QTY	ITEM	PART NO	DESCRIPTION	QTY
1	620462 01	CORNER TUB RIM W/A	2				
2	620462 02	CORNER TUB RIM W/A	2				
3	620461 01	STRAIGHT TUB RIM W/A	2				
4	NUT-0265	NUT	36				
5	WSH-0015	WASHER	56				
6	BLTF10231	COACHBOLT	16				
7	HSS-0198	SETSCREW	20				
8	BLTA12290	BOLT	12				
9	WSH-0018	WASHER	24				
10	NUT-0269	NUT	12				

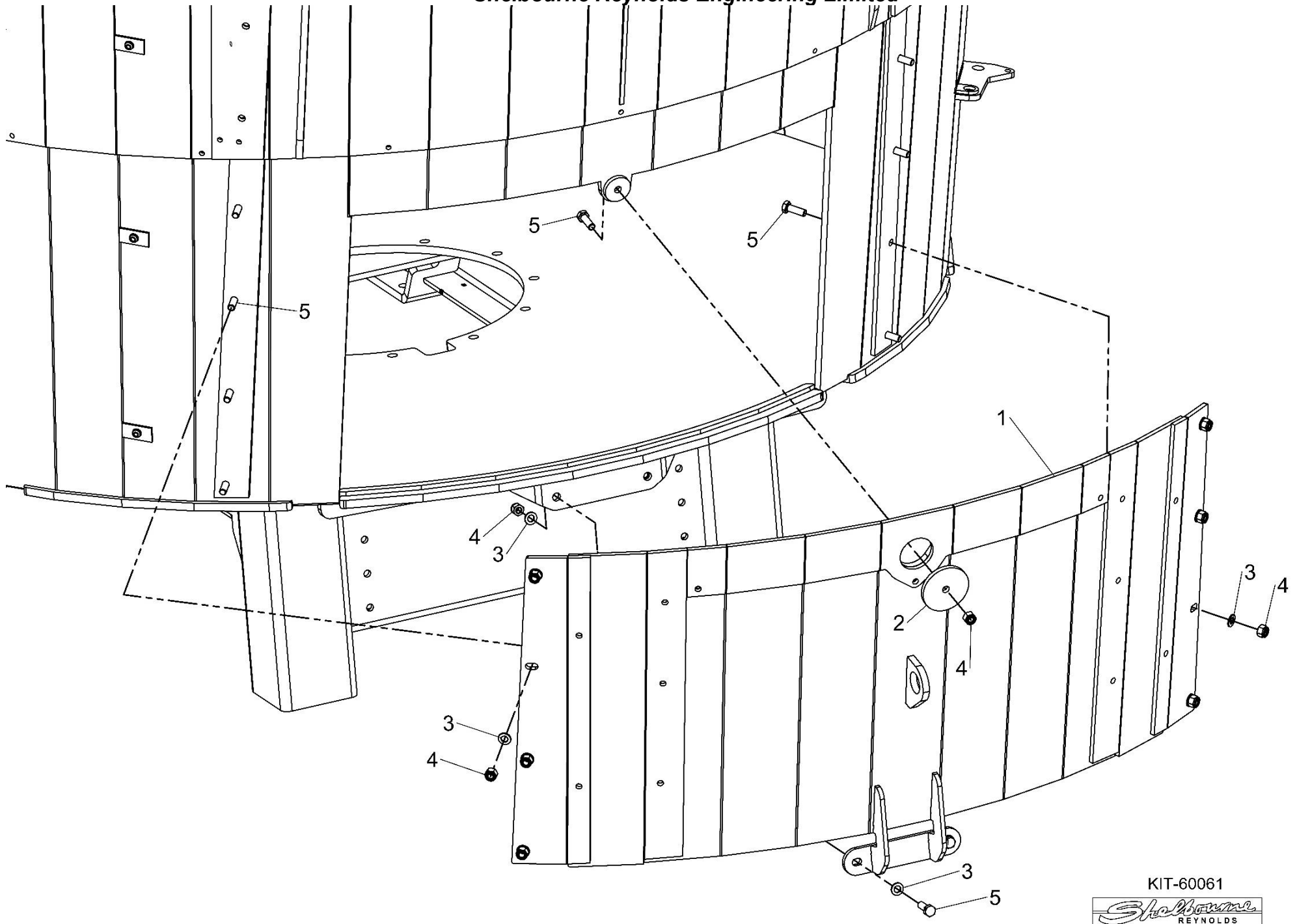


KIT-60060

Shelbourne
REYNOLDS

Shelbourne Reynolds Engineering Limited

ASSY NUMBER: KIT-60061				ASSY DESCRIPTION: REAR DOOR BLANKING PLATE			
ITEM	PART NO	DESCRIPTION	QTY	ITEM	PART NO	DESCRIPTION	QTY
1	620467 01	BLANKING PLATE W/A	1				
2	617564 01	BLANKING WASHER	1				
3	WSH-0018	WASHER (M12 PLAIN)	12				
4	NUT-0269	NUT	11				
5	HSS-0241	SETSCREW	11				



KIT-60061

