

Shelbourne

REYNOLDS

8000

OPERATORS MANUAL

ORIGINAL INSTRUCTIONS



Shelbourne Reynolds Engineering Ltd
Stanton
Bury St Edmunds
Suffolk
IP31 2AR
England

Telephone: 01359 250415
Fax: 01359 250464

Stores Direct : 01359 251231
Stores Direct: 01359 252031

Issue 3 29/03/2023

HEDGE / VERGE TRIMMER

www.shelbourne.com



DEALER PRE-DELIVERY / INSTALLATION CHECK AND WARRANTY REGISTRATION – HEDGE / VERGE TRIMMER
DEALERS PRE-DELIVERY / INSTALLATION CHECK
IMPORTANT ⚠

All items listed below must be checked, and adjusted if necessary. The person conducting the inspection should tick each item in the space provided, indicating whether or not adjustments were required. In the event of additional work being needed, details should be given in the additional work / discrepancy box, located at the bottom of this sheet, or on a separate sheet if required. When the inspection is complete, **THIS FORM MUST BE COPIED & RETURNED TO:-** Shelbourne Reynolds within 30 days of delivery to customer, otherwise the invoice date to the dealer will be deemed to be the start date for the warranty period.

SERIAL NUMBER: MACHINE NUMBER:

MODEL:

PLEASE TICK APPROPRIATE COLUMN FOR EACH ITEM UNDERTAKEN

Dealer Pre Customer Delivery / Installation / Commissioning	Checks OK	Adjusted
Check tractor size is suitable, along with any weighting requirements.		
Fit appropriate axle fixing style or stabilizer system.		
Check top link is adjusted so that the trimmer is vertical in relation to the ground.		
Ensure the PTO shaft length is compatible with the tractor.		
Ensure the hoses are not damaged, catching or pinching.		
Check flail bolts and drive belts are tightened correctly.		
Fit controls in an advantageous and secure position for the operator.		
Check the head nose can be adjusted fully up or down and safety curtains are intact.		
Check all functions work correctly (i.e. lift up/down, reach in/out, etc.....).		
Check emergency stop button is functioning correctly (electric machine only).		
Check gearbox oil level.		
Check hydraulic oil level.		
Check hydraulic system for leaks.		
Lubricate all grease points.		
Check paintwork & finish.		
Check in general that nuts and bolts are tight.		
Ensure that all safety guards and safety signs are fitted and are legible.		
Ensure that an operator's manual is supplied with the machine.		
Additional Comments:		
.....		
.....		
.....		
Dealer Representative's Name:	Date:	

Customer Instruction	Actioned
Ensure the machine is correctly attached to the customer's tractor.	
Explain the correct setting & operation of the machine to the customer.	
Ensure all safety precautions and safety signs are explained to the customer.	
Ensure the maintenance schedule is explained to the customer.	
Ensure the lubrication & grease points are indicated to the customer.	
Ensure the warranty policy is explained to the customer.	
Ensure that the operators manual is handed to the customer.	
Additional Comments:	
.....	
.....	
Dealer Representative's Name:	Date:

For specific details please refer to the operator's manual.

DEALER PRE-DELIVERY / INSTALLATION CHECK AND WARRANTY REGISTRATION – HEDGE / VERGE TRIMMER

Dealer Name:
Address:
.....
Post / Zip code:
Dealer Salesman Name:

Customer Name:
Business Name (if different from above):
Address:
.....
Post / Zip code:
Email Address:
Tel No. Home / Office: Cell / Mobile:

SERIAL NUMBER: MACHINE NUMBER:
MODEL:

Dealer Signature:
Print Name: Date:

Privacy Notice
Here at Shelbourne Reynolds Engineering Ltd we take your privacy seriously and will only use your personal information to administer your account and provide the products and services you have requested from us.
We would occasionally like to contact you with details of other products you may be interested in, special offers we provide and details/invitations to shows, working demonstrations and open days, however this would be no more than once or twice per year. If you consent to us contacting you for this purpose please tick a box or boxes to say how you would like us to contact you.

Post Email Telephone/SMS

If you prefer not to be contacted, then please tick this box

For further information please refer to our Privacy Policy at www.shelbourne.com

Customers Signature:
Print Name: Date:
The customer's signature certifies that the machine was delivered in a satisfactory condition and that adequate instruction was received as to its correct operation, safety requirements, and maintenance as stated in the operator's manual. Also that the customer has read, understood, and agrees to the Terms and Conditions of Sale along with the Warranty Policy (including the disclaimers and limitations) contained in the operator's manual.

Additional work / discrepancies:
.....
.....
.....
.....
.....

**This page must be faxed or emailed to Shelbourne Reynolds Engineering Ltd.
Fax No: +44 (0)1359 250464 Email: warranty@shelbourne.com**

WARRANTY POLICY (ALL PRODUCTS)

MACHINE REGISTRATION

To qualify for the full benefit of the warranty set out in this warranty policy (the “**Warranty**”), it is the purchaser’s responsibility to ensure that the Shelbourne authorised dealer has completed the warranty registration details and that they are submitted to Shelbourne Reynolds Engineering Ltd. within 15 days from the date of delivery. If the warranty registration has not been completed and returned to warranty@shelbourne.com before the expiration of 15 days from the date of delivery, any claims made will be refused.

Using the machine implies the knowledge and acceptance of these warranty terms.

1. LIMITED WARRANTIES

1.1 NEW MACHINE WARRANTY

All new machines supplied by **Shelbourne Reynolds Engineering Ltd. (“Shelbourne”)**, are warranted to the original purchaser, under normal use and service, to be free from defects in material and workmanship for a period of 12 months from the date of delivery to the original purchaser (the **Warranty Period**), subject to the terms set out in this warranty policy.

No other warranty is given by Shelbourne regarding the machine, and no person has any authority to give any such warranty for or on behalf of Shelbourne, other than were given in writing signed by a director of Shelbourne.

1.2 WARRANTY ON SPARE PARTS

Shelbourne warrants that any spare part or component supplied by Shelbourne or the Shelbourne authorised dealer in accordance with this limited warranty are free from defects in material or workmanship from the date of sale to the original purchaser for 6 months, subject to the conditions and limitations in clauses 2 to 5 of this warranty policy. Shelbourne will at its option, either repair or replace the defective part free of charge providing that any warranty claim is supported with a copy of the invoice to the end user for the failed part. No claims will be considered for which sales invoices are not provided. Original Purchaser shall be responsible for labour and all freight charges to and from the place where the warranty work is performed.

Shelbourne Reynolds Engineering Ltd. cannot be held responsible for any failures or safety implications arising from the use of non-genuine parts. Use of non-genuine parts may seriously affect the machine’s performance and safety.

1.3 WARRANTY ON DEALER STOCK MACHINES

No warranty is available or will be given on machines held in dealer stock for more than 6 months before sale.

1.4 TRANSFER OF WARRANTY

Shelbourne may at its sole discretion allow this warranty to be transferred to a subsequent owner of the machinery for the balance of the Warranty Period, subject to all the warranty conditions being met and only with Shelbourne giving prior written consent.

1.5 EXTENDED WARRANTY - Only available on the following Trimmer & Powermix Ranges

Trimmer – 7000 & 8000 Series

Shelbourne will provide an extended Warranty on certain parts of the 7000 and 8000 Trimmer ranges for an additional 12 months, beyond the initial Warranty Period. This is indicated in the table below and is subject to all the other terms and conditions of this warranty policy. This is a conditional extended warranty offered solely at the discretion of Shelbourne and is on a parts only basis.

	Standard (0-12 months)	Extended (12-24 months)
Gearbox	✓	✓
Hydraulic Valves	✓	✓
Hydraulic Pump	✓	✓
Hydraulic Motor	✓	✓
Hydraulic Cylinders	✓	✓
Booms/Main Frame	✓	✓
PTO Shaft	✓	X
Electronic Controls	✓	✓
Hoses	✓	X
Joystick	✓	X

X = Not Covered ✓ = Covered

Note: Components not indicated have a Shelbourne standard 12 months warranty and are subject to all other terms and conditions of this warranty policy.

Powermix - All Models

Shelbourne will provide an extended Warranty on certain parts of all Powermix models for an additional 12 months and 24 months beyond the initial Warranty Period. This is indicated in the table below, and subject to all the other terms and conditions of this warranty policy.

This is a conditional extended warranty offered solely at the discretion of Shelbourne and is on a parts only basis. It is contingent on the recommended service schedule outlined in the operator’s manual being followed and in the event of a claim proof of servicing will be required.

	Standard (0 - 12 months)	Extended (12 - 24 months)	Extended (24 – 36 months)
PTO Shaft	✓	X	X
Planetary Gearbox	✓	✓	✓
2 Speed Gearbox	✓	✓	✓
Hoses	✓	X	X
Scale Head	✓	✓	X
Electronic Controls	✓	X	X
Load Cells	✓	X	X
Valve Block	✓	X	X
Conveyor Belt	✓	X	X

X = Not Covered ✓ = Covered

Note: Components not indicated have a Shelbourne standard 12 months warranty and are subject to all other terms and conditions of this warranty policy.

2. EXCLUSIONS

Shelbourne will not be liable for the machine's failure to comply with the Warranty in any of the following circumstances:

- 1) damage due to improper use or abusive operation
- 2) damage or depreciation caused by normal wear and tear.
- 3) the machine been subjected to alteration, modification, or fitment of non-genuine Shelbourne parts without the prior consent of Shelbourne.
- 4) wilful or accidental damage, including (but not limited to) damage caused by contact with overhead power lines, damage caused by foreign objects (e.g., stones, metals, and any materials other than vegetation).
- 5) the machine has not been maintained and serviced fully in accordance with the details and maintenance schedule set out in the Shelbourne Operators Manual, and only using Shelbourne genuine parts. Proof of service work may be requested prior to approval of any claim under the Warranty.
- 6) failure due to use of incorrect oil or lubricants, contamination of the oil, or oil which has served its useful life or failure to carry out proper maintenance as recommended in the Shelbourne Operators Manual.
- 7) the original purchaser failed to follow Shelbourne's oral or written instructions (including instructions in the Shelbourne Operators Manual) for the transportation, storage, commissioning, installation, use and maintenance of the machine or (if there are none) good trade practice regarding the same.
- 8) where the original purchaser has continued to use the machine after they became (or should reasonably have become) aware of the defect with the machine. **Continued use of the machine after a defect is discovered could cause further failures for which Shelbourne cannot be held liable and may also have safety implications.**
- 9) the Shelbourne serial number plate on the machine has been removed or altered.
- 10) failure by the customer to release the machine for repair will not be accepted as a reason for delay in repair or submitting warranty claims.
- 11) the product is attached to, connected with, or used in conjunction with, any other product which it is not compatible for use with (whether that other product is a Shelbourne or non-Shelbourne product);

In addition, it is the purchaser's responsibility to ensure that where the purchased Shelbourne product is to be attached to a tractor or other vehicle, the product falls within the carrying capacity as well as compatibility of the tractor or machinery which it is to be mounted on or to. Acceptance of an order and the supply of a product by Shelbourne does not indicate Shelbourne's approval of the purchaser's intended choice of tractor or machinery for installation, nor its compatibility with the purchased Shelbourne product.

The Warranty shall not apply in respect of any:

- 1) wearing items including but not limited to drive belts, conveyor belts, conveyor rollers, rubber flaps, flails, skids, bearings, pins, bushes, blades, pneumatic tyres, or any other items which are soil engaging or normal wearing or consumable items
- 2) hoses that have suffered external damage. Complete hoses must be returned for warranty within this period. Any which have been cut or repaired will be rejected.
- 3) repeat or additional repairs resulting from incorrect diagnostics, unless advised by Shelbourne.
- 4) poor-quality previous repair work (unless carried out by Shelbourne).

3. LIMITATIONS OF LIABILITY

Shelbourne and the Shelbourne authorised dealer shall not be liable to the original purchaser under any circumstance for injuries, death, property damage or damages of any kind whatsoever directly, consequential, or contingent to any person or property caused by the use of the machine.

Shelbourne shall not be liable for any consequential loss such as the following costs or types of loss (whether direct or indirect):

- 1) Loss of profit;
- 2) Loss of or damage to goodwill;
- 3) Loss of sales or business;
- 4) Loss of agreements or contracts or business opportunity;
- 5) The cost of lost consumables (such as oil);
- 6) Any loss or costs arising from the inability to use the machine due to any defect with the machine, and during the time taken to repair or replace the machine;
- 7) The cost of hire or purchase of any replacement machine;
- 8) Recovery of broken-down machine;
- 9) Damage to or loss of crops or vegetation;
- 10) Labour cost;
- 11) Damage to carrying tractor;
- 12) Damage caused by exceeding the tractor OEM (original equipment manufacturers) specification for implement mounting and hitch capability; and
- 13) Any other indirect or consequential loss.

In view of the Warranty given by Shelbourne, the terms implied by sections 13 to 15 of the Sale of Goods Act 1979, and all other implied warranties or conditions regarding the quality or suitability of the machine, are, to the fullest extent permitted by law, excluded from this warranty policy and any contract or agreement between Shelbourne and either the original purchaser or the Shelbourne authorised dealer.

The liability of Shelbourne for any failure by the machine to comply with the Warranty shall be limited to repair or replacement of the product, or refund of the purchase price, of the product as set out in clause 4 of this warranty policy.

Nothing in this warranty policy limits any liability which cannot legally be limited, including liability for:

- 1) death or personal injury caused by negligence.
- 2) fraud or fraudulent misrepresentation.

- 3) breach of the terms implied by section 12 of the Sale of Goods Act 1979 (title and quiet possession); and
- 4) breach of section 2 of the Consumer Protection Act 1987.

4. WARRANTY CLAIMS

All claims must be submitted by a Shelbourne authorised dealer on behalf of the original purchaser, providing that the original purchaser has:

- 1) given notice in writing with full information regarding the failure, to Shelbourne (or the Shelbourne authorised dealer) during the Warranty Period, and within 15 days of discovery of the failure. The Shelbourne authorised dealer will be responsible for forwarding the claim to Shelbourne directly, and where appropriate, the Shelbourne authorised dealer may be responsible for dealing with warranty claims as directed by Shelbourne;
- 2) given Shelbourne (or the Shelbourne authorised dealer) a reasonable opportunity to examine the machine or the damaged or defective parts; and
- 3) if requested by Shelbourne (or the Shelbourne authorised dealer), returned the damaged or defective parts (via the original Shelbourne authorised dealer) within 30 days of notification of a defect, as long as the request by Shelbourne (or the Shelbourne authorised dealer) is made within that time frame, otherwise, within a time frame as specified by Shelbourne (or the Shelbourne authorised dealer).

then Shelbourne shall, at its option, repair or replace the defective parts, or refund the price of the defective parts or approve that the Shelbourne authorised dealer does the same.

5. REPAIR COSTS

The original purchaser or Shelbourne authorised dealer shall not repair, or arrange for a repair, of the machine without the prior written authority of Shelbourne. Such authority may only be given by Shelbourne service personnel. **Shelbourne will not be liable for the cost of any repairs carried out without its prior written consent to the work being done.**

If Shelbourne authorises a repair of the machine, all claims for repair costs must be submitted to Shelbourne by a Shelbourne authorised dealer within 15 days of the date of repair on a Shelbourne Warranty Claim Form (in accordance with clause 7 of this warranty policy).

Repairs should only be completed by a Shelbourne authorised dealer (or another repairer with the prior written consent of Shelbourne).

The submission of a claim is not a guarantee of payment. Shelbourne will only reimburse the reasonable costs and expenses incurred in connection with any repair. The decision reached by Shelbourne is final.

6. DAMAGE TO NEW MACHINES

All goods must be examined on receipt, please examine all machines and packages, if there is any damage or short shipment sign 'Damaged' or 'Detail any item not received' and notify both Shelbourne Reynolds warranty department by phone or E Mail and the carrier within 24 hours of any damage or missing parts. **No claims will be accepted after this time.**

7. CLAIMS PROCEEDURE

All claims must be submitted by a Shelbourne authorised dealer. Full information relating to the failure must be submitted using the claim form available on the Shelbourne website under the "Support" section, with all required fields completed with the relevant information and then emailed to warranty@shelbourne.com. Full information on warranty claim submission can be found set out in the warranty procedures document.

Where repairs are completed by a Shelbourne authorised dealer (or another repairer with the prior written consent of Shelbourne), then completed form(s) must be received by Shelbourne **NOT LATER THAN 15 DAYS** from the date of repair. When requested by Shelbourne, additional information or failed parts must be received by Shelbourne **WITHIN 15 DAYS** of claim submission.

If in exceptional circumstances a non-Shelbourne part is used for a repair, warranty reimbursement will be at no more than Shelbourne's standard dealer cost for the genuine part.

If parts are returned and the claim is subsequently rejected and you require the parts sent back to you, please notify Shelbourne within 7 days of receiving rejection notification.

Following examination of the claim and parts, Shelbourne will pay at their discretion, for any valid claim the invoiced cost of any parts supplied by Shelbourne and appropriate labour and mileage allowances if applicable. **Maximum mileage per claim is capped at 80 miles unless otherwise pre-authorised and confirmed in writing by the Shelbourne Reynolds Service Manager.**

For any claims submitted, which are intentionally misleading or fraudulent, Shelbourne shall be entitled to charge an appropriate hourly rate to recover any costs incurred as a result.

8. FAILED PARTS

Ensure that all hydraulic ports on returned components are drained of oil and securely and appropriately plugged with the caps that came fitted to the replacement components to avoid oil leakage and contamination entering the assemblies. Hydraulic cylinders must be cleaned of oil and fully retracted.

Electrical items being returned must be suitably packaged and protected to reduce the risk of transportation damage.

Due to strict time constraints enforced by our suppliers, you must immediately return any failed hydraulic components such as pumps, motors, cylinders, valves, and hoses; electrical components, such as solenoid valves, control boxes, sensors/switches; or driveline components such as gearboxes, PTOs, and bearings if the machine is still within its relevant warranty period.

Hydraulic parts such as pumps, motors and cylinders, and driveline parts such as gearboxes must be returned to us unopened and unexamined. With hydraulic valve blocks and electrical control boxes there is the ability to replace specific serviceable components within them, such as valve cartridges, spool assemblies, circuit boards, relays, switches, and joystick should the need arise to resolve a fault within.

Any parts replaced under warranty remain the property of Shelbourne. They must be returned to Shelbourne on request. In all other cases, unless informed otherwise, they must be retained for a period of 90 days after such time they must be destroyed and rendered physically unusable and not sold or reconditioned for sale to a third party.

9. REIMBURSEMENT

All claims, to the extent which it has been agreed by Shelbourne that a refund will be made, will be settled with the Shelbourne dealer, by credit memo, within 30 days of acceptance of the claim.

10. EXPORT CUSTOMERS

If you are based outside of the UK, warranty terms and conditions outlined above may differ depending on your market. Please contact Shelbourne Reynolds Engineering Ltd. for further information.

Dear Customer,

Parts manuals are not supplied with this machine but they can be ordered from your Shelbourne Reynolds dealer or alternatively downloaded from the Shelbourne Reynolds website (www.shelbourne.com) Manuals are located through the Parts and Service section followed by Manuals and then to Hedge / Verge Trimmer Manuals. Here you will find Operators and Parts manuals for various years' models. The Machine and Parts Manual Number for your machine is -

Tick	Machine No.	Manual No.	Machine Description
	809926 01	MAN-10111	Main Trimmer assembly (8000)
	809921 01	MAN-10109	HC1600 Head assembly
	809922 01	MAN-10109	HC1200 Head assembly
	809924 01	MAN-10110	GP1500 Head assembly
	809925 01	MAN-10110	GP1200 Head assembly

Hedge / Verge Trimmer Serial Number

Hedge / Verge Head Serial Number

ORDERING SPARE PARTS

To ensure that you order the correct part from your SRE dealer please use the following procedure.

ALWAYS QUOTE THE MACHINE AND SERIAL NUMBERS WHEN ORDERING.

Refer to the Parts Manuals front page/s, listing the machine assemblies. Select the correct machine assembly number which is printed in the top left corner of the page (starting with 8099__ 01), This machine number is listed above or can be taken off the hedge / verge trimmer identification plate.

Looking down the page, select the relevant sub assembly that your required part falls within. Sub-assemblies start from 8090__ 01. Note the year or serial number of the machine may determine a correct sub assembly if more than one is listed.

Continue through the manual and find the relevant sub assembly parts listing. Again the number will be printed in the top left corner; the sub-assemblies are in numerical order.

Having found the correct parts list, you will find the corresponding drawing by either looking at the facing page or progressing through the manual to the next drawing. The drawings indicate the components by item numbers, which you will find, are repeated in the left-hand side of your parts listing, and therefore referring to the correct part.

Note all parts will not be found from the sub-assemblies listed below the machine number. Other parts could be from specific optional kits. These kits will be found in numerical order further through the manual and start with KIT- _ _ _ _ _.

The list on the following pages highlights the optional build kits that also make up your exact configuration of machine.

Sub-assemblies and optional build kits.

Non-current production highlighted

	Part No.	Description
	809027 01B	Hydraulic oil kit
Inner boom		
	KIT-08458	6.0mt Inner boom
	KIT-08461	7.0mt Inner boom
	KIT-08462	8.0mt Inner boom
Outer boom		
	KIT-08466	8060T Telescopic outer boom kit
	KIT-08467	8070T Telescopic outer boom kit
	KIT-08492	8080T Telescopic outer boom kit
	KIT-08465	8065 VFRT outer boom kit
	KIT-08469	8075 VFRT outer boom kit
	KIT-08409	Hook mounting kit (HC head only)
	KIT-08409A	Hook mounting kit (GP head only)
	KIT-08413	Pivot shoe kit (HD head only)
Hydraulics for head options hydraulic roller, hydraulic nose, or hydraulic narrow lane bracket		
	KIT-08463A	8060T Hydraulics for head options kit
	KIT-08463B	8070T Hydraulics for head options kit
	KIT-08463C	8080T Hydraulics for head options kit
	KIT-08463D	8065 VFRT Hydraulics for head options kit
	KIT-08463E	8075 VFRT Hydraulics for head options kit
	KIT-08533A	Fixing kit for one head option
	KIT-08533B	Fixing kit for two head options
	KIT-08533C	Fixing kit for three head options
Controls and valve kits		
	KIT-08455	Valves kit (Telescopic)
	KIT-08455A	Valves kit (VFRT)
	KIT-08460	Main frame hydraulics kit
	KIT-08424	Machine end electronics (S-Touch Max)
	KIT-08424A	Machine end electronics (S-Touch Compact)
	KIT-08435	Options kit (S-Touch)
	KIT-08436	Machine monitor kit (S-Touch)
	KIT-08464	Head level kit (S-Touch)
	KIT-08454	Joystick armrest kit (S-Touch Max)
	KIT-08457	Joystick armrest kit (S-Touch Compact)
	KIT-08517	S-Touch Max armrest kit (late 2022 and on)
	KIT-08518	(MTL) S-Touch Compact armrest kit (late 2022 and on)

Drive kits		
	KIT-08474	540rpm Standard drive kit
	KIT-08479	800rpm Higher power drive kit
	KIT-08341	540rpm Higher power drive kit
Transfer		
	KIT-08468A	8060T Transfer kit
	KIT-08468B	8070T Transfer kit
	KIT-08468C	8080T Transfer kit
	KIT-08468D	8065 VFRT Transfer kit
	KIT-08468E	8075 VFRT Transfer kit
	KIT-08165	Head transfers kit (blue)
Mounting options		
	KIT-08237	Stabiliser – 3 point linkage
	KIT-08284	Drawbar stabiliser kit
	KIT-08239	Stabiliser – Axle frame
General options		
	KIT-08401	Blower kit
	KIT-08470	Highways kit
	KIT-08470A	Highways kit with debris blower
	KIT-08472	Safety decal only transfer kit
	KIT-08495	Bump stop kit
	KIT-08501	Universal head bracket kit (GP or HC head)
	KIT-08506	Hose support kit (8000 outer boom's)
	KIT-08507	Electronic float kit (EAF)
	KIT-08180	SRE to McConnel pivot mounting kit
Narrow lane bracket (NLB) options		
	KIT-08407	HC Head NLB for 8000 (LH drive heads only)
	KIT-08521	GP Head NLB for 8000 (LH drive only)
	KIT-08407A HYD	HC1200 Motor Hydraulics for 8000 Tele with NLB
	KIT-08407B HYD	HC1600 Motor Hydraulics for 8000 Tele with NLB
	KIT-08407C HYD	HC1200 Motor Hydraulics for 8000 VFRT with NLB
	KIT-08407D HYD	HC1600 Motor Hydraulics for 8000 VFRT with NLB
	KIT-08279R	RH Narrow lane bracket
	KIT-08279F HYD	1.5m NLB hydraulic kit Tele

	KIT-08431D HYD	HD1500 Head motor hydraulics kit
HC Head hydraulic hose kit options		
	KIT-08393A HYD	HC1200 Head motor hydraulics kit LH drive VFRT
	KIT-08393B HYD	HC1200 Head motor hydraulics kit RH drive VFRT
	KIT-08393C HYD	HC1200 Head motor hydraulics kit LH drive Tele
	KIT-08393D HYD	HC1200 Head motor hydraulics kit RH drive Tele
	KIT-08395A HYD	HC1600 Head motor hydraulics kit for LH drive VFRT
	KIT-08395B HYD	HC1600 Head motor hydraulics kit for RH drive VFRT
	KIT-08395C HYD	HC1600 Head motor hydraulics kit for LH drive Tele
	KIT-08395D HYD	HC1600 Head motor hydraulics kit for RH drive Tele
GP Head hydraulic hose kit options		
	KIT-08452A HYD	GP1200 LH Head motor hydraulics kit for Tele
	KIT-08452B HYD	GP1200 LH Head motor hydraulics kit for VFRT
	KIT-08452C HYD	GP1500 LH Head motor hydraulics kit for Tele
	KIT-08452D HYD	GP1500 LH Head motor hydraulics kit for VFRT
HC & GP Head link hose kit options		
	KIT-08448E HYD	Head link hose kit (HC & GP Head for 8000 Tele)
	KIT-08448F HYD	Head link hose kit (HC & GP Head for 8000 VFRT)
	KIT-08448G HYD	Head link hose kit (RH drive HC Head for 8000 VFRT)
	KIT-08448H HYD	Head link hose kit (RH drive HC Head for 8000 Tele)
	KIT-08448I HYD	Head link hose kit (NLB for 8000 VFRT)
	KIT-08448C HYD	Head link hose kit (NLB 7060T and 7056)
	KIT-08448D HYD	Head link hose kit (NLB VFRT 7062 VFR)
GP Head options		
	KIT-08426A	GP1200 T Flail kit (Cast)
	KIT-08426C	GP1200 Competition flail kit (Cast)
	KIT-08426D	GP1200 T Flail kit (Drop forged)
	KIT-08426E	GP1200 Competition flail kit (Drop forged)
	KIT-08423A	GP1500 T Flail kit (Cast)
	KIT-08423C	GP1500 Competition flail kit (Cast)
	KIT-08423D	GP1500 T Flail kit (Drop forged)
	KIT-08423E	GP1500 Competition kit (Drop forged)
	KIT-08429	GP1200 Hydraulic roller kit
	KIT-08418	GP1500 Hydraulic roller kit
	KIT-08450	GP1200 Bolt up roller kit
	KIT-08449	GP1500 Bolt up roller kit
	KIT-08497	Transfer kit GP1200
	KIT-08497A	Transfer kit GP1500

	KIT-08505	GP Head RH verge skid kit
	KIT-08432	GP1200 Transfer kit
	KIT-08432A	GP1500 Transfer kit
	KIT-08356D	1.5m VFRT LH Head hydraulics kit
HC Head options		
	KIT-08367	Roller linkage kit (HC)
	KIT-08384A HYD	1.6m Hydraulics ADJ roller kit (2021 & on)
	KIT-08384C HYD	1.2m Hydraulics ADJ roller kit (2021 & on)
	KIT-08310	Small skid kit
	KIT-08309	Large skid kit
	KIT-08504	HC Head RH verge skid kit
	KIT-08493	HC1600 Nose hydraulics kit (THC1X210184 & on)
	KIT-08494	HC1200 Nose hydraulics kit (THC1X210184 & on)
	KIT-08496	Transfer kit HC1200 (2021 & on)
	KIT-08496A	Transfer kit HC1600 (2021 & on)
	KIT-08335	Transfers kit HC1200
	KIT-08484A	HC Head idle bearing float kit
	KIT-08485A	Idle bearing float kit
	KIT-08392	HC1200 Adjustable nose hydraulics
	KIT-08482	HC1200 Pivot pin and weld in wear plate kit
	KIT-08486	HC1200 Deflector plate kit
	KIT-08314	HC1600 Head transfers kit
	KIT-08347	1.6m Hydraulics for adjustable nose kit VFRT
	KIT-08483	HC1600 Pivot pin and weld in wear plate kit
	KIT-08487	HC1600 Deflector plate kit
GP & HC Head power options		
	KIT-08311	Head standard power kit
	KIT-08312	Head High powered kit
	KIT-08441	HD Head standard power kit
Axle bracket kit options		
	KIT-08399	Axle bracket kit (Claas)
	KIT-08235	Axle bracket kit (Claas)
	KIT-08233	Axle bracket kit (Claas/MF)
	KIT-08233A	Axle bracket kit (Claas/MF)
	KIT-08168	Axle bracket kit (CNH)

EC Declaration of conformity for machinery

(Machinery Directive 2006/42/EC, Annex II, sub. A)

Manufacturer: Shelbourne Reynolds Engineering Ltd.

Address: Shepherds Grove Industrial estate,
Stanton,
Bury St Edmunds,
Suffolk.
England.
IP31 2AR

Name and address of the person (*established in the European Community/EEA*)
authorised to compile the technical file (*to the authorities on request*):

Name: Mr. Neil Smith

Address: As stated above.

Herewith we declare that :

DESIGNATION:

HEDGE / VERGE TRIMMER

MODEL:

80

TYPE:
MACHINE No.:

809926 01

SERIAL No.:

T80

- is in conformity with the relevant provisions of the Machinery Directive (2006/42/EC)
- is in conformity with the relevant provisions of the EMC Directive (2004/108/EC)



Neil Smith
Director

Place:

Stanton, England.

Date:

CONTENTS

Section 1 INTRODUCTION

- 1.1 FOREWORD
- 1.2 IMPROVEMENTS AND CHANGES
- 1.3 SERVICE PARTS
- 1.4 MACHINE IDENTIFICATION

Section 2 SAFETY PROCEDURES

- 2.1 ACCIDENT PREVENTION
- 2.2 SAFETY SIGNS
- 2.3 ACCIDENT PREVENTION BEFORE STARTING
- 2.4 ACCIDENT PREVENTION WHEN COUPLING AND UNCOUPLING TO THE TRACTOR
- 2.5 ACCIDENT PREVENTION WHEN USING THE PTO SHAFT
- 2.6 ACCIDENT PREVENTION WHEN USING THE HYDRAULIC SYSTEM
- 2.7 ACCIDENT PREVENTION WHEN OPERATING
- 2.8 ACCIDENT PREVENTION WHEN REMOVING A FOREIGN OBJECT / BLOCKAGE
- 2.9 ACCIDENT PREVENTION WHEN LEAVING THE MACHINE
- 2.10 ACCIDENT PREVENTION WHEN SERVICING / ADJUSTING THE MACHINE
- 2.11 ACCIDENT PREVENTION WHEN TAKING ON PUBLIC ROADS
- 2.12 ACCIDENT PREVENTION WHEN CLEANING AND STORING THE MACHINE
- 2.13 NOISE EMISSIONS
- 2.14 PROPER USE
- 2.15 NO LIABILITY FOR CONSEQUENTIAL DAMAGE

Section 3 SPECIFICATION AND DESCRIPTION

- 3.1 DESCRIPTION
- 3.2 INTENDED USE
- 3.3 TECHNICAL SPECIFICATIONS
- 3.4 TECHNICAL SPECIFICATIONS OPTIONS

Section 4 HANDLING AND TRANSPORTATION

- 4.1 UNLOADING / LOADING
- 4.2 TRANSPORTATION

Section 5 PREPARATION FOR USE

- 5.1 CHOICE OF TRACTOR
- 5.2 PREPARATION OF THE TRIMMER BEFORE ATTACHMENT
- 5.3 PREPARATION OF THE TRACTOR BEFORE ATTACHMENT
- 5.4 FITMENT OF 3 POINT LINKAGE STABILISER TO THE TRIMMER
- 5.5 FITMENT OF DRAWBAR KIT TO THE TRIMMER

- 5.6 ATTACHMENT – 3 POINT LINKAGE STABILISER, TRACTOR TO TRIMMER
- 5.7 ATTACHMENT – DRAWBAR KIT, TRACTOR TO TRIMMER
- 5.8 FITMENT OF AXLE FRAME STABILISER TO THE TRIMMER
- 5.9 ATTACHMENT – AXLE FRAME STABILISER, TRACTOR TO TRIMMER
- 5.10 ADJUSTING AND CONNECTING THE PTO DRIVE SHAFT
- 5.11 CONNECTING THE CONTROLS
- 5.12 FINAL ATTACHMENT AND RUN UP
- 5.13 REMOVAL – TRIMMER WITH DRAWBAR KIT
- 5.14 REMOVAL – TRIMMER WITH 3 POINT LINKAGE ASSEMBLY
- 5.15 REMOVAL – TRIMMER WITH AXLE MOUNTING FRAME
- 5.16 REATTACHING THE MACHINE

Section 6 CONTROLS

- 6.1 8000 ELECTRIC PROPORTIONAL CONTROLS – S-TOUCH COMPACT
- 6.2 8000 ELECTRIC PROPORTIONAL CONTROLS – S-TOUCH MAX
- 6.3 8000 CONTROLS SCREEN SETTINGS – S-TOUCH COMPACT / MAX
- 6.4 8000 CONTROLS SCREEN SETTINGS – S-TOUCH MAX ONLY
- 6.5 8000 CONTROLS – OPTIONS

Section 7 OPERATION

- 7.1 MOVING FROM TRANSPORT TO WORK POSITION
- 7.2 STARTING THE ROTOR
- 7.3 STOPPING THE ROTOR
- 7.4 TRANSPORTING WITH THE TRACTOR
- 7.5 WORKING ON THE HIGHWAY
- 7.6 FLAIL HEAD ADJUSTMENTS
- 7.7 HYDRAULIC ADJUSTABLE ROLLER
- 7.8 HYDRAULIC ADJUSTABLE NOSE (HC HEAD ONLY)
- 7.9 WIRE CUTTER
- 7.10 VERGE CUTTING
- 7.11 HEDGE SHAPE AND CUTTING SEQUENCE
- 7.12 CUTTING THICKNESS
- 7.13 REMOVING FOREIGN OBJECTS OR BLOCKAGE FROM THE MACHINE
- 7.14 REACH AND WORKING ON SLOPES
- 7.15 BREAKBACK
- 7.16 TELESCOPIC ARM
- 7.17 VARIABLE FORWARD REACH TELESCOPIC (VFRT)
- 7.18 NARROW LANE BRACKET
- 7.19 DEBRIS BLOWER KIT
- 7.20 OVERHEAD LINES (OHPLs)

Section 8 MAINTENANCE AND STORAGE

- 8.1 MAINTENANCE SCHEDULE
- 8.2 LUBRICATION
- 8.3 PTO SHAFT
- 8.4 GEARBOX

8.5	CARE OF HYDRAULICS
8.6	HYDRAULIC OIL
8.7	FILTRATION
8.8	HYDRAULIC HOSES
8.9	ACCUMULATOR SAFE REMOVAL
8.10	CARE OF THE ROTOR
8.11	FLAIL HEAD
8.12	BUSHES AND PINS
8.13	RECOMMENDED TORQUE FOR FASTENERS
8.14	STORAGE

SECTION 1:

INTRODUCTION

1.1 FOREWORD

This manual will assist the operator in using the Shelbourne Reynolds 8000 range of hedge / verge trimmers to realise their full potential whilst indicating safe procedures. This manual should be used in conjunction with the manual of the tractor or prime mover.



1.2 IMPROVEMENTS AND CHANGES

Shelbourne Reynolds are continually improving their products to meet the farmers needs and therefore reserve the right to make improvements and changes when practical to do so, without incurring any obligation to make changes and additions to equipment which has been sold previously.

1.3 SERVICE PARTS

Use guaranteed and genuine Shelbourne Reynolds service parts on Shelbourne Reynolds machinery to ensure maximum life and best performance. These are available through your Shelbourne Reynolds dealer.

1.4 MACHINE IDENTIFICATION

The serial and machine numbers are printed on a plate, attached to the main frame, near to the tractor's left lower link arm end.

<i>Shelbourne</i> REYNOLDS			
SHELBOURNE REYNOLDS ENGINEERING LTD, STANTON, SUFFOLK, UK. IP31 2AR. TEL: +44 (0)1359 250415 WWW.SHELBOURNE.COM			
CE			
SERIAL NO.	<input type="text"/>	TYPE M/C NO.	<input type="text"/>
FOR SPARES QUOTE BOTH SERIAL NO. AND MACHINE NO.			
DESIGNATION	<input type="text"/>	YEAR	<input type="text"/>
MAX TOTAL WEIGHT	<input type="text"/>	UNLADEN WEIGHT	<input type="text"/>
FRONT AXLE LOAD	<input type="text"/>	REAR AXLE LOAD	<input type="text"/>
DRAWBAR MAX LOAD	<input type="text"/>	SHELBOURNE REYNOLDS INC. PO BOX 607, COLBY, KANSAS 67701, USA. PH: 785-462-6299	

SECTION 2: SAFETY PROCEDURES

2.1 ACCIDENT PREVENTION.

The following safety instructions are applicable for all sections of this manual.

Accident programmes can only prevent accidents with the co-operation of the persons responsible for the operation of the equipment.

For the safety of others, operate equipment with care and do not take unnecessary risks, which could cause an accident.

Please read all safety instructions contained in this operating manual with the utmost care and also observe all safety signs attached to the hedge / verge trimmer. Follow these instructions to prevent accidents. These instructions must also be made available to all other users. You are advised to refrain from any working methods, which may be hazardous.

All relevant accident prevention regulations governing the operation of agricultural machinery, as well as other generally acknowledged health and safety regulations and road traffic regulations must be strictly observed.

The tractor manufacturers, operator manual safety precautions should also be adhered to when using a Shelbourne Reynolds hedge / verge trimmer.

The 'SAFE STOP' procedure is mentioned throughout this manual. It is extremely dangerous to carry out any work on a machine while it is under power. The most important safety measure is to follow the 'SAFE STOP' procedure before carrying out any maintenance or adjustments, including dealing with a blockage or other problem: The procedure is as follows:

- Put the handbrake on.
- Make sure the controls are in neutral (equipment made safe).
- Stop the engine (or turn off the power).
- Remove the key (or lock-off the power supply).

For hedge / verge trimmers also ensure to follow below:

- Stop the tractors forwards or backwards movement, immediately.
- Stop the cutting head drive, allow time to totally stop.
- Lower the head carefully to the ground.
- Stop the PTO drive.
- Isolate the trimmer controls.

CAUTION



This symbol will appear throughout this manual whenever your safety, the safety of others or the machinery, is involved.

2.2 SAFETY SIGNS

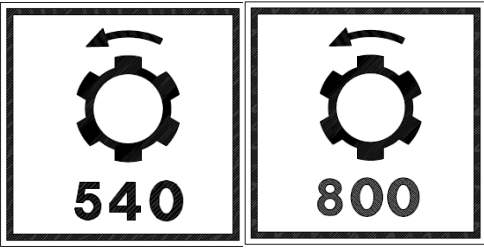
The following safety signs appear on the machine and are for your safety and the safety of other people. Ensure that you identify each safety sign and understand its warning.



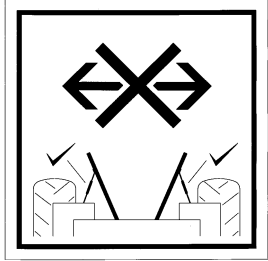
These safety signs must be kept in a legible condition and must be replaced if missing or damaged. This is especially the case when whole sections are replaced when making repairs. Replacement safety signs are available as spare parts through your dealer or importer.

<p>TNF-0011 Stop the engine and remove the key from the tractors ignition before carrying-out any work on the machine.</p>		
<p>TNF-0011 Carefully read the manual before using / operating the machine.</p>		
<p>800220 01 Danger of electrocution. Ensure head and booms are kept a safe distance from electrical power lines.</p>		
<p>800221 01 Hydraulic oil is dangerous when under pressure and can be injected into the body. Always ensure the hoses are in good order before operating.</p>		
<p>801422 01 Accumulator contains highly pressurised oil. Before carrying out service work on lift service firstly lower head to the ground (head will drop once tap being turned anti-clockwise) and then de-pressurise system. High risk of pressurised oil loss and injury.</p>		<p>De-pressurised Accumulator (fully turn anti-clockwise)</p> <p>Pressurised Accumulator (fully turn clockwise)</p>

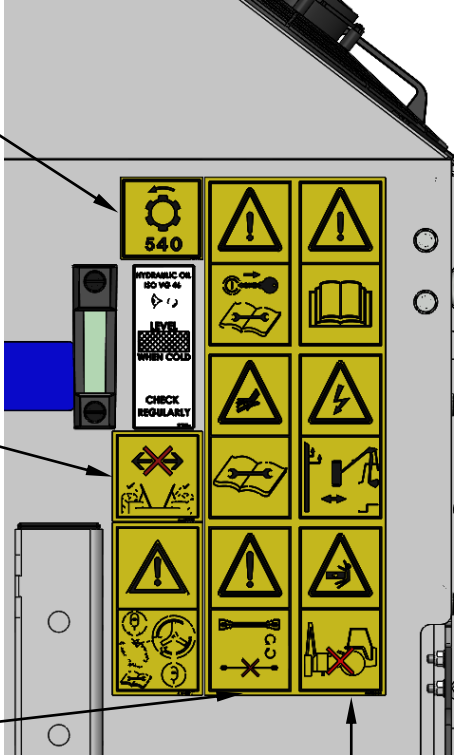
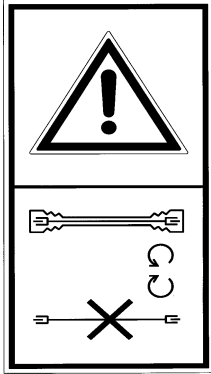
590475 01 (or 590475 03)
PTO shaft rotational speed must not exceed 540 (or 800) RPM.



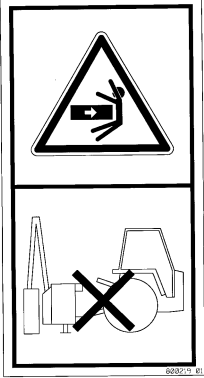
800212 01
Tighten check chains to stop lateral movement.



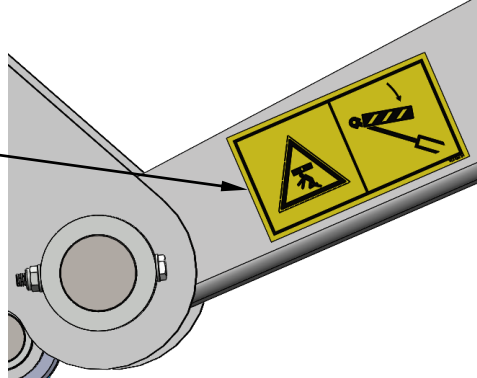
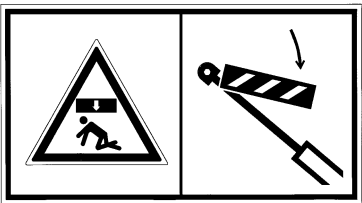
193391 01
Ensure PTO shaft guards are fitted and chains attached.



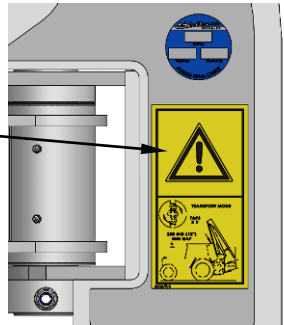
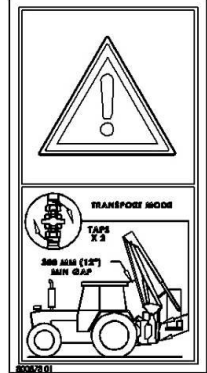
800219 01
Stay clear of tractor-machine area when coupling-up. High risk of crushing.



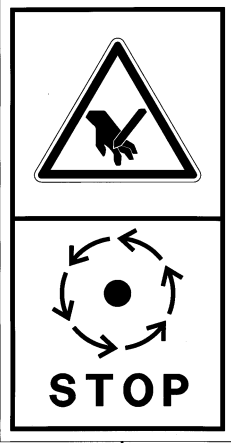
210435 01
Lock cylinders before working beneath head or booms. High risk of crushing.



800878 01
Lock cylinders using taps before transportation.



800222 01
 Never reach into Flail area.
 Allow machine to stop before working on it.
 Danger from cutting.



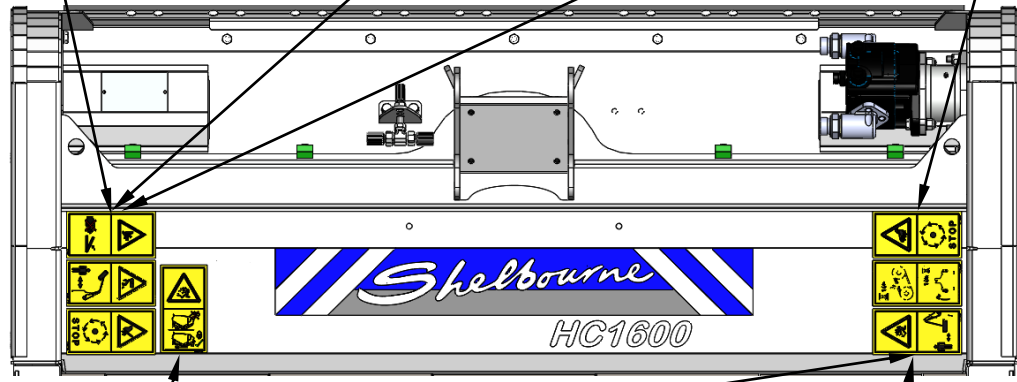
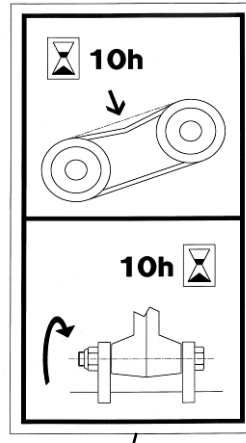
800217 01
 Stay a safe distance from the machine.
 Danger from crushing hazards.



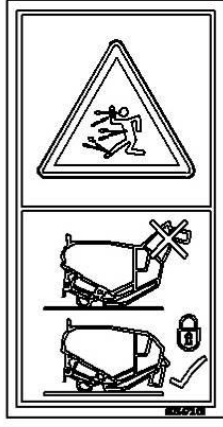
800215 01
 Never reach into the crushing danger area as long as parts may move.



800213 01
 Check bolt / belts for tightness.



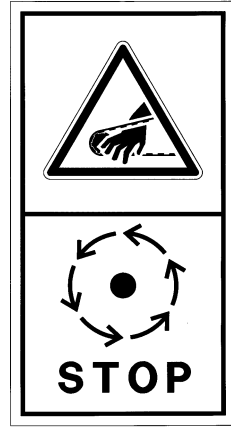
805472 01
 Danger from flying debris.
 Ensure nose bolted fully closed for verge or highway work.



800214 01
 Danger from flying debris.
 Ensure all personnel keep a safe distance from the flail head.



800218 01
 Allow machine to stop before adjusting belts.



2.3 ACCIDENT PREVENTION BEFORE STARTING

Read the manual thoroughly.

Read the tractor operators manual thoroughly.

Ensure that the operator's manual is handed to the customer.

Ensure bystanders are at a safe distance when moving the hedge / verge trimmer by overhead slinging or forklift.

Ensure hedge / verge trimmer stands are pinned into correct position for transportation (see section 4).

If moving the hedge / verge trimmer by overhead lifting, use the designated lifting points, (see section 4). Ensure that the slings / chains are rated accordingly, and that the angle of the slings / chains are set in accordance to lifting regulations.

If moving the hedge / verge trimmer by forklift use the designated forklift shoes (see section 4).

Ensure the forklift has enough capacity to safely lift and move the machine.

Ensure that the machine is parked on a firm and level site, with the lift cylinder taps locked, along with booms correctly positioned and the pivot shoe foot is down to ensure the hedge / verge trimmer is stable (See section 4).

Ensure that the tractor size and weight is suitable for the size and weight of the hedge / verge trimmer (see section 3 and 5).

Do not carry out any PDI work without appropriate PPE (Personal Protective Equipment), wear gloves, close fitting clothing and ensure hair tied back.

Review the PDI check list, printed at the start of this manual. Double check the items listed. Pay particular attention to checking flail nuts & bolts, tractor size is suitable, tractor tire pressure correct, along with any weighting requirements.

If the length of the PTO shaft needs adjusting always follow relevant workshop & power tool health and safety procedures / guidelines.

Follow appropriate safe manual handling procedures.

Ensure the 12v power supply is connected correctly (see section 5).

Ensure the control system is fitted securely into the tractor (see section 5).

Ensure the emergency stop is functioning correctly.

Ensure the cutting head is fitted with safety curtains and are fully intact.

Ensure the flails, and their fixings, should be of the type recommended by Shelbourne Reynolds, securely attached and should not be missing or damaged.

Ensure that tractor windows are protected with protective glazing, metal mesh or polycarbonate guards of appropriate size and strength, so that the operator is protected from any thrown debris or component.

Ensure all tractor mesh/polycarbonate guards are suitable for the job, undamaged and well maintained.

Ensure all tractor windows are closed at all times.

Ensure correct stabilization system is selected for the size of tractor and hedge / verge trimmer (see section 3 and 5).

If assembling stabilizing or axle frame onto trimmer or tractor, use lifting equipment, be careful not to trap/pinch fingers, due to confined space.

Ensure all pins and lynch pins are fitted and correctly secured.

The hedge / verge trimmer may be used only if all safety devices, e.g. detachable guards, flail head rubber curtains, PTO guards etc.... are fitted correctly and in proper working order.

Nuts and bolts should be checked at regular intervals and tightened if necessary. Use appropriate ladders or steps if unable to reach safely from the ground.

Ensure to tighten all nuts and bolts to the correct torque.

Ensure all road lights are in full working order and operate correctly.

Ensure that no person is working on the hedge / verge trimmer or tractor.
Always perform an inspection before starting.

Check that all observers are clear of the hedge / verge trimmer and tractor. Warn bystanders by sounding the horn of the tractor several times. Ensure your visibility is kept clear at all times.

Check there are no foreign objects inside or interfering with the hedge / verge or tractor.

Familiarise yourself with the controls and functions of the machine and practice them in a safe location before attempting to start work (see section 6).

Ensure to grease machine prior to use (see section 8).

Oil levels must also be checked prior to use (see section 8).

The tractor must be fitted with a roll over protection system. If fitted, seat belts must be worn at all times.

2.4 ACCIDENT PREVENTION WHEN COUPLING AND UNCOUPLING TO THE TRACTOR

The work of coupling and uncoupling the hedge / verge trimmer involves a high risk of injury, due to the compact fitting design.

Use only the procedure described in section 5 for further information.

When the hedge / verge trimmer is fitted with an axle-mounting sub frame ensure that the tractor is fitted with compatible axle latches of the correct spacing.

Ensure the hedge / verge trimmer is sitting stable on level ground and cannot tip over in any direction, before coupling and after uncoupling.

Ensure the hedge / verge trimmer stands are pinned into position (see section 4).

Ensure to have read the tractor operators manual thoroughly and practice using the tractor controls (especially those relating to the 3 point linkage) prior to starting to couple the machine.

Check that all observers are clear of the hedge / verge trimmer and tractor. Warn bystanders by sounding the horn of the tractor several times.

Keep clear of tractor / machine area when coupling up.

When attaching, slowly reverse the tractor towards the hedge / verge trimmer - always ensure that there are no other persons in the vicinity of the machine or the tractor.

Follow the 'SAFE STOP' procedure before leaving the tractor seat.

Never operate the hedge / verge trimmer controls from any position other than the tractor seat. Especially when coupling and uncoupling the machine.

If visibility is poor from the tractors cab or uncertain of attachment, regularly stop movement and get out checking the coupling progress. Perform a 'SAFE STOP' procedure before leaving the tractor cab.

Follow appropriate safe manual handling procedures.

Ensure not to trap or pinch fingers, hand or any body part due to confined working space.

Ensure not to stand / climb on the machine or the tractor rear linkage when coupling or uncoupling.

Ensure extra care taken when removing hydraulic couplings from the tractor.

Connect the hedge / verge trimmer to the tractor linkage using only the method recommended in the tractor operator's manual.

Ensure all pins and their lynch pins are fitted and correctly secured.

Check that the maximum combined gross weight of the hedge / verge trimmer and tractor do not exceed the manufacturers recommended maximum permissible loading of front or rear axle, wheels and tyres. Some tractors might also require additional front weights, wheel weights or ballast (see section 5).

Ensure that when the hedge / verge trimmer can be operated in all positions the tractor still remains within its safe working limits.

Never lay underneath the trimmer when coupling or uncoupling the machine. Reach through from the top and side to fit, adjust and remove the drawbar kit.

2.5 ACCIDENT PREVENTION WHEN USING THE PTO SHAFT

Read the PTO (power take-off) manual thoroughly.

Ensure that the PTO operator's manual is handed to the customer and is supplied with the shaft.

It is recommended to use appropriate PPE (Personnel Protective Equipment), wear gloves, close fitting clothing and ensure hair tied back when dealing with the PTO shaft.

Use only the PTO shaft supplied with the hedge / verge trimmer, which is intended for use with the machine.

Follow appropriate safe manual handling procedures during fitment of PTO shaft.

Ensure not to trap or pinch fingers, hands or any body part due to confined working space.

Follow the 'SAFE STOP' procedure before proceeding to fit / remove the PTO shaft.

Ensure that it is fitted with the prescribed protective equipment (protective tube and funnel-shaped PTO shaft guard must be fitted). Ensure the enclosed guard is along the entire length from the tractor PTO to the power input connection on the machine.

Ensure the PTO shaft is fitted in the correct orientation (see section 5.10).

Make sure that the tubes and guards both overlap by the prescribed distance when lifted to working height (see section 5.10).

Ensure that the PTO yoke locking devices are fully / properly engaged onto the shafts groove when fitting.

Ensure the PTO has been greased.

Ensure the PTO guard safety chains are fitted and secure to stop guard tube rotating.

Be absolutely sure that there is nobody standing in a dangerous proximity to the hedge / verge trimmer when you switch on the PTO shaft.

The PTO shaft speed of the tractor must correspond with the maximum permissible rotational speed of the hedge / verge trimmer. The angle of attachment will depend on the operating length of the PTO shaft, the height of the machine and on the relative position of the tractor's PTO shaft. Always switch off the PTO shaft if the angle of divergence becomes excessive or whenever the PTO shaft is not required.

2.6 ACCIDENT PREVENTION WHEN USING THE HYDRAULIC SYSTEM

Due to the possibility of oil contamination on your skin it is recommended to use PPE (Personnel Protective Equipment), wear gloves, when handling hydraulic hose connectors.

Beware, residual pressure in hydraulic lines.

Do not connect to tractor hydraulic system if it can deliver more than 210 bar of pressure (hydraulic roller hoses – optional).

Do not connect the hydraulic hoses to the tractor's hydraulic system until you have made sure that the system is at zero pressure on both the tractor and the hedge / verge trimmer.

Ensure all hydraulic hoses are correctly routed ensuring they avoid damage by chaffing stretching or pinching. Ensure they are secured correctly using the correct fixings.

Check that all machine fittings and couplings are tight and in good condition.

The hydraulic system generates extremely high pressures. All piping, hoses and connections must therefore be checked regularly for leakage and visible external damage.

Use proper and thorough means of searching for leakage and repair all damage immediately. Never attempt to detect a hydraulic leak using your hand.

Sputtering hydraulic oil can cause injuries and fires. Call a doctor immediately in the event of injury.

Hydraulic systems can generate heat within its components, be aware if touching / servicing components directly after use.

Beware of contact with hot surfaces.

Ensure to repair any oil leaks immediately as failure to do so may cause malfunctioning of the machine.

Ensure the hedge / verge trimmer cutting head is on the ground before carrying out any work on the hydraulic system.

Ensure the hedge / verge trimmer cutting head is on the ground before de-pressuring the accumulator.

Ensure to de-pressurise the accumulator for safe removal (see section 8.9).

Take extreme care when working on hoses related to the accumulator. When lift float is switched off the float block is designed to maintain the highest pressure possible in the accumulator (so that when switched on the head does not immediately fall to the ground). The head will need to be lowered to the ground, perform a 'SAFE STOP' procedure before de-pressurising the accumulator (see section 8.9).

Do not assume that having partially unscrewed a connection there will be no residual pressure. 'Soft-seal' couplings can hold high pressures even with the fitting partially unscrewed.

2.7 ACCIDENT PREVENTION WHEN OPERATING.

The hedge / verge trimmer must not be put into operation until the user has been given proper initial instructions either by the dealer or by one of Shelbourne Reynolds' representatives or employees.

It is the owner's responsibility that anybody else who uses the machine is competent and has received instructions or training.

The hedge / verge trimmer may be used only if all safety devices, e.g., detachable guards, are fitted and in proper working order.

Nuts and bolts should be checked at regular intervals and tightened if necessary.

Oil levels must also be checked regularly.

PPE (Personnel Protective Equipment) is recommended while operating the Powerblade trimmer. Appropriate equipment should be worn such as overalls and gloves. Ensure to keep the tractor doors closed while operating.

Do not work around the hedge / verge trimmer in loose clothing that might get caught up.

Follow the 'SAFE STOP' procedure before proceeding to leave the tractor seat.

Only use the hedge / verge trimmer on a tractor that is capable of taking its weight. Use weights or ballast as required ensuring stability of the unit.

Ensure that when the hedge / verge trimmer can be operated in all positions with the tractor still remaining within its safe working limits.

Ensure the machine is in good working condition prior to use.

Ensure to only use the machine for cutting materials within its capability (see section 7.12). Use this machine only for the tasks to which it's been designed to do.

One person should use the hedge / verge trimmer only. When the operator identifies someone approaching or is too close for their safety, the operator shall stop operating until the person is clear again.

Bystanders need to keep a safe distance from the hedge / verge trimmer and tractor while it is being operated. Do not operate the hedge / verge trimmer with bystanders in the danger area.

Ensure that bystanders are not standing in the driving or flail head cutting line of the tractor or hedge / verge trimmer during operation or transportation.

No person may be allowed to ride on the hedge / verge trimmer.

No other person may be allowed to ride in the tractor when the hedge / verge trimmer is being operated.

In the event of a malfunction, immediately cease operation and secure the hedge / verge trimmer and tractor in its stationary position. Malfunctions must be eliminated immediately.

Apply the hedge / verge trimmer controls emergency stop and disengage PTO immediately to ensure that all power has been ceased to the valves. Ensure to then follow the 'SAFE STOP' procedure.

Do not go under or within any part of the hedge / verge trimmer unless it is securely blocked or locked with a mechanical device.

Follow the 'SAFE STOP' procedure before proceeding to leave the tractor seat for removing or opening any guards or clearing a blockage.

Always ensure that safety screens are fitted to the tractor in such a way that the operator is protected from thrown debris or objects.

Always ensure the Cutting head rotor is clear of obstacles or material and free to rotate prior to engaging the flail rotor.

Check that all observers are clear of the hedge / verge trimmer and tractor. Warn bystanders by sounding the horn of the tractor several times. Ensure your visibility is kept clear at all times, before engaging the cutting head.

Ensure to always engage the Cutting head rotor with the Flail head horizontal to the ground and within 1 meter (see below).



NEVER let anybody approach the machine whilst the flail is running.

Always inspect the work area to ensure any dangerous objects (stones, steel posts, wire etc.) are removed before commencing cutting.

Always operate the machine at the correct PTO speed (see section 2.2 and 3.4).

Always adjust the driving speed to suit the driving conditions. Avoid fast turning when driving uphill, downhill or across a slope.

Do not cut the far side of a hedge with the flails towards the operator.

Ensure the cutting head adjustable nose is set correctly to control any debris (see section 7.6 and 7.8).

Do not check or adjust the machine whilst the PTO shaft is engaged by the tractor. Follow the 'SAFE STOP' procedure before proceeding to leave the tractor seat.

When intending to operate on the highway consult the local Highways Department regarding notifications and approval, as rules and regulations will vary from area to area.

Never use the boom arms as a crane in any way.

Always avoid overhead power lines. Use safe working practices when work needs to be done near overhead power lines. Cutting head units may be able to reach over 5.2meters, the minimum height of overhead power lines (see section 7.20).

Ensure sufficient clearance is always maintained between the hedge / verge booms and the tractor.

Ensure sufficient clearance is always maintained between the tractor, trimmer, trimmer booms and any other objects moving or stationary, examples: vehicles, trees, signposts etc.

Always maintain awareness of how the position of the hedge / verge trimmer booms may affect or be affected by others who may come into the working area. Always aim to keep safe working distances.

Always leave hedge / verge trimmer with the cutting head in a safe position in contact with the ground (see below).

Cutting head in contact with the ground



Always be aware of your surroundings and operate accordingly. Be aware of confined areas and reduced heights. Bear in mind adverse weather conditions, such as snow, ice, wind and rain.

Ensure always use the minimum reach necessary to make cut.

Take particular care on slopes.

Be aware that debris and other objects can be thrown. Extra care should be taken when working near highways, public footpaths, buildings, etc.

Do not reach into the machine whilst it is running.

For transportation, fold the booms onto the pads provided. Ensure that the head is as close to the tractor as is practical without contacting the tractor when stationary or moving (see section 7.4).

Always replace all guards after making any adjustments or lubricating to the machine. Replace or repair any damaged or missing guards immediately.

Keep hands away from moving parts i.e., cutting head rotor, booms, and linkage. Do not reach into the Cutting head or any area where components maybe moving due to a risk of entanglement.

Keep a safe distance away from the Cutting head assembly as there is a risk of impact / crushing.

If the Cutting head nose deflector requires adjustment, firstly stop the rotor, and position the booms and cutting head into a safe position for work to be carried out. Follow the 'SAFE STOP' procedure before proceeding to leave the tractor seat. Ensuring the rotor has stopped rotating before you approach the machine.

Ensure to clear up any debris left in the working area as this maybe a hazard and cause danger to others.

Check for loose, broken or missing flails every 4 hours.

Keep children away from the hedge / verge trimmer and tractor at all times.

Only operate the tractor or machine controls from the tractor seat. Do not do so if anyone is anywhere near the machine.

If the PTO is run quickly when oil is very cold the thick oil will be difficult for the pumps to suck in, causing cavitation. Damaging pressures can also be generated in oil cooler.

Be aware that the rotor will take a considerable time to stop. Do not leave the tractor seat until it has stopped.

2.8 ACCIDENT PREVENTION WHEN REMOVING A FOREIGN OBJECT / BLOCKAGE

Ensure that the machine is lowered to the ground or supported in such a way that hydraulic or mechanical failure cannot injure any personnel. Position the Cutting head in contact with the ground but vertically upright so the rotor can be accessed (see section 7.13).

Ensure the Cutting head flail rotor control and tractor PTO has been disengaged.

Follow the 'SAFE STOP' procedure before proceeding to leave the tractor seat.

Ensure the Cutting head flail rotor has stopped rotating before you leave the tractor and approach the machine.

It is recommended to use PPE (Personnel Protective Equipment), when removing the blockage or foreign object.

Never attempt to work with the Cutting head in mid-air or directly overhead.

Ensure not to trap or entangle your fingers, hands, arms or any other body part if mechanically adjusting the roller or front nose to help clear the blockage.

If adjusting the roller hydraulically (hydraulic roller option machines) ensure there is no one in the vicinity of the Cutting head while the roller is being lowered or lifted via the hydraulic service. Ensure the machine is returned to a safe supported position before continuing unblocking the foreign object. Follow the 'SAFE STOP' procedure before proceeding to leave the tractor seat.

The offending object may be heavy, approach moving the object from the machine with care, if in doubt use lifting apparatus.

The offending object may be sharp, approach moving the object from the machine with caution.

Ensure not to trap or entangle your fingers, hands, arms or any other body part as the flail rotor may be preloaded by the foreign object or build up of material within the cutting head.

Ensure to avoid sharp edges of the flails as these may cause cuts or lacerations.

Ensure not to trap or entangle your fingers or hands with the flails as they may move freely or unexpectedly within the Cutting head.

Ensure the machine is positioned in a safe area when removing the blockage or foreign object.

2.9 ACCIDENT PREVENTION WHEN LEAVING THE MACHINE

Always park the machine on a level and firm site.

If leaving, detached from tractor ensure the parking stands and cutting head pivot shoe foot are securely locked / lowered into position. Do not leave the machine where it might be knocked over by animals or vehicles.

If leaving attached to a tractor ensure to lower the Flail head into a safe position in contact with the ground, follow the 'SAFE STOP' procedure and isolate electrics before leaving the cab. If being left unattended lock tractors cab.

Ensure the hedge / verge trimmer is stable on level ground when free standing without being attached to a tractor (see section 5).

Do not leave the machine adjacent to a building, haystack or the like, where persons could climb and fall onto the machine.

If detaching the machine ensure the lift cylinder locking taps are locked, slew locking device is in place and the Cutting head pivot shoe foot is set in the down position (see section 5.14).

Ensure roller is always positioned in the upper most position.

Never allow children to play on or near parked machinery.

2.10 ACCIDENT PREVENTION WHEN SERVICING / ADJUSTING THE MACHINE

Any malfunctions or defects, which might affect the safe operation of the hedge / verge trimmer, must be immediately eliminated.

Do not check or adjust the machine whilst the PTO shaft is engaged by the tractor. Follow the 'SAFE STOP' procedure before leaving the tractor cab. Never leave the tractor seat while the engine or machine is still running.

If the hedge / verge trimmer is connected to a tractor while servicing follow the 'SAFE STOP' procedure before leaving the tractor cab to work on the machine, ensure the tractors handbrake is applied and the transmission is placed in park.

The hedge / verge trimmer must be used, maintained and repaired only by persons who are familiar with its working and have been made fully conversant with the risks involved.

Do not carry out any work without appropriate PPE (Personnel Protective Equipment) and long hair tied back. (Gloves, safety boots, close fitting clothing etc.)

Do not climb on machine to access grease points (or any component) as parts of the machine will be extremely slippery. Always use suitable ladders or steps.

While working on the machine avoid overreaching yourself and consider the consequences of the spanner slipping, or the fastener suddenly breaking or coming loose. If the result is likely to involve a fall, or the removal of flesh from your knuckles, then reconsider your approach.

Ensure that the machine is lowered to the ground or supported in such a way that hydraulic or mechanical failure cannot injure any personnel.

Be aware that the Cutting head rotor will overrun for a short time after the controls or PTO has been disengaged. Do not leave the tractor cab until it has stopped.

Replace all guards after servicing.

Ensure to tighten all nuts and bolts to the correct torque (see section 8).

Always dispose of discarded parts carefully – at an approved site.

When removing a build-up of foreign material such as plastic, baling twine, wire from the flail rotor, firstly follow the 'SAFE STOP' procedure. Pay particular caution while working, as the rotor may move suddenly as the material becomes unblocked.

Never work underneath or next to the machine unless the hedge / verge trimmer is perfectly stable and supported.

Beware not to contact skin with grease when greasing machine. Always use appropriate PPE.

Hydraulic systems using accumulators can cause injury and loss of oil if not de pressurised before servicing. Follow procedure to de pressurise in section 8.9.

Ensure the safe disposal of any waste oil and filters.

OEM replacement parts and accessories from Shelbourne Reynolds have been specially designed for use with the Shelbourne Reynolds, hedge / verge trimmer. Any replacement parts and accessories not supplied by Shelbourne Reynolds have not been tested and approved by us. The installation and / or the use of non-Shelbourne Reynolds products may under certain circumstances have a negative influence on the given design features of your hedge / verge trimmer and may therefore adversely affect its safe and reliable operation and your safety. Shelbourne Reynolds cannot therefore be held liable for damage or injury caused by the use of non-OEM replacement parts or accessories.

Allow flail rotor to stop, then follow the 'SAFE STOP' procedure before adjusting the belts.

Ensure to avoid sharp edges of the flails as these may cause cuts or lacerations.

Ensure positioned in a safe area when servicing or adjusting the machine.

Ensure flail rotor and the flails are in a restrained position if sharpening the flail cutting edge.

Avoid fingers or hands becoming pinched or trapped when replacing the drive belts.

Ensure fingers or hands don't become pinched or trapped when opening or closing the hydraulic tank hood.

2.11 ACCIDENT PREVENTION WHEN TAKING ON PUBLIC ROADS

Road traffic regulations must be observed when using or transporting the hedge / verge trimmer on roads, paths and other public places.

The machine must be in a roadworthy condition.

Observe the maximum permissible width and heights for road transport and fit all necessary rear lights, fit flashing beacons, warning signs and guards.

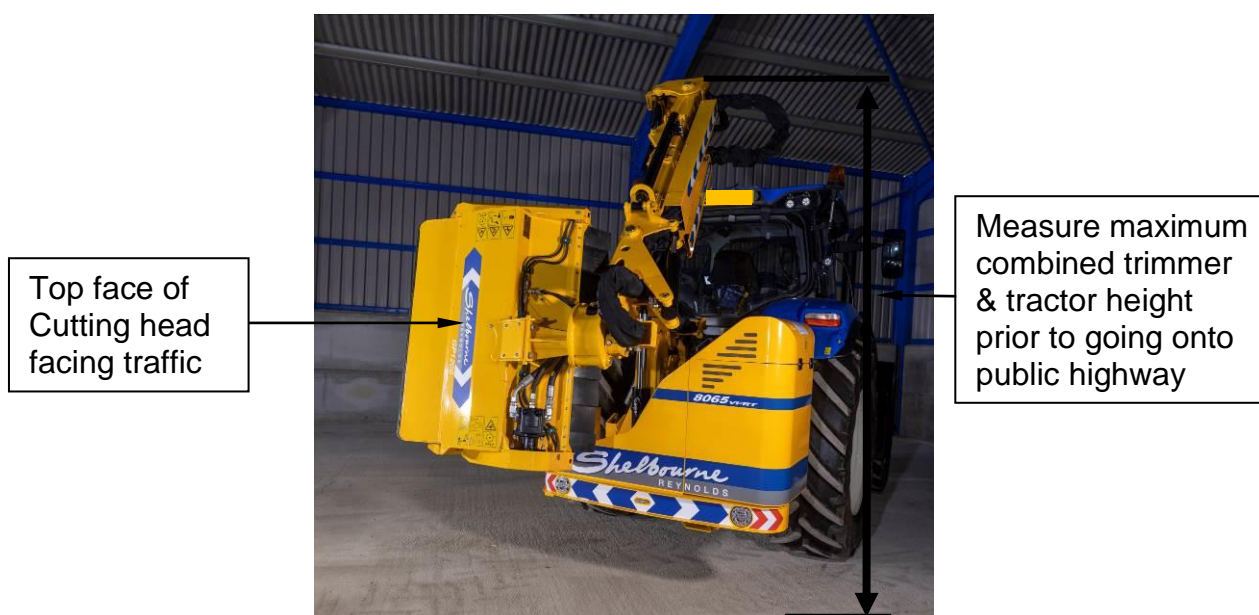
Ensure that the lighting system is in full working order and that the vehicle carrying the hedge / verge trimmer can fully and correctly operate the system.

For transporting, close the booms fully and secure all rubber flaps, guards and covers so that they cannot cause injury or damage to other users of the public place.

Ensure the hedge / verge trimmer booms cannot contact the tractor cab when positioning the hedge / verge trimmer for road transport (see section 7).

Ensure the booms are fully slewed back and the slew locking device has been fitted before travelling on the public highway (see section 7).

Ensure the flail rotor is positioned facing the operator with top face of the Cutting head facing the traffic, behind.



It's recommended to disconnect all electrical, hydraulic connections and the PTO driveshaft from the hedge / verge trimmer so that it cannot be inadvertently operated during road transport.

Ensure lift cylinder is locked using the two taps located on the main lift cylinder (see section 7)

Ensure the rear road lights are free of debris and are clearly visible.

Observe the maximum permissible axle loads, the load bearing capacity of the tyres and the maximum total weights to ensure adequate steering and braking. Attached implements also influence the behaviour of the tractor. Take the width and the overhung weight into consideration, especially on sharp bends.

No person may be allowed to ride on the hedge / verge trimmer.

Always adjust the driving speed to suit the driving conditions. Avoid fast turning when driving uphill, downhill or across a slope. Braking performance and turning ability will be affected when implements are connected to the tractor.

Be aware of the width, height, and length of the machinery you are operating – Especially when transporting on the public highway or near obstructions.

When intending to operate on the highway consult the local Highways Department regarding notifications and approval, as rules and regulations will vary from area to area.

Ensure when working on the public highway's consideration should be paid to others in the vicinity. Stop the machine immediately when vehicles, pedestrians, cyclists, or horse riders etc pass. Re-engage the machine only once working area is clear.

Always maintain awareness of how the position of the hedge / verge trimmer booms may affect or be affected by others who may come into the working area. Always aim to keep safe distances from others or other objects.

Consider what measures you will need to control the risk to other road users (vehicles, cyclist, pedestrians, or horse riders). Ensure to display specific warning signs in defined locations where work is being carried out.

Ensure no debris if left on the public highway or pathways.

Ensure hydraulic or adjustable nose bolted in the fully closed position for verge or highway work, to stop flying objects exiting out of the head. Both curtains should be fully intact and in place.

2.12 ACCIDENT PREVENTION WHEN CLEANING AND STORING THE MACHINE

Park the machine on a firm and level site

When unhooking the hedge / verge trimmer, ensure the machine is supported in a stable position before moving the tractor away.

Do not leave the machine adjacent to a building, haystack, or the like, where persons could climb onto the machine and make it unstable.

Store the PTO shaft by removing from the gearbox, then leave with the hedge / verge trimmer. Do not use the PTO guard restraining chains to hang or hold the weight of the PTO.

Ensure to fit the slew locking device (see section 7).

Ensure the electric controls are stored inside in a clean dry location away from the elements.

Do not run the machine while cleaning.

If cleaning machine using a steam cleaner or pressure washer, follow recommended precautions given by the washing equipment manufacturer.

It is recommended to use PPE (Personnel Protective Equipment), when using high pressurised water, hot water or air during cleaning of the machine.

Do not climb on or over parked / stored machine, due to a high risk of falling in or off.

Even when the machine is unattached, certain components can be moved or rotated by hand, causing injury to fingers or hands due to trapping. Wherever possible secure components during storage to prevent accidental injuries.

2.13 NOISE EMISSIONS

Sound pressure level measured at operator's seat in tractor cab.	Just tractor running. (full operating speed)	Tractor window closed.	64 dB(A)
		Tractor window open.	72 dB(A)
	Tractor and Powerblade running. (full operating speed)	Tractor window closed.	68 dB(A)
		Tractor window open.	88 dB(A)

Sound pressure levels measured all around the tractor and hedge / verge trimmer at a distance away of 1 metre and a height of 1.6 metres, ranged from 92 - 98 dB(A).
(The above test results were obtained using a randomly selected / modern tractor)

If the windows of the tractor are open while operating, it is recommended that personnel hearing protectors are used due to the noise levels involved.
The control of noise at work regulations 2005 state 85 decibels and above before hearing protectors are required.

2.14 PROPER USE

Shelbourne Reynolds hedge / verge trimmers are based on state-of-the-art technology and are manufactured in accordance with recognised safety requirements. Nevertheless, the use of the machine does not preclude the risk of injury to the user or third parties and/or the risk of damage to the machine itself or to other materials or items of equipment.

Always make sure that the hedge / verge trimmer is in a technically perfect condition and that it is used properly and for its intended purpose and entirely in accordance with the instructions given in this manual. Any malfunctions or defects, which might affect the safe operation of the machine, must be immediately eliminated.

The hedge / verge trimmer must be used, maintained and repaired only by persons who are familiar with its working and have been made fully conversant with the risks involved.

OEM replacement parts and accessories from Shelbourne Reynolds have been specially designed for use with the Shelbourne Reynolds hedge / verge trimmer. Any replacement parts and accessories not supplied by Shelbourne Reynolds have not been tested and approved by us. The installation and/or the use of non-Shelbourne Reynolds products may under certain circumstances have a negative influence on the given design features of your machine and may therefore adversely affect its safe and reliable operation and your safety. Shelbourne Reynolds cannot therefore be held liable for damage or injury caused by the use of non-OEM replacement parts or accessories. The Shelbourne Reynolds hedge / verge trimmer is intended for cutting hedges and verges. Any uses other than those for which the machine is intended, such as craning, or stump-grinding, will automatically exempt Shelbourne Reynolds or the supplier from its/his liability in respect of ensuing damage. Such cases of improper use will therefore be entirely at the user's own risk.

All relevant accident prevention regulations, as well as other generally acknowledged health and safety regulations and road traffic regulations must be strictly observed.

Improper use also comprises failure to observe the instructions given in this operating manual and the manufacturer's maintenance and servicing requirements.

2.15 NO LIABILITY FOR CONSEQUENTIAL DAMAGE

Even though your Shelbourne Reynolds hedge / verge trimmer has been manufactured with the utmost care and you are using it properly, fluctuations and interruptions in operation rate may still occur.

It is the duty of the operator / user to ensure that foreign objects, e.g., stones, metal objects etc. are not allowed to enter the cutting head and are therefore not ejected dangerously. Failure to observe this may result in damage to the hedge / verge trimmer and / or injury to the operator / user and members of the public.

Any claims for damages not directly incurred by the hedge / verge trimmer cannot be accepted. By the same token, Shelbourne Reynolds cannot be held liable for any consequential damage resulting from incorrect use of the machine.

SECTION 3: SPECIFICATION AND DESCRIPTION

3.1 DESCRIPTION

The machine consists of a cutting head, which is positioned by a number of articulating booms, mounted to a frame, which carries the relevant control and drive systems.

A double-skinned head shell (A) with a rotor (B) is fitted with a choice of cutting flails. This is driven by a hydraulic motor (C) mounted within the envelope of the head. An adjustable nose (D) is fitted to minimise the effect of any thrown objects. A hydraulic cylinder (E) rotates the head about the outer boom arm (F). The outer boom can be telescopic or variable forward reach and telescopic (VFRT). A hydraulic cylinder (G) varies the reach of the arms in an almost straight line due to the effect of the parallel arm (H). The first boom (I) is fitted with a pad (J) to close the booms together for safe, controlled, transportation. A hydraulic cylinder (K) rotates the rocker (L) and thus lifts and lowers the head and booms. A hydraulic cylinder (M) rotates the pillar (N) to give forward and rearward slew and a safety breakback action. Gearboxes, pumps and controls (O) use a fully independent (twin pump) oil supply from the large stylish hydraulic tank (P) to operate the aforementioned cylinders and motor, which are protected from contamination by a pressure and return filter (Q). A guard (R) covers and helps to protect the hydraulic components.



A PTO drive operating at 540rpm (or 800 rpm option), with a 1 & 3/8" SAE 6 spline shaft and rotating in a clockwise direction is required.

All 8000 trimmers are fully independent hydraulic machines.

All 8000 machines are fitted with a rear lighting board; this should be connected to the standard 7-pin trailer plug.

3.2 INTENDED USE

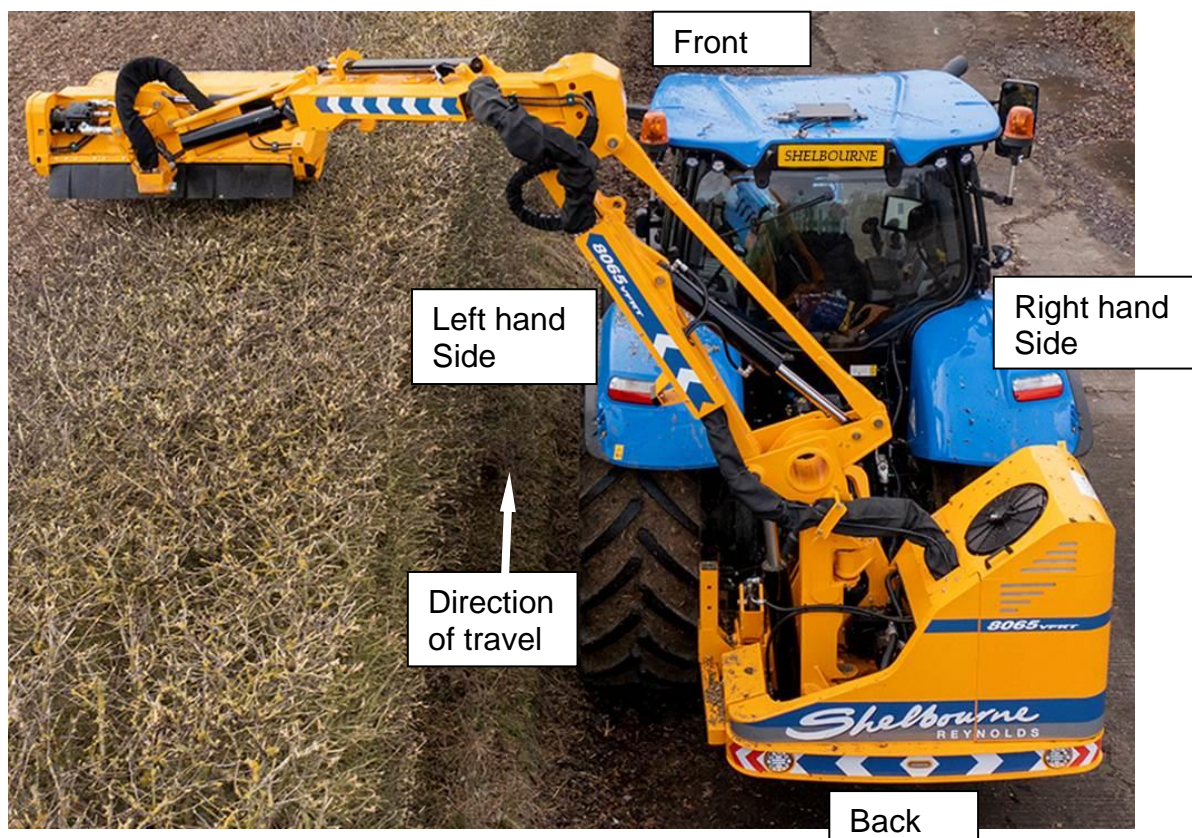
The machine is intended to be used on typical farms and highways for annual or biennial cutting of hedges and for cutting grass and weeds on verges and banks.

Fine cutting action of the flails reduces the need for clearing up after cutting (though may not remove it altogether) and (unless the growth is particularly luxuriant) leaves no swath which might kill underlying grass.

3.3 TECHNICAL SPECIFICATIONS

The terms "right", "left", "front" and "back" in this manual are for an operator sitting in the tractor seat looking forward.

Left hand build trimmer in work position.



Technical Specifications	8060 T	8070 T	8080 T
Controls			
S-Touch Compact	Standard	Standard	Standard
S-Touch Max	Optional	Optional	Optional
Hydraulics			
Oil Capacity	230litres	230litres	230litres
Independent Hydraulics	Standard	Standard	Standard
Oil Cooler	Standard	Standard	Standard
Arm Features			
Parallel Boom Geometry	Standard	Standard	Standard
Boom Type	Telescopic	Telescopic	Telescopic
Hydraulic Slew	102deg	102deg	102deg
Arm Break Back	Standard	Standard	Standard
Head Float	Standard	Standard	Standard
Arm Float	Standard	Standard	Standard
Flail head Features			
Twin 'v' Belt Head System	Standard	Standard	Standard
GP1200 (LH Drive) Head	Standard	Standard	Standard
GP1500 (LH Drive) Head	Optional	Optional	Optional
HC1200 (LH / RH Drive) Head	Optional	Optional	Optional
HC1600 (LH / RH Drive) Head	Optional	Optional	Optional
Drive System flow	100 l/min	100 l/min	100 l/min
Drive System Pressure	275 bar	275 bar	275 bar
Head Angling	250deg	250deg	250deg
Roller Diameter	125mm	125mm	125mm
Hydraulically Adjustable Roller	Optional	Optional	Optional
Weights			
Machine Weight inc GP1200 Head & Oil	2050kg	2100kg	2150kg
Min Tractor Weight	5500kg	5500kg	5500kg
Min Tractor	130HP	130HP	130HP
Mounting System			
4pt Mounting	**	**	**
Axle Mounting	Recommended	Recommended	Recommended
Accessories			
Road Lights (LED)	Standard	Standard	Standard

Note: ** It is the end user's responsibility to ensure that the trimmer does not exceed the tractor OEM's (original equipment manufacturer) specification for implement mounting and hitch capability and that the installation is technically appropriate based on the weight and size of the tractor and its implement attachment system. Owing to the size and weight of the 8000 series it is recommended that customers mount the trimmers using an axle mounting system. 4 point linkage mounting must only be used on tractors with suitable linkage mounting points and even then, Shelbourne Reynolds recommends that axle mounting is used for improved strength where possible. 8000 Series trimmers can become detached if used inappropriately with the 4 point linkage mount.

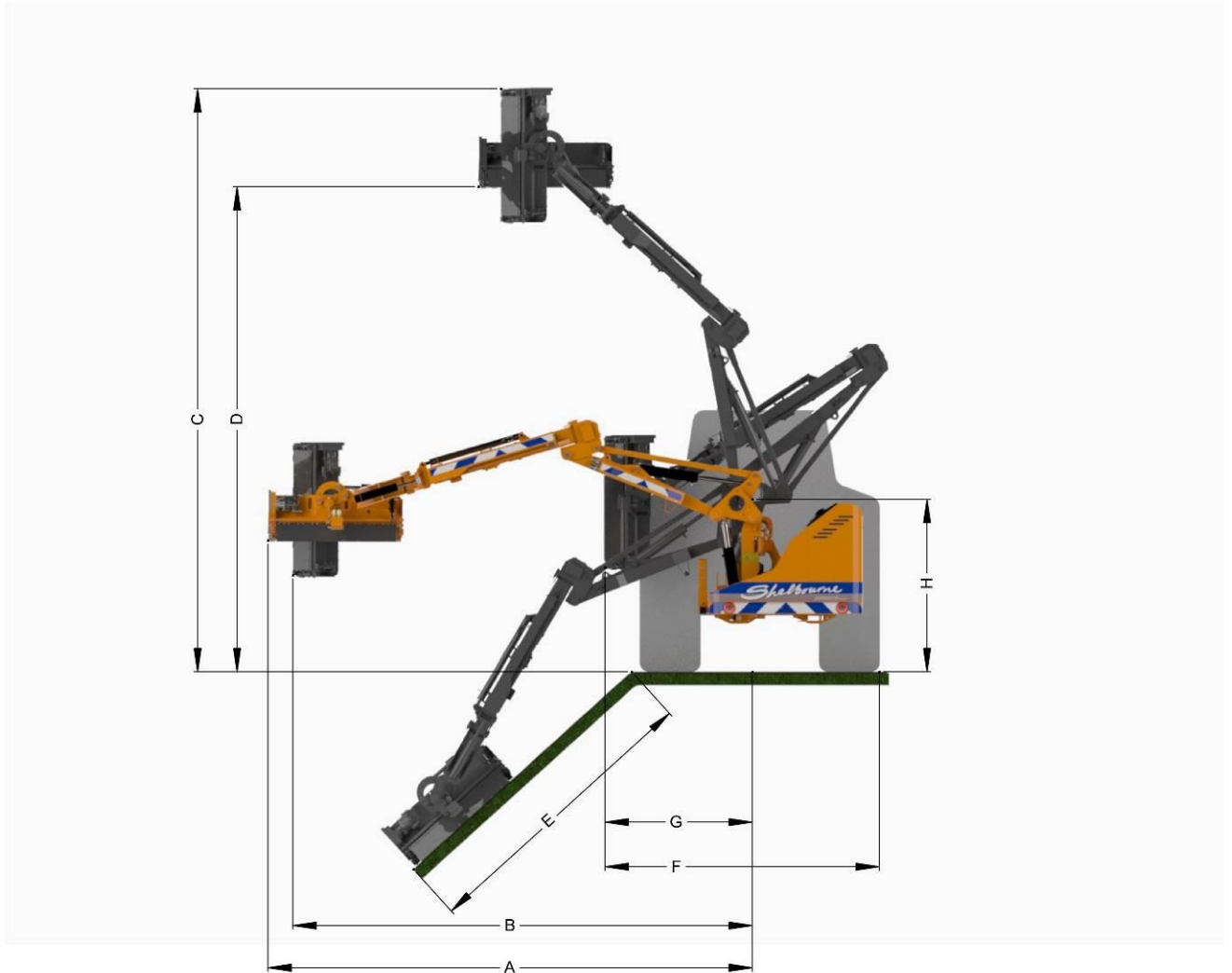
Technical Specifications	8065 VFRT	8075 VFRT
Controls		
S-Touch Compact	Standard	Standard
S-Touch Max	Optional	Optional
Hydraulics		
Oil Capacity	230litres	230litres
Independent Hydraulics	Standard	Standard
Oil Cooler	Standard	Standard
Arm Features		
Parallel Boom Geometry	Standard	Standard
Boom Type	VFR / Tele	VFR / Tele
Hydraulic Slew	102deg	102deg
Arm Break Back	Standard	Standard
Head Float	Standard	Standard
Arm Float	Standard	Standard
Flail head Features		
Twin 'v' Belt Head System	Standard	Standard
GP1200 Head (LH Drive)	Standard	Standard
GP1500 Head (LH Drive)	Optional	Optional
HC1200 Head (LH / RH Drive)	Optional	Optional
HC1600 Head (LH / RH Drive)	Optional	Optional
Drive System flow	100 l/min	100 l/min
Drive System Pressure	275 bar	275 bar
Head Angling	250deg	250deg
Roller Diameter	125mm	125mm
Hydraulically Adjustable Roller	Optional	Optional
Weights		
Machine Weight inc GP1200 Head & Oil	2200kg	2250kg
Min Tractor Weight	5500kg	5500kg
Min Tractor	130HP	130HP
Mounting System		
4pt Mounting	**	**
Axle Mounting	Recommended	Recommended
Accessories		
Road Lights (LED)	Standard	Standard

Note: ** It is the end user's responsibility to ensure that the trimmer does not exceed the tractor OEM's (original equipment manufacturer) specification for implement mounting and hitch capability and that the installation is technically appropriate based on the weight and size of the tractor and its implement attachment system. Owing to the size and weight of the 8000 series it is recommended that customers mount the trimmers using an axle mounting system. 4 point linkage mounting must only be used on tractors with suitable linkage mounting points and even then, Shelbourne Reynolds recommends that axle mounting is used for improved strength where possible. 8000 Series trimmers can become detached if used inappropriately with the 4 point linkage mount.

REACH DIMENSIONS	8060T		8070T		8080T	
	Retracted	Extended	Retracted	Extended	Retracted	Extended
Max reach (A) head horizontal	4.90 m	6.03 m	5.56 m	6.98 m	6.26 m	8.02 m
Max reach (B) head vertical	4.71 m	5.84 m	5.37 m	6.79 m	6.13 m	7.89 m
Max height (C) head vertical	6.09 m	7.01 m	6.73 m	7.90 m	7.09 m	8.35 m
Max height (D) head horizontal	5.08 m	5.99 m	5.72 m	6.89 m	6.11 m	7.38 m
Max reach (E) downwards	3.05 m	4.22 m	3.68 m	5.16 m	4.29 m	6.09 m
Min siding width (F) to tank	2.29 m	N/R	2.24 m	N/R	2.24 m	N/R
Min siding width (G) to centre	1.33 m	N/R	1.28 m	N/R	1.28 m	N/R
Height (H) to pivot	1.55 m	1.55 m	1.55 m	1.55 m	1.55 m	1.55 m
All dimensions above with 1.2 m head						

REACH DIMENSIONS	8065 VFRT					
	Retracted			Extended		
	Forward	Straight	Back	Forward	Straight	Back
Max reach (A) head horizontal	4.75	5.32	5.1	5.29	6.16	5.84
Max reach (B) head vertical	4.61	5.17	4.96	5.15	6.02	5.7
Max height (C) head vertical	5.86	6.28	6.12	6.3	6.93	6.69
Max height (D) head horizontal	4.81	5.24	5.08	5.25	5.88	5.65
Max reach (E) downwards	-	3.51	-	-	4.36	-
Min siding width (F) to tank	-	2.21	2.17	-	-	-
Min siding width (G) to centre	-	1.25	1.2	-	-	-
Height (H) to pivot	1.55	1.55	1.55	1.55	1.55	1.55
All dimensions above with 1.2m head						
HD865 VFRT 1.38m forward & 0.89m back (Retracted) 2.00m forward 1.31m back (Extended)						

REACH DIMENSIONS	8075 VFRT					
	Retracted			Extended		
	Forward	Straight	Back	Forward	Straight	Back
Max reach (A) head horizontal	5.21	5.88	5.64	6.02	7.06	6.68
Max reach (B) head vertical	5.08	5.75	5.5	5.88	6.93	6.54
Max height (C) head vertical	6.44	6.73	6.56	6.53	7.12	6.90
Max height (D) head horizontal	5.07	5.45	5.31	5.53	6.08	5.90
Max reach (E) downwards	-	3.83	-	-	4.94	-
Min siding width (F) to tank	-	2.26	2.16	-	-	-
Min siding width (G) to centre	-	1.30	1.19	-	-	-
Height (H) to pivot	1.55	1.55	1.55	1.55	1.55	1.55
All dimensions above with 1.2m head						
HD875 VFRT 1.6m forward & 1.03m back (Retracted) 2.47m forward 1.6m back (Extended)						



All dimensions weights and other data are approximate.

3.4 TECHNICAL SPECIFICATIONS OPTIONS

The 8000 machines can only be assembled to work on the left hand side of the tractor.

The General Purpose (GP) cutting head can only be configured with Left Hand (LH) (Outboard) drive. A High Capacity (HC) cutting head can be configured with Left Hand (LH) (Outboard) or Right Hand (RH) (Inboard) drive.

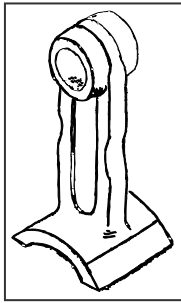
HC cutting head below.



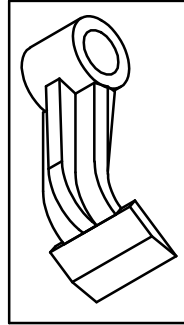
LH (Outboard) drive

RH (Inboard) drive

Cutting head choice of flails -

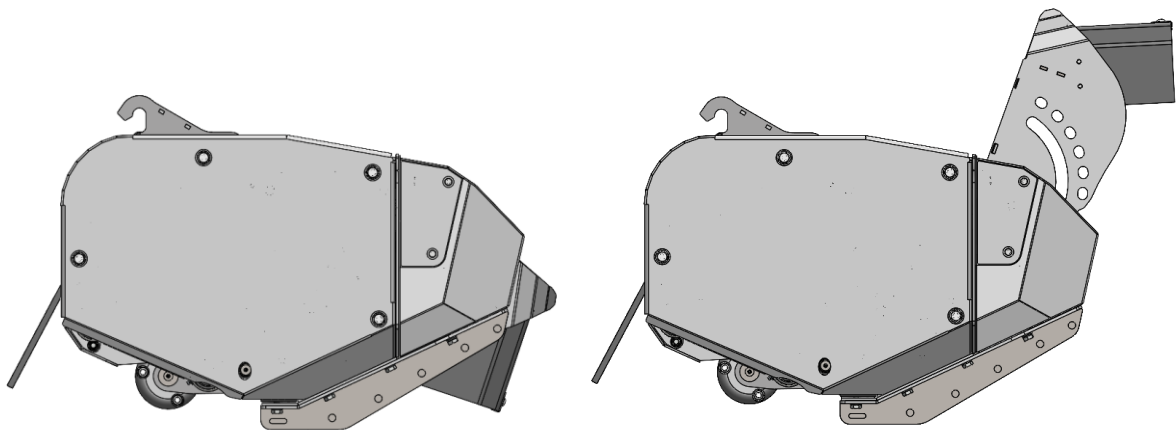


'T' flails, reversible
(hedges and
occasional grass)



Competition flail, up
cutting only (grass and
light to medium hedges)

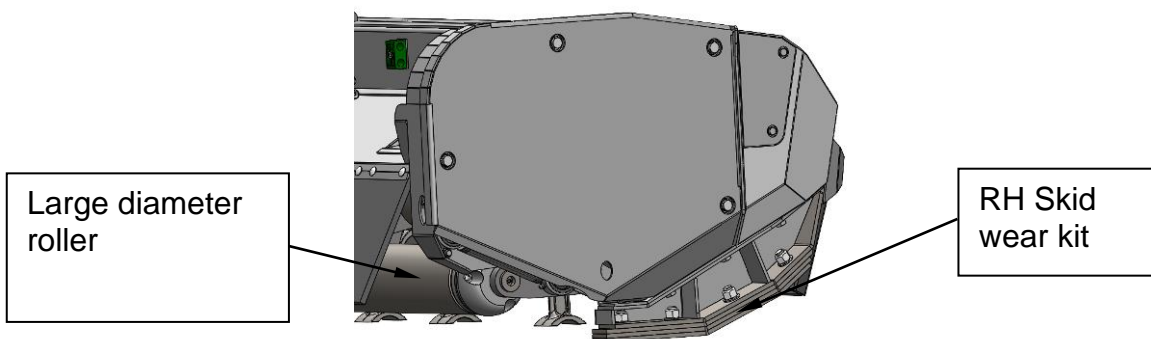
The HC cutting head is available with a hydraulically operated front nose option (Not available for GP heads).



Hydraulic nose fully closed

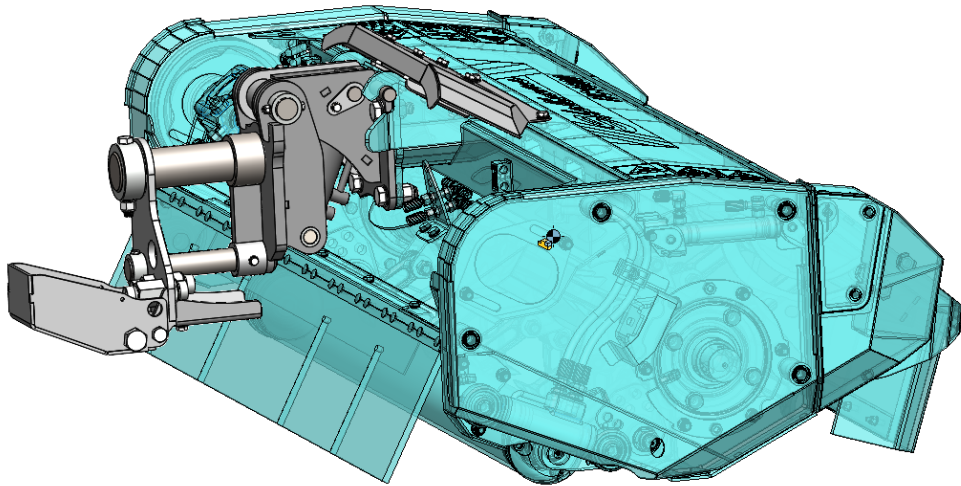
Hydraulic nose fully open

The GP or HC cutting heads are available to a verge mowing specification. Options available include: 152mm (6") diameter roller and right hand (RH) skid wear kit.



Higher powered hydraulic drive system is also an available option delivering more power to the cutting head. This requires the tractor PTO to be run at either 540 or 800 rpm depending on the gearbox fitted.

Narrow lane bracket option for all 8000 trimmers (Only available on LH drive heads).



Highways kit option includes 7-piece chevron kit, magnetic arrow and two florescent boom transfers. This is recommended if working on public highways and is Chapter 8 compliant.



Debris blower kit is available to be fitted at the rear of the hedge / verge trimmer.



SECTION 4:

HANDLING AND TRANSPORTATION



Refer to section 2 for safety procedures.

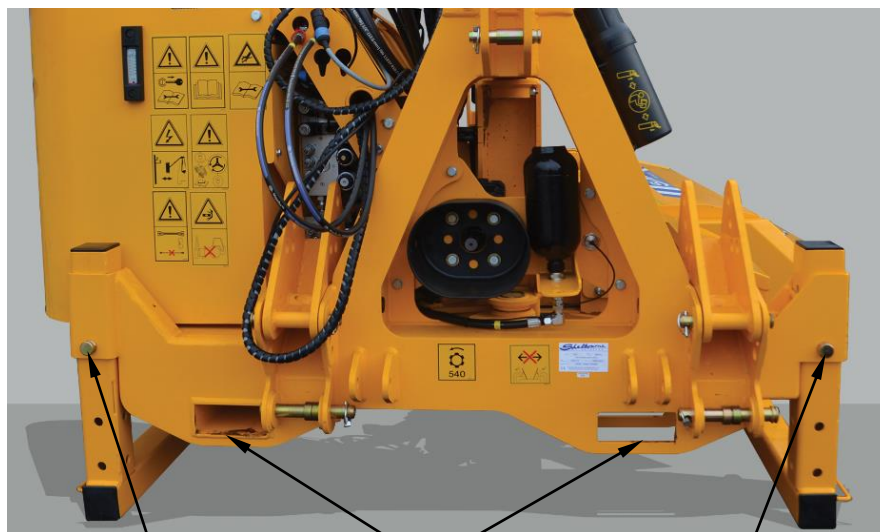
To prevent damage to the trimmer the machine should only be moved by one of the following methods.

4.1 UNLOADING / LOADING



Refer to section 2.3 for accident prevention before starting.

1. Use the forklift tine holes that are incorporated into the design of the hedge / verge trimmer frame.



Forklift holes
incorporated into
trimmer stands

Trimmer stands locking
pin (ensure locked in
place)

Ensure that the tines go through both slots in the front and back plates. Insert the tines as far as they can go, to get the trimmer as close to the forklift as possible.

It is recommended that the head is parked as close to the rear of the trimmer to lessen overhanging weight and not exceed the forklift capacity.

Take care not to insert the tines through so far that the tips contact with the cutting head. This may cause damage to the cutting head or even cause the tines to slip during transportation of the hedge / verge trimmer.

2. By slinging and using an overhead lifting device, generally during loading and unloading. Attach slings or chains to the designated lifting / sling points.



Sling point on main pivot rocker.



Sling point on inner boom.

Ensure the lift cylinder taps are closed before lifting commences and the slew locking device is fitted (see section 7.1).

4.2 TRANSPORTATION



Refer to section 2.9 for accident prevention when leaving the machine.



Refer to section 2.11 for accident prevention when taking on public roads.

For transporting attached to a tractor, see section 7.4 for more detail and correct procedures to follow.

When transporting the hedge / verge trimmer ensure:

1. Ensure that the two taps on the ports on the lift cylinder are closed, handles are positioned 90 degrees to fittings, to lock cylinder movement (see section 7.4).
2. Ensure the slew locking device is also fitted to lock of any slew movement (see section 7.4).
3. Ensure Forklift has suitable capacity to lift trimmer.
4. Ensure the trimmer stand locking pin is fitted for both stands before attempting to move the hedge / verge trimmer.
5. Ensure when leaving the hedge / verge trimmer in a new location, it's on a firm and level site and the cutting head pivot shoe foot is in its down position with the bolt and nut tightened.



Pivot shoe foot
fully up position

Pivot shoe foot fully down
supporting cutting head

SECTION 5:

PREPARATION FOR USE



Refer to section 2 for safety procedures.

Use the dealer pre-delivery / installation check and warranty registration form positioned at the front of this manual to check through the hedge / verge trimmer. This section will help to expand on the pre-delivery/installation.

5.1 CHOICE OF TRACTOR



Refer to section 2.3 for accident prevention before starting.

Refer to Section 3 for the recommended weight of tractor and the typical horsepower requirement for the various machine configurations.

Before attaching the hedge / verge trimmer it is important to ensure the tractor is suitable for the trimmer.



It may be required to either weight or ballast the tractor to obtain suitable stability. This should be done to the tractor manufactures recommendations.

The tractor size and weight should be substantial enough so that when the Hedge / verge trimmer is at its full extent in all conditions, the tractor remains completely stable and with all four wheels in full contact of the ground. Either in work or on the public highway a minimum of at least 15% of the total vehicle weight of the tractor and trimmer should be carried on the front axle. At least 20% of the rear axle weight should be carried on the opposite wheel to the cutting head.

Ensure tractor axle weights and tyre ratings are not exceeded.

Ensure the combination of the tractor and trimmer does not exceed the gross vehicle weight.

Weights can be measured by driving the tractor and trimmer combination onto a weigh bridge ensuring a full tank of diesel, operator in position, any necessary front and wheel weights added prior to weighing.

Note: Not all manufacturer tractors of similar sizes have the same carrying / axle capacities, if in doubt check with your dealer.



Tractor wheels should be set as wide as required to obtain maximum sideways stability in all working conditions. However, if a tractor overall width is between 2.55 – 3 meters speeds of more than 32 KPH (20 MPH) must not be exceeded when on the public highway.

5.2 PREPARATION OF THE TRIMMER BEFORE ATTACHMENT



Refer to section 2.3 for accident prevention before starting.

The hedge / verge trimmer will be delivered to the dealer fully assembled, except for the stabiliser mounting system and final hydraulic, electrical and PTO connections.

Hedge / verge trimmer checks:

- Check in general that nuts & bolts are tight.
- Ensure that all safety guards, decals are fitted and legible.
- Check hydraulic oil level (see section 8.6).
- Check gearbox oil level (see section 8.4).
- Lubricate all accessible grease points (see section 8.2).

Hedge / verge trimmer cutting head checks:

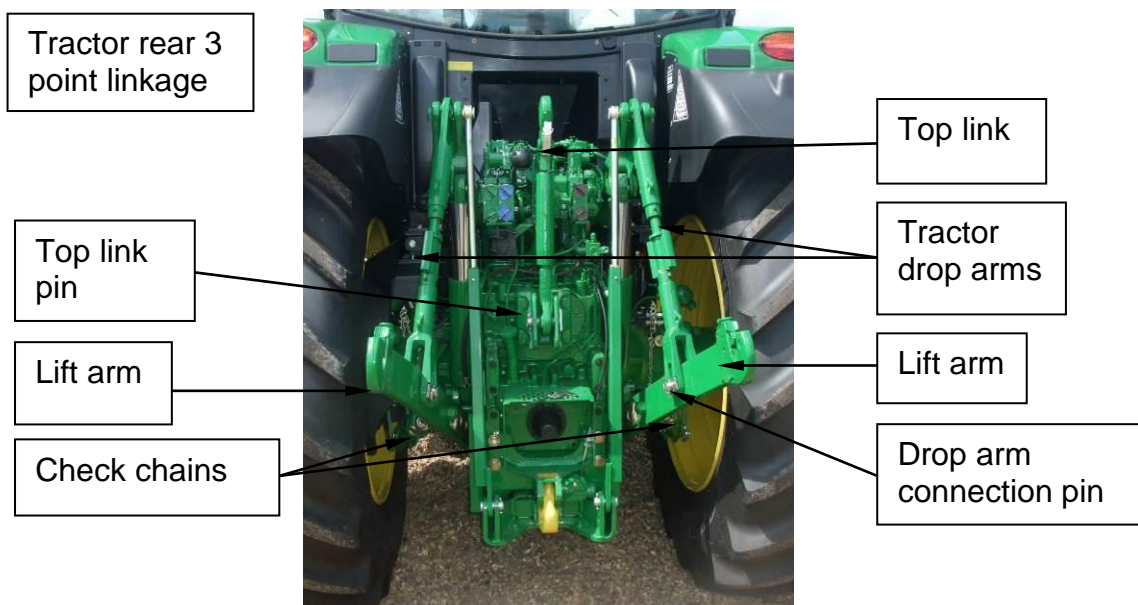
- Check all flails are intact and the flail bolts are tightened correctly (see section 8.10 & 8.11).
- Check drive belts are tensioned correctly (see section 8.11).
- Check that both safety curtains are fully intact.
- Check that the head nose can be adjusted fully up or down (see section 7.6).
- Ensure there are no foreign objects inside the head shell.

5.3 PREPARATION OF THE TRACTOR BEFORE ATTACHMENT



Refer to section 2.3 for accident prevention before starting.

The hedge / verge trimmer is suitable for a Category 2 tractor linkage and in most instances Category 3. Shelbourne Reynolds Engineering Ltd recommends that this be of good quality and in good condition. Check the condition of any quick release ball ends carefully, as they will be subjected to upward forces. Check chains and stabilisers should also be in good condition when using the stabilising kit, as they will be relied upon to assist it in its function.



Ensure the tractor drop arms are of equal length ensuring they are kept at the minimum length required while still being able to hitch on the trimmer. Ensure the pin which connects the drop arm to the lift arm is positioned into the fixed rather than the float position (please refer to the tractor operator's manual).

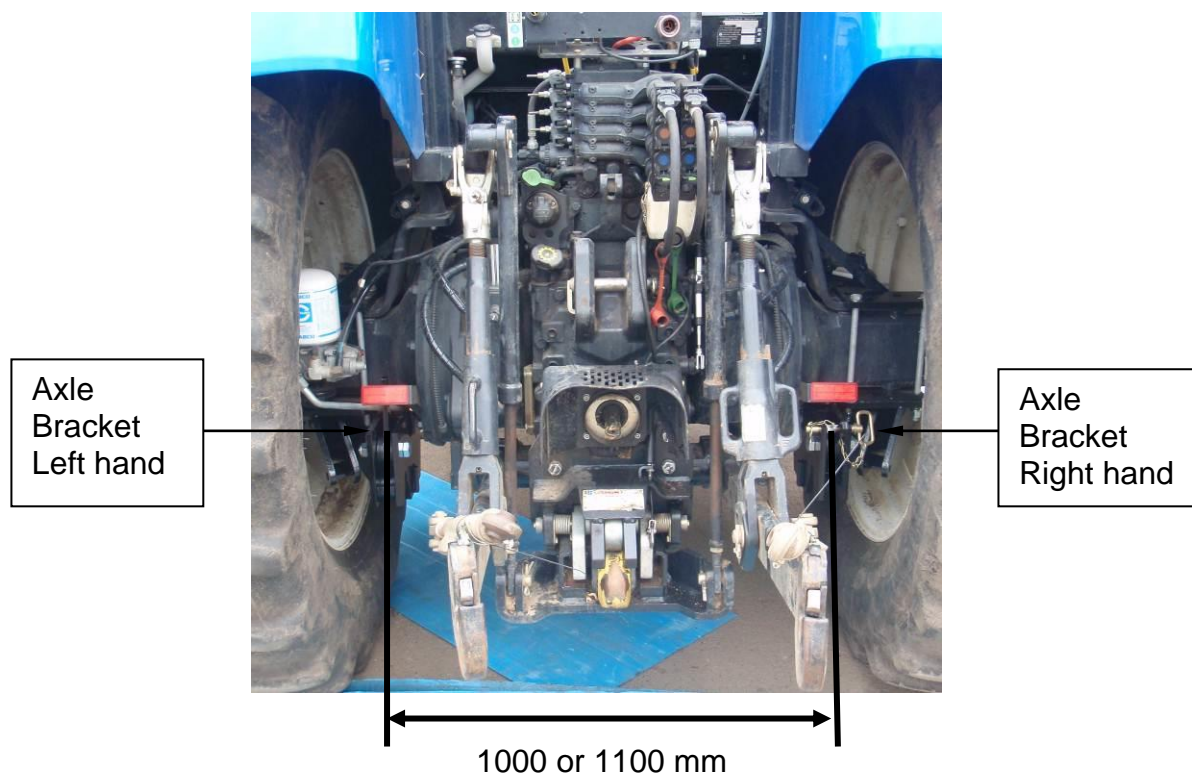
The cab screen safety guards should now be fitted. These must protect any screen, which will be in direct line of sight from the flail head in its various positions. This will include all the side windows on the work side, the rear screen and in some cases the windscreen. Note it is essential that the cab is fitted with safety glass and that the relevant windows and doors remain closed when the hedge / verge trimmer is in use.

Ensure all tractor mesh / polycarbonate guards are suitable for the job, undamaged and well maintained.

Ensure to have read the tractor operators manual thoroughly and practise using the tractor controls (especially those relating to the 3 point linkage) prior to starting to couple the machine.

If the hedge / verge trimmer is specified with the axle frame option, the tractor is required to be fitted with axle brackets. These may already be on the tractor so in this case compatibility should be checked with you dealer as different manufactures may supply different types of axle brackets which may only be suited for their brand of trimmer. If fitting another manufacture axle brackets, ensure to follow their instructions on how to fit the axle brackets to the tractor.

Axle brackets to suit Shelbourne Reynolds hedge / verge trimmer should be set at either 1000 or 1100 mm between centres. In fitting these brackets, it may be required for the removal of the check chain bracket which in turn should be incorporated into the design of the axle bracket.



Shelbourne Reynolds axle brackets supplied will be accompanied by the axle bracket parts list and fitting instructions which will include specific instructions on how to fit the axle brackets to specific tractors.

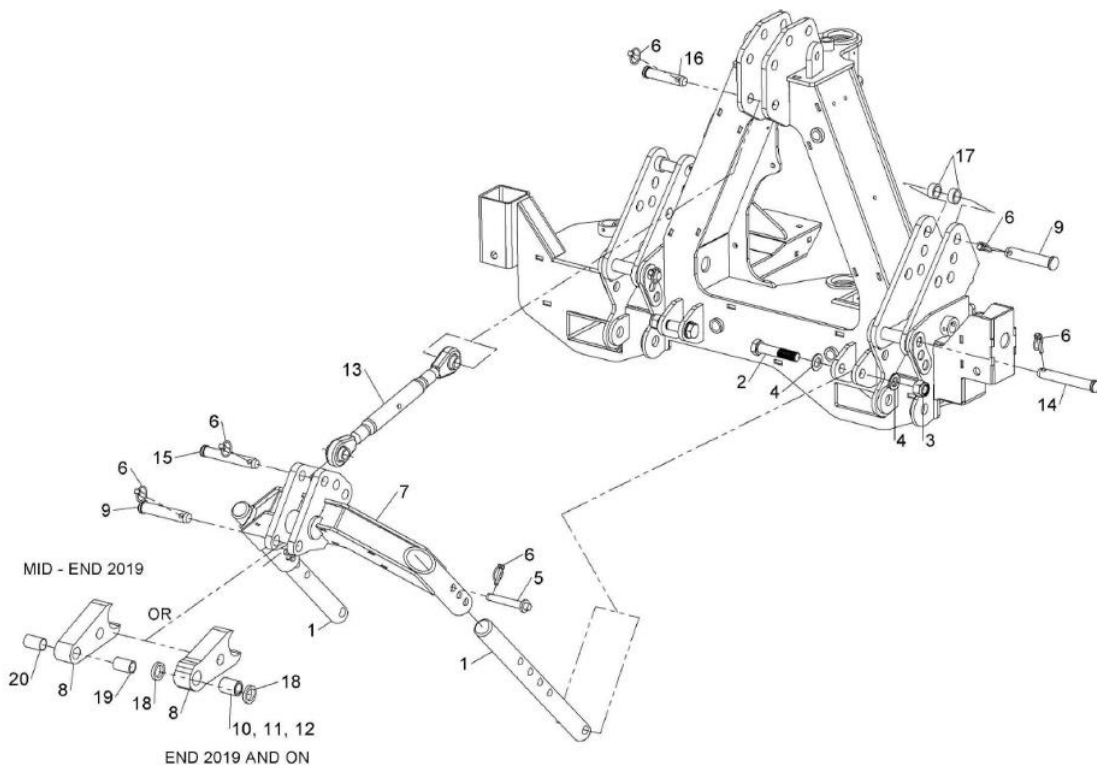
5.4 FITMENT OF 3 POINT LINKAGE STABILISER TO THE TRIMMER



Refer to section 2.4 for accident prevention when coupling and uncoupling to the tractor.

A stabilising system may be supplied to help to limit the rolling movement of the machine relative to the tractor.

See parts manual MAN-10111, Kit-08237 for more details.



Ensure the machine is on a firm level site with plenty of room to conduct the fitting operation.

Fitment of the Three point linkage kit to the hedge / verge trimmer.

Note: Throughout this section item numbers mentioned are related to the above drawing KIT-08237.

1. Connect both items 1 onto the trimmer using nuts and bolts (item 2, 3 & 4). Keep the nuts and bolts loose at this stage. Allow both items 1 to rest onto the ground.
2. Ensuring the right way round (three top link holes facing towards the trimmer frame) proceed to slide item 7 onto both of item 1. Check item 7 is free to slide fully up and down the two shafts.
3. Then position pin item 5 into the upper most hole of shaft item 1. Slide item 7 to rest up against item 5.

Item 7 rested up against item 5



4. Connect item 8 into the middle hole of the three holes in item 7 using pins item 15 & 6.
5. Using suitable lifting equipment, lift the connected assembly up towards where the main frame top link pin multiple holes positions are. Connect the nose piece item 8 to the main frame using another pin item 16 and 6.



Nose piece (item 8)
connected to main frame

6. Keep unused components for when attaching the hedge / verge trimmer to the tractor.

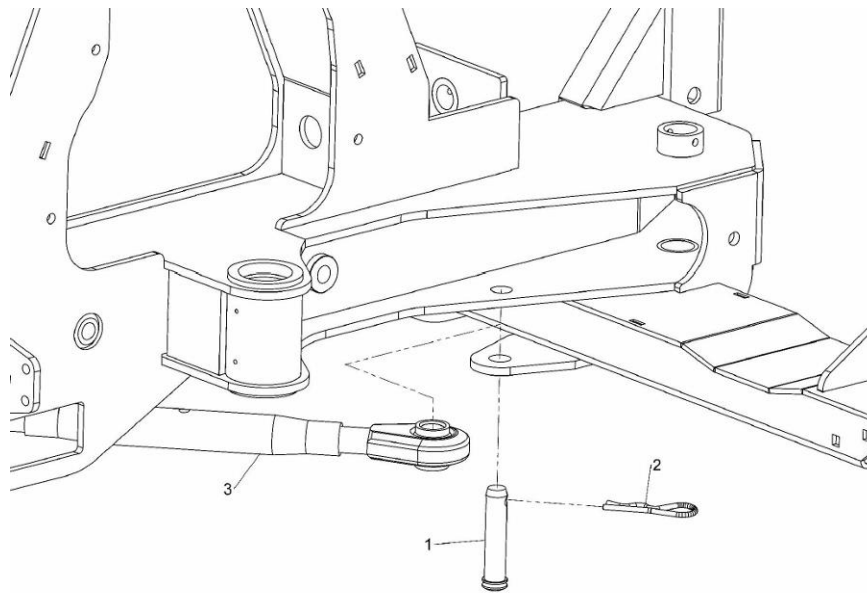
5.5 FITMENT OF DRAWBAR KIT TO THE TRIMMER



Refer to section 2.4 for accident prevention when coupling and uncoupling to the tractor.

A drawbar kit can be used in conjunction with a 3 point linkage kit. This will make a 4 point linkage system and will help to limit the rolling movement of the machine relative to the tractor.

See parts manual MAN – 10111, Kit-08284 for more details.



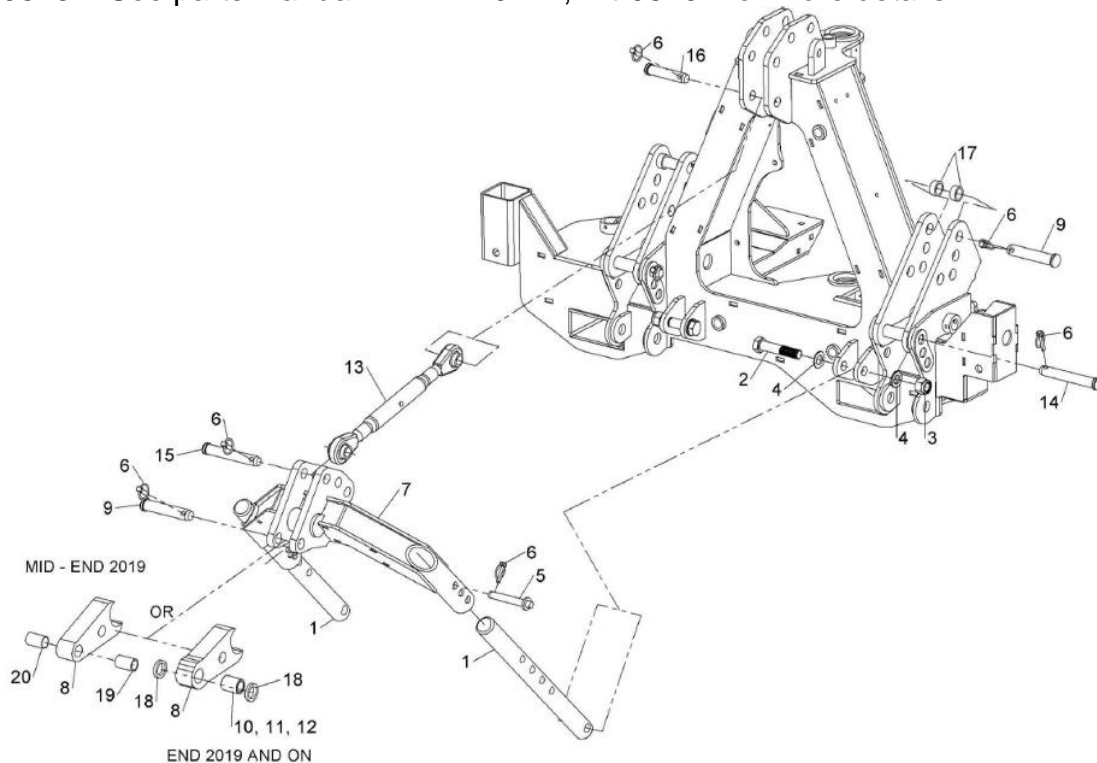
- 1 Fit item 3 into the clevis incorporated within the trimmer main frame assembly using item 1 and 2. Ensure the smaller diameter end of the adjustable link is fitted into main frame.

5.6 ATTACHMENT – 3 POINT LINKAGE STABILISER, TRACTOR TO TRIMMER

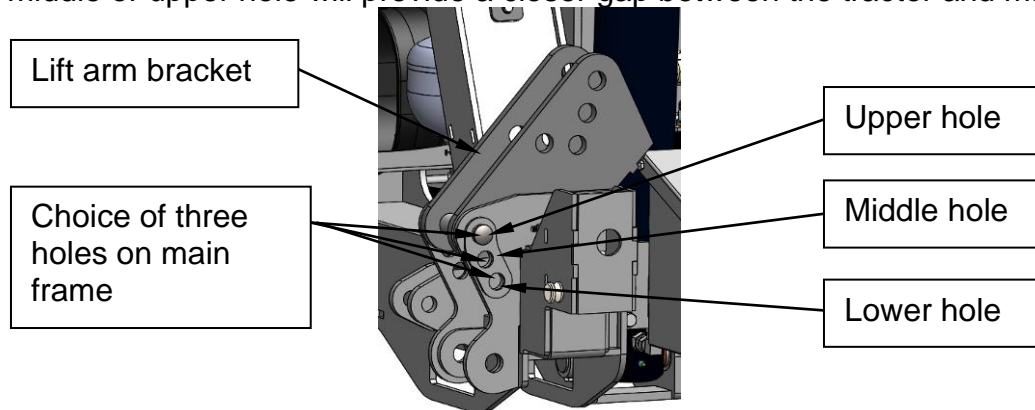


Refer to section 2.4 for accident prevention when coupling and uncoupling to the tractor.

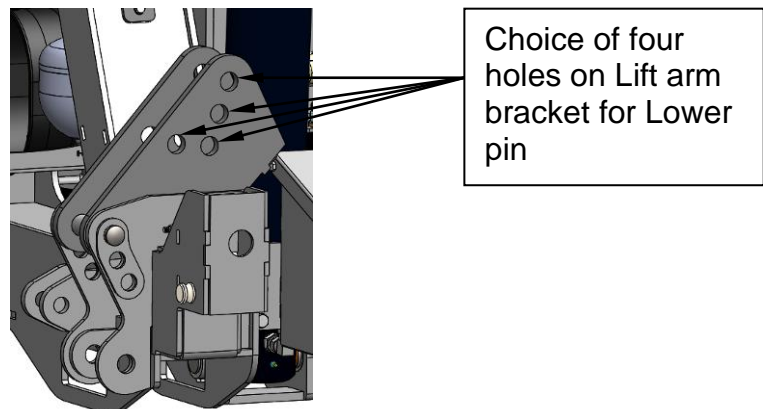
Throughout this section item numbers mentioned are related to the below drawing of KIT-08237. See parts manual MAN – 10111, Kit-08237 for more details.



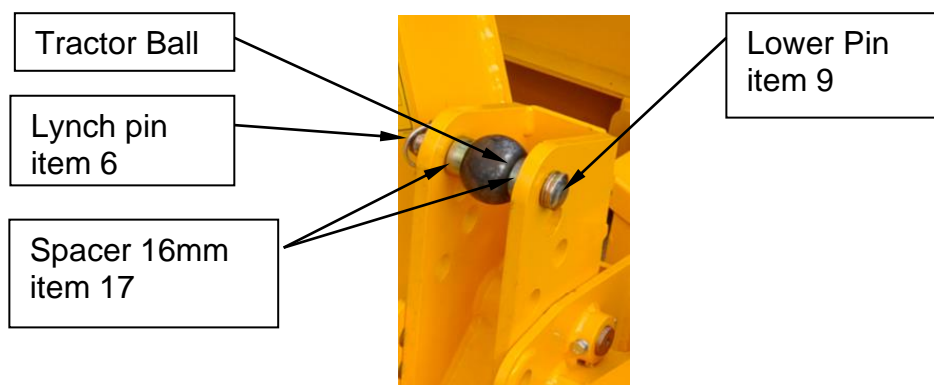
1. Identify if the tractor has lift arms with fixed ball ends or has a quick release ball end style. For Lift arms with the fixed ball ends prepare the pin (item 9), lynch pin (item 6) and spacers (item 17).
2. On the trimmer main frame assembly identify the Lift arm bracket and the three holes on the main frame of the trimmer. Pin (item 14) should be used to lock the Lift arm bracket in one of three positions. Identify which of these three holes on the trimmer main frame will best suit the tractor and machine combination. The machine should be as close as physically and practically possible to the rear of the tractor whilst maintaining sufficient gap that in all positions the machine **DOES NOT** contact the tractor (e.g., tyre, mud guard etc...), as shown previously. Positioning the locking pin (item 14) into the lower hole will provide a greater gap between the tractor and machine. Positioning the locking pin into the middle or upper hole will provide a closer gap between the tractor and machine.



3. Select the desired position of the Lower pin from the choice of four holes on the Lift arm bracket.



4. For lift arms of the quick release ball end type fit the tractor balls, Lower pin (item 9), Spacers (item 17) and Lynch pins (item 6) to both sides of trimmer frame on the locked Lift arm bracket.



- The tractor should then be carefully reversed slowly towards the machine, to attach the tractor lift arms onto the lift arm bracket. Allowing either fixed ball end lift arms to enter the Lift arm bracket clevis and pin, to correctly align or quick release lift arms to align and travel under balls. Raise quick release arms slightly until they lock onto balls. Perform a 'SAFE STOP' procedure before dismounting from the tractor. Ensure the lift arms are locked onto balls, or pins can be inserted through fixed ends.



- Remove the tractor top link from the tractor but ensure to keep the top link pin and lynch pin close to hand.
- Support the weight of the 3 point yoke. Remove the Rocker from between the 3 point yoke and the trimmer frame. Re-position the rocker into the front of the 3 point yoke using pin, lynch pin items 9 and 6. The rocker has two positions and can be turned over to bring the frame back or up to avoid parts of the tractor.



Note: A 65mm longer rocker is also available to order from SRE parts part number: 806071 01 if the tractor is not compatible with the standard fitment. `

- Check the outside diameter of the tractor top link pin in relation to the internal rocker diameter to ensure a good sliding fit. Use spacers provided items 10, 11 and 12 to reduce the amount of gap between the outside diameter of the top link pin to the internal diameter of the rocker.



Ensure rocker item 8 and spacers items 10, 11 and 12 are in good condition. If either part is worn or irregular in shape it should be replaced immediately. These parts should be checked after 8 hours use, then checked and repeated as required periodically thereafter.

9. Connect the rocker and 3 point yoke assembly into the top link clevis of the tractor.

Rocker to tractor connection



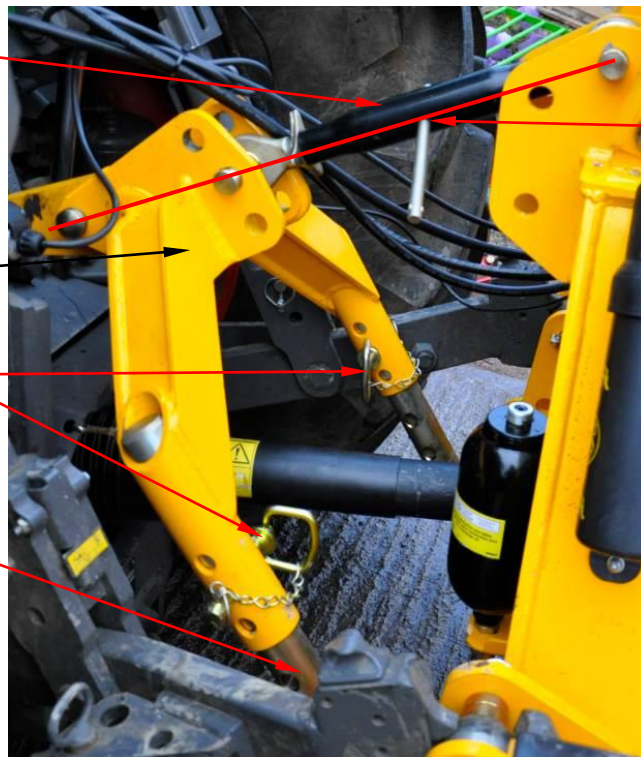
10. Fit the top link (item 13) between the trimmer main frame and the 3 point yoke using the pins and lynch pins provided. Ideally maintain a straight line through the pivot points once in the raised position.

Top link item 13

3 point yoke item 7

Pin items 5

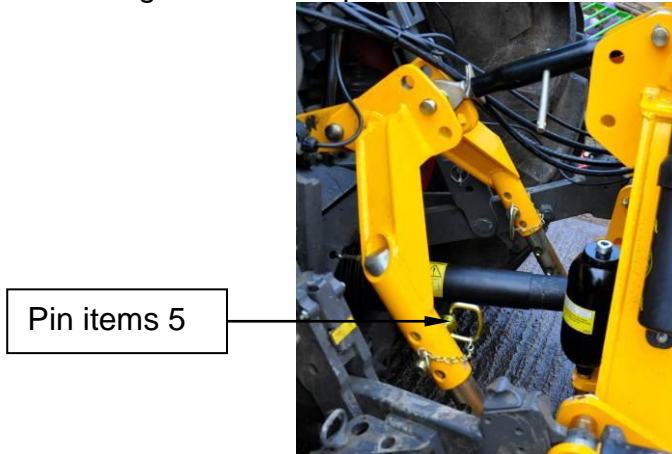
3 point shaft item 1



All pivots inline

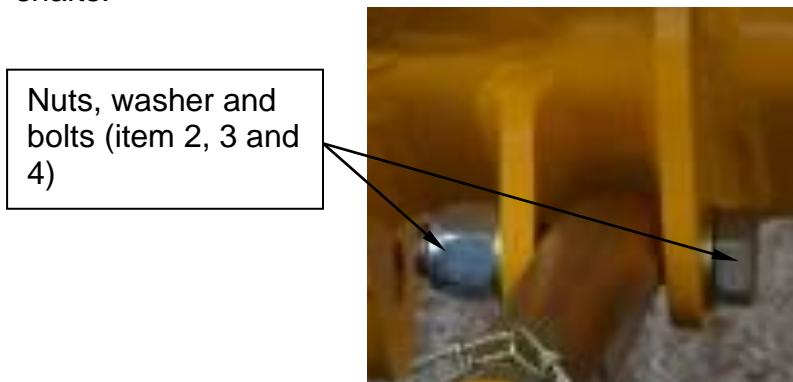
11. Ensure the tractor check chains are free to float at this stage.
12. Ensure pins items 5 are removed then slowly raise the 3 point linkage of the tractor to the required height for carrying the machine. Ideally the tractor PTO and the gearbox shaft should be at the same level. When lifting the 3 point shafts (items 1) will be sliding through the 3 point yoke (item 7). It's recommended, if possible, to have the tractors lift arms set at maximum height whilst still achieving the required carrying height. This will help to remove some of the accumulation of clearances from within the tractor rear linkage.

13. Lengthen or shorten the top link so that on level ground the trimmer frame is vertical. This will also affect the angle of the cutting head in relation to the ground.
14. Lift or lower the tractor 3 point linkage to align the holes between the 3 point yoke and the 3 point shaft. Insert pin (item 5) and secure using the lynch pin as shown below. Ensure as much overlap as possible between the 3 point yoke and 3 point shafts. With pins (item 5) installed lower the 3 point linkage to take the trimmer weight onto the 3 point stabiliser.



Serious damage may occur if the tractor 3 point linkage is raised without removing 3 point linkage locking pins (item 5).

15. Fully tighten the nuts, washer and bolts (items 2, 3 and 4) holding the 3 point shafts.



16. Lock the tractor check chains with the machine positioned centrally to the tractor ensuring to adjust them so that there is no sideways sway.
17. Then shorten the tractor left hand drop arm or lengthen the right hand drop arm as much as possible so that the hedge / verge trimmer is parallel to the tractor axle. This will remove the accumulation of clearances within the tractor rear linkage once the hedge / verge trimmer is boomed out to the side.



18. Point 16 and 17 should be repeated once the trimmer is fully operational. In some cases, it's also required to place the head horizontal to the ground, close to the tractor tyre in the work position power the booms into the ground. This may then allow further adjustment to the tractor check chains and drop arms if required.



19. Correct adjustment has been reached when with the booms in the work position the machine remains parallel to the rear axle of the tractor. Take tyre squash into account when viewing this.



Ensure the check chains are tight.



This procedure should only be carried out by a single person. Extra care must be taken throughout the procedure as high risk is involved.



Points 16, to 18 should be checked after 4 hours use, then checked and repeated as required periodically thereafter.

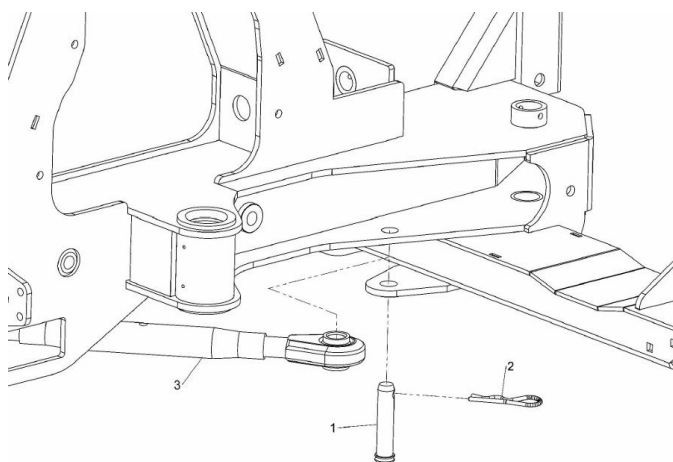
Stability between the tractor and machine in all positions is of the upper most importance to ensure the safety to the operator and any other person or persons who may come into the contact area. If the stability of the unit is questionable then any operation should be ceased with immediate effect. Contact you dealer immediately.

5.7 ATTACHMENT – DRAWBAR KIT, TRACTOR TO TRIMMER



Refer to section 2.4 for accident prevention when coupling and uncoupling to the tractor.

See parts manual MAN – 10111, Kit-08284 for more details.



- 1 Connect the larger diameter end of the adjustable link into the tractor drawbar clevis using the tractor drawbar pin.



- 2 Once connected decrease the adjustable link length as much as possible. In some cases, it's also required to place the head horizontal to the ground, close to the tractor tyre in the work position power the booms into the ground. This may then allow further adjustment if required.

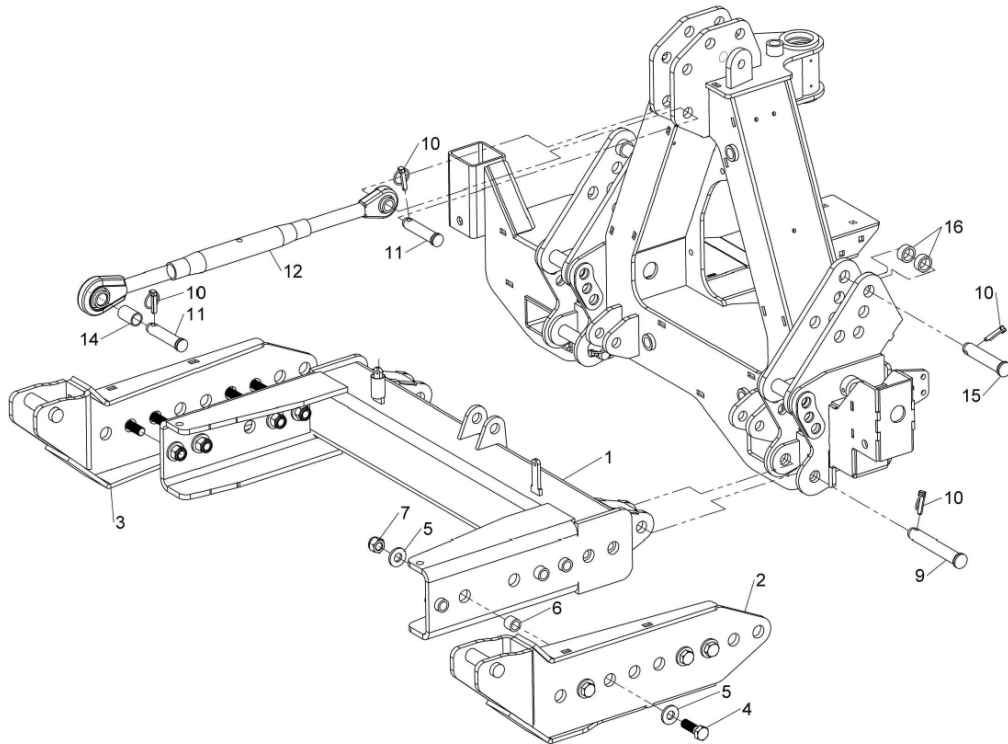
5.8 FITMENT OF THE AXLE FRAME STABILISER TO THE TRIMMER



Refer to section 2.4 for accident prevention when coupling and uncoupling to the tractor.

As an option the machine can be supplied with stabiliser axle mounting kit and brackets to enable it to be latched to the tractor's rear axle. This kit is strongly recommended for all 8000 trimmers. The system will not only reduce the stress on the tractor linkage but also makes the actual response of the head to the controls more predictable.

See parts manual MAN – 10111, Kit-08239 for more details.

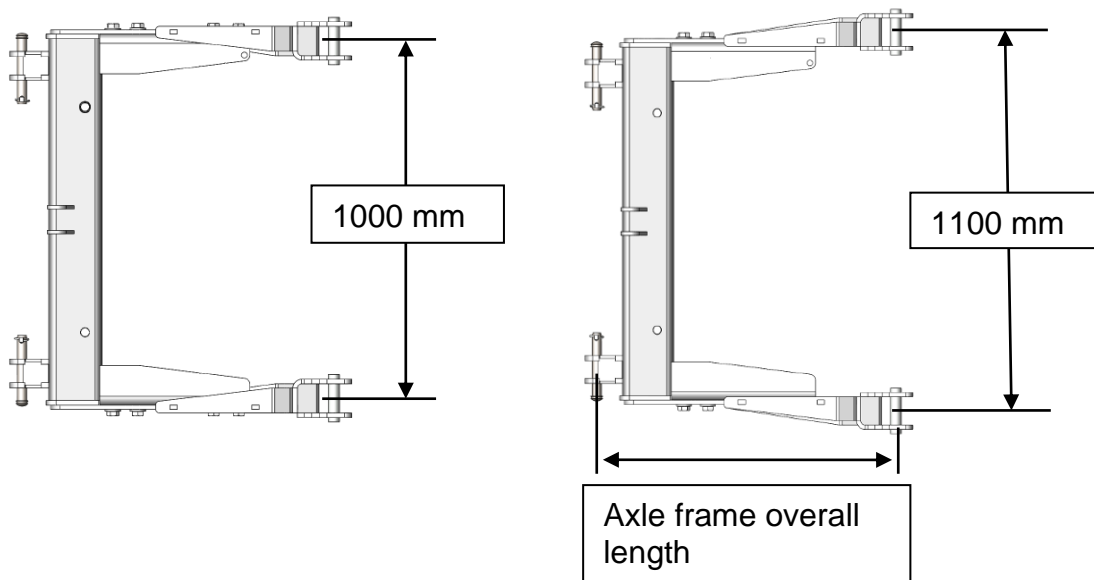


Ensure the machine is on a firm level site with plenty of room to conduct the fitting operation.

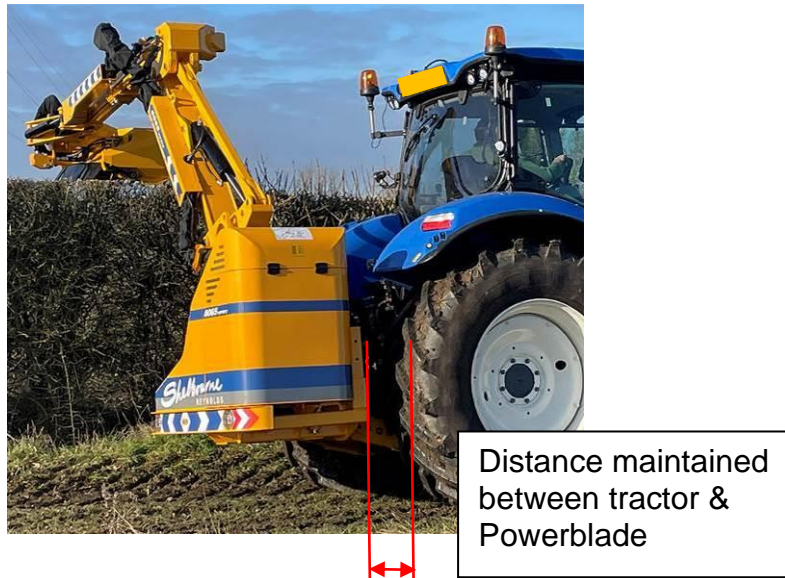
Fitment of the axle frame stabiliser kit to the hedge / verge trimmer.

Note: Throughout this section 5.8 and 5.9 item numbers mentioned are related to the above drawing KIT-08239.

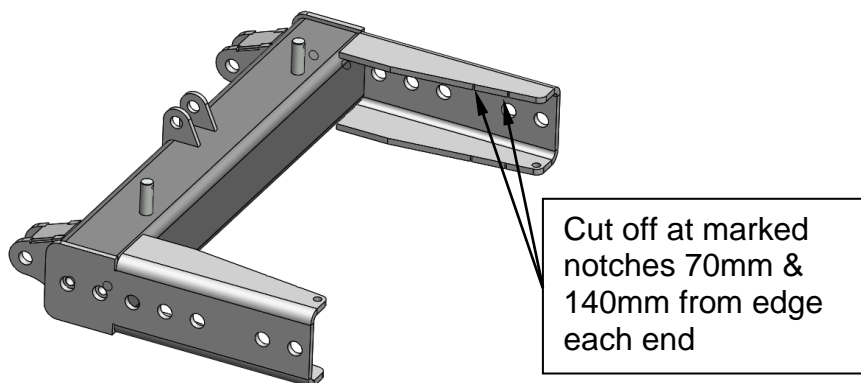
1. The axle frame stabiliser which connects to the tractor can be set at two different widths. Both Pin arms item 2 and 3 can be swapped over to give either 1000 or 1100mm depending on which width the axle brackets attached onto the tractor axle have been set.



2. Once the correct width has been identified it's important to work out the axle frames overall length required which will ultimately determine the distance between hedge / verge trimmer and the tractor. Multiple holes in both item 1, 2 and 3 allow 70mm increments of the overall length of the axle frame assembly. The hedge / verge trimmer should be as close as physically and practically possible to the rear of the tractor whilst maintaining sufficient gap that in all positions the hedge / verge trimmer **DOES NOT** contact the tractor (e.g., tyre, mud guard etc...).

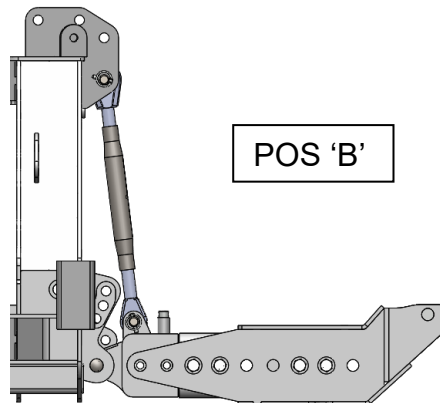


3. It's also possible to reduce the overall axle frame size further if required. This is done by cutting material off the hitch sub frame at the specified points.



4. With the correct width and overall length identified assemble items 2 and 3 together with item 1 using items 4, 5, 6 and 7.
5. Using appropriate lifting equipment connect the assembled axle frame to the hedge / verge trimmer frame using pins 9 and 10.

6. Then connect the top link (item 12) into position 'B' between the trimmer main frame and the axle frame assembly. Using fixings 10, 11 and 14.



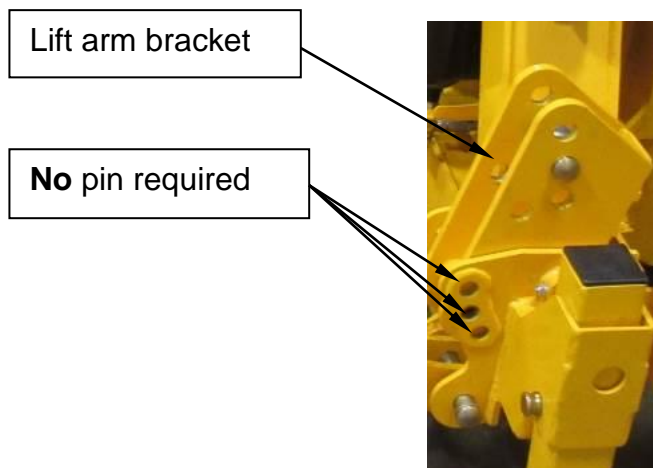
7. The axle frame is now assembled and ready for the tractor to be attached.

5.9 ATTACHMENT – AXLE FRAME STABILISER, TRACTOR TO TRIMMER

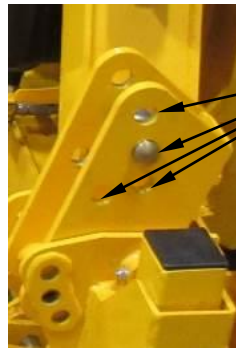


Refer to section 2.4 for accident prevention when coupling and uncoupling to the tractor.

1. Identify if the tractor has lift arms with fixed ball ends or has a quick release ball end style. For Lift arms with the fixed ball ends prepare the pin, lynch pin and spacers.
2. On the trimmer main frame assembly identify the Lift arm bracket. This should be free to swing at all times when using an axle frame stabiliser system.

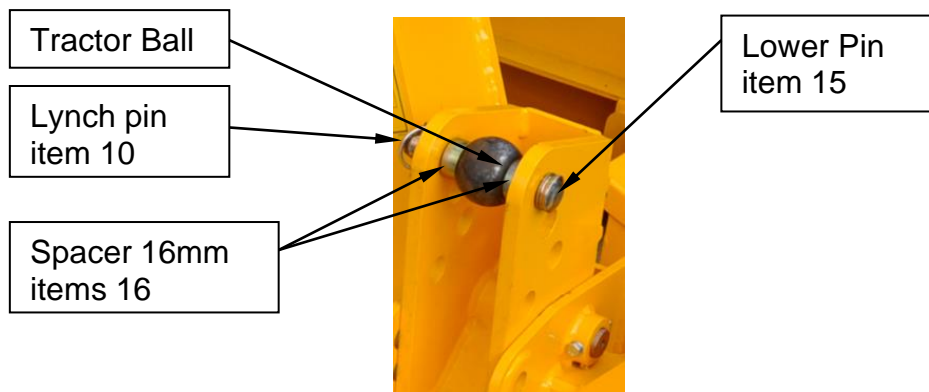


3. Select the desired position of the Lower pin from the choice of four holes on the Lift arm bracket.



Choice of four holes on Lift arm bracket for Lower pin

4. For lift arms of the quick release ball end type fit the tractor balls, Lower pin (item 15), Spacers (item 16) and Lynch pins (item 10) to both sides of trimmer frame on the locked Lift arm bracket.

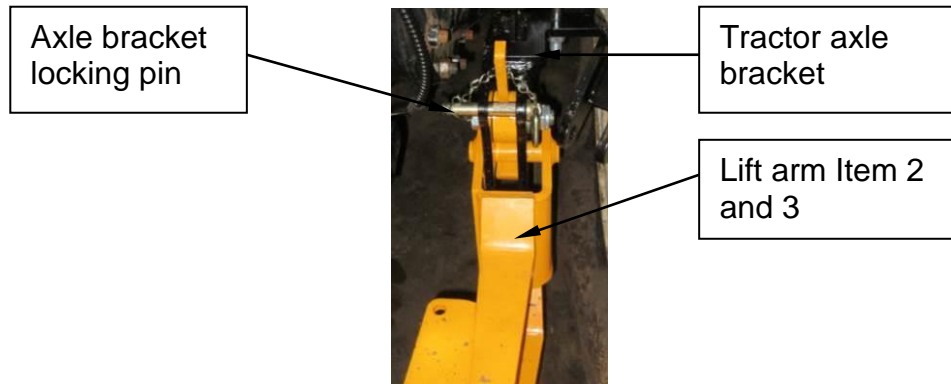


5. The tractor should now be carefully reversed slowly until it is in, approximately the intended final position relative to the machine. Ensure to keep the tractor squarely aligned to the trimmer assembly. Allowing either fixed ball end lift arms to enter the Lift arm bracket clevis and pin, to correctly align or quick release lift arms to align and travel under balls. Raise quick release arms slightly until they lock onto balls. Perform a 'SAFE STOP' procedure before dismounting from the tractor to check that the pin arms (items 2 and 3) are in line with the axle brackets attached to the rear axle of the tractor.



Ensure clearance maintained between the tractor and machine.

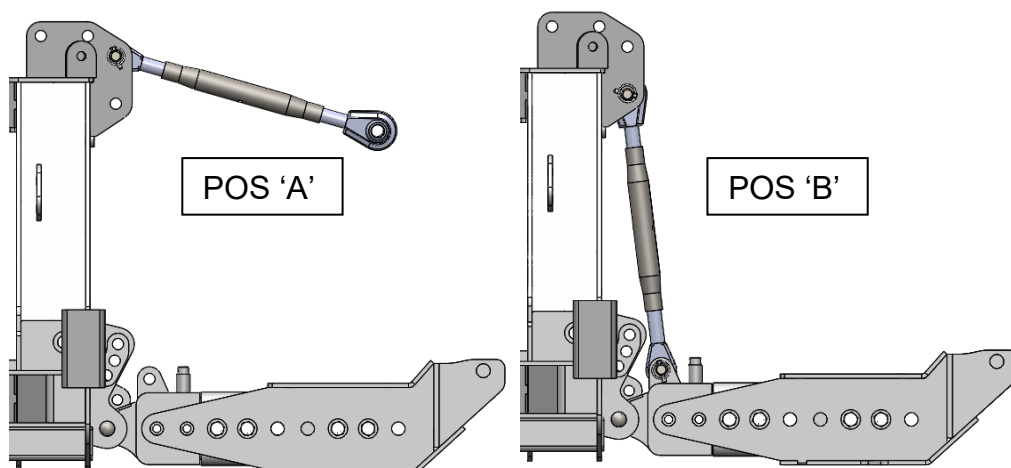
6. Once the tractor axle brackets and the axle frame assembly are aligned connect the axle frame into the axle brackets either by shortening the top link (item 12) set in POS 'B' or slowly and carefully raising the tractor's lift arms. The sub-frame will rise at its front so that the Lift arms (item 2 and 3) engage into the latches. Lift slowly and carefully until these are fully home and secure (Note – Do not lift the trimmer off the ground, just raise the axle frame). Fit relevant retaining pins and clips (see axle bracket instructions). There is no need to tighten the check chains of the tractor with this system.

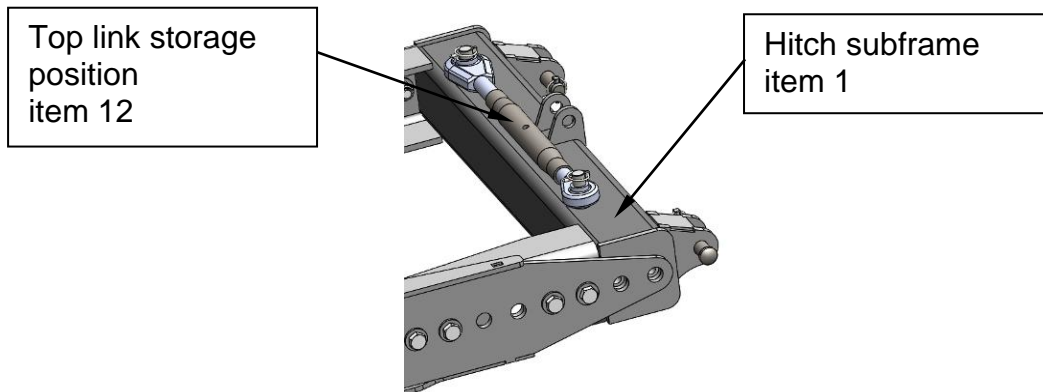


7. Once frame is connected to the axle brackets lower the tractor lift arms until top link (POS 'B') becomes unloaded.
8. Remove the top link (item 12) from POS 'B' and move into POS 'A' connecting between the trimmer frame and the tractor top link clevis. If the top link supplied with tractor can be shortened enough to fit between the trimmer and tractor (POS 'A') then it's recommended this is used rather than the top link (item 12). If top link not required, then this can be stored on hitch sub frame. Note that the top link has a Cat 2 and a Cat 3 end with a spacer. Together these allow connection to Cat 2 or Cat 3 tractors. Ensure that the correct pins are used and that lynch pins are used throughout and are secure.



Ensure not to leave the top link in an overextended position between the machine and tractor





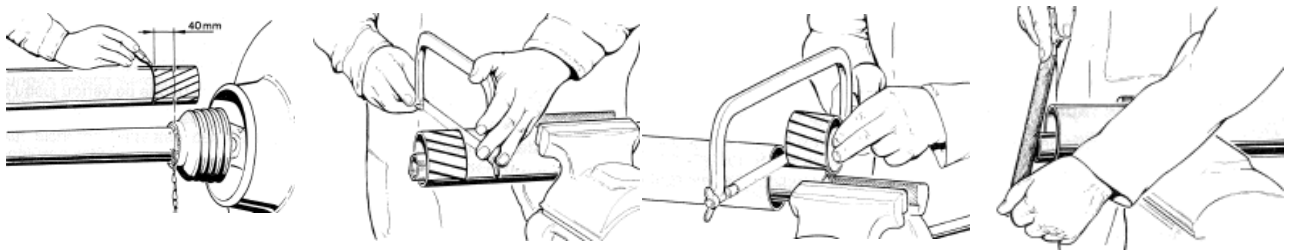
9. The machine should then be slowly and carefully raised to a height that brings the tractor's PTO shaft and the gearbox input shaft to the same approximate height.
10. To prevent undue stress on the top link clevis of the tractor, the system uses the tractor's lift arms to carry the weight of the machine. Some tractors, particularly of high hours, may be prone to their link arms sinking when switched off.
11. Check all components are fully tightened and all the fasteners in place.

5.10 ADJUSTING AND CONNECTING THE PTO DRIVE SHAFT



Refer to section 2.5 – Accident prevention when using the PTO shaft.

The correct length of the PTO drive shaft may vary depending on the tractor in use. It may be necessary to shorten the PTO drive shaft.



The length adjustment is to be carried out as follows:

To adjust the lengths hold the half shafts next to each other in the shortest working position and mark them 40mm as shown.

Shorten the inner and outer guard tubes equally.

Shorten the inner and outer Sliding profiles by the same length as the guard tubes.

Remove all sharp edges and burrs, grease the sliding . Profile tubes

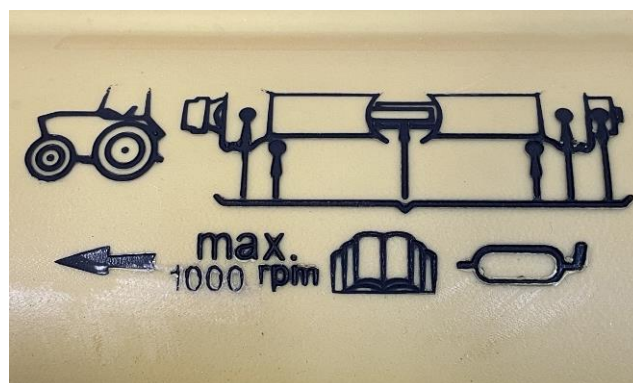


Grease the profile tubes before they are assembled, as they will otherwise be exposed to high friction forces.



Ensure the inner and outer PTO shafts are overlapped by at least 150mm when the tractor and machine are straight. Damage to the shaft and injury may result.

Fit the PTO shaft ensuring:



Connect the steel pull release yoke end to the tractor



Connect the plastic pull release type yoke end to the hedge / verge trimmer

With the PTO connected but with its drive disengaged, ensure that the machine can be lowered to its standing height without the PTO fouling on any part of the tractor or machine, the link arms fouling in any way, or the electrical cables being stretched.

Having connected the PTO shaft, ensure the guard anti-rotation chains are clipped to the chassis and tractor at both ends. The PTO shaft should turn clockwise ONLY.



Make sure the tractors correct PTO speed is selected. See transfer on machine either 540 or 800 rpm.

5.11 CONNECTING THE CONTROLS

Controls should be mounted near-to-hand on the LH side of the tractor. Ideally the controls should move with the seat so that if the terrain is bumpy the seat and controls will move up and down together.

All controls are supplied attached to a bracket. The supplied bracket is intended to replace the armrest on Grammar seats (this make is fitted to most tractors). Although it may be necessary to find an alternative way of mounting the controls if your tractor does not have a compatible seat (Note; consult your dealer before drilling the cab side, as there is a risk this could weaken the structure or damage underlying parts).



A 12-volt power supply is required for the electrical controls and oil cooler. These must be connected, via a suitable fuse. The power supply must not come from the cigarette lighter, three pin connector or trailer 7 pin socket: due to the electric controls having a high current draw. Low voltage will cause the system to function erratically. Therefore, we recommend wiring directly to the tractor battery to guarantee system operation, with the supplied power lead, fuse and connectors.



Erratic operation or serious damage to the system can result if these instructions are not followed.



Beware of fire, sparks or electric shocks during fitment of power supply.

Power supply

- Connect the Black wire (negative feed for controls), to the negative battery terminal.
- Connect the Red wire (positive feed for controls) with forty-amp fuse to the positive battery terminal.



Route and secure the power lead into the tractor cab, terminating close to the control's armrest. Using the two multi pin connector ends connect the machine end wiring loom to the joystick control box by pushing them together. Then connect the power supply, using the two double pin connectors.

Check that the emergency stop button is functioning correctly (see section 6.1).

S-Touch Compact



Emergency stop

S-Touch Max



Emergency stop

5.12 FINAL ATTACHMENT AND RUN UP



Refer to section 2.7 for accident prevention when operating.

Attach the lighting board 7 pin plug and strobe 3 pin plug. Then attach hydraulic roller, hydraulic nose and narrow lane bracket hoses to the tractors double acting spool if optionally fitted.

All 8000 hedge / verge trimmers have fully independent hydraulics as standard.

The parking stands can be lifted from their 'parked' to their 'work' positions.

Parking stands in fully down position required when machine is being parked



Parking stands in work position



Open the taps on the lift cylinder to allow it to move (tap handles will now be in line with the oil flow). Move the slew locking device to storage position. See section 7.1 for instruction.

Start the tractor at low to medium revs, engage the PTO to allow the oil to circulate for about 10 minutes without operating any other control valves. This will make sure that the oil is thoroughly filtered by passing it through the filters but the minimum of other components.

Having first read and understood the information on the controls (Section 6) again set the tractor speed to a slow to moderate level. Now carefully operate the control buttons and / or joystick and ensure that all the movements are functioning correctly; be ready at all times to cancel the action, should it be incorrect. Move all the cylinders to their extremes to expel any air.



Ensure head or booms do not hit tractor cab or wheels

Place the flail head just above the ground ensuring flails will be clear. Now start the rotor. This will require moderate revs to avoid stalling-out the tractor, but full revs should not be used. Adjust the revs to give approximately 350rpm at the PTO and run the rotor for about 3-4 minutes. Stop the rotor, allow time to run down. Re-start rotor running in opposite direction and again run for 3 – 4 minutes.

Check all hose runs to ensure that they are not pinching or chafing. Now check the oil level in the tank and top up if necessary.

Operate the hydraulic roller, hydraulic nose and narrow lane bracket, ensure all the movements are correct.

5.13 REMOVAL – TRIMMER WITH DRAWBAR KIT



Refer to section 2.4 for accident prevention when coupling and uncoupling to the tractor.



Refer to section 2.9 for accident prevention when leaving the machine.

Item No's in this section relate to the parts manual MAN-10111 KIT-08284.

1. Adjust the length of the adjustable link item 3 until the tractor drawbar pin becomes free.
2. Remove the tractor drawbar pin. Leave the adjustable link still attached to the trimmer main frame.

5.14 REMOVAL – TRIMMER WITH 3-POINT LINKAGE ASSEMBLY



Refer to section 2.4 for accident prevention when coupling and uncoupling to the tractor.

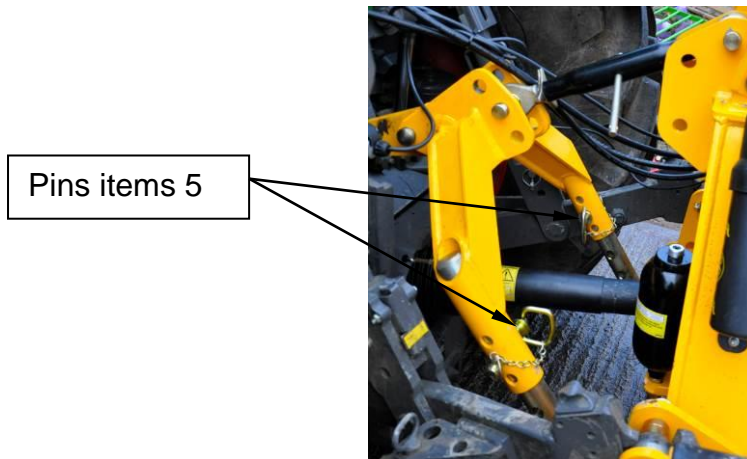


Refer to section 2.9 for accident prevention when leaving the machine.

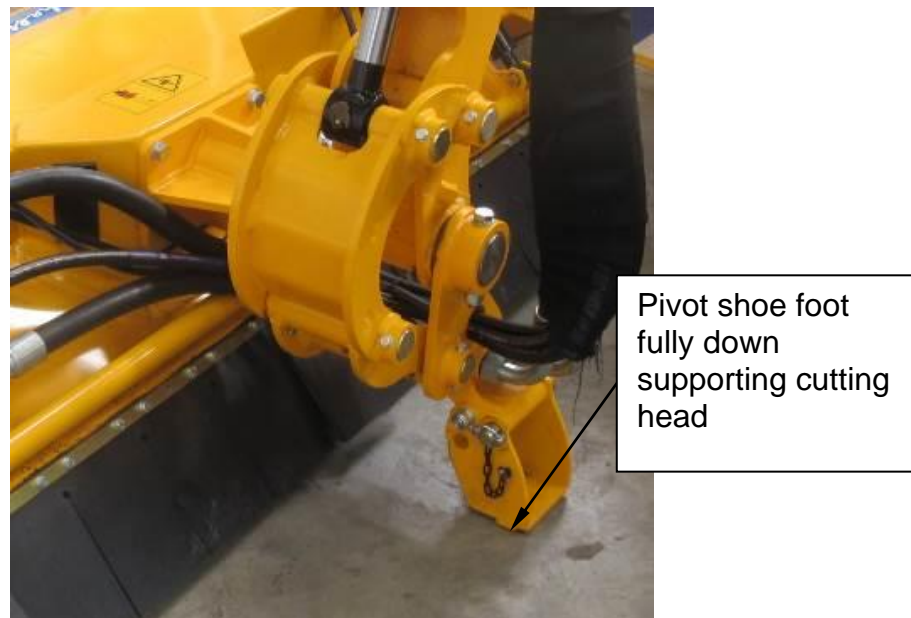
Item No's in this section relate to the parts manual MAN-10111 KIT-08237.

1. Select a firm and level site to park the machine.
2. Bring the head to a horizontal position approx. 1m from the wheel and 1m from the ground. If applicable close the telescopic cylinder or straighten the VFR arms. Ensure the roller is positioned in its upper most position (bolt up type or hydraulic).
3. Slew the machine fully backwards, so that the booms are directly behind the tractor.
4. The reach cylinder may now be closed bringing the head to between 400 – 600mm of the rear light board.

5. Raise the linkage slightly to allow the pins items 5 to be removed.

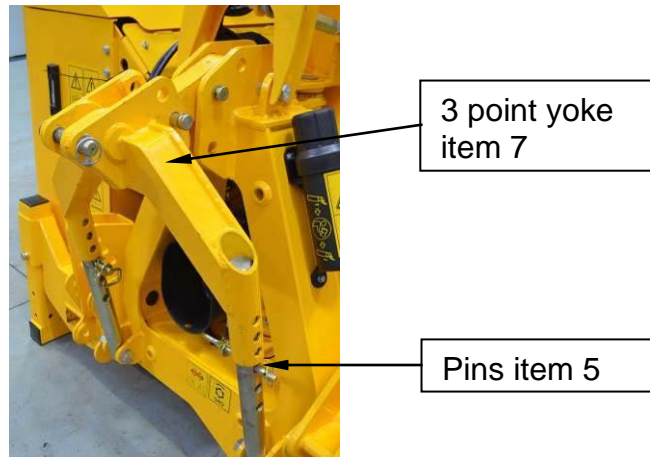


6. The parking stands can now be lowered to their 'parked' positions (see previous section 5.12).
7. Then lower the tractor linkage until the stands are in contact with the ground. Adjust the tractor top link to ensure both stands are in full contact with the ground. The tractor top link should become loose, with no load on it when sitting correctly.
8. Cutting head pivot shoe foot can be lowered.
9. Lower the head onto the ground ensuring the pivot shoe foot is supporting the cutting head.



10. Once sitting stable, disengage the PTO.
11. Turn the taps on the lift cylinder to the off position (see section 7.1).
12. Remove lighting 7 pin plug, strobe 3 pin plug, power supply, hydraulic roller hoses and any other connections from the back of the tractor.
13. Remove trimmer controls from the tractor cab along with any cables.

14. Remove the top link. Refit the pins (items 5) so that the 3 point yoke weight (item 7) can be supported.



15. Remove the top link pin between the tractor and 3-point linkage rocker. Then swing the 3 point assembly away from the tractor towards the trimmer main frame. Re-position the rocker (item 8) from the front of the 3 point yoke to the rear enabling it to connect between the trimmer main frame and the 3 point yoke.



16. Remove the PTO.
 17. Tractor lower link arms may now be disconnected from the trimmer.
 18. It is suggested that the driver double-check that there are no connections still 'made' between tractor and machine, both before pulling slowly away and again on stopping after moving forward a few inches at a time.

5.15 REMOVAL – TRIMMER WITH AXLE FRAME ASSEMBLY



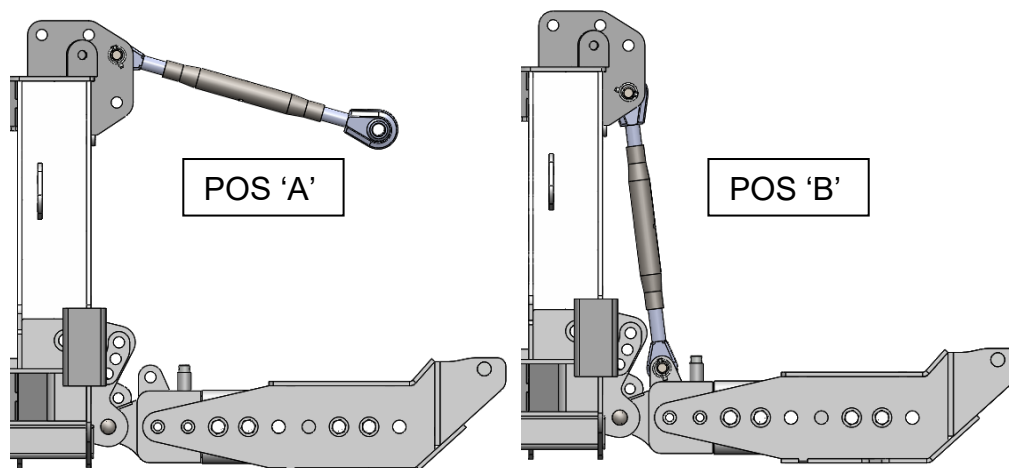
Refer to section 2.4 for accident prevention when coupling and uncoupling to the tractor.



Refer to section 2.9 for accident prevention when leaving the machine.

Item numbers referenced in this section relate to the parts manual MAN-10111, Kit-08239.

1. Follow steps 1 – 4 from above section 5.14.
2. Follow steps 6 – 12 from above section 5.14.
3. Remove the PTO shaft.
4. Once sitting stable, remove the top link from position 'A' or its storage position and place in position 'B' (see next page).



5. Detach the tractor lift arms from the Lift arm bracket.



6. Release the axle bracket latches, allowing the sub frame to be lowered clear of the tractor by extending the adjustable top link.
7. It is suggested that the driver double-check that there are no connections still 'made' between tractor and machine, both before pulling slowly away and again on stopping after moving forward a few inches at a time.

5.16 REATTACHING THE MACHINE

Reattaching follows the same sequence as in the initial attachment methods. It will not be necessary to adjust the length and width of the sub-frame unit, or the PTO shaft length unless there has been a change of tractor. Any cab screens that have been removed must be refitted. Unless the hydraulic circuit has been disturbed it will not be necessary to follow a running-up procedure, though the system should always be run slowly until the oil begins to warm up.

SECTION 6:

CONTROLS

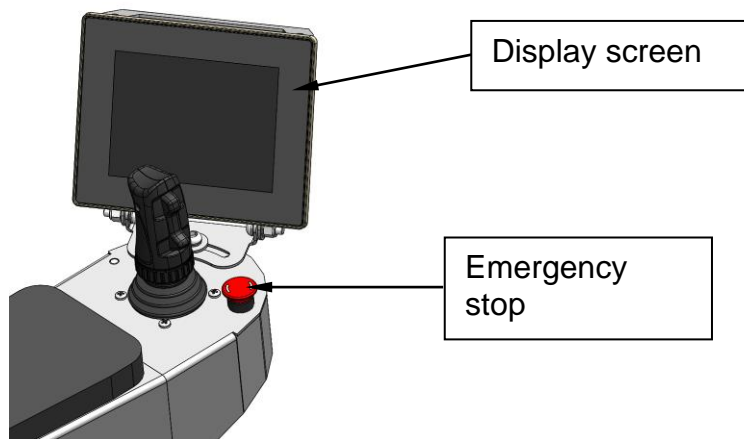


Refer to section 2 for safety procedures.

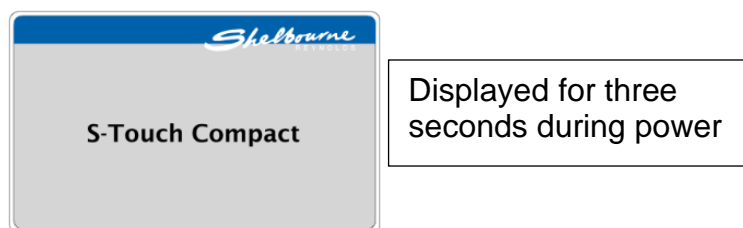
6.1 8000 ELECTRIC PROPORTIONAL CONTROLS – S TOUCH COMPACT

This system incorporates a CAN Bus link between the control unit in the cab and the control box on the machine. This reduces the amount of wiring and connections, improving reliability and as a spin-off gives useful diagnostics.

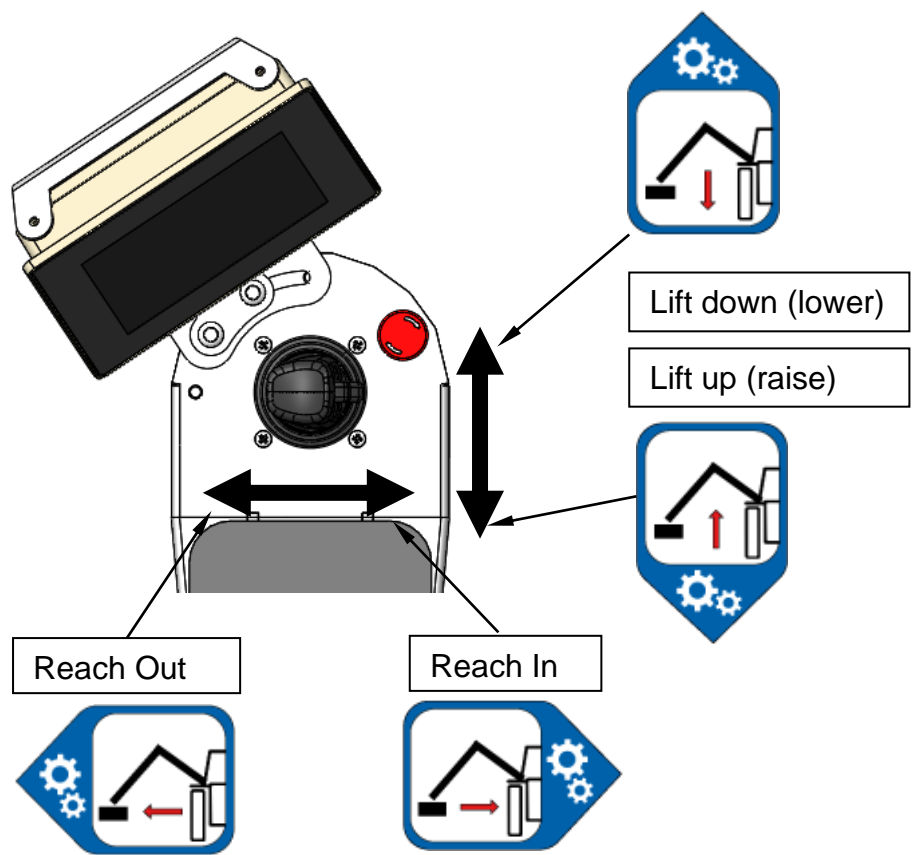
Emergency stop: The big red button will stop the power to the controls, preventing anything from being operated. Press the button down to power OFF or twist clockwise and button will rise to power ON. This is also the **Emergency stop** switch.



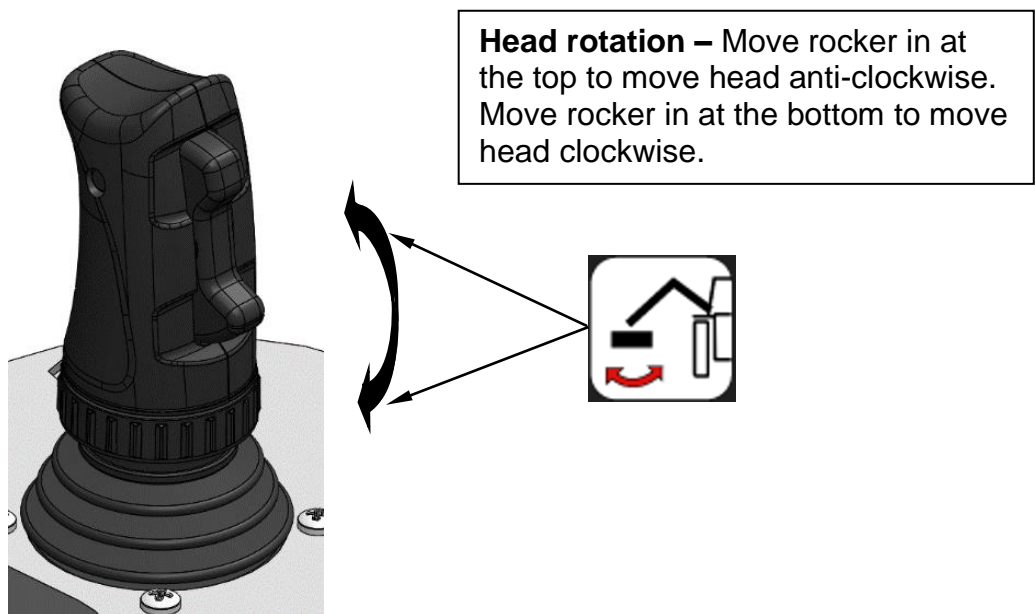
After powering ON the control display screen will show the below messages before getting to its standard display.



Lift & Reach: By moving the joystick to left and right the reach cylinder is actuated in the relevant direction; moving it back / towards and forwards / away from the operator gives lift and lower respectively. These actions are proportional; that is small joystick displacements give slow cylinder movements and large displacements give faster cylinder movements. Shelbourne Reynolds Ltd or a Shelbourne Reynolds approved dealer will set-up the controls to the operators liking when the machine is delivered.



Head rotation: Move the joystick top thumb rocker in at the top or in at the bottom to rotate the head. This service action is also proportional.



Slew: Move the joystick bottom rotary wheel clockwise and anti-clockwise to move the Slew forward or backwards.

Slew is default on the Joystick rotary wheel and is also proportional.

Slew Forward: Rotates the arms into the work position next to the tractor.

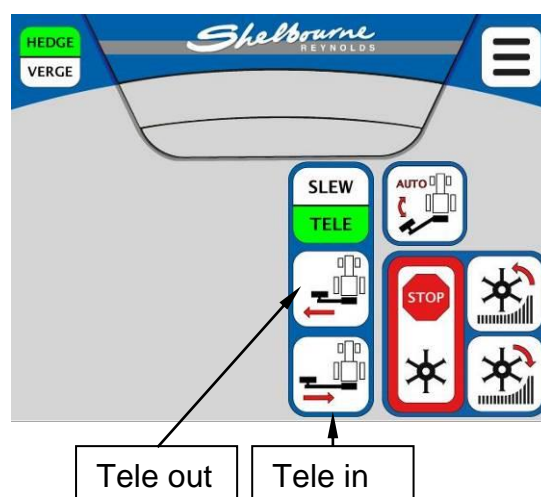
Slew Backward: Rotates the arms into the transport position behind the tractor.



Telescopic: The buttons on the screen are default and operate the telescopic boom in or out.

Tele out: Moves the Telescopic boom out away from the tractor.

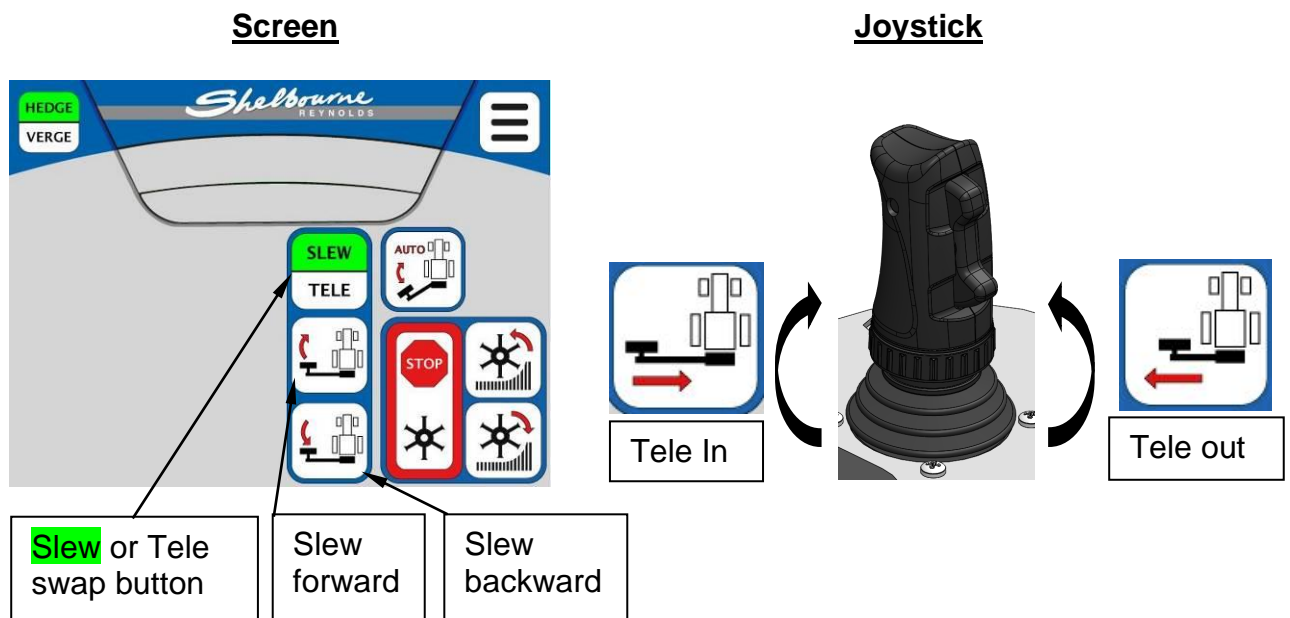
Tele In: Moves the Telescopic boom towards the tractor.



Slew or Tele swap button: Press the ½ green highlighted Slew or Tele swap button and the green indicator will switch between Slew (top) and Tele (bottom). The icons on the below buttons will also change accordingly to what is activated by the screen.

When the ½ green button has Slew highlighted on the screen and even if proportional Slew is default, the result will be a non-proportional Slew movement when a screen button is pressed.

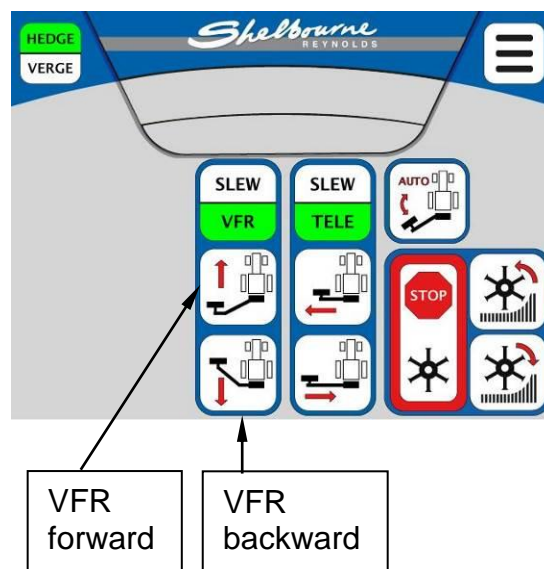
Telescopic (Tele) will now have moved to the joystick bottom rotary wheel, clockwise and anti-clockwise to move the Tele in and out. This will also be a non-proportional movement.



Variable forward reach (VFR) (only on VFRT models): The buttons on the screen are default and operate the VFR forward or back.

VFR Forward: Brings the booms forward alongside the tractor.

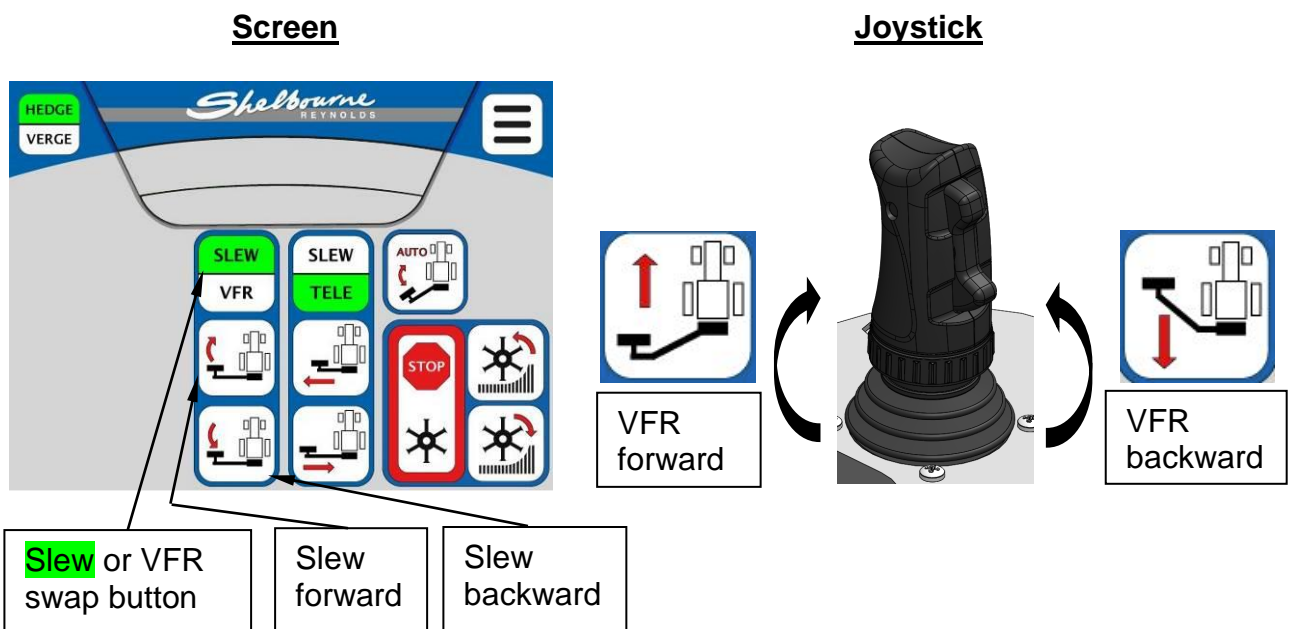
VFR Backwards: Brings the booms backwards behind the tractor.



Slew or VFR swap button: Press the ½ green highlighted Slew or VFR swap button and the green indicator will switch between Slew (top) and VFR (bottom). The icons on the below buttons will also change accordingly to what is activated by the screen.

When the ½ green button has Slew highlighted on the screen and even if proportional Slew is default, the result will be a non-proportional Slew movement when a screen button is pressed.

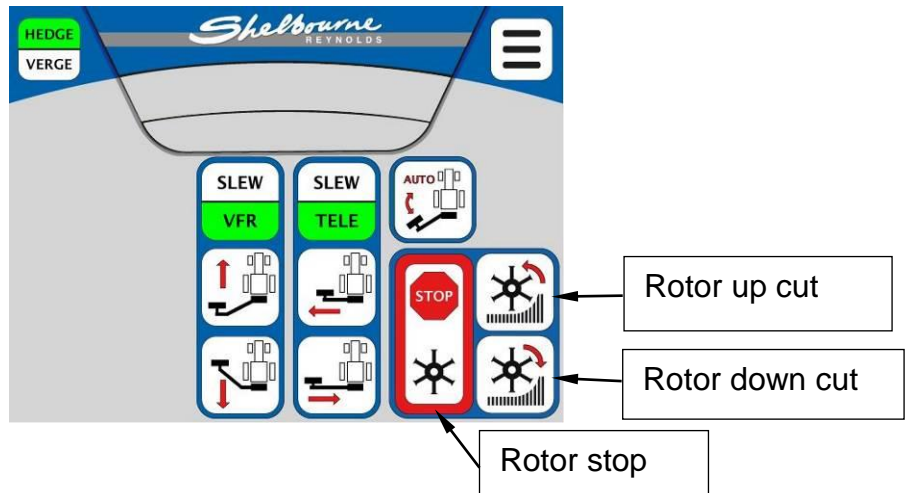
Variable forward reach (VFR) will now have moved to the joystick bottom rotary wheel, clockwise to move forward and anti-clockwise to move backwards. This will also be a non-proportional movement.



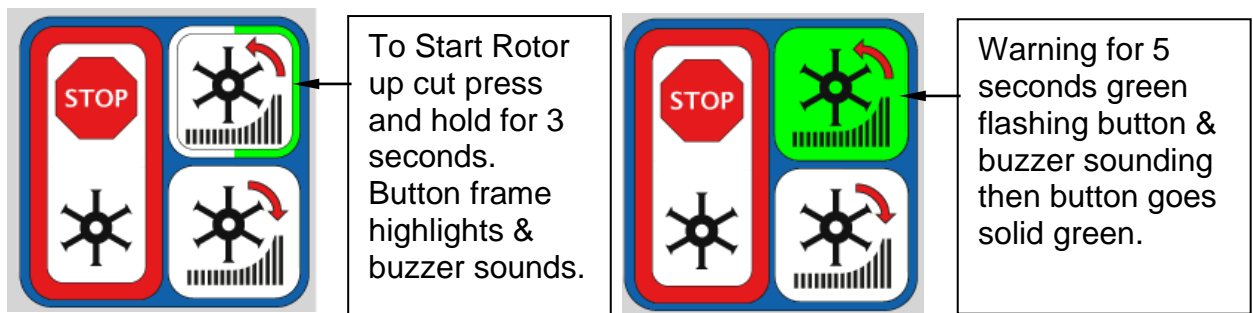
Rotor down cut: Engages the cutting head rotor in the down cut direction. Hold down the button for 3 seconds to engage. A green button shows the status of the down cut. A solid green button indicates that it is engaged. A flashing green button indicates that it is either speeding up, slowing down or that the oil is over temperature. The rotor cannot be started when either the up cut or down cut lights are flashing.

Rotor up cut: Engages the cutting head rotor in the up cut direction. Hold down the button for 3 seconds to engage. A green button shows the status of the down cut. A solid green button indicates that it is engaged. A flashing green button indicates that it is either speeding up, slowing down or that the oil is over temperature. The rotor cannot be started when either the up cut or down cut lights are flashing.

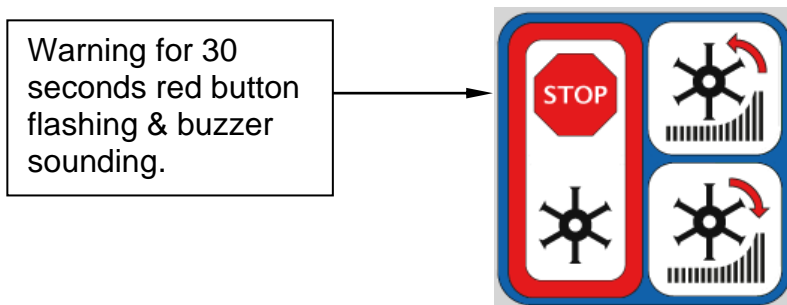
Stop Rotor: Stops the cutting head rotor.



Controls display screen when starting the cutting head rotor:



Controls display screen when stopping the cutting head rotor. Rotor up cut or down cut may be turned off by pressing the rotor stop button once.



Auto Return: If the arms are pushed back by an immovable object, an auto return function automatically return the arms to the work position next to the tractor once the object has passed or lifted clear of. Hold the button down for 1 second to activate the auto-return. A green button indicates the status of the auto-return function. A solid green button shows that auto-return is on and that the arms are fully forward in the work position. A flashing green button indicates that the arms are being powered forward. Auto return maybe turned off by pressing the Auto return button once again.



To Start Auto return press and hold for 1 second. Button frame highlights.

Auto return ON with machine booms in work position. Button lit solid green.

Auto return OFF.



If engaging the auto return with the machine not in its work position the boom will slew / operate immediately into their work position. Ensure no person or objects are within the machine working area.

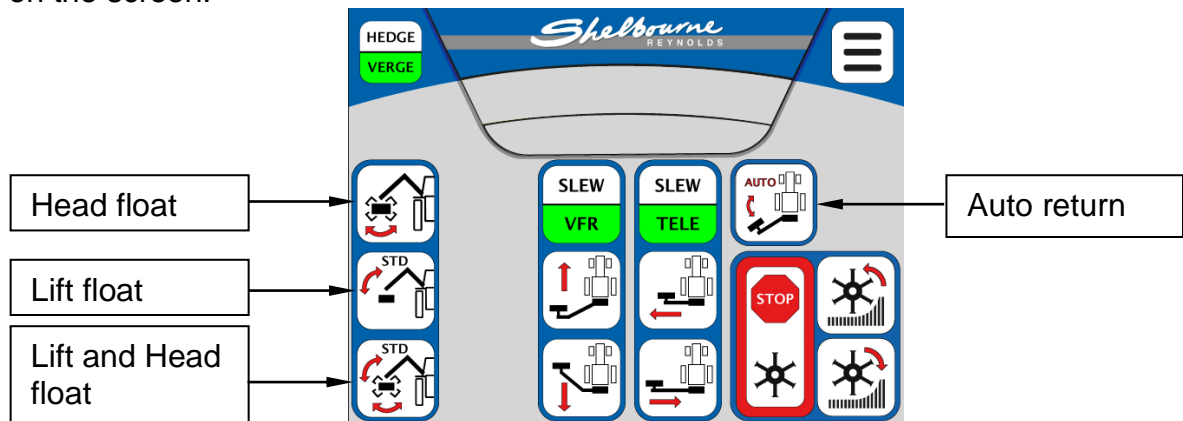
Lift & Head Float: Lift float allows the arms to float over and follow the contours of the ground. An accumulator carries some of the weight of the arms. Lifting or lowering will adjust the amount of force the head exerts on the ground. Head float allows the cutting head to follow the contours of the ground.

Lift and head float together or just lift float or just head float can be activated by pressing the relevant buttons. When activated the button lights solid green.

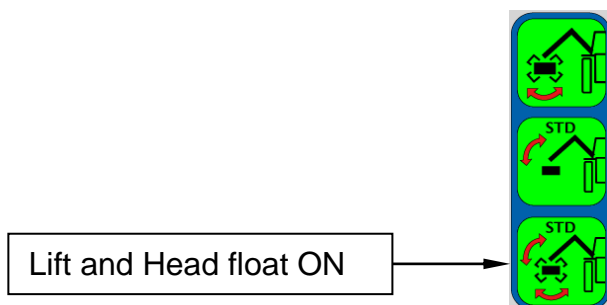
When in Lift and Head float mode all three buttons will be lit green. Then pressing Lift float button will toggle of Lift float leaving just Head float active, and vice versa. Pressing any green lit float button will then switch that function off.

Lift float can be overridden when active by raising or lowering the joystick. This will temporarily disable lift float and cause the button to flash green on the screen.

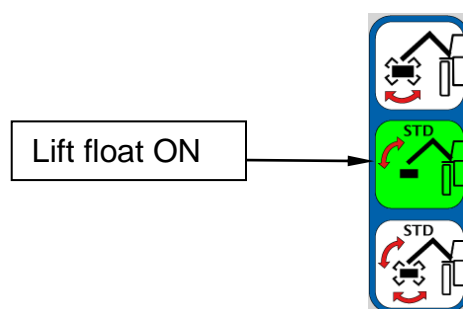
Head float can be overridden when active by rotating the Head rotation in either direction. This will temporarily disable Head float and cause the button to flash green on the screen.



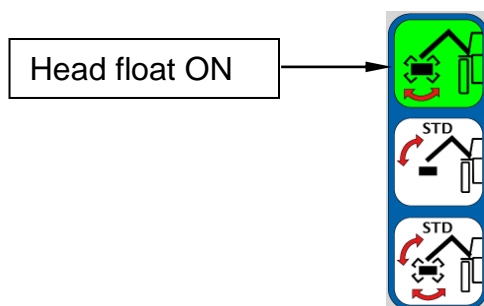
To operate both Lift and Head float press the Lift and Head float button once. By pressing this button, the Lift and Head float button, the Lift and Head float button all illuminate green. To switch all off, press again the Lift and Head float button.



To operate, just Lift float, press the Lift float button once, this will illuminate green. To switch off Lift float press button again.



To operate just Head float, press the Head float button once, this will illuminate green. To switch off head float press button again.



Ensure when engaging the Lift float the first time of use to always have the cutting head just above or in contact with the ground. Ensure no person is within the machine working area.

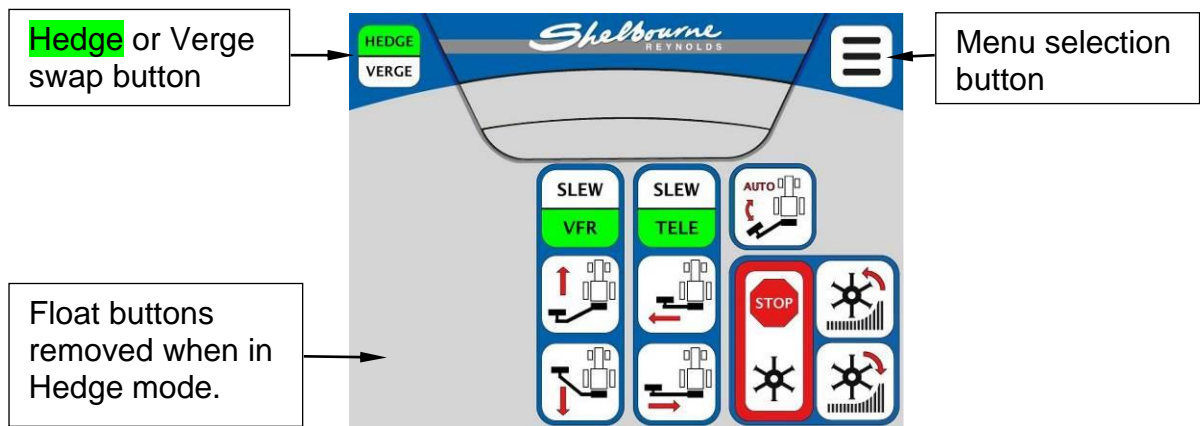
Overheating cut out

In the event of the hydraulic oil in the tank reaching 80°C the control system will shut off the rotor drive and inform the driver (see below or next page). In order, to bring the oil temperature down run the PTO at approximately half tractor engine revs for a period to circulate the oil through the cooler.

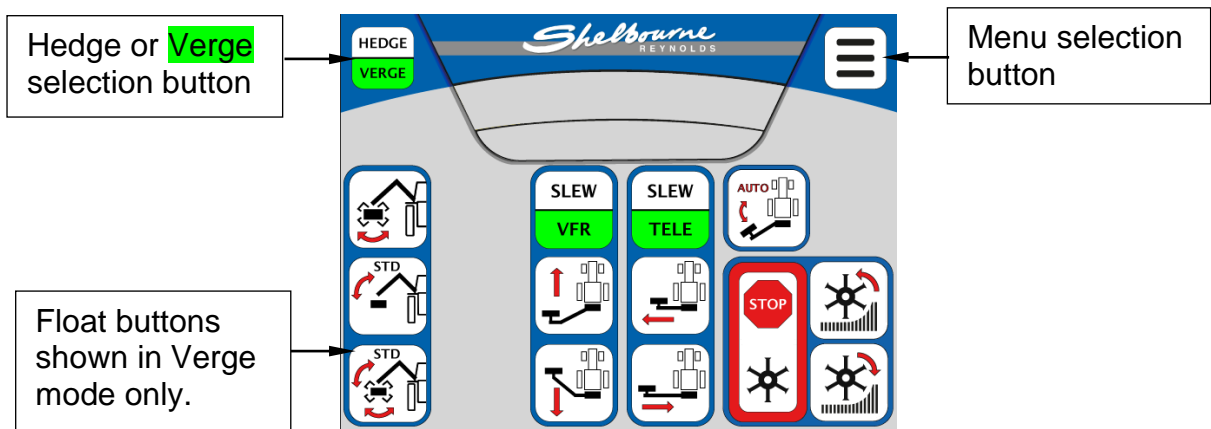


Warning for 30 seconds & buzzer & both green & red buttons flashing. Flashing buttons continue until temp of oil has dropped below sensor trigger point.

Home screen (Hedge mode selected including VFRT):



Home screen (Verge mode selected inc VFRT):

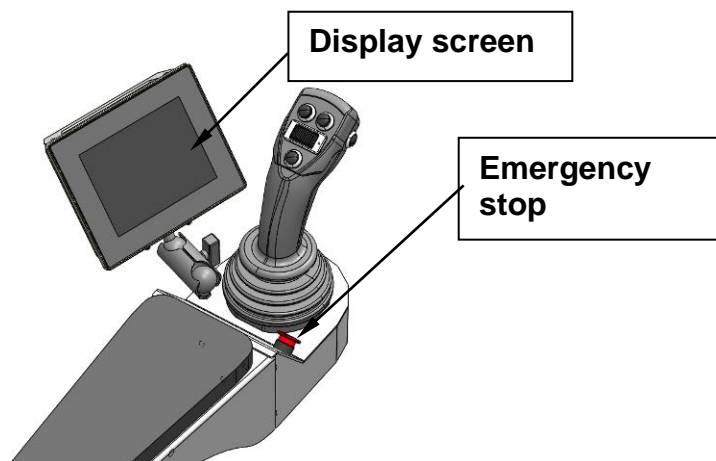


Hedge or Verge swap button: Press the ½ green highlighted Hedge or Verge swap button and the green indicator will switch between Hedge (top) and Verge (bottom). In Hedge mode all the float buttons will be removed from the screen and in Verge mode the float buttons will be present.

6.2 8000 ELECTRIC PROPORTIONAL CONTROLS – S TOUCH MAX

This system incorporates a CAN Bus link between the control unit in the cab and the control box on the machine. This reduces the amount of wiring and connections, improving reliability and as a spin-off gives useful diagnostics.

Emergency stop: The big red button will stop the power to the controls, preventing anything from being operated. Press the button down to power OFF or twist clockwise and button will rise to power ON. This is also the **Emergency stop** switch.

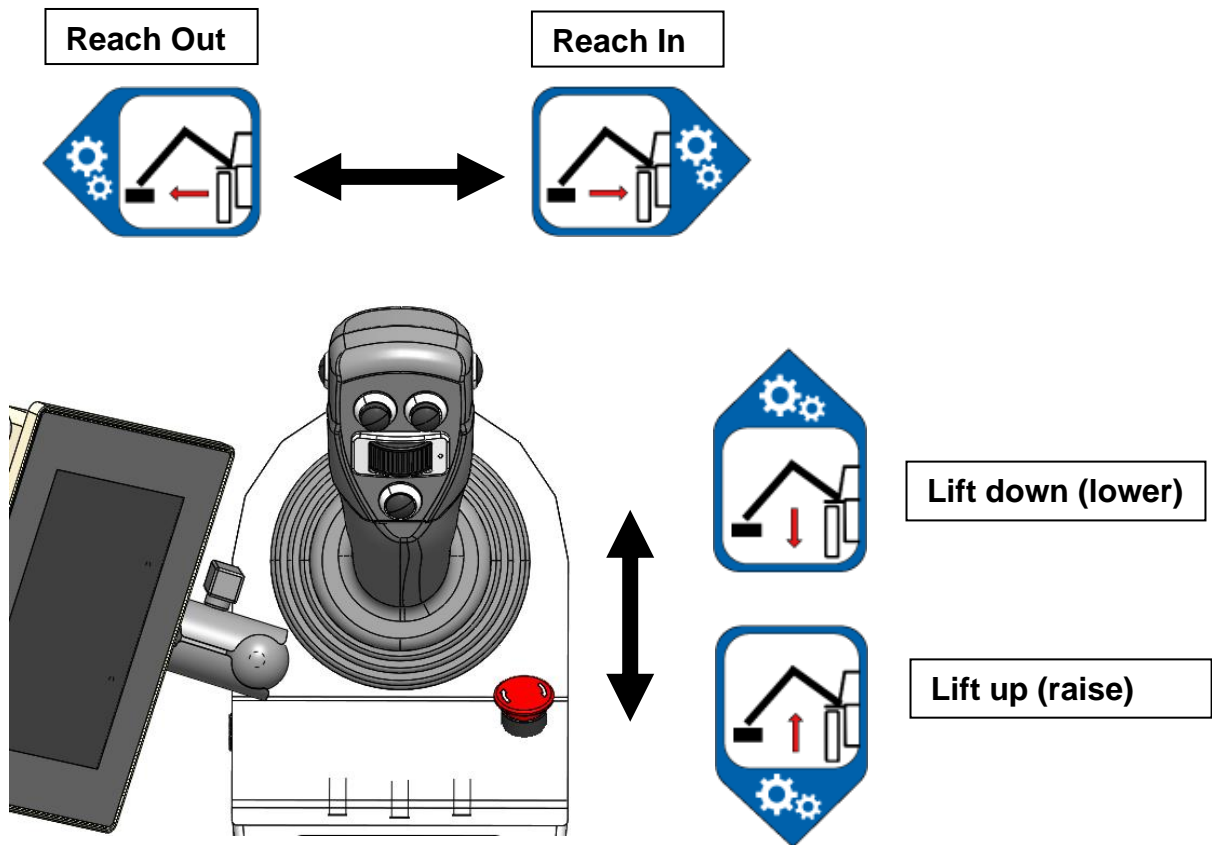


After powering ON the control display screen will show the below messages before getting to its standard display.



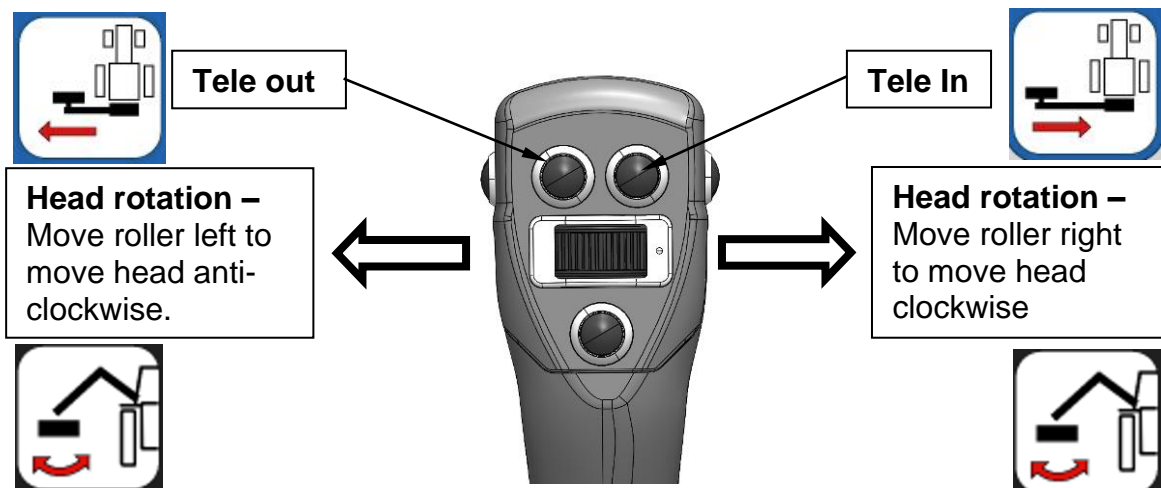
Displayed for three seconds during power

Lift & Reach: By moving the joystick to left and right the reach cylinder is actuated in the relevant direction; moving it back / towards and forwards/away from the operator gives lift and lower respectively. These actions are proportional; that is small joystick displacements give slow cylinder movements and large displacements give faster cylinder movements. Shelbourne Reynolds Ltd or a Shelbourne Reynolds approved dealer will set-up the controls to the operators liking when the machine is delivered.



Head rotation: Move the joystick's rear top thumb roller left and right to rotate the head. This service action is also proportional.

Telescopic: The buttons on the top of the joystick's rear operate the telescopic boom. The left button activates Tele out and the right button activates Tele in. This service is non-proportional.

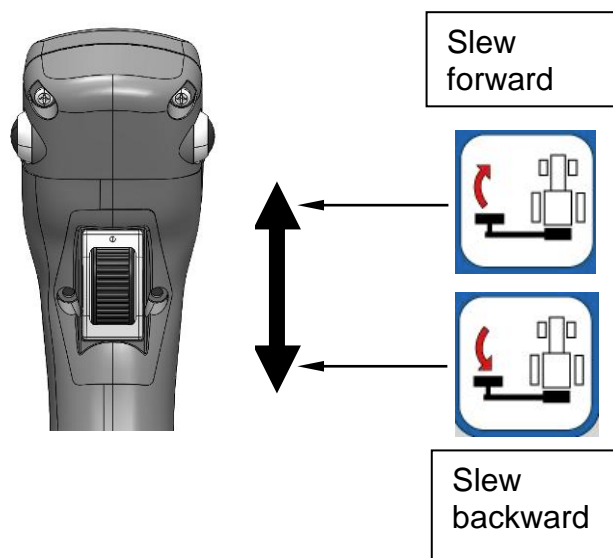


Slew: Move the joystick front roller forward and backward to move the Slew in the same orientation as the roller.

Slew is default on the joystick's front roller and is also proportional.

Slew Forward: Rotates the arms into the work position next to the tractor.

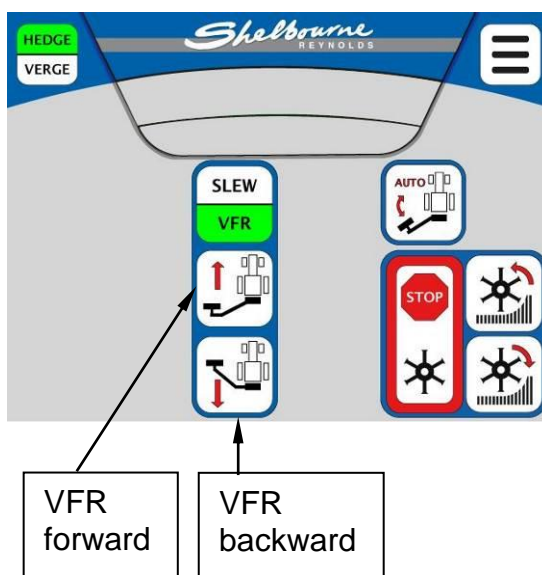
Slew Backward: Rotates the arms into the transport position behind the tractor.



Variable forward reach (VFR) (only on VFRT): The buttons on the screen are default and operate the VFR forward or back.

VFR Forward: Brings the booms forward alongside the tractor.

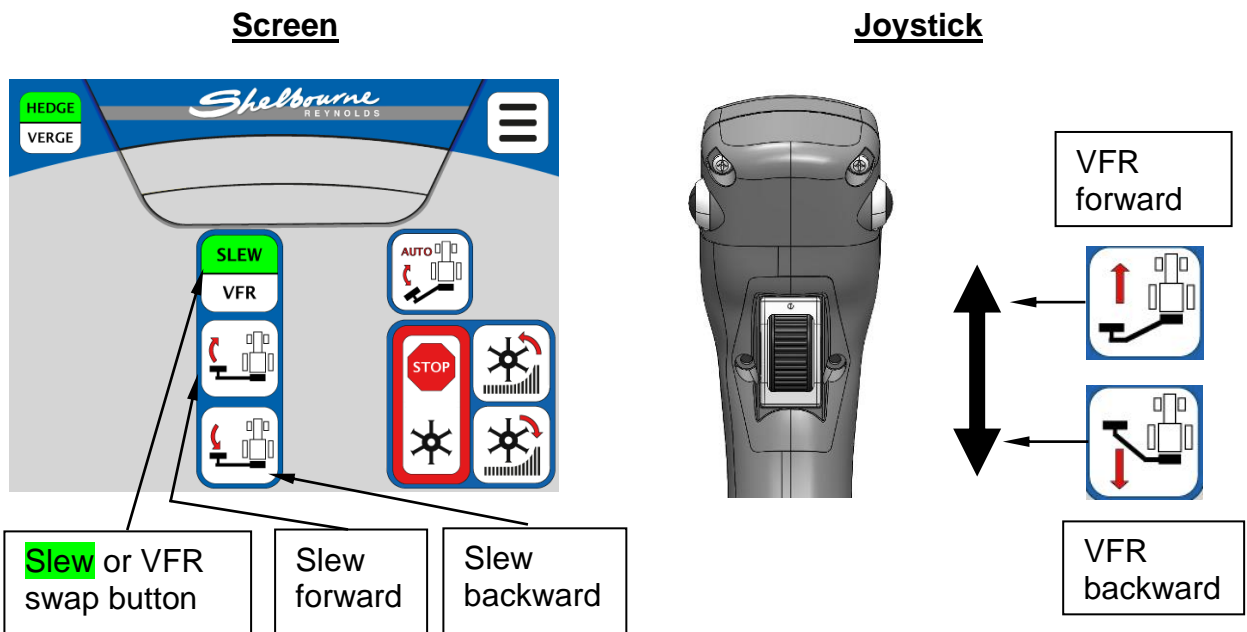
VFR Backwards: Brings the booms backwards behind the tractor.



Slew or VFR swap button: Press the ½ green highlighted Slew or VFR swap button and the green indicator will switch between Slew (top) and VFR (bottom). The icons on the below buttons will also change accordingly to what is activated by the screen.

When the ½ green button has Slew highlighted on the screen and even if proportional Slew is default, the result will be a non-proportional Slew movement when a screen button is pressed.

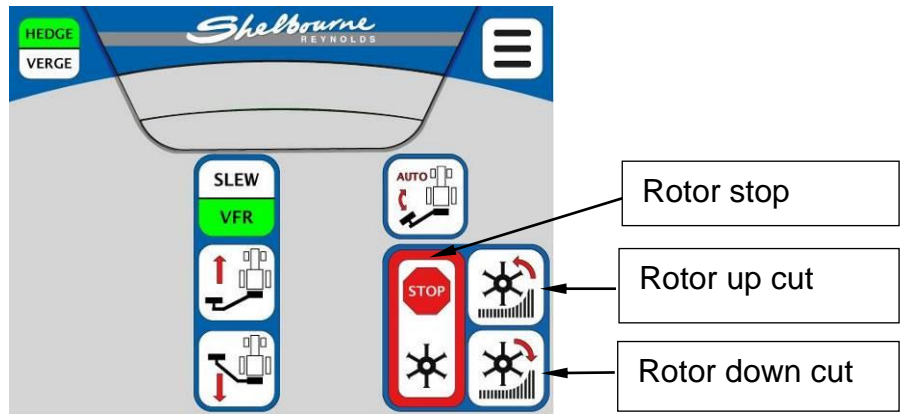
Variable forward reach (VFR) will now have moved to the joystick's front roller to move forward and backwards.



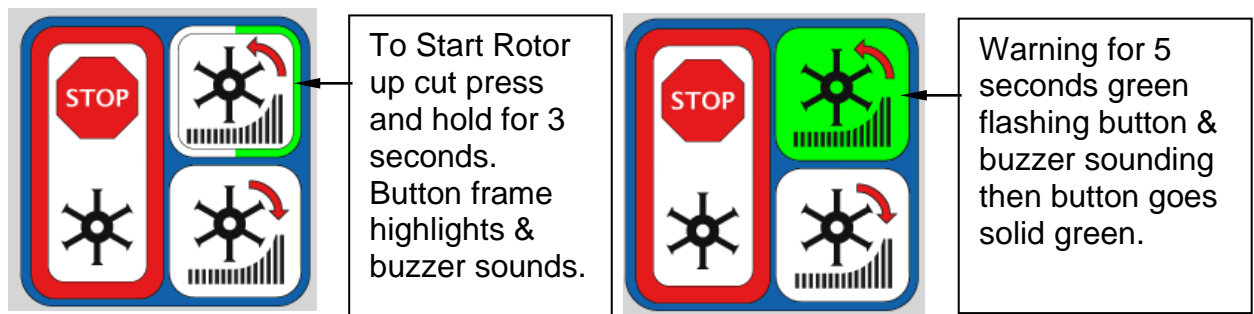
Rotor down cut: Engages the cutting head rotor in the down cut direction. Hold down the button for 3 seconds to engage. A green button shows the status of the down cut. A solid green button indicates that it is engaged. A flashing green button indicates that it is either speeding up, slowing down or that the oil is over temperature. The rotor cannot be started when either the up cut or down cut lights are flashing.

Rotor up cut: Engages the cutting head rotor in the up cut direction. Hold down the button for 3 seconds to engage. A green button shows the status of the down cut. A solid green button indicates that it is engaged. A flashing green button indicates that it is either speeding up, slowing down or that the oil is over temperature. The rotor cannot be started when either the up cut or down cut lights are flashing.

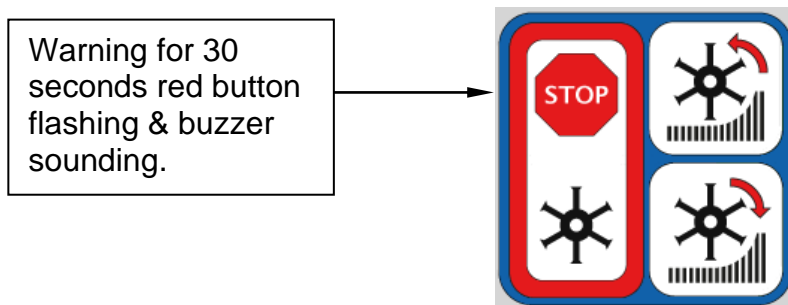
Stop Rotor: Stops the cutting head rotor.



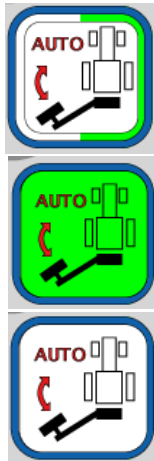
Controls display screen when starting the cutting head rotor:



Controls display screen when stopping the cutting head rotor. Rotor up cut or down cut may be turned off by pressing the rotor stop button once.



Auto Return: If the arms are pushed back by an immovable object, an auto return function automatically return the arms to the work position next to the tractor once the object has passed or lifted clear of. Hold the button down for 1 second to activate the auto-return. A green button indicates the status of the auto-return function. A solid green button shows that auto-return is on and that the arms are fully forward in the work position. A flashing green button indicates that the arms are being powered forward. Auto return maybe turned off by pressing the Auto return button once again.



To Start Auto return press and hold for 1 second. Button frame highlights.

Auto return ON with machine booms in work position. Button lit solid green.

Auto return OFF.



If engaging the auto return with the machine not in its work position the boom will slew / operate immediately into their work position. Ensure no person or objects are within the machine working area.

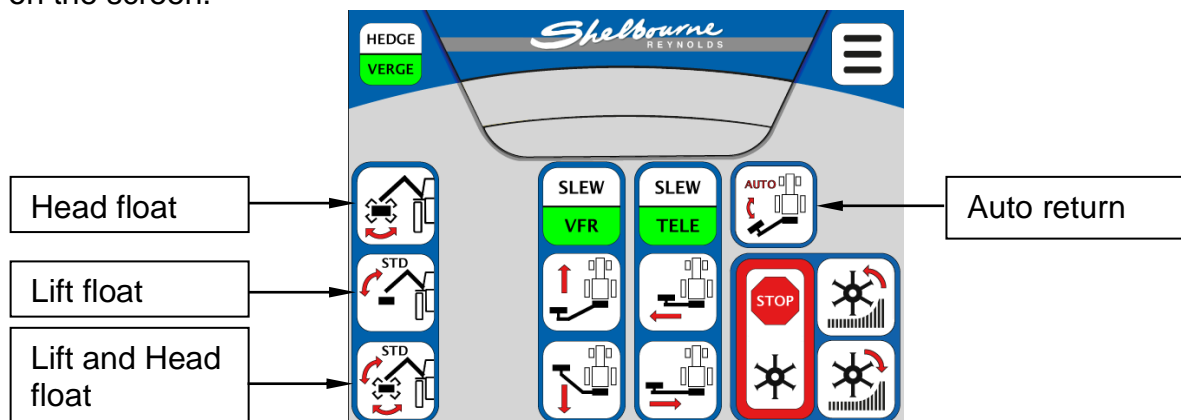
Lift & Head Float: Lift float allows the arms to float over and follow the contours of the ground. An accumulator carries some of the weight of the arms. Lifting or lowering will adjust the amount of force the head exerts on the ground. Head float allows the cutting head to follow the contours of the ground.

Lift and head float together or just lift float or just head float can be activated by pressing the relevant buttons. When activated the button lights solid green.

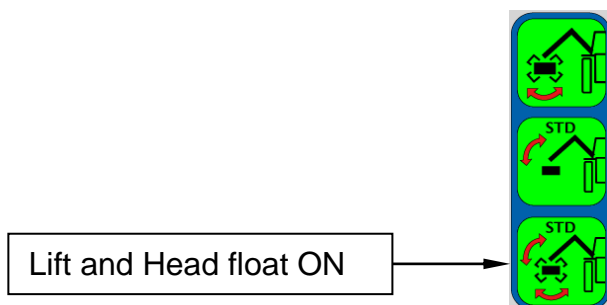
When in Lift and Head float mode all three buttons will be lit green. Then pressing Lift float button will toggle of Lift float leaving just Head float active, and vice versa. Pressing any green lit float button will then switch that function off.

Lift float can be overridden when active by raising or lowering the joystick. This will temporarily disable lift float and cause the button to flash green on the screen.

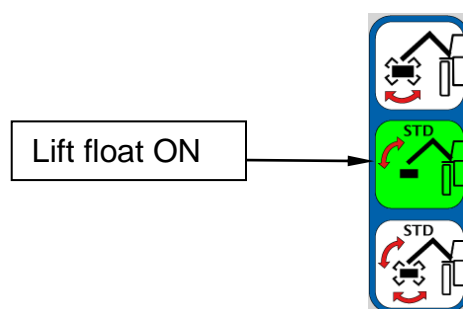
Head float can be overridden when active by rotating the Head rotation in either direction. This will temporarily disable Head float and cause the button to flash green on the screen.



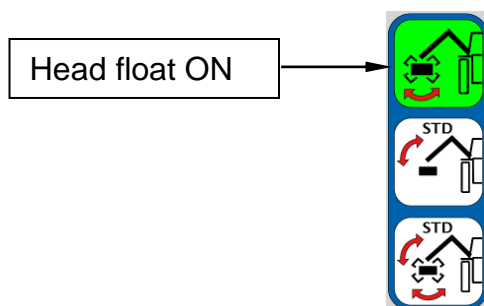
To operate both Lift and Head float press the Lift and Head float button once. By pressing this button, the Lift and Head float button, the Lift and Head float button all illuminate green. To switch all off, press again the Lift and Head float button.



To operate, just Lift float, press the Lift float button once, this will illuminate green. To switch off Lift float press button again.



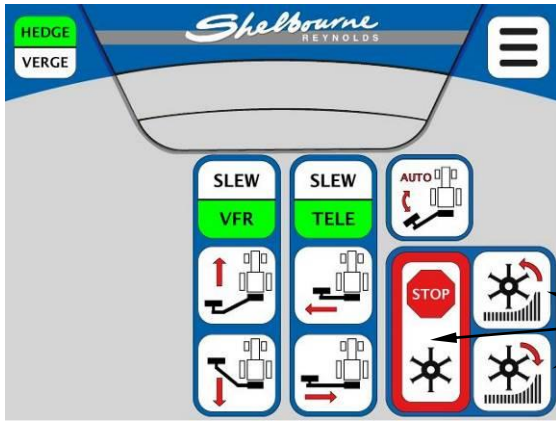
To operate just Head float, press the Head float button once, this will illuminate green. To switch off head float press button again.



Ensure when engaging the Lift float the first time of use to always have the cutting head just above or in contact with the ground. Ensure no person is within the machine working area.

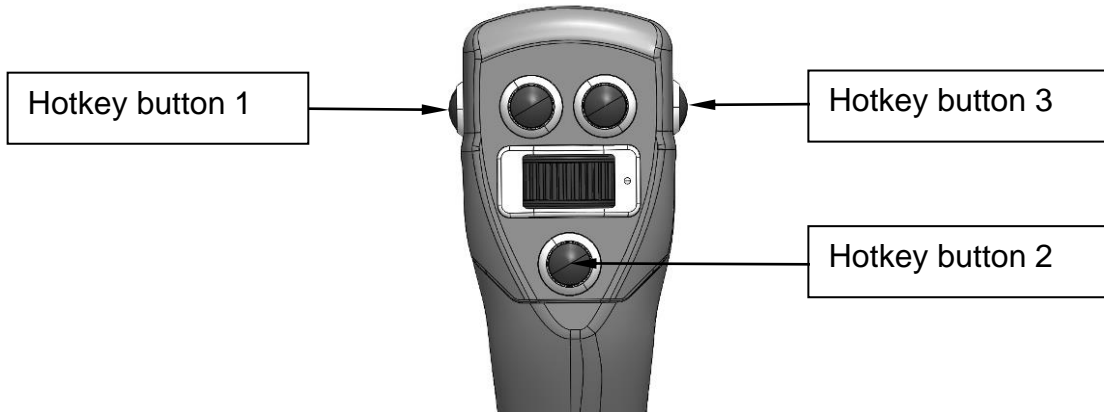
Overheating cut out

In the event of the hydraulic oil in the tank reaching 80°C the control system will shut off the rotor drive and inform the driver (see below or next page). In order, to bring the oil temperature down run the PTO at approximately half tractor engine revs for a period to circulate the oil through the cooler.

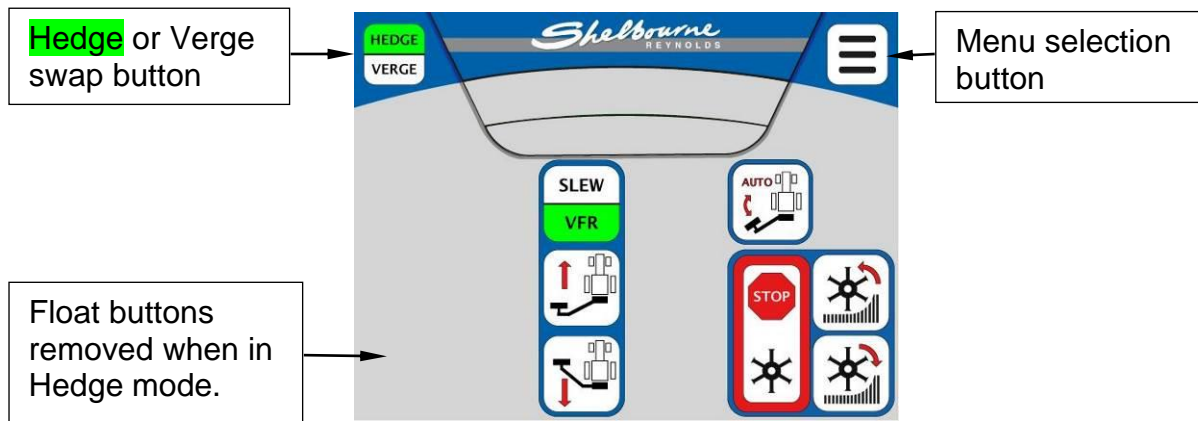


Warning for 30 seconds & buzzer & both green & red buttons flashing. Flashing buttons continue until temp of oil has dropped below sensor trigger point.

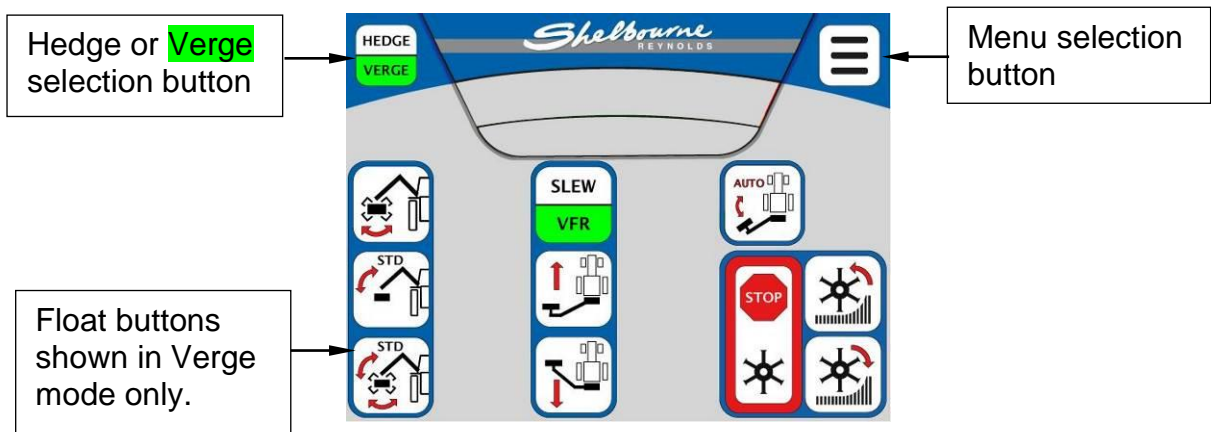
Hotkeys (Joystick): The buttons marked below are the hotkey buttons. They can be assigned to user settable functions. Factory default settings are not set, this means that they will not work any function from factory settings. See section 6.4 to set them.



Home screen (Hedge mode selected including VFRT):



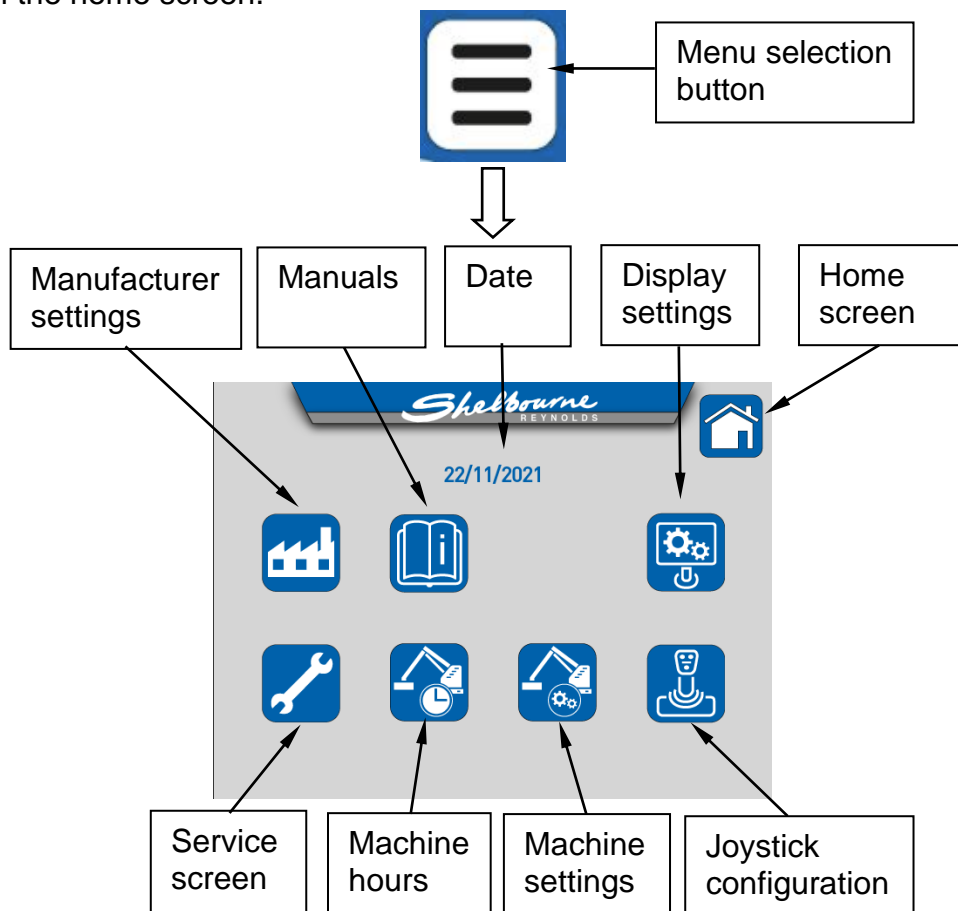
Home screen (Verge mode selected inc VFRT):



Hedge or Verge swap button: Press the ½ green highlighted Hedge or Verge swap button and the green indicator will switch between Hedge (top) and Verge (bottom). In Hedge mode all the float buttons will be removed from the screen and in Verge mode the float buttons will be present.

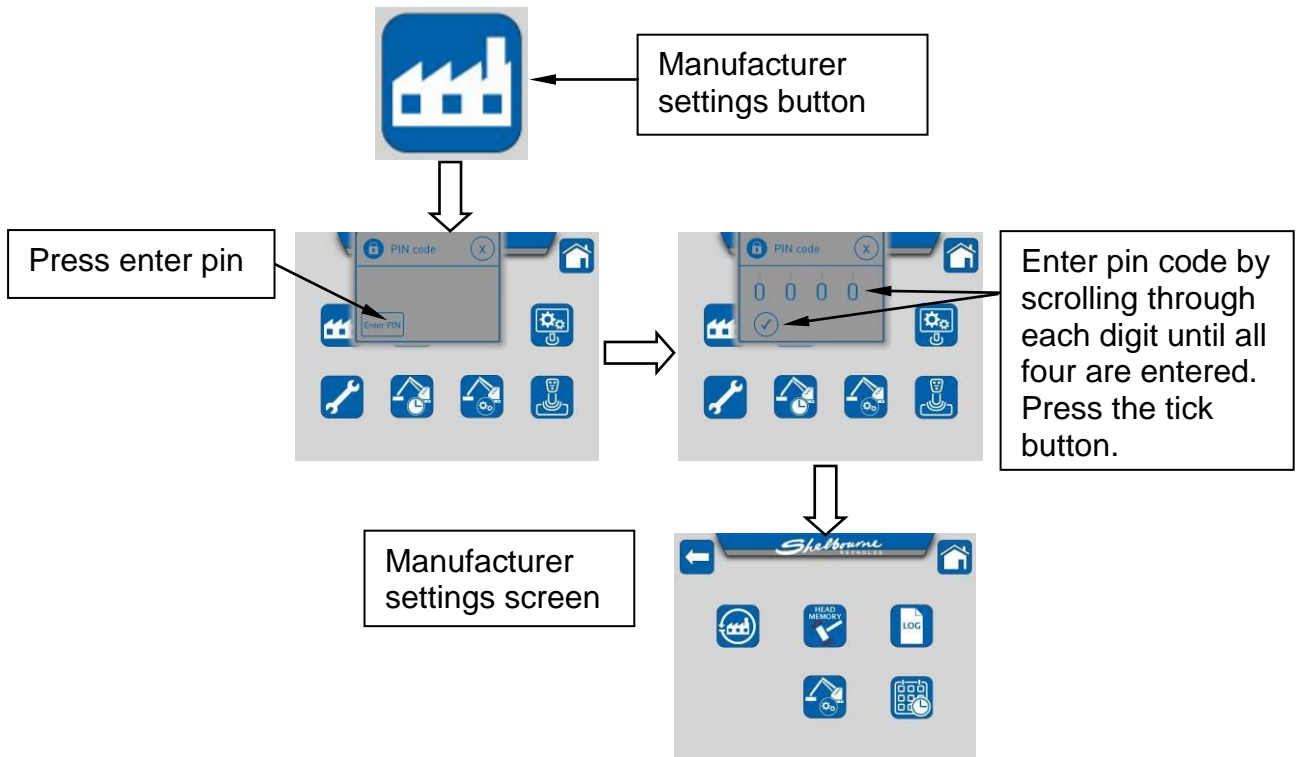
6.3 8000 CONTROLS SCREEN SETTINGS – COMPACT OR MAX

Menu screen: The menu screen can be accessed by pressing the menu selection button on the home screen.

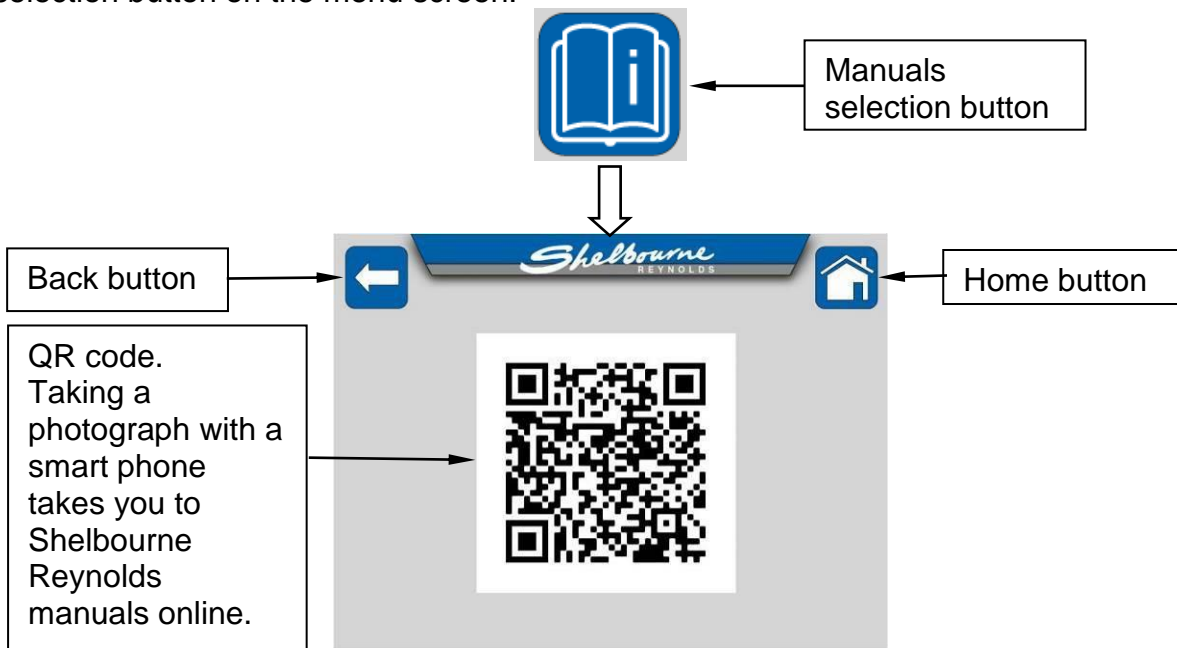


Time and date setting: The time and date will be set by Shelbourne Reynolds. If for any reason this needs setting, please contact your dealer or Shelbourne Reynolds as a Pin code to allow access to the manufacturer settings screen is required.

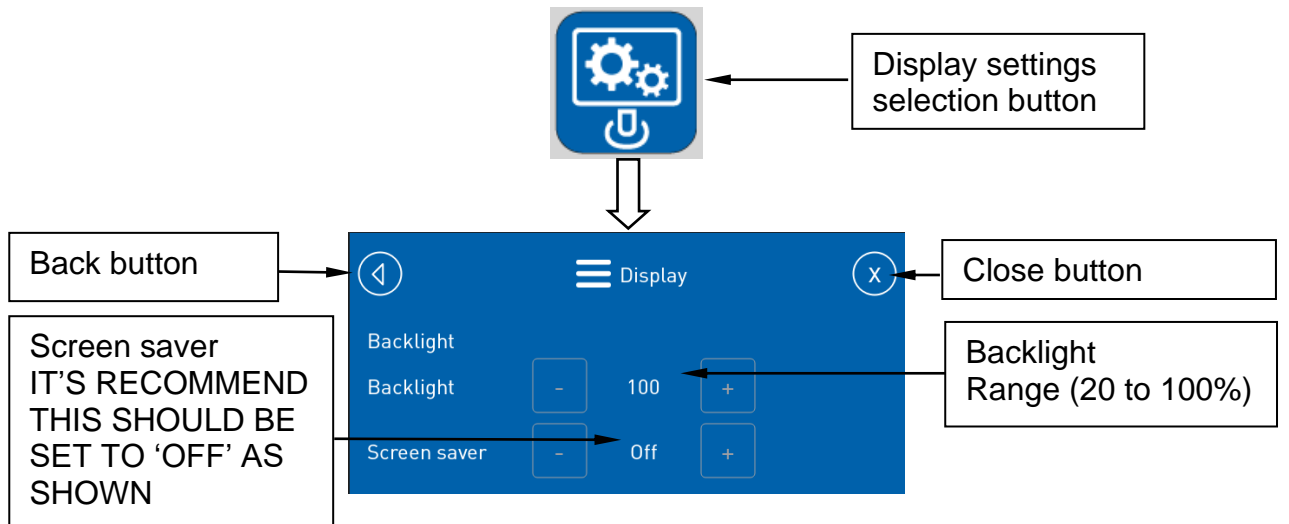
Manufacturer settings: The manufacturer settings can be accessed via a four-digit pin code. Should a pin code be required please contact Shelbourne Reynolds.



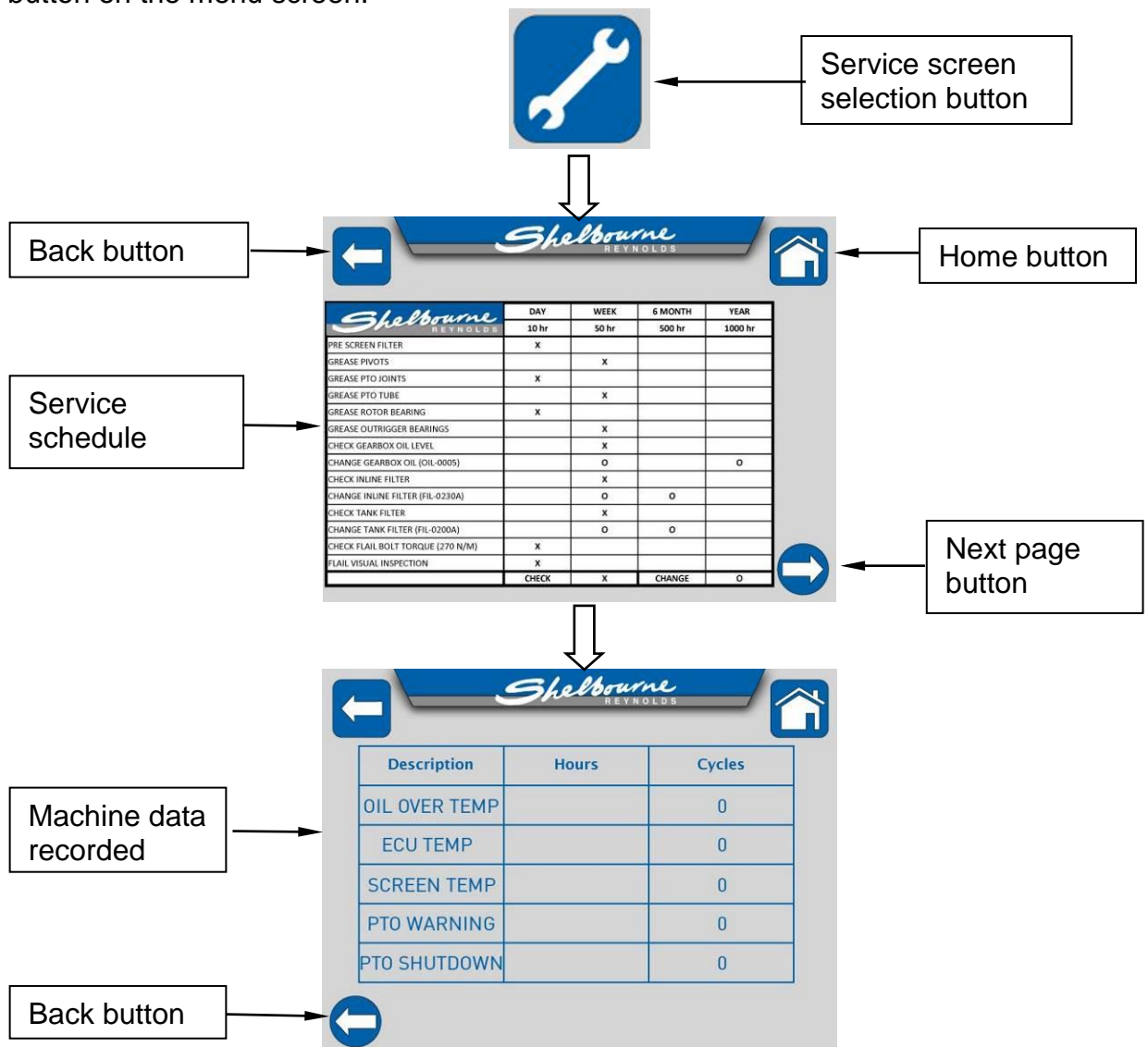
Manuels screen: The manuels screen can be accessed by pressing the manuels selection button on the menu screen.



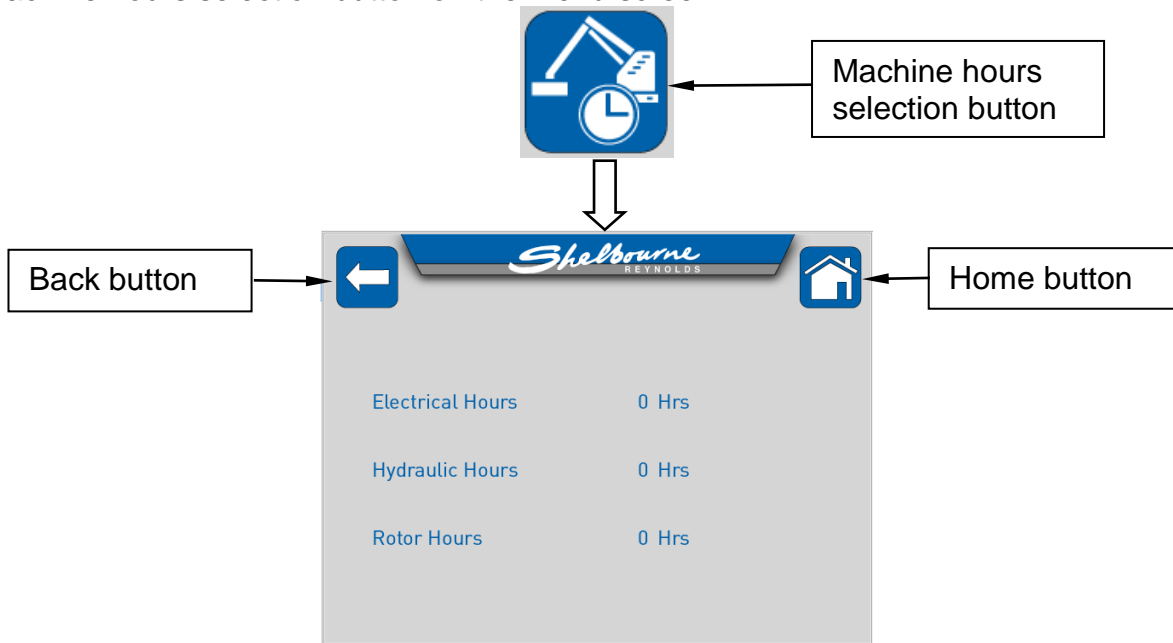
Display settings screen: The display settings screen can be accessed by pressing the display settings selection button on the menu screen.



Service screen: The service screen can be accessed by pressing the service screen button on the menu screen.



Machine hours screen: The machine hours screen can be accessed by pressing the machine hours selection button on the menu screen.

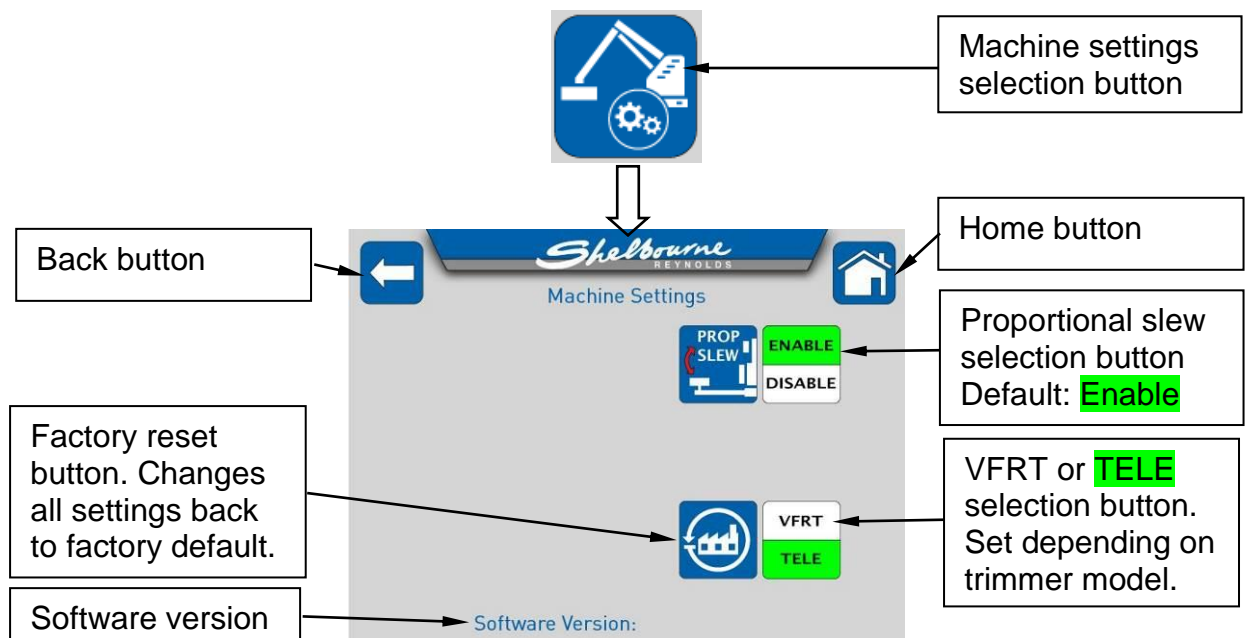


Electrical Hours: Electrical hours is the length of time that the control system has been powered on for.

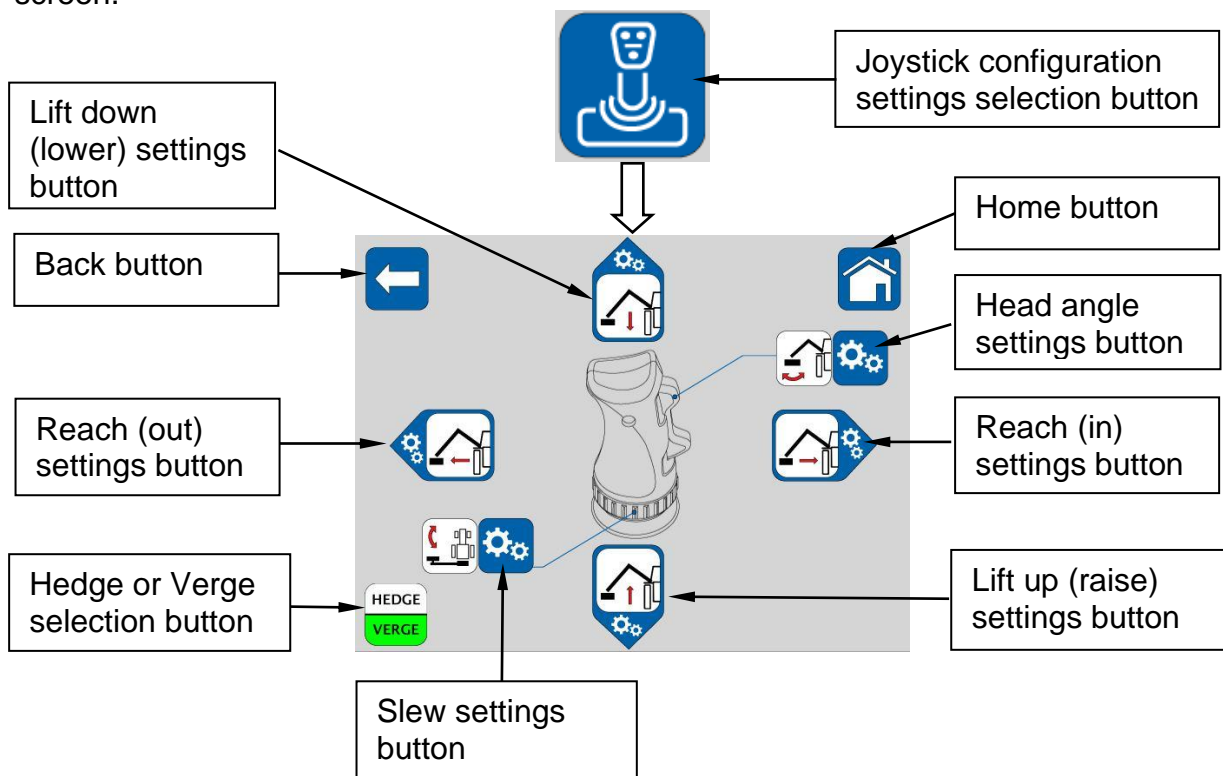
Hydraulic Hours: Hydraulic hours is the total length of time that the hydraulic services have been used for. It counts from the time of the valve opening to the valve closing. This log is for all hydraulic services except the rotor control service.

Rotor Hours: Rotor hours is the total length of time that a Rotor service has been used in either up cut or down cut.

Machine settings screen: The machine settings screen can be accessed by pressing the machine settings selection button on the menu screen (below are the standard setting screen, if options are fitted to the machine see section 6.5).



Joystick configuration screen: The joystick configuration settings screen can be accessed by pressing the joystick configuration settings selection button on the menu screen.



Deadband: Deadband is the setting that allows the operator to select the amount of joystick movement at which machine movement starts to operate. Decreasing the value will mean a smaller amount of joystick movement, then increasing a larger amount before the machine starts to move.

Joystick Limit: Joystick limit is a setting that allows the operator to decrease the joystick travel (throw) to achieve maximum speed of lift or reach service.

Setting the value to 0 on the touchscreen setting page means that maximum speed can be achieved with minimal joystick deflection.

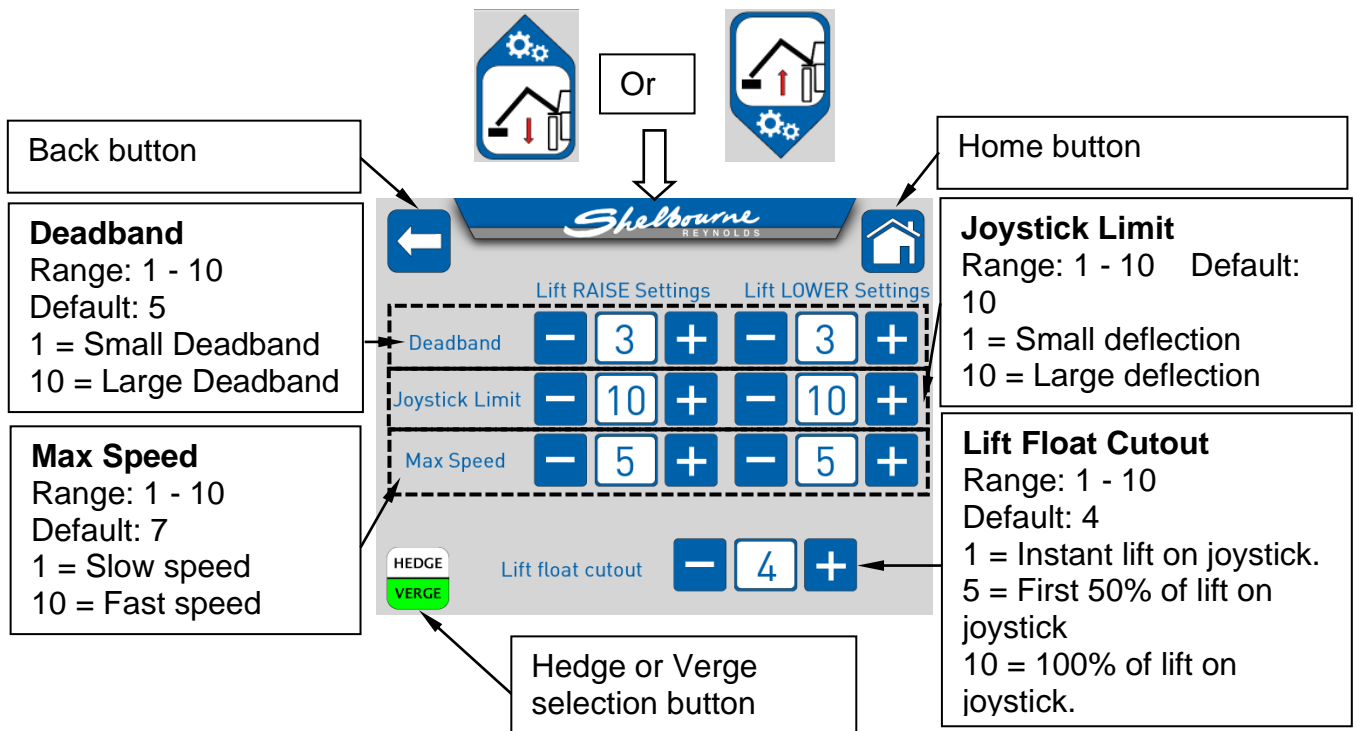
Setting the value to 10 on the touchscreen setting page means that maximum speed can be achieved at maximum joystick deflection.

The default setting is 10.

Max Speed: Max speed is the setting that allows the operator to select how fast the machine moves when the joystick has reached its maximum amount of movement. Decreasing the user setting value will mean slower movements and increasing will be faster machine movements.

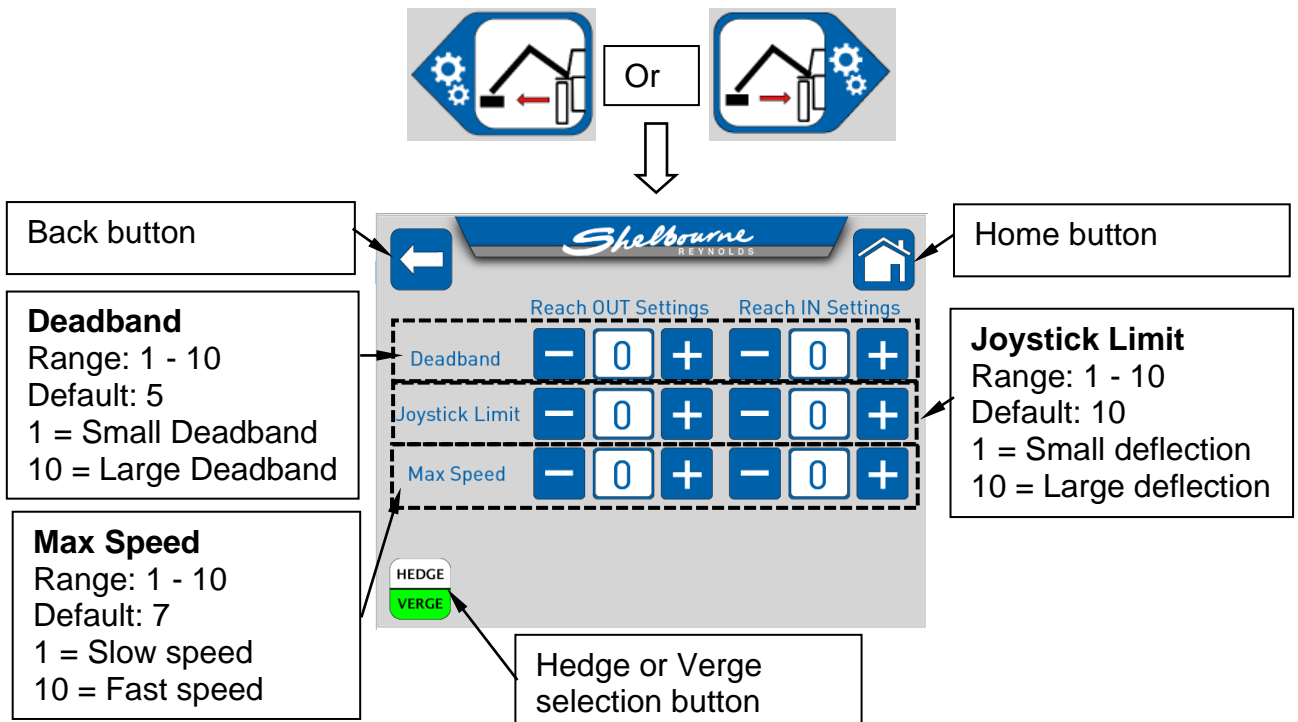
Lift settings: Press either one of the lift settings buttons to access the lift settings page.

Note: Select the mode (Hedge or Verge) before setting the user preferences. Different settings can be independently set to both Hedge and Verge mode.



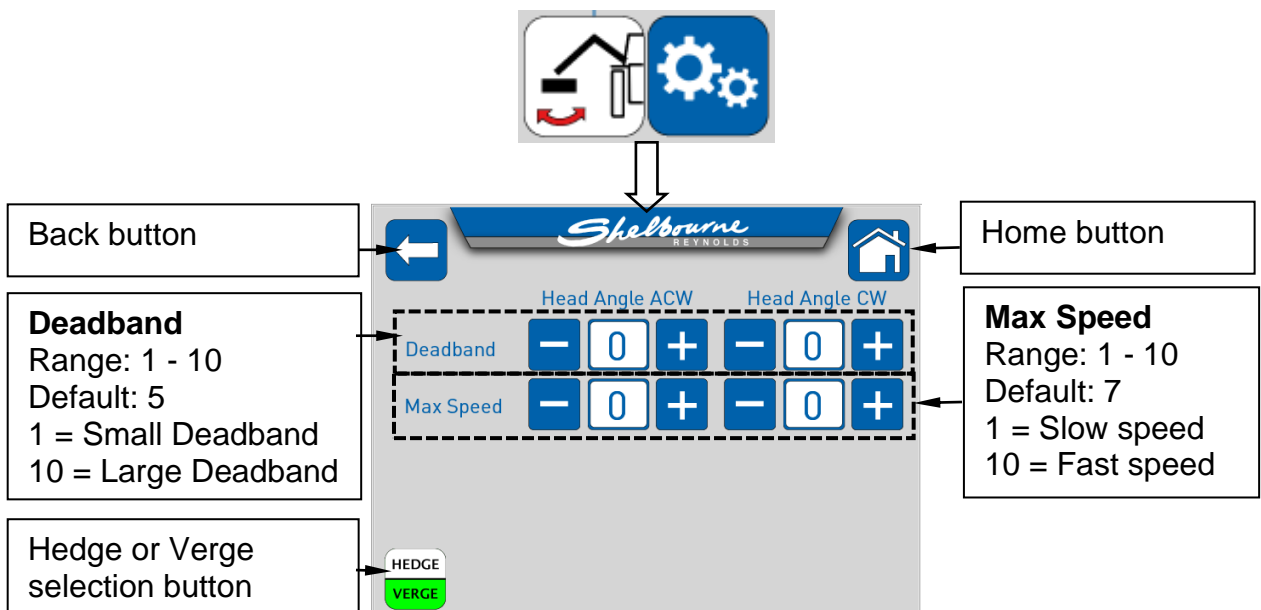
Lift float cutout: This setting only becomes active when lift float is engaged. Lift float cutout automatically disengages the lift float when operating the joystick lift up (raise) above the chosen setting number (Default: 4). Once over this number, the lift up (raise) will be more responsive and enables faster movements without the operator having to disengage / engage the lift float button. When the joystick is returned to neutral or below the setting value, lift float is automatically re-engaged. The Lift float button will flash continually to indicate the Lift Float Cutout is active (Default: between 4 to 10) and then return to solid green once back into Lift float.

Reach settings: Press either one of the reach settings buttons to access the reach settings page.

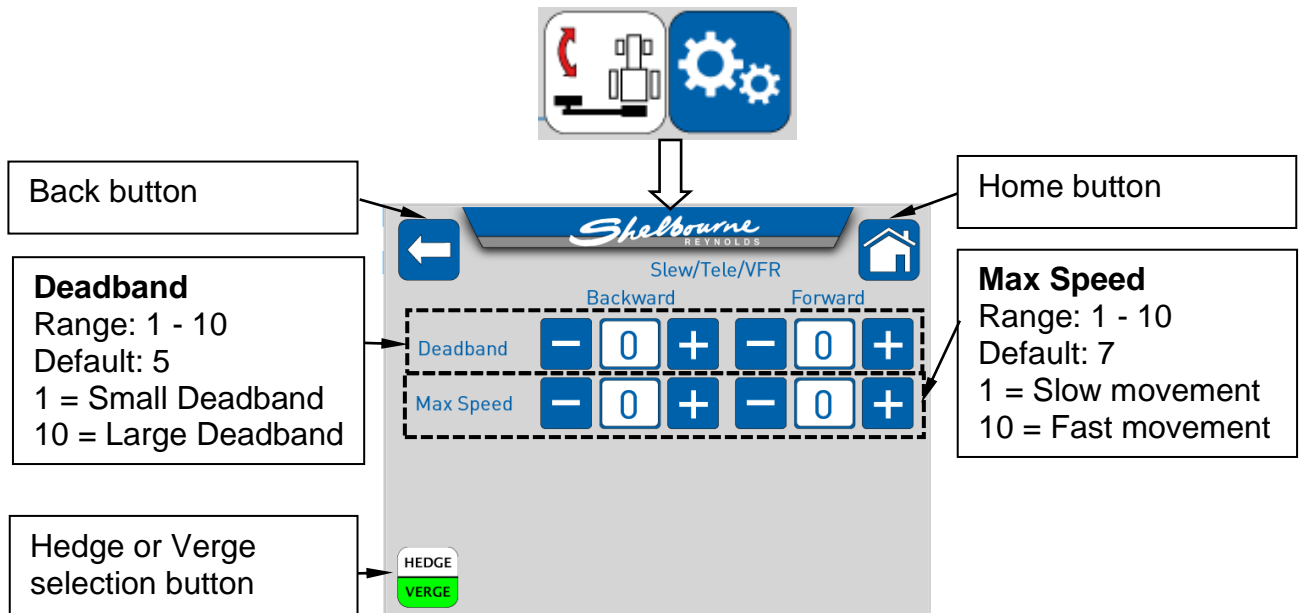


Head angle settings: Press the head angle setting button to access the head angle settings page.

Anti-clockwise / Clockwise is the rotation of the head when viewed from the rear of the machine and tractor with the arms out to the left as shown in the diagram below.

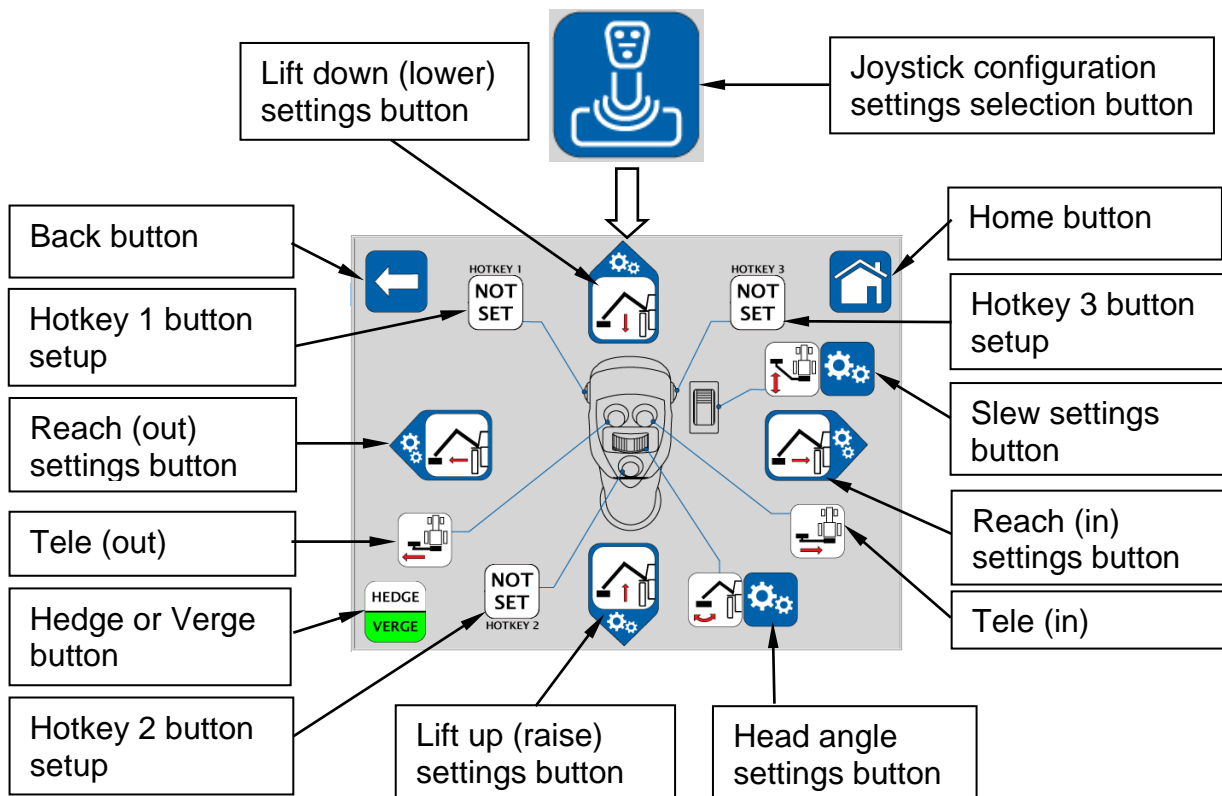


Slew settings: Press the Slew setting button to access the Slew settings page.

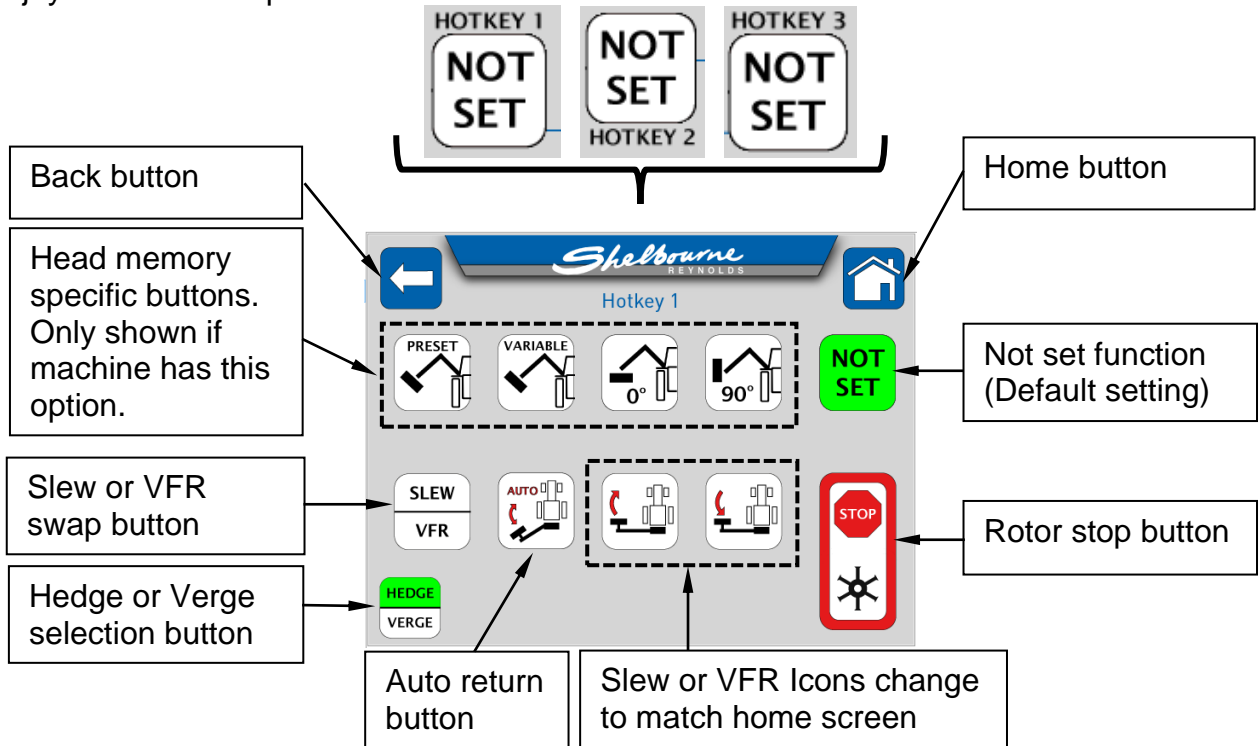


6.4 8000 CONTROLS SCREEN SETTINGS – MAX ONLY

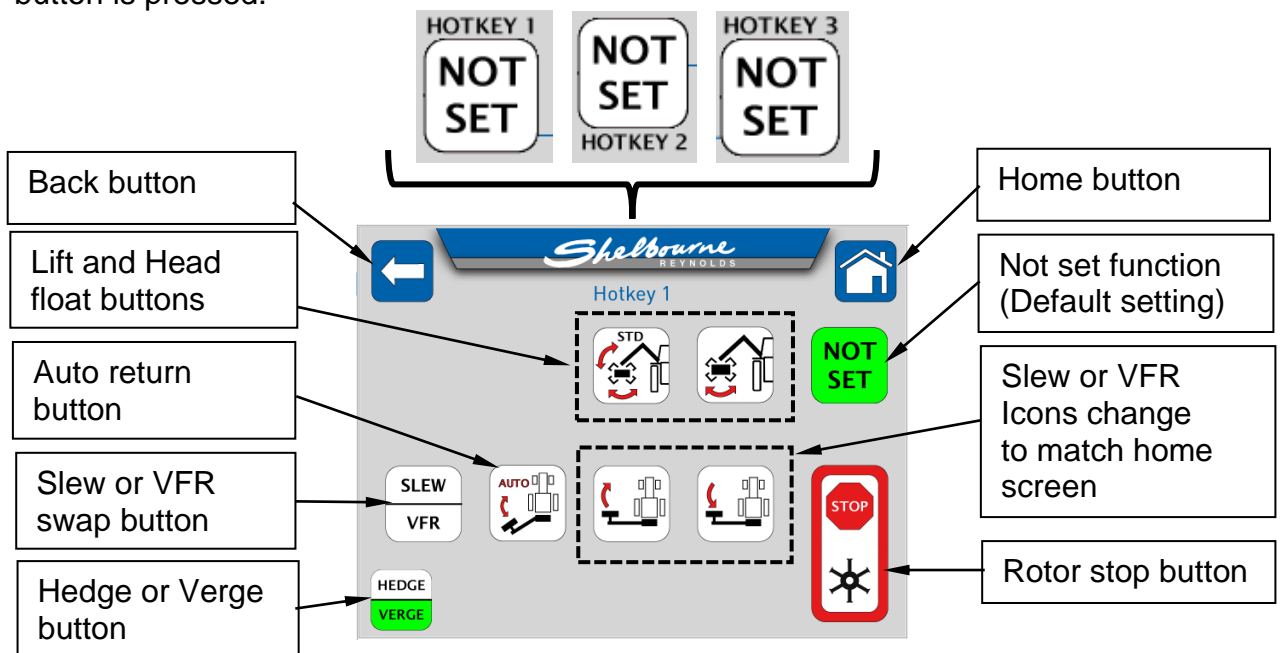
Joystick configuration screen: The joystick configuration settings screen can be accessed by pressing the joystick configuration settings selection button on the menu screen. The Max joystick configuration screen is similar to the Compact but has the addition of the Hotkey buttons.



Hotkey 1, 2 & 3 selection screen (Hedge mode): Select the Hotkey button required to be set, ensure Hedge mode is selected before setting Hotkeys. Green highlight button indicates when a Hotkey is saved and will be activate when the relevant Hotkey joystick button is pressed.



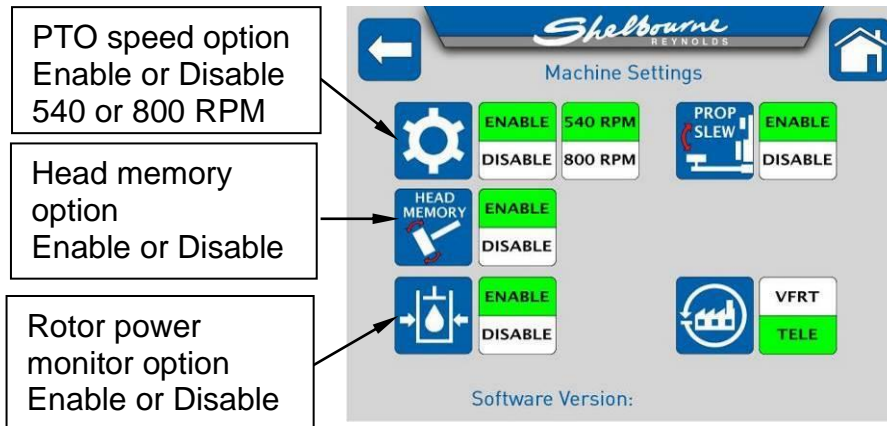
Hotkey 1, 2 & 3 selection screen (Verge mode): Select the Hotkey button required to be set, ensure Verge mode is selected before setting Hotkeys. Green highlight button indicates when a Hotkey is saved and will be activate when the relevant Hotkey joystick button is pressed.



Note: Hotkeys 1,2 & 3 can have different settings between Hedge and Verge mode.

6.5 8000 CONTROLS - OPTIONS

Machine settings screen (options): Machine monitor kit option is shown as PTO speed and Rotor power buttons. Head memory is also an option. If these are not present on the machine settings screen then the machine has not been built with these options included. If these features have been added then it's possible to add these via entering the pin coded Manufacturer settings area which will allow them to appear on the Machine settings screen.



Machine monitor kit (option): Machine monitor kit is PTO speed and Rotor power combined. With PTO speed enabled and correct speed selection (540 or 800rpm) the PTO speed is displayed to the operator. With Rotor power enabled the amount of flail head rotor power being consumed is displayed to the operator.



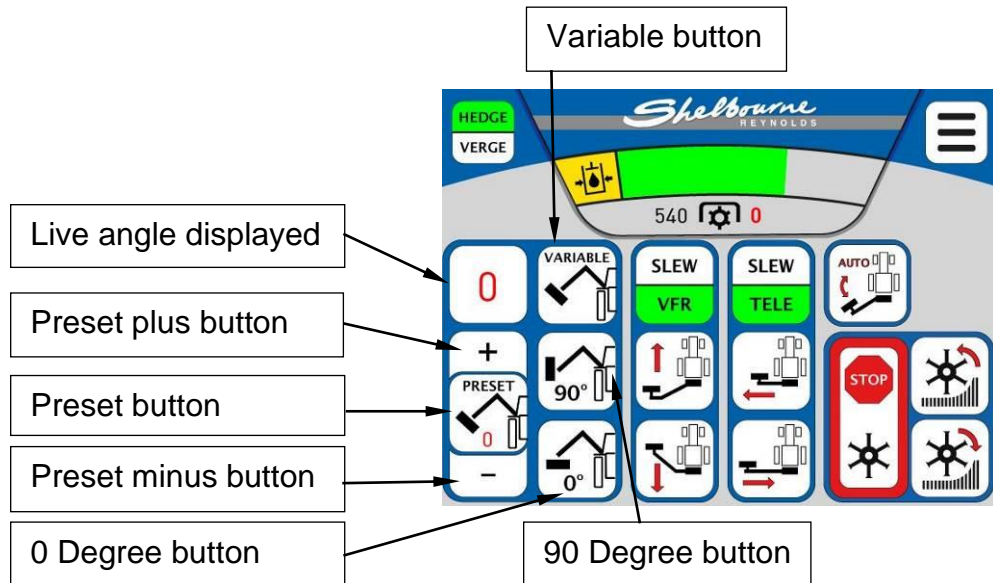
If PTO speed is raised over 580rpm (or 840rpm) for more than 5 seconds a warning message will appear on the screen. If PTO speed is raised over 600rpm (or 860rpm) for more than 5 seconds the rotor upcut or down cut will be automatically disengaged.

Rotor power monitor shows the green band upto 67%, orange band 67 to 90% and red 90 to 100% of the rotor power.

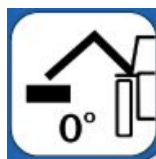
Head Memory (option): Head memory is a feature that when engaged allows the head to automatically remain at a determined position to the ground without the operator having to move the head angle rocker on the joystick.



Care must be taken before engaging Head memory. This is because Head memory modes are autonomus and can move the head position automatically and without warning.



0 Degree button: This button allows the head to automatically seek 0 degrees - horizontal. Note: if the head is not 0 degrees when in this mode, refer to the Head Level setting on next page.



90 Degree button: This button allows the head to automatically seek 90 degrees - vertical.



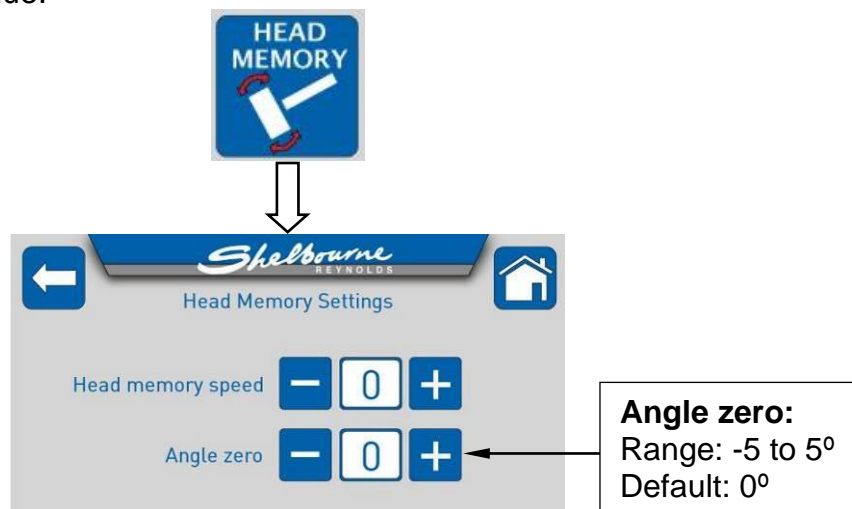
Preset button: This button allows the head to automatically seek a preset angle set by the operator. The preset angle can be increased or decreased by pressing the plus or minus buttons. An indication of the preset angle in degrees is displayed in red within the preset button.



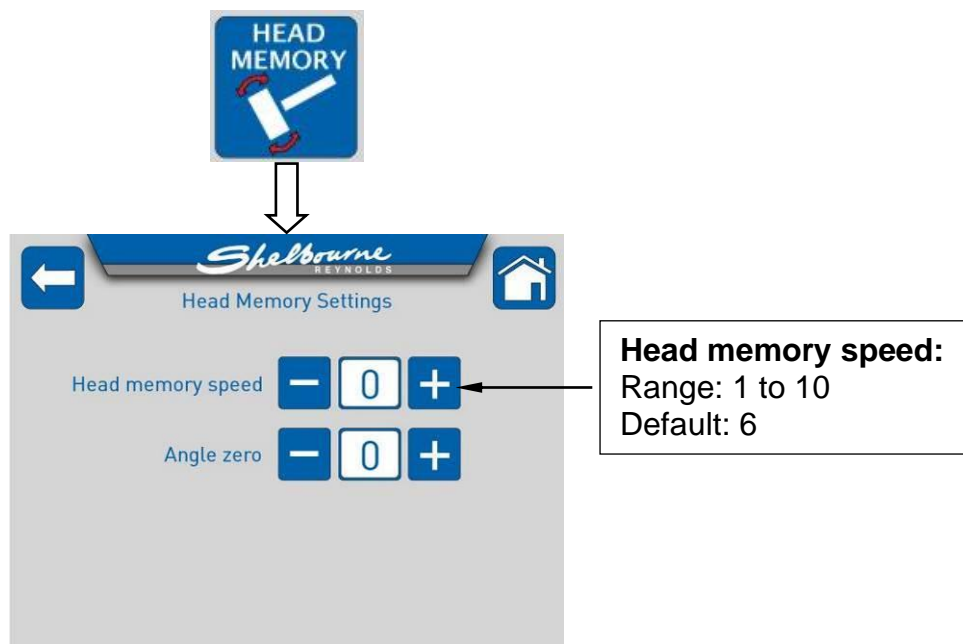
Variable button: When pressed, this allows the head leveling angle to be adjusted by operating the head angle thumb rocker or roller on the joystick. Once the desired angle is reached through manual control, remove thumb away. The head will stay at this angle relative to the ground.



Head Level Settings: If it is found that the head is not level when the head memory 0 degrees button is pressed, the user can change the zero reference point of the head. This is done by engaging the 0 degrees head memory button, then whilst activated adjust the level by using the 'Angle Zero' plus or minus buttons. There is an allowable offset of plus or minus 5 degrees. When changing the Angle Zero setting, it is advised to change the value each time by 1 degree and wait for the head to settle in a position before changing the value.



Head Memory Speed: This allows the operator to adjust the speed of the head memory depending on the working forward speed. One will be slower speed and Ten will be a faster speed.



Hydraulic roller option: Hydraulic roller uses the tractors double acting spool lever to move the roller up or down (see tractor manual for spool operation). This allows the operator to adjust the roller position without leaving the tractor cab. The roller can be positioned in any position within the stroke of the cylinder. However, see section 7.6 and 7.7 for best position depending on the task being undertaken.

Hydraulic front nose option: Hydraulic front nose (HC head only) uses the tractors double acting spool lever to move the nose open or shut (see tractor manual for spool operation). This allows the operator to adjust the nose position without leaving the tractor cab. The nose can be positioned in any position within the stroke of the cylinder, see section 7.6 and 7.8.

Narrow Lane Bracket (NLB) option: Hydraulic NLB uses the tractors double acting spool lever to move the NLB open or shut (see tractor manual for spool operation). This allows the operator to adjust the NLB position without leaving the tractor cab. The NLB can be positioned in any position within the stroke of the cylinder, see section 7.18.



SECTION 7: OPERATION



Refer to section 2 for safety procedures.

7.1 MOVING FROM TRANSPORT TO WORK POSITION



See section 2.7 for accident prevention when operating.

- For 4 point mounting machines lower the tractor 3 point linkage so that the weight of the machine is carried by the stabiliser system. For axle mounted machines this is not required.
- Ensure the slew locking device has been removed, placed into its storage position and taps on the lift cylinder moved from there transport to their work position.

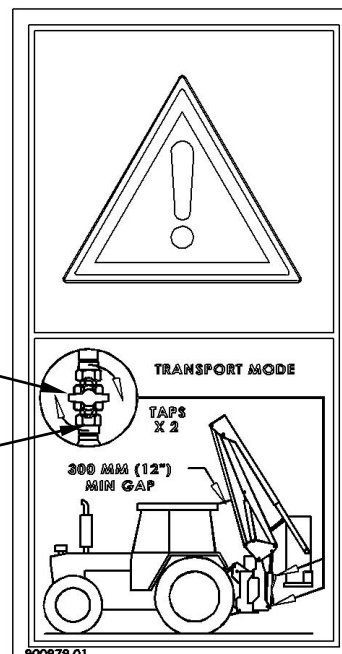


Slew locking device locking the slew cylinder during 'transport'

Slew locking device in its storage position during 'work'

Tap handle across the hydraulic hose for transport

Tap handle in line with hydraulic hose for work position



- Power up the controls, twist and let the emergency stop rise to allow the screen to power up. Engage the PTO.
- Lower the lift cylinder until the rocker is clear from the bump stop. Extend the reach cylinder so that when the slew cylinder is extended the trimmer head misses the tractor wheel / cab. The slew cylinder will rotate the arms to the work position.



- Use the lift, reach and head angling cylinders to bring the head to a position near to the tractor, parallel to, and close to the ground.



7.2 STARTING THE ROTOR



See section 2.7 for accident prevention when operating.

With the tractor engine revs low, the PTO running, and the head positioned as before. Check that all observers are clear of the hedge / verge trimmer and tractor. Warn bystanders by sounding the horn of the tractor several times. Ensure your visibility is always kept clear. Engage the cutting head rotor drive button. Once rotor is running slowly raise the engine revs to the correct speed. Ensure not to exceed the maximum PTO speed.

7.3 STOPPING THE ROTOR



See section 2.7 for accident prevention when operating.

The rotor can be disengaged with the PTO running at working revs, because of the design of the motor control valves. However, it is good practice to reduce the engine speed first.

7.4 TRANSPORTING WITH THE TRACTOR



See section 2.11 for accident prevention when taking on public roads

1. With the rotor stopped as above, bring the head to a horizontal position approx. 1m (3') from the wheel and 1m from the ground. If applicable close the telescopic cylinder or straighten the VFR cylinder.

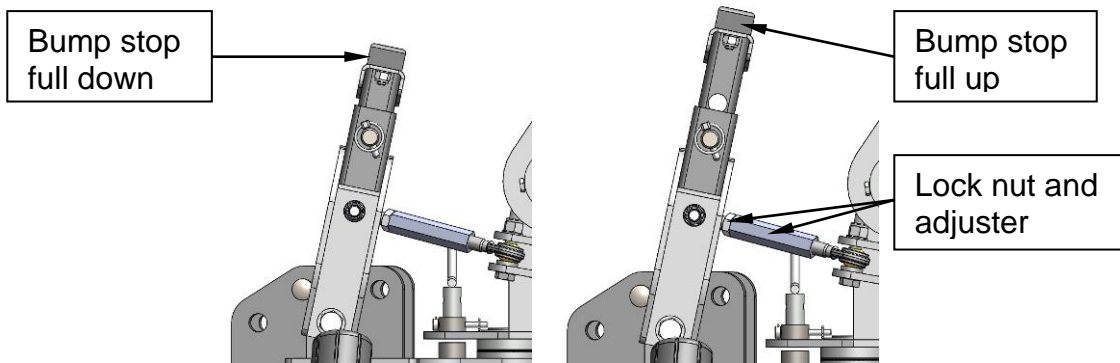


2. Use the slew cylinder to rotate the arms fully back, and then position the cutting head with the flail facing the operator and the top of the cutting head backwards towards the following traffic.

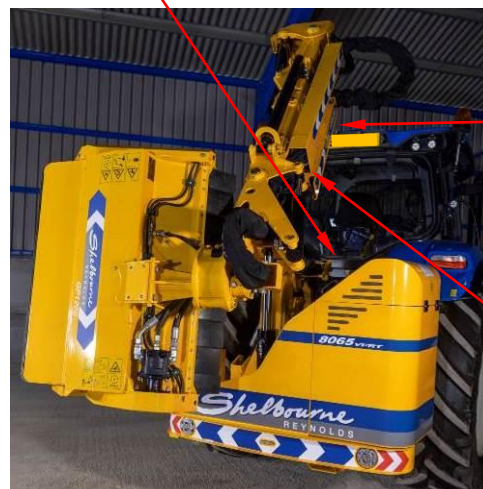
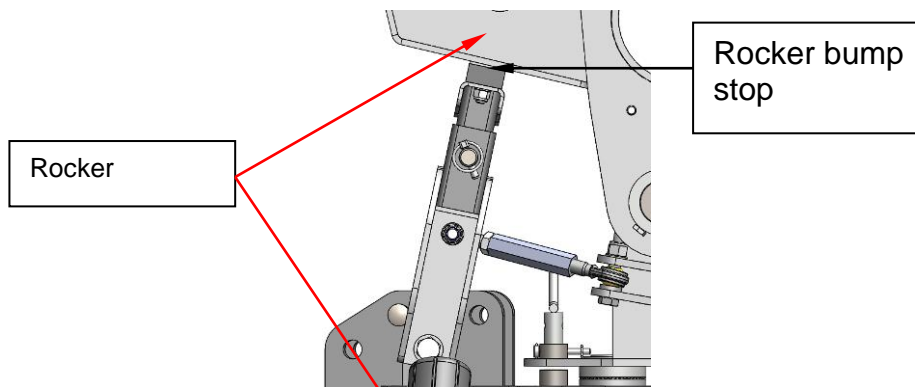


3. The reach cylinder can now be fully closed bringing the outer booms onto the bump stop on the inner boom.

- The pad above the top link, the rocker bump stop should be adjusted to suit your tractor so that there is at least a 300mm gap between the booms and the rear of the tractor cab, otherwise the boom members will be subjected to considerable stress should the head / outer boom bounce. Even then the transportation speed must be reduced on uneven surfaces. Adjust the bump stop adjustable linkage length to achieve bump stop to rocker to be perpendicular / square.



- Taking care that the booms do not foul the cab top, extend the lift cylinder to bring the rocker to rest gently onto the bump stop. Disengage the PTO.



Minimum 300mm Gap between the trimmer booms and tractor cab

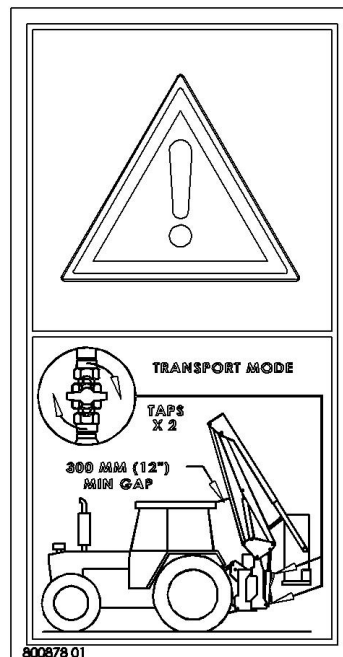
Inner to outer boom bump stop

6. On 4 point mounted machines we recommend that the linkage is carefully raised by a small amount for transportation – so that the weight of the machine is carried on the lower link arms of the tractor rather than its top link anchor point. As the linkage is raised you will find that the nose plate can rotate by a small amount within the stabiliser frame. Once there is a small gap between the top of the stabiliser frame and the recess in the nose plate the weight is being carried on the link arms.

Care must be taken that the positioning of this machine relative to the tractor does not cause the dimensions of the combination (maximum width 2.55mt) to make it ineligible to travel on the public highway at speed of 40km/h (25mph).

The booms should be arranged so that the head is as close as is practical to the rear of the tractor (while leaving a safe distance from boom arms to cab top).

7. The lift cylinder taps must be turned off during transit.



8. Even though the slew cylinder has PO check valves which locks the cylinder hydraulically a mechanical slew locking device should put in place during all transportation on the public highways.



Slew locking device locking the slew cylinder during 'transport'

9. Disengage the PTO and turn the control box power off.

8000 trimmers come with road lights as standard so these should be connected when on the highway.

Ensure the cutting head is not obscuring lights visibility.

7.5 WORKING ON THE HIGHWAY



See section 2.11 for accident prevention when taking on public roads

When intending to operate on the highway consult the local Highways Department regarding notifications and approval, as rules and regulations will vary from area to area and with the class of highway. It is likely that, at least, warning signs will need to be placed at both ends of the work area. A flashing beacon and dipped headlights will assist in drawing the attention of other road users to the tractor and machine. The machine is standardly fitted with a strobe light so this should also be on when working on a highway.

7.6 FLAIL HEAD ADJUSTMENTS



See section 2.10 for accident prevention when servicing / adjusting the machine.

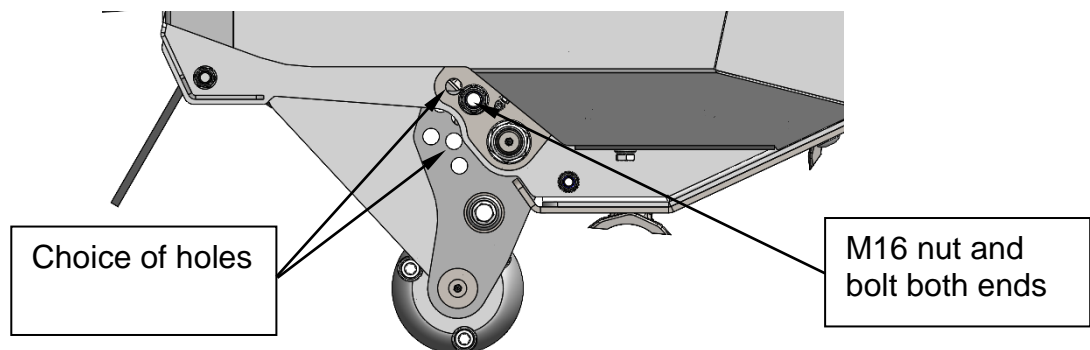


Always lower the cutting head into the work gently.

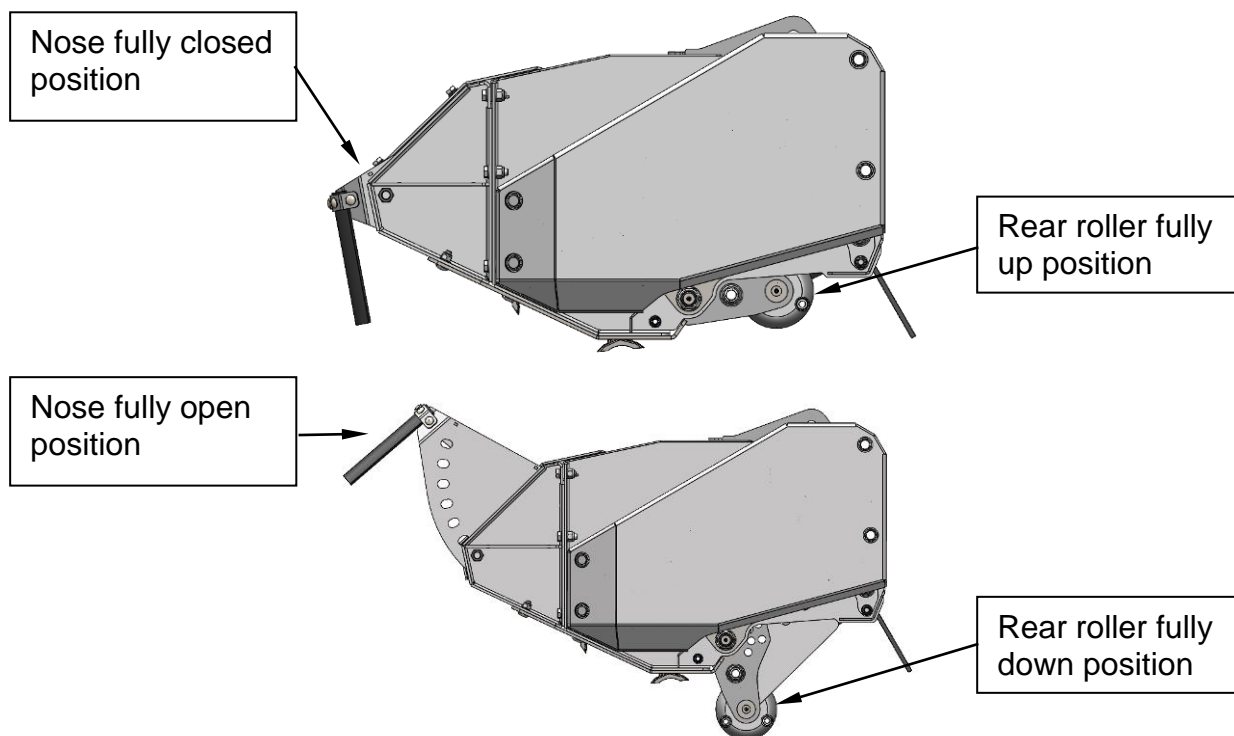
The rear roller can be placed in one of 6 height settings. For hedge work the roller should be raised so that it is 25mm (1") above the cut height. Obviously, this is totally unsuitable for verge work; for which the remaining positions are provided. These will leave the vegetation at a height of 20, 40, 60, 80 or 100mm. To adjust, position the head on its side in contact with the ground, perform a 'SAFE STOP' procedure then loosen and remove the M16 nuts and bolts. The adjustable brackets and roller can then be swung to the desired position by selecting cut height from the series of holes in the adjustable bracket or the head shell. The bolts and nuts can be replaced and tightened.



Never remove the rear roller completely. It helps to control the flow of cut material out of the head.



The nose is adjustable into one of seven positions using a series of holes within the nose assembly. To reduce the danger of debris being thrown out of the front of the head the nose **MUST** be set in its lowest position for verge work, and as low as is practical for hedge cutting.



Never remove the nose completely. Always ensure the front and rear curtains are in good condition.

The rotor control can be engaged to up cut or down cut. Downwards cutting puts greater strain and shocks on the rotor and drive components and leaves a ragged finish. If intending to downward cut, ensure that the flails fitted are suitable for this task, i.e., bi directional.



Never reverse the direction of cut while the rotor is still turning, wait for it to stop.

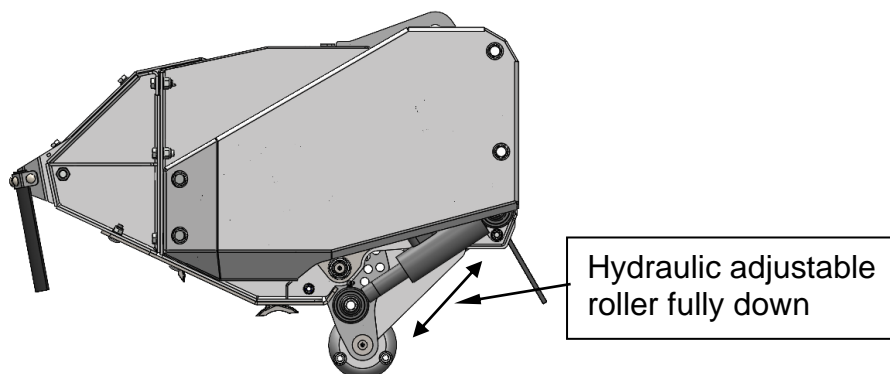
7.7 HYDRAULIC ADJUSTABLE ROLLER




See section 2.7 for accident prevention when operating.


Hydraulic adjustable roller is an optional extra on all models. Two hydraulic cylinders are mounted on the head shell and can infinitely vary the position of the roller throughout the range possible for the standard bolted version. The cylinders need to be actuated by a double-acting hydraulic spool service from the tractor.

The two cylinders are hydraulically linked and work together as a pair. Should these cylinders become out of phase with each other it's possible for them to be synchronised by operating the roller to the fully down position, then continue to operate the spool powering down for a few seconds allowing the cylinders to synchronise and oil to pass through both the cylinders. Once in phase move the roller to the required working position or repeat the process as required.

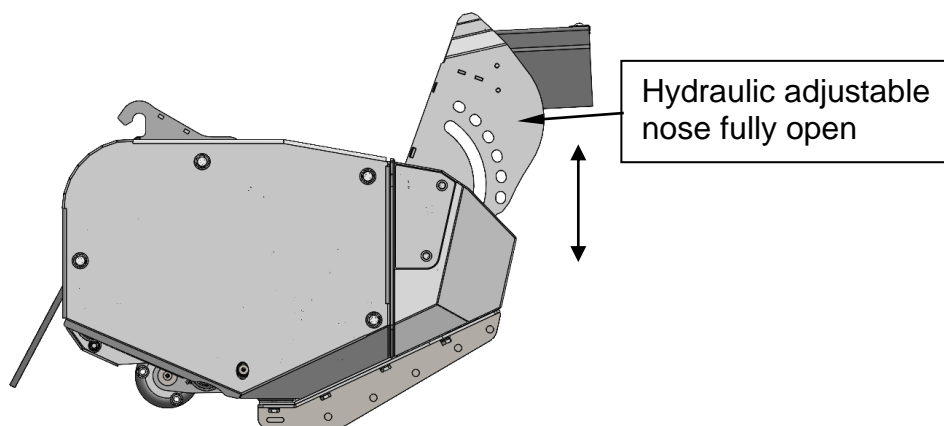


 Ensure that both hoses are correctly connected to the tractor spool before adjusting the roller. High oil pressures can be generated if actuated with one hose disconnected.

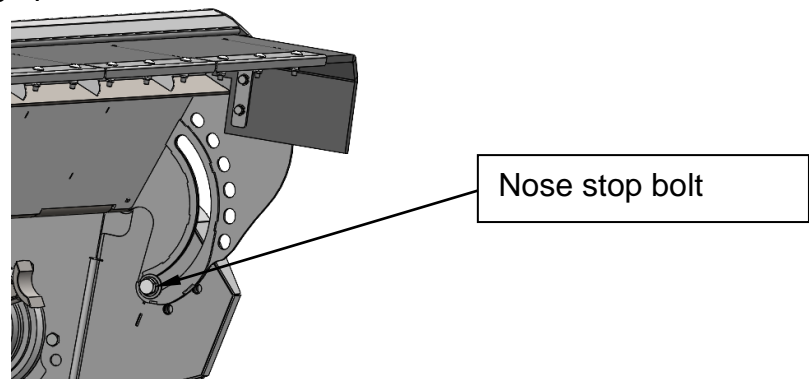
7.8 HYDRAULIC ADJUSTABLE NOSE (HC HEAD ONLY)



 See section 2.7 for accident prevention when operating.

Hydraulic adjustable nose is an optional extra on HC heads. Two hydraulic cylinders are mounted at either end of the head shell and can vary the position of the nose throughout the range. The movement amount possible is greater than what can be achieved by the bolted version allowing a wider opening. The cylinders need to be actuated by a double-acting hydraulic spool service from the tractor.





The hydraulic nose includes a mechanical stop bolt which must remain fitted at all times. This mechanical stop helps to protect the cylinders, nose, side pods and nose hinge from being forced during operation.




-  Ensure that both hoses are correctly connected to the tractor spool before adjusting the nose. High oil pressures can be generated if actuated with one hose disconnected.
-  Ensure not to force the nose against stationary objects, such as tree trunks, gate and telegraph poles, at speed as this may result in excessive damage occurring to the flail head shell assembly.


7.9 WIRE CUTTER

-  See section 2.7 for accident prevention when operating.
-  See section 2.8 for accident prevention when removing a foreign object / blockage.

The wire cutter is an important safety feature. It is located on the underside of the adjustable part of the nose. Its function is to, as far as possible cut longer lengths of wire into shorter, safe lengths. However, the dangers that wire presents means that the operator must ensure that there is no wire in the area to be cut and that there is no wire wrapped around the rotor. Follow later section removing foreign objects or blockage from the machine if needing to remove wire from the cutting head.

-  Never interfere with or modify the wire cutter.

7.10 VERGE CUTTING

-  See section 2.7 for accident prevention when operating.

All 8000 trimmer models have head float and lift float as standard.

Head float can be engaged or disengaged on the control screen. It works using the centrally placed head which can then roll naturally with the ground contours, easing the operator's task. The operator can override this manually by operating the joystick head angle service.

Lift float can be engaged or disengaged on the control screen. Lift float facility is, operated by manually charging an accumulator. This reduces the load on the roller; thereby lowering the breakback forces and saves the operator from having to constantly alter the cutting height. The operator will be required to operate the lift cylinder up or down to always ensure the cutting head rear roller is in contact with ground.



Never attempt to cut hedges with the Arm float engaged.
Never leave the Arm float engaged when folding for transport.

As the head is brought inwards the pressure in the lift cylinder needed to support it is reduced. If the lift float is left engaged the excess pressure can cause it to lift too much and / or unexpectedly.

Going too fast along the ground will tend to leave a ragged finish.



For machines fitted with hydraulic roller it's recommended to bolt the roller in a position to achieve the desired cut length. This should be undertaken when verge mowing for prolonged periods of time, as it will increase the life span of the wearing components within the roller mechanism.



For machines fitted with hydraulic nose, it must be bolted in a fully down position to reduce flying debris when verge mowing. This will also serve to increase the life span of the wearing components within the nose linkage.

7.11 HEDGE SHAPE AND CUTTING SEQUENCE



See section 2.7 for accident prevention when operating.

The shape of the hedge is likely to be influenced by regional practices and what is required of the hedge. An 'A' shape is usually recommended as the wide base encourages wildlife and favours new growth. It is considered that, though neatest, a rectangular hedge favours top growth, which can cause the base to die back. Heavy falls of snow can then damage it. Where heavy snow is likely a sloping top is often used; the extra light reaching the base keeps the base strong and helps to throw off deep accumulations of snow.

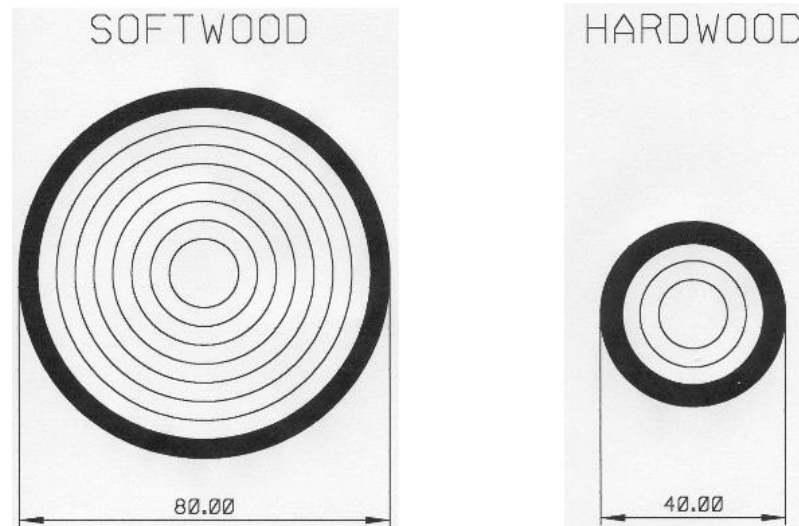
If the hedge bounds a road, it is suggested that the siding cuts on the non-road side are completed first, followed by the bottom on that side. The advantage here is that the hedge will be as thick as possible to resist debris flying through it onto the road. The side(s), top and then the bottom can then be cut from the roadside.



Never cut the other side of the hedge with the rotor facing towards you. Debris would have a direct path to you, and you are more likely to hit dangerous objects, as you cannot see them.

7.12 CUTTING THICKNESS

The below is a guide to maximum sizes.



7.13 REMOVING FOREIGN OBJECTS OR BLOCKAGE FROM THE MACHINE

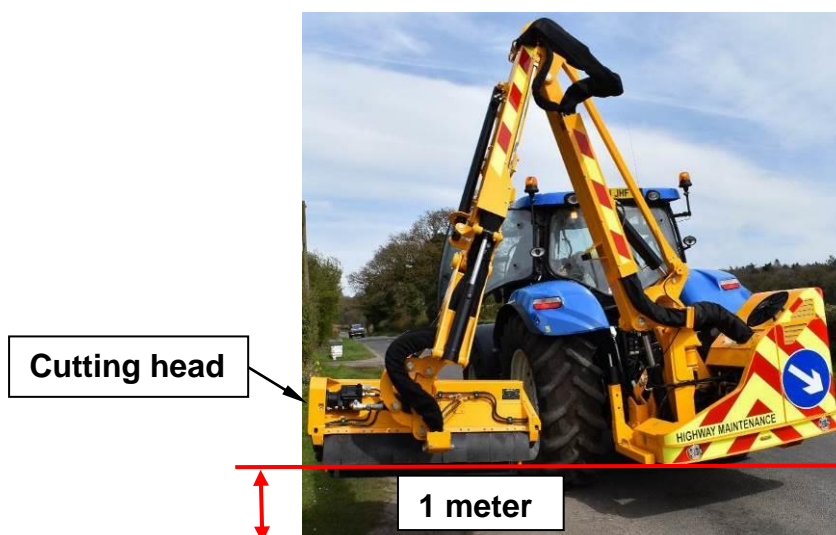


Refer to section 2.8 – Accident prevention when removing a foreign object or blockage.

If during operation, a knocking sound is heard or the cutting head stalled then there will be a foreign object such as a large stone, tyre, wire, etc or a build-up of material within the cutting head area. Stop the cutting head immediately using the rotor stop button along with tractor movement.

If possible, lift the cutting head away from the material being cut. Adjust the angle at the cutting head so that the obstruction is visible to the operator. Upon seeing the obstruction, the operator can now assess if it can be removed by reversing the rotor or if it needs to be removed manually.

Before reversing the cutting head rotor re-position, the cutting head horizontally in mid-air within 1 meter of ground level. Then reverse the rotor for approximately 10 seconds. After reversing check to see if the obstruction has been removed.



If the obstruction has still not been removed, it'll need removing manually. Ensure that the cutting head is lowered to the ground or supported in such a way that hydraulic or mechanical failure cannot injure any personnel. Position the Cutting head vertically upright so the rotor can be accessed. Perform a 'SAFE STOP' procedure before proceeding to leave the tractor cab. Using appropriate PPE and the safest method possible remove the obstruction until the rotor is free to turn. Adjusting the cutting head nose or roller to gain access may also help with clearing the cutting head.



Cutting head vertically upright but in contact with the ground

7.14 REACH AND WORKING ON SLOPES



See section 2.7 for accident prevention when operating.

The considerable reach of any hedge / verge trimmer combines with the weight of the head to produce a large overturning effect on the tractor. The operator should remain aware of the danger this can present, particularly on slopes; where the tractor may already not be as stable as it would on a flat surface.

When moving between bouts of cutting always retract the booms. High shock loads can be generated when moving at speed with the booms outstretched and these could initiate fatigue cracking in the booms. If cracks begin, they will lengthen even under light loads.

7.15 BREAKBACK



See section 2.7 for accident prevention when operating.

The booms are protected when travelling in a forward direction by a relief valve mounted on the slew cylinder. The booms **are not** protected in event of a high-speed collision, or when travelling backwards.



Do not attempt to use the machine when travelling backwards.



Neither the booms, or the obstacle, will be protected in a high-speed collision.

When the breakback operates, stop the tractor's forward movement immediately and reposition the head by lifting over any obstacle before resetting the breakback position. The slew cylinder is also equipped with check valves to ensure that the arms are held securely in the transport position. Do not remove the relief cartridge, or reduce its setting, as this would allow oil to bypass the checks. Never adjust or remove valves from the slew cylinder. Consult with your dealer or Shelbourne Reynolds if you suspect some function is not working correctly. Adjusting without being authorised to do so by Shelbourne Reynolds will invalidate warranty as the machine components may see excessive forces which may result in component failure.

On 8000 trimmer controls an auto-return function is fitted as standard. With auto-return switched on the machine senses if the booms have broken back and if so, automatically operates the slew forward and returns them to the working position. This function must be switched off for transportation.

7.16 TELESCOPIC ARM



See section 2.7 for accident prevention when operating.

Telescopic outer arms are an option on 8000 trimmers. These give an extra 1.2m (8060T), 1.5m (8070T) or 1.83m (8080T) of horizontal reach, which can be useful for high hedges, deep or wide ditches and banks, while keeping a compact arrangement for close work when closed-in, and transportation.



7.17 VARIABLE FORWARD REACH TELESCOPIC (VFRT)



See section 2.7 for accident prevention when operating.

VFRT booms are an option on 8000 trimmers which is made up of two services combined. Variable forward reach (VFR) and Telescopic (T). This boom configuration allows the operator to bring the cutting head alongside the tractor. The head can be positioned forwards (1.38m (8065 VFRT) and 1.6m (8075 VFRT)) or backwards (0.89m (8065 VFRT) and 1.03 (8075 VFRT)) for improved operator visibility and comfort. Telescopic can also be used to increase forward, backwards and horizontal reach by 0.9m (8065 VFRT) and 1.2m (8075 VFRT).



The variable forward reach (VFR) service is controlled by two cylinders which are hydraulically linked and work together as a pair. Should these cylinders become out of phase with each other it's possible for them to be synchronised by operating them to the fully backwards position. Then continue powering the VFR backwards for a few seconds allowing the cylinders to synchronise and oil to pass through both the cylinders. Once in phase move the VFR booms to the required working position or repeat the process as required.

7.18 NARROW LANE BRACKET



See section 2.7 for accident prevention when operating.

Narrow lane bracket (NLB) is an option on all models. This feature allows the head to rotate up 53 degrees using the tractor spool valve (see section 6.5). Using the narrow lane bracket enables the operator to tuck the trimmer booms and head behind the tractor wheel when cutting the side of a hedge when working within narrow lanes. It's not recommended that the narrow bracket is used when cutting the top of a hedge or verge as this may expose the cutting flail and therefore increase the risk of debris or objects being ejected.



Beware of showering debris over tractor cab.

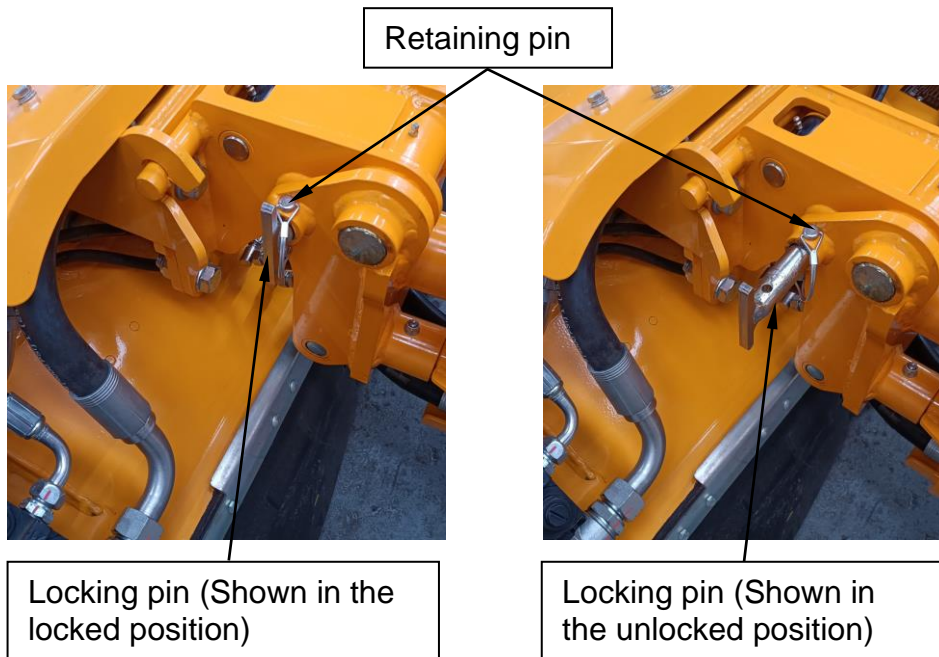


Narrow lane bracket in its fully closed position



Narrow lane bracket in its fully extended position rotated 53 degrees

When the narrow lane bracket is not being used it should be locked in its fully closed position by inserting the locking pin and retaining with the pin into the hole nearest the pin handle. To unlock the narrow lane bracket withdraw the locking pin, then fit the retaining pin in the locking pins second hole.



7.19 DEBRIS BLOWER KIT



See section 2.7 for accident prevention when operating.

A debris blower kit can optionally be fitted at the rear of the hedge / verge trimmer. The blower is powered from a tractor hydraulic spool valve.

The return oil must go directly through a free flow connection i.e., filler plug. Do not use a quick release coupling, through a spool valve on the return line.



To ensure the fan is running smooth turn the tractor spools flow down to between 30 – 40 l/min or if the fan blower is hunting turn the tractor spool flow down until it runs smooth. Excessive tractor flow may cause heat build-up for both the tractor and the debris blower.

Check the fan speed is running at 3100rpm optimum (3500rpm Maximum).



Ensure that both hoses are correctly connected before operating the blower.

The debris blower is suitable for clearing cuttings from the public highway or when on hard standing areas. The exit shoot can be angled for best affect. It's recommended that the blower is used only on the final pass and is not used continuously. Continuous use may cause overheating and dramatically shorten the life of the hydraulic components.

To operate use the tractor spool controls (see tractor operator manual).



7.20 OVERHEAD POWER LINES (OHPLs)



See section 2.7 for accident prevention when operating.

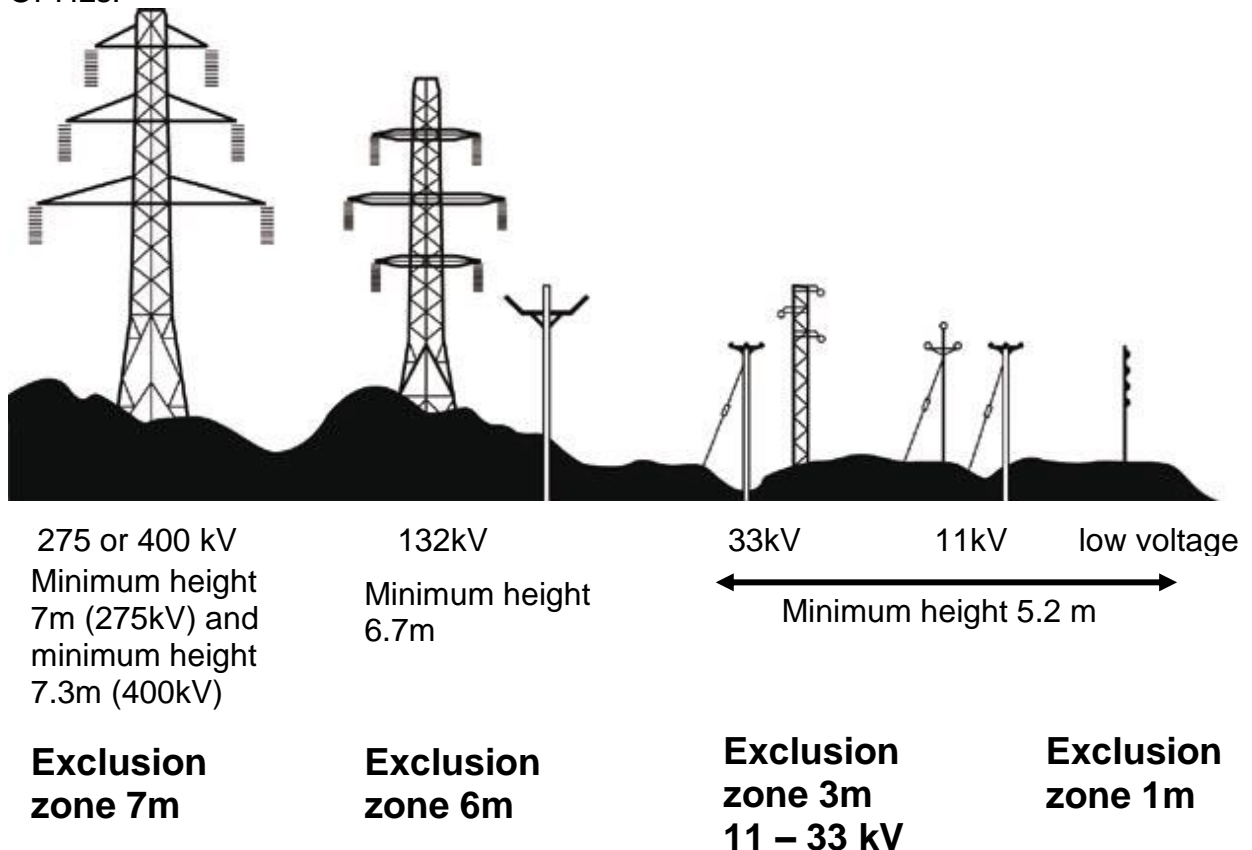
The operator should always take care to minimise the height of the machine in its transport position. The operator should also be aware of any obstructions overhead, such as power line, telephone lines or bridges. Before starting out on a journey it's recommended that the operator measures the highest point of the tractor and trimmer combination (this may be different depending on tractor make, model or trimmer model and can even change depending the position the trimmer is being carried on the tractor 3 point linkage).

When working near OHPLs and outlines there is high risk of electric shock. There is also high risk of flashover or arc (electricity can jump across gaps) even if you do not contact the wires but are just working close to them (the higher the voltage the larger the gap which electric can jump). Anyone contacting the machine or equipment in these circumstances risks a serious or fatal electric shock.

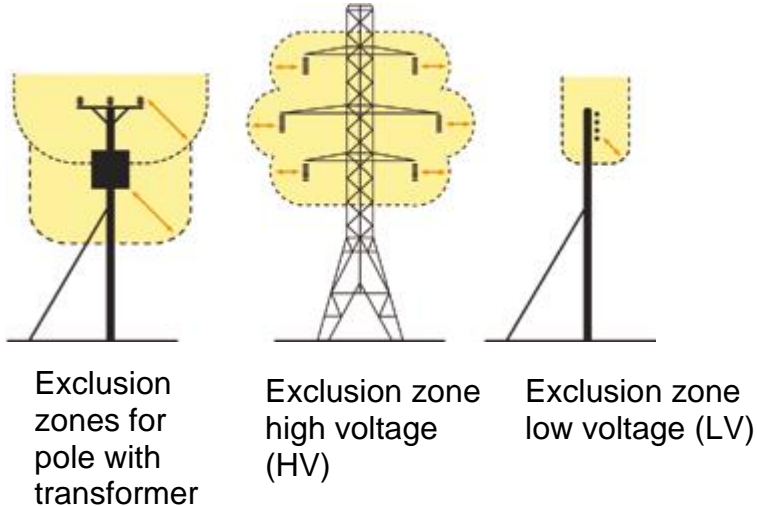
OHPLs typically carry electricity at voltages from 11kV to 400kV. These wires are typically not insulated (bare) cables. The height of these lines varies depending on the voltage being carried. Lowest height OHPLs are those carrying 11kV to 33kV at a minimum height of 5.2 meters above ground.

8000 trimmers are capable of reaching higher than 8 meters which means there is high risk of the machine being able to contact the wires.

See below the minimum heights above ground level and the exclusion zones for OPHLs.



Exclusion zones are shown in shaded area below.



Never allow any part of the machine to enter the exclusion zone.

Operation of any part of the hedge / verge trimmer or tractor within 10 meters horizontally of an OHPL is not recommended. However, if you cannot avoid doing so and the lines cannot be made dead the operator should perform a risk assessment and agree a safe system of work while ensuring to keep clear of all exclusion zones.

- Understand when working near OHPLs there is high risk of electric shock and also high risk of flashover or arc.
- Contact the local Distribution Network Operator (DNO) who can advise on line heights, minimum vertical clearances distances and precautions to take.
- Find out the maximum height and maximum vertical reach of your machine (see section 3) before working near power lines.
- Find out the routes of all OHPLs within your working area.
- If in doubt DO NOT work near overhead power lines.

If you come into contact with an OHPL

- Stay in the cab of the machine and lower any raised parts in contact with the line or try to drive the machine clear, if you can.
- Inform the DNO immediately (display the telephone number in the cab or keep it on your mobile phone).
- Electrocutation is possible if anyone touches both the machine and the ground at the same time. If you need to get out jump well clear so that no simultaneous contact is made between you, the vehicle and the ground. Do not touch any wires. Stay clear and warn others not to approach.
- Get the DNO to disconnect the supply. Even if the line appears dead, do not touch it, or any part of the machine. Contact with the line may cause the power supply to trip out temporarily and it may be reconnected and re-energised automatically, without warning.
- Never touch an overhead line that has been brought down by machinery, or has fallen, e.g., in a storm. Do not try to disentangle equipment, until you have received confirmation that the line has been de-energised and made safe.

See 'Health & Safety Executive' website for the following website address showing more information relating to overhead power lines

<http://www.hse.gov.uk/electricity/information/overhead.htm>.

SECTION 8:

MAINTENANCE AND STORAGE




Refer to section 2 for safety procedures.

8.1 MAINTENANCE SCHEDULE



Refer to section 2.10 for accident prevention when servicing / adjusting the machine.

Please see below table showing the overall 8000 trimmer maintenance schedule.

	DAY	WEEK	6 MONTH	YEAR
	10 hr	50 hr	500 hr	1000 hr
PRE SCREEN FILTER	X			
GREASE PIVOTS		X		
GREASE PTO JOINTS	X			
GREASE PTO TUBE		X		
GREASE ROTOR BEARING	X			
GREASE OUTRIGGER BEARINGS		X		
CHECK GEARBOX OIL LEVEL		X		
CHANGE GEARBOX OIL (OIL-0005)		O		O
CHECK INLINE FILTER		X		
CHANGE INLINE FILTER (FIL-0230A)		O	O	
CHECK TANK FILTER		X		
CHANGE TANK FILTER (FIL-0200A)		O	O	
CHECK FLAIL BOLT TORQUE (270 N/M)	X			
FLAIL VISUAL INSPECTION	X			
	CHECK	X	CHANGE	O

8.2 LUBRICATION



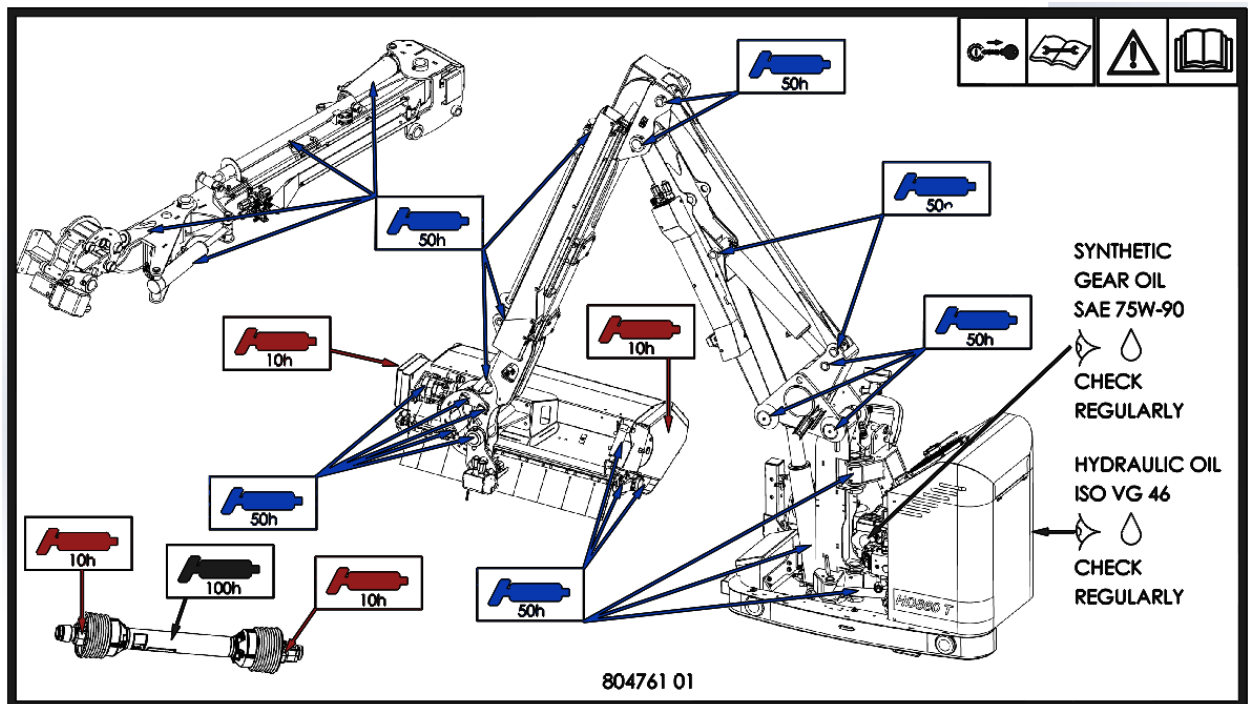
Refer to section 2.10 for accident prevention when servicing / adjusting the machine.

Both rotor bearings should be greased every 10 hours (daily). All other grease nipples at the various pivots of booms, cylinders and roller bearings should be greased every 50 hours (or weekly).

Brand of grease recommended: Total multis complex EP2 grease.

The telescopic wear pads can be lightly greased if desired. If upon extending and retracting the telescopic outer boom movement is not smooth lightly grease the wear pads. Note that the telescopic cylinder does not need regular greasing as it does not articulate.

The following transfer will be found on the top hood on the machine –



8.3 PTO SHAFT



Refer to section 2.5 for accident prevention when using the PTO shaft

Grease both universal joints every 10 hours (or daily). Every 100 hours (or every 2 weeks), separate the telescoping members and grease along the length of the inner shaft.



8.4 GEARBOX



Refer to section 2.10 for accident prevention when servicing / adjusting the machine.

The gearbox is prefilled with a Synthetic gear oil, grade SAE 75W-90.

Brands of oil recommended are – Total SYN FE 75W90, BP Energear SHX SAE 75W-90 or Mobilube SHC SAE 75W-90.

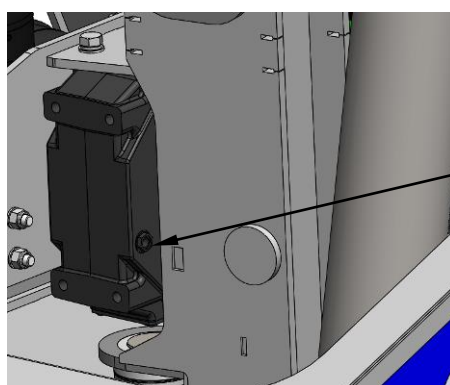
The gearbox capacity is 1.75 litres (standard power 540rpm PTO or high powered 800rpm PTO uses GEA-0183) or 2.4 litres (High power 540rpm PTO uses GEA-0187). Gearboxes should be drained and then refilled with new oil after the first 50 hours and then every 1000 hours, or yearly use.

Check gearbox oil level regularly, a sight glass is fitted on the side to facilitate this on GEA-0183 – Gearbox (small).



Sight glass for checking gearbox oil level

Check gearbox oil level regularly, a sight glass is fitted on the rear face to facilitate this on GEA-0187 – Gearbox (large).



Sight glass for checking gearbox oil level

8.5 CARE OF HYDRAULICS



See section 2.6 for accident prevention when using the hydraulic system.

Hydraulic component life can be radically shortened by contamination, overheating or cavitation.

To minimise contamination – Ensure that any oil, containers and funnels used to top up the system are scrupulously clean and that the filler area is cleaned thoroughly before removing the cap. Follow the stated change intervals for the return and pressure filter. When undertaking repair or servicing keep all components scrupulously clean. Ensure the filler cap and breather are intact and always kept in place (moisture is a contaminant as well as dirt).

To minimise overheating – Do not operate the machine above 540 or 800rpm PTO speed depending on machine specification. Avoid stalling the rotor, or operating the cylinders against their end limits, as in each case large amounts of heat will be generated across the relevant relief valve.

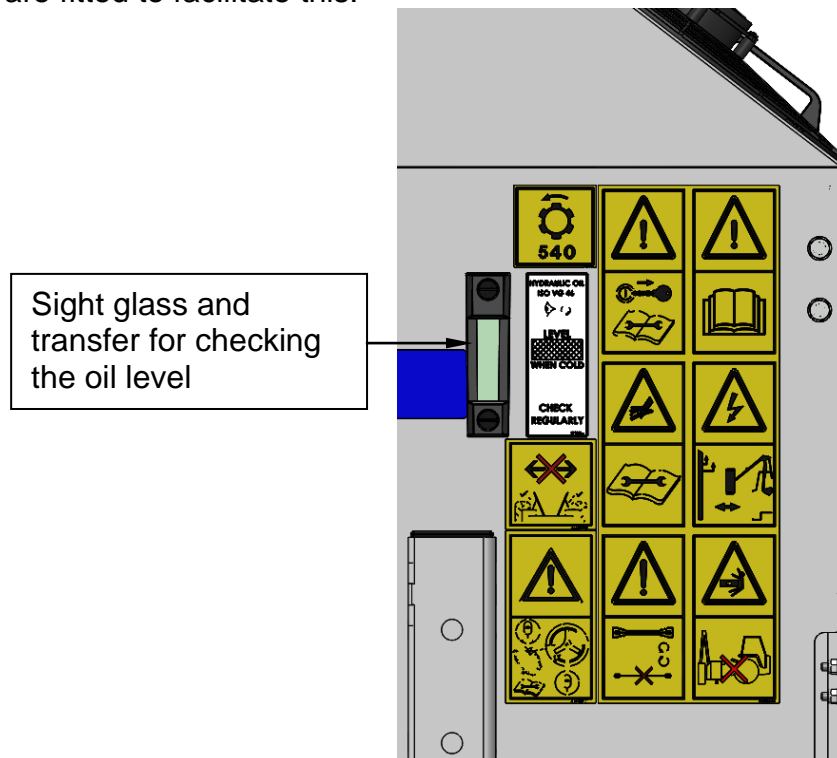
To minimise the risk of cavitation – Ensure the oil level is maintained. Limit the PTO speed when oil is cold. Ensure pump suction components are sound and tight, hose is not squashed or kinked. Make smooth and limited changes to PTO speed. Cavitation is usually accompanied by unusual noise: since cavitation can very rapidly ruin a pump it is suggested that the machine is stopped immediately if noises are heard.

8.6 HYDRAULIC OIL



Refer to section 2.6 for accident prevention when using the hydraulic system

The tank is standardly prefilled with 'Total Equivis 46' an ISO VG 46 mineral hydraulic oil. The oil tank holds 230 litres. Check the oil level regularly, a sight glass and transfer are fitted to facilitate this.



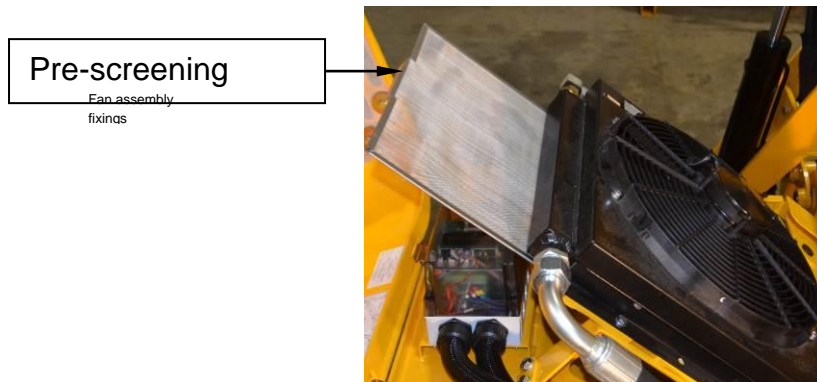
If a biodegradable oil is to be use, please contact Shelbourne Reynolds Ltd with the oil specification to check suitability.

No fixed interval at which the hydraulic oil should be renewed can be stated. This will depend on the way in which the oil is worked and how well it is looked after. It will eventually break down due to the effects of contamination, oxidisation and condensation. These are caused by dirt getting into the system, overheating and moisture ingress. Contamination can cause the oil to become discoloured; as will oxidisation, but in the latter case along with a burnt smell. Condensation will tend to give the oil a milky appearance.

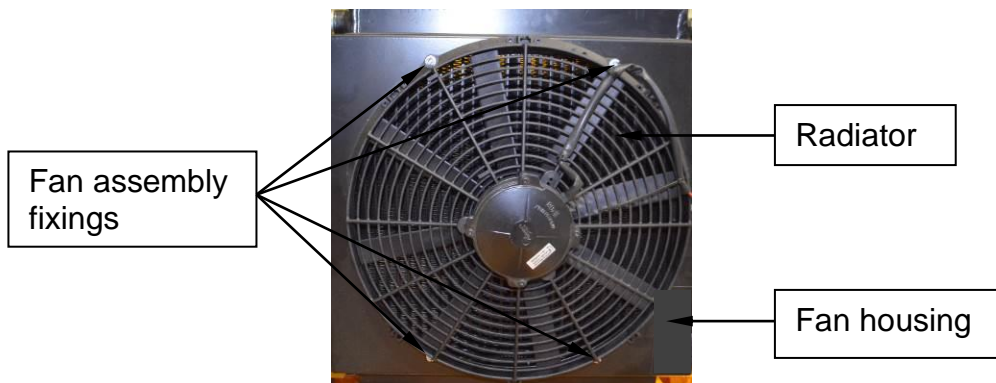
In order to get the best life from the oil: only add clean oil, from clean containers and with a clean funnel. Renew the return filter at the specified interval and clean the filler cap area before removal. Avoid pushing the machine beyond its capacity, as this generates large amounts of heat at the relief valves. Ensure that the filler cap and breather unit are intact and always kept in place. Every 500hrs or 6 months check the condition of the oil and change if required, ensure to also replace the inline pressure

filter and the return line filter at the same time as changing the oil. Then after 50 hrs replace the return line filter again.

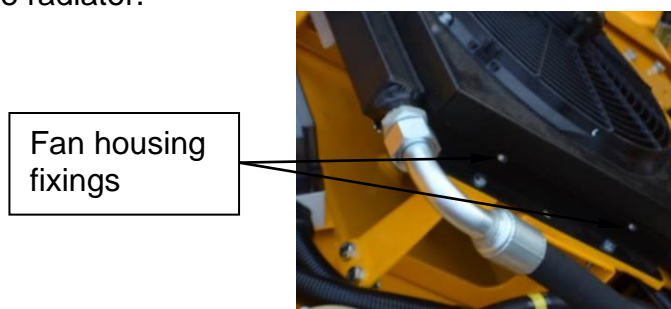
The machine is also fitted with an oil cooler located at the top of the hydraulic oil tank. Start up of the oil cooler fan will happen when the oil temperature rises above 50°C. The fan will be reversed after a period of continuous running for 30 seconds to prevent dust and debris building up. There is also a pre-screening filter for the cooler radiator which should be removed, tapped or brushed off every 8 hours.



The cooler radiator should be cleaned out regularly using high pressure air as it may become blocked from dust and debris. Clean by removing the fan assembly from the oil cooler housing via the four fixings.



Blow the radiator out using high pressure air until clear line of sight can be seen through the radiator in all areas. Ensure to reach full extremities of the radiator. Then refit the fan assembly using the fixings removed. If the full extremities cannot be reached, it's also possible to remove the oil cooler housing via four fixings on either side of the radiator.



8.7 FILTRATION

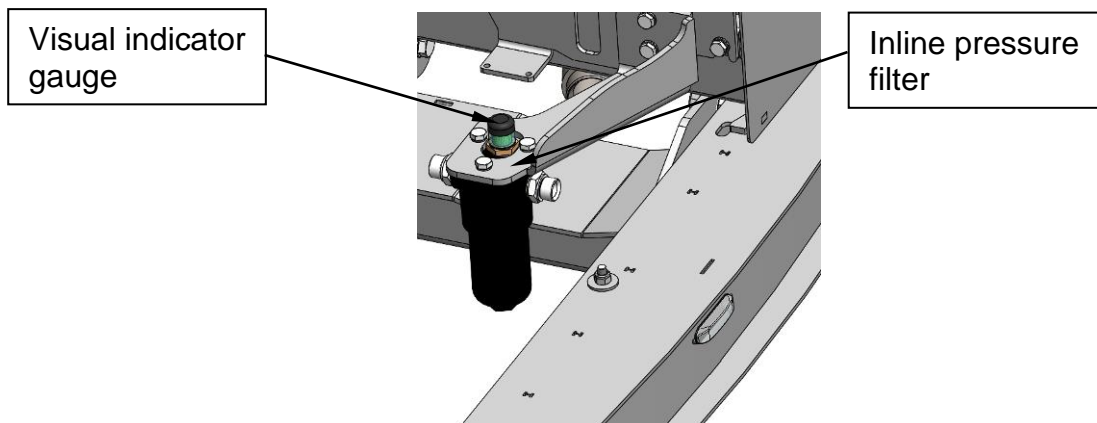


Refer to section 2.6 for accident prevention when using the hydraulic system

The machine is equipped with a suction strainer, situated in the bottom of the tank. When the oil is changed, or if the symptoms of cavitation are suspected (see Section 8.5 – 8.6) clean the suction strainer.

An inline pressure filter is fitted to the auxiliary cylinder circuit. The filter is located at the rear (directly behind the main cover) of the valve mounting plate. This must be changed after 50 hours and then subsequently after every 500 hours or 6 months.

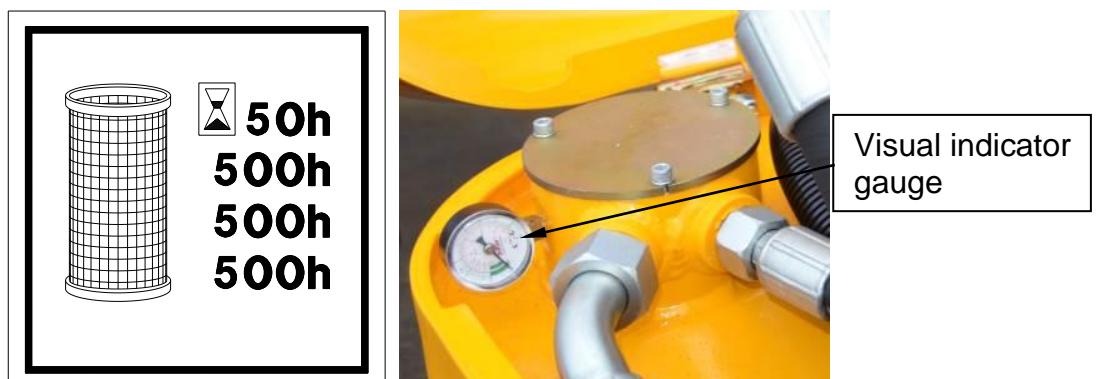
A visual indicator situated at the top of the inline pressure filter and should be showing a green band. If this is showing a red band the pressure filter element should be changed immediately.



A return filter is fitted to the machine, in a housing, which is part of the top of the hydraulic tank. This must be changed after the first 50 hours and then subsequently after every 500 hours or 6 months. Note that if the filter is allowed to become clogged then the oil will bypass the filter (to avoid the danger of the filter bursting) and could allow contaminants into the tank and hence into the system components.

A visual indicator situated at the side of the return filter housing should be showing in the green. If this is showing red the filter element should be changed immediately.

If another hydraulic component has failed, then the return filter should also be renewed forthwith.



8.8 HYDRAULIC HOSES AND ADAPTORS



Refer to section 2.6 for accident prevention when using the hydraulic system



During initial period of running of a new machine it's important to check more regularly all hydraulic connections to ensure there are no leaks. If a leak is found ensure the hose end nut or adaptor is tightened immediately to the required torque from the table.

Check the hose ends, adaptors, and other hydraulic connections regularly to ensure there are no leaks.

Check the hoses themselves regularly to ensure there is no damage to the sheathing; if this has exposed the steel braiding it should be replaced. If the braiding itself has become damaged then the hose should be replaced, as there is a danger it could burst.

When working on the hydraulics, care must be taken to ensure that any connections which are broken are remade in the same way; to ensure the safety of components and that the movements of the machine remain consistent and logical. Ensure that any replacement hose is of the same pressure rating as the hose it replaces. Always use two spanners when tightening hoses.

Recommended torque settings for hose nuts and adaptors:
Ensure not to over torque hydraulic fittings.

SIZE (BSP)	TORQUE SETTING			
	Hose nuts		Adaptors	
	Nm	lbf-ft	Nm	lbf-ft
1/4"	18	13	20	15
3/8"	31	23	35	26
1/2"	49	36	60	44
5/8"	60	44	70	52
3/4"	80	59	115	85
1"	125	92	140	103

8.9 ACCUMULATOR SAFE REMOVAL



Refer to section 2.6 for accident prevention when using the hydraulic system

The accumulator must be pressurised for the lift float to function correctly. If the tap has been moved to the de-pressurised position the head will constantly drop to the ground when the lift float is engaged.

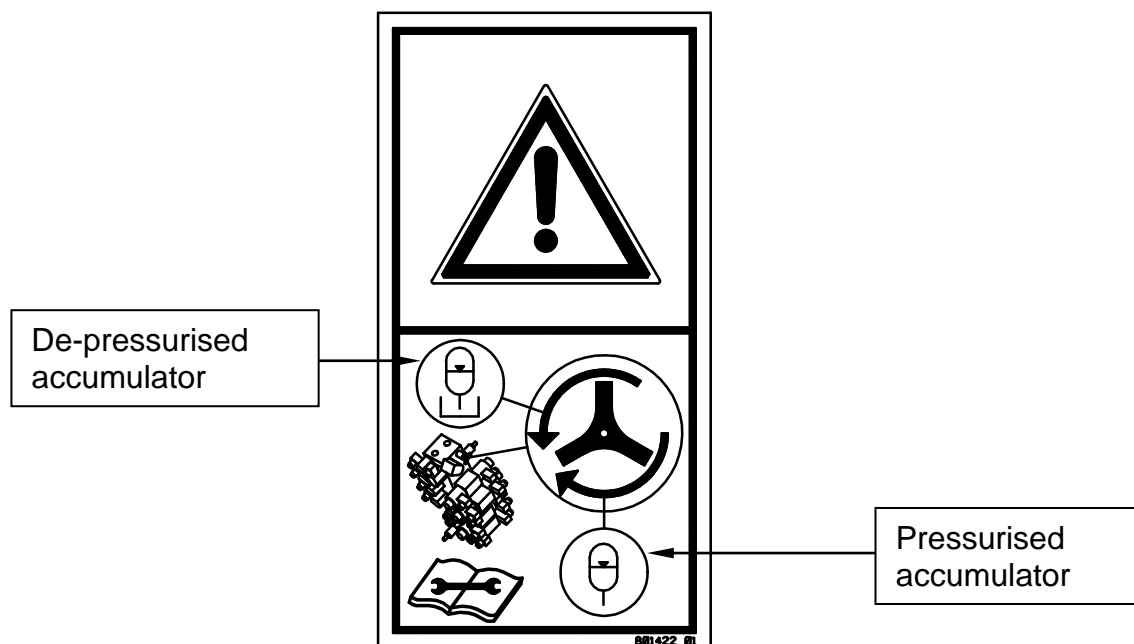


Ensure trimmer head is positioned on the ground before de-pressurising the accumulator.



Ensure to de-pressurise the accumulator for safe removal.

See below shows the accumulator tap position at the top of the main hydraulic valve block.



8.10 CARE OF THE ROTOR



See section 2.7 for accident prevention when operating.

Damage to the rotor can be costly to rectify. It undergoes a series of machining and balancing operations to ensure that it will run smoothly.



Never operate at a speed greater than 540 or 800 rpm at the PTO.

It is unwise to use the tractor's 1000rpm PTO setting at a reduced engine speed – because revving the engine would then over-rev the rotor by a considerable amount.



Always use the correct and genuine flails, bushes, bolts and nuts. Check them regularly and keep them tight

A missing flail will put the rotor considerably out of balance, to an extent, which will rapidly damage the rotor bearings and rapidly generate fatigue cracks in the head shell.

Shelbourne Reynolds cutting heads rotors use bolt on balance weight system. This means it's highly important that when replacing a flail or flail bolts, any balance weights or washers which are in place should be returned to their position. Failure to do this may result in the cutting head rotor becoming out of balance (see section 8.11).



If flail nuts, bolts, washers and balance weights have been removed without identifying of which position they've come from refer to the rotor balance chart.

8.11 FLAIL HEAD



Refer to section 2.10 for accident prevention when servicing/adjusting the machine

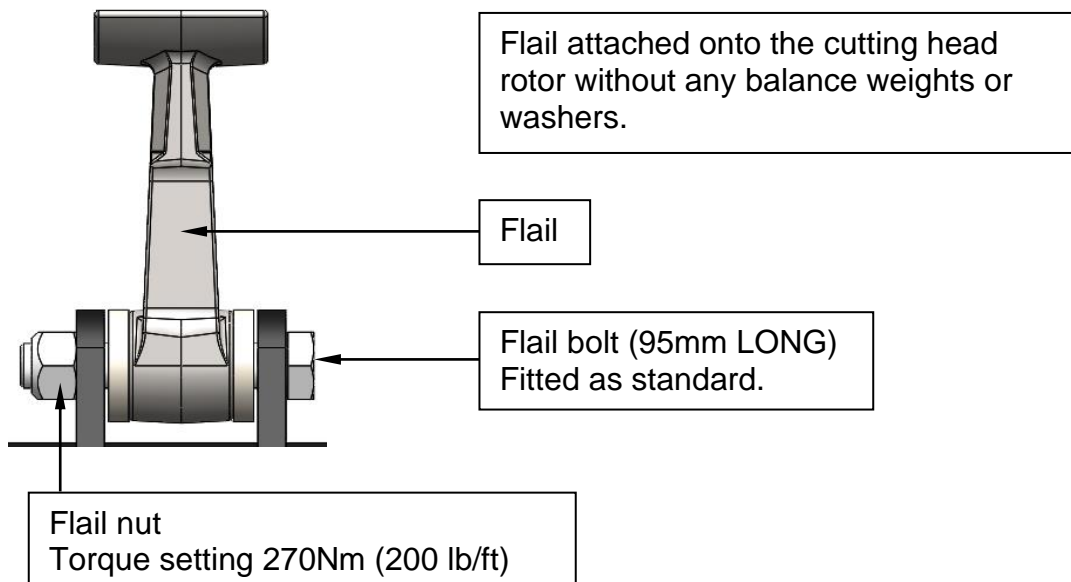
Check for loose, broken or missing flails every 4 hours. Also check the rotor, roller and other bolts on the head for tightness. Keep the flails reasonably sharp in order to give a neat finish and less power consumption.

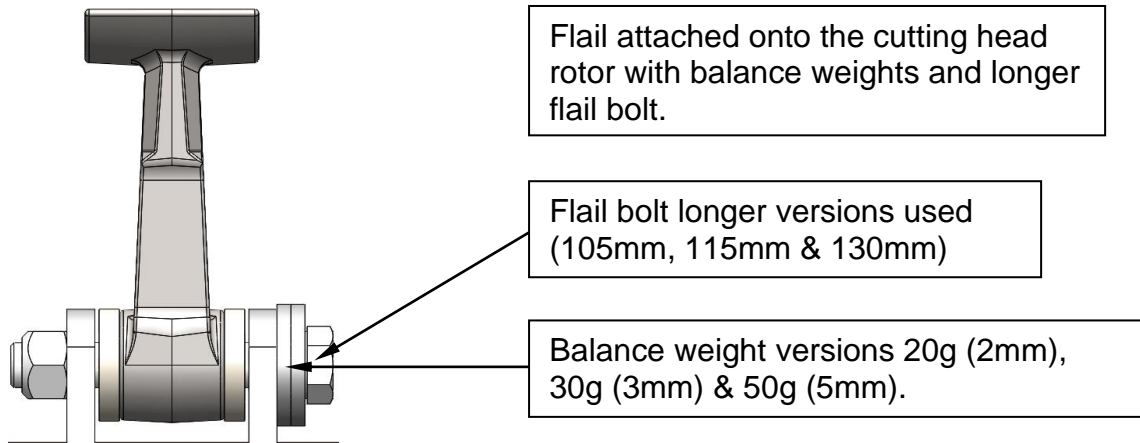


Always use the correct and genuine flails, bushes, bolts and nuts. Check them regularly and keep them tight. Torque setting 270 Nm (200 lb/ft)

A missing flail will put the rotor considerably out of balance, which will rapidly damage the rotor bearings and rapidly generate fatigue cracks in the head shell.

To balance the rotor for smooth running, suitable weights are attached as necessary at the factory to relevant flail stations, even using slightly longer bolts. If flails are to be removed ensure that the weights and bolts are returned to the same end of the same station and with the bolt and nut in the same relative positions. These weights should only be discarded if the rotor is re-balanced. Every machine has a rotor balance sheet supplied in its manual canister from new. If the balance sheet is missing contact Shelbourne Reynolds who hold a copy and will re-issue the balance sheet upon quoting the machine or head serial number.





Replace spacers, bolts and nuts exactly when replacing flails. The flails themselves should wear evenly and be replaced as a set. Should one flail be lost then the flail at 180°, one place along should be renewed at the same time to preserve the balance.

When ordering new bolts, you will need to identify how many bolts are of which length – ‘standard’ is 95mm long, with lengths of 105mm, 115mm and 130mm being used where balance weights are mounted.

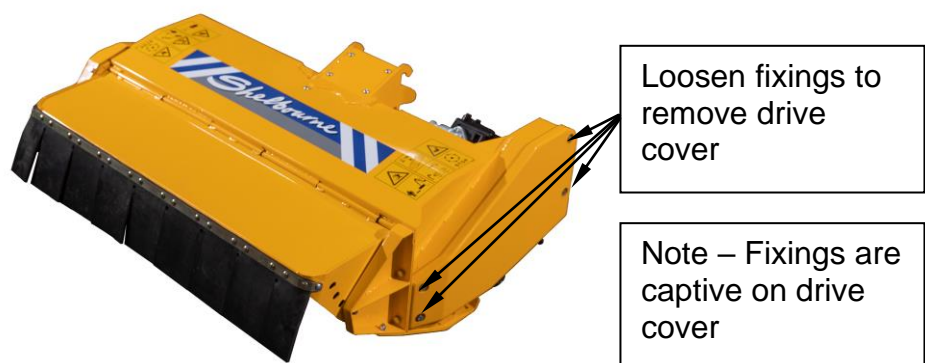
When required to carry out maintenance on the inside of the cutting head ensure to position the cutting head in contact with the ground while still being able to access the flail area. Always perform a ‘SAFE STOP’ procedure before leaving the tractor cab.



Cutting head in contact with the ground allowing access to the flail area

Ensure that there is nothing wrapped around the rotor or roller.

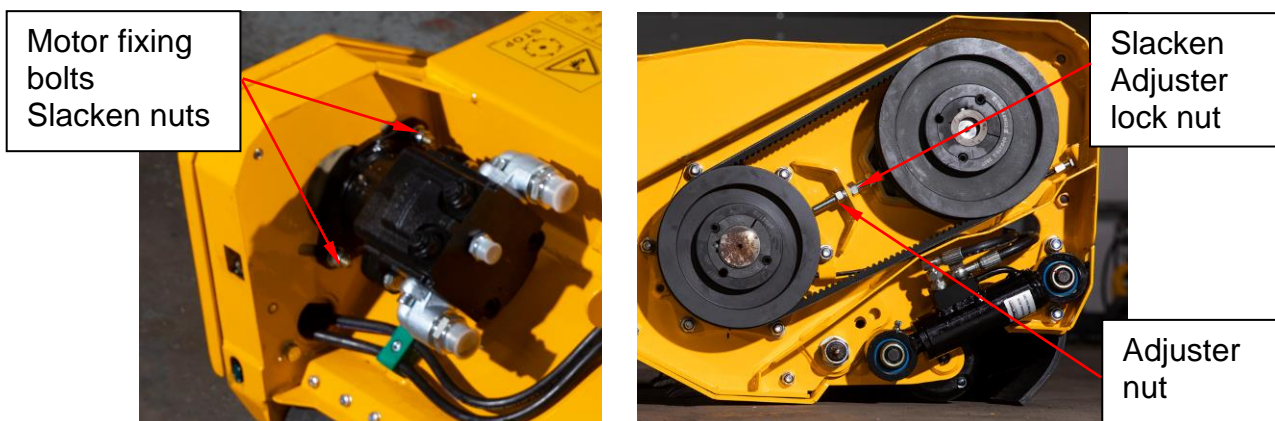
All 8000 cutting heads are belt driven, check the belt tension regularly. This requires the removal of the drive cover.



Apply a load (8kg) per belt until a deflection of approximately 7-8mm at the mid span is reached.



To adjust, slacken the nuts at the motor fixing bolts and the adjuster locknut, then turn the adjuster nut in the required direction. Then tighten lock nut and nuts for the motor fixing bolts. Finally replace the drive cover.



8.12 BUSHES AND PINS

Bushes protect all pivots that are subject to movements. In the unlikely event these are subjected to extreme wear they should be renewed promptly to reduce shocks, keep movements predictable and protect the underlying steel.

8.13 RECOMMENDED TORQUE SETTING FOR FASTENERS



Refer to section 2.10 for accident prevention when servicing / adjusting the machine

The table on the next page gives correct torque values for various size and grade of fasteners.

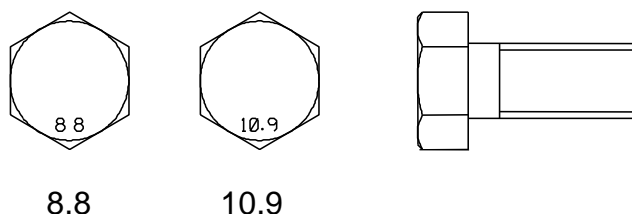
- Tighten all fasteners to the torques specified in the chart unless otherwise stated in this manual.
- Check tightness of fasteners periodically, using torque chart as a guide.
- Replace hardware with the same strength fastener.

- Torque figures are valid for non-greased or oiled threads and heads unless otherwise specified. Do not grease or oil fasteners unless specified in this manual. When using locking elements, increase torque values by 5%.

METRIC FASTENERS (COARSE / STANDARD THREAD)

THREAD DIAMETER.	WRENCH SIZE (mm)	BOLT TORQUE / GRADE*			
		8.8		10.9	
		lbf-ft	Nm	lbf-ft	Nm
M5	8	4	6	7	9
M6	10	7	10	11	15
M8	13	18	25	26	35
M10	17	37	50	52	70
M12	19	66	90	92	125
M14	22	103	140	148	200
M16	24	166	225	229	310
M20	30	321	435	450	610
M24	36	553	750	774	1050

* Torque categories for fasteners are identified by their head markings



Note: Cutting head flail uses M16 higher grade fine threaded bolt which requires a torque setting of 270 Nm (200 lb/ft).

8.14 STORAGE



Refer to section 2.12 for accident prevention when cleaning and storing the machine

Clean the machine thoroughly, making sure that high-pressure water does not contact bearings, seals, or electrical components. Avoid washing paintwork at very close range or with very high pressure.

Release the tension in the drive belts but replace the drive cover to keep the light out.

The machine should be stored undercover, to protect it from the effects of sun and rain. Make any necessary repairs and then apply grease to all grease points until fresh grease shows. Also, apply a layer of grease to all unprotected surfaces that are prone to corrosion, in particular any exposed hydraulic cylinder rods. (This grease should be carefully removed prior to the next use of the machine, as it will contain sufficient dirt to damage the cylinder seals.)

Disconnect and remove the electric joystick control unit and store indoors in a safe secure place.